

CA 82A



028668 ✓

CONDITIONS OF RELEASE

- 1 This information is released by the UK Government for Defence purposes only.
- 2 This information must be afforded the same degree of protection as that afforded to information of an equivalent security marking originated by the recipient Government or as required by the recipient Government's security regulations.
- 3 This information may be disclosed only within the Defence Department of the recipient Government, except as otherwise authorized by the Ministry of Defence (Army).
- 4 This information may be subject to privately owned rights.

**CARRIER PERSONNEL
FULL TRACKED,
FV432 MK 2 AND 2/1 (BOWMAN)
FV436 (BOWMAN) AND FV439**

ILLUSTRATED PARTS CATALOGUE

THIS DOCUMENT IS THE PROPERTY OF HER BRITANNIC MAJESTY'S GOVERNMENT, and is issued for the information of such persons only as need to know its contents in the course of their official duties. Any person finding this document should hand it in to a British forces unit or to a police station for its safe return to the MINISTRY OF DEFENCE, (DSy (Pol)), MAIN BUILDING, WHITEHALL, LONDON, SW1A 2HB, with particulars of how and where found. THE UNAUTHORIZED RETENTION OR DESTRUCTION OF THIS DOCUMENT MAY BE AN OFFENCE UNDER THE OFFICIAL SECRETS ACTS OF 1911-89. (When released to persons outside Government service, this document is issued on a personal basis and the recipient to whom it may be entrusted in confidence, within the provisions of the Official Secrets Acts 1911-89, is personally responsible for its safe custody and for seeing that its contents are disclosed only to authorized persons).

BY COMMAND OF THE DEFENCE COUNCIL

Kevin Tabor

Ministry of Defence
Issued by

DEFENCE LOGISTICS ORGANISATION

UNCLASSIFIED

UNCLASSIFIED

AMENDMENT RECORD

Amdt No.	Incorporated By (Signature)	Date
1	D BOWSER	071005
2	D BOWSER	161105
3	S ADAMS	091106
4		
5		
6		
7		
8		
9		
10		
11		
12		
13		
14		
15		
16		
17		
18		
19		
20		
21		
22		
23		
24		
25		
26		
27		
28		
29		
30		
31		

Amdt No.	Incorporated By (Signature)	Date
32		
33		
34		
35		
36		
37		
38		
39		
40		
41		
42		
43		
44		
45		
46		
47		
48		
49		
50		
51		
52		
53		
54		
55		
56		
57		
58		
59		
60		
61		
62		

RESTRICTED

127-12 **RESTRICTED**

CONTENTS

	Page
PRELIMINARY MATERIAL	
Title page (front cover).....	(i)/(ii)
Amendment record.....	(iii)/(iv)
CONTENTS (this page).....	(v)
PREFACE.....	(vi)
List of Abbreviations	(viii)
Additional Information	(ix)/(x)
Annex A FV436 Armoured Staff Vehicle (ASV).....	(xi)/(xii)
Annex B FV439 Secondary Access Switch/Message Centre (SAS/MC).....	(xiii)/(xiv)
Comments on AESP	Final leaf

ILLUSTRATED PARTS LIST

Chapter

- 1 Index of Main Assemblies, Drawing Numbers and Illustrations
- 2-0 Parts List
- 2-1 Hull general arrangement
- 2-2 Suspension general arrangement
- 2-3 Transmission general arrangement
- 2-4 Power unit, diesel, Mk 6F engine
- 2-5 Fuel system, general arrangement
- 2-6 Controls general arrangement
- 2-7 Electrics general arrangement
- 2-8 Ventilation system general arrangement
- 2-9 Exhaust general arrangement
- 2-10 Seats general arrangement
- 2-11 Stowage and equipment general arrangement
- 2-12 Fire fighting equipment general arrangement
- 2-13 External stowage bins general arrangement
- 2-14 Beacon rotating amber
- 2-15 SA80 Rifle stowage
- 2-16 Bowman platform general arrangement, FV432 Basic vehicle
- 2-17 Bowman platform general arrangement, FV432 Ambulance vehicle
- 2-18 Bowman platform general arrangement, FV432 Mortar vehicle
- 2-19 Bowman platform general arrangement, FV432 Command vehicle
- 3 Index of NATO stock numbers
- 4 Index of Part Numbers

Annex A FV436 Armoured Staff Vehicle (ASV)

Chapter

- 1 Index of Main Assemblies, Drawing Numbers and Illustrations
- 2-0 Parts List
- 2-1 Hull general arrangement
- 2-2 Suspension general arrangement (AESp 2350-T-251-711)
- 2-3 Transmission general arrangement (AESp 2350-T-251-711)
- 2-4 Power unit, diesel, Mk 6F engine (AESp 2350-T-251-711)
- 2-5 Fuel system, general arrangement (AESp 2350-T-251-711)
- 2-6 Controls general arrangement (AESp 2350-T-251-711)
- 2-7 Electrics general arrangement
- 2-8 Ventilation system general arrangement
- 2-9 Exhaust general arrangement
- 2-10 Seats general arrangement
- 2-11 Stowage and equipment general arrangement
- 2-12 Fire fighting equipment general arrangement (AESp 2350-T-251-711)

Annex A (contd)

- 2-13 External stowage bins general arrangement
- 2-14 Beacon rotating amber
- 2-15 SA80 Rifle stowage
- 2-16 Bowman platform general arrangement, FV436 (ASV)
- 3 Index of NATO stock numbers
- 4 Index of Part Numbers

Annex B FV439 Secondary Access Switch/Message Centre (SAS/MC)

Chapter

- 1 Index of Main Assemblies, Drawing Numbers and Illustrations
- 2-0 Parts List
- 2-1 Hull general arrangement
- 2-2 Suspension general arrangement (AESP 2350-T-251-711)
- 2-3 Transmission general arrangement
- 2-4 Power unit, diesel, Mk 6F engine (AESP 2350-T-251-711)
- 2-5 Fuel system, general arrangement (AESP 2350-T-251-711)
- 2-6 Controls general arrangement (AESP 2350-T-251-711)
- 2-7 Electrics general arrangement
- 2-8 Ventilation system general arrangement
- 2-9 Exhaust general arrangement
- 2-10 Seats general arrangement (AESP 2350-T-251-711)
- 2-11 Stowage and equipment general arrangement
- 2-12 Fire fighting equipment general arrangement (AESP 2350-T-251-711)
- 2-13 NBC installation
- 2-14 Beacon rotating amber
- 2-15 SA80 Rifle stowage
- 2-16 Fuel system, generators
- 3 Index of NATO stock numbers
- 4 Index of Part Numbers

PREFACE**Introduction**

1 This Illustrated Parts Catalogue (IPC) is designed as an aid to the identification of component parts or assemblies of parts of the equipment, and to provide the information necessary for the demanding of spares.

2 This IPC may list some or all of the parts comprising the equipment concerned, but only those parts given a NATO Stock Number, Service Catalogue or Reference Number will normally be available as spares. Should there be a requirement for an item not assigned a number, demands may be submitted quoting the AESP, Item Number, Figure Reference and Item Name. Where a manufacturer's reference is known, this should also be quoted.

Quantities

3 The figure in the 'Number Off' column specifies the quantity for the unit (or assembly, subassembly etc); it does not indicate the quantity to be demanded.

Demands

4 When demanding Spare Parts the following particulars must be quoted:-

- a. Management Code (Man Code).
- b. NATO Stock Number.
- c. Item Name.
- d. Name of Equipment for which the part is required.
- e. Manufacturers reference, if known.

Alternatives quoted apply only to the Equipment covered by this IPC.

PREFACE - Contd

Annotations

- 5 a. A/R When appearing in the 'Number off' column indicates that the quantity is 'as required'.
- b. NI (Not Illustrated) - against a number in the 'Fig Item' column indicates that the item is not illustrated.
- c. * (Obsolescent stock) - an asterisk in the 'Part Number' column indicates an obsolescent item, no further purchase of which will be made but stocks are to be used until exhausted.
- d. NP (Non-provisioned) - when appearing in the 'NATO Stock Number' column indicates that the item may be illustrated, but not available from stock as a replacement item.
- e. LM Indicates local manufacture, ie a part that is to be manufactured by Service units from local resources.
- f. REF In the 'Number Off' column indicates that the item is listed for reference purposes only.

Abbreviations

6 Abbreviations and symbols used in this IPC have been approved and are listed separately.

Amendments

7 Amendments to the catalogue will be published as and when necessary. They will be numbered consecutively, and the Amendment Record Sheet is to be completed for each Amendment List embodied.

8 New or amended matter will be indicated by vertical marginal lines (| |) to show the extent of the amendment.

Indentations

9 Items are listed in a logical assembly/disassembly order and are indented by the 'Dot System' in which each 'dot' depicts the relationship of the item to the main assembly:-

MAIN ASSEMBLY

Attaching parts for main assembly

. FIRST LEVEL OF BREAKDOWN (Subassembly or detail part of main assembly)

. Attaching parts for first level

. . SECOND LEVEL OF BREAKDOWN (Sub-subassembly or detail part of Subassembly)

. . Attaching parts for second level

. . . THIRD LEVEL OF BREAKDOWN (Sub-sub-subassembly or detail part of Sub-subassembly)

. . . Attaching parts for third level

- Note: a. Attaching parts for the Main Assembly are listed at the end of the text of the Main Assembly.
- b. Catalogue numbers quoted in this catalogue will supersede any number that may have been allotted previously.

Publication Information

10 Any communication regarding this AESP should be made in accordance with 0100-P-011-013 to LASS IPT, ES (Land) DLO Andover, Monxton Road, Andover, Hants, SP11 8HT

List of Abbreviations

The following abbreviations are in accordance with the requirements of JSP187.

Each abbreviation is listed individually but may appear in the text coupled with others:- eg. ft/min, ft/sec, o/a lg, o/a dim, hex hd.

A	ampere(s)	lg	long (length)
ac	alternating current	lh	left hand
A/F	across flats	LT	low tension
Al	aluminium	M	mega
A/R	as required	mA	milliampere(s)
AWG	American Wire Gauge	max	maximum
BA	British Association Screw Thread	mat	material
Be Cu	beryllium copper	Mc/s	megacycles per second
BL	breech loading	mH	millihenry(s)
br	brass	min	minimum
BSF	British Standard Fine Thread	Mk	Mark
BSW	British Standard Whitworth Thread	mm	millimetre(s)
Cd	cadmium	M ohm	megaohms
ch hd	cheese head	mtd	mounted
contd	continued	mtg	mounting
crs	corrosion resistant steel	mW	milliwatt(s)
csk	countersunk	ND	Not drawn
Cu	copper	neg	negative
c/w	complete with	nF	nanofarad(s)
dc	direct current	NI	non-illustrated
deg	degree	NI	nickel
dia	diameter	no	number
dim	dimension(s)	nom	nominal
dp	double-pole	NP	non-provided as a spare
dpdt	double-pole, double-throw	o/a	overall
dpst	double-pole, single-throw	od	outside diameter
ext	external	pF	picofarad(s)
fil	fillister	Phos B	phosphor bronze
fin	finish	psi	pounds per square inch
ft	foot	PTFE	polytetrafluoroethylene
h	high (height)	PVC	polyvinyl chloride
hd	head	qty	quantity
hex	hexagon	rd	round
HT	high tension	rect	rectangular
Hz	hertz	ref	reference
id	inside diameter	rh	right hand
in	inch	scr	screw
int	internal	skt	socket
IRH	International rubber hardness	spdt	single pole, double-throw
kg	kilogram(s)	spst	single pole, single-throw
k ohm	kilohm(s)	sq	square
kV	kilovolt(s)	srbf	synthetic resin bonded fabric
			std	standard
			SWG	standard wire gauge
			syn	synthetic

List of Abbreviations - Contd

thd	thread	V	volt(s)
thk	thick(ness)	w	width
tpi	threads per inch	W	watt(s)
uF	microfarad(s)	w/	with
uH	microhenry(s)	w/o	without
UN	Unified Series	Whit	Whitworth
UNC	Unified Coarse Thread	wkg	working
UNEF	Unified Extra Fine Thread	Zn	Zinc
UNF	Unified Fine Thread			
UNS	Unified Special Thread			

ADDITIONAL INFORMATION

11 This publication identifies the assemblies of the FV432 vehicle. The following Annexes identify the assemblies specific to each variant. Reference should be made to the FV432 data in this publication for all common items.

12 Annex A FV436 (ASV).

Annex B FV439 (SAS/MC)

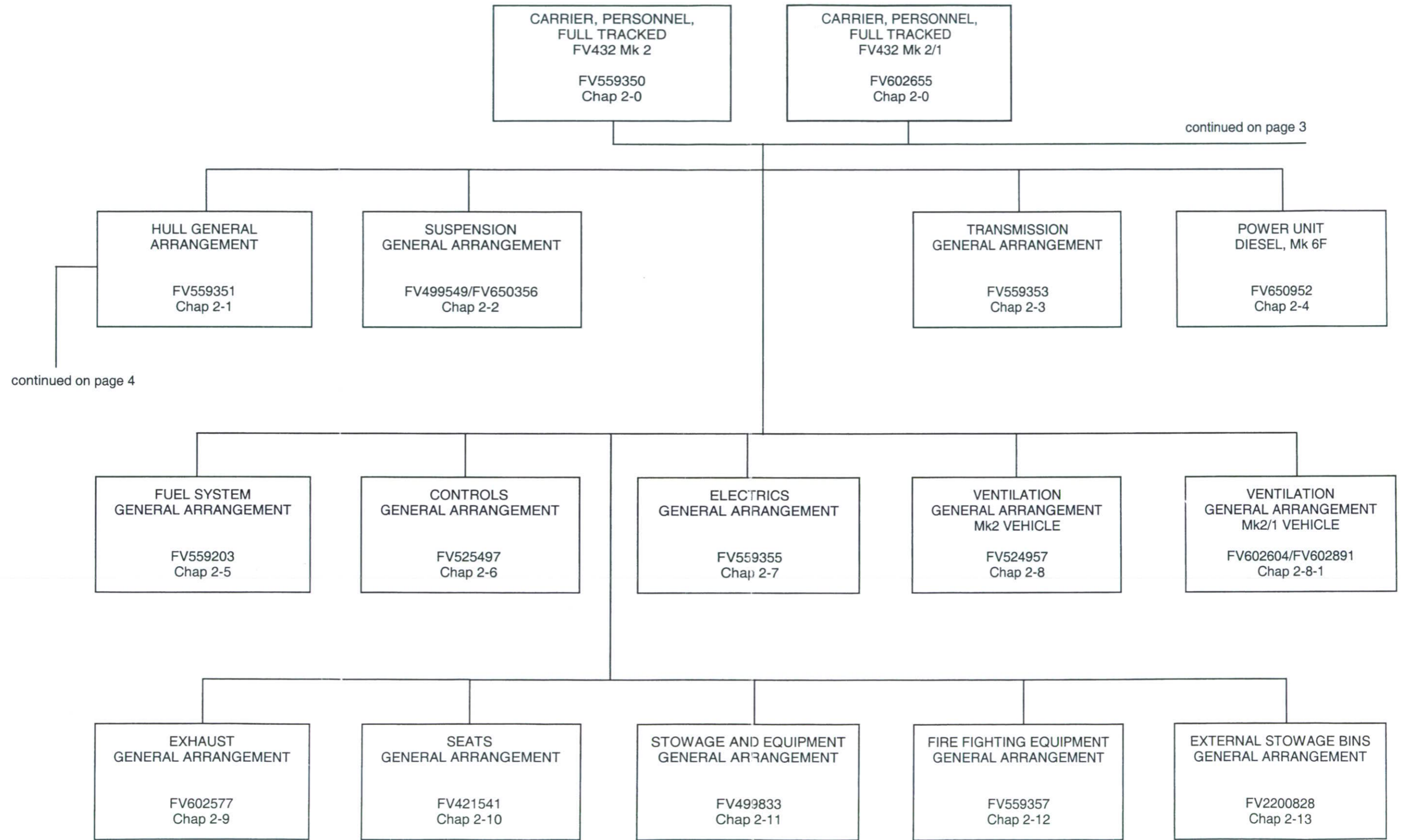
13 Associated Publications.

AESP 6920-D-100-101	Direct Fire Weapon Effect Simulator family (DFWES)
AESP 6920-D-101-201	Attack and Target Weapon Effects Simulator (ATWES/TAGWES)
AESP 6920-D-102-201	Target Weapon Effects Simulator (TAGWES)
AESP 6920-D-210-211	TAGWES on fighting vehicle FV432 and fighting vehicle FV434
AESP 5895-H-514-711	Secondary Access Switch/Message Centre, (TRKD), in AFV439
AESP 5895-H-515-711	Radio Relay (R/R) Installation in Carrier, Full TRKD FV439
AESP 5895-H-516-711	Carrier Personnel Full Tracked Terminal, Armoured Staff Vehicle FV436 Mk 2/2

SECRET

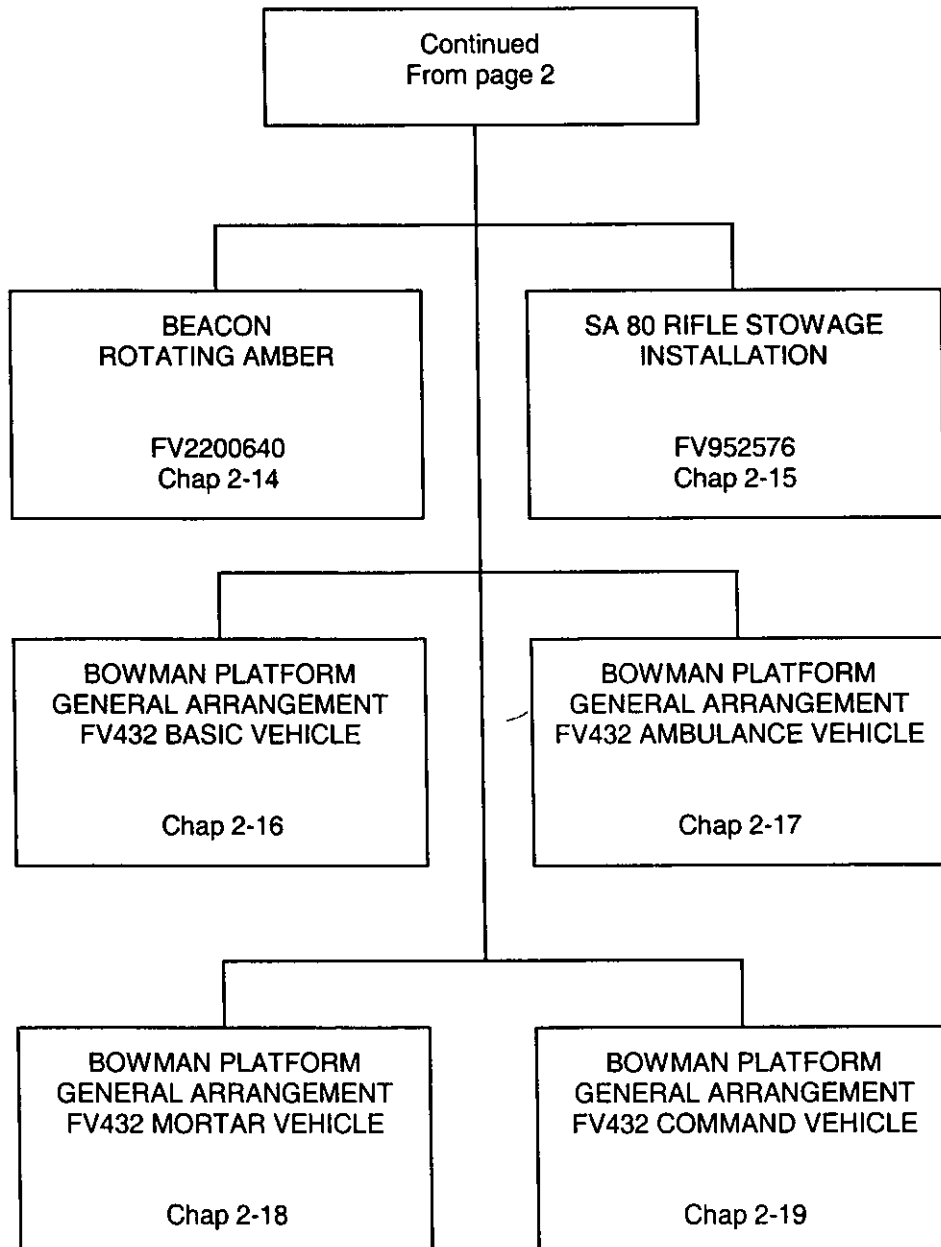
SECRET

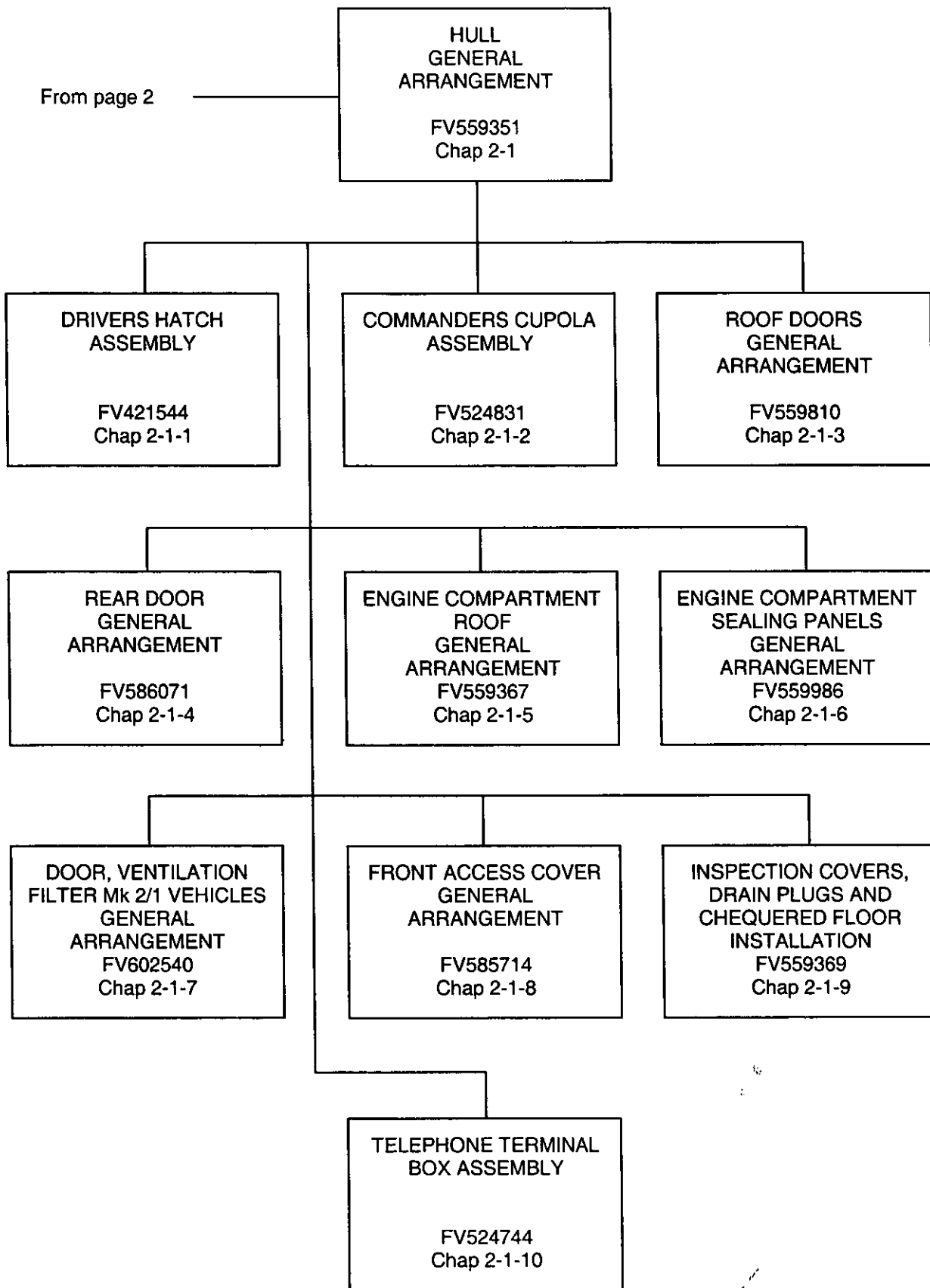
Chapter 1
INDEX OF MAIN ASSEMBLIES, DRAWING NUMBERS
AND ILLUSTRATIONS



continued on page 3

continued on page 4





INDEX OF MAIN ASSEMBLIES AND DRAWING NUMBERS
CARRIER, PERSONNEL, FULL TRACKED
FV432 Mk 2 AND FV432 Mk 2/1

<u>Item</u>	<u>Drawing</u>	<u>Chapter</u>	<u>Page</u>
BEACON, AMBER ROTATING	FV2200640	2-14	3
BOWMAN PLATFORM GENERAL ARRANGEMENT, FV432 AMBULANCE VEHICLE		2-17	3
BOWMAN PLATFORM GENERAL ARRANGEMENT, FV432 BASIC VEHICLE		2-16	3
BOWMAN PLATFORM GENERAL ARRANGEMENT, FV432 COMMAND VEHICLE		2-19	3
BOWMAN PLATFORM GENERAL ARRANGEMENT, FV432 MORTAR VEHICLE		2-18	3
COMMANDERS CUPOLA ASSEMBLY	FV524831	2-1-2	3
COMMANDERS SEAT GENERAL ARRANGEMENT	FV525358	2-10	15
CONTROLS GENERAL ARRANGEMENT	FV525497	2-6	3
DOOR, VENTILATION FILTER ASSEMBLY	FV602540	2-1-7	3
DRIVERS HATCH ASSEMBLY	FV421544	2-1-1	3
DRIVERS PERISCOPE ASSEMBLY	FV462401	2-1-1	5
DRIVERS SEAT GENERAL ARRANGEMENT	FV500186	2-10	3
ELECTRICAL EQUIPMENT GENERAL ARRANGEMENT	FV559355	2-7	3
ENGINE COMPARTMENT ROOF ASSEMBLY	FV559367	2-1-5	3
ENGINE COMPARTMENT SEALING PANELS ASSEMBLY	FV559986	2-1-6	3
EXHAUST GENERAL ARRANGEMENT	FV602577	2-9	3
EXTERNAL STOWAGE BINS GENERAL ARRANGEMENT	FV2200828	2-13	3
FIRE FIGHTING EQUIPMENT GENERAL ARRANGEMENT	FV559357	2-12	3
FRONT ACCESS COVER GENERAL ARRANGEMENT	FV585714	2-1-8	3
FUEL SYSTEM GENERAL ARRANGEMENT	FV559203	2-5	3
HULL GENERAL ARRANGEMENT	FV559351	2-1	3
INSPECTION COVERS, DRAIN PLUG AND CHEQUERED FLOOR	FV559369	2-1-9	3
INDEX OF NATO STOCK NUMBERS		3	3
INDEX OF PART NUMBERS		4	3
INSULATION LINING ASSEMBLY	FV559370	2-1	3
PERSONNEL SEATS GENERAL ARRANGEMENT	FV480316	2-10	19
POWER UNIT, DIESEL, Mk 6F	FV650952	2-4	3
REAR DOOR GENERAL ARRANGEMENT	FV586071	2-1-4	3
ROOF DOORS GENERAL ARRANGEMENT	FV559810	2-1-3	3
SA 80 RIFLE STOWAGE INTALLATION	FV952576	2-15	3
SCREEN WASH INSTALLATION		2-1-1	13
SEATS GENERAL ARRANGEMENT	FV421541	2-10	3
STOWAGE GENERAL ARRANGEMENT	FV499833	2-11	3
SUSPENSION GENERAL ARRANGEMENT	FV499549	2-2	3
TRANSMISSION GENERAL ARRANGEMENT	FV559353	2-3	3
VEHICLE HARNESSSES	FV603066	2-7-1	2
VENTILATION SYSTEM GENERAL ARRANGEMENT, Mk 2 VEHICLE	FV524957	2-8	3
VENTILATION SYSTEM GENERAL ARRANGEMENT, Mk 2/1 VEHICLE WITH 7in. DIA FAN	FV602604	2-8-1	3
VENTILATION SYSTEM GENERAL ARRANGEMENT, Mk 2/1 VEHICLE WITH 5.1in. FAN	FV602891	2-8-1	3

INDEX OF ILLUSTRATIONS,
CARRIER, PERSONNEL, FULL TRACKED
FV432 Mk 2 AND FV432 Mk 2/1

<u>Item</u>	<u>Chapter</u>	<u>Figure</u>
Carrier personnel full tracked FV432 Mk 2	2-0	1
Hull general arrangement	2-1	1
Drivers hatch assembly	2-1-1	1
Mounting periscope assembly	2-1-1	2
Motor, periscope wiper	2-1-1	3
Periscope, armoured vehicle, No. 33 Mk 1	2-1-1	4
Screen wash installation	2-1-1	5
Commanders cupola assembly	2-1-2	1
Periscope armoured vehicle, No. 32 Mk 1	2-1-2	2
Mounting, 7.62mm machine gun, No. 3 Mk 1	2-1-2	3
Roof doors general arrangement	2-1-3	1
Rear doors general arrangement	2-1-4	1
Engine compartment roof general arrangement	2-1-5	1
Engine compartment sealing panels general arrangement	2-1-6	1
Door, ventilation filter general arrangement	2-1-7	1
Front access cover general arrangement	2-1-8	1
Floor plate covers and plugs	2-1-9	1
Filler cap and pyrene pocket flaps	2-1-9	2
Floor channel inspection plates	2-1-9	3
Chequered floor plates assembly	2-1-9	4
Fuel tank and floor cover plates	2-1-9	5
Floor plugs assembly	2-1-9	6
Bulkhead blanking panels installation	2-1-9	7
Telephone terminal box assembly	2-1-10	1
Track assembly	2-2	1
Torsion bar, axle arms, wheel hubs, road wheels and bump stop	2-2	2
Linear damper, hydraulic	2-2	3
Hydraulic track adjuster and track tensioner wheel hub	2-2	4
Track top rollers	2-2	5
Final drive assembly	2-3	1
Half shaft general arrangement	2-3	2
Steering unit installation	2-3	3
Differential steering control	2-3	4
Brake mechanism	2-3	5
Steering unit mounting	2-3	6
Steering unit oil tank, pipes and fittings	2-3	7
Power unit diesel, general arrangement	2-4	1
Engine mounting and support frame	2-4	2
Crankcase assembly upper	2-4	3
Crankcase and cylinders	2-4	4 & 5
Wheel case and fittings	2-4	6
Engine front covers	2-4	7
Crankcase top cover	2-4	8
Crankcase bottom cover	2-4	9
Connecting rods and pistons	2-4	10
Crankshaft	2-4	11
Rear gear train	2-4	12
Oil pumps	2-4	13
Alternator drive and mounting	2-4	14
Generator alternating current	2-4	15
Hydraulic pump drive	2-4	16
Hydraulic pump	2-4	17
Tachometer and drive	2-4	18

INDEX OF ILLUSTRATIONS,
CARRIER, PERSONNEL, FULL TRACKED
FV432 Mk 2 AND FV432 Mk 2/1

<u>Item</u>	<u>Chapter</u>	<u>Figure</u>
Fuel pump drive	2-4	19
Fuel pump drive coupling	2-4	20
Fuel pump mounting and thermostat	2-4	21
Pump, fuel, metering and distributing	2-4	22
Injector pump governor	2-4	23
Excess fuel and stopping device	2-4	24
Fuel injector	2-4	25
Coolant pump and scavenge blower drive	2-4	26
Induction blower and mounting	2-4	27
Coolant pump	2-4	28
Oil filters	2-4	29
Oil pipes and pressure switch	2-4	30
Oil and fuel injection pipes	2-4	31
Exhaust manifold and heat shields	2-4	32
Starter motor	2-4	33
Interconnecting box	2-4	34
Conduits and cables	2-4	35
Engine coupling and flywheel	2-4	36
Transfer gearbox	2-4	37
Housing, transmission	2-4	38
Intermediate range clutch and planet gears	2-4	39
Low and reverse clutches and output shaft	2-4	40
Rear oil pump and bearing retainer	2-4	41
Splitter and high range clutch	2-4	42
Converter housing, hydraulic retarder and front oil pump	2-4	43
Lockup clutch and torque converter	2-4	44
Oil transfer plate and downshift valve body	2-4	45
Control valve	2-4	46
Valve brake control	2-4	47
Actuator valve, throttle	2-4	48
Oil filler, gearbox	2-4	49
Oil tank installation	2-4	50
Oil pipes, heat exchanger pipes and fittings	2-4	51
Heat exchanger and brackets	2-4	52
Radiator, pipes and fittings	2-4	53
Radiator, engine coolant	2-4	54
Hydraulic fan drive assembly	2-4	55
Tank, oil, hydraulic system	2-4	56
Thermostat, flow control	2-4	57
Cooling fan and drive assembly	2-4	58
Motor, hydraulic	2-4	59
Air filters and covers	2-4	60
Fuel pipes and fittings	2-4	61
Filter, fluid, pressure	2-4	62
Exhaust pipe assembly	2-4	63
Power pack electrical equipment	2-4	64
Rectifier unit	2-4	65 & 66
Wiring harnesses	2-4	67

INDEX OF ILLUSTRATIONS,
CARRIER, PERSONNEL, FULL TRACKED
FV432 Mk 2 AND FV432 Mk 2/1

<u>Item</u>	<u>Chapter</u>	<u>Figure</u>
Fuel system general arrangement	2-5	1
Main fuel tanks and fittings	2-5	2
Transmitter, liquid quantity	2-5	3
Fuel vent assembly	2-5	4
Collector tank and fittings	2-5	5
Pump pressurizing, fuel system	2-5	6
Fuel pipes and fittings	2-5	7
Accelerator and fuel stop control	2-6	1
Steering and brake controls general arrangement	2-6	2
Gear range selector general arrangement	2-6	3
Electrical equipment general arrangement	2-7	1
Electrical equipment front external general arrangement	2-7	2
Discharger, grenade, smoke, countermeasure	2-7	3
Headlight	2-7	4 & 5
Sidelight	2-7	6
Turn light	2-7	7
Terminal box	2-7	8
Electrical equipment rear external general arrangement	2-7	9
Registration plate	2-7	10
Convoy light	2-7	11
Tail light - stop light	2-7	12
Electrical equipment rear internal	2-7	13
Vehicle batteries installation	2-7	14
Radio batteries installation	2-7	15
Ventilation batteries installation	2-7	16
Dome light	2-7	17
Motor, direct current	2-7	18 & 20
Control box, fan	2-7	19
Controller, fan, No. 2 Mk 1	2-7	21
Indicator, fire detector system	2-7	22
Distribution box, radio	2-7	23
Junction box, auxiliary	2-7	24
Junction box, smoke discharger	2-7	25
Distribution box	2-7	26 & 32
Deleted	2-7	27
Control box, firewire	2-7	28
Fire warning light	2-7	29
Sight wiper switch	2-7	30
Drivers instrument panel	2-7	31
Control panel alternator	2-7	33
Drivers control panel	2-7	34
Electrical fittings, No. 1 connector junction	2-7	35
Switch, beam selecting headlight	2-7	36
Spotlight	2-7	37
Ventilation system general arrangement, Mk 2 vehicle	2-8	1
Valve, relief, pressure and temperature	2-8	2
Air filter housing	2-8	3
Fan, centrifugal, No. 1 Mk 1	2-8	4
Water trap and relief valve	2-8	5

INDEX OF ILLUSTRATIONS,
CARRIER, PERSONNEL, FULL TRACKED
FV432 Mk 2 AND FV432 Mk 2/1

<u>Item</u>	<u>Chapter</u>	<u>Figure</u>
Ventilation system general arrangement Mk 2/1 vehicles	2-8-1	1
Housing filter, No. 6 Mk 1	2-8-1	2
Fan, centrifugal, 7in. dia	2-8-1	3
Exhaust system general arrangement	2-9	1
Drivers seat general arrangement	2-10	1
Commanders seat general arrangement	2-10	2
Personnel seats general arrangement	2-10	3
External stowage general arrangement	2-11	1
Rear view mirrors	2-11	2
External fire extinguisher general arrangement	2-11	3
Stowage, internal general arrangement	2-11	4
Fire fighting equipment, hull and power pack	2-12	1
Power pack and steering unit fire wire assemblies	2-12	2
External stowage bins	2-13	1
Bin, side, assembly	2-13	2
Bin, roof, rear, stowage assembly	2-13	3
Beacon, rotating, amber general arrangement	2-14	1
Wiring harness	2-14	2
SA 80 rifle stowage installation	2-15	1
Bowman platform, general arrangement, FV432 Basic	2-16	1, 2
AKEE installation, LH side	2-16	3
Battery power distribution tee box assembly	2-16	4
AKEE installation, cross and rear bulkheads	2-16	5
AKEE installation, drivers station	2-16	6
AKEE installation, commanders table	2-16	7
Keyboard stowage frame assembly	2-16	8
Cable tray assembly installation	2-16	9
Bowman platform, general arrangement, FV432 Ambulance	2-17	1
AKEE installation LH side	2-17	2
Bowman platform, general arrangement, FV432 Mortar	2-18	1
RH sponson AKEE installation	2-18	2
Bowman platform general arrangement, internal, FV432F (Command)	2-19	1
Bowman platform general arrangement, external FV432F (Command)	2-19	2
Bulkhead UCD and stepped filter bracket assemblies	2-19	3
Mapboard assembly	2-19	4
LH sliding table assembly	2-19	5
AKEE installation LH side	2-19	6
RH sliding table assembly	2-19	7
Control keyer and VLS bracket assemblies	2-19	8
Battery power distribution tee box assembly	2-19	9
Bandpass filters and BAIU mounting brackets	2-19	10
Keyboard stowage and DCCU/stillage tray bracket	2-19	11
HFGPA and AAC mounting plate assemblies	2-19	12
Bulkhead table installation	2-19	13
AKEE installation, commanders table	2-19	14
Cable tray assembly installation	2-19	15
Roof cable tray and light brackets	2-19	16
Cable reel mount assembly	2-19	17
Batten box, interface plate, cable trunking and brush guard assembly	2-19	18

~~UNRESTRICTED~~

~~UNRESTRICTED~~

Chapter 2-0

PARTS LIST

CARRIER PERSONNEL FULL TRACKED

FV432 Mk 2 AND Mk 2/1

Chap

- 2-0 Parts list
- 2-1 Hull general arrangement
- 2-2 Suspension general arrangement
- 2-3 Transmission general arrangement
- 2-4 Power unit, diesel, Mk 6F engine
- 2-5 Fuel system, general arrangement
- 2-6 Controls general arrangement
- 2-7 Electrics general arrangement
- 2-8 Ventilation system general arrangement
- 2-9 Exhaust general arrangement
- 2-10 Seats general arrangement
- 2-11 Stowage and equipment general arrangement
- 2-12 Fire fighting equipment general arrangement
- 2-13 External stowage bins general arrangement
- 2-14 Beacon rotating amber
- 2-15 SA80 Rifle stowage
- 2-16 Bowman platform general arrangement, FV432 basic vehicle
- 2-17 Bowman platform general arrangement, FV432 ambulance vehicle
- 2-18 Bowman platform general arrangement, FV432 mortar vehicle
- 2-19 Bowman platform general arrangement, FV432 command vehicle

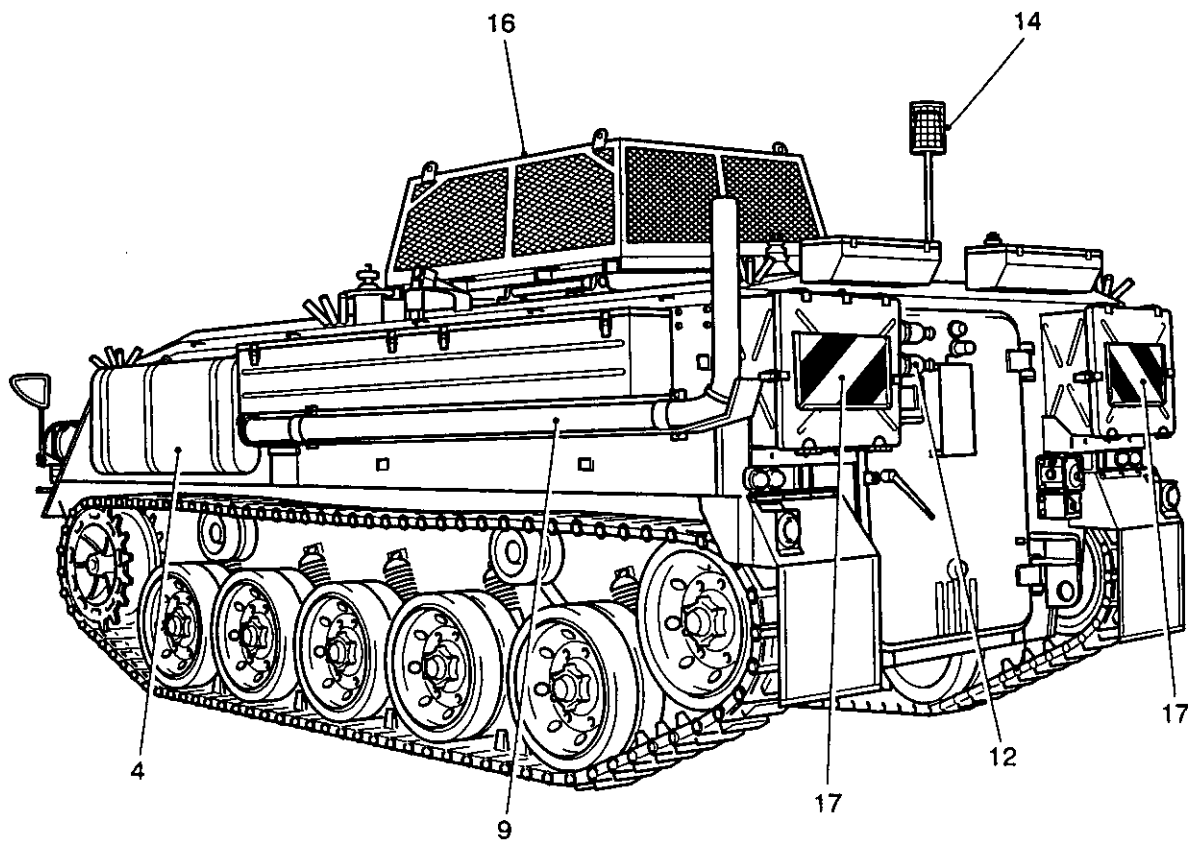
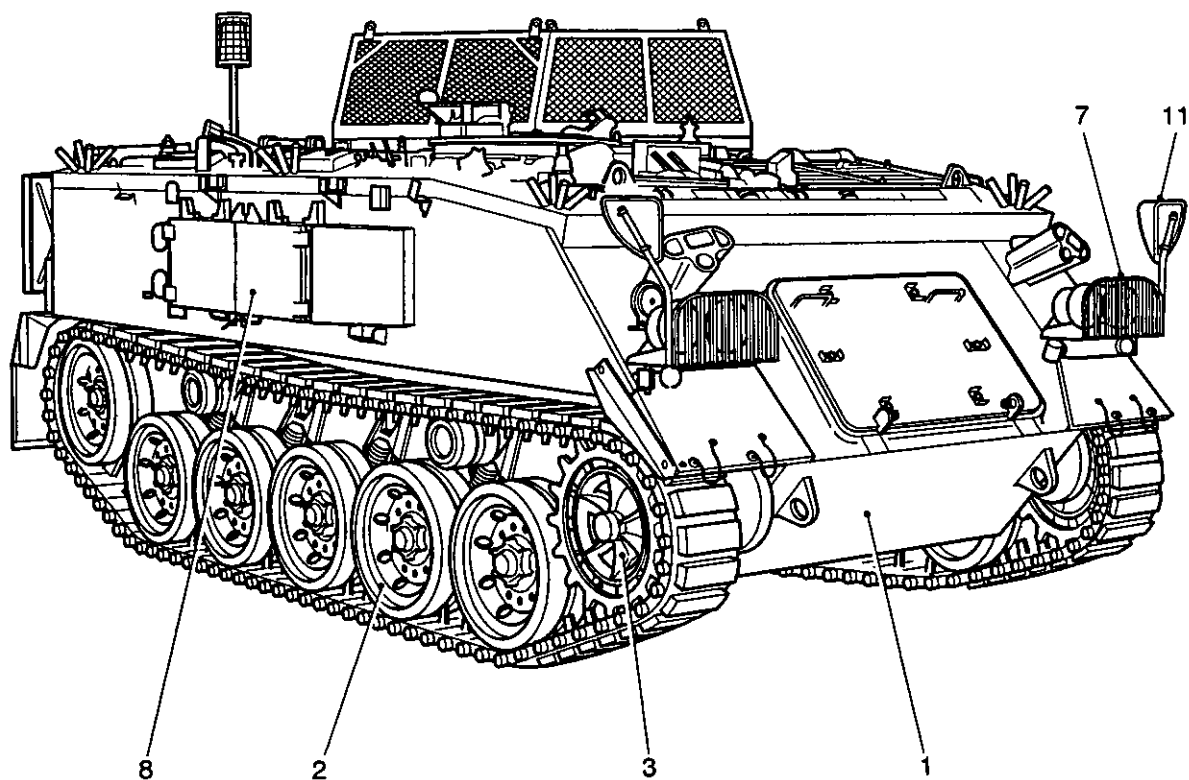


Fig 1 Carrier, personnel full tracked, FV432 Mk 2

430/70165

Fig Item	Man Code Navy - N Army - A RAF - R	NATO Stock No	Item Name and Description	Part No/ Drawing No.	No. Off	Annotations	
1-	A	EQPT	2350-99-201-5576	CARRIER, PERSONNEL, FULL TRACKED, FV432 Mk 2	FV559350	REF	
	A	EQPT	2350-99-807-0644	CARRIER, PERSONNEL, FULL TRACKED, FV432 Mk 2/1	FV602655	REF	
1		NP	. HULL GENERAL ARRANGEMENT	FV559351	REF	See Chap 2-1	
2		NP	. SUSPENSION GENERAL ARRANGEMENT	FV499549	REF	See Chap 2-2	
2(1)		NP	. SUSPENSION GENERAL ARRANGEMENT	FV650356	REF	See Chap 2-2	
3		NP	. TRANSMISSION GENERAL ARRANGEMENT	FV559353	REF	See Chap 2-3	
4	A	9ACR	2815-99-808-1274	. POWER UNIT, DIESEL, 6 cylinder Mk 6F ENGINE	FV650952	1	See Chap 2-4
NI 5		NP	. FUEL SYSTEM GENERAL ARRANGEMENT	FV559203	REF	See Chap 2-5	
NI 6		NP	. CONTROLS GENERAL ARRANGEMENT	FV525497	REF	See Chap 2-6	
7		NP	. ELECTRICS GENERAL ARRANGEMENT	FV559355	REF	See Chap 2-7	
8		NP	. VENTILATION SYSTEM, GENERAL ARRANGEMENT, Mk 2 VEHICLE	FV524957	REF	See Chap 2-8	
8(1)		NP	. VENTILATION SYSTEM, GENERAL ARRANGEMENT, 7in. dia FAN, Mk 2/1 VEHICLE	FV602604	REF	See Chap 2-8-1	
8(2)		NP	. VENTILATION SYSTEM, GENERAL ARRANGEMENT, 5.1in. dia FAN, Mk 2/1 VEHICLE	FV602891	REF	See Chap 2-8-1	
9		NP	. EXHAUST GENERAL ARRANGEMENT	FV602577	REF	See Chap 2-9	
NI 10		NP	. SEATS GENERAL ARRANGEMENT	FV421541	REF	See Chap 2-10	
11		NP	. STOWAGE AND EQUIPMENT GENERAL ARRANGEMENT	FV499833	REF	See Chap 2-11	
12		NP	. FIRE FIGHTING EQUIPMENT GENERAL ARRANGEMENT	FV559357	REF	See Chap 2-12	
NI 13			DELETED				
14	A	9ACR	2540-99-301-7175	. MODIFICATION KIT, VEHICULAR EQUIPMENT COMPONENTS, BEACON ROTATING AMBER	FV2200640	1	See Chap 2-14
NI 15		NP	. SA 80 RIFLE STOWAGE	FV952576	REF	See Chap 2-15	
16		NP	. EXTERNAL STOWAGE BINS GENERAL ARRANGEMENT	FV2200828	REF	See Chap 2-13	
17	A	6MT1	9905-99-837-2954	. SIGN, LH and RH rear marker boards	BSAU152	SET	See Chap 2-11
NI 18	A	9ACR	2540-99-842-0395	. INSTALLATION KIT, VEHICLE HEATER, comprising 77 items	432PDS14108	1	
NI 19		NP	. BOWMAN PLATFORM GENERAL ARRANGEMENT, FV432 BASIC VEHICLE		REF	See Chap 2-16	
NI 20		NP	. BOWMAN PLATFORM GENERAL ARRANGEMENT, FV432 AMBULANCE VEHICLE		REF	See Chap 2-17	
NI 21		NP	. BOWMAN PLATFORM GENERAL ARRANGEMENT, FV432 MORTAR VEHICLE		REF	See Chap 2-18	
NI 22		NP	. BOWMAN PLATFORM GENERAL ARRANGEMENT, FV432 COMMAND VEHICLE		REF	See Chap 2-19	

~~RESTRICTED~~

~~RESTRICTED~~

Chapter 2-1

PARTS LIST

HULL GENERAL ARRANGEMENT

Chap

- 2-1 Hull general arrangement
- 2-1-1 Drivers hatch assembly
- 2-1-2 Commanders cupola assembly
- 2-1-3 Roof doors general arrangement
- 2-1-4 Rear door general arrangement
- 2-1-5 Engine compartment roof assembly
- 2-1-6 Engine compartment sealing panels assembly
- 2-1-7 Door, ventilation filter assembly
- 2-1-8 Front access cover general arrangement
- 2-1-9 Inspection covers, drain plugs and chequered floor
- 2-1-10 Terminal box, telephone

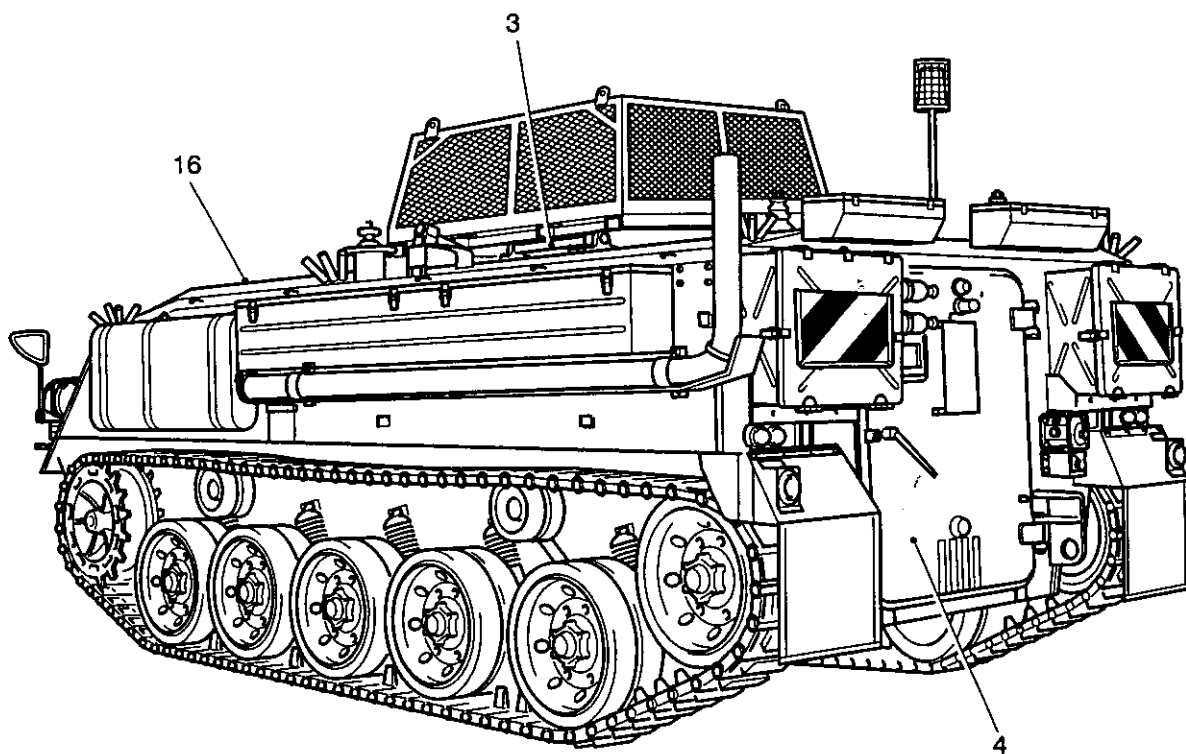
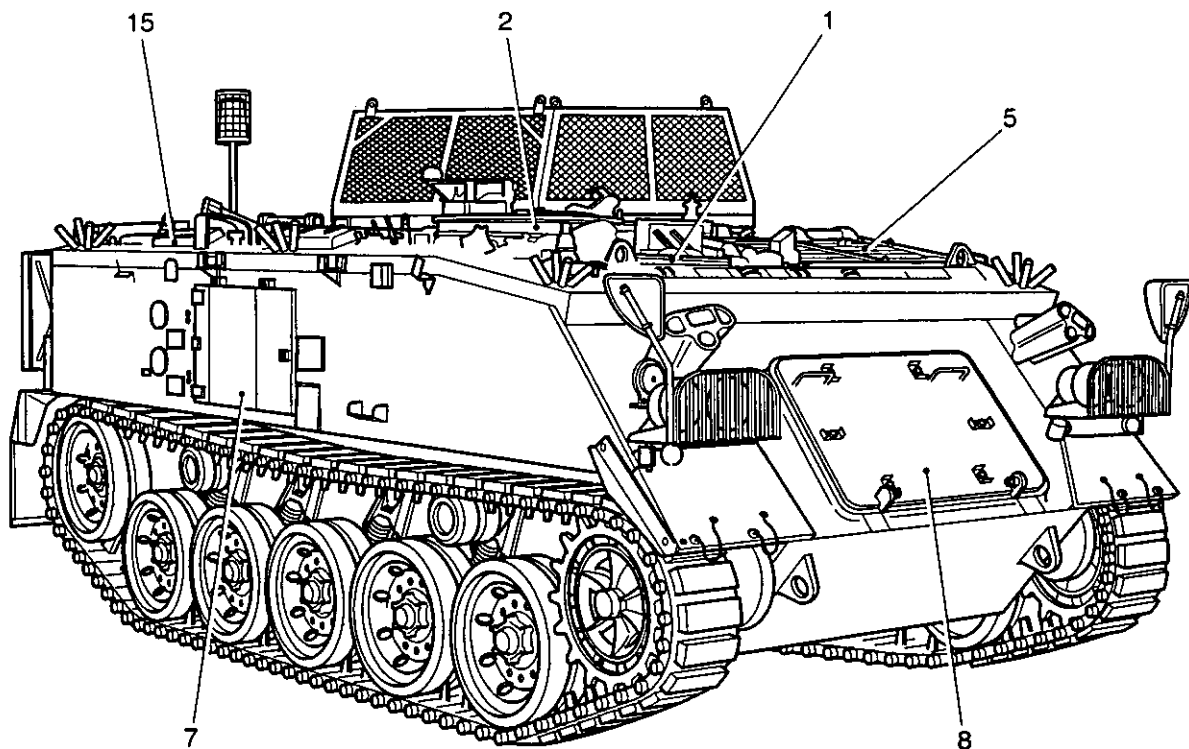


Fig 1 Hull general arrangement

430/70166

Fig Item	Man Code Navy - N Army - A RAF - R	NATO Stock No	Item Name and Description	Part No/ Drawing No.	No. Off	Annotations
1-		NP	HULL GENERAL ARRANGEMENT	FV559351	REF	
1		NP	. DRIVERS HATCH ASSEMBLY	FV421544	REF	See Chap 2-1-1
2		NP	. COMMANDERS CUPOLA ASSEMBLY	FV524831	REF	See Chap 2-1-2
3		NP	. ROOF DOORS GENERAL ARRANGEMENT	FV559810	REF	See Chap 2-1-3
4		NP	. REAR DOOR GENERAL ARRANGEMENT	FV586071	REF	See Chap 2-1-4
5		NP	. ENGINE COMPARTMENT ROOF ASSEMBLY	FV559367	REF	See Chap 2-1-5
NI 6		NP	. ENGINE COMPARTMENT SEALING PANELS ASSEMBLY	FV559986	REF	See Chap 2-1-6
7		NP	. DOOR, VENTILATION FILTER ASSEMBLY, Mk 2/1 only	FV602540	REF	See Chap 2-1-7
8		NP	. FRONT ACCESS COVER GENERAL ARRANGEMENT	FV585714	REF	See Chap 2-1-8
NI 9		NP	. INSPECTION COVERS, DRAIN PLUGS AND CHEQUERED FLOOR	FV559369	REF	See Chap 2-1-9
NI 10		NP	. INSULATION LINING ASSEMBLY	FV559370	REF	LM from items 11,12,13
NI 11	A 9AHY	9330-99-225-4337	. . INSULATION MATERIAL, light tan chloroprene coated, glass fabric, fire resistant, bulk supply, 1220mm w	FV2086381	A/R	
NI 12	A 9AHY	9330-99-225-4336	. . INSULATION MATERIAL, low fire hazard polyurethane barrier foam, bulk supply, 25mm thk, u/w 9AHY/9330-99-225-4337	FV2031419	A/R	
NI 13	A 9AHY	9330-99-383-4140	. . INSULATION MATERIAL, low fire hazard polyurethane foam, 12mm thk, bulk supply, u/w 9AHY/9330-99-225-4337	VITAFOAM VFR/2/140/12MM	A/R	
NI 14		NP	. FRONT ACCESS COVER HINGE AND HULL HINGE REPLACEMENT	FV2200708	REF	
15	A 9ACR	5940-99-801-2756	. TERMINAL BOX, steel, w/cover, telephone	FV524744	1	See Chap 2-1-10
16		NP	. HULL WELDED ASSEMBLY	FV559358	REF	Mk 2 only
16(1)		NP	. HULL WELDED ASSEMBLY	FV602505	REF	Mk 2/1 only

RESTRICTED

4. **RESTRICTED**

Chapter 2-1-1
PARTS LIST
DRIVERS HATCH ASSEMBLY

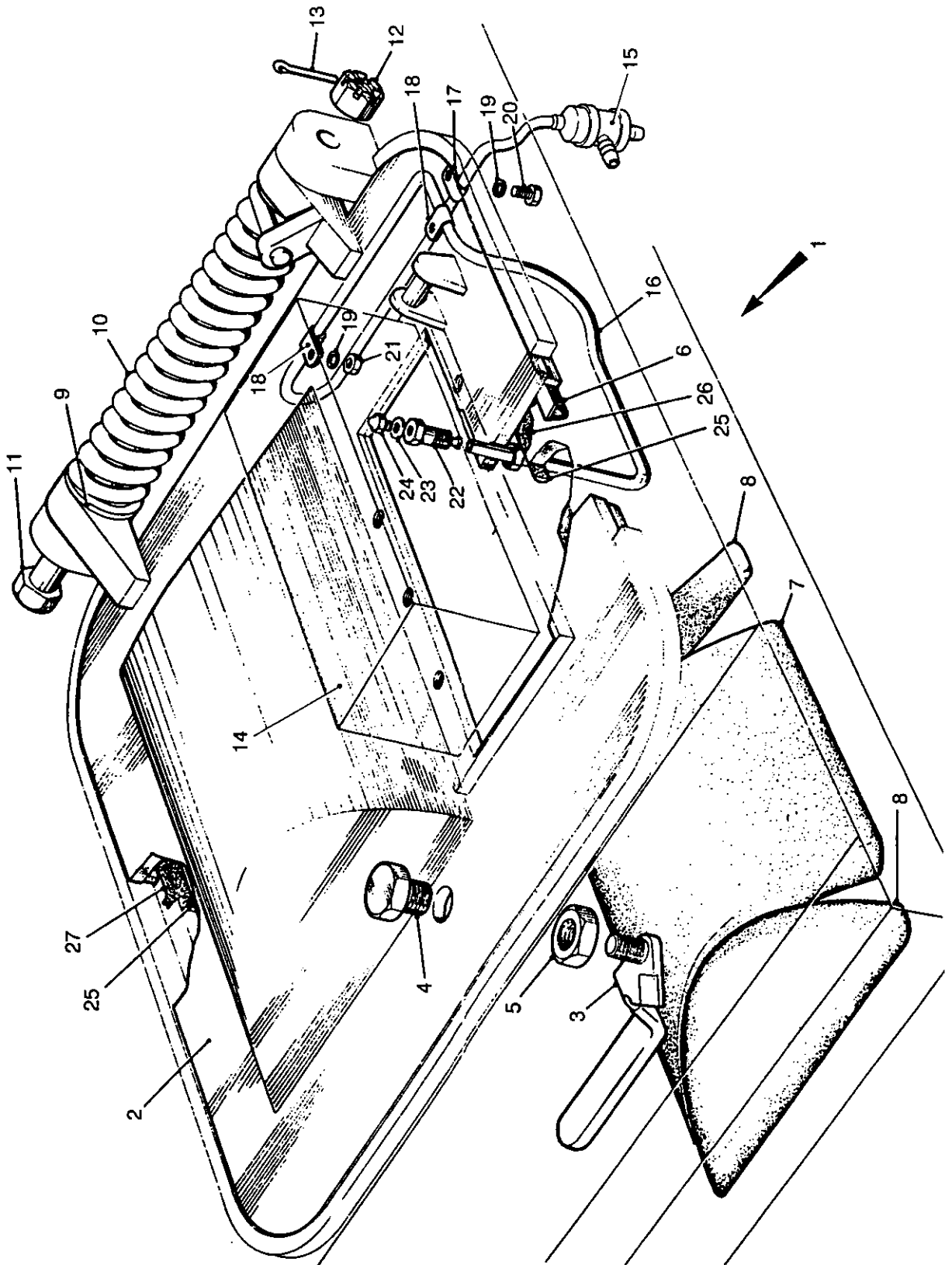


Fig 1 Drivers hatch assembly

430/70081

Fig Item	Man Code Navy - N Army - A RAF - R	NATO Stock No	Item Name and Description	Part No/ Drawing No.	No. Off	Annotations
1-			HULL GA - contd			
1		NP	. DRIVERS HATCH ASSEMBLY	FV421544	REF	
2	A 9ACR	2510-99-865-6509	. . DOOR, HATCH VEHICULAR, drivers	FV421733	1	
3	A 9ACR	2510-99-867-4207	. . HANDLE, HATCH DOOR, vehicular	FV559947	1	
4	A 9ACR	5306-99-865-6554	. . BOLT, INTERNALLY RELIEVED BODY, br. rh handle	FV524664	1	
5	A G1	5310-99-941-0908	. . NUT, PLAIN, HEXAGON, UNF, P steel, zinc coated, 5/8in.	59-004020	1	
6	A 9ACR	9390-99-805-8387	. . NON-METALLIC SPECIAL SHAPED SECTION, linatex sponge, 0.8in. wd, 0.7in. h, 5m lg bulk supply	FV421602	1	Cut to 83in. lg
7	A 9ACR	2590-99-865-6525	. . PAD CUSHIONING, drivers hatch door	FV485178	1	
8	A 9ACR	2510-99-760-1530	. . PAD CUSHIONING, drivers hatch door	FV485179	2	
9	A 9ACR	3120-99-865-6514	. . BUSHING SLEEVE, 1.10in. lg, 1.1250in. od, 0.78125in. id, phosphated	FV421823	2	
10	A 9ACR	5360-99-867-0417	. . SPRING, HELICAL, TORSION	FV559858	1	
11	A 9ACR	5306-99-865-6513	. . BOLT, MACHINE UNF, steel, hex hd, phos, 3/4in. x 17in. lg	FV421822	1	
12	A G1	5310-99-941-1281	. . NUT, SLOTTED, HEXAGON, UNF, P steel, Cd P, 3/4in.		1	
13	A G1	5315-99-944-0190	. . PIN, COTTER, SPLIT, steel, phos, 3.6mm dia, 71mm lg	5040391	1	
14		NP	. . DRIVERS PERISCOPE ASSEMBLY	FV462401	REF	See Fig 2
15	A 46MT3	2540-99-823-8828	. . VALVE, WINDSCREEN WASHER, multi-way valve	FV794436	1	See Fig 5
16	A 6MT6	4710-99-808-5350	. . TUBING PLASTICS, PVC, colourless, 0.25in. od, 0.047in. wall thk, non-rigid	350B1857	A/R	
17	A 6MT4	5340-99-805-0923	. . CLAMP, LOOP, steel, Cd P, 5/8in. loop w, 3/8in. loop id, rd type hole, 0.218in. dia	187052	3	
18		NP	. . CLAMP, LOOP	FV499686	2	} Securing items 17 and 18
19	A Z2	5310-99-941-6653	. . WASHER, LOCK, steel, single coil, sq sect, Cd P, 3/16in.		5	
20		NP	. . SCREW, MACHINE, BA, steel, hex hd, zinc coated, no. 2 x 1/2in. lg	P1521	1	
21	A Z2	5310-99-941-7070	. . NUT, PLAIN, HEXAGON, BA, steel; no. 2	AS31281	4	
22	A 9ACR	2540-99-865-6549	. . HOUSING, windscreen washer jet	FV499682	1	
23	A 9ACR	5310-99-867-2725	. . WASHER, FLAT, copper, 17/64in. id x 9/16in. od x 0.056in. thk	FV499683	1	
24	A 9ACR	2540-99-865-6550	. . NOZZLE, WINDSHIELD, WASHER ASSEMBLY	FV499684	1	
25		NP	. . STRIP, RUBBER	FV586203	2	
26	A 9ACR	2540-99-795-9734	. . STRIP BINDING, drives hatch	FV586202	1	
27	A 9ACR	2540-99-794-5109	. . STRIP BINDING, drivers hatch	FV586222	1	

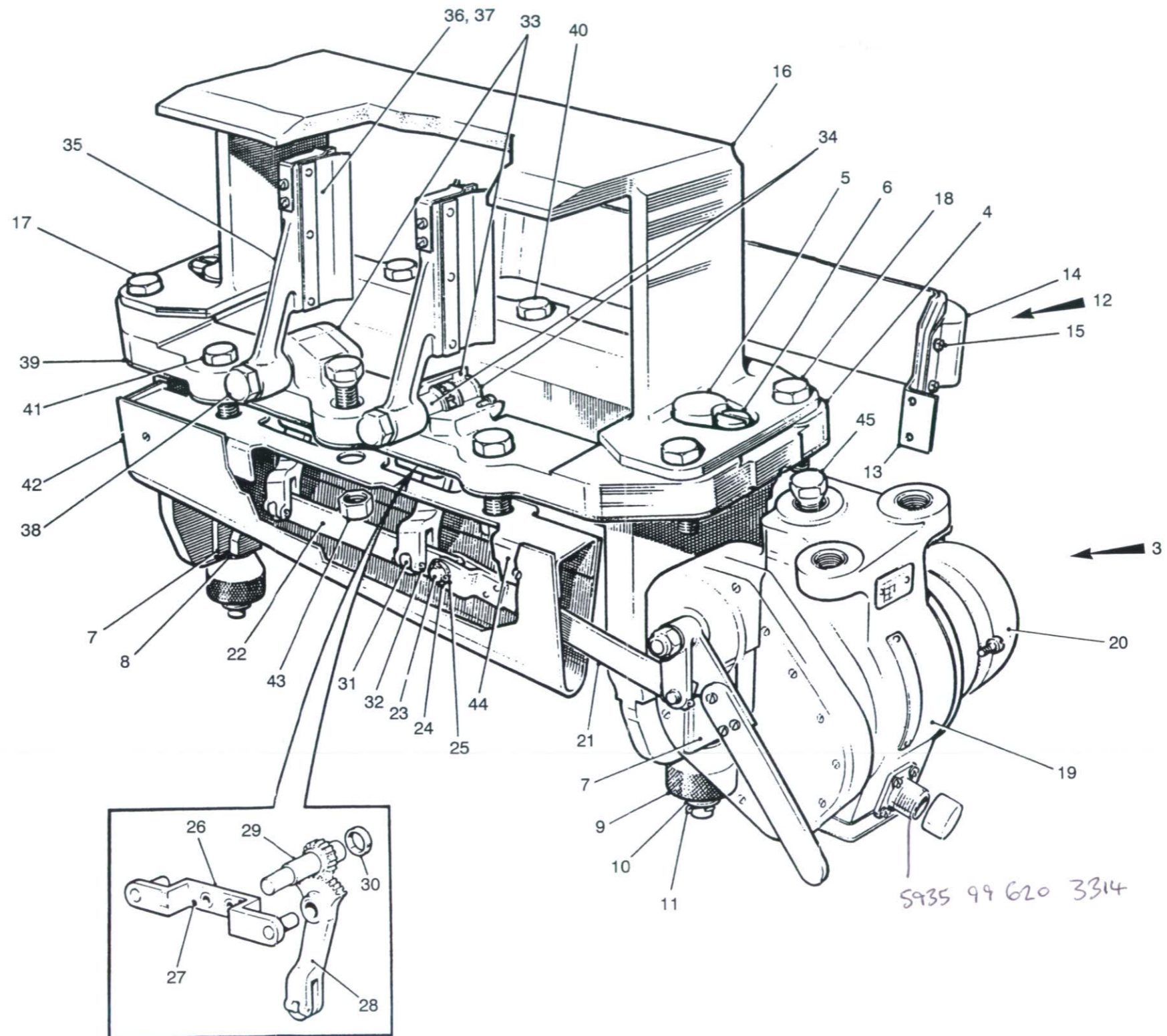


Fig 2 Mounting periscope assembly

430/70091

Fig Item	Man Code Navy - N Army - A RAF - R	NATO Stock No	Item Name and Description	Part No/ Drawing No.	No. Off	Annotations
2-			HULL GA - contd . DRIVERS HATCH ASSEMBLY - contd			
NI 1		NP	. . . DRIVERS, PERISCOPE ASSEMBLY	FV462401	REF	
NI 2	A V5	6650-99-200-9437	. . . PERISCOPE ARMoured VEHICLE, No. 33 Mk 1	FV462404	1	See Fig 4
3		NP	. . . MOUNTING, , PERISCOPE ASSEMBLY, AFV No. 2 Mk 1	FV462402	1	
4	A 9ACR	2590-99-866-6944	. . . BRACKET, VEHICULAR, periscope mounting	FV462419	1	
5	A 9CR2	5306-99-133-4728	. . . BOLT, EXTERNALLY RELIEVED BODY	FV462475	2	
6	A 9ACR	5305-99-866-6948	. . . SCREW, SHOULDER, 5/16in. UNC, periscope mtg.	FV462473	2	
7	A 9ACR	2590-99-866-6946	. . . SLIDE, periscope mtg	FV462471	2	
8	A G1	5310-99-941-6630	. . . WASHER, LOCK, steel, double coil, 7/16in. id	9902267	2	u/w item 9
9	A 9ACR	5310-99-866-6947	. . . NUT, KNURLED, periscope mtg.	FV462472	2	
10	A G1	5310-99-120-4032	. . . WASHER, FLAT, ROUND, steel, 5/16in. id x 9/16in. od x 0.072in. thk	147579	2	
11	A G1	5315-99-944-0171	. . . PIN, COTTER, SPLIT, steel, phos. 1/16in. dia x 5/8in. lg		2	
12	A 9ACR	2590-99-866-6959	. . . HEADREST, OPTICAL INSTRUMENT, rect shape, w/mtg bkt each end	FV531664	1	
13		NP	. . . BRACKET, periscope mtg, brow pad	FV531670	1	
14	A 9ACR	2590-99-866-6960	. . . PAD, periscope mtg	FV531665	1	
15		NP	. . . SCREW, MACHINE, BA, steel, rd hd, zinc coated, No. 4 x 3/8in		4	
16	A 9ACR	2540-99-866-6958	. . . PROTECTOR, periscope	FV462414	1	
17		NP	. . . SCREW, MACHINE, UNF, steel, hex, csk hd, zinc coated, 7/16in. x 1-7/8in.		4	
18	A G1	5305-99-941-0553	. . . SCREW, MACHINE, UNF, R steel, hex hd, zinc coated, 7/16in. x 3/4in.	SH607061	2	
19	A 9ACR	2540-99-866-6934	. . . GEARBOX AND MOTOR ASSEMBLY, periscope wiper	FV462425	1	
20	A 6MT3	2540-99-866-6933	. . . MOTOR, WINDSCREEN WIPER, ELECTRIC, periscope wiper	FV462413	1	See Fig 3
21	A 9ACR	2540-99-866-6937	. . . CONNECTOR, SUB-ASSY, periscope wiper drive	FV462452	1	
22	A 9ACR	2540-99-866-6938	. . . CONNECTOR, SUB-ASSY, quadrant arms, periscope wiper	FV462453	1	
23	A 9ACR	5315-99-866-6942	. . . PIN, connecting bar, periscope wiper	FV462494	1	
24	A G1	5310-99-120-4032	. . . WASHER, FLAT, ROUND, steel, zinc coated, 1/4in. id	147579	1	
25	A G1	5315-99-944-0171	. . . PIN, COTTER, SPLIT, steel, phosphated, 1/16in. x 5/8in.		1	
26	A 9ACR	2540-99-866-6940	. . . SUPPORT, SUB-ASSY, comprises support and 2 pins	FV462456	1	
27	A Z2	5305-99-949-7020	. . . SCREW, MACHINE, BA, steel, flat csk hd, zinc coated, No. 2 x 1/2in.	5333-44C	2	
28	A 9ACR	2540-99-866-6935	. . . GEAR SOCKET, periscope wiper	FV462450	2	

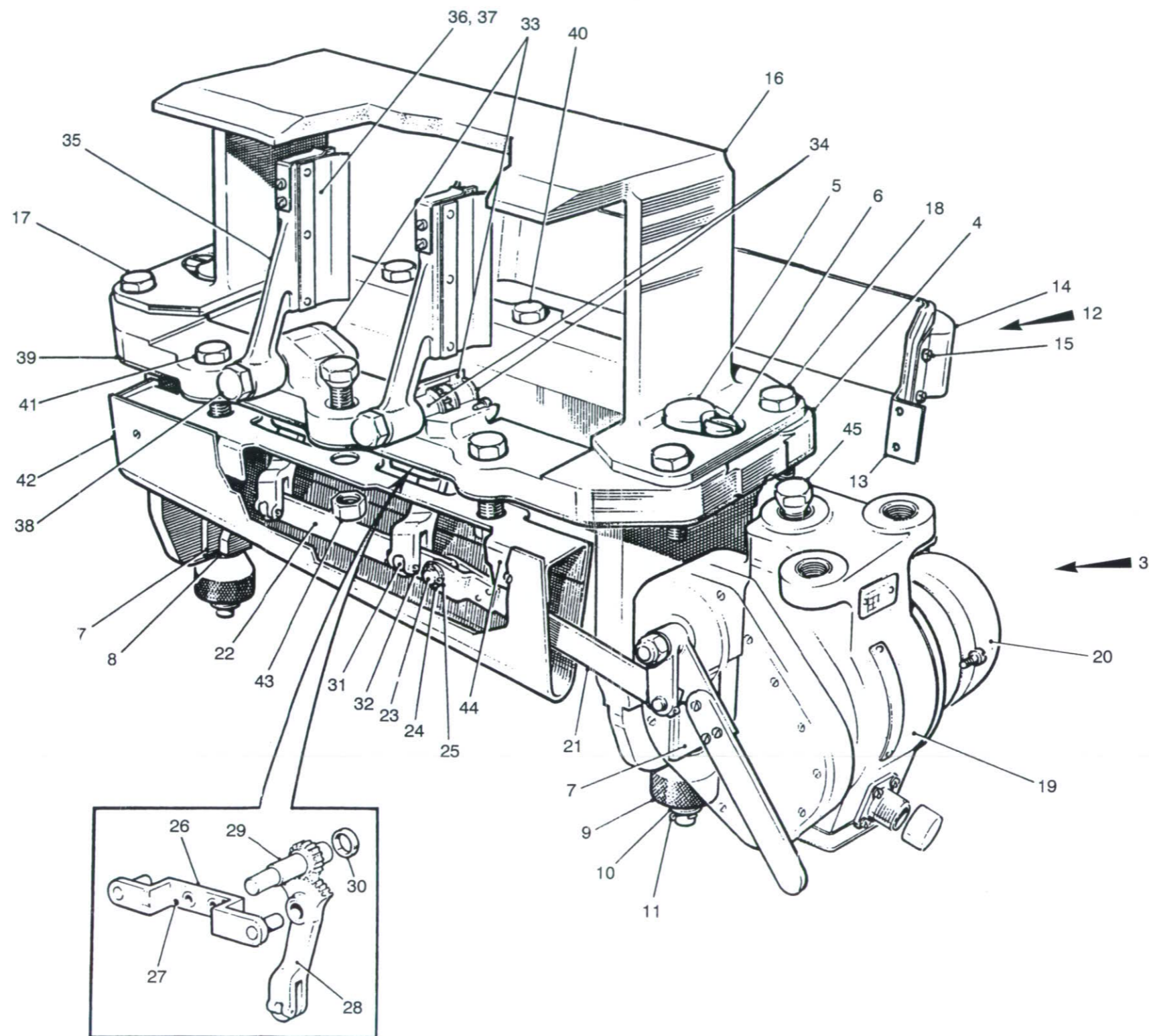


Fig 2 Mounting periscope assembly

Fig Item	Man Code Navy - N Army - A RAF - R	NATO Stock No	Item Name and Description	Part No/ Drawing No.	No. Off	Annotations
2-			HULL GA - contd . DRIVERS HATCH ASSEMBLY - contd . . DRIVERS PERISCOPE ASSY - contd . . . MOUNTING PERISCOPE ASSY - contd			
29	A	46MT3	3040-99-866-6950 GEARSHAFT, SPUR, periscope wiper	FV462476	2	
30	A	46MT3	2540-99-866-6951 SPACER, GEARSHAFT, periscope wiper, pinion shaft	FV462479	2	
31	A	9ACR	5315-99-866-6941 PIN, STRAIGHT, HEADLESS, quadrant to base, periscope wiper	FV462478	2	
32	A	G1	5315-99-944-0171 PIN, COTTER, SPLIT, steel, phosphated, 1/16in. x 5/8in.		2	
33	A	46MT3	2590-99-866-6936 COVER, VEHICLE COMPONENTS	FV462451	2	
34	A	9ACR	3120-99-866-6945 BEARING, SLEEVE, pinion shaft, periscope wiper	FV462463	2	
35	A	46MT3	2540-99-866-6939 ARM, periscope wiper	FV462455	2	
36	A	9ACR	2540-99-866-6932 BLADE, periscope wiper	FV418083	2	
37	A	46MT3	2540-99-866-6931 SPRING, periscope wiper blade	FV418082	2	
38	A	46MT3	2540-99-866-6943 NUT, comprising nut and collet	FV479020	2	
39	A	9ACR	2590-99-866-6956 GASKET, periscope mtg	FV531672	1	
40		NP SCREW, MACHINE, UNF, steel, hex csk hd, zinc coated, 7/16in. x 1-3/8in.		3	
41	A	9ACR	2590-99-802-3375 SCREW, PERISCOPE MOUNTING BRACKET, steel, hex hd, 1st dia 7/16in. UNF, 2nd dia 3/8in. UNF, 1-5/16in. o/a lg	FV572052	3	
42	A	9ACR	2540-99-866-6955 GUARD, SUB-ASSY, composite assembly		1	
43		NP NUT, SPECIAL, periscope wiper guard	FV572051	3	
44	A	9ACR	2540-99-866-6957 STRIP SUB-ASSY	FV531661	1	
NI 45	A	9ACR	5330-99-866-6953 GASKET, periscope wiper gearbox	FV531656	1	
NI 46	A	9ACR	2540-99-866-6954 GASKET, periscope wiper gearbox	FV531657	1	
47		NP SCREW, MACHINE, steel, zinc coated, hex csk hd, 7/16in. x 7/8in.		3	

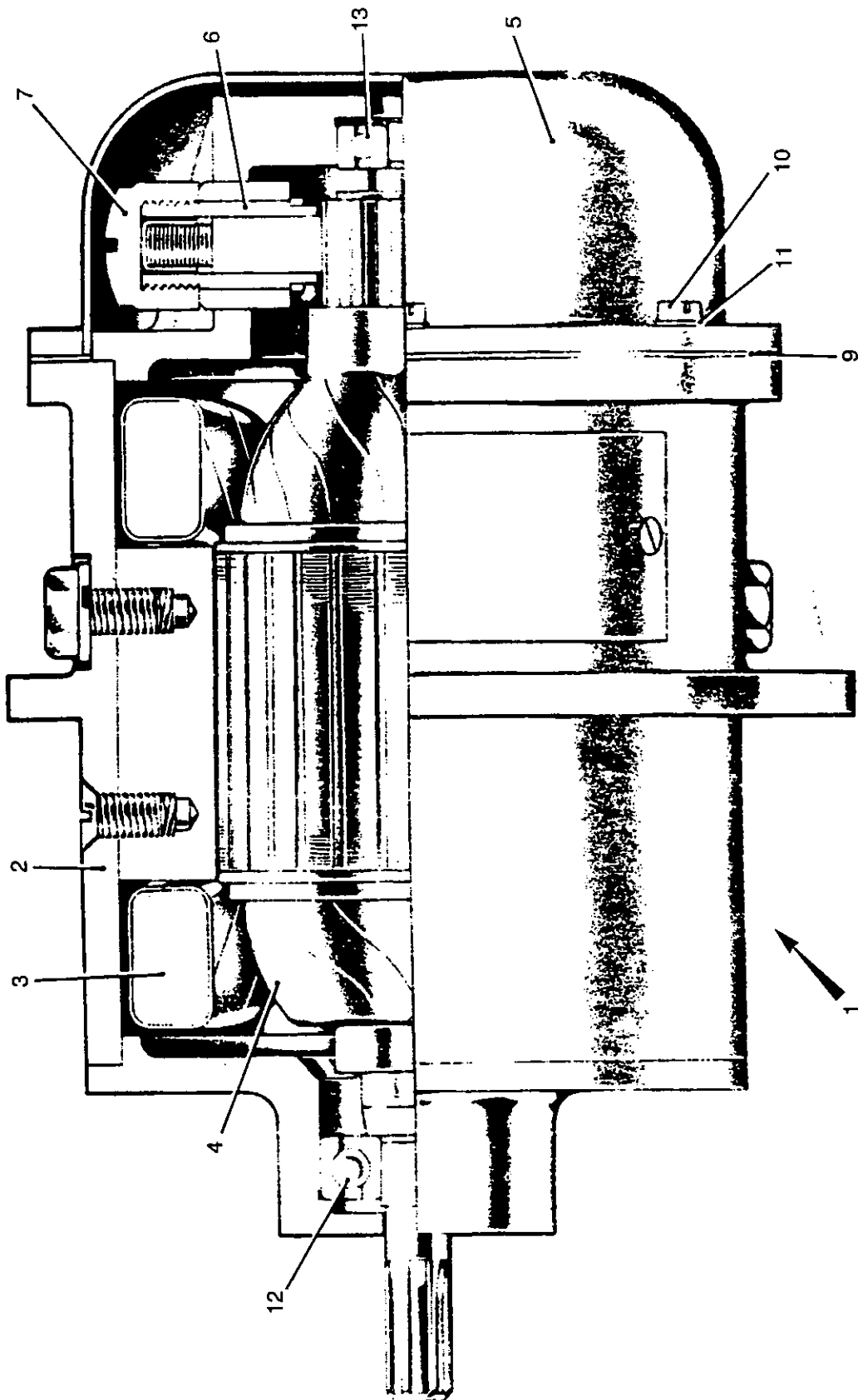


Fig 3 Motor, periscope wiper

430/70137

Fig Item	Man Code Navy - N Army - A RAF - R	NATO Stock No	Item Name and Description	Part No/ Drawing No.	No. Off	Annotations	
3-			HULL GA - contd . DRIVERS HATCH ASSEMBLY - contd . . DRIVERS PERISCOPE ASSY - contd . . . MOUNTING PERISCOPE ASSY - contd				
1	A	46MT3	2540-99-866-6933 MOTOR, WINDSCREEN WIPER, ELECTRIC	FV462413	REF	
2			NP BODY ASSEMBLY, MOTOR	ECP12252	1	
3			NP WINDING, MOTOR FIELD	ECP11548	2	
4	A	6MT3	2540-99-881-8011 ARMATURE, MOTOR	ECP11525	1	
5			NP COVER ASSEMBLY, ELECTRIC MOTOR	ECP12254	1	
6	A	46MT3	2540-99-881-8012 BRUSH HOLDER ASSEMBLY, brush c/w spring	ECP11459	2	
7	A	46MT3	2540-99-881-8014 CAP, BRUSH HOLDER	EP32028	2	
NI 8	A	46MT3	2540-99-881-8013 WASHER, WAVE	EP33231	1	
9	A	46MT3	2540-99-881-8015 GASKET, END COVER	EP33236	1	
10	A	G1	5305-99-941-9197 SCREW, MACHINE, st, flat fil hd, 6BA x 3/8in. lg	2004-308	6	
11			NP WASHER, LOCK, single coil, 6BA		6	
12	A	46MT7	3110-99-950-0291 BEARING, BALL, JOURNAL, 8mm id x 22mm od x 7mm w	108PP	1	Drive end
13	A	46MT7	3110-99-942-5750 BEARING, BALL JOURNAL, 4mm id x 16mm od x 5mm w	104PP	1	Commutator end

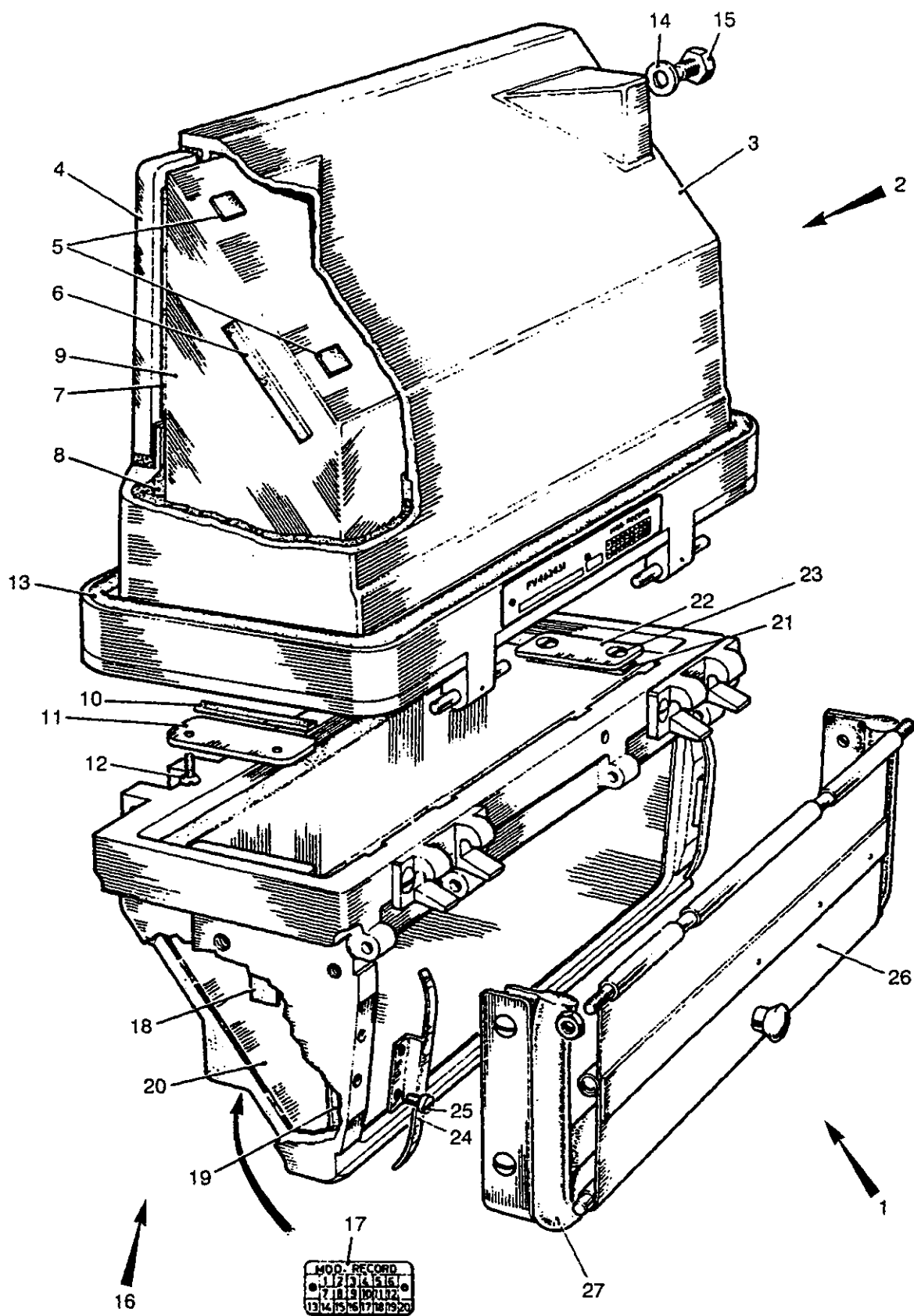


Fig 4 Periscope, armoured vehicle, No. 33 Mk 1

430/70144

Fig Item	Man Code Navy - N Army - A RAF - R	NATO Stock No	Item Name and Description	Part No/ Drawing No.	No. Off	Annotations
4-			HULL GA - contd . DRIVERS HATCH ASSEMBLY - contd . DRIVERS PERISCOPE ASSY - contd			
1	A V5	6650-99-200-9437	. . . PERISCOPE, ARMoured VEHICLE, No. 33 Mk 1	FV462404	1	
2	A 4V5	6650-99-201-3008 UPPER CASING ASSEMBLY, periscope	FV462431	1	
3		NP CASING	FV462428	1	
4	A 4V5	6650-99-200-9445 WINDOW, OPTICAL INSTRUMENT	FV462418	1	
5	A 4V5	5330-99-200-9450 RUBBER STRIP, 0.250in. w x 0.250in. lg x 0.033in. thk	FV462441	4	
6	A V5	5330-99-200-9452 RUBBER STRIP, 0.250in. w x 1.50in. lg x 0.033in. thk	FV462442	2	
7	A 4V5	5330-99-200-9449 RUBBER STRIP, 1.30in. w x 0.250in. lg x 0.063in. thk	FV462443	2	
8	A 4V5	5330-99-200-9447 PLASTIC STRIP, 0.50in. w x 24in. lg x 0.250in. thk	FV462433	1	
9	A 4V5	6650-99-200-9446 PRISM, OPTICAL INSTRUMENT	FV462416	1	
10		NP RUBBER STRIP, SOLID, 0.130in. w x 2.750in. lg x 0.063in. thk	FV462440	2	
11	A 4V5	6650-99-200-9448 PLATE, PERISCOPE PRISM ASSEMBLY	FV462432	2	
12	A G1	5305-99-941-6846 SCREW, MACHINE, BA, MS, Cd P, No. 4 x 3/8in.	FV783806/ 65	4	
13	A 4V5	5330-99-200-9459 RING, SEALING, TOROIDAL, syn rubber, 8.450in. id x 8.825in. od x 0.187in. h	FV462429	1	
14	A 46MT1	5330-99-942-9636 GASKET, syn rubber/steel, 0.205in. id x 0.330in. od x 0.050in. thk	400-003- 4490-41	2	
15	A G1	5305-99-128-2767 SCREW, MACHINE, BA, steel, hex hd, Cd P, No. 2 x 1/4in.	910604	2	
16	A 4V5	6650-99-201-3009 LOWER CASING ASSEMBLY, periscope	FV462435	1	
17	A 46MT1	9905-99-101-4237 PLATE MODIFICATION RECORD	FV327850	1	
18	A 4V5	5330-99-200-9450 RUBBER STRIP, SOLID, 0.250in. w x 0.250in. lg x 0.033in. thk	FV462441	6	
19		NP RUBBER STRIP, SOLID, 0.130in. w x 2.750in. lg x 0.630in. thk	FV462440	2	
20		NP PRISM, OPTICAL INSTRUMENT	FV462417	1	
21	A 4V5	5330-99-200-9452 RUBBER STRIP, 0.250in. w x 1.50in. lg x 0.033in. thk	FV462442	2	
22	A 4V5	6650-99-200-9448 PLATE, PERISCOPE PRISM ASSEMBLY	FV462432	2	
23	A G1	5305-99-941-6846 SCREW, MACHINE, BA, MS, Cd P, No. 4 x 3/8in.	FV783806/ 65	4	
24	A 4V5	6650-99-200-9455 SPRING, PERISCOPE SHUTTER	FV531688	2	
25	A G1	5305-99-941-9087 SCREW, MACHINE, BA, steel, flat fillister hd, Cd P, No. 4 x 1/4in.	AB1237	4	
26	A 4V5	6650-99-200-9454 SHUTTER, ARMoured VEHICLE, PERISCOPE	FV531680	1	
27	A V5	5330-99-200-9456 RUBBER, SPECIAL SHAPED SECTION	FV531689	1	

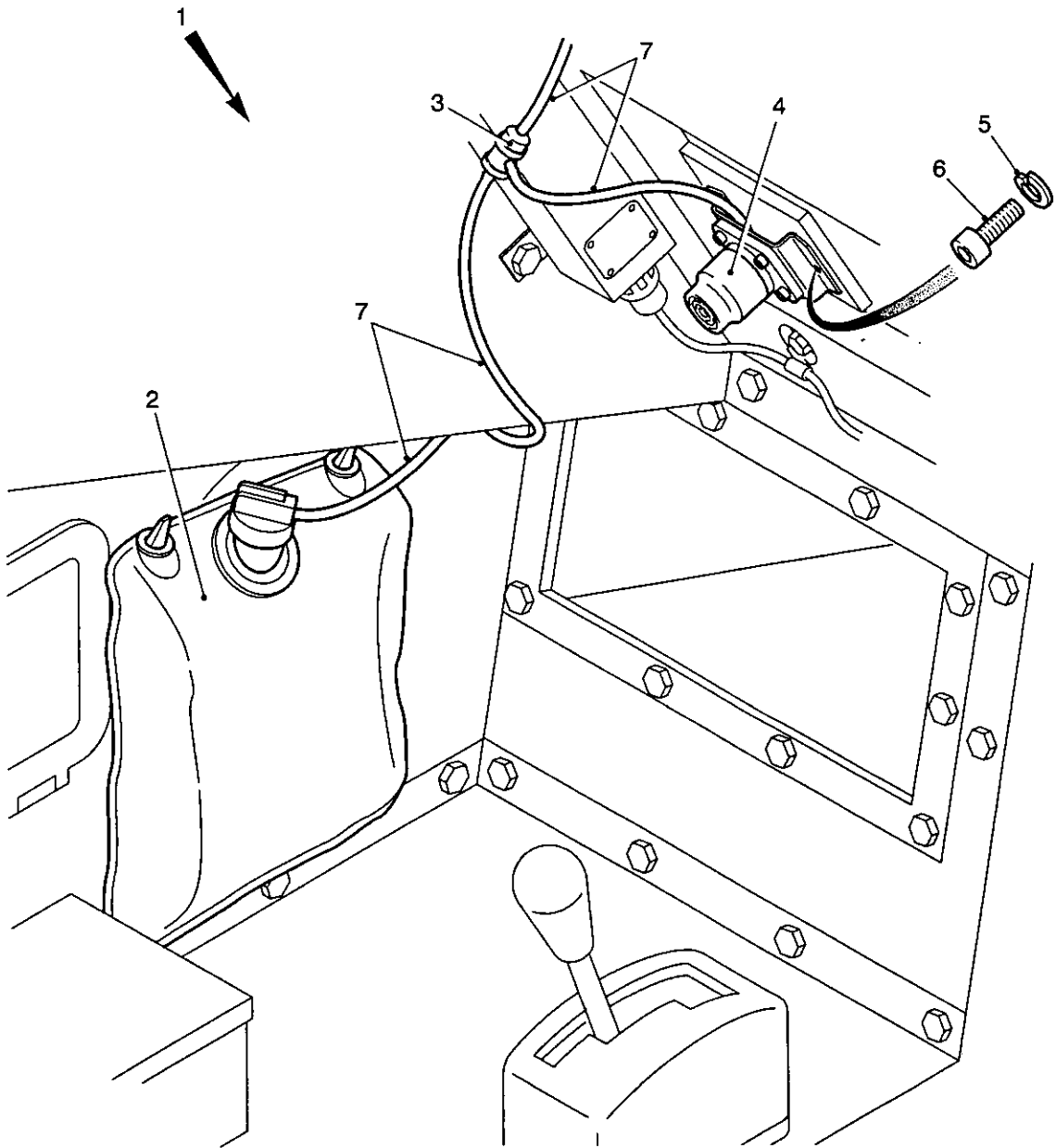


Fig 5 Screen wash installation

430/70177

Fig Item	Man Code Navy - N Army - A RAF - R	NATO Stock No	Item Name and Description	Part No/ Drawing No.	No. Off	Annotations
5-			HULL GA - contd . DRIVERS HATCH ASSEMBLY - contd			
1		NP	. . SCREEN WASH INSTALLATION		REF	
2	A 6MT3	2540-99-823-8827	. . CONTAINER WINDSCREEN WASHER, PVC panels, 10-19/64in. o/a lg, 9-21/32in. o/a w, w/filler neck, 2 x 1/2in. dia holes reinforced for fixing	FV794433	1	
3	A 46MT3	2540-99-823-8828	. . VALVE, WINDSCREEN WASHER, multi-way valve	FV794436	1	
4	A 46MT1	2540-99-300-0986	. . PUMP, WASHER	6029/MS/01	1	
5	A G1	5310-99-941-6654	. . WASHER, LOCK, steel, split helical ring, 1/4in. bolt size, 27/64in. od, 5/64in. thk		2	
6		NP	. . SCREW, MACHINE, 1/4in. dia		2	
7	A 6MT6	4710-99-808-5350	. . TUBING, PLASTICS, PVC, colourless, 0.25in. od, 0.047in. wall thk, non-rigid	350B1857	A/R	<i>2nd</i>

~~CONFIDENTIAL~~

~~CONFIDENTIAL~~

Chapter 2-1-2
PARTS LIST
COMMANDERS CUPOLA ASSEMBLY

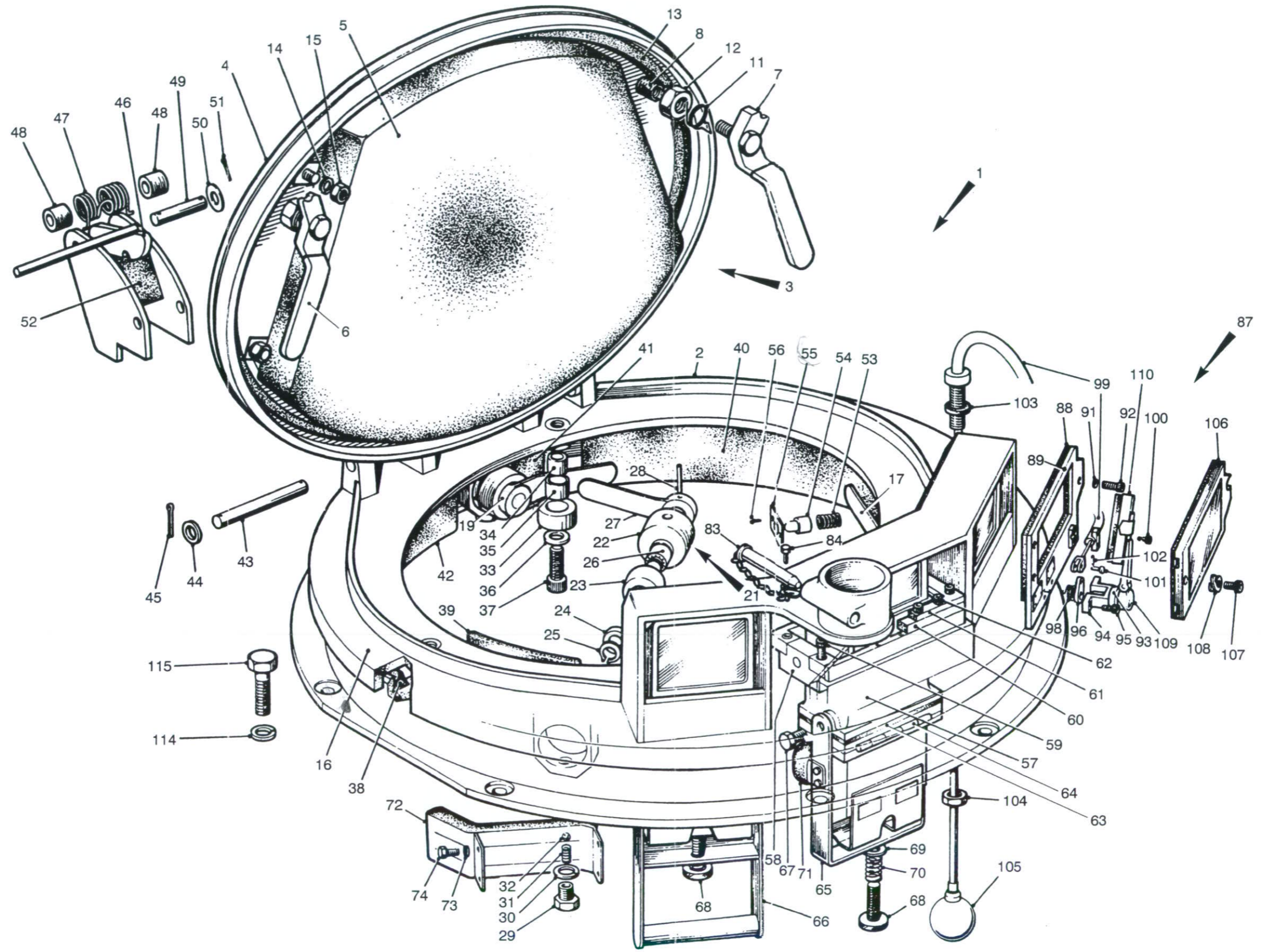


Fig 1 Commander's cupola assembly

Fig Item	Man Code Navy - N Army - A RAF - R	NATO Stock No	Item Name and Description	Part No/ Drawing No.	No. Off	Annotations
1-			HULL GA - contd			
1		NP	. . . COMMANDERS CUPOLA ASSEMBLY	FV524831	REF	
2	A	9ACR 2510-99-865-6516	. . . HOUSING VEHICULAR, hatch door, commanders	FV422062	1	
3		NP	. . . COMMANDERS DOOR, COMPLETE	FV563522	1	
4	A	9ACR 2510-99-804-3484	. . . DOOR, HATCH VEHICLE	FV563523	1	
5	A	9ACR 2590-99-865-6515	. . . PAD, CUSHIONING, foam rubber, 19.4in. lg, 18in. wd, 0.048in. thk	FV421876	1	
6	A	9ACR 2510-99-867-2923	. . . HANDLE, commanders door, rh	FV559950	1	
7	A	9ACR 2510-99-867-2922	. . . HANDLE, commanders door, lh	FV559949	1	
8	A	9ACR 5306-99-865-6556	. . . BOLT, INTERNALLY RELIEVED BODY, brass, 7/8in. dia UNF-14 x 1.05in. lg, 1.3in. a/f x 0.4in. h, 5/8in. dia x 1in.	FV524670	1	
NI 9	A	9ACR 5306-99-865-6554	. . . BOLT, INTERNALLY RELIEVED BODY, br, rh handle	FV524664	1	
NI 10	A	9ACR 5360-99-867-4032	. . . SPRING, HELICAL TORSION, commanders door handle, rh	FV586089	1	
11	A	9ACR 5360-99-867-4033	. . . SPRING, HELICAL, TORSION commanders door handle, lh	FV586090	1	
12	A	G1 5310-99-941-0910	. . . NUT, PLAIN, HEXAGON, UNF, P steel, zinc coated, 7/8in.		2	
13	A	9ACR 9390-99-805-8387	. . . NON-METALLIC SPECIAL SHAPED SECTION, linatex and sponge, 0.800in. wd, 0.700in. h, 5m lg, bulk supply	FV421602	1	Cut 72in. lg
14	A	G1 5310-99-941-6656	. . . WASHER, LOCK, steel, 3/8in. nom bolt size, 0.092in. thk, 0.590in. od		4	
15	A	G1 5310-99-941-0926	. . . NUT, PLAIN, HEXAGON, UNF, P steel, zinc coated, 3/8in.		4	04/03/07
16	A	9ACR 2510-99-865-6551	. . . RING, traversing, cupola	FV499687	1	
17		NP	. . . ECCENTRIC SHAFT AND ROLLER ASSEMBLY, front, lh	FV524718	1	
NI 18	A	9ACR 3040-99-865-6560	. . . SHAFT, SHOULDERED, front, lh, cupola roller	FV524715	1	
19		NP	. . . ECCENTRIC SHAFT AND ROLLER ASSEMBLY, rear	FV524720	1	
NI 20	A	9ACR 3040-99-865-6561	. . . SHAFT, SHOULDERED, steel, 1.997/1.999in. dia o/a, 1.25in. wd, 0.501/0.505in. wd, x 1.625in. dia, 3/8in. dia x 0.125in. deep	FV524716	1	
21		NP	. . . ECCENTRIC SHAFT AND ROLLER ASSEMBLY, front, rh	FV524719	1	
22	A	9ACR 3040-99-865-6560	. . . SHAFT, SHOULDERED	FV524715	1	19
23	A	9ACR 2510-99-865-6562	. . . ROLLER, vision cupola	FV524722	3	236
24	A	9ACR 5310-99-865-6569	. . . WASHER, FLAT, steel, phos, 0.64in. id, x 1.0in. od x 0.075in. thk	FV524791	3	236
25	A	6MT1 5365-99-910-8192	. . . SPRING, RETAINING, steel, ext, 5/8in.	Y8923162	3	49
26		NP	. . . BEARING, NEEDLE ROLLER, 5/8in. dia x 13/16in. od x 1/2in. w		3	65
27	A	9ACR 3040-99-865-6559	. . . LEVER, MANUAL CONTROL, steel, 5/8in. lg o/a, 0.75in. wd x 0.18in. thk handle, set to 18 deg 1in. from bore centre, eye end 1.25in. od x 0.75in. h x 0.750/0.751in. id hole, 5/32in.	FV524714	3	

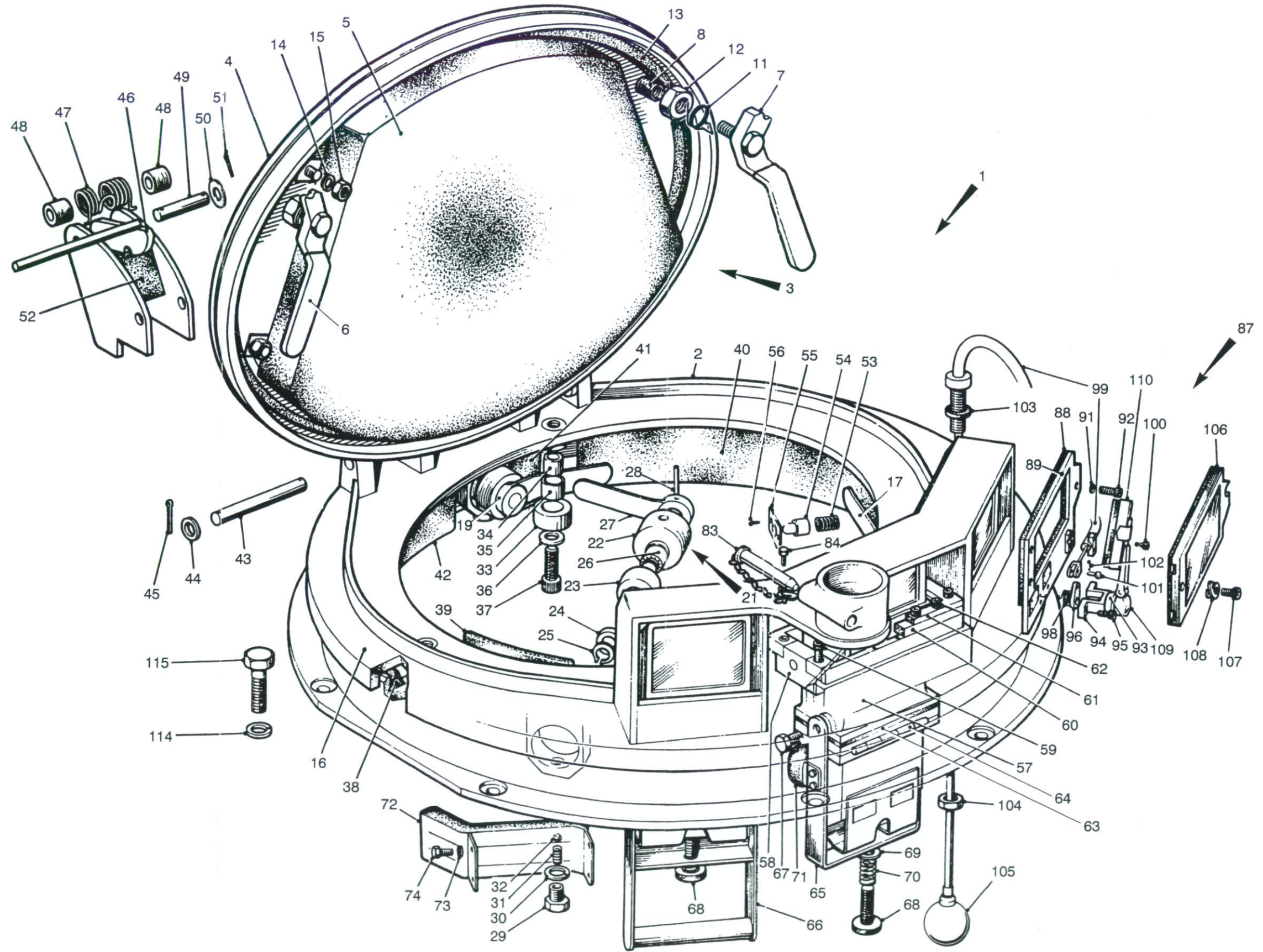


Fig 1 Commander's cupola assembly

Fig Item	Man Code Navy - N Army - A RAF - R	NATO Stock No	Item Name and Description	Part No/ Drawing No.	No. Off	Annotations
1-			HULL GA - contd . . . COMMANDERS CUPOLA ASSY - contd . . . ECCENTRIC SHAFT AND ROLLER ASSEMBLY, front, rh - contd			
28	A G1	5315-99-942-3936	. . . PIN, GROOVED, HEADLESS, steel, phos, GP5, 5/32in. x 1-1/4in. lg		3	
29	A 9ACR	5305-99-865-6506	. . . SETSCREW, UNF, steel, hex hd, phos	FV421415	3	
30	A G1	5310-99-941-6660	. . . WASHER, LOCK, steel, single coil, 5/8in. nom bolt, 9/64in. thk, 31/32in. od		3	
31	A 9ACR	2510-99-865-6521	. . . SPRING, HELICAL COMPRESSION, vision cupola	FV422196	3	
32	A 6MT7	3110-99-950-0573	. . . BALL, BEARING, steel, 3/8in. dia	3-8GD10	3	
33	A 9ACR	3120-99-865-6510	. . . ROLLER, LINEAR ROTARY MOTION	FV421740	4	
34	A 6MT1	3120-99-200-2464	. . . BEARING, SLEEVE, copper alloy, 3/4in. lg o/a, 7/8in. od, 3/4in. id		4	
35	A 9ACR	3120-99-865-6511	. . . BEARING, SLEEVE, steel, 0.7550in. lg, 0.7470in. od, 0.5000in. body id	FV421741	4	
36	A G1	5310-99-941-8637	. . . WASHER, FLAT, steel, 1in. od, 33/64in. id, 3/32in. thk		4	
37	A 9ACR	5305-99-865-6572	. . . SCREW, SELF-LOCKING, UNF, steel, 1/2in. x 1-1/2in. lg	FV538138	4	
38	A 9ACR	5330-99-881-7635	. . . SEAL, rubber, 92in. lg, 0.63in. h, 0.81in. w	FV585702/1	1	
39	A 9ACR	2590-99-865-6565	. . . PAD, CUSHIONING, foam rubber, 8in. lg x 3.8in. w x 0.62in. thk	FV524772	1	
40	A 9ACR	2590-99-865-6566	. . . PAD, CUSHIONING, foam rubber, 16.7in. lg, 3.8in. wd, 0.62in. thk	FV524773	1	
41	A 9ACR	2590-99-865-6567	. . . PAD, CUSHIONING, foam rubber, 2.6in. lg, 3.8in. w, 0.62in. thk	FV524774	1	
42	A 9ACR	2590-99-865-6568	. . . PAD, CUSHIONING, foam rubber, 13.25in. lg, 3.8in. w, 0.62in. thk	FV524775	1	
43	A 9ACR	5315-99-865-6507	. . . PIN, STRAIGHT HEADLESS, steel, 4.75in. lg, 0.5in. dia	FV421724	2	
44	A G1	5310-99-941-8637	. . . WASHER, FLAT, steel, 1in. od, 33/64in. id, 3/32in. thk		4	
45		NP	. . . PIN, COTTER, SPLIT, steel, phos, 1/8in. x 3/4in. lg		4	
46	A 9ACR	2510-99-865-6527	. . . ARM, RETAINING, vehicular hatch door	FV485217	1	
47	A 9ACR	2510-99-865-6518	. . . SPRING, HELICAL, TORSION, vehicular hatch door	FV422180	1	
48	A 9ACR	5365-99-865-6517	. . . SPACER, SLEEVE, vehicular hatch door	FV422179	2	
49	A 9ACR	5315-99-137-8940	. . . PIN, STRAIGHT, HEADLESS, steel, 1/2in. x 3-5/32in. lg	FV650333	1	
50		NP	. . . WASHER, FLAT, 1/2in. dia x 13swg		2	
51	A G1	5315-99-944-0176	. . . PIN, COTTER, SPLIT, steel, phos, 3/32in. x 7/8in. lg	CPS308	2	
52	A 9ACR	5330-99-865-6522	. . . RUBBER STRIP, retainer arm step	FV422279	1	
53	A 9ACR	5360-99-810-0723	. . . SPRING, HELICAL COMPRESSION, steel, 0.24in. od x 0.75in. free lg	FV650067	2	
54	A 9ACR	2510-99-838-9729	. . . PLUNGER, DETENT, steel, 3/4in. lg, 3/8in. od, 17/64in. id	FV951735	2	
55	A 9ACR	3040-99-809-9954	. . . PLATE, RETAINING SHAFT, steel, 0.60in. w x 1in. lg x 0.064in. thk	FV650065	2	
56	A Z2	5305-99-941-6851	. . . SCREW, MACHINE, BA, steel, csk hd, scr 13/64in. x 1/4in. lg		4	

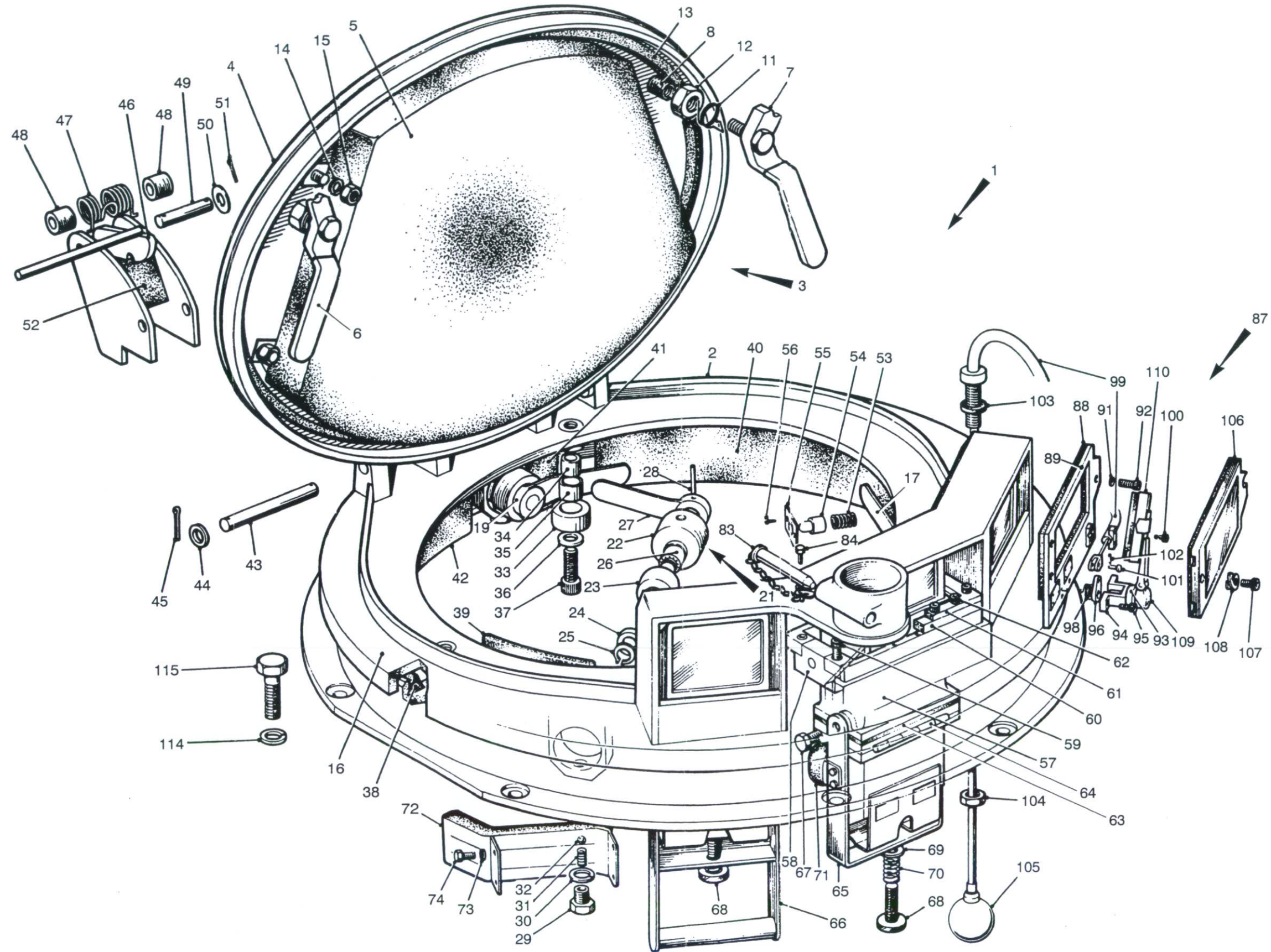


Fig 1 Commander's cupola assembly

430/70082

Fig Item	Man Code Navy - N Army - A RAF - R	NATO Stock No	Item Name and Description	Part No/ Drawing No.	No. Off	Annotations
1-			HULL GA - contd . . . COMMANDERS CUPOLA ASSY - contd			
57	A 9ACR	2510-99-865-6502	. . . HOUSING, PERISCOPE, commanders cupola	FV413797	1	
58	A 9ACR	3040-99-865-6503	. . . BRACKET, EYE ROTATING SHAFT, steel, 1/2in. dia bore, 2.5in. lg o/a x 1in. h x 0.5in. wd, 0.5in. 2 holes drilled and tapped UNF-24, 5/16in.	FV413798	2	
59	A G1	5305-99-999-8973	. . . SCREW, SOCKET HEAD, UNF, 5/16in. thd dia, class 2A thd, 3/4in. lg, steel, Cd plated, flat fillister or knurled hd, 168000 lbf psi		4	
60	A H21	8305-99-802-2201	. . . FELT SHEET, 0.33g/cc, 5mm thk, grey	FV413800	1	
61	A 9ACR	2510-99-865-6504	. . . COVER, periscope housing	FV413799	1	
62	A G1	5305-99-941-8855	. . . SCREW, SOCKET HEAD, steel, UNF, 1/4in. UNF, 5/8in. lg		14	
63	A 4V5	5330-99-200-9379	. . . GASKET, syn rubber, 5.531in. lg, 2.875in. w, 0.188in. thk	FV462304	3	
64	A V5	6650-99-200-9369	. . . PERISCOPE, ARMOURED VEHICLE, No. 32 Mk 1	FV462301	3	See Fig 2
65	A 9ACR	2510-99-865-6530	. . . BRACKET, DOUBLE ANGLE, commanders cupola periscope centre	FV485680	1	
66	A 9ACR	2510-99-865-6529	. . . BRACKET, DOUBLE ANGLE, commanders cupola periscope outer	FV485669	2	
67	A 9ACR	5306-99-865-6531	. . . BOLT, SHOULDERED, UNF, steel, hex hd, periscope brackets	FV485834	5	
68	A 9ACR	5305-99-865-6505	. . . THUMBSCREW, steel, 0.5in. - 20UNF, 2.062in. lg thd, 2.25in. o/a lg	FV413804	3	
69		NP	. . . WASHER, FLAT, steel, 1in. od, 33/64in. id, 3/32in. thk		3	
70	A 9ACR	5360-99-865-6570	. . . SPRING, HELICAL, COMPRESSION, periscope clamp thumbscrew	FV524984	3	
71	A 9ACR	1240-99-865-6563	. . . HEADREST, foam rubber pad, 6.4in. lg, x 2in. wd x 0.5in. thk, 6.6in. lg o/a x 2in. wd x 1.39in. h x 0.128in. thk 4 holes	FV524757	1	
72	A 9ACR	1240-99-865-6564	. . . HEADREST, foam rubber pad, Z shape 8in. lg o/a, 0.5in. thk, 0.128(10swg) thk, x 2in. wd, 2 legs 1.75in. lg, 6.5in. 4 holes 9/32in. d	FV524759	2	
73	A G1	5310-99-941-6654	. . . WASHER, LOCK, steel, split helical ring, 1/4in. nom bolt size, 27/64in. od, 5/64in.		12	
74	A G1	5305-99-941-0511	. . . SCREW, MACHINE, UNF, R steel, hex hd, zinc coated, 1/4in. x 1/2in. lg		12	
NI 75	A 9ACR	2590-99-802-6464	. . . PLATE PERISCOPE RETAINER, steel, 3-3/8in. lg, 1-3/4in. wd, 1/8in. thk, two of 1/4in. UNF mtg pads	FV602784	1	} Securing periscope
NI 76	A G1	5305-99-941-1067	. . . SCREW, MACHINE, UNF, steel, hex hd, Cd P, 1/4in. x 5/8in. lg		2	
NI 77	A G1	5310-99-120-4032	. . . WASHER, FLAT, steel, zinc coated, 1/4in.		2	
NI 78	A G1	5310-99-941-6654	. . . WASHER, LOCK, steel, single coil, Cd P, 1/4in.		2	

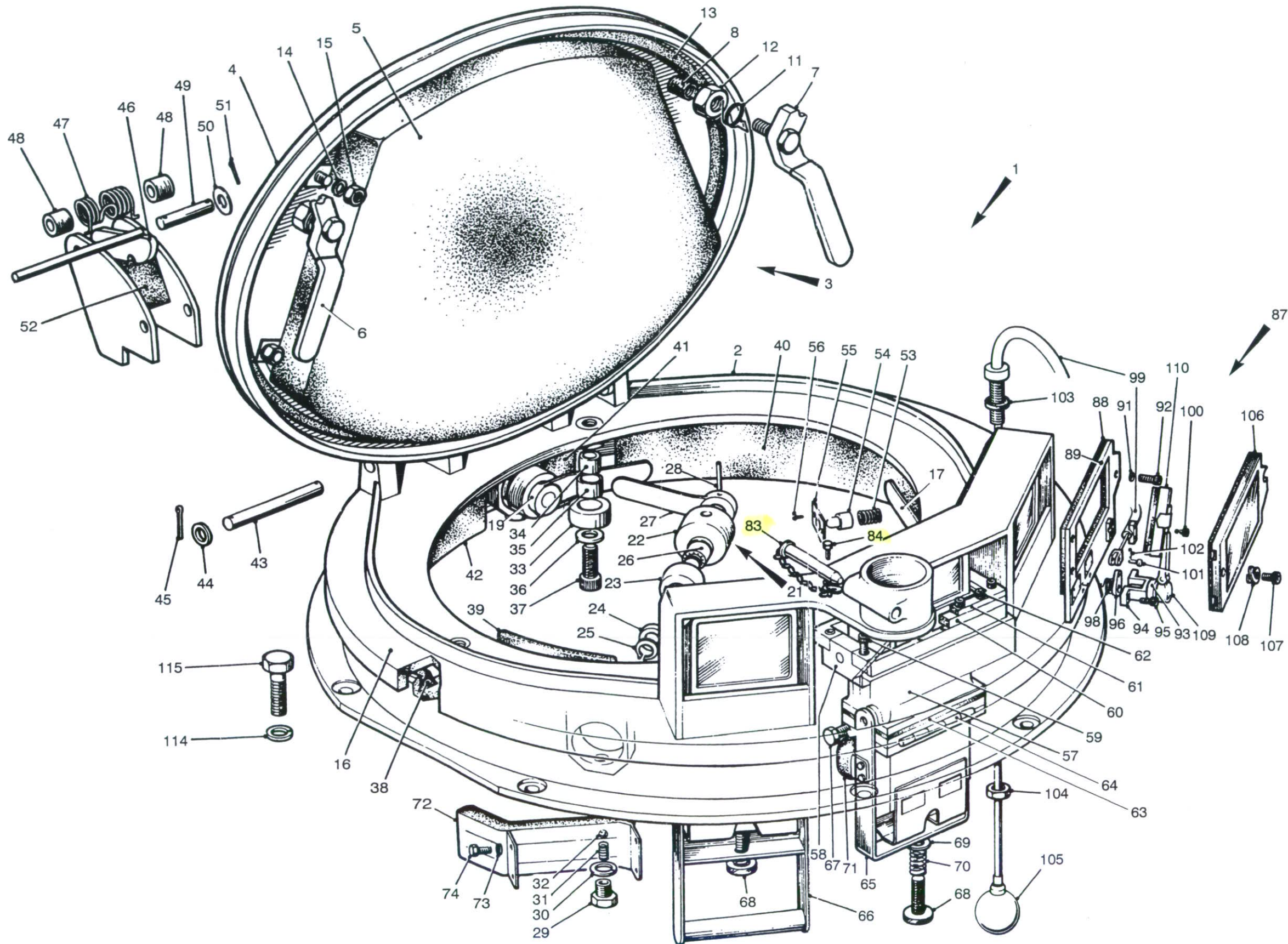


Fig 1 Commander's cupola assembly

Fig Item	Man Code Navy - N Army - A RAF - R	NATO Stock No	Item Name and Description	Part No/ Drawing No.	No. Off	Annotations
1-			HULL GA - contd . COMMANDERS CUPOLA ASSY - contd			
NI 79	A 9ACR	9905-99-802-6465	. . PLATE, INDICATOR DETENT, steel, 3-1/2in. lg, 2-9/16in. wd, 1/8in. thk	FV602787	1	} Adjusting periscope
NI 80	A 9ACR	5306-99-802-7062	. . BOLT, SHOULDER, UNF, steel, 3/4in. x 1.05in. lg	FV602788	1	
NI 81	A G1	5310-99-941-6632	. . WASHER, LOCK, steel, 39/64in. hole dia, 1/16in. matl thk, 1-1/64in. od		1	
NI 82	A G1	5310-99-941-8580	. . WASHER, FLAT, steel, 1-1/8in. od, 5/8in. id, 7/64in. thk		2	
83	A 9ACR	5340-99-865-6520	. . PIN, QUICK RELEASE, MG mtg	FV422190	1	} Quick release pin
84	A G1	5305-99-941-0279	. . SCREW, MACHINE, UNF, S steel, 1/4in. x 7/8in. lg		1	
NI 85	A G1	5310-99-941-6654	. . WASHER, LOCK, steel, single coil, Cd P, 1/4in.		1	
NI 86	A G1	5310-99-804-7941	. . NUT, PLAIN, HEXAGON, UNF, steel, zinc coated, 1/4in. x 7/16in. w x 7/32in. o/a		1	
87		NP	. . WIPER, SIGHT, AFV, No. 17	FV526633	1	
88	A 9ACR	5330-99-867-2697	. . . GASKET, wiper sight window	FV526635	1	
89	A 9ACR	2540-99-867-2702	. . . PLATE, wiper sight, No. 17	FV572313	1	
NI 90	A 6MT1	3120-99-200-2420	. . . BEARING, SLEEVE, 1/4in. id x 3/8in. od x 1/4in. lg	CT172	1	
91	A G1	5310-99-101-7838	. . . WASHER, FLAT, steel, zinc coated 0.265in. id, 0.620in. od, 0.056in. thk		3	
92	A G1	5305-99-941-9997	. . . SCREW, SOCKET HEAD, UNF, x steel, zinc coated, 1/4in. x 1in. lg		3	
93	A 9ACR	2540-99-802-2110	. . . SPINDLE ASSEMBLY, steel, 0.373in. od, 1.987in. lg	FV602619	1	
94	A 9ACR	2540-99-802-2109	. . . BRACKET, spindle, wiper sight, AFV No. 17	FV602632	1	
95	A G1	5305-99-127-9450	. . . SCREW, CAP, SOCKET HEAD, UNF, steel, flat fil. hd, Cd P, No. 10 x 1/2in. lg		2	
96	A 9ACR	3040-99-867-2699	. . . LEVER, remote control	FV526639	1	
NI 97	A G1	5315-99-942-0813	. . . PIN, TAPER, SOLID, steel, phos, 3/32in. x 3/4in. lg		1	
98	A 9ACR	5360-99-867-2703	. . . SPRING, HELICAL, TORSION, 3-1/2 coils, lh wound, wiper sight	FV572325	1	
99	A 9ACR	2590-99-867-2694	. . . CABLE ASSEMBLY, control	FV526649	1	
100	A Z2	5305-99-101-8548	. . . SCREW, SOCKET HEAD, UNF, steel, No. 10 x 1-1/4in. lg		2	Cable Clamp to mounting plate
101	A 9ACR	5315-99-867-2700	. . . PIN, STRAIGHT HEADED, steel, Cd P, 0.1875in. max dia, 0.634in. under hd lg, flat hd, 0.375in. hd dia, 0.06in. h, 0.062in. hole dia	FV526637	1	} Cable to lever
102		NP	. . . PIN, COTTER, SPLIT, steel, phos, 3/64in. x 3/8in. lg		1	
103	A 6MT1	5330-99-943-6628	. . . GASKET, rubber, 18.62mm min, 18.88mm max od, 16.38mm min, 16.64mm max app dia	11242	1	
104	A G1	5310-99-941-0908	. . . NUT, PLAIN, HEXAGON, UNF, steel, zinc coated, 5/8in.		1	
105	A 9ACR	5355-99-867-2695	. . . KNOB, syn rubber body, int thd 5/16- 24 thd, 0.7in. lg, 1.5in. thk, 1.5in. od	FV572332	1	

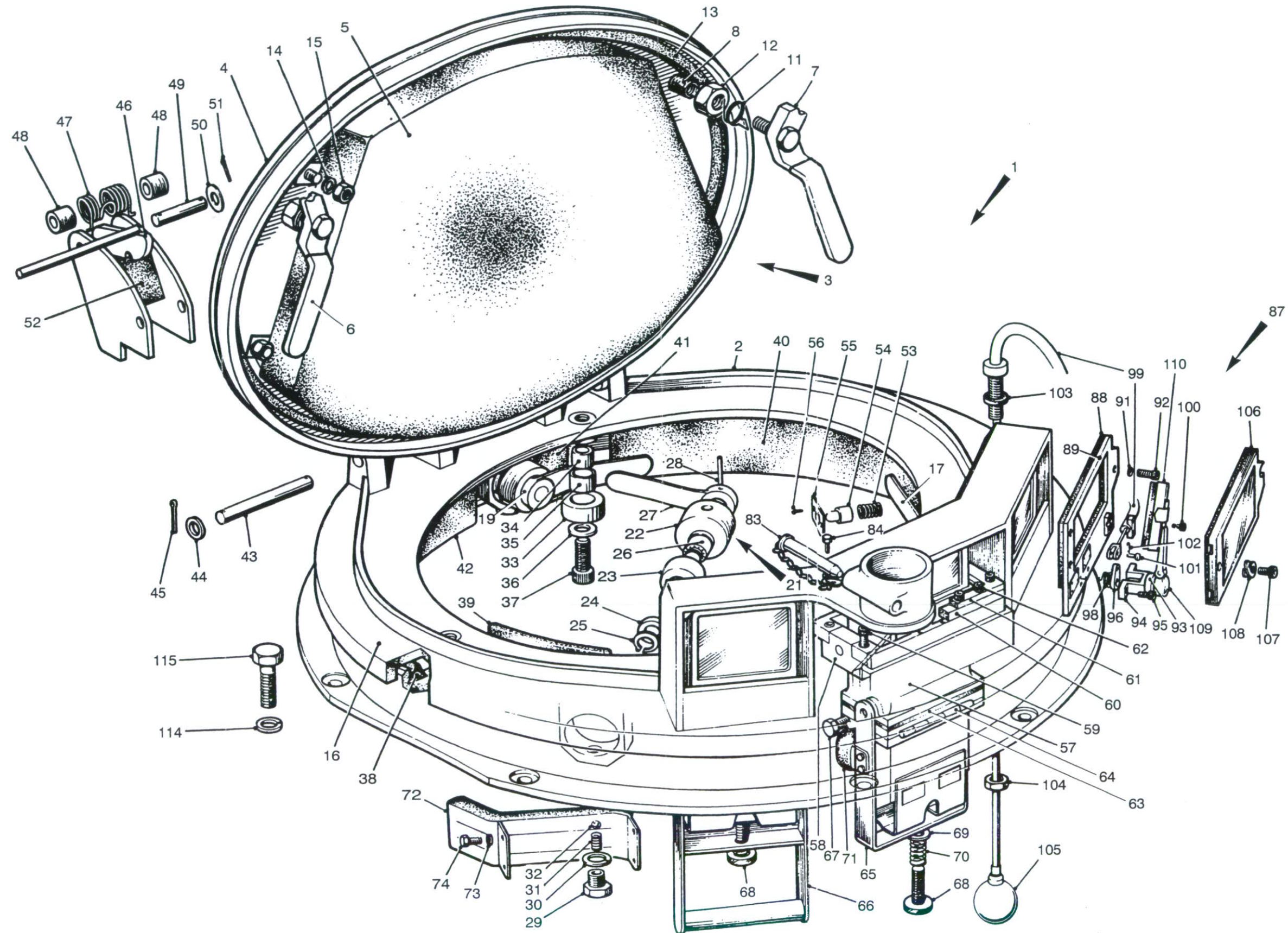


Fig 1 Commander's cupola assembly

Fig Item	Man Code Navy - N Army - A RAF - R	NATO Stock No	Item Name and Description	Part No/ Drawing No.	No. Off	Annotations
1-			HULL GA - contd . . . COMMANDERS CUPOLA ASSY - contd . . . WIPER, SIGHT, AFV, No. 17 - contd			
106	A 9ACR	2540-99-867-2696	. . . WINDOW ASSEMBLY, wiper sight AFV No. 17	FV572323	1	
107	A G1	5305-99-941-8855	. . . SCREW, SOCKET HEAD UNF, x steel, zinc coated, 1/4in. x 5/8in. lg		2	
108	A G1	5310-99-941-6627	. . . WASHER, LOCK, steel, double coil, zinc coated, 1/4in.		2	
109	A 9ACR	2540-99-802-2111	. . . ARM ASSEMBLY, WINDSCREEN WIPER, 6in. approx o/a lg, c/w blade	FV602617	1	
110	A 6MT3	2540-99-881-9161	. . . BLADE, WINDSCREEN WIPER, rubber insert, non-replaceable 3-7/32in. lg	FV397341	1	
NI 111	A G1	5305-99-941-0567	. . . SCREW, MACHINE, UNF, S steel, 1/2in. x 1-1/8in. lg		1	} Securing item 99
NI 112	A G1	5310-99-944-0552	. . . WASHER, LOCK, steel, Cd P, 1/2in. x 0.763in. od, 0.116in. thk, split helical ring		1	
NI 113	A G1	5310-99-941-8637	. . . WASHER, FLAT, steel, 1in. od, 33/64in. id, 3/32in. thk		1	
114	A G1	5310-99-944-0552	. . . WASHER, LOCK, steel, Cd plated, 1/2in. x 0.763in. od, 0.116in. thk, split helical ring		8	
115	A G1	5306-99-941-6282	. . . BOLT, MACHINE, UNF, 1/2in. x 1-1/4in. thd lg, class 2A thd, 2in. fastener lg, Zn plated, hex hd, 55 ton/sq in. min TS		8	
NI 116	A 4	1005-99-802-2614	MOUNTING, 7.62mm MACHINE GUN, No.3 Mk 1	FV589440	1	See Fig 3

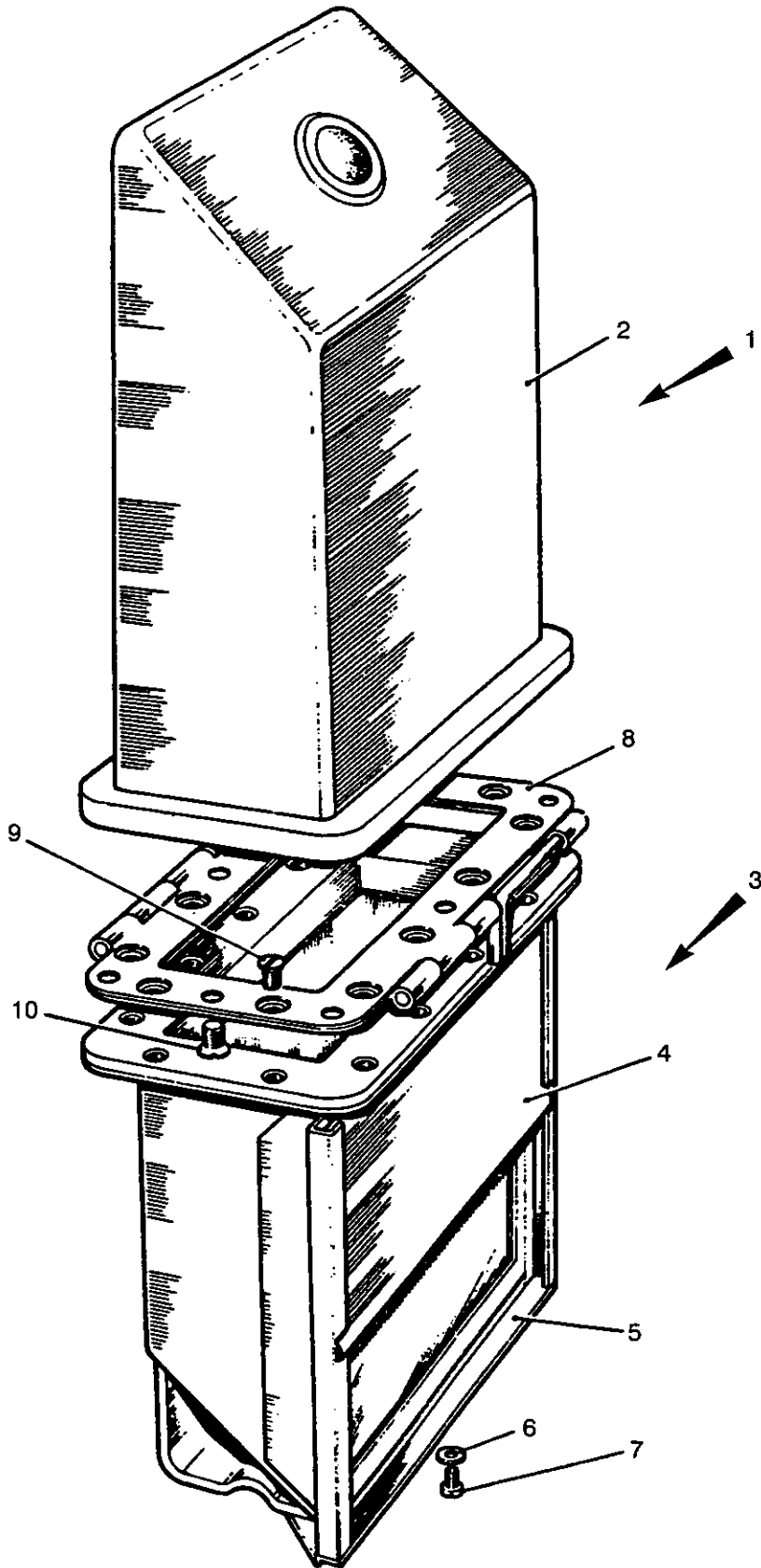


Fig 2 Periscope armoured vehicle, No. 32 Mk 1

430/70143

Fig Item	Man Code Navy - N Army - A RAF - R	NATO Stock No	Item Name and Description	Part No/ Drawing No.	No. Off	Annotations
2-			HULL GA - contd . COMMANDERS CUPOLA ASSY - contd			
1	A V5	6650-99-200-9369	. . PERISCOPE, ARMoured VEHICLE, No. 32 Mk 1, commanders cupola	FV462301	REF	
2	A 4V5	6650-99-200-9374	. . . PRISM, OPTICAL INSTRUMENT MOUNTED, upper	FV462302	1	
3	A 4V5	6650-99-200-9375	. . . PRISM, OPTICAL INSTRUMENT MOUNTED, lower	FV462305	1	
4	A 4V5	6650-99-200-9376 SHUTTER, ARMoured VEHICLE PERISCOPE	FV462308	1	
5	A 4V5	6650-99-200-9377 STOP, PERISCOPE SHUTTER	FV462307	1	
6	A G1	5310-99-941-6641 WASHER, LOCK, steel, single coil, sq sect, Cd P, No. 6 BA		4	
7	A G1	5305-99-120-2007 SCREW, MACHINE, BA, steel, flat fil. hd, Cd P, No 6 x 3/16in.		4	
8	A G1	6650-99-200-9378	. . . HINGE, ARMoured, VEHICLE PERISCOPE	FV462311	1	
9	A G1	5305-99-121-1421	. . . SCREW, MACHINE, BA, MS, Cd P, No. 4 x 3/16in.		12	
10	A G1	5305-99-101-1501	. . . SCREW, MACHINE, BA, MS, Cd P, No. 2 x 1/4in.		8	

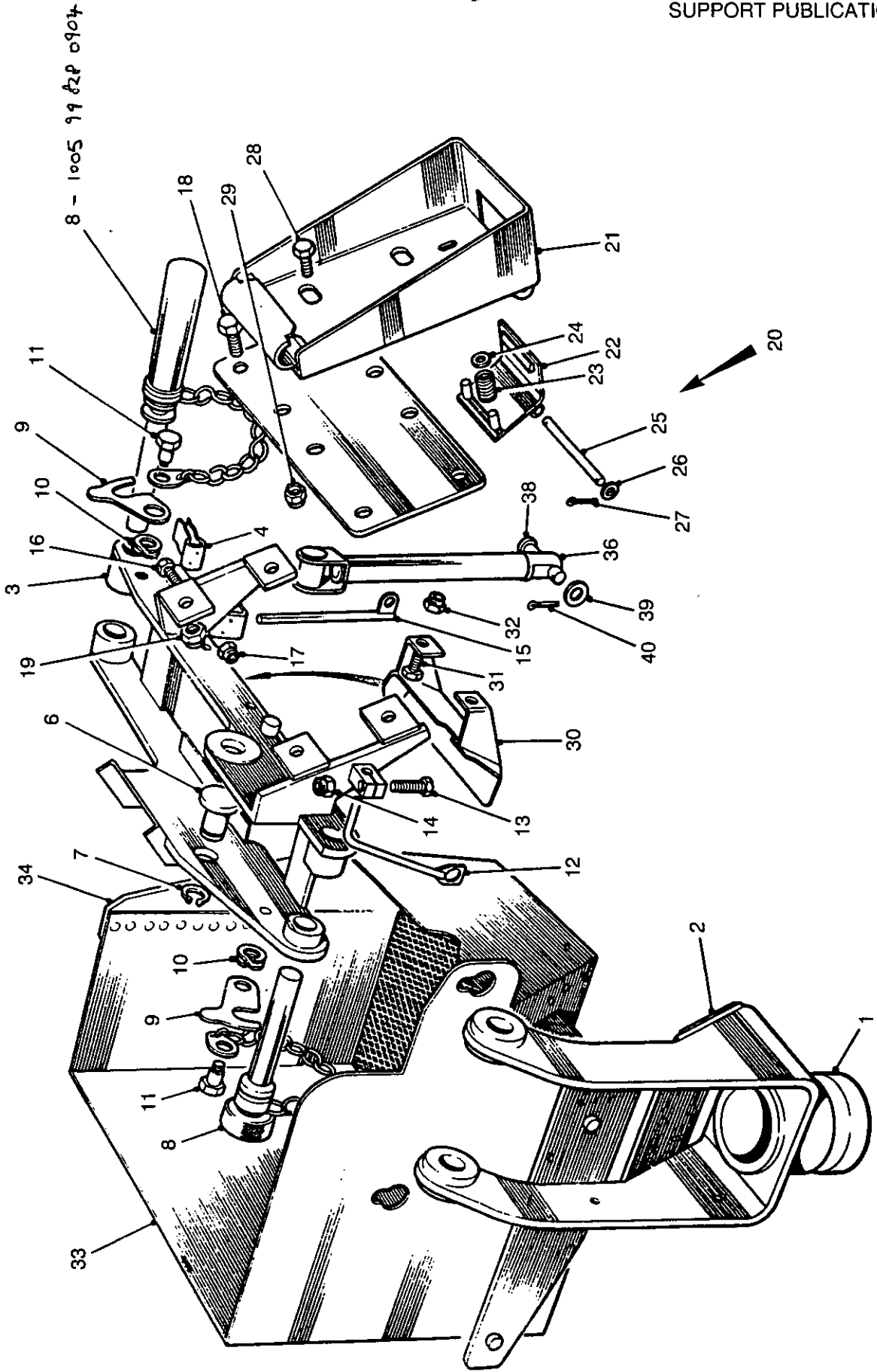


Fig 3 Mounting, 7.62mm machine gun, No.3 Mk 1

430/70146

Fig Item	Man Code Navy - N Army - A RAF - R	NATO Stock No	Item Name and Description	Part No/ Drawing No.	No. Off	Annotations
3-	A 4	1005-99-802-2614	MOUNTING, 7.62mm MACHINE GUN, No.3, Mk 1, CES 31006	FV589440	REF	
1	A 9ACR	1005-99-804-4825	SADDLE, MACHINE GUN MOUNT, 7.62mm, GPMG mount	FV566876	1	
2	A 4	1005-99-804-4829	PAD, SADDLE, rubber, 2-3/8in. w x 3-3/4in. lg x 1/16in. thk	FV566887	1	
3	A 4	1005-99-804-4822	CRADLE, MACHINE GUN MOUNT, 7.62mm GPMG	FV593109	1	
4	A 9ACR	5340-99-804-4823	CLIP, SPRING TENSION, spring steel, 16 swg, 0.69in. lg, 0.69in. wd, 1-1/8in. o/a h, 2 hole fixing	FV593120	1	
NI 5		NP	RIVET, SOLID, steel, csk hd, 1/8in. x 1/2in.		2	Spring clip
6	A 9ACR	5315-99-804-4880	PIN, GROOVED, HEADED, steel, phos coated, flat hd, 0.945in. under hd lg, 0.56in. dia, 0.875in. hd dia, 0.125in. h, 0.772in. grip lg	FV593115	2	
7	A 6MT1	5365-99-815-8747	RING, RETAINING, steel, ext, 9/16in. id	DIN1400-14	2	
8	A 4	1005-99-804-4827	PIN, LOCKING, MACHINE GUN, c/w security chain, front	FV594225	1	See drawing
9	A 9ACR	1005-99-804-4876	RETAINER, LOCKING PIN	FV594238	2	
10	A G1	5310-99-941-6678	WASHER, LOCK, phos B, double coil, rect section 5/16in.		2	
11	A 4	5306-99-812-8511	BOLT, SHOULDER, UNF, steel, phosphated, 1/4in.	FV337673	2	
12	A 4	1005-99-804-4877	FORESIGHT, 7.62mm GPMG MOUNT	FV492394	1	
13	A G1	5305-99-941-0279	SCREW, MACHINE, UNF, S, steel, hex hd, zinc coated 1/4in. x 7/8in.		1	
14	A G1	5310-99-941-3520	NUT, SELF-LOCKING, HEXAGON, UNF, steel, all metal, zinc coated, 1/4in.		1	
15	A 4	1005-99-804-4878	SIGHT, REAR, 7.62mm GPMG Mount	FV487180	1	
16	A G1	5306-99-941-6614	BOLT, MACHINE, UNF, S, steel, hex hd, zinc coated 1/4in. x 1-1/4in.		1	
17	A G1	5310-99-941-3520	NUT, SELF-LOCKING, HEXAGON, UNF, steel, all metal, zinc coated 1/4in.		1	
18	A G1	5305-99-941-0525	SCREW, MACHINE, UNF, S, steel, hex hd, zinc coated 5/16in. x 3/4in.		4	
19	A G1	5310-99-122-6722	NUT, SELF-LOCKING, HEXAGON, UNF, steel, Cd plated, 5/16in.		4	
20	A 4	1005-99-804-4881	BRACKET ASSEMBLY, ammunition feed	FV557746	1	
21	A 9AHY	1005-99-801-0254	BRACKET, MOUNTING, steel, 6.85in. o/a lg. 3.35in. o/a wd	FV577181	1	
22	A 9AHY	1005-99-867-4912	HINGE ASSEMBLY, SAA feed box	FV557748	1	
23	A 9AHY	5340-99-867-4913	SPRING, HELICAL COMPRESSION, steel, 0.175in. dia x 0.630in. free lg		2	
24	A Z2	5310-99-946-5182	WASHER, FLAT, steel, Cd plated, No. 4 BA		2	
25	A 9AHY	5315-99-867-4914	PIN, STRAIGHT, HEADLESS, steel, 5/32in. x 2-5/16in. lg	FV557750	1	
26	A G1	5310-99-941-6867	WASHER, FLAT, steel, Cd plated, No. 2 BA	FV557746/17	2	
27	A G1	5315-99-138-2199	PIN, COTTER, SPLIT, steel, phosphated 3/64in. x 1/2in.	21132-9-097	2	

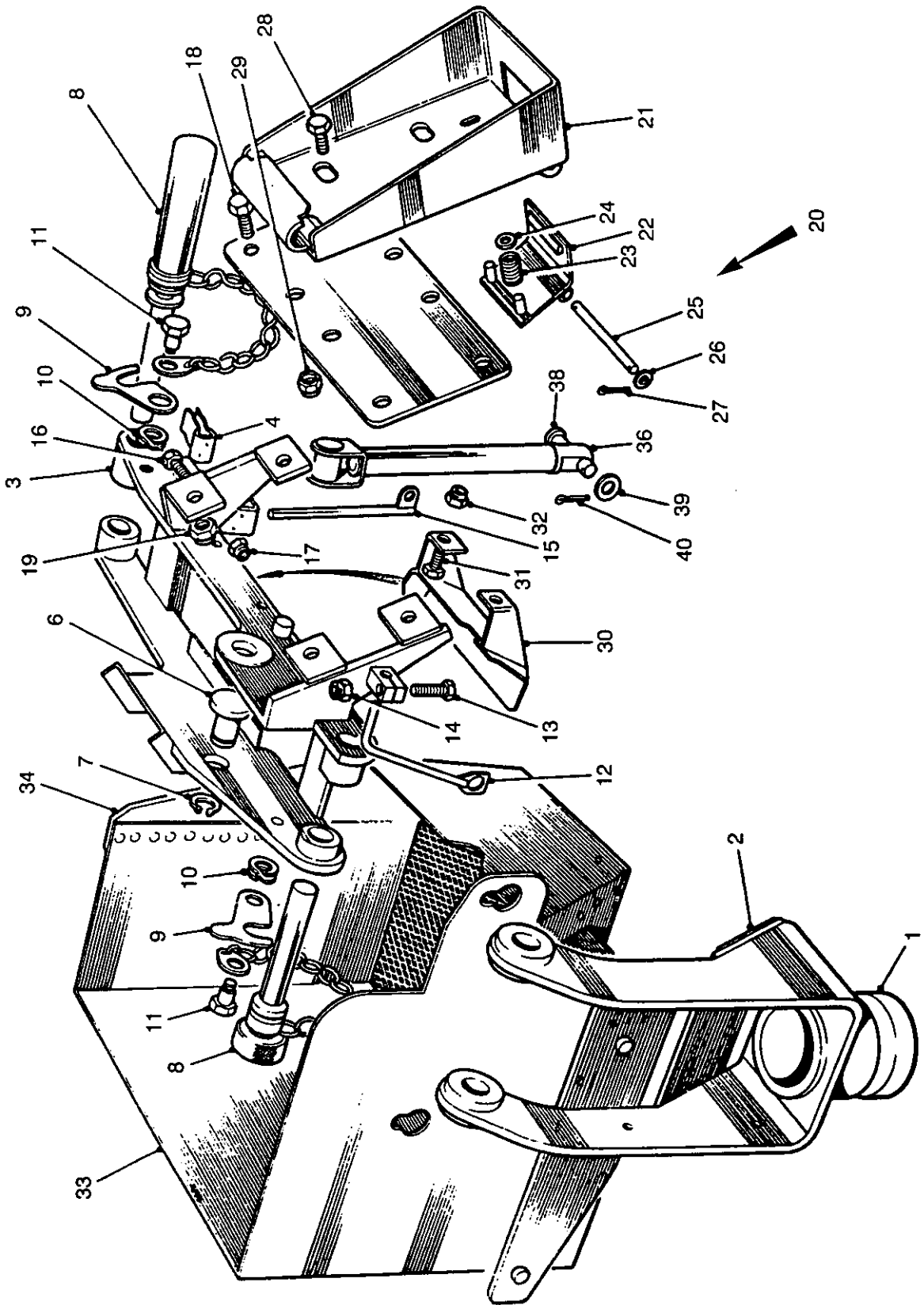


Fig 3 Mounting, 7.62mm machine gun, No.3 Mk 1

430/70146

Fig Item	Man Code Navy - N Army - A RAF - R	NATO Stock No	Item Name and Description	Part No/ Drawing No.	No. Off	Annotations
3-			MOUNTING, 7.62mm MACHINE GUN, No.3, Mk 1, CES 31006 - contd			
28	A G1	5305-99-941-0512	. SCREW, MACHINE, UNF, S steel, hex hd, zinc coated		4	
29	A G1	5310-99-941-3520	. NUT, SELF-LOCKING, HEXAGON, UNF, steel, all metal, zinc coated		4	
30	A 9ACR	1005-99-804-4874	. DEFLECTOR, SPENT CARTRIDGE, 7.62mm ammunition	FV589438	1	
31	A G1	5305-99-120-0941	. SCREW, MACHINE, UNF, steel, hex hd, zinc coated, No. 10 x 5/8in.		2	
32	A G1	5310-99-970-6320	. NUT, SELF-LOCKING, HEXAGON, UNF, steel, all metal Cd plated, No. 10		2	
33	A G1	1005-99-804-4824	. BIN, SPENT CARTRIDGE, 7.62mm ammunition.	FV566868	1	
34	A 9ACR	1005-99-804-4828	. PAD, SPENT CARTRIDGE BIN, rubber, 5-3/16in. w x 5-5/16in. lg x 3/16in. thk	FV566872	1	
NI 35		NP	. RIVET, SOLID, copper, boss hd, 3/32in. x 1/2in.		17	
36	A 9ACR	1005-99-804-4875	. STAY, TRAVEL LOCK, 7.62mm GPMG mount	FV566880	1	
NI 37	A G1	5310-99-956-1786	. WASHER, FLAT, steel, 5/16in. thk, 5/8in. od, round		1	Stay bracket to stay arm
38	A 4	5315-99-804-4879	. PIN, STRAIGHT HEADED, steel, 5/16in. dia x 1-3/8in. lg	FV594223	1	
39	A G1	5310-99-956-1786	. WASHER, FLAT, steel, zinc coated, 5/16in.		1	
40	A G1	5315-99-138-2201	. PIN, COTTER, SPLIT	0009830407	1	
NI 41	A 9CVT	1005-99-803-5295	. COVER, MACHINE GUN	FV600148	1	
NI 42	A G1	5325-99-948-9257	. CAP, SNAP FASTENER, br, 5/32in. dia x 19/64in lg	670	4	
NI 43	A G1	5325-99-948-9258	. SOCKET, SNAP FASTENER, br, 9/16in. dia x 5/32in. lg	548	4	Machine gun cover
NI 44	A G1	5325-99-948-9259	. STUD, SNAP FASTENER, br, 13/32in. dia x 11/64in. o/a h	GJ40055-000000	4	
NI 45	A G1	5325-99-465-8794	. EYELET, br, 5/32in. dia x 9/32in. lg	GJ40055-00-00A	4	

~~CONFIDENTIAL~~

~~CONFIDENTIAL~~

Chapter 2-1-3
PARTS LIST
ROOF DOORS GENERAL ARRANGEMENT

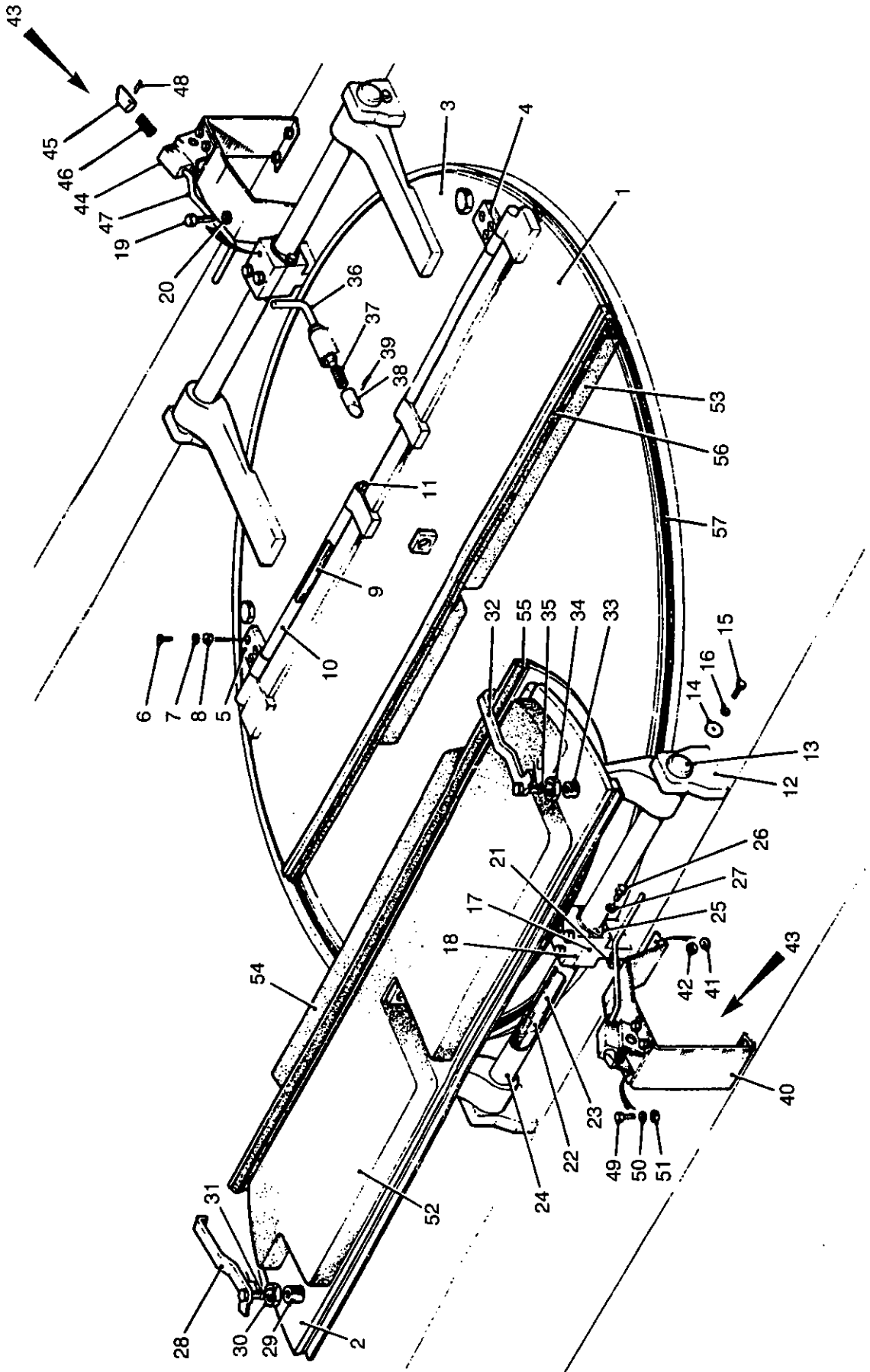


Fig 1 Roof doors general arrangement

430/70083

Fig Item	Man Code Navy - N Army - A RAF - R	NATO Stock No	Item Name and Description	Part No/ Drawing No.	No. Off	Annotations
1-		NP	HULL GA - contd			
			. ROOF DOORS GENERAL ARRANGEMENT	FV559810	REF	
1	A	9ACR 2510-99-865-6997	. . DOOR, HATCH VEHICLE	FV499860	1	
2	A	9ACR 2510-99-865-6998	. . DOOR, HATCH VEHICLE	FV499861	1	
3	A	9ACR 2510-99-865-6999	. . DOOR, HATCH VEHICLE	FV499862	2	
4	A	9ACR 5340-99-865-6966	. . LEAF BUTT HINGE, vehicular hatch door, steel	FV421501	2	
5	A	9ACR 5340-99-865-6967	. . LEAF, BUTT HINGE, vehicular hatch door, steel	FV421506	2	
6		NP	. . SCREW, MACHINE, UNF, steel, flat csk hd, zinc coated, 3/8in. x 1-3/8in. lg		12	
7	A	G1 5310-99-941-6656	. . WASHER, LOCK, steel, 3/8in. nom bolt size, 0.092in. thk, 0.590in. od		12	
8	A	G1 5310-99-941-0926	. . NUT, PLAIN, HEXAGON, UNF, P steel, zinc coated 3/8in.		12	
9	A	9ACR 2510-99-865-6971	. . STRIP, TORSION BAR HINGE, vehicular hatch door	FV421516	32	
10	A	9ACR 2510-99-865-6972	. . TUBE, TORSION BAR HINGE, vehicular hatch door	FV421517	4	
11	A	9ACR 5365-99-865-6970	. . PLUG, SCREWED, UNF, 7/8in. thd dia, 0.9in. o/a lg, 0.5in. lg thd, 0.625in. max hd wd a/f, 0.4in. h	FV421515	4	
12	A	9ACR 2510-99-865-7002	. . BRACKET, TORSION BAR HINGE, vehicular hatch door	FV499875	4	
13	A	9ACR 2510-99-865-7003	. . PIN, TORSION BAR HINGE BRACKET, vehicular hatch door	FV499876	4	
14	A	9ACR 5310-99-865-7012	. . WASHER, FLAT, steel, 1.25in. od, 0.338in. max id, 0.186in. max matl thk	FV499900	4	
15	A	G1 5305-99-941-0527	. . SCREW, MACHINE, UNF, steel, hex hd, 5/16in. x 1in. lg		4	
16	A	G1 5310-99-941-6656	. . WASHER, LOCK, steel, 3/8in. nom bolt size, 0.092in. thk, 0.590in. od		4	
17	A	9ACR 2510-99-865-7000	. . BRACKET, TORSION BAR HINGE, vehicular hatch door	FV499871	2	
18	A	9ACR 2510-99-865-7001	. . PLATE, TORSION BAR HINGE, vehicular hatch door	FV499874	2	
19	A	G1 5305-99-941-0740	. . SCREW, MACHINE, UNF, steel, 1/2in., x 1-1/2in. lg		6	
20	A	G1 5310-99-944-0552	. . WASHER, LOCK, steel, Cd P, 1/2in. 0.763in. od, 0.116in. thk		6	
21		NP	. . BOLT, TORSION BAR BRACKET, UNF, 3/8in. x 1in. lg	FV538984	2	LM from G1/5305-99-941-0543 reduce length to 1in.
22	A	9ACR 2510-99-865-7004	. . STRIP, TORSION BAR HINGE, vehicular hatch door	FV499877	26	
23		NP	. . PLATE, spacer, torsion bar strip	FV538758	2	
24	A	9ACR 2510-99-865-7005	. . TUBE, TORSION BAR HINGE, vehicular hatch door	FV499878	4	
25	A	9ACR 2510-99-865-7007	. . FLANGE RETAINING, roof door, torsion bar cover	FV499885	4	
26	A	G1 5305-99-941-1068	. . SCREW, MACHINE, UNF, steel, hex hd, 1/4in., 3/4in. lg		8	

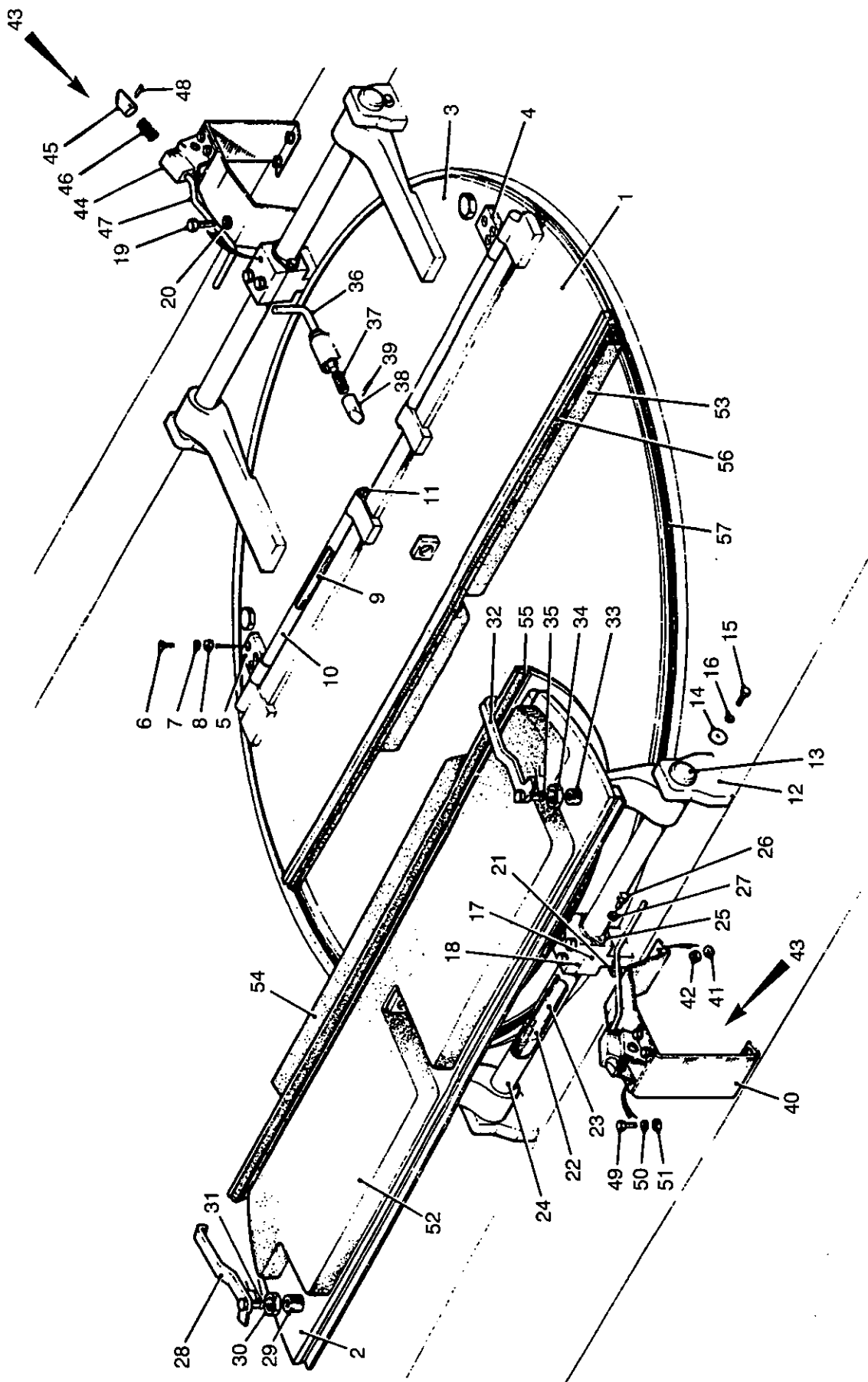


Fig 1 Roof doors general arrangement

430/70083

Fig Item	Man Code Navy - N Army - A RAF - R	NATO Stock No	Item Name and Description	Part No/ Drawing No.	No. Off	Annotations
1-			HULL GA - contd . ROOF DOORS GA - contd			
27	A G1	5310-99-941-6654	. . WASHER, LOCK, steel, 1/4in. nom bolt size, 27/64in. od, 5/64in. thk		8	
28	A 9ACR	2540-99-837-2310	. . HANDLE DOOR, welded construction 1.25in. lg shaft, lh fitting	FV651497	3	
29	A 9ACR	5306-99-865-6556	. . BOLT, INTERNALLY RELIEVED BODY, br, lh handle	FV524670	3	
30	A G1	5310-99-941-0910	. . NUT, PLAIN, HEXAGON, UNF, 7/8in. thd dia, rh thd, steel, zinc pltd, 1-5/16in. wd A/F, 31/64in.		3	
31	A 9ACR	5360-99-865-6987	. . SPRING, HELICAL, TORSION, spring steel, 3 coils, 16swg, rh wound	FV485528	3	
32	A 9ACR	2540-99-837-2311	. . HANDLE, DOOR, 1.25in. lg shaft, rh fitting	FV651498	3	
33	A 9ACR	5306-99-865-6554	. . BOLT, INTERNALLY RELIEVED BODY, br, rh handle	FV524664	3	
34	A G1	5310-99-941-0910	. . NUT, PLAIN, HEXAGON, UNF, 7/8in. thd dia, rh thd, steel, zinc pltd, 1-5/16in. wd A/F		3	
35	A 9ACR	5360-99-865-6988	. . SPRING, HELICAL, TORSION, spring steel, 3 coils, 16swg, lh wound	FV485529	3	
36	A 9ACR	2510-99-865-7009	. . HANDLE SLIDING CATCH, roof door	FV499895	2	
37	A 9ACR	2510-99-865-7010	. . SPRING, HELICAL, COMPRESSION, roof door sliding catch	FV499898	2	
38	A 9ACR	2510-99-865-7011	. . BOLT, SLIDING CATCH, roof door	FV499899	2	
39		NP	. . PIN, GROOVED, HEADLESS, steel, 1/8in. dia x 3/4in. lg		2	
40	A 9ACR	1420-99-865-7033	. . BRACKET, STOP, for roof door	FV525169	2	
41	A G1	5310-99-944-0552	. . WASHER, LOCK, steel, single coil, sq sect, Cd P, 1/2in.		8	
42	A G1	5310-99-941-0928	. . NUT, PLAIN, HEXAGON, UNF, steel, zinc coated, 1/2in.		8	
43	A 9ACR	2510-99-866-6238	. . CATCH, ROOF DOOR	FV538659	2	
44	A 9ACR	2510-99-796-0378	. . BRACKET ASSEMBLY, welded assy, roof door catch	FV538660	1	
45	A 9ACR	2510-99-865-7011	. . BOLT, SLIDING CATCH, roof door	FV499899	1	
46	A 9ACR	2510-99-865-7010	. . SPRING, HELICAL, COMPRESSION, roof door sliding catch	FV499898	1	
47		NP	. . HANDLE	FV538662	1	
48	A G1	5315-99-942-3566	. . PIN, GROOVED, HEADLESS, steel, 1/8in. x 7/8in. lg 27/16 7/8	SEE ITEM 39	1	
49	A G1	5305-99-941-0540	. . SCREW, MACHINE, UNF, steel, hex hd, zinc coated, 3/8in. x 7/8in. lg		8	
50	A G1	5310-99-944-0550	. . WASHER, LOCK, steel, single coil, sq sect, Cd P, 3/8in.		8	
51		NP	. . WASHER, FLAT, steel, zinc coated, 3/8in. dia x 18swg		8	
52		NP	. . PAD, CUSHIONING, 56.000in. lg, 11.7000in. w, 1.000in. thk	FV538587	1	
53		NP	. . PAD, CUSHIONING	FV538588	2	
54		NP	. . PAD, CUSHIONING	FV538589	3	

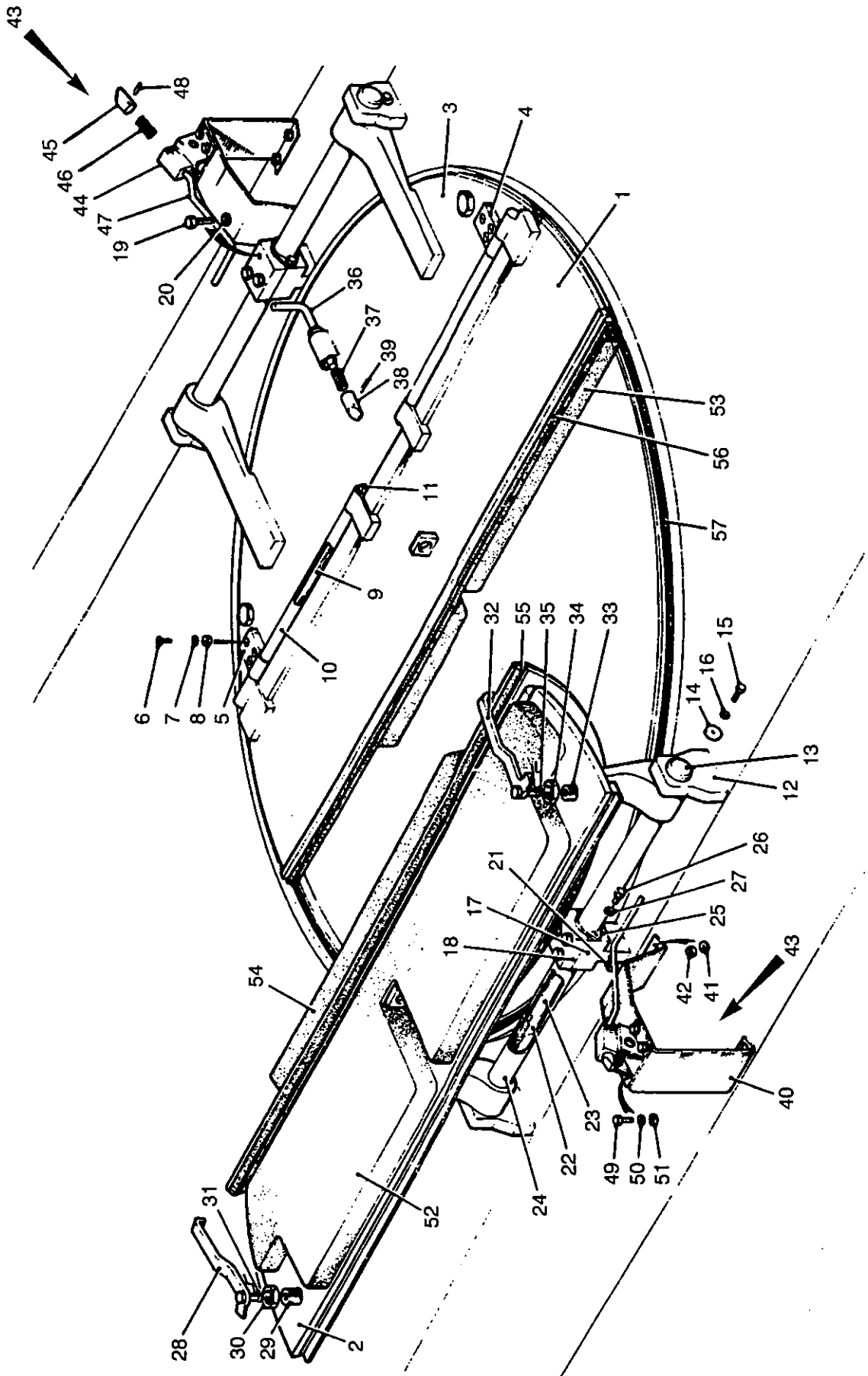


Fig 1 Roof doors general arrangement

430/70083

Fig Item	Man Code Navy - N Army - A RAF - R	NATO Stock No	Item Name and Description	Part No/ Drawing No.	No. Off	Annotations
1-			HULL GA - contd . ROOF DOORS GA - contd			
55		NP	. . NON-METALLIC SPECIAL SHAPED SECTION, linatex and sponge, 0.800in. wd, 0.700in. h, 55in. lg.	FV421602/2	2	} LM from item 58
56		NP	. . NON-METALLIC SPECIAL SHAPED SECTION, linatex and sponge, 0.800in. wd, 0.700in. h, 62in. lg	FV421602/3	1	
57		NP	. . NON-METALLIC SPECIAL SHAPED SECTION, linatex and sponge, 0.800in. wd, 0.700in. h, 188in. lg	FV421602/4	1	
NI 58	A 9ACR	9390-99-805-8387	. . NON-METALLIC SPECIAL SHAPED SECTION, linatex and sponge, 0.800in. w, 0.700in. h, 5m lg	FV421602	A/R	
NI 59	A 9ACR	5330-99-802-0822	. . RUBBER STRIP, cellular, rect cross-section, 1-3/4in. sq, 1/4in. lg	FV586673	6	

~~RESTRICTED~~

~~RESTRICTED~~

Chapter 2-1-4

PARTS LIST

REAR DOOR GENERAL ARRANGEMENT

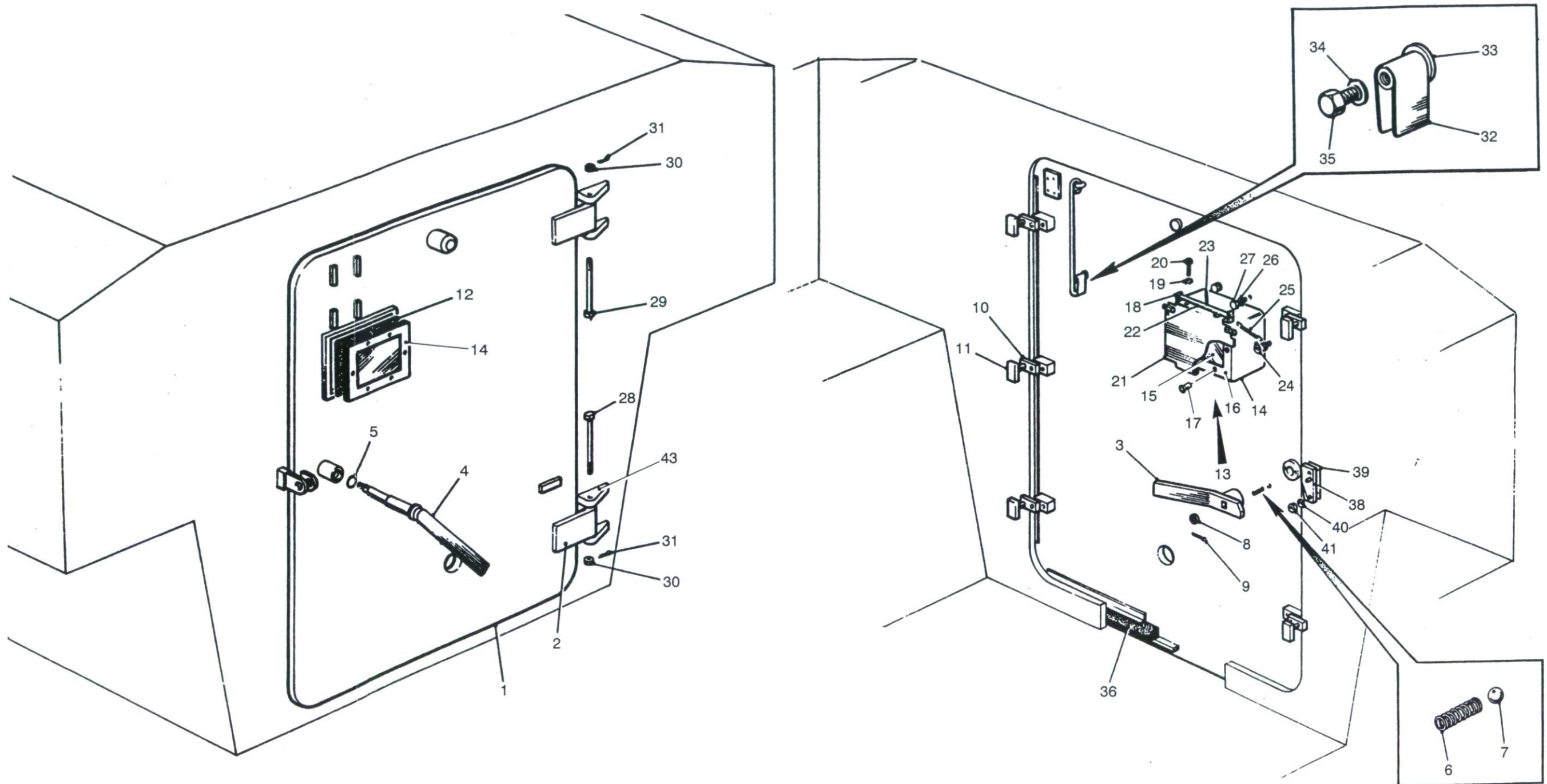


Fig 1 Rear door general arrangement

430/70084

Fig Item	Man Code Navy - N Army - A RAF - R	NATO Stock No	Item Name and Description	Part No/ Drawing No.	No. Off	Annotations
1-			HULL GA - contd			
		NP	. REAR DOOR GENERAL ARRANGEMENT	FV586071	REF	
1	A	9ACR 2510-99-816-3771	. . DOOR, VEHICULAR, rear	FV586072	1	
2	A	9ACR 5340-99-865-6973	. . . LEAF, BUTT, HINGE, steel, 2.9in. max lg, 3in. lg leaf, 0.5in. thk	FV421597	2	
3	A	9ACR 2510-99-865-7027	. . HANDLE, VEHICULAR, HATCH DOOR, rear, inner	FV525042	1	
4	A	9ACR 2510-99-865-7028	. . HANDLE, VEHICULAR, HATCH DOOR, rear, outer	FV525045	1	
5	A	46MT1 5330-99-943-0069	. . RING, SEALING TOROIDAL, syn rubber, 9/64in. h, 55/64in. id	200-212-0103	1	
6	A	9ACR 5340-99-865-7031	. . SPRING, HELICAL, COMPRESSION, locking handle	FV525101	2	
7	A	6MT7 3110-99-805-9741	. . BALL, BEARING, steel, 9.525mm dia	0070-3/8	2	
8	A	G1 5310-99-941-0884	. . NUT, SLOTTED, HEXAGON, UNF, steel, zinc coated, 1/2in. x 3/4in. x 7/16in.		1	
9	A	G1 5315-99-138-2207	. . PIN, COTTER, SPLIT, steel, phos coated 2.5mm dia, 50mm lg	PS105321	1	
10	A	9ACR 2510-99-865-7030	. . CLAMP, HAND SCREW, rear door clamping	FV525051	5	
11	A	9ACR 5340-99-867-2716	. . CATCH, CLAMPING, REAR DOOR	FV599573	5	
12	A	9ACR 5330-99-867-2721	. . GASKET, rubber, 0.438in. hole dia, 4.06in. max wd aperture, 7.06in. max aperture lg, 0.125in. thk	FV559880	1	
13		NP	. . VISION BLOCK ASSEMBLY	FV559865	1	
14	A	9ACR 2510-99-867-2717	. . . VISION BLOCK & CASING	FV559866	1	
15	A	9ACR 2510-99-867-2718	. . . WINDOW, plastics 6.735in. o/a lg, 3.735in. o/a wd, 0.062in. o/a h	FV559868	1	
16	A	9ACR 2510-99-867-2722	. . . PLATE, RETAINING, rear door vision block screen	FV559869	1	
17	A	G1 5305-99-941-1938	. . . SCREW, MACHINE, UNC, steel, flat csk hd, slot drive, Cd Pl, No. 4 x 3/8in. lg		6	
18	A	9ACR 5340-99-867-2723	. . . BRACKET, DOUBLE ANGLE	FV559870	1	
19	A	G1 5310-99-941-6654	. . . WASHER, LOCK, steel, Cd P, 1/4in. single coil x 27/64in. od x 5/64in. thk		2	
20	A	G1 5305-99-941-6284	. . . SCREW, MACHINE, UNF, steel, hex hd, 1/4in. x 1/2in. thk, zinc coated		2	
21	A	9ACR 2510-99-867-2719	. . . DOOR, VISION BLOCK	FV559867	1	
22		NP	. . . PIN, HINGE	FV559871	1	
23	A	G1 5315-99-944-0171	. . . PIN, COTTER, SPLIT, steel, phos, 1/16in. x 5/8in. lg		1	
24		NP	. . ANCHOR, spring, cover plate	FV559879	1	
25	A	9ACR 1005-99-812-5805	. . SPRING HELICAL, EXPANSION	FV559999	1	
26	A	G1 5310-99-941-6656	. . WASHER, LOCK, steel, single coil, Cd P, 3/8in., 0.92in. thk, 0.590in. od		6	
27	A	G1 5306-99-941-6597	. . BOLT, MACHINE, UNF, R steel, hex hd, zinc coated 3/8in. x 1-3/8in. lg, 1in. lg thd		6	
28	A	9ACR 5306-99-865-6963	. . BOLT, MACHINE, steel, rear door hinge pivot lower	FV421353	1	
29	A	9ACR 5306-99-866-6881	. . BOLT, MACHINE, steel, rear door hinge pivot upper	FV559217	1	

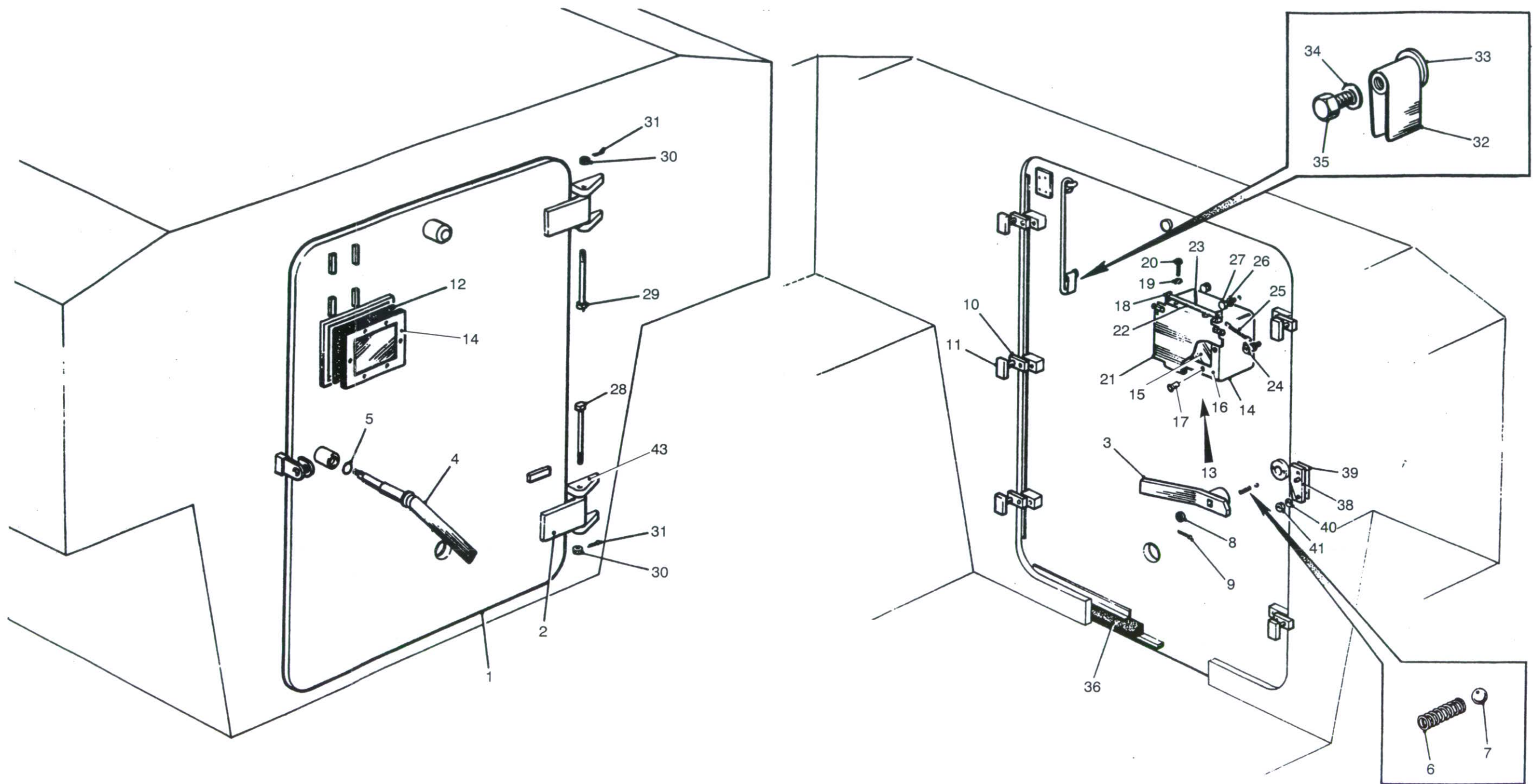


Fig 1 Rear door general arrangement



Fig Item	Man Code Navy - N Army - A RAF - R	NATO Stock No	Item Name and Description	Part No/ Drawing No.	No. Off	Annotations
1-			HULL GA - contd . REAR DOOR GA - contd			
30	A G1	5310-99-941-6574	. . NUT, SLOTTED, HEXAGON, UNF, P steel, chamfered, zinc coated, 5/8in. wd a/f		2	
31	A G1	5315-99-138-2209	. . PIN, COTTER, SPLIT, steel, 3.20mm dia, 32mm lg	2103-0710	2	
32	A 9ACR	2510-99-865-7032	. . CATCH, DOOR LOCK, hook, rear door	FV525134	1	
33	A G1	5310-99-941-8637	. . WASHER, FLAT, steel, zinc coated, 33/64in.		1	
34	A G1	5310-99-956-1786	. . WASHER, FLAT, steel, zinc coated, 21/64in.		1	
35	A G1	5305-99-941-0523	. . SCREW, MACHINE, UNF, R steel, hex hd, zinc coated 5/16in. x 1/2in. lg		1	
36		NP	. . NON-METALLIC SPECIAL SHAPED SECTION, 0.800in. wd, 0.700in. h 168in. lg	FV421602/1	1	LM from item 37
NI 37	A 9ACR	9390-99-805-8387	. . NON-METALLIC SPECIAL SHAPED SECTION, linatex and sponge, 0.800in. w, 0.700in. h, 5m lg bulk supply	FV421602	A/R	
38	A 9ACR	5340-99-978-3113	. . CATCH PLATE, rear door locking handle	FV560134	1	
39		NP	. . SHIM, locking handle catch plate	FV560135	A/R	
40	A G1	5310-99-941-6655	. . WASHER, LOCK		2	
41	A G1	5310-99-941-0925	. . NUT, PLAIN, HEXAGON, UNF, R steel, zinc coated, 5/16in. chamfered, 1/2in. w a/f, 17/64in. h		2	
NI 42		NP	. REAR PLATE	FV559402	REF	
43	A 9ACR	2540-99-791-7661	. . HINGE, DOOR, steel, 4-5/16in. lg, 2in. w, 1in. thk	FV421721	4	



1872-1873

1872-1873

Chapter 2-1-5

PARTS LIST

ENGINE COMPARTMENT ROOF GENERAL ARRANGEMENT

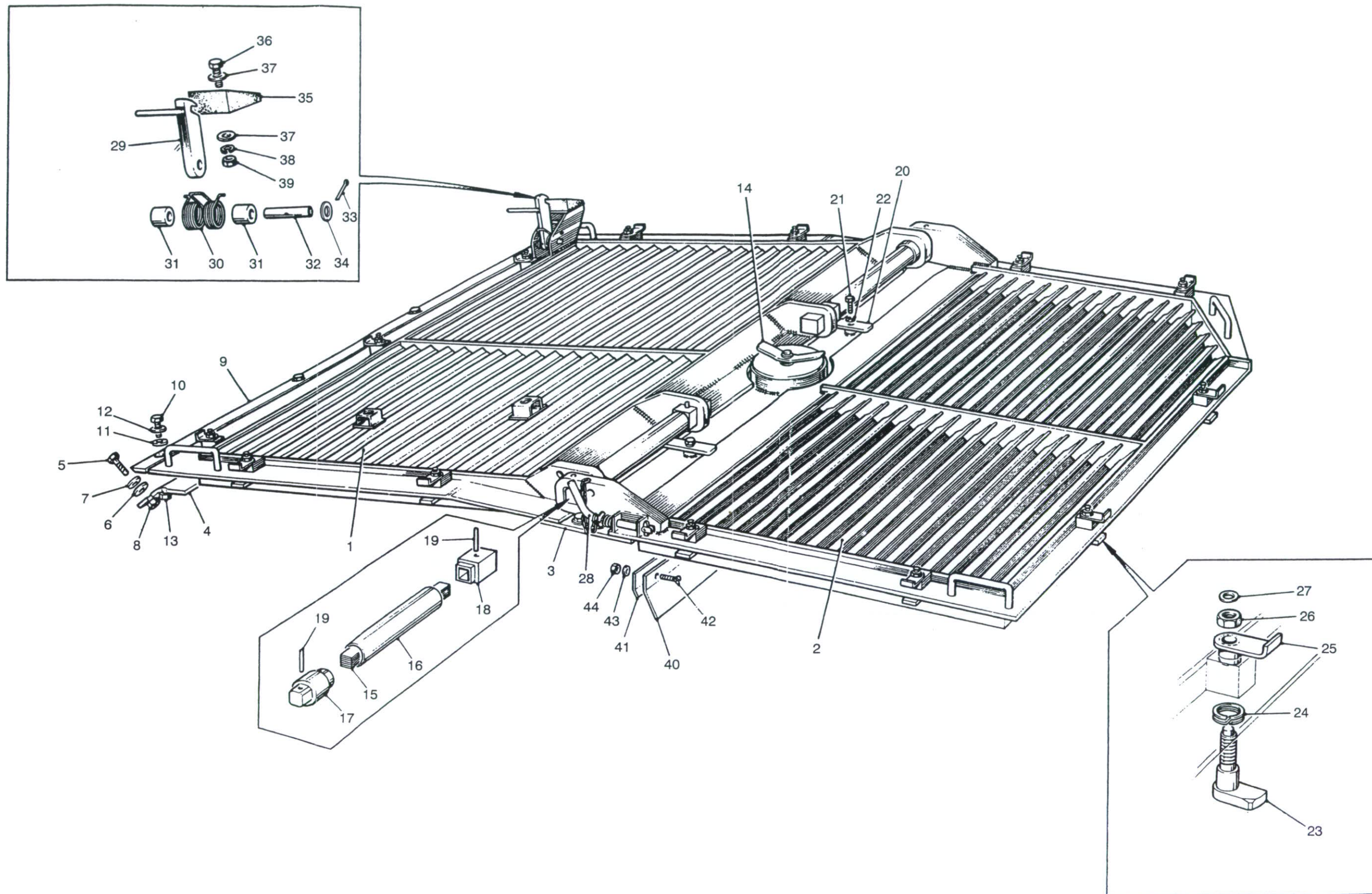


Fig 1 Engine compartment roof general arrangement

430/70085

Fig Item	Man Code Navy - N Army - A RAF - R	NATO Stock No	Item Name and Description	Part No/ Drawing No.	No. Off	Annotations	
1-			HULL GA - contd				
		NP	. ENGINE COMPARTMENT ROOF GENERAL ARRANGEMENT	FV559367	REF		
1	A	9ACR 2510-99-867-4615	. . LOUVRE, AIR INLET	FV585770	1	} Louvre front and centre supports to hull	
2	A	9ACR 2510-99-867-4616	. . LOUVRE, ENGINE COMPARTMENT, air outlet	FV560015	1		
3	A	9ACR 2510-99-812-9724	. . SUPPORT, LOUVRE, louvre, air inlet and outlet	FV603258	1		
4	A	9ACR 2510-99-867-4618	. . SUPPORT, FRONT LOUVRE, air inlet	FV586003	1		
5	A	G1 5305-99-941-0739	. . SCREW, MACHINE, UNF, R steel, hex hd, zinc coated, 1/2in. x 1-1/4in. lg		9		
6	A	9ACR 5310-99-865-6977	. . WASHER, NON-METALLIC, felt, 1.062in. od	FV421775	9		
7	A	G1 5310-99-120-3891	. . WASHER, FLAT, steel, rd, Cd P, 0.520in.		9		
8	A	G1 5310-99-941-0928	. . NUT, PLAIN, HEXAGON, UNF, P steel, chamfered, zinc coated, 1/2in.		9		
9	A	9ACR 2910-99-795-9735	. . STRIP, joint, front louvre support	FV586059	1		
10	A	G1 5305-99-941-0541	. . SCREW, MACHINE, UNF, R, steel, hex hd, zinc coated, 3/8in. x 1 in lg		4		
11		NP	. . WASHER, NON-METALLIC, felt	FV586058	4		} Joint strip to front louvre support
12	A	G1 5310-99-915-5148	. . WASHER, FLAT, steel, rd, Cd P, 3/8in. 0.660in. max 0.392in. nom hole dia, 0.048in. thk		4		
13	A	G1 5310-99-941-0926	. . NUT, PLAIN, HEXAGON, UNF, P steel, chamfered, zinc coated, 3/8in. 0.563in. 0.333in.		4		
14	A	9ACR 2510-99-865-6984	. . COVER, filler cap, engine radiator	FV485149	1		
15	A	9ACR 2510-99-867-4624	. . SPRING, LEAF, louvre hinge	FV560036	32		
16	A	9ACR 2510-99-867-4625	. . COVER, torsion bar, louvre hinge	FV560037	2		
17	A	9ACR 2510-99-867-4622	. . PIN, HINGE, air inlet and outlet louvres	FV560034	2		
18	A	9ACR 2510-99-867-4623	. . RETAINER, torsion bar, louvre hinge	FV560035	2		
19	A	G1 5315-99-942-3614	. . PIN, GROOVED, HEADLESS, steel, phos, GP1, 5/16in. x 2-1/4in.		4		
20	A	9ACR 2510-99-314-6112	. . SADDLE, steel, painted, 3.5in. lg, 1.25in. wd, 0.5in. thk, w/1 hole 17/32in. dia	FV560044	2		
21	A	G1 5305-99-941-0340	. . SCREW, UNF, 1/2in. -20thd, scr 1-3/8in., 1-3/8in. lg, steel, zinc plated, 1232000 lb/sq in. min t/s		2		
22	A	G1 5310-99-944-0552	. . WASHER, LOCK, steel, single coil, Cd P, 1/2in., 0.763in. od, 0.116in. thk		2		
23	A	9ACR 2510-99-867-4620	. . CATCH, LOCKING, air inlet and outlet louvres	FV560038	13		
24	G1	5310-99-941-6684	. . WASHER, LOCK, double coil, 3/4in. dia		13		
25	A	9ACR 2510-99-867-4621	. . HANDLE, louvre locking catch	FV560041	13		
26	A	G1 5310-99-941-0928	. . NUT, PLAIN, HEXAGON, UNF, P steel, chamfered, zinc coated, 1/2in., 3/4in. w a/f, 7/16 o/a h		13		
27	A	G1 5310-99-941-9403	. . WASHER, FLAT, steel, rd, Cd P, 0.333in. max hole dia, 0.610in. max od, 0.048in. thk		13		
28	A	9ACR 5820-99-867-4626	. . PIN-ASSEMBLY, LOCKING, air inlet and outlet louvres	FV585977	1		
29	A	9ACR 5340-99-801-3434	. . CATCH, RETAINING, drivers hatch door	FV586490	1		

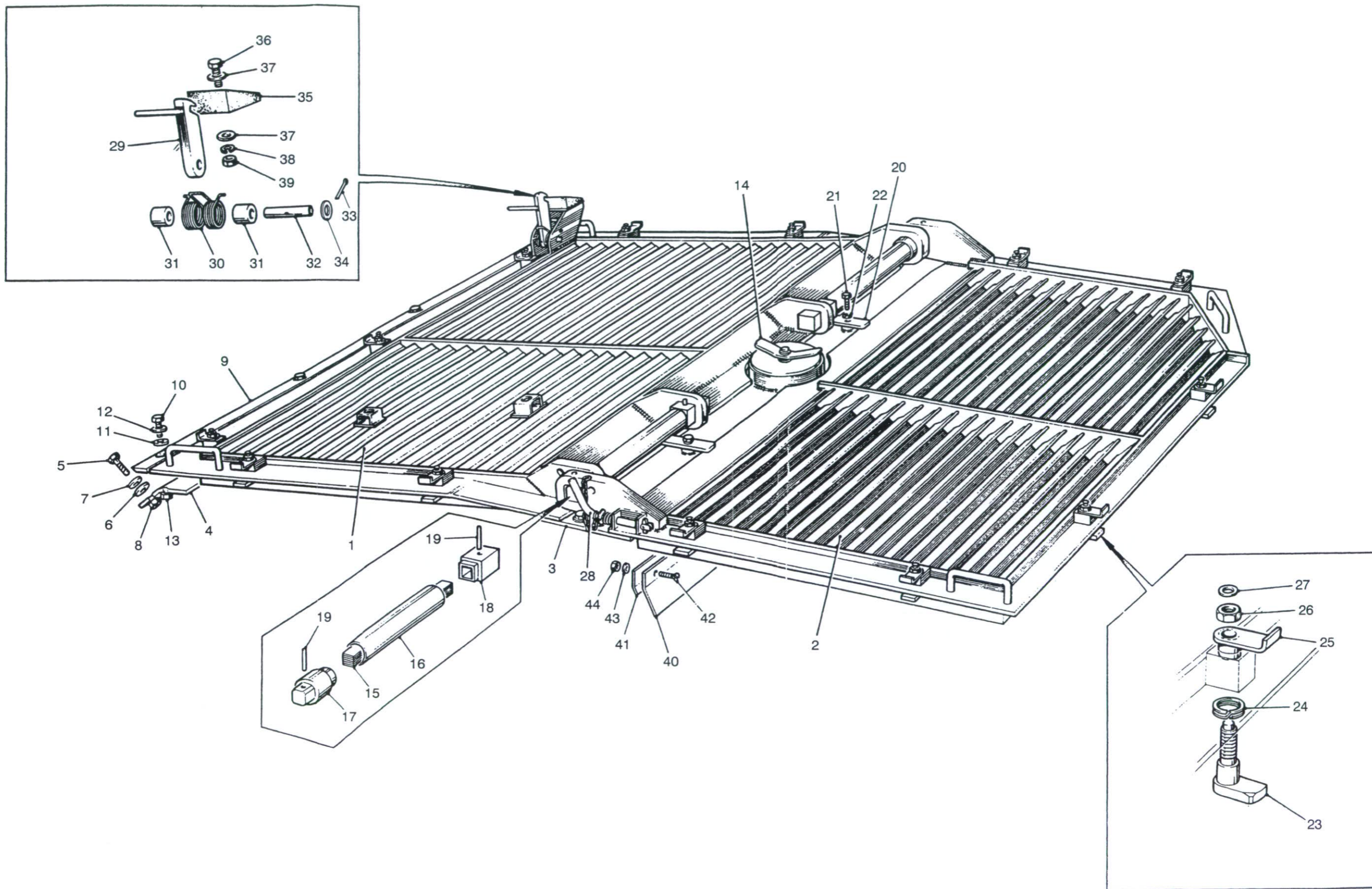


Fig 1 Engine compartment roof general arrangement

430/70085

Fig Item	Man Code Navy - N Army - A RAF - R	NATO Stock No	Item Name and Description	Part No/ Drawing No.	No. Off	Annotations
1-			HULL GA - contd . ENGINE COMPARTMENT ROOF GENERAL ARRANGEMENT -contd			
30	A	9ACR	2510-99-865-6518 . . SPRING, HELICAL TORSION, drivers hatch retaining catch	FV422180	1	
31	A	9ACR	5365-99-865-6517 . . SPACER, SLEEVE, drivers hatch retaining catch	FV422179	2	
32	A	9ACR	5315-99-137-8940 . . PIN, STRAIGHT HEADLESS, steel, phos, 1/2in. x 3-5/32in. lg	FV650333	1	
33		NP	. . PIN, COTTER, SPLIT, 3/32in. dia, 7/8in. lg		2	
34	A	G1	5310-99-120-3891 . . WASHER, FLAT, steel, rd, Cd plated, 0.52in.		2	
35	A	9ACR	5340-99-801-3435 . . BUMPER, RUBBER, vehicular hatch door	FV586497		
36	A	G1	5305-99-941-0541 . . SCREW, MACHINE, UNF, R steel, hex hd, zinc coated, 3/8in. x 1in.		1	
37	A	G1	5310-99-915-5148 . . WASHER, FLAT, steel, rd, Cd P, 3/8in.		2	
38	A	G1	5310-99-941-6656 . . WASHER, LOCK, steel, single coil, Cd P, 3/8in., 0.092in. thk, 0.590in. od		1	
39	A	G1	5310-99-941-0926 . . NUT, PLAIN, HEXAGON, UNF, P steel, chamfered, zinc coated, 3/8in.		1	
40		NP	. . STRIP, SEALING, radiator to louvre support	FV586001	1	
41		NP	. . SEAL CLAMPING STRIP, radiator to louvre support	FV586081	1	
42		NP	. . SCREW, MACHINE, UNF, MS, flat csk hd, zinc coated, 5/16in. x 1/2in.		5	
43	A	G1	5310-99-941-6655 . . WASHER, LOCK, single coil, 5/16in. dia		5	
44	A	G1	5310-99-941-0925 . . NUT, PLAIN, HEXAGON, UNF, P steel, chamfered, zinc coated, 1/2in. w a/f, 17/64in. h		5	

SECRET

SECRET

Chapter 2-1-6
PARTS LIST
ENGINE COMPARTMENT SEALING PANELS
GENERAL ARRANGEMENT

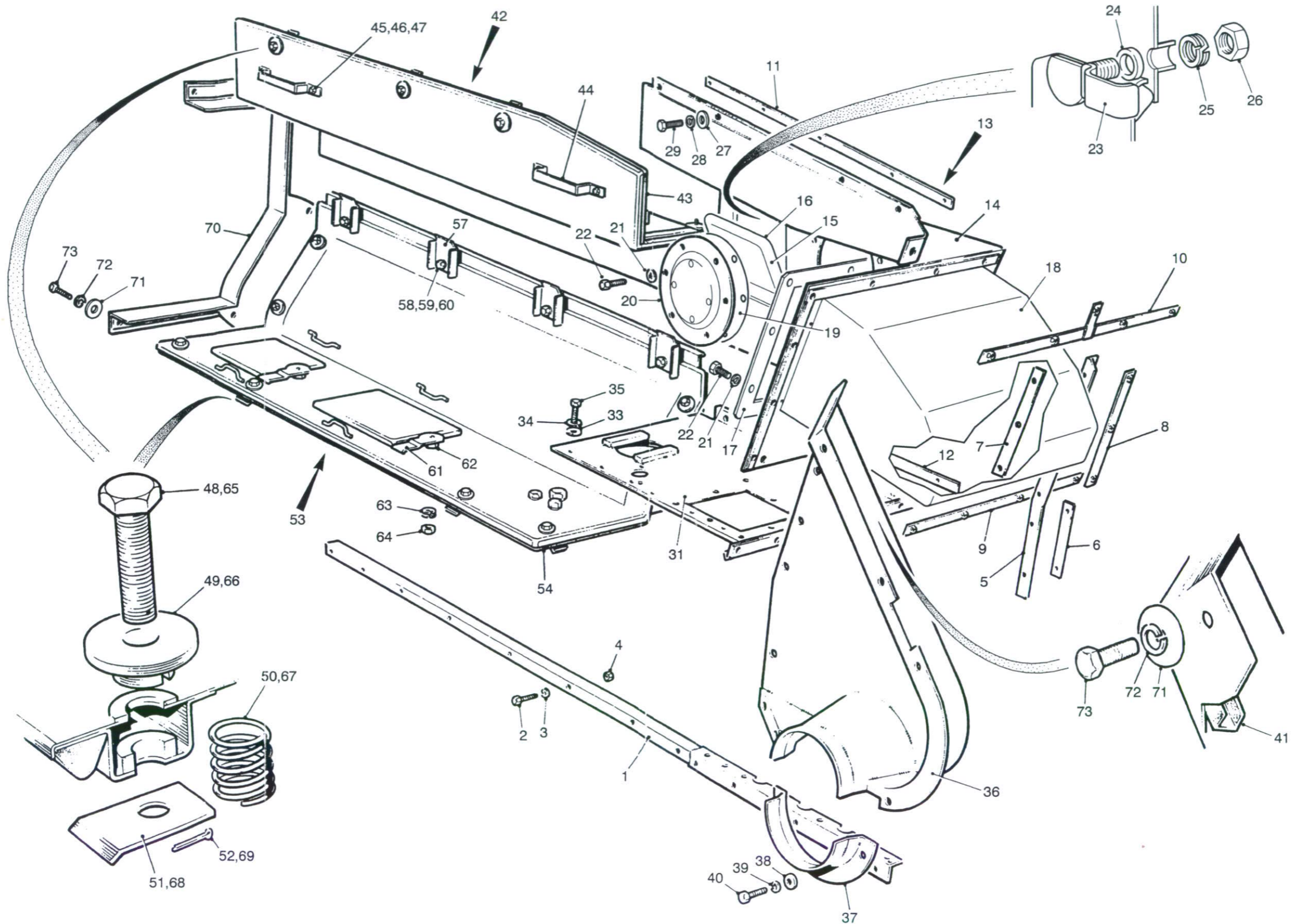


Fig 1 Engine compartment sealing panels general arrangement

430/70086

Fig Item	Man Code Navy - N Army - A RA/F - R	NATO Stock No	Item Name and Description	Part No/ Drawing No.	No. Off	Annotations
1-			HULL GA - contd			
		NP	. ENGINE COMPARTMENT SEALING	FV559986	REF	
		NP	. . . PANELS GENERAL ARRANGEMENT			
1		NP	. . . SUPPORT ASSEMBLY, angle lower	FV559979	1	
2	A G1	5305-99-941-0513	. . . SCREW, MACHINE, UNF, steel, hex		12	
			hd, zinc coated, 1/4in. x 3/4in. lg			
3	A G1	5310-99-941-6654	. . . WASHER, LOCK, steel, single coil, Cd		12	
			P, 1/4in., 27/64in. od, 5/64in. thk			
4	A G1	5310-99-804-7941	. . . NUT, PLAIN, HEXAGON, UNF, steel,		12	
			zinc coated, 1/4in., 7/16in. w A/F,			
			7/32in. o/a h			
5	A 9ACR	2590-99-978-3115	. . . SUPPORT	FV559987	1	
6	A 9ACR	2510-99-464-1646	. . . FIXING STRIP ASSEMBLY, rect,	FV560124	2	
			w/captive nut each end			
7	A 9ACR	2510-99-996-0698	. . . FIXING STRIP ASSEMBLY, paint, assy	FV560122	1	
			of three 5/16in. UNF nuts welded to a			
			fixing strip			
8	A 9ACR	2510-99-062-6305	. . . FIXING STRIP ASSEMBLY, painted,	FV560120	1	
			assy of three 5/16in. UNF nuts welded			
			to a fixing strip			
9	A 9ACR	2510-99-988-4242	. . . FIXING STRIP ASSEMBLY, paint,	FV560114	1	
			assembly of four 5/16in. UNF nuts			
			welded to a fixing strip			
10	A 9ACR	2510-99-748-2600	. . . FIXING STRIP ASSEMBLY, paint, assy	FV560129	1	
			of five 5/16in. UNF nuts welded to			
			2 fixing strips			
11	A 9ACR	2510-99-811-2864	. . . FIXING STRIP ASSEMBLY, assy of five	FV560118	1	
			5/16in. UNF nuts welded to a fixing strip			
12	A 9ACR	2590-99-978-3116	. . . STRIP	FV560116	1	
13		NP	. . . FRONT SEALING PANEL, UPPER	FV602905	REF	
			COMPLETE			
14	A 9ACR	2510-99-867-4630 PANEL, SEALING, engine, front, door	FV559971	1	
15	A 9ACR	2510-99-804-2220 LID, FRONT SEALING PANEL,	FV602902	1	
			steel, 6-1/4in. w x 7-3/4in. lg x 1/4in.			
			deep. c/w hinge			
16		NP SEAL, RUBBER, 29in. lg	FV525369/1 3	1	LM from item 74
17	A 9ACR	5330-99-837-2312 GASKET, rubber, 14.4in. o/a lg,	FV951701	1	
			10.65in. o/a w, aperture 8.75in. w,			
			12.8in. lg			
18	A 9ACR	2540-99-753-5967 CONTAINER ASSEMBLY, DRIVERS	FV951710	1	
			SIGHT, comprising 9 items			
19	A 9ACR	5330-99-804-2284 GASKET, syn rubber, 5in. id x 7in. od	FV585864	1	
			x 1/8in. thk, 6 holes, 6in. PCD			
20	A 9ACR	2510-99-806-9264 COVER, ACCESS, 7in. dia, 3/4in. o/a	FV651075	1	
			thk, c/w instruction plate			
21	A G1	5310-99-944-0549 WASHER, LOCK, steel, single coil,		14	
			sq sect, Cd P, 5/16in.			
22	A G1	5305-99-941-0524 SCREW, MACHINE, UNF, steel,		14	
			hex hd, zinc coated, 5/16in. x 5/8in.			
23	A 9ACR	2510-99-867-4639 HANDLE, LOCKING, access door	FV510388	1	
			engine cover			
24	A 9ACR	5310-99-804-2256 WASHER, FLAT, steel, rd, 11/32in. id	FV559713	1	
			x 5/8in. od x 0.15in. thk			
25	A G1	5310-99-941-6628 WASHER, LOCK, steel, double coil,		1	
			rect sect, Cd P, 5/16in.			
26	A G1	5310-99-941-0925 NUT, PLAIN, HEXAGON, UNF, steel,		1	
			chamfered, zinc coated, 5/16in.			

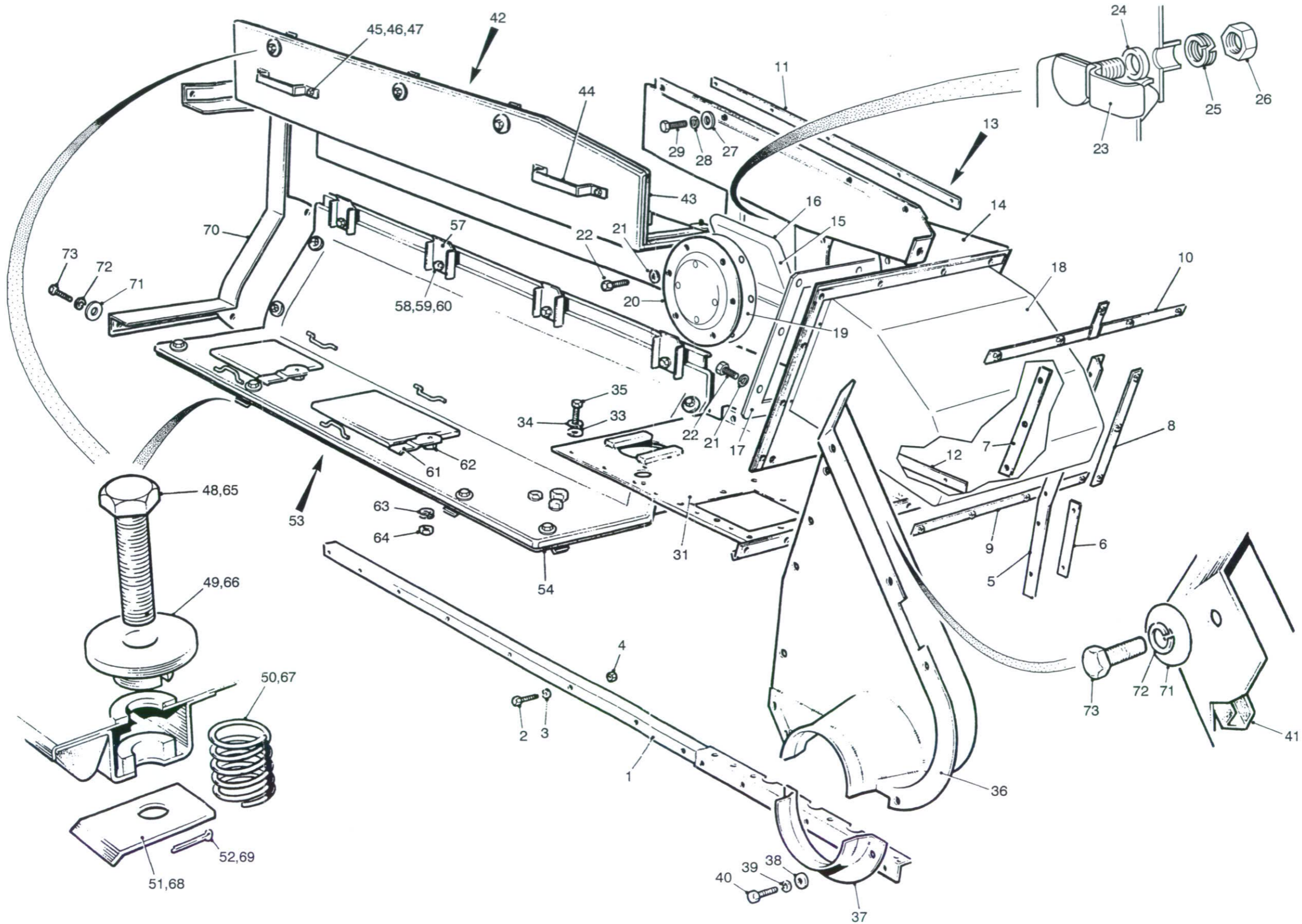


Fig 1 Engine compartment sealing panels general arrangement

430/70086

Fig Item	Man Code Navy - N Army - A RA/F - R	NATO Stock No	Item Name and Description	Part No/ Drawing No.	No. Off	Annotations
1-			HULL GA - contd . ENGINE COMPARTMENT SEALING PANELS GA -contd			
27	A 9ACR	5310-99-865-6800	. . WASHER, FLAT, steel, rd, 1in. od, 0.328in. id, 0.072in. thk	FV299470	5	
28	A G1	5310-99-944-0549	. . WASHER, LOCK, steel, split helical ring, Cd plated, 5/16in. bolt size, 0.503in. od, 0.08in. thk, single coil, sq section		5	
29		NP	. . BOLT, MACHINE, UNF, steel, hex hd, Zn coated, 5/16in. x 1-1/4in. lg		5	
NI 30	A 6MT1	5325-99-808-4324	. . GROMMET, BLANK, NON-METALLIC, syn rubber, 7/16in. od groove, 1/16in. w groove, 11/16in. od flange, 5/16in. o/a h	SIC706/836	1	u/w item 13
31	A 9ACR	2510-99-867-4631	. . PANEL, SEALING, engine, front, lower	FV559968	1	
NI 32		NP	. . SEALING, STRIP, rubber, 1in. w x 1/8in. thk x 60in. lg	FV559968/2	1	
33	A G1	5310-99-120-4032	. . WASHER, FLAT, steel, zinc plated, 1/4in. nom bolt size, 9/16in. od, 0.056in.		7	
34	A G1	5310-99-941-6654	. . WASHER, LOCK, steel, single coil, sq sect, Cd P, 1/4in., 27/64in. od, 5/64in. thk		7	
35	A G1	5305-99-941-0513	. . SCREW MACHINE, UNF, steel, zinc plated, hex hd, 1/4in. dia, 3/4in. lg		7	
36	A 9ACR	2910-99-867-4632	. . COVER ACCESS, steering unit	FV586230	1	
37	A 9ACR	2510-99-865-7017	. . BRACKET, final drive half shaft	FV524632	1	
38	A G1	5310-99-941-8386	. . WASHER, FLAT, steel, Zn plated, w/chromate, 5/8in. od, rd, 5/16in. nom bolt size, 0.072in. thk		3	
39	A G1	5310-99-944-0549	. . WASHER, LOCK, steel, Cd plated, single coil, sq section, 5/16in.		3	
40	A G1	5305-99-941-0526	. . SCREW, MACHINE, (UK), UNF, steel, hex hd, zinc coated, 5/16in. x 7/8in. lg		3	
41		NP	. . RUBBER CHANNEL, 1/4in. w int, 5/16in. h, 42in. lg	E524	1	
42	A 9ACR	2510-99-867-4628	. . COVER ASSEMBLY, DETACHABLE, ENGINE, upper	FV559961	1	
43		NP	. . SEAL, RUBBER, 125in. lg	FV525369	1	LM from item 74
44	A 9ACR	5340-99-865-6981	. . HANDLE, BOW, vehicular engine cover	FV480222	2	
45	A G1	5305-99-941-0525	. . SCREW, MACHINE, UNF, steel, hex hd, zinc pl, 5/16in. x 3/4in. lg, class 2A thd		4	
46	A G1	5310-99-941-6655	. . WASHER, LOCK, steel, single coil, sq sect, Cd P, 5/16in.		4	
47	A G1	5310-99-941-0925	. . NUT, PLAIN, HEXAGON, UNF, steel, chamfered, zinc coated, 1/2in. w A/F, 17/64in. h		4	
48	A 9ACR	5306-99-219-3617	. . BOLT, CLAMP, UNF, 3/8in. x 1-1/2in. lg	FV586395	9	
49	A 9ACR	5355-99-802-5885	. . KNOB, 0.700in. o/a wd, 1.250in. od, rd shaft accommodation, steel, 0.400in.	FV602783	9	
50	A 9ACR	5360-99-867-4637	. . SPRING, HELICAL, COMPRESSION engine cover clamp	FV559976	9	

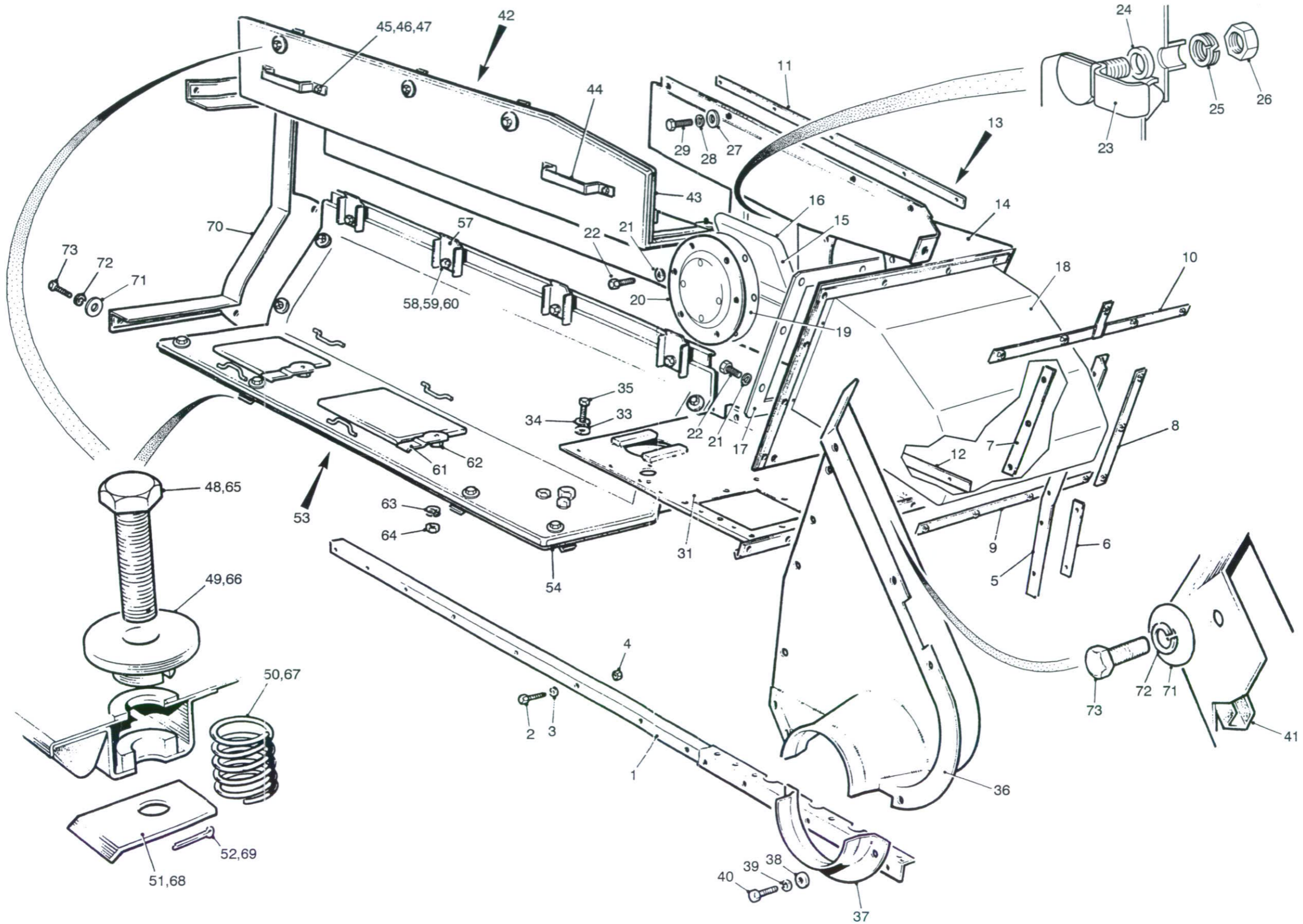


Fig 1 Engine compartment sealing panels general arrangement

430/70086

Fig Item	Man Code Navy - N Army - A RAF - R	NATO Stock No	Item Name and Description	Part No/ Drawing No.	No. Off	Annotations	
1-			HULL GA - contd . ENGINE COMPARTMENT SEALING PANELS GA -contd . . COVER ASSEMBLY, DETACHABLE, ENGINE, upper - contd				
51	A	9ACR	2510-99-867-4635	. . . CLAMP, engine cover	FV559982	9	} LM from item 74
52	A	G1	5315-99-138-2201	. . . PIN, COTTER, SPLIT, steel, phos, 1.6mm x 25mm lg	PS1049/13	9	
53	A	9ACR	2510-99-867-4629	. . COVER ASSEMBLY, DETACHABLE, ENGINE, lower	FV559953	1	
54		NP		. . . SEAL, RUBBER, engine cover lower, 90in. lg	FV525369/ 12	1	
NI 55		NP		. . . SEAL, RUBBER, centre hinged access door, 30in. lg	FV525369/2	1	
NI 56		NP		. . . SEAL, RUBBER, rear hinged access door, 23in. lg	FV525369/6	1	
57	A	9ACR	2510-99-867-4638	. . . CLAMP, ENGINE COVER, upper to lower	FV559641	4	
58		NP		. . . BOLT, UNF, 5/16in. x 1in. lg	FV559667	4	
59	A	G1	5310-99-941-8386	. . . WASHER, FLAT, steel, zinc P, 5/16in. x 5/8in. x 0.072in. thk		4	
60	A	G1	5315-99-138-2201	. . . PIN, COTTER, SPLIT, steel, phos, 1.6mm x 25mm lg	PS1049/13	4	
61	A	9ACR	2510-99-867-4639	. . . HANDLE, LOCKING, access door, lower engine cover	FV510388	2	
62	A	9ACR	5310-99-804-2256	. . . WASHER, FLAT, steel, rd, phos coated, rd hole, 11/32in. id, 5/8in. od, 0.15in. thk	FV559713	2	
63	A	G1	5310-99-941-6628	. . . WASHER, LOCK, steel, Cd plated, double coil, rect section, 5/16in.		2	
64	A	G1	5310-99-941-0925	. . . NUT, PLAIN, HEXAGON, UNF, steel, zinc coated, 5/16in., 17/64in. h		2	
65	A	9ACR	5306-99-219-3617	. . . BOLT, CLAMP, hex hd, 1.5in., 0.07in., 1.35in.	FV586395	9	
66	A	9ACR	5355-99-802-5885	. . . KNOB, steel, 0.700 x 1.250 x 0.400in. id	FV602783	9	
67	A	9ACR	5360-99-867-4637	. . . SPRING, HELICAL, COMPRESSION, engine cover clamp	FV559976	9	
68	A	9ACR	2510-99-867-4635	. . . CLAMP, engine cover	FV559982	9	
69	A	G1	5315-99-138-2201	. . . PIN, COTTER, SPLIT, steel, phos, 1.6mm dia, 25mm lg	PS1049/13	9	
70	A	9ACR	2510-99-867-4633	. . COVER PLATE AND ANGLE ASSEMBLY welded construction, irregular shape, fitted w/pads, insulation lining and sealing strips	FV559985	1	
71	A	9ACR	5310-99-865-6800	. . WASHER, FLAT, steel, rd, 1in. od, 0.328in. id, 0.072in. thk	FV299470	40	
72	A	G1	5310-99-941-6655	. . WASHER, LOCK, steel, single coil, sq, Cd P, 5/16in.		40	
73	A	G1	5305-99-941-0524	. . SCREW, MACHINE, UNF, steel, hex hd, Zn coated, 5/16in. x 5/8in. lg		40	
NI 74	A	46MT6	9320-99-835-1324	. . RUBBER SPECIAL SHAPED SECTION, syn rubber, triangular shaped neoprene sponge expanded closed cell, 7/16in. h, 5/8in. w, 5/32in. rad top	FV525369	A/R	Panel sealing
NI 75		NP		. . FIBRE THERM, engine covers and panel insulation	EC98PA	A/R	

~~UNCLASSIFIED~~

~~UNCLASSIFIED~~

Chapter 2-1-7

PARTS LIST

DOOR, VENTILATION FILTER

GENERAL ARRANGEMENT

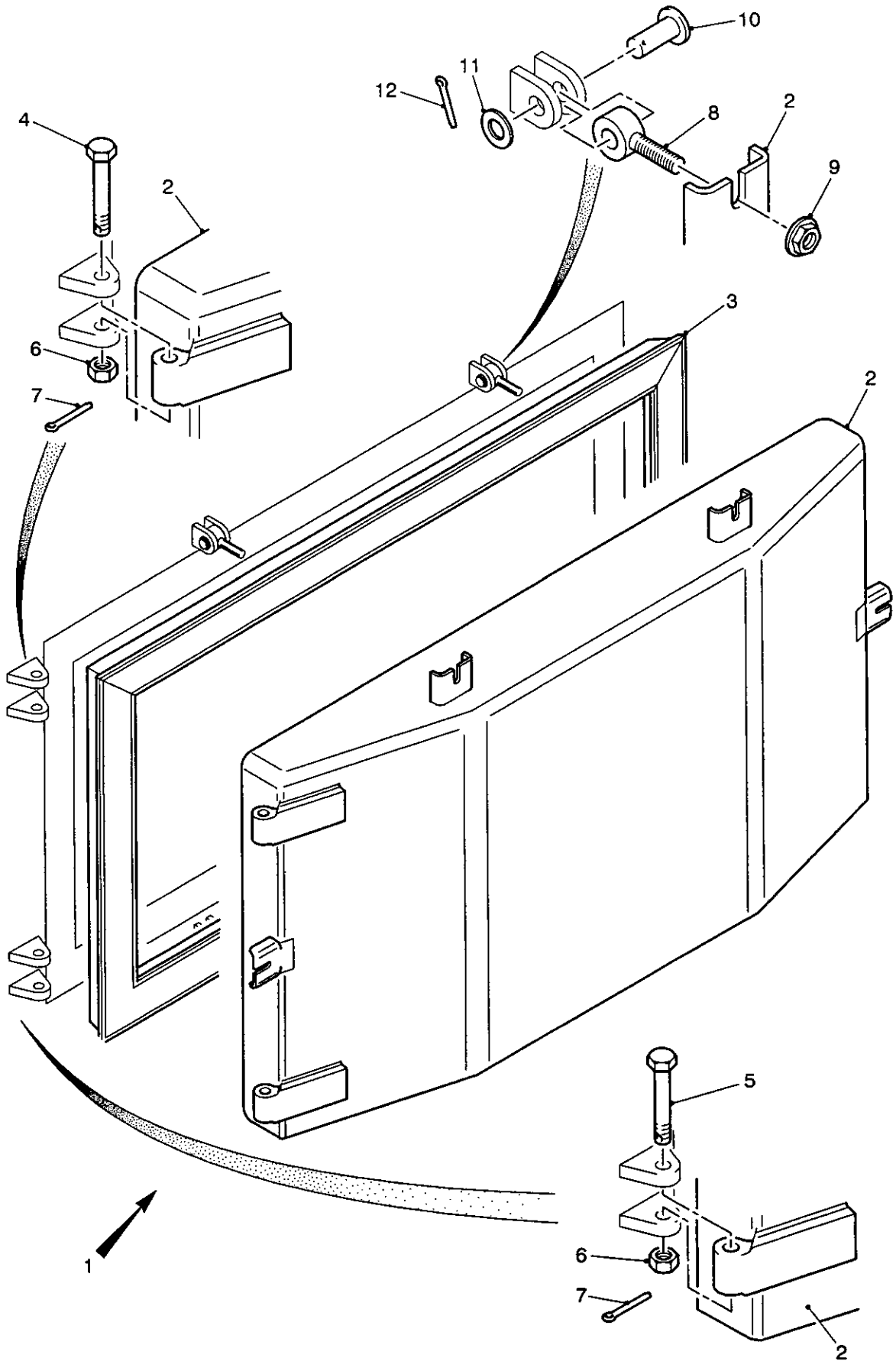


Fig 1 Door, ventilation filter general arrangement

430/70167

Fig Item	Man Code Navy - N Army - A RAF - R	NATO Stock No	Item Name and Description	Part No/ Drawing No.	No. Off	Annotations
1-			HULL GA - contd			
1		NP	. DOOR, VENTILATION FILTER GENERAL ARRANGEMENT	FV602540	REF	Mk 2/1 vehicle
2		NP	. . DOOR ASSEMBLY, FILTER	FV602510	1	
3		NP	. . SEAL	FV602864	1	
4		NP	. . HINGE PIN	FV602545	1	
5		NP	. . HINGE PIN	FV602575	1	
6	A G1	5310-99-941-0864	. . NUT, SLOTTED, HEXAGON, UNF, steel, Zn plated, chamfered bearing surface, 5/8in. thd dia, 15/16in. w A/F, 23/32in. h, grade 3		2	
7	A G1	5315-99-138-2209	. . PIN, COTTER, SPLIT, steel, phosphate finish, 3.2mm dia, 32mm lg		2	
8	A 9ACR	5306-99-802-1964	. . EYEBOLT, steel, 1/2in. UNF, 1-5/16in. lg thd, 1-1/2in. lg shank	FV602543	6	
9	A 9ACR	5310-99-802-1965	. . NUT, EXTENDED WASHER, HEXAGON, UNF, steel, phosphated, 1/2in., 1in. dia x 9/16in. o/a h	FV602541	6	
10	A 9ACR	5315-99-802-1963	. . PIN, STRAIGHT, HEADED, steel, phosphate coated, 0.5in. dia, 1.8in. lg, flat hd, 1.95in. o/a lg	FV602544	6	
11		NP	. . WASHER, PLAIN, 1/2in. dia x 13swg	7030008009 1000	6	
12	A G1	5315-99-138-2205	. . PIN, COTTER, SPLIT, steel, phosphate finish, 2.5mm dia, 25m lg		6	

████████████████████

████████████████████

Chapter 2-1-8
PARTS LIST
FRONT ACCESS COVER
GENERAL ARRANGEMENT

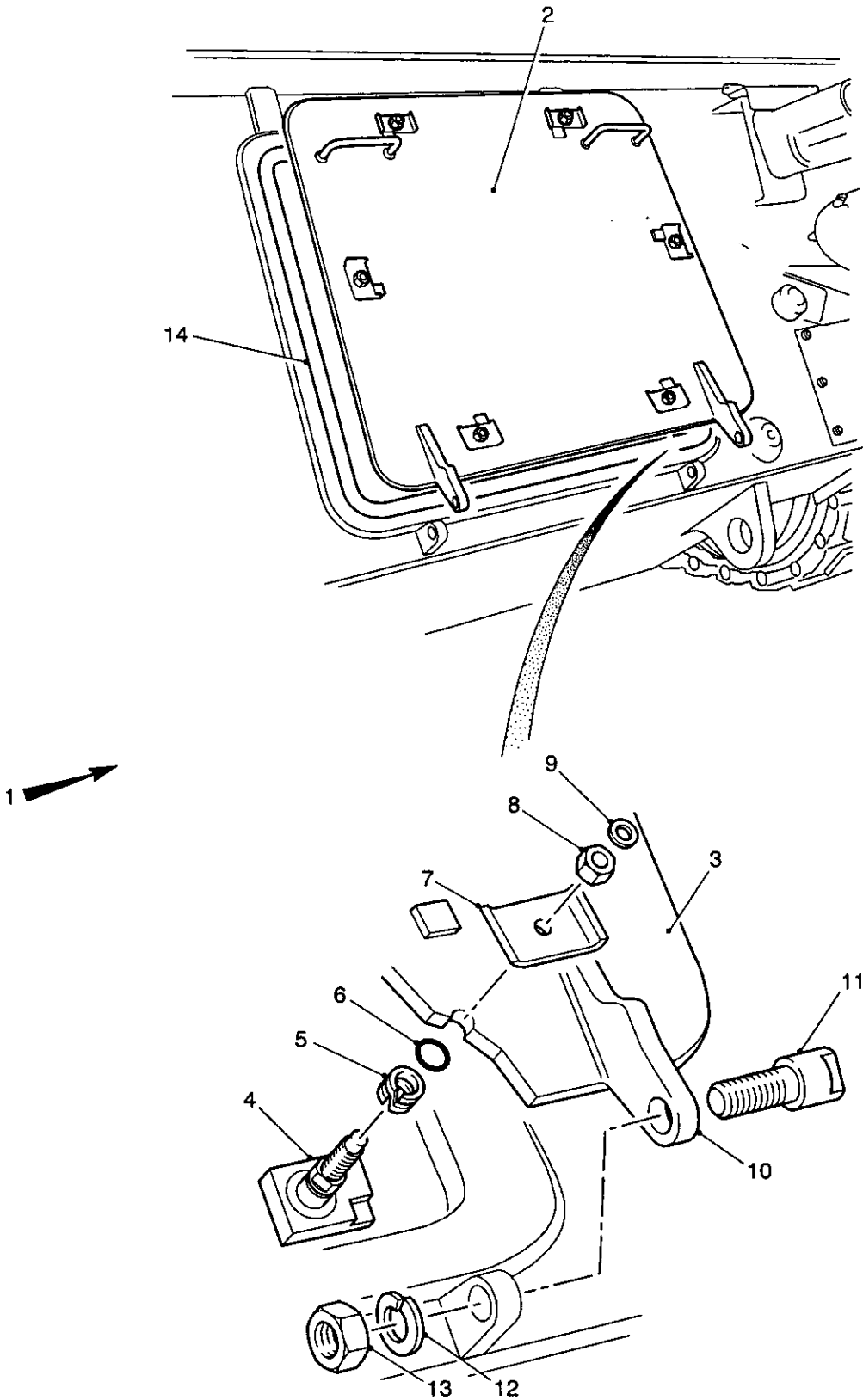


Fig 1 Front access cover general arrangement

430/70168

Fig Item	Man Code Navy - N Army - A RAF - R	NATO Stock No	Item Name and Description	Part No/ Drawing No.	No. Off	Annotations
1-			HULL GA - contd			
1		NP	FRONT ACCESS COVER GENERAL ARRANGEMENT	FV585714	REF	
2	A 9ACR	2510-99-250-8389	COVER ASSEMBLY, front access cover	FV524802	1	
3	A 9ACR	5340-99-816-3764	COVER, ACCESS, front	FV524803	1	
4	A 9ACR	2510-99-865-7022	BOLT, CATCH, vehicular hatch door	FV524850	6	
5	A G1	5310-99-941-6636	WASHER, LOCK, steel, split double helical ring, 1in. nom bolt size, 1/8in. thk, 1-9/16in. od		6	
6		NP	O RING, 1-1/16in. od x 7/8in. id	FV524802/7	6	
7	A 9ACR	2510-99-865-7021	HANDLE, CATCH BOLT, vehicular hatch door	FV524847	6	
8	A G1	5310-99-136-1520	NUT, PLAIN, HEXAGON UNF, 5/8in. -18, class 2B thd, steel, Zn plated, 15/16in. w A/F, 35/64in. h, chamfered or washer faced		6	
9	A G1	5310-99-138-5162	WASHER, FLAT, steel, 3/4in. od, 3/8in. nom bolt size, 0.072in. thk		6	
10	A 9ACR	2540-99-874-8857	PLATE, HINGE	FV2200692	2	
11	A 9ACR	5315-99-804-5525	PIN, SHOULDER, HEADLESS, steel, phosphate coated, 1.75in. shank lg, 1in. shoulder dia, 0.75in. dia, 2.8in. o/a lg, 16 TPI UNF, class 2A thd	FV560148	2	
12		NP	WASHER, LOCK, single coil, 3/4in. dia		2	
13	A G1	5310-99-941-0931	NUT, PLAIN, HEXAGON, UNF, steel, Zn plated, chamfered bearing surface, grade 3, 3/4in., 1-1/8in. w A/F, 41/64in. o/a h		2	
14		NP	SEAL, 120in. lg	FV421602/ 10	1	LM from item 15
NI 15	A 9ACR	9390-99-805-8387	NON-METALLIC SPECIAL SHAPED SECTION, linatex and sponge, 0.8in. w, 0.7in. h, 5m lg bulk supply	FV421602	A/R	

~~CONFIDENTIAL~~

~~CONFIDENTIAL~~

Chapter 2-1-9
PARTS LIST
INSPECTION COVERS, DRAIN PLUGS AND
CHEQUERED FLOOR INSTALLATION

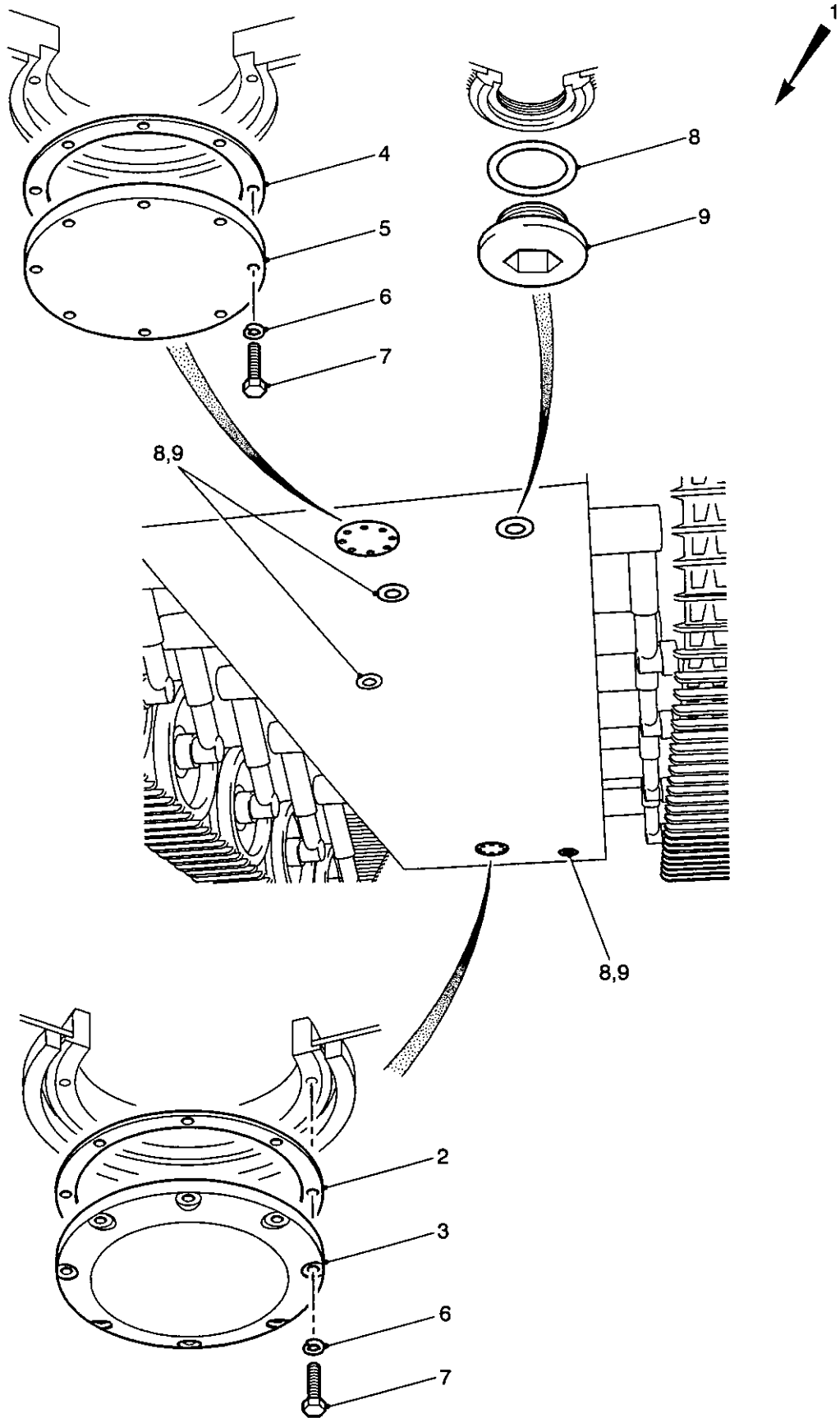


Fig 1 Floor plate covers and plugs

430/70169

Fig Item	Man Code Navy - N Army - A RAF - R	NATO Stock No	Item Name and Description	Part No/ Drawing No.	No. Off	Annotations
1-			HULL GA - contd			
		NP	. INSPECTION COVERS, DRAIN PLUGS AND CHEQUERED FLOOR INSTALLATION	FV559369	REF	
1		NP	. . FLOOR PLATE COVERS AND PLUGS		REF	
2	A 9ACR	5330-99-865-6995	. . GASKET, cork, 0.406in. hole dia, 7.25in. od, 5.75in. aperture dia, 8 bolt holes, 0.062in. thk, 6.5in. bolt circle dia	FV499502	1	
3	A 9ACR	5340-99-865-6975	. . COVER, ACCESS, drain valve assy	FV421714	1	
4	A 9ACR	5330-99-865-6976	. . GASKET, cork, rd shape, 0.406in. hole dia, 6.5in. od, 5in. aperture dia, 8 bolt holes, 0.062in. thk	FV421774	1	
5	A 9ACR	5340-99-865-6974	. . COVER ACCESS, steering drain	FV421711	1	
6	A G1	5310-99-941-6656	. . WASHER, LOCK, steel, split helical ring, 3/8in. bolt size, 0.092in. thk, 0.590in. od, single coil, square section		16	
7	A G1	5305-99-941-0539	. . SCREW, CAP, HEXAGON HEAD, UNF, 3/8in. -24, class 2A thd, 3/4in. lg, steel, Zn plated, 50 tons/sq in. MTS, hex hd		16	
8	A 9ACR	5365-99-865-6961	. . SPACER, RING, Cu, rd, 2.75in. od, 0.064in. thk, rd hole, 2.25in. dia	FV395733	4	
9	A 46MT1	5365-99-942-8002	. . PLUG, MACHINE THREAD, br, hex hd, 2-1/4in. -12 UNF, 3/4in. lg thd	BS2859	4	

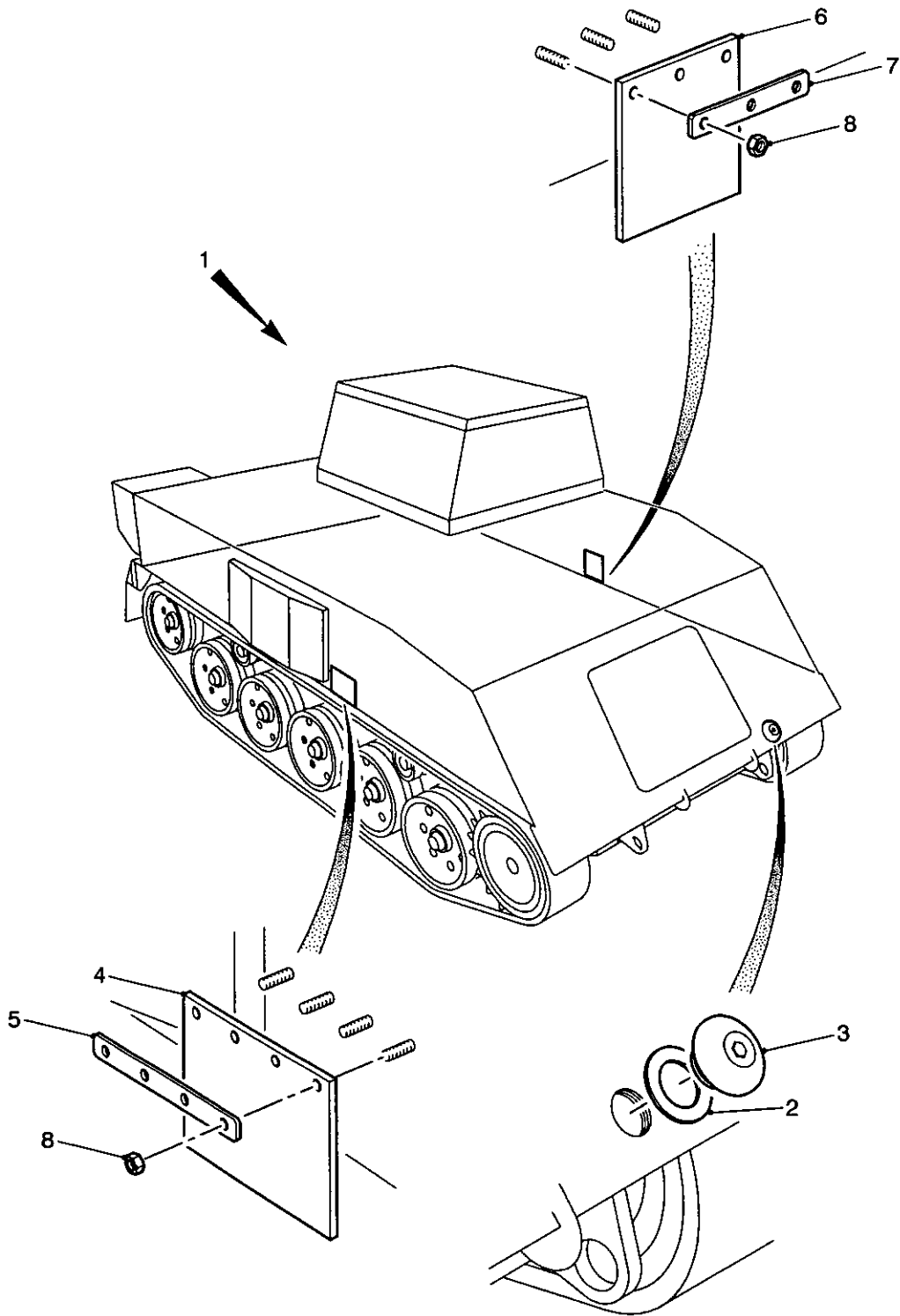
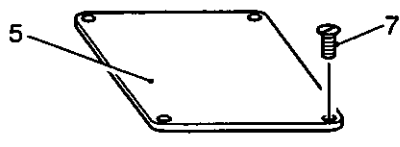
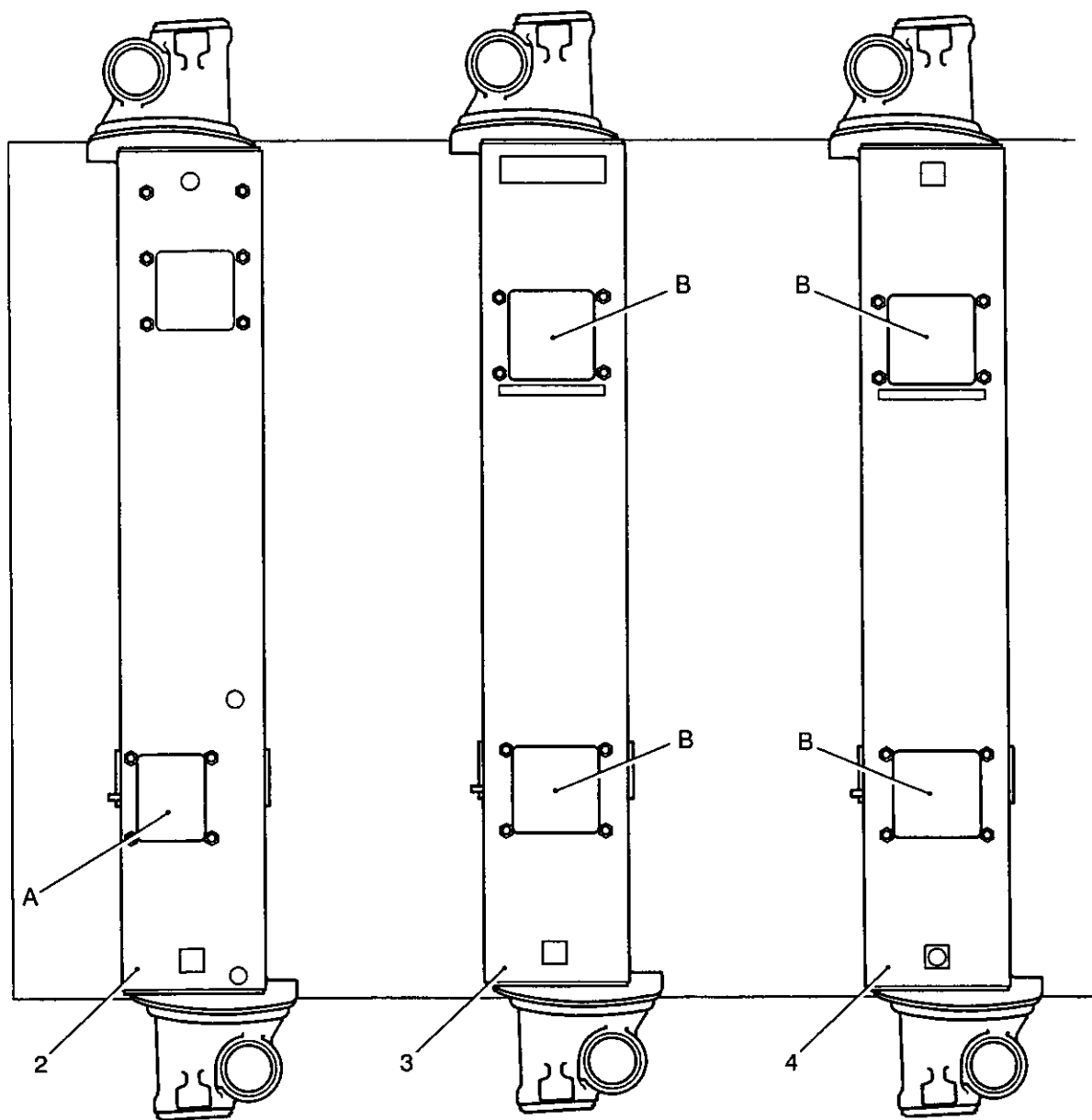


Fig 2 Filler cap and pyrene pocket flaps

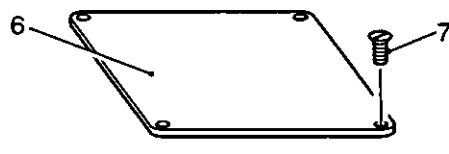
430/70170

Fig Item	Man Code Navy - N Army - A RAF - R	NATO Stock No	Item Name and Description	Part No/ Drawing No.	No. Off	Annotations
2-			HULL GA - contd . INSPECTION COVERS, DRAIN PLUGS AND CHEQUERED FLOOR INSTALLATION -contd			
1		NP	. . FILLER CAP, PYRENE POCKET FLAP AND BLANKING PLATES		REF	
2	A	9ACR 5310-99-802-5827	. . WASHER, FLAT, Cu, rd, 3.510in. max od, 2.525in. max id, 0.064in. thk	FV602648	1	
3	A	9ACR 5365-99-867-4640	. . PLUG, MACHINE THREAD, (Steering Unit Oil Filler) UNS ext, 2.5in. 12 TPI, class 2A, rh, steel, painted hd, plug machine, plain end, w/flattened hd, 1.7in. dia, dished recessed end 15 deg x 0.65in.	FV559628	1	
4		NP	. . FLAP, PYRENE POCKET, RH	FV585969	1	
5		NP	. . STRIP, PYRENE POCKET FLAP	FV585970	1	
6		NP	. . FLAP, PYRENE POCKET, LH	FV585968	1	
7		NP	. . STRIP, PYRENE POCKET FLAP	FV485220	1	
8	A	G1 5310-99-804-7941	. . NUT, PLAIN, HEXAGON, UNF, 1/4in. dia -28, class 2B, rh thd, steel, Zn plated, 7/16in. w A/F, 7/32in. o/a h, finished chamfered		7	
NI 9	A	Z1 5330-99-628-5068	. . GASKET, natural rubber, 1in. id, 3-1/2in. od, 1/8in. thk	FV705989	4	} Antennae blanking plates
NI 10	A	Z1 5340-99-625-2625	. . COVER, ACCESS, steel, painted, 9mm h, armour plate, triangle shape, w/radius on corners and 3/8in. dia holes on 3in. PCD	FV760408	4	
NI 11	A	G1 5310-99-956-1786	. . WASHER, FLAT, steel, rd, 5/8in. od, 21/64in. id, 5/64in. thk		12	} Securing items 9 and 10
NI 12	A	G1 5310-99-941-0925	. . NUT, PLAIN, HEXAGON, UNF, 5/16in. -24, class 2B rh thd, steel, Zn plated, 1/2in. w A/F, 17/64in. h, chamfered		12	

← Forward



Detail A



Detail B

Fig 3 Floor channel inspection plates

430/70171

Fig Item	Man Code Navy - N Army - A RAF - R	NATO Stock No	Item Name and Description	Part No/ Drawing No.	No. Off	Annotations
3-			HULL GA - contd			
		NP	. HULL WELDED STRUCTURE	FV559358	REF	Mk 2 Vehicle MK 2/1 Vehicle
		NP	. HULL WELDED STRUCTURE	FV602505	REF	
		NP	. FLOOR CHANNEL INSPECTION PLATES		REF	
1		NP	. . ASSEMBLY OF SUSPENSION MEMBERS	FV559383	REF	
2		NP	. . . 1st FLOOR CHANNEL ASSY	FV509912	1	
3		NP	. . . 2nd FLOOR CHANNEL ASSY	FV562853	1	
4		NP	. . . 3rd FLOOR CHANNEL ASSY	FV421369	1	
			. INSPECTION COVERS, DRAIN PLUG, AND CHEQUERED FLOOR INSTALLATION - contd			
5	A 9ACR	2510-99-202-7993	. . COVER, PLATE, ACCESS	FV509939	1	
6	A 9ACR	5340-99-865-6960	. . COVER, ACCESS	FV395711	4	
7	A G1	5305-99-941-1748	. . SCREW, MACHINE, steel, Zn plated, 0.25in. dia, 0.347in. thd lg, 0.5in. fastener lg, class 2A flat slotted csk hd, UNF		20	

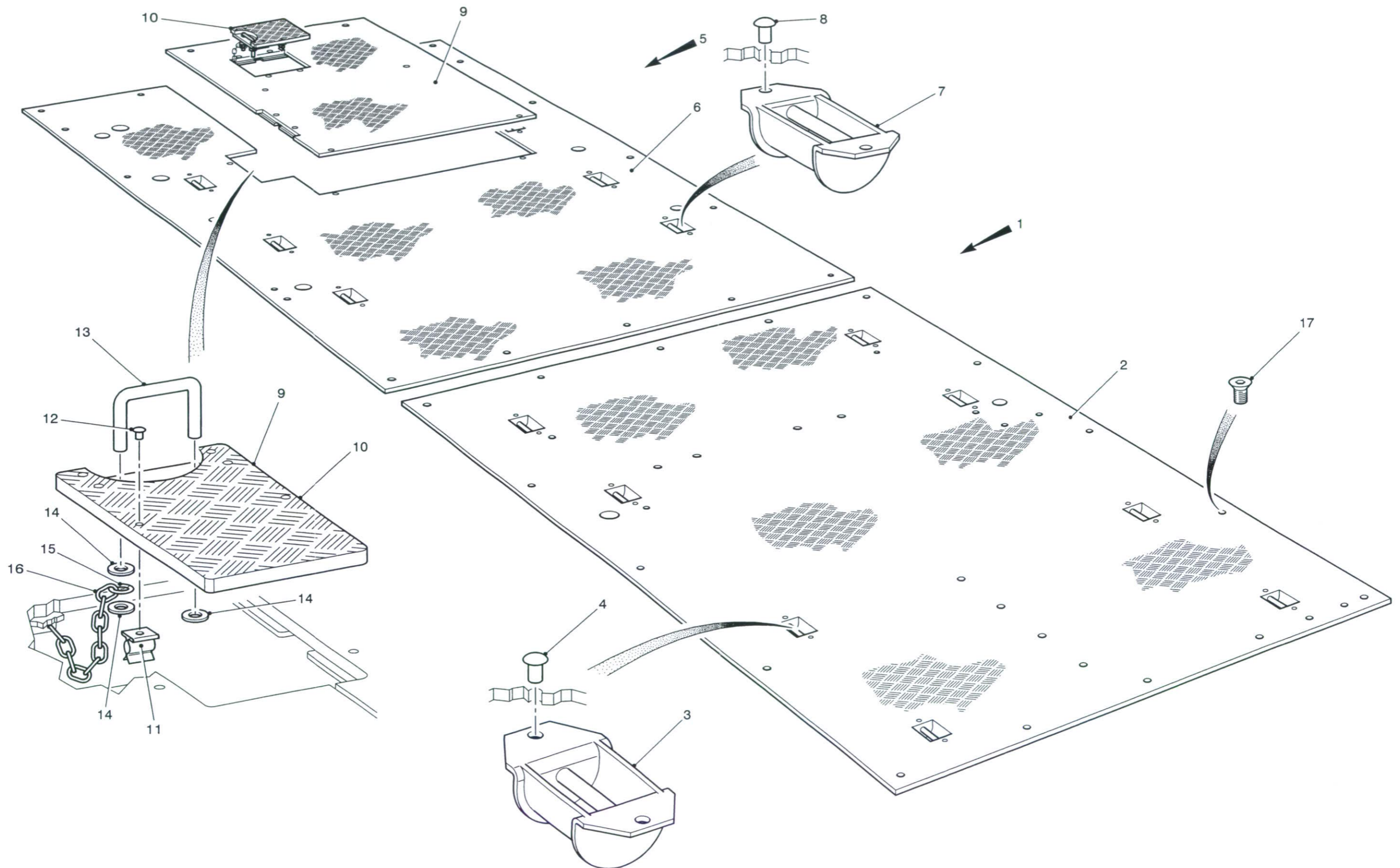


Fig 4 Chequered floor plates assembly

Fig Item	Man Code Navy - N Army - A RAF - R	NATO Stock No	Item Name and Description	Part No/ Drawing No.	No. Off	Annotations
4-			HULL GA - contd . INSPECTION COVERS, DRAIN PLUGS AND CHEQUERED FLOOR INSTALLATION - contd			
1		NP	. . . CHEQUERED FLOOR PLATES ASSY	FV585920	REF	
2	A	9ACR 2510-99-866-9081	. . . FLOOR, BODY, VEHICULAR, front	FV559326	1	
3	A	9ACR 2510-99-865-7013 BRACKET ASSEMBLY, ANCHOR PIN, treaded floor plate assy	FV499926	8	
4		NP RIVET, SNAP HEAD, Al, 3/16in. dia x 1/2in. lg	RSH3/16X1/ 2A	16	
5		NP	. . . FLOOR PLATE ASSEMBLY, REAR	FV2249157	1	
6		NP CHEQUERED FLOOR PLATE, REAR ASSY	FV2249150	1	
7	A	9ACR 2510-99-865-7013 BRACKET ASSEMBLY, ANCHOR PIN, treaded floor plate assy	FV499926	6	
8		NP RIVET, SNAP HEAD, Al, 3/16in. dia x 1/2in. lg	RSH3/16X1/ 2A	12	
9		NP CHEQUERED FLOOR ACCESS COVER ASSY	FV2249149	1	
10	A	9ACR 2510-99-804-3056 COVER, ACCESS, FUEL TAP, Al, 5in. o/a lg, 3-1/2in. o/a w; 1/4in. o/a thk	FV585923	2	
11	A	46MT1 5340-99-804-5612 CLIP, SPRING TENSION, steel; Cd plated, 21/32in. lg, 1/2in. w, 3/4in. h 3/8in. holding dia	FV602623	2	
12		NP RIVET, SNAP HEAD, 3/32in. dia x 3/8in. lg, steel	RSH3/32X3/ 8	2	
13		NP HANDLE	FV585928	2	
14		NP FASTENER, PUSH ON, to fit 3/16in. dia bar		6	
15		NP CONNECTING RING	FV585869	4	
16		NP CHAIN, steel, 5.128in. lg, 7 links, 16 swg (0.064in.)	FV585868	2	
17	A	G1 5305-99-941-1748	. . . SCREW, MACHINE, steel, Zn plated, 0.25in. dia, 0.347in. thd lg, 0.5in. fastener lg, class 2A, flat, slotted csk hd, UNF		44	

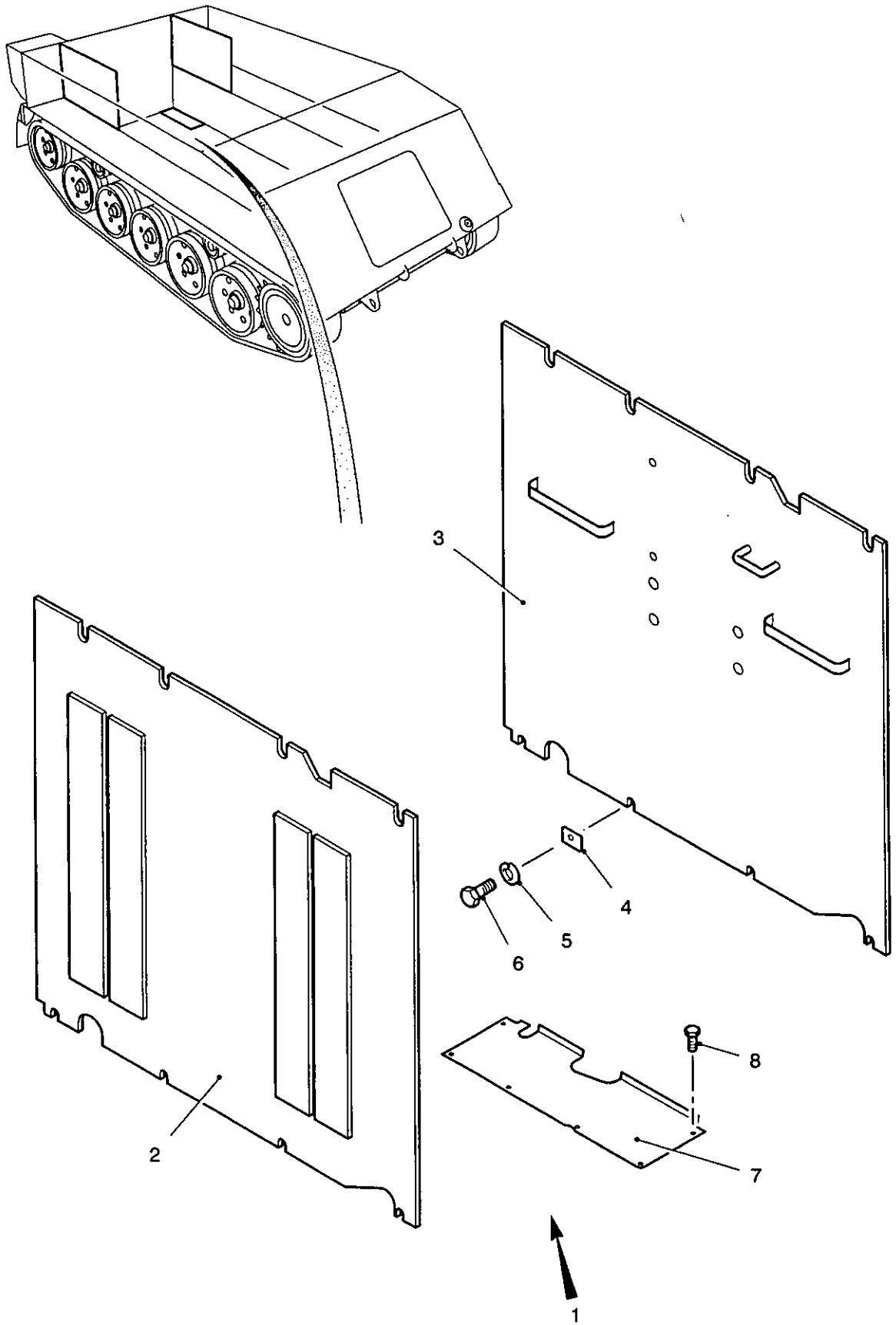
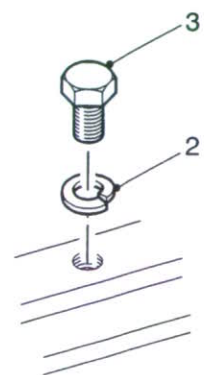
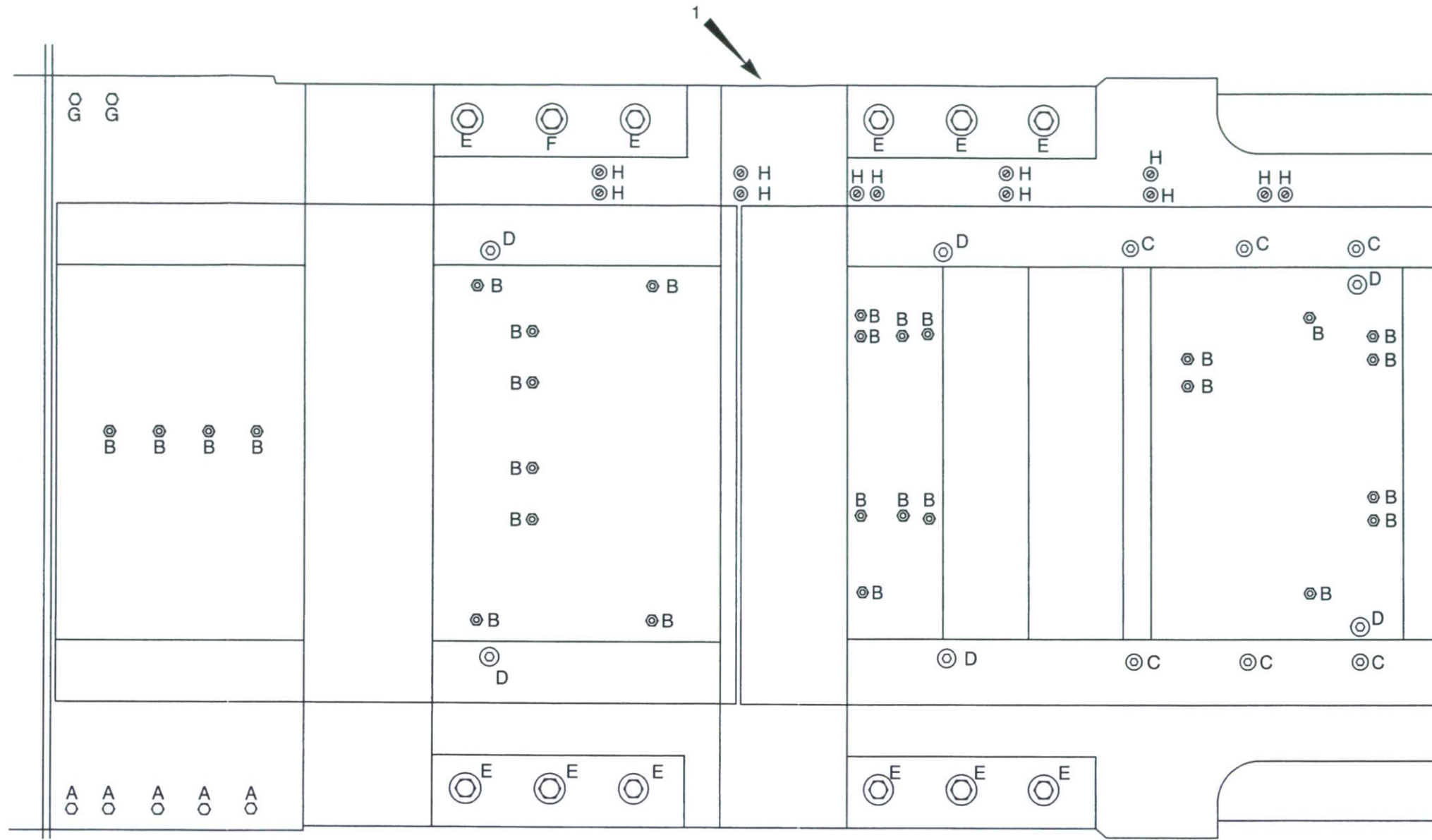


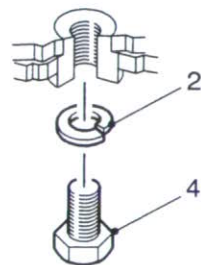
Fig 5 Fuel tank and floor cover plates

430/70173

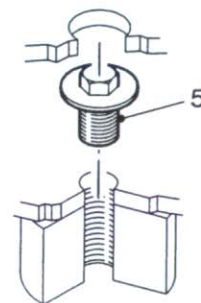
Fig Item	Man Code Navy - N Army - A RAF - R	NATO Stock No	Item Name and Description	Part No/ Drawing No.	No. Off	Annotations
5-			HULL GA - contd . INSPECTION COVERS, DRAIN PLUGS AND CHEQUERED FLOOR INSTALLATION - contd			
1		NP	. . FUEL TANK AND FLOOR COVER PLATES		REF	
2	A	9ACR 2510-99-867-4649	. . COVER PLATE, FUEL TANK, RH	FV559775	1	
3	A	9ACR 2510-99-867-4648	. . COVER PLATE, FUEL TANK, LH	FV559774	1	
4		NP	. . STRAP, COVER PLATE	FV499383	16	
5	A	G1 5310-99-941-6656	. . WASHER, LOCK, steel, split helical ring, single coil, sq section, 3/8in. bolt size, 0.092in. thk, 0.59in. od		16	
6	A	G1 5305-99-941-0541	. . SCREW, CAP HEXAGON HEAD, UNF, 3/8in. -24 thd, 1in. lg, class 2A, hex hd, 50 tons/sq in. MTS		16	
7	A	9ACR 5340-99-867-4643	. . COVER, ACCESS, 17-1/4in. x 5-7/8in. x 16 SWG (0.064in.)	FV586150	1	
8	A	G1 5305-99-941-6284	. . SCREW, CAP, HEXAGON HEAD, UNF, 1/4in. dia, class 2A thd, 1/2in. lg, hex hd, steel, Zn plated		6	



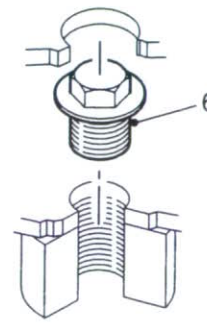
Detail A



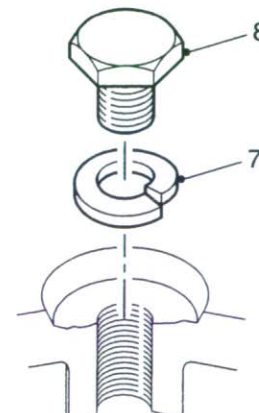
Detail B



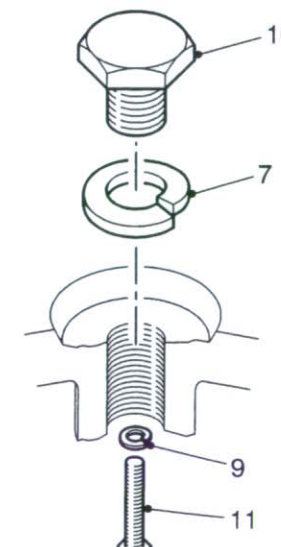
Detail C



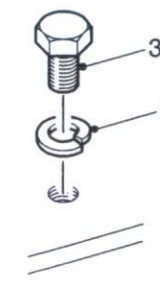
Detail D



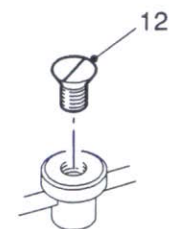
Detail E



Detail F



Detail G



Detail H

Fig 6 Floor plugs assembly

Fig Item	Man Code Navy - N Army - A RAF - R	NATO Stock No	Item Name and Description	Part No/ Drawing No.	No. Off	Annotations
6-			HULL GA - contd . INSPECTION COVERS, DRAIN PLUGS AND CHEQUERED FLOOR INSTALLATION - contd			
1		NP	. . . FLOOR PLUGS ASSEMBLY	FV586068	REF	
2	A G1	5310-99-941-6656	. . . WASHER, LOCK, steel, split helical ring, single coil, sq section, 3/8in. bolt size, 0.092in. thk, 0.59in. od		35	
3		NP	. . . SCREW, SET	UCS106/5R	7	
4		NP	. . . SCREW, SET	UCS106/7R	28	
5	A 9ACR	5365-99-867-4834	. . . PLUG, SCREWED, steel, phosphate finish, 0.9in. lg, 0.437in. w A/F, 0.3in. hd h, 1in. dia flange x 0.05in. thk, 0.5in. dia hd, 1/2in. -13 UNC, 0.44in. lg thd	FV560069	6	
6	A 9ACR	5365-99-867-4835	. . . PLUG, SCREWED, steel, phosphate finish, 1in. lg, 0.625in. w A/F, 0.75in. dia hd, 0.3in. h, 1.25in. dia flange, 0.05in. thk, 3/4in. -10 UNC, 0.5in. lg thd	FV560070	6	
7		5310-99-944-0555	. . . WASHER, LOCK, single coil, 3/4in. dia		12	
8	A 9ACR	5365-99-867-4836	. . . PLUG, SCREWED, steel, phosphate finish, 1.05in. lg, 1.312in. w A/F, 0.3in. hd h, 3/4in. -10 UNC, 0.62in. lg thd	FV560071	11	
9	A G1	5310-99-941-6654	. . . WASHER, LOCK, steel, split helical ring, 1/4in. bolt size, 27/64in. od, 5/64in. thk		1	
10	A 9ACR	5365-99-867-4837	. . . PLUG, MACHINE THREAD, steel, phosphate finish, 1.06in. lg, 0.31in. hd h	FV560072	1	
11	A G1	5305-99-941-1762	. . . SCREW, MACHINE, steel, Zn plated, class 2A, 0.312in. - 24 UNF, 5/16in. thd lg, 1/2in. fastener lg, flat, slotted csk hd		1	
12	A G1	5305-99-941-1682	. . . SCREW, CAP, HEXAGON HEAD, steel, Zn plated, 1/4in. -28 UNF, 1/125in. lg		12	

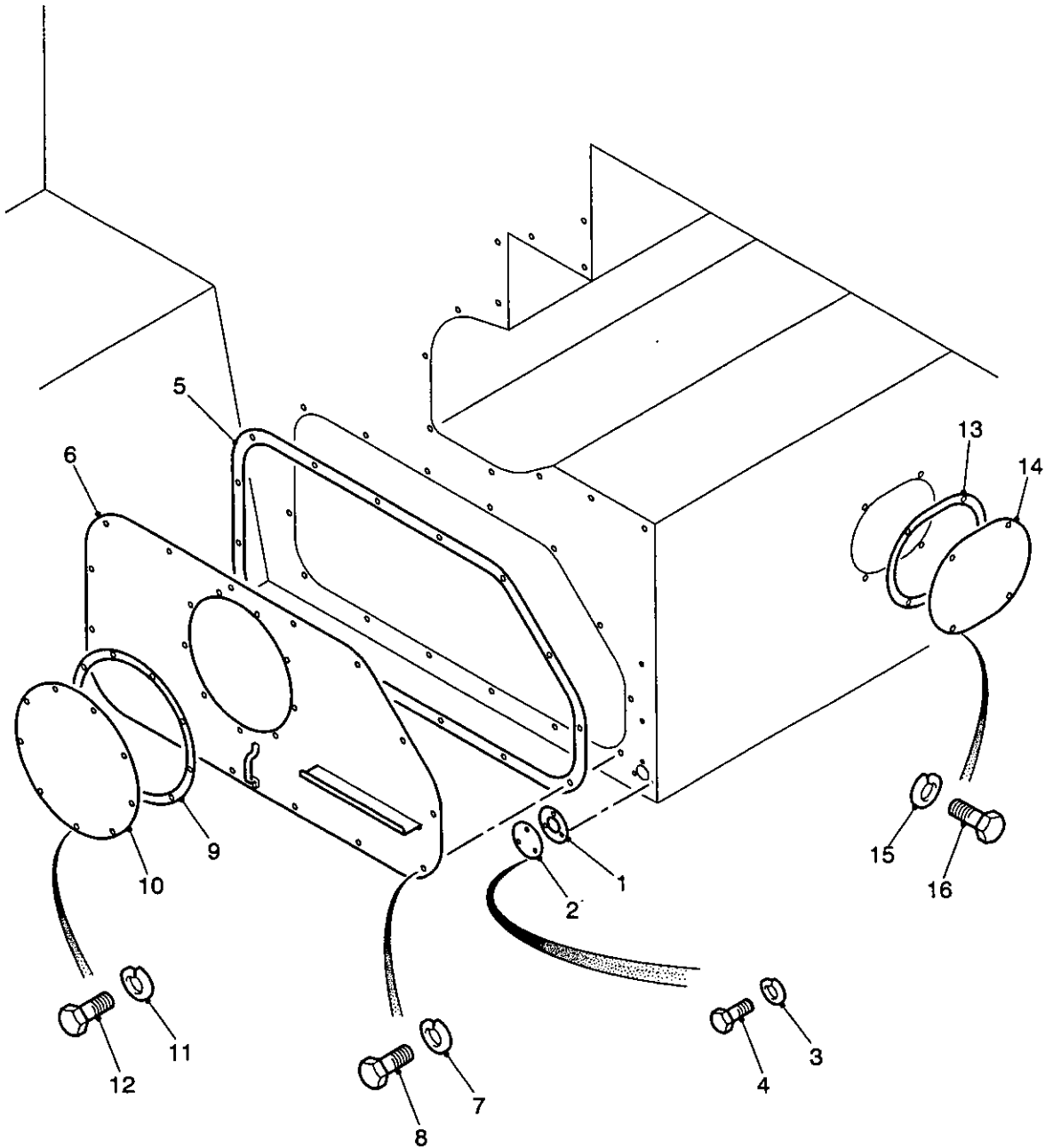


Fig 7 Bulkhead blanking panels installation

430/70176

Fig Item	Man Code Navy - N Army - A RAF - R	NATO Stock No	Item Name and Description	Part No/ Drawing No.	No. Off	Annotations
7-			HULL GA - contd . INSPECTION COVERS, DRAIN PLUGS AND CHEQUERED FLOOR INSTALLATION - contd			
		NP	. . BULKHEAD BLANKING PANELS INSTALLATION		REF	
1		NP	. . GASKET	FV586153	1	
2		NP	. . COVER PLATE, CROSS BULKHEAD	FV559739	1	
3	A G1	5310-99-941-6654	. . WASHER, LOCK, steel, split helical ring, 1/4in. bolt size, 27/64in. od, 5/64in. thk		3	
4	A G1	5305-99-941-0279	. . SCREW, CAP, HEXAGON HEAD, UNF, steel, Zn plated, 1/4in. dia x 7/8in. lg, class 2A thd		3	
5	A 9ACR	5330-99-813-4447	. . GASKET, rubber, 0.438in. hole dia, 15 bolt holes, 0.125in. cross section thk, 33.78in. o/a lg, 16.03in. o/a w	FV585720	1	
6		NP	. . COVER PLATE	FV560100	1	
7	A G1	5310-99-941-6656	. . WASHER, LOCK, steel, split helical ring, single coil, sq section, 3/8in. bolt size, 0.092in. thk, 0.59in. od		15	
8	A G1	5305-99-941-0539	. . SCREW, CAP, HEXAGON HEAD, UNF, steel, Zn plated, hex hd, 3/8in. -24 class 2A thd, 3/4in. lg		15	
9	A 9ACR	5330-99-804-2153	. . GASKET, rubber, rd shape, 0.375in. hole dia, 11.25in. od, 10in. aperture dia, 9 bolt holes, 0.125in. thk	FV585934	1	
10	A 9ACR	2510-99-804-2152	. . COVER PLATE, HULL steel - asbestos, 11.25in. dia, 0.253in. thk	FV560136	1	
11	A G1	5310-99-944-0549	. . WASHER, LOCK, steel, split helical ring, Cd plated, single coil, sq section, 5/16in. bolt size, 0.503in. od, 0.08in. thk		9	
12	A G1	5305-99-941-0524	. . SCREW, CAP, HEXAGON HEAD, UNF, 5/16in. class 2A thd, 5/8in. lg, steel, Zn plated, hex hd		9	
13	A 9ACR	5330-99-865-7042	. . GASKET, syn rubber, 0.125in. thk	FV524889	1	
14	A 9ACR	5340-99-866-9031	. . COVER, ACCESS, bulkhead inspection plate	FV559190	1	
15	A G1	5310-99-941-6656	. . WASHER, LOCK, steel, split helical ring, single coil, sq section, 3/8in. bolt size, 0.092in. thk, 0.59in. od		4	
16	A G1	5305-99-941-0541	. . SCREW, CAP, HEXAGON HEAD, UNF, 3/8in. - 24 class 2A thd, 1in. lg, steel, hex hd		4	

Chapter 2-1-10
PARTS LIST
TELEPHONE TERMINAL BOX ASSEMBLY

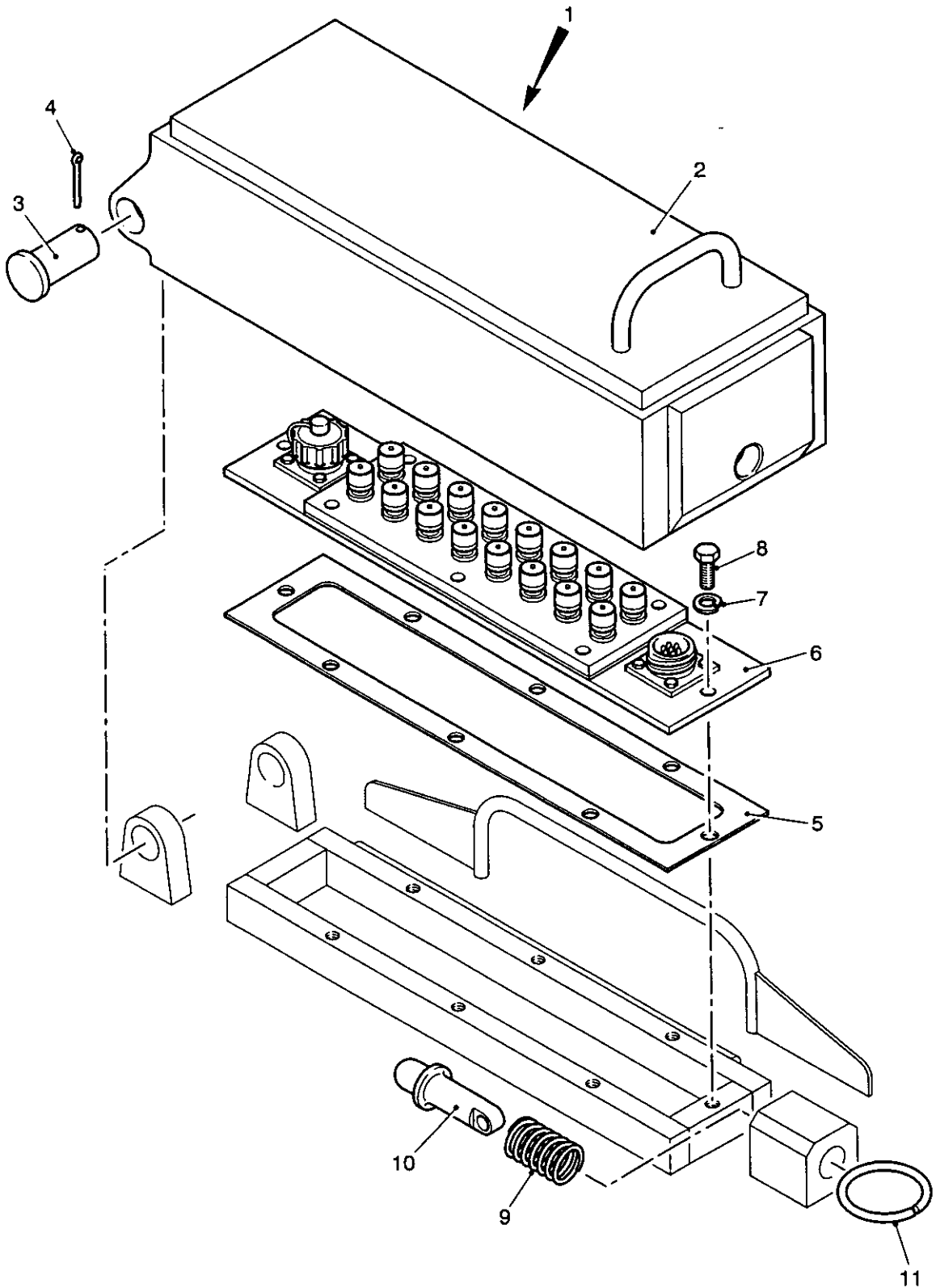


Fig 1 Telephone terminal box assembly

430/70175

Fig Item	Man Code Navy - N Army - A RAF - R	NATO Stock No	Item Name and Description	Part No/ Drawing No.	No. Off	Annotations
1-			HULL GA - contd			
1	A 9ACR	5940-99-801-2756	. TERMINAL BOX, telephone box, steel, w/cover	FV524744	1	
2	A 9ACR	5340-99-865-6992	. . COVER, ACCESS	FV499416	1	
3	A 9ACR	5315-99-865-6993	. . PIN, STRAIGHT, HEADED, steel, phosphate coated, 0.748in. dia, 1.55in. under hd lg, flat hd, 1in. hd dia, 0.2in. h	FV499427	2	
4	A G1	5315-99-944-0186	. . PIN, COTTER, SPLIT, steel, phosphate coated, 7/32in. dia, 1in. lg		2	
5	A 9ACR	5330-99-865-6994	. . GASKET, syn rubber, 0.375in. hole dia, 1.9in. w aperture, 12.25in. lg, 8 bolt holes, 0.062in. thk, 13.5in. o/a lg; 3.15in. o/a w	FV499431	1	
6		NP	. . TERMINAL MOUNTING ASSY	FV524744/7	1	
7	A	5310-99-944-0566	. . WASHER, LOCK, 5/16in. dia		8	
8	A G1	5305-99-941-0525	. . SCREW, CAP, HEXAGON HEAD, UNF, steel, Zn plated, hex hd, 5/16in. x 3/4in. lg, class 2A thd		8	
9	A 9MCV	5360-99-789-9908	. . SPRING, HELICAL, COMPRESSION, Cu alloy, 1-29/64in. free lg, 7/8in. od, A/A coils, 5-1/2 active coils	FV421861	1	
10	A 9MCV	5315-99-789-9907	. . PIN, SHOULDER, HEADLESS, steel, phosphate coated, 0.9355in. shoulder dia, 0.623in. shank dia, 2.86in. o/a lg, w/hole one end	FV524746	1	
11		NP	. . HANDLE	FV499428	1	

~~RESTRICTED~~

~~RESTRICTED~~

Chapter 2-2
PARTS LIST
SUSPENSION GENERAL ARRANGEMENT

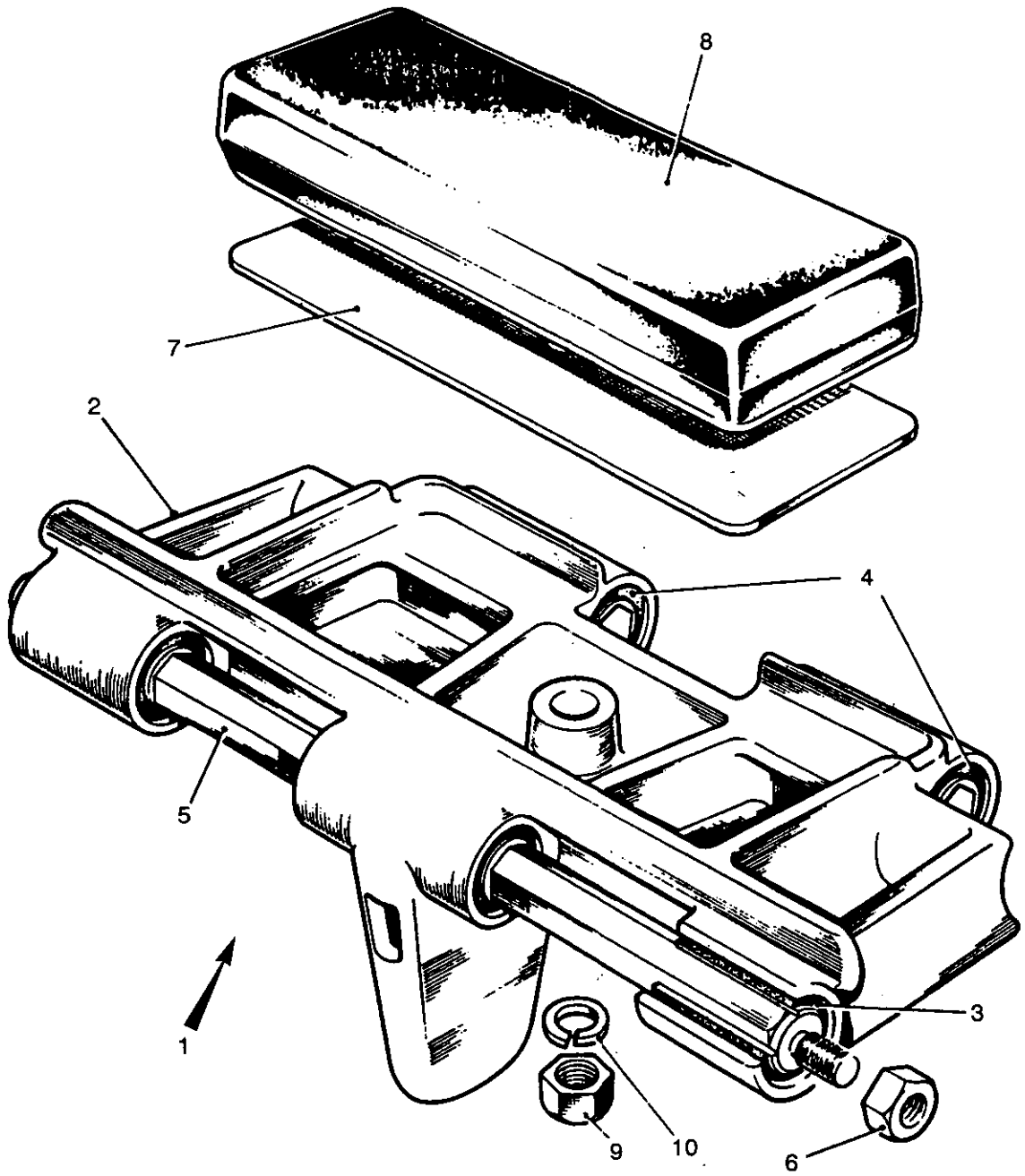


Fig 1 Track assembly

430/70094

Fig Item	Man Code Navy - N Army - A RAF - R	NATO Stock No	Item Name and Description	Part No/ Drawing No.	No. Off	Annotations
1-		NP	SUSPENSION GENERAL ARRANGEMENT	FV499549	REF	
1	A	9ACR	NP TRACK ASSEMBLY	FV2200666	1	
2	A	9ACR	2530-99-838-4922 TRACK SECTION, VEHICULAR, 10 links	FV1020962	18	
3	A	9ACR	2530-99-838-5311 TRACK, LINK, VEHICULAR	FV947452	10	
4		NP	MOUNT, RESILIENT	FV697778	3	
5	A	9ACR	2530-99-837-4987 BUSHING, VEHICULAR TRACK	FV697777	2	
6	A	G1	5310-99-941-7943 PIN, TRACK, steel, phos, 14.1 x 0.624 x 0.623in. h, 9/16in. -18 UNF, hex cross sect	FV947453	1	
7	A	9ACR	5330-99-801-3608 NUT, SELF-LOCKING HEXAGON, steel, nut, plastic insert, zinc P w/chromate, 7/8 x 11/16in. h	FV599537	2	
8	A	9ACR	2530-99-816-8627 PLASTICS STRIP, polyurethane, 8.4 x 2.75 x 1/8in. thk, 0.562in. dia, centre, 1.3in. from edge	FV682895	1	
9	A	G1	5310-99-941-0928 TRACK, SHOE, VEHICULAR, rubber/steel bonded, 8.5in. lg, 1.40in. thk, c/w fixing stud 1/2 UNF		1	
10	A	G1	5310-99-941-6658 NUT, PLAIN, HEXAGON, UNF, steel, chamfered, zinc P, 1/2 x 3/4 x 7/16in. h, grade 3 nut		1	
Will	9ACR	2350-99-773-3176	WASHER, LOCK, steel, split helical ring, 1/2in. id x 7/64in. thk x 49/64in. od <i>Pad kit Comprising of item 7, 8, 9 + 10</i>		1	

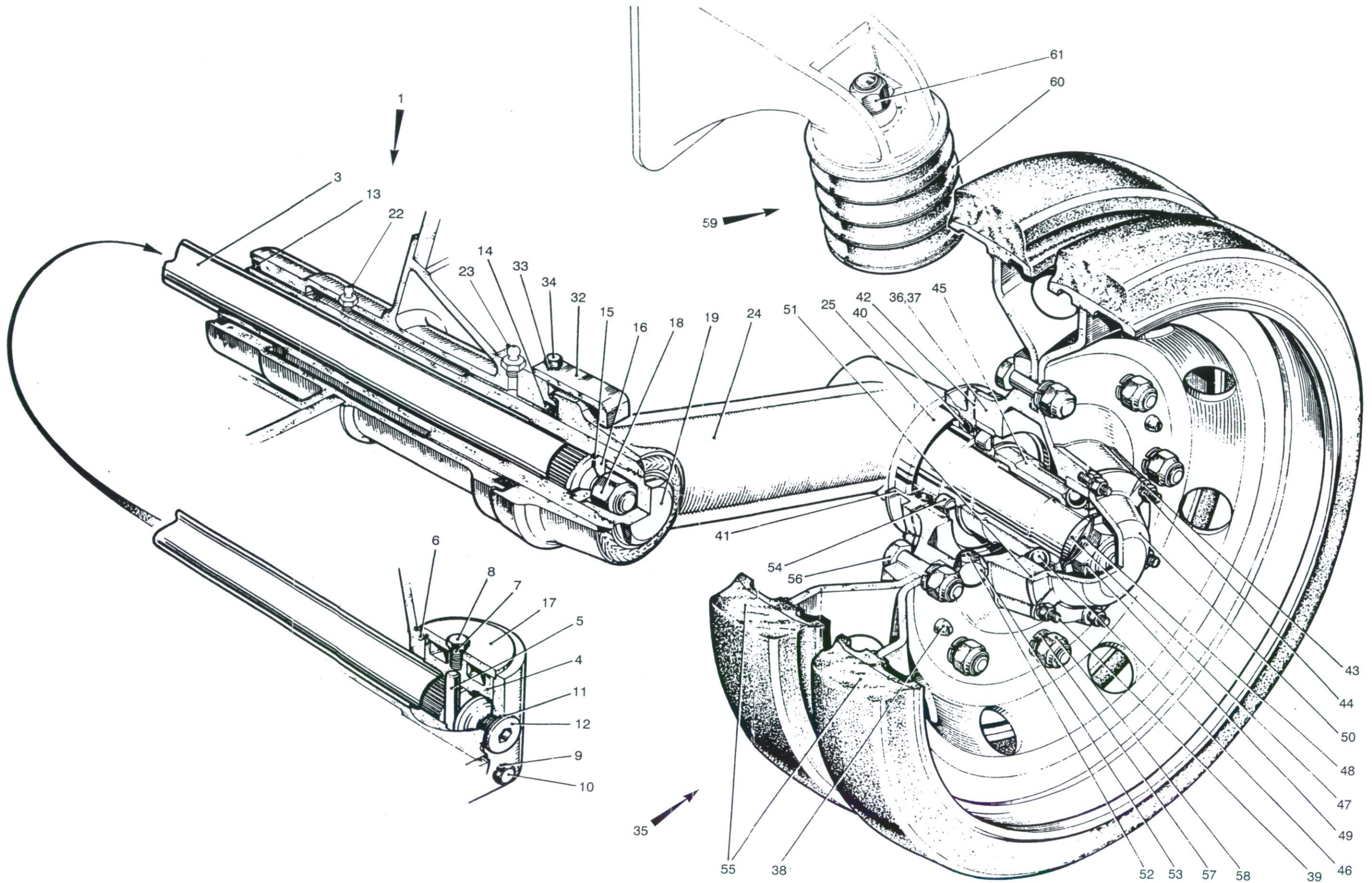


Fig 2 Torsion bar, axle arms, wheel hubs, road wheels and bump stop

Fig Item	Man Code Navy - N Army - A RAF - R	NATO Stock No	Item Name and Description	Part No/ Drawing No.	No. Off	Annotations
2-		NP	SUSPENSION GA - contd			
		NP	. TORSION BARS, AXLE ARMS, WHEEL HUBS, ROAD WHEELS AND BUMP STOP		REF	
1		NP	. TORSION BAR ASSEMBLY	FV299356	5	
NI 2	A 9ACR	2530-99-865-6143	. TORSION BAR, SUSPENSION, 70.6in. lg, ext thd one end, rh, serrations both ends	FV434553	1	
3	A 9ACR	2530-99-865-6144	. TORSION BAR, SUSPENSION, 70.6in. lg, ext thd one end, lh, serrations both ends	FV434554	1	
4	A 9ACR	2530-99-865-6101	. BLOCK, ANCHOR, TORSION BAR, steel, 2.992 x 4in. lg, bored to 2.04in. dia, perpendicular to axis w/32 serrations, phos finish	FV299349	2	
5	A 9ACR	5315-99-865-6115	. PIN, STRAIGHT, HEADLESS, steel, phos, 3.97 x 0.437 x 0.15in. x 30 deg chamfer	FV300346	4	
6	A 46MT1	5330-99-914-6715	. RING, SEALING, TOROIDAL, rubber/non-metallic hardness 60 deg, 0.135 x 0.143in. centre h	R177/63NB R3722	4	
7	A G1	5310-99-941-6656	. WASHER, LOCK, steel, split helical ring, 3/8in. x 0.092 x 0.59in. od single sq sect		4	
8	A G1	5305-99-941-0541	. SCREW, MACHINE, UNF, steel, 2A, hex hd, 3/8 x 1in. lg		4	
9	A 9ACR	5310-99-867-2724	. WASHER, FLAT, copper, rd, 0.697 x 0.385 x 0.036in. matl thk	FV317436	2	
10	A 9ACR	5305-99-832-1979	. SCREW, SET, UNF, steel, 3/8in. -24 x 0.59 x 0.77in. lg under hd, w/dog point, hex hd, 0.562in. A/F	FV651478	2	
11	A 9BTR	5310-99-849-0165	. WASHER, FLAT, copper, rd, 1.438 x 1.04 x 0.064in. thk	FV299466	2	
12	A 46MT1	4730-99-942-8006	. PLUG, steel, 45/64 x 9/16 x 1-3/8in. dia, 1in. -12 UNF thd	HBP6464ET D	2	
13	A 6MT1	5330-99-915-2807	. SEAL, PLAIN, rubber, 0.375 x 2.750 x 3.5in. nom strength	MIS212/73N BR3726	2	
14	A 46MT1	5330-99-881-3983	. SEAL, PLAIN, ENCASED, seal case, leather element, 5/8 x 3-3/8 x 4-3/8in. housing bore dia	740084A	2	
15	A 9ACR	5365-99-865-6107	. SHIM, steel, solid, round, 1.25 x 2.125 x 0.005in. thk	FV299399	A/R	
15(1)	A 9ACR	5365-99-865-6108	. SHIM, steel, solid, round, 1.25 x 2.125 x 0.015in. thk	FV299400	A/R	
15(2)	A 9ACR	5310-99-865-6109	. WASHER, FLAT, steel, rd, 2.125 x 1.250 x 0.030in. thk	FV299401	A/R	
16	A 9ACR	5310-99-865-6104	. WASHER, SHOULDERED AND RECESSED, steel, 25/32in. dia hole, 90 deg, 2.5 x 2.125 x 0.12 x 0.52in. thk	FV299359	2	
17	A 9ACR	2530-99-865-6103	. COVER PLATE, ANCHOR BLOCK, steel, 3.45 x 0.35in. thk, 45 deg	FV299358	4	
18	A G1	5310-99-122-6723	. NUT, SELF-LOCKING, HEXAGON, steel, Cd P & passivated, 3/4in. -16 UNF, 1-1/8 x 31/32in. h, metal		2	
19	A 9ACR	2530-99-865-6105	. PLUG, LOCKING, TORSION BAR, steel, 2.7in. - 12 thd, UNS x 0.7 x 2.540 x 0.5in. lg, serrated, 2.5 x 0.45in. lg plain, hex drive, 1.125in. A/F		2	

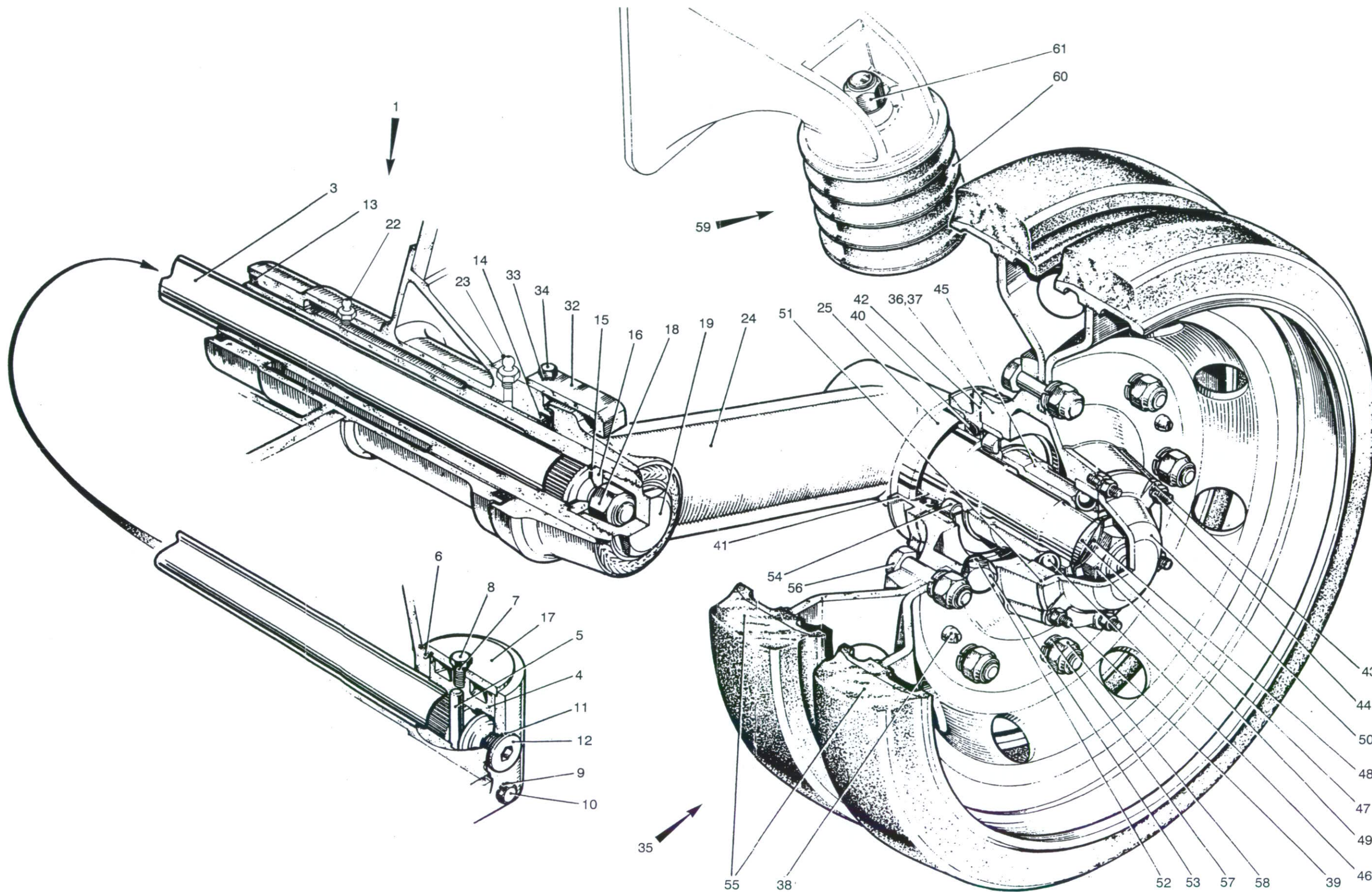


Fig 2 Torsion bar, axle arms, wheel hubs, road wheels and bump stop

430/70095

Fig Item	Man Code Navy - N Army - A RAF - R	NATO Stock No	Item Name and Description	Part No/ Drawing No.	No. Off	Annotations
2-			SUSPENSION GA - contd . . . TORSION BARS, AXLE ARMS, WHEEL HUBS, ROAD WHEELS AND BUMP STOP - contd			
NI 20	A 9ACR	5315-99-802-5316	. . . PIN, STRAIGHT, HEADED, aluminium alloy, 0.315 x 0.30in. lg, flat hd	FV602634	2	} Securing Item 19
NI 21	A G1	5305-99-941-3673	. . . SCREW, GRUB, UNF, 3/8in. dia, 2A, 1/2in. lg, Cd P w/chromate, steel		2	
22	A 6MT1	4730-99-943-9375	. . . LUBRICATING NIPPLE, steel, hyd, 1/4in. UNF male, 7/32in. lg 3/8in. A/F, 57/64in. h	NA6666Y	2	
23	A 6MT1	4730-99-943-9377	. . . FITTING, LUBRICATION		2	
24	A 9ACR	2530-99-865-6161	. . . ARM, AXLE, front and rear, left	FV499543	2	
25	A 9ACR	5330-99-865-6159	. . . RETAINER, OIL SEAL, road wheel hub	FV499541	1	
NI 26	A 9ACR	2530-99-865-6157	. . . ARM, AXLE, intermediate, left	FV499525	3	
NI 27	A 9ACR	5330-99-865-6159	. . . RETAINER, OIL SEAL, road wheel hub	FV499541	1	
NI 28	A 9ACR	2530-99-865-6162	. . . ARM, AXLE, front and rear, right	FV499544	2	WEB TYPE
NI 29	A 9ACR	5330-99-865-6159	. . . RETAINER, OIL SEAL, road wheel hub	FV499541	1	
NI 30	A 9ACR	2530-99-865-6158	. . . ARM, AXLE, intermediate, right	FV499526	3	
NI 31	A 9ACR	5330-99-865-6159	. . . RETAINER, OIL SEAL, road wheel hub	FV499541	1	
32	A 9ACR	2530-99-856-6113	. . . PLATE, RETAINING, AXLE ARM, steel, 2 x 3.412 x 0.312in. thk, 90 deg, 2 holes 13/32in. dia phos	FV299413	10	
33	A G1	5310-99-941-6656	. . . WASHER, LOCK, steel, split helical ring, single coil, sq section, 3/8in. bolt size, 0.092in. thk, 0.59in. od		20	
34	A G1	5305-99-941-0541	. . . SCREW, MACHINE, UNF, 2A, 1in. lg, 3/8in. -24, 50 tons/sq in. min ts, hex hd		20	
35		2530-99-865-6129 NP	. . . HUB ASSEMBLY, road wheel	FV499545	10	
36	A 9ACR	2530-99-867-4173	. . . HUB, WHEEL, VEHICULAR, road	FV560102	1	
37		NP	. . . HUB, road wheel	FV559526	1	
38	A 9ACR	5315-99-838-7721	. . . PIN, STRAIGHT, THREADED, steel, phos, 1/2in. -13 UNC, 1.28in. thd lg, 1st end, slot drive, 2nd end 2.38in. o/a lg	FV951736	2	
39	A G1	5307-99-120-3516	. . . STUD, PLAIN, steel, 123200 lbf, per sq in. zinc P, 1-3/8 x 5/16in. UNF thd, 5/8in. nut end lg, 21/64in. stud end lg	FVS90-2-11	12	
40		NP	. . . BEARING, SLEEVE	15043	1	
41	A 9ACR	5330-99-865-6160	. . . RETAINER, OIL SEAL, road wheel hub	FV499542	1	
42	A 9ACR	5330-99-865-7049	. . . GASKET, road wheel & tensioner hub, outer	FV538576	1	
43	A G1	5310-99-944-0549	. . . WASHER, LOCK, steel, split helical ring, single coil, sq section, Cd plated, 5/16in. bolt size, 0.503in. od. 0.08in. thk		12	
44	A G1	5310-99-136-1526	. . . NUT, PLAIN, HEXAGON, UNF, steel, Zn plated, chamfered bearing surface, grade 1 nut, 5/16in., 1/2in. w A/F, 3/16in. h		12	
45	A 9ACR	5365-99-865-6132	. . . SPACER, STEPPED, steel, 3.2 x 3.4in. lg 2nd dia, 2.94 x 2.4in. lg 1st dia, 2.765 x 0.75in. lg 3rd dia phos	FV413912	1	
46	A 46MT7	3110-99-950-0083	. . . BEARING, BALL ANNULAR, 29mm w x 55mm bore dia, 120mm od, normal group fit	6311	1	
47	A 9ACR	5310-99-865-6130	. . . WASHER, FLAT, steel, phos, rd, 2.75 x 1.52 x 0.187in. thk, rd hole	FV413905	1	

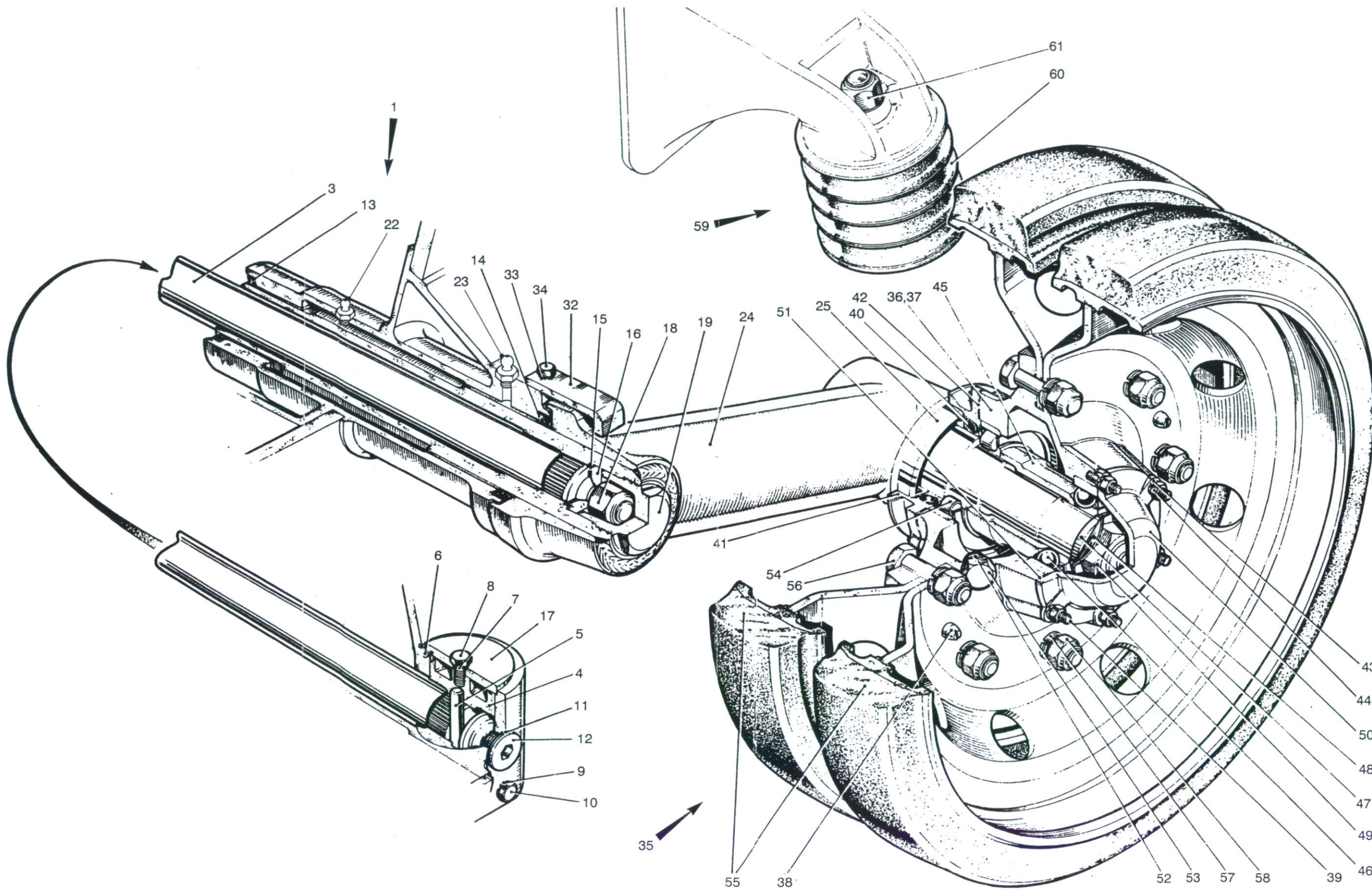


Fig 2 Torsion bars, axle arms, wheel hub, road wheels and bump stop

430/70095

Fig Item	Man Code Navy - N Army - A RAF - R	NATO Stock No	Item Name and Description	Part No/ Drawing No.	No. Off	Annotations	
2-			SUSPENSION GA - contd . TORSION BARS, AXLE ARMS, WHEEL HUBS, ROAD WHEELS AND BUMP STOP - contd				
48	A	9ACR	5310-99-865-6187	. . WASHER, KEY, steel, phos & oiled, 1.531 x 0.48in. matl thk, 2.875 x 0.25in. key lg	FV61262	1	
49	A	9ACR	5310-99-865-6190	. . NUT, PLAIN, HEXAGON, UNF, 1-1/2in. dia, 2B, rh phos, 2.250 x 0.750in. nut h	FV61538	1	
50	A	9ACR	2530-99-865-6131	. . CAP, GREASE, Al alloy, paint, 1.675in. h, 6.26in. dia, 6 mtg holes 11/32in. dia	FV413909	1	
51	A	9ACR	5330-99-865-7152	. . GASKET, paper, 0.344 x 4.85 x 0.003in. thk for road wheel & tensioner hub	FV538577	1	
52	A	9ACR	5310-99-134-5211	. . WASHER, FLAT, copper, rd, 1in. od, rd hole, 3/4 x 0.063in. thk (16 SWG)	FV300421	1	
53	A	6MT1	5365-99-256-2927	. . PLUG, SCREWED, steel, hex hd, 27mm nom A/F, 3/4 x 16 UNF, 12.7mm thd lg, phos	FV2115598	1	
54	A	46MT7	3110-99-824-6262	. . BEARING, ROLLER, CYLINDRICAL	N214	1	
55	A	9ACR	2530-99-865-6129	. . WHEEL, SOLID RUBBER TYRE, steel, pressed disc, 24 x 4.125in. o/a dim, 8.8in. dia aperture for hub, 8 bolt holes, 41/64in. dia on a 10.827in. pcd	FV413598	24	
56	A	9ACR	5306-99-832-1977	. . BOLT, MACHINE, UNC, steel, 5/8in. -11, hex hd, 0.938 x 2.35in. lg, 1.1in. thd, phos	FV651479	80	
57	A	G1	5310-99-138-3581	. . WASHER, LOCK, steel, split helical ring, Cd plated, 41/64in. x 3/16in. x 1-3/32in. od		80	
58	A	G1	5310-99-941-1665	. . NUT, PLAIN, HEXAGON, UNC, 5/8in. dia, class 2B rh thd, steel, Zn plated, 15/16in. w, 35/64in. h, chamfered bearing surface		80	
59		NP		. . BUMP, STOP, ASSEMBLY, suspension system	FV395845	6	Wheel stations 2, 3 and 4
60	A	9ACR	2530 5340 2530-99-865-6191	. . BUMPER, RUBBER, suspension system	FV614571	1	
61	A	G1	5310-99-122-6723	. . NUT, SELF-LOCKING, HEXAGON, UNF, steel, Cd P, 1-1/8 x 31/32in. o/a h, all metal		1	
NI 62	A	9ACR	2510-99-679-8193	. . BUMP STOP ASSEMBLY	80018835	4	Wheel stations 1 and 5
NI 63	A	G1	5310-99-137-0580	. . NUT, SELF-LOCKING, HEXAGON, UNF, steel, Zn plated, w/nylon insert, 3/4in. -16 class 2B rh thd, 1-1/8in. w A/F, 55/64in. h	PPD246-55-6	1	

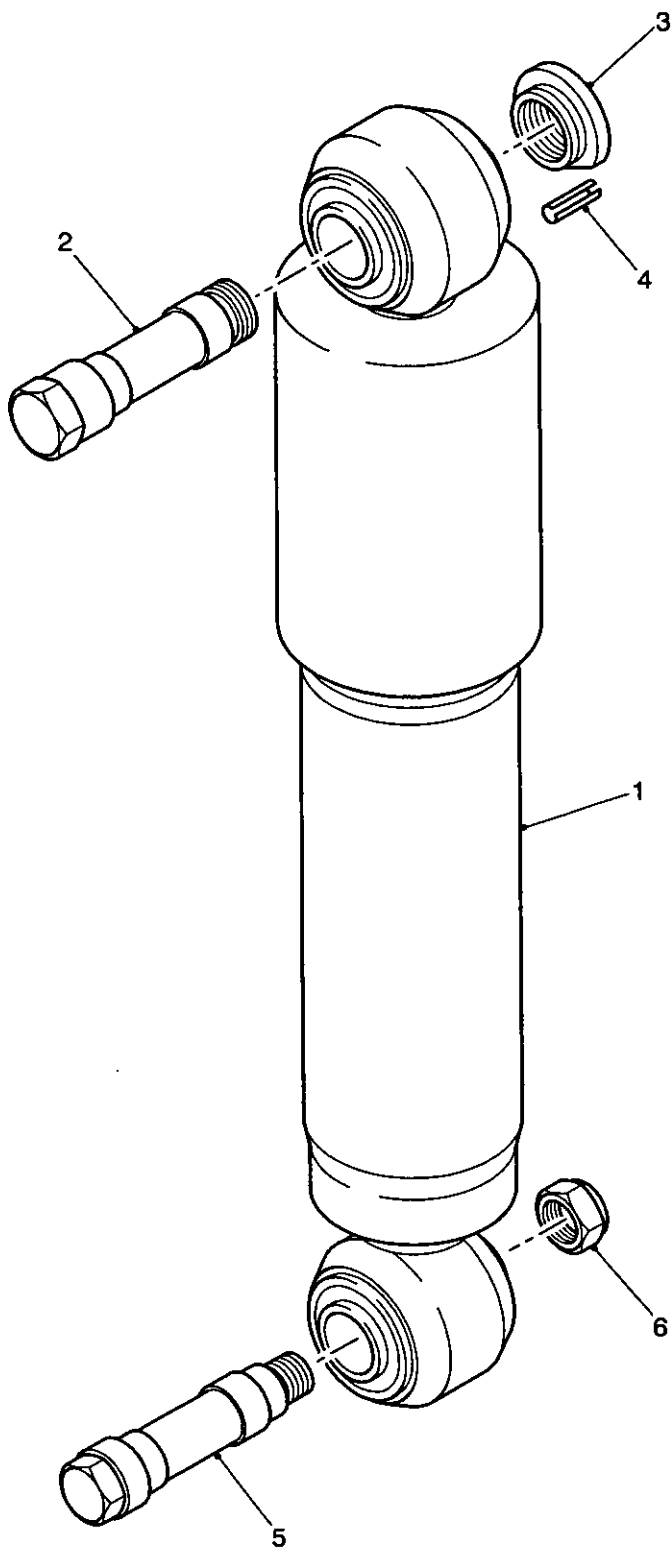


Fig 3 Linear damper, hydraulic

430/70096A

Fig Item	Man Code Navy - N Army - A RAF - R	NATO Stock No	Item Name and Description	Part No/ Drawing No.	No. Off	Annotations	
3-			SUSPENSION GA - contd				
1	A	9ACR	2510-99-364-0551	. LINEAR DAMPER, HYDRAULIC	80018834	4	} Top, front wheel station
2	A	9ACR	2510-99-611-7609	. MOUNTING CONNECTOR	80018830	2	
3	A	9ACR	5310-99-866-6962	. NUT, PLAIN, ROUND, UNC, 1in. dia, rd, steel, phos, 2B, 1.75 x 0.65in. thk, shouldered w/one flat on flange dia	FV538863	2	
4	A	G1	5315-99-942-3842	. PIN, GROOVED, HEADLESS, steel, phos coated, 3/4 x 5/32in. dia, 30 tons/sq in. min ts	180179	2	} Top, rear wheel station and bottom front and rear wheel stations
5	A	9ACR	2510-99-575-2206	. MOUNTING CONNECTOR	80018831	6	
6	A	G1	5310-99-943-4301	. NUT, SELF-LOCKING, HEXAGON, UNF, steel, zinc P, plastics insert, 5/8in. -18 x 15/16 x 23/32in. h		6	
NI 7	A	G1	5310-99-944-0569	. WASHER, LOCK, steel, Cd P w/chromate, girder sect, 1/2 x 11/64 x 27/32in. od		2	} Securing front upper clamps
NI 8	A	G1	5306-99-941-1581	. BOLT, MACHINE, UNC, s steel, hex hd, zinc P, 1/2 x 1-3/4in. lg, class 2A thd		2	

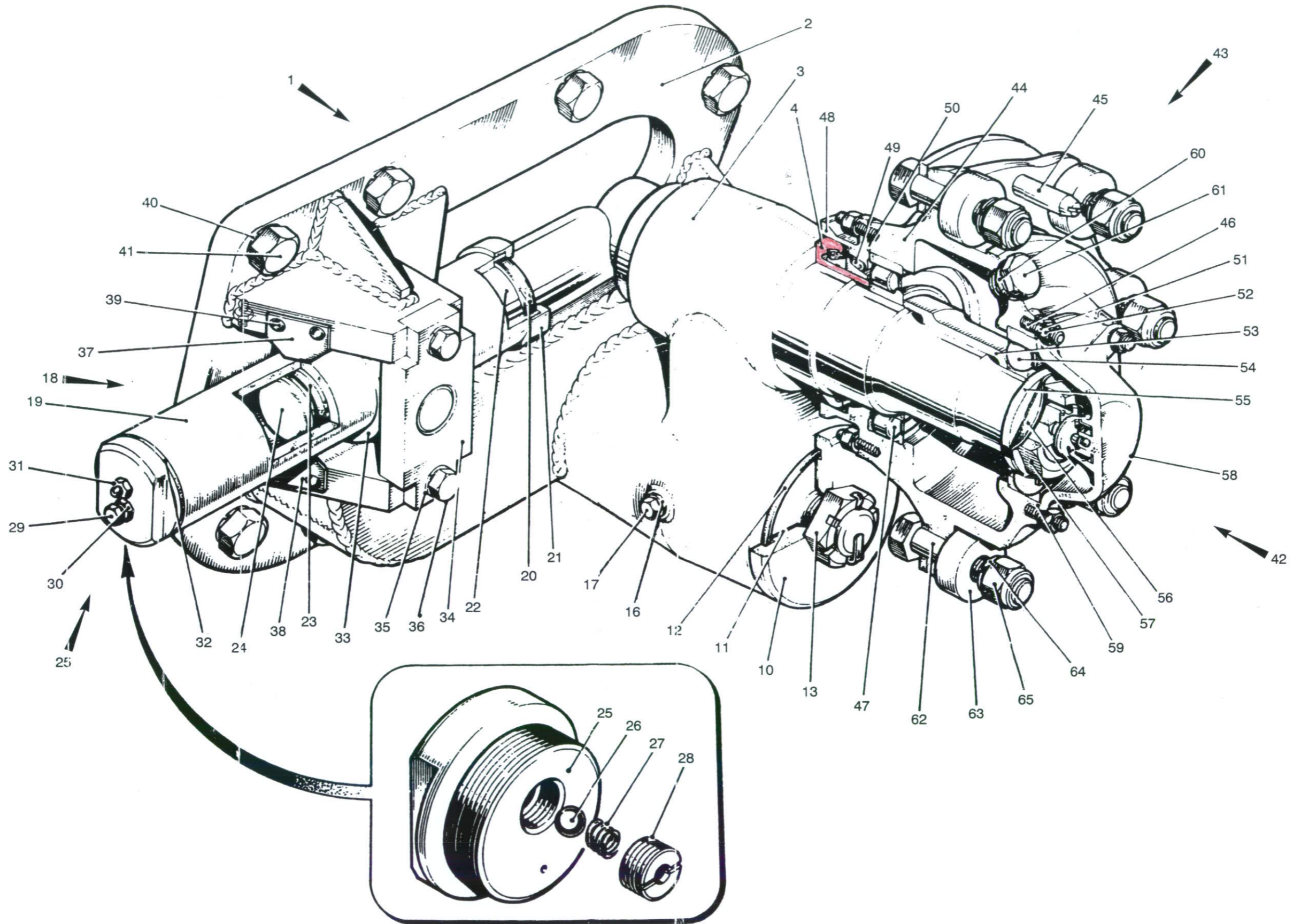


Fig 4 Hydraulic track adjuster and track tensioner wheel hub

430/70097

Fig Item	Man Code Navy - N Army - A RAF - R	NATO Stock No	Item Name and Description	Part No/ Drawing No.	No. Off	Annotations
4-		NP	SUSPENSION GA - contd			
			. HYDRAULIC TRACK ADJUSTER AND TRACK TENSIONER WHEEL HUB		REF	
1	A	9ACR 2590-99-775-1527	. TRACK ADJUSTER ASSEMBLY, left hand	FV650361	1	
2	A	9ACR 2530-99-865-6169	. BRACKET, AXLE ARM, left idler wheel	FV499931	1	36
3	A	9ACR 2590-99-978-3110	. ARM	FV650370	1	14
4	A	9ACR 5330-99-865-6159	. RETAINER, OIL SEAL, road wheel hub	FV499541	1	612
NI 5	A	9ACR 2530-99-796-0387	. ADJUSTER, TRACK, HYDRAULIC, track adjuster assembly, right hand	FV650362	1	
NI 6	A	9ACR 2530-99-865-6170	. BRACKET, AXLE ARM, right idler wheel	FV499932	1	
NI 7	A	9ACR 2530-99-796-0386	. IDLER ARM ASSEMBLY, welded assy, rh, comprising; idler arm, stub shaft, stop, distance piece and labyrinth	FV650371	1	
NI 8	A	9ACR 5330-99-865-6159	. RETAINER, OIL SEAL, road wheel, hub	FV499541	1	
NI 9		NP	. LEFT AND RIGHT TRACK ADJUSTER		REF	
10	A	9ACR 5310-99-865-6175	. WASHER, RECESSED, steel, phos, 0.265 x 4.62 x 0.665in. dia, 90 deg, 3.861 x 0.281 x 0.17in. deep	FV499978	1	17
11	A	9ACR 5365-99-865-6124	. SHIM, steel, solid, rd, 1.45 x 0.005 x 3in. od	FV395885	AVR	200
12	A	9ACR 5330-99-942-9988	. RING, SEALING, TOROIDAL, rubber, 61 - 70 deg BS or IRHD, 13/64in. h, 3-15/32in. id	SSML7-17-1E341	2	815
13	A	9ACR 5310-99-865-6100	. NUT, SLOTTED, HEXAGON, UNF, steel, phos, 1-1/4 x 1.875 x 0.690in. nut h, full bearing surface	FV299300	1	210
NI 14	A	G1 5315-99-138-2214	. PIN, COTTER, SPLIT, steel, phos, 5mm dia, 63mm lg	PS110630	1	Securing item 13 53100
NI 15	A	6MT1 4730-99-943-9375	. LUBRICATING NIPPLE, steel, hyd, 1/4 x 7/32 x 3/8 x 57/64in. o/a h	NA6666Y	1	1316
16	A	46MT1 5310-99-867-2725	. WASHER, FLAT, copper, rd, 9/16 x 17/64in. id, 17 SWG thk	FV499683	1	2000
17	A	9ACR 4730-99-865-6180	. PLUG, SCREWED, UNF, steel, hex hd, phos, 1/4in. dia, 0.300in. lg	FV500064	1	8
18	A	9ACR 4320-99-866-8244	. RAM, HYDRAULIC, hyd track adjuster	FV524686	1	79
19	A	9ACR 2530-99-866-8245	. BARREL, TRACK ADJUSTER RAM, steel, nickel P, 12 x 3 x 2in. id	FV524687	1	94
20	A	9ACR 2530-99-829-8621	. SEALING RING ASSEMBLY, seal, c/w backing ring	745-505-0074-01	1	18
21	A	9ACR 5330-99-866-9209	. RETAINER, SEAL	FV559377	1	15
22	A	9ACR 2530-99-866-8246	. PISTON, ADJUSTER RAM, steel, chromium P, 11-11/64in. x 1-63/64in. dia	FV524688	1	83
23	A	6MT1 5330-99-202-1243	. PACKING, PREFORMED, rubber, 9/32in. cross-sect h, 1-5/8 x 2in. od, 75 deg shore hardness	DE200E75	1	
24	A	9ACR 4320-99-866-8247	. PLUG, PISTON, steel, phos, 1in. lg, 1-3/4in. od	FV524699	1	
25	A	9ACR 4320-99-866-8249	. END CAP ASSEMBLY, ram hydraulic	FV524689	1	
26	A	6MT7 3110-99-950-0573	. BALL, BEARING, steel, 3/8in. dia	4B9782	1	
27	A	6MT1 5360-99-866-8251	. SPRING, HELICAL COMPRESSION, steel, phos, 5/8 x 11/32in. free od, 4 active coils	FV524692	1	

UNRESTRICTED

UNRESTRICTED

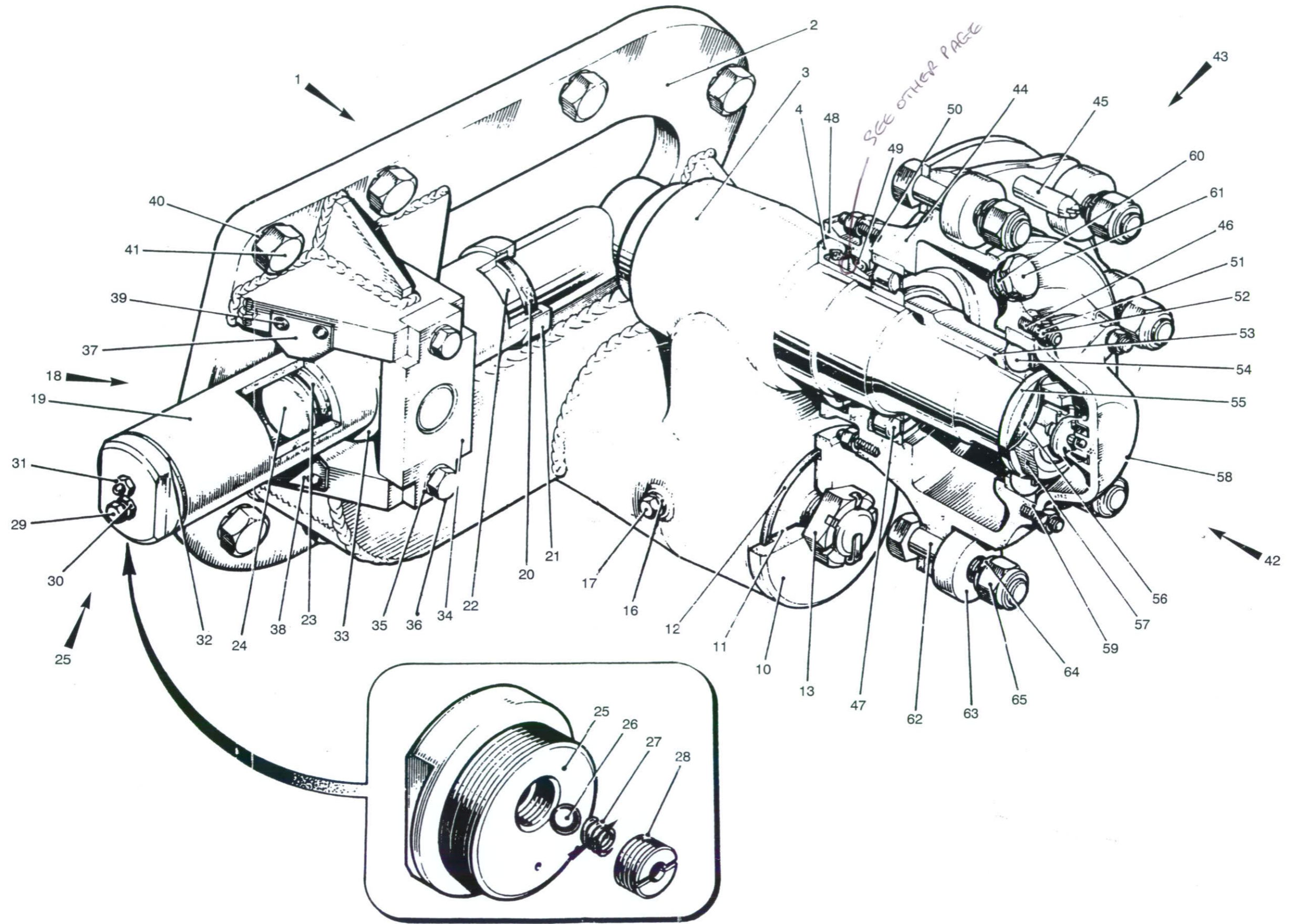


Fig 4 Hydraulic track adjuster and track tensioner wheel hub

430/70097

UNRESTRICTED

UNRESTRICTED

Fig Item	Man Code Navy - N Army - A RAF - R	NATO Stock No	Item Name and Description	Part No/ Drawing No.	No. Off	Annotations
4-			SUSPENSION GA - contd . LEFT AND RIGHT TRACK ADJUSTER - contd . . . RAM, HYDRAULIC - contd END CAP ASSEMBLY - contd			
28	A	9ACR	5365-99-866-8252 RING EXTERNALLY THREADED, 0.375in. o/a lg	FV524691	1	
29	A	9ACR	5305-99-866-8253 SCREW, SET, UNF, steel, phos, 0.312 x 1.26 x 0.92 x 0.21in. h hex hd	FV524693	1	
30	A	G1	5310-99-941-0903 NUT, PLAIN, HEXAGON, UNF, steel, chamfered bearing surface, zinc P, 5/16 x 1/2 x 3/16in. o/a h, grade 3 nut		1	
31	A	6MT1	4730-99-943-9374 FITTING, LUBRICATION, UNF, steel, straight hyd, 1/4 x 3/16 x 5/16 x 0.545in. o/a lg	NA6625	1	
32	A	9ACR	5365-99-866-8250 . . . SPACER, RING, copper, round, 2.625 x 0.064in. x 2.12in. id	FV524698	1	3102
33	A	9ACR	2530-99-865-6174 . . . TRUNNION, steel, phos, 5 x 3.5 x 1.6 x 2.625 x 2.6262in. id w/boss each side	FV499977	1	
34	A	9ACR	2530-99-865-6171 . . PLATE, RETAINING, CROSSHEAD, track adjuster	FV499945	1	
35	A	G1	5310-99-944-0552 . . WASHER, LOCK, steel, split helical ring, Cd P, 1/2in. nom bolt size, 0.763in. od x 0.116in. thk		2	
36	A	G1	5306-99-941-0342 . . BOLT, MACHINE, UNF, 1/2in. -20, 2A, 1-3/4in. lg s steel, zinc P, hex hd		2	
37	A	9ACR	2530-99-371-0775 . . STOP, steel, painted, 1.5 x 1.03 x 0.08in. thk, w/2 chamfered corners and 2 plain holes 13/64in. dia, top stop	FV524694	1	
38	A	9ACR	2530-99-551-2879 . . STOP, steel, painted, 1.5 x 1.13 x 0.08in. thk, w/2 chamfered corners and 2 plain holes 13/64in. dia bottom stop	FV524695	1	
39	A	G1	5315-99-942-3579 . . PIN, GROOVED, HEADLESS, steel, phos, 1/2 x 3/16in. dia		4	
40	A	G1	5310-99-944-0572 . WASHER, LOCK, steel, single coil, Cd P, 3/4 x 1-1/4in. od, 1/4in. thk		24	
41	<i>oil</i>	<i>5306 99 941 1612</i>	. BOLT, MACHINE, UNC, steel, hex hd, phos, 3/4in. x 1.790in. lg	FV499948	24	
42		NP	. HUB ASSEMBLY, track tensioner	FV499546	2	NOT CODIFIED
43	A	9ACR	2530-99-867-4174 . . HUB, WHEEL, VEHICULAR, tensioner	FV560103	1	
44		NP	. . . HUB, track tensioner wheel	FV559527	1	
45	A	9ACR	5315-99-838-7720 . . . PIN, STRAIGHT, THREADED, steel, phos, 1/2in. -13 UNC, 1.28in. thd lg, 1st end, slot drive 2nd end, 3.18in. o/a lg	FV951737	2	
46	A	G1	5307-99-120-3516 . . . STUD, PLAIN, UNF, steel, zinc P, 1- 3/8 x 5/16 x 5/8in. lg, 21.64in. lg stud end	FV(S)90/2/1 1	12	
47	A	6MT7	3110-99-824-6262 . . BEARING, ROLLER, CYLINDRICAL, 24.00mm wd, 70.00mm id, 125.00mm od, 2 dot fit	N214	1	→
48	A	9ACR	5330-99-865-6160 . . RETAINER, OIL SEAL, road wheel hub	FV499542	1	→
49		NP	. . BEARING, SLEEVE	15043	1	→
			<i>2530 99 822 9380 SEAL GROUP (CAT SEAL 2x O ring, 2x Steel Ring)</i>			
			<i>2530 99 780 5218</i>			

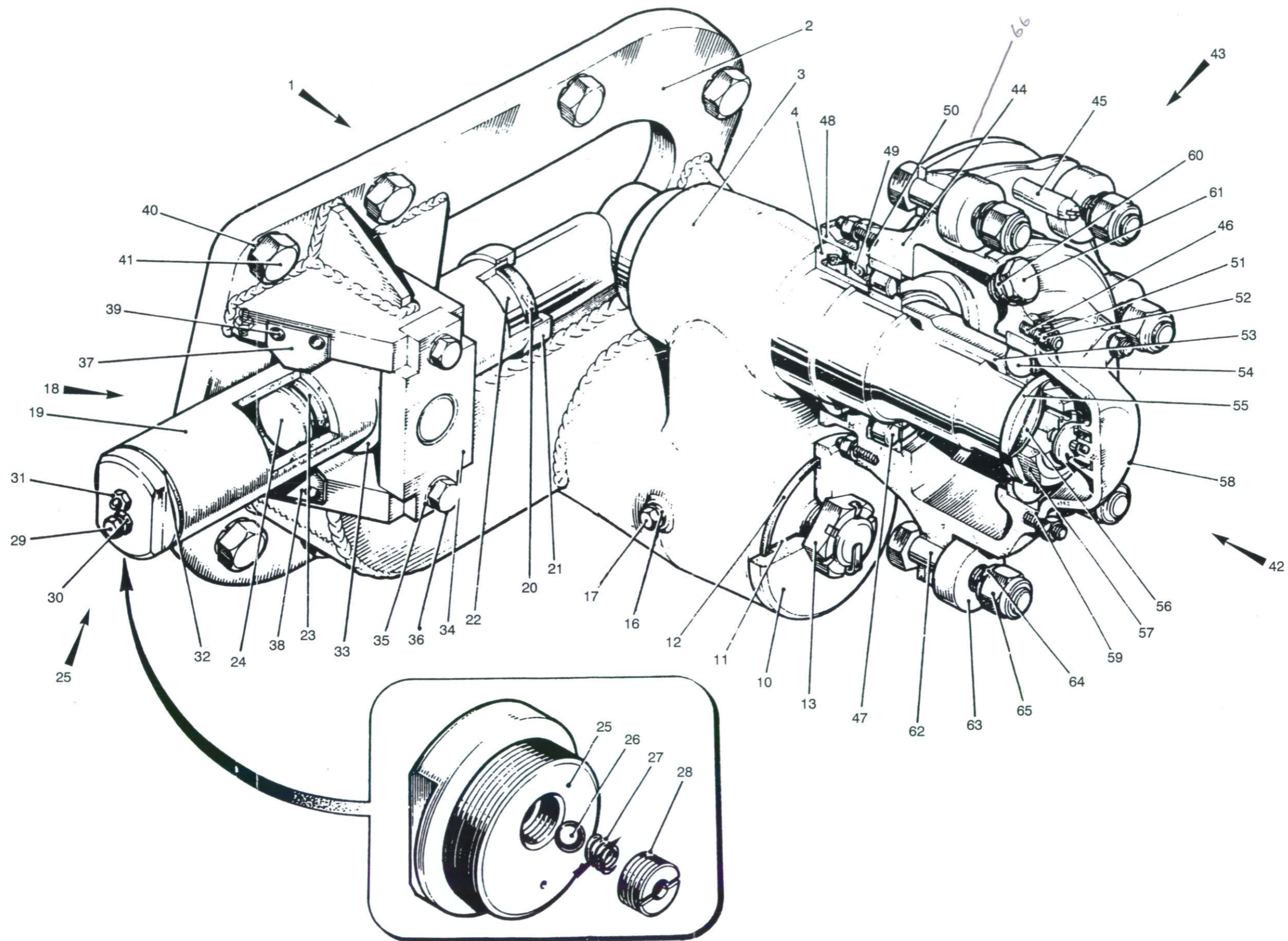


Fig 4 Hydraulic track adjuster and track tensioner wheel hub

430/70097

Fig Item	Man Code Navy - N Army - A RAF - R	NATO Stock No	Item Name and Description	Part No/ Drawing No.	No. Off	Annotations
4-			SUSPENSION GA - contd HUB ASSEMBLY - contd			
50	A 9ACR	5330-99-865-7049	GASKET, paper, 0.003in. thk, road wheel and tensioner hub, outer	FV538576	1	
51	A G1	5310-99-944-0549	WASHER, LOCK, steel, split helical ring, single coil, sq section, Cd plated, 5/16in. bolt size, 0.503in. od, 0.08in. thk		12	
52	A G1	5310-99-136-1526	NUT, PLAIN, HEXAGON, UNF, steel, Zn plated, chamfered bearing surface, grade 1 nut, 5/16in., 1/2in. w A/F, 3/16in. h		12	
53	A 9ACR	5365-99-865-6132	SPACER, STEPPED, steel, 3.2 x 3.4in. lg, 2.94 x 2.4in. lg 2nd dims, 2.765 x 0.75in. lg 3rd dims, phos	FV413912	1	
54	A 46MT7	3110-99-950-0083	BEARING, BALL, JOURNAL, 29 x 55 x 210mm od, normal group fit-up	6311	1	
55	A 9ACR	5310-99-865-6130	WASHER, FLAT, steel, phos, rd, 2.75 x 1.52 x 0.187in. thk	FV413905	1	
56	A 9ACR	5310-99-865-6187	WASHER, KEY, steel, phos and oiled, 1.531 x 0.048 x 2.875 x 0.25in. key lg	FV61262	1	
57	A 9ACR	5310-99-865-6190	NUT, PLAIN, HEXAGON, UNF, 1-1/2in. dia, 2B, rh thd, steel, phos, 2.50 x 0.750in. nut h	FV61538	1	
58	A 9ACR	2530-99-865-6131	CAP, GREASE, Al alloy, paint, 1.675in. h, 6.26in. dia, 6 mtg holes, 11/32in. dia	FV413909	1	
59	A 9ACR	5330-99-865-7152	GASKET, paper, 0.344 x 4.580in. aperture dia, 6 bolt holes 0.003in. thk	FV538577	1	
60	A 9ACR	5310-99-134-5211	WASHER, FLAT, copper, rd, 1 x 3/4 x 0.063in. thk	FV300421	1	
61	A 46MT1	5365-99-256-2927	PLUG, SCREWED, steel, hex hd, 27 x 3/4 x 16 UNF, 12.70mm thd lg, phosphate	FV2115598	1	
62	A 9ACR	5306-99-832-1976	BOLT, MACHINE, UNC, steel, 5/8in. -11, hex hd, 0.938 x 3.1in. lg, 1.1in. thd lg, phos	FV651480	16	* Road wheel to hub
63	A 9ACR	5365-99-865-6145	SPACER, SLEEVE, steel, 0.75 x 1.74 x 0.646in. id, oil finished to c - spec 906	FV434564	16	
64	A G1	5310-99-138-3581	WASHER, LOCK, steel, Cd P, split helical ring, 41/64 x 3/16 x 1-3/32in. d		16	
65	A G1	5310-99-134-3784	NUT, PLAIN, HEXAGON, UNC, 5/8in. dia, steel, Zn plated, 2B, 5/16in. w, 35/64in. o/a h, chamfered/washer faced		16	
66	9ACR	2530-99-823-7827	SPREADER RING, COA	FV650281		
		2530-99-830-4288	SPREADER RING, HALF LOAD	FV651472	2	

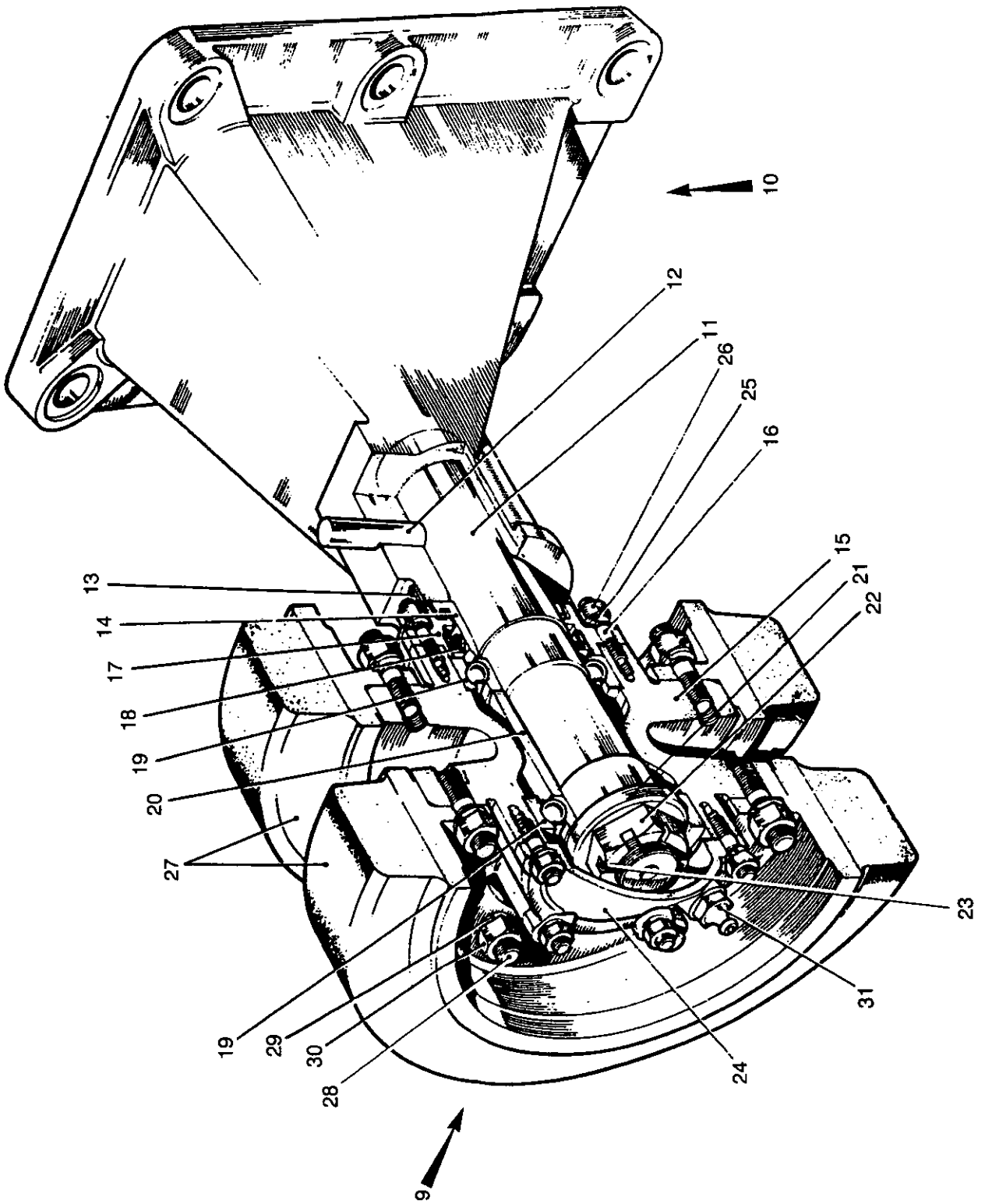


Fig 5 Track top rollers

430/70098

Fig Item	Man Code Navy - N Army - A RAF - R	NATO Stock No	Item Name and Description	Part No/ Drawing No.	No. Off	Annotations
5-			SUSPENSION GA - contd			
		NP			REF	
NI 1	A 9ACR	2520-99-538-6801	. TRACK TOP ROLLERS . TOP ROLLERS, TRACK, lh assembly, rear	FV651363	1	See items 13 to 31
NI 2	A 9ACR	2530-99-865-6164	. . . BRACKET ASSEMBLY, VEHICULAR TRACK ROLLER, rear <u>left</u>	FV499566	1	
NI 3	A 9ACR	2530-99-865-6111	. . . AXLE, STUB, steel, 1.628 x 4.3 x 1.574 x 4in. lg, end thd 1 x 0.87 x 9.42in. lg	FV299404	1	
NI 4	A G1	5315-99-120-7987	. . . PIN, GROOVED, HEADLESS, steel, zinc P, 2-1/2x 33/64in. dia		1	
NI 5	A 9ACR	2520-99-322-2736	. TOP, ROLLERS, TRACK, rh assembly, rear	FV651364	1	See items 13 to 31
NI 6	A 9ACR	2530-99-865-6165	. . . BRACKET ASSEMBLY, VEHICULAR TRACK ROLLER, rear, <u>right</u>	FV499567	1	
NI 7	A 9ACR	2530-99-865-6111	. . . AXLE, STUB, steel, 1.628 x 4.3 x 1.574 x 4in. lg, end thd, 1 x 0.87 x 9.42in. lg	FV299404	1	
NI 8	A G1	5315-99-120-7987	. . . PIN, GROOVED, HEADLESS, steel, zinc P, 2-1/2 x 33/64in. dia		1	
9		NP	. GUIDE, ROLLER ASSEMBLY, front	FV651362	2	
10	A 9ACR	2530-99-865-6163	. . . BRACKET ASSEMBLY, VEHICULAR TRACK ROLLER, front	FV499562	1	
11	A 9ACR	2530-99-865-6111	. . . AXLE, STUB, steel, 1.628 x 4.3 x 1.574 x 4in. lg, end thd 1 x 0.87 x 9.42in. lg	FV299404	1	
12	A G1	5315-99-120-7987	. . . PIN, GROOVED, HEADLESS, steel, zinc P, 2-1/4 x 33/64in. dia		1	
13	A 9ACR	2530-99-865-6112	. . SHILED, DUST, TRACK SUPPORT ROLLER, steel, sleeve, 3 x 0.90in. lg, flanged 4.35 x 0.36in. thk, 6 holes 9/32in. dia on 3.75in. PCD	FV299405	1	
14	A 9ACR	5330-99-865-6185	. . RETAINER, OIL SEAL, vehicular track roller	FV60142	1	
15	A 9ACR	2530-99-828-8123	. . HUB, WHEEL, TRACK SUPPORT, cast iron, c/w studs	FV651361	1	
16	A G1	5307-99-120-3531	. . . STUD, PLAIN, UNC/UNF, steel, zinc, 2A, 1-1/8 x 1/4in. nut/stud end	100878T	12	
17	A 9ACR	5330-99-865-6110	. . RETAINER, OIL SEAL, cast iron, 2.75 x 3.147in. dia spigot, flange 4.351 x 0.35in. thk, 6 holes 9/32 x 3.75in. PCD, 1.05in. lg	FV299403	1	
18	A 46MT1	5330-99-943-5658	. . SEAL, OIL, syn rubber, steel, strengthening, 3/8 x 2 x 2-3/4in. housing bore dia	M1S20	1	
19	A 6MT7	3110-99-950-0057	. . BEARING, BALL, JOURNAL, single row, 40mm bore, 80mm od x 18mm w	60092-3	2	
20	A 9ACR	5365-99-865-6184	. . SPACER, SLEEVE, steel, 2.505 x 2 x 1.576in. id	FV60138	1	
21	A 9ACR	5310-99-865-6186	. . WASHER, RECESSED, steel, phos, oil finish, 90 deg, 1.50 x 0.25 x 2 x 1.60in. recess dia	FV60144	1	
22	A 9ACR	5310-99-865-6189	. . NUT, SLOTTED, HEXAGON, UNF, steel, full bearing surface, phos, 1in. -12 x 1-1/2 x 5/8in. h	FV61530	1	
23	A G1	5315-99-138-2213	. . PIN, COTTER, SPLIT, 5mm wide		1	
24	A 9ACR	2530-99-865-6136	. . CAP, GREASE, aluminium, 3.375 x 1.15in. h, flange 0.35in. thk, 6 holes 9/32in. dia	FV414128	1	

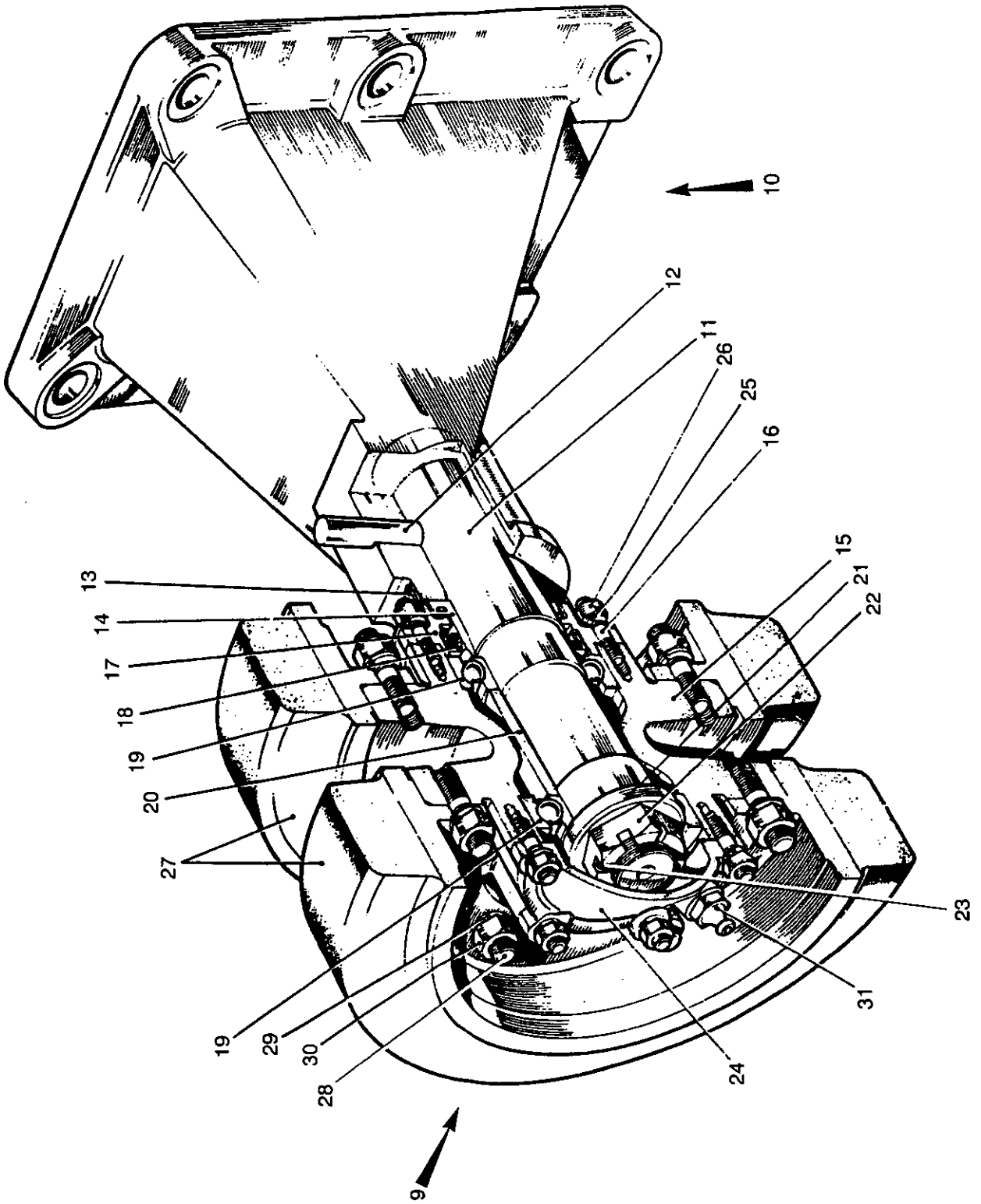


Fig 5 Track top rollers

430/70098

Fig Item	Man Code Navy - N Army - A RAF - R	NATO Stock No	Item Name and Description	Part No/ Drawing No.	No. Off	Annotations
5-			SUSPENSION GA - contd . TOP ROLLERS TRACK - contd			
25	A G1	5310-99-941-6654	. . WASHER, LOCK, steel, split helical ring, 1/4 x 27/64 x 5/64in. thk		12	
26	A G1	5310-99-804-7941	. . NUT, PLAIN, HEXAGON, UNF, 1/4in. dia, -28, 2B, rd thd, steel, zinc P, 7/16 x 7/32in. h		12	
27	A 9ACR	2530-99-865-6183	. . WHEEL, SOLID, RUBBER TYRE, solid disc, steel, w/tyre 10.25in. x 2.65in. w	FV60137	2	
28	A G1	5305-99-941-0543	. . SCREW, MACHINE, 3/4in. UNF, class 2A thd, 1-1/4in. lg, steel, Zn coated, hex hd		12	
29	A G1	5310-99-941-6656	. . WASHER, LOCK, steel, split helical ring, 3/8 x 0.092 x 0.590in. od, single coil, sq sect		12	
30	A G1	5310-99-941-0926	. . NUT, PLAIN, HEXAGON, UNF, steel, zinc P, chamfered, 3/8in. -24, 0.563 x 0.333in. h		12	
31	A 6MT1	4730-99-943-9374	. . FITTING, LUBRICATION, steel, straight hyd, 1/4in. UNF x 3/16 x 5/16 x 0.545in. lg	NA6625	1	

~~UNRESTRICTED~~

~~UNRESTRICTED~~

Chapter 2-3
PARTS LIST
TRANSMISSION GENERAL ARRANGEMENT

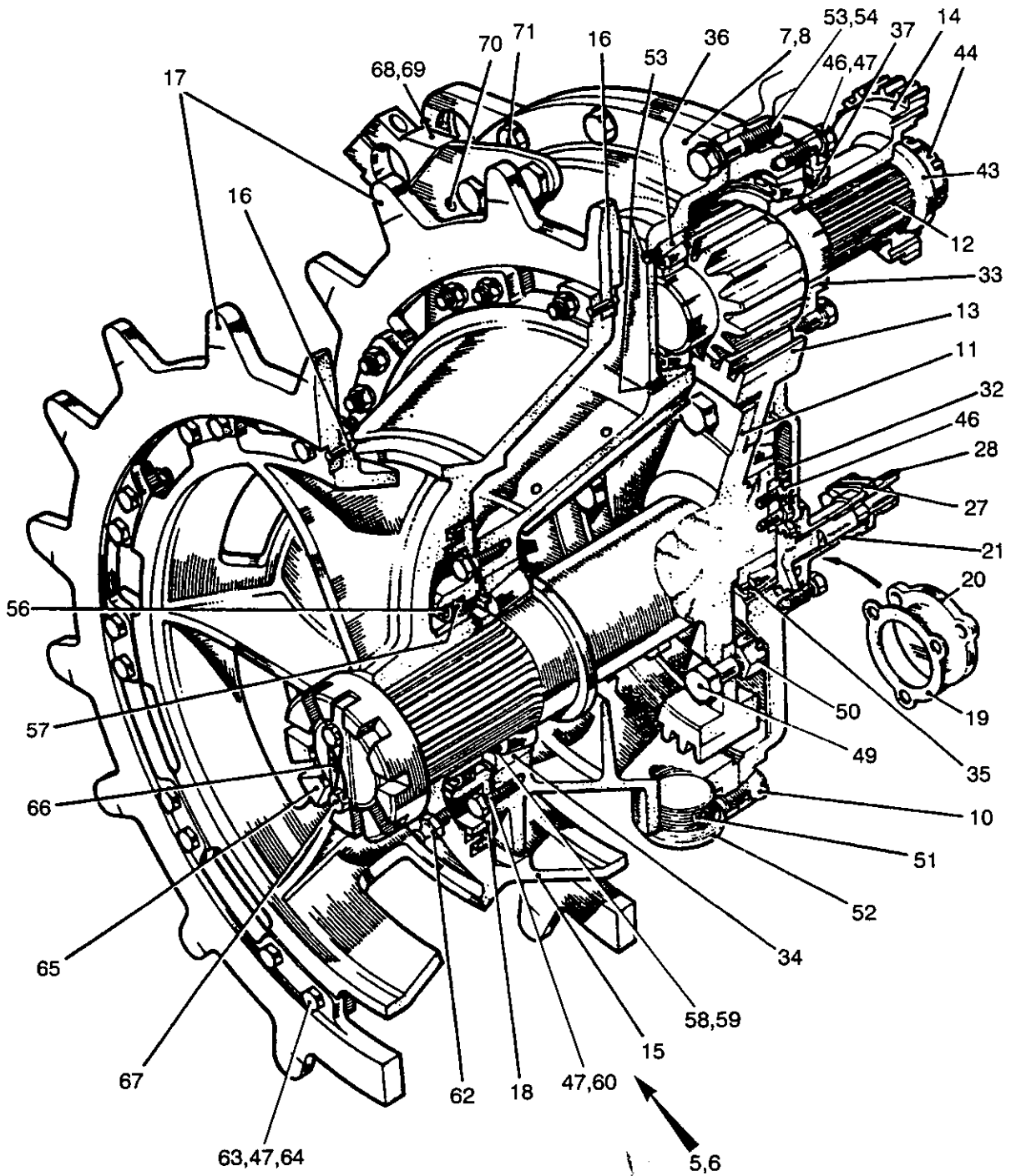


Fig 1 Final drive assembly

430/70071

Fig Item	Man Code Navy - N Army - A RAF - R	NATO Stock No	Item Name and Description	Part No/ Drawing No.	No. Off	Annotations
1-		NP	TRANSMISSION GENERAL ARRANGEMENT	FV559353	REF	
NI 1		NP	. HALF SHAFT GENERAL ARRANGEMENT	FV500050	REF	See Fig 2
NI 2		NP	. STEERING UNIT INSTALLATION		REF	See Fig 3
NI 3		NP	. STEERING UNIT MOUNTING	FV421825	REF	See Fig 6
NI 4		NP	. STEERING UNIT OIL TANK, PIPES AND FITTINGS	FV586064	REF	See Fig 7
5	A	9ACR	2520-99-808-0564 . FINAL DRIVE, VEHICULAR, RH	FV586603	1	
6	A	9ACR	2520-99-808-0563 . FINAL DRIVE, VEHICULAR, LH	FV586602	1	
7	A	9ACR	2520-99-865-6342 . CASING, VEHICULAR, FINAL DRIVE, RH	FV524605	1	
8	A	9ACR	2520-99-865-6341 . CASING, VEHICULAR, FINAL DRIVE, LH	FV524604	1	
NI 9	A	9ACR	5315-99-865-6320 . . . PIN, STRAIGHT, HEADLESS, steel, 1-7/8in. lg, 1/2in. dia	FV413989	2	
10	A	G1	5305-99-941-6959 . . . SCREW, MACHINE, 2A thd, flat csk hd, scr 1-1/32in. x 1-1/4in. lg, 1/2in. UNF thd		3	
11	A	9ACR	2520-99-802-6478 . . SHAFT, VEHICULAR FINAL DRIVE, steel, 35in. od 1st end, 10.25in. od flange w/12 bolt holes 5/8in. dia. 90in. pcd 2nd end, 17.22in. lg	FV586586	1	
12	A	9ACR	3040-99-865-6324 . . GEAR SHAFT, SPUR, vehicular, final drive	FV422099	1	Driving
13	A	9ACR	3020-99-865-6332 . . GEAR SPUR, vehicular, final drive	FV500040	1	Driven
14	A	9ACR	3020-99-865-6337 . . GEAR SPUR, vehicular, final drive	FV500055	1	Input flange
15	A	9ACR	2520-99-802-6479 . . HUB, SPROCKET RING, steel, 2 mtg flanges, 20.6 od, x 10.2in. o/a wd	FV586587	1	
16	A	9ACR	5315-99-865-6325 . . . PIN, STRAIGHT HEADLESS, steel, 3/4in. lg, 1/4in. dia	FV434615	2	
17	A	9ACR	3020-99-865-6310 . . RING, SPROCKET, vehicular final drive	FV413809	2	
18	A	9ACR	5330-99-802-6481 . . RETAINER, OIL SEAL, steel, 5.75 x 10.5in. od, 1.437in. w	FV586591	1	
19	A	9ACR	5330-99-865-6305 . . GASKET, paper, rd, 0.343in. hole dia, 2in. aperture dia, 3 holes 0.010in. thk	FV299313	1	
20	A	9ACR	5340-99-865-6304 . . COVER PLATE, ACCESS, vehicular, final drive casing	FV299312	1	LH only
21		NP	. . SPEEDOMETER, GEAR AND HOUSING SUB-ASSY	FV299295	1	RH only
NI 22	A	9ACR	3120-99-942-8076 . . . BEARING SLEEVE, copper alloy, plain, no outside flanges, solid, 3/4 x 11/16 x 9/16in. id		2	
NI 23	A	9ACR	3040-99-865-6302 . . . GEARSHAFT, SPUR, vehicular final drive, flexible shaft assembly	FV299298	1	Speedometer drive
NI 24	A	9ACR	3120-99-865-6300 . . . BEARING, SLEEVE, steel, plain, no outside flanges, solid, 0.5 x 0.75 x 0.4897in. id	FV61803		
NI 25	A	G1	5310-99-941-6655 . . WASHER, LOCK, steel, split helical ring 0.343in. hole dia, 0.080in. thk 0.503in. od			
NI 26	A	G1	5305-99-941-0698 . . SCREW, MACHINE, UNC, steel, hex hd, zinc P, 5/16in. x 3/4in. lg, class 2A thd		3	} Securing items 20 & 21
27	A	9ACR	2520-99-856-6307 . . GASKET, fibre, 0.281in. hole dia, 0.812in. aperture dia, 2 bolt holes, 0.010in. cross sect thk, 2.21in. o/a wd	FV299340	1	
28	A	9ACR	2520-99-865-6306 . . ADAPTOR, FLEXIBLE SHAFT ASSEMBLY, vehicular, final drive	FV299339	1	} RH only

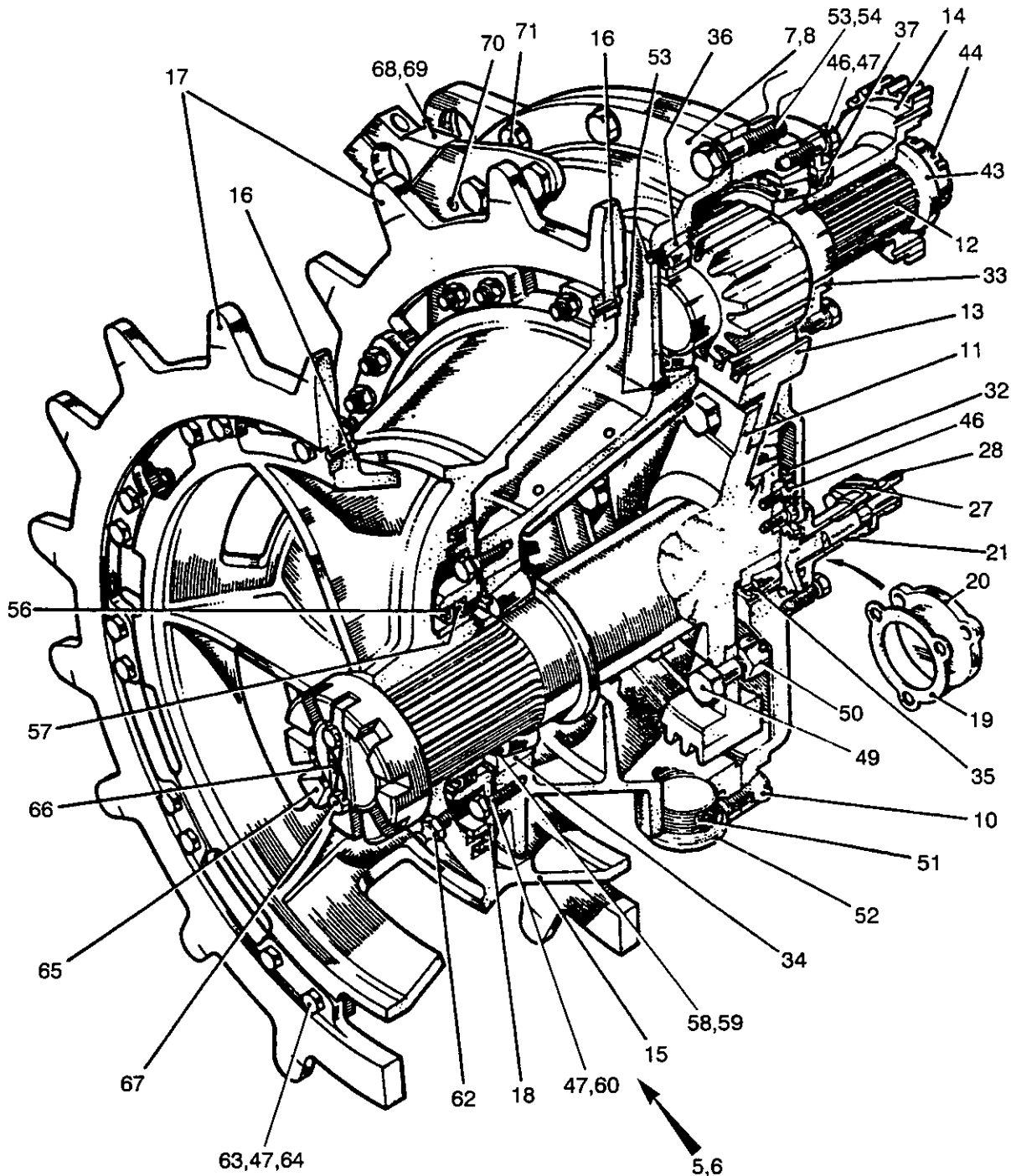


Fig 1 Final drive assembly

430/70071

Fig Item	Man Code Navy - N Army - A RAF - R	NATO Stock No	Item Name and Description	Part No/ Drawing No.	No. Off	Annotations
1-			TRANSMISSION GA - contd . FINAL DRIVE, VEHICULAR, LH/RH - contd			
NI 29	A G1	5305-99-941-0513	. . SCREW, MACHINE, UNF, steel, zinc P, hex hd, 1/4in. x 3/4in. lg		2	} Securing item 28
NI 30	A G1	5310-99-941-6654	. . WASHER, LOCK, steel, split helical ring, 1/4 x 27/64 x 5/64in. thk		2	
NI 31	A G1	5310-99-804-7941	. . NUT, PLAIN, HEXAGON, UNF, 1/4in. dia - 28, 2B, rh thd, steel, zinc P, 7/16 x 7/32in. h		2	
32	A 9ACR	3020-99-865-6301	. . GEAR SPUR, vehicular final drive, flexible shaft assembly	FV299297	1	
33	A 9ACR	5330-99-865-6328	. . RETAINER, OIL SEAL, vehicular, final drive	FV499784	1	
34	A 46MT7	3110-99-950-1009	. . BEARING, TAPERED ROLLER, straight bore, 3.5/3.5010in. id, 6.375/6.376 x 1.875/1.883in. lg	K759K752	1	Main shaft outer
35	A 6MT7	3110-99-950-0994	. . BEARING, TAPERED ROLLER, 2-3/4in. bore, 5in. od cup, 1-7/16in. lg	K566K563	1	Main shaft inner
36	A 6MT7	3110-99-950-1037	. . BEARING, TAPERED ROLLER, 55mm bore, 12mm x 31.5mm lg	30311	2	} Gear shaft
37	A 9ACR	5330-99-801-6526	. . SEAL, PLAIN, ENCASED, steel case, leather element, 1/2 x 2-3/4in. housing bore dia	960316A10 52	1	
NI 38	A 9ACR	5365-99-865-6312	. . SHIM, brass, solid, rd, 6.45 aperture dia, 0.005 x 9in. od, 8 bolt holes	FV413813	A/R	} Main shaft
NI 39	A 9ACR	5365-99-865-6313	. . SHIM, steel/brass, 7 x 6.45in. id, 8 bolt holes, 0.007 x 9in. od	FV413814	A/R	
NI 40	A 9ACR	5365-99-865-6314	. . SPACER, PLATE, steel/brass, 9 x 6.45in. id, 8 bolt holes, 0.406 x 0.020in. thk	FV413815	A/R	
NI 41	A 9ACR	5365-99-865-6330	. . SHIM, steel or brass, 4.750in. id x 6.6in. x 0.005in. thk	FV499786	A/R	} Gear shaft
NI 42	A 9ACR	5365-99-865-6329	. . SHIM, steel/brass, 4-3/4 x 6-19/32in. x 0.007in. thk	FV499785	A/R	
43	A 9ACR	5310-99-865-6319	. . WASHER, FLAT, steel, phos coated w/oil finish, rd, 2.375 x 1.265 x 0.250in. thk	FV413822	1	
44	A 9ACR	5310-99-865-6100	. . NUT, SLOTTED, HEXAGON, UNF, steel, phos, 1-1/4 x 1.875 x 0.690in, nut h, 2B thd	FV299300	1	
NI 45	A G1	5315-99-942-0401	. . PIN, COTTER, SPLIT, 3/16in. dia x 2-1/2in. lg		1	u/w item 44
46	A 9ACR	5305-99-865-6303	. . SCREW, MACHINE, 2A thd, 3/4in. lg, hex hd, one hole drilled in hd, 0.055in. dia	FV299304	2	
47	A G1	5310-99-944-0567	. . WASHER, LOCK, steel, Cd P, 0.398in. x 0.144in. x 0.658in. od		58	
NI 48	A G1	5305-99-941-0716	. . SCREW, MACHINE, steel, zinc P w/chromate, hex hd, 3/8in. dia x 1-1/4in. lg		6	Oil seal housing output flange
49	A 9ACR	5305-99-865-6338	. . SETSCREW, UNF, steel, hex hd, phos, 5/8in. x 1-5/8in. lg, 0.03 x 0.93 x .75in. w	FV500056	12	
50	A G1	5310-99-941-0864	. . NUT, SLOTTED, HEXAGON, UNF, steel, zinc P, chamfered bearing surface, 5/8 x 15/16in. wd x 23/32in. h, grade 3 nut		12	

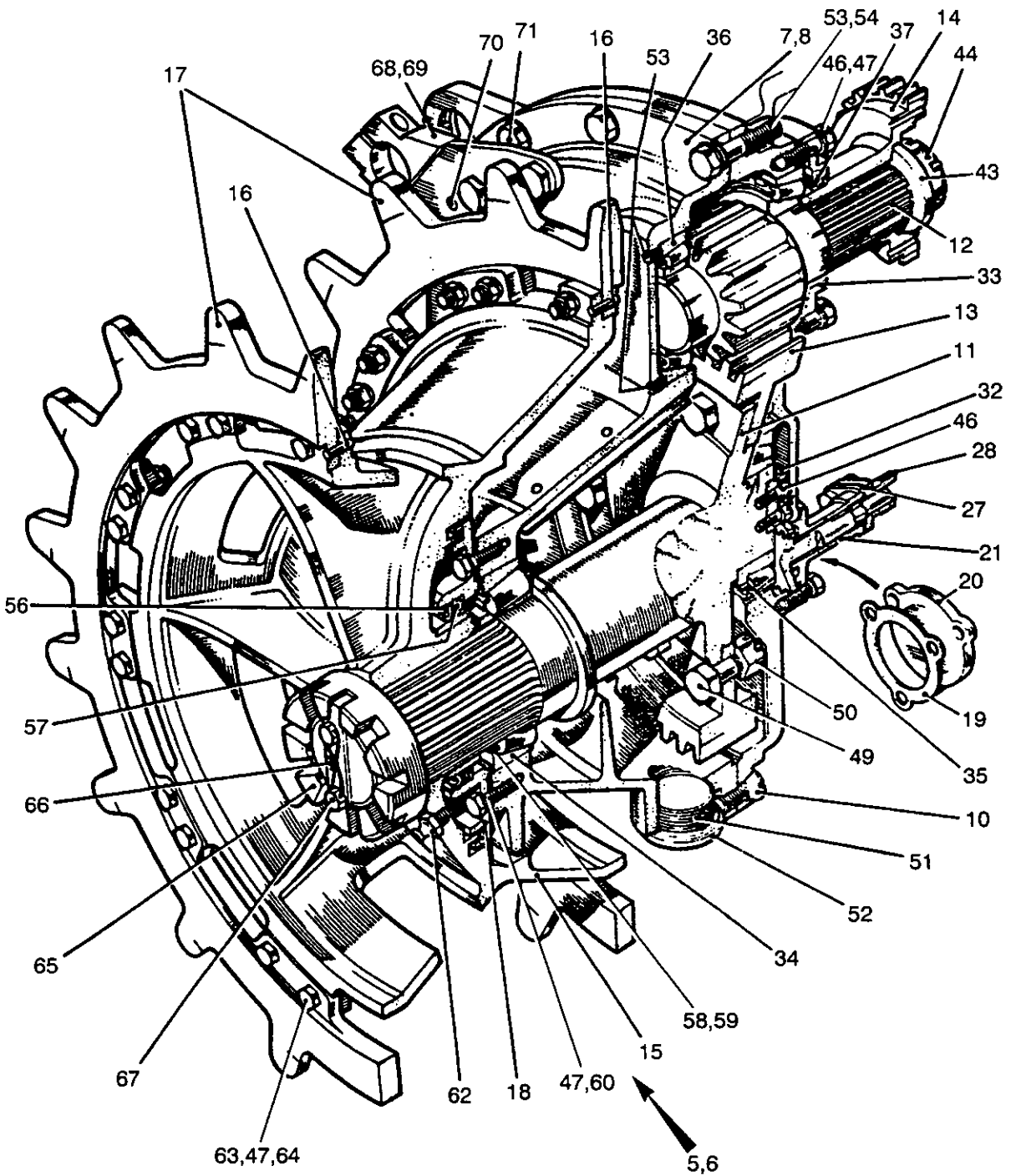


Fig 1 Final drive assembly

430/70071

Fig Item	Man Code Navy - N Army - A RAF - R	NATO Stock No	Item Name and Description	Part No/ Drawing No.	No. Off	Annotations
1-			TRANSMISSION GA - contd . FINAL DRIVE, VEHICULAR, LH/RH - contd			
51	A	9ACR	5365-99-865-6959 . . SPACER, RING, copper, rd, 2.125 x 0.064 x 1.75in. id	FV395476	2	
52	A	46MT1	5365-99-942-8008 . . PLUG, steel, hex hd, 1-3/4in. x 5/8in. lg phosphate finish		2	
53		NP	. . SCREW, GRUB, UNC, r steel, 5/16in. 3/8in. lg	FV413990	2	
54	A	G1	5310-99-138-3581 . . WASHER, LOCK, steel CD P, split helical ring, 41/64in. x 3/16in. thk, 1-3/32in. od		21	
55	A	G1	5306-99-941-1598 . . BOLT, MACHINE, UNC, 5/8 x 2-1/4in. lg, steel, hex hd, zinc plated		18	
56	A	46MT1	5330-99-801-5626 . . SEAL, PLAIN, ENCASED, steel case, leather element, 9/16 x 5-1/4 x 6-1/4in. housing bore dia	W62552556	1	
57	A	46MT1	5330-99-801-6924 . . SEAL, PLAIN, rubber, syn, 5.25 x 0.500in. w, steel strengthening	MIS54	1	
58	A	9ACR	5365-99-828-9068 . . SPACER, RING, steel, rd, 4 x 0.106 x 3.515in. id	FV651464	1	
59	A	9ACR	5365-99-828-9069 . . SPACER, RING, steel, rd, 4 x 0.50 x 3.515in. id	FV651465	1	
60	A	G1	5305-99-941-0714 . . SCREW, MACHINE, UNC, 0.375 x 1in. lg, steel, zinc P, hex hd, 2A thd		8	
NI 61	A	46MT1	4820-99-881-5095 . . VALVE, AIR PRESSURE RELIEF, GEAR HOUSING, 1-5 PSI, 3/8in. UNF	OA6875	1	
62	A	6MT1	4730-99-943-9374 . . LUBRICATING NIPPLE, steel, straight hydraulic type, 1/4 x 3/16 x 5/16in. a/f, 0.545in. max lg	NA6625	1	
63	A	G1	5306-99-941-6598 . . BOLT, MACHINE, UNF, 3/8 x 1-1/2in. lg, steel, hex hd, zinc plated, 1in. lg thd		44	
64	A	G1	5310-99-941-0926 . . NUT, PLAIN, HEXAGON, UN, steel, zinc P, chamfered bearing surface, 3/8in. -24, 0.563 x 0.333in. o/a h		44	
65	A	9ACR	5310-99-802-6482 . . NUT, PLAIN, ROUND, UNS, steel, phos, 5.5 x 1.72in. thk	FV586590	1	
66	A	9ACR	2520-99-823-9285 . . LOCKING PLATE, ROUND PLAIN NUT, steel, phos, 3-19/32in. lg, 1in. wd, 3/8in. thk, c/w 2 holes 11/32in. dia	FV650237	1	
67	A	9ACR	5305-99-865-6309 . . SCREW, CAP, HEXAGON HEAD, steel, phosphate coated, 0.312in. -24UNF thd, 0.875in. thd and fastener lg, one hole drilled in hd 0.055in. dia	FV299373	2	
68	A	9ACR	3040-99-800-0139 . . BRACKET, EYE, NON-ROTATING SHAFT, steel, irregular shape, 8in. o/a lg, 5-7/8in. max thk	FV586429	1	LH only
69	A	9ACR	3040-99-800-0140 . . BRACKET, EYE, NON-ROTATING, SHAFT, steel, irregular shape, 8 x 5-7/8 x 7/8in. max thk	FV586430	1	RH only
70	A	9ACR	5315-99-865-6308 . . PIN, STRAIGHT, HEADLESS, steel, 7/8in. lg, 1/2in dia	FV299368	2	
71	A	9ACR	5306-99-865-6322 . . BOLT, MACHINE, UNC, 5/8 x 2in. lg, steel, phos, hex hd, 0.937 x 0.4 x 0.75in. thd lg	FV413992	3	

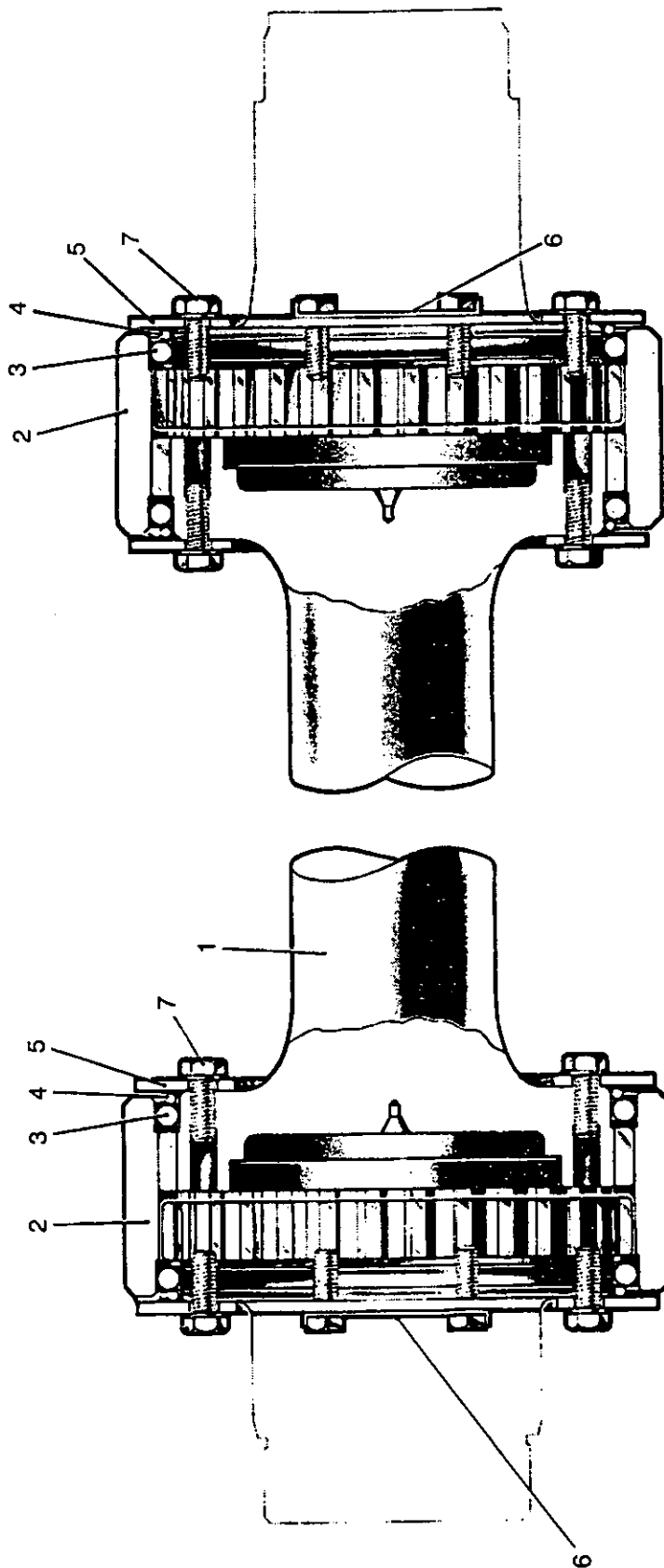


Fig 2 Half shaft general arrangement

430/70072

Fig Item	Man Code Navy - N Army - A RAF - R	NATO Stock No	Item Name and Description	Part No/ Drawing No.	No. Off	Annotations
2-		NP	TRANSMISSION GA - contd			
			. HALF SHAFT GENERAL ARRANGEMENT	FV500050	2	
1	A 9ACR	3040-99-865-6333	. . GEAR SHAFT SPUR, final drive	FV500051	1	
2	A 9ACR	3010-99-865-6334	. . COUPLING, SHAFT RIGID, final drive	FV500052	2	
3	A 46MT1	5330-99-801-7356	. . RING, SEALING, TOROIDAL, rubber, 60-65 deg BS/IRD, 9/32in. cross sect h, 27/32in. id	R848ML539 1	4	
4	A 9ACR	5365-99-865-6365	. . RING, RETAINING, final drive	FV525535	4	
5	A 9ACR	2520-99-865-6335	. . PLATE, SEAL, RETAINING RING, rigid shaft coupling	FV500053	8	
6	A 9ACR	5365-99-865-6336	. . SPACER, PLATE, steel, phos, 2.5 x 0.500in. wd, 0.048in. thk, 2 bolt holes 0.281in. dia	FV500054	16	lock tabs
7	A G1	5305-99-941-6543	. . SCREW, MACHINE, UNF, steel, zinc P, w/chromate, 1/4in. dia, 2A, 3/4in. lg, hex hd		32	

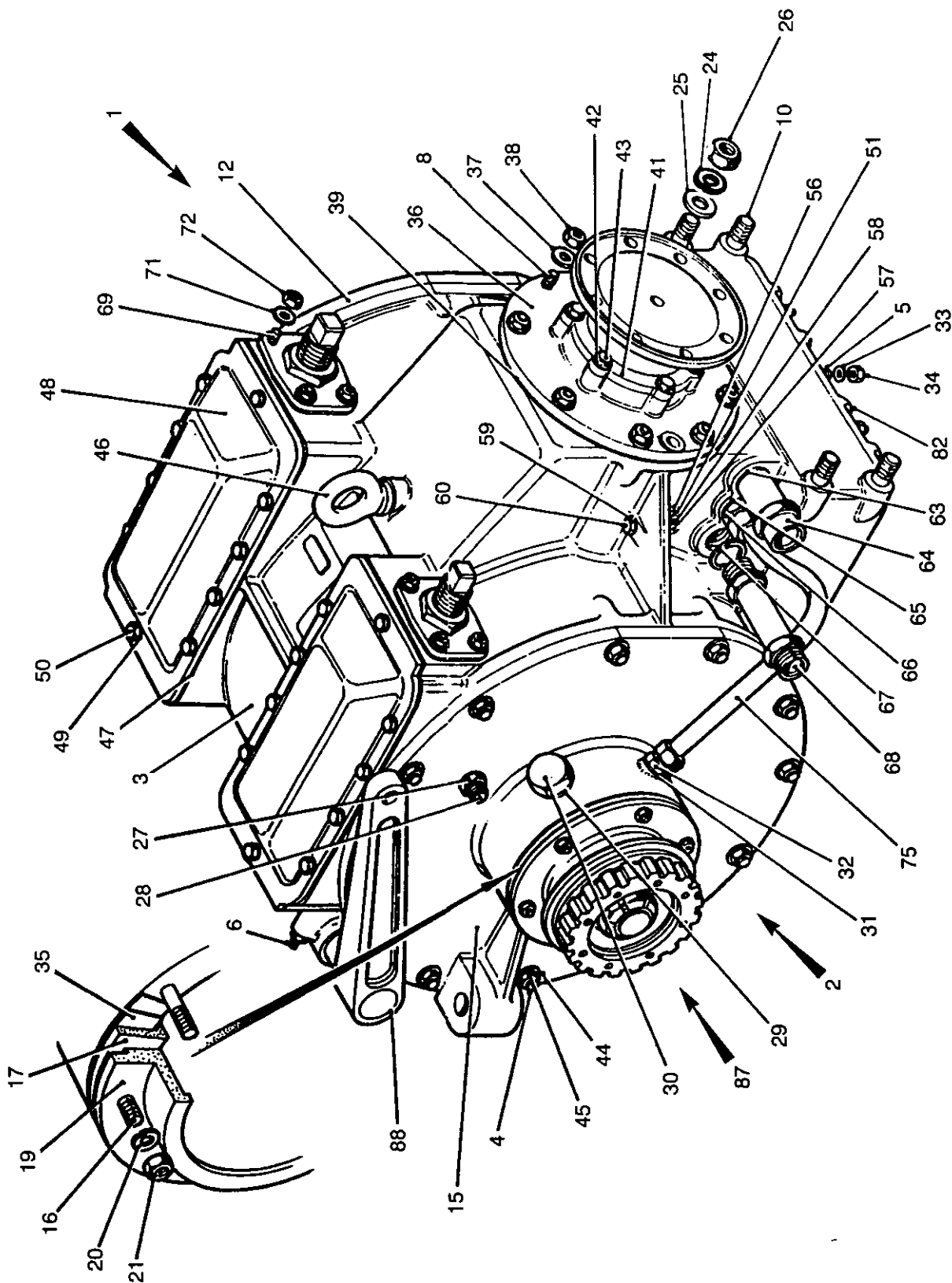


Fig 3 Steering unit installation

430/70073

Fig Item	Man Code Navy - N Army - A RAF - R	NATO Stock No	Item Name and Description	Part No/ Drawing No.	No. Off	Annotations
3-			TRANSMISSION GA - contd			
		NP	. STEERING UNIT INSTALLATION		REF	
1	A	9ACR	. . STEERING GEAR	FV451236	1	
2		NP	. . GEARCASE AND COVERS	FV450922	REF	
3	A	10	. . . CASING, GEARBOX, STEERING	FV452614	1	
4	A	10 CONTROL, steering unit, type S1F6			
		5307-99-865-1136 STUD, PLAIN, steel, Cd P, 2in. lg, 7/16 x 0.68in. thd lg, class A UNF	FV149125	24	
5	A	10 STUD, PLAIN, UNF, steel, Cd P, 2A, 1.625in. lg, 5/16 x 0.530 x 0.405in. thd lg	UA905Z	13	
6	A	10 STUD, PLAIN, UNF, steel, Cd P, 3/8 x 2-1/8in. lg	UA957Z	4	
NI 7	A	9CET STUD, PLAIN, UNF, steel Cd P w/chromate, 3/8 x 4.450 x 0.948 x 0.625in. lg	FV670622	4	} Brake actuating housing
8	A	10 STUD, PLAIN, UNF, steel, Cd P, 3/8 x 1.75in. lg	UA954	8	
NI 9	A	G1 INSERT, SCREW THREAD, cres, coil wire type	AS6733-32	28	
10	A	10 STUD, PLAIN, UNF, steel, Cd P, 2.025in. lg, 2A	FV149758	4	
NI 11	A	9CET STUD, PLAIN, UNF, steel, Cd P w/chromate	FV670622	4	
12	A	10	. . . HOUSING, MECHANICAL DRIVE, steering unit, rh, with studs	FV451039	1	
NI 13	A	10 STUD, PLAIN, UNF, steel, 5/16in. x 1-1/2in. lg	UA904ZP	6	
NI 14	A	10	. . . HOUSING, MECHANICAL DRIVE, output shaft, rh, steering unit	FV450951	1	
15	A	10	. . . HOUSING, MECHANICAL DRIVE, lh end cover assy	FV451038	1	
16	A	10 STUD, PLAIN, UNF, steel. 5/16in. x 1-1/2in. lg	UA904ZP	6	
17	A	10	. . . HOUSING, MECHANICAL DRIVE, output shaft lh	FV450948	1	
NI 18	A	10 BEARING, SLEEVE, steel, plain, solid, 1 x 2.563 x 2.376in. id, 1 lubrication hole	FV438276	1	
19	A	10	. . . RETAINER, OIL SEAL, output shaft - steering unit	FV450950	2	
20	A	G1	. . . WASHER, FLAT, steel, Cd P, rd hole, 5/16 x 5/8in.		12	
21	A	G1	. . . NUT, PLAIN, HEXAGON, UNF, steel, zinc P, 5/16in. -24, 1/2 x 17/64in. h, rh, 2B, chamfered		12	
NI 22	A	10	. . . SPACER RING, aluminium, rd, 0.825 x 0.036 x 0.625in. dia, rd hole	KB 1081	1	} Oil drilling gear case to sump
NI 23	A	10	. . . PLUG, SCREWED, steel, hex hd, Cd P, 2 holes 5/64in. dia	FV669872	1	
24	A	G1	. . . WASHER, LOCK, steel, split helical ring, Cd P, 1/2 x 0.763 x 0.116in. thk		4	} Mounting brackets to casing
25	A	G1	. . . WASHER, FLAT, steel, zinc P, rd, 1in. x 33/64in. x 3/32in. thk		4	
26	A	G1	. . . NUT, PLAIN, HEXAGON, UNF, steel, zinc P, chamfered, 1/2 x 3/4 x 7/16in. h, grade 3 nut		4	

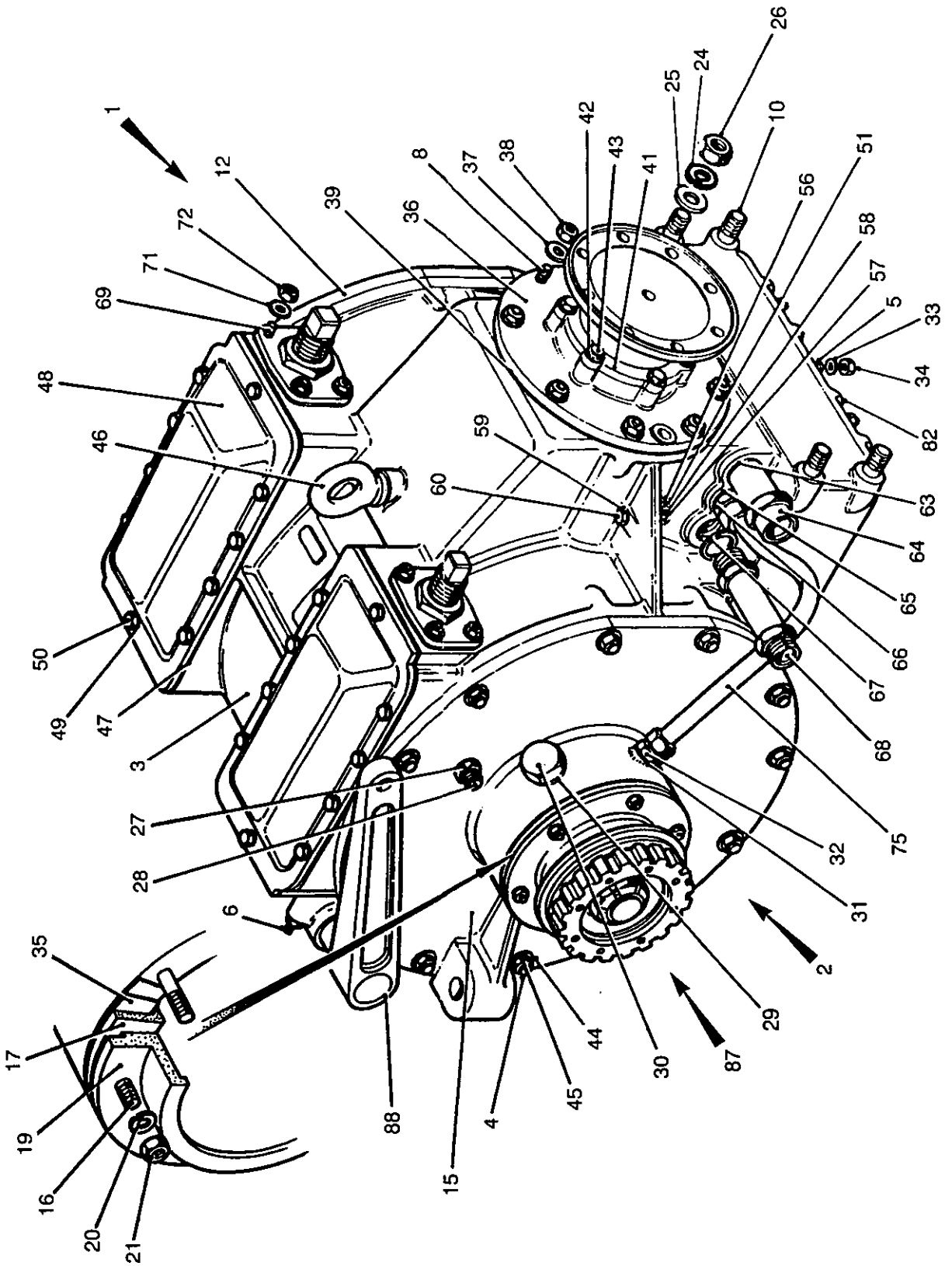


Fig 3 Steering unit installation

430/70073

Fig Item	Man Code Navy - N Army - A RAF - R	NATO Stock No	Item Name and Description	Part No/ Drawing No.	No. Off	Annotations
3-			TRANSMISSION GA - contd . STEERING UNIT INSTALLATION - contd . . . GEARCASE AND COVERS - contd			
27	A 10	5365-99-865-1479	. . . SPACER RING, aluminium, rd, 0.825 x 0.036 x 0.625in. dia, rd hole	KB1081	1	
28	A 10	4730-99-865-3617	. . . NIPPLE, TUBE, UNF, steel, thd ext tube 0.625in. x 1.312in. o/a lg	UA5829	1	
29	A 10	5365-99-865-1488	. . . SPACER, RING, aluminium, rd, 0.875 x 0.036 x 1.075in. od, rd hole	KB1092	1	
30	A 10	5365-99-821-0158	. . . PLUG, SCREWED, steel, hex hd, Cd P, 2 holes x 5/64in. dia	FV669878	1	
31	A 10	5365-99-865-1488	. . . SPACER, RING, aluminium, rd, 0.875 x 0.036 x 1.075in. od, rd hole	KB1092	1	
32	A 10	4730-99-821-0156	. . . ADAPTOR, STRAIGHT, PIPE TO TUBE, steel, Cd P, 7/8in. -14 UNF, 17/32 x 1-23/32in. o/a lg	FV669873	1	
33	A G1	5310-99-101-3781	. . . WASHER, FLAT, steel, rd, Cd P, 21/64 x 37/64 x 3/64in. thk		13	
34	A G1	5310-99-941-0925	. . . NUT, PLAIN, HEXAGON, UNF, steel, zinc P, 5/16in. -24, 1/2 x 17/64in. h, rh, 2B, chamfered		13	
35	A 10	5365-99-865-5728	. . . SHIM, steel, solid, 5.781 x 0.002in. thk, 7.5 x 0.343in. dia on 6.5in. pcd	FV451032	A/R	} Bearing housing
35(1)	A 10	5365-99-865-5729	. . . SHIM, solid, 5.781 x 0.003in. thk, 7.5 x 0.343in. dia, 6 bolt holes	FV451033	A/R	
35(2)	A 10	5365-99-865-5730	. . . SHIM, steel, 5-25/32 x 7-1/2 x 0.005in. thk	FV451034	A/R	
35(3)	A 10	5365-99-865-5731	. . . SHIM, steel, 5-25/32 x 7-1/2 x 0.007in. thk	FV451035	A/R	
35(4)	A 10	5365-99-865-5732	. . . SPACER, PLATE, steel, 7-1/2 x 5-25/32 x 3/64in. thk	FV451036	A/R	
36	A 10	3040-99-866-2261	. . . HOUSING, MECHANICAL DRIVE, iron, 6.375 x 9.562in. dia	FV451971	1	
37	A G1	5310-99-915-5148	. . . WASHER, FLAT, UNF, steel, Cd P, rd, 0.660 x 0.392 x 0.048in. thk		8	
38	A 10	5310-99-866-5335	. . . NUT, PLAIN, HEXAGON, UNF, steel, Cd P, 3B, rh, 3/8in. dia x 0.5625 x 0.33in. h, chamfered	FV452202	8	
39	A 10	5365-99-865-3685	. . . SPACER, PLATE, steel, 0.091in. thk	FV149221	A/R	} Input
39(1)	A 10	5365-99-865-3686	. . . SPACER, PLATE, steel, 0.093in. thk	FV149223	A/R	
39(2)	A 10	5365-99-865-3687	. . . SPACER, PLATE, steel, 0.095in. thk	FV149225	A/R	
39(3)	A 10	5365-99-865-3688	. . . SPACER, PLATE, steel, 0.100in. thk	FV149226	A/R	
39(4)	A 10	5365-99-865-3689	. . . SPACER, PLATE, steel, 0.105in. thk	FV149227	A/R	
39(5)	A 10	5365-99-865-3690	. . . SPACER, PLATE, steel, 0.110in. thk	FV149228	A/R	
NI 40	A 46MT1	5330-99-812-0434	. . . SEAL, PLAIN, syn rubber, element, steel strengthened, 1/2 x 2-1/2 x 3-35/64in. od	1N45978SH 80	1	Steering unit
41	A 10	5330-99-865-3670	. . . RETAINER, OIL, SEAL, steel, bevel pinion shaft, steering unit	FV149064	1	
42	A G1	5310-99-101-3781	. . . WASHER, FLAT, steel, Cd P, 21/64 x 37/64 x 3/64in. thk		6	
43	A G1	5305-99-941-6547	. . . SCREW, MACHINE, UNF, steel, zinc P w/chromate, 5/16 x 7/8in. lg, 2A, hex hd		6	
44	A 10	5310-99-865-1511	. . . WASHER, FLAT, steel, rd, 0.875 x 0.458 x 0.099in. matl thk		24	

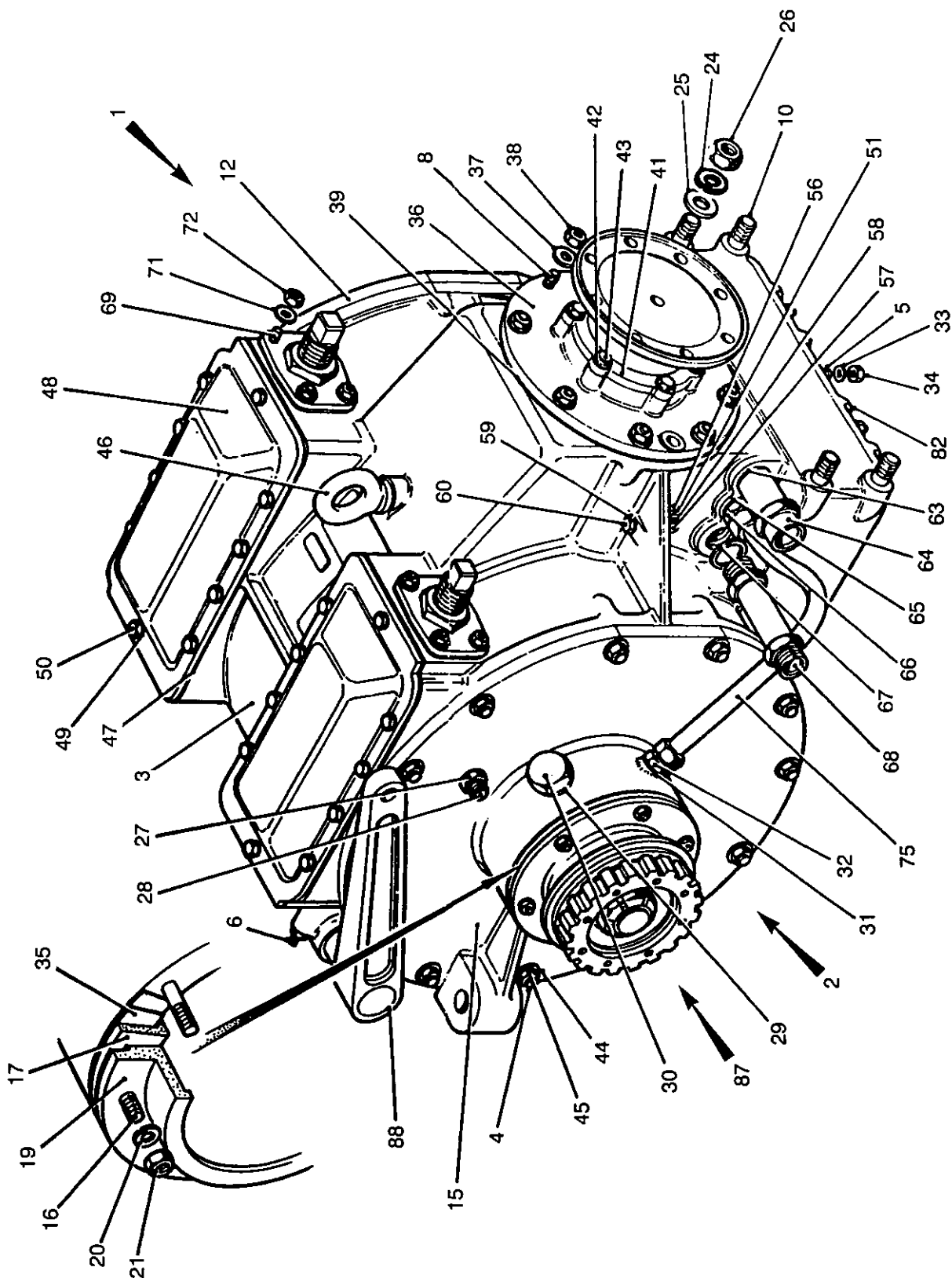


Fig 3 Steering unit installation

430/70073

Fig Item	Man Code Navy - N Army - A RAF - R	NATO Stock No	Item Name and Description	Part No/ Drawing No.	No. Off	Annotations
3-			TRANSMISSION GA - contd STEERING UNIT INSTALLATION - contd GEARCASE AND COVERS - contd			
45	A G1	5310-99-941-0927	NUT, PLAIN, HEXAGON, UNF, steel, zinc P, 7/16 x 11/16 x 3/8in. h, chamfered, grade 3 nut		24	
46	A 10	5306-99-865-4905	EYEBOLT, UNC, steel, Cd P, 1-1/4 x 5/8 x 1-1/2in. thd lg, 3-39/64in. shank lg	FV146147	2	
47	A 10	5330-99-273-7837	GASKET, non-asbestos, 0.063in. thk	FV450986	2	
48	A 10	5340-99-865-3830	COVER PLATE, ACCESS, steering unit casing	FV450985	2	
49	A G1	5310-99-941-7072	WASHER, FLAT, steel, rd, Cd P, 1/4 x 9/16in. od		20	
50	A G1	5305-99-941-6544	SCREW, MACHINE, UNF, steel, zinc P w/chromate, 1/4 x 7/8in. lg, hex hd, 2A		20	
51	A 10	2805-99-866-2262	JET, OIL FEED, drive gear, oil pump	FV451972	1	
NI 52	A G1	5310-99-941-6654	WASHER, LOCK, steel, split helical ring, 1/4 x 27/64 x 5/64in. thk		8	
NI 53	A G1	5305-99-941-6542	SCREW, CAP, HEXAGON HEAD, UNF, steel, zinc P w/chromate, 0.625 x 0.163 x 0.438in. max wd		8	
NI 54	A 7RR	5310-99-404-0153	WASHER, ALUMINIUM	RE16379	1	
NI 55	A 6MT1	5365-99-901-5323	PLUG, SCREWED, brass, hex hd, 1/2in. x 3/4in. BSPF	W152887-1-6	1	
56	A 10	5310-99-865-1492	WASHER, FLAT, aluminium, rd, 0.725 x 0.520 x 0.028in. nom thk		1	
57	A 10	5365-99-821-0154	PLUG, SCREWED, steel, hex hd, Cd P, 2 holes, 3/64in. dia	FV669871	1	
58	A 10	5310-99-865-1475	WASHER, FLAT, aluminium, rd, 0.5 x 0.312in. id x 0.028in. matl thk		1	
59	A 10	5310-99-865-1475	WASHER, FLAT, aluminium, rd, 0.5 x 0.312in. id x 0.028in. matl thk		1	
60	A 10	5365-99-821-0154	PLUG, SCREWED, steel, hex hd, Cd P, 2 holes, 3/64in. dia	FV669871	1	
NI 61	A 10	5365-99-865-1479	WASHER, FLAT, aluminium, rd, 0.825 x 0.036in. x 0.625in. dia, rd hole		1	
NI 62		NP	PLUG, SCREWED, UNF, 5/8in.		1	
63	A 10	5365-99-865-1490	SPACER, RING, aluminium, rd, 1.375 x 0.036 x 1.125in. hole dia	KB1094	1	
64	A 10	4730-99-865-4399	REDUCER, TUBE, steel, Cd P, 0.375 x 1.125 x 3.725in. lg	FV149893	1	
65	A 10	5365-99-865-1488	WASHER, FLAT, aluminium, rd, 0.875 x 0.036 x 1.075in. od, rd hole		1	
66	A 10	4730-99-821-0156	ADAPTOR, STRAIGHT, PIPE TO TUBE, UNF, steel, Cd P, 7/8in. -14, 17/32 x 1-23/32in. o/a lg	FV669873	1	
67	A 10	5365-99-865-1490	SPACER, RING, aluminium, rd, 1.375 x 0.036 x 1.125in. hole dia	KB1094	1	
68	A 10	2805-99-866-5334	ADAPTOR, OIL COOLER, HOUSING UNF, steel, Cd P, 1-1/8 x 5-1/2in. lg	FV452197	1	
69	A 10	5307-99-865-1464	STUD, PLAIN, UNF, steel, Cd P, 3/8 x 2-1/8in. lg	UA957Z	8	
NI 70	A 10	5307-99-865-3611	STUD, PLAIN, UNF, steel, Cd P, 5/16in. x 5.625 x 0.380in. lg	UA927Z	2	Oil pump to casing
71	A G1	5310-99-941-8635	WASHER, FLAT, steel, zinc P, rd, 3/4 x 25/64 x 0.072in. thk		16	

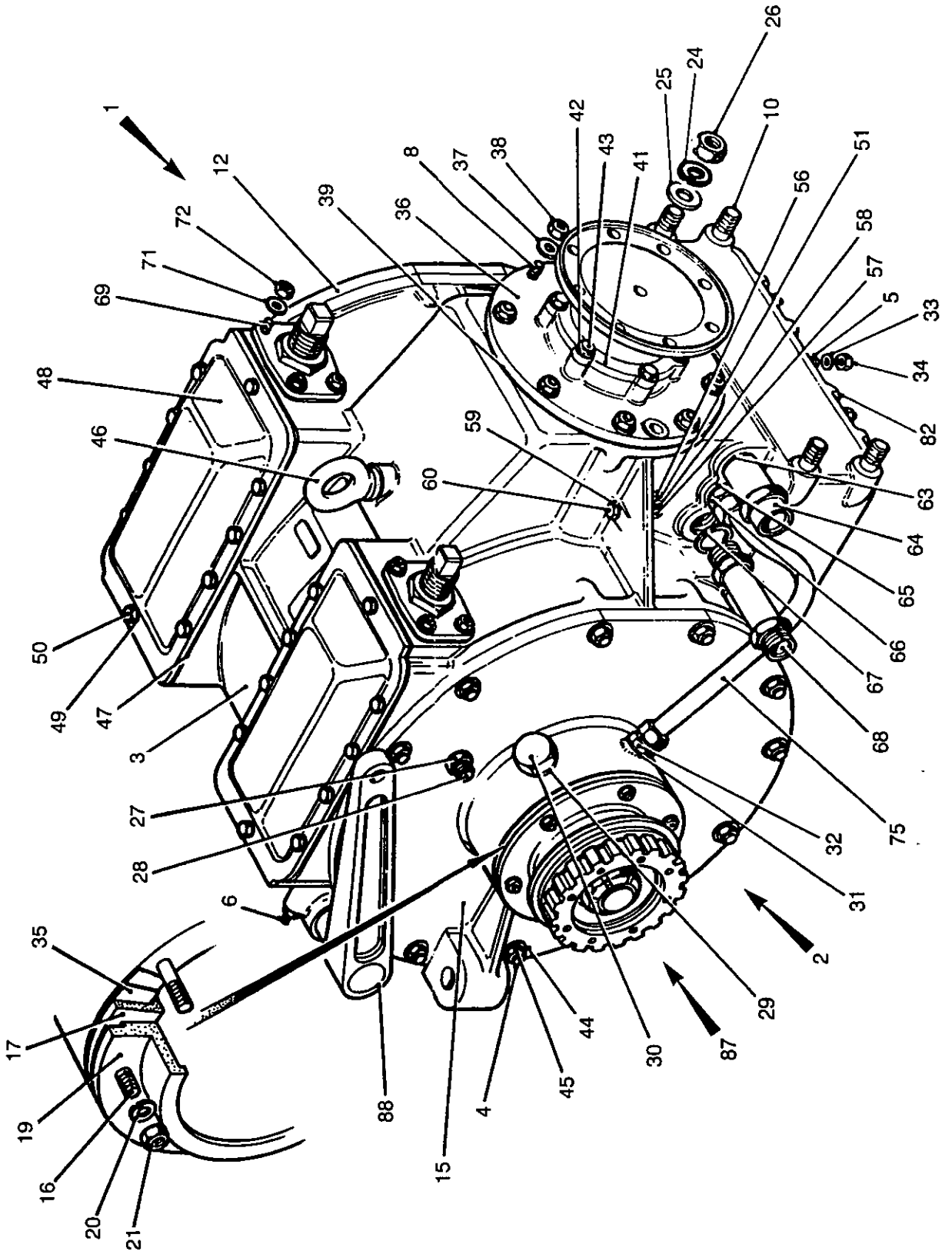


Fig 3 Steering unit installation

430/70073

Fig Item	Man Code Navy - N Army - A RAF - R	NATO Stock No	Item Name and Description	Part No/ Drawing No.	No. Off	Annotations
3-			TRANSMISSION GA - contd . STEERING UNIT INSTALLATION - contd . . GEARCASE AND COVERS - contd			
72	A 10	5310-99-866-5335	. . . NUT, PLAIN, HEXAGON, UNF, steel, Cd P, 3/8 x 0.5625 x 0.33in. h, 3B, rh, chamfered	FV452202	16	
NI 73	A G1	5310-99-101-3781	. . . WASHER, FLAT, steel, Cd P, 21/64in. x 37/64in. x 3/64in. thk		2	
NI 74	A G1	5310-99-941-6570	. . . NUT, PLAIN, HEXAGON, UNF, steel, zinc coated, 2B, rh, 0.563 x 333in. h, chamfered		2	
75	A 10	4710-99-821-0157	. . . PIPE, OIL FEED, c/w nuts and nipples	FV669880	1	Pump to differential
NI 76	A 10	2520-99-809-0843	. . . STRAINER ASSEMBLY, OIL, copper wire mesh, metal reinforcement frame 13-1/4 x 10-1/2in. w	FV668639	1	
NI 77	A 10	2530-99-865-3671	. . . GASKET, asbestos, 0.062in. thk, sump joint, steering unit	FV149102	1	Steering unit sump joint
NI 78	A 10	5330-99-865-3739	. . . GASKET, asbestos, 0.062in. cross sect thk	FV149635	1	
NI 79	A 10	5330-99-865-4388	. . . GASKET, paper, dtd 776, 0.006in. thk	FV149111	1	Internal casing
NI 80	A G1	5310-99-941-8554	. . . WASHER, FLAT, steel, rd hole, 2BA nom bolt size		5	
NI 81		NP	. . . SCREW, MACHINE, hex hd, 0.454in. thd lg, 1/2in. fastener lg		5	
82	A 10	2530-99-865-3719	. . . SUMP, STEERING UNIT, aluminium alloy, 13.228 x 10.133 x 1.300in. h, 0.25in. thk	FV149445	1	
NI 83	A G1	5310-99-101-3781	. . . WASHER, FLAT, steel, Cd P, 21/64 x 37/64 x 3/64in. thk		13	
NI 84	A G1	5310-99-941-0925	. . . NUT, PLAIN, HEXAGON, UNF, 5/16 -24, 2B, rh, steel, zinc P, 1/2in. wd, 17/64in. h		13	
NI 85	A G1	5365-99-120-6763	. . . SPACER, RING, aluminium, rd, 1.850 x 0.080in. x 1.660in. dia hole	G1GA19110	1	
NI 86	A 46MT1	5365-99-901-5323	. . . PLUG SCREWED, brass, hex hd, 1/2in. x 3/4in. BSPF	W1S2887-1-6	1	
87		NP	. . . DIFFERENTIAL STEERING CONTROL	FV450892	REF	See Fig 4
88	A 10	3040-99-865-5726	. . . LEVER, REMOTE CONTROL, forged steel, 13-3/4in. lg, one hole 1/2in. dia, 24 serrations	FV450982	2	See Fig 5
NI 89	A 10	4320-99-998-9888	. . . PUMP, ROTARY, assembly, oil pump steering unit kit	FV670837	1	
NI 90	A 46MT1	2520-99-881-6428	. PROPELLER SHAFT, primer, enamel, 13.093in. x 6.623in. od, blue, 8 holes each flange	FV669926	1	
NI 91	A 6MT10	5340-99-836-8670	. LOCKING PLATE, NUT AND BOLT, steel, 3/16in. x 23/64in., oblong holes 2-11/32in. c to c	94GB-516	8	} Securing item 90
NI 92	A 6MT10	5305-99-836-9801	. SCREW, MACHINE, BSF, steel, hex hd, 5/16in. x 21/32in. lg, medium class thd		16	
	LV10	5306-99-867-3494	PROPSHAFT BOLTS	FV452392	16	
	91	531099941 9139	Nut		16	

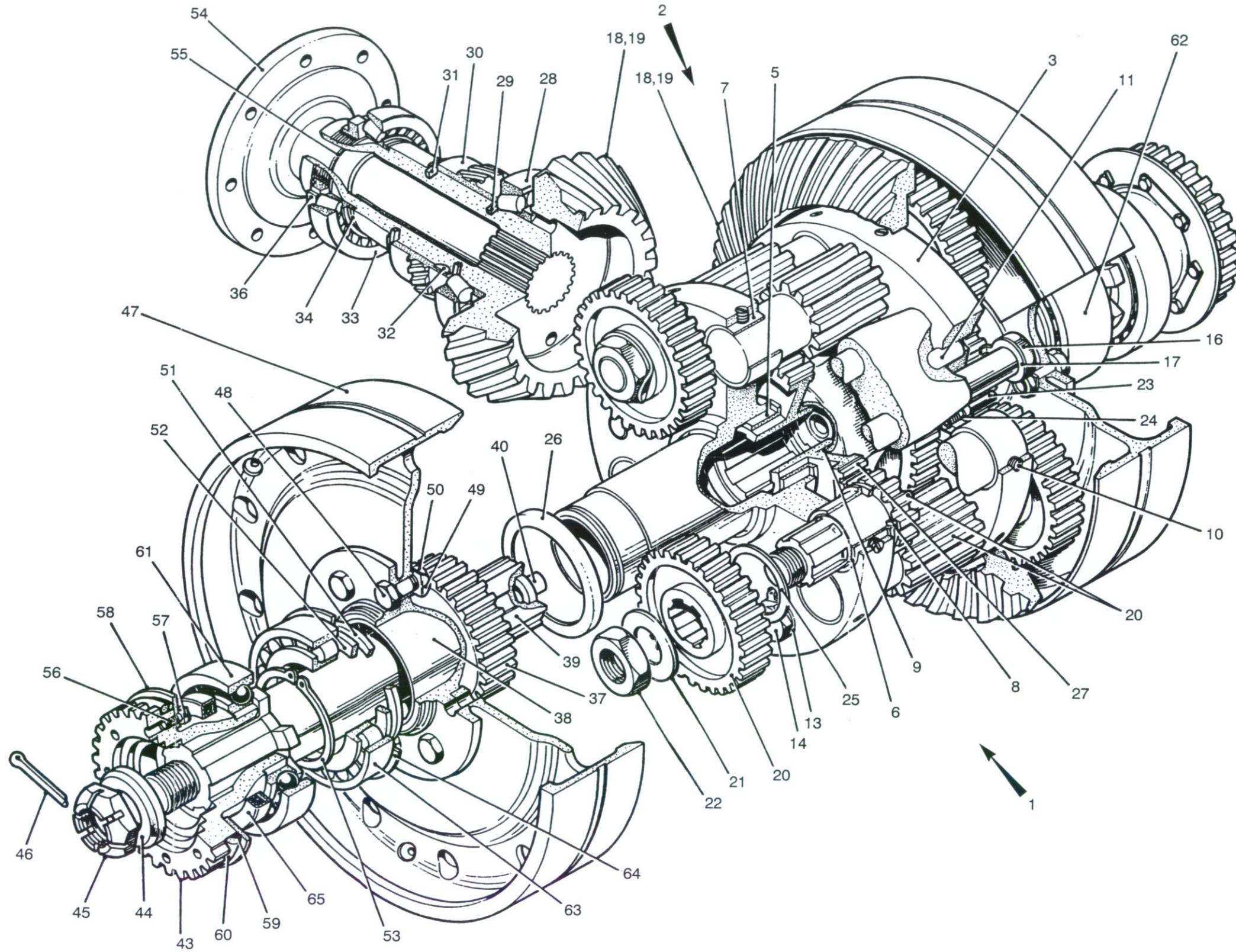


Fig 4 Differential steering control

Fig Item	Man Code Navy - N Army - A RAF - R	NATO Stock No	Item Name and Description	Part No/ Drawing No.	No. Off	Annotations
4-			TRANSMISSION GA - contd . STEERING UNIT INSTALLATION - contd			
1		NP	. . . DIFFERENTIAL STEERING CONTROL	FV450892	REF	
2	A 10	2520-99-808-1106	. . . GEAR AND SHAFT ASSEMBLY, BEVEL, matched crown wheel and pinion	FV668190	1	
3		NP FLANGE, DIFFERENTIAL, left	FV668192	1	
NI 4	A 10	5315-99-808-1122 PIN, STRAIGHT, HEADLESS, steel, 2.025 x 0.6245in. max dia	FV668193	3	
5	A 10	3120-99-865-3786 BEARING, SLEEVE	FV450591	2	
6	A 10	3120-99-865-3787 BEARING, SLEEVE, phos bronze, plain, solid, 1.18in. x 1.968in. x 1.813in. id, planet gear	FV450592	6	
7	A 10	3120-99-865-3788 BEARING, SLEEVE, phos bronze, solid, 1.377 x 2.049 x 1.814in. id, planet gear	FV450593	6	
8	A 10	3120-99-865-3789 BEARING, WASHER, THRUST, phos bronze, rd, 2.323 x 0.1142in. thk, rect cross-sect shape	FV450594	6	
9	A 10	2520-99-865-3790 BEARING, DIFFERENTIAL FLANGE SPACE	FV450595	2	
10	A 10	5305-99-865-3801 SCREW, GRUB, steel, 5/16in. -24 UNF, 2A, 0.252 x 0.3543 x 0.1752 x 0.2401in. dia	FV450865	12	
11	A 10	5315-99-865-3825 PIN, GROOVED, HEADLESS, steel, 2-9/32in. lg, 25/64in. dia	FV450940	3	
NI 12	A 10	5315-99-865-3826 PIN, GROOVED, HEADLESS, steel, 1-11/16in. lg, 25/64in. dia	FV450941	3	
13	A 7RR	5310-99-874-1035 WASHER, KEY, cres, 3 ext keys, 0.77 x 0.039 x 1.065in. od	KU10014	3	
14		NP BOLT, MACHINE, differential assembly	FV450866	3	
NI 15		NP BOLT, MACHINE, UNF, steel, Cd P w/chromate, 2A, 1in. thd lg, 1.115 x 0.390in. hd h	FV668194	3	
16	A 46MT1	5306-99-796-9492 BOLT, MACHINE, UNF, steel, hex, 0.750 - 16 x 7.820in. fastener lg	FV470586	3	
17	A 10	5340-99-790-0840 LOCKING PLATE, NUT AND BOLT, steel, 3/470 x 1.378in. wd, 16swg, 0.801in. nom dia	FV670588	3	
18		NP GEAR SET, BEVEL, MATCHED, crown wheel and pinion	FV450873	1	
19	A 10	3020-99-828-9154 GEAR SET, BEVEL, MATCHED, crown wheel and pinion assembly	FV670446	1	
20	A 10	3040-99-865-3795 GEARSHAFT, SPUR, differential assy, steering control	FV450826	6	
21	A 10	5310-99-865-3797 WASHER, KEY, steel, 1.250 x 2.283x 0.048in. thk, 1 int key, 0.256 x 0.085in. lg, planet gear	FV450830	6	
22	A 10	5310-99-865-3796 NUT, PLAIN, HEXAGON, UNS, 1-1/4in. dia, steel, rh, 1.875 x 0.472in. h planet gear, chamfered	FV450829	6	
23	A 10	2520-99-865-3803 JET, OIL FEED, differential assy, steering unit	FV450867	3	
24	A G1	5310-99-941-8085 WASHER, KEY, steel, Cd P, 3 ext keys, 0.395 x 0.570 x 0.036 x 0.856in. o/a lg	SP107-J	3	

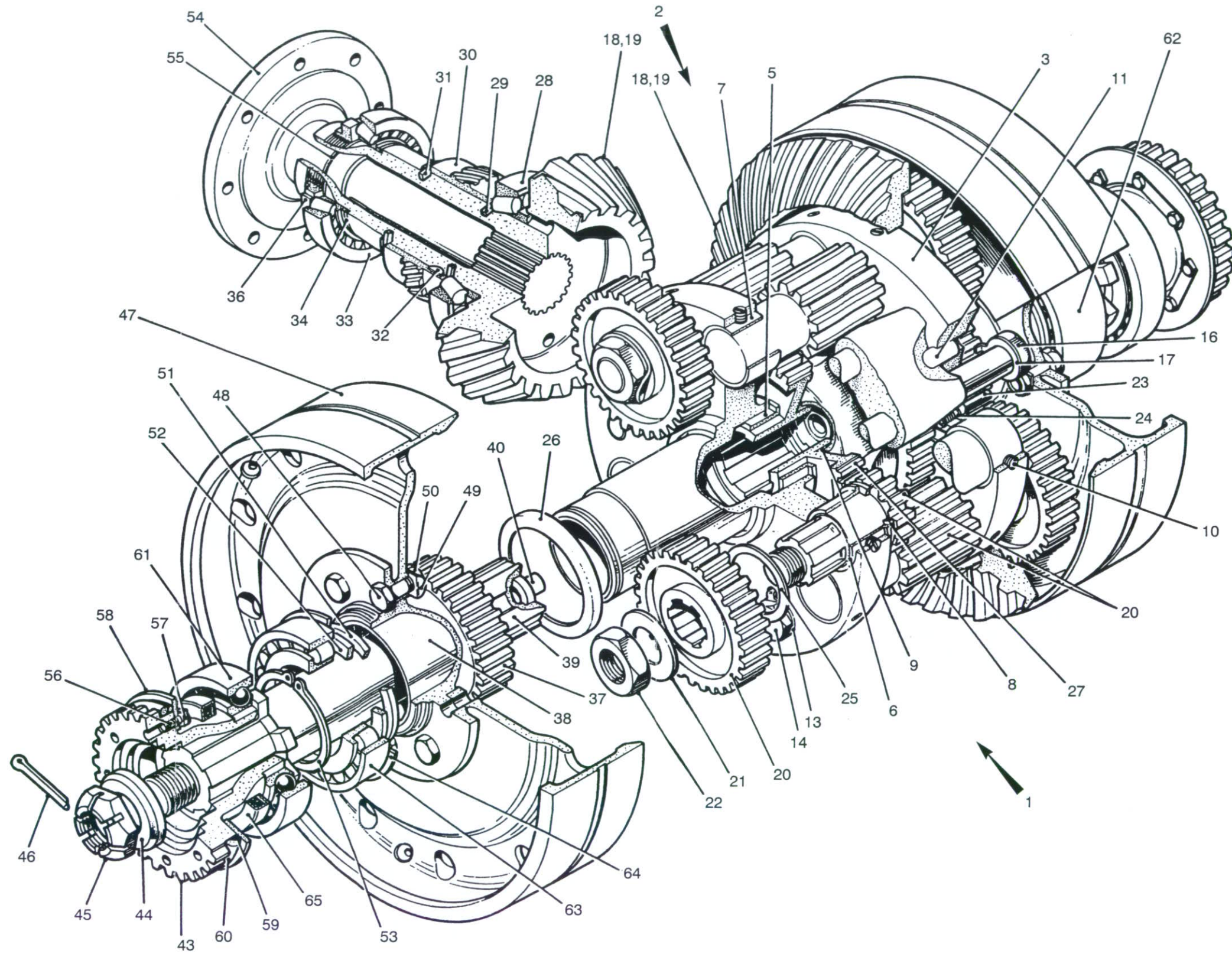


Fig 4 Differential steering control

Fig Item	Man Code Navy - N Army - A RAF - R	NATO Stock No	Item Name and Description	Part No/ Drawing No.	No. Off	Annotations
4-			TRANSMISSION GA - contd . STEERING UNIT INSTALLATION - contd . . DIFFERENTIAL STEERING CONTROL - contd			
25	A 10	3120-99-865-3808	. . . WASHER, THRUST, steel, rd, 2-9/32 x 9/64in. thk, 1-3/16in. id, rect cross sect shape	FV450875	6	
26	A 10	3120-99-865-5705	. . . BEARING, WASHER, THRUST, bronze, rd, 3-15/16 x 15/16 x 15/64 x 3-17/64in. od, csk 45 deg, w/2 grooves	FV450876	2	
27	A 10	3020-99-865-3798	. . . GEAR, SPUR, differential assy - steering unit	FV450852	2	
28	A 6MT7	3110-99-946-9279	. . . BEARING, TAPERED, ROLLER, straight bore, 5-3/8 x 1-3/16in. lg	K497K493	1	Steering unit input pinion
29	A 10	3120-99-865-3684	. . . BEARING, WASHER, THRUST, steel, rd, 3.76 x 0.165in. thk rect cross sect shape, 3.35in. hole dia	FV149217	1	
30	A 10	3020-99-865-3809	. . . GEAR, SPUR	FV450877	1	
31	A 46MT1	5365-99-910-8255	. . . RING, RETAINING, steel, phos coated, 0.119in. nom major thk, 85mm shaft dia, ext	D1400 0850 APP	1	
32	A 10	5315-99-865-3810	. . . KEY, WOODRUFF, steel, 41/64in. circle dia, 13/64in. x 1/4in. h	FV450878	1	
33	A 6MT7	3110-99-806-1382	. . . BEARING, TAPERED, ROLLER, 2-5/8 x 4-7/16 x 7/8in. lg	395A394A	1	Steering unit input pinion
34	A 10	5310-99-866-5332	. . . WASHER, BEVEL PINION SHAFT, steel, 2-5/8 x 3in. od, 7/64in. thk	FV149497	1	
NI 35	A 10	5365-99-865-3721	. . . SPACER, PLATE, steel, 3in. x 2-5/8in. x 7/64in. thk	FV149498	1	
NI 35 (1)	A 10	3120-99-866-5333	. . . BEARING, WASHER, THRUST, steel, rd, 3 x 7/64 x 2-41/64in. id	FV149230	A/R	
NI 35 (2)	A 10	3120-99-865-3691	. . . BEARING, WASHER, THRUST, steel, rd, 3 x 0.1165 x 2-41/64in. id	FV149231	A/R	
NI 35 (3)	A 10	3120-99-865-3692	. . . BEARING, WASHER, THRUST, steel, rd, 3 x 0.1185 x 2-41/64in. id	FV149233	A/R	
NI 35 (4)	A 10	3120-99-865-3693	. . . WASHER, THRUST, steel, rd, 3.01 x 2.635 x 0.1205in. thk	FV149235	A/R	
NI 35 (5)	A 10	3120-99-865-3694	. . . BEARING, WASHER, THRUST, steel, rd, 3 x 1/8 x 2-41/64in. id	FV149236	A/R	
NI 35 (6)	A 10	3120-99-865-3695	. . . BEARING, WASHER, THRUST, steel, rd, 3 x 0.1305 x 2-41/64in. id	FV149237	A/R	
NI 35 (7)	A 10	3120-99-865-3696	. . . BEARING, WASHER, THRUST, steel, rd, 3 x 0.1355 x 2-41/64in. id	FV149238	A/R	
NI 35 (8)	A 10	3120-99-865-3697	. . . BEARING, WASHER, THRUST, steel, rd, 3 x 0.1405 x 2-41/64in. id	FV149239	A/R	
NI 35 (9)	A 10	3120-99-865-3698	. . . BEARING, WASHER, THRUST, steel, rd, 3 x 0.1455 x 2-41/64in. id	FV149240	A/R	
NI 35 (10)	A 10	3120-99-865-3699	. . . BEARING, WASHER, THRUST, steel, rd, 3 x 9/64 x 2-41/64in. id	FV149241	A/R	
NI 35 (11)	A 10	3120-99-865-3700	. . . BEARING, WASHER, THRUST, steel, rd, 3 x 5/32 x 2-41/64in. id	FV149243	A/R	
NI 35 (12)	A 10	3120-99-865-3701	. . . BEARING, WASHER, THRUST, steel, rd, 3.01 x 2.635 x 0.1705in. thk	FV149245	A/R	
36	A 10	5310-99-865-3672	. . . NUT, PLAIN, ROUND, UNS, 2-5/8in. -16, rh, 3.575in. x 0.575in. max thk	FV149136	1	
37	A 9ACR	3020-99-865-5702	. . . GEAR SPUR, with bearing surface	FV450850	2	

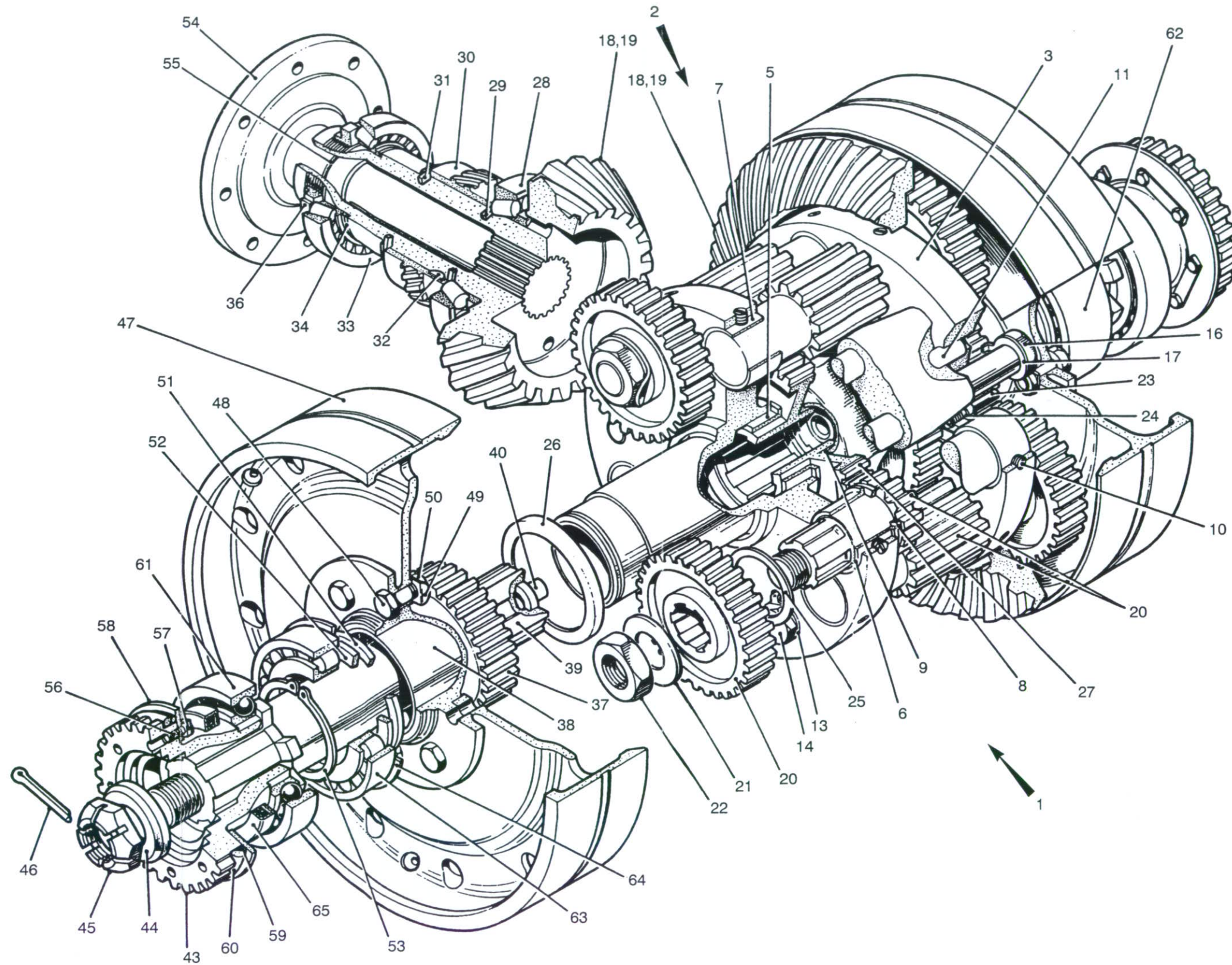


Fig 4 Differential steering control

Fig Item	Man Code Navy - N Army - A RAF - R	NATO Stock No	Item Name and Description	Part No/ Drawing No.	No. Off	Annotations
4-			TRANSMISSION GA - contd . STEERING UNIT INSTALLATION - contd . . . DIFFERENTIAL STEERING CONTROL - contd . . . GEAR SPUR - contd			
38	A 10	3120-99-865-1134	. . . BEARING, SLEEVE, steel & tin, plain, split, 3.67in. lg, 3.426 x 3.26in. id, brake drum hub	L4982-1	2	
39	A 10	3040-99-865-3844	. . . SHAFT, SHOULDERED, steering box, left	FV451325	1	
40	A 10	4730-99-865-3778	. . . RESTRICTOR, FLUID FLOW, output shaft	FV438286	1	
NI 41	A 10	3040-99-865-3845	. . . SHAFT, SHOULDERED, steering box, right	FV451326	1	
NI 42	A 10	5310-99-865-3777	. . . WASHER, RECESSED, copper alloy, 0.562 x 0.312 x 1.002 x 0.762in. max recess dia, 90 deg	FV438285	1	
43	A 10	3020-99-865-3837	. . . GEAR SPUR, output shaft	FV451142	2	
44	A 10	5310-99-865-3750	. . . WASHER, FLAT, steel, rd, 2.500 x 1.25 x 0.525in. thk	FV149780	2	
45	A 10	5310-99-865-3776	. . . NUT, CASTELLED, HEXAGON, steel, 1-1/4 -16 UNS, Cd P, 1.875 x 0.687in. h, output shaft	FV220541	2	
46	A G1	5315-99-138-2207	. . . PIN, COTTER, SPLIT, steel, phos coated, 2.5 x 50mm lg, extended prong chisel point	PS105321	2	
47	A 10	2530-99-819-4952	. . . BRAKE, DRUM, CI, 15-1/2in. x 3-55/64in. wd, ext	FV669895	2	
48	A 10	5306-99-865-5704	. . . BOLT, MACHINE, UNF, 1/2in. dia, 2A, 1-5/8in. lg, steel, hex hd	FV450860	16	
49	A 10	5310-99-865-5701	. . . LOCKING PLATE, NUT & BOLT, used on brake drum	FV450572	8	
50	A 10	5310-99-865-3616	. . . NUT, PLAIN, HEXAGON, UNF, 1/2 x 0.75 x 0.5in. h, 2B		16	
51	A 10	3120-99-865-5706	. . . BEARING, WASHER, THRUST, steel, rd, 3.937 x 0.197 x 2.955in. hole dia, rect cross sect shape	CC565	2	
52	A 10	3120-99-866-5336	. . . BEARING, WASHER, THRUST, steel, rd, 3-61/64 x 3/16 x 2-31/32in. id, rect cross sect shape	FV451380	2	
53	A 46MT1	5365-99-910-8253	. . . RING, RETAINING, steel, ext, phos coated, for 75mm dia shaft	D14000750 APP	2	
54	A 10	3040-99-867-3493	. . . SHAFT, STRAIGHT, input steering unit	FV452481	1	
55	A 10	5330-99-865-3642	. . . RING, SEALING, TOROIDAL, rubber, 65 - 75 deg BS or IRH, 0.143in. cross sect h, 1.822in. id	FV148495	1	
56	A G1	5305-99-941-6543	. . . SCREW, MACHINE, UNF, 1/4 x 3/4in. lg, steel, zinc P w/chromate, 2A, hex hd		16	
57	A 9ACR	5365-99-865-6336	. . . SPACER, PLATE, steel, phos, 2.5 x 0.500 x 0.048in. thk, 2 bolt holes 0.281in. dia	FV500054	8	
58	A 9ACR	2520-99-865-6335	. . . PLATE, SEAL RETAINING RING, rigid shaft coupling	FV500053	4	

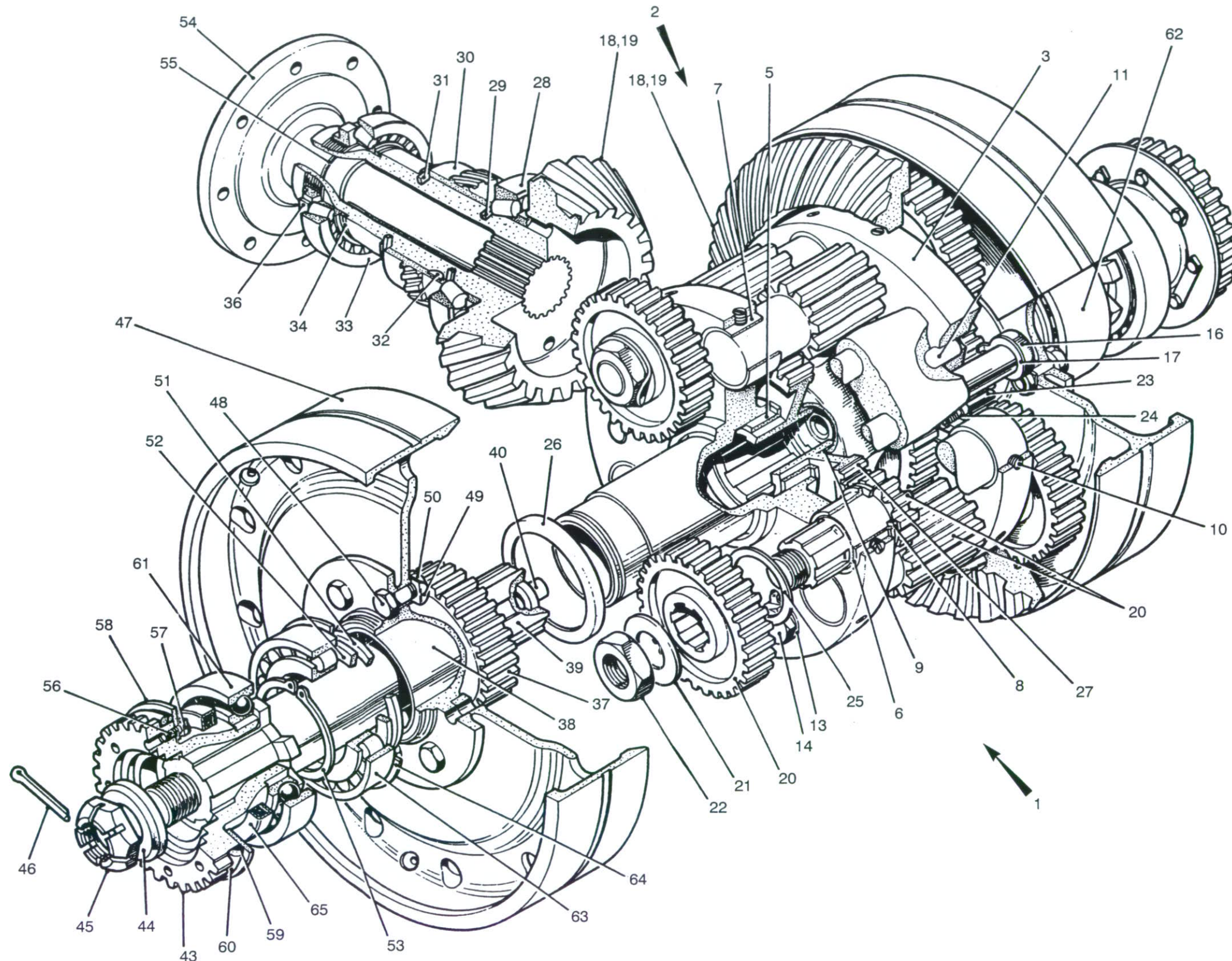


Fig 4 Differential steering control

Fig Item	Man Code Navy - N Army - A RAF - R	NATO Stock No	Item Name and Description	Part No/ Drawing No.	No. Off	Annotations
4-			TRANSMISSION GA - contd . STEERING UNIT INSTALLATION - contd . . DIFFERENTIAL STEERING CONTROL - contd			
59	A	46MT1	5330-99-801-7356 . . . RING, SEALING, TOROIDAL, rubber, 65-75 deg BS or IRHD, 9/32 x 4 - 27/32in. id	R8487ML53 91	2	
60	A	9ACR	5365-99-865-6365 . . . RING, RETAINING, steel, ext, 4-55/64in. id, phos	FV525535	2	
61	A	46MT7	3110-99-950-0064 . . . BEARING, BALL, ANNULAR, 25mm x 75mm x 130mm od	6215	1	
62	A	46MT7	3110-99-866-1383 . . . BEARING, BALL, ANNULAR, 41.25mm x 75mm x 130mm od	LDJK75	1	
63	A	46MT7	3110-99-950-0201 . . . BEARING, PARALLEL ROLLER, JOURNAL, 75mm bore, 130mm od, 25mm wd, 3 dot fit	N215C3	1	
64	A	46MT1	5365-99-910-8341 . . . RING, RETAINING, steel, circlip, int, phos, 0.160/0.154in. matl thk, 130mm bore size	D13001300 APP	1	
65	A	46MT1	5330-99-801-7363 . . . SEAL, PLAIN, ENCASED, steel, syn rubber element, 1/2in. x 3-1/4 x 4-1/4in. bore dia	931514A	1	

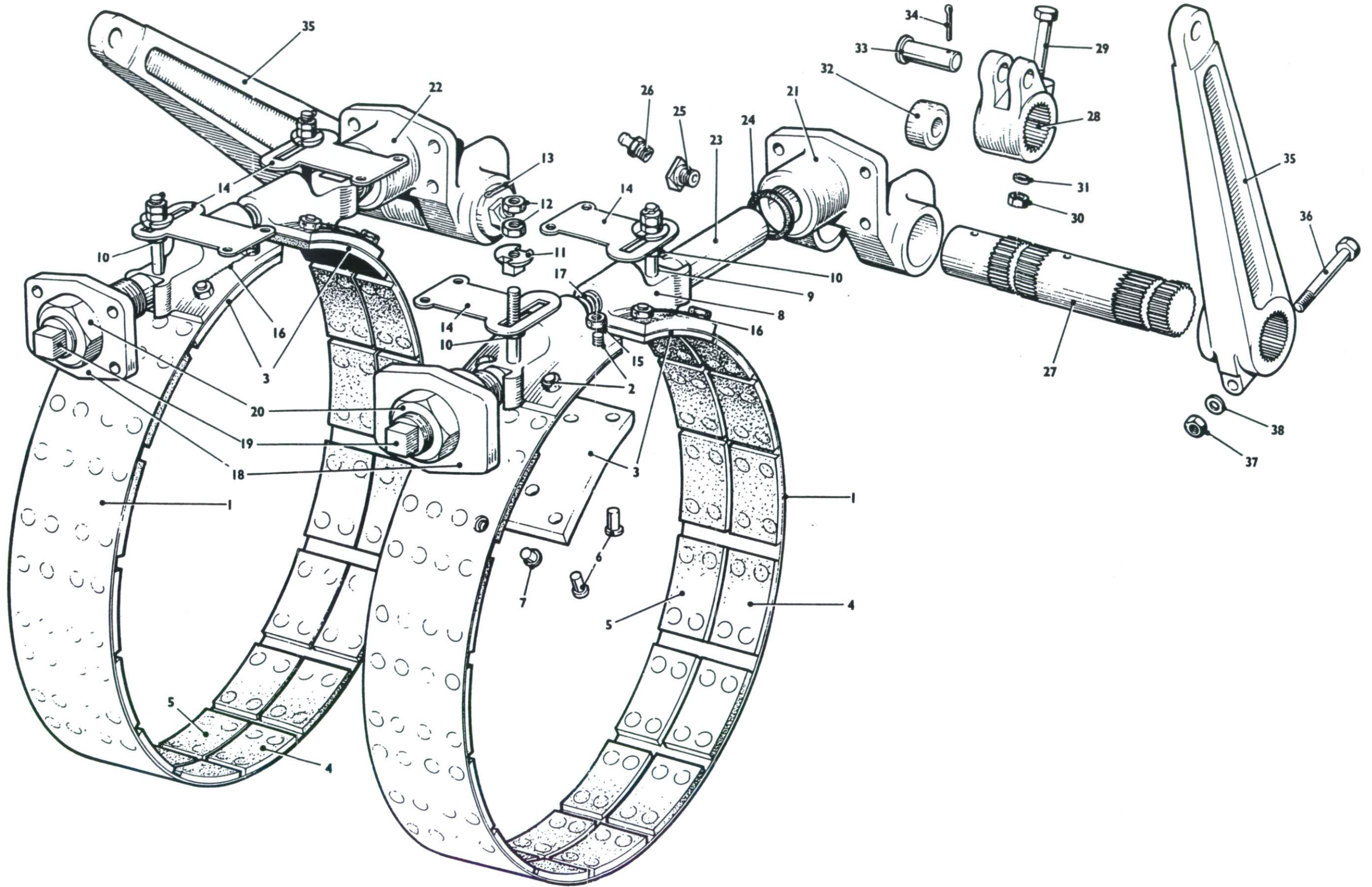


Fig 5 Brake mechanism

Fig Item	Man Code Navy - N Army - A RAF - R	NATO Stock No	Item Name and Description	Part No/ Drawing No.	No. Off	Annotations
5-			TRANSMISSION GA - contd . STEERING UNIT INSTALLATION - contd			
1	A 9ACR	NP 2530-99-809-0844	. . . BRAKE, MECHANISM	FV454673	REF	
2	A 10	5306-99-791-9693	. . . BRAKE BAND ASSEMBLY, 28 riveted segments, 16in. dia x 3-1/8in. wd	FV668604	2	
3		NP	. . . BOLT, MACHINE, UNF, steel, 0.25in. -28 x 0.340in. thd lg, 0.115 x 0.745in. hd dia	FV670665	32	
4		NP	. . . LINING, FRICTION, segment end, 4.150 x 3.125 x 0.275in.	FV454665	4	
5		NP	. . . LINING, FRICTION, segment left, 2.950in. x 1.450in. x 0.275in.	FV454666	26	
6		NP	. . . LINING, FRICTION, segment right, 2.950in. x 1.450in. x 0.275in.	FV454667	26	
7	A 9CET	NP 5320-99-977-3496	. . . RIVET, TUBULAR, copper alloy, flat hd, tubular shank 0.188in. x 0.047in. hd h	FV450963	220	
8	A 10	5320-99-977-3496	. . . RIVET, TUBULAR, copper alloy, flat hd, tubular shank 0.047 x 0.375 lg	FV450964	12	
9	A 10	2530-99-865-5711	. . . PLATE, WEAR, BRAKE BAND, with guide stud	FV450966	4	
10	A 10	5307-99-865-5712	. . . STUD, PLAIN, UNF, steel, 1/2in. x 2.400in. lg	FV450968	4	
11	A 10	5310-99-865-5715	. . . NUT, EXTENDED WASHER, HEXAGON, UNF, steel, 1/4in. x 0.625 x 0.450 x 0.437 x 0.130in. thk	FV450971	4	
12	A G1	2530-99-865-5713	. . . SLIDER, BRAKE BAND GUIDE, brake saddle	FV450969	4	
13	A G1	5310-99-804-7941	. . . NUT, PLAIN, HEXAGON, UNF, steel, zinc P, 1/4in. dia -28 x 7/16 x 7/32in. h, 2B, rh, chamfered		8	
14	A 10	5315-99-120-2065	. . . PIN, COTTER, SPLIT, steel, phos, 1/16in. dia x 3/8in. lg		4	
15	A 10	2530-99-865-5714	. . . GUIDE, BRAKE BAND, steel, 3-1/4 x 2.80 x 17 swg, slot 1.80in. x 0.375in.	FV450970	4	
16	A 10	5310-99-865-5715	. . . NUT, EXTENDED WASHER, HEXAGON, UNF, steel, 1/4in. x 0.625 x 0.450 x 0.437 x 0.130in. thk	FV450971	16	
17	A 10	NP 5340-99-865-5716	. . . WIRE, STEEL, CARBON, 1/32in. dia		A/R 2	
18	A 10	2530-99-865-5717	. . . SPRING, HELICAL, COMPRESSION, 38 coils, 7.1 x 0.625 x 0.072in. swg	CC851	2	
19	A 10	2530-99-865-5717	. . . HOUSING, ADJUSTABLE SCREW, brake adjuster	FV450973	2	
20	A G1	5305-99-865-5718	. . . SCREW, ADJUSTING, BRAKE, UNS, steel, sq hd, oval point, Cd P, 1-1/8in. x 4-1/2in. lg	FV450974	2	
21	A 10	5310-99-941-0908 2520-99-866-7776	. . . NUT, PLAIN, HEXAGON, 5/8in. UNF		2	
22	A 10	2520-99-866-7777	. . . HOUSING, BRAKE OPERATING PIN, right hand brake mechanism, steering unit	FV452280	1	
23	A 10	5315-99-865-5720	. . . HOUSING, BRAKE OPERATING PIN, left hand brake mechanism, steering unit	FV452281	1	
	A 10	5315-99-865-5720	. . . PIN, SHOULDER, HEADLESS, steel, 0.5in. shank lg, 1.125in. shoulder dia, 0.997 x 3.25in. lg	FV450976	2	

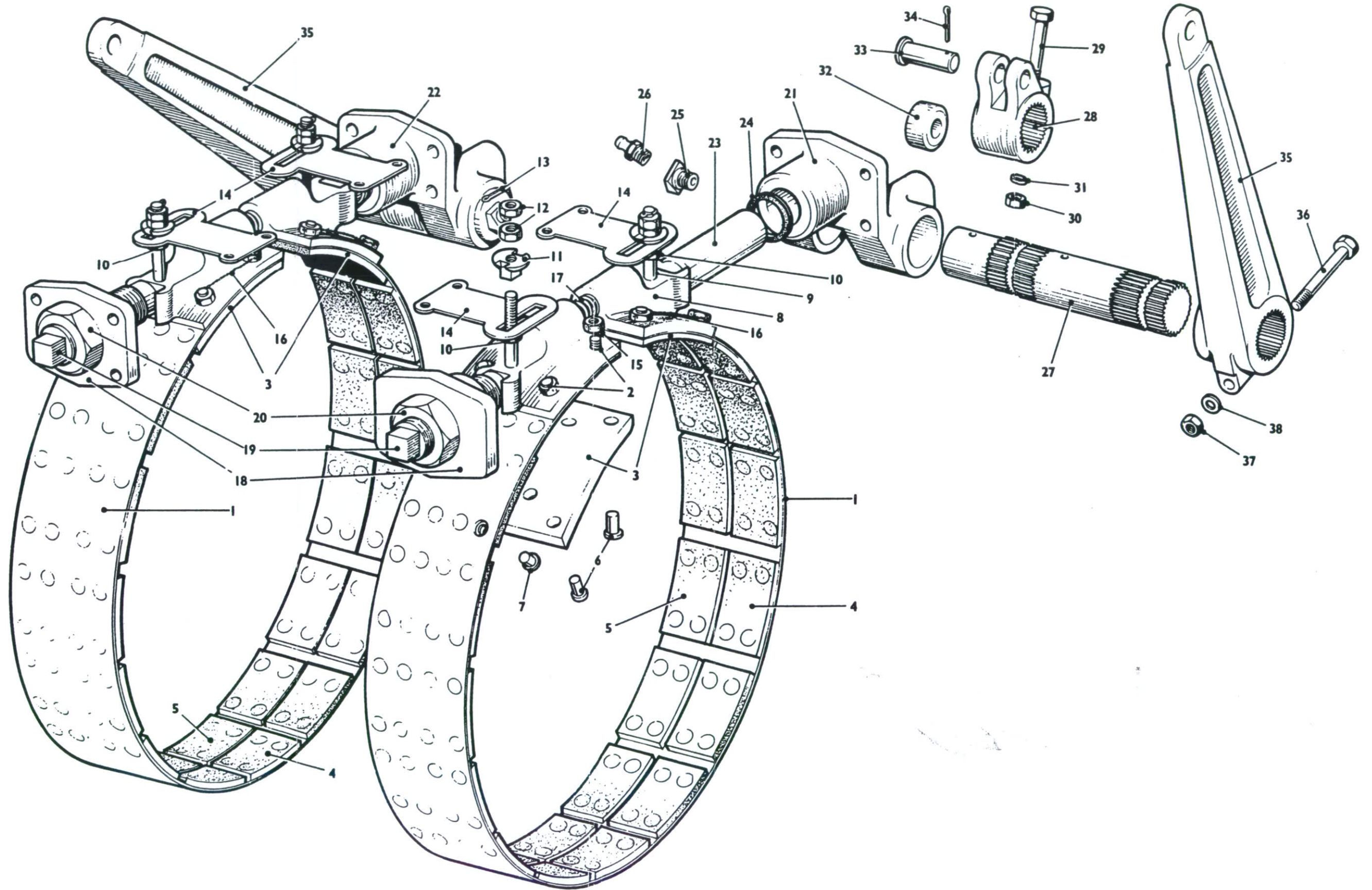


Fig 5 Brake mechanism

Fig Item	Man Code Navy - N Army - A RAF - R	NATO Stock No	Item Name and Description	Part No/ Drawing No.	No. Off	Annotations
5-			TRANSMISSION GA - contd . STEERING UNIT INSTALLATION - contd . . BRAKE, MECHANISM - contd			
24	A 10	5330-99-865-5721	. . . PACKING, PREFORMED, rubber, syn, 0.139in. cross sect h x 1.109in. id, 1.387in. od	FV450977	2	
25	A 10	2805-99-865-3829	. . . ADAPTOR, GREASE NIPPLE, steel, zinc P, 0.625 x 1.025in. h, 3/8in. UNF	FV450984	2	
26	A 46MT1	4730-99-943-9377	. . . FITTING, LUBRICATION, steel, straight hyd, 3/8in. UNF -24 male thd, 7/16 x 0.665in. h	FV450983	2	
27	A 10	3040-99-866-7775	. . . SHAFT, SHOULDERED, brake operating, steering unit type S1F6	FV452279	2	
28	A 10	2530-99-865-5723	. . . FORK, BRAKE OPERATING SHAFT, forged steel, 24 serrations, 2 holes 5/8in. dia	FV450979	2	
29	A G1	5306-99-941-7019	. . . BOLT, MACHINE, UNF, 5/16in. x 2-1/4 x 7/8in. thd lg, steel, zinc P, 2A, hex hd		2	
30	A G1	5310-99-941-0925	. . . NUT, PLAIN, HEXAGON, UNF, 5/16 -24, rh, steel, zinc P, 1/2 x 17/64in. h, chamfered		2	
31	A G1	5310-99-941-6655	. . . WASHER, LOCK, steel, split helical ring, 0.343in. hole dia, 0.080in. thk, 0.503in. od		2	
32	A 10	2530-99-865-5724	. . . ROLLER BRAKE OPERATING SHAFT FORK, steel, 9/16 x 1-1/4in. od, 1.2in. h	FV450980	2	
33	A 10	5315-99-865-5725	. . . PIN, STRAIGHT, HEADED, steel, Cd P, 1-17/32in. x 9/16in. dia, w/one 1/8in. dia hole	FV450981	2	
34	A G1	5315-99-138-2208	. . . PIN, COTTER, SPLIT, steel, phos, 3.2mm dia, 20mm lg	P5106201	2	
35	A 10	3040-99-865-5726	. . . LEVER, REMOTE CONTROL, forged steel, 13-3/4in. lg, 1 hole 1/2in. dia, 24 serrations	FV450982	2	
36	A G1	5306-99-941-7079	. . . BOLT, MACHINE, UNF, 5/16 x 1-1/4 x 7/8in. thd lg, steel, zinc P, hex hd		2	
37	A G1	5310-99-941-0925	. . . NUT, PLAIN, HEXAGON, UNF, 5/16 -24, rh, steel, zinc P, 1/2 x 17/64in. h, chamfered		2	
38	A G1	5310-99-941-6655	. . . WASHER, LOCK, steel, split helical ring, 0.343in. hole dia, 0.080in. thk, 0.503in. od		2	
NI 39	A 10	2530-99-865-5735	. . BRAKE LINING KIT, complete with rivets	FV451432	2	

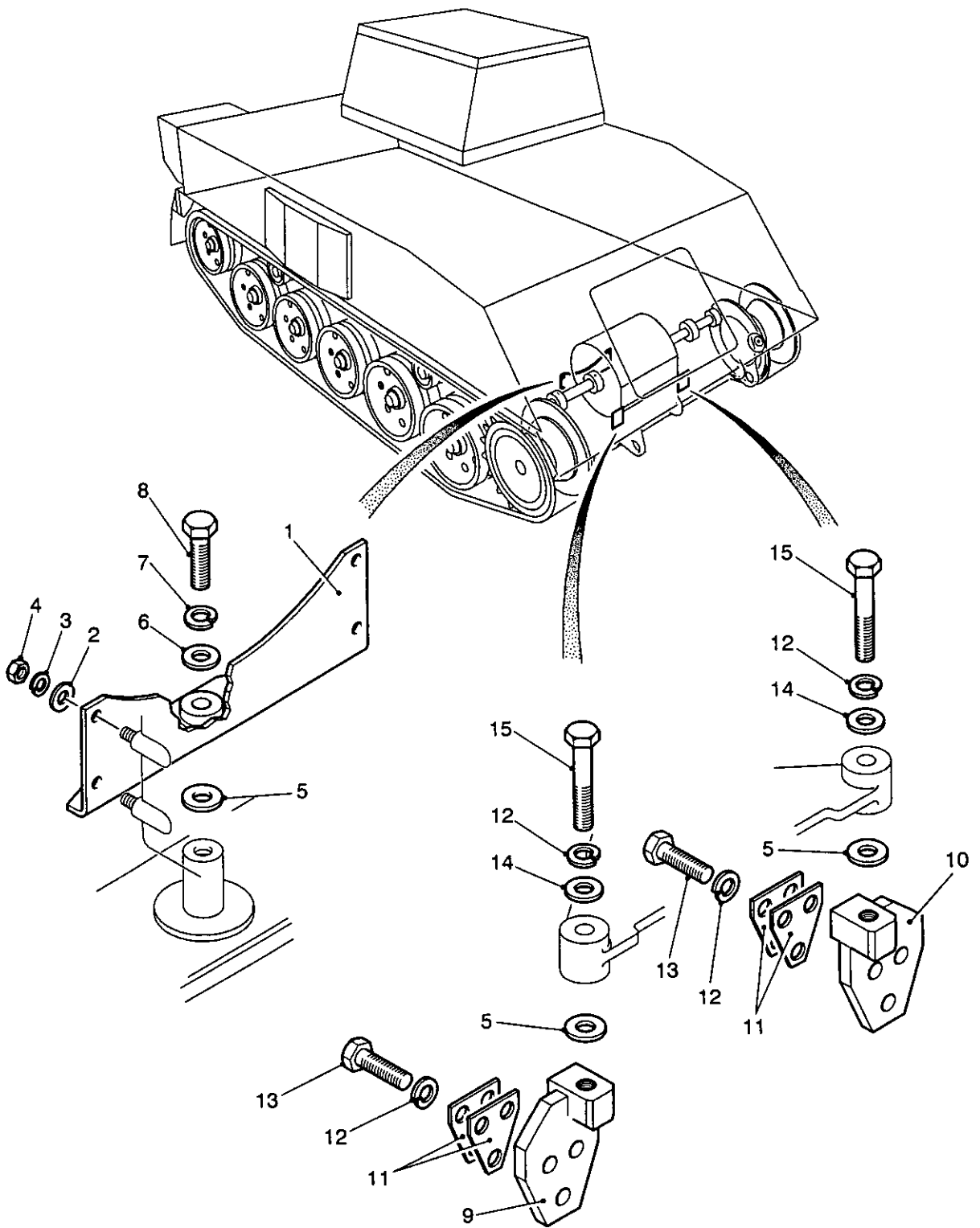


Fig 6 Steering unit mounting

430/70178

Fig Item	Man Code Navy - N Army - A RAF - R	NATO Stock No	Item Name and Description	Part No/ Drawing No.	No. Off	Annotations
6-		NP	TRANSMISSION GA - contd . STEERING UNIT MOUNTING	FV421825	REF	
1	A	9ACR 2530-99-822-3641	. . BRACKET, STEERING UNIT, steel, painted, 90 deg angle, 4 fixing holes, rear bracket	FV650197	1	
2	A	G1 5310-99-941-8637	. . WASHER, FLAT, steel, Zn plated, rd, 1in. od, 33/64in. id, 3/32in. thk		4	
3	A	G1 5310-99-944-0552	. . WASHER, LOCK, steel, split helical ring, Cd plated, 1/2in. bolt size, 0.763in. od, 0.116in. thk		4	
4	A	G1 5310-99-941-0928	. . NUT, PLAIN; HEXAGON, UNF, steel, chamfered bearing surface, Zn plated, 1/2in., 3/4in. w A/F, 7/16in. o/a h, grade 3		4	
5	A	9ACR 5310-99-866-9076	. . WASHER, FLAT, steel, phosphate coated, rd shape, 1.5in. od, rd hole, 0.812in. id, 0.128in. thk	FV421828	A/R	
5(1)	A	9ACR 5310-99-866-9077	. . WASHER, FLAT, steel, phosphate coated, 1.5in. od, rd hole, 0.812in. id, 0.036in. thk	FV421829	A/R	
6		NP	. . WASHER	FV651423	1	
7	A	G1 5310-99-944-0572	. . WASHER, LOCK, steel, single coil, Cd plated, 3/4in. bolt size, 1-1/4in. od, 1/4in. thk		1	
8	A	G1 5306-99-941-0374	. . BOLT, MACHINE, UNF, 3/4in. thd dia, class 2A thd, 2-1/2in. lg, 1-3/4in. thd lg, steel, Zn plated w/chromate, hex hd, 112000 lbf psi		1	
9	A	9ACR 2510-99-866-9073	. . BRACKET, STEERING UNIT MOUNTING, front, RH	FV421596	1	
10	A	9ACR 2510-99-866-9072	. . BRACKET, STEERING UNIT MOUNTING, front, LH	FV421595	1	
11	A	9ACR 5365-99-866-9074	. . SPACER, PLATE, steel, phosphate coated, 3.39in. lg, 2.99in. w, 0.118in. thk, w/3 holes 0.802in. dia	FV421826	A/R	
11(1)	A	9ACR 5365-99-866-9075	. . SPACER, PLATE, steel, phosphate coated, 3.39in. lg, 2.99in. w, w/3 holes 0.802in. dia, 0.026in. thk	FV421827	A/R	
12		5310-99-944-0555	. . WASHER, LOCK, steel, Cd plated, split helical ring, 1.165in. od, 0.797in. id, 0.176in. thk		8	
13	A	G1 5306-99-941-0373	. . BOLT, MACHINE, UNF, 3/4in. thd dia, class 2A thd, 2-1/4in. lg, 1-3/4in. thd lg, steel, Zn plated w/chromate, hex hd, 112000 lbf psi		6	
14		NP	. . WASHER, PLAIN, steel	FV421825/18	2	
15	A	G1 5306-99-941-0379	. . BOLT, MACHINE, UNF, 3/4in. in. dia, class 2A thd, 4in. lg, 1.75in. thd lg, steel, Zn plated, 112000 lbf psi		2	

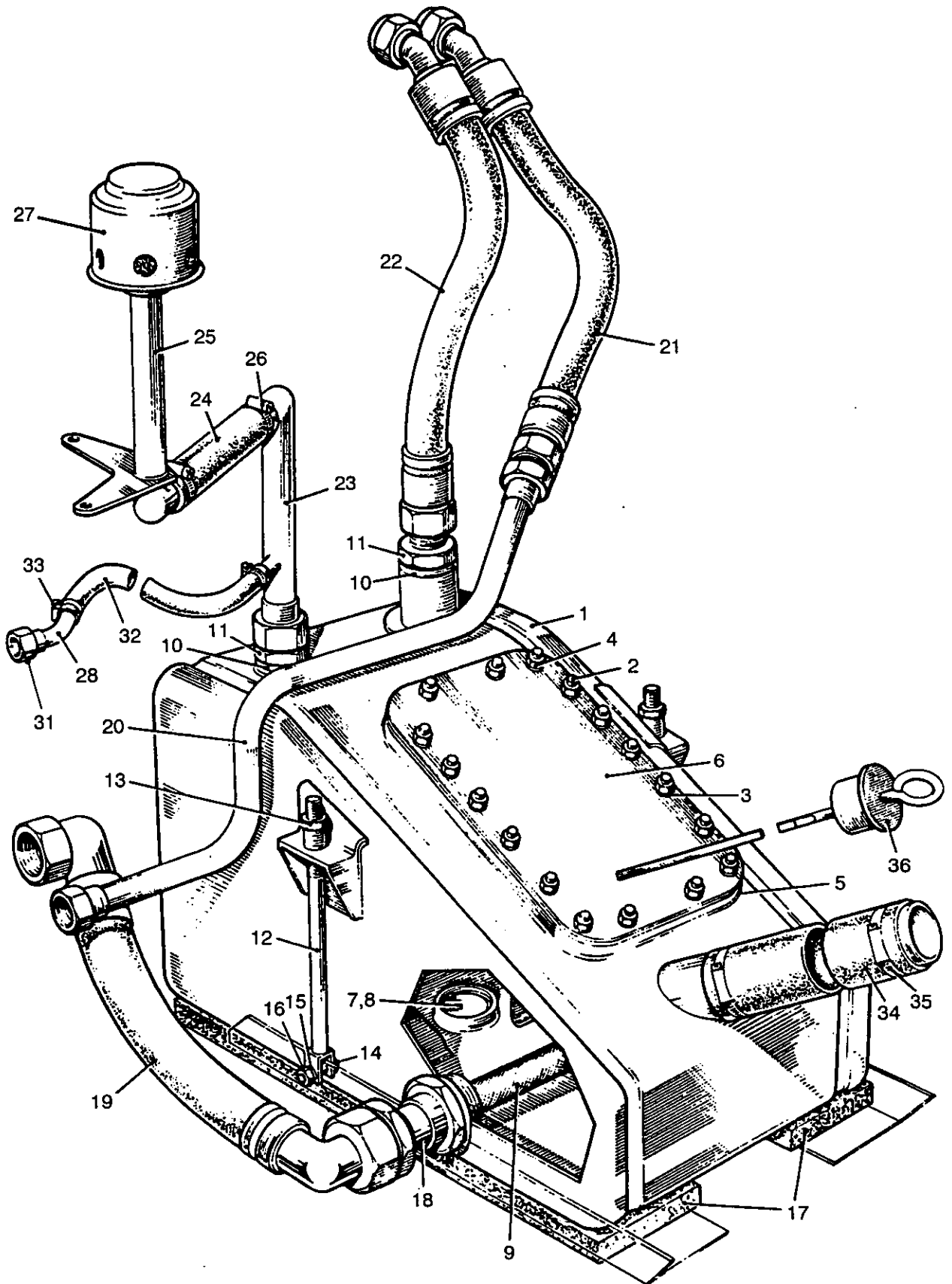


Fig 7 Steering unit oil tank, pipes and fittings

430/70077

Fig Item	Man Code Navy - N Army - A RAF - R	NATO Stock No	Item Name and Description	Part No/ Drawing No.	No. Off	Annotations
7-		NP	TRANSMISSION GA - contd			
			. STEERING UNIT OIL TANK, PIPES AND FITTINGS	FV586064	REF	
1	A	9ACR	2520-99-867-4690 . . . TANK ASSEMBLY, OIL, STEERING UNIT, painted, 12.94in. x 13.875in. h, composite assy	FV421492	1	
2	A	9ACR	5307-99-867-5032 . . . STUD, PLAIN, steel, 0.875 x 1/4in. UNF x 0.483 x 0.375in. lg, class 2A thd	FV421965	18	
3	A	G1	5310-99-941-6654 . . . WASHER, LOCK, steel, split helical ring, 1/4 x 27/64 x 5/64in. thk		18	
4	A	G1	5310-99-804-7941 . . . NUT, PLAIN, HEXAGON. UNF, 1/4 x 7/16 x 7/32in. h, rh thd, steel, zinc plated		18	
5	A	9ACR	2520-99-867-5031 . . . GASKET, steering system, oil tank	FV421964	1	
6		NP	. . . COVER, PLATE, steering system, oil tank	FV421989	1	
7	A	9ACR	5365-99-865-6351 . . SPACER, RING, copper, 1.75 x 0.064 x 1.375in. id	FV299656	2	
8	A	6MT1	5365-99-942-8000 . . PLUG, SCREWED, brass	FV642172	1	
9	A	9ACR	4730-99-801-3554 . . STRAINER ELEMENT, SEDIMENT, cylindrical, 1 x 6in. lg, wire mesh, 1 end solid, 1 end open, 2A thd	FV586634	1	
10	A	9ACR	5365-99-865-6350 . . SPACER, RING, copper, rd, 1.375in. od, 1.160in. id	FV299398	2	
11	A	46MT1	4730-99-801-2027 . . NIPPLE, TUBE, steel, 1-1/8in. UNF both ends	FV(S)87/9	2	
12	A	9ACR	5340-99-865-6360 . . CLEVIS, ROD END	FV524814	2	
13	A	9ACR	5310-99-865-6355 . . NUT, SLEEVE, steel, Cd P, 5/16in. dia UNF	FV485284	2	
14	A	G1	5305-99-941-0527 . . BOLT, MACHINE, UNF, steel, zinc P, 5/16in. x 1in. lg		2	
15	A	G1	5310-99-941-6655 . . WASHER, LOCK, steel, split helical ring, 0.343in. hole dia, 0.080in. thk, 0.503in. od		2	
16	A	G1	5310-99-941-0925 . . NUT, PLAIN, HEXAGON, UNF, steel, zinc P, rh, 2B, 5/16 -24 x 1/2in. x 17/64in. h, chamfered		2	
17	A	H21	8305-99-802-2202 . . CLOTH, COMPRESSED FELT, BLENDED WOOL, 0.33g/cc, 12mm thk, grey, general purpose, rot resistant treated	FV480461	2	
18	A	9ACR	2910-99-867-4584 . . PIPE, ASSEMBLY, pipe, filler neck, oil tank	FV524884	1	
19	A	9ACR	4720-99-865-6361 . . HOSE ASSEMBLY, METAL, oil tank, lower	FV524837	1	
20	A	9ACR	4710-99-867-4583 . . PIPE, METALLIC, steel, 12.875 x 3/4in. lg, 20 swg	FV586065	1	
21	A	9ACR	2910-99-867-4581 . . HOSE ASSEMBLY, STEERING OIL TANK, 0.75in. nom bore, 14.625in. o/a lg	FV559618	1	
22	A	9ACR	2910-99-867-4582 . . HOSE ASSEMBLY, STEERING OIL TANK, 0.75in, nom bore, 13.625in. o/a lg	FV585768	1	
23	A	9ACR	2530-99-865-6358 . . PIPE, STEEL, steering oil tank breather	FV485928	1	

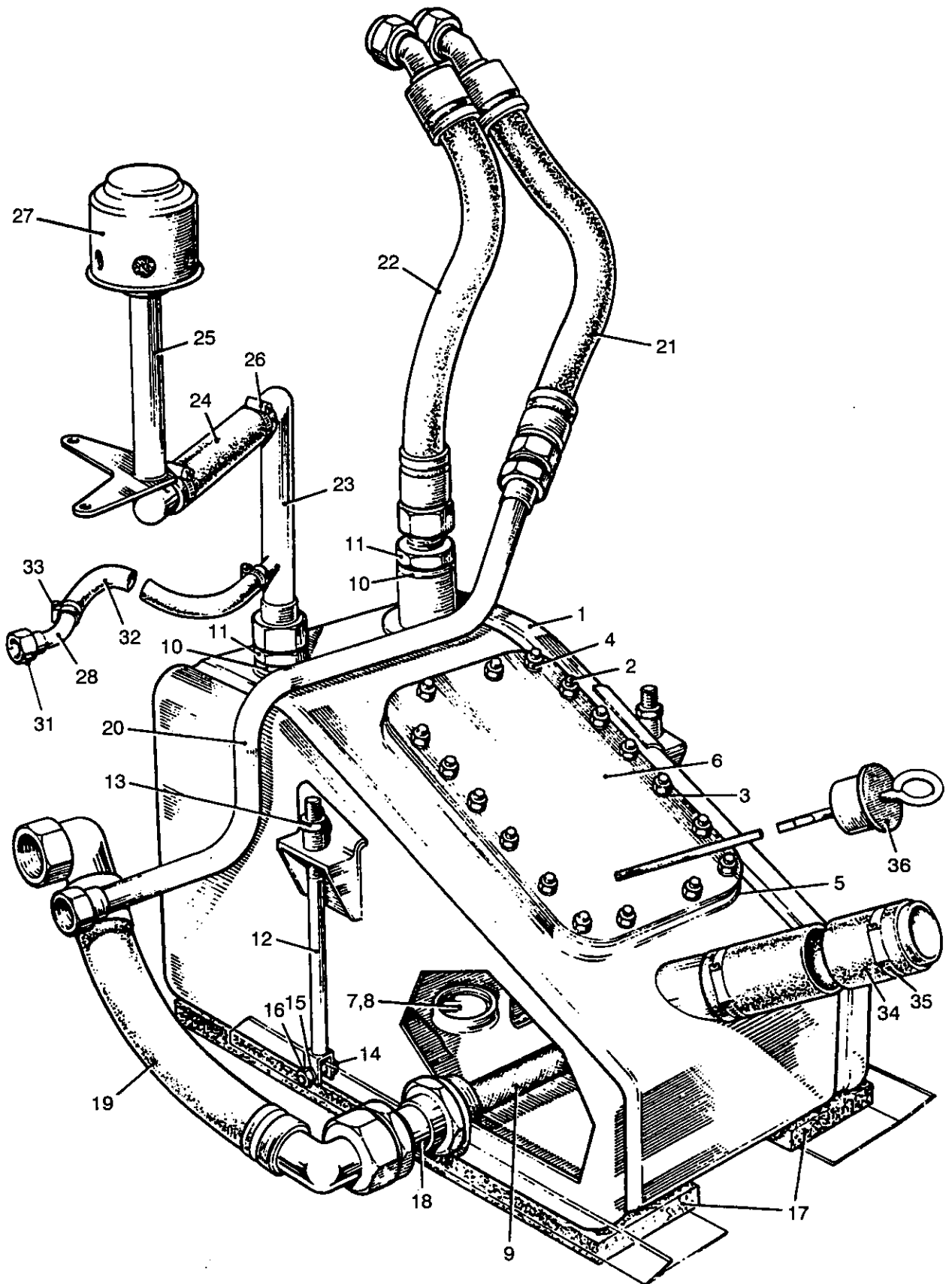


Fig 7 Steering unit oil tank, pipes and fittings

430/70077

Fig Item	Man Code Navy - N Army - A RAF - R	NATO Stock No	Item Name and Description	Part No/ Drawing No.	No. Off	Annotations
7-			TRANSMISSION GA - contd . STEERING UNIT OIL TANK, PIPES AND FITTINGS - contd			
24	A	6MT6	4720-99-805-7774	. . HOSE, RUBBER, 60ft lg, 1-1/8in. od	1022P 30 12	1
25	A	9ACR	2520-99-866-9208	. . PIPE ASSEMBLY, BREATHER, painted, pre-bent, adaptor and tube one end, fitted w/bracket, 9.25in. effective lg	FV559229	1
26		NP		. . CLIP, HOSE, worm drive type, 7/8in. to 1-1/2in.	450-112	2
27	A	6MT1	2805-99-802-4337	. . BREATHER, crankcase	1527507	1
28		NP		. . PIPE ASSEMBLY, steering unit breather	FV485990	1
NI 29	A	G2	4710-99-960-6121	. . . TUBE, METALLIC, steel, rd, seamless, 3/8in. od, 0.36in. wall thk, bulk supply		1
NI 30	A	46MT1	4730-99-881-5937	. . . FERRULE, BRAZING, TUBE FITTING, steel, u/w 3/8 x 19/32in. lg, 90 deg	FVS89-5	1
31	A	46MT1	4730-99-801-1565	. . NUT, UNION, PIPE, UNF, steel, zinc P w/chromate, 5/8in. x 3/4in. af x 17/32in. lg	FV(S)88/5	1
32	A	6MT6	4720-99-805-7771	. . HOSE RUBBER, petrol resisting	2556-6	1
33	A	46MT1	4730-99-533-2959	. . CLAMP, HOSE, steel, zinc P, 13mm wd		2
34	A	9ACR	4720-99-867-4585	. . HOSE, RUBBER, 1-3/4in. od, 12-1/4in. lg, oil filter	FV485349	1
35	A	46MT1	4730-99-533-2968	. . CLAMP, HOSE, steel, zinc P, 13.5mm wd		4
36	A	9ACR	2910-99-867-4586	. . DIPSTICK, LIQUID QUANTITY, steering oil tank	FV559916	1

~~UNRESTRICTED~~

~~UNRESTRICTED~~

Chapter 2-4

PARTS LIST

POWER UNIT, DIESEL, GENERAL ARRANGEMENT

~~RESTRICTED~~

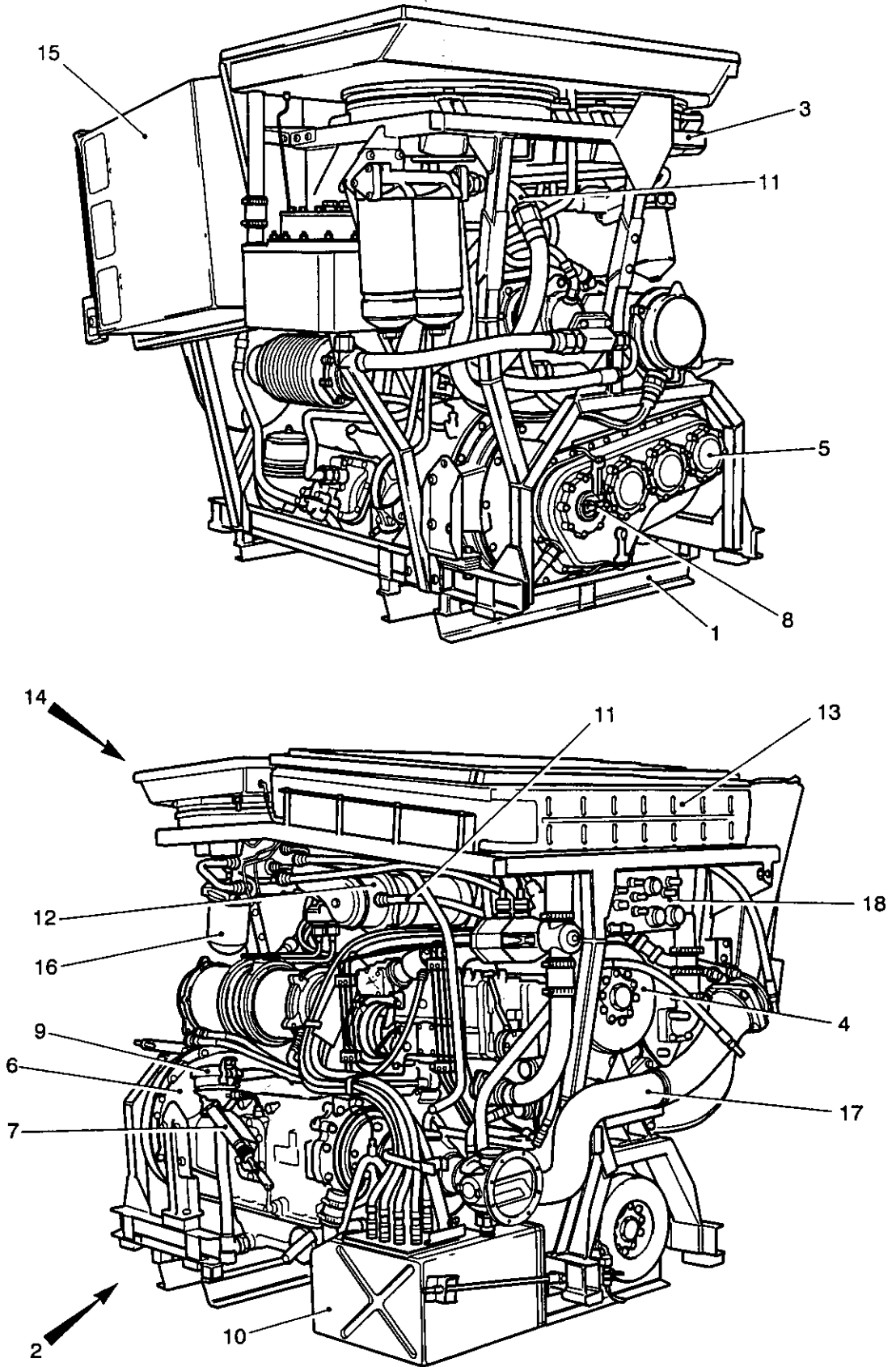


Fig 1 Power unit diesel, general arrangement

430/70189

~~RESTRICTED~~

Fig Item	Man Code Navy - N Army - A RAF - R	NATO Stock No	Item Name and Description	Part No/ Drawing No.	No. Off	Annotations	
1-	A	9ACR	2815-99-808-1274	POWER UNIT, DIESEL, 6 cylinder, Mk 6f engine, general arrangement	FV650952	1	
1	A	9ACR	2990-99-802-5063	. FRAME, ENGINE MOUNTING	FV602701	REF	See Fig 2
2			NP	. MOUNTING ASSEMBLY, power unit	FV602700	REF	See Fig 2
3	A	9ACR	2990-99-800-7921	. UPPER FRAME ASSEMBLY, steel, 4ft 8in. x 3ft 2in. x 3ft 7in. h, (power pack), tub sq sect	FV586525	REF	See Fig 2
4	A	9ACR	2815-99-808-1275	. ENGINE, DIESEL, 6 cylinder	K60-4-6F	1	See Fig 3
5	A	10	2520-99-867-1211	. GEARBOX, MECHANICAL, transfer box	FV452544	1	See Fig 37
6	A	9ACR	2520-99-867-0403	. TRANSMISSION, MECHANICAL, VEHICULAR	FV452410	1	See Fig 38
7	A	10	2520-99-804-7091	. ACTUATOR VALVE, throttle	FV454671	1	See Fig 48
8			NP	. TRANSFER DRIVE DISCONNECTOR LINKAGE ASSEMBLY	FV509462	REF	See Fig 48
9			NP	. OIL FILLER, GEARBOX	FV538590	REF	See Fig 49
10			NP	. ENGINE OIL TANK AND FITTINGS	FV650953	REF	See Fig 50
11			NP	. OIL PIPES, HEAT EXCHANGER PIPES AND FITTINGS		REF	See Fig 51
12			NP	. HEAT EXCHANGER AND BRACKETS	FV602589	REF	See Fig 52
13			NP	. RADIATOR, PIPES AND FITTINGS	FV559833	REF	See Fig 53
14			NP	. HYDRAULIC FAN DRIVE ASSEMBLY	FV559842	REF	See Fig 55
15			NP	. AIR FILTERS AND COVERS	FV586060	REF	See Fig 60
16			NP	. FUEL PIPES AND FITTINGS	FV559859	REF	See Fig 61
17			NP	. EXHAUST PIPE ASSEMBLY	FV538657	REF	See Fig 63
18			NP	. POWER PACK ELECTRICAL EQUIPMENT	FV559484	REF	See Fig 64
NI 19			NP	. POWER PACK FIRE WIRE ASSEMBLY	FV586079	REF	See Chap 2-12
NI 20			NP	. POWER PACK FIRE FIGHTING EQUIPMENT	FV586077	REF	See Chap 2-12
NI 21			NP	. POWER PACK SEALS	FV651467	REF	
NI 22	A	9ACR	5330-99-830-6314	. . SEAL, FAN COWL, rubber, approx rect outline, 44-3/4in. lg, 27-1/8in. w, moulded cross-section 3/4in. w x 1in. h	FV651468	1	
NI 23	A	9ACR	5330-99-830-6315	. . SEAL, RADIATOR, moulded rubber section, 3/4in. w x 1in. h, 89-3/4in. lg	FV651469	1	
NI 24	A	9ACR	5330-99-830-6316	. . SEAL, AIR CLEANER, FRONT, moulded rubber section, 3/4in. w x 1in. h, 10-3/4in. lg, 3in. rad of curve	FV651470	1	
NI 25	A	9ACR	5330-99-830-6317	. . SEAL, AIR CLEANER, REAR, moulded rubber section, 3/4in. w x 1in. h, 12-1/2in. lg, 3in. rad of curve	FV651471	1	

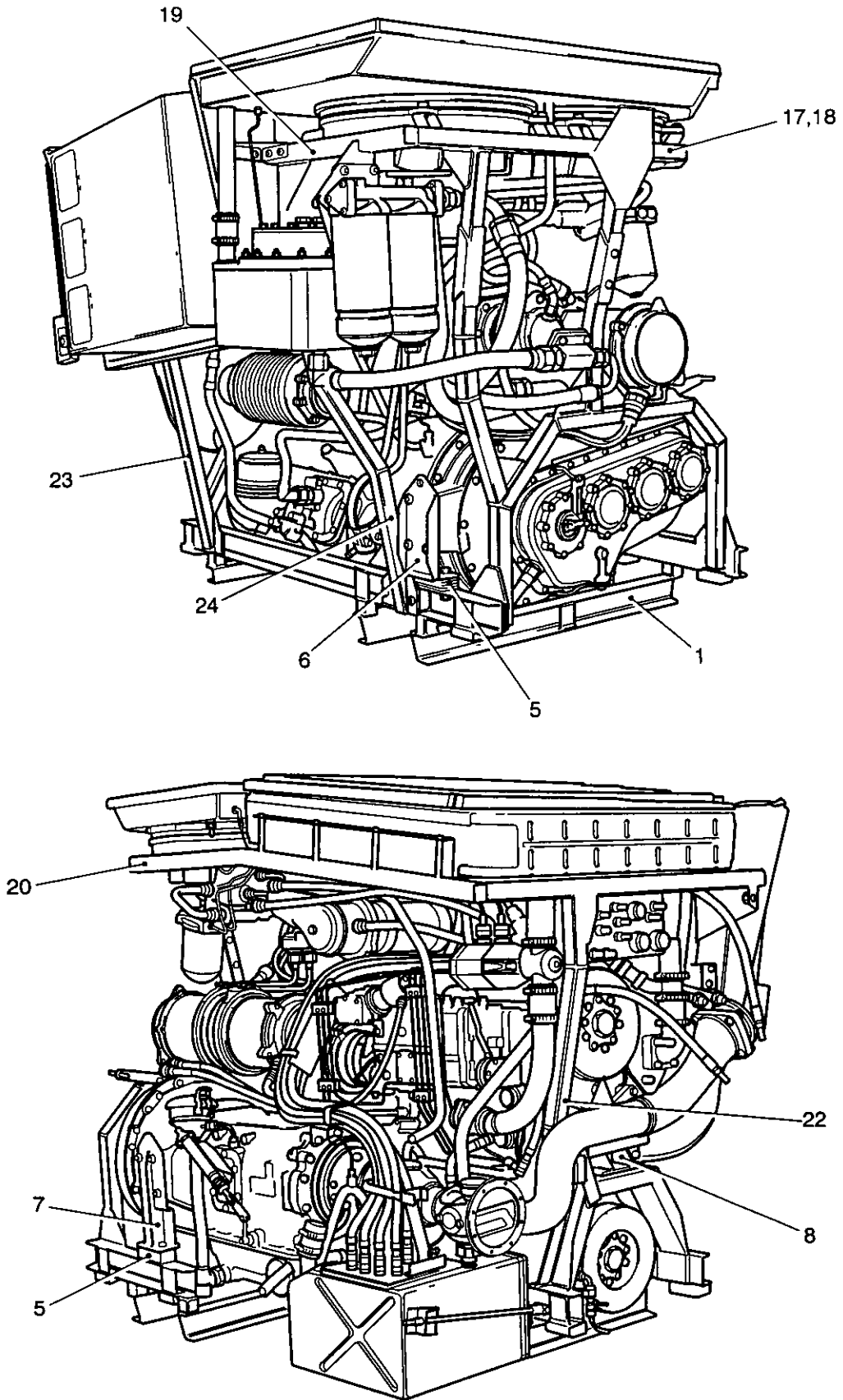


Fig 2 Engine mounting and support frame

430/70190

Fig Item	Man Code Navy - N Army - A RAF - R	NATO Stock No	Item Name and Description	Part No/ Drawing No.	No. Off	Annotations
2-			POWER UNIT, DIESEL - contd			
		NP	. ENGINE MOUNTING AND SUPPORT FRAME		REF	
1	A	9ACR	2990-99-802-5063 . FRAME, ENGINE MOUNTING, steel fabrication, painted, 54-1/2in. lg, 36in. wd, 20in. h	FV602701	1	
NI 2		NP	. MOUNTING ASSEMBLY, power unit	FV602700	1	
NI 3	A	G1	5310-99-941-6661 . WASHER, LOCK, steel, split helical ring, 3/4in. x 1.165 x 0.176in. thk		5	} Securing item 1
NI 4	A	9ACR	2920-99-865-6611 . BOLT ASSEMBLY, ENGINE MOUNTING FRAME, power unit	FV524771	5	
5	A	9ACR	5340-99-802-4133 . MOUNT, RESILIENT, rubber/steel, 2-1/2 x 4-1/4 x 1-1/4in.thk, w/4 moulded in 1/2in. UNF bolts	FV602675	2	
6	A	9ACR	2990-99-802-5064 . BRACKET, ENGINE MOUNTING, steel fabrication, painted, 9-5/8in. x 4-1/2in. w, six 16/32in. dia mtg holes	FV602702	1	
7	A	9ACR	2990-99-802-5065 . BRACKET, ENGINE MOUNTING, steel fabrication, painted, 11-1/2in. x 4-1/2in. w, six 17/32in. dia mtg holes	FV602705	1	
8	A	9ACR	2510-99-867-4706 . BRACKET, ENGINE MOUNTING, power unit, front	FV585954	1	
NI 9	A	G1	5305-99-941-7905 . SCREW, MACHINE, UNF, 7/16in. -20 thd, 2A, scr 1-3/8in. lg, steel zinc P, hex hd		3	} Securing item 8
NI 10	A	G1	5310-99-941-6657 . WASHER, LOCK, steel, split helical ring, 29/64in. x 7/64in. x 43/64in. od		3	
NI 11	A	G1	5310-99-941-0927 . NUT, PLAIN, HEXAGON, UNF, steel, chamfered, zinc P, 7/16 x 11/16 x 3/8in. h, grade 3 nut		3	} Securing items 6 and 8
NI 12	A	G1	5310-99-941-6655 . WASHER, LOCK, steel, split helical ring, 0.343 x 0.8 x 0.503in. od		8	
NI 13	A	G1	5310-99-941-0925 . NUT, PLAIN, HEXAGON, UNF, steel, zinc P, rh, 2B, 5/16 -24 x 1/2 x 17/64in. h. chamfered		8	
NI 14		NP	. SPACER	FV602699	2	u/w item 5
NI 15	A	G1	5310-99-944-0552 . WASHER, LOCK, steel, split helical ring, Cd P, 1/2in. nom bolt size x 0.763 x 0.116in. thk		16	} Securing items 5, 6 and 7
NI 16	A	G1	5310-99-941-0928 . NUT, PLAIN, HEXAGON, UNF, steel, chamfered, zinc P, 1/2 x 3/4 x 7/16in. h, grade 3 nut		12	
17	A	9ACR	2990-999-800-7921 . UPPER FRAME, ASSEMBLY, steel, 4ft 8in. x 3ft 2in. x 3ft 7in. h, (power pack), tub sq sect	FV586525	1	
18		NP	. FRAME, UPPER, power	FV586526	1	
19	A	9ACR	2520-99-867-4717 . . . SUPPORT, POWER PACK FRAME, left	FV559726	1	
20	A	9ACR	2520-99-867-4716 . . . SUPPORT, POWER PACK FRAME, right	FV538665	1	
NI 21	A	9ACR	2520-99-867-4714 . . . SUPPORT, POWER PACK FRAME, upper	FV559727	1	
22	A	9ACR	2520-99-867-4710 . . . LEG, FRONT, POWER PACK FRAME, right	FV586371	1	
23	A	9ACR	2520-99-867-4711 . . . LEG, FRONT, POWER PACK FRAME, left	FV586374	1	
24	A	9ACR	2520-99-867-4712 . . . LEG, REAR, POWER PACK FRAME, left	FV559736	1	

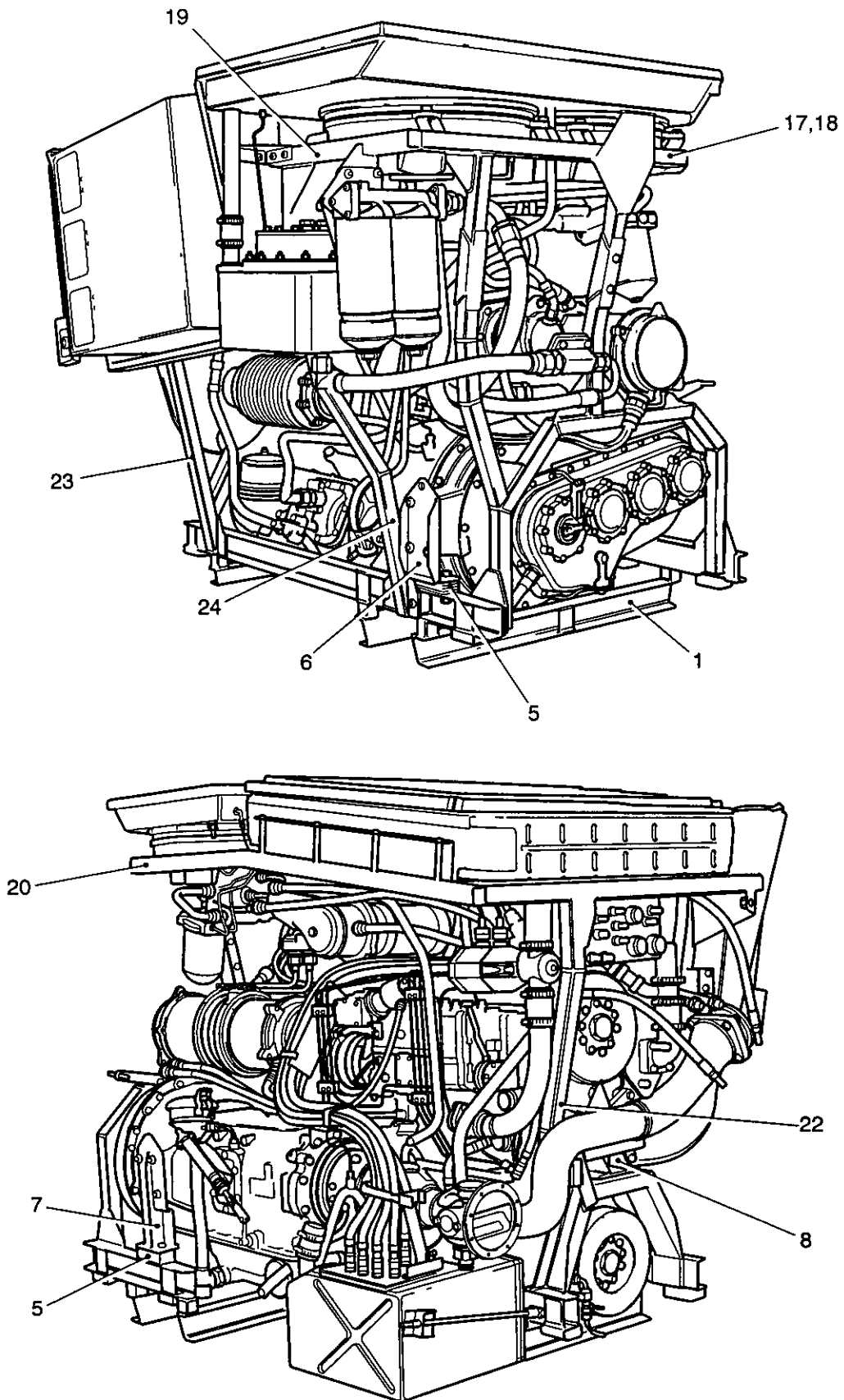


Fig 2 Engine mounting and support frame

430/70190

Fig Item	Man Code Navy - N Army - A RAF - R	NATO Stock No	Item Name and Description	Part No/ Drawing No.	No. Off	Annotations
2-			POWER UNIT, DIESEL - contd . MOUNTING ASSEMBLY -contd			
NI 25	A 9ACR	2990-99-800-7922	. . UPPER FRAME, SUB-ASSEMBLY, steel, tub sq sect, 2ft 11in. x 5in. x 2ft 10in. h, (power pack)	FV586527	1	
NI 26	A G1	5306-99-941-0345	. . BOLT, MACHINE, UNF, 1/2 -20, 2A, 2-1/2in. fastener lg, steel, zinc P, hex hd		4	
NI 27	A G1	5310-99-944-0552	. . WASHER, LOCK, steel, split helical ring, Cd P, 1/2in. nom bolt size x 0.763 x 0.116in. thk		4	
NI 28	A G1	5310-99-941-0928	. . NUT, PLAIN, HEXAGON, UNF, steel, chamfered, zinc P, 1/2 x 3/4 x 7/16in. h, grade 3 nut		12	
NI 29		NP	. . BOLT, MACHINE, UNF, steel, hex hd, zinc coated, 3/8in. x 1in.		6	} Securing item 18
NI 30		NP	. . SCREW, GRUB, UNF, 3/8 x 7/8in. lg, steel, socket drive, flat point, 25/32in. thd lg		4	
NI 31	A G1	5310-99-941-6656	. . WASHER, LOCK, steel, split helical ring, 3/8 x 0.092 x 0.590in. od, single coil, sq sect		10	
NI 32	A G1	5310-99-941-0926	. . NUT, PLAIN, HEXAGON, UNF, steel, chamfered, zinc P, 3/8in. -24, 0.563 x 0.333in. h		6	
NI 33		NP	ENGINE MOUNTING, FRONT	FV450316	REF	
NI 34	A 10	2990-99-866-7101	. PLATE, MOUNTING, ENGINE, front mounting	FV450305	1	
NI 35	A 10	5340-99-865-2906	. MOUNT, RESILIENT, engine mounting, front	FV143252	2	
NI 36	A 10	5310-99-941-0903	. NUT, PLAIN, HEXAGON, UNF, steel, zinc P, chamfered, 5/16 x 1/2 x 3/16in. h	2714510070 67	8	} Front engine mounting block
NI 37		NP	. WASHER, SPRING, flat section, single coil, 5/16in.		8	
NI 38	A 10	5355-99-866-7102	. POINTER, DIAL, steel, paint, opaque, 2 mtg holes, 0.281 x 3.625 x 0.251in. h	FV450306	1	
NI 39	A G1	5305-99-941-6284	. SCREW, MACHINE, UNF, steel, zinc P, 1/4 x 1/2in. lg hex hd		2	Timing pointer
NI 40		NP	. BOLT, MACHINE, UNF, steel, Cd P, hex hd, 0.438 x 4.5 x 0.893 x 0.625 x 0.29in. h	FV450307	6	Engine front cover

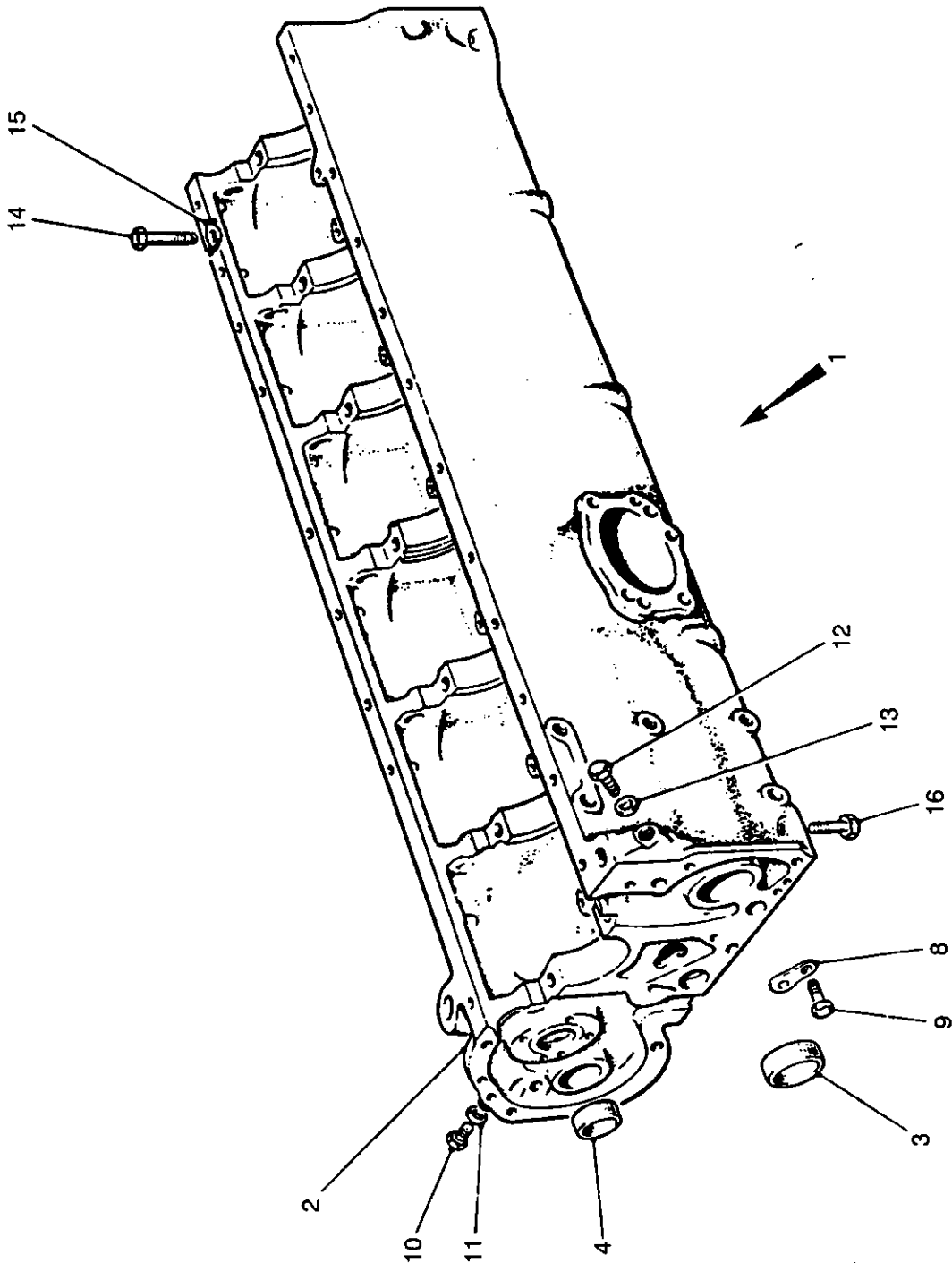


Fig 3 Crankcase assembly upper

430/70002

Fig Item	Man Code Navy - N Army - A RAF - R	NATO Stock No	Item Name and Description	Part No/ Drawing No.	No. Off	Annotations
3-			POWER UNIT, DIESEL - contd			
1	A	9ACR	ENGINE DIESEL, 6 cylinder	K60-4-6F	1	
2	A	10	CRANKCASE, diesel engine, 6 cylinder	FV668480	1	
3	A	10	CRANKCASE ASSEMBLY, upper	FV453033	1	
	A	10	BEARING, SLEEVE, steel, plain no outside flanges split, 0.6675 - 0.6875in. lg, 1.690-1.6920in. od, 1.4960in. id	FV452255	1	Alternator and injection pump drive gear
4	A	10	BEARING, SLEEVE, tin alloy, plain, no outside flanges, split, 0.59 x 1.5 x 1.36in, id, groove id surface of body	FV452249	1	Supercharger drive gear
NI 5	A	6MT7	BALL, BEARING, steel, ball shape, 6.35mm nom dia		1	
NI 6	A	10	PIN, STRAIGHT HEADLESS, steel, 3/4in. o/a lg, 3/8in. o/a dia	FV148803	1	Front cover
NI 7	A	10	PLUG, BLANKING, steel, 0.68 x 0.6in. lg, int thd 1/4in. UNF 0.3in. deep	FV453093	1	Front face bobbin
8	A	10	RETAINING PLATE ASSEMBLY, OIL GALLERY PLUG, upper crankcase	FV450778	1	
9	A	G1	SCREW, MACHINE, UNF, steel, hex hd, Cd P, 1/4 x 1/2in. lg, class 2A thd		1	
10	A	G1	SCREW, MACHINE, UNF, steel, zinc P, 2A, 1/4in. -28 x 3/8in. lg		1	Blanking plug blower side
11	A	10	WASHER, FLAT, aluminium, rd, 0.4 x 0.028in. matl thk, x 0.25in. id	XB1076	1	
12	A	G1	SCREW, MACHINE, UNF, steel, zinc P, 2A, 5/16in. -24 x 1/2in. fastener lg, hex hd		1	Blanking plug injector side
13	A	10	WASHER, FLAT, aluminium, rd, 0.5 x 0.312in. id x 0.028in. matl thk	XB1077	1	
14	A	G1	BOLT, MACHINE, UNF, steel, zinc P, hex hd, 2A, 5/16in. -24 x 1-3/4in. fastener lg		12	Upper to lower crankcase
15	A	G1	WASHER, KEY, cres, 3 ext keys, 0.32 x 0.53 x 0.032in. thk x 0.787in. o/a lg	SP42-G	12	
16	A	G1	BOLT, MACHINE, UNF, steel, zinc P, 5/16in. -24 x 1-1/4in. lg, 2A, hex hd, 7/8in. thd lg		2	Upper to lower crankcase

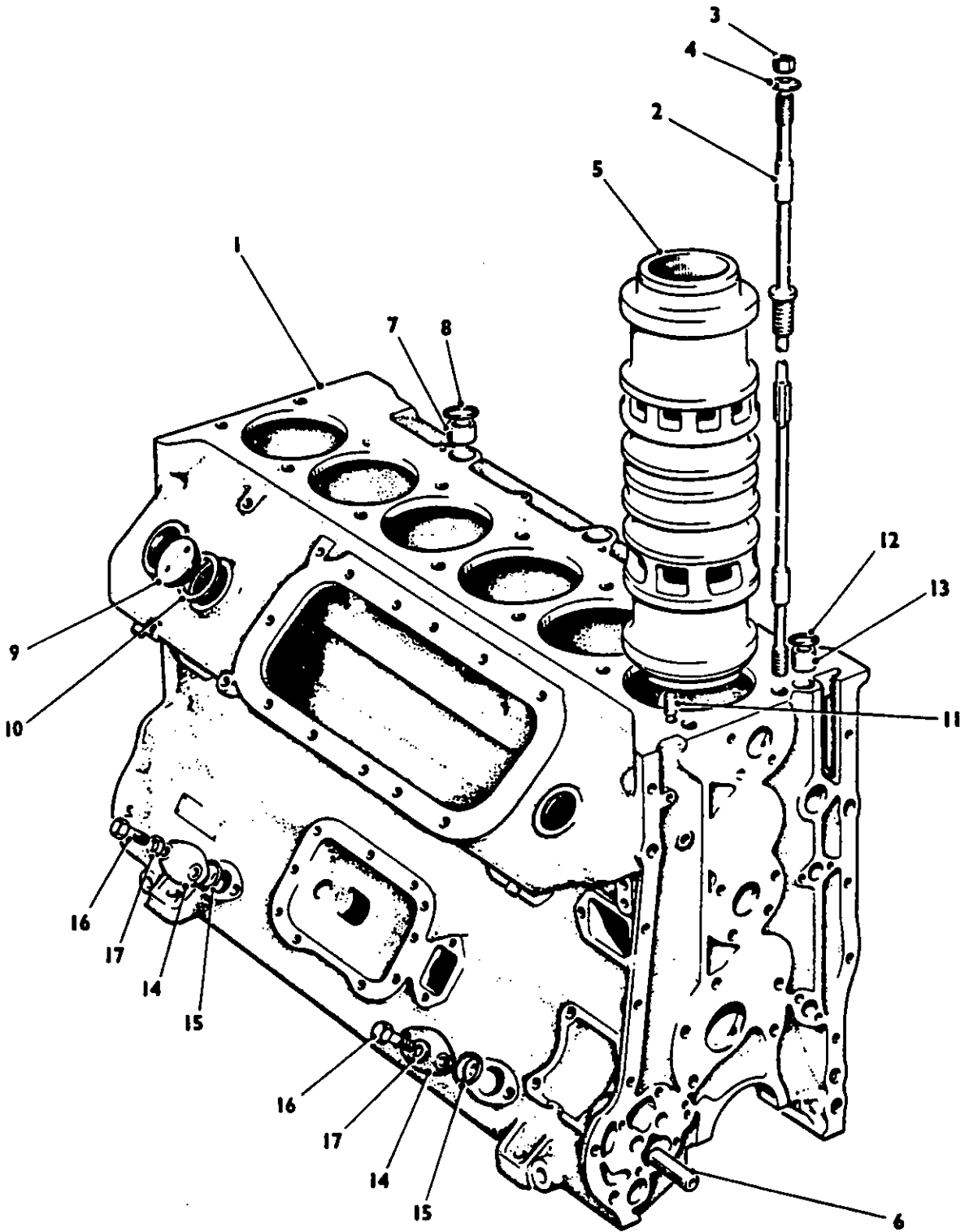


Fig 4 Crankcase and cylinders

430/70003

Fig Item	Man Code Navy - N Army - A RAF - R	NATO Stock No	Item Name and Description	Part No/ Drawing No.	No. Off	Annotations
4-			POWER UNIT, DIESEL - contd . ENGINE, DIESEL - contd . . CRANKCASE - contd			
1		NP	. . . CRANKCASE AND CYLINDERS	FV668292	REF	
2	A 10	2815-99-867-4844 STUD, DIESEL ENGINE ASSEMBLY, steel, 28.15in. o/a lg	FV149022	14	
3	A 10	5310-99-866-6998 NUT, PLAIN, HEXAGON, UNF, 1/2 x 0.75 x 0.545in. h, rh thd, class 3B thd, chamfered	FV149024	14	
4	A 10	3120-99-866-6999 WASHER, THRUST, steel, 33/64 x 1 x 1/8in. thk, Cd P	FV148770	14	
5	A 9ACR	2815-99-808-1108 LINER, CYLINDER, 3-7/16in. dia bore x 4.78in. max od body x 16.0in. o/a lg	FV668051	6	
6	A 10	2815-99-866-6993 SPINDLE, SCAVENGE PUMP, steel, 1/2in. dia x 2-19/64in. lg, 5/16in. UNF x 17/32in. lg int thd, 21/64in. dia x 29/64in. lg, c/bore	FV451291	1	
7	A 10	5315-99-866-6995 PIN, HOLLOW, steel, 55/64in. id x 1-1/64in. od x 51/64in. lg Cd P	FV149550	3	Oil drain
8	A 10	5330-99-866-7530 RING, SEALING, TOROIDAL, rubber, 65 - 75 deg BS or IRH, 9/64in. cross-sect h, 63/64in. id	CK609	3	
9	A 10	5365-99-808-1110 PLUG, SCREWED, steel, hex hd, 1- 3/4in. -16 UNS thd, 3/8in. thd lg, Cd P	UA10671ZP	3	
10	A 10	2805-99-865-1506 WASHER, ALUMINIUM	K81195	3	
11	A 10	5315-99-866-7527 PIN, STRAIGHT HEADLESS, steel, 3/4in. lg, 3/8in. o/a dia	FV148803	2	
12	A 10	5330-99-866-7496 RING, SEALING, TOROIDAL, syn rubber, 65 - 75 deg, 0.106in. x 0.679in. id, black	CK610	1	
13	A 10	5315-99-866-7004 PIN, HOLLOW, steel, 5/8in. x 11/16 x 37/64in. lg	FV149590	2	
14	A 10	5340-99-866-7040 COVER PLATE, ACCESS, aluminium, 2-29/32 x 1-7/8 x 19/64in. thk	FV450377	2	
15	A 10	5330-99-866-7041 RING, SEALING, TOROIDAL, rubber, nitrile, 50- 70 deg, 9/64in. cross-sect h, 1-23/64in. id	FV450380	2	
16	A G1	5305-99-941-6547 SCREW, MACHINE, UNF, 5/16 x 7/8in. lg, steel, zinc P w/chromate, hex hd	HZS-507	4	
17	A G1	5310-99-941-8386 WASHER, FLAT, steel, zinc P w/chromate, rd, 5/8 x 5/16 x 0.072in. thk	FV(S)72/2	4	
NI 18		NP PLUG, SCREWED, steel, hex hd, 7/8in. -16 UN thd, 3/8in. thd lg, dull nickel finish	UA10664	1	Water outlet passage
NI 19	A 10	4730-99-808-1111 PLUG, CORE, steel, Cd, 1.125in. lg, 1-1/2in. -16 UNF male 1st end, 1/2in. -20 UNF male 2nd end	FV454670	1	Oil drain generator
NI 20	A 10	5365-99-808-1112 PLUG, SCREWED, steel, hex hd, 1- 1/2in. -16 UN thd, 3/8in. thd lg, Cd P	UA10669ZP	1	

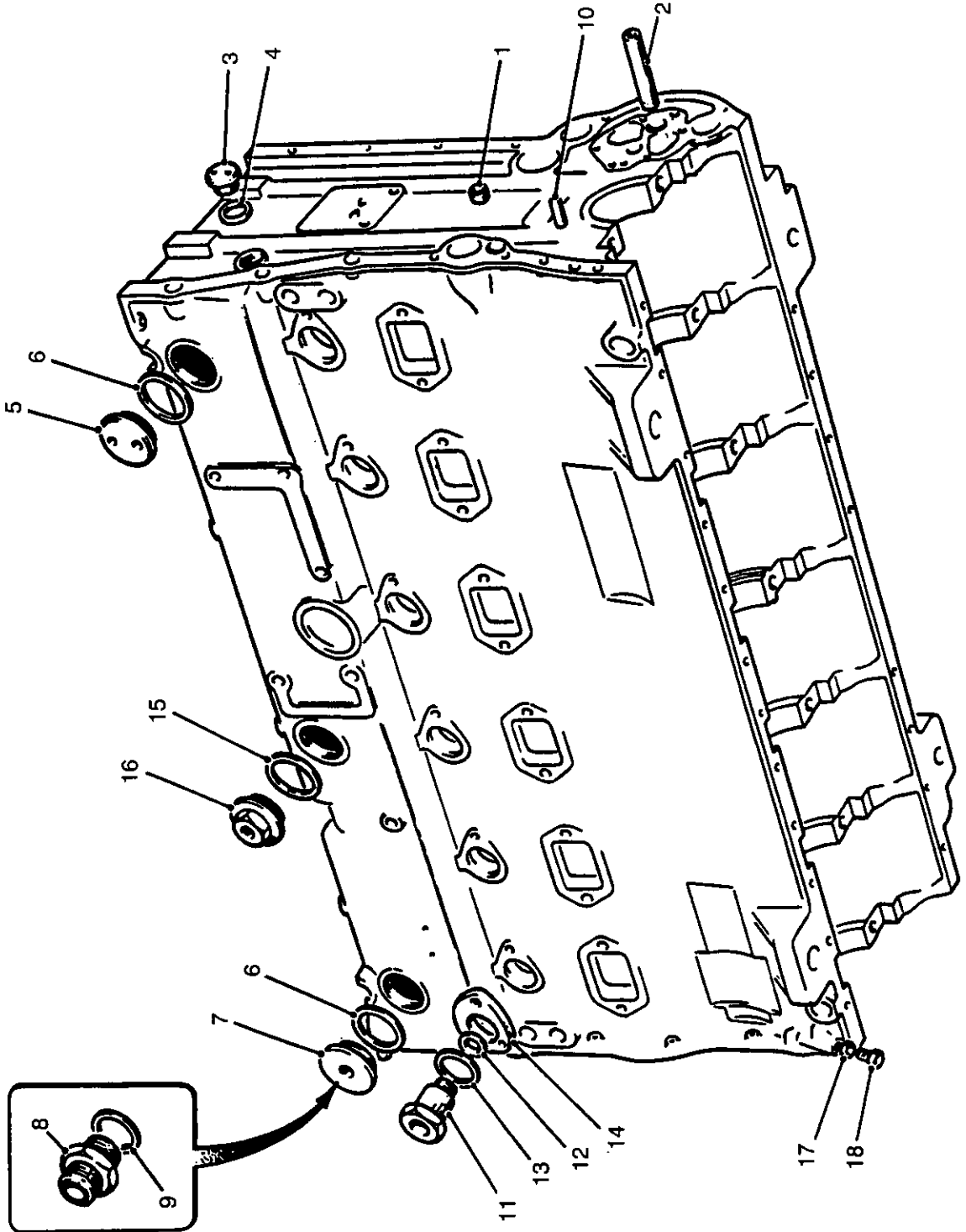


Fig 5 Crankcase and cylinders

430/70004

Fig Item	Man Code Navy - N Army - A RAF - R	NATO Stock No	Item Name and Description	Part No/ Drawing No.	No. Off	Annotations
5-			POWER UNIT, DIESEL - contd . ENGINE, DIESEL - contd . . CRANKCASE - contd . . . CRANKCASE AND CYLINDERS - contd			
1	A 10	5340-99-866-7494 PLUG, EXPANSION, steel, Cd P, 41/64in. od, 7/32in. h, 1/32in. thk matl, 0.549in. small dia	FV148804	1	Oil gallery
2	A 10	2815-99-866-6993 SPINDLE, SCAVENGE PUMP, steel, 1/2in. dia, 2-19/64in. lg, 5/16in. UNF x 17/32in. lg int thd 29/64in. counterbore	FV451291	1	
3	A 10	5365-99-866-6994 PLUG, SCREWED, UNS, steel, 7/8in. thd dia, 0.525in. o/a lg, 1.125in. dia flange, 0.1in. thk, 0.4in. lg thd, 0.656in. id core, 0.1in. d, 2 holes 0.156in. dia	UA653	1	Water outlet
4		NP WASHER, FLAT, Al, 7/8in.	XB1092	1	
5	A 10	5365-99-808-1112 PLUG, SCREWED, steel, hex hd, 1- 1/2in. -16 UN thd, 3/8in. thd lg, Cd P	UA10669ZP	1	
6	A 10	2805-99-865-1504 WASHER, ALUMINIUM	XB1191	2	
7		NP ADAPTOR, BUSHING	FV452434	1	
8	A 46MT1	4730-99-801-2032 NIPPLE, TUBE	FVS87-3	1	
9	A 10	5310-99-865-1477 WASHER, FLAT, aluminium, rd, 7/16in. id, 0.650in. od, 0.028in. matl thk	XB1079	1	
10	A 10	5315-99-866-7527 PIN, STRAIGHT, HEADLESS, steel, 3/4in. lg, 3/8in. o/a dia	FV148803	1	
11	A 10	2910-99-866-7044 ADAPTOR, INJECTOR, CYLINDER LINER, steel, Cd P, 55/64 x 1-5/16 x 2-9/16in. thd lg, 3/8in. BSPF one end	FV452081	6	
12	A 10	5310-99-866-7045 WASHER, FLAT, copper, rd, 0.970 x 0.028in. matl thk,	FV148746	6	
13	A 10	5330-99-866-7513 RING, SEALING, TOROIDAL, rubber, 65 - 75 deg, 9/64in. cross- sect h, 1-7/64in. id	CK569	6	
14	A 10	2910-99-866-7046 PLATE ASSEMBLY, CLAMPING, fuel injection equipment	FV452175	6	
15	A 10	2805-99-865-1504 WASHER, ALUMINIUM	XB1191	1	
16		NP PLUG, SCREWED, injector, pump drain	FV450451	1	
17	A 10	5310-99-865-1475 WASHER, FLAT, aluminium, rd, 0.5 x 0.312 x 0.028in. matl thk	XB1077	1	
18	A G1	5305-99-941-7063 SCREW, MACHINE, UNF, 5/16in. - 24, 2A, hex hd, 1/2in. lg, zinc P w/chromate		1	

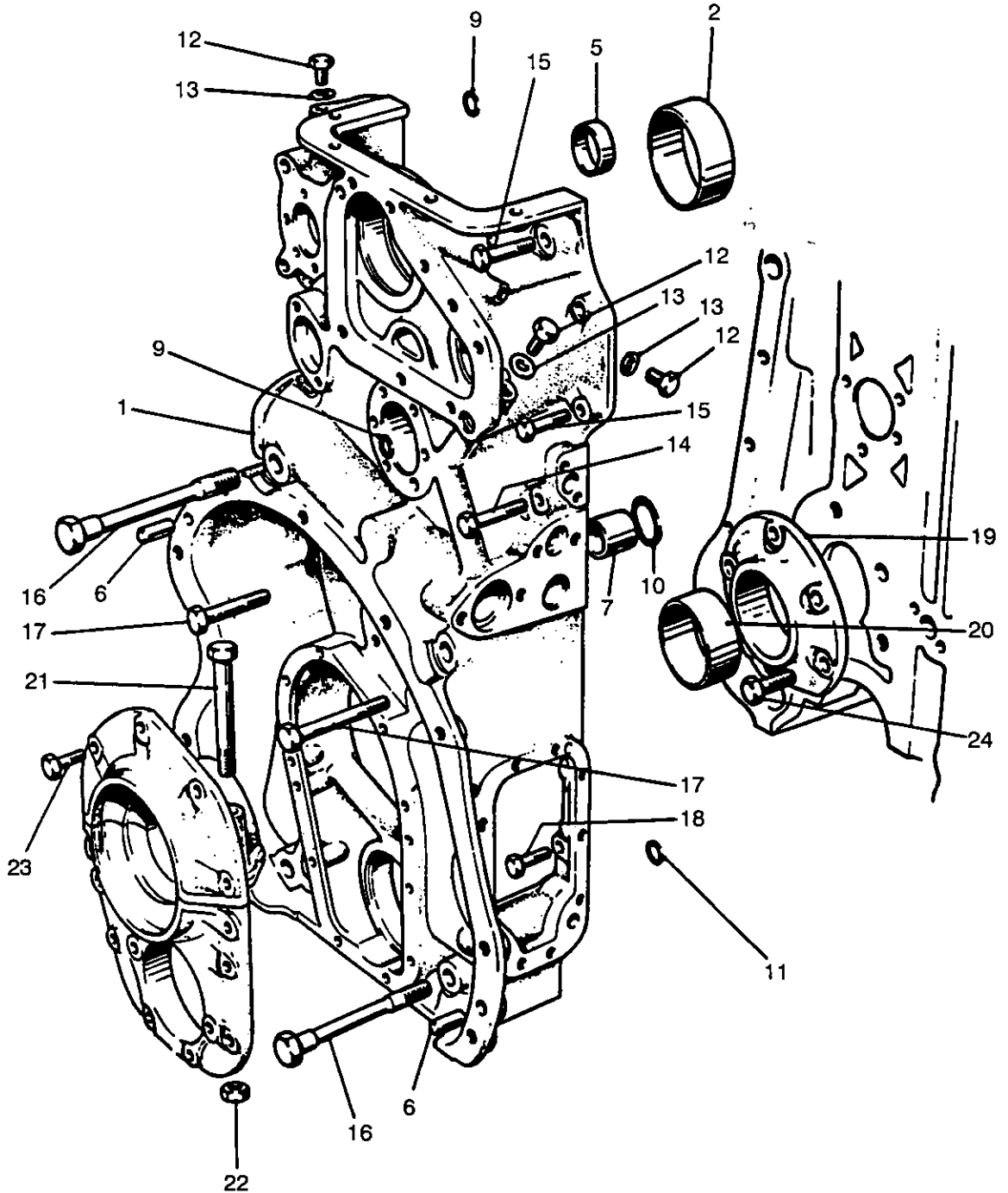


Fig 6 Wheel case and fittings

430/70005

Fig Item	Man Code Navy - N Army - A RAF - R	NATO Stock No	Item Name and Description	Part No/ Drawing No.	No. Off	Annotations
6-			POWER UNIT, DIESEL - contd ENGINE, DIESEL - contd CRANKCASE - contd			
1		NP	WHEEL CASE AND FITTINGS	FV451759	REF	
2	A 10	3120-99-866-7385	GEARCASE ASSEMBLY	FV541758	1	
			BEARING, SLEEVE, steel/lead, plain, no outside flanges, split, 1 x 2.9215 x 2.755in. body id	CK884	2	Crankshafts
NI 3	A 10	3120-99-866-7386	BEARING, SLEEVE, steel, copper and tin alloy, plain, split, 1 x 2.747 x 2.9215in. od	FV450900		
NI 4	A 10	3120-99-866-7387	BEARING, SLEEVE, steel, copper and tin alloy, plain, 1 x 2.737 x 2.9215in. od	FV450901	2	
5	A 10	3120-99-866-7539	BEARING, SLEEVE, tin alloy, plain, no outside flanges, split, 0.59 x 1.5 x 1.36in. id	FV452249	1	Supercharger drive
6	A 10	5315-99-866-7527	PIN, STRAIGHT, HEADLESS, steel, 3/4in. lg, 3/8in. o/a dia	FV148803	2	
7	A 10	5315-99-866-6995	PIN, HOLLOW, steel, 55/64 x 1-1/64 x 51/64in. lg, Cd P	FV149550	1	Oil drain
NI 8	A 6MT7	3110-99-950-0571	BALL, BEARING, steel, 5/16in. dia, inspected to aid, standard	FV542224	2	
9	A 10	5330-99-866-7542	RING, SEALING TOROIDAL, rubber, 65 - 75 deg, 7/64in. cross-sect, 23/64in. id	CK616	3	
10	A 10	5330-99-866-7530	RING, SEALING TOROIDAL, rubber, 65 - 75 deg, 9/64in. cross-sect, 63/64in. id	CK609	1	
11	A 10	5330-99-866-6986	RING, SEALING TOROIDAL, rubber, 0.103in. cross-sect h, 0.549in. centre hole dia	CK613	1	Dowel tubular, gearcase to crankcase
12	A G1	5305-99-941-7062	SCREW, MACHINE, UNF, steel, zinc P, 2A, 3/8in. lg x 1/4in. -28 thd, hex hd		3	
13	A 10	5310-99-865-1474	WASHER, FLAT, aluminium, rd, 0.4 x 0.25 x 0.28in. matl thk	XB1076	3	
14	A G1	5306-99-941-6187	BOLT, MACHINE, UNF, 5/16in. dia, 2A, steel, zinc P, 2in. lg, hex hd		8	Gearcase to crankcase upper and lower
15	A G1	5306-99-941-6589	BOLT, MACHINE, UNF, steel, zinc P, 2A, 1-3/8in. lg x 5/16in. thd dia x 7/8in. thd lg		2	
16	A 10	5306-99-866-7075	BOLT, EXTERNALLY RELIEVED BODY, UNF, steel, Cd P, 2A, 0.500 x 4.9 x 1.175 x 0.75 x 0.32in. max h	FV149772	4	
17	A G1	5306-99-941-6592	BOLT, MACHINE, UNF, 5/16in. thd, 2A, 2-3/4in. lg, steel, zinc P, hex hd, 7/8in. thd lg		7	Gearcase to crankcase upper and lower
18	A G1	5305-99-941-6547	SCREW, MACHINE, UNF, 5/16in. dia, 2A, steel, zinc P w/chromate, 7/8in. lg hex hd		2	
19		NP	HOUSING ASSEMBLY, output gear	FV452409	1	
20	A 10	3120-99-866-7198	BEARING, SLEEVE, steel, tin alloy, plain, no outside flanges, 1-1/8 x 1-3/8 x 2-1/4in. id	FV452253	1	Output gear
21	A 10	5306-99-866-7403	BOLT, MACHINE, UNF, steel, hex hd, 0.375 x 3.5 x 0.646 x 0.562 x 0.265in. max h	UA2662	2	Output gear support plate

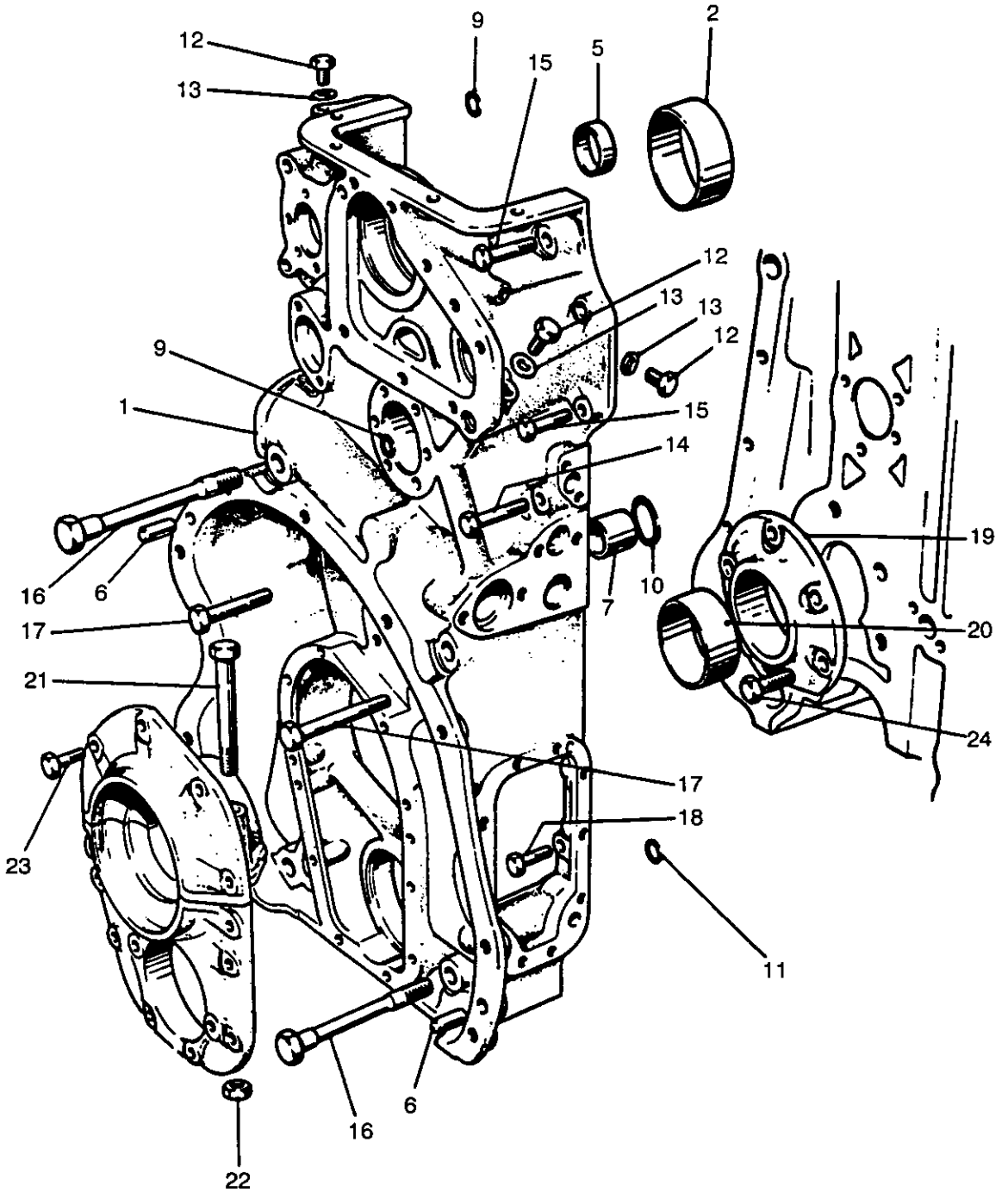


Fig 6 Wheel case and fittings

430/70005

Fig Item	Man Code Navy - N Army - A RAF - R	NATO Stock No	Item Name and Description	Part No/ Drawing No.	No. Off	Annotations
6-			POWER UNIT, DIESEL - contd . ENGINE, DIESEL - contd . . CRANKCASE - contd . . . WHEEL CASE AND FITTINGS - contd			
22	A 10	5310-99-866-5335 NUT, PLAIN, PRECISION, UNF, steel, Cd P, 3.8 x 0.33in. h	FV145683	2	
23	A G1	5305-99-941-0513 SCREW, MACHINE, UNF, steel, zinc P, hex hd, 1/4in. x 3/4in. lg	181566	10	
24		NP BOLT, MACHINE, UNF, steel, hex hd, Zn coated, 3/8in. x 1-1/4in.		5	Output housing to crankcase

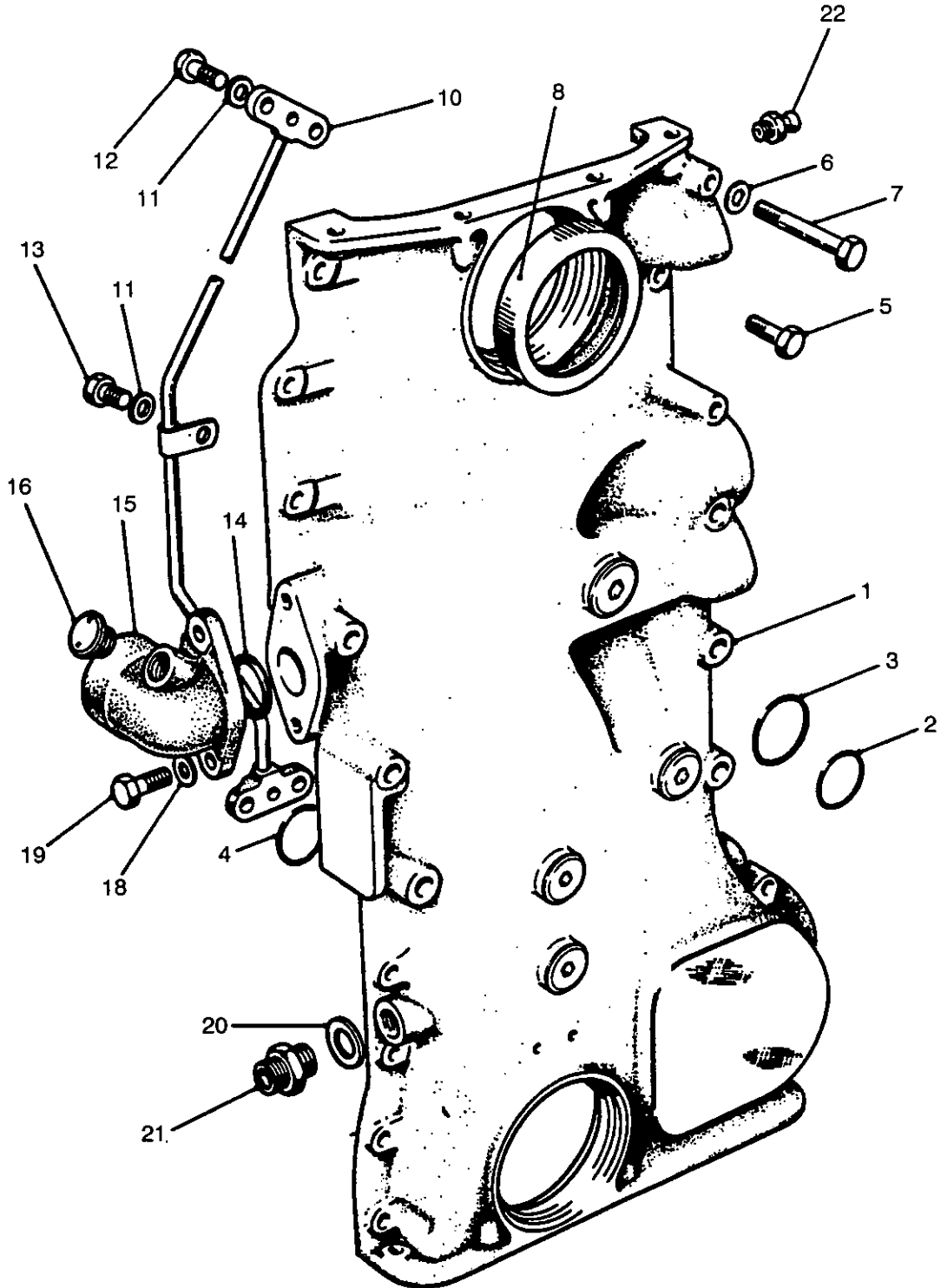


Fig 7 Engine front covers

430/70006

Fig Item	Man Code Navy - N Army - A RAF - R	NATO Stock No	Item Name and Description	Part No/ Drawing No.	No. Off	Annotations
7-			POWER UNIT, DIESEL - contd . ENGINE, DIESEL - contd . . CRANKCASE - contd			
1		NP NP	. . . ENGINE FRONT COVERS	FV668233	REF	
2	A 10	5330-99-866-7511 HOUSING, MECHANICAL DRIVE	FV668235	1	
3	A 10	5330-99-866-7283 RING, SEALING, TOROIDAL, rubber, 65 - 75 deg, 9/64 x 1- 11/64in. id	CK608	1	
4	A 10	5330-99-866-7513 RING, SEALING, TOROIDAL, rubber, 65 - 75 deg, 0.143 x 1.619in. max id	CK955	1	Transfer tube large
5	A G1	5306-99-941-6587 RING, SEALING, TOROIDAL, rubber, 65 - 75 deg, 9/64 x 1-7/64in. id	CK569	1	Transfer tube small
6	A G1	5310-99-941-8386 BOLT, MACHINE, UNF, steel, zinc P, 2A, hex hd, 1 x 5/16in. dia		8	} Front cover to crankcase
7	A G1	5306-99-941-8003 WASHER FLAT, steel, zinc P w/chromate, rd, 5/8 x 5/16 x 0.072in. thk	9416160	2	
8	A G1	5306-99-941-8003 BOLT, MACHINE, UNF, steel, zinc P, 2A, hex hd, 5/16 x 2-1/2 x 7/8in. thd lg		4	
9	A 10	5330-99-801-6938 SEAL, PLAIN, syn rubber sealing, steel reinforced, 3/8in. w, 2-7/8in. id, 3-5/8in. housing bore dia	MIS214	4	
NI 9	A 10	2815-99-808-1305 PACKING PIECE, steel, 3-5/8in. x 3-1/8in. x 7/16in. thk	FV454414	2	Damper seals
10	A 10	4710-99-866-7117 PIPE, METALLIC, grease pipe, front cover	FV149487	1	
11	A G1	5310-99-941-7072 WASHER, FLAT, steel, rd, Cd P, 1/4 x 9/16 x 0.056in. thd		5	
12	A G1	5305-99-941-6543 SCREW, MACHINE, UNF, steel, zinc P w/chromate, hex hd, 2A, 1/4 x 3/4in. lg		4	
13	A G1	5305-99-941-6284 SCREW, MACHINE, UNF, steel, zinc P, 2A, hex hd, 1/4 x 1/2in. lg		1	Clip grease pipe
14	A 10	5330-99-866-7517 RING, SEALING, TOROIDAL, rubber, 65 - 75 deg, 9/64 x 1- 19/64in. id	CK792	1	Elbow by- pass
15	A 10	2815-99-866-7119 CONNECTION, ELBOW, HEATER RETURN, heater return pipe	FV451614	1	
16	A 10	5365-99-808-1124 PLUG, SCREWED, brass, socket hd, 3/4in. UNF, 3/8in. thd lg, dull nickel finish	UA10642N	1	Heater return elbow
NI 17	A 10	5365-99-865-1479 SPACER, RING, aluminium, rd, 0.825 x 0.036 x 0.625in. dia	XB1081	1	Breather pipe
18	A G1	5310-99-941-8386 WASHER, FLAT, steel, zinc P w/chromate, rd, 5/8 x 5/16 x 0.072in. thk	9416160	2	} Elbow by-pass
19	A G1	5306-99-941-6587 BOLT, MACHINE, UNF, steel, zinc P, 2A, hex hd, 1 x 5/16in. dia		2	
20	A 10	5365-99-865-1479 SPACER, RING, aluminium, rd, 0.825 x 0.625in. dia	XB1081	2	
21	A 46MT1	4730-99-801-2025 NIPPLE, TUBE, steel, 5/8in. UNF both ends	FV(S)87/5	2	Union breather and drain pipes
22	A 10	4730-99-865-5650 LUBRICATING NIPPLE, steel, Cd P, 3/8in. -24 tpi, UNF, 2A male thd, 0.806in. o/a h	FV147742	2	

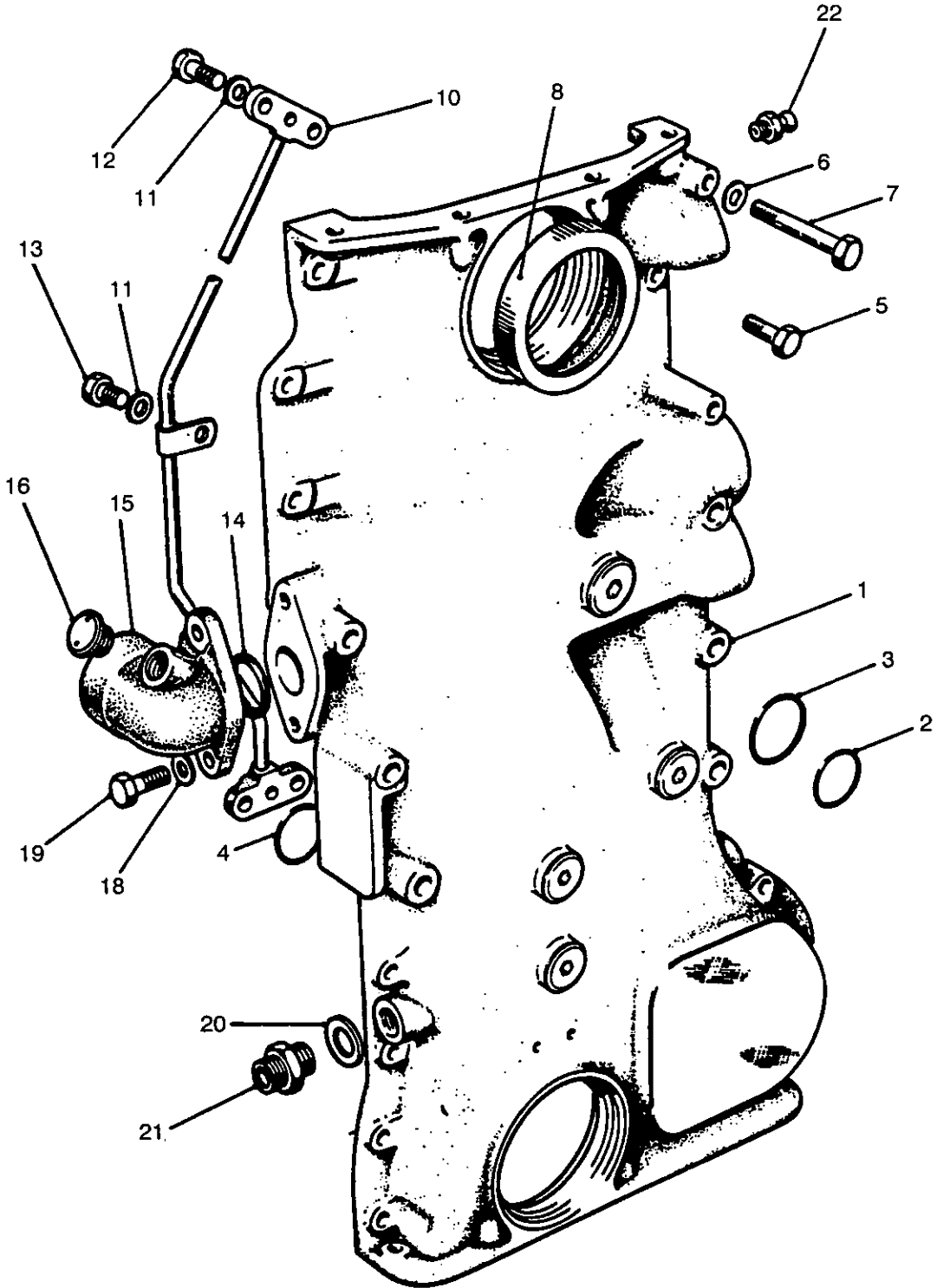


Fig 7 Engine front covers

430/70006

Fig Item	Man Code Navy - N Army - A RAF - R	NATO Stock No	Item Name and Description	Part No/ Drawing No.	No. Off	Annotations
7-			POWER UNIT, DIESEL - contd . ENGINE, DIESEL - contd . . CRANKCASE - contd . . . ENGINE FRONT COVERS - contd			
NI 23	A 46MT1	5340-99-802-3529 CAP, PROTECTIVE DUST AND MOISTURE SEAL	FV147699	1	
NI 24	A 6MT1	2990-99-800-7021 DISC, SOLID, PLAIN	AT10005	1	
NI 25	A 10	2805-99-802-2112 CASING, BREATHER, aluminium, 3-1/2 x 5in. lg, c/w heli - coil insert	FV452748	1	
NI 26		NP RETAINING PLATE, BREATHER, steel, 4-1/16 x 5/64 x 2-9/16in. dia	FV450821	1	

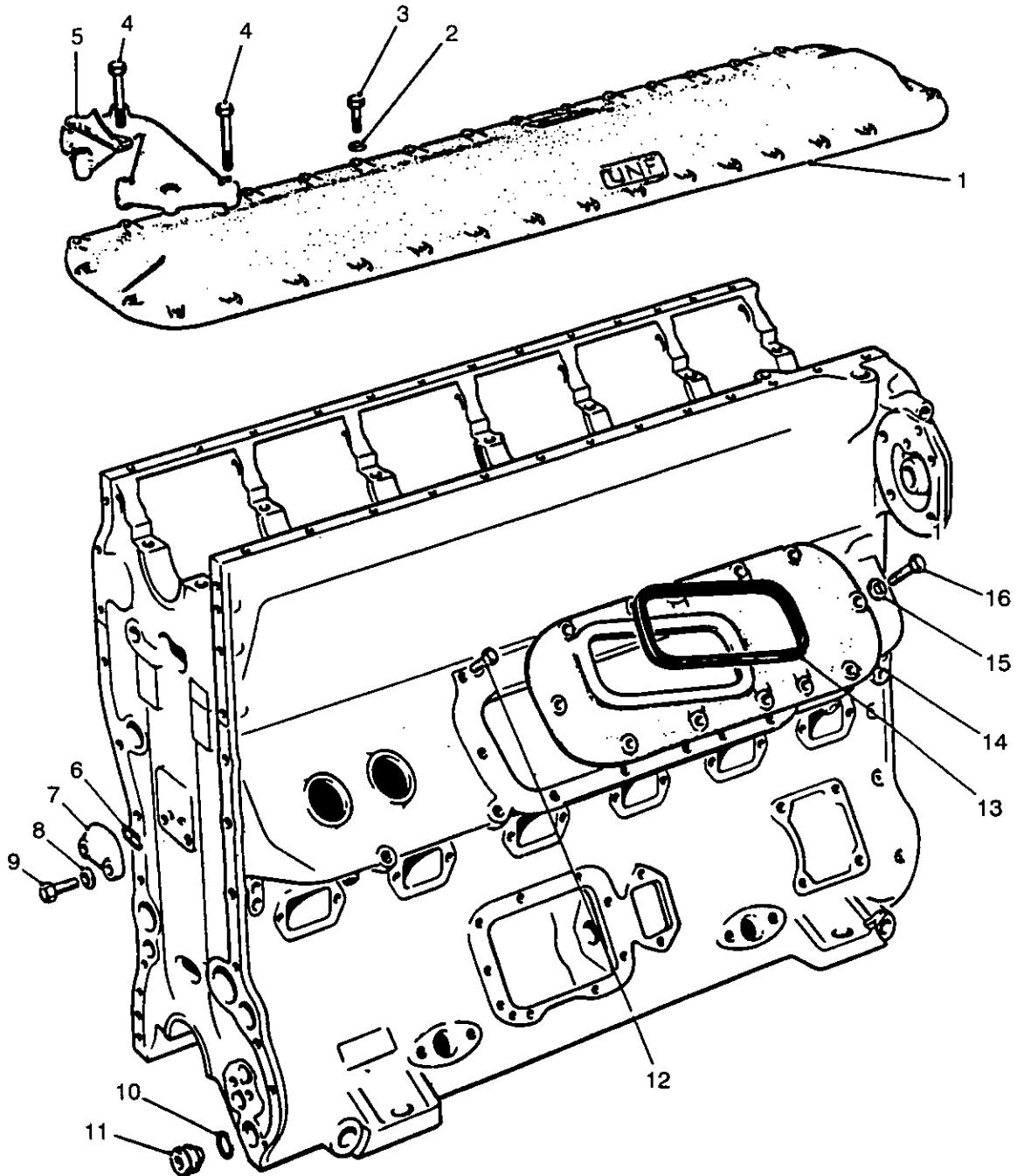


Fig 8 Crankcase top cover

430/70007

Fig Item	Man Code Navy - N Army - A RAF - R	NATO Stock No	Item Name and Description	Part No/ Drawing No.	No. Off	Annotations
8-			POWER UNIT, DIESEL - contd . ENGINE, DIESEL - contd . . CRANKCASE - contd			
		NP	. . . CRANKCASE TOP COVER		REF	
1	A 10	5340-99-866-7095	. . . COVER, ACCESS, top crankcase	FV149138	1	} Top cover gear case
2	A G1	5310-99-941-8386	. . . WASHER, FLAT, steel, zinc P w/chromate, rd, 5/8 x 5/16 x 0.072in. thk		26	
3	A G1	5305-99-941-6541	. . . SCREW, MACHINE, UNF, steel, zinc P, 2A hex hd, 5/16 x 1in. lg		26	
4	A G1	5306-99-941-8003	. . . BOLT, MACHINE, UNF, steel, zinc P, 2A, hex hd, 5/16 x 2-1/2 x 7/8in. thd lg		6	} Lifting bracket to crankcase and front cover
5	A 10	5355-99-802-0832	. . . PLATE, TIMING POINTER, steel, 13/16 x 3-7/8in. thk	FV450736	1	
6	A 10	5330-99-866-7514	. . . RING, SEALING, TOROIDAL, rubber, 65 - 75 deg, 9/64 x 1-27/64in. id	FV450379	1	} Oil transfer cover
7	A 10	2520-99-866-7002	. . . COVER OIL TRANSFER CRANKCASE, aluminium, 0.65 x 1.175 x 0.375 x 0.325in. dia fixing holes	FV450425	1	
8	A G1	5310-99-941-8386	. . . WASHER, FLAT, steel, zinc P w/chromate, rd, 5/8 x 5/16 x 0.072in. thk		2	} Oil transfer cover
9	A G1	5305-99-941-6547	. . . SCREW, MACHINE, UNF, steel, zinc P w/chromate, 5/16 x 7/8in. lg, hex hd		2	
10	A 10	5330-99-866-7496	. . . RING, SEALING, TOROIDAL, syn rubber, 65 - 75 deg, 0.106 x 0.679in. id, black	CK610	1	
11	A 10	5340-99-802-0833	. . . PLUG, PROTECTIVE DUST AND MOISTURE SEAL, aluminium, friction, 7/8in. o/a dia	FV149757	1	
12	A G1	5305-99-941-7063	. . . SCREW, MACHINE, UNF, steel, zinc P w/chromate, 5/16in. -24 x 1/2in. lg, hex hd		1	} Mounting bracket face
13	A 10	5330-99-866-7037	. . . PACKING, PREFORMED, syn rubber, 6-47/64 x 7-25/64 x 35/64in. o/a h	FV149703	1	
14	A 10	5340-99-866-7036	. . . COVER, ACCESS, aluminium, 17-5/32 x 6-27/32 x 21/64in. dia, 12 mounting holes	FV149643	1	
15	A G1	5310-99-941-8386	. . . WASHER, FLAT, steel, zinc P w/chromate, rd, 5/8 x 5/16 x 0.072in. thk		12	} Cover plate to air chest
16	A G1	5305-99-941-6546	. . . SCREW, MACHINE, UNF, steel, zinc P w/chromate, 5/16 x 3/4in. hg, hex hd		12	

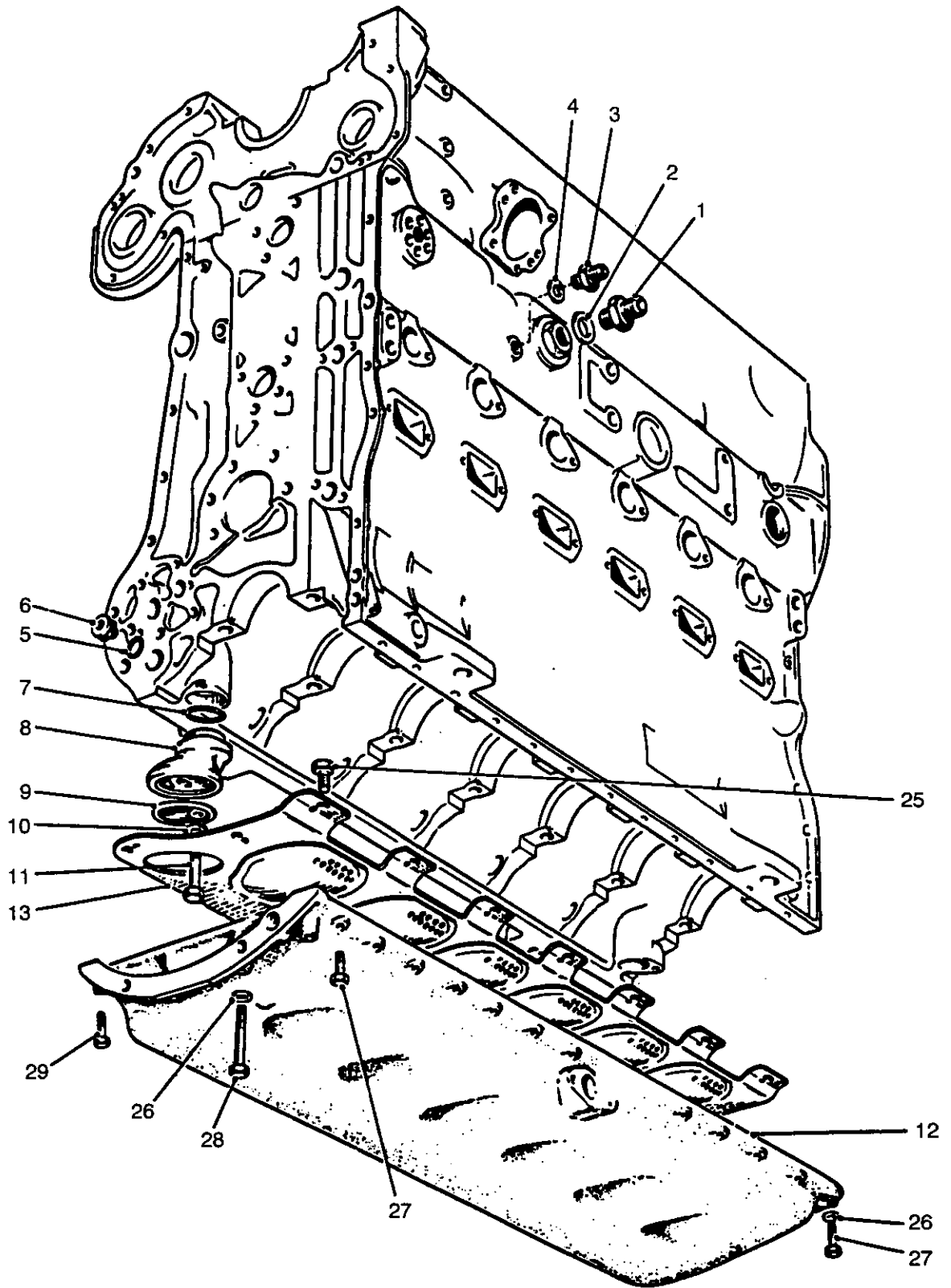


Fig 9 Crankcase bottom cover

430/70008

Fig Item	Man Code Navy - N Army - A RAF - R	NATO Stock No	Item Name and Description	Part No/ Drawing No.	No. Off	Annotations
9-			POWER UNIT, DIESEL - contd . ENGINE, DIESEL - contd . . CRANKCASE - contd			
		NP	. . . CRANKCASE BOTTOM COVER		REF	
1	A	46MT1	4730-99-801-2025 . . . NIPPLE, TUBE, steel, 5/8in. UNF both ends	FV(S)87-5	1	} Injector pump drain
2	A	10	5365-99-865-1479 . . . SPACER, RING, aluminium, rd, 0.825 x 0.036 x 0.625in. dia	XB1081	1	
3	A	46MT1	4730-99-801-2032 . . . NIPPLE, TUBE	FVS87-3	1	} Injector pump feed
4	A	10	5310-99-865-1477 . . . WASHER, FLAT, aluminium, rd, 0.65 x 0.438 x 0.28in. matl thk	XB1079	1	
5	A	10	5330-99-866-7496 . . . RING, SEALING, TOROIDAL, syn rubber, 65 - 75 deg, 0.106 x 0.679in. id, black	CK610	1	
6	A	10	5340-99-802-0833 . . . PLUG, PROTECTIVE DUST AND MOISTURE SEAL, aluminium friction, 7/8in. o/a dia	FV149757	1	
7	A	10	5330-99-866-7511 . . . RING, SEALING, TOROIDAL, rubber, 65 - 75 deg, 9/64 x 1-11/64in. id	CK608	2	
8	A	10	2815-99-866-7032 . . . PICK-UP, SCAVENGE OIL TO PUMP, aluminium alloy, 21/64in. lg, 1-5/64in. dia bore	FV149666	2	
9	A	10	2815-99-866-7033 . . . STRAINER ELEMENT, SEDIMENT, 2.73 x 0.171 x 0.028in. wire dia, mesh size 11, phos finish	FV149684	2	
10	A	3RR	5310-99-812-1285 . . . WASHER, FLAT		2	
11	A	G1	5306-99-941-8003 . . . BOLT, MACHINE, UNF, steel, zinc P, hex hd, 5/16 x 7/8in. thd lg		2	
12	A	10	2815-99-808-1114 . . . SUMP, ENGINE	FV454007	1	
13		NP	. . . BAFFLE ASSEMBLY, SUMP, assy of baffle plate with 6 strainers	FV454005	1	
NI 14	A	10	4730-99-808-1116 . . . ADAPTOR, INLET ELBOW SUMP, aluminium, 2 x 1-5/16 x 1-1/4 x 4.08in. x 1.21in. h	FV668319	1	Sump to tank
NI 15		NP	. . . SCREW, csk hd	UA7643	2	Securing item 14
NI 16		NP	. . . COVER, ADAPTOR, SUMP	FV668408	1	
NI 17		NP	. . . WASHER	UA1252	2	} Securing item 16
NI 18		NP	. . . SCREW, MACHINE	UA155	2	
NI 19	A	10	4730-99-808-1117 . . . ADAPTOR, OIL PIPE, aluminium, 1-5/8in. dia 1st end, 1-1/2in. id 2nd end	FV454011	1	Sump to oil pressure pipe
NI 20		NP	. . . WASHER	UA1252	2	} Securing item 19
NI 21		NP	. . . SCREW, MACHINE	UA156	2	
NI 22	A	10	2815-99-808-1118 . . . DUCT, ASSEMBLY, OIL, 9-3/4 x 1.31in.od tube both ends	FV453974	1	
NI 23	A	10	5330-99-808-1306 . . . RING, SEALING, TOROIDAL, syn rubber, 65 - 75 deg, 0.103in. x 1.31in. id	FV454008	2	Oil duct to elbows
NI 24	A	10	5330-99-808-1307 . . . RING, SEALING, TOROIDAL, syn rubber, 65 - 75 deg, 0.103in. x 1.424in. id	FV454009	2	Elbows to sump
25	A	G1	5305-99-941-6284 . . . SCREW, MACHINE, UNF, 1/4 x 1/2in. lg, steel, zinc P, hex hd, 2A thd		17	Baffle to sump

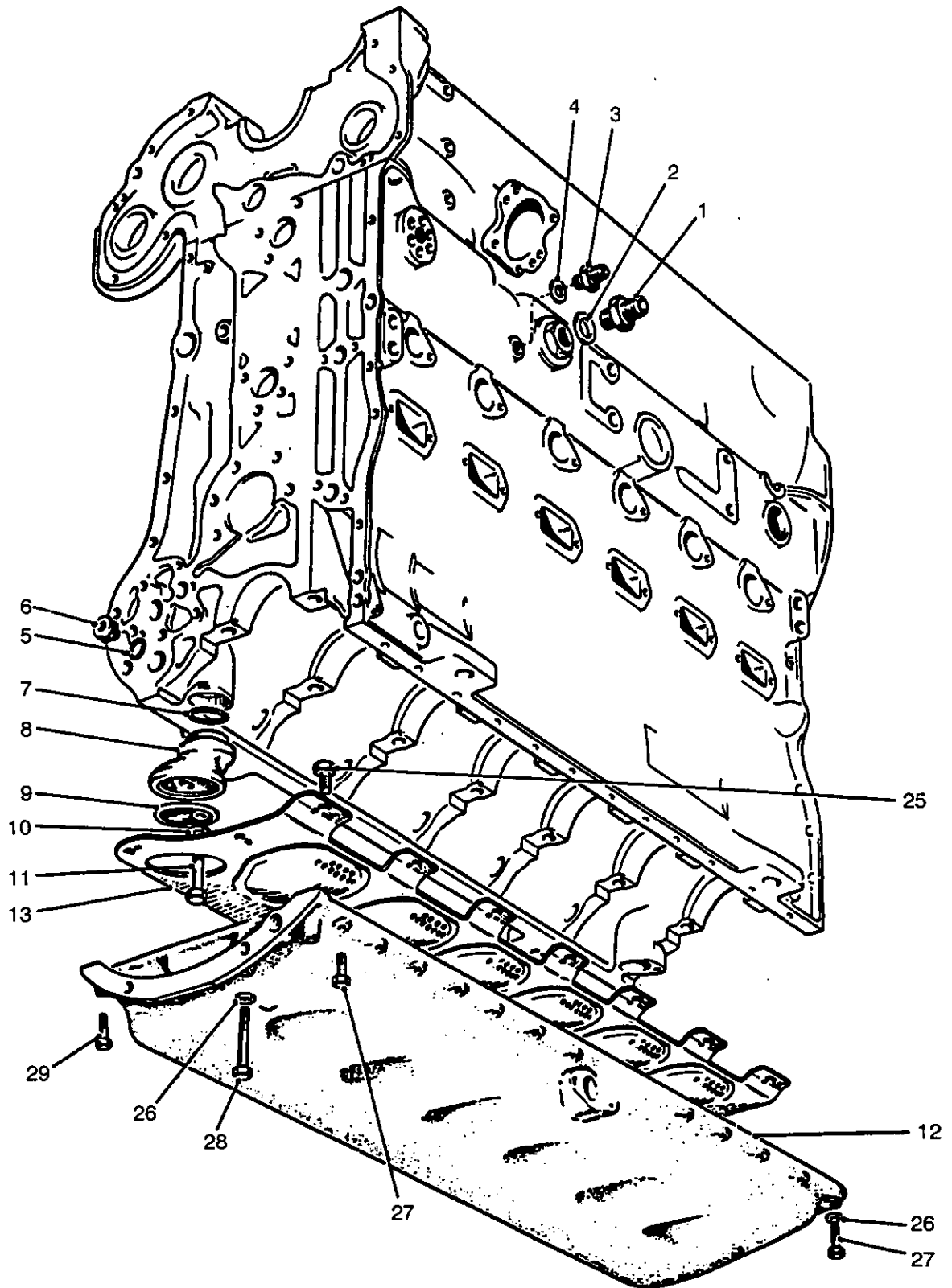


Fig 9 Crankcase bottom cover

430/70008

Fig Item	Man Code Navy - N Army - A RAF - R	NATO Stock No	Item Name and Description	Part No/ Drawing No.	No. Off	Annotations
9-			POWER UNIT, DIESEL - contd . ENGINE, DIESEL - contd . . CRANKCASE - contd			
26	A G1	5310-99-941-8386	. . . WASHER, FLAT, steel, zinc P w/chromate, rd, 5/8 x 5/16 x 0.072in. thk		34	} Sump to crankcase gearcase and front cover
27	A G1	5306-99-941-6587	. . . BOLT, MACHINE, UNF, steel, zinc P, hex hd, 2A, 5/16 x 1in. lg		30	
28	A G1	5306-99-941-7019	. . . BOLT, MACHINE, UNF, steel, zinc P, hex hd, 2A, 5/16in. -24 x 2-1/4 x 7/8in. thd lg		3	
29	A G1	5306-99-941-6589	. . . BOLT, MACHINE, UNF, steel, zinc P, hex hd, 2A, 5/16 x 1-3/8 x 7/8in. thd lg		1	

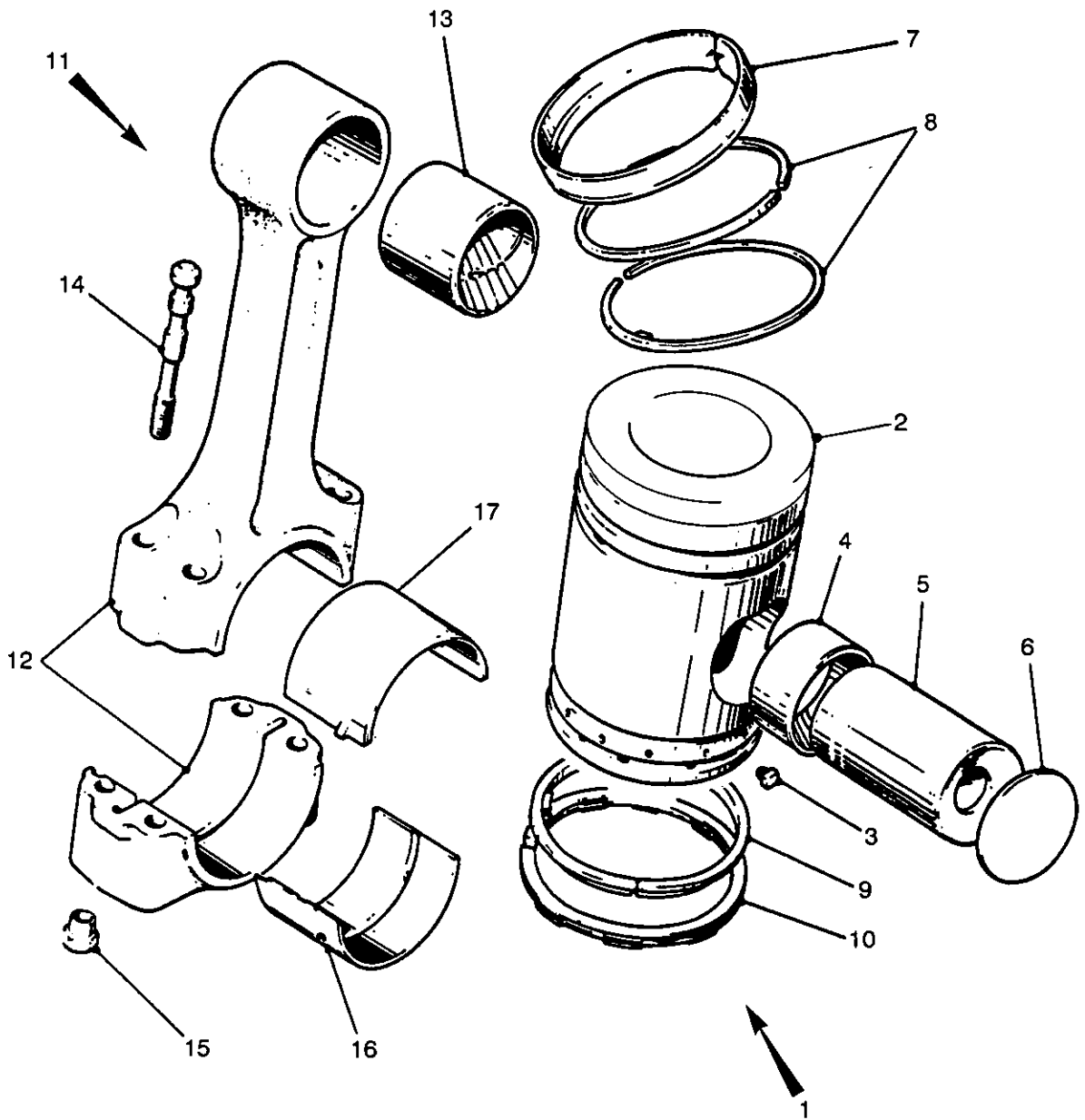


Fig 10 Connecting rods and pistons

430/70009

Fig Item	Man Code Navy - N Army - A RAF - R	NATO Stock No	Item Name and Description	Part No/ Drawing No.	No. Off	Annotations
10-			POWER UNIT, DIESEL - contd . ENGINE, DIESEL - contd . . CRANKCASE - contd			
1	A 10	NP 2815-99-825-2819 CONNECTING RODS AND PISTONS . . . PISTON, ENGINE, MULTI-FUEL, assy consisting of 12 and 24 qty of various items	FV668263	REF 12	
2		NP PISTON, ONE PIECE	FV668264	1	
3		NP STOP PEG	FV368824	1	
4	A 10	3120-99-866-7141 BEARING, SLEEVE, steel and bronze, plain, no outside flanges, split, 0.661in. x 1.816in. x 1.61in. body id	FV149788	2	
5		NP PIN, GUDGEON, steel, 2.632in. x 1.625in. x 0.75in. id	FV149790	1	
6	A 10	2815-99-866-7142 PLUG, GUDGEON PIN, steel, rd, 1-53/64in. x 0.22in. thk	FV149791	2	
7	A 10	2815-99-804-6593 FIRE RING, PISTON, cast iron w/molybdenum, 3-7/16in. x 3/8in. w	FV454549	1	
8	A 10	2815-99-866-7144 RING, PISTON, cast iron	FV149793	2	
9	A 10	2815-99-828-1055 RING, PISTON, cast iron, granolite, 3.4375in. x 0.1392in. w	FV453708	1	
10	A 10	2815-99-866-7146 RING, PISTON, cast iron	FV149795	1	
11		NP CONNECTING ROD ASSEMBLY	FV668506	1	
12		NP CONNECTING ROD, w/cap	FV453903	1	
13	A 10	3120-99-866-7130 BEARING SLEEVE, steel/bronze, plain, split, 1.632in. x 1.77in. x 1.295in. lg	CK106	1	
14		NP BOLT, MACHINE, UNF, steel, flat chamfer hd, 5/16in. -24 x 2-3/8in. lg	FV148421	4	
15	A 10	5310-99-866-7132 NUT, SLEEVE, UNF, steel, rh, 5/16in. x 1/2in. x 0.175in. lg	FV148422	4	
16	A 10	3120-99-547-6901 BEARING HALF SET, SLEEVE, steel/copper/tin, 6 bearing, standard	FV670842	1	
17	A 10	3120-99-377-4853 BEARING HALF SET, SLEEVE, steel/copper/tin, 6 bearing, standard	FV670845	1	
NI 18	A 10	3120-99-215-2578 BEARING HALF SET, SLEEVE, steel/copper/tin, 6 bearing, 0.01in. under-size	FV450894	1	
NI 19	A 10	3120-99-282-6164 BEARING HALF SET, SLEEVE, 6 bearings, 0.01in. under-size	FV450896	1	
NI 20	A 10	3120-99-743-2947 BEARING HALF SET, SLEEVE, 6 bearings, 0.02in. under-size	FV450895	1	
NI 21	A 10	3120-99-310-8700 BEARING HALF SET, SLEEVE, steel/copper/tin, 6 bearing, 0.02in. under-size	FV450897	1	

~~RESTRICTED~~

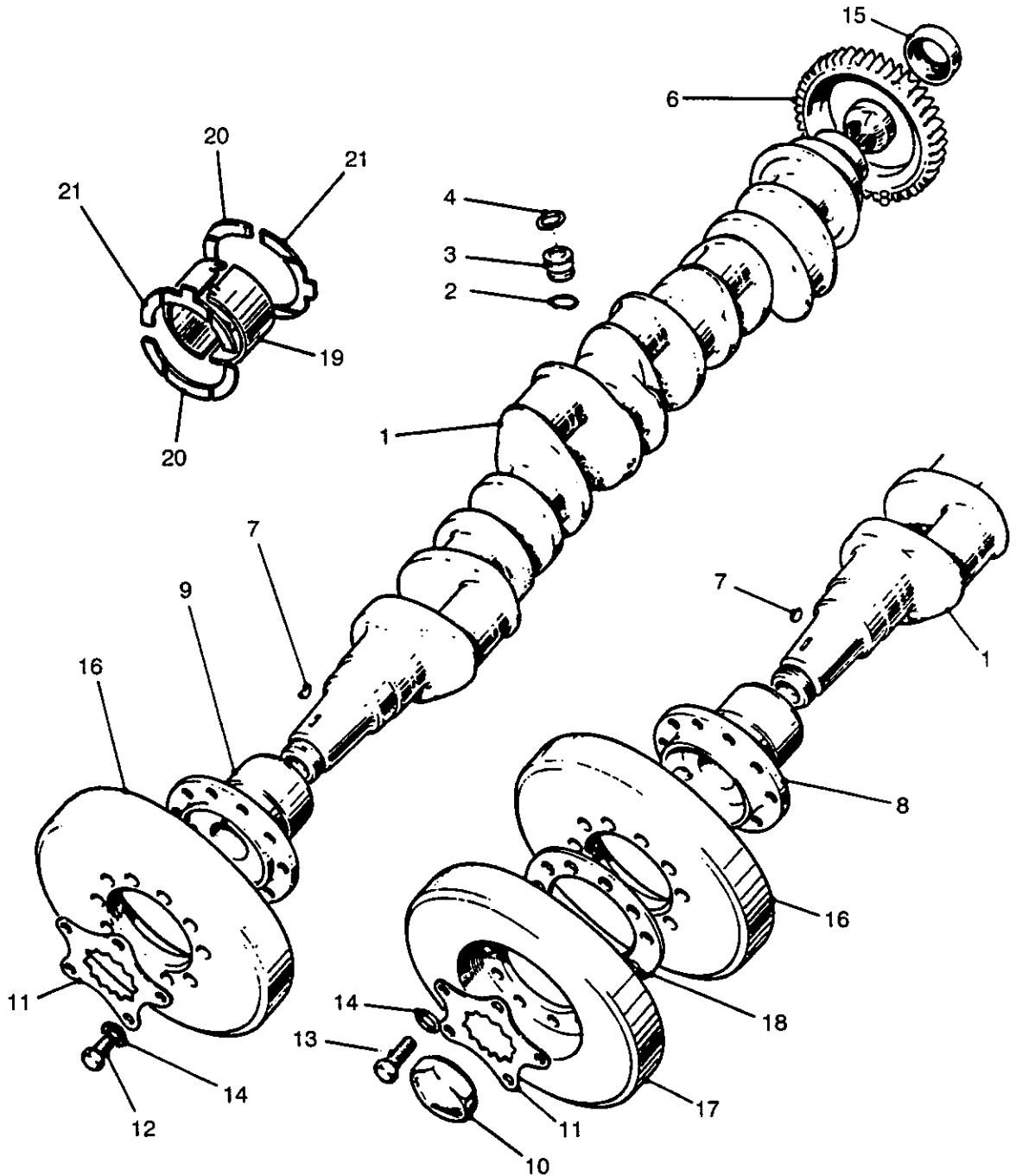


Fig 11 Crankshaft

430/70010

~~RESTRICTED~~

~~RESTRICTED~~

Fig Item	Man Code Navy - N Army - A RAF - R	NATO Stock No	Item Name and Description	Part No/ Drawing No.	No. Off	Annotations
11-			POWER UNIT, DIESEL - contd ENGINE, DIESEL - contd CRANKCASE - contd			
1		NP	CRANKSHAFT, ENGINE	FV451615	2	
2	A	6MT1 5330-99-802-6691	RING, SEALING, TOROIDAL, syn rubber, 0.125 x 0.700in. id, black	UA11326	12	
3	A	10 2815-99-866-7123	PLUG, OIL DRILLING, crankshaft oilways	FV148924	12	
4		NP	RING, RETAINING	XB14025	12	
NI 5		NP	INSERT, SPLINED	XB1025	1	} Fitted to inlet crankshaft
6	A	10 3020-99-866-7122	GEAR, SPUR, steel, 50 teeth, 4-19/64 x 6-7/16 x 43/64in. o/a lg	FV450605	1	
7	A	10 5315-99-865-1360	KEY, WOODRUFF, steel, 3/4 x 3/16 x 5/16in. h	KC515	2	
7(1)		NP	KEY, WOODRUFF, steel, 0.75 x 0.189 x 0.313in. h	KC518	A/R	
8	A	10 2815-99-866-7124	ADAPTOR, CRANKSHAFT DAMPER, exhaust crankshaft	FV451294	1	
9	A	10 2805-99-867-4414	FLANGE, DRIVING, CRANKSHAFT DAMPER, rear end	FV148947	1	
10	A	10 5310-99-866-7126	NUT, PLAIN, CAP, UNS, steel, Cd P, 1-1/2 x 2-1/6 x 1-7/64in. o/a h	FV450405	2	
11	A	10 5340-99-866-7127	RETAINER, NUT AND BOLT, steel, Cd P, 5-1/4 x 3/64in. thk	FV148954	2	
12	A	G1 5305-99-941-6548	SCREW, MACHINE, UNC, steel, zinc P, hex hd, 3/8in. -24 x 3/4in. lg, class 2A	HZS-606	10	Damper unit
13		NP	BOLT, MACHINE, UNF, steel, zinc P, hex hd, 3/8in. x 1-1/4in. fastener lg		10	Damper exhaust
14	A	G1 5310-99-941-8635	WASHER, FLAT, steel, zinc P, 3.4 x 0.072in. thk	PWZ106	10	
15		NP	SEAL, PLAIN, ENCASED, 1.375 x 2.125 x 0.375in. lg	RE23374	1	Crankcase inlet
16	A	10 2815-99-866-7493	DAMPER, CRANKSHAFT, steel, 3-3/4 x 10-1/4 x 1-1/2in. h	FV148949	2	Exhaust inner and inlet
17	A	10 2815-99-866-7091	DAMPER, CRANKSHAFT, steel, 3-3/4 x 10-1/4 x 1-1/2in. thk	FV450406	1	Exhaust, outer
18	A	10 5365-99-866-7092	SPACER, PLATE, steel, 5.625 x 3.757 x 0.4162 x 0.075 x 4.5in. circle dia	FV451293	1	
19	A	10 3120-99-335-4590	BEARING HALF SET, SLEEVE, steel/copper/tin, 14 bearings	FV670839	28	
19(1)	A	10 3120-99-930-5687	BEARING HALF SET, SLEEVE, 14 bearings, 0.01in. under-size	FV670840	A/R	
19(2)	A	10 3120-99-145-6730	BEARING HALF SET, SLEEVE, 14 bearings, 0.02in. under-size	FV670841	A/R	
20	A	10 3120-99-866-7500	WASHER, HALF, THRUST, steel/bronze, 1-35/64 x 1-7/8 x 3/32in. thk	CK212	4	
21	A	10 3120-99-866-7501	WASHER, HALF, THRUST, steel/bronze, 1-35/64 x 1-7/8 x 3/32in. thk	CK211	4	

~~RESTRICTED~~

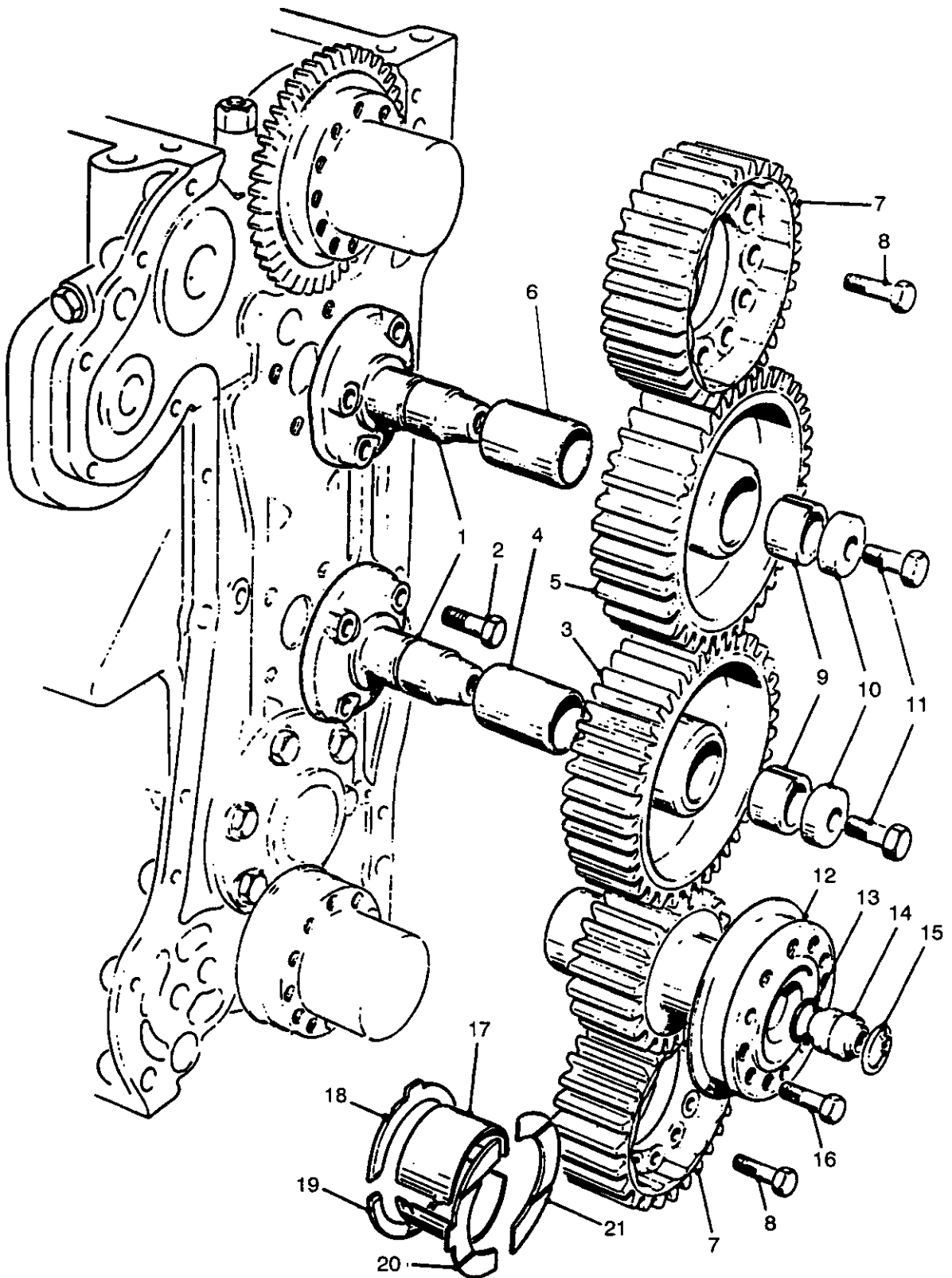


Fig 12 Rear gear train

430/70011

Fig Item	Man Code Navy - N Army - A RAF - R	NATO Stock No	Item Name and Description	Part No/ Drawing No.	No. Off	Annotations
12-			POWER UNIT, DIESEL - contd . ENGINE, DIESEL - contd			
		NP	. . . REAR GEAR TRAIN		REF	
1	A 10	2815-99-866-7203	. . . SPINDLE, BEARING, IDLER GEAR, steel, 3-27/32 x 3-53/64 x 13/32in. dia irregularly spaced, 4 mtg holes	FV450237	2	
2	A 10	5305-99-941-6550	. . . SCREW, MACHINE, UNF, steel, zinc P w/chromate, 1 x 3/8in. dia, hex hd		8	
3	A 10	3020-99-866-7195	. . . GEAR, SPUR, idler gear, main train	FV148544	1	
4	A 10	3120-99-866-7534	. . . BEARING, SLEEVE, steel/bronze, plain, split, 1.99 x 1.629 x 1.497in. id	CK118	1	
5	A 10	3020-99-866-7194	. . . GEAR, SPUR, idler gear, main train	FV148543	1	
6	A 10	3120-99-866-7534	. . . BEARING, SLEEVE, steel/bronze, plain, split, 1.99 x 1.629 x 1.497in. id	CK118	1	
7	A 10	3020-99-866-7200	. . . GEAR, SPUR, steel, 33 teeth, 2-27/32 x 2in. lg	FV148530	2	
8		NP	. . . BOLT, MACHINE, UNF, steel, zinc P, hex hd, 3/8in. x 1-1/4in. fastener lg		24	
9	A 10	2815-99-866-7201	. . . COLLET, SPINDLE, IDLER GEAR, steel, 1-1/2 x 21/32in. lg	FV149571	2	
10	A 10	5310-99-866-7202	. . . WASHER, RECESSED, steel, Cd P, 25/64 x 3/8in. thk, 1-1/2 x 1-1/16 x 1/16in. deep	FV149572	2	
11	A G1	5305-99-941-6550	. . . SCREW, MACHINE, UNF, steel, zinc P w/chromate, 1 x 3/8in. dia, hex hd	HNS-608	2	
12	A 10	3020-99-971-3635	. . . OUTPUT GEAR AND FLINGER ASSEMBLY	FV451575	1	
13	A 10	5330-99-866-7503	. . . RING, SEALING, TOROIDAL, rubber, 65 - 75 deg, 0.070in. cross-sect h, 0.364in. id	CK826	1	Transfer bobbin
14	A 10	2815-99-866-7206	. . . RETAINER, PACKING, steel, 1/4 x 1/2 x 17/32in. lg	FV452278	1	
15	A 6MT1	5365-99-200-1685	. . . RING, RETAINING, steel, 0.0379 x 0.0409in. matl thk	1300-15PP	1	
16	A G1	5305-99-941-6549	. . . SCREW, MACHINE, UNF, steel, zinc P w/chromate, 2A, 3/8in. x 7/8in. lg		12	Flywheel fixing
17	A 10	2815-99-866-7400	. . . BEARING, HALF, SLEEVE, steel, lead al, 2-1/4 x 1-1/8in. lg	CK1965	2	
18	A 10	3120-99-866-7404	. . . WASHER HALF, THRUST, steel, 1-17/64 x 1-1/2 x 3/32in. thk	FV451577	1	
19	A 10	3120-99-866-7405	. . . WASHER HALF, THRUST, steel, 1-17/64 x 1-1/2 x 3/32in. thk	FV451578	1	
20	A 10	3120-99-866-7406	. . . WASHER HALF, THRUST, steel, 1-17/64 x 1-7/8 x 3/32in. thk	FV451579	1	
21	A 10	3120-99-866-7407	. . . WASHER HALF, THRUST, steel, 1-33/64 X 1-29/32 X 3/32in. thk	FV451580	1	

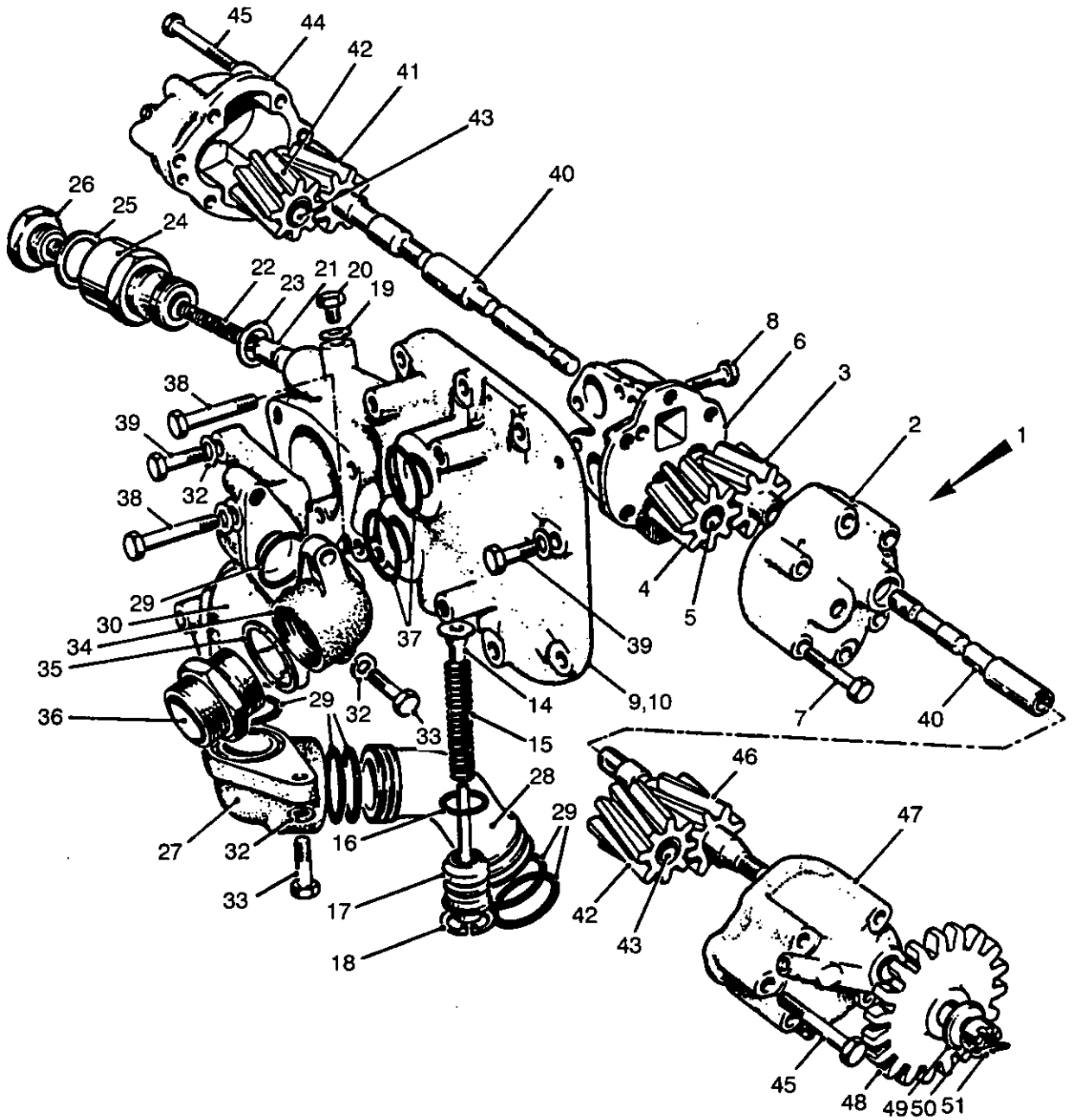


Fig 13 Oil pumps

430/70012

Fig Item	Man Code Navy - N Army - A RAF - R	NATO Stock No	Item Name and Description	Part No/ Drawing No.	No. Off	Annotations
13-			POWER UNIT, DIESEL - contd . ENGINE, DIESEL - contd			
		NP	. . . OIL PUMPS		REF	
1	A 10	4320-99-866-7346	. . . PUMP, ROTARY, lubricating system	FV451347	1	
2	A 10	2815-99-866-7349	. . . BODY, PRESSURE PUMP, lubrication system	FV451284	1	
3	A 10	3040-99-866-9568	. . . GEARSHAFT, SPUR, driver, oil pressure pump	FV451273	1	
4	A 10	3020-99-833-7347	. . . GEAR, SPUR, pressure pump drive	FV451285	1	
5	A 10	3120-99-866-7348	. . . BEARING, SLEEVE, copper Al, plain, 1.414 x 0.6265 x 0.5005in. id	FV149357	1	
6		NP	. . . COVER, OIL PUMP, engine oil pump	FV14374	1	
7	A G1	5306-99-941-6584	. . . BOLT, MACHINE, UNF, steel, zinc P, 2in. lg, hex hd		6	Body to casing Pump to main cover
8	A G1	5306-99-941-6583	. . . BOLT, MACHINE, UNF, steel, zinc P, 1/4 x 1-3/4in. lg, hex hd, class 2A thd		4	
9	A 10	2520-99-867-1147	. . . COVER, ASSEMBLY, oil pressure pump application	FV452811	1	
10	A 10	2815-99-866-7363	. . . COVER, SUB-ASSEMBLY, PUMP, engine lubricating pump	FV452459	1	
NI 11		NP	. . . COVER, oil pressure pump	FV452458	1	
NI 12	A G1	5340-99-580-5496	. . . INSERT, SCREW THREAD, UNF, cres, 5/16 -24 x 36/64in. lg	AS6733-33	6	
NI 13	A G1	5340-99-580-5491	. . . INSERT, SCREW THREAD, cres, 1/4 -28 UNF, 19/64 x 31/64in.	AS6733-32		
14	A 10	4820-99-866-9564	. . . VALVE HEAD	FV452705	1	
15	A 10	5360-99-866-7357	. . . SPRING, HELICAL, COMPRESSION, steel, 3.126 x 0.642in. free od, 20 coils, 18 active coils	FV450887	1	
16	A 10	5330-99-866-7359	. . . RING, SEALING, TOROIDAL, syn rubber, 0.143 x 0.865in. id	LC212	2	
17	A 10	2940-99-866-9567	. . . PIN, GUIDE, RELIEF VALVE, u/o carrier, personnel, FV432 Mk 2	FV452707	1	
18	A 6MT1	5365-99-910-8283	. . . RING, RETAINING, steel, phos, 3/64 x 1-3/16 x 1-1/4 x 0.053in. groove wd	1300-1 3- 161N	1	
19	A 10	5310-99-865-1476	. . . WASHER, FLAT, aluminium, rd 0.575 x 0.375in. id	XB1078	1	} Plug oil drilling
20	A G1	5305-99-941-1683	. . . SCREW, MACHINE, UNF, steel, zinc P w/chromate, 3/8in. dia x 3/8in. lg, hex hd	OD15422	1	
21		NP	. . . PISTON, CUTOFF VALVE, steel, 1 x 9/16 x 13/32 x 11/16in. dp	FV452453	1	
22		NP	. . . SPRING, HELICAL, COMPRESSION, steel, 3/8in. od x 2in. lg	FV452452	1	Filter isolation valve
23	A 10	5365-99-865-1489	. . . SPACER, RING, aluminium, rd, 1.25 x 0.036 x 1in. dia		1	Valve body
24	A 10	2940-99-866-9566	. . . BODY, CUTOFF VALVE, oil filter	FV452468	1	
25	A 46MT1	5330-99-881-3209	. . . GASKET, copper, rd, 18.5 x 14.3 x 1.5mm thk	48021329	1	plug, valve, body
26		NP	. . . PLUG, VALVE BODY, oil filter isolation valve	FV452454	1	
27	A 10	4730-99-866-7516	. . . ELBOW, FLANGE TO PIPE, aluminium	FV450481	1	
28	A 10	4730-99-866-7371	. . . BEND, PIPE, aluminium, 3-5/64in. centre to end, 63 deg, unthded male both ends	FV450483	1	
29	A 10	5330-99-866-7528	. . . RING, SEALING, TOROIDAL, rubber, 9/64 x 1-15/16in. id, 65 - 75 deg	CK540	6	
30	A 10	2815-99-866-7364	. . . CONNECTION BLOCK ASSEMBLY, OIL PUMP, oil pump connections	FV451170	1	

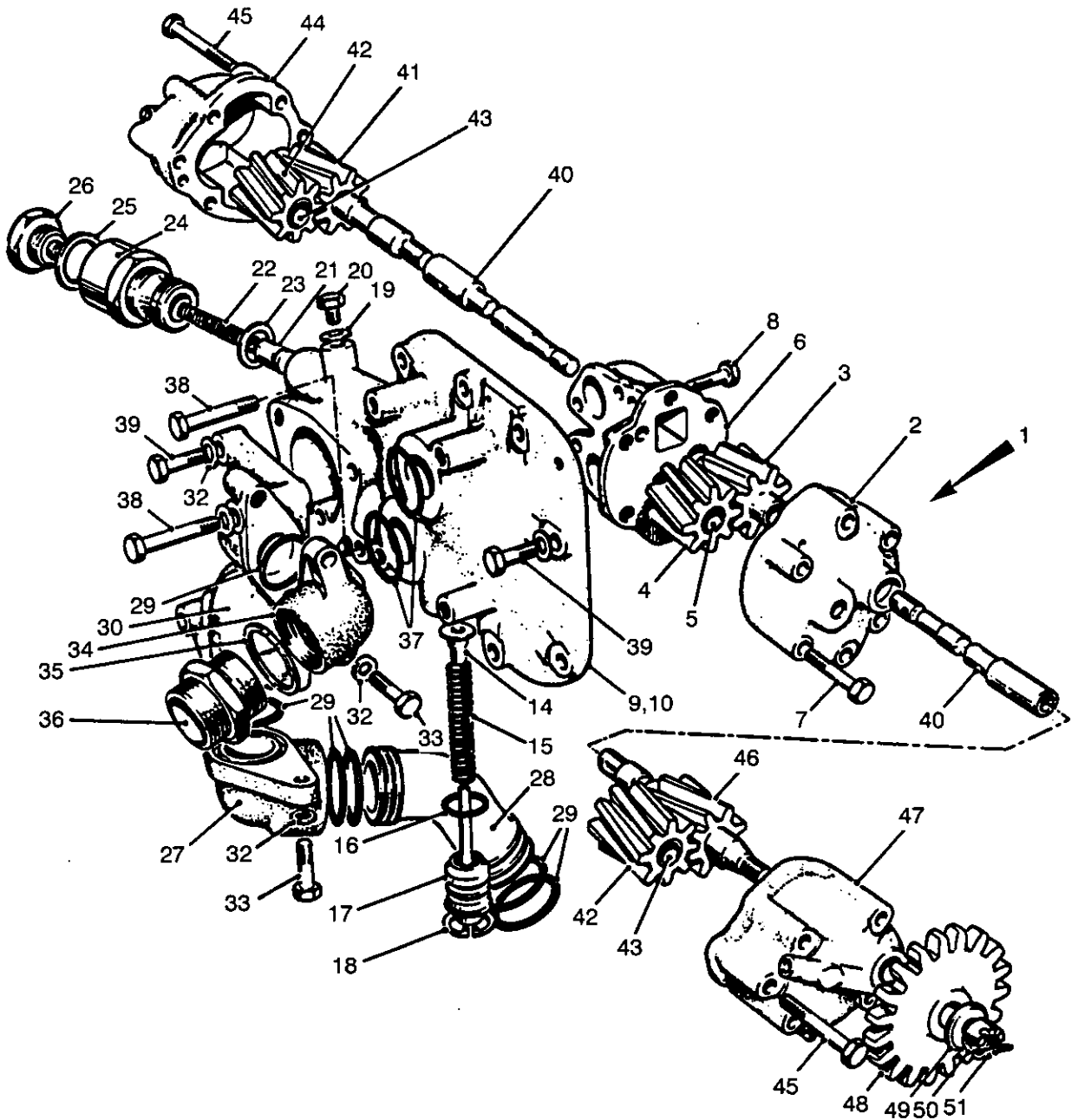


Fig 13 Oil pumps

430/70012

Fig Item	Man Code Navy - N Army - A RAF - R	NATO Stock No	Item Name and Description	Part No/ Drawing No.	No. Off	Annotations
13-			POWER UNIT, DIESEL - contd . ENGINE, DIESEL - contd . CONNECTION BLOCK ASSEMBLY, OIL PUMP - contd			
NI 31	A G1	5340-99-580-5496	. . . INSERT, SCREW THREAD, UNF, cres, 5/16 -24 x 36/64in. lg	AS6733-33	4	
32	A G1	5310-99-941-8386	. . WASHER, FLAT, steel, zinc P w/chromate, rd, 5/8 x 5/16 x 0.072in. thk		16	
33	A G1	5306-99-941-7019	. . BOLT, MACHINE, UNF, steel, zinc P, 5/16in. -24 x 2-1/4in. lg, hex hd, 7/8in. thd lg		4	
34	A 10	4730-99-866-7376	. . ELBOW, FLANGE TO TUBE, aluminium	FV450482	1	
35		NP	. . WASHER, METALLIC, aluminium, 1.375in.	XB1189	1	
36	A 46MT1	4730-99-801-1934	. . NIPPLE, TUBE, steel, zinc P, 1-3/8in. UNF both ends	FV(S)87/11	1	
37	A 10	5330-99-866-7514	. . RING, SEALING, TOROIDAL, rubber, 9/64 x 1-27/64in. id, 65 -75	FV450379	2	Block cover
38	A G1	5306-99-941-8003	. . BOLT, MACHINE, UNF, steel, zinc P, 5/16in. x 2-1/2in. lg, hex hd, 7/8in. thd lg		4	
39		NP	. . BOLT, MACHINE, UNF, steel, hex hd, zinc P w/chromate, 5/16 x 3/8in. lg		8	
40	A 10	3040-99-866-7369	. . SHAFT, SHOULDERED, driving shaft, scavenge pump	FV451287	2	
41		NP	. . GEARSHAFT, HELICAL, front	FV451282	1	Scavenge pump
42		NP	. . GEAR, HELICAL, driven, scavenge pump	FV451288	2	
43		NP	. . BUSHING, SLEEVE, driven gear	FV451290	2	
44	A 10	2815-99-866-7353	. . CASING, OIL PUMP, scavenge pump, front half	FV451321	1	
45	A G1	5306-99-941-6585	. . BOLT, MACHINE, UNF, steel, zinc P, 1/4 x 2-1/2in. lg, hex hd, 2A thd		12	Scavenge pump to crankcase
46		NP	. . GEARSHAFT, HELICAL, rear	FV451279	1	
47		NP	. . CASING, OIL PUMP, scavenge pump, rear	FV451322	1	
48	A 10	3020-99-866-7377	. . GEAR, SPUR, steel, 19 teeth, 5/8 x 3- 37/64 x 43/64in. lg	FV451292	1	
49	A 10	3120-99-801-3519	. . WASHER, THRUST, steel, 7/16 x 15/16 x 0.150in. thk	FV453338	1	
50	A 10	5310-99-941-0883	. . NUT, SLOTTED, HEXAGON, UNF, steel, zinc P, 7/16 x 11/16 x 3/8in. h, chamfered, grade 3 nut		1	
51		NP	. . PIN, COTTER, SPLIT, steel, phos, 3/32 x 7/8in. lg	11-454-3- 22-5725	1	
NI 52		NP	. . OIL PUMPS	FV451423	1	w/non return valve
NI 53	A 10	4320-99-866-7346	. . . PUMP, ROTARY, lubricating system	FV451347	1	
NI 54	A 10	2815-99-866-7349 BODY, PRESSURE PUMP, lubrication system	FV451284	1	
NI 55	A 10	3040-99-866-9568 GEARSHAFT, SPUR, driver, oil pressure pump	FV451273	1	
NI 56	A 10	3020-99-866-7347 GEAR, SPUR, pressure pump drive	FV451285	1	
NI 57		NP BEARING, SLEEVE, copper, Al, plain, solid, 1.414 x 0.5005 x 0.6265in. od	FV149357	1	

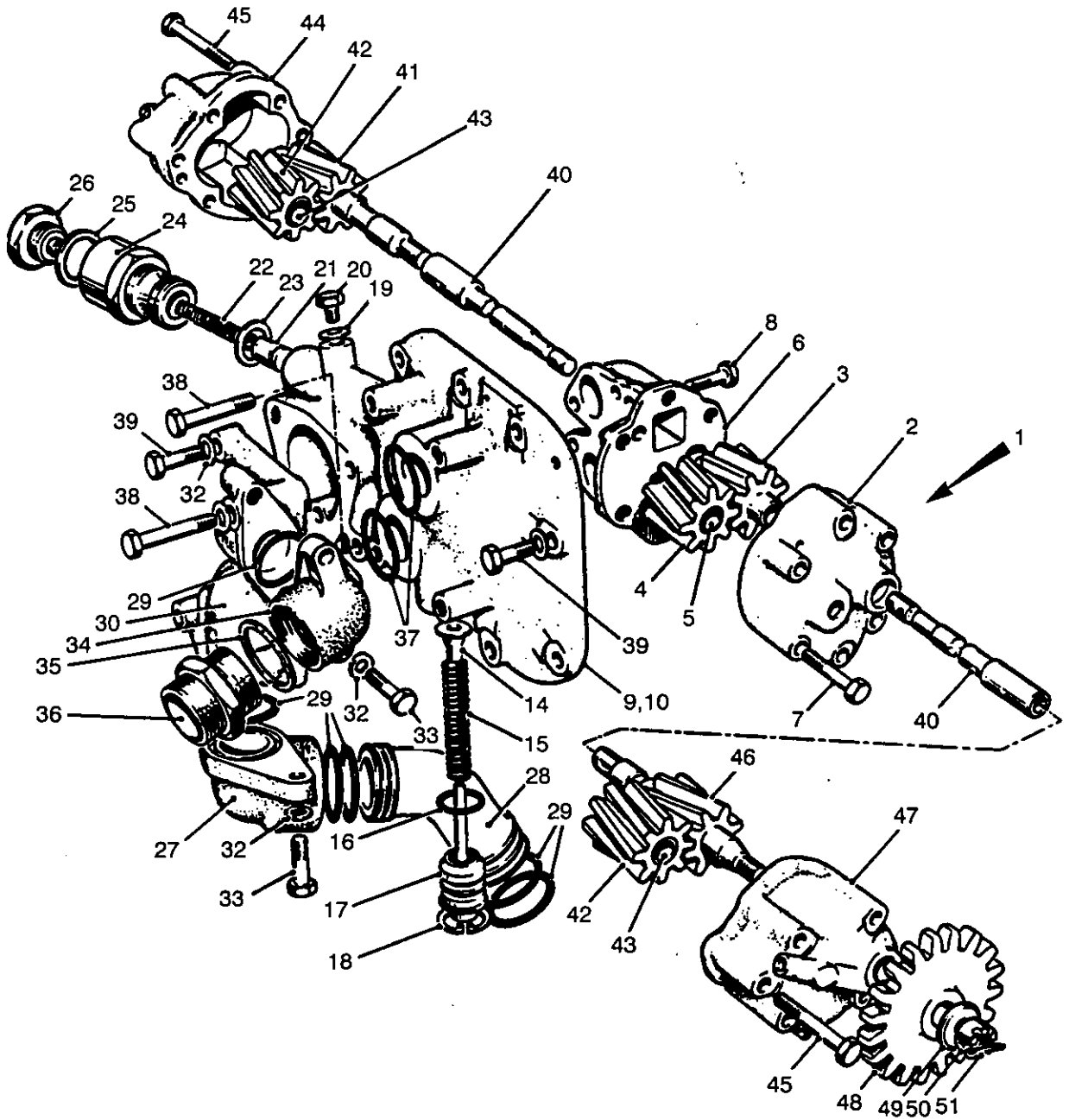


Fig 13 Oil pumps

430/70012

Fig Item	Man Code Navy - N Army - A RAF - R	NATO Stock No	Item Name and Description	Part No/ Drawing No.	No. Off	Annotations
13-			POWER UNIT, DIESEL - contd . ENGINE, DIESEL - contd . . OIL PUMPS - contd . . . PUMP, ROTARY - contd			
NI 58		NP COVER, OIL PUMP, engine oil pump	FV149374	1	
NI 59	A G1	5306-99-941-6584 BOLT, MACHINE, UNF, steel, zinc P, hex hd, 2A, 1/4in. -28 x 2in. lg		6	Body to casing Pump to main cover
NI 60	A G1	5306-99-941-6583 BOLT, MACHINE, UNF, 1/4 x 1-3/4in. lg, steel, zinc P, hex hd, class 2A		4	
NI 61	A 10	2520-99-867-1147 COVER, ASSEMBLY, oil pressure pump application	FV452811	1	
NI 62	A 10	2815-99-866-7363 COVER, SUB-ASSEMBLY, PUMP, engine lubricating pump	FV452459	1	
NI 63	A G1	5340-99-580-5496 INSERT, SCREW THREAD, UNF, cres, 5/16 -24 x 36/64in. lg	AS6733-33	6	
NI 64	A G1	5340-99-580-5491 INSERT, SCREW THREAD, cres, 1/4 -28 UNF, 19/64 x 31/64in. lg, notched, coil wire	AS6733-32	4	
NI 65	A 10	4820-99-866-9564 VALVE HEAD	FV452705	1	
NI 66	A 10	5360-99-866-7357 SPRING, HELICAL COMPRESSION, steel, 3.126 x 0.642in. free od, 20 coils, 18 active coils	FV450887	1	
NI 67	A 10	5330-99-866-7359 RING, SEALING, TOROIDAL, syn rubber, 0.143 x 0.865in. id	LC212	2	
NI 68	A 10	2940-99-866-9567 PIN, GUIDE, RELIEF VALVE, u/o carrier, personnel, FV432 Mk 2	FV452707	1	
NI 69	A 6MT1	5365-99-910-8283 RING, RETAINING, steel, phos, 3/64 x 1-3/16 x 1-1/4 x 0.053in. groove wd	1300-1 3-161N	1	
NI 70	A 10	5310-99-865-1476 WASHER, FLAT, aluminium, rd, 0.575 x 0.375in. id	XB1078	1	} Plug oil drilling
NI 71	A G1	5305-99-941-1683 SCREW, MACHINE, UNF, steel, zinc P w/chromate, 3/8in. dia x 3/8in. lg, hex hd	OD15422	1	
NI 72		NP PISTON, CUTOUT VALVE, steel, 1 x 9/16 x 13/32 x 11/16in. dp	FV452453	1	
NI 73		NP SPRING, HELICAL COMPRESSION, steel, 3/8 x 1-31/32in. lg	FV454921	1	
NI 74	A 10	5365-99-865-1489 SPACER, RING, aluminium, rd, 1.25 x 0.036 x 1in. dia		1	Valve body
NI 75	A 10	2940-99-866-9566 BODY, CUTOUT VALVE, oil filter	FV452468	1	} plug, valve body
NI 76	A 46MT1	5330-99-881-3209 GASKET, copper, rd, 18.5 x 14.3 x 1.5mm thk	48021329	1	
NI 77		NP PLUG, VALVE BODY, oil filter isolation valve	FV452454	1	
NI 78	A 10	4730-99-866-7516 ELBOW, FLANGE TO PIPE, aluminium	FV450481	1	
NI 79	A 10	4730-99-866-7371 BEND, PIPE, aluminium, 3-5/64in. centre to end, 63 deg, unthded male both ends	FV450483	1	
NI 80	A 10	5330-99-866-7528 RING, SEALING, TOROIDAL, rubber, 9/64 x 1-15/16in. id, 65 - 75 deg	CK540	4	Oil transfer pipe
NI 81	A 10	2815-99-810-8171 CONNECTOR ASSEMBLY, OIL PUMP, 4.8in. h x 0.9in. wd x 2.6in. deep	FV454526	1	With valve seat

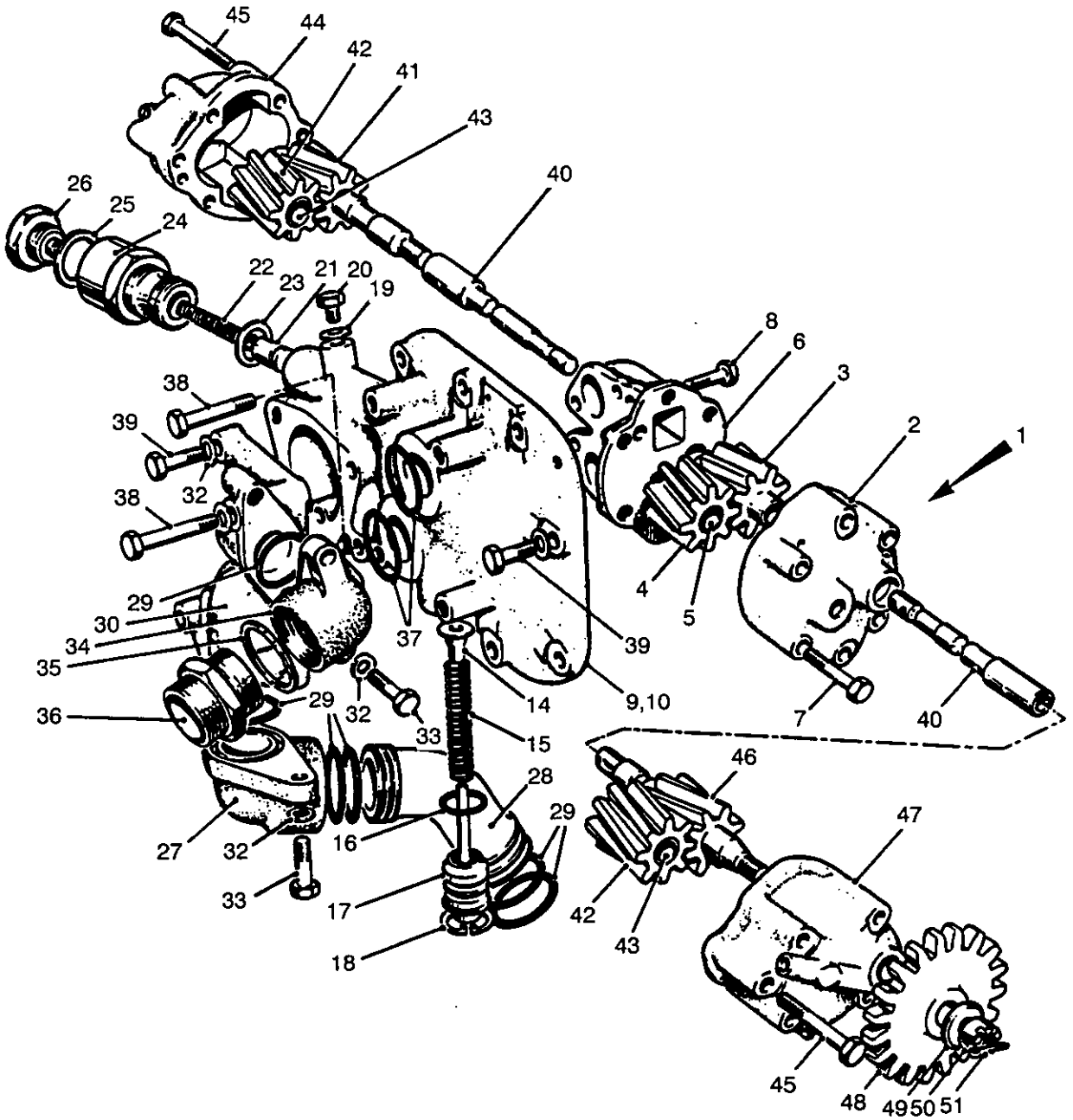


Fig 13 Oil pumps

430/70012

Fig Item	Man Code Navy - N Army - A RAF - R	NATO Stock No	Item Name and Description	Part No/ Drawing No.	No. Off	Annotations
13-			POWER UNIT, DIESEL - contd . ENGINE, DIESEL - contd . . OIL PUMPS - contd . . . CONNECTOR OIL ASSEMBLY - contd			
NI 82	A G1	5340-99-580-5496 INSERT, SCREW THREAD, UNF, cres, 5/16 -24 x 36/64in. lg	AS6733-33	3	
NI 83	A 10	4820-99-808-1253	. . . VALVE, NON-RETURN, steel, 1.35in. dia valve x 1.6in. lg, flat seat	FV454532	1	
NI 84	A 10	5360-99-808-0859	. . . SPRING, HELICAL, COMPRESSION, steel, phos, 2.085 x 1.062in. free od, 8 coils, 6 active, rh helix	FV454535	1	
NI 85	A 10	5330-99-808-1254	. . . RING, SEALING, TOROIDAL, syn rubber, 65 - 75 deg, 0.07 x 1.25in. id	FV454522	2	Bobbin, non- return valve
NI 86	A 10	2815-99-808-0860	. . . GUIDE, VALVE HEAD, steel, 1-3/8in. lg x 1.49in. max od	FV454528	1	
NI 87	A 10	5330-99-808-1256	. . . RING, SEALING, TOROIDAL, syn, rubber, 65 - 75 deg, 0.103 x 1.487in id	UE33064	2	Block to cover
NI 88	A 10	5330-99-808-1255	. . . RING, SEALING, TOROIDAL, syn rubber, 65 - 75 deg, 0.7 x 1.364in. id	FV453919	1	
NI 89		NP	. . . PLATE, RETAINING, ELBOW, steel, painted, 3/16 x 1-27/64in. h	FV454217	1	
NI 90	A G1	5305-99-941-6545	. . . SCREW, MACHINE, UNF, steel, zinc P w/chromate, hex hd, 5/16 x 5/8in. lg, class 2A		1	Retaining elbow
NI 91	A G1	5305-99-120-3307	. . . SCREW, MACHINE, UNF, steel, zinc P w/chromate, hex hd, 5/16 x 2in. lg, class 2A		1	Elbow to gearcase
NI 92	A G1	5310-99-941-8386	. . . WASHER, FLAT, steel, zinc P w/chromate, rd, 5/8 x 5/16 x 0.072in. thk		8	
NI 93	A G1	5305-99-941-6290	. . . SCREW, MACHINE, UNF, steel, zinc P, w/chromate, hex hd, 5/16 x 1-1/4in. lg, class 2A		7	Block to cover and elbows
NI 94	A G1	5306-99-941-8003	. . . BOLT, MACHINE, UNF, steel, zinc P, 5/16in. x 2-1/2in. lg, hex hd, 7/8in. thd lg		3	
NI 95		NP	. . . BOLT, MACHINE, UNF, steel, zinc P w/chromate, hex hd, 1.125 x 0.875in. thd lg		8	Filter bowl to cover
NI 96	A 10	3040-99-866-7369	. . . SHAFT, SHOULDERED, driving shaft, scavenge pump	FV451287	2	
NI 97	A 10	2815-99-808-1066	. . . GEARSHAFT, HELICAL, front oil scavenge pump	FV668180	1	Scavenge pump
NI 98	A 10	2815-99-808-1067	. . . GEAR, HELICAL, oil scavenge pump	FV668181	2	
NI 99		NP	. . . BUSHING, SLEEVE, driven gear	FV451290	2	
NI 100	A 10	2815-99-866-7353	. . . CASING, OIL PUMP, scavenge pump, front half	FV451321	1	Scavenge pump front
NI 101	A G1	5306-99-941-6585	. . . BOLT, MACHINE, UNF, steel, zinc P, hex hd, 2A, 1/4in. dia x 2-1/2in. lg		12	Scavenge pump to crankcase
NI 102	A 10	3040-99-808-1331	. . . GEARSHAFT, HELICAL, steel, 1 gear, 1-1/16 x 6-1/4in. lg	FV668424	1	
NI 103	A 10	2815-99-866-7352	. . . CASING, OIL PUMP, scavenge pump - rear	FV451322	1	Scavenge pump rear
NI 104	A 10	3020-99-866-7377	. . . GEAR, SPUR, steel, 19 teeth, 3-37/64 x 43/64in. lg	FV451292	1	
NI 105	A 10	3120-99-801-3519	. . . WASHER, THRUST, steel, 7/16 x 5/16 x 0.150in. thk	FV453338	1	

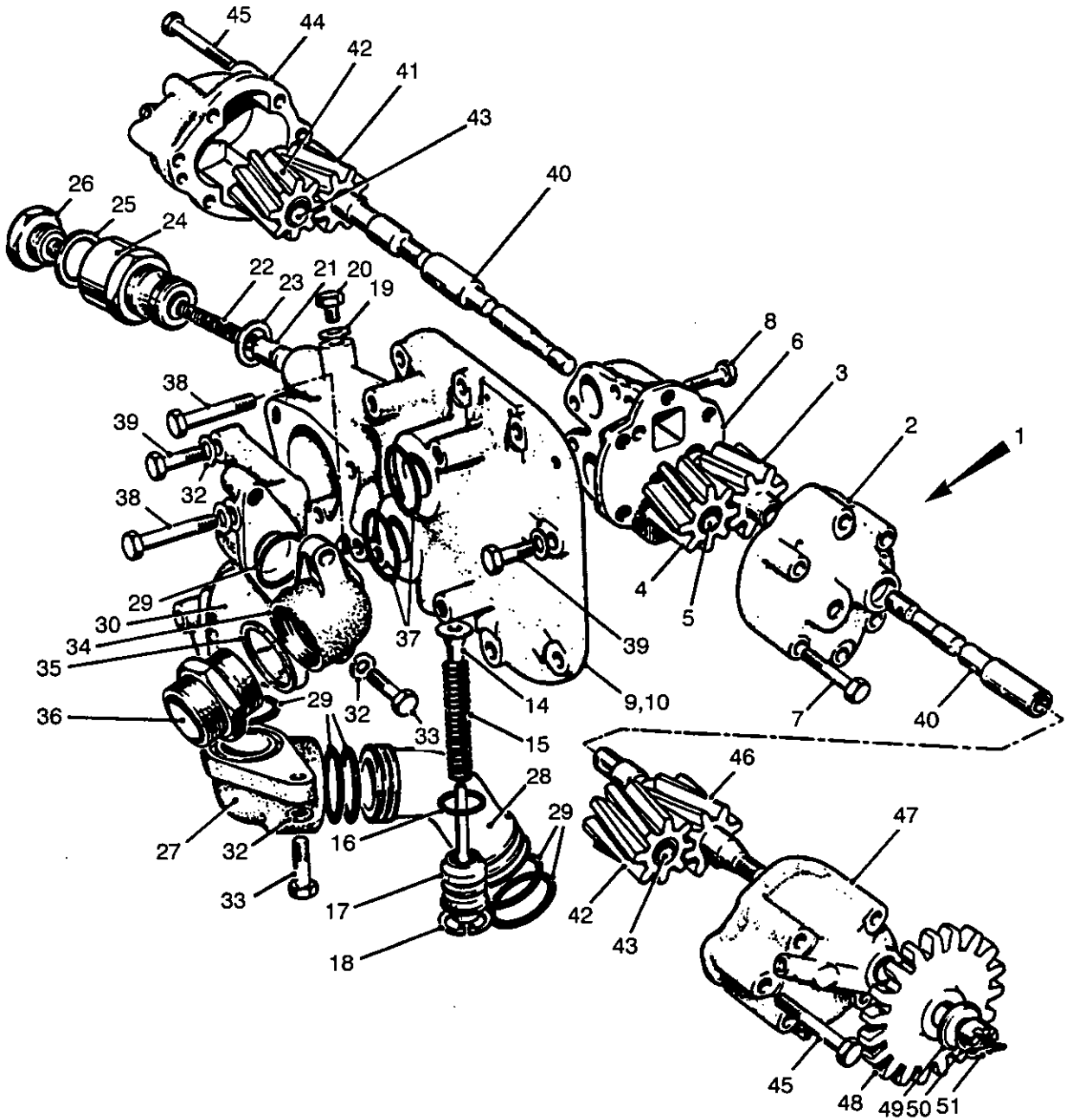


Fig 13 Oil pumps

430/70012

Fig Item	Man Code Navy - N Army - A RAF - R	NATO Stock No	Item Name and Description	Part No/ Drawing No.	No. Off	Annotations
13-			POWER UNIT, DIESEL - contd . ENGINE, DIESEL - contd . . OIL PUMPS - contd			
NI 106	A G1	5310-99-941-0883	. . . NUT, SLOTTED, HEXAGON, UNF, steel, zinc P, 7/16 x 11/16 x 3/8in. h, chamfered, grade 3 nut		1	
NI 107		NP	. . . PIN, COTTER, SPLIT, steel, phos, 3/32 x 7/8in. lg	11-454-3-22-5725	1	
NI 108		NP	. . OIL PUMPS	FV668224	1	
NI 109	A 10	2815-99-808-1301	. . . PUMP, ROTARY, POWER DRIVEN, oil pressure pump	FV453914	1	
NI 110	A 10	2815-99-866-7349 BODY, PRESSURE PUMP, lubrication system	FV451284	1	
NI 111	A 10	3040-99-866-9568 GEARSHAFT, SPUR, driver, oil pressure pump	FV451273	1	
NI 112	A 10	3020-99-866-7347 GEAR, SPUR, pressure pump drive	FV451285	1	
NI 113		NP BEARING, SLEEVE, copper Al, plain, 1.414 x 0.6265 x 5005in. id	FV149357	1	
NI 114	A 10	2815-99-808-1302 HOUSING, MECHANICAL, cast iron	FV453907	1	
NI 115	A G1	5306-99-941-6584 BOLT, MACHINE, UNF, steel, zinc P, hex hd, 2A, 1/4in. - 28 x 2in. lg		6	Body to casing
NI 116	A G1	5306-99-941-6583	. . . BOLT, MACHINE, UNF, 1/4 x 1-3/4in. lg, steel, zinc P, hex hd, class 2A		4	Pump to main cover
NI 117		NP	. . . COVER ASSEMBLY, OIL PRESSURE PUMP	FV668603	1	
NI 118		NP COVER ASSEMBLY, OIL PRESSURE PUMP	FV668602	1	
NI 119	A 10	2815-99-808-0856 GUIDE PIN ASSEMBLY, RELIEF VALVE, steel, 1.175 x 0.184 x 3.675in. lg	FV668217	1	
NI 120	A 10	5330-99-866-7359 RING, SEALING, TOROIDAL, syn rubber, 0.143 x 0.865in. id	LC212	2	
NI 121	A 6MT1	5365-99-910-8283 RING, RETAINING, steel, phos, 3/64 x 1-3/16 x 1-1/4 x 0.053in. groove wd	1300-1 3-161N	1	
NI 122	A 10	4820-99-866-9564 VALVE HEAD	FV452705	1	} Relief valve
NI 123	A 10	5360-99-866-7357 SPRING, HELICAL, steel, 3.126 x 0.642in. free od, 20	FV450887	1	
NI 124	A 10	2815-99-808-0858 BLOCK CONNECTING, OIL			} Non-return valve
NI 125	A 10	4820-99-808-1253	. . . VALVE, NON-RETURN, steel, 1.35 x 1.6in. lg, flat seat	FV454532	1	
NI 126	A 10	5360-99-808-0859	. . . SPRING, HELICAL, COMPRESSION, steel, phos, 2.085 x 1.062in. free od, 8 coils, 6 active, 0.948in. id	FV454535	1	
NI 127	A 10	2815-99-808-0860	. . . GUIDE, VALVE HEAD, steel, 1-3/8in. lg, 1.49in. max od	FV454528	1	
NI 128	A 10	5330-99-808-1254	. . . RING, SEALING, TOROIDAL, syn rubber, 65 - 75, 0.07 x 1.24in. id	FV454522	2	
NI 129	A 10	5330-99-808-1256	. . . RING, SEALING, TOROIDAL, syn rubber, 65 - 75 deg, 0.103 x 1.487in. id	UE33064	3	
NI 130	A 10	4730-99-808-1258	. . . ADAPTOR OIL PIPE, aluminium, painted, female, 1-1/2in. id, flange w/2 11/32in. dia 2nd end	FV454010	1	} Oil transfer pipe to connecting box
NI 131		NP	. . . BOLT, MACHINE, UNF, steel, hex hd, zinc P, 5/16 x 1-1/8in.		3	
NI 132		NP	. . . PLATE, RETAINING, ELBOW, steel, painted, 3/16 x 1-7/8 x 1-27/64in. h, w/mtg hole	FV454217	1	

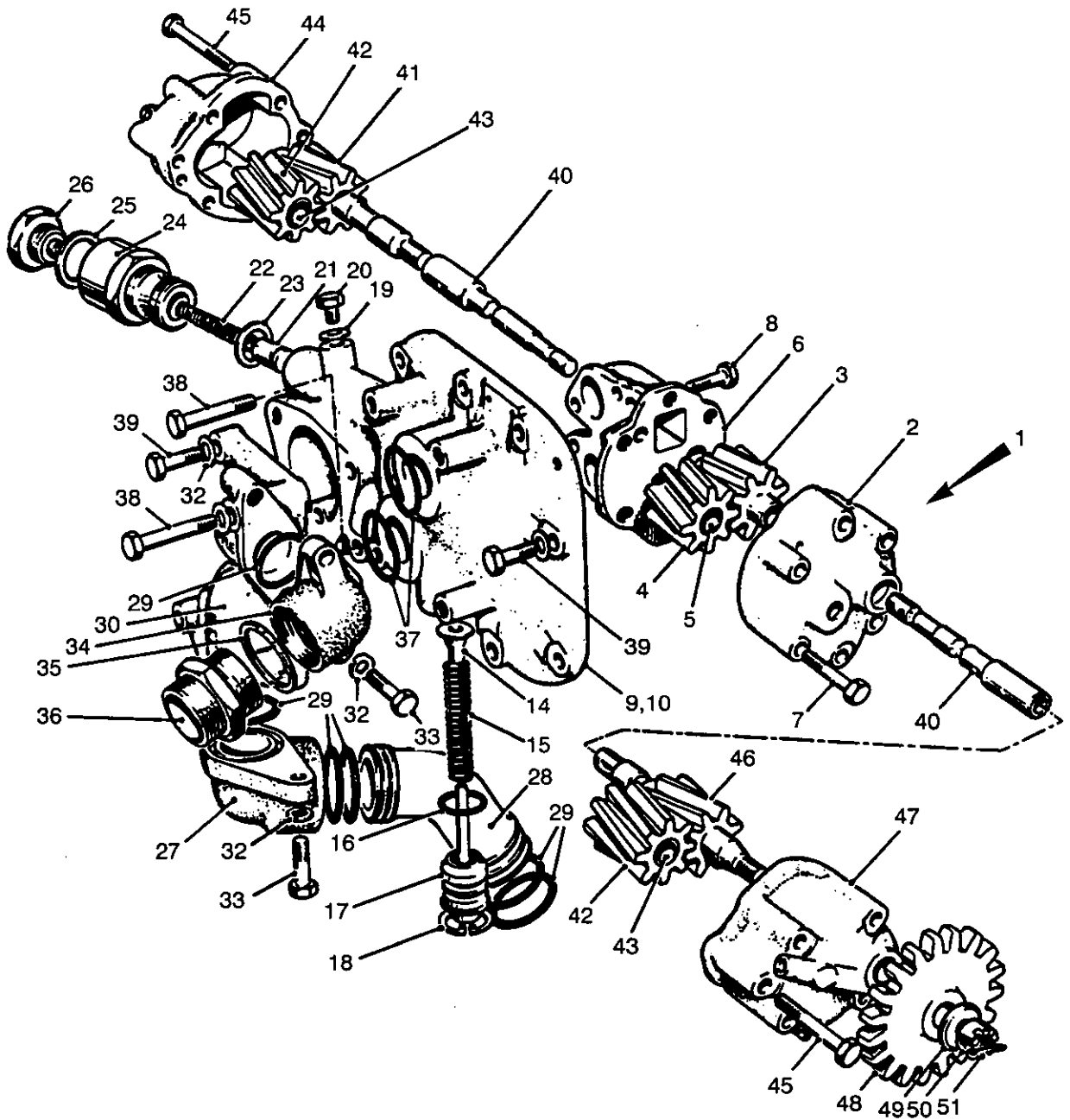


Fig 13 Oil pumps

430/70012

Fig Item	Man Code Navy - N Army - A RAF - R	NATO Stock No	Item Name and Description	Part No/ Drawing No.	No. Off	Annotations
13-			POWER UNIT, DIESEL - contd . ENGINE, DIESEL - contd . . OIL PUMPS - contd			
NI 133	A G1	5305-99-941-6545	. . . SCREW, MACHINE, UNF, steel, zinc P w/chromate, hex hd, 5/16 x 5/8in. lg, class 2A		1	
NI 134	A 10	2815-99-808-1257	. . . PIPE, OIL TRANSFER, aluminium, 1-1/4 x 1.85in. centre to end, 62 deg	FV454012	1	Connecting block to sump
NI 135	A 10	5330-99-808-1255	. . . RING, SEALING, TOROIDAL, syn rubber, 65 - 75 deg, 0.7 x 1.364in. id	FV453919	1	
NI 136	A G1	5306-99-941-8003	. . . BOLT, MACHINE, UNF, steel, zinc P, 5/16in. x 2-1/2in. lg, hex hd, 7/8in. thd lg		3	} Connecting block to cover
NI 137	A G1	5305-99-941-6290	. . . SCREW, MACHINE, UNF, steel, zinc P w/chromate, hex hd, 5/16 x 1-1/4in. lg, class 2A		1	
NI 138		NP	. . . WASHER, FLAT	UA1252	6	
NI 139	A 10	3040-99-866-7369	. . . SHAFT, SHOULDERED, driving shaft, scavenge pump	FV451287	1	
NI 140	A 10	2815-99-808-1066	. . . GEARSHAFT, HELICAL, front oil scavenge pump	FV668180	1	
NI 141	A 10	2815-99-808-1067	. . . GEAR, HELICAL, oil scavenge pump	FV668181	1	
NI 142		NP	. . . BUSHING, SLEEVE, copper Al, 1.714 x 0.6265 x 0.5005in. id, plain, no outside flanges	FV451290	2	
NI 143	A 10	2815-99-866-7353	. . . CASING, OIL PUMP, scavenge pump, front half	FV451321	1	
NI 144	A 10	3040-99-808-1331	. . . GEARSHAFT, HELICAL, steel, 1 gear, 1-1/16 x 6-1/4in. lg	FV668424	1	
NI 145	A 10	2815-99-866-7352	. . . CASING, OIL PUMP, scavenge pump - rear	FV451322	1	Scavenge pump rear
NI 146	A 10	3020-99-866-7377	. . . GEAR, SPUR, steel, 19 teeth, 5/8 x 3-37/64x 43/64in. lg	FV451292	1	
NI 147	A 10	3120-99-801-3519	. . . WASHER, THRUST, steel, 7/16 x 15/16 x 0.150in. thk	FV453338	1	
NI 148	A 10	5310-99-941-0883	. . . NUT, SLOTTED, HEXAGON, UNF, steel, zinc P, 7/16 x 11/16 x 3/8in. h, chamfered, grade 3 nut		1	
NI 149		NP	. . . PIN, COTTER, SPLIT, steel, phos, 3/32 x 7/8in. lg		1	

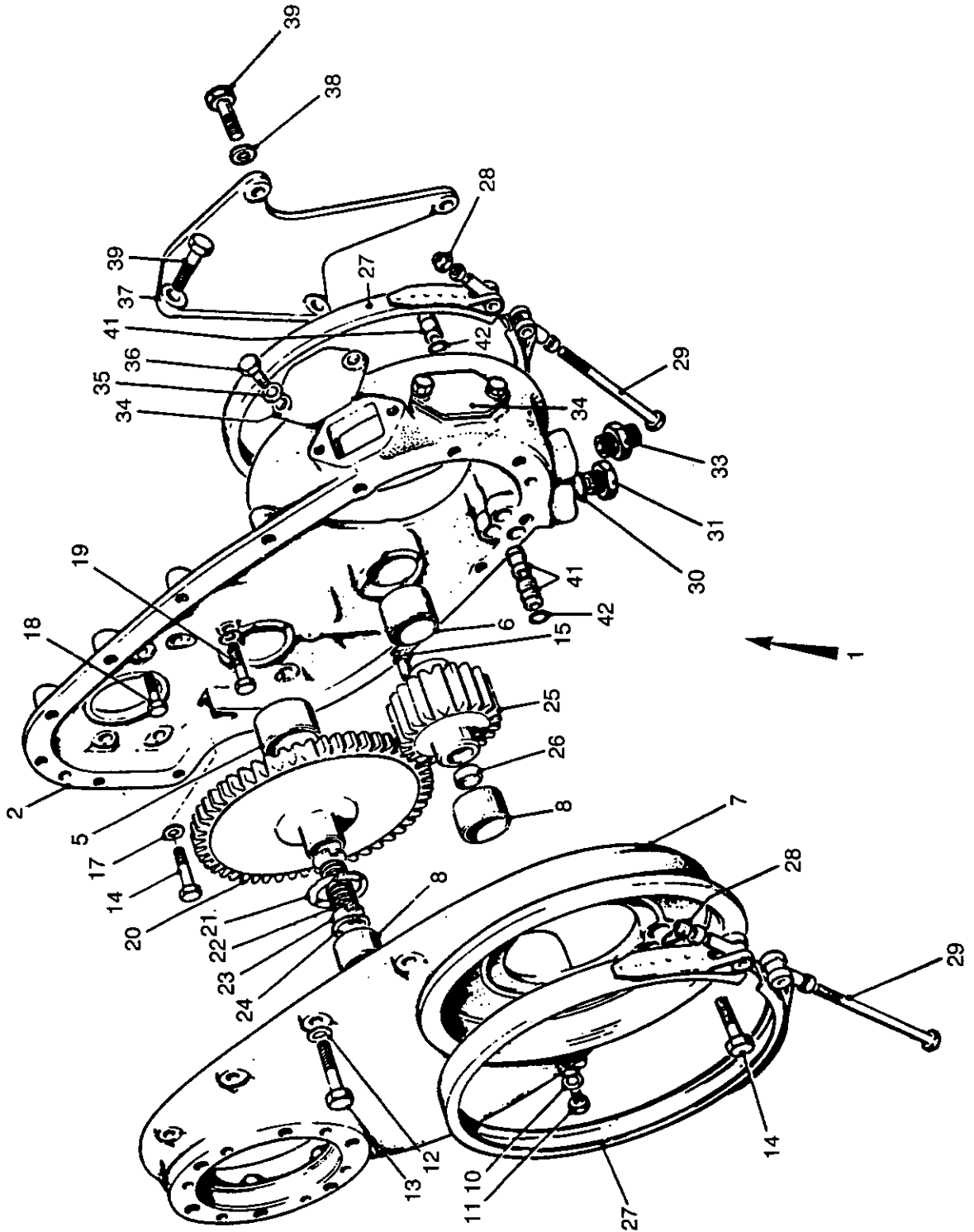


Fig 14 Alternator drive and mounting

430/70013

Fig Item	Man Code Navy - N Army - A RAF - R	NATO Stock No	Item Name and Description	Part No/ Drawing No.	No. Off	Annotations
14-			POWER UNIT, DIESEL - contd . ENGINE, DIESEL - contd			
		NP	. . . ALTERNATOR DRIVE AND MOUNTING		REF	
1		NP	. . . HOUSING, MECHANICAL DRIVE, alternator	FV668432	1	
2		NP CASING, front assy	FV454127	1	
NI 3	A G1	5340-99-580-5491 INSERT, SCREW, THREAD, cres, 1/4 -28 UNF, 19/64 x 31/64in. lg, notched, coil wire	AS6733-32	2	
NI 4	A G1	5340-99-580-5496 INSERT, SCREW, THREAD, UNF, cres, 5/16 -24 X 36/64in. lg	AS6733-33	16	
5	A 10	3120-99-866-7515 BEARING, SLEEVE, steel, 0.6675 x 1.6905 x 1.4905in. id	FV452255	1	
6	A 10	3120-99-866-7186 BEARING, SLEEVE, steel/tin Al, 1-41/64 x 1-1/4 x 1-7/64in. id, plain, inside groove	FV452256	1	
7		NP CASING, rear assy	FV668931	1	
8	A 10	3120-999-866-7186 BEARING, SLEEVE, steel/tin Al, 1-41/64 x 1-1/4 x 1-7/64in. id, plain, inside groove	FV452256	2	
NI 9	A G1	5340-99-580-5496 INSERT, SCREW THREAD, UNF, cres, 5/16 -24 x 36/64in. lg	AS6733-33	6	
10	A 10	5310-99-865-1474 WASHER, FLAT, aluminium, rd, 0.4 x 0.028in. matl thk, x 0.25in. id	XB1076	3	Oil feed passage
11	A G1	5305-99-941-7062 SCREW, MACHINE, UNF, steel, zinc P, 2A, 1/4in. -28 x 3/8in. lg		3	
12	A G1	5310-99-941-8386 WASHER, FLAT, steel, zinc P w/chromate, rd, 5/8 x 5/16 x 0.072in. thk		16	Casing front to rear
13	A G1	5306-99-941-6589 BOLT, MACHINE, UNF, steel, zinc P, 2A, 5/16 x 1-3/8in. lg, 7/8in. thd lg		10	
14	A G1	5306-99-941-0166 BOLT, MACHINE, UNF, steel, hex hd, 2A, 5/16in. -24 x 1-1/8 x 7/8in. thd lg		6	
15	A 10	5330-99-866-7542 RING, SEALING, TOROIDAL, rubber, 7/64in. x 23/64in. id	CK616	1	
NI 16	A 10	2815-99-811-8720 COUPLING, SHAFT, RIGID, steel, 1.49in. od, 1.525in. lg, int spline	FV453828	1	
17	A G1	5310-99-941-8386 WASHER, FLAT, steel, zinc P w/chromate, rd, 5/8 x 5/16 x 0.072in. thk		1	
18	A G1	5305-99-941-6547 SCREW, MACHINE, UNF, 5/16in. dia, 2A, steel, zinc P w/chromate, 7/8in. lg, hex hd		2	Casing to crankcase int
19	A G1	5306-99-941-0166 BOLT, MACHINE, UNF, steel, hex hd, 2A, 5/16in. -24 x 1-1/8 x 7/8in. thd lg		7	
20	A 10	2815-99-808-1293 GEAR, SPUR, steel, 3-37/64 x 6-9/16 x 7/8 x 33/64in. id	FV453829	1	Generator drive
21	A 10	3120-99-866-7154 WASHER, THRUST, steel, 1-1/4 x 1-5/8 x 3/3in. thk	FV452394	1	Driven gear
22	A 10	5360-99-808-1294 SPRING, HELICAL COMPRESSION, steel, phos, 0.952 x 1.379in. free od, 6 coils, 4 active	FV453827	1	
23	A 10	2920-99-866-7153 DISC, DAMPER SPRING, steel, 27/332in. od, 12 swg thk	FV450792	2	

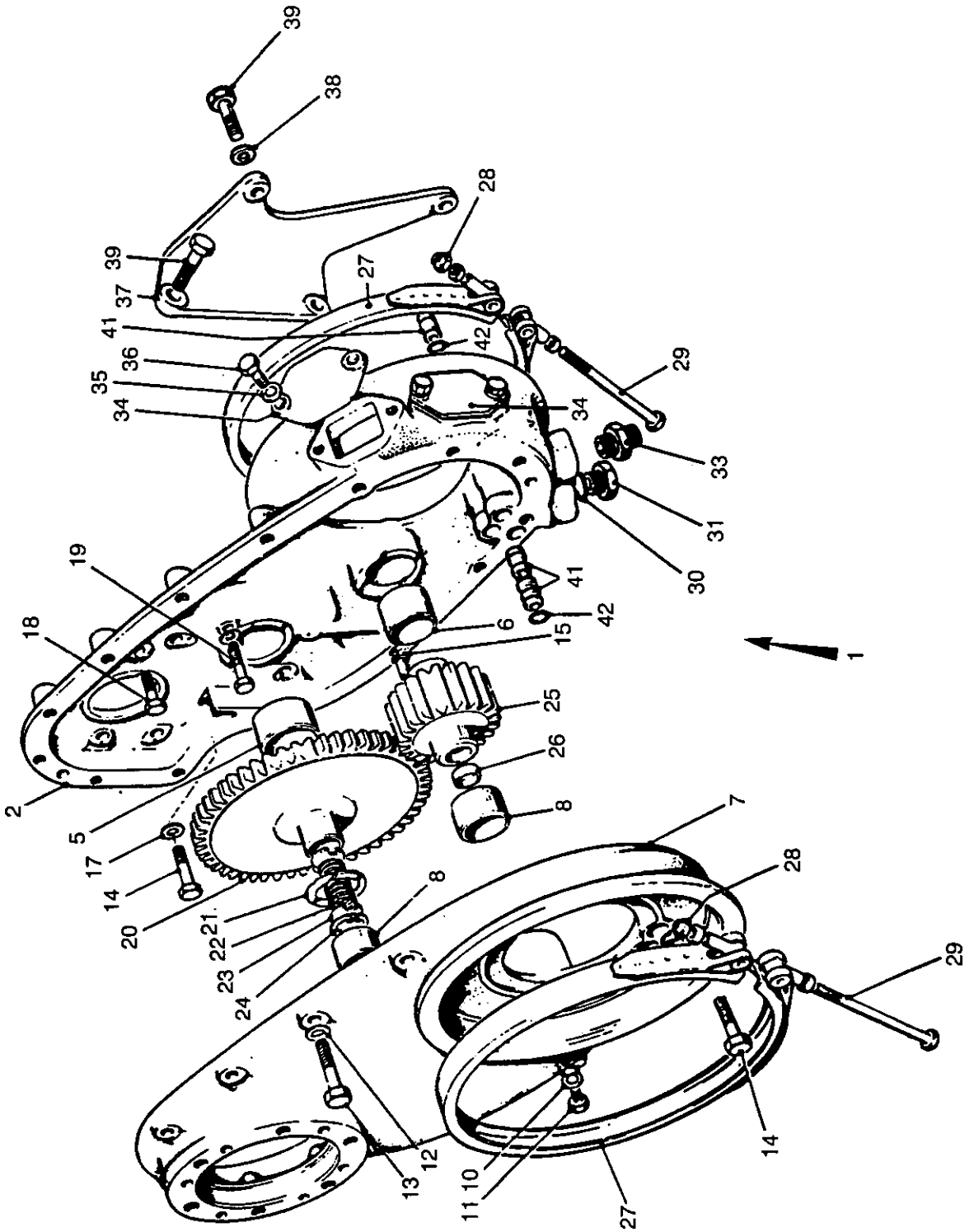


Fig 14 Alternator drive and mounting

430/70013

Fig Item	Man Code Navy - N Army - A RAF - R	NATO Stock No	Item Name and Description	Part No/ Drawing No.	No. Off	Annotations
14-			POWER UNIT, DIESEL - contd . ENGINE, DIESEL - contd . . . ALTERNATOR DRIVE AND MOUNTING - contd HOUSING, MECHANICAL DRIVE - contd			
24	A 10	5365-99-865-2024 RING, RETAINING, steel, 0.0394 x 0.969in. od	AGS2030-22	1	
25	A 10	3020-99-866-7150 GEAR, SPUR, idler assembly, alternator drive	FV451703		Idler
26	A 10	5340-99-866-7494 PLUG, EXPANSION, steel, Cd P, 41/64 x 7/32 x 1/32in. matl thk, 0.594in. small dia	FV148804	2	
27	A 10	5340-99-866-7156 CLAMP, RIM CLENCHING, alternator fixing	FV451644	2	
28	A G1	5310-99-941-3520 NUT, SELF-LOCKING, HEXAGON, UNF, cres, 1/4 x 7/16 x 9/31in. h		2	
29	A G1	5306-99-941-9043 BOLT, MACHINE, UNF, steel, Cd P, hex hd, 2A, 1/4in. -28 x 3-3/4 x 3/4in. thd lg		2	
30	A 10	5365-99-865-1488 SPACER, RING, aluminium, rd, 1.075 x 0.036 x 0.875in. hole dia	XB1092	1	
31	A 10	4730-99-866-7184 INVERTED NUT, TUBE COUPLING, steel, Cd P, hex, 7/8 x 11/16 x 1in. lg	FV450619	1	
NI 32		NP SPACER, RING	XB1091	1	u/w item 33
33	A 10	4730-99-866-7185 ADAPTOR, STRAIGHT, PIPE TO TUBE, steel	UA5831	1	
34	A 10	5340-99-866-7157 COVER, ACCESS, aluminium, 3-21/64 x 1-61/64 x 3/8in. thk	FV149376	2	
35	A G1	5310-99-941-7072 WASHER, FLAT, steel, Cd P, rd, 1/4 x 9/16 x 0.056in.thd		4	} Inspection covers
36	A G1	5305-99-941-0513 SCREW, MACHINE, UNF, steel, zinc P, hex hd, 1/4 x 3/4in. lg		4	
37	A 10	2920-99-866-7505 BRACKET, ENGINE ACCESSORY GENERATOR, steel, 8-31/32 x 4-1/16 x 1-17/32in. h	FV450302	1	
38	A G1	5310-99-941-8635 WASHER, FLAT, steel, zinc P, rd, 3.4 x 25/64 x 0.072in. thk		2	} Bracket to crankcase and generator
39	A G1	5305-99-941-6550 SCREW, MACHINE, UNF, 3/8 x 1in. lg, steel, zinc P w/chromate, hex hd, 2A thd		2	
NI 40	A G1	5315-99-138-2207 PIN, COTTER, SPLIT, steel, phos, 2.5 x 50mm, lg		1	Elbow adaptor
41	A 10	2920-99-866-7504	. . BOBBIN TRANSFER, OIL FEED, duralumin, 9/32in. x 1/2in. x 23/32in. lg	FV450308	6	
42	A 10	5330-99-866-7503	. . RING, SEALING, TOROIDAL, rubber, 0.07in. x 0.364in. id	CK826	12	

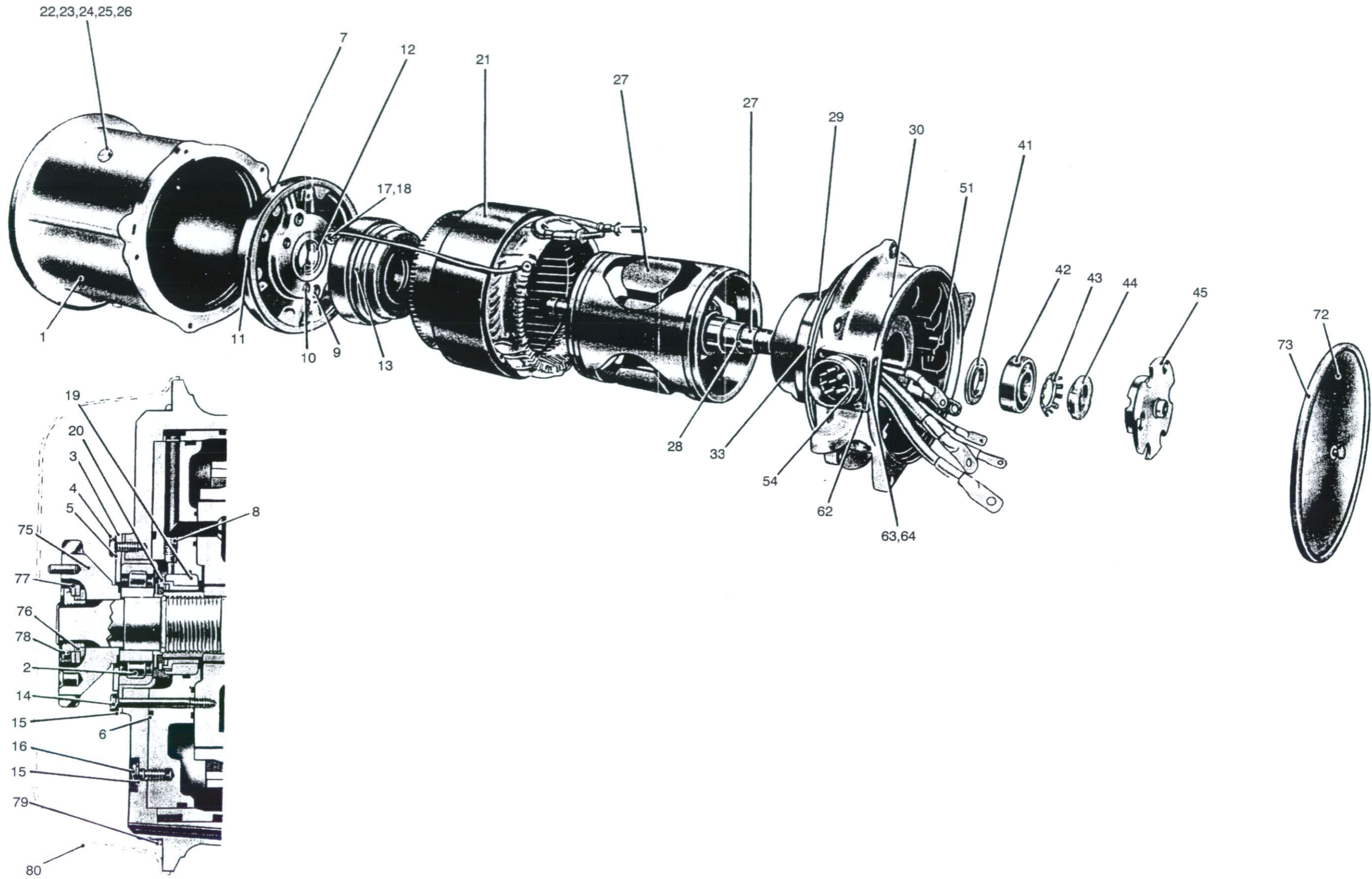


Fig 15 Generator, alternating current

Fig Item	Man Code Navy - N Army - A RAF - R	NATO Stock No	Item Name and Description	Part No/ Drawing No.	No. Off	Annotations
15-			POWER UNIT, DIESEL - contd . ENGINE, DIESEL - contd			
1	A	9ACR	6115-99-881-6218 . . . GENERATOR, ALTERNATING CURRENT, alternator assembly, No. 1 MK 1	FV342586	2	
2	A	46MT7	3110-99-806-0465 . . . BEARING, PARALLEL ROLLER, JOURNAL, 1 x 2-1/4 x 5/8in. o/a wd, w/machined brass cage	LLRJ1MC3	1	
3	A	46MT4	6125-99-881-6219 . . . PLATE, RETAINING, BEARING, mild steel, 3-1/2 x 1-1/2 x 3/32in. h	W166673	1	
4	A	6MT4	5305-99-198-4428 . . . SCREW, MACHINE, UNF, steel, hex, 7/16 x 15/32in. lg	NU1504	3	
5	A	G1	5310-99-940-3514 . . . WASHER, FLAT, steel, rd, 2BA, 0.0386 x 0.032in. thk	PNK7058	3	
6	A	46MT1	5330-99-215-4023 . . . RING, SEALING, TOROIDAL, rubber, 70 deg, 9/64 x 3-23/64in. id	96715237	1	
7	A	46MT4	6125-99-881-6274 . . . OIL TRANSFER PLATE ASSEMBLY, plate and inserts	W165350	1	
8	A	46MT4	6125-99-881-6273 . . . OIL, ATTENUATOR ASSEMBLY, assembly	W166633	1	
9	A	46MT1	5330-99-215-3657 . . . RING, SEALING, TOROIDAL, rubber, 70 deg, 5/64 x 1/2in. id	96715014	2	
10	A	46MT1	5330-99-611-9586 . . . RING, SEALING, TOROIDAL, fluorocarbon, 70 deg, 0.070 x 0.364in. nom id	7980135301 2	3	
11	A	46MT1	5330-99-339-4355 . . . RING, SEALING, TOROIDAL, rubber, 70 deg, 9/64 x 6-31/64in. id	96715260	1	
12	A	46MT2	5330-99-322-3168 . . . RING, SEALING, TOROIDAL, rubber, 70 deg, 5/64 x 1-55/64in. id	96715032	1	
13	A	46MT4	6125-99-881-6220 . . . YOKE AND WINDINGS, drive end	W166740	1	
14		NP	. . . BOLT, MACHINE	PNU1518	3	
15	A	G1	5310-99-940-3514 . . . WASHER, FLAT, steel, rd, 2BA, 0.0386 x 0.032in. thk	PNK7058	9	
16	A	6MT4	5305-99-198-4428 . . . SCREW, MACHINE, UNF, steel, hex, 7/16 x 15/32in. lg	NU1504	6	
17	A	9ACR	5305-99-139-2393 . . . SCREW, MACHINE, UNC, steel, Cd P w/chromate, 2A, 3/16 x 5/16in. lg hex hd	PNU1301	3	} Cable clip
18	A	G1	5310-99-941-6869 . . . WASHER, FLAT, steel, Cd P, rd, 19/64 x 0.028in. thk	COM656S5	3	
19	A	46MT1	2920-99-789-8484 . . . SEAL, PRESSURE, steel, carbon faced, 1-1/4 x 1-7/8 x 3/4in. wd, spring loaded	716-520- BD-NCG- BAA	1	Sealol ltd
20	A	46MT4	6125-99-881-6223 . . . COLLAR, LUBRICATION, steel, viton bonding, 1 x 3/16in. wd	W166678	1	
21	A	46MT4	6125-99-881-6226 . . . STATOR, MOTOR - GENERATOR, assembly	W167714	1	
22	A	46MT4	5330-99-881-6050 . . . GASKET, syn rubber, rd, 3/8 x 3/16in. id	W165364	3	
23	A	46MT4	5310-99-881-6279 . . . WASHER, KEY, steel, 13/32 x 1/32 x 13/16 x 11/16in. lg	W166945	3	
24	A	46MT4	3120-99-881-6278 . . . BUSHING, SLEEVE, steel, 23/64 x 3/8 x 13/64in. id	W165363/1	3	
25	A	G1	5310-99-941-6653 . . . WASHER, LOCK, steel, Cd P, split helical ring, 2BA, 3/64 x 25/64in. od	NK7203	3	
26	A	G1	5306-99-941-9567 . . . BOLT, MACHINE, UNF, 2A, 29/32 x 1/2in. thd lg, hex hd	PNU1510	3	
27	A	9ACR	6125-99-881-6222 . . . SHAFT AND ROTOR ASSEMBLY	W169469	1	
28	A	6MT1	5330-99-651-0634 . . . RING, SEALING, TOROIDAL, syn rubber, 0.070 x 0.926in. id	7980135302 1	2	Drive and rear ends

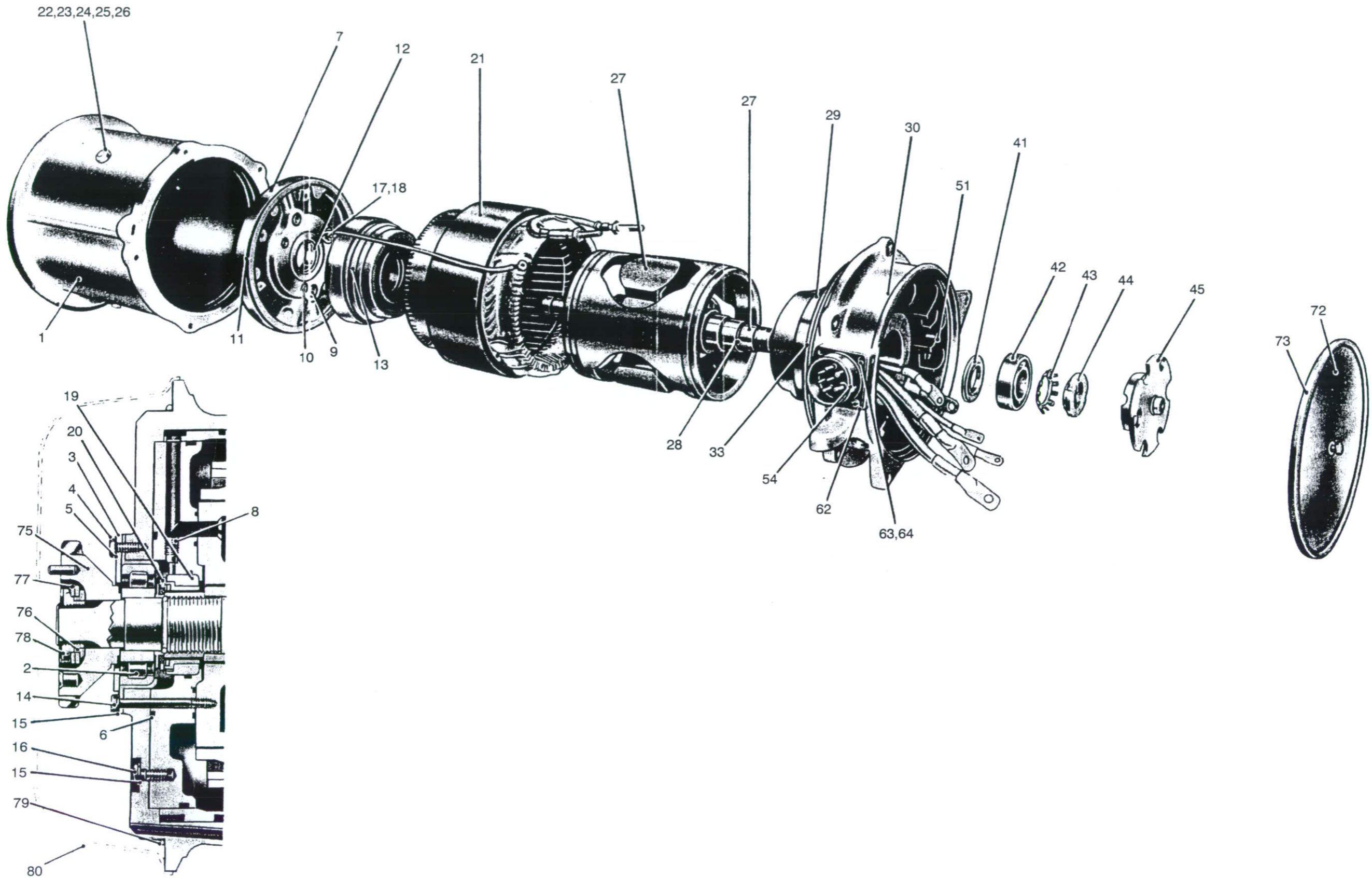


Fig 15 Generator, alternating current

430/70014

Fig Item	Man Code Navy - N Army - A RAF - R	NATO Stock No	Item Name and Description	Part No/ Drawing No.	No. Off	Annotations
15-			POWER UNIT, DIESEL - contd . ENGINE, DIESEL - contd . . GENERATOR, ALTERNATING CURRENT - contd			
29	A	46MT4	6125-99-881-6221 . . . YOKE AND WINDINGS, yoke and field coil assy, rear end	W167741	1	
30	A	46MT4	2920-99-808-2409 . . . END BELL, ELECTRICAL ROTATING EQUIPMENT, aluminium Al, 9-9/16 x 3-1/4in. dim	W83532	1	
NI 31	A	46MT1	5330-99-322-3168 . . . RING, SEALING, TOROIDAL, rubber, 70 deg, 5/64 x 1-55/64in. id	97615032	1	
NI 32	A	46MT1	5330-99-611-9589 . . . RING, SEALING, TOROIDAL, fluorocarbon, 70 deg, 0.70 x 0.551in. nom id	7980-1353-015	1	
33	A	46MT4	5330-99-654-4921 . . . RING, SEALING, TOROIDAL, fluorocarbon, 70 deg, 0.139 x 6.734in. nom id	7980-1353-261	1	
NI 34	A	46MT1	5330-99-795-0227 . . . RING, SEALING, TOROIDAL, rubber, 70 deg, 9/64 x 7-31/64in. id	96715264	1	
NI 35	A	46MT1	5330-99-350-6288 . . . RING, SEALING, TOROIDAL, rubber, 70 deg, 7/64 x 1-55/64in. id	96715134	1	
NI 36	A	46MT4	6125-99-881-6273 . . . OIL, ATTENUATOR ASSEMBLY, assembly	W166633	1	
NI 37	A	46MT4	5325-99-881-6277 . . . GROMMET, RUBBER, rubber, 29/64 x 21/32in. lg	W132047	1	
NI 38	A	G1	5306-99-941-9977 . . . BOLT, MACHINE, UNF, steel, hex hd, Cd P, No. 10 x 2-13/64in. lg, class 2A thd	PNU1523	3	} Yoke to rear bracket
NI 39	A	G1	5310-99-940-3514 . . . WASHER, FLAT, steel, rd, Cd P, 2BA, 0.386/0.391in. od x 0.032in. thk	PNK7058	3	
NI 40	A	46MT1	2920-99-789-8484 . . . SEAL, PRESSURE, steel, outer, carbon faced, 1-1/4 x 1-7/8 x 3/4in. wd, spring loaded	716-520-BD-NCG-BAA	1	Seal of ltd
41	A	46MT4	6125-99-881-6223 . . . COLLAR, LUBRICATION, steel, viton bonding, 1 x 3/16in. wd	W166678	1	
42	A	46MT7	3110-99-950-0054 . . . BEARING, BALL, ANNULAR, normal group, 15 x 25 x 52mm od	6205	1	
43	A	46MT4	5310-99-881-6271 . . . WASHER	W165339-6	1	
44	A	46MT4	5310-99-881-6270 . . . LOCK NUT	W165340-6	1	
45	A	46MT4	6125-99-881-6225 . . . PLATE, RETAINING, BEARING, mild steel, 3-1/2 x 1-1/16in. h	W166940	1	
NI 46	A	6MT4	5305-99-198-4428 . . . SCREW, MACHINE, UNF, steel, hex hd, 2A, 7/16 x 15/32in. lg	NU1504	3	
NI 47	A	G1	5310-99-940-3514 . . . WASHER, FLAT, steel, rd, Cd P, 2BA, 0.386/0.391in. od x 0.032in. thk	PNK7058	3	
NI 48	A	6MT4	6125-99-881-6250 . . . BOOT, DUST AND MOISTURE SEAL, syn rubber viton	W166941	1	
NI 49	A	G1	5305-99-941-0279 . . . SCREW, MACHINE, UNF, steel, hex hd, zinc P, 1/4 x 7/8in. lg, class 2A	255208	5	} End shield to frame
NI 50	A	46MT4	5310-99-881-4153 . . . WASHER	PNK7060	5	
51	A	46MT4	5940-99-881-6246 . . . TERMINAL BOARD, moulded w/one terminal, blank bakelite, natural finish	W169488	1	
NI 52	A	46MT4	5305-99-941-5243 . . . SCREW, MACHINE, 2A, scr 19/32 x 51/64in. lg, pan hd	A116-2E	2	
NI 53	A	46MT4	5310-99-881-4153 . . . WASHER	PNK7060	2	
54	A	46MT4	2590-99-818-4699 . . . PLUG AND LEAD ASSEMBLY, 7 leads, flanged plug each end, terminals on free ends, 7-1/4in. lg	W173199	1	
NI 55	A	46MT4	5935-99-800-9950 . . . PLUG, ELECTRICAL, 5MS, Al, fixed w/female shell, 28, orientation neutral	FV585029	1	
NI 56	A	46MT4	5940-99-881-6247 . . . TERMINAL LUG, solder/less, 1-5/8 x 16/32in. wd, ring, copper, tinned, 1 SWG	W169346	2	

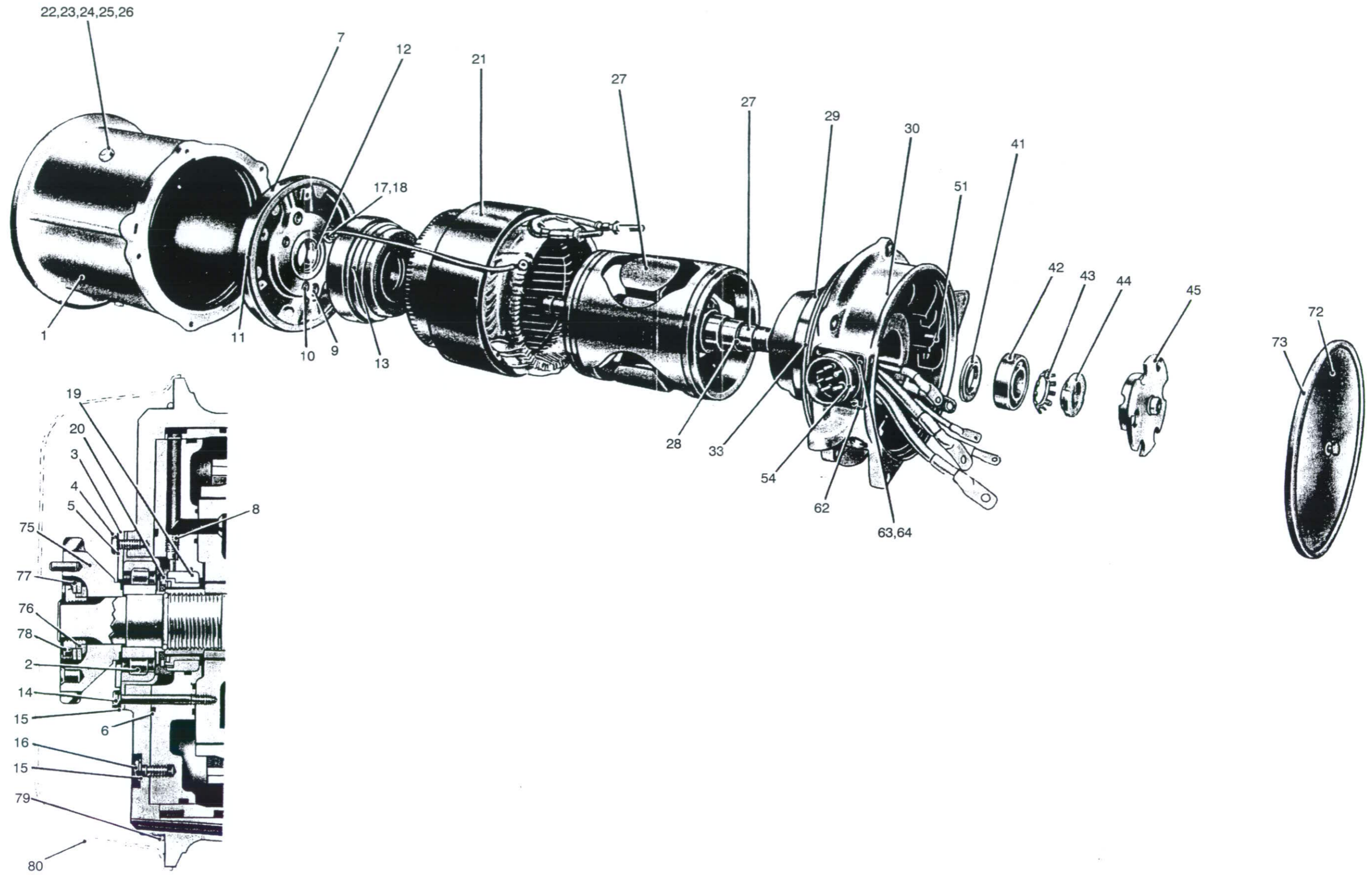


Fig 15 Generator, alternating current

Fig Item	Man Code Navy - N Army - A RAF - R	NATO Stock No	Item Name and Description	Part No/ Drawing No.	No. Off	Annotations
15-			POWER UNIT, DIESEL - contd . ENGINE, DIESEL - contd . . . GENERATOR, ALTERNATING CURRENT - contd PLUG AND LEAD ASSEMBLY - contd			
NI 57	A	46MT4	5940-99-881-6249 TERMINAL LUG, solder/less, 1-7/16 x 15/32in. wd, ring, copper, tinned, 4 SWG	W169486	2	
NI 58	A	46MT4	5940-99-881-6248 TERMINAL LUG, solder/less, 1-1/8 x 11/32in. wd, ring, copper, tinned, 7 SWG	W169487	3	
NI 59	A	Y3	6145-99-946-8202 WIRE, ELECTRICAL, 110 strands, 0.0076in. strand dia, NP, rubber/glass, orange, single	EL1934	A/R	Unitersil 12
NI 60	A	Y3	6145-99-946-7178 WIRE, ELECTRICAL, 120, 0.012in., copper, single, NP, braided	CE300353	A/R	Unitersil 8
NI 61	A	Y3	6145-99-714-9714 WIRE, ELECTRICAL, 294, 0.012in. dia, copper, NP, plasted and fiberglass	G189	A/R	Unitersil 4
62	A	Z2	5330-99-014-7139 GASKET, syn rubber, sq, 1.635 x 0.026 x 2.08in. sq, 4 bolt holes	FV585127	1	
63	A	G1	5305-99-941-8315 SCREW, MACHINE, 2A, fillister hd, 7/16in. lg	PF47611/31 4	4	
64	A	G1	5310-99-941-6869 WASHER, FLAT, steel, Cd P, rd, 19/64 x 0.028in. thk	COM656S5	4	
NI 65		NP WASHER, LOCK, phos B, double coil, 2BA	BS2061- 2BA TYPE C	1	} Terminal connection
NI 66		NP NUT, SELF-LOCKING HEXAGON, UNF, copper, 0.339 x 0.241in. h, rh	A103-GT	1	
NI 67		NP WASHER, LOCK, phos bronze, split double ring, 9/64 x 1/32 x 9/32in. od	B51117	2	
NI 68	A	G1	5310-99-941-6677 WASHER, LOCK, phos bronze, split double ring, 1/4 x 0.465 x 0.048in. thk	BS2061-1-4 TYPE C	1	Terminal A
NI 69	A	G1	5310-99-941-6678 WASHER, LOCK, copper Al, split double ring, 21/64 x 3/64 x 37/64in. od	BS2061-5- 16 TYPE 3	2	Terminals C and B
NI 70	A	46MT1	4730-99-801-1932 NIPPLE, TUBE	FVS87-4	1	
NI 71	A	46MT4	5365-99-804-3569 SHIM, copper, solid, rd 1/2in. x 1/16in. thk	W170126	1	
72	A	46MT4	6125-99-881-6253 DISC AND DISTANCE PIECE ASSEMBLY	W166681/2	1	
73	A	46MT4	5330-99-881-6251 PACKING PREFORMED, rubber, 1/4 x 7-1/64 x 6-19/32in. dia	W169000	1	
NI 74	A	46MT4	2920-99-804-5949 COLLET, DRIVING GEAR, steel, 1-1/4in. od x 7/16in. wd	W178241	1	
75	A	46MT4	3020-99-807-0741 GEAR SPUR, generator drive, w/dowel pin	W184583	1	
76	A	46MT4	5310-99-804-5936 WASHER, SHOULDERED, steel, 15/16 x 1-1/4 x 9/32 x 1 x 5/64in. shoulder h, 5/64in. matl thk	W178243	1	
77	A	46MT4	5310-99-805-1385 WASHER, SPRING TENSION, steel, 1 x 1-1/2 x 1/8in. h	W178244	1	
78	A	46MT4	5310-99-804-5950 NUT, PLAIN, ROUND, 25/32in. -32 tpi	W178242	1	
79	A	46MT4	5330-99-957-1921 RING, SEALING TOROIDAL, fluorocarbon rubber, 70 deg, 0.139 x 7.734in. id	96715265	1	
80	A	46MT4	5340-99-881-6272 CAP, PROTECTIVE, DUST AND MOISTURE SEAL, mild steel, 9-23/64 x 9-5/16 x 5/32in. deep	W169354	1	} Storage and transit
NI 81	A	46MT4	6125-99-881-6280 COVER	W166946	1	

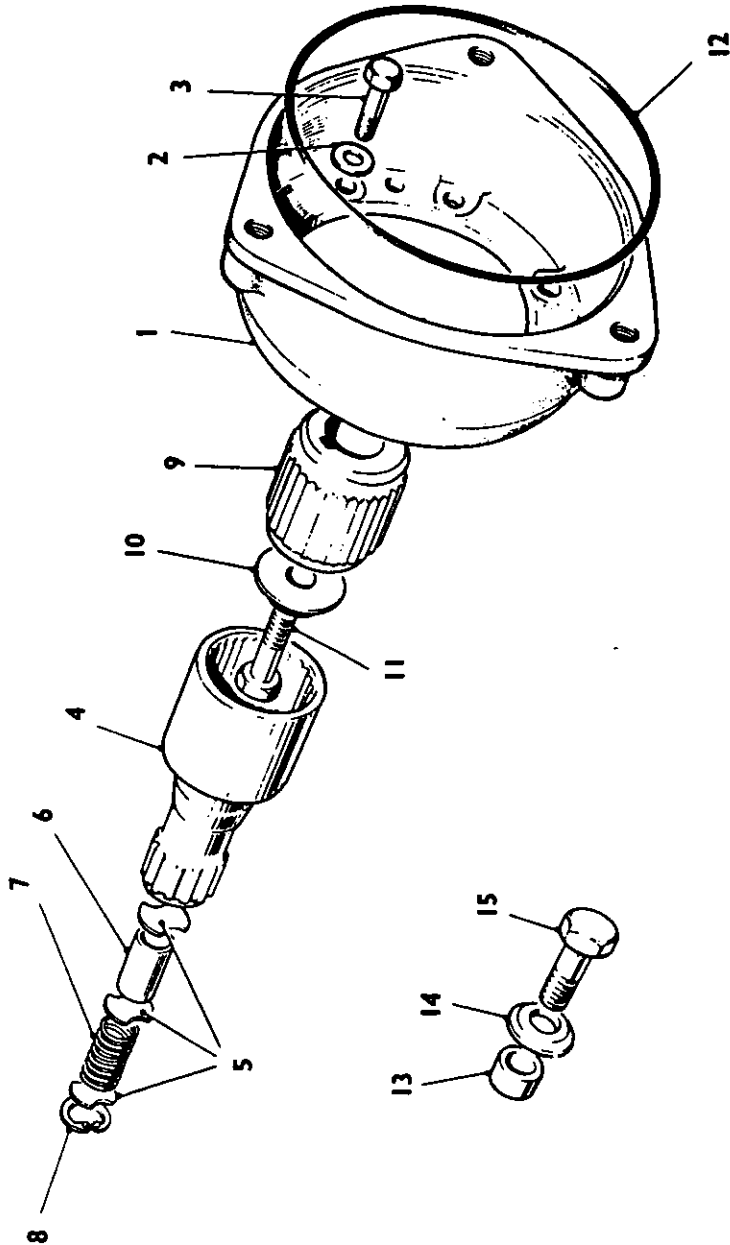


Fig 16 Hydraulic pump drive

430/70015

Fig Item	Man Code Navy - N Army - A RAF - R	NATO Stock No	Item Name and Description	Part No/ Drawing No.	No. Off	Annotations
16-			POWER UNIT, DIESEL - contd . ENGINE, DIESEL - contd			
		NP	. . HYDRAULIC PUMP DRIVE	FV451030	REF	
1	A 10	2930-99-866-7423	. . ADAPTOR SUB ASSEMBLY, fan drive pump	FV451164	1	} Adaptor to drive casing
2	A G1	5310-99-941-8386	. . WASHER, FLAT, steel, zinc P w/chromate, rd, 5/8 x 5/16 x 0.072in. thk		6	
3	A G1	5306-99-941-0166	. . BOLT, MACHINE, UNF, steel, 2A thd, hex hd, 5/16in. -24 x 1-1/8 x 7/8in. thd lg		6	
4	A 10	2990-99-866-7428	. . SHAFT, SHOULDERED, steel, 4-59/64 x 2-1/64in. max dia	FV450440	1	
5	A 10	2815-99-866-7429	. . DISC, DAMPER SPRING, steel, 7/64 x 3/4 x 11/64in. rad, 2 grooves	FV149877	3	
6	A 10	5365-99-866-7430	. . SPACER, SLEEVE, steel, 1.435 x 0.75 x 0.725in. id	FV450289	1	
7	A 10	2990-99-866-7541	. . SPRING, HELICAL COMPRESSION, steel, 6-1/4 x 23/32 x 1-11/64in. lg	FV149724	1	Damper driveshaft
8	A 46MT1	5365-99-414-8221	. . RING, RETAINING, steel, phos coated, 3/64 x 25/32 x 53/64in. groove dia	AGS2030-15	1	
9	A 10	2815-99-866-7426	. . COUPLING, DRIVE SHAFT, HYDRAULIC PUMP, steel, 36 serrations, 1-25/32in. dia x 1 x 63/64 x 2in. lg	FV450269	1	
10	A 10	5310-99-866-7427	. . WASHER, SHOULDERED, steel, 11/32 x 1-19/64 x 27/64 x 5/8in. dia shoulder	FV450290	1	
11		NP	. . SCREW, MACHINE, steel, hex hd, 0.92 x 1 x 0.235in. h, medium class thd	FV451690	1	Drive coupling to shaft
12	A 9CET	5330-99-823-5157	. . RING, SEALING, TOROIDAL, syn rubber, 65 - 75 deg, 9/64 x 5-1/2in. id	FV149817	1	
13	A 10	5365-99-866-7424	. . SPACER, SLEEVE, steel, 0.46 x 0.594 x 0.375in. id	FV451083	3	Pump adaptor
14	A 10	5310-99-866-7425	. . WASHER, FLAT, steel, Cd P w/chromate, rd, 0.875 x 0.4 x 0.125in.. mall thk	FV149818	3	
15	A G1	5306-99-941-6597	. . BOLT, MACHINE, UNF, steel, zinc P, hex hd, 2A, 3/8 x 1 x 1-3/8in. lg		3	

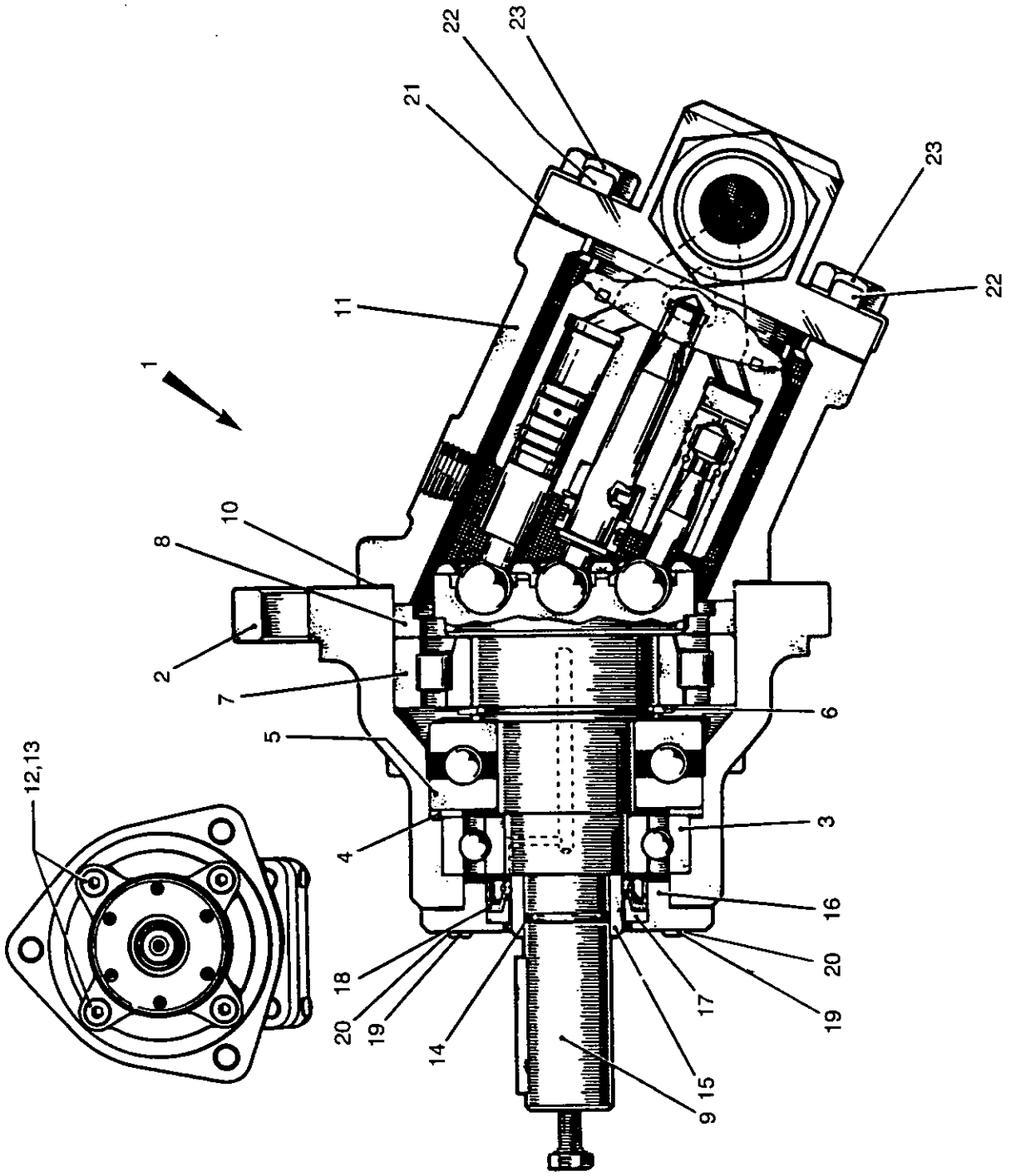


Fig 17 Hydraulic pump

430/70016

Fig Item	Man Code Navy - N Army - A RAF - R	NATO Stock No	Item Name and Description	Part No/ Drawing No.	No. Off	Annotations
17-			POWER UNIT, DIESEL - contd . ENGINE, DIESEL - contd			
1	A	46MT1	NP 2930-99-786-2558 . . . HYDRAULIC PUMP . . . PUMP, FAN, hydrostatic, flange mtd, 3 ports	17216	REF 1	
2			NP . . . HOUSING, MECHANICAL DRIVE	FV531026	1	
3	A	46MT7	3110-99-950-0056 . . . BEARING, BALL ANNULAR, 17 x 72 x 35mm dia	6207	1	
4			NP . . . BEARING, WASHER, THRUST, steel, rd, 3-5/64 x 5/64 x 2-23/64in. id, rect shape	FV531033	1	
5			NP . . . BEARING, BALL, THRUST, single row, 40 x 72 x 26mm h	FV531031	1	
6			NP . . . RING, RETAINING, steel, 5/64in. thk, 2in. id, ext usage	FV531036	1	
7			NP . . . BEARING, PARALLEL ROLLER JOURNAL	FV531030	1	
8			NP . . . WASHER, THRUST, steel, 3-15/16 x 23/64 x 3-5/16in. dia	FV531029	1	
9			NP . . . SHAFT DRIVE ASSEMBLY, HYDROSTATIC PUMP	FV531027	1	w/cyl and cone setting
10			NP . . . GASKET, 13/32 x 3-61/64 x 1/64in. thk	FV531045	1	
11			NP . . . HOUSING, CYLINDER, cast iron	FV531025	1	
12	A	G1	5310-99-941-6657 . . . WASHER, LOCK, steel, split helical ring, 29/64 x 7/64 x 43/64in. od		4	
13			NP . . . SCREW, CAP, SOCKET HEAD, isometric, 10 x 1.5 x 26 x 60mm lg	FV531040	4	
14	A	46MT1	5330-99-999-9422 . . . RING, SEALING, TOROIDAL, syn rubber, 66 - 77 deg, 1/16 x 55/64in. id, black	FV531037	1	
15			NP . . . BUSHING, SLEEVE, steel, plain, no outside flanges, solid, 45/64 x 1-1/4 x 63/64in. id	FV531034	1	
16			NP . . . RETAINER, OIL SEAL,	FV531028	1	
17	A	9ACR	4320-99-881-3794 . . . RETAINER, OIL SEAL, steel, 1-55/64 x 1-19/64 x 17/64in. dp	FV531053	1	
18	A	9ACR	5330-99-881-3792 . . . SEAL, syn rubber, 0.398 x 0.402 x 1.854 x 1.260in. id	FV531035	1	
19			NP . . . SCREW, SOCKET HEAD, isometric, M4 x 0.7 x 0.315 x 5/16in. lg, flat fillister hd, 6G thd	FV531042	6	
20	A	G1	5310-99-135-9291 . . . WASHER, LOCK, steel, split helical ring, 4 x 6.95 x 1.2mm thk	FV531043	6	
21	A	9ACR	5330-99-881-3286 . . . GASKET, paper, 33/64 x 2-55/64 x 1/64in. thk	FV531044	1	
22			NP . . . WASHER, KEY, steel, 33/64 x 1/32 x 15/16 x 15/32in. ext key wd	FV531039	4	
23	A	G1	5306-99-120-8295 . . . BOLT, MACHINE, ISO M, 12 x 1.75 x 1-11/64in. lg, steel, hex hd	FV531038	4	

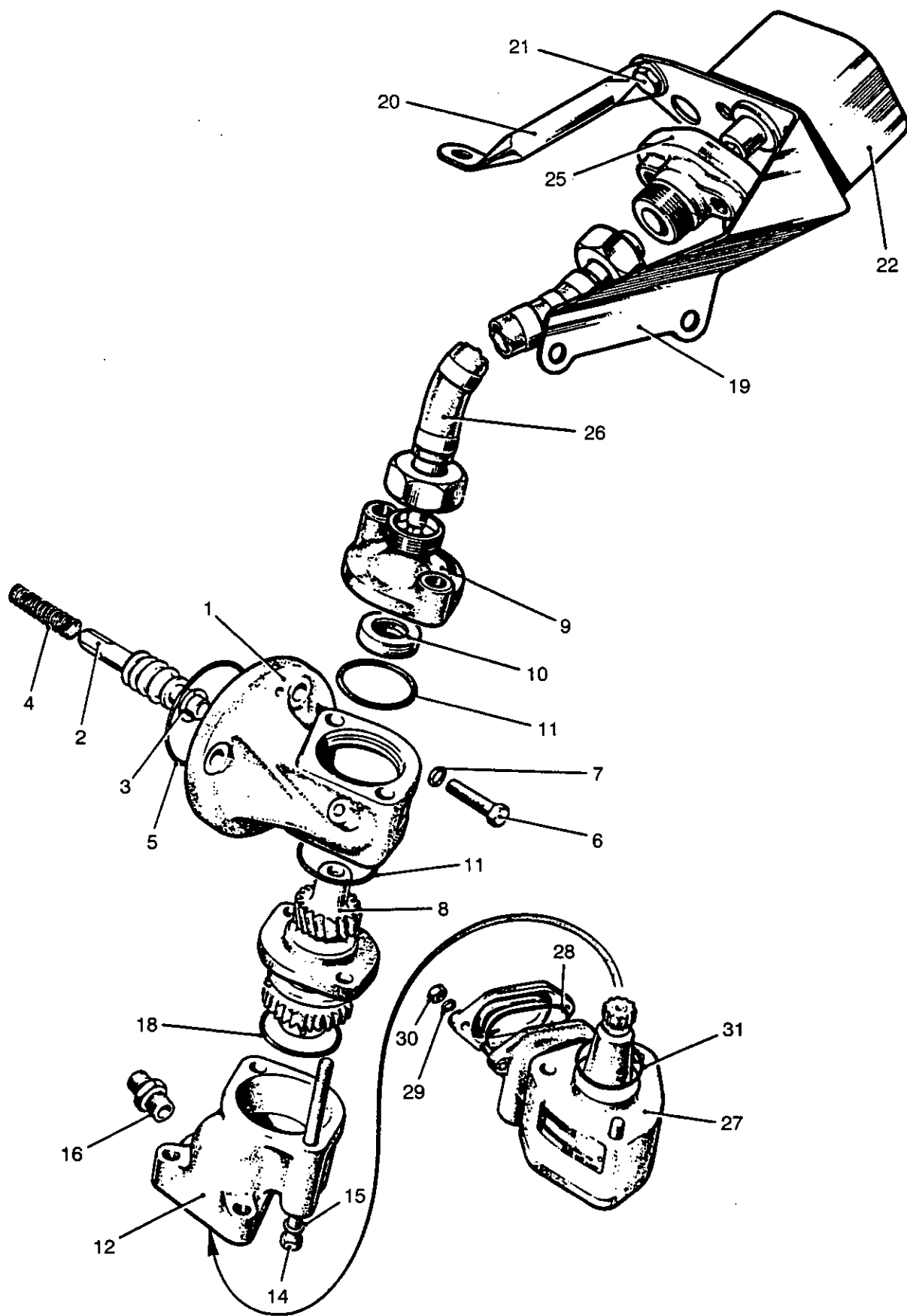


Fig 18 Tachometer and drive

430/70017

Fig Item	Man Code Navy - N Army - A RAF - R	NATO Stock No	Item Name and Description	Part No/ Drawing No.	No. Off	Annotations
18-			POWER UNIT, DIESEL - contd . ENGINE, DIESEL - contd			
		NP	. . . TACHOMETER AND DRIVE		REF	
1	A 10	6620-99-802-7042	. . . HOUSING, MECHANICAL DRIVE, hour meter and tachometer	FV453613	1	
2	A 10	2815-99-866-7219	. . . WORM SHAFT, steel, 3 thd, lh, shaft at both ends, 2-3/8in. o/a lg	FV450266	1	
3	A 10	3120-99-866-7220	. . . BEARING, WASHER, THRUST, bronze, rd, 0.624 x 0.062 x 0.3437in. dia, rect cross-sect, 2 grooves	FV450282	1	
4	A 10	2815-99-866-7221	. . . SPRING, HELICAL COMPRESSION, steel, 13 active turns, 3/8 x 1-9/32in. free lg	FV450283	1	
5	A 10	5330-99-866-7540	. . . RING, SEALING, TOROIDAL, rubber, 65 - 75 deg, 9/64 x 2-39/64in. id	CK814	1	
6	A G1	5305-99-941-6544	. . . SCREW, CAP, HEXAGON HEAD, UNF, steel, zinc P w/chromate, 1/4in. dia x 7/8in. lg, 2A		3	Housing to gearcase
7	A G1	5310-99-941-7072	. . . WASHER, FLAT, steel, rd, Cd P, 1/4 x 9/16 x 0.056in. thd		3	
8	A 10	6680-99-809-4264	. . . SHAFT ASSEMBLY, GEAR SPUR, flanged, tachometer drive	FV668416	1	
9	A 10	6680-99-809-4263	. . . COUPLING, SHAFT, RIGID, leaded brass, 7/8 x 3/4 x 1-1/4in. lg	FV668394	1	
10	A 10	6680-99-809-4266	. . . SEAL, PLAIN, ENCASED, butadiene acrylonitrile, brass shell, 7/8 x 1/2 x 1/4in. wd	FV450683	1	
11	A 10	5330-99-866-7528	. . . RING, SEALING, TOROIDAL, rubber, 65 - 75 deg, 9/64 x 1-15/16in. id	FV451519	2	
12	A 10	3040-99-866-7216	. . . HOUSING, MECHANICAL DRIVE, tachometer drive	FV450637	1	
NI 13	A G1	5340-99-580-5491	. . . INSERT, SCREW THREAD, cres, coil wire, 1/4in. -28 UNF, 19/64 x 31/64in. Nom o/a lg	AS6733-32	3	
14	A G1	5306-99-941-6594	. . . BOLT, MACHINE, UNF, steel, zinc P, 5/16 x 3-1/4in. lg	UA172	2	
15	A G1	5310-99-941-8386	. . . WASHER, FLAT, steel, zinc P w/chromate, rd 5/8 x 5/16 x 0.072in. thk		2	
16	A 46MT1	4730-99-801-2032	. . . NIPPLE TUBE	FVS87-3	1	
NI 17		NP	. . . WASHER	XB1079	1	u/w item 16
18	A 10	5330-99-866-7511	. . . RING, SEALING, TOROIDAL, rubber, 65 - 75, 9/64 x 1-11/64in. id	CK608	1	
19	A 10	6680-99-808-4262	. . . BRACKET, SUPPORT, steel, plate, 2-1/2in. wd	FV668393	1	
20	A 10	6680-99-809-3739	. . . STAY, BRACKET, SUPPORT, steel, tube flattened both ends, 5-17/32in. o/a lg	FV668391	1	
21	A G1	5305-99-941-6284	. . . SCREW, MACHINE, UNF, steel, zinc P, hex hd, 1/4 x 1/2in. lg		1	
22	A 46MT1	6680-99-809-4629	. . . COUNTER, ENGINE REVOLUTIONS, sq, 2-27/32 x 2-19/32 x 2-27/64in. h, 1 unit = 1000,000 revs	FV622665	1	
NI 23	A G1	5306-99-941-8004	. . . BOLT, MACHINE, UNF, steel, zinc P, hex hd, 5/16in. -24 x 3-1/2in. lg		2	

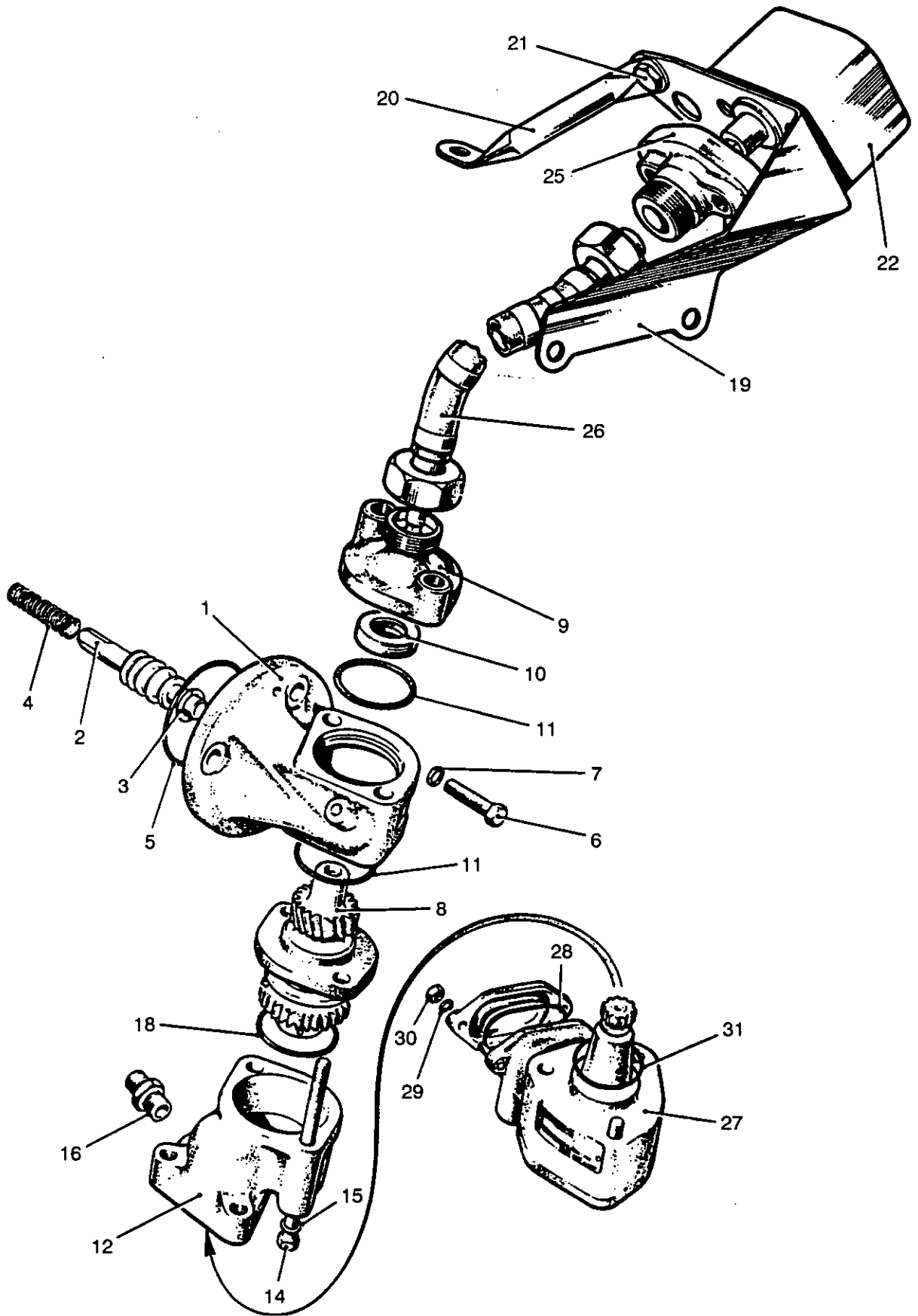


Fig 18 Tachometer and drive

430/70017

Fig Item	Man Code Navy - N Army - A RAF - R	NATO Stock No	Item Name and Description	Part No/ Drawing No.	No. Off	Annotations
18-			POWER UNIT, DIESEL - contd . ENGINE, DIESEL - contd . . TACHOMETER AND DRIVE - contd			
NI 24	A 10	5310-99-865-1513	. . . WASHER, FLAT, steel, 1/2in.		2	
25	A 10	6680-99-809-4265	. . . COUPLING, SHAFT, FLEXIBLE, flanged, tachometer drive	FV668397	1	
26	A 46MT1	6680-99-809-4628	. . . SHAFT ASSEMBLY, FLEXIBLE, outer case neoprene, 45/64in. od x 1ft 1-1/4in. lg	FV260864-3	1	
27	A 9ACR	2920-99-809-0528	. . GENERATOR, TACHOMETER, No. 1, Mk 4, gear driven	FV622660	1	
28	A 46MT1	5330-99-801-5670	. . . RING, SEALING, TOROIDAL, syn rubber, 85 deg, 1/8 x 1-5/16in. id	R4131ML53 72	1	
29	A G1	5310-99-941-6653	. . . WASHER, LOCK, steel, split helical ring, 0.198 x 0.330in. od		2	
30	A G1	5310-99-941-7070	. . . NUT, PLAIN, HEXAGON, BA, No. 2, rh, steel, Cd P, 21/64 x 11/64in h		2	
31	A 10	5330-99-866-7528	. . . RING, SEALING, TOROIDAL, rubber, 9/64in. x 1-15/16in. id	CK540		

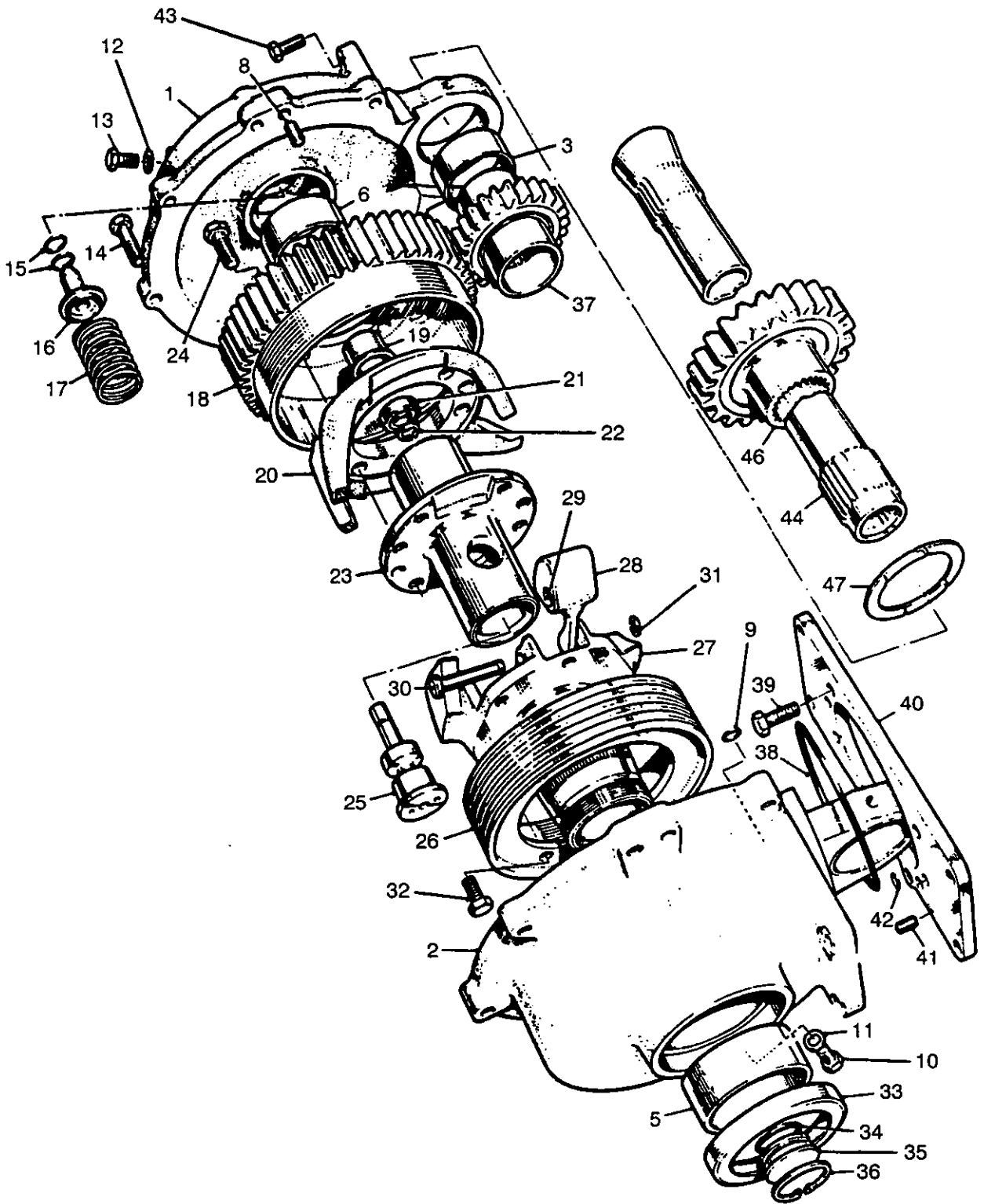


Fig 19 Fuel pump drive

430/70018

Fig Item	Man Code Navy - N Army - A RAF - R	NATO Stock No	Item Name and Description	Part No/ Drawing No.	No. Off	Annotations
19-			POWER UNIT, DIESEL - contd . ENGINE, DIESEL - contd			
1	A 10	NP 2910-99-867-4843	. . . FUEL PUMP DRIVE	FV452345	REF 1	
2		NP HOUSING ASSEMBLY, FUEL PUMP DRIVE	FV451597	1	
3	A 10	3120-99-866-7245 BEARING, SLEEVE, steel, tin Al, plain, 19/32 x 1-11/16 x 1-31/64in. id, no outside flanges	FV452251	2	Driving gear
NI 4	A 10	3120-99-866-7246 WASHER, THRUST, steel, bronze, rd, w/sq keys, 2.707 x 0.093 x 1.945 x 0.11 x 0.38in. wd	FV451537	1	Driven gear
5	A 10	3120-99-866-7244 BEARING, SLEEVE, steel, tin Al, plain, 3/4 x 1-15/16 x 1-47/64in. id, no outside flanges	FV452250	1	Front casing
6	A 10	3120-99-866-7243 BEARING, SLEEVE, steel, tin Al, plain, 11/16 x 1-1/2 x 1-23/64in. id, no outside flanges	FV452252	1	Rear casing
NI 7		NP PLUG, EXPANSION, steel, 11/64 x 3/32 x 1/64in. matl thk	FV451640	2	Blanking front and rear
8	A 10	5315-99-866-7523 PIN, HOLLOW, steel, 1/8 x 1/4 x 1/2in. lg	FV148772	2	Front and rear casing
9	A 10	5330-99-866-7252 RING, SEALING, TOROIDAL, rubber, 65 - 75, 0.07 x 0.239in.id	FV148846	1	Transfer tube
10	A 3RR	5305-99-812-0712 SCREW, MACHINE, 0.225in. thd x 1/4in. lg, hex hd	KC150	2	} Front housing oilway
11	A 10	5310-99-866-7248 WASHER, FLAT, oilway, front housing	FV141243	2	
12	A 10	5310-99-865-1474 WASHER, FLAT, aluminium, rd, 0.4 x 0.25 x 0.028in. matl thk	XB1076	1	} Rear housing oilway
13	A G1	5305-99-941-6540 SCREW, MACHINE, UNF, steel, zinc P, 1/4 x 1/2in. lg, hex hd, class 2A thd		1	
14	A G1	5305-99-941-6544 SCREW, CAP, HEXAGON HEAD, UNF, steel, zinc P w/chromate, 1/4 x 7/8in. lg		7	Front to rear housing
15	A 10	5330-99-866-7503 RING, SEALING, TOROIDAL, rubber, 65 - 75, 0.07 x 0.364in. id	CK826	2	Rear housing plug
16	A 10	2815-99-804-3629 SEAT, COMPRESSION, HELICAL SPRING, steel, 1.05 x 0.374 x 0.931in. lg	FV451560	1	
17	A 10	5340-99-804-3630 SPRING, HELICAL COMPRESSION, steel, 1.027 x 1.528in. lg, 5.25 turns	FV451559	1	
18	A 10	3020-99-804-3641 GEAR, SPUR, steel, 50, 2.25 x 5/16 x 2.05in. lg	FV451520	1	
19	A 10	2815-99-804-3628 SEAT, COMPRESSION, HELICAL SPRING, steel, 1.05 x 0.825 x 0.575in. lg	FV451561	1	
20	A 10	2815-99-804-3643 CLUTCH HALF, POSITIVE, driving, automatic advance mech	FV451551	1	
21	A 6MT7	3110-99-950-0044 BEARING, BALL, ANNULAR, single row, 5 x 19 x 6mm wd	105	1	
22	A G1	5365-99-834-9151 RING, RETAINING, steel, circlip, ext, 5mm dia shaft, 1/32in. thk, phos/oil finish	D1400 0050 APP	1	
23	A 10	2815-99-804-3642 HUB, ADVANCE MECHANISM	FV452978	1	
24	A G1	5305-99-941-6542 SCREW, CAP, HEXAGON HEAD, UNF, steel, zinc P w/chromate, 0.625 x 0.163 x 0.488in. wd	CK111603	8	Gear and driving dog to hub
25	A 10	2815-99-804-3637 PISTON, ADVANCE MECHANISM, steel, 0.975 x 2.050in. lg	FV453050	1	

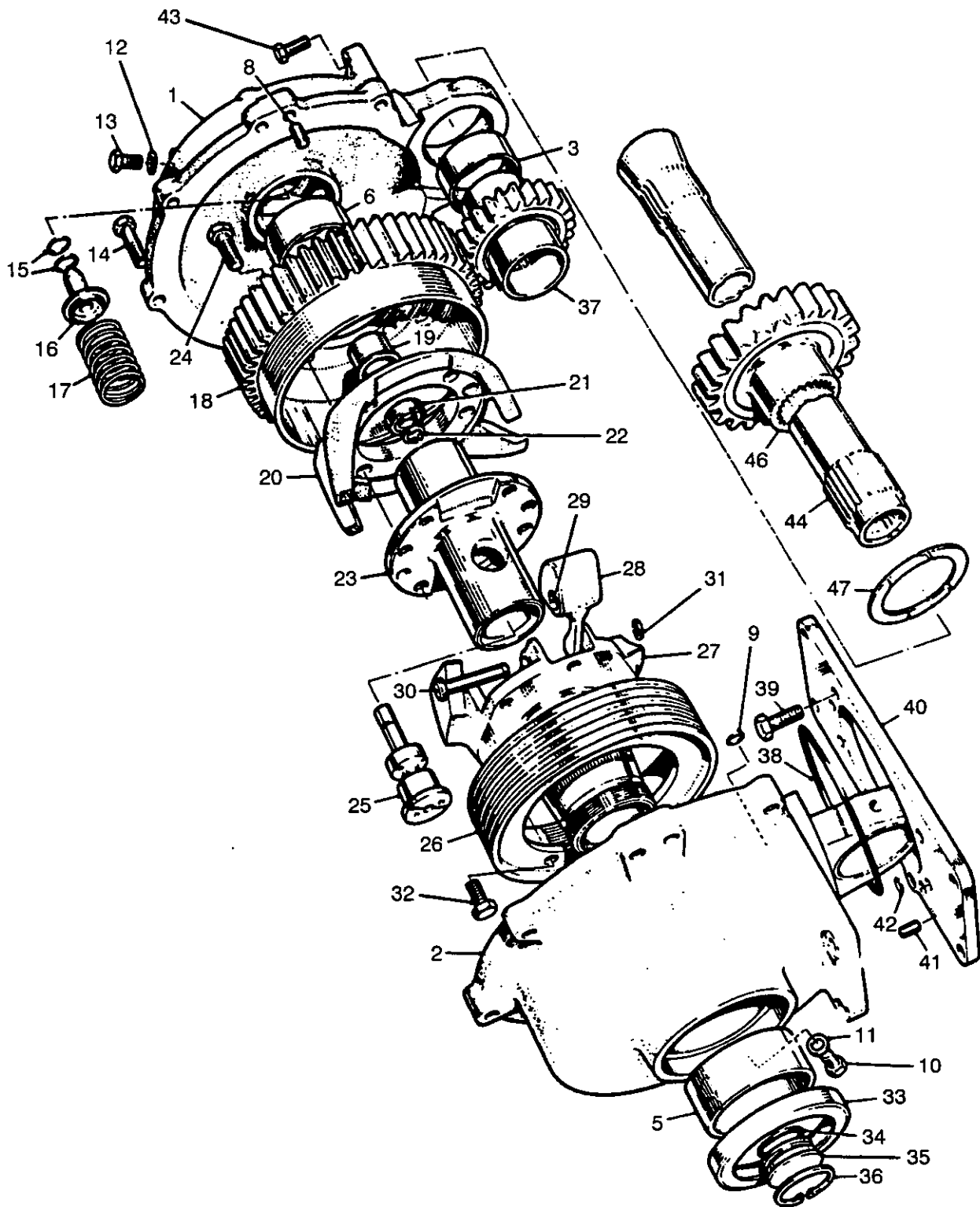


Fig 19 Fuel pump drive

430/70018

Fig Item	Man Code Navy - N Army - A RAF - R	NATO Stock No	Item Name and Description	Part No/ Drawing No.	No. Off	Annotations
19-			POWER UNIT, DIESEL - contd . ENGINE, DIESEL - contd . . FUEL PUMP DRIVE - contd . . . HOUSING ASSEMBLY, FUEL PUMP DRIVE - contd			
26	A 10	2815-99-804-3635 PISTON, ADVANCE MECHANISM, CI, 4.349in. dia x 1.078in. lg	FV453312	1	
27		NP CLUTCH, HALF POSITIVE, driven, automatic advance mech	FV452977	1	
28	A 10	2815-99-804-3627 WEIGHT ASSEMBLY, automatic advance mechanism	FV453528	2	
29	A 10	3120-99-804-3626 BEARING, SLEEVE, phos bronze, plain, 0.915 x 0.3135 x 0.2505in. id, no outside flanges	FV453102	2	
30	A 10	5315-99-804-3636 PIN, GROOVED, HEADED, steel, dee chamfer hd, 1/4in. dia x 1-25/32in. lg	FV453104	2	
31	A 6MT1	5365-99-120-1010 RING, RETAINING, steel, Cd P w/chromate, 1/32 x 1/4in. shaft dia	SDA229584	2	
32	A G1	5305-99-941-6284 SCREW, MACHINE, UNF, steel, zinc P, hex hd, 2A, 1/4 x 1/2in. lg		4	Piston to driven dog
33	A 10	5330-99-867-4129 SEAL, PLAIN, ENCASED, copper Al, rubber sealing, 0.25 x 1.75 x 2.316in. dia Cd P	FV451531	1	
34	A 6MT1	5330-99-923-9347 RING, SEALING, TOROIDAL, syn rubber, 3/4 x 1/16in. h, 65 - 75 dg	200-018-4470	1	
35		NP BOBBIN, DRIVEN DOG, steel, 0.930 x 0.406in. wd	FV453525	1	
36	A 6MT1	5365-99-910-8280 RING, RETAINING, steel, phos, 0.047 x 1 x 1.053in. groove dia, 0.055in. w of groove	B1300 010 0APP	1	
37	A 10	3020-99-866-7258	. . . GEAR, SPUR, steel, 25, 2-3/4 x 1-7/8in. lg	FV451519	1	Driving gear
38	A 10	5330-99-866-7249	. . . RING, SEALING, TOROIDAL, syn rubber, 0.139 x 2.875in. h, 65 - 75	UE9320	1	
39	A G1	5305-99-941-6546	. . . SCREW, MACHINE, UNF, steel, zinc P, hex hd, 2A, 5/16 x 3/4in. lg		4	
40	A 10	2815-99-804-3639	. . . ADAPTOR PLATE ASSEMBLY, automatic advance mechanism	FV453963	1	
41	A 10	5315-99-866-7523 PIN, HOLLOW, steel, 1/8 x 1/4 x 1/2in. lg	FV148772	2	
42	A 10	5330-99-804-3632	. . . RING, SEALING, TOROIDAL, syn rubber, 0.07 x 0.301in. id, 65 - 75	UE30369	2	
43	A G1	5305-99-941-6545	. . . SCREW, MACHINE, UNF, steel, zinc P w/chromate, 5/16 x 5/8in. lg, class 2A, hex hd		4	
44	A 10	2815-99-808-1297	. . . SHAFT, SHOULDERED, steel, 13-51/64 x 1-1/2in. dia, splined	FV454837	1	
NI 45	A 10	2815-99-808-1300	. . . NUT, LOCKING, INJECTOR SHAFT, steel, hex face drive, 1-5/8in. -16 UNF, 0.72in. o/a lg	FV453880	1	Locking drive shaft
46	A 10	3020-99-867-4384	. . . GEAR, SPUR, injector pump	FV452332	1	
47	A 10	3120-99-801-8847	. . . WASHER, THRUST, phos bronze, 1-7/10 x 2-1/8 x 3/32in. thk	FV149878	1	

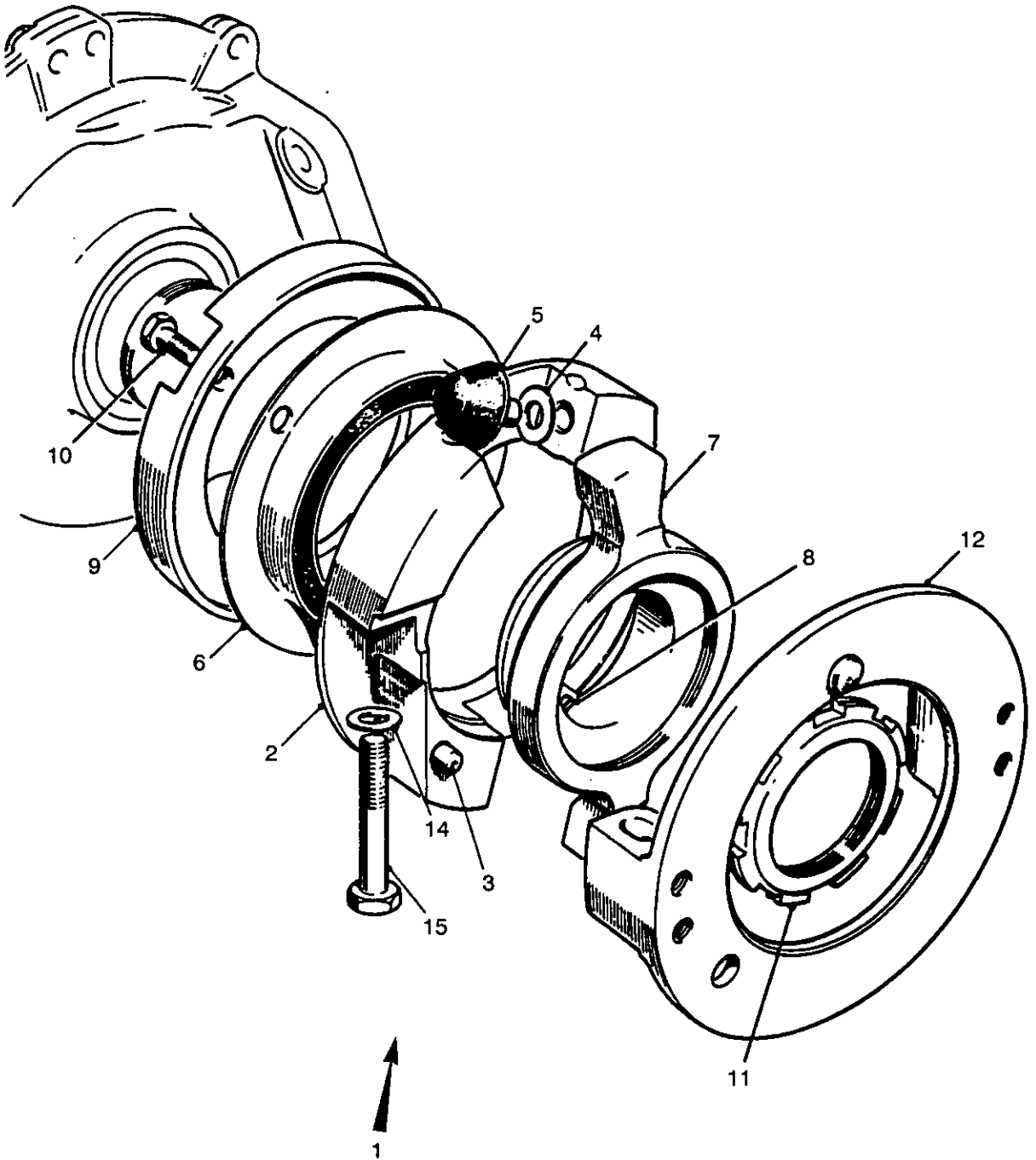


Fig 20 Fuel pump drive coupling

430/70019

Fig Item	Man Code Navy - N Army - A RAF - R	NATO Stock No	Item Name and Description	Part No/ Drawing No.	No. Off	Annotations
20-			POWER UNIT, DIESEL - contd . ENGINE, DIESEL - contd			
1		NP NP	. . . FUEL PUMP DRIVE COUPLING . . . COUPLING ASSEMBLY, injector pump drive	FV453529	REF 1	
2	A 10	2815-99-866-7260	. . . RING, INERTIA, DRIVE COUPLING, injector pump drive	FV452479	1	
3	A 10	5315-99-866-7523 PIN, HOLLOW, steel, 1/8in. x 1/4in. x 1/2in. lg	FV148772	1	
4	A 10	5310-99-500-0698	. . . WASHER, FLAT, steel, rd, 0.625in. od, 0.328in. id, 0.018in. thk	UA2002/SR	4	
5	A 10	2910-99-866-7254	. . . BUMPER, RUBBER, natural, black, 7/8in. x 13/16in. h	FV451746	4	
6	A 10	2910-99-866-7263	. . . DAMPER, COUPLING, steel and bonded rubber, 2-19/64in. x 4-1/16in. x 35/64in. h	FV452470	1	
7	A 10	2815-99-804-3638	. . . COUPLING ASSEMBLY, FUEL PUMP DRIVE	FV453306	1	
8	A 10	5315-99-804-3634 PIN, STRAIGHT HEADLESS, steel, 11/32in. lg x 3/16in. dia	FV453307	1	
9	A 10	2910-99-866-7264	. . . RING, CLAMPING, COUPLING DAMPER, steel, 4-15/32 x 2-7/8 x 31/64in. lg, counterbored, 4-1/4in. dia	FV451745	1	
10	A G1	5305-99-941-6546	. . . SCREW, MACHINE, UNF, steel, zinc P, hex hd, 2A, 5/16 x 3/4in. lg	B1/3397/M/ 65/55	2	Clamping ring to inertia ring
11	A 10	5310-99-866-7262	. . . NUT, PLAIN, ROUND, UNF, steel, rh, 1-5/8 x 2.125 x 0.28in. max o/a thk	UA2759	1	Driven gear
12	A 10	2910-99-866-7288	. . . RING, DRIVEN, COUPLING, injector pump drive	FV452463	1	
NI 13		NP PIN, STRAIGHT, HEADED, steel, 3/16in. od x 13/64in. lg	FV452465	1	Driven ring
14	A G1	5310-99-941-8386	. . WASHER, FLAT, steel, zinc P w/chromate, rd, 5/8 x 5/16 x 0.072in. thk	2550	2	} Flange to inertia ring
15	A G1	5306-99-941-6591	. . BOLT, MACHINE, UNF, steel, zinc P, hex hd, 2A, 5/16in. -24 x 1-3/4in. fastener lg		4	

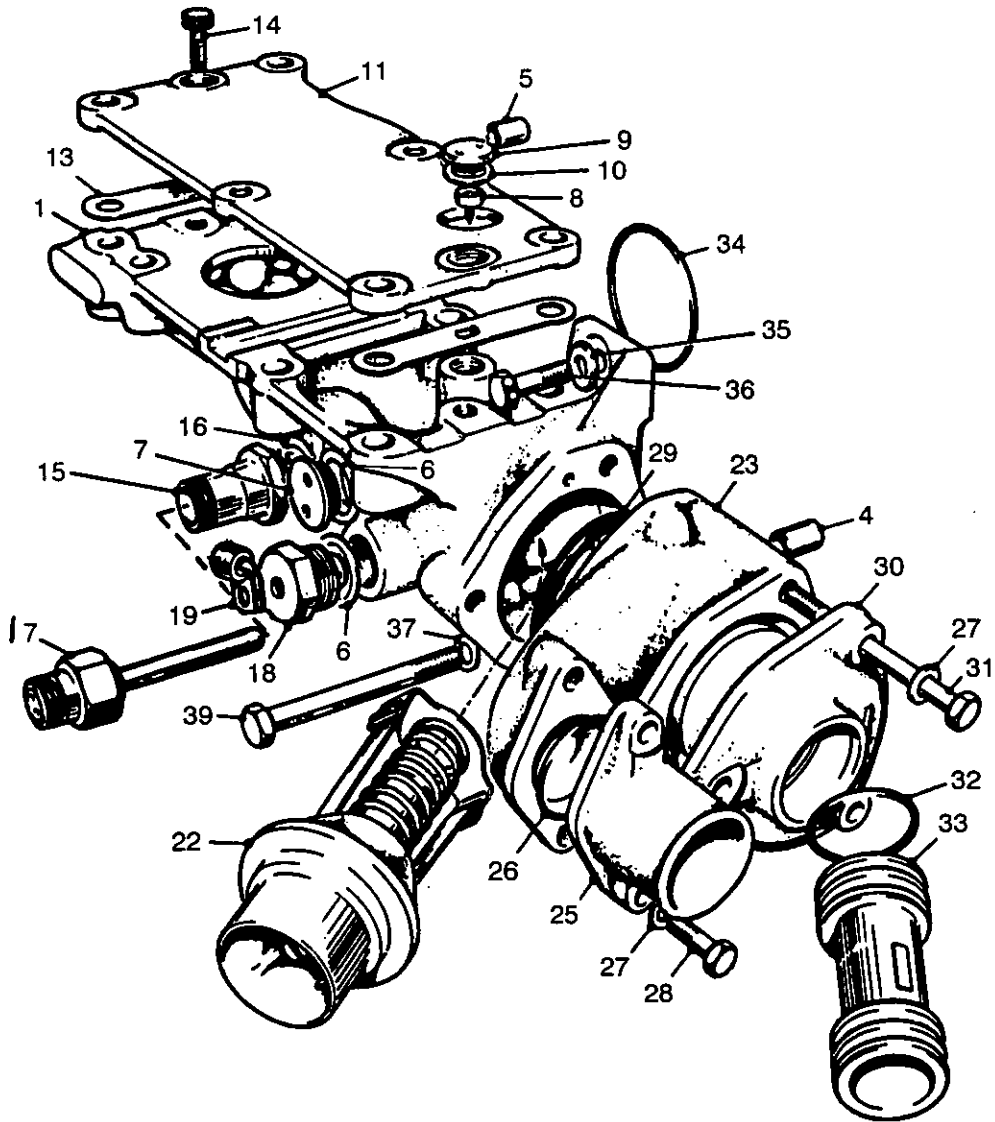


Fig 21 Fuel pump mounting and thermostat

430/70020



Fig Item	Man Code Navy - N Army - A RAF - R	NATO Stock No	Item Name and Description	Part No/ Drawing No.	No. Off	Annotations
21-			POWER UNIT, DIESEL - contd . ENGINE, DIESEL - contd			
		NP	. . . FUEL PUMP MOUNTING AND THERMOSTAT		REF	
1	A 10	2910-99-804-2289	. . . BRACKET AND THERMOSTAT HOUSING ASSEMBLY	FV454015	1	
NI 2	A G1	5340-99-580-5501 INSERT, SCREW THREAD, cres, coiled, 3/8 -24 UNF, 47/64in. lg, notched	AS6733-34	4	Injector pump facing
NI 3	A G1	5340-99-580-5496 INSERT, SCREW THREAD, cres, coiled, 5/16 -24 UNF, 39/64in. lg, notched	AS6733-33	3	Thermostat housing facing
4	A 10	5315-99-866-7270 PIN, HOLLOW, steel, 11/32 x 1/2 x 5/8in. lg	FV451918	1	} Mounting brackets to crankcase
5		NP PIN, HOLLOW	FV148795	1	
6	A 10	5365-99-865-1488 SPACER, RING, aluminium, rd, 1.075 x 0.036 x 0.875in. hole dia	XB1092	2	
NI 7	A 10	5365-99-808-1299 PLUG, MACHINE THREAD, brass, socket hd, 7/8in. -16 UN, 3/8in. thd lg, dull nickel finish	UA10643	1	
8	A 10	4820-99-865-3679 VALVE, RELIEF, PRESSURE AND TEMPERATURE, thermostat, jiggle pin assembly	FV149191	1	
9		NP PLUG, MACHINE, THD, copper, Al, NP, plain, rh, 2A, UNF, 0.875 x 0.110 x 0.535in. lg	UA10641	1	
10	A 10	5365-99-865-1479 SPACER, RING, aluminium, rd, 0.825 x 0.036 x 0.625in. dia	XB1081	1	
11	A 10	2910-99-866-7266	. . . PLATE, ADJUSTING, FUEL PUMP, fuel injection pump	FV452322	1	
NI 12		NP PIN, GROOVED, HEADED, steel, 3/8 x 9/32in. lg	FV450478	2	
13	A 10	2910-99-866-7276	. . . SHIM, steel, solid, 4-7/32 x 61/64 x 0.005in. thk	FV450489	A/R	
13(1)	A 10	2910-99-866-7277	. . . SHIM, steel, solid, 4-7/32 x 61/64 x 0.008in. thk	FV450490	A/R	
13(2)	A 10	2910-99-866-7278	. . . SHIM, steel, solid, 4-7/32 x 61/64 x 1/32in. thk	FV451087	A/R	
14	A 10	5305-99-866-7275	. . . SCREW, MACHINE, UNF, steel, Cd P, 5/16 x 27/32 x 47/64in. scr, 2A, splined	FV450474	1	
15	A 10	4730-99-865-3240	. . . ADAPTOR, STRAIGHT, PIPE TO TUBE, thermo-bulb, temperature gauge	FV145194	1	
16	A 10	5365-99-865-1488	. . . SPACER, RING, aluminium, rd, 1.075 x 0.036 x 0.875in. hole dia	XB1092	1	
17	A 46MT4	5905-99-881-3340	. . . RESISTOR, THERMAL, 28V, 40 - 212 deg, 73.4 - 139.8 ohms	FV494519	1	
18	A 10	2910-99-804-3542	. . . ADAPTOR, SUPPORT CLIP, copper, Al, 1.125in. lg, 7/8in. -16 UNS x 1/4in. -28 UNF int thd	FV454014	1	
19	A 46MT4	5340-99-809-2303	. . . CLAMP, LOOP, steel, Cd plated, 3/16in. id, 17/64in. dia		1	
NI 20	A G1	5305-99-941-7062	. . . SCREW, MACHINE, UNF, 1/4in. -28 x 3/8in. lg, steel, zinc P, hex hd, 2A thd		1	} Securing item 19
NI 21	A G1	5310-99-941-7072	. . . WASHER, FLAT, steel, Cd P, rd, 1/4 x 9/16 x 0.056in. thd		1	
22	A 9ACR	6620-99-818-7817	. . . THERMOSTAT, FLOW CONTROL, 2-7/8 x 4-7/16in. lg, 74 deg C	FV589463	1	

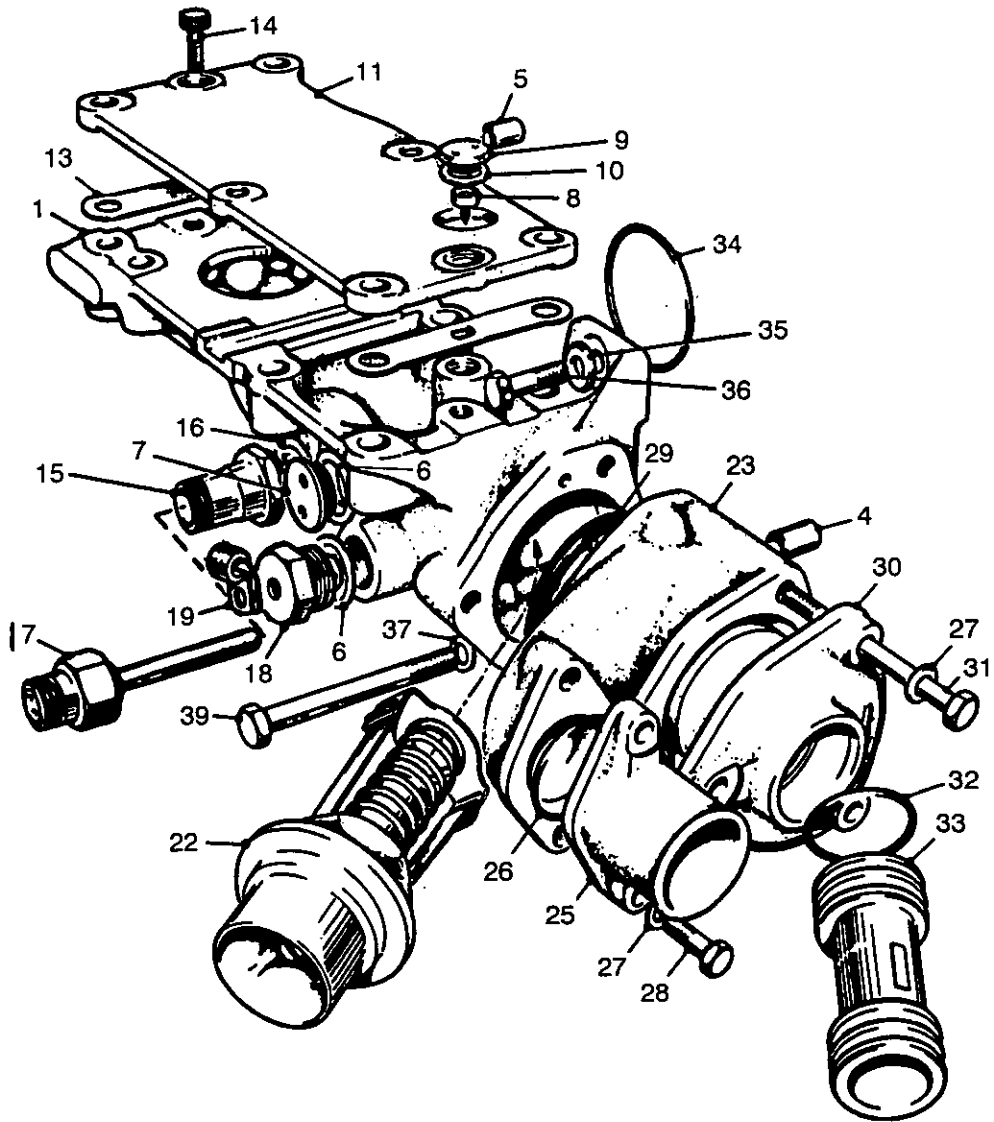


Fig 21 Fuel pump mounting and thermostat

430/70020

Fig Item	Man Code Navy - N Army - A RAF - R	NATO Stock No	Item Name and Description	Part No/ Drawing No.	No. Off	Annotations
21-			POWER UNIT, DIESEL - contd . ENGINE, DIESEL - contd . . . FUEL PUMP MOUNTING AND THERMOSTAT - contd			
23	A 10	2930-99-805-8269	. . . WATER OUTLET, ENGINE, thermostat housing, 2 helical inserts & associated hardware	FV454724	1	
NI 24	A 10	2930-99-805-8270	. . . JIGGLE PIN ASSEMBLY, comprising 3 components	FV454742	1	
25	A 10	4730-99-866-7282	. . . ADAPTOR, STRAIGHT, PIPE TO HOSE, aluminium, flange w/two 11/32in. dia bolt holes 1st end, unthd male	FV450476	1	
26	A 10	5330-99-866-7283	. . . RING, SEALING, TOROIDAL, rubber, 65 - 75 deg, 0.143 x 1.619in. id	CK955	1	
27	A G1	5310-99-941-8386	. . . WASHER, FLAT, steel, zinc P w/chromate, rd, 5/8 x 5/16 x 0.072in. thk		5	
28	A G1	5306-99-941-7079	. . . BOLT, MACHINE, UNF, steel, zinc P, hex hd, 2A, 5/16in. -24 x 1-1/4 x 7/8in. thd lg		2	
29	A 10	5330-99-866-7284	. . . PACKING, PREFORMED, syn rubber, 0.21 x 1.85 x 2.27in. od	CK1760	1	
32	A 10	5330-99-866-7528	. . . RING, SEALING, TOROIDAL, rubber, 65 - 75. 9/64 x 1-15/16in. id	CK540	4	
33	A 10	2930-99-866-7440	. . . PIPE, STEEL, thermostat bypass pipe	FV450465	1	
34	A 10	5330-99-866-7281	. . . RING, SEALING, TOROIDAL, syn rubber, 65 - 75, 0.143 x 2.244in. id	CK954	1	
35	A 10	5310-99-865-1528	. . . WASHER, FLAT, steel, Cd P, rd, 1 x 0.39 x 0.1in. thk		2	} Mounting bracket to crankcase
36	A 10	5306-99-866-7043	. . . BOLT, MACHINE, UNF, steel, Cd P, 2A, hex hd, 0.375 x 1.25 x 0.5625 x 0.2in. max h		2	
37	A G1	5310-99-941-8635	. . . WASHER, FLAT, steel, zinc P, rd, 3/4 x 25/64 x 0.072in. thk		2	
NI 38		NP	. . . BOLT, MACHINE, UNF, steel, zinc P, hex hd, 2A, 3/8 x 1-1/4in. lg		2	
39	A G1	5306-99-941-8009	. . . BOLT, MACHINE, UNF, steel, zinc P w/chromate, 3/8 x 3-3/4 x 1in. thd lg, hex hd, 2A		1	

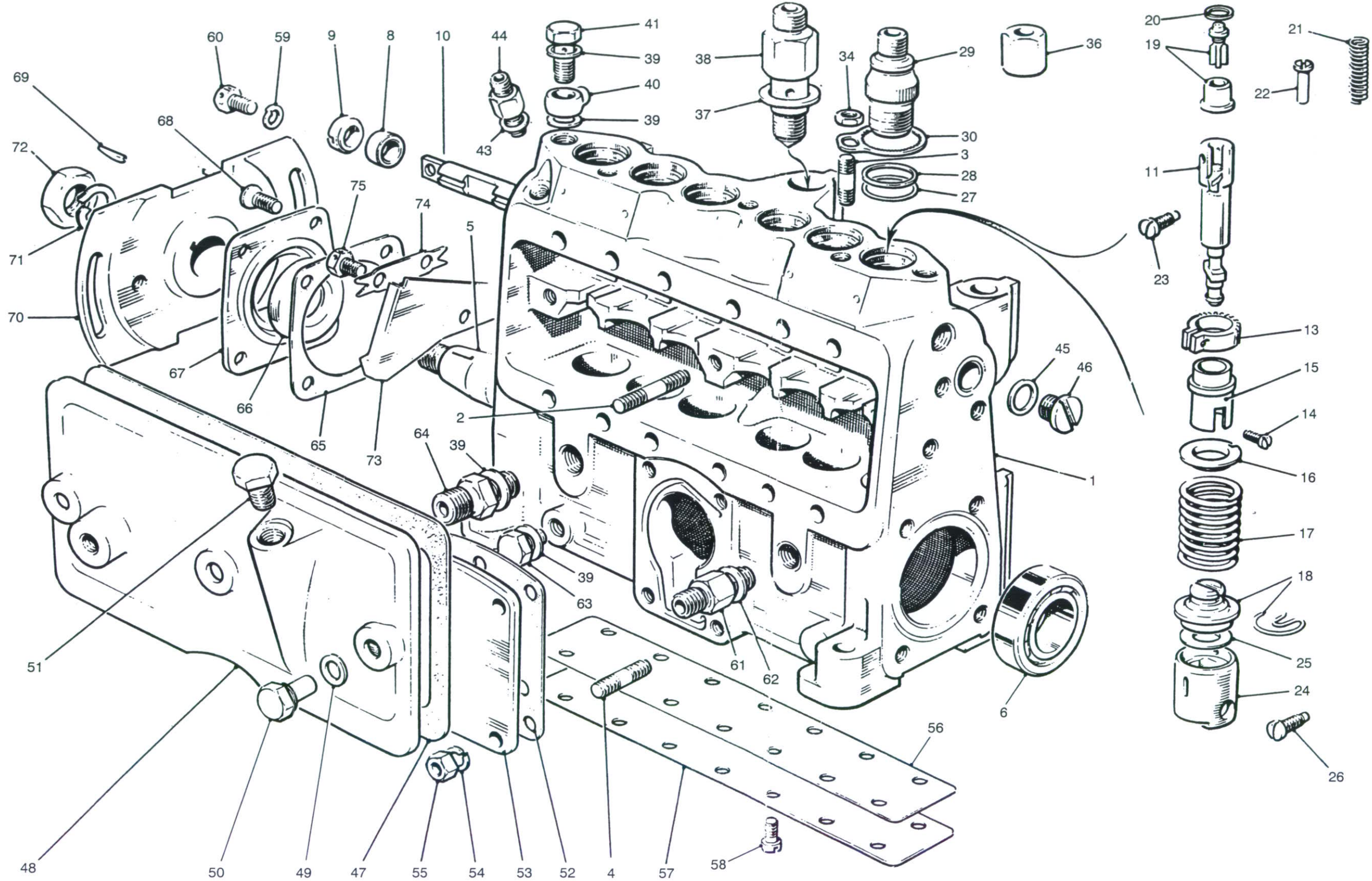


Fig 22 Pump, fuel, metering and distributing

Fig Item	Man Code Navy - N Army - A RAF - R	NATO Stock No	Item Name and Description	Part No/ Drawing No.	No. Off	Annotations
22-			POWER UNIT, DIESEL - contd . ENGINE, DIESEL - contd			
	A	46MT12	2910-99-818-6595 . . . PUMP, FUEL, METERING AND DISTRIBUTING	4708971	1	
1	A	9ACR	2910-99-881-5744 . . . HOUSING ASSEMBLY, PUMP, fuel injection	7135-34T	1	
2	A	6MT12	5307-99-807-8147 STUD, PLAIN, steel, phos, 40 x 6 x 1 x 14mm thd lg	7097-337A	3	Inspection cover Locking plate Feed pump
3		NP STUD, PLAIN, steel, phos, 6 x 26.5mm, rh	Y7097-20A	3	
4	A	6MT12	5307-99-807-8150 STUD, PLAIN, steel, ISO M, black chemical, 23 x 6 x 1mm	X7097-337D	4	
5	A	9ACR	2910-99-815-9700 . . . CAMSHAFT, ENGINE, 393.2mm lg, 6 cams, fuel injection pump	7097-732	1	
6	A	6MT7	3110-99-806-0055 . . . BEARING, ROLLER, TAPERED, single row, steel, 25 x 52 x 16.25mm lg	30205	2	
NI 7	A	6MT12	5365-99-807-9173 . . . SHIM, steel, 42.3 x 0.008 x 51.5mm od, solid	Z5339-999A	A/R	Adjusting camshaft
NI 7 (1)	A	6MT12	5365-99-807-9174 . . . SHIM, steel, 42.3 x 0.006 x 51.5mm od	Z5339-999B	A/R	
NI 7 (2)	A	46MT12	5365-99-807-9175 . . . SHIM, steel, 42.3 x 0.01 x 51.5mm od	Z5339-999C	A/R	
8		NP	. . . BUSH	CB7097-131	2	
9	A	46MT12	2910-99-807-6917 . . . BUSH, LOCKING ROD, CONTROL, fuel pump	7097-17	2	
10	A	9ACR	2910-99-802-3784 . . . CONTROL RACK, METERING AND DISTRIBUTING FUEL PUMP	7097-313D	1	
11	A	9ACR	2910-99-881-5746 . . . PLUNGER ASSEMBLY, FUEL INJECTOR	7097-568P	6	
NI 12	A	46MT12	5330-99-808-4114 . . . RING, SEALING, TOROIDAL, syn rubber, 88 deg, 7/64 x 16/32in. id, black	V5855-30AV	6	Plunger seal
13		NP	. . . QUADRANT, CONTROL,	CB7097-414	6	
14	A	6MT12	5305-99-807-7343 . . . SCREW, MACHINE, ISO M, steel, fillister csk hd, slot, 4.5 x 0.75 x 8.3mm lg	Z335-195	6	
15	A	46MT12	2910-99-807-8138 . . . CONTROL SLEEVE, FUEL INJECTOR, steel, 15.02 x 17.9 x 32.8mm lg, 21.4mm flange od	7097-309	6	
16		NP	. . . SEAT, COMPRESSION, HELICAL SPRING, fuel injection pump, steel, 18.5 x 27.95 x 4.5mm wd	Z7097A178	6	
17	A	9ACR	2910-99-881-5906 . . . SPRING, HELICAL, COMPRESSION, 9 swg matl thk, fuel injection pump	Y7097A180	6	
18	A	6MT12	2910-99-807-9785 . . . SEAT, HELICAL COMPRESSION SPRING	7097-199B	6	
19	A	46MT12	4530-99-881-5908 . . . VALVE, REGULATING, FUEL OIL, fuel injection pump	7097-216B	6	
20	A	46MT12	3120-99-807-8143 . . . BEARING, WASHER, THRUST, steel, rd, 15 x 1 x 12.05mm dia, rect	Y7097-319	6	
21	A	46MT12	2910-99-807-8110 . . . SPRING, HELICAL, COMPRESSION, steel, 8-1/2 coils, 29.2mm free lg, 19 swg, delivery valve spring	Z7097-190	6	Delivery valve
22	A	46MT12	5310-99-881-5907 . . . PEG, delivery valve spring	7097-194	6	
23	A	6MT12	5305-99-807-8113 . . . SCREW, SET, SI, steel, fillister hd, dog point, 6mm x 16.9mm lg	Z7097-210	6	
24	A	46MT12	2910-99-881-5775 . . . CAM FOLLOWER, NEEDLE BEARING, fuel injection pump	7097-176	6	

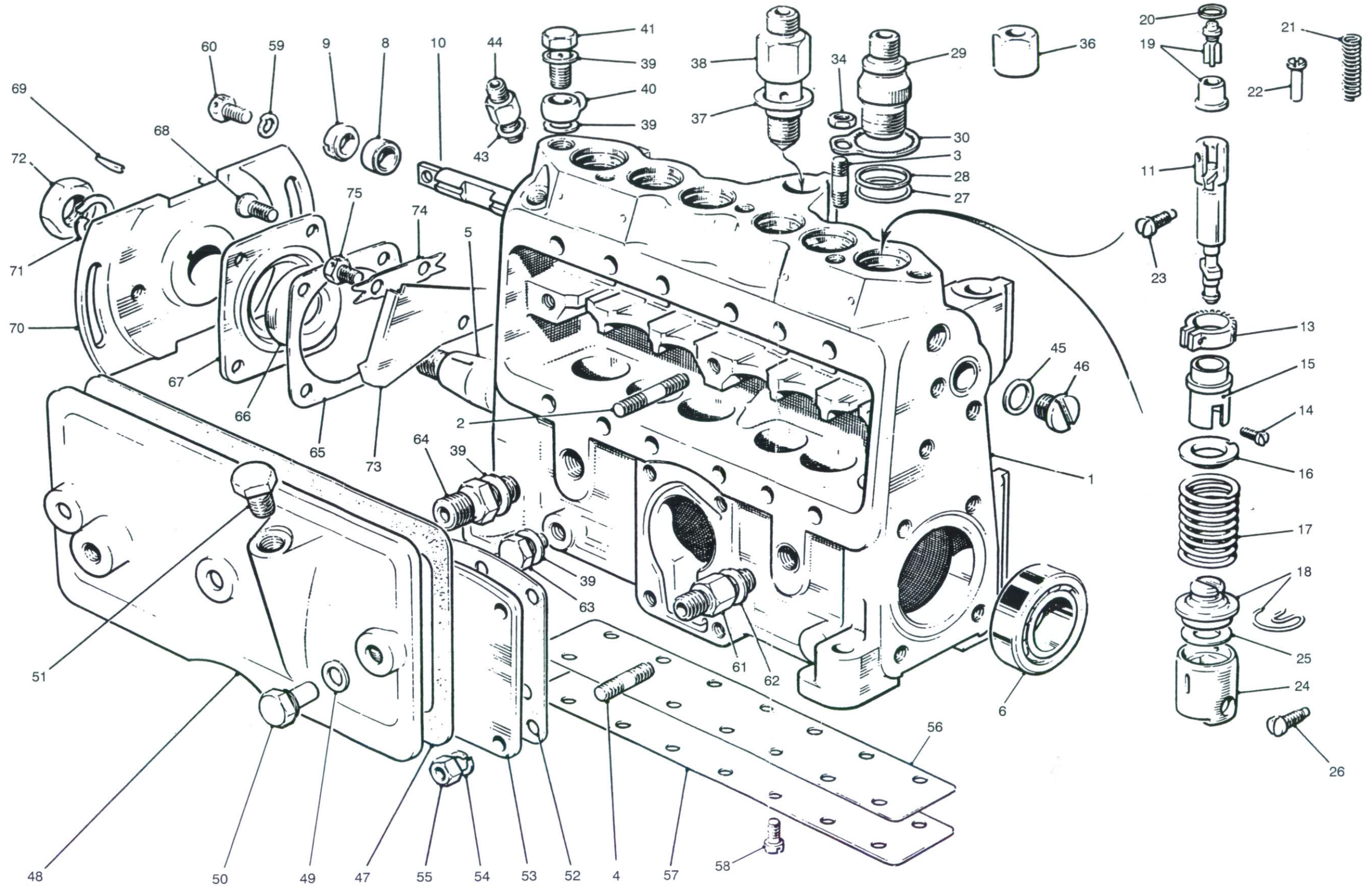


Fig 22 Pump, fuel, metering and distributing

Fig Item	Man Code Navy - N Army - A RAF - R	NATO Stock No	Item Name and Description	Part No/ Drawing No.	No. Off	Annotations
22-			POWER UNIT, DIESEL - contd . ENGINE, DIESEL - contd . . . PUMP, FUEL, METERING AND DISTRIBUTING - contd			
25	A	6MT12	5310-99-807-7444 . . . WASHER, FLAT, steel, rd, 24.3 x 13 x 0.8mm thk	Z5339A726 A	A/R	} Tappet adjusting
25(1)	A	6MT12	5310-99-807-7445 . . . WASHER, FLAT, steel, rd, 24.3 x 13 x 0.9mm thk	Z5339A726 B	A/R	
25(2)	A	6MT12	5310-99-807-7446 . . . WASHER, FLAT, steel, rd, 24.3 x 13 x 1mm thk	Z5339A726 C	A/R	
25(3)		NP	. . . WASHER, FLAT, steel, 13mm id x 1.1mm thk	Z5339A726 D	A/R	
25(4)	A	6MT12	5310-99-807-7448 . . . WASHER, FLAT, steel, rd, 24.3 x 13 x 1.2mm thk	Z5339A726 E	A/R	
25(5)		NP	. . . WASHER, FLAT, steel, rd, 24.2 x 13.2 x 1.3mm thk	NW2-172	A/R	
25(6)	A	46MT12	5310-99-807-7450 . . . WASHER, FLAT, steel, rd, 24.3 x 13 x 1.4mm thk	Z5339A726 G	A/R	
25(7)	A	6MT12	5310-99-137-0193 . . . WASHER, FLAT, steel, rd, 24.2 x 13.2 x 0.5mm thk	NW2-164	A/R	
25(8)		NP	. . . SHIM, steel, 13mm id x 0.4mm thk	Z5339A726 J	A/R	
25(9)		NP	. . . SHIM, steel, 13mm id x 0.3mm thk	Z5339A726 K	A/R	
25(10)		NP	. . . WASHER, FLAT, steel, 13mm id x 0.6mm thk	Z5339A726 L	A/R	
26	A	6MT12	5305-99-807-9170 . . . SCREW, SET, ISO M, 6 x 1mm pitch, steel, black oxidized, fillister hd	Y7097-396	6	
27	A	46MT12	5330-99-807-6929 . . . RING, SEALING, TOROIDAL, rubber, 75 deg, 2mm h x 21mm id	Z7097-45	6	
28	A	6MT12	5310-99-807-6927 . . . WASHER, RECESSED, steel, 21.7 x 24.8 x 23mm dia	NW2-206	6	
29	A	46MT12	2910-99-807-8108 . . . BODY, VALVE, steel, cylindrical, 25 x 20 x 1.5mm 1st end, 14 x 1.5mm, 50mm lg	X7097-189	6	
30	A	6MT12	2910-99-807-9789 . . . LOCKING, PLATE	Y7097-571	6	
NI 31	A	G1	5310-99-941-6654 . . . WASHER, LOCK, steel, split helical ring, 1/4 x 27/64 x 5/64in. thk	P2	3	
NI 32	A	6MT12	5310-99-807-7387 . . . WASHER, FLAT, steel, rd, 6.2 x 11mm od, 1/16in. thk	NW2-55	3	
NI 33		NP	. . . WASHER, FLAT, steel, 6.4mm		3	
34		NP	. . . NUT, PLAIN, HEXAGON, steel, phos, 6 x 1 x 11 x 4.15mm h	D1C23680- 267-LB6M6	3	
NI 35		NP	. . . WASHER, DELIVERY UNION, steel, 12 x 4 x 6.7mm dia, 30 deg taper	7097A113	6	
36	A	9ACR	4730-99-881-5751 . . . NUT, UNION, PIPE, steel, 19 x 8.4mm id, 3/4in. hex shape, 40 deg seat, M14 x 15 ISO M	7097A47G	6	
37	A	46MT12	5365-99-807-7376 . . . SPACER, RING, copper, rd, tinned, 21.4 x 0.056 x 18.25in. dia	5339-174	1	
38	A	46MT12	4730-99-881-5745 . . . BOLT, FLUID PASSAGE, steel, 60.7 x 16 x 1.5 x 12mm thd lg	7097-549E	1	
39	A	7PK	5310-99-767-3132 . . . WASHER, SEALING, copper, 10 x 16 x 1.42mm thk	0D14287	4	
40	A	6MT12	4730-99-807-3604 . . . CONNECTOR, MULTIPLE, FLUID PRESSURE LINE, brass, 26 x 17 x 10mm dia bolt hole, 5mm od pipe size	NA1-5	2	
41	A	46MT12	4730-99-881-5750 . . . BOLT, FLUID PASSAGE, steel, 20.5 x 10 x 1.25 x 10mm lg		1	
NI 42		NP	. . . STOP, DELIVERY VALVE	P4649	1	

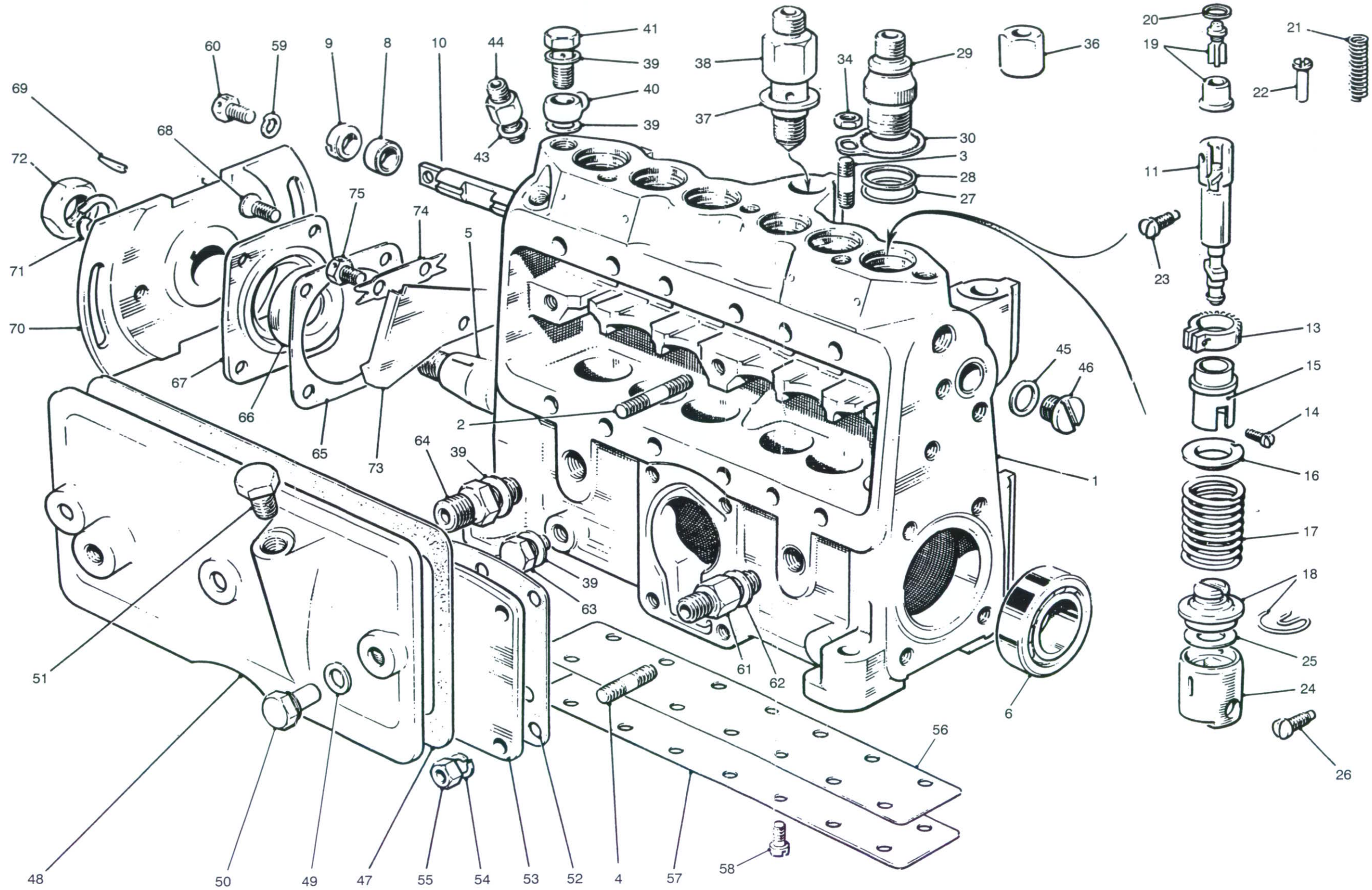


Fig 22 Pump, fuel, metering and distributing

Fig Item	Man Code Navy - N Army - A RAF - R	NATO Stock No	Item Name and Description	Part No/ Drawing No.	No. Off	Annotations
22-			POWER UNIT, DIESEL - contd . ENGINE, DIESEL - contd . . PUMP, FUEL, METERING AND DISTRIBUTING - contd			
43		NP	. . . SPACER, RING, copper, rd, 16.7 x 14.1mm dia	NW5-39	1	
44	A	9ACR 4730-99-881-5749	. . . ADAPTOR, STRAIGHT, PIPE, steel, 3/8 -24 UNF, 3 x 32.5mm lg, phos finish	X7008A364 F	1	
45	A	46MT12 5365-99-807-7469	. . . SPACER, RING, aluminium, rd, 15.8 x 12.2mm id, 1/64in.thk	Z5339-901	1	
46	A	46MT12 5365-99-807-6945	. . . PLUG, SCREWED, steel, slot drive, 12 x 1.5 x 12.5mm lg, fuel injector pump	7097-80	1	
47	A	6MT12 5330-99-804-6500	. . . GASKET, cork, rect, 9-23/64 x 3-25/32 x 1/16in. thk	7097-637	1	
48	A	9ACR 2910-99-881-5777	. . . COVER, ACCESS, 238 x 89 x 18mm thk	7097-620	1	
49	A	9ACR 5310-99-807-7370	. . . WASHER, FLAT, fibre, rd, 15 x 10 x 1.5mm thk	Z5339-131	3	
50	A	46MT12 5310-99-881-5783	. . . NUT, SLEEVE, 6 x 1 x 10 x 13.5mm lg, rd, steel	7097-21C	3	
51		NP	. . . PLUG, SCREWED	7097-81G	1	
52	A	6MT12 2910-99-807-6918	. . . GASKET, rubber bonded asbestos, 0.008in. thk, 56 x 80mm lg, 5 holes	7097A19	1	Lift pump cover
53		NP	. . . COVER PLATE, ACCESS, aluminium, for fuel pump injection	7097-152	1	
54	A	G1 5310-99-941-6654	. . . WASHER, LOCK, steel, spring helical ring, 1/4 x 27/64 x 5/64in. thk	P2	4	
55		NP	. . . NUT, PLAIN, HEXAGON, steel, phos, 6 x 1 x 11 x 4.15mm h	D1C23680- 267-LB6M6	4	
56	A	6MT12 5330-99-927-2029	. . . GASKET, BASEPLATE, non-asbestos		1	
57		NP	. . . BASEPLATE, FUEL INJECTION, steel, 240 x 45 x 6.4mm dia	7097-316	1	
58		NP	. . . SCREW, MACHINE, flat fillister hd, 6G, 8mm lg	D1C23677- 237-FS6X8	14	
59	A	G1 5310-99-941-6654	. . . WASHER, LOCK, steel, spring helical ring, 1/4 x 27/64 x 5/64in.thk	P2	6	
60		NP	. . . SCREW, MACHINE	5334-231	6	Rear housing
61	A	6MT12 4730-99-881-5778	. . . ADAPTOR	7097-469D	1	Cambox lubrication
62		NP	. . . SPACER, RING, copper, rd, 16.7 x 14.1mm dia	NW5-39	1	
63	A	46MT12 4730-99-807-8710	. . . PLUG, SCREWED, steel, zinc P, hex hd, 10 x 1.5 x 17 x 8mm hd h, 5/8in. A/F	7023-99L	1	Fuel filter drain
64	A	46MT12 4730-99-881-5779	. . . ADAPTOR, STRAIGHT PIPE, steel, 14 x 1.5 x 30mm lg, 3/8in. BSP, hex centre		1	
65	A	6MT12 2910-99-807-6922	. . . GASKET, asbestos, 1/64in. thk, 70 x 75 x 58mm dia, 4 holes 6.4mm dia		1	
66	A	6MT1 5330-99-833-6174	. . . SEAL, PLAIN, rubber, steel, 6 x 19.9 x 35mm dia		1	
67	A	46MT12 2910-99-881-5747	. . . PLATE, RETAINING, BEARING, 75mm x 70mm x 9mm thk		1	
68	A	46MT12 5305-99-200-2300	. . . SCREW, MACHINE, steel, oval csk hd, 6 x 17.3mm lg	NS76/15Y1	4	
69	A	46MT1 5315-99-943-5954	. . . KEY, WOODRUFF, 0.62 x 0.157 x 0.25in. h	C762-9	1	

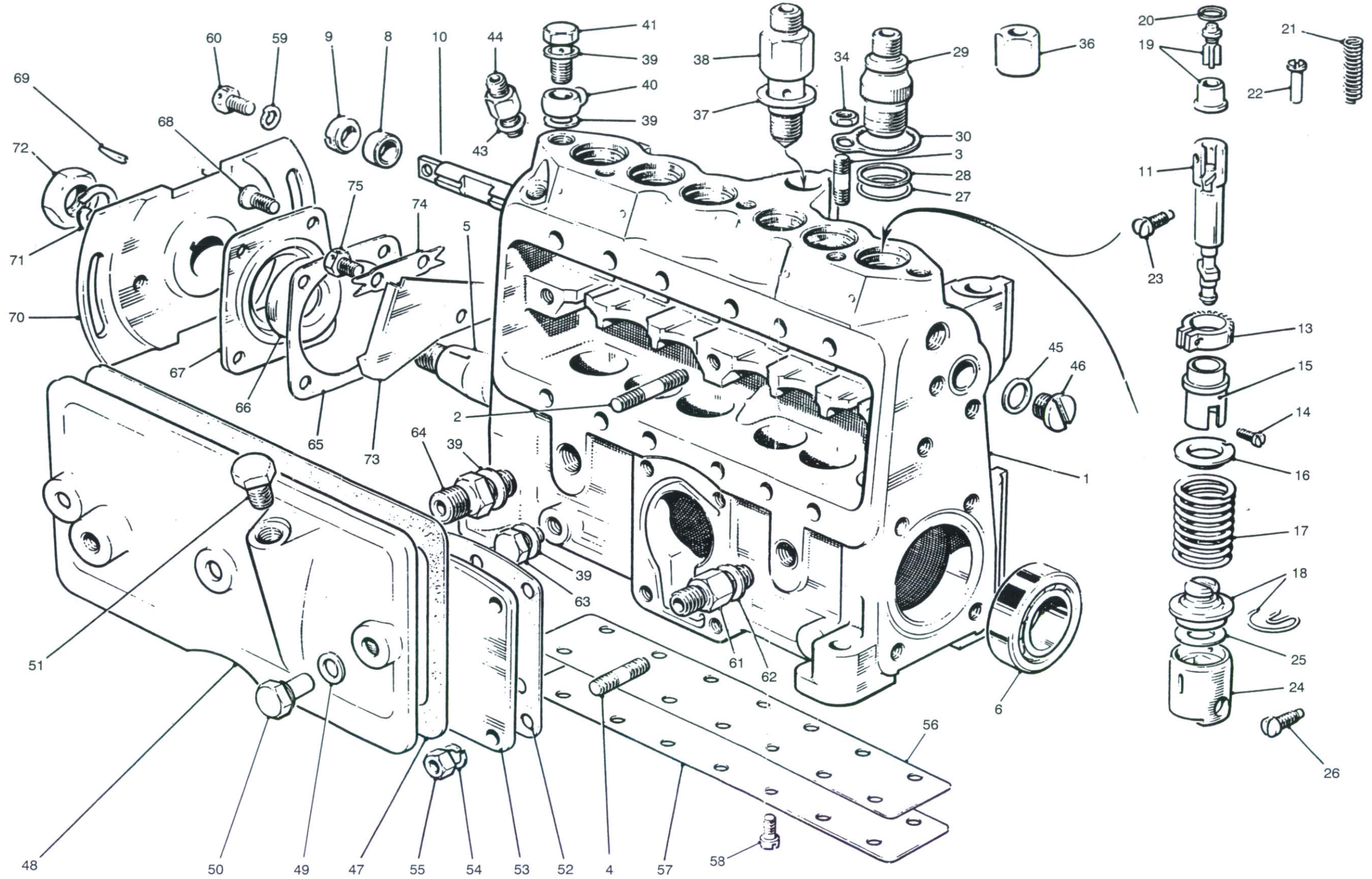


Fig 22 Pump, fuel, metering and distributing

Fig Item	Man Code Navy - N Army - A RAF - R	NATO Stock No	Item Name and Description	Part No/ Drawing No.	No. Off	Annotations
22-			POWER UNIT, DIESEL - contd . ENGINE, DIESEL - contd . . PUMP, FUEL, METERING AND DISTRIBUTING - contd			
70	A 10	2910-99-866-7265	. . . COUPLING HALF, SHAFT, steel, 5- 19/64 x 13/16 x 3-1/8in. od	FV452462	1	
71		NP	. . . WASHER, LOCK, steel, flat, 14.9mm		1	
72		NP	. . . NUT, PLAIN, HEXAGON, metric, steel, zinc coated, 14mm		1	
73	A 10	2815-99-867-0561	. . . TIMING, POINTER, injection pump	FV452816	1	
74	A 9ACR	5340-99-802-1025	. . . LOCKING PLATE, NUT AND BOLT, steel, 46.25 x 9.5 x 0.8mm thk	Y5936-286	1	
75		NP	. . . SCREW, MACHINE, metric, steel, hex hd, 6 x 12mm	Z5334-141	2	
NI 76		NP	. . . NUT, UNION, PIPE, steel, 12.7 x 12.8mm id, 13/16 x 5/8in. -18 UNF thd, hex shape	7097-71C	2	
NI 77		NP	. . . NUT, UNION, PIPE, steel, 11.2 x 6.7mm id, 1/2 x 3/8in. -24 UNF thd, hex shape	7097-157D	2	

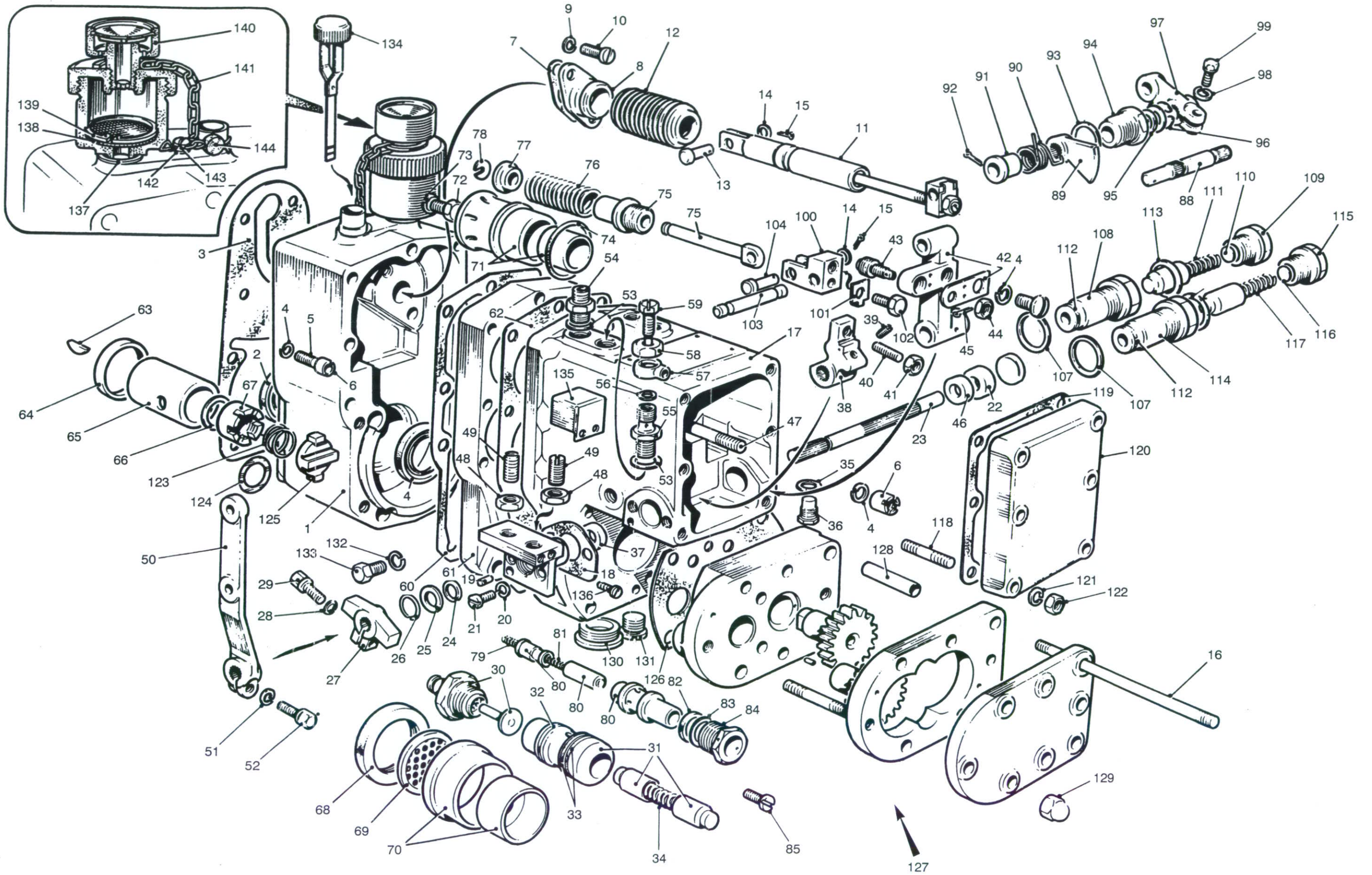


Fig 23 Injector pump governor

Fig Item	Man Code Navy - N Army - A RAF - R	NATO Stock No	Item Name and Description	Part No/ Drawing No.	No. Off	Annotations
23-			POWER UNIT, DIESEL - contd . ENGINE, DIESEL - contd . . . PUMP, FUEL, METERING AND DISTRIBUTING - contd			
1		NP	. . . FUEL INJECTION PUMP, GOVERNOR		REF	
2	A	6MT1 5330-99-833-6174	. . . SEAL, PLAIN, rubber, steel, 6 x 19.9 x 35mm dia	1N5924-5J	2	
3	A	46MT12 2910-99-807-9629	. . . GASKET, syn rubber, 1/64in. thk	7095-151	1	
4	A	G1 5310-99-100-6945	. . . WASHER, LOCK, steel, flat int teeth, 1/4 x 15/32 x 0.026in. thk	AGS2035-E	7	
5		NP	. . . STUD, PLAIN, metric, steel, 6 x 27mm	7095A104D	4	
6	A	46MT12 5310-99-808-4684	. . . NUT, PLAIN, ROUND, SI, 6 x 1 x 10 x 9.9mm thk, rh thd	7095-299	4	
7	A	46MT12 5330-99-881-5885	. . . GASKET, rubber, syn, rd, 6.5 x 17mm id, 1/64in. cross-sect thk	Z7095-669	1	
8		NP	. . . LINK, PLATE, BELLOWS, governor, fuel injection pump	Y7095-668	1	
9	A	G1 5310-99-941-6654	. . . WASHER, LOCK, steel, split helical ring, 1/4 x 27/64 x 5/64in. thk	P2	3	
10	A	G1 5305-99-941-6249	. . . SCREW, MACHINE, flat fillister hd, 10mm lg, 6G	D1C23677- 267-ECS 6X10	1	
11	A	9ACR 2910-99-801-2351	. . . LINK ASSEMBLY	Y7095-673A	1	
12	A	46MT12 5340-99-881-5886	. . . BELLOWS, PROTECTION, rubber, 26 x 17.5 x 54mm lg	Y7095-647	1	
13	A	9ACR 5315-99-881-5840	. . . PIN, STRAIGHT, HEADED, steel, 6 x 11.65mm lg, flat hd	7023-60C	1	
14		NP	. . . WASHER, FLAT, steel, 6mm id	NW2-47	1	
15		NP	. . . PIN, COTTER, SPLIT, steel, 3/64in. od x 1/2in. lg		1	
16		NP	. . . STUD, PLAIN	Y7095A104 F	2	
17		NP	. . . HOUSING, GOVERNOR	7095-585H	1	
18	A	6MT12 2910-99-807-9694	. . . GASKET, 38mm lg, 30mm wd	7095-183	1	
19		NP	. . . PIN, STRAIGHT, HEADLESS, steel, 11mm pin o/a lg, 5mm dia	7095-23	1	
20		NP	. . . WASHER, LOCK, steel, zinc P, flat int teeth, 6.6 x 0.6 x 12mm od		2	
21	A	G1 5305-99-941-6249	. . . SCREW, MACHINE, flat fillister hd, 10mm lg, 6G	D1C23677- 267-ECS 6X10	2	
22		NP	. . . BEARING, SLEEVE, steel, zinc P, flat int teeth, 6.6 x 0.6 x 12mm od	Z7095-678	1	
23	A	46MT12 3040-99-804-3648	. . . SHAFT, SHOULDERED, steel, 113mm lg x 10mm dia	7095-213G	1	
24	A	46MT12 5330-99-808-4106	. . . PACKING, PREFORMED, syn rubber, 3.17 x 9.52 x 14.28mm od, 84 deg	Z7095-118	1	
25		NP	. . . WASHER, HYDRAULIC GOVERNOR, steel, Cd P, 14.2 x 10.2 x 1/32in. thk	7095-1198	1	
26	A	46MT12 5365-99-808-4202	. . . RING, RETAINING, steel, 0.9 x 16 x 15.1 x mm wd	Z7095-120	1	
27	A	46MT12 2910-99-807-9708	. . . BELL, CRANK, hydraulic governor	Y7059-247	1	
28	A	G1 5310-99-941-6654	. . . WASHER, LOCK, steel, split helical ring, 1/4 x 27/64 x 5/64in thk	P2	1	
29	A	46MT12 5305-99-808-4624	. . . SCREW, SHOULDERED, SI, 5 x 8 x 11 x 15mm lg, steel, phos hex hd, 9.5 x 3mm shoulder dia	Z7095-283	1	
30	A	46MT12 2910-99-807-9837	. . . VALVE, HYDRAULIC GOVERNOR, amplifier	Z7095-73A	1	

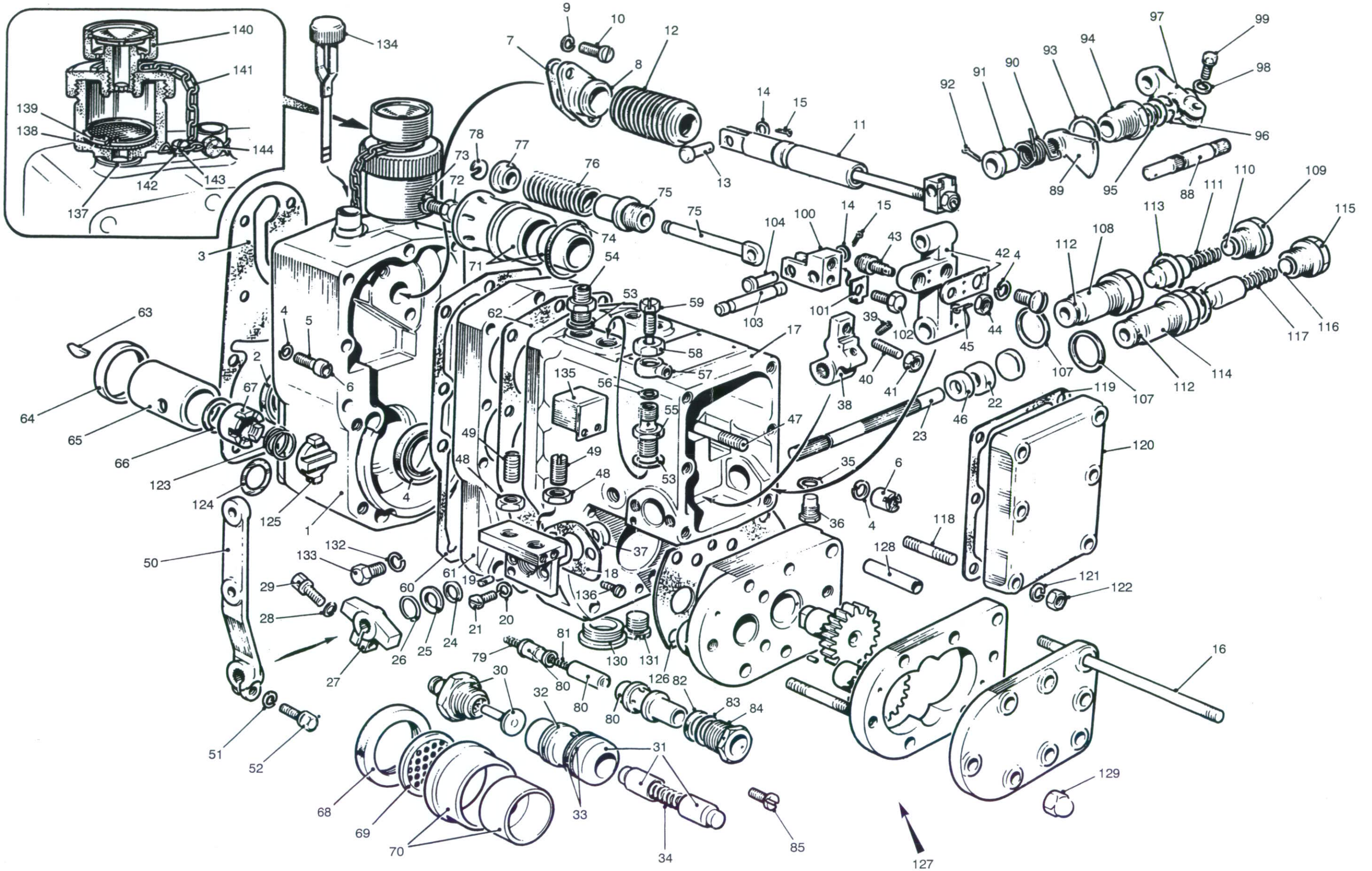


Fig 23 Injector pump governor

430/70022

Fig Item	Man Code Navy - N Army - A RAF - R	NATO Stock No	Item Name and Description	Part No/ Drawing No.	No. Off	Annotations	
23-			POWER UNIT, DIESEL - contd . ENGINE, DIESEL - contd . . FUEL INJECTION PUMP GOVERNOR - contd				
31	A	46MT12	2910-99-808-0130	. . . VALVE, HYDRAULIC GOVERNOR	Z7095-605	1	With sleeve
32	A	6MT12	5330-99-808-4105	. . . RING, SEALING, TOROIDAL, syn rubber, 77 deg, 2 x 19mm id	Z7095-137D	1	
33	A	46MT12	5330-99-807-6929	. . . RING, SEALING, TOROIDAL, syn rubber, 75 deg, 2 x 21mm id	Z7097-45	2	
34	A	46MT12	2910-99-807-9669	. . . SPRING, HELICAL, COMPRESSION, 7.6mm id	Z7095-198	1	
35	A	6MT12	5310-99-807-9665	. . . WASHER, FLAT, aluminium, rd, 13 x 8mm nom bolt size, 1/32in. matl thk	7095-35	1	
36	A	6MT12	5305-99-808-4618	. . . SCREW, SET, ISO M, steel, hex hd, dog point, 8 x 1.25mm pitch, 17.5mm lg	7095-36	1	
37	A	6MT12	5365-99-807-9706	. . . SPACER, SLEEVE, steel, 6mm lg, 15 x 9.5mm id	7095-167A	1	
38	A	6MT12	2910-99-807-9691	. . . CAM, CONTROL, hydraulic governor	X7095-170	1	
39	A	6MT12	5305-99-808-4620	. . . SCREW, GRUB, ISO M, steel, dog point, slot drive, 5mm x 0.8mm pitch, 19mm lg	Z7095-170	1	
40	A	46MT12	5305-99-808-4908	. . . SCREW, GRUB, SI, steel, phos, 6 x 1mm pitch, 16mm lg, rd slot drive	Z7095-173A	1	
41		NP		. . . NUT, PLAIN, HEXAGON, metric, steel, zinc coated, 6mm	D1C23680-267-LB6M6	1	
42	A	46MT12	2910-99-801-3513	. . . LEVER, REMOTE CONTROL, hydraulic governor	Y7095-616A	1	
43	A	46MT1	2910-99-808-4649	. . . SCREW, ADJUSTING, GOVERNOR, 22.5mm o/a lg	7095A297A	1	
44		NP		. . . NUT, PLAIN, HEXAGON, metric, steel, zinc coated, 6mm	D1C23680-267-LB6M6	1	
45	A	G1	5315-99-138-2201	. . . PIN, COTTER, SPLIT, steel, phos finish, 1.6 x 25mm lg	0009830407	1	
46	A	46MT12	5365-99-807-9705	. . . SPACER, SLEEVE, steel, 8mm lg x 15 x 9.5mm id	Z7095-167	1	
47	A	46MT12	5307-99-807-9644	. . . STUD, PLAIN, steel, 71.5mm lg, 6 x 1mm pitch nut end, 5.8 x 1mm SI thd end, 10 x 9mm nut and stud end lg	X7095-104H	1	
48		NP		. . . NUT, PLAIN, HEXAGON, ISO M, 8 x 12mm pitch, rh, steel, phos, 12.9 x 4.8mm h, chamfered	ERR0560	2	
49	A	6MT12	5305-99-807-9690	. . . SCREW, GRUB, ISO M, steel, zinc P & passivated, slot drive, rd, 1.25 x 21mm lg	Z7095-112A	2	
50	A	9ACR	2910-99-807-9944	. . . LEVER, REMOTE CONTROL, hydraulic governor	Y7095-282	1	
51	A	G1	5310-99-941-6654	. . . WASHER, LOCK, steel, split helical ring, 1/4 x 27/64 x 5/64in. thk	P2	1	
52	A	46MT12	5305-99-808-4624	. . . SCREW, SHOULDER, SI, steel phos, hex hd, 9.5 x 3mm lg, 5 x 8mm pitch, 15mm o/a lg	Z7095-283	1	
53	A	6MT12	5310-99-807-7370	. . . WASHER, FLAT, fibre, 15 x 10 x 1.5mm thk, rd hole	Z5339-131	2	
54	A	9ACR	4730-99-881-5846	. . . ADAPTOR, STRAIGHT, PIPE, steel, 3/8 -24 UNF, 4.75 x 20mm lg, zinc plated	Y7095-658	1	
55	A	46MT12	2910-99-807-9652	. . . BODY, VALVE, steel, 29 x 0.5mm A/F, 10 - 1.25mm ext thd smallest end, 10 - 1mm ext thd other end	7097-222	1	

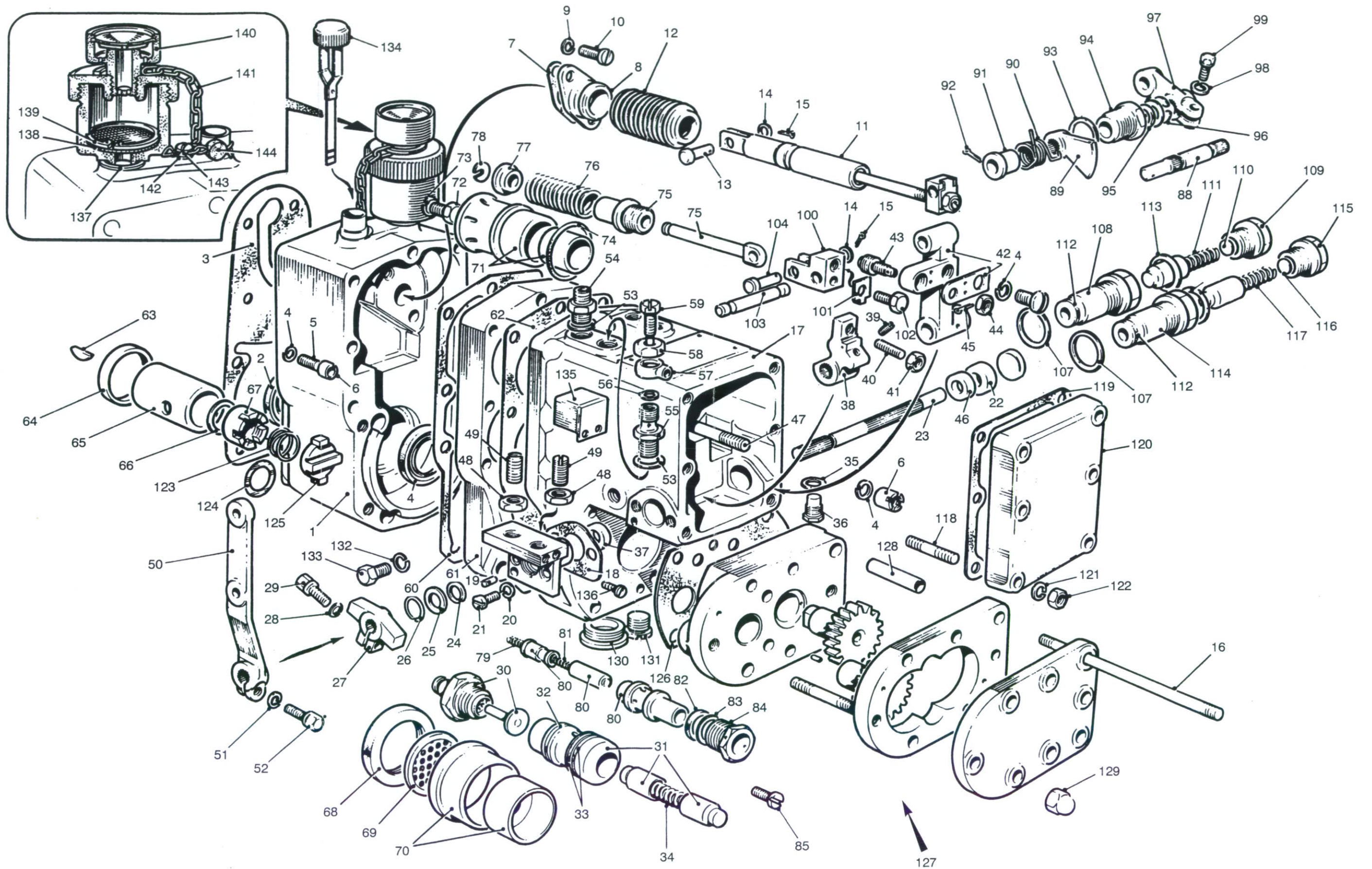


Fig 23 Injector pump governor

Fig Item	Man Code Navy - N Army - A RAF - R	NATO Stock No	Item Name and Description	Part No/ Drawing No.	No. Off	Annotations
23-			POWER UNIT, DIESEL – contd . ENGINE, DIESEL – contd . . FUEL INJECTION PUMP GOVERNOR – contd			
56	A	6MT12	5330-99-808-4696 . . . FELT, MECHANICAL, PREFORMED, felt, rd, 8.6 x 6.2 x 4.1mm thk	Z5339-321	1	
57	A	6MT12	4730-99-807-3604 . . . CONNECTOR, MULTIPLE FLUID, PRESSURE LINE, brass, 26 x 17 x 10mm dia bolt hole, 5mm od pipe size	NA1-5	1	
58		NP	. . . NUT, UNION, PIPE, metric, steel, 10mm	7095-55B	1	
59	A	46MT12	2910-99-881-5847 . . . VALVE, AIR VENT, hydraulic governor	7095-518A	1	
60	A	46MT12	5330-99-881-4814 . . . GASKET, 88mm wd x 190.5mm o/a h	X7095-531	1	
61	A	46MT12	2910-99-881-5805 . . . HOUSING, MECHANICAL DRIVE, hydraulic governor, aluminium, 191 x 23 x 19.7mm thk	7095-528A	1	
62	A	46MT12	2910-99-881-4866 . . . GASKET, syn rubber, 187.5 x 5 x 86 x 0.015in. thk	Z7095A311	1	
63	A	46MT1	5315-99-943-5954 . . . KEY, WOODRUFF, rd bottom, 0.62 x 0.157 x 0.25in. h	C762-9	1	
64	A	46MT12	2910-99-807-9642 . . . RING, DOWEL, 30mm id x 35mm od x 6.8mm thk	Z7095-101	1	
65	A	46MT12	2910-99-808-0154 . . . COUPLING, SHAFT, RIGID, steel, 28mm od x 47mm lg	Y7095-541	1	
66	A	G1	5310-99-941-6658 . . . WASHER, LOCK, steel, split helical ring, 1/2 x 7/64 x 29/64in. od	SL242/6	1	
67	A	6MT12	5310-99-808-4685 . . . NUT, PLAIN, ROUND, SI, steel, phos, 12 x 1.5mm pitch, 21mm dia x 11mm thk	Z7095-61	1	
68	A	46MT1	5330-99-808-4104 . . . PACKING, PREFORMED, syn rubber, 6.5 x 36.5 x 45.4mm od	Z7095-42	1	
69	A	46MT12	2910-99-807-9666 . . . STRAINER ELEMENT, SEDIMENT, 140.0 mesh size	Z7095-41	1	
70	A	46MT12	2910-99-881-5806 . . . PISTON ASSEMBLY, ORIFICE, hydraulic governor	7095-574	1	
71	A	46MT12	2910-99-807-9659 . . . PISTON, SERVO ASSEMBLY, hydraulic governor	7095-273	1	
72		NP	. . . SCREW, MACHINE, metric, steel, hex hd, 6 x 12mm	Z5334-141	1	
73	A	G1	5310-99-100-6945 . . . WASHER, LOCK, steel, flat int teeth, 1/4in. id x 0.026in. thk x 15/32in. od	AGS2035-E	1	
74	A	46MT1	5330-99-807-9655 . . . RING, SEALING, TOROIDAL, rubber, 75-85, 9/64 x 1-3/64in. id	R4106E75	1	
75	A	6MT12	2910-99-807-9660 . . . ROD AND SPRING, SEAT ASSEMBLY, hydraulic governor	7095-275	1	
76	A	46MT12	2910-99-807-9656 . . . SPRING, HELICAL, COMPRESSION, 15mm id	Z7095-197	1	
77		NP	. . . SEAT, COMPRESSION, HELICAL SPRING, steel, 6 x 18mm od, 7mm thk c/bored 12mm dia x 2.5mm deep	Y7095-47	1	
78		NP	. . . LOCK, VALVE SPRING RETAINER, steel, 11.5mm od x 0.071in. thk, w/slot 6mm wd	Z7095-49	1	
79	A	46MT12	2910-99-807-9664 . . . SPRING, HELICAL, COMPRESSION, steel, 18 coils, 5.8mm free od x 20.5mm free lg	Z7095-381	1	
80	A	46MT12	2910-99-801-8747 . . . VALVE, IDLING, hydraulic governor	Z7095-271A	1	
81	A	9ACR	2910-99-807-9949 . . . SPRING, HELICAL, COMPRESSION, hydraulic governor	Z7095-519	1	

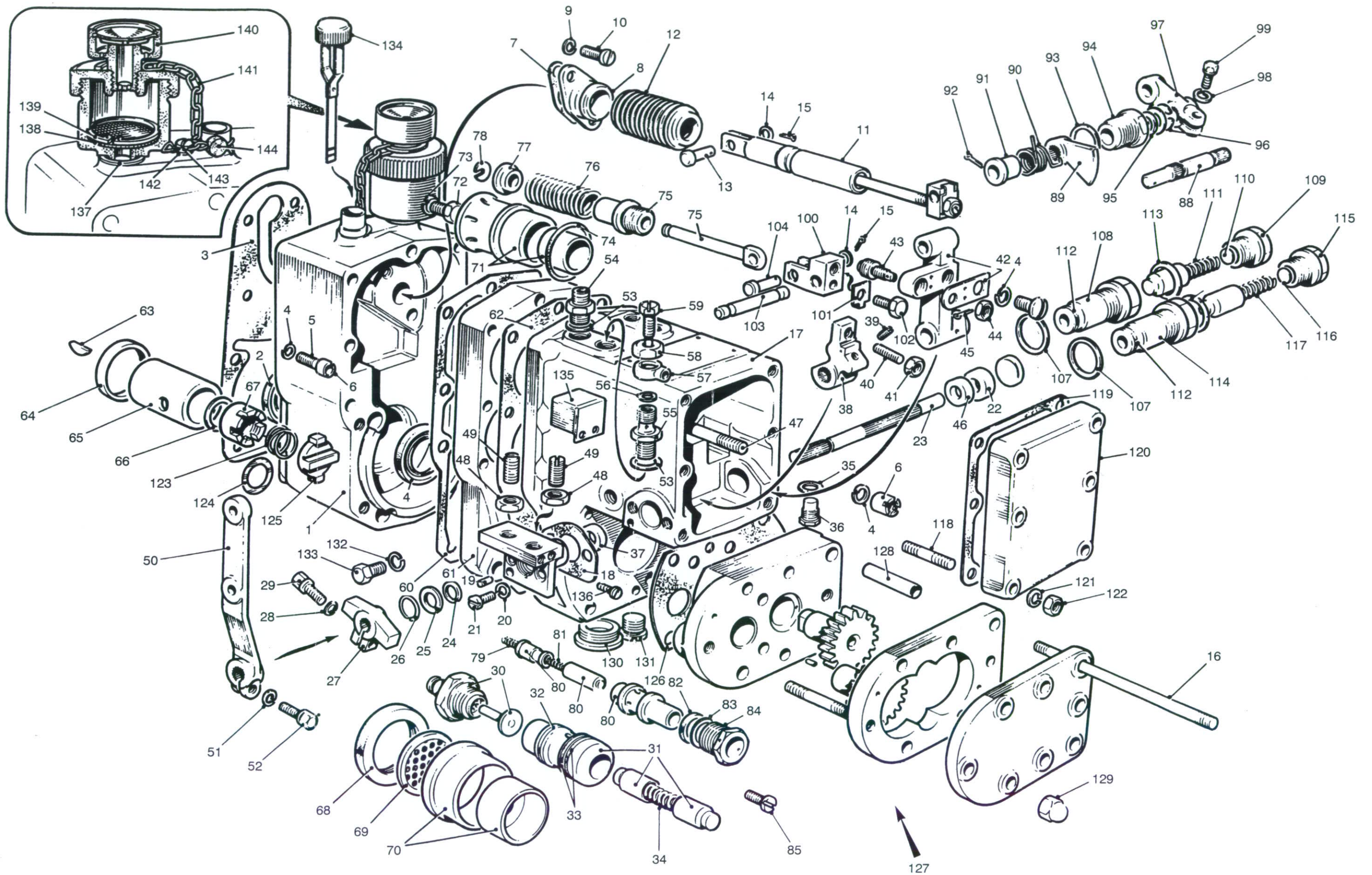


Fig 23 Injector pump governor

Fig Item	Man Code Navy - N Army - A RAF - R	NATO Stock No	Item Name and Description	Part No/ Drawing No.	No. Off	Annotations
23-			POWER UNIT, DIESEL - contd . ENGINE, DIESEL - contd . . FUEL INJECTION PUMP GOVERNOR - contd			
82	A	46MT12	5330-99-808-4103 . . . RING, SEALING, TOROIDAL, syn rubber, 80 deg, 2 x 12mm id	Z7095-294	1	
83	A	6MT12	5365-99-808-4687 . . . SPACER, RING, copper, rd, 15.7 x 12.2mm dia hole, 0.036in. thk	NW5-30	1	
84	A	46MT12	4730-99-808-4686 . . . PACKING, NUT, steel, 18 x 1.5 x 12.5 x 16.5mm lg	Y7095-74	1	
85		NP	. . . SCREW, MACHINE, metric, steel, Cd P, pan hd, slot drive, M5 x 0.8 x 12mm lg		1	
NI 86	A	G1	5310-99-100-6945 . . . WASHER, LOCK, steel, flat int teeth, 1/4in. id x 0.026in. thk x 15/32in. od	AGS2035-E	1	
NI 87	A	46MT12	5310-99-808-4684 . . . NUT, PLAIN, ROUND, SI, steel, 6 x 1 x 10 x 9.9mm thk	7095-299	1	
88	A	46MT12	2910-99-881-5882 . . . SHAFT, SHOULDERED, steel, 9.5 x 7 x 59.2mm lg w/2 serrations on 2 sections	X7095-347E	1	
89	A	46MT12	2910-99-807-9951 . . . LEVER, STOP, hydraulic governor	X7095-349	1	Stop lever return
90	A	46MT12	2910-99-881-5857 . . . SPRING, HELICAL, TORSION, stop lever return, fuel injector pump governor	Y7095-665	1	
91		NP	. . . BUSHING, SLEEVE, steel, ext flange one end, solid, 12.5 x 10.6 x 8mm id	Z7095-666	1	
92		NP	. . . PIN, COTTER, SPLIT, steel, phos, 1/16 x 1/2in.		1	
93	A	46MT12	5310-99-801-3512 . . . WASHER, KEY, steel, 2 ext keys, 45/64 x 1/32 x 63/64 x 17/64in. key lg and wd	Z7095-350	1	
94	A	46MT12	5365-99-881-5855 . . . BUSHING, MACHINE, THREAD, steel, SI, hex hd, 18 x 1.5 x 19 x 2.4mm wd x 1/2in. A/F	Y7095-351D	1	
95	A	6MT1	5330-99-943-0010 . . . RING, SEALING, TOROIDAL, rubber, 81-88, 5/64 x 23/64in. id	SSML7-17- 1F012	1	
96		NP	. . . CLIP	5933/64D	1	
97	A	46MT12	2910-99-881-4803 . . . LEVER, REMOTE CONTROL, hydraulic governor, short	X7095-424	1	
98	A	G1	5310-99-941-6654 . . . WASHER, LOCK, steel, split helical ring, 1/4 x 27/64 x 5/64in. thk	P2	1	
99	A	46MT12	5305-99-808-4624 . . . SCREW, SHOULDER, SI, steel, phos, hex hd, 9.5 x 3mm lg, 5 x 8mm pitch, 15mm o/a lg	Z7095-283	1	
100	A	46MT12	2910-99-807-9679 . . . BLOCK, CONTROL LINK, tapped 6 x 1mm pitch - hyd governor	27095-123A	1	
101	A	46MT12	5310-99-301-7665 . . . WASHER, KEY, steel, 6.9mm id, 3/64 x 41/64in. lg	7095-308	1	
102		NP	. . . SCREW, MACHINE, SI, steel, zinc P, hex hd, 6 x 1mm pitch, 12mm lg	D1C23659- 267-B6S 6X12	1	
103	A	46MT12	5315-99-881-4997 . . . PIN, GROOVED, HEADLESS, steel, 47mm o/a lg	Z7095A310	1	
104	A	46MT12	5315-99-807-9674 . . . PIN, STRAIGHT, HEADED, steel, 6 x 16.5 x 2.25mm drilled hole	7023-60	1	
NI 105		NP	. . . SHIM	NW2-47	1	
NI 106		NP	. . . PIN, COTTER, SPLIT, steel, 3/64in. od x 3/8in. lg		1	
107	A	46MT12	5365-99-807-9676 . . . SPACER, RING, copper, rd, 24 x 20.1mm id, 3/64in. thk	5339-757	2	

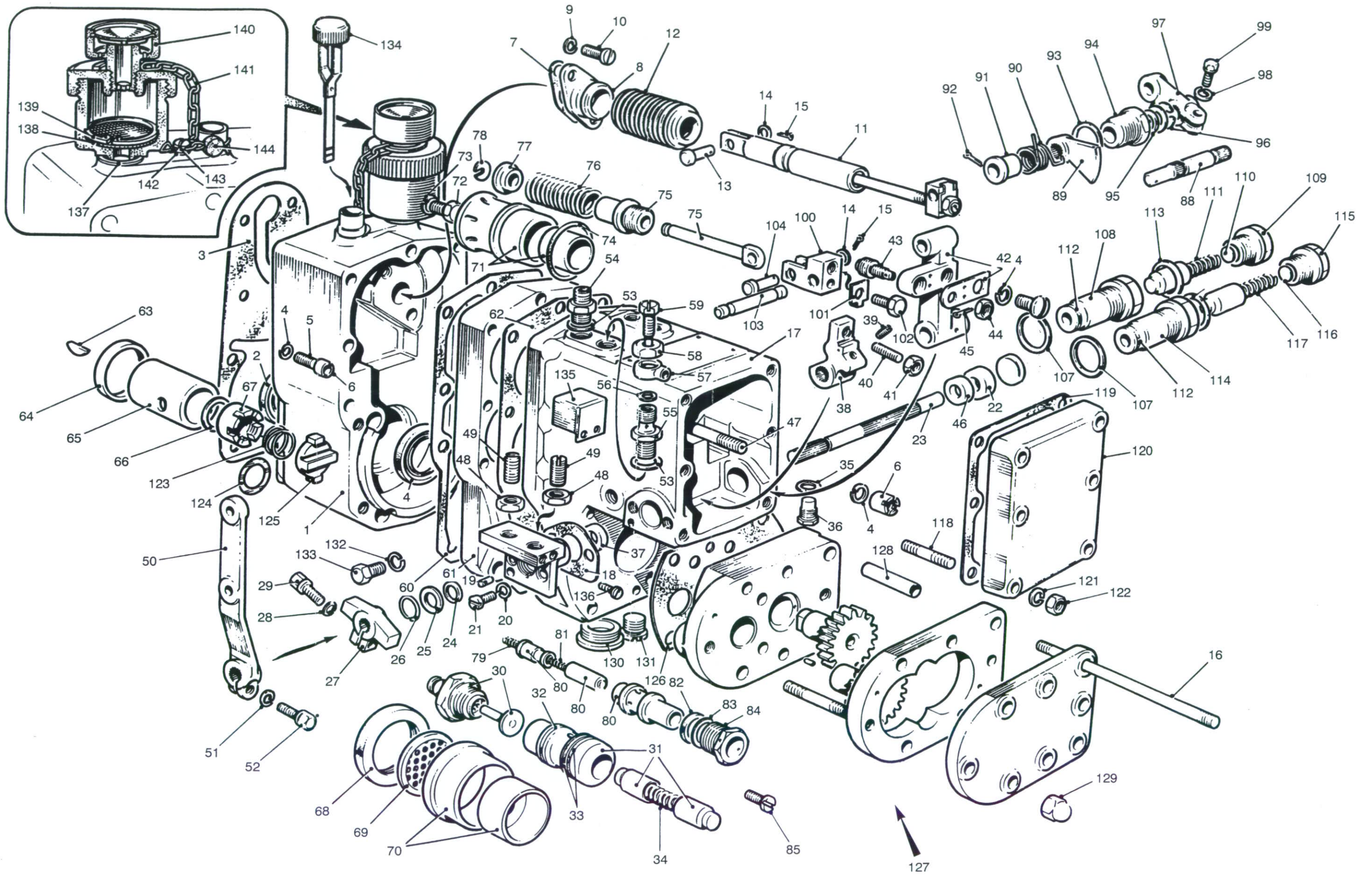


Fig 23 Injector pump governor

Fig Item	Man Code Navy - N Army - A RAF - R	NATO Stock No	Item Name and Description	Part No/ Drawing No.	No. Off	Annotations
23-			POWER UNIT, DIESEL - contd . ENGINE, DIESEL - contd . . FUEL INJECTION PUMP GOVERNOR - contd			
108	A	46MT12	2910-99-881-4861 . . . VALVE, RELIEF, PRESSURE AND TEMPERATURE, opening pressure to atmosphere 46 - 48 PSI	Y7095-755	1	
109		NP PLUG, SCREWED, steel, 17 x 20.5 x 2mm flange thk	7095-142	1	
110	A	46MT12	2910-99-801-2354 DISC, SOLID, PLAIN, 0.5mm thk	Z7095-143	A/R	
111	A	46MT12	2910-99-807-9686 SPRING, HELICAL, COMPRESSION, u/w high pressure relief valve	7095-319	1	
112	A	46MT12	5330-99-808-4103 . . . RING, SEALING, TOROIDAL, syn rubber, 80 deg, 2 x 12mm id	Z7095-294	2	
113		NP	. . . SPACER, RING	5339-806	2	
114	A	46MT12	2910-99-881-4860 . . . VALVE, RELIEF, PRESSURE AND TEMPERATURE, opening pressure to atmosphere 22-24 PSI	7095-755A	1	
115		NP PLUG, SCREWED, steel, 17 x 20.5 x 2mm flange thk	7095-142	1	
116	A	46MT12	2930-99-801-2354 DISC, SOLID, PLAIN, 0.5mm thk	Z7095-143	A/R	
117	A	46MT12	2910-99-807-9682 SPRING, HELICAL, COMPRESSION, u/w low pressure relief valve	7095-276	1	
118	A	46MT12	5307-99-804-3647 . . . STUD, PLAIN, steel, walterised, 46 x 6 x 1mm pitch, 11mm stud end lg	7097A128E	6	
119	A	46MT12	5330-99-807-9647 . . . GASKET, asbestos, 0.008in. thk	Y7095-157	1	Cover plate
120	A	9ACR	2910-99-881-5856 . . . COVER, ACCESS, governor, fuel injection pump	Y7095-362	1	
121	A	G1	5310-99-100-6945 . . . WASHER, LOCK, steel, flat int teeth, 1/4 x 15/32in. od x 0.026in. thk	AGS2035-E	6	
122		NP	. . . NUT, PLAIN, HEXAGON, metric, steel, zinc coated, 6mm	D1C23684- 267BUF 06M6	6	
123	A	46MT12	2910-99-808-0153 . . . SPRING, HELICAL, COMPRESSION, steel, 17 x 10mm free lg, 20 SWG	Z7095-540	1	
124	A	6MT12	5365-99-801-2352 . . . SHIM, steel, solid, rd, 14 x 0.3 x 21mm od	NW2-180	1	
125	A	46MT12	2910-99-808-0152 . . . COUPLING, GEAR PUMP	7095-539	1	
126	A	46MT12	2910-99-881-4865 . . . GASKET, syn rubber, 104 x 68mm w x 1/64in. thk	Y7095A156	1	
127	A	46MT12	2910-99-881-4858 . . . PUMP, ROTARY, POWER DRIVEN, high speed, 2200 rev/min	X7095-576	1	
128	A	46MT12	5315-99-807-9654 . . . PIN, HOLLOW, hyd governor	Z7095-107	2	
129	A	46MT12	5310-99-808-4683 . . . NUT, PLAIN, CAP, SI, steel, 6 x 1mm pitch, 10.5 x 13mm o/a h	Z7095-106	6	
130	A	46MT12	4730-99-804-3498 . . . PLUG, SCREWED, SI, steel, hex hd, 22 x 1.5 x 6.2mm lg	7095-248B	1	
131	A	6MT12	5365-99-807-6945 . . . PLUG, SCREWED, steel, slot drive, 12 x 1.5 x 12.5mm lg	7097-80	1	
132	A	6MT12	5310-99-808-4679 . . . WASHER, FUEL INJECTION, copper, 6.2 x 11mm od, 1/32in. thk	NW5-14W4	1	
133		NP	. . . SCREW, MACHINE, metric, steel, hex hd, 6 x 8mm	NS49-8S1	1	
134	A	46MT12	6680-99-811-0068 . . . DIPSTICK - CAP, LIQUID QUANTITY	7095-751	1	
135	A	46MT12	2910-99-807-9689 . . . COVER PLATE, ACCESS	7095A59	1	
136	A	G1	5305-99-120-4684 . . . SCREW, MACHINE, med thd, 8mm lg, flat fillister hd		2	
137	A	46MT12	5310-99-804-4284 . . . WASHER, FLAT, copper, rd, 17 x 12 x 1mm thk	NW5-33	1	

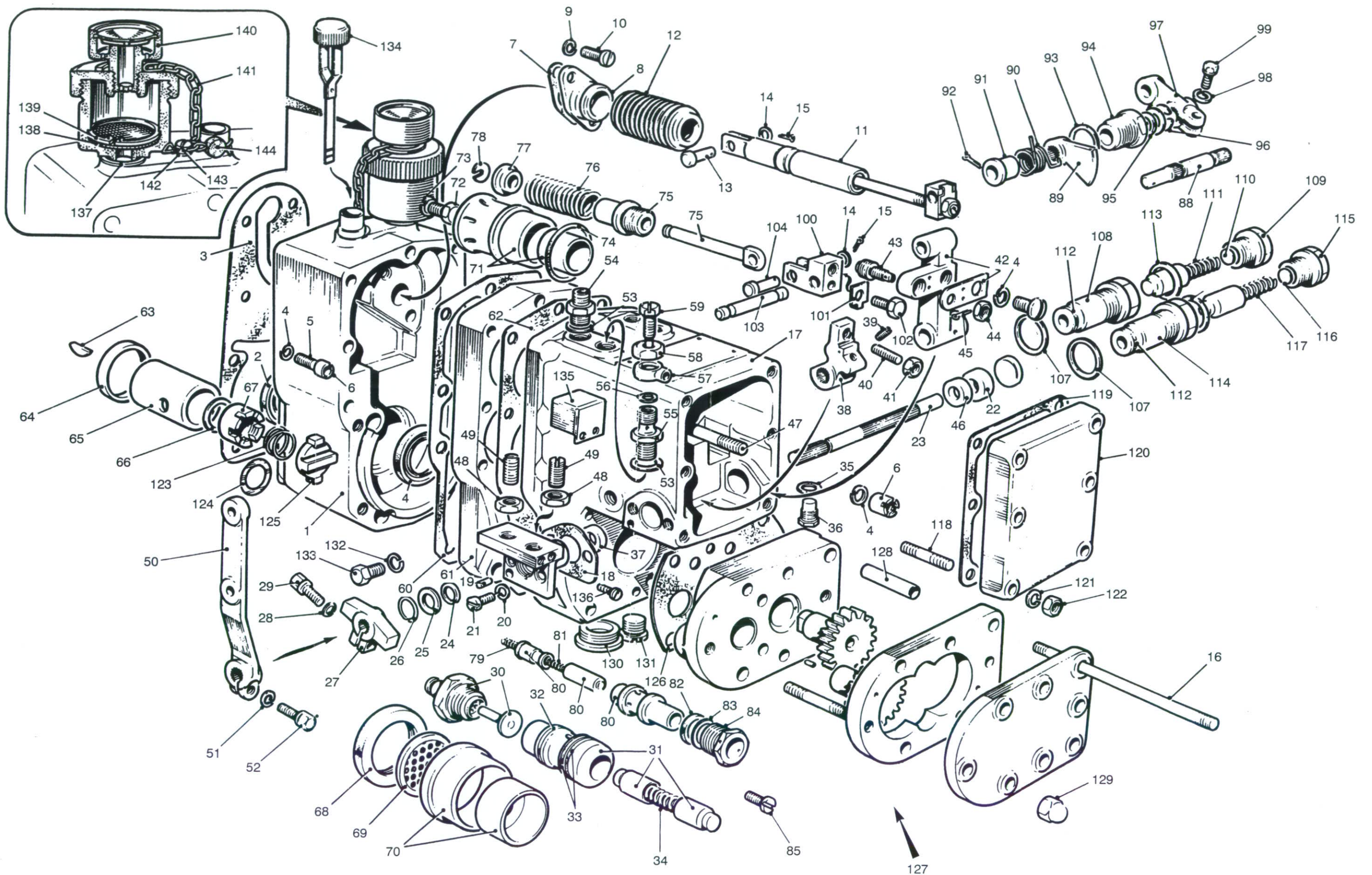


Fig 23 Injector pump governor

Fig Item	Man Code Navy - N Army - A RAF - R	NATO Stock No	Item Name and Description	Part No/ Drawing No.	No. Off	Annotations
23-			POWER UNIT, DIESEL - contd . ENGINE, DIESEL - contd . . FUEL INJECTION PUMP GOVERNOR - contd			
138	A 6MT12	2910-99-804-4282	. . . STRAINER ELEMENT, SEDIMENT, rd, 31.5mm od, 27/64 x 7/32in. wire dia, wire mesh 50mm size	7095-714	1	
139	A 46MT1	5365-99-910-8327	. . . RING, RETAINING, steel, circlip, 1-21/64 x 1/16in. groove wd, EN42 range	JP82362	1	
140	A 46MT12	2910-99-881-4801	. . . BREATHER	7034-879	1	
141	A G1	4010-99-432-7156	. . . CHAIN, SOLID, LINK, parallel/pear shaped, 134.5 grams, 1.6 x 24mm o/a dim	G1GA15080	1	
142	A 46MT12	5310-99-804-4285	. . . WASHER, FLAT, aluminium Al, rd, 7.1 x 4.3mm id x 1/32in. matl thk	5936-58J	1	
143	A G1	5305-99-135-0596	. . . SCREW, MACHINE, flat fillister hd, 10mm lg, 6G thd	82234100	1	
144		NP	. . . SEAL, LEAD, 1/2in. dia		3	

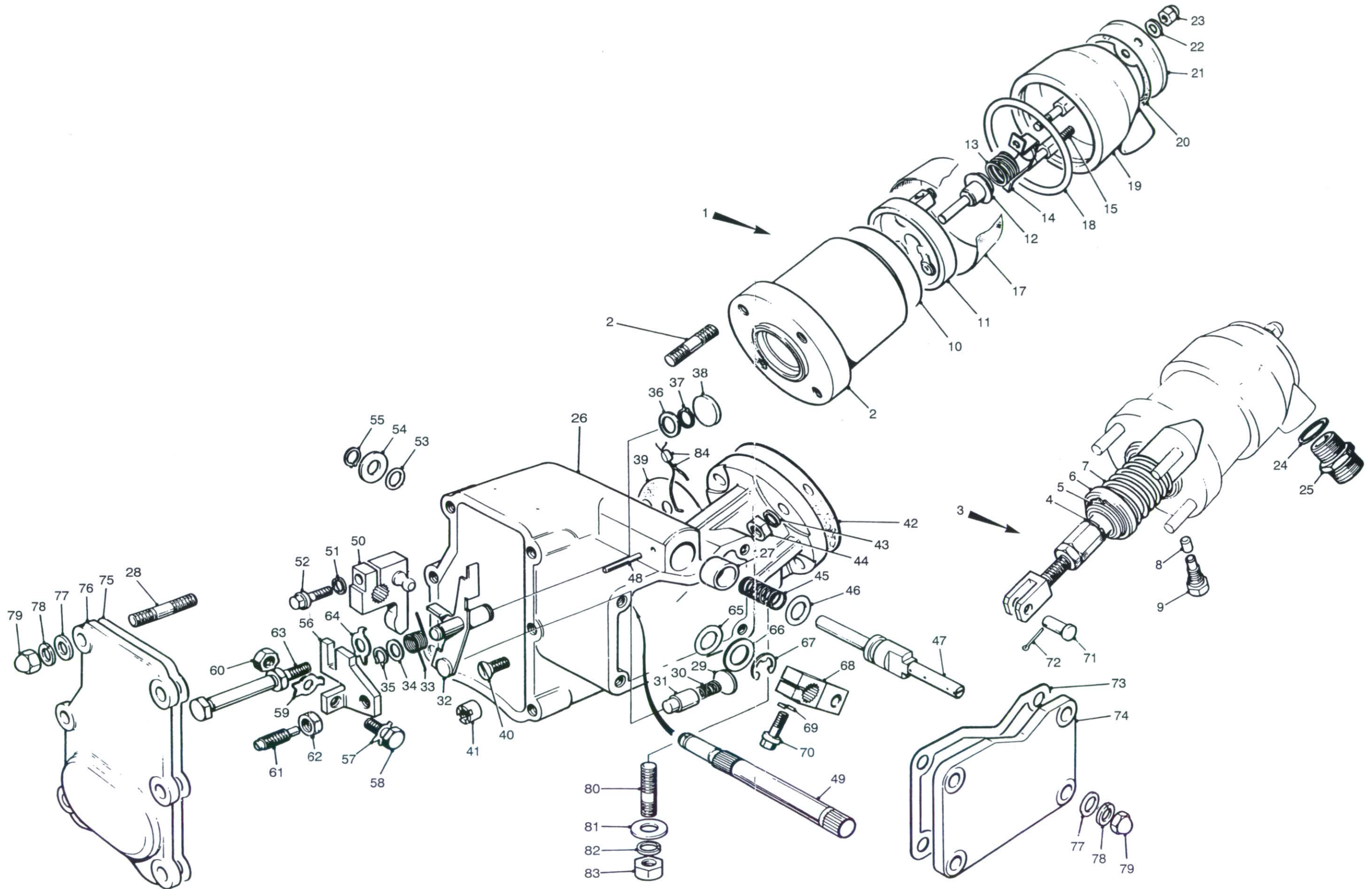


Fig 24 Excess fuel and stopping device

Fig Item	Man Code Navy - N Army - A RAF - R	NATO Stock No	Item Name and Description	Part No/ Drawing No.	No. Off	Annotations
24-			POWER UNIT, DIESEL - contd . ENGINE, DIESEL - contd . . . PUMP, FUEL, METERING AND DISTRIBUTING - contd			
		NP EXCESS FUEL AND STOPPING DEVICE		REF	
1	A	6MT12	5945-99-821-8620 SOLENOID, ELECTRICAL, 24V, fixing studs, 10 x 2.75in. dia		1	
2	A	46MT12	5945-99-881-5851 BODY ASSEMBLED, SOLENOID, solenoid electrical fuel injection pump	5910-139	1	
3		NP LINK AND CORE ASSEMBLY	5910-133	1	
4		NP RING, RETAINING, steel, int, 15 x 2mm matl dia	5910-20	1	
5	A	6MT1	5365-99-834-9152 RING, RETAINING, steel, 1.17 x 22mm shaft dia	7123-417	1	
6		NP SEAT, COMPRESSION HELICAL SPRING, steel, 1.13 x 0.133 x 1.22 x 0.216in. thk, solenoid link	Z5910-140	1	
7		NP SPRING, HELICAL, COMPRESSION, steel, 9-1/2 coils, 8 active, 3/8in. x 1-3/64in. free od	5910-155	1	
8	A	46MT4	5315-99-881-4307 PIN, STRAIGHT, HEADLESS, steel, 25/64in. lg x 5mm dia	Z5910-93	1	
9		NP SCREW, SET, BSF, steel, zinc P, hex hd, 1/4in. -26 x 9/32 x 43/64 x 7/16in. w A/F	5910-135	1	
10		NP SHIM, SOLENOID TERMINAL BLOCK, presspahn, 2-3/4 x 1/64 x 7/16 x 3/16in. dia hole, w/2 mtg holes	Z5910-36A	A/R	
11		NP TERMINAL BLOCK ASSEMBLY, circular block w/2 contacts, 3 terminals and 3 tags	5910-28B	1	
11(1)		NP TERMINAL BLOCK, round, 3 terminals	5910-173	1	Alternative
12	A	46MT4	5945-99-805-1963 CONTACT, ELECTRICAL	5910-51	1	
13	A	46MT12	5360-99-881-5859 SPRING, HELICAL, COMPRESSION, steel, 29/64 x 9/16in. free lg, 17 SWG matl thk, solenoid switch	5910-30	1	
14		NP BRIDGE PIECE ASSEMBLY, excess fuel & stop device	5910-32	1	
15	A	46MT12	5307-99-881-5873 STUD, SHOULDERED, steel, zinc P, 21/64 x 1/2 x 5/16in. lg metal end	5910-131	2	
NI 16	A	G1	5310-99-100-9786 WASHER, LOCK, steel, Cd P, flat int teeth, 2BA, 0.021in. thk x 25/64in. od		2	
17	A	6MT12	5970-99-881-5861 INSULATION SHEET ELECTRICAL, presspahn, 178 x 16mm x 0.0102in. thk o/a dims	5882-31BU	1	
18	A	46MT12	5330-99-881-5878 RING, SEALING	5855-30CV	1	
19	A	46MT12	5945-99-881-5864 COVER, SOLENOID, fuel injection pump	5910-126	1	
20	A	46MT12	5330-99-881-5865 GASKET, syn rubber, 13/64 x 1- 15/16in. od, 2 bolt holes, 1/64in. thk	5910-129	1	
21	A	9ACR	5945-99-881-5872 COVER, ACCESS, solenoid terminal	5910-130	1	
22	A	G1	5310-99-941-8543 WASHER, FLAT, steel, rd, zinc P, 13/64 x 1/2 x 3/64in. thk		2	
23	A	46MT12	5310-99-881-5876 NUT, PLAIN, CAP, BA, steel, zinc P, 3/8in. w 7 h, w/2 holes 1/16in. dia drilled in. hd	5910-132	2	

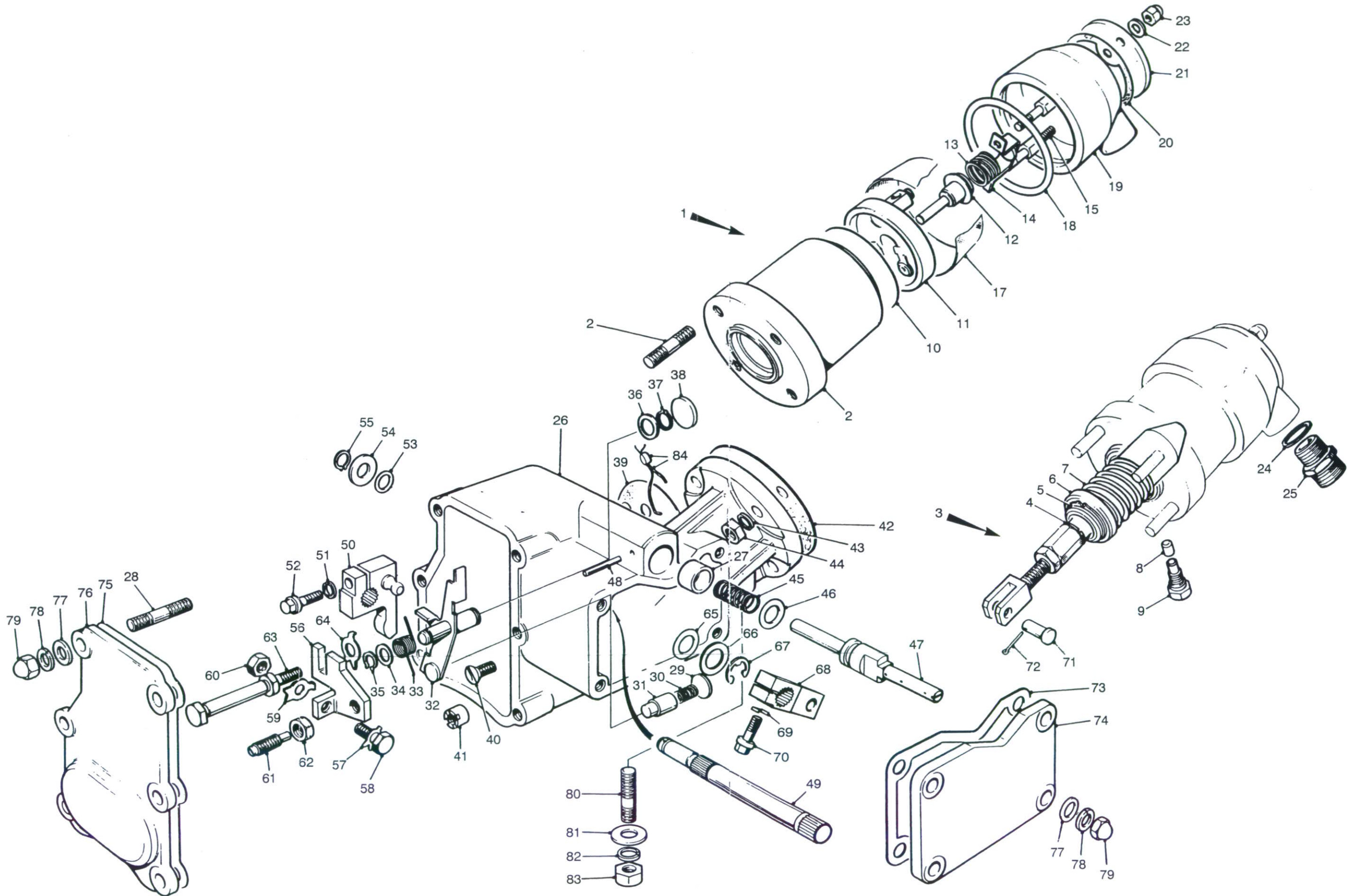


Fig 24 Excess fuel and stopping device

Fig Item	Man Code Navy - N Army - A RAF - R	NATO Stock No	Item Name and Description	Part No/ Drawing No.	No. Off	Annotations
24-			POWER UNIT, DIESEL - contd . ENGINE, DIESEL - contd . . . PUMP, FUEL, METERING AND DISTRIBUTING - contd EXCESS FUEL AND STOPPING DEVICE - contd			
24	A	6MT1	5365-99-801-4380 SPACER, RING, aluminium Al, 12.8 x 15.8mm od x 0.036in. thk	5936-58T	1	
25	A	46MT12	4730-99-809-7912 ADAPTOR, PIPE COUPLING, steel, chemical black, 1/2in. -20 tpi whit 1st end, 11/16in. -24 tpi 2nd end, 1-7/16in. o/a lg	5910-153	1	
26		NP HOUSING	7158-3	1	
27	A	6MT12	3120-99-881-5902 BUSHING SLEEVE, steel, plain, solid, 9.9 x 14.02 x 11mm id	7158-47	1	
28		NP STUD, PLAIN, metric, steel, phos, 6 x 24mm lg	7097-20B	12	
29		NP STOP, DISC	7158-10	1	
30		NP SPRING, HELICAL, COMPRESSION	7158-38	1	
31		NP PLUNGER	7158-19	1	
32		NP LATCH PLATE ASSEMBLY	7158-45	1	
33		NP SPRING, HELICAL, TORSION, excess fuel device, fuel injection pump	7158-18	1	
34		NP WASHER, FLAT	5339-290D	1	
35	A	46MT1	5365-99-942-5707 RING, RETAINING, steel, phos, 0.78 x 8mm dia	5959-25C	1	
36		NP WASHER, FLAT, steel, zinc P, rd, 0.5625 x 0.028 x 0.357in. id	5936-88	1	
37	A	46MT1	5365-99-881-5896 RING, RETAINING, steel, phos, 1 x 9 x 8.6mm groove dia, 1.1mm wd groove	5950-107	1	
38		NP PROTECTION CAP	7097-301A	1	
39	A	6MT12	2910-99-881-5879 GASKET, pump to excess fuel device	7158-13	1	
40	A	46MT12	5305-99-200-2300 SCREW, MACHINE, metric, steel, oval csk hd, slot drive, 6 x 17.3 x 13mm scr, 6G thd	9048-137C	2	
41	A	46MT12	5310-99-808-4684 NUT, PLAIN, ROUND, SI, steel, rd thd, 6 x 1 x 10 x 9.9mm thk	7095-299	2	
42	A	46MT12	5330-99-881-5899 GASKET, asbestos, rd, 6-1/2in. hole dia, 70 x 35mm id, 4 bolt holes 0.008in. thk	7158-41	1	
43	A	G1	5310-99-941-6654 WASHER, LOCK, steel, split helical ring, 1/4 x 27/64 x 5/64in.thk		4	
44		NP NUT, PLAIN, HEXAGON	5330-58A	4	
45		NP SPRING, HELICAL, COMPRESSION, 0.81mm matl thk, fuel injection pump	Z7158-50	1	
46	A	6MT12	5330-99-881-5903 RING, SEALING, TOROIDAL	5855-30BA	1	
47	A	46MT12	2910-99-881-5901 FUEL STOP ASSEMBLY, fuel injection pump	7158-52	1	
48		NP PIN, GROOVED	7023-304	1	
49	A	46MT12	2910-99-809-7587 SHAFT, SHOULDERED, steel, 9.95 x 115.5mm lg, w/2 serrations on 2 sections	7155-57	1	
50		NP STOP ASSEMBLY, PAWL, assemble comprising of 2 items	7158-23	1	
51	A	G1	5310-99-941-6654 WASHER, LOCK, steel, split helical ring, 1/4 x 27/64 x 5/64in. thk	LWZ105	1	
52	A	46MT12	5305-99-808-4624 SCREW, SHOULDERED, SI, steel, phos, hex hd, 8 x 11 x 15 x 9.5 x 3mm shoulder lg	7095-283	1	
53	A	6MT1	5330-99-942-8489 RING, SEALING, TOROIDAL, rubber, 60-65, 5/64 x 19/64in. id	R107	1	

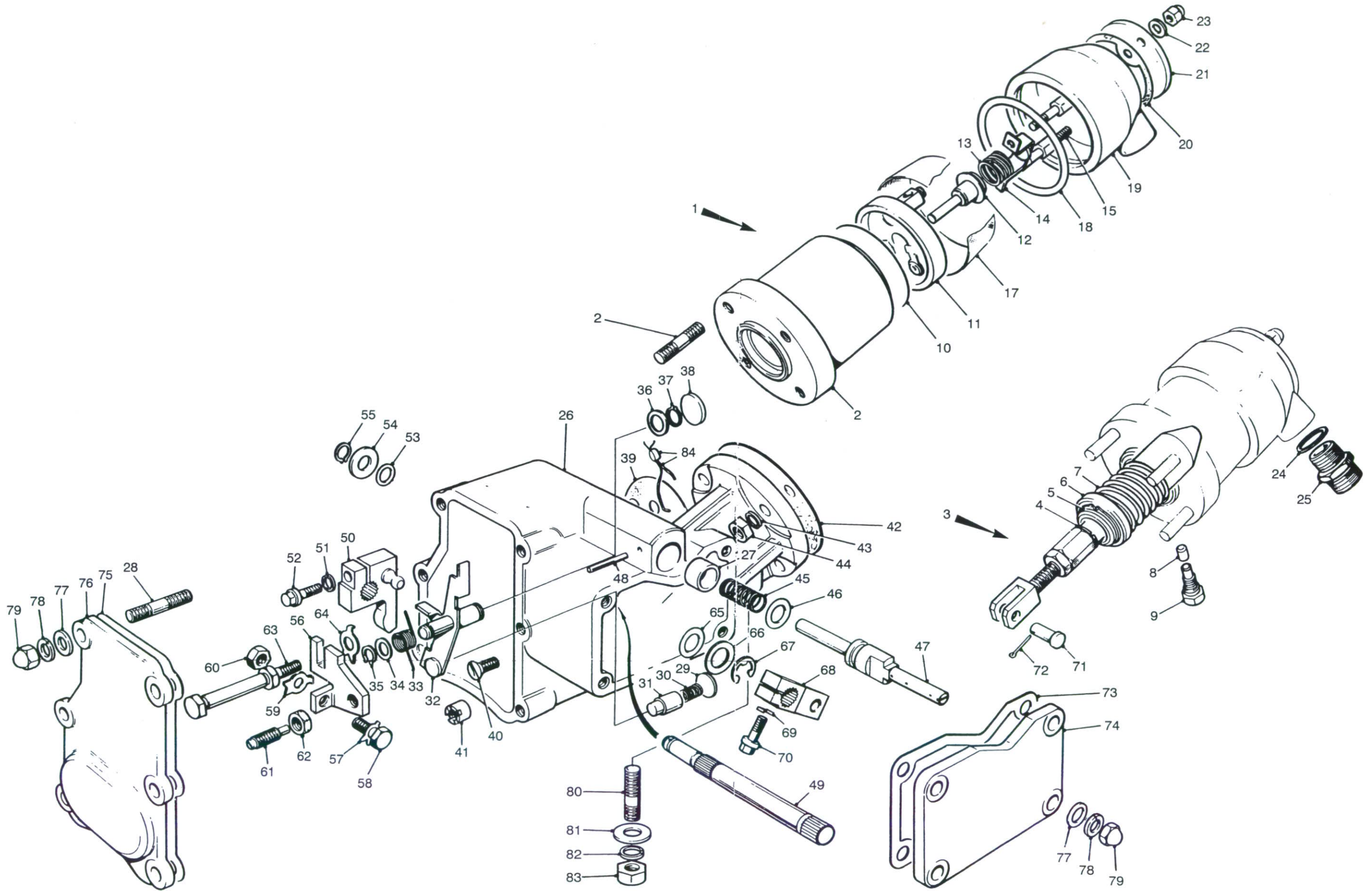


Fig 24 Excess fuel and stopping device

Fig Item	Man Code Navy - N Army - A RAF - R	NATO Stock No	Item Name and Description	Part No/ Drawing No.	No. Off	Annotations
24-			POWER UNIT, DIESEL - contd . ENGINE, DIESEL - contd . . . PUMP, FUEL, METERING AND DISTRIBUTING - contd			
54		NP	. . . WASHER, FLAT, spindle	NW2-89Y1	1	
55	A 46MT1	5365-99-942-5701	. . . RING, RETAINING, steel, circlip, ext, phos, 0.040 x 3/8in. nom shaft size	5959-25C	1	
56		NP	. . . GUIDE, PLATE, steel, 3/16in. thk, w/mtg holes, 1st hole M6 thd, c/w locating slot	7158-42	1	
57		NP	. . . WASHER, KEY	5936-309	1	
58		NP	. . . SCREW, MACHINE, metric, steel, hex hd, 6 x 15mm lg	7079-364B	1	
59	A 46MT12	5310-99-808-4665	. . . WASHER, KEY, steel, 6.1 x 18.5 dim incl keys	7118-107	1	
60	A G1	5310-99-122-5295	. . . NUT, PLAIN, HEXAGON, steel, zinc P, rh, 6H thd, metric 10 x 5mm max h, chamfered	NU7-14Y1	1	
61		NP	. . . ADJUSTING SCREW	7158-11	1	
62		NP	. . . NUT, PLAIN, HEXAGON, metric, steel, zinc coated, 6mm		1	
63		NP	. . . GUIDE BOLT	7158-15	1	
64		NP	. . . WASHER, KEY	5966-16A	1	
65	A 6MT1	5330-99-943-9084	. . . RING, SEALING, TOROIDAL, rubber, 60-65, 7/64 x 25/64in. id	R112ML539 1	1	
66		NP	. . . WASHER, SPINDLE	NW2-117Y1	1	
67	A 6MT1	5365-99-477-4528	. . . RING, RETAINING, steel, zinc P w/chromate, 0.035 x 3/8in. nom shaft dia	N15000037 AZZ	1	
68	A 46MT12	2910-99-881-5890	. . . LEVER, REMOTE CONTROL, excess fuel device, injection pump	X7158-31	1	
69	A G1	5310-99-941-6654	. . . WASHER, LOCK, steel, split helical ring, 1/4 x 27/64 x 5/64in. thk	137350	1	
70	A 46MT12	5305-99-808-4624	. . . SCREW SHOULDERED, SI, steel, phos, 5 x 8 x 11 x 15 x 9.5 x 3mm shoulder lg	7095-283	1	
71	A 6MT12	5315-99-807-9674	. . . PIN, STRAIGHT, HEADED, steel, flat chamfer hd, 6 x 16.5 x 2.25mm hole drilled in shank	CB7023-60	1	
72	A G1	5315-99-138-2203	. . . PIN, COTTER, SPLIT, steel, phos finish, 2 x 25mm lg	PS605040	1	
73	A 46MT12	2910-99-881-5880	. . . GASKET, side cover, excess fuel device	Y7158-32	1	
74	A 46MT4	2910-99-250-8387	. . . COVER PLATE, ACCESS, aluminium, 95 x 65 x 6 x 6.5mm dia, 4 holes	Y7158-7	7	1
75	A 46MT12	2910-99-881-5880	. . . GASKET, front inspection cover, excess fuel device	Y7158-33	1	
76		NP	. . . COVER	7158-5	1	
77	A 6MT1	5330-99-942-8450	. . . GASKET, matl rubber, dtd 458 grade B and steel, Cd P w/chromate	AGS1186-4	10	
78	A G1	5310-99-941-6654	. . . WASHER, LOCK, steel, split helical ring, 1/4 x 27/64 x 5/64in. thk	137350	10	
79	A 46MT12	5310-99-808-4683	. . . NUT, PLAIN, CAP, SI, steel, 6 x 1 x 10.5 x 13mm h	7095-106	10	
80		NP	. . . STUD	7126-284	1	
81		NP	. . . WASHER, FLAT	5339-241	1	
82	A G1	5310-99-941-6656	. . . WASHER, LOCK, steel, split helical ring, 3/8 x 0.092 x 0.590in. od single coil sq sect	K19209	1	
83		NP	. . . NUT, PLAIN, HEXAGON	7158-40	1	
84	A 6MT4	5340-99-812-9981	. . . SEAL, STRAPPING	5602-62	1	

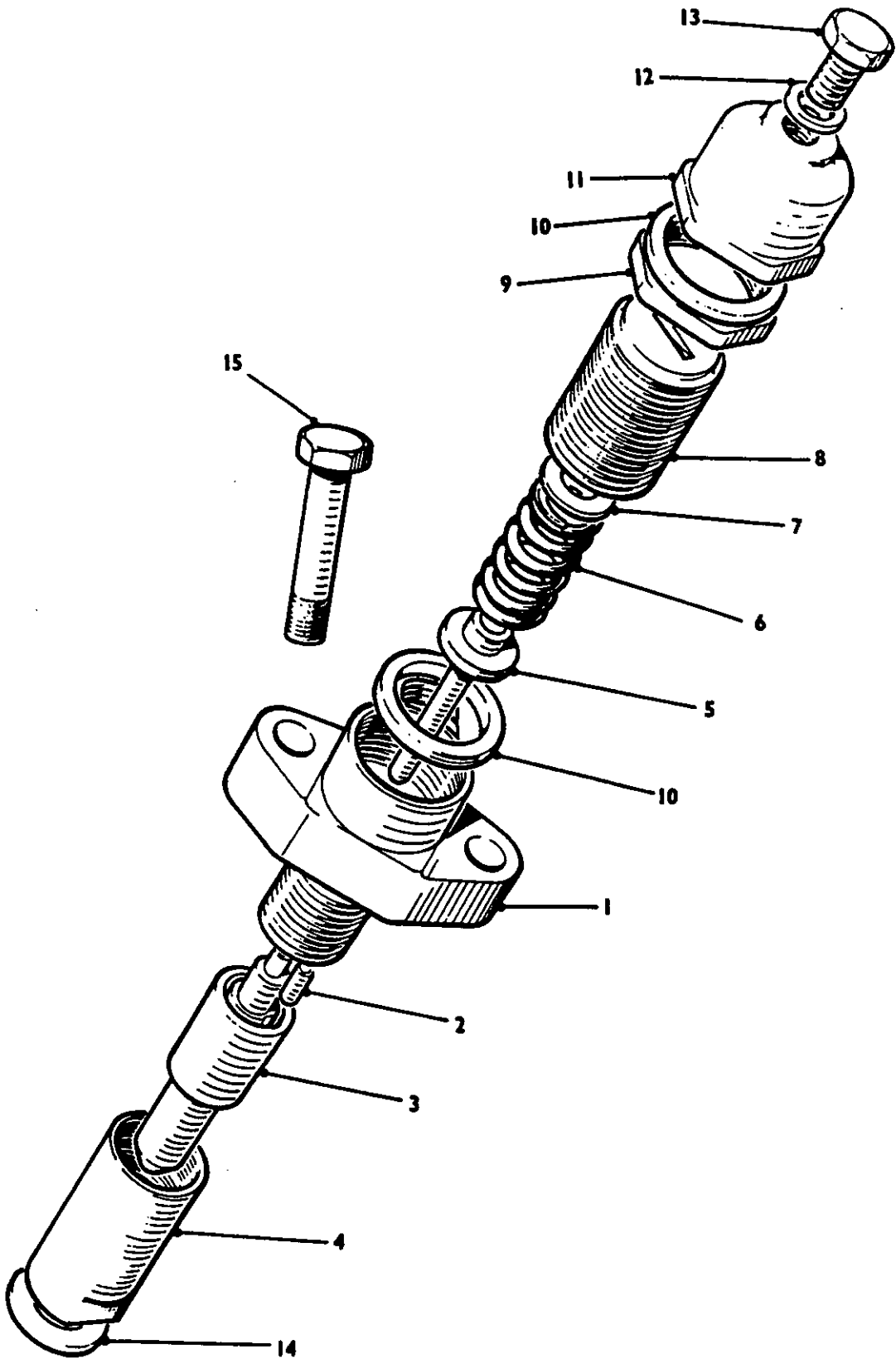


Fig 25 Fuel injector

430/70024

Fig Item	Man Code Navy - N Army - A RAF - R	NATO Stock No	Item Name and Description	Part No/ Drawing No.	No. Off	Annotations
25-			POWER UNIT, DIESEL - contd . ENGINE, DIESEL - contd . . . PUMP, FUEL, METERING AND DISTRIBUTING - contd			
1	A	46MT12	2910-99-808-5016 . . . INJECTOR ASSEMBLY, FUEL	5208009	6	
2	A	6MT12	5315-99-807-8879 PIN, STRAIGHT, HEADLESS, steel, 10mm lg, 2.9mm o/a dia	7008-428A	12	
2(1)	A	6MT12	5315-99-807-8880 PIN, STRAIGHT HEADLESS, steel, 10mm lg, 2.9mm o/a dia	7008-428B	12	
2(2)	A	6MT12	5315-99-807-8884 PIN, STRAIGHT, HEADLESS, steel, 10mm lg, 2.9mm o/a dia	7008-428C	12	
3	A	9ACR	2910-99-808-5017 SPRAY TIP, NOZZLE, FUEL INJECTOR, comprising body and valve	BDLL10565 21	6	
4	A	6MT12	4730-99-807-7520 NUT, UNION, PIPE	7008-187	6	
5	A	46MT12	2910-99-881-5904 SPINDLE ASSEMBLY, FUEL INJECTOR, fuel injection pump	W7008-49E	6	
6	A	6MT12	5360-99-201-4111 SPRING, HELICAL COMPRESSION, steel, 28.5mm spring free lg	7008-253	6	
7	A	6MT12	5365-99-807-9712 SHIM, steel, solid, 8 x 14mm od x 0.010in. thk	NW2-79	6	
8	A	X3	2910-99-201-3317 SCREW, ADJUSTING, NOZZLE	7008-599C	6	
9		NP NUT, PLAIN, HEXAGON, metric, 21 x 1.5 x 5mm h, rh, steel	5330-183	6	
10	A	6MT12	5365-99-710-2146 SPACER, RING, copper, rd, 25 x 21.2mm dia hole x 0.056in. nom thk	NW5-59	12	
11	A	6MT12	2910-99-807-7529 CAP, NUT, FUEL INJECTOR, BSF, steel, 21mm lg x 5/8 x 1in. A/F	7008-226	6	
12	A	7PK	5330-99-793-7920 . . . WASHER, INJECTION PIPE, low pressure	ST49938	6	
13	A	6MT12	4730-99-881-5887 . . . BOLT, FLUID PASSAGE, steel, zinc P, 16.9 x 75 x 6.5mm end thd lg, 29/64in. w	X7008A188 E	6	
14	A	10	5310-99-866-7316 . . . WASHER, FLAT, copper, rd, 0.815 x 0.39 x 0.0825in. max o/a thk	FV149207	6	
15	A	G1	5306-99-941-6591 . . . BOLT, MACHINE, UNF, steel, zinc P, hex hd, 5/16in. -24 x 1-3/4in. fastener lg, 2A thd		12	
NI 16	A	6MT12	4730-99-807-3598 . . . CONNECTOR, MULTIPLE, FLUID PRESSURE LINE, brass, 8.1 x 4.85mm od pipe size	NA1-2	6	

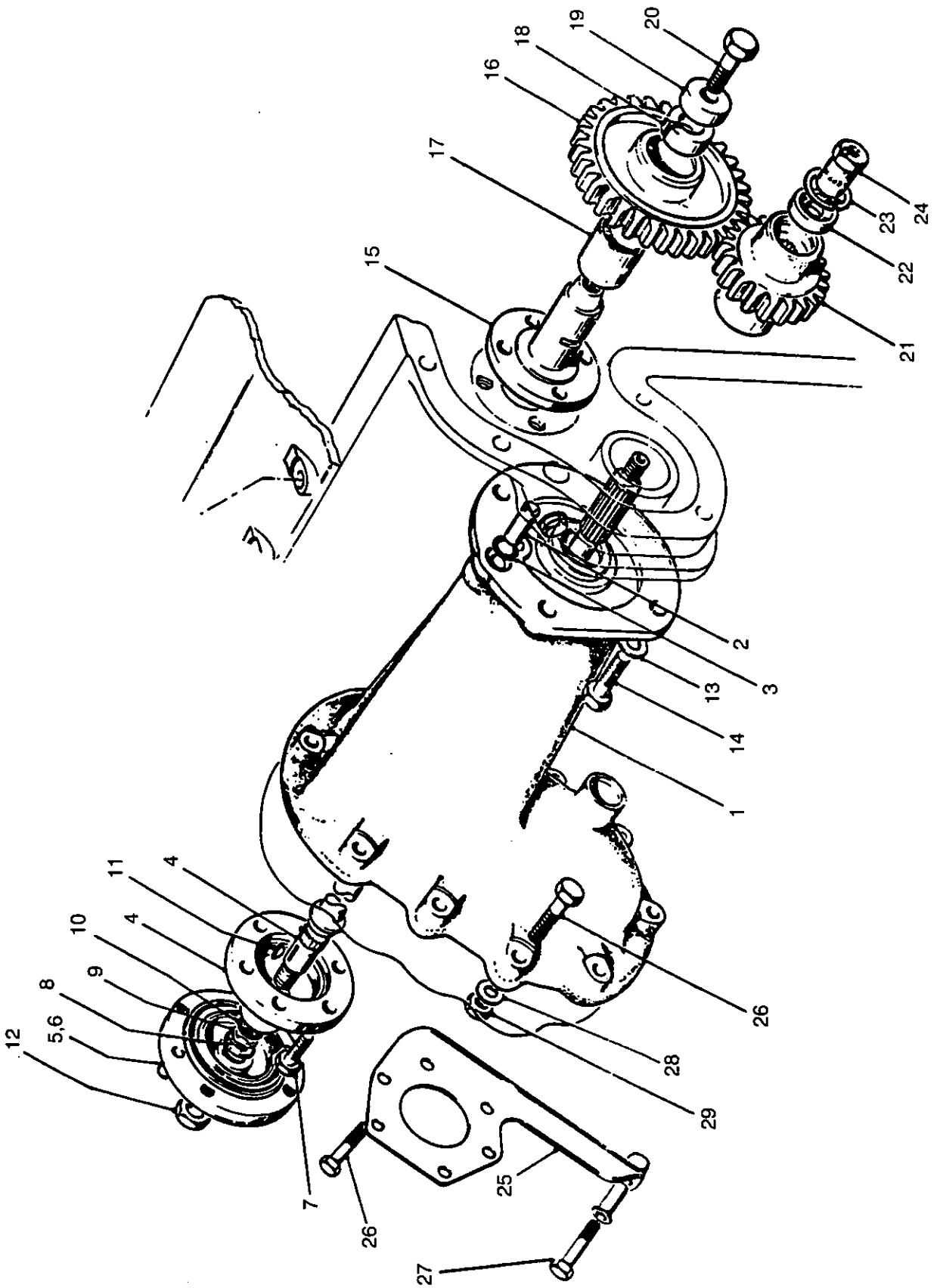


Fig 26 Coolant pump and scavenge blower drive

430/70025

Fig Item	Man Code Navy - N Army - A RAF - R	NATO Stock No	Item Name and Description	Part No/ Drawing No.	No. Off	Annotations
26-			POWER UNIT, DIESEL - contd . ENGINE, DIESEL - contd			
		NP	. . . COOLANT PUMP AND SCAVENGE BLOWER DRIVE		REF	
1	A 10	3040-99-866-7222	. . . HOUSING, MECHANICAL DRIVE, supercharger drive	FV451755	1	Blower casing to drive gear
2		NP	. . . DOWEL, drive housing	FV148764	1	
3	A 10	5330-99-866-7542	. . . RING, SEALING, TOROIDAL, rubber, 65-75, 7/64 x 23/64in. id	CK616	1	
4	A 10	2815-99-866-7223	. . . SHAFT & FLANGE ASSEMBLY, SUPERCHARGER, supercharger drive shaft and coupling flange	FV149475	1	
5	A 10	2930-99-813-0257	. . . SHAFT, DRIVE, WATER PUMP, c/w flanges, 3.821in. lg	FV668619	1	} Coolant pump drive
6	A 10	2930-99-813-0256	. . . COUPLING, HALF, SHAFT, steel, 3.437in. dia, 0.575in. thk, plain bore w/keyway	FV668627	1	
7	A G1	5305-99-941-6542	. . . SCREW, CAP, HEXAGON HEAD, steel, zinc P w/chromate, UNF, 0.625in. thd & fastener lg		4	Blower coupling flange to gear
8	A 10	2815-99-866-7233	. . . COLLET, DRIVE SHAFT, steel, 37/64 x 15/16 x 13/64in. thk	FV149530	1	
9	A 10	5310-99-866-7237	. . . WASHER, FLAT, steel, rd, 51/64 x 19/32 x 1/32in. thk	FV450244	1	
10	A 10	5330-99-865-1675	. . . RING, SEALING, TOROIDAL, syn rubber, 65-75, 0.128 x 0.585in. max id	XB6203	1	
11	A 9ACR	5315-99-842-9000	. . . KEY, WOODRUFF, steel, 1/2 x 3/32 x 13/64in. h	KC500	A/R	
11(1)	A 9ACR	5315-99-842-9001	. . . KEY, WOODRUFF, steel, 1/2 x 3/32 x 13/64in. h	KC503	A/R	
12	A G1	5310-99-941-0928	. . . NUT, PLAIN, HEXAGON, UNF, steel, zinc P, chamfered, 1/2 x 3/4 x 7/16in. h, grade 3 nut		1	
13	A G1	5310-99-941-8653	. . . WASHER, FLAT, steel, zinc P, rd, 3/4 x 25/64 x 0.072in. thk		3	
14		NP	. . . BOLT, MACHINE, UNF, steel, hex hd, zinc coated, 3/8in. x 1-1/4in.		4	Housing to crankcase
15	A 10	2815-99-866-7229	. . . SPINDLE, IDLER GEAR, steel, 3 x 1- 25/32 x 11/32 x 2-3/8in. bolt circle dia, 4 mounting holes	FV451584	1	
16	A 10	3020-99-866-7224	. . . GEAR, SPUR, idler gear, blower drive	FV451581	1	Idler, blower drive
17	A 10	3120-99-866-7225	. . . BEARING, SLEEVE, steel/tin Al, 1-3/32 x 1-1/8 x 63/64in. id, 2 items of production	FV452254	1	Idler gear
18	A 10	2815-99-866-7232	. . . COLLET, SUPPORT, BEARING SPINDLE, steel, 1 x 3/8in. wd, 30 deg seat angle	FV451585	1	
19	A 10	5365-99-866-7231	. . . SPACER, SLEEVE, steel, 0.345 x 1 x 0.3535in. id	FV450238	1	
20	A G1	5305-99-941-6547	. . . SCREW, MACHINE, UNF, steel, hex hd, zinc P w/chromate, 5/16in. dia x 7/8in. lg		1	
21	A 10	3020-99-866-7230	. . . GEAR, SPUR, steel, 20 teeth, csk & counter-bored, 2-25/32 x 2-3/8in. lg	FV451371	1	Scavenge blower drive
22	A 10	2815-99-866-7238	. . . WASHER, CLAMPING, steel, 25/64 x 1 x 5/16in. thk	FV450265	1	Drive gear, blower
23	A 6MT1	5365-99-530-5121	. . . RING, RETAINING, steel, phosphate coated, 3/64in. thk, internal	XB14025	1	

~~RESTRICTED~~

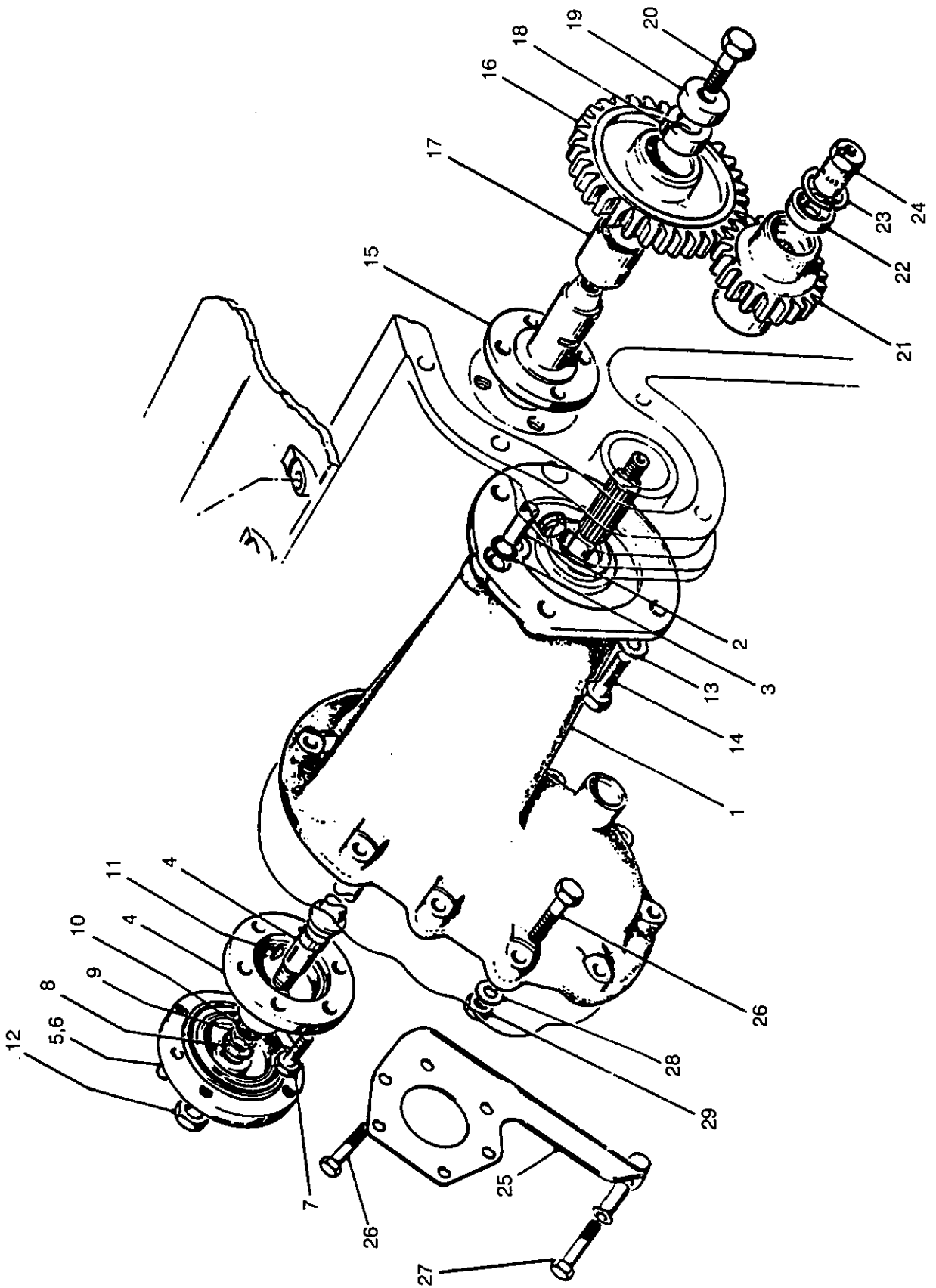


Fig 26 Coolant pump and scavenge blower drive

430/70025

~~RESTRICTED~~

Fig Item	Man Code Navy - N Army - A RAF - R	NATO Stock No	Item Name and Description	Part No/ Drawing No.	No. Off	Annotations
26-			POWER UNIT, DIESEL - contd . ENGINE, DIESEL - contd . . . COOLANT PUMP AND SCAVENGE BLOWER DRIVE			
24	A 10	5310-99-866-7239	. . . NUT, SLEEVE, UNF, steel, rh, hex, 3/8 x 1 x 9/16in. wd	FV450258	1	
25	A 10	2990-99-820-1554	. . . BRACKET, ENGINE ACCESSORY SUPERCHARGER	FV669734	1	
26	A G1	5306-99-941-6590	. . . BOLT, MACHINE, UNF, steel, zinc P, hex hd, 5/16 x 1-1/2 x 7/8in. thd lg		12	
27	A G1	5306-99-941-6591	. . . BOLT, MACHINE, UNF, steel, zinc P, hex hd, 5/16in. -24 x 1-3/4in. fastener lg		1	
28	A G1	5310-99-941-8386	. . . WASHER, FLAT, steel, zinc P w/chromate, rd, 5/8 x 5/16 x 0.072in. thk		11	
29	A G1	5310-99-941-0925	. . . NUT, PLAIN, HEXAGON, UNF, steel, zinc P, 1/2 x 17/64in. h		11	

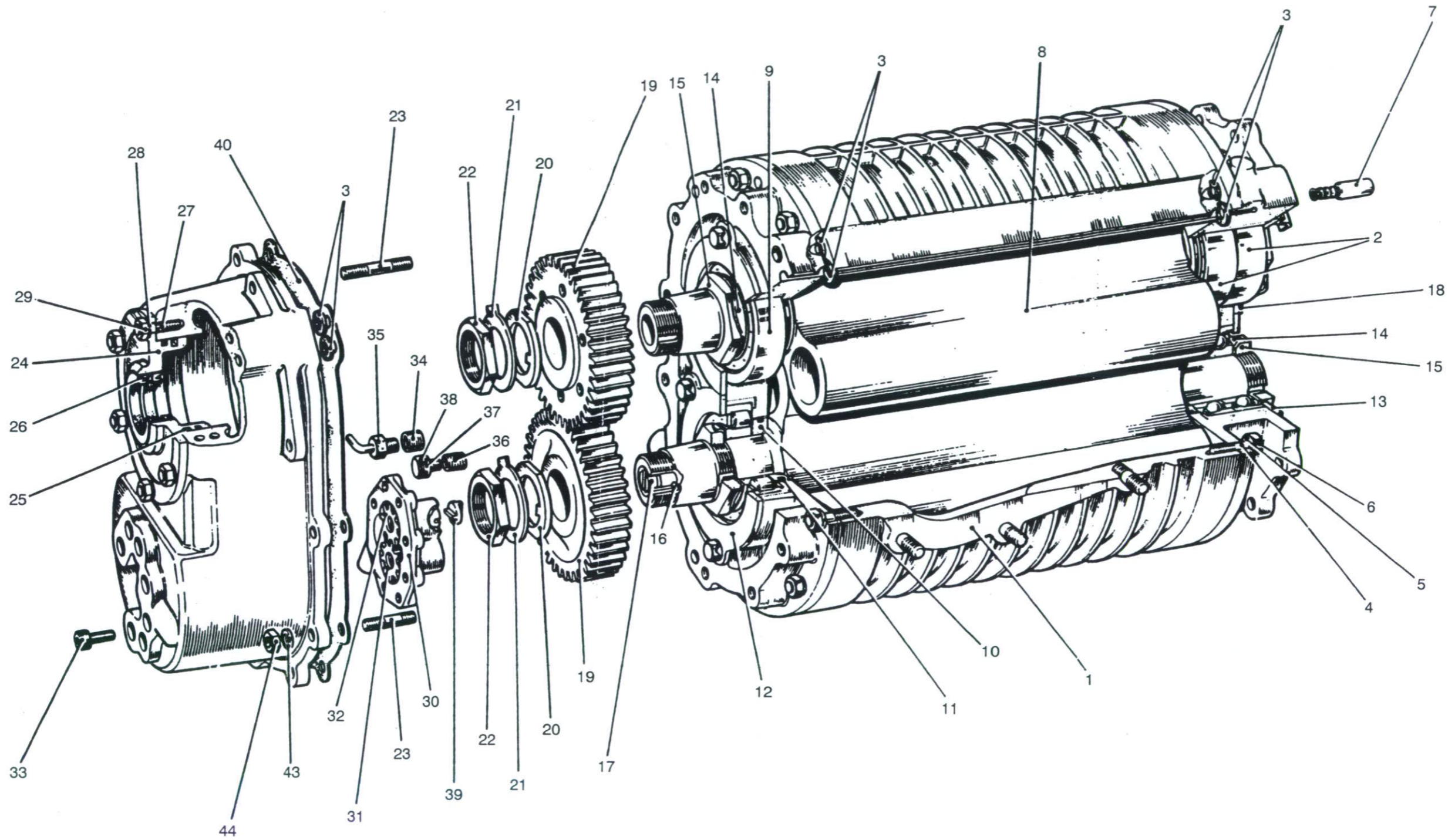


Fig 27 Induction blower and mounting

Fig Item	Man Code Navy - N Army - A RAF - R	NATO Stock No	Item Name and Description	Part No/ Drawing No.	No. Off	Annotations
27-			POWER UNIT, DIESEL - contd . ENGINE, DIESEL - contd			
		NP	. . . INDUCTION BLOWER AND MOUNTING	FV149547	REF	
1	A	46MT12	2910-99-881-5693 . . . INDUCTION BLOWER, scavenge assembly	FV149503	1	Wade, type 2R050/2680
2	A	46MT7	3110-99-804-7894 BEARING, BALL, ANGULAR MATCHED PAIR, single row, 40 x 80 x 18 x 36mm wd	7208JBDB	2	
3	A	46MT12	5310-99-881-5707 WASHER, FLAT, rubber, rd, 35/64 x 3/32 x 17/64in. id	2968	6	
4	A	46MT12	5310-99-881-5708 WASHER, FLAT, rubber, rd, 43/64 x 3/32 x 31/64in. id	2973	2	
5	A	G1	5310-99-941-6654 WASHER, LOCK, steel, split helical ring, 1/4 x 27/64 x 5/64in. thk	LWZ105	33	
6	A	G1	5310-99-804-7941 NUT, PLAIN, HEXAGON, UNF, steel, zinc P, 1/4in. dia -28 x 7/16 x 7/32in. h, chamfered	FNZ104	33	
7	A	46MT12	4730-99-881-5686 RESISTOR UNIT, FLUID FLOW, 3/8in. dia x 7/8in. lg	2652	1	
8	A	9ACR	2910-99-881-5694 ROTOR, INDUCTION BLOWER, steel, 6-1/32 x 15-29/64in. lg, 3 blades	2703	2	w/shaft
9	A	46MT7	3110-99-881-5933 BEARING, PARALLEL ROLLER JOURNAL, 40mm bore, 80mm od, 18mm w, 2 dot fit	NU208	2	
10	A	46MT12	2910-99-881-5690 RETAINER, METAL SEAL RING, steel, 1-37/64 x 25/64 x 2-15/64in. od	2667	4	
11	A	46MT12	5330-99-881-5706 SEAL, RING, METAL, CI, 2.25 x 0.124 x 0.093in. wall thk	2742	4	
12		NP PLATE, RETAINING, BEARING, steel, 4-21/32 x 5/32 x 2-3/4in. bore, 5 holes 9/32in. dia	2664	2	
13		NP PLATE, RETAINING, BEARING, steel, 2.75in. id	2663	2	
14	A	46MT12	5310-99-881-5703 WASHER, KEY, steel, 1-15/32 x 3/64 x 2 x 2-3/8in. lg	2696	4	
15	A	9ACR	5310-99-881-5705 NUT, PLAIN, HEXAGON, UNF, steel, rh, 1-9/16 x 2 x 11/32in. h	2698	4	
16	A	G1	5315-99-120-8148 PIN, SPRING, steel, carbon Cd P, 1 x 1/8 x 1/32in. matl thk	235125-1000	1	
17	A	46MT12	3010-99-881-5700 COUPLING, SHAFT, RIGID, steel, 3/4 x 61/64 x 1/8in. hole	2701	1	
18		NP DEFLECTOR, DIRT & LIQUID, steel, 1-1/16 x 4-21/32 x 61/64in. h	3482	1	
19	A	46MT12	2910-99-881-5692 GEAR SET, SPUR, MATCHED, gear, spur No. 2693 & 2692 (driven)	2676	1	
20	A	9ACR	5310-99-881-5701 WASHER, KEY, steel, 1-9/32 x 1/8 x 1-15/16in. od	2694	2	
21	A	46MT12	5310-99-881-5702 WASHER, KEY, steel, 1-9/32 x 1/32 x 1-31/32 x 1-29/32in. o/a lg	2695	2	
22	A	46MT12	5310-99-881-5704 NUT, PLAIN, HEXAGON, UNS, steel, 1-1/4 x 1-1/2 x 5/16in. h	2697	2	
23	A	10	5307-99-865-1445 STUD, PLAIN, steel, Cd P, 1.620 x 1/4 x 0.32in. thd lg, dog point on nut end	UA856ZP	2	
24	A	46MT12	2910-99-881-5685 RETAINER, OIL SEAL, end cover, 4-7/8 x 3/4in. o/a thk	2426	1	

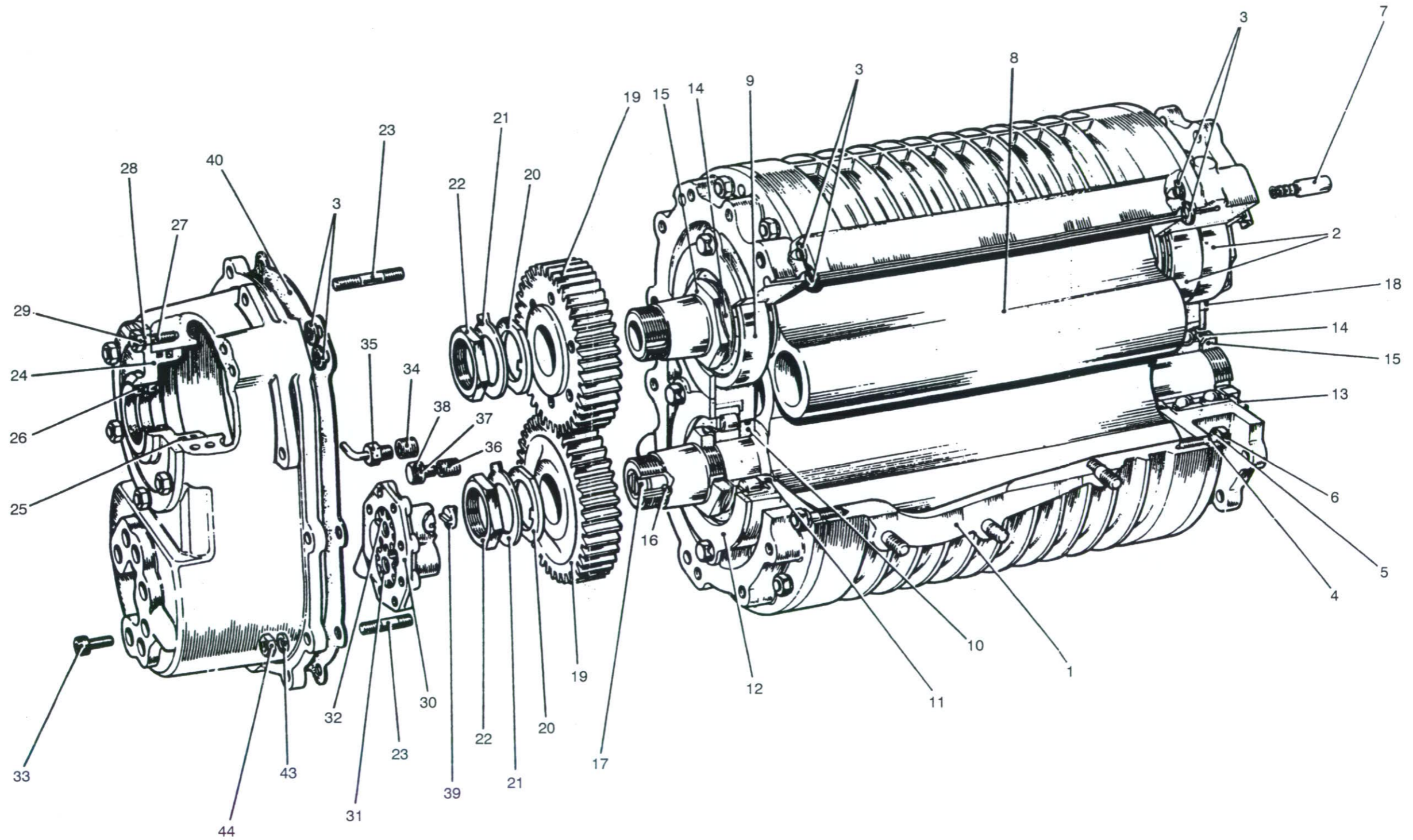


Fig 27 Induction blower and mounting

Fig Item	Man Code Navy - N Army - A RAF - R	NATO Stock No	Item Name and Description	Part No/ Drawing No.	No. Off	Annotations	
27-			POWER UNIT, DIESEL - contd . ENGINE, DIESEL - contd . . . INDUCTION BLOWER AND MOUNTING - contd INDUCTION BLOWER - contd				
25	A	46MT1	5330-99-881-6199 RING, SEALING, TOROIDAL, syn rubber, 70-80, 9/64 x 3-23/64in. id	200-237-5575	1	
26	A	6MT1	5330-99-819-2785 SEAL, PLAIN, syn rubber, steel, 1/4 x 1-1/4 x 1-3/4in. housing bore dia	900527C10 22-11	1	
27		NP	 STUD, PLAIN, steel, zinc P, 1-3/8 x 1/4in. UNF x 1/2 x 1/4in. stud end lg		6	
28	A	G1	5310-99-941-6654 WASHER, LOCK, steel, split helical ring, 1/4 x 27/64 x 5/64in. thk	7088385	6	
29	A	G1	5310-99-804-7941 NUT, PLAIN, HEXAGON, UNF, steel, zinc P, 1/4in. dia -28 x 7/16 x 7/32in. h, chamfered	FNZ104	6	
30	A	9ACR	2910-99-881-5687 BODY, PUMP, 3-3/16in. wd lg & deep	2661	1	
31	A	46MT12	2910-99-881-5696 GEAR, SPUR, 1-13/64in. od, 9 teeth, for oil pump	2868	1	} Oil pump driven
32	A	46MT12	2910-99-881-5697 GEARSHAFT, SPUR, 1-13/64 x 1-1/32in. lg, 9 teeth	2869	1	
33		NP	 SCREW, CAP, SOCKET HEAD, UNF, steel, flat fil hd, 1/4 x 3/4in.	1EA46435	7	
34	A	G1	5340-99-948-2247 INSERT, SCREW THREAD, cres, 5/16 x 15/32 x 1/8in. -28 BSPF int thd	1325-2CNX 5/16IN		
35	A	46MT12	2910-99-881-5695 PIPE, METALLIC, induction blower	2775	1	
36	A	10	5340-99-900-9821 INSERT, SCREW THREAD	1191-4CNX5-81N	16	
37	A	G1	5310-99-941-6316 WASHER, KEY, steel, Cd P, 1/4 x 1/32 x 7/16in. od, 21/32in. o/a distance incl keys	CU1064	16	
38	A	G1	5305-99-941-0279 SCREW, MACHINE, UNF, steel, hex hd, zinc P, 1/4 x 7/8in. lg class 2A thd	742626	1	Adjust lg
39	A	46MT12	2910-99-881-5699 COUPLING, SHAFT, RIGID, 7/16 x 29/64 x 1/8in. wd	2977	1	
40	A	46MT12	2910-99-881-5698 GASKET, paper, 0.010 x 6-53/64 x 10-21/32in. lg, end cover to housing	2974	1	
NI 41	A	G1	5305-99-941-0513 SCREW, MACHINE, UNF, steel, zinc P, hex hd, 1/4 x 3/4in. lg	181566	15	
NI 42	A	G1	5305-99-941-0528 SCREW, MACHINE, UNF, 5/16in. -24 x 1-1/8in. lg, steel, zinc P and passivated, hex hd		6	Coupling flange gear
43	A	G1	5310-99-941-0925 NUT, PLAIN, HEXAGON, UNF, steel, zinc P, 1/2 x 17/64in. h	0576002	11	Drive housing
44	A	G1	5310-99-941-8386 WASHER, FLAT, steel, zinc P w/chromate, rd, 5/8 x 5/16 x 0.072in. thk	2550	11	Drive housing screw

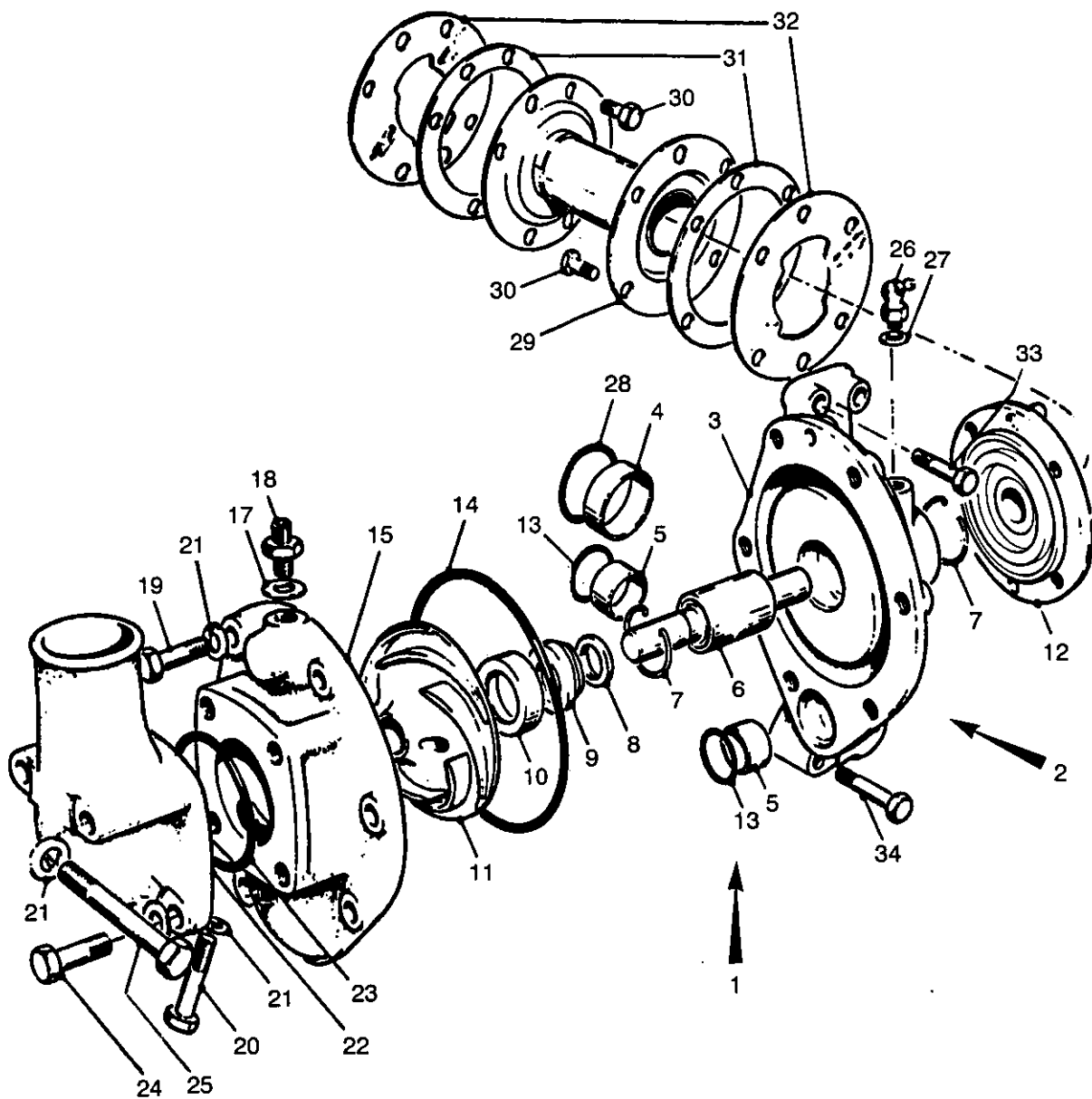


Fig 28 Coolant pump

430/70027

Fig Item	Man Code Navy - N Army - A RAF - R	NATO Stock No	Item Name and Description	Part No/ Drawing No.	No. Off	Annotations
28-			POWER UNIT, DIESEL - contd . ENGINE, DIESEL - contd			
		NP	. . . COOLANT, PUMP		REF	
1	A 10	4320-99-788-7750	. . . PUMP, CENTRIFUGAL, shaft drive, 20 gals/min, engine coolant	FV670554	1	
2		NP VOLUTE CASING ASSEMBLY, impeller and coupling	FV670555	1	
3		NP CASING, VOLUTE ASSEMBLY	FV668859	1	
4		NP TRANSFER TUBE	FV149641	1	
5		NP TRANSFER TUBE	FV149642	2	
6	A 46MT7	3110-99-785-7974 BEARING, BALL, FAN AND WATER PUMP, 30 x 116mm lg, w/seal both ends	FV670551	1	
7	A 10	5365-99-866-7325 RING, RETAINING, steel, int, 1-1/4 x 1-3/8in. od	FV149678	2	
8	A G1	5310-99-781-3707 WASHER, FLAT, steel, Cd P, rd, 1- 1/2 x 7/8 x 5/64in. thk	FV668864	1	
9	A 10	2930-99-781-3706 SEAL, COOLANT PUMP, 5/8 x 1-1/2 x 3/4in. free lg	FV668863	1	
10	A 10	2930-99-781-3704 RETAINER, PACKING, 25/32in. id x 1in. od x 15/64in. thk, 5/8 x 1-1/2 x 3/4in. free lg	FV668862	1	
11	A 10	2930-99-781-3705 IMPELLER, PUMP, CENTRIFUGAL, cast iron, 6 vanes, 5/8in. x 9-3/4in. x 27/32in. w	FV668861	1	
12	A 10	2930-99-813-0258 COUPLING, HALF, SHAFT, steel, 3.437in. x 0.65in. x 0.625in. dia	FV668626	1	
13	A 10	5330-99-866-7513	. . . RING, SEALING, TOROIDAL, rubber, 9/64in. x 1-7/64in. id, 65-75 degrees	CK569	2	Transfer tube small
14	A 10	5330-99-866-7344	. . . RUBBER, ROUND SECTION, syn rubber, solid, 9/64in. dia x 15-7/8in. lg	FV149734	1	
15	A 10	2930-99-866-7341	. . . HOUSING, COOLANT PUMP, engine coolant pump	FV450513	1	
NI 16	A G1	5340-99-580-5496 INSERT, SCREW, THREAD, cres, coiled wire, 39/64 x 15/16 x 23/64in. dia of tapped hole	AS6733-33	4	
17	A 10	5310-99-865-1477	. . WASHER, FLAT, aluminium, rd, 0.65 x 0.438 x 0.028in. matl thk	XB1079	1	} Air vent
18	A 10	4730-99-86-7345	. . ADAPTOR, STRAIGHT PIPE, steel, 7/16 UNF male both ends, 1-5/32in. lg	UA5827	1	
19	A G1	5306-99-941-6587	. . BOLT, MACHINE, UNF, steel, zinc P, hex hd, 5/16in. dia		5	
20	A G1	5306-99-941-6591	. . BOLT, MACHINE, UNF, steel, zinc P, hex hd, 5/16in. -24 x 1-3/4in. fastener lg, 2A thd		1	
21	A G1	5310-99-941-8386	. . WASHER, FLAT, steel, zinc P w/chromate, rd, 5/8 x 5/16 x 0.072in. thk	2550	10	
22	A 10	4730-99-866-7342	. . ELBOW, PIPE TO HOSE, aluminium, flange w/four 11/32in. dia bolt holes, unthd male 2nd end	FV149671	1	
23	A 10	5330-99-866-7343	. . RING, SEALING, TOROIDAL, syn rubber, 65-75 deg, 0.143 x 2.437in. id	FV149733	1	Inlet elbow
24	A G1	5306-99-941-7079	. . BOLT, MACHINE, UNF, steel, zinc P, hex hd, 5/16in. -24 x 7/8in. thd lg, 1- 1/4in. fastener lg		2	
25	A G1	5306-99-941-6592	. . BOLT, MACHINE, UNF, steel, zinc P, hex hd, 5/16in. thd dia x 7/8in. thd lg, 2- 3/4in. fastener lg		2	
26	A 10	4730-99-865-5651	. . LUBRICATING NIPPLE, steel, Cd P, 3/8in. -24 tpi UNF x 1.121in. o/a h, 2A thd	FV147762	1	

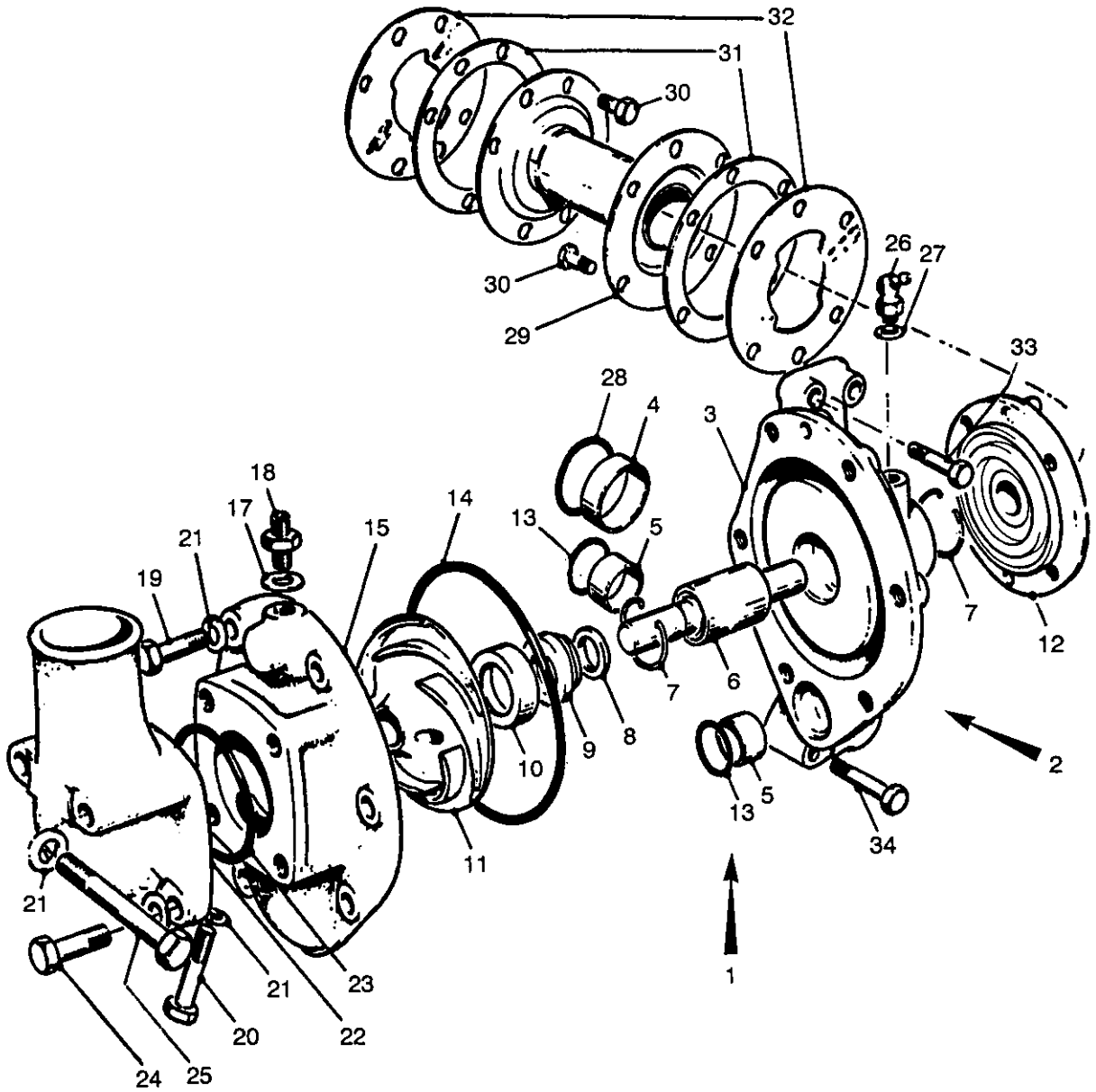


Fig 28 Coolant pump

430/70027

Fig Item	Man Code Navy - N Army - A RAF - R	NATO Stock No	Item Name and Description	Part No/ Drawing No.	No. Off	Annotations
28-			POWER UNIT, DIESEL - contd . ENGINE, DIESEL - contd			
27	A 10	5310-99-865-1476	. . WASHER, FLAT, aluminium, rd, 0.575 x 0.375 x 0.028in. matt thk	XB1078	1	
28	A 10	5330-99-866-7283	. . RING, SEALING, TOROIDAL, rubber, 65-75, 0.143 x 1.619in. id	CK955	1	Transfer tube
29	A 10	2815-99-866-7228	. . SHAFT, DRIVE, WATER PUMP, steel, Cd P, 2 flanges, 4-39/64in. lg	FV149592	1	
30	A G1	5305-99-941-6542	. . SCREW, CAP, HEXAGON HEAD, steel, zinc P w/chromate, UNF, 0.25 -28 x 0.625 x 0.163 x 0.438in. wd		8	
31	A 10	5365-99-866-7236	. . SPACER, PLATE, steel, Cd P, 0.052in. max thk	FV149600	A/R	
32	A 10	2930-99-866-7235	. . PLATE, CHECK, WATER, PUMP DRIVE, steel, Cd P, 4-1/8 x 1/16in. thk	FV149596	2	
33	A G1	5306-99-941-6590	. . BOLT, MACHINE, UNF, steel, zinc P, 5/16 x 1-1/2 x 7/8in. thd lg		2	
34	A G1	5306-99-941-6187	. . BOLT, MACHINE, UNF, steel, zinc P, hex hd, 5/16 x 2in. lg, class 2A thd		2	

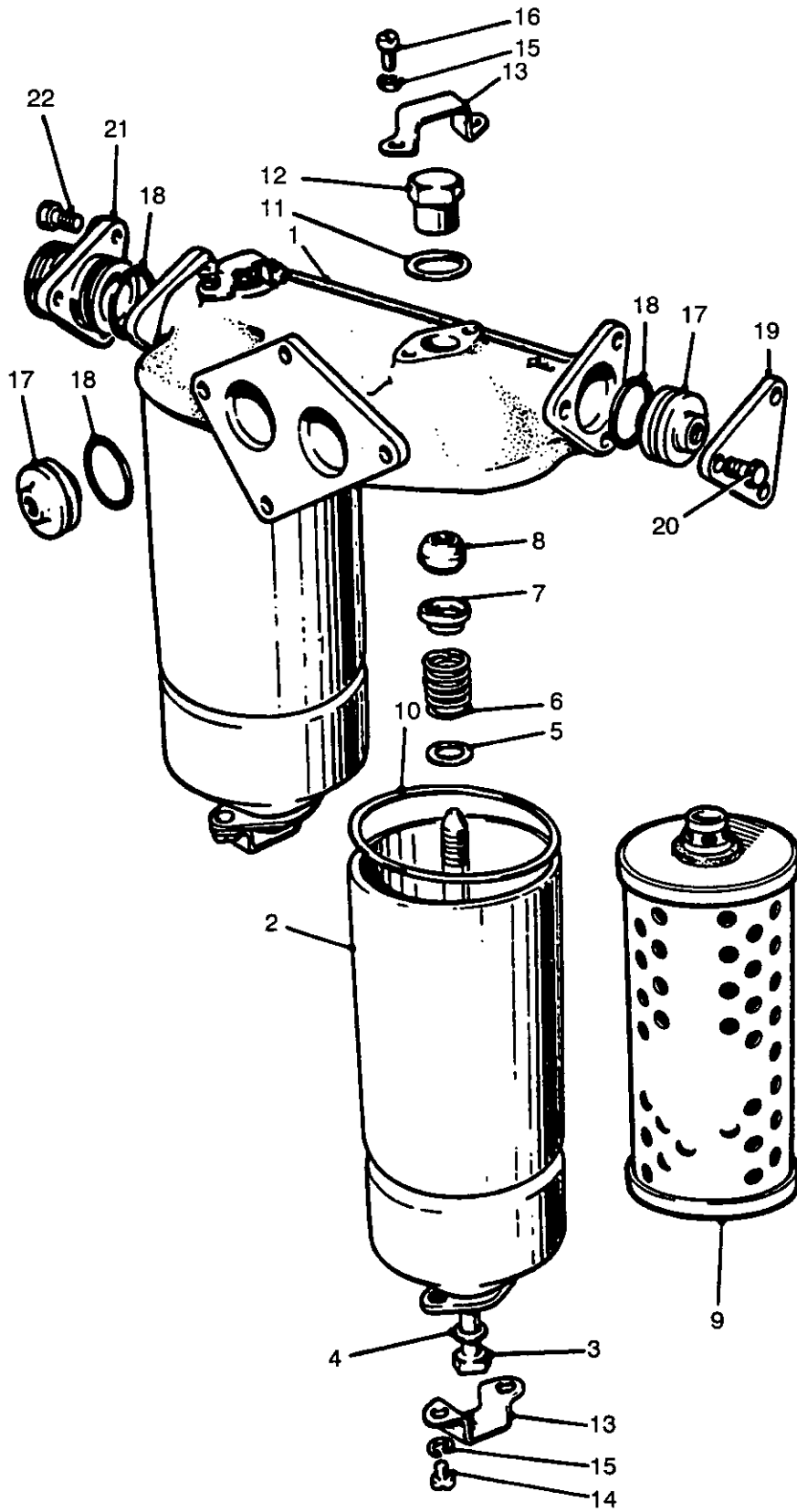


Fig 29 Oil filters

430/70028

Fig Item	Man Code Navy - N Army - A RAF - R	NATO Stock No	Item Name and Description	Part No/ Drawing No.	No. Off	Annotations
29-			POWER UNIT, DIESEL - contd . ENGINE, DIESEL - contd			
1	A	46MT1	NP 2940-99-881-5911 OIL FILTERS FILTER, FLUID, PRESSURE, replaceable type, felt element, 60 psi, 10-29/64 x 14-13/32 x 5-3/32in. thk, twin container	FV450502	REF 1	Type E282
2			NP FILTER, BODY, FLUID, steel, 4.46in. od x 10.875in. lg		2	
3	A	6MT1	5306-99-123-7392 BOLT, MACHINE, UNF, steel, Cd P, 1/2 x 12-11/16in. lg, hex hd, 2A thd		2	
4	A	G1	5310-99-120-2196 WASHER, FLAT, aluminium, rd, 3/4 x 33/64 x 3/64in. matl thk		2	
5	A	46MT1	5310-99-800-8070 WASHER, FLAT, rubber, 0.875 x 0.486 x 0.125in. thk, 60 deg		1	
6	A	46MT1	5340-99-801-7881 SPRING, HELICAL COMPRESSION, steel, Cd P, 3/4 x 1-3/8in. free lg	FSP12/31	1	
7	A	46MT1	5340-99-800-8049 SEAT, HELICAL COMPRESSION SPRING, tin P or steel (Cd P), 0.513 x 0.781 x 0.312 x 0.018in. matl thk	LF3/30	1	
8	A	46MT1	5330-99-800-8050 PACKING, PREFORMED, cork, 13/32 x 1/2 x 3/4in. od	LF3/32	2	
9	A	46MT1	2940-99-881-5919 FILTER ELEMENT, FLUID, PRESSURE, used w/twin full flow type E282	C6438106	2	
10	A	10	5337-99-881-5925 RING, SEALING, TOROIDAL, syn rubber, 44 deg, 0.133 x 4.188in. id, black	GR27554	2	
11	A	46MT1	5365-99-881-5918 SPACER, RING, aluminium, rd, 29/32 x 1/32 x 45/64in. dia	B10447-38	2	
12	A	9ACR	5310-99-881-5916 NUT, SLEEVE, steel, phos, rh, UNF, 1/2 x 1-1/4 x 15/16 x 1-1/8in. thd lg	B6438104	2	
13	A	46MT1	5340-99-881-5913 RETAINER, NUT AND BOLT, steel, 15/16 x 2 x 3/4 x 41/64 x 3/64in. thk	B61105	4	
14	A	G1	5305-99-941-9194 SCREW, MACHINE, steel, flat fillister hd, slot drive, Cd P, No. 2 x 3/8in. lg		4	
15	A	G1	5310-99-941-6653 WASHER, LOCK, steel, split helical ring, 0.198 x 0.064 x 0.330in. od		8	
16	A	G1	5305-99-941-7933 SCREW, MACHINE, steel, flat fillister hd, slot drive, Cd P, No. 2 x 7/16in. lg		4	
17	A	10	2940-99-866-7480 PLUG, FILTER, aluminium Al, rd, 5/16 UNF x 1/2 x 1-1/2in. dia	FV450735	2	
18	A	10	5330-99-866-7528 RING, SEALING, TOROIDAL, rubber, 65-75, 9/64 x 1-15/16in. id	CK540	3	
19	A	9ACR	2990-99-794-5108 PLATE, BLANKING, inlet, twin	FV453013	1	
20	A	G1	5305-99-941-7063 SCREW, MACHINE, UNF, steel, zinc P, w/chromate, hex hd, 5/16in. -24 x 1/2in. lg		3	
21	A	10	4730-99-802-3550 ADAPTOR, STRAIGHT, PIPE TO TUBE, steel, 1-5/8in. UNS 1st end, 1.8in. lg unthded male 2nd end	FV450688	1	
22	A	G1	5305-99-941-6545 SCREW, MACHINE, UNF, steel, zinc P w/chromate, hex hd, 5/16 x 5/8in. lg	742646	3	

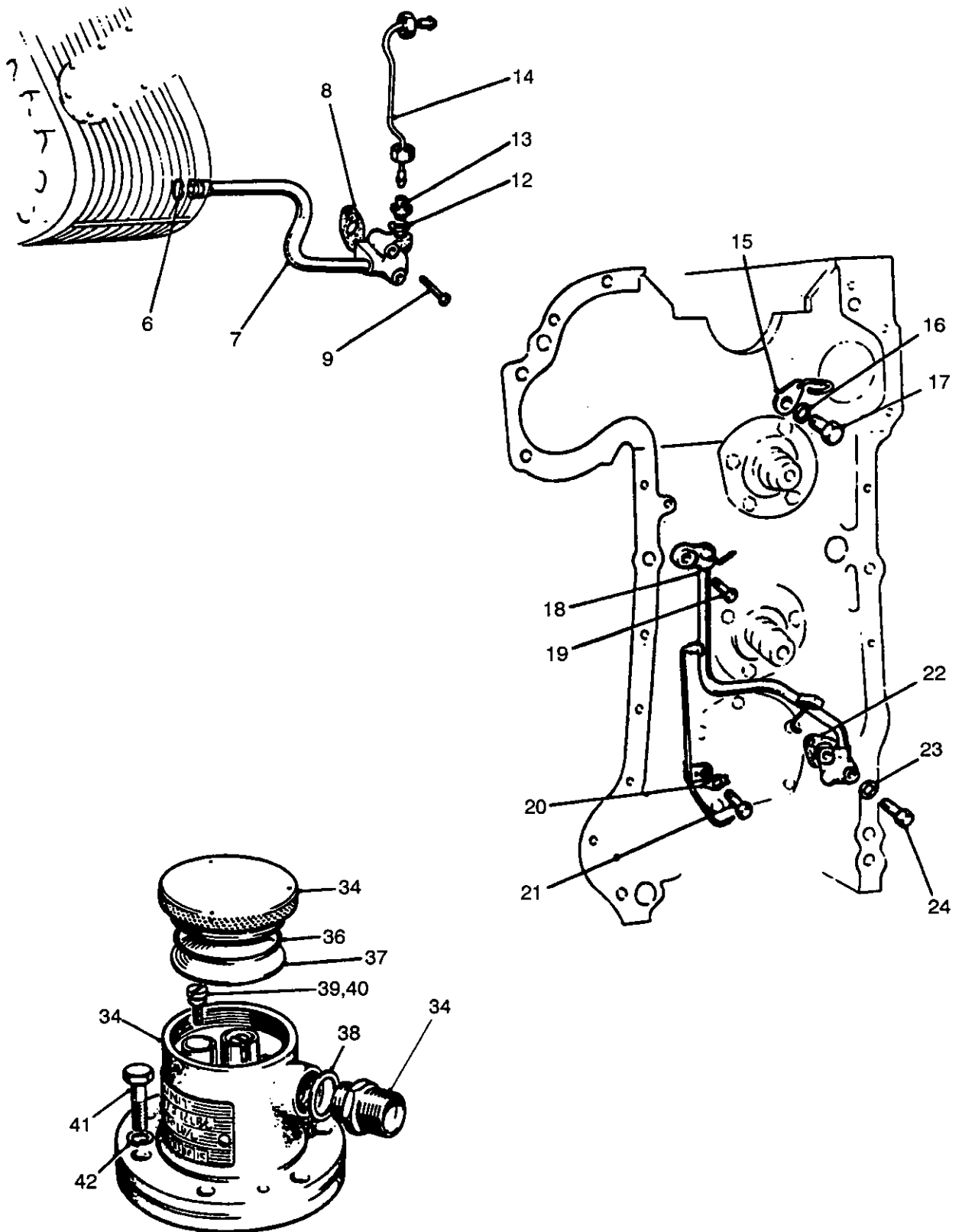


Fig 30 Oil pipes and pressure switch

430/70029

Fig Item	Man Code Navy - N Army - A RAF - R	NATO Stock No	Item Name and Description	Part No/ Drawing No.	No. Off	Annotations
30-			POWER UNIT, DIESEL - contd . ENGINE, DIESEL - contd			
NI 1		NP NP	. . OIL PIPES AND PRESSURE SWITCH . . PIPE ASSEMBLY, oil supply pipe, pressure pump to gearcase	FV668187	REF 1	
NI 2	A 10	4730-99-808-1412	. . ELBOW CONNECTOR, OIL SUPPLY PIPE, br, 1-1/2in. dia bore, 1st end, flanged w/two 0.34in. dia holes 2nd end	FV454533	1	} u/w item 1
NI 3		NP	. . RING, SEALING, TOROIDAL, elbow to gearcase	UE3141	1	
NI 4	A 10	5330-99-808-1255	. . RING, SEALING, TOROIDAL, syn rubber, 0.7in. cross-sect h, 1.364in. id, bobbin, oil supply pipe	FV453919	1	
NI 5	A 10	5340-99-179-7517	. . CLAMP, LOOP, steel, w/int bonded rubber sleeve	FV670720	1	
	6 A	9CET 5330-99-409-2633	. . RING, SEALING, TOROIDAL	FV670380	1	Pipe to scavenge blower
	7 A	10 2990-99-866-7448	. . PIPE, OIL DRAIN, supercharger and tacho-generator casings	FV450751	1	
	8 A	10 5330-99-866-7394	. . GASKET, asbestos, oval, 0.291 x 0.585in. dia, 2 bolt holes, 0.015 x 1.7in. wd	FV148877	1	
	9 A	G1 5306-99-941-6581	. . BOLT, MACHINE, UNF, steel, zinc P, hex hd, 1/4 x 1-3/8in. lg, class 2 A thd		2	Oil drain pipe to gear- case
NI 10	A 10	5365-99-808-4895	. . SPACER, SLEEVE, steel, 0.16in. lg, 0.625in. body od, 0.358in. body id	FV668186	2	} u/w item 7
NI 11		NP	. . BRACKET, ANGLE, steel, painted, 85 deg angle, 1-3/32in. lg both legs, 3- 5/64in. w, 5/64in. thk	FV668185	1	
	12 A	10 5310-99-865-1477	. . WASHER, FLAT, aluminium, rd, 0.65 x 0.438 x 0.028in. matl thk	XB1079	1	
	13 A	46MT1 4730-99-801-2032	. . NIPPLE, TUBE	FV(S)87/3	1	
	14 A	10 4710-99-808-1135	. . PIPE, METALLIC, tacho drive drain pipe	FV454536	1	Gear housing drain
	15 A	10 2815-99-866-7442	. . OIL JET ASSEMBLY, air crankshaft gear	FV148748	1	
	16 A	G1 5310-99-941-8635	. . WASHER, FLAT, steel, zinc P, rd, 3.4 x 25/64 x 0.072in. thk	PWZ106	1	
	17	NP	. . STUD, PLAIN, steel, zinc coated, 1-1/2 x 3/8 x 1/2in. lg nut end, 3/8in. lg stud end		1	
	18 A	10 2520-99-866-7441	. . PIPES AND JETS ASSEMBLY, OIL SUPPLY, gearcase oil supply	FV452436	1	
	19 A	G1 5305-99-941-0513	. . SCREW, MACHINE, UNF, steel, zinc P, hex hd, 1/4 x 3/4in. lg		1	Pipes to crankcase
	20	NP	. . WASHER, KEY, steel, 0.260in. id	475227	1	
	21 A	G1 5305-99-941-6544	. . SCREW, CAP, HEXAGON HEAD, UNF, steel, zinc P w/chromate, hex hd, 1/4 x 7/8in. lg, 2A thd		1	Pipe clip to bearing housing
	22 A	10 5330-99-866-7522	. . GASKET, asbestos, oval, 0.288 x 0.682 x 0.015in. thk, 2 bolt holes	FV148805	1	
	23 A	G1 5310-99-941-7072	. . WASHER, FLAT, steel, rd, Cd P, 1/4 x 9/16 x 0.056in. thd		2	} Elbow to crank- case
	24 A	G1 5305-99-941-6544	. . SCREW, CAP, HEXAGON HEAD, UNF, steel, zinc P w/chromate, hex hd, 1/4 x 7/8in. lg, 2A thd		2	

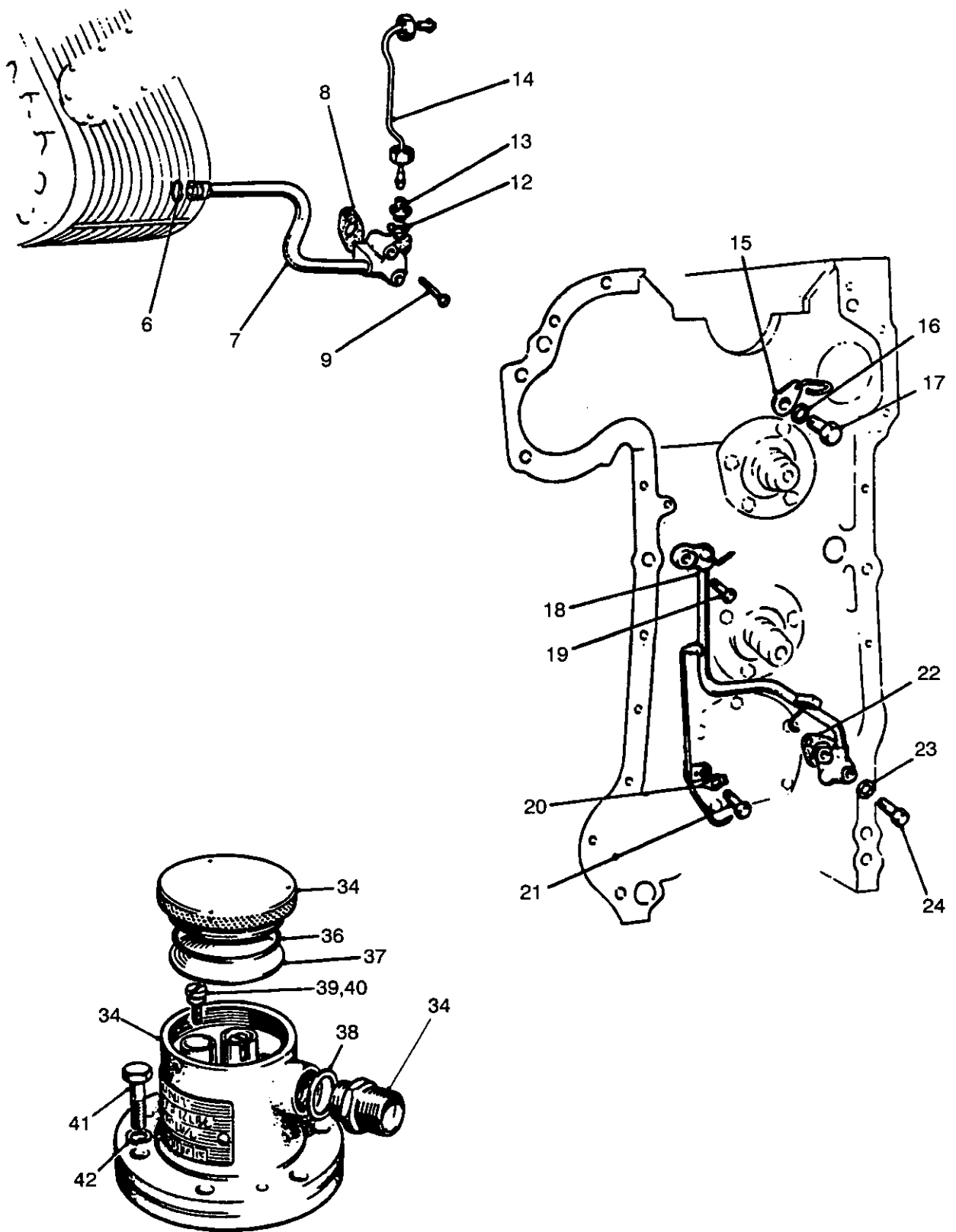


Fig 30 Oil pipes and pressure switch

430/70029

Fig Item	Man Code Navy - N Army - A RAF - R	NATO Stock No	Item Name and Description	Part No/ Drawing No.	No. Off	Annotations	
30-			POWER UNIT, DIESEL - contd . ENGINE, DIESEL - contd				
NI 25	A 10	2815-99-866-7390	. . ADAPTOR ASSEMBLY, OIL CONNECTION, gear train, gearcase	FV450721	1	} Adaptor to Wheel-case	
NI 26	A 10	2815-99-866-7382	. . RETAINER, PACKING, steel, 3/4in. id x 31/32 x 3/4in. lg	FV450608	1		
NI 27	A 10	5330-99-866-7381	. . RING, SEALING, TOROIDAL, syn rubber, 65-75, 0.073 x 0.843in. max id	FV450636	2		
NI 28	A G1	5306-99-941-6594	. . BOLT, MACHINE, UNF, steel, zinc P, hex hd, 5/16 x 3-1/4 x 7/8in. thd lg	UA172	2		
NI 29	A G1	5310-99-120-4032	. . WASHER, FLAT, steel, zinc P, rd, 1/4 x 9/16 x 0.056in. thk	PWZ104	2		
NI 30	A G1	5305-99-941-6291	. . SCREW, MACHINE, UNF, steel, zinc P w/chromate, hex hd, 5/16 x 1-1/2in. lg, 2A thd		1		
NI 31	A G1	5310-99-941-8623	. . WASHER, FLAT, steel, rd, Cd P, 5/16 x 0.072in. thk	2131325	1		} Pipe to adaptor
NI 32	A 10	2815-99-866-7408	. . ADAPTOR, OIL PRESSURE SWITCH, steel, Cd P, 3/16 x 2-3/4 x 1-7/32in. lg, 6 No. 2 BA thd holes	FV452501	1		
NI 33	A 10	5365-99-865-1489	. . SPACER, RING, aluminium, rd, 1.25 x 0.036 x 1in. hole dia	KB1093	1		
34	A 46MT4	5930-99-881-4308	. . SWITCH, PRESSURE	FV534888	1		
NI 35	A 46MT4	5930-99-881-5931	. . . PUSH ROD ASSEMBLY, oil pressure switch	41-564-623-00	1		
36	A 46MT4	5330-99-804-9560	. . . RING, SEALING, TOROIDAL, rubber, 60-65, 5/64 x 1-29/64in. id	31-781-118	1		
37	A 46MT4	5310-99-881-5929	. . . WASHER, FLAT, aluminium, rd, 23/32 x 15/32 x 1/32in. matl thk	31-513-313-01	1		
38		NP	. . . WASHER, FLAT, aluminium, 0.520in.		1		
39	A G1	5305-99-941-9945	. . . SCREW, MACHINE, 1/2in. lg, flat fillister hd, normal thd	20101-52	3		
40	A G1	5310-99-941-6641	. . . WASHER, LOCK, steel, Cd P, split helical ring, 4 UNC, 1/32 x 15/64in. od	SP47-A	3		
41	A G1	5305-99-101-1466	. . SCREW, MACHINE, close class thd, 33/64 x 3/4in. lg	A26-3C	6	} Oil pressure switch to adaptor	
42	A G1	5310-99-941-6653	. . WASHER, LOCK, steel, split helical ring, 0.198 x 0.064 x 0.330in. od		6		

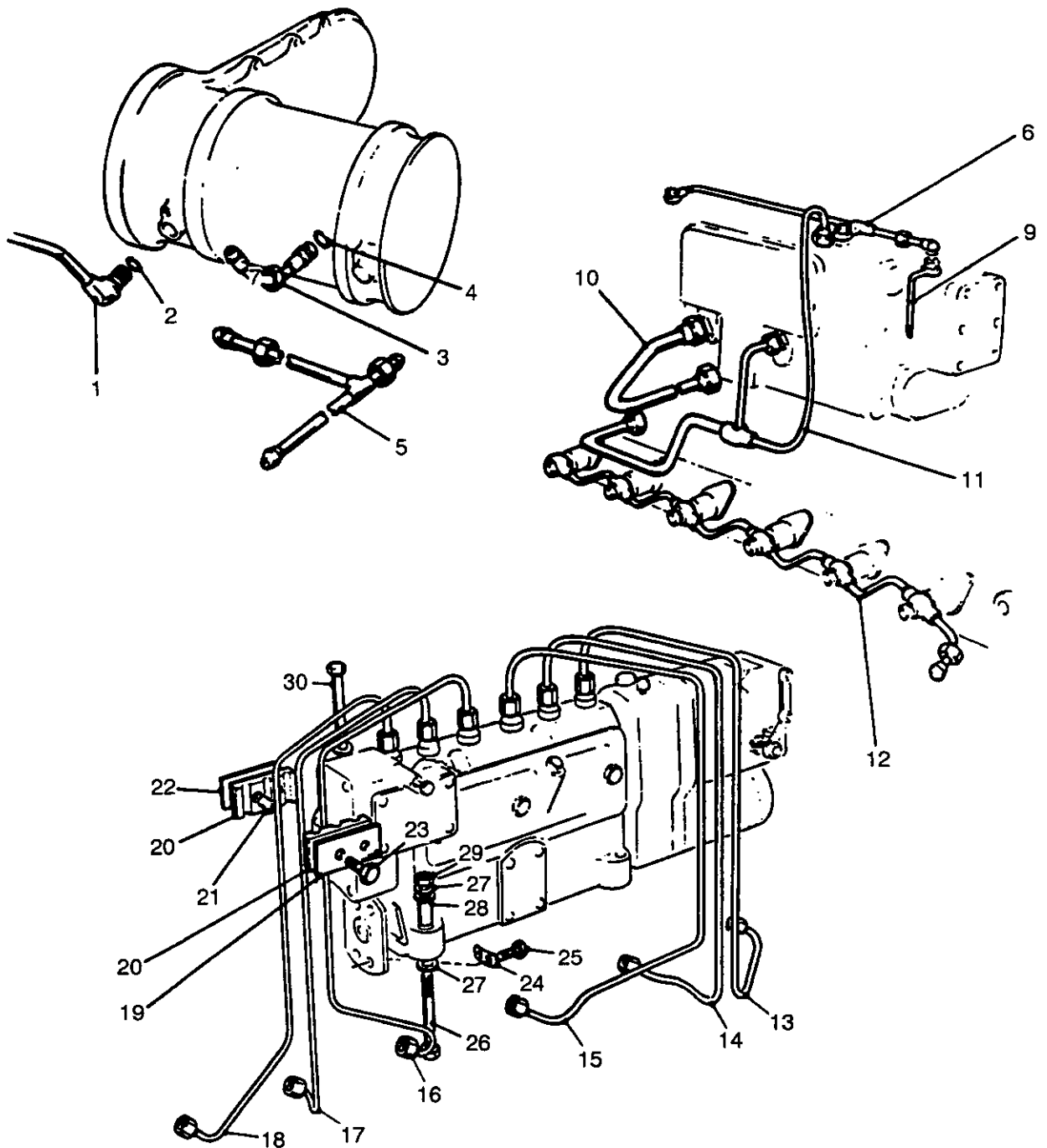


Fig 31 Oil and fuel injection pipes

430/70030

Fig Item	Man Code Navy - N Army - A RAF - R	NATO Stock No	Item Name and Description	Part No/ Drawing No.	No. Off	Annotations
31-			POWER UNIT, DIESEL - contd . ENGINE, DIESEL - contd			
		NP	. . OIL AND FUEL INJECTION PIPES		REF	
1	A	10 2815-99-866-7446	. . PIPE, STEEL, alternator oil feed	FV450612	1	
2	A	10 5330-99-865-4386	. . RING, SEALING, TOROIDAL, syn rubber, 0.487 x 0.693 x 0.103 cross section dia	FV148599	2	Elbow alternator feed
3	A	10 2520-99-866-9575	. . PIPE, STEEL, alternator oil return	FV450600	1	
4	A	10 5330-99-865-4386	. . RING, SEALING, TOROIDAL, syn rubber, 0.487 x 0.693 x 0.103 cross section dia	FV148599	2	Elbow alternator drain
5	A	10 2920-99-866-7447	. . PIPE ASSEMBLY, OIL DRAIN	FV452435	1	
6		NP	. . SPILL PIPES AND TEE PIECE ASSEMBLY	FV668366	1	
NI 7	A	10 2910-99-808-1136	. . BRACKET, UNION, PIPE, steel, Cd P, 1-3/4 x 3-3/8in. w	FV668254	4	Spill pipes to cover
NI 8	A	10 2910-99-808-1137	. . BRACKET, UNION, PIPE, steel, Cd P, 3-5/8 x 1/16in. thk	FV668256	1	Spill pipes to thermostat housing
9	A	10 4710-99-866-9578	. . PIPE, METALLIC, steel, governor bleeder spill	FV452766	1	
10	A	10 2910-99-866-7467	. . PIPE, METALLIC, injection pump drain to crankcase	FV452341	1	
11	A	10 2815-99-802-4033	. . PIPE, STEEL, copper, 1/4 x 3/16 x 26in. lg welded	FV453787	1	Injection pump to crankcase
12		NP	. . PIPE, STEEL	FV453396	1	
13	A	10 2910-99-808-1081	. . PIPE, STEEL, copper P, 0.24 x 0.08 x 30.75in. lg	FV668021	1	
14	A	10 2910-99-808-1082	. . PIPE, STEEL, copper P, 0.24 x 0.08 x 30.75in. lg	FV668022	1	
15	A	10 2910-99-808-1083	. . PIPE, STEEL, copper P, 0.24 x 0.08 x 30.75in. lg	FV668023	1	
16	A	10 2910-99-808-1084	. . PIPE, STEEL, copper P, 0.24 x 0.08 x 31.5in. lg	FV668044	1	
17	A	10 2910-99-808-1085	. . PIPE, STEEL, copper P, 0.24 x 0.08 x 31.5in. lg	FV668045	1	
18	A	10 2910-99-808-1086	. . PIPE, STEEL, copper P, 0.24 x 0.08 x 31.5. lg	FV668046	1	
19	A	10 4730-99-866-9561	. . PLATE, CLAMPING BLOCK	FV450987	4	
20	A	10 4730-99-866-9559	. . BLOCK, CLAMPING, FUEL PIPE	FV452546	8	
21	A	10 5365-99-866-9560	. . SPACER, SLEEVE, steel, 0.5 x 0.375 x 0.22in. id	FV452545	8	
22	A	10 2910-99-802-6497	. . PLATE ASSEMBLY, FUEL PIPES, steel, Cd P, 2-5/16 x 1in. wd, c/w 2 integral 1/4in. UNF nuts	FV453874	3	
23	A	G1 5305-99-941-1069	. . SCREW, MACHINE, UNF, steel, Cd P, 2A, 0.875in.		8	
24	A	10 5310-99-866-7290	. . PLATE, WASHER, PLAIN, setscrew, driven flange, fuel pump drive	FV452467	2	
25	A	G1 5305-99-941-0522	. . SCREW, MACHINE, UNF, steel, zinc coated, hex hd, 5/16 x 3/8in. lg, 2A thd		4	
26	A	G1 5306-99-941-7021	. . BOLT, MACHINE, UNF, steel, zinc P w/chromate, 3/8in. -24 x 3 x 1in. thd lg		2	
27	A	G1 5310-99-941-8635	. . WASHER, FLAT, steel, zinc P, rd, 3/4 x 25/64 x 0.072in. thk		4	
28	A	10 5315-99-866-7318	. . PIN, HOLLOW, HEADED, steel, flat hd, 25/64 x 31/64 x 1-1/4 x 7/16 x 1/2in. lg int thd	FV149249	2	

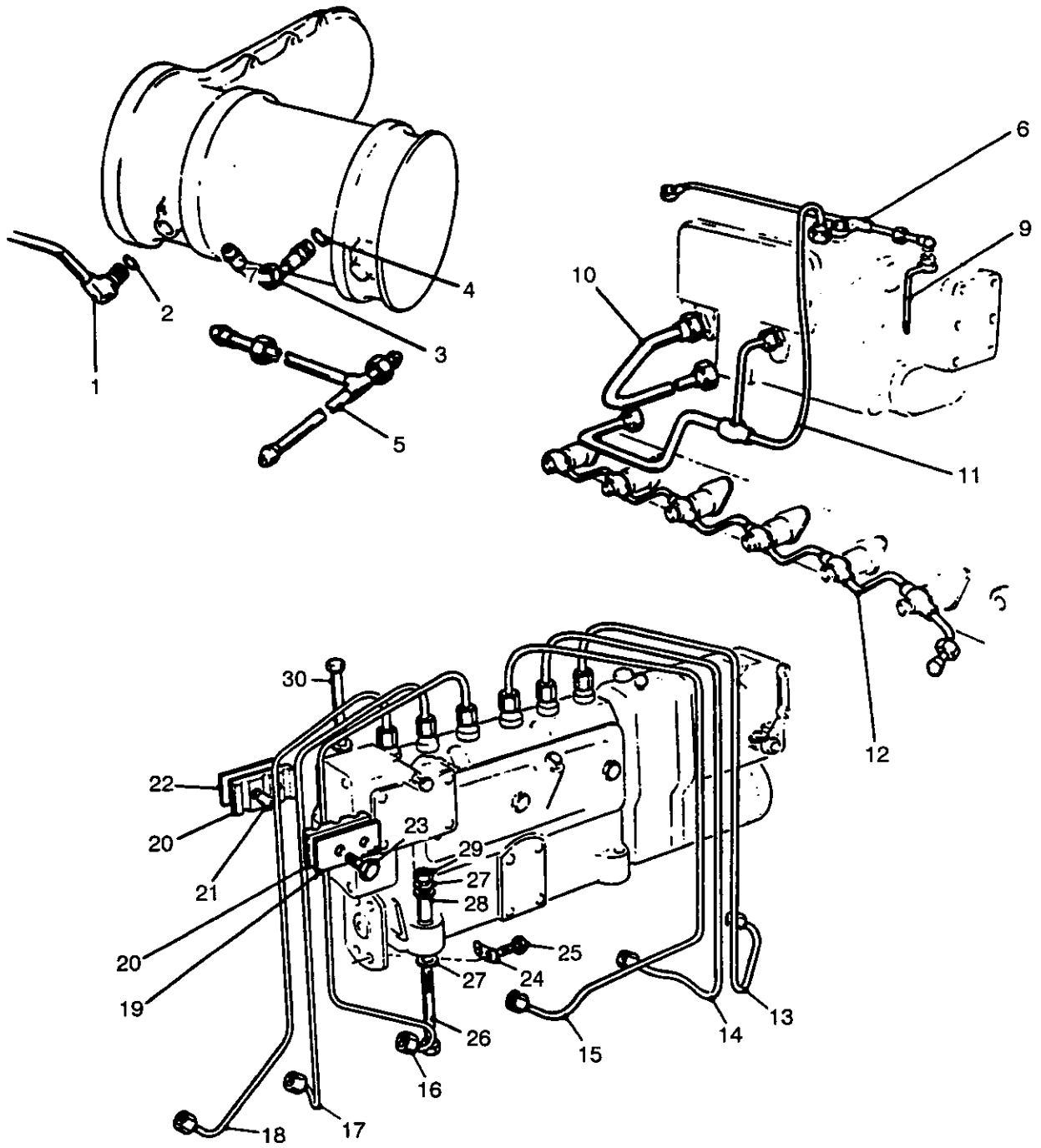


Fig 31 Oil and fuel injection pipes

430/70030

Fig. Item	Man Code Navy - N Army - A RAF - R	NATO Stock No	Item Name and Description	Part No/ Drawing No.	No. Off	Annotations
31-			POWER UNIT, DIESEL - contd . ENGINE, DIESEL - contd			
29	A 10	5310-99-866-5335	. . NUT, PLAIN, HEXAGON, UNF, steel, Cd P, 3/8 x 0.5625 x 0.33in. h, chamfered, 3B thd	FV452202	2	
30	A 10	5306-99-866-7279	. . BOLT, MACHINE, UNF, steel, Cd P, hex hd, 3/8 x 1in. scr, 2A thd	FV450954	2	Adjusting mtg plate
NI 31	A 10	2910-99-866-7453	. . PIPE, METALLIC, steel, oil pressure pump cover to centrifugal oil filter	FV452456	1	Oil pump cover to rotor oil pump
NI 32	A 10	2520-99-866-9580	. . PIPE, STEEL, gear housing to gearcase	FV451527	1	
NI 33	A 10	5330-99-866-7359	. . RING, SEALING, TOROIDAL, syn rubber, 65-75, 0.143 x 0.865in. max id	LC212	2	
NI 34	A 10	2520-99-866-9572	. . PIPE, STEEL, gearcase to oil filter	FV451504	1	
NI 35	A 10	5330-99-866-7530	. . RING, SEALING, TOROIDAL, rubber, 65-75, 9/64 x 63/64in. id	CK609	2	Oil pipe elbow
NI 36	A 10	2520-99-866-9573	. . PIPE, STEEL, oil filter to gearcase	FV451506	1	Mounting plate, oil connections
NI 37		NP	. . SCREW, MACHINE, 1/4in. UNC x 1/2in. lg		2	
NI 38	A G1	5310-99-941-7072	. . WASHER, FLAT, steel, Cd P, rd, 1/4 x 9/14 x 0.056in. thd		2	Oil pipes to mtg plate
NI 39		NP	. . SCREW, MACHINE, 1/4in. UNC x 1/2in. lg		4	
NI 40	A G1	5310-99-941-7072	. . WASHER, FLAT, steel, Cd P, rd, 1/4 x 9/14 x 0.056in. thd		4	
NI 41	A Z1	5340-99-409-8530	. . CLAMP, LOOP, steel, Cd P, 3/8 x 1/2 x 13/64in. dia	AS5419-8	1	Oil pipes, crankcase to injection pump
NI 42	A 10	5340-99-865-2078	. . CLAMP, LOOP, steel/syn rubber, Cd P, 0.25 x 0.203 x 0.028 x 0.375in. wd	A4	1	
NI 43	A G1	5305-99-914-3456	. . SCREW, MACHINE, 3/8in. lg, hex hd, normal thd	FV783810/3	1	
NI 44	A Z2	5310-99-941-7070	. . NUT, PLAIN, HEXAGON, BA, steel, Cd P, rh, No. 2, 21/64 x 11/64in. h, chamfered	AS31281	1	
NI 45	A 10	2815-99-802-4033	. . PIPE, STEEL, welded, copper coated, 1/4 x 3/16in. min od, branched, 26in. lg	FV453787	1	Oil pipe crankcase to injector pump
NI 46	A 10	5340-99-865-2078	. . CLAMP, LOOP, steel/syn rubber, Cd P, 0.25 x 0.203 x 0.028 x 0.375in. wd	A4	1	
NI 47	A 10	2815-99-808-1139	. . PIPE ASSEMBLY, STEEL, painted, 32-5/8in. lg, leak off pipe to injector fuel pump	FV668270	1	
NI 48	A 10	2815-99-808-1140	. . PIPE, STEEL, seamless, Cd plated, 3/16in. x 1/32in. x 9-5/8in. lg, nipple, spill off injectors	FV668260	1	
NI 49		NP	. . PIPE ASSEMBLY, air pressure	FV452799	1	
NI 50	A 10	2930-99-866-7440	. . PIPE, STEEL, thermostat bypass pipe	FV450465	1	

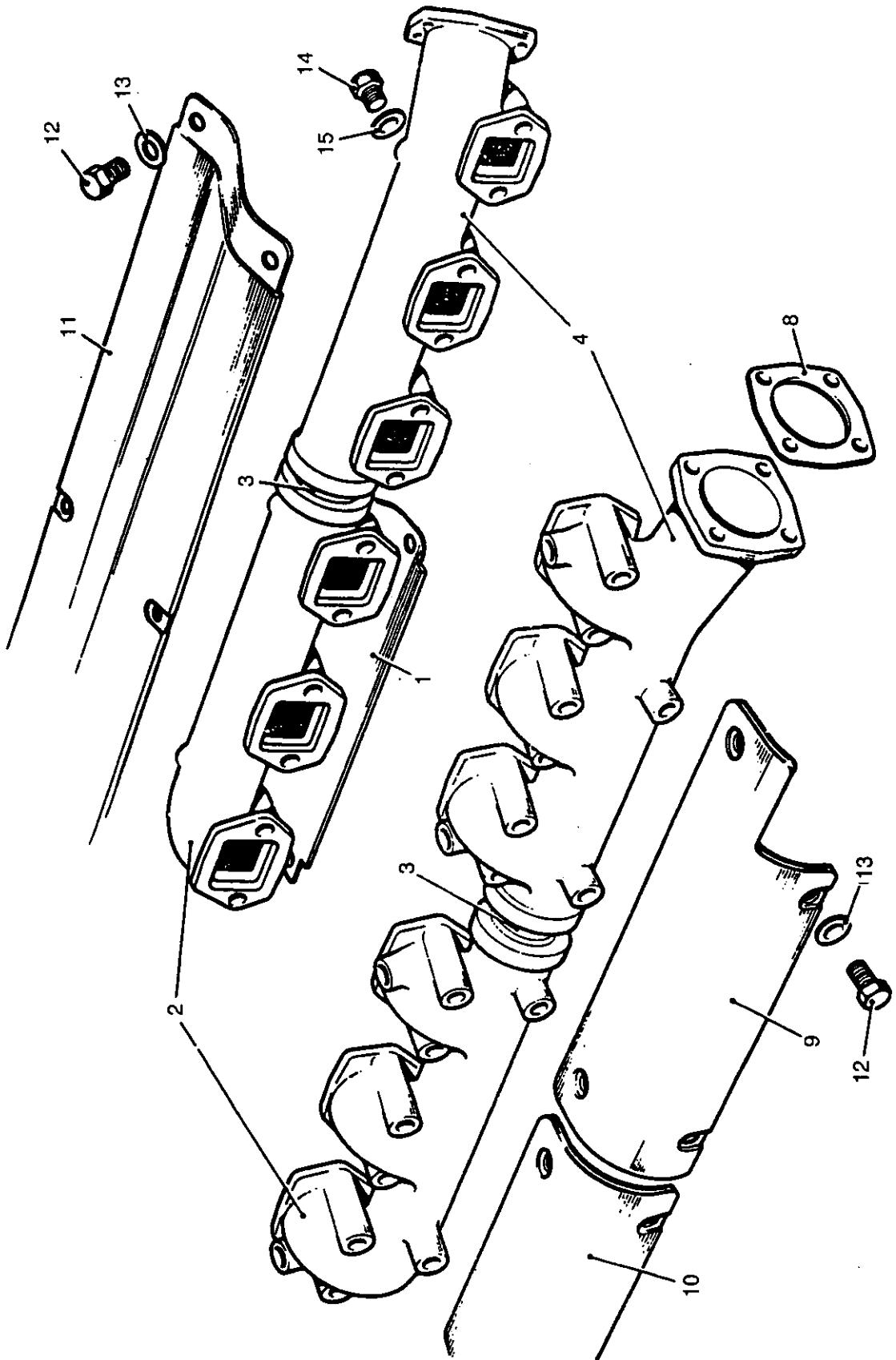


Fig 32 Exhaust manifold and heat shields

430/70031

Fig Item	Man Code Navy - N Army - A RAF - R	NATO Stock No	Item Name and Description	Part No/ Drawing No.	No. Off	Annotations
32-			POWER UNIT, DIESEL - contd . ENGINE, DIESEL - contd			
		NP	. . . EXHAUST MANIFOLD AND HEAT SHIELDS		REF	
1	A 10	2990-99-361-2589	. . . GUARD, MUFFLER - EXHAUST PIPE, NON-AIRCRAFT	FV450652	1	
2	A 10	2815-99-866-7489	. . . MANIFOLD, EXHAUST, ENGINE, CI, 13-7/8 x 4-11/16 x 3-11/16in. h	FV450520	2	
3	A 10	2815-99-866-7491	. . . SLEEVE, EXHAUST, MANIFOLD, CI, 2-1/4 x 2-5/8 x 59/64in. o/a lg	FV450817	2	
4	A 10	2815-99-866-7488	. . . MANIFOLD, EXHAUST, ENGINE, CI, 18-9/64 x 6-5/16 x 5-11/16in. h	FV450519	2	
NI 5	A 10	2815-99-866-7502	. . . GASKET, steel, rect, 3-3/4 x 1/64 x 2-1/4in. w	FV450392	12	
NI 6	A G1	5306-99-941-6592	. . . BOLT, MACHINE, UNF, steel, zinc P, hex hd, 5/16 x 2-3/4 x 7/8in. lg, class 2A		24	} Manifold to crankcase
NI 7	A G1	5310-99-956-1786	. . . WASHER, FLAT, steel, rd, 5/8 x 21/64 x 5/64in. thk	103340	24	
8	A 10	5330-99-866-7490	. . . GASKET, non asbestos, 0.4112 x 4.2 x 5in. w	FV450521	2	} Manifold flange
9	A 10	2990-99-253-4042	. . . GUARD, MUFFLER - EXHAUST PIPE, NON-AIRCRAFT, for injectors, front, contains no asbestos	FV450644	1	
10	A 10	2990-99-864-6435	. . . GUARD, MUFFLER - EXHAUST PIPE, NON-AIRCRAFT, for injectors, rear, contains no asbestos	FV450648	1	
11	A 10	2990-99-344-3477	. . . GUARD, MUFFLER - EXHAUST PIPE, NON-AIRCRAFT, for air chest, contains no asbestos	FV450656	1	
12	A G1	5305-99-941-6284	. . . SCREW, MACHINE, UNF, steel, zinc P, hex hd, 1/4 x 1/2in. lg, class 2A thd		18	} Heat shields to manifold
13	A G1	5310-99-120-4032	. . . WASHER, FLAT, steel, rd, zinc P, 1/4 x 9/16 x 0.056in. thk	PWZ104	18	
14	A G1	5305-99-941-7062	. . . SCREW, MACHINE, UNF, steel, zinc P, 1/4in. -28 x 3/8in. lg, hex hd	503/4/12872 /000	2	} Heat shield to front manifold
15	A G1	5310-99-120-4032	. . . WASHER, FLAT, steel, rd, zinc P, 1/4 x 9/16 x 0.056in.thk	PWZ104	2	

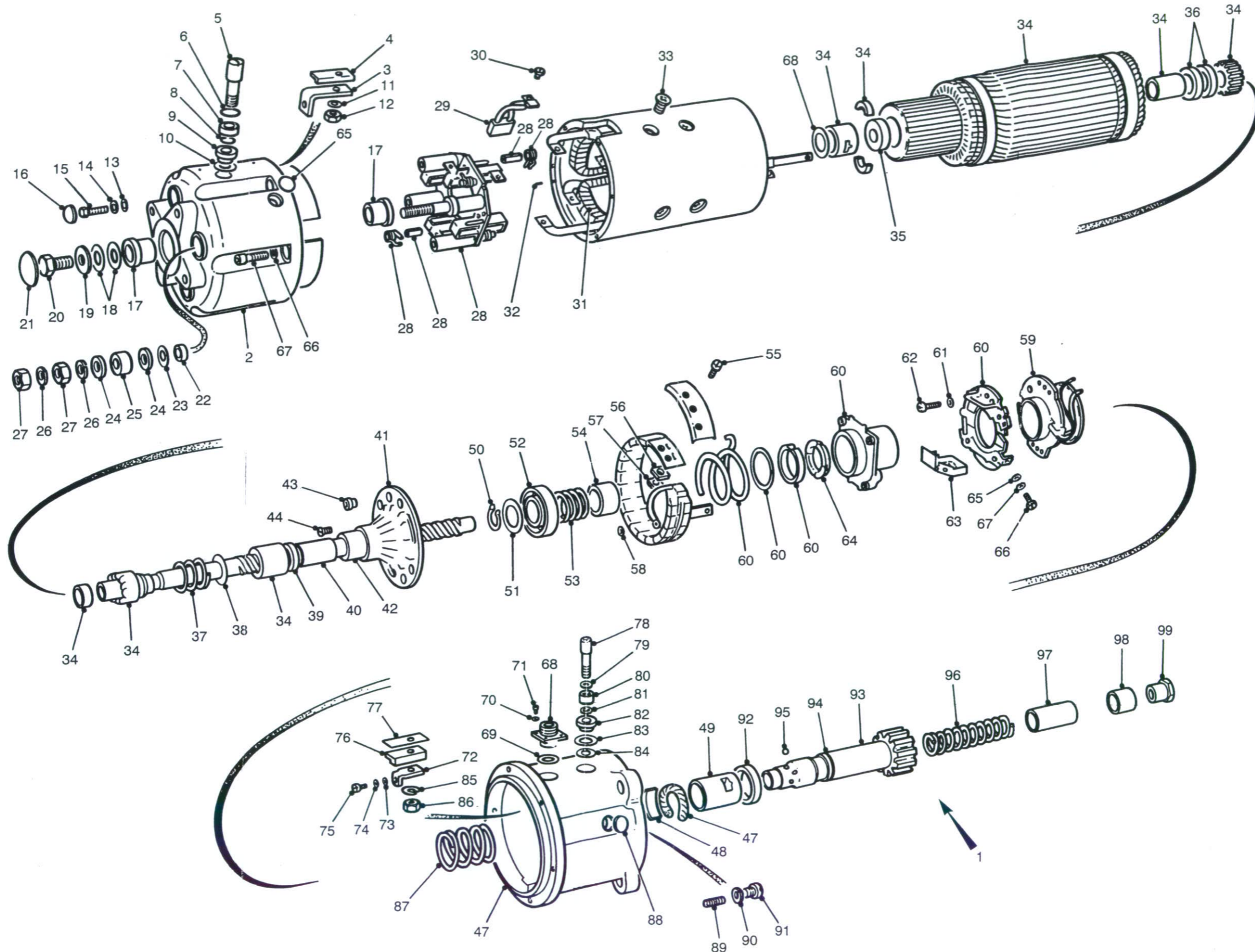


Fig 33 Starter motor

Fig Item	Man Code Navy - N Army - A RAF - R	NATO Stock No	Item Name and Description	Part No/ Drawing No.	No. Off	Annotations
33-			POWER UNIT, DIESEL - contd . ENGINE, DIESEL - contd			
		NP	. . . STARTER MOTOR AND MOUNTING			REF
1	A	9ACR 2920-99-774-0666	. . . STARTER, ENGINE, ELECTRICAL	S15Z-24-3	1	
2	A	6MT4 2970-99-774-0690	. . . END SHIELD	6366-38A	1	
3	A	6MT4 5340-99-774-0697	. . . BRACKET, ANGLE	6366-33	1	
4	A	6MT4 5970-99-774-0696	. . . INSULATOR, ANGLE BRACKET	6366-32	1	
5	A	6MT4 5940-99-774-0695	. . . TERMINAL POST	6366-39	1	
6	A	6MT4 5330-99-881-3980	. . . RING, SEALING, TOROIDAL	5872-16	1	
7	A	6MT4 5970-99-881-3979	. . . INSULATOR, BUSHING	6029-61	1	
8	A	6MT12 5330-99-808-4749	. . . RING, SEALING, TOROIDAL, rubber, 3/8in. id x 1/16in. h	5855-30K	1	
9	A	6MT4 5970-99-881-3978	. . . INSULATOR, BUSHING	6029-60	1	
10	A	6MT4 5330-99-838-5511	. . . GASKET	6265-386	1	
11	A	G1 5310-99-419-8882	. . . WASHER, LOCK, steel, flat int teeth, 3/8in. dia	138542	1	
12	A	G1 5310-99-650-8350	. . . NUT, PLAIN, HEXAGON, copper, 3/8in. UNF	108119T	1	
13	A	6MT4 5310-99-136-4733	. . . WASHER, FLAT, st, 1/4in. id x 7/16in. od x 3/64in. thk	NW1-14T1	1	
14	A	G1 5310-99-805-7379	. . . WASHER, LOCK, steel, split helical ring, 1/4in. dia	7095-321	3	
15	A	6MT4 5306-99-748-6085	. . . BOLT, MACHINE, steel, fil hd, slot drive, NO. 4 UNC x 1/2in. lg	NS292-121	3	
16	A	6MT4 5340-99-774-0670	. . . PLUG, EXPANSION, aluminium, 17mm dia	6265-620	A/R	
17	A	46MT4 3120-99-774-0691	. . . BEARING, SLEEVE, Cu alloy, 20mm o/a lg, 22.09mm od, 16.06mm id	6366-34	2	
18		NP	. . . WASHER, FLAT, st, 16mm id x 28mm od x 0.056in. thk	5936-329A	A/R	
18(1)		NP	. . . WASHER, FLAT, st, 16mm id x 28mm od x 0.048in. thk	5936-329B	A/R	
18(2)	A	46MT4 5310-99-774-0717	. . . WASHER, FLAT, st, 16mm id x 28mm od x 0.028in. thk	5936-329C	A/R	
18(3)	A	46MT4 5365-99-774-0718	. . . SHIM, st, 16mm id x 28mm od x 0.011in. thk	5936-329D	A/R	
19		NP	. . . WASHER, RECESSED	5936-341	1	
20	A	6MT4 5305-99-977-9991	. . . SCREW, SELF-LOCKING, steel, hex hd, M10 x 18mm lg	5334-413	1	
21	A	6MT4 5340-99-774-0721	. . . PLUG, EXPANSION	6265-641	1	
22	A	6MT4 5970-99-881-3978	. . . INSULATOR, BUSHING	6029-60	1	
23	A	6MT4 5330-99-838-5511	. . . GASKET	6265-386	1	
24	A	6MT12 5330-99-808-4749	. . . RING, SEALING, TOROIDAL, rubber, 3/8in. id x 1/16in. h	5855-30K	2	
25	A	6MT4 5970-99-881-3979	. . . INSULATOR, BUSHING	6029-61	1	
26	A	G1 5310-99-419-8882	. . . WASHER, LOCK, steel, flat int teeth, 3/8in. dia	138542	1	
27	A	G1 5310-99-650-8350	. . . NUT, PLAIN, HEXAGON, copper, 3/8in. UNF	108119T	2	
28		NP	. . . HOLDER ASSEMBLY, ELECTRICAL CONTACT	6366-20	1	
29	A	6MT4 5977-99-829-9354	. . . BRUSH SET, ELECTRICAL CONTACT	6068-44	1	
30	A	G1 5305-99-639-2235	. . . SCREW, MACHINE, steel, hex hd, M5 x 18mm lg		4	
31	A	6MT4 2920-99-774-0688	. . . PARTS KIT, FIELD COIL SET	6333-F817	1	
32	A	X3 5315-99-756-9939	. . . PIN, STRAIGHT, HEADLESS, steel, 0.6mm dia x 8mm lg		2	

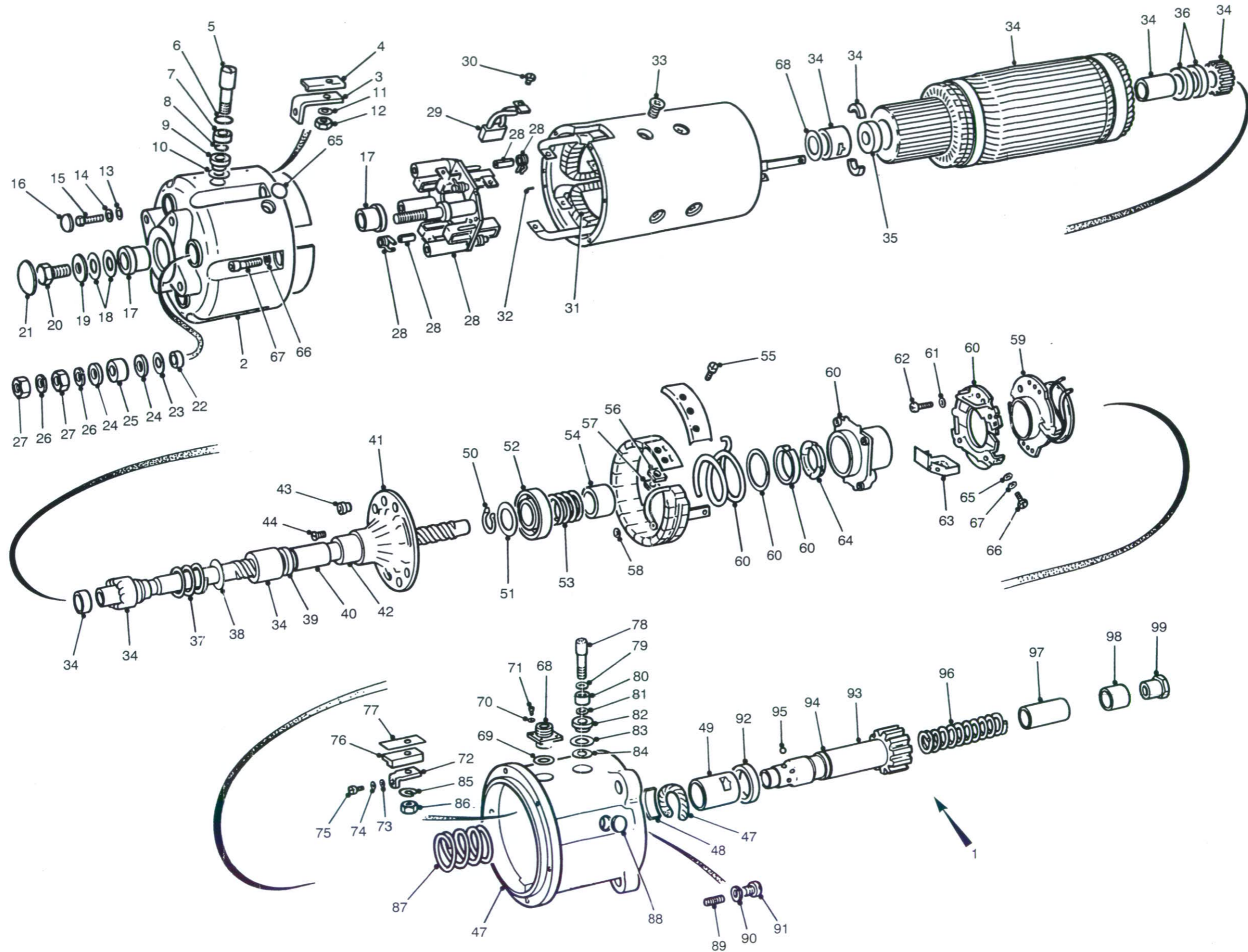


Fig 33 Starter motor

Fig Item	Man Code Navy - N Army - A RAF - R	NATO Stock No	Item Name and Description	Part No/ Drawing No.	No. Off	Annotations
33-			POWER UNIT, DIESEL - contd . ENGINE, DIESEL - contd . . STARTER, ENGINE, ELECTRICAL - contd			
33	A 6MT4	5305-99-803-9700	. . . SCREW, MACHINE, st, flat csk hd, cross drive, 3/8in. BSW x 19/32in. lg	5333-159	8	
34	A 6MT4	2920-99-774-0698	. . . ARMATURE AND SHAFT ASSEMBLY	6366-11A	1	
35	A 6MT4	5310-99-774-0705 WASHER, FLAT, st, 17mm id x 31mm od x 5.8mm thk	5936-418	A/R	
35(1)	A 6MT4	5310-99-774-0706 WASHER, FLAT, st, 17mm id x 31mm od x 5.6mm thk	5936-418A	A/R	
35(2)	A 6MT4	5310-99-774-0707 WASHER, FLAT, st, 17mm id x 31mm od x 5.4mm thk	5936-418B	A/R	
35(3)	A 6MT4	5310-99-774-0708 WASHER, FLAT, st, 17mm id x 31mm od x 5.2mm thk	5936-418C	A/R	
35(4)	A 6MT4	5310-99-774-0709 WASHER, FLAT, st, 17mm id x 31mm od x 5.0mm thk	5936-418D	A/R	
35(5)	A 6MT4	5310-99-774-0710 WASHER, FLAT, st, 17mm id x 31mm od x 4.8mm thk	5936-418E	A/R	
35(6)	A 6MT4	5310-99-774-0711 WASHER, FLAT, st, 17mm id x 31mm od x 4.6mm thk	5936-418F	A/R	
35(7)	A 6MT4	5310-99-774-0712 WASHER, FLAT, st, 17mm id x 31mm od x 4.4mm thk	5936-418G	A/R	
36		NP BEARING, WASHER, THRUST, fabric/resin, 20mm id x 33mm od x 5mm thk	6265-430	2	
37	A 6MT4	5360-99-838-5514 SPRING, HELICAL, COMPRESSION, st, 1-1/2 coils, 29mm od x 10mm lg	6265-78	1	
38		NP WASHER, FLAT, st, 18mm id x 32mm od x 1.00mm thk	6625-397	1	
39	A 6MT4	5310-99-774-0704 WASHER, RECESSED	5936-446	1	
40	A 6MT4	2920-99-774-0703 SHAFT, SHOULDERED	6366-2	1	
41	A 6MT4	2920-99-774-0699	. . . BEARING ASSEMBLY, c/w mtg flange	6366-86	1	
42		NP BEARING, SLEEVE, Cu, 22mm id x 28mm od x 35mm lg		1	
43		NP	. . . GROMMET, RUBBER	6366-61	1	
44	A G1	5305-99-122-5284	. . . SCREW, MACHINE, st, flat csk hd, slot drive, M5 x 12mm lg	NS173-721	3	
NI 45	A 6MT4	5310-99-813-0216	. . . WASHER, FLAT, st, 5mm id x 12mm od, 2mm thk	NW2-28Z1	3	
NI 46		NP	. . . WASHER, FLAT, st, 16mm id x 28mm od x 0.056in. thk	5936-329A	A/R	
NI 46 (1)		NP	. . . WASHER, FLAT, st, 16mm id x 28mm od x 0.048in. thk	5936-329B	A/R	
NI 46 (2)	A 46MT4	5310-99-774-0717	. . . WASHER, FLAT, st, 16mm id x 28mm od x 0.028in. thk	5936-329C	A/R	
NI 46 (3)	A 46MT4	5310-99-774-0718	. . . SHIM, st, 16mm id x 28mm od x 0.011in. thk	5936-329D	A/R	
47	A 6MT4	2920-99-774-0667	. . . END SHIELD	6366-47	1	
48		NP PAD, LUBRICATION	6265-36S	1	
49		NP BEARING, SLEEVE, steel/white metal, 31mm id x 36mm od x 38mm lg	6265-138	1	
50	A 6MT1	5365-99-910-8242	. . . RING, RETAINING, steel, u/w 25mm dia shaft		1	

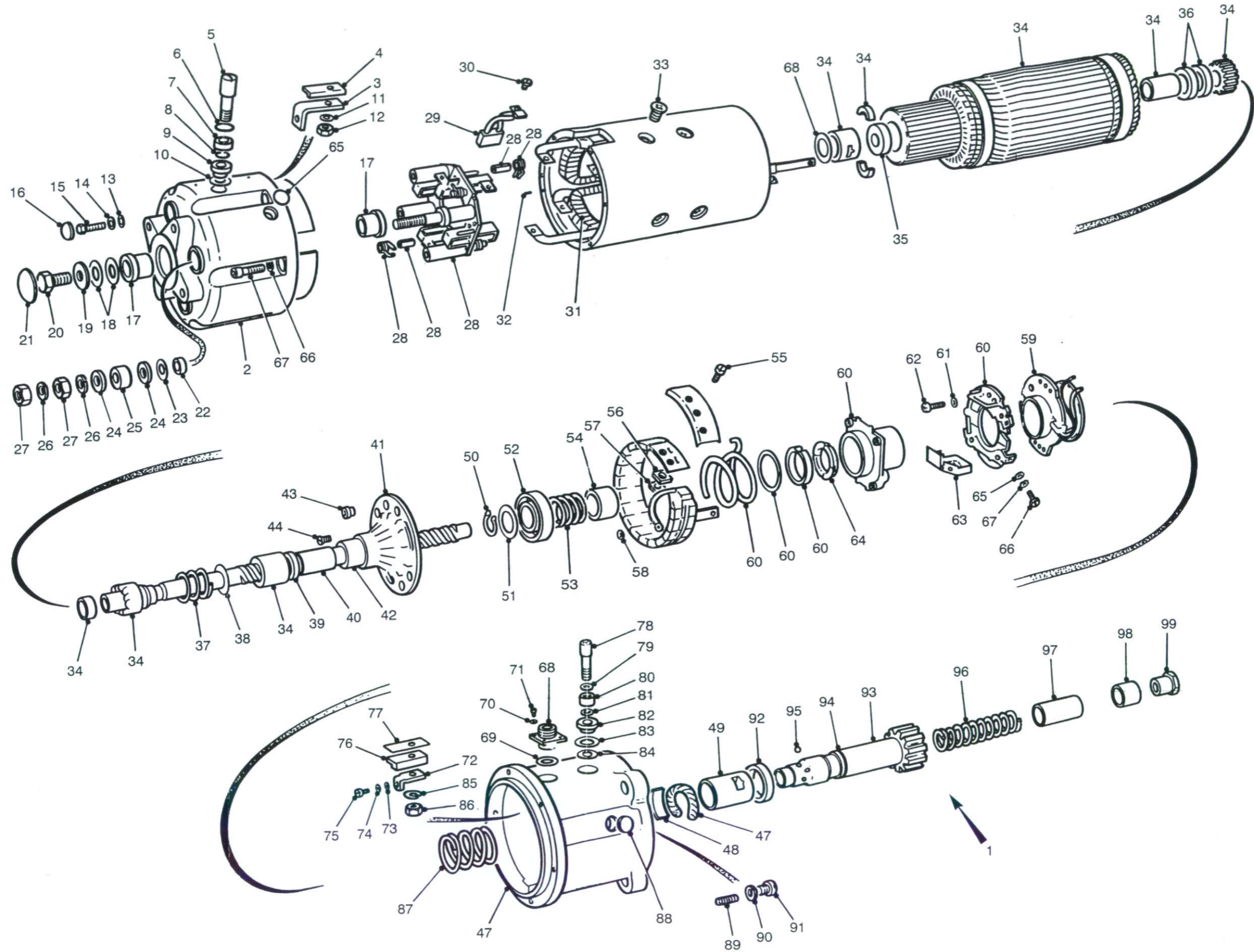


Fig 33 Starter motor

Fig Item	Man Code Navy - N Army - A RAF - R	NATO Stock No	Item Name and Description	Part No/ Drawing No.	No. Off	Annotations
33-			POWER UNIT, DIESEL - contd . ENGINE, DIESEL - contd . . . STARTER, ENGINE, ELECTRICAL - contd			
51		NP	. . . WASHER, FLAT, st, 25mm id x 37mm od x 0.5mm thk	6265-558	1	
52	A	6MT4 2920-99-774-0727	. . . PLATE, TRIP	6265-666	1	
53	A	6MT4 5360-99-838-5520	. . . SPRING, HELICAL, COMPRESSION, steel, 4-1/2 coils	6265-122	1	
54	A	6MT4 2920-99-774-0726	. . . COLLAR, LOCKING	6265-121	1	
55	A	G1 5305-99-630-0078	. . . SCREW, MACHINE, st, flat fillister hd, slot drive, M5 x 14mm lg	NS209/921	1	
56	A	6MT4 5970-99-774-0676	. . . INSULATOR, BUSHING	5587-149	1	
57	A	G1 5310-99-136-5324	. . . NUT, PLAIN, SQUARE, st, M5 x 0.8mm pitch x 2.5mm h	5338-12Z1	1	
58	A	6MT1 5310-99-812-0216	. . . WASHER, FLAT, st, 5mm id x 12mm od x 2.00mm thk	NW2-28Z1	1	
59	A	6MT4 2920-99-774-0680	. . . RELAY-SOLENOID	6265-6788	1	
60	A	6MT4 2920-99-838-5148	. . . PLUNGER ASSEMBLY	6265-545	1	
61	A	G1 5310-99-941-6653	. . . WASHER, LOCK, steel, split helical ring, 3/16in. id	P1216	13	
62	A	G1 5305-99-135-0431	. . . SCREW, MACHINE, steel, pan hd, slot drive, M5 x 20mm lg	39-0151	2	
63	A	6MT4 2920-99-838-5503	. . . SPRING AND TRIGGER ASSEMBLY	6265-640	1	
64	A	6MT4 2920-99-838-5502	. . . PARTS KIT, segments and spring	6010-58	1	
65	A	6MT4 5310-99-138-8644	. . . WASHER, FLAT, st, 5mm id x 10mm od x 1.00mm thk	NW2-25Z1	2	
66	A	G1 5305-99-138-0353	. . . SCREW, MACHINE, st, hex hd, No.10 UNC x 1/2in. lg		7	
67		NP	. . . WASHER, LOCK		7	
68	A	6MT4 5935-99-620-3314	. . . CONNECTOR ELECTRICAL	5658-305	4	
69	A	6MT1 5330-99-942-9964	. . . RING, SEALING, TOROIDAL, rubber, 5/8in. id x 3/32in. h		1	
70	A	6MT1 5330-99-805-6629	. . . GASKET, rubber/steel, 1/8in. id x 1/4in. od		4	
71	A	G1 5305-99-941-2300	. . . SCREW, MACHINE, st, fillister hd, slot drive, No. 4 UNC		4	
72	A	6MT4 5340-99-774-0674	. . . BRACKET, ANGLE		1	
73	A	G1 5310-99-941-6653	. . . WASHER, LOCK, steel, split helical ring. 3/16in. id		14	
74	A	6MT4 5310-99-808-4675	. . . WASHER, FLAT	NW2-25Y1	1	
75	A	6MT4 5305-99-139-2192	. . . SCREW, MACHINE, st, flat fillister hd, slot drive, M5 x 10mm lg	NS209-6T1	1	
76	A	6MT4 5970-99-774-0672	. . . INSULATOR, ANGLE BRACKET	6265-629	1	
77	A	6MT4 5970-99-774-0673	. . . INSULATOR, PLATE	6265-630	1	
78	A	6MT4 5940-99-774-0695	. . . TERMINAL POST	6366-39A	1	
79	A	6MT4 5330-99-881-3980	. . . RING, SEALING, TOROIDAL	5872-16	1	
80	A	6MT4 5970-99-881-3979	. . . INSULATOR, BUSHING	6029-61	1	
81	A	6MT12 5330-99-808-4749	. . . RING, SEALING, TOROIDAL, rubber, 3/8in. id x 1/16in. h	5855-30K	1	
82	A	6MT4 5970-99-881-3978	. . . INSULATOR, BUSHING	6029-60	1	
83	A	6MT4 5310-99-136-6194	. . . WASHER, FLAT, br, 15mm id x 25mm od x 1.00mm thk	NW4-26T	1	
84	A	6MT1 5330-99-801-6628	. . . RING, SEALING, TOROIDAL, rubber, 9.64in. id x 3/32in. h		1	
85	A	6MT1 5310-99-806-7450	. . . WASHER, LOCK, steel, 13/32in. id x 5/8in. od x 3/16in. thk	5001-26	1	
86	A	G1 5310-99-941-3519	. . . NUT, PLAIN, HEXAGON, brass, 3/8in. UNF		2	

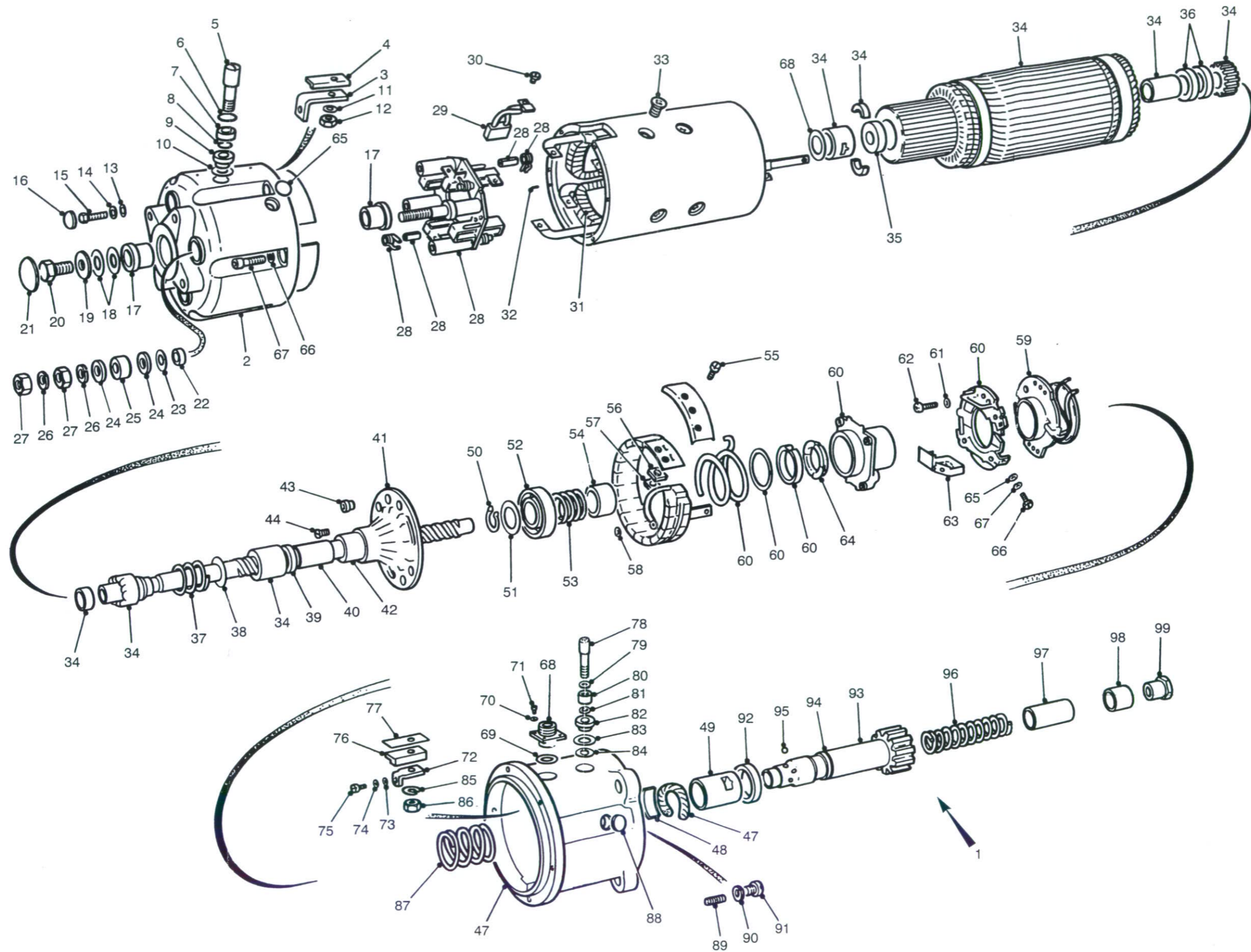


Fig 33 Starter motor

Fig Item	Man Code Navy - N Army - A RAF - R	NATO Stock No	Item Name and Description	Part No/ Drawing No.	No. Off	Annotations
33-			POWER UNIT, DIESEL - contd . ENGINE, DIESEL - contd . . . STARTER, ENGINE, ELECTRICAL - contd			
87	A 6MT4	5360-99-838-5142	. . . SPRING, HELICAL, COMPRESSION	6265-120	1	
88	A 6MT1	5340-99-774-0670	. . . PLUG, EXPANSION, aluminium, 17mm dia	6265-620	A/R	
89	A 6MT4	2920-99-803-8132	. . . SPRING, HELICAL, COMPRESSION, 7mm od x 30mm free lg, 9 coils	5549-68	1	
90	A 6MT12	5310-99-811-8978	. . . WASHER, FLAT, Cu, 10mm id x 15mm od x 1.5mm thk	NW5-22W4	1	
91	A 9ACR	5305-99-805-6831	. . . SCREW, MACHINE, steel, fillister hd, slot drive, M10 x 6.5mm lg	5335-542A	1	
92	A 6MT1	5330-99-774-0669	. . . SEAL, PLAIN, ru, copper alloy strengthening, 32mm id x 45mm od x 7mm w	5393-252AF	1	
93	A 6MT4	2920-99-774-0725	. . . PINION	6265-547A	1	
94	A 6MT4	5330-99-881-8619 PACKING, PREFORMED	6211-621	1	
95	A 6MT7	3110-99-950-0582	. . . BALL, BEARING, steel, 5mm dia	OE4526	8	
96	A 6MT1	5360-99-838-5518	. . . SPRING, HELICAL, COMPRESSION, st, 12 coils, 25mm od x 100mm free lg	6265-446	1	
97		NP	. . . BOOT, DUST AND MOISTURE SEAL	6265-670A	1	
98	A 6MT4	2920-99-774-0724	. . . BOOT, DUST AND MOISTURE SEAL	6265-671A	1	
99	A 6MT4	2920-99-838-5519	. . . NUT, PINION	6265-439	1	
NI 100	A 6MT4	2920-99-829-9364	. . PARTS KIT, ARMATURE BUSHES, 3 bushes	6265-475	1	
NI 101	A 6MT4	2920-99-829-9365	. . PARTS KIT, RATCHET	6265-476	1	
NI 102		NP	. . MOUNTING, STARTER MOTOR	FV452240	1	
NI 103	A 10	5340-99-805-3479	. . . CLAMP, LOOP, steel, starter motor mounting	FV454948	1	
NI 104	A 10	2805-99-805-3478	. . . MOUNTING, BRACKET, STARTER MOTOR, CI, 4 hole fixing	FV454946	1	
NI 105	A 10	5306-99-805-3480	. . . BOLT, SHOULDER, UNF, steel, Cd P, hex hd, 0.312 x 1 x 3.75 x 0.5 x 1in. shoulder lg	FV452587	1	
NI 106	A 10	2920-99-866-7465	. . . TRUNNION, PIN, steel, Cd P, 3/44 x 1/4 x 1-1/14 x 11/32in. hole dia	FV148976	1	
NI 107	A 10	5310-99-866-7466	. . . NUT, PLAIN, BARREL, UNF, steel, Cd P, 5/16 x 0.748 x 2.05 x 0.3343 x 0.06in. deep	FV451131	1	
NI 108	A 10	5315-99-866-7461	. . . PIN, STRAIGHT HEADED, steel, flat chamfer hd, 0.3765 x 0.31 x 0.76 x 0.27in. h	FV452228	1	

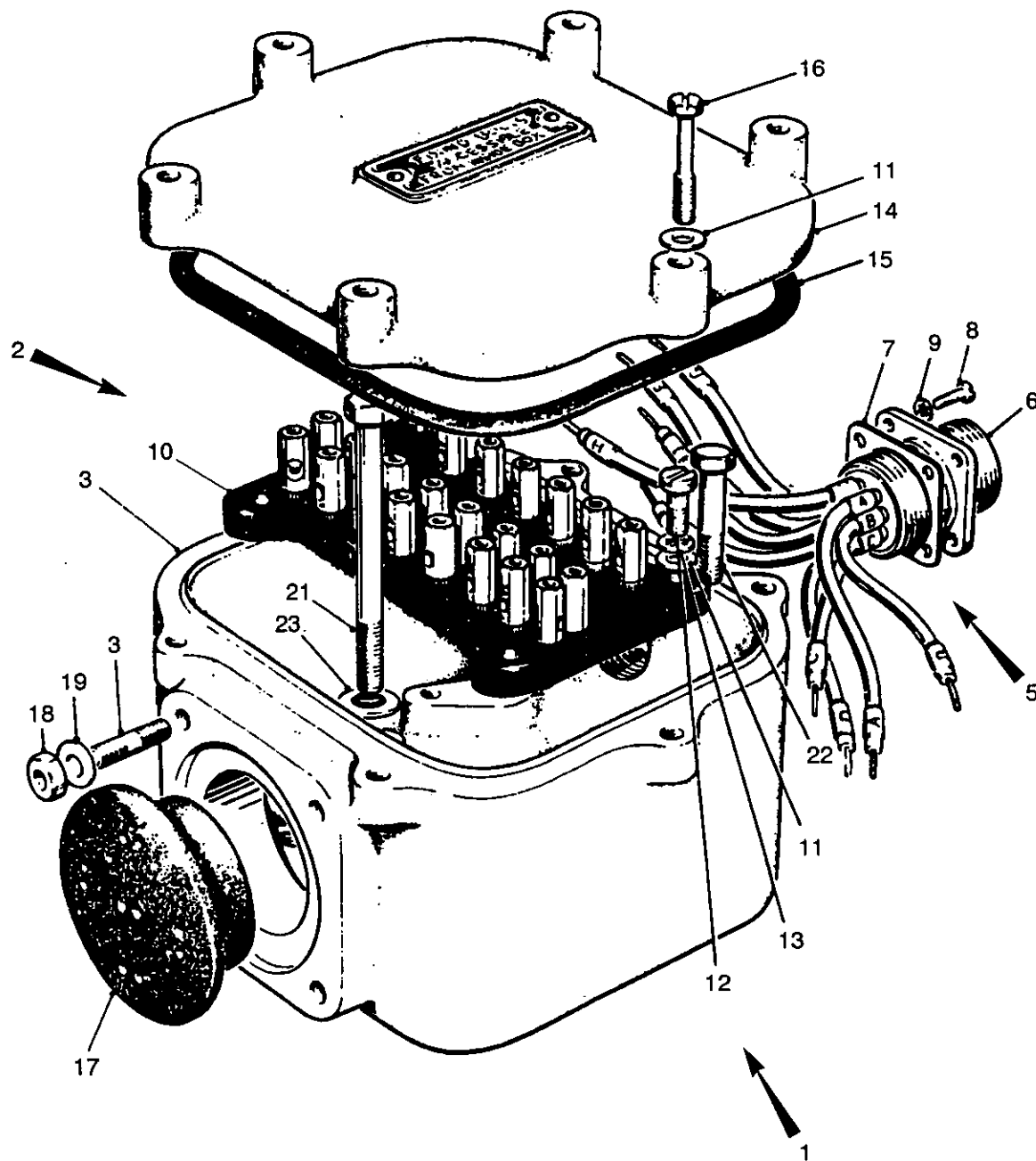


Fig 34 Interconnecting box

430/70032

Fig Item	Man Code Navy - N Army - A RAF - R	NATO Stock No	Item Name and Description	Part No/ Drawing No.	No. Off	Annotations
34-			POWER UNIT, DIESEL - contd . ENGINE, DIESEL - contd			
1		NP NP	. . . ELECTRICAL ACCESSORIES . . . INTERCONNECTING BOX, conduits and cables	FV452391 FV670684	REF 1	
2	A	46MT4	5940-99-818-8898 TERMINAL BOX, aluminium, w/cover, 5-3/8 x 3-27/32in. deep	FV562021	1	
3	A	46MT4	5975-99-881-5646 JUNCTION BOX, preformed hole, aluminium Al, 5-3/8 x 2-7/8in. thk	FV452150	1	
NI 4	A	G1	5340-99-900-1027 INSERT, SCREW THREAD, cres, 0.370in. lg No. 2, 31-4 BA int thd		6	
5	A	46MT4	2590-99-881-5649 LEAD ASSEMBLY, ELECTRICAL	FV452268	1	
6		NP CONNECTOR, RECEPTACLE, ELECTRICAL	FV502516	1	
7	A	Z2	5330-99-014-7135 GASKET, rubber, syn, sq, 1.010 x 1.383 x 0.041in. thk	5658-304C	1	
8		NP SCREW, MACHINE, BA, flat fillister hd, No. 6 x 3/8in.		4	
9	A	G1	5310-99-913-7412 WASHER, LOCK, phos, bronze, flat int teeth, Cd P, No. 6 BA x 0.255 x 0.016in. thk		4	
10	A	46MT4	5940-99-881-5648 TERMINAL BOARD, 22 terminals in 2 rows of 8, linked in pairs & 1 row of 6 together	FV450854	1	
11	A	G1	5310-99-941-6866 WASHER, FLAT, steel, Cd P, rd, 1/2 x 0.048in. thk		10	
12		NP SCREW, MACHINE, BA, steel, flat fillister hd, No. 2 x 7/8in.		4	
13		NP WASHER, LOCK, shakeproof, No. 2BA		4	
14		NP COVER, ACCESS, assy cover plate, circuit, diag. plate, label for cover and screw	FV668947	1	
15	A	46MT4	5330-99-881-5651 GASKET, syn rubber, sq, 3-7/8 x 5/32in. thk	FV450712	1	
16	A	46MT4	5305-99-881-5652 SCREW, EXTERNALLY RELIEVED BODY, BA, No. 2 x 0.81 x 29/64 x 1- 5/32in. lg, steel, Cd P, hex hd, slot drive	FV452270	6	
17	A	46MT4	5365-99-818-5986 BUSHING, RUBBER, syn rubber, 1- 35/64 x 2-1/8 x 5/8in. lg, c/w 11 holes 1/8in. dia	FV669643	1	
18	A	G1	5310-99-948-9815 NUT, PLAIN, HEXAGON, BA, steel, chamfered, Cd P, 21/64 x 1/8in. h		4	
19	A	G1	5310-99-941-6866 WASHER, FLAT, steel, Cd P, rd, 1/2 x 0.048in. thk		4	
NI 20	A	10	5975-99-800-9887 BRACKET, MOUNT, steel, welded assy, 9-1/2 x 6-1/4in. wd and h	FV453028	1	
21	A	G1	5306-99-941-6585 BOLT, MACHINE, UNF, steel, zinc P, hex hd, 1/4 x 2-1/2in. lg		1	
22	A	G1	5306-99-941-0281 BOLT, MACHINE, UNF, s steel, hex hd, zinc P, 1/4 x 1-1/8in. lg, 2A thd		2	
23	A	6MT1	5330-99-942-8450 GASKET, rubber, steel, Cd P w/chromate	300-004- 1911-02	3	
NI 24	A	G1	5305-99-941-0510 SCREW, MACHINE, UNF, steel, zinc P, 1/4in. -28 x 3/8in. lg, hex hd		1	
NI 25	A	G1	5310-99-804-7941 NUT, PLAIN, HEXAGON, UNF, steel, zinc P, 1/4in. -28 x 7/16 x 7/32in. h, chamfered finish		1	

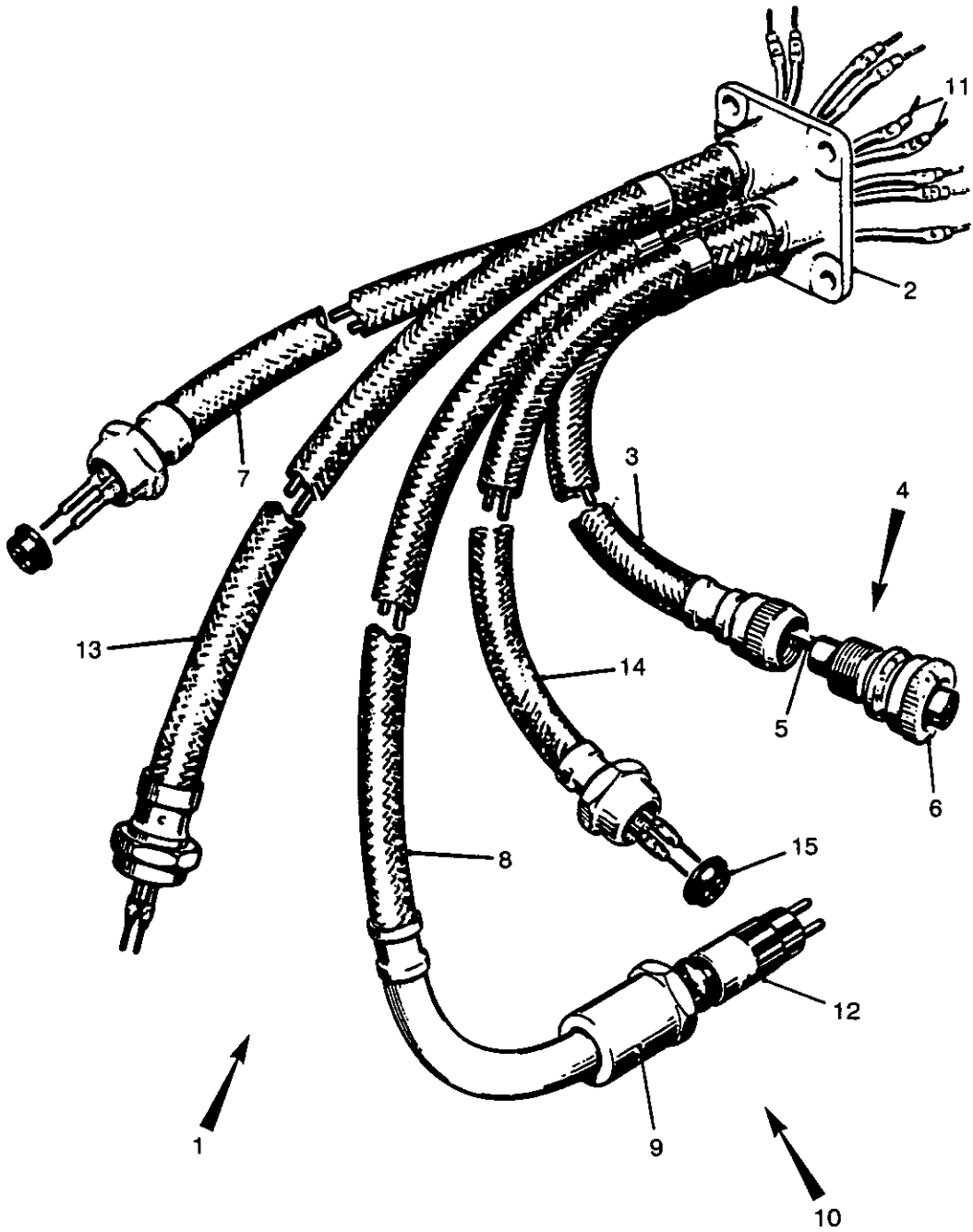


Fig 35 Conduits and cables

430/70033

Fig Item	Man Code Navy - N Army - A RAF - R	NATO Stock No	Item Name and Description	Part No/ Drawing No.	No. Off	Annotations
35-			POWER UNIT, DIESEL - contd . ENGINE, DIESEL - contd . . ELECTRICAL ACCESSORIES - contd			
1		NP NP	. . CONDUITS AND CABLES . . . ASSEMBLY, ENTRY PLATE AND CONDUITS	FV670680	REF 1	
2	A 46MT4	2590-99-881-5638 ENTRY, PLATE, JUNCTION BOX, brass, tinned, 2-3/8 x 45/64in. h, 4 mtg holes, 3/8 x 33/64in. dia	FV450779	1	
3	A 9ACR	2590-99-736-1656 CONDUIT, ASSEMBLY, FLEXIBLE ELECTRICAL, junction box to starter motor solenoid	CK4689	1	
4		NP CABLE ASSEMBLY, junction box to starter motor solenoid	FV670683	1	
5	A Y3	6145-99-999-4047 WIRE, ELECTRICAL, 40 strands, 0.0076in. dia, copper, nickel P, rubber insulation 0.13in. dia	TERSIL 16	A/R	
6		NP CONNECTOR, FREE, ELECTRICAL	FV502539	1	
7	A 46MT4	2590-99-881-9068 CONDUIT ASSEMBLY, FLEXIBLE ELECTRICAL, junction box to oil pressure switch	FV452316	1	
8	A 46MT4	2590-99-881-9069 CONDUIT ASSEMBLY, FLEXIBLE ELECTRICAL, junction box to coolant temperature bulb	FV452317	1	
9	A 46MT4	5935-99-881-5644 ADAPTOR, ELECTRICAL SHIELD TO PLUG SOCKET, hex hd, 1- 21/64 x 47/64in. 26 whit int thd	FV450780	1	
10	A 46MT4	2590-99-881-9072 6150 CABLE ASSEMBLY, POWER, ELECTRICAL, junction box to coolant temp. bulb	FV452389	1	
11	A Y3	6145-99-999-4047 WIRE, ELECTRICAL, 40 strands, 0.0076in. dia, copper, nickel P, rubber insulation 0.13in. dia	TERSIL 16	A/R	914 MTS.
12	A 46MT4	5935-99-802-2813 PLUG, ELECTRICAL, 2 pole	FV159979	1	✓
13	A 46MT4	2590-99-881-9070 CONDUIT ASSEMBLY, FLEXIBLE ELECTRICAL, junction box to tachometer generator	FV452318	1	
14	A 46MT4	2590-99-881-9071 CONDUIT ASSEMBLY, FLEXIBLE ELECTRICAL, junction box to fuel injection pump stop solenoid	FV452319	1	
15		NP BUSHING, RUBBER, 4 holes	HC78092	1	

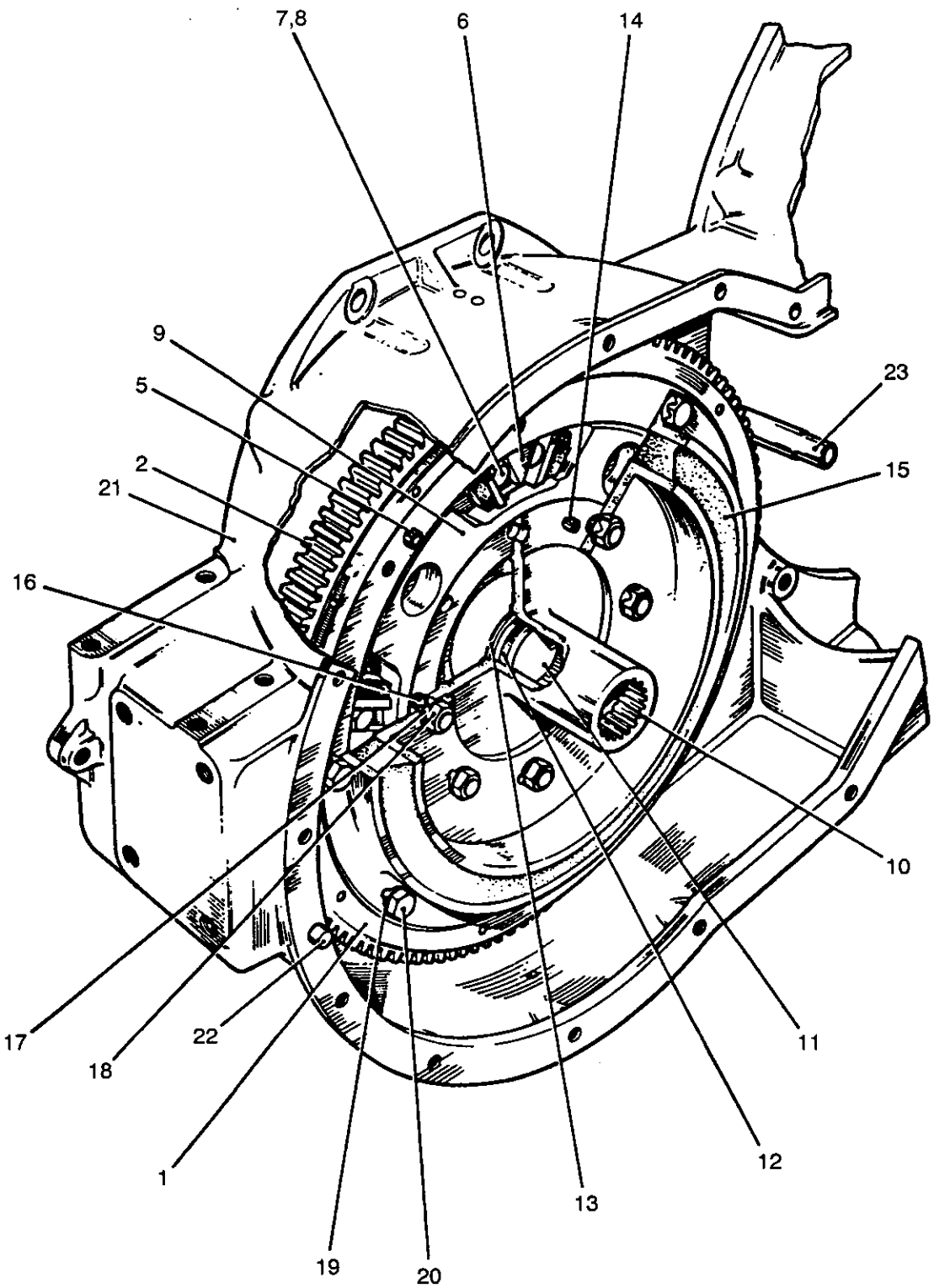


Fig 36 Engine coupling and flywheel

430/70034

Fig Item	Man Code Navy - N Army - A RAF - R	NATO Stock No	Item Name and Description	Part No/ Drawing No.	No. Off	Annotations
36-			POWER UNIT, DIESEL - contd ENGINE, DIESEL - contd			
		NP	ENGINE COUPLING AND FLYWHEEL		REF	
1	A 10	2815-99-811-8994	FLYWHEEL, ENGINE	FV669000	1	
2	A 10	2990-99-802-7296	RING, STARTER, FLYWHEEL, steel, 118 teeth	FV454018	1	
NI 3	A G1	5306-99-941-6581	BOLT, MACHINE, st, hex hd, 1/4in. UNF x 1-3/8in. lg		8	} Starter ring to flywheel
NI 4	A 10	5310-99-865-1624	WASHER, LOCK, steel, 1/4in.		8	
5	A G1	5315-99-122-6952	PIN, SPRING, st, 5/16in. od x 1.00in. lg	23512-1000	3	
6	A 10	2815-99-811-8992	PLATE, STOP	FV668997	4	
7	A 10	5306-99-811-8993	BOLT, MACHINE, steel, 3/8in. UNF	FV668998	8	
8	A 10	5310-99-865-3628	NUT, PLAIN, HEXAGON, steel, 3/8in. UNF	FV145684	8	
9	A 10	3010-99-865-3648	COUPLING SHAFT, RIGID, steel	FV148504	1	
10	A 10	3010-99-865-3753	COUPLING SHAFT, RIGID	FV149834	1	
11	A 10	2520-99-865-3744	RETAINER, TOROIDAL SEALING RING	FV149766	1	
12		NP	RING, SEALING TOROIDAL	FV149800	1	
13	A 6MT1	5365-99-910-8289	RING, RETAINING, steel, int, 1-5/8in.	8752187	1	
14	A G1	5315-99-842-8189	PIN, SPRING, steel, 1/4in. od x 3/4in. lg	FV148496	1	
15	A 10	3010-99-865-3654	COUPLING, SHAFT, FLEXIBLE, steel/rubber	FV148593	1	
16	A G1	5306-99-941-6580	BOLT, MACHINE, st, hex hd, 3/8in. UNF x 1-1/8in. lg	255210	8	} Coupling to stop plate
17	A G1	5310-99-941-6198	WASHER, KEY, steel, 3/8in.	XB7108	8	
18	A 10	5310-99-865-3628	NUT, PLAIN, HEXAGON, steel, 3/8in. UNF	FV145684	8	
19	A G1	5310-99-941-6197	WASHER, KEY, steel, 3 ext keys, 5/16in.	SP42G	8	} Flexible coupling to flywheel
20	A G1	5306-99-941-6587	BOLT, MACHINE, steel, 5/16in. UNF	8120598- 90A	8	
21	A 10	2520-99-866-6928	CASING ASSEMBLY, FLYWHEEL AND TOURS	FV450935	1	
22	A 10	5315-99-866-6929	PIN, STRAIGHT, HEADLESS, steel, 0.402in. x 1.25in. lg	FV149826	2	
23	A 10	2815-99-802-7303	PIPE, ASSEMBLY	FV454000	1	Oil transfer Gearcase to flywheel housing
NI 24	A 10	4710-99-866-6930	PIPE, METALLIC	FV149839	1	
NI 25	A 10	2815-99-865-9961	GASKET	FV452786	1	
NI 26	A 10	5340-99-865-3663	COVER ACCESS	FV148856	1	Main casing transformer box
NI 27	A G1	5305-99-941-6284	SCREW, MACHINE, st, hex hd, Zn pl, 1/4in. UNF x 1/2in.		2	} Cover plate
NI 28	A G1	5310-99-120-4032	WASHER, FLAT, steel, Zn pl, 1/4in.	PWZ104	2	
NI 29	A G1	5306-99-941-6587	BOLT, st, hex hd, Zn pl, 5/16in. UNF x 1in. lg		2	} Housing oil feed pipe
NI 30	A G1	5310-99-941-8386	WASHER, FLAT, st, Zn coated, 5/16in.	2550	2	
NI 31	A G1	5305-99-941-6284	SCREW, MACHINE, st, hex hd, Zn pl, 1/4in. UNF x 1/2in.		2	} Clip oil feed pipe
NI 32	A G1	5310-99-120-4032	WASHER, FLAT, st, Zn pl, 1/4in.	PWZ104	2	
NI 33	A 9CET	5330-99-409-2633	RING, SEALING, TOROIDAL	FV670380	3	} Bobbin tube
NI 34	A 10	5330-99-866-6986	RING, SEALING, TOROIDAL	CK613	1	

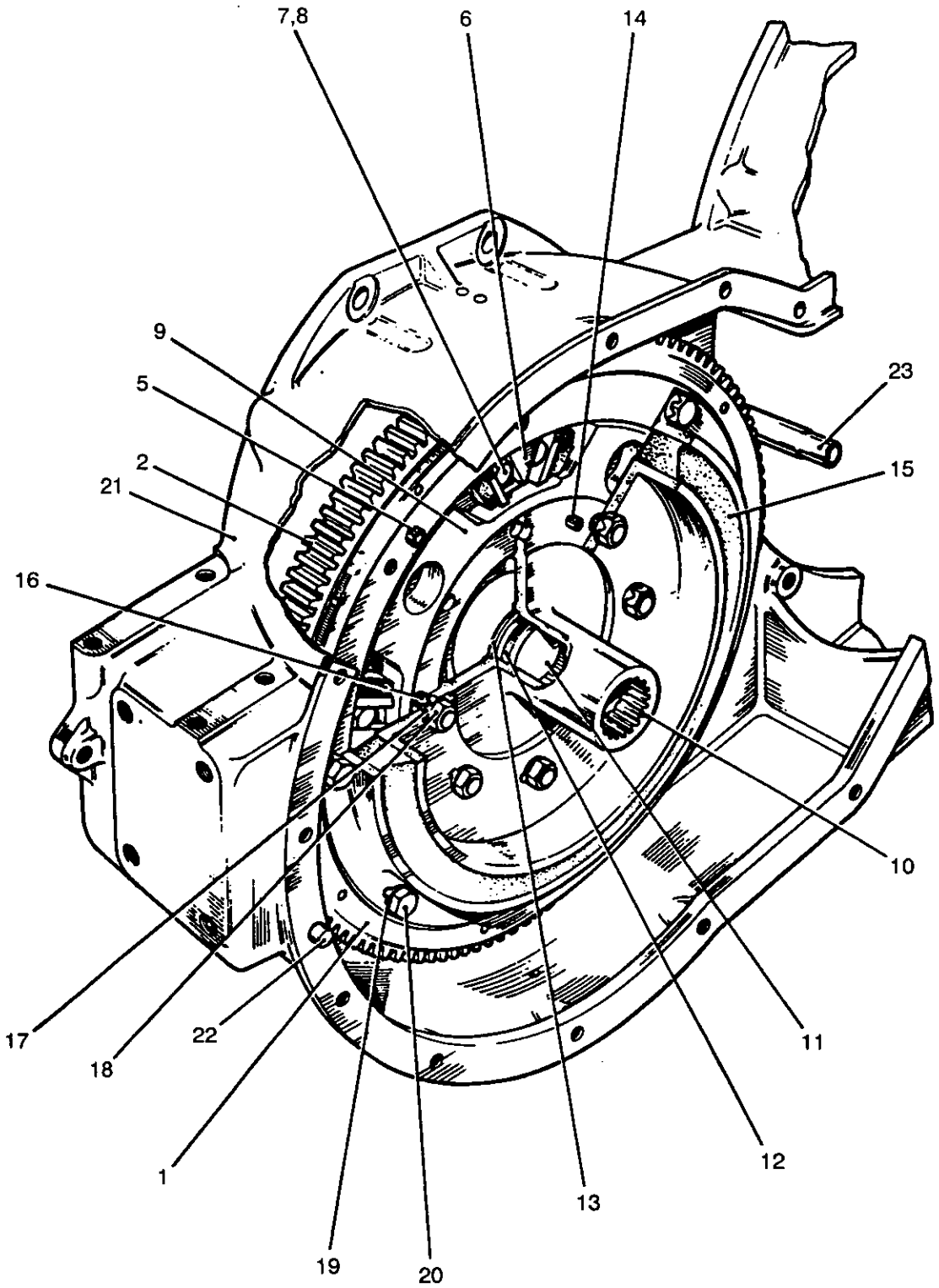


Fig 36 Engine coupling and flywheel

430/70034

Fig Item	Man Code Navy - N Army - A RAF - R	NATO Stock No	Item Name and Description	Part No/ Drawing No.	No. Off	Annotations
36-			POWER UNIT, DIESEL - contd . ENGINE, DIESEL - contd . . ENGINE COUPLING AND FLYWHEEL -contd			
NI 35	A 10	2815-99-866-6987	. . . RETAINER, PACKING	FV450363	1	Scavenge return flywheel casing to sump
NI 36	A G1	5305-99-941-6550	. . . SCREW, MACHINE, st, hex hd, Zn pl, 3/8in. UNF x 1.00in.	HNS-608	17	Gearbox to flywheel casing
NI 37	A G1	5305-99-941-6549	. . . SCREW, MACHINE, st, hex hd, Zn pl, 3/8in. UNF 7/8in.	19506073	18	Flywheel casing

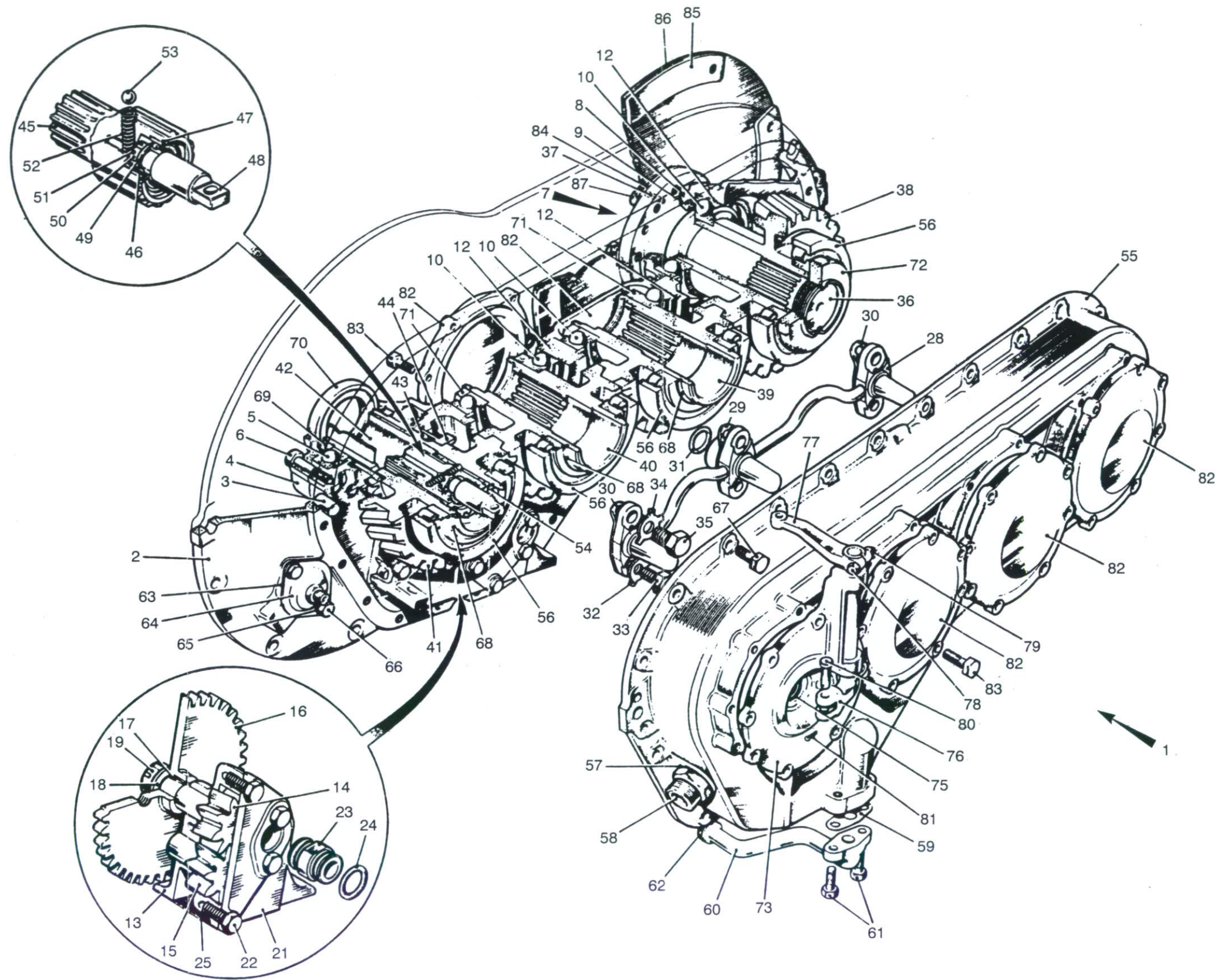


Fig 37 Transfer gearbox

Fig Item	Man Code Navy - N Army - A RAF - R	NATO Stock No	Item Name and Description	Part No/ Drawing No.	No. Off	Annotations
37-			POWER UNIT, DIESEL - contd			
		NP	. TRANSFER GEARBOX		REF	
1	A 10	2520-99-867-1211	. GEARBOX, MECHANICAL, transfer box	FV452544	1	
2	A 10	3040-99-866-6923	. . . HOUSING, MECHANICAL DRIVE	FV450253	1	
3	A 10	5315-99-865-3658	. . . PIN, STRAIGHT, HEADLESS, st, 0.402in. od x 3/4in. lg	FV148623	2	
4	A 10	5330-99-865-3746	. . . RETAINER, OIL SEAL	FV149768	1	
5	A 46MT7	3110-99-950-0063	. . . BEARING, BALL, ANNULAR, single row, 70mm id x 125mm x 24mm w	6214	1	
6	A G1	5306-99-941-6590	. . . BOLT, MACHINE, st, hex hd, Zn pl, 5/16in. UNF x 1-1/2in. lg	92279	8	
7		NP	. . . HOUSING ASSEMBLY	FV450685	1	
8	A 10	3040-99-865-3793	. . . HOUSING, MECHANICAL DRIVE	FV450686	1	
9	A 46MT1	5330-99-802-0839	. . . SEAL, PLAIN, ENCASED, 3in. id x 4in . od x 1/2in. w	FV453546	1	
10	A 46MT1	5330-99-222-0681	. . . BEARING, BALL, JOURNAL, single row, 65mm id x 120mm od x 23mm w	621363	3	
NI 11	A G1	5306-99-941-6589	. . . BOLT, MACHINE, st, hex hd, Zn pl, 5/16in. UNF x 1-3/8in. lg		8	
12	A 46MT1	5365-99-910-8307	. . . RING, RETAINING, st, int, 4-3/4in.	M12-208- 000	3	
13	A 10	2520-99-865-4394	. . . BODY POWER DRIVEN ROTARY PUMP	FV149473	1	
14	A 10	3040-99-865-3659	. . . GEARSHAFT, HELICAL, st, 8 teeth, 1.35in. od	FV148813	1	} Oil pump driver
15	A 10	3040-99-865-3660	. . . GEARSHAFT, HELICAL, st, 8 teeth, 1.35in. od	FV148814	1	
16	A 10	3020-99-865-4383	. . . GEAR SPUR, st, 39 teeth, 5.1in. od	FV148549	1	
17	A 9ACR	5315-99-842-9001	. . . KEY, WOODRUFF	KC503	A/R	
17(1)	A 7RR	5315-99-842-9000	. . . KEY, WOODRUFF	KC500	A/R	
18		NP	. . . WASHER FLAT, st, Cd P, 1/2in.	A51-Z	1	
19	A G1	5310-99-941-0884	. . . NUT, SLOTTED, HEXAGON, st, Zn pl, 1/2in. UNF	91086241	1	
NI 20	A G1	5315-99-138-2207	. . . PIN, COTTER, SPLIT, st, phosphated, 3/32in. od x 1-1/8in.	P5606160	1	
21	A 10	5340-99-865-3651	. . . COVER, ACCESS	FV148574	1	
22	A G1	5305-99-941-6543	. . . SCREW, MACHINE, st, hex hd, Zn pl, 1/4in. UNF x 3/4in.		6	
23	A 1C	2520-99-865-3656	. . . RETAINER, PACKING, steel, 0.812in. dia	FV148597	1	
24	A 10	5330-99-409-2633	. . . RING, SEALING, TOROIDAL, rubber, 0.612in. id x 0.103in. h	FV670380	2	Bobbin scavenge return
25	A 10	2520-99-865-4382	. . . STRAINER, ELEMENT, SEDIMENT, st, 2-1/4in. w x 6-1/8in. lg x 0.024in. thk	FV148512	1	
NI 26	A G1	5305-99-941-8052	. . . SCREW, DRIVE, st, Zn pl, 3/16in. lg	2450-2	8	Strainer to casing
NI 27		NP	. . . BOLT, MACHINE, st, hex hd, Zn pl, 5/16in. UNF x 1-1/8in. lg		2	Oil pump to body casing
28	A 10	2520-99-866-6924	. . . PIPE ASSEMBLY, OIL FEED	FV450542	1	
29	A 10	5330-99-865-4384	. . . GASKET, 0.95in. id x 0.01in. thk	FV148585	1	Oil jet, centre
30	A 10	5330-99-388-5946	. . . GASKET	FV148586	2	Oil jets, outer
31	A 10	5330-99-865-4386	. . . RING, SEALING, TOROIDAL, ru, 0.487in. id x 0.103in. h	FV148599	1	
32	A 7PK	5310-99-438-0221	. . . WASHER, KEY, steel, 0.26in.	KU10006	3	
33	A G1	5305-99-941-6542	. . . SCREW, CAP, HEXAGON HEAD, st, hex hd, Zn pl, 1/4in. UNF x 5/8in. lg	CK111603Z N2	3	

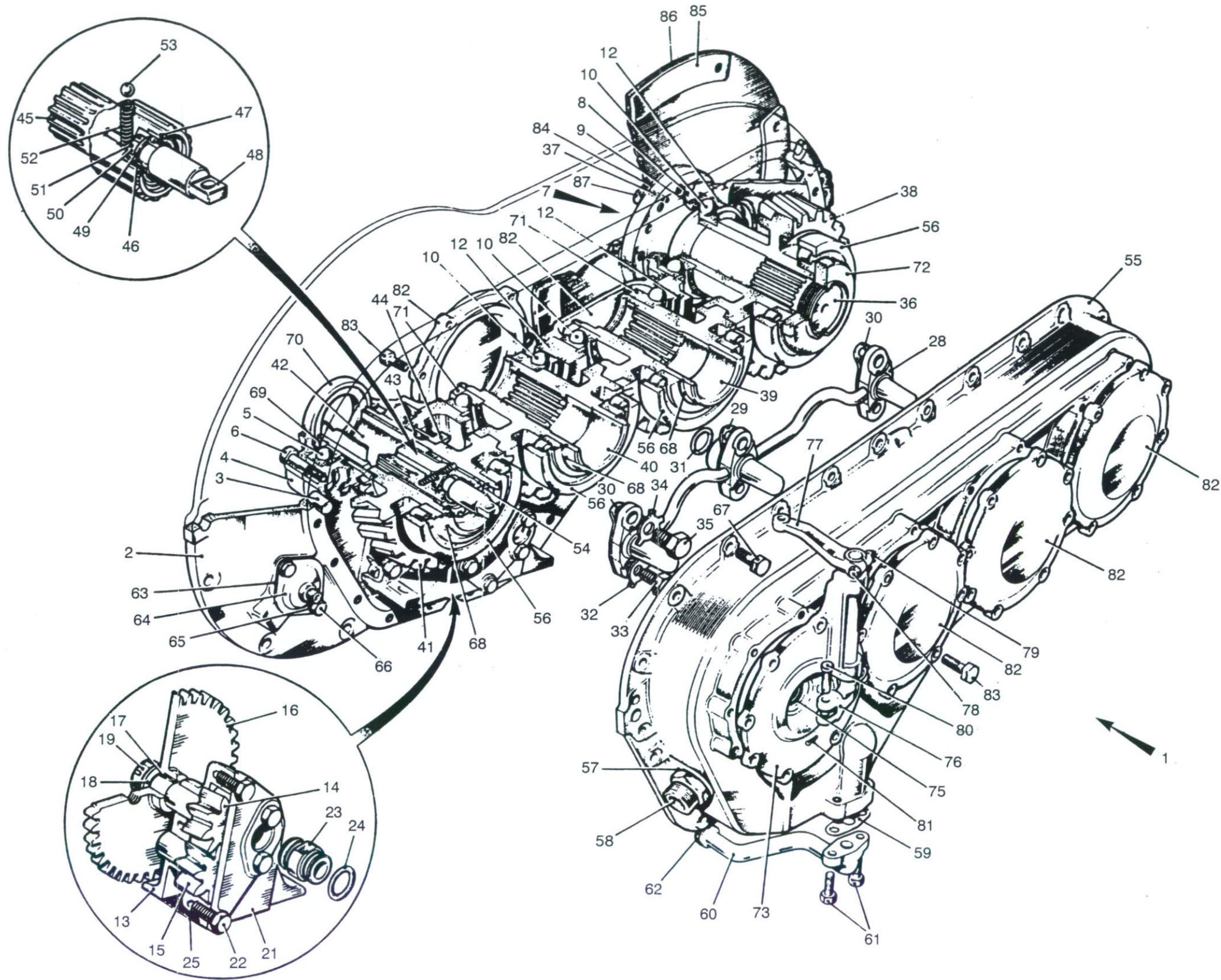


Fig 37 Transfer gearbox

Fig Item	Man Code Navy - N Army - A RAF - R	NATO Stock No	Item Name and Description	Part No/ Drawing No.	No. Off	Annotations
37-			POWER UNIT, DIESEL - contd GEARBOX, MECHANICAL - contd			
34	A G1	5310-99-941-6197	WASHER, KEY, steel, 5/16in.	SP42-G	3	
35	A G1	5305-99-941-6545	SCREW, MACHINE, st, hex hd, Zn pl, 5/16in. x 5/8in. lg	742646	3	
36	A G1	2520-99-867-4402	SHAFT ASSEMBLY, SHOULDERED	FV451270	1	
37	A 10	5315-99-865-3846	PIN, SPRING, steel, 0.125in. od x 1/2in.	FV451375	1	
38	A 10	3020-99-865-3876	GEAR, HELICAL, driven gear, 33 teeth	FV148843	1	
39	A 10	3020-99-865-3661	GEAR, CLUSTER	FV148819	1	
40	A 10	3020-99-865-3649	GEAR, CLUSTER, idler, 31 teeth	FV148507	1	
41	A 10	3020-99-865-3781	GEAR, SPUR, driving gear, 33 teeth	FV450222	1	
42	A 10	3120-99-865-3624	BEARING, SLEEVE, bronze/steel, 1.991in. od x 2.5in.	RE25098	1	
43	A 7RR	5315-99-842-9000	KEY, WOODRUFF, st, 0.5in. x 0.094in. 0.203in.	KC500	1	
43(1)	A 9ACR	5315-99-842-9001	KEY, WOODRUFF, st, 0.5in. x 0.095in. 0.203in.	KC503		
44	A 10	1240-99-865-3747	GEAR, SPUR	FV149769	1	
45	A 10	3040-99-809-5861	SHAFT, SHOULDERED	FV668806	1	
46	A 46MT7	3110-99-942-5752	BEARING, BALL, ANNULAR, single row, 15mm id x 35mm od x 11mm w	AB/1/2/1230 1	1	
47	A 46MT1	5365-99-910-8328	RING, RETAINING, steel, int, 1-3/8in.	91117820	1	
48	A 10	2520-99-865-3742	SHAFT, SHOULDERED	FV149763	1	
49	A 10	5310-99-865-1527	WASHER, FLAT, steel, 5/16in.	UA2053Z	1	
50	A G1	5310-99-941-0881	NUT, SLOTTED, HEXAGON, st, Zn pl, 5/16in. UNF	5102-12	1	
51	A G1	5315-99-138-2201	PIN, COTTER, SPLIT, st, Cd P, 1/16in. x 5/8in.	0009830407	1	
52	A 10	2520-99-865-3743	SPRING, HELICAL, COMPRESSION	FV149765	1	
53	A 6MT7	3110-99-950-0571	BALL BEARING, steel, 5/16in. dia	ET8394	1	
54	A 46MT1	5365-99-801-7333	RING, RETAINING, steel, int, 2-1/16in.	SF341-56	1	
55		NP	CASING, GEARBOX	FV451479	1	
56	A 6MT7	3110-99-950-0257	BEARING, PARALLEL, single row, 65mm id x 120mm od, x 23mm w, 000 fit	NF213C3	4	
57	A 10	5365-99-865-1490	SPACER, RING, Al, 1-1/8in.	XB1094	1	
58	A 46MT1	4730-99-801-2027	NIPPLE, TUBE, steel, 1-1/8in. UNF	FV587-9	1	Oil drain
59	A 10	5330-99-865-4418	GASKET	FV149427	1	
60	A 10	4710-99-866-7479	PIPE, METALLIC	FV450206	1	Oil return
61	A G1	5305-99-941-6543	SCREW, MACHINE, st, hex hd, Zn pl, 1/4in. UNF x 3/4in. lg	JS20457	2	
62	A 9CET	5330-99-409-2633	RING, SEALING, TOROIDAL, ru, 0.612in. id x 0.103in. h	FV670380	1	
63	A 10	5330-99-172-8541	GASKET	FV148592	1	
64	A 10	2815-99-866-9960	COVER ASSEMBLY, INTERMEDIATE DRIVE, CASING	FV452781	1	
65	A G1	5310-99-122-3033	WASHER, FLAT, steel, 1/4in.		2	
66	A G1	5305-99-941-6284	SCREW, MACHINE, st, hex hd, Zn pl, 1/4in. UNF x 1/2in. lg		2	
67	A G1	5305-99-941-0525	SCREW, MACHINE, st, hex hd, Zn pl, 5/16in. x 3/4in. lg		27	
68	A 6MT1	5365-99-200-1551	RING, RETAINING, steel, 2-1/2in.	AG52030-40	3	
69	A 10	5310-99-865-3646	NUT, PLAIN, ROUND, steel, 2-3/4in. UNS	FV148502	1	
70	A 46MT1	5330-99-801-6757	SEAL, PLAIN, ENCASED, 2in. id x 3in. od, x 3/8in. w	W30020037 R4	1	

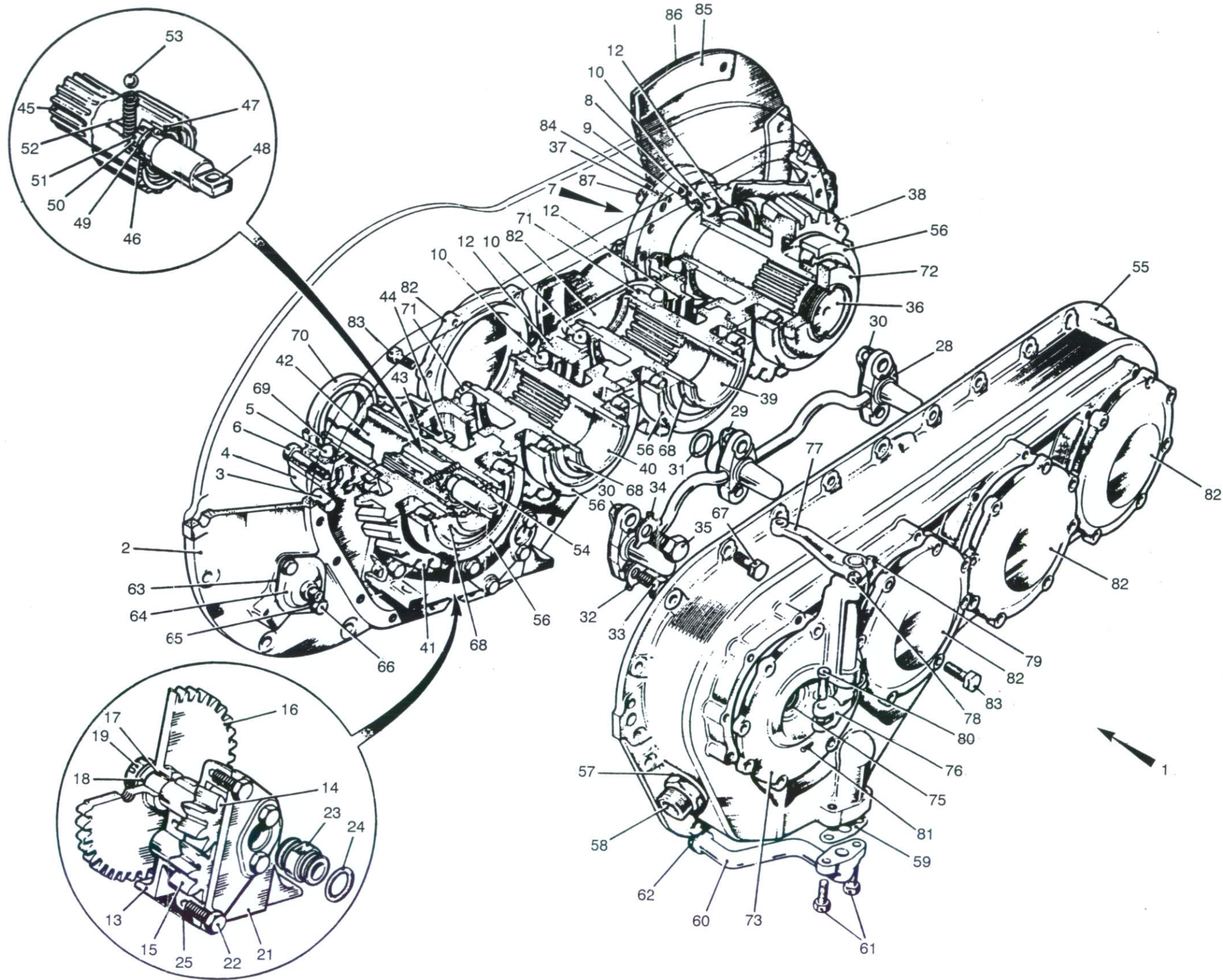


Fig 37 Transfer gearbox

Fig Item	Man Code Navy - N Army - A RAF - R	NATO Stock No	Item Name and Description	Part No/ Drawing No.	No. Off	Annotations
37-			POWER UNIT, DIESEL - contd . GEARBOX, MECHANICAL - contd			
71	A 10	5310-99-865-3647	. . NUT, PLAIN, ROUND, steel, 2-1/2in. UNS	FV148503	2	
72	A 10	5310-99-865-1645	. . NUT, PLAIN, ROUND, steel, 1-3/4in. UNS	FV148501	1	
73	A 10	5340-99-865-3748	. . COVER, ACCESS	FV149770	1	
NI 74	A G1	5305-99-941-6542	. . SCREW, CAP, HEXAGON HEAD, st, hex hd, Zn pl, 1/4in. UNF x 5/8in. lg	CK111603Z NQ	8	
75	A 10	5330-99-865-4396	. . RING, SEALING, TOROIDAL, ru, 0.737in. id x 0.103in. h	FV149799	1	
76	A 10	3040-99-865-3749	. . CONNECTING, LINK, RIGID	FV149771	1	
77	A 10	3040-99-866-6926	. . LEVER, REMOTE, CONTROL	FV452472	1	
78	A G1	5305-99-101-0030	. . SCREW, MACHINE, st, hex hd, Cd Pl, 2BA x 1-3/16in. lg	B00034	1	
79	A G1	5310-99-941-7070	. . NUT, PLAIN, HEXAGON, steel, 2BA	AS31281	1	
80	A 10	5315-99-866-6925	. . PIN, STRAIGHT, HEADED, steel, Cd Pl, 1/4in. od x 15/16in. lg	K65112	1	
81	A G1	5315-99-138-2205	. . PIN, COTTER, SPLIT, steel, 3/32in. dia x 5/8in. lg	P5105250	1	
82	A 10	5340-99-865-3644	. . COVER, ACCESS	FV148500	5	Gear train bearings
83	A G1	5305-99-941-6542	. . SCREW, CAP, HEXAGON HEAD, st, ex hd, Zn pl, 1/4in. UNF x 5/8in. lg	CK111603Z NQ	40	
84	A 10	2520-99-809-5516	. . PLATE, RETAINING, FLEXIBLE PLATE	FV668620	2	
85	A 10	2520-99-865-4412	. . PLATE, DRIVE, FLEXIBLE	FV451268	1	Outer assy
86	A 10	2520-99-865-4411	. . PLATE, DRIVE, FLEXIBLE	FV451267	2	Inner assy
87	A G1	5305-99-941-6549	. . SCREW, MACHINE, st, hex hd, Zn pl, 3/8in. UNF x 7/8in. lg		12	Flexiplates to coupling shaft

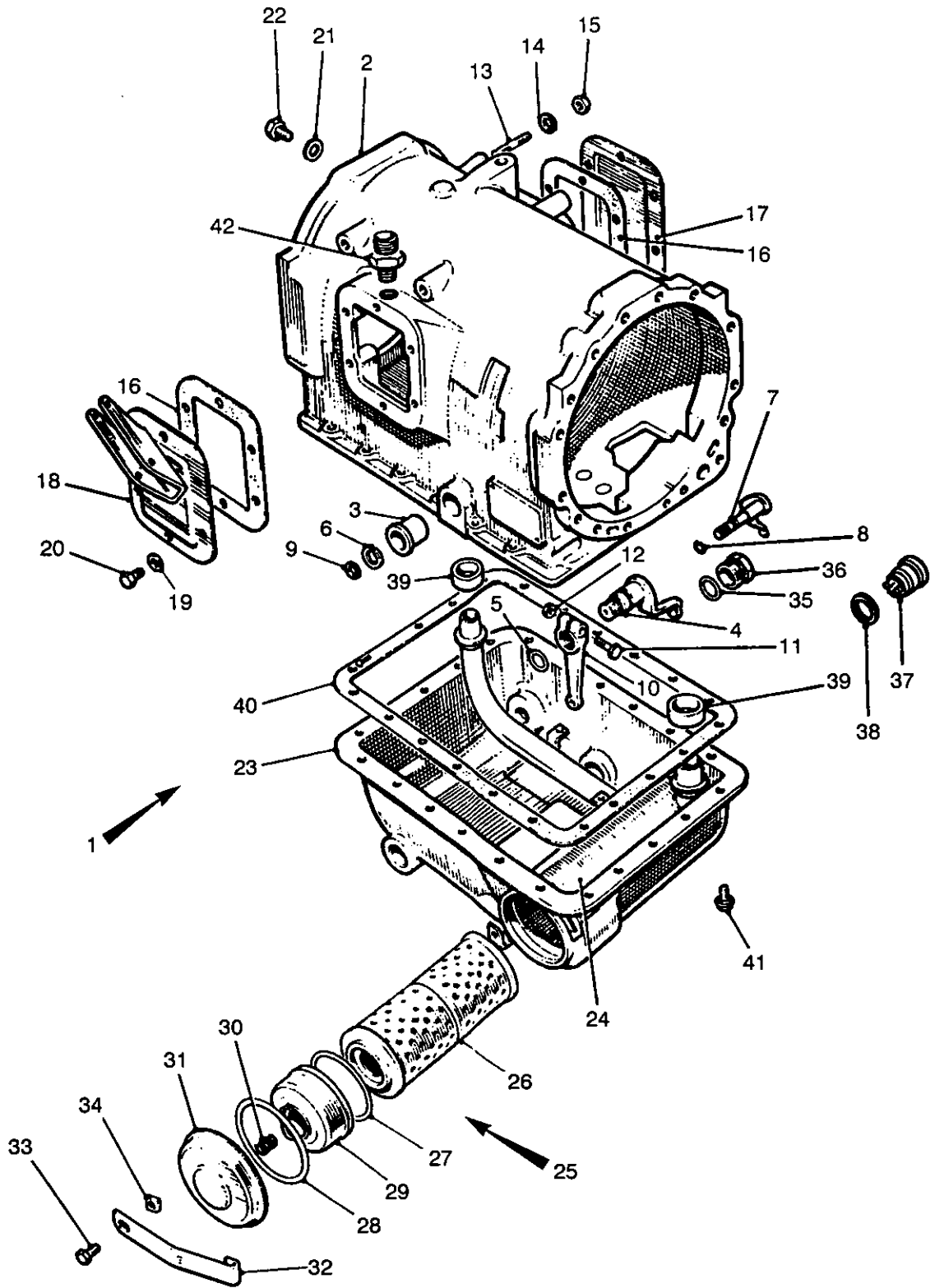


Fig 38 Housing, transmission

430/70036

Fig Item	Man Code Navy - N Army - A RAF - R	NATO Stock No	Item Name and Description	Part No/ Drawing No.	No. Off	Annotations	
38-			POWER UNIT, DIESEL - contd				
	A	9ACR	2520-99-867-0403	TRANSMISSION, MECHANICAL, VEHICULAR	FV452410	1	
1		NP	MAIN HOUSING ASSY	FV452557	1		
2	A	10	2520-99-866-2340	HOUSING, TRANSMISSION	FV451646	1	
3	A	10	3120-99-866-2341	BUSHING, SLEEVE, st, 0.808in. id, x 1.041in. od x 1.216in. lg	FV451648	1	Shift lever
4	A	10	2520-99-866-2338	SHAFT ASSEMBLY, SELECTOR	FV451652	1	Manual control
5	A	10	5330-99-866-2346	RING, SEALING, TOROIDAL, ru, 0.607in. id x 0.106in. h	FV451656	1	Selector shaft
6	A	10	5365-99-866-2345	RING, RETAINING, st, ext, 0.724in. id x 0.094in. thk	FV451655	1	
7	A	10	2520-99-866-7551	SHAFT ASSEMBLY, THROTTLE VALVE	FV452283	1	
8	A	10	5330-99-866-2349	RING, SEALING, TOROIDAL, ru, 0.360in. id x 0.070in. h	FV451661	1	Throttle valve shaft
9	A	10	5365-99-866-2348	RING, RETAINING, st, ext, 0.430in. id, x 0.065in. thk	FV451660	1	
10	A	10	3040-99-865-3716	LEVER, REMOTE CONTROL,	FV149409	1	
11	A	G1	5306-99-941-6581	BOLT, MACHINE, st, hex hd, Zn pl, 1/4in. UNF x 1-3/8in. lg		1	
12	A	G1	5310-99-804-7941	NUT, PLAIN, HEXAGON, st, Zn pl, 1/4in. UNF	701196	1	
13		NP	STUD, PLAIN, steel, 1/2in. UNF/UNC	FV451356	4		
14	A	G1	5310-99-120-3891	WASHER, FLAT, st, Cd Pl, 1/2in.	N02660	4	
15	A	G1	5310-99-941-0928	NUT, PLAIN, HEXAGON, st, Zn pl, 1/2in. UNF	FNZ508	4	
16	A	10	5330-99-866-2342	GASKET, cork	FV451469	2	
17	A	10	2590-99-866-2343	COVER, VEHICULAR COMPONENTS	FV451650	2	
18	A	10	2990-99-802-1287	COVER, ACCESS	FV452375	1	
19	A	G1	5310-99-943-7118	WASHER, FLAT, steel, 3/8in.	A20185	12	Cover screw
20	A	10	5305-99-866-2329	SCREW, MACHINE, st, hex hd, 3/8in. UNC x 3/4in. lg	FV146166	12	
21	A	10	5310-99-865-1478	WASHER, FLAT, Al, 1/2in.	XB1080	4	
22		NP	SCREW, MACHINE, st, 1/2in. UNC x 59/64in.	FV451359	4		
23	A	10	2520-99-866-2352	OIL PAN	FV451664	1	
24	A	10	2910-99-866-7536	FILTER BODY, FLUID	FV452366	1	
25	A	10	2520-99-866-9676	PART, KIT, FLUID PRESSURE	FV452868	1	
26		NP	FILTER ELEMENT, FLUID	FV451666	1		
27	A	10	5330-99-866-2356	RING, SEALING, TOROIDAL, ru, 2.974in. id x 0.140in. h	FV451668	1	
28	A	10	5330-99-866-2358	RING, SEALING, TOROIDAL, ru, 3.590in. id x 0.140in. h	FV451674	1	
29	A	8REAG	4330-99-860-7344	COVER, FLUID, FILTER ELEMENT	FV451667	1	
30	A	10	5340-99-866-3299	SPRING, HELICAL, COMPRESSION	FV451675	1	
31	A	10	2940-99-866-2357	COVER, FLUID, FILTER	FV451670	1	
32	A	10	2805-99-866-2359	STRAP, OIL FILTER	FV451676	1	
33	A	G1	5305-99-941-0527	SCREW, CAP, HEXAGON HEAD, st, Zn pl, hex hd, 5/16in. UNF x 1.0in. lg	FV27970	1	
34	A	10	5310-99-866-7538	NUT, PLAIN, SQUARE, st, Cd pl, 5/16in. UNF	FV452395	1	
35	A	10	5330-99-867-0236	GASKET, copper/asbestos, 3/4in. id	FV451683	1	
36	A	10	2520-99-866-2360	PLUG, OIL FILLER PIPE, steel, 1-1/16in. UNS	FV451677	1	

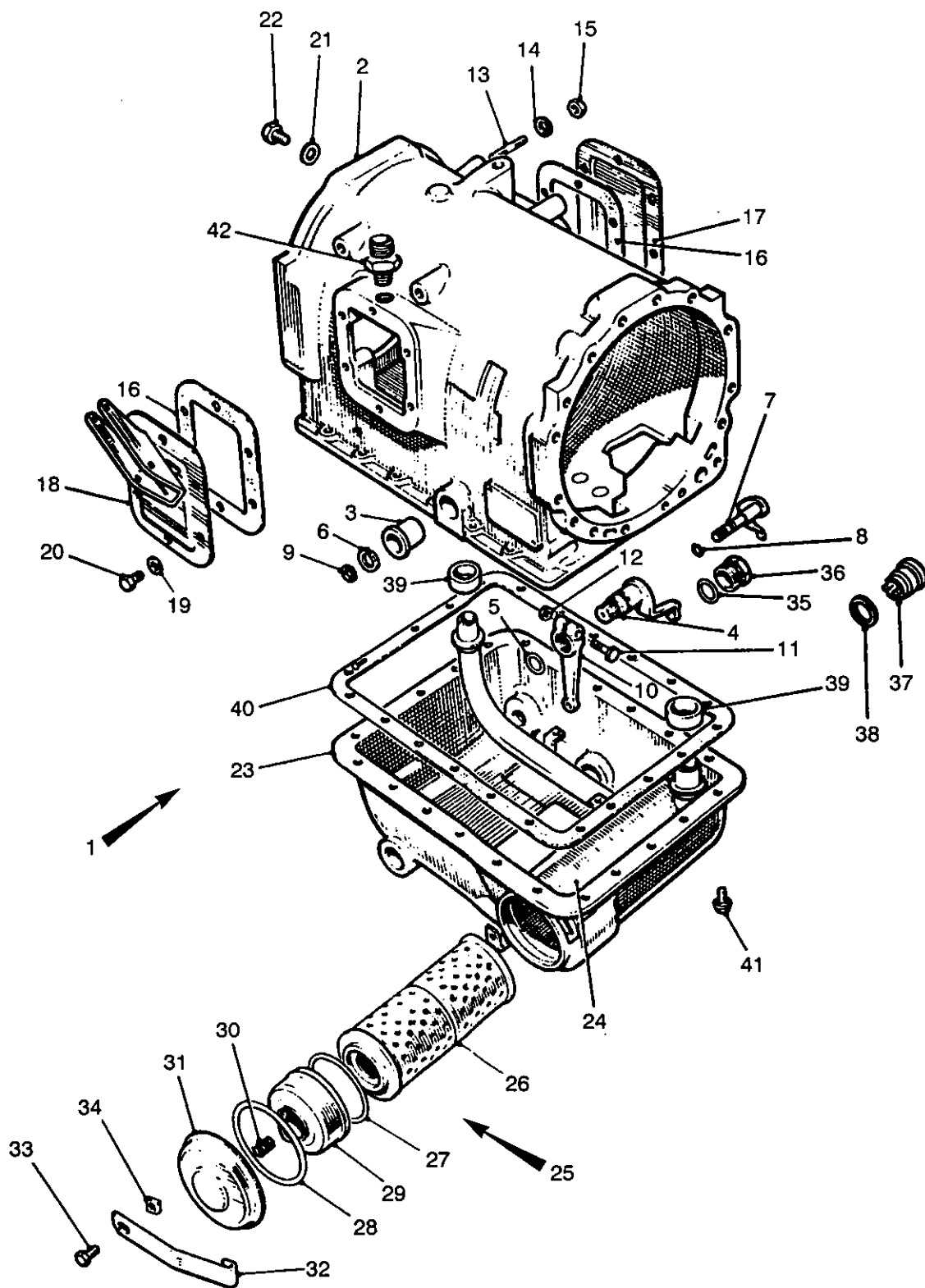


Fig 38 Housing, transmission

430/70036

Fig Item	Man Code Navy - N Army - A RAF - R	NATO Stock No	Item Name and Description	Part No/ Drawing No.	No. Off	Annotations
38-			POWER UNIT, DIESEL - contd . TRANSMISSION, MECHANICAL, VEHICULAR - contd . . MAIN HOUSING ASSY - contd			
37	A 10	4730-99-866-2361	. . . PLUG, MACHINE, THREAD, MAGNETIC, sq skt hd, 1.00in. UNS	FV451679	1	
38		NP	. . . GASKET, copper/asbestos, 20mm id	FV451669	1	
39	A 10	5330-99-866-2350	. . . GASKET, rubber, 1.00in. id x 0.405in. h	FV451662	2	
40	A 10	5330-99-866-2351	. . . GASKET	FV451663	1	
41	A 10	5305-99-866-2474	. . . SCREW, SELF LOCKING, steel, 5/16in. UNC	FV451920	22	
42	A 10	4730-99-812-4269	. . . ADAPTOR, STRAIGHT, PIPE, 5/8in. UNF	FV669155	1	

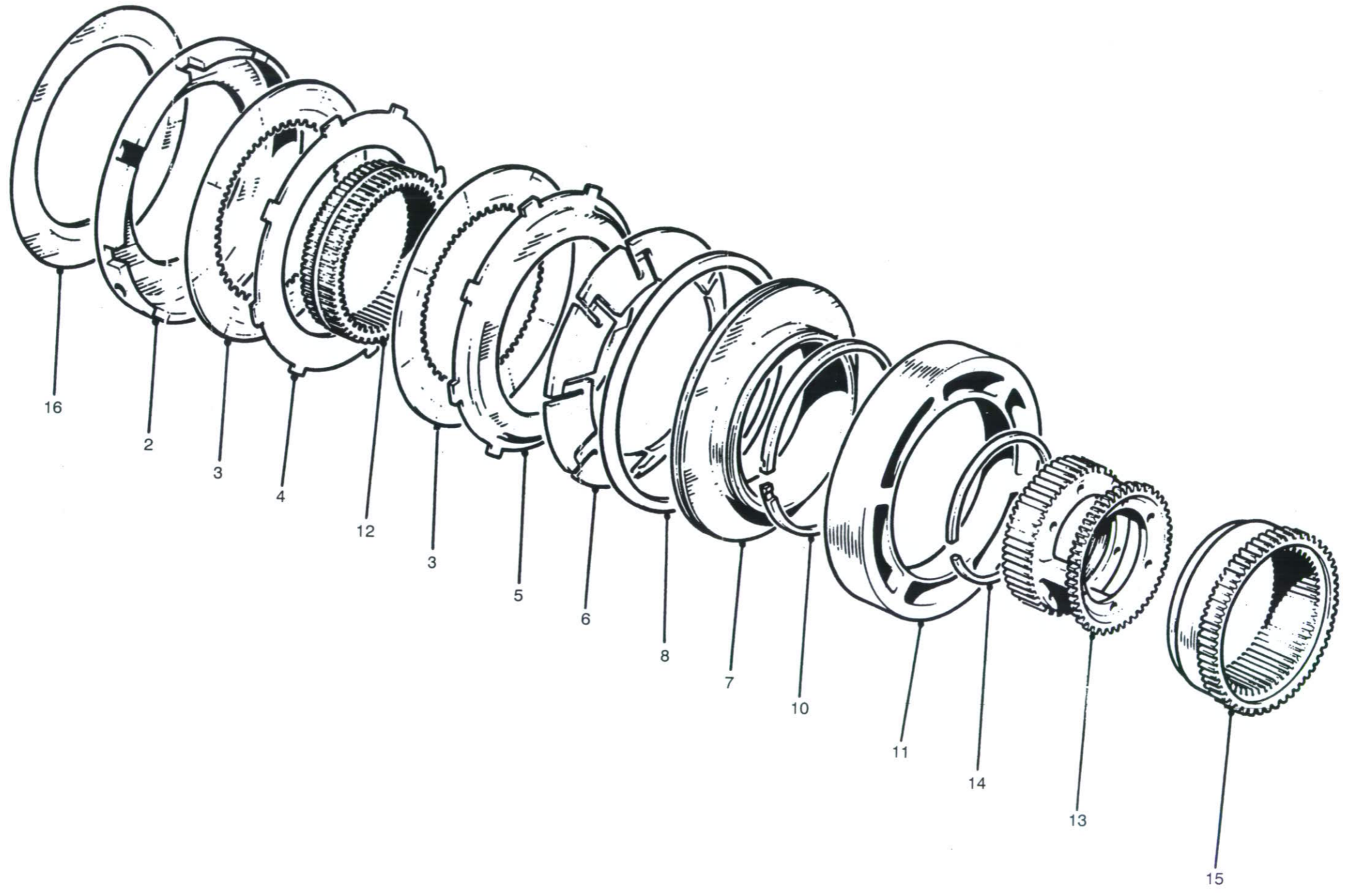


Fig 39 Intermediate range clutch and planet gears

Fig Item	Man Code Navy - N Army - A RAF - R	NATO Stock No	Item Name and Description	Part No/ Drawing No.	No. Off	Annotations
39-			POWER UNIT, DIESEL - contd . TRANSMISSION, MECHANICAL, VEHICULAR - contd			
		NP	. . INTERMEDIATE RANGE CLUTCH AND PLANET GEARS		REF	
NI 1		NP	. . PARTS KIT, FRICTION TYPE, INTERMEDIATE	FV453775	1	
2	A 10	2520-99-802-3416	. . . HOUSING, CLUTCH PLATE, steel	FV453477	1	
3	A 10	2520-99-818-6719	. . . PLATE, CLUTCH, int spline	FV669677	2	
4	A 10	2520-99-866-2366	. . . PLATE, CLUTCH	FV451714	1	
5	A 10	2520-99-866-2367	. . . PLATE, CLUTCH, st, 0.312in. thk	FV451715	A/R	
5(1)	A 10	2520-99-866-2368	. . . PLATE, CLUTCH, st, 0.298in. thk	FV451716	A/R	
5(2)	A 10	2520-99-866-2369	. . . PLATE, CLUTCH, st, 0.284in. thk	FV451717	A/R	
5(3)	A 10	2520-99-866-2730	. . . PLATE, CLUTCH, st, 0.270in. thk	FV451718	A/R	
5(4)	A 10	2520-99-866-2371	. . . PLATE, CLUTCH, st, 0.295in. thk	FV451719	A/R	
6	A 10	2520-99-866-2372	. . . SPRING, RETURN VALVE	FV451720	1	
7	A 10	2520-99-866-2373	. . . PISTON, CLUTCH	FV451721	1	
8		NP	. . . RING, SEALING	FV451766	1	
NI 9		NP	. . . EXPANDER	FV452804	1	
10	A 10	2520-99-866-2375	. . . SEAL, RING, METAL, CI, 7-1/4in. od x 1/8in. thk	FV451723	1	
11	A 10	2520-99-866-2376	. . . HOUSING, CLUTCH PISTON	FV451724	1	
12	A 10	2520-99-866-2377	. . GEAR, CLUTCH	FV431725	1	
13	A 10	2520-99-866-2382	. . CARRIER ASSEMBLY, PLANETARY	FV451733	1	
14		NP	. . RING, RETAINING, st, int, 6-5/32in. od x 3/32in. thk	FV451732	1	
15	A 10	2520-99-866-2380	. . GEAR, CLUTCH	FV451730	1	
16	A 10	2529-99-866-2344	. . COLLECTOR, OIL	FV451651	1	
NI 17	A 10	5306-99-802-6297	. . BOLT, MACHINE, st, sq hd, 1/2in. UNF x 7/8in. lg	FV453478	1	Main hsg to inter- mediate and low clutch housings
NI 18	A 10	5310-99-802-6298	. . NUT. PLAIN, HEXAGON, steel, 1/2in. UNF	FV453480	1	
NI 19	A 10	5306-99-838-2277	. . BOLT, CLUTCH, HOUSING, st, hex hd, 5/16in. UNC x 1-1/4in. lg	AT6836033	2	

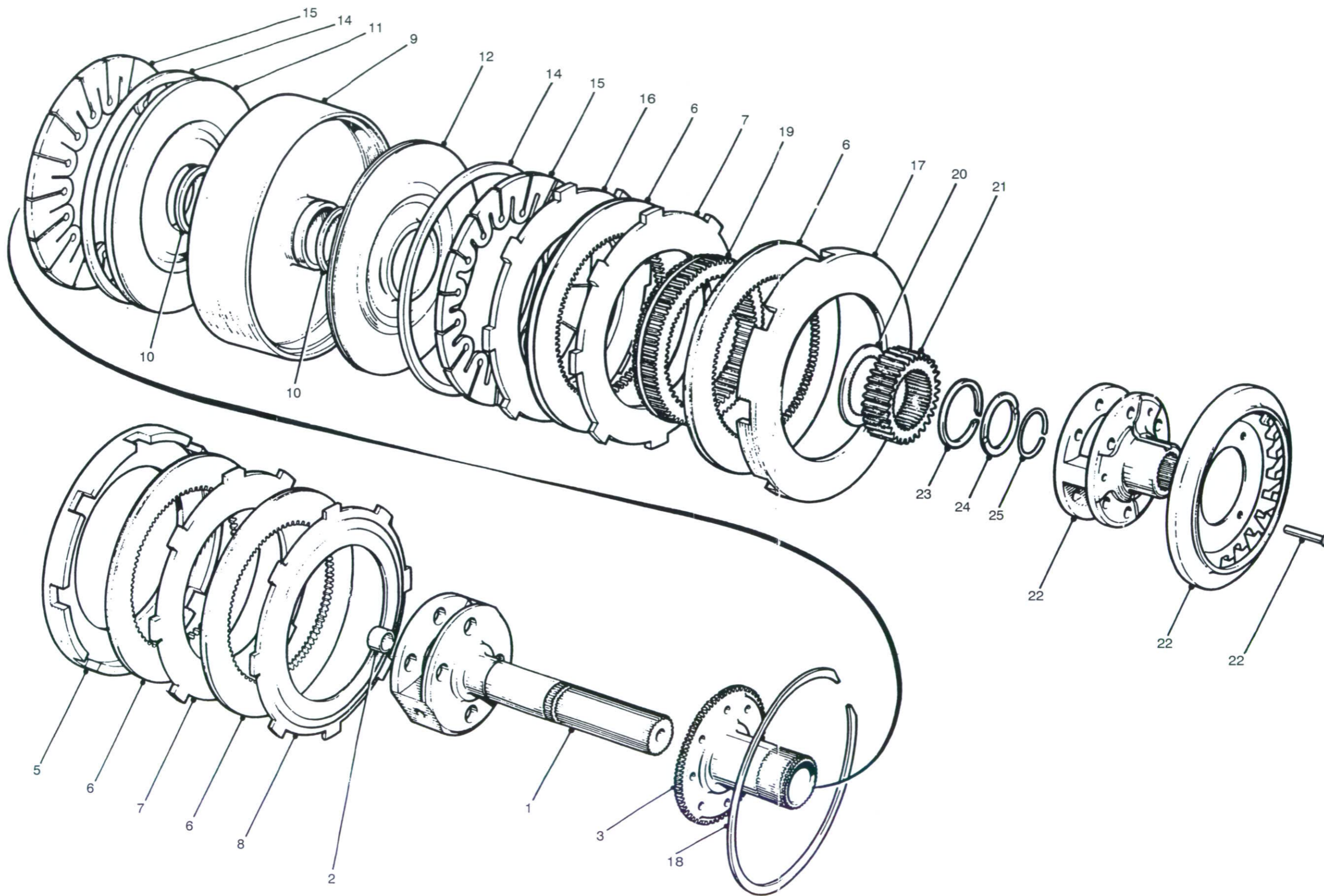


Fig 40 Low and reverse clutches and output shaft

430/70038

Fig Item	Man Code Navy - N Army - A RAF - R	NATO Stock No	Item Name and Description	Part No/ Drawing No.	No. Off	Annotations
40-			POWER UNIT, DIESEL - contd . TRANSMISSION, MECHANICAL, VEHICULAR - contd			
		NP	. . . LOW AND REVERSE CLUTCHES AND OUTPUT SHAFT			REF
1	A 10	2520-99-866-2383	. . . SHAFT ASSEMBLY, TRANSMISSION, OUTPUT	FV451739	1	
2	A 10	3120-99-842-4195	. . . BEARING, SLEEVE, steel/bronze, 7/8in. id x 1.00in. od x 5/8in. lg	FV451747	1	
3		NP	. . . SHAFT, SPUR GEAR	FV451762	1	
NI 4		NP	. . . PARTS KIT, FRICTION CLUTCH, LOW AND REVERSE	FV453803	1	
5	A 10	2520-99-802-3416	. . . HOUSING, CLUTCH PLATE	FV453477	1	
6	A 10	2520-99-818-6719	. . . PLATE, CLUTCH, int spline	FV669677	4	
7	A 10	2520-99-866-2366	. . . PLATE, CLUTCH	FV451714	2	
8	A 10	2520-99-866-2367	. . . PLATE, CLUTCH, 0.312in. to 0.316in. thk	FV451715	A/R	
8(1)	A 10	2520-99-866-2368	. . . PLATE, CLUTCH, 0.298in. to 0.302in. thk	FV451716	A/R	
8(2)	A 10	2520-99-866-2369	. . . PLATE, CLUTCH, 0.284in. to 0.288in. thk	FV451717	A/R	
8(3)	A 10	2520-99-866-2370	. . . PLATE, CLUTCH, 0.270in. to 0.274in. thk	FV451718	A/R	
9	A 10	2520-99-866-2390	. . . HOUSING, LOW AND REVERSE PISTON	FV451768	1	
10		NP	. . . SEAL RING, METAL, CI, 2.875in. od	FV451769	2	
11	A 10	2520-99-866-2393	. . . PISTON	FV451771	1	
12	A 10	2520-99-866-2392	. . . PISTON	FV451770	1	
NI 13		NP	. . . EXPANDER		2	
14		NP	. . . RING, SEALING	FV451766	2	
15	A 10	2520-99-866-2394	. . . SPRING, LOW AND REVERSE CLUTCH	FV451772	2	
16	A 10	2520-99-866-2371	. . . PLATE, CLUTCH, 0.295in. thk	FV451719	1	
17	A 10	2520-99-802-3417	. . . HOUSING, CLUTCH PLATE	FV453475	1	
18	A 10	5365-99-866-2387	. . . RING, RETAINING, st, int, 6.128in. id x 0.094in. thk	FV451763	1	
19	A 10	2520-99-866-2377	. . . GEAR, CLUTCH	FV451725	1	
20	A 10	3120-99-866-2385	. . . WASHER, THRUST, steel, 35 int keys	FV451752	1	
21	A 10	3020-99-866-2388	. . . GEAR, SPUR	FV451764	1	
22	A 10	2520-99-866-2398	. . . CARRIER, ASSEMBLY, PLANETARY	FV451776	1	
23	A 10	5365-99-866-2389	. . . RING, RETAINING, st, ext, 2.46in. od x 0.094in. thk	FV451765	1	
24	A 10	3120-99-866-2396	. . . WASHER, THRUST, bronze, 1.860in. thk	FV451774	1	
25	A 10	5365-99-866-2397	. . . RING, RETAINING, st, ext, 1.82in. od x 0.125in. thk	FV451775	1	

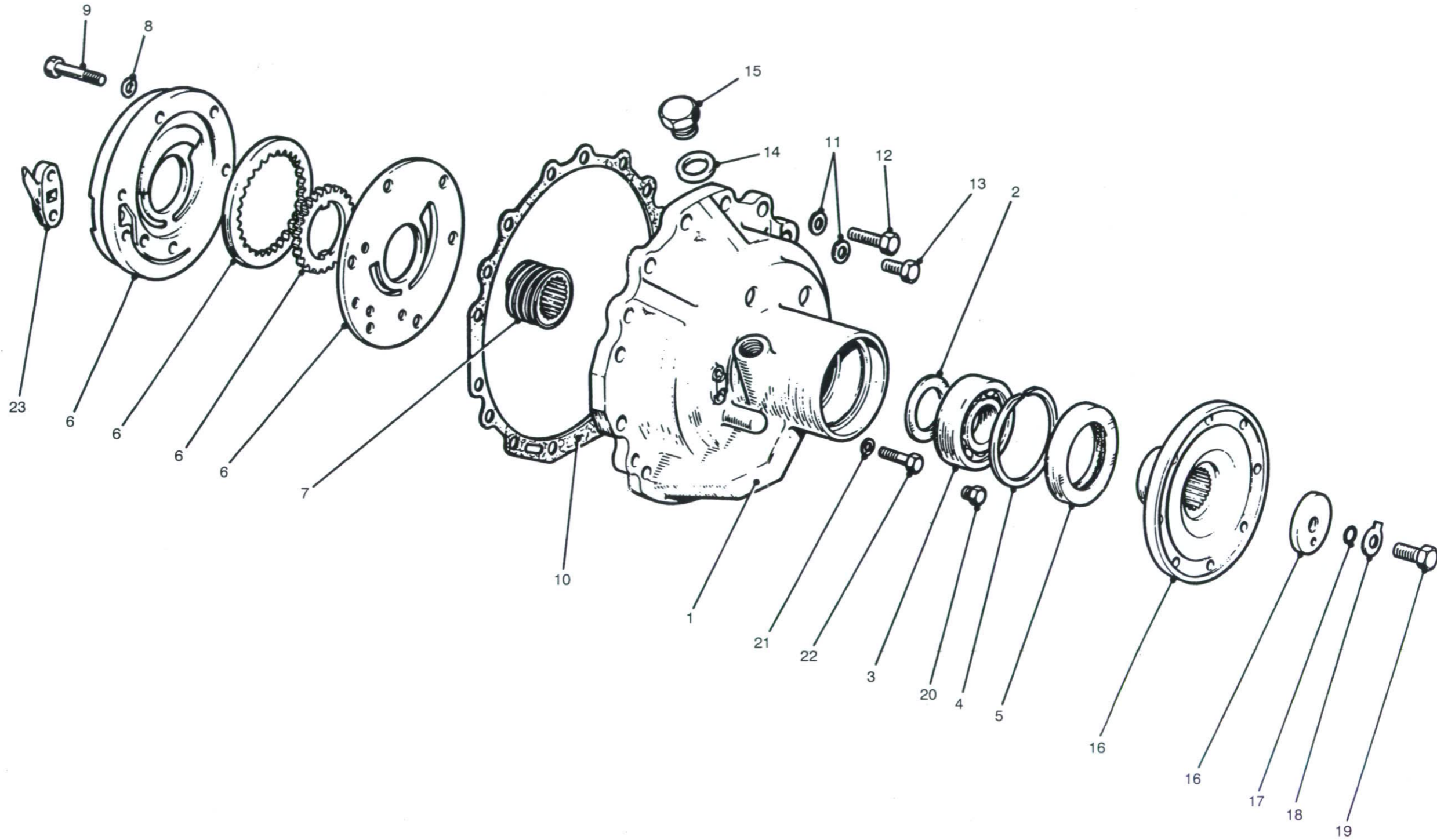


Fig 41 Rear oil pump and bearing retainer

Fig Item	Man Code Navy - N Army - A RAF - R	NATO Stock No	Item Name and Description	Part No/ Drawing No.	No. Off	Annotations
41-			POWER UNIT, DIESEL - contd . TRANSMISSION, MECHANICAL, VEHICULAR - contd			
		NP	. . . REAR OIL PUMP AND BEARING RETAINER	FV452547	REF	
1	A 10	2520-99-866-2404	. . . RETAINER, BEARING, REAR	FV451796	1	
2	A 10	5310-99-866-2407	. . . WASHER, FLAT, steel, 1-3/4in.	FV451803	1	
3	A 6MT1	3110-99-881-2487	. . . BEARING, BALL ANNULAR, single row, 55mm id x 90mm od x 18mm w x 000 fit	6011JC3	1	
4	A 10	5365-99-866-2408	. . . RING, RETAINING, st, 3.4in. id x 3.8in. od x 0.093in. thk	FV451805	1	
5	A 10	5330-99-801-7824	. . . SEAL, PLAIN ENCASED, st, 2-9/16in. id x 3-5/8in. od x 1/2in. w	FV453429	1	
6	A 10	2805-99-866-2405	. . . PUMP ASSEMBLY, OIL, REAR	FV451797	1	
7		NP	. . . GEAR, HELICAL	FV451802	1	
8	A G1	5310-99-941-6655	. . . WASHER, LOCK, steel, single coil, 5/16in. id	FV989676	5	
9	A 10	5306-99-866-2599	. . . BOLT, MACHINE, st, hex hd, 5/16in. UNC x 1-5/8in. lg	FV452146	5	
10	A 10	2520-99-866-2401	. . . GASKET, 0.012in. thk	FV451793	A/R	
10(1)	A 10	2520-99-866-2402	. . . GASKET, 0.016in. thk	FV451794	A/R	
10(2)	A 10	2520-99-866-2403	. . . GASKET, 0.021in. thk	FV451795	A/R	
11	A G1	5310-99-941-6657	. . . WASHER, LOCK, st, single coil, 7/16in. id	103322	16	
12		NP	. . . SCREW, MACHINE, st, hex hd, 7/16in. UNC x 1-3/8in. lg	FV452148	10	
13		NP	. . . BOLT, MACHINE, st, hex hd, 7/16in. UNC x 2.00in, lg	FV452147	6	
14	A 10	5365-99-866-2413	. . . SPACER, RING, copper, 0.815in.	FV451812	1	
15	A 10	5365-99-866-2414	. . . PLUG, SCREWED, st, Cd pl, 13/16in. UNF	FV451813	1	
16	A 10	2520-99-803-5374	. . . FLANGE AND WASHER ASSEMBLY	FV454036	1	
17	A 10	5330-99-866-2411	. . . RING, SEALING, TOROIDAL, ru, 0.440in. id x 0.07in. h	FV451810	1	
18	A 10	2520-99-866-2412	. . . WASHER, st, 0.52in. id	FV451811	1	
19	A 10	5306-99-866-2605	. . . BOLT, MACHINE, st, hex hd, 1/2in. UNF x 1-1/2in. lg	FV452149	1	
20	A 10	4730-99-866-2607	. . . PLUG, PIPE, NPTF, steel, hex hd, 1/8in.	FV452167	1	
21	A G1	5310-99-941-6654	. . . WASHER, LOCK, steel, Cd pl, single coil, 1/4in. id	7088385	2	
22	A G1	5306-99-941-6614	. . . BOLT, MACHINE, st, hex hd, Zn pl, 1/4in. UNF x 1-1/4in. lg		2	
23	A 10	6610-99-866-2399	. . . PITOT, TUBE, pump assy	FV451790	1	

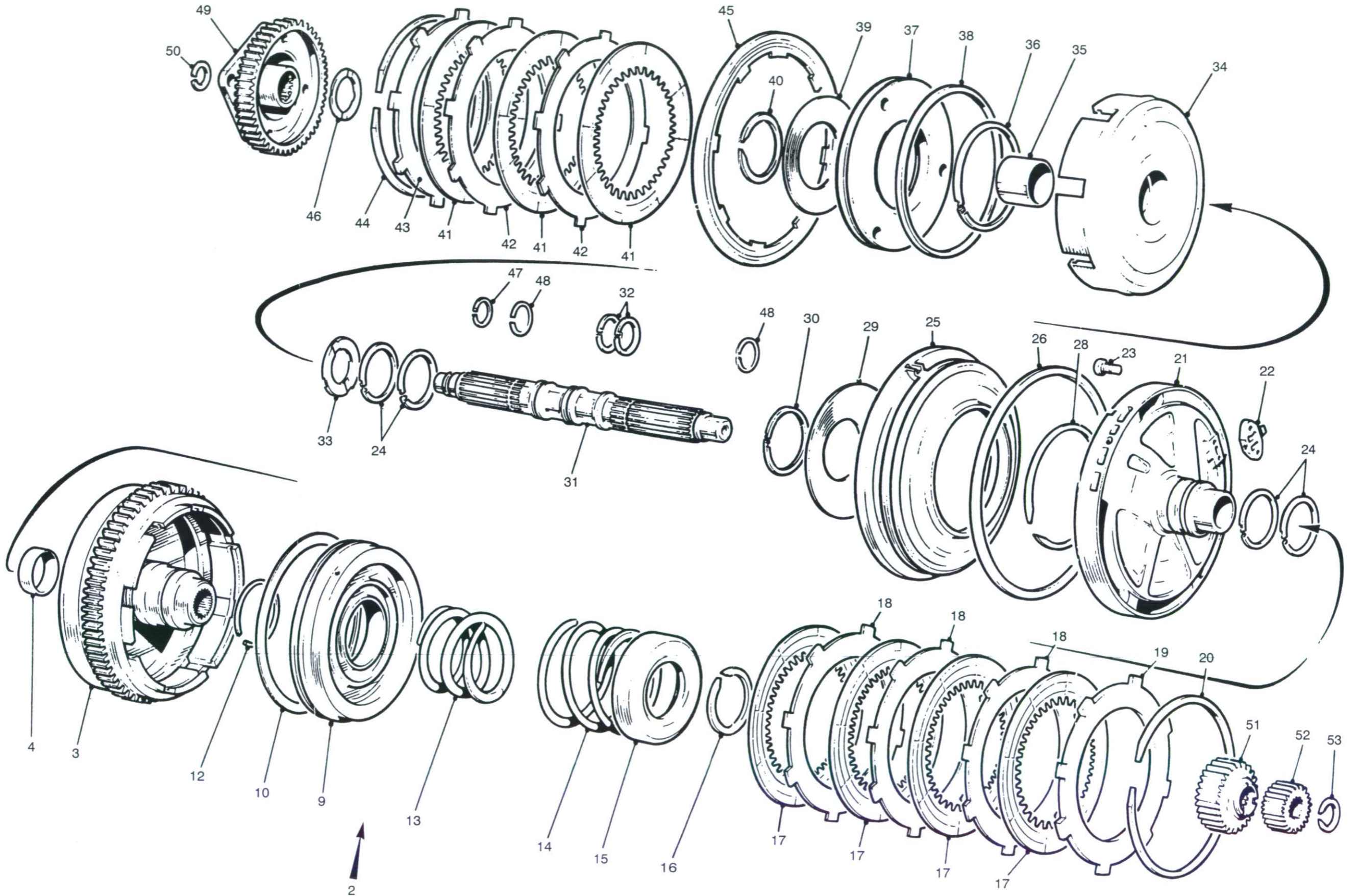


Fig 42 Splitter and high range clutch

Fig Item	Man Code Navy - N Army - A RAF - R	NATO Stock No	Item Name and Description	Part No/ Drawing No.	No. Off	Annotations
42-			POWER UNIT, DIESEL - contd . TRANSMISSION, MECHANICAL, VEHICULAR - contd			
		NP	. . . SPLITTER AND HIGH RANGE CLUTCH	FV452554	REF	
NI 1		NP	. . . PARTS KIT, SPLITTER AND HIGH CLUTCH	FV452264	1	
2		NP CLUTCH ASSEMBLY	FV452286	1	
3		NP HOUSING ASSEMBLY, HIGH CLUTCH	FV452686	1	
4		NP BUSHING, SLEEVE, steel, bronze, 1-3/4in. id x 1-7/8in. od x 1.00in. lg	FV451834	1	
NI 5	A 10	2520-99-804-5323 CLUTCH POSITIVE, VEHICULAR	FV453987	1	Alternative to FV452286
NI 6	A 10	2520-99-804-5324 HOUSING ASSEMBLY, CLUTCH	FV453985	1	
NI 7	A 6MT7	3110-99-804-5348 BEARING, NEEDLE, ROLLER	FV453990	1	
NI 8	A 10	2520-99-812-4261 DISK, CLUTCH	FV454995	1	
9	A 10	2520-99-866-2424 PISTON ASSEMBLY, HIGH CLUTCH	FV451836	1	
10		NP WASHER, NON-METALLIC, PTFE, 7-1/2in.	FV452289	1	
NI 11		NP EXPANDER, SEAL	FV452803	1	
12	A 10	2520-99-866-2391 SEAL RING, METAL, CI, int, 2- 7/8in. od x 3/32in. thk	FV451769	1	
13		NP SPRING, HELICAL COMPRESSION, steel, 2 coils, 3.8in. od x 3.00in. free lg	FV451840	1	
14		NP SPRING, HELICAL COMPRESSION, steel, 1-4 coils, 4.7in. od x 2.88in. free lg	FV451839	1	
15	A 10	2520-00-911-1076 RETAINER, HELICAL COMPRESSION SPRING	867579	1	
16	A 10	5365-99-866-2428 RING, RETAINING, st, ext, 3in. od x 1/8in. h	FV451843	1	
17		NP PLATE, CLUTCH	FV451845	4	
18	A 10	2520-99-866-2429 PLATE, CLUTCH	FV451844	3	
19	A 10	2520-99-866-2431 PLATE, CLUTCH, steel, 0.296in. thk	FV451846	A/R	
19(1)	A 10	2520-99-866-2432 PLATE, CLUTCH, steel, 0.304in. thk	FV451847	A/R	
19(2)	A 10	2520-99-866-2433 PLATE, CLUTCH, steel, 0.312in. thk	FV451848	A/R	
19(3)	A 10	2520-99-866-2434 PLATE, CLUTCH, steel, 0.320in. thk	FV451849	A/R	
20	A 10	5365-99-866-2435 RING, RETAINING, st, int, 8.2in. od	FV451850	1	
21	A 10	2520-99-804-5325 DIAPHRAGM ASSEMBLY, CLUTCH	FV453984	1	
22	A 10	6610-99-866-2439 PITOT TUBE	FV451854	1	With grub screw
23		NP SCREW, MACHINE, steel, No. 10 UNF x 5/8in. lg	FV452667	2	
24		NP SEAL RING, METAL	FV668636	4	
25	A 10	2520-99-866-2444 PISTON, LOW, SPLITTER CLUTCH	FV451865	1	
26		NP WASHER, NON-METALLIC, PTFE, 0.34in.	FV452287	1	
NI 27		NP EXPANDER	FV452805	1	
28	A 10	5365-99-866-2428 RING, RETAINING, steel, ext, 3.00in. od x 1/8in. thk	FV451843	1	
29	A 10	5310-99-866-2446 WASHER, SPRING TENSION, steel, 2.64in. od x 0.30in. thk	FV451867	1	
30	A 10	2520-99-866-2441 SEAL RING, METAL, CI, 5-5/8in. od x 1/8in. thk	FV451860	1	
31	A 10	2520-99-866-2416 SHAFT ASSEMBLY	FV451822	1	
32	A 10	2520-99-866-2417 SEAL RING, METAL, CI, 1.50in. od x 3/32in. thk	FV451825	2	

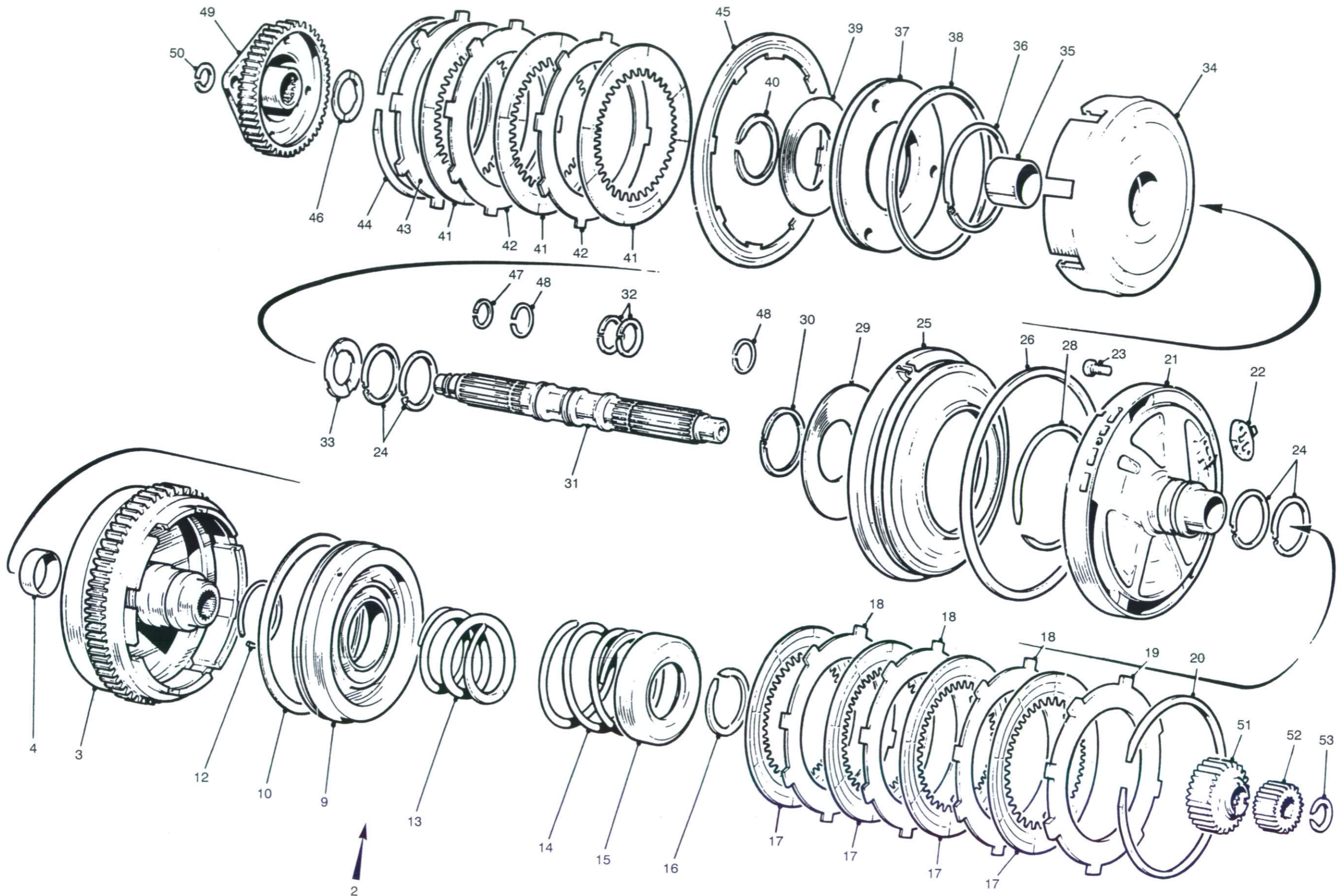


Fig 42 Splitter and high range clutch

Fig Item	Man Code Navy - N Army - A RAF - R	NATO Stock No	Item Name and Description	Part No/ Drawing No.	No. Off	Annotations
42-			POWER UNIT, DIESEL - contd . TRANSMISSION, MECHANICAL, VEHICULAR - contd . . . PARTS KIT, SPLITTER AND HIGH CLUTCH - contd			
33	A 10	3120-99-866-2447	. . . WASHER, THRUST, bronze, 1-1/2in.	FV451868	1	
34	A 10	2520-99-866-2448	. . . HOUSING AND GEAR ASSEMBLY	FV451869	1	
35	A 10	3120-99-866-2449 BEARING SLEEVE, Cu alloy, 1- 11/16in. od x 1-5/8in. id x 1-3/4in. lg	FV451874	1	
36	A 10	5330-99-866-2450	. . . SEAL, RING METAL, CI, 4-1/16in. x 1/8in. thk	FV451875	1	
37	A 10	2520-99-866-2451	. . . PISTON, CLUTCH	FV451876	1	
38		NP	. . . WASHER, PTFE, 7.543in.	FV452289	1	
39	A 10	2520-99-866-2452	. . . SPRING, PISTON RETURN	FV451877	1	
40	A 10	5365-99-866-2428	. . . RING, RETAINING, steel, 3in. od x 1/8in. thk	FV451843	1	
41		NP	. . . PLATE, CLUTCH	FV451845	3	
42	A 10	2520-99-866-2429	. . . PLATE, CLUTCH	FV451844	2	
43	A 10	2520-99-866-2454	. . . PLATE, CLUTCH	FV451879	1	
44	A 10	5325-99-866-2435	. . . RING, RETAINING, steel, int, 8.2in. nom od x 0.127in. thk	FV451850	1	
45	A 10	2520-99-866-2453	. . . PLATE, CLUTCH	FV451878	1	
46	A 10	3120-99-866-2458	. . . BEARING, WASHER, THRUST, Cu alloy, 1.632in. id x 0.094in. thk	FV451886	1	
47	A 10	5365-99-866-2428	. . . RING, RETAINING, CI, integral, 7/8in. od x 3/32in. thk	FV451843	1	
48	A 10	5365-99-866-2419	. . . RING, RETAINING, steel, ext, 1.14in. id x 0.063in. thk	FV451827	2	
49	A 10	3010-99-866-2455	. . . GEAR ASSEMBLY, SPEED DE- CREASER	FV451880	1	
50	A 10	5365-99-866-2438	. . . RING, RETAINING, steel, ext, 1.00in. id x 1/8in. thk	FV451853	1	
51	A 10	2520-99-866-2436	. . . GEAR, SPUR	FV451851	1	
52	A 10	3020-99-866-2437	. . . GEAR, SPUR	FV451852	1	
53	A 10	5365-99-866-2456	. . . RING, RETAINING, steel, ext, 1.015in. id x 0.094in. thk	FV451884	1	

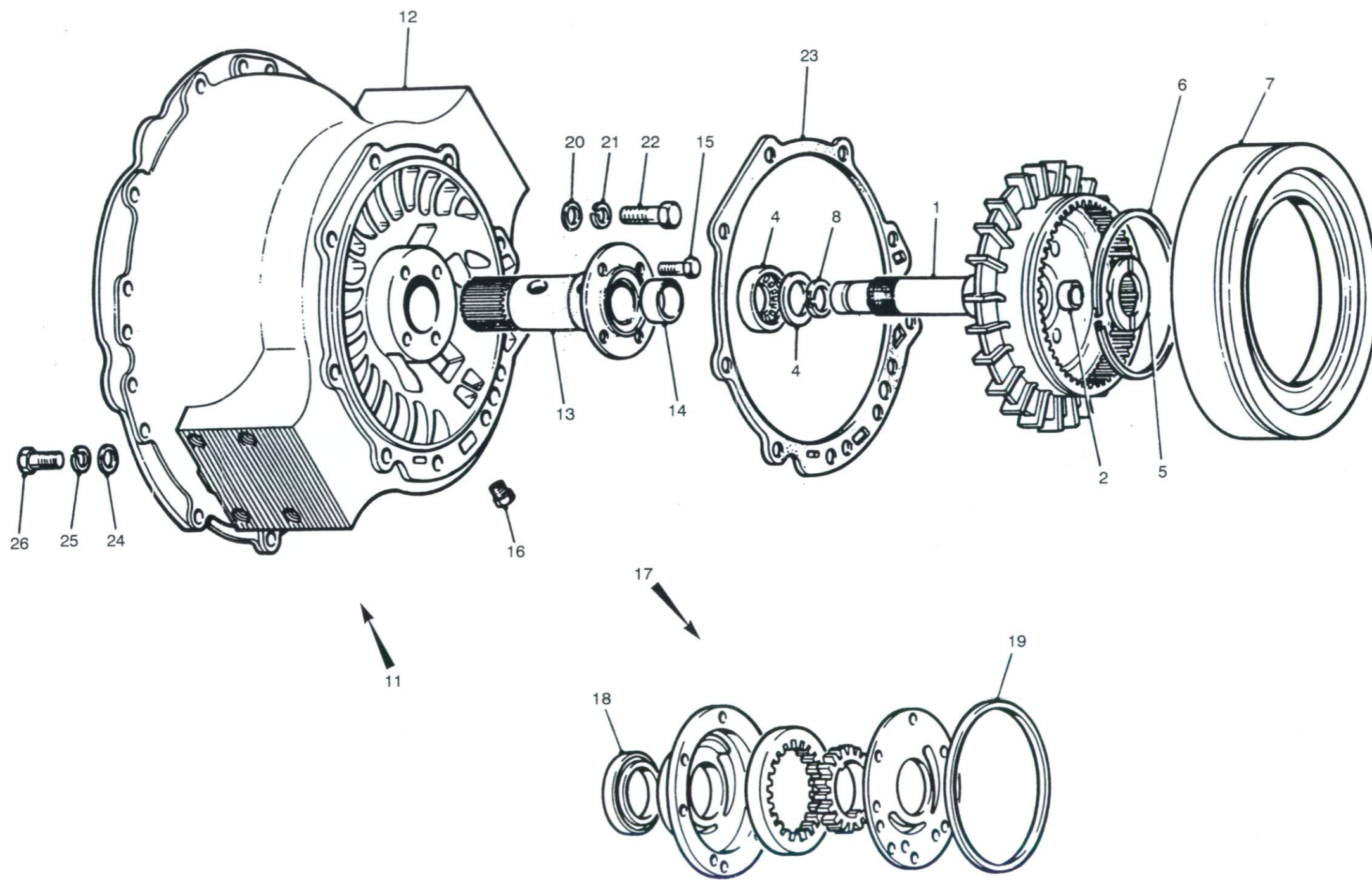


Fig 43 Converter housing, hydraulic retarder and front oil pump

430/70041

Fig Item	Man Code Navy - N Army - A RAF - R	NATO Stock No	Item Name and Description	Part No/ Drawing No.	No. Off	Annotations
43-			POWER UNIT, DIESEL - contd . TRANSMISSION, MECHANICAL, VEHICULAR - contd			
		NP	. . . CONVERTER HOUSING, HYDRAULIC RETARDER AND FRONT OIL PUMP		REF	
1	A	10	2520-99-866-2460 . . . SHAFT AND ROTOR ASSEMBLY	FV451890	1	
2	A	10	3120-99-866-2461 BUSHING, SLEEVE, steel/bronze, 5/8in. id x 3/4in. od x 1/2in. lg	FV451892	1	
NI 3	A	10	5365-99-866-2387 RING, RETAINING, steel, int, 6.32in. od x 0.095in. thk	FV451763	1	
4	A	10	3110-99-866-2465 . . . BEARING, ROLLER THRUST	FV451898	1	
5	A	10	3120-99-866-2447 . . . WASHER, THRUST, bronze, 1-1/2in.	FV451868	1	
6	A	10	2520-99-866-2462 . . . SEAL, RING, METAL, CI, 6.8in. od x 1/8in. thk	FV451896	1	
7	A	10	2520-99-866-2459 . . . PLATE, REACTION, CLUTCH	FV451889	1	
8	A	10	2520-99-866-2464 . . . SEAL RING, METAL, CI, 1.00in. od x 3/32in. thk	FV451897	1	
NI 9	A	10	5306-99-838-2271 . . . BOLT, MACHINE, st, hex hd, 5/16in. UNC x 1-1/4in. lg	AJ68366033	3	} Housing to high clutch diaphragm and plate
NI 10	A	10	5305-99-941-8727 . . . BOLT, MACHINE, st, hex hd, 5/16in. UNC x 1.00in .g	UCB105-85		
11		NP	. . . CONVERTER AND FRONT OIL PUMPS	FV452553	1	
12	A	10	2520-99-866-2467 . . . HOUSING TORQUE CONVERTER	FV451904	1	
13	A	10	2520-99-808-3926 . . . SLEEVE ASSEMBLY	FV454711	1	
14	A	10	3120-99-867-4553 BEARING SLEEVE, st/bronze, 1.312in. id x 1.44in. od x 1/2in. lg	FV452773	1	
15	A	10	5305-99-866-2470 . . . SCREW, MACHINE, st, hex hd, 5/16in. UNC x 3/4in. lg	FV451908	4	Sleeve to converter housing
16	A	10	4730-99-866-2607 . . . PLUG PIPE, NPTF, steel, hex hd, 1/8in.	FV452167	1	
17	A	10	4320-99-804-5749 . . . PUMP, ROTARY	FV453743	1	
18		NP SEAL, OIL	FV451912	1	
19		NP	. . . WASHER, NON-METALLIC, rubber, 6.685in.	FV451909	1	
20	A	G1	5310-99-941-8623 . . . WASHER, FLAT, steel, 5/16in.	2131325	6	
21	A	G1	5310-99-941-6655 . . . WASHER, LOCK, st, Cd PI, 5/16in., single coil		6	
22	A	10	5306-99-866-3303 . . . BOLT, MACHINE, st, 5/16in. UNC x 1- 1/4in. lg	FV452326	6	
23	A	10	2520-99-866-2466 . . . GASKET	FV451903	1	Converter to gearbox
24	A	G1	5310-99-941-9467 . . . WASHER, FLAT, st, Cd PI, 7/16in.	SP13-L	10	
25	A	G1	5310-99-941-6657 . . . WASHER, LOCK, st, single coil, 7/16in.	K19210	10	
26		NP	. . . BOLT, MACHINE, st, hex hd, 7/16in. UNC x 2.00in. lg	FV452147	10	Converter to main bag

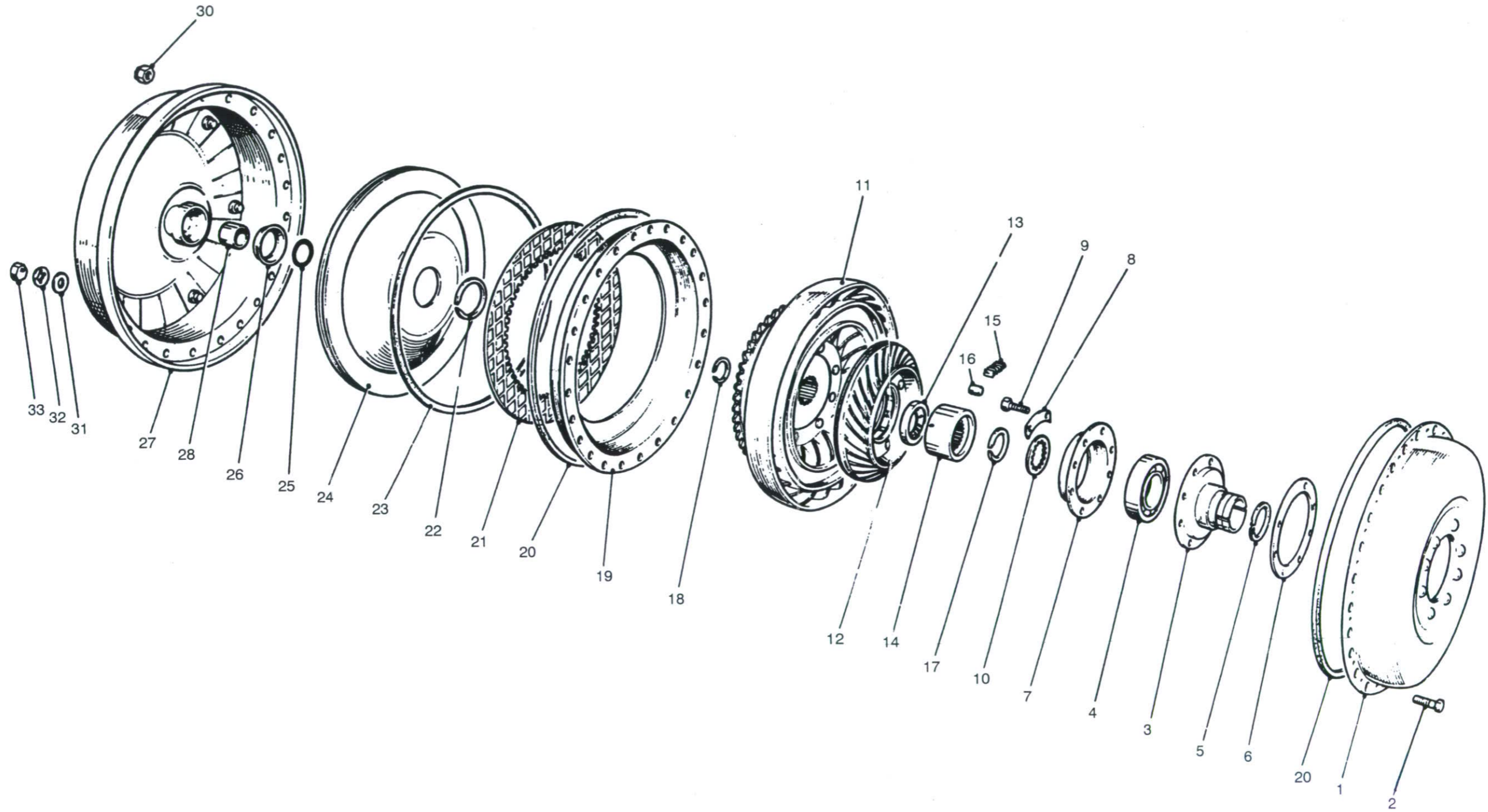


Fig 44 Lockup clutch and torque converter

Fig Item	Man Code Navy - N Army - A RAF - R	NATO Stock No	Item Name and Description	Part No/ Drawing No.	No. Off	Annotations
44-			POWER UNIT, DIESEL - contd . TRANSMISSION, MECHANICAL, VEHICULAR - contd			
		NP	. . LOCKUP CLUTCH AND TORQUE CONVERTER			
1	A 10	2520-99-767-5419	. . PUMP ASSEMBLY, CONVERTER	23018596	1	
2	A 10	5305-99-866-2474	. . SCREW, SELF-LOCKING, st, hex hd, 5/16in. UNF x 1.3in. lg	FV451926	24	
3	A 10	3040-99-804-5748	. . HUB, BODY	FV453746	1	
4		NP	. . BEARING, BALL, JOURNAL, single row, 45mm id x 100mm od x 25mm w, 00 fit	FV452815	1	
5	A 10	2520-99-405-1842	. . SEAL RING, METAL, 2-7/32in. id x 3/32in. thk	6830187	1	
6	A 10	5330-99-495-3546	. . GASKET	FV451932	1	
7	A 10	2520-99-866-2480	. . RETAINER, BEARING	FV451935	1	
8	A 10	5340-99-866-2481	. . LOCKING PLATE, NUT AND BOLT	FV451936	4	
9	A 10	5305-99-866-2598	. . SCREW, MACHINE, st, hex hd, 1/4in. UNC x 5/8in. lg	FV452144	8	
10	A 10	2520-99-866-2482	. . SPACER	FV451937	1	
11	A 10	2520-99-978-2351	. . IMPELLOR, TORQUE CONVERTER	FV452817	1	
12	A 10	2520-01-007-0343	. . STATOR, TORQUE CONVERTER	6836585	1	
13	A 10	3110-99-866-2485	. . BEARING ROLLER, THRUST, single row, 1.767in. id x 2.631in. od x 0.220in. w	FV451948	1	
14	A 10	3110-99-801-7823	. . RING, BEARING, INNER, steel, 1.64in. id x 2.843in. od x 1.54in. lg, splined bore	FV453457	1	
15	A 10	2520-99-866-7617	. . SPRING, FREEWHEEL ROLLER	AJ29513517	10	
16	A 10	5315-99-866-7618	. . PIN, STRAIGHT, HEADLESS, steel, 3/8in. od x 0.925in. lg	FV451963	10	
17	A 10	5365-99-866-2483	. . RING, RETAINING, steel, ext, 1.75in. od x 0.187in. thk	FV451938	1	
18	A 10	2520-99-866-2438	. . RING, RETAINING, steel, ext, 1.270in. od x 0.118in. thk	FV451853	1	
19	A 10	2520-99-866-2491	. . PLATE, BACKING CLUTCH	FV451982	1	
20	A 10	5330-99-828-5174	. . GASKET, syn ru, 13.814in. id x 0.138in. w	FV670432	2	
21	A 10	2520-99-866-2492	. . DISK, CLUTCH	FV451983	1	
22	A 10	5365-99-866-2500	. . RING, RETAINING, steel, ext, 2.16in. od x 0.156in. thk	FV451998	1	
23	A 10	2520-99-679-6974	. . SEAL, RING, TRANSMISSION, rubber, 13.00in. od x 5/64in. thk	FV451997	1	
24	A 10	2520-00-767-5417	. . PISTON, CLUTCH, SHAFT ASSEMBLY	6770845	1	
25	A 10	5330-99-866-2497	. . RING, SEALING TOROIDAL, rubber, 1.984in. id x 0.140in. h	FV451993	1	
26	A 10	5330-99-866-2496	. . RETAINER, SEAL	FV451992	1	
27	A 10	2520-99-866-2493	. . COVER, ASSEMBLY, CONVERTER PUMP	FV453490	1	
28	A 10	3120-00-679-7068	. . BEARING, SLEEVE, steel/copper, 1.00in. id x 1.275in. od x 7/8in. lg	6756782	1	
NI 29		NP	. . PIN, SHOULDER, HEADLESS, steel, 3/8in. UNF	FV451989	6	
30	A 10	5310-99-866-2613	. . NUT, SELF-LOCKING HEXAGON, steel, 5/16in. UNF	GUF11T	24	

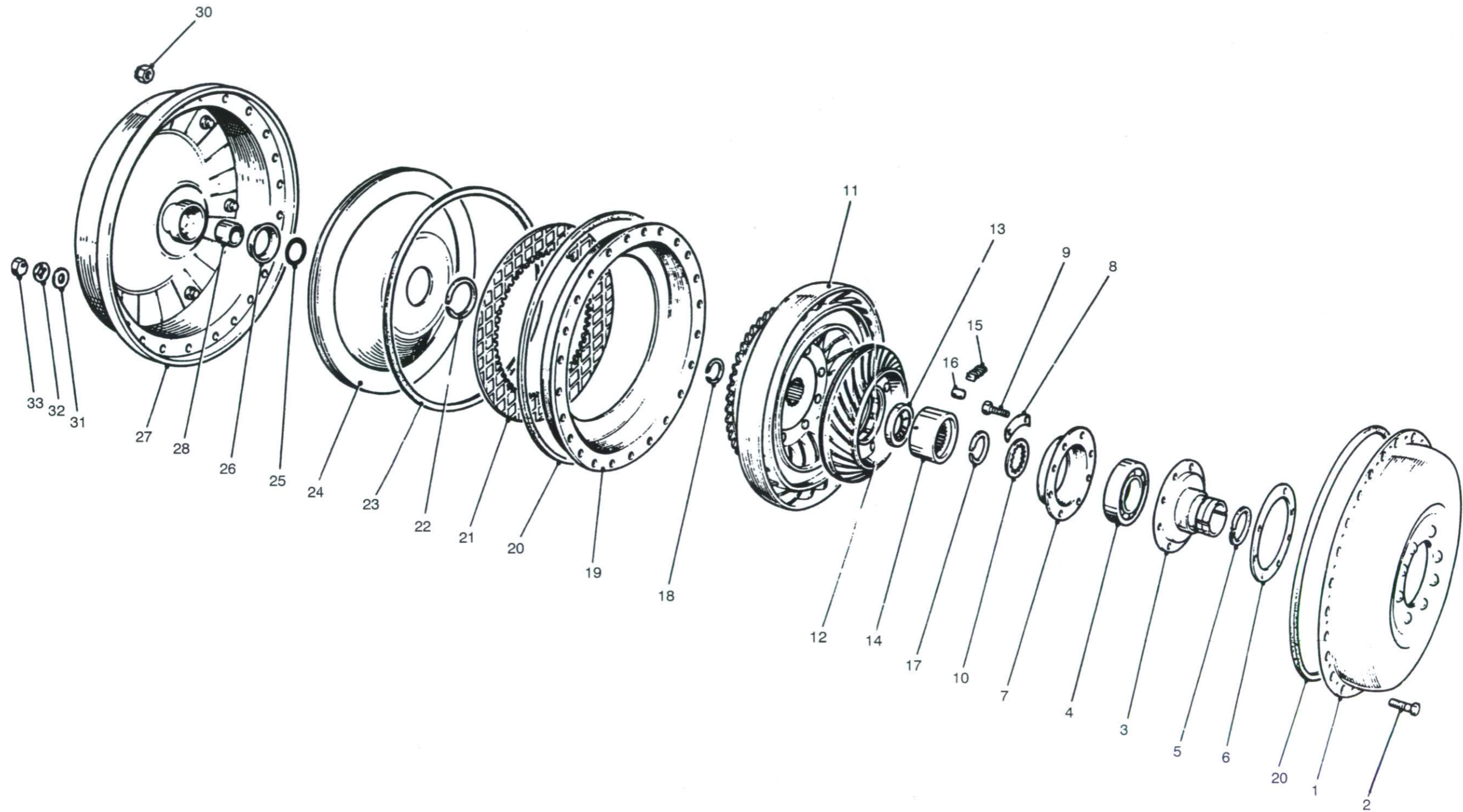


Fig 44 Lockup clutch and torque converter

Fig Item	Man Code Navy - N Army - A RAF - R	NATO Stock No	Item Name and Description	Part No/ Drawing No.	No. Off	Annotations
44-			POWER UNIT, DIESEL - contd . TRANSMISSION, MECHANICAL, VEHICULAR - contd			
31	A 10	5310-99-866-2502	. . WASHER, FLAT, steel, 3/8in. id x 0.027in. thk	FV452000	A/R	
31(1)	A 10	5310-99-866-2503	. . WASHER, FLAT, steel, 3/8in. id x 0.045in. thk	FV452001	A/R	
31(2)	A 10	5310-99-866-2504	. . WASHER, FLAT, steel, 3/8in. id x 0.063in. thk	FV452002	A/R	
31(3)	A 10	5310-99-866-2505	. . WASHER, FLAT, steel, 3/8in. id x 0.81in. thk	FV452003	A/R	
31(4)	A 10	5310-99-866-2506	. . WASHER, FLAT, steel, 3/8in. id x 0.099in. thk	FV452004	A/R	
32	A 10	5310-99-866-2501	. . WASHER, SPRING TENSION, steel, 3/8in.	FV451999	6	
33	A 10	5310-99-865-3628	. . NUT, PLAIN, HEXAGON, steel, 3/8in. UNF	FV145684	6	

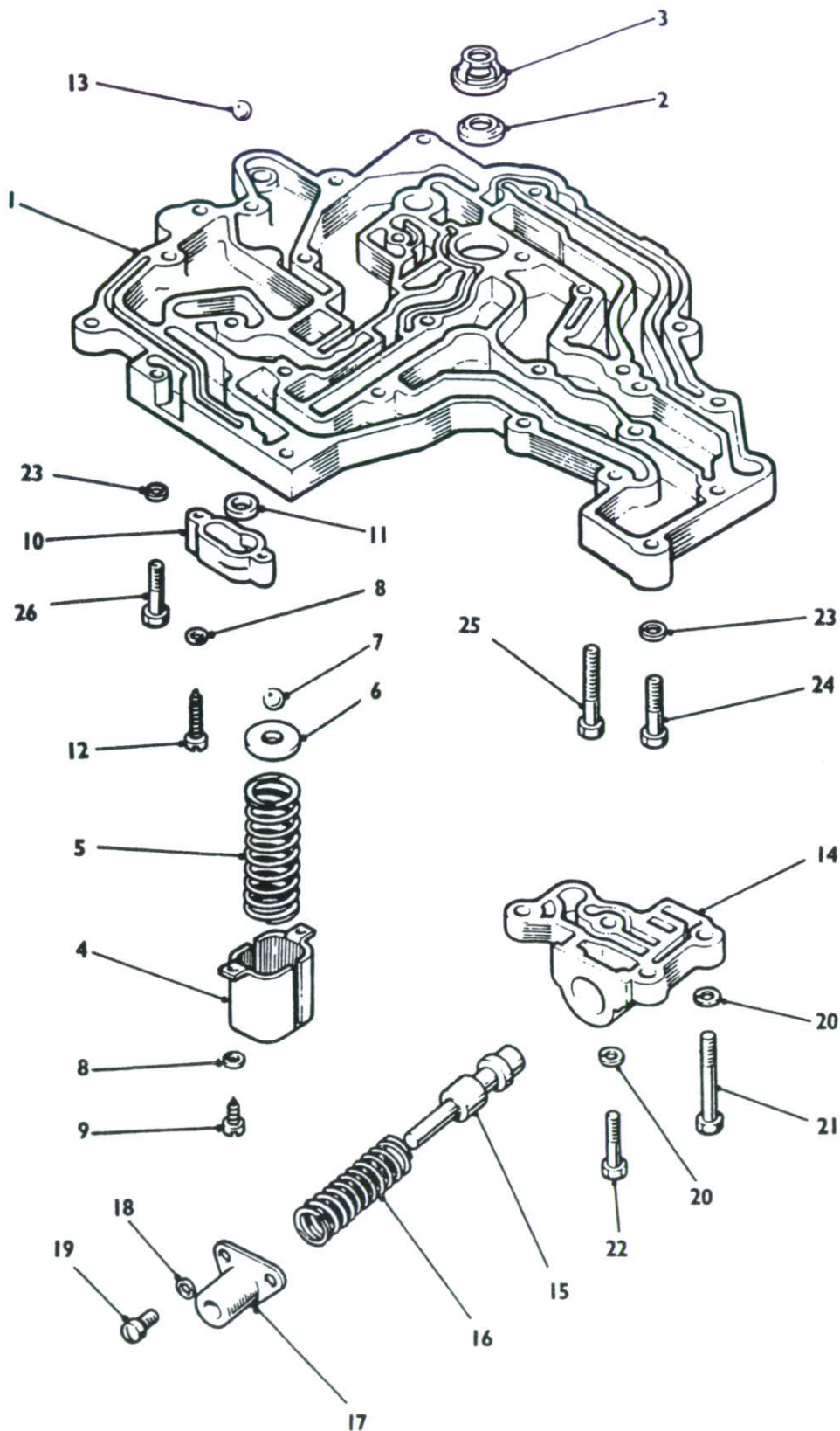


Fig 45 Oil transfer plate and downshift valve body

430/70043

Fig Item	Man Code Navy - N Army - A RAF - R	NATO Stock No	Item Name and Description	Part No/ Drawing No.	No. Off	Annotations
45-			POWER UNIT, DIESEL - contd . TRANSMISSION, MECHANICAL, VEHICULAR - contd			
		NP	. . . CONTROL VALVE	FV452548	REF	
		NP	. . . OIL TRANSFER PLATE AND DOWNSHIFT VALVE BODY		REF	
1	A 10	2520-99-866-7619 PLATE ASSEMBLY, OIL TRANSFER	FV452346	1	
2	A 10	4730-99-866-2509 RESTRICTOR, FLUID FLOW	FV452008	1	
3	A 10	2520-99-867-0237 VALVE ASSEMBLY	FV452878	1	
4		NP RETAINER, RELIEF VALVE	FV452012	1	
5	A 10	5360-99-866-2511 SPRING, HELICAL COMPRESSION, steel, 13 coils, 7/8in. od x 3-3/32in. free lg	FV452011	1	
6	A G1	5310-99-941-8610 WASHER, FLAT, steel, 7/16in.	11-454-11- 4-1707	1	
7	A 6MT1	3110-99-950-0576 BALL, BEARING, steel, 9/16in. dia	9-16GD10	1	
8	A G1	5310-99-941-6653 WASHER, LOCK, st, single coil, Cd Pl, 3/16in. int dia	SW103	4	
9		NP SCREW, MACHINE COVER, locating spring retainer	FV452141	2	
10	A 10	2520-99-866-7621 COVER, LUBRICATION SUPPLY	FV452014	1	
11	A 10	4820-99-866-2512 SEAT, VALVE	FV452013	1	
12	A 10	5305-99-866-2596 SCREW, MACHINE, lubrication supply cover	FV452136	2	
13	A 10	2520-99-866-2507	. . . BALL, NYLON, 3/8in. dia	FV452005	1	
14	A 10	2520-99-866-2515	. . . VALVE, TIMING	FV452017	1	
15	A 10	2520-99-866-2516 PISTON, TIMING VALVE	FV452019	1	
16	A 10	2520-99-866-2517 SPRING, HELICAL COMPRESSION	FV452020	1	
17	A 10	2520-99-866-7622 RETAINER, TIMING VALVE	FV452021	1	
18	A G1	5310-99-866-3298 WASHER, LOCK, steel, 0.190in.	CS32032	3	
19	A 10	5305-99-866-7662 SCREW, MACHINE	FV452177	3	
20	A G1	5310-99-941-6654	. . . WASHER, LOCK, steel, single coil, Cd Pl, 1/4in. int dia	LWZ105	4	
21	A 10	5306-99-866-2608	. . . BOLT, MACHINE, st, hex hd, 1/4in. UNC x 2.00in. lg	FV452258	1	
22	A 10	5306-99-866-2518	. . . BOLT, MACHINE, st, hex hd, 1/4in. UNC x 1-3/8in. lg	FV452022	3	Body to plate
23	A G1	5310-99-941-6654	. . . WASHER, LOCK, st, single coil, Cd Pl, 1/4in. int dia	LWZ105	11	} Plate to main housing
24	A 10	5305-99-866-2513	. . . SCREW, MACHINE, st, hex hd, 1/4in. UNC x 7/8in. lg	FV452015	8	
25	A 10	5306-99-866-2609	. . . BOLT, MACHINE, st, hex hd, 1/4in. UNC x 1-1/8in. lg	FV452259	1	
26	A 10	5305-99-866-2514	. . . SCREW, MACHINE, st, hex hd, 1/4in. UNC x 3/4in. lg	FV452016	2	

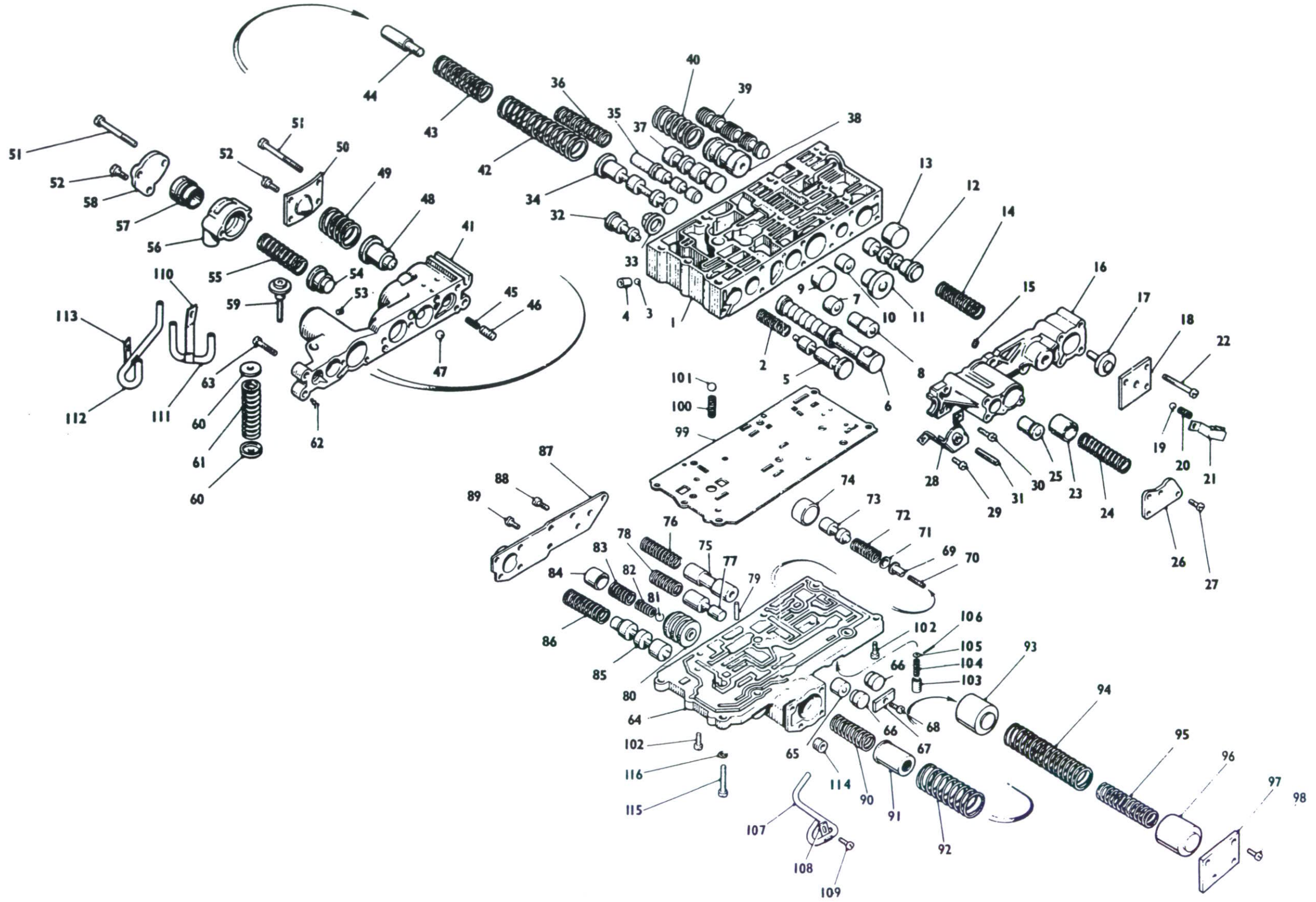


Fig 46 Control valve

Fig Item	Man Code Navy - N Army - A RAF - R	NATO Stock No	Item Name and Description	Part No/ Drawing No.	No. Off	Annotations
46-			POWER UNIT, DIESEL - contd . TRANSMISSION, MECHANICAL, VEHICULAR - contd . . . CONTROL VALVE - contd			
1	A 10	2520-99-866-7623 BODY ASSEMBLY	FV452371	1	
2	A 10	5360-99-866-2545 SPRING, HELICAL COMPRESSION	FV452062	1	
3	A 10	2520-99-866-2523 BALL, NYLON, 7/32in. dia	FV452029	1	
4	A 10	4820-99-866-2522 RETAINER, CHECK VALVE	FV452028	1	
5	A 10	4520-99-866-7636 VALVE, THROTTLE	FV452261	1	
6	A 10	2530-99-866-2549 VALVE, MANUAL SELECTOR	FV452067	1	
7	A 10	2520-99-866-2551 PLUG, REGULATOR	FV452069	1	
8	A 10	2520-99-866-2550 PLUG, REGULATOR	FV452068	1	
9	A 10	2520-99-866-2552 PLUG, LOCKUP	FV452070	1	
10	A 10	2520-99-866-2554 PLUG, SPLITTER	FV452072	1	
11	A 10	2520-99-866-2555 PLUG, SPLITTER	FV452073	1	
12	A 10	2520-99-866-2556 VALVE, SHIFT	FV452074	1	
13	A 10	2520-99-866-2553 PLUG, SHIFT	FV452071	1	
14	A 10	2520-99-866-2557 SPRING, HELICAL COMPRESSION, steel, 13-1/2 coils, 5/8in. od x 2-11/32in. free lg	FV452075	1	
15	A 10	5305-99-014-0829 SCREW, SET, steel, No. 10 UNC x 3/16in. lg	FV452051	1	
16	A 10	2520-99-866-7637 COVER, REAR VALVE BODY	FV452076	1	
17	A 10	2520-99-866-2561 PLUG, ACCELERATOR	FV452082	1	
18	A 10	2520-99-866-7650 COVER, ACCELERATOR PLUG	FV452083	1	
19	A 6MT1	3110-99-950-0571 BALL, BEARING, steel, 5/16in. dia	ET8394	2	
20	A 10	5360-99-866-2572 SPRING, HELICAL COMPRESSION, steel, 8 coils, 5/16in. od x 5/8in. free lg	FV452096	2	
21		NP BRACKET, VALVE GUIDE	FV452102	2	
22	A 10	5305-99-866-7658 SCREW, MACHINE, steel, No. 10 UNC x 1-5/8in. lg	FV452156	3	
23	A 10	2520-99-866-2559 VALVE, ACCUMULATOR	FV452078	1	
24	A 10	2520-99-866-2560 SPRING, HELICAL COMPRESSION, steel, 14 coils, 21/32in. od x 2-27/32in. free lg	FV452079	1	
25	A 10	2520-99-866-2558 PLUG, KNOCK DOWN	FV452077	1	
26	A 10	2520-99-866-7638 COVER, ACCUMULATOR, CI	FV452080	1	
27	A 10	5306-99-866-7660 SCREW, MACHINE, UNC, steel, No. 10 x 7/16in.	FV452168	4	
28	A 10	2520-99-866-2547 RETAINER, THROTTLE VALVE	FV452064	1	
29	A 10	5305-99-866-7662 SCREW, MACHINE, UNC, steel, No. 10 x 3/8in.	FV452177	1	
30	A 10	5305-99-866-7661 SCREW, MACHINE, UNC, steel, No. 10 x 3/4in.	FV452169	4	
31	A 10	5307-99-866-2548 SCREW, MACHINE, UNF, steel, headless, 1/4in. x 1in.	FV452066	1	
32	A 10	2520-99-866-2525 VALVE, THROTTLE REGULATOR	FV452031	1	
33	A 10	2520-99-867-0237 VALVE, ASSEMBLY	FV452878	1	
34	A 10	2520-99-866-2526 VALVE, REGULATOR	FV452032	1	Main pressure
35	A 10	2520-99-866-2529 VALVE, SHIFT	FV452035	1	
36	A 10	2520-99-866-2530 SPRING, HELICAL COMPRESSION, steel, 18-1/2 coils, 2.22in. free lg	FV452036	1	Lockup shift valve

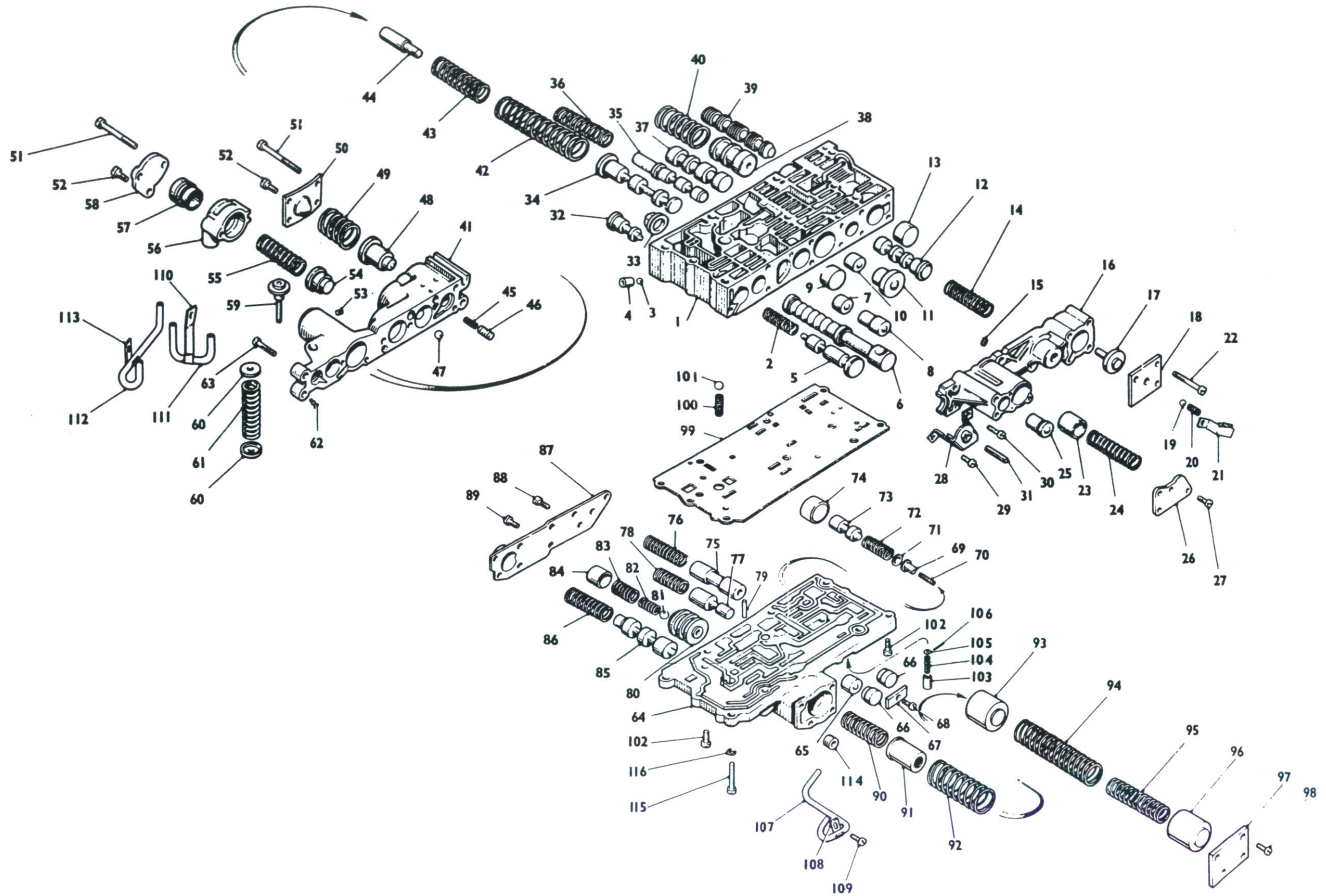


Fig 46 Control valve

Fig Item	Man Code Navy - N Army - A RAF - R	NATO Stock No	Item Name and Description	Part No/ Drawing No.	No. Off	Annotations
46-			POWER UNIT, DIESEL - contd . TRANSMISSION, MECHANICAL, VEHICULAR - contd . . . CONTROL VALVE - contd BODY ASSEMBLY - contd			
37	A 10	2520-99-866-2531 VALVE, SPLITTER SHIFT	FV452037	1	Intermediate to high shift Splitter relay valve
38	A 10	2520-99-866-7624 VALVE, SPLITTER RELAY	FV452486	1	
39	A 10	2520-99-866-2534 VALVE, SHIFT	FV452040	1	
40	A 10	2520-99-866-2533 SPRING, HELICAL, COMPRESSION, steel, 0.95in. od x 2in. free lg		1	
41	A 10	2520-99-866-7626 COVER, FRONT VALVE BODY	FV452285	1	Main regulator valve
42	A 10	2520-99-866-2527 SPRING, HELICAL, COMPRESSION, steel, 16 coils, 7in. od x 4.46in. free lg	FV452033	1	
43	A 10	2520-99-866-2528 SPRING, HELICAL, COMPRESSION, steel, 12-1/2 coils, 0.78in. od x 2.92in. free lg	FV452034	1	
44	A 10	2520-99-866-2536 PLUG, THROTTLE VALVE	FV452042	1	
45	A 10	2520-99-867-4401 SPRING, HELICAL, COMPRESSION	FV452940	1	
46	A 10	2520-99-866-7648 VALVE, INHIBITOR	FV452292	1	
47	A 10	2520-99-866-2535 BALL, NYLON, 1/4in. dia	FV452041	1	
48	A 10	5315-99-866-7627 PIN, SHOULDER HEADED, steel, 1-1/2in. lg	FV452298	1	
49	A 10	2520-99-866-2542 SPRING, HELICAL, COMPRESSION	FV452053	1	
50	A 10	2520-99-866-7628 COVER, SHIFT VALVE, steel	FV452054	1	
51	A 10	5305-99-866-7659 SCREW, MACHINE, UNC, steel, No. 10 x 2-3/8in.	FV452161	4	
52	A 10	5305-99-866-7660 SCREW, MACHINE, UNC, steel, No. 10 x 7/16in.	FV452168	1	
53	A 10	2910-99-866-3300 SCREW, SET, UNC, steel, No. 10 x 3/16in.	FV452051	1	
54	A 10	2520-99-866-2543 PLUG, VALVE BODY COVER	FV452057	1	
55	A 10	2520-99-866-2544 SPRING, HELICAL, COMPRESSION, steel, 14 coils, 9/16in. od x 2in. free lg	FV452058	1	
56	A 10	2520-99-866-7631 BODY, VALVE	FV452291	1	
57	A 10	2520-99-866-7632 VALVE, OVER-CONTROL SPLITTER	FV452260	1	
58	A 10	2520-99-866-7633 COVER, PLATE, ACCESS	FV452059	1	
59	A 10	2520-99-866-2537 VALVE ASSEMBLY, EXHAUST CHECK	FV452043	1	
60	A 10	2520-99-866-7625 WASHER, RECESSED, steel, 13/64in.	FV452047	2	
61	A 10	2520-99-866-2538 SPRING, HELICAL, COMPRESSION, steel, 9-1/2 coils, 0.6in. od x 1.4in. free lg	FV452048	1	
62	A 10	5340-99-866-2539 CLIP, RETAINING, steel	FV452049	1	
63	A 10	5305-99-866-7661 SCREW, MACHINE, UNC, steel, No. 10 x 3/4in.	FV452169	3	
64	A 10	2520-99-866-7652 BODY, VALVE EXHAUST REGULATOR	FV452248	1	
65	A 10	2520-99-866-2580 PLUG, EXHAUST REGULATOR	FV452112	1	
66	A 10	2520-99-866-2581 PLUG, STOP	FV452113	2	

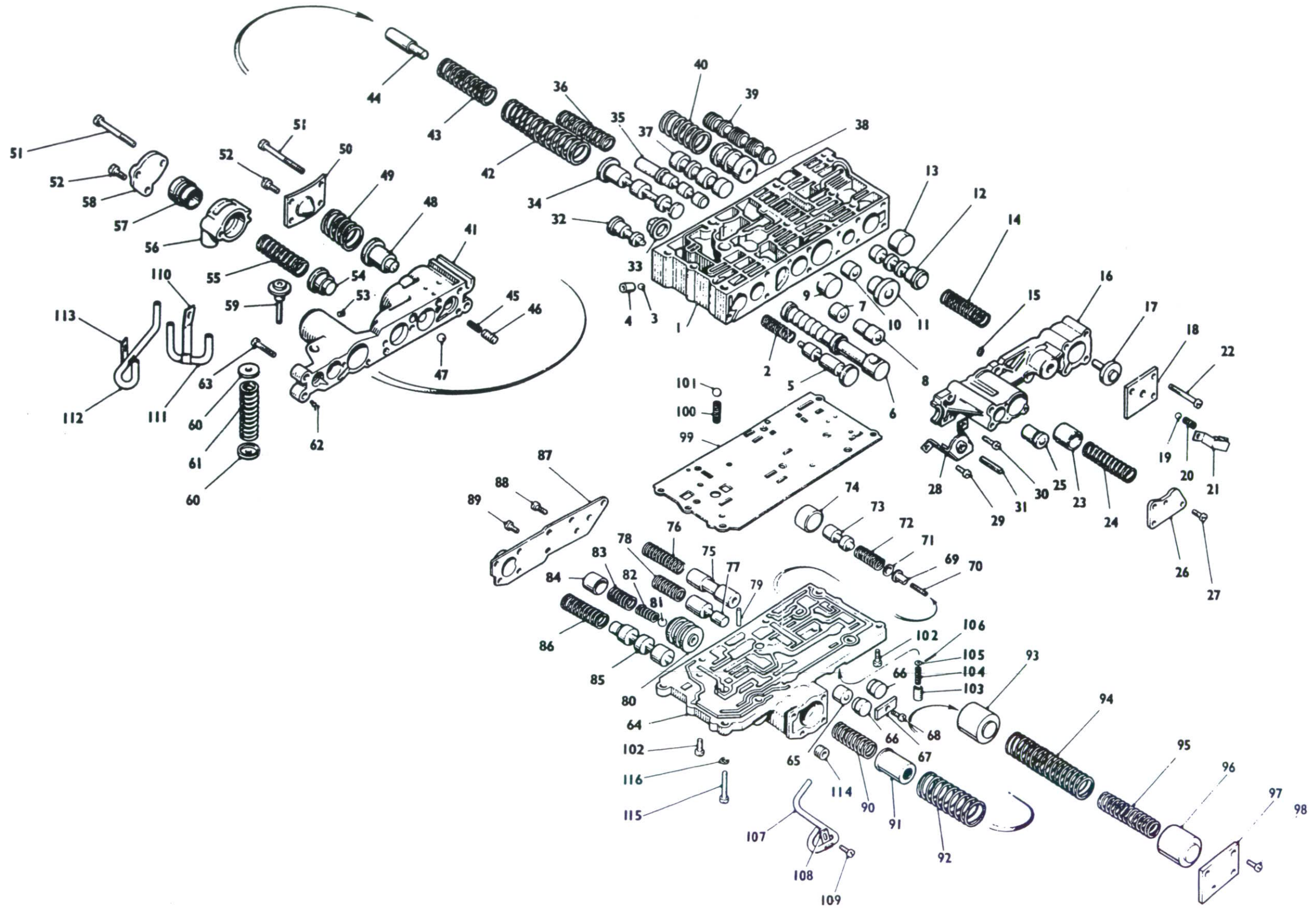


Fig 46 Control valve

Fig Item	Man Code Navy - N Army - A RAF - R	NATO Stock No	Item Name and Description	Part No/ Drawing No.	No. Off	Annotations
46-			POWER UNIT, DIESEL - contd . TRANSMISSION, MECHANICAL, VEHICULAR - contd . . . CONTROL VALVE - contd BODY ASSEMBLY - contd			
67	A 10	5310-99-866-7640 WASHER, FLAT, rectangular, 0.215in. id	FV452114	1	
68	A 10	5305-99-866-7660 SCREW, MACHINE, steel, No. 10 UNC x 7/16in. lg	FV452168	1	
69	A 10	5310-99-866-7647 NUT, PLAIN, PLATE, steel, No. 10 UNF	FV452369	1	
70	A 10	2520-99-866-7646 SCREW, INHIBITOR ADJUSTING, steel, No. 10 ANF x 3/4in. lg	FV452295	1	
71	A 10	2520-99-866-7645 SEAT, COMPRESSION, HELICAL SPRING	FV452296	1	
72	A 10	5360-99-866-7644 SPRING, HELICAL COMPRESSION, steel, 12 coils, 2- 5/64in. od, x 1-33/64in. free lg	FV452243	1	
73	A 10	2520-99-866-7643 VALVE, LOW INHIBITOR	FV452301	1	
74	A 10	2520-99-866-7642 PLUG, INHIBITOR VALVE, Al, 7/8in. od x 9/16in. lg	FV452293	1	
75	A 10	2520-99-866-2566 VALVE, EXHAUST REGULATOR	FV452090	1	
76	A 10	2520-99-866-2568 SPRING, HELICAL COMPRESSION, steel, 14 coils, 31/64in. od x 2-1/32in. free lg	FV452092	1	
77	A 10	2520-99-866-2565 VALVE, EXHAUST REGULATOR	FV452089	1	
78	A 10	5360-99-866-2567 SPRING, HELICAL COMPRESSION, steel, 11 coils, 31/64in. od x 1-15/64in. free lg	FV452091	1	
79	A G1	5315-99-143-1162 PIN, SPRING, steel, 3/16in. od x 1-1/4in. lg	FV452094	1	
80	A 10	4820-99-866-2569 BODY, EXTENDED VALVE	FV452093	1	
81	A 6MT7	3110-99-950-0571 BALL, BEARING, steel, 5/16in. dia	ET8394	1	
82	A 10	5360-99-866-2572 SPRING, HELICAL COMPRESSION, steel, 8 coils, 5/16in. od x 5/8in. free lg	FV452096	1	
83		NP SPRING, HELICAL COMPRESSION, steel, 7 coils, 27/64in. od x 1-1/16in. free lg	FV452095	1	
84	A 10	2520-99-866-2573 VALVE, EXTENDER	FV452097	1	
85	A 10	2530-99-804-2847 VALVE, CUT-OFF	FV453738	1	
86	A 10	5360-99-804-3017 SPRING, HELICAL COMPRESSION, steel, 9-1/2 coils, 0.44in. od x 1.454in. free lg	FV453745	1	
87	A 10	2590-99-804-3018 COVER, EXHAUST REGULATOR	FV453744	1	
88		NP SCREW, MACHINE, steel, No. 10 UNC x 3/4in. lg	FV452169	2	
89		NP SCREW, MACHINE, steel, No. 10 UNC x 7/16in. lg	FV452168	1	
90	A 10	5360-99-866-2574 SPRING, HELICAL COMPRESSION, steel, 10 coils, 45/64in. od x 1-7/8in. free lg	FV452104	1	
91	A 10	2520-99-866-7657 SEAT, COMPRESSION, HELICAL SPRING, steel, 3/4in.	FV452105	1	
92	A 10	5360-99-866-2575 SPRING, HELICAL COMPRESSION, steel, 9-1/2 coils, 1-1/16in. od x 2-21/32in. free lg	FV452106	1	
93	A 10	2520-99-866-2576 PLUG, TRIMMER	FV452107	1	

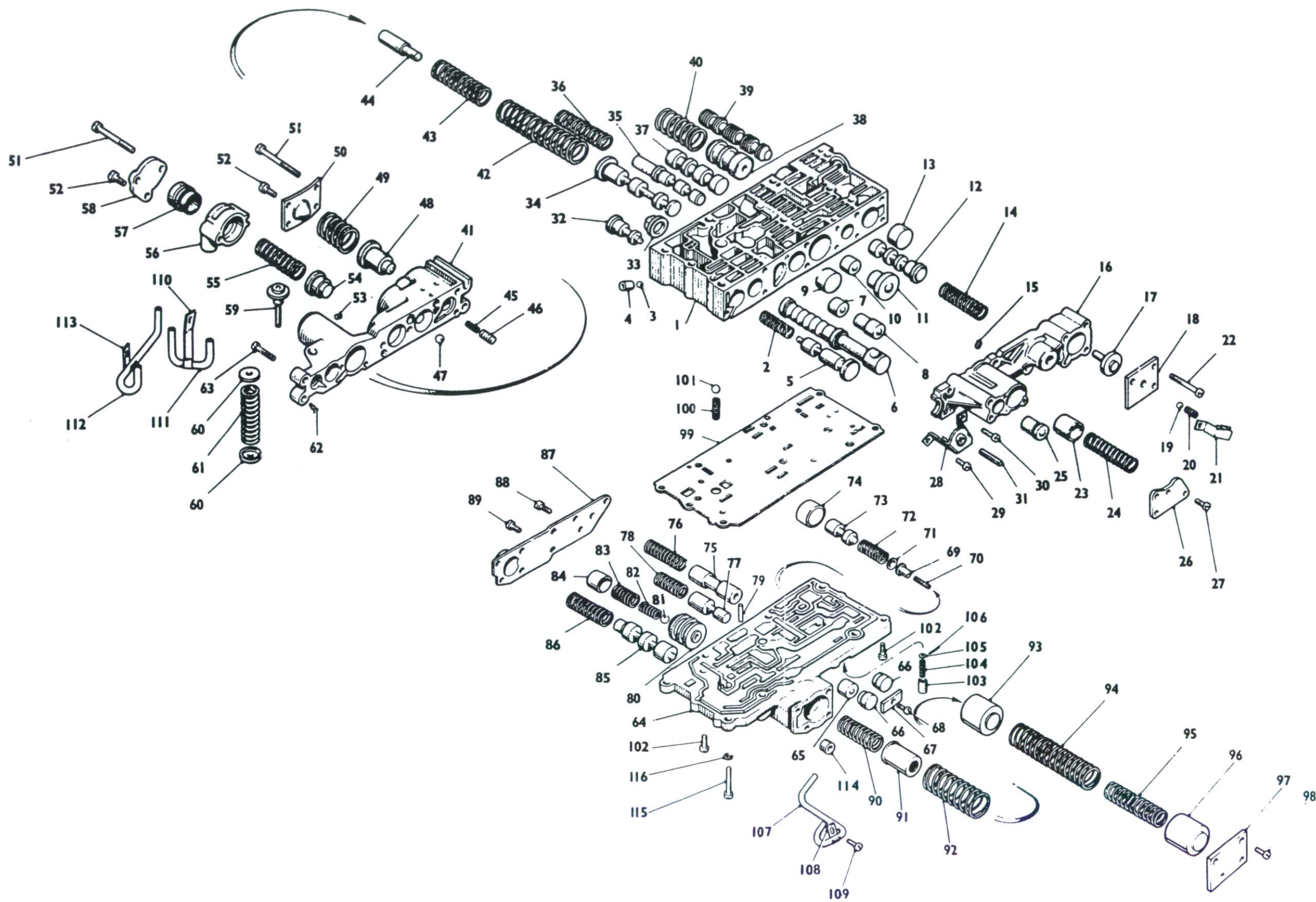


Fig 46 Control valve

430/70044

Fig Item	Man Code Navy - N Army - A RAF - R	NATO Stock No	Item Name and Description	Part No/ Drawing No.	No. Off	Annotations
46-			POWER UNIT, DIESEL - contd . TRANSMISSION, MECHANICAL, VEHICULAR - contd . . . CONTROL VALVE - contd BODY ASSEMBLY - contd			
94	A 10	5360-99-866-2578 SPRING, HELICAL COMPRESSION, steel, 15 coils, 27/32in. od x 4-1/2in. free lg	FV452109	1	
95	A 10	5360-99-866-2577 SPRING, HELICAL COMPRESSION, steel, 12 coils, 43/64in. od x 3-1/4in. free lg	FV452108	1	
96	A 10	2520-99-866-2579 VALVE, TRIMMER	FV452110	1	
97	A 10	2520-99-866-7639 COVER, EXHAUST, FEED, CI	FV452111	1	
98		NP SCREW, MACHINE, steel, No. 10 UNC x 1/2in. lg	FV452178	4	
99		NP PLATE, SEPARATOR, VALVE BODY	FV452245	1	
100	A 10	5360-99-866-2519 SPRING, HELICAL COMPRESSION, steel, 9 coils, 0.345in. od x 1.77in. free lg	FV452024	1	
101	A 6MT7	3110-99-950-0573 BALL, BEARING, steel, 3/8in. dia	FV2185002	1	
102		NP SCREW, MACHINE, steel, No. 10 UNC x 7/16in. lg	FV452168	9	
103	A 10	2520-99-866-7648 VALVE, INHIBITOR	FV452292	1	
104		NP SPRING, HELICAL COMPRESSION, steel, 14 coils, 13/64in. od x 27/32in. lg	FV452242	1	
105	A Z2	5310-99-941-8548 WASHER, FLAT, steel, 0.106in. id		1	
106	A G1	5315-99-138-2201 PIN, COTTER, SPLIT, steel, phosphated, 1/16in. dia x 7/8in. lg	0009830407	1	
107	A 10	2520-99-866-7629 PIPE, STEEL	FV452294	1	
108	A 10	5340-99-866-7630 STRAP, RETAINING, steel	FV452297	1	
109		NP SCREW, MACHINE, steel, No. 10 UNC x 7/16in. lg	FV452168	3	
110		NP STRAP, RETAINING, steel	FV452061	1	
111	A 10	2520-99-866-7634 PIPE, STEEL	FV452060	1	
112	A 10	2520-99-866-7654 PIPE, STEEL	FV452099	1	
113		NP STRAP, RETAINING	FV452103	1	
114	A 10	4730-99-866-2510 PLUG, PIPE, steel, Cd Pl, 1/4in. NPTF	FV670640	1	
115	A 10	5306-99-866-2584 BOLT, MACHINE, st, hex hd, 1/4in. UNC x 3-3/4in. lg	FV452118	4	
116	A G1	5310-99-941-6654 WASHER, LOCK, steel, single coil, sq sect, Cd Pl, 1/4in. dia	7088385	9	
NI 117	A G1	5310-99-866-3298 WASHER, LOCK, steel, 2BA	CS32032	40	
NI 118	A 6MT7	3110-99-950-0573 BALL, BEARING, steel, 3/8in. dia	FV2185002	1	
NI 119	A 10	5360-99-866-2519 SPRING, HELICAL COMPRESSION, steel, 9 coils, 0.345in. od x 1.77in. free lg	FV452024	1	
NI 120	A 10	2520-99-866-2582 SLEEVE VALVE, BODY BOLT	FV452115	3	
NI 121	A 10	2520-99-866-2520 BALL, NYLON, 1/2in. dia	FV452025	1	
NI 122	A 10	5306-99-866-2583 BOLT, MACHINE, st, hex hd, 1/4in. UNC x 2-3/4in. lg	FV452117	4	
NI 123	A 10	5306-99-866-2565 BOLT, MACHINE, st, hex hd, 1/4in. UNC x 3-1/4in. lg	FV452119	1	

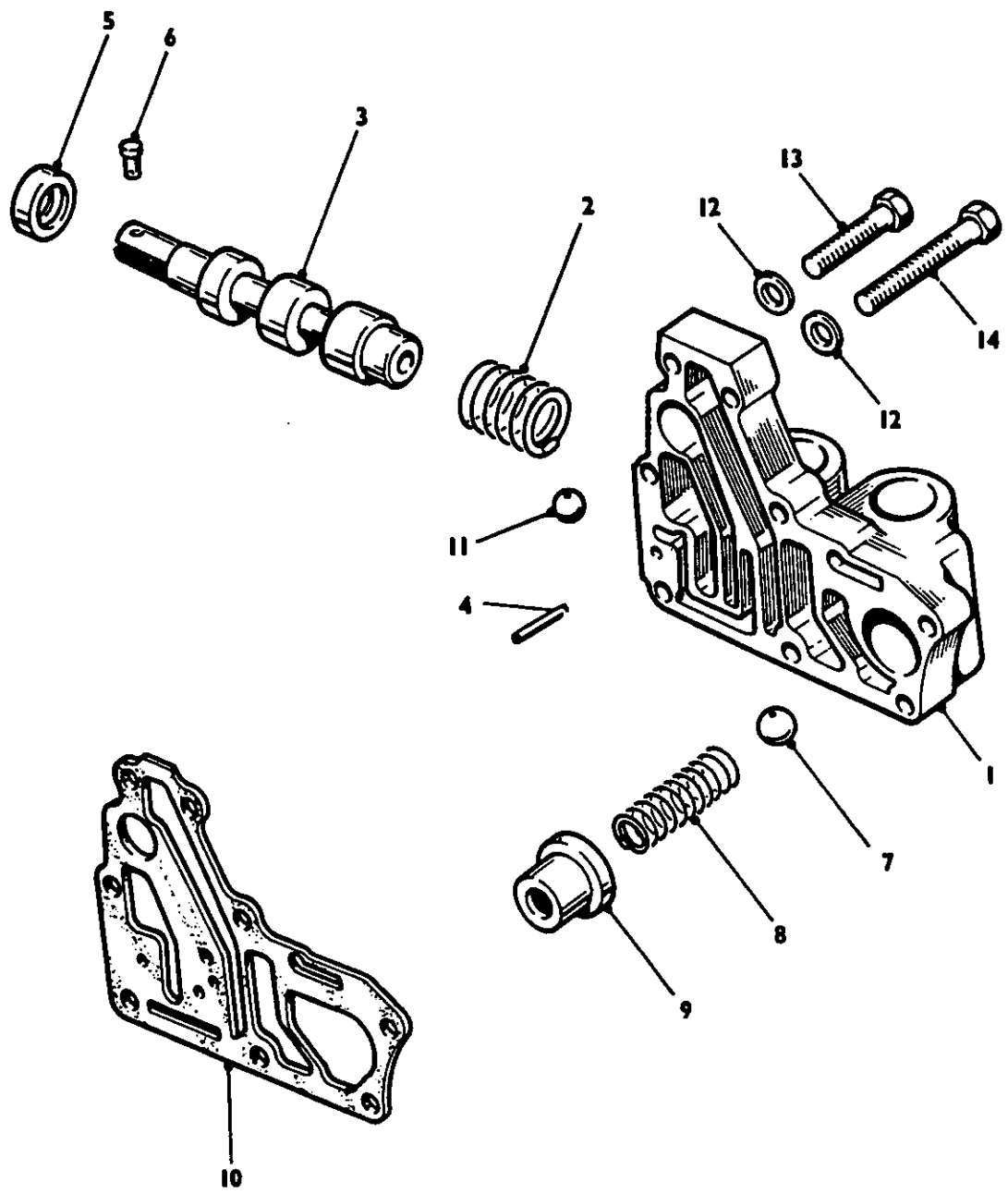


Fig 47 Valve, brake control

430/70045

Fig Item	Man Code Navy - N Army - A RAF - R	NATO Stock No	Item Name and Description	Part No/ Drawing No.	No. Off	Annotations
47-			POWER UNIT, DIESEL - contd . TRANSMISSION, MECHANICAL, VEHICULAR - contd			
1	A 10	NP 2520-99-866-2589	. . VALVE, BRAKE CONTROL . . . BODY ASSEMBLY, CONTROL VALVE	FV452556 FV452123	REF 1	
2		NP SPRING, HELICAL COMPRESSION, steel, 1-1/16in. od x 2-3/16in. lg	FV452125	1	
3	A 10	2530-99-866-2591 VALVE, HYDRAULIC RETARDER	FV452126	1	
4		NP PIN, STRAIGHT, HEADLESS, steel, 3/16in. od x 1-1/2in. lg	FV452128	1	
5	A 10	5330-99-867-4873 SEAL, PLAIN, ENCASED, st, 9/16in. id x 1-1/8in. od x 1/4in. w	FV452584	1	
6	A 10	5315-99-866-2592 PIN, STRAIGHT, HEADED, st, 3/16in. od x 0.525in. lg	FV452127	1	
7	A 10	3110-99-950-0578 BALL, BEARING, steel, 3/4in. dia	3-4-GD10	1	
8		NP SPRING, HELICAL COMPRESSION, steel, 47/64in. od x 2-1/8in. lg	FV452131	1	
9	A 10	2520-99-866-2606 RETAINER, SPRING	FV452162	1	
10	A 10	2520-99-866-2588	. . . GASKET	FV452122	1	Valve body to gearbox
11	A 10	2520-99-866-2587	. . . BALL, PLASTICS, 5/8in. dia	FV452121	1	
12	A G1	5310-99-941-6655	. . . WASHER, LOCK, st, single coil, Cd PI, 5/16in. dia	503/4/13396 /000	8	
13	A 10	5306-99-866-3303	. . . BOLT, MACHINE, st, hex hd, 5/16in. UNC x 1-1/4in. lg	FV452326	5	} Body to main housing
14	A 10	5306-99-866-3302	. . . BOLT, MACHINE, st, hex hd, 5/16in. UNC x 2-1/4in. lg	FV452163	3	

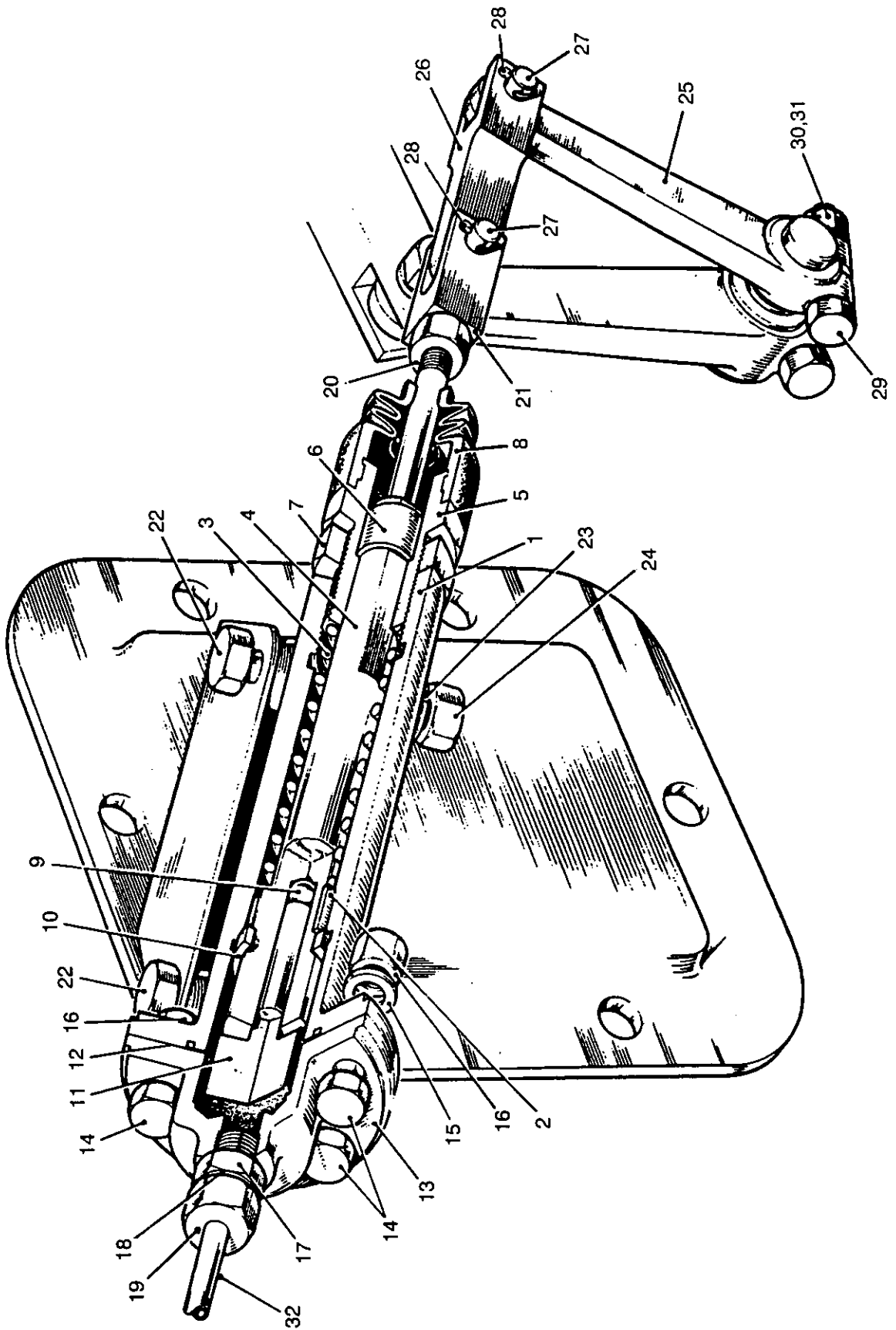


Fig 48 Actuator valve, throttle

430/70046

Fig Item	Man Code Navy - N Army - A RAF - R	NATO Stock No	Item Name and Description	Part No/ Drawing No.	No. Off	Annotations
48-			POWER UNIT, DIESEL - contd			
1	A 10	2520-99-804-7091	. ACTUATOR VALVE, throttle	FV454671	1	
2	A 10	2520-99-804-6680	. . BODY VALVE	FV454672	1	
3	A 46MT1	3120-99-101-7163	. . . BEARING, SLEEVE	FV451397	1	
4	A 10	5360-99-866-7420	. . SPRING, HELICAL COMPRESSION, steel	FV451419	1	
5	A 10	2520-99-866-7454	. . PISTON, ACTUATOR VALVE, LOWER	FV451622	1	
6	A 10	2520-99-866-7415	. . ADAPTOR, ASSEMBLY, ACTUATOR VALVE	FV451391	1	
7	A 46MT1	3120-99-101-7163	. . . BEARING, SLEEVE, steel/bronze/PTFE	FV451397	1	
8	A 10	5310-99-866-7458	. . NUT, PLAIN, HEXAGON, steel, Cd PI, 7/8 UNS x 16tpi	FV451418	1	Valve lock
9	A 10	2520-99-866-7413	. . BOOT, DUST AND MOISTURE SEAL	FV452448	1	
10	A 6MT7	3110-99-950-0569	. . BEARING, BALL, steel, 1/4in. dia	RB6-35 CLASS3	1	
11	A 10	5365-99-866-7457	. . SPACER, steel, 45/64in.	FV451395	1	
12	A 10	2520-99-808-3925	. . PISTON, ACTUATOR VALVE	FV454604	1	
13	A 10	2520-99-804-6682	. . DIAPHRAGM, ACTUATOR VALVE	FV454605	1	
14	A 10	2520-99-804-6681	. . HEAD, ACTUATOR VALVE	FV454603	1	
15		NP	. . BOLT, MACHINE, st, hex hd, 2BA x 5/8in. lg		6	
16	A G1	5310-99-941-7070	. . WASHER, FLAT, steel, Cd PI, 3/16in. id		6	
17	A 46MT1	4730-99-801-2031	. . NUT, PLAIN, HEXAGON, steel, Cd PI, 2BA		6	
18	A 10	5310-99-865-1476	. . NIPPLE, TUBE, steel, 3/8in. UNF	FV(S)87-2	1	
19	A 6MT1	4730-99-801-1564	. . WASHER, FLAT, Al, 3/8in.	XB1078	1	
20	A G1	5310-99-941-1318	. . NUT, UNION, PIPE, steel, Cd PI, 3/8in. UNF	FVS88-2	1	
21	A 10	5310-99-941-1318	. . NUT, PLAIN, HEXAGON, steel, Cd PI, 1/4in. UNF		1	
22	A 10	5340-99-866-7417	. . FORK, END	FV451788	1	
23	A G1	5306-99-941-6583	. . BOLT, MACHINE, st, hex hd, Zn pl, 1/4in. UNF x 1-3/4in. lg		2	
24	A G1	5310-99-941-7072	. . WASHER, FLAT, steel, 1/4in. dia		2	Actuator to bracket
25	A G1	5310-99-941-1318	. . NUT, PLAIN, HEXAGON, steel, Cd PI, 1/4in. UNF		2	
26	A 10	3040-99-866-7455	. . CONNECTING LINK, RIGID, steel, 2-51/64in. lg	FV451787	1	
27	A 10	3040-99-866-7418	. . LEVER, REMOTE CONTROL	FV451789	1	
28	A 10	5315-99-866-7459	. . PIN, STRAIGHT HEADED, steel, 1/4in. od x 11/16in. lg	K6507	2	
29	A G1	5315-99-138-2205	. . PIN, COTTER, SPLIT, steel, 3/32in. dia x 5/8in. lg	PS105250	2	
30		NP	. . BOLT, MACHINE, st, hex hd, 2BA x 1-1/8in. lg		1	
31		NP	. . WASHER, FLAT		1	Gearbox lever
32	A G1	5310-99-941-7070	. . NUT, PLAIN, HEXAGON, steel, Cd PI, 2BA		1	
NI 33	A 10	4710-99-866-9576	. . PIPE, ASSEMBLY, governor to actuator throttle valve	FV452764	1	
NI 34	A 10	2590-99-866-7668	. . BRACKET ASSEMBLY, oil pipes	FV451634	1	Pipe to actuator
NI 35	A G1	5305-99-941-6284	. . SCREW, MACHINE, st, hex hd, Zn pl, 1/4in. UNF x 1/2in. lg		1	
	A G1	5310-99-952-1024	. . WASHER, FLAT, steel, Cd PI, 1/4in. id	T201303M/10	1	

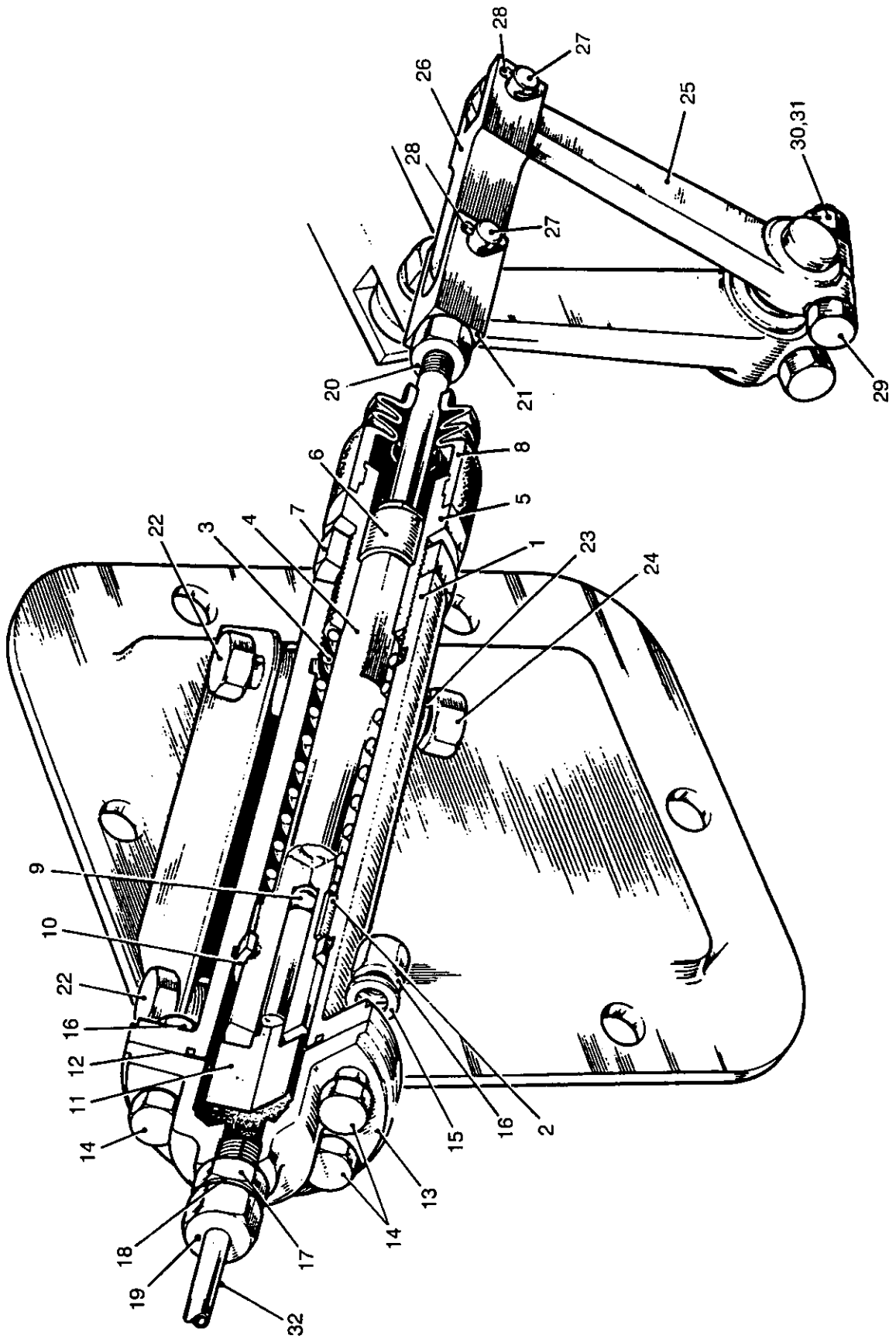


Fig 48 Actuator valve, throttle

430/70046

Fig Item	Man Code Navy - N Army - A RAF - R	NATO Stock No	Item Name and Description	Part No/ Drawing No.	No. Off	Annotations
48-			POWER UNIT, DIESEL - contd			
NI 36		NP	. DISCONNECTOR LINKAGE, transfer drive	FV509462	1	
NI 37	A	9ACR	. . LEVER, BELL CRANK	FV509422	1	
NI 38	A	6MT4	. . BEARING, SLEEVE, 3/8in. x 1/2in lg	06DU08	1	
NI 39	A	G1	. . WASHER, FLAT, steel, 3/8in. id		1	
NI 40	A	G1	. . PIN, COTTER, SPLIT, steel, phosphated, 1/16in. dia x 5/8in. lg	0009830407	1	
NI 41	A	9ACR	. . CONNECTING LINK RIGID	FV509426	1	
NI 42	A	G1	. . . NUT, PLAIN, HEXAGON, steel, Zn pl, 1/4in. UNF		2	
NI 43	A	6MT1	. . . BALL JOINT		2	
NI 44	A	G1	. . NUT, SELF-LOCKING, HEXAGON, steel, Cd Pl, 1.4in. UNF		2	

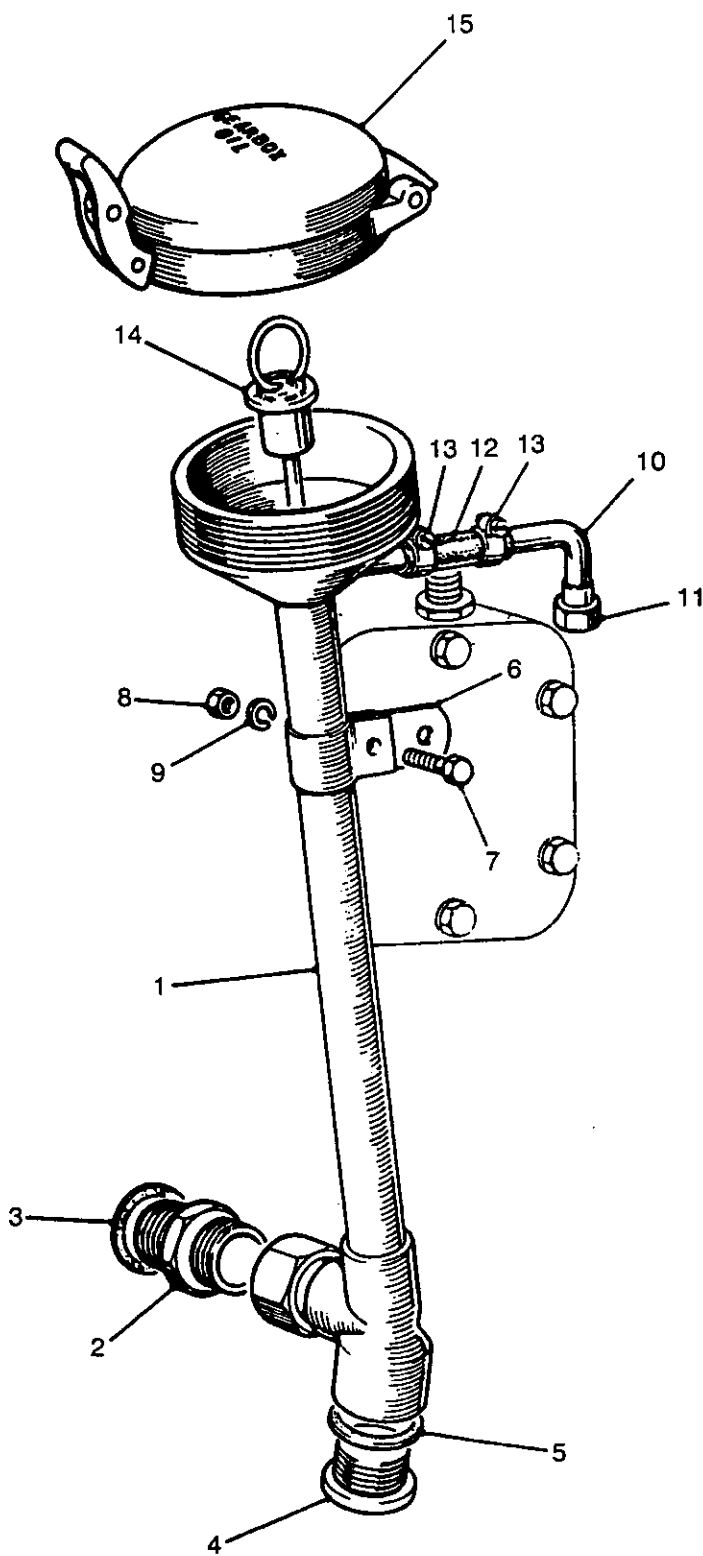


Fig 49 Oil filler, gearbox

430/70047

Fig Item	Man Code Navy - N Army - A RAF - R	NATO Stock No	Item Name and Description	Part No/ Drawing No.	No. Off	Annotations
49-			POWER UNIT; DIESEL - contd			
		NP	. OIL FILLER, GEARBOX	FV538590	REF	
1	A	9ACR 2910-99-867-4771	. . FILLER NECK	FV538591	1	
2	A	9ACR 4730-99-866-2625	. . ADAPTOR, STRAIGHT PIPE	FV499554	1	Oil filler to gearbox
3	A	9BTR 5310-99-849-0165	. . WASHER, FLAT	FV299466	1	
4	A	6MT1 5365-99-942-8000	. . PLUG, SCREWED, brass, 1-3/8in. UNF x 12 tpi	FV642172	1	
5	A	9ACR 5365-99-865-6351	. . WASHER, FLAT, copper, 1-3/8in. id	FV299656	1	
6		NP	. . CLIP	FV480380	1	
7	A	G1 5305-99-941-0512	. . SCREW, MACHINE, steel, 1/4in. UNF x 5/8in. lg		1	
8	A	G1 5310-99-804-7941	. . NUT, PLAIN, HEXAGON, steel, 1/4in. UNF		1	
9	A	G1 5310-99-941-6654	. . WASHER, LOCK, steel, Cd PI, 1/4in.		1	
10	A	9ACR 4710-99-867-4773	. . PIPE, GEARBOX OIL FILLER	FV538562	1	
11	A	6MT1 4730-99-801-1565	. . NUT, UNION, PIPE, steel, Cd PI, 5/8in. UNF	FV (S)88-5	1	
12	A	46MT6 4720-99-805-7771	. . HOSE, RUBBER, 2.00in. lg	2556-6	A/R	
13	A	46MT1 4730-99-533-2957	. . CLAMP HOSE, steel, Cd PI	FV2148382	2	
14	A	9ACR 6680-99-811-7125	. . DIPSTICK, LIQUID QUANTITY	FV650090	1	
15	A	9ACR 2590-99-867-4772	. . CAP, FILLER GEARBOX	FV586252	1	

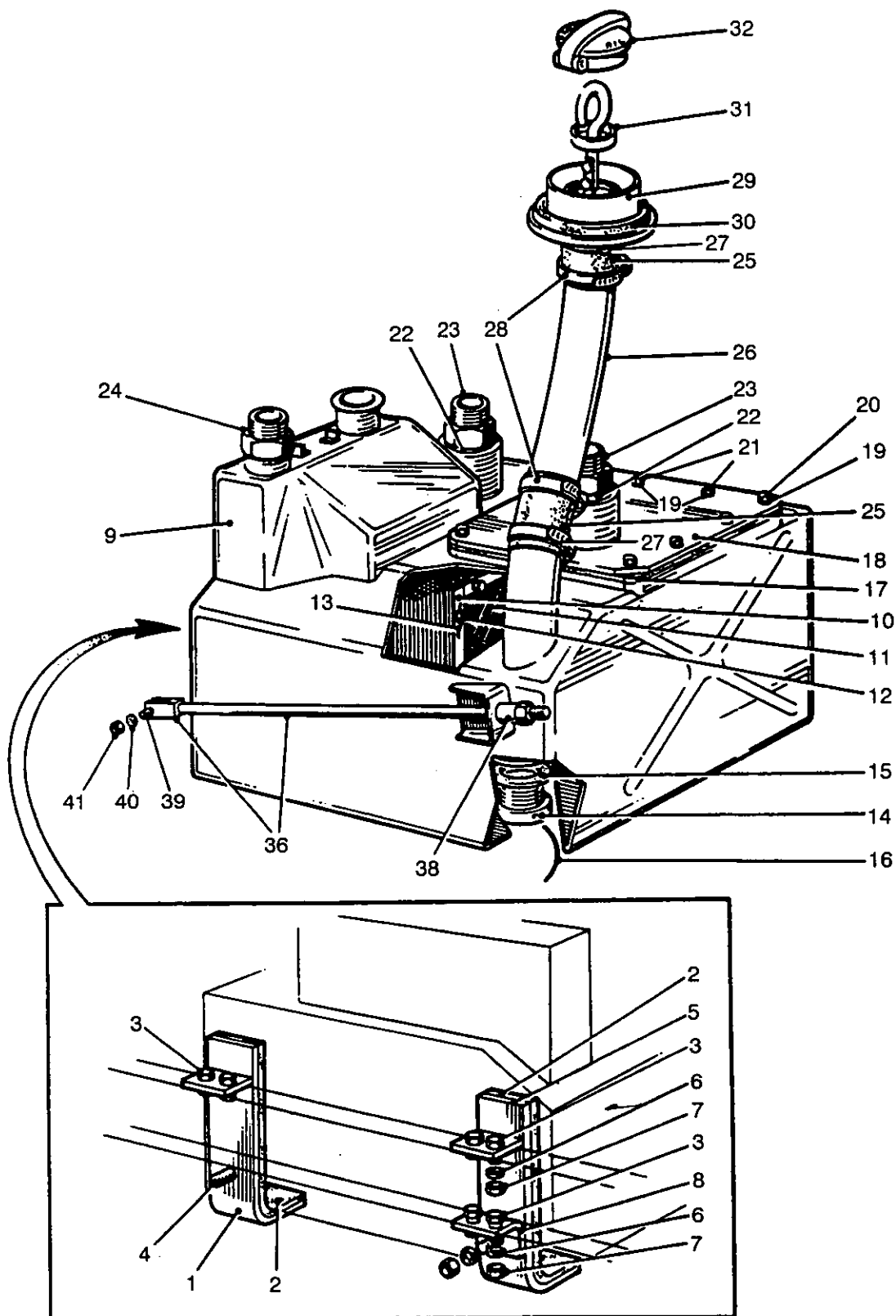


Fig 50 Oil tank installation

430/70048

Fig Item	Man Code Navy - N Army - A RAF - R	NATO Stock No	Item Name and Description	Part No/ Drawing No.	No. Off	Annotations
50-			POWER UNIT, DIESEL - contd			
		NP	. ENGINE OIL TANK AND FITTINGS ASSEMBLY	FV650953	REF	
		NP	. . OIL TANK INSTALLATION		REF	
1	A	9ACR	. . BRACKET, ANGLE, steel	FV602772	1	
2	A	H21	. . FELT, WOOL, COMPRESSED, GREY, 1/4in. thk		A/R	
3	A	G1	. . SCREW, MACHINE, st, hex hd, Zn pl, 5/16in. UNF x 1in. lg		6	
4	A	G1	. . SCREW, MACHINE, st, flat csk hd, Cd Pl, 5/16in. UNF x 1.00in. lg		2	
5		NP	. . BRACKET, SUPPORTING, OIL TANK	FV500007	1	
6	A	G1	. . WASHER, LOCK, st, single coil, Cd Pl, 5/16in. od		10	
7	A	G1	. . NUT, PLAIN, HEXAGON, steel, Zn pl, 5/16in. UNF		8	
8	A	9ACR	. . BRACKET, ANGLE, steel	FV500008	1	
9	A	9ACR	. . TANK, OIL	FV575504	1	
10	A	9ACR	. . . FILTER, FLUID, PRESSURE	FV451917	1	
11		NP	. . . GAUZE	FV421919	A/R	
12	A	9AHY	. . . SCREW, MACHINE, steel, hex hd, No. 10 UNF x 3/8in. lg	FV421915	12	
13	A	G2	. . . WIRE, STEEL, CORROSION RESISTING, 18 SWG		A/R	Filter to tank
14	A	46MT1	. . . PLUG, SCREWED, brass, 1-3/8in. UNF x 12 tpi	FV642172	1	
15	A	9ACR	. . . WASHER, FLAT, copper, 1-3/8in. id	FV299656	1	Tank drain
16	A	G2	. . . WIRE, STEEL, CORROSION RESISTING, 22 swg	941109	A/R	
17	A	9ACR	. . GASKET	FV2249167	1	
18	A	9ACR	. . RECTIFIER UNIT, No. 1 Mk 1	FV342588	1	See Fig 64
19	A	G1	. . . WASHER, LOCK, steel, single coil, sq sect, Cd Pl, 1/4in. id	7088385	12	
20	A	G1	. . . SCREW, MACHINE, steel, hex hd, Zn pl, 1/4in. UNF x 5/8in. lg	172441	10	
21	A	G1	. . . SCREW, MACHINE, steel, hex hd, Zn pl, 1/4in. UNF x 3/4in. lg		2	
22	A	9ACR	. . . WASHER, FLAT, copper, 1-5/8in. id	FV500060	2	
23	A	46MT1	. . . DOUBLE ENDED UNION, PIPE, MALE, steel, 1-5/8in. UNF	FV(S)87/12	2	
24	A	46MT1	. . . DOUBLE ENDED UNION, PIPE, MALE, steel, 1-3/8in. UNF	FV(S)87/11	1	
25	A	9ACR	. . HOSE, PREFORMED	FV586404	2	
26	A	9ACR	. . PIPE FILLER	FV586405	1	
27	A	46MT1	. . . CLAMP, HOSE, steel, Zn pl, 13.5in. w		2	
28	A	6MT1	. . . CLAMP, HOSE, steel, Cd plated, 1-1/2in. to 2-1/4in. grip dia		2	
29	A	9ACR	. . . ADAPTOR, OIL TANK, FILLER CAP	FV480511	1	
30		NP	. . . SEAL, rubber, triangular section, 12-1/2in. lg	FV525369/3	A/R	
31	A	9ACR	. . . DIPSTICK, LIQUID QUANTITY	FV485350	1	
32	A	9ACR	. . . CAP, FILLER, OIL TANK	FV586254	1	
NI 33	A	46MT1 WASHER, NON-METALLIC, rubber, 31/32in.	715-3RS	1	
NI 34	A	46MT1 WASHER, NON-METALLIC, fibre, 1-3/4in.	715-15	2	
NI 35	A	G1 NUT, SELF-LOCKING, HEXAGON, brass, nylon insert, 4BA		1	
36	A	9ACR	. . . ROD, RETAINING	FV524750	1	

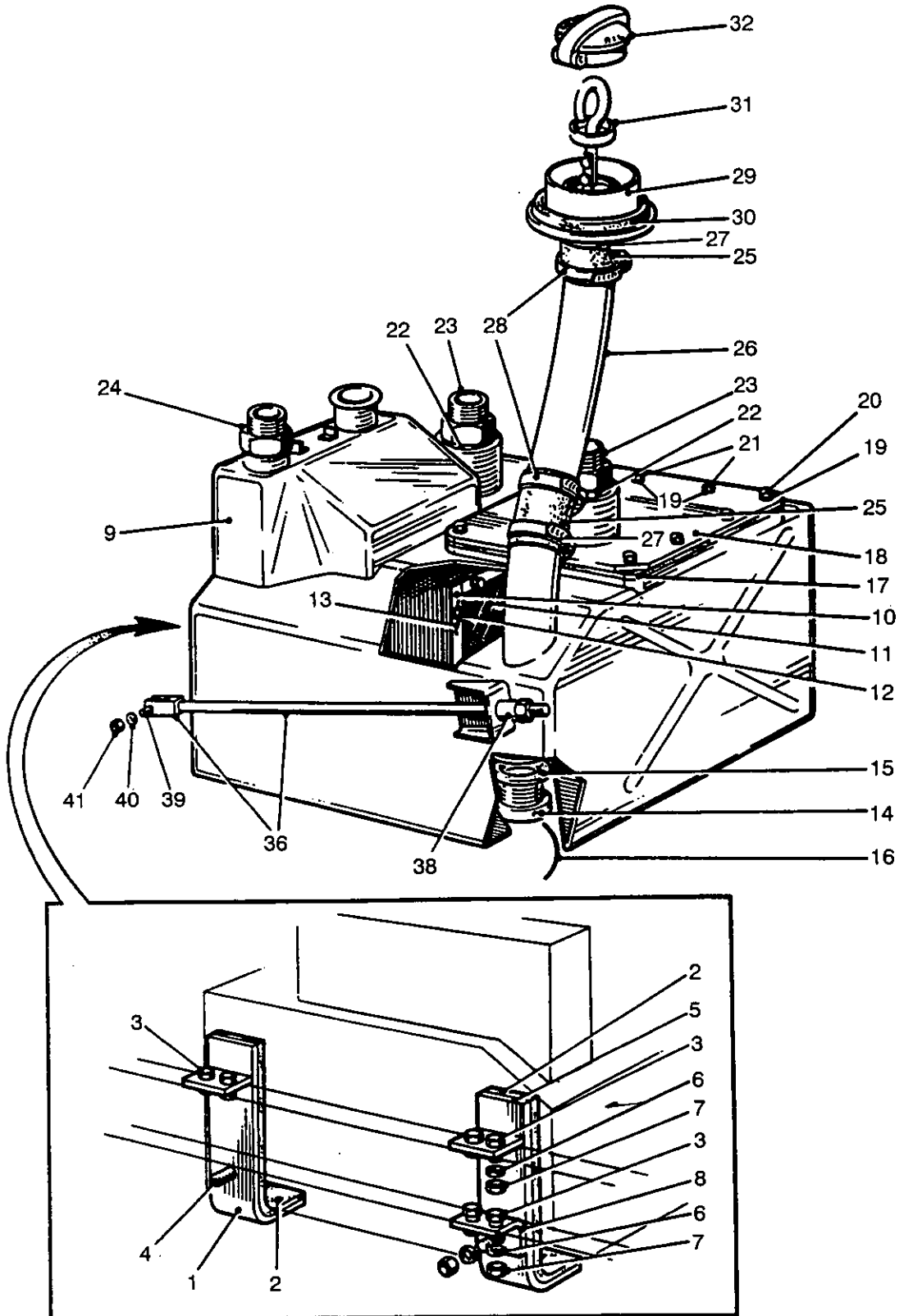


Fig 50 Oil tank installation

430/70048

Fig Item	Man Code Navy - N Army - A RAF - R	NATO Stock No	Item Name and Description	Part No/ Drawing No.	No. Off	Annotations
50-			POWER UNIT, DIESEL - contd . ENGINE OIL TANK AND FITTINGS ASSEMBLY - contd			
NI 37	A	9ACR	5340-99-865-6360	. . CLEVIS, ROD END	FV524814	1
38	A	9ACR	5310-99-865-6355	. . NUT, SLEEVE, steel, hex hd, Cd PI, 5/16in. UNF	FV485284	2
39	A	G1	5305-99-941-0527	. . SCREW, CAP, HEXAGON HEAD, steel, hex hd, Zn pl, 5/16in. UNF x 1.00in. lg	FV27970	2
40	A	G1	5310-99-941-6655	. . WASHER, LOCK, steel, single coil, sq sect, Cd PI, 5/16in. id	0920053	2
41	A	G1	5310-99-941-0925	. . NUT, PLAIN, HEXAGON, steel, Zn pl, 5/16in. UNF	0576002	2

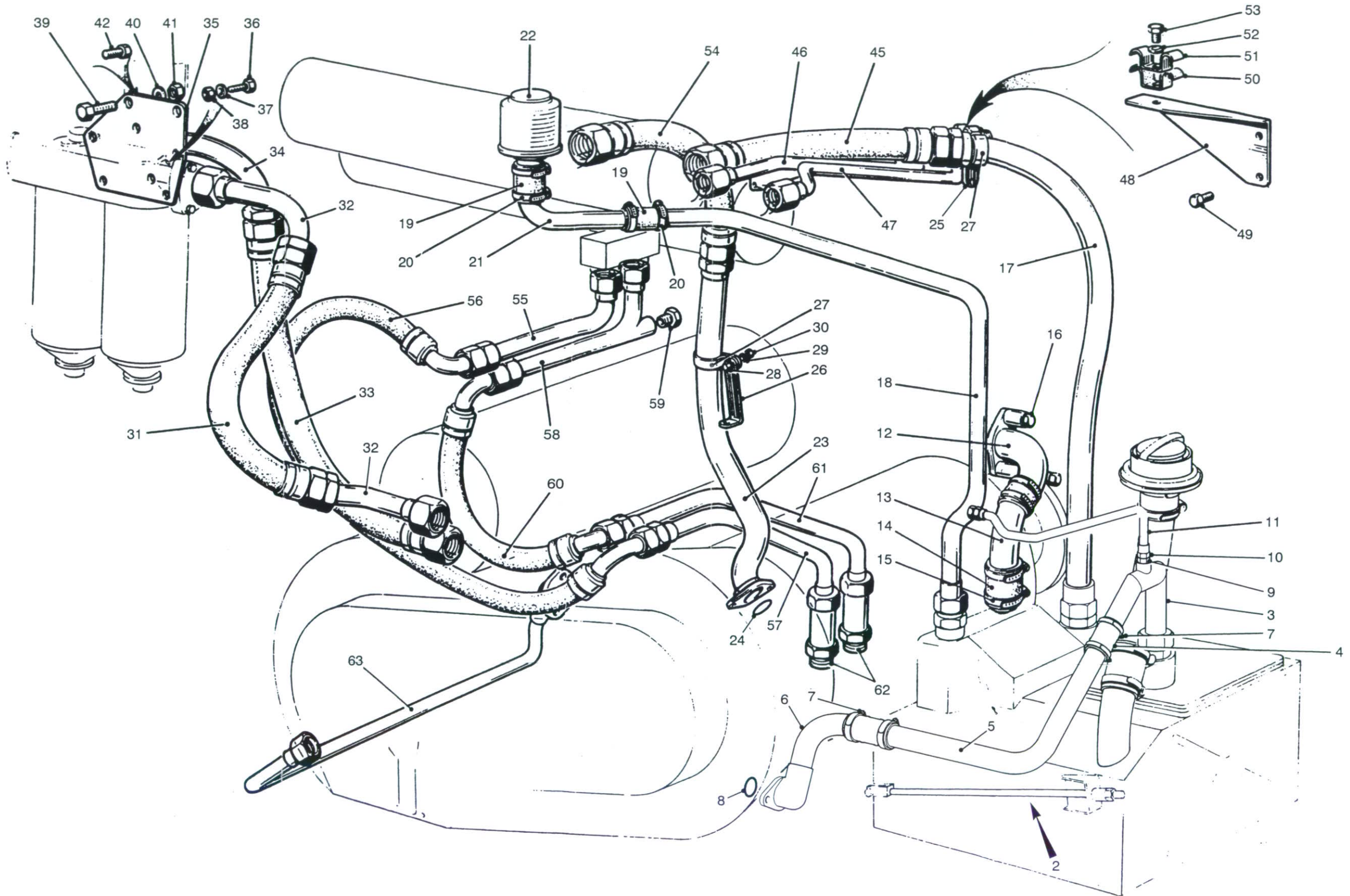


Fig 51 Oil pipes, heat exchanger pipes and fittings

Fig Item	Man Code Navy - N Army - A RAF - R	NATO Stock No	Item Name and Description	Part No/ Drawing No.	No. Off	Annotations
51-			POWER UNIT, DIESEL - contd			
		NP	. OIL PIPES, HEAT EXCHANGER PIPES AND FITTINGS		REF	
NI 1		NP	. OIL PIPES AND FITTINGS	FV650953	REF	
2		NP	. . OIL PIPE ASSEMBLY, tank to engine	FV650905	1	
3	A 10	2990-99-808-1279	. . . ADAPTOR, OIL PIPE, steel, 1-7/16in. od 1st end, union nut 2nd end, 6-1/8in. lg	FV650896	1	
4	A 6MT6	4720-99-805-7786	. . . HOSE, RUBBER, neoprene, 3ply, 1-3/8in. id, 1-3/4in. od, 3ft lg	FV1042	2	cut to 3-1/2in. lg
5	A 9ACR	2990-99-808-1278	. . . PIPE, METALLIC, steel, paint, 11.781in. lg, 1-3/8in. od x 1/16in. wall thk x 1-7/16in. od both ends	FV650904	1	
6	A 9ACR	2990-99-808-1277	. . . ELBOW, OIL PIPE, steel/br, 1-7/16in. od 1st end, flange w/2 mtg holes 2nd end, 6-15/16in. lg	FV650901	1	
7	A 46MT1	4730-99-808-1280	. . . CLAMP, HOSE, steel, 1-3/4in. to 1-29/32in. id, 57/64in. w	FV98814	4	
8	A 46MT1	5330-99-814-0890	. . RING, SEALING, TOROIDAL, syn rubber, 1-5/8in. id x 1-13/16in. od x 3/32in. thk		1	
9		NP	. . WASHER	FV299828	1	
10	A 46MT1	4730-99-801-2032	. . DOUBLE-ENDED UNION, PIPE, MALE	FVS87-3	1	
11	A 10	2990-99-808-1281	. . PIPE, BRASS, oil tank breather	FV650870	1	
12	A 9ACR	4730-99-802-5243	. . ELBOW, PIPE TO HOSE, front breather	FV602731	1	
13	A 9ACR	4730-99-802-5244	. . PIPE, BENT, METALLIC, front breather	FV602732	1	
14	A 46MT6	4720-99-943-9438	. . HOSE, RUBBER, ru, 1-1/2in. id x 1-7/8in. od	73006439	A/R	
15	A 46MT1	4730-99-200-8881	. . CLAMP, HOSE, steel, Cd plated, 1-1/2in. to 2-1/4in. grip dia		4	
16	A G1	5306-99-941-8000	. . BOLT, MACHINE, st, hex hd, Zn pl, 5/16in. UNF x 2-1/2in. lg		2	
17	A 9ACR	2590-99-808-5003	. . PIPE, STEEL	FV650979	1	
18	A 9ACR	2590-99-808-5002	. . PIPE, STEEL, engine oil tank to breather pipe	FV650978	1	
19	A 46MT6	4720-99-805-7729	. . HOSE, RUBBER, ru, 1.00in. id x 1-3/8in. od	571-3042	A/R	
20	A 7SL	4730-99-200-8880	. . CLAMP, HOSE, 1-1/8in. id to 1-5/8in. id	HC50913	4	
21	A 9ACR	2590-99-867-4763	. . PIPE, BREATHER, engine oil tank upper	FV585798	1	
22	A 6MT1	2805-99-802-4337	. . BREATHER, engine oil tank	1527507	1	
23	A 9ACR	4710-99-867-4765	. . PIPE, STEEL, engine to fluid cooler oil feed	FV585788	1	
24	A 10	5330-99-866-7528	. . RING, SEALING, TOROIDAL, rubber, 9/64in. cross-sect h, 1-15/16in. id	CK540	1	
25		NP	. . BRACKET	FV586026	1	
26		NP	. . BRACKET	FV586027	1	
27		NP	. . CLIP	FV559476	2	
28	A G1	5305-99-911-0511	. . SCREW, MACHINE, st, hex hd, Zn pl, 1/4in. UNF x 1/2in. lg		2	
29	A G1	5310-99-941-6654	. . WASHER, LOCK, steel, Cd Pl, single coil, sq section, 1/4in. id		2	Oil pipe clamps
30	A G1	5310-99-804-7941	. . NUT, PLAIN, HEXAGON, steel, Zn pl, 1/4in. UNF		2	
31	A 9ACR	2910-99-867-4761	. . HOSE ASSEMBLY, FILTER RETURN, engine	FV538441	1	
32	A 9ACR	4710-99-867-4762	. . PIPE, STEEL, engine oil filter to engine	FV585794	2	
33	A 9ACR	4720-99-867-4764	. . HOSE, ASSEMBLY, OIL FEED, engine to filter	FV585732	1	
34	A 9ACR	4710-99-802-4083	. . PIPE, STEEL	FV585792	1	

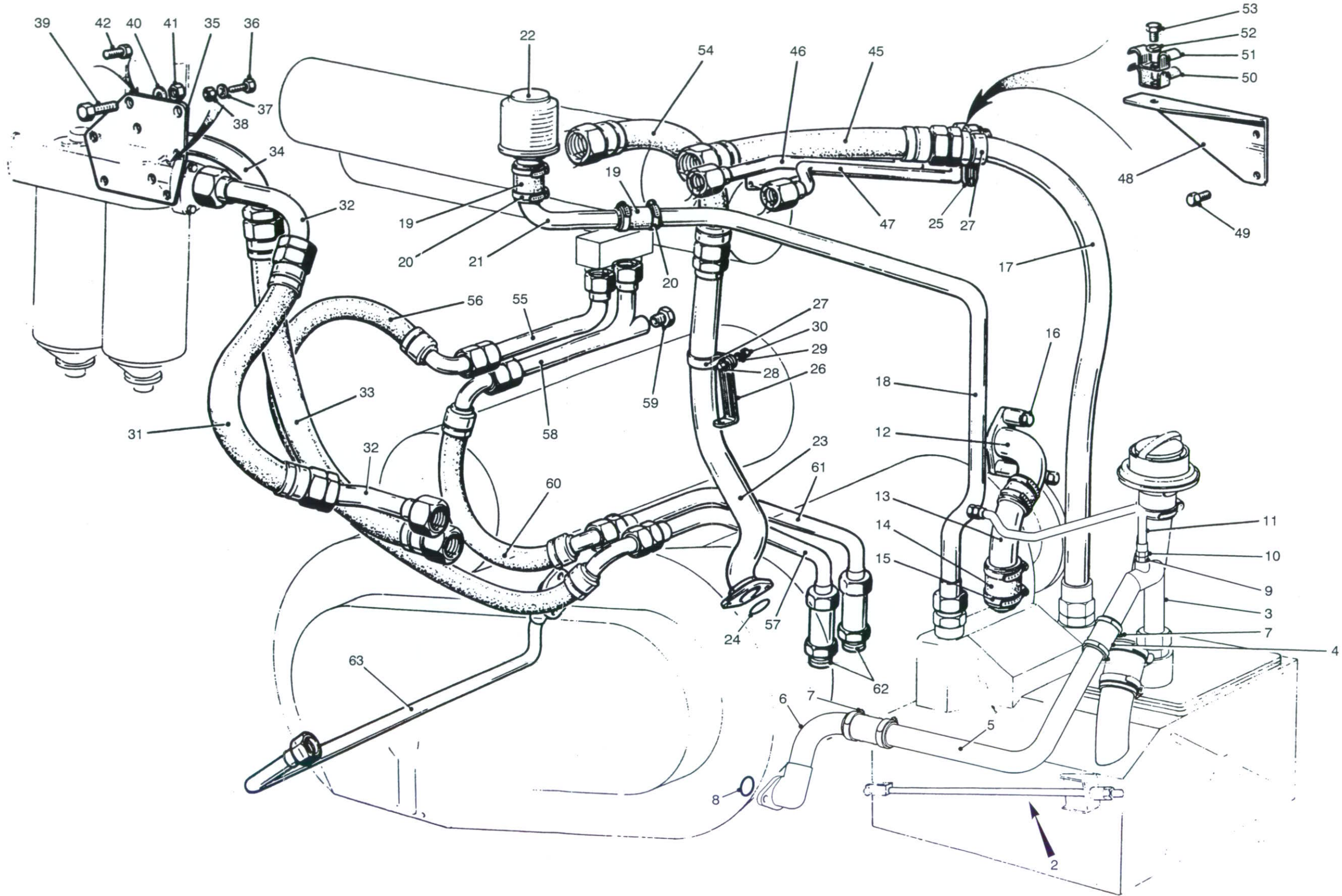


Fig 51 Oil pipes, heat exchanger pipes and fittings

Fig Item	Man Code Navy - N Army - A RAF - R	NATO Stock No	Item Name and Description	Part No/ Drawing No.	No. Off	Annotations
51-			POWER UNIT, DIESEL - contd . OIL PIPES AND FITTINGS - contd			
35	A	9ACR	2910-99-867-4759 . . BRACKET, FLUID FILTER, engine	FV585710	1	Oil filter to bracket
36	A	G1	5305-99-941-0543 . . BOLT, MACHINE, st, hex hd, Zn pl, 3/8in. UNF x 1-1/4in. lg		4	
37	A	G1	5310-99-941-6656 . . WASHER, LOCK, steel, Cd pl, single coil, sq section, 3/8in. id		4	
38	A	G1	5310-99-941-0926 . . NUT, PLAIN, HEXAGON, steel, Zn pl, 3/8in. UNF		4	
39	A	G1	5305-99-941-0568 . . SCREW, MACHINE, st, hex hd, Zn pl, 1/2in. UNF x 1-1/4in. lg		2	
40	A	G1	5310-99-944-0552 . . WASHER, LOCK, steel, Cd Pl, single coil, sq section, 1/2in. id		2	
41	A	G1	5310-99-941-0928 . . NUT, PLAIN, HEXAGON, steel, Zn pl, 1/2in. UNF		2	
42	A	G1	5305-99-941-0526 . . SCREW, MACHINE, st, hex hd, Zn pl, 5/16in. UNF x 7/8in. lg		2	
NI 43		NP	. HEAT EXCHANGER PIPES AND FITTINGS	FV559830	REF	
NI 44		NP	. . ASSEMBLY OF HEATER EXCHANGER AND BRACKETS	FV602589	REF	See Fig 52
45	A	9ACR	4720-99-802-3376 . . HOSE ASSEMBLY, RUBBER, ru, 1-1/4in. id	FV602659	1	Engine to fluid cooler
46	A	9ACR	4710-99-867-4724 . . PIPE, STEEL, steering unit to heat exchanger oil feed	FV585807	1	
47	A	9ACR	4710-99-867-4725 . . PIPE, STEEL, fluid cooler to steering unit oil feed	FV585809	1	
48	A	9ACR	2510-99-867-4728 . . BRACKET, OIL PIPE	FV586039	1	Securing bracket
49	A	G1	5305-99-941-1078 . . SCREW, MACHINE, steel, hex hd, 5/16in. UNF x 1/2in. lg		2	
50		NP	. . LINING	FV586070	2	
51		NP	. . CLAMP	FV586069	1	
52	A	G1	5310-99-941-6654 . . WASHER, LOCK, steel, Cd plated, single coil, sq section, 1/4in. id		1	
53	A	G1	5305-99-911-0511 . . SCREW, MACHINE, steel, Zn plated, hex hd, 1/4in. UNF x 1/2in. lg		1	
54	A	9ACR	4720-99-867-4726 . . HOSE, ASSEMBLY, OIL FEED, engine to fluid cooler	FV585730	1	
55	A	9ACR	4710-99-867-4721 . . PIPE, STEEL, fluid cooler to gearbox oil feed	FV585805	1	
56	A	9ACR	4720-99-867-4723 . . HOSE, ASSEMBLY, fluid cooler to gearbox oil feed	FV585733	1	
57	A	10	2520-99-867-4211 . . PIPE, STEEL, fluid cooler to heat exchanger	FV453072	1	
58	A	9ACR	4710-99-867-4720 . . PIPE, STEEL, gearbox to heat exchanger oil feed	FV585803	1	
59	A	9ACR	4730-99-802-4081 . . . INVERTED NUT, UNION, PIPE, steel, 3/8in. BSP	FV485936	1	
60	A	9ACR	4720-99-867-4722 . . HOSE ASSEMBLY, OIL FEED, gearbox to fluid cooler	FV585734	1	
61	A	10	2520-99-867-4270 . . PIPE, STEEL, heat exchanger to gearbox	FV453074	1	
62	A	10	4730-99-866-7665 . . ADAPTOR, STRAIGHT PIPE, steel, Cd Pl	FV450488	2	
63	A	10	4710-99-800-9888 . . PIPE, STEEL, oil drain, transfer gearbox	FV453237	1	Gravity drain

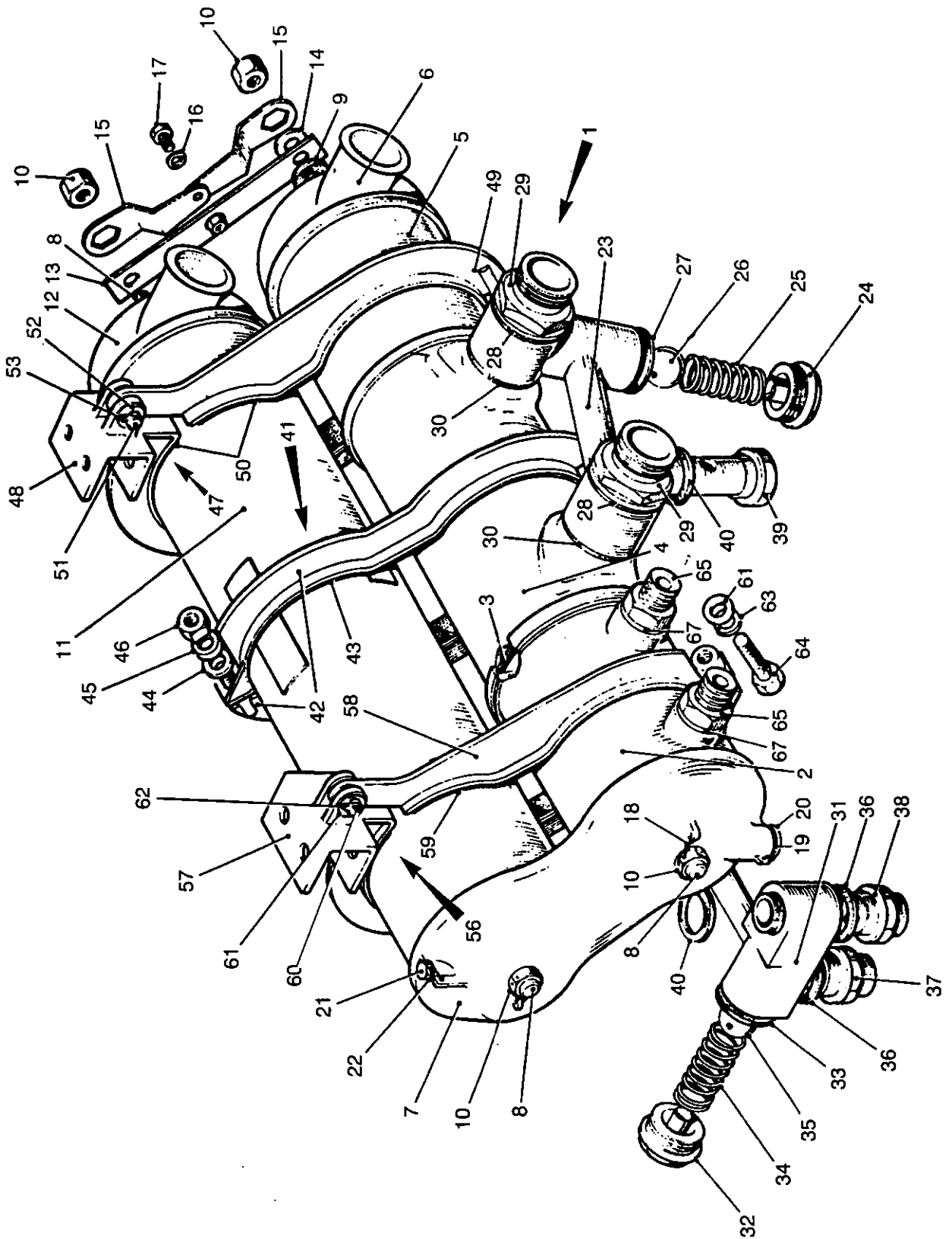


Fig 52 Heat exchanger and brackets

430/70050

Fig Item	Man Code Navy - N Army - A RAF - R	NATO Stock No	Item Name and Description	Part No/ Drawing No.	No. Off	Annotations
52-		NP	POWER UNIT, DIESEL - contd			
			. ASSEMBLY OF HEAT EXCHANGER AND BRACKETS	FV602589	REF	
1	A	9ACR	. . . COOLER ASSEMBLY, FLUID ENGINE	FV943429	1	
2	A	9ACR	. . . COOLER, FLUID, STEERING UNIT	FV575209	1	
3	A	3LD	. . . GASKET, 4.90in. id x 5.27in. od x 0.06in. thk	FV943404	6	Cooler unit and ends
4	A	9ACR	. . . COOLER, FLUID, ENGINE UNIT	FV575210	1	
5	A	9ACR	. . . COOLER, FLUID, HYDRAULIC UNIT	FV575211	1	
6	A	9ACR	. . . TANK, END, FLUID COOLER	FV575248	1	
7	A	9ACR	. . . COVER, FLUID COOLER	FV575443	1	
8	A	9ACR	. . . ROD, THREADED END, steel, 26-5/8in. lg, 3/8in. dia thd, 3/8in. UNF x 3/4in. lg both ends	FV575239	2	
9	A	HVM	. . . WASHER, SEAL, FLAT, 0.618in. id	AGS1186-BB	4	
10	A	9ACR	. . . NUT, PLAIN, CAP, steel, 3/8in. UNF	FV575240	4	
11	A	9ACR	. . . COOLER, FLUID, GEARBOX UNIT	FV575208	1	
12	A	9ACR	. . . HEAD, FLUID COOLER	FV575442	1	
13	A	9ACR	. . . TIE BAR, FLUID COOLER	FV575241	1	
14	A	46MT1	. . . WASHER, SEAL FLAT, ru/steel, 0.41in. id	AGS1186-A	2	
15	A	9ACR	. . . PLATE, RETAINING, CAP NUT, fluid cooler	FV575268	2	
16	A	G1	. . . WASHER, LOCK, steel, int teeth, 0.197in. id		1	
17		NP	. . . SCREW, MACHINE, steel, hex hd, Cd P, No. 10 UNF, 1/2in. lg		1	
18	A	G2	. . . WIRE, STEEL, CORROSION RESISTING, 22 SWG	SL714	A/R	
19		NP	. . . WASHER, FLAT, copper, 25/32in. id		1	
20	A	46MT1	. . . PLUG, SCREWED, brass, 3/4in. UNF	FV641783	1	
21	A	G1	. . . SCREW, MACHINE, steel, hex hd, Zn pl, 1/4in. UNF x 3/8in. lg	FV709481	1	Bleed screw
22	A	6MT1	. . . WASHER, SEAL FLAT, rubber/steel, 0.275in. id	300-004-1911-02	1	
23	A	9ACR	. . . VALVE RELIEF, FLUID COOLER, engine unit	FV575243	1	
24	A	9ACR	. . . PLUG, RELIEF VALVE, engine unit fluid cooler	FV575262	1	
25	A	9ACR	. . . SPRING, HELICAL, COMPRESSION, engine unit fluid cooler	FV575264	1	
26	A	46MT7	. . . BALL, BEARING, steel, 1-1/8in. dia	2B28-575	1	
27	A	9ACR	. . . GASKET, NON-METALLIC, asbestos, 1-1/2in. dia	FV575265	1	
28	A	3LD	. . . WASHER, NON-METALLIC, asbestos, 1-5/8in. dia	FV943405	2	
29	A	46MT1	. . . BOLT, FLUID PASSAGE, br, 1-5/8in. UNS x 1.00in. lg	FV575266	2	
30	A	3LD	. . . WASHER, NON-METALLIC, asbestos, 1-5/8in. dia	FV943405	2	
31	A	9ACR	. . . VALVE RELIEF, FLUID COOLER, gearbox unit	FV575244	1	
32	A	9ACR	. . . PLUG, RELIEF VALVE	FV545257	1	
33	A	9ACR	. . . WASHER, NON-METALLIC, asbestos, 1-1/8in. lg	FV575258	1	
34	A	9ACR	. . . SPRING, HELICAL, COMPRESSION	FV575256	1	

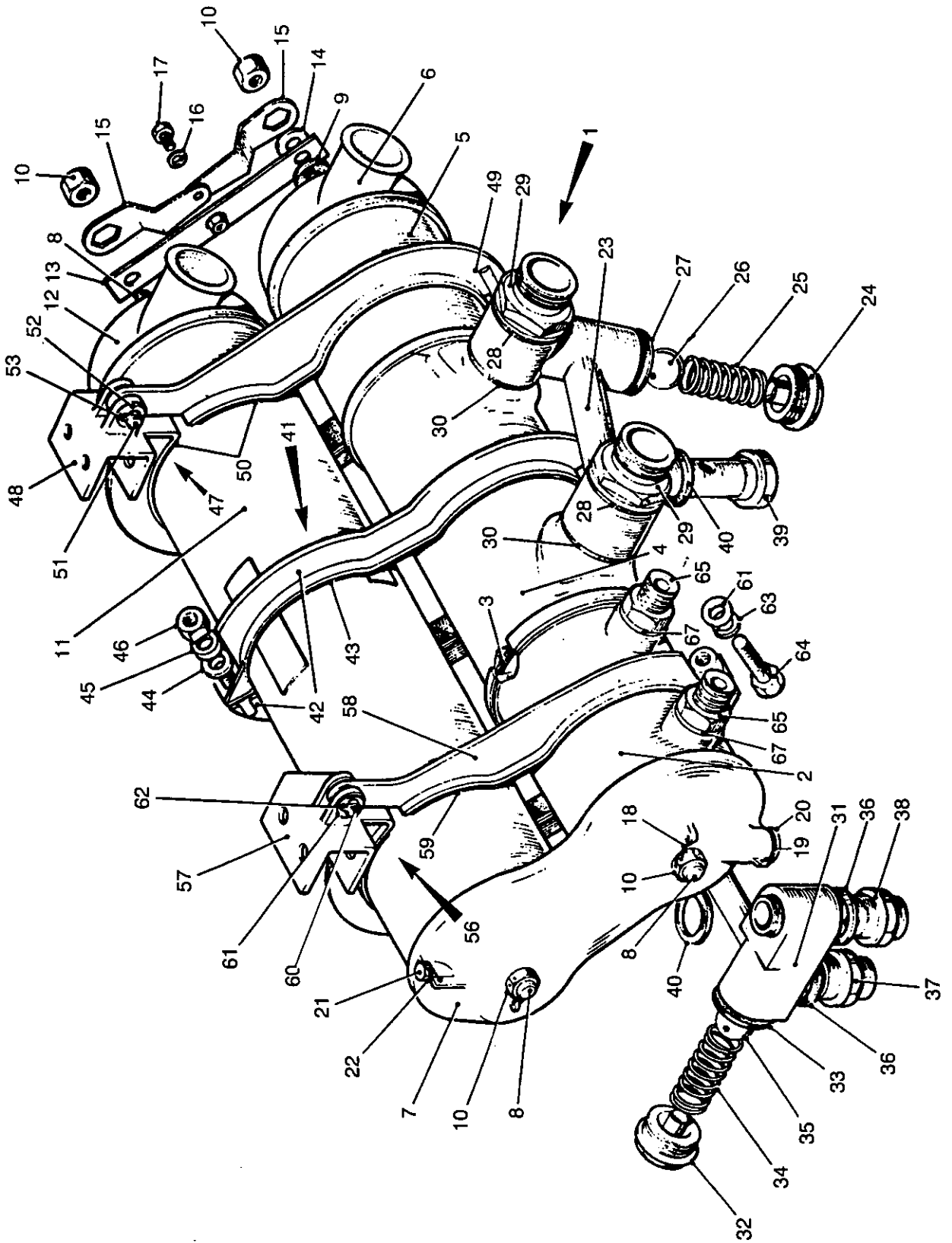


Fig 52 Heat exchanger and brackets

430/70050

Fig Item	Man Code Navy - N Army - A RAF - R	NATO Stock No	Item Name and Description	Part No/ Drawing No.	No. Off	Annotations
52-			POWER UNIT, DIESEL - contd . ASSEMBLY OF HEAT EXCHANGER AND BRACKETS - contd . . . COOLER ASSEMBLY, FLUID ENGINE - contd VALVE RELIEF, FLUID COOLER - contd			
35	A	6MT7 BALL, BEARING, steel, 3/4in. dia	RB19-05	1	
36	A	9ACR GASKET, NON-METALLIC, asbestos, 1.15in. id	FV575445	3	
37	A	9ACR UNION, RELIEF VALVE, FLUID COOLER	FV575253	1	
38	A	9ACR BOLT, FLUID PASSAGE, brass, 1-1/8in. UNF x 7/8in. lg	FV575252	1	
39	A	9ACR BOLT, FLUID PASSAGE, brass, 1-1/8in. UNF x 7/8in. lg	FV575254	1	
40	A	9ACR GASKET, NON-METALLIC, asbestos, 1.15in.	FV575445	2	
41		NP	. . . CLAMP BRACKET ASSEMBLY	FV602590	1	
42	A	9ACR	. . . CLAMP, HEAT EXCHANGER, steel, 1.00in. w x 12.00in. lg x 3-1/4in. h, w/3/8in. UNF stud	FV586662	2	
43		NP	. . . FELT, SHEET, 60.00in. w x 1/8in. thk		A/R	
44	A	G1	. . . WASHER, FLAT, steel, Cd Pl, 3/8in. id		2	
45	A	G1	. . . WASHER, LOCK, steel, single coil, sq sect, Cd Pl, 3/8in. id		2	
46	A	G1	. . . NUT, PLAIN, HEXAGON, steel, Zn pl, 3/8in. UNF		2	
47		NP	. . BRACKET ASSEMBLY	FV602501	1	Inlet and outlet end
48	A	9ACR	. . . BRACKET, HEAT EXCHANGER, steel	FV602502	1	
49	A	9ACR	. . . BRACKET, HEAT EXCHANGER, steel, with 3/8in. UNF stud	FV559826	1	
50		NP	. . . FELT, SHEET, 60.00in. w x 1/8in. thk		A/R	
51		NP	. . . PIN, CLEVIS	FV559850	1	
52	A	G1	. . . WASHER, FLAT, steel, Cd Pl, 3/8in. id		2	
53	A	G1	. . . PIN, COTTER, SPLIT, st, phosphated, 3/32in. dia x 7/8in. lg	28173	1	
NI 54	A	G1	. . . WASHER, LOCK, steel, single coil, sq sect, Cd Pl, 3/8in. id		1	
NI 55	A	G1	. . . NUT, PLAIN, HEXAGON, steel, Zn pl, 3/8in. UNF		1	
56		NP	. . BRACKET ASSEMBLY	FV602612	1	Transfer end
57	A	9ACR	. . . BRACKET, HEAT EXCHANGER, steel	FV602613	1	
58	A	9ACR	. . . BRACKET, HEAT EXCHANGER, steel, with 3/8in. UNF boss fitting	FV602615	1	
59		NP	. . . FELT, SHEET, 60.00in. w x 1/8in. thk		A/R	
60		NP	. . . PIN, CLEVIS	FV559850	1	
61	A	G1	. . . WASHER, FLAT, steel, Cd Pl, 3/8in. id		2	
62	A	G1	. . . PIN, COTTER, SPLIT, st, phosphated, 3/32in. dia x 7/8in. lg	28173	1	
63	A	G1	. . . WASHER, LOCK, steel, single coil, Cd Pl, 3/8in. id		1	

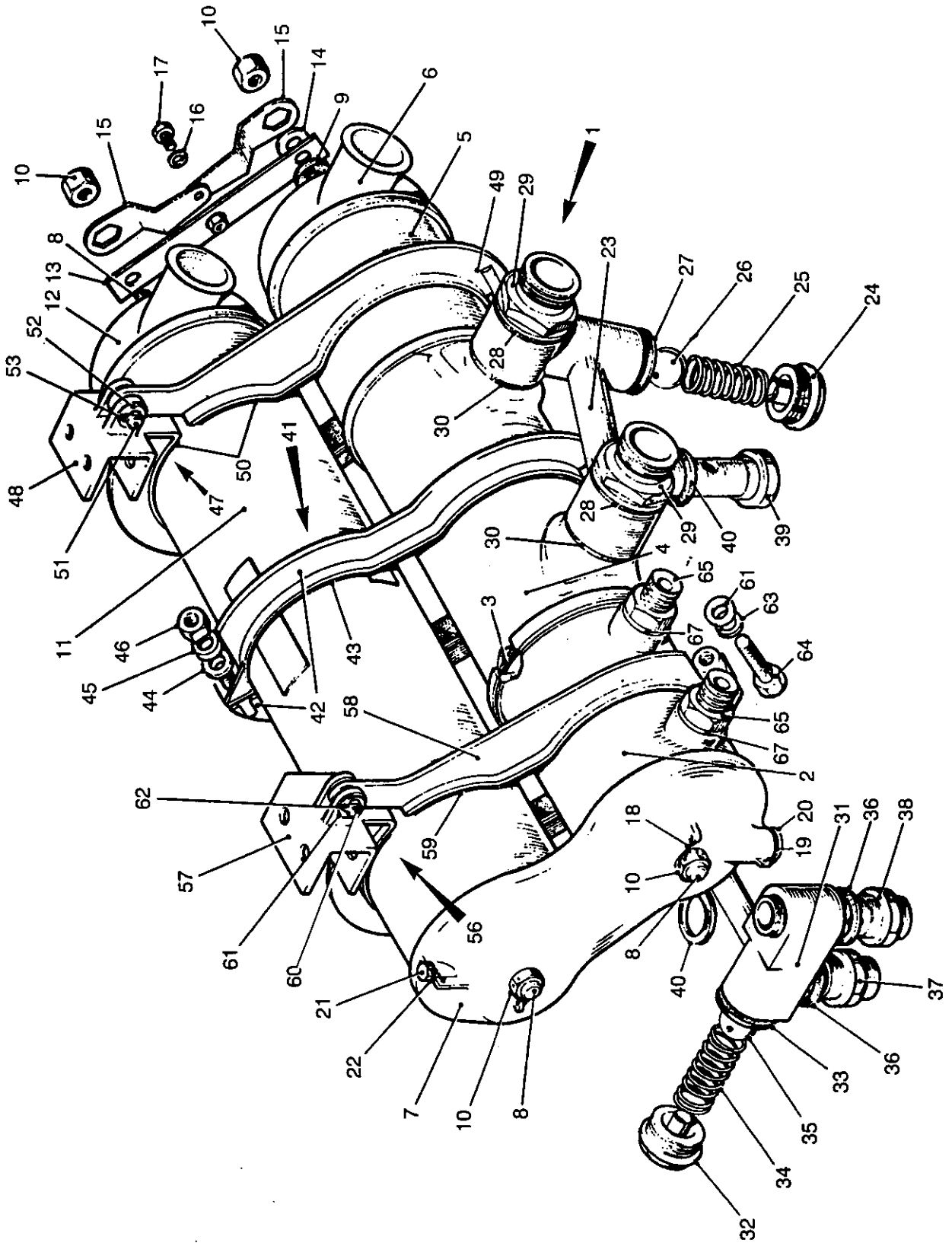


Fig 52 Heat exchanger and brackets

430/70050

Fig Item	Man Code Navy - N Army - A RAF - R	NATO Stock No	Item Name and Description	Part No/ Drawing No.	No. Off	Annotations
52-			POWER UNIT, DIESEL - contd . ASSEMBLY OF HEAT EXCHANGER AND BRACKETS - contd . BRACKET ASSEMBLY - contd			
64	A G1	5305-99-941-0543	. . . SCREW, MACHINE, steel, hex hd, Zn pl, 3/8in. UNF x 1-1/4in. lg		1	
65	A 46MT1	4730-99-801-2027	. . NIPPLE TUBE, steel, 1-1/8in. UNF	FV(S)87 Item 9	2	Steering connections
NI 66	A 46MT1	4730-99-801-1941	. . NIPPLE TUBE, steel, 1-1/8in. UNF	FV(S)96-5	2	Hydraulic connections
67	A 46MT1	5330-99-915-2513	. . GASKET, SEAL, FLAT, steel, 1.15in.	AGS1186- 14	4	
NI 68	A G1	5365-99-944-3333	. BOLT, MACHINE, steel, hex hd, Cd Pl, 5/16in. UNF x 2-1/4in. lg		4	Mounting brackets to power pack frame
NI 69	A G1	5310-99-641-6655	. WASHER, LOCK, steel, single coil, sq sect, 5/16in. id		4	

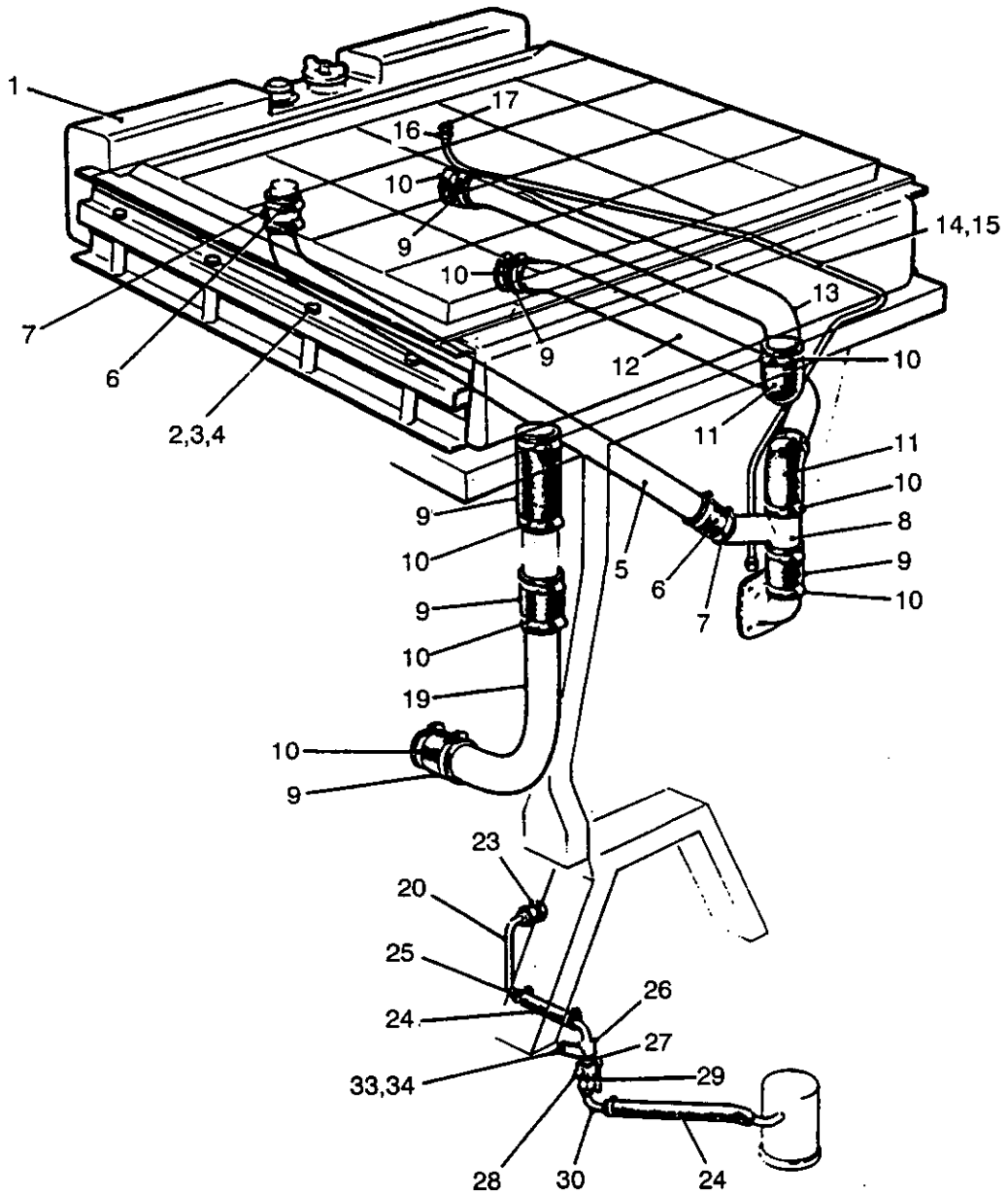


Fig 53 Radiator, pipes and fittings

430/70051

Fig Item	Man Code Navy - N Army - A RAF - R	NATO Stock No	Item Name and Description	Part No/ Drawing No.	No. Off	Annotations
53-			POWER UNIT, DIESEL - contd			
		NP	. RADIATOR, PIPES AND FITTINGS	FV559833	REF	
1	A	9ACR	. . RADIATOR, ENGINE COOLANT, 2 tanks, 3ft lg, 2ft 9in. w 8-1/2in. h	FV724200	1	
2	A	G1	. . BOLT, MACHINE, st, hex hd, Zn pl, 5/16in. UNC x 4.00in. lg		8	
3	A	G1	. . WASHER, LOCK, steel, single coil, sq sect, 5/16in. id		8	
4	A	G1	. . WASHER, FLAT, steel, Cd P, 5/16in. id		8	
5	A	9ACR	. . PIPE, STEEL	FV559835	1	
6	A	46MT6	. . HOSE, RUBBER, ru, 1-1/4in. id x 1-5/8in. od, bulk	FV970176	A/R	
7	A	46MT1	. . CLAMP, HOSE, 1.625in. min and 1.781in. max id	FV98813	4	
8	A	9ACR	. . CONNECTOR, HOSE, BRANCHED	FV559459	1	
9	A	46MT6	. . HOSE, RUBBER, ru, 1-3/4in. id x 2-1/4in. od, bulk	FV970177	A/R	
10	A	9CET	. . CLAMP, HOSE, 2-1/4in. to 2-13/32in. id, 29/32in. w	FV98818	16	
11	A	9ACR	. . HOSE, PREFORMED, 1-3/4in. id, 90 deg bend	FV525386	2	
12	A	9ACR	. . PIPE, STEEL, coolant return	FV559838	1	
13	A	9ACR	. . PIPE, STEEL, coolant feed	FV559837	1	
14	A	9ACR	. . PIPE, BRASS, vent pipe	FV650985	1	
15	A	G2	. . PIPING, STEEL	905-502-00	A/R	
16	A	46MT1	. . NUT, UNION, PIPE, steel, 7/16in. UNF	FV388-3	2	
17	A	46MT1	. . FERRULE, BRAZING-SOLDERING, PIPE FITTING, 30 deg seat		2	
NI 18		NP	. . CLIP, retaining vent pipe	FV650987	2	
19	A	9ACR	. . PIPE, INLET RADIATOR	FV559834	1	
20		NP	. . PIPE, DRAIN ASSEMBLY	FV586378	1	
NI 21	A	G2	. . TUBE, METALLIC, steel, 3/8in. od	FV586379	A/R	
NI 22	A	6MT1	. . FERRULE, BRAZING, TUBE FITTING, steel, u/w 3/8in. od pipe, 19/32in. lg	FVS89-5	1	
23	A	46MT1	. . NIPPLE, TUBE, steel, 5/8in. UNF	FV(S)87	1	
24	A	6MT6	. . HOSE, RUBBER, ru, 5/8in. id x 21/32in. od	MAK8438	A/R	
25	A	46MT1	. . CLAMP, HOSE, 11-16mm	FV2148382	3	
26	A	9ACR	. . PIPE, BENT, METALLIC, steel, 3/8in. BSP	FV586375	1	
27	A	G1	. . WASHER, FLAT, copper, rd, 43/64in. id	91054030	1	
28	A	46MT1	. . TAP, DRAIN, br, 3/8in. BSP c/w nuts and nipples	A153F	1	
29	A	46MT1	. . NUT, UNION, UNF, steel, Zn plated w/chromate, 5/8in. , 3/4in. A/F, 17/32in. lg	FV(S)88-5	1	
30		NP	. . PIPE, DRAIN, ASSEMBLY	FV586498	1	
NI 31	A	G2	. . TUBE, METALLIC, steel, 3/8in. od		A/R	
NI 32	A	6MT1	. . FERRULE, BRAZING, TUBE FITTING, steel, u/w 3/8in. od pipe, 19/32in. lg	FVS89-5	1	
33	A	G1	. . WASHER, LOCK, steel, Zn pl, sq sect, 1/4in. hole dia		1	
34	A	G1	. . SCREW, CAP, HEXAGON HEAD, steel, 1/4in. UNF, Cd P		1	

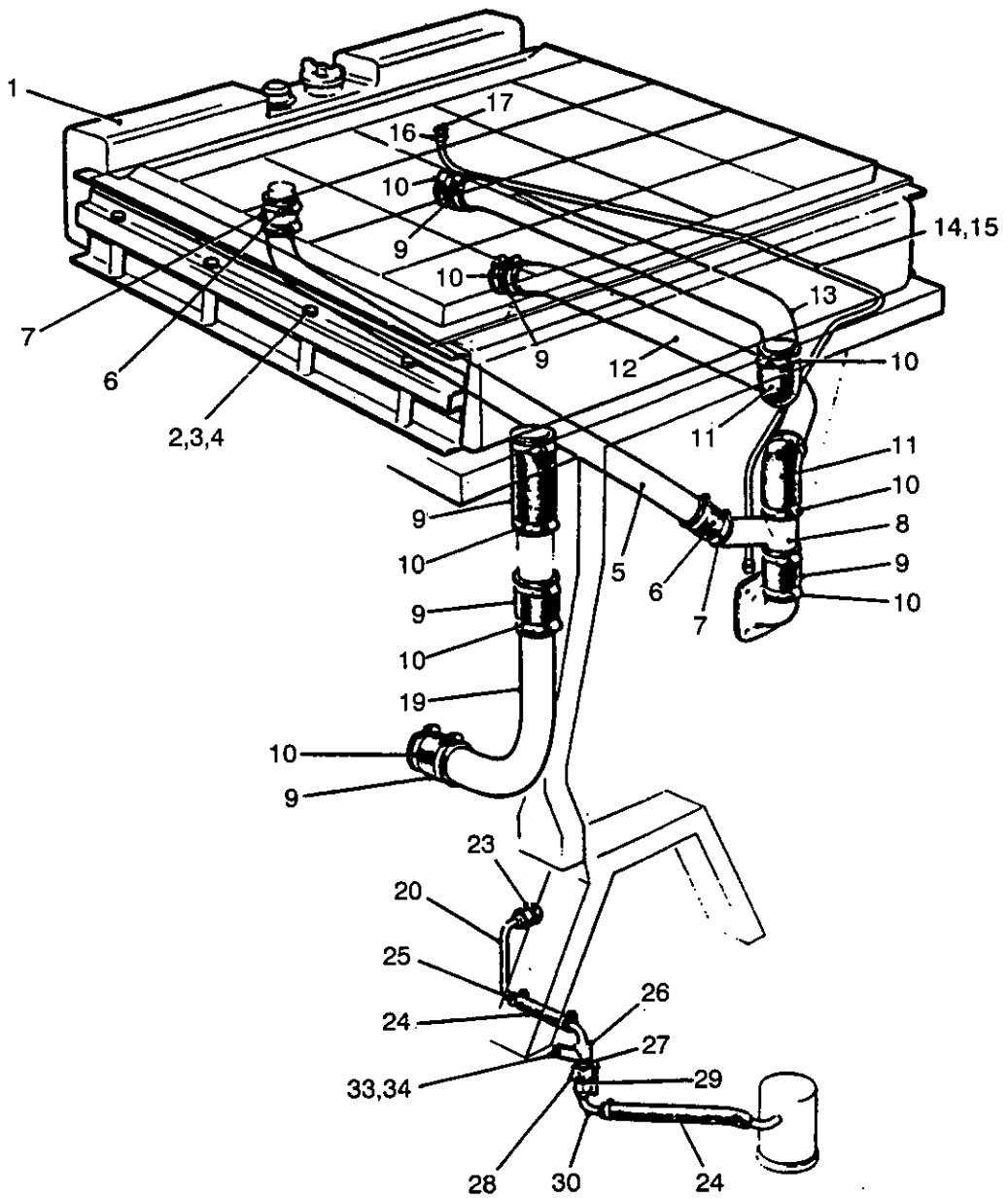


Fig 53 Radiator, pipes and fittings

430/70051

Fig Item	Man Code Navy - N Army - A RAF - R	NATO Stock No	Item Name and Description	Part No/ Drawing No.	No. Off	Annotations
53-			POWER UNIT, DIESEL - contd . . . RADIATOR, PIPES AND FITTINGS - contd			
NI 35	A G1	5305-99-941-0540	. . . SCREW, CAP, HEXAGON HEAD, st, hex hd, Zn pl, 3/8in. UNF x 7/8in. lg	181636	3	} Coolant tank to fan cowl
NI 36	A G1	5310-99-941-8635	. . . WASHER, FLAT, steel, Zn pl, 3/8in. hole dia	PWZ106	3	
NI 37	A G1	5310-99-941-6656	. . . WASHER, LOCK, st, single coil, sq sect, Cd P, 3/8in. hole dia		3	
NI 38	A G1	5310-99-941-0926	. . . NUT, PLAIN, HEXAGON, steel, Zn pl, 3/8in. UNF	BMCFNZ50 6	3	
NI 39		NP	. . . BLANKING PLATE	FV650070	1	Used when tank is not fitted
NI 40	A 9ACR	2590-99-775-1525	. . . FRAME SUPPORT ASSEMBLY	FV602750	1	} Support frame to radiator sealing strips
NI 41	A 46MT6	9320-99-225-2411	. . . RUBBER STRIP, CELLULAR, 1.00in. w x 1/8in. thk		A/R	
NI 42	A G1	5305-99-100-8418	. . . SCREW, MACHINE, steel, fil hd, slotted, Cd P, 1/4in. UNF x 3/4in. lg		4	} Securing support plate to radiator
NI 43	A G1	5310-99-941-6654	. . . WASHER, LOCK, steel, single coil, Zn pl, 1/4in. id		4	
NI 44	A G1	5310-99-941-8921	. . . WASHER, FLAT, steel, Cd P, 1/4in. id		4	
NI 45		NP	. . . BRACKET, PIVOT, LH	FV602756	1	} Securing item 47
NI 46		NP	. . . BRACKET, PIVOT, RH	FV602757	1	
NI 47		NP	. . . PIN, PIVOT	FV585927	2	
NI 48	A G1	5310-99-941-7948	. . . WASHER, FLAT, steel, Cd plated, 3/8in. id		4	
NI 49	A G1	5315-99-138-2201	. . . PIN, COTTER, SPLIT, steel, phos, 1/16in. dia x 7/8in. lg		4	

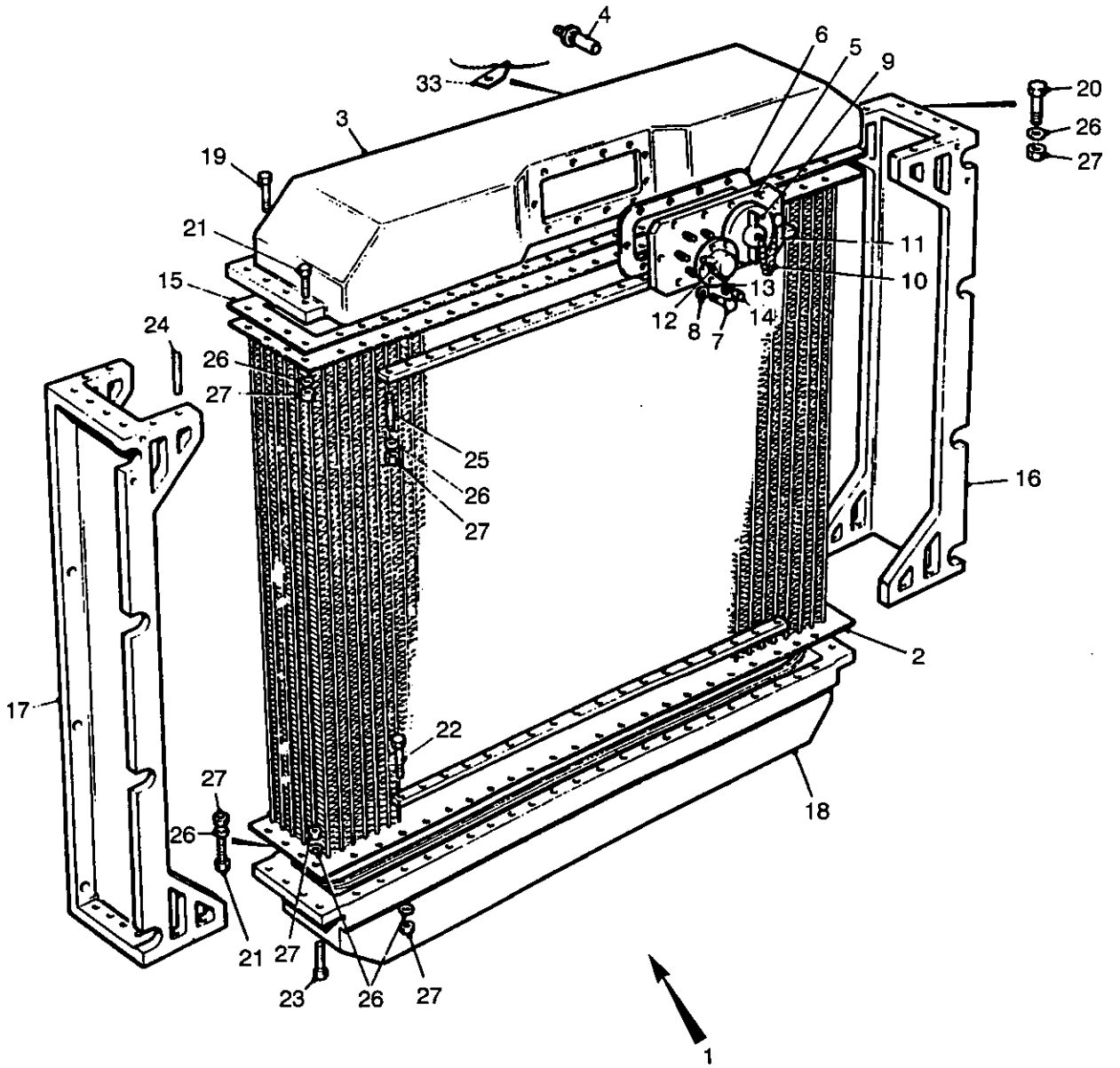


Fig 54 Radiator, engine coolant

430/70052

Fig Item	Man Code Navy - N Army - A RAF - R	NATO Stock No	Item Name and Description	Part No/ Drawing No.	No. Off	Annotations
54-			POWER UNIT, DIESEL - contd . RADIATOR, PIPES AND FITTINGS - contd			
1	A	9ACR	2930-99-823-7994 . . . RADIATOR, ENGINE COOLANT,2 tanks, 3ft lg, 2ft 9in. w, 8-1/2in. h	FV724200	1	
2	A	6MT1	2930-99-829-4370 . . . CORE, RADIATOR, matrix assembly	GLY0549-1	1	
3	A	46MT1	2930-99-829-4374 . . . TANK, RADIATOR OVERFLOW, Al, 35.92in. lg x 7.50in. w x 4.44in. h	GLY0549-2	1	
4	A	6MT1	2930-99-829-4369 . . . BREATHER, ASSEMBLY, soldered assy, comprising of 2 items, 5-1/2in. o/a lg	GLY0549-11	1	
5	A	9ACR	2930-99-660-7526 . . . COVER, steel, 3.00in. w x 7.50in. lg x 0.187in. thk, c/w screw	GLY0549-7	1	
6	A	46MT1	5330-99-838-1001 . . . GASKET, cork, 3.00in. w x 7.50in. lg x 0.06in. thk	GLY0549-8	1	
7	A	G1	5305-99-941-0687 . . . SCREW, CAP, HEXAGON HEAD, steel, Zn pl, hex hd, 1/4in. UNC x 3/4in. lg	201002	11	
8	A	G1	5310-99-100-6945 . . . WASHER, LOCK, steel, flat, int teeth, 1/4in. int dia	AGS2035-E	11	
9	A	9ACR	5340-99-811-6864 . . . CAP, FILLER RADIATOR, c/w chain	FV646476	1	
10	A	G1	4010-99-461-4514 . . . CHAIN, brass, oval link	GM-E- 93940-36	A/R	
11	A	G1	5365-99-120-7681 . . . RING, CONNECTING, ROUND, steel, NP, 0.500in. dia x 0.048in. thk	169 1-2IN	2	
12	A	46MT1	4820-99-811-6699 . . . VALVE, RELIEF PRESSURE AND TEMPERATURE, pre-set at 10 psi	FV704961	1	
13	A	G1	5310-99-100-9786 . . . WASHER, LOCK, steel, flat, int teeth, Cd P, 2BA nom bolt size	07734	6	
14	A	G1	5310-99-941-2419 . . . NUT, PLAIN, HEXAGON, steel, Zn pl, No. 10 UNF	850015	6	
15	A	6MT1	5330-99-829-4371 . . . GASKET, neoprene/cork, rect shape	GLY0549/9	2	
16	A	46MT1	2930-99-829-4372 . . . SIDEPLATE, RADIATOR, Al, 5-3/4in. w x 26.00in. lg x 4-3/4in. h	GLY0549/5	1	
17	A	46MT1	2930-99-829-4373 . . . SIDEPLATE, RADIATOR, Al, 5-3/4in. w x 26.00 in. lg x 4-3/4in. h	GLY0549/6	1	
18	A	46MT1	2930-99-829-4375 . . . TANK, COOLANT, VEHICULAR, Al, 35.92in. lg x 7.00in. lg x 4.00in. h	GLY0549/3	1	
19	A	G1	5306-99-941-0281 . . . BOLT, MACHINE, st, hex hd, 1/4in. UNF x 1-1/8in. lg	FV775084/7	18	
20	A	G1	5306-99-941-6614 . . . BOLT, MACHINE, st, hex hd, Zn pl, 1/4in. UNF x 1-1/4in. lg		34	
21	A	G1	5306-99-941-0283 . . . BOLT, MACHINE, st, hex hd, Zn pl, 1/4in. UNF x 1-3/8in. lg		8	
22	A	G1	5306-99-941-6583 . . . BOLT, MACHINE, st, hex hd, Zn pl, 1/4in. UNF x 1-3/4in. lg		18	
23	A	G1	5306-99-941-0286 . . . BOLT, MACHINE, st, hex hd, 1/4in. UNF x 2.00in. lg	120453	4	
24		NP	. . . STUD, PLAIN, UNC/UNF, st, Zn pl, 1/4in. x 1-1/4in. lg	GLY0549/13	4	
25		NP	. . . STUD, PLAIN, UNC/UNF, st, Zn pl, 1/4in. x 1-1/8in. lg	GLY0549/14	18	
26	A	G1	5310-99-100-6945 . . . WASHER, LOCK, steel, flat, int teeth, 1/4in. int dia	AGS2035-E	106	
27	A	G1	5310-99-804-7941 . . . NUT, PLAIN, HEXAGON, steel, Zn pl, 1/4in. UNF	UFN104-3	106	

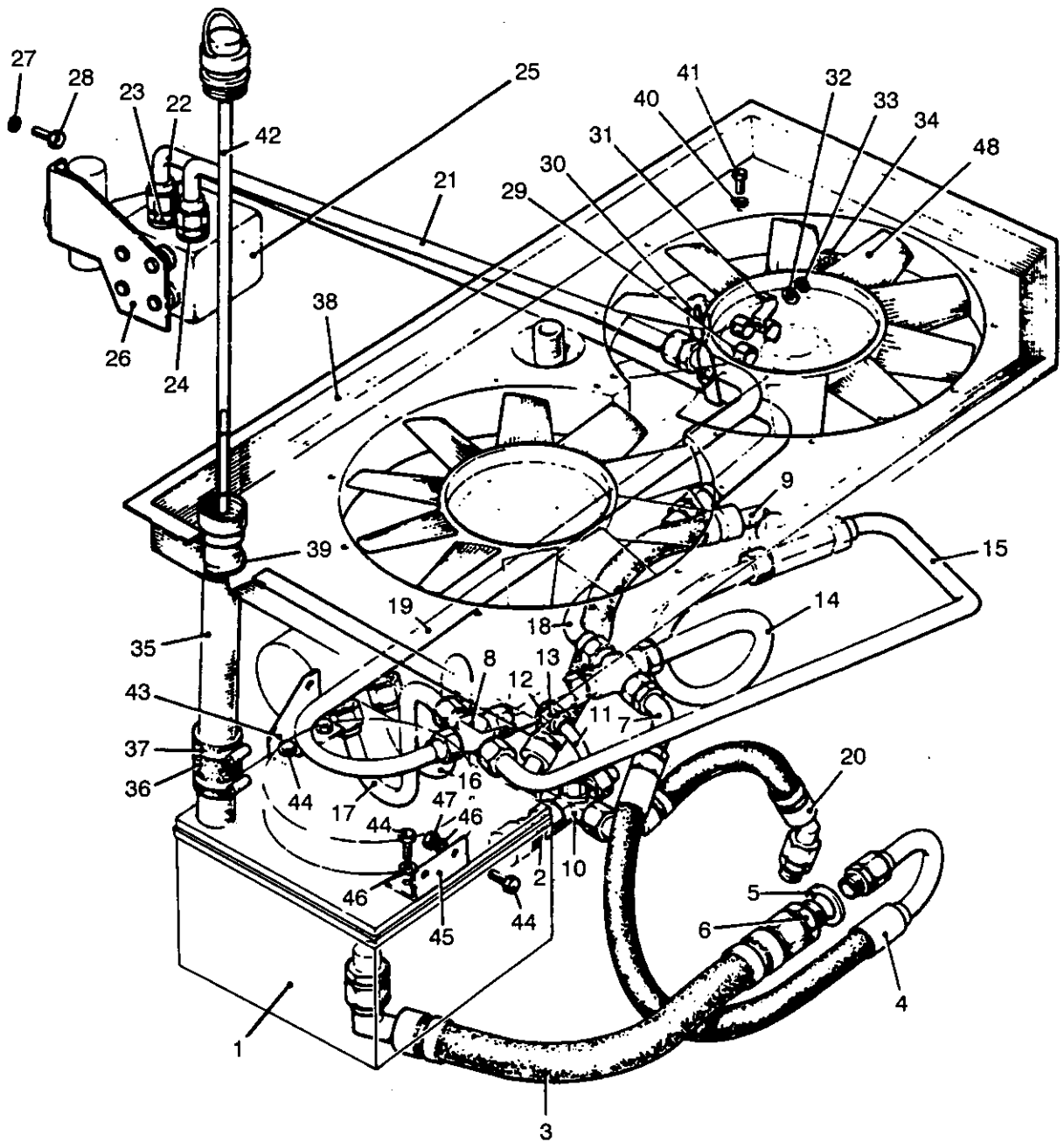


Fig 55 Hydraulic fan drive assembly

430/70056

Fig Item	Man Code Navy - N Army - A RAF - R	NATO Stock No	Item Name and Description	Part No/ Drawing No.	No. Off	Annotations
55-			POWER UNIT, DIESEL - contd			
		NP			REF	
1	A	46MT1	. . . HYDRAULIC FAN DRIVE ASSEMBLY	FV559842	1	See Fig 56
2	A	9ACR	. . . TANK, OIL, HYDRAULIC SYSTEM	FV531003	1	
3	A	9ACR	. . . PIPE, OIL TANK	FV538800	1	
4	A	9ACR	. . . HOSE ASSEMBLY, OIL FEED	FV538444	1	
5	A	9ACR	. . . HOSE, ASSEMBLY	FV585841	1	
6	A	46MT1	. . . GASKET, steel/syn rubber, 1-1/2in. dia	AGS1186-17	1	
7	A	46MT1	. . . NIPPLE TUBE, steel, 1-1/2in. UNF ext thd	FV(S)96/7	1	
8	A	9ACR	. . . ELBOW, PIPE, hose assy to 5 way adaptor	FV585740	1	
9	A	9ACR	. . . CROSS, TUBE	FV524989	2	
	A	9ACR	. . . HOSE, ASSEMBLY, RIGHT HAND MOTOR, 0.375in. nom bore, 25.25in. o/a lg	FV585739	1	
10	A	9ACR	. . . BLEEDER VALVE	FV524913	1	
11	A	9ACR	. . . PIPE, STEEL	FV585756	1	
12	A	6MT1	. . . WASHER, SEAL, FLAT, rubber/steel, 18.88mm max od	FV2042043/29	3	
13	A	9ACR	. . . NIPPLE, TUBE, st, Cd P, 0.75in. ext thd both ends, 1.205in. o/a lg	FV53860	3	Fan motor
14	A	9ACR	. . . PIPE, BRASS, 3/4in.od w/nipples and nuts	FV651365	1	
15	A	9ACR	. . . PIPE, STEEL, metallic rh motor return	FV585742	1	
16	A	9ACR	. . . PIPE, STEEL, return from cooler	FV585746	1	
17	A	9ACR	. . . PIPE, STEEL, feed to fluid cooler	FV585744	1	
18	A	46MT1	. . . PIPE, BRASS, 5/8in. dia, 10-1/2in. lg	FV602461	1	
19	A	9ACR	. . . PIPE, STEEL, 4-way adaptor - hyd controller rear	FV585752	1	
20	A	9ACR	. . . HOSE ASSEMBLY, hydraulic pump take off to adaptor	FV538858	1	
21	A	9ACR	. . . PIPE, STEEL, 4-way adaptor - hyd controller front	FV585754	1	
22	A	9ACR	. . . PIPE, BRASS, 5/8in. bore dia, 40.00in. un-worked lg	FV602463	1	
23	A	9ACR	. . . NIPPLE, TUBE, st, Cd P, 1-5/8in. male thd both ends	FV(S)96-5	7	
24	A	6MT1	. . . GASKET, metal/rubber, 29.46mm min hole dia	PP45/14	8	
25	A	46MT1	. . . THERMOSTAT, FLOW CONTROL	FV531004	1	See Fig 57
26	A	9ACR	. . . BRACKET, MOUNTING CONTROLLER	FV559806	1	
27	A	G1	. . . WASHER, LOCK, st, single coil, sq sect, Cd P, 5/16in. nom hole dia		2	
28	A	G1	. . . SCREW, CAP, HEXAGON HEAD, st, hex hd, Zn pl, 5/16in. UNF x 5/8in. lg		2	
29	A	6MT6	. . . RUBBER STRIP, 3/4in. w x 1/16in. thk, bulk	BS1154Z60	A/R	
30	A	9ACR	. . . BRACKET, FAN CONTROL PIPES, st, 1.00in. w x 6-3/8in. lg x 1/8in. thk	FV586676	1	
31		NP	. . . CLAMP	FV586069	1	
32	A	G1	. . . WASHER, FLAT, steel, rd, Zn pl, 6mm nom bolt size		2	
33	A	G1	. . . WASHER, LOCK, st, single coil, sq sect, Cd P, 1/4in. nom hole dia		2	
34	A	G1	. . . SCREW, CAP, HEXAGON HEAD, st, hex hd, Zn pl, 1/4in. UNF x 1/2in. lg		2	
35	A	9ACR	. . . FILLER NECK, OIL TANK	FV538649	1	
36	A	6MT6	. . . HOSE, NON-METALLIC, ru, 1-1/4in. id x 1-5/8in. od, bulk	FVRDE1042 TYPE A	A/R	

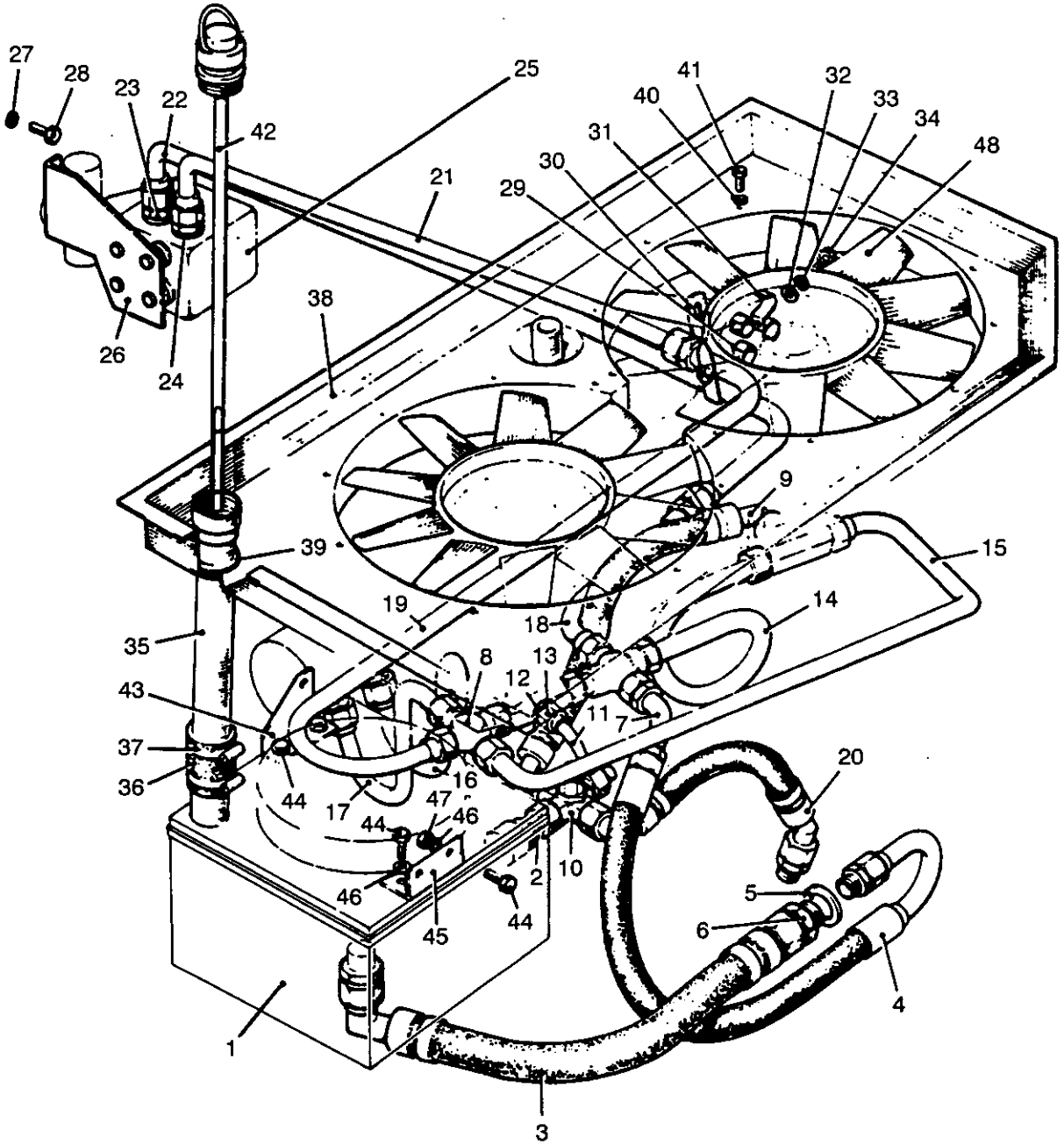


Fig 55 Hydraulic fan drive assembly

430/70056

Fig Item	Man Code Navy - N Army - A RAF - R	NATO Stock No	Item Name and Description	Part No/ Drawing No.	No. Off	Annotations
55-			POWER UNIT, DIESEL - contd . HYDRAULIC FAN DRIVE ASSEMBLY - contd			
37		NP	. . CLAMP, HOSE, st, Cd P, 1-1/2 to 2-1/4in. grip dia	BS3628-212S	2	
38	A	9ACR 2930-99-804-4854	. . COWL, FAN	FV602765	1	
39	A	H9 5325-99-942-3496	. . GROMMET, RUBBER, 1.250in. hole dia, 0.070in. groove wd	915-4-98070-012	1	
40	A	G1 5310-99-941-6655	. . WASHER, LOCK, st, single coil, sq sect, Cd P, 5/16in. nom hole dia		20	
41	A	G1 5305-99-941-0525	. . SCREW, CAP, HEXAGON HEAD, st, hex hd, Zn pl, 5/16in. UNF x 3/4in. lg		20	
42	A	9ACR 2910-99-867-4746	. . DIPSTICK, LIQUID QUANTITY	FV538643	1	
43	A	9ACR 2510-99-867-4749	. . BRACKET, OIL TANK	FV559844	1	
44	A	G1 5305-99-941-0525	. . SCREW, MACHINE, st, hex hd, Zn pl, 5/16in. UNF x 3/4in. lg		4	
45	A	9ACR 2510-99-867-4750	. . BRACKET, OIL TANK, rear	FV559845	1	
46	A	G1 5310-99-941-6655	. . WASHER, LOCK, st, Cd P, 5/16in. nom hole dia		4	
47		NP	. . NUT, PLAIN, HEXAGON, steel, Zn pl, 5/16in. UNF	PD-10	2	
48		NP	. . COOLING FAN AND DRIVE ASSEMBLY	FV524906	REF	See Fig 58
NI 49	A	G1 5310-99-941-8637	. . WASHER, FLAT, steel, Zn pl, 0.500in. nom hole dia		16	} Fan cowl
NI 50	A	G1 5310-99-944-0552	. . WASHER, LOCK, steel, single coil, 1/2in. nom hole dia, Cd P		8	
NI 51	A	G1 5305-99-941-0567	. . SCREW, CAP, HEXAGON HEAD, steel, Zn pl, 1/2in. UNF x 1-1/8in. lg		8	

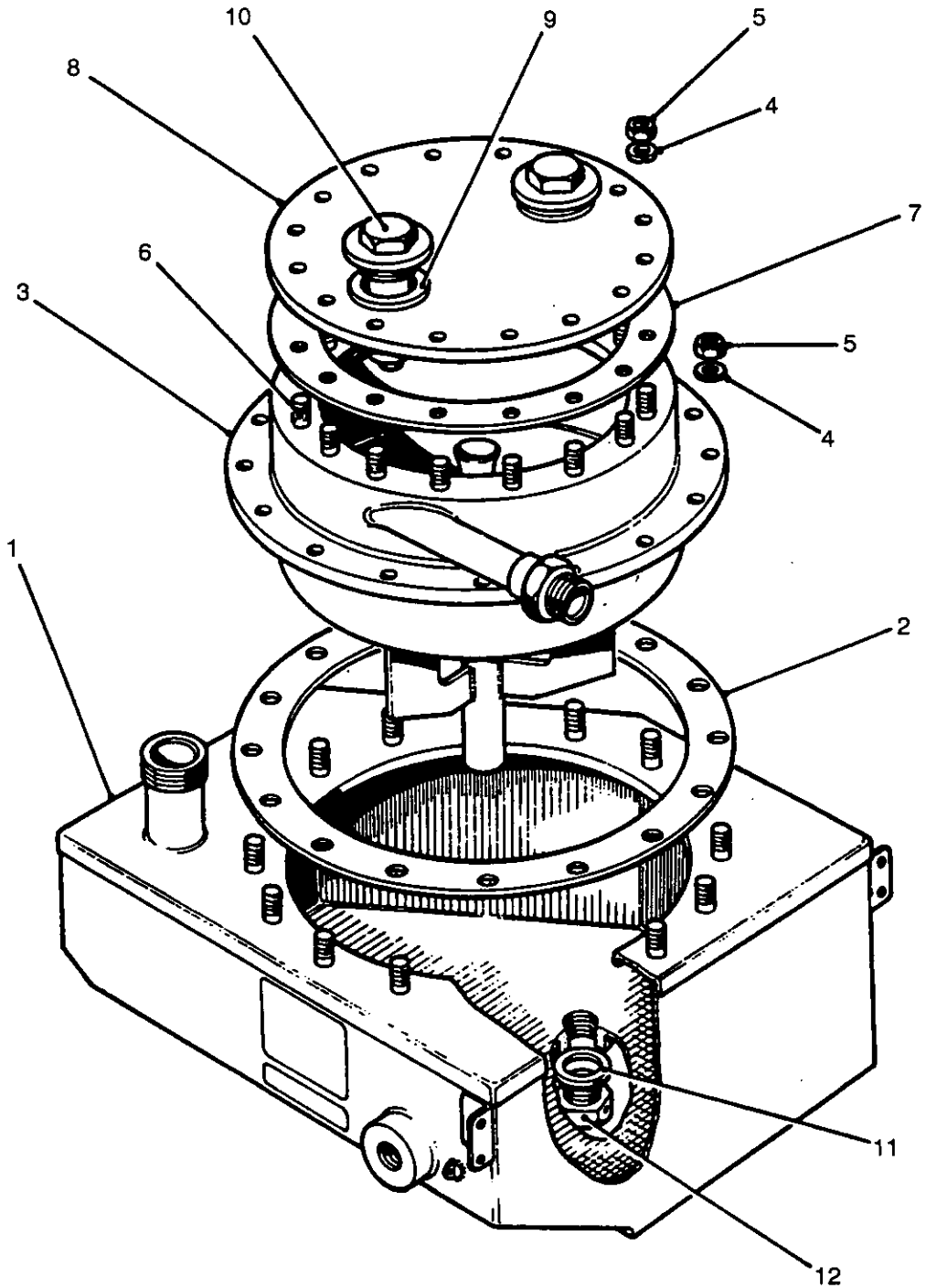


Fig 56 Tank, oil, hydraulic system

430/70054

Fig Item	Man Code Navy - N Army - A RAF - R	NATO Stock No	Item Name and Description	Part No/ Drawing No.	No. Off	Annotations
56-			POWER UNIT, DIESEL - contd . HYDRAULIC FAN ASSEMBLY - contd			
1	A	46MT1	. . . TANK, OIL, HYDRAULIC SYSTEM	FV531003	1	
	A	46MT1	. . . TANK SUB-ASSEMBLY, OIL, HYDRAULIC SYSTEM	FV531056	1	
2	A	46MT1	. . . GASKET, ru, 12-1/2in. od, 10-3/4in. id c/w 16 bolt holes 7/16in. dia	FV534002	1	Chamber to tank
3		NP	. . . FILLER CHAMBER, HYDRAULIC OIL TANK	FV531057	1	
4	A	G1	. . . WASHER, LOCK, steel, single coil, Cd P, 3/8in. hole dia		32	
5	A	G1	. . . NUT, PLAIN, HEXAGON, steel, Zn pl, 3/8in. UNF		32	
6		NP	. . . STUD, PLAIN, UNF/UNC, st, Zn pl, 3/8in. x 1-5/8in. lg	5307- 829000	16	
7	A	46MT1	. . . GASKET, asbestos, 10.00in. od, 7- 7/8in. id c/w 16 bolt holes 7/16in. dia	FV534001	1	Cover to chamber
8		NP	. . . COVER, FILTER CHAMBER	FV531058	1	
9	A	6MT1	. . . GASKET, rubber/steel, 1.329in. min hole dia	AGS1186-H	2	
10	A	46MT1	. . . PLUG, SCREWED, MAGNETIC, brass, 1.00in. BSP	FV531050	2	
11	A	46MT1	. . . GASKET, rubber/steel, 25.1mm max od, 23.62mm max id	400-026- 449-41	1	
12	A	9ACR	. . . PLUG, SCREWED, steel, Zn pl, 3/4in. UNF	FV531049	1	Oil reservoir drain

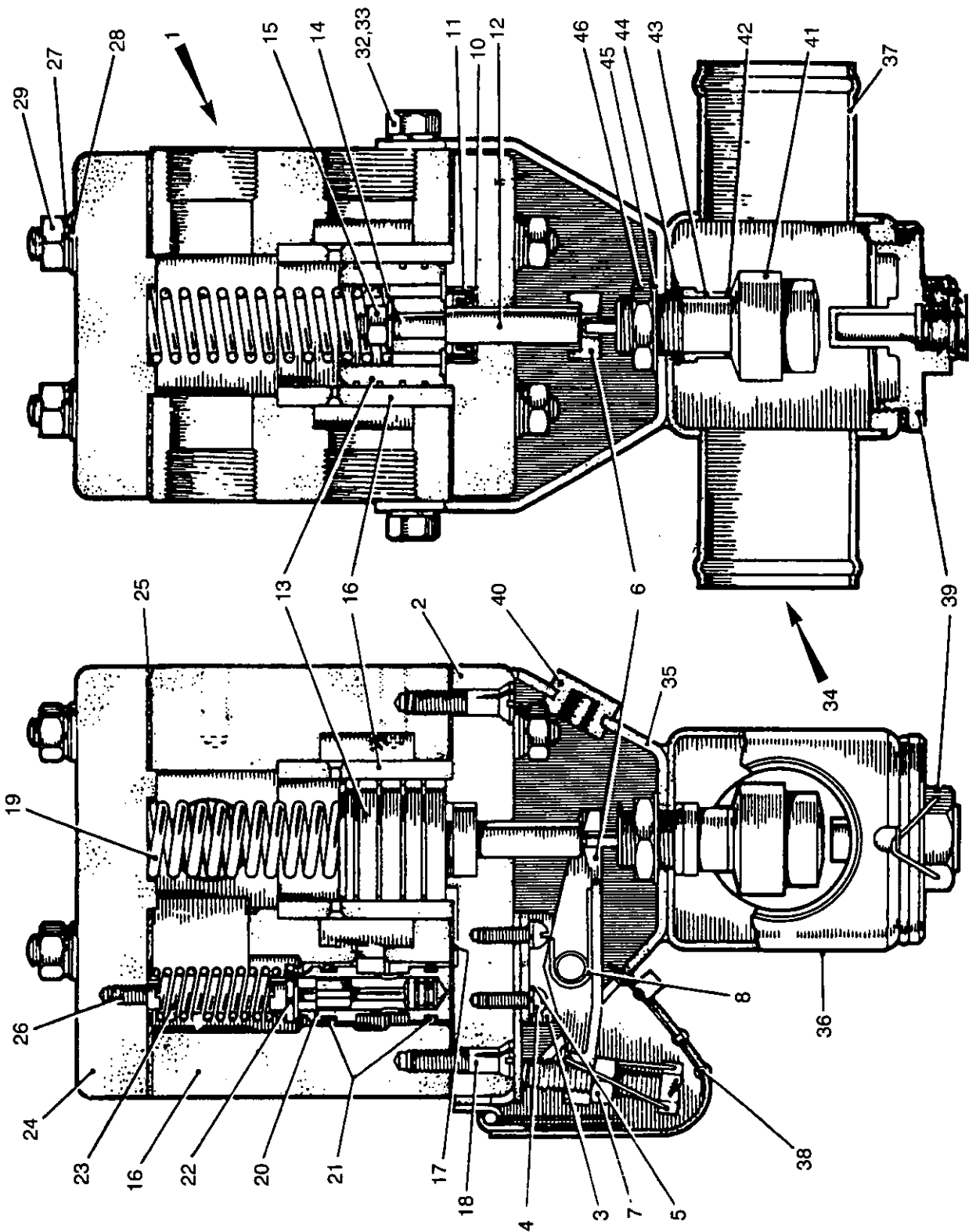


Fig 57 Thermostat, flow control

430/70055

Fig Item	Man Code Navy - N Army - A RAF - R	NATO Stock No	Item Name and Description	Part No/ Drawing No.	No. Off	Annotations
57-			POWER UNIT, DIESEL - contd . HYDRAULIC FAN ASSEMBLY - contd			
1	A	46MT1	6680-99-865-7082 . . . THERMOSTAT, FLOW CONTROL	FV531004	1	
	A	46MT1	6680-99-881-3255 . . . BODY, FLOW CONTROL, THERMOSTAT	FV533952	1	
2		NP COVER PLATE, bottom	FV533955	1	
3		NP BRACKET, HINGE	FV533970	1	
4	A	G1	5305-99-941-2325 SCREW, MACHINE, steel, fil hd, slotted, Cd P, No. 8 UNC x 5/8in. lg		2	
5		NP WASHER, LOCK, phos bronze, double coil, 5/32in. nom bolt size		2	
6		NP BELL, CRANK	FV533973	1	
7	A	G1	5310-99-120-9323 NUT, SLOTTED, HEXAGON, steel, Zn pl, 5/16in. UNC		2	
8		NP CLIP, SPRING TENSION	FV533974	1	
NI 9	A	7MTE	5315-99-944-0167 PIN, COTTER, SPLIT, steel, phos, 3/64in. dia x 5/8in. lg	BS1574/197 2	1	
10	A	46MT1	4320-99-881-3270 RETAINER, OIL SEAL, steel, flanged, 1/2in. id x 39/64in. od, 13/64in. o/a h	FV533960	1	
11		NP SEAL, PLAIN, ENCASED, brass case, 7/16in. id x 7/8in. od x 1/4in. w	FV533959	1	
12	A	46MT1	5315-99-881-3267 PIN, SHOULDER HEADLESS, steel, 5/16in. UNC	FV533957	1	
13	A	46MT1	6680-99-881-3259 PISTON, FLOW CONTROL THERMOSTAT	FV533956	1	
14	A	G1C	5310-99-941-6628 WASHER, LOCK, st, double coil, 5/16in. nom bolt size	9902265	1	
15	A	G1	5310-99-120-9323 NUT, SLOTTED, HEXAGON, steel, Zn plated, 5/16in. UNC		1	
16	A	46MT1	2930-99-881-3290 BODY AND SLEEVE ASSEMBLY	FV534009	1	
17		NP GASKET, bottom joint	FV2249241	1	
18		NP SCREW, MACHINE, st, csk hd, Zn pl, 1/4in. UNC x 1-1/8in. lg		2	
19	A	9ACR	5360-99-881-3268 SPRING, HELICAL, COMPRESSION, steel, 3/4in. dia x 3-7/8in. free lg	FV533958	2	
20	A	46MT1	6680-99-881-3264 SLEEVE, RELIEF VALVE, steel, 1.719in. nom o/a lg x 0.684in. nom o/a dia	FV533962	1	
21	A	6MT1	5330-99-943-9026 RING, SEALING TOROIDAL, syn rubber, 0.563in. id x 0.073in. h	100-015- 1911	2	
22	A	46MT1	2930-99-881-3265 PISTON, RELIEF VALVE, steel, 5/8in. max od, 1-7/8in. o/a lg	FV533963	1	
23	A	46MT1	5360-99-881-3266 SPRING, HELICAL, COMPRESSION, steel, 11 coils, 0.534in. od	FV533964	1	
24		NP COVER, PLATE, top	FV533954	1	
25		NP GASKET, top joint	FV2249240	1	
26		NP SCREW, MACHINE, steel, flat fillister hd, slotted, 1/4in. UNC x 3/8in. lg	FV533965	1	
27	A	G1C	5310-99-941-6628 WASHER, LOCK, steel, double coil, 5/16in. hole dia		8	
28	A	G1C	5310-99-941-8623 WASHER, FLAT, steel, Cd P, 5/16in. nom bolt size		8	
29	A	G1	5310-99-120-9323 NUT, SLOTTED, HEXAGON, steel, Zn pl, 5/16in. UNC		8	
NI 30		NP PLUG, MACHINE, THREAD, st, Zn pl, hex hd, 1-1/8in. UNC x 3/4in. lg	FV533369	2	

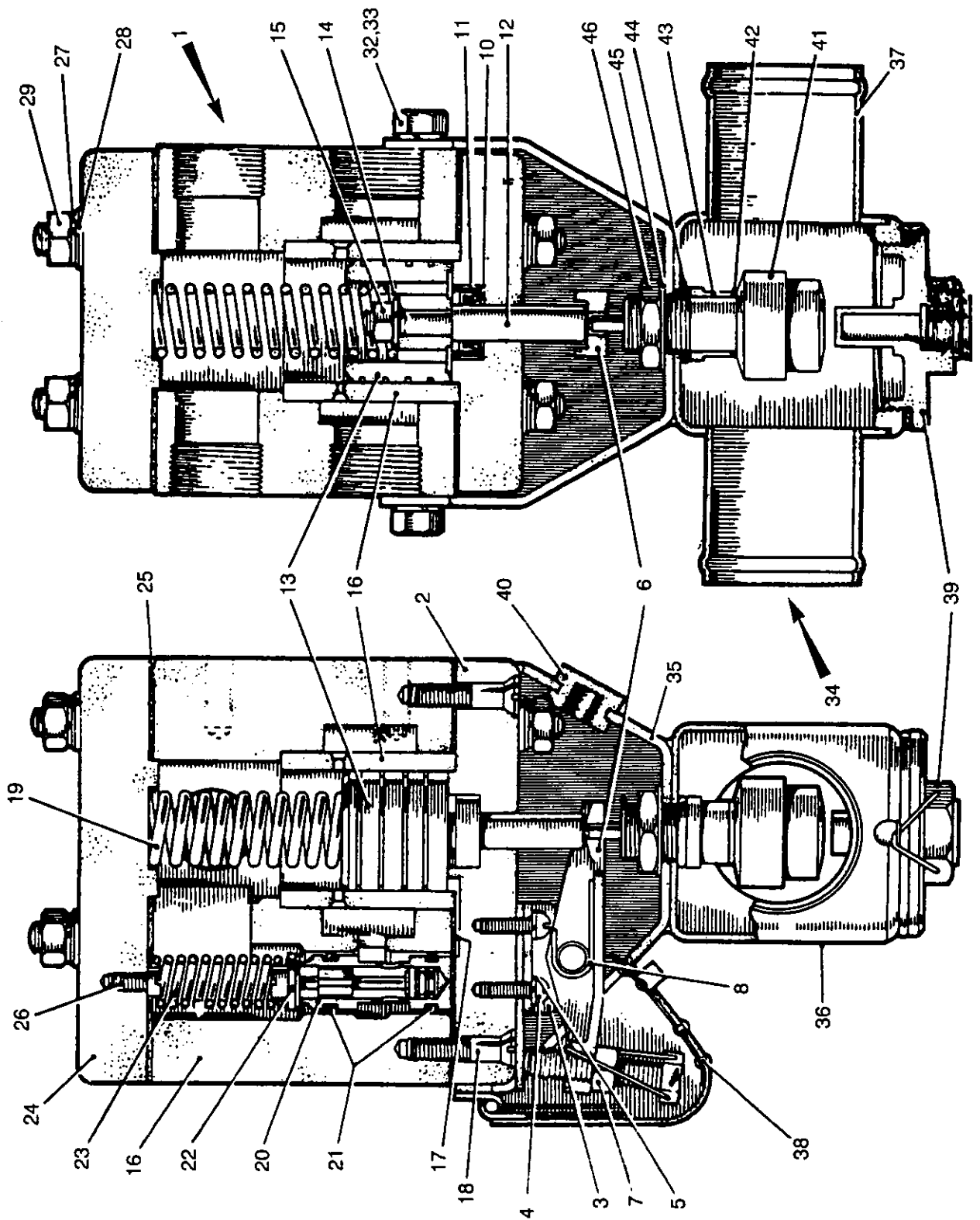


Fig 57 Thermostat, flow control

430/70055

Fig Item	Man Code Navy - N Army - A RAF - R	NATO Stock No	Item Name and Description	Part No/ Drawing No.	No. Off	Annotations
57-			POWER UNIT, DIESEL - contd . HYDRAULIC FAN ASSEMBLY - contd . . . THERMOSTAT, FLOW CONTROL - contd BODY, FLOW CONTROL, THERMOSTAT - contd			
NI 31	A 46MT1	5330-99-915-2513 GASKET, rubber/steel, rd, 1-5/32in. id x 1-7/16in. od x 3/32in. thk	AGS1186-14	2	
32	A G1	5310-99-941-6628 WASHER, LOCK, steel, double coil, 5/16in. hole dia	9902265	4	
33	A G1	5305-99-941-0698 SCREW, CAP, HEXAGON HEAD, st, hex hd, Zn pl, 5/16in. UNC, 3/4in. lg		4	
34	A 9ACR	6680-99-881-3256 BODY ASSEMBLY, FLOW CONTROL, THERMOSTAT ELEMENT	FV533977	1	
35		NP CASING ASSEMBLY	FV533981	1	
36		NP CENTRE BODY ASSEMBLY	FV533991	1	
37		NP PIPE, BRASS, 1.622in. id x 1-7/8in. lg	FV533995	2	
38	A 46MT1	6680-99-881-3274 CAP, ASSEMBLY PROTECTION, FLOW CONTROL THERMOSTAT	FV533985	1	
39		NP LOCK, SCREW	FV533998	1	
40	A 9ACR	5325-99-881-3278 GROMMET, BLANK, NON- METALLIC, syn rubber, 0.563in. id	FV533984	1	
41	A 46MT1	6680-99-881-3253 THERMOSTAT ELEMENT	FV533978	1	
42	A 9ACR	5310-99-801-2269 WASHER, FLAT, brass, rd hole, 0.656in. nom hole dia x 0.875in. od x 0.039in. nom thk	FV531094	2	
43	A 9ACR	5365-99-881-3289 SPACER, SLEEVE, brass, 21/32in. id x 7/8in. od x 11/16in. o/a lg	FV533979	1	
44	A 6MT1	5330-99-710-3505 GASKET, rubber and steel, 17.41mm max aperture dia	FV2042048/ 29	1	
45		NP WASHER, SPRING TENSION, steel, Cd P, 0.654in. nom hole dia	FV531055	1	
46	A 46MT1	5310-99-801-2268 NUT, PLAIN, HEXAGON, brass, M16	FV533980	1	
NI 47	A 46MT1	5340-99-881-3269	. . . MOUNT, RESILIENT, EDN controller mounts	FV533996	4	
NI 48	A G1	5310-99-120-9323	. . . NUT, SLOTTED, HEXAGON, steel, 5/16in. UNC		4	} Retaining resilient mount
NI 49	A G1	5310-99-941-6628	. . . WASHER, LOCK, steel, double coil, 5/16in. hole dia		4	

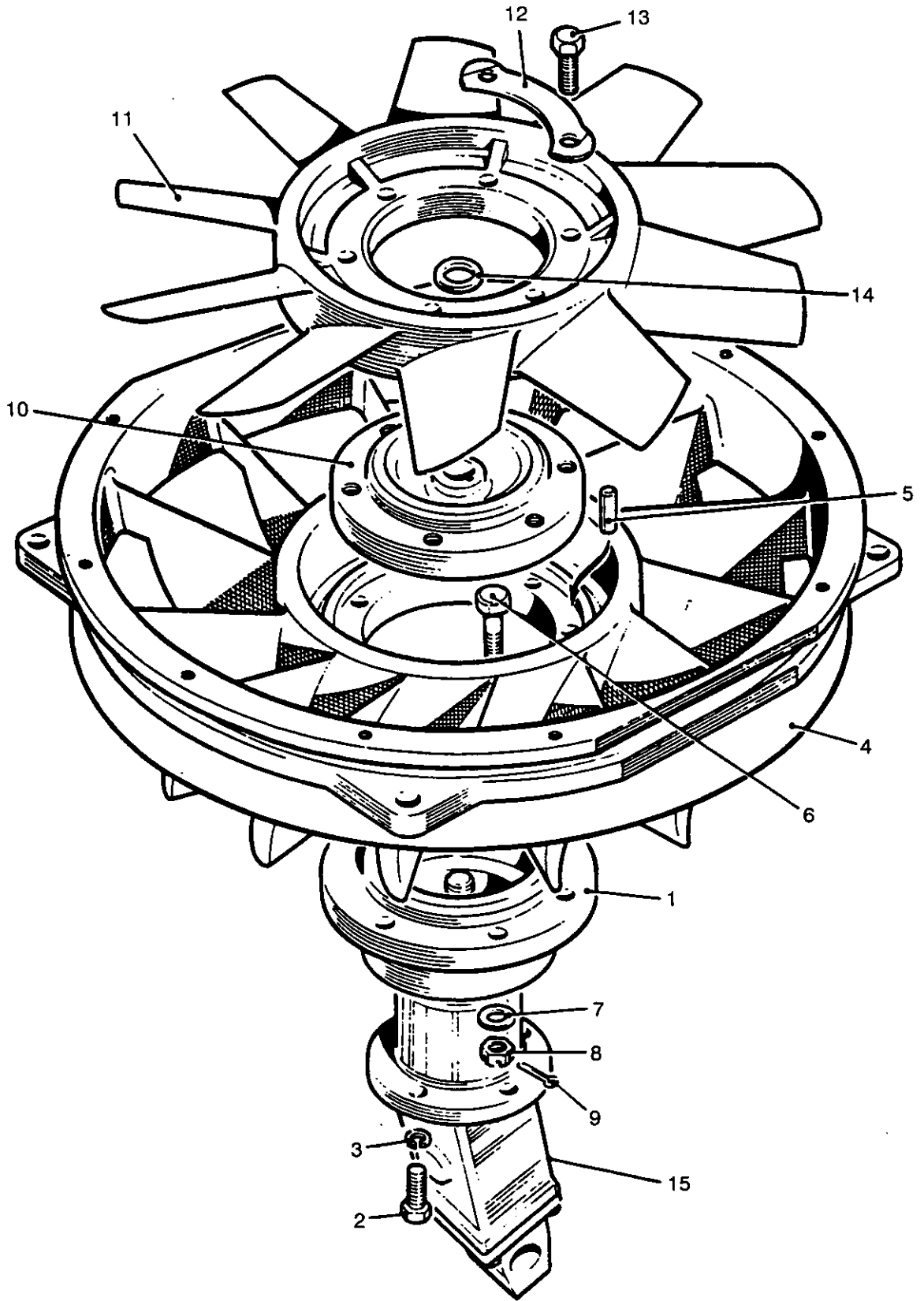


Fig 58 Cooling fan and drive assembly

430/70057

Fig Item	Man Code Navy - N Army - A RAF - R	NATO Stock No	Item Name and Description	Part No/ Drawing No.	No. Off	Annotations
58-			POWER UNIT, DIESEL - contd . HYDRAULIC FAN ASSEMBLY - contd			
		NP	. . . COOLING FAN AND DRIVE ASSEMBLY	FV524906	REF	
1	A 9ACR	2930-99-865-6652	. . . ADAPTOR, ENGINE COOLING FAN STATOR	FV468027	2	
2	A G1	5305-99-941-0700	. . . SCREW, CAP, HEXAGON HEAD, st, hex hd, Zn pl, 5/16in. UNF x 1.00in. lg		8	
3	A G1	5310-99-941-6655	. . . WASHER, LOCK, st, single coil, sq sect, Cd P, 5/16in. nom hole dia		8	
4	A 9ACR	2930-99-865-6560	. . . STATOR, ENGINE COOLING FAN	FV500200	2	
5	A G1	5315-99-942-3697	. . . PIN, GROOVED, HEADLESS, steel, 5/16in. dia x 1.00in. lg	GP2	2	
6	A 9ACR	2930-99-941-8635	. . . BOLT, STATOR, ENGINE COOLING FAN, st, chamfered hd, 3/8in. UNF x 2.00in. lg	FV507348	12	Stator to adaptor
7	A G1	5310-99-941-8635	. . . WASHER, FLAT, steel, Zn pl, 0.390in. hole dia	PWZ106	12	
8	A G1	5310-99-941-0882	. . . NUT, SLOTTED, HEXAGON, steel, Zn pl, 3/8in. UNF	B54701	12	
9	A G1	5315-99-138-2201	. . . PIN. COTTER, SPLIT, st, phos, 1.6mm nom dia x 25.00mm nom lg	AB/02/03/10 308	12	
10	A 9ACR	2930-99-865-6651	. . . HUB, ENGINE COOLING FAN	FV468026	2	
11	A 9ACR	2930-99-865-6659	. . . FAN, ENGINE COOLING	FV500199	2	
12	A 9ACR	5340-99-865-6661	. . . LOCKING PLATE, NUT AND BOLT, steel, 2 holes 0.391in. dia	FV507192	6	
13	A G1	5305-99-941-0715	. . . SCREW, CAP, HEXAGON HEAD, st, hex hd, Zn pl, 3/8in. UNC x 1-1/8in. lg	0019606092	12	
14	A G1	5310-99-941-8637	. . . WASHER, FLAT, steel, Zn pl, 0.500in. nom hole dia	PWZ108	2	
15	A 46MT1	2930-99-839-5311 2540	. . . MOTOR, HYDRAULIC	17217	2	See Fig 59

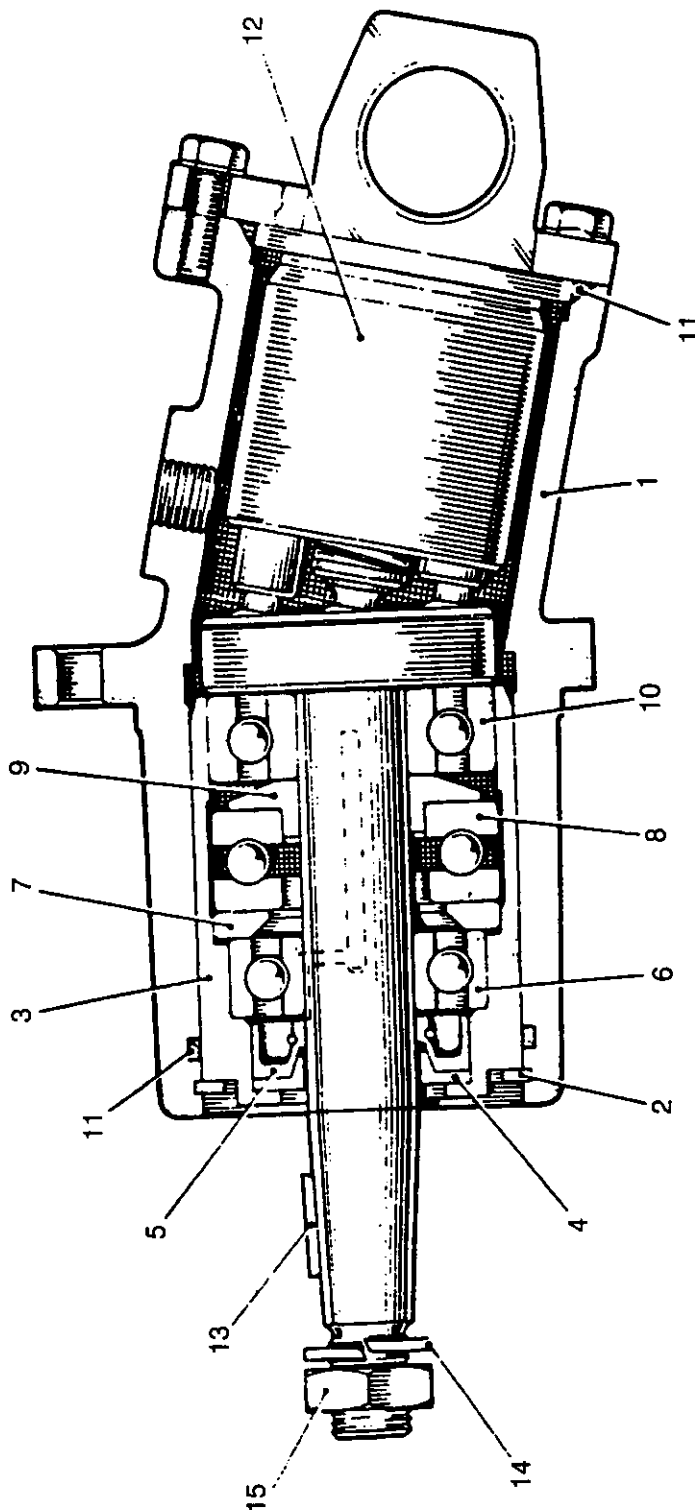


Fig 59 Motor, hydraulic

430/70053

Fig Item	Man Code Navy - N Army - A RAF - R	NATO Stock No	Item Name and Description	Part No/ Drawing No.	No. Off	Annotations
59-			POWER UNIT, DIESEL - contd . HYDRAULIC FAN ASSEMBLY - contd . . . COOLING FAN AND DRIVE ASSEMBLY - contd			
		<i>2540</i>				
	A	46MT1 MOTOR, HYDRAULIC	17217	2	
1	A	9ACR HOUSING, MECHANICAL DRIVE	FV531011	1	
2	A	46MT1 RING, RETAINING, steel, 3/32in. thk 2-29/64in. od	FV531019	1	
3	A	9ACR HOUSING, MECHANICAL DRIVE	FV531012	1	
4	A	9ACR RADIAL SEAL RING, steel, 1- 37/64in. id	152559	1	
5	A	46MT1 SEAL, PLAIN, rubber, 0.787in. id	FV531018	1	
6	A	6MT7 BEARING, BALL, ANNULAR, 20mm id x 47mm od x 14mm wd, normal group, 00 fit	6204	1	
7	A	9ACR WASHER, RECESSED, steel, 1.236in. hole dia	FV531013	1	
8	A	46MT7 BEARING, BALL, THRUST, single row, 25mm id x 52mm od x 18mm w	51305	1	
9	A	46MT1 WASHER, THRUST, steel, rd, 51/64in. dia hole	FV531014	1	
10	A	6MT7 BEARING, BALL, ANNULAR, 20mm id x 52mm od x 15mm wd	FV531016	1	
11	A	46MT1 RING, SEALING, TOROIDAL, ru, 3/32in. cross sect h, 2-1/4in. id	FV531020	1	
12		NP SHAFT, DRIVE ASSEMBLY HYDRAULIC MOTOR	FV531010	1	
13	A	6MT1 KEY, WOODRUFF, steel, 0.750in. dia x 0.156in. thk	FVS69-8	1	
14	A	G1 WASHER, LOCK, steel, 0.609in. hole dia	SWG109	1	
15	A	G1 NUT, PLAIN, HEXAGON, 14mm ISO M steel, Zn pl	1440 223X1	1	

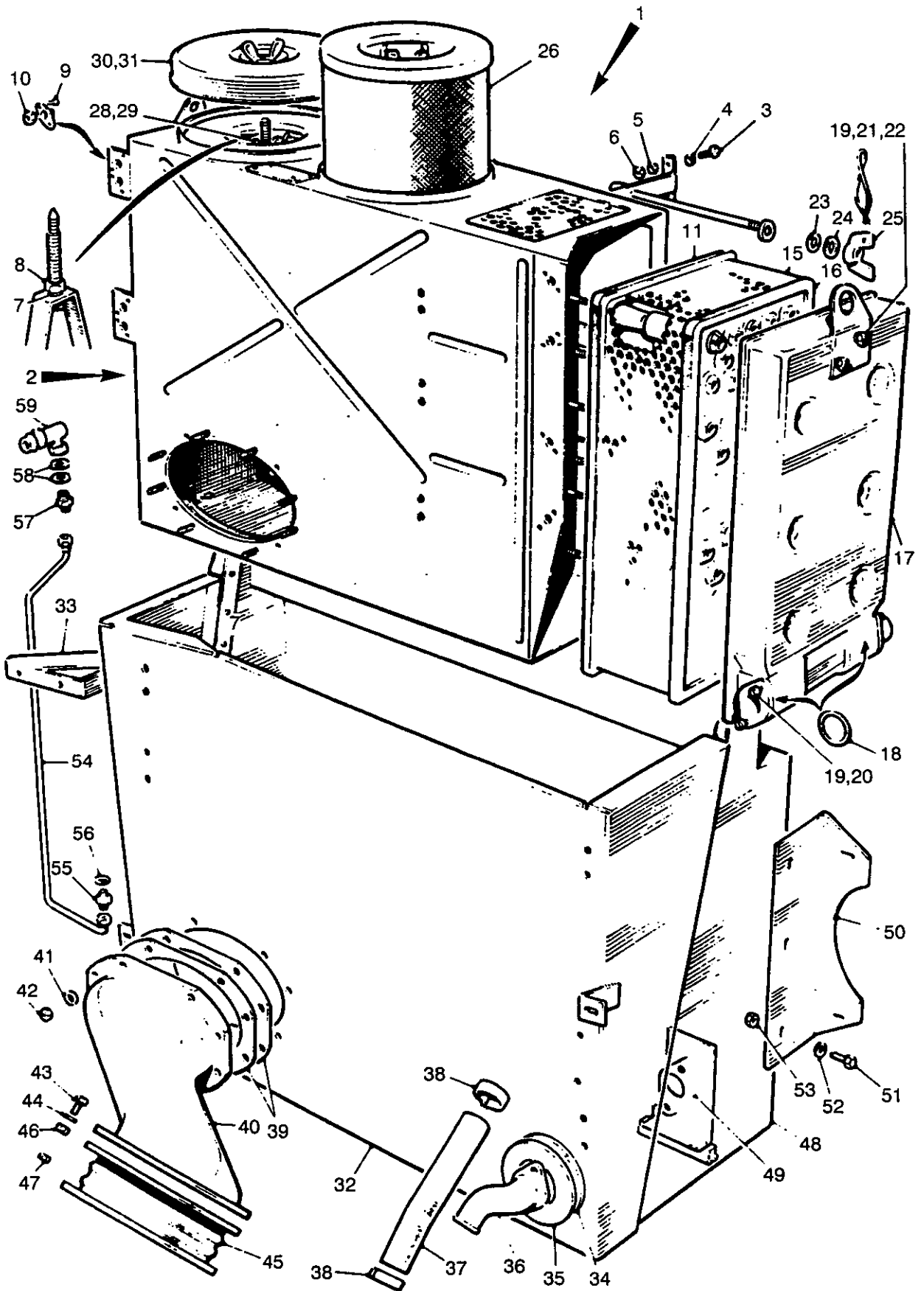


Fig 60 Air filters and covers

430/70059

Fig Item	Man Code Navy - N Army - A RAF - R	NATO Stock No	Item Name and Description	Part No/ Drawing No.	No. Off	Annotations
60-			POWER UNIT, DIESEL - contd			
		NP	. AIR FILTERS AND COVERS	FV586060	REF	
1	A	46MT12	. . . FILTER, AIR, INTAKE	FV527301	1	
2		NP	. . . CASE, OUTER ASSEMBLY	FV527325	1	
3	A	G1 SCREW, MACHINE, steel, hex hd, Cd P, 2BA x 3/4in. lg		12	
4	A	6MT1 WASHER, NON-METALLIC, fibre, rd, 5/32in. nom bolt size	2K4961	12	
5	A	G1 WASHER, FLAT, st, Cd P, rd, 2BA nom bolt size		12	
6	A	G1 NUT, SELF-LOCKING HEXAGON, steel, nylon insert, 2BA		12	
7	A	G1 WASHER, FLAT, steel, Cd P, 5/16in. nom bolt size		2	
8	A	G1 NUT, SELF-LOCKING HEXAGON, steel, nylon insert, 5/16in. UNC		2	
9	A	G1 RIVET, SOLID, Al, csk hd, 3/32in. dia x 1/4in. lg		16	
10	A	G1 NUT, SELF-LOCKING HEXAGON, steel, Cd P, 1/4in. UNF		8	
11	A	46MT12 WASHER, NON-METALLIC, rubber, 445.80mm nom id, 464.80mm nom od x 6.40mm nom thk	FV527425	1	
NI 12	A	G1 SCREW, CAP, HEXAGON HEAD, steel, Cd P, 1/4in. UNF x 3/4in. lg		2	Lifting eye to outer case
NI 13	A	G1 WASHER, LOCK, steel, 1/4in. nom bolt size		2	
NI 14	A	G1 NUT, PLAIN, HEXAGON, steel, Zn pl, 1/4in. UNF		2	
15	A	9ACR CYCLONE ASSEMBLY	FV527315	1	
16	A	46MT12 SEAL, RUBBER CHANNEL, air filter, 15.00in. lg x 6-1/2in. wd	FV527319	1	
17	A	9ACR COVER,	FV527338	1	
18	A	46MT1 RING, SEALING TOROIDAL, ru, 62-72 deg hard, 2.62mm h, 34.95mm id	GD1456D10	2	
19	A	G1 WASHER, LOCK, steel, 1/4in. nom bolt size		6	
20	A	G1 SCREW, MACHINE, st, Cd P, fil hd, slotted, 1/4in. UNC x 1.00in. lg		4	
21		NP STUD, PLAIN, steel, Zn pl, 1/4in. UNF x 7/8in. lg		2	
22	A	G1 NUT, PLAIN, HEXAGON, steel, Zn pl, 1/4in. UNF		2	
23	A	6MT1 WASHER, FLAT, fibre, rd hole, 5/16in. nom bolt size		6	
24	A	G1 WASHER, FLAT, steel, Cd P, 5/16in. nom bolt size		6	
25	A	G1 NUT, PLAIN, WING, steel, Zn pl, 5/16in. UNC		6	
26	A	9ACR FILTER, ELEMENT, AIR INTAKE	FV527304	2	
NI 27		NP ELEMENT CAP ASSEMBLY	FV527384	2	
28		NP SEAL, PLAIN, ENCASED, 16mm id	SO35M	2	
29	A	46MT12 NUT, PLAIN, WING, Zn alloy, 5/16in. UNC	FV527390	2	
30	A	46MT12 COVER, AIR INTAKE, FILTER	FV527350	2	
31	A	46MT12 GASKET, ru, 8.486in. nom od x 7.718in. nom hole dia x 0.125in. nom thk	FV527351	2	
32	A	9ACR COVER, AIR CLEANER	FV602770	1	
33	A	9ACR BRACKET, AIR FILTER COVER	FV586104	1	Inner, rear

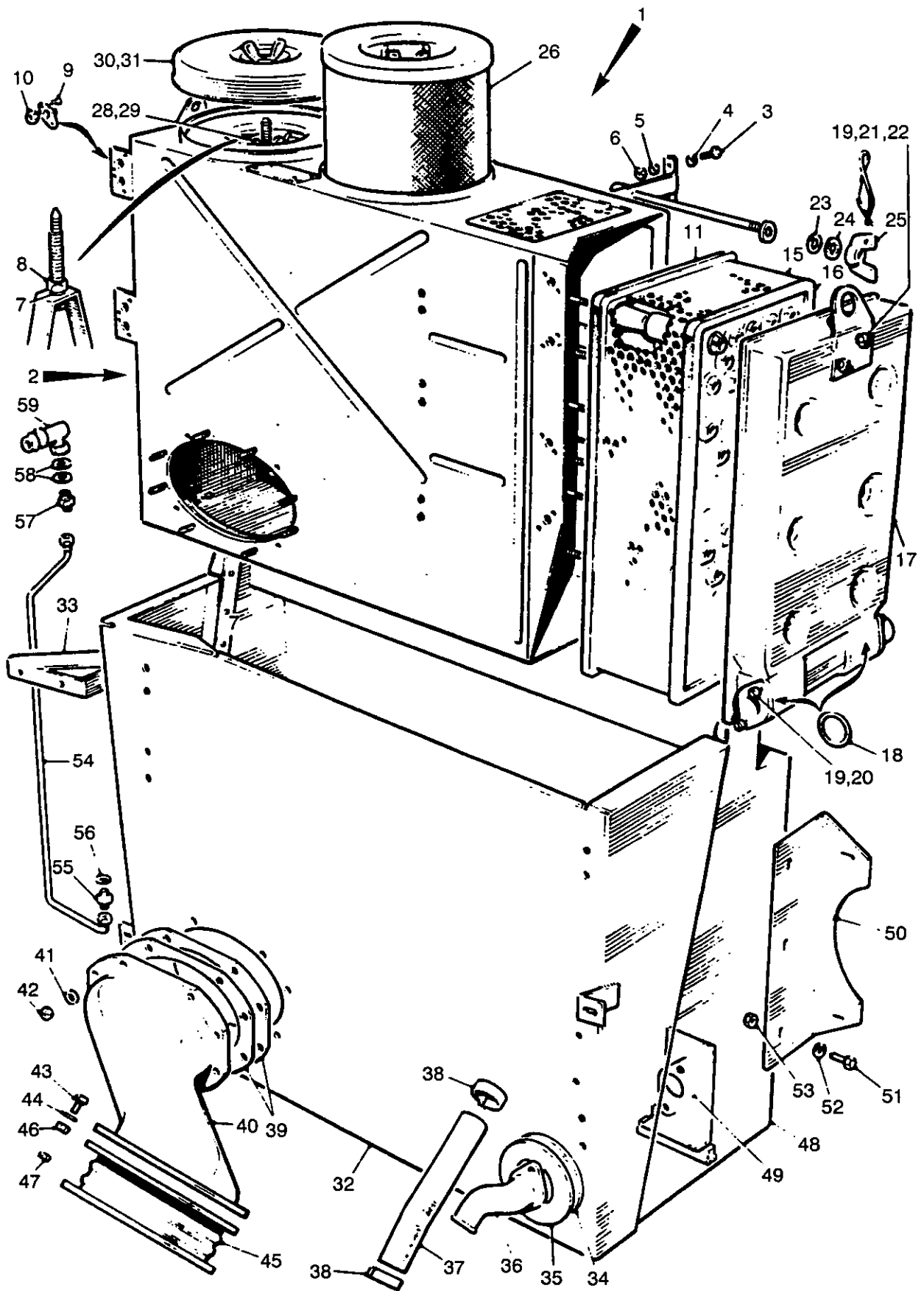


Fig 60 Air filters and covers

430/70059

Fig Item	Man Code Navy - N Army - A RAF - R	NATO Stock No	Item Name and Description	Part No/ Drawing No.	No. Off	Annotations
60-			POWER UNIT, DIESEL - contd . AIR FILTERS AND COVERS - contd . . . FILTER, AIR INTAKE - contd			
34	A	9ACR	5330-99-867-4802 . . . GASKET, ru, rd, 3.420in. od x 1.190in. hole dia, x 0.062in. thk	FV586061	1	
35	A	9ACR	2940-99-867-4803 . . . PLATE, RETAINING GASKET	FV586062	1	
36	A	9ACR	2940-99-867-4801 . . . ADAPTOR, FLANGED, INTAKE, AIR FILTER	FV585842	1	
37	A	6MT6	4720-99-805-7730 . . . HOSE, NON-METALLIC, syn ru, 1-1/4in. id x 1-5/8in. od, bulk	FVRDE1042 TYPEA	1	
38		NP	. . . CLAMP, HOSE, worm drive, 1-1/2in. to 2-1/8in.	12342G	2	
39	A	46MT12	2940-99-881-8270 . . . GASKET, rubber, 9-1/2in.	FV527356	2	Air filter outer
40	A	46MT12	. . . OUTER CASING, AIR CLEANER,	FV527383	1	
41	A	H9	5310-99-943-4388 . . . WASHER, FLAT, fibre, 1-1/4in. nom hole dia		8	
42	A	G1	5310-99-941-3524 . . . NUT, SELF-LOCKING, HEXAGON, steel, Zn pl, 1/4in. UNF, nylon insert		8	
43	A	G1	5305-99-941-0527 . . . SCREW, CAP, HEXAGON HEAD, st, Zn pl, hex hd, 5/16in. UNF x 1.00in. lg	FV27970	8	
44	A	9ACR	5310-99-941-8386 . . . WASHER, FLAT, st, Cd P, 5/16in. nom bolt size		8	
45	A	9ACR	2940-99-881-9532 . . . COUPLING, FLEXIBLE, AIR CLEANER OUTLET	FV527382	1	
46	A	G1	5310-99-120-0697 . . . NUT, SELF-LOCKING, HEXAGON, steel, Zn pl, 5/16in. UNF, nylon insert		8	
47	A	G1	5310-99-202-9996 . . . NUT, SELF-LOCKING, HEXAGON, steel, 5/16in. UNF		8	Coupling to blower
48	A	9ACR	5340-99-867-4800 . . . COVER, ACCESS	FV538256	1	
49	A	9ACR	2340-99-867-4804 . . . ADAPTOR, INTAKE, AIR FILTER	FV586091	1	
50	A	9ACR	2510-99-867-4806 . . . BRACKET, AIR FILTER COVER	FV559394	1	
51	A	G1	5305-99-941-0512 . . . SCREW, CAP, HEXAGON HEAD, st, Zn pl, hex hd, 1/4in. UNF x 5/8in. lg		17	
52	A	G1	5310-99-941-6654 . . . WASHER, LOCK, steel, 1/4in. nom bolt size		19	Air filter to mounting
53	A	G1	5310-99-804-7941 . . . NUT, PLAIN, HEXAGON, steel, Zn pl, 1/4in. UNF		5	
54	A	9ACR	4710-99-867-4807 . . . PIPE, STEEL	FV586141	1	Filter to service ind.
55	A	6MT1	4730-99-801-2031 . . . NIPPLE, TUBE, steel, 3/8in. UNF	FV(S)87/2	1	
56	A	6MT1	5330-99-942-8452 . . . GASKET, rubber/steel, rd, 3/8in. nom bolt size	AGS1186-A	2	
57	A	46MT12	2940-99-881-8269 . . . ADAPTOR AND ELEMENT ASSEMBLY, male to male adaptor	FV527353	1	
58		NP	. . . WASHER, SPECIAL	FV361154	2	
59	A	46MT12	2940-99-809-6450 . . . INDICATOR, RESTRICTION, AIR CLEANER, cylindrical w/boss, 1.37in. dia, 2.44in. o/a lg, c/w adaptor 3/8in. UNF male thd	FV537361	1	

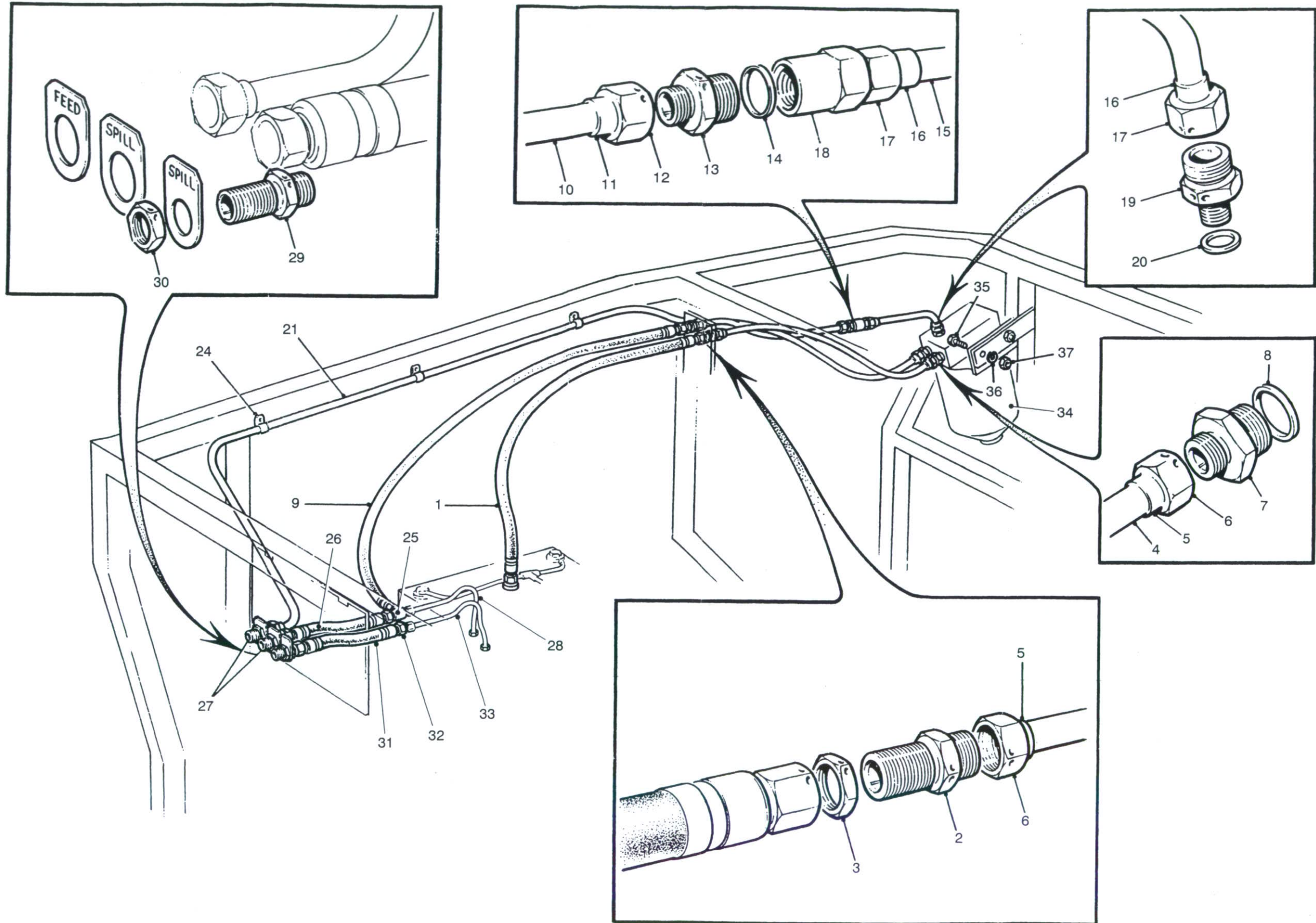


Fig 61 Fuel pipes and fittings

Fig Item	Man Code Navy - N Army - A RAF - R	NATO Stock No	Item Name and Description	Part No/ Drawing No.	No. Off	Annotations
61-			POWER UNIT, DIESEL - contd			
		NP				
1	A	9ACR 2910-99-867-4786	. . FUEL PIPES AND FITTINGS . . HOSE ASSEMBLY, FUEL FEED	FV559859 FV585736	REF 1	Filter to injector pump
2	A	9ACR 4730-99-865-6839	. . NIPPLE, PIPE, 5/8in. UNF	FV538130	2	
3	A	G1 5310-99-941-0908	. . NUT, PLAIN, HEXAGON, steel, Zn pl, 5/8in. UNF		4	
4	A	9ACR 4710-99-867-4796	. . PIPE, STEEL	FV585760	1	Filter to injector
5	A	6MT1 4730-99-881-5937	. . . FERRULE, BRAZING-SOLDERING, PIPE FITTING, steel, 3/8in. od	FV(S)89/5	2	
6	A	6MT1 4730-99-801-1565	. . . NUT, UNION, PIPE, steel, Cd P, 5/8in. UNF	FV(S)88/5	2	
7	A	9ACR 4730-99-865-6655	. . REDUCER, PIPE, st, Cd P, 5/8in., 3/4in.	FV480334	2	
8	A	6MT1 5330-99-942-8454	. . GASKET, ru/st, rd, 0.774in. min id	AGS1186C C	2	
9	A	9ACR 2910-99-667-4791	. . HOSE ASSEMBLY, FUEL RETURN	FV585738	1	Fuel return
10	A	9ACR 4710-99-867-4795	. . PIPE, STEEL	FV585762	1	
11	A	6MT1 4730-99-881-5937	. . . FERRULE, BRAZING-SOLDERING, PIPE FITTING, steel, 3/8in. od	FV(S)89/5	2	
12	A	6MT1 4730-99-801-1565	. . . NUT, UNION, PIPE, steel, Cd P, 5/8in. UNF	FV(S)88/5	2	
13	A	9ACR 4730-99-867-4793	. . REDUCER, TUBE, st, Cd P, UNF, 5/8in. to 1/2in.	FV585997	1	
14	A	6MT1 5330-99-942-8453	. . GASKET, steel/rubber, 0.540in. id	AGS1186-B	1	
15	A	9ACR 4710-99-867-4794	. . PIPE, STEEL	FV586084	1	
16	A	6MT1 4730-99-881-5937	. . . FERRULE, BRAZING-SOLDERING, PIPE FITTING, steel, 3/8in. od	FV(S)89/5	2	
17	A	6MT1 4730-99-801-1565	. . . NUT, UNION, PIPE, steel, Cd P, 5/8in. UNF	FV(S)88/5	2	
18	A	46MT12 4820-99-747-6310	. . VALVE, SAFETY RELIEF, 13-17 psi opening pressure	FV536612	1	
19	A	9ACR 4730-99-867-4792	. . REDUCER, TUBE, steel, Cd P, UNF, 5/8in. to 3/8in.	FV586083	1	
20	A	46MT12 5330-99-942-8452	. . GASKET, rubber/steel, 0.411in. od	AGS1186A	1	
21	A	9ACR 4710-99-867-4785 4785	. . PIPE, STEEL	FV585758	1	Fluid filter feed
NI 22	A	6MT1 4730-99-881-5937	. . . FERRULE, BRAZING-SOLDERING, PIPE FITTING, steel, 3/8in. od	FV(S)89/5	2	
NI 23	A	6MT1 4730-99-801-1945	. . . NUT, UNION, PIPE, steel, Cd P, 7/16in. UNF	FV(S)88/3	1	
24	A	6MT1 5340-99-805-0923	. . CLAMP, LOOP, steel, 5/8in. id		3	
25	A	9ACR 4730-99-867-4790	. . TEE, PIPE, 5/8in. female thd, 7/16in. male thd	FV586074	1	
26	A	9ACR 2910-99-867-4787	. . HOSE, ASSEMBLY, FUEL RETURN	FV585870	1	
27	A	9ACR 4730-99-865-6839	. . NIPPLE, PIPE, 5/8in. UNF	FV538130	2	
28	A	9ACR 2910-99-809-2387	. . PIPE, METALLIC, Cu alloy, 8.25in. lg, 0.178in. id, 0.036in. thk x 3.65in. lg, c/w nipples and union nut both ends	FV650863	1	
29	A	9ACR 4730-99-867-4788	. . NIPPLE, TUBE, st, Cd P, 0.438in. UNF ext both ends, 1.28in. o/a lg	FV538490	1	
30	A	G1 5310-99-941-0927	. . NUT, PLAIN, HEXAGON, steel, Zn pl, 7/16in. UNF	BMCFNZ50 7	1	
31	A	9ACR 4720-99-802-5248	. . HOSE, ASSEMBLY, NON-METALLIC, 8-1/2in. lg, 7/16in. UNF nut both ends	FV602690	1	
32	A	9ACR 4730-99-867-4789	. . REDUCER, PIPE, steel, UNF, 3/8in. / 7/16in.	FV560108	1	

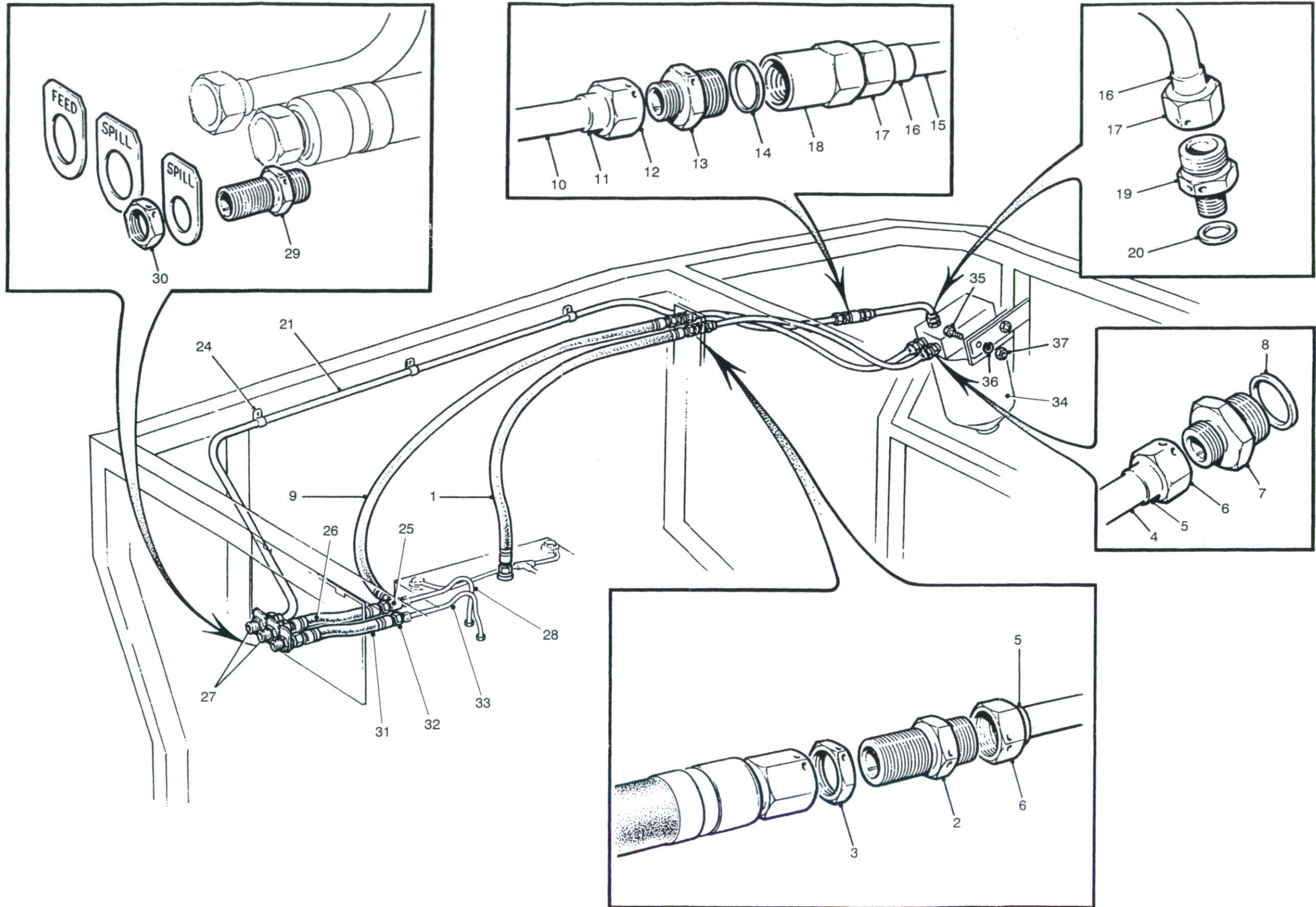


Fig 61 Fuel pipes and fittings

Fig Item	Man Code Navy - N Army - A RAF - R	NATO Stock No	Item Name and Description	Part No/ Drawing No.	No. Off	Annotations
61-			POWER UNIT, DIESEL - contd . FUEL PIPES AND FITTINGS - contd			
33	A	9ACR	2910-99-809-2386 . . PIPE, METALLIC, Cu alloy, 7.30in. lg, 0.115in. id, 0.036in. thk x 4.50in. lg, c/w nipples and union nuts both ends	FV650861	1	
34	A	6MT12	2940-99-881-9536 . . FILTER, FLUID PRESSURE, fuel filter replaceable type	D6444791	1	See Fig 62
35	A	G1	5305-99-941-0568 . . SCREW, MACHINE, st, Zn pl, hex hd, 1/2in. UNF, 1-1/4in. lg		2	} Fuel filter to frame
36	A	G1	5310-99-944-0552 . . WASHER, LOCK, st, single coil, sq sect, Cd P, 1/2in. nom bolt size		2	
37	A	G1	5310-99-941-0928 . . NUT, PLAIN, HEXAGON, steel, Zn plated, 1/2in. UNF		2	

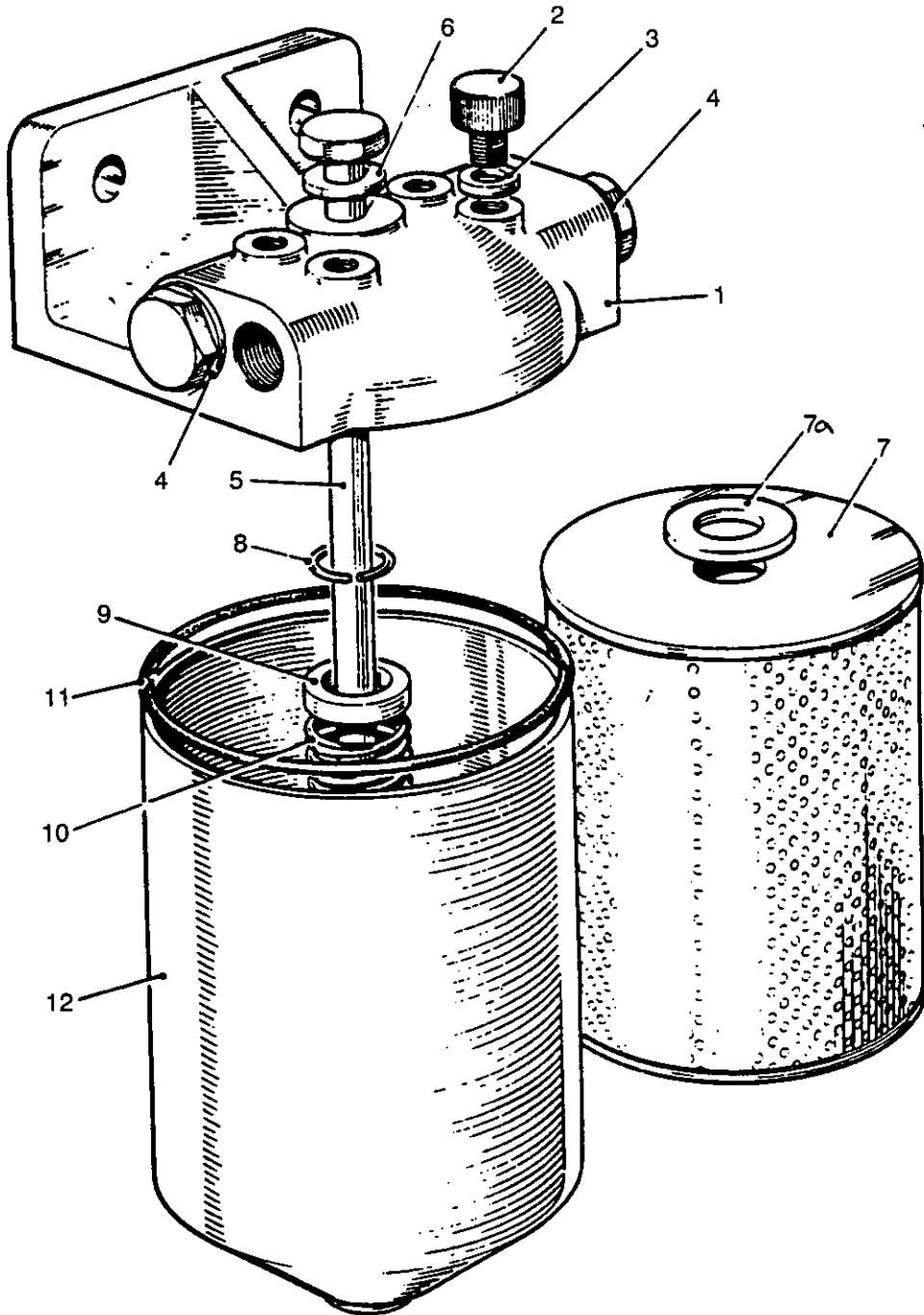


Fig 62 Filter, fluid, pressure

430/70058

Fig Item	Man Code Navy - N Army - A RAF - R	NATO Stock No	Item Name and Description	Part No/ Drawing No.	No. Off	Annotations	
62-			POWER UNIT, DIESEL - contd . FUEL PIPES AND FITTINGS - contd				
	A	6MT12	2940-99-881-9536	. . . FILTER, FLUID, PRESSURE, fuel filter replaceable type	D6444791	1	
1			NP	. . . HEAD CASTING, SUB-ASSEMBLY		1	
2			NP	. . . SCREW, VENT		2	
3			NP	. . . SEAL, VENT SCREW		2	
4	A	6MT1	5330-99-801-5406	. . . WASHER, FLAT, fibre, rd hole, 3/4in. nom bolt size, 1.00in. od, 1/16in. thk		2	
5	A	6MT12	5305-99-881-9534	. . . SCREW, SET, st, 1/2in. UNC x 1- 3/8in. thd lg, 6.687in. fastener lg		1	
6	A	6MT12	5330-99-943-4396	. . . WASHER, FLAT, fibre, rd hole, 1/2in. nom bolt size		1	
7	A	46MT12	2940-99-829-0150	. . . ELEMENT ASSEMBLY, 4.15in. o/a dia, 4.866in. lg	FV55506	1	
8			NP	. . . RING, RETAINING, st, Zn pl, 1/16in. id, 25/32in. od, 3/64in.		1	
9	A	46MT12	2910-99-881-9540	. . . PLATE, SPRING	B6445501	1	
10	A	46MT12	2940-99-881-9531	. . . SPRING, ELEMENT	C24838FE	1	
11	A	6MT1	2940-99-881-9365	. . . RING, SEALING, HEAD CASTING		1	
12			NP	. . . CASE, FILTER	C6445483	1	
7a		46MT1	531099 881 6592	. . . Seal.			

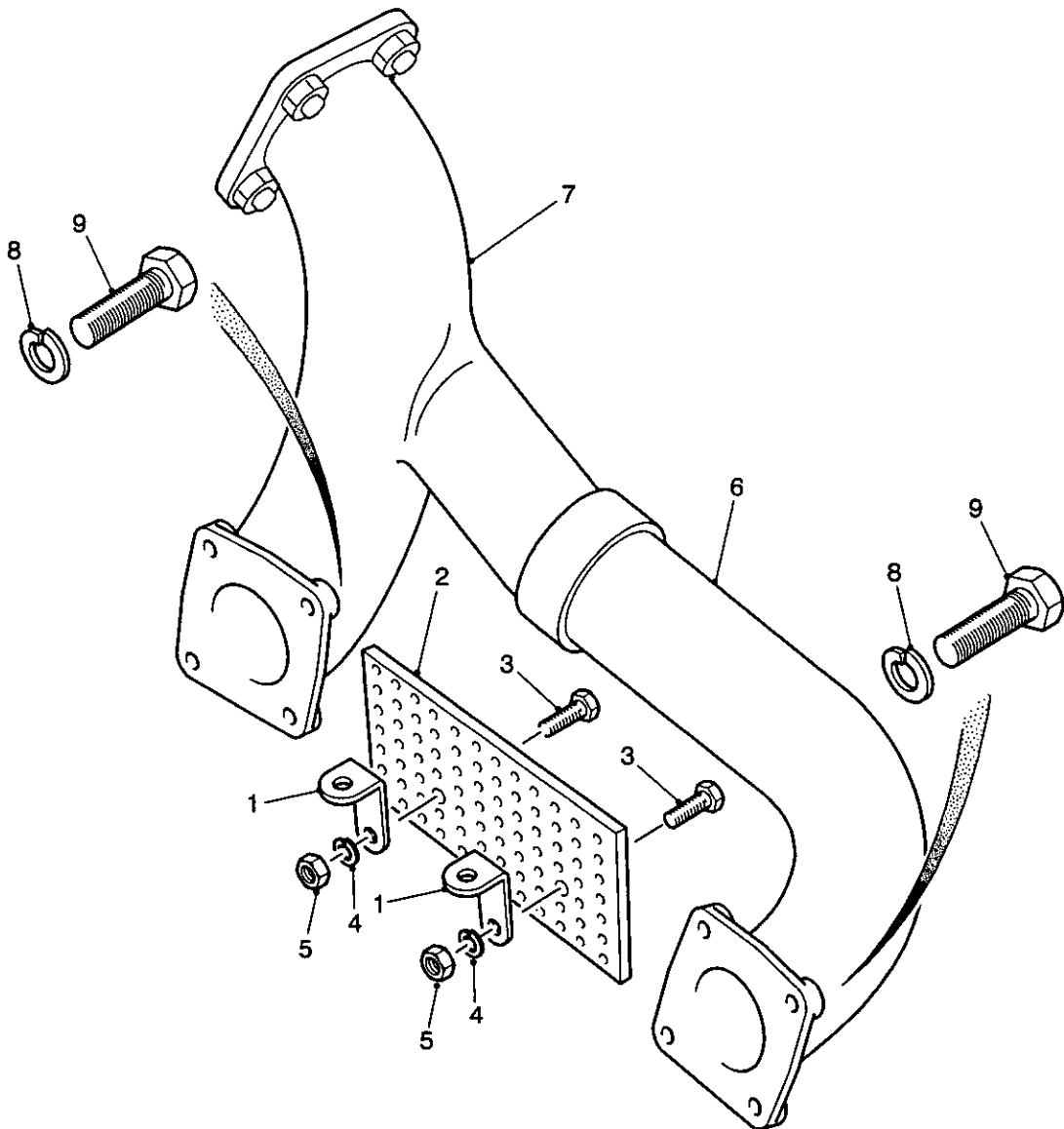


Fig 63 Exhaust pipe assembly

430/70191

Fig Item	Man Code Navy - N Army - A RAF - R	NATO Stock No	Item Name and Description	Part No/ Drawing No.	No. Off	Annotations
63-			POWER UNIT, DIESEL - contd			
1		NP	. EXHAUST PIPE ASSEMBLY	FV538657	REF	
2	A	9ACR 2990-99-867-4797	. . BRACKET . . HEAT SHIELD, EXHAUST, steel, 8in. x 4in. x 0.187in., perforated rect shape plate w/2 fixing holes	FV538911 FV2249168	2 1	
3	A	G1 5305-99-941-0280	. . SCREW, MACHINE, UNF, steel, Zn plated hex, hd, 1/4in. x 1in. lg, class 2A thd		2	
4	A	G1 5310-99-941-6654	. . WASHER, LOCK, steel, split helical ring, 1/4in. bolt size, 27/64in. od, 5/64in. thk		2	
5	A	G1 5310-99-804-7941	. . NUT, PLAIN, HEXAGON, UNF, steel, Zn plated, 1/4in. dia -28, class 2B, rh thd, 7/16in. w A/F, 7/32in. h, finished chamfered		2	
6	A	9ACR 2990-99-866-5508	. . PIPE, EXHAUST, engine exhaust assy	FV518138	1	
7	A	9ACR 2990-99-866-5509	. . PIPE, EXHAUST, engine exhaust assy, branched	FV518137	1	
8	A	G1 5310-99-941-6656	. . WASHER, LOCK, steel, split helical ring, 3/8in. bolt size, 0.092in. thk, 0.59in. od, single coil, sq section		8	
9	A	G1 5305-99-941-0543	. . SCREW, MACHINE, 3/8in. UNF, class 2A thd, steel, Zn plated, hex hd, 1-1/4in. lg		8	

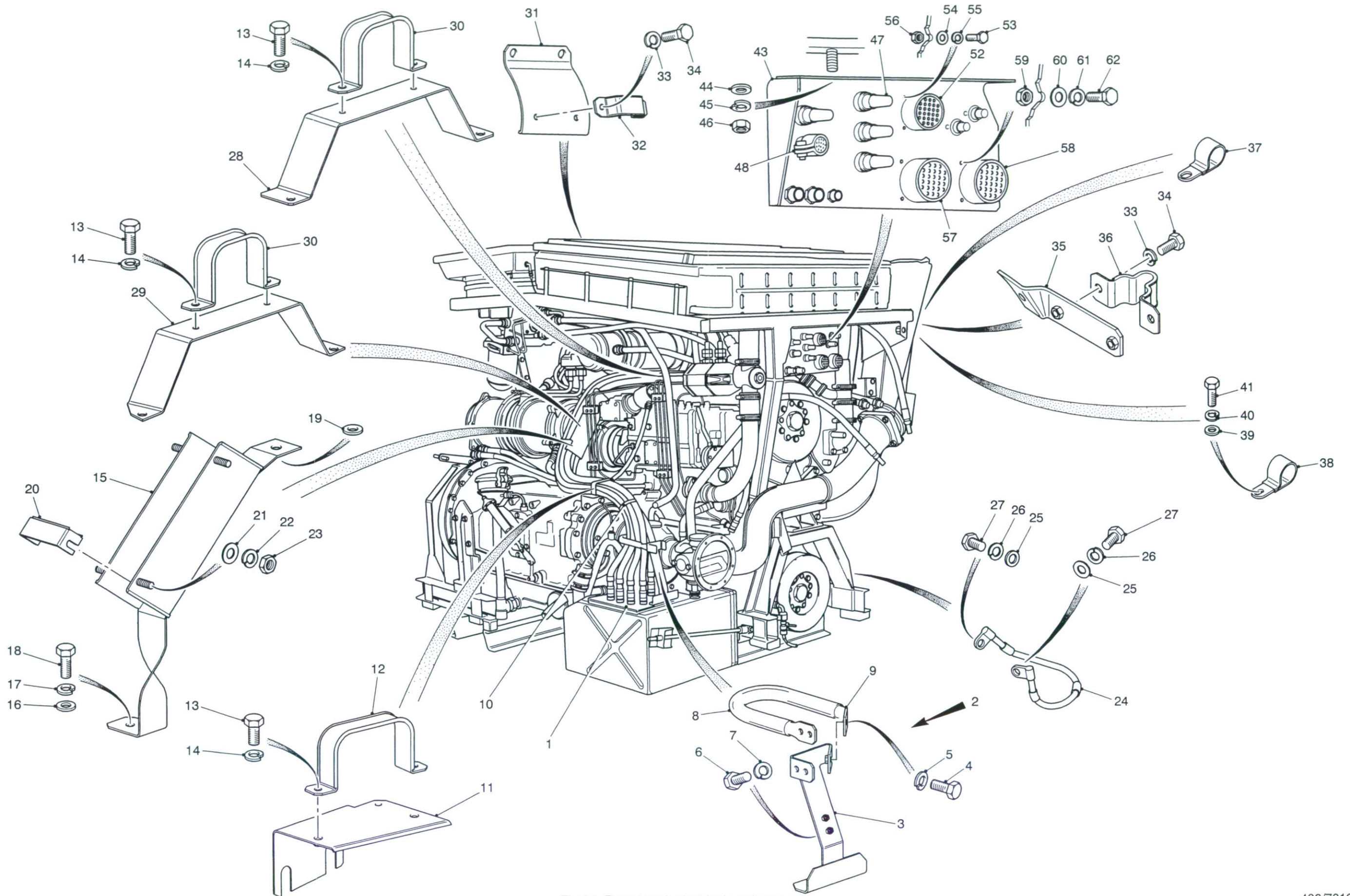


Fig 64 Power pack electrical equipment

Fig Item	Man Code Navy - N Army - A RAF - R	NATO Stock No	Item Name and Description	Part No/ Drawing No.	No. Off	Annotations
64-			POWER UNIT, DIESEL - contd			
		NP	POWER PACK ELECTRICAL EQUIPMENT		REF	
1	A	9ACR	RECTIFIER UNIT, No. 1, Mk 1	FV342588	1	See Fig 65 Harness to rectifier assy
2		NP	SUPPORT ASSEMBLY	FV586093	1	
3	A	9ACR	BRACKET, CABLE RETAINER	FV586094	1	
4	A	G1	SCREW, MACHINE, st, hex hd, Zn pl, 1/4in. UNF x 5/8in. lg		3	
5	A	G1	WASHER, LOCK, st, single coil, sq sect, Cd P, 1/4in.		3	
6		NP	SCREW, MACHINE, steel, hex hd, Zn pl, 2BA x 1/2in. lg		2	
7	A	G1	WASHER, LOCK, st, single coil, sq sect, Cd P, 3/16in.		2	
8	A	6MT6	HOSE, NON-,METALLIC, neoprene, 0.438in. id, bulk		A/R	12in. lg
9	A	9ACR	RETAINER, CABLE	FV586098	1	
10		NP	BOWDEN CLIP	850880	8	
11	A	9ACR	BRACKET, POWER UNIT HARNESS	FV585939	1	
12		NP	CLAMP, LOOP	FV585943	1	
13	A	G1	SCREW, MACHINE, st, hex hd, Zn pl, 1/4in. UNF x 1/2in. lg		6	
14	A	G1	WASHER, LOCK, st, single coil, sq sect, Cd P, 1/4in.		6	
15	A	9ACR	BRACKET, POWER UNIT HARNESS	FV585950	1	
16	A	G1	WASHER, FLAT, steel, 3/8in. hole dia		1	
17	A	G1	WASHER, LOCK, st, single coil, sq sect, Cd P, 3/8in.		1	
18	A	G1	SCREW, MACHINE, st, hex hd, Zn pl, 3/8in. UNC x 5/8in. lg		1	
19	A	G1	WASHER, FLAT, steel, Zn pl, 5/16in. hole dia		1	
20		NP	CLAMP, LOOP	FV585949	2	
21	A	G1	WASHER, FLAT, st, Cd P, 2BA		4	Power unit harness to panel
22	A	G1	WASHER, LOCK, st, single coil, sq sect, Cd P, 3/16in.		4	
23	A	G1	NUT, PLAIN, HEXAGON, st, Cd P, 2BA		4	
24		NP	HARNESS, power pack sub-frame to engine	FV166705/5	1	See Fig 67
25	A	G1	WASHER, FLAT, steel, Zn pl, 5/16in. hole dia		1	Securing power pack harness sub-frame to engine
26	A	G1	WASHER, LOCK, steel, single coil, 5/16in. hole dia		1	
27	A	G1	SCREW, MACHINE, st, hex hd, Zn pl, 5/16in. UNF x 3/4in. lg		1	
28	A	9ACR	BRACKET, POWER UNIT HARNESS	FV585945	1	
29	A	9ACR	BRACKET, POWER UNIT HARNESS	FV585947	1	
30		NP	CLAMP, LOOP	FV562680	2	
31	A	9ACR	BRACKET, POWER UNIT HARNESS	FV585937	1	
32		NP	CLAMP, LOOP	FV585942	1	
33	A	G1	WASHER, LOCK, steel, single coil, sq section, Cd plated, 1/4in.		4	
34	A	G1	SCREW, MACHINE, steel, Zn plated, hex hd, 1/4in. UNF x 1/2in. lg		4	
35	A	9ACR	BRACKET, POWER UNIT HARNESS	FV585940	1	
36		NP	CLAMP, LOOP	FV585944	1	
37	A	46MT1	CLAMP, LOOP, insulated	FV651022	1	
38	A	9ACR	CLAMP, LOOP, insulated, 3/4in. loop dia	FV651021	1	

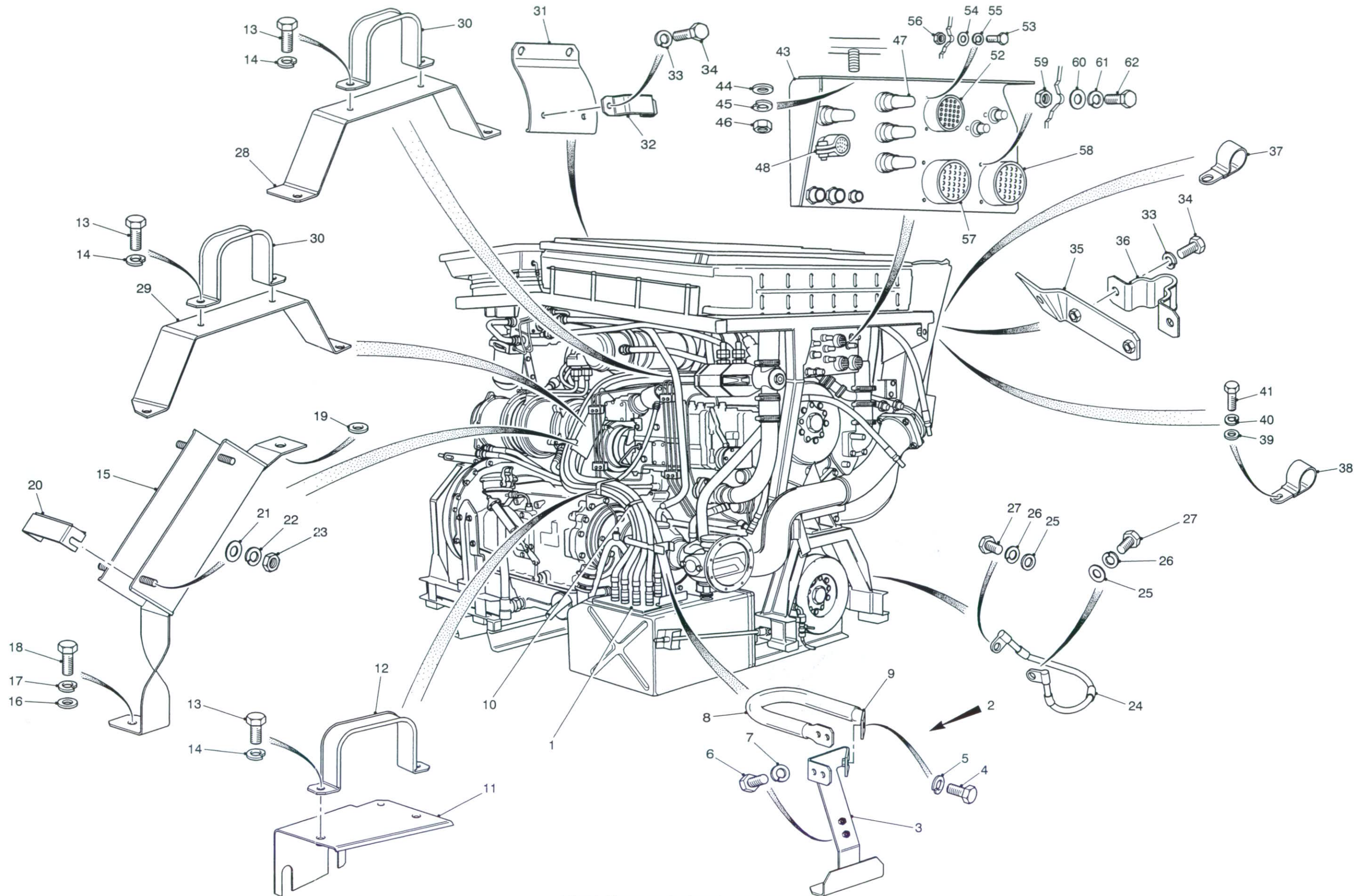


Fig 64 Power pack electrical equipment

Fig Item	Man Code Navy - N Army - A RAF - R	NATO Stock No	Item Name and Description	Part No/ Drawing No.	No. Off	Annotations
64-			POWER UNIT, DIESEL - contd . POWER PACK ELECTRICAL EQUIPMENT - contd			
39	A G1	5310-99-941-6867	. . WASHER, FLAT, st, Cd P, 2BA		1	
40	A G1	5310-99-941-6653	. . WASHER, LOCK, st, single coil, sq sect, Cd P, 3/16in.		1	
41		NP	. . SCREW, MACHINE, steel, hex hd, Zn pl, 2BA x 1/2in. lg		1	
NI 42	A 46MT4	5905-99-881-3340	. . RESISTOR, THERMAL, 28V max operating voltage, 40 deg F to 212 deg F, 73.4 ohms to 139.8 ohms zero power resistance	FV494519	1	Gearbox oil temp bulb
43	A 9ACR	2520-99-867-4808	. . PANEL, POWER PACK JUNCTION	FV559771	1	} Panel to sub-frame
44	A G1	5310-99-956-1786	. . WASHER, FLAT, steel, Zn pl, 5/16in. hole dia		2	
45	A G1	5310-99-941-6655	. . WASHER, LOCK, steel, single coil, 5/16in. hole dia		2	
46	A G1	5310-99-941-0925	. . NUT, PLAIN, HEXAGON, steel, Zn pl, 5/16in. UNF		2	
47	A 46MT4	5935-99-805-0012	. . CONNECTOR, RECEPTACLE, ELECTRICAL	QRA59	4	
48	A 46MT4	5935-99-805-0007	. . CONNECTOR, RECEPTACLE, ELECTRICAL, single mating end, 2.688in. lg x 0.938in. dia	QRA54	1	
NI 49	A 9ACR	5970-99-813-6259	. . INSULATOR, ANGLE BRACKET, plastics, 2.2in. x 1.25in. x 1.25in., w/hole 13/32in. dia	FV2249161	2	
NI 50	A 9ACR	5970-99-813-6258	. . THERMAL BARRIER, plastics, 2.2in. x 1.5in. x 0.125in. channel section, w/hole 13/32in. dia	FV2249163	2	
NI 51	A 9ACR	5970-99-813-6260	. . INSULATOR, ANGLE BRACKET, plastics, 2.2in. x 1.25in. x 1.25in, w/hole 13/32in. dia	FV2249162	1	
52	A 6MT4	2590-99-777-6039	. . WIRING, HARNESS, BRANCHED, PPJ, engine servo to EJB, thermostat gearbox oil and rectifier unit	FV324244/2	1	See Fig 67
53	A G1	5305-99-941-6829	. . SCREW, MACHINE, st, hex hd, Cd P, 6BA x 1/2in. lg		4	} Engine services harness to panel
54	A G1	5310-99-940-3515	. . WASHER, FLAT, steel, Cd P, 1/8in. hole dia		4	
55	A G1	5310-99-944-0545	. . WASHER, LOCK, st, single coil, sq sect, Cd P, 1/8in.		4	
56	A G1	5310-99-948-0015	. . NUT, PLAIN, HEXAGON, st, Cd P, 6BA		4	
57	A 6MT4	2590-99-817-0826	. . WIRING HARNESS, 5ft 7in. lg, PPJ alt front to alt front	FV582681/1 4	1	See Fig 67
58	A 6MT4	2590-99-301-1214	. . WIRING HARNESS, 7 conductors, 6ft 7in. lg, PPJ alt rear to alt rear	FV582681/1 3	1	See Fig 67
59		NP	. . SCREW, MACHINE, steel, hex hd, Zn pl, 4BA x 3/8in. lg		8	} Alternator harness front and rear to panel
60	A G1	5310-99-954-7408	. . WASHER, FLAT, steel, Zn pl, 4BA		8	
61	A G1	5310-99-915-0628	. . WASHER, LOCK, st, single coil, sq sect Cd P, 4BA		8	
62	A G1	5310-99-417-9189	. . NUT, PLAIN, HEXAGON, steel, Zn pl, 4BA		8	

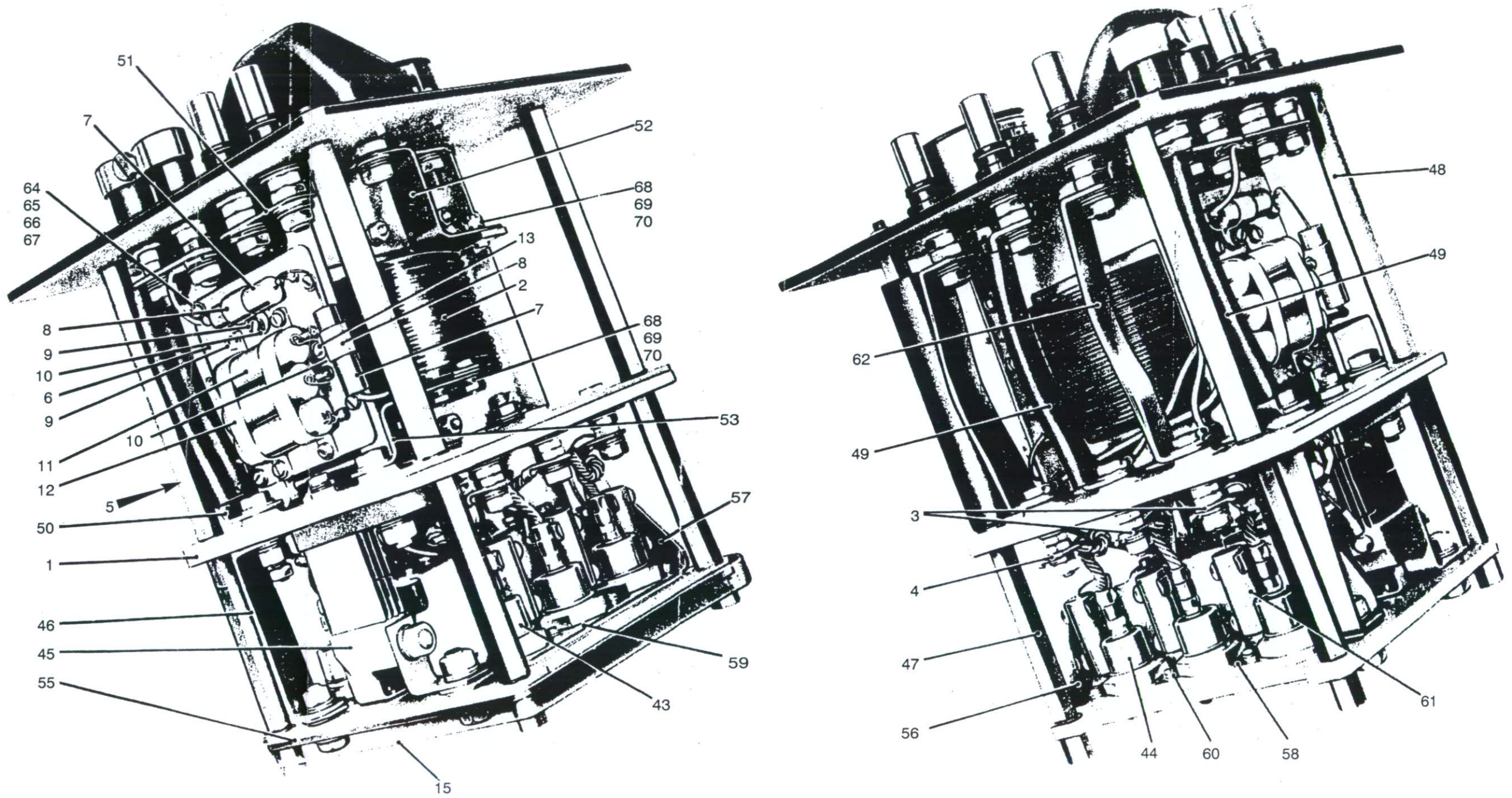


Fig 65 Rectifier unit

430/70120

Fig Item	Man Code Navy - N Army - A RAF - R	NATO Stock No	Item Name and Description	Part No/ Drawing No.	No. Off	Annotations
65-			POWER UNIT, DIESEL - contd . POWER PACK ELECTRICAL EQUIPMENT - contd			
1	A	9ACR	6130-99-881-6514 . . . RECTIFIER UNIT, No. 1, Mk 1	FV342588	1	
2	A	46MT4	5999-99-820-1558 . . . PLATE, MOUNTING	W165191	1	
3	A	46MT4	5950-99-881-6523 . . . REACTOR, rectifier unit	W166860	1	
4		NP	. . . BUS BAR	W159903	2	
5		NP	. . . BUS BAR	W159908	1	
6	A	46MT4	5999-99-881-6521 . . . PLATE, assy suppression	W166856	1	
7	A	Z31	5910-99-954-8415 . . . PLATE, MOUNTING, rectifier unit, No. 1 MK 1	W166857	1	
8		NP	. . . CAPACITOR, fixed, plastic dielectric, metallized electrode	R30-9496- 53	2	
9	A	G1	5305-99-941-2312 . . . CLAMP, cable	NK8610	2	
10		NP	. . . SCREW, MACHINE, No. 6 UNC x 3/8in. lg		5	
11	A	Z31	5910-99-251-5751 . . . WASHER, LOCK, phosph, bronze, spring, double coil, 4BA	NK7303	6	
12		NP	. . . CAPACITOR, fixed, plastic dielectric, metallized electrode, tub plas case, 2.0 µF 250V dc	281P20503 S2	3	
13	A	G1	5310-99-941-2406 . . . CLAMP, capacitor	W166859	2	
NI 14		NP	. . . NUT, PLAIN, HEXAGON, st, chamf, Zn pl, No. 6 UNC	132669	1	
NI 15		NP	. . . COVER, rectifier unit	W159881	1	
NI 16	A	9ACR	5910-99-251-5747 . . . COVER, base	W159935	1	
NI 17	A	G1	5310-99-941-9542 . . . CAPACITOR ASSEMBLY, bracket mounting, sq board, 110mm lg x 90mm w x 40mm h w/5 capacitors	80222232	1	Alternative to W166856
NI 18		NP	. . . NUT, PLAIN, HEXAGON, st, No. 6 UNC		1	
NI 19	A	G1	5305-99-941-8311 . . . WASHER, LOCK, st, double coil, 6BA		3	
NI 20	A	G1	5305-99-943-5590 . . . SCREW, MACHINE, st, pan hd, No. 6 UNC x 3/8in. lg		2	
NI 21	A	G1	5310-99-948-0389 . . . SCREW, MACHINE, st, csk hd, No. 4 UNC x 3/8in. lg		1	
NI 22	A	G1	5310-99-912-8181 . . . WASHER, FLAT, steel, 4BA bolt size		1	
NI 23	A	G1	5310-99-941-9541 . . . WASHER, LOCK, st, split helical ring, 1/8in. id		1	
NI 24	A	Z31	5910-99-251-5750 . . . NUT, PLAIN, HEXAGON, st, No. 4 UNC		1	
NI 25	A	Z31	5910-99-251-5751 . . . CAPACITOR, fixed metallized paper-plastic dielectric	218P47403 S2	2	
NI 26		NP	. . . CAPACITOR, metal case, un- insulated 300V dc, w/2 terminals	218P0503S 2	3	
NI 27		NP	. . . BOARD, group assembly	W166853	1	
NI 28	A	Y3	5970-99-999-5578 . . . BOARD, group, sub-assembly	W166854	1	
NI 29		NP	. . . INSULATION, SLEEVING, ELECTRICAL, PVC, 1.5mm		6	
NI 30		NP	. . . DIODE, silicon 400V	W15068-22	A/R	
NI 31	A	G1	5310-99-941-8703 . . . TERMINAL, LUG, eyelet	W65648-2	9	
NI 32		NP	. . . WASHER, FLAT, brass, small, 6BA		1	
NI 33		NP	. . . SCREW, MACHINE, br, ch hd, 6BA x 3/8in. lg		3	
			. . . TERMINAL, LUG, eyelet	W109591	3	

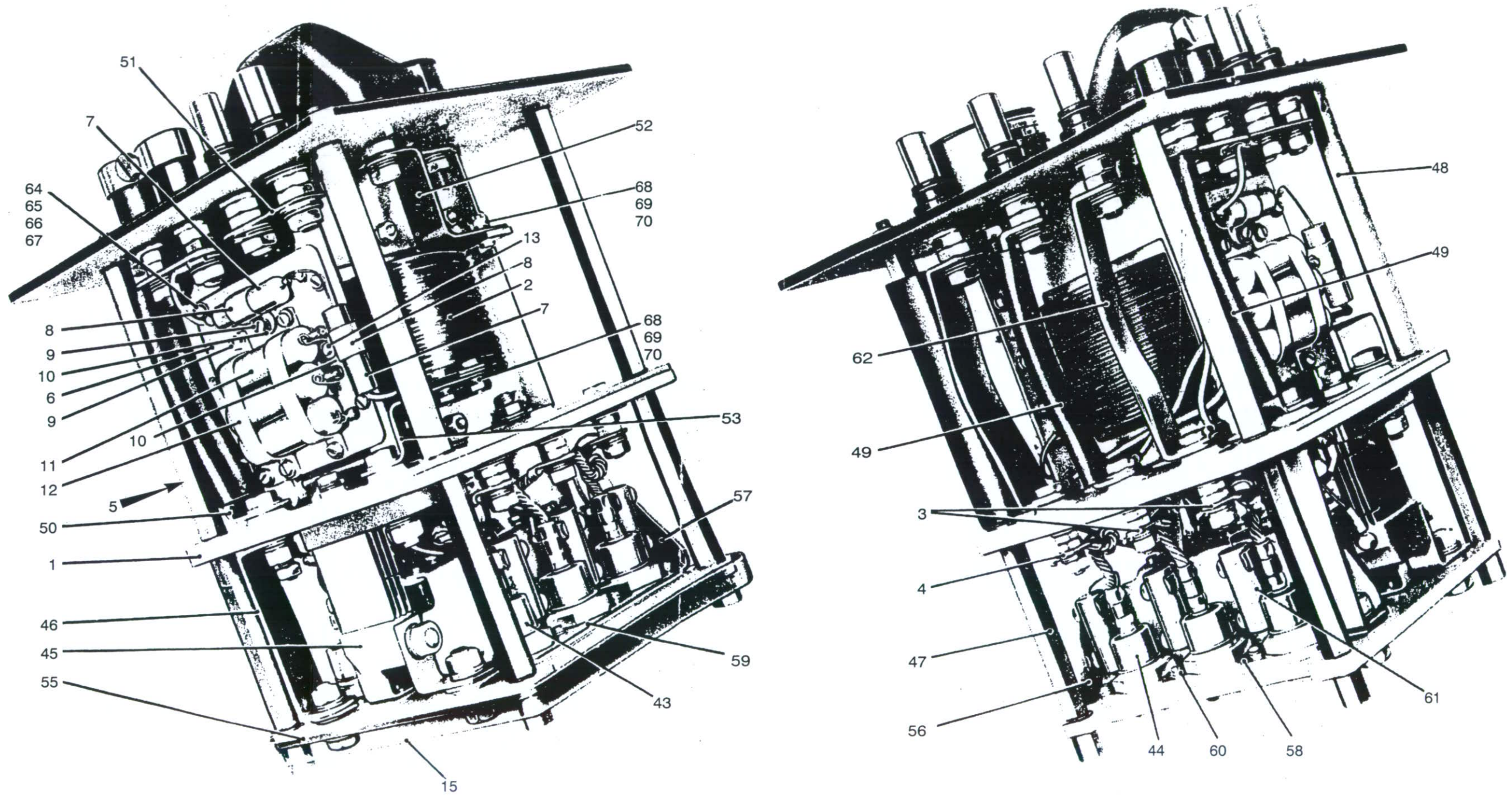


Fig 65 Rectifier unit

Fig Item	Man Code Navy - N Army - A RAF - R	NATO Stock No	Item Name and Description	Part No/ Drawing No.	No. Off	Annotations
65-			POWER UNIT, DIESEL - contd . POWER PACK ELECTRICAL EQUIPMENT - contd . . . RECTIFIER UNIT, No. 1, Mk 1 - contd			
NI 34	A 9ACR	2920-99-251-5744 GROUP BOARD ASSEMBLY, 110mm lg x 55mm w x 27mm h, w/3 capacitors and 3 diodes mtd in line	80226757	1	Alternative to W166853
NI 35	A Z31	5910-99-251-5754 CAPACITOR, fixed metallized paper-plastic dielectric, metal case, 300V dc w/2 terminals	218P10503 S2	9	
NI 36		NP SEMI-CONDUCTOR DEVICE, DIODE, 6BA, c/w 10-32 UNF nut and 2BA washer	80226120	3	
NI 37	A 46MT4	5310-99-580-6759 NUT, PLAIN, HEXAGON, st, No. 10 UNF		3	
NI 38		NP NUT, SELF-LOCKING HEXAGON, bronze, 6BA		3	
NI 39	A G1	5305-99-913-4012 SCREW, MACHINE, br, fil hd, 6BA		3	
NI 40		NP WASHER, FLAT, brass, 6BA		6	
NI 41	A G1	5310-99-100-9752 WASHER, FLAT, br, 3/16in. id		3	
NI 42	A G1	5310-99-946-9796 WASHER, SPRING TENSION, cu, 13/64in. id		3	
43	A Z42	5961-99-037-3870	. . . SEMI-CONDUCTOR DEVICE, DIODE	45LR20	3	
44	A Z42	5961-99-037-3809	. . . SEMI-CONDUCTOR DEVICE, DIODE	CV7556/45L 20	3	
45		NP	. . . SHUNT, INSTRUMENT, 300A, 75mV	W167265	1	
46		NP	. . . BUS BAR	W162069	1	
47		NP	. . . SPACER SCREWED	W159911	4	
48		NP	. . . SPACER, SCREWED	W159913	4	
49		NP	. . . INSULATION, SLEEVING	W155787/2 59	2	
50		NP	. . . BUS BAR	W159914	1	
51		NP	. . . BUS BAR	W165188	1	
52		NP	. . . BUS BAR	W167107	1	
53		NP	. . . BUS BAR	W166862	1	
NI 54	A 46MT4	5970-99-881-6524	. . . BOARD ASSEMBLY, INSULATING	W166847	1	
55		NP BOARD, insulating	W166846	1	
56		NP HEAT SINK, assy	W166849	1	
57		NP HEAT SINK, assy	W166849/1	1	
58		NP	. . . BUS BAR	W166851	1	
59		NP	. . . BUS BAR	W166851/1	1	
60		NP	. . . TERMINAL, LUG, eyelet	W65648/2	6	
61	A Z31	5910-99-209-1535	. . . CAPACITOR, FIXED, plastic dielectric, metallized electrode, tub plas case, 1.0µF 250V dc	93255292	6	
62		NP	. . . BUS BAR	W161960	3	
NI 63		NP	. . . CLAMP, cable	NK8602	2	
64	A G1	5305-99-941-8615	. . . SCREW, MACHINE, st, fil hd, Cd P, slotted, No. 6 UNC x 7/16in. lg		4	
65	A G1	5310-99-941-6869	. . . WASHER, FLAT, st, rd, 0.152in. id x 0.296in. od x 0.028in. thk		4	
66	A G1	5310-99-941-6652	. . . WASHER, LOCK, single turn, flat sect, 4BA		4	
67	A G1	5310-99-941-2406	. . . NUT, PLAIN, HEXAGON, st, chamfered, Zn pl, No. 6 UNC		4	

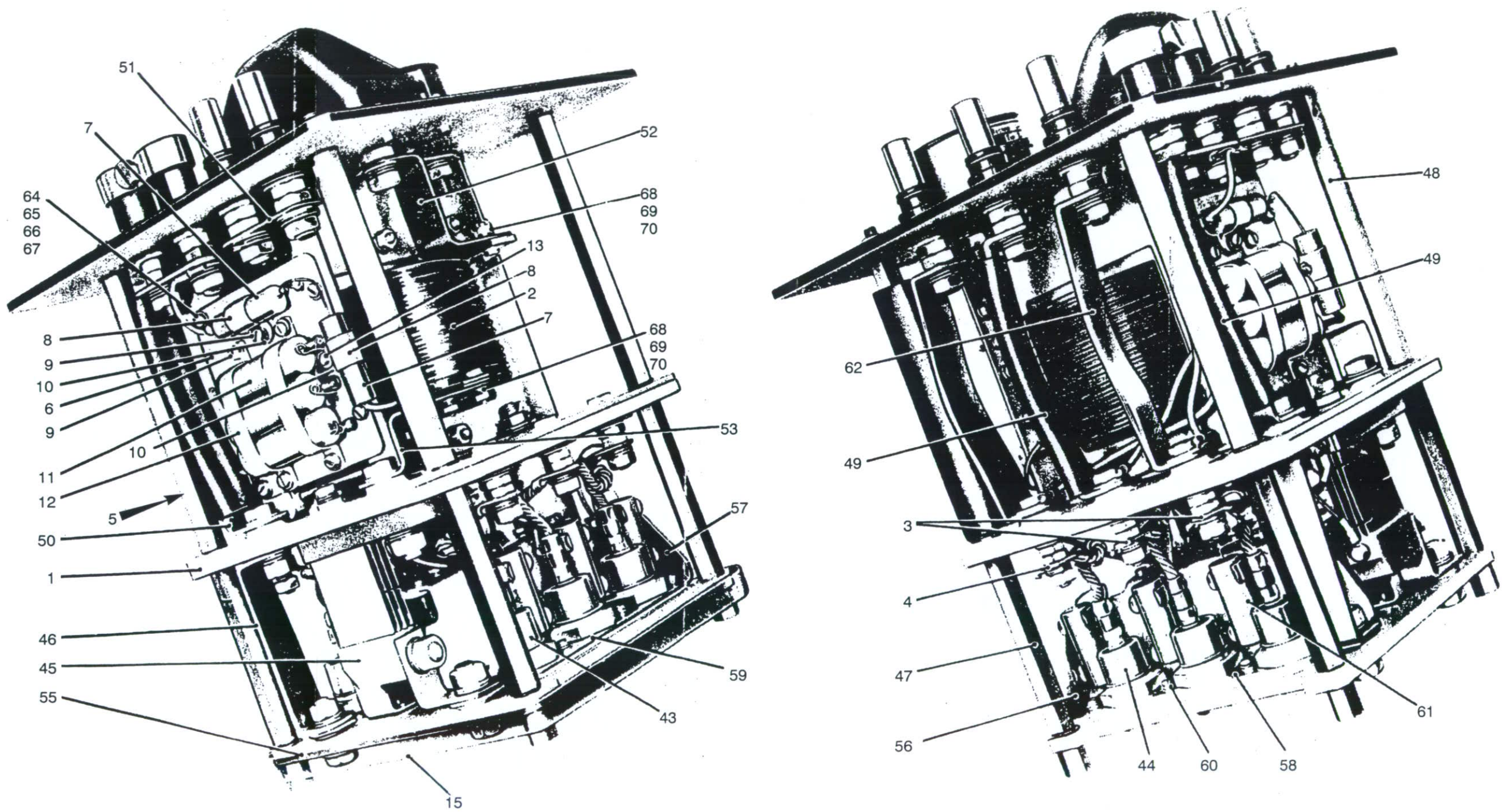


Fig 65 Rectifier unit

Fig Item	Man Code Navy - N Army - A RAF - R		NATO Stock No	Item Name and Description	Part No/ Drawing No.	No. Off	Annotations
65-				POWER UNIT, DIESEL - contd . POWER PACK ELECTRICAL EQUIPMENT - contd . . RECTIFIER UNIT, No. 1, Mk 1 - contd			
68			NP	. . . WASHER, LOCK, phosph bronze, double coil, 0.157in. id x 0.286in. od x 0.032in. thk, BA		4	
69	A	G1	5310-99-943-7455	. . . WASHER, FLAT, br, rd, tin pl, 0.157/0.152in. id, 0.301/0.296in. od, 0.208in. thk		4	
70			NP	. . . NUT, PLAIN, HEXAGON, st, 0.1150/0.125in. o/a h, No. 6 UNC		4	

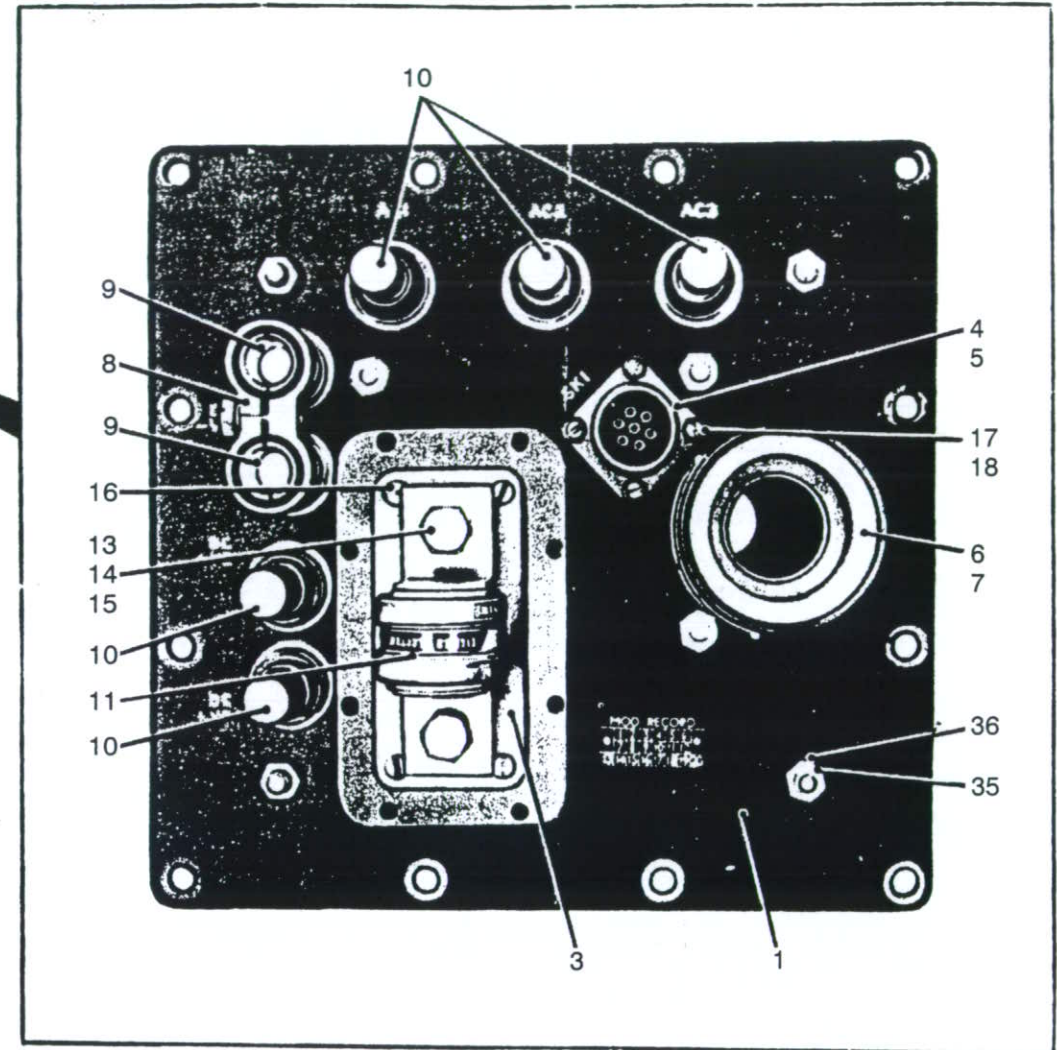
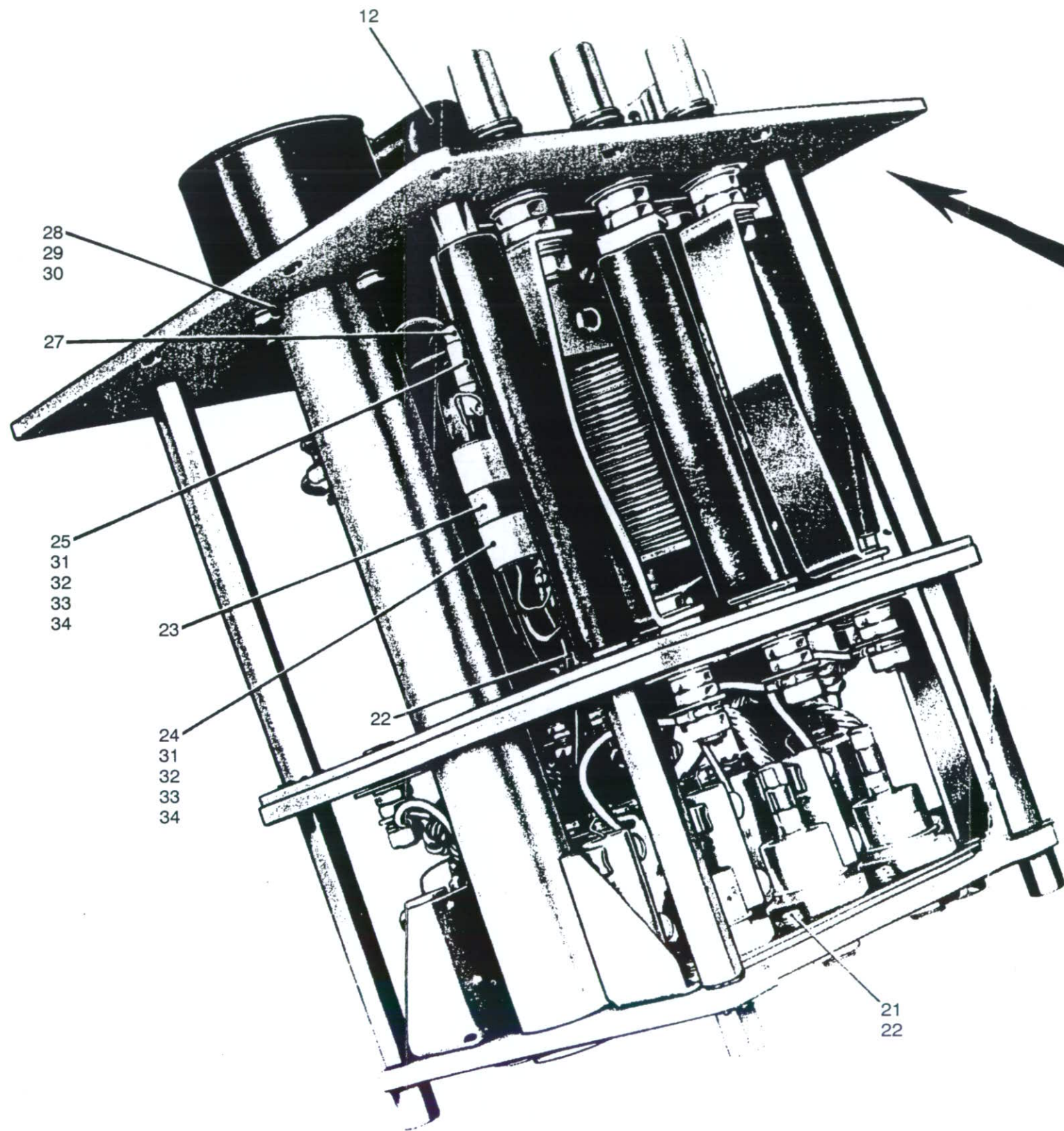


Fig 66 Rectifier unit

Fig Item	Man Code Navy - N Army - A RAF - R	NATO Stock No	Item Name and Description	Part No/ Drawing No.	No. Off	Annotations
66-			POWER UNIT, DIESEL - contd . POWER PACK ELECTRICAL EQUIPMENT - contd . . . RECTIFIER UNIT - contd			
1		NP	. . . PLATE, assy top	W165173	1	
NI 2	A	6MT4 5920-99-881-6513	. . . GASKET	W165172	1	
3	A	46MT4 5940-99-881-6512	. . . TERMINAL BOARD, insulation assy	W165171	1	
4	A	46MT4 5935-99-881-9666	. . . CONNECTOR, FIXED, ELECTRICAL, fixed, 16S-1S	FV585014	1	
5	A	46MT4 5330-99-881-4002	. . . GASKET, shell, size 16S	D10-36675-16	1	
6	A	46MT4 2590-99-881-6506	. . . TUBE AND FLANGE ASSEMBLY, rectifier unit	W159929-1	1	
7		NP	. . . GASKET, oil outlet	W159932	1	
8	A	46MT4 5935-99-805-0020	. . . RETAINER, ELECTRICAL PLUG/SOCKET	QRD1006	1	
9	A	46MT4 5935-99-805-0007	. . . SOCKET, ELECTRICAL, heavy duty, 280 amp	QRA54	2	
10	A	46MT4 5935-99-805-0012	. . . CONNECTOR, RECEPTACLE, ELECTRICAL	QRA59	5	
11	A	46MT4 5920-99-204-8160	. . . FUSE LINK, CARTRIDGE, heavy duty, 250 amp	GS150-250		
12	A	9ACR 5920-99-881-6508	. . . COVER, FUSE, rectifier unit	W165166	1	
13	A	G1 5305-99-941-3185	. . . SCREW, CAP, HEXAGON HEAD, br, hex hd, tin pl, 5/16in. UNF x 1.00in. lg		4	Reduce to 1/2in.
14	A	G1 5310-99-971-3810	. . . WASHER, FLAT, 5/16in. brass		4	
15	A	G1 5310-99-941-6678	. . . WASHER, LOCK, 5/16in. double coil		4	
16	A	G1 5305-99-941-1950	. . . SCREW, MACHINE, st, flat, csk hd, slotted, No. 6 UNC x 1/2in. lg		4	
17	A	G1 5305-99-941-2300	. . . SCREW, MACHINE, st, Cd P, fil hd, slotted, No. 4 UNC x 5/16in. lg		4	
18		NP	. . . WASHER, SPRING TENSION, beryllium cu, crinkle, 0.125in. id x 0.250in. od x 0.006in. thk		4	
NI 19	A	G1 5305-99-941-2314	. . . SCREW, MACHINE, st, Cd P, fil hd, slotted, No. 6 UNC x 5/8in. lg		8	Reduce to 9/16in. Securing fuse cover
NI 20	A	G1 5310-99-912-8182	. . . WASHER, LOCK, double coil, 4BA		8	
21	A	G1 5305-99-941-2300	. . . SCREW, MACHINE, st, Cd P, fil hd, slotted, No. 4 UNC x 5/16in. lg		4	
22		NP	. . . WASHER, LOCK, steel, double coil, 6BA		6	
23	A	Z31 5910-99-954-8415	. . . CAPACITOR FIXED, PLASTICS DIELECTRIC	R30-9494-53	1	
24		NP	. . . CLAMP, cable	NK8610	2	
25		NP	. . . CLAMP, cable	NK8602	1	
26		NP	. . . INSULATION SLEEVING	W155787/2 60	1	
27		NP	. . . SLEEVE, IDENTIFICATION CABLE, 3mm id x 1.00in. white	W155787/4 7	1	
28	A	G1 5306-99-948-2406	. . . BOLT, MACHINE, st, hex hd, No. 10 UNF x 0.407in. lg		4	
29	A	G1 5310-99-940-3514	. . . WASHER, FLAT, special, generator and alternator		4	
30	A	G1 5310-99-941-6643	. . . WASHER, LOCK, single coil, 2BA		4	
31	A	G1 5305-99-941-8315	. . . SCREW, MACHINE, st, fil hd, Cd P, slotted, No. 6 UNC x 7/16in. lg		3	
32	A	G1 5310-99-911-6869	. . . WASHER, FLAT, st, 0.152in. x 0.296in. x 0.028in. thk		3	

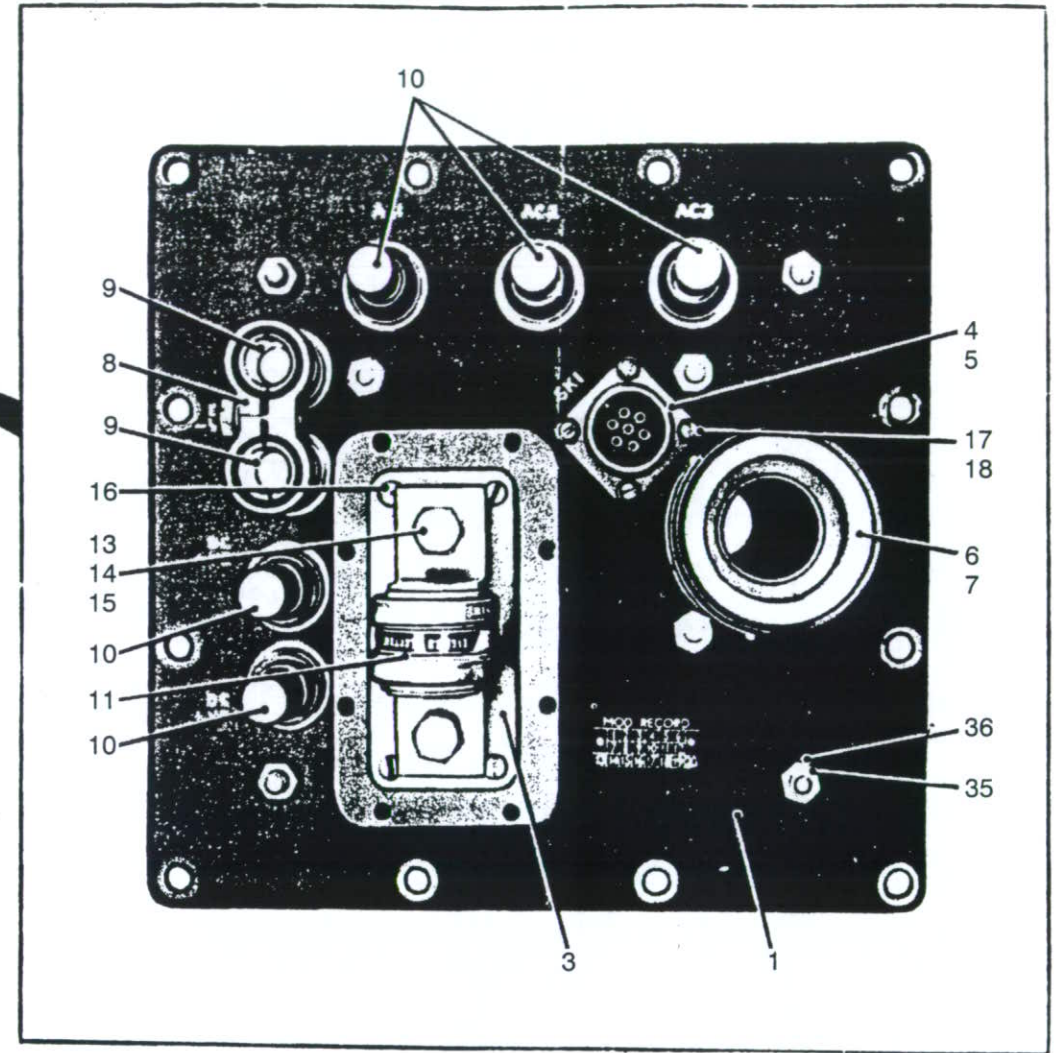
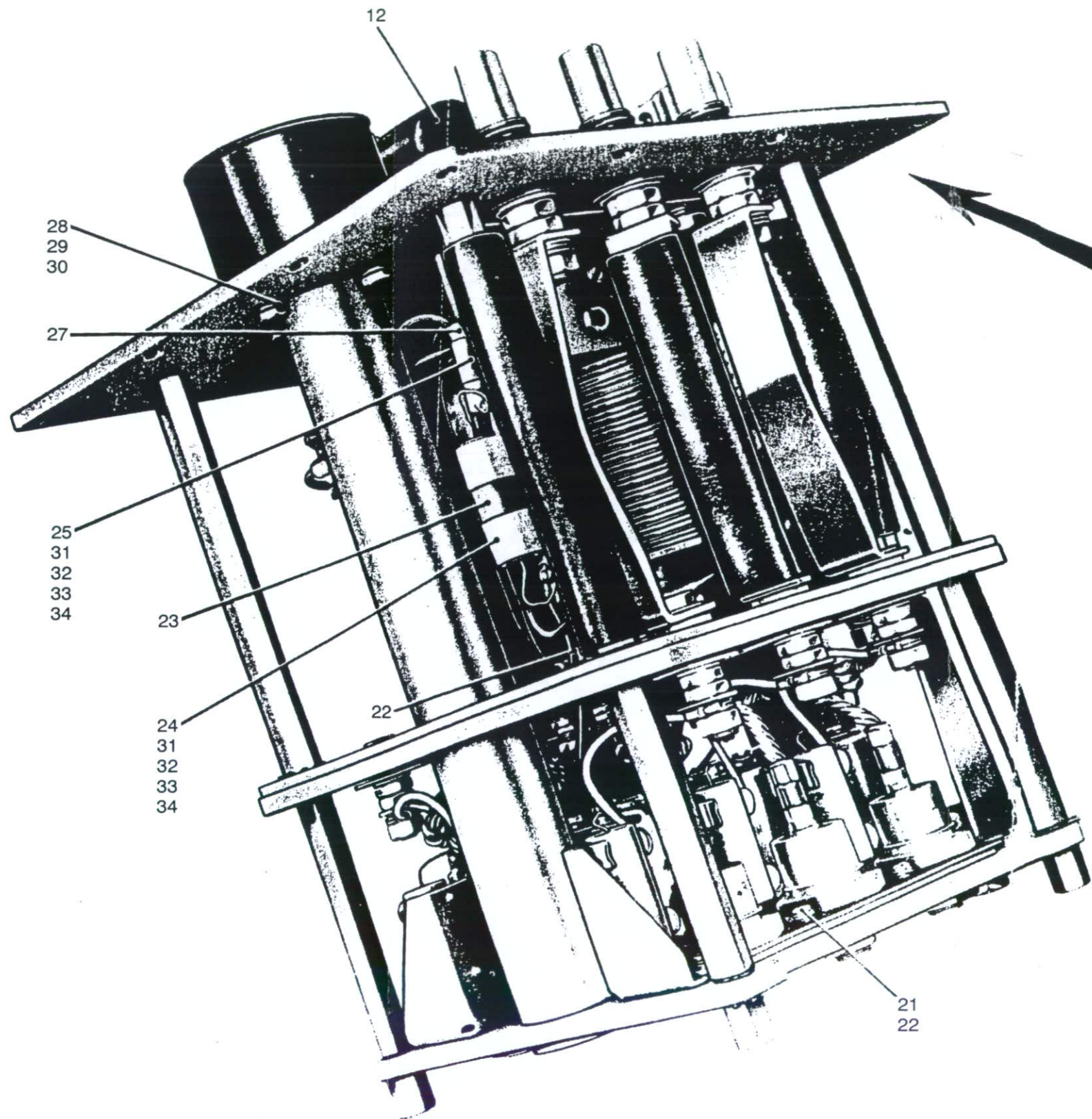


Fig 66 Rectifier unit

Fig Item	Man Code Navy - N Army - A RAF - R		NATO Stock No	Item Name and Description	Part No/ Drawing No.	No. Off	Annotations
66-				POWER UNIT, DIESEL - contd . POWER PACK ELECTRICAL EQUIPMENT - contd . . RECTIFIER UNIT - contd			
33	A	G1	5310-99-941-6652	. . . WASHER, LOCK, single turn, flat sect, 4BA		3	
34	A	G1	5310-99-941-2406	. . . NUT, PLAIN, HEXAGON, st, chamfered, Zn pl, No. 6 UNC		3	
35	A	G1	5310-99-941-6306	. . . NUT, PLAIN, HEXAGON, st, chamfered, Cd P, 1/4in. UNF		4	
36	A	G1	5310-99-941-8921	. . . WASHER, FLAT, st, Cd P, 1/4in.		4	

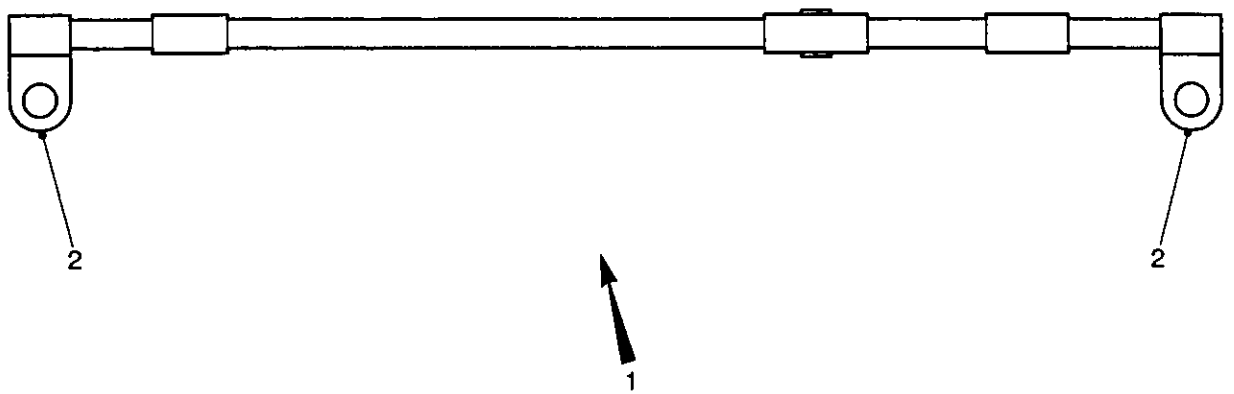


Fig 67 Wiring harnesses

430/70193

Fig Item	Man Code Navy - N Army - A RAF - R	NATO Stock No	Item Name and Description	Part No/ Drawing No.	No. Off	Annotations
67-			POWER UNIT, DIESEL - contd . POWER PACK ELECTRICAL EQUIPMENT - contd			
1		NP NP	. . . WIRING, HARNESSSES		REF	
2	A	Z37	. . . WIRING, HARNESS, power sub-frame, to engine	FV166705/5	1	
NI 3	A	6MT4	. . . TERMINAL, LUG	FV925652	2	
NI 4	A	6MT4	. . . WIRING, HARNESS, 7 conductors, 6ft 7in. lg, PPJ alt rear to alt rear	FV582681/1 3	1	See items 5 to 9
NI 5	A	6MT4	. . . WIRING, HARNESS, 5ft 7in. lg, PPJ alt front to alt front	FV582681/1 4M	1	
NI 6	A	6MT4	. . . SOCKET, ELECTRICAL, free, 28S- 10S	FV585068	1	
NI 7	A	6MT4	. . . PLUG, ELECTRICAL, free, 28S-7P	FV585029	1	
NI 8	A	6MT4	. . . GROMMET, RUBBER	FV585092	1	
NI 9	A	6MT4	. . . FOLLOWER, RING, GROMMET, AI, 1.200in. id, 1-7/16in. od	FV585103	1	
NI 10	A	6MT4	. . . NUT, BUSHING RETAINER, ELECTRICAL PLUG-SOCKET	FV585111	1	
NI 11	A	6MT4	. . . WIRING, HARNESS BRANCHED, 3ft 1-1/2in. lg, 4 branches, power pack junction, engine servo to engine junction box and thermostat gearbox and rectifier unit	FV324244/2	1	
NI 12	A	46MT4	. . . CONNECTOR, RECEPTACLE, ELECTRICAL, fixed, 22-14	FV585020	1	
NI 13		NP	. . . ADAPTOR, ASSEMBLY, ELECTRICAL CONNECTOR, straight	C10-35918- 22	1	
NI 14		NP	. . . CONE, SEALING	10-35916- 22	1	
NI 15		NP	. . . RING, PISTON	C7101-20	1	
NI 16	A	46MT4	. . . NUT, COUPLING, ELECTRICAL CONNECTOR, AI	FV502553	1	
NI 17	A	6MT1	. . . CONNECTOR, FREE, free, 18S-1P	FV159979	1	
NI 18		NP	. . . PLUG, ELECTRICAL	FV(3)6/41A/ 1	1	
NI 19	A	6MT4	. . . WASHER, FLAT, br, Cd P, 7/16in. hole dia		1	
NI 20	A	Y3	. . . WIRE, ELECTRICAL, single conductor, tersil 16	BSG189 UNITERSIL 16	A/R	
NI 21		NP	. . . CABLE, ASSEMBLY. POWER, ELECTRICAL, rectifier AC1 to PPJ AC1	FV167667/1 0	1	} See Items 24 to 30
NI 22	A	9ACR	. . . CABLE ASSEMBLY, POWER, ELECTRICAL, single conductor, heavy duty socket 1st end, right angled lug 2nd end, 6ft 5in. lg, rectifier AC2 to PPJ AC2	FV167667/1 1M	1	
NI 23	A	6MT4	. . . CABLE ASSEMBLY, POWER, ELECTRICAL, single conductor, heavy duty, socket 1st end, angled lug 2nd end, 6ft 5in. lg, rectifier AC3 to PPJ AC3	FV167667- 12	1	
NI 24	A	6MT4	. . . SOCKET, ELECTRICAL, heavy duty, 200A	FV131144	1	
NI 25		NP	. . . CABLE, NIPPLE, ELECTRICAL, socket	FV131172	1	
NI 26	A	46MT4	. . . INSULATOR, BUSHING, socket, bakelite	FV131070	1	

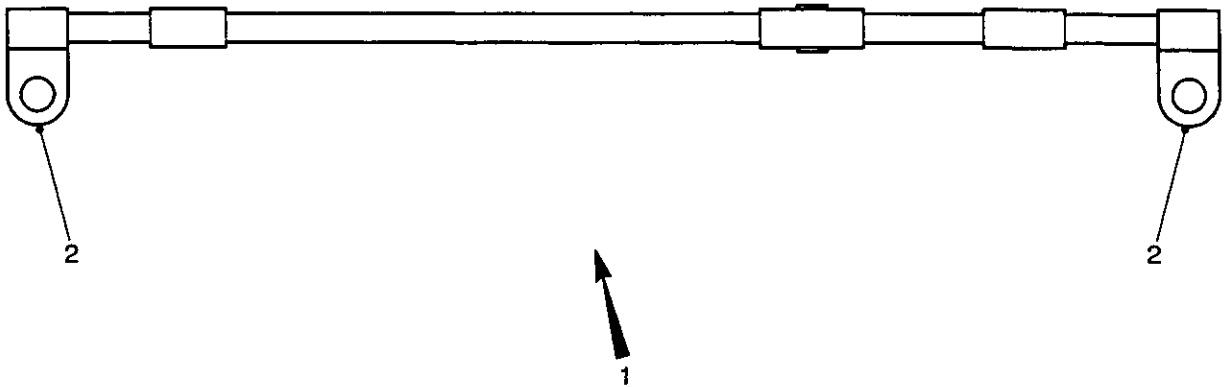


Fig 67 Wiring harnesses

430/70193

Fig Item	Man Code Navy - N Army - A RAF - R	NATO Stock No	Item Name and Description	Part No/ Drawing No.	No. Off	Annotations
67-			POWER UNIT, DIESEL - contd . POWER PACK ELECTRICAL EQUIPMENT - contd . . . CABLE ASSEMBLY, POWER, ELECTRICAL - contd SOCKET, ELECTRICAL - contd			
NI 27	A	6MT4	5340-99-805-0034 CLAMP, LOOP, socket	FV131071	1	
NI 28	A	6MT4	5940-99-881-9403 TERMINAL, LUG, 7/8in. od		1	
NI 29	A	6MT4	5340-99-881-9407 BUSHING, RUBBER		1	
NI 30	A	Y3	6145-99-104-7325 WIRE, ELECTRICAL, tersil 00		A/R	
NI 31		NP	. . . CABLE ASSEMBLY, POWER, ELECTRICAL, rectifier, dc -ve to PPJ dc -ve	FV166418/3	1	
NI 32	A	6MT4	5935-99-805-0027 . . . CONTACT, ELECTRICAL, heavy duty, 280A	FV129964	1	
NI 33	A	6MT4	5975-99-805-0028 . . . CABLE, NIPPLE, ELECTRICAL, insulation plug	FV129965	1	
NI 34	A	6MT4	9940-99-881-9406 TERMINAL LUG	FV166417	1	
NI 35	A	6MT4	5340-99-881-9407 BUSHING, RUBBER	FV562070	1	
NI 36	A	Y3	6145-99-104-7324 WIRE, ELECTRICAL, tersil 0000		A/R	
NI 37	A	6MT4	2590-99-818-7798 . . . CABLE ASSEMBLY, POWER, ELECTRICAL, rectifier, dc +ve to PPJ dc +ve	FV166419/5 M	1	
NI 38	A	6MT4	5935-99-805-0011 SOCKET, ELECTRICAL, heavy duty, 280A	FV131169	1	
NI 39	A	46MT4	5970-99-805-0033 INSULATOR, BUSHING, socket, bakelite	FV131070	1	
NI 40	A	6MT4	5340-99-805-0034 CLAMP, LOOP, socket	FV131071	1	
NI 41	A	6MT4	5970-99-818-9178 SLEEVE, INSULATOR, rubber moulded	FV131173	1	
NI 42	A	6MT1	5330-99-801-6628 RING, SEALING TOROIDAL, ru, 9/16in. id x 3/32in. h, 90 deg BS harness	FV131066	1	
NI 43	A	6MT4	9940-99-881-9406 TERMINAL LUG	FV166417	1	
NI 44	A	6MT4	5340-99-881-9407 BUSHING RUBBER	FV562070	1	
NI 45	A	Y3	6145-99-104-7324 WIRE, ELECTRICAL, tersil 0000		A/R	
NI 46	A	6MT4	2590-99-818-7793 . . . CABLE ASSEMBLY, POWER, ELECTRICAL, single conductor, socket 1st end, plug 2nd end, 7ft 5in. lg, ST -ve to rectifier dc -ve	FV166403- 36M	1	
NI 47	A	6MT4	5935-99-805-0011 SOCKET, ELECTRICAL, heavy duty, 280A	FV131169	1	
NI 48	A	46MT4	5970-99-805-0033 INSULATOR, BUSHING, socket, bakelite	FV131070	1	
NI 49	A	6MT4	5340-99-805-0034 CLAMP, LOOP, socket	FV131071	1	
NI 50	A	6MT4	5970-99-818-9178 SLEEVE, INSULATOR, rubber moulded	FV131173	1	
NI 51	A	6MT1	5330-99-801-6628 RING, SEALING TOROIDAL, ru, 9/16in. id x 3/32in. h, 90 deg BS hardness	FV131066	1	
NI 52	A	6MT4	5935-99-805-0027 . . . CONTACT, ELECTRICAL, heavy duty, 280A	FV129964	1	
NI 53	A	6MT4	5975-99-805-0028 . . . CABLE, NIPPLE, ELECTRICAL, insulating plug	FV129965	1	
NI 54	A	Y3	6145-99-104-7324 WIRE, ELECTRICAL, tersil 0000		A/R	
NI 55	A	6MT4	2590-99-818-7792 . . . CABLE ASSEMBLY, POWER, ELECTRICAL, single conductor, socket both ends, 7ft 2in. lg, ST +ve to rectifier dc +ve	FV166406- 10M	1	
NI 56	A	6MT4	5935-99-805-0011 SOCKET, ELECTRICAL, heavy duty, 280A	FV131169	1	

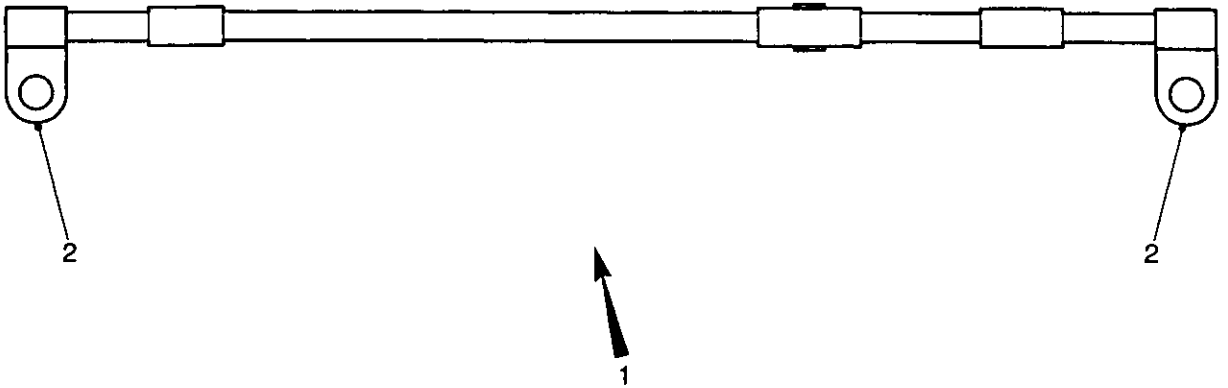


Fig 67 Wiring harnesses

430/70193

Fig Item	Man Code Navy - N Army - A RAF - R	NATO Stock No	Item Name and Description	Part No/ Drawing No.	No. Off	Annotations
67-			POWER UNIT, DIESEL - contd . POWER PACK ELECTRICAL EQUIPMENT - contd . . . CABLE ASSEMBLY, POWER, ELECTRICAL - contd			
NI 57	A 46MT4	5970-99-805-0033 INSULATOR, BUSHING, socket, bakelite	FV131070	1	
NI 58	A 6MT4	5340-99-805-0034 CLAMP, LOOP, socket	FV131071	1	
NI 59	A 6MT4	5970-99-818-9178 SLEEVE, INSULATOR, rubber moulded	FV131173	1	
NI 60	A 6MT1	5330-99-801-6628 RING, SEALING, TOROIDAL, ru, 9/16in. id x 3/32in. h, 90 deg BS hardness	FV131066	1	
NI 61	A Y3	6145-99-104-7324	. . . WIRE, ELECTRICAL, tersil 0000		A/R	
NI 62	A 6MT4	5970-99-520-6745	. . . SLEEVE, INSULATION, ELECTRICAL, flexible, yellow, 2.00in. nom lg		1	

Chapter 2-5

PARTS LIST

FUEL SYSTEM GENERAL ARRANGEMENT

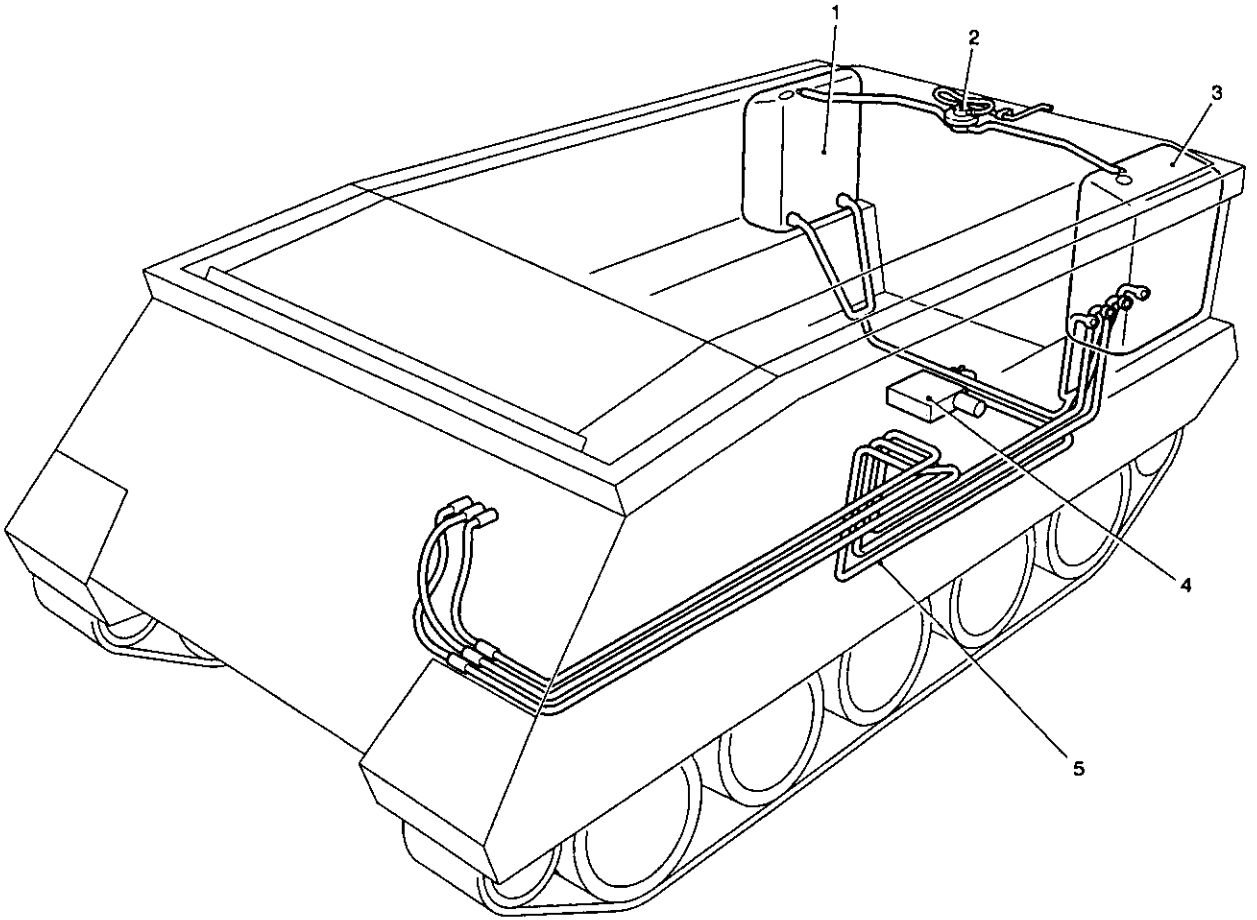


Fig 1 Fuel system general arrangement

430/70179

Fig Item	Man Code Navy - N Army - A RAF - R	NATO Stock No	Item Name and Description	Part No/ Drawing No.	No. Off	Annotations
1-		NP	FUEL SYSTEM GENERAL ARRANGEMENT	FV559203	REF	
1		NP	. FUEL TANK ASSEMBLY, RH	FV585865	REF	See Fig 2
2		NP	. FUEL VENT ASSEMBLY	FV485120	REF	See Fig 4
3		NP	. FUEL TANK ASSEMBLY, LH	FV559238	REF	See Fig 2
4		NP	. COLLECTOR TANK AND FITTINGS	FV559306	REF	See Fig 5
5		NP	. FUEL PIPES AND FITTINGS		REF	See Fig 7

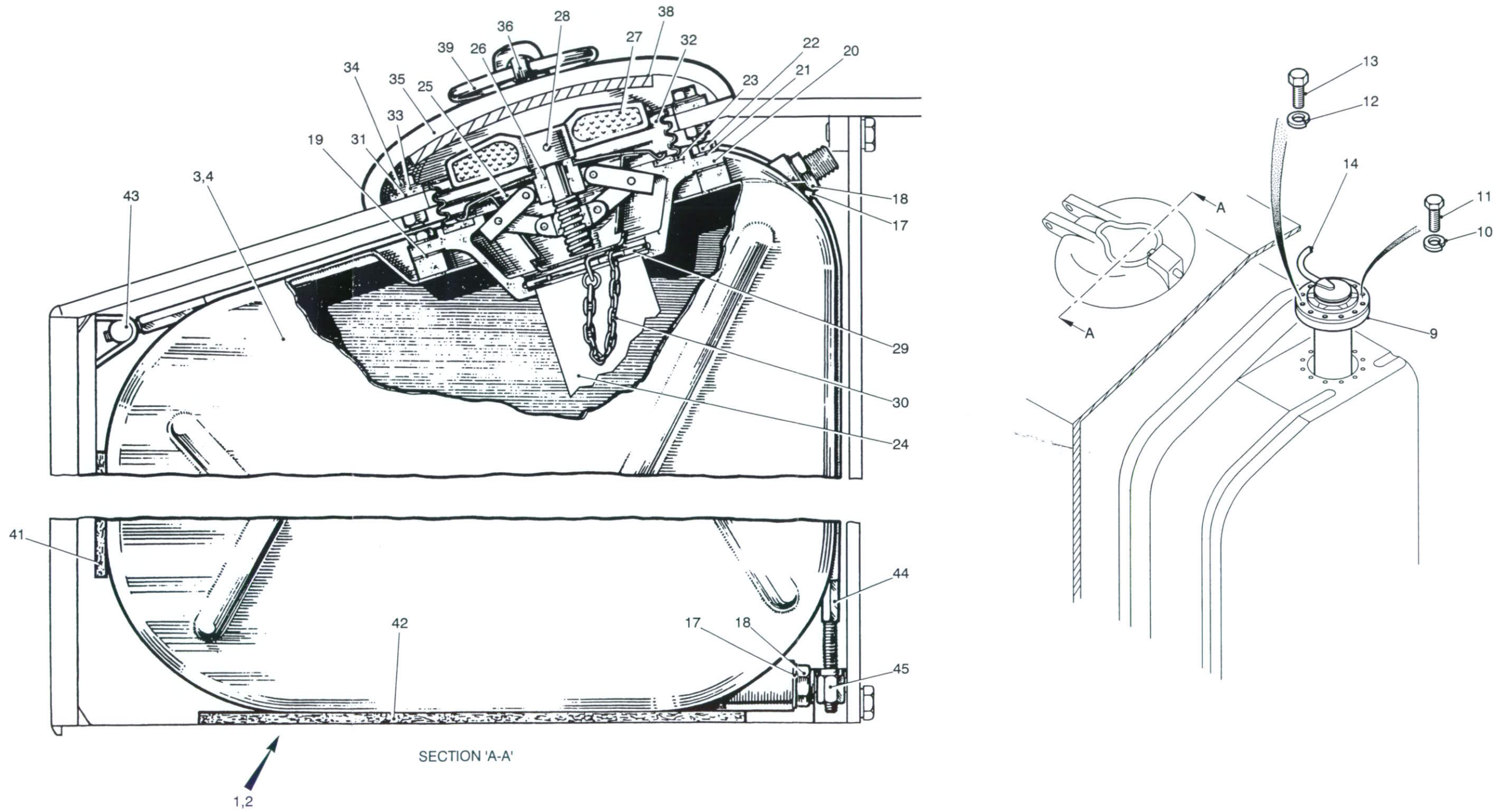


Fig 2 Main fuel tanks and fittings

Fig Item	Man Code Navy - N Army - A RAF - R	NATO Stock No	Item Name and Description	Part No/ Drawing No.	No. Off	Annotations
2-			FUEL SYSTEM GA - contd			
		NP	. MAIN FUEL TANK AND FITTINGS			REF
1		NP	. FUEL TANK ASSEMBLY, LH	FV559238		REF
2		NP	. FUEL TANK ASSEMBLY, RH	FV585865		REF
3	A	9ACR 2910-99-808-3091	. . TANK, FUEL, ENGINE, LH	FV646284		1
4	A	9ACR 2910-99-808-3092	. . TANK, FUEL, ENGINE, RH	FV646285		1
5	A	9CVT 5330-99-290-6005	. . . GASKET, cork, rd w/rd aperture, 7.1mm hole dia, 8 bolt holes, 139.95mm od, 114.55mm aperture dia, 1.5mm cross-section thk	FV2227589		1
6	A	7SL 2910-99-874-0503	. . . COVER, ACCESS, steel, 3/16in. thk, 5-1/2in. dia	FV422117		1
7	A	G1 5310-99-100-7777	. . . WASHER, LOCK, steel, flat ext teeth, 1/4 x 0.506 x 0.030in. thk			8
8	A	G1 5305-99-941-0512	. . . SCREW, MACHINE, UNF, steel, zinc P, 1/4 x 5/8in. lg hex hd, class 2A thd			8
9	A	9ACR 6680-99-802-0808	. . TRANSMITTER, LIQUID QUANTITY INDICATOR	FV499376		1
10	A	G1 5310-99-941-6653	. . WASHER, LOCK, steel, split helical ring, 0.198in. x 0.064in. thk, 0.330in. od			11
11		NP	. . SCREW, MACHINE, BA, steel, rh, Cd P, 0.185 x 0.625 x 0.132 hd h, hex hd			11
12	A	G1 5310-99-941-6654	. . WASHER, LOCK, steel, split helical ring, 1/4in. nom bolt size, 27/64in. od 5/64in. thk			1
13	A	G1 5305-99-941-1067	. . SCREW, MACHINE, s steel, hex hd, Cd P, class 2A thd, 1/4in. x 5/8in. lg			1
14	A	6MT4 6150-99-881-3773	. . WIRING HARNESS, fuel gauge to fuel gauge junction	FV582488/1		1
15	A	6MT1 5330-99-943-6628	. . GASKET, rubber, 32 x 18.62 x 18.8mm dia	400-011-44- 90-41		2
16	A	46MT1 4730-99-801-2025	. . NIPPLE, TUBE, steel, 5/8in. UNF both ends	FV(S) 87 item 5		2
17	A	6MT1 5330-99-942-8454	. . GASKET, syn rubber/steel, rd, 0.778in. id x 1.065in. od x 0.127in. thk	AGS1186- CC		3
18	A	46MT1 4730-99-801-1933	. . NIPPLE, TUBE, steel, 3/4in/ UNF both ends	FV(S)87 item 7		3
19	A	9ACR 5330-99-865-6811	. . GASKET, cork, 0.2812in. hole dia, 7.5in. od, 8 bolt holes 0.062in. thk	FV480096		1
20	A	9ACR 2910-99-865-6809	. . HOUSING, FUEL TANK CAP,	FV480094		1
21	A	G1 5310-99-941-6654	. . WASHER, LOCK, steel, split helical ring, 1/4in. nom bolt size, 27/64in. od, 5/64in. thk			8
22	A	G1 5305-99-941-0513	. . SCREW, MACHINE, UNF, steel, zinc P, hex hd, 1/4in. x 3/4in. lg			8
23	A	G1 5310-99-800-7897	. . WASHER, FLAT, syn rubber, 4.15 x 5.9 x 0.25in. thk	FV586556		1
24	A	9ACR 2910-99-866-5448	. . STRAINER ELEMENT, SEDIMENT, cylindrical, 2.375in. od, 10in. lg, wire mesh, ext flange one end 2.8in. od, 0.375in. thk, w/collar at one end, 2.447in. od, 0.375in. lg, open one end, closed other end	FV518422		1
25	A	9ACR 2910-99-865-6803	. . CAP, FUEL TANK, aluminium/brass /steel, winged headed bolt grip, 4.875 x 3.25in. w	FV421697		1

See Fig 3

RH tank only

LH tank only

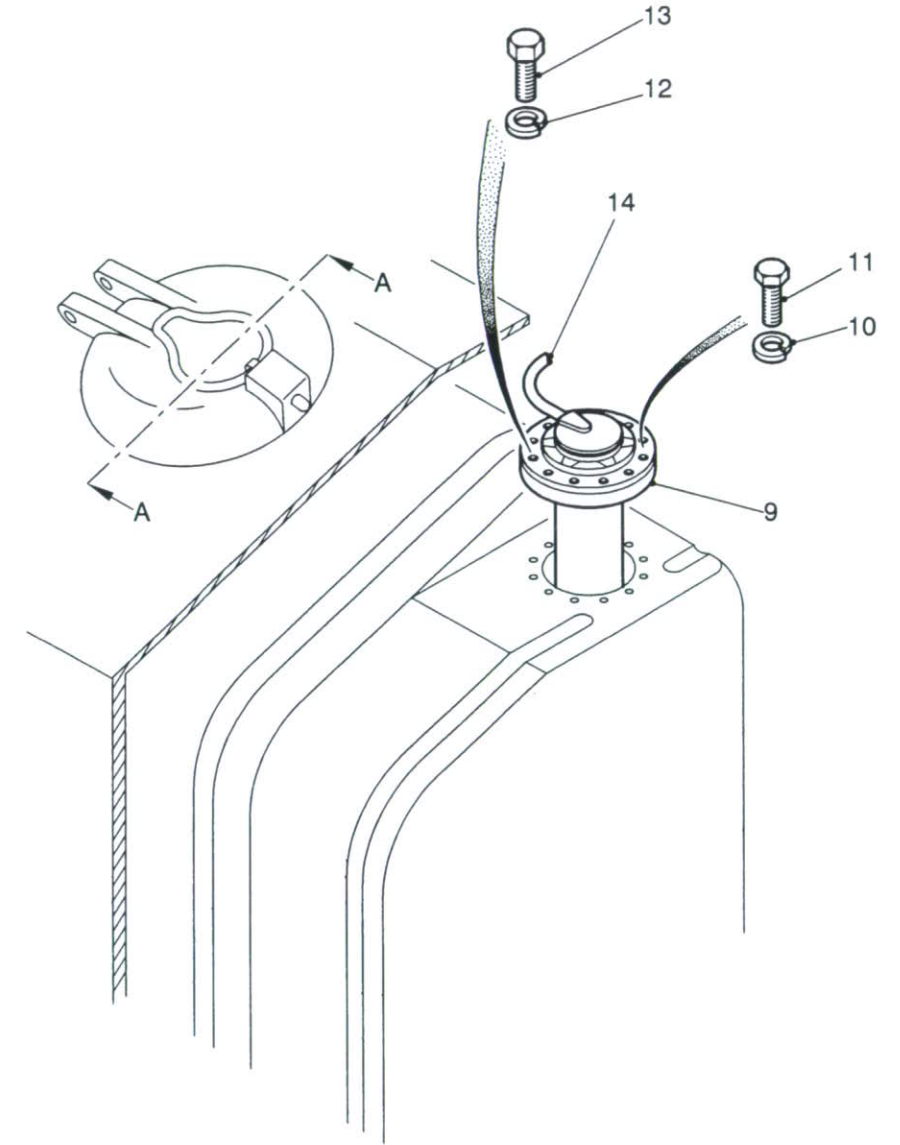
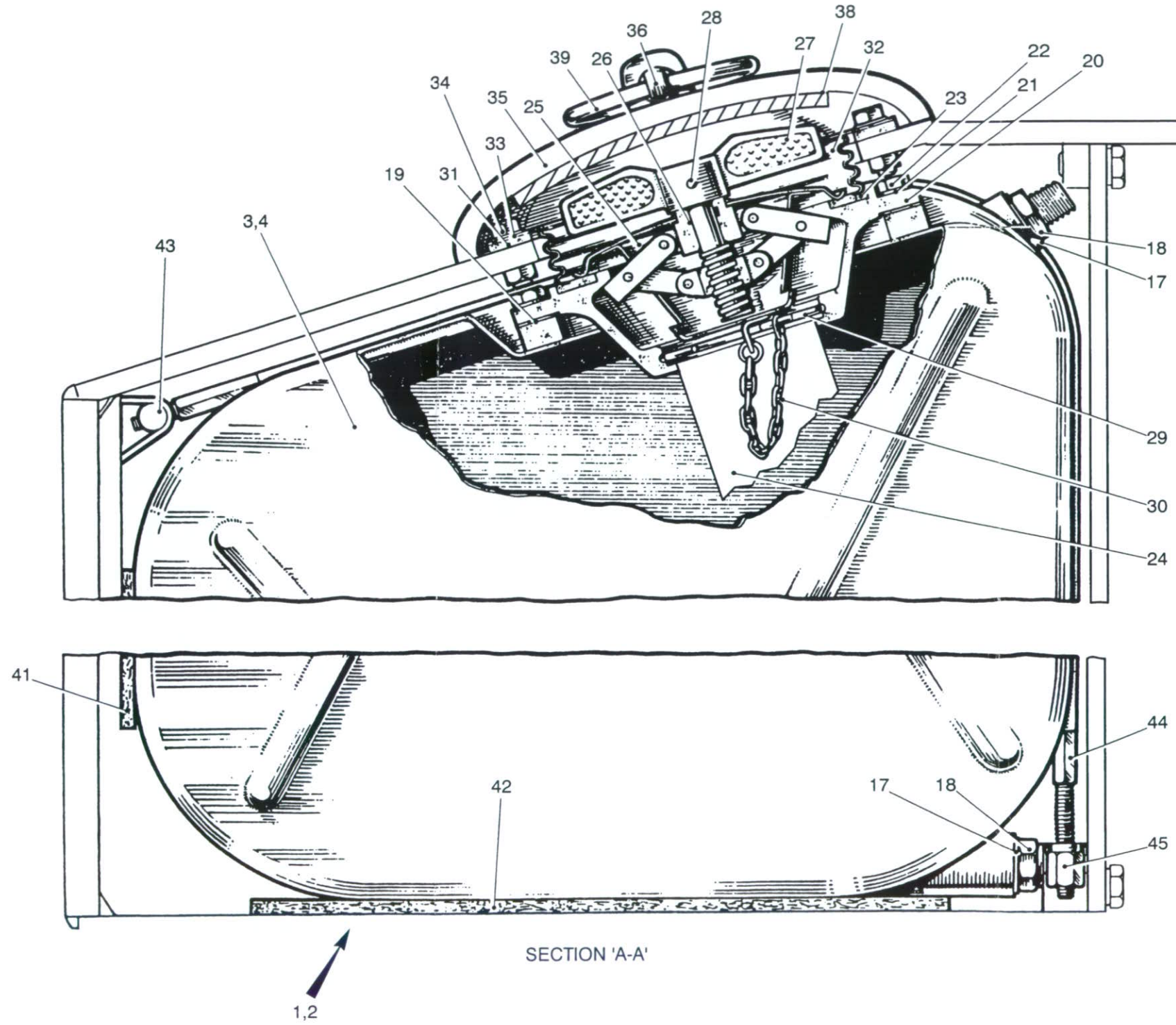


Fig 2 Main fuel tanks and fittings

Fig Item	Man Code Navy - N Army - A RAF - R	NATO Stock No	Item Name and Description	Part No/ Drawing No.	No. Off	Annotations	
2-			FUEL SYSTEM GA - contd . FUEL TANK ASSEMBLY, RH -contd . . CAP FUEL TANK - contd				
26	A	46MT1	5330-99-942-9907	. . . RING SEALING TOROIDAL, syn, rubber, 3/8 x 9/16 x 3/32in. h	JW50-011BA40	1	
27	A	9ACR	2910-99-865-6814	. . . LEVER, FUEL TANK CAP	FV480265	1	
28		NP		. . . PIN, GROOVED, HEADLESS, steel, phos coated, 1-3/8in. x 3/16in. dia	316GP1	1	
29	A	9ACR	5365-99-865-6804	. . . RING, RETAINING, steel, Cd P w/chromate, internal usage, 3.1in. od x 0.104in. matl thk	FV421702	1	
30	A	G1	4010-99-120-2784	. . . CHAIN, WELDED, steel, 12 links per foot, 3/4in. lg x 5/16in. w		A/R	
31	A	9ACR	5330-99-865-6813	. GASKET, syn rubber, 0.4375in. hole dia, 7.5in. od, 6in. dia aperture, 8 bolt holes, 0.125in. thk, shore hardness E75	FV480098	2	
32	A	9ACR	2910-99-810-6916	. BELLOWS, FUEL TANK, steel, 7-1/2in. od, 5-1/8in. id	FV650073	2	
33		NP		. WASHER, PLAIN, 5/16in. dia x 15 swg	7030005009 1000	16	
34	A	G1	5305-99-941-0527	. SCREW, MACHINE, UNF, stainless steel, Zn plated, hex hd, 5/16in. x 1in. lg, class 2A thd		16	
35	A	9ACR	2910-99-810-6908	. CAP, FUEL TANK, plain, painted, rim lock, flap type	FV650061	2	
36	A	9MCV	5315-99-789-9907	. . PIN, SHOULDER, HEADLESS, steel, phosphate coated, 0.935in. shoulder dia, 0.623in. shank dia, 2.86in. lg, w/hole one end	FV524746	1	
NI 37	A	9MCV	5360-99-789-9908	. . SPRING, HELICAL, COMPRESSION, Cu alloy, 1-29/64in. free lg, 7/8in. od, 5-1/2 active coils	FV421861	1	
38	A	9ACR	2910-99-810-6909	. . SEAL, FUEL FILLER CAP, bonded cork, 7-1/4in. dia, 1/4in. thk	FV650060	1	
39	A	9MCV	2910-99-789-9909	. . HANDLE, filler cap, steel wire 5/16in. dia, pear shaped, circular portion 1-1/2in. inside rad, 4-5/32in. inside lg	FV421863	1	
NI 40	A	G1	5315-99-120-6023	. PIN, GROOVED, HEADLESS, steel, 33/64in. x 2-1/4in. x 1/2in. small end dia pointed	GP8	2	Securing item 35
41	A	9ACR	2590-99-806-8467	. PAD, CUSHIONING, rubber bonded cork, 18in. lg, 6in. w, 3/16in. thk	FV650983	4	
42	A	9ACR	2590-99-806-8466	. PAD, CUSHIONING, rubber bonded cork, 12in. lg, 6in. w, 5/16in. thk	FV650982	6	
43		NP		. TRUNNION	FV421754	4	
44	A	9ACR	2910-99-867-4675	. STRAP, fuel tank retainer, 7/19 galvanized cable w/black PVC sleeve 1.5mm wall thk, thd both ends w/hex end fitting before thd both ends	FV480211	4	
45	A	9ACR	5310-99-865-6807	. NUT, PLAIN, HEXAGON, UNF, steel, phos, 2B, rh thd, 1/4in. x 0.563in. w, 0.75in. h	FV421755	4	

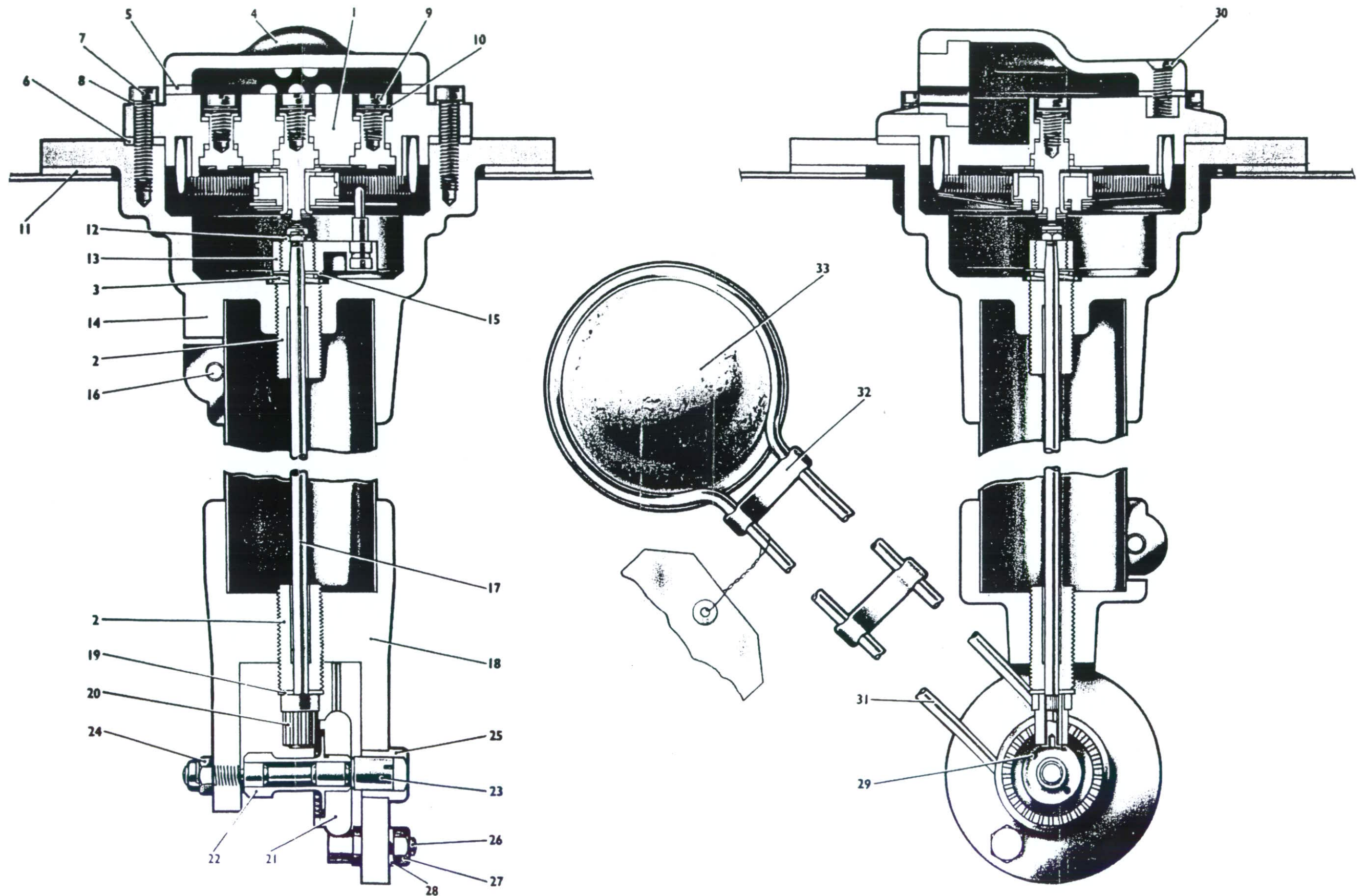


Fig 3 Transmitter, liquid quantity

Fig Item	Man Code Navy - N Army - A RAF - R	NATO Stock No	Item Name and Description	Part No/ Drawing No.	No. Off	Annotations
3-			FUEL SYSTEM GA - contd FUEL TANK ASSY, RH - contd			
	A	9ACR	TRANSMITTER, LIQUID QUANTITY INDICATOR	FV499376	REF	
1	A	46MT4	RESISTOR, VARIABLE	FG2440	1	
2		NP	BEARING, SLEEVE, actuating spindle	P28413	2	
3	A	9ACR	SPRING, HELICAL, contact operating arm	FG490	1	
4	A	46MT1	COVER, TERMINAL BOARD, tank unit	FG1992M	1	
5	A	6MT1	GROMMET AND SEALING WASHER, sealing, and grommet	FG1993	1	
6	A	6MT1	GAITER, rubber	FG642	1	
7		NP	SCREW, MACHINE, st, ch hd, 5BA x 5/8in. lg		6	
8	A	G1	WASHER, LOCK, st, split helical ring, 1/8in. x 0.205in. od x 0.032in. thk		6	
9	A	G1	SCREW, MACHINE, br, ch hd, 4BA x 1/4in. lg dull NP	30-232-110-11	5	
10	A	Z2	WASHER, FLAT, br, rd, 4BA, 0.301in. od, NP		5	
11	A	6MT1	GASKET, cork, 3.00in. id x 4.25in. od x 0.062in. thk	FG558	1	
12		NP	NUT, LOCK, stainless steel, aerotight, thin, 6BA		1	
13		NP	ARM, assy, contact operating	3259/40	1	
14		NP	HOUSING, upper, transmitter unit, fuel gauge	FG685	1	
15		NP	WASHER, friction	FG2048	1	
16	A	G1	SCREW, MACHINE, st, ch hd, 2BA x 7/8in. lg	78214	2	
17		NP	SPINDLE, operating	FG7220	1	
18		NP	HOUSING, gear, assembly	FG3128/B	1	
19		NP	WASHER, FLAT, st, rd, 0.157in. id x 0.378in. od x 0.040in. thk, NP		1	Between sleeve and pinion
20		NP	GEAR, SPUR	PG4435	1	
21		NP	GEAR, DRIVE	FG7219	1	
22		NP	BEARING, SLEEVE, drive gear	PG4436	1	
23		NP	SPINDLE, bearing drive gear	PG3126	1	
24	A	G1	NUT, SELF-LOCKING, HEXAGON, stainless steel, aerotight, stiff, 4BA		1	
25		NP	BUSHING, SLEEVE, drive gear spindle	FG3214	1	
26		NP	PIN, gear stop	FG3043	2	
27	A	G1	NUT, PLAIN, HEXAGON, br, hex, tin pl, 4BA, 0.135in. o/a h		2	
28		NP	WASHER, LOCK, phosph bronze, single coil, 0.152/0.175in. id x 0.254in. od x 0.048in. thk, electro tinned		2	
29		NP	RIVET, br, csk hd, 1/16in. dia x 19/64in. lg 0.118/0.110in. hd dia	30-223-383-01	2	
30	A	G1	SCREW, MACHINE, st, oval, csk hd, Cd P, 4BA x 1/2in. lg		3	
31		NP	FLOAT ARM, transmitter unit fuel gauge, MK IV B	FG3259/40	1	
32		NP	TIE-BAR, float arm	FG1982/1	3	
33		NP	FLOAT, transmitter unit fuel gauge, MK IV B	P35140	1	

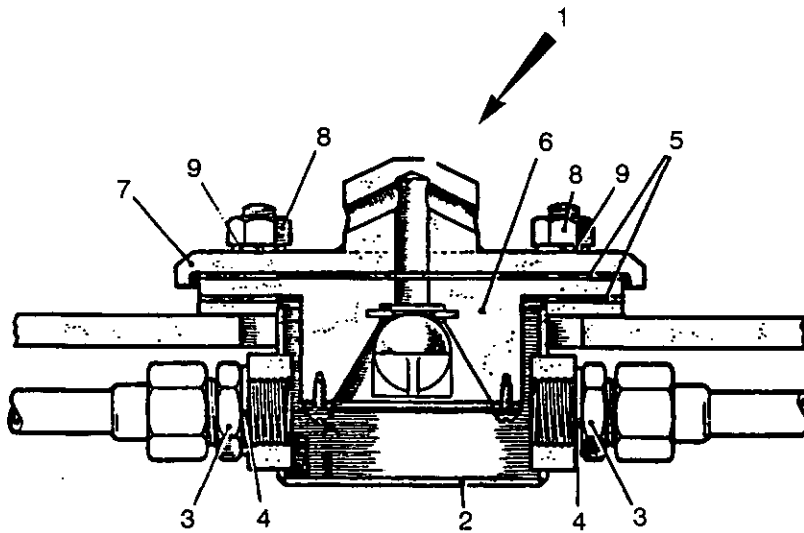


Fig 4 Fuel vent assembly

430/70065

Fig Item	Man Code Navy - N Army - A RAF - R	NATO Stock No	Item Name and Description	Part No/ Drawing No.	No. Off	Annotations
4-			FUEL SYSTEM GA - contd			
1		NP	. FUEL VENT ASSEMBLY	FV485120	1	
2	A	9ACR 2910-99-865-6823	. . CASING, BREATHER, fuel tanks	FV480542	1	
3	A	46MT1 4730-99-801-1933	. . NIPPLE TUBE, steel, 3/4in. UNF both ends	FV(S)87 ITEM 7	2	
4	A	9ACR 5310-99-134-5211	. . WASHER, FLAT, copper, rd, 1 x 3/4 x 0.063in. thk	FV300421	2	
5	A	9ACR 5330-99-865-6826	. . GASKET, cork, 0.4375 x 4.7 x 3 x 0.062in. thk	FV485097	2	
6	A	9ACR 2910-99-866-2640	. . VENT VALVE, ENGINE FUEL TANK	FV538853	1	
7	A	9ACR 2910-99-867-4204	. . COVER, FUEL VENT	FV586205	1	
8	A	G1 5310-99-941-0926	. . NUT, PLAIN, HEXAGON, UNF, steel, chamfered, zinc P, 3/8in. -24 x 0.563 x 0.333in. h		6	
9	A	G1 5310-99-941-6656	. . WASHER, LOCK, steel, split helical ring, 3/8in. nom bolt size, 0.092 x 0.590in. od		6	

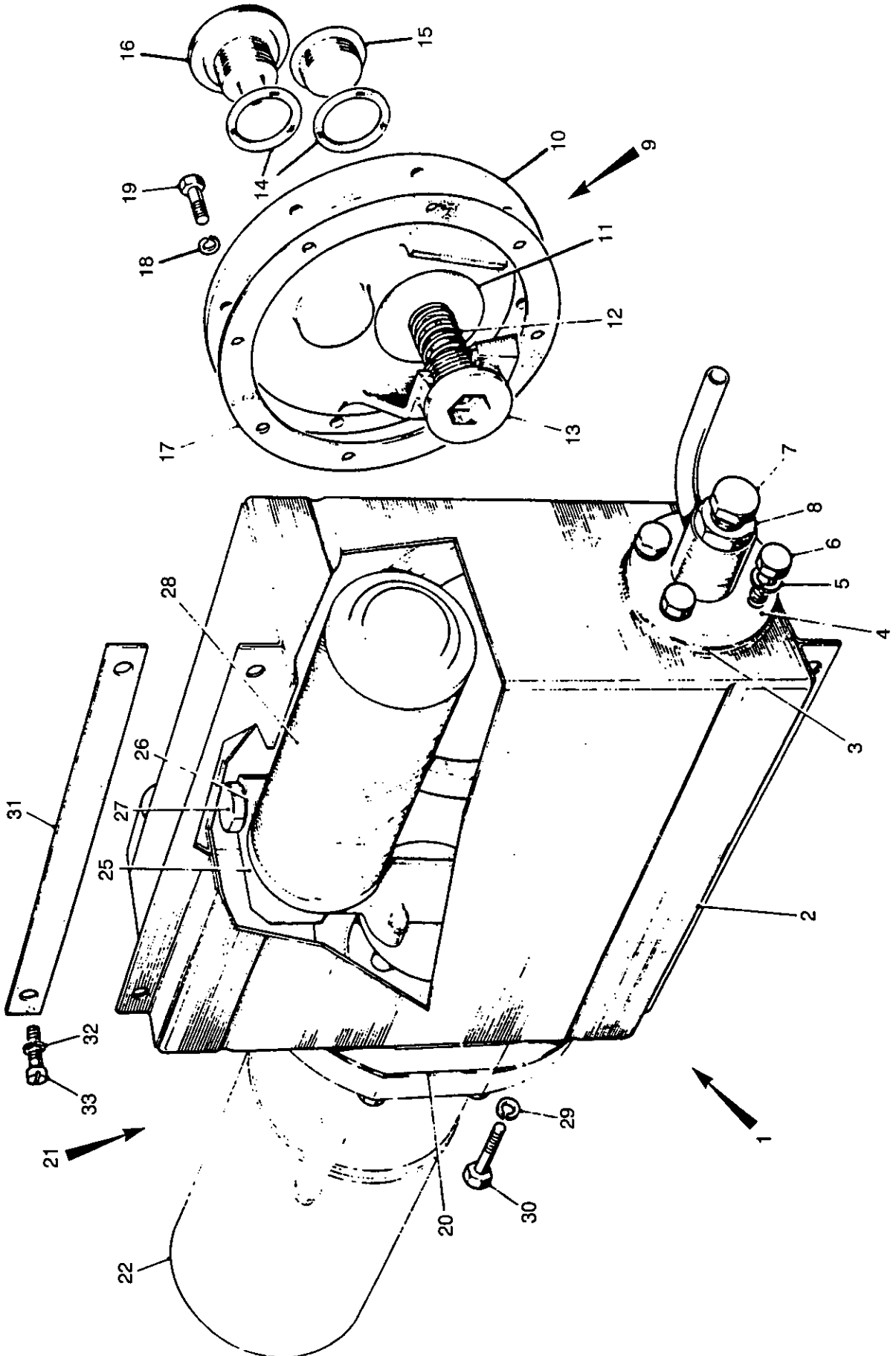


Fig 5 Collector tank and fittings

430/70064

Fig Item	Man Code Navy - N Army - A RAF - R	NATO Stock No	Item Name and Description	Part No/ Drawing No.	No. Off	Annotations
5-			FUEL SYSTEM GA - contd			
1		NP	. . . COLLECTOR TANK AND FITTINGS	FV559306	REF	
2	A	9ACR 2910-99-867-4700	. . . TANK, FUEL, ENGINE, tin, paint, comprises tank, tank end x 2, angle plate x 4, pump flange, tapped boss, drain seating, locking wire tab	FV491781	1	
3	A	9ACR 5330-99-485-3158	. . . GASKET	FV2249164	1	
4	A	9ACR 2910-99-867-4701	. . . BODY, SPILL VALVE, fuel collection tank	FV509113	1	
5	A	G1 5310-99-944-0549	. . . WASHER, LOCK, steel, split helical ring, Cd plated, 5/16in. bolt size, 0.503in. od, 0.08in. thk, single coil, sq section		4	
6	A	G1 5305-99-941-0527	. . . SCREW, MACHINE, UNF, stainless steel, hex hd, Zn plated, class 2A, 5/16in. x 1in. lg		4	
7	A	9ACR 2910-99-867-4702	. . . SCREW, SPILL VALVE, fuel collection tank	FV509109	1	
8	A	G1 5310-99-941-0908	. . . NUT, PLAIN, HEXAGON, 5/8in. UNF		1	
9	A	9AHY 2910-99-814-6120	. . . VALVE ASSEMBLY, DRAIN, ENGINE FUEL TANK	FV194243	1	
10		NP	. . . BODY, valve, fuel drain	FV194249	1	
11	A	9AHY 2910-99-814-6121	. . . VALVE ASSEMBLY, DRAIN, ENGINE FUEL TANK	FV194244	1	
12	A	9AHY 2910-99-814-6125	. . . SPRING, HELICAL, COMPRESSION, u/o fuel tank drain valve assy	FV194248	1	
13	A	9AHY 2910-99-814-6122	. . . GUIDE, DRAIN VALVE ASSY, u/o engine fuel tank	FV194245	1	
14	A	9AHY 5365-99-814-6126	. . . SPACER, RING, copper, rd, 1.5 x 0.063 x 1.203in. dia	FV194250	2	
15	A	9AHY 2910-99-814-6123	. . . PLUG, DRAIN VALVE ASSY, u/o engine fuel tank	FV194246	1	
16	A	9AHY 2910-99-814-6124	. . . PLUG, DRAIN VALVE ASSY, u/o engine fuel tank	FV194247	1	
17	A	9CVT 5330-99-290-6005	. . . GASKET, cork, rd w/rd aperture, 8 bolt holes, 7.1 x 139.95 x 114.55mm dia	FV2227589	1	
18	A	G1 5310-99-941-6654	. . . WASHER, LOCK, steel, split helical ring, 1/4in. nom bolt size, 27/64in. od, 5/64in. thk		8	
19	A	G1 5305-99-941-0513	. . . SCREW, MACHINE, UNF, s steel, hex hd, 1/4in. x 3/4in. lg, Zn plated		8	
20	A	9ACR 5330-99-867-8370	. . . GASKET, cork, 9mm hole dia, 140.5mm od, 103mm aperture dia, 2mm cross-section thk	FV2249165	1	
21		NP	. . . FUEL PUMP AND FILTER ASSEMBLY	FV509127	REF	
22	A	6MT12 2910-99-881-4425	. . . PUMP, PRESSURISING, FUEL SYSTEM, 24V, No. 2 Mk 1	FV342593	1	See Fig 6
NI 23	A	G1 5365-99-432-7137	. . . SPACER, RING, rd, copper, 0.765 x 1 x 0.048in. thk	FV586675	1	
NI 24	A	9ACR 4730-99-865-6655	. . . REDUCER, TUBE, UNF, steel, phos, 0.750 x 0.625 x 1.125in. lg concentric	FV480334	1	
25	A	9ACR 2590-99-978-3118	. . . FILTER TUBE ASSEMBLY	FV509114	1	
26	A	46MT1 5330-99-942-8454	. . . GASKET, syn rubber/steel, rd, 0.778in. x 1.065in. od x 0.127in. thk		2	
27	A	9ACR 4730-99-796-0392	. . . BOLT, FLUID PRESSURE, steel, phos, 2.45 x 0.75 x 0.4in. lg	FV509118	1	
28	A	6MT9 2940-99-802-5717	. . . ELEMENT, FILTER	FV510416	1	

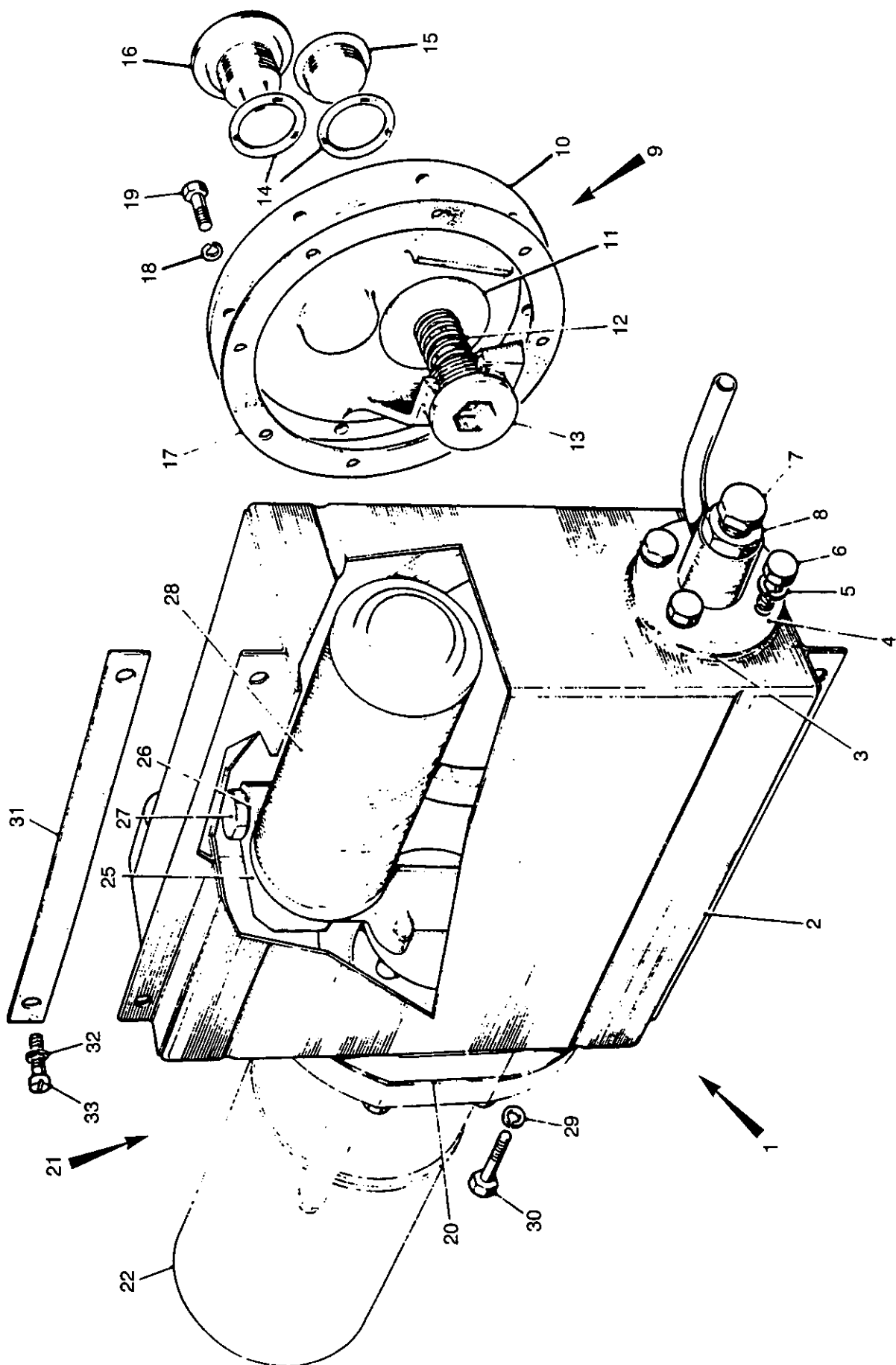


Fig 5 Collector tank and fittings

430/70064

Fig Item	Man Code Navy - N Army - A RAF - R	NATO Stock No	Item Name and Description	Part No/ Drawing No.	No. Off	Annotations
5-			FUEL SYSTEM GA - contd COLLECTOR TANK AND FITTINGS - contd			
29	A G1	5310-99-944-0549	WASHER, LOCK, steel, split helical ring, Cd plated, 5/16in. bolt size, 0.503in. od, 0.08in. thk, single coil, sq section		8	
30	A G1	5305-99-941-0525	SCREW, MACHINE, UNF, stainless steel, hex hd, Zn plated, 5/16in. x 3/4in. lg, class 2A thd		8	
31		NP	PACKING, felt, 8.75in. x 0.75in. x 0.125in.	FV559660	2	
32	A G1	5310-99-944-0549	WASHER, LOCK, steel, split helical ring, Cd plated, 5/16in. bolt size, 0.503in. od, 0.08in. thk, single coil, sq section		4	
33	A G1	5305-99-941-8039	SCREW, MACHINE, steel, Zn plated, pan hd, 5/16in. x 7/8in. lg		4	

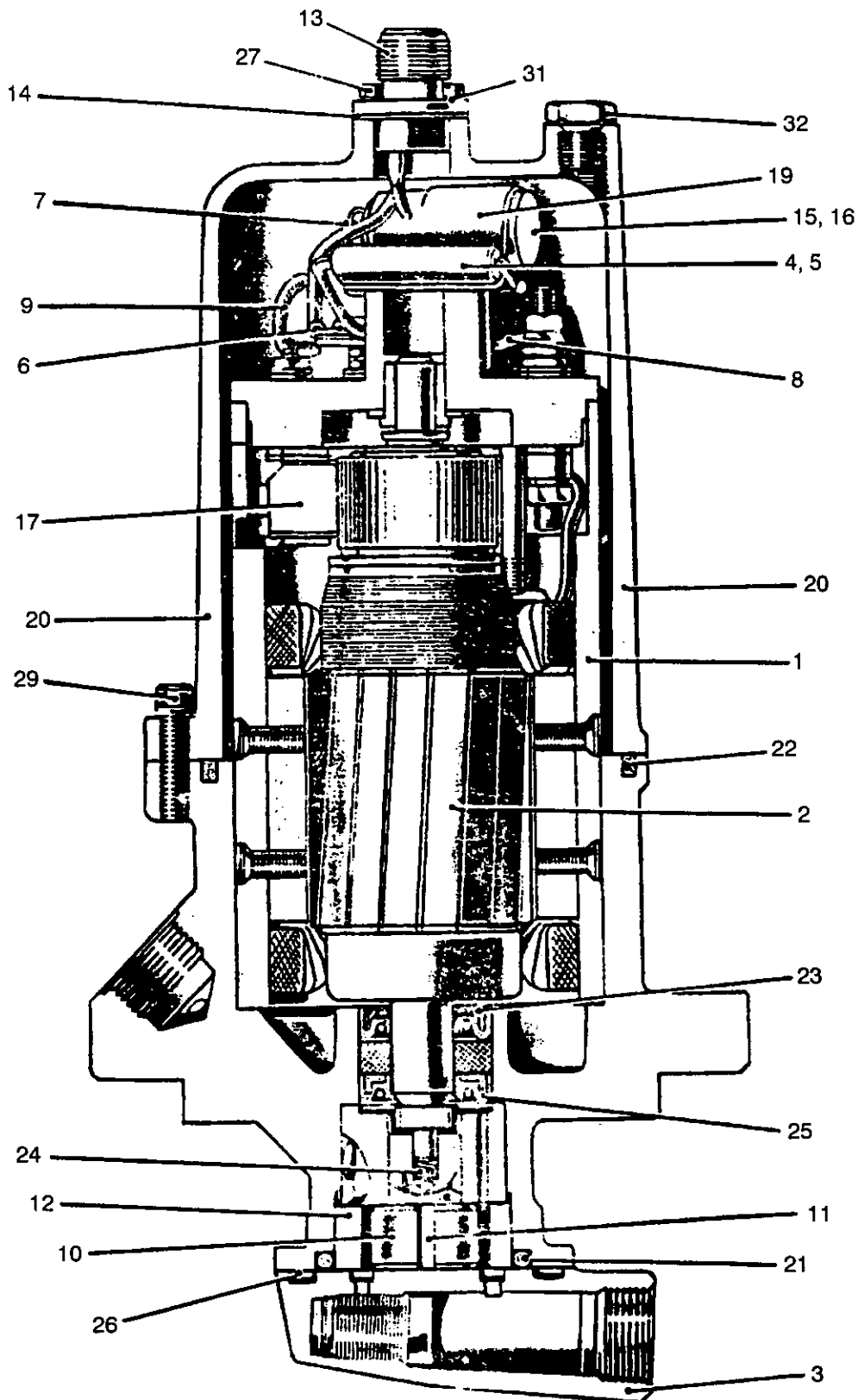


Fig 6 Pump pressurizing, fuel system

430/70128

Fig Item	Man Code Navy - N Army - A RAF - R	NATO Stock No	Item Name and Description	Part No/ Drawing No.	No. Off	Annotations
6-			FUEL SYSTEM GA - contd . COLLECTOR TANK AND FITTINGS - contd . . . FUEL PUMP AND FILTER ASSY - contd			
	A	6MT12	2910-99-881-4425 PUMP, PRESSURIZING, FUEL SYSTEM, 24V, No. 2 Mk 1	FV342593	1
1		NP BODY, PUMP, fuel pressurizing	FV564151	1	
2	A	46MT12	2910-99-881-4426 ARMATURE, MOTOR	X5856-160	1
3	A	46MT12	2910-99-881-4427 ENDPLATE ASSEMBLY	X7133-105	1
4	A	46MT12	5950-99-881-4428 CHOKE, RADIO FREQUENCY	FV536604	1
5	A	6MT12	5950-99-881-4429 CHOKE, RADIO FREQUENCY	FV536605	1
6		NP LEAD, ELECTRICAL	FV536606	1	
7		NP LEAD, ELECTRICAL	FV536607	1	
8	A	46MT12	6150-99-881-4441 LEAD, ELECTRICAL	FV536613	1
9	A	46MT12	2910-99-881-4438 LEAD, ELECTRICAL	FV536621	1
10	A	46MT12	2910-99-881-4430 ROTOR, pressurizing pump	FV536610	1
11	A	46MT12	2910-99-807-9221 BLADE, ROTOR, TRANSFER PUMP	7123-388	2
12		NP LINER, pressurizing pump	7123-17	1	
13		NP CONNECTOR, fixed (FV502501)	5658-259	1	
14	A	6MT1	5330-99-805-7017 GASKET, syn rubber	10-40450- 105	1
15	A	6MT4	5910-99-723-8973 CAPACITOR	5856-262	1
16	A	46MT4	5910-99-810-2049 CONDENSER	Y6346-253	1
17	A	46MT12	2920-99-881-8456 BRUSH, FUEL PUMP	6067-45	2
NI 18	A	46MT4	5360-99-803-7979 SPRING, HELICAL TORSION, brush	5324-87	2
19		NP CLAMP, loop	5856-199	1	
20		NP COVER, ELECTRIC MOTOR	5856-181	1	
21	A	6MT1	5330-99-943-6946 RING, SEALING, TOROIDAL, 1-1/2in. x 1-3/4in., 90 deg shore hardness	R4150ML53 72	1
22	A	46MT12	5330-99-881-4434 PACKING, PREFORMED	Y5915-47	1
23	A	6MT1	5330-99-881-4899 SEAL, PLAIN, ENCASED, 9/16in. id x 1.125in. od x 3/8in.	G112056	1
24	A	46MT12	5340-99-861-4435 SPRING, HELICAL COMPRESSION	Z7133-97	1
25	A	46MT1	5330-99-801-4809 SEAL, PLAIN, plain, 9/16in. x 1-1/8in. x 1/4in.	268086	1
26	A	G1	5305-99-970-7016 SCREW, CAP, HEXAGON HEAD, st, hex hd, slotted, Cd P, No.10-32 UNF x 7/8in.		4
27	A	G1	5305-99-941-9197 SCREW, MACHINE, st, flat fil hd, Cd P, 6BA x 3/8in. lg		4
NI 28	A	G1	5305-99-941-9945 SCREW, MACHINE, st, flat fil hd, Cd P, 6BA x 1/2in. lg		2
29		NP SCREW, CAP, SOCKET HEAD, hex, socket		3	
NI 30		NP PLUG, SCREWED	5335-681	2	
31	A	G1	5310-99-944-0545 WASHER, LOCK, st single coil, Cd P, 0.125in. id, 0.205in. od, 0.032in. thk		6
32	A	46MT4	5365-99-805-2984 PLUG, MACHINE THREAD, hex hd	5876-54	1

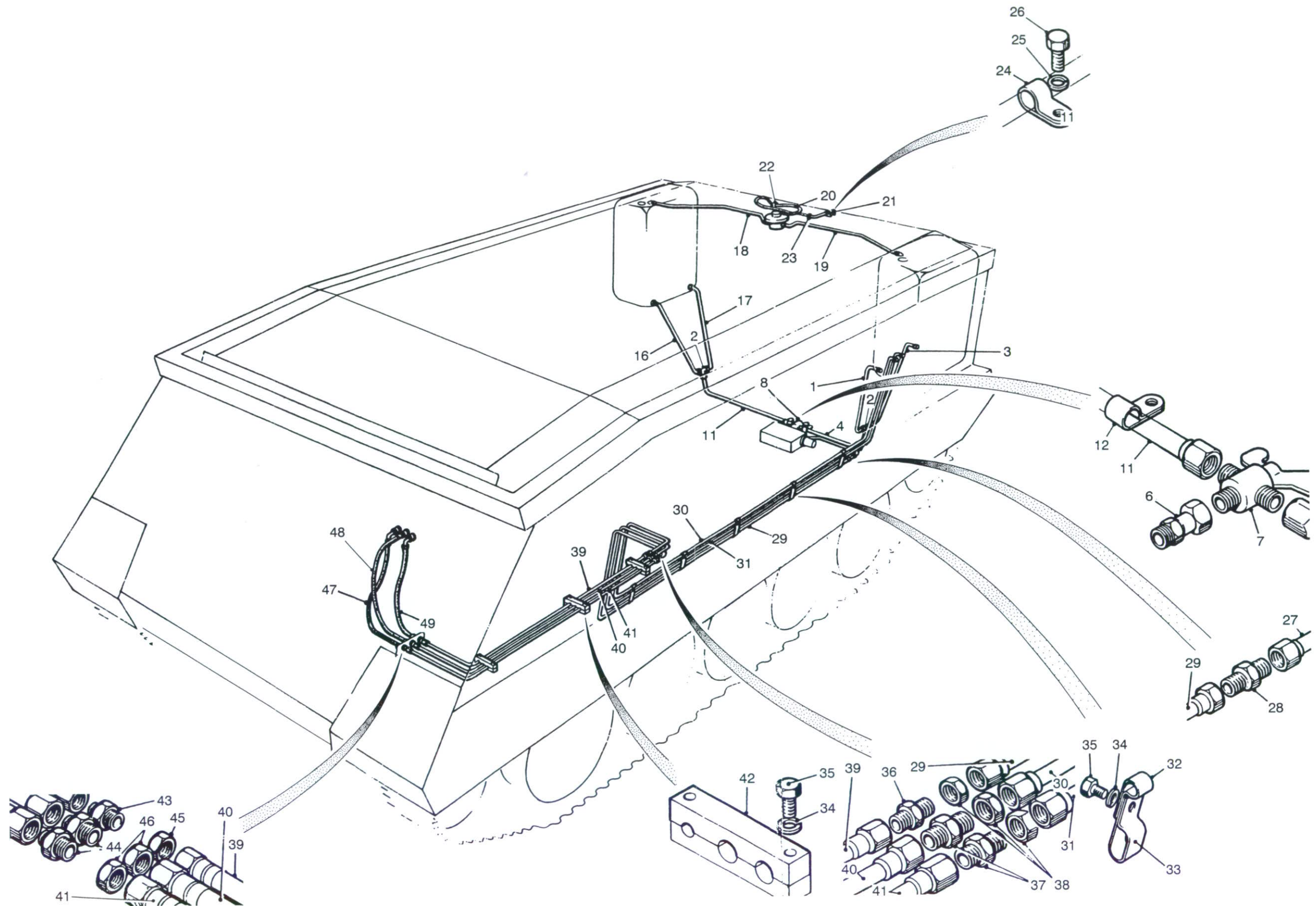


Fig 7 Fuel pipes and fittings

Fig Item	Man Code Navy - N Army - A RAF - R	NATO Stock No	Item Name and Description	Part No/ Drawing No.	No. Off	Annotations
7-		NP	FUEL SYSTEM GA - contd . FUEL PIPES AND FITTINGS		REF	
1	A 9ACR	2910-99-835-2682	. PIPE, FUEL, c/w end fittings	FV650499	1	
2	A 9ACR	4730-99-865-6837	. TEE, steel, Cd plated, 1-1/8in. UNF male all ends, u/w 3/4in. od pipe, all legs 1-1/4 in. lg, fuel	FV525550	2	
3	A 9ACR	2910-99-835-2671	. PIPE, FUEL TANK, c/w end fittings	FV650498	1	
4	A 9ACR	2910-99-867-4672	. PIPE, METALLIC, Cu alloy, three way valve to tee union	FV559282	1	
NI 5	A 6MT1	5330-99-915-2513	. GASKET, rubber/steel, rd, 1-5/32in. id x 1-7/6in. od x 3/32in. thk	AGS1186-14	1	u/w item 6
6	A 9ACR	2910-99-867-4655	. PIPE, FUEL, collector tank to two way valve	FV559269		
7	A 6MT1	2930-99-881-9368	. COCK, FUEL, 3 way, 1in. dia	508BR10	1	
8	A 9ACR	2910-99-867-4674	. INDICATOR POSITION, FUEL COCK	FV586316	1	
NI 9	A G1	5310-99-941-6653	. WASHER, LOCK, steel, split helical ring, 0.198in. id, 0.33in. od, 0.064in. thk		2	} Securing item 8
NI 10	A G1	5305-99-121-1660	. SCREW, MACHINE, normal class thd 7/16in. lg		2	
11	A 9ACR	2910-99-867-4673	. PIPE, METALLIC, Cu alloy, three way valve to tee union	FV559494	1	
12		NP	. CLIP, fuel pipe	FV586317	2	
NI 13		NP	. WASHER, PLAIN, 9/16in. od x 1/4in. id x 17 swg	7030004009 1000	2	} Securing item 12
NI 14	A G1	5310-99-941-6654	. WASHER, LOCK, steel, split helical ring, 1/4in. bolt size 27/64in. od, 5/64in. thk		2	
NI 15	A G1	5305-99-941-0512	. SCREW, MACHINE, UNF, 1/4in., class 2A thd, 5/8in. lg, steel, Zn plated, hex hd		2	
16	A 9ACR	4730-99-831-9999	. PIPE, BRASS, 2 bends, tungum tube, c/w nipples and nuts	FV651473	1	
17	A 9ACR	4730-99-827-9327	. PIPE, METALLIC, Cu alloy, silver soldered nipples, hex nuts, curved assy	FV650342	1	
18	A 9ACR	2910-99-867-4026	. PIPE, METALLIC, Cu alloy, rh, fuel vent	FV485138	1	
19	A 9ACR	2910-99-867-4025	. PIPE, METALLIC, lh, fuel vent	FV485137	1	
20	ACR	4720 99 805 7711	. HOSE, RUBBER, SYNTHETIC, fuel vent pipe, 3/8in. x 21/32in. od, 40in. lg	FV485101	1	
21		NP	. TUBE, vent, steel, 3/8in. od x 6-1/2in. lg	FV586208	1	
22		NP	. STRIP, RETAINER	FV586206	1	
23	A 46MT1	4730-99-533-2959	. CLAMP, HOSE, steel, Zn plated, 13mm w		2	
24	A 6MT4	5340-99-805-0915	. CLAMP, LOOP, steel, 5/8in. band w, 3/8in. loop, id, 19/64in. dia fixing hole	187042	1	
25	A G1	5310-99-941-6654	. WASHER, LOCK, steel, split helical ring, 1/4in. bolt size, 27/64in. od, 5/64in. thk		1	
26	A G1	5305-99-941-0512	. SCREW, MACHINE, UNF, 1/4in., class 2A thd, 5/8in. lg, steel, Zn plated, hex hd		1	
27	A 9ACR	2910-99-867-4664	. PIPE, METALLIC, Cu alloy, pump to bulkhead rear	FV559276	1	
28	A 46MT1	4730-99-801-2025	. NIPPLE, TUBE, steel, 5/8in. UNF thd both ends	FV(S)87 item 5	1	
29	A 9ACR	2910-99-867-4663	. PIPE, METALLIC, Cu alloy, front to rear bulkhead	FV559279	1	
30	A 9ACR	2910-99-867-4665	. PIPE, METALLIC, Cu alloy, tank to bulkhead	FV559278	1	
31	A 9ACR	2910-99-867-4666	. PIPE, METALLIC, Cu alloy, tank to bulkhead	FV559280	1	
32	A 6MT4	5340-99-805-0915	. CLAMP, LOOP, steel, 5/8in. band w, 3/8in. loop id, 19/64in. dia fixing hole	187042	5	

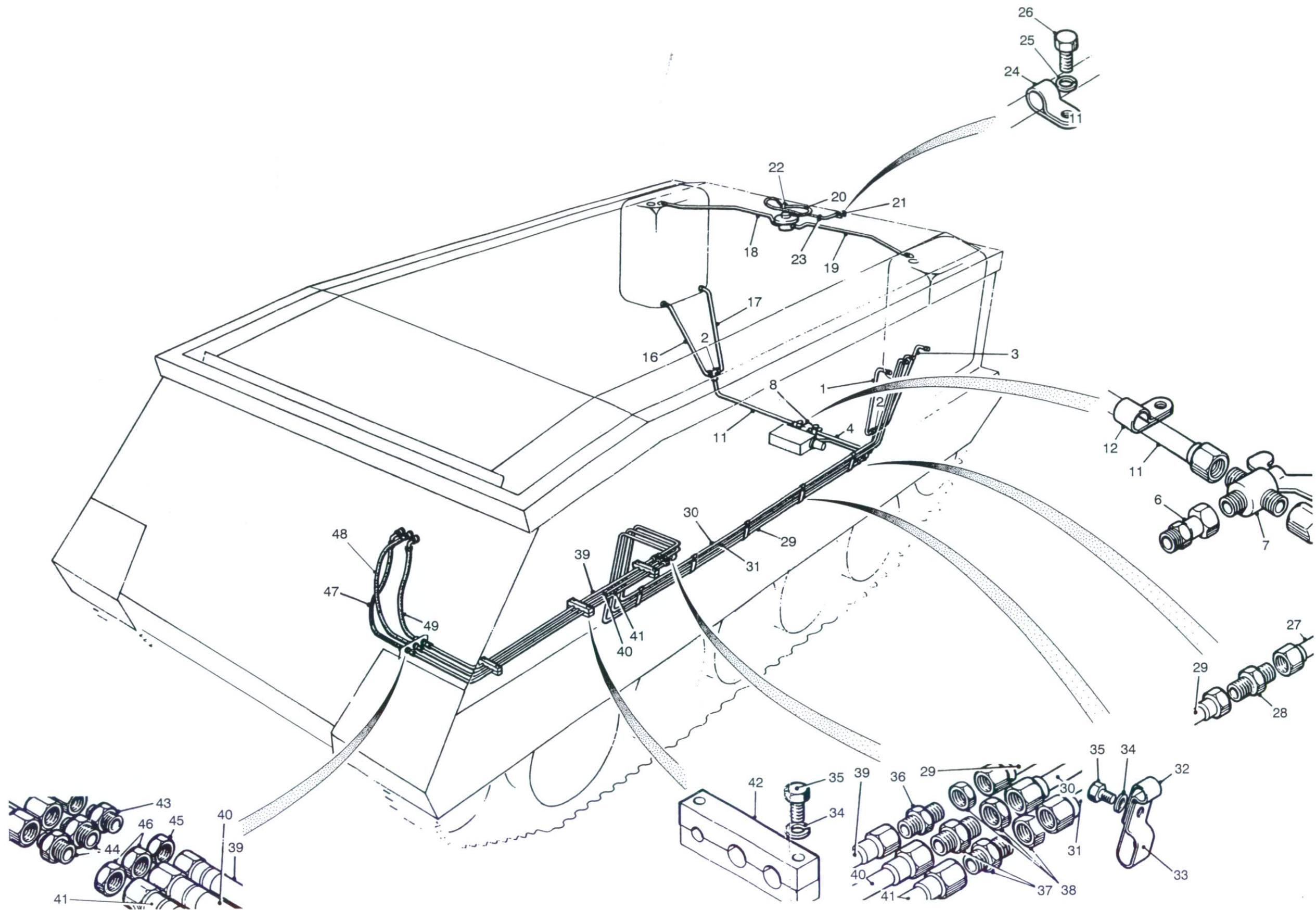


Fig 7 Fuel pipes and fittings

Fig Item	Man Code Navy - N Army - A RAF - R	NATO Stock No	Item Name and Description	Part No/ Drawing No.	No. Off	Annotations
7-			FUEL SYSTEM GA - contd			
33	A	9ACR	5340-99-753-2803 . CLAMP, LOOP, steel, painted, 0.778in. lg, 0.375in. w, rd, 0.281in. dia	FV559582	5	
34	A	G1	5310-99-941-6654 . WASHER, LOCK, steel, split helical ring, 1/4in. bolt size, 27/64in. od, 5/64in. thk		11	
35	A	G1	5305-99-941-0512 . SCREW, MACHINE, UNF, 1/4in., class 2A thd, 5/8in. lg, steel, Zn plated, hex hd		11	
36	A	9ACR	4730-99-800-7919 . REDUCER, TUBE, steel, Cd plated, 5/8in. -18 x 7/16in. - 20 UNF, 2in. o/a lg	FV586505	1	
37	A	9ACR	4730-99-800-0270 . NIPPLE, TUBE, steel, UNF ext thd both ends	FV586504	2	
38	A	G1	5310-99-941-0908 . NUT, PLAIN, HEXAGON, 5/8in. UNF		3	
39	A	9ACR	2910-99-867-4656 . PIPE, METALLIC, Cu alloy, bulkhead to flexible pipe	FV559272	1	
40	A	9ACR	2910-99-867-4659 . PIPE, METALLIC, Cu alloy, bulkhead to flexible pipe	FV559273	1	
41	A	9ACR	2910-99-867-4660 . PIPE, METALLIC, Cu alloy, bulkhead to flexible pipe	FV559274	1	
42		NP	. CLAMP, STRIP	FV585956	3	
43	A	9ACR	4730-99-867-4788 . NIPPLE, TUBE, steel, Cd, 0.438in. x 1.28in. lg UNF	FV538490	1	
44	A	9ACR	4730-99-865-6839 . NIPPLE, TUBE, steel, Cd, 0.625in. x 1.5in. lg UNF both ends	FV538130	2	
45	A	G1	5310-99-136-1528 . NUT, PLAIN, HEXAGON, UNF, 7/16in. -20, class 2B thd, rh, steel, Zn plated w/chromate, 0.688in. A/F, 0.25in. o/a h, finished chamfered grade 1		1	
46	A	G1	5310-99-941-0908 . NUT, PLAIN, HEXAGON, 5/8in. UNF		2	
47	A	9ACR	2910-99-804-7088 4720 . HOSE ASSEMBLY, RUBBER, 3/8in. id x 5/8in. UNF female unions both ends, 5ft o/a lg	FV603401	1	
48	A	9ACR	2910-99-804-7090 . HOSE ASSEMBLY, NON-METALLIC, syn rubber, 5/8in. -18 UNF thd, 3/8in. id, female unions both ends, 5ft lg	FV603402	1	
49	A	9ACR	2910-99-804-7089 . HOSE ASSEMBLY, NON-METALLIC, syn rubber, 7/16in. - 20 UNF thd, 1/4in. id, female union both ends, 5ft lg	FV603403	1	
NI 50		NP	. CLIP	850884	8	u/w items 47, 48, 49

Chapter 2-6
PARTS LIST
CONTROLS GENERAL ARRANGEMENT

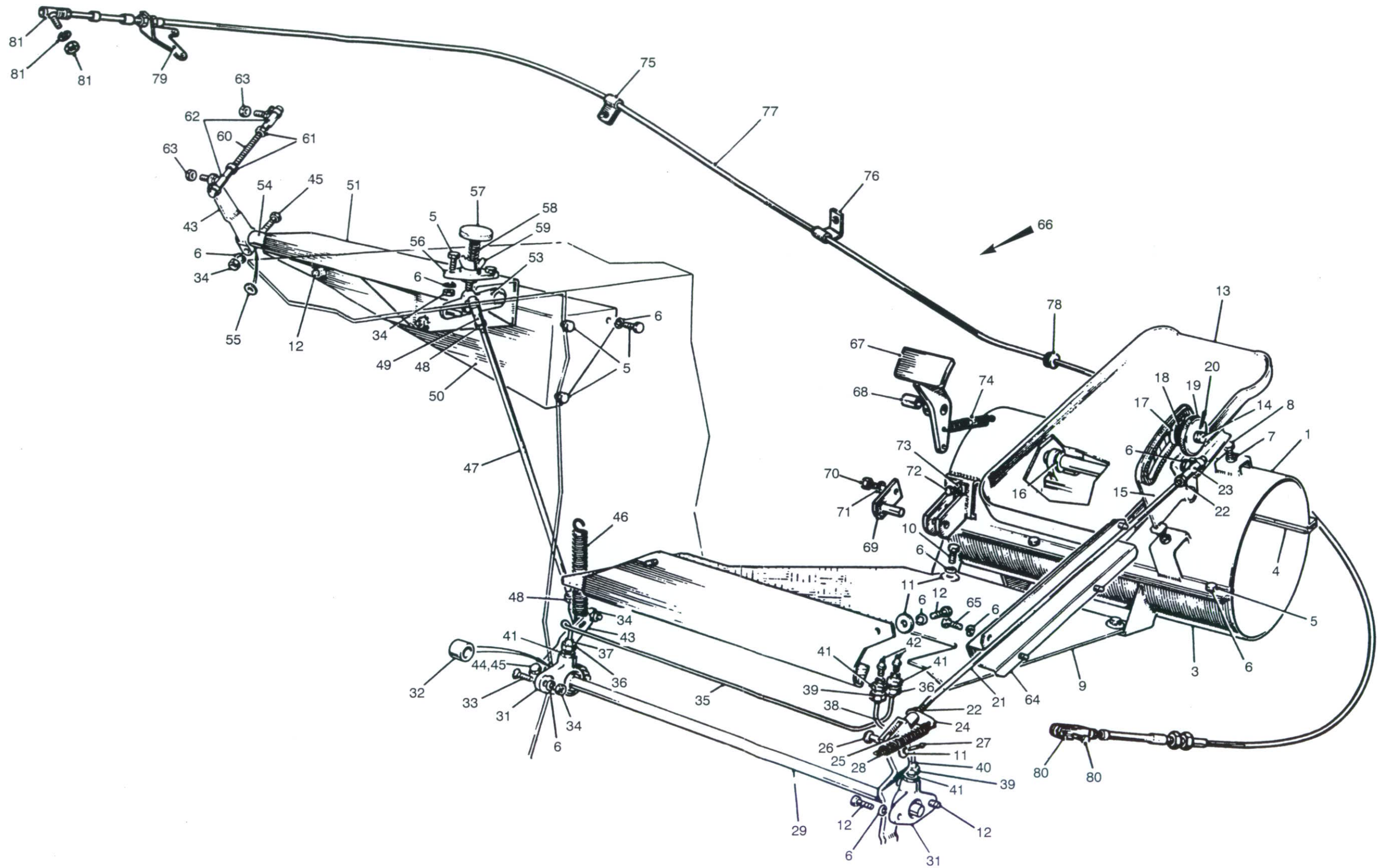


Fig 1 Accelerator and fuel stop control

430/70078

Fig Item	Man Code Navy - N Army - A RAF - R	NATO Stock No	Item Name and Description	Part No/ Drawing No.	No. Off	Annotations
1-		NP	CONTROLS GENERAL ARRANGEMENT	FV525497	REF	
		NP	. . . ACCELERATOR AND FUEL STOP CONTROL		REF	
		NP	. . . ACCELERATOR CONTROL GENERAL ARRANGEMENT	FV525439	REF	
1	A	9ACR	3020-99-804-2285 . . . GUARD, MECHANICAL DRIVE, half shaft upper	FV602897	1	
NI 2	A	46MT1	3120-99-101-7163 . . . BEARING, SLEEVE, 1/2in. id x 19/32in. od x 3/8in. lg		2	
3	A	9ACR	3020-99-804-2286 . . . GUARD, MECHANICAL DRIVE, half shaft lower	FV602899	1	
4		NP	. . . SEAL, RUBBER STRIP	FV525124	A/R	
5	A	G1	5305-99-941-0513 . . . SCREW, MACHINE, UNF, steel, hex hd, zinc plated, 1/4in. x 3/4in.		16	
6	A	G1	5310-99-941-6654 . . . WASHER, LOCK, steel, split helical ring, 1/4in. nom bolt size, 27/64in. od, 5/64in. thk		31	} Pedal adjusting
7	A	G1	5310-99-941-0902 . . . NUT, PLAIN, HEXAGON, UNF, steel, zinc plate, 1.4in.		2	
8	A	G1	5305-99-941-0280 . . . SCREW, MACHINE, steel, Zn plated, hex hd, UNF 1/4in. dia thd, 1in. lg		1	
9	A	9ACR	9535-99-865-6763 . . . FLOOR PLATE, Al alloy, rolled, drivers	FV525125	1	} Floor plate bracket to drivers seat frame
10	A	G1	5305-99-941-0279 . . . SCREW, MACHINE, UNF, steel, hex hd, zinc plated, 1/4in. x 7/8in.		2	
11	A	G1	5310-99-941-7072 . . . WASHER, FLAT, steel, Cd plated, 1/4in. nom bolt size, 9/16in. od, 0.056in. thk		4	
12	A	G1	5305-99-941-0512 . . . SCREW, MACHINE, UNF, steel, zinc plated, hex hd, 1/4in. x 5/8in. lg		5	
13	A	9ACR	2540-99-865-6663 . . . PEDAL, CONTROL, accelerator	FV525059	1	
14	A	G1	5315-99-942-3567 . . . PIN, GROOVED, HEADLESS, steel, phosphated coated, 1in. lg		1	
15	A	9ACR	9905-99-865-6664 . . . PLATE, INDICATOR DETENT, accelerator	FV525062	1	
16	A	G1	5310-99-971-2810 . . . WASHER, FLAT, steel, round, cadmium plated, 7/16in. id, 7/8in. od, 0.048in. thk		2	
17	A	9ACR	2540-99-865-6665 . . . WASHER, DETENT PLATE, accelerator	FV525068	1	
18	A	9ACR	5360-99-865-6667 . . . SPRING, HELICAL, COMPRESSION, steel, 1in. lg, 4 coils	FV525070	1	
19	A	9ACR	5310-99-865-6666 . . . NUT, PLAIN, KNURLED, UNF, steel, 1/2in.	FV525069	1	
20	A	G1	5315-99-138-2205 . . . PIN, COTTER, SPLIT, steel, phosphate finish, 2.50mm dia, 25mm lg	PS105250	1	
21	A	9ACR	2910-99-801-2259 . . . CONNECTING LINK, RIGID, steel, 19.25in. centres, ball joint 1st end, fork 2nd end	FV525455	1	
22	A	G1	5310-99-941-0902 . . . NUT, PLAIN, HEXAGON, 1/4in. -28 UNF thd, 0.438in. w A/F, 0.156in. o/a h		2	
23	A	6MT1	3040-99-829-3856 . . . BALL, JOINT, brass, steel ball pin, 1/4-28 NF ball end, socket end 1/4in. female id, 1-5/16in. lg	329P4U	1	
24		NP	. . . PLATE, CONNECTING LINK	FV510690		
25	A	9ACR	5340-99-804-3319 . . . FORK END, steel, 0.26in. fork span, 0.687in. sq o/a, 0.44in. dia	FV510689	1	
26	A	9ACR	5315-99-801-0567 . . . PIN, STRAIGHT, HEADED, steel, phosphated coated, 0.2495in. max dia, 0.950in. lg	FV510692	1	
27	A	G1	5315-99-944-0171 . . . PIN, COTTER, SPLIT, steel, phosphate, 1/16in. x 5/8in.		1	

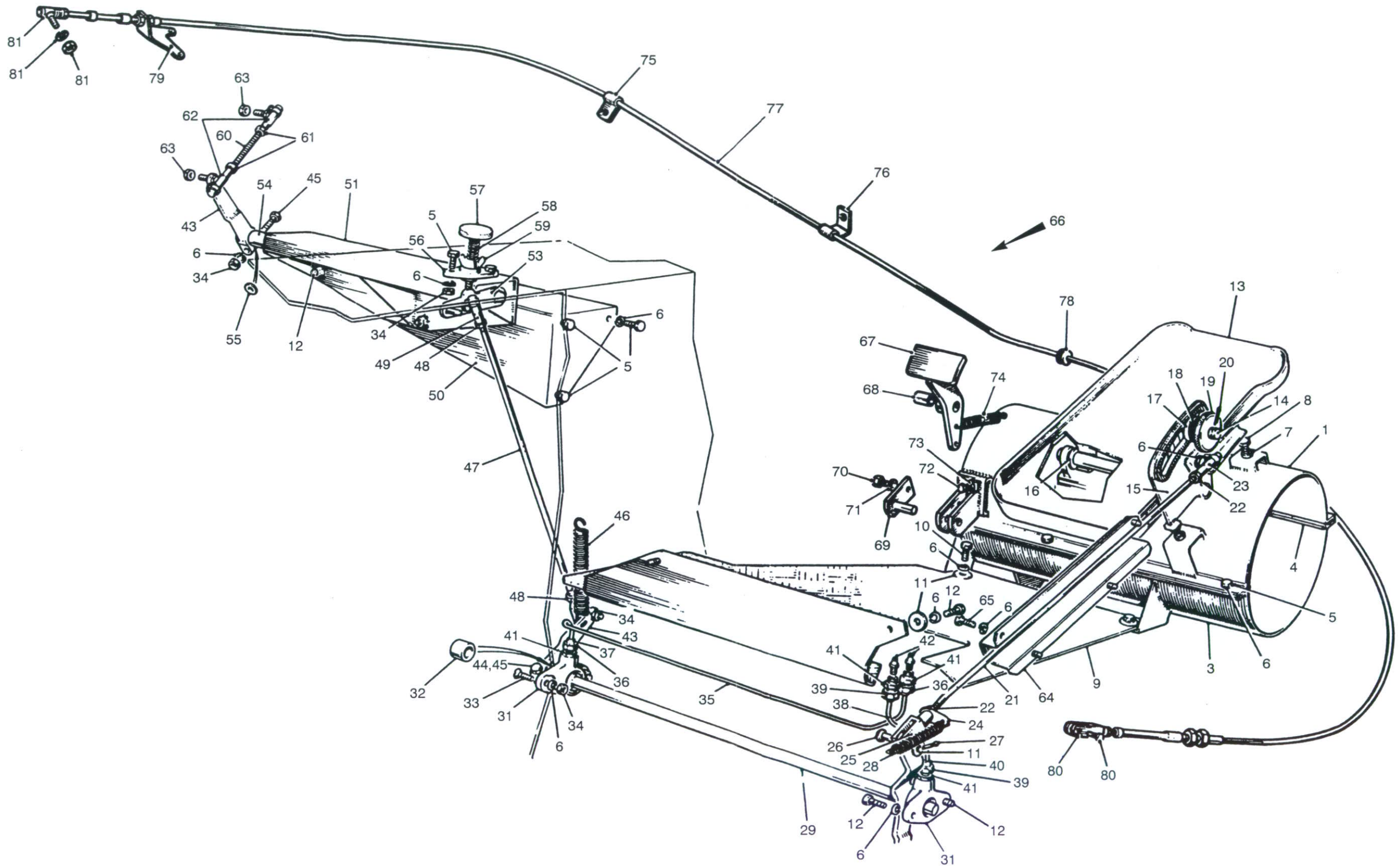


Fig 1 Accelerator and fuel stop control

Fig Item	Man Code Navy - N Army - A RAF - R	NATO Stock No	Item Name and Description	Part No/ Drawing No.	No. Off	Annotations
1-			CONTROLS GENERAL ARRANGEMENT - contd . ACCELERATOR CONTROL GA - contd			
28	A	9ACR	. . . SPRING, HELICAL, EXTENSION	FV480133	1	
29	A	9ACR	. . . BELL, CRANK, steel,	FV559254	1	
NI 30		NP	. . . SPACER, SLEEVE	FV559257	1	u/w item 29
31	A	9ACR	. . . HOUSING, BEARING UNIT, accelerator control shaft	FV559252	2	
32	A	6MT7	. . . BEARING, PLAIN, SELF-ALIGNING	RSS08	2	} Bearing housing to support plate
33	A	G1	. . . SCREW, MACHINE, UNF, steel, flat csk hd, zinc coated, 1/4in. x 3/4in.		2	
34	A	G1	. . . NUT, PLAIN, HEXAGON, UNF, steel, zinc coated, 1/4in.		9	
35	A	9ACR	. . . PIPE, STEEL, 3/16in. od x 8in. lg	FV559258	1	
36	A	46MT1	. . . NUT, UNION, PIPE, UNF, steel, Cd plated, 3/8in.	FVS88-2	2	
37	A	46MT1	. . . FERRULE, BRAZING-TUBE FITTING, steel	FVS89-2	2	
38	A	9ACR	. . . PIPE, STEEL, 3/16in. od x 2-1/2in. lg	FV559259	1	
39	A	46MT1	. . . NUT, UNION, PIPE, UNF, steel, Cd plated, 3/8in.	FVS88-2	2	
40	A	46MT1	. . . FERRULE, BRAZING-TUBE FITTING, steel	FVS89-2	2	
41	A	46MT1	. . . NIPPLE, TUBE, UNF, steel, 3/8in. to 3/16in.	FVS87-2	4	
42	A	46MT1	. . . LUBRICATING NIPPLE, steel	NA6625	2	
43	A	9ACR	. . . LEVER, REMOTE CONTROL, steel	FV559371	2	
44	A	9ACR	. . . WASHER, FLAT, steel, 1/4in. id	FV480261	1	
45	A	G1	. . . SCREW, MACHINE, UNF, stainless steel, hex hd, Cd plated, 1/4in. x 1-1/4in.		2	
46	A	9ACR	. . . SPRING, HELICAL EXTENSION, control pedal	FV300860	1	
47	A	9ACR	. . . CONNECTING, LINK, RIGID, steel, 18.75in.	FV538218	1	
48	A	G1	. . . NUT, PLAIN, HEXAGON, UNF, steel, zinc coated, 1/4in.		2	
49	A	46MT1	. . . BALL JOINT, 1/4-28 NF ball end, socket end 1/4in., 1-5/16in. o/a lg	329P4U	2	
50	A	9ACR	. . . BRACKET, UPPER CROSS-SHAFT SUPPORT	FV559359	1	
51	A	9ACR	. . . BRACKET, EYE, ROTATING SHAFT, steel	FV559361	1	
NI 52	A	46MT1	. . . BEARING, SLEEVE, 1/2in. id x 19/32in. od x 3/8in. lg	08DU06	2	
53	A	9ACR	. . . UPPER CROSS SHAFT, COMPLETE, steel	FV585959	1	
54	A	9ACR	. . . SPACER, SLEEVE, steel, 1-1/2in. lg, 3/4in. od, 1/2in. id	FV585963	1	
55	A	9ACR	. . . WASHER, FLAT, 1/4in. id	FV480261	2	
56	A	9ACR	. . . HOUSING, THUMBSCREW, brass	FV538215	1	
57	A	9ACR	. . . THUMBSCREW, UNF, steel, 3/8in.	FV538216	1	
58	A	9ACR	. . . SPRING, HELICAL, COMPRESSION, steel, 1/2in. dia x 1-3/4in. lg	FV559372	1	
59	A	G1	. . . NUT, PLAIN, WING, UNF, steel, zinc coated, 3/8in.	7064112	1	
60	A	9ACR	. . . CONNECTING LINK, RIGID	FV538220	1	
61	A	G1	. . . NUT, PLAIN, HEXAGON, UNF, steel, zinc coated, 1/4in.		2	

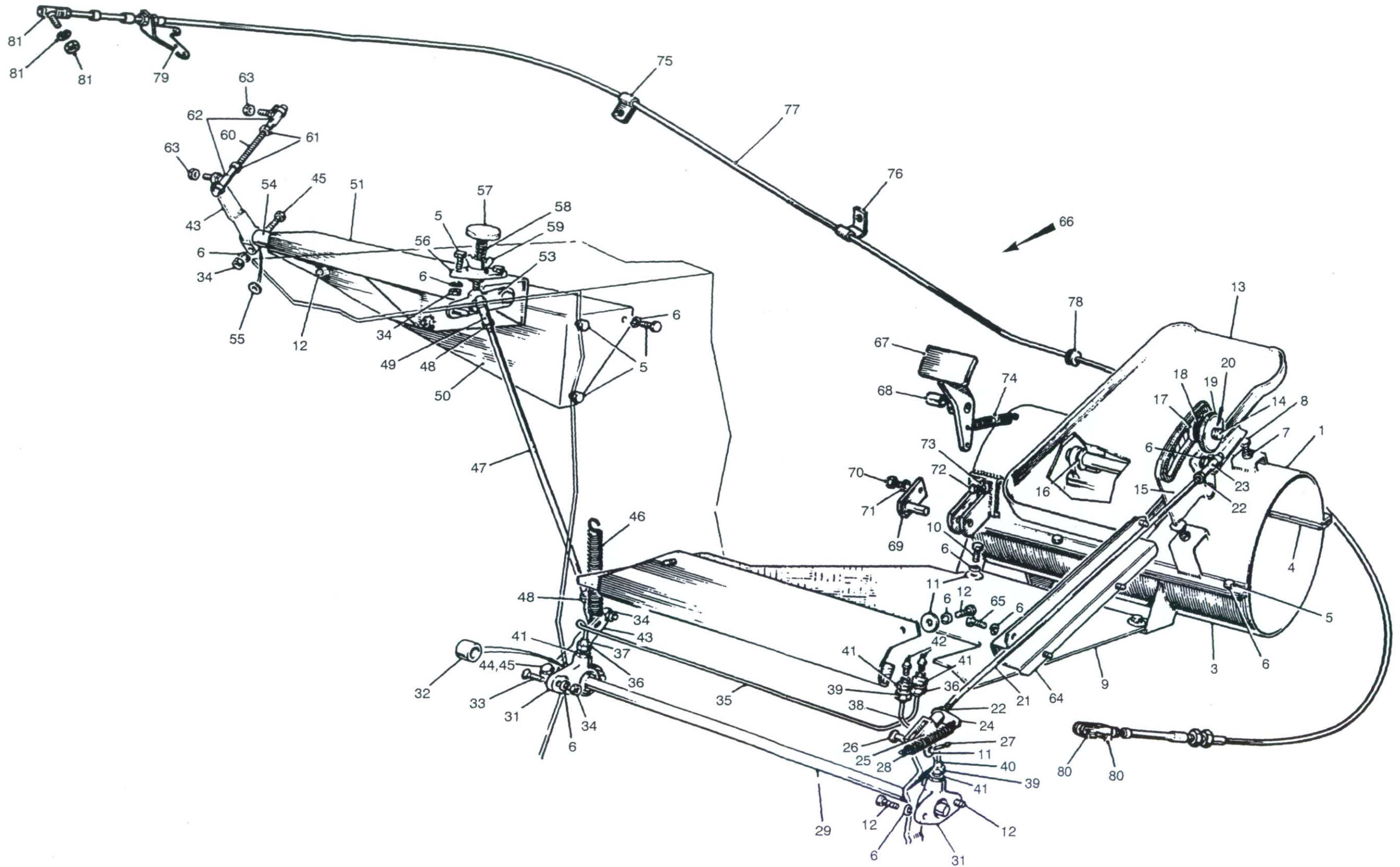


Fig 1 Accelerator and fuel stop control

Fig Item	Man Code Navy - N Army - A RAF - R	NATO Stock No	Item Name and Description	Part No/ Drawing No.	No. Off	Annotations
1-			CONTROLS GENERAL ARRANGEMENT - contd			
			. ACCELERATOR CONTROL GA - contd			
			. . . CONNECTING LINK, RIGID - contd			
62	A	46MT1	. . . BALL JOINT, 1/4 -28 NF ball end, socket end 1/4in., 1-5/16in. o/a lg	329P4U	2	
63	A	G1	. . NUT, SELF-LOCKING, HEXAGON, UNF, steel, Cd plated, 1/4in.		2	
64	A	9ACR	. . COVER, steel, 8.50in. lg x 2.60in. w	FV525463	1	
65	A	G1	. . SCREW, MACHINE, UNF, steel, hex hd, zinc coated, 1/4in. x 1/2in.		4	
66		NP	. FUEL STOP CONTROL, GENERAL ARRANGEMENT	FV650851	1	
67	A	9ACR	. . PEDAL, CONTROL, steel, 5-3/4in. lg, 3in. wd	FV602894	1	
68	A	46MT1	. . . BEARING, SLEEVE, bronze, 1/2in. id x 5/8in. od x 3/4in. lg	SSML5-5	1	
69	A	9ACR	. . PIVOT, PEDAL CONTROL, steel, 1/2in. od x 1.48in. lg	FV602835	1	
70	A	G1	. . SCREW, MACHINE, UNF, steel, hex hd, zinc coated, 1/4in. x 1/2in.		1	
71	A	G1	. . WASHER, LOCK, steel, split helical ring, 1/4in. nom bolt size, 27/64in. od, 5/64in. thk		1	
72	A	G1	. . SCREW, MACHINE, UNF, steel, hex hd, zinc coated, 1/4in. x 3/4in.		1	
73	A	G1	. . NUT, PLAIN, HEXAGON, UNF, steel, zinc coated, 1/4in.		1	
74	A	9ACR	. . SPRING, HELICAL, EXTENSION, control pedal	FV300860	1	
75		NP	. . CLIP	FV650545	1	
76		NP	. . CLIP	FV650852	1	
77	A	9ACR	. . CABLE, CONTROL, FUEL STOP, steel cable, 1/16in. dia, 7ft 6in. lg	FV650724	1	
78	A	H9	. . GROMMET, RUBBER, synthetic, 0.302in. id, 0.260in. groove w, 0.500in. h	787006	1	
79	A	9ACR	. . BRACKET, stop, control cable	FV650541	1	
80	A	6MT1	. . FORK END, c/w washer and split pin	A31125	1	
81	A	46MT1	. . BALL JOINT, quick release type, stud length 7/16in., screwed 10-32 UNF	214506	1	

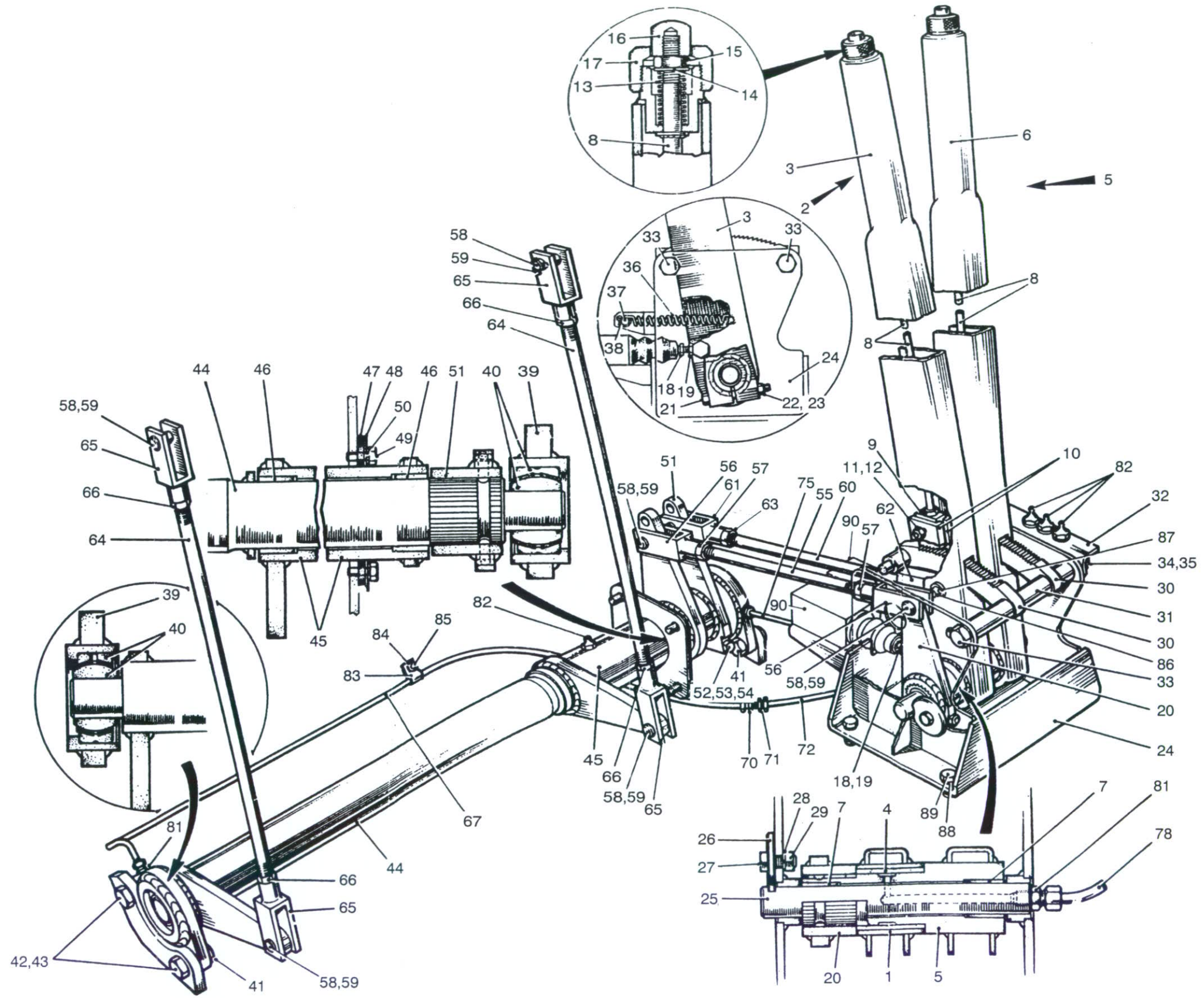


Fig 2 Steering and brake controls general arrangement

Fig Item	Man Code Navy - N Army - A RAF - R	NATO Stock No	Item Name and Description	Part No/ Drawing No.	No. Off	Annotations
2-			CONTROLS GA - contd			
		NP	. STEERING AND BRAKE CONTROLS GENERAL ARRANGEMENT	FV500097	REF	
NI 1		5340 NP	. . . ASSEMBLY OF STEERING LEVERS	FV500098	REF	
2	A	9ACR 2530-99-865-6208	. . . LEVER CONTROL, LH, steering	FV500114	1	See items 8 to 19
3		NP LEVER, LH, steering	FV500133	1	
4	A	46MT1 3120-99-881-3239 BEARING, SLEEVE, 1-1/2in. id x 1-21/32in. od x 2in. lg	24DU32	1	
5	A	9ACR 3040-99-865-6209	. . . LEVER, MANUAL CONTROL, RH, steering	FV500115	1	
6		NP LEVER, RH, steering	FV500134	1	
7	A	46MT1 3120-99-881-3238 BEARING, SLEEVE, 1-7/8in. x 1in. od x 1in. lg	14DU16	2	
8	A	9ACR 2530-99-865-6218 ROD, parking brake, UNF, steel, 0.25in. dia x 30in. o/a lg	FV500135	1	
9	A	9ACR 2530-99-865-6220 PAWL, steering, hand control lever	FV500137	1	
10	A	9ACR 2530-99-865-6219 GUIDE, PAWL, steering, hand control lever	FV500136	1	
11	A	G1 5305-99-941-1749 SCREW, MACHINE, UNF, MS, csk hd, slotted, zinc coated, 1/4in. x 5/8in.		4	
12	A	G1 5310-99-804-7941 NUT, PLAIN, HEXAGON, UNF, steel, 1/4in. dia, 7/16in. w A/F, 7/32in. o/a h, Zn plated, chamfered		4	
13	A	9ACR 5360-99-865-6221 SPRING, HELICAL, COMPRESSION, steering, hand control lever	FV500138	1	
14	A	G1 5310-99-941-7072 WASHER, FLAT, steel, cadmium plated, 1/4in. nom bolt size, 9/16in. od, 0.056in. thd		1	
15	A	G1 5310-99-941-0902 NUT, PLAIN, HEXAGON, UNF, P steel, chamfered, zinc coated, 1/4in., lock		1	
16	A	9ACR 2530-99-865-6222 PLUNGER, hand control, lever steering	FV500139	1	
17	A	9ACR 2530-99-865-6223 CAP, hand control, lever steering	FV500140	1	
18		NP SCREW, MACHINE, UNF, steel, hex hd, Zn plated, 0.25in. x 1.15in.	FV538300	1	LM from G1/ 5305-99-941-1071
19	A	G1 5310-99-804-7941 NUT, PLAIN, HEXAGON, UNF, steel, chamfered, zinc coated, 1/4in. dia, 7/16in. w A/F, 7/32in. o/a h		1	
20	A	9ACR 3040-99-865-6211	. . . LEVER, REMOTE CONTROL, short, steering	FV500117	1	
21	A	G1 5306-99-941-0305	. . . BOLT, MACHINE, UNF, 5/16in. -24, class 2A thd, 3in. lg, steel, zinc plated, 50 tons sq in. min ts, hex hd		1	
22	A	G1 5310-99-941-6655	. . . WASHER, LOCK, 5/16in. hole dia		1	
23	A	G1 5310-99-941-0925	. . . NUT, PLAIN, HEXAGON, UNF, 5/16 - 24, class 2B, steel, 1/2in. w A/F, 17/64in. h, chamfered		1	
24	A	9ACR 2530-99-865-6210	. . . BRACKET, hand control, lever steering	FV500116	1	
25	A	9ACR 2530-99-865-6213	. . . SPINDLE, steering	FV500119	1	
26	A	9ACR 5310-99-865-6214	. . . WASHER, FLAT, steel, phos coated, rd, 1.625in. od rd hole, 0.328in. id, 0.184in. thk	FV500120	1	
27	A	G1 5305-99-941-0525	. . . SCREW, MACHINE, UNF, S steel, hex hd, zinc coated, 5/16in. x 3/4in.		1	
28	A	G1 5310-99-941-6655	. . . WASHER, LOCK, 5/16in. hole dia		1	

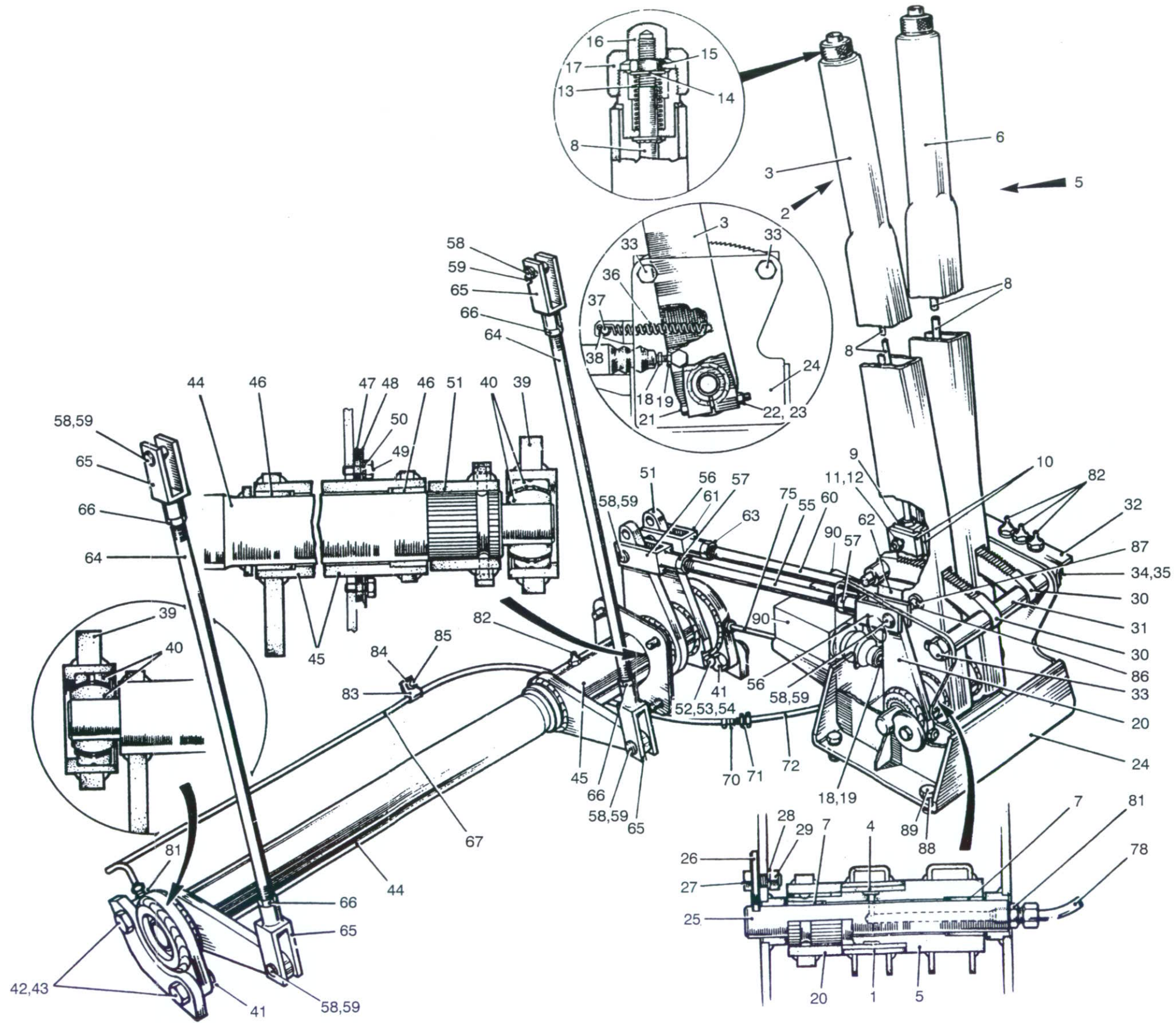


Fig 2 Steering and brake controls general arrangement

430/70079

Fig Item	Man Code Navy - N Army - A RAF - R	NATO Stock No	Item Name and Description	Part No/ Drawing No.	No. Off	Annotations
2-			CONTROLS GA - contd . STEERING AND BRAKE CONTROLS GA - contd . . ASSEMBLY OF STEERING LEVERS - contd			
29	A G1	5310-99-941-0925	. . . NUT, PLAIN, HEXAGON, UNF, 5/16 -24, class 2B, steel, 1/2in. w A/F, 17/64in. h, chamfered		1	
30	A 9ACR	2530-99-865-6212	. . . QUADRANT, control lever, parking brake	FV500118	2	
31	A 9ACR	5365-99-865-6216	. . . SPACER, SLEEVE, steel, phosphated, 0.532in. id, 0.750in. od, 1.710in. lg	FV500122	2	
32	A 9ACR	2910-99-867-4587	. . . BRACKET, lubricating nipple, steering	FV559250	1	
33	A G1	5306-99-941-4166	. . . BOLT, MACHINE, UNF, 1/2in. -20 thd, class 2A thd, 8in. lg, steel, zinc plated, hex hd, 1-1/2in. thd lg		2	
34	A G1	5310-99-944-0552	. . . WASHER, LOCK, steel, split helical ring, Cd plated, 1/2in. nom bolt size, 0.763in. od		2	
35	A G1	5310-99-941-0928	. . . NUT, PLAIN, HEXAGON, UNF, steel, zinc plated, 1/2in., 3/4in. w A/F, 7/16in. o/a h, grade 3 nut		2	
36	A 9ACR	2540-99-865-6750	. . . SPRING, HELICAL, EXTENSION, control pedal	FV300860	2	
37	A 9ACR	5315-99-866-9078	. . . PIN, GROOVED, HEADLESS, steel, phos, 0.375in. dia, 3.950in. lg	FV559480	2	
38	A G1	5315-99-138-2201	. . . PIN, COTTER, SPLIT, steel, phos, 1.6mm dia, 25mm lg	EM32815/5 6	2	
39	A 9ACR	3130-99-865-6196	. . BEARING UNIT, PLAIN, steering	FV500102	2	
40	A 46MT1	3120-99-881-4562	. . . BEARING, PLAIN, SELF-ALIGNING, steel, 1-3/16in. id, 2-5/8in. od, 1-1/4in. w	RS19	2	
41	A G1	5305-99-941-0571	. . SCREW, MACHINE, UNF, steel, hex hd, zinc coated, 1/2in. dia x 2in. lg		4	
42	A G1	5310-99-944-0569	. . WASHER, LOCK, steel, girder section, Cd plated, 1/2in. nom bolt size		4	
43	A G1	5310-99-120-7391	. . NUT, SELF-LOCKING, HEXAGON, 1/2in. dia, UNF, steel, 3/4in. w A/F, 21/32in. h		4	
44	A 9ACR	3040-99-865-6193	. . LEVER, REMOTE CONTROL, steering gear	FV500099	1	
45	A 9ACR	3040-99-865-6194	. . LEVER, REMOTE CONTROL, steering gear	FV500100	1	
46	A 46MT1	3120-99-800-9692	. . . BEARING, SLEEVE, 1in. o/a lg, 2-3/16in. od, 2in. id	32DU16	2	
47	A 9ACR	5330-99-865-6200	. . GASKET, synthetic rubber	FV500106	1	
48	A 9ACR	5340-99-865-6201	. . PLATE, RETAINING, SEAL, steering	FV500107	1	
49	A G1	5305-99-941-0513	. . SCREW, MACHINE, UNF, steel, zinc plated, hex hd, 1/4in. dia		4	
50	A G1	5310-99-941-6654	. . WASHER, LOCK, 1/4in. bolt size, 27/64in. od		4	
51	A 9ACR	3040-99-865-6195	. . LEVER, REMOTE CONTROL, steering gear	FV500101	1	
52	A G1	5306-99-941-0306	. . BOLT, MACHINE, 5/16in. x 3-1/4in., steel, hex hd, Zn coated		1	
53	A G1	5310-99-941-6655	. . WASHER, LOCK, 5/16in. hole dia		1	
54	A G1	5310-99-941-0925	. . NUT, PLAIN, HEXAGON, UNF, steel, zinc coated, 5/16in.		1	
55	A 9ACR	3040-99-865-6197	. . CONNECTING LINK, RIGID, short, lh	FV500103	1	
56	A 6MT1	5340-99-910-3295	. . . FORK, END, steel, 1/2in. -20 UNF int rh thd	SSML7-18	2	

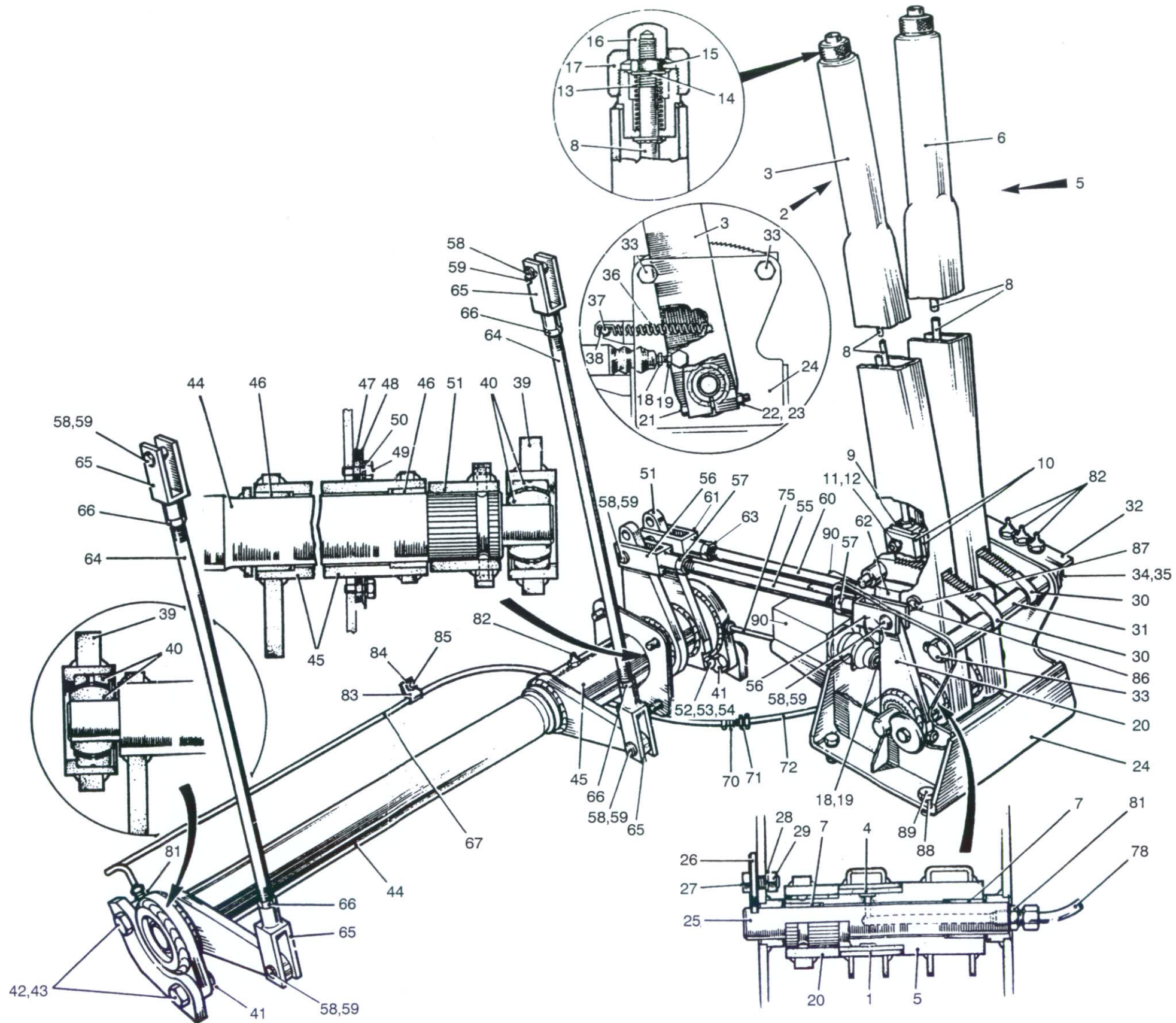


Fig 2 Steering and brake controls general arrangement

430/70079

Fig Item	Man Code Navy - N Army - A RAF - R	NATO Stock No	Item Name and Description	Part No/ Drawing No.	No. Off	Annotations
2-			CONTROLS GA - contd . STEERING AND BRAKE CONTROLS GA - contd . . . CONNECTING LINK, RIGID - contd			
57	A G1	5310-99-941-0906	. . . NUT, PLAIN, HEXAGON, UNF, steel, zinc coated, 1/2in.		2	
58	A G1	5315-99-910-3311	. . PIN, STRAIGHT, HEADED, steel, phosphated, 1/2in.		7	
59	A G1	5315-99-138-2209	. . PIN, COTTER, SPLIT, steel, phosphated finish, 3.20mm dia, 32mm lg	103385	7	
60	A 9ACR	3040-99-865-6198	. . . CONNECTING LINK, RIGID, short, rh	FV500104	1	
61	A 6MT1	5340-99-910-3295 FORK, END, steel, zinc plated, 1/2in. -20 UNF int rh thd	SSML7-18	1	
62	A 9ACR	2530-99-865-6217 ROD END, rigid, connecting link, steering	FV500131	1	
63	A G1	5310-99-941-0906	. . . NUT, PLAIN, HEXAGON, UNF, steel, chamfered, zinc coated, 1/2in. -20, 3/4in. w		2	
64	A 9ACR	3040-99-865-6199	. . . CONNECTING LINK RIGID, long	FV500105	2	
65	A 46MT1	5340-99-910-3295 FORK, END, 1/2in. -20 UNF int rh thd, 3-13/32in. o/a lg	SSML7-18	2	
66	A G1	5310-99-941-0906	. . . NUT, PLAIN, HEXAGON, UNF, steel, zinc coated, 1/2in.		2	
67	A 9ACR	4710-99-865-6205	. . PIPE, METALLIC, steel, bulkhead to lh spherical bearing	FV500111	1	
NI 68	A 46MT1	4730-99-801-1564	. . . NUT, UNION, PIPE, UNF, 3/8in., 3/16in. pipe size	FVS88-2	2	
NI 69	A 46MT1	4730-99-801-1560	. . . FERRULE, BRAZING, TUBE FITTING, 3/16in. od pipe	FVS89-2	2	
70	A 9ACR	4730-99-865-6206	. . NIPPLE, TUBE, steel, phos, male thd, 0.375in. UNF 2A, 0.188in. od tube	FV500112	1	
71	A G1	5310-99-941-0904	. . NUT, PLAIN, HEXAGON, UNF, steel, chamfered, zinc coated, 3/8in.		1	
72	A 9ACR	4710-99-865-6204	. . PIPE, METALLIC, steel, greaser to bulkhead	FV500110	1	
NI 73	A 46MT1	4730-99-801-1564	. . . NUT, UNION, PIPE, UNF, 3/8in., 3/16in. pipe size	FVS88-2	2	
NI 74	A 46MT1	4730-99-801-1560	. . . FERRULE, BRAZING, TUBE FITTING, 3/16in. od pipe	FVS89-2	2	
75	A 9ACR	4710-99-865-6203	. . PIPE, METALLIC, steel, greaser to rh spherical bearing	FV500109	1	
NI 76	A 46MT1	4730-99-801-1564	. . . NUT, UNION, PIPE, UNF, 3/8in., 3/16in. pipe size	FVS88-2	2	
NI 77	A 46MT1	4730-99-801-1560	. . . FERRULE, BRAZING, TUBE FITTING, 3/16in. od pipe	FVS89-2	2	
78	A 9ACR	4710-99-865-6202	. . PIPE, METALLIC, steel, greaser to fulcrum pin	FV500108	1	
NI 79	A 46MT1	4730-99-801-1564	. . . NUT, UNION, PIPE, UNF, 3/8in., 3/16in. pipe size	FVS88-2	2	
NI 80	A 46MT1	4730-99-801-1560	. . . FERRULE, BRAZING, TUBE FITTING, 3/16in. od pipe	FVS89-2	2	
81	A 46MT1	4730-99-801-2031	. . NIPPLE, TUBE, UNF, steel, 3/8in. to 3/16in.	FVS87-2	6	
82	A 46MT1	4730-99-943-9374	. . LUBRICATING, NIPPLE, hydraulic straight, 1/4in. UNF	NA6625	4	
83	A 9BTR	5340-99-810-6742	. . STRAP, RETAINING, steel, 0.75in. x 1.25in. x 16 SWG	FV411771	1	
84	A G1	5310-99-941-6654	. . WASHER, LOCK, steel, split helical ring, 1/4in. nom bolt size, 27/64in. od, 5/64in. thk		1	
85	A G1	5310-99-941-0924	. . NUT, PLAIN, HEXAGON, UNF, steel, chamfered, zinc coated, 1/4in.		1	

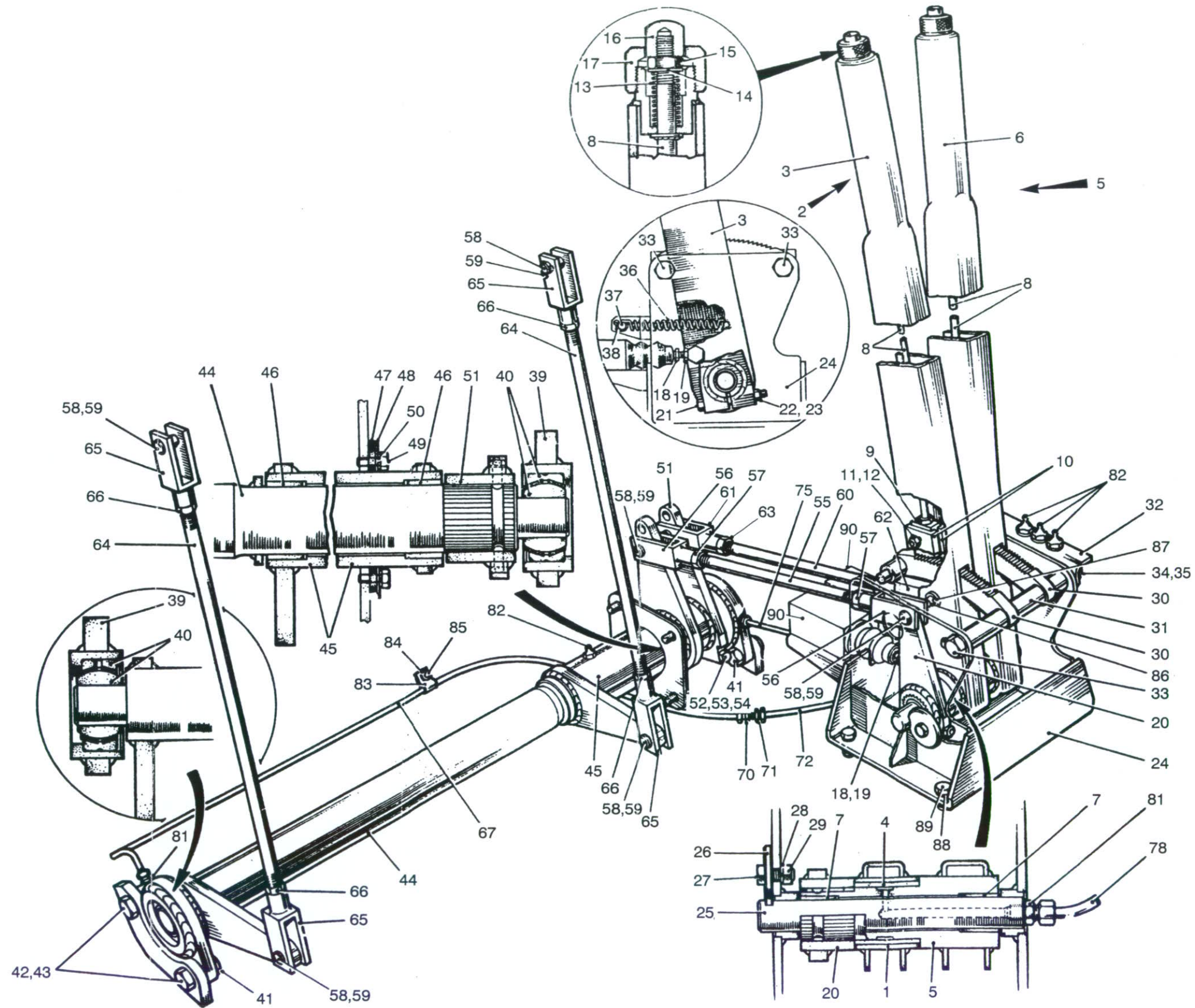


Fig 2 Steering and brake controls general arrangement

Fig Item	Man Code Navy - N Army - A RAF - R	NATO Stock No	Item Name and Description	Part No/ Drawing No.	No. Off	Annotations
2-			CONTROLS GA - contd STEERING AND BRAKE CONTROLS GA - contd			
86	A	9ACR	5315-99-865-6207 . . PIN, STRAIGHT, HEADLESS, steel, phos, 0.4989in. od, 2.150in. lg	FV500113	1	
87	A	G1	5315-99-138-2209 . . PIN, COTTER, SPLIT, steel, phosphate finish, 3.20mm dia, 32mm lg	103385	2	
88	A	G1	5310-99-941-6656 . . WASHER, LOCK, steel, split, helical ring, 3/8in. nom bolt size, single coil, square sect		6	} Bracket to floor plates
89	A	G1	5305-99-941-0540 . . SCREW, MACHINE, UNF, steel, hex hd, zinc coated, 3/8in. x 7/8in.		6	
90	A	46MT4	5930-99-881-3583 . . SWITCH, SENSITIVE, SPST, N/C, spring return, 500V ac, 250V dc, 1A resistive, 5-7/8in. lg, 1-3/4in. w, 1-5/8in. h, w/syn rubber bellows	VB1A	2	
NI 91		NP	. . SCREW, MACHINE, ch hd, 2BA x 3/8in. lg		8	} Securing item 90
NI 92	A	G1	5310-99-941-6653 . . WASHER, LOCK, steel, split helical ring, 0.198in. id, 0.064in. thk, 0.33in. od		8	
NI 93		NP	. . TAPPING PLATE, GAITER	FV650095	1	
NI 94		NP	. . GAITER, STEERING	FV650093	1	
NI 95		NP	. . CLAMP PLATE, GAITER	FV650094	1	
NI 96		NP	. . SCREW, MACHINE, ch hd, 2BA x 1/2in. lg		3	Securing items 94, 95, 96
NI 97	A	G1	5305-99-123-3314 . . SCREW, MACHINE, UNF, 1/4in. -28 class 2A thd, 3/4in. lg, steel, hex hd		4	} Securing items 94, 95
NI 98	A	G1	5310-99-941-6654 . . WASHER, LOCK, steel, split helical ring, 1/4in. bolt size, 27/64in. od, 5/64in. thk		4	
NI 99	A	G1	5310-99-804-7941 . . NUT, PLAIN, HEXAGON, UNF, 1/4in. dia -28, class 2B rh thd, steel, Zn plated, 7/16in. w A/F, 7/32in. h, finished chamfered		4	
NI 100		NP	. . CLIP, GAITER	FV650097	2	
NI 101		NP	. . SCREW, MACHINE, hex hd, 2BA x 3/4in. lg		2	} Securing item 100
NI 102	A	G1	5310-99-941-6653 . . WASHER, LOCK, steel, split helical ring, 0.198in. id, 0.064in. thk, 0.33in. od		2	
NI 103		NP	. . NUT, HEXAGONAL, No. 10 (2BA)		2	

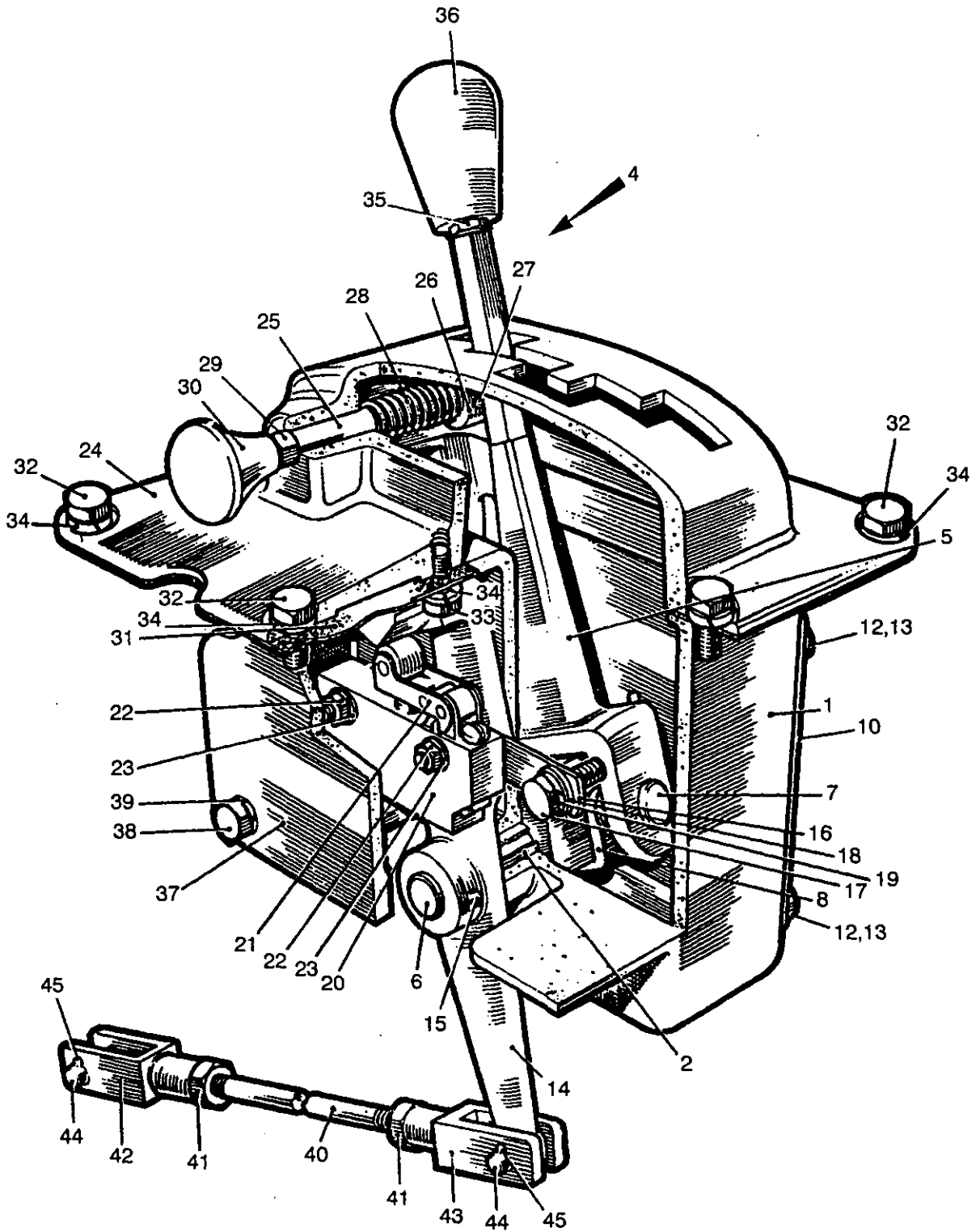


Fig 3 Gear range selector general arrangement

430/70080

Fig Item	Man Code Navy - N Army - A RAF - R	NATO Stock No	Item Name and Description	Part No/ Drawing No.	No. Off	Annotations
3-			CONTROLS GA - contd			
		NP	. GEAR RANGE SELECTOR GENERAL ARRANGEMENT	FV559399	REF	
1	A 9ACR	2520-99-865-6717	. . . CASING, control mechanism, gearbox selector	FV525283	1	
2	A 46MT1	3120-99-944-7737	. . . BEARING, SLEEVE, steel, bronze, PTFE, 0.5000in. id, 0.5938in. od, 0.5000in. lg	08DU08	1	
NI 3	A G1	5315-99-942-3859	. . . PIN, GROOVED, HEADLESS, steel, phos, GP4, 1/4in. x 1/2in.	FV709379	1	
4		NP	. . . LEVER, CONTROL, HAND, gear selector	FV525284	1	
5	A 9ACR	5340-99-865-6718	. . . CONTROL ROD, gearbox selector	FV525285	1	
6	A 9ACR	5315-99-865-6723	. . . PIN, SHOULDER, HEADLESS, steel	FV525296	1	
7	A 9ACR	5315-99-865-6700	. . . PIN, SHOULDER, HEADED, steel, phos, 1/2in. dia, 2-3/4in. o/a lg	FV421797	1	
8	A 9ACR	5360-99-865-6701	. . . SPRING, HELICAL, TORSION, steel, 3 coils	FV421799	1	
NI 9	A G1	5315-99-942-3567	. . . PIN, GROOVED, HEADLESS, steel, phosphated, GP1, 1/8in. x 1in.	50446	1	
10	A 9ACR	2520-99-865-6719	. . . COVER, PLATE, control mechanism, gearbox selector	FV525289	1	
NI 11	A 46MT1	3120-99-944-7737	. . . BEARING, SLEEVE, steel/bronze/PTFE, 0.5000in. id, 0.5938in. od, 0.5000in. lg	08DU08	1	
12	A G1	5305-99-941-0687	. . . SCREW, MACHINE, UNC, steel, hex hd, zinc coated, 1/4in. x 3/4in.		4	
13	A G1	5310-99-941-6654	. . . WASHER, LOCK, steel, single coil, square section, cadmium plated, 1/4in. bolt size		4	
14	A 9ACR	3040-99-865-6722	. . . LEVER, REMOTE CONTROL, gearbox selector	FV525292	1	
15	A G1	5315-99-942-3583	. . . PIN, GROOVED, HEADLESS, steel, phosphated, 3/16in. x 1in.	142359	1	
16	A 9ACR	2520-99-865-6727	. . . PLATE, MOUNTING, control switch, gearbox selector	FV525300	1	
17	A G1	5305-99-941-0687	. . . SCREW, MACHINE, UNC, steel, hex hd, zinc coated, 1/4in. x 3/4in.		2	
18	A G1	5310-99-100-6945	. . . WASHER, LOCK, steel, flat int teeth, 1/4in. id, 0.026in. thk, 15/32in. od		2	
19	A G1	5310-99-941-6654	. . . WASHER, LOCK, steel, single coil, square section, cadmium plated, 1/4in. bolt size		4	
20	A 9ACR	2520-99-865-6728	. . . CLAMP, MOUNTING PLATE, gearbox selector control switch	FV525301	1	
21	A 6MT4	5930-99-881-5734	. . . SWITCH, quick action	S800E	1	
22	A G1	5310-99-120-0118	. . . NUT, PLAIN, HEXAGON, 4-0.66 BA thd, steel, Cd plated w/chromate, 1/4in. w		4	
23	A G1	5310-99-941-6652	. . . WASHER, LOCK, steel, split helical ring, 0.168in. id, 0.252in. od, 0.04in. thk		2	
24	A 9ACR	9905-99-865-6715	. . . PLATE, INDICATOR DETENT, gear selector	FV525206	1	
25	A 9ACR	5340-99-865-6724	. . . CONTROL ROD, gearbox selector	FV525297	1	
26	A 9ACR	5340-99-865-6725	. . . COLLAR, control rod, gearbox selector	FV525298	1	
27	A G1	5315-99-942-2565	. . . PIN, GROOVED, HEADLESS, steel, phosphated, 1/8in. x 3/4in.	B22342	1	
28	A 9ACR	5360-99-865-6702	. . . SPRING, HELICAL, COMPRESSION, steel, 8 coils, 1-1/4in. lg	FV421801	1	
29	A G1	5310-99-941-0902	. . . NUT, PLAIN, HEXAGON, UNF, steel, chamfered, zinc coated, 1/4in. lock		1	

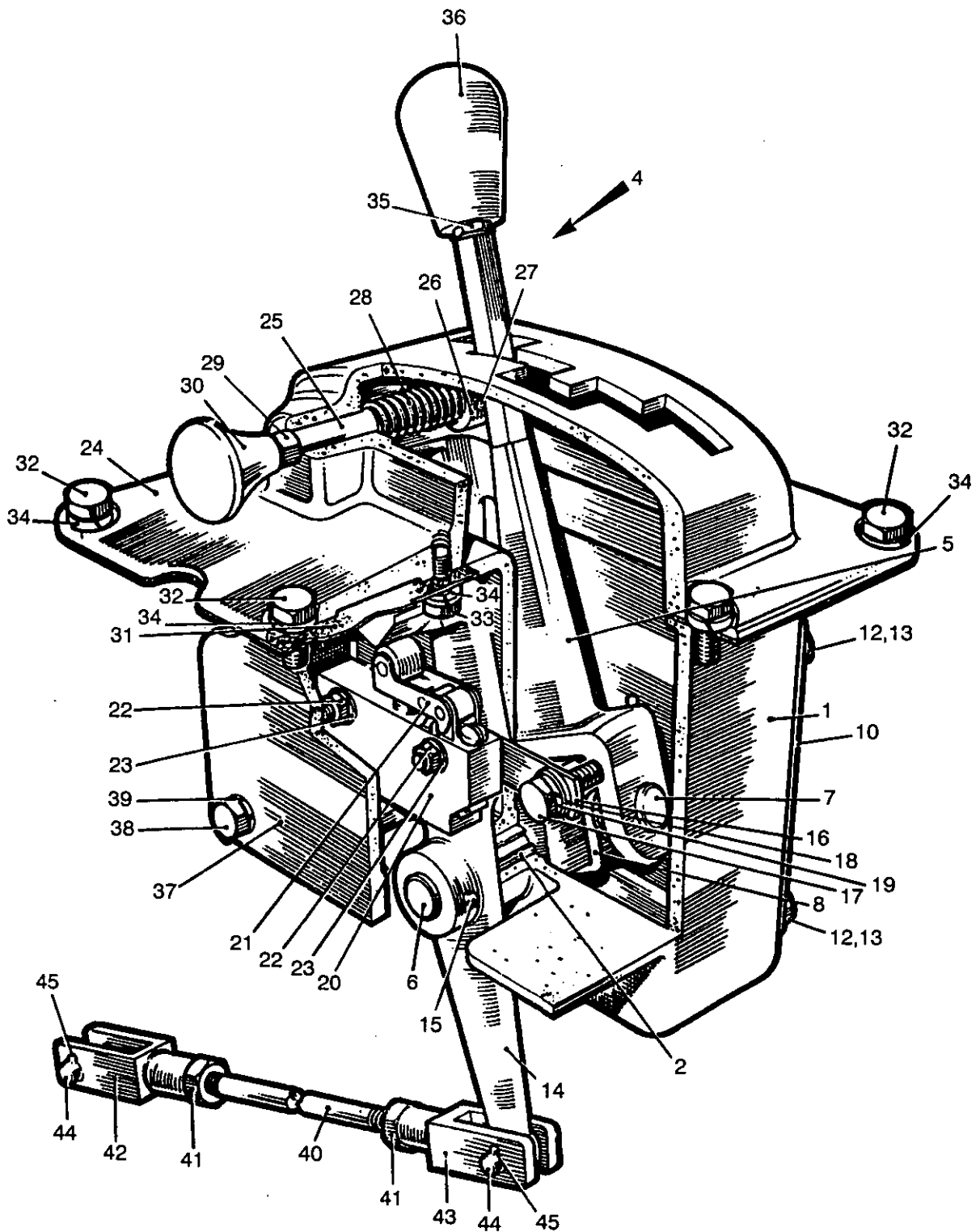


Fig 3 Gear range selector general arrangement

430/70080

Fig Item	Man Code Navy - N Army - A RAF - R	NATO Stock No	Item Name and Description	Part No/ Drawing No.	No. Off	Annotations
3-			CONTROLS GA - contd . GEAR RANGE SELECTOR GA - contd			
30	A 9ACR	5340-99-865-6703	. . HANDLE, control rod, gearbox selector	FV422231	1	
31	A 9ACR	5330-99-865-6726	. . GASKET, gear selector gate	FV525299	1	
32	A G1	5305-99-941-0513	. . SCREW, CAP, HEXAGON HEAD, UNF, steel, chamfered bearing surface, 1/4in. -28		8	
33	A G1	5305-99-941-0687	. . SCREW, MACHINE, UNC, steel, hex hd, zinc coated, 1/4in. x 3/4in.		6	
34	A G1	5310-99-941-6654	. . WASHER, LOCK, steel, single coil, square section, cadmium plated, 1/4in. bolt size		14	
35	A G1	5310-99-941-0903	. . NUT, PLAIN, HEXAGON, UNF, steel, chamfered bearing surface, zinc plated, 5/16in., 1/2in. w		1	
36	A 9ACR	5340-99-865-6729	. . HANDLE, control rod, gearbox selector	FV525303	1	
37	A 9ACR	2520-99-865-6716	. . COVER, PLATE, control mechanism, gearbox selector	FV525209	1	
38	A G1	5305-99-941-0687	. . SCREW, MACHINE, UNC, steel, hex hd, zinc coated, 1/4in. x 3/4in.		4	
39	A G1	5310-99-941-6654	. . WASHER, LOCK, steel, single coil, square section, cadmium plated, 1/4in. bolt size		4	
40	A 9ACR	3040-99-867-4614	. . CONNECTING LINK, RIGID	FV559400	1	
41	A G1	5310-99-941-0902	. . NUT, PLAIN, HEXAGON, UNF, steel, chamfered, zinc coated, 1/4in., lock		2	
42	A 46MT1	5340-99-910-3292	. . CLEVIS, ROD END, steel, zinc plated, 1/4in. UNF int thd		1	
43	A 9ACR	5340-99-865-6721	. . CLEVIS, ROD END, steel, phosphated, 1/4in. UNF thd	FV525291	1	
44	A G1	5315-99-910-3308	. . PIN, STRAIGHT, HEADED, steel, 0.25in. dia x 0.722in. lg	SSML7-18	2	
45	A G1	5315-99-138-2201	. . PIN, COTTER, SPLIT, steel, phosphated, 1/16in. x 1in.	0009830407	2	

Chapter 2-7

PARTS LIST

ELECTRICAL EQUIPMENT -

GENERAL ARRANGEMENT

Chap

2-7	Electrical equipment general arrangement
2-7-1	Vehicle harnesses

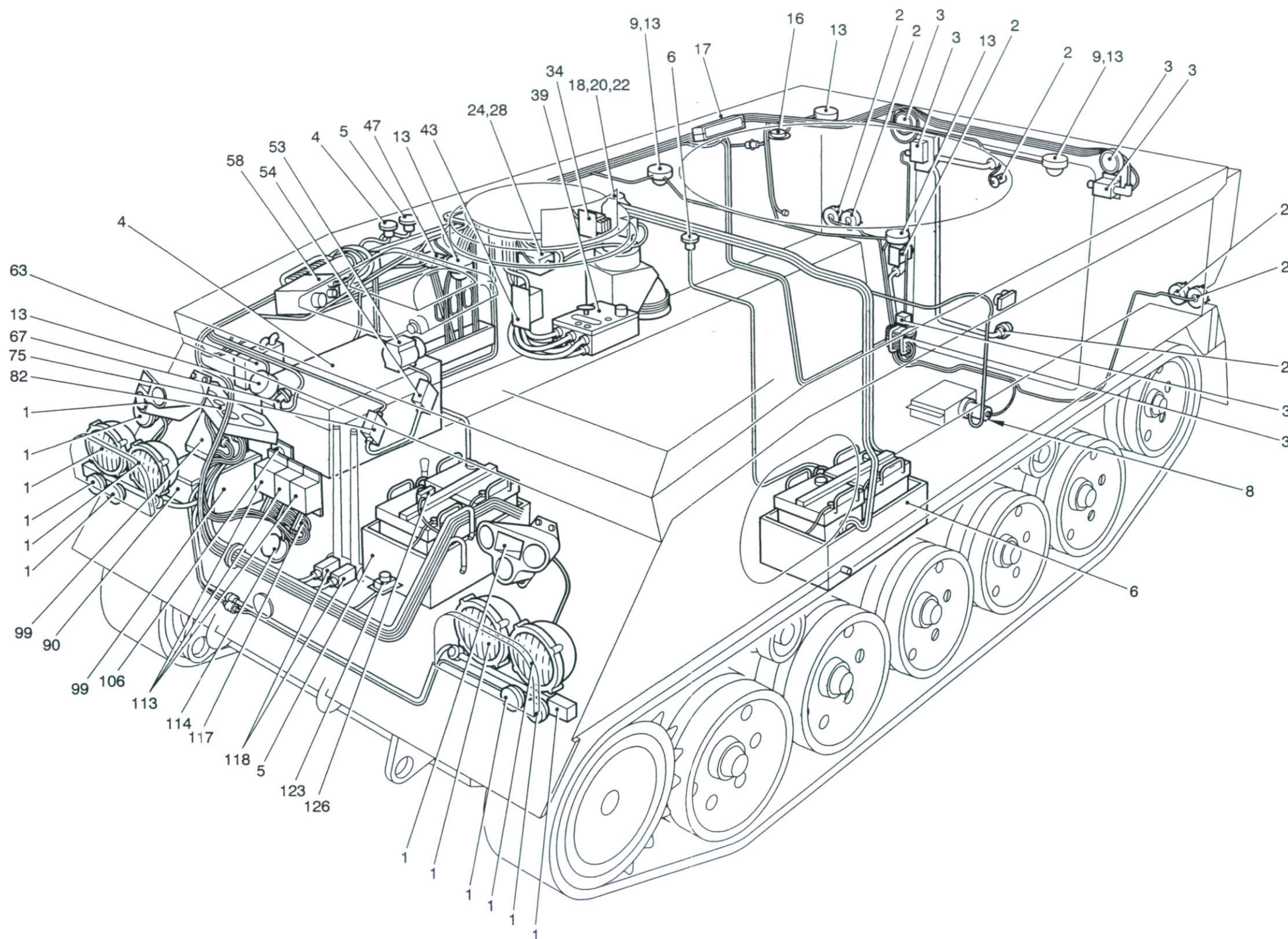


Fig 1 Electrical equipment general arrangement

430/70195A

Fig Item	Man Code Navy - N Army - A RAF - R	NATO Stock No	Item Name and Description	Part No/ Drawing No.	No. Off	Annotations
1-		NP	ELECTRICAL EQUIPMENT GENERAL ARRANGEMENT	FV559355	REF	
		NP	. ELECTRICAL EQUIPMENT, HULL, GENERAL ARRANGEMENT	FV603068	REF	
1		NP	. ELECTRICAL EQUIPMENT, FRONT, EXTERNAL		REF	See Fig 2
2		NP	. ELECTRICAL EQUIPMENT, REAR, EXTERNAL		REF	See Fig 9
3		NP	. ELECTRICAL EQUIPMENT, REAR, INTERNAL		REF	See Fig 13
4		NP	. VEHICLE BATTERIES INSTALLATION		REF	See Fig 14
5		NP	. RADIO BATTERIES INSTALLATION		REF	See Fig 15
6		NP	. VENTILATION BATTERIES INSTALLATION		REF	See Fig 16
NI 7		NP	. ELECTRICAL EQUIPMENT INTERNAL		REF	
8	A 6MT12	2910-99-881-4425	. . PUMP, PRESSURISING, FUEL SYSTEM, 24V dc, No. 2, Mk 1	FV342593	1	See Chap 2-5
9	A 9ACR	6220-99-866-6911	. . RETAINER, LAMP	FV499491	2	
NI 10		NP	. . WASHER, FLAT, 2BA bolt size	7030103009 4900	2	} Securing item 9
NI 11	A G1	5310-99-941-6653	. . WASHER, LOCK, steel, split helical ring, 0.198in. id, 0.064in. thk, 0.33in. od		2	
NI 12		NP	. . NUT, HEXAGONAL, 2BA	7022103011 4900	2	} Securing item 9
13	A 46MT3	6220-99-881-3214	. . LIGHT, DOME, 4-3/8in.dia, 2-13/16in. h, 26V dc, mtg hole	FV426636	6	
NI 14	A 9ACR	5310-99-866-6883	. . . NUT, SLEEVE, 5/16in. UNF, rh, steel, phosphate coated, 0.438in. dia, 0.4in. lg, 0.562in. w A/F, rd cross section hex flange, 0.562in. w A/F, 0.35in. csk dia, 45 deg angle	FV485446	6	Securing item 13
NI 15	A X5	6240-99-995-2236	. . LAMP, INCANDESCENT, globular bulb, 32.5mm lg, 18mm od, 26V dc, 6W	FV603965	6	u/w item 13
16	A 9ACR	6680-99-802-0808	. . TRANSMITTER, LIQUID QUANTITY	FV499376	1	See Chap 2-5
17	A 9ACR	5940-99-801-2756	. . TERMINAL BOX, telephone box, steel, w/cover	FV524744	1	See Chap 2-1-10
18	A 9ACR	2590-99-881-4055	. . FAN CENTRIFUGAL, No. 1 Mk 1	FV481818	1	See Chap 2-8
NI 19	A 6MT4	6105-99-881-3595	. . . MOTOR, DIRECT CURRENT, 24V dc, 4250-7150 rpm, ccw rotation (drive end), 11.71in. lg, 6.65in. w, 7.7in. h	FV342567	1	See Fig 18
20	A 6MT4	2540-99-802-3110	. . FAN, CENTRIFUGAL, 7150rpm, 0.9hp, 24V dc, 14-5/8in. lg, 11-7/8in. w, 13-1/4in. h	FV564270	1	See Chap 2-8-1
NI 21	A 6MT4	6105-99-881-3595	. . . MOTOR, DIRECT CURRENT, 24V dc, 4250-7150 rpm, ccw rotation (drive end), 11.71in. lg, 6.65in. w, 7.2in. h	FV342567	1	See Fig 18
22	A 9ACR	4140-99-804-4011	. . FAN, CENTRIFUGAL, No. 4, Mk 1	FV482416	1	See Chap 2-8-1
NI 23	A 9ACR	6105-99-804-4012	. . . MOTOR, DIRECT CURRENT, compound wound, 24V dc, 1.6A, 0.22 and 0.8hp, totally enclosed, 6 unthd mtg holes, w/radio interference suppression	FV546142	1	See Fig 20

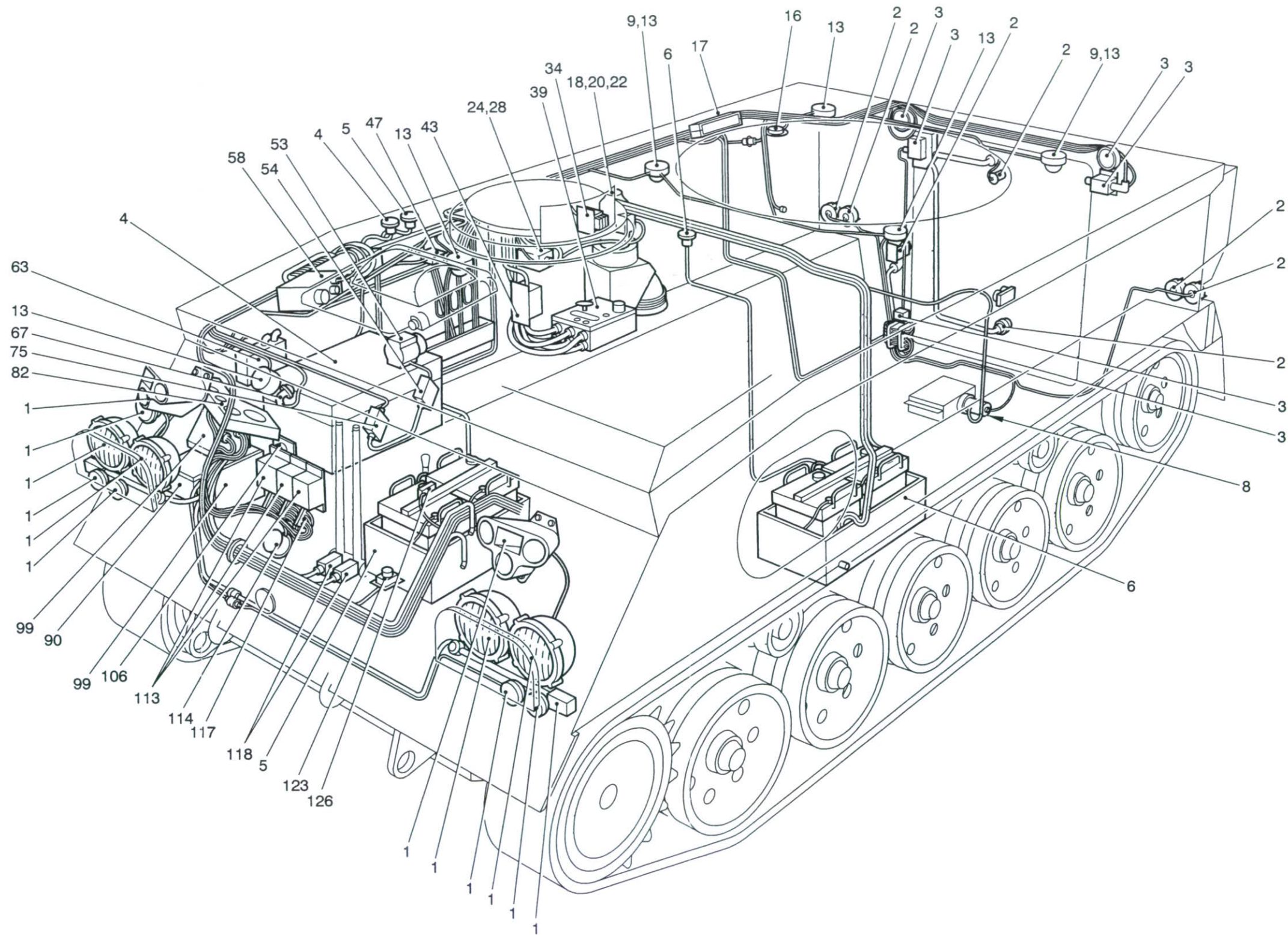


Fig 1 Electrical equipment general arrangement

Fig Item	Man Code Navy - N Army - A RAF - R	NATO Stock No	Item Name and Description	Part No/ Drawing No.	No. Off	Annotations
1-			ELECTRICAL EQUIPMENT GENERAL ARRANGEMENT - contd			
			. . ELECTRICAL EQUIPMENT, INTERNAL - contd			
24	A	6MT4	2590-99-499-9911 . . CONTROL BOX, FAN, comprising; steel box and lid, 150mm lg x 100mm w, c/w 5 position rotary switch on lid, ident/mod record plate secured to side	FV908859	1	See Fig 19 u/w items 18, 20
NI 25		NP	. . SCREW, MACHINE, hex hd, 2BA x 1/2in. lg	7011103081 4900	4	} Securing item 24
NI 26	A	G1	5310-99-941-6653 . . WASHER, LOCK, steel, split helical ring, 0.198in. id, 0.064in. thk, 0.33in. od		4	
NI 27		NP	. . NUT, HEXAGON, 2BA	7022103011 4900	4	
28	A	9ACR	6110-99-804-4010 . . CONTROLLER, fan, No. 2, Mk 1	FV546143	1	u/w item 22
NI 29		NP	. . BRACKET, FAN CONTROLLER	FV602534	1	u/w item 28
NI 30		NP	. . WASHER, FLAT, 1/4in. bolt size, 17 SWG	7030004009 4900	8	} Securing items 28, 29
NI 31	A	G1	5310-99-941-6654 . . WASHER, LOCK, steel, split helical ring, 1/4in. bolt size, 27/64in. od, 5/64in. thk		8	
NI 32		NP	. . NUT, PLAIN, HEXAGON, 1/4in. dia	7020104011 5900	4	Securing item 29
NI 33	A	G1	5305-99-941-0512 . . SCREW, MACHINE, UNF, 1/4in. class 2A thd, 5/8in. lg, steel, Zn plated, hex hd		4	Securing item 28
34	A	46MT3	4210-99-881-4006 . . INDICATOR, FIRE DETECTOR SYSTEM, No. 3, Mk 1	FV534946	1	See Fig 22
NI 35	A	X5	6240-12-173-4827 . . LAMP, INCANDESCENT, 52.5mm lg, 26.5mm dia, 24V dc, 21W, single contact bayonet, straight sided, transparent w/triple supported filament	9511HD	1	u/w item 34
NI 36	A	46MT3	6220-99-881-6898 . . GUARD, LAMP	FV562031	1	u/w item 34
NI 37	A	G1	5310-99-944-0549 . . WASHER, LOCK, steel, Cd plated, split helical ring, 5/16in. bolt size, 0.503in. od, 0.08in. thk, single coil, sq section		4	} Securing item 34
NI 38	A	G1	5310-99-941-0925 . . NUT, PLAIN, HEXAGON, UNF, 5/16in. -24, class 2B, rh thd, steel, Zn plated, 1/2in. w A/F, 17/64in. h, chamfered		8	
39	A	9ACR	2590-99-881-9389 . . DISTRIBUTION BOX, RADIO, composite assy, No. 1, Mk 3	FV534890	1	See Fig 23
NI 40	A	G1	5310-99-915-5148 . . WASHER, FLAT, steel, Cd plated, 3/8in. UNF bolt size, 0.66in. od, 0.048in. thk		4	} Securing item 39
NI 41	A	G1	5310-99-941-6656 . . WASHER, LOCK, steel, split helical ring, 3/8in. bolt size, 0.092in. thk, 0.59in. od, single coil, sq section		4	
NI 42	A	G1	5306-99-941-6598 . . BOLT, MACHINE, UNF, 3/8in. dia, class 2A thd, steel, Zn plated, 1in. thd lg, 1-1/2in. fastener lg, hex hd		4	
43	A	9ACR	5975-99-978-3142 . . JUNCTION BOX, ancillary, 7.8in. lg, 4.3in w, 3.3in. h	FV499692	1	See Fig 24
NI 44	A	G1	5305-99-941-0542 . . SCREW, MACHINE, UNF, 3/8in. -24, class 2A thd, steel, Zn plated, 1-1/8in. lg, hex hd		4	} Securing item 43
NI 45	A	G1	5310-99-138-6859 . . WASHER, LOCK, steel, Zn plated, split helical ring, 3/8in. bolt size, 3/32in. thk, 11/16in. od		4	
NI 46	A	G1	5310-99-941-0926 . . NUT, PLAIN, HEXAGON, UNF, steel, Zn plated, chamfered, 3/8in. -24, grade 3, 0.563in. w A/F, 0.333in. h		4	

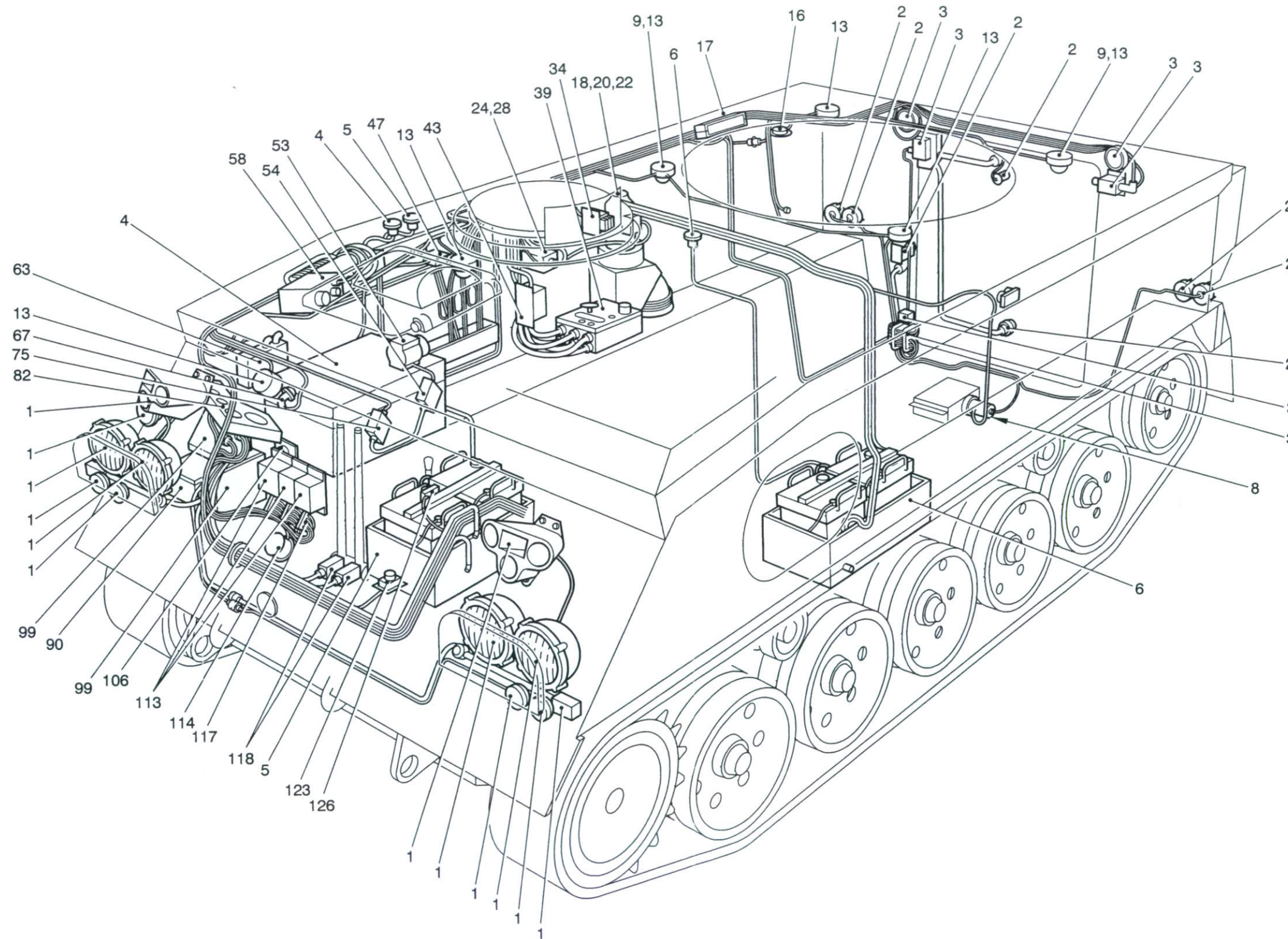


Fig 1 Electrical equipment general arrangement

Fig Item	Man Code Navy - N Army - A RAF - R	NATO Stock No	Item Name and Description	Part No/ Drawing No.	No. Off	Annotations
1-			ELECTRICAL EQUIPMENT GENERAL ARRANGEMENT - contd . ELECTRICAL EQUIPMENT, INTERNAL - contd			
47	A	6MT4	5975-99-838-5151 . . JUNCTION BOX, SMOKE, DISCHARGER, enamelled, 3-1/2in. lg, 3-3/4in. w, 3-1/4in. h, black, 4 mtg holes, 1/4in. dia	FV959041	1	See Fig 25
NI 48	A	G1	5310-99-941-6654 . . WASHER, LOCK, steel, split helical ring, 1/4in. bolt size, 27/64in. od, 5/64in. thk		4	} Securing item 47
NI 49	A	G1	5305-99-941-0512 . . SCREW, MACHINE, UNF, 1/4in. class 2A thd, 5/8in. lg, steel, Zn plated, hex hd,		3	
NI 50	A	6MT4	5340-99-833-9560 . . CLAMP, LOOP, steel, Zn plated, 5/8in. w, 3/4in. loop centre to end, 3/16in. loop, rd and slotted, 11/32in. dia hole	51101263	1	
NI 51		NP	. . WASHER, FLAT, 1/4in. dia x 17 SWG	7030004009 4900	1	} Securing items 47, 50
NI 52		NP	. . SCREW, MACHINE, 1/4in. UNF x 3/4in. lg	7010104124 5900	1	
53	A	6MT3	2540-99-866-6933 . . MOTOR, WINDSCREEN WIPER, ELECTRIC, periscope wiper	FV462413	1	
54	A	6MT4	5915-99-881-5757 . . FILTER, RADIO INTERFERENCE, 6-9/32in. lg, 3-9/16in. w, 1-9/16in. h, 30V dc working	FV508053	1	
NI 55	A	G1	5310-99-941-6654 . . WASHER, LOCK, steel, split helical ring, 1/4in. bolt size, 27/64in. od, 5/64in. thk		4	} Securing item 54
NI 56	A	G1	5310-99-804-7941 . . NUT, PLAIN, HEXAGON, UNF, 1/4in. dia -28, class 2B rh thd, steel, Zn plated, 7/16in. w A/F, 7/32in. h, chamfered		8	
NI 57		NP	. . STRIP, MOUNTING	FV650973	2	
58	A	9ACR	6110-99-802-4051 . . DISTRIBUTION BOX, 14-35/64in. lg, 12-1/2in. w, 8-11/32in. deep	FV534891	1	See Fig 26
NI 59	A	G1	5305-99-941-0539 . . SCREW, MACHINE, UNF, 3/8in. -24, class 2A thd, 3/4in. lg, steel, Zn plated, hex hd		4	Securing item 57
NI 60	A	G1	5310-99-941-0926 . . NUT, PLAIN, HEXAGON, steel, Zn plated, chamfered, 3/8in. -24, grade 3, 0.563in. w A/F, 0.333in. h		4	Securing item 58
NI 61		NP	. . WASHER, FLAT, 3/8in. bolt size, 15 SWG	7030006009 4900	8	} u/w items 59, 60
NI 62		NP	. . WASHER, LOCK, 3/8in. bolt size	7033006000 5900	8	
63	A	9AHY	4210-99-734-7818 . . CONTROL BOX, FIREWIRE, 5-3/4in. w, 7-3/4in. lg, 3.2in. h, w/earth strap and mtg plate	FV1068358	1	See Fig 28
NI 64		NP	. . WASHER, FLAT, 5/16in. dia, 15 SWG	7030005009 4900	4	} Securing item 63,
NI 65	A	G1	5310-99-944-0549 . . WASHER, LOCK, steel, Cd plated, split helical ring, 5/16in. bolt size, 0.503in. od, 0.08in. thk, single coil, sq section		4	
NI 66	A	G1	5305-99-941-0526 . . SCREW, MACHINE, UNF, 5/16in. -24 class 2A thd, 7/8in. thd and fastener lg, steel, Zn coated, hex hd		4	

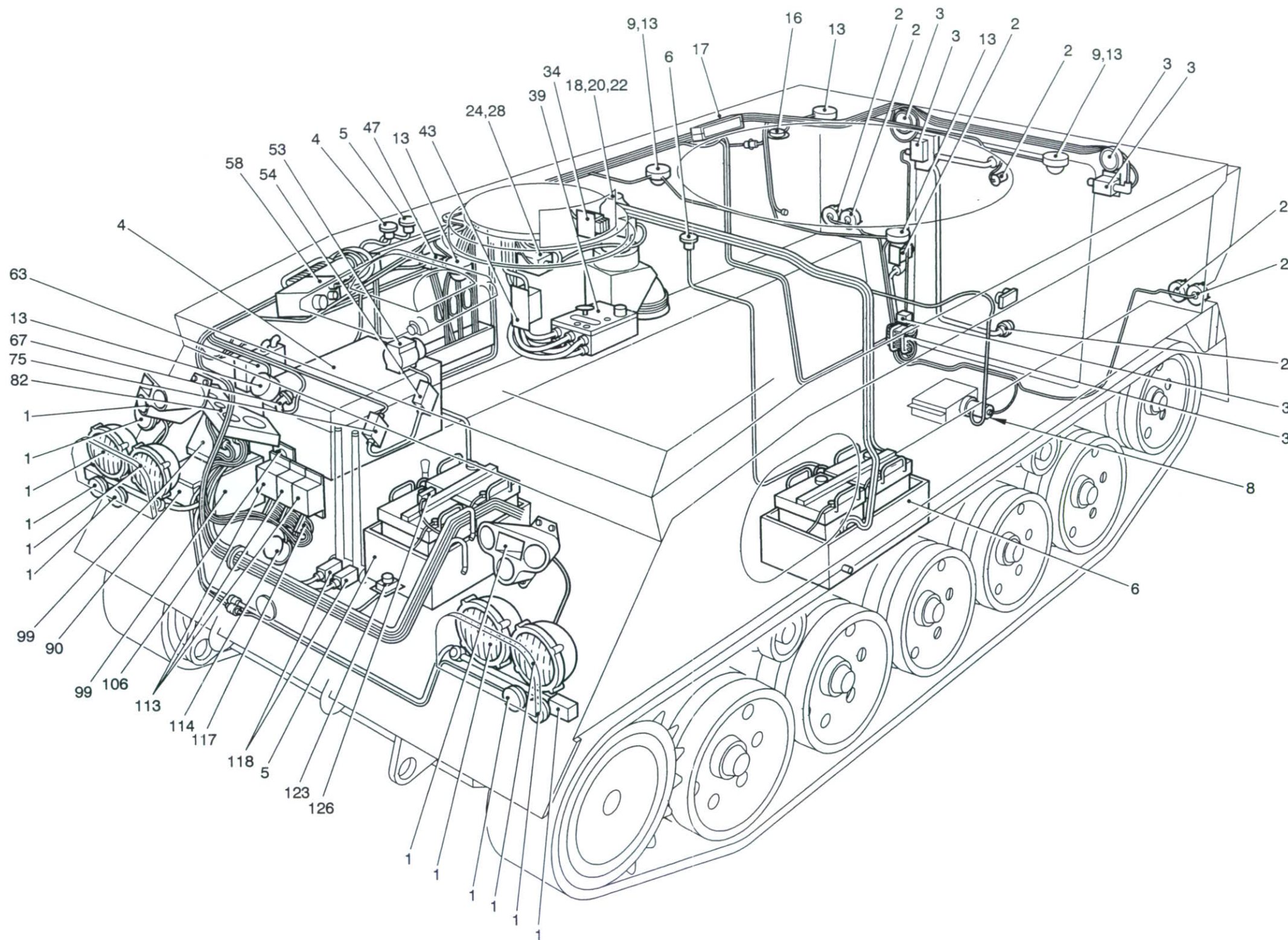


Fig 1 Electrical equipment general arrangement

430/70195A

Fig Item	Man Code Navy - N Army - A RAF - R	NATO Stock No	Item Name and Description	Part No/ Drawing No.	No. Off	Annotations
1-			ELECTRICAL EQUIPMENT GENERAL ARRANGEMENT - contd			
			. ELECTRICAL EQUIPMENT, INTERNAL - contd			
67	A	46MT3	6220-99-803-4118 . . TAIL LIGHT, VEHICULAR, fire warning, rubber body, glass lens, 5-1/32in. lg, 2-1/2in. dia, unthd hole and flat surface mtg	53863	1	See Fig 29
NI 68	A	X5	6240-99-995-2236 . . LAMP, INCANDESCENT, globular bulb, 32.5mm lg, 18mm od, 6W, 26V dc	156	1	} u/w item 67
NI 69		NP	. . BRACKET, LAMP	FV510612	1	
NI 70	A	G1	5310-99-941-6654 . . WASHER, LOCK, steel, split helical ring, 1/4in. bolt size, 27/64in. od, 5/64in. thk		2	} Securing item 69
NI 71	A	G1	5310-99-804-7941 . . NUT, PLAIN, HEXAGON, UNF, 1/4in. dia -28, class 2B rh thd, steel, Zn plated, 7/16in. w A/F, 7/32in. h, chamfered		2	
NI 72	A	G1	5305-99-941-6836 . . SCREW, MACHINE, 4BA x 3/8in. lg, hex hd		3	} Securing item 67 to 69
NI 73	A	G1	5310-99-941-6652 . . WASHER, LOCK, steel, split helical ring, 0.168in. id, 0.252in. od, 0.04in. thk		3	
NI 74	A	G1	5310-99-941-9961 . . NUT, PLAIN, HEXAGON, 4BA, steel, Cd plated, rh thd, 1/4in. w A/F, 1/8in. h, chamfered		3	
75	A	6MT4	2590-99-881-9960 . . SWITCH UNIT, No. 1, Mk 1, sight wiper	FV560051	1	See Fig 30
NI 76	A	G1	5310-99-941-6654 . . WASHER, LOCK, steel, split helical ring, 1/4in. bolt size, 27/64in. od, 5/64in. thk		4	} Securing item 75
NI 77	A	G1	5310-99-804-7941 . . NUT, PLAIN, HEXAGON, UNF, 1/4in. dia -28, class 2B rh thd, steel, Zn plated, 7/16in. w A/F, 7/32in. h, chamfered		8	
NI 78		NP	. . BRACKET, LH, INSTRUMENT PANEL	FV560074	1	} Securing items 78, 79
NI 79		NP	. . BRACKET, RH, INSTRUMENT PANEL	FV559927	1	
NI 80	A	G1	5310-99-944-0549 . . WASHER, LOCK, steel, Cd plated, split helical ring, 5/16in. bolt size, 0.503in. od, 0.08in. thk, single coil, sq section		4	
NI 81	A	G1	5310-99-941-0925 . . NUT, PLAIN, HEXAGON, UNF, 5/16in. -24, class 2B, rh thd, steel, Zn plated, 1/2in. w A/F, 17/64in. h, chamfered		4	} See Fig 31
82		NP	. . DRIVERS INSTRUMENT PANEL	FV494560	1	
NI 83	A	6MT1	6680-99-881-8328 . . SHAFT ASSEMBLY, FLEXIBLE, speedometer, inner and outer cable, 5/8in. -18tpi, 1st end, 3/4in. -26 tpi 2nd end, 6ft effective lg	FV494579/2 1	1	
NI 84		NP	. . BRACKET, LINK BOX, rear	FV559717	1	} Securing items 84, 85
NI 85	A	9ACR	2510-99-867-4691 . . BRACKET, LINK BOX, front	FV559701	1	
NI 86	A	G1	5310-99-941-8386 . . WASHER, FLAT, steel, Zn plated w/chromate, 5/8in. od, 5/16in. bolt size, 0.072in. thk		6	
NI 87	A	G1	5310-99-944-0549 . . WASHER, LOCK, steel, Cd plated, split helical ring, 5/16in. bolt size, 0.503in. od, 0.08in. thk, single coil, sq section		6	} Securing items 84, 85
NI 88	A	G1	5310-99-941-0925 . . NUT, PLAIN, HEXAGON, UNF, 5/16in. -24, class 2B rh thd, steel, Zn plated, 1/2in. w A/F, 17/64in. h, chamfered		6	
NI 89		NP	. . LOCKING BAR, link box	FV560064	1	

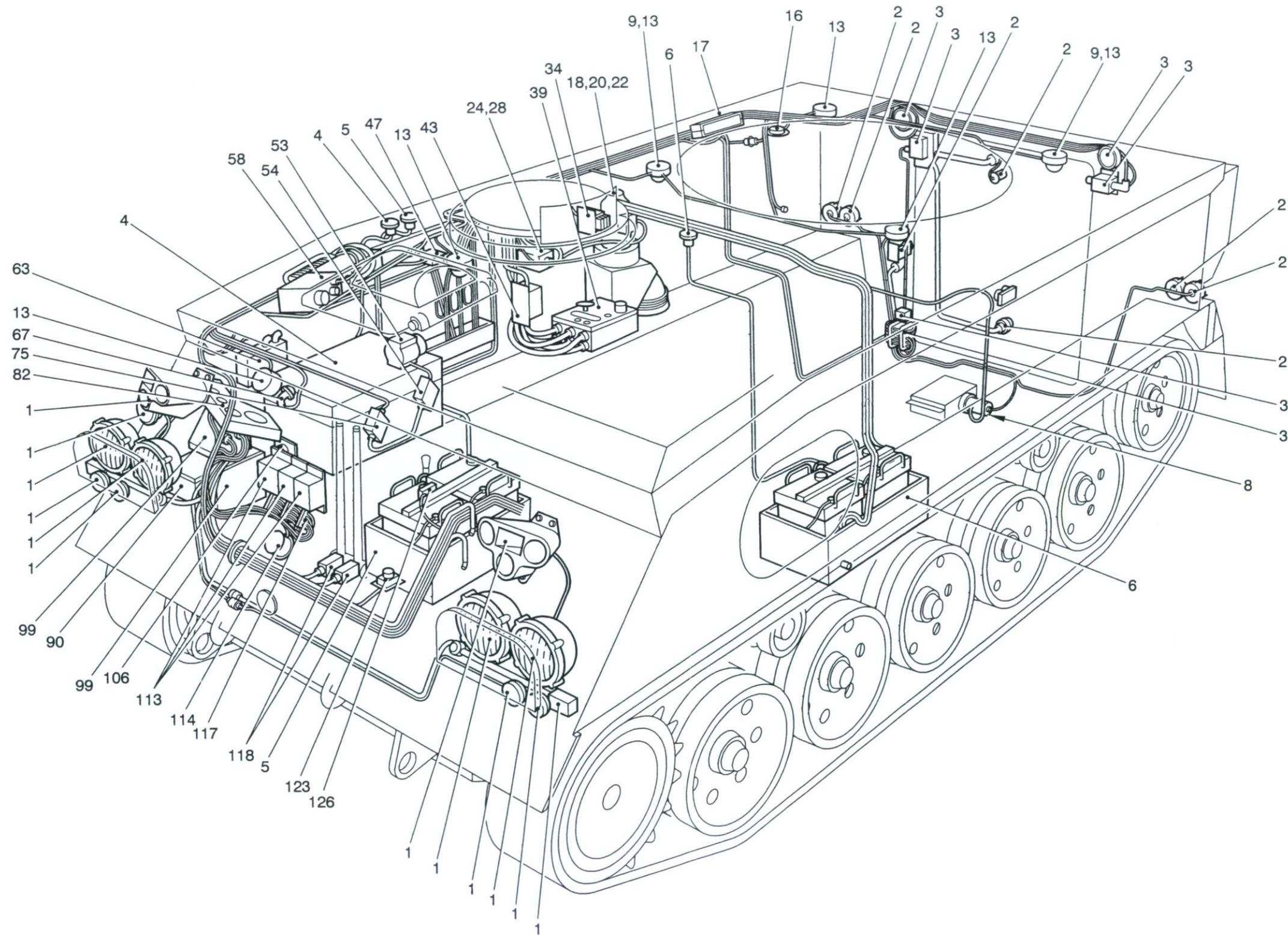


Fig 1 Electrical equipment general arrangement

Fig Item	Man Code Navy - N Army - A RAF - R	NATO Stock No	Item Name and Description	Part No/ Drawing No.	No. Off	Annotations
1-			ELECTRICAL EQUIPMENT GENERAL ARRANGEMENT - contd			
			. ELECTRICAL EQUIPMENT, INTERNAL - contd			
90	A	9ACR	6110-99-881-8338 . . DISTRIBUTION BOX, rect, surface mtd, 15in. h, 12-1/2in. w, 6-37/64in. deep, w/cover and 4 mtg holes, link box	FV494570	1	See Fig 32
NI 91	A	G1	5306-99-941-6598 . . BOLT, MACHINE, UNF, 3/8in. thd dia, class 2A, 1-1/2in. fastener lg, 1in, thd lg, steel, Zn plated, hex hd		4	} Securing item 90
NI 92	A	G1	5310-99-970-8625 . . WASHER, FLAT, steel, Cd plated, 7/8in. od, 3/8in. bolt size, 0.072in. thk		4	
NI 93	A	G1	5310-99-941-6656 . . WASHER, LOCK, steel, split helical ring, 3/8in. bolt size, 0.092in. thk, 0.59in. od, single coil, sq section		4	
NI 94	A	G1	5310-99-941-0926 . . NUT, PLAIN, HEXAGON, UNF, steel, chamfered, Zn plated, 3/8in. -24 thd, 0.563in. w A/F, 0.333in. h, grade 3		2	
NI 95	A	9ACR	2510-99-867-4692 . . BRACKET, SUPPORT, REGULATOR, front control panel	FV559657	2	
NI 96	A	G1	5310-99-120-4032 . . WASHER, FLAT, steel, Zn plated, 1/4in. bolt size, 9/16in. od, 0.056in. thk		4	} Securing item 95
NI 97	A	G1	5310-99-941-6654 . . WASHER, LOCK, steel, split helical ring, 1/4in. bolt size, 27/64in. od, 5/64in. thk		4	
NI 98	A	G1	5310-99-804-7941 . . NUT, PLAIN, HEXAGON, UNF, 1/4in. dia, -28, class 2B rh thd, steel, Zn plated, 7/16in. w A/F, 7/32in. h, chamfered		4	
99	A	6MT4	6110-99-881-6460 . . PANEL, CONTROL, ELECTRICAL, ELECTRONIC EQUIPMENT, alternator No. 1, Mk 1	FV342587	2	See Fig 33
NI 100	A	G1	5305-99-941-0518 . . SCREW, CAP, HEXAGON HEAD, UNF, 1/4in. dia, class 2A thd, 1-3/4in. lg, steel, Zn plated, hex hd		8	} Securing item 99
NI 101	A	G1	5310-99-120-4032 . . WASHER, FLAT, steel, Zn plated, 1/4in. bolt size, 9/16in. od, 0.056in. thk		8	
NI 102	A	G1	5310-99-941-0902 . . NUT, PLAIN, HEXAGON, 1/4in. -28 UNF, class 2B thd, steel, Zn plated, chamfered, 0.438in. w A/F, 0.156in. h		8	
NI 103	A	G1	5310-99-941-6654 . . WASHER, LOCK, steel, split helical ring, 1/4in. bolt size, 27/64in. od, 5/64in. thk		8	
NI 104	A	G1	5310-99-804-7941 . . NUT, PLAIN, HEXAGON, UNF, 1/4in. dia -28, class 2B rh thd, steel, Zn plated, 7/16in. w A/F, 7/32in. h, chamfered		8	
NI 105		NP	. . BRACKET, HORN PUSH SWITCH	FV559857	1	Horn
106	A	6MT4	5930-99-826-8010 . . SWITCH, PUSH, one pole, single throw, double make, both positives maintained, 5-1/64in. lg, 2-7/8in. w, 2-1/32in. h	FV939076	1	
NI 107	A	G1	5310-99-941-6654 . . WASHER, LOCK, steel, split helical ring, 1/4in. bolt size, 27/64in. od, 5/64in. thk		4	} Securing items 105, 106
NI 108	A	G1	5305-99-941-0512 . . SCREW, MACHINE, UNF, 1/4in. class 2A thd, 5/8in. lg, steel, Zn plated, hex hd		4	

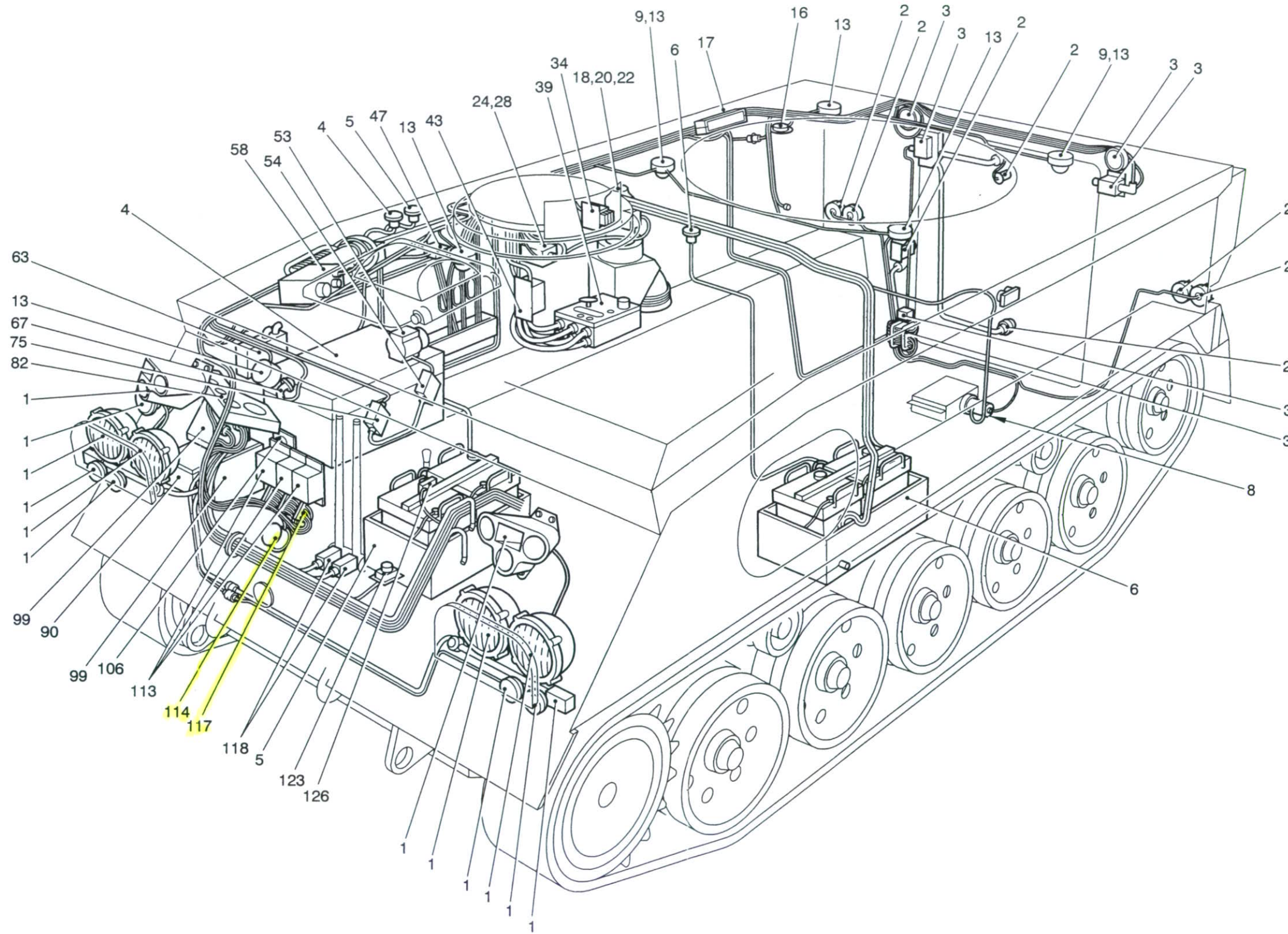


Fig 1 Electrical equipment general arrangement

Fig Item	Man Code Navy - N Army - A RAF - R	NATO Stock No	Item Name and Description	Part No/ Drawing No.	No. Off	Annotations
1-			ELECTRICAL EQUIPMENT GENERAL ARRANGEMENT - contd			
			. . ELECTRICAL EQUIPMENT, INTERNAL - contd			
NI 109	A	9ACR	2540-99-866-6920 . . BRACKET, ANGLE, LH	FV538823	1	} Drivers control panel
NI 110	A	9ACR	2540-99-866-6921 . . BRACKET, ANGLE, RH	FV538824	1	
NI 111	A	G1	5310-99-944-0549 . . WASHER, LOCK, steel, Cd plated, split helical ring, 5/16in. bolt size, 0.503in. od, 0.08in. thk, single coil, sq section		4	} Securing items 109, 110
NI 112	A	G1	5310-99-941-0925 . . NUT, PLAIN, HEXAGON, UNF, 5/16in. -24, class 2B rh thd, steel, Zn plated, 1/2in. w A/F, 17/64in. h, chamfered		4	
113		NP	. . DRIVERS CONTROL PANEL ASSEMBLY	FV559506	1	See Fig 34
114	A	46MT3	6350-99-881-3954 . . HORN, ELECTRICAL, fire alarm	FV534865	1	} Securing item 114
NI 115	A	G1	5310-99-941-6654 . . WASHER, LOCK, steel, split helical ring, 1/4in. bolt size, 27/64in. od, 5/64in. thk		2	
NI 116	A	G1	5306-99-941-0284 . . BOLT, MACHINE, UNF, stainless steel, Zn plated, hex hd, 1/4in. dia x 1-1/2in. lg, class 2A		2	
117		NP	. . ARRANGEMENT OF ELECTRICAL FITTINGS, No. 1 CONNECTOR JUNCTION	FV560075	REF	See Fig 35
118	A	46MT4	5930-99-881-3583 . . SWITCH, SENSITIVE, SPST, N/C, spring return, 500V ac, 250V dc, 1A resistive, 5-7/8in. lg, 1-3/4in. w, 1-5/8in. h, w/syn rubber bellows	VB1A	2	See Chap 2-6
NI 119	A	9ACR	5930-99-801-3872 . . BRACKET, ELECTRICAL SWITCH, dip switch	FV560092	1	
NI 120		NP	. . WASHER, FLAT, 1/4in. x 17 SWG	7030004009 4900	4	} Securing item 119
NI 121	A	G1	5310-99-941-6654 . . WASHER, LOCK, steel, split helical ring, 1/4in. bolt size, 27/64in. od, 5/64in. thk		4	
NI 122	A	G1	5305-99-941-0279 . . SCREW, MACHINE, UNF, steel, Zn plated, hex hd, 1/4in. x 7/8in. lg, class 2A thd		4	
123	A	9ACR	2590-99-881-9171 . . SWITCH, BEAM, SELECTING, HEADLIGHT	FV562044	1	See Fig 36
NI 124	A	G1	5310-99-944-0549 . . WASHER, LOCK, steel, Cd plated, split helical ring, 5/16in. bolt size, 0.503in. od, 0.08in. thk, single coil, sq section		4	} Securing item 123
NI 125	A	G1	5305-99-941-0525 . . SCREW, MACHINE, UNF, stainless steel, Zn plated, hex hd, 5/16in. dia x 3/4in. lg, class 2A thd		4	
126		NP	. . GEAR RANGE SELECTOR, GENERAL ARRANGEMENT	FV559399	REF	See Chap 2-6

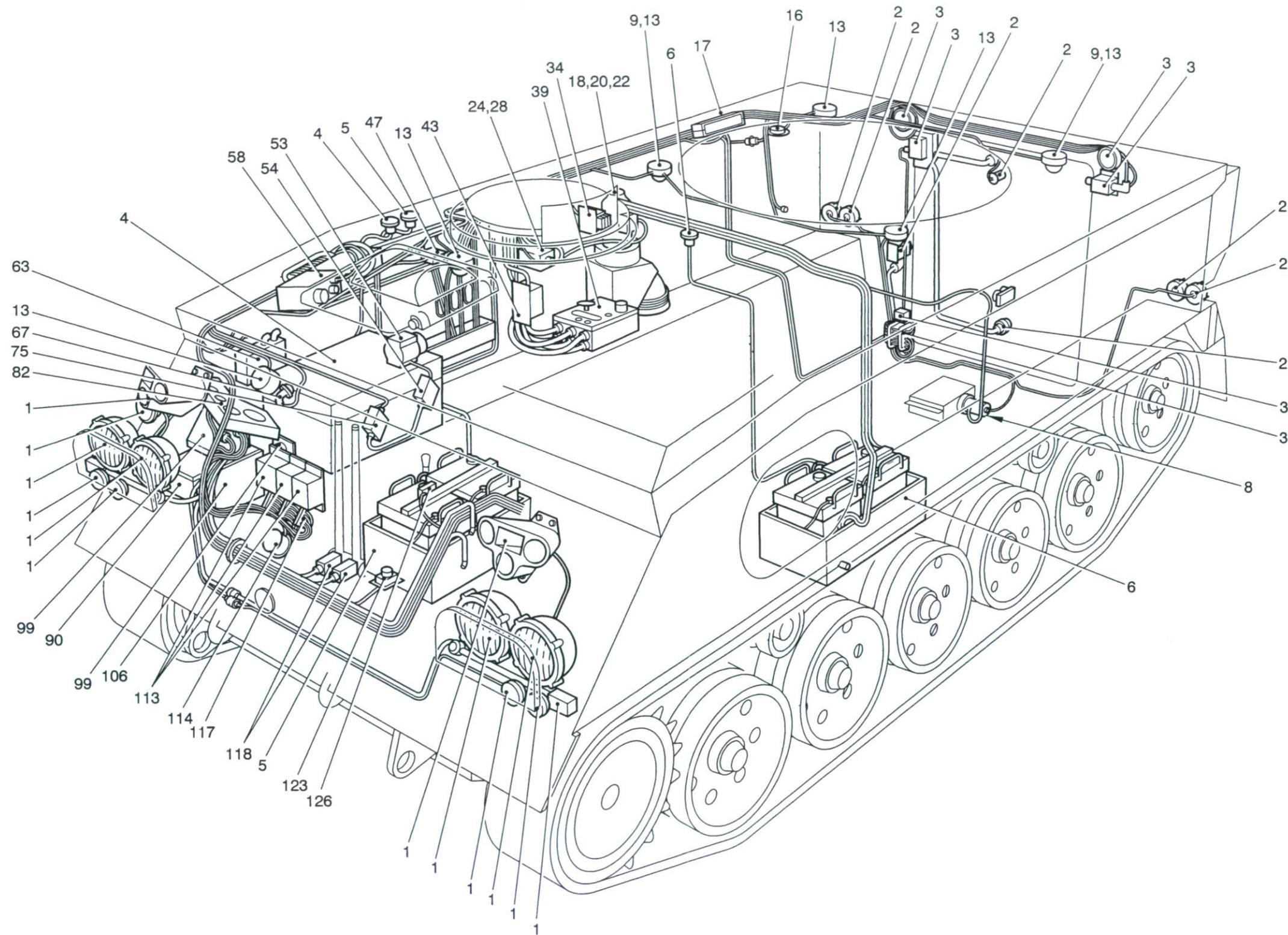


Fig 1 Electrical equipment general arrangement

Fig Item	Man Code Navy - N Army - A RAF - R	NATO Stock No	Item Name and Description	Part No/ Drawing No.	No. Off	Annotations
1-			ELECTRICAL EQUIPMENT GENERAL ARRANGEMENT - contd			
NI 127		NP	. ELECTRICAL EQUIPMENT, INTERNAL - contd			
NI 128	A	6MT3	. MISCELLANEOUS ELECTRICAL EQUIPMENT	FV586101	REF	
NI 129	A	6MT4	. SPOTLIGHT	1419D	1	See Fig 37
NI 130	A	46MT3	. CABLE ASSEMBLY, INTERVEHICLE, ELECTRICAL, 2 conductors, single pole, free plug both ends, 15ft lg	FV324824-5	1	See Chap 2-7-1
NI 131	A	6MT4	. LIGHT, EXTENSION, hook mtg, 6-1/4in. h excluding hook, No. 2, Mk 1 inspection lamp accepts 26V dc 5W bulb or 14V dc 7W bulb	FV157949	1	
NI 132	A	X5	. PLUG, 2 pins, one mtg hole	STC3334	1	
NI 133	A	6MT4	. LAMP, INCANDESCENT, 18mm dia, 5W, 28V, 35 lumens min light o/p	599	1	
NI 134	A	46MT4	. CONNECTOR, No. 1, Mk 1	260-1	1	
NI 135	A	46MT4	. COVER, ELECTRICAL CONNECTOR, assembly comprises of:- cover, washer and brass chain w/2swivel links	FV410141	1	
NI 136		NP	. WASHER, FLAT, synthetic rubber, rd, rd hole, 31/32in. id, 1-1/2in. od, 3/32in. thk	FV410137	2	
NI 137		NP	. NUT, plain rd	5331/51 CAV	1	
NI 138	A	46MT4	. NUT, gland	5906/9 CAV	1	
NI 139		NP	. SEALING CONE, neoprene, 19/32in. dia x 7/16in. lg, w/4 holes 7/64in. dia	FV(S)6-83-1	1	
NI 140		NP	. WASHER, FLAT, 7/16in. id x 5/8in. od x 9/16in. thk	5339/919 CAV	1	
NI 141		NP	. WASHER, FLAT	5339/953 CAV	1	
NI 142	A	6MT1	. BODY, socket	5906/7 CAV	1	
NI 143	A	Z42	. RING, SEALING, TOROIDAL, rubber, 85-92 deg BS or IRHD, 9/64in. cross sect h, 1-31/64in. id	R4150ML53 72	1	
NI 144	A	Y3	. NUT, PLAIN, KNURLED, Whit, 11/16in. -24 tpi, brass or low carbon steel, 25/32in. od, 15/32in. o/a h, knurled	FV(S)6/38/4	1	
NI 145	A	46MT4	. WIRE, ELECTRICAL, single conductor, 40/0.0070in. dia Cu tinned braid, glass polychloroprene compound yellow	UNIPREN12	A/R	
NI 146		NP	. PLUG, TIP, free, single pole 24V male shell	861122	2	
NI 147		NP	. EARTH PIPE AND CABLE VEHICLE HARNESSSES	FV586925 FV603066	1 REF	See Chap 2-7-1

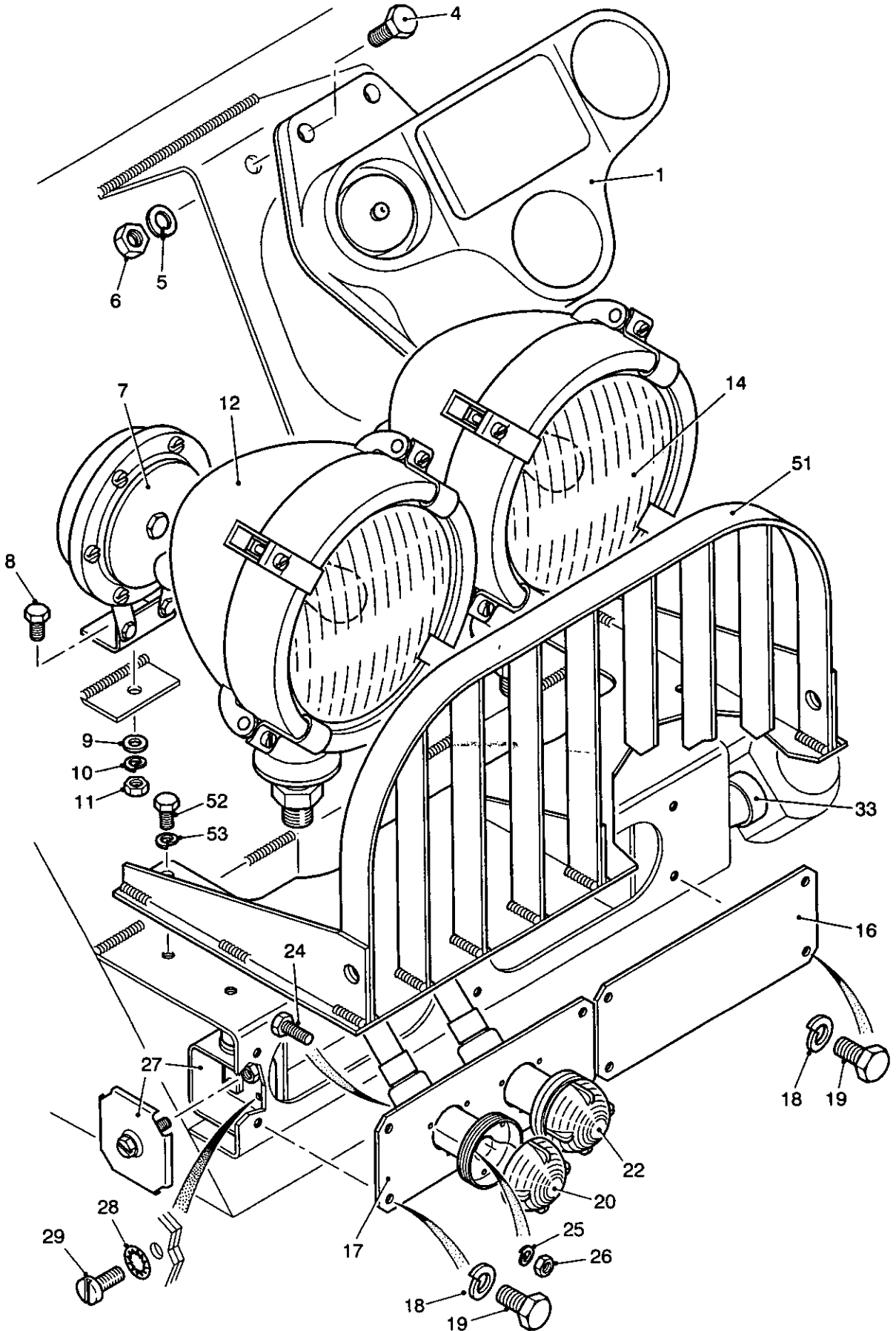


Fig 2 Electrical equipment front external GA

430/70196

Fig Item	Man Code Navy - N Army - A RA/F - R	NATO Stock No	Item Name and Description	Part No/ Drawing No.	No. Off	Annotations
2-			ELECTRICAL EQUIPMENT GA - contd			
		NP	. ELECTRICAL EQUIPMENT, HULL, GA	FV603068	REF	
		NP	. ELECTRICAL EQUIPMENT, FRONT EXTERNAL GA		REF	
1	A	9ACR	1040-99-200-7284 . . DISCHARGER, GRENADE, SMOKE, COUNTERMEASURES, RH	FV468708	1	} See Fig 3
NI 2	A	9ACR	1040-99-200-7285 . . DISCHARGER, GRENADE, SMOKE, COUNTERMEASURES, LH	FV468709	1	
NI 3	A	9ACR	1040-99-200-7363 . . COVER, SMOKE GRENADE DISCHARGER	FV492807	2	
4		NP	. . BOLT, hex hd, UNF 1/2in. -20 x 1-1/2in. lg	7001108244 1000	6	
5	A	G1	. . WASHER, LOCK, steel, Cd plated, 1/2in. bolt size, 0.763in. od, 0.116in. thk		6	
6	A	G1	. . NUT, PLAIN, HEXAGON, UNF, steel, chamfered bearing surface, Zn plated, 1/2in., 3/4in. w A/F, 7/16in. h, grade 3 nut		6	
7	A	46MT3	2590-99-910-0334 . . HORN, ELECTRICAL, 24V dc, 3A, 5-1/16in. w, 6-9/32in. lg, 2-1/2in. deep, push in type terminals w/waterproof cover, supplied w/bracket	FV157950	1	
8	A	G1	5305-99-941-0539 . . SCREW, CAP, HEXAGON HEAD, UNF, 3/8in. -24 class 2A thd, 3/4in. lg, steel, Zn plated, hex hd		1	
9		NP	. . WASHER, FLAT, 3/8in. id, Cd plated	7030006009 4900	1	
10	A	G1	5310-99-943-6656 . . WASHER, LOCK, steel, split helical ring, single coil, sq section, 3/8in. bolt size, 0.092in. thk, 0.59in. od		1	
11	A	G1	5305-99-941-0926 . . NUT, PLAIN, HEXAGON, UNF, steel, chamfered bearing surface, Zn plated, 3/8in. -24 thd, 0.563in. w A/F, 0.333in. h, grade 3 nut		1	
12	A	46MT3	6220-99-910-9175 . . HEADLIGHT, 7.906in. dia, 9.531in. h, 7.688in. lg, 24V dc, steel enamelled body, glass lens, adjustable	FV157970	2	See Fig 4
NI 13	A	X5	6240-99-995-4508 . . LAMP, INCANDESCENT, S(straight side) bulb, 62mm lg, 28mm dia, 50W, 26V dc, cap type, British pre-focus P22D, vertical dip	LLB 368	2	u/w item 12
14	A	46MT3	6220-99-803-4202 . . HEADLIGHT, 7.906in. dia, 9.469in. deep, 7.188in. lg, light position non-adjustable	FV426612	2	See Fig 5
NI 15	A	X5	6240-99-659-8126 . . LAMP, INCANDESCENT, special cap type P45-41, quartz or hard glass, 82mm lg, 14.2mm dia, 24V dc, 75/70 w	FVRDE2058/ 1088	2	u/w item 14
16	A	9ACR	5340-99-866-2620 . . COVER, ACCESS, steel, 8.3in. x 3in. x 0.128in., 4 holes 9/32in. dia	FV485277	2	
17	A	9ACR	2540-99-866-2627 . . PLATE, MOUNTING, LIGHT ASSEMBLY, side and signal lights	FV499694	2	
18	A	G1	5310-99-941-6654 . . WASHER, LOCK, steel, split helical ring, 1/4in. bolt size, 27/64in. od, 5/64in. thk		16	} Securing items 16 & 17
19	A	G1	5305-99-941-0512 . . SCREW, CAP, HEXAGON HEAD, UNF, 1/4in. class 2A thd, 5/8in. lg, steel, Zn plated, hex hd		16	

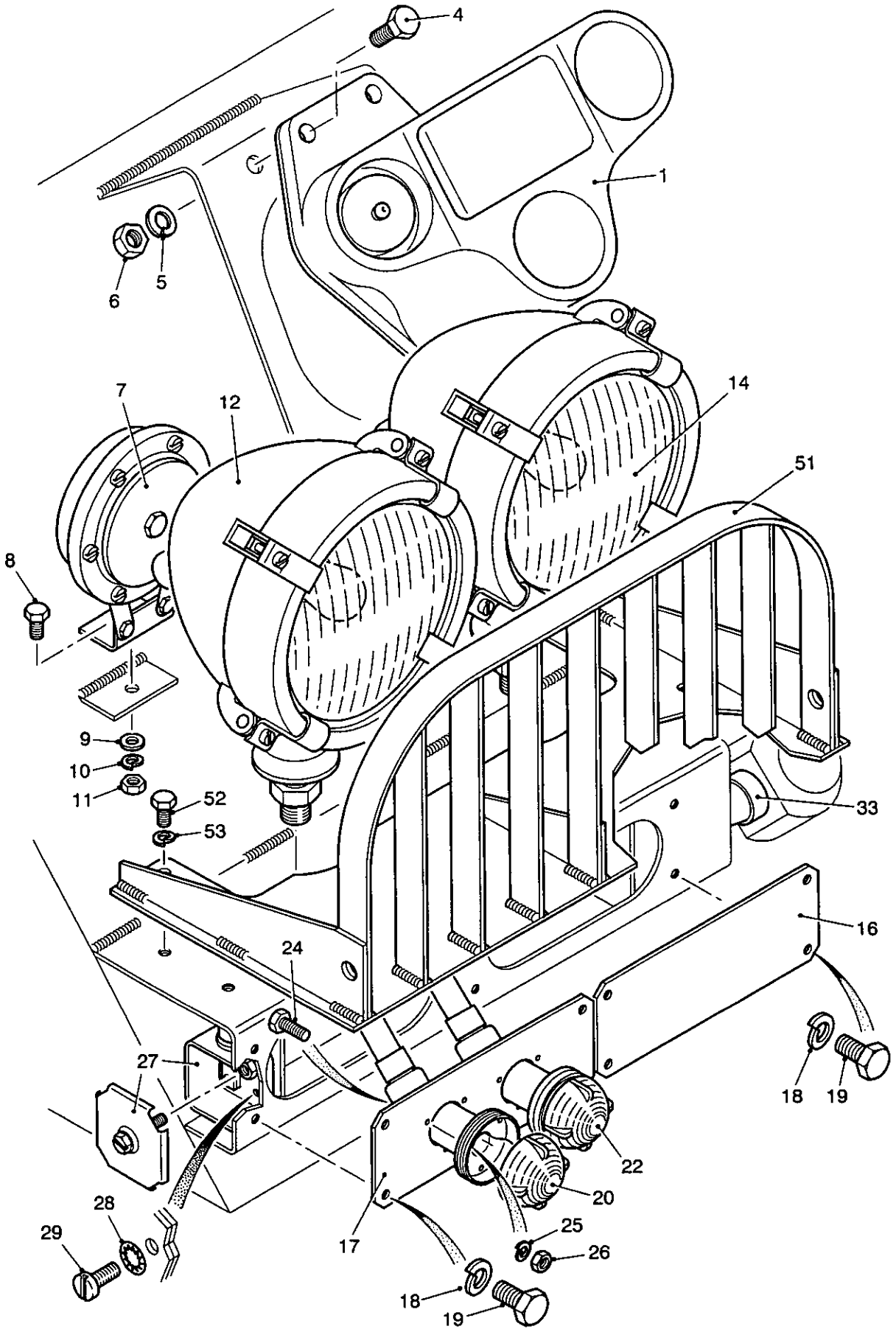


Fig 2 Electrical equipment front external GA

430/70196

Fig Item	Man Code Navy - N Army - A RA/F - R	NATO Stock No	Item Name and Description	Part No/ Drawing No.	No. Off	Annotations
2-			ELECTRICAL EQUIPMENT GA - contd . ELECTRICAL EQUIPMENT, HULL, GA - contd . ELECTRICAL EQUIPMENT, FRONT EXTERNAL GA - contd			
20	A	46MT3	. . SIDELIGHT	FV760663	2	See Fig 6 u/w item 20
NI 21	A	X5	. . LAMP, INCANDESCENT, globular bulb, 32.5in. lg, 18mm od, 26V dc, 6w	510149	2	
22	A	6MT3	. . DIRECTIONAL LIGHT, VEHICULAR, rubber body, glass lens, SCC cap, amber translucent, one lamp accommodated, 2-1/2in. dia, 5-1/32in. lg, 26V dc, w/3 mtg holes 5/32in. dia	FV260907	2	See Fig 7
NI 23	A	X5	. . LAMP, INCANDESCENT, 52.5mm lg, 26.5mm dia, 24V dc, 21W, single contact bayonet, straight sided	9511	2	u/w item 22
24	A	G1	. . SCREW, MACHINE, steel, Cd plated, hex hd, 4BA x 1/2in. lg		12	
25	A	G1	. . WASHER, LOCK, steel, split helical ring, 0.168in. id, 0.252in. od, 0.04in. thk		12	
26	A	G1	. . NUT, PLAIN, HEXAGON, No. 4 BA, steel, Cd plated, rh thd, 1/4in. w A/F, 1/8in. h, chamfered		12	
27	A	9ACR	. . TERMINAL BOX, steel, phosphate finish, w/cover, 1.9in. lg, 1.9in. w, 1.362in.h, base mtg w/two 0.224in. dia holes	FV499815	2	See Fig 8
28	A	G1	. . WASHER, LOCK, rubber/steel, flat internal teeth, 0.197in. id, 0.06in. thk, 0.44in. od, steel locking feature		4	
29	A	Z2	. . SCREW, MACHINE, BA, steel, hex hd, slot drive, Cd plated, No. 2 x 1/2in. lg		4	
NI 30	A	6MT4	. . SEALING CONE, neoprene, 19/32in. dia x 7/16in., w/4 holes 7/64in. dia	FV(S)6-83-1	6	u/w items 20,22,27
NI 31	A	6MT1	. . WASHER, FLAT, br, Zn plated, rd, 5/8in. od, 7/16in. id, 1/16in. thk	FV(S)6-39-4	6	
NI 32	A	Z42	. . NUT, COUPLING, ELECTRICAL CONDUIT, 11/64in. -24 TPI, br or low carbon steel, 25/32in. od, 15/32in. h, knurled	FV(S)6-38-4	6	
33		NP	. . CONDUIT, ARMoured OUTLET	FV605482/1	2	u/w item 33
NI 34	A	46MT4	. . BUSHING, NON-METALLIC, rubber, chloroprene, multiple holes, 0.4in. lg, 0.99in. flange dia, 0.875in. body dia, 0.342in. body lg, 0.06in. flange h	FV562072	2	
NI 35		NP	. . WASHER, copper	FV361055	2	u/w item 33
NI 36	A	46MT4	. . ADAPTOR, ELECTRICAL CONDUIT, steel, Cd plated, 1in. -16 ext thd both ends, 1.093in. lg	FV(S)6-51-6	2	
NI 37	A	46,T4	. . ELBOW, ASSEMBLY, 90 deg	FV(S)6-55-3	4	u/w item 12 & 14
NI 38		NP	. . SADDLE	FV485643/8	2	Securing conduits
NI 39	A	G1	. . WASHER, LOCK, steel, split helical ring, 0.198in. id, 0.064in. thk, 0.33in. od		4	Securing item 38
NI 40		NP	. . SCREW, MACHINE, hex hd, steel, Cd plated, No. 10, (2BA) UNF x 3/8in. lg	7011103061 4900	4	
NI 41		NP	. . CONDUIT, horn	FV605458/1	1	
NI 42	A	9ACR	. . CONDUIT ASSEMBLY, NON-METALLIC, ELECTRICAL, braided neoprene, 3/8in. id, 10in. lg, coupling nut 1st end, ferrule 2nd end	FV605457/2	2	Headlights

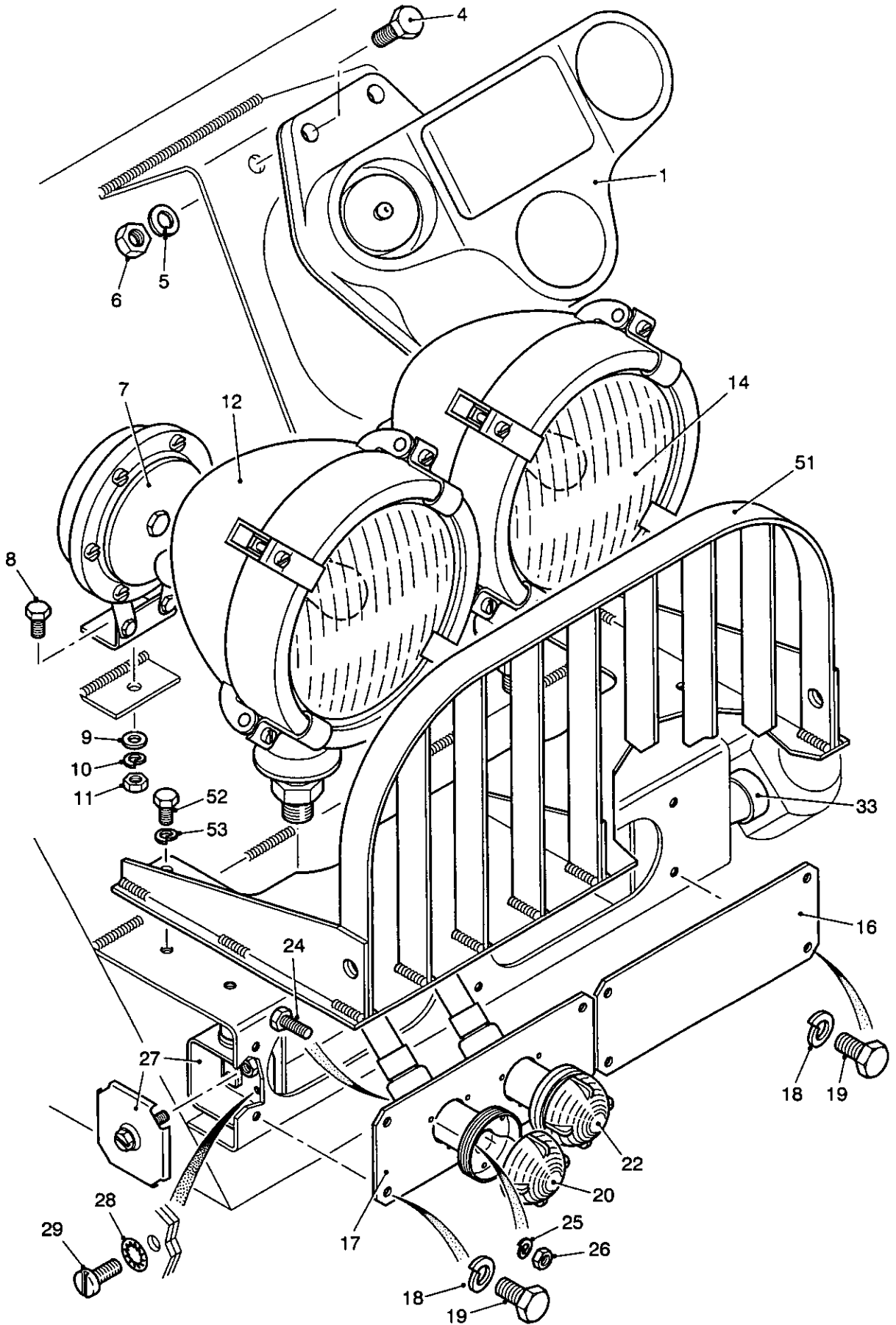


Fig 2 Electrical equipment front external GA

430/70196

Fig Item	Man Code Navy - N Army - A RA/F - R	NATO Stock No	Item Name and Description	Part No/ Drawing No.	No. Off	Annotations
2-			ELECTRICAL EQUIPMENT GA - contd . ELECTRICAL EQUIPMENT, HULL, GA - contd . ELECTRICAL EQUIPMENT, FRONT EXTERNAL GA - contd			
NI 43		NP	. . CONDUIT, IR, headlight	FV605457/1	2	
NI 44	A 6MT1	5340-99-805-1035	. . CLAMP, LOOP, steel, Cd plated, 0.812in. loop id, 0.196in. dia	860863	2	Securing conduits
NI 45	A 6MT4	5340-99-828-4174	. . CLAMP, LOOP, steel, Zn plated, 0.5in. loop id, 0.196in. dia	51101266	4	Securing conduits
NI 46		NP	. . SCREW, MACHINE, hex hd, steel, Cd plated, No. 10 (2BA) UNF x 3/8in. lg	7011103061 4900	2	Securing item 45
NI 47		NP	. . SCREW, MACHINE, hex hd, steel, Cd plated, No. 10 (2BA) UNF x 1/2in. lg	7011103081 4900	4	Securing items 44,45
NI 48		NP	. . WASHER, FLAT, steel, Cd plated, 3/16in. dia	7030003009 4900	1	u/w horn earth lead
NI 49	A G1	5310-99-941-6653	. . WASHER, LOCK, steel, split helical ring, 0.198in. id, 0.064in. thk, 0.33in. od		6	u/w items 46 & 47
NI 50		NP	. . NUT, HEXAGONAL, steel, Cd plated, 2BA	7022103011 4900	2	Securing item 44
51	A 9ACR	2540-99-866-2619	. . GUARD, LAMP, steel, painted, 18.25in. lg, 6.003in. w, 9.25in. h, headlamp guard w/assorted holes	FV485272	2	
52	A G1	5310-99-944-0549	. . WASHER, LOCK, steel, split helical ring, Cd plated, 5/16in. bolt size, 0.503in. od, 0.08in. thk, single coil, sq section		10	
53	A G1	5305-99-941-0525	. . SCREW, MACHINE, stainless steel, Zn plated, UNF, 5/16in. x 3/4in. lg class 2A thd, hex hd		10	

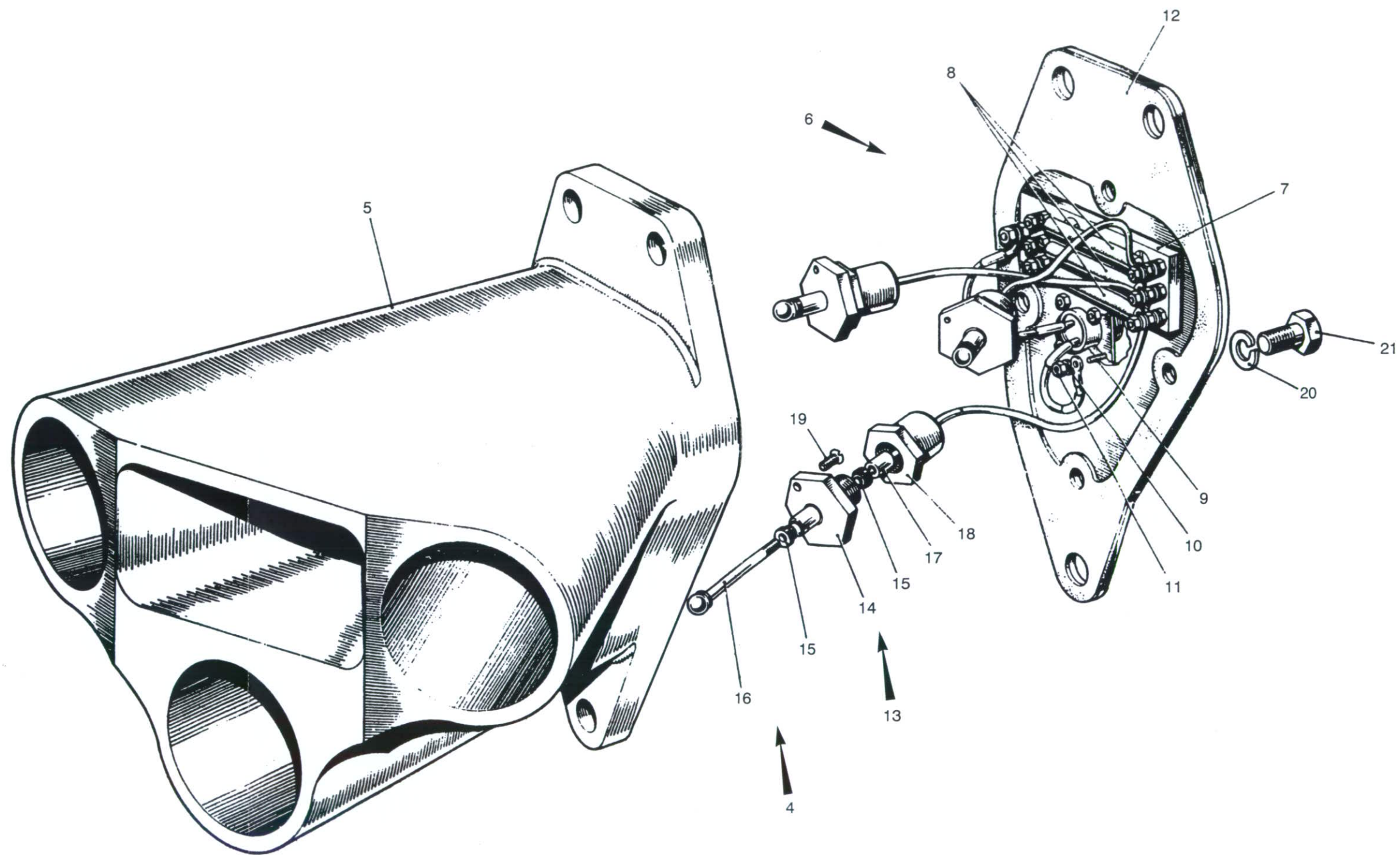


Fig 3 Discharger, grenade, smoke, countermeasure

430/70147

Fig Item	Man Code Navy - N Army - A RAF - R	NATO Stock No	Item Name and Description	Part No/ Drawing No.	No. Off	Annotations
3-			ELECTRICAL EQUIPMENT GA - contd . ELECTRICAL EQUIPMENT, HULL GA- contd			
NI 1	A 9ACR	1040-99-200-7284	. . DISCHARGER, GRENADE, SMOKE COUNTERMEASURE, RH	FV468708	1	See items 7 to 21
NI 2	A 9ACR	1040-99-200-7286	. . BODY, SMOKE GRENADE DISCHARGER	FV468714	1	
NI 3	A 9ACR	1040-99-200-7328	. . COVER ASSEMBLY, SMOKE GRENADE DISCHARGER	FV468710	1	
4	A 9ACR	1040-99-200-7285	. . DISCHARGER, GRENADE, SMOKE COUNTERMEASURE, LH	FV468709	1	
5	A M1	1040-99-200-7287	. . . BODY, SMOKE GRENADE DISCHARGER	FV468715	1	
6	A 9ACR	1040-99-200-7327	. . . COVER ASSEMBLY, SMOKE GRENADE DISCHARGER	FV468711	1	
7	A Z30	5905-9-200-7326 RESISTOR ASSEMBLY, smoke grenade discharger	FV497409	1	
8	A Z30	5905-99-014-0178 RESISTOR, FIXED, WIRE WOUND, 22 ohms, ± 5%, MB, 12W		3	
9		NP SCREW, MACHINE, UNF, steel, pan hd, zinc coated, No. 4 x 3/8in. lg		4	
10	A G1	5310-99-941-6651 WASHER, LOCK, steel, split helical ring, 0.138 x 0.032 x 0.205in. od		4	
11		NP NUT, PLAIN, HEXAGON, UNF, steel, zinc coated, No. 4		4	
12	A M1	1040-99-200-7329 GASKET	FV468717	1	
NI 13	A M1	1040-99-200-7330	. . . CONTACT ASSEMBLY, ELECTRICAL	FV435704	3	
14	A M1	1040-99-200-7346 ADAPTOR, ELECTRICAL CONTACT	FV435705	3	
15	A Z42	5970-99-200-7353 INSULATOR, BUSHING, 9/64 x 15/64 x 1/8in. h, ebonite	FV435710	6	
16	A Z32	5935-99-200-7372 PLUG, TIP	FV465495	3	
17	A M1	5999-99-200-7357 CAP, ELECTRICAL	FV435709	3	
18	A M1	5310-99-200-7373 NUT, PLAIN, CAP	FV435708	3	
19	A G1	5305-99-137-1769	. . . SCREW, MACHINE, 2A, thd, 5/16in. scr, 3/8in. lg, csk hd		3	
20	A G1	5310-99-941-6655	. . . WASHER, LOCK,		4	
21	A G1	5305-99-941-0697	. . . SCREW, MACHINE, UNC, s steel, hex hd, zinc P, 2A thd 5/16 x 5/8in. lg		4	

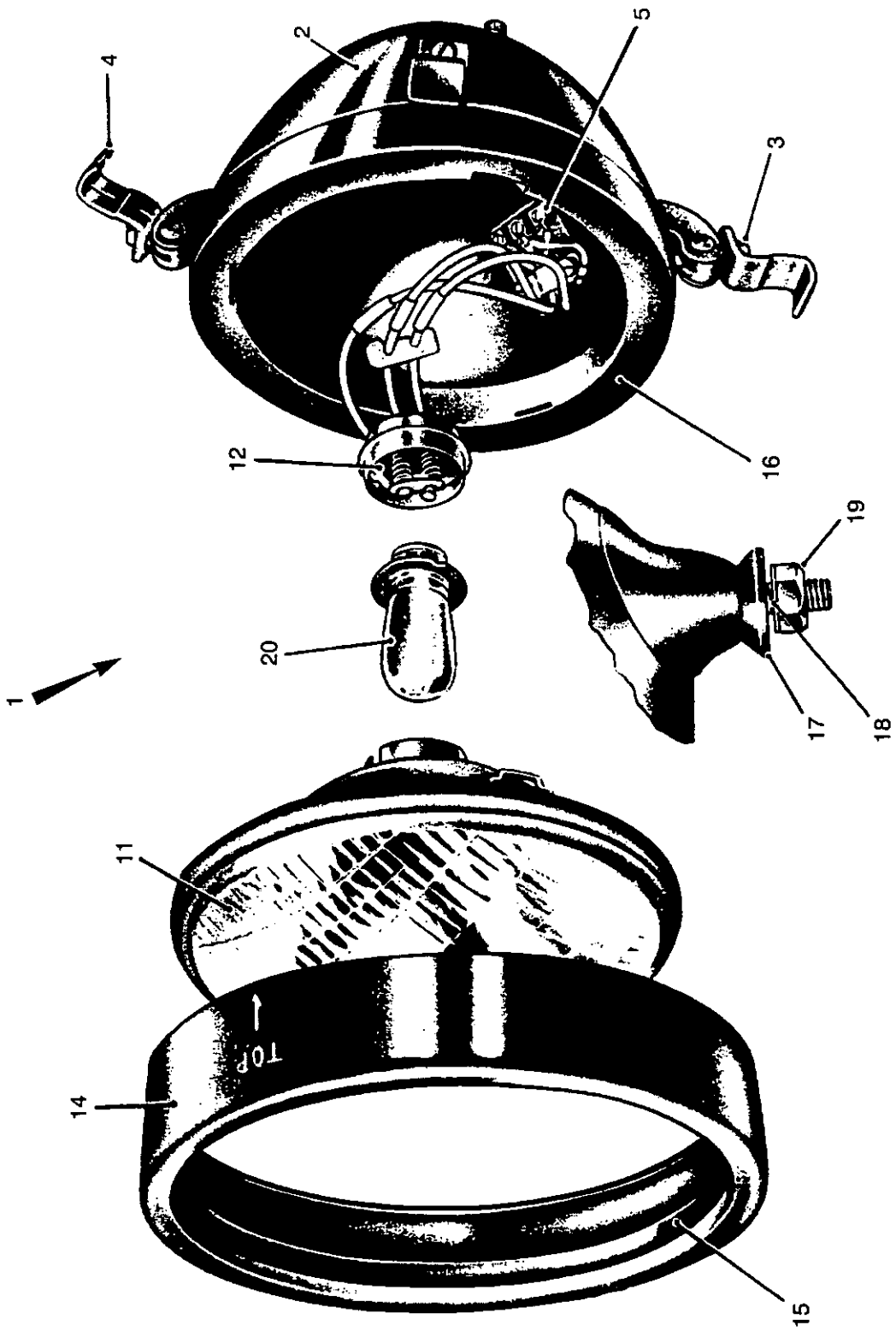


Fig 4 Headlight

430/70099

Fig Item	Man Code Navy - N Army - A RAF - R	NATO Stock No	Item Name and Description	Part No/ Drawing No.	No. Off	Annotations
4-			ELECTRICAL EQUIPMENT GA - contd . ELECTRICAL EQUIPMENT, HULL, GA - contd			
1	A	46MT3	6220-99-910-9175 . . HEADLIGHT, o/a dia 7.906in. nom, o/a h 9.531in. nom, o/a lg 7.688in. nom, voltage rating 26.0 volt nom. steel enamelled body, glass lens adjustment	FV157970	2	
2	A	6MT3	6220-99-930-6128 . . . BODY ASSEMBLY, c/w fittings for light unit, attachment fittings and gland bush	553289	1	Lucas
3	A	6MT3	5305-99-803-3159 . . . SCREW, MACHINE, BA, No. 2 by 7/8in. lg, normal class thd, scr 11/16in. brass chromium plated hd, fillister csk hd slot drive	552255	4	Fixing rim
4	A	6MT3	5340-99-910-9177 . . . CLAMP, RIM CLENCHING, steel	553287	4	
5	A	6MT4	5940-99-610-9182 . . . TERMINAL BOARD, plastics, 3 post type terminals incl, board dims 1- 1/2in. lg by 1-1/2in. w by 11/16in. h, w/1 unthreaded mtg hole 0.15in. dia	510295	1	
NI 6	A	6MT3	6220-99-803-1523 INSERT, TERMINAL BOARD, br, 0.312in. sq, 1/2in. o/a h, threaded 1/4in. BSF w/slot 0.125in. wd x 0.297in. lg on one longitudinal side	562152	3	
NI 7	A	6MT3	5340-99-910-9178 STRAP, RETAINING,	510225	1	
NI 8	A	G1	5305-99-941-8908 SCREW, MACHINE, rh, 5/8in. thd lg, 5/8in. fastener lg, flat fillister hd, 0.185in. dia thd		2	} Securing item 7
NI 9	A	G1	5310-99-941-6643 WASHER, LOCK, steel, Cd P, split helical ring, No. 2 BA nom bolt size, 3/64in. thk, 25/64in. od		2	
NI 10		NP SCREW, MACHINE, steel, 4BA x 5/16in. lg, flat fil hd, Zn Pl		2	} Terminal board
11	A	6MT3	6220-99-910-9185 . . . LIGHT, UTILITY VEHICULAR	FV157942	1	
12	A	6MT3	6250-99-910-9176 . . . LAMPHOLDER	C07342-01	1	
NI 13	A	6MT4	5940-99-803-1956 FERRULE ELECTRICAL CONDUCTOR, brass 0.375in. lg x 0.250in. od x 0.150in. o/a dims	555910	1	
14	A	6MT3	6210-99-803-4203 . . . RETAINER LENS	553281	1	
15	A	6MT3	5330-99-910-9180 . . . SEAL, RUBBER SPECIAL SHAPED SECTION, joint-less, 6.960in. id, 0.562in. w, u/w headlight	553282	1	
16	A	6MT1	5330-99-910-9181 . . . SEAL, RUBBER SPECIAL SHAPED SECTION, joint-less, 6.386in. nom aperture dia	553283	1	
17	A	6MT3	6220-99-910-9187 . . . WASHER, BASE SEATING HEADLIGHT	551968	1	
18	A	G1	5310-99-941-6633 . . . WASHER, LOCK, steel, split double helical ring, hole dia 0.672in. nom, matl thk 0.080in. nom, o/side dia 1.071in. nom, o/a h 0.240in. nom		1	
19	A	46MT3	5310-99-139-1247 . . . NUT, PLAIN, HEXAGON, whit s, 5/8in. dia, normal, rh steel, Cd P, 13/16in. w A/F, 25/64in. o/a h, full bearing surface		1	
20	A	X3	6240-99-995-4508 . . LAMP, INCANDESCENT, s (straight side), 62mm o/a lg, 28mm dia, 50 watts, 26 volts, cap type UK pre-focus P22d, vertical dip	LLB 368	2	

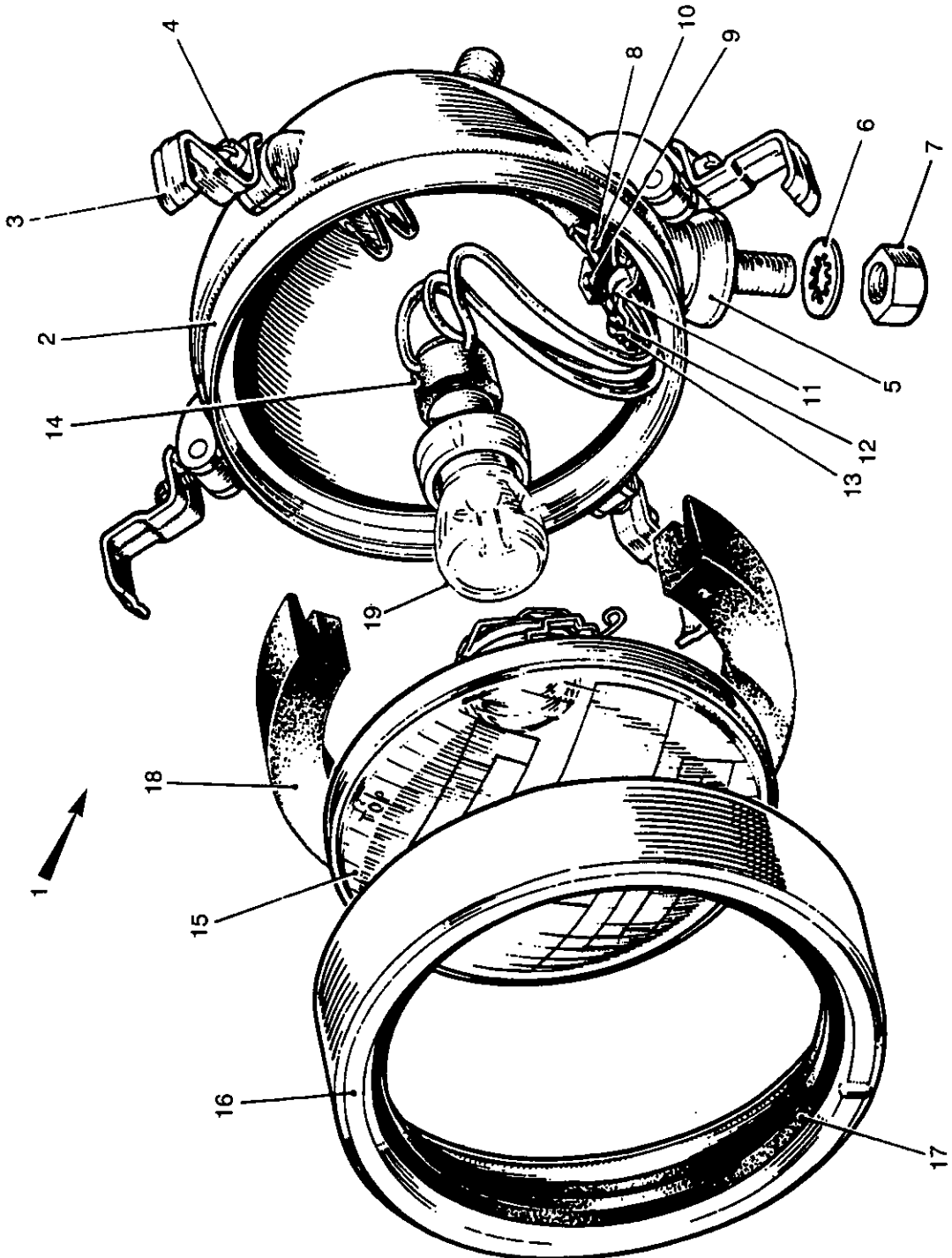


Fig 5 Headlight

430/70100

Fig Item	Man Code Navy - N Army - A RA/F - R	NATO Stock No	Item Name and Description	Part No/ Drawing No.	No. Off	Annotations
5-			ELECTRICAL EQUIPMENT GA - contd . ELECTRICAL EQUIPMENT, HULL, GA - contd			
1	A	6MT3	6220-99-803-4202 . . HEADLIGHT, 7.906in. nom o/a dia, 9.469in. nom o/a deep, 7.188in. nom o/a lg, light position non adjustable	FV426612	2	
2	A	46MT3	6220-99-930-6128 . . . BODY ASSEMBLY, HEADLIGHT, c/w fittings for light unit, attachment fittings, and gland bush	553289	1	
3	A	6MT3	5340-99-910-9177 CLAMP, RIM CLENCHING, steel,	553287	4	
4	A	G1	5305-99-121-1725 SCREW, MACHINE, brass, 2BA x 1.00in. lg, flat fil hd, slot drive, tin pl		4	
5	A	6MT3	6220-99-910-9187 WASHER, BASE SEATING HEADLIGHT	551968	1	
6	A	G1	5310-99-120-6049 WASHER, LOCK, steel, flat int teeth, 5/8in. bolt size, 0.045in. thk, 1.065in. od	C245	1	
7	A	46MT3	5310-99-139-1247 NUT, PLAIN, HEXAGON, whit s, 5/8in. dia, normal, rh steel, Cd P, 13/16in. w A/F, 25/64in. o/a h, full bearing surface	180370/7	2	
8	A	6MT4	5940-99-910-9182 . . . TERMINAL BOARD, plastics, 3 post type terminals incl, board dims 1- 1/2in. lg by 1-1/2in. w by 11/16in. h, w/1 unthreaded mtg hole 0.15in. dia	510295	1	
9	A	6MT3	6220-99-803-1523 INSERT, TERMINAL BOARD, br, 0.312in. sq, 1/2in. o/a h, threaded 1/4in. BSF w/slot 0.125in. wd x 0.297in. lg on one longitudinal side	562152	3	
10	A	X3	5305-99-201-4114 SCREW, SET, steel, tin plate, 0.250-26 bst, 0.304in. thd lg, 0.421in. max fastener lg, flat hd, slot drive	5335-766A	3	
11	A	6MT3	5940-99-910-9178 STRAP, RETAINING	510225	1	
12	A	G1	5305-99-941-7933 SCREW, MACHINE, BA, steel, flat fillister hd, slot drive, Cd P, No. 2 by 7/16in. lg, normal class thd		2	} Strap to terminal board
13	A	G1	5310-99-419-9035 WASHER, LOCK, steel, Cd P, split helical ring, 3/16in. id, 1/16in. (16 SWG) thk, 21/64in. od		2	
14	A	46MT3	6150-99-803-4205 LEAD ASSEMBLY, ELECTRICAL	51273857	1	
15	A	46MT3	6220-99-803-4180 LIGHT UNIT, HEADLIGHT	FV426641	1	
16	A	6MT3	6210-99-803-4203 RETAINER, LENS	553281	1	
17	A	6MT3	5330-99-910-9180 SEAL, RUBBER, SPECIAL SHAPED SECTION, joint-less, 6.960in. id, 0.562in. w, u/w headlight	553282	1	Front
18	A	6MT1	5330-99-910-9181 SEAL, RUBBER, SPECIAL SHAPED SECTION, joint-less, 6.385in. nom aperture dia	553283	1	Rear
19	A	X5	6240-99-659-8126 . . LAMP INCANDESCENT, special cap type P45-41, quartz or hard glass, 82.00mm o/a lg, 14.20 - 0.5mm dia, 24V 75/70W	FVRDE2058/ 1088	2	IN FARED

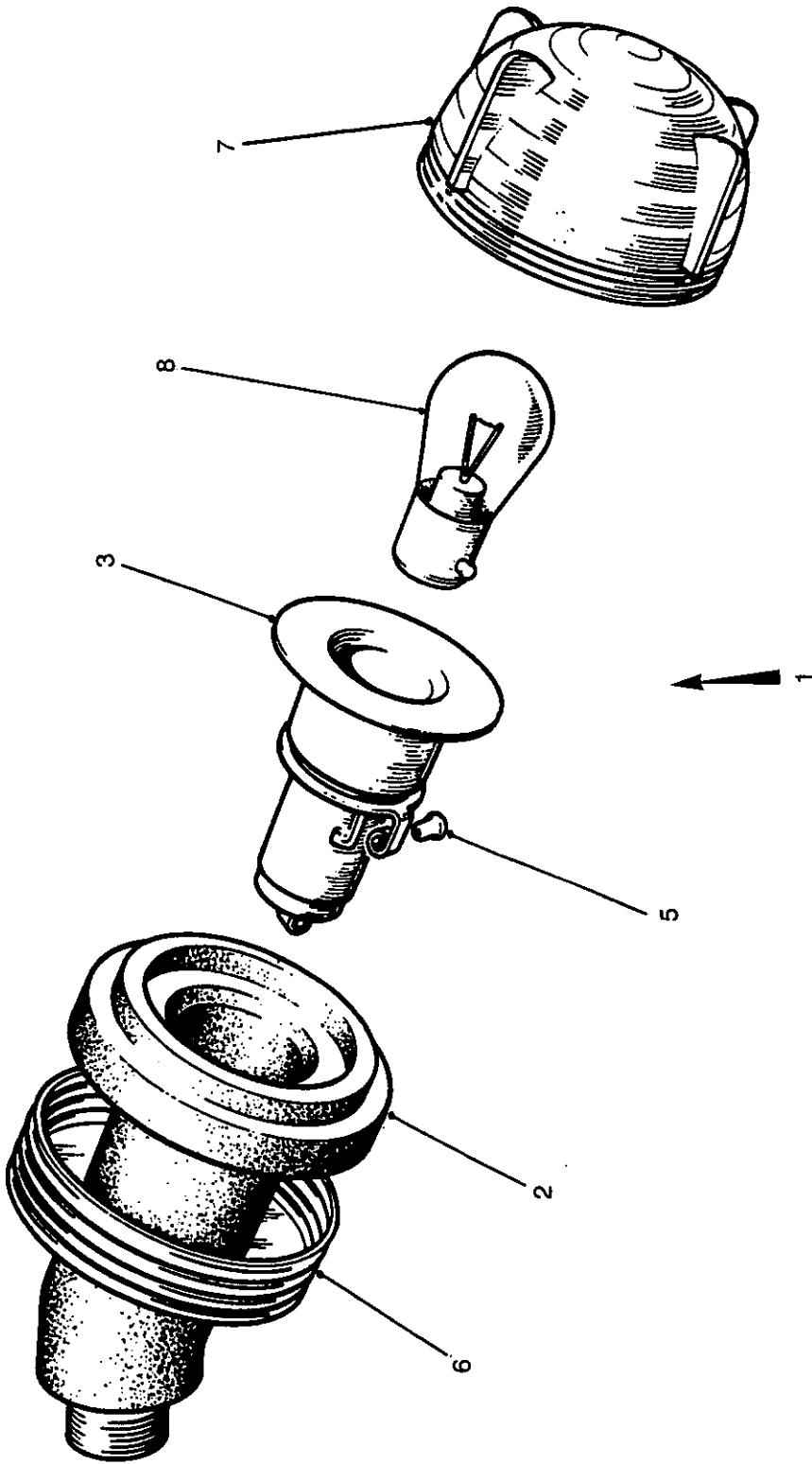


Fig 6 Sidelight

430/70101

Fig Item	Man Code Navy - N Army - A RAF - R	NATO Stock No	Item Name and Description	Part No/ Drawing No.	No. Off	Annotations
6-			ELECTRICAL EQUIPMENT GA - contd . ELECTRICAL EQUIPMENT, HULL, GA - contd			
1	A	46MT3	. . . SIDELIGHT	FV760663	2	
2	A	6MT4	. . . BODY, LIGHT	576203	1	
3	A	6MT3	. . . LAMPHOLDER	54584780	1	
NI 4	A	6MT3 PLUNGER, LAMPHOLDER	552103	1	
5	A	6MT4	. . . FERRULE, ELECTRICAL CONDUCTOR, brass, 0.375in. lg x 0.250in. od x 0.150in. o/a dims	555910	2	
6	A	46MT3	. . . BASE, LAMP	576207	1	
7	A	6MT3	. . . LENS, LIGHT, 1-1/2in. lg, 2-33/64in. od, glass lens, transparent, ext thd mtd, 2-1/2in. dia thd	FV694906	1	
8	A	X5	. . . LAMP, INCANDESCENT, globular bulb, 32.5mm lg, 18mm od, 26V dc, 6W	510149	1	

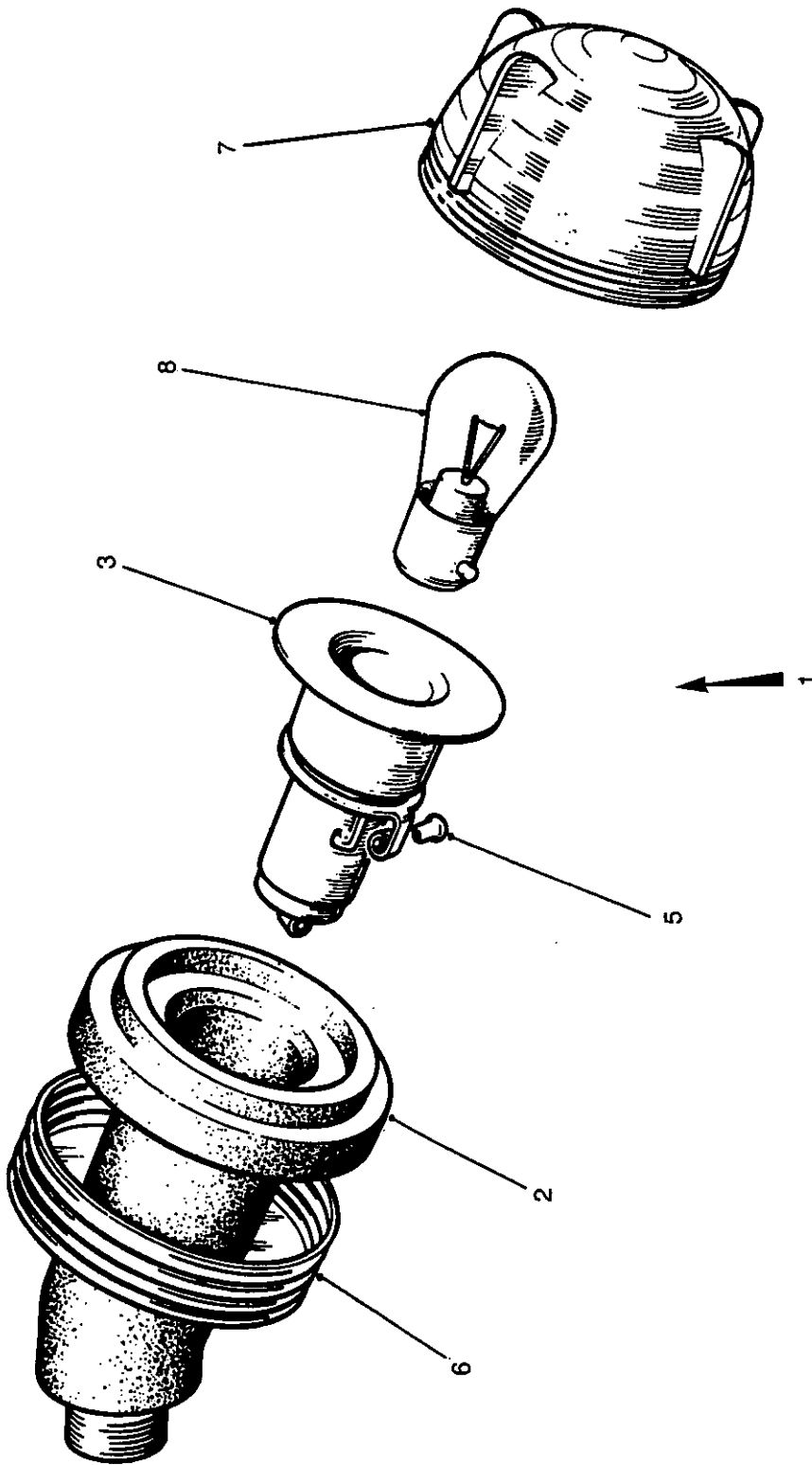


Fig 7 Turn light

430/70105

Fig Item	Man Code Navy - N Army - A RA/F - R	NATO Stock No	Item Name and Description	Part No/ Drawing No.	No. Off	Annotations
7-			ELECTRICAL EQUIPMENT GA - contd ELECTRICAL EQUIPMENT, HULL, GA - contd			
1	A	6MT3	6220-99-803-3704 . . . DIRECTIONAL LIGHT, VEHICULAR, rubber body, glass lens, SCC cap, amber translucent, one lamp accommodated, 2-1/2in. dia, 5-1/32in. lg, 26V dc, w/3 mtg holes 5/32in. dia	FV260907	4	
2	A	6MT4	6220-99-408-2491 . . . BODY, LIGHT	576203	1	
3	A	6MT3	6250-99-803-3408 . . . LAMPHOLDER, 2.156in. lg	573285	1	
NI 4	A	6MT3	6220-99-803-3158 . . . PLUNGER, LAMPHOLDER	552103	1	
5	A	6MT4	5940-99-803-1956 . . . FERRULE, ELECTRICAL CONDUCTOR, br, 0.150in. id x 0.250in. od x 0.375in. lg	555910	3	
6	A	46MT3	6220-99-408-2494 . . . BASE LAMP	576207	1	
7	A	6MT3	6220-99-803-3706 . . . LENS, LIGHT, stovepipe style, 1- 17/32in. o/a lg, 2-1/2in. o/a dia, glass lens, transparent, ext thd, 2-1/2in. -8 thd, amber	577588	1	
8	A	X5	6240-12-173-4827 . . . LAMP, INCANDESCENT, 52.5mm o/a lg, 26.5mm o/a dia, 24V, 21W, single contact bayonet, straight sided	9511	1	

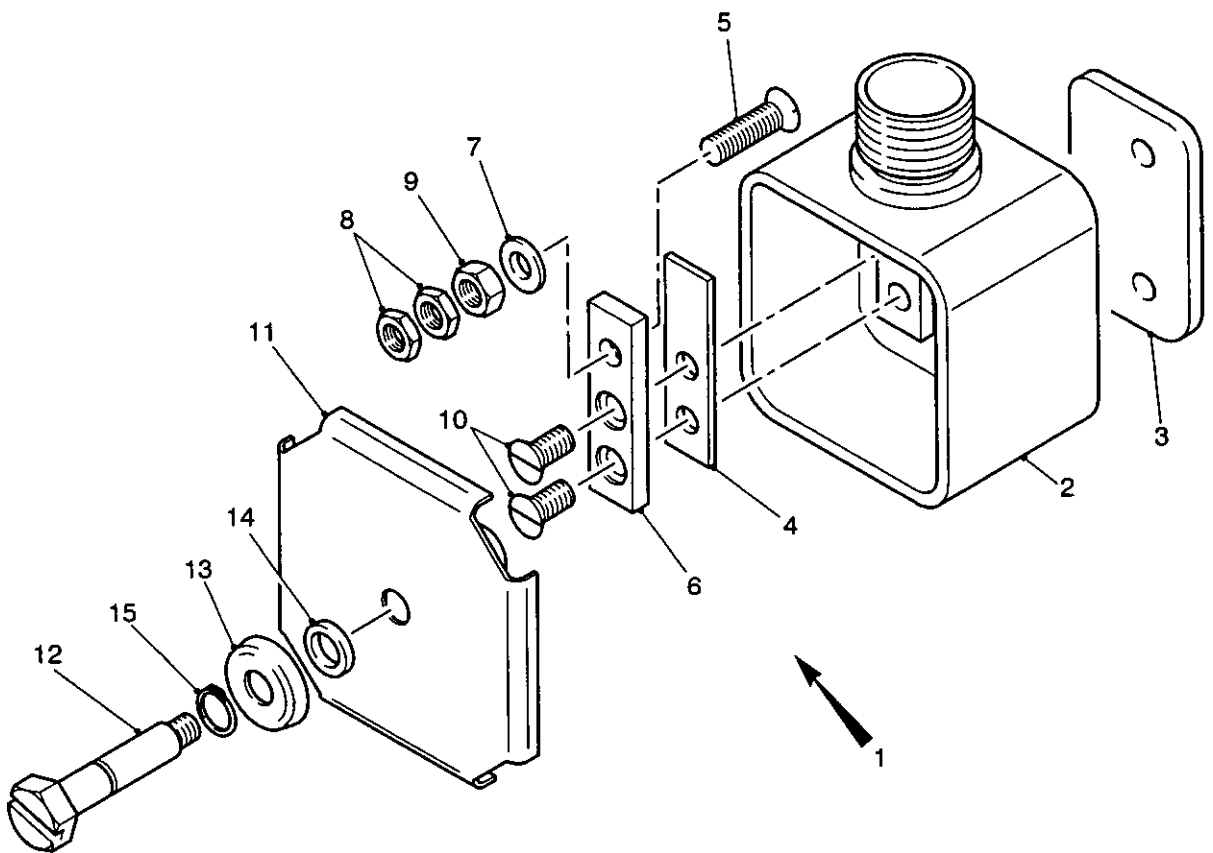


Fig 8 Terminal box

430/70197

Fig Item	Man Code Navy - N Army - A RA/F - R	NATO Stock No	Item Name and Description	Part No/ Drawing No.	No. Off	Annotations	
8-			ELECTRICAL EQUIPMENT GA - contd . ELECTRICAL EQUIPMENT, HULL, GA - contd				
1	A	9ACR	5940-99-865-7420	TERMINAL BOX, steel, phosphate finish, w/cover, 1.9in. lg, 1.9in. w, 1.362in. h, base mtg w/two 0.224in. dia holes	FV499815	2	
2			NP	BOX, TERMINAL	FV499813	1	
3	A		NP	GASKET	FV499763	1	
4			NP	INSULATION STRIP	FV499697	1	
5	A	G1	5305-99-941-9918	SCREW, MACHINE, 2BA, steel, flat csk hd, slot drive, Cd P, 7/8in. lg		1	
6			NP	INSULATION BLOCK	FV499698	1	
7	A	G1	5310-99-941-9454	WASHER, FLAT, steel, Cd P, rd hole, 2BA nom bolt size, 25/64in. od, 0.018in.thk		1	
8	A	G1	5310-99-941-7070	NUT, PLAIN, HEXAGON, BA, steel, No. 2 x 0.167in. h		2	
9			NP	NUT, HEXAGONAL, high, prevailing torque, No. 10 - 32 (2BA) UNF			
10	A	G1	5305-99-941-9918	SCREW, MACHINE, 2BA, steel, flat csk hd, slot drive, Cd P, 3/8in. lg		2	
11	A	9ACR	5940-99-865-7421	COVER, TERMINAL BOX, steel, 2.35in. x 2.35in. x 0.064in. thk	FV499761	1	
12			NP	SCREW, SHOULDER, UNF, steel, phos, hex hd, 0.250in. x 1.380in. lg	FV499760	1	
13	A	6MT1	5310-99-663-8112	WASHER, FINISHING, brass, 5/16in. id, 21/32in. od	S447	1	
14	A	9ACR	5310-99-865-7370	WASHER, NON-METALLIC, rubber, rd, 0.500in. od, rd hole, 0.312in. id, 0.125in. thk	FV499767	1	
15	A	46MT1	5365-99-943-5986	RING, RETAINING, steel, zinc coated, 1/64in. thk, external, 5/16in. shaft dia	A10000031A ZC	1	

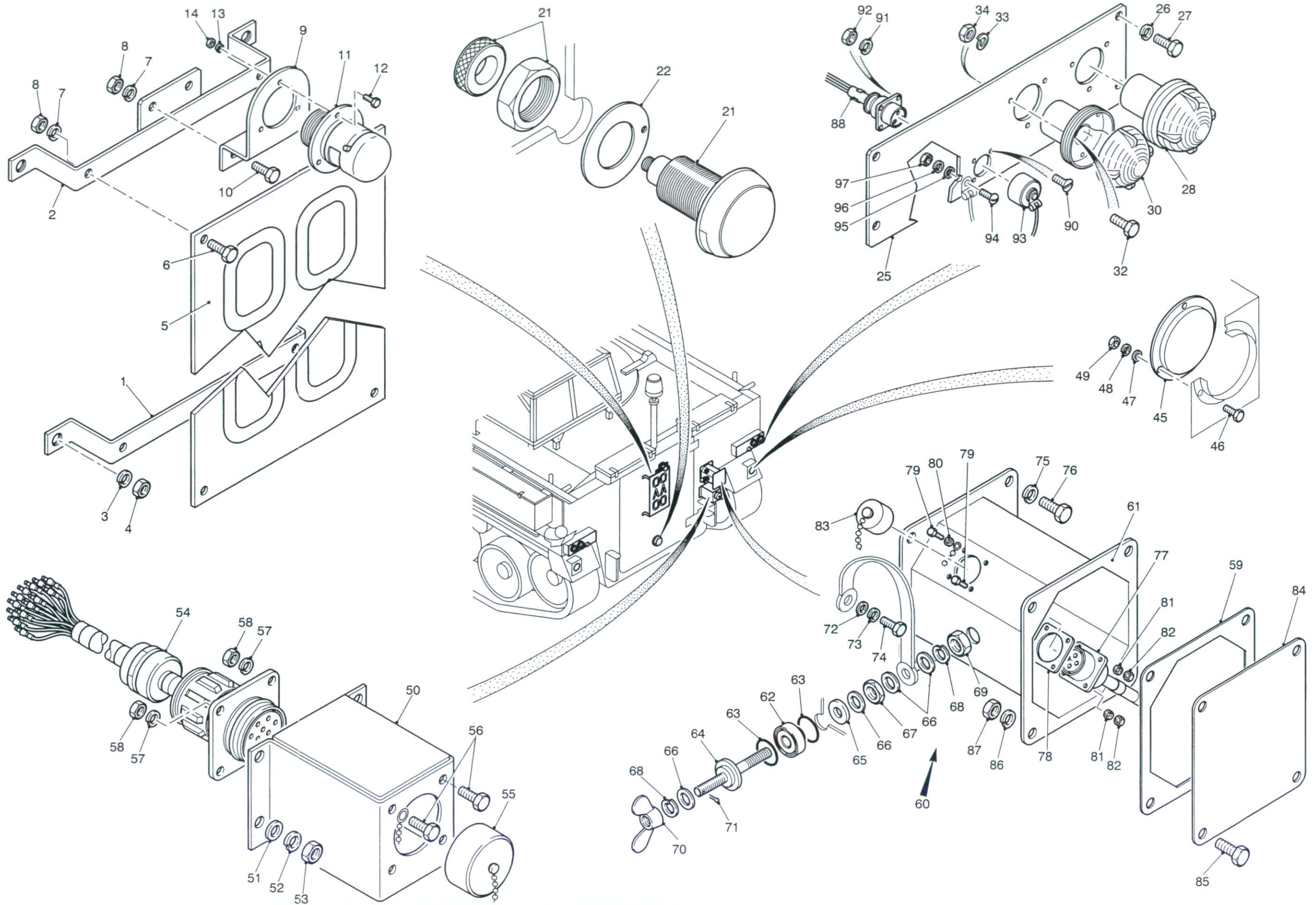


Fig 9 Electrical equipment, rear external GA

430/70198

Fig Item	Man Code Navy - N Army - A RA/F - R	NATO Stock No	Item Name and Description	Part No/ Drawing No.	No. Off	Annotations
9-			ELECTRICAL EQUIPMENT GA - contd . . . ELECTRICAL EQUIPMENT, HULL, GA - contd			
		NP	. . . ELECTRICAL EQUIPMENT, REAR EXTERNAL GA		REF	
1		NP	. . . BRACKET, number plate, bottom	FV485539	1	
2		NP	. . . BRACKET, number plate, top	FV485538	1	
3	A G1	5310-99-944-0549	. . . WASHER, LOCK, steel, Cd plated, split helical ring, single coil, sq section, 5/16in. bolt size, 0.503in. od, 0.08in. thk		4	
4	A G1	5310-99-941-0925	. . . NUT, PLAIN, HEXAGON, UNF, 5/16in. -24, class 2B, rh thd, steel, Zn plated, 1/2in. w A/F, 17/64in. h, chamfered		4	
5	A 9ACR	2590-99-866-2624	. . . PLATE, REGISTRATION, VEHICULAR	FV499442	1	
6	A G1	5305-99-941-6284	. . . SCREW, MACHINE, UNF, 1/4in. dia, class 2A, 1/2in. lg, steel, Zn plated, hex hd		4	
7	A G1	5310-99-941-6654	. . . WASHER, LOCK, steel, split helical ring, 1/4in. bolt size, 27/64in. od, 5/64in. thk		6	
8	A G1	5310-99-804-7941	. . . NUT, PLAIN, HEXAGON, UNF, 1/4in. dia, -28, rh, steel, Zn plated, 7/16in. w A/F, 7/32in. h, chamfered		6	
9	A 9ACR	2590-99-866-2623	. . . BRACKET, VEHICULAR COMPONENTS	FV485540	1	
10	A G1	5305-99-941-0512	. . . SCREW, MACHINE, UNF, 1/4in., class 2A, 5/8in. lg, steel, Zn plated, hex hd		2	
11	A 6MT3	6220-99-803-4119	. . . LIGHT, UTILITY, VEHICULAR, 4in. lg, 2-5/16in. dia, one lamp accommodated, 14/26V dc, 5/7W, registration plate light	53922	1	See Fig 10
12	A G1	5305-99-946-4987	. . . SCREW, MACHINE, 4BA x 5/8in. lg, steel, hex hd		3	
13	A G1	5310-99-941-6652	. . . WASHER, LOCK, steel, split helical ring, 0.168in. id, 0.252in. od, 0.04in. thk		3	
14	A G1	5310-99-941-9961	. . . NUT, PLAIN, HEXAGON, 4BA, steel, Cd plated, rh, 1/4in. w A/F, 1/8in. h, chamfered		3	
NI 15	A X5	6240-99-995-2236	. . . LAMP, INCANDESCENT, globular bulb, 32.5mm lg, 18mm od. 26V dc, 6W	SP156	1	u/w item 11
NI 16	A 6MT4	5975-99-805-2698	. . . ADAPTOR, ELECTRICAL, CONDUIT, steel, Cd plated, 3/8in. accommodated conduit, 3/4in. whit, straight eye type, 0.692in. thd other end	FV(S)6-51-3	1	} u/w item 11 harness
NI 17	A 9ACR	5310-99-134-5211	. . . WASHER, FLAT, Cu, 1in. od, 3/4in. bolt size, 0.063in. thk	JT17225-1	1	
18	A 6MT4	5340-99-881-2217	. . . SEALING CONE, neoprene, 19/32in. dia x 7/16in. lg, w/4 holes 7/64in. dia	FV(S)6-83-1	1	
NI 19	A Z42	5975-99-805-6457	. . . NUT, COUPLING, ELECTRICAL, CONDUIT, 11/64in. -24 whit, br or low carbon steel, 25/32in. od, 15/32in. h, knurled	FV(S)6-38-4	1	
NI 20	A 6MT1	5310-99-805-6455	. . . WASHER, FLAT, br, 5/8in. od, 7/16in. id, 1/16in. thk	FV(S)6-39-4	1	
21	A 46MT3	6220-99-803-4206	. . . LIGHT, UTILITY, VEHICULAR, No. 2 Mk 5, 14/26V dc, 0.25/.5A, 6/7W, 1- 1/4in. BSPF mtg stem, 4-13/16in. lg x 3in. dia	FV381785	1	See Fig 11

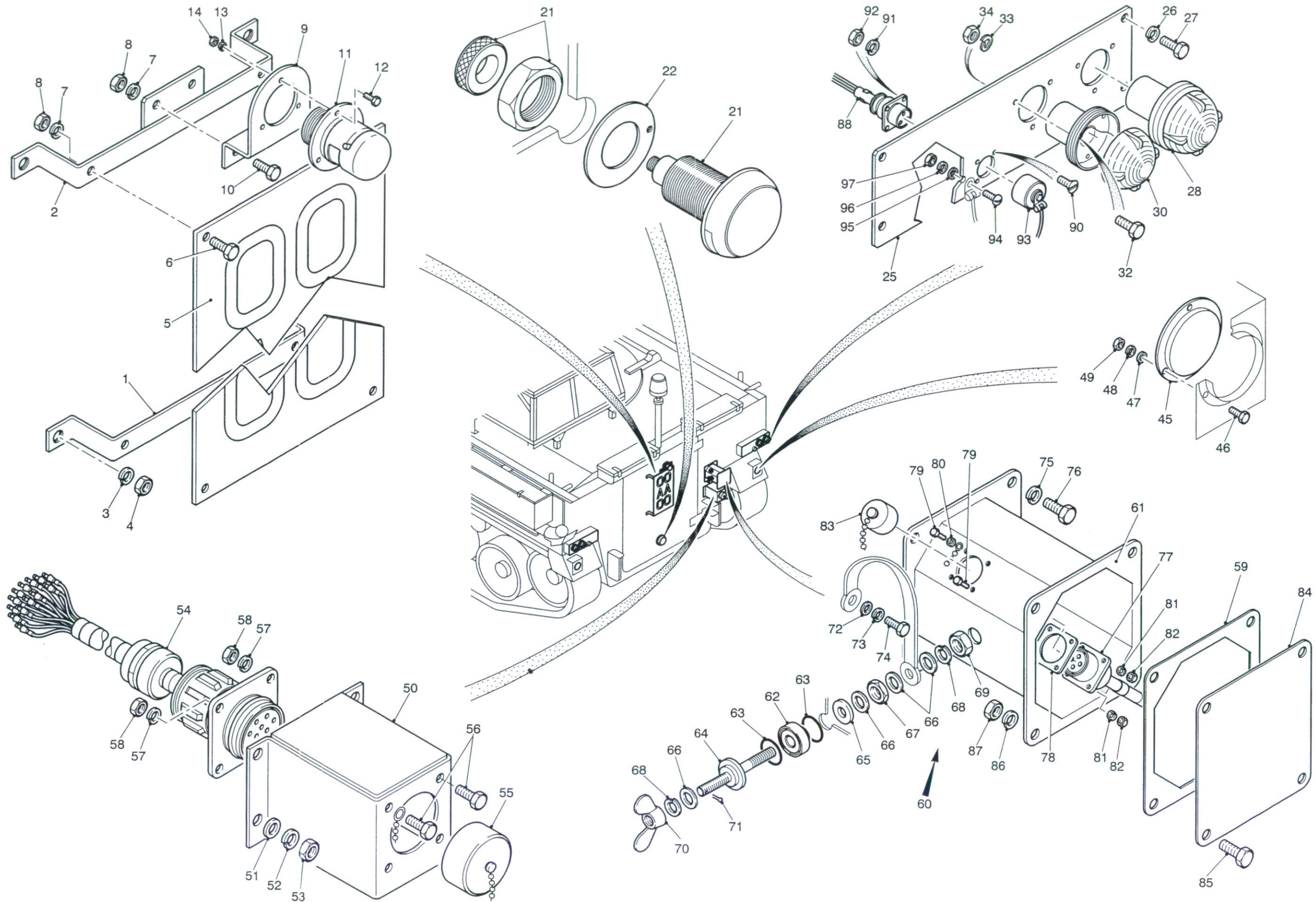


Fig 9 Electrical equipment, rear external GA

430/70198

Fig Item	Man Code Navy - N Army - A RA/F - R	NATO Stock No	Item Name and Description	Part No/ Drawing No.	No. Off	Annotations
9-			ELECTRICAL EQUIPMENT GA - contd . ELECTRICAL EQUIPMENT, HULL, GA - contd			
22	A	9ACR	5330-99-866-2641 . . GASKET, rubber, 3in. od x 1-21/32in. id x 1/4in. thk, 7/32in. hole drilled at 1.188in. rad	FV499375	1	
NI 23		NP	. . PIN, 3/16in dia x 3/4in. lg	31634	1	Locating pin for item 21 w/w item 21
NI 24	A	X5	6240-99-995-2236 . . LAMP, INCANDESCENT, globular bulb, 32.5mm lg, 18mm od, 26V dc, 6W	SP156	1	
25		NP	. . LAMP SUPPORT PLATE	FV560055	2	
26	A	G1	5310-99-941-6654 . . WASHER, LOCK, steel, split helical ring, 1/4in. bolt size, 27/64in. d, 5/64in. thk		8	
27	A	G1	5305-99-941-6284 . . SCREW, MACHINE, UNF, 1/4in. dia, class 2A, 1/2in. lg, steel, Zn plated, hex hd		8	
28	A	6MT3	6220-99-823-9793 . . TAIL LIGHT-STOP LIGHT	FV760732	2	See Fig 12
NI 29	A	X5	6240-99-995-3288 . . LAMP, INCANDESCENT, bulb style straight line, 47mm lg, 25mm bulb dia, 24V dc, 6/24W	334	2	u/w item 28
30	A	6MT3	6220-99-803-3704 . . DIRECTIONAL LIGHT, VEHICULAR, rubber body, glass lens, SCC cap, amber translucent, one lamp accommodated, 2-1/2in. dia, 5-1/32in. lg, 26V dc, w/3 mtg holes, 5/32in. dia	FV260907	2	See Fig 7
NI 31	A	X5	6240-12-173-4827 . . LAMP, INCANDESCENT, 52.5mm lg, 26.5mm dia, 24V dc, 21W, single contact bayonet, straight sided	9511	2	u/w item 29
32	A	G1	5305-99-101-0658 . . SCREW, MACHINE, steel, Cd plated, hex hd, 4BA x 1/2in. lg		12	
33	A	G1	5310-99-941-6652 . . WASHER, LOCK, steel, split helical ring, 0.168in. id, 0.252in. od, 0.04in. thk		12	
34	A	G1	5310-99-941-9961 . . NUT, PLAIN, HEXAGON, 4BA, steel, Cd plated, rh, 1/4in. w A/F, 1/8in. h chamfered		12	
NI 35	A	6MT4	5340-99-881-2217 . . SEALING CONE, neoprene, 19/32in. dia x 7/16in. lg, w/4 holes 7/64in. dia	FV(S)6-83-1	4	} u/w items 28 & 30
NI 36	A	Z42	5975-99-805-6457 . . NUT, COUPLING, ELECTRICAL CONDUIT, 11/16in. -24 whit, br or low carbon steel, 25/32in. od, 15/32in. h, knurled	FV(S)6-38-4	4	
NI 37	A	6MT1	5310-99-805-6455 . . WASHER, FLAT, br, 5/8in. od, 7/16in. id, 1/16in. thk	FV(S)6-39-4	4	
NI 38		NP	. . CONDUIT, rear lights	FV605462/1	2	} u/w item 38
NI 39	A	6MT4	5975-99-805-3145 . . ADAPTOR, ELECTRICAL, CONDUIT, steel, Cd plated, 1in. -16 ext thd both ends, 1.093in. lg	FV(S)6-51-6	2	
NI 40		NP	. . WASHER, copper	FV361055	2	} u/w item 38
NI 41	A	6MT4	5365-99-802-1226 . . BUSHING, NON-METALLIC, rubber, chloroprene, multiple holes, 0.4in. lg, 0.99in. flange dia, 0.875in. body dia, 0.342in. body lg, 0.06in. flange h, 18 holes, o.1in. h	FV562072	2	
NI 42	A	6MT4	5340-99-805-0922 . . CLAMP, LOOP, steel, Cd plated, 0.625in. loop id, 0.196in. hole dia, one leg of tongue w/elongated hole 0.196in. x 0.32in.	187051	2	

6220998033485 — TAIL LAMP - GLASS - OLD TYPE

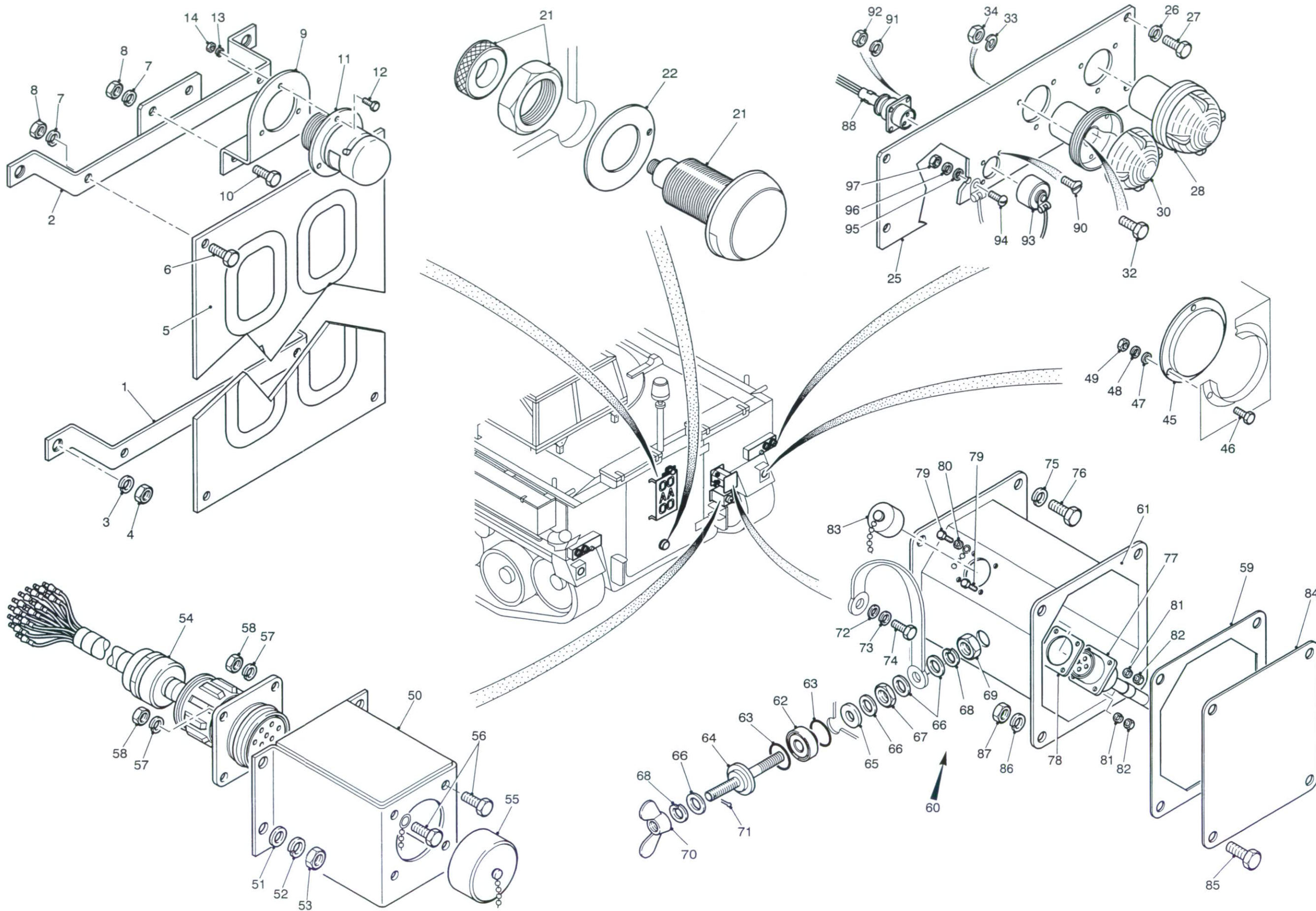


Fig 9 Electrical equipment, rear external GA

Fig Item	Man Code Navy - N Army - A RAF - R	NATO Stock No	Item Name and Description	Part No/ Drawing No.	No. Off	Annotations
9-			ELECTRICAL EQUIPMENT GA - contd . . . ELECTRICAL EQUIPMENT, HULL, GA - contd			
NI 43	A G1	5310-99-941-6653	. . . WASHER, LOCK, steel, split helical ring, 0.198in. id, 0.06in. thk, 0.33in. od		2	} Securing item 42
NI 44		NP	. . . SCREW, MACHINE, hex hd, steel, Cd plated, No. 10 (2BA) x 3/8in. lg		2	
45	A 6MT3	9905-99-942-6893	. . . REFLECTOR, INDICATING, CLEARANCE, red	FV(S)21-1-1	2	
46	A G1	5305-99-120-1622	. . . SCREW, MACHINE, steel, hex hd, Cd plated, 0.75in. lg		6	
47	A G1	5310-99-941-9454	. . . WASHER, FLAT, steel, Cd plated, 2BA bolt size, 25/64in. od, 0.081in. thk		6	
48	A G1	5310-99-941-6653	. . . WASHER, LOCK, steel, Cd plated, split helical ring, 0.198in. id, 0.064in. thk, 0.330in. od		6	
49	A G1	5310-99-941-7070	. . . NUT, PLAIN, HEXAGON, steel, Cd plated, 2BA		6	
50	A 9ACR	2540-99-866-2628	. . . BRACKET, ELECTRICAL SOCKET, trailer	FV525487	1	
51		NP	. . . WASHER, FLAT, steel, Cd plated, 5/16in. dia	7030005009 4900	4	
52	A G1	5310-99-914-0549	. . . WASHER, LOCK, Cd plated, split helical ring, single coil, sq section, 5/16in. bolt size, 0.503in. od, 0.08in. thk		4	
53	A G1	5310-99-941-0925	. . . NUT, PLAIN, HEXAGON, UNF, 5/16in. -24, class 2B rh thd, steel, Zn plated, 1/2in. w A/F, 17/64in. h chamfered		4	
54	A 46MT4	6150-99-881-5667	. . . WIRING HARNESS - TRAILER SOCKET TO CON JUNC 2, 27in. lg, connector one end, nipples 2nd end, 12 conductors	FV324167-1	1	
55	A 6MT4	5935-99-802-4397	. . . COVER, ELECTRICAL CONNECTOR, rubber, 2-1/4in. od, 1-1/16in. h, c/w anchor plate and nylon cord, push on type	FV596885	1	
56	A G1	5305-99-941-0513	. . . SCREW, MACHINE, UNF, steel, Zn plated, hex hd, 1/4in. dia, 3/4in. lg		4	
57	A G1	5310-99-941-6654	. . . WASHER, LOCK, steel, split helical ring, 1/4in. bolt size, 27/64in. od, 5/64in. thk		4	
58	A G1	5310-99-804-7941	. . . NUT, PLAIN, HEXAGON, UNF, 1/4in. dia, rh, steel, Zn plated, 7/16in. w A/F, 7/23in. h, chamfered		4	
59	A 9ACR	5330-99-866-2629	. . . GASKET, rubber, 0.062in. cross-section thk	FV525494	2	
60	A 9ACR	2510-99-866-2638	. . . MOUNT, POWER TOOL SOCKET	FV538793	1	
61	A 9ACR	2590-99-978-3111	. . . HOUSING, POWER TOOL SOCKET	FV525490	1	
62	A 9ACR	5970-99-866-2634	. . . INSULATOR, BUSHING, 1in. od, 0.53in. shank od, 0.4in. lg, 0.328in. id, csk one end, plastics	FV538418	1	
63	A 6MT1	5330-99-942-9965	. . . RING, SEALING, TOROIDAL, rubber, 7/64in. h, 43/64in. id		2	
64	A 9ACR	5307-99-866-2633	. . . STUD, SHOULDERED, Cu alloy, Cd plated, 1in. shoulder dia, 2.95in. lg, 5/16in. UNF thd, 1.1in. lg nut end, 5/16in. UNF thd, 1.1in. lg stud end	FV538417	1	
65	A 9ACR	5970-99-866-2635	. . . INSULATOR, WASHER, plastics, 21/64in. id, 3/4in. od, 1/8in. thk	FV538419	1	

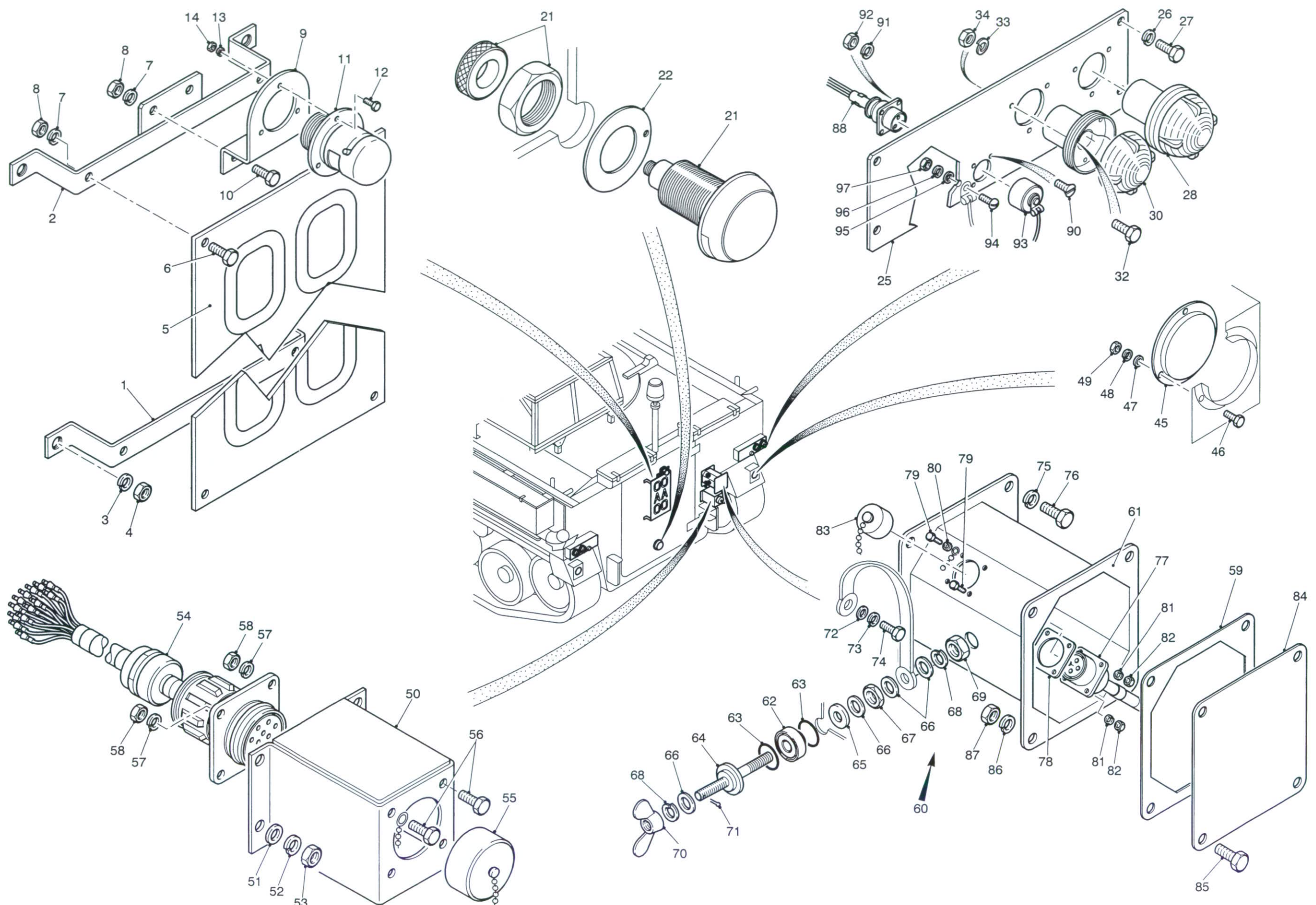


Fig 9 Electrical equipment, rear external GA

430/70198

Fig Item	Man Code Navy - N Army - A RAF - R	NATO Stock No	Item Name and Description	Part No/ Drawing No.	No. Off	Annotations
9-			ELECTRICAL EQUIPMENT GA - contd . ELECTRICAL EQUIPMENT, HULL, GA - contd . . MOUNT, POWER TOOL SOCKET - contd			
66		NP	. . . WASHER, PLAIN, br, Cd plated, 5/16in. dia, 15 SWG		4	
67	A G1	5310-99-941-0903	. . . NUT, PLAIN, HEXAGON, UNF, steel, Zn plated, chamfered, 5/16in. dia, 1/2in. w A/F, 3/16in. h, grade 3		1	
68	A G1	5310-99-944-0549	. . . WASHER, LOCK, steel, split helical ring, Cd plated, 5/16in. bolt size, 0.503in. od, 0.08in. thk, single coil, sq section		2	
69	A G1	5310-99-941-0925	. . . NUT, PLAIN, HEXAGON, UNF, 5/16in. -24, class 2B rh thd, steel, Zn plated, 1/2in. w A/F, 17/64in. h, chamfered		1	
70	A 46MT1	5310-99-813-6899	. . . NUT, PLAIN, WING, br, 5/16in.	FV123817	1	
71	A G1	5315-99-944-0171	. . . PIN, COTTER, SPLIT, steel, phosphated, std spring type, 1/16in. dia, 5/8in. lg		1	
72		NP	. . WASHER, PLAIN, 5/16in. dia x 15 SWG	7030005009 4900	1	} Earth point
73	A G1	5310-99-944-0549	. . WASHER, LOCK, steel, split helical ring, Cd plated, 5/16in. bolt size, 0.503in.od, 0.08in. thk, single coil, sq section		1	
74	A G1	5305-99-941-0525	. . SCREW, MACHINE, UNF, stainless steel, Zn plated, hex hd, 5/16in. x 3/4in. lg, class 2A		1	
75	A G1	5310-99-944-0549	. . WASHER, LOCK, steel, split helical ring, Cd plated, 5/16in. bolt size, 0.503in. od, 0.08in. thk, single coil, sq section		4	
76	A G1	5305-99-941-0523	. . SCREW, MACHINE, UNF, stainless steel, hex hd, Zn plated, 5/16in. x 1/2in. lg, class 2A		4	
77		NP	. . HARNESS, EXT LIGHTING TO CJ2	FV582359/1	1	
78	A Z2	5330-99-014-7133	. . GASKET, rubber, synthetics, 0.76in. id, 1.196in. sq, 0.026in. to 0.04in. thk	SB-14S-RPG	1	
79		NP	. . SCREW, MACHINE, steel, Cd plated, hex hd, UNC, 6BA x 5/8in. lg	7011400101 4900	4	
80		NP	. . WASHER, PLAIN, 6BA dia	7030000009 4900	1	
81	A G1	5310-99-944-0545	. . WASHER, LOCK, steel, Cd plated, split helical ring, 0.138in. bolt size, 0.032in. thk, 0.025in. od		4	
82		NP	. . NUT, HEXAGONAL, 6BA	7022400011 4900	4	
83	A G1	5935-99-999-7864	. . COVER, ELECTRICAL CONNECTOR, metallic, 7/16in. lg, 1in. dia, 7/8in. -20 int thd, w/chain, straight knurl rd outside of cover	CA2209- 5103	1	
84		NP	. . PLATE, BLANKING	FV2249171	1	
85	A G1	5305-99-941-0513	. . SCREW, MACHINE, UNF, steel, Zn plated, hex hd, 1/4in. dia x 3/4in. lg		4	

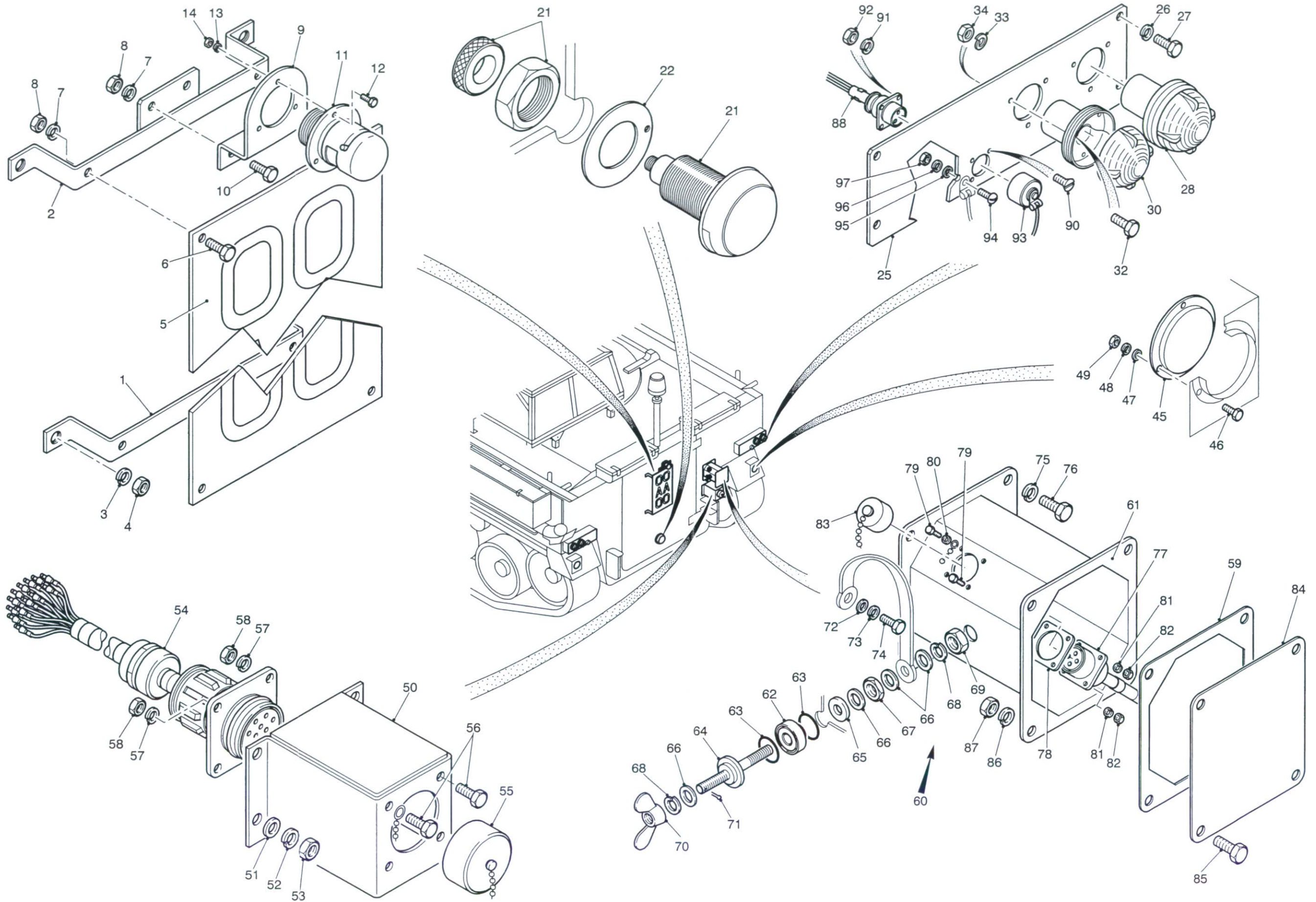


Fig 9 Electrical equipment, rear external GA

430/70198

Fig Item	Man Code Navy - N Army - A RAF - R	NATO Stock No	Item Name and Description	Part No/ Drawing No.	No. Off	Annotations
9-			ELECTRICAL EQUIPMENT GA - contd ELECTRICAL EQUIPMENT, HULL, GA - contd			
86	A G1	5310-99-941-6654	WASHER, LOCK, steel, split helical ring, 1/4in. bolt size, 27/64in. od. 5/64in. thk		4	
87	A G1	5310-99-804-7941	NUT, PLAIN, HEXAGON, UNF, 1/4in. dia -28, class 2B rh thd, steel, Zn plated, 7/16in. w A/F, 7/32in. h, chamfered		4	
88	A 9AHY	6220-99-500-5721	SOCKET, LIGHT, VEHICULAR, solder type, comprises; fixed shell, grommet nut, grommet and follower	ABB0310SL 3SSN	2	
NI 89		NP	GROMMET FILLER PLUG	ABB165KFP	2	u/w item 88
90	A G1	5305-99-122-5273	SCREW, MACHINE, ISO M, steel, Zn plated, flat csk hd, slot drive 3mm x 0.5mm pitch, 12mm lg, class 6G		8	
91	A G1	5310-99-138-9224	WASHER, LOCK, steel, Zn plated w/chromate, split helical ring, 3.3mm id, 1.1mm thk, 5.5mm od		8	
92	A G1	5310-99-135-0754	NUT, PLAIN, HEXAGON, ISO M3 x 0.5mm pitch, class 6H, steel, Zn plated w/chromate, 5.5mm w A/F, 2.4mm h, chamfered		8	
93	A Z32	5935-99-785-9113	CAP, ELECTRICAL, Al olive drab, bayonet connection, 24.2mm dia, 17.5mm deep, c/w nylon cord	ABB10SLXP CA	2	
94	A G1	5305-99-135-0424	SCREW, MACHINE, M4, 16mm lg, steel, Zn plated, pan hd, slot drive grade 4		2	
95	A G1	5310-99-759-2084	WASHER, FLAT, steel, Zn plated w/chromate, 10mm od, 4.5mm id, 0.8mm thk		2	
96	A G1	5310-99-138-9225	WASHER, LOCK, steel, Zn plated, split helical ring, 4mm id, 1.2mm thk 6.95mm od		2	
97	A G1	5310-99-135-0755	NUT, PLAIN, HEXAGON, ISO M, M4 x 0.7mm pitch, class 6H, steel, Zn plated w/chromate, 7mm w A/F, 3mm h, chamfered		2	

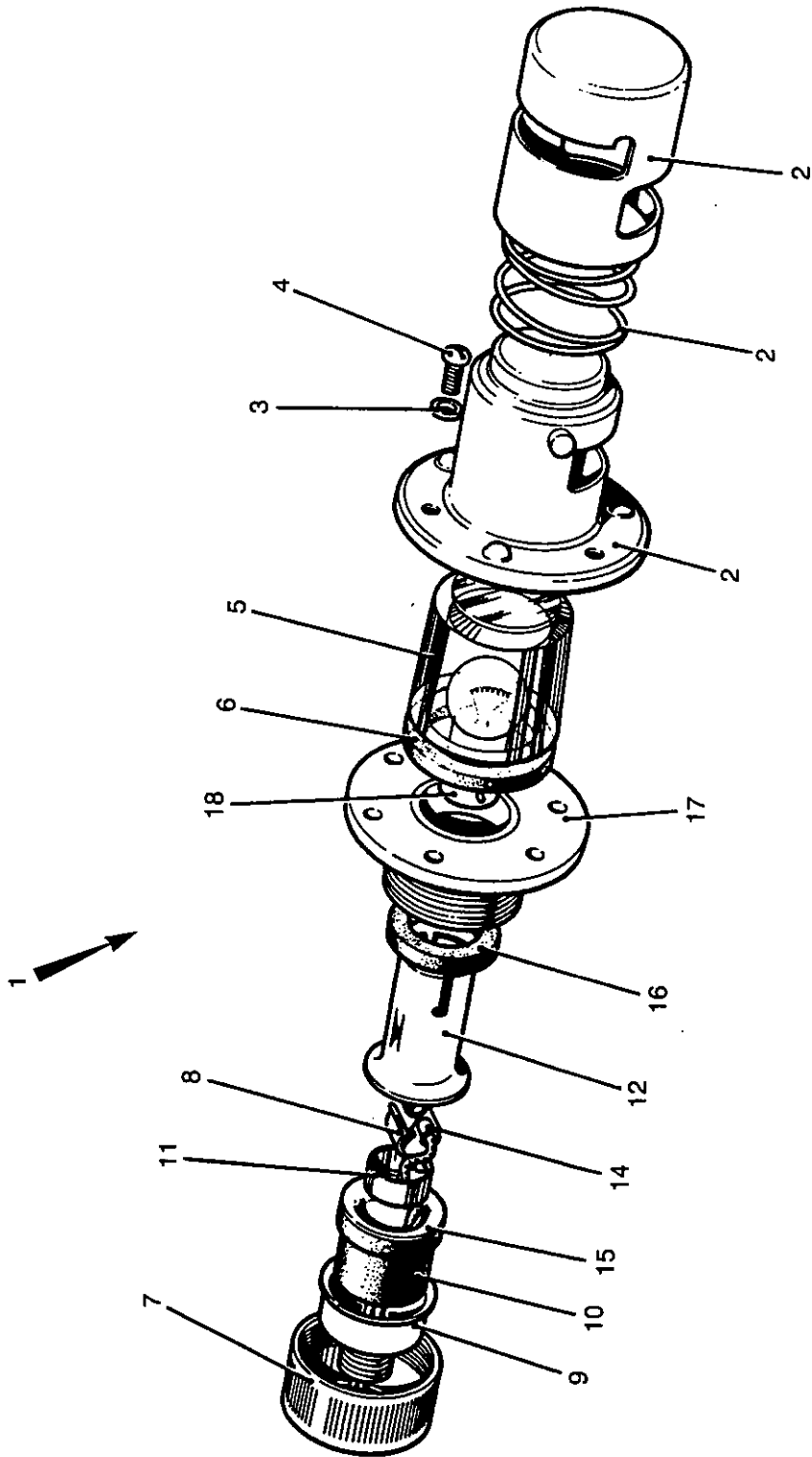


Fig 10 Registration plate light

430/70103

Fig Item	Man Code Navy - N Army - A RAF - R	NATO Stock No	Item Name and Description	Part No/ Drawing No.	No. Off	Annotations
10-			ELECTRICAL EQUIPMENT GA - contd . ELECTRICAL EQUIPMENT, HULL, GA - contd . . . ELECTRICAL EQUIPMENT REAR EXTERNAL GA - contd			
1	A	6MT3	6220-99-803-4119	. . . LIGHT, UTILITY VEHICULAR, 4in. lg, 2- 5/16in. dia, one lamp accommodated, 14/26V dc, 5/7W, registration plate light	53922	1
2	A	6MT3	6220-99-803-3391	. . . COVER AND LIGHT SHIELD ASSEMBLY, comprises cover, light shield, spring and peg	4771-12582	1
3		NP		. . . WASHER, LOCK, BA, steel, single coil, sq section No. 4	188412	3
4	A	G1	5305-99-128-7539	. . . SCREW, MACHINE, 4BA, Cu alloy, hex hd, nickel pl, 5/16in. lg		3
5	A	6MT3	6220-99-822-0283	. . . LENS, REGISTRATION PLATE LIGHT, glass, clear, 1.35in. max dia, 1.63in. lg	FV678586	1
6	A	6MT3	5310-99-803-3383	. . . WASHER, FLAT, syn rubber, rd shape, 1-11/32in. od, rd hole, 59/64in. nom bolt size, 3/16in. matl thk	573053	1
7	A	6MT3	6220-99-803-3874	. . . NUT, PANEL LIGHT	573049	1
8	A	6MT3	6220-99-803-4211	. . . BOOT, DUST AND MOISTURE SEAL	54572450	1
9		NP		. . . CASE AND BUSH ASSEMBLY	573052	1
10		NP		. . . MOUNTING, RUBBER, rear	54572429	1
11		NP		. . . INSERT, RUBBER BUSHING	574189	1
12	A	46MT3	6220-99-803-3390	. . . LAMPHOLDER SUB-ASSEMBLY	873085	1
NI 13	A	6MT3	6220-99-803-3158	. . . PLUNGER, LAMPHOLDER	552103	1
14	A	6MT4	5940-99-803-1956	. . . FERRULE, ELECTRICAL CONDUCTOR, brass, 0.375in. lg x 0.250in. od x 0.150in. id o/a dims	555910	1
15	A	9ACR	6220-99-803-4210	. . . CONTACT ELECTRICAL, silicone bronze, 47/64in. lg, 5/16in. h, 23/32in. dia	54572430	1
16	A	6MT1	5310-99-803-3380	. . . WASHER, FLAT, syn rubber, rd shape, 31/32in. od, rd hole, 5/18in. nom bolt size, 3/16in. matl thk	573042	1
17		NP		. . . BUSH AND BACK PLATE ASSEMBLY	573046	1
18	A	X5	6240-99-995-2236	. . . LAMP, INCANDESCENT, globular bulb, 32.5mm lg, 18mm od, 26V dc, 6W	SP156	1

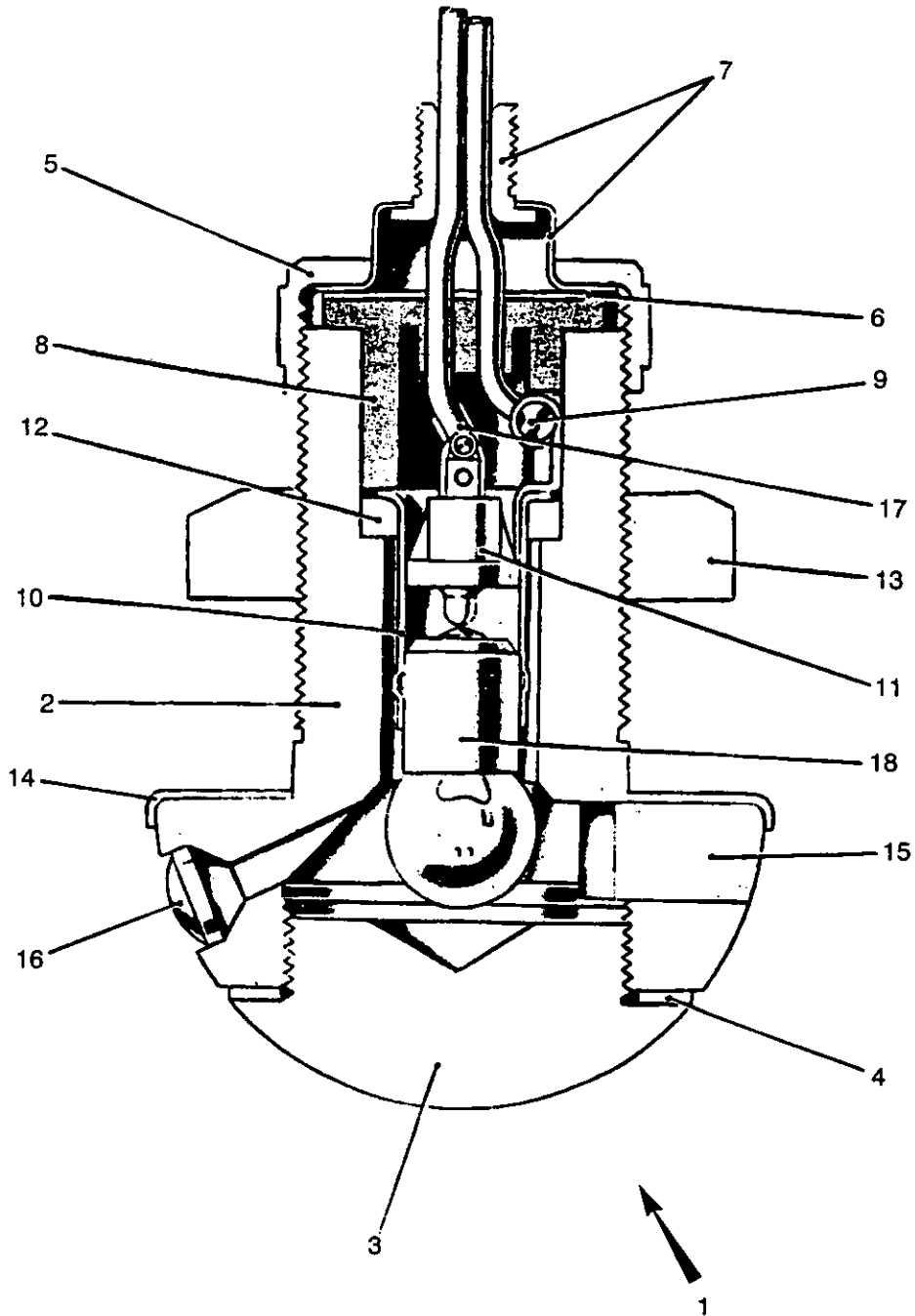


Fig 11 Convoy light

430/70104

Fig Item	Man Code Navy - N Army - A RAF - R	NATO Stock No	Item Name and Description	Part No/ Drawing No.	No. Off	Annotations
11-			ELECTRICAL EQUIPMENT GA - contd . ELECTRICAL EQUIPMENT, HULL, GA - contd . . . ELECTRICAL EQUIPMENT REAR EXTERNAL GA - contd			
1	A	46MT3	6220-99-803-4206 . . . LIGHT, UTILITY VEHICULAR, No. 2 Mk 5, 14 to 26V, 0.25 to 0.5A, 6 to 7W electrical rating, 1-1/4in. BSPF mtg stem, 4-13/16in. lg o/a by 3in. dia, convoy light	FV381785	1	
2		NP	. . . BODY, LIGHT, CONVOY	561726	1	
3	A	6MT3	6220-99-803-3298 . . . CAP, CONVOY LIGHT BODY, steel, 2-7/32in. dia, 7/8in. o/a lg, 1-3/4in. - 20thd, 2 flats provides access to bulb	561712	1	
4	A	46MT3	5330-99-803-3302 . . . GASKET, Cu/Asb, Rd Style, 2-1/4in. Od, 1-49/64in. ld, 3/32in. cross section thk	561716	1	
5	A	6MT3	6220-99-803-3292 . . . NUT, CONVOY LIGHT	561706	1	
6	A	46MT3	5310-99-803-3293 . . . WASHER, FINISHING, steel, Zn P, 7/8in. id, 1-1/2in. od, 1/32in. o/a h, 1/64in. matl thk	561707	1	
7		NP	. . . CASE AND BUSH ASSEMBLY	573052	1	
8	A	46MT3	6220-99-803-4617 . . . SLEEVE, RUBBER, convoy light	54571261	1	
9		NP	. . . SLEEVE, CABLE CONNECTOR	54190178	1	
10	A	46MT3	6220-99-803-4620 . . . SHELL, LAMPHOLDER, light convoy, type L-WD-C1	54571922	1	
11	A	6MT3	6220-99-803-3158 . . . PLUNGER, LAMPHOLDER	552103	1	
12	A	6MT1	5310-99-803-3380 . . . WASHER, FLAT, synthetic rubber, rd, 0.650in. nom hole dia, 0.187in. nom thk, 0.975in. nom od	573042	1	
13	A	46MT3	5310-99-803-3294 . . . NUT, PLAIN, HEXAGON, BSPF, 1- 1/4 -11 thd, normal thd, rh thd, steel, Zn coated, 2-25/64in. wd A/F, 1/2in. o/a h	561706	1	
14	A	46MT3	6210-99-803-4207 . . . RETAINER, LENS, steel, 1-3/4in. id, 3in. od, 5/32in. thk	54571562	1	
15	A	46MT3	6220-99-803-3295 . . . LENS, LIGHT CONVOY, polystyrene	561709	1	
16	A	46MT3	6220-99-803-3296 . . . LENS, CONVOY LIGHT, synthetic rubber, 1/2in. dia	561710	1	
17	A	6MT4	5940-99-803-1956 . . . FERRULE, ELECTRICAL CONDUCTOR, brass, 0.375in. lg x 0.250in. od x 0.150in. id o/a dims	555910	1	
18	A	X5	6240-99-995-2236 . . . LAMP, INCANDESCENT, globular bulb, 32.5mm lg, 18mm od, 26V dc, 6W	SP156	1	

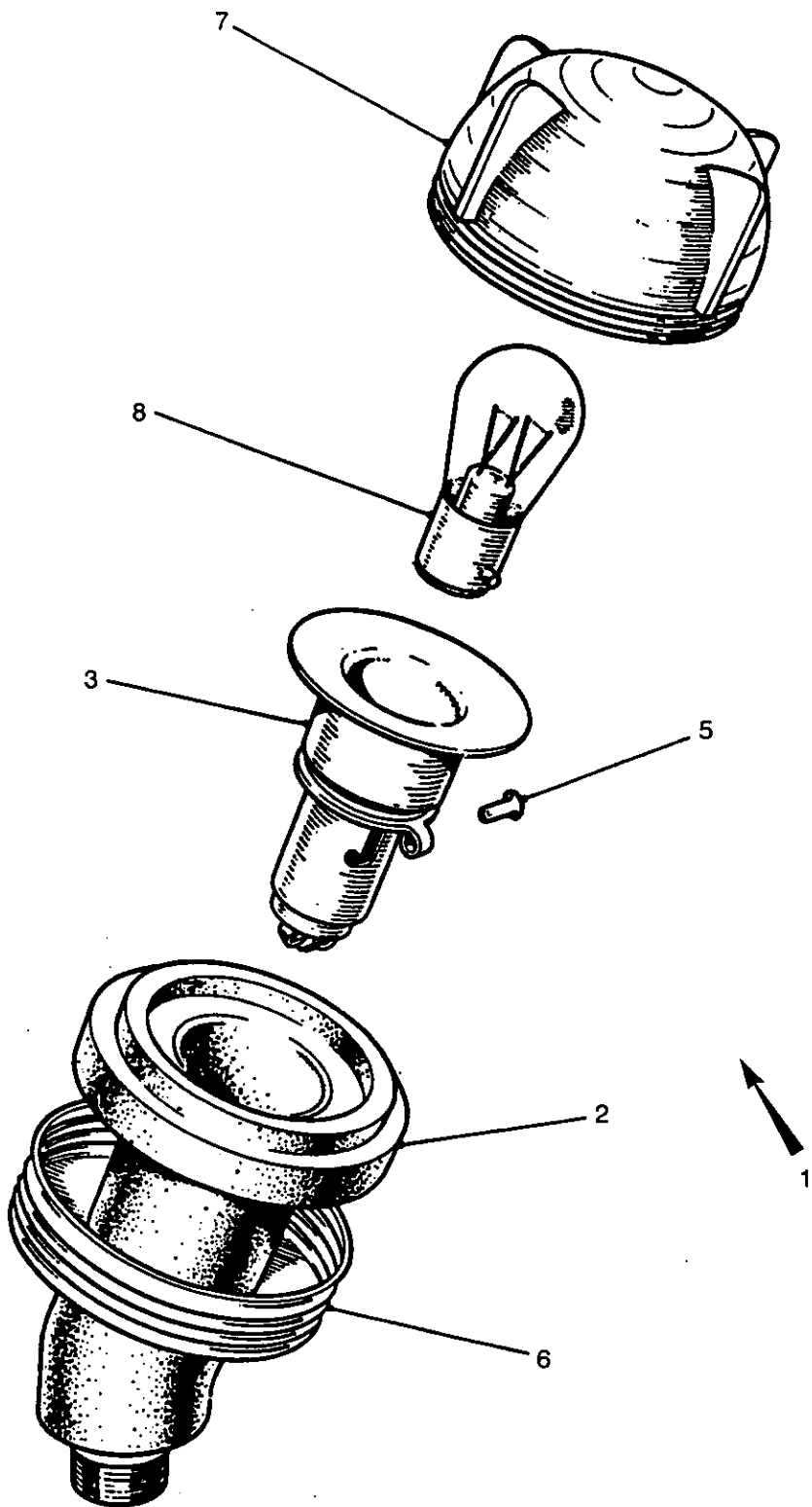


Fig 12 Tail light - stop light

430/70102

Fig Item	Man Code Navy - N Army - A RA/F - R	NATO Stock No	Item Name and Description	Part No/ Drawing No.	No. Off	Annotations
12-			ELECTRICAL EQUIPMENT GA - contd . ELECTRICAL EQUIPMENT, HULL, GA - contd . . . ELECTRICAL EQUIPMENT REAR EXTERNAL GA - contd			
1	A	6MT3	6220-99-823-9793 . . . TAIL LIGHT - STOP LIGHT, No. 3, Mk 6	FV760732	2	
2	A	6MT4	6220-99-408-2491 . . . BODY, LIGHT	576203	1	
3	A	6MT3	6250-99-803-3369 . . . LAMP HOLDER, plastics body, steel shell, double contact, bayonet candelabra (American) Cap, 28V, 30W, 3 hole mtg, 3 female ferrule terminals	572727	1	
NI 4	A	6MT3	6220-99-803-3157 . . . CONTACT ASSEMBLY, ELECTRICAL	552101	1	
5	A	6MT4	5940-99-03-1956 . . . FERRULE ELECTRICAL CONDUCTOR, brass, 0.375in. lg x 0.250in. od x 0.150in. o/a dims	555910	3	
6	A	46MT3	6220-99-408-2494 . . . BASE, LAMP	576207	1	
7	A	6MT3	6220-99-803-3485 . . . LENS, LIGHT, stove pipe style, 1- 17/32in. o/a lg, 2-1/2in. od, glass lens, transparent, ext thd mtg, 2-1/2in. -8 tpi, ribbed surface	576204	1	
8	A	X5	6240-99-995-3288 . . LAMP, INCANDESCENT, bulb style straight line, 47mm lg, 25mm bulb dia, 24V dc, 6/24W	334	2	

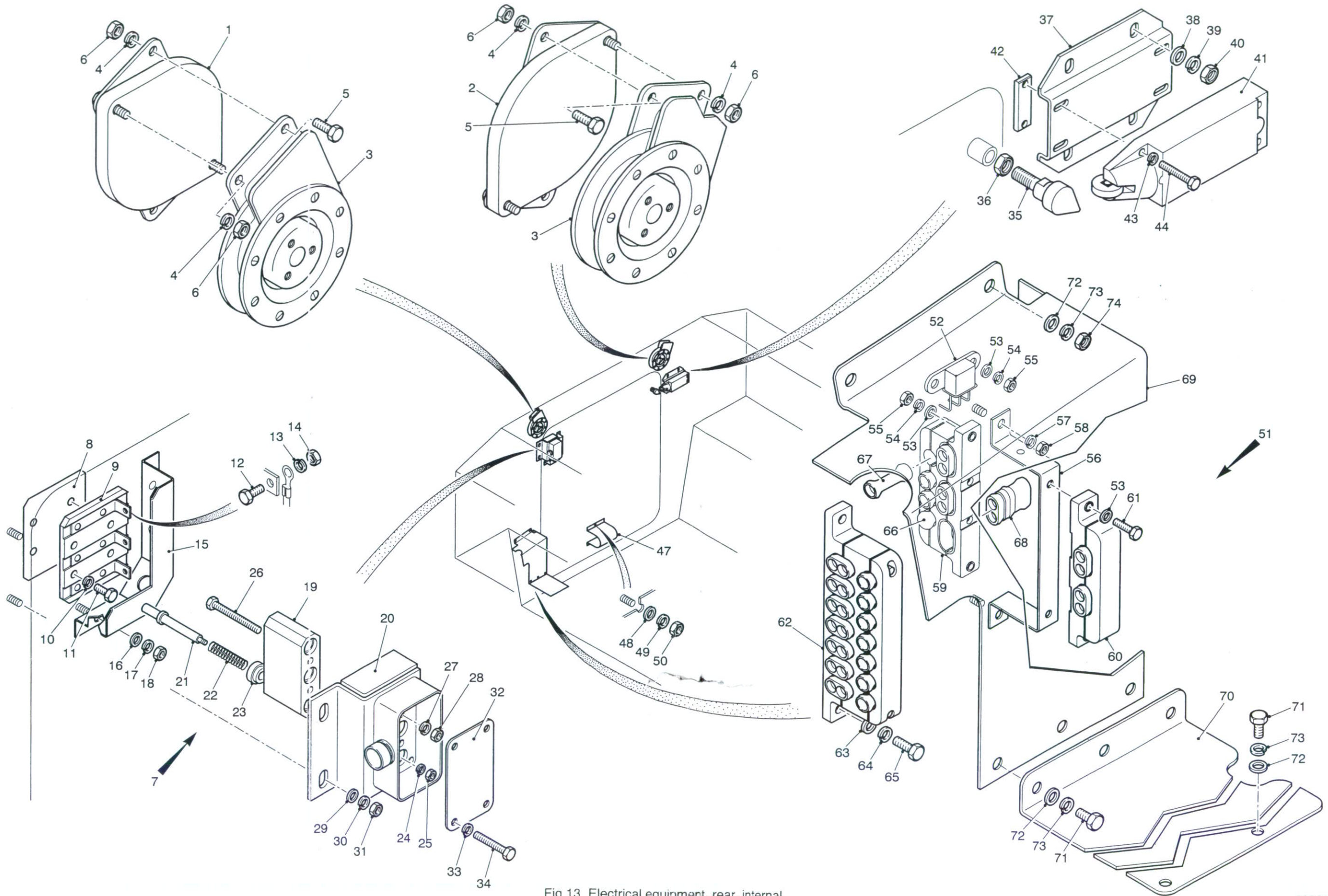


Fig 13 Electrical equipment, rear, internal

Fig Item	Man Code Navy - N Army - A RAF - R	NATO Stock No	Item Name and Description	Part No/ Drawing No.	No. Off	Annotations
13-			ELECTRICAL EQUIPMENT GA - contd . ELECTRICAL EQUIPMENT, HULL, GA - contd . . . ELECTRICAL EQUIPMENT REAR INTERNAL			
1		NP	. . . BACKING PLATE ASSEMBLY, RH	FV456895	1	
2		NP	. . . BACKING PLATE ASSEMBLY, LH	FV456893	1	
3		NP	. . . LOUDSPEAKER, 5in.	YA11417	2	
4	A G1	5310-99-941-6654	. . . WASHER, LOCK, steel, split helical ring, 1/4in. bolt size, 27/64in. od, 5/64in. thk		8	
5	A G1	5305-99-941-6284	. . . SCREW, MACHINE, UNF, 1/4in. dia, class 2A thd, 1/2in. lg, steel, Zn plated, hex hd		4	
6	A G1	5310-99-804-7941	. . . NUT, PLAIN, HEXAGON, UNF, 1/4in. dia, class 2b rh thd, steel, Zn plated, 7/16in. w A/F, 7/32in. h, chamfered		4	
7	A 46MT4	5930-99-820-3053	. . . SWITCH, REAR DOOR, plunger contacts	FV559211	1	
8		NP	. . . INSULATION	FV485422	1	
9	A 9ACR	5940-99-867-2713	. . . TERMINAL BOARD, 2.9in. board lg, 2.5in. w, 0.187in. h, plastics, 4 mtg holes 0.203in. dia, w/3 lug terminals	FV485472	1	
10	A G1	5310-99-941-6653	. . . WASHER, LOCK, steel, split helical ring, 0.198in. id, 0.064in. thk, 0.33in. od		4	
11		NP	. . . SCREW, MACHINE, steel, Cd plated, hex hd, No. 10 (2BA) UNF x 3/8in. lg	7011100000 0000	4	
12		NP	. . . SCREW, MACHINE, br, Cd plated, hex hd, No. 6 (4BA) UNC x 5/16in. lg	SHHD4BAX5 /16B	3	
13	A G1	5310-99-941-6688	. . . WASHER, LOCK, Cu alloy, split helical ring, 0.158in. id, 0.048in. thk, 0.254in. od		3	
14		NP	. . . NUT, PLAIN, HEXAGON, No. 6 (4BA), br, Cd plated	NH4BAB	3	
15	A 9ACR	5940-99-867-2715	. . . COVER, TERMINAL BOARD, steel, 4.75in. lg, 3.25in. w, 1.348in. h, 3 mtg holes 1/4in. dia	FV538929	1	
16		NP	. . . WASHER, FLAT, 2BA	7030100000 0000	3	
17	A G1	5310-99-941-6653	. . . WASHER, LOCK, steel, split helical ring, 0.198in. id, 0.064in. thk, 0.33in. od		3	
18		NP	. . . NUT, HEXAGON, 2BA	7022100000 0000	3	
19	A 9ACR	5930-99-822-7073	. . . BLOCK, PLUNGER, nylatron	FV650233	1	
20	A 9ACR	5930-99-867-2708	. . . BRACKET ASSEMBLY, PLUNGER, comprising: plunger bracket, web, wall bracket, gland	FV538937	1	
21	A 9ACR	5930-99-867-2712	. . . PLUNGER, CONTACT, stainless steel, 2.5in. lg, 0.375in. dia, thd one end	FV485411	3	
22	A 9ACR	5340-99-867-2711	. . . SPRING, HELICAL, COMPRESSION	FV485366	3	
23	A 9ACR	3120-99-867-2709	. . . BUSHING, SLEEVE, plastics overall, ext flange one end, solid, 0.3in. lg, 0.49in. od, 0.274in. id, flange 0.17in. w, 0.615in. od	FV485414	3	
24	A G1	5310-99-941-6688	. . . WASHER, LOCK, Cu alloy, split helical ring, 0.158in. id, 0.048in. thk, 0.254in. od		3	

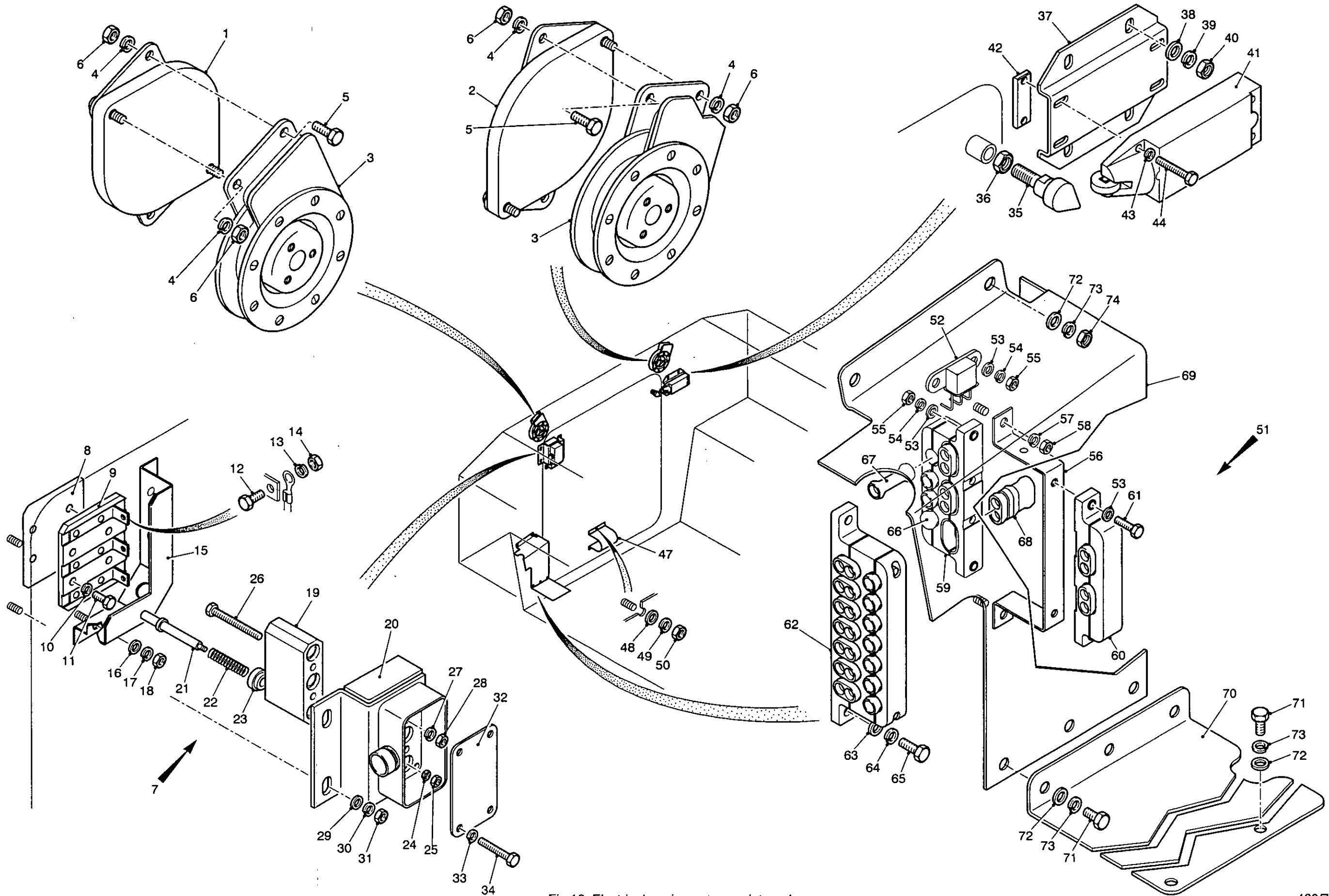


Fig 13 Electrical equipment, rear, internal

430/70199

Fig Item	Man Code Navy - N Army - A RA/F - R	NATO Stock No	Item Name and Description	Part No/ Drawing No.	No. Off	Annotations
13-			ELECTRICAL EQUIPMENT GA - contd . ELECTRICAL EQUIPMENT, HULL, GA - contd . . . ELECTRICAL EQUIPMENT REAR INTERNAL - contd			
25		NP	. . . NUT, HEXAGON, No. 6 (4BA) br, Cd plated	NH4BAB	3	
26		NP	. . . SCREW, MACHINE, hex hd, No. 10 (2BA) UNF x 1-7/8in. lg	7011100000 0000	2	
27	A G1	5310-99-941-6653	. . . WASHER, LOCK, steel, split helical ring, 0.198in. id, 0.064in. thk, 0.33in. od		2	
28		NP	. . . NUT, HEXAGON, 2BA	7022100000 0000	2	
29		NP	. . . WASHER, FLAT, 5/16in.	7030010000 0000	2	
30	A G1	5310-99-944-0549	. . . WASHER, LOCK, steel, Cd plated, split helical ring, 5/16in. bolt size, 0.503in. od, 0.08in. thk, single coil, sq section		2	
31	A G1	5310-99-941-0925	. . . NUT, PLAIN, HEXAGON, UNF, 5/16in. -24 class 2b rh thd, steel, Zn plated, 1/2in. w A/F, 17/64in. h, chamfered		2	
32		NP	. . . COVER PLATE	FV485441	1	
33	A G1	5310-99-941-6653	. . . WASHER, LOCK, steel, split helical ring, 0.198in. id, 0.064in. thk, 0.33in. od		4	
34		NP	. . . SCREW, MACHINE, hex hd, No. 10 (2BA) x 1-1/4in. lg	7011100000 0000	4	
35	A 9ACR	2510-99-866-6913	. . . PLUNGER, DOOR SWITCH, rear door	FV525246	1	
36	A G1	5310-99-941-0926	. . . NUT, PLAIN, HEXAGON, UNF, steel, Zn plated, chamfered, grade 3, 3/8in -.24, 0.563in. w A/F, 0.333in. h		1	
37		NP	. . . LIGHTING ISOLATION SWITCH BRACKET	FV559937	1	
38		NP	. . . WASHER, FLAT, 1/4in. dia	7030004009 4900	4	
39	A G1	5310-99-941-6654	. . . WASHER, LOCK, steel, split helical ring, 1/4in. bolt size, 27/64in. od. 5/64in. thk		4	
40	A G1	5310-99-804-7941	. . . NUT, PLAIN, HEXAGON, UNF, 1/4in. dia -28 class 2B rh thd, steel, Zn plated, 7/16in. w A/F, 7/32in. h, chamfered		4	
41	A 6MT4	5930-99-796-0132	. . . SWITCH, SENSITIVE, SPST, 2 crew terminats, plunger type actuator w/roller	VSP1	1	
42		NP	. . . LOCKING STRIP	FV559938	2	
43	A G1	5310-99-941-6653	. . . WASHER, LOCK, steel, split helical ring, 0.198in. id, 0.064in. thk, 0.33in. od		4	
44		NP	. . . SCREW, MACHINE, ch hd, slot, No. 10 (2BA) UNF x 1-1/4in. lg		4	
NI 45	A 9ACR	5310-99-134-5211	. . . WASHER, FLAT, Cu, 1in. od, 3/4in. bolt size, 0.063in. thk	JT17225-1	1	} u/w item 41
NI 46	A 6MT4	5975-99-805-2698	. . . ADAPTOR, ELECTRICAL CONDUIT, steel, Cd plated, 3/8in. accommodated conduit, 3/4in. whit form, straight eye type, 0.692in. thd other end	FVS6-51-3	1	

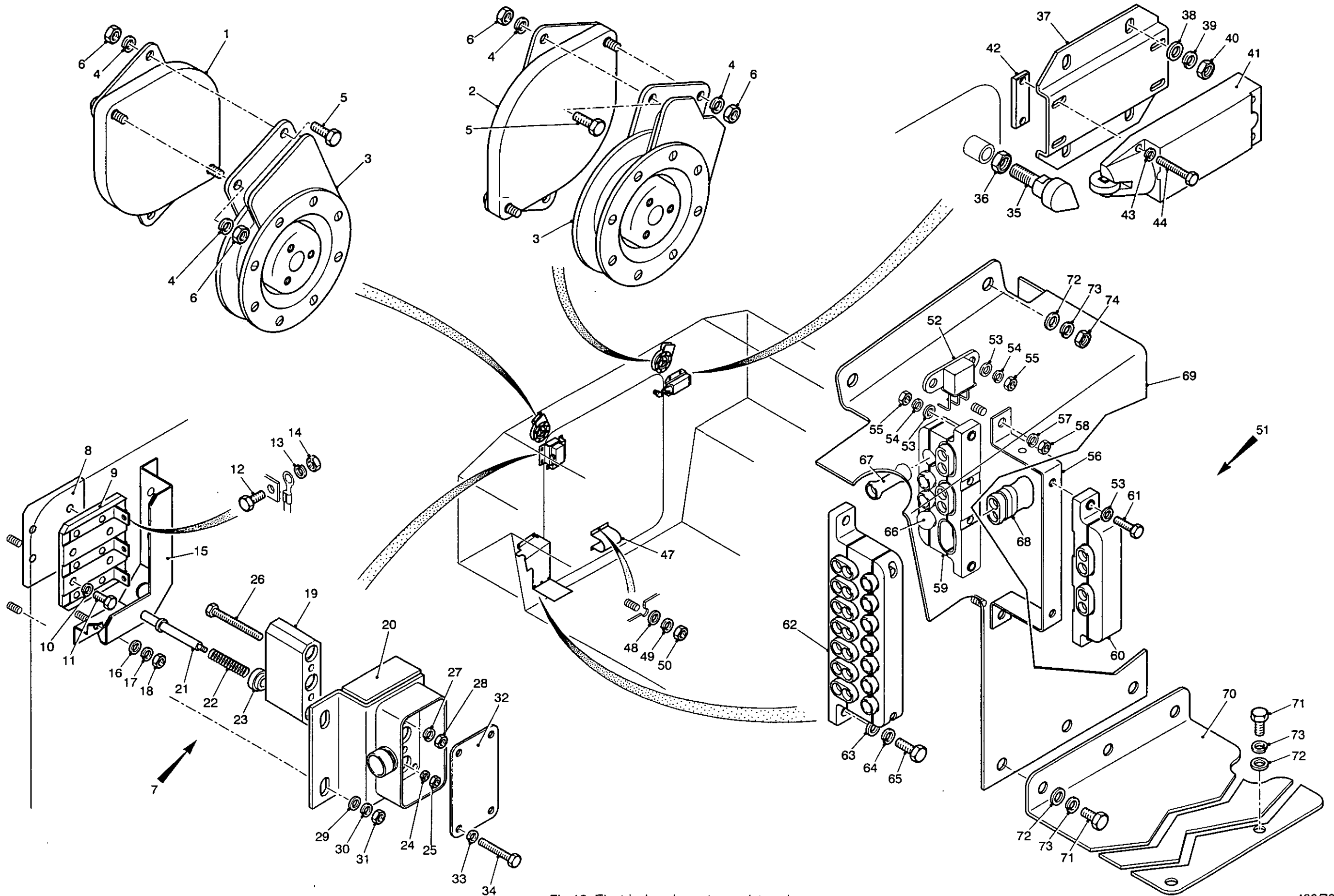


Fig 13 Electrical equipment, rear, internal

430/70199

Fig Item	Man Code Navy - N Army - A RA/F - R	NATO Stock No	Item Name and Description	Part No/ Drawing No.	No. Off	Annotations
13-			ELECTRICAL EQUIPMENT GA - contd . ELECTRICAL EQUIPMENT, HULL, GA - contd . . . ELECTRICAL EQUIPMENT REAR INTERNAL - contd			
47		NP	. . . COVER, CONVOY LIGHT	FV486008	1	
48		NP	. . . WASHER, FLAT, 1/4in. dia	7030004009 4900	2	
49	A G1	5310-99-941-6654	. . . WASHER, LOCK, steel, split helical ring, 1/4in. bolt size, 27/64in. od, 5/64in. thk		2	
50	A G1	5310-99-804-7941	. . . NUT, PLAIN, HEXAGON, UNF, 1/4in. dia -28 class 2B rh thd, steel, Zn plated, 7/16in. w A/F, 7/32in. h, chamfered		2	
51		NP	. . . ARRANGEMENT OF ELECTRICAL FITTINGS No. 2 CONNECTOR JUNCTION	FV586121	REF	
52		NP	. . . RELAY No. 3 Mk 1, trailer	FV426618	1	
53		NP	. . . WASHER, FLAT, 2BA	7020100000 0000	6	
54	A G1	5310-99-941-6653	. . . WASHER, LOCK, steel, split helical ring, 0.198in. id, 0.064in. thk, 0.33in. od		4	
55		NP	. . . NUT, HEXAGONAL, 2BA	2611580000 00	4	
56		NP	. . . BRACKET, REAR JUNCTION BOX	FV486009	1	
57	A G1	5310-99-941-6654	. . . WASHER, LOCK, steel, split helical ring, 1/4in. bolt size, 27/64in. od, 5/64in. thk		2	
58	A G1	5310-99-804-7941	. . . NUT, PLAIN, HEXAGON, 1/4in. dia class 2B rh thd, steel, Zn plated, 7/16in. w A/F, 7/32in. h, chamfered		2	
59	A 6MT4	5935-99-802-6456	. . . CLAMP, TERMINAL CONNECTOR, rubber, 3 double, 4 single, 5in. lg, 3/4in. w, 1-11/64in. h, 4-1/2in. c to c bolt holes	FV229569	1	
60	A 6MT4	5935-99-802-6564	. . . CLAMP, TERMINAL, CONNECTOR, rubber, 2 way, 2 double, 5in. lg, 3/4in. w, 1-1/8in. h, end flanges 5/16in. h, 4- 1/2in. c to c bolt holes	FV229568	1	
61		NP	. . . BOLT, hex hd, 2BA x 1in. lg	BHHD2BAX1	2	
62		NP	. . . CONNECTOR ASSEMBLY, ELECTRICAL	FV260940	1	
63		NP	. . . WASHER, FLAT, 1/4in. bolt size	7030200000 0000	2	
64	A G1	5310-99-941-6654	. . . WASHER, LOCK, steel, split helical ring, 1/4in. bolt size, 27/64in. od, 5/64in. thk		2	
65		NP	. . . SCREW, MACHINE, hex hd, UNF, 1/4in. x 3/4in. lg		2	
66	A 6MT4	5935-99-805-0224	. . . INSERT, RESILIENT, syn rubber, 1/2in. id, 9/16in. lg	860369	17	
67	A Z37	5940-99-805-0220	. . . TERMINAL, QUICK DISCONNECT, rubber, 1 pole, 12A female shell	FV169423	11	
68	A 6MT4	5935-99-805-0221	. . . CONNECTOR, PLUG, ELECTRICAL, single mating end w/2 contacts free, rubber, female shell	860364	17	
69	A 9ACR	5340-99-866-6912	. . . COVER, ACCESS, connector junction	FV524767	1	

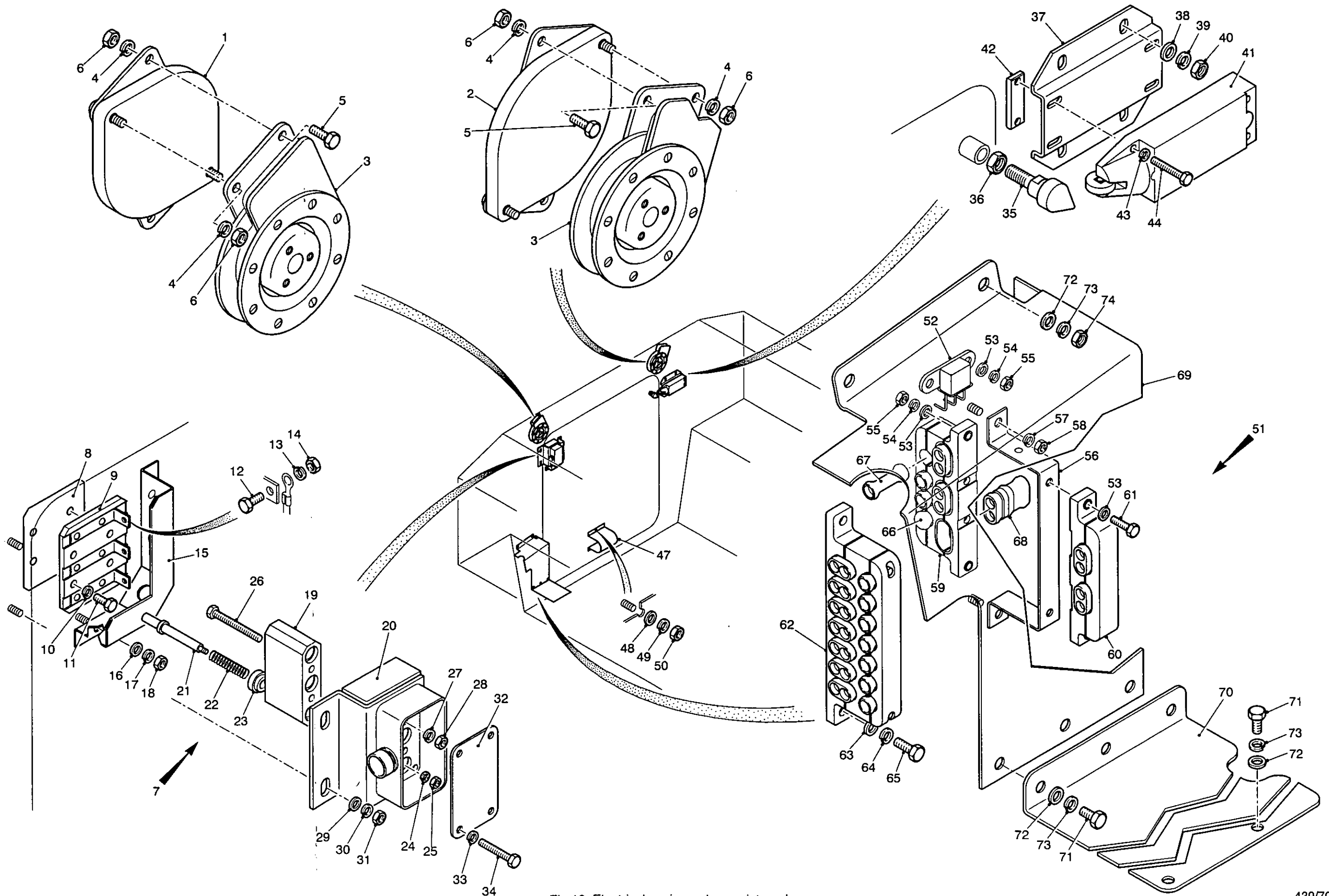


Fig 13 Electrical equipment, rear, internal

430/70199

Fig Item	Man Code Navy - N Army - A RAF - R	NATO Stock No	Item Name and Description	Part No/ Drawing No.	No. Off	Annotations
13-			ELECTRICAL EQUIPMENT GA - contd . ELECTRICAL EQUIPMENT, HULL, GA - contd . . ELECTRICAL EQUIPMENT REAR INTERNAL - contd			
70		NP	. . . COVER PLATE	FV524747	1	
71	A G1	5305-99-941-6284	. . . SCREW, MACHINE, UNF, 1/4in. dia, class 2A thd, 1/2in. lg, steel, Zn plated, hex hd		6	
72		NP	. . . WASHER, FLAT, 1/4in. bolt size	7030200000 0000	8	
73	A G1	5310-99-941-6654	. . . WASHER, LOCK, steel, split helical ring, 1/4in. bolt size, 27/64in. od, 5/64in. thk		8	
74	A G1	5310-99-804-7941	. . . NUT, PLAIN, HEXAGON, UNF, 1/4in. dia, class 2B rh thd, steel, Zn plated, 7/16in. w A/F, 7.32in. h, chamfered		2	

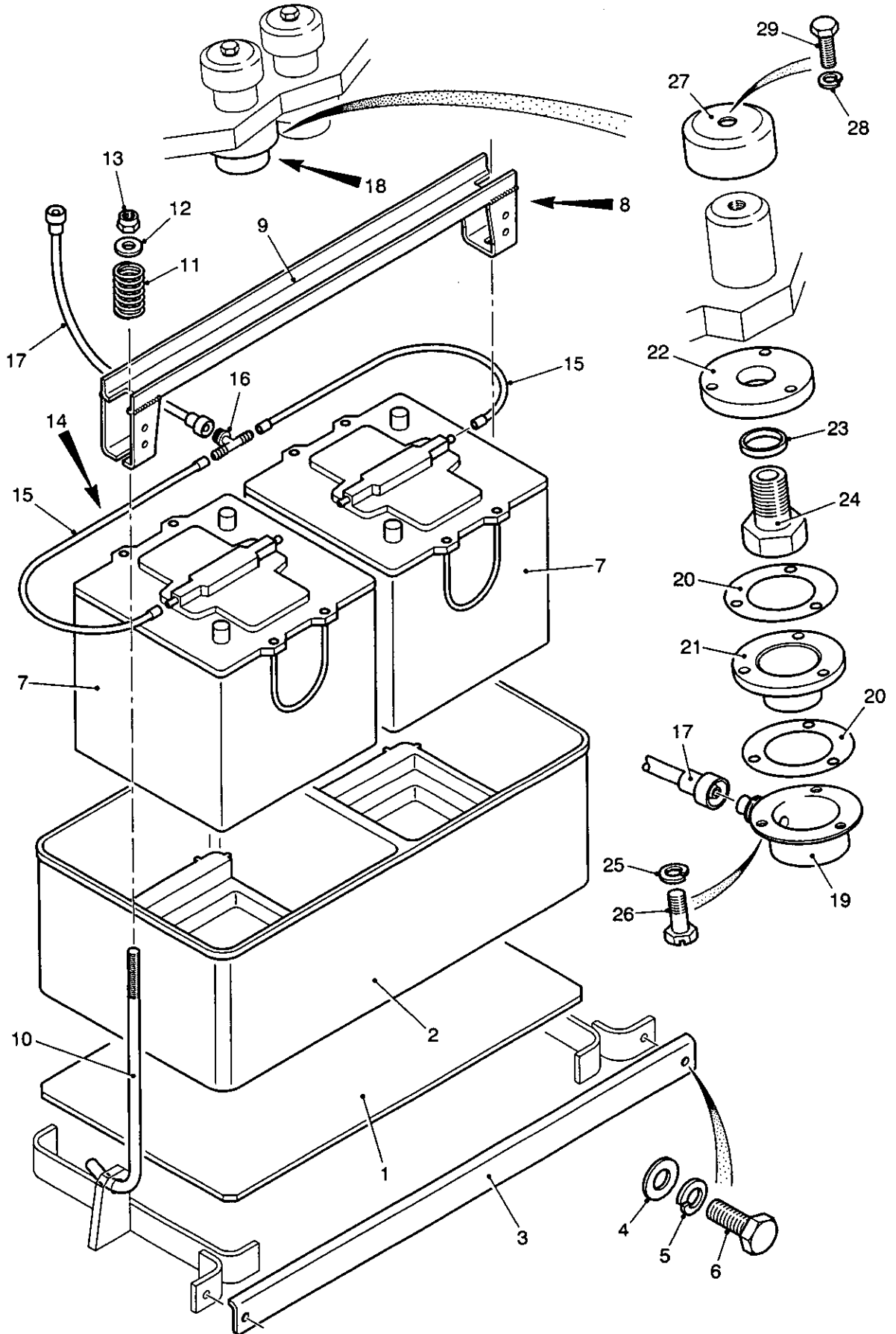


Fig 14 Vehicle batteries installation

430/70200

Fig Item	Man Code Navy - N Army - A RAF - R	NATO Stock No	Item Name and Description	Part No/ Drawing No.	No. Off	Annotations
14-			ELECTRICAL EQUIPMENT GA - contd . ELECTRICAL EQUIPMENT, HULL, GA - contd			
1		NP	. VEHICLE BATTERIES INSTALLATION		REF	
2	A	6MT4	. . . PAD	FV538311	1	
3	A	Z88	. . . BATTERY BOX, battery container	FV342513	1	
4		NP	. . . HOLDING PLATE, steel, 26-3/4in, 1- 1/2in. w, w/2 holes 3/8in. dia, painted finish	FV538370	1	
5	A	G1	. . . WASHER, FLAT, 5/16in. bolt size	7030005009 4900	2	
6	A	G1	. . . WASHER, LOCK, steel, Cd plated, split helical ring, 5/16in. bolt size, 0.503in. od, 0.08in. thk, single coil, sq section		2	
7	A	6MT4	. . . SCREW, MACHINE, stainless steel, Zn plated, hex hd, 5/16in. dia x 3/4in. lg, class 2 A thd		2	
8		NP	. . . BATTERY, STORAGE, lead plates, acid electrolyte, glass fibre separators, 12V dc, 110AH capacity, 2 taper post terminals, 6 cells, maintenance free	UK6TNMF	2	
9	A	9ACR	. . . BATTERY FIXING ARRANGEMENT	FV650516	1	
10	A	9ACR	. . . CLAMP ASSEMBLY, BATTERY BOX	FV650515	1	
11	A	6MT1	. . . ROD, CLAMPING, BATTERY ASSEMBLY, steel, 3/8in. dia, thd one end, UNF 3/8in.	FV538367	2	
12	A	9BTR	. . . SPRING, HELICAL, COMPRESSION, steel, 1-1/2in. free lg, to fit 1in. dia bore	FV2018251	2	
13		NP	. . . WASHER, FLAT, steel, phosphate coated, 0.875in. od, 0.39in. id, 0.104in. thk	FV300728	2	
14		NP	. . . NUT, HEXAGONAL, UNF, 3/8in. -24, high prevailing torque	7024106001 1000	2	
15	A	6MT4	. . . VEHICLE BATTERY VENTING GA	FV650510	REF	
16	A	6MT1	. . . CONDUIT ASSEMBLY, METAL FLEXIBLE, cres/plastics, 5/16in. id, 15/32in. od, 16in. lg, w/sleeve both ends	FV586518-4	2	
17	A	46MT1	. . . ADAPTOR, TEE, PIPE TO HOLE, plastics, 9mm unthd male 1st and 2nd ends, 11/64in. Whit form male 3rd end	FV602488	1	
18	A	46MT1	. . . CONDUIT ASSEMBLY, NON- METALLIC, ELECTRICAL, polychloroprene/nylon, w/reinforcement, 5/16in. id, 15/32in. od, 42in. lg, nut both ends	FV586292-1	1	
19	A	46MT1	. . . FLAME TRAP, BATTERY VENT, circular shaped, composite item	FV586406	1	
20	A	9AHY	. . . BODY, FLAME TRAP, BATTERY VENT	FV586414	1	
21	A	46MT1	. . . GASKET, plastics, rd shape, 0.218in. dia, 3.125in. od, 2.1in. id, 3 bolt holes, 0.062in. cross section thk	FV586413	2	
22	A	9AHY	. . . FILTER, FLAME TRAP, BATTERY VENT	FV586407	1	
23	A	9AHY	. . . PLATE, MOUNTING, BATTERY VENT, stainless steel, 21/32in. id, 3- 1/8in. od, 1/4in. thk, 3 mtg holes	FV586410	1	
			. . . GASKET, steel/rubber, 16.8in. id, 19.44in. od, 2.54in. thk	302-014- 0109-02	1	

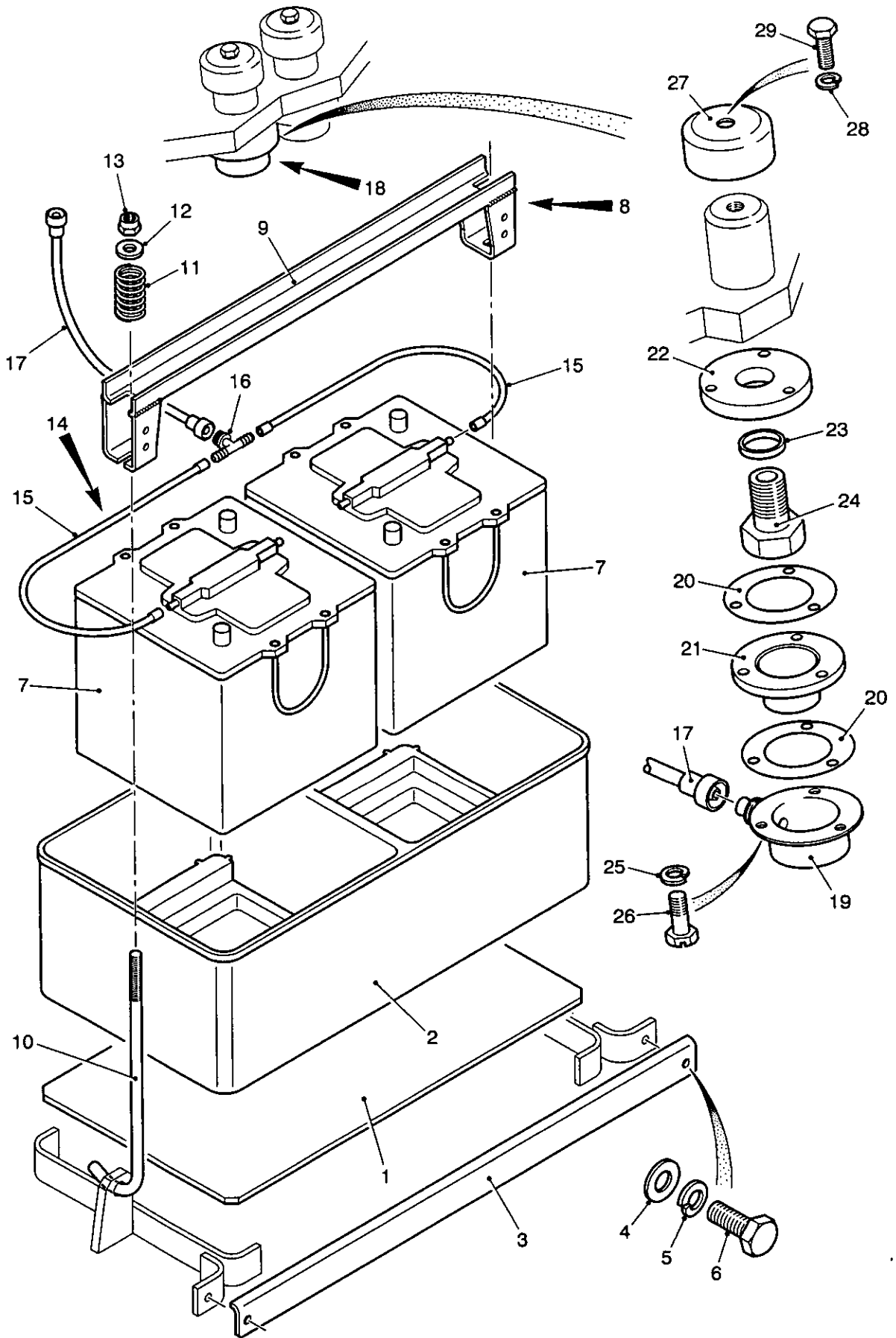


Fig 14 Vehicle batteries installation

430/70200

Fig Item	Man Code Navy - N Army - A RAF - R	NATO Stock No	Item Name and Description	Part No/ Drawing No.	No. Off	Annotations
14-			ELECTRICAL EQUIPMENT GA - contd . ELECTRICAL EQUIPMENT, HULL, GA - contd . . . VEHICLE BATTERY INSTALLATION - contd . . . FLAME TRAP, BATTERY VENT - contd			
24	A 9AHY	5306-99-120-8529	. . . BOLT, INTERNALLY RELIEVED BODY, UNF, corrosion resisting steel, hex hd, 5/8in. dia, 1in. lg, class 2A thd	FV586412	1	
25	A G1	5310-99-941-6653	. . . WASHER, LOCK, steel, split helical ring, 0.198in. id, 0.064in. thk, 0.33in. od		3	
26	A Z2	5305-99-941-6708	. . . SCREW, MACHINE, steel, hex hd, slot drive, Cd plated, 2BA x 1/2in. lg		3	
27	A 9ACR	2590-99-801-8706	. . . COVER BATTERY VENT, steel, painted, 1-3/4in. dia, 3/4in. h, 9/32in. dia mtg hole	FV586419	1	
28	A G1	5310-99-941-6654	. . . WASHER, LOCK, steel, split helical ring, , 1/4in. bolt size, 27/64in. od, 5/64in. thk		1	
29	A G1	5305-99-941-6284	. . . SCREW, MACHINE, UNF, 1/4in. dia, class 2A thd, 1/2in. lg, steel, Zn plated, hex hd		1	

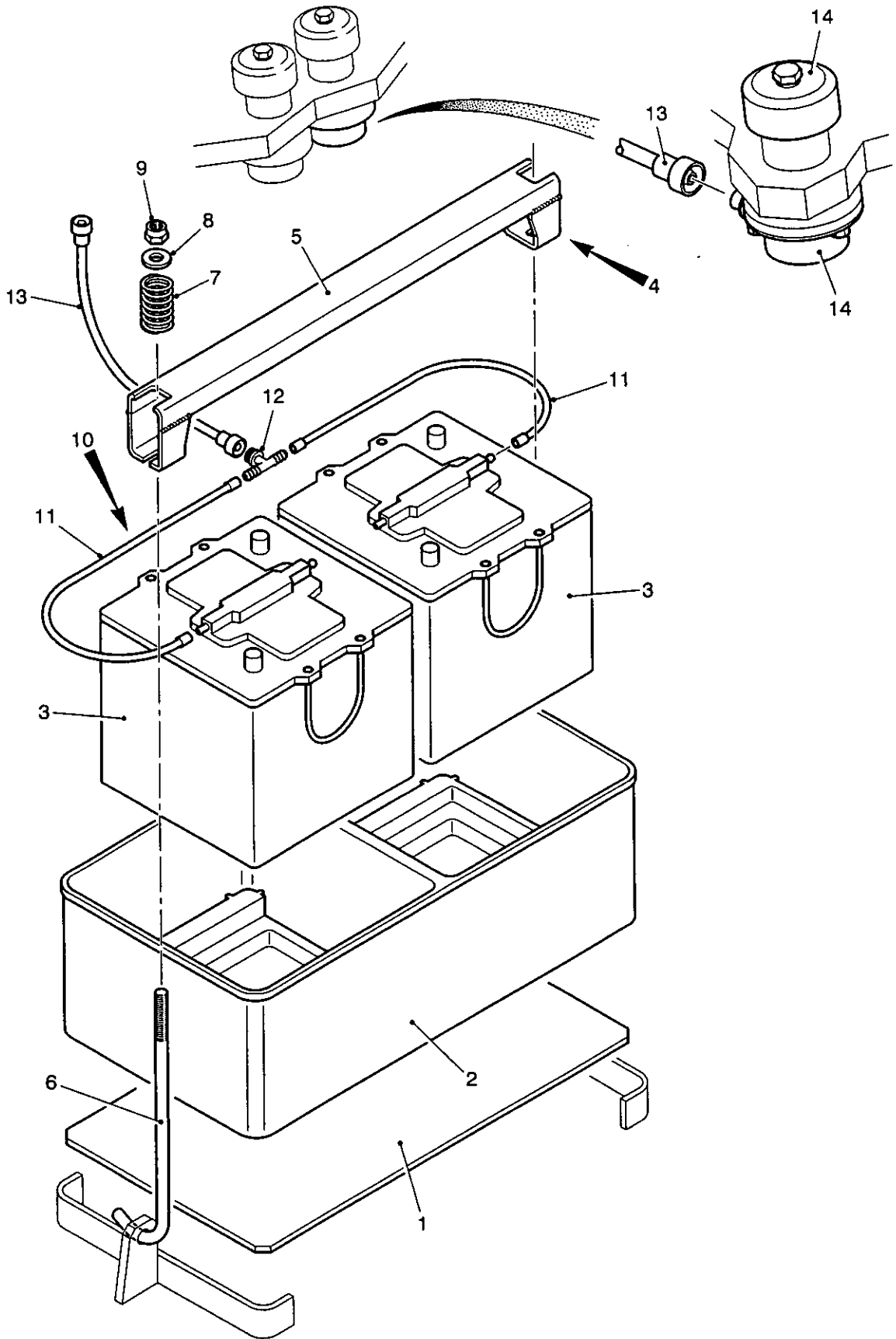


Fig 15 Radio batteries installation

430/70201

Fig Item	Man Code Navy - N Army - A RAF - R	NATO Stock No	Item Name and Description	Part No/ Drawing No.	No. Off	Annotations
15-			ELECTRICAL EQUIPMENT GA - contd . ELECTRICAL EQUIPMENT, HULL, GA - contd			
		NP	. RADIO BATTERIES INSTALLATION		REF	
1		NP	. . . PAD	FV538311	1	
2	A	6MT4 6160-99-805-4535	. . . BATTERY BOX, battery container	FV342513	1	
3	A	6MT4 6140-99-219-2903	. . . BATTERY, STORAGE, lead plates, acid electrolyte, glass fibre separators, 12V dc, 110AH capacity, 2 taper post terminals, 6 cells, maintenance free	UK6TNMF	2	
4		NP	. . . BATTERY FIXING ARRANGEMENT	FV650516	1	
5	A	9ACR 2590-99-805-0421	. . . CLAMP ASSEMBLY, BATTERY BOX	FV650515	1	
6	A	9ACR 2590-99-866-2632	. . . ROD, CLAMPING, BATTERY ASSEMBLY, steel, 3/8in. dia, thd one end, UNF 3/8in.	FV538367	2	
7	A	6MT1 5360-99-792-3138	. . . SPRING, HELICAL, COMPRESSION, steel, 1-1/2in. free lg, to fit 1in. dia bore	FV2018251	2	
8	A	9BTR 5310-99-810-5430	. . . WASHER, FLAT, steel, phosphate coated, 0.875in. od, 0.39in. id, 0.104in. thk	FV300728	2	
9		NP	. . . NUT, HEXAGONAL, UNF, 3/8in. -24, high prevailing torque	7024106001 1000	2	
10		NP	. . . VEHICLE BATTERY VENTING GA	FV650511	REF	
11	A	6MT4 5975-99-805-1433	. . . CONDUIT ASSEMBLY, METAL FLEXIBLE, cres/plastics, 5/16in. id, 15/32in. od, 16in. lg, w/sleeve both ends	FV586518-4	2	
12	A	6MT1 4730-99-801-8722	. . . ADAPTOR, TEE, PIPE TO HOLE, plastics, 9mm unthd male 1st and 2nd ends, 11/64in. Whit form male 3rd end	FV602488	1	
13	A	46MT1 5975-99-802-2658	. . . CONDUIT ASSEMBLY, NON-METALLIC, ELECTRICAL, polychloroprene/nylon, w/reinforcement, 5/16in. id, 15/32in. od, 78in. lg, nut both ends	FV586292-2	1	
14	A	46MT1 2590-99-800-7973	. . . FLAME TRAP, BATTERY VENT, circular shaped, composite item	FV586406	1	See Fig 14

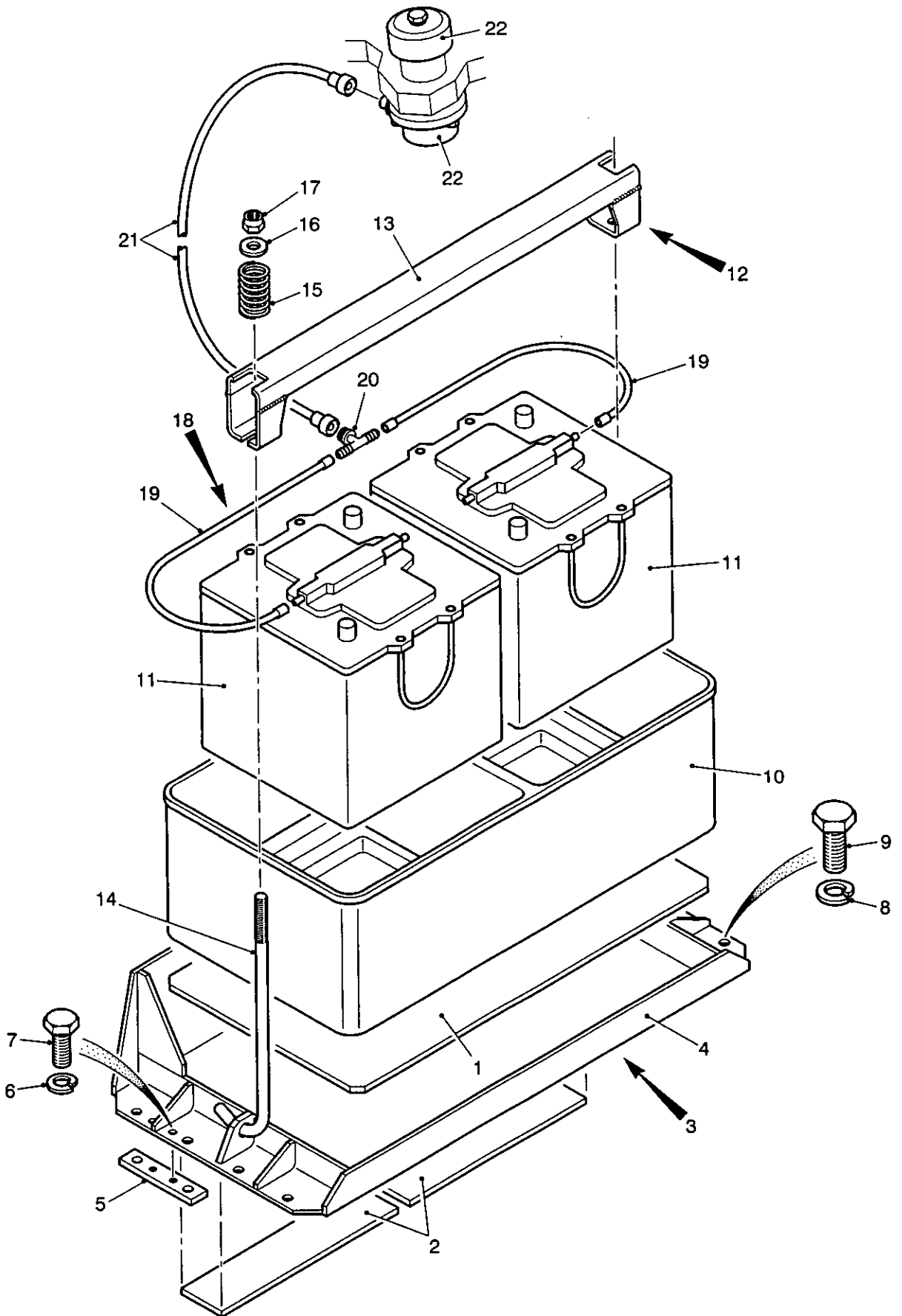


Fig 16 Ventilation batteries installation

430/70202

Fig Item	Man Code Navy - N Army - A RA/F - R	NATO Stock No	Item Name and Description	Part No/ Drawing No.	No. Off	Annotations
16-		NP	ELECTRICAL EQUIPMENT GA - contd . ELECTRICAL EQUIPMENT, HULL, GA - contd . VENTILATION BATTERIES INSTALLATION		REF	
1		NP	. . . PAD	FV538311	1	
2		NP	. . . PAD	FV538623	2	
3		NP	. . . BATTERY CONTAINER SURROUND	FV538821	1	
4	A 9ACR	2590-99-866-2630	. . . RETAINER, BATTERY	FV538110	1	
5		NP	. . . SPACER	FV538822	1	
6	A G1	5310-99-941-6654	. . . WASHER, LOCK, steel, split helical ring, 1/4in. bolt size, 27/64in. od, 5/64in. thk		2	
7	A G1	5305-99-941-6284	. . . SCREW, MACHINE, UNF, 1/4in. dia, class 2A thd, 1/2in. lg, steel, Zn plated, hex hd		2	
8	A G1	5310-99-941-6656	. . . WASHER, LOCK, steel, split helical ring, 3/8in. bolt size, 0.092in. thk, 0.59in. od, single coil, sq section		8	
9	A G1	5305-99-941-0712	. . . SCREW, CAP, HEXAGON HEAD, UNC, 3/4in. dia, class 2A thd, 3/4in. lg hex hd		8	
10	A 6MT4	6160-99-805-4535	. . . BATTERY, BOX, battery container	FV342513	1	
11	A 6MT4	6140-99-219-2903	. . . BATTERY, STORAGE, lead plates, acid electrolyte, glass fibre separators, 12V dc, 110AH capacity, 2 taper post terminals, 6 cells maintenance free	UK6TNMF	2	
12		NP	. . . BATTERY FIXING ARRANGEMENT	FV538610	1	
13	A 9ACR	6160-99-866-2636	. . . RETAINING, BATTERY	FV538609	1	
14	A 9ACR	2590-99-866-2632	. . . ROD, CLAMPING, BATTERY ASSEMBLY, steel, 3/8in. dia, thd one end, UNF, 3/8in.	FV538367	2	
15		NP	. . . SPRING	FV919946/4-	2	
16	A 9BTR	5310-99-810-5430	. . . WASHER, FLAT, steel, phosphate coated, 0.875in. od, 0.391in. id, 0.104in. thk	FV300728	2	
17		NP	. . . NUT, HEXAGONAL, UNF, 3/8in. -24, high prevailing torque	7024106001 1000	2	
18		NP	. . . VEHICLE BATTERY VENTING GA	FV650511	REF	
19	A 6MT4	5975-99-805-1433	. . . CONDUIT ASSEMBLY, METAL, FLEXIBLE, cres/plastics, 5/16in. id, 15/32in. od, 16in. lg, w/sleeve both ends	FV586518-4	2	
20	A 6MT1	4730-99-801-8722	. . . ADAPTOR, TEE, PIPE TO HOLE, plastics, 9mm unthd male 1st and 2nd ends, 11/64in. Whit form male 3rd end	FV602488	1	
21	A 46MT1	5975-99-802-2659	. . . CONDUIT ASSEMBLY, NON- METALLIC, ELECTRICAL, polychloroprene/nylon, w/reinforcement, 5/16in. id, 15/32in. od, 108in. lg, nut both ends	FV586292-3	1	
22	A 46MT1	2590-99-800-7973	. . . FLAME TRAP, BATTERY VENT, circular shape, composite item	FV586406	1	See Fig 14

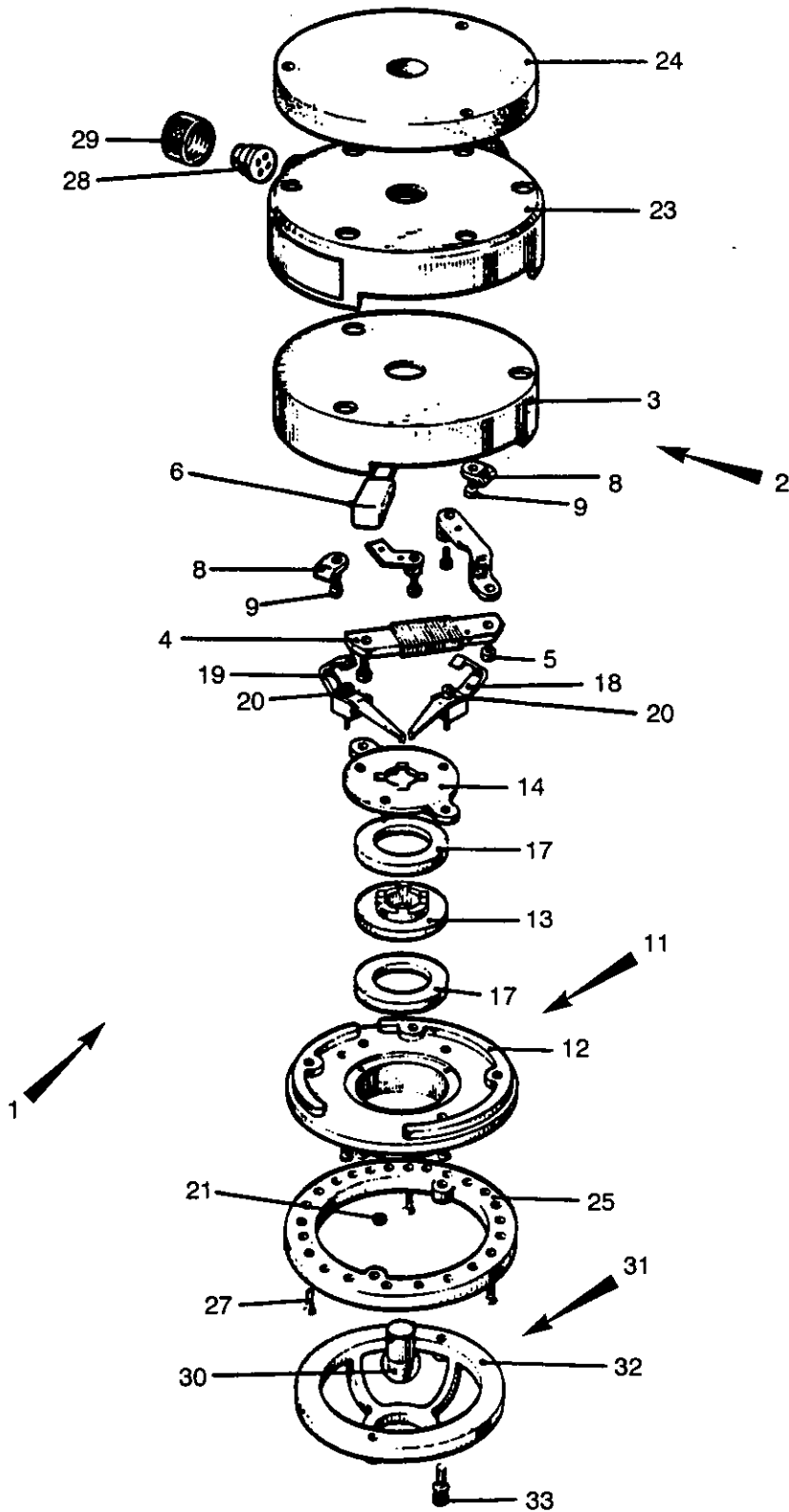


Fig 17 Dome light

430/70107

Fig Item	Man Code Navy - N Army - A RA/F - R	NATO Stock No	Item Name and Description	Part No/ Drawing No.	No. Off	Annotations
17-			ELECTRICAL EQUIPMENT GA - contd . ELECTRICAL EQUIPMENT, HULL, GA - contd			
1	A	46MT3	NP 6220-99-881-3214 . ELECTRICAL EQUIPMENT, INTERNAL . LIGHT, DOME, 4-3/8in. dia, 2-13/16in. h, 26V dc, mtg hole	FV426636	REF 6	
2	A	9CR2	6220-99-759-6052 BASE ASSEMBLY, comprises base, dimmer resistance assy, arm assy, connector assy, terminal connection assy	FV518751	1	
3			NP BASE	FV518763	1	
4	A	46MT3	5905-99-881-3215 RESISTOR SUB-ASSEMBLY, DIMMER, wire sound, 200 ohms	FV518754	1	
5	A	G1	5305-99-121-1751 SCREW, MACHINE, 4BA, br, flat fil hd, tin pl, 3/8in. lg	NA-00-005	2	
6			NP ARM, RESISTANCE	FV518757	1	
NI 7			NP PIN, SHOULDER, HEADED	FV518783	1	
8			NP STRAP, RETAINER CABLE	FV518781	2	
9			NP SCREW, MACHINE, BA, br, flat fil hd, No. 6 x 1/4in. lg		2	
NI 10			NP WASHER, KEY	FV518782	1	
11	A	46MT4	2590-99-820-4881 CARRIER, CONTACT, c/w 2 spring contact brushes	FV518752	1	
12			NP HOLDER, CONTACTS MOULDING	FV518765	1	
13	A	46MT3	6250-99-881-3216 LAMPHOLDER, plastics 1-9/32in. od, 15/32in. h	FV518766	1	
14			NP PLATE, RETAINING, LAMPHOLDER	FV518767	1	
NI 15			NP SCREW, MACHINE, BA, br, flat csk hd, No. 6 x 3/8in. lg		3	} Plate retaining
NI 16			NP NUT, PLAIN, HEXAGON, BA, br, No. 6		3	
17			NP FELT, MECHANICAL, PREFORMED, 7/8in. id x 1-5/16in. od x 1/8in. thk	FV518772	2	
18			NP CONTACT, ELECTRICAL, SHORT	FV518770	1	
19			NP CONTACT, ELECTRICAL, SHORT	FV518771	1	
20	A	G1	5305-99-121-1751 SCREW, MACHINE, BA, br, flat fil hd, No. 4 x 3/8in. lg	NA-00-005	2	
21	A	G1	5310-99-941-9113 NUT, PLAIN, HEXAGON, BA, br, tin pl, No. 4 x 1/8in. o/a h,		2	
NI 22			NP WASHER, LOCK, steel, flat int teeth, No. 4 BA		2	} Contacts
23			NP BOX, CONNECTOR, ELECTRICAL	FV518753	1	
24	A	6MT1	5330-99-702-4778 FELT, MECHANICAL PREFORMED, felt, 0.250in. hole dia, 3.5in. bolt circle dia, 4.062in. od, 0.5in. id, 3 bolt holes	R14981	1	
25	A	6MT3	6220-99-823-6351 RING, POSITIONING, ROOF LIGHT, plastics, 2-7/8in. id, 4in. od, 5/16in. thk, 24 holes 13/64in. dia	FV518762	1	
NI 26	A	G1	5305-99-121-1232 SCREW, MACHINE, BA, br, flat csk hd, No. 4 x 1/2in. lg		2	
27			NP SCREW, MACHINE, BA, br, flat csk hd, No. 2 x 7/8in. lg		3	
28	A	46MT4	5340-99-881-2217 SEALING, CONE, neoprene, 19/32in. dia by 7/16in. lg, w/4 holes 7/64in. dia		1	
29	A	Z42	5975-99-805-6457 NUT, PLAIN, KNURLED, Whit, 11/16in. -24tpi, br, 25/32in. od, 15/32in. h	FVS6-38-4	1	

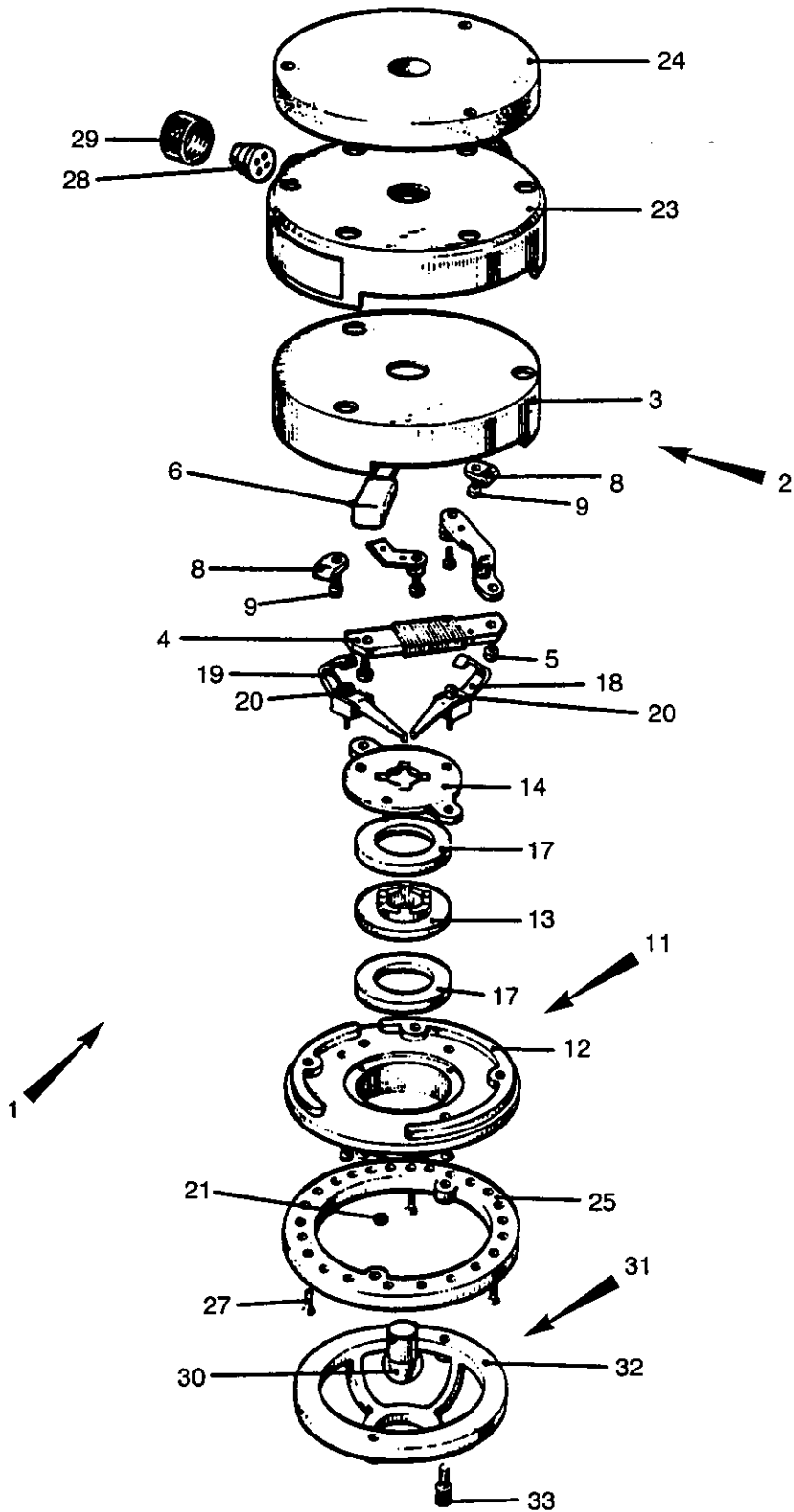


Fig 17 Dome light

430/70107

Fig Item		Man Code Navy - N Army - A RAF - R	NATO Stock No	Item Name and Description	Part No/ Drawing No.	No. Off	Annotations
17-				ELECTRICAL EQUIPMENT GA - contd . ELECTRICAL EQUIPMENT, HULL, GA - contd . ELECTRICAL EQUIPMENT, INTERNAL - contd			
30	A	X5	6240-99-995-2236	. . . LAMP, INCANDESCENT, globular bulb, 32.5mm. lg, 18mm. od, 26V dc, 6W	FV603965	6	
31	A	46MT3	6220-99-881-4080	. . . GUARD, LAMP, c/w clamping, screws, roof light No. 3 Mk 1	FV518759	6	
32		NP		. . . GUARD	FV518784	1	
33	A	6MT1	5305-99-826-8015	. . . SCREW, CLAMPING, brass, knurled hd, 2BA thd, 31//32in. o/a lg	FV518786	2	

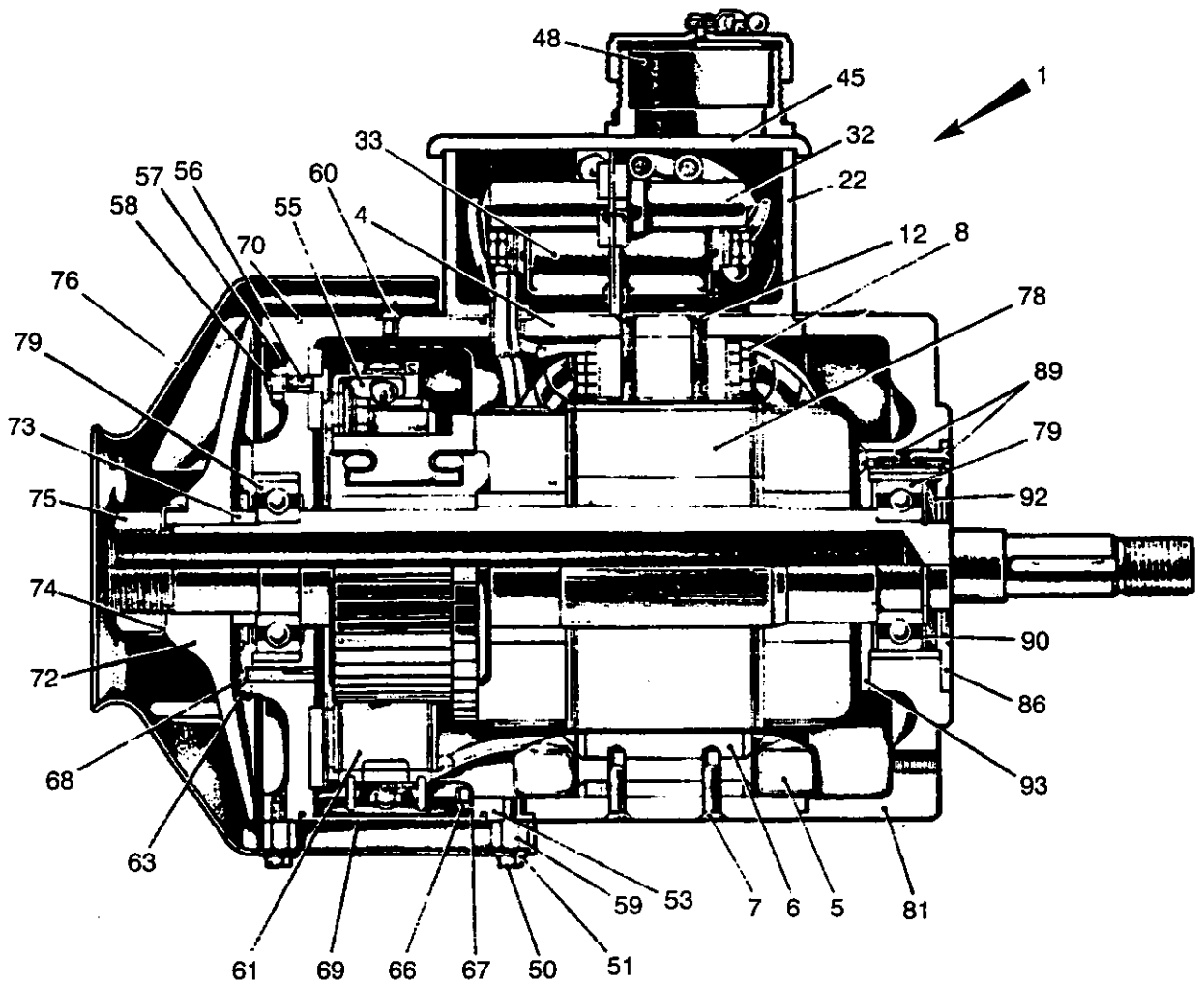
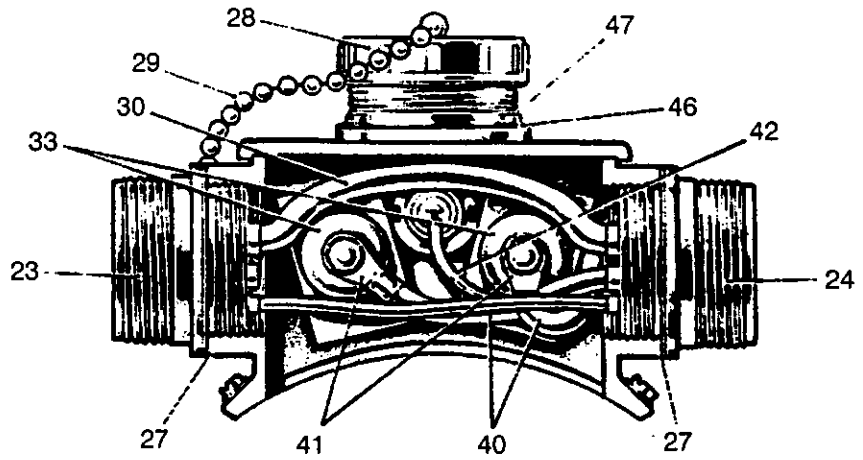


Fig 18 Motor, direct current

430/70124

Fig Item	Man Code Navy - N Army - A RA/F - R	NATO Stock No	Item Name and Description	Part No/ Drawing No.	No. Off	Annotations	
18-			ELECTRICAL EQUIPMENT GA - contd . ELECTRICAL EQUIPMENT, HULL, GA - contd . ELECTRICAL EQUIPMENT, INTERNAL - contd				
1	A	6MT4	6105-99-881-3595	MOTOR, DIRECT CURRENT, 24V dc, 4250-7150 rpm, ccw rotation (drive end) 11/17in. lg, 6.65in. w, 7.7in. h	FV342567	REF	
NI 2			NP	YOKE, assy	19068	1	
NI 3			NP	YOKE, pole and field assy	17618	1	
4			NP	YOKE	17422	1	
5			NP	COILS, field assy	18685	1	
6			NP	POLE PIECE, assy	17563	4	
7			NP	SCREW, MACHINE, st, flat csk hd, Cd P, 2BA x 5/8in. lg		8	Pole screws
8			NP	COIL LEAD ASSEMBLY, interpole lh	19247	1	
NI 9			NP	COIL AND LEAD, interpole lh	17537	2	
NI 10			NP	COIL LEAD ASSEMBLY, interpole rh	19248	1	
NI 11			NP	COIL AND LEAD, interpole rh	19241	2	
12	A	G1	5305-99-943-5715	SCREW, MACHINE, st, flat csk hd, Cd P, 4BA x 1/2in. lg		8	Coil & lead assy
NI 13	A	Z37	5940-99-712-4990	TERMINAL LUG, solderless, 2BA	36161	4	Brush lead
NI 14	A	Z37	5940-99-103-9031	TERMINAL LUG, solderless, 2BA	33460	2	Main lead
NI 15			NP	TERMINAL LUG, solderless, 2BA	34112AMP	1	Shunt lead
NI 16			NP	CONNECTOR, cu tinned, 37/64in. lg	31818AMP	1	Shunt lead
NI 17			NP	TERMINAL LUG, solderless, 4BA	35476AMP	4	Series field lead
NI 18			NP	DOWEL, silver steel, Zn plated		1	
NI 19	A	G1	5305-99-121-1227	SCREW, MACHINE, br, tin pl, flat csk hd, slot drive, 4BA x 1/4in. lg		2	Series lead field terminal
NI 20	A	G1	5310-99-946-5179	NUT, PLAIN, HEXAGON, br, lock, hex hd, 4BA		2	
NI 21	A	46MT4	5940-99-881-3590	TERMINAL BOX, assy	19067	1	
22			NP	TERMINAL BOX	18441	1	
23	A	46MT4	5935-99-800-9962	CONNECTOR, FIXED ELECTRICAL, fixed, 28-10S	FV585030	1	
24	A	46MT4	5935-99-800-9950	CONNECTOR, RECEPTACLE, ELECTRICAL, fixed, 28-10P	FV585029	1	
NI 25	A	G1	5305-99-941-9195	SCREW, MACHINE, st, flat fil hd, Cd P, 4BA x 3/8in. lg		8	Connector plug/fixing
NI 26	A	G1	5310-99-946-9765	WASHER, SPRING, TENSION, be, Cu, Cd P, 0.152in.		8	
27	A	Z2	5330-99-014-7139	GASKET, 28S	3031926	2	Connector plug
28	A	46MT4	5935-99-881-7734	COVER, ELECTRICAL CONNECTOR	10-37147-28	1	
29			NP	CHAIN, protection cap		1	
30	A	Y3	6145-99-999-7727	WIRE, ELECTRICAL, Unipren 70	PREN70	A/R	Heater leads
NI 31	A	46MT4	5910-99-881-3589	SUPPRESSOR ASSEMBLY, mounting plate, c/w 2 capacitors	18649	1	
32	A	Z31	5910-99-105-5611	SUPPRESSOR, 10 AMP	SBN14CF	1	
33	A	Z32	5915-99-102-8531	SUPPRESSOR, 30 AMP	DS18430A	2	
NI 34	A	Z42	5961-99-037-2723	SEMI-CONDUCTOR, DIODE	CV7316	1	
NI 35			NP	SCREW, MACHINE, br, flat fil hd, 4BA x 1/4in. lg		8	Suppressor assy fixing
NI 36	A	G1	5310-99-946-9795	WASHER, SPRING TENSION, be, Cu, Cd P, 0.152in.		8	
NI 37			NP	NUT, PLAIN, HEXAGON, br, 4BA		8	

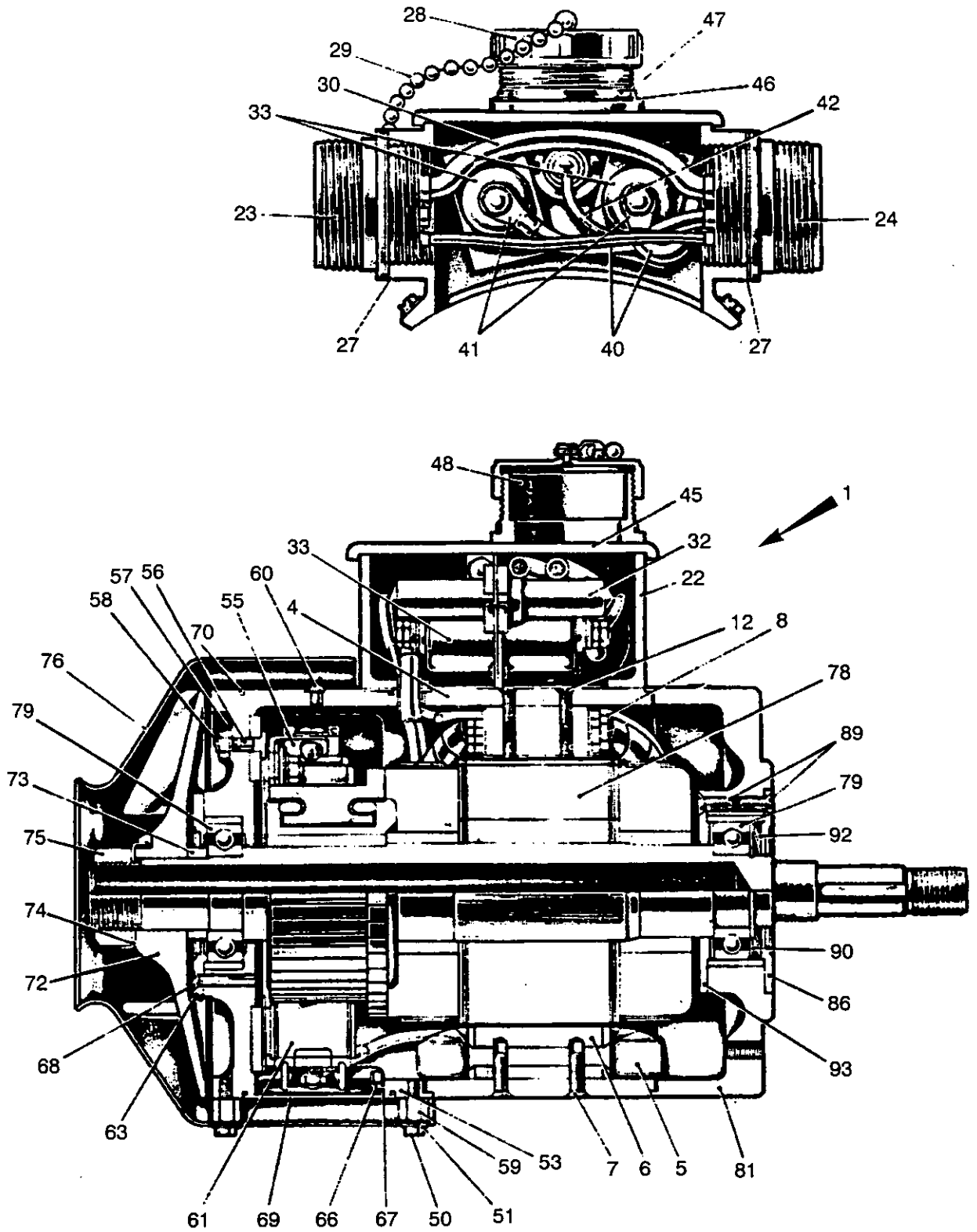


Fig 18 Motor, direct current

430/70124

Fig Item	Man Code Navy - N Army - A RAF - R	NATO Stock No	Item Name and Description	Part No/ Drawing No.	No. Off	Annotations
18-			ELECTRICAL EQUIPMENT GA - contd . ELECTRICAL EQUIPMENT, HULL, GA - contd . ELECTRICAL EQUIPMENT, INTERNAL - contd . . . MOTOR, DIRECT CURRENT - contd . . . YOKE - contd			
NI 38		NP SCREW, MACHINE, br, flat fil hd, Cd P, 4BA x 3/8in. lg		4	
NI 39	A G1	5310-99-941-6688 WASHER, LOCK, phos B, single coil, 4BA		4	
40	A Y3	6145-99-945-5074 WIRE, ELECTRICAL, 120/0.12in. tinned copper, braid, blue	E21 UNIPREN50	A/R	Suppressor lead main
41	A Z37	5940-99-103-9031 TERMINAL LUG, solderless, 2BA	33460	2	
42	A Y3	6145-99-103-2389 WIRE, ELECTRICAL, Unipren 4	UNIPREN4	A/R	Suppressor lead (shunt field)
NI 43	A Y3	6145-99-943-4824 WIRE, ELECTRICAL, single conductor, 40/0.0076, 0.13in. dia, glass braid, polychloroprene insulated	UNIPREN12	A/R	Relay lead
NI 44		NP COVER ASSEMBLY, terminal box	19299	1	
45		NP COVER, terminal box	18434	1	
46	A G1	5310-99-946-9795 WASHER, SPRING TENSION, be, Cu, Cd P, 0.152in.		4	Fixing stowage receptacle
47	A G1	5305-99-941-9087 SCREW, MACHINE, st, Cd P, flat fil hd, 4BA x 1/4in. lg		4	
48		NP RECEPTACLE, stowage		4	When mod No. 1 is completed this item is located on Fan Cowling Cover fixing
NI 49	A G1	5305-99-941-9818 SCREW, MACHINE, st, Cd P, flat csk hd, 2BA x 3/8in. lg		4	
50	A G1	5305-99-120-1448 SCREW, MACHINE, st, Cd P, flat csk hd, 4BA x 5/16in. lg		4	Terminal box assy fixing
51	A G1	5310-99-946-9795 WASHER, SPRING, TENSION, be Cu, Cd P, 0.152in.		4	
NI 52		NP	. . . END SHIELD, ELECTRICAL ROTATING EQUIPMENT, DCL 12, 24V	17591	1	
53		NP BRACKET, CE	17525	1	
NI 54		NP LINER, bearing, CE bracket	17616	1	
55		NP HOLDER ASSEMBLY, ELECTRICAL CONTACT BRUSH, 4 holders without brush	16725	1	
56		NP SCREW, BRUSH, GEAR CLAMP, st, Cd P, flat keyed, 2BA x 0.465in. lg	16842	2	
57	A G1	5310-99-946-9796 WASHER, SPRING, TENSION, be, Cu, Cd P, 0.203in.		2	
58	A G1	5310-99-941-7070 NUT, PLAIN, HEXAGON, st, Cd P, 2BA		2	
59		NP POST, fan cover mounting	16800	1	
60		NP DOWEL, st, 3/16in. dia x 5/16in. lg	15825	1	
61	A 46MT4	5977-99-881-3579	. . . BRUSH, ELECTRICAL CONTACT	16865	4	
NI 62	A 46MT4	6105-99-881-3580	. . . SPRING AND BACK PLATE, BRUSH, brush, electrical contact	16782	4	
63		NP	. . . CAP, bearing commutator end, outer	18921	1	

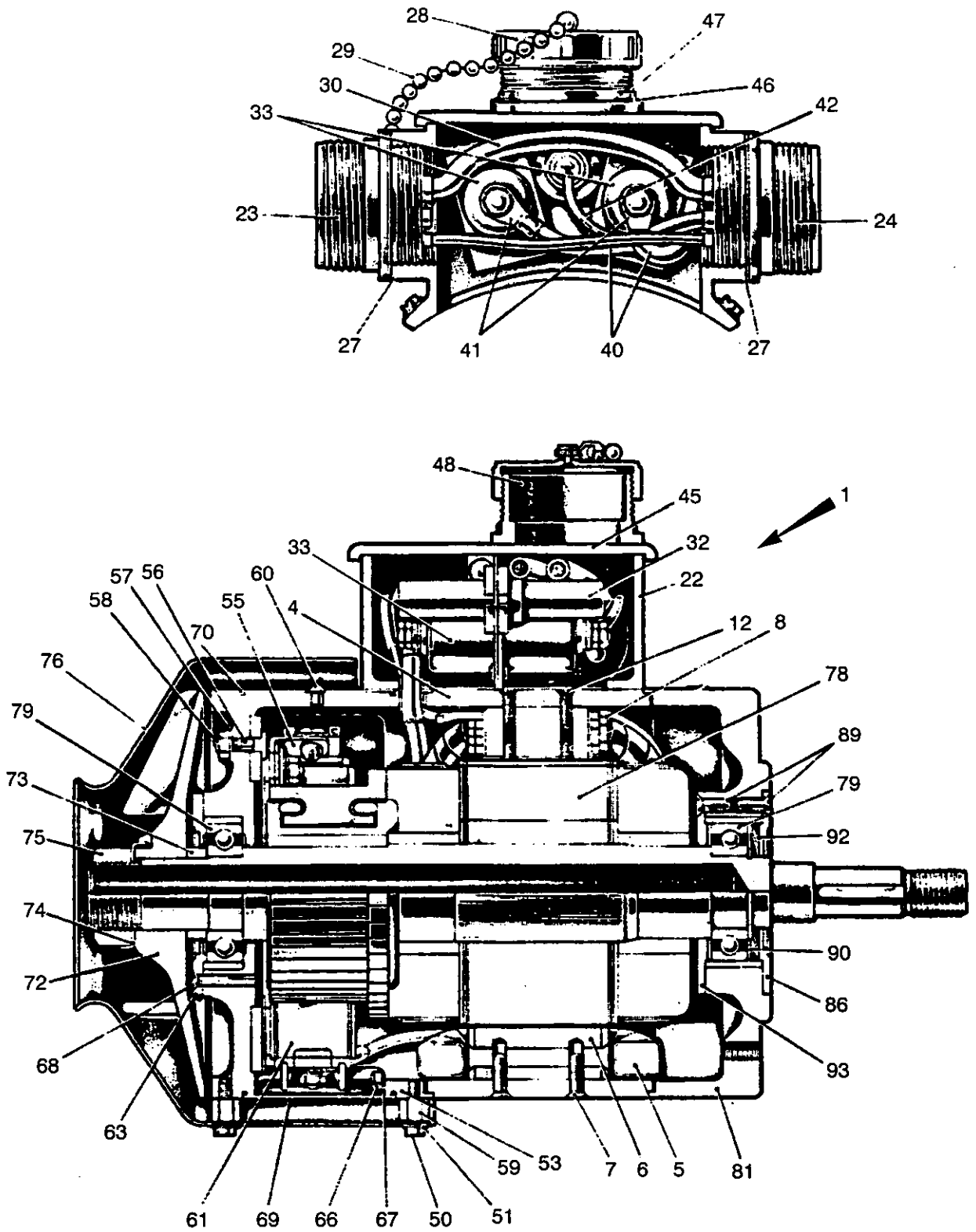


Fig 18 Motor, direct current

430/70124

Fig Item	Man Code Navy - N Army - A RA/F - R	NATO Stock No	Item Name and Description	Part No/ Drawing No.	No. Off	Annotations
18-			ELECTRICAL EQUIPMENT GA - contd . ELECTRICAL EQUIPMENT, HULL, GA - contd . ELECTRICAL EQUIPMENT, INTERNAL - contd . . . MOTOR, DIRECT CURRENT - contd			
NI 64		NP	. . . SEAL, bearing cap	18982	1	
NI 65		NP	. . . SHIM, bearing cap	19005	1	
66	A G1	5305-99-911-0920	. . . SCREW, SOCKET HEAD, st, flat fil hd, Cd P, 4BA x 1.00in. lg		8	} CE bracket
67	A G1	5310-99-941-6652	. . . WASHER, LOCK, st, single coil, Cd P, 4BA		6	
68		NP	. . . SCREW, MACHINE, st, flat csk hd, Cd P, 4BA x 7/16in. lg	E/309/S	6	
69		NP	. . . COVER, commutator	16862	1	} Sealing cover
70		NP	. . . RING, SEALING, TOROIDAL, 5.375in. id x 0.067in. h	SP915-50	2	
NI 71		NP	. . . PIN, commutator cover	16859	1	
72		NP	. . . FAN, motor	16760	1	
73		NP	. . . SPACER, FAN, fan	16817	1	
74		NP	. . . WASHER, LOCK	16818	1	
75		NP	. . . NUT, PLAIN, HEXAGON	16819	1	
76		NP	. . . GUARD, FAN, ELECTRICAL	17684	1	
NI 77		NP	. . . ARMATURE ASSEMBLY, motor c/w bearings	17295	1	
78	A 46MT1	6105-99-881-3585 ARMATURE MOTOR	17294	1	
79	A 6MT7	3110-99-144-4810 BEARING BALL, ANNUALAR, 25mm id x 47mm od x 12mm w, 00 fit, single row	A31416	2	
NI 80		NP RING, RETAINING	5102-100	1	
81		NP	. . . BRACKET, DE	18973	1	
NI 82		NP	. . . PLUG, SECURING, BRACKET	17610	4	
NI 83		NP	. . . STUD, PLAIN, st, Cd P, 1/4in. BSF x 1-3/16in. lg	17611	4	
NI 84	A G1	5310-99-941-7691	. . . NUT, PLAIN, HEXAGON, st, chamfered, Zn P, 1/4in. BSF		2	} DE bracket
NI 85	A G1	5310-99-947-1686	. . . WASHER, SPRING, TENSION, be, Cu, crinkle, Cd P, 0.266in.		2	
86		NP	. . . CAP, bearing, DE, outer	18922	1	
NI 87		NP	. . . SEAL, bearing cap	19011	1	
NI 88		NP	. . . SHIM, bearing cap	11924	1	
89		NP	. . . SCREW, MACHINE, st, flat csk hd, Cd P, 4BA x 7/16in. lg	E/309/S	3	DE bearing cap outer
90		NP	. . . SHIM, bearing	16913	A/R	DE bearing
NI 91		NP	. . . SHIM	19659	A/R	
92		NP	. . . WASHER, SPRING, TENSION	EPL41	1	Preloading spring for DE bearing
93		NP	. . . PLATE, RETAINING, BEARING, bearing DE inner	16715	1	
NI 94		NP	. . . SCREW, MACHINE, st, flat csk hd, Cd P, 4BA x 7/16in. lg	E/309/S	3	DE bearing cap inner

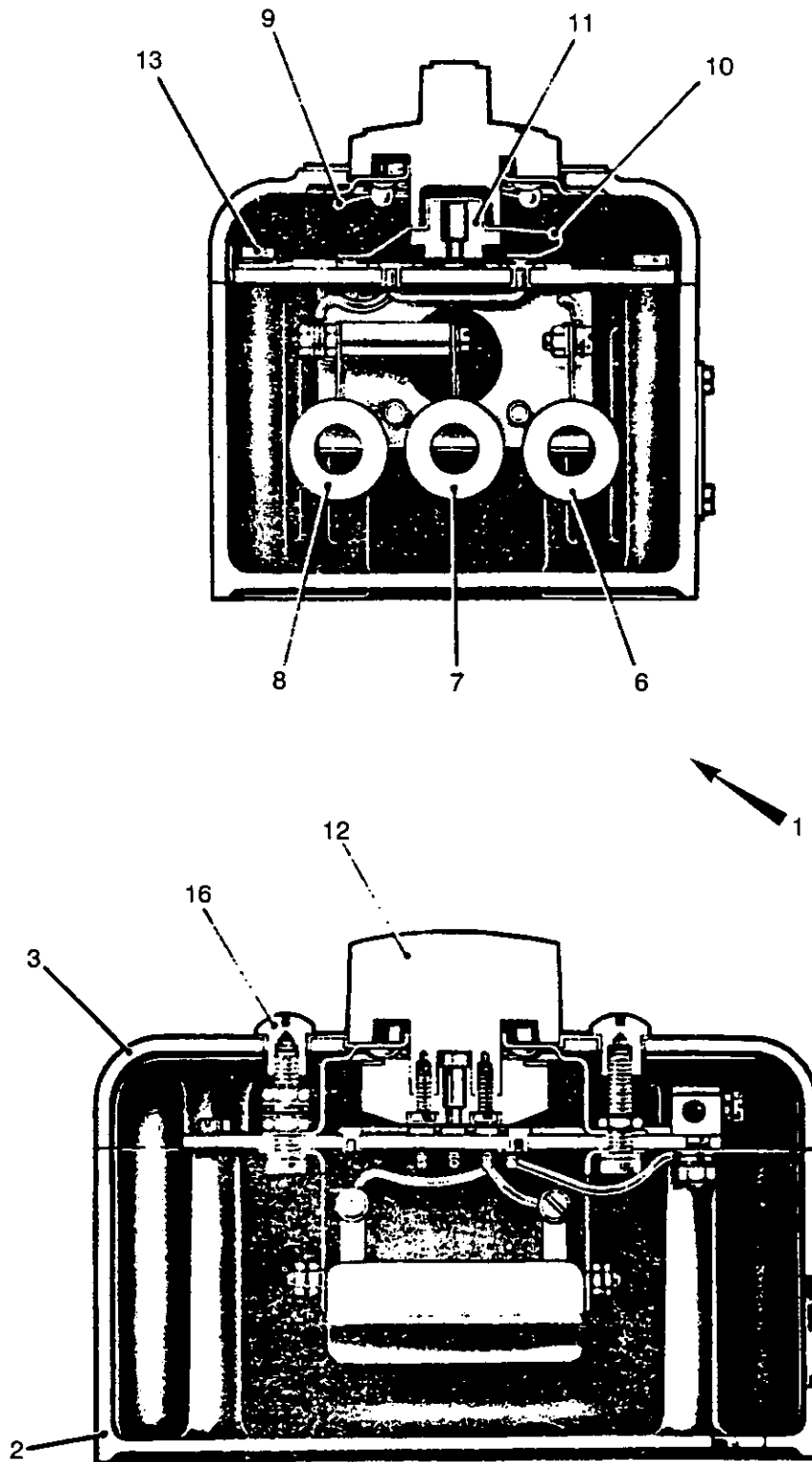


Fig 19 Control box, fan

430/70125

Fig Item	Man Code Navy - N Army - A RAF - R	NATO Stock No	Item Name and Description	Part No/ Drawing No.	No. Off	Annotations	
19-			ELECTRICAL EQUIPMENT GA - contd . ELECTRICAL EQUIPMENT, HULL, GA - contd . ELECTRICAL EQUIPMENT, INTERNAL - contd				
1	A	6MT4	2540-99-499-9911	. . CONTROL BOX, FAN, comprising; steel box and lid, 150mm lg x 100mm w, c/w 5 position rotary switch on lid, ident/mod record plate secured to side	FV908859	1	
2			NP	. . . BOX, control box, fan, No. 1, Mk 2	83951	1	
3			NP	. . . COVER, control box, fan, No. 1, Mk 2	83952	1	
NI 4			NP	. . . CONTROL INTERIOR ASSEMBLY FAN	56454	1	
NI 5			NP TERMINAL, controller	50710	3	
6			NP RESISTOR, FIXED, 5 OHMS, 25W		1	
7			NP RESISTOR, FIXED, 7 OHMS, 12W		1	
8			NP RESISTOR, IFXED, 16 OHMS, 10W		1	
9			NP PLATE, SPRING		1	
10			NP ARM, CONTACT	61227	1	
11			NP BRACKET, RETAINING	31836	1	
12			NP KNOB, controller	61228	1	
13	A	G1	5305-99-941-9196	. . . SCREW, MACHINE, st, flat fil hd, Cd P, 4BA x 5/8in. lg		4	
NI 14			NP	. . . WASHER, LOCK, st, flat int, Cd P, 0.150in.	FV542416-36	3	
NI 15			NP	. . . WASHER, FLAT, br, 4BA		1	
16	A	46MT1	5310-99-803-6504	. . . NUT, SLEEVE		2	

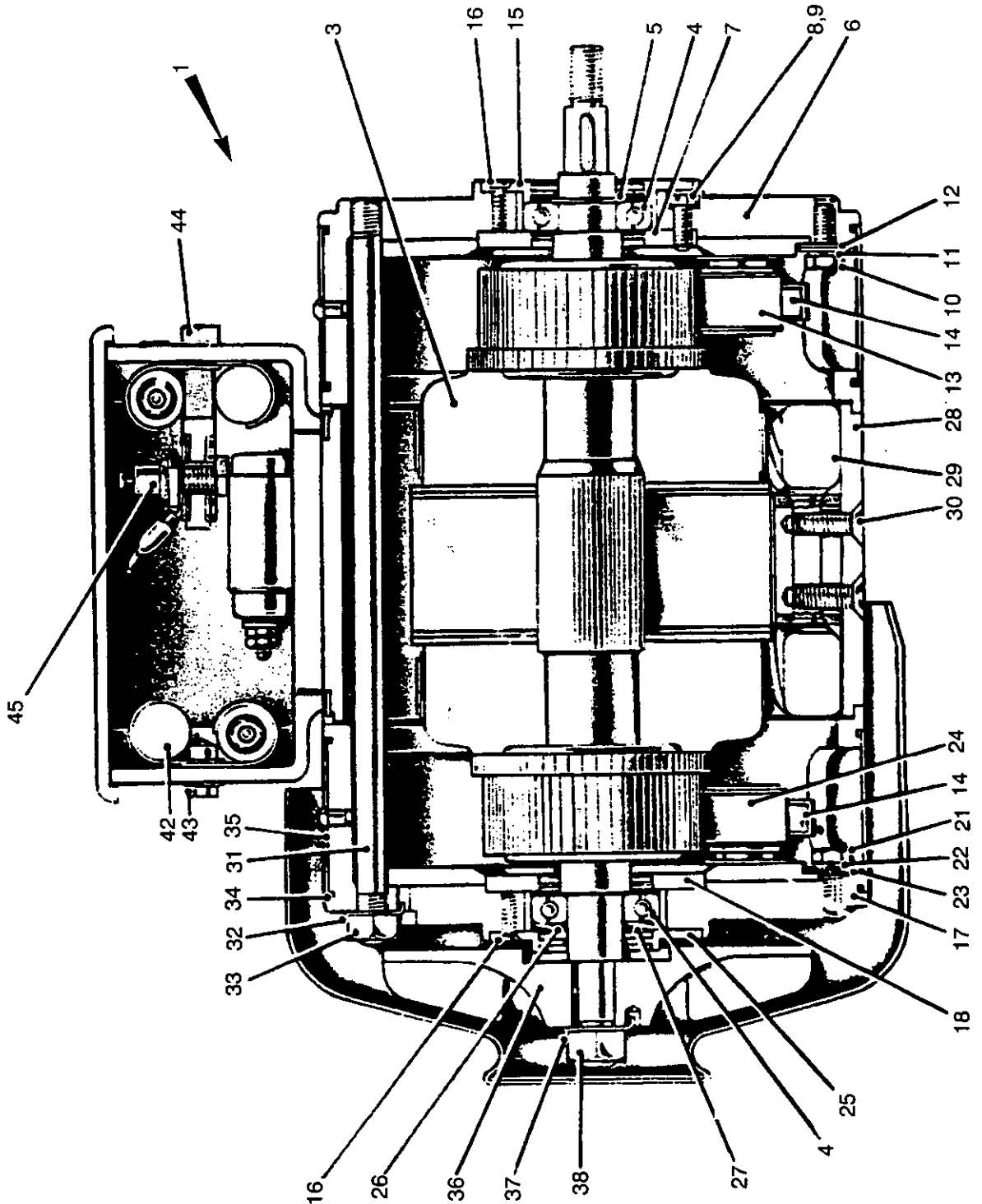


Fig 20 Motor, direct current

430/70126

Fig Item	Man Code Navy - N Army - A RAF - R	NATO Stock No	Item Name and Description	Part No/ Drawing No.	No. Off	Annotations	
20-			ELECTRICAL EQUIPMENT GA - contd . ELECTRICAL EQUIPMENT, HULL, GA - contd . ELECTRICAL EQUIPMENT, INTERNAL - contd				
1	A	9ACR	6105-99-804-4012	MOTOR, DIRECT CURRENT, compound wound, 24V dc, 1.6A, 0.22 and 0.8hp, totally enclosed, 6 unthd mtg holes, w/radio interference suppression	FV546142	1	
NI 2		NP	ARMATURE ASSEMBLY	20800	1		
3	A	46MT4	6105-99-804-4106	ARMATURE MOTOR	20799	1	
4	A	6MT7	3110-99-950-1177	BEARING, BALL, JOURNAL	EE4	2	
5	A	46MT1	5365-99-910-8190	RING, RETAINING, st, ext, 1/2in.		1	
6		NP	BRACKET, DRIVE END	18918	1		
7	A	46MT4	6105-99-804-4014	CAP, HOUSING, BEARING UNIT	19801	1	
8	A	G1	5305-99-941-9195	SCREW, MACHINE, st, Cd P, flat fil hd, 4BA x 3/8in. lg		2	
9	A	G1	5310-99-941-6688	WASHER, LOCK, Phos B, BA, single coil, 1/4in.		2	
10	A	G1	5305-99-914-9858	SCREW, MACHINE, st, hex hd, Cd P, No. 10 UNF x 1/2in.		2	
11	A	G1	5310-99-941-6653	WASHER, LOCK, st, single coil, Cd P, 3/16in.		2	
12	A	G1	5310-99-941-6866	WASHER, FLAT, st, Cd P, 3/16in.		2	
13	A	46MT4	5977-99-804-4004	BRUSH, ELECTRICAL CONTACT	18465	4	
14		NP	BRUSH, SPRING		8		
15		NP	CAP		1		
16	A	G1	5305-99-941-6846	SCREW, MACHINE, st, Cd P, flat csk hd, 4BA x 3/8in. lg		8	
17		NP	BRACKET, FAN END	18709	1		
18	A	46MT4	6105-99-804-4014	CAP, HOUSING, BEARING UNIT	19801	1	
NI 19	A	G1	5305-99-941-9195	SCREW, MACHINE, st, Cd P, flat fil hd, 4BA x 3/8in. lg		2	
NI 20	A	G1	5310-99-941-6688	WASHER, LOCK, Phos B, BA, single coil, 1/4in.		2	
21	A	G1	5305-99-914-9858	SCREW, MACHINE, st, hex hd, Cd P, No. 10 UNF x 1/2in.		2	
22	A	G1	5310-99-941-6653	WASHER, LOCK, st, single coil, Cd P, 3/16in.		2	
23	A	G1	5310-99-941-6866	WASHER, FLAT, st, Cd P, 3/16in.		2	
24		NP	BRUSH, ELECTRICAL CONTACT	18418	4		
25		NP	CAP, HOUSING		1		
26	A	46MT4	5310-99-954-9617	WASHER, LOCK	ARL4001-70	1	
27	A	46MT4	5365-99-804-4009	SHIM	15341	A/R	
28		NP	YOKE	18707	1		
29		NP	WINDING, MOTOR FIELD, 4 coils		1		
30	A	G1	5305-99-120-1605	SCREW, MACHINE, st, Cd P, flat csk hd, 2BA x 7/16in. lg		8	
31		NP	STUD, PLAIN, st, Cd P, 1/4in. UNF x 6-3/8in.		2		
32	A	G1	5310-99-941-6316	WASHER, KEY, st, Cd P, 2 ext keys, 1/4in.	024802	2	
33	A	G1	5310-99-941-4136	NUT, PLAIN, HEXAGON, st, Zn P, 1/4in. UNF		2	
34	A	46MT1	5330-99-804-4115	RING, SEALING, TOROIDAL, syn ru, 4-1/2in. id x 1/16in. h, 85-95 deg harness	SP915-41	4	
35	A	46MT4	6105-99-804-4017	COVER, ELECTRICAL CONTACT	20803	2	

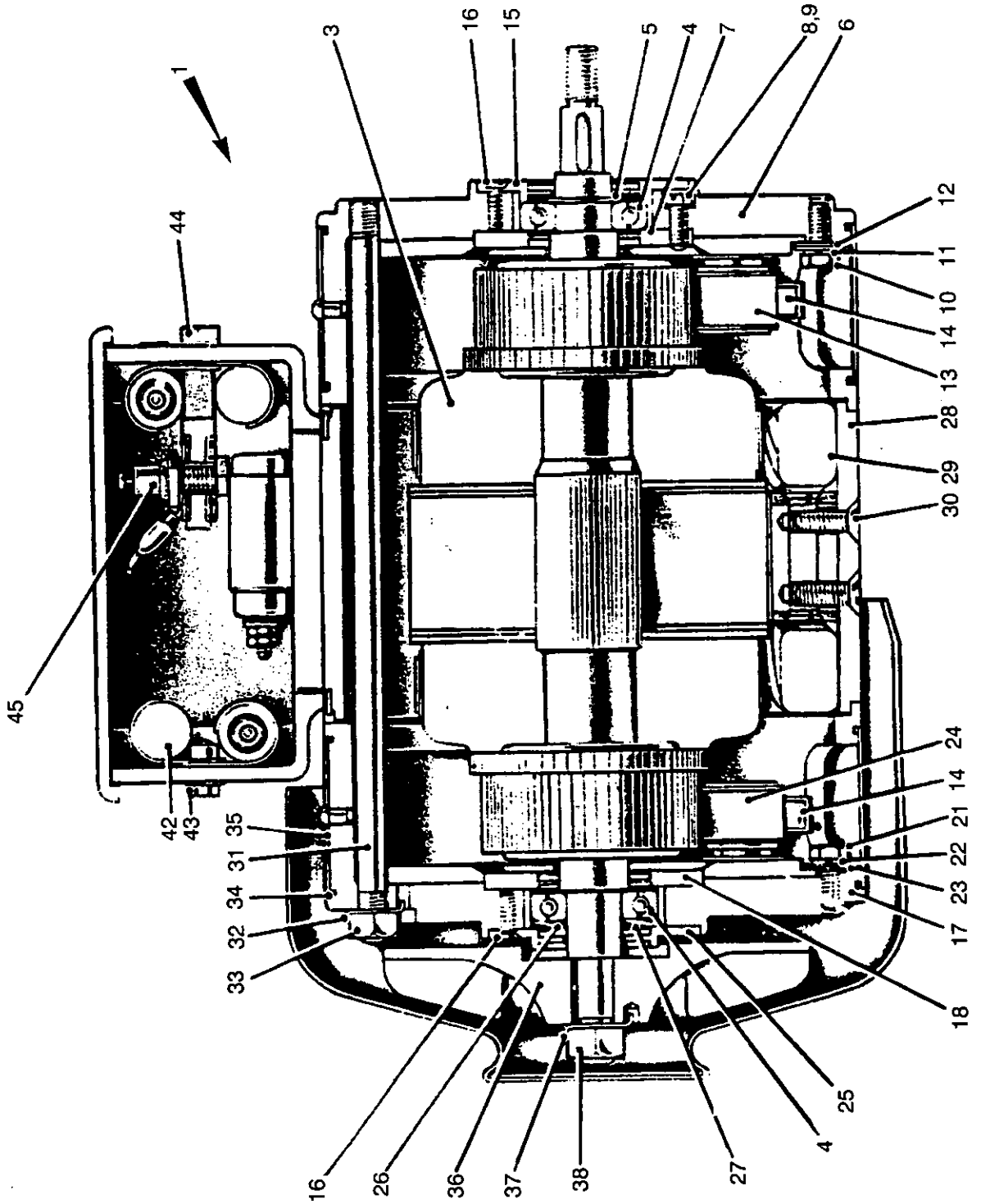


Fig 20 Motor, direct current

430/70126

Fig Item	Man Code Navy - N Army - A RAF - R	NATO Stock No	Item Name and Description	Part No/ Drawing No.	No. Off	Annotations
20-			ELECTRICAL EQUIPMENT GA - contd . ELECTRICAL EQUIPMENT, HULL, GA - contd . ELECTRICAL EQUIPMENT, INTERNAL - contd . . . MOTOR, DIRECT CURRENT - contd			
36		NP FAN, ELECTRICAL, Al, 5 blades		1	
37	A G1	5310-99-941-6607 WASHER, KEY, st, Cd P, 5/16in.	SP107-G	1	
38	A G1	5310-99-941-0925 NUT, PLAIN, HEXAGON, st, Zn P, 5/16in. UNF		1	
NI 39	A G1	5305-99-999-5692 SCREW, MACHINE, st, Cd P, flat fil hd, 4BA x 1/2in. lg		3	
NI 40	A G1	5310-99-946-9795 WASHER, LOCK		15	
NI 41		NP SCREW, MACHINE, st, flat fil hd, Cd P, 4BA x 1/4in. lg		4	
42	A Z31	5910-99-106-6462 CAPACITOR, FIXED, METALLIZED PAPER, 0.75µF, 30V dc	0700771B	3	
43	A G1	5305-99-941-9195 SCREW, MACHINE, st, Cd P, flat fil hd, 4BA x 3/8in. lg		4	
44	A G1	5305-99-941-6816 SCREW, MACHINE, st, Cd P, hex hd, 2BA x 9/16in. lg		2	
45	A Z42	5961-99-037-2718 SEMI-CONDUCTOR DEVICE, DIODE, CV7311	468723	1	
NI 46		NP PLUG, ELECTRICAL AND LEAD ASSEMBLY	21449	1	
NI 47	A 46MT4	5935-99-800-9950 CONNECTOR, RECEPTACLE, ELECTRICAL	FV585029	1	
NI 48	A Y3	6145-99-945-5076 WIRE, ELECTRICAL, Unipren 35	PREN35	A/R	
NI 49	A Y3	6145-99-901-2567 WIRE, ELECTRICAL, Unipren 24	E21 UNIPREN24	A/R	
NI 50	A Z37	5940-99-106-7668 TERMINAL LUG	326034	5	
NI 51	A Z37	5940-99-106-7672 SPLICE, CONDUCTOR	36906	2	
NI 52	A Y3	5970-99-999-8808 INSULATION, SLEEVING, ELECTRICAL	90-29040100	A/R	
NI 53	A Z42	5970-99-913-0207 INSULATION, SLEEVING, ELECTRICAL	PM9055-005	A/R	
NI 54	A Z2	5330-99-014-7139 GASKET	3031926	1	
NI 55	A G1	5305-99-120-1448 SCREW, MACHINE, st, Cd P, flat fil hd, 4BA x 5/16in. lg		4	
NI 56	A G1	5310-99-946-4795 WASHER, LOCK		4	

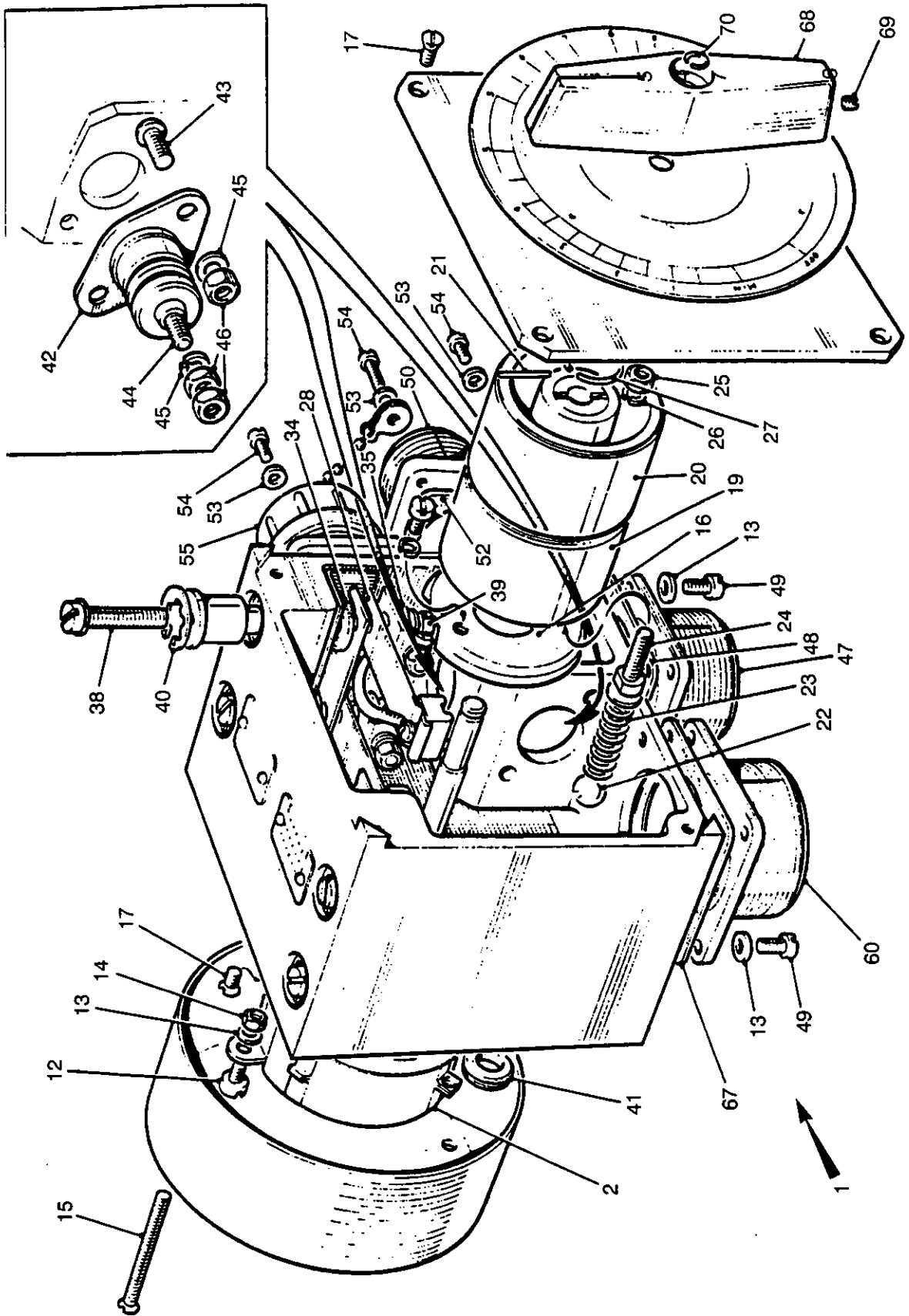


Fig 21 Controller, fan, No. 2 Mk 1

430/70127

Fig Item	Man Code Navy - N Army - A RAF - R	NATO Stock No	Item Name and Description	Part No/ Drawing No.	No. Off	Annotations
21-			ELECTRICAL EQUIPMENT GA - contd . ELECTRICAL EQUIPMENT, HULL, GA - contd . ELECTRICAL EQUIPMENT, INTERNAL - contd			
1	A	9ACR	6110-99-804-4010 . . . CONTROLLER, FAN, No. 2 Mk 1	FV546143	1	Nelco
2	A	6MT4	5905-99-809-0218 . . . RHEOSTAT, 30 OHMS		1	
NI 3		NP	. . . CABLE, RHEOSTAT ASSEMBLY	20759	1	
NI 4	A	Y3	6145-99-901-2567 . . . WIRE, ELECTRICAL, Unipren 24	E21 UNIPREN24	A/R	
NI 5		NP TERMINAL LUG		1	
NI 6	A	Z37	5940-99-501-7669 TERMINAL LUG	TE1277-3	1	
NI 7	A	Y3	5970-99-999-8808 INSULATION, SLEEVING ELECTRICAL, PVC, 3mm id, 0.5mm wall thk, black	90-29040100	A/R	
NI 8		NP	. . . CABLE, RHEOSTAT LINK ASSEMBLY	20823	1	
NI 9	A	Y3	6145-99-901-2567 WIRE, ELECTRICAL, Unipren 24	E21 UNIPREN24	A/R	
NI 10		NP TERMINAL LUG		2	
NI 11	A	Y3	5970-99-999-8808 INSULATION, SLEEVING ELECTRICAL, PVC, 3mm id, 0.5mm wall thk, black	90-29040100	A/R	
12		NP	. . . SCREW, MACHINE, st, Cd P, flat fil hd, 4BA x 1/4in. lg		3	
13	A	G1	5310-99-946-9795 . . . WASHER, SPRING TENSION, Cu, Cd P, 5/32in.		15	
14		NP	. . . NUT, PLAIN, HEXAGON, br, Cd P, 4BA		3	
15		NP	. . . SCREW, MACHINE, st, Cd P, csk hd, 4BA x 1-1/2in. lg		2	
16		NP	. . . PLATE, LOCATING, BALL		1	
17	A	G1	5305-99-941-6846 . . . SCREW, MACHINE, st, Cd P, flat csk hd, 4BA x 3/8in. lg		7	
NI 18	A	9ACR	6110-99-809-8194 . . . CONTACT ASSEMBLY, ELECTRICAL, 4 contacts	F15-20775 & F1C-20912	1	Adjusting lg
19		NP CONTACT DRUM ASSEMBLY	20912	1	
20		NP CONTACT DRUM ASSEMBLY	20775	1	
21	A	G1	5315-99-120-1036 . . . PIN, STRAIGHT, HEADLESS, st, 1/16in. dia x 1.00in. lg	PP1045	1	
22	A	6MT7	3110-99-805-9741 . . . BALL, BEARING, steel, 3/8in.	R59-525 CLASS2	1	
23	A	46MT4	5360-99-804-4045 . . . SPRING, HELICAL COMPRESSION	20796	1	
24		NP	. . . SCREW, MACHINE, st, Cd P, flat fil hd, 2BA x 5/8in. lg		1	
25		NP	. . . NUT, PLAIN, HEXAGON, br, Cd P, 2BA		1	
26		NP	. . . WASHER, LOCK, Phos B, single coil, Cd P, 2BA		1	
27	A	46MT1	5365-99-804-4046 . . . RING, RETAINING, st, ext, 11/16in. id	A10000068 AZC	1	
28	A	46MT4	6110-99-804-4159 . . . FINGER ASSEMBLY, CONTACT	19631	4	Contact drum
NI 29	A	Y3	6145-99-943-6806 WIRE, ELECTRICAL, Unipren 18	UNIPREN18	A/R	
NI 30		NP TERMINAL LUG		4	Not used on modified Rheostat
NI 31	A	Z37	5940-99-549-8991 TERMINAL LUG	42542PCBM 49	4	
NI 32		NP SCREW, MACHINE, br, Cd P, hex hd, 4BA x 1/2in. lg		4	

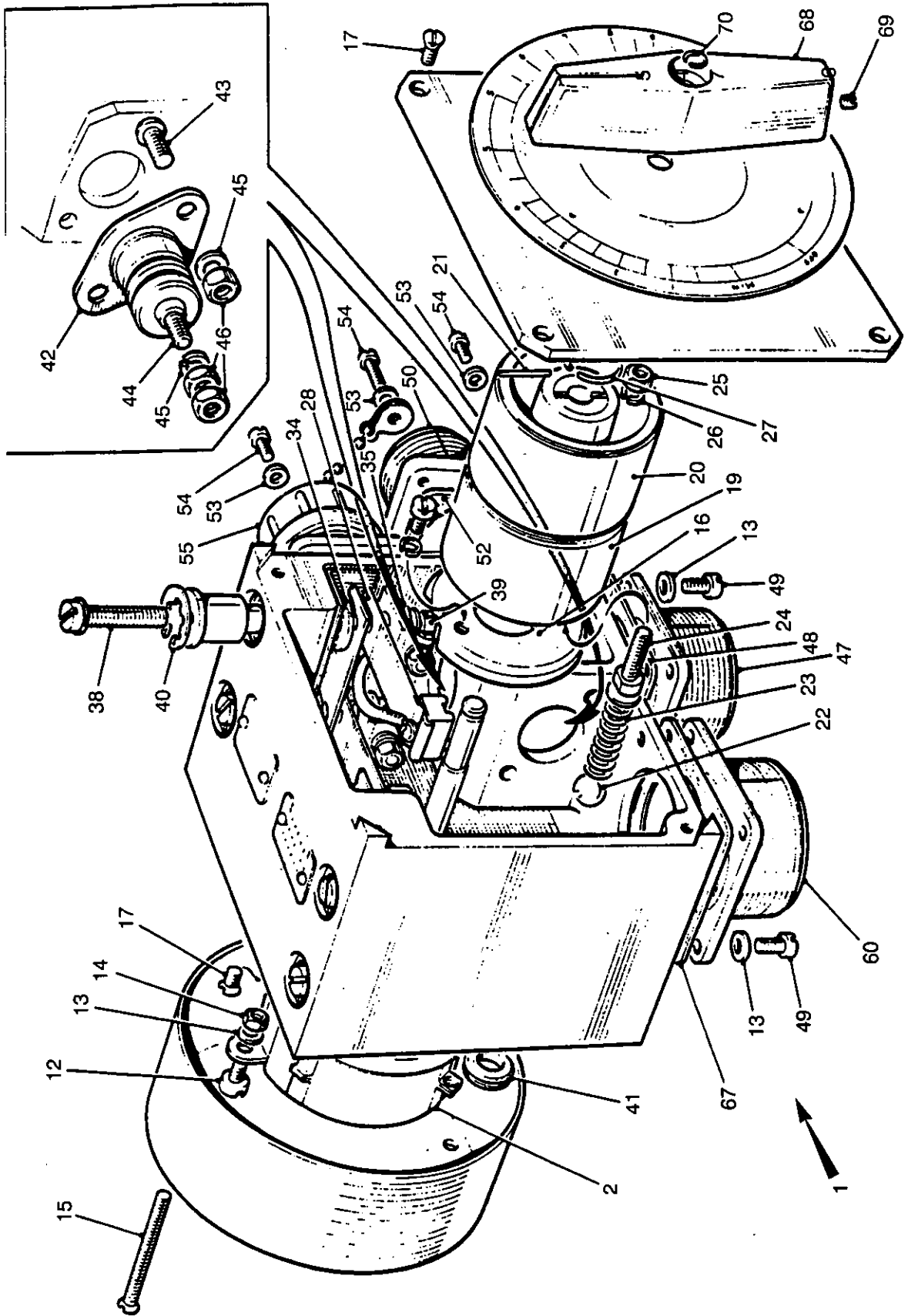


Fig 21 Controller, fan, No. 2 Mk 1

430/70127

Fig Item	Man Code Navy - N Army - A RAF - R	NATO Stock No	Item Name and Description	Part No/ Drawing No.	No. Off	Annotations
21-			ELECTRICAL EQUIPMENT GA - contd . ELECTRICAL EQUIPMENT, HULL, GA - contd . ELECTRICAL EQUIPMENT, INTERNAL - contd . . . MOTOR, DIRECT CURRENT - contd . . . FINGER ASSEMBLY, CONTACT - contd			
NI 33		NP NUT, PLAIN, HEXAGON, br, Cd P, 4BA		4	
34		NP	. . . INSULATOR, WASHER		4	
35		NP	. . . INSULATOR, WASHER		4	
NI 36		NP	. . . INSULATION, SLEEVING ELECTRICAL		4	
NI 37	A G1	5305-99-945-2350	. . . SCREW, MACHINE, flat fil hd, 1/4in. lg		4	
38	A G1	5305-99-100-7753	. . . SCREW, MACHINE, st, Cd P, flat fil hd, 2BA x 1-1/4in. lg		4	
39		NP	. . . NUT, PLAIN, HEXAGON, st, Cd P, 2BA		4	
40		NP	. . . RING, RETAINING, st, int, 16mm		4	
41	A H9	5325-99-942-3425	. . . GROMMET, RUBBER, syn ru, 3/8in. id x 0.15in. h, 61-70 deg hardness	24180-010- 022	1	
42		NP	. . . CONDENSER, 0.5µF		4	
43	A G1	5305-99-941-9194	. . . SCREW, MACHINE, st, Cd P, flat fil hd, 2BA x 3/8in. lg		4	
44	A G1	5305-99-120-1616	. . . SCREW, MACHINE, st, Cd P, flat fil hd, 2BA x 1-1/2in. lg		2	
45	A G1	5310-99-946-9796	. . . WASHER, SPRING TENSION, Cu, Cd P, 2BA		14	
46		NP	. . . NUT, PLAIN, HEXAGON, st, Cd P, 2BA		8	
47	A 46MT4	5935-99-881-9655	. . . CONNECTOR, FIXED, ELECTRICAL, fixed, 24-12P	FV585027	1	Input
48	A 46MT4	5330-99-014-7138	. . . GASKET, shell, size 24	FV585126	1	
49	A G1	5305-99-941-9195	. . . SCREW, MACHINE, st, Cd P, flat fil hd, 4BA x 3/8in. lg		8	
50	A 46MT4	5935-99-800-9958	. . . CONNECTOR, FIXED, ELECTRICAL, fixed, 18-11S	FV585018	1	Heater
NI 51	A Y3	6145-99-901-2567	. . . WIRE, ELECTRICAL, Unipren 24	E21 UNIPREN24	A/R	
52	A Z2	5330-99-014-7135	. . . GASKET, shell, size 18	FV585124	1	
53	A G1	5310-99-971-3720	. . . WASHER, SPRING TENSION, Cu, Cd P, 1/8in.		8	
54	A G1	5305-99-941-9197	. . . SCREW, MACHINE, flat fil hd, 3/8in. lg		9	
55	A 46MT4	5935-99-804-4051	. . . COVER, ELECTRICAL CONNECTOR	10-37147-18	1	
NI 56		NP	. . . CABLE, SUPPRESSOR ASSEMBLY	20822	1	
NI 57	A Y3	6145-99-945-5074 WIRE, ELECTRICAL, 120/0.012in. tinned copper, braid, blue	E21 UNIPREN50	A/R	
NI 58	A Z37	5940-99-103-9031 TERMINAL LUG	33460	2	
NI 59	A Y3	5970-99-999-8808 INSULATION, SLEEVING ELECTRICAL, PVC, 3mm id, 0.5mm wall thk, black	90-29040100	A/R	
60	A 46MT4	5935-99-800-9962	. . . CONNECTOR, FIXED, ELECTRICAL, fixed, 28-10S	FV585030	1	Output
NI 61	A Y3	6145-99-901-2567	. . . WIRE, ELECTRICAL, Unipren 24	E21 UNIPREN24	A/R	
NI 62	A Y3	6145-99-945-5074 WIRE, ELECTRICAL, 120/0.012in. tinned copper, braid, blue	E21 UNIPREN50	A/R	

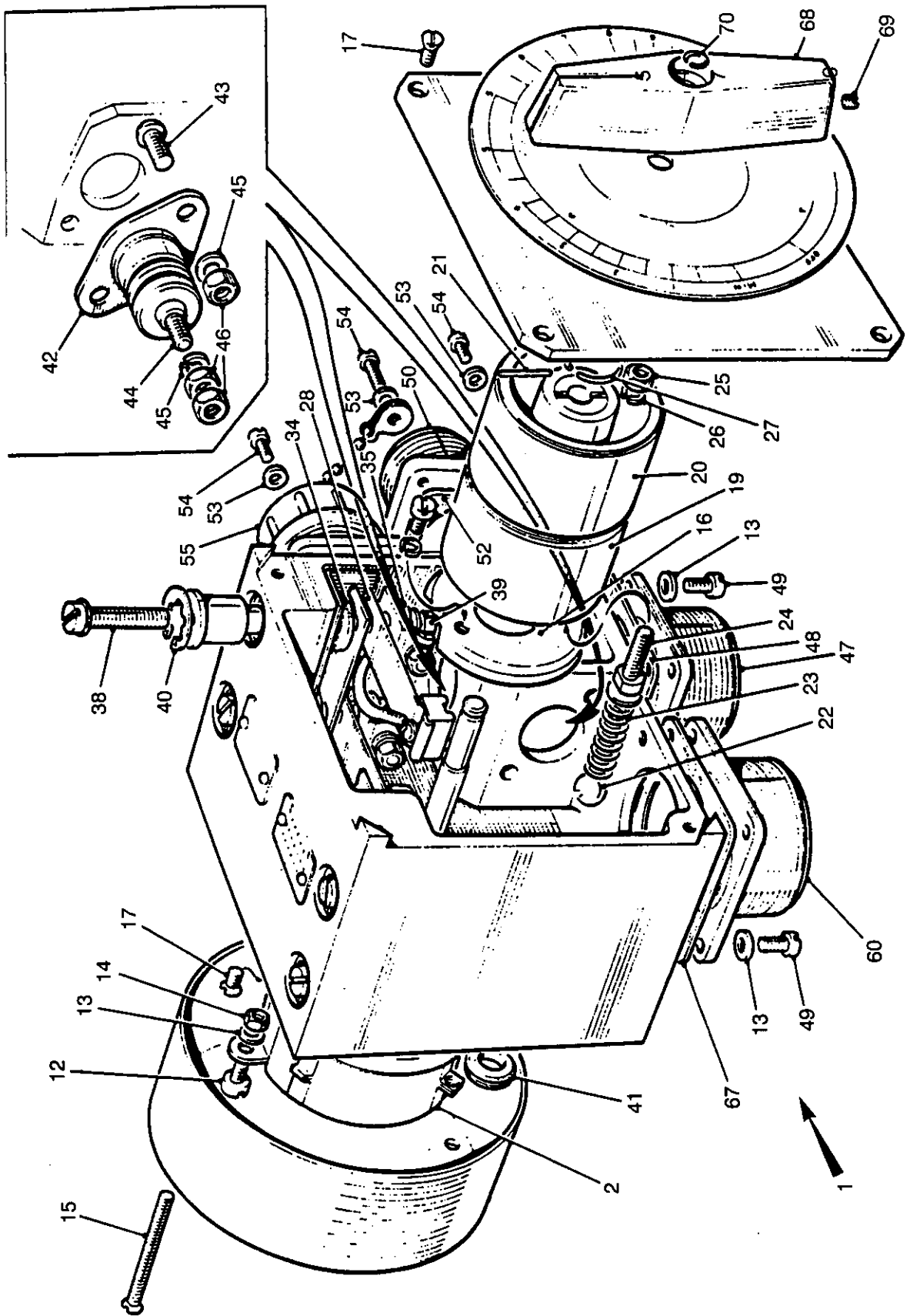


Fig 21 Controller, fan, No. 2 Mk 1

430/70127

Fig Item	Man Code Navy - N Army - A RA/F - R	NATO Stock No	Item Name and Description	Part No/ Drawing No.	No. Off	Annotations
21-			ELECTRICAL EQUIPMENT GA - contd . ELECTRICAL EQUIPMENT, HULL, GA - contd . ELECTRICAL EQUIPMENT, INTERNAL - contd . . . MOTOR, DIRECT CURRENT - contd FINGER ASSEMBLY, CONTACT - contd			
NI 63		NP TERMINAL LUG		1	
NI 64	A Z37	5940-99-103-9031 TERMINAL LUG	33460	3	
NI 65	A Y3	5970-99-999-8808 INSULATION, SLEEVING ELECTRICAL, PVC, 3mm id, 0.5mm wall thk, black	90-29040100	A/R	
NI 66	A Z42	5970-99-913-0207 INSULATION, SLEEVING ELECTRICAL, plastics, flexible, non-shrinkable, 5mm nom id, 0.50mm thk, black	PM9055-005	A/R	
67	A Z42	5330-99-014-7139 GASKET, shell size 28	303926	1	
68	A 46MT4	5355-99-255-9193 KNOB	60678	1	
69	A G1	5305-99-941-7988 SCREW, GRUB, st, Cd P, socket drive, cup pt, 4BA x 1/4in. lg		2	
70	A 46MT1	5365-99-804-4008 RING, RETAINING, st, ext, 0.23in.	A0900A025A SF	1	

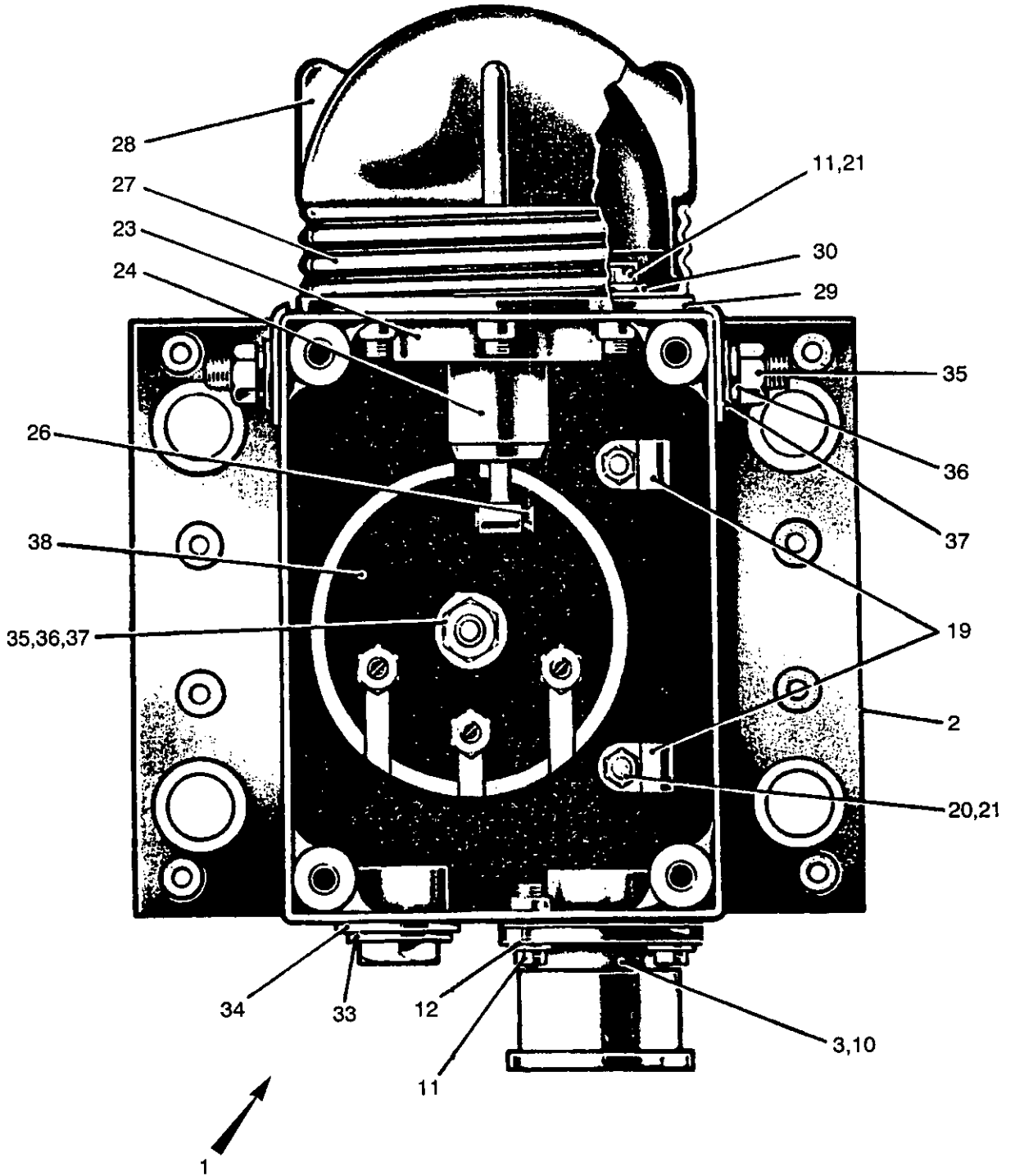


Fig 22 Indicator, fire detector system

430/70115

Fig Item	Man Code Navy - N Army - A RAF - R	NATO Stock No	Item Name and Description	Part No/ Drawing No.	No. Off	Annotations
22-			ELECTRICAL EQUIPMENT GA - contd . ELECTRICAL EQUIPMENT, HULL, GA - contd . ELECTRICAL EQUIPMENT, INTERNAL - contd			
1	A	46MT3	4210-99-881-4006 . . . INDICATOR, FIRE DETECTOR SYSTEM, No. 3 Mk 1	FV534946	1	
2		NP	. . . BOX ASSEMBLY, LIGHT UNIT, light unit	D4525	1	
3		NP	. . . PLUG, ELECTRICAL, c/w leads	D4532	1	
NI 4	A	46MT4	5935-99-881-9663 CONNECTOR, FIXED ELECTRICAL, 1.06 x 1-3/16in. h, Cd P	FV585007	1	
NI 5	A	Y3	6145-99-100-4628 WIRE, ELECTRICAL, Unipren 6, Cu, 1/64in. dia, blue	E21 UNIPREN6	1	
NI 6	A	Z42	5975-99-910-7205 SLEEVE, IDENTIFICATION, CABLE, type 3B, 2mm id x 5mm lg, yellow/A	FV2050607 ITEM 25	1	
NI 7	A	Z42	5975-99-910-7218 SLEEVE, IDENTIFICATION, CABLE, type 3B, 2mm id x 5mm lg, yellow/B	FV2050607 ITEM 26	1	
NI 8	A	Z42	5770-99-910-7348 INSULATION SLEEVING, ELECTRICAL, type B, 2mm id x 3/16in. yellow	660-04- 831712-178- 05	1	
NI 9	A	Z42	5970-99-999-5579 INSULATION SLEEVING, ELECTRICAL, PVC, 2mm id, pink type 3, class 85T	301183	A/R	
10	A	46MT4	5330-99-585-1591 . . . GASKET, shell size 14S, syn rubber	FV585122	1	
11	A	Z2	5305-99-941-9945 . . . SCREW, MACHINE, st, flat fil hd, 6BA X 1/2in. lg		4	
12	A	G1	5330-99-881-5133 . . . WASHER, LOCK, 0.120in. id x 0.300in. od x 0.05in. thk		4	
NI 13	A	9CR2	9905-99-009-1137 . . . LABEL, wiring diagram	FV562034	1	
NI 14	A	9CR2	6220-99-902-2812 . . . LID	FV4574	1	
NI 15	A	9CR2	5330-99-823-9884 . . . GASKET, WARNING LIGHT, box cover	D4535	1	
NI 16	A	46MT1	5305-99-736-6861 . . . SCREW, MACHINE, 2BA		4	
NI 17	A	6MT1	5330-99-943-6848 . . . WASHER, SEAL, LOCK, 0.195in. x 0.440in. od x 0.060in. thk	GD132/3	4	
NI 18	A	46MT1	5340-99-801-8298 . . . RING, RETAINING, steel, ext, 3/16in. dia	154324	4	
19		NP	. . . CLAMP, LOOP		2	
20	A	Z2	5310-99-100-6328 . . . NUT, PLAIN, HEXAGON, steel, 6BA		2	
21	A	Z2	5310-99-941-6641 . . . WASHER, LOCK, steel, single coil, 6BA		2	
NI 22	A	46MT3	6220-99-803-4118 . . . TAIL LIGHT, VEHICULAR, No. 3 Mk 3	53863	1	
23	A	6MT4	6220-99-408-2491 BODY, TAIL LIGHT	576203	1	
24	A	6MT3	6250-99-803-3768 LAMP HOLDER	576986	1	
NI 25	A	6MT3	6220-99-803-3158 PLUNGER, LAMPHOLDER	552103	1	
26	A	6MT3	5940-99-803-1956 FERRULE, ELECTRICAL CONDUCTOR, br, 0.150in. id x 0.250in. od x 0.375in. lg	555910	2	
27	A	46MT3	6220-99-408-2494 BASE, LAMP	576207	1	
28	A	6MT3	6220-99-803-3485 LENS, LIGHT	576204	1	
29		NP	. . . GASKET	D4542	1	
30	A	9CR2	6220-99-902-2822 . . . RING, STIFFENING	D4580	1	

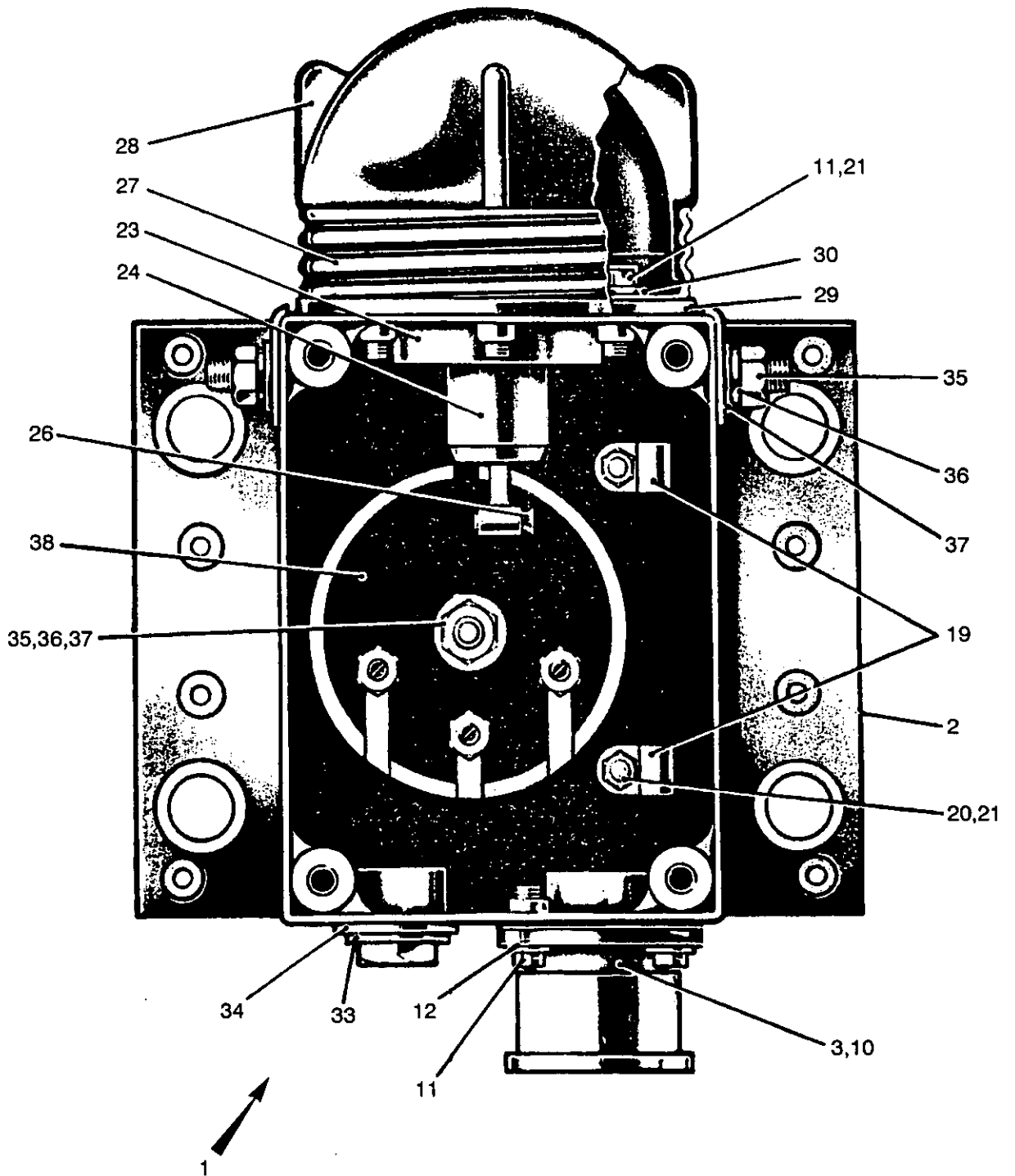


Fig 22 Indicator, fire detector system

430/70115

Fig Item	Man Code Navy - N Army - A RAF - R	NATO Stock No	Item Name and Description	Part No/ Drawing No.	No. Off	Annotations
22-			ELECTRICAL EQUIPMENT GA - contd . ELECTRICAL EQUIPMENT, HULL, GA - contd . ELECTRICAL EQUIPMENT, INTERNAL - contd . INDICATOR, FIRE DETECTOR SYSTEM - contd			
NI 31	A Z2	5305-99-941-9945	. . . SCREW, MACHINE, steel, flat fil hd, 6BA x 1/2in. lg		6	
NI 32	A Z2	5310-99-941-6641	. . . WASHER, LOCK, steel, single coil, 6BA		6	
33	A 46MT1	4730-99-801-1173	. . . PLUG, SCREWED, brass, hex hd, 1/8in. BSP	AGS565	1	
34	A 6MT1	5330-99-941-9410	. . . WASHER, LOCK, 0.385in. id x 0.730in. od x 0.080in.		1	
35	A Z2	5310-99-101-6807	. . . NUT, PLAIN, HEXAGON, steel, 2BA		2	
36	A G1	5310-99-941-6653	. . . WASHER, LOCK, steel, single coil, 2BA		1	
37	A Z2	5310-99-941-6867	. . . WASHER, FLAT, steel, 2BA		2	
38	A 46MT3	6220-99-803-4144	. . . FLASHER UNIT, 24V	502137-OD	1	
NI 39	A Z2	5310-99-101-6807	. . . NUT, PLAIN, HEXAGON, steel, 2BA		1	
NI 40	A Z2	5310-99-941-6653	. . . WASHER, LOCK, steel, single coil, 2BA		1	
NI 41	A Z2	5310-99-941-6867	. . . WASHER, FLAT, steel, 2BA		2	

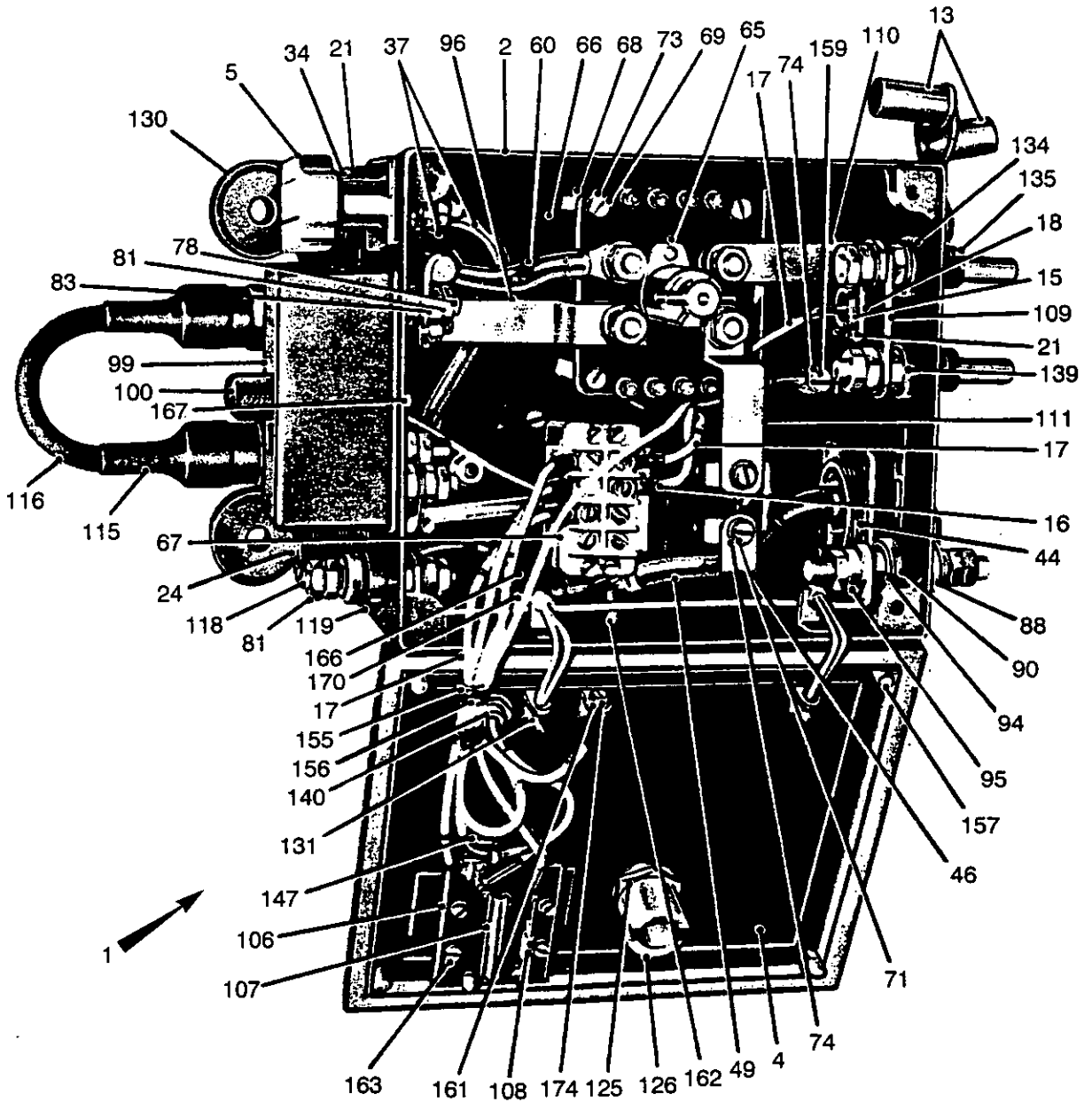


Fig 23 Distribution box, radio

430/70131

Fig Item	Man Code Navy - N Army - A RA/F - R	NATO Stock No	Item Name and Description	Part No/ Drawing No.	No. Off	Annotations
23-			ELECTRICAL EQUIPMENT GA - contd . ELECTRICAL EQUIPMENT, HULL, GA - contd . ELECTRICAL EQUIPMENT, INTERNAL - contd			
1	A	9ACR	2590-99-881-9389 . . . DISTRIBUTION BOX, RADIO, composite assy, No. 1, Mk 3	FV534890	1	
2		NP BOX, RADIO DISTRIBUTION	FV530653	1	
NI 3		NP TERMINAL POST	FV530679	1	
4		NP COVER PLATE, ACCESS, radio box	FV530654	1	
5	A	46MT4	2590-99-881-9390 . . . COVER, TERMINAL, single terminal cover	FV530559	1	
NI 6		NP MOUNTING, terminal cover	FV530560	1	
NI 7		NP COVER, terminal	FV530561	1	
NI 8		NP PLUNGER, terminal cover	FV530571	1	
NI 9		NP SPRING, terminal cover	FV530572	1	
NI 10	A	G1	5310-99-941-6970 NUT, SELF-LOCKING, HEXAGON, steel, 2BA		1	
NI 11	A	G1	5310-99-941-8571 WASHER, FLAT, st, rd, Zn P, 0.152in. id, 0.296in. od, 0.028in. thk, 4BA		1	
NI 12		NP WASHER, FLAT, st, rd, Zn P, 5/32in. id, 7.26in. od, 1/32in. thk		1	
13	A	46MT4	5940-99-881-5821 . . . SHROUD	FV530564	2	Serviced as an assy only
NI 14		NP PLUG ASSEMBLY, ELECTRICAL	FV530650	1	
15	A	46MT4	5935-99-800-9966 CONNECTOR, FIXED ELECTRICAL, 10SL-4P	FV585002	1	
16	A	9MCV	5940-99-802-9440 TERMINAL LUG, 4BA	32561	1	
17	A	Y3	6145-99-943-4824 WIRE, ELECTRICAL, single conductor, 40/0.0076, 0.13in. dia, glass braid, polychloroprene insulated	UNIPREN12	A/R	
18		NP PLATE, RETAINING, ELECTRICAL PUG/SOCKET	FV530641/1	1	
NI 19	A	4BTR	5330-99-014-7131 . . . GASKET, size 10SL	FV2184210	1	
NI 20	A	Z32	5935-99-102-9579 . . . COVER, ELECTRICAL, CONNECTOR, blanking	C10-70500- 10	1	
21		NP SCREW, MACHINE, st, hex hd, slotted, Cd P, 6BA x 1/2in.		4	Reduce to 7/16in. lg
NI 22	A	G1	5310-99-913-9613 . . . WASHER, LOCK, 0.120in. id x 0.300in. od x 0.051in. thk		4	u/w item 21
NI 23		NP SOCKET ASSEMBLY, ELECTRICAL	FV530647	1	
24	A	46MT4	5935-99-800-9927 CONNECTOR, FIXED, ELECTRICAL, 22-22S	FV585024	1	
NI 25	A	B3	1005-12-185-2101 TERMINAL, straight, 1/4in. hole	290	1	
NI 26		NP TERMINAL, flag, 5/16in. hole, 7/32in. dia cable entry, 1-1/16in. o/a lg		1	
NI 27	A	Y3	6145-99-945-5074 WIRE, ELECTRICAL, 120/0.012in. tinned copper, braid, blue	E21 UNIPREN50	A/R	
NI 28		NP PLATE, RETAINING, ELECTRICAL PLUG/SOCKET	FV530641/5	1	
NI 29	A	Z2	5330-99-014-7137 . . . GASKET, size 22S	FV585125	1	
NI 30	A	46MT4	5935-99-881-4410 . . . CAP, blanking	10-70500-22	1	
NI 31		NP SCREW, MACHINE, st, hex hd, slotted, Cd P, 6BA x 1/2in.		4	Reduce to 7/16in. lg skt securing
NI 32	A	G1	5310-99-913-9613 . . . WASHER, LOCK, 0.120in. id x 0.300in. od x 0.051in. thk		4	skt securing

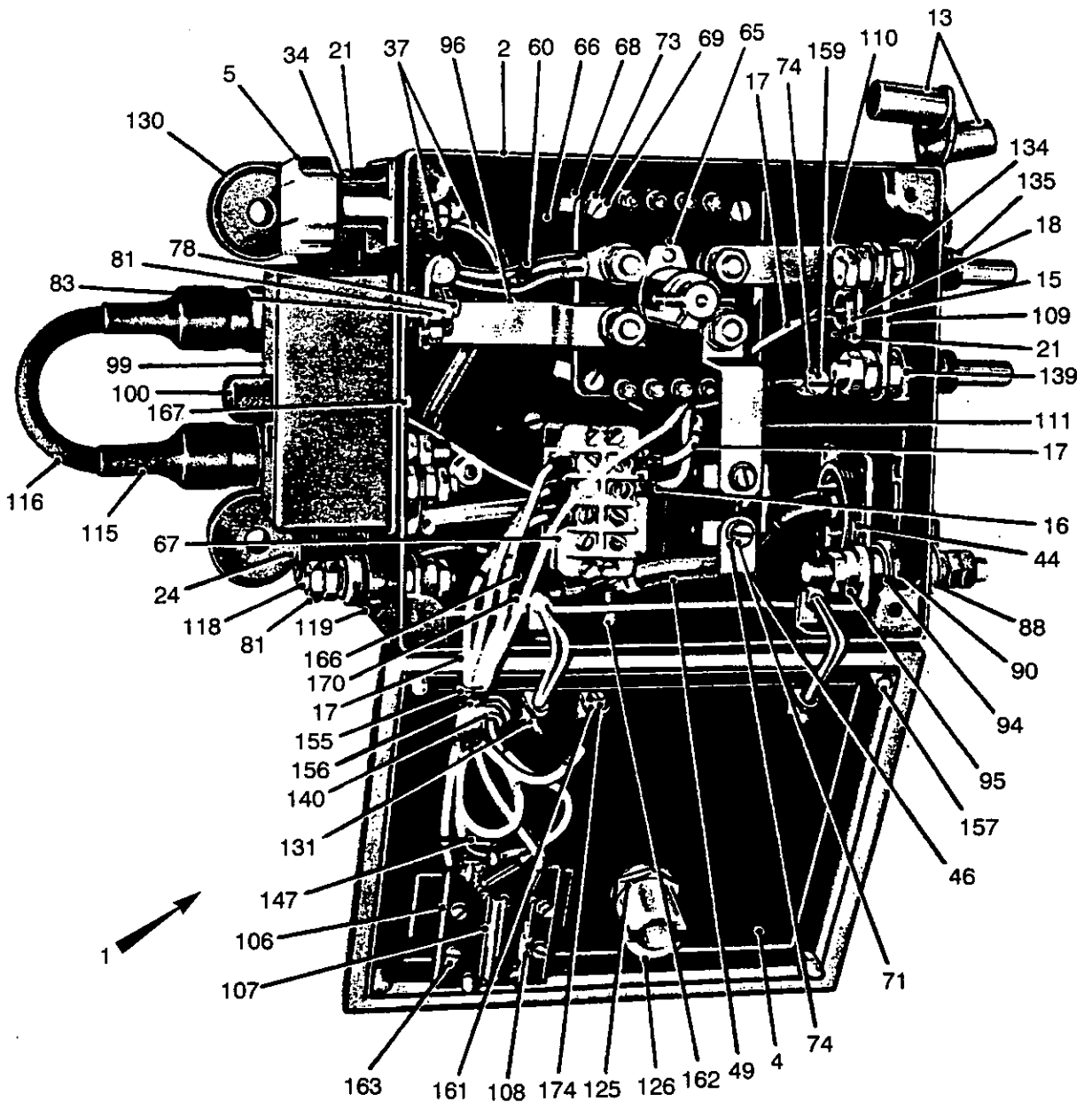


Fig 23 Distribution box, radio

430/70131

Fig Item	Man Code Navy - N Army - A RA/F - R	NATO Stock No	Item Name and Description	Part No/ Drawing No.	No. Off	Annotations
23-			ELECTRICAL EQUIPMENT GA - contd . ELECTRICAL EQUIPMENT, HULL, GA - contd . ELECTRICAL EQUIPMENT, INTERNAL - contd . . . DISTRIBUTION BOX, RADIO - contd			
NI 33		NP SOCKET ASSEMBLY, ELECTRICAL	FV530648	1	
34	A 46MT4	5935-99-804-2307 CONNECTOR, FREE, ELECTRICAL, 22-22S	FV585062	1	
NI 35	A B3	1005-12-185-2101 TERMINAL, straight, 1/4in. hole	290	1	
NI 36		NP TERMINAL, flag, 5/16in. hole, 7/32in. dia cable entry, 1-1/16in. o/a lg		1	
37	A Y3	6145-99-945-5074 WIRE, ELECTRICAL, 120/0.012in. tinned copper, braid, blue	E21 UNIPREN50	A/R	
NI 38		NP PLATE, RETAINING, ELECTRICAL PLUG/SOCKET	FV530641/5	1	
NI 39	A Z2	5330-99-014-7137 GASKET, size 22S	10-70500-22	1	
NI 40	A 46MT4	5935-99-881-4410 CAP, blanking		1	
NI 41		NP SCREW, MACHINE, st, hex hd, slotted, Cd P, 6BA x 1/2in.		4	Reduce to 7/16in. lg skt securing skt securing
NI 42	A G1	5310-99-913-9613 WASHER, LOCK, 0.120in. id x 0.300in. od x 0.051in. thk		4	
NI 43		NP SOCKET ASSEMBLY, ELECTRICAL	FV530649	1	
44	A 6MT4	5935-99-800-9964 PLUG, ELECTRICAL, 28-22P	FV585035	1	
NI 45	A 9MVCV	5940-99-802-9440 TERMINAL LUG, 4BA	32561	6	
46	A Z37	5940-99-654-3325 TERMINAL, flag, 3/16in.	CBT14	1	
NI 47	A B3	1005-12-185-2101 TERMINAL, straight, 1/4in. hole	290	1	
NI 48	A Y3	6145-99-943-4824 WIRE, ELECTRICAL, single conductor, 40/0.0076, 0.13in. dia, glass braid, polychloroprene insulated	UNIPREN12	A/R	
49	A Y3	6145-99-999-7727 WIRE, ELECTRICAL, Unipren 70	UNIPREN70	A/R	
NI 50		NP PLATE, RETAINING, ELECTRICAL PLUG/SOCKET	FV530641/7	1	
NI 51	A Z2	5330-99-014-7139 GASKET, size 28-22P	FV585127	1	
NI 52	A 6MT4	5935-99-881-5799 CAP, connector, protection, No. 28	10-70500-28	1	
NI 53		NP SCREW, MACHINE, st, slotted hd, Cd P, 4BA x 7/16in. lg		4	
NI 54	A G1	5310-99-943-6847 WASHER, LOCK, 0.152in. id x 0.340in. od x 0.05in. thk, 60/70 deg shore hardness		4	
NI 55		NP LABEL, self-adhesive	FV530664/1-9 & 31/39	1	
NI 56		NP LEAD, ELECTRICAL, s/assy	FV530645	1	LM from following indented detail
NI 57	A Y3	6145-99-999-7727 WIRE, ELECTRICAL, Unipren 70	UNIPREN70	A/R	
NI 58	A 46MT4	5940-99-805-0745 TERMINAL, 5/16in. hole	CBT3	1	
NI 59		NP TERMINAL, ST3, 5/8in. hole		1	

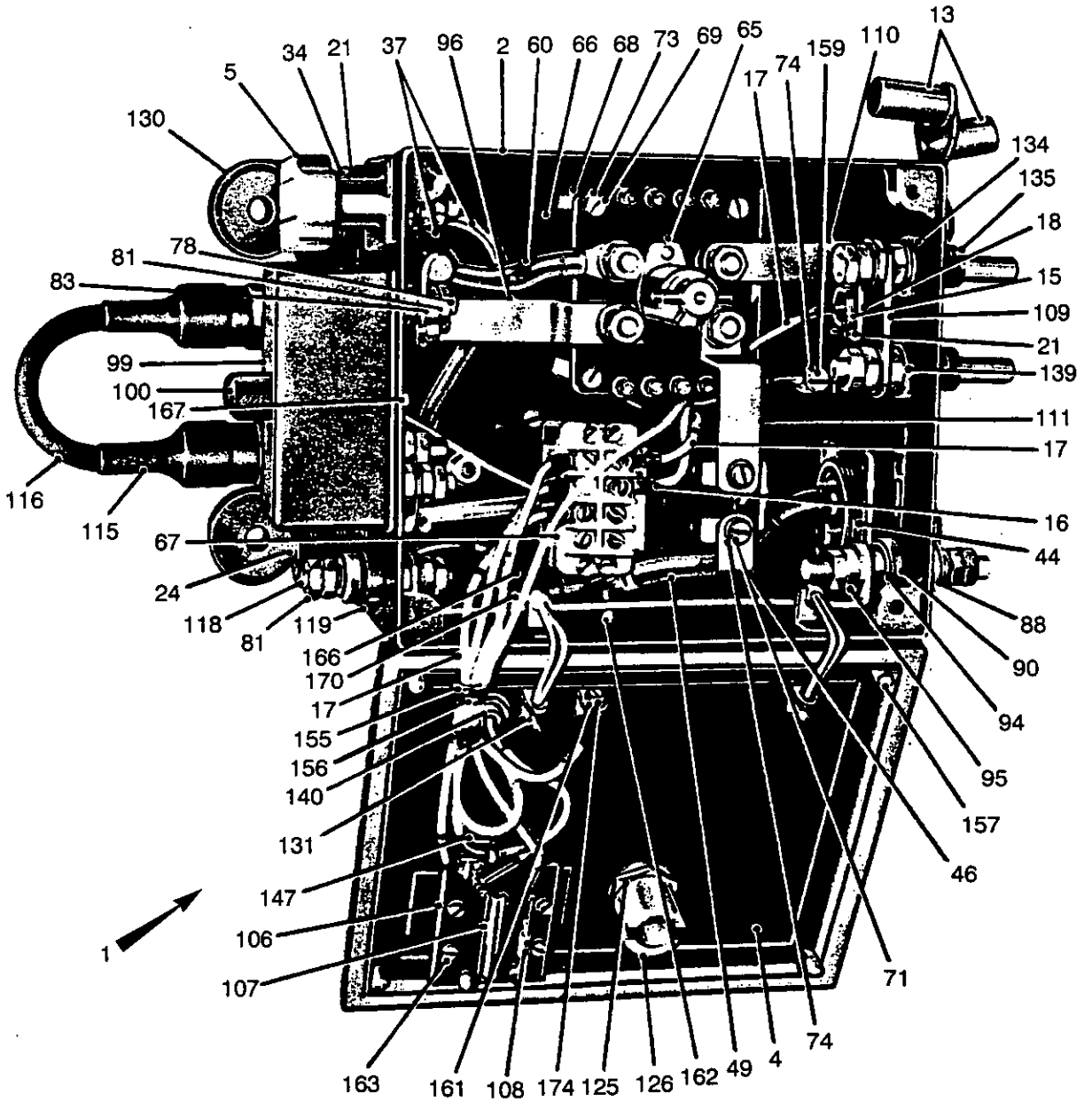


Fig 23 Distribution box, radio

430/70131

Fig Item	Man Code Navy - N Army - A RAF - R	NATO Stock No	Item Name and Description	Part No/ Drawing No.	No. Off	Annotations
23-			ELECTRICAL EQUIPMENT GA - contd . ELECTRICAL EQUIPMENT, HULL, GA - contd . ELECTRICAL EQUIPMENT, INTERNAL - contd . . . DISTRIBUTION BOX, RADIO - contd			
NI 60		NP	. . . LEAD, ELECTRICAL, s/assy	FV530646	1	LM from following indented detail
NI 61	A Y3	6145-99-945-5075 WIRE, ELECTRICAL, 294/0.012in., 0.36in. od tinned copper, glass braid, syn ru, blue	UNIPREN10 0	A/R	
NI 62	A 6MT4	5940-99-805-1319 TERMINAL LUG, 0.328in. dia hole	CBT11	2	
NI 63	A 46MT4	5940-99-805-0745 TERMINAL, 5/16in. hole	CBT3	1	
NI 64		NP	. . . SWITCH, RELAY, sub assy	FV530658	1	
65		NP SWITCH, battery c/w auxiliary contacts	FV530692	1	Serviced as assy only
66		NP BASE SWITCH	FV5305656	1	
67	A 46MT4	5945-99-881-9392 RELAY, and terminal block sub- assy		1	Serviced as assy only
68		NP PILLAR	FV530688	4	
69		NP SCREW, MACHINE, st, flat fil hd, Cd P, 2BA x 9/16in. lg		4	
NI 70	A Z2	5305-99-941-9194 SCREW, MACHINE, st, flat fil hd, Cd P, 2BA x 3/8in. lg		4	
71	A G1	5305-99-101-6854 SCREW, MACHINE, br, ch hd, 2BA x 3/8in. lg		1	
NI 72	A G1	5305-99-941-9088 SCREW, MACHINE, st, ch hd, rustproof, 4BA x 5/16in. lg		3	
73	A G1	5310-99-943-3969 WASHER, LOCK, lock, shakeproof, int type 19, 2BA		8	
74		NP WASHER, FLAT, lock, phos bronze, flat int teeth, Zn P, 2BA, 0.395/0.406in. od		2	
NI 75		NP WASHER, FLAT, st, flat int teeth, Cd P, 4BA, 0.150in. id x 0.300in. od x 0.018in. thk		3	
NI 76		NP	. . . TERMINAL, SCREWED HEAD, fuse sub assy	FV530659	2	
NI 77	A 46MT4	5970-99-802-9436 INSULATOR, BOWL, 5/16in.	FV530589	1	
78		NP TERMINAL, SCREWED HEAD	FV530660	1	
NI 79	A 46MT4	5970-99-802-9437 INSULATOR, WASHER	FV530590	1	
NI 80		NP INSULATOR, BUSHING	FV530661	1	
81		NP NUT, PLAIN, HEXAGON, st, lock, Cd P, 5/16in. UNF		3	
NI 82		NP SCREW, MACHINE, br, hex hd, 5/16in. UNF x 3/8in. lg		1	
83		NP WASHER, FLAT, br, tin pl, 5/16in. id x 5/8in. od x 1/16in. thk		3	
NI 84	A G1	5310-99-101-0187 WASHER, LOCK, shakeproof, int type 12, 5/16in.		1	
NI 85	A 46MT1	5330-99-945-4372 RING, SEALING, TOROIDAL, 0.5in. id x 0.625in. od x 0.07in. thk, 84/95 deg shore hardness		1	
NI 86	A 46MT1	5330-99-943-1638 RING, SEALING, TOROIDAL, 0.375in. id x 0.50in. od x 0.0625in. thk, 84/95 deg shore hardness		1	

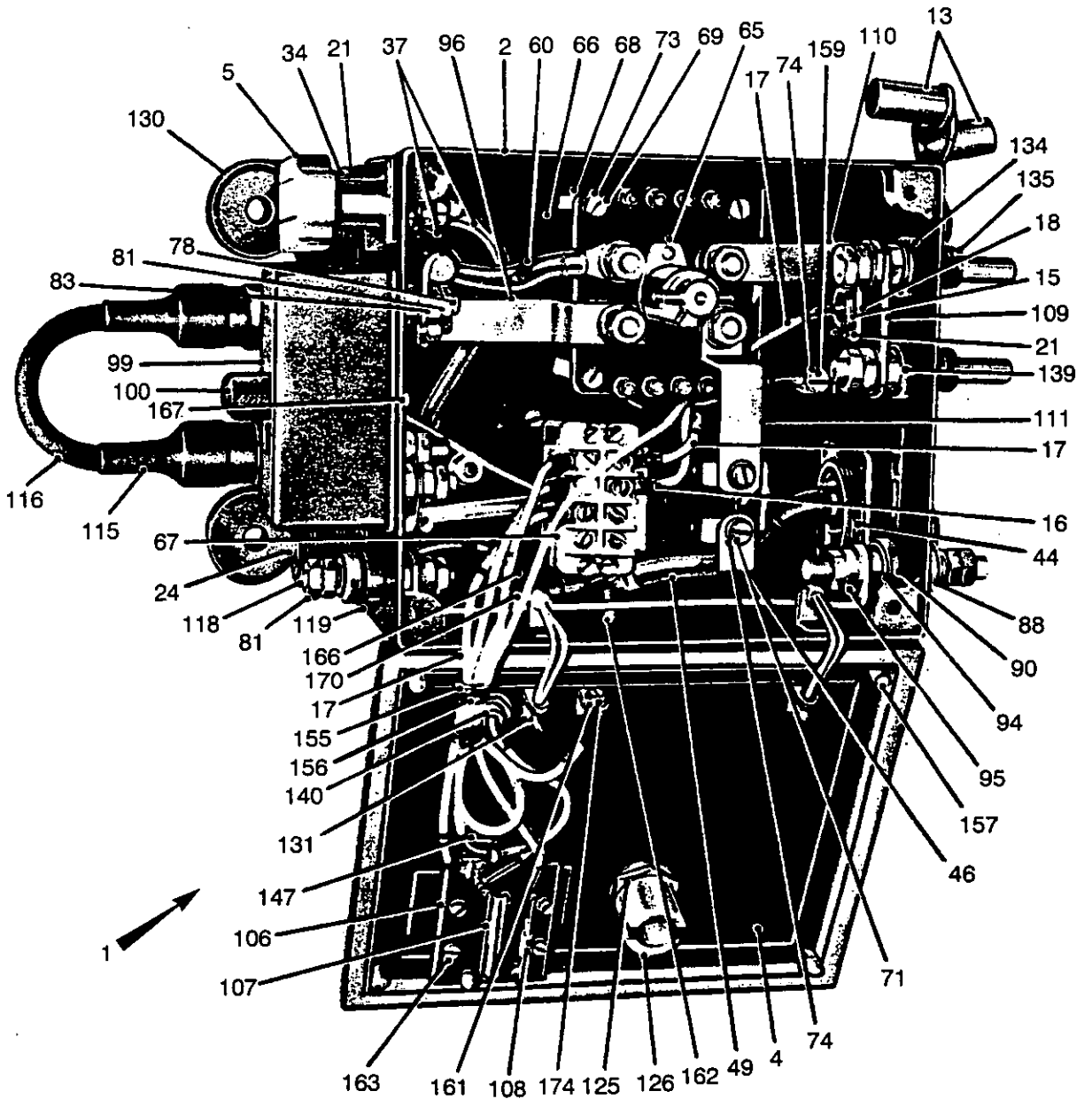


Fig 23 Distribution box, radio

430/70131

Fig Item	Man Code Navy - N Army - A RA/F - R	NATO Stock No	Item Name and Description	Part No/ Drawing No.	No. Off	Annotations
23-			ELECTRICAL EQUIPMENT GA - contd . ELECTRICAL EQUIPMENT, HULL, GA - contd . ELECTRICAL EQUIPMENT, INTERNAL - contd . DISTRIBUTION BOX, RADIO - contd			
NI 87		NP TERMINAL, SCREWED HEAD, sub assy	FV530663	1	
88	A	46MT4	5940-99-805-1338 TERMINAL, SCREWED HEAD	FV530588	1	
NI 89	A	46MT4	5970-99-802-9447 INSULATOR, BOWL, 3/8in.	FV530587	1	
90	A	46MT4	5970-99-802-9445 INSULATOR, WASHER, 3/8in.	FV530585	1	
NI 91		NP INSULATOR, BUSHING, 3/8in.	FV530662	1	
NI 92	A	6MT1	5330-99-970-0248 RING, SEALING, TOROIDAL, 7/16in. id x 9/16in. od x 1/16in. thk, 84/95 deg shore hardness	SP915/1	1	
NI 93	A	46MT1	5330-99-801-7415 RING, SEALING, TOROIDAL, 5/8in. id x 3/4in. d x 1/16in. thk, 84/95 deg shore hardness		1	
94	A	G1	5310-99-120-6590 WASHER, FLAT, br, 3/8in. id x 3/4in. od x 0.048in. thk		3	
95	A	G1	5310-99-101-1692 NUT, PLAIN, HEXAGON, br, lock, chamfered, 3/8in. UNF		5	
96		NP BUSBAR, switch	FV530666	1	
NI 97		NP BUSBAR, neg	FV530665	1	
NI 98	A	46MT4	5920-99-881-9393 COVER, FUSE, fuse sub assy	FV530667	1	
99		NP COVER, ACCESS, fuse	FV530668	1	
100		NP NUT, CAPTIVE	FV530669	2	
NI 101		NP RING, RETAINING, circlip type 1400, 9/32in. shaft size	1400/9/32	2	
NI 102	A	6MT1	5330-99-523-7820 RING, SEALING, TOROIDAL, 0.301in. id x 0.070in. h	691-00011	2	
NI 103		NP GASKET, fuse cover	FV530670	1	
NI 104	A	6MT4	5307-99-881-9399 STUD, fuse cover	FV530671	2	
NI 105	A	46MT4	5940-99-881-9395 BOARD, terminal	FV530672	1	
106		NP TERMINAL BOARD	FV530673	1	
107	A	Z30	5905-99-014-0199 RESISTOR, FIXED, WIREWOUND, vitreous enamelled, 160 ohms, 6W	TYPE W24	1	
108	A	Z42	5960-99-037-2043 SEMI-CONDUCTOR, DEVICE DIODE, silicon	CV7022	1	
109		NP LINK, TERMINAL, CONNECTION	FV530674	1	
110		NP BUSBAR, pos	FV530675	1	
111		NP BUSBAR, relay	FV530676	1	
NI 112		NP LINK, FLEXIBLE		1	
NI 113		NP SOCKET, ELECTRICAL, free, single pole, heavy duty	FV575820	2	
NI 114	A	46MT4	5975-99-881-9032 BUSHING, ELECTRICAL	FV534898	2	
115	A	46MT4	5935-99-812-9257 SHEATH, ELECTRICAL	FV575821	2	
116	A	Y3	6145-99-945-5075 WIRE, ELECTRICAL, 294/0.012in., 0.36in. od tinned copper, glass braid, syn ru, blue	UNIPREN 100	A/R	
NI 117		NP TERMINAL, SCREWED HEAD	FV530685	2	
118	A	46MT4	5940-99-805-1336 TERMINAL, STUD, 5/16in.	FV530592	1	
119	A	46MT4	5970-99-802-9436 INSULATOR, BOWL	FV530589	1	
NI 120		NP NUT, PLAIN, HEXAGON, st, lock, Cd P, 5/16in. UNF		5	
NI 121		NP WASHER, FLAT, br, tin pl, 5/16in. id, 5/8in. od, 1/16in. thk		3	

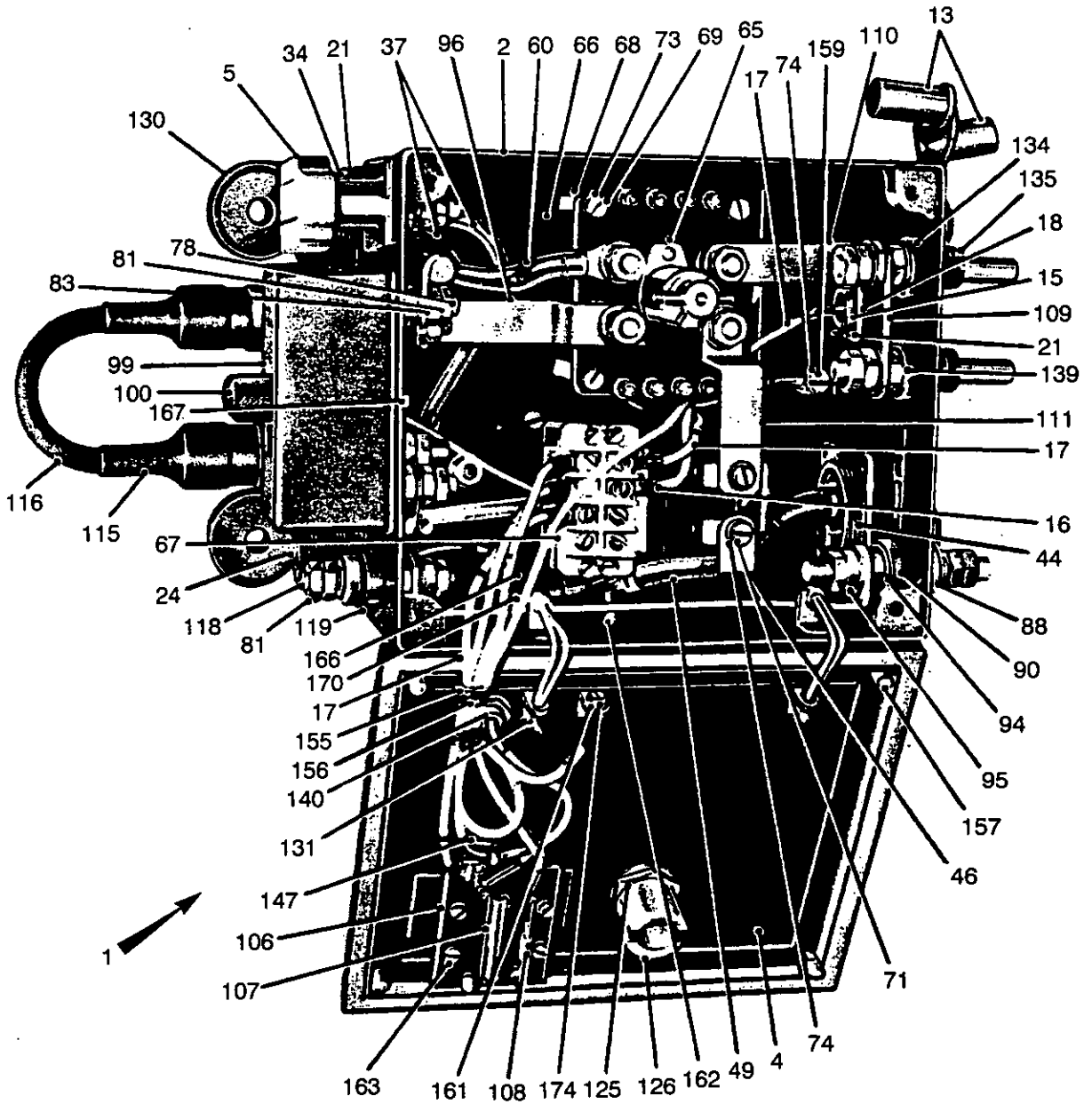


Fig 23 Distribution box, radio

430/70131

Fig Item	Man Code Navy - N Army - A RAF - R	NATO Stock No	Item Name and Description	Part No/ Drawing No.	No. Off	Annotations
23-			ELECTRICAL EQUIPMENT GA - contd . ELECTRICAL EQUIPMENT, HULL, GA - contd . ELECTRICAL EQUIPMENT, INTERNAL - contd . . DISTRIBUTION BOX, RADIO - contd . . . TERMINAL, SCREWED HEAD - contd			
NI 122	A	46MT1	5330-99-943-1638 RING, SEALING, TOROIDAL, 0.375in. id x 0.0625in. h	10-12-1911	1
NI 123	A	46MT1	5330-99-945-4372 RING, SEALING, TOROIDAL, 0.50in. id x 0.07in. h	100-014-1911	1
NI 124	A	6MT4	6110-99-802-4055	. . . HANDLE, SWITCH	FV530689	1
125	A	6MT4	5975-99-802-4060	. . . BUSHING, ELECTRICAL CONDUIT, br, Cd P, 3/4in. Whit form, hex wrenching facility, 1.00in. o/a lg, 3/4in. dia	FV530690	1
126		NP		. . . SHAFT, SHOULDERED	FV530691/1	1
NI 127	A	46MT1	5330-99-942-8454	. . . WASHER, SEAL, FLAT, 3/4in. bolt size x 1.06in. id	AGS1188CC	1
NI 128		NP		. . . NUT, PLAIN, HEXAGON, br, 3/4in.		1
NI 129	A	6MT1	5330-99-523-7820	. . . RING, SEALING, TOROIDAL, 0.301in. id x 0.070in. h	691-00011	1
130	A	46MT4	5340-99-800-9907	. . . MOUNT, RESILIENT	FV573436/2	4 sets
131		NP		. . . EYELET, cable medium	FV31547	2
NI 132	A	46MT4	5935-99-805-0012	. . . PLUG, electrical, heavy duty	FV131143	5
NI 133	A	46MT4	5935-99-805-0022 RETAINER, PACKING, clamp	FV39351	1
134	A	46MT4	5970-99-805-0023 INSULATOR, WASHER, rd plastics, 0.406in. id x 0.937in. od x 0.125in. thk	FV39352	1
135	A	46MT4	5970-99-805-2206 INSULATOR, BUSHING, bakelite, heavy duty panel plug	FV131069	1
NI 136	A	46MT4	5330-99-881-3980 RING, SEALING, TOROIDAL, ru, 0.531in. id x 0.060in. h	FV107528	1
NI 137	A	46MT1	5330-99-805-0032 RING, sealing, rubber plug	FV131065	1
NI 138	A	6MT1	5330-99-801-6628 RING, SEALING, TOROIDAL, syn ru, 9/16in. id x 3/32in. h	FV131066	1
139	A	G1	5310-99-950-6170	. . . WASHER, FLAT, 3/8in.		1
140		NP		. . . LAMP HOLDER, miniature, sealed, red	80-10-1350	1
NI 141	A	X1	6250-99-012-0913 LAMP HOLDER	SE58000-010	1
NI 142	A	Z1	6210-99-012-7421 LENS, INDICATOR, LIGHT, glass, red, translucent, 5/8in. lg x 3/4in. dia	80/10/1560 RED	1
NI 143	A	X5	6240-99-995-9118 LAMP, FILAMENT, 28V, 0.004A, midget flange, clear	SE8000-207	1
NI 144		NP		. . . FUSE, link, 100A	L1330/100	1
NI 145	A	6MT1	4730-99-942-8491	. . . PLUG, SCREWED, br hex hd, flanged, 3/8in. BSP	884/3	1
NI 146	A	G1	5310-99-941-9410	. . . WASHER, SEAL, LOCK, 0.385in. id x 0.730in. od x 0.080in. thk	GD1321/6	1
147	A	Z32	5930-99-051-0578	. . . SWITCH, LEVER, SPCO, SMSB, 10A, 150V ac	Z51078	1
NI 148	A	46MT4	5930-99-802-9430	. . . GUARD, SWITCH	FV481532	1
NI 149		NP		. . . LEADS, ELECTRICAL	FV530644/1-9	1

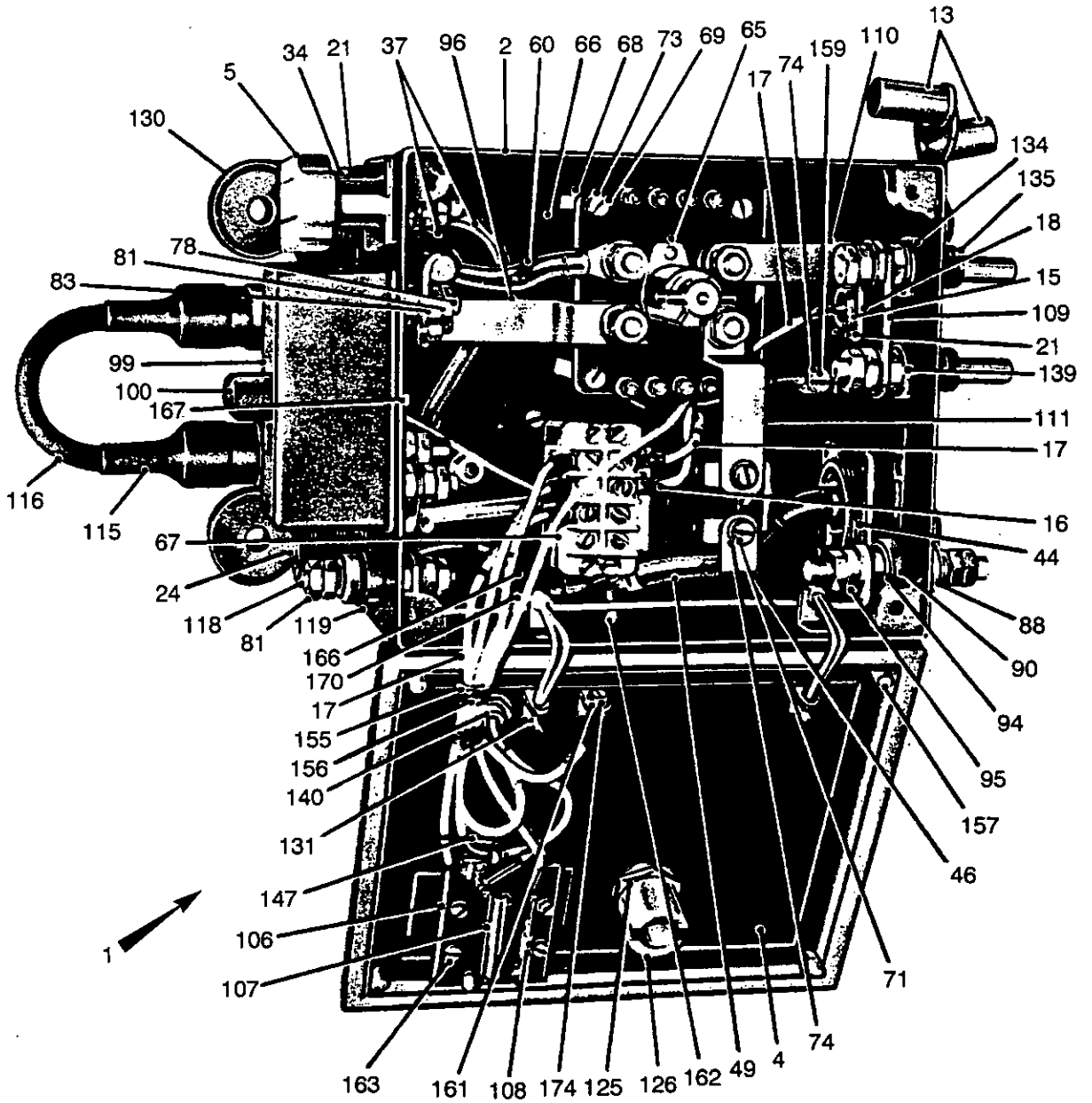


Fig 23 Distribution box, radio

430/70131

Fig Item	Man Code Navy - N Army - A RA/F - R	NATO Stock No	Item Name and Description	Part No/ Drawing No.	No. Off	Annotations
23-			ELECTRICAL EQUIPMENT GA - contd . ELECTRICAL EQUIPMENT, HULL, GA - contd . ELECTRICAL EQUIPMENT, INTERNAL - contd . DISTRIBUTION BOX, RADIO - contd . . . LEADS, ELECTRICAL - contd			
NI 150	A Y3	6145-99-943-4824 WIRE, ELECTRICAL, single conductor, 40/0.0076, 0.13in. dia, glass braid, polychloroprene insulated	UNIPREN12	1	
NI 151	A Z37	5940-99-901-1516 TERMINAL LUG, 37/64in. lg x 1/16 cable hole x 4BA	2014	1	
NI 152	A Z37	5940-99-932-4792 TERMINAL LUG, 1/2in. x 0.062 cable hole x 2BA	R000/2BA	A/R	
NI 153	A 9MVCV	5940-99-802-9440 TERMINAL LUG, 4BA	32561	3	
NI 154		NP TERMINAL, rolled, flag tag, 5/16in. dia	10/5/16in.		
155	A Y3	9330-99-943-4858 PLASTICS, STRIP, plastic, pvc, 5/16in. w	HV3254	A/R	
156	A Y3	5325-99-943-4856 STUD, nylon	OP3255	2	
157	A 46MT4	5305-99-817-1535 SCREW, CAPTIVE, cover	FV446943	4	
NI 158	A G1	5330-99-943-6849 WASHER, SEAL, LOCK, st, 0.260in. nom hole dia, 0.470in. nom thk, 0.525in. nom od	GD1321/4	4	
159		NP SCREW, MACHINE, br, ch hd, 2BA x 1/2in. lg		1	Earth terminal
NI 160		NP SCREW, MACHINE, cres, csk hd, 4BA x 5/16in. lg		1	Adjust to lg
161	A G1	5305-99-121-1751 SCREW, MACHINE, br, ch hd, anti- corrosive, 4BA x 3/8in.		1	Earth cover
162		NP SCREW, nylon, ch hd, 2BA x 1/4in. lg		1	Neg busbar
163		NP SCREW, MACHINE, cres, ch hd, 4BA x 1/4in. lg		6	Terminal panel
NI 164	A G1	5310-99-804-7941 NUT, PLAIN, HEXAGON, ST, Zn P, 1/4in. UNF		4	Base fixing
NI 165		NP BUSH	FV530588	4	
166	A G1	5310-99-941-0902 NUT, PLAIN, HEXAGON, st, lock, chamfered, 1/4in. UNF	FV692585	5	Busbar & earth
167	A G1	5305-99-101-6807 SCREW, MACHINE, st, Cd P, 2BA x 2-3/4in. lg, flat csk hd, slot drive		2	Fuse cover
NI 168	A G1	5310-99-941-9113 NUT, PLAIN, HEXAGON, br, anti- corrosive, 4BA		1	Earth cover
NI 169	A G1	5310-99-946-5179 NUT, PLAIN, HEXAGON, br, lock, anti-corrosive, 4BA		1	
170	A G1	5310-99-941-9964 WASHER, FLAT, br, tin pl, 1/4in.		3	Earth busbar
NI 171	A G1	5310-99-122-3033 WASHER, FLAT, st, 0.25in. id x 0.050in. od x 1/32in. thk		4	Base fixing
NI 172	A Z2	5310-99-100-6946 WASHER, LOCK, st, int, 2BA		1	Fuse cover
NI 173		NP WASHER, LOCK, phos bronze, int flat, Zn P, 2BA		1	Earth terminal
174	A G1	5310-99-120-0328 WASHER, LOCK, phos bronze, int flat, Zn P, 4BA		2	Earth cover
NI 175	A 6MT1	5310-99-120-2520 WASHER, LOCK, st, int, flat, Zn P, 0.125in. id		5	Panel & cord
NI 176	A G1	5310-99-943-6847 WASHER, SEAL, LOCK, 0.152in. id x 0.340in. od x 0.05in. thk	GD1321-2	7	

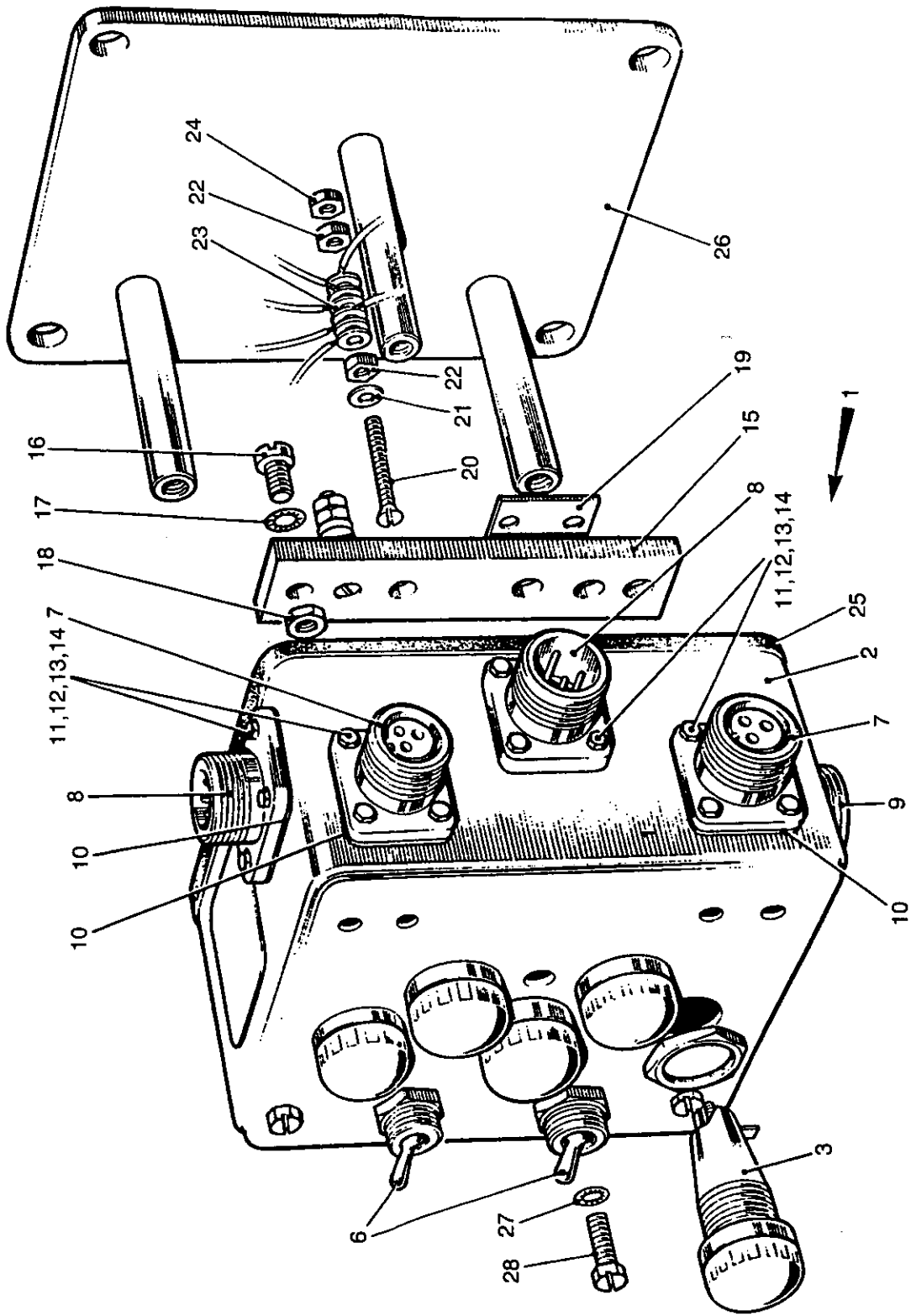


Fig 24 Junction box, auxiliary

430/70130

Fig Item	Man Code Navy - N Army - A RA/F - R	NATO Stock No	Item Name and Description	Part No/ Drawing No.	No. Off	Annotations
24-			ELECTRICAL EQUIPMENT GA - contd . ELECTRICAL EQUIPMENT, HULL, GA - contd . ELECTRICAL EQUIPMENT, INTERNAL - contd			
1	A	9ACR	5975-99-978-3142 . . . JUNCTION BOX, auxiliary, 7.8in. lg, 4.3in. w, 3.3in. h	FV499692	1	
2		NP	. . . COVER	FV499925	1	
3	A	Z32	5920-99-012-0231 . . . FUSE HOLDER, BLOCK, sealed, single way, 0.859in. dia, 2.125in. lg excluding terminals	L1382	5	
NI 4	A	Z32	5920-99-940-2085 . . . FUSE, CARTRIDGE, tube type, 1.25in. lg, 0.25in. dia, 10A, 32V dc, normal instantaneous, visible element	L1055/10	1	
NI 5	A	Z32	5920-99-901-9668 . . . FUSE, CARTRIDGE, tube type, 1- 1/4in. lg, 1/4in. dia, 5A, 32V dc, normal instantaneous, visible element	L1055-5A	4	
6	A	Z32	5930-99-051-0551 . . . SWITCH, TOGGLE, one pole, one way, single throw, tag, 2 solder lugs, 31/32in. lg, 57/64in. w, 25/32in. h	Z510551	2	
7	A	6MT4	5935-99-881-9665 . . . CONNECTOR, FIXED, ELECTRICAL, straight shape, thd, 1.188in. lg, single mating end, 3 contacts, Al alloy shell, neoprene rubber insert	FV585008	4	
8	A	6MT4	5935-99-881-9663 . . . CONNECTOR, FIXED, ELECTRICAL, straight shape, thd, 1.06in. lg, 1- 3/16in. w, 1-3/16in. h, Al alloy shell, single mating end, 3 contacts	FV585007	2	
9	A	Z32	5935-99-881-9004 . . . CONNECTOR, FIXED, ELECTRICAL, straight shape, thd, 1.138in. lg, sq, 1.042in. lg, single mating end, 4 contacts, Al alloy shell	FV585003	1	
10	A	Z1	5330-99-103-2336 . . . GASKET, rubber, rect w/rd aperture, 11/64in. dia, 7/8in. id, 4 bolt holes, 1/32in. cross section thk	D10-36675- 14	7	
11	A	G1	5305-99-941-6829 . . . SCREW, MACHINE, hex hd, steel, Cd plated, 6BA x 1/2in. lg		28	
12		NP	. . . WASHER, FLAT, 6BA		28	
13	A	G1	5310-99-944-0545 . . . WASHER, LOCK, steel, Cd plated, split helical ring, 0.138in. bolt size, 0.032in. thk, 0.205in. od		28	
14		NP	. . . NUT, HEXAGON, 6BA	7022400011 4900	28	
15		NP	. . . INSULATOR PLATE	FV524712	1	
16	A	G1	5305-99-914-1664 . . . SCREW, MACHINE, flat fil hd, 2BA x 11/16in. lg		2	Cut to 1/2in. lg
17	A	G1	5310-99-100-6946 . . . WASHER, LOCK, steel, flat int teeth, 13/64in. bolt size, 0.021in. thk, 13/32in. od		2	
18		NP	. . . NUT, HEXAGON, 2BA	7022103011 4900	2	
19		NP	. . . BUSBAR	FV381722	1	
20	A	G1	5305-99-121-1212 . . . SCREW, MACHINE, flat csk hd, br, 2BA x 1-1/4in. fastener lg, 1-11/64in. thd lg		4	
21		NP	. . . WASHER, FLAT, 3/16in. dia x 18 SWG (2BA)	7030103009 4900	2	
22		NP	. . . NUT, HEXAGON, 2BA, br	NH2BAB	8	
23		NP	. . . TERMINAL LUG	FVS9-6-2	18	
24		NP	. . . NUT, HEXAGON, lock, 2BA, br	NHL2BAB	4	

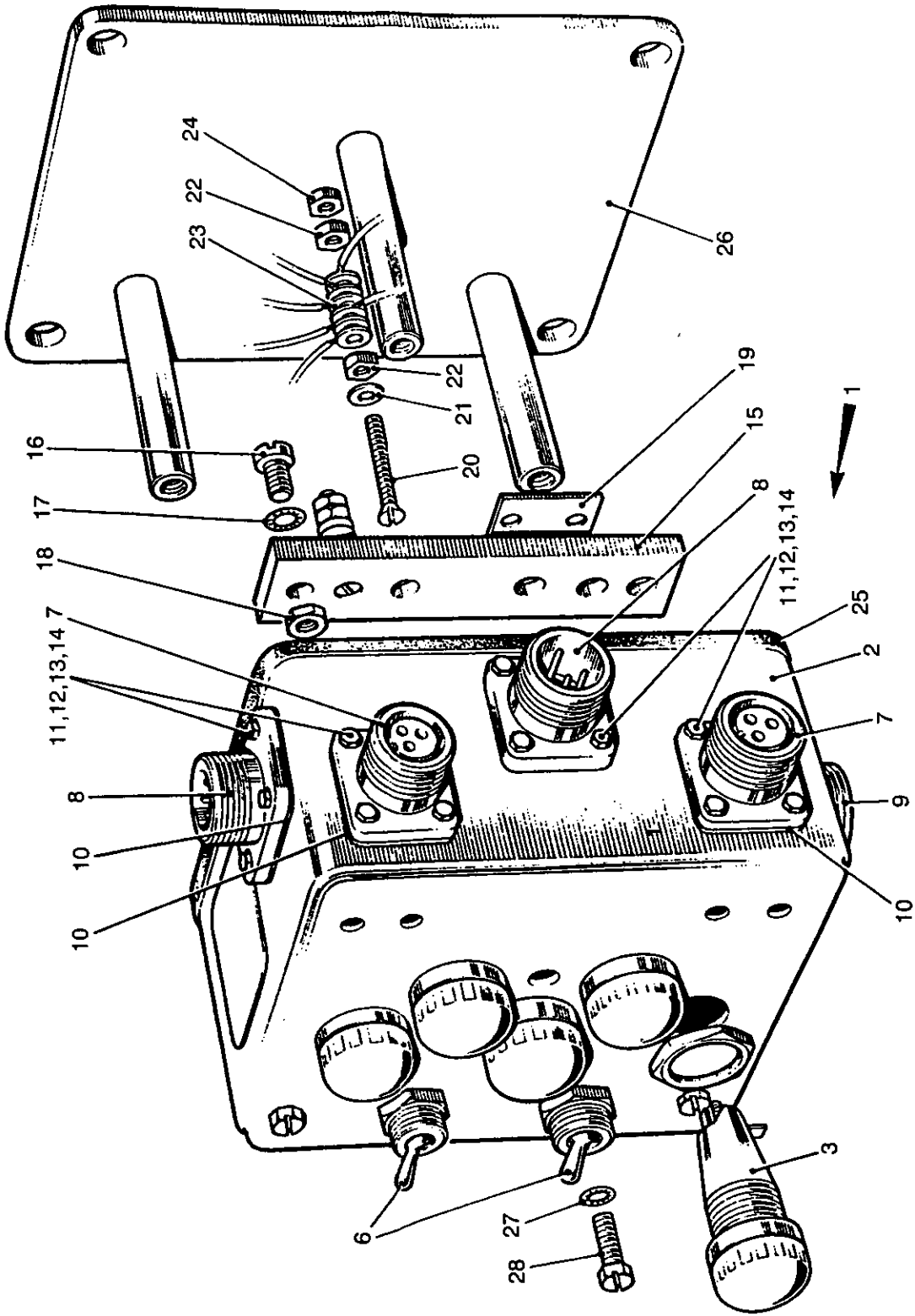


Fig 24 Junction box, auxiliary

430/70130

Fig Item	Man Code Navy - N Army - A RAF - R	NATO Stock No	Item Name and Description	Part No/ Drawing No.	No. Off	Annotations
24-			ELECTRICAL EQUIPMENT GA - contd . ELECTRICAL EQUIPMENT, HULL, GA - contd . ELECTRICAL EQUIPMENT, INTERNAL - contd . . . JUNCTION BOX - contd . . .			
25	A 9ACR	9390-99-866-8853	. . . NON-METALLIC SPECIAL SHAPED SECTION, syn rubber, junction box	FV499693-2	1	
26		NP	. . . PLATE, BACKING	FV499906	1	
27	A G1	5310-99-100-6946	. . . WASHER, LOCK, steel, flat int teeth, 13/64in. bolt size, 0.021in. thk, 13/32in. od		3	
28		NP	. . . SCREW, MACHINE, UNF, hex hd, No. 10 (2BA) x 1/2in. lg	7011103081 4900	3	

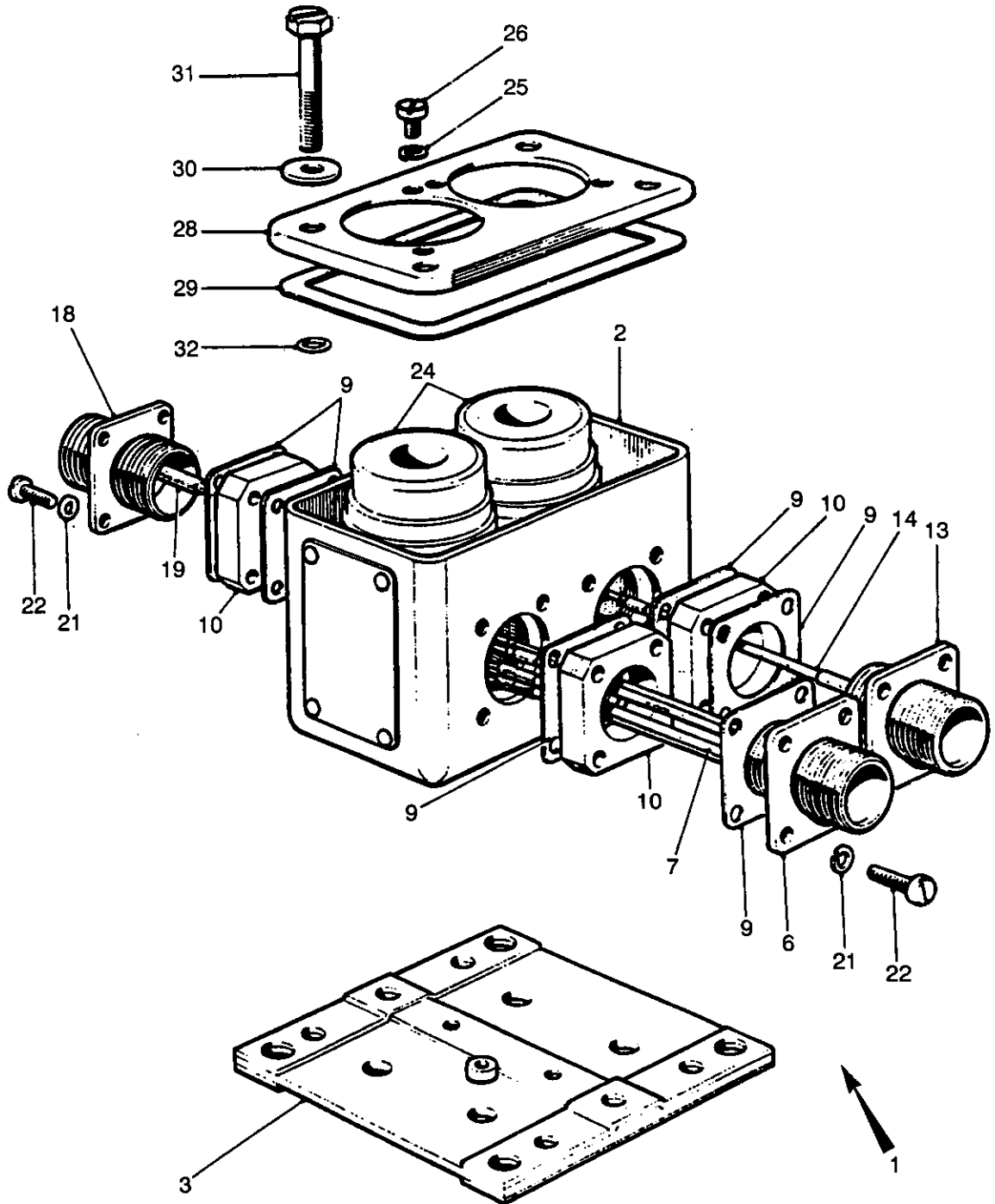


Fig 25 Junction box, smoke discharger

430/70133

Fig Item	Man Code Navy - N Army - A RAF - R	NATO Stock No	Item Name and Description	Part No/ Drawing No.	No. Off	Annotations
25-			ELECTRICAL EQUIPMENT GA - contd . ELECTRICAL EQUIPMENT, HULL, GA - contd . ELECTRICAL EQUIPMENT, INTERNAL - contd			
1	A 6MT4	5975-99-838-5151	. . . JUNCTION BOX, SMOKE DISCHARGER, enamelled, 3-1/2in. lg, 3-3/4in. w, 3-1/4in. h, black, 4 mtg holes 1/4in. dia	FV959041	1	
2		NP BOX ASSEMBLY	FV580892	1	
3	A 46MT4	5340-99-813-4663 MOUNT, RESILIENT	Y6096/16	1	
NI 4	A 46MT4	5935-99-802-9423 PLATE, RETAINING, ELECTRICAL PLUG, st, 1.00in. sq x 0.112in. thk	FV410126	1	
NI 5		NP PLUG, ELECTRICAL ASSEMBLY	FV580884	1	
6	A 6MT4	5935-99-624-3314 CONNECTOR, RECEPTACLE, ELECTRICAL, fixed, female, size 10 SL, 3 pole	FV585001	1	
7	A Y3	6145-99-100-4628 WIRE, ELECTRICAL, single conductor, glass braid, 40/0.0076in.	UNIPREN 6	A/R	
NI 8		NP TERMINAL LUG	5459-246	2	} Plug
9	A 9BTR	5330-99-014-7131	. . . GASKET, syn ru, 1.00in. sq x 1/32in.	FV585121	6	
10		NP	. . . PACKING PIECE	FV580887	3	
NI 11	A 46MT4	5935-99-802-9423 PLATE, RETAINING, ELECTRICAL PLUG, st, 1.00in. sq x 0.112in. lg	FV410126	1	
NI 12		NP CONNECTOR, RECEPTACLE, ELECTRICAL, fixed, female, size 10 SL, 3 pole	FV585001	1	
13	A 6MT4	5935-99-624-3314 WIRE, ELECTRICAL, single conductor, glass braid, 40/0.0076in.	UNIPREN 6	A/R	
14	A Y3	6145-99-100-4628 TERMINAL LUG	5459-246	2	
NI 15		NP PLATE, RETAINING, ELECTRICAL PLUG, st, 1.00in. sq x 0.112in. lg	FV410126	1	
NI 16	A 46MT4	5935-99-802-9423 PLUG, ELECTRICAL ASSEMBLY	FV580886	1	
NI 17		NP CONNECTOR, RECEPTACLE, ELECTRICAL, fixed, female, size 10 SL, 3 pole	FV585001	1	
18	A 6MT4	5935-99-624-3314 WIRE, ELECTRICAL, single conductor, glass braid, 40/0.0076in.	UNIPREN 6	A/R	
19	A Y3	6145-99-100-4628 TERMINAL LUG	5459-246	1	
NI 20		NP WASHER, LOCK, st, single coil, sq sect, Cd P, 1/8in.	FV580780	1	} Plug fixing
21	A G1	5310-99-944-0545 SCREW, MACHINE, st, fil, hd, slot drive, Cd P, No. 4 UNC x 5/8in. lg	FV635765	12	
22	A G1	5305-99-941-2303 PLATE, RETAINING	FV580780	1	
NI 23		NP SWITCH, PUSH, double pole, normally open, flange type B	FV635765	2	
24	A 46MT4	5930-99-808-3085 WASHER, LOCK, st, single coil, sq sect, Cd P, 1/8in.		4	} Push switch
25	A G1	5310-99-944-0545 SCREW, MACHINE, st, fil hd, slot drive, Cd P, No. 4 UNC x 3/8in. lg		4	
26	A Z2	5305-99-941-2301 CAP, BLANKING	10-70500-10	3	} Plugs
NI 27	A Z32	5935-99-102-9579 COVER, ASSEMBLY	FV580893	1	
28		NP GASKET, syn ru, 1-5/16in. x 3- 5/16in. x 1/32in. thk	FV410982	1	
29	A 46MT4	5330-99-881-8335 WASHER, SEAL, FLAT, ru/steel, 0.210in. id	FV(S)108/3	4	
30	A 46MT1	5330-99-801-3728 SCREW, MACHINE, st, hex hd, slot drive, Cd P, No. 10 UNC x 1.00in. lg	FV410505	4	
31	A 46MT4	5305-99-809-6003 RING, RETAINING, st, ext, 5/32in. lg	1400-5-32	4	
32	A 46MT1	5340-99-942-5696				

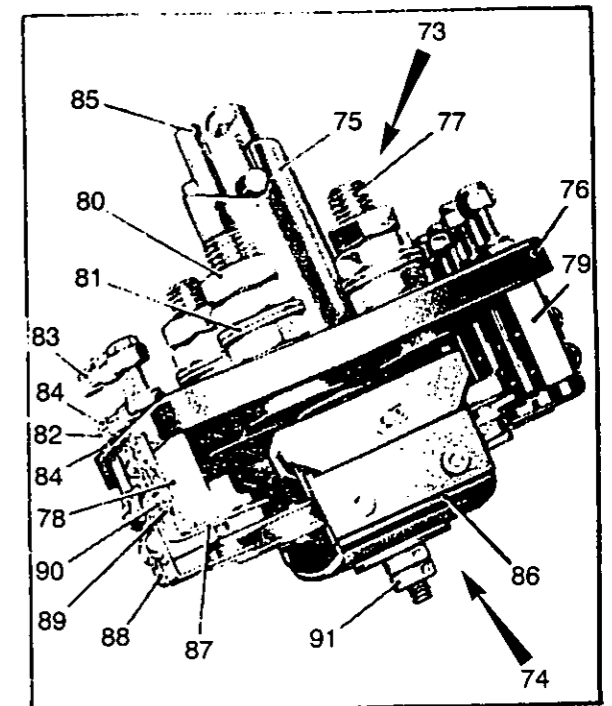
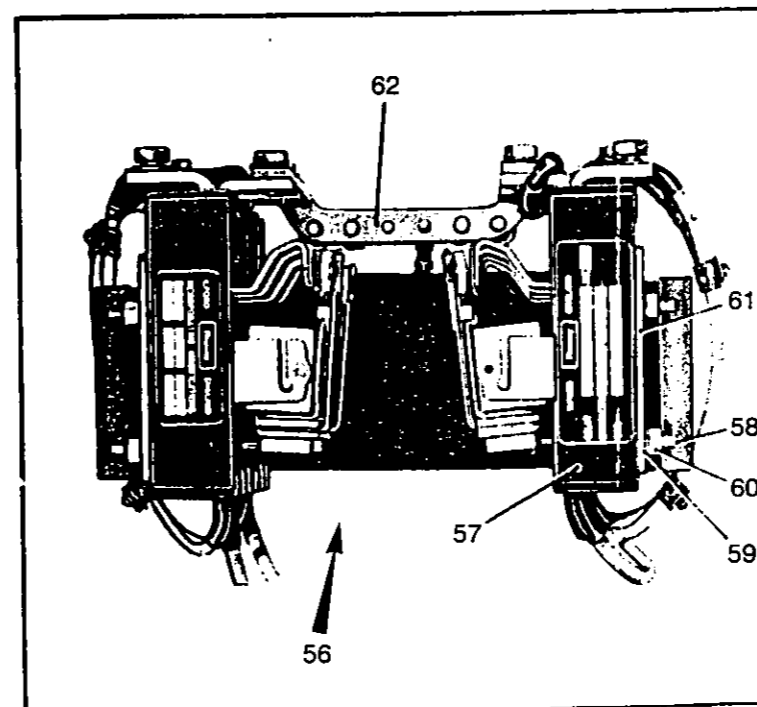
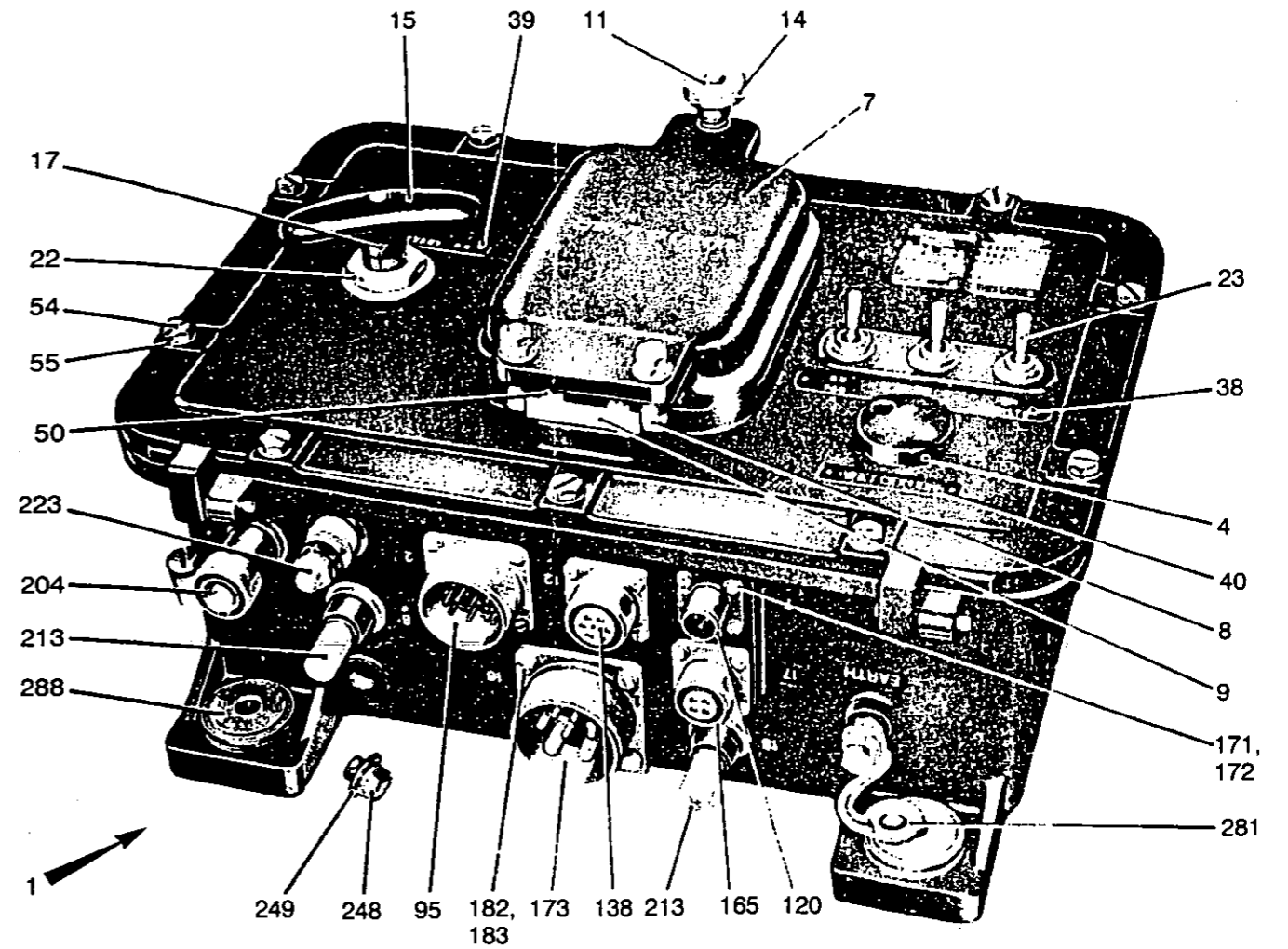
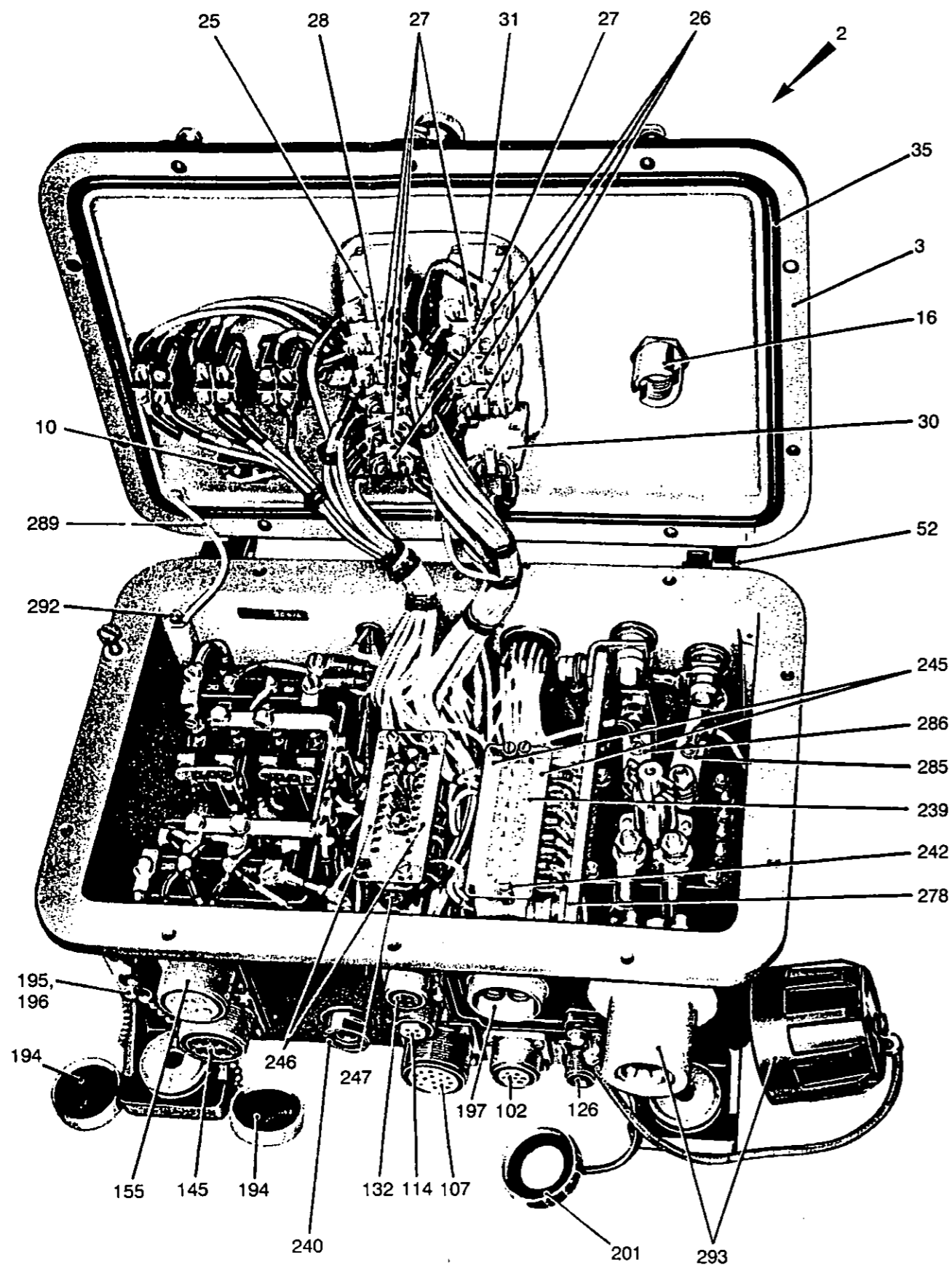


Fig 26 Distribution box

430/70119

Fig Item	Man Code Navy - N Army - A RAF - R	NATO Stock No	Item Name and Description	Part No/ Drawing No.	No. Off	Annotations
26-			ELECTRICAL EQUIPMENT GA - contd . ELECTRICAL EQUIPMENT, HULL, GA - contd . ELECTRICAL EQUIPMENT, INTERNAL - contd			
1	A	9ACR	6110-99-802-4051 . . . DISTRIBUTION BOX, 14-35/64in. lg, 12-1/2in. w, 8-11/32in. deep	FV534891	1	
2	A	46MT4	6110-99-802-4052 . . . COVER, DISTRIBUTION BOX, 14-35/64in. lg, 10-1/16in. w, 3-3/4in. h	FV573597	1	
3		NP COVER, DISTRIBUTION BOX		1	
4	A	46MT4	5355-99-802-4053 KNOB AND SPINDLE ASSEMBLY, Al alloy, press fit type, rd, 1.375in. od, 0.311in. dia shaft, 1.01in. lg	FV573527	1	
NI 5		NP SPINDLE, knurled	FV573516	1	
NI 6		NP KNOB, switch	FV573517	1	
7	A	46MT4	5925-99-802-4054 COVER, CIRCUIT BREAKER, Al alloy, black, 7-3/8in. lg, 4-3/8in. w, 1.00in. h	FV573521	1	
8	A	46MT4	5306-99-820-9994 BOLT, EYE	FV573526	2	
9	A	46MT4	2590-99-820-9993 HINGE	FV573525	1	
10	A	Z32	5930-99-790-0974 SWITCH, micro, 4 circuit, double breaker	M1	1	
11	A	46MT4	5306-99-820-9995 BOLT, EYE	FV573529	2	
NI 12	A	46MT4	5340-99-820-9996 CLEVIS	FV573530	1	
NI 13		NP PIN, spring, 5/32in. dia x 0.5in. lg seloc		1	
14	A	46MT4	5310-99-802-4059 NUT, PLAIN, KNURLED, 19/32in. o/a thk	FV573532	1	
15	A	46MT4	6110-99-802-4055 HANDLE, SWITCH, Al alloy, 3- 1/8in. lg x 15/16in. w x 29/32in. h	FV530689	1	
16	A	46MT4	6110-99-802-4056 SHAFT, st, 0.94in. max dia, 2.73in. o/a lg	FV5306091- 2	1	
17	A	G1	5315-99-971-3177 DOWEL, st, Cd P, 1/8in. dia x 5/8in. lg	30503959/8	1	
NI 18		NP RING, SEALING, TOROIDAL, 0.301in. id x 0.441in. od x 0.070in. dia, 90 deg shore hardness	086 DOWTY	1	
NI 19	A	46MT4	5975-99-802-4060 BUSHING, MACHINE THREAD, br, Cd P, 3/4in. Whit form, hex, wrenching facility, 1.00in. o/a lg	FV530690	1	
NI 20	A	46MT1	5330-99-942-8454 WASHER, SEAL, FLAT, 3/4in. bolt size x 1.06in. od	AGS1186- CC	1	
NI 21	A	46MT4	5365-99-804-1057 SPACER, RING, br, Cd P, 3/4in. id		1	
22		NP NUT, PLAIN, HEXAGON, Whit form, br, double chamfer, 3/4in. -16 tpi, 1/4in. o/a h	BS31	1	
23	A	Z32	5930-99-655-4241 SWITCH, TOGGLE, w/locking ring, washer lock and nut		3	
NI 24	A	46MT1	5300-99-945-4372 RING, SEALING, TOROIDAL, 0.5in. id x 0.625in. od x 0.07in. thk, 81/95 shore hardness		3	Sealing switches
25		NP CIRCUIT BREAKER, 5A	FV394851	1	
26	A	Z32	5925-99-214-2473 CIRCUIT BREAKER, 10A	FV394852	3	
27	A	Z32	5925-99-103-2893 CIRCUIT BREAKER, 15A	FV394854	5	
28	A	Z32	5945-99-900-7655 CIRCUIT BREAKER, 35A	FV395857	1	
NI 29		NP LABEL, circuit breaker, paper	FV573540	1	
30	A	Z32	5925-99-148-7341 CIRCUIT BREAKER, 25A	FV394856	1	
31		NP LEAD, ELECTRICAL, pos	FV573513	1	

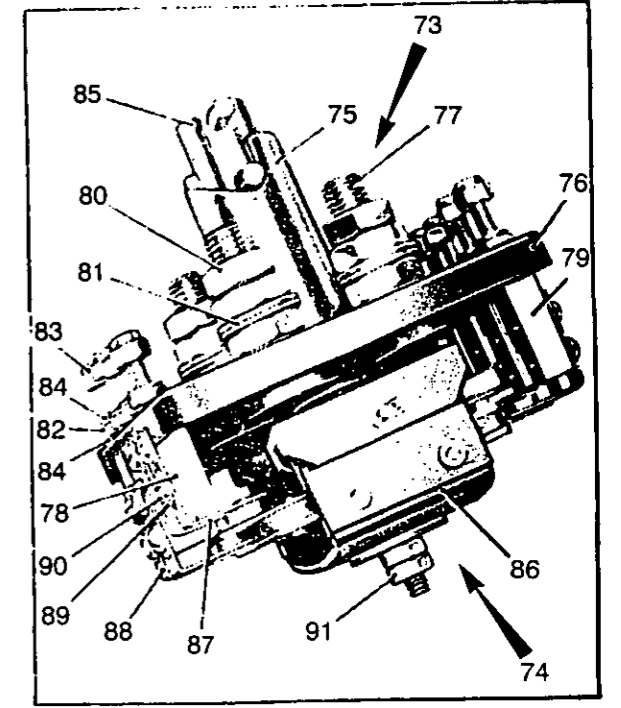
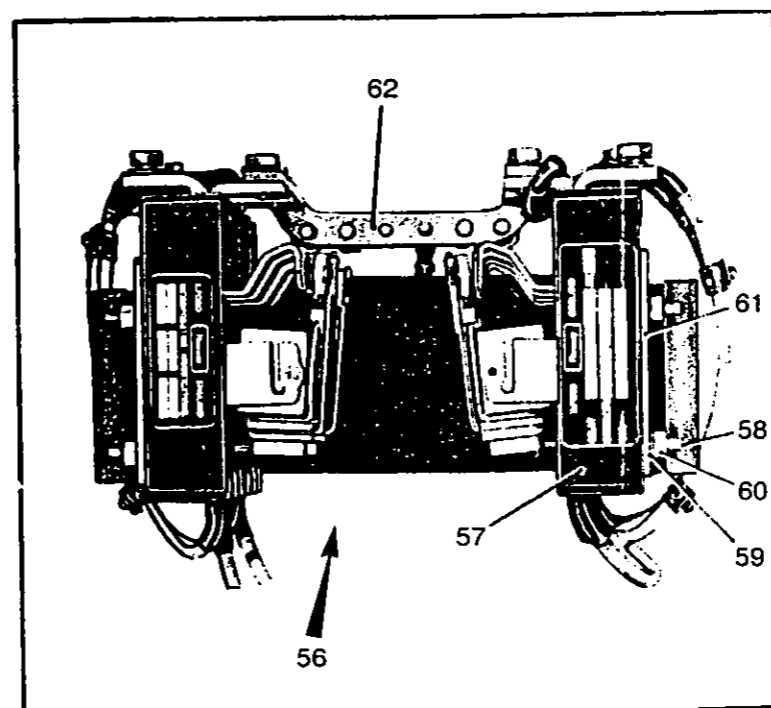
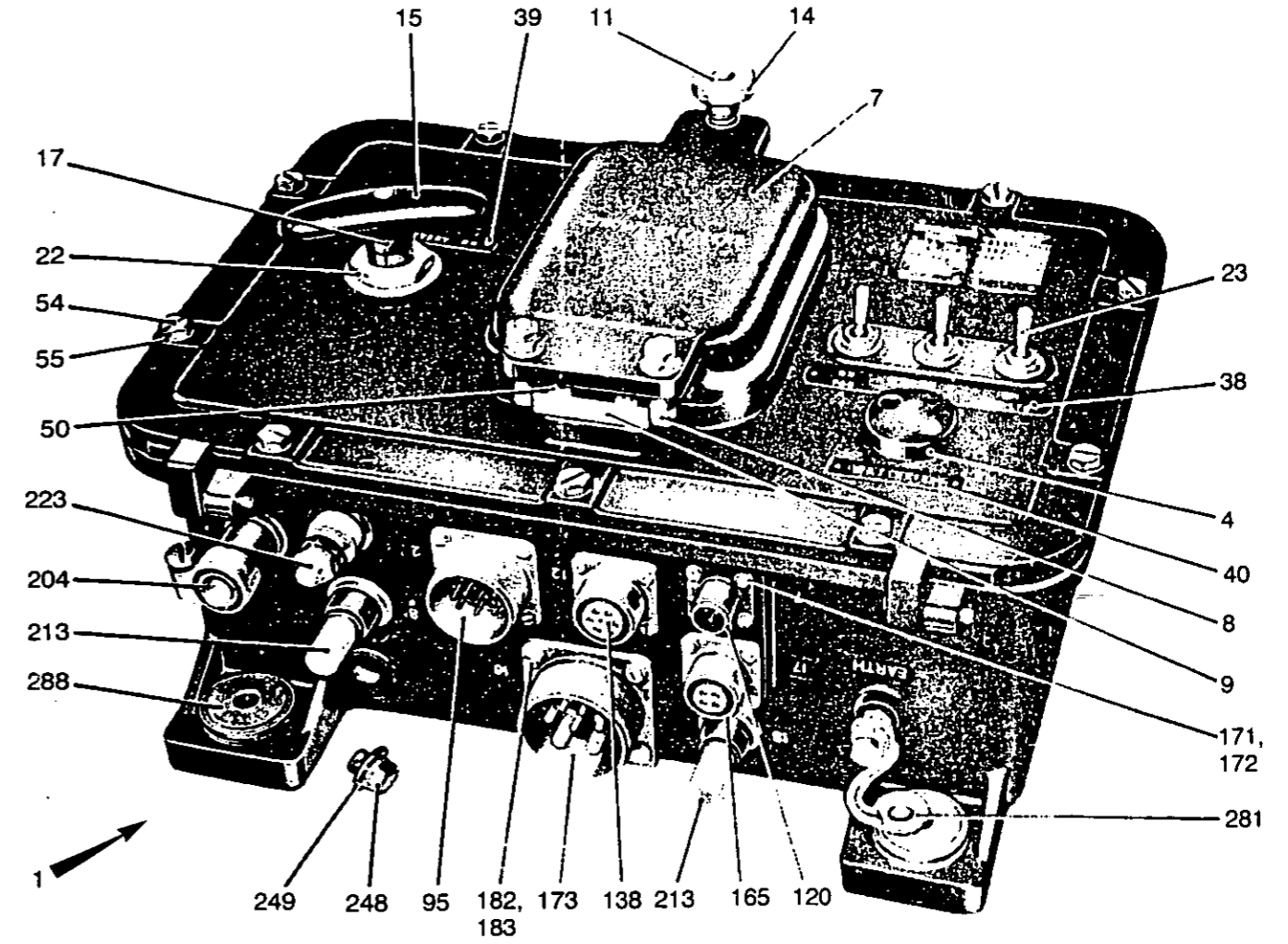
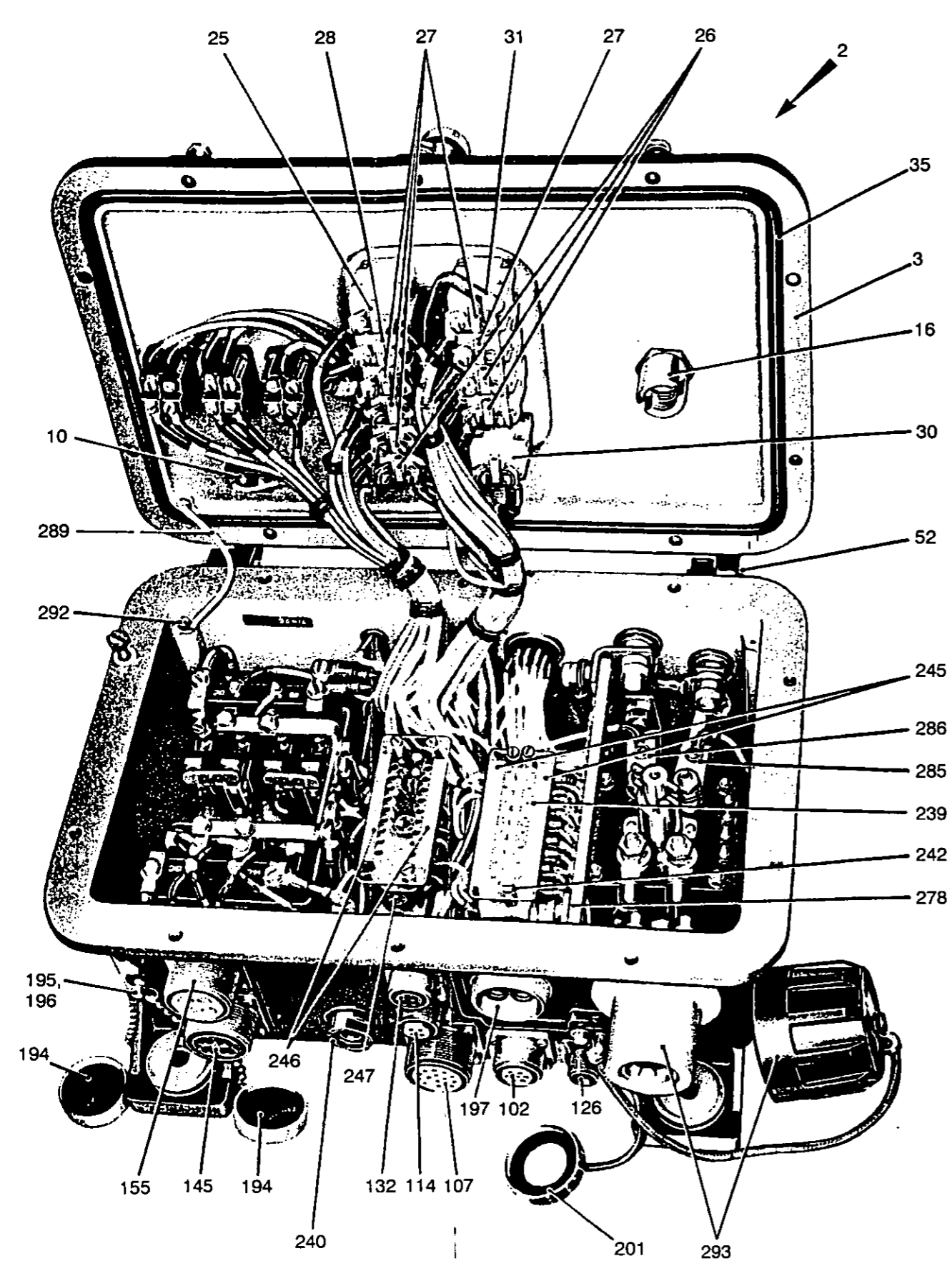


Fig 26 Distribution box

430/70119

Fig Item	Man Code Navy - N Army - A RAF - R	NATO Stock No	Item Name and Description	Part No/ Drawing No.	No. Off	Annotations
26-			ELECTRICAL EQUIPMENT GA - contd . ELECTRICAL EQUIPMENT, HULL, GA - contd . ELECTRICAL EQUIPMENT, INTERNAL - contd . . . DISTRIBUTION BOX - contd COVER, DISTRIBUTION BOX - contd			
NI 32	A Y3	6145-99-945-5074 WIRE, ELECTRICAL, 120/0.012in. tinned copper, braid, blue	E21 UNIPREN50	A/R	
NI 33		NP STRIP, Cu, 3/8in. w x 18 SWG	FV573592	1	
NI 34		NP TERMINAL LUG, br, electro-tinned, 1-5/16in. lg, 3/8in. hole	290/3/8	1	
35	A 46MT1	5330-99-802-4057 RING, SEALING, TOROIDAL, syn ru, 13.080in. id x 0.210in. h	POS2962	1	
NI 36	A 46MT1	5330-99-92-9656 RING, SEALING, TOROIDAL, syn ru, 3/16in. id x 1/16in. h	R2018ML53 91	1	
NI 37	A 46MT1	5330-99-881-8077 RING, SEALING, TOROIDAL, ru, 5.375in. id x 0.139in. h	100-253- 5616	1	
38		NP LABEL, fan and heater	FV573543	1	
39	A 46MT4	9905-99-820-9980 PLATE IDENTIFICATION, battery cut off	FV573542	1	
40		NP LABEL, batteries	FV573518	1	
NI 41		NP SCREW, MACHINE, br, ch hd, 6BA x 3/8in. lg	FV573519	1	
NI 42		NP SCREW, MACHINE, br, ch hd, 8BA x 5/8in. lg		2	Micro-sw
NI 43		NP PUSH ON NUT, st, 0.512in. dia	5105-31	1	
NI 44		NP WASHER, LOCK, st, int flat, Zn P, No. 8 BA		2	Micro-sw
NI 45		NP WASHER, LOCK, st, int flat, No. 6 BA		1	Spindle and knob
NI 46		NP SCREW, MACHINE, cres, hex hd, No. 2 BA x 3/8in. lg		2	} Clevis fixing
NI 47	A G1	5310-99-945-7027 WASHER, LOCK, st, int flat, No. 2 BA		2	
NI 48	A G1	5310-99-941-6627 WASHER, LOCK, st, double coil, 1/4in. id		1	} C B cover fixing
NI 49	A G1	5310-99-120-4032 WASHER, FLAT, st, Zn P, 0.25in. id		1	
50		NP SCREW, MACHINE, st, hex hd, slotted, Cd P, 2BA x 5/8in.		2	} Hinge bar fixing
NI 51	A G1	5310-99-945-7027 WASHER, LOCK, st, int flat, No. 2 BA		2	
52		NP PIN, GROOVED, HEADLESS, st, phos type GP2, 3/16in. x 1-3/8in. lg		1	Reduce to lg
NI 53	A 6MT1	5365-99-120-0556 RING, RETAINING, st, ext, 0.014in. dia	5100-18	1	
54	A 46MT4	5305-99-817-1535 SCREW, CAPTIVE, st, hex hd, slotted, 1/4in. UNF x 3/4in. lg	FV446943	10	
55		NP WASHER, LOCK, shakeproof, 5/16in. id		10	Cover fixing
56	A 9ACR	5945-99-802-3719 RELAY, ASSEMBLY, 4 relays	FV573515	1	
57	A 46MT4	5945-99-821-0672 RELAY, relay B type	7CZ106198	4	
58		NP SCREW, MACHINE, cres, ch hd, 4BA x 13/16in. lg		16	Reduce to 3/4in. lg
59		NP WASHER, LOCK, st, int flat, No. 4 BA		16	} Relay fixing
60		NP NUT, PLAIN, HEXAGON, cres, No. 4 BA		16	

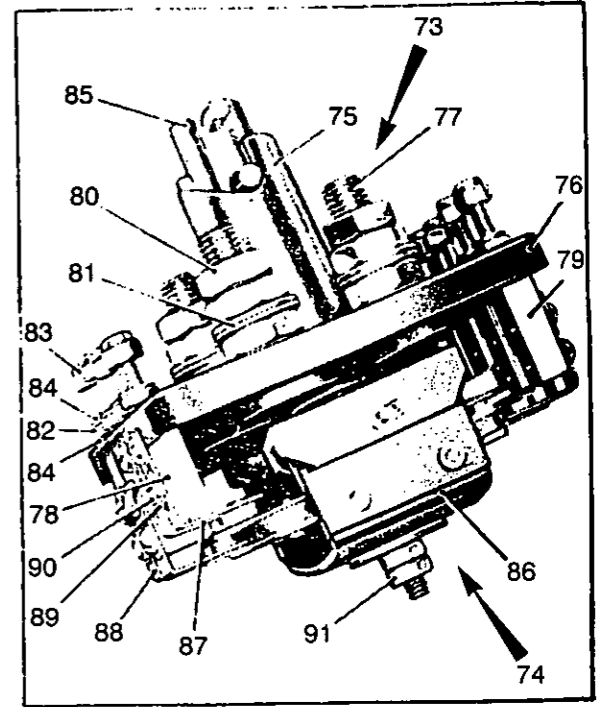
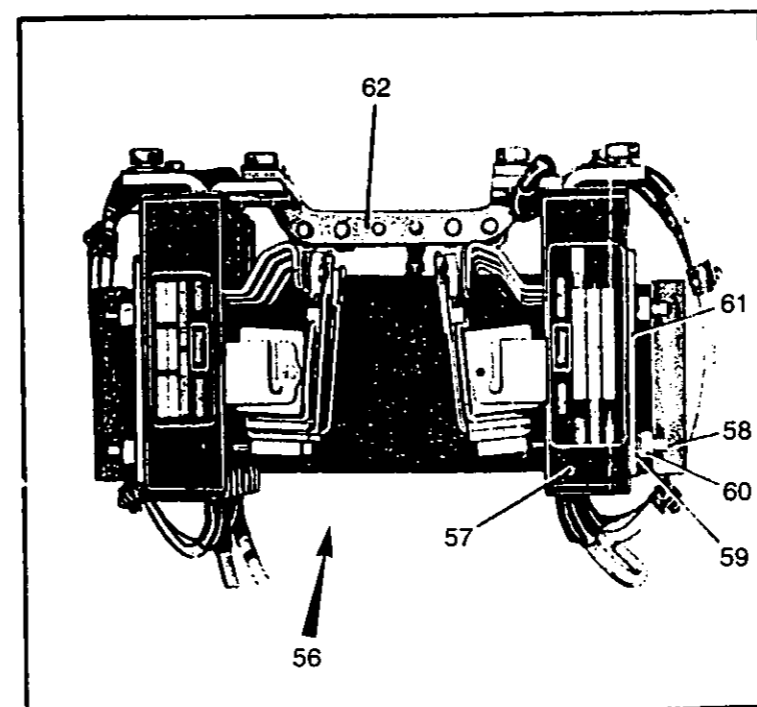
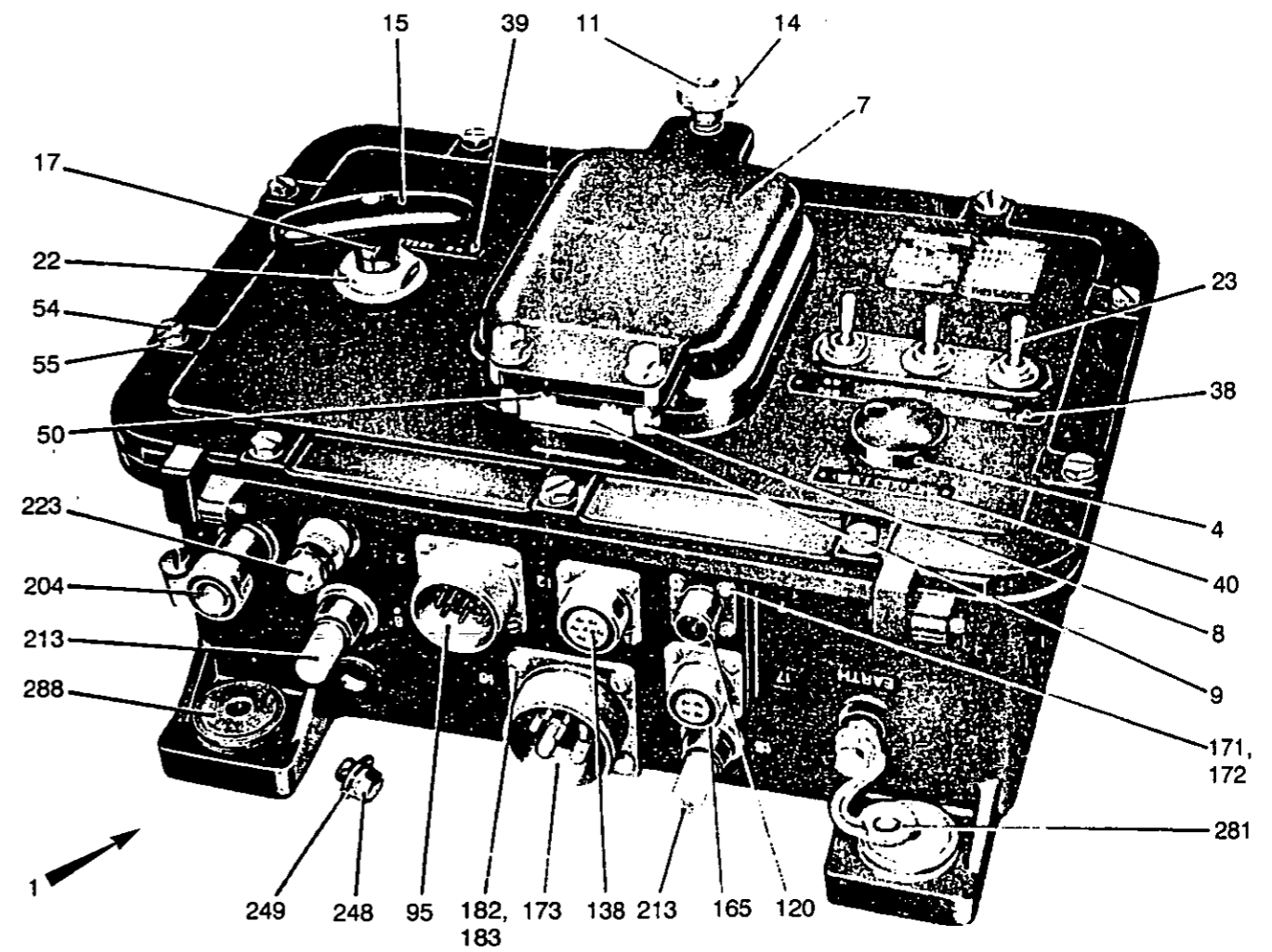
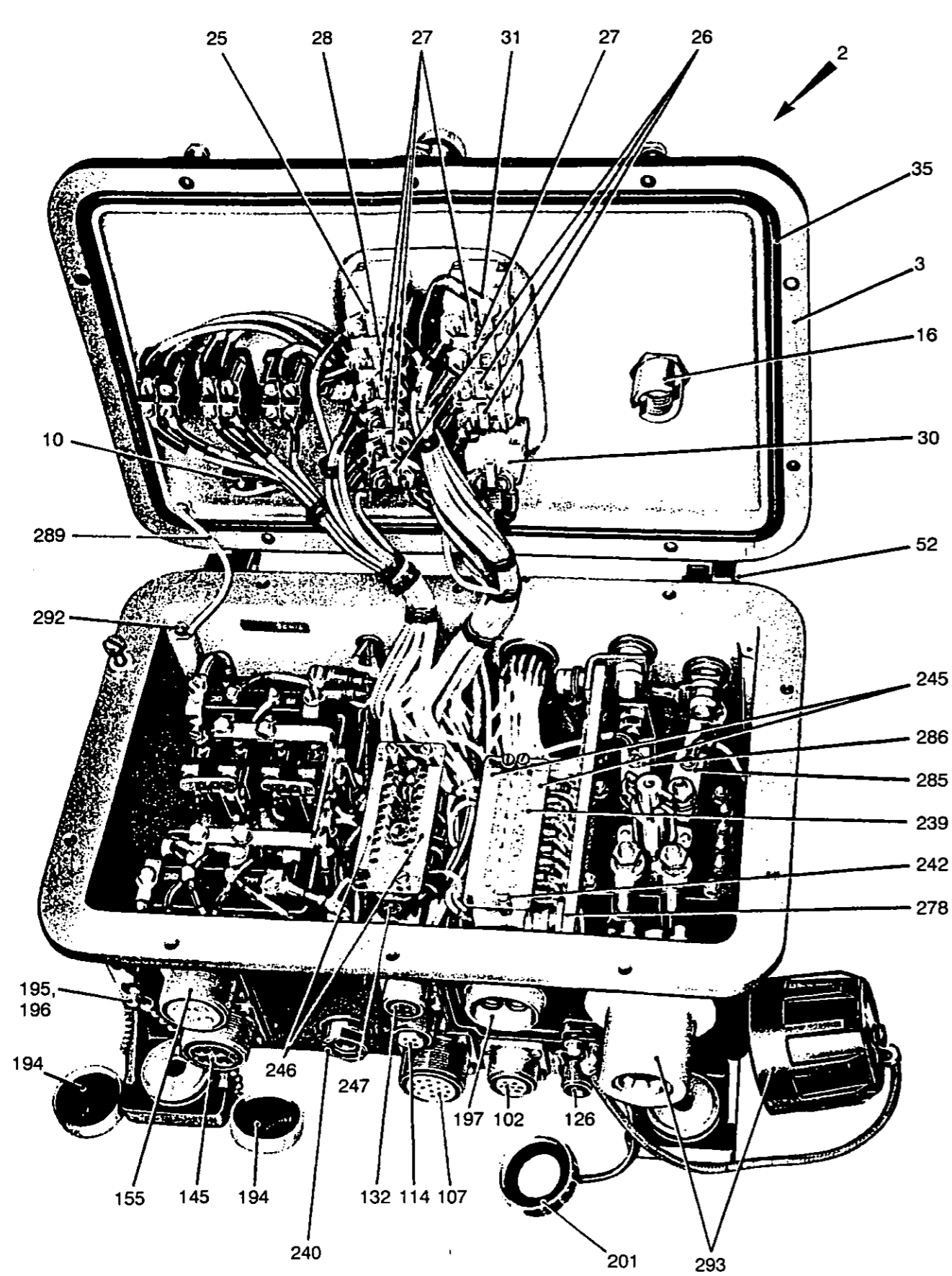


Fig 26 Distribution box

430/70119

Fig Item	Man Code Navy - N Army - A RAF - R	NATO Stock No	Item Name and Description	Part No/ Drawing No.	No. Off	Annotations
26-			ELECTRICAL EQUIPMENT GA - contd . ELECTRICAL EQUIPMENT, HULL, GA - contd . ELECTRICAL EQUIPMENT, INTERNAL - contd . . . DISTRIBUTION BOX - contd RELAY ASSEMBLY - contd			
61		NP BRACKET, relay	FV573514	1	
62		NP BUSBAR, relay	FV573544	1	
NI 63	A 6MT4	5961-99-821-0673 SEMI-CONDUCTOR, DEVICE DIODE	FV573590	3	
NI 64	A Z42	5961-99-118-1454 SEMI-CONDUCTOR, DEVICE DIODE	IN4003	3	
NI 65	A Y3	5940-99-972-7294 TERMINAL LUG, 4BA	340	6	
NI 66		NP SCREW, MACHINE, br, ch hd, No. 6 BA x 1/4in. lg		3	Securing diodes
NI 67		NP WASHER, LOCK, phos B, int flat, No. 6 BA		3	
NI 68	A Y3	9330-99-943-4858 PLASTICS, STRIP, PVC, perforated, 3/32in. dia holes, 1/4in. pitch, 25 yds lg, 5/16in. w, 0.31in. thk	HV3254	A/R	Issue in running yards
NI 69	A Y3	5325-99-943-4856 STUD, NYLON	OP3255	A/R	
NI 70	A G1	5307-99-941-8226 STUD, MACHINE, st, Zn P, 1/4in. UNF x 3.00in. lg		4	Reduce to lg
NI 71		NP NUT, SELF-LOCKING, st, nylon insert, Cd P, 1/4in. UNF		4	} Relay fixing
NI 72	A G1	5310-99-122-3033 WASHER, FLAT, st, Cd P, 0.25in. id	851011	4	
73	A 46MT4	2590-99-881-9391 BATTERY, SWITCH, c/w auxiliary contacts	FV530692	1	
74		NP BASE ASSEMBLY	FV530693	1	
75		NP SWITCH CAM	FV530699	1	
76		NP BASE	FV530698	1	
77		NP CONTACT STUD	FV530768	4	
78		NP STUD, PLAIN, short	FV530769	4	
79		NP STUD, PLAIN, long	FV530770	4	
80	A G1	5310-99-137-2652 NUT, PLAIN, HEXAGON, br, Cd P, 5/16in. UNF		12	
81		NP WASHER, FLAT, br, 5/16in. id		12	
82		NP NUT, PLAIN, HEXAGON, br, lock, 4BA		8	
83		NP NUT, SELF-LOCKING, br, 4BA		8	
84	A Z2	5310-99-120-1873 WASHER, FLAT, br, Cd P, 4BA		16	
85		NP SHAFT ASSEMBLY	FV530694	1	
86	A 46MT4	5999-99-821-0684 CONTACT ASSEMBLY, ELECTRICAL	FV530695	1	
87		NP CONTACT AND SPRING, lower	FV530696	4	
88		NP CONTACT AND SPRING, upper	FV530697	4	
89		NP WASHER, LOCK, phos B, int flat, No. 6 BA		16	
90		NP SCREW, MACHINE, br, rd, 6BA x 1/4in. lg		16	
91	A G1	5310-99-912-9528 NUT, PLAIN, HEXAGON, br, lock, tin pl, 2BA	A54-C	2	
NI 92		NP PILLAR, battery switch	FV573533	4	} Battery sw fixing
NI 93		NP NUT, SELF-LOCKING, steel, No. 2 BA		4	
NI 94	A Z2	5310-99-947-1268 WASHER, FLAT, st, rd, Cd P, 2BA	W7003	4	

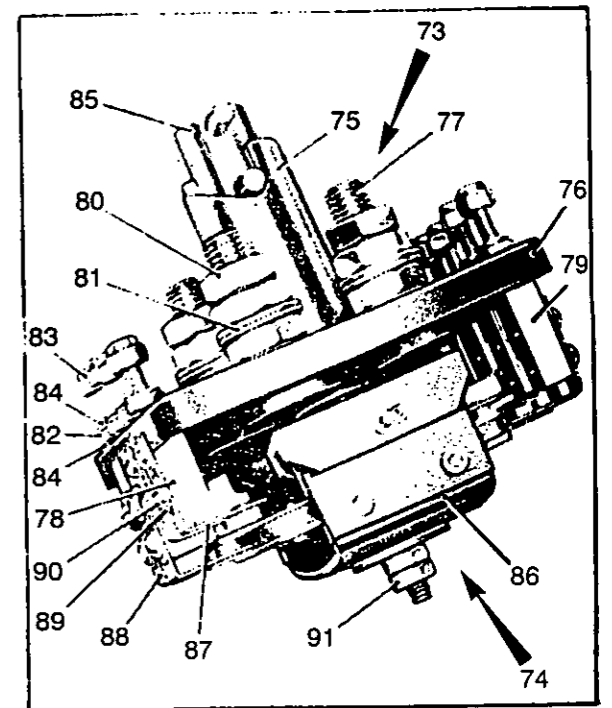
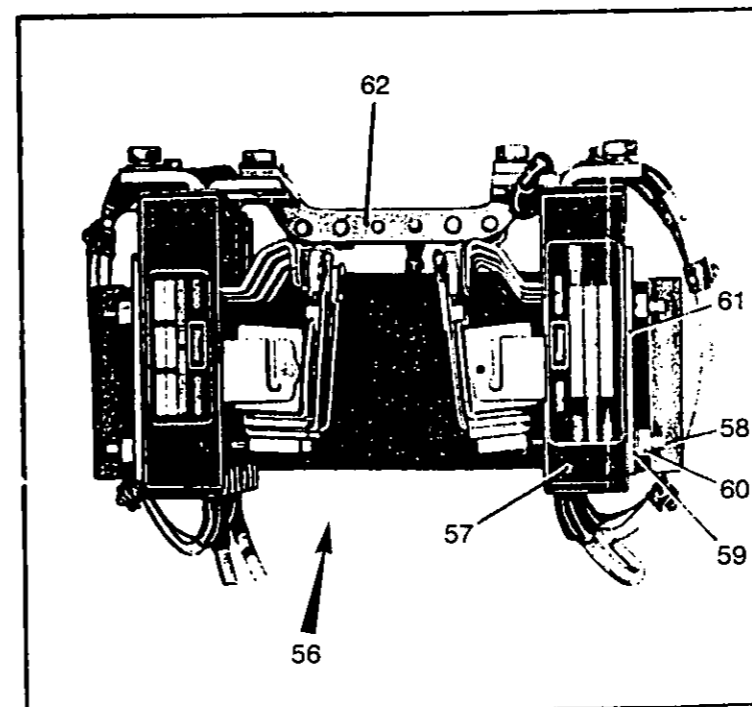
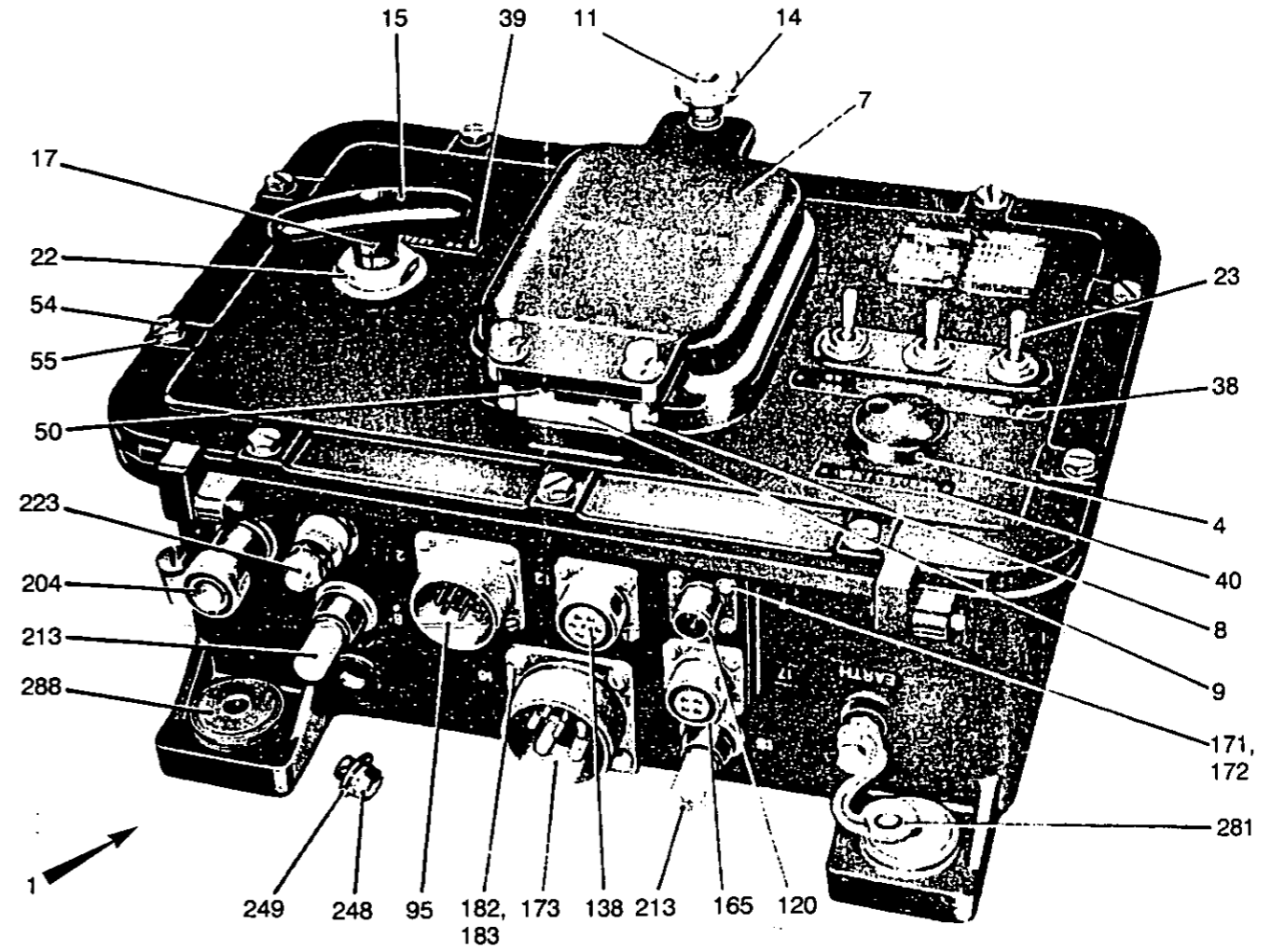
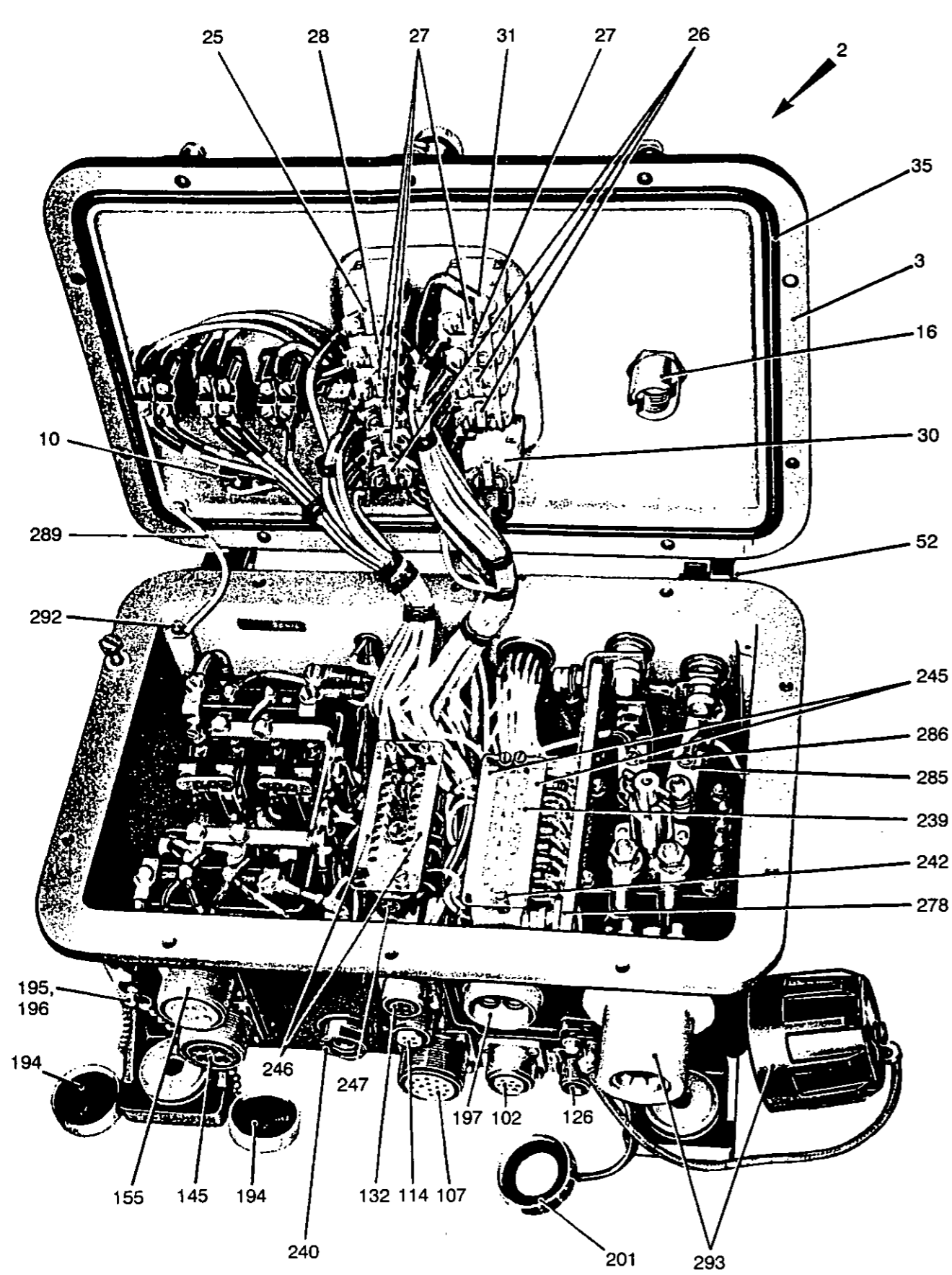


Fig 26 Distribution box

430/70119

Fig Item	Man Code Navy - N Army - A RAF - R	NATO Stock No	Item Name and Description	Part No/ Drawing No.	No. Off	Annotations
26-			ELECTRICAL EQUIPMENT GA - contd . ELECTRICAL EQUIPMENT, HULL, GA - contd . ELECTRICAL EQUIPMENT, INTERNAL - contd . . . DISTRIBUTION BOX - contd			
95		NP	. . . PLUG, ELECTRICAL, assy	FV573547	1	No. 2
NI 96	A Z32	5935-99-620-3314 CONNECTOR, RECEPTACLE, ELECTRICAL, fixed, 10SL-3P	FV585001	1	
NI 97	A Y3	6145-99-943-4824 CABLE, ELECTRICAL, single conductor, 40/0.0076, 0.13in. dia, glass braid, polychloroprene insulated	UNIPREN12	A/R	
NI 98	A 46MT4	5970-99-881-6194 SLEEVE, Helsyn H20 x 3/4in. lg black	H20	20	
NI 99	A 9MCV	5940-99-832-9440 TERMINAL LUG, solderless, slotted, 16 AWG	32561	A/R	
NI 100		NP TERMINAL LUG, 2BA	251/2BA	2	
NI 101	A Z37	5940-99-651-7613 TERMINAL LUG, 6BA	215014	4	
102		NP SOCKET, ELECTRICAL, assy	FV573548	1	No. 3
NI 103	A 46MT4	5935-99-881-9666 SOCKET, fixed, 16S-1S	FV585014	1	
NI 104	A Y3	6145-99-943-4824 CABLE, ELECTRICAL, single conductor, 40/0.0076, 0.13in. dia, glass braid, polychloroprene insulated	UNIPREN12	A/R	
NI 105	A 46MT4	5970-99-881-6194 SLEEVE, Helsyn H20 x 3/4in. lg black	H20	5	
NI 106	A 9MCV	5940-99-832-9440 TERMINAL LUG, solderless, slotted, 16 AWG	32561	A/R	
NI 107		NP SOCKET, ELECTRICAL, assy	FV573549	1	No. 4
NI 108	A 46MT4	5935-99-881-9667 CONNECTOR, FIXED, ELECTRICAL, fixed, 22-19S	FV585022	1	
NI 109	A Y3	6145-99-943-4824 CABLE, ELECTRICAL, single conductor, 40/0.0076, 0.13in. dia, glass braid, polychloroprene insulated	UNIPREN12	A/R	
NI 110	A 46MT4	5970-99-881-6194 SLEEVE, Helsyn H20 x 3/4in. lg black	H20	20	
NI 111	A 9MCV	5940-99-832-9440 TERMINAL LUG, solderless, slotted, 16 AWG	32561	A/R	
NI 112		NP TERMINAL LUG, 2BA	251/2BA	2	
NI 113	A Z37	5940-99-651-7613 TERMINAL LUG, 6BA	215014	4	
114		NP SOCKET, ELECTRICAL, assy	FV573550	1	No. 6
NI 115	A 46MT4	5935-99-800-9949 CONNECTOR, FIXED, ELECTRICAL, fixed, 14S-5S	FV585006	1	
NI 116	A Y3	6145-99-943-4824 CABLE, ELECTRICAL, single conductor, 40/0.0076, 0.13in. dia, glass braid, polychloroprene insulated	UNIPREN12	A/R	
NI 117	A 46MT4	5970-99-881-6194 SLEEVE, Helsyn H20 x 3/4in. lg black	H20	4	
NI 118		NP TERMINAL LUG, 4BA	217	1	
NI 119		NP TERMINAL LUG, 4BA	17A	1	
120		NP	. . . PLUG, ELECTRICAL, assy	FV573580	1	No. 7
NI 121	A Z32	5935-99-620-3314 CONNECTOR, RECEPTACLE, ELECTRICAL, fixed, 10SL-3P	FV585001	1	
NI 122	A Y3	6145-99-943-4824 CABLE, ELECTRICAL, single conductor, 40/0.0076, 0.13in. dia, glass braid, polychloroprene insulated	UNIPREN12	A/R	

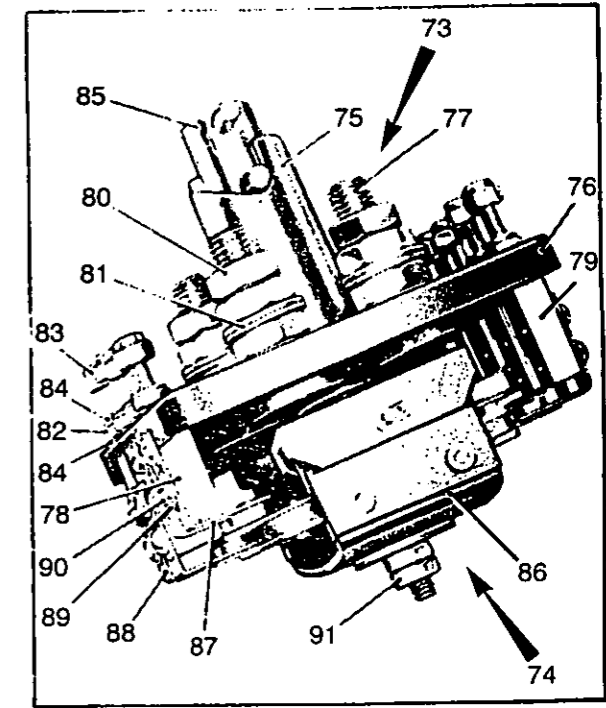
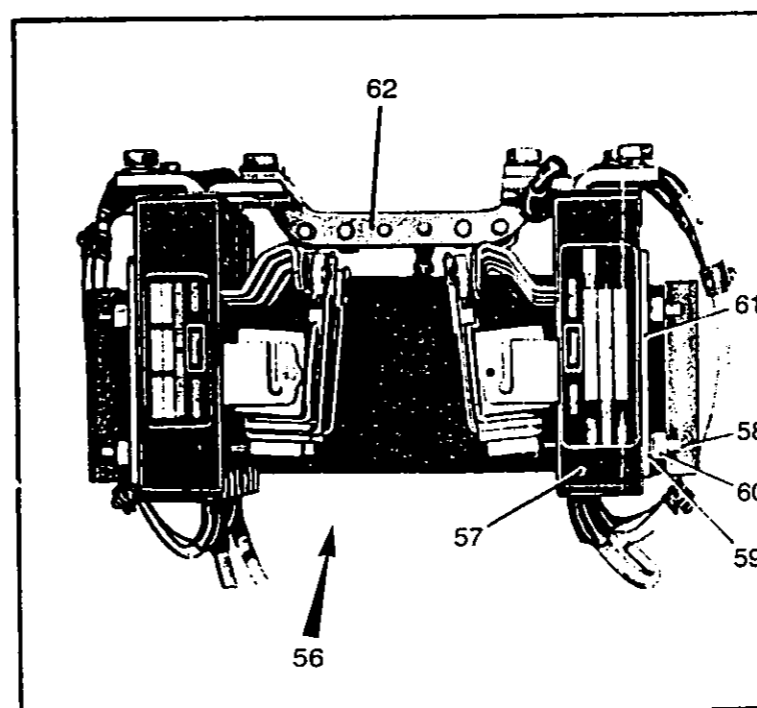
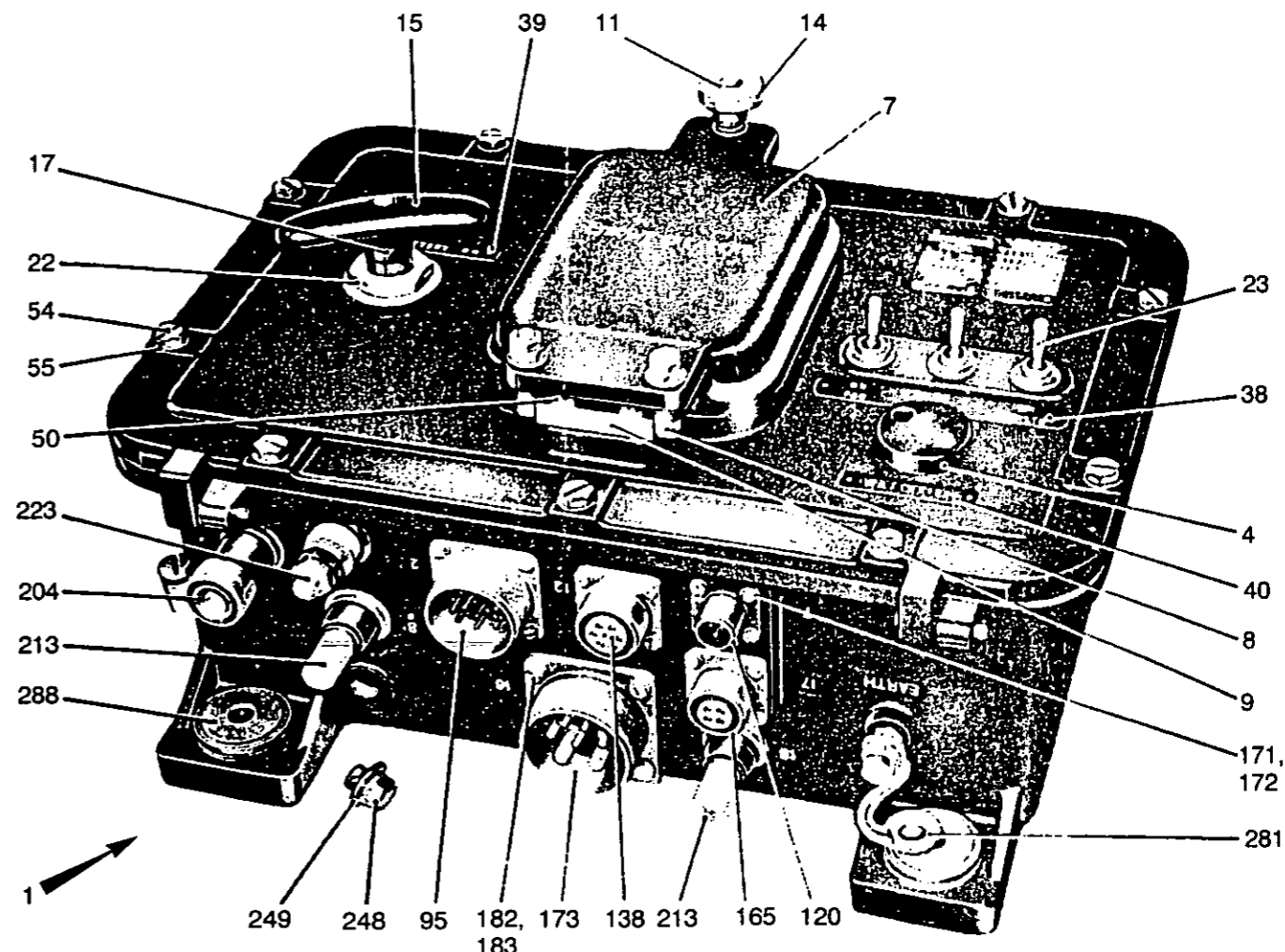
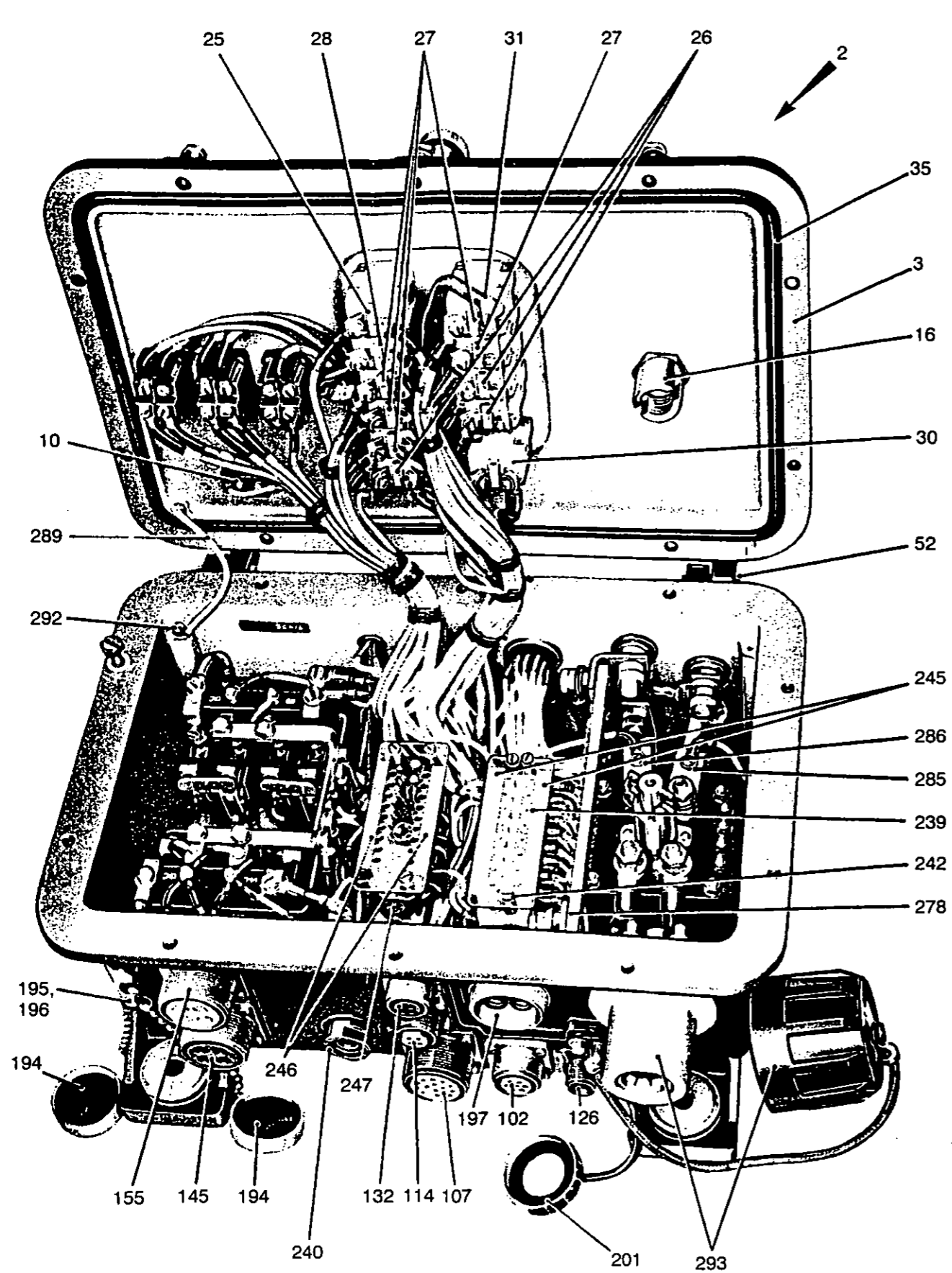


Fig 26 Distribution box

430/70119

Fig Item	Man Code Navy - N Army - A RAAF - R	NATO Stock No	Item Name and Description	Part No/ Drawing No.	No. Off	Annotations
26-			ELECTRICAL EQUIPMENT GA - contd . ELECTRICAL EQUIPMENT, HULL, GA - contd . ELECTRICAL EQUIPMENT, INTERNAL - contd . . . DISTRIBUTION BOX - contd PLUG, ELECTRICAL - contd			
NI 123	A 46MT4	5970-99-881-6194 SLEEVE, Helsyn H20 x 3/4in. lg black	H20	20	
NI 124	A 9MCV	5940-99-832-9440 TERMINAL LUG, solderless, slotted, 16 AWG	32561	A/R	
NI 125		NP TERMINAL LUG, 2BA	251/2BA	2	
126		NP PLUG, ELECTRICAL, assy	FV573581	1	No. 9
NI 127	A 46MT4	5935-99-800-9966 PLUG, ELECTRICAL, fixed, 10SL- 4P	FV585002	1	
NI 128	A Y3	6145-99-943-4824 CABLE, ELECTRICAL, single conductor, 40/0.0076, 0.13in. dia, glass braid, polychloroprene insulated	UNIPREN12	A/R	
NI 129	A 46MT4	5970-99-881-6194 SLEEVE, Helsyn H20 x 3/4in. lg black	H20	4	
NI 130		NP TERMINAL LUG, 2BA	251/2BA	1	
NI 131	A Z37	5940-99-651-7613 TERMINAL LUG, 6BA	215014	1	
132		NP SOCKET, ELECTRICAL, assy	FV573582	1	No. 10
NI 133	A 46MT4	5935-99-800-9967 CONNECTOR, FIXED, ELECTRICAL, fixed, 14S-2S	FV585004	1	
NI 134	A Y3	6145-99-943-4824 CABLE, ELECTRICAL, single conductor, 40/0.0076, 0.13in. dia, glass braid, polychloroprene insulated	UNIPREN12	A/R	
NI 135	A 46MT4	5970-99-881-6194 SLEEVE, Helsyn H20 x 3/4in. lg black	H20	4	
NI 136		NP TERMINAL LUG, 4BA	17A	1	
NI 137	A Z37	5940-99-943-8569 TERMINAL LUG, 2BA	347-90	1	
138		NP SOCKET, ELECTRICAL, assy	FV573583	1	No. 12
NI 139	A 46MT4	5935-99-881-9666 SOCKET, ELECTRICAL, fixed, 16S-1S	FV585014	1	
NI 140	A Y3	6145-99-943-4824 CABLE, ELECTRICAL, single conductor, 40/0.0076, 0.13in. dia, glass braid, polychloroprene insulated	UNIPREN12	A/R	
NI 141	A 46MT4	5970-99-881-6194 SLEEVE, Helsyn H20 x 3/4in. lg black	H20	A/R	
NI 142	A 9MCV	5940-99-832-9440 TERMINAL LUG, solderless, slotted, 16 AWG	32561	2	
NI 143		NP TERMINAL LUG, 2BA	251/2BA	1	
NI 144	A Z37	5940-99-651-7613 TERMINAL LUG, 6BA	215014	1	
145		NP SOCKET, ELECTRICAL, assy	FV573584	1	No. 13
NI 146	A 46MT4	5935-99-800-9927 SOCKET, ELECTRICAL, fixed, 22- 22S	FV585024	1	
NI 147	A Y3	6145-99-943-4824 CABLE, ELECTRICAL, single conductor, 40/0.0076, 0.13in. dia, glass braid, polychloroprene insulated	UNIPREN12	A/R	
NI 148	A Y3	6145-99-945-5074 WIRE, ELECTRICAL, 120/0.012in. tinned copper, braid blue	E21 UNIPREN50	A/R	
NI 149	A 46MT4	5970-99-881-6194 SLEEVE, Helsyn H20 x 3/4in. lg black	H20	3	
NI 150	A Z37	5940-99-950-6263 TERMINAL LUG, 3/16in.	FV686854	1	

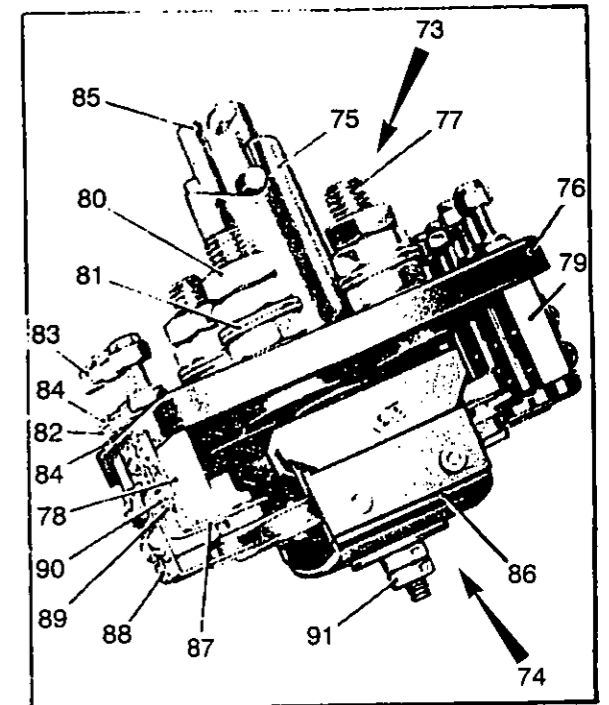
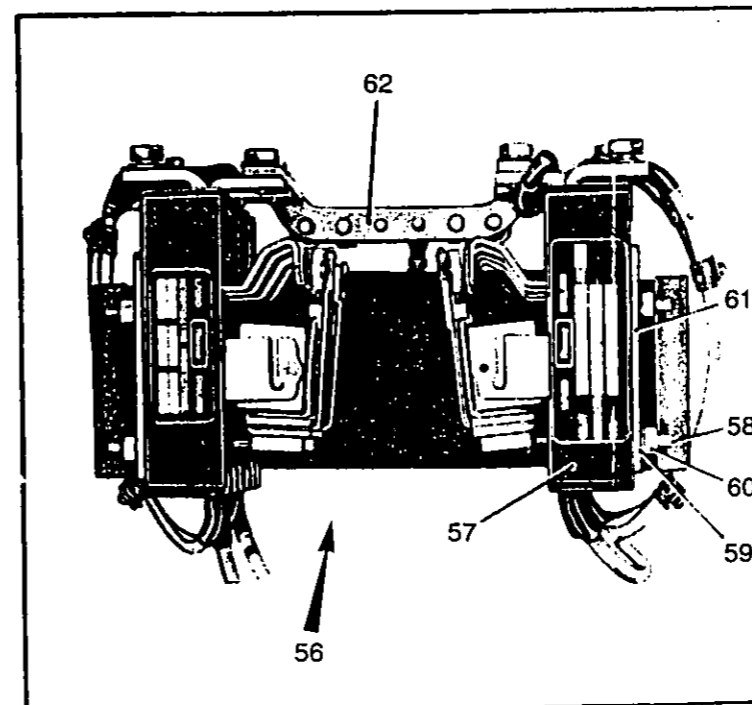
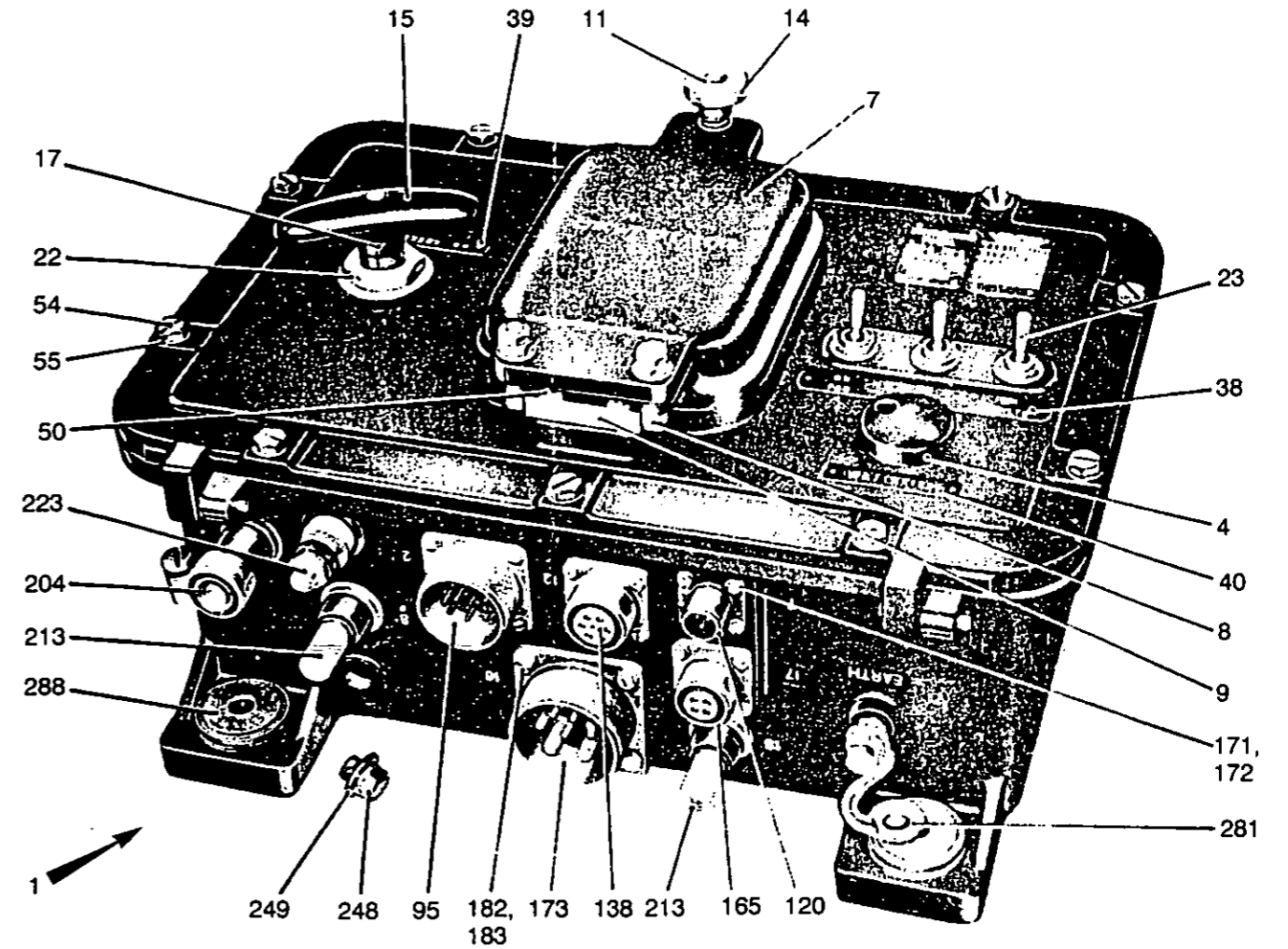
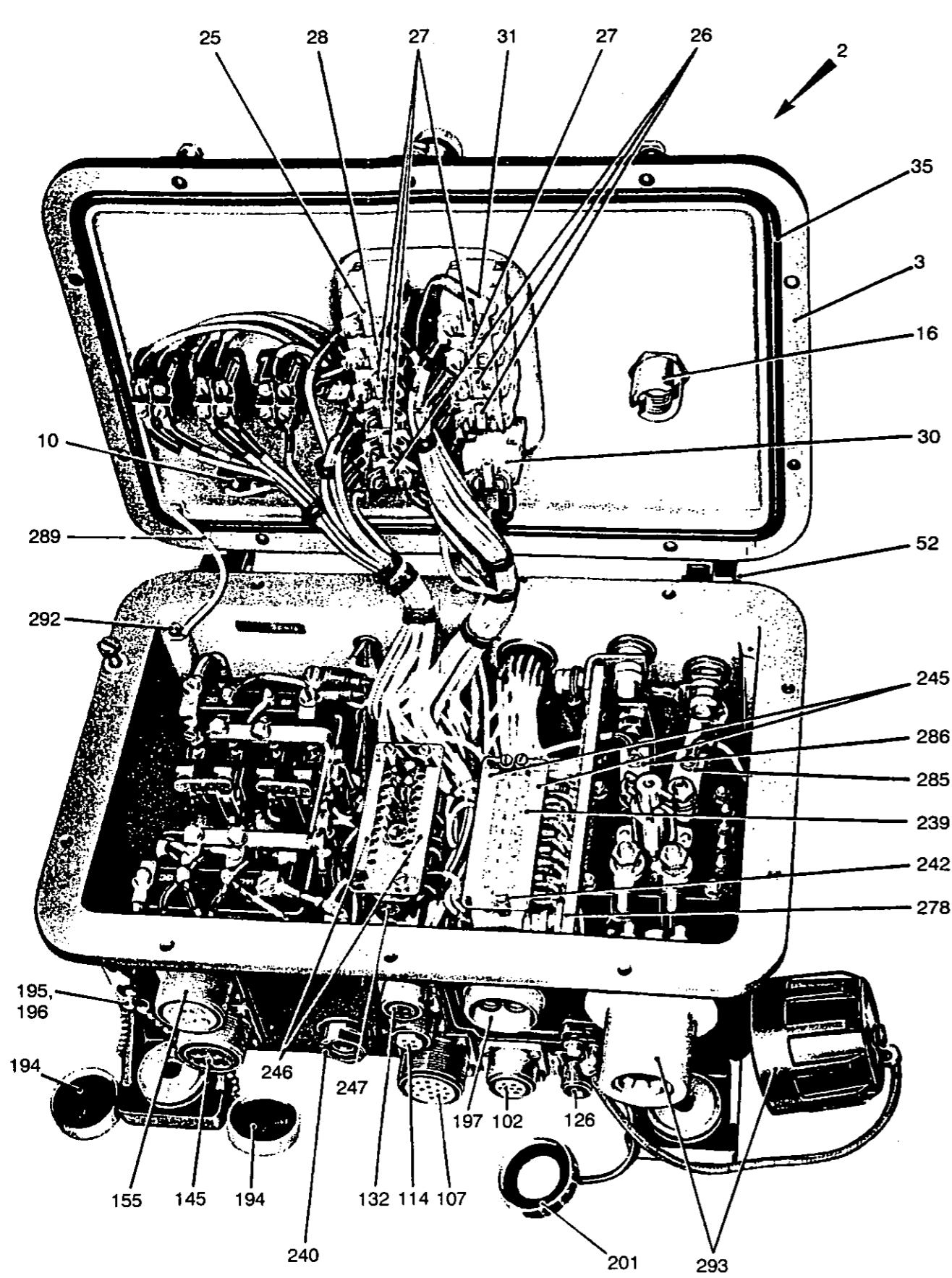


Fig 26 Distribution box

430/70119

Fig Item	Man Code Navy - N Army - A RA/F - R	NATO Stock No	Item Name and Description	Part No/ Drawing No.	No. Off	Annotations
26-			ELECTRICAL EQUIPMENT GA - contd . ELECTRICAL EQUIPMENT, HULL, GA - contd . ELECTRICAL EQUIPMENT, INTERNAL - contd . . DISTRIBUTION BOX - contd . . . SOCKET, ELECTRICAL - contd			
NI 151	A Z37	5940-01-251-6054 TERMINAL LUG, straight, 1/4in.	2901/4	1	
NI 152	A Z37	5940-99-651-7613 TERMINAL LUG, 6BA	215014	1	
NI 153	A 9MVCV	5940-99-832-9440 TERMINAL LUG, solderless, 16 AWG	32561	1	
NI 154		NP BUSHING, SLEEVE, br, 0.076in. id x 0.187in. od x 0.312in. o/a lg	FV590492	1	
155		NP SOCKET, ELECTRICAL, assy	FV573585	1	No. 14
NI 156	A 46MT4	5935-99-800-9927 SOCKET, ELECTRICAL, fixed, 22- 22S	FV585024	1	
NI 157	A Y3	6145-99-943-4824 CABLE, ELECTRICAL, single conductor, 40/0.0076, 0.13in. dia, glass braid, polychloroprene insulated	UNIPREN12	A/R	
NI 158	A Y3	6145-99-945-5074 WIRE, ELECTRICAL, 120/0.012in. tinned copper, braid blue	E21 UNIPREN50	A/R	
NI 159	A 46MT4	5970-99-881-6194 SLEEVE, Helsyn H20 x 3/4in. lg black	H20	3	
NI 160	A Z37	5940-99-950-6263 TERMINAL LUG, 3/16in.	FV686854	1	
NI 161	A Z37	5940-01-251-6054 TERMINAL LUG, straight, 1/4in.	2901/4	1	
NI 162	A Z37	5940-99-651-7613 TERMINAL LUG, 6BA	215014	1	
NI 163	A 9MVCV	5940-99-832-9440 TERMINAL LUG, solderless, 16 AWG	32561	1	
NI 164		NP BUSHING, SLEEVE, br, 0.076in. id x 0.187in. od x 0.312in. o/a lg	FV590492	1	
165	A 46MT4	 SOCKET, ELECTRICAL, assy	FV573587	1	No. 17
NI 166	A 6MT4	5935-99-800-9967 CONNECTOR, FIXED, ELECTRICAL, fixed, 14S-2S	FV585004	1	
NI 167	A Y3	6145-99-943-4824 CABLE, ELECTRICAL, single conductor, 40/0.0076, 0.13in. dia, glass braid, polychloroprene insulated	UNIPREN12	A/R	
NI 168	A 46MT4	5970-99-881-6194 SLEEVE, Helsyn H20 x 3/4in. lg black	H20	4	
NI 169		NP TERMINAL LUG, 4BA	17A	1	
NI 170	A Z37	5940-99-943-8569 TERMINAL LUG, 2BA	347-90	1	
171	A Z2	5305-99-941-6729 SCREW, MACHINE, st, hex hd, slotted, Cd P, 6BA x 3/8in. lg		44	
172		NP WASHER, LOCK, shakeproof, int type 12, 6BA		44	
173		NP PLUG, ELECTRICAL, assy	FV573586	1	No. 16
NI 174	A 46MT4	5935-99-800-9950 PLUG, ELECTRICAL, fixed 28-10p	FV585029	1	
NI 175	A Y3	6145-99-943-4824 CABLE, ELECTRICAL, single conductor, 40/0.0076, 0.13in. dia, glass braid, polychloroprene insulated	UNIPREN12	A/R	
NI 176	A Y3	6145-99-945-5074 WIRE, ELECTRICAL, 120/0.012IN. tinned copper, braid, blue	E21 UNIPREN50	A/R	
NI 177	A 46MT4	5970-99-881-6194 SLEEVE, Helsyn H20 x 3/4in. lg black	H20	1	
NI 178	A Z37	5940-01-251-6054 TERMINAL LUG, straight, 1/4in.	2901/4	2	
NI 179	A Z37	5940-99-950-6263 TERMINAL LUG, 3/16in.	FV686854	2	

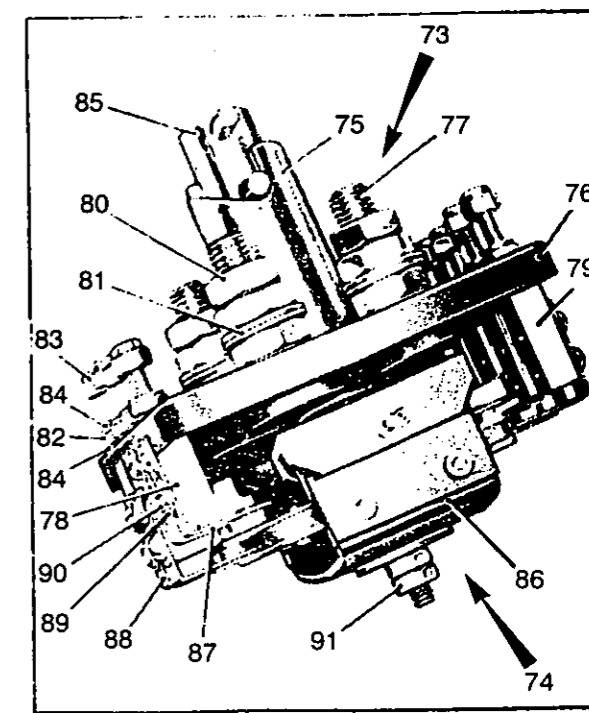
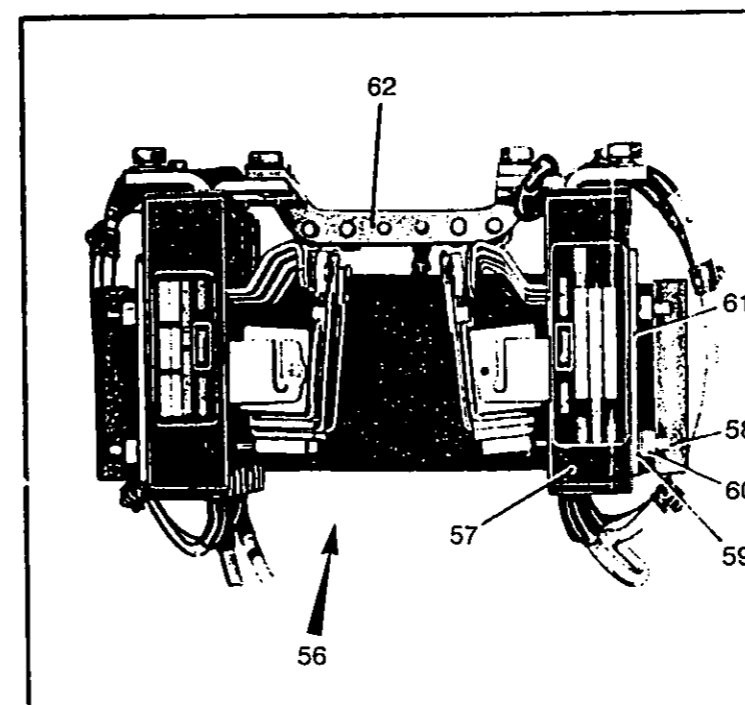
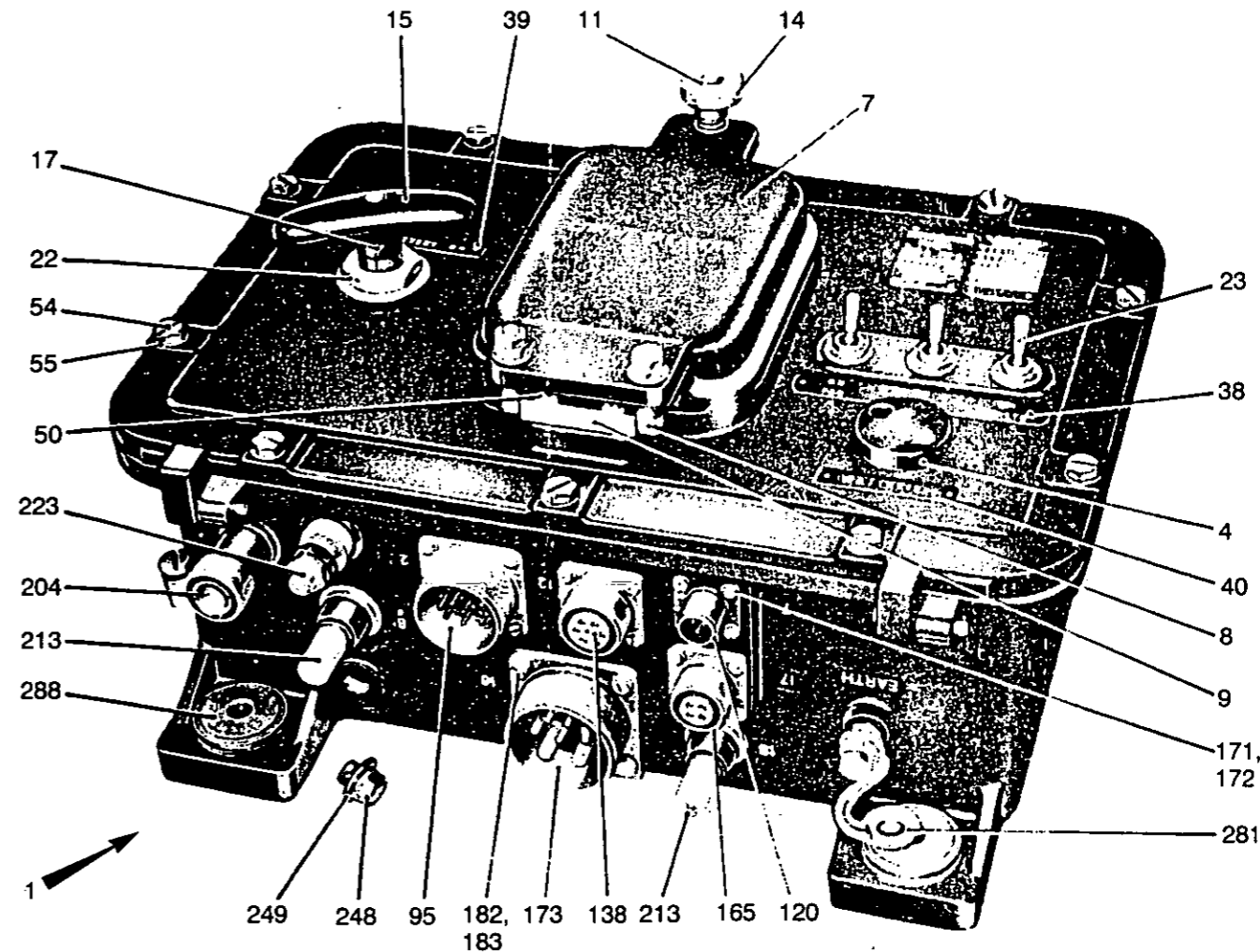
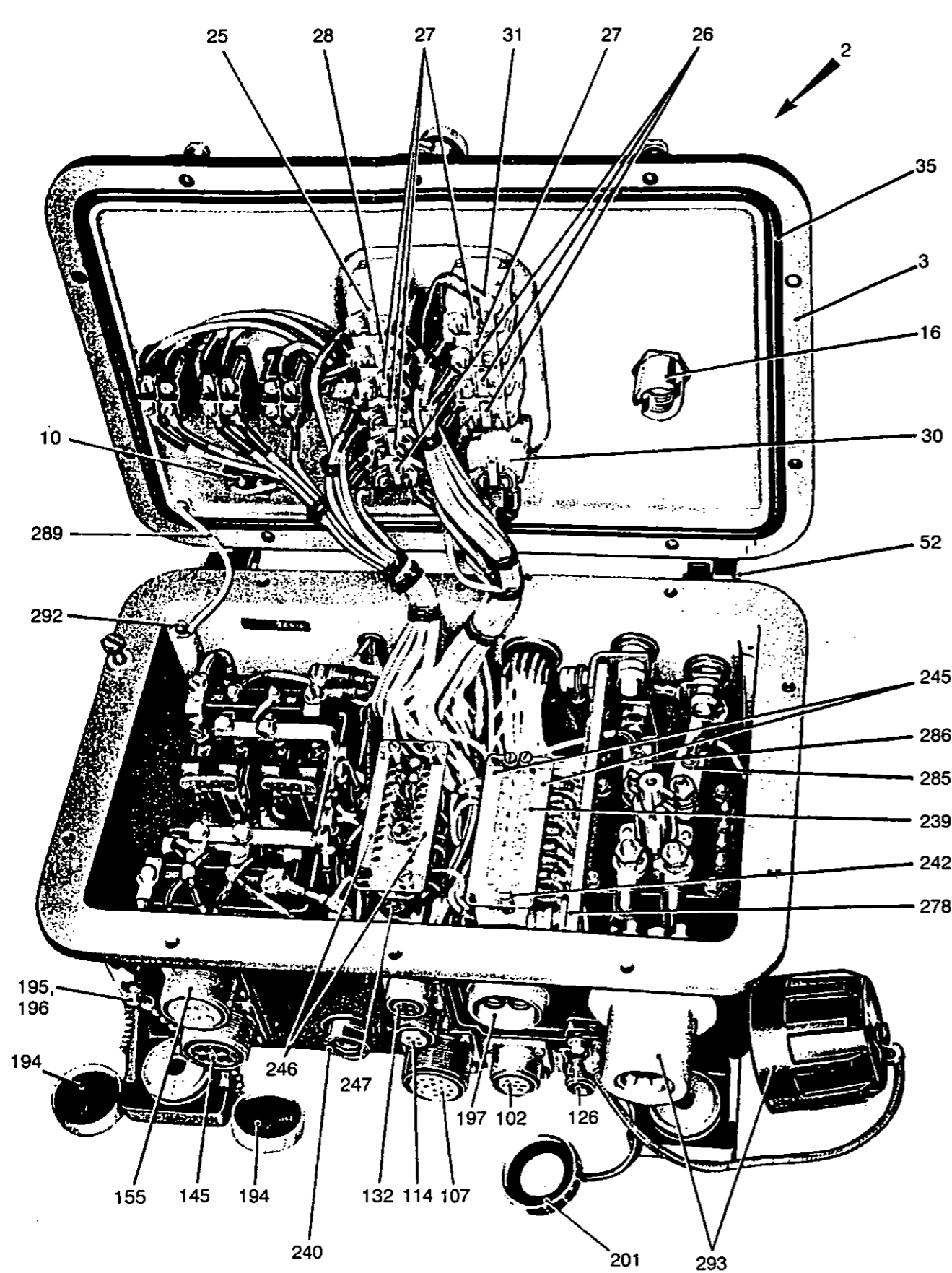


Fig 26 Distribution box

430/70119

Fig Item	Man Code Navy - N Army - A RA/F - R	NATO Stock No	Item Name and Description	Part No/ Drawing No.	No. Off	Annotations
26-			ELECTRICAL EQUIPMENT GA - contd . ELECTRICAL EQUIPMENT, HULL, GA - contd . ELECTRICAL EQUIPMENT, INTERNAL - contd . . . DISTRIBUTION BOX - contd PLUG, ELECTRICAL - contd			
NI 180	A 9MCV	5940-99-832-9440 TERMINAL LUG, solderless, 16 AWG	32561	1	
NI 181		NP BUSHING, SLEEVE, br, 0.076in. id x 0.187in. od x 0.312in. o/a lg	FV590492	1	
182	A 46MT4	5305-99-941-6718 SCREW, MACHINE, st, hex hd, slotted, Cd P, 4BA x 3/8in. lg		4	} Plug fixing
183		NP WASHER, LOCK, shakeproof, int type 12, 4BA		4	
NI 184	A 6MT1	5330-99-944-0045 RING, SEALING, TOROIDAL, ru, 3/4in. id, 1/16in. h, 84-85 deg hardness	100-018- 1911	2	Shell size 10S
NI 185	A 46MT1	5330-99-970-0241 RING, SEALING, TOROIDAL, ru, 7/8in. id, 1/16in. h, 84-85 deg hardness	100-020- 1911	2	Shell size 14S
NI 186	A 6MT1	5330-99-945-5494 RING, SEALING, TOROIDAL, ru, 1.00in. id, 1.425in. od, 0.070in. od, 84-85 deg hardness	100-022- 1911	2	Shell size 16S
NI 187	A 46MT1	5330-99-943-9586 RING, SEALING, TOROIDAL, ru, 1- 3/8in. x 1-1/2in. x 1/16in., 84-85 deg hardness	100-028- 1911	4	Shell size 16
NI 188		NP RING, SEALING, TOROIDAL, ru, 1- 3/4in. id, 1-7/8in. od, 0.070in. od, 84- 85 deg hardness	List 5 No. 21	1	Shell size 26
NI 189	A Z32	5935-99-102-9579 COVER, ELECTRICAL, CONNECTOR, connector protection	010-70500- 10	2	Shell size 10SL
NI 190	A 46MT4	5935-99-881-5797 COVER, ELECTRICAL, CONNECTOR, connector protection	010-70500- 14	3	Shell size 14S
NI 191	A 46MT4	5935-99-881-5798 COVER, ELECTRICAL, CONNECTOR, connector protection	010-70500- 16	2	Shell size 16S
NI 192	A 46MT4	5935-99-881-4410 CAP, BLANKING	010-70500- 22	2	Shell size 22
NI 193	A 46MT4	5935-99-881-5799 COVER, ELECTRICAL, CONNECTOR, connector protection	B10-70500- 28	1	Shell size 28
194	A 46MT4	5935-99-972-9649 COVER, plug and socket electrical c/w chain	9760-22	2	Shell size 22
195	A 46MT4	5305-99-941-6718 SCREW, MACHINE, st, hex hd, slotted, Cd P, 4BA x 3/8in. lg		2	} Plug cover chain fixing
196	A G1	5310-99-941-8571 WASHER, FLAT, rd, Zn P, 0.152in. id x 0.296in. od x 0.028in. thk		2	
197	A 46MT4	5935-99-802-3722 SOCKET, ELECTRICAL, fixed, c/w cover, securing cord and leads	FV573589	1	
NI 198		NP BODY, assy	FV410133	1	
NI 199	A 46MT4	5330-99-803-9788 GASKET, inspection socket	FV410138	1	
NI 200	A 46MT4	5310-99-803-8006 NUT, PLAIN, ROUND	Z5331-48	1	
201	A 6MT4	5935-99-802-3723 COVER, ELECTRICAL, CONNECTOR, metallic, 1.625in. dia, 0.760in. lg, int thd, c/w securing cord	FV530519	1	
NI 202	A Y3	6145-99-943-6806 WIRE, ELECTRICAL, PCP, insulation 70/0.0076in., 0.143 dia o/a glass braid covering, 600V	UNIPREN18	A/R	

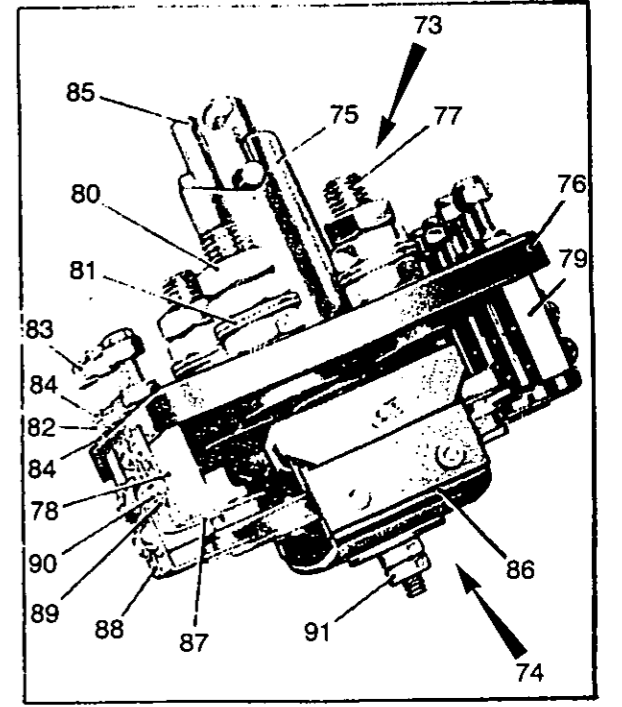
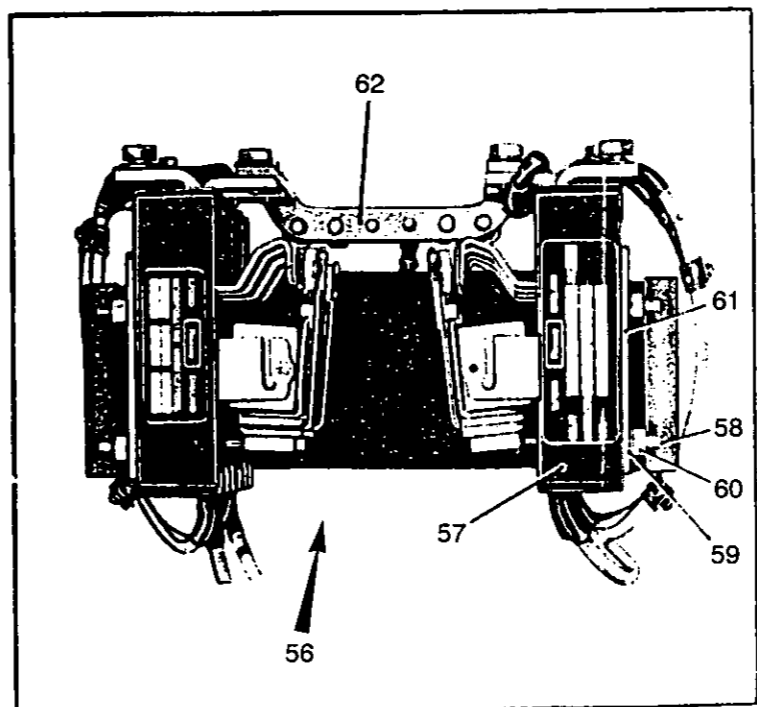
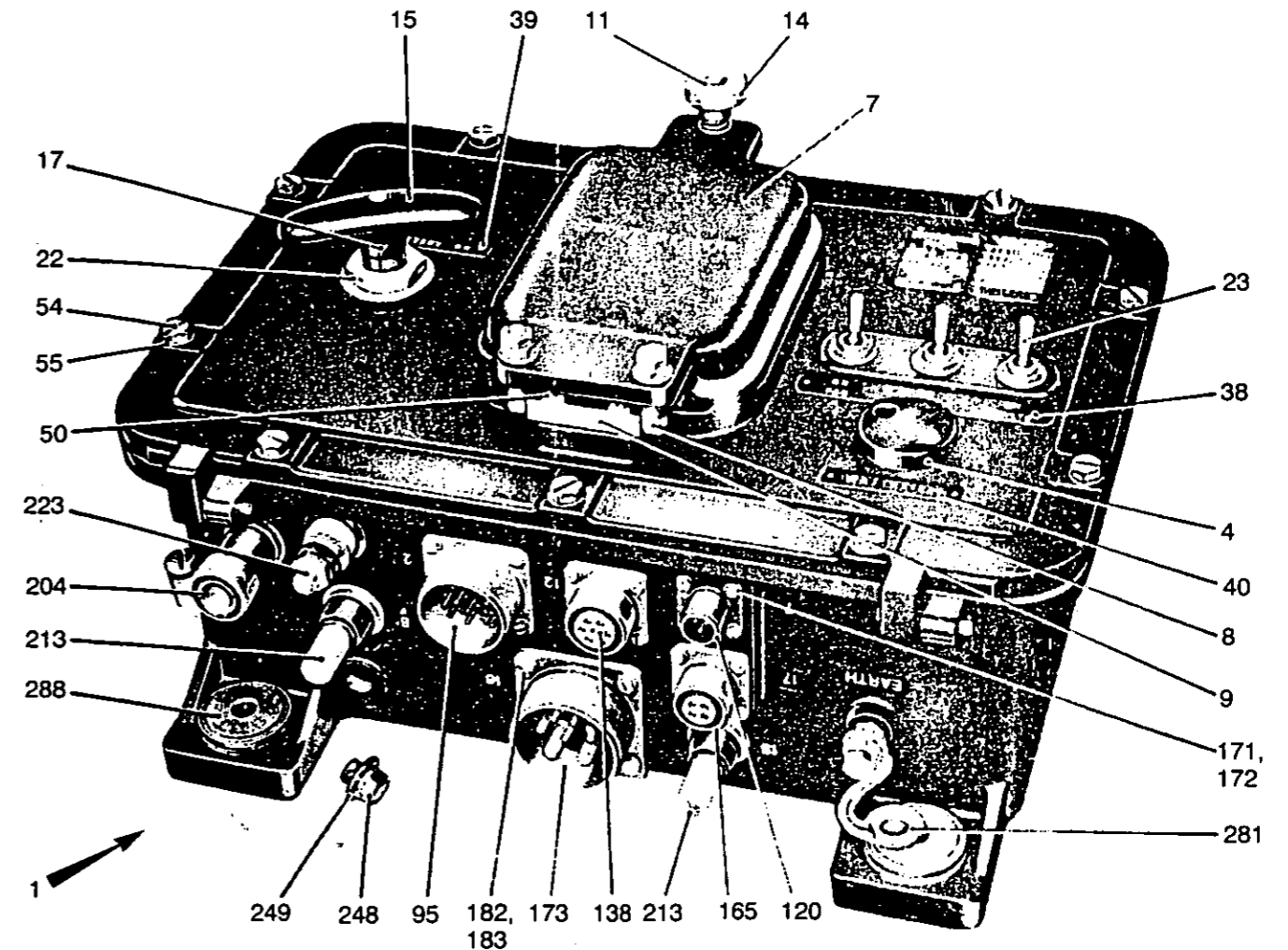
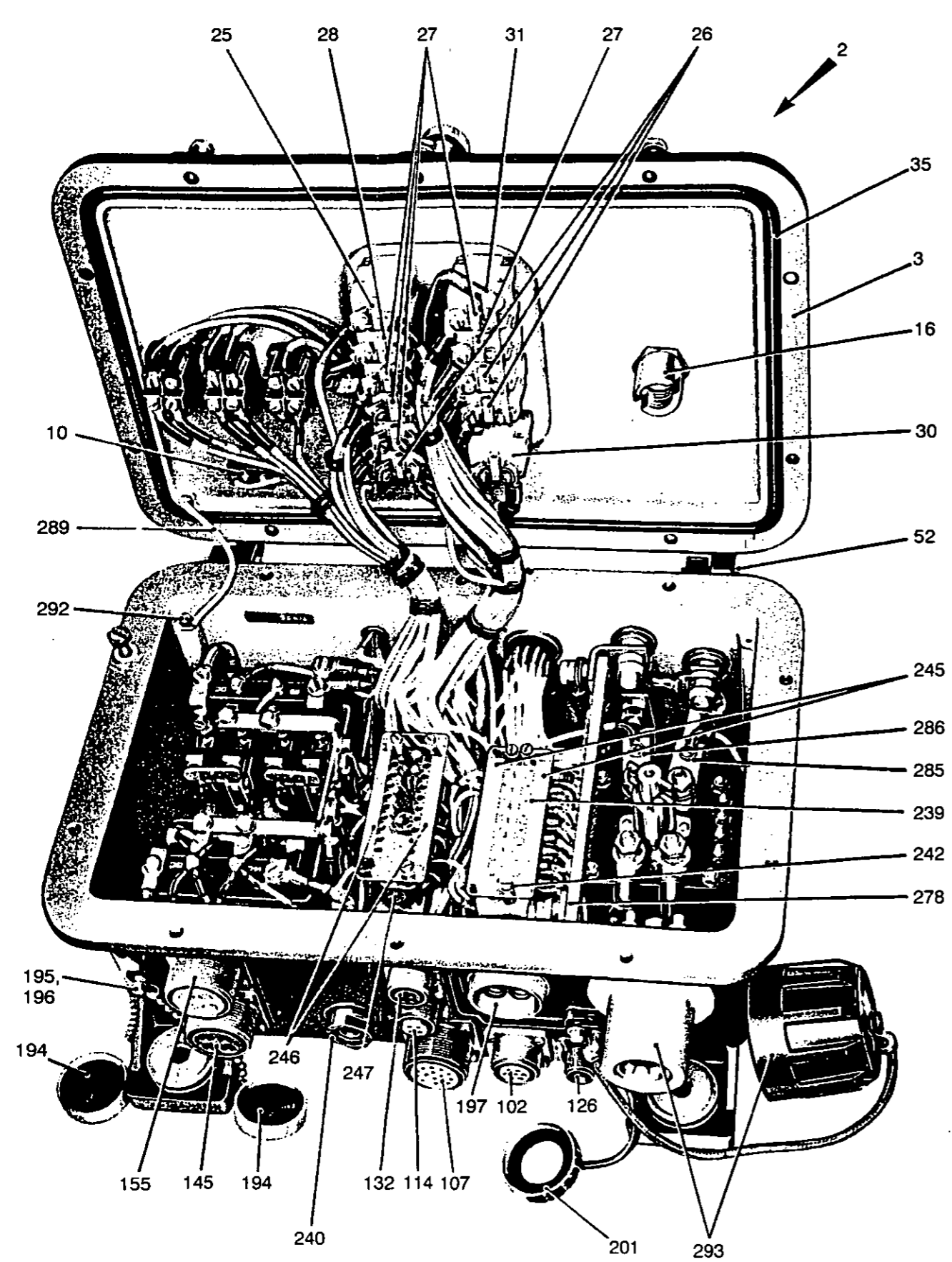


Fig 26 Distribution box

430/70119

Fig Item	Man Code Navy - N Army - A RAF - R	NATO Stock No	Item Name and Description	Part No/ Drawing No.	No. Off	Annotations
26-			ELECTRICAL EQUIPMENT GA - contd . ELECTRICAL EQUIPMENT, HULL, GA - contd . ELECTRICAL EQUIPMENT, INTERNAL - contd . . . DISTRIBUTION BOX - contd SOCKET, ELECTRICAL - contd			
NI 203	A Z37	5940-99-105-7377 TERMINAL LUG		2	
204	A 46MT4	5935-99-805-0007 SOCKET, ELECTRICAL, heavy duty	FV39347	1	No. 1
NI 205	A 46MT4	5970-99-805-0023 INSULATOR, WASHER, plastics, 13/32in. id, 15/16in. od, 15/16in. h, hole recessed, 9/16in. dia, 1/16in. deep	QRD1010	1	
NI 206	A 46MT4	5330-99-805-0022 RETAINER, PACKING, internal recess, 0.812in. dia, 0.010in. thk	FV39351	1	
NI 207	A 46MT4	5330-99-881-3980 RING, SEALING, TOROIDAL, ru, 0.531in. id, 0.651in. od, 0.060in. o/a h, 81-88 deg hardness	FV107528	1	
NI 208	A 46MT4	5940-99-805-0024 CLAMP, plug	FV107619	1	
NI 209	A 46MT4	5970-99-805-0021 INSULATOR, BUSHING, bushing, bakelite, heavy duty panel socket	QRD1008	1	
NI 210	A 46MT1	5330-99-943-0117 RING, SEALING, TOROIDAL, ru, 0.549in. x 0.103in., 60 deg hardness	L6785/BR16 59	1	
NI 211		NP WASHER, FLAT, 3/8in., 25/64in. id x 13/16in. od x 16 SWG		1	
NI 212	A G1	5310-99-101-1692 NUT, PLAIN, HEXAGON, br, lock, chamfered, 3/8in. UNF		3	
213	A 46MT4	5935-99-805-0012 PLUG, ELECTRICAL	QRA59	2	No. 8 and 15
NI 214	A 46MT4	5970-99-805-0023 INSULATOR, WASHER, plastics, 13/32in. id, 15/16in. od, 15/16in. h, hole recessed, 9/16in. dia, 1/16in. deep	QRD1010	2	
NI 215	A 46MT4	5330-99-805-0022 RETAINER, PACKING, internal recess, 0.812in. dia, 0.010in. thk	FV39351	2	
NI 216	A 46MT4	5330-99-943-0117 RING, SEALING, TOROIDAL, ru, 0.549in. x 0.103in., 60 deg hardness	L6785/BR16 59	2	
NI 217	A 46MT1	5330-99-805-0032 RING, SEALING, TOROIDAL, sealing rubber plug	FV131065	2	
NI 218	A 6MT1	5330-99-801-6628 RING, SEALING, TOROIDAL, 9/16in. x 3/4in. x 3/32in., 90 deg hardness	R3056ML53 72	2	
NI 219	A 46MT4	5970-99-805-2206 INSULATOR, BUSHING, bushing, bakelite, heavy duty panel plug	QRD1021	2	
NI 220	A Z42	5999-99-826-1775 CONTACT, ELECTRICAL	FV131067	2	
NI 221	A G1	5310-99-101-1692 NUT, PLAIN, HEXAGON, br, lock, chamfered, 3/8in. UNF		6	
NI 222		NP WASHER, FLAT, 3/8in., 25/64in. id x 13/16in. od x 16 SWG		2	
223	A 46MT4	5940-99-881-4406 TERMINAL, FEED-THROUGH, 7/16in. UNF, pos	FV487955	1	
NI 224	A 6MT4	5940-99-805-1338 TERMINAL POST, heavy duty, 3/8in.	FV530588	1	
NI 225	A 46MT4	5970-99-802-9447 INSULATOR, BOWL, bowl, syn, resin bonded paper, 31/32in. od x 3/8in. thk, 3/8in. dia hole	FV530587	1	

Fig Item	Man Code Navy - N Army - A RA/F - R	NATO Stock No	Item Name and Description	Part No/ Drawing No.	No. Off	Annotations
26-			ELECTRICAL EQUIPMENT GA - contd . ELECTRICAL EQUIPMENT, HULL, GA - contd . ELECTRICAL EQUIPMENT, INTERNAL - contd . . . DISTRIBUTION BOX - contd TERMINAL FEED-THROUGH - contd			
NI 226	A 46MT4	5970-99-802-9445 INSULATOR, WASHER, SRBP, 0.970in. od x 0.565in. id x 0.125in. thk	FV530585	1	
NI 227	A 46MT4	5970-99-802-9446 INSULATOR, BUSHING, SRBP, 0.555in. od x 0.385in. x 0.40in. lg	FV530586	1	
NI 228		NP RING, SEALING, TOROIDAL, 7/16in. id x 9/16in. od x 1/16in. thk, 84-95 deg hardness	100-013-1911	1	
NI 229	A 46MT1	5330-99-801-7415 RING, SEALING, TOROIDAL, 5/8in. id x 3/4in. od x 1/16in. thk, 84-95 deg hardness	806197	1	
NI 230	A G1	5310-99-101-1692 NUT, PLAIN, HEXAGON, br, lock, chamfered, 3/8in. UNF		5	
NI 231		NP WASHER, FLAT, 3/8in., 25/64in. id x 13/16in. od x 16 SWG		3	
NI 232		NP BRACKET, terminal block	FV573522	2	
NI 233		NP BRACKET, Hendry block (2 holes)	FV573524/1	1	
NI 234		NP BRACKET, Hendry block (1 hole)	FV573524/2	1	
NI 235	A G1	5305-99-941-9194 SCREW, MACHINE, st, fil hd, Cd P, 2BA x 3/8in. lg	402105CP	8	
NI 236		NP WASHER, LOCK, st, shakeproof, int, type 12, 2BA		8	
NI 237	A 6MT4	5340-99-802-3724 TERMINAL POST, st, Zn P., 0.248in. A/F, 0.875in. lg	FV573528/1	3	
NI 238	A 46MT4	5340-99-802-3725 POST, ELECTRICAL-MECHANICAL EQPT, st, Zn P, 0,248in. A/F, 1.250in. lg	FV573528-2	3	
239	A 46MT4	5940-99-881-4027 TERMINAL BOARD, 16 way	FV518857	1	
240	A W10	6685-99-687-1695 INDICATOR, HUMIDITY, PLUG	26855-00513	1	
NI 241		NP DESSICANT CONTAINER DEHUMIDIFIER, aluminium silica gel, 1-1/4in. lg		1	
242	A G1	5305-99-941-9087 SCREW, MACHINE, st, flat fil hd, Cd P, slot drive, 4BA x 1/4in. lg		6	} Terminal block fixing
NI 243	A G1	5305-99-120-0040 SCREW, MACHINE, st, flat fil hd, Cd P, 4BA x 1/4in. lg		1	
NI 244	A G1	531-99-912-8182 WASHER, LOCK, st, Cd P, double coil, sq sect, 5/32in.		7	
245		NP LABEL, paper	FV573595/1/2	1	
246		NP LABEL, paper	FV573593/3/4	1	
247	A Z37	5945-99-105-7583 RELAY, ELECTRO-MAGNETIC, double break, 10A, 208V ac, 10A, 30V dc	D5900	1	
248	A 6MT1	5365-99-942-8491 PLUG, SCREWED, br, hex hd, 3/8in. BSP	884/3	2	} Air plug
249	A 6MT1	5330-99-941-9410 WASHER, SEAL, LOCKING, 0.385in. id x 0.730in. od x 0.080in. thd		2	
NI 250		NP LEAD, ELECTRICAL, switch to relay busbar	FV573437	1	
NI 251	A Y3	6145-99-945-5074 WIRE, ELECTRICAL, 120/0.012in. tinned copper, braid blue	E21 UNIPREN50	A/R	

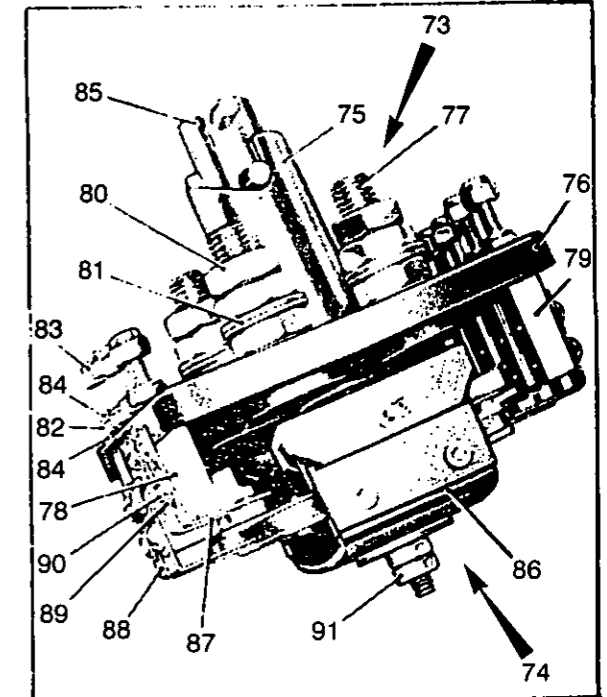
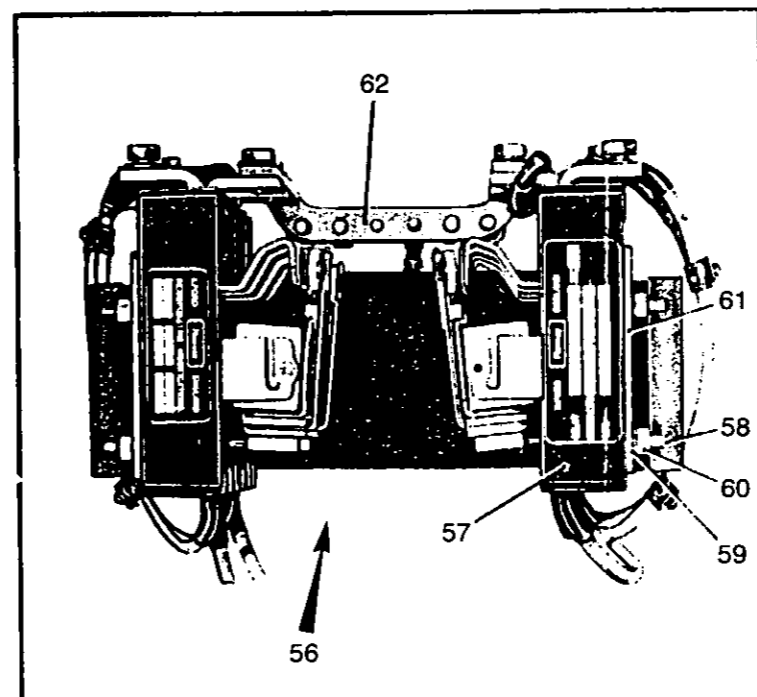
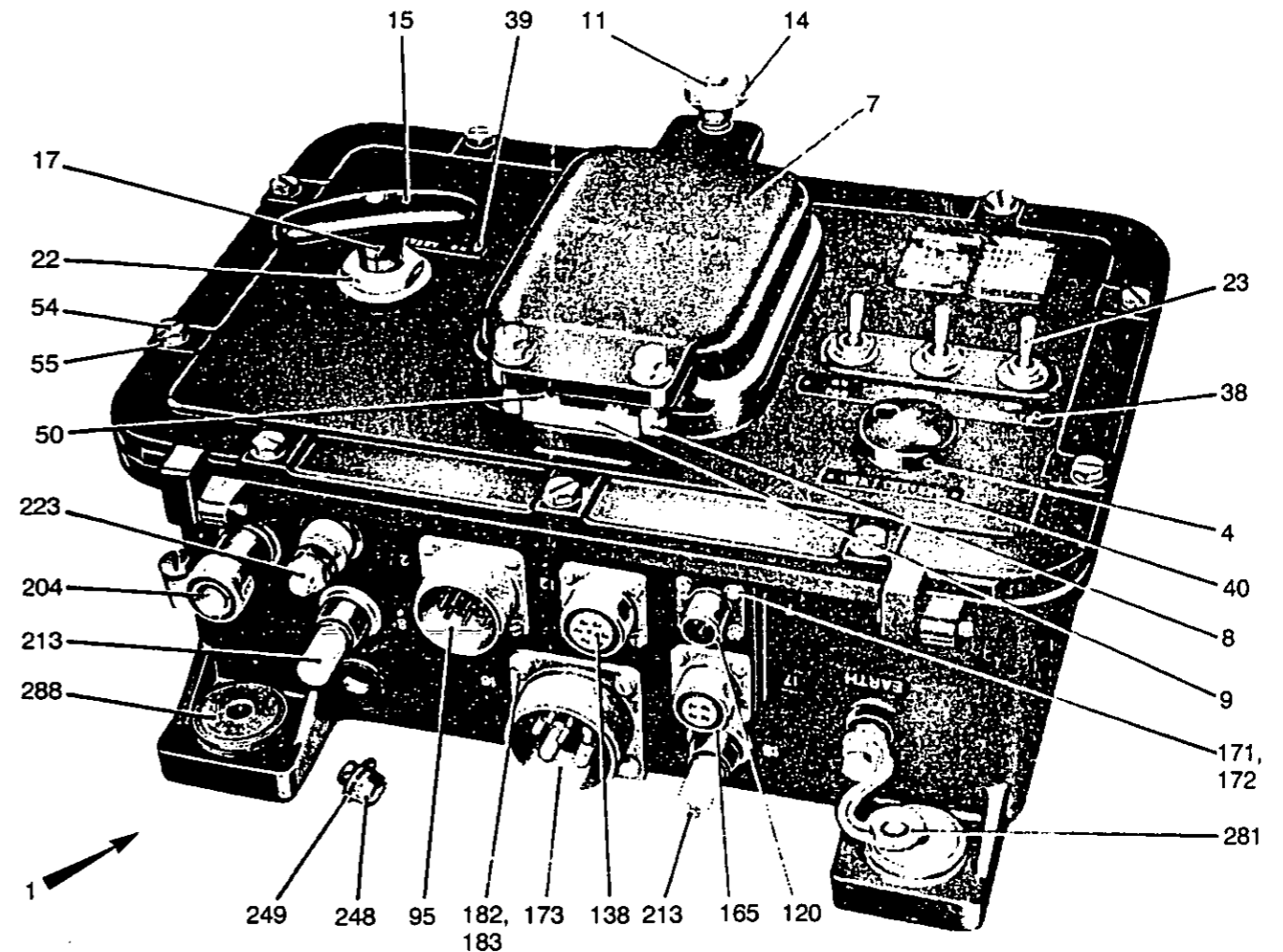
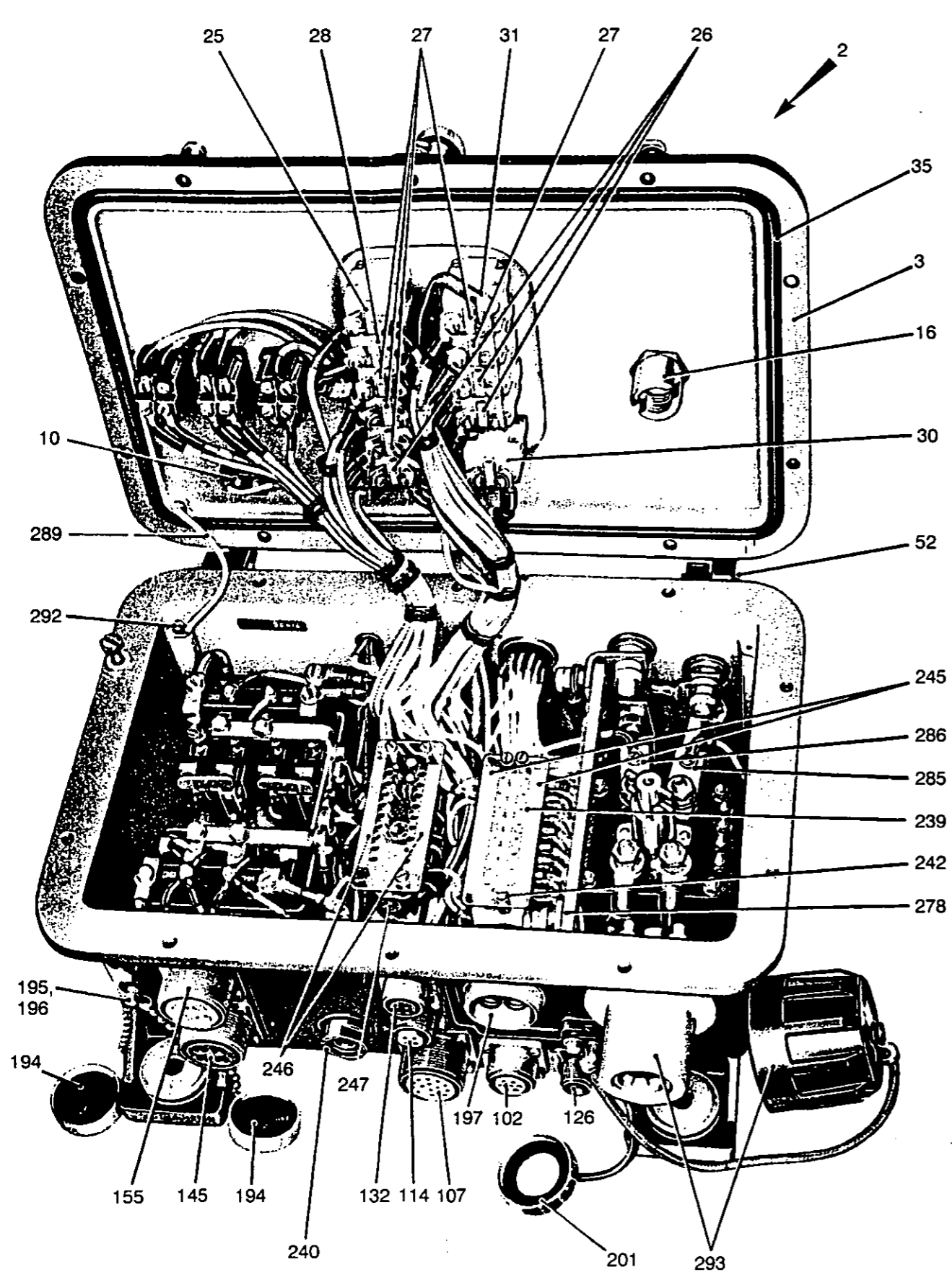


Fig 26 Distribution box

430/70119

Fig Item	Man Code Navy - N Army - A RAF - R	NATO Stock No	Item Name and Description	Part No/ Drawing No.	No. Off	Annotations
26-			ELECTRICAL EQUIPMENT GA - contd . ELECTRICAL EQUIPMENT, HULL, GA - contd . ELECTRICAL EQUIPMENT, INTERNAL - contd . . . DISTRIBUTION BOX - contd . . . LEAD, ELECTRICAL - contd			
NI 252	A Z37	5940-99-950-6263 TERMINAL LUG, 3/16in.	FV686854	2	
NI 253	A 46MT4	5940-99-805-0745 TERMINAL LUG, 5/16in.	WIS3484C1 0	1	
NI 254		NP	. . . LEAD, ELECTRICAL, heavy duty socket to RB relay	FV573438	1	
NI 255	A Y3	6145-99-945-5074 WIRE, ELECTRICAL, 120/0.012in. tinned copper, braid, blue	E21 UNIPREN50	A/R	
NI 256		NP TERMINAL LUG, br, tin pl, 3/8in.	RCA292/3/8	1	
NI 257	A Z37	5940-99-950-6263 TERMINAL LUG, 3/16in.	FV686854	2	
NI 258		NP	. . . LEAD, ELECTRICAL, auxiliary switch to positive	FV573440/1	1	
NI 259	A Y3	6145-99-943-4824 CABLE, ELECTRICAL, single conductor, 40/0.0076, 0.13in. dia, glass braid, polychloroprene insulated	UNIPREN12	A/R	
NI 260	A Z37	5940-99-943-8569 TERMINAL LUG, 3/16in.	347-90	1	
NI 261		NP	. . . LEAD, ELECTRICAL, RA1 to neg	FV573440/5	1	
NI 262	A Y3	6145-99-943-4824 CABLE, ELECTRICAL, single conductor, 40/0.0076, 0.13in. dia, glass braid, polychloroprene insulated	UNIPREN12	A/R	
NI 263		NP TERMINAL LUG, 4BA	RC340	1	
NI 264	A 9MCV	5940-99-832-9440 TERMINAL LUG, solderless, slotted, 16 AWG	32561	1	
NI 265		NP	. . . LEAD, ELECTRICAL, switch 1	FV573599	1	
NI 266	A Y3	6145-99-945-5075 CABLE, ELECTRICAL, Unipren 100	UNIPREN 100	A/R	
NI 267		NP TERMINAL LUG, br, tin pl, 3/8in.	RCA292/3/8	1	
NI 268	A 46MT4	5940-99-805-0745 TERMINAL LUG, 5/16in.	WIS3484C1 0	1	
NI 269		NP	. . . LEAD, ELECTRICAL, heavy duty socket 1	FV573600	1	
NI 270		NP CABLE, ELECTRICAL, Unipren 135	UNIPREN 135	A/R	
NI 271		NP TERMINAL LUG, br, tin pl, 3/8in.	RCA292/3/8	1	
NI 272		NP	. . . LEAD, ELECTRICAL, RA-1A to TB1.13D 14D	FV573440/1 9	1	
NI 273	A Y3	6145-99-943-4824 CABLE, ELECTRICAL, single conductor, 40/0.0076, 0.13in. dia, glass braid, polychloroprene insulated	UNIPREN12	A/R	
NI 274	A Z37	5940-99-651-7613 TERMINAL LUG, 6BA	215014	1	
NI 275		NP	. . . LEAD, ELECTRICAL, RA-6 to TB1.3A.4F	FV573440/2 0	1	
NI 276	A Y3	6145-99-943-4824 CABLE, ELECTRICAL, single conductor, 40/0.0076, 0.13in. dia, glass braid, polychloroprene insulated	UNIPREN12	A/R	
NI 277	A Z37	5940-99-651-7613 TERMINAL LUG, 6BA	215014	1	
278		NP	. . . TERMINAL, BAR, assy	FV573539	1	
NI 279		NP TERMINAL, BAR	FV573536	1	
NI 280	A G1	5310-99-941-3188 NUT, PLAIN, HEXAGON, br, tin pl, lock, 1/4in. UNF	FB46011	6	
281	A 46MT4	2590-99-817-1534	. . . LEAD, ELECTRICAL, earthing	FV573534	1	

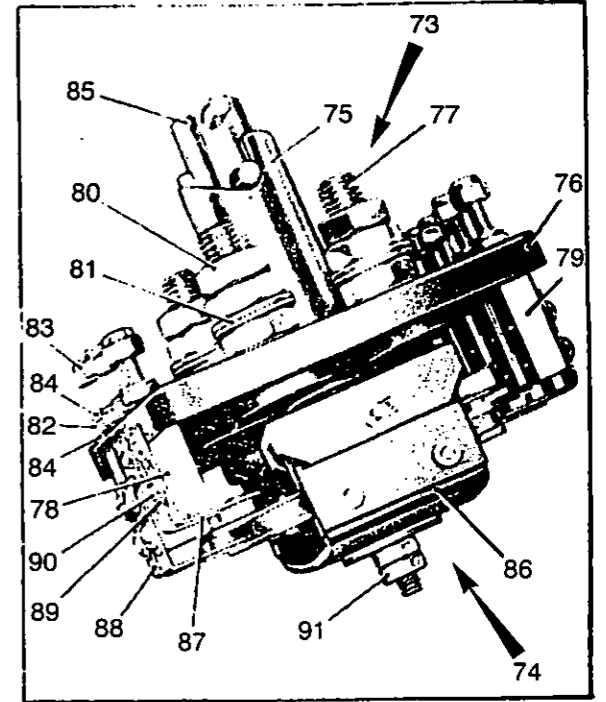
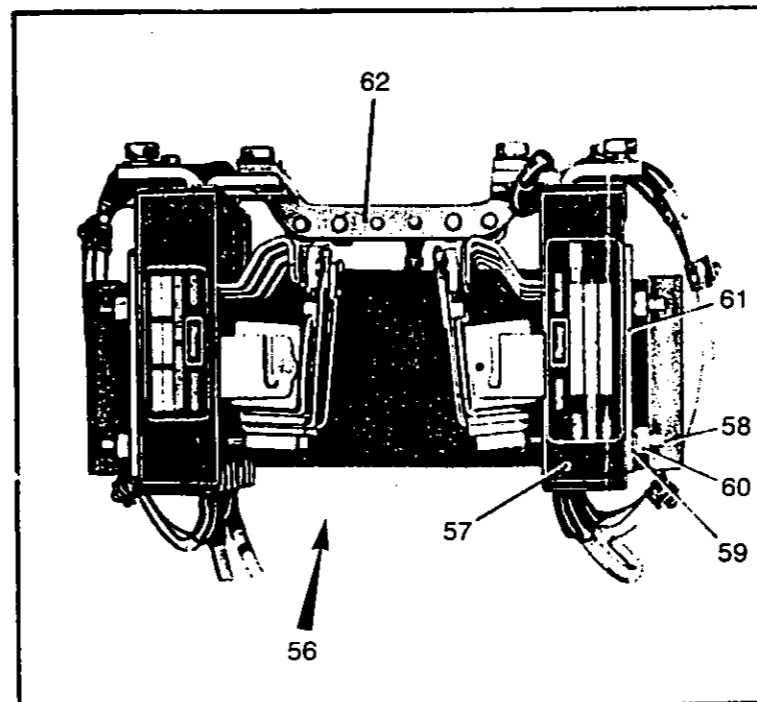
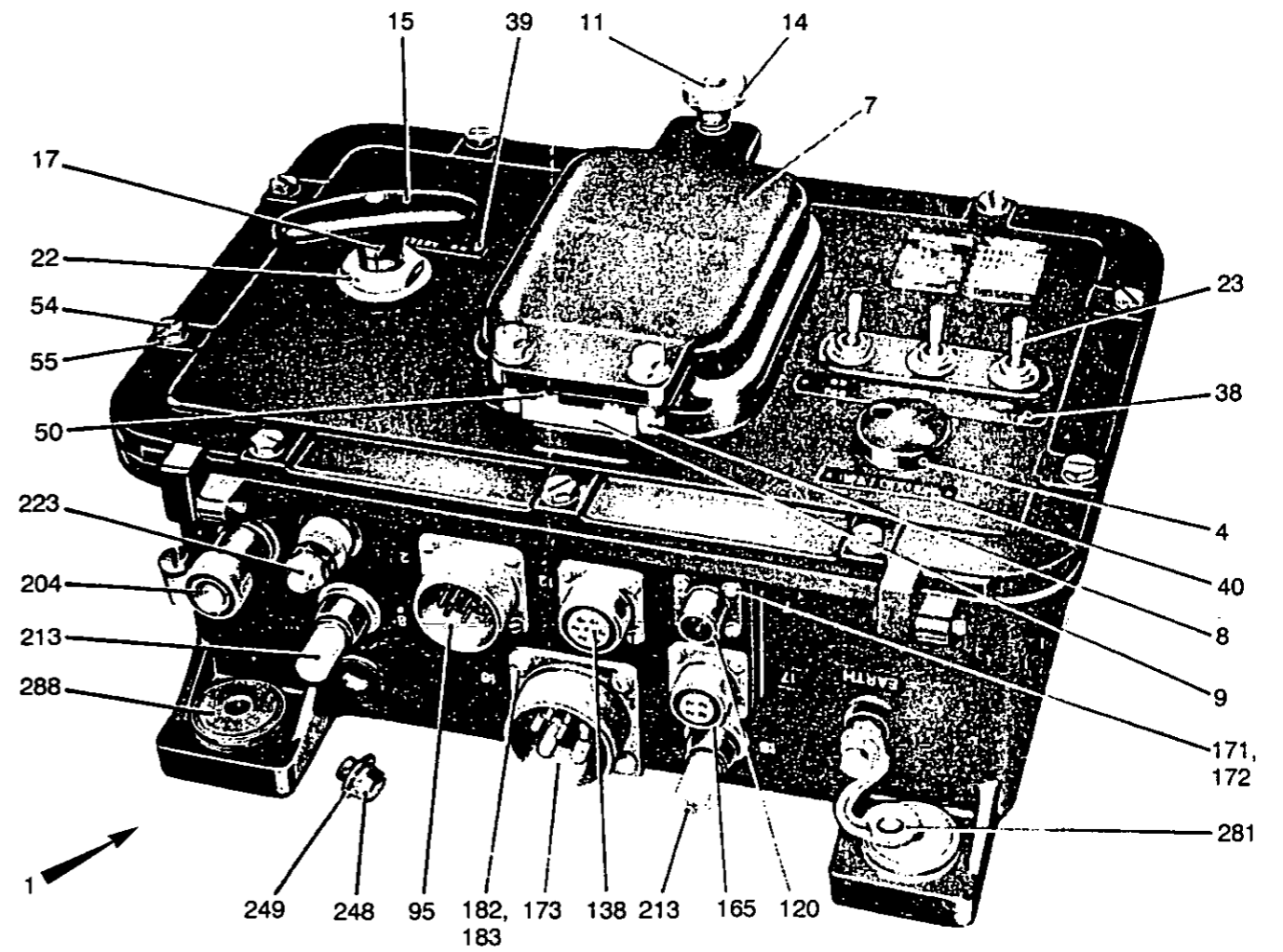
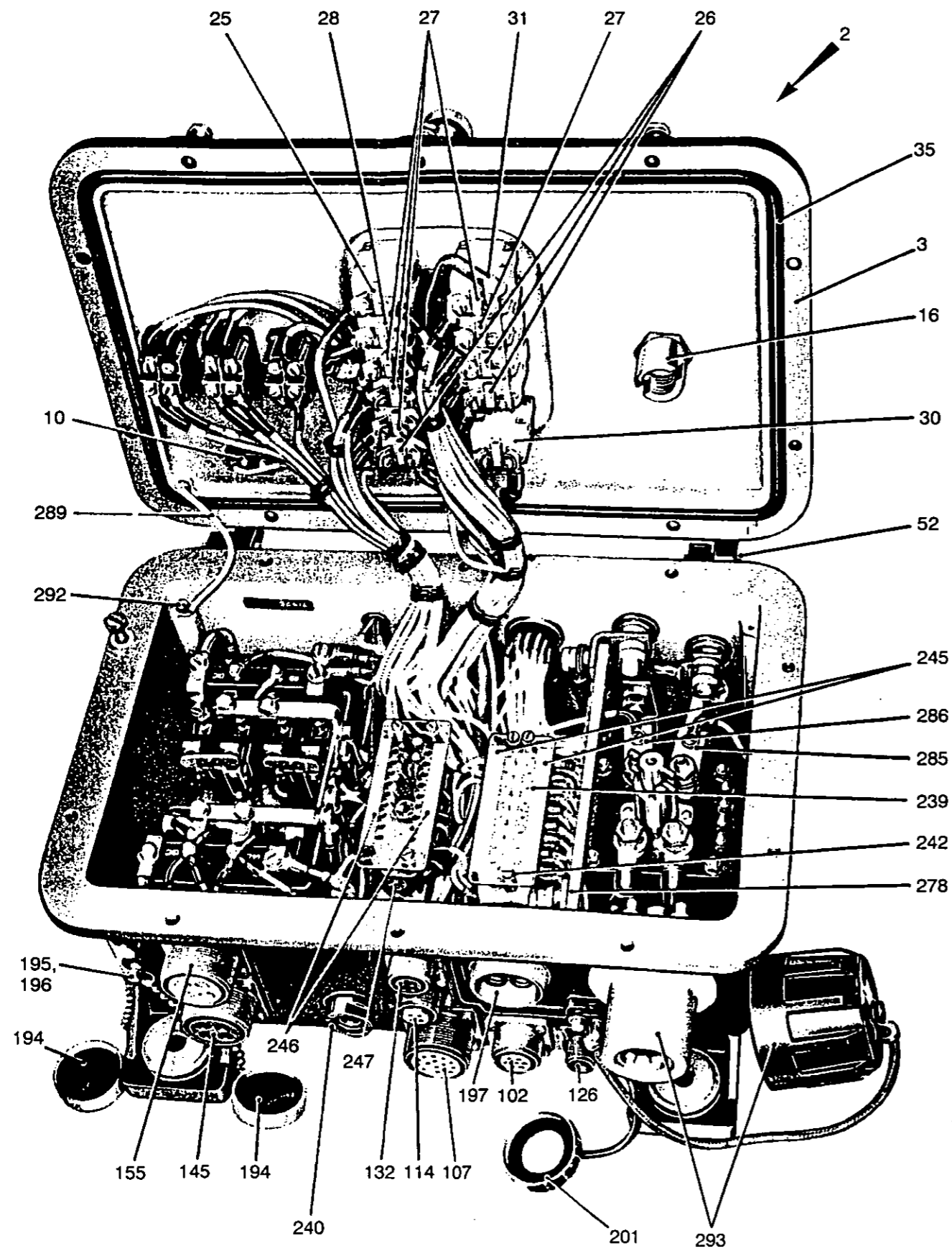


Fig 26 Distribution box

430/70119

Fig Item	Man Code Navy - N Army - A RAF - R	NATO Stock No	Item Name and Description	Part No/ Drawing No.	No. Off	Annotations
26-			ELECTRICAL EQUIPMENT GA - contd . ELECTRICAL EQUIPMENT, HULL, GA - contd . ELECTRICAL EQUIPMENT, INTERNAL - contd . . . DISTRIBUTION BOX - contd LEAD, ELECTRICAL - contd			
NI 282		NP CORD, ELECTRICAL, Cu, flexible, 7/90/0.0032in.		A/R	
NI 283		NP TERMINAL, wire end, 1/4in. hole	RC.WE547	1	
NI 284		NP TERMINAL, wire end, 3.8in. hole	RC516	1	
285		NP BUSBAR	FV573535	1	
286		NP BUSBAR, switch	FV573593	1	
NI 287	A G1	5310-99-941-9964 WASHER, FLAT, br, tin pl, 1/4in.	CX112401- 12	1	
288	A 9ACR	5340-99-802-3727 MOUNT, RESILIENT	FV573436-5	4	
289		NP LEAD, ELECTRICAL, box to lid, earth	FV573440/9	1	
NI 290	A Y3	6145-99-943-4824 CABLE, ELECTRICAL, single conductor, 40/0.0076, 0.13in. dia, glass braid, polychloroprene insulated	UNIPREN12	A/R	
NI 291	A Z37	5940-99-271-6709 TERMINAL LUG, solderless, 4BA	34107	2	
292		NP SCREW, MACHINE, br, flat fil hd, tin pl, slot drive, 4BA x 1/4in. lg		2	
293	A 46MT4	5935-99-802-8441 SOCKET, ELECTRICAL, inter-vehicle starting	FV603958	1	
NI 294	A 46MT4	5935-99-802-8442 COVER, ELECTRICAL, PLUG SOCKET	SB0RD215	1	
NI 295	A 46MT4	5970-99-802-8443 INSULATOR, rubber	SBORD223	1	
NI 296	A 46MT4	5970-99-802-8444 INSULATOR, DISC	SBORD193	1	
NI 297	A G1	5310-99-120-6892 NUT, SELF-LOCKING, HEXAGON, br, nylon insert, tin pl, 1/4in.		6	
NI 298	A G1	5310-99-941-6656 WASHER, LOCK, st, single coil, sq sect, Cd P, 3/8in.		1	
NI 299	A G1	5310-99-941-3190 NUT, PLAIN, HEXAGON, br, tin pl, 3/8in.		1	

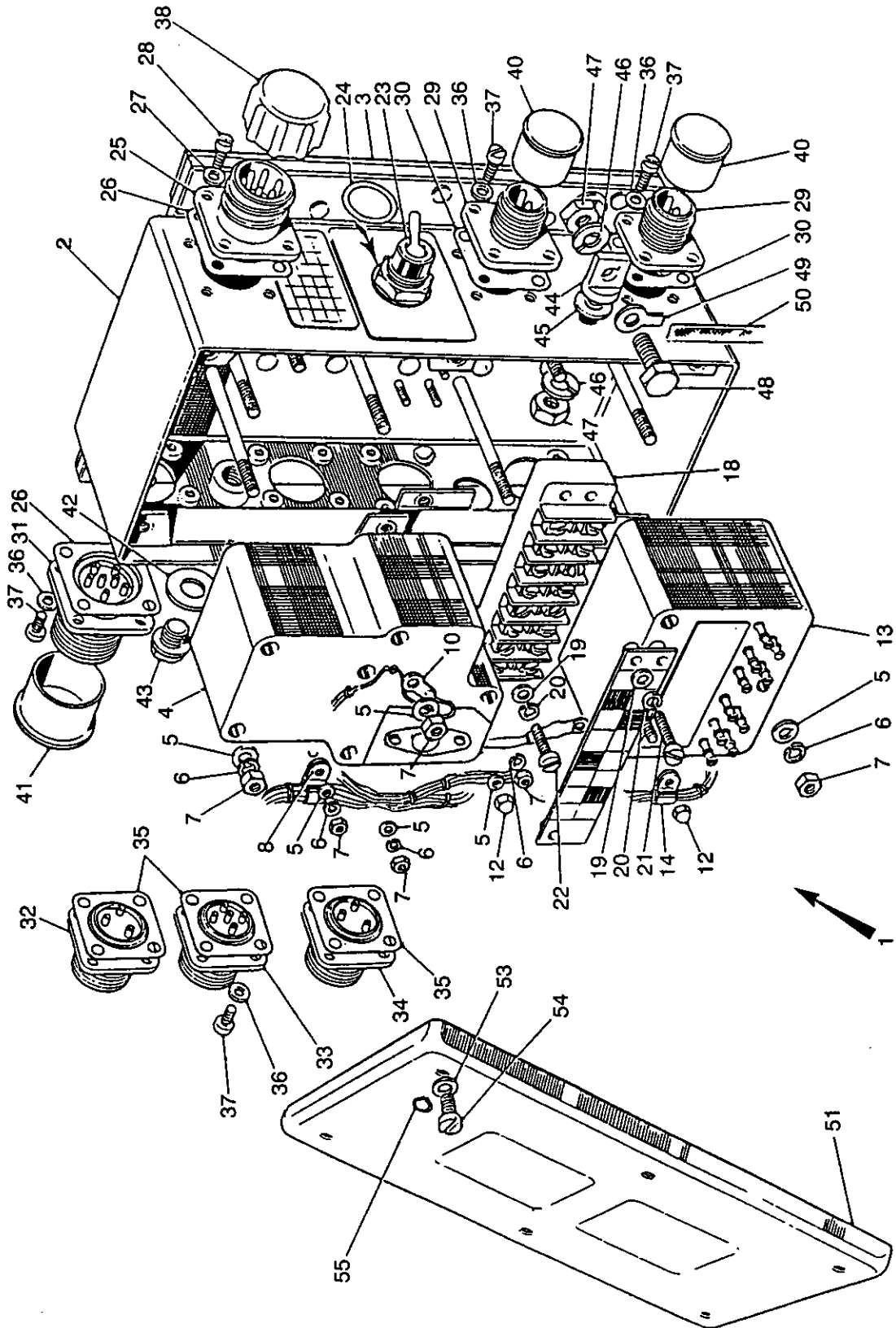


Fig 28 Control box, fire wire

430/70114

Fig Item	Man Code Navy - N Army - A RA/F - R	NATO Stock No	Item Name and Description	Part No/ Drawing No.	No. Off	Annotations	
28-			ELECTRICAL EQUIPMENT GA - contd . ELECTRICAL EQUIPMENT, HULL, GA - contd . ELECTRICAL EQUIPMENT, INTERNAL - contd				
1	A	9AHY	4210-99-734-7818	CONTROL BOX, FIRE WIRE, 5-3/4in. w, 7-3/4in. lg, 3.2in. h, w/earth strap and mtg plate	FV1068358	1	
2		NP		BOX AND MOUNTING STRAP ASSEMBLY	D4424	1	
3	A	46MT4	4210-99-810-2254	STRAP, MOUNTING, rect, Cu braid edges	41121-128	1	
4	A	6MT4	4210-99-734-7820	MODULE CONTROL, fire detector system, 42mm x 70mm x 85.9mm body	FV1068359	1	
5	A	G1	5310-99-948-0389	WASHER, FLAT, steel, Cd plated, 4BA bolt size, 19/64in. od, 1/32in. thk		9	
6		NP		WASHER, LOCK, steel, Cd plated, split helical ring, 4BA bolt size, 5/16in. od, 0.048in. thk	AGS162-B	9	
7	A	G1	5310-99-120-0118	NUT, PLAIN, HEXAGON, 4BA thd, steel, Cd plated w/chromate, 1/4in. w A/F, 3/32in. h, chamfered		9	
8	A	Z1	5340-99-932-5187	CLAMP, LOOP, plastics, 1/4in. loop id, 0.14in. dia hole		1	
NI 9		NP		SPACER	31612-709	1	
10		NP		BOX PLUG LEAD ASSEMBLY	43474-133	1	
NI 11		NP		SLEEVE	27131-241	2	
12		NP		NUT, SELF-LOCKING, HEXAGON, 6BA, prevailing torque w/non-metallic insert	AGS2002 AINYLOC	4	
13	A	6MT4	4210-99-881-4028	RELAY, FIRE DETECTOR SYSTEM	FV562001-1	1	
14	A	Z1	5340-99-932-5186	CLAMP, LOOP, plastics, 0.202in. loop id, unthd torque hole 0.143in. dia		1	
NI 15	A	G1	5310-99-971-3720	WASHER, SPRING TENSION, Cu alloy, Cd plated w/chromate, 1/8in. id, 1/4in. od, 11/64in. thk	DP1002	1	
NI 16		NP		WASHER, FLAT, steel, Zn plated, 0.288in. od, 0.123in. id, 0.036in. thk	21171-003	1	
NI 17		NP		SPACER, SLEEVE, Al alloy, anodized, shouldered, 0.317in. lg, 0.21in. od, 0.17in. id	321433-401	3	
18		NP		TERMINAL BOARD	43429-110	1	
NI 19	A	G1	5310-99-948-0389	WASHER, FLAT, steel, Cd plated, 4BA bolt size, 19/64in. od, 1/32in. thk		4	
20		NP		WASHER, LOCK, steel, Cd plated, split helical ring, 4BA bolt size, 5/16in. od, 0.048in. thk	AGS162-B	4	
21	A	G1	5305-99-120-0189	SCREW, MACHINE, steel, flat fillister hd, No. 4 x 1in. lg		3	
22	A	G1	5305-99-901-9278	SCREW, MACHINE, steel, Zn plated, 4BA thd, 0.625in. lg, flat fillister hd, slot drive		1	
23	A	Z32	5930-00-470-0329	SWITCH, TOGGLE	27463-111	1	
24		NP		RING, SEAL		1	
25		NP		CONNECTOR, FIXED, ELECTRICAL	SB104T4BM 12SX1	1	No. 6
26	A	6MT1	5330-99-014-7134	GASKET, syn rubber, sq, 0.885in. id, 4 bolt holes, 0.033in. thk, 1.289in. sq	SB-165-RPG	2	

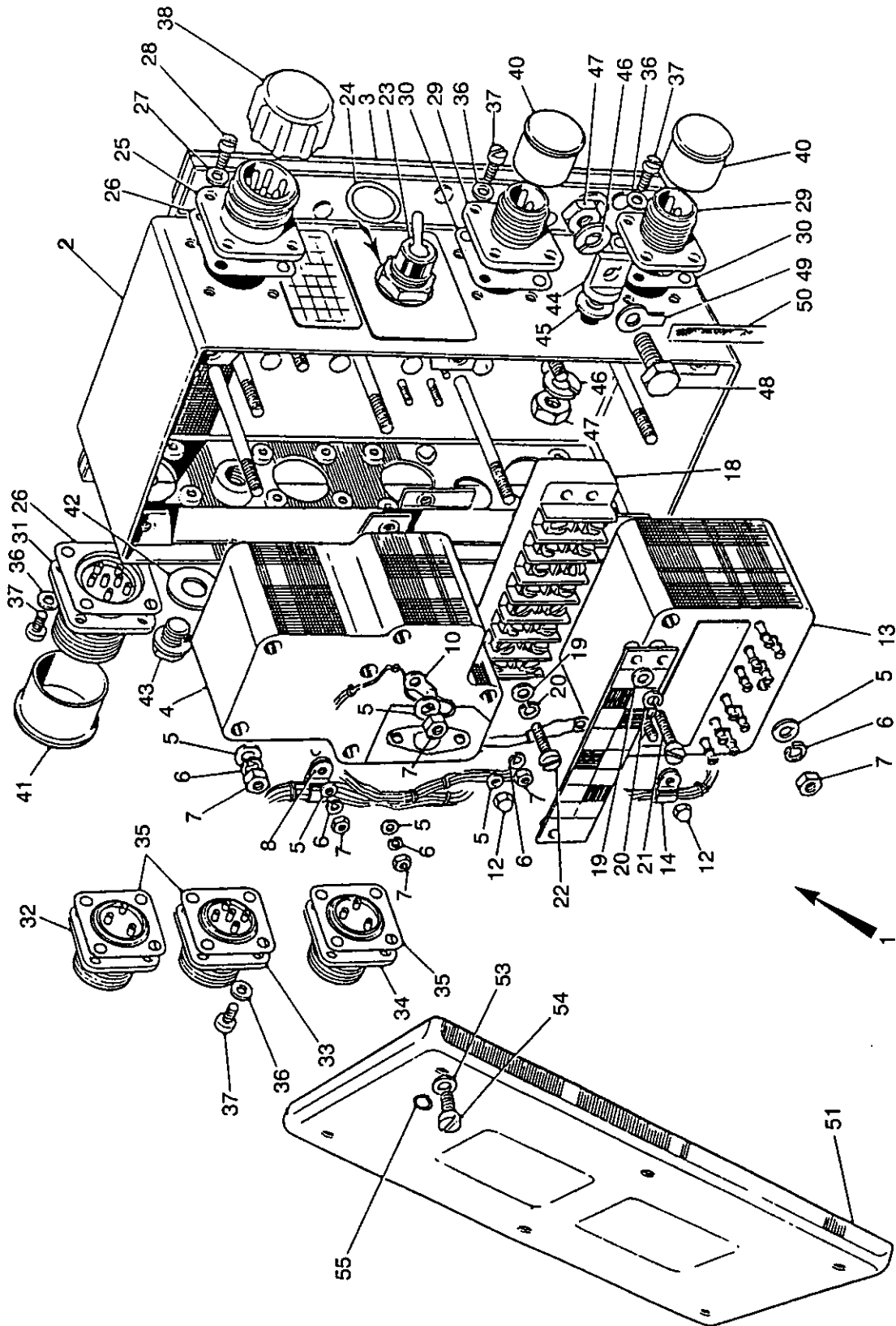


Fig 28 Control box, fire wire

430/70114

Fig Item	Man Code Navy - N Army - A RA/F - R	NATO Stock No	Item Name and Description	Part No/ Drawing No.	No. Off	Annotations
28-			ELECTRICAL EQUIPMENT GA - contd . ELECTRICAL EQUIPMENT, HULL, GA - contd . ELECTRICAL EQUIPMENT, INTERNAL - contd . . CONTROL BOX, FIRE WIRE - contd			
27	A G1	5310-99-943-6847	. . . WASHER, LOCK, rubber/steel, flat int teeth, 0.152in. id, 0.34in. od, 0.05in. thk		4	
28		NP	. . . SCREW, MACHINE, 4BA x 7/16in. lg, br, Ni plated, flat fillister hd, slot drive	S420	4	
29	A 6MT4	5935-99-800-9966	. . . CONNECTOR, FIXED, ELECTRICAL, straight shape, 1.192in. lg, 1in sq flange, Cd plated w/olive drab chromate finish, single mating end, 2 contacts, rubber insert, Al alloy	FV585002	2	No. 4, 5
30	A 9BTR	5330-99-014-7131	. . . GASKET, syn rubber, 0.6275in. hole dia, 4 bolt holes, 0.0335in. thk	FV2184210	2	
31	A 6MT4	5935-99-881-9666	. . . CONNECTOR, FIXED, ELECTRICAL, straight shape, thd, 1.281in. sq, single mating end, 7 contacts, Al alloy	FV585014	1	No. 7
32	A 6MT4	5935-99-881-9663	. . . CONNECTOR, FIXED, ELECTRICAL, straight shape, thd, 1.06in. lg, 1-3/16in. w, 1-3/16in. h, Cd plated shell, single mating end, 3 contacts, Al alloy shell	FV585007	1	No. 1
33	A 6MT4	5935-99-800-9949	. . . CONNECTOR, FIXED, ELECTRICAL, straight shape, thd, 1.188in. sq, 1.04in. lg, mating end, 5 contacts, Al alloy shell	FV585006	1	No. 2
34	A 6MT4	5935-99-881-9665	. . . CONNECTOR, FIXED, ELECTRICAL, straight shape, thd, 1.188in. lg, single mating end, 3 contacts, Al alloy shell, neoprene insert Cd plated	FV585008	1	No. 3
35	A 46MT4	5330-00-585-1591	. . . GASKET, non-metallic cross section, 0.13in. hole dia, 1.125in. lg, 1.125in. w, 0.875in. aperture dia, w/4 bolt holes, syn rubber	FV585122	3	
36	A G1	5310-99-913-9613	. . . WASHER, LOCK, syn rubber/steel, 6BA screw size, 0.3in. od, 0.05in. thk	ST6359	24	
37	A G1	5305-99-120-0192	. . . SCREW, MACHINE, 6BA x 7/16in. lg, flat fillister hd		24	
38	A Z32	5935-99-940-8601	. . . COVER, ELECTRICAL CONNECTOR, plastics, 1-13/64in. dia, 33/64in. lg, int thd	508/2/41181	1	
NI 39	A 6MT4	5935-99-881-5797	. . . COVER, ELECTRICAL CONNECTOR, plastics, shell size 13, 1-1/8in. dia, 5/8in. lg	10-70500-14	3	u/w items 32, 33, 34
40	A Z32	5935-99-102-9579	. . . COVER, ELECTRICAL CONNECTOR, red polythene, 5/8in. id, 3/4in. od, 5/8in. h	C10-70500-10	2	
41	A 6MT4	5935-99-881-5798	. . . COVER, ELECTRICAL CONNECTOR, non-metallic, 1-1/4in. dia, 11/16in. lg, friction mtg	10-70500-16	1	
42	A G1	5310-99-941-9410	. . . WASHER, LOCK, syn rubber/steel, 3/8in. bolt size, 0.73in. od, 0.8in. thk	GD1231-6	1	
43	A 6MT1	4730-99-101-3219	. . . PLUG, SCREWED, br, Cd plated, 0.49in. lg	AGS216-A	1	
44	A 6MT4	5940-99-743-8413	. . . TERMINAL POST	33111-101	1	

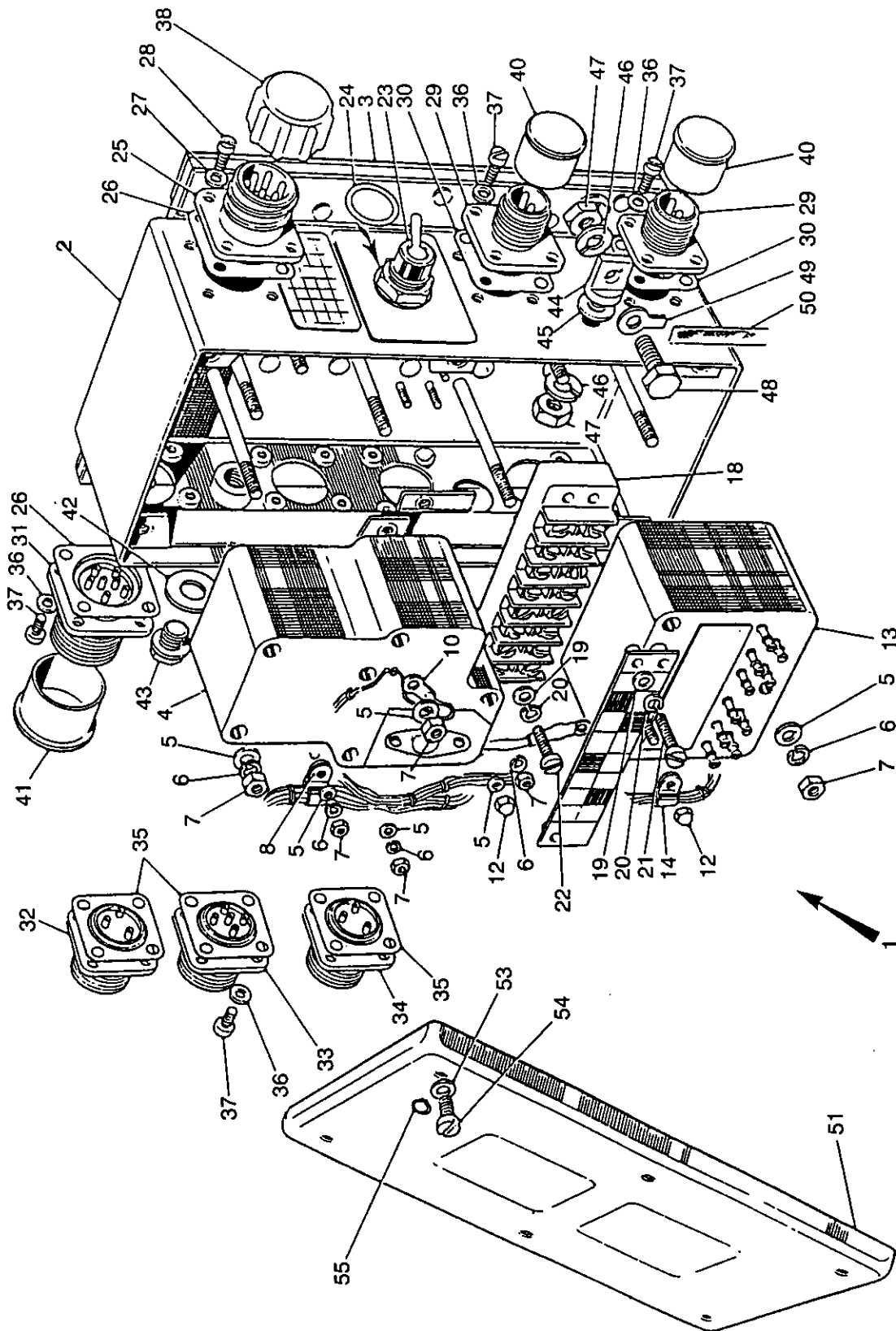


Fig 28 Control box, fire wire

430/70114

Fig Item	Man Code Navy - N Army - A RAVF - R	NATO Stock No	Item Name and Description	Part No/ Drawing No.	No. Off	Annotations
28-			ELECTRICAL EQUIPMENT GA - contd . ELECTRICAL EQUIPMENT, HULL, GA - contd . ELECTRICAL EQUIPMENT, INTERNAL - contd . . CONTROL BOX FIRE WIRE - contd			
45	A	6MT4	4210-99-743-8425	. . . WASHER, TERMINAL, steel, 'D' shaped hole, 17.64in. dia, 7/32in. across 'D', 33/64in. washer w, 35/64in. lg dished	36231-101	1
46	A	G1	5310-99-941-6654	. . . WASHER, LOCK, steel, split helical ring, 1/4in. bolt size, 27/64in. od, 5/64in. thk		2
47	A	G1	5310-99-101-1475	. . . NUT, PLAIN, HEXAGON, BSF, 1/4in. dia, rh, steel, Cd plated, 7/16in. w A/F, 3/16in. h, chamfered		2
48		NP		. . . SCREW, MACHINE, BSF, steel, Cd plated, hex hd, 1/4in. dia x 5/8in. lg		1
49	A	Z37	5940-99-932-4897	. . . TERMINAL LUG, 1/4in. dia, br, electro-tinned, 1-1/16in. lg, 11/16in. w, 0.028in. h	222	1
50		NP		. . . EARTH BONDING STRAP		1
51		NP		. . . LID	D4255	1
NI 52	A	6MT4	5330-99-809-8204	. . . GASKET, rubber, rect shape, 7-3/8in. lg, 3-7/8in. w, 1/4in. thk	D5045	1
53	A	G1	5310-99-943-6848	. . . WASHER, LOCK, rubber/steel, flat int teeth, 0.197in. id, 0.06in. thk, 0.44in. od, steel locking feature	435-004-1574-91	6
54	A	6MT4	5305-99-941-7991	. . . SCREW, EXTERNALLY RELIEVED BODY, 2BA, 1/4in. thd lg, 5/8in. fastener lg, steel, Cd plated w/chromate, knurled hd, slot drive	SDA58891	6
55	A	6MT1	5365-99-801-8298	. . . RING, RETAINING, steel, 1/32in. thk, 15/64in. shaft dia, 9/64in. groove dia, 3/64in. w groove		6

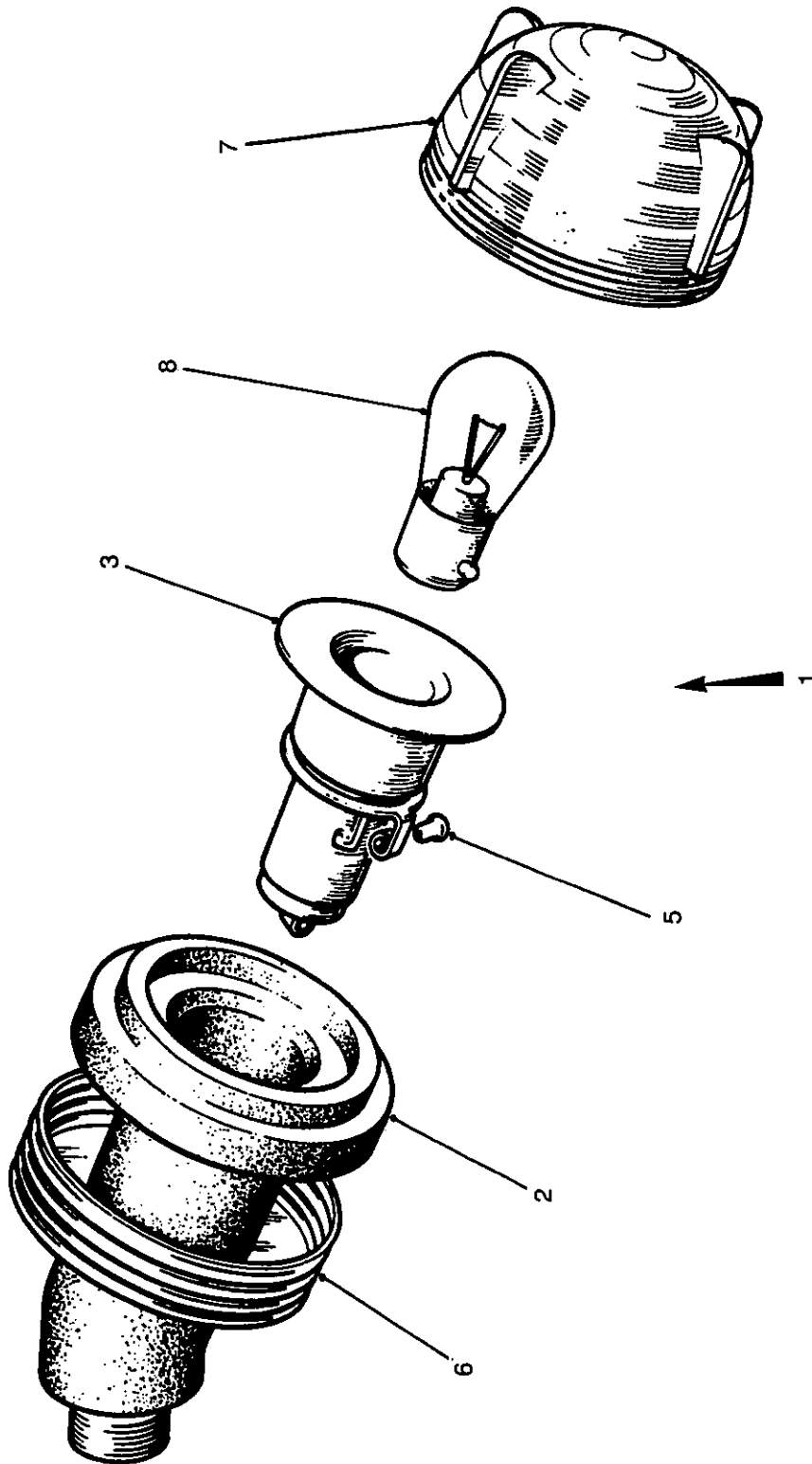


Fig 29 Fire warning light

430/70101

Fig Item	Man Code Navy - N Army - A RA/F - R	NATO Stock No	Item Name and Description	Part No/ Drawing No.	No. Off	Annotations
29-			ELECTRICAL EQUIPMENT GA - contd . ELECTRICAL EQUIPMENT, HULL, GA - contd . ELECTRICAL EQUIPMENT, INTERNAL - contd			
1	A	46MT3	6220-99-803-4118 . . . TAIL LIGHT VEHICULAR, fire warning, rubber body, glass lens, 5-1/32in. lg, 2- 1/2in. dia, unthd hole and flat surface mtg	53863	1	
2	A	6MT4	6220-99-408-2491 . . . BODY LIGHT	576203	2	
3	A	6MT3	6250-99-828-8138 . . . LAMP HOLDER	54584780	2	
NI 4	A	6MT3	6220-99-803-3158 . . . PLUNGER, LAMP HOLDER	522103	2	
5	A	6MT4	5940-99-803-1956 . . . FERRULE, ELECTRICAL CONDUCTOR, brass, 0.375in. lg x 0.250in. od x 0.150in. o/a dims	555910	4	
6	A	46MT3	6220-99-408-2494 . . . BASE, LAMP	576207	2	
7	A	6MT3	6220-99-803-3485 . . . LENS, LIGHT, stove pipe style, 1- 17/32in. o/a lg, 2-1/2in. od, glass lens, transparent, ext thd mtd, 2- 1/2in. -8 tpi, ribbed surface	576204	2	
8	A	X5	6240-99-995-2236 . . . LAMP, INCANDESCENT, globular bulb, 32.5mm lg, 18mm od, 6W, 26V dc	156	1	

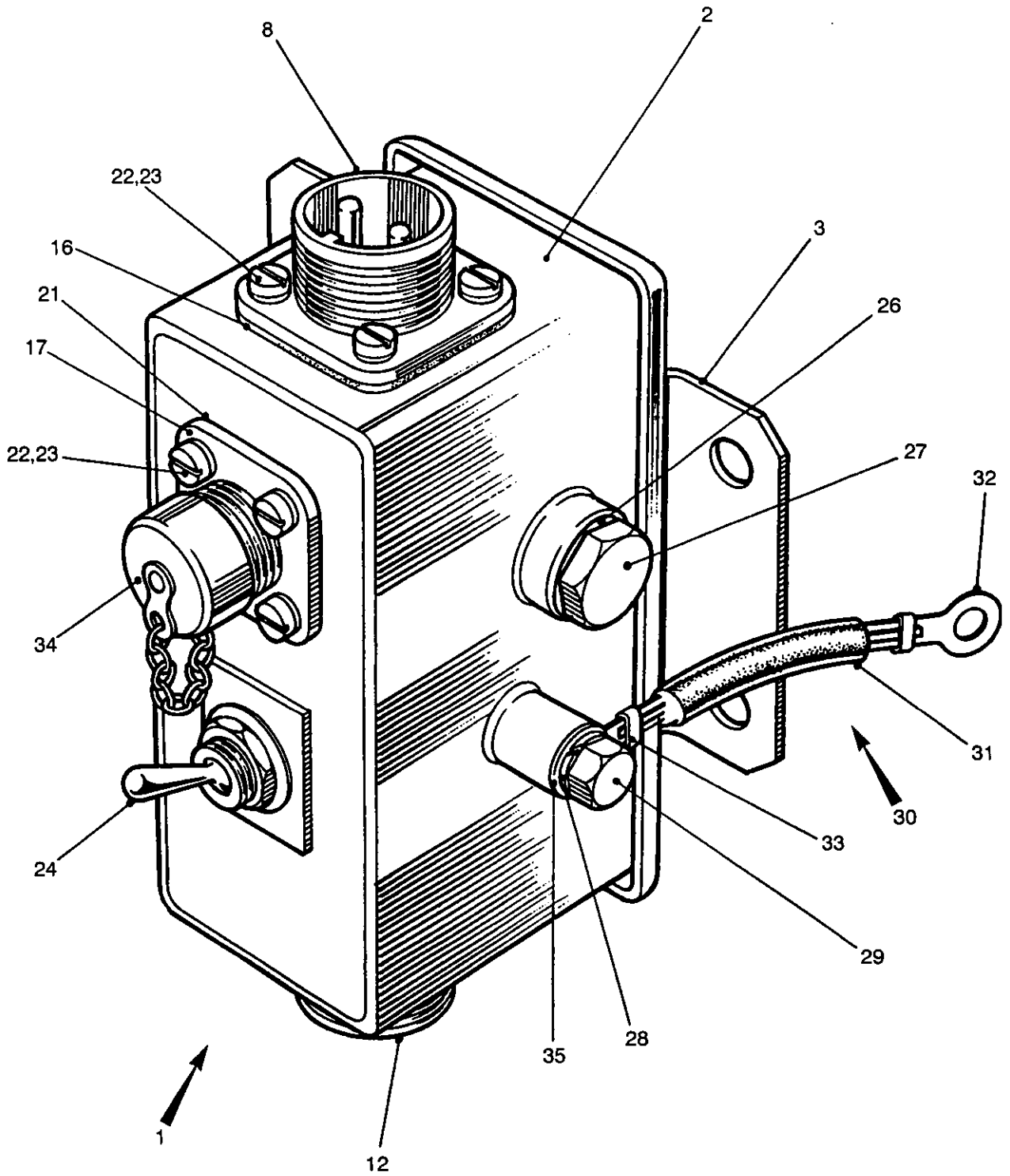


Fig 30 Sight wiper switch

430/70135

Fig Item	Man Code Navy - N Army - A RAF - R	NATO Stock No	Item Name and Description	Part No/ Drawing No.	No. Off	Annotations
30-			ELECTRICAL EQUIPMENT GA - contd . ELECTRICAL EQUIPMENT, HULL, GA - contd . ELECTRICAL EQUIPMENT, INTERNAL - contd			
1	A	6MT4	2590-99-881-9960 . . . SWITCH UNIT, No. 1 Mk 1, sight wiper	FV560051	1	
2		NP	. . . BODY, switch	FV586211	1	
3		NP	. . . COVER, ELECTRICAL SWITCH, bottom	FV586220	1	
NI 4	A	46MT4	5330-99-802-0834 GASKET, ru, rect shape, 1.75in. w x 3.80in. lg x 0.032in. thk	FV586219	1	
NI 5		NP SCREW, MACHINE, st, hex hd, slotted, Cd P, 2BA x 5/8in.		4	
NI 6	A	G1	5330-99-943-6848 WASHER, SEAL, LOCK, syn ru/steel, 2BA x 0.060in. thk		4	
NI 7	A	46MT1	5330-99-943-2478 RING, SEALING, TOROIDAL, syn ru, 5/32in. id x 1/16in. h	100-007-270	4	
8		NP	. . . SOCKET, ELECTRICAL, assy	FV586233	1	
NI 9	A	46MT4	5935-99-800-9969 SOCKET, ELECTRICAL, 5MS, Al, fixed, w/female shell size 14S, 2 poles	FV585009	1	
NI 10	A	Y3	6145-99-943-4824 WIRE, ELECTRICAL, single conductor, 40/0.0076, 0.13in. dia, glass braid, polychloroprene insulated	UNIPREN12	A/R	
NI 11		NP TERMINAL LUG	2069	2	
12		NP	. . . SOCKET, ELECTRICAL, assy	FV586231	1	
NI 13	A	46MT4	5935-99-800-9970 SOCKET, ELECTRICAL, 5MS, Al, fixed, w/female shell size 14S, 2 poles	FV585010	1	
NI 14	A	Y3	6145-99-943-4824 WIRE, ELECTRICAL, single conductor, 40/0.0076, 0.13in. dia, glass braid, polychloroprene insulated	UNIPREN12	A/R	
NI 15		NP TERMINAL LUG	2069	2	
16	A	46MT4	5330-00-505-1591 . . . GASKET, shell size 14S	FV585122	2	
17		NP	. . . PLUG, ELECTRICAL	FV586232	1	
NI 18	A	6MT4	5935-99-624-3314 CONNECTOR, RECEPTACLE, ELECTRICAL, fixed, female size 10SL, 3 pole	FV585001	1	
NI 19	A	Y3	6145-99-943-4824 WIRE, ELECTRICAL, single conductor, 40/0.0076, 0.13in. dia, glass braid, polychloroprene insulated	UNIPREN12	A/R	
NI 20		NP TERMINAL LUG	2069	2	
21	A	9BTR	5330-99-014-7131 . . . GASKET, shell size, 10SL	FV585121	1	
22	A	G1	5305-99-941-9197 . . . SCREW, MACHINE, st, flat fil hd, Cd P, 6BA x 3/8in. lg		12	
23	A	G1	5330-99-913-9613 . . . WASHER, SEAL, LOCK, syn ru/steel, int, 6BA	ST6359	12	
24	A	Z32	5930-00-655-4241 . . . SWITCH TOGGLE	A22592	1	
NI 25	A	46MT1	5330-99-942-8453 . . . WASHER, SEAL, FLAT, ru/steel, 0.54in. id x 0.081in. od x 0.08in. h	P45-B	1	
26	A	G1	5310-99-913-3207 . . . WASHER, FLAT, Al, 0.39in. id x 0.605in. od x 0.048in. thk	AGS568A	1	
27	A	46MT4	5365-99-805-2984 . . . PLUG, MACHINE, st, hex hd, Zn P, 1/8in. x 9/16in. lg	5876-54	1	

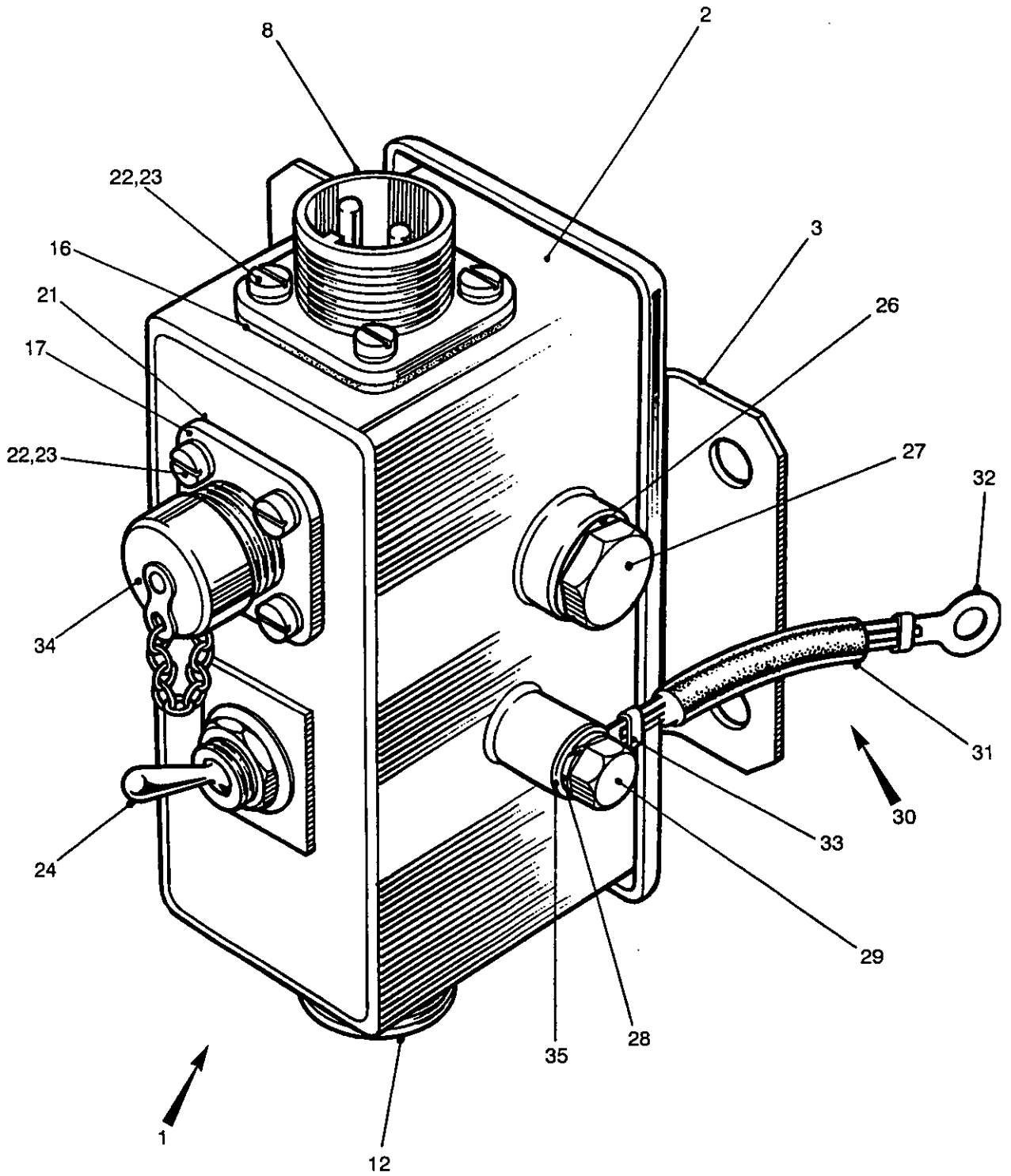


Fig 30 Sight wiper switch

430/70135

Fig Item	Man Code Navy - N Army - A RAF - R	NATO Stock No	Item Name and Description	Part No/ Drawing No.	No. Off	Annotations
30-			ELECTRICAL EQUIPMENT GA - contd . ELECTRICAL EQUIPMENT, HULL, GA - contd . ELECTRICAL EQUIPMENT, INTERNAL - contd . SWITCH UNIT - contd			
28	A G1	5310-99-941-6653	. . . WASHER, LOCK, st, single coil, sq sect, 3/16in.		1	
29	A G1	5305-99-914-3456	. . . SCREW, MACHINE, st, hex hd, rustproof, 2BA x 3/8in. lg		1	
30		NP	. . . LEAD, ELECTRICAL	FV586221	1	
31	A Y3	6145-99-943-4824	. . . WIRE, ELECTRICAL, single conductor, 40/0.0076, 0.13in. dia, glass braid, polychloroprene insulated	UNIPREN12	A/R	
32		NP	. . . TERMINAL LUG, br, tin pl, 1/4in. stud size		1	
33	A Z37	5940-99-943-8569	. . . TERMINAL LUG, 3/16in.	215075	1	
34		NP	. . . CAP, DUST AND MOISTURE SEAL, Al, 5/8in. id	2209-2	1	
35	A G1	5310-99-941-6867	. . . WASHER, FLAT, steel, 2BA		1	

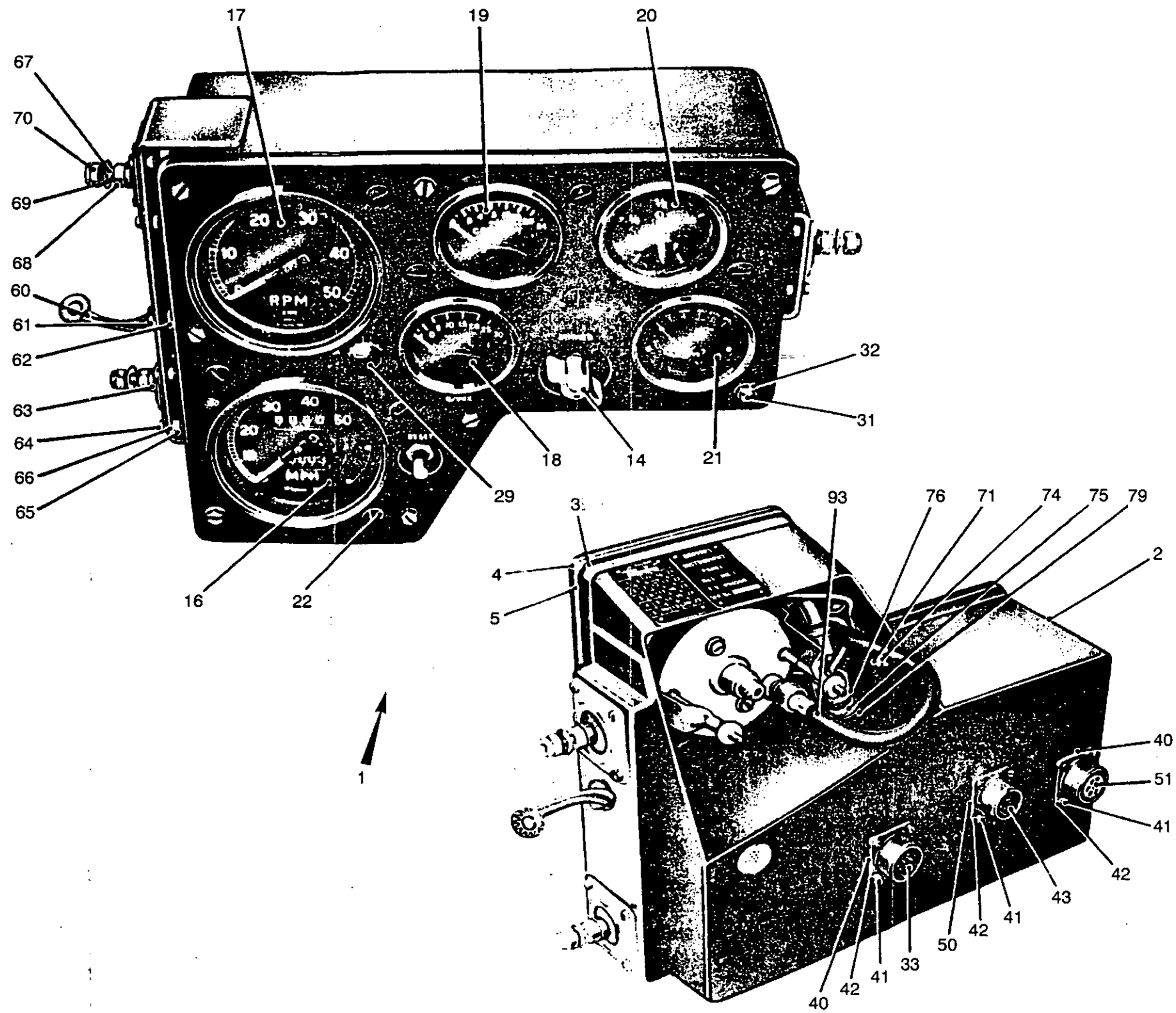


Fig 31 Drivers instrument panel

Fig Item	Man Code Navy - N Army - A RA/F - R	NATO Stock No	Item Name and Description	Part No/ Drawing No.	No. Off	Annotations
31-			ELECTRICAL EQUIPMENT GA - contd . ELECTRICAL EQUIPMENT, HULL, GA - contd . ELECTRICAL EQUIPMENT, INTERNAL - contd			
1		NP	. . . DRIVERS INSTRUMENT PANEL	FV494560	1	
2		NP	. . . BOX, FABRICATION, panel, instrument, vehicular, No. 3, Mk 1	FV530790	1	
3		NP	. . . PANEL, INSTRUMENT MOUNTING VEHICULAR	FV530791	1	
4	A 46MT4	2590-99-815-8473	. . . PANEL, TRANS-ILLUMINATING	FV530792	1	
5	A 46MT4	5330-99-881-8324	. . . GASKET	FV530793	1	
NI 6		NP	. . . BRACKET, SWITCH MOUNTING	FV530794	1	
NI 7		NP	. . . SCREW, MACHINE, steel, flat fillister hd, Zn P, 6BA x 5/16in. lg		4	
NI 8	A G1	5310-99-943-8626	. . . NUT, PLAIN, HEXAGON, st, 3/16in. w, 1/16in. h o/a, Cd P, 6BA		4	
NI 9	A G1	5310-99-913-9613	. . . WASHER, LOCK, 0.120in. id x 0.300in. od x 0.05in. thk		4	
NI 10	A G1	5310-99-941-9185	. . . WASHER, LOCK, steel, flat int teeth, 0.255in. od, 0.016in. thk, No. 6BA		4	
NI 11	A Z30	5905-99-104-1153	. . . RESISTOR, VARIABLE, 150 ohms, 1 section, wire wound, linear	01-0015	1	
NI 12		NP	. . . EXTENSION SHAFT, switch, dimmer	FV530795	1	
NI 13		NP	. . . SPINDLE, SEALED	FV530633	1	
14	A Z2	5355-99-011-2990	. . . KNOB, plastic, setscrew type rd, 1/4in. core, 1-7/32in. od, 7/8in. h	Y6367-5	1	
NI 15	A 46MT4	5330-99-881-8334	. . . RUBBER STRIP	FV530797	A/R	
16	A 46MT1	6680-99-881-6389	. . . SPEEDOMETER, nemag type, No. 4, Mk 1	FV494577	1	
17	A 46MT4	6880-99-930-8913	. . . TACHOMETER HEAD, electric, No. 1, Mk 1	FV547578	1	
18	A 46MT1	6685-99-881-3341	. . . THERMOMETER, INDICATING RESISTANCE, No. 2, Mk 2	FV494518	1	
19	A 46MT1	6685-99-802-2935	. . . THERMOMETER, INDICATING RESISTANCE, No. 2, Mk 1	Y86115	1	
20	A 46MT1	6680-99-801-9696	. . . INDICATOR, LIQUID QUANTITY, fuel 24V, No. 1, Mk 1	Y80818	1	
21	A 46MT4	6625-99-720-8588	. . . AMMETER, No. 5, Mk 1, waterproofed	CS1121	1	
22		NP	. . . LAMP HOLDER ASSEMBLY	80/10/1999	8	THORN
NI 23	A Z1	6250-99-944-0996	. . . BASE, LAMP HOLDER	02-1847	8	
NI 24	A Z1	6210-99-943-9076	. . . LENS LIGHT, clear, black anodized	02-0252 BK CL	8	
NI 25	A 46MT1	5970-99-115-8585	. . . INSULATOR, BUSHING, insulating top	02-1382	8	
NI 26	A Z42	5970-99-115-8037	. . . INSULATOR, WASHER, insulating, bottom	02-1382	8	
NI 27	A Z37	5940-99-100-1400	. . . TERMINAL LUG, lamp holder	80/10/0098	8	
NI 28	A X5	6240-99-995-9118	. . . LAMP, INCANDESCENT, filament, 28V, 0.04A, midget flange clear	3B0D12052- 1	8	
29	A Z32	5920-99-012-0231	. . . FUSE HOLDER, BLOCK	360202070	1	
NI 30	A Z32	5920-99-059-0112	. . . FUSE, CARTRIDGE 5 amp	L693-5	1	
31	A G1	5305-99-121-1662	. . . SCREW, MACHINE, special, No. 2 BA, steel, slotted, hex hd, Cd P, 1- 1/8in. lg	FV530799	8	

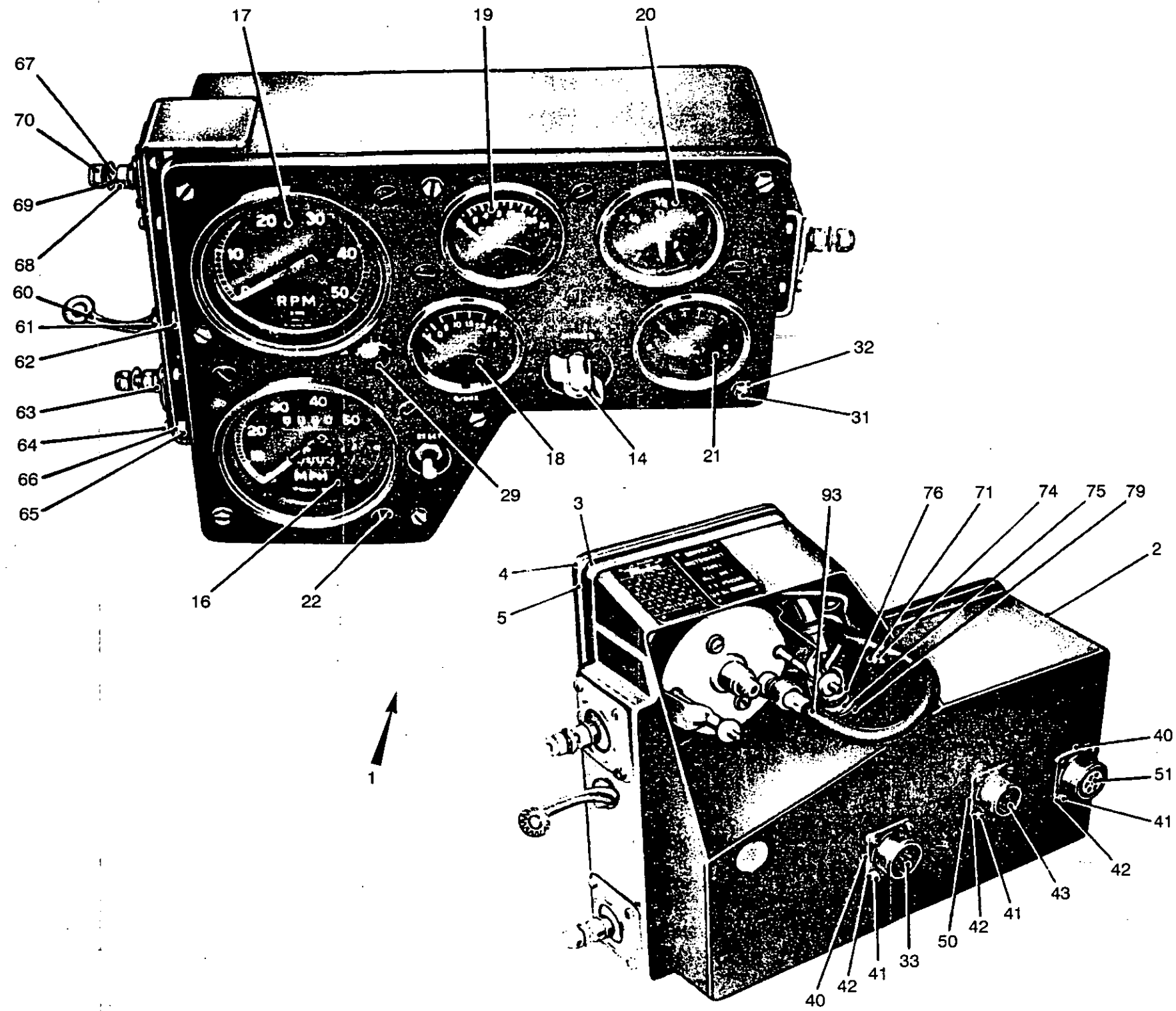


Fig 31 Drivers instrument panel

Fig Item	Man Code Navy - N Army - A RAF - R	NATO Stock No	Item Name and Description	Part No/ Drawing No.	No. Off	Annotations
31-			ELECTRICAL EQUIPMENT GA - contd . ELECTRICAL EQUIPMENT, HULL, GA - contd . ELECTRICAL EQUIPMENT, INTERNAL - contd . DRIVERS INSTRUMENT PANEL - contd			
32	A G1	5310-99-943-6848 WASHER, LOCK, ru/st, 0.197in. id x 0.440in. od x 0.060in. thk, 60-70 deg hardness		8	
33		NP PLUG ASSEMBLY, No. 1	FV530800	1	
NI 34	A 46MT4	5935-99-800-9929 CONNECTOR, FIXED, ELECTRICAL, fixed, 1.060in. lg, 1.28in. h, 1.28in. w	FV585013	1	
NI 35	A Y3	6145-99-943-4824 CABLE, ELECTRICAL, single conductor, 40/0.0076, 0.13in. dia, glass braid, polychloroprene insulated	UNIPREN12	A/R	
NI 36	A 46MT4	5970-99-881-6194 INSULATION SLEEVING, ELECTRICAL, Helsyn, H20 x 2mm nom id, 3/4mm nom wall thk, black	H20	5	
NI 37	A 46MT4	5935-99-805-2902 PLUG, TIP, Lucon, vehicular type, free female shell, 1 pole, 24V	861122	5	
NI 38	A 46MT4	5935-99-818-6285 FOLLOWER, GROMMET, shell size 16S	FV585099	1	
NI 39	A 46MT4	5935-99-818-6286 NUT, BUSHING RETAINER, ELECTRICAL, CONNECTOR, shell size 16S	FV585107	1	
40	A 46MT1	5330-99-014-7134 GASKET, shell size 16S	FV585123	2	
41		NP SCREW, MACHINE, st, hex hd, slotted, Cd P, 6BA x 3/8in. lg		12	
42	A G1	5310-99-941-9185 WASHER, LOCK, st, flat int teeth, 0.255in. od, 0.016in. thk, 6BA		12	
43		NP PLUG ASSEMBLY, No. 2	FV530788	1	
NI 44	A 46MT4	5935-99-800-9968 CONNECTOR, FIXED, ELECTRICAL, fixed, 14S-5p, female shell	FV585005	1	
NI 45	A Y3	6145-99-943-4824 CABLE, ELECTRICAL, single conductor, 40/0.0076, 0.13in. dia, glass braid, polychloroprene insulated	UNIPREN12	A/R	
NI 46	A 46MT4	5970-99-881-6194 INSULATION SLEEVING, ELECTRICAL, Helsyn, H20 x 2mm nom id, 3/4mm nom wall thk, black	H20	5	
NI 47	A 46MT4	5935-99-805-2902 PLUG, TIP, Lucon, vehicular type, free female shell, 1 pole, 24V	861122	5	
NI 48	A 46MT4	5935-99-804-4616 FOLLOWER RING, GROMMET	FV585098	1	
NI 49	A 46MT4	5935-99-804-4617 NUT, BUSHING RETAINER, ELECTRICAL PLUG SOCKET	FV585106	1	
50	A 46MT4	5330-99-585-1598 GASKET, shell size 14S	PS1-1321-14	1	
51		NP SOCKET ASSEMBLY, No. 3	FV530789	1	
NI 52	A 46MT4	5935-99-881-9666 CONNECTOR, FIXED ELECTRICAL, fixed, 16S-4S, 1.28 x 1.040in. lg	FV585014	1	
NI 53	A Y3	6145-99-943-4824 CABLE, ELECTRICAL, single conductor, 40/0.0076, 0.13in. dia, glass braid, polychloroprene insulated	UNIPREN12	A/R	

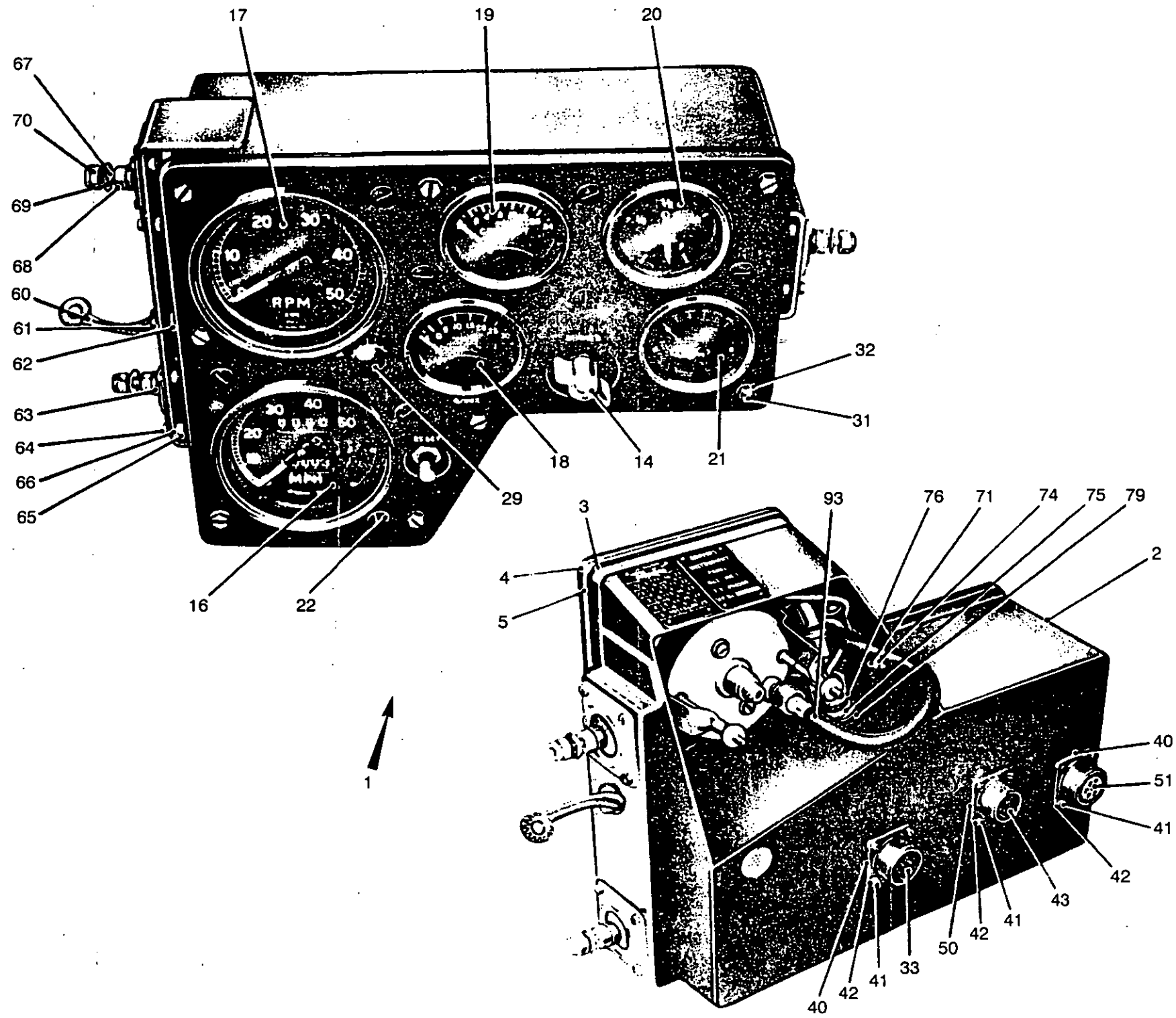


Fig 31 Drivers instrument panel

Fig Item	Man Code Navy - N Army - A RA/F - R	NATO Stock No	Item Name and Description	Part No/ Drawing No.	No. Off	Annotations
31-			ELECTRICAL EQUIPMENT GA - contd . ELECTRICAL EQUIPMENT, HULL, GA - contd . ELECTRICAL EQUIPMENT, INTERNAL - contd . DRIVERS INSTRUMENT PANEL - contd SOCKET ASSEMBLY - contd			
NI 54	A 46MT4	5970-99-881-6194 INSULATION SLEEVING, ELECTRICAL, Helsyn, H20 x 2mm nom id, 3/4mm nom wall thk, black	H20	5	
NI 55	A 46MT4	5935-99-805-2902 PLUG, TIP, Lucon, vehicular type, free female shell, 1 pole, 24V	861122	5	
NI 56	A 46MT4	5935-99-818-6285 FOLLOWER, GROMMET, shell size 16S	FV585099	1	
NI 57	A 46MT4	5935-99-818-6286 NUT, BUSHING RETAINER, ELECTRICAL, CONNECTOR, shell size 16S	FV585107	1	
NI 58		NP NUT, PLATE, special	FV518798	1	Plug No. 2 Plug No. 1 skt No. 3
NI 59		NP NUT, PLATE, special	FV518799	2	
60	A 46MT4	2590-99-881-6738 LEAD, ELECTRICAL, earthing, gearbox controller	FV491946	1	
61		NP SCREW, MACHINE, br, hex hd, 1/4in. UNF x 5/8in. lg		1	
62		NP NUT, SELF-LOCKING, HEXAGON, br, 1/4in. UNF		1	
63	A 46MT1	5340-99-205-0219 BUSH	21468-142-208	3	
64	A 46MT4	5305-99-941-6718 SCREW, MACHINE, st, hex hd, slotted, Cd P, 4BA x 3/8in.		12	
65	A G1	5310-99-941-9961 NUT, PLAIN, HEXAGON, st, Cd P, 0.125in. o/a h, 4BA		12	
66		NP WASHER, LOCK, st, flat int teeth, 0.0156in. id, 0.313in. od, 0.018in. thk, Cd P		12	
67	A G1	5305-99-948-0361 SCREW, CAP, HEXAGON HEAD, st, hex hd, Zn P, 1/4in. UNF x 1-3/8in. lg		3	
68	A G1	5310-99-941-4136 NUT, PLAIN, HEXAGON, st, Cd P, 1/4in. UNF		3	
69		NP WASHER, FLAT, st, rd, Cd P, 0.265/0.255in. id x 1/2in. od x 1/64in. thk		3	
70	A G1	5310-99-941-9130 NUT, SELF-LOCKING, HEXAGON, steel, all metal, Cd P, 1/4in. UNF		3	
71	A G1	5305-99-121-1752 SCREW, MACHINE, brass, ch hd, 4BA x 1/2in. lg, anti-corrosive		1	
NI 72		NP NUT, PLAIN, HEXAGON, brass, 0.125in. thk, Cd P, double chamfer, 4BA		1	} Securing earth lead to box
NI 73		NP WASHER, FLAT, brass, rd, 0.028in. thk, Cd P, 4BA		1	
74		NP NUT, SELF-LOCKING, HEXAGON, brass, 0.169in. h, nylon insert, 4BA	AGS2002 B4-77	1	
75	A 46MT4	5975-99-201-0588 ADAPTOR, CABLE GLAND, steel, 1/2in. -18 tpi by 0.692in. -24 tpi, 1-1/16in. o/a lg	Y5910-136	1	

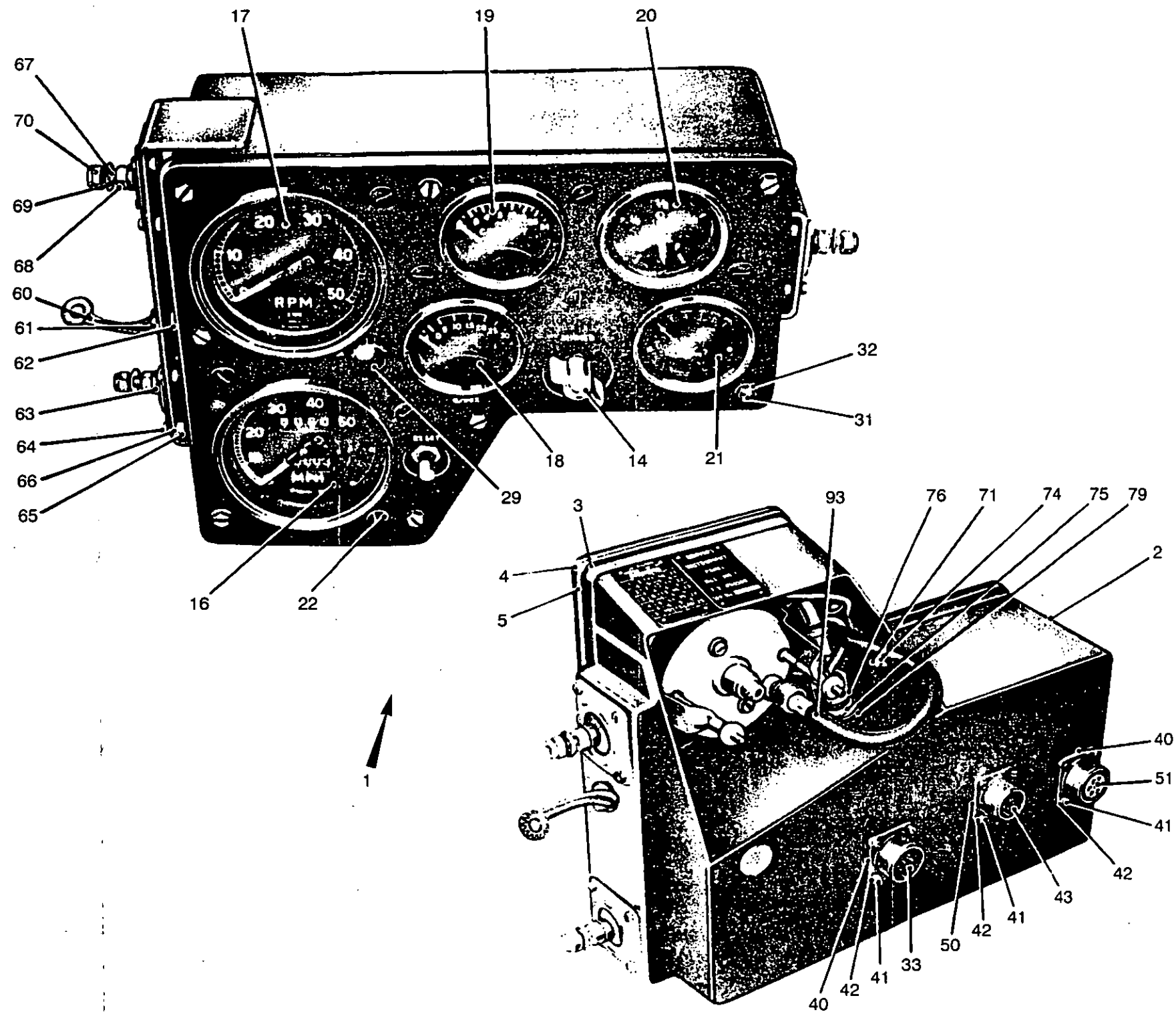


Fig 31 Drivers instrument panel

Fig Item	Man Code Navy - N Army - A RA/F - R	NATO Stock No	Item Name and Description	Part No/ Drawing No.	No. Off	Annotations
31-			ELECTRICAL EQUIPMENT GA - contd . ELECTRICAL EQUIPMENT, HULL, GA - contd . ELECTRICAL EQUIPMENT, INTERNAL - contd . DRIVERS INSTRUMENT PANEL - contd			
76	A	Z42	5975-99-805-6457 NUT, COUPLING, ELECTRICAL CONDUIT, steel, Zn P, 0.688in. Whit form, 0.786in. od, 0.469in. thk	FV(S)6/38/4	1	
NI 77	A	46MT4	5340-99-881-2217 BUSHING, RUBBER SEALING, CONE, 0.125in. dia holes, 4 holes, 0.64in. dia of flange, 0.374in. o/a lg	FV(S)6-83-1	1	
NI 78		NP NUT, PLAIN, HEXAGON, brass, 1/2in. Whit form, 18 tpi		1	
79	A	6MT1	5310-99-943-6851 WASHER, LOCK, 0.520in. id x 0.920in. od x 0.090in. thk, syn ru, sealing element, 60/70 deg hardness		1	
NI 80	A	G1	5305-99-121-1234 SCREW, MACHINE, brass, csk hd, 4BA x 5/8in. lg, anti-corrosive		1	} Securing earth lead to panel
NI 81		NP NUT, SELF-LOCKING, HEXAGON, brass, 0.169in. h, nylon insert, 4BA	AGS2002 B4-77	1	
NI 82		NP NUT, PLAIN, HEXAGON, brass, 0.125in. thk, Cd P, double chamfer, 4BA		1	
NI 83		NP WASHER, FLAT, brass, rd, 0.028in. thk, Cd P, 4BA		1	
NI 84		NP LEAD ASSEMBLIES	FV530787/1- 25	1	LM from following details
NI 85	A	Y3	6145-99-943-4824 CABLE, ELECTRICAL, single conductor, 40/0.0076, 0.13in. dia, glass braid, polychloroprene insulated	UNIPREN12	A/R	
NI 86	A	46MT4	5935-99-805-2902 PLUG, TIP, Lucon, vehicular type, free female shell, 1 pole, 24V	861122	14	
NI 87	A	9MCV	5940-99-802-9440 TERMINAL LUG, solder/solderless. 0.719 x 0.247 x 0.094in. h	32561	2	
NI 88	A	Z37	5940-99-805-0220 TERMINAL, QUICK DISCONNECT, free, rubber, 1 pole 12A, female shell	FV169423	13	
NI 89	A	46MT4	5935-99-805-0221 SOCKET, ELECTRICAL, free, rubber, 2 pole, female shell	860364	4	
NI 90	A	46MT4	5935-99-805-0224 INSERT, RESILIENT, syn ru, 1/2in. dia, 9/16in. lg o/a dims	860369	1	
NI 91	A	Y3	9330-99-943-4858 PLASTIC STRIP, PVC, perforated, 3/32in. dia holes, 1/4in pitch, 5/16in. w x 0.031in. thk	HV3254	A/R	
NI 92	A	Y3	5325-99-943-4856 STUD, POSITIVE LOCK, polythene, rd hd, 5/32in. shank, 3/32in. dia, 13/64in. lg o/a	OP3255	A/R	
93	A	46TM1	6680-99-881-9379 CABLE, TRIP RESET, No. 4, Mk 1	FV564807/4	1	

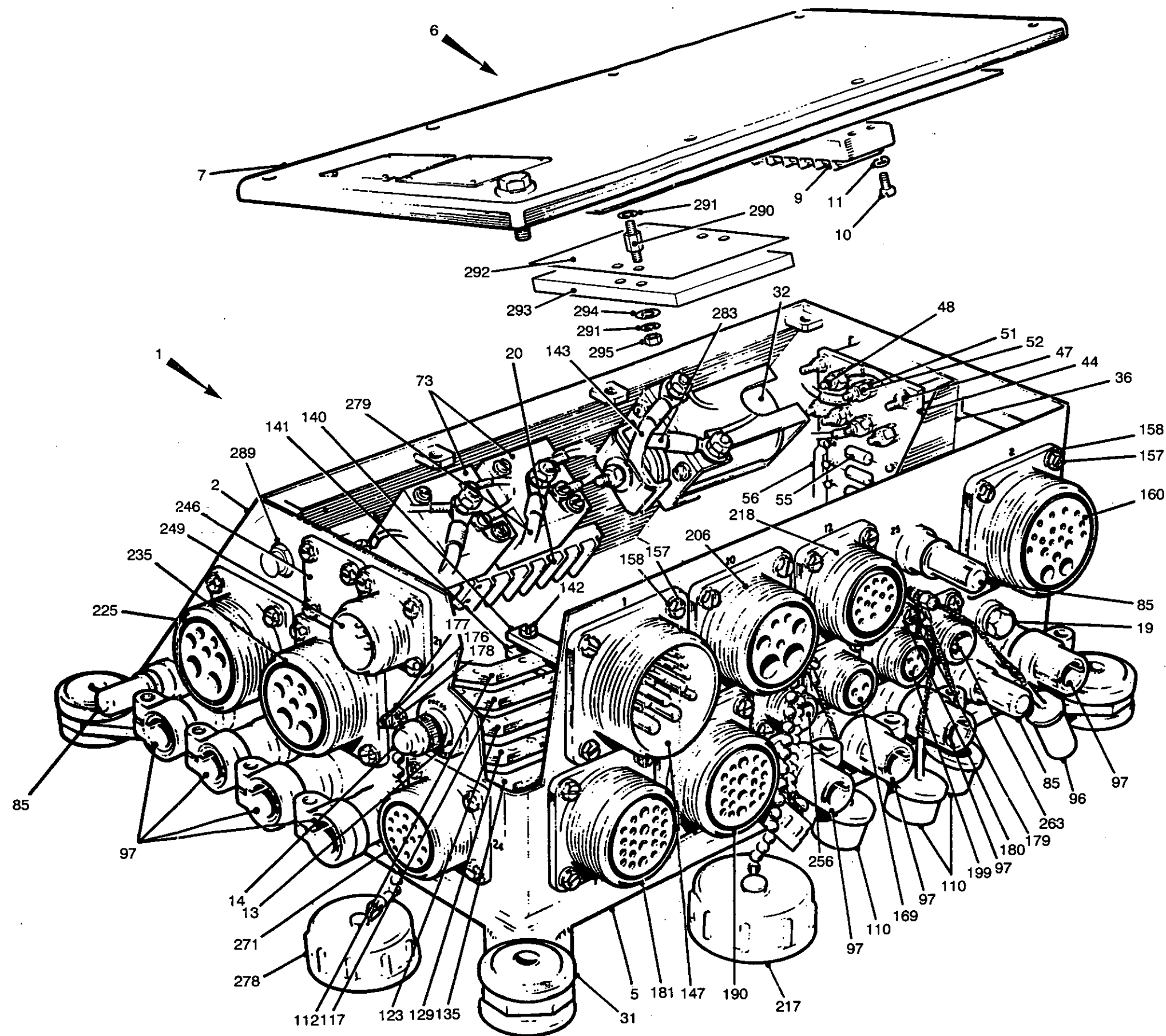


Fig 32 Distribution box

Fig Item	Man Code Navy - N Army - A RA/F - R	NATO Stock No	Item Name and Description	Part No/ Drawing No.	No. Off	Annotations
32-			ELECTRICAL EQUIPMENT GA - contd . ELECTRICAL EQUIPMENT, HULL, GA - contd . ELECTRICAL EQUIPMENT, INTERNAL - contd			
1	A	9ACR	6110-99-881-8338 . . . DISTRIBUTION BOX, rect surface mtd, 15in. h, 12-1/2in. w, 6-7/64in. deep, w/cover and 4 mtg holes, link box	FV494570	1	
2		NP BOX, distribution	FV530700	1	
NI 3		NP TERMINAL, POST, neg	FV530679	1	
NI 4	A	46MT1	5999-99-825-6834 . . . EYELET, PERFORATED, PLATE, brass, preformed, 3/4in. dia, 1/8in. lg, 11/64in. h	GZ100	4	
5		NP COVER, bottom, distribution box	FV530701	1	
6		NP COVER, top, distribution box	FV530763	1	
7		NP COVER, top, fabrication	FV530702	1	
NI 8		NP LINK, TERMINAL CONNECTING	FV518869	1	
9	A	Z37	5940-99-105-1390 TERMINAL, BOARD, plastic, 1.12in. w, 0.600in. h x 3.70in. lg, 16 way	FV518856	2	
10	A	G1	5305-99-101-5890 SCREW, MACHINE, st, flat fil hd, 4BA x 9/16in. lg		4	
11	A	G1	5310-99-941-6652 WASHER, LOCK, steel, split helical ring, 0.168in. id, 0.252in. od, 0.04in. thk		4	
NI 12		NP LAMP HOLDER, indicator light assy	FV530761	1	
13		NP LAMP HOLDER, indicator light	02-0089A	1	
14	A	46MT3	6210-99-715-1208 LENS, LIGHT, indicator light glass, green, 9/16in. dia, 24/32in. lg	02-0402 green	1	
NI 15	A	X5	6240-99-995-9118 LAMP, INCANDESCENT, 28V, 0.04A, midget, 5.85mm dia flange clear, tubular, 16.1mm lg	3BOD12052- 1	1	
NI 16	A	Y3	6145-99-943-4824 CABLE, ELECTRICAL, single conductor, 40/0.0076, 0.13in. dia, glass braid, polychloroprene insulated	UNIPREN12	A/R	
NI 17	A	6MT4	5940-99-805-0797 TERMINAL LUG, 4BA, 11/32in. o/a dia x 5/32in. h		3	
NI 18	A	9MCV	5940-99-802-9440 TERMINAL LUG, solder/solderless, 0.719 x 0.247 x 0.094in. h	32561	2	
19	A	6MT1	5940-99-801-0903 PLUG, SCREWED, brass, hex hd, 1/4in. BSP	8X2R1	2	
20		NP TERMINAL BOARD ASSEMBLY	FV530764	1	
NI 21	A	6MT4	5940-99-105-1388 TERMINAL BOARD, 12 way, plastic, 0.312 x 0.154in. dia	FV518855	2	
NI 22	A	Y3	6145-99-943-4824 CABLE, ELECTRICAL, single conductor, 40/0.0076, 0.13in. dia, glass braid, polychloroprene insulated	UNIPREN12	A/R	
NI 23	A	Y3	9330-99-943-4858 PLASTIC STRIP, plastics, opaque, black, 25 metres lg, 0.312in. w, 0.028in. thk	HV3254	4	
NI 24	A	Y3	5325-99-943-4856 STUD, POSITIVE LOCK, polythene, rd hd, 5/32in. dia shank, 3/32in. dia, 13/64in. o/a lg	OP3255	4	

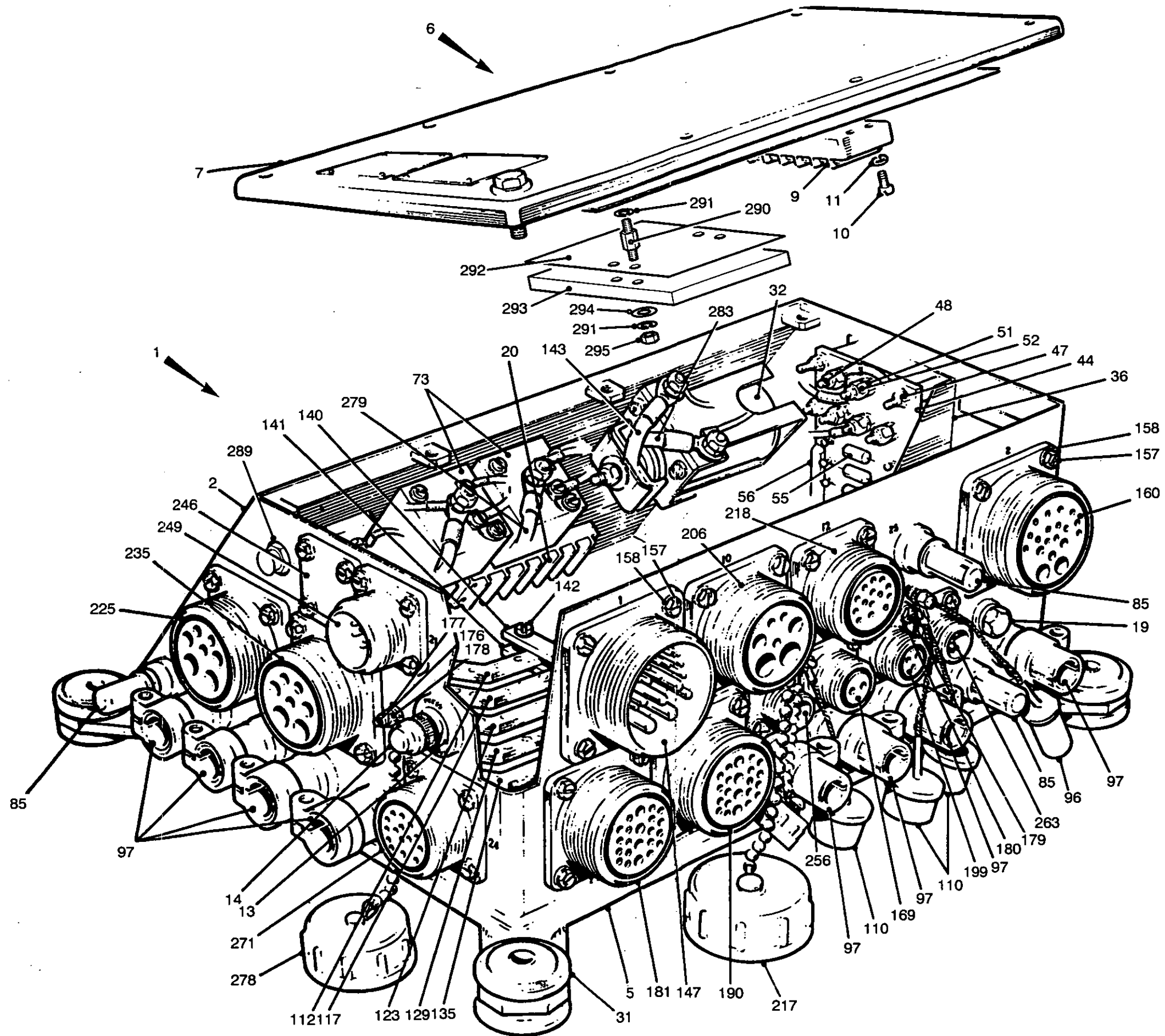


Fig 32 Distribution box

Fig Item	Man Code Navy - N Army - A RA/F - R	NATO Stock No	Item Name and Description	Part No/ Drawing No.	No. Off	Annotations
32-			ELECTRICAL EQUIPMENT GA - contd . ELECTRICAL EQUIPMENT, HULL, GA - contd . ELECTRICAL EQUIPMENT, INTERNAL - contd . . DISTRIBUTION BOX - contd . . . TERMINAL BOARD ASSEMBLY - contd			
NI 25	A	9MCV	5940-99-802-9440	TERMINAL LUG, solder/solderless, 0.719 x 0.247 x 0.094in. h	32561	11
NI 26		NP	SCREW, MACHINE, steel, 4BA, 9/16in. lg	Z2/ZB11380	8
NI 27		NP	WASHER, LOCK, st, single coil, Cd P, 4BA	AGS162B	8
NI 28		NP	LEAD, ASSEMBLY, ELECTRICAL	FV530729/6	1
NI 29	A	Y3	6145-99-943-4824	CABLE, ELECTRICAL, single conductor, 40/0.0076, 0.13in. dia, glass braid, polychloroprene insulated	UNIPREN12	A/R
NI 30	A	9MCV	5940-99-802-9440	TERMINAL LUG, solder/solderless, 0.719 x 0.247 x 0.094in. h	32561	2
31	A	46MT4	5340-99-800-9907	MOUNT, RESILIENT, 3/8in. bolt dia, 3/16in. bore thk	FV573436/2	4
32	A	46MT4	5930-99-881-8339	MOUNT, STEPPING, solenoid, 3/391 x 3.38 x 2.322in. h	FV530703	1
NI 33		NP	PACKING PIECE, solenoid switch	FV530730	1
NI 34		NP	SCREW, MACHINE, hex hd, slotted, Cd P, 1/4in. x 5/8in. lg		2
NI 35	A	G1	5310-99-943-6849	WASHER, LOCK, steel/rubber, 0.260in. dia x 0.52in. od x 0.070in. thk		2
36		NP	BRACKET, control circuit	FV530706	1
NI 37	A	H9	5325-99-942-3412	GROMMET, RUBBER, syn ru, 0.060in. x 0.104in. x 0.188in. x 0.228in. thk	B13537	2
NI 38	A	G1	5805-99-915-0587	SCREW, MACHINE, st, csk hd, 4BA x 1-1/4in. lg		2
NI 39	A	G1	5310-99-941-6869	WASHER, PLAIN, st, Cd P, 4BA, 0.028in. thk		2
NI 40		NP	NUT, SELF-LOCKING, Al alloy, 4BA, 0.299in. h	AGS2011-B3	2
NI 41	A	G1	5310-99-943-6847	WASHER, LOCK, steel/rubber, 0.152in. id x 0.340in. od x 0.05in. thk, flat internal teeth		4
NI 42		NP	SCREW, MACHINE, st, slotted, hex hd, 4BA x 3/8in. lg		4
NI 43	A	9ACR	2540-99-780-1957	PANEL ASSEMBLY, control circuit	FV530705	1
44		NP	PANEL, control circuit	FV530707	1
NI 45		NP	PIN, STRAIGHT, HEADLESS, panel assy	FV530724	2
NI 46		NP	WASHER, FLAT, Cu alloy, 0.176in. od x 0.016in. thk, 10BA	SP22-Y	4
47	A	6MT1	5325-99-942-3416	GROMMET, RUBBER, syn ru, 5/16in. x 0.125in. x 0.094in. x 0.187in. id	SSML7-11-5-161-NX0-125IN	2
48		NP	SCREW, MACHINE, flat fil hd, 5/8in. lg	NA-00-007-	7

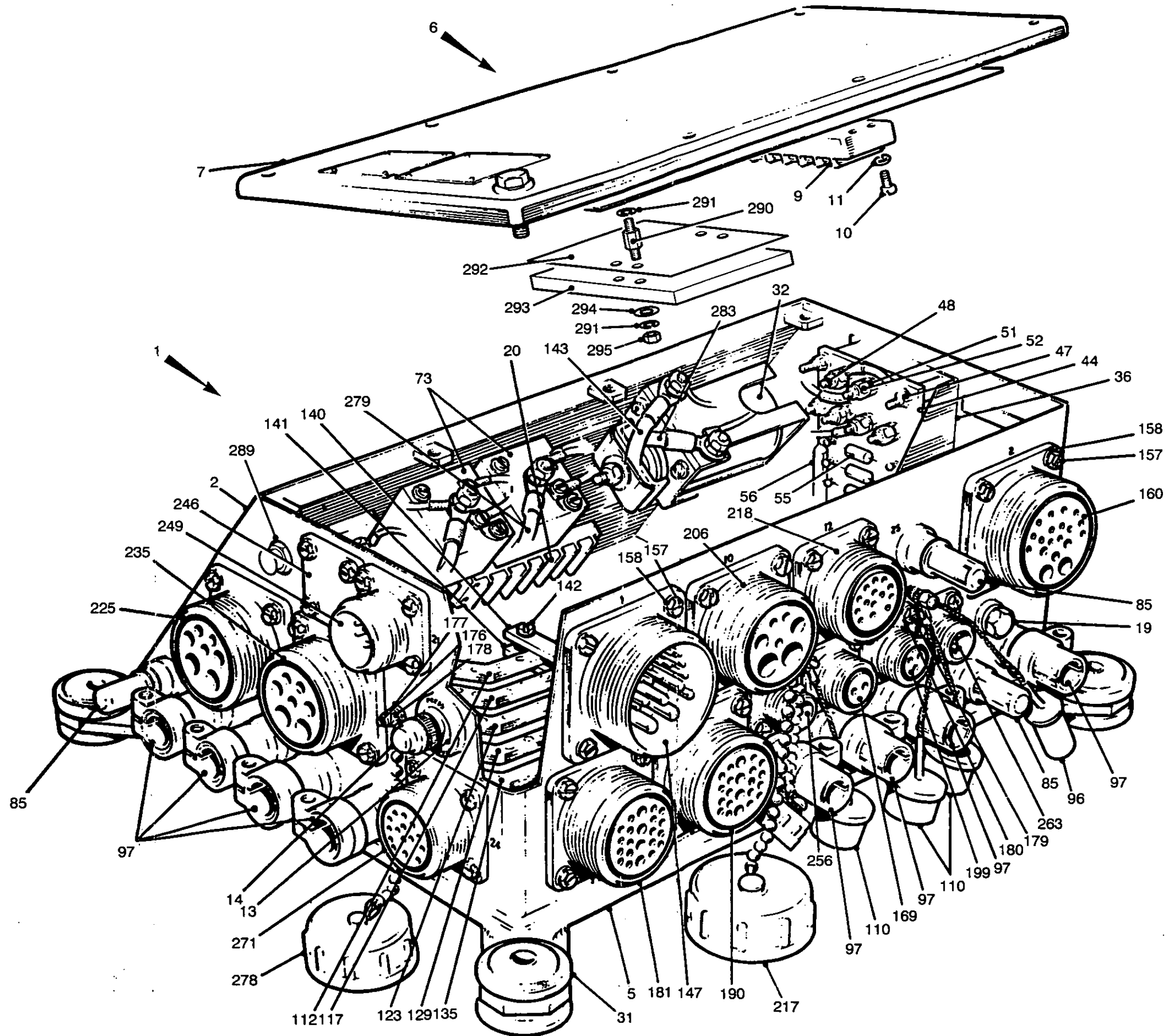


Fig 32 Distribution box

Fig Item	Man Code Navy - N Army - A RA/F - R	NATO Stock No	Item Name and Description	Part No/ Drawing No.	No. Off	Annotations
32-			ELECTRICAL EQUIPMENT GA - contd . ELECTRICAL EQUIPMENT, HULL, GA - contd . ELECTRICAL EQUIPMENT, INTERNAL - contd . . . DISTRIBUTION BOX - contd PANEL ASSEMBLY - contd			
NI 49		NP WASHER, LOCK, phos B, Zn P, flat int teeth, 4BA	1906	7	
NI 50		NP WASHER, FLAT, Cu alloy, Cd P, 0.152in. id x 0.296in. od x 0.028in. thk		7	
51		NP NUT, PLAIN, HEXAGON, brass, Cd P, No. 4 BA, 0.084in.h		7	
52		NP NUT, PLAIN, HEXAGON, brass, nylon insert, hex, 0.169in. h	AGS2002B4- 77	7	
NI 53	A 6MT4	5940-99-805-0797 TERMINAL LUG, 4BA, serrated ring	WE501-4BA	7	
NI 54	A 9ACR	5945-99-621-7179 RELAY	FV2150453	1	
55	A Z42	5961-99-118-1454 SEMI-CONDUCTOR DEVICE, DIODE, 200V, 1A, 5mm lg, 3mm od	IN4003	3	
56	A Z30	5905-99-014-0314 LEAD, ELECTRICAL, 82ohm, wire wound	FV830446-9	1	
NI 57		NP LEAD, ELECTRICAL, U12 assy	FV530729/1	1	
NI 58	A 9MCV	5940-99-802-9440 TERMINAL LUG, solder/solderless, 0.719 x 0.247 x 0.094in. h	32561	2	
NI 59	A Y3	6145-99-943-4824 CABLE, ELECTRICAL 40/0.0076, 0.13in. dia, glass braid, polychloroprene insulated	UNIPREN12	A/R	
NI 60		NP LEAD, ELECTRICAL, U12 assy	FV530729/2	1	
NI 61	A 46MT4	5940-99-805-0754 TERMINAL LUG, brass, M5	Z10009	2	
NI 62	A Y3	6145-99-943-4824 CABLE, ELECTRICAL 40/0.0076, 0.13in. dia, glass braid, polychloroprene insulated	UNIPREN12	A/R	
NI 63		NP LEAD, ELECTRICAL, U12 assy	FV530729/3	1	
NI 64	A 46MT4	5940-99-805-0754 TERMINAL LUG, brass, M5	Z10009	2	
NI 65	A Y3	6145-99-943-4824 CABLE, ELECTRICAL 40/0.0076, 0.13in. dia, glass braid, polychloroprene insulated	UNIPREN12	A/R	
NI 66		NP LEAD, ELECTRICAL, U12 assy	FV530729/4	1	
NI 67	A 9MCV	5940-99-802-9440 TERMINAL LUG, solder/solderless, 0.719 x 0.247 x 0.094in. h	32561	2	
NI 68	A Y3	6145-99-943-4824 CABLE, ELECTRICAL 40/0.0076, 0.13in. dia, glass braid, polychloroprene insulated	UNIPREN12	A/R	
NI 69		NP LEAD, ELECTRICAL, U12 assy	FV530729/5	1	
NI 70	A 9MCV	5940-99-802-9440 TERMINAL LUG, solder/solderless, 0.719 x 0.247 x 0.094in. h	32561	2	
NI 71	A Y3	6145-99-943-4824 CABLE, ELECTRICAL 40/0.0076, 0.13in. dia, glass braid, polychloroprene insulated	UNIPREN12	A/R	
NI 72		NP BRACKET, ASSEMBLY, transformer	FV530708	1	
73	A 46MT4	5950-99-881-8342 TRANSFORMER, CURRENT	FV546132	2	
NI 74		NP STUD, PLAIN, brass, 1/4in. UNF x 2- 5/8in. lg		2	
NI 75	A G1	5310-99-941-3188 NUT, PLAIN, HEXAGON, br, hex, chamfered, tin pl, 1/4in. UNF		12	

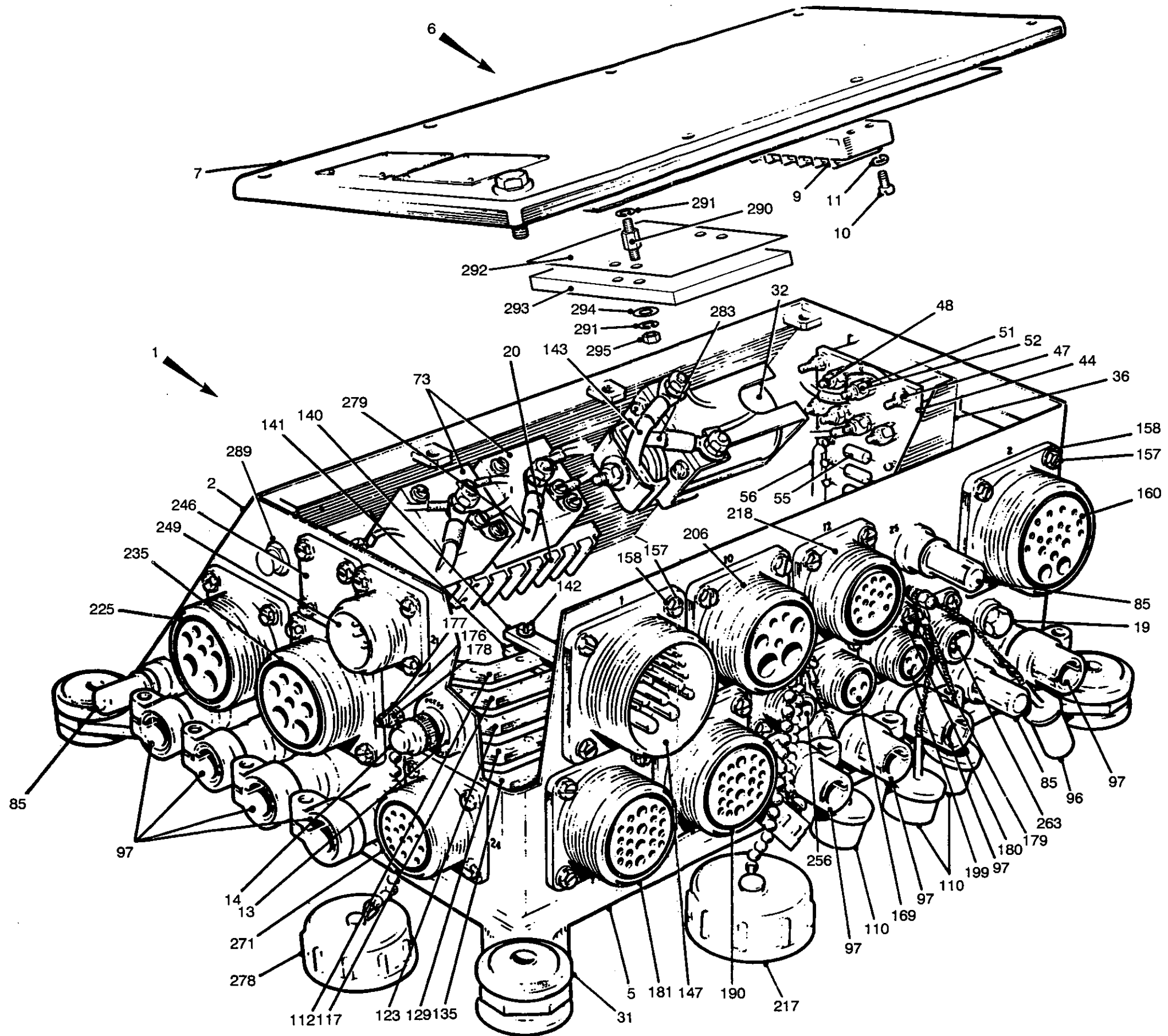


Fig 32 Distribution box

Fig Item	Man Code Navy - N Army - A RAF - R	NATO Stock No	Item Name and Description	Part No/ Drawing No.	No. Off	Annotations
32-			ELECTRICAL EQUIPMENT GA - contd . ELECTRICAL EQUIPMENT, HULL, GA - contd . ELECTRICAL EQUIPMENT, INTERNAL - contd . DISTRIBUTION BOX - contd			
NI 76	A G1	5310-99-941-9964	. . . WASHER, FLAT, br, tin pl, 1/4in. hole id		4	
NI 77		NP	. . . SCREW, MACHINE, st, flat fil hd, 4BA x 1-1/2in. lg	PS1857-1	4	
NI 78	A G1	5310-99-941-9961	. . . NUT, PLAIN, HEXAGON, st, Cd P, 4BA, 0.125in. h		4	
NI 79		NP	. . . WASHER, LOCK, st, Cd P, shakeproof, 4BA	FV542416-36	4	
NI 80		NP	. . . INSULATOR, STANDOFF, SPBP, brown	FV530726	1	
NI 81		NP	. . . INSULATOR, STANDOFF, SRBP, brown	FV530727	1	
NI 82		NP	. . . SCREW, MACHINE, br, hex hd, 5/16in. UNF x 1-1/8in. lg		2	
NI 83	A G1	5310-99-971-3810	. . . WASHER, FLAT, br, tin pl, 5/16in. od		4	
NI 84	A G1	5310-99-137-2652	. . . NUT, PLAIN, HEXAGON, br, NI P, 5/16in. UNF		6	
85	A 46MT4	5935-99-805-0012	. . . CONNECTOR, RECEPTACLE, ELECTRICAL	FV131143	3	
NI 86	A 6MT4	5970-99-805-0023	. . . INSULATOR, WASHER, rd, Tufnal, 0.406in. id x 0.937in. od x 0.063in. deep	FV39352	3	
NI 87	A 6MT4	5330-99-805-0022	. . . RETAINER, PACKING, int recess, 0.812in. dia x 0.010in. thk	FV39351	3	
NI 88	A 46MT4	5970-99-805-2206	. . . INSULATOR, BUSHING, bakelite, heavy duty panel plug	FV131069	3	
NI 89	A Z42	5999-99-826-1775	. . . CONTACT, ELECTRICAL, br, silver pl, 2.75 x 0.499in. dia	FV131067	3	
NI 90	A 6MT4	5330-99-881-3980	. . . RING, SEALING, TOROIDAL, ru, 0.531in. id, 0.651in. od, 0.060in. o/a h, 93 deg hardness	FV107528	3	
NI 91	A 6MT1	5330-99-764-2312	. . . RING, SEALING, TOROIDAL, 9/16in. x 7/84in. h 90 deg shore hardness	FV131066	3	
NI 92	A 46MT1	5330-99-805-0032	. . . RING, SEALING, TOROIDAL, ru, 1/16in. x 9/32in. id, 90 deg hardness	FV131065	3	
NI 93		NP	. . . NUT, PLAIN, HEXAGON, Cu alloy, 3/8in. UNF, 0.22in. o/a h	FV(S)82/3	9	
NI 94	A G1	5310-99-980-6170	. . . WASHER, FLAT, br tin pl, 3/8in. id, 3/4in. od		3	
NI 95		NP	. . . TERMINAL LUG, brass	FV530709	3	
96	A 46MT4	5940-99-881-5821	. . . SHROUD CAPTIVE, ASSEMBLY, w/nylon cord looped one end	FV530564	1	
97	A 46MT4	5935-99-805-0007	. . . SOCKET, ELECTRICAL, 15/16in. od, 2-11/16in. lg	FV39347	8	
NI 98	A 6MT4	5330-99-805-0022	. . . RETAINER, PACKING, int recess, 0.812in. dia x 0.010in. thk	FV39351	8	
NI 99	A 6MT4	5970-99-805-0023	. . . INSULATOR, WASHER, rd, Tufnal, 0.406in. id x 0.937in. od x 0.063in. deep	FV39352	8	

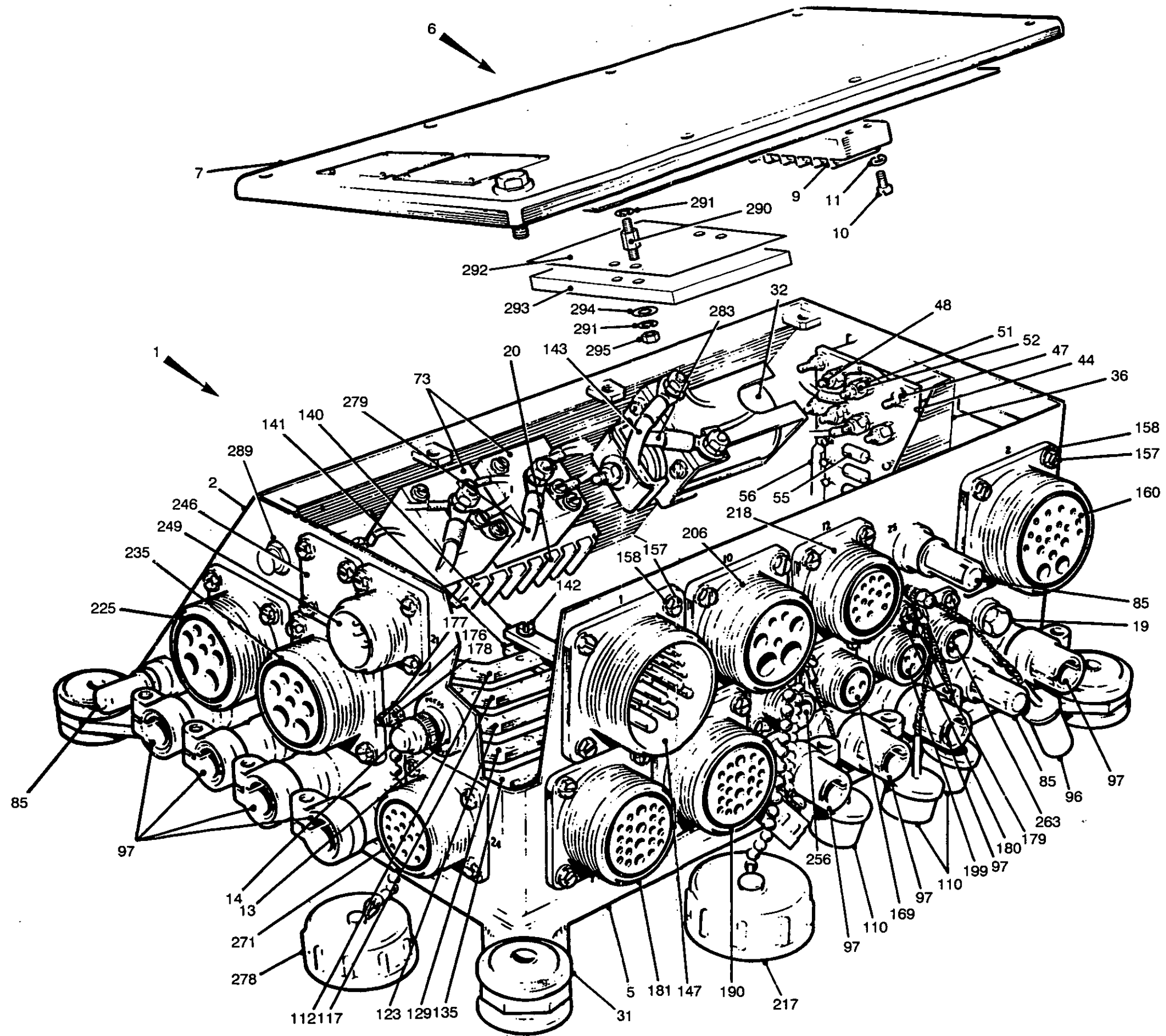


Fig 32 Distribution box

Fig Item	Man Code Navy - N Army - A RA/F - R	NATO Stock No	Item Name and Description	Part No/ Drawing No.	No. Off	Annotations
32-			ELECTRICAL EQUIPMENT GA - contd . ELECTRICAL EQUIPMENT, HULL, GA - contd . ELECTRICAL EQUIPMENT, INTERNAL - contd . . DISTRIBUTION BOX - contd . . . SOCKET, ELECTRICAL - contd			
NI 100	A 6MT4	5330-99-881-3980 RING, SEALING, TOROIDAL, ru, 0.531in. id, 0.651in. od, 0.060in. o/a h, 93 deg hardness	FV107528	8	
NI 101	A 6MT4	5970-99-805-0021 INSULATOR, BUSHING, plastics, 3/8in. x 13/16in. od x 1-13/32in. h	FV39350	8	
NI 102		NP TERMINAL POST, brass	FV39349	8	
NI 103	A 6MT1	5330-99-764-2312 RING, SEALING, TOROIDAL, 9/16in. x 7/64in. h, 90 deg shore hardness	FV131066	8	
NI 104		NP NUT, PLAIN, HEXAGON, Cu alloy, 3/8in. UNF, 0.22in. o/a h	FV(S)82/3	9	
NI 105	A G1	5310-99-980-6170 WASHER, FLAT, br, tin pl, 3/8in. id, 3/4in. od		3	
NI 106	A 46MT4	5935-99-805-0024 CLAMP, LOOP, br Cd P, 3/4in. id, 1/2in. w	FV107619	8	
NI 107	A G1	5305-99-941-0512 SCREW, MACHINE, st, hex hd, Zn P, 1/4in. UNF x 5/8in. lg		8	
NI 108	A G1	5310-99-120-4032 WASHER, FLAT, rd, Zn P, 1/4in. id x 9/16in. od		8	
NI 109		NP TERMINAL LUG, brass	FV530709	3	
110	A 9ACR	5935-99-802-2227 COVER, ELECTRICAL SOCKET, non-metallic, 1-1/8in. x 5/8in. lg	FV530749	3	
NI 111		NP CONNECTOR STUD, 5/16in. UNF	FV530710	4	
112		NP LINK, TERMINAL, CONNECTING, neg	FV530712	1	
NI 113		NP SCREW, MACHINE, high tensile brass, hex hd, 5/16in. UNF x 3/4in. lg		2	
NI 114	A G1	5310-99-971-3810 WASHER, FLAT, br, tin pl, 5/16in. od		4	
NI 115	A 46MT4	2590-99-821-1241 SCREW, TERMINAL, br, cheese hd, 4BA x 0.275in. lg	FV518867	16	
NI 116		NP WASHER, CAPTIVE, brass	FV518868	16	
117		NP LINK, TERMINAL, CONNECTING, pos	FV530713	1	
NI 118		NP SCREW, MACHINE, high tensile brass, hex hd, 5/16in. UNF x 3/4in. lg		2	
NI 119	A G1	5310-99-971-3810 WASHER, FLAT, br, tin pl, 5/16in. od		2	
NI 120	A 46MT4	2590-99-821-1241 SCREW, TERMINAL, br, cheese hd, 4BA x 0.275in. lg	FV518867	7	
NI 121		NP WASHER, CAPTIVE, brass	FV518868	16	
NI 122	A G1	5310-99-137-2652 NUT, PLAIN, HEXAGON, br, Ni P, 5/16in. UNF		2	
123		NP LINK, TERMINAL, CONNECTING, A.C.3	FV530714	1	
NI 124		NP SCREW, MACHINE, high tensile brass, hex hd, 5/16in. UNF x 3/4in. lg		2	
NI 125	A G1	5310-99-971-3810 WASHER, FLAT, br, tin pl, 5/16in. od		2	
NI 126	A 46MT4	2590-99-821-1241 SCREW, TERMINAL, br, cheese hd, 4BA x 0.275in. lg	FV518867	4	
NI 127		NP WASHER, CAPTIVE, brass	FV518868	4	

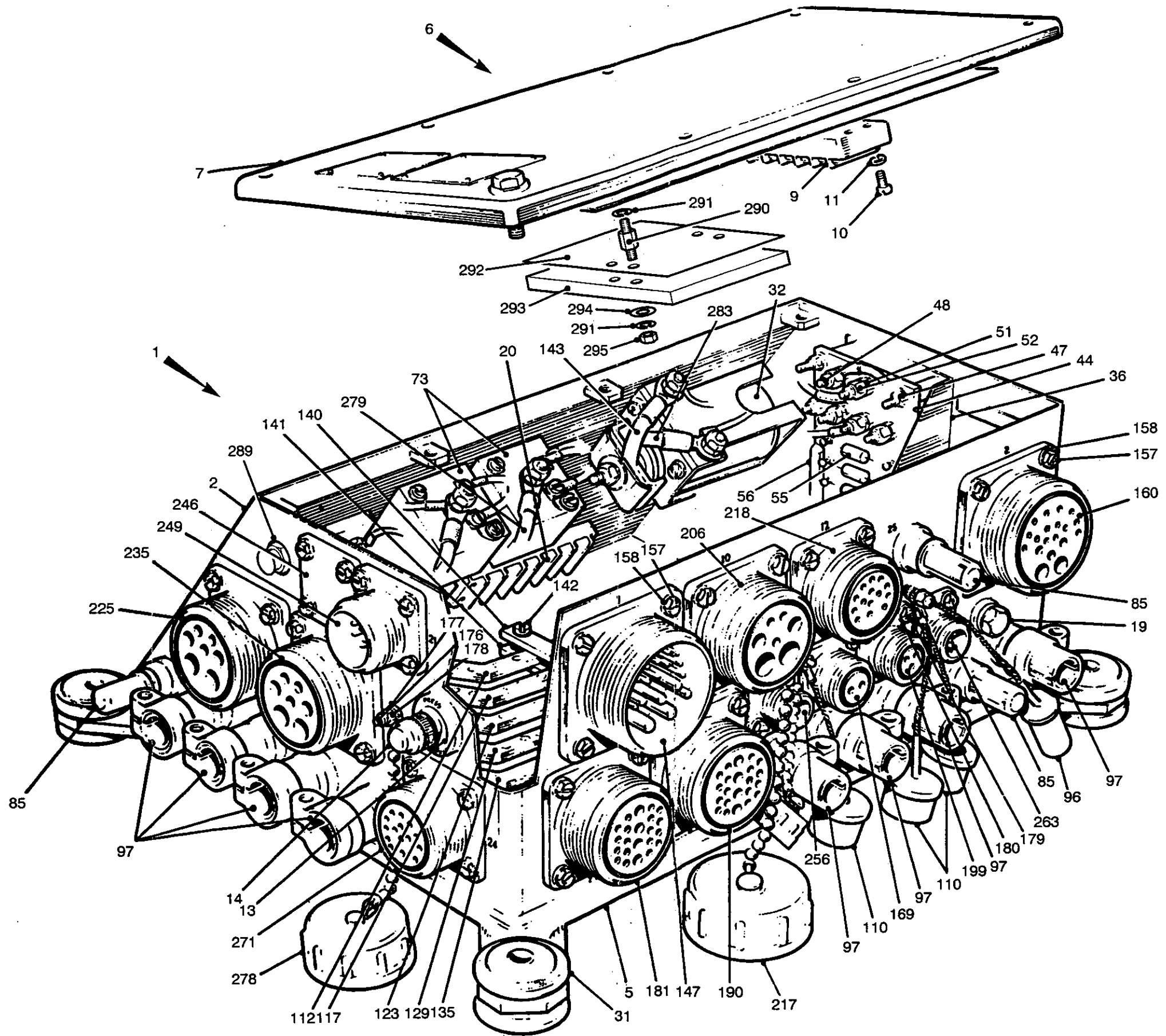


Fig 32 Distribution box

Fig Item	Man Code Navy - N Army - A RA/F - R	NATO Stock No	Item Name and Description	Part No/ Drawing No.	No. Off	Annotations
32-			ELECTRICAL EQUIPMENT GA - contd . ELECTRICAL EQUIPMENT, HULL, GA - contd . ELECTRICAL EQUIPMENT, INTERNAL - contd . . DISTRIBUTION BOX - contd			
NI 128	A G1	5310-99-137-2652	. . . NUT, PLAIN, HEXAGON, br, Ni P, 5/16in. UNF		2	
NI 129		NP	. . . LINK, TERMINAL, CONNECTING, A.C.2	FV530715	1	
NI 130		NP	. . . SCREW, MACHINE, high tensile brass, hex hd, 5/16in. UNF x 3/4in. lg		2	
NI 131	A G1	5310-99-971-3810	. . . WASHER, FLAT, br, tin pl, 5/16in. od	CX112401-13	2	
NI 132	A 46MT4	2590-99-821-1241	. . . SCREW, TERMINAL, br, cheese hd, 4BA x 0.275in. lg	FV518867	4	
NI 133		NP	. . . WASHER, CAPTIVE, brass	FV518868	4	
NI 134	A G1	5310-99-137-2652	. . . NUT, PLAIN, HEXAGON, br, Ni P, 5/16in. UNF		2	
135		NP	. . . LINK, TERMINAL, CONNECTING, A.C.1	FV530716	1	
NI 136	A G1	5310-99-971-3810	. . . WASHER, FLAT, br, tin pl, 5/16in. od		2	
NI 137	A 46MT4	2590-99-821-1241	. . . SCREW, TERMINAL, br, cheese hd, 4BA x 0.275in. lg	FV518867	2	
NI 138		NP	. . . WASHER, CAPTIVE, brass	FV518868	4	
NI 139	A G1	5310-99-137-2652	. . . NUT, PLAIN, HEXAGON, br, Ni P, 5/16in. UNF		2	
140		NP	. . . BRACE, TOP, nylon, connector link fixing	FV530746	1	
141		NP	. . . BRACE, BOTTOM, nylon, connector link fixing	FV530747	1	
142		NP	. . . SCREW, MACHINE, flat fil hd, 2BA x 1.00in. lg	FD11857-363	3	
143		NP	. . . LEAD, ELECTRICAL, U100	FV530728/3	1	
NI 144	A Y3	6145-99-945-5075	. . . WIRE, ELECTRICAL, 294/0.012in. tinned copper, glass braid, synthetic rubber, 0.36in. od, blue	E21 UNIPREN 100	A/R	
NI 145	A 46MT4	5940-99-805-0745	. . . TERMINAL LUG, 1-15/32 x 11/16 x 1/16in. thk, Cu alloy, 1 conductor 1/16in. sq	W1S348C10	1	
NI 146		NP TERMINAL LUG, 1/4in. X 5/16in.		1	
147		NP	. . . PLUG, ELECTRICAL, No. 1	FV530731	1	
NI 148	A 46MT4	5935-99-800-9957	. . . PLUG, ELECTRICAL, fixed, 23 poles, 5MS	FV585037	1	
NI 149	A Y3	6145-99-943-4824	. . . CABLE, ELECTRICAL single conductor, 40/0.0076, 0.13in. dia, glass braid, polychloroprene insulated	UNIPREN12	A/R	NI 151
NI 150	A Y3	6145-99-945-5075	. . . WIRE, ELECTRICAL, 294/0.012in. tinned copper, glass braid, synthetic rubber, 0.36in. od blue	E21 UNIPREN 100	A/R	
NI 151	A Y3	6145-99-945-5074	. . . WIRE, ELECTRICAL, 120/0.012in. tinned copper, braid, blue	E21 UNIPREN50	A/R	
NI 152	A 9MCV	5940-99-802-9440	. . . TERMINAL LUG, solder/solderless, 0.719 x 0.247 x 0.094in. h	32561	10	
NI 153		NP TERMINAL LUG, 1/4in. x 5/16in.		1	
NI 154	A 46MT4	5940-99-805-0745 TERMINAL LUG, 1-15/32 x 11/16 x 1/16in. thk, Cu alloy, 1 conductor 1/16in. sq	W1S348C10	1	

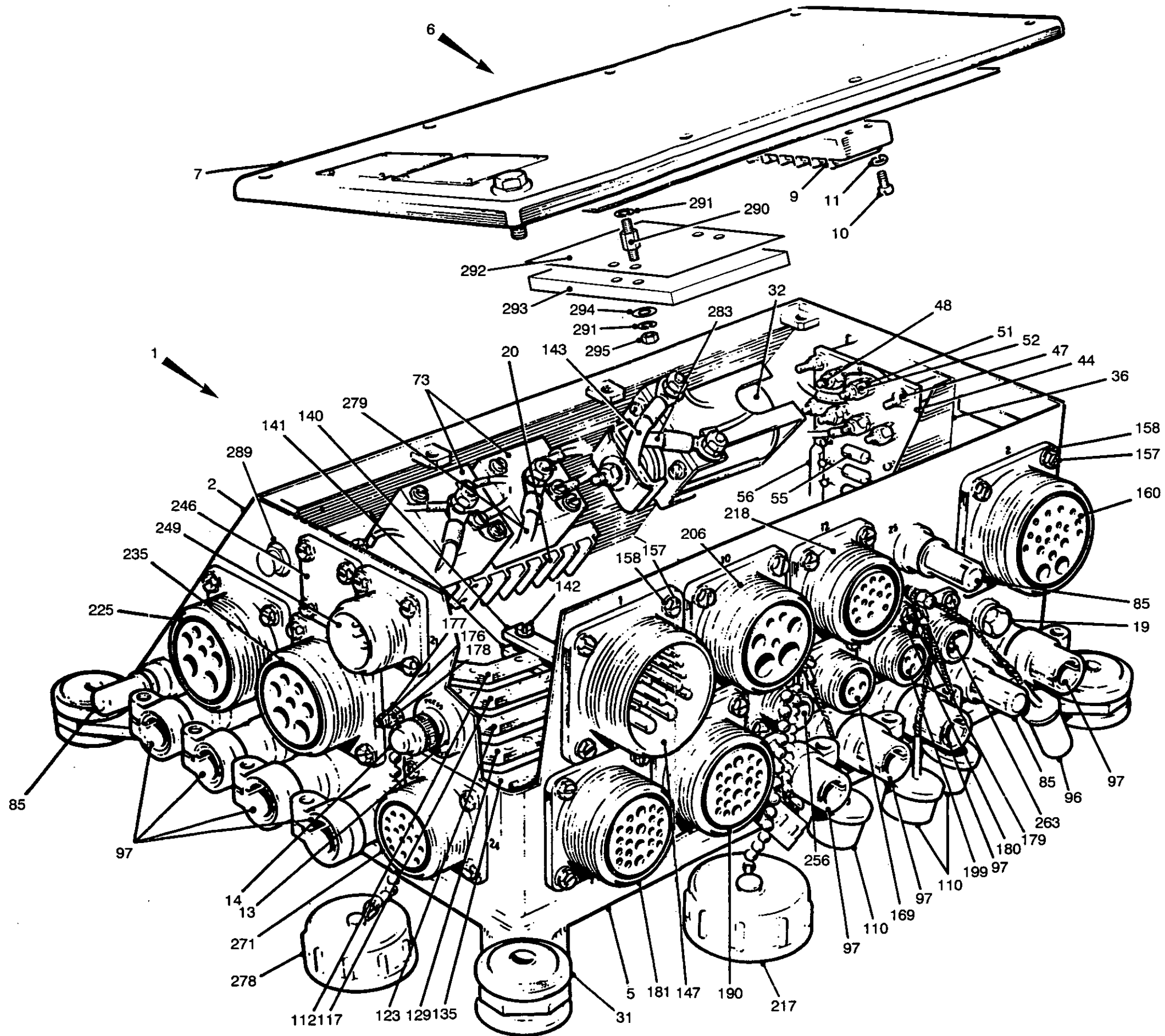


Fig 32 Distribution box

Fig Item	Man Code Navy - N Army - A RAF - R	NATO Stock No	Item Name and Description	Part No/ Drawing No.	No. Off	Annotations
32-			ELECTRICAL EQUIPMENT GA - contd . ELECTRICAL EQUIPMENT, HULL, GA - contd . ELECTRICAL EQUIPMENT, INTERNAL - contd . . . DISTRIBUTION BOX - contd			
NI 155		NP	. . . PLATE, RETAINING, ELECTRICAL PLUG-SOCKET, MS, Zn P, shell size 32	FV530641/8	1	
NI 156	A Z2	5330-99-014-7140	. . . GASKET, shell size 32	FV585128	1	
157	A G1	5305-99-941-7837	. . . SCREW, MACHINE, corrosion resisting steel, hex hd, 4BA x 7/16in. lg		28	
158	A G1	5310-99-943-6847	. . . WASHER, LOCK, rubber/steel, flat int teeth, 0.152in. x 0.050in. thk x 0.34in. id	GD1321-2	28	
NI 159		NP	. . . CAP, BLANKING, shell size 32		1	
NI 160		NP	. . . SOCKET, ELECTRICAL, No. 2 assy	FV530732	1	
NI 161	A 46MT4	5935-99-800-9956 SOCKET, fixed 32-6S	FV583058	1	
NI 162	A Y3	6145-99-943-4824 CABLE, ELECTRICAL 40/0.0076, 0.13in. dia, glass braid, polychloroprene insulated	UNIPREN12	A/R	
NI 163	A Y3	6145-99-945-5074 WIRE, ELECTRICAL, 120/0.012in. tinned copper, braid, blue	E21 UNIPREN50	A/R	
NI 164	A 9MCV	5940-99-802-9440 TERMINAL LUG, solder/solderless, 0.719 x 0.247 x 0.094in. h, 16AWG	32561	5	
NI 165	A 46MT4	5940-99-805-0745 TERMINAL LUG, 1-15/32 x 11/16 x 1/16in. thk, Cu alloy, 1 conductor 1/16in. sq	W1S348C10	3	
NI 166	A Z2	5330-99-014-7140 GASKET, shell size 32	FV585128	1	
NI 167		NP CAP, BLANKING, shell size 32		1	
NI 168		NP PLATE, RETAINING, ELECTRICAL PLUG-SOCKET, MS, Zn P, shell size 32	FV530641/8	1	
169		NP SOCKET, ELECTRICAL, No. 6	FV530733	1	
NI 170	A 46MT4	5935-99-800-9970 CONNECTOR, ELECTRICAL, straight shape, 1.188 x 1.040in. lg, aluminium alloy, 22A	FV585010	1	
NI 171	A Y3	6145-99-943-4824 CABLE, ELECTRICAL, single conductor, 40/0.0076, 0.13in. dia, glass braid, polychloroprene insulated	UNIPREN12	A/R	
NI 172	A 9MCV	5940-99-802-9440 TERMINAL LUG, solder/solderless, 0.719 x 0.247 x 0.094in. h	32561	2	
NI 173		NP PLATE, RETAINING, ELECTRICAL PLUG-SOCKET, MS Zn P, shell size 14S	FV530641/2	1	
NI 174	A 46MT4	5330-00-585-1591 GASKET, syn ru, 0.13 x 0.875in. x 0.02in. thk	FV585122	1	
NI 175	A 46MT4	5935-99-881-5797 CONNECTOR, COVER ELECTRICAL, syn ru, 0.13 x 0.875 x 0.02in. thk plastics, 1-1/8in. dia, 5/8in. lg	10-70500-14	1	
176		NP SCREW, MACHINE, special, 6BA	FV530767	3	
177		NP WASHER, FLAT, steel, No. 12, large, rustproof, 6BA	Z2/ZB11104	3	
178		NP NUT, SELF-LOCKING, HEXAGON, BA, cres, No. 6		3	
179	A G1	5305-99-941-7855 SCREW, MACHINE, hex hd, 6BA x 7/16in. lg		32	

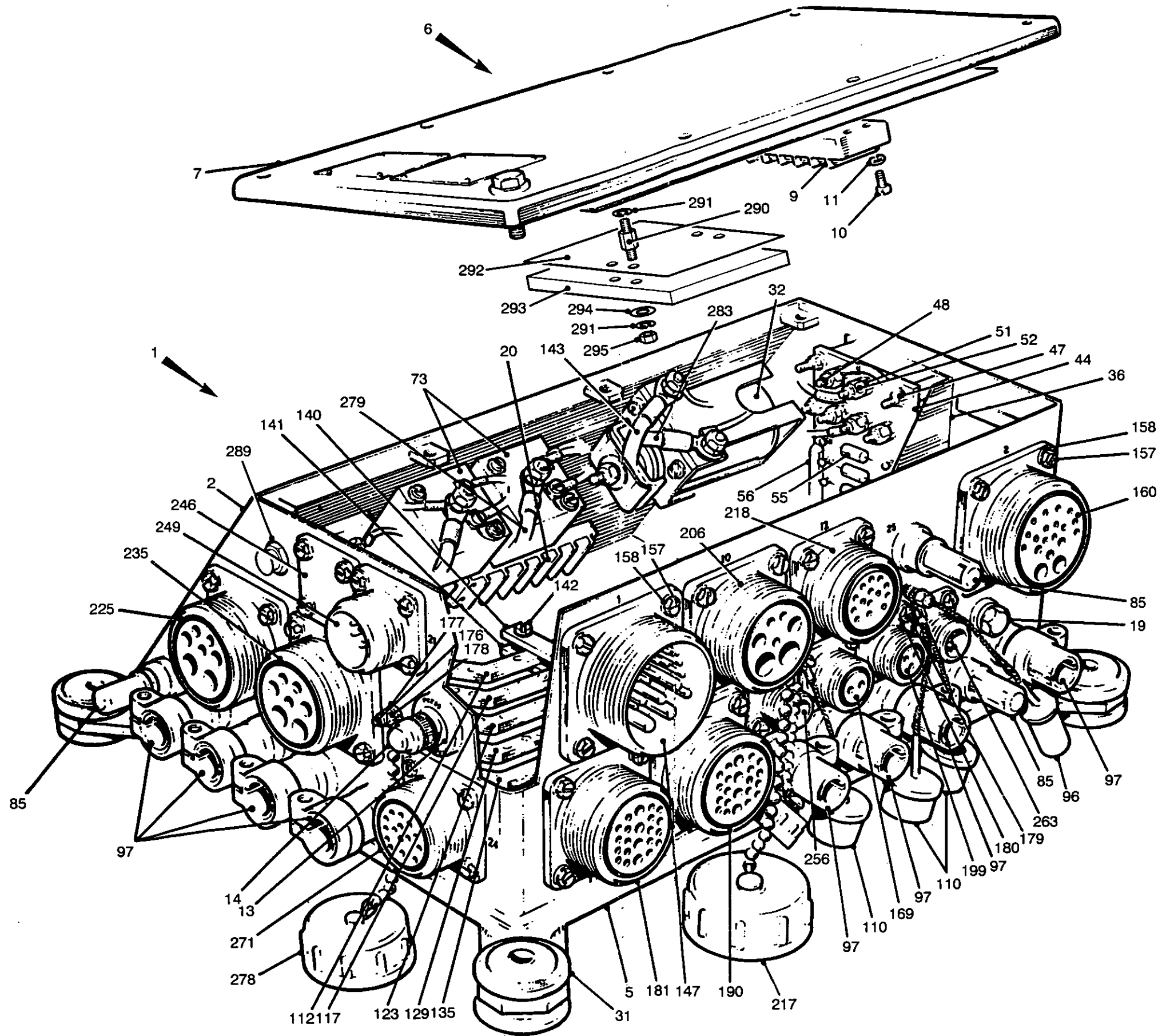


Fig 32 Distribution box

Fig Item	Man Code Navy - N Army - A RA/F - R	NATO Stock No	Item Name and Description	Part No/ Drawing No.	No. Off	Annotations
32-			ELECTRICAL EQUIPMENT GA - contd ELECTRICAL EQUIPMENT, HULL, GA - contd ELECTRICAL EQUIPMENT, INTERNAL - contd DISTRIBUTION BOX - contd SOCKET, ELECTRICAL - contd			
180		NP	WASHER, SEAL, LOCKING, 0.120in. id x 0.300in. od x 0.05in. thk		32	
181		NP	SOCKET, ELECTRICAL, No. 7	FV530734	1	
NI 182	A 46MT4	5935-99-800-9960	SOCKET, fixed, 5ms, al, 22 poles	FV585032	1	
NI 183	A Y3	6145-99-943-4824	CABLE, ELECTRICAL, single conductor, 40/0.0076, 0.13in. dia, glass braid, polychloroprene insulated	UNIPREN12	A/R	
NI 184	A Y3	6145-99-901-2567	WIRE, ELECTRICAL, 110/0.0076in., glass braid, syn ru, blue	E21 UNIPREN24	A/R	
NI 185	A 9MCV	5940-99-802-9440	TERMINAL LUG, solder/solderless, 0.719 x 0.247 x 0.094in. h	32561	2	
NI 186		NP	TERMINAL LUG, 4BA, 11/32in. o/a dia x 5/32in. h o/a		4	
NI 187		NP	PLATE, RETAINING, ELECTRICAL PLUG-SOCKET, MS, Zn P, shell size 28	FV530641/7	1	
NI 188	A Z2	5330-99-014-7139	GASKET, syn ru, 1.635in. x 0.041in. thk x 2.08in. sq	FV585127	1	
NI 189	A 46MT4	5935-99-881-5799	COVER, ELECTRICAL CONNECTOR, non-metallic, 2.00in. dia, 11/16in. lg	B10-70500- 28	1	
190		NP	SOCKET, ELECTRICAL, No. 8 assy	FV530735	1	
NI 191	A 46MT4	5935-99-800-9960	SOCKET, ELECTRICAL, fixed 5ms, al, 22 poles	FV585032	1	
NI 192	A Y3	6145-99-901-2567	WIRE, ELECTRICAL, 110/0.0076in., glass braid, syn ru, blue	E21 UNIPREN24	A/R	
NI 193	A Y3	6145-99-943-4824	CABLE, ELECTRICAL, single conductor, 40/0.0076, 0.13in. dia, glass braid, polychloroprene insulated	UNIPREN12	A/R	
NI 194	A 9MCV	5940-99-802-9440	TERMINAL LUG, solder/solderless, 0.719 x 0.247 x 0.094in. h	32561	2	
NI 195		NP	TERMINAL LUG, 4BA, 11/32in. o/a dia x 5/32in. h o/a		4	
NI 196		NP	PLATE, RETAINING, ELECTRICAL PLUG-SOCKET, MS, Zn P, shell size 28	FV530641/7	1	
NI 197	A Z2	5330-99-014-7139	GASKET, syn ru, 1.635in. x 0.041in. thk x 2.08in. sq	FV585127	1	
NI 198	A 46MT4	5935-99-881-5799	COVER, ELECTRICAL CONNECTOR, non-metallic, 2.00in. dia, 11/16in. lg	B10-70500- 28	1	
199		NP	SOCKET, ELECTRICAL, No. 9 assy	FV530736	1	
NI 200	A 46MT4	5935-99-881-9665	SOCKET, ELECTRICAL, straight threaded, 1.188in. lg, Al/ru, Cd P, 3 contacts, 1 mating end, 700V ac, 500V dc	FV585008	1	

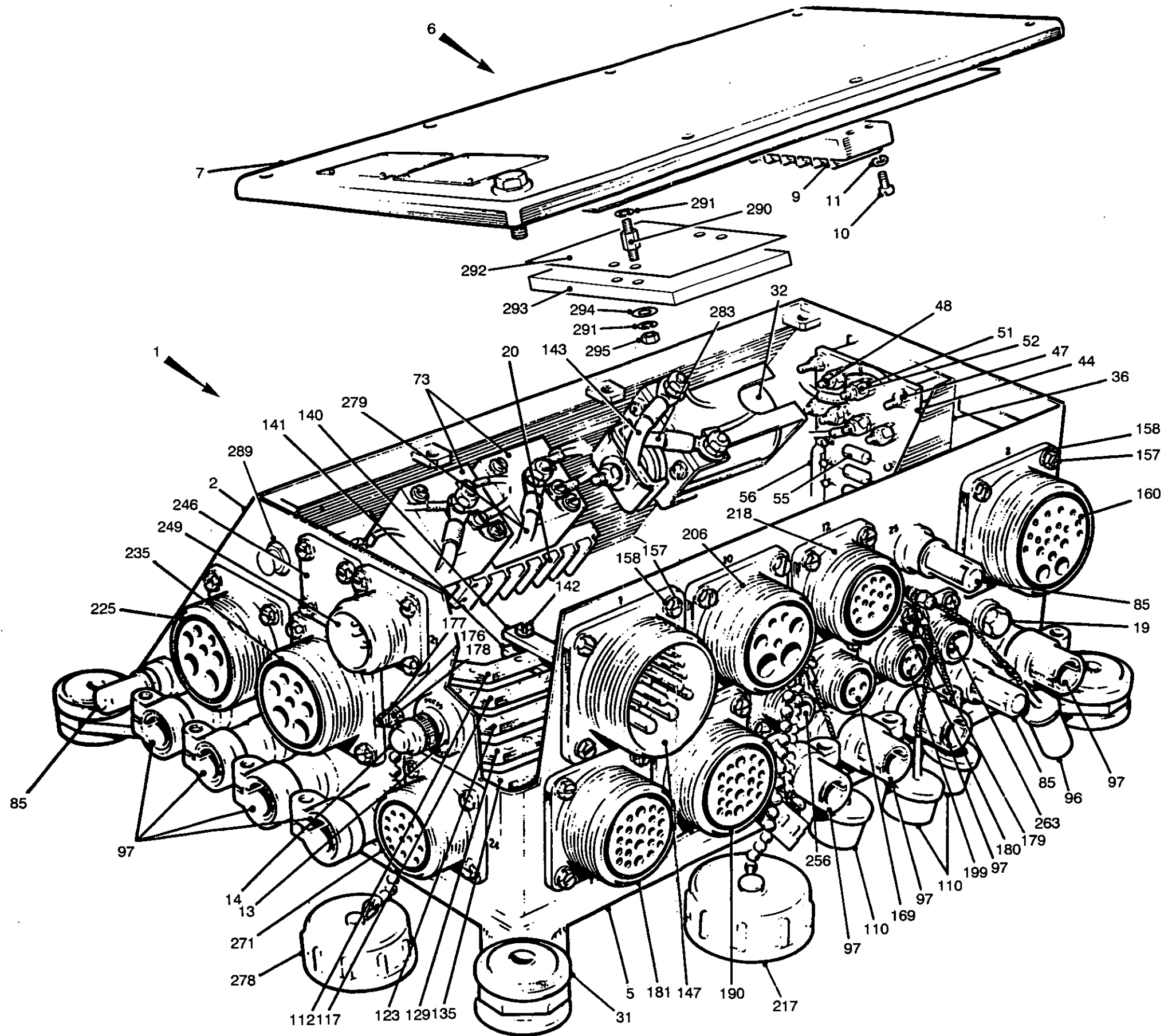


Fig 32 Distribution box

Fig Item	Man Code Navy - N Army - A RAF - R	NATO Stock No	Item Name and Description	Part No/ Drawing No.	No. Off	Annotations
32-			ELECTRICAL EQUIPMENT GA - contd . ELECTRICAL EQUIPMENT, HULL, GA - contd . ELECTRICAL EQUIPMENT, INTERNAL - contd . . . DISTRIBUTION BOX - contd SOCKET, ELECTRICAL - contd			
NI 201	A	9MCV	5940-99-802-9440 TERMINAL LUG, solder/solderless, 0.719 x 0.247 x 0.094in. h	32561	2
NI 202	A	Y3	6145-99-943-4824 CABLE, ELECTRICAL 40/0.0076, 0.13in. dia, glass braid, polychloroprene insulated	UNIPREN12	A/R
NI 203		NP	 PLATE, RETAINING, ELECTRICAL PLUG-SOCKET, MS, Zn P, shell size 14S	FV530641/2	1
NI 204	A	46MT4	5330-00-585-1591	. . . GASKET, syn ru, 0.13 x 0.875 x 0.02in. thk	FV585122	1
NI 205	A	46MT4	5935-99-881-5797	. . . CONNECTOR, COVER, ELECTRICAL, plastics, 1-1/8in. dia, 5/8in. lg	10-70500-14	1
206		NP	 SOCKET, ELECTRICAL, No. 10 assy	FV573450	1
NI 207	A	46MT4	5935-99-800-9962 CONNECTOR, FIXED, ELECTRICAL, thd, 1 mating end, 7 contacts, 2.00in. sq, 1.4in. lg, Al alloy	FV585030	1
NI 208	A	Y3	6145-99-945-5075 WIRE, ELECTRICAL, 294/0.012in. tinned copper, glass braid, synthetic rubber, 0.36in. od blue	E21 UNIPREN 100	A/R
NI 209	A	Y3	6145-99-901-2567 WIRE, ELECTRICAL, 110/0.0076in. glass braid, syn ru, blue	E21 UNIPREN24	A/R
NI 210	A	Y3	6145-99-945-5074 WIRE, ELECTRICAL, 120/0.012in. tinned copper, braid, blue	E21 UNIPREN50	A/R
NI 211	A	9MCV	5940-99-802-9440 TERMINAL LUG, solder/solderless, 0.719 x 0.247 x 0.094in. h	32561	1
NI 212		NP	 TERMINAL LUG, 4BA, 11/32in. o/a dia x 5/32in. h o/a		1
NI 213	A	6MT4	5940-99-805-0745 TERMINAL LUG, 1-15/32 x 11/16 x 1/16in. thk, Cu alloy, 1 conductor 1/16in. sq	W1S348C10	2
NI 214		NP	 TERMINAL LUG, 1/4in. x 5/16in.		2
NI 215		NP	 PLATE, RETAINING, ELECTRICAL PLUG-SOCKET, MS, Zn P, shell size 28	FV530641/7	1
NI 216	A	Z2	5330-99-014-7139	. . . GASKET, syn ru, 1.635in. x 0.041in. thk x 2.08in. sq	FV585127	1
217	A	Z32	5935-99-104-3680	. . . COVER, ELECTRICAL, PLUG- SOCKET	10-37398-28	1
218		NP	 SOCKET, ELECTRICAL, No. 12 assy	FV530738	1
NI 219	A	46MT4	5935-99-881-9667 CONNECTOR, FIXED, ELECTRICAL, 1 mating end, 14 contacts	FV585022	1
NI 220	A	9MCV	5940-99-802-9440 TERMINAL LUG, solder/solderless, 0.719 x 0.247 x 0.094in. h	32561	1
NI 221	A	Y3	6145-99-943-4824 CABLE, ELECTRICAL, single conductor, 40/0.0076, 0.13in. dia, glass braid, polychloroprene insulated	UNIPREN12	A/R

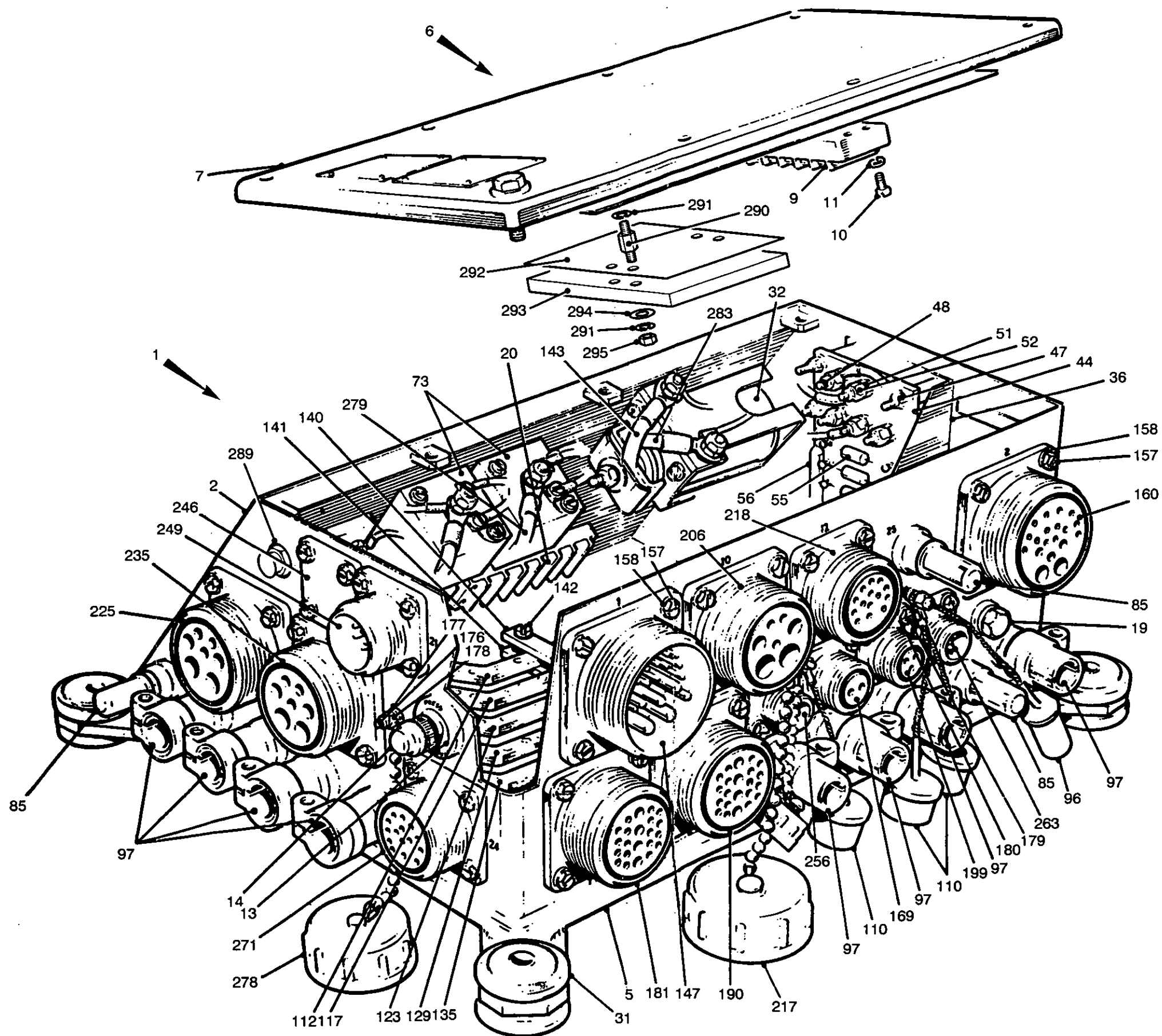


Fig 32 Distribution box

Fig Item	Man Code Navy - N Army - A RAV - R	NATO Stock No	Item Name and Description	Part No/ Drawing No.	No. Off	Annotations
32-			ELECTRICAL EQUIPMENT GA - contd . ELECTRICAL EQUIPMENT, HULL, GA - contd . ELECTRICAL EQUIPMENT, INTERNAL - contd . . . DISTRIBUTION BOX - contd			
NI 222		NP	. . . PLATE, RETAINING, ELECTRICAL PLUG-SOCKET, MS, Zn P, shell size 22	FV530641/5	1	
NI 223	A Z2	5330-99-014-7137 GASKET, syn ru, 1.653in. sq, 0.041in. thk, 4 bolt holes	FV585125	1	
NI 224	A 46MT4	5935-99-881-4410 CAP, BLANKING	10-70500-22	1	
NI 225		NP SOCKET, ELECTRICAL, No. 13 assy	FV530739	1	
NI 226	A 46MT4	5935-99-800-9962 CONNECTOR, FIXED, ELECTRICAL, thd, 1 mating end, 7 contacts, 2.00in. sq, 1.4in. lg, Al alloy	FV585030	1	
NI 227	A Y3	6145-99-945-5075 WIRE, ELECTRICAL, 294/0.012in. tinned copper, glass braid, synthetic rubber, 0.36in. od blue	E21 UNIPREN10 0	A/R	
NI 228	A Y3	6145-99-901-2567 WIRE, ELECTRICAL, 110/0.0076in. glass braid, syn ru, blue	E21 UNIPREN24	A/R	
NI 229	A Y3	6145-99-945-5074 WIRE, ELECTRICAL, 120/0.012in. tinned copper, braid, blue	E21 UNIPREN50	A/R	
NI 230		NP TERMINAL LUG, 4BA, 11/32in. o/a dia x 5/32in. h o/a		3	
NI 231		NP TERMINAL LUG, 1/4in. x 5/16in.		2	
NI 232		NP PLATE, RETAINING, ELECTRICAL PLUG-SOCKET, MS, Zn P, shell size 28	FV530641/7	1	
NI 233	A Z2	5330-99-014-7139 GASKET, syn ru, 1.635in. x 0.041in. thk x 2.08in. sq	FV585127	1	
NI 234	A 46MT4	5935-99-881-5799 COVER, ELECTRICAL CONNECTOR, non-metallic, 2.00in. dia, 11/16in. lg	B10-70500- 28	1	
235		NP SOCKET, ELECTRICAL, No. 14 assy	FV530740	1	
NI 236	A 46MT4	5935-99-800-9962 CONNECTOR, FIXED, ELECTRICAL, thd, 1 mating end, 7 contacts, 2.00in. sq, 1/4in. Al alloy	FV585030	1	
NI 237	A Y3	6145-99-945-5075 WIRE, ELECTRICAL, 294/0.012in., tinned copper, glass braid, synthetic rubber, 0.36in. od blue	E21 UNIPREN10 0	A/R	
NI 238	A Y3	6145-99-901-2567 WIRE, ELECTRICAL, 110/0.0076in. glass braid, syn ru, blue	E21 UNIPREN24	A/R	
NI 239	A Y3	6145-99-945-5074 WIRE, ELECTRICAL, 120/0.012in. tinned copper, braid, blue	E21 UNIPREN50	A/R	
NI 240		NP TERMINAL LUG, 4BA, 11/32in. o/a dia x 5/32in. h o/a		3	
NI 241		NP TERMINAL LUG, 1/4in. x 5/16in.		1	
NI 242	A 6MT4	5940-99-805-0745 TERMINAL LUG, 1-15/32 x 11/16 x 1/16in. thk, Cu alloy, 1 conductor 1/16in. sq	W1S348C10	2	
NI 243		NP PLATE, RETAINING, ELECTRICAL PLUG-SOCKET, MS, Zn P, shell size 28	FV530641/7	1	
NI 244	A Z2	5330-99-014-7139 GASKET, syn ru, 1/635in. x 0.041in. thk x 2.08in. sq	FV585127	1	
NI 245	A 46MT4	5935-99-881-5799 COVER, ELECTRICAL CONNECTOR, non-metallic, 2.00in. dia, 11/16in. lg	B10-70500- 28	1	

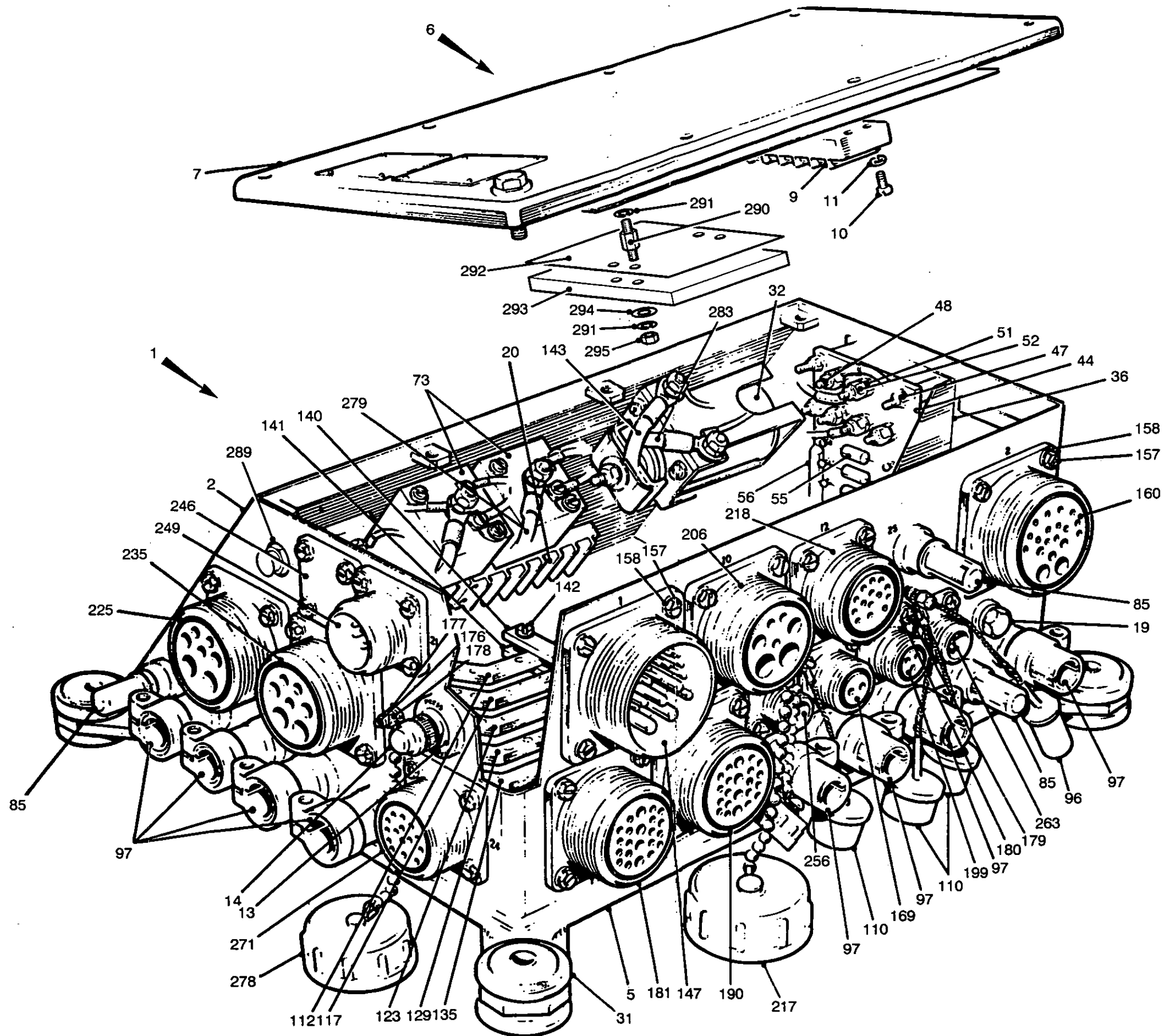


Fig 32 Distribution box

Fig Item	Man Code Navy - N Army - A RAF - R	NATO Stock No	Item Name and Description	Part No/ Drawing No.	No. Off	Annotations
32-			ELECTRICAL EQUIPMENT GA - contd . ELECTRICAL EQUIPMENT, HULL, GA - contd . ELECTRICAL EQUIPMENT, INTERNAL - contd . . . DISTRIBUTION BOX - contd			
NI 246		NP	. . . PLATE, BLANKING, for shell size 16S hole	FV530741/3	1	
NI 247		NP	. . . PLATE, RETAINING, ELECTRICAL PLUG-SOCKET, MS, Zn P, shell size 16S	FV530641/3	1	
NI 248	A 46MT4	5330-99-014-7134	. . . GASKET, syn ru, 0.885in. x 0.041in. thk x 1.289in. sq	FV585123	1	
249		NP	. . . PLUG, ELECTRICAL, No. 21 assy	FV530742	1	
NI 250	A 46MT4	5935-99-881-9664 CONNECTOR, RECEPTACLE, ELECTRICAL	FV585015	1	
NI 251	A Y3	6145-99-943-4824 CABLE, ELECTRICAL 40/0.0076, 0.13in. dia, glass braid, polychloroprene insulated	UNIPREN12	A/R	
NI 252	A 9MVCV	5940-99-802-9440 TERMINAL LUG, solder/solderless, 0.719 x 0.247 x 0.094in. h	32561	8	
NI 253		NP	. . . PLATE, RETAINING, ELECTRICAL PLUG-SOCKET, MS, Zn P, shell size 18	FV530641/4	1	
NI 254	A Z2	5330-99-014-7135	. . . GASKET, syn ru, 1.010in. x 0.041in. thk x 1.38in. sq	FV585124	1	
NI 255	A 46MT4	5935-99-881-4411	. . . CAP, BLANKING	10-7500-18	1	
256		NP	. . . PLUG, ELECTRICAL, No. 22 assy	FV530743	1	
NI 257	A Z32	5935-99-620-3314 CONNECTOR, RECEPTACLE, ELECTRICAL, 1-1/16in. o/a lg	FV585001	1	
NI 258	A Y3	6145-99-943-4824 CABLE, ELECTRICAL 40/0.0076, 0.13in. dia, glass braid, polychloroprene insulated	UNIPREN12	A/R	
NI 259	A 9MVCV	5940-99-802-9440 TERMINAL LUG, solder/solderless, 0.719 x 0.247 x 0.094in. h	32561	2	
NI 260		NP	. . . PLATE, RETAINING, ELECTRICAL PLUG-SOCKET, MS, Zn P, shell size 10SL	FV530641/1	1	
NI 261	A 9BTR	5330-99-014-7131	. . . GASKET, syn ru, 0.6375 x 0.315in.	FV585121	1	
NI 262		NP	. . . CAP, BLANKING		1	
263		NP	. . . PLUG, ELECTRICAL, No. 23 assy	FV530744	1	
NI 264	A Z32	5935-99-620-3314 CONNECTOR, RECEPTACLE, ELECTRICAL, 1-1/16in. o/a lg	FV585001	1	
NI 265	A Y3	6145-99-943-4824 CABLE, ELECTRICAL 40/0.0076, 0.13in. dia, glass braid, polychloroprene insulated	UNIPREN12	A/R	
NI 266	A 9MVCV	5940-99-802-9440 TERMINAL LUG, solder/solderless, 0.719 x 0.247 x 0.094in. h	32561	2	
NI 267	A Z1	5935-99-102-4388	. . . COVER, ELECTRICAL, CONNECTOR, metal, 0.520in. dia, 0.895in. lg	10-37398-10	1	
NI 268		NP	. . . PLATE, RETAINING, ELECTRICAL PLUG-SOCKET, MS, Zn P, shell size 10SL	FV530641/1	1	
NI 269	A 9BTR	5330-99-014-7131	. . . GASKET, syn ru, 0.6275 x 0.335in. thk	FV585121	1	
NI 270		NP	. . . CAP, BLANKING		1	
271		NP	. . . SOCKET, ELECTRICAL, No. 24 assy	FV530745	1	
NI 272	A 46MT4	5935-99-881-9667 CONNECTOR, FIXED, ELECTRICAL, 1 mating end, 14 contacts	FV585022	1	

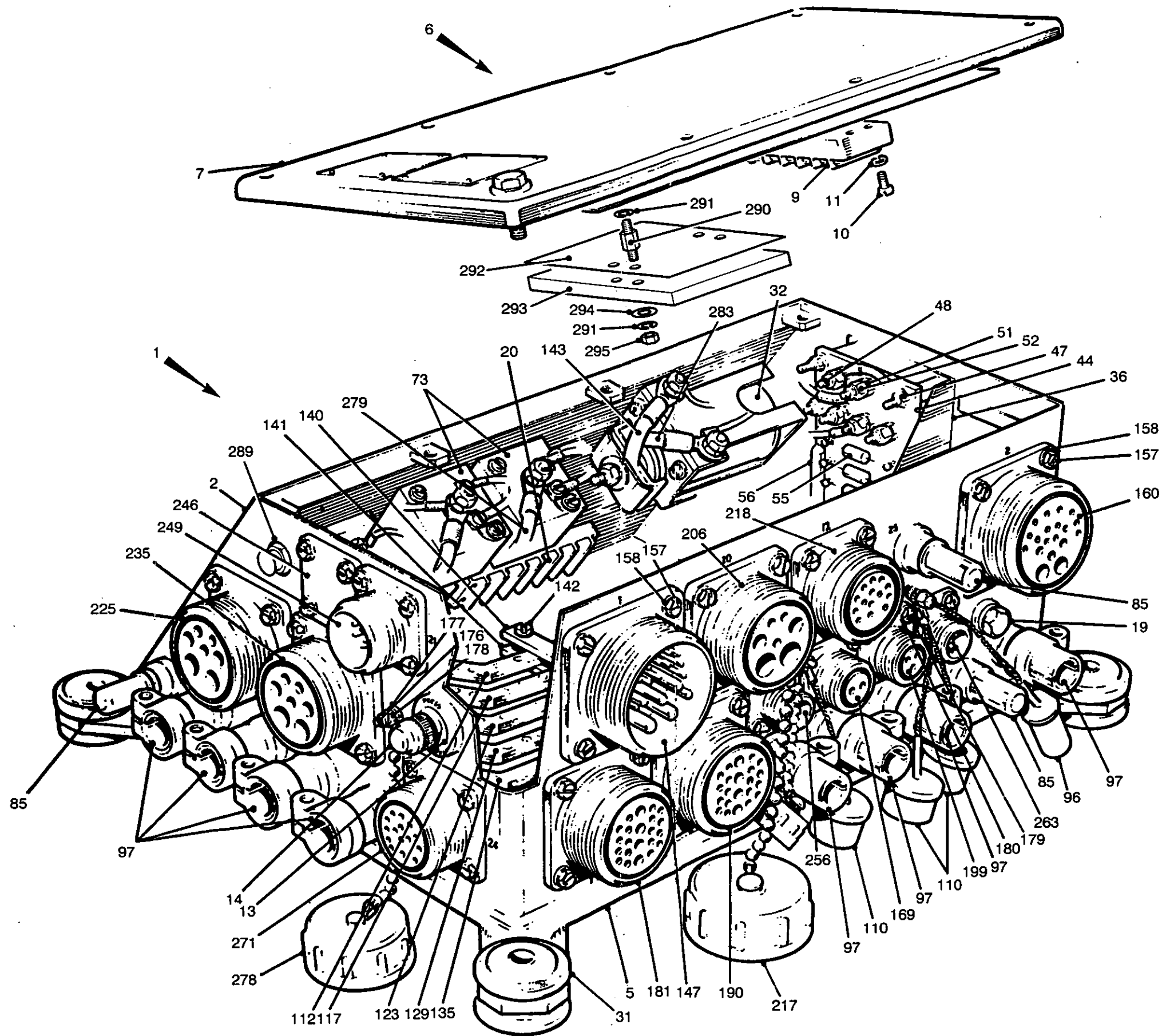


Fig 32 Distribution box

Fig Item	Man Code Navy - N Army - A RAF - R	NATO Stock No	Item Name and Description	Part No/ Drawing No.	No. Off	Annotations
32-			ELECTRICAL EQUIPMENT GA - contd . ELECTRICAL EQUIPMENT, HULL, GA - contd . ELECTRICAL EQUIPMENT, INTERNAL - contd . . . DISTRIBUTION BOX - contd			
NI 273	A Y3	6145-99-943-4824 CABLE, ELECTRICAL 40/0.0076, 0.13in. dia, glass braid, polychloroprene insulated	UNIPREN12	A/R	
NI 274	A 9MVCV	5940-99-802-9440 TERMINAL LUG, solder/solderless, 0.719 x 0.247 x 0.094in. h	32561	2	
NI 275		NP	. . . PLATE, RETAINING, ELECTRICAL PLUG-SOCKET, MS, Zn P, shell size 22	FV530641/5	1	
NI 276	A Z2	5330-99-014-7137	. . . GASKET, syn ru, 1.653in. sq, 0.041in. thk, 4 bolt holes	FV585125	1	
NI 277	A 46MT4	5935-99-881-4410	. . . CAP, BLANKING	10-70500-22	1	
278	A Z32	5935-99-102-9671	. . . COVER, ELECTRICAL, CONNECTOR, Al, 0.754in. lg, 1.635in. dia with chain 4.00in. lg	10-37398-22	1	
279		NP	. . . LEAD, ELECTRICAL, U100 assy	FV530728/1	2	
NI 280	A Y3	6145-99-945-5075 WIRE, ELECTRICAL, 294/0.012in. tinned copper, glass braid, synthetic rubber, 0.36in. od blue	E21 UNIPREN10 0	A/R	
NI 281	A 6MT4	5940-99-805-0745 TERMINAL LUG, 1-15/32 x 11/16 x 1-1/16in. thk Cu alloy, 1 conductor 1/16in. sq	W1S348C10	2	
NI 282		NP TERMINAL LUG, 1/4in. x 5/16in.		1	
283		NP	. . . LEAD, ELECTRICAL, U100 assy	FV530728/2	2	
NI 284	A Y3	6145-99-945-5075 WIRE, ELECTRICAL, 294/0.012in. tinned copper, glass braid, synthetic rubber, 0.36in. od blue	E21 UNIPREN10 0	A/R	
NI 285	A 6MT4	5940-99-805-0745 TERMINAL LUG, 1-15/32 x 11/16 x 1/16in. thk, Cu alloy, 1 conductor 1/16in. sq	W1S348C10	2	
NI 286		NP TERMINAL LUG, 1/4in. x 5/16in.		1	
NI 287	A G1	5310-99-941-9954	. . . WASHER, FLAT, br, tin pl, 9/16in. od x 17/64in. id		2	
NI 288	A G1	5310-99-941-3188	. . . NUT, PLAIN, HEXAGON, br, chamfered, 1/4in. UNF x 7/16in.		4	
289	A Z32	5925-99-105-3145	. . . CIRCUIT BREAKER, 25A, 2.547in. lg, 1.094in. w, 0.688in. h	FV394856	1	
290	A 6MT4	5340-99-775-9048	. . . POST, ELECTRICAL-MECHANICAL EQUIPMENT, steel, Zn plated, hex section, 1-3/8in. lg post, 4BA x 9/16in. thd both ends	FV647831	4	
291	A G1	5310-99-941-6652	. . . WASHER, LOCK, steel, split helical ring, 0.168in. id, 0.252in. od, 0.04in. thk		8	
292	A 6MT4	5970-99-775-9049	. . . INSULATOR PLATE, 3-3/16in. lg, 2- 3/16in. w, 1/16in. thk, fibre, flat, rectangular	FV893573	1	
293	A 9ACR	5945-99-930-6540	. . . RELAY, BASE ASSEMBLY, relay assy w/connections mtd on a relay base 60mm w x 98mm lg x 6.35mm thk, Tufnel	FV2150518	1	
294	A G1	5310-99-941-9465	. . . WASHER, FLAT, steel, Cd plated, 4BA bolt size, 0.3in. od, 0.048in. thk		4	
295	A G1	5310-99-914-1831	. . . NUT, PLAIN, HEXAGON, 4BA, rh thd, cres, 1/4in. w A/F, 3/32in. h, chamfered		4	

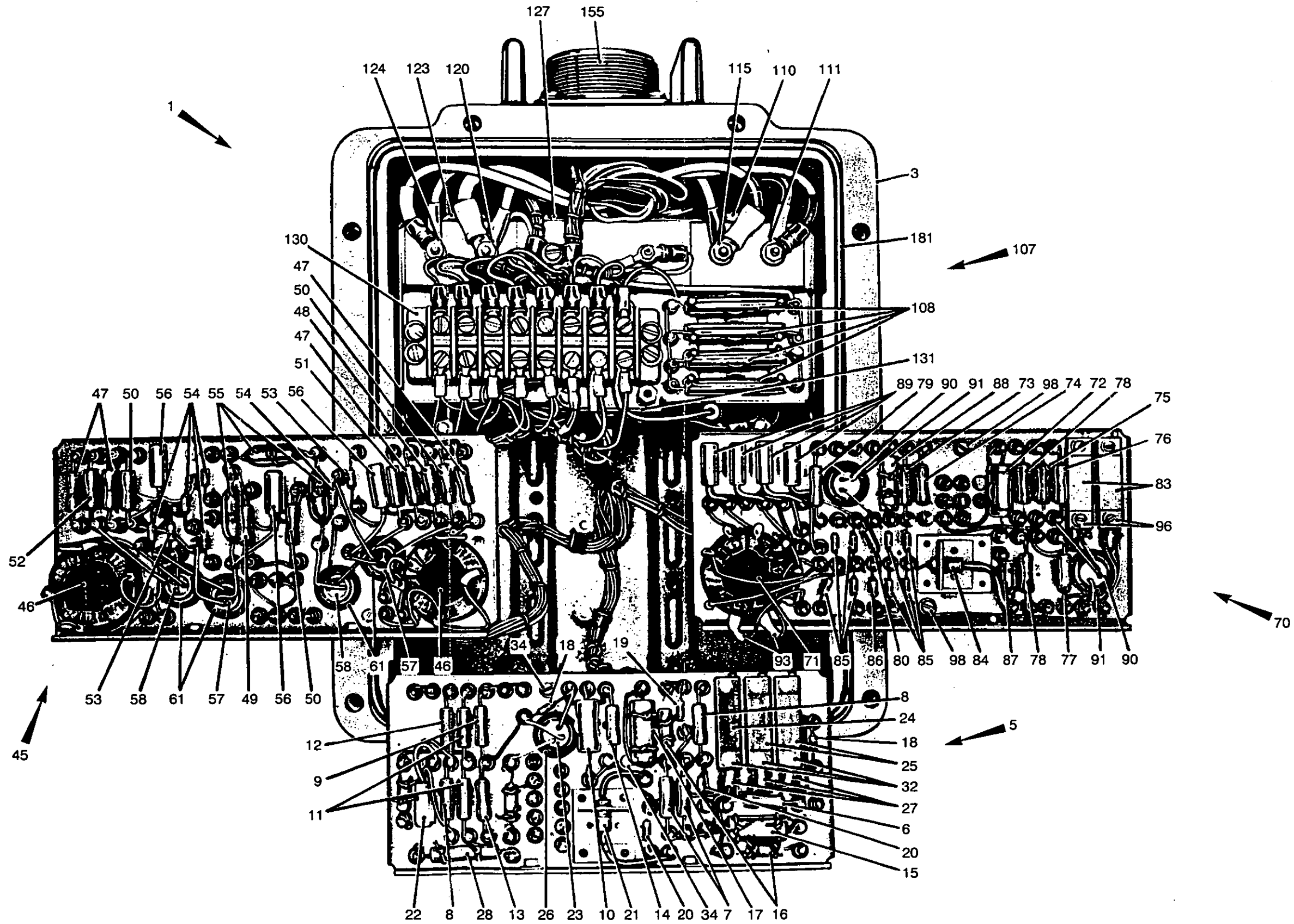


Fig 33 Control panel, alternator

430/70116

Fig Item	Man Code Navy - N Army - A RAF - R	NATO Stock No	Item Name and Description	Part No/ Drawing No.	No. Off	Annotations
33-			ELECTRICAL EQUIPMENT GA - contd . ELECTRICAL EQUIPMENT, HULL, GA - contd . ELECTRICAL EQUIPMENT, INTERNAL - contd			
1	A	6MT4	6110-99-881-6460 PANEL, CONTROL ELECTRICAL- ELECTRONIC EQUIPMENT, alternator No. 1 Mk 1	FV342587	2	
NI 2		NP COVER, panel assy	W166821	1	
3		NP CASING, panel assy	W166019	1	
NI 4	A	Z42	5961-99-037-5587 SEMI-CONDUCTOR, DEVICE	N023PH02	2	
5		NP PANEL ASSEMBLY, No. 1	W166454	1	
6	A	Z30	5905-99-013-5482 RESISTOR, FIXED, FILM, 470 ohms, 1W		1	
7	A	Z30	5905-99-012-8214 RESISTOR, FIXED, FILM, 100 ohms, 1W		2	
8	A	Z30	5905-99-013-5490 RESISTOR, FIXED FILM, 1K ohm, 1W		2	
9	A	Z30	5905-99-013-5498 RESISTOR, FIXED FILM, 2.2K ohms, 1W		1	
10	A	Z30	5905-99-013-5077 RESISTOR, FIXED FILM, 150 ohms, 1W	W164711/29	1	
11		NP RESISTOR, FIXED FILM, 22K ohms, 1W	W164710/81	2	
12	A	Z30	5905-99-012-8250 RESISTOR, FIXED FILM, 3.3K ohms, 1W	W164710/61	1	
13		NP RESISTOR, FIXED FILM, 6.8K ohms, 1W	W164710/69	1	
14	A	Z30	5905-99-013-5492 RESISTOR, FIXED FILM, 1.2K ohms, 1W	W164710/51	1	
15		NP CAPACITOR, 220MFD, 10V	W166412/13	1	
16		NP CAPACITOR, ELECTROLYTIC, 10MFD, 20V	W166410/16	2	
17	A	6MT4	5910-99-015-8891 CAPACITOR, FIXED, 100MFD, 20V	W166412/11	1	
18	A	Z42	5961-99-037-2016 SEMI-CONDUCTOR DEVICE, silicon, glass enclosure, 50V dc, 250mA	CV7040	2	
19	A	Z42	5961-99-037-2204 SEMI-CONDUCTIVE DEVICE, silicon, glass enclosure, 5mA, 400mW	CV7104	1	
20	A	Z42	5960-99-037-2036 SEMI-CONDUCTOR DEVICE, DIODE	W151050/1	2	
21	A	Z42	5961-99-037-5960 SEMI-CONDUCTOR DEVICE, DIODE	CV11178	1	
22	A	Z42	5961-99-037-2279 TRANSISITOR	CV7117	1	
23		NP VALVE, ELECTRONIC	CV5644	1	
24	A	46MT4	5905-99-881-6484 POTENTIOMETER, 1W, 1000 ohms, type 224S	W164490/20	1	
25	A	46MT4	5905-99-881-6478 POTENTIOMETER, 1W, 100 ohms, type 224S	W164490/11	2	
26	A	6MT1	5325-99-942-6831 GROMMET, RUBBER, syn ru, 0.302in. id, 0.448in. x 0.050in. groove		1	
27	A	Y3	5970-99-945-4437 INSULATION, SLEEVING, ELECTRICAL, chloroprene ru, 1mm id x 2mm od x 0.375in. lg, pink	WTA174379	3	

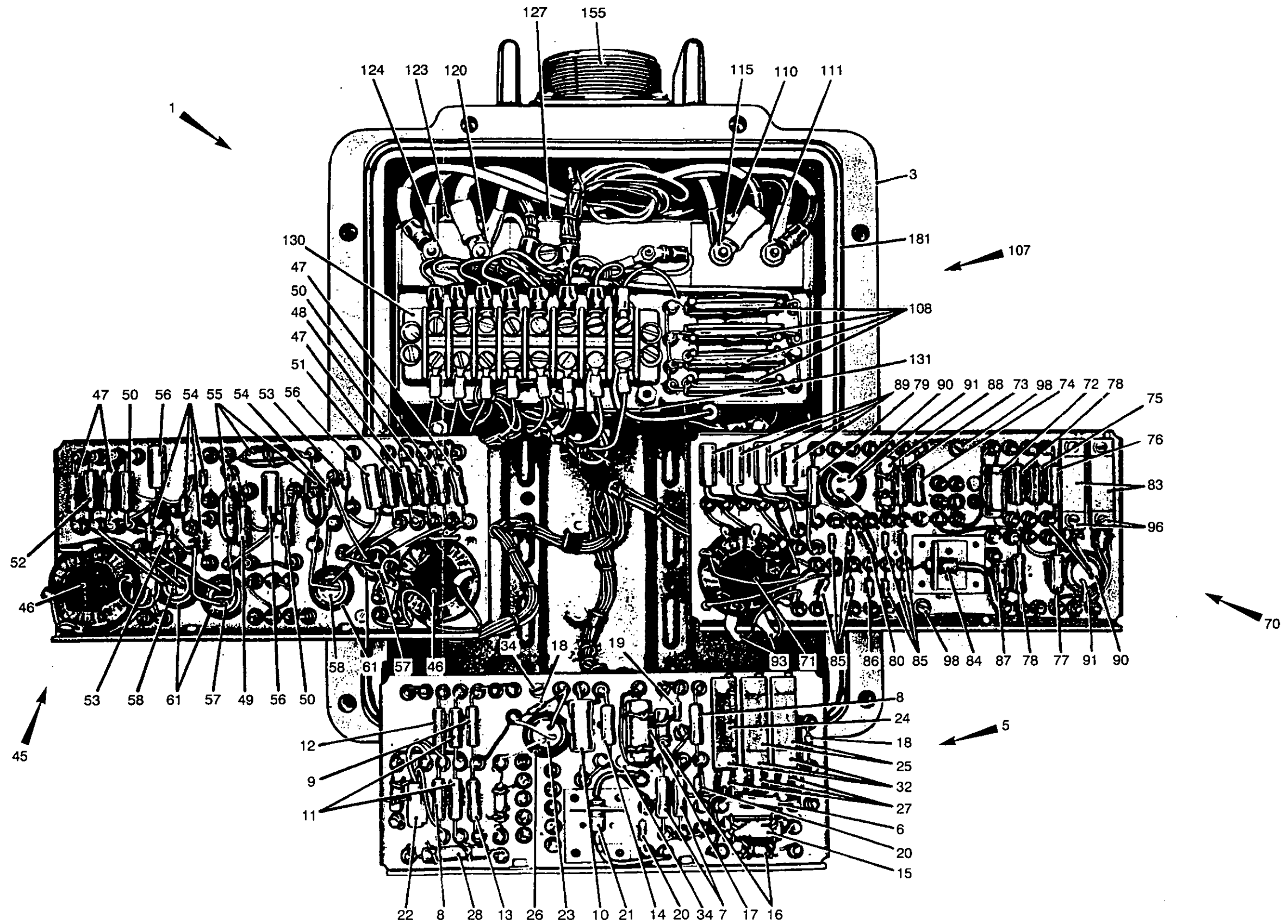


Fig 33 Control panel, alternator

430/70116

Fig Item	Man Code Navy - N Army - A RAF - R	NATO Stock No	Item Name and Description	Part No/ Drawing No.	No. Off	Annotations
33-			ELECTRICAL EQUIPMENT GA - contd . ELECTRICAL EQUIPMENT, HULL, GA - contd . ELECTRICAL EQUIPMENT, INTERNAL - contd PANEL CONTROL, ELECTRICAL- ELECTRONIC EQUIPMENT - contd PANEL ASSEMBLY - contd			
28		NP CAPACITOR, 42MFD, 35V	K2R3N35	1	
NI 29		NP INSULATOR, PLATE	W165964	3	
NI 30		NP CLAMP, LOOP	W137450/1	2	
NI 31		NP WIRING HARNESS, BRANCHED, 6 branches	W167660	1	Cable form No. 1
32	A G1	5305-99-941-7937 SCREW, MACHINE, st, flat fil, Cd P, 8BA x 3/8in. lg		6	
NI 33	A G1	5305-99-941-1940 SCREW, MACHINE, st, flat csk hd, slotted, No. 4 UNC x 5/8in. lg		1	
34	A G1	5305-99-941-2303 SCREW, MACHINE, st, fil hd, slotted, Cd P, No. 4 UNC x 5/8in. lg		2	
NI 35	A G1	5310-99-944-0545 WASHER, LOCK, st, split helical ring, Cd P, 0.138in. hole		2	
NI 36		NP WASHER, FLAT, steel, 8BA	Z2/ZB13669 6	12	
NI 37	A G1	5310-99-940-3515 WASHER, FLAT, st, Cd P, 0.223in. x 0.123in. id		7	
NI 38		NP NUT, PLAIN, HEXAGON, st, Cd P, 8BA, 0.152in. w	864469	6	
NI 39	A G1	5310-99-941-9547 NUT, PLAIN, HEXAGON, st, Cd P, No. 4 UNC, 0.188in. w		6	
NI 40	A G1	5310-99-941-9541 NUT, PLAIN, HEXAGON, st, Cd P, No. 4 UNC, 3/32in. h		2	
NI 41		NP CLIP, SPRING TENSION	W151926-1	1	
NI 42	A G1	5305-99-943-6340 SCREW, MACHINE, st, flat fil hd, slot dr, Cd P, 8BA x 3/16in. lg	857538	1	} Securing item 21
NI 43	A G1	5310-99-120-0072 WASHER, FLAT, st, Cd P, 8BA, 3/16in. od		1	
NI 44		NP NUT, PLAIN, HEXAGON, st, Cd P, 8BA		1	
45		NP PANEL ASSEMBLY, No. 2	W168723	1	
46	A 46MT4	6110-99-881-6497 COIL AND INSERTS assy	W168722	2	
47	A Z30	5905-99-012-5490 RESISTOR, FIXED FILM, 1K ohms, 1/4W		4	
48	A Z30	5905-99-013-5878 RESISTOR, FIXED FILM, 820 ohms, 0.125W		1	
49	A Z30	5905-99-013-5474 RESISTOR, FIXED FILM, 220 ohms, 1W	W164710/33	1	
50	A Z30	5905-99-012-8214 RESISTOR, FIXED FILM, 100 ohms, 1W	R30-0312-73	3	
51		NP RESISTOR, FIXED FILM, 10K ohms, 1W	R30-3333-56	1	
52	A Z30	5905-99-013-5498 RESISTOR, FIXED FILM, 2.2K ohms, 1W	3522500236 46	1	
53	A Z42	5961-17-053-9731 SEMI-CONDUCTOR DEVICE, DIODE, 3.6V, 9.39mm dia, 6.6mm lg, 3 wire leads		2	
54	A Z42	5960-99-037-2036 SEMI-CONDUCTOR DEVICE, DIODE, silicon, 225V, 1.00in. lg, glass	W151050/1	5	

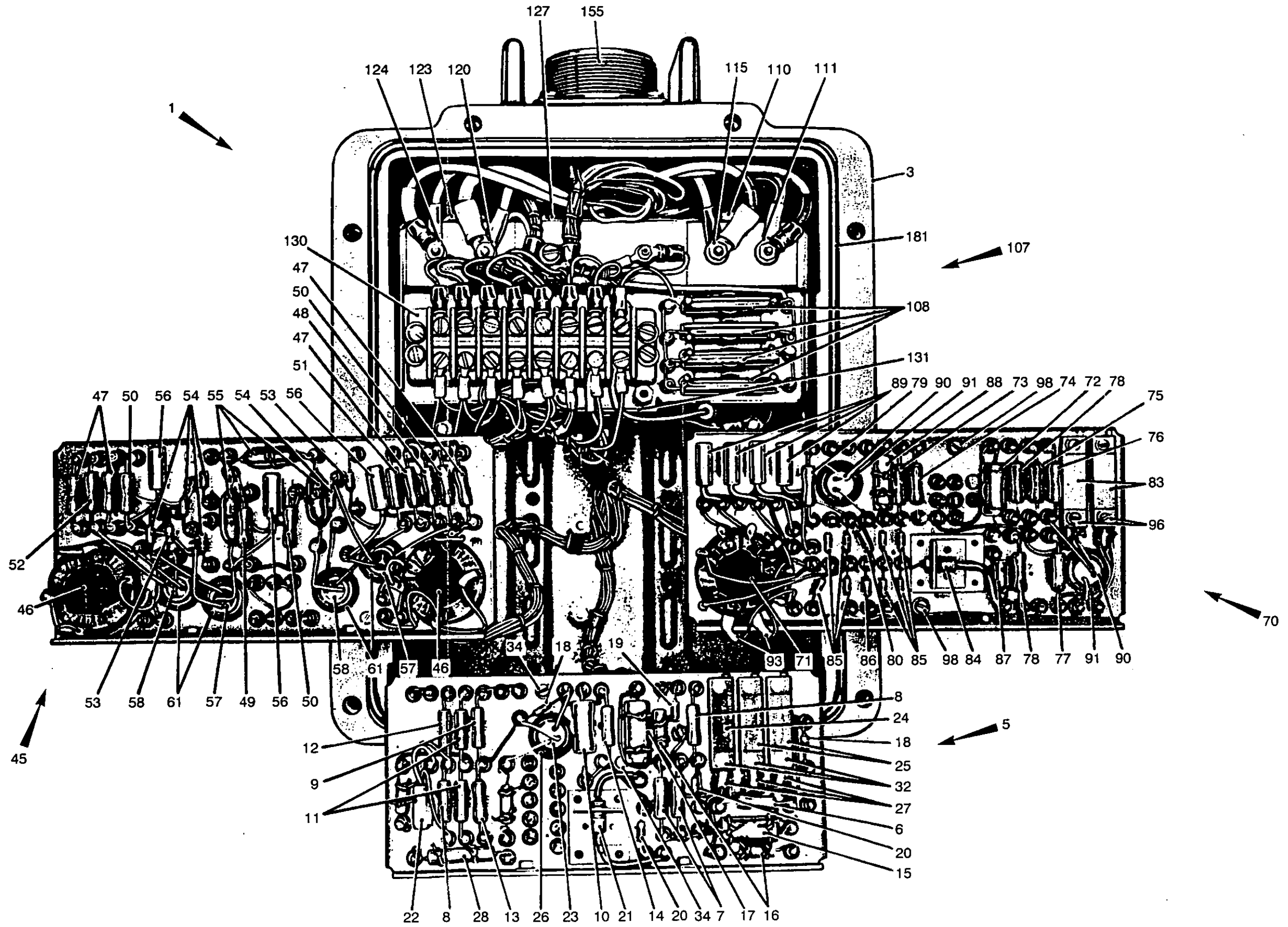


Fig 33 Control panel, alternator

430/70116

Fig Item	Man Code Navy - N Army - A RAF - R	NATO Stock No	Item Name and Description	Part No/ Drawing No.	No. Off	Annotations
33-			ELECTRICAL EQUIPMENT GA - contd . ELECTRICAL EQUIPMENT, HULL, GA - contd . ELECTRICAL EQUIPMENT, INTERNAL - contd PANEL CONTROL, ELECTRICAL- ELECTRONIC EQUIPMENT - contd PANEL ASSEMBLY - contd			
55		NP CAPACITOR, 1 μ F, 200V dc	W167821/1	3	
56	A Z42	5910-99-037-2279 TRANSISTOR	CV7117	3	
57		NP SEMI-CONDUCTOR DEVICE, DIODE	CV5428	2	
58	A Z42	5960-99-037-4159 SEMI-CONDUCTOR DEVICE, DIODE	CV5644	2	
NI 59		NP WIRING HARNESS, BRANCHED	W167110	1	Cable form No. 2
NI 60		NP CLAMP, LOOP	W137450/4	1	
61	A H9	5325-99-942-6831 GROMMET, RUBBER, syn ru, 0.302in. id x 0.448in. od x 0.060in. w groove		4	
NI 62	A G1	5305-99-941-2312 SCREW, MACHINE, st, fil hd, Cd P, No. 6 UNC x 3/8in. lg		2	
NI 63	A G1	5305-99-941-1940 SCREW, MACHINE, st, flat csk hd, No. 4 UNC x 5/8in. lg		1	
NI 64	A G1	5305-99-941-2303 SCREW, MACHINE, st, fil hd, Cd P, No. 4 UNC x 5/8in. lg		2	
NI 65	A G1	5310-99-944-0545 WASHER, LOCK, st, split helical ring, Cd P, 0.138in. hole		2	
NI 66	A G1	5310-99-912-8182 WASHER, LOCK, st, double ring, Cd P, 18/32in. thk, 0.123in. id		2	
NI 67	A G1	5310-99-940-3515 WASHER, FLAT, st, Cd P, 0.223in. x 0.123in. id		7	
NI 68	A G1	5310-99-941-9547 NUT, PLAIN, HEXAGON, st, Cd P, No. 4 UNC, 0.188in. w		6	
NI 69	A G1	5310-99-941-9541 NUT, PLAIN, HEXAGON, st, Cd P, No. 4 UNC, 3/32in. h		1	
70		NP PANEL ASSEMBLY, No. 3	W168718	1	
71	A 46MT4	6110-99-881-6496 COIL AND INSERT ASSEMBLY	W168719	1	TR3
72		NP RESISTOR, FIXED FILM, 100 ohms, 2W	W164711/25	1	R27
73	A Z30	5905-99-012-8214 RESISTOR, FIXED FILM, 100 ohms, 1W	W164710/25	1	R29
74	A Z30	5905-99-013-6233 RESISTOR, FIXED FILM, 680 ohms, 0.25W		1	R28
75	A Z30	5905-99-013-5516 RESISTOR, FIXED FILM, 12K ohms, 1W		2	R30 and R35
76	A Z30	5905-99-013-8940 RESISTOR, FIXED FILM, 560K ohms, 0.5W		1	R31
77	A Z30	5905-99-013-5472 RESISTOR, FIXED FILM, 180 ohms, 1W	26416-00431	1	R33
78	A Z30	5905-99-013-5478 RESISTOR, FIXED FILM, 330 ohms, 1W	41456-637- 00-2	2	R32 and R34
79	A Z30	5905-99-013-5498 RESISTOR, FIXED FILM, 2.2K ohms, 1W		1	R36
80	A Z30	5905-99-013-5494 RESISTOR, FIXED FILM, 1.5K ohms, 1W		1	R38

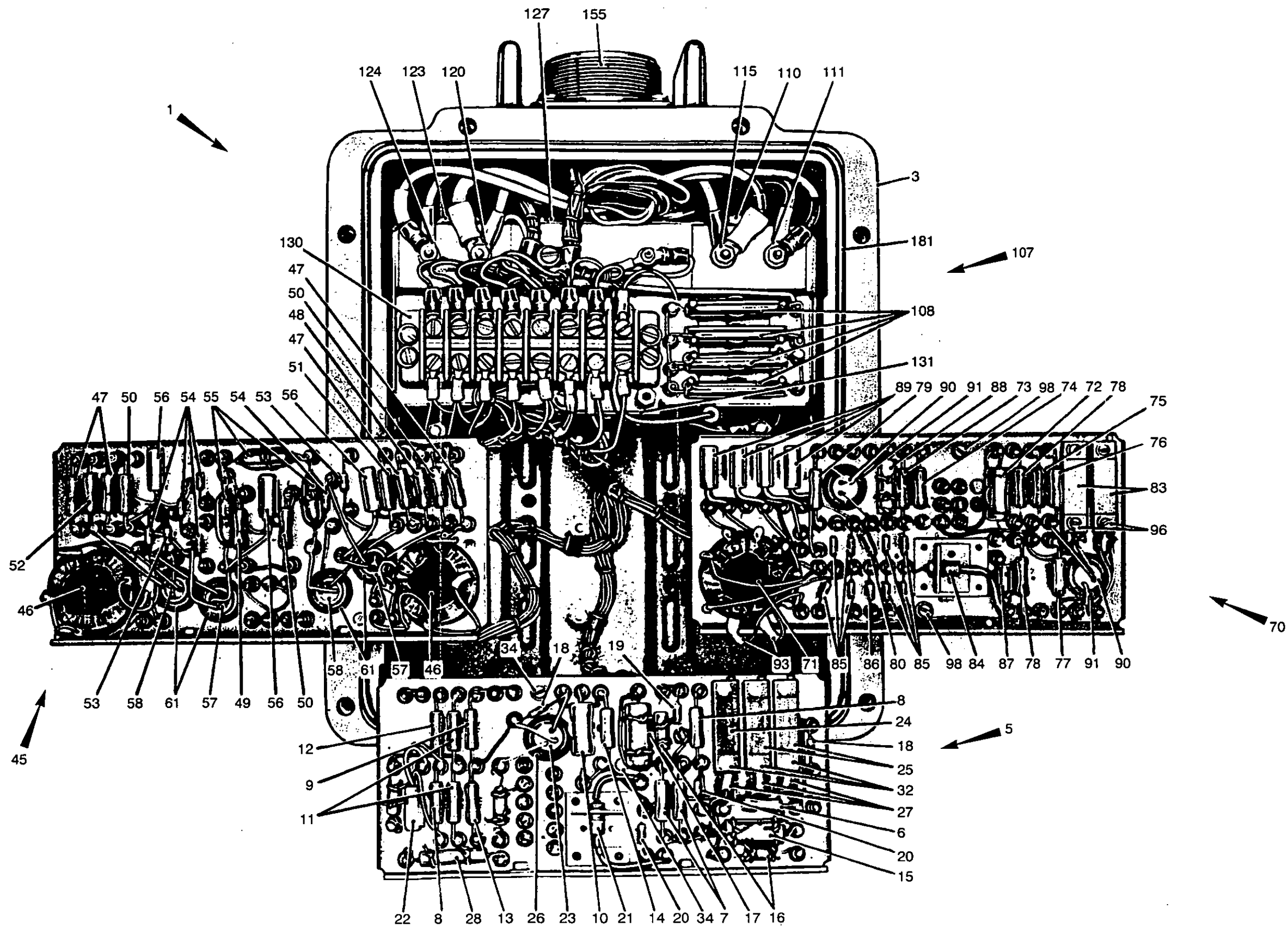


Fig 33 Control panel, alternator

430/70116

Fig Item	Man Code Navy - N Army - A RA/F - R	NATO Stock No	Item Name and Description	Part No/ Drawing No.	No. Off	Annotations
33-			ELECTRICAL EQUIPMENT GA - contd . ELECTRICAL EQUIPMENT, HULL, GA - contd ¹ . ELECTRICAL EQUIPMENT, INTERNAL - contd . PANEL CONTROL, ELECTRICAL- ELECTRONIC EQUIPMENT - contd PANEL ASSEMBLY - contd			
NI 81		NP RESISTOR, FIXED FILM, 360 ohms, 1W	B21193	1	Alternative to R32
NI 82		NP RESISTOR, FIXED FILM, 430 ohms, 1W		1	
83		NP POTENTIOMETER, 1W, 100 ohms, type 224S		2	
84	A	Z42	5961-99-037-2198 SEMI-CONDUCTOR DEVICE, DIODE, silicon, 150V dc, 2.5W	CV7098	1	MR14
85	A	Z42	5961-99-037-2016 SEMI-CONDUCTOR DEVICE, silicon, glass enclosure, 50V dc, 250mA	CV7040	8	MR 15 to 19 and 21 to 23
86	A	Z42	5961-99-037-2204 SEMI-CONDUCTOR DEVICE, silicon, glass enclosure, 5mA, 400mW	CV7104	1	M20
87	A	Z31	5910-99-881-6845 CAPACITOR, FIXED, ELECTROLYTIC, 4.7μF, 35V	W166410/14	1	C15
88		NP CAPACITOR, 22μF, 35V	W166411/11	1	C16
89	A	Z42	5961-99-037-2279 SEMI-CONDUCTOR DEVICE, DIODE	CV7117	4	T10, 11, 13 and 14
90		NP SEMI-CONDUCTOR DEVICE, DIODE	W151084/2	2	T12 and T15
91	A	H9	5325-99-942-6831 GROMMET, RUBBER, syn ru, 0.302in. id x 0.448in. od x 0.060in. w groove		2	
NI 92		NP INSULATOR, PLATE	W165964	2	
93	A	Y3	5970-99-945-4437 INSULATION SLEEVING, ELECTRICAL, chloroprene, 1mm id x 2mm od x 0.375in. lg	WTA174349	11	
NI 94		NP CLAMP, LOOP	W137450/2	1	
NI 95		NP WIRING HARNESS, BRANCHED	W164766	1	Cable form No. 3
96	A	G1	5305-99-941-7937 SCREW, MACHINE, st, flat fil, Cd P, 8BA x 3/8in. lg		4	
NI 97	A	G1	5305-99-941-2312 SCREW, MACHINE, st, flat fil, Cd P, No. 6 x 3/8in. lg		1	
98	A	G1	5305-99-941-2303 SCREW, MACHINE, st, fil hd, Cd P, No. 4 UNC x 5/8in. lg		2	
NI 99	A	G1	5310-99-912-8182 WASHER, LOCK, st, double ring, Cd P, 18/32in. thk, 0.123in. id		1	
NI 100	A	G1	5310-99-944-0545 WASHER, LOCK, st, split helical ring, Cd P, 0.138in. hole		2	
NI 101		NP WASHER, FLAT, steel, 8BA	Z2/ZB13696	8	
NI 102	A	G1	5310-99-940-3515 WASHER, FLAT, st, Cd P, 0.223in. x 0.123in. id		7	
NI 103		NP WASHER, NON-METALLIC, rubber	W162390/2	1	
NI 104		NP NUT, PLAIN, HEXAGON, steel, Cd P, 8BA, 0.152in. w	804469	4	
NI 105	A	G1	5310-99-941-9547 NUT, PLAIN, HEXAGON, st, Cd P, No. 4 UNC, 0.188in. w		6	

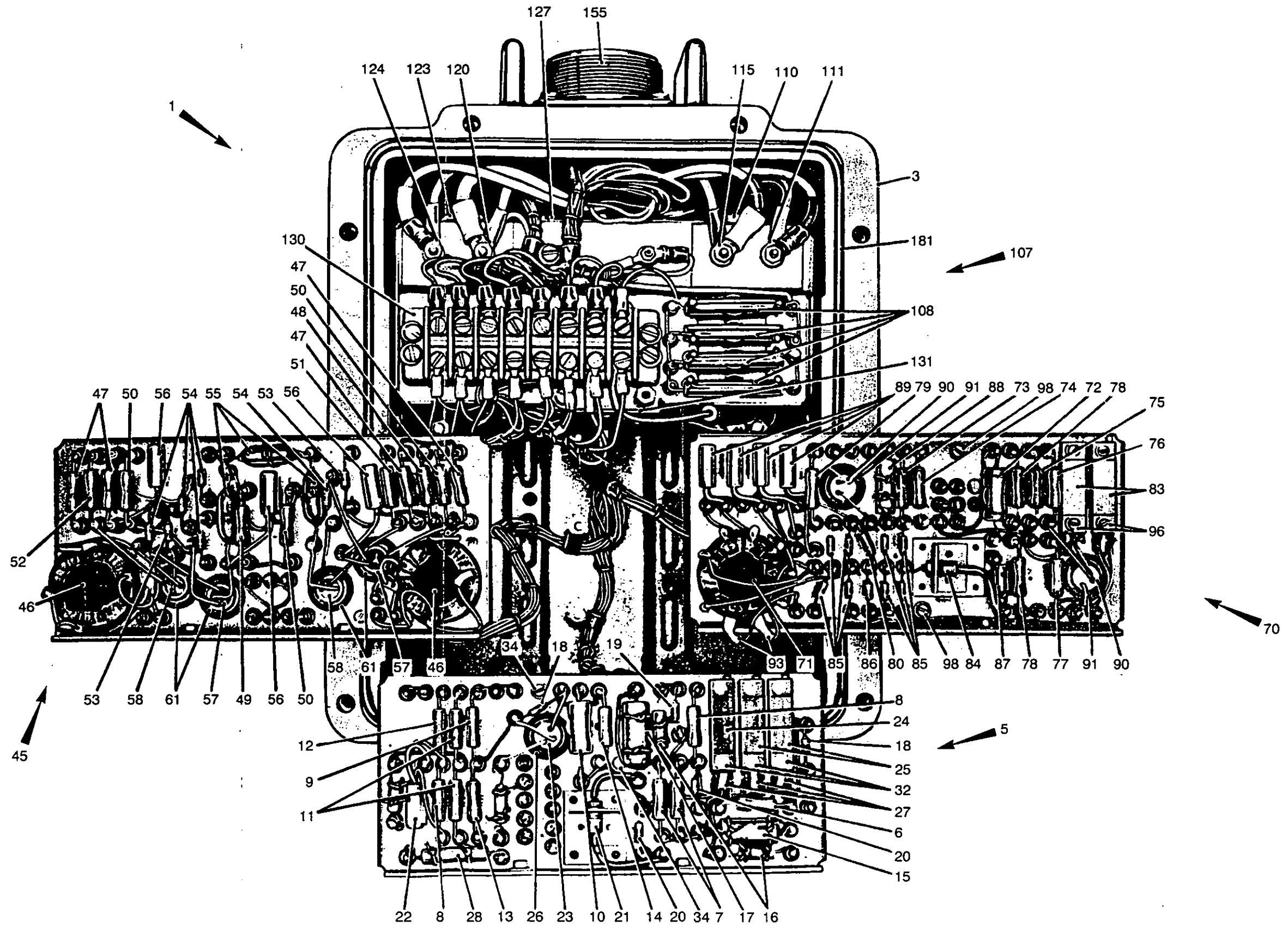


Fig 33 Control panel, alternator

Fig Item	Man Code Navy - N Army - A RA/F - R	NATO Stock No	Item Name and Description	Part No/ Drawing No.	No. Off	Annotations
33-			ELECTRICAL EQUIPMENT GA - contd . ELECTRICAL EQUIPMENT, HULL, GA - contd . ELECTRICAL EQUIPMENT, INTERNAL - contd . . . DISTRIBUTION BOX - contd . . . PANEL CONTROL, ELECTRICAL- ELECTRONIC EQUIPMENT - contd PANEL ASSEMBLY - contd			
NI 106	A G1	5310-99-941-9541 NUT, PLAIN, HEXAGON, st, Cd P, No., 4 UNC, 3/32in. h		1	
107		NP PANEL ASSEMBLY, No. 4	W171558	1	
108	A Z30	5905-99-014-0321 RESISTOR, FIXED, WIREWOUND, 160 ohms, 5% tol, 4.5W	ASL- CE40201- 002	4	
NI 109		NP CAPACITOR ASSEMBLY	W171455	1	C20
110	A Z31	5910-99-900-6728 CAPACITOR, FIXED, METALLIZED, 2 μ F, 150V dc	SBN12	1	
111		NP TERMINAL LUG	W170046/5	2	
NI 112	A Y3	6145-99-900-9507 WIRE, ELECTRICAL, single conductor, 70/0.0076in. copper tinned	UNINYVIN14	A/R	
NI 113		NP CAPACITOR ASSEMBLY	W171498	1	C21
NI 114	A Z31	5910-99-900-6728 CAPACITOR FIXED, METALLIZED, 2 μ F, 150V dc	SBN12	1	
115		NP TERMINAL LUG, crimp type	W170046/5	1	
NI 116	A Z37	5940-99-901-3120 TERMINAL LUG, 0.781 x 0.375 x 0.032in. thk		1	
NI 117		NP CAPACITOR ASSEMBLY	W171497	1	
NI 118	A Z31	5910-99-954-0510 CAPACITOR, FIXED, PAPER DIELECTRIC, 100nF, 250V dc	W176931	1	
NI 119		NP CAPACITOR, FIXED, 0.1 μ F, 20% tol, 160V dc		1	
120		NP TERMINAL LUG, crimp type	W170046/5	1	
NI 121		NP : TERMINAL LUG, crimp type	W170046/4	1	
NI 122		NP CAPACITOR ASSEMBLY	W171465	1	
123	A Z31	5910-99-900-6728 CAPACITOR, FIXED, METALLIZED, 2 μ F, 150V dc	SBN12	1	
124		NP TERMINAL LUG, crimp type	W170046/5	1	
NI 125	A Y3	6145-99-900-8507 WIRE ELECTRICAL, single conductor, 70/0.0076in. copper tinned	UNINYVIN14	A/R	
NI 126		NP PLATE ASSEMBLY, capacitor	W171453	1	
127	A 46MT4	5910-99-773-8556 CAPACITOR, 0.05 μ F, 200V dc, 10A	93644002	7	C1 to C7
NI 128	A Z42	5961-99-118-3923 SEMI-CONDUCTOR DEVICE, DIODE, silicon, 48 amp, metal enclosure	W202458	1	
NI 129	A 46MT4	2920-99-881-9343 INSULATOR, BUSHING	W163274/2	1	
130		NP BLOCK	FV518856	1	
131	A 46MT4	6110-99-881-6491 BRACKET AND COIL ASSEMBLY	W167120	1	
NI 132	A G1	5310-99-941-8703 WASHER, FLAT, br, tin pl, 15/64in. od, 1/32in. thk		8	
NI 133	A G1	5310-99-100-9333 NUT, PLAIN, HEXAGON, br, 6BA		6	
NI 134	A G1	5305-99-941-2312 SCREW, MACHINE, st, fil hd, Cd P, No. 6 UNC x 3/8in. lg		2	
NI 135	A G1	5305-99-914-7989 SCREW, MACHINE, st, pan hd, Cd P, No. 10 x 1/2in. lg		2	

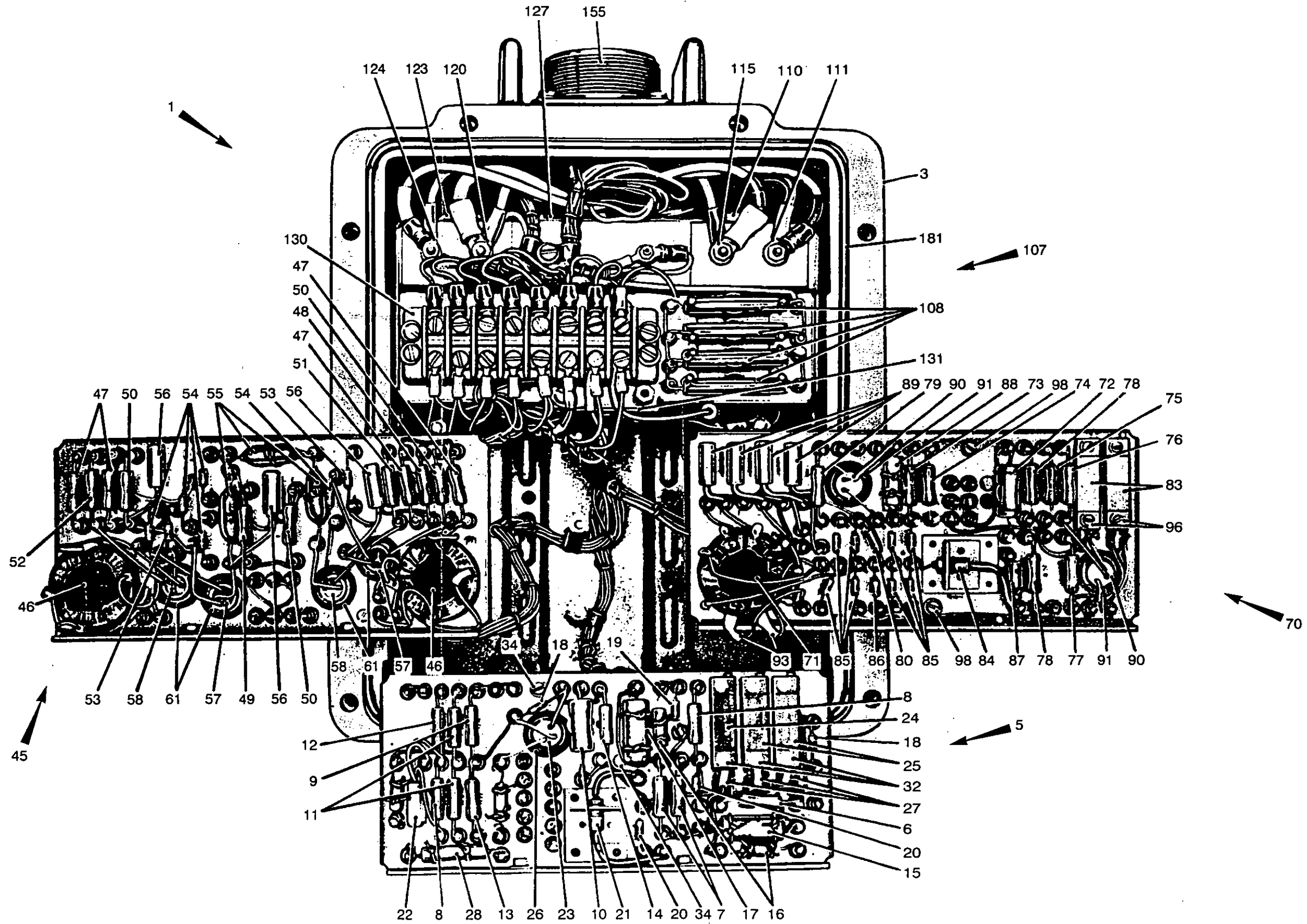


Fig 33 Control panel, alternator

430/70116

Fig Item	Man Code Navy - N Army - A RAF - R	NATO Stock No	Item Name and Description	Part No/ Drawing No.	No. Off	Annotations
33-			ELECTRICAL EQUIPMENT GA - contd . ELECTRICAL EQUIPMENT, HULL, GA - contd . ELECTRICAL EQUIPMENT, INTERNAL - contd . . . DISTRIBUTION BOX - contd . . . PANEL CONTROL, ELECTRICAL- ELECTRONIC EQUIPMENT - contd PANEL ASSEMBLY - contd			
NI 136	A G1	5310-99-941-9964 WASHER, FLAT, br, tin pl, 9/16in. od x 17/64in. id x 0.024in. thk		1	
NI 137	A 46MT4	5330-99-881-9346 WASHER, acrylonitrile-butagi, 9/16in. od x 17/64in. id x 1/16in. thk		1	
NI 138	A 46MT4	5310-99-881-9344 WASHER		3	
NI 139	A 46MT4	5310-99-881-9345 WASHER, LOCK		4	
NI 140	A G1	5310-99-941-3188 NUT, PLAIN, HEXAGON, br, chamfered, tin pl, 1/4in. UNF x 7/16in. w x 5/32in. h		1	
NI 141	A G1	5310-99-941-2406 NUT, PLAIN, HEXAGON, st, chamfered, ZN P, No. 6 UNC x 0.114in. h		4	
NI 142	A G1	5310-99-941-8461 NUT, SELF-LOCKING, st, Zn P, w/nylon insert, No. 10 UNF		6	
NI 143	A G1	5310-99-941-6644 WASHER, LOCK, st, split helical ring, Cd P, 1/4in. id		6	
NI 144	A G1	5310-99-940-3514 WASHER, FLAT, st, rd hole, 2BA		14	
NI 145	A Z2	5310-99-940-3515 WASHER, FLAT, st, Cd P, 0.223 x 0.123 x 0.024in. thk		3	
NI 146	A G1	5305-99-941-8356 SCREW, MACHINE, st, pan hd, Cd P, No. 10 UNC x 3/8in. lg		2	
NI 147		NP SCREW, MACHINE, st, pan hd, Cd P, No. 10 x 7/16in.		4	
NI 148	A G1	5305-99-941-1937 SCREW, MACHINE, st, csk hd, slotted, Cd P, No. 4 UNC x 5/16in. lg		2	
NI 149	A G1	5305-99-941-2301 SCREW, MACHINE, st, slotted, fil hd, Cd P, No. 4 UNC x 3/8in. lg		2	
NI 150	A G1	5305-99-941-2315 SCREW, MACHINE, st, slotted, fil hd, Cd P, No.6 UNC x 3/4in. lg		4	
NI 151	A G1	5305-99-941-2313 SCREW, MACHINE, st, slotted, fil hd, Cd P, No. 6 UNC x 1/2in. lg		1	
NI 152		NP NUT, PLAIN, HEXAGON, steel, 2BA, lock		2	
NI 153	A G1	5310-99-912-8182 WASHER, LOCK, steel, 4BA		6	
NI 154	A G1	5310-99-944-0545 WASHER, LOCK, st, split helical ring, Cd P, 0.138in. hole		3	
155	A 46MT4	2590-99-820-8043 PLUG ASSEMBLY, CONTROL PANEL, c/w leads	W173186	1	
NI 156	A 46MT4	5935-99-800-9933 CONNECTOR, FIXED, ELECTRICAL, fixed, 23-22P, Al with female shell	FV585031	1	
NI 157		NP LEAD ASSEMBLY	W171483	1	
NI 158	A Y3	6145-99-999-3758 WIRE, ELECTRICAL, 110 strands, 0.19mm strand dia, Cu tinned	G177- UNINYVIN12	A/R	
NI 159	A Z37	5940-99-106-7668 TERMINAL LUG, 4BA, Cu, 15/16 x 9/32 x 0.083in. thk	3230634	1	

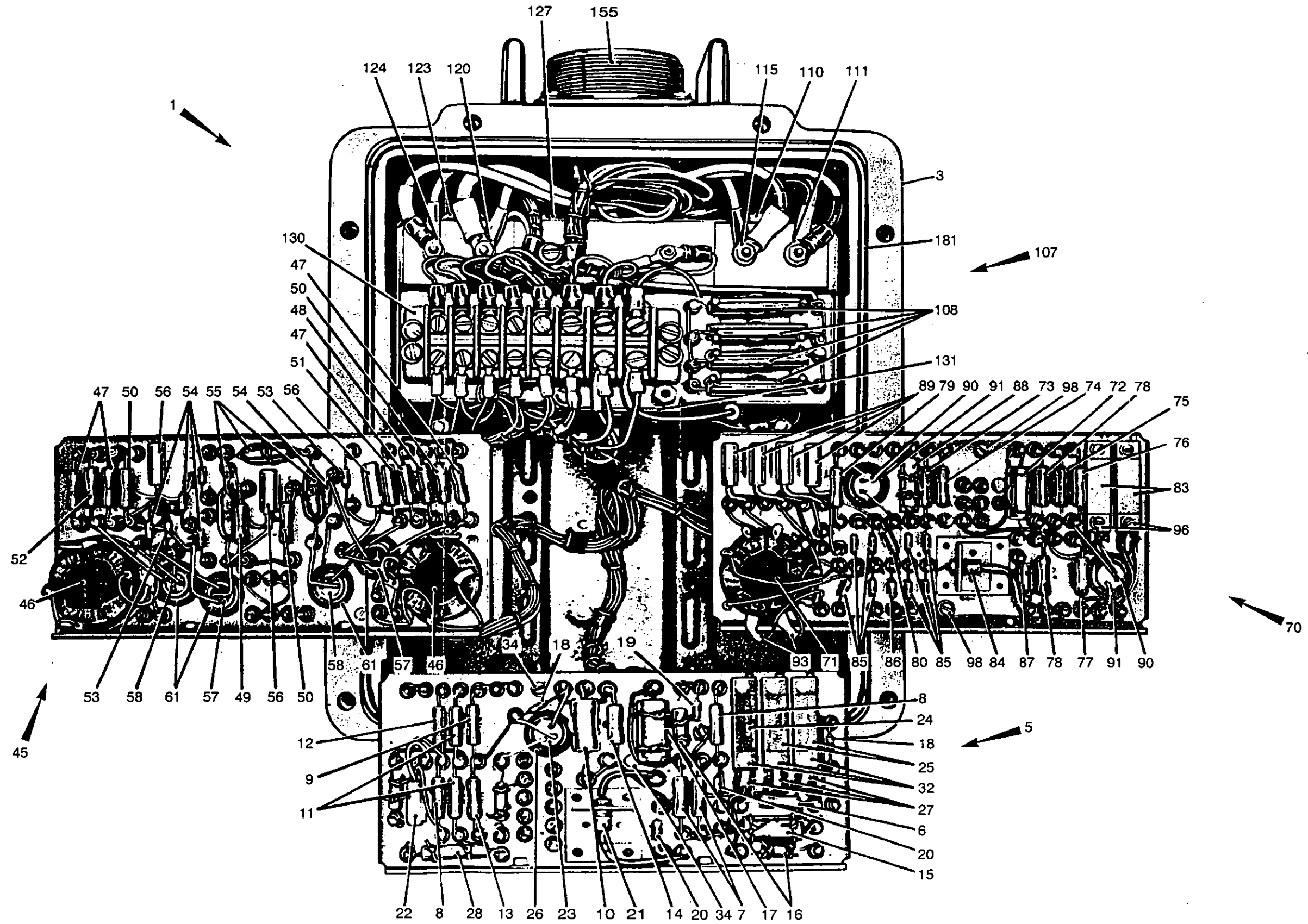


Fig 33 Control panel, alternator

Fig Item	Man Code Navy - N Army - A RA/F - R	NATO Stock No	Item Name and Description	Part No/ Drawing No.	No. Off	Annotations
33-			ELECTRICAL EQUIPMENT GA - contd . ELECTRICAL EQUIPMENT, HULL, GA - contd . ELECTRICAL EQUIPMENT, INTERNAL - contd . . . DISTRIBUTION BOX - contd . . . PANEL CONTROL, ELECTRICAL- ELECTRONIC EQUIPMENT - contd PANEL ASSEMBLY - contd LEAD ASSEMBLY - contd			
NI 160		NP SLEEVE, CABLE IDENTIFICATION, 3mm id, white	Y3/Y000054	2	
NI 161		NP LEAD ASSEMBLY	W171484	1	
NI 162	A Y3	6145-99-900-9807 WIRE, ELECTRICAL, Nyvin 14, 70/0.0076in. Cu	UNINYVIN14	A/R	
NI 163	A Y3	5940-99-945-4995 TERMINAL LUG, copper, 0.172in. lg x 0.250in. w, 14/16 AWG	320619	1	
NI 164		NP SLEEVE, IDENTIFICATION, 3mm id, black	Y3/Y000049	2	
NI 165		NP LEAD ASSEMBLY	W171485	1	
NI 166	A Y3	6145-99-900-8507 WIRE, ELECTRICAL, Nyvin 14, 70/0.0076in. Cu	UNINYVIN14	A/R	
NI 167	A Y3	5940-99-945-4995 TERMINAL LUG, copper, 0.172in. lg x 0.250in. w, 14/16 AWG	320619	1	
NI 168		NP SLEEVE, CABLE IDENTIFICATION, 3mm id, yellow	Y3/Y000055	1	
NI 169		NP LEAD ASSEMBLY	W171486	1	
NI 170	A Y3	6145-99-999-3758 WIRE, ELECTRICAL, 110 strands, 0.19mm strand dia, Cu tinned	G177- UNINYVIN12	A/R	
NI 171	A Z37	5940-99-106-7668 TERMINAL LUG, 4BA, Cu, 15/16 x 9/32 x 0.083in. thk	3230634	1	
NI 172		NP SLEEVE, CABLE IDENTIFICATION, 3mm id, blue	Y3.Y000050	1	
NI 173		NP SLEEVE, CABLE IDENTIFICATION, 3mm id, red	Y3/Y000053	1	
NI 174	A Z42	5970-99-625-6814 SLEEVE, INSULATION, ELECTRICAL, 3mm id, pink, 1.0in. lg	59-04-2552- 07	2	
NI 175	A Z42	5970-99-910-7076 SLEEVE, INSULATION, ELECTRICAL, 5mm id, pink, 1.0in. lg, 1mm thk		1	
NI 176	A Z37	5940-99-100-6580 TERMINAL LUG, 2BA, Cu tinned, 23/32 x 1/4 x 1/8in. h, 26-22 AWG	3Z10Z2	1	
NI 177	A 6MT4	5340-99-881-6481 BUSHING, PLASTICS, PTFE, 3/8 x 1/2 x 9/64in. thk	W163274/9	2	
NI 178	A Z2	5330-99-014-7139 GASKET, ru syn, 1.635in. id	FV585127	1	
NI 179		NP COVER, ELECTRICAL, PLUG, ru, 1-11/16in. od, 7/16in. h	W140631/8	1	
NI 180	A 46MT4	6150-99-820-8042 WIRING HARNESS, BRANCHED, 4 branches, 3 with terminal ends	W166832	1	Main loom
181	A 46MT4	5330-99-881-9347 RING, SEALING	NK9799	1	
NI 182	A 46MT4	2920-99-881-9342 FERRULE	W156283	8	
NI 183	A G1	5305-99-941-2315 SCREW, MACHINE, st, fil hd, slotted, Cd P, No. 6 UNC x 3/4in. lg		13	

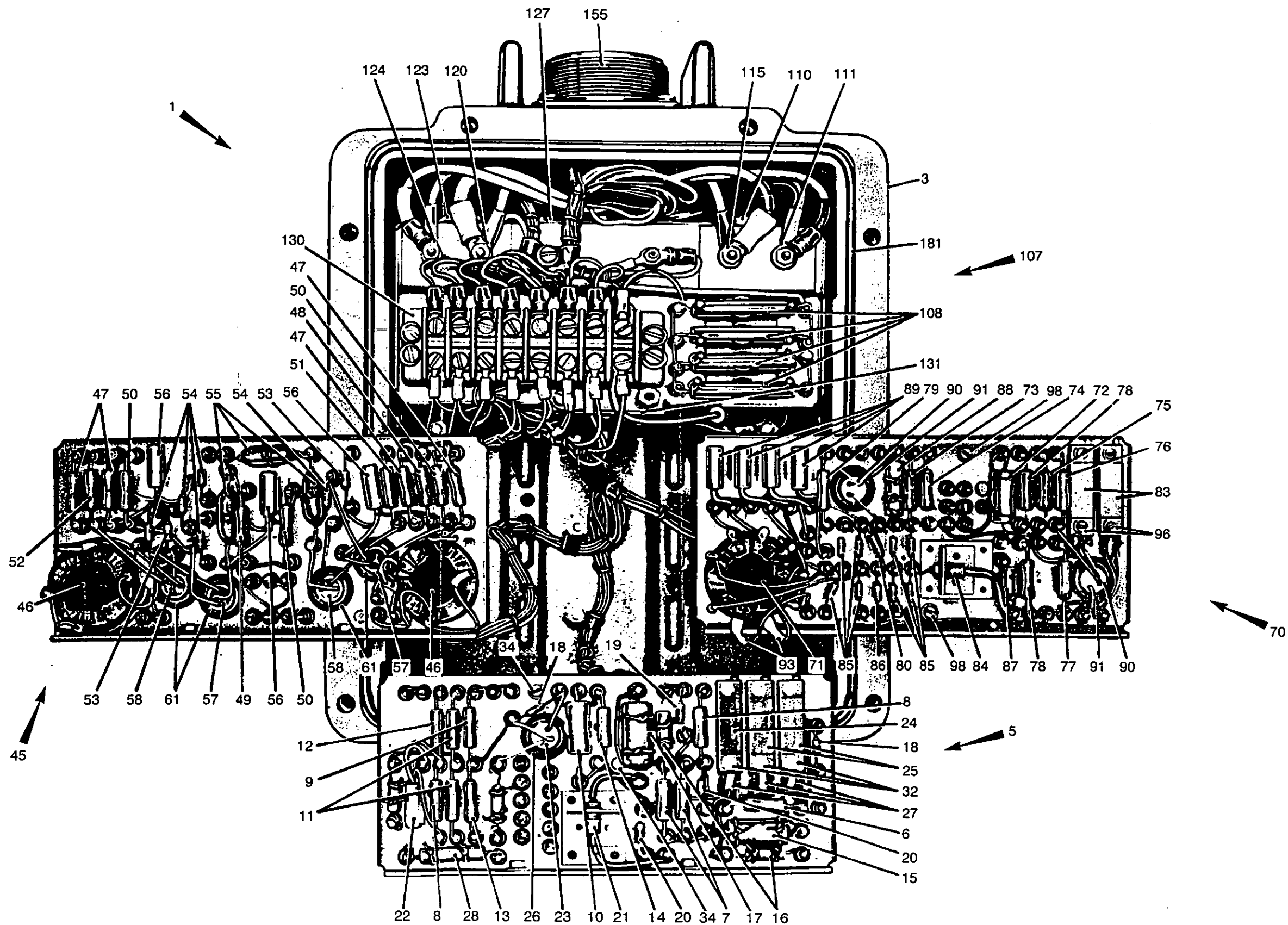


Fig 33 Control panel, alternator

Fig Item	Man Code Navy - N Army - A RA/F - R	NATO Stock No	Item Name and Description	Part No/ Drawing No.	No. Off	Annotations
33-			ELECTRICAL EQUIPMENT GA - contd . ELECTRICAL EQUIPMENT, HULL, GA - contd . ELECTRICAL EQUIPMENT, INTERNAL - contd . DISTRIBUTION BOX - contd . PANEL CONTROL, ELECTRICAL-ELECTRONIC EQUIPMENT - contd			
NI 184	A G1	5305-99-941-2313	. . . SCREW, MACHINE, st, fil hd, slotted, Cd P, No. 6 UNC x 1/2in. lg		20	
NI 185	A G1	5305-99-941-2314	. . . SCREW, MACHINE, st, fil hd, slotted, Cd P, No. 6 UNC x 5/8in. lg		2	
NI 186	A G1	5305-99-941-2301	. . . SCREW, MACHINE, st, fil hd, slotted, Cd P, No. 4 UNC x 3/8in. lg		10	
NI 187	A G1	5305-99-941-2300	. . . SCREW, MACHINE, st, fil hd, slotted, Cd P, No. 4 UNC x 5/16in. lg		4	
NI 188	A G1	5310-99-941-6642	. . . WASHER, LOCK, st, Cd P, split helical ring, 4BA, 1/32in. thk x 5/16in. od		3	
NI 189	A G1	5310-99-941-6646	. . . WASHER, LOCK, st, Cd P, split helical ring, 3/8in. nom bolt size, 0.723in. od x 0.077in. thk		2	
NI 190	A G1	5310-99-912-8182	. . . WASHER, LOCK, st, Cd P, split helical ring, 4BA, 1/32in.thk, 19/64in. od		8	
NI 191		NP	. . . WASHER, LOCK	W78092	21	
NI 192	A G1	5310-99-946-9795	. . . WASHER, SPRING, TENSION, Beryllium copper, crinkle electro-tinned, Cd P, 0.152in. id x 0.300in. od x 0.008in. thk		30	
NI 193		NP	. . . WASHER, FLAT, st, rd, 0.152in. id, 0.296in. od, 0.028in. thk, Cd P		9	
NI 194	A G1	5310-99-999-5407	. . . WASHER, FLAT, Cu al, tin pl, rd, 0.233 x 0.123 x o.024in. thk		3	
NI 195	A G1	5310-99-940-3515	. . . WASHER, FLAT, st, rd, 0.118in. id x 0.228in. od x 0.024in. thk, Cd P		18	
NI 196	A G1	5310-99-941-2406	. . . NUT, PLAIN, HEXAGON, st, chamfered, Zn P, No. 6 UNC		3	
NI 197		NP	. . . NUT, PLAIN, HEXAGON, br, tin pl, 0.185 x 0.095in. h, 6BA	NL4053	3	
NI 198	A 46MT4	5365-99-881-6475	. . . SHIM, solder, 0.75in. od x 0.375in. od hole dia x 0.005in. thk	W162393/13	2	
NI 199		NP	. . . SHIM, solder, 1.00in. od x 0.391in. hole dia x 0.005in. thk	W162393/9	4	
NI 200	A 46MT4	5970-99-741-3884	. . . INSULATOR, Melinex polyester, 0.212in. id x 0.002in. thk x 1.865in. od	81700124	2	

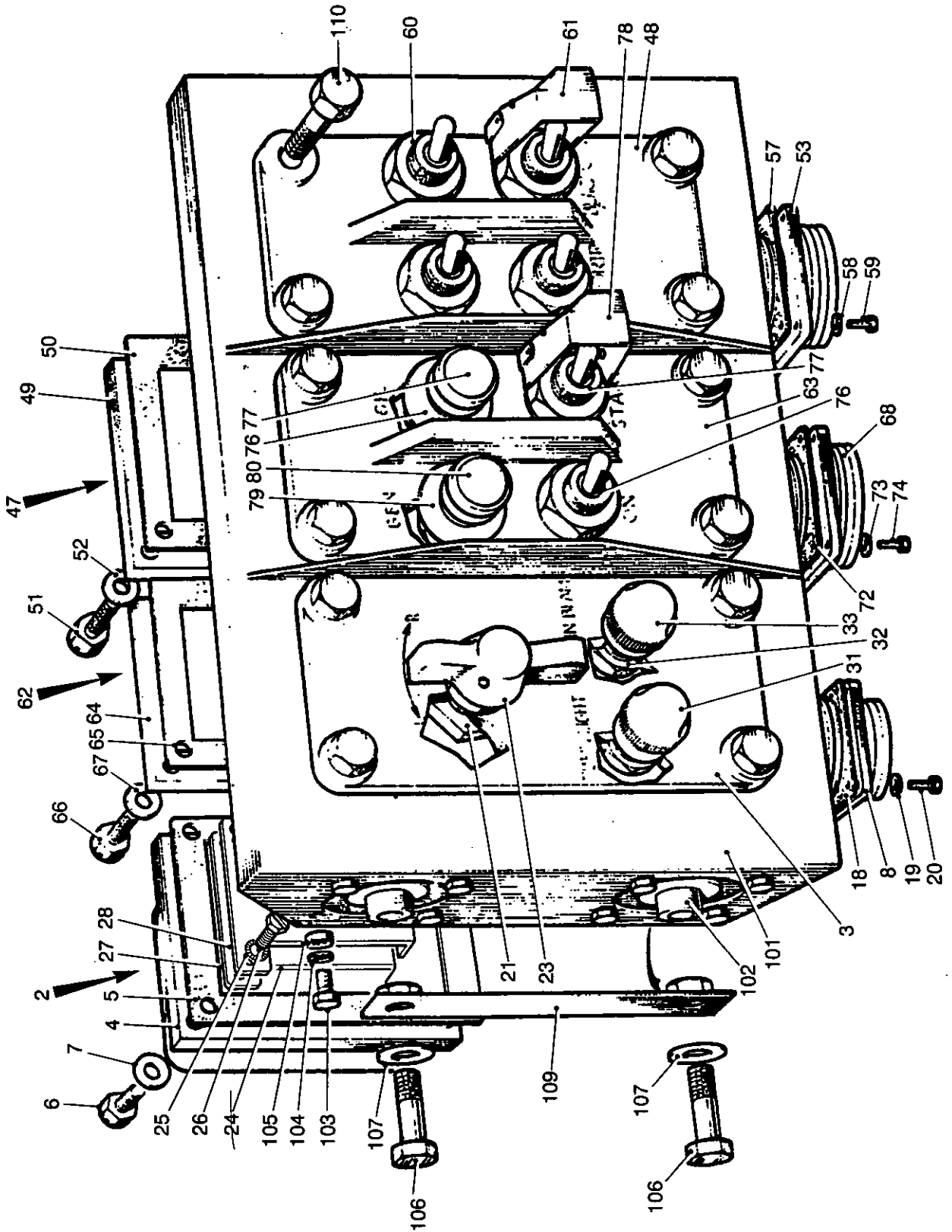


Fig 34 Drivers control panel

430/70110A

Fig Item	Man Code Navy - N Army - A RAF - R	NATO Stock No	Item Name and Description	Part No/ Drawing No.	No. Off	Annotations
34-			ELECTRICAL EQUIPMENT GA - contd . ELECTRICAL EQUIPMENT, HULL, GA - contd . ELECTRICAL EQUIPMENT, INTERNAL - contd			
1		NP	. . . DRIVERS CONTROL PANEL	FV559506	1	
2	A	46MT4 2590-99-881-5774	. . . SWITCHBOARD TURNLIGHT, No. 1, Mk 2	FV534885	1	
3		NP BOX, TURNLIGHT SWITCH	FV481534	1	
4	A	46MT4 2590-99-881-3633 COVER	FV481535	1	
5	A	46MT4 5330-99-802-9425 GASKET, switchboards, No. 1, Mk 1, No. 3 Mk 1	FV481523	1	
6	A	46MT4 5305-99-802-9427 SCREW, EXTERNALLY RELIEVED BODY, BA phosphate finish, No. 2, 0.365in. thd lg x 7/8in. o/a lg	FV491949	4	
7	A	G1 5310-99-946-9796 WASHER, SPRING TENSION, Beryllium copper, Cd P, 0.208/0.203id, 0.380/0.370in. od, 0.012in. thk		4	
8		NP PLUG AND LEAD ASSEMBLY	FV483556	1	
NI 9	A	46MT4 5935-99-881-9664 CONNECTOR, RECEPTACLE, ELECTRICAL	FV585015	1	
NI 10	A	Y3 6145-99-943-4824 WIRE, ELECTRICAL	UNIPREN12	A/R	
NI 11	A	6MT4 5970-99-881-6194 INSULATION, SLEEVING, ELECTRICAL, rubber, 2mm nom id, 3/4mm nom wall thk, black	H20	9	
NI 12	A	6MT4 5940-99-805-0380 TERMINAL, QUICK DISCONNECT, brass, not rated for current, for 5/64in. max dia conductor, 11/16in. lg, 5/16in. w, 3/8in. o/a h	3000H11C	2	
NI 13	A	6MT4 5975-99-805-0379 CABLE NIPPLE, ELECTRICAL, plastics, u/w 1/8in. od cable, 21/32in. lg o/a	RS63	2	
NI 14	A	6MT4 5940-99-881-9387 TERMINAL, QUICK DISCONNECT, 1/2in. nom id, 47/64in. od, 0.012in. max thk, solid, steel	3000H4A	3	
NI 15	A	6MT4 5975-99-881-9388 CABLE NIPPLE, ELECTRICAL, plastic, u/w 1/8in. od cable, 5/8in. o/a lg	RS49	3	
NI 16	A	6MT4 5940-99-805-1429 TERMINAL, QUICK DISCONNECT, br, tin plated, 19/32in. lg, 17/32in. w, 11/64in. h	180373-2	1	
NI 17	A	6MT4 5975-99-810-1640 CABLE, NIPPLE, ELECTRICAL, plastic, clear, faston type	180984	1	
18	A	Z2 5330-99-014-7135 GASKET, rubber, syn sq, 1.010in. id max, 4 bolt holes, 0.026 to 0.041in. thk, 1.383in. sq	FV585124	1	
19		NP WASHER, LOCK, Phos B, int, flat, zinc coated, No. 6 BA	1904	4	
20	A	G1 5305-99-941-7854 SCREW, MACHINE, BA, corr/res S hex hd, slot drive, No. 6 by 3/8in. lg, normal class thd		4	
21	A	6MT4 6220-99-804-9709 CONTROL, DIRECTIONAL, SIGNAL LIGHT AUTOMOTIVE, turn light, 3 position, lh, centre off, rh, 24V, 10A	FV494505	1	
NI 22	A	G1 5310-99-881-2468 WASHER, SEAL, LOCK, syn rubber, steel, flat int teeth, 9/16in. nom bolt size, 3/32in. thk, 1-1/64 od, steel locking, 67 deg BS	435-010- 1574-91	1	

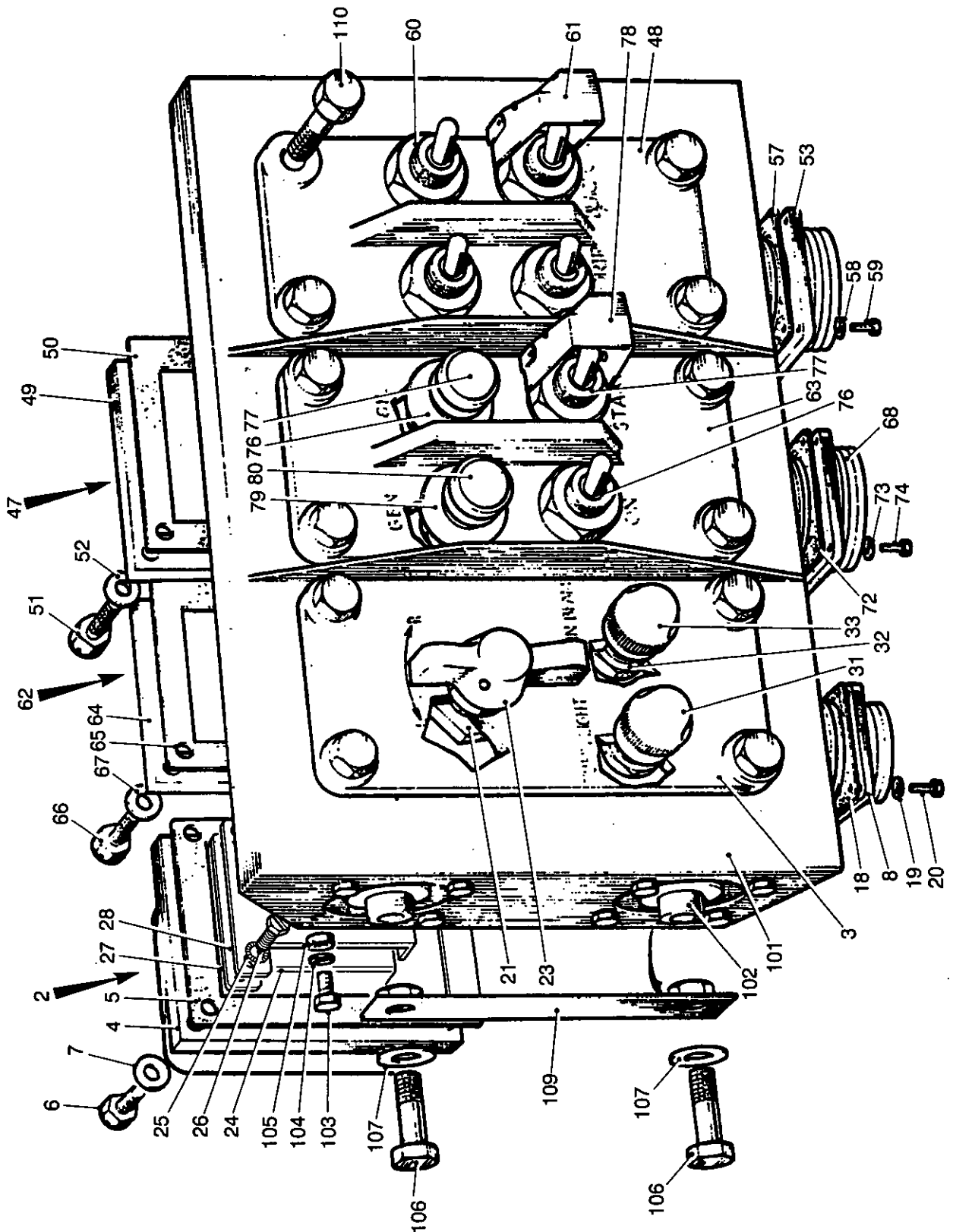


Fig 34 Drivers control panel

430/70110A

Fig Item	Man Code Navy - N Army - A RA/F - R	NATO Stock No	Item Name and Description	Part No/ Drawing No.	No. Off	Annotations
34-			ELECTRICAL EQUIPMENT GA - contd . ELECTRICAL EQUIPMENT, HULL, GA - contd . ELECTRICAL EQUIPMENT, INTERNAL - contd . . . DRIVERS CONTROL PANEL - contd . . . SWITCHBOARD TURNLIGHT - contd			
23	A 46MT4	5355-99-881-3634 KNOB, Al, pin type, 1/4in. A/F hex bore, 2in. lg, 7/8in. od, 13/16in. thk, w/o skirt	FV481537	1	
24	A 6MT3	5945-12-326-2756 FLASHER, THERMAL	4DM 004639-04	1	4 PIN
25		NP WASHER, LOCK, steel, int, flat, No. 4 BA		2	
26		NP SCREW, MACHINE, hex slotted hd, 4BA x 5/16in. lg, steel, Zn plated		2	
27	A 6MT4	5365-99-873-4278 SPACER, PLATE, steel, Zn plated and passivated, 45.25mm lg, 12.75mm w, 2 x 4.48mm dia mtg holes, 1.2mm thk	FV2249134	2	
28	A 6MT4	5340-99-449-6356 BRACKET, MOUNTING, steel, Zn plated and passivated, 68mm lg, 45mm w, 9.2mm h, tee end w/2 x 4.3mm dia mtg holes, straight end w/7mm w x 5mm lg cut out and 2 x 90 deg angle flanges 9mm w x 8mm h	FV2249133	1	
NI 29		NP STRIP, PVC, foam, self adhesive, 6mm x 19mm	536-829	A/R	
NI 30		NP PAD	FV590586	1	
31	A 6MT3	6210-99-881-5622 LIGHT, INDICATOR, 1.438in. lg, 28V, midget flange	80/10/1350 ORANGE	1	
32	A X1	6250-99-012-0913 LAMP HOLDER, panel mtg, 3/4in. dia 1 in lg, S6/8 midget flange, 24V, 2.5W, 0.5A, threaded bushing	Y6038-125	1	
33	A 46MT3	6250-99-821-6126 CAP, INDICATOR, blue	80/10/1360 BLUE	1	
NI 34	A X5	6240-99-995-9118 LAMP, INCANDESCENT, midget flange, tubular, 16.1mm max lg, 5.85mm max dia, 1.12W, 28V	3BOD12052-1	2	u/w items 31, 32
NI 35		NP LEAD ASSEMBLY, switch to lamp -ve	FV2249135/ 1	1	
NI 36	A Y3	6145-99-943-4824 WIRE, ELECTRICAL	UNIPREN12	A/R	
NI 37	A 6MT4	5940-99-881-9387 TERMINAL, QUICK DISCONNECT, 1/2in. nom id, 47/64in. od, 0.012in. max thk, solid, steel	3000H4A	4	
NI 38	A 6MT4	5975-99-881-9388 CABLE NIPPLE, ELECTRICAL, plastic, u/w 1/8in. od cable, 5/8in. o/a lg	RS49	4	
NI 39		NP LEAD ASSEMBLY, thermal flash to lamp +ve	FV2249135/ 2	1	
NI 40	A Y3	6145-99-943-4824 WIRE, ELECTRICAL	UNIPREN12	A/R	
NI 41	A 6MT4	5940-99-805-1429 TERMINAL, QUICK, DISCONNECT, brass, tin plated, 19/32in. o/a lg, 17/32in. w, 11/64in. o/a h	180373/2	1	

NO
REDEM
REFER
IT 2

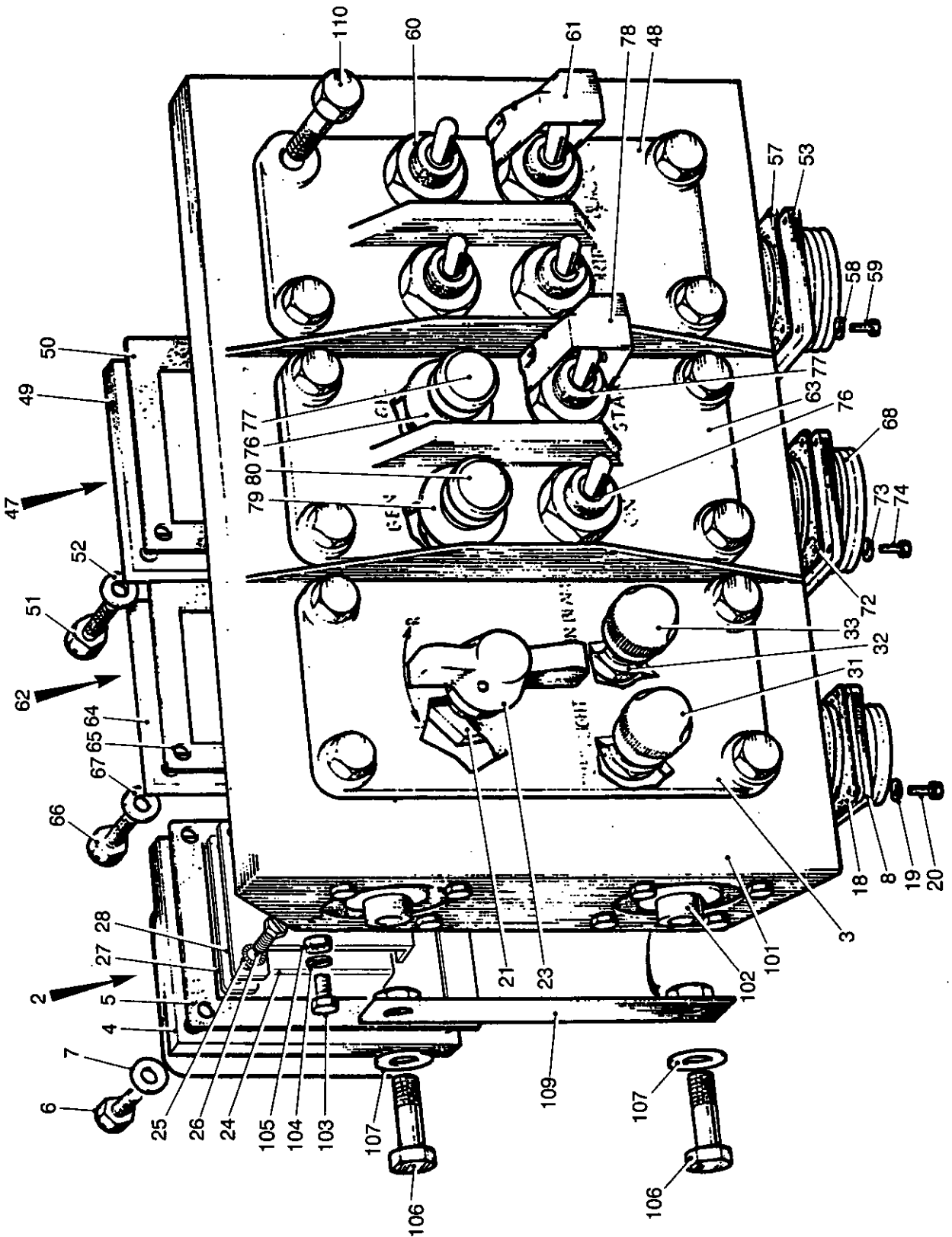


Fig 34 Drivers control panel

430/70110A

Fig Item	Man Code Navy - N Army - A RA/F - R	NATO Stock No	Item Name and Description	Part No/ Drawing No.	No. Off	Annotations
34-			ELECTRICAL EQUIPMENT GA - contd . ELECTRICAL EQUIPMENT, HULL, GA - contd . ELECTRICAL EQUIPMENT, INTERNAL - contd . . . DRIVERS CONTROL PANEL - contd SWITCHBOARD, TURNLIGHT - contd LEAD ASSEMBLY - contd			
NI 42	A	6MT4	5975-99-810-1640 CABLE, NIPPLE, ELECTRICAL, plastic, clear, faston type	180984	1
NI 43			NP LEAD ASSEMBLY, thermal flash to lamp -ve	FV2249135/ 3	1
NI 44	A	Y3	6145-99-943-4824 WIRE, ELECTRICAL	UNIPREN 12	A/R
NI 45			NP TERMINAL, QUICK DISCONNECT	150755-3	1
NI 46	A	6MT4	5975-99-810-1640 CABLE, NIPPLE, ELECTRICAL, plastic, clear, faston type	180984	1
47	A	9ACR	2590-99-802-9428	. . . SWITCHBOARD, EXTERNAL LIGHTING, No. 1, Mk 1	FV494557	1
48			NP JUNCTION BOX	FV481524	1
49			NP COVER	FV481522	1
50	A	46MT4	5330-99-802-9425 GASKET, switchboards, No. 1, Mk 2, No. 3, Mk 1	FV481523	1
51	A	46MT4	5305-99-802-9427 SCREW, EXTERNALLY RELIEVED BODY, BA, steel hex hd, slotted, phosphate finish, No. 2, 0.365in. thd lg, x 7/8in. o/a lg	FV491949	8
52	A	G1	5310-99-946-9796 WASHER, SPRING TENSION, Beryllium copper, Cd P, 0.208/0.203 id, 0.380/0.370in. od, 0.012in. thk		8
53			NP PLUG AND LEAD ASSEMBLY	FV481525	1
NI 54	A	46MT4	5935-99-800-9926 CONNECTOR, FIXED, ELECTRICAL	FV585021	1
NI 55	A	Y3	6145-99-943-4824 WIRE, ELECTRICAL	UNIPREN12	A/R
NI 56	A	46MT4	5970-99-881-6194 INSULATION SLEEVING, ELECTRICAL, rubber, 2mm nom id, 3/4mm nom wall thk	H20	9
57	A	Z2	5330-99-914-7137 GASKET, rubber, syn sq, 1.260in. id max, 0.026 to 0.041in. thk, 1.633in. sq, 4 bolt holes	FV585125	1
58			NP WASHER, LOCK, Phos B, int flat, zinc coated, No. 6 BA		4
59	A	G1	5305-99-941-7854 SCREW, MACHINE, BA, cres, hex hd, slot drive, No. 6 by 3/8in. lg, normal class thd		4
60	A	Z32	5930-99-951-0583 SWITCH, TOGGLE	Z510583	4
61	A	46MT4	5930-99-802-9430 GUARD, SWITCH, switchboard No. 1, Mk 1	FV481532	1
62	A	9ACR	2590-99-802-7340	. . . SWITCHBOARD, ENGINE, No. 3, Mk 2	FV562082	1
63			NP BOX, JUNCTION, switchboard	FV481521	1
64			NP COVER, switchboard	FV481522	1
65	A	46MT4	5330-99-802-9425 GASKET, switchboards, No. 1, Mk 2, No. 3, Mk 1	FV481523	1

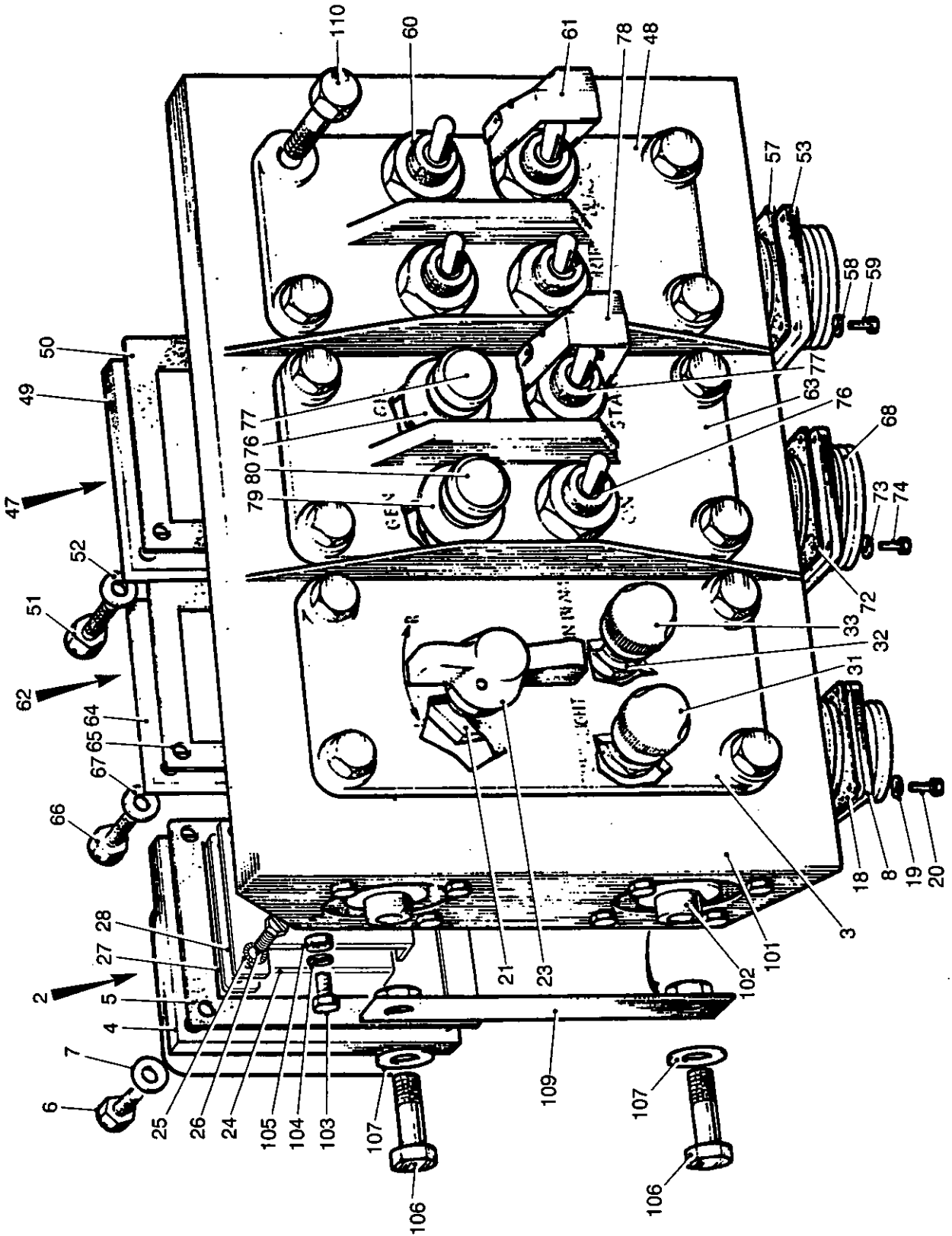


Fig 34 Drivers control panel

430/70110A

Fig Item	Man Code Navy - N Army - A RA/F - R	NATO Stock No	Item Name and Description	Part No/ Drawing No.	No. Off	Annotations
34-			ELECTRICAL EQUIPMENT GA - contd . ELECTRICAL EQUIPMENT, HULL, GA - contd . ELECTRICAL EQUIPMENT, INTERNAL - contd . . . DRIVERS CONTROL PANEL . . . SWITCHBOARD, ENGINE - contd			
66	A	46MT4	5305-99-802-9427 SCREW, EXTERNALLY RELIEVED BODY, BA steel, hex hd, slotted, phosphate finish, No. 2, 0.365in. thd lg x 7/81in. o/a lg	FV491949	4	
67	A	G1	5310-99-946-9796 WASHER, SPRING TENSION, Beryllium copper, Cd P, 0.208/0.203 id, 0.380/0.370in. od, 0.012in. thk		4	
68		NP PLUG AND LEAD ASSEMBLY	FV481526	1	
NI 69	A	46MT4	5935-99-881-9667 CONNECTOR, FIXED, ELECTRICAL	FV585022	1	
NI 70	A	Y3	6145-99-943-4824 WIRE, ELECTRICAL	UNIPREN12	A/R	
NI 71	A	46MT4	5970-99-881-6194 INSULATION SLEEVING, ELECTRICAL, rubber, 2mm nom id, 3/4mm nom wall thk	H20	11	
NI 72	A	Z2	5330-99-014-7137 GASKET, shell size 22	FV585125	1	
73		NP WASHER, LOCK, Phos B, int, flat, Zn P, 6BA		4	
74	A	G1	5305-99-941-7854 SCREW, MACHINE, st, cres, hex hd, slotted, 6BA x 3/8in. lg		4	
NI 75		NP LENS INDICATOR LIGHT	80/10/0591/A	1	AMBER
76	A	46MT3	6250-99-915-7377 LAMP HOLDER, press to test type	80/10/0513A	1	
77		NP CAP, amber indicator light	80/10/0069	1	
NI 78		NP LAMP HOLDER ASSEMBLY	80/10/0591	1	
79	A	46MT3	6250-99-915-7377 LAMP HOLDER, press to test type	80/10/0513/A	1	
80	A	46MT3	6210-99-948-6557 LENS, LIGHT	80/10/0069	1	RED
NI 81	A	X5	6240-99-995-9118 LAMP, INCANDESCENT, 28V, 0.04A	3BOD12052- 1	2	
82	A	Z32	5930-99-105-8352 SWITCH, TOGGLE	LHA2BG110- 1	1	
83		NP SWITCH, TOGGLE	D13505/1	1	
84	A	6MT14	5930-99-802-4153 GUARD, SWITCH, steel	FV590495	1	
NI 85		NP DIODE ASSEMBLY		1	
NI 86	A	Z42	5961-99-037-2718 SEMI-CONDUCTOR DEVICE, DIODE, CV7311	CV7311/SJ1 02A	1	
NI 87		NP BRACKET	FV590460	1	
NI 88		NP SUPPORT	FV590461	1	
NI 89		NP INSULATION PIECE	FV590462	2	
NI 90		NP INSULATION TUBE	FV590463	2	
NI 91	A	6MT4	5940-99-805-0797 TERMINAL LUG, br, 4BA	WE501-4BA	1	
NI 92	A	46MT4	5970-99-881-6194 INSULATION SLEEVING, ELECTRICAL, rubber, 2mm nom id, 3/4mm nom wall thk	H20	3	
NI 93	A	Y3	6145-99-100-4628 WIRE ELECTRICAL	E21 UNIPREN6	A/R	
NI 94	A	G1	5305-99-941-9945 SCREW, MACHINE, st, flat fil hd, Cd P, 6BA x 1-1/2in. lg		2	
NI 95	A	G1	5310-99-199-9928 NUT, SELF-LOCKING, HEXAGON, st, Cd P, 6BA		2	
NI 96		NP WASHER, FLAT, st, Zn P, 6BA		4	

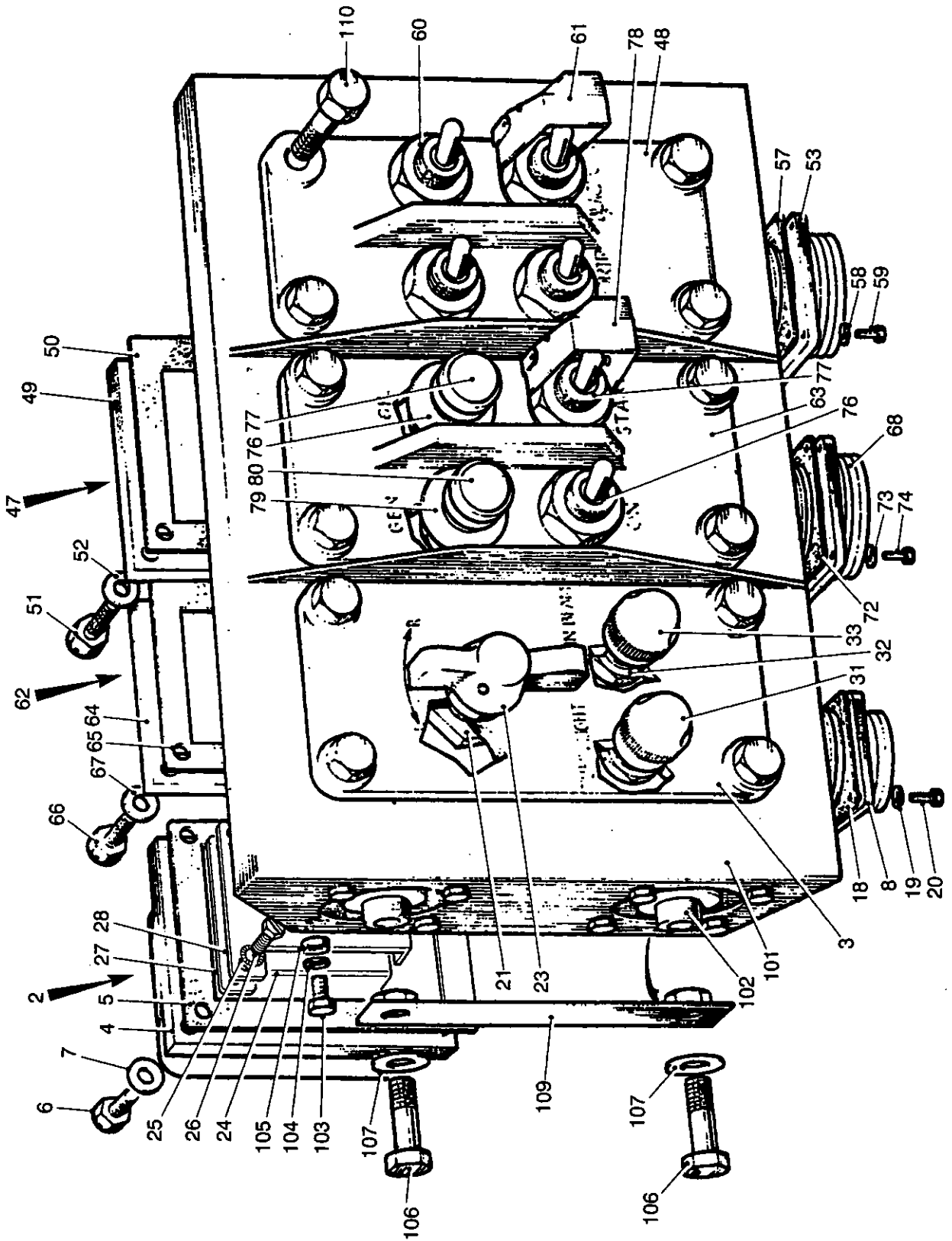


Fig 34 Drivers control panel

430/70110A

Fig Item	Man Code Navy - N Army - A RAF - R	NATO Stock No	Item Name and Description	Part No/ Drawing No.	No. Off	Annotations
34-			ELECTRICAL EQUIPMENT GA - contd . ELECTRICAL EQUIPMENT, HULL, GA - contd . ELECTRICAL EQUIPMENT, INTERNAL - contd . . . DRIVERS CONTROL PANEL SWITCHBOARD, ENGINE - contd LAMP HOLDER ASSY - contd			
NI 97		NP BUSH	FV590467	2	
NI 98		NP INSULATION STRIP	FV590464	2	
NI 99		NP SCREW, MACHINE, st, csk hd, Zn P, 4BA x 5/16in. lg	A37-B10	2	
NI 100	A	6MT4 TAB WASHER	FV590498	1	
101		NP FRAME, DRIVERS CONTROL PANEL	FV559507	1	
102	A	46MT1 MOUNT, RESILIENT, 1.00in. id	E13240	4	
103	A	G1 SCREW, MACHINE, st, hex hd, Cd P, No. 4BA x 3/8in. lg		16	
104	A	G1 WASHER, LOCK, st, single coil, sq sect, Cd P, 5/32in. hole dia		16	
105	A	G1 NUT, PLAIN, HEXAGON, st, Cd P, 4BA		16	
106	A	G1 BOLT, MACHINE, st, hex hd, Cd P, 1/4in. UNC x 1-1/4in. lg		4	
107	A	G1 WASHER, FLAT, st, Zn P, 1/4in. hole dia		4	
NI 108	A	G1 WASHER, LOCK, st, single coil, sq sect, Cd P, 1/4in. hole dia		4	
109		NP LOCKING PLATE, frame mtg	FV559818	2	
110	A	G1 SCREW, CAP, HEXAGON HEAD, st, Zn P, hex hd, 5/16in. UNF x 7/8in. lg		12	
NI 111	A	G1 WASHER, FLAT, st, Zn P, 5/16in. hole dia		12	
NI 112	A	G1 WASHER, LOCK		12	
NI 113	A	G1 NUT, PLAIN, HEXAGON, steel, Zn P, 5/16in. UNF		12	

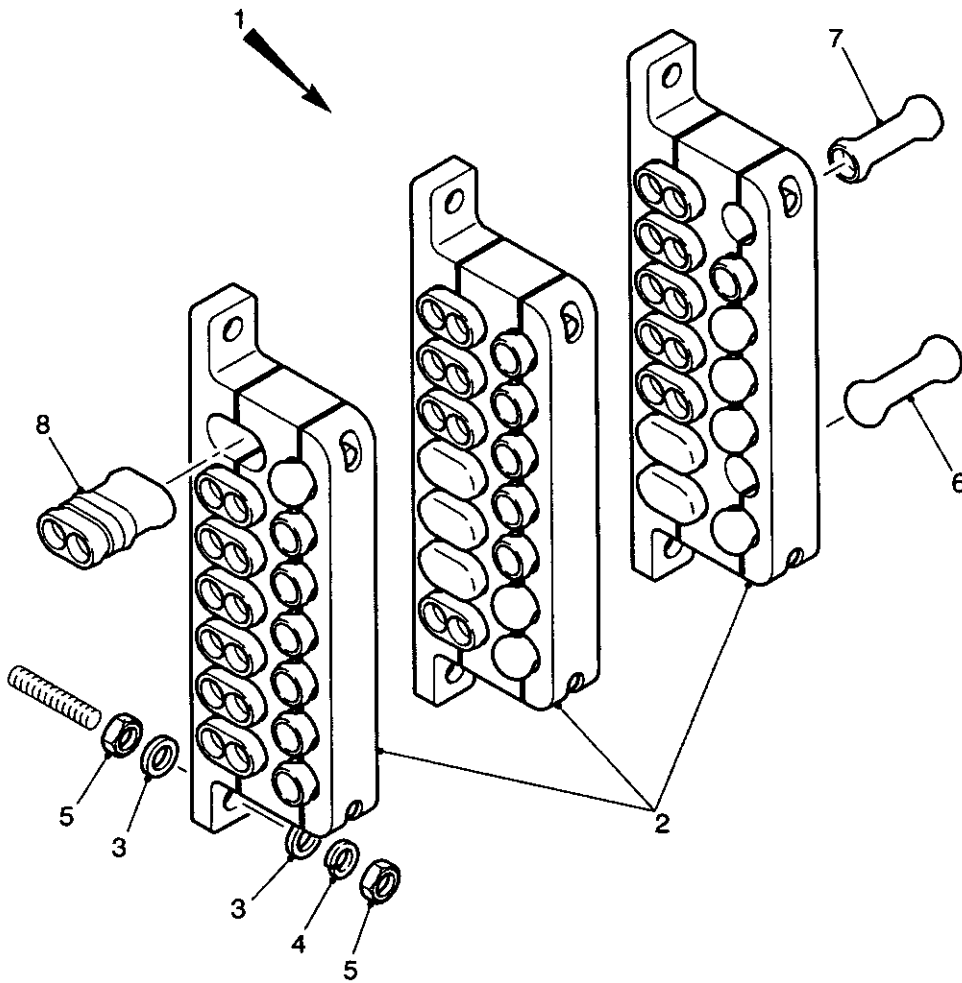


Fig 35 Electrical fittings, No. 1 connector junction

430/70136

Fig Item	Man Code Navy - N Army - A RAF - R	NATO Stock No	Item Name and Description	Part No/ Drawing No.	No. Off	Annotations
35-			ELECTRICAL EQUIPMENT GA - contd . ELECTRICAL EQUIPMENT, HULL, GA - contd . ELECTRICAL EQUIPMENT, INTERNAL - contd			
1		NP	. . . ARRANGEMENT OF ELECTRICAL FITTINGS No. 1 CONNECTOR JUNCTION	FV560075	REF	
2		NP	. . . CONNECTOR ASSEMBLY, ELECTRICAL	FV260940	3	
3		NP	. . . WASHER, FLAT, 1/4in.	7030004009 4900	12	
4	A G1	5310-99-941-6654	. . . WASHER, LOCK, steel, split helical ring, 1/4in. bolt size, 27/64in. od, 5/64in. thk		6	
5	A G1	5310-99-804-7941	. . . NUT, PLAIN, HEXAGON, UNF, 1/4in. dia -28, class 2B rh thd, steel, Zn plated, 7/16in. w A/F, 7/32in. h, chamfered		12	
6	A 6MT4	5935-99-805-0224	. . . INSERT, RESILIENT, syn rubber, 1/2in. id, 9/16in. lg	860369	44	
7	A Z37	5940-99-805-0220	. . . TERMINAL, QUICK DISCONNECT, rubber, one pole, 12A female shell	FV169423	21	
8	A 6MT4	5935-99-805-0221	. . . CONNECTOR, PLUG, ELECTRICAL, single mating end, w/2 contacts free, rubber, female shell	860364	21	

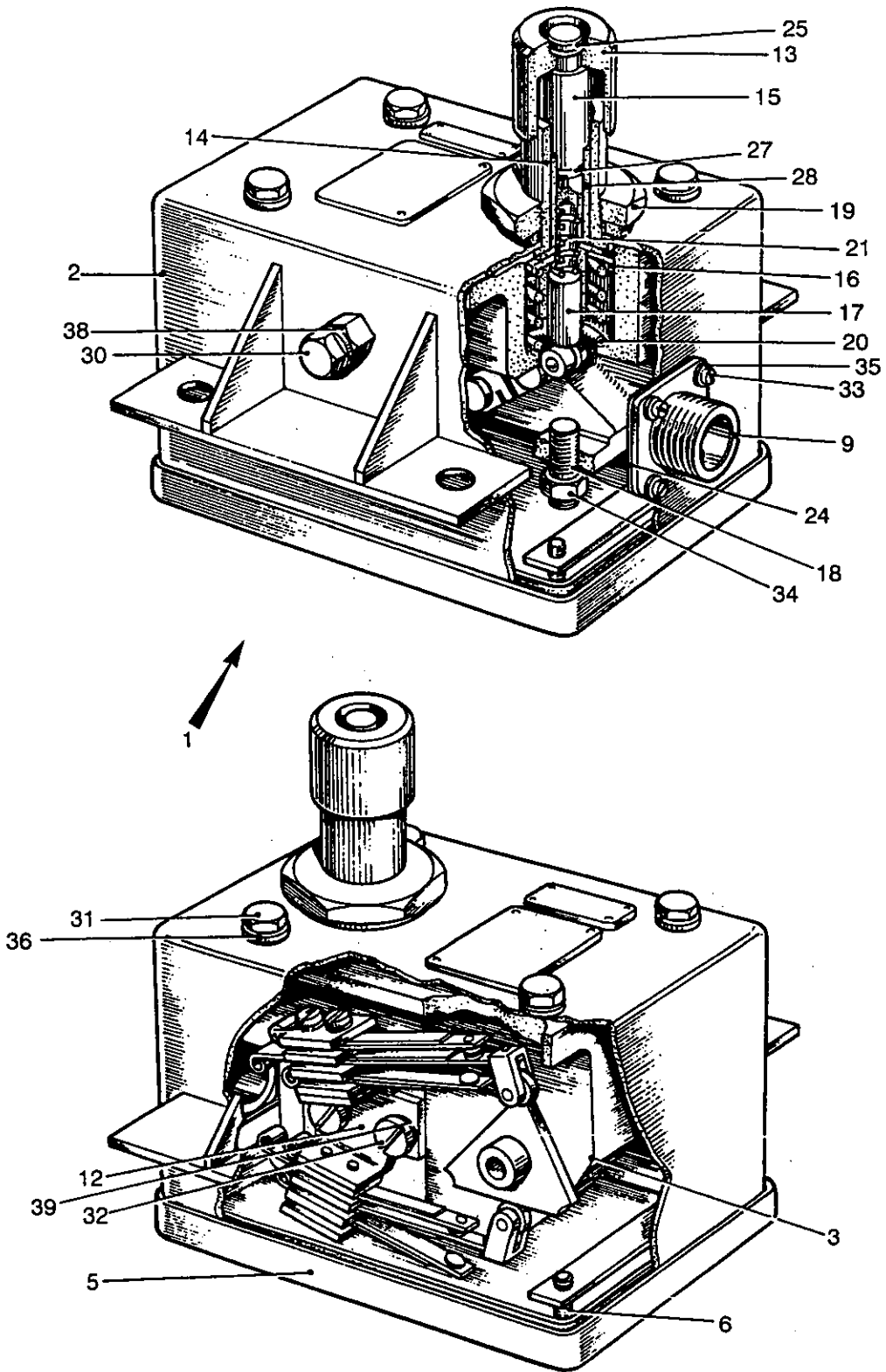


Fig 36 Switch, beam selecting, headlight

430/70109

Fig Item	Man Code Navy - N Army - A RAF - R	NATO Stock No	Item Name and Description	Part No/ Drawing No.	No. Off	Annotations
36-			ELECTRICAL EQUIPMENT GA - contd . ELECTRICAL EQUIPMENT, HULL, GA - contd . ELECTRICAL EQUIPMENT, INTERNAL - contd			
1	A	9ACR	2590-99-881-9171 . . SWITCH, BEAM SELECTING, HEADLIGHT	FV562044	1	
2		NP	. . . SWITCHBOX	FV579429	1	
3	A	46MT4	2590-99-811-7178 . . . BODY ASSEMBLY, BEAM SELECTING SWITCH, c/w actuator lever assembly, twin dip switch	FV579430	1	
NI 4		NP	. . . COVER, ELECTRICAL SWITCH, assy	FV570319	1	
5		NP COVER, ELECTRICAL SWITCH	FV570320	1	
6	A	G1	5305-99-999-7566 SCREW, MACHINE, steel, No. 10 UNF, 5/8in. lg flat csk hd		4	
NI 7	A	46MT1	5330-99-881-5615 WASHER, SEAL, FLAT, syn rubber/steel, 13/64in. id, 21/64in. od, 4/64in. h of reinforcement		4	
NI 8	A	46MT1	5330-99-943-9585 RING, SEALING, TOROIDAL, rubber, 40-52 deg BS or IRHD 1/16in. h, 9/64in. id	100-007- 0640	4	
9		NP	. . . PLUG, ELECTRICAL, assy	FV579433	1	
NI 10	A	46MT4	5935-99-881-9664 CONNECTOR ELECTRICAL, fixed, size 18-1P	FV585015	1	
NI 11	A	Y3	6145-99-943-4824 CONNECTOR, ELECTRICAL, single conductor, 40/0.0070in. dia, Cu tinned braid, glass polychloroprene compound yellow	UNIPREN12	A/R	
12	A	46MT4	5945-99-881-9172 . . . CONTACT, ASSEMBLY, ELECTRICAL, used in, twin dip switch No. 1, Mk 2	FV580561	1	
13		NP	. . . PUSH BUTTON, switch	FV579437	1	
14		NP	. . . HOUSING, plunger	FV579438	1	
15		NP	. . . SHAFT	FV579439	1	
16	A	46MT4	5340-99-822-0278 . . . SEAT, COMPRESSION, HELICAL SPRING, steel, zinc plated, 1-9/32in. od, 33/64in. dia bore, 3/16in. o/a h	FV570341	1	
17		NP	. . . PLUNGER, switch	FV570343	1	
18		NP	. . . SCREW, GRUB	FV570526	1	
19		NP	. . . NUT, PLAIN, HEXAGON	FV570527	1	
20		NP	. . . SPRING, HELICAL, COMPRESSION, large	FV570528	1	
21	A	46MT4	5360-99-811-7181 . . . SPRING, HELICAL, COMPRESSION, small	FV570529	1	
NI 22	A	46MT4	5935-99-802-9423 . . . PLATE, RETAINING, ELECTRICAL CONNECTOR, steel, 11/16in. dia aperture, 1in. x 1in. x 7/64in. thk	FV410123	1	
NI 23	A	46MT4	5945-99-881-9173 . . . CONTACT ASSEMBLY, ELECTRICAL, used in, twin dip switch No. 1, Mk 2	FV580562	1	
24	A	Z21	5330-99-014-7135 . . . GASKET, rubber, synthetic, sq, 1.010in. id max, 4 bolt holes, 0.026 to 0.041in. thk, 1.383in. sq	FV585124	1	
25		NP	. . . RING, RETAINING, circlip	6237-36	1	
NI 26	A	6MT1	5365-99-910-8237 . . . RING, RETAINING, steel, phosphate coated, 1mm major thk, external, 12mm shaft dia	N3829400-V	1	

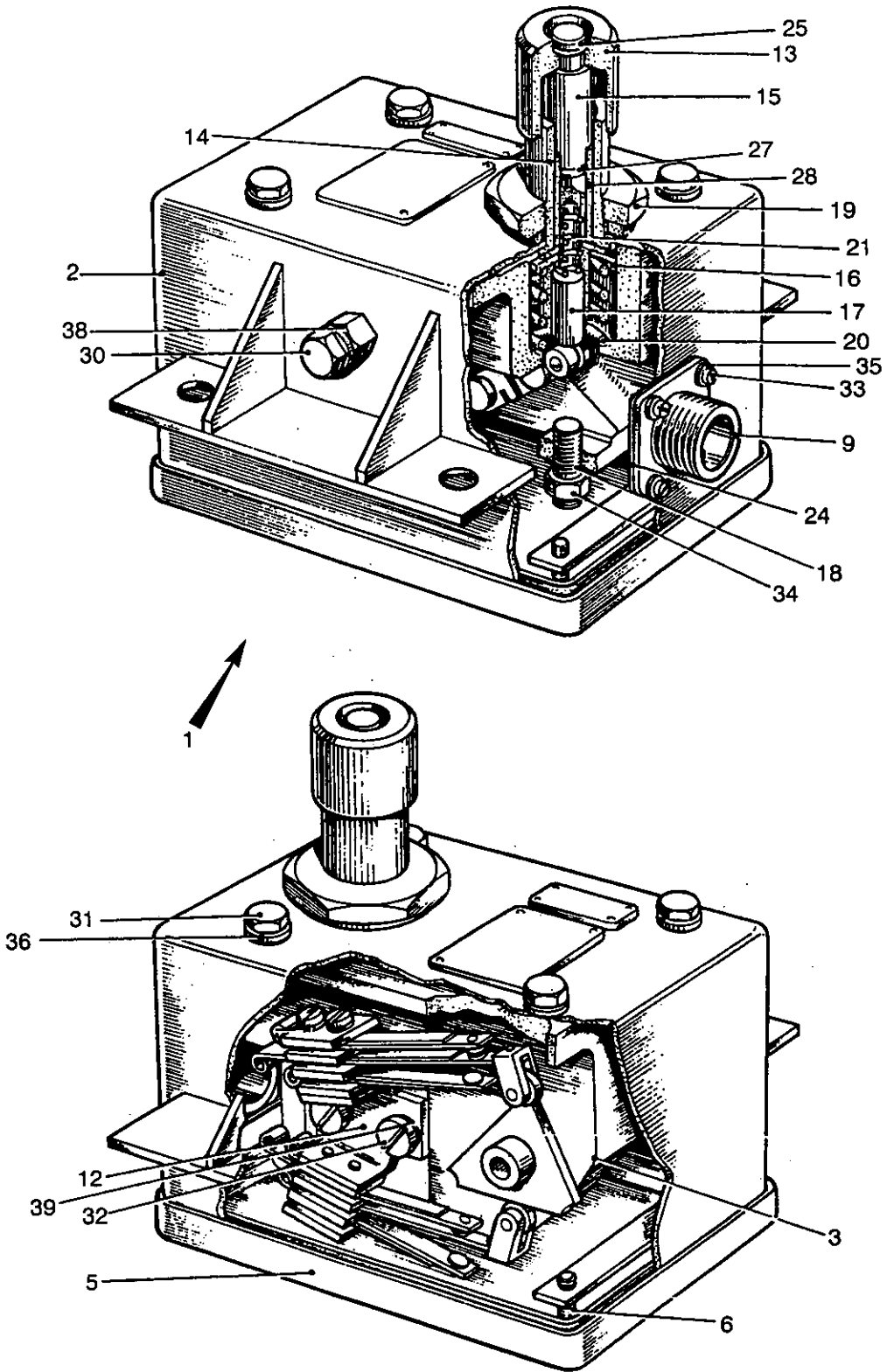


Fig 36 Switch, beam selecting, headlight

430/70109

Fig Item	Man Code Navy - N Army - A RAF - R	NATO Stock No	Item Name and Description	Part No/ Drawing No.	No. Off	Annotations
36-			ELECTRICAL EQUIPMENT GA - contd . ELECTRICAL EQUIPMENT, HULL, GA - contd . ELECTRICAL EQUIPMENT, INTERNAL - contd . SWITCH BEAM, SELECTING HEADLIGHT - contd			
27	A 6MT1	5330-99-942-9959	. . . RING, SEALING, TOROIDAL, syn rubber, 61 to 70 deg BS or IRHD, 1/16in. h, 3/8in. id	5855-30BS	1	
28		NP	. . . BEARING, SLEEVE, plain, 1/2in. x 3/4in. x 5/8in.	6237-85	2	
NI 29	A 46MT4	5935-99-881-4411	. . . CAP, BLANKING	10-70500-18	1	
30	A 46MT4	5365-99-805-2984	. . . PLUG, MACHINE THREAD, steel, BSPF, 1/8in. 28tpi, rh, 13/32in. lg thd, 17/32in. A/F hex hd, 5/32in. h	5876-54	1	
31	A G1	5305-99-941-0512	. . . SCREW, CAP, HEXAGON HEAD, UNF, 1/4in. class 2A thd, 5/8in. lg, steel, zinc plated, hex hd	172441	4	
32	A G1	5305-99-941-2334	. . . SCREW, MACHINE, UNF, steel, fillister hd, slot drive, Cd P, No. 10 x 3/8in. lg		4	
33		NP	. . . SCREW, MACHINE, UNF, steel, fillister hd, zinc coated, No. 4 x 3/8in.	5335-7690	4	
34		NP	. . . NUT, PLAIN, HEXAGON, UNF, steel, zinc coated, 1/4in.	NU9-1121	1	
35	A 46MT1	5330-99-881-6622	. . . GASKET, syn rubber/steel, rd, 1/8in. id, 1/4in. gauge ring od, 3/64in. gauge ring thk	400-001- 5615-41	4	
36		NP	. . . WASHER, SEAL, 0.270in. id x 0.522in.	70220180C	4	
NI 37	A G1	5310-99-941-6653	. . . WASHER, LOCK, steel, split helical ring, 0.198in. hole dia, 0.064in. thk, 0.330in. od		2	
38	A G1	5310-99-913-3207	. . . WASHER, FLAT, Al rd, 0.605in. max od, rd hole, 25/64in. bolt size, 3/64in. thk		1	
39	A G1	5310-99-915-7972	. . . WASHER, FLAT, steel, Cd P, rd shape, 0.4in. nom od rd hole, 0.2in. nom id, 0.018in. nom thk		1	

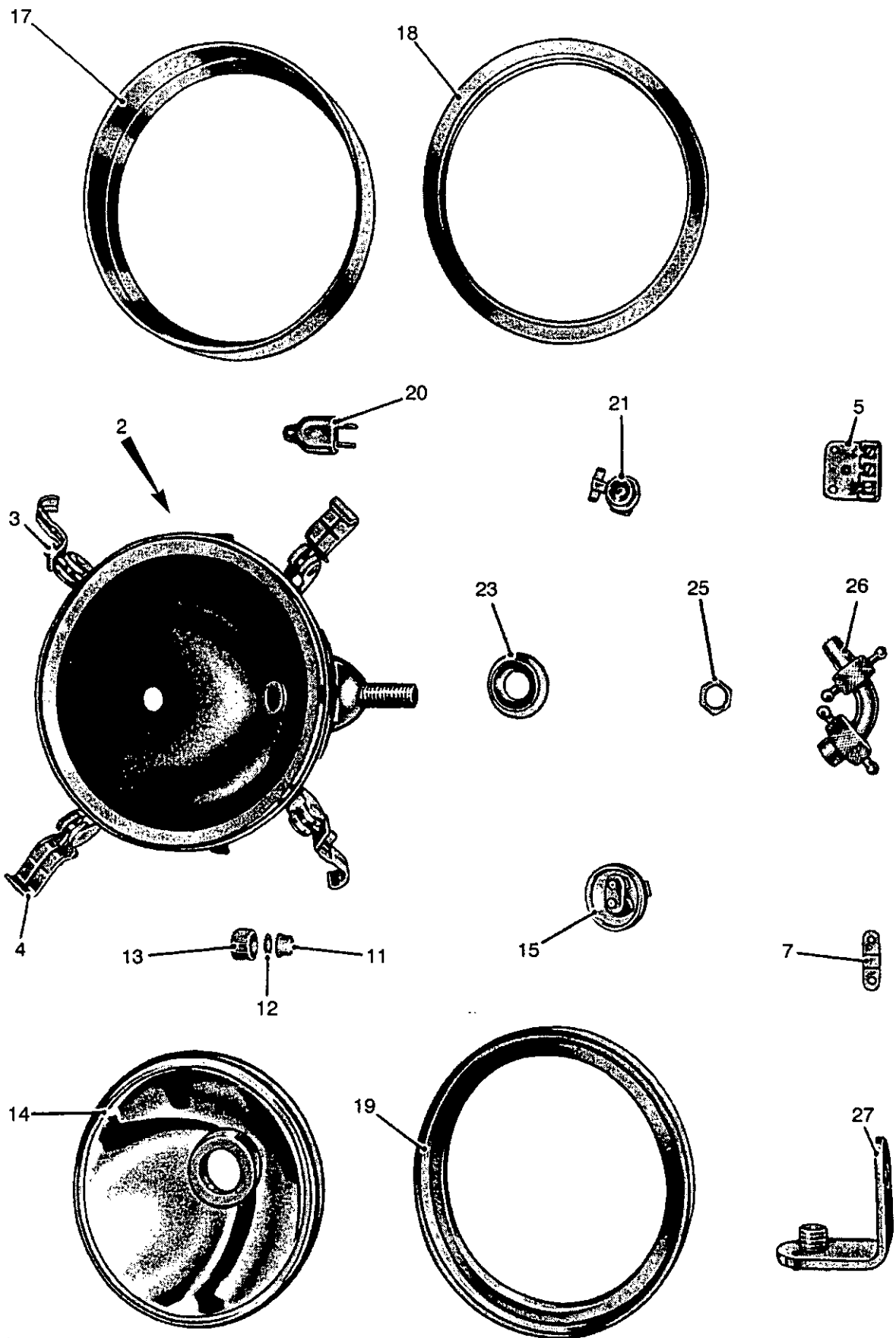


Fig 37 Spotlight

430/70106

Fig Item	Man Code Navy - N Army - A RA/F - R	NATO Stock No	Item Name and Description	Part No/ Drawing No.	No. Off	Annotations	
37-			ELECTRICAL EQUIPMENT GA - contd . . . ELECTRICAL EQUIPMENT, HULL, GA - contd . . . ELECTRICAL EQUIPMENT, INTERNAL - contd				
NI 1	A	6MT3	6220-99-803-2778	. . . SPOTLIGHT	1419D	1	
2		NP		. . . BODY ASSEMBLY, SEARCHLIGHT	554509	1	
3	A	6MT3	5305-99-803-3159	. . . SCREW, MACHINE, BA, No. 2 by 7/8in. lg, normal class thd, scr 11/16in. brass, chromium plated hd, fillister csk hd, slot drive		4	
4	A	6MT3	5340-99-910-9177	. . . CLAMP, RIM CLENCHING, steel	553287	4	
5	A	46MT4	5940-99-910-9182	. . . TERMINAL BOARD, plastics, 1-1/2in. lg x 1-1/2in. w x 11/16in. h, with 3 terminals	510295	1	
NI 6	A	6MT3	6220-999-803-1523	. . . INSERT, TERMINAL BOARD, brass, 0.312in. sq, 1/2in. o/a h, threaded 1/4in. BSF, w/slot	562152	3	
7	A	6MT4	5940-99-910-9182	. . . TERMINAL BOARD, plastics, 1-1/2in. lg x 1-1/2in. w x 11/16in. h, with 3 terminals	510295	1	
NI 8	A	G1	5305-99-941-8908	. . . SCREW, MACHINE, steel, 2BA, flat fillister hd, slot drive, Cd P w/chromate, 5/8in. lg		2	
NI 9	A	G1	5310-99-941-6643	. . . WASHER, LOCK, steel, Cd P, split helical ring. No. 2BA nom bolt size, 3/64in. thk, 25/64in. od		2	
NI 10		NP		. . . SCREW, MACHINE, BA, steel, flat fil hd, No. 4 x 5/16in. lg		1	
11	A	46MT3	6220-99-803-4050	. . . GLAND, SEALING, SINGLE WAY	806149	1	
12		NP		. . . WASHER, CABLE BUSH	S80/88	1	
13		NP		. . . NUT, GLAND	1342/10	1	
14	A	6MT3	6220-99-803-2937	. . . LIGHT UNIT, SPOTLIGHT	1419-20	1	
15	A	6MT3	6250-99-910-9176	. . . LAMPHOLDER, c/w grip washer, wire leads	C07342-01	1	
NI 16	A	6MT4	5940-99-803-1956	. . . FERULE, ELECTRICAL CONDUCTOR, br, 0.150in. id x 0.250in. od x 0.375in. lg	555910	1	
17	A	6MT3	6210-99-803-4203	. . . RETAINER LENS	553281	1	
18	A	6MT3	5330-99-910-9180	. . . SEAL, RUBBER SPECIAL SHAPED SECTION, joint-less, 6.690in. id, 0.562in. w, u/w headlight	553282	1	
19	A	6MT1	5330-99-910-9181	. . . SEAL, RUBBER SPECIAL SHAPED SECTION, joint-less, 6.385in. nom aperture dia	553283	1	
20	A	6MT4	5935-99-803-1823	. . . PLUG, 2 pins, one mtg hole	STC3334	1	
21	A	6MT3	6220-99-803-1751	. . . CABLE AND SWITCH ASSEMBLY	1419-29	1	
NI 22		NP		. . . STRAP, RETAINING, switch cable	554950	1	
23	A	6MT3	6220-99-910-9187	. . . WASHER, BASE SETTING, HEADLIGHT,		1	
NI 24	A	G1	5310-99-941-6633	. . . WASHER, LOCK, steel, double helical ring, 5/8in. nom bolt size, 1-1/6in. od, 5/16in. thk		1	
25	a	46MT3	5310-99-139-1247	. . . NUT, PLAIN, HEXAGON, Whit s/steel, full bearing surface, Cd P, 5/8in. dia, 13/16in. a/flats, 25/64in. o/a h		1	
26	A	6MT3	6220-99-803-1123	. . . BRACKET, ASSEMBLY, SPOTLIGHT	1419-28	1	
27	A	6MT3	6220-99-881-3904	. . . BRACKET, LIGHT MOUNTING	553884	1	Lower
NI 28	A	X5	6240-99-995-4508	. . . LAMP, INCANDESCENT, s (straight side), 62mm o/a lg, 28mm dia, 50W, 26V, cap type UK pre-focus P22d, vertical dip	LLB368	1	

UNRECORDED

UNRECORDED

Chapter 2-7-1
PARTS LIST
VEHICLE HARNESSSES

Fig Item	Man Code Navy - N Army - A RAF - R	NATO Stock No	Item Name and Description	Part No/ Drawing No.	No. Off	Annotations
1		NP NP	. VEHICLE HARNESSSES . . . LEAD ELECTRICAL, REG EARTH TO EARTH	FV603066 FV166707/3	REF 2	
2	A	Y3	. . . BRAID, FLEX, 0.120in. dia	176	A/R	
3		NP	. . . TERMINAL LUG, br, tinned finish, 1/4in. stud size	850406	2	
4	A	Z37	. . . TERMINAL LUG, 3/16in. solder type	215075	2	
5	A	6MT4	. . . CABLE ASSEMBLY, SPECIAL PURPOSE, ELECTRICAL, 10ft 6in. lg, single branch, lug 1st end, skt 2nd end, B2 +VE - RDP 7	FV167661-4	1	
6	A	46MT4	. . . TERMINAL, battery positive	FV546753	1	
7	A	6MT4	. . . CABLE NIPPLE, ELECTRICAL, battery terminal	549347804	1	
8	A	6MT4	. . . TERMINAL, QUICK DISCONNECT, silver pl brass terminal bolt, tightened ru sheath	FV604010	1	
9	A	46MT4	. . . BUSHING, ELECTRICAL CONDUCTOR, bakelite, 0.750in. od x 0.625in. id x 1.22in. o/a lg	FV534898	1	
10	A	46MT4	. . . BOOT DUST AND MOISTURE SEAL	FV534899	1	
11	A	Y3	. . . CABLE, ELECTRICAL, Unipren 200, 416/0.018 o/a dia, 0.595in., 0.248 ohms approx resistance per 1000 yds	UNIPREN 200	A/R	
12		NP	. . . LEAD, ELECTRICAL, DLB 11 TO DP 1	FV166403/35 M	1	
13	A	46MT4	. . . SOCKET, HEAVY DUTY, heavy duty, 280 amp	QRA58	1	
14	A	46MT4	. . . INSULATOR, BUSHING, bakelite	QRD1023	1	
15	A	46MT4	. . . CLAMP, LOOP, single	QRD1024	1	
16		NP	. . . SHEATH, ru moulded	FV131173	1	
17	A	6MT1	. . . RING, SEALING, TOROIDAL, 9/16in. x 3/4in. x 3/32in. 90 deg shore hardness	FV131066	1	
18	A	46MT4	. . . PLUG, ELECTRICAL, heavy duty	QRD1014	1	
19	A	6MT4	. . . CABLE NIPPLE, ELECTRICAL, plug insulating	QRD1015	1	
20	A	Y3	. . . WIRE, ELECTRICAL, single conductor, 666/0.018in., 0.75in. dia, silicon elastomer insulation, PTP tape, glass		A/R	
21		NP	. . . LEAD, ELECTRICAL, DP NEG TO EARTH	FV166871/2	1	
22	A	9ACR	. . . TERMINAL LUG, 3/8in. brass sleeved eyelet pattern	19011	2	
23	A	46MT4	. . . BRAID, FLEXIBLE, tinned Cu, 5/16in. dia	FV(S)6-70-5	A/R	
24	A	46MT4	. . . LEAD, ELECTRICAL, battery lug 1st end, skt 2nd end, 17.0ft o/a lg, DP 15 - B3 VENT +VE	FV167668/4	1	
25	A	46MT4	. . . SOCKET, HEAVY DUTY, heavy duty 200 amp	QRA57	1	
26		NP	. . . CABLE NIPPLE, ELECTRICAL	FV131172	1	
27	A	46MT4	. . . INSULATOR, BUSHING, bakelite	QRD1023	1	
28	A	46MT4	. . . CLAMP, LOOP, single	QRD1024	1	
29	A	6MT1	. . . RING, SEALING, TOROIDAL, 9/16in. x 3/4in. x 3/32in. 90 deg shore hardness	FV131066	1	
30	A	46MT4	. . . TERMINAL, battery positive	54935360	1	
31	A	Y3	. . . CABLE, ELECTRICAL, Unipren 200, 416/0.018 o/a dia, 0.595in., 0.248 ohms approx resistance per 1000 yds	UNIPREN 200	A/R	

Fig Item	Man Code Navy - N Army - A RAF - R	NATO Stock No	Item Name and Description	Part No/ Drawing No.	No. Off	Annotations
			VEHICLE HARNESSSES - contd			
32	A	46MT4	6150-99-802-3442 . . . WIRING HARNESS, 7 conductors, 90 deg skt 1st end, straight skt 2nd end, 6ft-11in. o/a lg, DP 15 TO FAN VENT	FV582676-4	1	
33		NP	. . . CONNECTOR, No. 28-10S, angled free		1	
34		NP	. . . CONNECTOR, No. 28S-10S, straight, free		1	
35	A	Y3	6145-99-901-2567 . . . CABLE, SPECIAL PURPOSE, ELECTRICAL, single, 110/0.0076in. dia, PCP 0.17in. dia max	FV2143397	A/R	
36	A	Y3	6145-99-945-5074 . . . WIRE, ELECTRICAL, 120/0.012in. tinned copper, braid, blue	E21 UNIPREN50	A/R	
37	A	Y3	6145-99-945-5075 . . . WIRE, ELECTRICAL, 294/0.012in., 0.36in. od tinned copper, glass braid, syn ru, blue	UNIPREN 100	A/R	
38	A	46MT4	6150-99-802-3120 . . . WIRING HARNESS, 4 conductors, plug 1st end, nipples 2nd end, 19.0ft o/a lg, DP17 TO No. 2 CJB	FV582357-8	1	
39		NP	. . . PLUG, ELECTRICAL, free, 14S-2P		1	
40	A	46MT4	5935-99-805-2902 . . . PLUG, ELECTRICAL, Lucon vehicular type, free female shell, 1 pole	861122	4	
41	A	Y3	6145-99-901-2998 . . . CABLE, ELECTRICAL, Uninyvin 16, single conductor, 40/0.0076in., PVC glass braid, 0.11in. dia o/a	UNINYVIN 16	A/R	
42	A	46MT4	2590-99-839-2643 . . . WIRING HARNESS, 3 conductors, 75.00in. lg, DP 12 TO FAN CONTROLLER	FV582486/2	1	
43	A	46MT4	5935-99-802-7959 . . . PLUG, ELECTRICAL, free Al, 12A, 700V dc	FV585051	1	
44	A	46MT4	5975-99-805-3046 . . . ELBOW ASSEMBLY, 90 degree	FV(S)6/55/3	1	
45	A	46MT4	5340-99-881-2217 . . . BUSHING, RUBBER, syn ru, 0.595in. od x 7/16in. o/a lg, 4 holes	FV(S)6-83-1	2	
46	A	Z42	5975-99-805-6547 . . . NUT, PLAIN, KNURLED, st, Zn P, 0.692in. Whit form, 0.786in. od, 0.475in. thk	FV(S)6/38/4	1	
47	A	6MT1	5310-99-805-6455 . . . WASHER, FLAT, br, Cd P, rd, 0.437in. id x 0.625in. od x 0.064in. thk	FV5-39-4	1	
48	A	Y3	6145-99-901-2998 . . . CABLE, ELECTRICAL, Uninyvin 16, single conductor, 40/0.0076in., PVC glass braid, 0.11in. dia o/a	UNINYVIN 16	A/R	
49	A	46MT4	2590-99-815-6019 . . . CABLE ASSEMBLY, INTER-VEHICLE, ELECTRICAL, 2 conductor, single pole, 15.0ft lg	FV324284/5	1	
50	A	46MT4	5935-99-802-2423 . . . TERMINAL LUG	FV534833	2	
51	A	46MT4	5935-99-812-9999 . . . TERMINAL LUG	FV620746	4	
52	A	Z1	9905-99-804-4136 . . . BAND, IDENTIFICATION, Al, 7/8in. x 1.00in.	FV(S)7/2/1	A/R	
53	A	46MT4	5340-99-205-6507 . . . BUCKLE STRAP, METALLIC, Al, 9/16in. x 2-1/2in.	FV(S)7/3/1	A/R	
54	A	46MT4	6150-99-881-5631 . . . CABLE ASSEMBLY, POWER, ELECTRICAL, single conductor cable, nipple each end, 6in. lg, INTER-CONNECTOR TO NEG	FV166001-369N	5	
55	A	Y3	6145-99-901-2998 . . . CABLE, ELECTRICAL, Uninyvin 16, single conductor, 40/0.0076in., PVC glass braid, 0.11in. dia o/a	UNINYVIN 16	A/R	
56	A	46MT4	5935-99-805-2902 . . . PLUG, ELECTRICAL, free, female shell, 1 pole	FV169421	2	

Fig Item	Man Code Navy - N Army - A RAF - R	NATO Stock No	Item Name and Description	Part No/ Drawing No.	No. Off	Annotations
			. VEHICLE HARNESSSES - contd			
57		NP	. . LEAD, ELECTRICAL, horn to earth	FV166011/72 N	1	
58	A Y3	6145-99-901-2998	. . . CABLE, ELECTRICAL, Uninyvin 16, single conductor, 40/0.0076in., PVC glass braid, 0.11in. dia o/a	UNINYVIN 16	A/R	
59	A Z37	5940-99-943-8569	. . . TERMINAL LUG, 3/16in., solder type	347-90	1	
60	A 46MT4	2590-99-978-0907	. . WIRING HARNESS, RH ARMoured OUTLET TO No. 1 CONNECTOR JUNCTION	FV166208/ 2N	1	
61	A Y3	6145-99-901-2998	. . . CABLE, ELECTRICAL, Uninyvin 16, single conductor, 40/0.0076in., PVC glass braid, 0.11in. dia o/a	UNINYVIN 16	A/R	
62	A Z37	5940-99-943-8569	. . . TERMINAL LUG, 3/16in.	347-90	1	
63		NP	. . . ELBOW, FLEXIBLE CONDUIT	FV(S)55-2	1	
64	A 46MT4	5975-99-804-1058	. . . NUT, COUPLING, ELECTRICAL CONDUIT, 1.062in. 20 tpi	Y5658-114C	1	
65	A 46MT4	5935-99-805-2902	. . . PLUG, ELECTRICAL, free, female shell, 1 pole	FV169421	12	
66	A 46MT4	5365-99-804-1057	. . . WASHER, FLAT, br, Cd P, 3/4in. id x 0.990in. od x 0.064in. thk	FV(S)6-39-6	1	
67	A 46MT4	5935-99-805-3201	. . . CONE, SEALING, 13 hole	FV(S)6/77/1	2	
68	A 46MT4	2590-99-830-8926	. . CABLE AND CONDUIT ASSEMBLY, ELECTRICAL, 9 conductors, 26.0ft lg, No. 1 CONNECTOR JUNCTION TO No. 2 CONNECTOR JUNCTION	FV605478-1	1	
69	A 6MT4	2590-99-796-6203	. . CABLE ASSEMBLY, POWER ELECTRICAL, single conductor, plug one end, skt 2nd end, 10ft-1in. lg, PPJ AC3 to DLB 15	FV166372- 81	1	} See items 72-79
70	A 6MT4	2590-99-791-9528	. . CABLE ASSEMBLY, POWER ELECTRICAL, single conductor, skt one end, electrical contact 2nd end, 10ft-1in. lg, PPJ AC2 to DLB 16	FV166372/82	1	
71	A 6MT4	2590-99-835-6124	. . LEAD, ELECTRICAL, single conductor, connector free one end, quick disconnect terminal 2nd end, 10ft-3in. lg, PPJ AC1 TO DLB 17	FV166372/83 M	1	
72	A 46MT4	5935-99-805-0010	. . . SOCKET, ELECTRICAL, heavy duty, 200A	FV131144	1	
73		NP SLEEVE, SOCKET	FV131172	1	
74	A 46MT4	5970-99-805-0033 SLEEVE, SOCKET, bakelite	FV131070	1	
75	A 46MT4	5340-99-805-0034 CLAMP, LOOP, single	QRD1024	1	
76	A 6MT1	5330-99-801-6628 RING, SEALING, TOROIDAL, 9/16in. x 3/4in. x 3/32in. 90deg shore hardness	FV131066	1	
77	A 46MT4	5935-99-805-0018	. . . CONTACT, ELECTRICAL, heavy duty, 200A	FV39348	1	
78	A 46MT4	5975-99-805-2204	. . . SLEEVE, PLUG, rubber	FV107531	1	
79	A Y3	6145-99-104-7325	. . . CABLE, ELECTRICAL, single conductor, glass braid, 416/0.018in.		A/R	
80	A 6MT4	2590-99-818-7802	. . CABLE ASSEMBLY, POWER, ELECTRICAL, single conductor, plug one end, skt 2nd end, 10ft-3in. lg, PPJ DC +VE TO DLB 19	FV166403- 37M	1	
81	A 46MT4	5935-99-805-0011	. . . SOCKET, HEAVY DUTY, heavy duty, 280 amp	QRA58	1	
82	A 46MT4	5970-99-805-0033 INSULATOR, BUSHING, bakelite	QRD1023	1	
83	A 46MT4	5340-99-805-0034 CLAMP, LOOP, single	QRD1024	1	
84		NP SHEATH, ru moulded	FV131173	1	

Fig Item	Man Code Navy - N Army - A RAF - R	NATO Stock No	Item Name and Description	Part No/ Drawing No.	No. Off	Annotations	
			. VEHICLE HARNESSSES - contd . . . CABLE ASSEMBLY, POWER, ELECTRICAL - contd SOCKET, HEAVY DUTY - contd				
85	A	6MT1	5330-99-801-6628 RING, SEALING, TOROIDAL, 9/16in. x 3/4in. x 3/32in., 90 deg shore hardness	FV131066	1	
86	A	46MT4	5935-99-805-0027	. . . PLUG, ELECTRICAL, heavy duty	QRD1014	1	
87	A	6MT4	5975-99-805-0028	. . . CABLE NIPPLE, ELECTRICAL, plug insulating	QRD1015	1	
88	A	Y3	6145-99-104-7324	. . . WIRE, ELECTRICAL, single conductor, 666/0.018in., 0.75in. dia, silicon elastomer insulation, PTP tape, glass		A/R	
89	A	46MT4	2590-99-881-9482	. . . CABLE ASSEMBLY, POWER ELECTRICAL, DLB 26 TO EARTH	FV166404-3	1	
90	A	46MT4	5935-99-805-0027	. . . PLUG, ELECTRICAL, heavy duty	QRD1014	1	
91	A	6MT4	5975-99-805-0028	. . . CABLE NIPPLE, ELECTRICAL, plug insulating	QRD1015	1	
92		NP		. . . SHEATH, ru moulded	FV131173	1	
93	A	46MT4	5940-99-831-9426	. . . TERMINAL LUG	FV59-3-1	1	
94	A	Y3	6145-99-104-7324	. . . WIRE, ELECTRICAL, single conductor, 666/0.018in., 0.75in. dia, silicon elastomer insulation, PTP tape, glass		A/R	
95	A	9ACR	6150-99-796-0372	. . . LEAD, ELECTRICAL, single conductor, terminal w/mtg hole both ends, 5in. lg, RDP EARTH TO RDP -VE	FV166722-5	1	} See items 98 to 100
96		NP		. . . LEAD, ELECTRICAL, RDP EARTH TO EARTH	FV166722-6	1	
97	A	9ACR	2590-99-775-5818	. . . CABLE, HARNESS, DLB TO EARTH	FV166722/4	1	
98	A	46MT4	6145-99-831-2348	. . . BRAID, WIRE, tinned copper, 5/16in. dia	FV(S)6-70-5	A/R	
99		NP		. . . TERMINAL, flag 3/8in.		1	
100	A	46MT4	5940-99-802-2080	. . . TERMINAL LUG, 0.265in. dia hole, Cu electro-tinned, 1.340in. approx lg x 0.625in. x 0.048in. thk	AZ621-1	1	
101		NP		. . . HARNESS, STOP SWITCH TO No. 1 CONNECTOR JUNCTION	FV166764/ 2N	1	
102	A	46MT4	5935-99-805-2902	. . . PLUG, TIP, Lucon vehicular type, free, female shell, 1 pole	FV169421	2	
103	A	Y3	6145-99-901-2998	. . . CABLE, ELECTRICAL, Uninyvin 16, single conductor, 40/0.0076in., PVC glass braid, 0.11in. dia o/a	UNINYVIN 16	A/R	
104	A	Z42	5975-99-805-6457	. . . NUT, COUPLING, ELECTRICAL CONDUIT, st, Zn P, 0.692in. Whit form, 0.786in. od, 0.475in. thk	FV(S)6/38/4	2	
105	A	6MT1	5310-99-805-6455	. . . WASHER, FLAT, br, Cd P, rd, 0.437in. id x 0.625in. od x 0.064in. thk	FV(S)6-39-4	2	
106	A	46MT4	5340-99-881-2217	. . . SEALING, CONE, syn ru, 0.595in. od x 7/16in. o/a lg, 4 holes	5491752	2	
107	A	46MT4	5940-99-805-0893	. . . TERMINAL LUG	187010	4	
108	A	6MT4	6140-99-881-9473	. . . LEAD, STORAGE BATTERY, battery terminal 1st end, terminal lug 2nd end, 26in. lg, B3 VENT TO -VE TO EARTH	FV167665-2	1	} See items 110 to 113
109	A	6MT4	6140-99-881-9429	. . . LEAD, STORAGE BATTERY, battery terminal 1st end, terminal lug 2nd end, 18in. lg, B2 -VE TO EARTH	FV167665-3	1	
110	A	46MT4	5940-99-881-6458	. . . TERMINAL LUG, battery neg	FV546755	1	
111	A	46MT4	5940-99-881-6012	. . . TERMINAL LUG, Cu, 3/8in. stud size, 2.375in. o/a lg	FV59-3-2	1	

Fig Item	Man Code Navy - N Army - A RAF - R	NATO Stock No	Item Name and Description	Part No/ Drawing No.	No. Off	Annotations
112		NP	. VEHICLE HARNESSSES - contd			
113	A	Y3	. . LEAD STORAGE BATTERY - contd			
114	A	46MT4	. . . CABLE NIPPLE, ELECTRICAL	861607	1	
115	A	46MT4	. . . CABLE, ELECTRICAL, Unipren 200,	UNIPREN	A/R	
116	A	46MT4	. . . 416/0.018 o/a dia, 0.595in., 0.248	200		
117	A	Y3	. . . ohms approx resistance per 1000 yds			
118	A	46MT4	. . LEAD, STORAGE BATTERY, B1 -VE	819701-1	1	
119	A	46MT4	. . . TO EARTH			
120	A	46MT4	. . . TERMINAL LUG, battery neg	FV546755	1	
121	A	46MT4	. . . TERMINAL LUG	FV59-3-1	1	
122	A	46MT4	. . . WIRE, ELECTRICAL, single	UNIPREN	A/R	
123	A	46MT4	. . . conductor, 666/0.018in., 0.75in. dia,	280		
124	A	46MT4	. . . silicon elastomer insulation, PTP tape,			
125	A	6MT1	. . . glass			
126	A	Y3	. . LEAD, STORAGE BATTERY, B1 +VE	FV167702/1	1	
127	A	46MT4	. . . TO DP8			
128	A	Z2	. . . TERMINAL LUG, battery positive	FV546753	1	
129	A	Z32	. . . CABLE NIPPLE, ELECTRICAL,		1	
130	A	Z32	. . . battery terminal			
131	A	Z32	. . . SOCKET, HEAVY DUTY, heavy duty,	QRA58	1	
132	A	Z32	. . . 280 amp			
133	A	Z32	. . . INSULATOR, BUSHING, bakelite	QRD1023	1	
134	A	Z32	. . . CLAMP, LOOP, single	QRD1024	1	
135	A	Z32	. . . SHEATH, ru moulded	FV131173	1	
136	A	Z32	. . . RING, SEALING, TOROIDAL,	FV131066	1	
137	A	Z32	. . . 9/16in. x 3/4in. x 3/32in. 90 deg			
138	A	Z32	. . . shore hardness			
139	A	Z32	. . . WIRE, ELECTRICAL, single	UNIPREN	A/R	
140	A	Z32	. . . conductor, 666/0.018in., 0.75in. dia,	280		
141	A	Z32	. . . silicon elastomer insulation, PTP tape,			
142	A	Z32	. . . glass			
143	A	Z32	. . HARNESS, WIRING, JW6 TO IJB No. 3	FV324242/1	1	
144	A	Z32	. . . BUSHING, RUBBER, special shaped	Z970058	2	
145	A	Z32	. . . section, M4 size 1			
146	A	Z32	. . . MAINTENANCE KIT, ELECTRICAL	CZ63041	2	
147	A	Z32	. . . CONNECTOR, M4, brass angle,			
148	A	Z32	. . . size 1			
149	A	Z32	. . . RING, COMPRESSION		2	
150	A	Z32	. . . BUSHING, RUBBER	Z67237	2	
151	A	Z32	. . . SPACER, RING		2	
152	A	Z32	. . . PLUG, ELECTRICAL, 6 pin free		1	
153	A	Z32	. . . SOCKET, ELECTRICAL, 6 pin free		1	
154	A	Z32	. . . CABLE, SPECIAL PURPOSE,	16-2-3C	A/R	
155	A	Z32	. . . ELECTRICAL, miniature, No. 3C, 3			
156	A	Z32	. . . cores each of 14/0.0076in., TC wires			
157	A	Z32	. . . insulated PVC, TC wire screened,			
158	A	Z32	. . . PVC sheathed to 0.285in. o/a dia			
159	A	Z32	. . WIRING HARNESS, TURN LAMP	FV582510-3	1	
160	A	Z32	. . . SWITCHBOARD TO No. 1			
161	A	Z32	. . . CONNECTOR JUNCTION			
162	A	Z32	. . . CONNECTOR, No. 18-1S free		1	
163	A	Z32	. . . PLUG, TIP, Lucon vehicular type,	FV169421	7	
164	A	Z32	. . . free, female shell, 1 pole			
165	A	Z32	. . . WIRE, ELECTRICAL, Uninyvin 16,	UNINYVIN	A/R	
166	A	Z32	. . . single conductor, 40/0.0076in., PVC	16		
167	A	Z32	. . . glass braid, 0.11in. dia o/a			
168	A	Z32	. . WIRING, HARNESS, BRANCHED, 12ft-	FV582410/2	1	
169	A	Z32	. . . 8in. o/a lg, 4 conductors with connector			
170	A	Z32	. . . socket, No. 1 ROOF LIGHT TO No. 5			
171	A	Z32	. . . AJB AND No. 3 ROOF LIGHT			

Fig Item	Man Code Navy - N Army - A RAF - R	NATO Stock No	Item Name and Description	Part No/ Drawing No.	No. Off	Annotations
			. VEHICLE HARNESSSES - contd			
			. . WIRING HARNESS, BRANCHED - contd			
141		NP	. . . CONNECTOR, No. 14S-7S, free	FV502584	1	
142	A Y3	6145-99-901-2998	. . . WIRE, ELECTRICAL, Uninyvin 16, single conductor, 40/0.0076in., PVC glass braid, 0.11in. dia o/a	UNINYVIN 16	A/R	
143	A 46MT4	2590-99-881-3692	. . WIRING HARNESS, No. 3 INTERNAL LIGHT TO No. 4 INTERNAL LIGHT	FV167997/1	1	
144	A Y3	6145-99-901-2998	. . . WIRE, ELECTRICAL, Uninyvin 16, single conductor, 40/0.0076in., PVC glass braid, 0.11in. dia o/a	UNINYVIN 16	A/R	
145		NP	. . WIRING HARNESS, POS TO POS	FV166001/37 0N	2	} See items 148 & 149
146		NP	. . WIRING HARNESS, STOP LIGHT TO STOP LIGHT	FV166001/37 1N	1	
147		NP	. . WIRING HARNESS, INTER CONNECTOR, CONVOY	FV166001/37 2N	1	
148	A Y3	6145-99-901-2998	. . . WIRE, ELECTRICAL, Uninyvin 16, single conductor, 40/0.0076in., PVC glass braid, 0.11in. dia o/a	UNINYVIN 16	A/R	
149	A 46MT4	5935-99-805-2902	. . . PLUG, TIP, Lucon vehicular type, free, female shell, 1 pole	FV169421	2	
150	A 6MT4	6150-99-881-3653	. . CABLE ASSEMBLY, POWER ELECTRICAL, 5 conductors, 1st end processed conductors, 2nd end all nipples, RH ARMoured OUTLET TO No. 2 CONNECTOR JUNCTION	FV166186-1	1	
151		NP	. . WIRING HARNESS, LH ARMoured OUTLET TO No. 2 CONNECTOR JUNCTION	FV166186-2	1	
152	A 46MT4	5975-99-805-3079	. . . CONE, SEALING, 9 hole		2	
153		NP	. . . ELBOW, flexible conduit	933068	1	
154	A 46MT4	5975-99-804-1058	. . . NUT, COUPLING, ELECTRICAL CONDUIT, 1.062in. dia, 20 tpi		1	
155	A 46MT4	5310-99-804-1057	. . . SPACER, RING, rd, brass, Cd P, or Zn P, 3/4in. id x 0.990in. od x 0.064in. lg		1	
156	A 46MT4	5935-99-805-2902	. . . PLUG, TIP, Lucon vehicular type, free, female shell, 1 pole	FV169421	2	
157	A Y3	6145-99-901-2998	. . . WIRE, ELECTRICAL, Uninyvin 16, single conductor, 40/0.0076in., PVC glass braid, 0.11in. dia o/a	UNINYVIN 16	A/R	
158	A 46MT4	6145-99-881-3688	. . LEAD, SECONDARY BATTERY, BATTERY POS TO BATTERY NEG	FV167663/1	3	
159	A 6MT4	5940-99-193-6329	. . . TERMINAL LUG, positive	EL38560-1	1	
160	A 46MT4	5940-99-193-6330	. . . TERMINAL LUG, negative	10927852	1	
161		NP	. . . NUT, PLAIN, HEXAGON, BSW brass, hex, lead coated, 5/16in.	54131146	2	
162	A 46MT4	5310-99-805-0896	. . . BOLT, MACHINE, BSW brass, lead coated, 5/16in. dia x 1-1/4in. lg	54102296	2	
163	A 6MT4	5975-99-881-3387	. . . CABLE, NIPPLE ELECTRICAL, battery terminal	54931776	2	
164		NP	. . . SLEEVE, IDENTIFICATION CABLE	FV232094	2	
165		NP	. . . WIRE, ELECTRICAL, Unipren 135, 203/0.012 o/a dia, 0.435in. approx resistance per 1000 yds, 0.508 ohms	UNIPREN 135	A/R	
166		NP	. . LEAD, ELECTRICAL, EARTH TO BLACK	FV324164/1	1	See items 168 & 169

Fig Item	Man Code Navy - N Army - A RAF - R	NATO Stock No	Item Name and Description	Part No/ Drawing No.	No. Off	Annotations
			VEHICLE HARNESSSES - contd			
167		NP	LEAD, ELECTRICAL, EARTH TO GREEN	FV324164/2	1	
168	A	6MT4	TERMINAL LUG, 5/16in.		1	
169	A	Y3	WIRE, ELECTRICAL, single, 110/0.0076in. dia, polychloroprene, 0.17in. dia max		A/R	
170		NP	LEAD, ELECTRICAL, EARTH TO INSULATED EARTH TERMINAL	FV167846/1	1	
171	A	6MT4	TERMINAL, SERRATED RING, brass claw type with or without lip, 5/16in. stud hole x 5/8in. od x 3/16in. depth		2	
172	A	Y3	WIRE, ELECTRICAL, single, 110/0.0076in. dia, polychloroprene, 0.17in. dia max		A/R	
173		NP	LEAD, ELECTRICAL, EARTH TO EARTH	FV167854/1	1	
174	A	Y3	WIRE, ELECTRICAL, single conductor, 40/0.0076, 0.13in. dia, glass braid, polychloroprene insulated	UNIPREN 12	A/R	
175		NP	TERMINAL LUG, 2BA	187017	1	
176	A	46MT4	TERMINAL LUG, 1/4in. dia hole	187736	1	
177	A	46MT4	WIRING HARNESS, trailer socket to No. 2 CJ	FV324167/1	1	
178	A	46MT4	CONNECTOR, FIXED ELECTRICAL, st, fixed 12 pole, 24 amp, flange mtg, 2.719in. lg, 2.719in. w, 1.758in. h	FV502631	1	
179		NP	OUTLET, straight connector	C10-35918-28	1	
180	A	46MT4	NUT, BUSHING, RETAINER, ELECTRICAL PLUG-SOCKET, NEF aluminium, 1.4375-18 size, 1.562in. w o/a	C7101-24	1	
181		NP	RETAINER, PACKING	C10-35916-28	1	
182		NP	CONE, SEALING, 12 hole	LU54930479	1	
183	A	46MT4	NUT, COUPLING, ELECTRICAL CONDUIT	LU945894	1	
184	A	46MT4	CONE, SEALING	LU54949590	1	
185		NP	ADAPTOR, ELECTRICAL CIRCUIT	LU54949588	1	
186	A	46MT4	SPACER, RING, 1.176in. od x 0.937in. id	FV(S)6/39/7	1	
187	A	6MT4	BUSHING, RUBBER	FV502635	1	
188	A	6MT4	PLUG, TIP, Lucon vehicular type, free, female shell, 1 pole	FV169421	12	
189	A	Y3	WIRE, ELECTRICAL, single conductor, 40/0.0076, 0.13in. dia, glass braid, polychloroprene insulated	UNIPREN 12	A/R	
190		NP	WIRING HARNESS, PPJ FW TO HULL FW JUNCTION	FV605455/1	1	
191		NP	WIRING HARNESS, PPJ FW TO LB FW JUNCTION	FV605455/2	1	
192	A	6MT4	WIRING HARNESS, 9ft-11in. lg, plug one end, skt 2nd end, PPJ ALTERNATOR FRONT TO DLB13	FV605338-10	1	
193	A	46MT1	LEAD, STORAGE BATTERY, 1st end terminal lug all conductors, 2nd end terminal lug all conductors 312mm lg	FV2186543/2	1	
194	A	46MT4	COVER, ANALOGUE LUG, polythene, 57/64in. dia, 2-5/32in. lg	FV546784	2	
195		NP	COVER, THERMOSTAT	FV546743	1	

Fig Item	Man Code Navy - N Army - A RAF - R	NATO Stock No	Item Name and Description	Part No/ Drawing No.	No. Off	Annotations
			VEHICLE HARNESSSES - contd LEAD, STORAGE BATTERY - contd			
196	A G1	5305-99-945-2106	SCREW, SOCKET HEAD, 0.250-20 UNC, class 2A thd, thd lg 0.750in. nom, fastener lg 0.750in. nom steel, Cd P, flat fil hd,		1	
197	A 46MT4	5930-99-881-4054	SWITCH, THERMOSTATIC, SPST, normally open, spring ret, 30V ac, 30V dc, 1st/2nd rating, 5A resistive, 1st/2nd voltage, 120 deg F non adjustable	FV546746	1	
198	A 46MT4	5930-99-881-4053	SWITCH, THERMOSTATIC, SPST, normally open, spring ret, 30V ac, 30V dc, 1st/2nd rating, 5A resistive, 1st/2nd voltage, 105 deg F adjustable preset	FV546747	1	
199		NP	SUPPORT, THERMOSTATIC	FV546744	1	
200		NP	CENTRE PIECE, support thermostat	FV546756	1	
201	A G1	5305-99-120-7950	SCREW, SOCKET HEAD, UNC, steel, flat fil hd, Cd P, 1/4in. x 3/8in. class 2 thd		2	
202	A 46MT4	5940-99-881-6457	TERMINAL LUG, battery post, 1- 31/32in. lg, 1-1/4in. w, 200 mcm 1 post clamp, Cu alloy, lead coated	FV546753	1	
203		NP	TERMINAL LUG, battery positive	FV546749	1	
204	A 46MT4	5306-99-805-0896	BOLT, MACHINE, brass, 5/16in. -18 BSW, 1-1/4in. lg sq hd, lead coated		1	
205	A 6MT1	5310-99-813-6252	NUT, PLAIN, HEXAGON, BSW, steel, chamfered bearing surface, lead coated, 5/16in., 0.525in. w		1	
206	A 46MT4	5940-99-881-6458	TERMINAL LUG, battery post, 1- 31/32in. lg, 1-1/4in. w, 200 mcm 1 post clamp, Cu alloy, lead coated	FV546755	1	
207		NP	TERMINAL LUG, battery neg	FV546750	1	
208	A 6MT4	6150-99-818-7800	WIRING HARNESS, 10ft-4in. lg. plug one end, skt 2nd end, PPJ ALTERNATOR REAR TO DLB 14	FV605338- 11	1	
209		5995997861380 NP	WIRING HARNESS, PPJ E SERVICES TO DLB 21	FV605453/3 M	1	
210	A 6MT4	2590-99-818-7803	CABLE ASSEMBLY, POWER ELECTRICAL, 9ft-7in. lg, single conductor, 90 deg skt 1st end, plug 2nd end, PPJ DC -VE TO DLB 20	FV166421- 5M	1	
211		NP	SOCKET, ELECTRICAL, heavy duty	FV564810	1	
212	A 46MT4	5940-99-881-8918	SHEATH, TERMINAL	FV575818	1	
213	A 46MT4	5975-99-861-9032	BUSHING, ELECTRICAL CONDUCTOR, bakelite, 0.750in. od x 0.625in. id x 1.22in. o/a lg	FV534898	1	
214	A 46MT4	5935-99-805-0027	PLUG, ELECTRICAL, heavy duty	QRD1014	1	
215	A 6MT4	5975-99-805-0028	CABLE NIPPLE, ELECTRICAL, plug insulating	QRD1015	1	
216	A Y3	6145-99-104-7324	WIRE, ELECTRICAL, single conductor, 666/0.018in., 0.75in. dia, silicon elastomer insulation, PTP tape, glass	UNIPREN 280	A/R	

Fig Item	Man Code Navy - N Army - A RAF - R	NATO Stock No	Item Name and Description	Part No/ Drawing No.	No. Off	Annotations
			. VEHICLE HARNESSSES - contd			
217	A 6MT4	2590-99-499-9311	. . WIRING HARNESS, 12ft-3in. lg, LH ARMoured OUTLET TO LB GLAND AND No. 1 CONNECTOR JUNCTION	FV605477/7	1	
218		NP	. . WIRING HARNESS, No. 1 CONNECTOR JUNCTION TO DP 6	FV582357/6	1	
219		NP	. . . PLUG, ELECTRICAL, free, 14S-2P		1	
220	A 46MT4	5935-99-805-2902	. . . PLUG, TIP, Lucon vehicular type, free, female shell, 1 pole	861122	4	
221	A Y3	6145-99-901-2998	. . . CABLE, ELECTRICAL, Uninyvin 16, single conductor, 40/0.0076in., PVC glass braid, 0.11in. dia o/a	UNINYVIN 16	A/R	
222		NP	. . WIRING HARNESS, No. 1 CONNECTOR JUNCTION TO EXTERNAL LIGHTIN SWITCHBOARD	FV582580/2	1	
223	A 6MT4	6150-99-978-1721	. . WIRING HARNESS, 100in. lg, 10 way connector one end, 9 terminals 2nd end, DIP SWITCH TO No. 1 CONNECTOR JUNCTION	FV582511/1	1	
224		NP	. . WIRING HARNESS, No. 1 CONNECTOR JUNCTION TO GEAR CHANGE SWITCH JUNCTION	FV582361/3	1	
225		NP	. . WIRING HARNESS, No. 1 CONNECTOR JUNCTION TO SMOKE DISCHARGER JB	FV582312/4	1	
226	A 6MT4	6150-99-813-9712	. . WIRING HARNESS, 2 conductors, skt one end, nipple connectors 2nd end, 3ft lg, HORN PUSH SWITCH TO No. 1 CONNECTOR JUNCTION	FV582311/5N	1	
227		NP	. . WIRING HARNESS, EXTERNAL LIGHTING TO No. 2 CONNECTOR JUNCTION	FV582359/1	1	
228		NP	. . WIRING HARNESS, DOOR CONTACTS TO No. 2 CONNECTOR JUNCTION	FV605459/3	1	
229		NP	. . WIRING HARNESS, LH SMOKE DISCHARGER TO LH TB	FV604654/3	1	
230	A 6MT4	2590-99-978-0906	. . WIRING HARNESS, 2ft-11in. lg, RH SMOKE DISCHARGER TO RH TB	FV604654/4	1	
231		NP	. . WIRING HARNESS, PLUNGER CONTACTS TO NPL	FV605460/2	1	
232		NP	. . WIRING HARNESS, PLUNGER CONTACTS TO CONVOY LIGHT	FV605461/2	1	
233		NP	. . WIRING HARNESS, INSTRUMENT PANEL No. 3 TO FUEL GAUGE JUNCTION	FV582484/1	1	
234	A 6MT4	6150-99-881-3773	. . WIRING HARNESS, FUEL GAUGE TO FUEL GAUGE JUNCTION	FV582488-1	1	
235	A 6MT4	2590-99-823-0104	. . WIRING HARNESS, 4 conductors, c/w end connectors, 7ft-9in. lg, DP 10 TO AJB No. 3	FV582353/2	1	
236		NP	. . WIRING HARNESS, SDJ No. 1 TO AJB 1	FV582310/2	1	
237		NP	. . WIRING HARNESS, SWITCH UNIT No. 1 TO AJB 4	FV582408/4	1	
238		NP	. . WIRING HARNESS, ROOF LIGHTS No. 2, 5 & 6 TO AJB No. 6	FV582411/1	1	
239		NP	. . WIRING HARNESS, No. 4 LIGHT TO RH F1 LIGHT JUNCTION	FV582322/1	1	
240	A 6MT4	6150-99-830-6133	. . WIRING HARNESS, 11in. lg, 3 pin fixed plug 1st end, processed ends 2nd end, No. 6 LIGHT TO LH F1 LIGHT JUNCTION	FV582322-2	1	

Fig Item	Man Code Navy - N Army - A RAF - R	NATO Stock No	Item Name and Description	Part No/ Drawing No.	No. Off	Annotations	
			VEHICLE HARNESSSES - contd				
241	A	6MT4	2590-99-831-3311	WIRING HARNESS, 2 conductors straight pin connector 1st end, 90 deg elbow 2nd end, AJB 7 TO DOOR ISOLATION SWITCH	FV582409-1	1	
242			NP	WIRING HARNESS, INSTRUMENT PANEL No. 1 TO DP 3	FV582478/3	1	
243			NP	WIRING HARNESS, DRIVERS SWITCHBOARD AND No. 1 CONNECTOR JUNCTION TO DP 4	FV582581/4	1	
244			NP	WIRING HARNESS, DP 7 TO JW 1	FV582405/4	1	
245	A	6MT4	6150-99-818-7806	WIRING HARNESS, PPJ FW TO HULL FW JUNCTION	FV605527-4M	1	
246			NP	WIRING HARNESS, PPJ FW TO LB FW JUNCTION	FV605527-5M	1	
247			NP	WIRING HARNESS, FW CONTROL BOX JW 4 TO LB JUNCTION	FV582327/1	1	
248	A	6MT4	2920-99-836-1280	WIRING HARNESS, 27ft-5in. lg, skt connectors both ends, DLB 23 TO FUEL PUMP	FV582301-26	1	
249	A	6MT4	6150-99-813-9705	WIRING HARNESS, 9 conductors, plug 1st end, skt 2nd end, 1ft-7-1/2in. lg, DLB No. 1 TO DLB No. 2	FV582781-1	1	
250	A	6MT4	6150-99-813-9706	WIRING HARNESS, 22 conductors, plug 1st end, skt 2nd end, 1ft-9in. lg, DLB 7 TO REG - FRONT	FV582702-1	1	
251			NP	WIRING HARNESS, DLB 8 TO REG - REAR	FV582702-5	1	
252	A	6MT4	2590-99-839-2507	WIRING HARNESS, 45in. lg, straight connectors both ends, DLB 12 TO DP 2	FV582578/3	1	
253			NP	WIRING HARNESS, JW4 TO LB FW JUNCTION	FV582330/1	1	
254			NP	WIRING HARNESS, LB JUNCTION FW TO JW 5	FV582326/1	1	
255	A	6MT4	2540-99-256-8425	WIRING HARNESS, 2 conductors, 6ft-2in. lg, JW 2 TO FIRE WARNING LIGHT	FV582379/2	1	
256			NP	WIRING HARNESS, JW 7 TO WARNING LIGHT UNIT	FV582487/1	1	
257			* NP	WIRING HARNESS, JW 3 TO FIRE ALARM HORN	FV586406/4	1	INCORRECT FV No. :-
258			NP	WIRING HARNESS, SW UNIT No. 1 TO FILTER UNIT	FV528428/2	1	
259	A	6MT4	2590-99-809-9546	CABLE ASSEMBLY, POWER, ELECTRICAL, skt, key type 1st end, plug, key type 2nd end, 26in. lg, DPW TO FILTER UNIT	FV604748-1	1	
260	A	9ACR	2590-99-825-7621	WIRING HARNESS, GEAR CHANGE SW JUNCTION TO GEAR CHANGE SWITCH	FV604835-4M	1	
261			NP	WIRING HARNESS, IMAGE INTENSIFIER SIGHT	FV604709-IN	1	
262			NP	WIRING HARNESS, DP 16 TO FAN CONTROLLER	FV582688-1	1	
263	A	6MT4	6110-99-816-1949	WIRING HARNESS, 2ft-1-1/2in. lg, 7 conductors, FAN CONTROLLER TO FAN VENT	FV605257-1	1	
264			NP	WIRING HARNESS, DP 12 LINK	FV582495/1	1	
265			NP	WIRING HARNESS, DBL 25 TO RDP 1	FV167687/1	1	
266			NP	WIRING HARNESS, DP 9 TO RDP 9	FV582326/5	1	
267			NP	CONDUIT, ARMoured OUTLET	FV605482/1	2	
268			NP	CONDUIT, IR LIGHT	FV605457/1	2	

* 6MT4

6150-99-813-9706

7'8" length

Fig Item	Man Code Navy - N Army - A RAF - R	NATO Stock No	Item Name and Description	Part No/ Drawing No.	No. Off	Annotations	
269	A	9ACR	5975-99-796-0374	. VEHICLE HARNESSSES - contd . . CONDUIT ASSEMBLY, NON-METALLIC, ELECTRICAL, braided neoprene, 3/8in. id, 10in. lg, coupling nut 1st end, female 2nd end, headlight	FV605457/2	2	
270			NP	. . CONDUIT, HORN	FV605458/1	1	
271			NP	. . CONDUIT, REAR LIGHTS	FV605462/1	2	

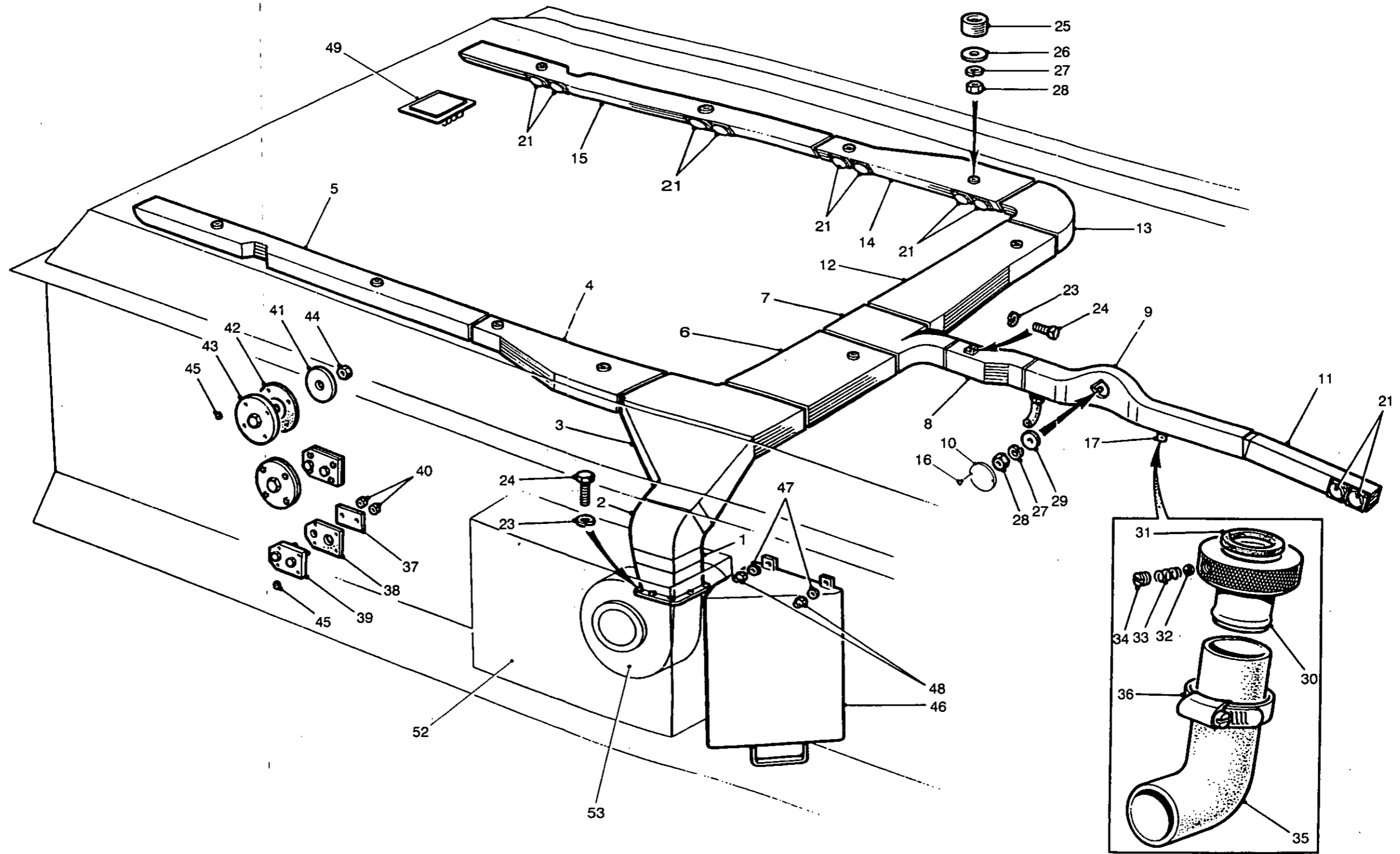


Fig 1 Ventilation system general arrangement, Mk 2 vehicle

Chapter 2-8

PARTS LIST

VENTILATION SYSTEM

GENERAL ARRANGEMENT

MK 2 VEHICLE

Chap

- 2-8 Ventilation system general arrangement Mk 2 vehicle
- 2-8-1 Ventilation system general arrangement Mk 2/1 vehicle

Fig Item	Man Code Navy - N Army - A RAF - R	NATO Stock No	Item Name and Description	Part No/ Drawing No.	No. Off	Annotations
1-		NP	VENTILATION SYSTEM GENERAL ARRANGEMENT MK 2 VEHICLE	FV524957	REF	
		NP	. VENTILATION DUCTING	FV524700	REF	
1	A 9ACR	2510-99-865-6860	. PIPE, AIR, CONDITIONING - HEATER, fan outlet, crew compartment	FV524947	1	
2	A 9ACR	2510-99-865-6859	. PIPE, AIR, CONDITIONING - HEATING, crew compartment, bend left	FV524946	1	
3	A 9ACR	2510-99-865-6858	. PIPE, AIR, CONDITIONING - HEATING, crew compartment, junction	FV524945	1	
4	A 9ACR	2510-99-865-6862	. PIPE, AIR, CONDITIONING - HEATING, crew compartment, right front	FV524953	1	
5	A 9ACR	2510-99-865-6864	. PIPE, AIR, CONDITIONING - HEATING, crew compartment, right rear	FV524955	1	
6	A 9ACR	2510-99-865-6856	. PIPE, AIR, CONDITIONING - HEATING, crew compartment, centre right	FV524940	1	
7	A 9ACR	2510-99-865-6854	. PIPE, AIR, CONDITIONING - HEATING, crew compartment, centre front	FV524935	1	
8	A 9ACR	2510-99-865-6853	. PIPE, AIR, CONDITIONING - HEATING, driver's compartment, rear	FV524931	1	
9	A 9ACR	2510-99-867-4366	. PIPE, AIR, CONDITIONING - HEATING, front driver	FV586302	1	
10		NP	. DISC	FV524956	1	
11	A 9ACR	2510-99-865-6851	. PIPE, AIR, CONDITIONING - HEATING, driver's compartment, front	FV524925	1	
12	A 9ACR	2510-99-865-6855	. PIPE, AIR, CONDITIONING - HEATING, crew compartment, centre left	FV524937	1	
13	A 9ACR	2510-99-865-6857	. PIPE, AIR, CONDITIONING - HEATING, crew compartment, elbow right	FV524943	1	
14	A 9ACR	2510-99-865-6861	. PIPE, AIR, CONDITIONING - HEATING, crew compartment, front left	FV524952	1	
15	A 9ACR	2510-99-865-6863	. PIPE, AIR, CONDITIONING - HEATING, crew compartment, rear left	FV524954	1	
16	A G1	5305-99-914-5426	. SCREW, TAPPING, THREAD, FORMING, steel, pan hd, slotted, Cd P, No. 6 x 1/4in. lg		55	Securing items 1 to 15
17	A 9AHY	2540-99-804-3324	. ADAPTOR, RESPIRATOR, aluminium alloy, 3/64 x 5/8in. lg	FV594608	12	
NI 18	A G1	5305-99-121-4840	. SCREW, TAPPING, THREAD, FORMING, steel, csk hd, slotted, Cd P, 80 - 82 deg csk angle		36	Securing item 17
NI 19	A 9AHY	2540-99-866-9362	. CAP, BLANKING DIFFUSER BOX	FV482036	6	u/w item 17
NI 20	A G1	5305-99-901-9736	. SCREW, TAPPING, THREAD, FORMING, steel, button hd, Cd P, NO. 6 x 3/8in. lg		6	Securing item 19
21	A 6MT13	2540-99-866-2618	. DIFFUSER, AIR, 2in. type SASQ FV	FV481871	20	
NI 22	A G1	5305-99-950-4416	. SCREW, TAPPING, THREAD, FORMING, steel, pan hd, slotted, Cd P, 1/2in. lg		80	Securing item 21
23	A G1	5310-99-941-6654	. WASHER, LOCK, steel, single coil, sq sect, Cd P, 1/4in. x 27/64in. x 5/64in. thk		10	
24	A G1	5305-99-941-0511	. SCREW, MACHINE, UNF, r steel, hex hd, zinc plated, 1/4in. x 1/2in. x 1/2in. lg		10	

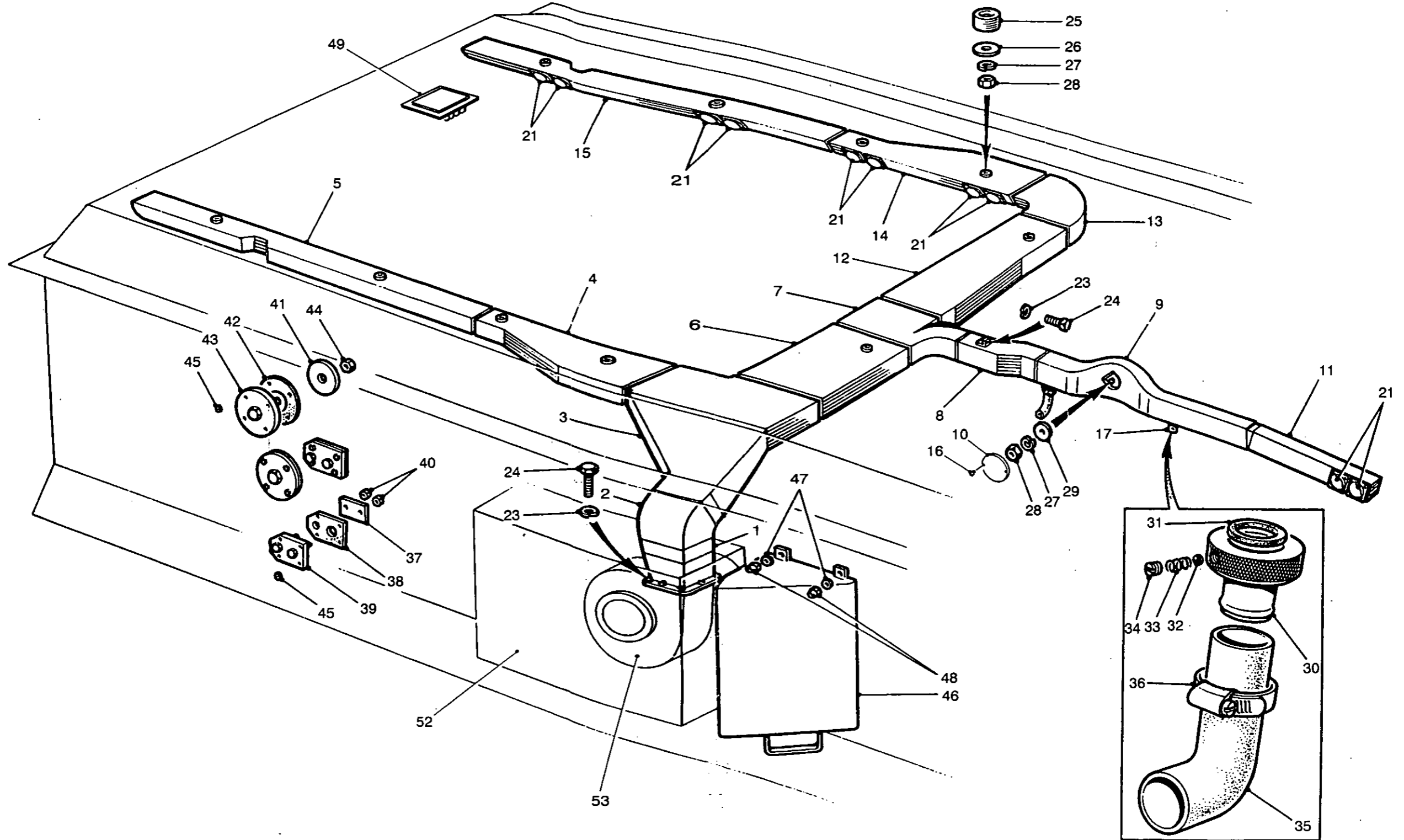


Fig 1 Ventilation system general arrangement, Mk 2 vehicle

Fig Item	Man Code Navy - N Army - A RAF - R	NATO Stock No	Item Name and Description	Part No/ Drawing No.	No. Off	Annotations
1-			VENTILATION SYSTEM GA MK 2 VEHICLE - contd			
25		NP	. DISTANCE PIECE	FV524990	10	} Air ducting to roof plate
26	A 9ACR	5310-99-865-6800	. WASHER, FLAT, steel, 0.328 x 1 x 0.072in. thk		10	
27	A G1	5310-99-941-6655	. WASHER, LOCK		12	
28	A G1	5310-99-941-0925	. NUT, PLAIN, HEXAGON, NF, steel, zinc P, 5/16 -24, 1/2in. x 17/64in. h		12	
29		NP	. WASHER	FV299995	2	
30		NP	. CONNECTOR ASSEMBLY	FV482111	2	
31	A 9AHY	5330-99-818-3852	. GASKET, natural rubber, 0.822in. id, 1.13in. od, 0.07in. thk	FV482109	1	
32	A 6MT7	3110-99-950-0566	. BALL, BEARING, steel, 5/32in. dia	5-32GD10	3	
33	A 9AHY	5360-99-152-3676	. SPRING, HELICAL, COMPRESSION, spring steel, Cd plated, 1/8in. od x 3/16in. lg	FV482034	3	
34	A 9AHY	5305-99-549-7430	. SET SCREW, BA, Cu alloy, slot drive, Zn plated w/chromate, No. 2 dia, 0.114 thd lg, 0.17in. lg	FV482035	3	
35	A 9ACR	4720-99-802-3560	. HOSE, PREFORMED, pvc, 0.084 x 1.04 x 3-3/4in. o/a lg	FV481873	2	
36	A 6MT1	4730-99-533-2961	. CLAMP HOSE, steel, 13 x 30 x 1mm thk		2	
37		NP	. COVER, PLATE	FV651069	2	
38	A 9ACR	5330-99-823-3819	. GASKET, rubber, 3-13/64 x 5-13/32 x 1/8 x 1-9/16in. dia	FV538807	2	
39		NP	. BLANKING, PLATE ASSEMBLY	FV651059	2	
40	A G1	5310-99-923-0539	. NUT, SELF-LOCKING, HEXAGON, UNF, steel, Cd P, 1/2 -20 tpi, 3/4 x 17/32in. o/a h		4	
41		NP	. COVER PLATE	FV651070	2	
42	A 9ACR	5330-99-823-3818	. GASKET, rubber, 2-9/16 x 5-13/64 x 1/8in. thk	FV538806	2	
43		NP	. BLANKING DISC ASSEMBLY	FV651058	2	
44	A G1	5310-99-122-6723	. NUT, SELF-LOCKING, HEXAGON, UNF, steel, Cd P, 3/4 x 1-1/8 x 31/32in. h		2	
45	A G1	5310-99-122-6722	. NUT, SELF-LOCKING, HEXAGON, UNF, steel, Cd P, 5/16 x 13/32 x 1/2in. w		16	
46	A 9ACR	2930-99-866-9212	. DEFLECTOR BOX, VENTILATION FILTER HOUSING	FV538706	1	
47	A G1	5310-99-120-3891	. WASHER, FLAT, steel, Cd P, 1/2in. x 3/32in. thk		4	
48	A G1	5310-99-923-0539	. NUT, SELF-LOCKING, HEXAGON, UNF, steel, Cd P, 1/2 -20 tpi, 3/4 x 17/32in. o/a h		4	
49	A 9ACR	4820-99-865-6788	. VALVE, RELIEF, PRESSURE AND TEMPERATURE, ventilation	FV481771	1	See Fig 2
NI 50	A G1	5310-99-941-6655	. WASHER, LOCK, steel, split helical ring, 0.343in. id, 0.08in. thk, 0.503in. od		6	} Relief valve to vehicle
NI 51	A G1	5305-99-941-6289	. SCREW, MACHINE, UNF, steel, zinc P, 5/16 x 1in. lg		6	
52		NP	. AIR FILTER AND HOUSING		REF	See Fig 3
53	A 46MT4	2590-99-881-4055	. FAN, CENTRIFUGAL, No. 1, Mk 1	FV481818	1	See Fig 4
NI 54		NP	. SEALING RING, fan unit	FV485691	1	} Securing item 53
NI 55		NP	. STUD, PLAIN, UNF, steel, 5/16 x 1-1/4in. lg		8	
NI 56	A G1	5310-99-941-6655	. WASHER, LOCK, steel, split helical ring, 0.343in. id, 0.08in. thk, 0.503in. od		8	
NI 57	A G1	5310-99-941-0925	. NUT, PLAIN, HEXAGON, steel, zinc P, 5/16 -24, 1/2in. x 17/64in. h chamfered		8	

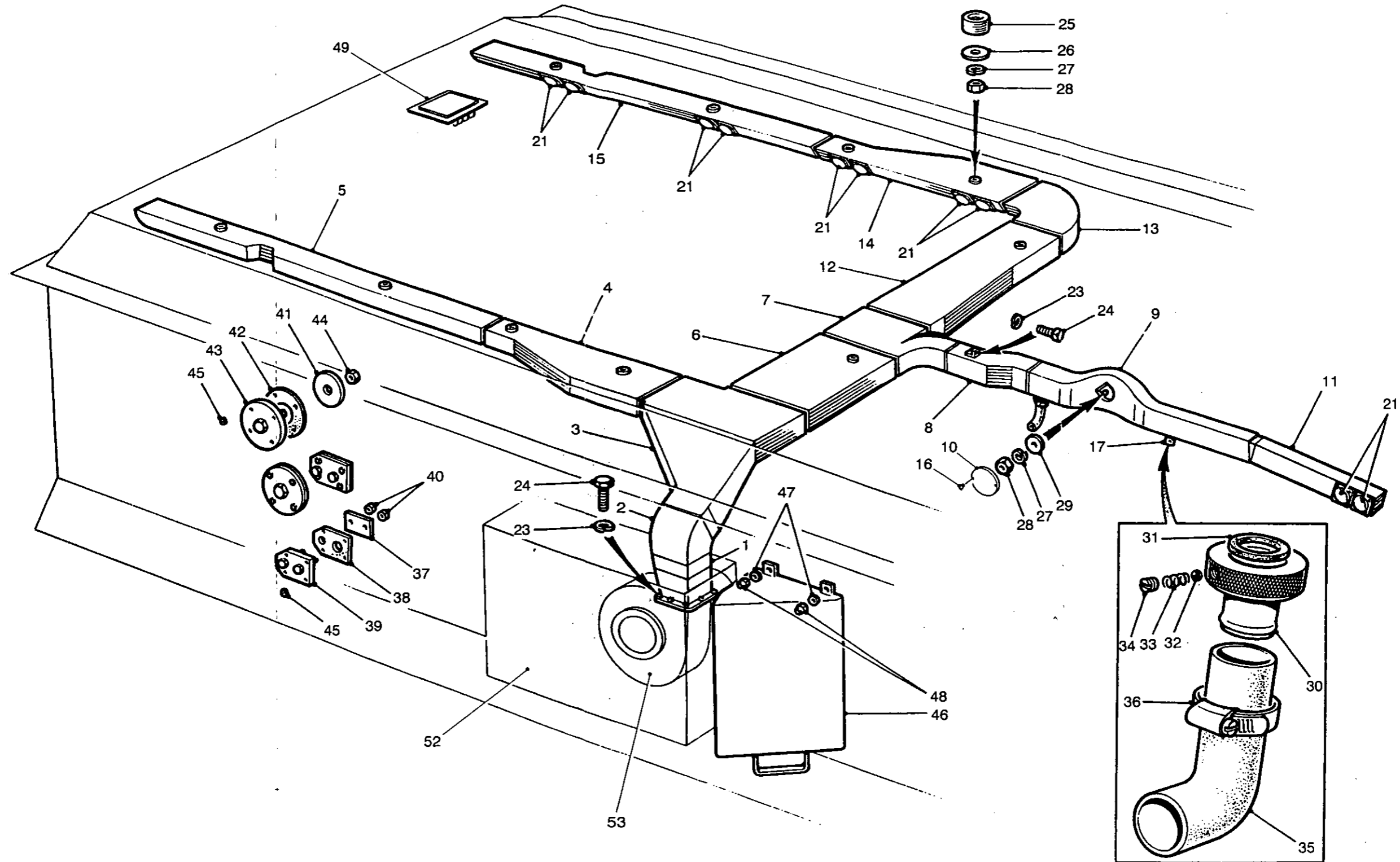


Fig 1 Ventilation system general arrangement, Mk 2 vehicle

Fig Item	Man Code Navy - N Army - A RAF - R	NATO Stock No	Item Name and Description	Part No/ Drawing No.	No. Off	Annotations
2-			VENTILATION SYSTEM GA - contd			
1	A	9ACR	4820-99-865-6788 . VALVE, RELIEF, PRESSURE AND TEMPERATURE, ventilation	FV481771	1	
2		NP	. . FLAP SEAT AND MOUNTING	FV481777	1	
3	A	9ACR	5365-99-865-6794 . . SPACER PLATE, steel, painted, 1.120in. lg & h, 0.147 x 0.018in. thk, 2 holes	FV481909	1	
4	A	9ACR	5360-99-865-6795 . . SPRING, FLAT, steel, 2.37 x 0.37 x 0.008in. thk	FV481910	1	
5	A	9ACR	2540-99-865-6796 . . STRIP, WEAR, FLAT SPRING, ventilation relief valve	FV481911	1	
6	A	G1	5310-99-941-6652 . . WASHER, LOCK, steel, split helical ring, 0.168in. dia x 0.025in. od x 0.040in. thk		2	
7	A	G1	5305-99-941-9195 . . SCREW, MACHINE, 4BA, steel, flat fil hd, Cd P, 3/8in. lg		2	
8	A	G1	5330-99-865-6792 . . GASKET, rubber, rect, 6.5 x 5.5 x 0.060in. thk	FV481778	1	
9		NP	. . BRACKET, LH	FV481773	1	
10		NP	. . BRACKET, RH	FV481772	1	
11	A	G1	5310-99-941-6652 . . WASHER, LOCK, steel, split helical ring, 0.168in. dia, 0.252in. od, 0.040in. thk		4	
12	A	G1	5305-99-941-9195 . . SCREW, MACHINE, 4BA, steel, flat fil hd, Cd P, 3/8in. lg		4	
13		NP	. . FLAP ASSEMBLY	FV481782	1	
14		NP	. . PILLAR	FV481774	1	
15		NP	. . SCREW, MACHINE, BA, steel, hex hd, slotted, zinc P, No. 2 x 3/4in. lg		1	
16	A	G1	5305-99-941-8871 . . SCREW, MACHINE, 2BA, steel, 3/4in. lg flat csk hd		2	
17		NP	. . BUSH	FV782458	1	
18		NP	. . PIN, COTTER, SPLIT, steel, phosphate coated, 1/16in. dia x 3/4in. lg	FL70/19	1	
19	A	9ACR	5340-99-743-7294 . . MOUNT, RESILIENT, rubber steel, 35mm. dia, 34mm. lg, M8 thd, 12.7mm. lg both ends	FV782457	2	
20	A	G1	5310-99-100-6941 . . WASHER, LOCK, steel, flat ext teeth, 5/16in. nom, bolt size, 0.598 x 0.030in. thk		2	
21	A	G1	5310-99-122-8066 . . WASHER, FLAT, steel, Cd plated, rd, 17mm od, rd hole, 8.7mm id, 1.8mm thk		2	
22	A	G1	5310-99-135-9302 . . WASHER, LOCK, steel, Cd plated, split helical ring, 8mm bolt size, 2mm thk, 12.75mm od		2	
23	A	G1	5310-99-135-0788 . . NUT, PLAIN, HEXAGON, ISO M8 x 1.25mm pitch, class 6H thd, steel, Cd plated, 13mm w A/F, 6.5mm h, grade 8, chamfered bearing surface		2	
24	A	9ACR	5330-99-865-6793 . . GASKET, rubber, rect, 8.75in. x 7.62in. w, 6 bolt holes	FV481779	1	

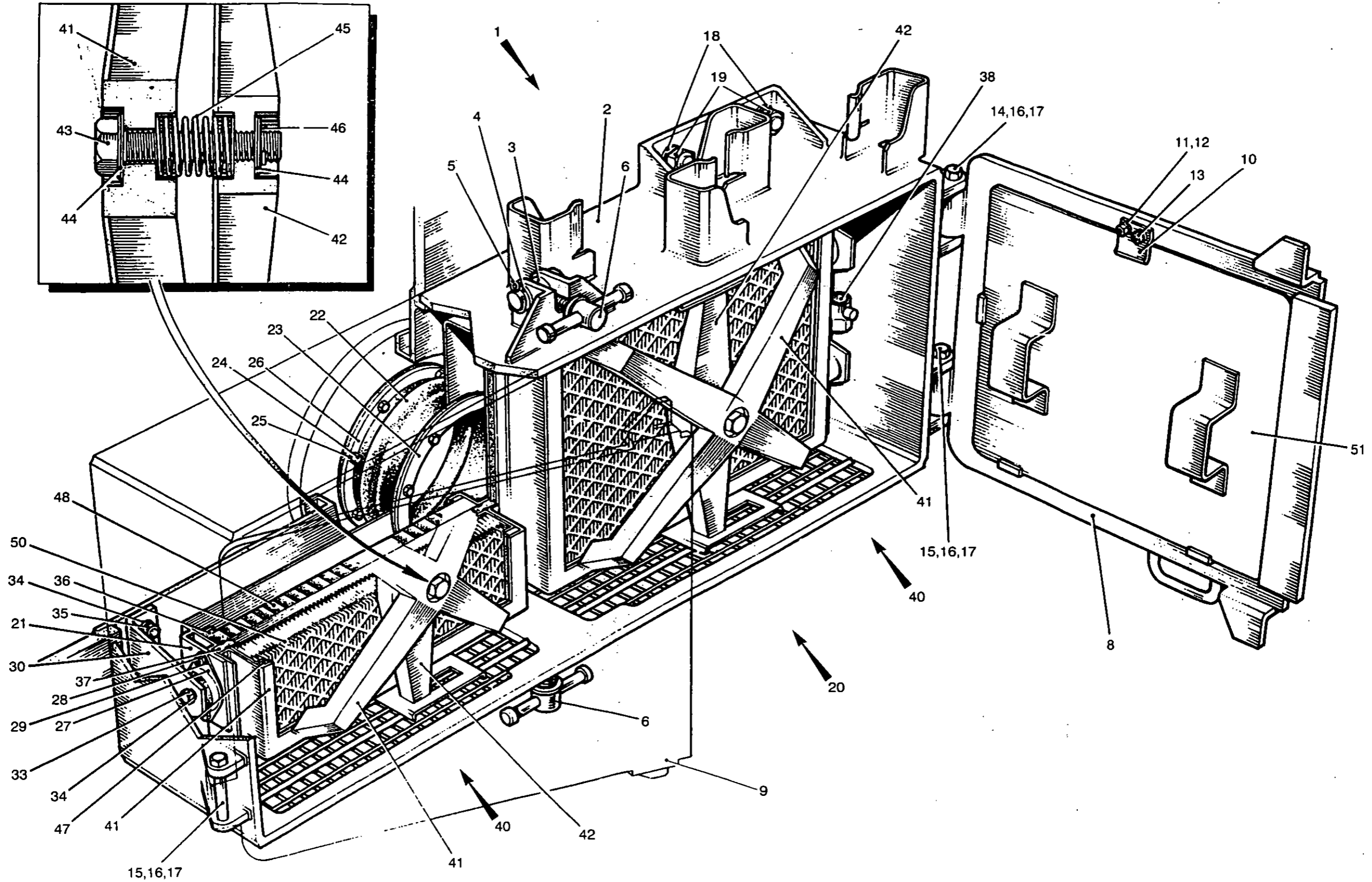


Fig 3 Air filter and housing

Fig Item	Man Code Navy - N Army - A RA/F - R	NATO Stock No	Item Name and Description	Part No/ Drawing No.	No. Off	Annotations
1-			VENTILATION SYSTEM GA MK 2 VEHICLE - contd			
NI 58		NP	. WATER TRAP AND RELIEF VALVE		REF	See Fig 5
NI 59		NP	VENTILATION SYSTEM GENERAL ARRANGEMENT - MK2/1 VEHICLE WITH 7in. FAN	FV602604	REF	See Chap 2-8-1
NI 60		NP	VENTILATION SYSTEM GENERAL ARRANGEMENT MK2/1 VEHICLE WITH 5.1in. FAN	FV602891	REF	See Chap 2-8-1

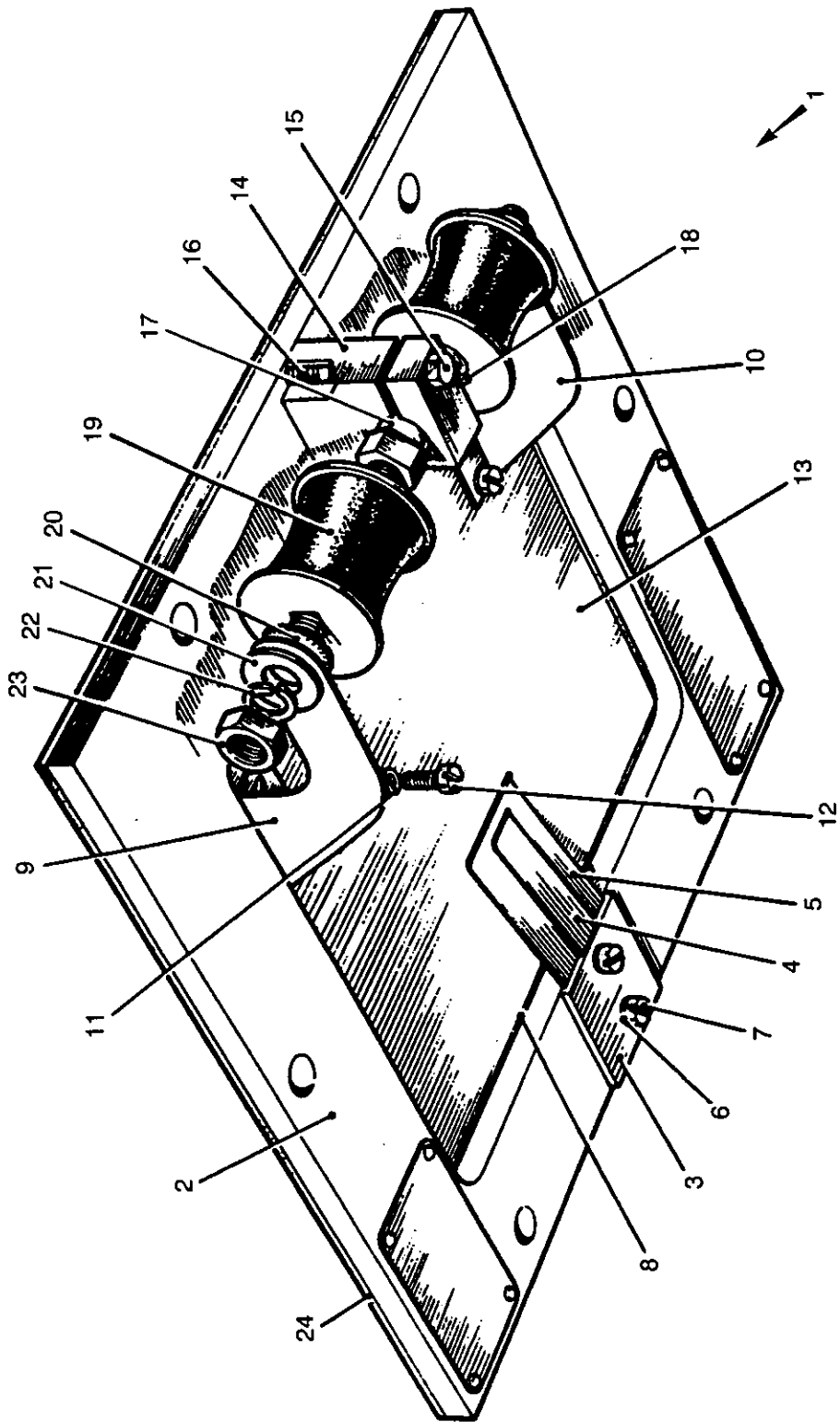


Fig 2 Valve, relief, pressure and temperature

430/70152

Fig Item	Man Code Navy - N Army - A RA/F - R	NATO Stock No	Item Name and Description	Part No/ Drawing No.	No. Off	Annotations
3-			VENTILATION SYSTEM GA - contd			
		NP	. AIR FILTER AND HOUSING		REF	
1		NP	. COVER ASSEMBLY	FV538463	1	
2	A	9ACR 2510-99-865-6680	. . FRAME, ACCESS DOOR, air conditioning filter	FV538464	1	
3	A	9ACR 5315-99-865-7380	. . PIN, STRAIGHT, HEADLESS, steel, 1in. x 3in. lg	FV538478	2	
4	A	G1 5310-99-941-8642	. . WASHER, FLAT, steel, zinc P, 1-7/8 x 1 x 5/32in. thk		4	
5	A	G1 5315-99-138-2213	. . PIN, COTTER, SPLIT, 5mm wd		4	
6	A	9ACR 5306-99-865-7350	. . BOLT, SLIDING HANDLE, filter box access door	FV538524	2	
NI 7	A	G1 5315-99-942-3926	. . PIN, GROOVED HEADLESS, steel, 1/8in. x 7/8in. lg	GP5	2	u/w item 6
8	A	9ACR 2510-99-865-6682	. . DOOR, ACCESS, AIR CONDITIONING FILTER, rh	FV538466	1	
9	A	9ACR 2510-99-865-6681	. . DOOR, ACCESS, AIR CONDITIONING FILTER, lh	FV538465	1	
10		NP	. . CLIP, RETAINING	FV538639	2	
11	A	G1 5310-99-941-7072	. . WASHER, FLAT, steel, Cd P, 1/4in. nom bolt size, 9/16in. od x 0.056in. thd		4	
12	A	G1 5310-99-941-6678	. . WASHER, LOCK, phos, double coil, 5/16 x 3/64 x 37/64in. od		4	
13	A	G1 5310-99-941-3520	. . NUT, SELF-LOCKING HEXAGON, UNF, steel, Cd P, 1/4 x 7/16in. wd x 9/32in. h		4	
14		NP	. . BOLT	FV559218	2	
15		NP	. . BOLT	FV538475	2	
16	A	G1 5310-99-941-0884	. . NUT, SLOTTED, HEXAGON, UNF, steel, zinc P, 1/2in. thd, 3/4in. wd A/F, 7/16in. h		4	
17	A	G1 5315-99-138-2207	. . PIN, COTTER, SPLIT, steel, 3/32in. x 1-1/8in. lg		4	
18	A	G1 5310-99-941-8639	. . WASHER, FLAT, steel, zinc P, 5/8 x 1-1/4in., od x 21/32in. id		6	
19	A	G1 5310-99-135-7834	. . NUT, SELF-LOCKING, HEXAGON, UNF, steel, zinc P w/chromate, 5/8in. x 5/16in. w, 43/64in. h		6	
20		NP	. HOUSING ASSEMBLY, filter, No. 1 Mk 1	FV481893	1	
21	A	9ACR 2540-99-865-7258	. . HOUSING FILTER	FV481895	1	
22	A	9ACR 4720-99-865-7253	. . HOSE, AIR DUCT, rubber, 2.560in. lg	FV481876	1	
23	A	9ACR 5365-99-865-7254	. . SPACER, PLATE	FV481888	1	Hose to filter
24		NP	. . SCREW, MACHINE, BA, steel, hex hd, Cd P, No. 2 x 1/2in. lg, 0.454in. thd lg	P1521	16	
25	A	G1 5310-99-945-7027	. . WASHER, LOCK, 2BA, nom bolt size, phosphor bronze, Cd P, 0.406 x 0.023in. thk		16	
26	A	9ACR 5365-99-865-7267	. . SPACER, PLATE	FV481887	1	Hose to hull plate
27	A	9ACR 5340-99-865-7261	. . MOUNT, RESILIENT, ventilation filter	FV481905	2	
28	A	G1 5310-99-941-0925	. . NUT, PLAIN, HEXAGON, UNF, p steel, zinc P, 5/16in., 1/2in. w A/F, 17/64in. h		12	
29	A	G1 5310-99-941-6655	. . WASHER, LOCK		12	
30	A	9ACR 5340-99-865-7260	. . BRACKET, ANGLE, steel, 1st leg, 1.87 x 50 x 5in. w, 2nd leg, 4.18 x 0.25 x 5in. w, 1.25 x 0.48in. thk welded to 2nd leg	FV481904	2	
NI 31	A	9ACR 5340-99-865-7259	. . BRACKET, ANGLE, steel, 1st leg, 1.87 x 50 x 5in. w, 2 holes, 2nd leg, 4.18 x 0.25 x 5in. w 1 hole	FV481903	2	Upper
NI 32	A	9ACR 5340-99-865-7262	. . MOUNT, RESILIENT, ventilation filter	FV481906	2	Upper

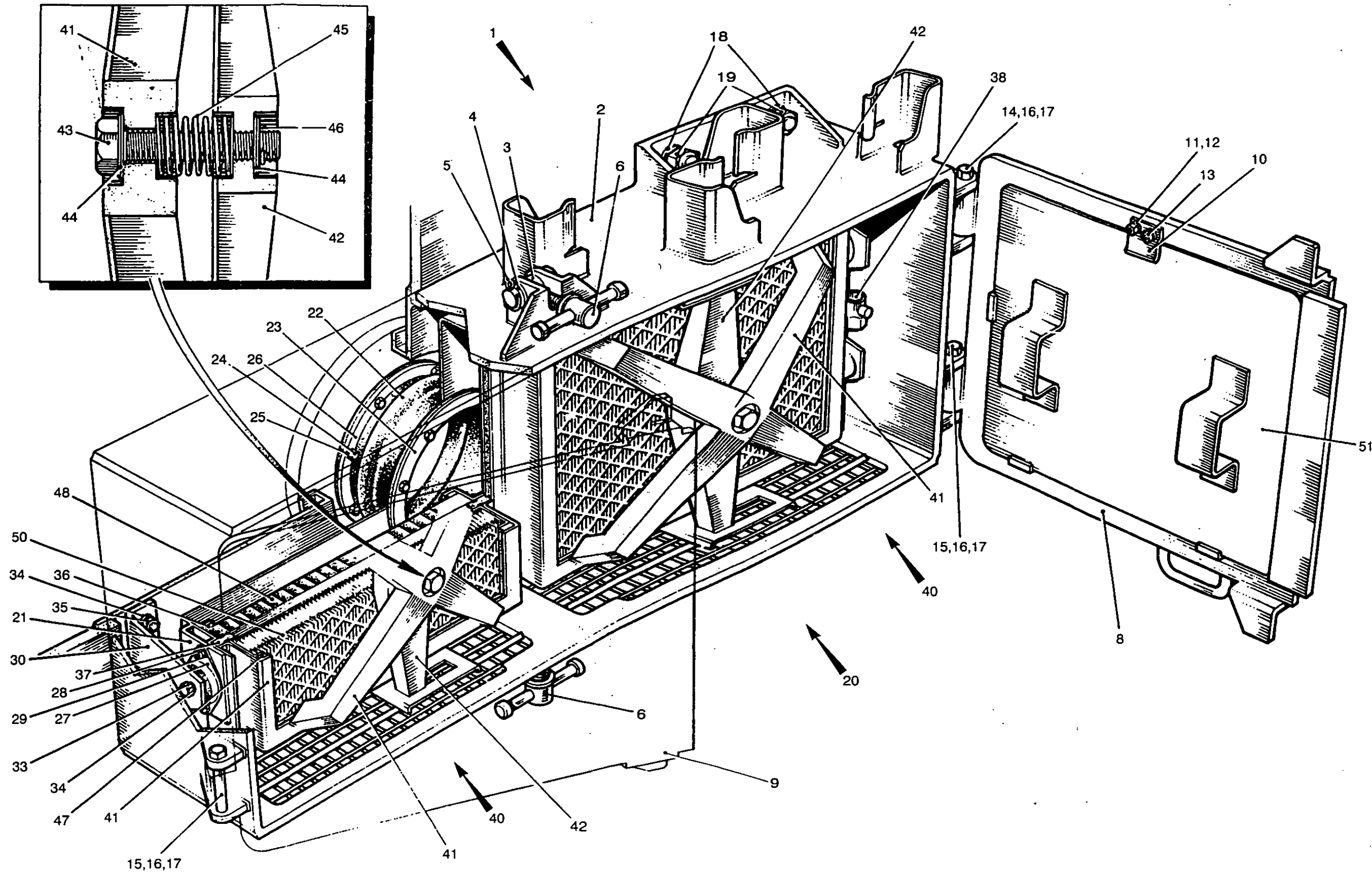


Fig 3 Air filter and housing

Fig Item	Man Code Navy - N Army - A RAF - R	NATO Stock No	Item Name and Description	Part No/ Drawing No.	No. Off	Annotations
3-			VENTILATION SYSTEM GA - contd . AIR FILTER AND HOUSING - contd			
33	A G1	5305-99-941-0543	. . SCREW, MACHINE, UNF, r steel, hex hd, zinc P, 3/8in. x 1-1/4in. lg		4	
34	A G1	5310-99-941-6656	. . WASHER, LOCK, steel, split helical ring, sq, 3/8 x 0.092in. x 0.59in. od, single coil		12	
35	A G1	5310-99-941-0926	. . NUT, PLAIN, HEXAGON, UNF, p steel, zinc P, 3/8in. -24, 0.333in. x 0.563in. wd		8	
36	A 9ACR	5330-99-865-7257	. . GASKET, rubber, 11 x 14.18 x 0.250in. thk	FV481892	2	
37	A 9ACR	5330-99-865-7255	. . GASKET, rubber, 12.73 x 15.92 x 12in. lg	FV481889	2	
38	A 9ACR	5120-99-865-7264	. . WRENCH, BOX, straight shape, hex hd, 3/4 x 7in. lg	FV481926	1	
NI 39	A 9ACR	5340-99-865-7263	. . CLIP, RETAINING, steel, 7/8in. lg, 0.480in.wd	FV481929	1	Securing item 38
40		NP	. . HOUSING, FILTER HOLDER	FV481890	2	
41		NP	. . . FILTER HOLDER	FV481886	1	
42		NP	. . . CLAMP BAR	FV481885	1	
43		NP	. . . SCREW, MACHINE, UNF, steel, hex hd, CP, 1/2in. x 2-3/8in. lg	FV481891	1	
44	A G1	5310-99-941-8637	. . . WASHER, FLAT, steel, zinc P, 1/2in. od, 3/32in. thk		2	
45	A 9ACR	5360-99-865-7266	. . . SPRING, HELICAL COMPRESSION, 10 coils, 3-1/2in. lg	FV481907	1	
46	A G1	5315-99-138-2205	. . . PIN, COTTER, SPLIT, steel, 2.50mm dia, 25mm lg	28173	1	
47	A 9ACR	5330-99-865-7257	. . . GASKET, rubber, 11 x 14.18 x 0.250in. thk	FV481892	1	
48		NP	. . FILTER, AIR CONDITIONING, No. 1, Mk 1	FV481851	2	
NI 49	A 9AHY	2540-99-867-3742	. . SUBSTITUTE FILTER, ANTI-VAPOUR, filter housing, No. 1 Mk 1	FV481939	4	Substitute for FV481851
50	A 46MT1	4130-99-804-4834	. . FILTER ELEMENT, AIR CONDITIONING, 15.236in. lg, 12in. wd, 2.015in. h	FV594639	2	
51	A 9ACR	2930-99-866-9211	. . SHUTTER, VENTILATION FILTER HOUSING	FV538640	2	

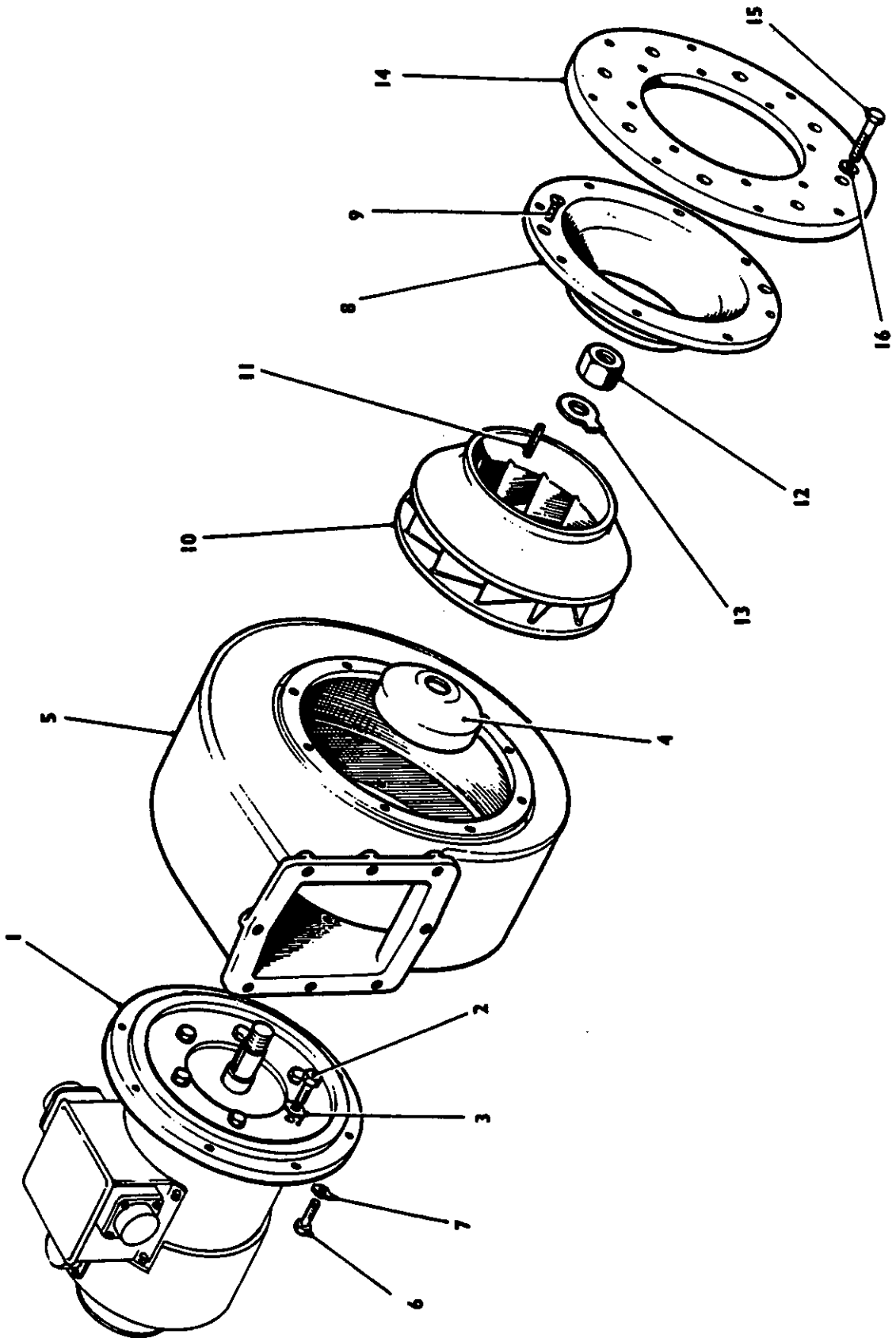


Fig 4 Fan, centrifugal No. 1 Mk 1

430/70122

Fig Item	Man Code Navy - N Army - A RA/F - R	NATO Stock No	Item Name and Description	Part No/ Drawing No.	No. Off	Annotations
4-			VENTILATION SYSTEM GA - contd			
1	9ACR	2590-99-881-4055 NP	. FAN, CENTRIFUGAL, No. 1 Mk 1	FV481818	1	
			. . PLATE, MOUNTING, ELECTRICAL EQUIPMENT	B37535	1	
2	A G1	5305-99-941-0279	. . SCREW, CAP, HEXAGON HEAD, st, hex hd, Zn P, 1/4in. UNF x 7/8in. lg		6	
3	A G1	5310-99-941-9136	. . WASHER, tab, 1/4in. dia	23534	6	
4		NP	. . WASHER, SPINNER, fan unit	A38116	1	
5		NP	. . CASING, ventilation fan	F37639	1	
6	A G1	5305-99-120-1622	. . SCREW, MACHINE, st, hex hd, Cd P, 2BA x 3/4in. lg		8	
7		NP	. . WASHER		8	
8		NP	. . INLET FLARE, ventilation fan unit	D37640	1	
9		NP	. . SCREW, MACHINE, st, flat csk hd, Cd P, 2BA x 1/2in. lg		2	Securing inlet flare
10		NP	. . IMPELLOR, ventilation fan unit	D37641	1	
11		NP	. . KEY, 3/16in. sq		1	
12	A G1	5310-99-941-1324	. . NUT, PLAIN, HEXAGON, st, Cd P, 5/8in. UNF	FV448465	1	
13	A 3RR	5310-99-826-4501	. . WASHER, KEY, tab, 5/8in. dia, ventilation fan unit	CV3591	1	
14		NP	. . PLATE, MOUNTING, ELECTRICAL EQUIPMENT, 5.37in. id x 10.5in. od x 0.62in. thk	FV481884	1	
15		NP	. . SCREW, MACHINE, st, hex hd, Cd P, 2BA x 1.00in. lg		8	
16	A G1	5310-99-120-3786	. . WASHER, 3/16in. dia, ventilation fan unit		8	

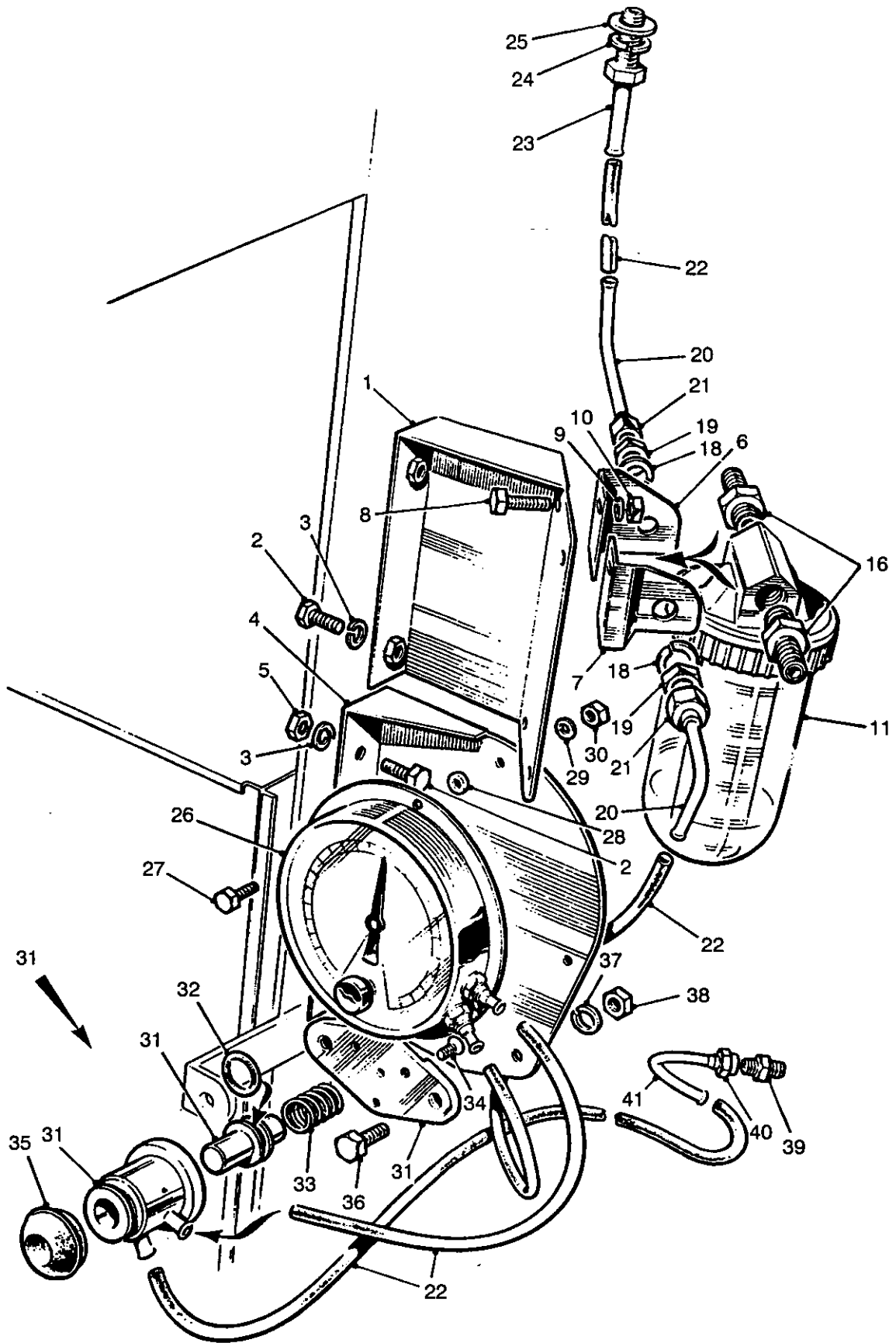


Fig 5 Water trap and relief valve

430/70149

Fig Item	Man Code Navy - N Army - A RAF - R	NATO Stock No	Item Name and Description	Part No/ Drawing No.	No. Off	Annotations
5-			VENTILATION SYSTEM GA - contd			
		NP			REF	
1	A	9ACR	2930-99-866-9213 . WATER TRAP AND RELIEF VALVE	FV538246	1	
2	A	G1B	5305-99-941-0279 . BRACKET, MOUNTING, VENTILATION		4	
3	A	G1C	5310-99-941-6654 . SCREW, MACHINE, UNF, steel, hex hd zinc P, 1/4in. x 7/8in. lg		4	
4	A	9ACR	2930-99-866-9214 . WASHER, LOCK, steel, split helical ring, 1/4in. x 27/64in. x 5/64in. thk	FV538622	1	
5	A	G1	5310-99-804-7941 . BRACKET, PRESSURE GAUGE AND VALVE		2	
6	A	9ACR	2540-99-804-2207 . NUT, PLAIN, HEXAGON, UNF, steel, zinc P, 1/4 x 7/16 x 7/32in. h	FV602996	1	
7	A	9ACR	2540-99-804-2206 . BRACKET, ANGLE, steel, 90 deg angle, 2-7/16in. lg 1st leg, 1-1/4in. lg 2nd leg	FV602997	1	
8	A	G1A	5305-99-943-6920 . BRACKET, DOUBLE ANGLE, steel, 1-1/2in. w x 2-7/16in. x 1in. lg		2	
9	A	G1	5310-99-941-9402 . SCREW, MACHINE, scr, 29/64 x 35/64in. lg hex hd		2	
10	A	G1	5310-99-941-7070 . WASHER, FLAT, steel, Cd P, 0.386 x 0.197in. x 0.048in. thk		2	
11	A	46MT1	4330-99-738-8571 . NUT, PLAIN, HEXAGON, BA, steel, Cd P, No. 2 x 21/64in. x 11/64in. h	F11200V2R D	1	
NI 12	A	9ACR	4330-99-804-3652 . FILTER, FLUID VACUUM, 145mm lg, 58mm dia, 1/4in. BSP parallel inlet & outlet ports	0-19	1	
NI 13	A	G1C	5310-99-941-9964 . . FILTER TUBE, porous vyon 3 matl, 0.03in. wall thk		1	
NI 14	A	G1	5310-99-101-2564 . . WASHER, FLAT, brass, 1/4in. x 1/16in. thk		1	
NI 15	A	6MT1	5331-99-716-2774 . . NUT, SELF-LOCKING, HEXAGON, UNF, cres, Cd P, nylon insert, 1/4 x 7/16 x 0.340in.h	200-226- 4470	1	
16	A	9ACR	4730-99-551-0577 . . RING, SEALING, TOROIDAL, syn rubber, 2in. id x 1/8in. h	FV952508	2	
NI 17	A	6MT1	5330-99-881-3207 . ADAPTOR, STRAIGHT, PIPE, UNF/BSP, steel, Cd P, 38mm lg	48-0213-02	2	u/w item 16
18	A	G1C	5310-99-941-6656 . GASKET, copper, 33/64 x 1/16 x 54/64in. od	FV3202758/ 9	2	
19	A	G1C	5310-99-941-0904 . WASHER, LOCK, steel, split helical ring, sq, 3/8 x 0.092in. x 0.59in. od, single coil	FV203545	2	
20	A	9ACR	4710-99-804-4819 . NUT, PLAIN, HEXAGON, UNF, p steel, thin, 3/8 x 9/16 x 7/32in. h, zinc plated	FV602994	2	
21	A	6MT1	4730-99-801-1564 . TUBE, METALLIC, 3/16in. od	FVS88-2	2	
22	A	6MT6	4720-99-805-8383 . NUT, UNION, PIPE, steel, 3/8 x 1/2 x 3/8in. o/a lg	PM8025-83- 016	A/R	
23	A	9ACR	4730-99-804-4871 . TUBING, RUBBER, syn rubber, 1/8 x 1/16in. thk	FV586566	1	Pressure outlet
24	A	G1C	5310-99-941-6656 . ADAPTOR, STRAIGHT, PIPE TO HOSE, UNF, steel, Cd P, 3/8 x 3/16in. od, 2-3/4in. lg		1	
25	A	G1C	5310-99-915-5148 . WASHER, LOCK, steel, split helical ring, sq, 3/8 x 0.092in. x 0.59in. od, single coil		1	
26	A	9ACR	6685-99-891-0465 . WASHER, FLAT, steel, Cd P, 3/8 x 0.392 x 0.048 x 0.660in. max od	FV2087524	1	
27		NP	. GAUGE, DIFFERENTIAL, DIAL INDICATING, arc, differential pressure, scale 0 to -6in. and 0 to 6in. of water, filter vehicle, inches WG markings, indicating, flange and hole mtg		3	
			. SCREW, MACHINE, BA, steel, Cd P, No. 2 x 3/4in. lg			

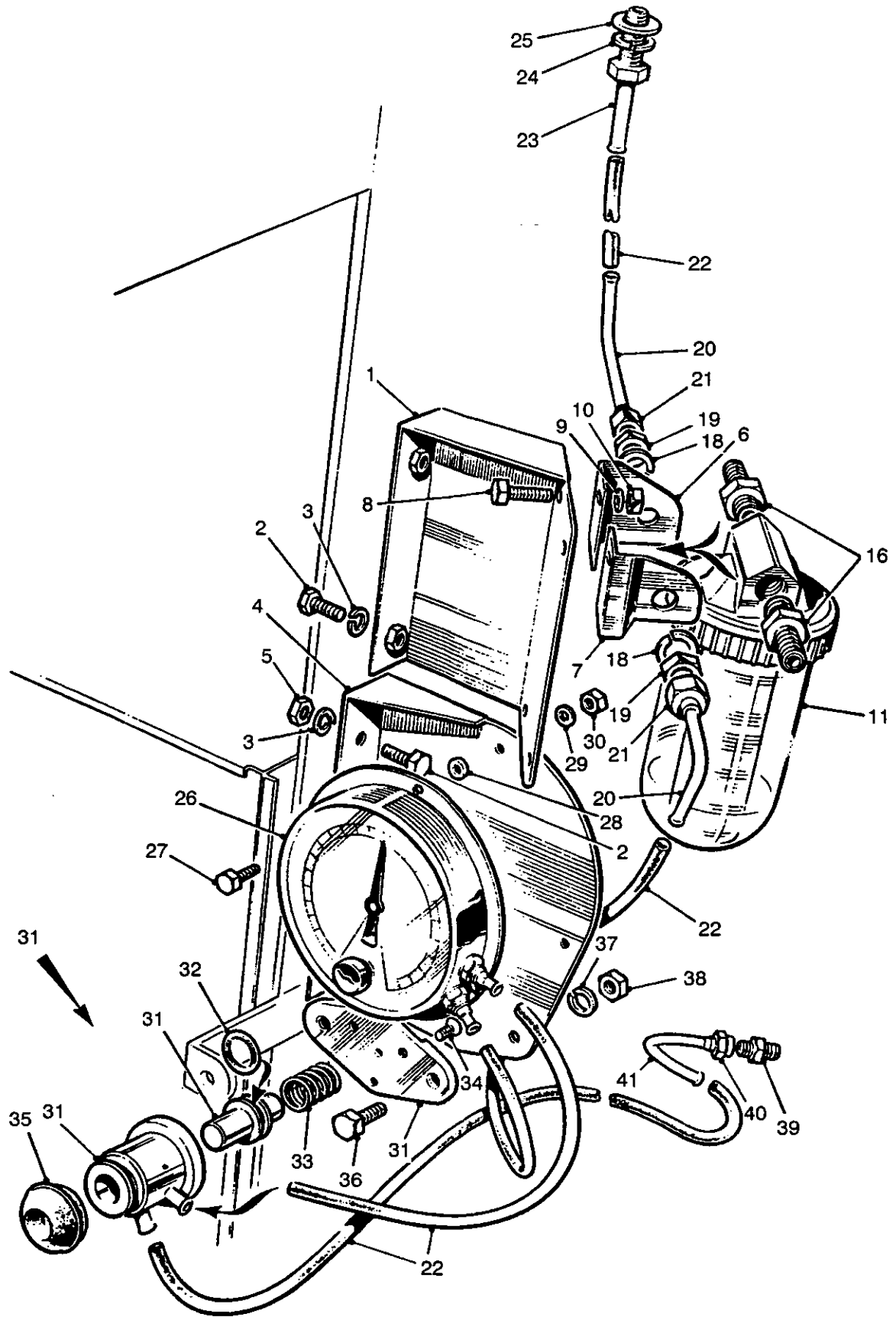


Fig 5 Water trap and relief valve

430/70149

Fig Item	Man Code Navy - N Army - A RAF - R	NATO Stock No	Item Name and Description	Part No/ Drawing No.	No. Off	Annotations
5-			VENTILATION SYSTEM GA - contd			
28	A H9	5325-99-942-3422	. GROMMET, RUBBER, 0.25 x 0.090 x 0.104 x 0.268 x 0.530 x 0.395in. groove od	23271-23-0	3	
29	A G1	5310-99-941-6867	. WASHER, FLAT, steel, Cd P, 25/64 x 0.032in. thk		3	
30	A G1	5310-99-941-7070	. NUT, PLAIN, HEXAGON, BA, steel, Cd P, 21/64 x 11/64in. h		3	
31	A 9ACR	2540-99-865-6797	. VALVE, PRESSURE, GAUGE, ventilation	FV481829	1	
32		NP	. . PACKING	SP900-10	1	
33	A 9ACR	5360-99-865-6798	. . SPRING, HELICAL, COMPRESSION, 1.12in lg, 6 coils	FV481831	1	
34		NP	. . SCREW, MACHINE, BA, brass, flat csk hd, Cd P, No. 4 x 1/4in lg		3	
35	A 46MT1	2540-99-865-6799	. . CAP, PRESSURE GAUGE PLUNGER VALVE, ventilation	FV481834	1	
36	A G1	5305-99-941-0512	. SCREW, MACHINE, UNF, r steel, flat fil hd, Cd P, 1/4in. x 5/8in. lg		2	
37	A G1	5310-99-941-6654	. WASHER, LOCK, steel, split helical ring, 1/4in. x 27/64in. x 5/64in. thk		2	
38	A G1	5310-99-804-7941	. NUT, PLAIN, HEXAGON, UNF, p steel, zinc P, 1/4 x 7/16in. x 7/32in. h		2	
39	A 6MT1	4730-99-943-9621	. NIPPLE, PIPE, copper alloy, 0.125 x 0.630in. lg	UX1981R2	1	
40	A 9ACR	4730-99-943-9626	. UNION, NUT, BSP, brass, 1/8in. -28 thd	PB555	1	
41		NP	. PIPE, ASSEMBLY	FV559643	1	
NI 42	A 6MT1	4730-99-801-1294	. . FERRULE, BRAZING, TUBE FITTING, brass, 1/4in. x 1/8in. bore	2X1R3	1	

~~CONFIDENTIAL~~

~~CONFIDENTIAL~~

Chapter 2-8-1
PARTS LIST
VENTILATION SYSTEM
GENERAL ARRANGEMENT
MK 2/1 VEHICLES

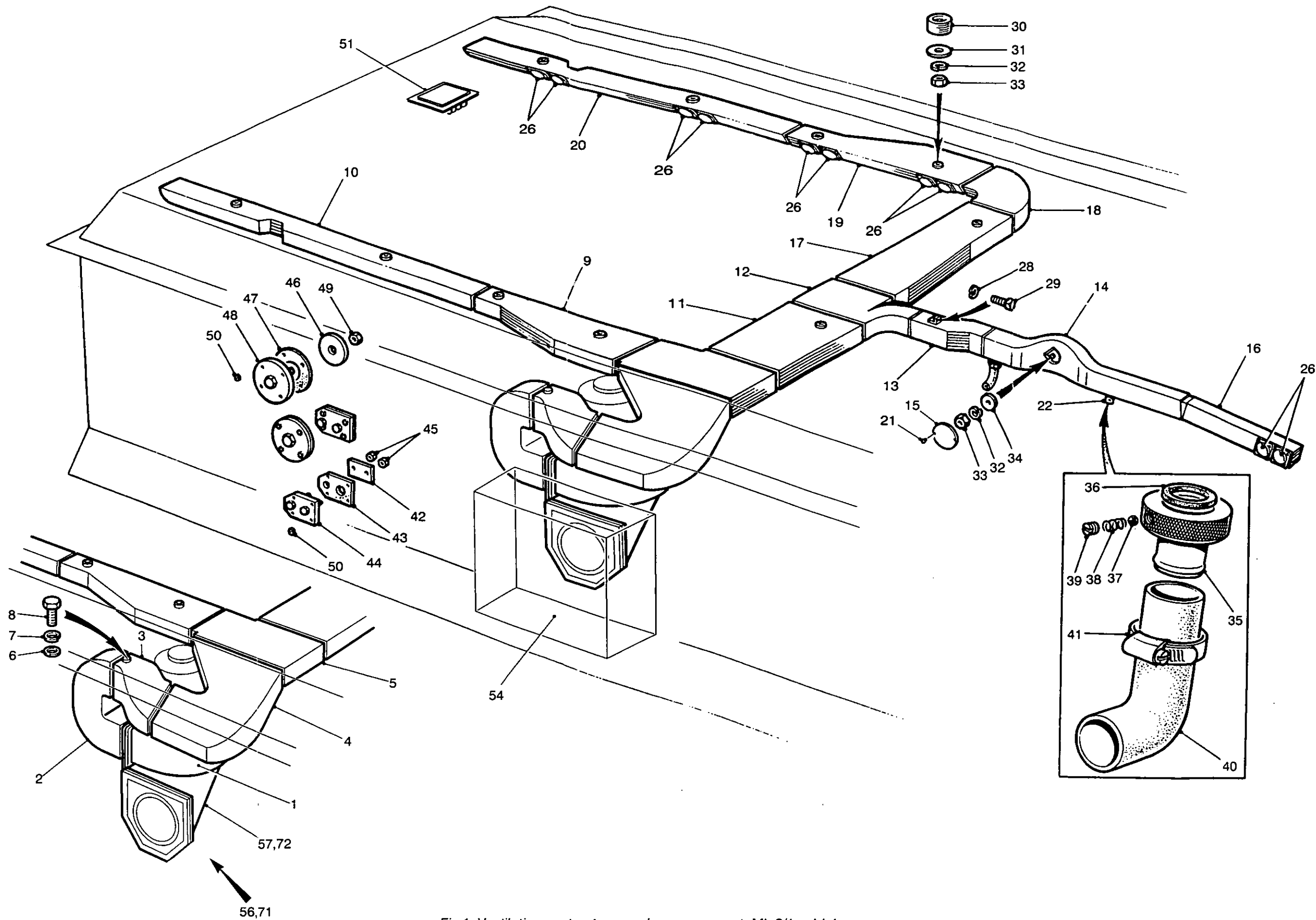


Fig 1 Ventilation system general arrangement, Mk 2/1 vehicles

Fig Item	Man Code Navy - N Army - A RAF - R	NATO Stock No	Item Name and Description	Part No/ Drawing No.	No. Off	Annotations
1-		NP	VENTILATION SYSTEM GENERAL ARRANGEMENT MK 2/1 VEHICLES WITH 7in. dia FAN	FV602604	REF	
		NP	VENTILATION SYSTEM GENERAL ARRANGEMENT MK 2/1 VEHICLES WITH 5.1in dia FAN	FV602891	REF	
		NP	. VENTILATION DUCTING, 7in. FAN	FV602536	REF	See items 1 to 54
		NP	. VENTILATION DUCTING, 5.1in. FAN	FV602537	REF	
1	A	9ACR	2510-99-802-1967 . . PIPE, AIR, CONDITIONING - HEATING, fan outlet	FV602528	1	7in. fan
1(1)	A	9ACR	2510-99-805-1430 . . PIPE, AIR, CONDITIONING - HEATING, steel, painted, 5-1/5in. lg	FV602533	1	5.1in. fan
2	A	9ACR	2510-99-802-1968 . . PIPE, AIR, CONDITIONING - HEATING, bend left	FV602529	1	
3	A	9ACR	2510-99-802-1969 . . PIPE, AIR, CONDITIONING - HEATING, bend right	FV602530	1	
4	A	9ACR	2510-99-802-1970 . . PIPE, AIR, CONDITIONING - HEATING, junction bend, right	FV602531	1	
5	A	9ACR	2510-99-802-1966 . . PIPE, AIR, CONDITIONING - HEATING, junction right	FV602532	1	
6	A	G1	5310-99-941-9402 . . WASHER, FLAT, steel, Cd P, 0.386 x 0.197 x 0.048in. thk		8	
7	A	G1	5310-99-941-6653 . . WASHER, LOCK, steel, split helical ring, 0.198 x 0.064 x 0.330in. od		6	
8	A	Z2	5305-99-941-6708 . . SCREW, MACHINE, BA, steel, hex hd, slotted, Cd P, No. 2 x 1/2in. lg		8	
9	A	9ACR	2510-99-865-6862 . . PIPE, AIR, CONDITIONING - HEATING, crew compartment, right front	FV524953	1	
10	A	9ACR	2510-99-865-6864 . . PIPE, AIR, CONDITIONING - HEATING, crew compartment, right rear	FV524955	1	
11	A	9ACR	2510-99-865-6856 . . PIPE, AIR, CONDITIONING - HEATING, crew compartment, centre right	FV524940	1	
12	A	9ACR	2510-99-865-6854 . . PIPE, AIR, CONDITIONING - HEATING, crew compartment, centre front	FV524935	1	
13	A	9ACR	2510-99-865-6853 . . PIPE, AIR, CONDITIONING - HEATING, driver's compartment, rear	FV524931	1	
14	A	9ACR	2510-99-867-4366 . . PIPE, AIR, CONDITIONING - HEATING, front driver	FV586302	1	
15		NP	. . DISC	FV524956	1	
16	A	9ACR	2510-99-865-6851 . . PIPE, AIR, CONDITIONING - HEATING, driver's compartment, front	FV524925	1	
17	A	9ACR	2510-99-865-6855 . . PIPE, AIR, CONDITIONING - HEATING, crew compartment, centre left	FV524937	1	
18	A	9ACR	2510-99-865-6857 . . PIPE, AIR, CONDITIONING - HEATING, crew compartment, elbow right	FV524943	1	
19	A	9ACR	2510-99-865-6861 . . PIPE, AIR, CONDITIONING - HEATING, crew compartment, front left	FV524952	1	
20	A	9ACR	2510-99-865-6863 . . PIPE, AIR, CONDITIONING - HEATING, crew compartment, rear left	FV524954	1	
21	A	G1	5305-99-914-5426 . . SCREW, TAPPING, THREAD FORMING, steel, pan hd, slotted, Cd P, No. 6 x 1/4in. lg		51	Securing items 5 and 9 to 20

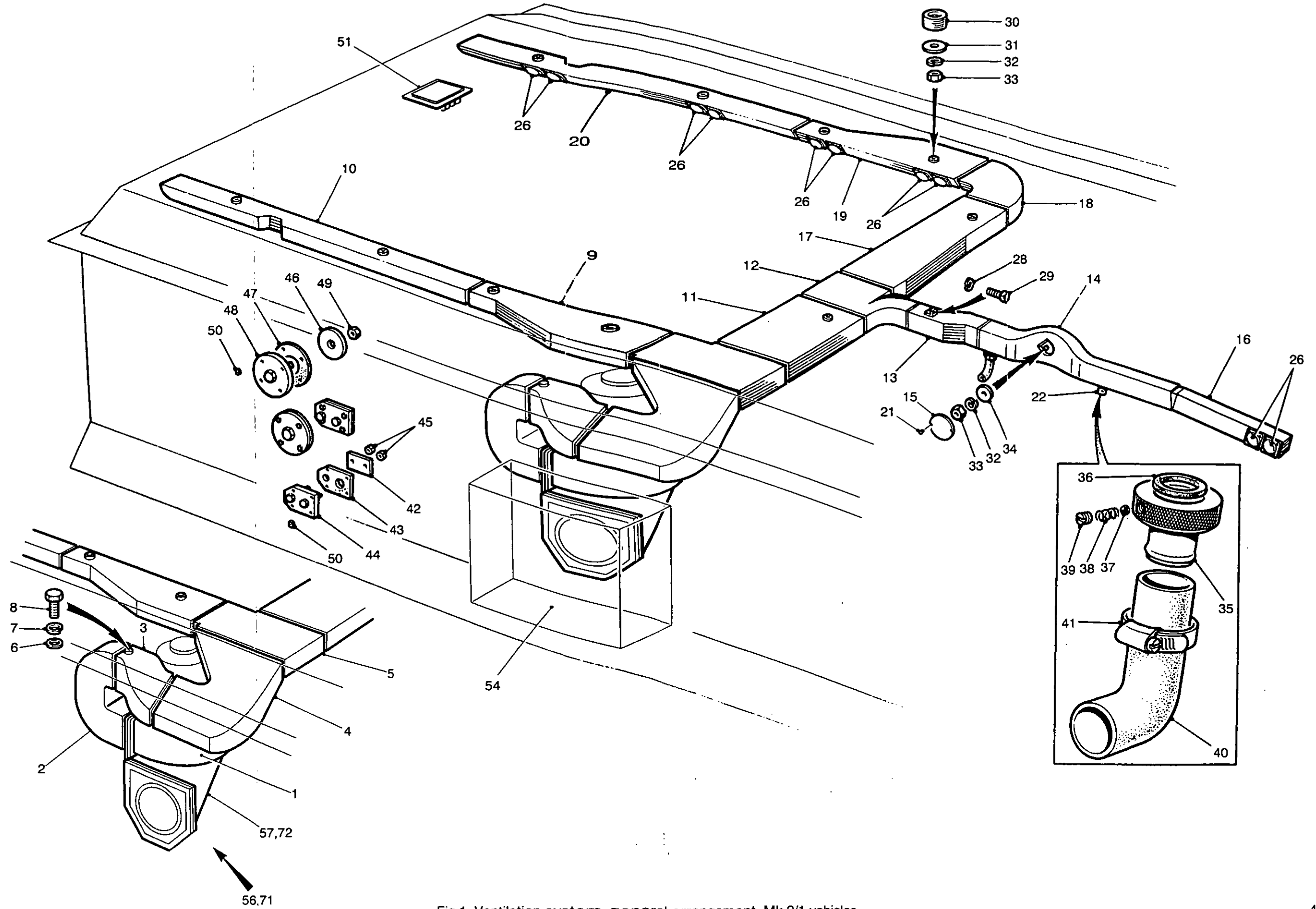


Fig 1 Ventilation system general arrangement, Mk 2/1 vehicles

43070148

Fig Item	Man Code Navy - N Army - A RA/F - R	NATO Stock No	Item Name and Description	Part No/ Drawing No.	No. Off	Annotations
1-			VENTILATION SYSTEM GA - contd . VENTILATION DUCTING - contd			
22	A	9AHY	2540-99-804-3324 . . . ADAPTOR, RESPIRATOR, aluminium alloy, 3/64 x 5/8in. lg	FV594608	12	
NI 23	A	G1	5305-99-121-4840 . . . SCREW, TAPPING, THREAD FORMING, steel, csk hd, slotted Cd P, 80 - 82 deg csk angle		36	Securing item 22
NI 24	A	9AHY	2540-99-866-9362 . . . CAP, BLANKING, DIFFUSER BOX	FV482036	6	u/w item 22
NI 25	A	G1	5305-99-901-9736 . . . SCREW, TAPPING, THREAD FORMING, steel, button hd, Cd P, No. 6 x 3/8in. lg		6	Securing item 24
26	A	6MT13	2540-99-866-2618 . . . DIFFUSER, AIR, 2in. type SASQ FV	FV481871	20	
NI 27	A	G1	5305-99-950-4416 . . . SCREW, TAPPING, THREAD FORMING, steel, pan hd, slotted, Cd P, 1/2in. lg		80	Securing item 26
28	A	G1	5310-99-941-6654 . . . WASHER, LOCK, steel, single coil, sq sect, Cd P, 1/4in. x 27/64in. x 5/64in. thk		2	
29	A	G1	5305-99-941-0511 . . . SCREW, MACHINE, UNF, r steel, hex hd, zinc plated, 1/4in. x 1/2in. x 1/2in. lg		2	
30		NP	. DISTANCE PIECE	FV524990	10	
31	A	9ACR	5310-99-865-6800 . . . WASHER, FLAT, steel, 0.328 x 1 x 0.072in. thk		10	} Air ducting to roof plate
32	A	G1	5310-99-941-6655 . . . WASHER, LOCK,		12	
33	A	G1	5310-99-941-0925 . . . NUT, PLAIN, HEXAGON, UNF, steel, zinc P, 5/16 -24, 1/2in. x 17/64in. h		12	
34		NP	. WASHER	FV299995	2	
35		NP	. CONNECTOR ASSEMBLY	FV482111	2	
36	A	9AHY	5330-99-818-3852 . . . GASKET, natural rubber, 0.822in. id, 1.13in. od, 0.07in. thk	FV482109	1	
37	A	6MT7	3110-99-950-0566 . . . BALL, BEARING, steel, 5/32in. dia	5-32GD10	3	
38	A	9AHY	5360-99-152-3676 . . . SPRING, HELICAL COMPRESSION, spring steel, Cd plated, 1/8in. od x 3/16in. lg	FV482034	3	
39	A	9AHY	5305-99-549-7430 . . . SET SCREW, BA, Cu alloy, slot drive, Zn plated w/chromate, No. 2 dia, 0.114in. thd lg, 0.17in. lg	FV482035	3	
40	A	9ACR	4720-99-802-3560 . . . HOSE, PREFORMED, pvc, 0.084 x 1.04 x 3-3/4in. o/a lg	FV481873	2	
41	A	6MT1	4730-99-533-2961 . . . CLAMP, HOSE, steel, 13 x 30 x 1mm thk		2	
42		NP	. COVER, PLATE	FV651069	2	
43	A	9ACR	5330-99-823-3819 . . . GASKET, rubber, 3-13/64 x 4-13/32 x 1/8 x 1-9/16in. dia	FV538807	2	
44		NP	. BLANKING, PLATE ASSEMBLY	FV651059	2	
45	A	G1	5310-99-923-0539 . . . NUT, SELF-LOCKING, HEXAGON, UNF, steel, Cd P, 1/2 -20 tpi, 3/4 x 17/32in. o/a h		4	
46		NP	. COVER, PLATE	FV651070	2	
47	A	9ACR	5330-99-823-3818 . . . GASKET, rubber, 2-9/16 x 5-13/64 x 1/8in. thk	FV538806	2	
48		NP	. BLANKING DISC ASSEMBLY	FV651058	2	
49	A	G1	5310-99-122-6723 . . . NUT, SELF-LOCKING, HEXAGON, UNF, steel, Cd P, 3/4 x 1-1/8 x 31/32in. h		2	
50	A	G1	5310-99-122-6722 . . . NUT, SELF-LOCKING, HEXAGON, UNF, steel, Cd P, 5/16 x 13/32 x 1/2in. w		16	

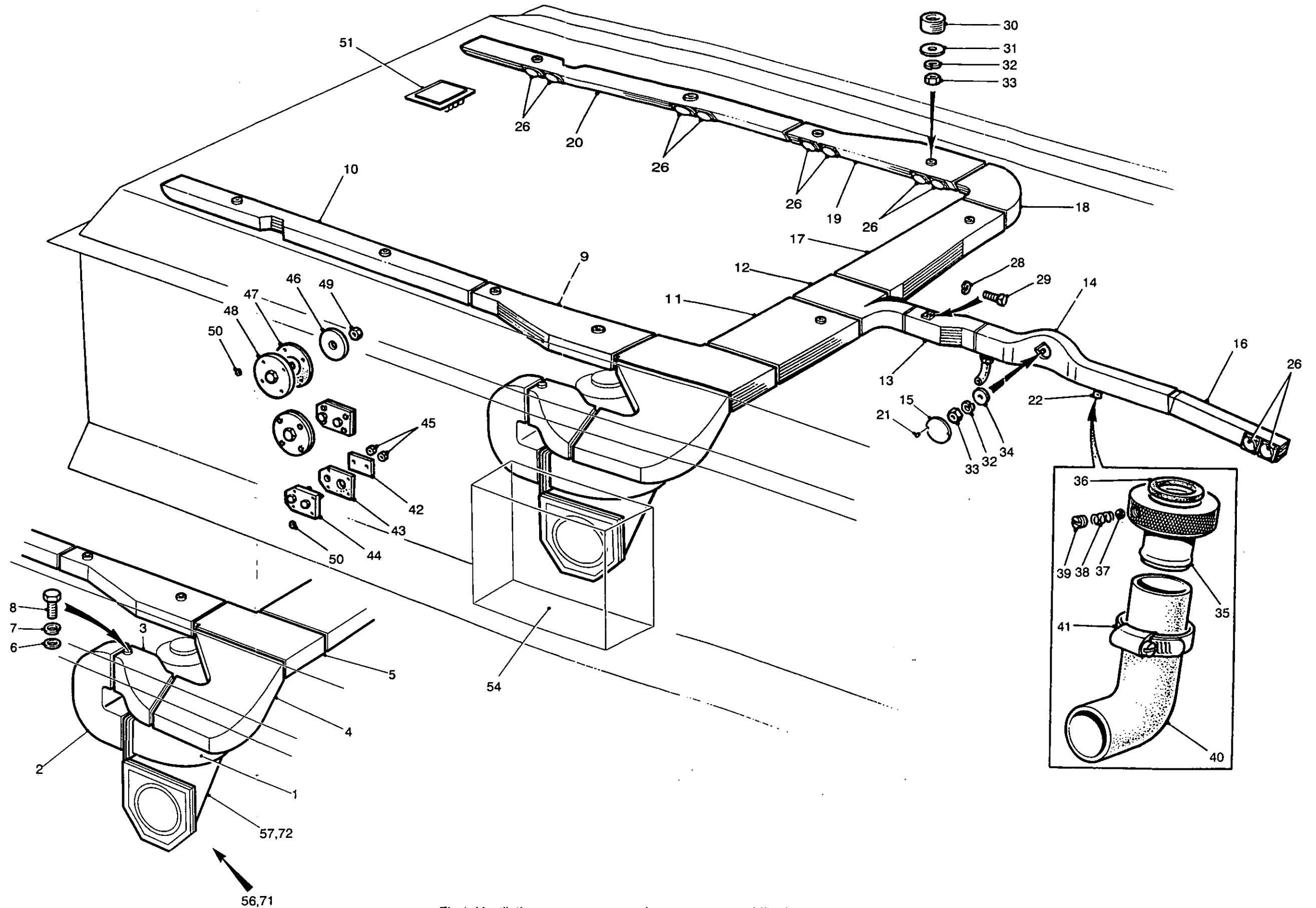


Fig 1 Ventilation system general arrangement, Mk 2/1 vehicles

430/70148

Fig Item	Man Code Navy - N Army - A RAF - R	NATO Stock No	Item Name and Description	Part No/ Drawing No.	No. Off	Annotations
1-			VENTILATION SYSTEM GA - contd			
51	A 9ACR	4820-99-865-6788	. VALVE, RELIEF, PRESSURE AND TEMPERATURE, ventilation	FV481771	1	See Chap 2-8 Relief valve to vehicle
NI 52	A G1	5310-99-941-6655	. WASHER, LOCK, steel, split helical ring, 0.343in. id, 0.08in. thk, 0.503in. od		6	
NI 53	A G1	5305-99-941-6289	. SCREW, MACHINE, UNF, steel, zinc P, 5/16 x 1in. lg		6	
54	A 9ACR	2540-99-796-0389	. HOUSING, FILTER, No. 6 Mk 1	FV482434	REF	See Fig 2
NI 55		NP	. WATER TRAP AND RELIEF VALVE		REF	See Chap 2-8 u/w 7in dia fan
56		NP	. BRACKET, ASSEMBLY	FV482463	1	
57	A 9ACR	2510-99-802-2097	. . PIPE, AIR, CONDITIONING, HEATING, steel, 10-1/2 x 12-3/4 x 13in. dia	FV482462	1	
NI 58	A 9ACR	2510-99-802-2098	. . RING, LOCATING FLEXIBLE CONNECTION, steel, polythene covered	FV482489	1	
NI 59	A 9ACR	5330-99-802-2099	. . GASKET, asbestos, 10-5/16 x 6-3/8 x 1/32in. thk	FV482456	2	
NI 60	A 9ACR	5330-99-802-2107	. . GASKET, rubber, 0.25 x 7.37 x 6 x 0.060in. thk	FV482459	1	
NI 61	A G1	5305-99-101-3284	. . SCREW, MACHINE, scr, 29/64 x 21/32in. lg, No. 2 x 0.6in. lg		10	Access cover and guard to fan bracket adjust lg
NI 62	A 9ACR	5330-99-802-2108	. . GASKET, rubber, rd, 0.343 x 10.5in. od, 9in. aperture dia, 0.060in. thk	FV482486	1	
NI 63	A G1	5310-99-941-6653	. . WASHER, LOCK, steel, split helical ring, 0.198 x 0.064 x 0.330in. od		18	Flexible connection rings & guard to fan bracket
NI 64		NP	. . SCREW, MACHINE, steel, hex hd, 0.454in. thd lg, 1/2in. fastener lg		16	Flexible connection
NI 65	A G1	5310-99-941-6654	. . WASHER, LOCK, steel, split helical ring, 1/4in. x 27/64in. x 5/64in. thk		10	
NI 66	A G1	5310-99-804-7941	. . NUT, PLAIN, HEXAGON, UNF, steel, zinc P, 1/4in. - 28, 7/16in. 7/32in. h		10	
NI 67	A G1	5305-99-941-0525	. . SCREW, MACHINE, UNF, steel, hex hd, zinc P, 5/16in. x 3/4in. lg		8	Fan bracket to fan
NI 68	A W3	5310-99-943-4387	. . WASHER, NON-METALLIC, fibre, 3/16 x 7/16 x 1/32in. thk		8	
NI 69	A G1	5310-99-941-6655	. . WASHER, LOCK, steel, split helical ring, 0.343in. x 0.80 x 0.503in. od		8	
NI 70	A 46MT4	2540-99-802-3110	. FAN, CENTRIFUGAL, No. 1, Mk 11	FV564270	1	7in. dia fan see Fig 3
71		NP	. BRACKET, ASSEMBLY	FV482492	1	u/w 5.1in. dia fan
72	A 9ACR	2510-99-805-1431	. . PIPE, AIR, CONDITIONING, HEATING, steel, painted	FV482493	1	
NI 73	A 9ACR	2510-99-802-2098	. . RING, LOCATING, FLEXIBLE CONNECTION, steel, polythene	FV482489	1	
NI 74	A 9ACR	5330-99-802-2099	. . GASKET, asbestos, 10-5/16 x 6-3/8 x 1/32in. thk	FV482456	2	

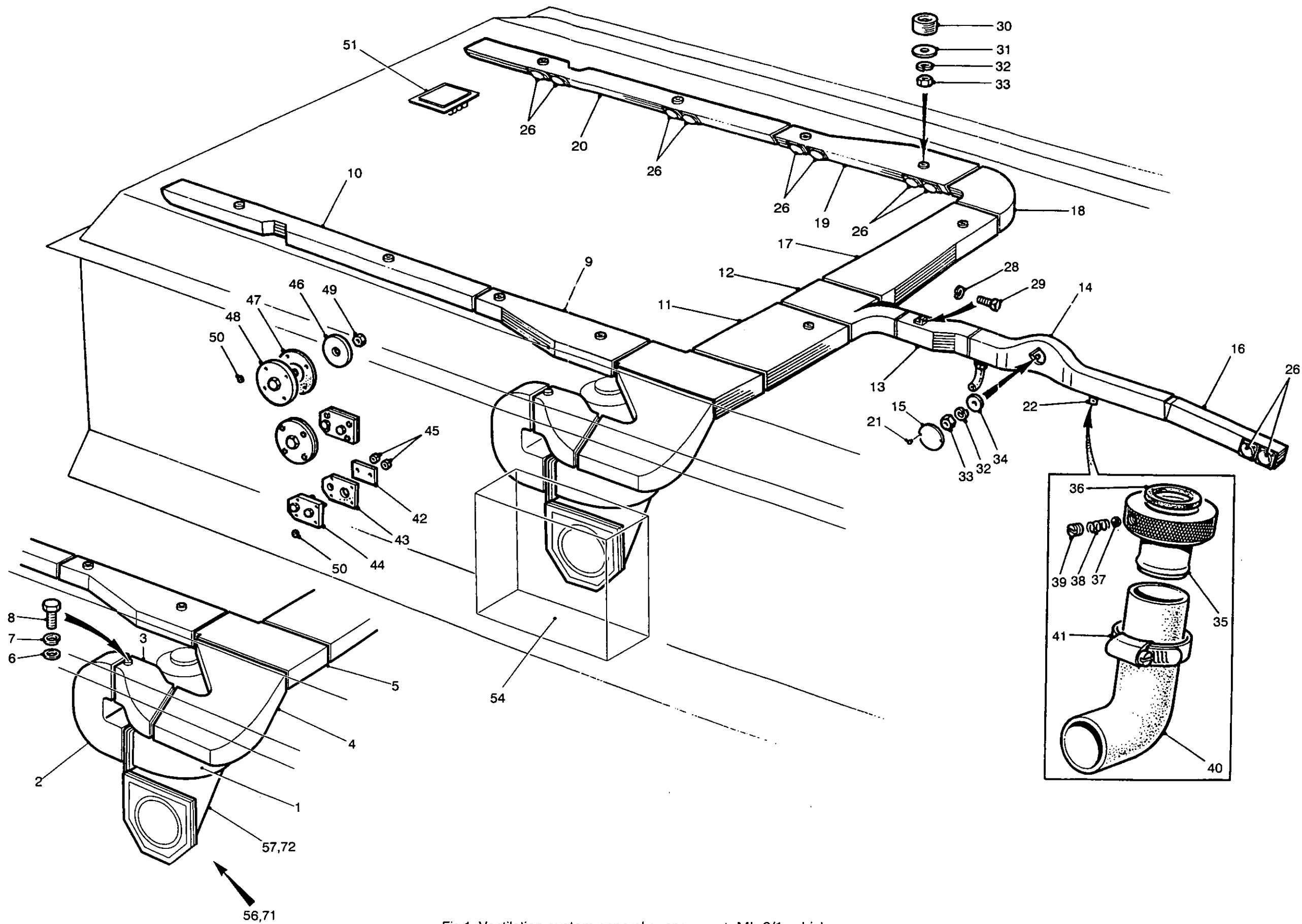


Fig 1 Ventilation system general arrangement, Mk 2/1 vehicles

Fig Item	Man Code Navy - N Army - A RAF - R	NATO Stock No	Item Name and Description	Part No/ Drawing No.	No. Off	Annotations
1-			VENTILATION SYSTEM GA - contd . BRACKET ASSEMBLY - contd			
NI 75	A 9ACR	5330-99-802-2107	. . GASKET, rubber, 0.25 x 7.37 x 6 x 0.060in. thk	FV482459	1	
NI 76	A G1	5305-99-101-3284	. . SCREW, MACHINE, scr, 29/64 x 21/32in. lg		10	Adjust lg
NI 77	A 9ACR	5330-99-804-4873	. . GASKET, rubber, 0.281 x 9 x 7.5 x 0.60in. thk	FV482485	1	
NI 78	A Z2	5310-99-941-6653	. . WASHER, LOCK, steel, split helical ring, 0.198 x 0.064 x 0.330in. od		18	
NI 79		NP	. . SCREW, MACHINE, steel, hex hd, 0.454in. thd lg, 1/2in. fastener lg		16	
NI 80	A G1	5310-99-941-6654	. . WASHER, LOCK, steel, split helical ring, 1/4in.in. x 27/64in. x 5/64in. thk		17	
NI 81	A G1	5310-99-804-7941	. . NUT, PLAIN, HEXAGON, UNF, steel, zinc P, 1/4in. -28, 7/16in. x 7/32in. h		10	
NI 82	A G1	5305-99-941-0511	. . SCREW, MACHINE, UNF, steel, hex hd, zinc P, 1/4in. x 1/2in. lg		7	
NI 83	A W3	5310-99-943-4387	. . WASHER, NON-METALLIC, fibre, 3/16 x 7/16 x 1/32in. thk		8	
NI 84	A 9ACR	4140-99-804-4011	. FAN, CENTRIFUGAL, No. 4, Mk 1	FV482416	1	5.1in. dia fan see Fig 3
NI 85		NP	. SCREW, MACHINE, UNF, hex hd, No. 10 -32 thd, 5/16in. lg		8	} Fan unit to ducting
NI 86	A G1	5310-99-941-6653	. WASHER, LOCK, steel, single coil, sq sect, Cd P, 0.198 x 0.064 x 0.330in. od		8	
NI 87	A 9ACR	2540-99-805-1432	. GASKET, syn rubber, 5-1/2 x 4-3/8 x 1/16in. thk	FV602904	1	Fan flange

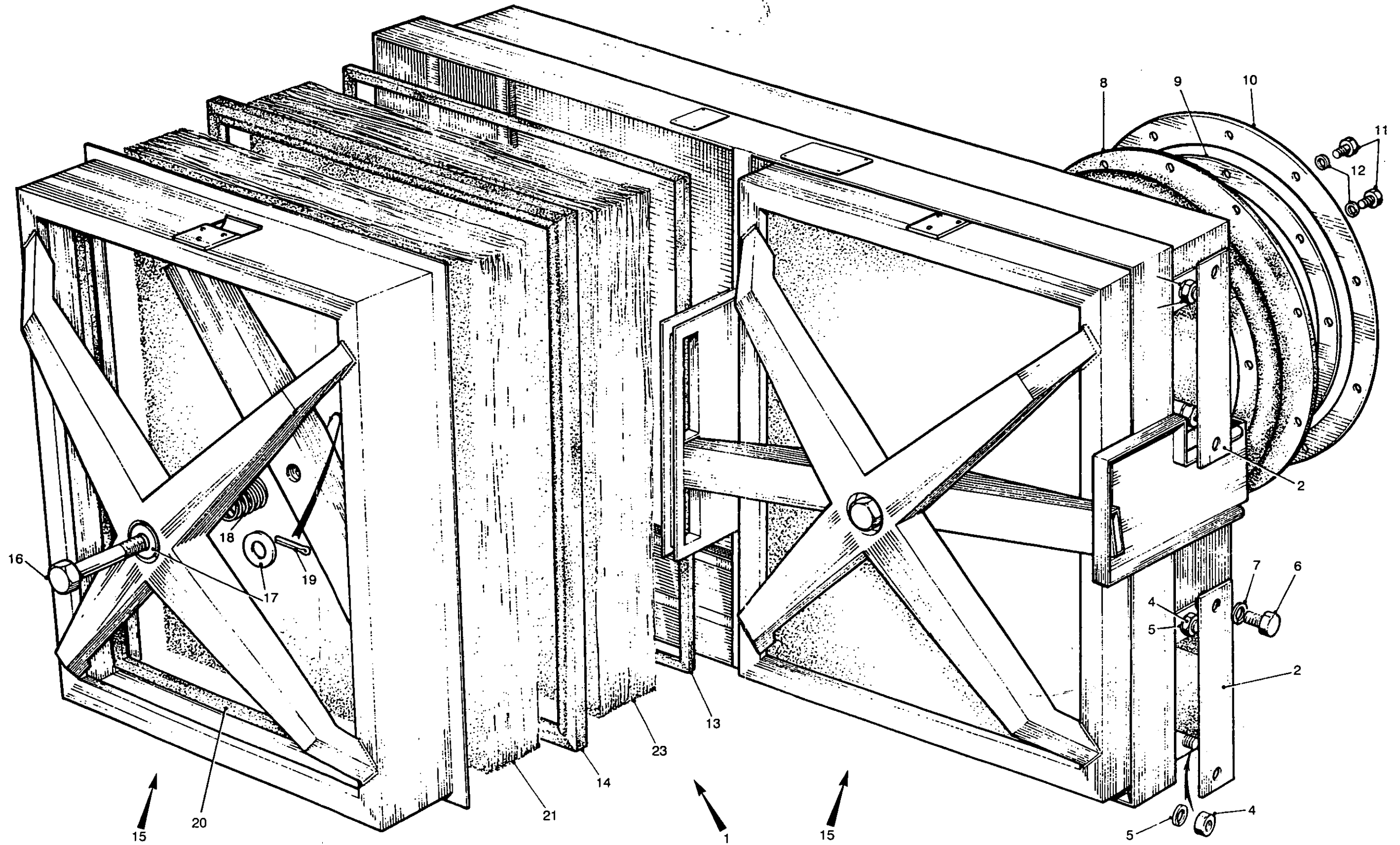


Fig 2 Housing, filter, No. 6, Mk 1

430/70151

Fig Item	Man Code Navy - N Army - A RAF - R	NATO Stock No	Item Name and Description	Part No/ Drawing No.	No. Off	Annotations
2-			VENTILATION SYSTEM GA - contd			
1	A	9ACR	2540-99-796-0389 . HOUSING, FILTER, No. 6, Mk 1	FV482434	1	5.1in and 7in. fans
2	A	9ACR	5340-99-802-1936 . . MOUNT, RESILIENT, rubber/steel, 6-1/4in. x 1-1/2in. x 1-1/8in. o/a h	FV482439	4	
NI 3	A	9ACR	5365-99-802-1937 . . SHIM, aluminium, rect, 4.75 x 1.12in. wd, 0.06in. thk, 0.375in. dia	FV482464	A/R	
4	A	G1	5310-99-941-0925 . . NUT, PLAIN, HEXAGON, UNF, p steel, zinc P, 1/2in. wd, 17/64in. h		8	
5	A	G1	5310-99-941-6655 . . WASHER, LOCK, steel, split helical ring, 0.343in. id, 0.08in. thk, 0.503in. od		8	
6	A	G1	5305-99-941-0525 . . SCREW, MACHINE, UNF, steel, hex hd, zinc P, 5/16in. x 3/4in. lg		8	
7	A	G1	5310-99-943-6850 . . WASHER, LOCK, steel, flat, int teeth, 0.328in. od, 0.07in. thk, w/ru sealing element		8	
8	A	9ACR	2540-99-867-3812 . . CONNECTION, rubber, 7-1/8 x 10-3/16 x 5/16in. h, 10 holes	FV482077	1	
9	A	9ACR	2540-99-867-3814 . . RING, SEALING, FLEXIBLE CONNECTION, steel, painted, 7-1/8 x 8-3/8in. od, 1/8in. thk, 8 holes	FV482089	1	
10	A	9ACR	2540-99-867-3813 . . RING, SEALING, FLEXIBLE CONNECTION, steel, painted, 9in. id, 10-1/4in. od, 1/8in. thk, 10 holes	FV482080	1	
11		NP	. . SCREW, MACHINE, BA, steel, hex hd, No. 2 x 1/2 x 0.454in. thd lg		18	
12	A	G1	5310-99-941-6653 . . WASHER, LOCK, steel, split helical ring, 0.198 x 0.064 x 0.330in. od		18	
13	A	9ACR	5330-99-865-7257 . . GASKET, rubber, rect, 12 x 16.18 x 0.250in. thk	FV481892	2	
14	A	9ACR	5330-99-865-7255 . . GASKET, rubber, rect, 12.9 x 16.12 x 0.5in. thk	FV481889	2	
15	A	9ACR	2540-99-802-1938 . . HOLDER, FILTER ELEMENT, air conditioning	FV482437	2	
16	A	G1	5305-99-941-0748 . . . SCREW, MACHINE, UNC, 1/2in. -13 thd, 3-1/2in. lg, steel, zinc P, w/chromate, class 2A		1	
17	A	G1	5310-99-941-8637 . . . WASHER, FLAT, steel, zinc P, 1/2in. od, 3/32in. thk		2	
18	A	9ACR	5360-99-865-7266 . . . SPRING, HELICAL, COMPRESSION, 10 coils, 3-1/2in. lg	FV481907	1	
19	A	G1	5315-99-138-2205 . . . PIN, COTTER, SPLIT, steel, 2.50mm dia, 25mm lg	28173	1	
20	A	9ACR	5330-99-865-7257 . . GASKET, rubber, rect, 12 x 16.18 x 0.250in. thk	FV481892	1	
21	A	46MT1	4130-99-804-4834 . FILTER ELEMENT, AIR CONDITIONING, 15.236 x 12 x 2.015in. o/a h	FV594639	2	
NI 22	A	9ACR	4240-99-803-4852 . FILTER PARTICULATE, rect, 1ft 3in. lg, 1ft w, 2in. thk	FV616497	2	Alternative
23		NP	. FILTER ELEMENT, AIR CONDITIONING	FV481851	2	
NI 24	A	9AHY	2540-99-867-3742 . FILTER HOUSING, No. 1, Mk 1	FV481939	4	Alternative
NI 25	A	9ACR	2540-99-804-4832 . FRAME, FILTER, ASSEMBLY, anti-vapour, No. 2, Mk 1	FV482426	4	Alternative
NI 26	A	9ACR	5340-99-865-7263 . CLIP, RETAINING	FV481929	1	
NI 27	A	9ACR	5120-99-865-7264 . WRENCH, BOX, straight shape, hex hd, 3/4 x 7in. lg	FV481926	1	

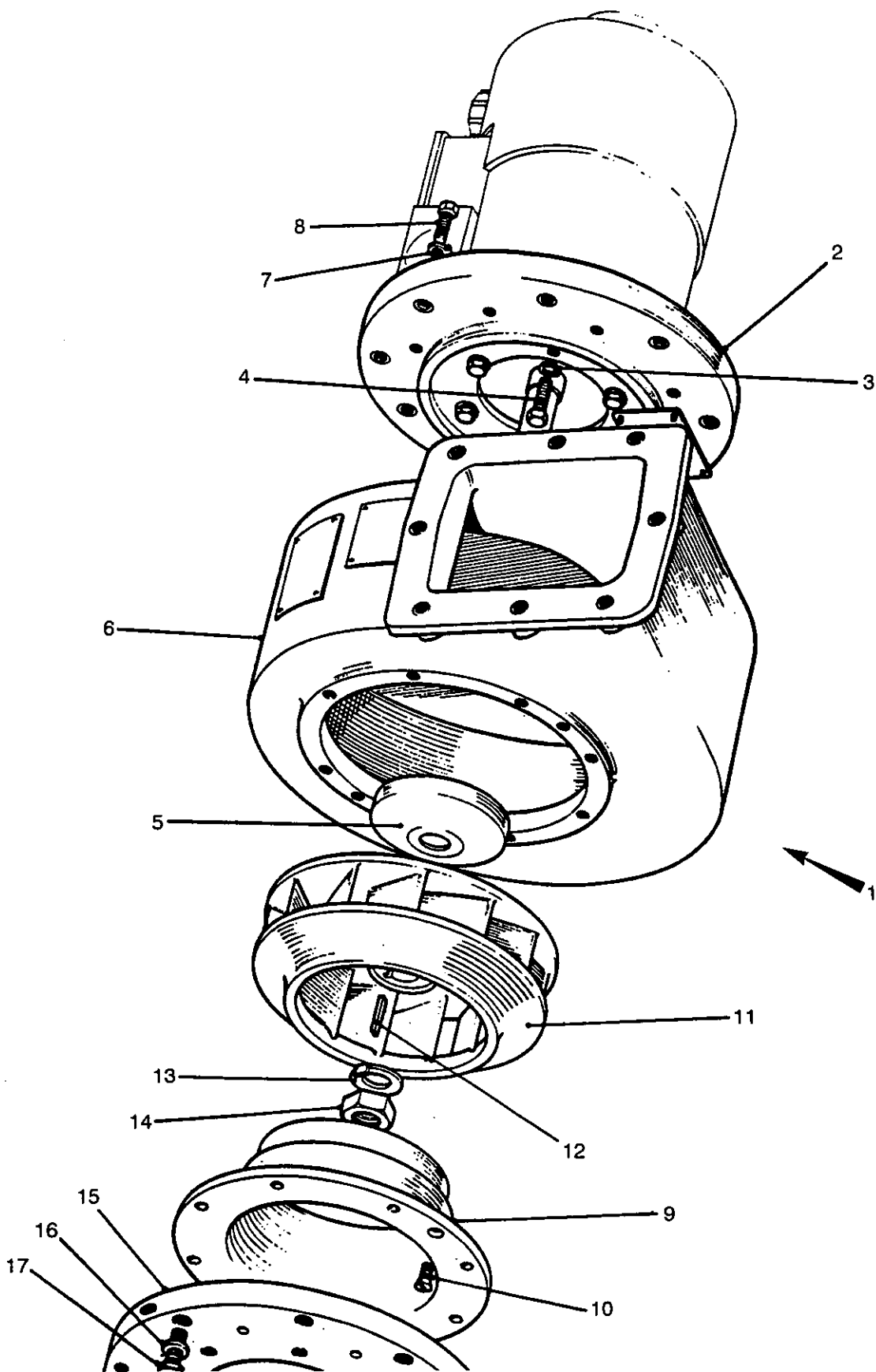


Fig 3 Fan, centrifugal, 7in. dia

430/70123

Fig Item	Man Code Navy - N Army - A RAF - R	NATO Stock No	Item Name and Description	Part No/ Drawing No.	No. Off	Annotations
3-			VENTILATION SYSTEM GA - contd			
1	A 6MT4	2540-99-802-3110	. FAN, CENTRIFUGAL, 435Ccf/m, 7150 revs/min, 0.9 hp, 24V dc, 14-5/8in. lg, 11- 7/8. w, 13-1/4in. h	FV564270	1	7in. dia
2		NP	. PLATE, MOUNTING, ELECTRICAL EQUIPMENT, motor mtg	B37535	1	
3	A G1	5310-99-941-9136	. WASHER, tab, 1/4in. dia, ventilation fan unit		6	} Fixing mounting plate
4	A G1	5305-99-941-0279	. SCREW, CAP, HEXAGON HEAD, steel, hex hd, Zn P, 1/4in. UNF x 7/8in. lg		6	
5		NP	. WASHER, SPINNER, fan unit	A38116	1	} Casing to mounting
6		NP	. CASING, ventilation fan	F37639	1	
7		NP	. WASHER, tab, 3/16in. dia, ventilation fan unit	SP42/C	8	
8	A G1	5305-99-120-1622	. SCREW, MACHINE, steel, hex hd, Cd P, 2BA x 3/4in. lg		8	
9		NP	. INLET FLARE, ventilation fan unit	D37640	1	} Securing inlet flare
10		NP	. SCREW, MACHINE, steel, flat csk hd, Cd P, 2BA x 1/2in. lg	402307CP	2	
11		NP	. IMPELLOR, ventilation fan unit	D37641	1	
12		NP	. KEY, 3/16in. sq		1	
13	A 3RR	5310-99-826-4501	. WASHER, KEY, tab, 5/8in. dia, ventilation fan unit	CV3591	1	
14	A G1	5310-99-941-1324	. NUT, PLAIN, HEXAGON, steel, Cd P, 5/8in. UNF		1	
15		NP	. PLATE, MOUNTING, ELECTRICAL EQUIPMENT, Al alloy, 5.37in. id x 10.50in. od x 0.62in. thk	FV481884	1	
16	A G1	5310-99-120-0106	. WASHER, tab, 3/16in.		8	
17		NP	. SCREW, MACHINE, steel, hex hd, Cd P, 2BA x 1.00in. lg		8	
NI 18	A 9ACR	4140-99-804-4011	. FAN, CENTRIFUGAL, No. 4, Mk 1	FV482416	1	5.1in. dia
NI 19	A 46MT4	2540-99-804-4110	. BACKPLATE, CENTRIFUGAL FAN	B36960	1	
NI 20	A G1	5305-99-914-9858	. SCREW, MACHINE, steel, hex hd, Cd P, No. 10 UNF x 1/2in.		14	
NI 21		NP	. WASHER, TAB, 3/16in. id		22	
NI 22	A 46MT4	2540-99-804-4013	. IMPELLOR, FAN, CENTRIFUGAL, Al	B36973	1	
NI 23	A G2	9505-99-965-3706	. WIRE NON-ELECTRICAL, steel, sq, 6mm wd, 6mm thk, bulk supply		A/R	
NI 24	A G1	5310-99-941-0925	. NUT, PLAIN, HEXAGON, steel, Zn P, 5/16in. UNF		1	
NI 25	A G1	5310-99-941-6197	. WASHER, KEY, 5/16in. id		1	
NI 26	A 46MT4	4140-99-804-4112	. HOUSING, CENTRIFUGAL FAN	00-060237	1	
NI 27	A 46MT4	2540-99-804-4113	. INLET, FAN UNIT	00-060255	1	
NI 28	A G1	5305-99-999-7566	. SCREW, MACHINE, steel, flat csk hd, Cd P, No. 10 UNF x 5/8in. lg		2	
NI 29	A 46MT4	2540-99-804-4114	. PLATE, MOUNTING, CENTRIFUGAL FAN, Al alloy, 9.00in. o/a dia, 5/8in. thk	FV481948	1	
NI 30		NP	. SCREW, MACHINE, steel, hex hd, slotted, Cd P, No. 10 UNF x 1.00in. lg		8	

~~UNRESTRICTED~~

~~UNRESTRICTED~~

Chapter 2-9
PARTS LIST
EXHAUST SYSTEM
GENERAL ARRANGEMENT

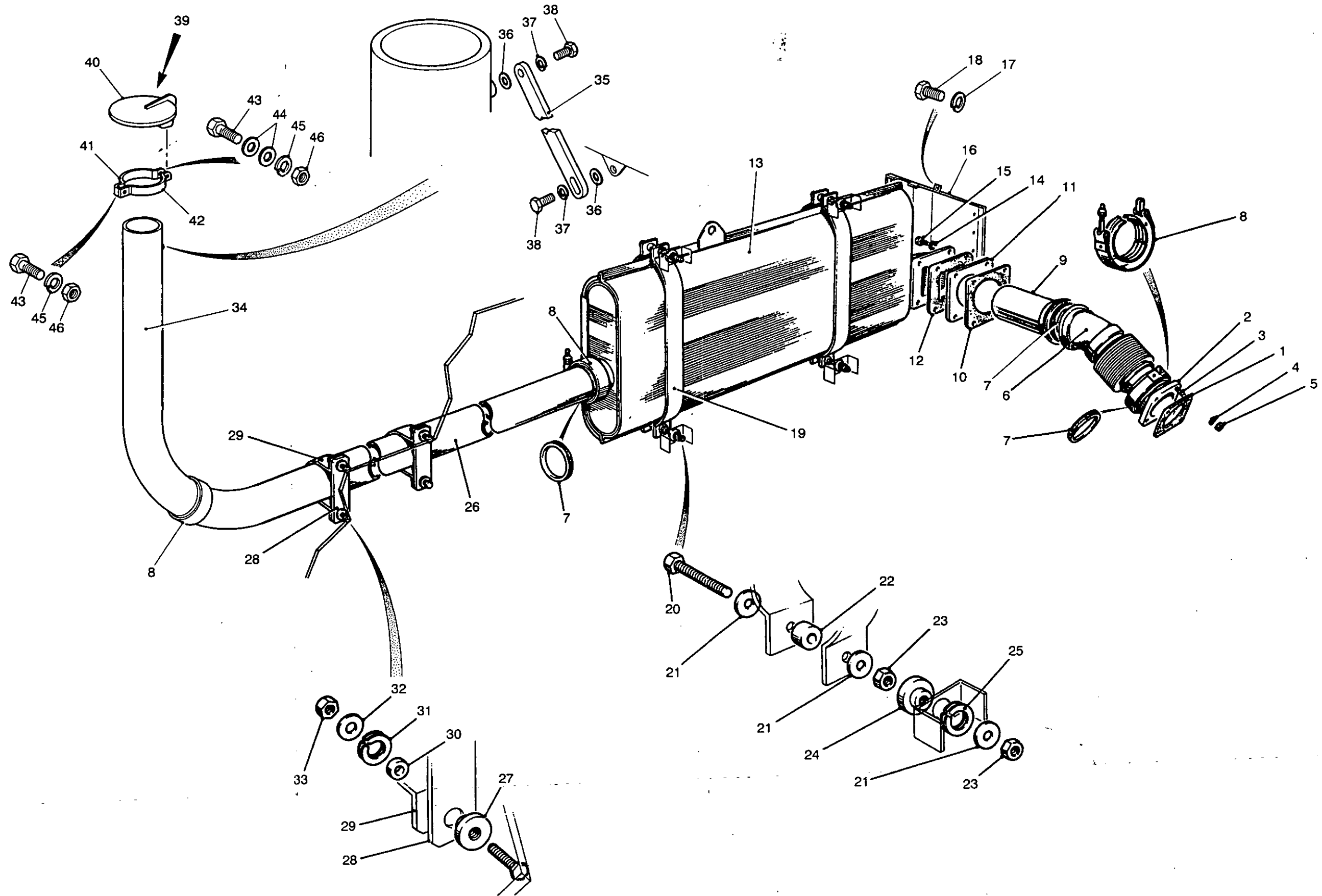


Fig 1 Exhaust system general arrangement

USED ON EV559424 FV509222 FV560404	DRAWING NUMBER F.V.559421	THIRD ANGLE PROJECTION.		<div style="border: 1px solid black; padding: 5px; font-size: 8px;"> CONDITIONS OF RELEASE (These conditions apply when this document is released to Commonwealth or Foreign Governments: United Kingdom Government Contractors should refer to their contract conditions.) This information is released by the UK Government to the recipient Government for Defence purposes only. This information must be accepted to the same degree of security precautions as their accepted terms by the UK Government. This information may be disclosed only within the Defence Department of the recipient Government, unless in advance authorized by the Ministry of Defence. This information may be subject to primary control rights. The information is released for information only and is to be treated as disclosed in confidence. The recipient Government shall not be held responsible to ensure that the information is not dealt with in any manner likely to prejudice the rights of any owner thereof to obtain patent or other proprietary protection character. Before any use is made of this information for the purpose of manufacture the authorization of the Ministry of Defence D Side (Sales SAJA); St. Christopher House, Southwark Street, London, S.E. 1, must be obtained. </div>
MARK PART NO FV559421 & MAKERS SYMBOLS HERE.			FLANGE LOCATED WITH EXHAUST PIPE POSITIONED. (EV 538825)	
		<div style="border: 2px solid black; padding: 5px; transform: rotate(-5deg); font-weight: bold; font-size: 12px;"> NOT TO ORIGINAL SCALE </div>		
		WELDS TO CONFORM TO F.V.R.D.E. SPEC.1031		
ALL SHARP EDGES & CORNERS TO BE REMOVED. NUMBER SHOWN ON MACHINING SYMBOL ✓ REFERS TO THE B.S. INDEX FOR SURFACE ROUGHNESS. MARK DRAWING NUMBER AND MAKERS APPROVED IDENTIFICATION SYMBOLS WHERE SHOWN.				
DRAWN A.W.L.B.	MATERIAL	PROTECTIVE FINISH PAINT TO F.V.R.D.E. SPEC. 2012. SECTION F.10.	TOLERANCES :- 2-030 EXCEPT WHERE SHOWN WEIGHT :- DIMS. IN INS. SCALE 1/2.	
TRACED B.L.B. 19/4/64	CONTRACTOR G.K.N. LTD F.V.D. DIVISION. ORG. CONTRACT NO 4/KL/D/OIGO SERVICE LETTERS		ISS. DATE A.S. APP.No ISS. DATE A.S. APP.No. CERTIFIED 28/02/12 DATE CONTRACTOR'S DRAWING REFERENCE	
CHECKED C.B.S.	FIGHTING VEHICLES RESEARCH AND DEVELOPMENT ESTABLISHMENT.		DRAWING NUMBER F.V.559421	
APPROVED	EXHAUST PIPE		A.	
SIZE 8				

SECURITY CLASSIFICATION		A	B	C	D	E	
M VEE DRAWING No FV 937229		3RD ANGLE PROJECTION					
USED ON FV 937745 FV 938082 FV 2213591							
MARK ON FV 11° AND TORQUE 17 Nm CONCENTRICITY TOL. BETWEEN ANY 2 ADJACENT SEGMENTS 0.5 DIA ON INTERNAL FORM X DIM 2.5 MIN AT NOMINAL GAUGE AT 17 Nm TORQUE RETAIN NUT BY CRIMPING BOLT END AS SHOWN IN SCRAP VIEW. "HYMATIC" DWG NO G1-99-070 MAT - STAINLESS STEEL ANY EQUIVALENT CLAMP MUST BE APPROVED BY P/I M.V.E.E.							
THIS DESIGN IS THE PROPERTY OF VICKERS plc AND MUST NOT BE USED, STORED, LOANED OR REPRODUCED WITHOUT THE PRIOR CONSENT IN WRITING OF VICKERS DEFENCE SYSTEMS © VICKERS plc 1973							
WORK STAGE CHECKED CERTIFIED PROTOTYPE FC APP PRODUCTION FC <i>MH</i>							
ALL SHARP EDGES AND CORNERS TO BE REMOVED THIS DRAWING PREPARED IN ACCORDANCE WITH BS 308 MARK DRAWING NUMBER AND MAKER'S APPROVED SYMBOL WHERE SHOWN		0 10 20 30 40 50 60 70 80 90 100 150 200 millimetres 0 1 2 3 4 5 6 7 8 inches					
DRAWN AGA Fec		MATERIAL SERVICES SPEC CONTRACTOR'S SP&C		EST MASS TOLERANCES		CONTRACTOR VICKERS DEFENCE SYSTEMS LEEDS ORIGINAL CONTRACT No PROCUREMENT EXECUTIVE (MINISTRY OF DEFENCE) MILITARY VEHICLES & ENGINEERING ESTABLISHMENT TITLE "VEE" CLAMP	
ORIGINAL DATE 24.5.77 ISSUE DATE ALT No APPROVAL 1 12.11.77 12230322 [Signature] 2 12.3.78 23762 [Signature] 3 21.2.78 2672 [Signature] 4 275 A250		FINISH		SCALE 1:1 DIMENSIONS IN mm NATO STOCK No		SECURITY CLASSIFICATION CONTRACTOR'S DRAWING No MVEE DRAWING No FV 937229	

Fig Item	Man Code Navy - N Army - A RAF - R	NATO Stock No	Item Name and Description	Part No/ Drawing No.	No. Off	Annotations
1-		NP	EXHAUST SYSTEM GENERAL ARRANGEMENT	FV602577	REF	
1	A	9ACR 5330-99-591-5676	. GASKET, sq w/rd aperture, 120mm o/a w, 102mm aperture dia, 4 bolt holes, fibre or composition cross-sect shape	FV2249145	1	
2	A	9ACR 2990-99-867-4677	. END FITTING, EXHAUST PIPE	FV559423	1	
3	A	G1 5307-99-120-3527	. STUD, PLAIN, steel, zinc P, 1-3/4 x 3/8in. UNF thd nut end, 3/8 x 27/64in. lg stud end		4	
4	A	G1 5310-99-138-6859	. WASHER, LOCK, steel, Zn plated, split helical ring, 3/8in. bolt size, 11/16in. od, 3/32in. thk	MW5-11	4	
5	A	G1 5310-99-101-2645	. NUT, PLAIN, HEXAGON, UNF, steel, 3/8 x 9/16 x 21/64in. h, rh thd, class 2B, chamfered		4	
6	A	9ACR 2990-99-867-4678	. PIPE, EXHAUST, flexible	FV559418	1	
7	A	46MT1 5330-99-881-9359	. GASKET, Cu, 117.48 x 3.2 x 125.43mm od, non asbestos filler	MM-105333	3	
8	A	9ACR 4730-99-881-9358	. CLAMP, LOOP, steel corrosion resisting	BA25018/1	4	
9	A	9ACR 2990-99-867-4680	. PIPE, EXHAUST	FV559421	1	
10	A	9ACR 5330-99-996-1176	. GASKET, sq w/rd aperture, 13.77mm hole dia, 190mm o/a w, 152mm aperture dia, 4 bolt holes fibre or composition cross-sect shape	FV2249144	1	
11	A	9ACR 2990-99-867-4687	. PLATE, EXHAUST PIPE, front	FV538895	1	
12	A	9ACR 5330-99-871-6064	. GASKET, sq w/sq aperture, 13.77mm hole dia, 190mm o/a w, 120mm aperture w, 120mm aperture lg, 4 bolt holes, fibre or composition cross-sect shape	FV2249143	1	
13	A	9ACR 2990-99-802-6884	. SILENCER, EXHAUST, oval, steel, 47in. x 21in. x 5-1/2in. thk	FV586645	1	
14	A	G1 5310-99-134-2027	. WASHER, LOCK, steel, spring, Zn plated w/chromate, split helical ring, 0.5in. id, 0.851in. od, 0.092in. thk		4	
15	A	G1 5306-99-941-7027	. BOLT, MACHINE, UNF, steel, hex hd, 1/2in. x 2-1/4in. lg, Zn plated w/chromate, 1-1/4in. thd lg		4	
16	A	9ACR 2990-99-867-4689	. GUARD, MUFFLER-EXHAUST PIPE, NON-AIRCRAFT	FV586362	1	
17	A	G1 5310-99-138-6859	. WASHER, LOCK, steel, Zn plated, split helical ring, 3/8in. bolt size, 11/16in. od, 3/32in. thk	MW5-11	6	
18	A	G1 5305-99-941-0711	. SCREW, MACHINE, UNC, stainless steel, hex hd, Zn plated, class 2A thd, 3/8in. x 5/8in. lg		6	
19	A	9ACR 5340-99-802-6885	. STRAP, RETAINING, steel, single, 2-1/2 x 3/16in. thk	FV586669	4	
20	A	G1 5305-99-941-0576	. SCREW, MACHINE, UNF, steel, Zn plated, hex hd, 1/2in. dia, 3-1/4in. lg, class 2A thd		4	
21	A	9ACR 5310-99-865-6146	. WASHER, FLAT, steel, phos, 1.125 x 0.51 x 0.08in. thk	FV434749	12	
22		NP	. SPACER, SLEEVE, silencer	FV586672	4	
23	A	G1 5310-99-100-9641	. NUT, PLAIN, HEXAGON, cres, UNF, 1/2in. dia, 3/4in. w A/F, 0.437in. h, chamfered bearing surface		8	
24	A	9ACR 5310-99-867-4682	. NUT, ROUND	FV560065	4	
25		NP	. WASHER, LOCK, M20, Zn plated, split double helical ring	7532200010 0159	4	

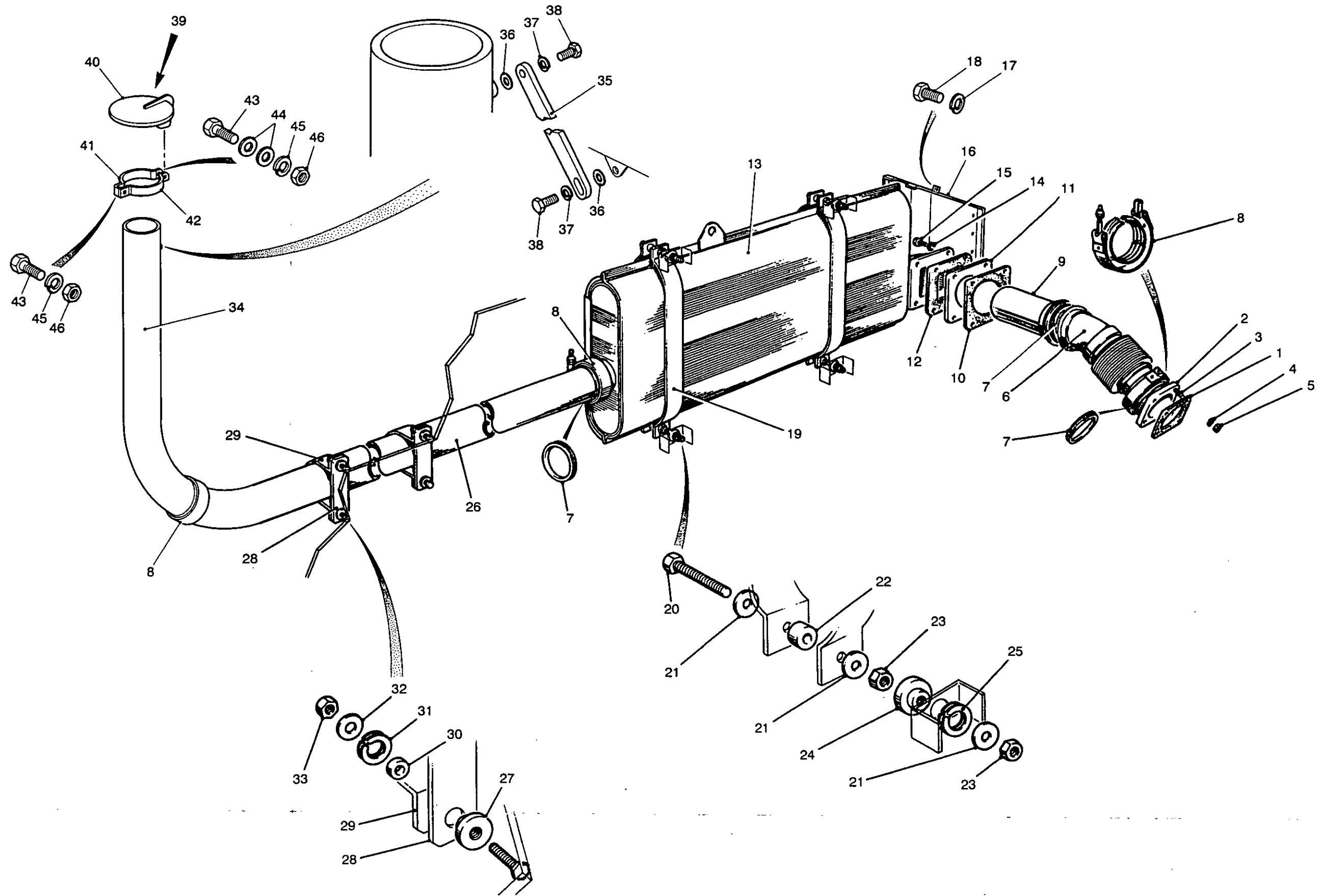


Fig 1 Exhaust system general arrangement

Fig Item	Man Code Navy - N Army - A RAF - R	NATO Stock No	Item Name and Description	Part No/ Drawing No.	No. Off	Annotations
1-			EXHAUST SYSTEM GENERAL ARRANGEMENT - contd			
26	A	9ACR	2990-99-802-6454	. PIPE, EXHAUST, steel, rigid flange both ends, 3-7/8in. bore dia, 9ft 2-1/2in. lg	FV602795	1
27	A	9ACR	5310-99-867-4682	. NUT, ROUND	FV560065	4
28		NP	. BACK, PLATE, clip	FV586021	2	
29	A	9ACR	5340-99-867-4686	. STRAP, RETAINING, exhaust pipe	FV586020	2
30	A	9ACR	5365-99-867-4683	. SPACER, SLEEVE, br, 1/4in. lg, 3/4in. od, 17/32in. id	FV560066	4
31		NP	. WASHER, LOCK, M20, Zn plated, split double helical ring	7532200010 0159	4	
32	A	9ACR	5310-99-865-6146	. WASHER, FLAT, steel, phos, 1.125 x 0.51 x 0.08in. thk	FV434749	4
33	A	G1	5310-99-100-9641	. NUT, PLAIN, HEXAGON, cres, UNF, 1/2in. dia, 3/4in. w A/F, 0.437in. h, chamfered bearing surface		4
34	A	9ACR	2990-99-802-6453	. PIPE, EXHAUST, steel, rigid frame one end, 3-7/8in. dia bore, 27in. lg	FV602794	1
35		NP	. SUPPORT, STRUT, STACK PIPE	FV586149	1	
36		NP	. WASHER, FLAT, 3/8in. dia x 15 swg	7030006009 5900	2	
37	A	G1	5310-99-138-6859	. WASHER, LOCK, steel, Zn plated, split helical ring, 3/8in. bolt size, 11/16in. od, 3/32in. thk		2
38	A	G1	5305-99-941-0711	. SCREW, MACHINE, UNC, stainless steel, hex hd, Zn plated, class 2A thd, 3/8in. x 5/8in. lg		2
39	A	9ACR	2990-99-803-9582	. COVER, EXHAUST, hinged assy	FV611675	1
40	A	9ACR	2990-99-804-3358	. CAP ASSEMBLY, PROTECTIVE, MUFFLER - EXHAUST PIPE, Cd plated and painted, circular lid w/hinge	FV611676	1
41	A	9ACR	5340-99-804-3336	. STRAP, RETAINING, steel, single, 1.9in. h from base, 4in. dia grip, 5.85in. o/a lg, 3/4in. o/a w, 0.104in. thk, phosphate coated	FV611048	1
42	A	9ACR	5340-99-804-3337	. STRAP, RETAINING, steel, single, 1.9in. h from base, 4in. dia grip, 5.9in. o/a lg, 3/4in. o/a w, 0.104in. thk, phosphate coated	FV611049	1
43	A	G1	5305-99-941-0513	. SCREW, MACHINE, UNF, steel, Zn plated, hex hd, 1/4in. dia, 3/4in. lg		2
44	A	9ACR	5365-99-804-3330	. SPACER, SLEEVE, steel, 0.2in. o/a lg, 0.49in. od, 0.2713in. id		1
45	A	G1	5310-99-941-6644	. WASHER, LOCK, steel, Cd plated, split helical ring, 17/64in. id, 17/32in. od, 1/16in. thk		2
46	A	G1	5310-99-804-7941	. NUT, PLAIN, HEXAGON, UNF, 1/4in. dia - 28, class 2B rh thd, steel, Zn plated, 7/16in. w A/F, 7/32in. o/a h, finished chamfered		2

Chapter 2-10

PARTS LIST

SEATS GENERAL ARRANGEMENT

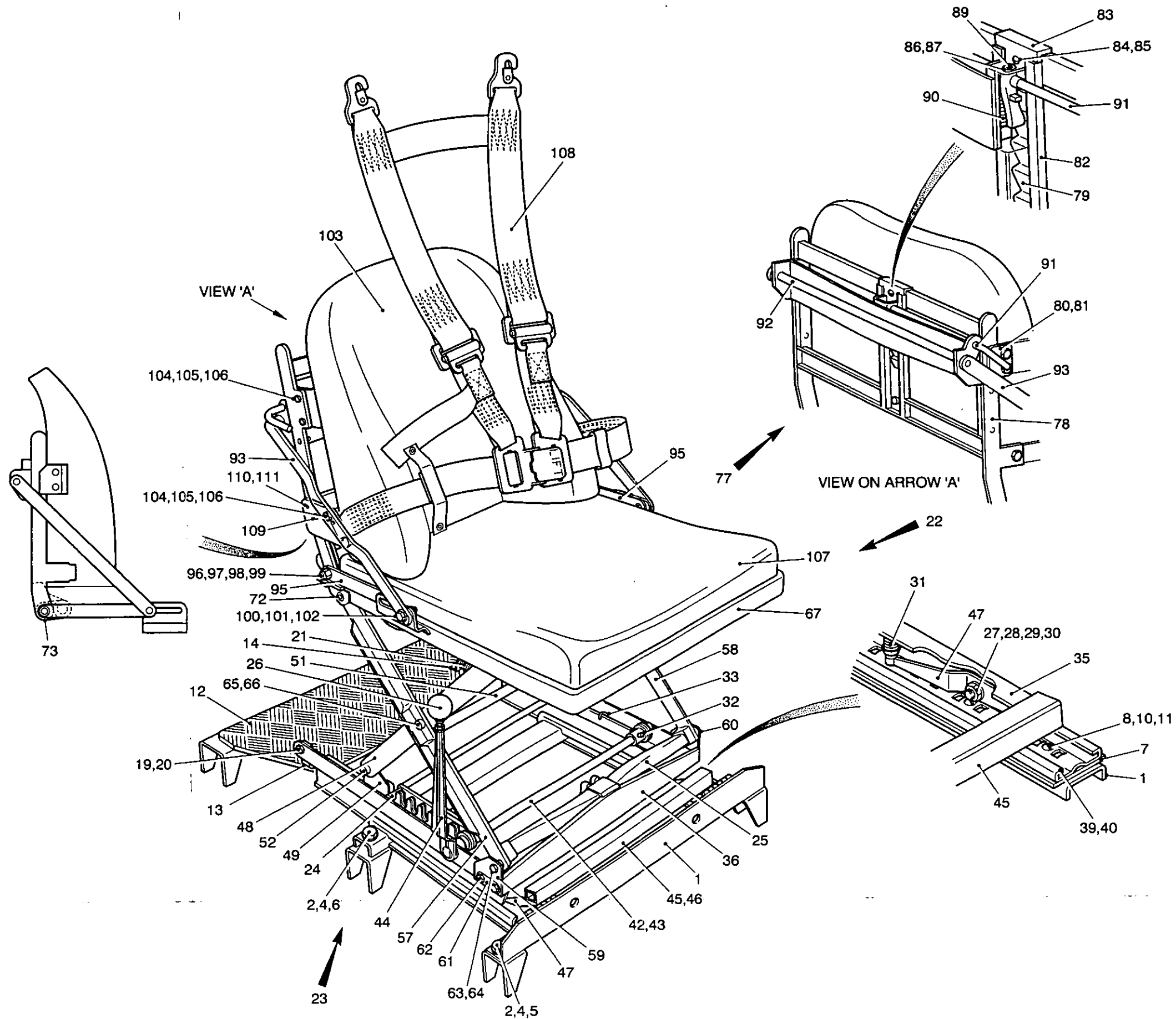


Fig 1 Drivers seat general arrangement

Fig Item	Man Code Navy - N Army - A RAF - R	NATO Stock No	Item Name and Description	Part No/ Drawing No.	No. Off	Annotations
1-		NP NP	SEATS GENERAL ARRANGEMENT . DRIVERS SEAT GENERAL ARRANGEMENT	FV421541 FV500186	REF REF	
1	A 9ACR	2540-99-866-9206 <i>254099 7657880</i>	. . SUPPORT, SEAT, VEHICULAR, painted, 18.3in. lg, rect basic shape, welded construction	FV500187 <i>FV951977</i>	1	1 <i>SEAT</i>
2		NP	. . WASHER, PLAIN, 3/8in. dia, 15 SWG	7030006009 1000	2	u/w rh fixings
NI 3		NP	. . WASHER	FV299995	2	u/w lh fixings
4	A G1	5310-99-941-6656	. . WASHER, LOCK, steel, split helical ring, 3/8in. bolt size, 0.092in. thk, 0.59in. od, single coil, sq section		4	
5	A G1	5305-99-941-0539	. . SCREW, MACHINE, UNF, 3/8in. -24, class 2A thd, 3/4in. lg steel, Zn plated, hex hd		2	
6	A G1	5306-99-941-6598	. . BOLT, MACHINE, UNF, 3/8in. thd dia, class 2A thd, 1-1/2in. fastener lg, 1in. thd lg, steel, Zn plated, hex hd		2	
7	A 9ACR	2540-99-660-5735	. . SUPPORT	FV500192	2	
8	A G1	5305-99-941-1751	. . SCREW, MACHINE, UNF, steel, Zn plated, flat csk hd, slot drive, 1/4in. x 7/8in. lg, class 2A thd		6	
NI 9	A G1	5305-99-941-1750	. . SCREW, MACHINE, UNF, steel, Zn plated, class 2A thd, 1/4in, 0.597in. thd lg, 3/4in. fastener lg, flat csk hd, slot drive		2	
10	A G1	5310-99-941-6654	. . WASHER, LOCK, steel, split helical ring, 1/4in. bolt size, 27/64in. thk		8	
11	A G1	5310-99-804-7941	. . NUT, PLAIN, HEXAGON, UNF, 1/4in. dia -28, class 2B thd, steel, Zn plated, 7/16in. w A/F, 7/32in. h, finished chamfered		8	
12	A 9ACR	2540-99-877-1596	. . FOOT REST, VEHICULAR, Al alloy, 18in. lg, 9in. w, 3/16in. base thk, w/5 plain holes 9/32in. dia	FV500195	1	
13	A 9ACR	5340-99-376-2380	. . BRACKET, ANGLE, steel, painted, angled, 1.75in. 1st leg lg, 2.225in. 2nd leg lg, 0.16in. bolt legs thk, 1in. w both legs, 2 slotted holes 2nd leg, one hole 1st leg	FV485392	2	
14	A 9ACR	2540-99-304-1227	. . BRACKET, SPRING, steel, 0.8in. lg, 0.5in. h, 90 deg angle, 2 holes	FV485394	1	
NI 15	A G1	5305-99-941-0513	. . SCREW, MACHINE, UNF, steel, Zn plated, hex hd, 1/4in. dia x 3/4in. lg		5	} Securing items 13 and 14
NI 16		NP	. . WASHER, PLAIN, 1/4in. id x 17 SWG		4	
NI 17	A G1	5310-99-941-6654	. . WASHER, LOCK, steel, split helical ring, 1/4in. bolt size, 27/64in. od, 5/64in. thk		5	
NI 18	A G1	5310-99-804-7941	. . NUT, PLAIN, HEXAGON, UNF, 1/4in. dia -28, class 2B thd, steel, Zn plated, 7/16in. w A/F, 7/32in. h, finished chamfered		5	
19	A G1	5305-99-941-0525	. . SCREW, MACHINE, UNF, stainless steel, Zn plated, hex hd, 5/16in. dia x 3/4in. lg, class 2A thd		2	

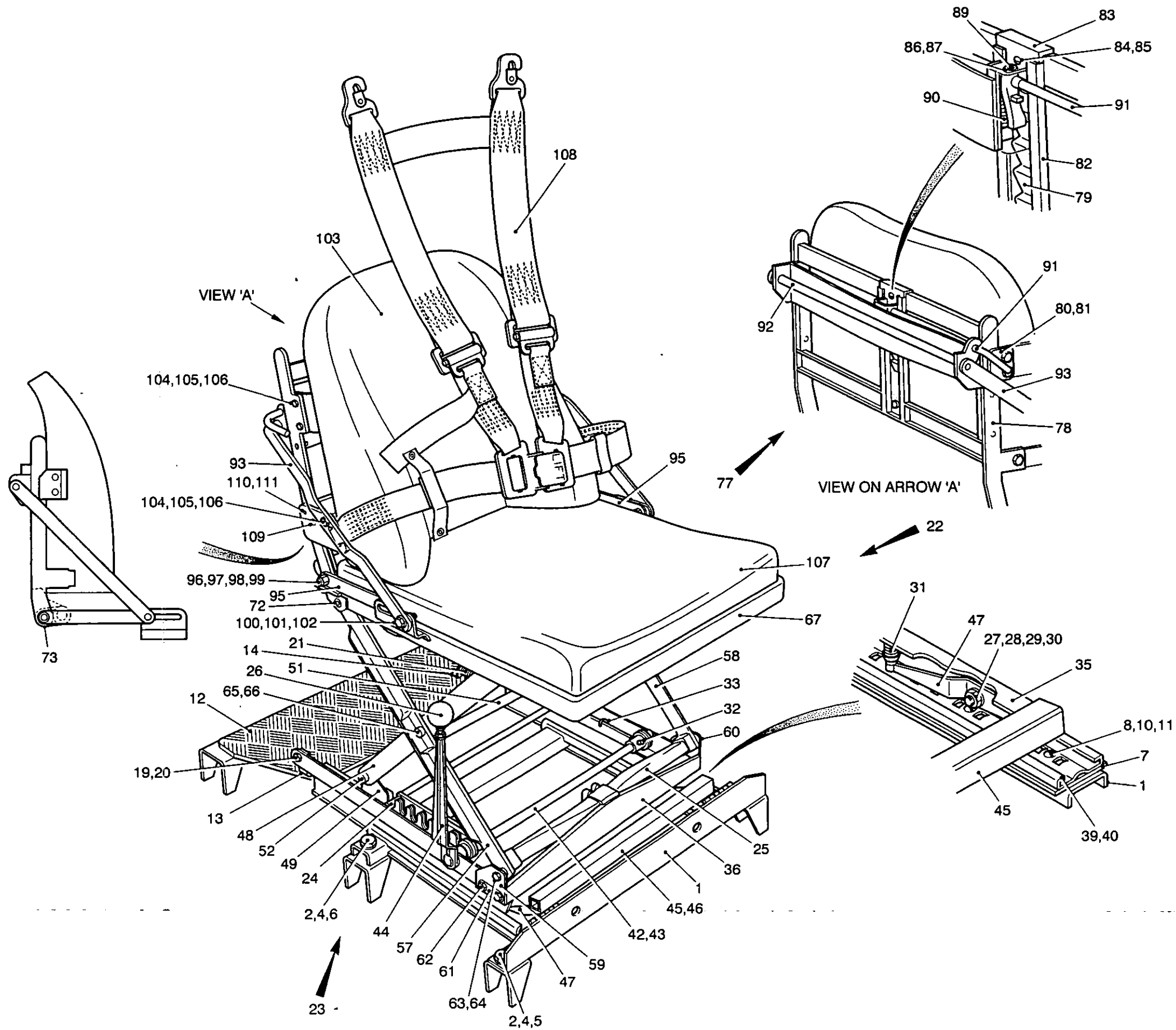


Fig 1 Drivers seat general arrangement

Fig Item	Man Code Navy - N Army - A RAF - R	NATO Stock No	Item Name and Description	Part No/ Drawing No.	No. Off	Annotations
1-			SEATS GENERAL ARRANGEMENT - contd . DRIVERS SEAT GENERAL ARRANGEMENT - contd			
20		NP	. . NUT, HEXAGON, high, prevailing torque, 5/16in. - 24 UNF	7024105001 1000	2	
21	A	9ACR	. . SPRING, HELICAL, EXTENSION	FV480133	1	
22	A	46MT13	. . SEAT, INDIVIDUAL, drivers, adjustable type, c/w backrest	FV951977	1	←
23		NP	. . . FLOOR FRAME ASSEMBLY	FV951864	1	
24	A	9ACR CATCH LEVER ASSEMBLY, INDIVIDUAL SEAT, 2 levers and locating bar WA, 378in lg, Zn plated	FV952033	1	
25	A	9ACR TORSION BAR, steel, Zn plated, 19mm w, 20 SWG, 380mm lg	FV951867	20	
26	A	6MT1 KNOB, screw on, ball, 38in. dia, plastic body, Al insert, M8 x 1.25mm insert int thd	353	1	
27	A	G1 SCREW, CAP, HEXAGON HEAD, ISO M, 6 x 1mm thd, 18mm thd lg, 35mm fastener lg, class 6G, steel, Zn plated, hex hd, grade 8.8		2	
28		NP DISTANCE TUBE	FV952190	2	
29	A	G1 WASHER, LOCK, steel, Zn plated, split helical ring, 6.3mm id, 1.5mm thk, 9.2mm id		2	
30	A	G1 NUT, PLAIN, HEXAGON, M6 x 1mm, class 6H, steel, Zn plated, 10mm w A/F, 5mm h, chamfered bearing surface, grade 8		2	
31	A	9GWR SPRING, HELICAL COMPRESSION, steel, Zn plated w/chromate, 26.7mm free lg, 22.5mm free od, 7 active coils	FV952206	2	
32	A	G1 PIN, SPRING, steel, Cd plated, 20.5mm lg, 3mm dia	3X20MBS	2	
33	A	9GWR SPRING, HELICAL, TORSION, steel, single torsion type, 31.32mm od, LH helix	FV951958	1	
NI 34	A	9GWR SPRING, HELICAL, TORSION, steel, single torsion type, 31.32mm od, RH helix	FV951957	1	
35		NP FLOOR FRAME WA	FV951850	1	
36	A	46MT13 CROSS MEMBER, FRONT, sub assy, seat floor frame	FV952100	1	
NI 37	A	46MT13 SLIDE, INDIVIDUAL SEAT, rail slide, steel, 2mm thk, 23mm w, 318mm lg	FV951857	2	
NI 38	A	46MT13 SLIDE, INDIVIDUAL SEAT, steel, 36mm w, 432mm lg, 30mm deep, seat slide	FV951858	2	
39		NP FLOOR RAIL ASSEMBLY	FV951885	2	
40	A	46MT13 RAIL, FLOOR, steel, 40mm w, 9mm thk, 406mm lg, 6.76mm dia	FV951886	1	
NI 41		NP STOP	FV951887	1	
42		NP LEVER, VERTICAL ADJUSTMENT ASSEMBLY	FV952038	1	

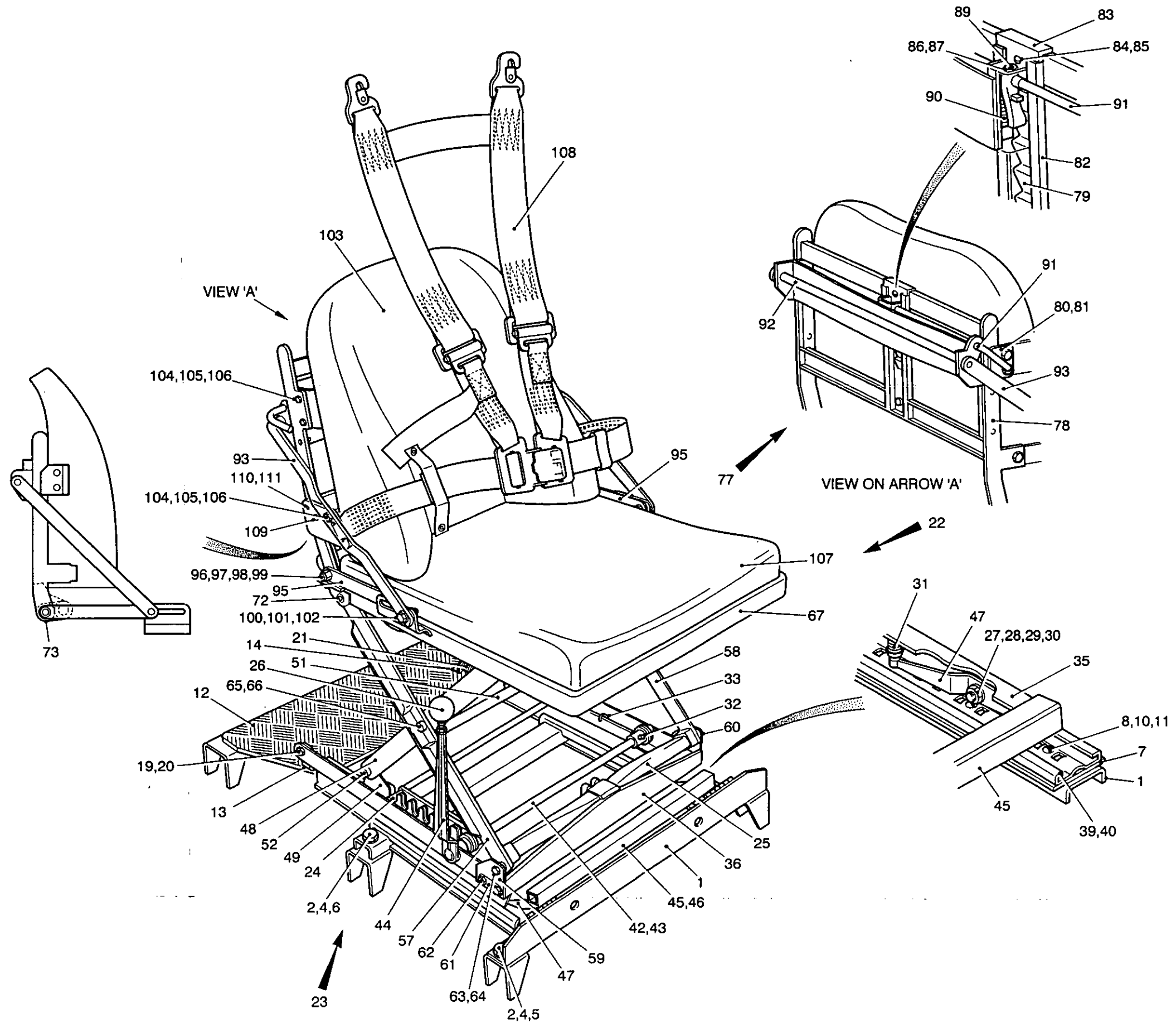


Fig 1 Drivers seat general arrangement

430/70183

Fig Item	Man Code Navy - N Army - A RAF - R	NATO Stock No	Item Name and Description	Part No/ Drawing No.	No. Off	Annotations	
1-			SEATS GENERAL ARRANGEMENT - contd . DRIVERS SEAT GENERAL ARRANGEMENT - contd . . . SEAT, INDIVIDUAL - contd FLOOR, FRAME ASSEMBLY - contd LEVER, VERTICAL ADJUSTMENT ASSY - contd				
43	A	46MT13	5340-99-732-1091 ROD, STRAIGHT, HEADLESS, steel, 423mm lg, 12mm od	FV952039	1	
44	A	46MT13	2540-99-732-1090 LEVER, CONTROL, HAND, c/w boss 1st end and thd 2nd end, WA	FV952035	1	
45		NP FORWARD ADJUSTMENT LEVER ASSEMBLY	FV951952	1		
46	A	46MT13	2540-99-732-1095 LEVER, CROSS MEMBER, fwd adjustment, steel, 19mm w, 19mm h, 389mm lg	FV951954	1	
47	A	46MT13	2540-99-732-1094 LEVER ASSEMBLY, steel, WA, 5mm thk, 22mm w, 185mm lg, c/w boss	FV952188	2	
48		NP INNER CROSS LEVER ASSEMBLY	FV951873	1		
49	A	46MT13	2540-99-732-1101 SEAT ANCHOR, SLIDING ASSEMBLY, RH, steel, Zn plated, 44.5mm h, 7.64mm thk, 203mm lg	FV951876	1	
NI 50	A	46MT13	2540-99-732-1100 SEAT ANCHOR, SLIDING ASSEMBLY, LH, steel, Zn plated, 44.5mm h, 7.64mm thk, 203mm lg	FV951875	1	
51	A	9ACR	2540-99-593-1863 TUBE, PIVOT	FV951874	1	
52	A	9ACR	5315-99-732-1104 PIN, STRAIGHT, HEADED, steel, Zn plated w/chromate, 1mm dia, 45mm under hd lg, flat chamfered hd	FV951879	1	
NI 53	A	V5	5315-99-624-7029 PIN. SPRING, steel, Cd plated, 16mm lg, 3mm dia	3X16MBS	2	Securing item 52
NI 54	A	46MT13	2540-99-732-1103 PLATE, ANCHOR SLIDE, RH, steel, Zn plated, 29.5mm h, 2.64mm thk, 60mm lg	FV951878	1	
NI 55	A	46MT13	2540-99-732-1102 PLATE, ANCHOR SLIDE, LH, steel, Zn plated, 29.5mm h, 2.64mm thk, 60mm lg	FV951877	1	
NI 56	A	9ACR	5320-99-753-0039 RIVET, TUBULAR, 8mm dia shank, steel, Zn plated, 13.5mm fastener lg, tinnrs hd, 16.5mm h, tubular shank	FV951978	2	Securing items 54 and 55
57	A	9ACR	2540-99-732-1118 CONNECTING LINK, RIGID, RH, Zn plated, 32mm w, 406mm lg	FV952080	1	
58	A	9ACR	2540-99-732-1117 CONNECTING LINE, RIGID, LH, Zn plated, 32mm w, 406mm lg	FV952079	1	
59	A	9ACR	2540-99-732-1106 BRACKET ASSEMBLY, HINGE, rh, front, steel, Zn plated, 58mm h, 11mm thk, 52mm lg	FV952048	1	
60	A	9ACR	2540-99-732-1105 BRACKET ASSEMBLY, HINGE, lh, front, steel, Zn plated, 58mm h, 11mm thk, 52mm lg	FV952047	1	
61		NP LOCKING PLATE	FV951960	2		

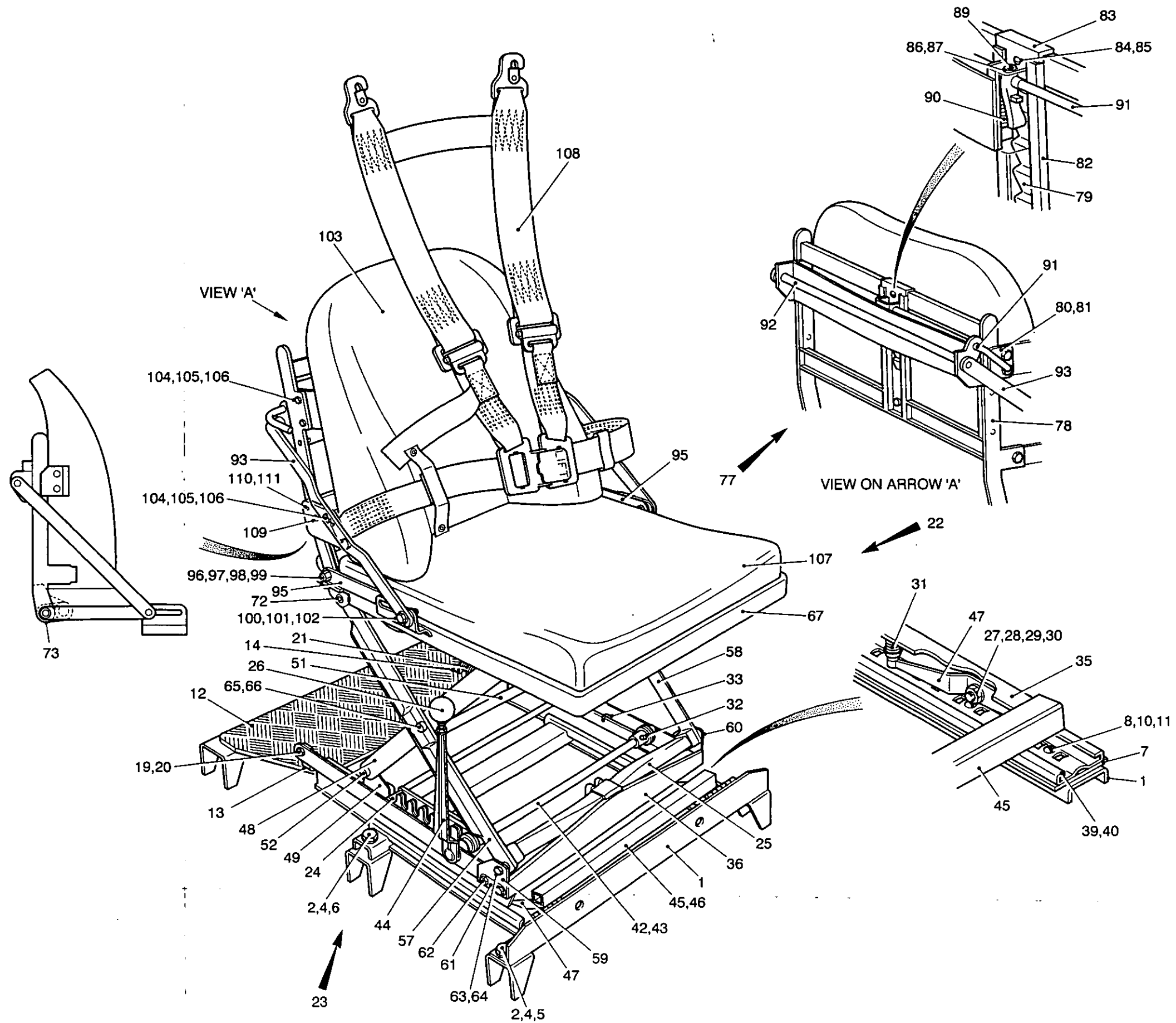


Fig 1 Drivers seat general arrangement

430/70183

Fig Item	Man Code Navy - N Army - A RAF - R	NATO Stock No	Item Name and Description	Part No/ Drawing No.	No. Off	Annotations
1-			SEATS GENERAL ARRANGEMENT - contd . DRIVERS SEAT GENERAL ARRANGEMENT - contd . SEAT, INDIVIDUAL - contd			
62	A G1	5305-99-122-5365	. . . SCREW, CAP, HEXAGON HEAD, ISO M, 8 x 1.25, steel, Zn plated, class 6G, 16mm thd and fastener lg, hex hd, grade 8.8		4	
63	A G1	5310-99-122-6475	. . . WASHER, FLAT, steel, Zn plated, rd, 17mm od, M8 bolt size, 1.6mm thk		2	
64		NP	. . . NUT, HEXAGON, high, prevailing torque, M8	7524080208 0149	2	
65	A 9ACR	2540-99-324-9887	. . . SHAFT, PIVOT	FV951972	1	
66	A 9ACR	5310-99-139-4598	. . . PUSH ON NUT, steel, 25mm dia, 12mm id, 0.016 matl thk	6713	2	
67	A 9ACR	2540-99-732-1121	. . . FRAME, SEAT, VEHICULAR, WA, steel, Zn plated, 402mm w, 25mm h, 465mm lg	FV952089	1	
NI 68	A 46MT13	2540-99-732-1123	. . . SLIDE, INDIVIDUAL SEAT, steel, 22mm h, 9.5mm w, 165mm lg	FV952097	2	
NI 69	A 6MT13	5340-99-732-1122	. . . HANDLE, BOW, steel, 12.7mm dia, 130mm h, 254mm lg	FV952096	1	
NI 70	A 9ACR	5310-99-732-1126	. . . NUT, PLAIN, SQUARE, ISO M, Zn plated, M6 x 1mm pitch, 18mm sq, 6mm h	FV951961	2	Limit stop
NI 71	A G1	5305-99-122-5289	. . . SCREW, MACHINE, 6mm thd, 9.15mm thd lg, 12mm fastener lg, flat csk hd, grade 4.8		2	Securing item 70
72	A 9ACR	5320-99-753-0039	. . . RIVET, TUBULAR, steel, Zn plated, tinnrs hd, 8mm dia shank, 13.5mm fastener lg, 2.5mm hd h, 16.5mm hd dia, tubular shank	FV951978	2	
73	A 46MT13	2540-99-732-1120	. . . RATCHET PLATE, WA, RH, steel, Zn plated, c/w pivot pin	FV952086	1	
NI 74	A 9ACR	2540-99-732-1119	. . . RATCHET PLATE, WA, LH, steel, Zn plated, c/w pivot pin	FV952085	1	
NI 75	A 9ACR	2540-99-326-7966	. . . TUBE, CROSS	FV951976	1	u/w items 73 and 74
NI 76	A V5	5315-99-624-7029	. . . PIN, SPRING, steel, Cd plated, 16mm lg, 3mm dia	3X16MBS	2	Securing item 75
77	A 9ACR	2540-99-665-6396	. . . PLATE ASSEMBLY, SEAT, back and carrier	FV952063	1	
78	A 46MT13	2540-99-732-1107	. . . SUPPORT ASSEMBLY, SEAT BACK, WA, Zn plated	FV952055	1	
79	A 46MT13	2540-99-732-1108	. . . PLATE, SEAT BACK ADJUSTER steel, 12mm w, 41mm h, 200mm lg	FV952062	1	
80	A 46MT12	2540-99-732-1109	. . . PLATE ASSEMBLY, CARRIER SEAT BACK, Zn plated, 50mm w, 3mm thk, 414mm lg	FV952064	1	
81	A 46MT13	2540-99-732-1110	. . . PLATE, CARRIER, SEAT BACK, steel, Zn plated, 50mm w, 3mm thk, 414mm lg	FV952066	1	
82	A 46MT13	2540-99-732-1111	. . . SLIDE, LOCKING BAR, steel, 36mm w, 1.5mm thk, 68mm lg	FV952067	1	

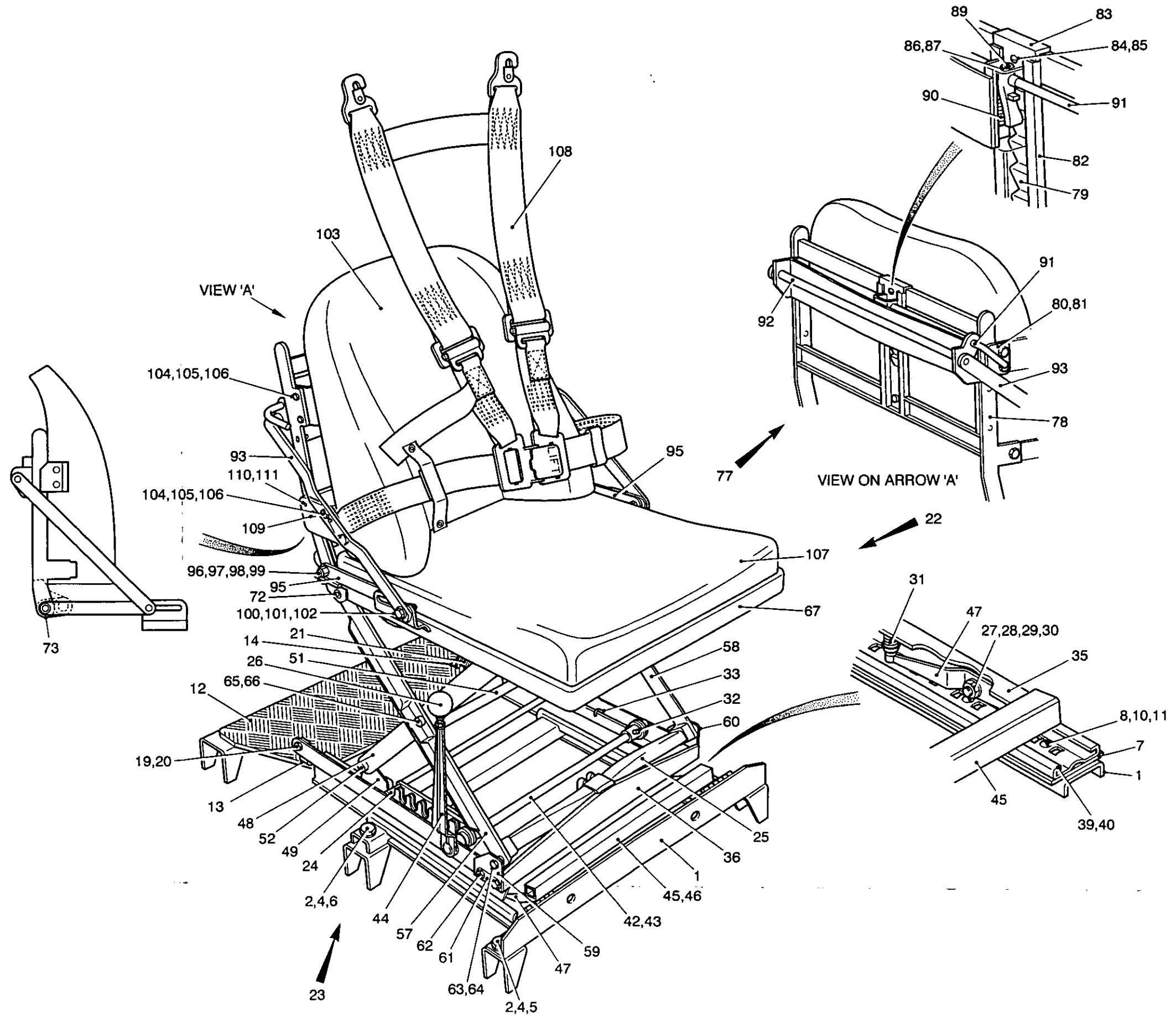


Fig 1 Drivers seat general arrangement

Fig Item	Man Code Navy - N Army - A RAF - R	NATO Stock No	Item Name and Description	Part No/ Drawing No.	No. Off	Annotations
1-			SEATS GENERAL ARRANGEMENT - contd . DRIVERS SEAT GENERAL ARRANGEMENT - contd . . SEAT, INDIVIDUAL - contd . . . PLATE ASSEMBLY, SEAT BACK - contd			
83	A	46MT13	2540-99-732-1115 BRACKET, STOP, steel, Zn plated, 14mm w, 25mm h, 3mm thk, 38mm lg	FV951968	1	
84	A	G1	5305-99-122-5290 SCREW, MACHINE, 6mm dia, 13.5mm thd lg, 16mm fastener lg, flat csk hd, grade 4.8		1	
85	A	G1	5310-99-122-5495 NUT, SELF-LOCKING, HEXAGON, ISO M, 6mm dia x 1mm pitch thd, steel, Zn plated, 10mm w A/F, 7.8mm h, w/nylon locking insert, strength grade 8		1	
86	A	46MT13	2540-99-732-1112 . . . LEVER, TRIGGER ASSEMBLY, steel, Zn plated, 12mm w, 12mm h, 51mm lg, c/w pin	FV952040	1	
87	A	46MT13	2540-99-732-1113 LEVER, TRIGGER, steel, Zn plated, 12mm w, 12mm h, 51mm lg	FV952041	1	
NI 88	A	46MT13	5315-99-732-1114 PIN, STRAIGHT, HEADLESS, steel, 24.5mm lg, 6mm dia	FV952042	1	End stop
89	A	G1	5305-99-950-3869 . . . SCREW, GRUB, ISO M, 6mm x 1mm pitch, class 5G6G thd, 10mm fastener lg, steel, Zn plated w/chromate, socket drive		1	
90	A	9GWR	5360-99-794-0403 . . . SPRING, HELICAL, COMPRESSION, steel, Zn plated w/chromate finish, 19.5mm free lg, 18mm free od, 5 active coils	FV952075	1	
91	A	9ACR	2540-99-753-0018 . . . HANDLE, steel, Zn plated and passivated, L shape, 8mm dia, 1st leg 273mm lg, 2nd leg 56mm lg, w/ dimple in 1st leg	FV2200712	1	
92		NP	. . . ROD	FV952074	1	
93		NP	. . . SIDE LINK ASSEMBLY	FV952065	2	
NI 94	A	G1	5315-99-751-3202 . . . PIN, SPRING, steel, Cd plated, 20.5mm lg, 3mm dia	3X20MBS	2	
95	A	9ACR	3040-99-856-3675 . . . CONNECTING LINK, RIGID	FV951974	2	
96	A	G1	5305-99-135-0270 . . . SCREW, MACHINE, ISO M, 8 x 1.25, 21.2mm thd lg, 25mm fastener lg, steel, Zn plated		2	
97	A	9ACR	5365-99-497-2220 . . . SPACER, SLEEVE	FV951991	2	
98	A	G1	5310-99-122-6475 . . . WASHER, FLAT, steel, Zn plated, rd, 17mm od, M8 bolt size, 1.6mm thk		2	
99		NP	. . . NUT, HEXAGONAL, high, prevailing torque, M8	7524080208 0149	2	
100	A	9ACR	5306-99-732-1125 . . . BOLT, SHOULDER, ISO M, 6mm x 1mm pitch, 14mm thd lg, 26.5mm fastener lg, steel, Zn plated, 8mm dia shoulder, 12.5mm shoulder lg	FV951973	2	
101	A	7RU	5310-99-122-6474 . . . WASHER, FLAT, steel, Zn plated, 12.5mm od, 6.5mm id, 1.6mm thk		2	
102		NP	. . . NUT, HEXAGONAL, prevailing torque, M6, Zn plated		2	

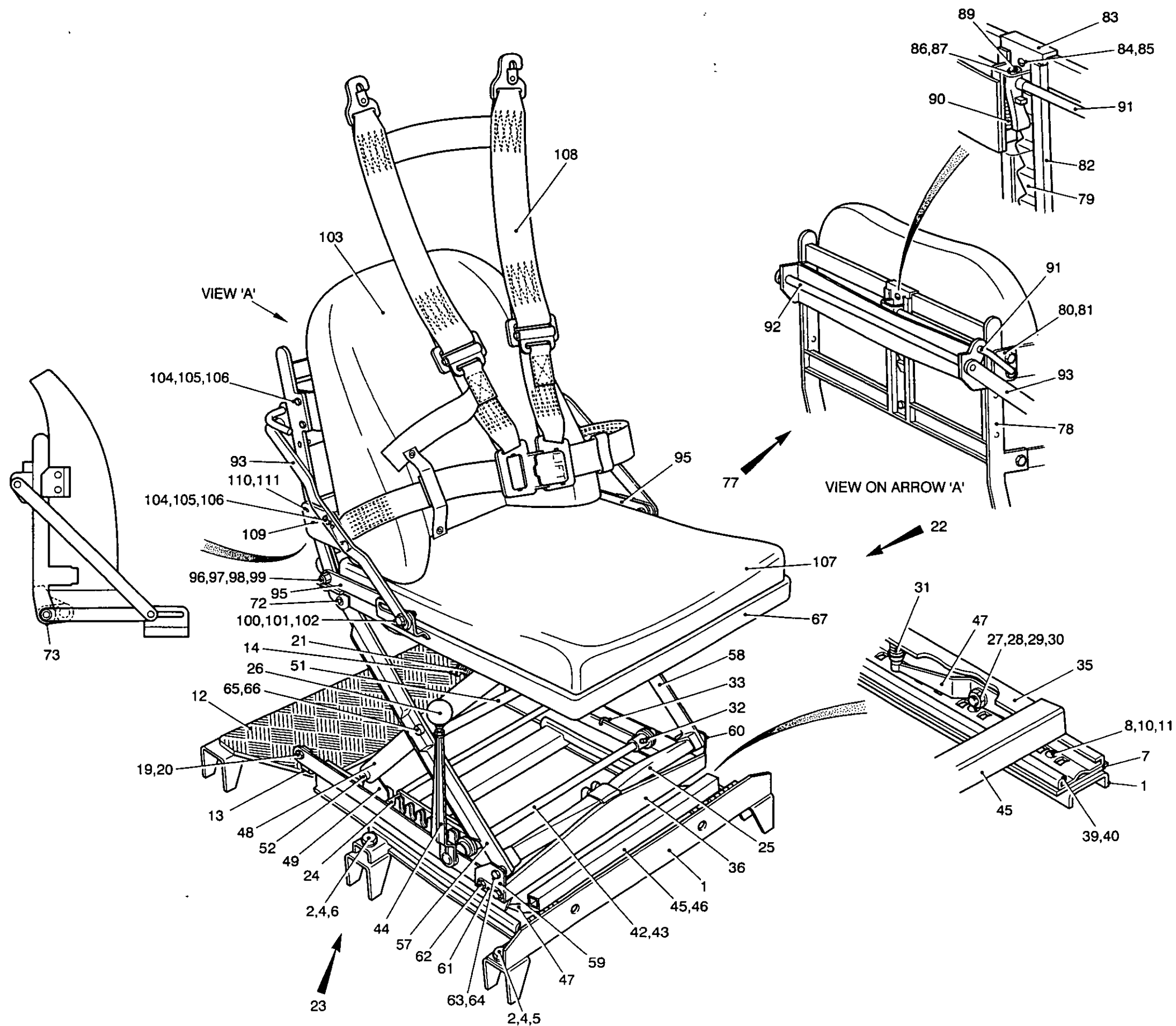


Fig 1 Drivers seat general arrangement

430/70183

Fig Item	Man Code Navy - N Army - A RAF - R	NATO Stock No	Item Name and Description	Part No/ Drawing No.	No. Off	Annotations
1-			SEATS GENERAL ARRANGEMENT - contd . DRIVERS SEAT GENERAL ARRANGEMENT - contd . SEAT, INDIVIDUAL - contd			
103	A 9GWR	2540-99-794-0405	. . . CUSHION, SEAT BACK, VEHICULAR, fire resistant neoprene, deep bronze green, 359mm h, 419mm w, 108mm thk	FV951892	1	
104	A G1	5305-99-122-5361	. . . SCREW, CAP, HEXAGON HEAD, ISO M, steel, Zn plated w/chromate, hex hd, 6mm thd dia, 20mm lg, grade 8.8		6	
105	A 7RU	5310-99-122-6474	. . . WASHER, FLAT, steel, Zn plated, 12.5mm od, 6.5mm id, 1.6mm thk		6	
106		NP	. . . NUT, HEXAGONAL, prevailing torque, M6, Zn plated		6	
107	A 9GWR	2540-99-794-0404	. . . CUSHION, SEAT, VEHICULAR, fire resistant neoprene, deep bronze green, 127mm x 381mm x 448mm	FV951965	1	
108	A 9ACR	4240-99-867-0218	. . HARNESS, DRIVERS SAFETY, comprises 2 shoulder straps, LH and RH lap straps and various other components	FV559809	1	
109	A G1	5305-99-941-0279	. . SCREW, MACHINE, UNF, steel, Zn plated, hex hd, 1/4in. dia, 7/8in. lg		2	
110	A G1	5305-99-941-1749	. . SCREW, MACHINE, UNF, steel, Zn plated, flat csk hd, slot drive, 1/4in. dia x 5/8in. lg, class 2A thd		2	
111		NP	. . NUT, HEXAGONAL, normal, prevailing torque, 1/4in. -28 UNF	7024104002 1000	2	

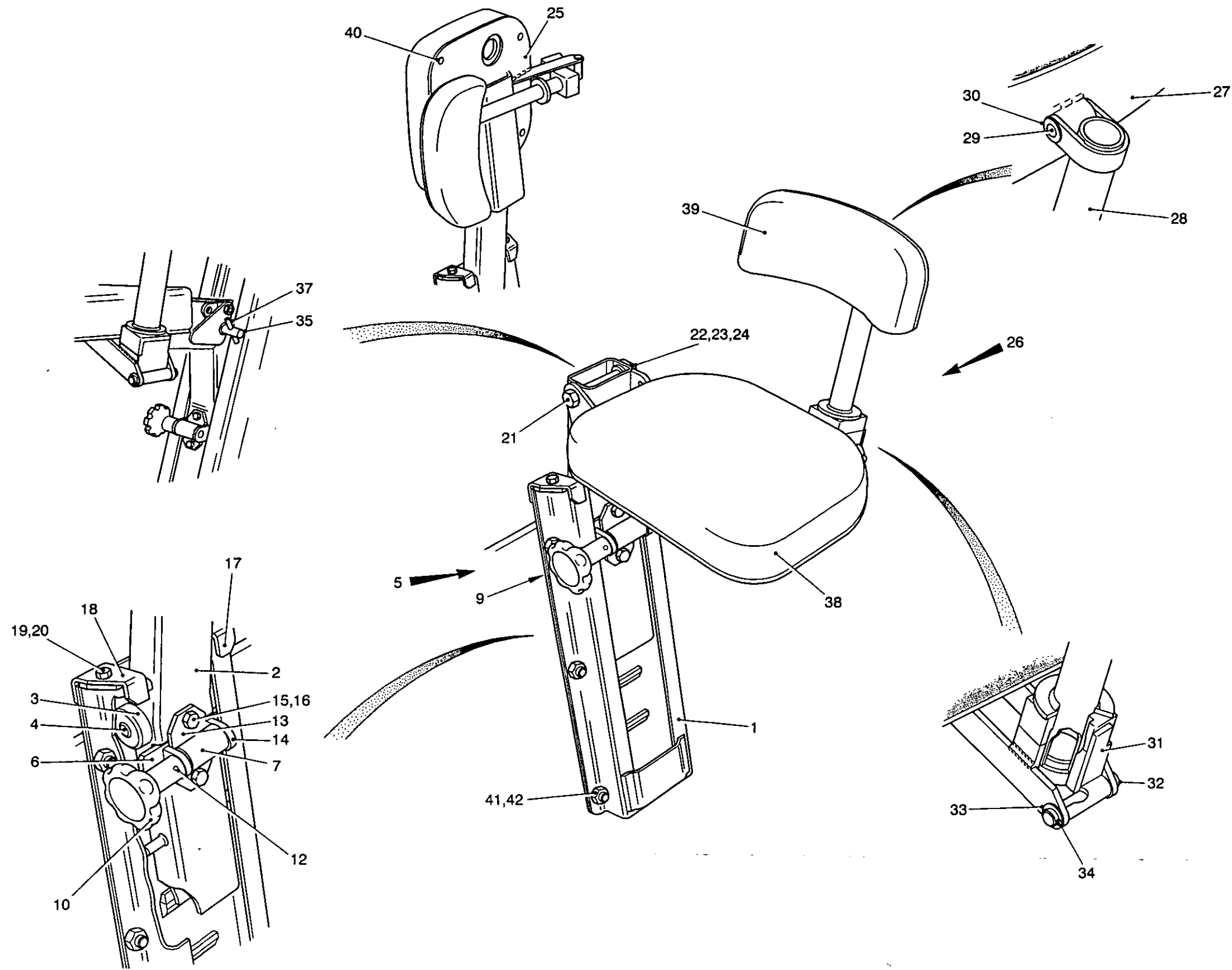


Fig 2 Commanders seat general arrangement

Fig Item	Man Code Navy - N Army - A RAF - R	NATO Stock No	Item Name and Description	Part No/ Drawing No.	No. Off	Annotations
2-		NP	SEATS GA - contd COMMANDERS SEAT GENERAL ARRANGEMENT	FV525358	REF	
1	A	9ACR 2540-99-865-6781 TRACK, INDIVIDUAL SEAT ROLLER, commanders	FV525342	1	
2	A	9ACR 2540-99-865-6778 PILLAR, INDIVIDUAL SEAT, commanders	FV525323	1	
3	A	9ACR 2540-99-865-6768 ROLLER, INDIVIDUAL SEAT PILLAR, commanders	FV480182	2	
4	A	46MT1 3120-99-200-2447 BEARING, SLEEVE, bronze, plain, no outside flanges, solid, 5/8in. lg, 5/8in. od, 1/2in. id		1	
5	A	9ACR 2540-99-865-6782 CLAMP, SEAT PILLAR, commanders	FV525351	1	
6		NP BRACKET, double angle	FV525414	1	
7		NP CAM, CONTROL	FV480169	1	
NI 8		NP PIN, GROOVED, HEADLESS, 5/32in. dia x 1in. lg	532GP1	1	Securing item 7
9		NP CLAMP NUT ASSEMBLY	FV480165	1	
10	A	9ACR 2540-99-796-0370 NUT, CLAMP, br, 2.75in. lg, 2.5in. dia grip	FV480166	1	
NI 11		NP PIN, STRAIGHT, HEADLESS	FV480167	1	
12		NP PIN, GROOVED, HEADLESS, 5/32in. dia, 15/16in. lg	5321516	1	
13	A	9ACR 5365-99-865-6786 SHIM, steel, solid, rect, 3in. lg, 1.75in. w, 0.005in. thk, w/2 bolt holes 0.343in. dia, 2.25in. apart along length C/L	FV525383	A/R	
13(1)	A	9ACR 5365-99-865-6787 SHIM, steel, solid, rect, 3in. lg, 1.75in. w, 0.010in. thk, w/2 bolt holes 0.343in. dia, 2.25in. apart along length C/L	FV525384	A/R	
14	A	9ACR 2540-99-865-6766 PLATE, CONNECTING, PILLAR, commanders seat	FV480173	1	
15	A	G1 5310-99-944-0549 WASHER, LOCK, steel, Cd plated, split helical ring, 5/16in. bolt size, 0.503in. od, 0.08in. thk, single coil, sq section		2	
16	A	G1 5305-99-941-0525 SCREW, MACHINE, UNF, stainless steel, Zn plated, hex hd, 5/16in. x 3/4in. class 2A thd		2	
17	A	9ACR 2540-99-865-6784 STOP, INDIVIDUAL SEAT, commanders, RH	FV525357	1	
18	A	9ACR 2540-99-865-6783 STOP, INDIVIDUAL SEAT, commanders, LH	FV525356	1	
19	A	G1 5310-99-941-6654 WASHER, LOCK, steel, split helical ring, 1/4in. bolt size, 27/64in. od, 5/64in. thk		2	
20	A	G1 5305-99-941-6284 SCREW, MACHINE, UNF, steel, Zn plated, hex hd, 1/4in. dia, class 2A thd, 1/2in. lg		2	
21	A	9ACR 5306-99-865-6769 BOLT, MACHINE, UNF, steel, Zn plated w/chromate, hex hd, 4in. fastener lg, 1in. thd lg, 0.375in. thd dia, class 2A, 0.563in. w A/F, 0.24in. h	FV480183	1	
22		NP WASHER, PLAIN, 3/8in. dia, 15 SWG	7030006009 1000	1	
23	A	G1 5310-99-136-4295 NUT, PLAIN, SLOTTED, HEXAGON, UNF, steel, Zn plated w/chromate, chamfered or washer faced bearing surface, 3/8in. -24, 9/16in. w A/F, 21/64in. h, class 2B		1	

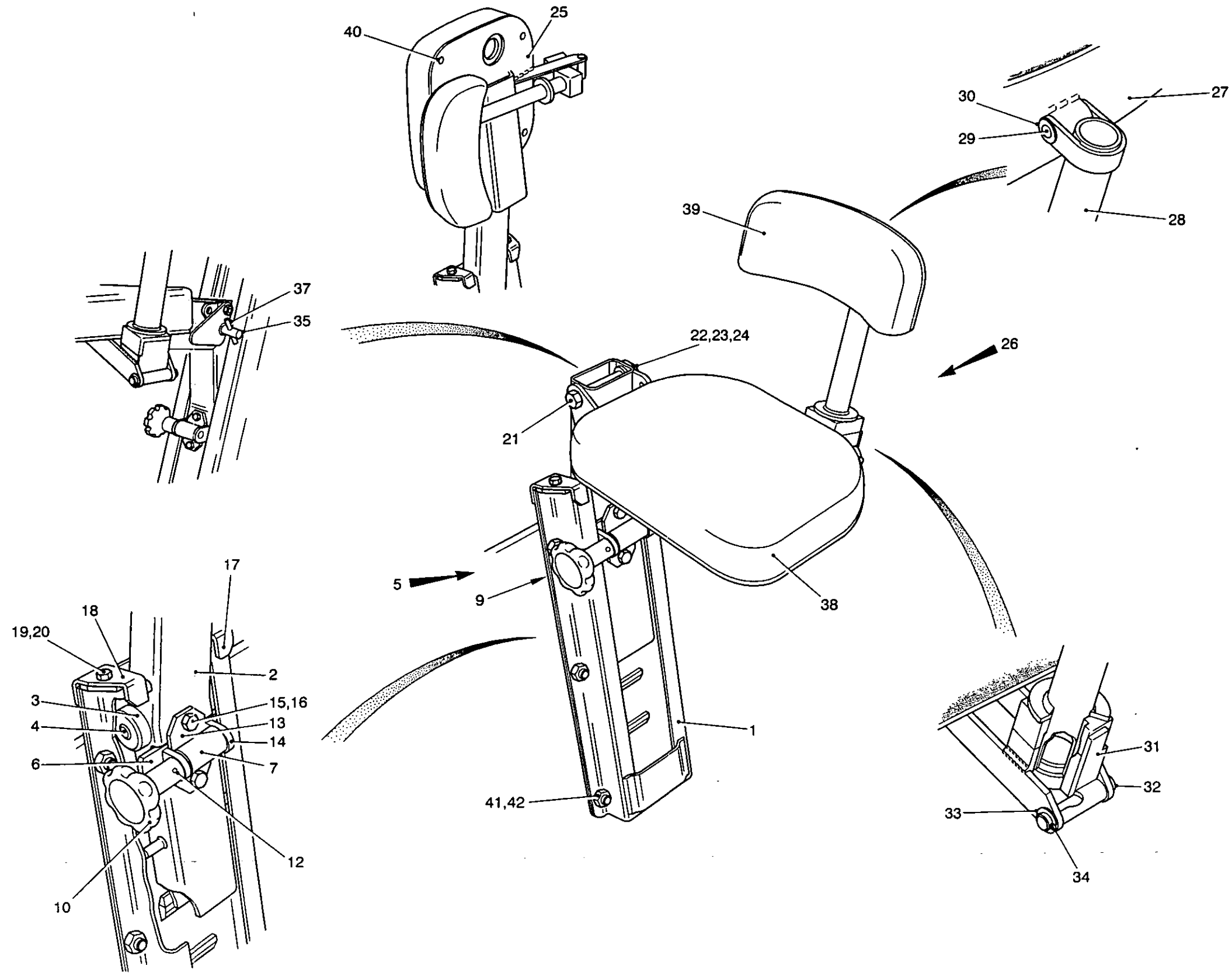


Fig 2 Commanders seat general arrangement

Fig Item	Man Code Navy - N Army - A RAF - R	NATO Stock No	Item Name and Description	Part No/ Drawing No.	No. Off	Annotations
2-			SEATS GA - contd COMMANDERS SEAT GENERAL ARRANGEMENT - contd			
24	A	G1	5315-99-138-2201 PIN, COTTER, SPLIT, steel, phosphate finish, 1.6in. dia, 25mm lg		1	
25	A	9ACR	2540-99-865-6780 TRAY, VEHICULAR, SEAT CUSHION, commanders	FV525337	1	
26	A	9ACR	2540-99-865-6779 CUSHION, SEAT BACK, VEHICULAR, commanders	FV525332	1	
27	A	9AHY	2540-99-824-0432 CUSHION, SEAT BACK, VEHICULAR, steel, painted, curved plate w/welded centre pivot block, 4 holes, 4in. w	FV480181	1	
28	A	9AHY	2540-99-824-0433 TUBE ASSEMBLY, BACKREST, SEAT, steel, painted, WA, tube w/U strap 1st end, flange ring and cross pin 2nd end	FV525325	1	
29	A	46MT1	5315-99-137-6398 PIN, STRAIGHT, HEADLESS, steel, 1-19/32in. lg, 1/4in. dia	FV480175	1	
30		NP WASHER, PLAIN, 1/4in. id, 17 SWG	7030004009 1000	2	
31	A	9ACR	2540-99-865-6785 BRACKET, INDIVIDUAL SEAT BACK- REST, commanders	FV525366	1	
32	A	9ACR	5315-99-865-6767 PIN, STRAIGHT, HEADLESS, steel, phosphate coated, 2.35in. lg, 0.312in. dia, both ends drilled, 0.078in. dia holes	FV480179	1	
33		NP WASHER, PLAIN, 5/16in. dia, 15 SWG	7030005009 1000	2	
34	A	G1	5315-99-944-0171 PIN, COTTER, SPLIT, steel, phosphated, std spring type, extended prong chisel point, 1/16in. dia, 5/8in. lg		2	
35	A	9ACR	5340-99-810-8013 PLUNGER, DETENT, steel, Cd plated, 0.375in. dia, 1.4in. lg, chamfered one end	FV586571	1	
NI 36	A	9ACR	5360-99-810-8014 SPRING, HELICAL, COMPRESSION, steel, Cd plated w/chromate, 1in. free lg, 0.375in. free od, 8-1/2 coils	FV586620	1	u/w item 35
37		NP PIN, HEADLESS, 5/32in. dia, 2in. lg	5322	1	
38	A	9ACR	2540-99-865-6764 CUSHION, SEAT, VEHICULAR, rubber padding, PVC leather cloth, wood frame, bronze green cover, 14in. lg, 10.5in. w, 2.5in. thk, commanders	FV422087	1	
39	A	9ACR	2540-99-865-6765 CUSHION, SEAT BACK, VEHICULAR, commanders	FV422088	1	
40		NP SCREW, WOOD, csk, No. 10 x 1/2in. lg steel	WS10x1/2c sk	10	Securing items 38 and 39
41	A	G1	5310-99-941-6656 WASHER, LOCK, steel, split helical ring, 3/8in. bolt size, 0.092in. thk, 0.59in. od, single coil, sq section		6	
42	A	G1	5310-99-941-0926 NUT, PLAIN, HEXAGON, UNF, steel, Zn plated, chamfered bearing surface, 3/8in. -24, 0.563in. w A/F, 0.333in. h, grade 3		6	

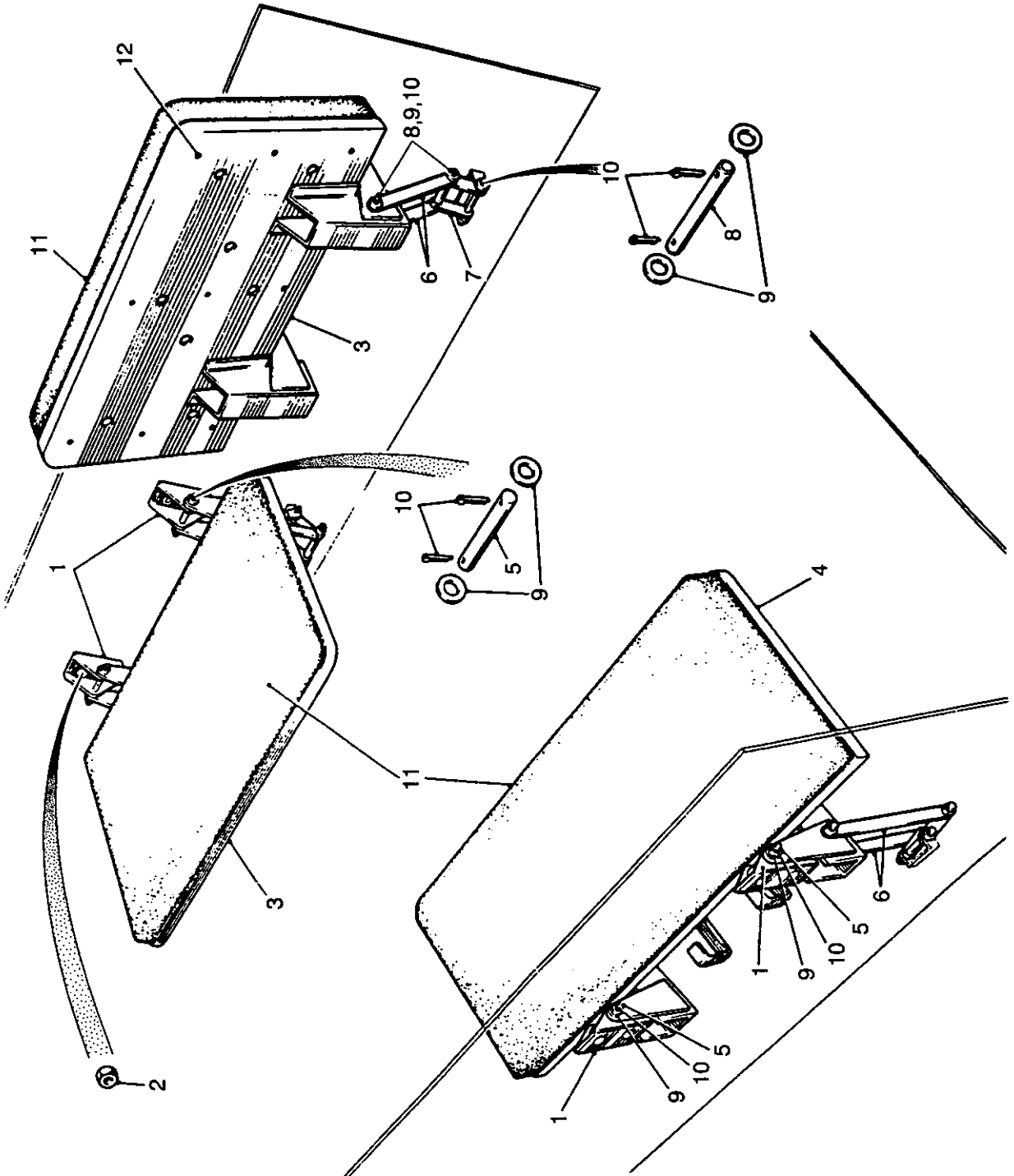


Fig 3 Personnel seats general arrangement

430/70090A

Fig Item	Man Code Navy - N Army - A RAF - R	NATO Stock No	Item Name and Description	Part No/ Drawing No.	No. Off	Annotations
3-		NP	SEATS GA - contd . PERSONNEL SEATS GENERAL ARRANGEMENT	FV480316	REF	
1	A 9ACR	5340-99-865-6771	. . BRACKET, DOUBLE ANGLE, steel, adjacent angles, both legs 1.5in. lg, 90 deg, 1.95in. centre section h, 3.5in. centre w, end radius and tapered	FV480258	12	
2	A 6MT4	5310-99-549-6027	. . NYLOC NUT, steel, Zn plated, 1/2in. UNF T type, nylon insert	7026208002 5900	24	
3	A 9ACR	2540-99-865-6770	. . TRAY, VEHICULAR SEAT CUSHION, personnel	FV480254	5	
4	A 9ACR	2540-99-865-6777	. . TRAY, BENCH SEAT, personnel, front LH	FV499360	1	
5	A 9ACR	5315-99-865-6773	. . PIN, STRAIGHT, HEADLESS, steel, phosphate coated, 2.8in. lg, 0.375in. dia, both ends drilled 0.07in. dia	FV480260	12	
6	A 9ACR	2540-99-865-6775	. . CONNECTING LINK, BENCH SEAT, long	FV485373	12	
7	A 9ACR	2540-99-865-6774	. . CONNECTING LINK, BENCH SEAT, short	FV485370	6	
8	A 9ACR	5315-99-865-6776	. . PIN, STRAIGHT, HEADLESS, steel, phosphate coated, 3.5in. lg, 0.375in. dia, hole each end 0.070in. dia	FV485375	18	
9		NP	. . WASHER, PLAIN, 3/8in. dia x 15 SWG	7030006009 1000	60	
10	A G1	5315-99-944-0171	. . PIN, COTTER, SPLIT, steel, phosphated, std spring type, extended prong chisel point, 1/16in. dia, 5/8in. lg		60	
11	A 9ACR	2540-99-865-6772	. . CUSHION, SEAT, VEHICULAR, personnel	FV480259	6	
12		NP	. . SCREW, WOOD, rd hd, No. 10 x 1/2in.	WS10X1/2	54	
NI 13		NP	. . LAP BELT INSTALLATION		REF	See Fig 4

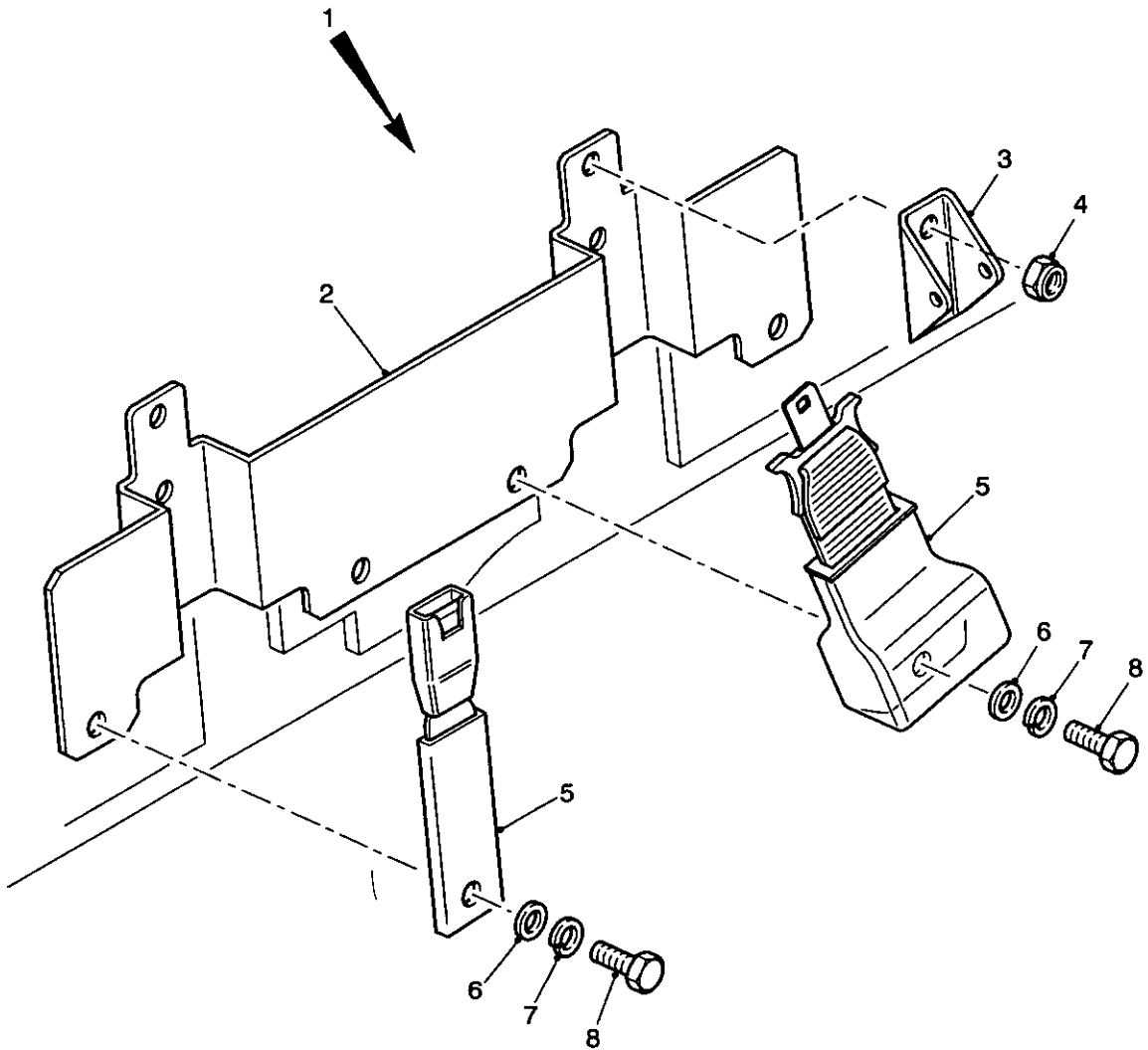


Fig 4 Lap belt installation

430/70269

Fig Item	Man Code Navy - N Army - A RAF - R	NATO Stock No	Item Name and Description	Part No/ Drawing No.	No. Off	Annotations
4-			SEATS GA - contd . PERSONNEL SEATS GA - contd			
1		NP	. . LAP BELT INSTALLATION		REF	
2	A	6MT4	. . PLATE ASSEMBLY, SUPPORT	FV2249173	6	
3	A	9ACR	. . BRACKET, DOUBLE ANGLE, steel, adjacent angles, both legs 1.5in. lg, 90 deg, 1.95in. centre section h, 3.5in. centre w, end radius and tapered	FV480258	12	See Fig 3
4	A	6MT4	. . NYLOC NUT, steel, Zn plated, 1/2in. UNF T type, nylon insert	7026208002 5900	24	
5	A	9ACR	. . SEAT BELT	FV2249146	8	
6	A	G1	. . WASHER, FLAT, steel, Zn plated, 33/64in. id, 1in. od, 3/32in. thk		32	
7	A	G1	. . WASHER, LOCK, steel, oil black, flat int teeth, 33/64in. id, 7/8in. od, 3/64in. thk		16	
8	A	G1	. . SCREEN, MACHINED, UNF, 1/2in. dia class 2A thd, 1-1/4in. lg, steel, Zn plated, hex hd		16	

UNRESTRICTED 17

UNRESTRICTED .

4
1

Chapter 2-11
PARTS LIST
STOWAGE GENERAL ARRANGEMENT

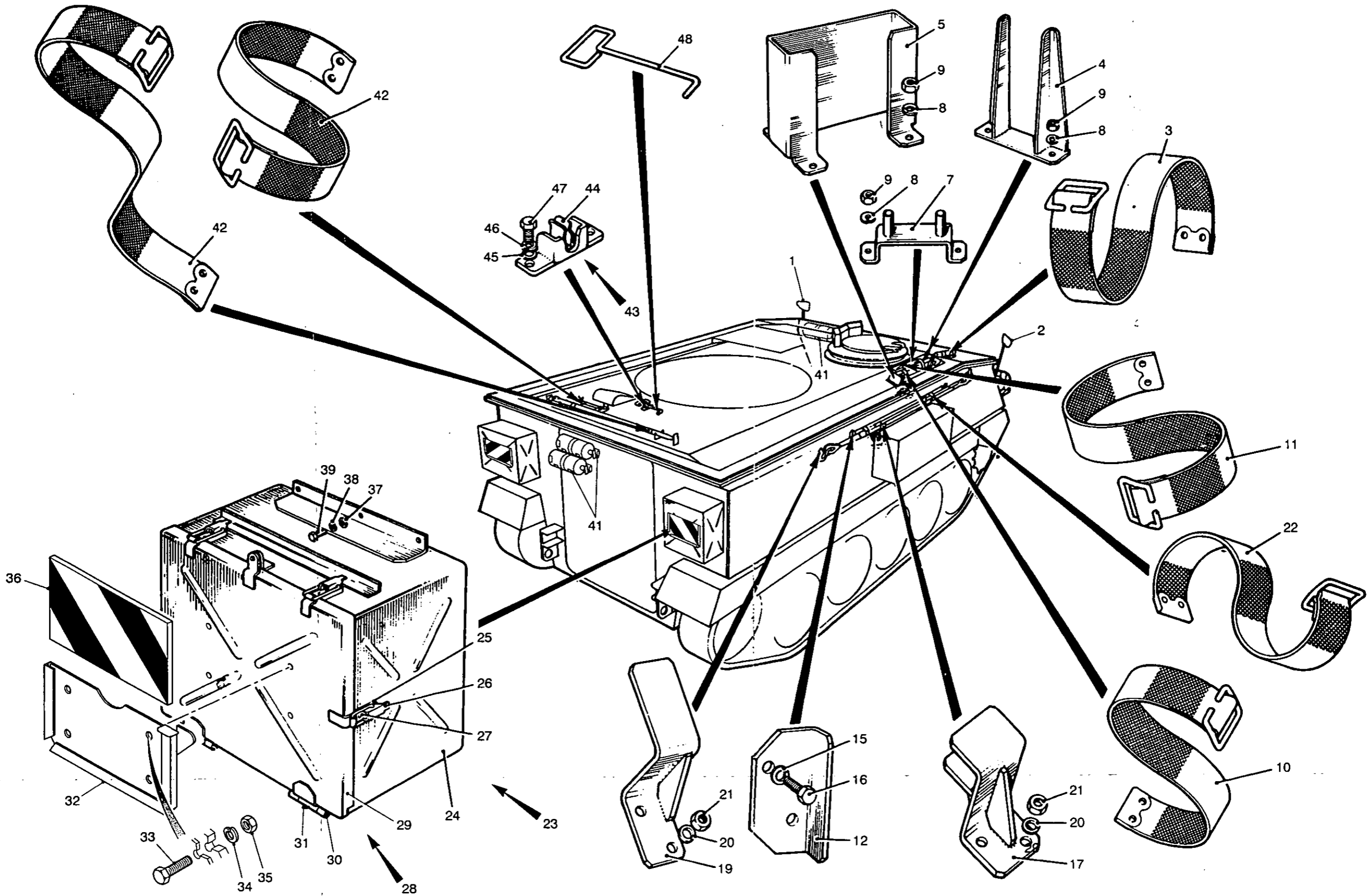


Fig 1 External stowage general arrangement

43070142

Fig Item	Man Code Navy - N Army - A RAF - R	NATO Stock No	Item Name and Description	Part No/ Drawing No.	No. Off	Annotations
1-		NP NP	STOWAGE GENERAL ARRANGEMENT STOWAGE, EXTERNAL, GENERAL ARRANGEMENT	FV499833	REF REF	
1	A	9ACR	MIRROR ASSEMBLY, LH	FV2200959	1	See Fig 2
2		NP	MIRROR ASSEMBLY, RH	FV2200960	1	See Fig 2
3	A	6MT1	STRAP, WEBBING, w/buckle and br clip ends, 1-1/4in. x 14in. lg		2	
4	A	9ACR	BRACKET, SPADE	FV538156	1	
5	A	9ACR	BRACKET, SPADE, rear	FV538157	1	Mk 2 vehicle
NI 6	A	9ACR	BRACKET, SPADE, front	FV602635	1	Mk 2/1 vehicle
7	A	9ACR	BRACKET, DIGGING, PICK	FV538158	1	
8	A	G1	WASHER, LOCK, steel, split helical ring, 0.343in. x 0.080in. x 0.503in. dia		8	
9	A	G1	NUT, PLAIN, HEXAGON, UNF, steel, Zn plated, 5/16in. x 1/2in. x 17/64in. h		8	
10		NP	STRAP, WEBBING, w/buckle and tab, 1-1/4in. w x 20in. lg		2	Qty 3 on Mk 2/1 vehicle
11	A	6MT1	STRAP, WEBBING, w/buckle and br clip ends, 1-1/4in. x 14in. lg		2	
12		NP	BRACKET, stop, crowbar	FV538508	2	Mk 2 vehicle
NI 13		NP	BRACKET, stop, rear, crowbar	FV602639	1	} Mk 2/1 vehicle
NI 14		NP	BRACKET, stop, front, crowbar	FV602638	1	
15	A	G1	WASHER, LOCK, steel, split helical ring, 1/4in. x 27/64in. x 5/64in. thk		4	
16	A	G1	SCREW, MACHINE, UNF, steel, Zn plated, hex hd, 1/4in. x 5/8in. lg		4	
17	A	9ACR	BRACKET, DOUBLE ANGLE, crowbar stowage	FV538501	2	Mk 2 vehicle
NI 18	A	9ACR	BRACKET, DOUBLE ANGLE, crowbar stowage	FV602640	2	Mk 2/1 vehicle
19	A	9ACR	BRACKET, DOUBLE ANGLE, wire rope assy stowage	FV525570	2	
20	A	G1	WASHER, LOCK, steel, 3/8in. x 0.92in. x 0.59in. od		8	
21	A	G1	NUT, PLAIN, HEXAGON, UNF, steel, Zn plated, 3/8in. x 9/16in. w A/F		8	
22	A	6MT1	STRAP, WEBBING, w/buckle and br clip ends, 1-1/4in. w x 14in. lg		2	Qty 3 on Mk 2/1 vehicle
23	A	9ACR	BOX, ACCESSORIES, STOWAGE	FV586223	2	
24		NP	BOX, ACCESSORIES, STOWAGE	FV586536	1	
25	A	9ACR	SPACER, PLATE, steel, 2.6in. lg, 0.75in. w, 2 holes	FV586540	4	
26	A	6MT13	CATCH, TOGGLE, LEVER AND HOOK, steel, 3-3/4in. x 1-1/2in. x 2-1/4in. x 1in. w	916H	4	
27	A	G1	RIVET, SOLID, Cu, button hd, 3/16in. x 3/4in. lg		8	
28	A	9ACR	DOOR, ACCESS, stowage container, c/w seals and pads	FV586537	1	
29	A	9ACR	LID, VEHICULAR ACCESSORIES STOWAGE BOX, WA	FV586548	1	
30	A	9BTR	PIN, STRAIGHT, HEADLESS, steel, 3/8in. dia, 4-1/4in. lg	FV586584	2	
31	A	G1	PIN, COTTER, SPLIT, steel, phosphated, 1.6mm x 25mm lg		2	

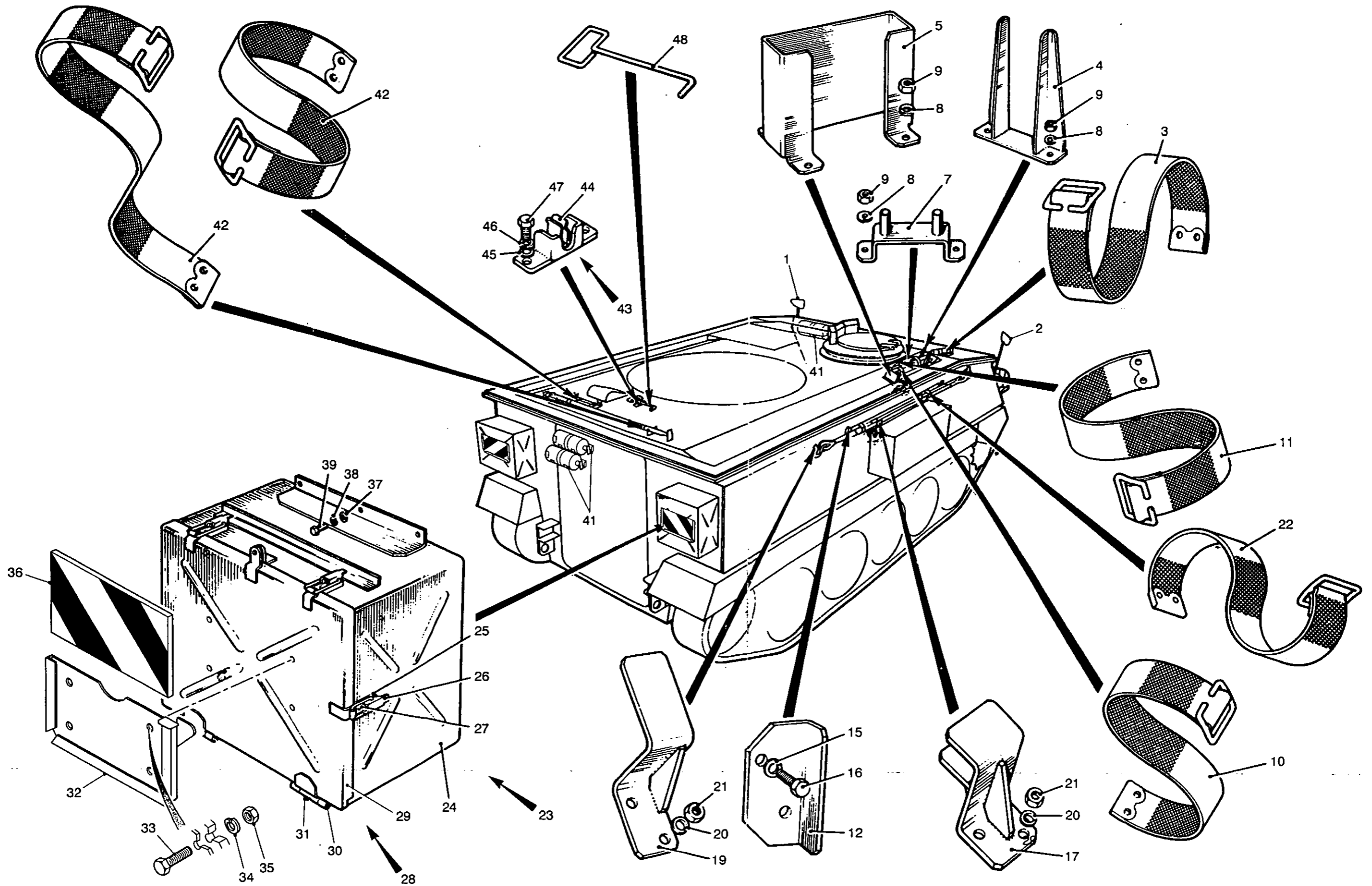


Fig 1 External stowage general arrangement

Fig Item	Man Code Navy - N Army - A RAF - R	NATO Stock No	Item Name and Description	Part No/ Drawing No.	No. Off	Annotations
1-			STOWAGE GA - contd . . . EXTERNAL STOWAGE GA - contd . . . BOX, ACCESSORIES, STOWAGE - contd			
32	A 9ACR	2540-99-815-0156	. . . HOLDER ASSEMBLY, MARKER BOARD, painted, 430mm w, 235mm h, to hold high visibility marker board	FV2200910	1	
33	A G1	5305-99-122-5360	. . . SCREW, CAP, HEXAGON HEAD, 6mm x 1mm ISO M, class 6G, rh thd, 16mm thd and fastener lg, steel, Zn plated w/chromate		4	
34	A G1	5310-99-137-9232	. . . WASHER, LOCK, steel, Zn plated, split helical ring, 6.3mm. id, 9.2mm od, 1.5mm thk		4	
35	A G1	5310-99-122-5295	. . . NUT, PLAIN, HEXAGON, M6 x 1mm, ISO M, class 6H rh thd, steel, Zn plated, 10mm w A/F, 5mm h, chamfered bearing surface, grade 8.8		4	
36	A 6MT1	9905-99-837-2954	. . . SIGN, LH and RH marker boards	BSAU 152	SET	
37	A G1	5310-99-970-8625	. . . WASHER, FLAT, steel, Zn coated, 3/8in. id, 7/8in. od, 1/16in. thk		12	
38	A G1	5310-99-941-6656	. . . WASHER, LOCK, steel, 3/8in. x 0.92in. x 0.59in. od		12	
39	A G1	5305-99-941-0540	. . . SCREW, MACHINE, UNF, hex hd, steel, Zn coated, 3/8in. x 7/8in. lg		12	
NI 40	A G1	5340-99-910-8186	. . . PADLOCK, steel, Zn plated, 4 lever type, 50mm w/ c/w 2 keys	FV873513	2	u/w item 23
41	A 9ACR	2540-99-876-0078	. . . MODIFICATION KIT, FIRE EXTINGUISHERS, comprises 11 items, some multiples, fitting of ozone friendly dry powder type extinguishers	MAE 43/0/0013	1	See Fig 3
42	A 6MT1	5340-99-120-8967	. . . STRAP, WEBBING, w/buckle and br clip ends, 1-1/4in.		4	
43	A 9ACR	2510-99-801-0133	. . . CLIP, ASSEMBLY, HANDLE STOWAGE, steel, 3/4in. w x 2-3/4in. lg 1/8in. thk x 7/8in. h	FV602625	1	
44	A 46MT1	5340-99-804-5612	. . . CLIP, SPRING TENSION, steel, Cd plated, 21/32in. lg x 3/4in. h x 1/2in. w	FV602623	1	
45	A G1	5310-99-120-4032	. . . WASHER, FLAT, steel, Zn plated, 1/4in. id x 9/16in. od		2	
46	A G1	5310-99-941-6654	. . . WASHER, LOCK, steel, split helical ring, 1/4in. id, 27/64in. od, 5/64in. thk		2	
47	A G1	5305-99-941-6284	. . . SCREW, MACHINE, UNF, steel, hex hd, Zn plated, 1/4in. x 1/2in.		2	
48	A 9ACR	2510-99-801-0132	. . . LEVER, MANUAL CONTROL, steel, 13.06in. x 5.25in. x 0.375in. dia	FV559577	1	

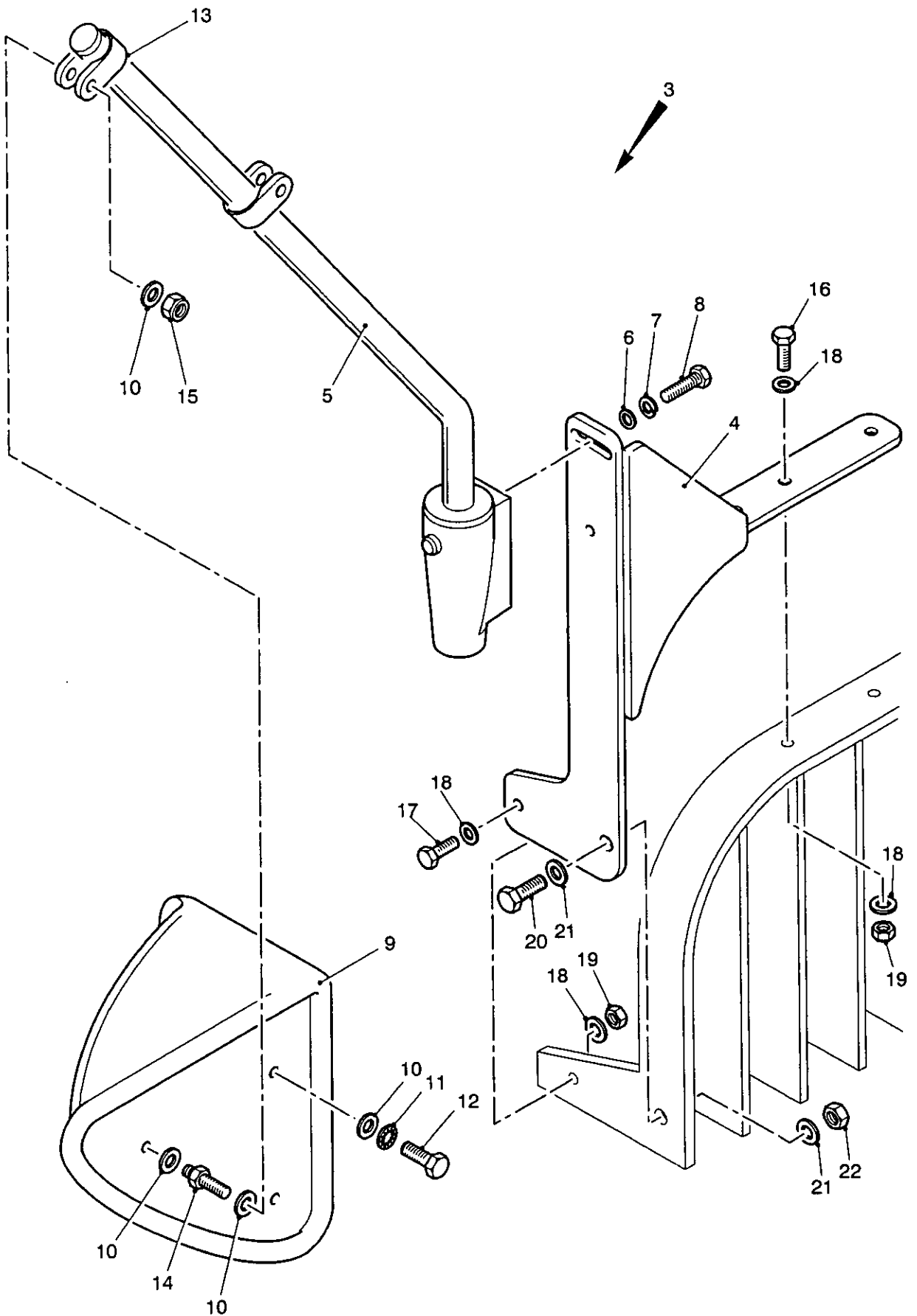


Fig 2 Rear view mirrors

430/70184

Fig Item	Man Code Navy - N Army - A RAF - R	NATO Stock No	Item Name and Description	Part No/ Drawing No.	No. Off	Annotations
2-		NP	STOWAGE GA - contd . . . REAR VIEW MIRRORS		REF	
NI 1	A 9ACR	2540-99-471-2779	. . . MIRROR ASSEMBLY, LH	FV2200959	1	See items 5 to 15
NI 2	A 9ACR	2540-99-679-8115	. . . BRACKET, LH	FV2200964	1	
3		NP	. . . MIRROR ASSEMBLY, RH	FV2200960	1	
4	A 9ACR	2540-99-309-1074	. . . BRACKET, RH	FV2200965	1	
5	A 9ACR	2540-99-746-6255	. . . ARM, REAR VIEW MIRROR, 2 hole plate mtg, cranked, 45 deg deflection	FV2032604	1	
6	A 7RU	5310-99-122-6474	. . . WASHER, FLAT, steel, Zn plated, rd od, 12.5mm max od, 6.5mm id, 1.6mm thk		2	
7	A G1	5310-99-137-9232	. . . WASHER, LOCK, steel, Zn plated, split helical ring, 6.3mm id, 9.2mm od, 1.5mm thk		2	
8	A G1	5305-99-122-5361	. . . SCREW, CAP, HEXAGON HEAD, ISO M, steel, Zn plated w/chromate, 6mm thd dia, 20.42mm lg		2	
9	9ACR	2540 99 696 9912	. . . MIRROR, REAR VIEW	FV2200961	1	
10	A G1	5310-99-122-6475	. . . WASHER, FLAT, steel, Zn plated, 17mm od, M8 bolt size, 1.6mm thk		7	
11		NP	. . . WASHER, LOCK, int tooth, M8	7535080000 0059	1	
12	A G1	5305-99-122-5365	. . . SCREW, CAP, HEXAGON HEAD, ISO M, M8 x 1.25mm class 6G thd, steel, Zn plated, 16mm thd and fastener lg		1	
13	9ACR	2540 99 968 4461	. . . CLAMP, MIRROR MOUNTING	FV2200963	2	
14		NP	. . . SPACER, M8 x 30mm lg	AS054869/1 4	2	
15		NP	. . . NUT, HEXAGONAL, normal, prevailing torque, M8, nylon insert	7525080108 0159	2	
16	A G1	5305-99-122-5367	. . . SCREW, CAP, HEXAGON HEAD, ISO M, 8 x 1.25mm thd, 25mm thd and fastener lg, steel, Zn plated w/chromate, hex hd, 5.65mm hd h, 13mm w A/F		2	
17	A G1	5305-99-122-5368	. . . SCREW, CAP HEXAGON HEAD, ISO M, 8 x 1.25mm class 6G thd, hex hd, 30mm lg, steel, Zn plated		1	
18	A G1	5310-99-122-6475	. . . WASHER, FLAT, steel, Zn plated, 17mm od, M8 bolt size, 1.6mm thk		6	
19		NP	. . . NUT, HEXAGONAL, normal, prevailing torque, M8, nylon insert	7525080108 0159	3	
20	A G1	5306-99-122-8675	. . . BOLT, MACHINE, ISO M, M12 x 1.75mm pitch class 6G thd, 35mm lg, hex hd, steel alloy, Zn plated, grade 8.8		1	
21	A G1	5310-99-122-6477	. . . WASHER, FLAT, steel, Zn plated, 23.8mm od, 13.2mm id, 2.5mm thk		2	
22		NP	. . . NUT, HEXAGONAL, normal, prevailing torque, M12, nylon insert		1	

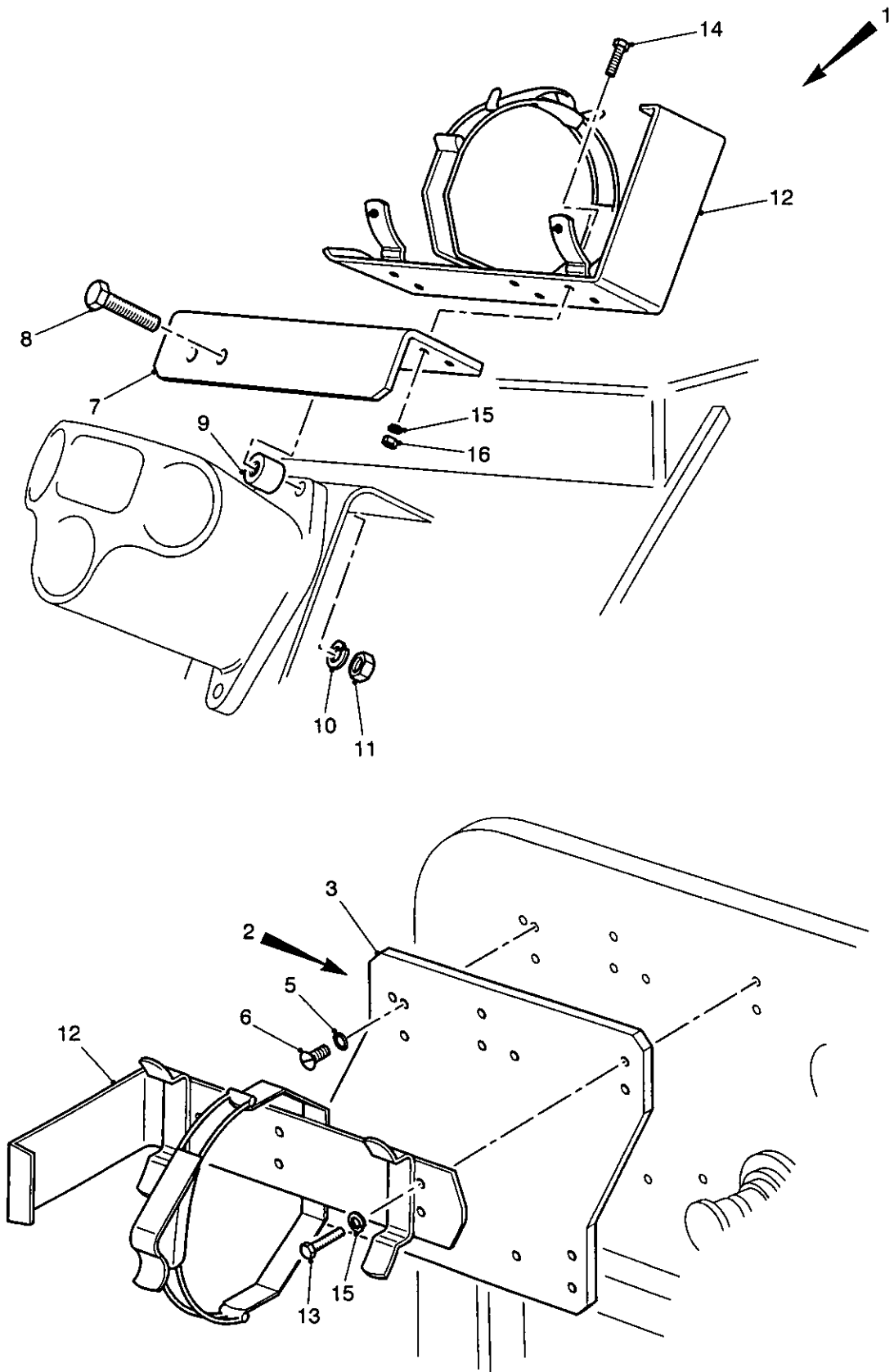


Fig 3 External fire extinguisher general arrangement

430/70185

Fig Item	Man Code Navy - N Army - A RAF - R	NATO Stock No	Item Name and Description	Part No/ Drawing No.	No. Off	Annotations
3-		NP	STOWAGE GA - contd . STOWAGE EXTERNAL GA - contd . . . EXTERNAL FIRE EXTINGUISHER GENERAL ARRANGEMENT	FV952588	REF	
1	A 9ACR	2540-99-876-0078	. . . MODIFICATION KIT, FIRE EXTINGUISHER, comprises 11 items, some multiples, fitting of ozone friendly dry powder type extinguisher	MAE 43/0/0013	1	
2		NP	. . . MOUNTING PLATE	FV2200554	1	
3	A 9ACR	4210-99-441-4701 PLATE, MOUNTING, FIRE EXTINGUISHER, steel, painted, 13- 5/8in. lg x 7-1/4in. h x 3/16in. w, 12 x 0.281in. dia holes, 6 x 0.216in. dia holes csk one side	FV952591	1	
NI 4	A 7RU	5310-99-122-5295 NUT, PLAIN, HEXAGON, ISO M, M6 x 1mm class 6H thd, rh, steel, Zn plated, 10mm w A/F, 5mm h, chamfered bearing surface, strength grade 8		10	
5		NP WASHER, LOCK, ext tooth, M10	7036003000 5900	6	
6		NP SCREW, csk hd, 3/16in. UNF x 3/8in. lg	7013303061 5900	6	
7	A 9ACR	4210-99-736-3532 PLATE, MOUNTING, FIRE EXTINGUISHER, LH, steel, painted, 90 deg angled, 2-3/8in. w x 2-1/2in. w x 3/16in. thk x 10-1/2in. lg, 6 x 0.281in. dia holes, 2 x 0.531in. dia holes	FV952586	1	
8	A G1	5306-99-122-8178 BOLT, MACHINE, ISO M, steel, Cd plated, hex hd, 12mm x 1.75mm pitch, 70mm lg, class 6G thd		2	
9		NP SPACER	FV2200586	2	
10	A G1	5310-99-138-9229 WASHER, LOCK, steel, Zn plated w/chromate, split helical ring, M12 hole size, 2.65mm thk, 17.9mm od		2	
11	A G1	5310-99-122-5298 NUT, PLAIN, HEXAGON, ISO M, M12 x 1.75mm pitch, class 6H, rh thd, steel, Zn plated w/chromate, 19mm w A/F, chamfered bearing surface, grade 8		2	
12	A 6MT1	4210-99-839-9904 BRACKET, FIRE EXTINGUISHER, steel, for dry powder type	11155	3	
13	A G1	5305-99-122-5360 SCREW, CAP, HEXAGON HEAD, ISO M, 6 x 1mm rh thd, 16mm thd and fastener lg, hex hd, steel, Zn plated w/chromate		11	
14	A G1	5305-99-122-5361 SCREW, CAP, HEXAGON HEAD, ISO M, steel, hex hd, Zn plated w/chromate, 6mm thd dia, 20.42mm lg		6	
15	A G1	5310-99-137-9232 WASHER, LOCK, steel, Zn plated, split helical ring, 6.3mm id, 1.5mm thk, 9.2mm od		17	
16	A 7RU	5310-99-122-5295 NUT, PLAIN, HEXAGON, ISO M, M6 x 1mm class 6H thd, rh, steel, Zn plated, 10mm w A/F, 5mm h, chamfered bearing surface, strength grade 8		7	

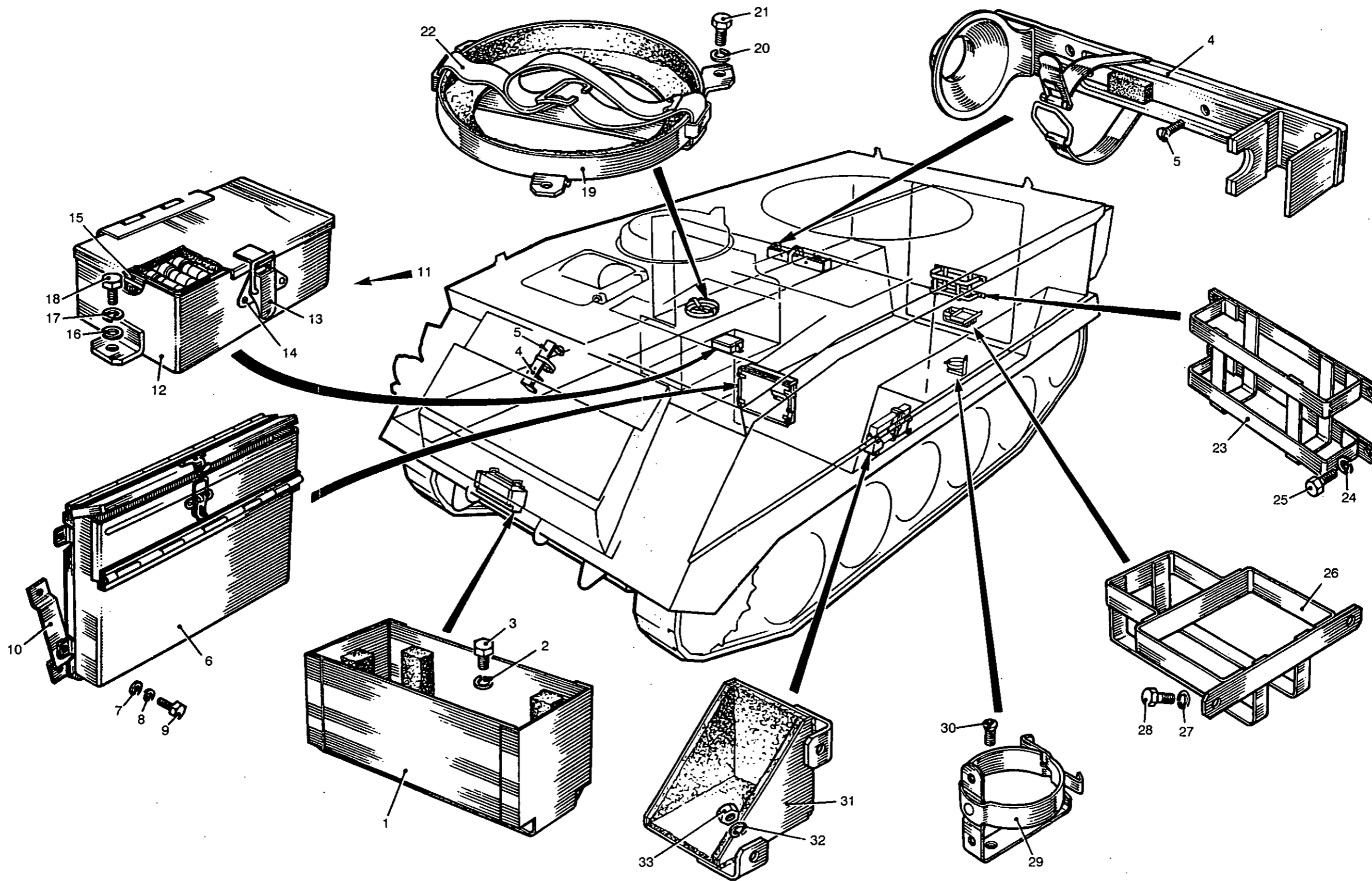


Fig 4 Stowage, internal, general arrangement

430/70141

Fig Item	Man Code Navy - N Army - A RAF - R	NATO Stock No	Item Name and Description	Part No/ Drawing No.	No. Off	Annotations
4-		NP	STOWAGE GA - contd . STOWAGE INTERNAL GENERAL ARRANGEMENT		REF	
1	A 9ACR	2540-99-865-7445	. . BOX, STOWAGE, VEHICULAR ACCESSORIES, drivers periscope	FV538598	1	
2	A G1	5310-99-941-6654	. . WASHER, LOCK, steel, split helical ring, 1/4in. bolt size, 27/64in. od, 5/64in. thk		4	
3	A G1	5305-99-941-0512	. . SCREW, MACHINE, UNF, steel, Zn plated, 1/4in. x 5/8in. lg		4	
4	A 6MT1	4210-99-881-7335	. . BRACKET, FIRE EXTINGUISHER, 5 hole fixing	FV351285	2	
5		NP	. . SCREW, flat csk hd, slotted, No.10 (2BA) UNC x 3/8in. lg	7013103064 4900	6	
6	A 46MT1	2540-99-800-6480	. . HOLDER, vehicle literature		1	
7	A G1	5310-99-120-4032	. . WASHER, FLAT, steel, Zn coated, 1/4in.		4	
8	A G1	5310-99-941-6654	. . WASHER, LOCK, steel, split helical ring, 1/4in. bolt size, 27/64in. od, 5/64in. thk		4	
9	A G1	5305-99-941-0513	. . SCREW, MACHINE, UNF, steel, Zn plated, 1/4in. x 3/4in. lg		4	
10	A 9ACR	2540-99-794-5110	. . BRACKET, LITERATURE CASE, steel, 4-1/2in. lg, 1-1/4in. w, 2 mtg holes, 1/4in. UNF welded boss, 3/4in. lg	FV585965	1	Secure w/existing fixings
11	A 46MT4	2540-99-867-4650	. . BOX, STOWAGE, VEHICULAR ACCESSORIES, spare fuses	FV586108	1	
12		NP BOX, SPARE FUSES	FV586109	1	
13	A G1	5340-99-960-3831 CATCH, TOGGLE LEVER, steel, 3/4in. x 1-7/16in. w, w/hook plate	SV94SA	1	
14		NP RIVET, SOLID, steel, tinnings hd, 1/8in. x 1/4in. lg		2	
15		NP TRAY, SPARE FUSE BOX	FV586110	1	
16	A G1	5310-99-120-4032	. . WASHER, FLAT, steel, Zn plated, 1/4in. x 9/16in. od		2	
17	A G1	5310-99-941-6654	. . WASHER, LOCK, steel, split helical ring, 1/4in. bolt size, 27/64in. od, 5/64in. thk		2	
18	A G1	5305-99-941-0512	. . SCREW, MACHINE, UNF, hex hd, steel, Zn plated, 1/4in. x 5/8in. lg		2	
19	A 9ACR	2540-99-865-7430	. . BOX, STOWAGE, VEHICULAR, spotlight	FV525556	1	
20	A G1	5310-99-941-6655	. . WASHER, LOCK, steel, split helical ring, 0.343in. x 0.505in.		3	
21	A G1	5305-99-941-0524	. . SCREW, MACHINE, UNF, steel, Zn plated, hex hd, 5/16in. x 5/8in. lg		3	
22	A 6MT1	5340-99-127-9986	. . STRAP, WEBBING, w/buckle, 1-1/4in. x 30in. lg, cotton		1	
23	A 46MT1	2540-99-865-7166	. . RACK, BAGGAGE, VEHICULAR, first aid box	FV525566	1	
24	A G1	5310-99-941-6655	. . WASHER, LOCK, steel, split helical ring, 0.343in. x 0.505in.		4	
25	A G1	5305-99-941-0525	. . SCREW, MACHINE, UNF, steel, Zn plated, hex hd, 5/16in. x 3/8in. lg		4	

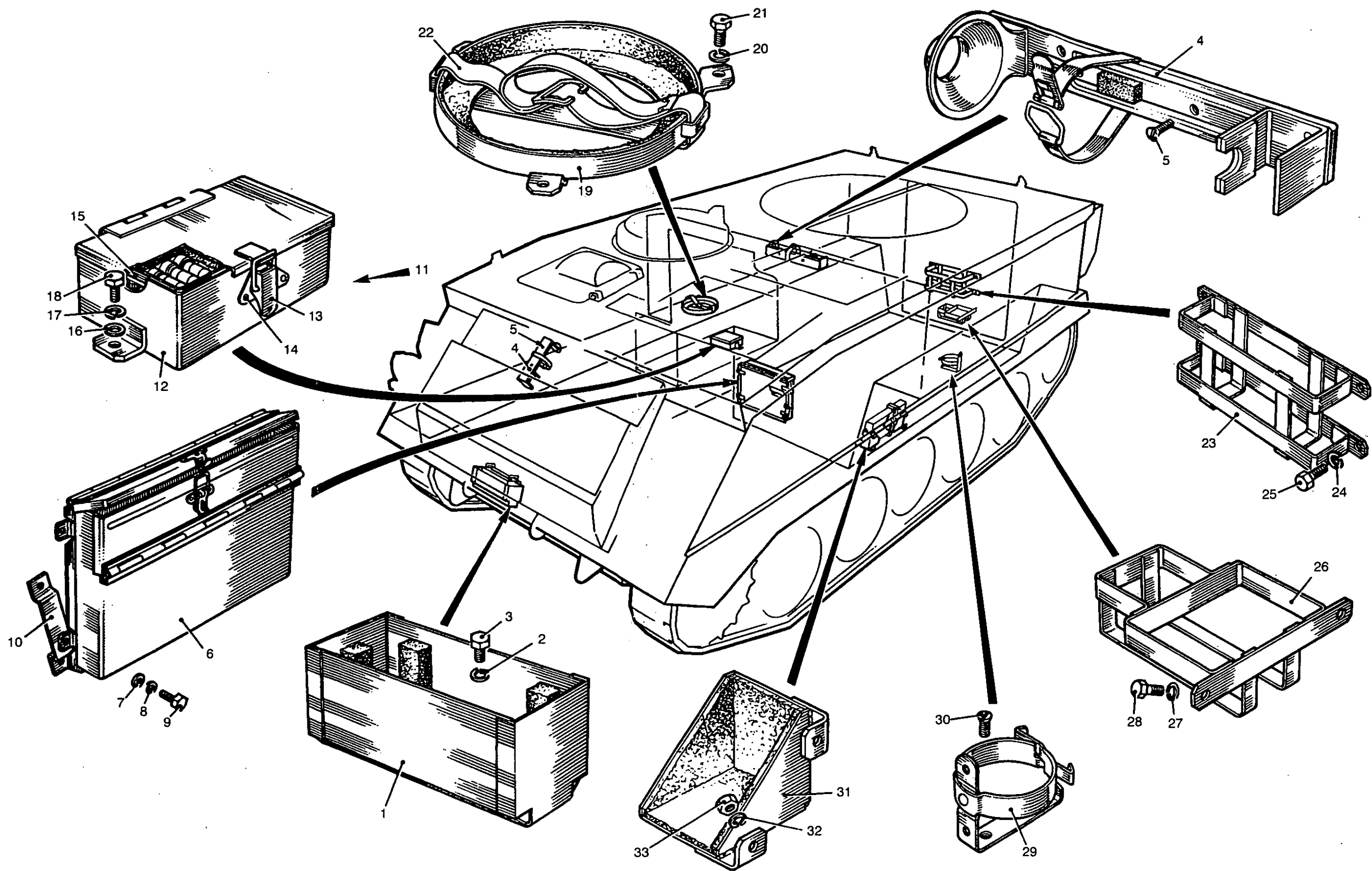


Fig 4 Stowage, internal, general arrangement

430/70141



Fig Item	Man Code Navy - N Army - A RAF - R	NATO Stock No	Item Name and Description	Part No/ Drawing No.	No. Off	Annotations
4-			STOWAGE GA - contd . STOWAGE INTERNAL GENERAL ARRANGEMENT - contd			
26	A 9ACR	2540-99-865-7440	. . BOX, STOWAGE, VEHICULAR ACCESSORIES, lamp box and anti-dim bottle	FV538103	1	
27	A G1	5310-99-941-6654	. . WASHER, LOCK, steel, split helical ring, 1/4in. bolt size, 27/64in. od		2	
28	A G1	5305-99-941-0512	. . SCREW, MACHINE, UNF, steel, Zn plated, hex hd, 1/4in. x 5/8in. lg		2	
29	A 9AHY	2540-99-824-0626	. . HOLDER, OIL CAN, phosphate finish	FV61228	1	
30		NP	. . SCREW, flat csk hd, slot, No. 10 (2BA) UNC x 3/8in. lg	7013103064 4900	2	
31	A 9ACR	2540-99-865-7400	. . BOX, STOWAGE, VEHICULAR ACCESSORIES, commanders periscope, complete bracket	FV525562	2	
32	A G1	5310-99-941-6654	. . WASHER, LOCK, steel, split helical ring, 1/4in. bolt size, 27/64in. od, 5/64in. thk		4	
33	A G1	5310-99-804-7941	. . NUT, PLAIN, HEXAGON, UNF, steel, Zn plated, 1/4in. x 7/16in. w A/F		4	



~~UNRESTRICTED~~

~~UNRESTRICTED~~

Chapter 2-12

PARTS LIST

FIRE FIGHTING EQUIPMENT

GENERAL ARRANGEMENT

.

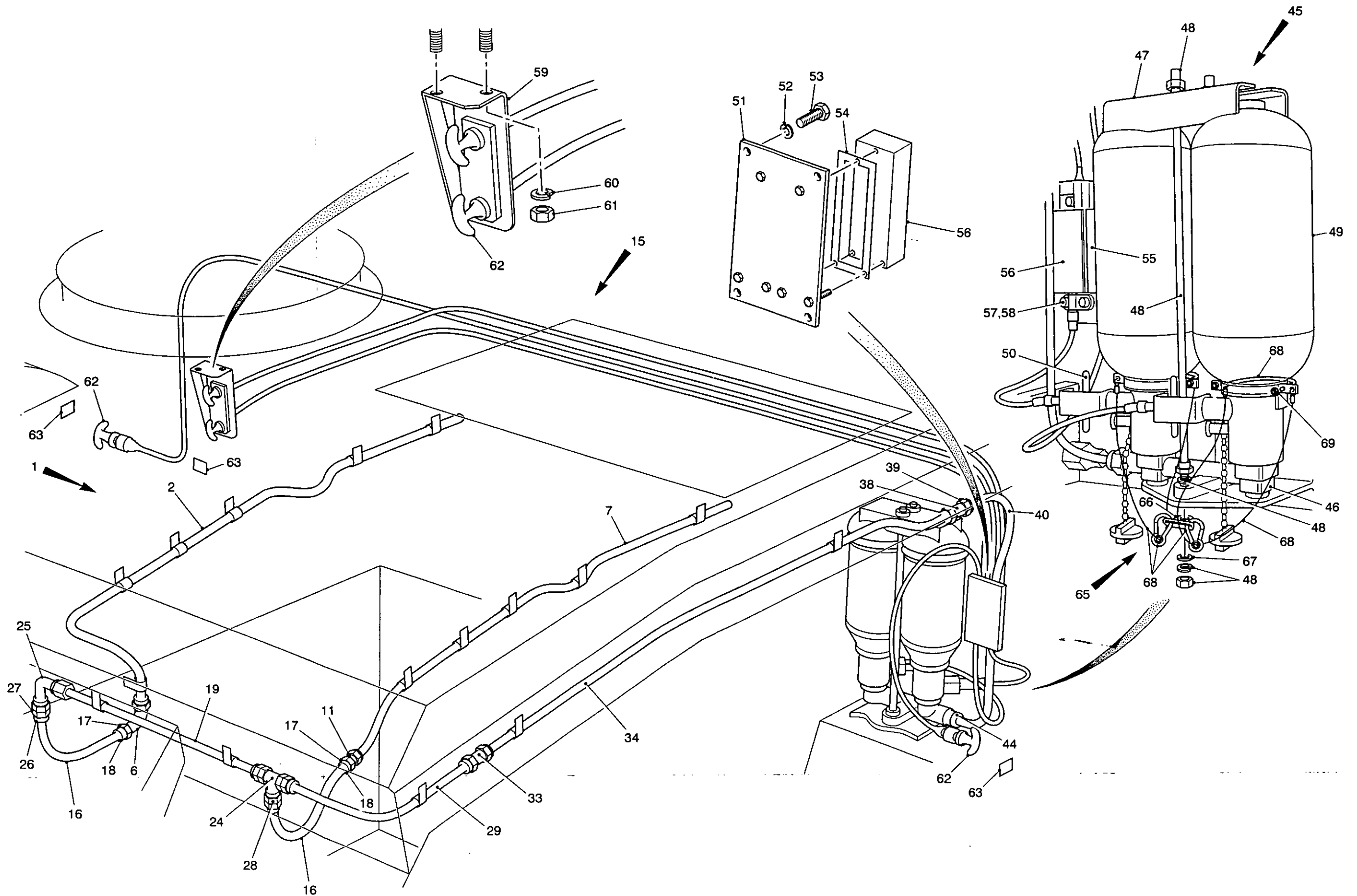


Fig 1 Fire fighting equipment, hull and power pack

430/70140

Fig Item	Man Code Navy - N Army - A RAF - R	NATO Stock No	Item Name and Description	Part No/ Drawing No.	No. Off	Annotations
1-		NP	FIRE FIGHTING EQUIPMENT GENERAL ARRANGEMENT	FV559357	REF	
		NP	FIRE FIGHTING EQUIPMENT, HULL AND POWER PACK		REF	
1		NP	FIRE FIGHTING EQUIPMENT, POWER PACK	FV586077	REF	
2		NP	DISTRIBUTION PIPE, Cu, 3/8in. od x 18 SWG, w/compression sleeve, tube nut, 6 clips, one end swaged and drilled, 12 holes 0.116in. dia	E/0/651-4498	1	
NI 3		NP	TUBING, SEAMLESS, Cu, 3/8in. od x 18 SWG, 54.5in. lg	GB 10940	A/R	
NI 4	A 6MT1	4730-99-913-7621	INVERTED NUT, TUBE COUPLING, br, hex hd, 3/8in. pipe size, 25/64in. id, 9/16in. -24 BSF thd, 7/64in. rad seat, 19/32in. w A/F, 33/64in. lg	34-0279-06	1	
NI 5	A X2	4730-99-914-4187	SLEEVE, COMPRESSION, TUBE-HOSE FITTING, br, for 3/8in. od pipe size, 17/64in. lg	34-0278-06	1	
6	A 46MT1	4730-99-801-0992	ELBOW, PIPE, br, 90 deg elbow, 9/16in. -24 tpi, whit form, female both ends	34-0060-06	1	
7		NP	DISTRIBUTION PIPE, Cu, 3/8in. od x 18 SWG, w/compression sleeve, tube nut, 5 clips, one end swaged and drilled, 11 holes 0.116in. dia	E/0/651-4497	1	
NI 8		NP	TUBING SEAMLESS, Cu, 3/8in. od x 18 SWG, 54.5in. lg	GB10940	A/R	
NI 9	A 6MT1	4730-99-913-7621	INVERTED NUT, TUBE COUPLING, br, hex hd, 3/8in. pipe size, 25/64in. id, 9/16in. -24 BSF thd, 7/64in. rad seat, 19/32in. w A/F, 33/64in. lg	34-0279-06	1	
NI 10	A X2	4730-99-914-4187	SLEEVE, COMPRESSION, TUBE-HOSE FITTING, br, for 3/8in. od pipe size, 17/64in. lg	34-0278-06	1	
11	A 6MT1	4730-99-914-4183	COUPLING TUBE, Cu alloy, 9/16in. whit female thd both ends, 3/8in. od tube both ends, 1.31in. lg, 0.71in. w A/F, hex wrenching facility	34-0007-06	1	
NI 12		NP	SCREW, 2BA X 1/2in. lg	SP2BAX1/2	6	
NI 13		NP	WASHER, PLAIN, 2BA	7030103009 4900	6	
NI 14		NP	NUT, HEXAGONAL, 2BA	7022103011 4900	1	
15		NP	FIRE FIGHTING EQUIPMENT HULL	FV586076	REF	
16	A 46MT1	4210-99-802-3592	HOSE ASSEMBLY, NON-METALLIC, syn rubber, wire reinforced, 3/8in. bore dia, ferrule and 3/8in. dia plain pipe 1st end, female and 1/2in. dia plain pipe 2nd end	E0643-2922	2	
17	A 6MT1	4730-99-913-7621	INVERTED NUT, TUBE COUPLING, br, hex hd, 3/8in. pipe size, 25/64in. id, 9/16in. -24 BSF thd, 7/64in. rad seat, 19/32in. w A/F, 33/64in. lg	34-0279-06	2	
18	A X2	4730-99-914-4187	SLEEVE, COMPRESSION, TUBE-HOSE FITTING, br, for 3/8in. od pipe size, 17/64in. lg	34-0278-06	2	
19		NP	DISTRIBUTION PIPE, Cu, 1/2in. od x 18 SWG, w/compression sleeves, tube nuts, 5/8in. x 1/2in. pipe reducer, 5/8in. equal tee, 1/2in. elbow and 2 clips, drilled 5 holes 0.128in. dia	E/0/652-4798	1	

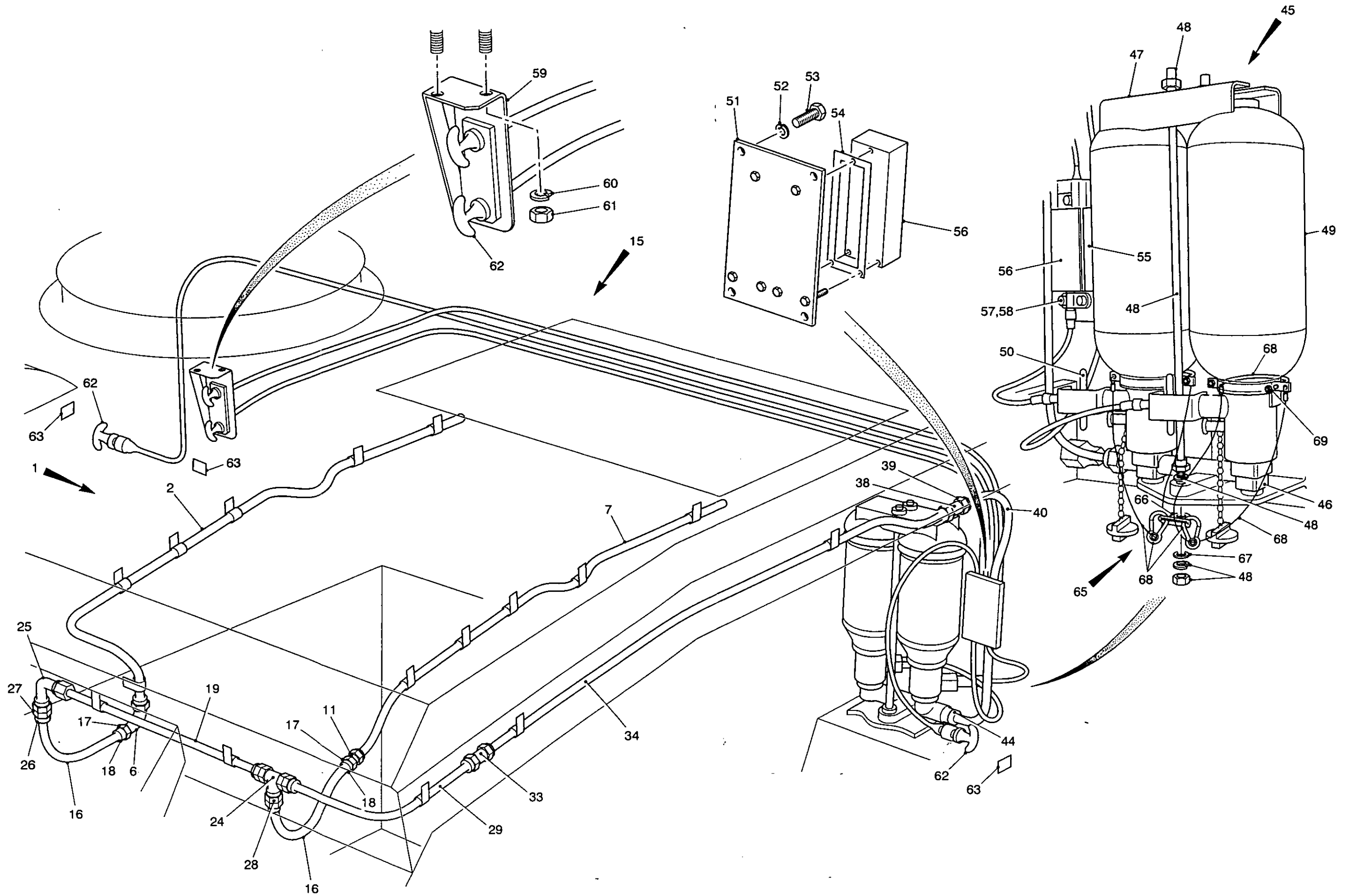


Fig 1 Fire fighting equipment, hull and power pack

430/70140

Fig Item	Man Code Navy - N Army - A RAF - R	NATO Stock No	Item Name and Description	Part No/ Drawing No.	No. Off	Annotations
1-			FIRE FIGHTING EQUIPMENT GA - contd . FIRE FIGHTING EQUIPMENT, HULL - contd . . DISTRIBUTION PIPE - contd			
NI 20	A G2	4710-99-964-9984	. . . TUBE, METALLIC, Cu, rd, seamless, 12mm od, bulk supply		A/R	
NI 21	A 6MT1	4730-99-946-9060	. . . SLEEVE, COMPRESSION, TUBE - HOSE FITTING, 5/16in. lg	Z7	2	
NI 22	A 46MT1	4730-99-946-9067	. . . INVERTED NUT, TUBE COUPLING, br, hex, 1/2in. od of tube	34-0279-07	2	
NI 23	A 6MT1	4730-99-881-5951	. . . ADAPTOR, STRAIGHT, PIPE, br, 7/8in. whit form ext, 3/4in. whit form int, 1-3/16in. lg	34-0352-57	1	
24	A 46MT1	4730-99-802-3325	. . . TUBE, PIPE, br, 7/8in. -20 tpi whit form female thd each end	34-0290-08	1	
25	A 6MT1	4730-99-801-1767	. . . ELBOW, PIPE, br, 3/4in. -24 whit form female thd both ends, 90 deg elbow	34-0060-07	1	
26	A 6MT1	4730-99-946-9060	. . SLEEVE, COMPRESSION, TUBE - HOSE FITTING, 5/16in. lg	Z7	2	
27	A 46MT1	4730-99-946-9067	. . INVERTED NUT, TUBE COUPLING, br, hex, 1/2in. od of tube	34-0279-07	2	
28	A 6MT1	4730-99-881-5951	. . ADAPTOR, STRAIGHT, PIPE, br, 7/8in. whit form ext, 3/4in. whit form int, 1-3/16in. lg	34-0352-57	1	
29		NP	. . FEED, PIPE, Cu, 5/8in. od x 32in. lg, w/compression sleeves, tube nuts and 1 clip	E/0/651- 4496	1	
NI 30	A G2	4710-99-964-9987	. . . TUBE, METALLIC, Cu, rd, seamless, 16mm od, bulk supply		A/R	
NI 31	A 46MT1	4730-99-881-5947	. . . SLEEVE, COMPRESSION, TUBE- HOSE FITTING, br, 5/8in. od pipe, 0.344in. lg	Z8	2	
NI 32	A 46MT1	4730-99-881-5948	. . . INVERTED NUT, TUBE COUPLING, br, hex, 7/8in. whit form male thd, 0.919in. w A/F, 0.631in. dia, 23/32in. lg	Z22	2	
33	A 46MT1	4730-99-881-5949	. . COUPLING, TUBE, Cu alloy, 7/8in. whit female thd both ends, to suit 5/8in. od tube both ends, 1.63in. lg, 1.01in. w A/F, hex wrenching facility	34-0007-08	1	
34		NP	. . FEED PIPE, Cu, 5/8in. od x 47-1/2in. lg, w/compression sleeves and tube nuts	E/0/651- 4495	1	
NI 35	A G2	4710-99-964-9987	. . . TUBE, METALLIC, Cu, rd, seamless, 16mm od, bulk supply		A/R	
NI 36	A 46MT1	4730-99-881-5947	. . . SLEEVE, COMPRESSION, TUBE- HOSE FITTING, br, 5/8in. od pipe, 0.344in. lg	Z8	2	
NI 37	A 46MT1	4730-99-881-5948	. . . INVERTED NUT, TUBE COUPLING, br, hex, 7/8in. whit form male thd, 0.919in. w A/F, 0.631in. dia, 23/32in. lg	Z32	2	
38	A 46MT1	4730-99-802-3315	. . CONNECTOR, PIPE, BULKHEAD, br, 7/8in. -20 tpi whit form female both ends, 7/8in. BSP male, 1-3/4in. lg	34-0021-08	1	
39	A 46MT1	5310-99-802-2708	. . NUT, PLAIN, HEXAGON, BSPF, 7/8in. -14, medium class thd, Cu alloy, 1- 31/64in. w A/F, 5/16in. h, chamfered finish	34-0223-07	1	

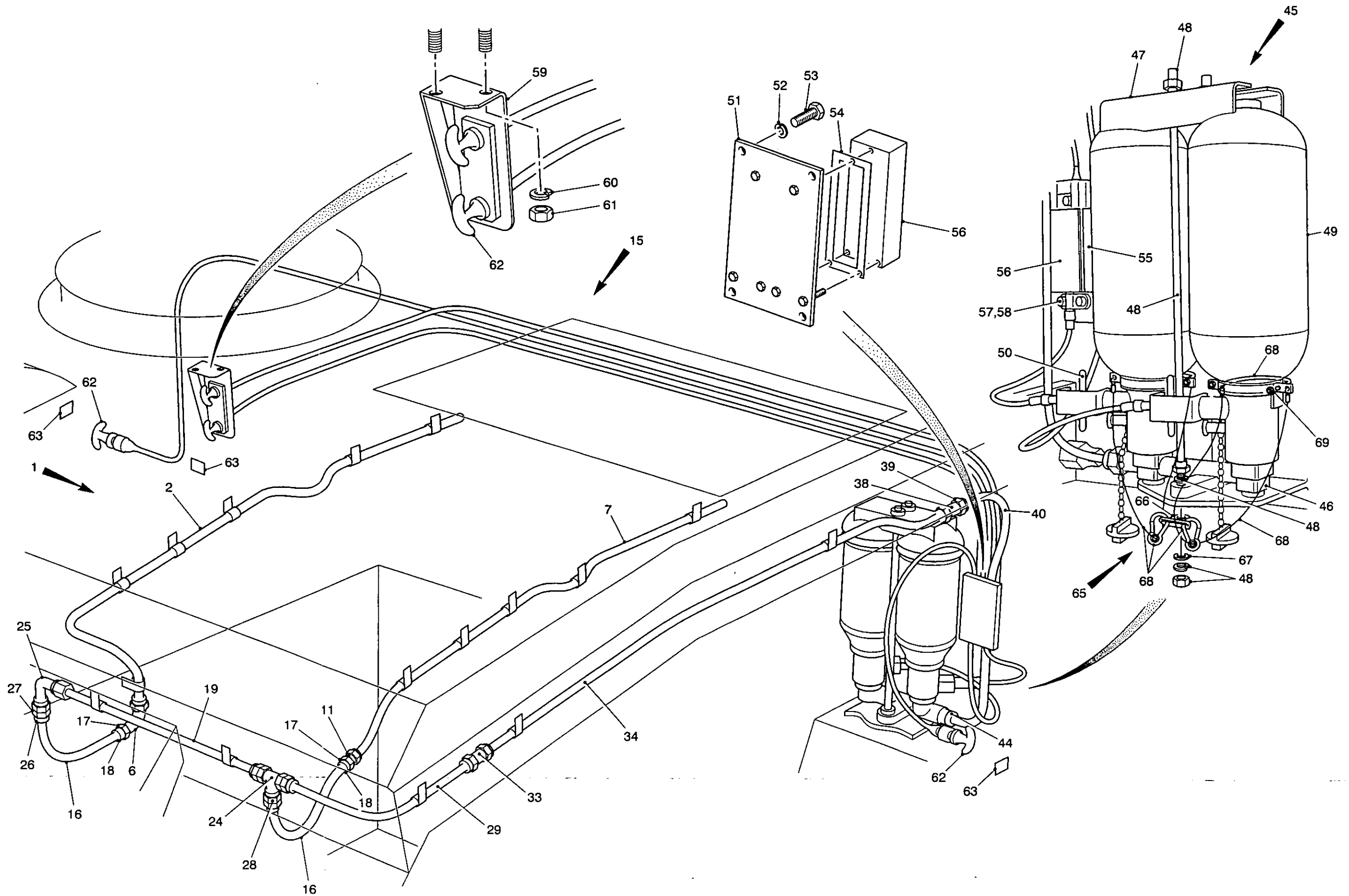


Fig 1 Fire fighting equipment, hull and power pack

430/70140

Fig Item	Man Code Navy - N Army - A RAF - R	NATO Stock No	Item Name and Description	Part No/ Drawing No.	No. Off	Annotations
1-			FIRE FIGHTING EQUIPMENT GA - contd FIRE FIGHTING EQUIPMENT, HULL - contd			
40		NP	FEED PIPE, Cu, 5/8in. od, 24-1/2in. lg, w/compression sleeves and tube nuts	E/0/651- 4494	1	
NI 41	A G2	4710-99-964-9987	TUBE, METALLIC, Cu, rd, seamless, 16mm od, bulk supply		A/R	
NI 42	A 46MT1	4730-99-881-5947	SLEEVE, COMPRESSION, TUBE- HOSE FITTING, br, 5/8in. od pipe, 0.344in. lg	Z8	2	
NI 43	A 46MT1	4730-99-881-5948	INVERTED NUT, TUBE COUPLING, br, hex, 7/8in. whit form male thd, 0.919in. w A/F, 0.631in. dia, 23/32in. lg	Z22	2	
44	A 46MT1	4730-99-881-5952	ADAPTOR, STRAIGHT, PIPE TO TUBE, br, 1.025in. whit form ext, 7/8in whit form int, 1-7/16in. lg	34-0352-61	1	
45	A 46MT1	2590-99-824-4440	BRACKET AND MANIFOLD ASSEMBLY, manifold, tie rod and bracket	98/01049	1	
46	A 46MT1	4210-99-881-6328	MANIFOLD ASSEMBLY, FIRE EXTINGUISHER	A10-90031	1	
47	A 46MT1	4210-99-801-8642	BRACKET, FIRE EXTINGUISHER, plate 7.7in. lg, 4in. w, web 2.75in. lg, 2.14in. w, 2 bosses 0.562in. lg, 1.125in. dia	B10-90029	1	
48	A 46MT1	4210-99-790-7004	TIE ROD, assembly, 1/2in. UNC thd each end, 500mm lg, nut brazed on 50mm free end, 2 nuts, 3 spring washers	FV2018948	2	
49	A 6BCF	4210-99-861-3043	EXTINGUISHER, FIRE, 130mm w, 393mm h, 24 bar pressure, light stone colour, contains 3 Kg heptafloropropane, (FM200), 3.12 litre container, rechargeable	7129908	2	
50	A 46MT1	4210-99-802-3695	HANDLE, FIRE EXTINGUISHER, steel, Cd plated and red enameled, 2-1/2in. lg, 5/16in. thk, 21/64in. hole dia	E0644-2260	2	
51		NP	MOUNTING PLATE WA	FV560053	1	
52	A G1	5310-99-944-0549	WASHER, LOCK, steel, split helical ring, Cd plated, 5/16in. bolt size, 0.503in.od, 0.08in. thk, single coil, sq section		4	
53	A G1	5305-99-941-0525	SCREW, MACHINE, stainless steel, Zn plated, 5/16in. x 3/4in. lg, class 2A thd		4	
54	A 46MT1	5330-99-802-3439	GASKET, rubber, rect shape, 5-3/16in. lg, 2-1/16in. w, 1/16in. thk, 3 mtg holes 5/16in. dia	E/0/644- 2245	2	
55	A 46MT1	4210-99-802-3593	CONTROL ASSEMBLY, FIRE EXTINGUISHER, RH, comprises control cables, junction box and handle, 10ft 8in. lg	E/0641- 4399/2	1	
56	A 46MT1	4210-99-802-3594	CONTROL ASSEMBLY, FIRE EXTINGUISHER, LH, comprises control cables, junction box and handles, 12ft 4in. lg	E/0/641- 4399LH	1	
57		NP	WASHER, PLAIN, 1/4in. dia x 17 SWG	7030004009 100	6	
58	A G1	5310-99-804-7941	NUT, PLAIN, HEXAGON, UNF, 1/4in. dia -28 class 2B rh thd, steel, Zn plated, 7/16in. w A/F, 7/32in. h, finished chamfered		6	
59	A 9ACR	2510-99-867-4195	BRACKET, ANGLE	FV559891	1	

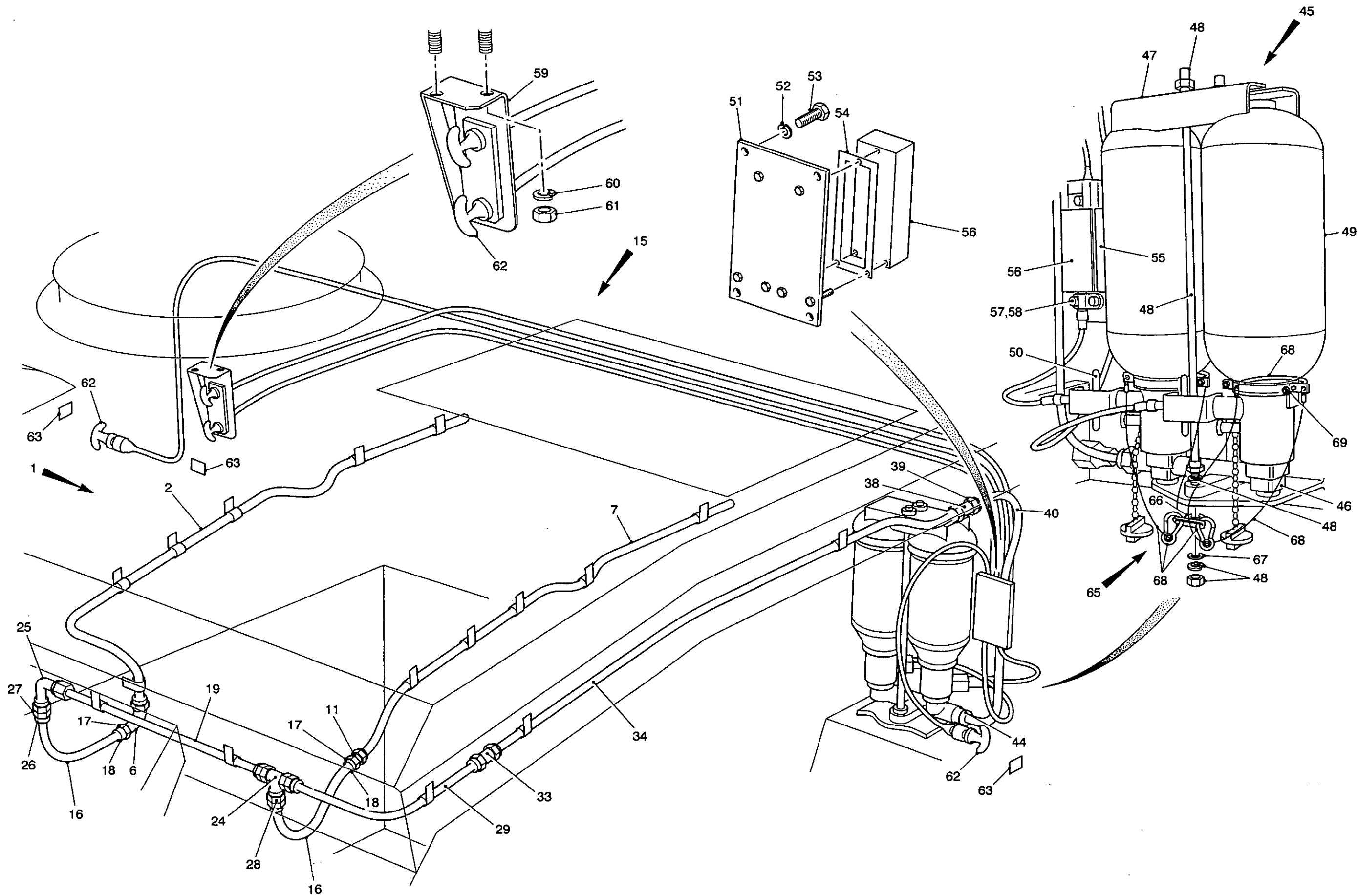


Fig 1 Fire fighting equipment, hull and power pack

430/70140

Fig Item	Man Code Navy - N Army - A RAF - R	NATO Stock No	Item Name and Description	Part No/ Drawing No.	No. Off	Annotations
1-			FIRE FIGHTING EQUIPMENT GA - contd . FIRE FIGHTING EQUIPMENT, HULL - contd			
60	A G1	5310-99-944-0549	. . WASHER, LOCK, steel, split helical ring, Cd plated, 5/16in. bolt size, 0.503in. od, 0.08in. thk, single coil, sq section		2	
61	A G1	5310-99-941-0925	. . NUT, PLAIN, HEXAGON, UNF, 5/16in. - 24 class 2B rh thd, steel, Zn plated, 1/2in. w A/F, 17/64in, h chamfered		2	
62	A 46MT1	4210-99-802-3438	. . PULL HANDLE ASSEMBLY, pull handle w/sleeve nut, washer, collar, Allen set screw, cork seal, spindle, lock plate and bush assy	E/O/653- 2942	4	
63	A 46MT1	9905-99-802-3440	. . PLATE, INSTRUCTION, plastic, legend, red, white, 1-1/4in. w, 15/16in. thk, 1-1/2in. lg, adhesive	41-50618	3	
NI 64	A 6MT1	5340-99-805-0923	. . CLAMP, LOOP, steel, Cd plated, 5/8in. loop w, 3/8in. loop id, rd hole type, 0.218in. dia	FV587177	1	
65	A 9ACR	1290-99-846-8196	. . MODIFICATION KIT, FIRE CONTROL EQUIPMENT, restraint, fire extinguisher	FV2249170	1	
66	A 9MCV	2540-99-705-6468	. . ANCHOR, 42mm w, angled shape, 32mm matl thk, w/machined slot and single mtg hole	FV2229805	1	
67	A G1	5310-99-122-8068	. . WASHER, FLAT, steel, Cd plated, rd hole, 12mm bolt size, 24mm od, 2.5mm thk		1	
68	A 9MCV	2540-99-147-5973	. . RETAINER ASSEMBLY, comprising U bolt and clamp connected by 430mm lg lanyard fitted w/snap hook	FV2229807	2	
69	A G1	5310-99-577-1740	. . . NUT, SELF-LOCKING, HEXAGON, 6 x 1 ISO M, plastics, nylon insert, Zn plated nut, prevailing torque	7525060108 0159	2	

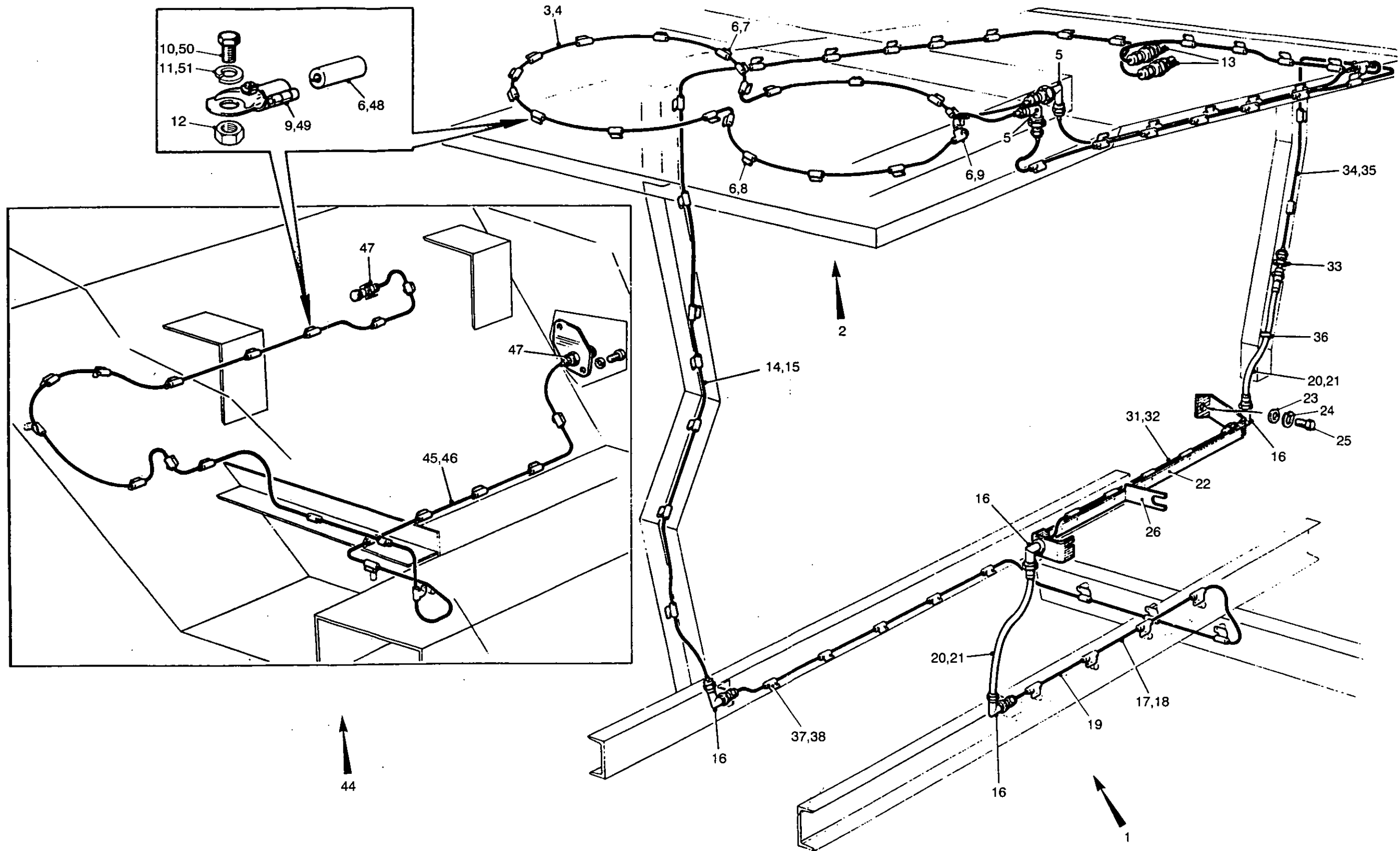


Fig 2 Power pack and steering unit fire wire assemblies

430/70112

Fig Item	Man Code Navy - N Army - A RAF - R	NATO Stock No	Item Name and Description	Part No/ Drawing No.	No. Off	Annotations
2-			FIRE FIGHTING EQUIPMENT GA - contd			
		NP	. POWER PACK AND STEERING UNIT FIRE WIRE ASSEMBLIES		REF	
1		NP	. POWER PACK FIRE WIRE ASSEMBLY	FV586079	REF	
2		NP	. FIRE WIRE COWL ASSEMBLY	FV586123	REF	
3	A 46MT4	6350-99-881-9499	. . . SENSING ELEMENT, FIRE DETECTOR SYSTEM, 8ft 6in. lg	FV562012- 102	1	
4	A 46MT4	5330-99-881-4025 RING, SEALING, TOROIDAL, rubber, 1/16in. cross-sect h, 3/8in. id	R16037	2	
5	A 46MT4	4210-99-881-4040	. . . COUPLING, SENSING ELEMENT	FV562020	2	
6	A 46MT1	5365-99-881-6505	. . . BUSHING, NON-METALLIC, syn rubber, split, 1in. lg, 0.285in. body dia, 0.063in. centre hole dia, 0.01in. w slit	51473-101	22	
7		NP	. . . DISC, CLIP, COMPLETE	FV538953	19	
8		NP	. . . DISC, CLIP, COMPLETE	FV538980	1	
9	A 46MT1	5340-99-104-2862	. . . CLAMP, LOOP, sensing element	D3004	2	
10		NP	. . . SCREW, hex hd, No. 10 (2BA) UNF x 1/2in. lg	7011103081 4900	2	
11	A G1	5310-99-941-6653	. . . WASHER, LOCK, steel, split helical ring, 0.198in. id, 0.064in. thk, 0.33in. od		2	
12	A G1	5310-99-941-7070	. . . NUT, PLAIN, HEXAGON 2BA		2	
13	A 46MT4	4210-99-881-4038	. . ADAPTOR, SENSING ELEMENT, plug to fire wire	D4414-3	2	
14	A 46MT4	4210-99-881-9495	. . ELEMENT ASSEMBLY, FIRE WIRE 7ft 6in. lg	FV562012- 92	1	
15	A 46MT4	5330-99-881-4025	. . . RING, SEALING, TOROIDAL, rubber, 1/16in. cross-sect h, 3/8in. id	R16037	2	
16	A 46MT4	4210-99-881-4040	. . COUPLING, SENSING ELEMENT	FV562020	4	
17	A 46MT4	6350-99-802-5315	. . SENSING ELEMENT, FIRE DETECTOR SYSTEM, 6ft 6in. lg	FV562012- 78	1	
18	A 46MT4	5330-99-881-4025	. . . RING, SEALING, TOROIDAL, rubber, 1/16in. cross-sect h, 3/8in. id	R16037	2	
19		NP	. . FIRE WIRE GUARD, 1/8in. od, 1/16in. id, 5in. lg	FV651031	1	
20	A 46MT4	4210-99-881-9498	. . COUPLING, FLEXIBLE, 1ft lg	FV562013- 12	2	
21	A 46MT4	5330-99-881-4025	. . . RING, SEALING, TOROIDAL, rubber, 1/16in. cross-sect h, 3/8in. id	R16037	2	
22		NP	. . FIRE WIRE SUPPORT ASSEMBLY	FV586595	1	
23	A G1	5310-99-120-3891	. . WASHER, FLAT, steel, Cd plated, 0.515in. id, 1in. od, 0.092in. thk		1	
24	A G1	5310-99-944-0552	. . WASHER, LOCK, steel, Cd plated, single coil, sq sect, 1/2in.		1	
25	A G1	5305-99-941-0565	. . SCREW, MACHINE, steel, Zn plated, hex hd, 1/2in. UNF x 3/4in. lg		1	
26		NP	. . BRACKET	FV586599	1	
NI 27		NP	. . SCREW, hex hd, No. 10 (2BA) UNF x 1/2in. lg	7011103081 4900	1	} Securing item 26
NI 28		NP	. . WASHER, FLAT, 3/16in. dia x 18 SWG	7030103009 4900	1	
NI 29	A G1	5310-99-941-6653	. . WASHER, LOCK, steel, split helical ring, 0.198in. id, 0.33in. od, 0.064in. thk		1	
NI 30	A G1	5310-99-941-7070	. . NUT, PLAIN, HEXAGON 2BA		1	
31	A 46MT4 4 AC2	4210-99-801-3565 6350	. . SENSING ELEMENT, FIRE DETECTOR SYSTEM, 20in. lg	FV562012- 20	1	
32	A 46MT4	5330-99-881-4025	. . . RING, SEALING, TOROIDAL, rubber, 1/16in. cross-sect h, 3/8in. id	R16037	2	

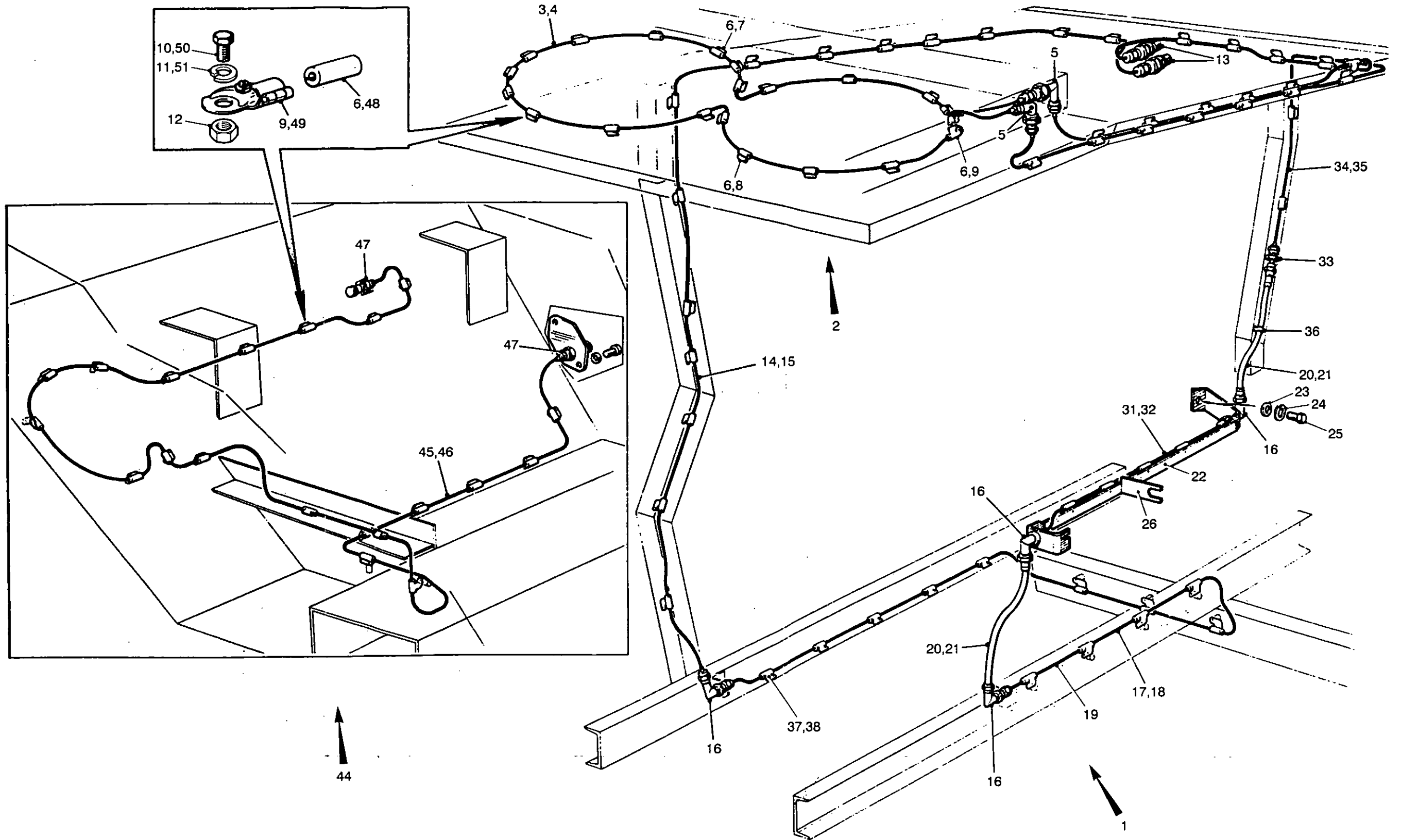


Fig 2 Power pack and steering unit fire wire assemblies

430/70112

Fig Item	Man Code Navy - N Army - A RAF - R	NATO Stock No	Item Name and Description	Part No/ Drawing No.	No. Off	Annotations
2-			FIRE FIGHTING EQUIPMENT GA - contd POWER PACK FIRE WIRE ASSEMBLY - contd			
33	A 46MT4	5935-99-942-4712	ADAPTOR, CONNECTOR, steel, cres, straight, thd to thd coupling, 38.1mm lg, non-removable single contact both mating ends	51413-101	1	
34	A 46MT4	4210-99-881-4045	SENSING ELEMENT, FIRE DETECTOR SYSTEM, 5ft lg	FV562012- 60	2	
35	A 46MT4	5330-99-881-4025	RING, SEALING, TOROIDAL, rubber, 1/16in. cross-sect h, 3/8in. id	R16037	2	
36	A 6MT1	5340-99-805-0923	CLAMP, LOOP, steel, Cd plated, 5/8in. loop w, 3/8in. loop id, rd hole 0.218in. dia	FV587177	1	
37	A 46MT1	5365-99-881-6505	BUSHING, NON-METALLIC, syn rubber, split, 1in. lg, 0.285in. body dia, 0.063in. centre hole dia, 0.01in. w slit	51473-101	52	
38	A 46MT1	5340-99-104-2862	CLAMP, LOOP, sensing element	D3004	52	
NI 39		NP	SCREW, hex hd, No. 10 (2BA) UNF x 1/2in. lg	7011103081 4900	9	} Securing items 36 and 38
NI 40		NP	SCREW, hex hd, No. 10 (2BA) UNF x 3/8in. lg	7011103061 4900	13	
NI 41		NP	SCREW, SELF-TAPPING, rd hd, No. 10 x 3/8in. lg	Z/4121	32	
NI 42	A G1	5310-99-941-6653	WASHER, LOCK, steel, split helical ring, 0.198in. od		22	
NI 43	A G1	5310-99-941-7070	NUT, PLAIN, HEXAGON, 2BA		4	
44		NP	STEERING UNIT FIRE WIRE ASSEMBLY	FV586078	REF	
45	A 46MT4	4210-99-802-5314	SENSING ELEMENT, FIRE DETECTOR SYSTEM, 10ft lg	FV562012- 120	1	
46	A 46MT4	5330-99-881-4025	RING, SEALING, TOROIDAL, rubber, 1/16in. cross-sect h, 3/8in. id	R16037	2	
47	A 46MT4	4210-99-881-4038	ADAPTOR, SENSING ELEMENT, plug to fire wire	D4414-3	2	
48	A 46MT4	5365-99-881-6505	BUSHING, NON-METALLIC, syn rubber, split, 1in. lg, 0.285in. body dia, 0.063in. centre hole dia, 0.01in. w slit	51473-101	20	
49	A 46MT1	5340-99-104-2862	CLAMP, LOOP, sensing element	D3004	20	
50		NP	SCREW, hex hd, No. 10 (2BA) UNF x 1/2in. lg	7011103081 4900	18	
51	A G1	5310-99-941-6653	WASHER, LOCK, steel, split helical ring, 0.198in. id, 0.33in. od, 0.064in. thk		20	
NI 52	A G1	5310-99-941-7070	NUT, PLAIN, HEXAGON, 2BA		2	

UNRECHT

1
2
3
4
5
6
7
8
9
10
11
12
13
14
15
16
17
18
19
20
21
22
23
24
25
26
27
28
29
30
31
32
33
34
35
36
37
38
39
40
41
42
43
44
45
46
47
48
49
50
51
52
53
54
55
56
57
58
59
60
61
62
63
64
65
66
67
68
69
70
71
72
73
74
75
76
77
78
79
80
81
82
83
84
85
86
87
88
89
90
91
92
93
94
95
96
97
98
99
100

UNRECHT

Chapter 2-13
PARTS LIST
EXTERNAL STOWAGE BINS
GENERAL ARRANGEMENT

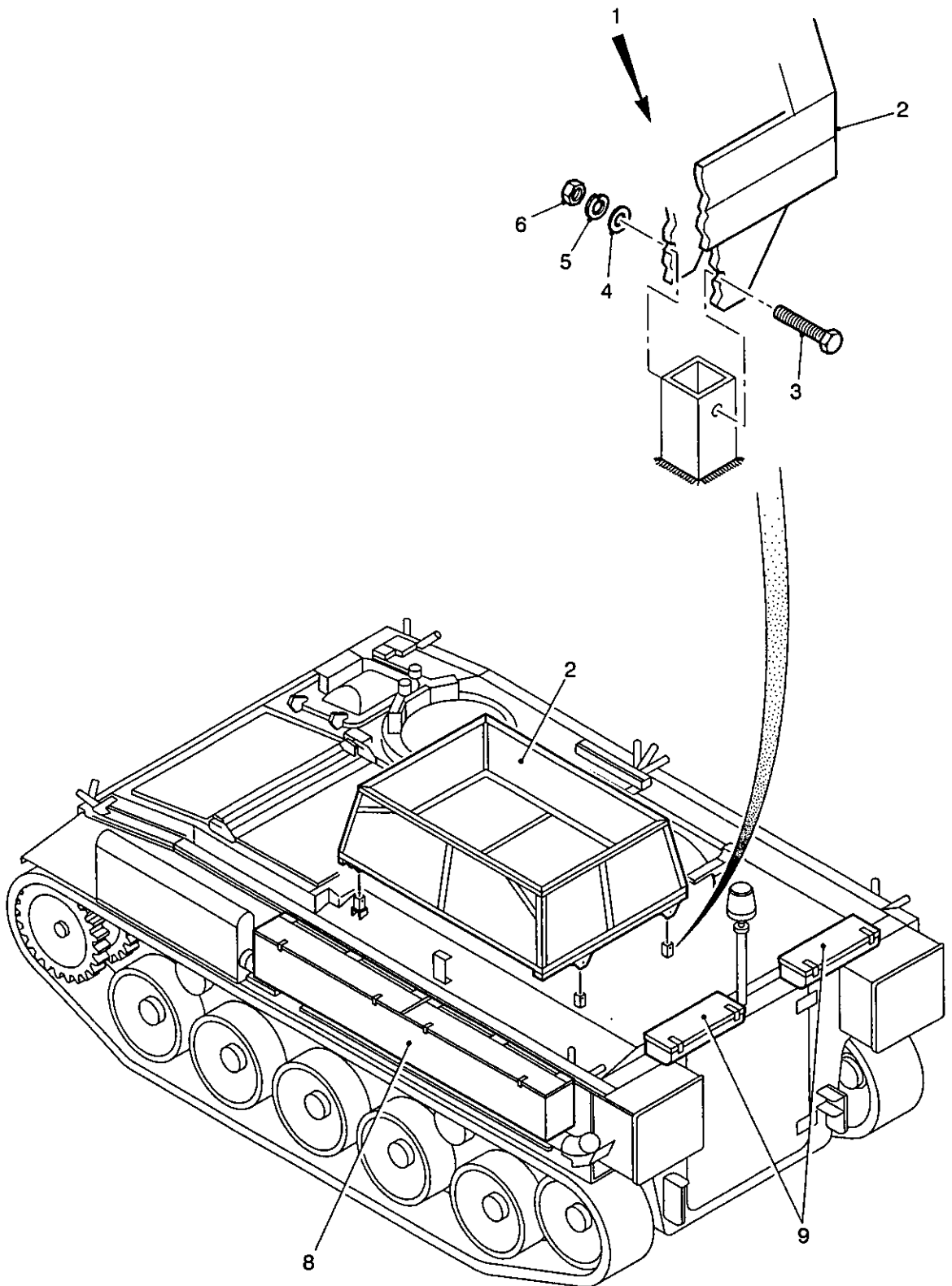


Fig 1 External stowage bins GA

430/70186

Fig Item	Man Code Navy - N Army - A RAF - R	NATO Stock No	Item Name and Description	Part No/ Drawing No.	No. Off	Annotations
1-		NP	EXTERNAL STOWAGE BINS GENERAL ARRANGEMENT, MK 2 VEHICLE	FV2200828	REF	
		NP	EXTERNAL STOWAGE BINS GENERAL ARRANGEMENT, MK 2/1 VEHICLE	FV2200829	REF	
1		NP	. BIN, ROOF, ASSEMBLY	FV2200826	1	
2	A 9ACR	2540-99-788-8101	. . BOX, ACCESSORIES STOWAGE, 1670mm lg, 1200mm w, 646mm h, c/w lifting eyes mtg brackets	FV2200802	1	
3	A G1	5306-99-122-2792	. . BOLT, MACHINE, ISO M, 12 x 1.75mm pitch class 6G thd, hex hd, steel, Zn plated, 70mm lg, grade 8.8		4	
4	A G1	5310-99-122-6477	. . WASHER, FLAT, steel, Zn plated, 23.8mm od, 13.2mm id, 2.5mm thk		4	
5	A G1	5310-99-138-9229	. . WASHER, LOCK, steel, Zn plated w/chromate, split helical ring, M12 hole size, 2.65mm thk, 17.9mm od		4	
6	A G1	5310-99-122-5298	. . NUT, PLAIN, HEXAGON, M12 dia x 1.75mm pitch, class 6H rh thd, steel, Zn plated w/chromate, 19mm w A/F, 10mm h, chamfered bearing surface, grade 8		4	
NI 7	A 9ACR	2540-99-582-5606	. . TARPULIN, cotton and plastics, 1530mm lg, 1070mm w, 50mm h, cover canvas w/plasticized flame resistant reinforcement, for FV432 roof bin	FV2200773	1	
8		NP	. BIN, SIDE ASSEMBLY	FV2200827	1	See Fig 2
9		NP	. BIN, ROOF, REAR, STOWAGE ASSEMBLY	FV2200782	2	See Fig 3

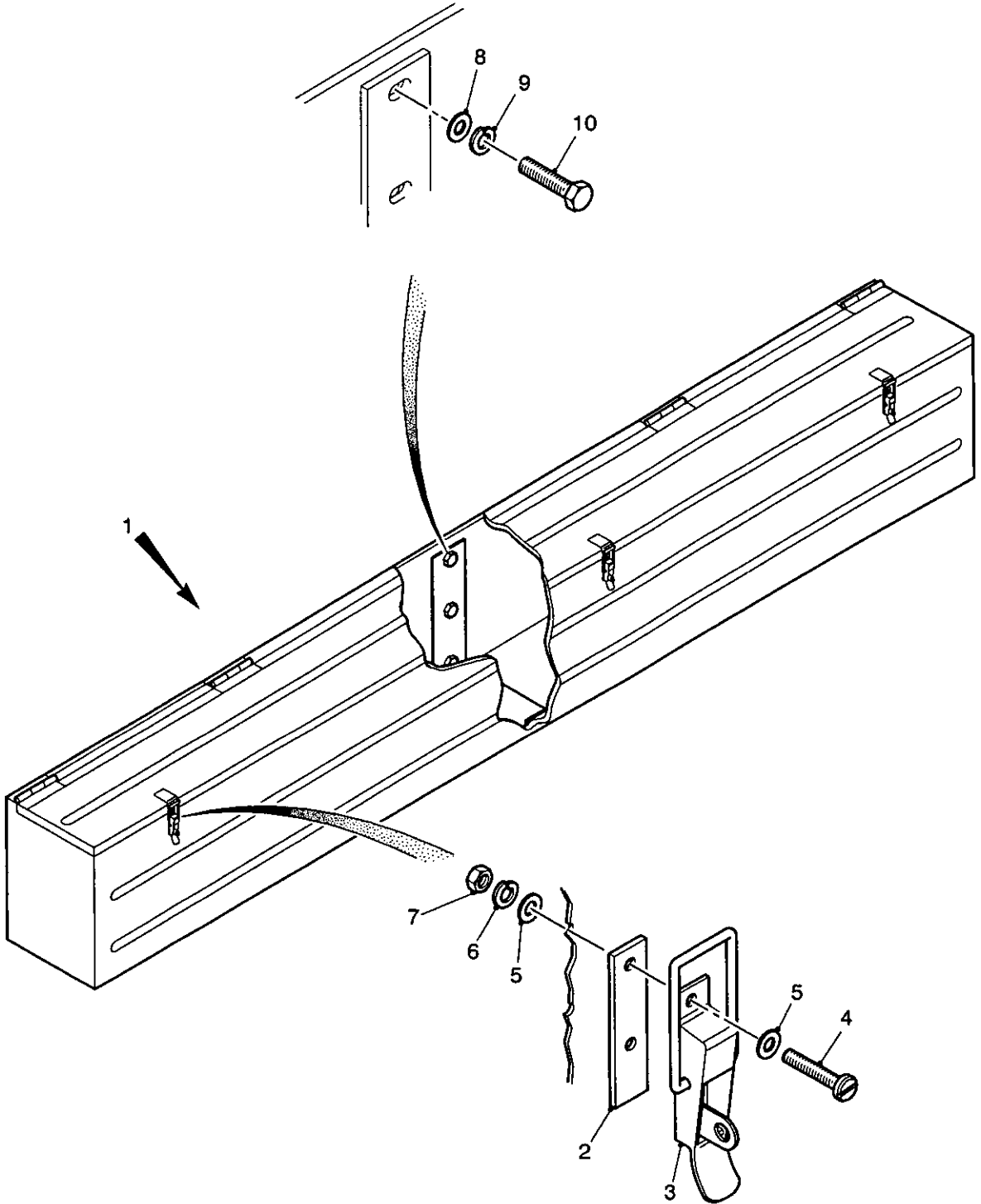


Fig 2 Bin, side, assembly

430/70187

Fig Item	Man Code Navy - N Army - A RAF - R	NATO Stock No	Item Name and Description	Part No/ Drawing No.	No. Off	Annotations
2-		NP	EXTERNAL STOWAGE BINS GA - contd . BIN, SIDE, ASSEMBLY	FV2200827	REF	
1	A 9ACR	2540-99-571-1747	. . . BOX, ACCESSORIES STOWAGE, 2380mm lg, c/w drainage holes	FV2200820	1	
2		NP SPACER, STOWAGE BOX	FV2200760	4	
3		NP OVERCENTRE FASTENER	FV2200759	4	
4	A G1	5305-99-135-0430 SCREW, MACHINE, ISO M, 5mm dia class 6G thd, slot drive, pan hd, steel, Zn plated w/chromate, 16mm lg, grade 4.8		8	
5	A G1	5310-99-122-3032 WASHER, FLAT, steel, Zn plated, 10mm od, 5mm id, 1mm thk		16	
6	A G1	5310-99-138-9226 WASHER, LOCK, steel, Zn plated, split helical ring, 5mm bolt size, 8.5mm od, 1.5mm thk		8	
7	A G1	5310-99-122-5294 NUT, PLAIN, HEXAGON, ISO M, 5mm dia, class 6H rh thd, steel, Zn plated, 8mm w A/F, 4mm h, chamfered bearing surface, grade 8		8	
8	A G1	5310-99-122-6477 WASHER, FLAT, steel, Zn plated, 23.8mm od, 13.2mm id, 2.5mm thk		9	
9	A G1	5310-99-138-9229 WASHER, LOCK, steel, Zn plated w/chromate, split helical ring, M12 hole size, 2.65mm thk, 17.9mm od		9	
10	A G1	5306-99-941-6347 BOLT, MACHINE, 12mm x 1.8mm pitch medium class thd, steel, Zn plated, hex hd, 30mm lg		9	

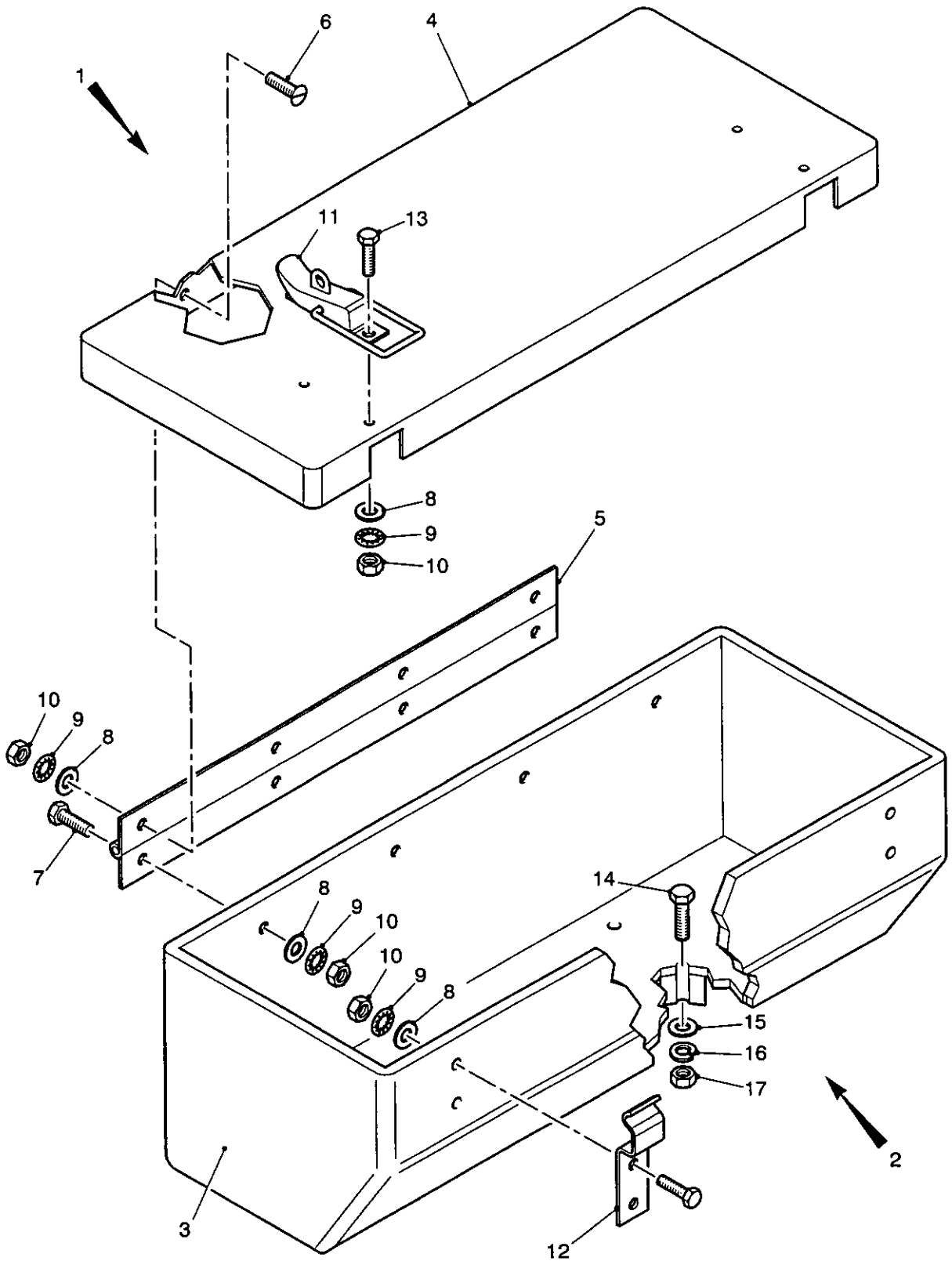


Fig 3 Bin, roof, rear, stowage assembly

430/70188

Fig Item	Man Code Navy - N Army - A RAF - R	NATO Stock No	Item Name and Description	Part No/ Drawing No.	No. Off	Annotations
3-		NP	EXTERNAL STOWAGE BINS GA - contd			
1		NP	. BIN, ROOF, REAR, STOWAGE ASSEMBLY	FV2200782	2	
2	A	9CVT 2540-99-257-7553	. . . BIN, ROOF, REAR ASSEMBLY . . . BOX, ACCESSORIES STOWAGE, Al, w/hinged lid, 2 securing hasps, painted NATO green, 24in. lg, 8.69in. approx w less hasp hinge	FV2200825 FV2185101	2 1	
3		NP BODY ASSEMBLY	FV2185102	1	
4		NP LID	FV2185103	1	
5		NP HINGE	FV2185104	1	
6	A	G1 5305-99-941-1970 SCREW, MACHINE, steel, Cd plated w/chromate, slot drive, csk hd, 1/2in. fastener lg, 0.192in. -32 UNF thd 0.384in. lg		4	
7		NP SCREW, hex hd, Cd plated, No. 10 (2BA) UNF x 3/4in. lg	7011103121 4900	4	
8	A	G1 5310-99-941-8543 WASHER, FLAT, steel, Zn plated, 13/64in. bolt size, 1/2in. od, 3/64in. thk		16	
9	A	G1 5310-99-100-6946 WASHER, LOCK, steel, flat int teeth, 13/64in. bolt size, 0.021in. thk, 13/32 od		16	
10		NP NUT, HEXAGONAL, NO. 10 UNF	7022103011 5900	16	
11	A	6MT13 5340-99-100-7013 CATCH, CLAMPING, steel, base mounting, 90mm lg, 36mm w	2676/001	2	
12		NP CATCH PLATE	FV2184902	2	
13	A	G1 5305-99-946-2344 SCREW, MACHINE, UNF, steel, hex hd, Cd plated, No.10 x 1/2in. lg		8	
14	A	G1 5305-99-122-5254	. . . SCREW, CAP, HEXAGON HEAD, ISO M, class 6G rh thd, Zn plated w/chromate, 22mm thd lg, 40mm fastener lg, grade 8.8		8	
15	A	G1 5310-99-122-6475	. . . WASHER, FLAT, steel, Zn plated, 17mm od, M8 bolt size, 1.6mm thk		8	
16	A	G1 5310-99-138-9227	. . . WASHER, LOCK, steel, Zn plated w/chromate, split helical ring, 8.55mm dia, 12.75mm od, 2.1mm thk		8	
17	A	G1 5310-99-122-5296	. . . NUT, PLAIN, HEXAGON, ISO, M8 x 1.25 class 6H rh thd, steel, Zn plated w/chromate, 13mm w A/F, 6.5mm h, chamfered bearing surface, grade 8		8	

~~UNRESTRICTED~~

~~UNRESTRICTED~~

Chapter 2-14

PARTS LIST

BEACON, ROTATING, AMBER

GENERAL ARRANGEMENT

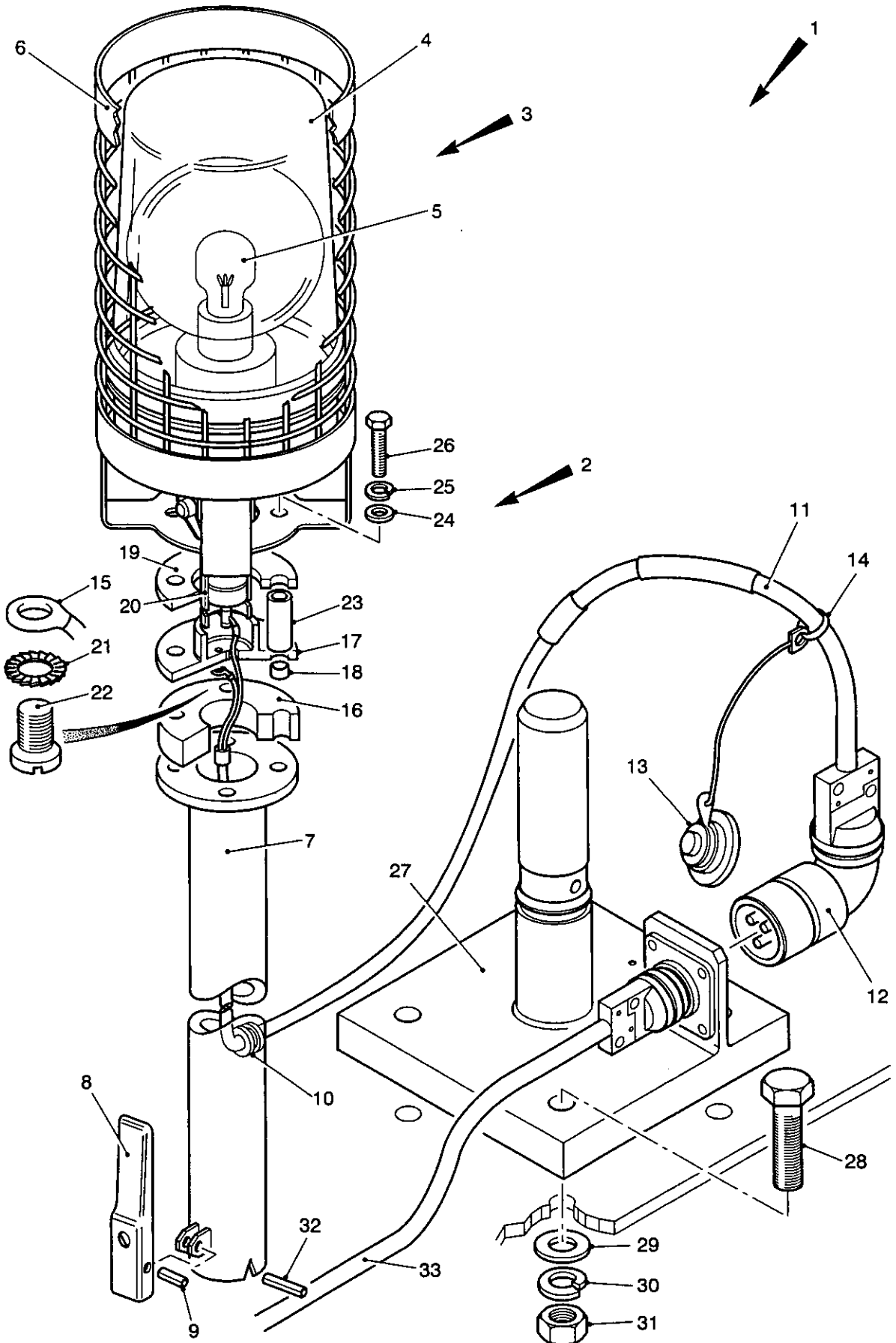


Fig 1 Beacon, rotating, amber, GA

430/70181

Fig Item	Man Code Navy - N Army - A RAF - R	NATO Stock No	Item Name and Description	Part No/ Drawing No.	No. Off	Annotations
1-		NP	BEACON, ROTATING, AMBER GENERAL ARRANGEMENT		REF	
1	A 9ACR	2540-99-301-7175	MODIFICATION KIT, VEHICLE EQUIPMENT COMPONENTS, Beacon - rotating amber	MAE 43/2/ 0008	1	
2		NP 622099853370A	BEACON, AMBER, ROTATING ASSEMBLY	FV2200650	1	
3	A 6MT3	6220-99-838-5677	LIGHT, WARNING, VEHICULAR, 24V, amber	372:65E	1	
4	A 9AHY	6220-99-112-5612	LENS, LIGHT, amber hazard acrylic beacon, 146.5mm h, 128.5mm dia	602816	1	
5	A X5	6240-99-995-2519	LAMP, FILAMENT, P14.5S cap style, tubular bulb, 67.5mm lg, 8.5mm dia, 70W, 24V	13258	1	
6	A 9ACR	2590-99-805-5791	GUARD, BEACON	FV2200647	1	
7	A 9MVCV	6220-99-895-7727	MOUNTING ASSEMBLY, VEHICLE WARNING LIGHT, steel, Zn plated, tube w/welded lug and mtg flange at one end	FV2059252	1	
8	A 9MVCV	2540-99-810-5826	LATCH SUB-ASSEMBLY, comprising latch, spring leaf and rivet	FV2187756	1	
9	A G1	5315-99-780-7359	PIN, SPRING, carbon steel, Cd plated, 20mm lg, 5mm dia, 0.42mm thk, standard duty	5x20MBS	1	
10	A H9	5325-99-942-3426	GROMMET, RUBBER, 0.25in. id, 0.22in. groove w, 0.104in. flange thk, 0.388in. h, 0.53in. large flange od, 0.395in. groove od		1	
11	A 9ACR	2590-99-580-3019	WIRING HARNESS	FV2200654	1	
12	A 9ACR	5935-99-859-7929	CONNECTOR, PLUG, ELECTRICAL, angle shape, w/strain relief, 0.953in. od, single mating end, 3 contacts, 700V AC RMS/700V DC, Al alloy body, rubber insert, CD plated, chromate and olive drab body, bayonet slot coupling nut, cable clamp	ABB08E/ C10SL- 3PSN	1	
13	A 9ACR	5935-99-316-3363	COVER, ELECTRICAL CONNECTOR, 28.4mm h, 26.1mm od, c/w 100mm lg nylon cord, for 10SL shell size	ABB-10SL - E-PCA	1	
14		NP	STRAP, LINE SUPPORTING, 2.5mm w, 100mm lg	FV2151902	1	
15	A Z37	5940-99-622-5782	TERMINAL LUG, rd shape, 17.46mm lg, 7.14mm h, 6.35mm w, 0.79mm thk, 3.6mm mtg hole dia	FV2029143	1	
16	A 9MVCV	5340-99-151-1285	MOUNT, RESILIENT, feat-vulcanised butadiene acrylonitrile rubber	FV2108374	1	
17	A 9MVCV	2590-99-700-6543	BUSH ASSEMBLY, BEACON MOUNTING, painted, comprises steel bush, mtg welded to plate, w/rubber protective cap	FV2059254	1	
18		NP	BUSH INSULATION	FV2108370	4	
19	A 9MVCV	5340-99-605-6614	MOUNT, RESILIENT, feat-vulcanised butadiene acrylonitrile rubber	FV2108373	1	
20	A 9MVCV	6220-99-553-0278	BUSH, MOUNTING, 57mm lg, 25mm dia	FV2059255	1	
21		NP	WASHER, LOCK, ext teeth, M6	7536060000 0059	1	

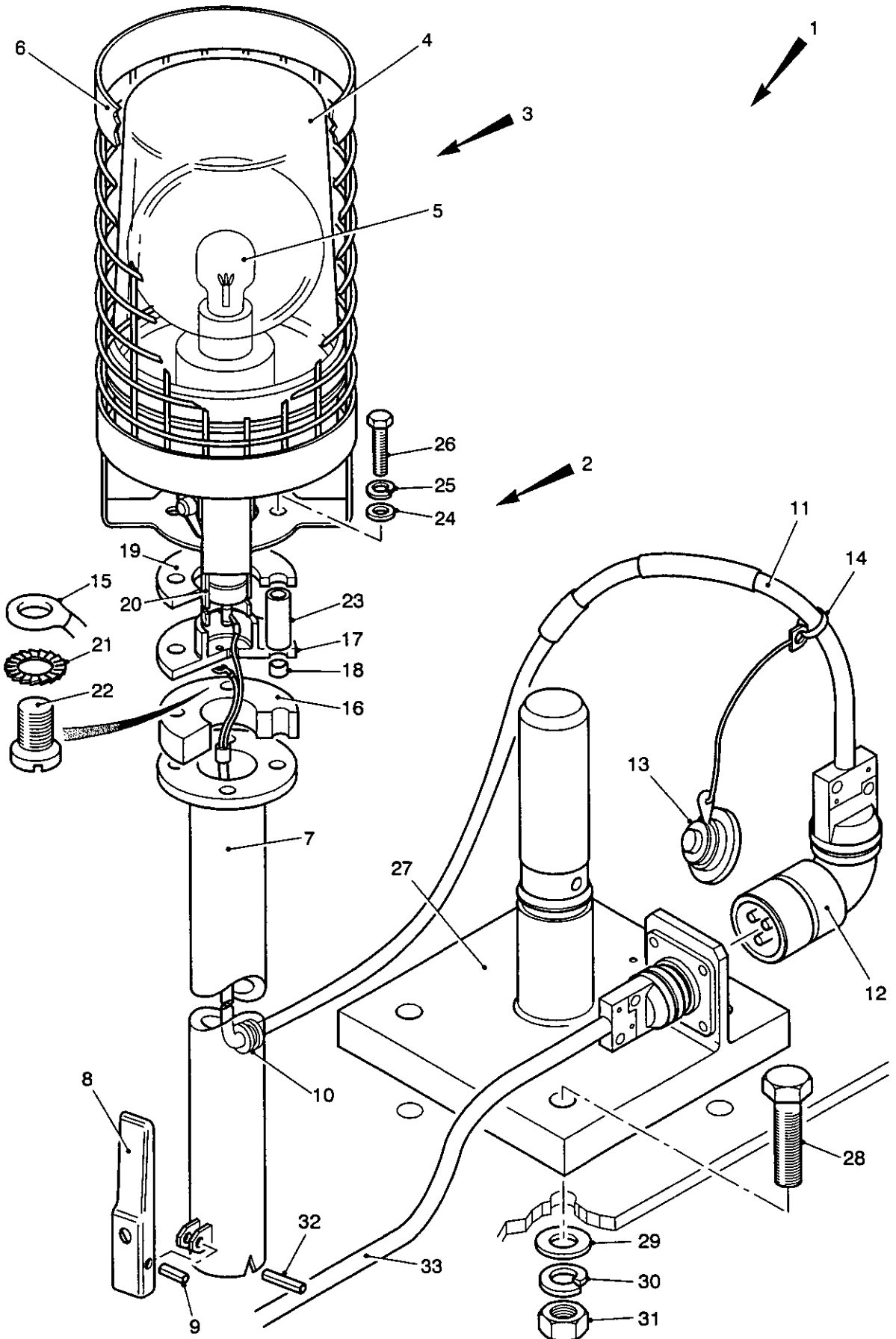


Fig 1 Beacon, rotating, amber, GA

430/70181

Fig Item	Man Code Navy - N Army - A RAF - R	NATO Stock No	Item Name and Description	Part No/ Drawing No.	No. Off	Annotations
1-			BEACON, ROTATING, AMBER GENERAL ARRANGEMENT - contd . BEACON, AMBER, ROTATING ASSEMBLY - contd			
22	A G1	5305-99-135-0687	. . SCREW, MACHINE, ISO M, 3mm thd dia, class 6G thd, 6mm thd and fastener lg, steel, Cd plated, pan hd, slot drive, strength grade 4.8		1	
23	A 9MVCV	5365-99-406-3493	. . SPACER, SLEEVE, steel, 23mm lg, 9.25mm od, 5.59mm id	FV2108369	4	
24	A 9MVCV	5310-99-300-0150	. . WASHER, FLAT, steel, Cd plated, rd, 20mm od, 5mm bolt size, 2mm thk	FV2110940	4	
25	A G1	5310-99-138-9226	. . WASHER, LOCK, steel, Zn plated, split helical ring, 5mm bolt size, 1.5mm thk, 8.55mm od		4	
26	A G1	5306-99-122-5242	. . BOLT, MACHINE, ISO M, 5mm x 0.8mm pitch, class 6G thd, steel, Zn plated w/chromate, hex hd, 16mm thd lg, 40mm fastener lg, strength grade 8.8		4	
27	A 9ACR	2540-99-127-3008	. BASE ASSEMBLY, steel, 110mm lg, 100mm w, comprises base plate, plate and pin, grooved, headless	FV2200644	1	
28	A G1	5305-99-122-5253	. SCREW, CAP, HEXAGON HEAD, ISO M, 8 x 1.25mm pitch, 22mm thd lg, 30mm fastener lg, hex hd, steel, Zn plated w/chromate, class 6 G thd		4	
29	A G1	5310-99-138-7965	. WASHER, FLAT, steel, Zn plated, rd, 21mm od, 8mm bolt size, 1.6mm thk		4	
30	A G1	5310-99-138-9227	. WASHER, LOCK, steel, Zn plated w/chromate, split helical ring, 8.5mm dia, 12.75mm od, 1mm thk		4	
31	A G1	5310-99-139-0313	. NUT, PLAIN, HEXAGON, ISO M, M8 x 1.25mm pitch, class 6H, steel, Zn plated w/chromate, 13mm w A/F, 5mm h, chamfered bearing surface, grade 8		4	
32	A G1	5315-99-139-5252	. PIN, SPRING, steel, phosphate coating, 40.5mm lg, 6mm dia	6 x 40MBR	1	
33	A 9ACR	2590-99-942-0427	. WIRING HARNESS	FV2200642	1	See Fig 2
NI 34	A 6MT1	5340-99-838-1364	. STRAP, LINE SUPPORTING, nylon strap w/moulded buckle, 140mm lg	REL140	8	Securing item 33

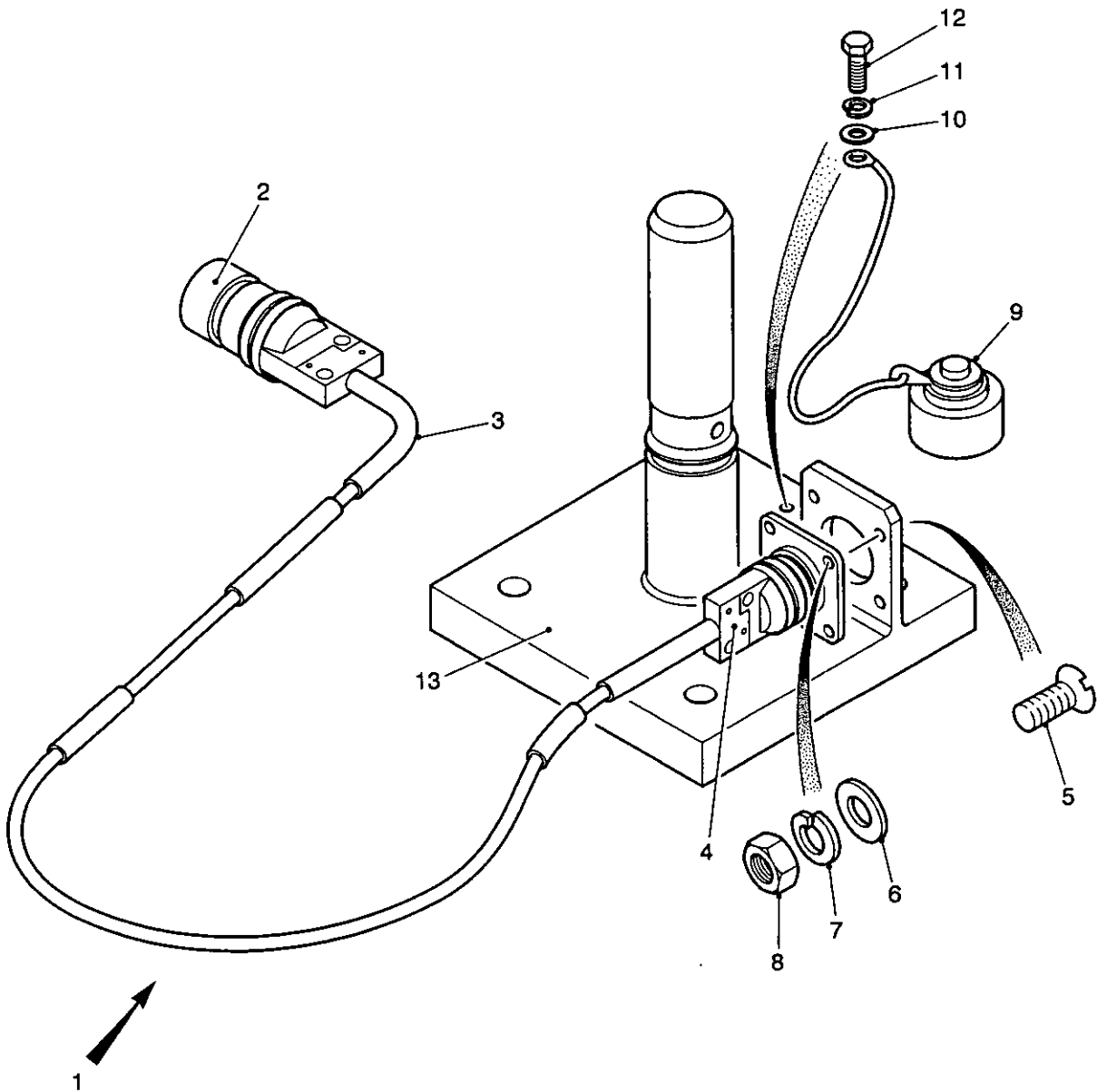


Fig 2 Wiring harness

430/70182

Fig Item	Man Code Navy - N Army - A RAF - R	NATO Stock No	Item Name and Description	Part No/ Drawing No.	No. Off	Annotations
2-			BEACON, ROTATING, AMBER GENERAL ARRANGEMENT - contd			
1	A	9ACR	. WIRING HARNESS	FV2200642	1	
2	A	Z32	. . CONNECTOR, FREE, ELECTRICAL, straight shape, quick connect, 2.24in. lg, 0.953in. dia, single mating end, 700V AC/DC, Al alloy shell, Cd plated, olive drab, bayonet slot coupling nut, cable clamp	ABB-06E- C10-SL- 3PSN	1	
3		NP	. . COVER, ELBOW	220AD12-25	1	
4	A	9ACR	. . CONNECTOR, RECEPTACLE, ELECTRICAL, straight shape, quick connect, strain relief, single mating end, 3 contacts, 700V AC/DC, rubber insert, Al alloy, Cd plated, chromate and olive drab shell, bayonet slot, cable clamp	ABB-03E- C10-SL- 3SSN	1	
5	A	G1	. . SCREW, MACHINE, ISO M, steel, Zn plated, flat csk hd, slot drive, 3mm x 0.5mm pitch, 12mm lg, class 6G thd		4	
6	A	G1	. . WASHER, FLAT, steel, Zn plated, rd, 7mm od, 0.5mm thk, M3 bolt size		4	
7	A	G1	. . WASHER, LOCK, steel, Zn plated w/chromate, split helical ring, 3.3mm id, 1.1mm thk, 5.5mm od		4	
8	A	G1	. . NUT, PLAIN, HEXAGON, ISO M, steel, Zn plated, chamfered bearing surface, 3mm x 0.5mm pitch, 5.5mm w A/F, 2.4mm h, grade 8		4	
9	A	Z32	. . COVER, ELECTRICAL CONNECTOR, Al, olive drab chromic finish, MS bayonet connection, 24.2mm dia, 17.5mm deep, c/w nylon cord	ABB10SLXP CA	1	
10	A	G1	. . WASHER, FLAT, steel, Zn plated, 8.85mm od, 4.4mm id, 0.8mm thk		1	
11	A	G1	. . WASHER, LOCK, steel, Zn plated, split helical ring, 4mm id, 1.2mm thk, 6.95mm od		1	
12	A	G1	. . SCREW, MACHINE, steel, Zn plated, hex hd, M4 x 12mm lg, grade 8.8		1	
13	A	9ACR	. BASE ASSEMBLY, steel, 110mm lg, 100mm w, comprises base plate, plate and pin, grooved, headless	FV2200644	1	See Fig 1

~~UNRESTRICTED~~

~~UNRESTRICTED~~

Chapter 2-15
PARTS LIST
SA 80 RIFLE STOWAGE
INSTALLATION

~~UNCLASSIFIED~~

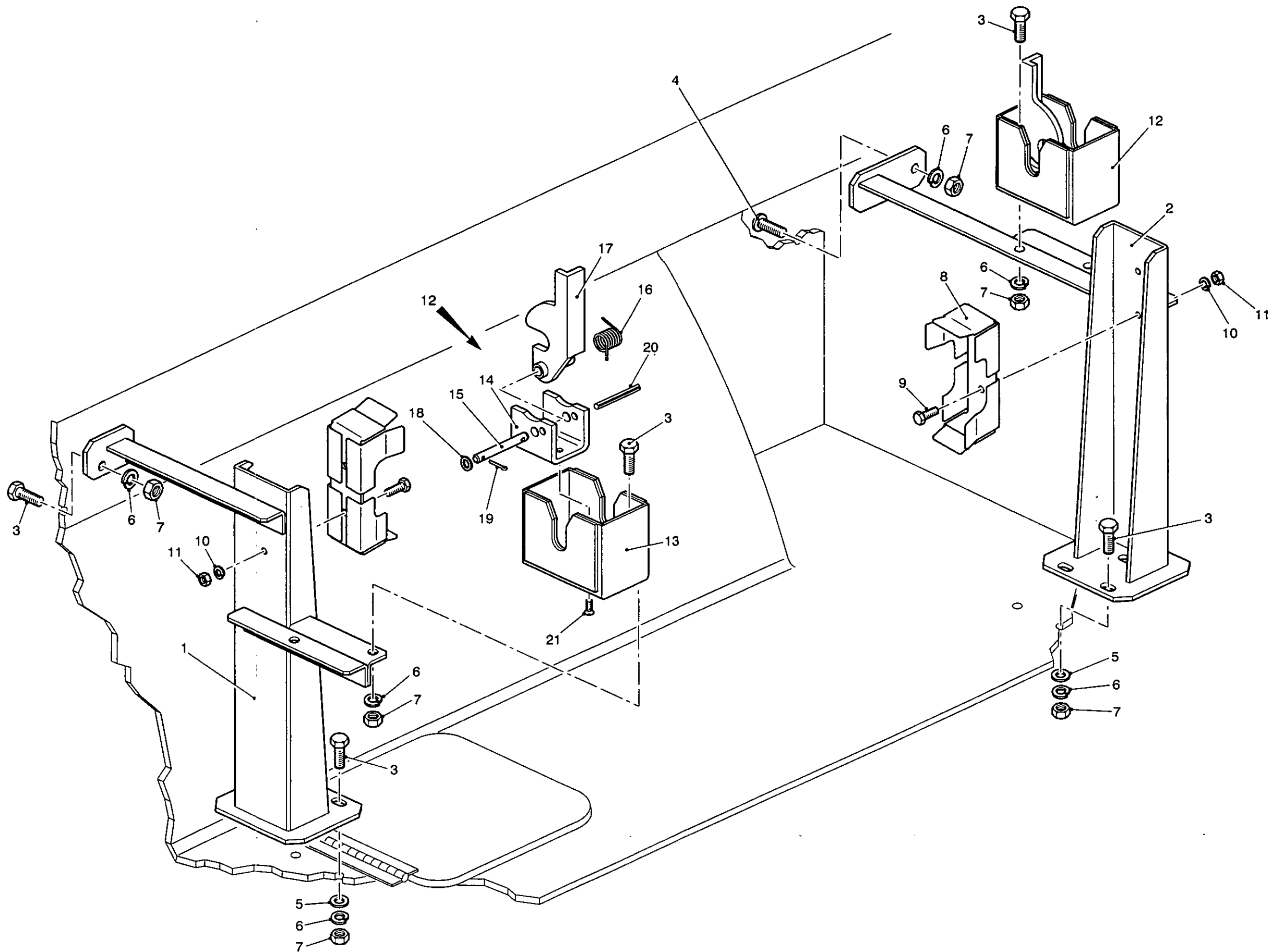


Fig 1 SA 80 rifle stowage installation

~~UNCLASSIFIED~~

Fig Item	Man Code Navy - N Army - A RAF - R	NATO Stock No	Item Name and Description	Part No/ Drawing No.	No. Off	Annotations
1-		NP	SA 80 RIFLE STOWAGE INSTALLATION	FV952576	REF	
1	A	9ACR	5340-99-839-8252 . BRACKET, MOUNTING, welded construction, rear	FV952575	1	
2	A	9ACR	5340-99-839-8251 . BRACKET, MOUNTING, welded construction, front	FV952574	1	
3	A	G1	5305-99-122-5366 . SCREW, CAP, HEXAGON HEAD, 8 x 1.25 ISO M thd, 20.42mm fastener lg, hex hd		11	
4	A	G1	5305-99-135-0451 . SCREW, MACHINE, 8 x 1.25 ISO M thd, 20mm thd and fastener lg, steel, Zn plated, pan hd, slot drive		1	
5	A	G1	5310-99-122-6475 . WASHER, FLAT, steel, Zn plated, rd, 17mm od, M8 bolt size, 1.6mm thk		6	
6	A	G1	5310-99-138-9227 . WASHER, LOCK, steel, Zn plated w/ chromate, split helical ring, 8.55mm dia, 2.1mm thk, 12.75mm od		12	
7	A	G1	5310-99-122-5296 . NUT, PLAIN, HEXAGON, ISO, M8 x 1.25 class 6H thd, rh, steel, Zn plated w/chromate, 13mm w A/F, 6.5mm h, chamfered bearing surface, strength grade 8		12	
8	A	6MT1	2540-99-724-5832 . BUTT CLIP, 134mm lg, 50mm h, 54mm w, u/w SA 80 rifle	FV952327	2	
9	A	G1	5305-99-122-5360 . SCREW, CAP, HEXAGON HEAD, 6 x 1.00 ISO M rh thd, 16mm thd and fastener lg, steel, Zn plated w/chromate, hex hd		4	
10	A	G1	5310-99-137-9232 . WASHER, LOCK, steel, Zn plated, split helical ring, 6.3mm id, 9.2mm od, 1.5mm thk		4	
11	A	7RU	5310-99-122-5295 . NUT, PLAIN, HEXAGON, M6 x 1.00 ISO M, class 6H rh thd, steel, Zn plated, 10mm w A/F, 5mm h, chamfered bearing surface, strength grade 8		4	
12	A	46MT1	2540-99-740-7338 . BARREL CLIP ASSEMBLY, block dims: 73mm h, 54mm w, 90mm lg, 102mm o/a h, c/w spring catch	FV952299	2	
13	A	9MCV	2540-99-253-7956 . . BRACKET, SUPPORTING, plastic coated, black, rect shape w/U shape cut out and various holes	FV952313	1	
14	A	46MT1	2540-99-120-5418 . . BRACKET, PIVOT ASSEMBLY, steel, plastic coated, U shape	FV952292	1	
15	A	9GWR	5315-99-802-5547 . . PIN, STRAIGHT, HEADLESS, steel, Cd plated, 43mm lg, 6mm dia	FV952290	1	
16	A	9GWR	5360-99-802-5546 . . SPRING, HELICAL, TORSION, spring steel, single torsion, 15.2mm od, 22mm and 24mm o/a arm lg	FV952295	1	
17	A	9GWR	2540-99-802-5545 . . LATCH, STOWAGE CLIP, weapon stowage, barrel clip assy	FV952293	1	
18	A	G1	5310-99-122-6474 . . WASHER, FLAT, steel, Zn plated, rd, 12.5mm od, 6.5mm id, 1.6mm thk		2	
19	A	G1	5315-99-138-2200 . . PIN, COTTER, SPLIT, 1.6mm dia, chisel point, steel, phosphate coated, 16mm under loop lg		2	
20		NP	. . PIN, 4mm dia x 32mm lg	FV2200680	1	
21	A	G1	5305-99-122-5283 . . SCREW, MACHINE, 5 x 0.8 ISO M, steel, Zn plated, 7.62mm thd lg, 10mm fastener lg, strength grade 4.8, slot, flat csk hd		2	

CHAPTER 3
INDEX OF NATO STOCK NUMBERS

INDEX OF NATO STOCK NUMBERS

NATO STOCK No.	Chapter, Page and Item No.	NATO STOCK No.	Chapter, Page and Item No.	NATO STOCK No.	Chapter, Page and Item No.
5940-00-271-6709	2-7.135/137-291	5905-99-013-5494	2-7.187-80	5960-99-037-2036	2-7.185-54
2520-00-405-1842	2-4.165-5	5905-99-013-5498	2-7.183-9	5960-99-037-2043	2-7.103-108
5930-00-470-0329	2-7.139-23	5905-99-013-5498	2-7.185-52	5961-99-037-2198	2-7.189-84
5330-00-505-1591	2-7.147-16	5905-99-013-5498	2-7.187-79	5961-99-037-2204	2-7.183-19
5330-00-585-1591	2-7.93-10	5905-99-013-5516	2-7.187-75	5961-99-037-2204	2-7.189-86
5330-00-585-1591	2-7.141-35	5905-99-013-5878	2-7.185-48	5961-99-037-2279	2-7.183-22
5330-00-585-1591	2-7.171-174	5905-99-013-6233	2-7.187-74	5910-99-037-2279	2-7.187-56
5330-00-585-1591	2-7.175-204	5905-99-013-8940	2-7.187-76	5961-99-037-2279	2-7.189-89
5330-00-585-1598	2-7.153-50	5905-99-014-0178	2-7.27-8	5961-99-037-2718	2-7.85-45
5930-00-655-4241	2-7.147-24	5905-99-014-0199	2-7.103-107	5961-99-037-2718	2-7.205-86
2520-00-679-6974	2-4.165-23	5905-99-014-0314	2-7.163-56	5961-99-037-2723	2-7.75-34
3120-00-679-7068	2-4.165-28	5905-99-014-0321	2-7.191-108	5961-99-037-3809	2-4.239-44
2520-00-767-5417	2-4.165-24	5305-99-014-0829	2-4.171-15	5961-99-037-3870	2-4.239-43
2520-00-767-5419	2-4.165-1	5330-99-014-7131	2-7.97-19	5960-99-037-4159	2-7.187-58
3120-00-842-4195	2-4.155-2	5330-99-014-7131	2-7.113-9	5961-99-037-5587	2-7.183-4
4330-00-860-7344	2-4.149-29	5330-99-014-7131	2-7.141-30	5961-99-037-5960	2-7.183-21
2520-00-911-1076	2-4.159-15	5330-99-014-7131	2-7.147-21	5930-99-051-0551	2-7.109-6
2520-01-007-0343	2-4.165-12	5330-99-014-7131	2-7.179-261	5930-99-051-0578	2-7.105-147
5940-01-251-6054	2-7.125-151	5330-99-014-7131	2-7.179-269	5920-99-059-0112	2-7.151-30
5940-01-251-6054	2-7.125-161	5330-99-014-7133	2-7.45-78	2510-99-062-6305	2-1.6-3-8
5940-01-251-6054	2-7.125-178	5330-99-014-7134	2-7.139-26	5365-99-097-0111	2-7-1.6-131
6240-12-173-4827	2-7.5-35	5330-99-014-7134	2-7.153-40	5940-99-100-1400	2-7.151-27
6240-12-173-4827	2-7.23-23	5330-99-014-7134	2-7.179-248	6145-99-100-4628	2-7.93-5
6240-12-173-4827	2-7.35-8	5330-99-014-7135	2-4.135-7	6145-99-100-4628	2-7.113-7
6240-12-173-4827	2-7.41-31	5330-99-014-7135	2-7.89-52	6145-99-100-4628	2-7.113-14
1005-12-185-2101	2-7.97-25	5330-99-014-7135	2-7.179-254	6145-99-100-4628	2-7.113-19
1005-12-185-2101	2-7.99-35	5330-99-014-7135	2-7.199-18	6145-99-100-4628	2-7.205-93
1005-12-185-2101	2-7.99-47	5330-99-014-7135	2-7.209-24	5310-99-100-6328	2-7.93-20
5945-12-326-2756	2-7.201-24	5330-99-014-7137	2-7.97-29	5940-99-100-6580	2-7.195-176
5961-17-053-9731	2-7.185-53	5330-99-014-7137	2-7.99-39	5310-99-100-6941	2-8.9-20
5330-88-802-2107	2-8.1.7-60	5330-99-014-7137	2-7.177-223	5310-99-100-6945	2-4.83-4
5320-99-001-7679	2-11.3-27	5330-99-014-7137	2-7.181-276	5310-99-100-6945	2-4.87-73
9905-99-009-1137	2-7.93-13	5330-99-014-7137	2-7.205-72	5310-99-100-6945	2-4.89-86
5355-99-011-2990	2-7.151-14	5330-99-014-7138	2-7.89-48	5310-99-100-6945	2-4.91-121
5920-99-012-0231	2-7.109-3	5330-99-014-7139	2-4.55-62	5310-99-100-6945	2-4.205-8
5920-99-012-0231	2-7.151-29	5330-99-014-7139	2-7.75-27	5310-99-100-6945	2-4.205-26
6250-99-012-0913	2-7.105-141	5330-99-014-7139	2-7.85-54	5310-99-100-6945	2-6.17-18
6250-99-012-0913	2-7.201-32	5330-99-014-7139	2-7.91-67	5310-99-100-6946	2-4.195-16
6210-99-012-7421	2-7.105-142	5330-99-014-7139	2-7.99-51	5310-99-100-6946	2-7.107-172
5905-99-012-8214	2-7.183-7	5330-99-014-7139	2-7.173-188	5310-99-100-6946	2-7.109-17
5905-99-012-8214	2-7.185-50	5330-99-014-7139	2-7.173-197	5310-99-100-6946	2-7.111-27
5905-99-012-8214	2-7.187-73	5330-99-014-7139	2-7.175-216	5310-99-100-6946	2-13.7/8-9
5905-99-012-8250	2-7.183-12	5330-99-014-7139	2-7.177-233	5340-99-100-7013	2-13.7/8-11
5905-99-013-5077	2-7.183-10	5330-99-014-7139	2-7.177-244	5305-99-100-7753	2-7.89-38
5905-99-013-5472	2-7.187-77	5330-99-014-7139	2-7.195-178	5310-99-100-7777	2-5.5-7
5905-99-013-5474	2-7.185-49	5330-99-014-7140	2-7.171-156	5305-99-100-8418	2-4.203-42
5905-99-013-5478	2-7.187-78	5330-99-014-7140	2-7.171-166	5310-99-100-9333	2-7.191-133
5905-99-013-5482	2-7.183-6	5910-99-015-8891	2-7.183-17	5310-99-100-9641	2-9.3-23
5905-99-013-5490	2-7.183-8	5961-99-037-2016	2-7.183-18	5310-99-100-9641	2-9.5/6-33
5905-99-013-5490	2-7.185-47	5961-99-037-2016	2-7.189-85	5310-99-100-9752	2-4.239-41
5905-99-013-5492	2-7.183-14	5960-99-037-2036	2-7.183-20	5310-99-100-9786	2-4.95-16

INDEX OF NATO STOCK NUMBERS

NATO STOCK No.	Chapter, Page and Item No.	NATO STOCK No.	Chapter, Page and Item No.	NATO STOCK No.	Chapter, Page and Item No.
5310-99-100-9786	2-4.205-13	5340-99-104-2862	2-12.13/14-49	5305-99-120-1622	2-8.15-6
5305-99-101-0030	2-4.147-78	5935-99-104-3680	2-7.175-217	5305-99-120-1622	2-8-1.13/14-8
5310-99-101-0187	2-7.101-84	6145-99-104-7324	2-4.249-36	5365-99-120-1698	2-7-1.6-132
5305-99-101-0658	2-7.23-24	6145-99-104-7324	2-4.249-45	5310-99-120-1873	2-7.119-84
5305-99-101-0658	2-7.41-32	6145-99-104-7324	2-4.249-54	5305-99-120-2007	2-1-2.13-7
5305-99-101-1466	2-4.119-41	6145-99-104-7324	2-4.251/252-61	5315-99-120-2065	2-3.27-13
5310-99-101-1475	2-7.143-47	6145-99-104-7324	2-7-1.2-20	5310-99-120-2196	2-4.115-4
5305-99-101-1501	2-1-2.13-10	6145-99-104-7324	2-7-1.5-88	5310-99-120-2520	2-7.107-175
5310-99-101-1692	2-7.103-95	6145-99-104-7324	2-7-1.5-94	4010-99-120-2784	2-5.7-30
5310-99-101-1692	2-7.129-212	6145-99-104-7324	2-7-1.6-117	5305-99-120-3307	2-4.41-91
5310-99-101-1692	2-7.129-221	6145-99-104-7324	2-7-1.6-126	5307-99-120-3516	2-2.7-39
5310-99-101-1692	2-7.131-230	6145-99-104-7324	2-7-1.9-216	5307-99-120-3516	2-2.15-46
5310-99-101-2564	2-8.17-14	6145-99-104-7325	2-4.249-30	5307-99-120-3527	2-9.3-3
5310-99-101-2645	2-9.3-5	6145-99-104-7325	2-7-1.4-79	5307-99-120-3531	2-2.19-16
5305-99-101-3284	2-8-1.7-61	5940-99-105-1388	2-7.159-21	5310-99-120-3786	2-8.15-16
5305-99-101-3284	2-8-1.9-76	5940-99-105-1390	2-7.159-9	5310-99-120-3862	2-4.221-25
4730-99-101-3291	2-7.141-43	5925-99-105-3145	2-7.181-289	5310-99-120-3891	2-1-5.3-7
5310-99-101-3781	2-3.13-33	5910-99-105-5611	2-7.75-32	5310-99-120-3891	2-1-5.5/6-34
5310-99-101-3781	2-3.13-42	5940-99-105-7377	2-7.129-203	5310-99-120-3891	2-4.149-14
5310-99-101-3781	2-3.17-73	5945-99-105-7583	2-7.131-247	5310-99-120-3891	2-8.5-47
5310-99-101-3781	2-3.17-83	5930-99-105-8352	2-7.205-82	5310-99-120-3891	2-12.11-23
9905-99-101-4237	2-1-1.11-17	5910-99-106-6462	2-7.85-42	5310-99-120-4032	2-1-1.5-10
5305-99-101-5890	2-7.159-10	5940-99-106-7668	2-7.85-50	5310-99-120-4032	2-1-1.5-24
5310-99-101-6807	2-7.95-35	5940-99-106-7668	2-7.193-159	5310-99-120-4032	2-1-2.7-77
5310-99-101-6807	2-7.95-39	5940-99-106-7668	2-7.195-171	5310-99-120-4032	2-1-6.5-33
5305-99-101-6807	2-7.107-167	6145-99-111-6724	2-7-1.6-135	5310-99-120-4032	2-4.119-29
5305-99-101-6854	2-7.101-71	6220-99-112-5612	2-14.3-4	5310-99-120-4032	2-4.125-13
3120-99-101-7148	2-4.183-38	5970-99-115-8037	2-7.151-26	5310-99-120-4032	2-4.125-15
3120-99-101-7163	2-4.181-2	5970-99-115-8585	2-7.151-25	5310-99-120-4032	2-4.139-28
3120-99-101-7163	2-4.181-6	5961-99-118-1454	2-7.119-64	5310-99-120-4032	2-4.139-32
3120-99-101-7163	2-6.3-2	5961-99-118-1454	2-7.163-55	5310-99-120-4032	2-7.11-96
3120-99-101-7163	2-6.5-52	5961-99-118-3923	2-7.191-128	5310-99-120-4032	2-7.11-101
5310-99-101-7838	2-1-2.9-91	5305-99-120-0040	2-7.131-243	5310-99-120-4032	2-7.117-49
5305-99-101-8548	2-1-2.9-100	5310-99-120-0072	2-7.185-43	5310-99-120-4032	2-7.167-108
5935-99-102-4388	2-7.179-267	5310-99-120-0106	2-8-1.13/14-16	5310-99-120-4032	2-7.205B-107
5915-99-102-8531	2-7.75-33	5310-99-120-0118	2-6.17-22	5310-99-120-4032	2-11.5-45
5935-99-102-9579	2-7.97-20	5310-99-120-0118	2-7.139-7	5310-99-120-4032	2-11.11-7
5935-99-102-9579	2-7.113-27	5305-99-120-0188	2-5.9-16	5310-99-120-4032	2-11.11-16
5935-99-102-9579	2-7.127-189	5305-99-120-0189	2-7.139-21	5305-99-120-4684	2-4.91-136
5935-99-102-9579	2-7.141-40	5305-99-120-0192	2-7.141-37	5310-99-120-4983	2-4.221-8
5935-99-102-9671	2-7.181-278	5310-99-120-0328	2-7.107-174	5310-99-120-5362	2-4.183-44
5330-99-103-2336	2-7.109-10	5365-99-120-0556	2-7.117-53	2540-99-120-5418	2-15.3/4-14
6145-99-103-2389	2-7.77-42	5310-99-120-0697	2-4.223-46	5310-99-120-5862	2-4.221-10
5925-99-103-2893	2-7.115-27	5305-99-120-0941	2-1-2.17/18-31	5315-99-120-6023	2-5.7-40
5940-99-103-7672	2-7.85-51	5365-99-120-1010	2-4.67-31	5310-99-120-6049	2-7.31-6
5940-99-103-9031	2-7.75-14	5315-99-120-1036	2-7.87-21	5310-99-120-6590	2-7.103-94
5940-99-103-9031	2-7.77-41	5305-99-120-1448	2-7.77-50	5365-99-120-6763	2-3.17-85
5940-99-103-9031	2-7.89-58	5305-99-120-1448	2-7.85-55	5310-99-120-6892	2-7.135/137-297
5940-99-103-9031	2-7.91-64	5305-99-120-1605	2-7.83-30	5310-99-120-7391	2-6.11-43
5905-99-104-1153	2-7.151-11	5305-99-120-1616	2-7.89-44	5365-99-120-7681	2-4.205-11
5340-99-104-2862	2-12.11-9	5305-99-120-1622	2-4.221-3	5305-99-120-7950	2-7-1.9-201
5340-99-104-2862	2-12.13/14-38	5305-99-120-1622	2-7.43-46	5315-99-120-7987	2-2.19-4

INDEX OF NATO STOCK NUMBERS

NATO STOCK No.	Chapter, Page and Item No.	NATO STOCK No.	Chapter, Page and Item No.	NATO STOCK No.	Chapter, Page and Item No.
5315-99-120-7987	2-2.19-8	5310-99-122-5295	2-16.21-12	5340-99-127-9986	2-11.11-22
5315-99-120-7987	2-2.19-12	5310-99-122-5295	2-17.5/6-14	5305-99-128-2767	2-1-1.11-15
5315-99-120-8148	2-4.107-16	5310-99-122-5295	2-19.33-13	5305-99-128-7539	2-7.49-4
5306-99-120-8295	2-4.59-23	5310-99-122-5296	2-13.7/8-17	5306-99-133-4728	2-1-1.5-5
5306-99-120-8529	2-7.65-24	5310-99-122-5296	2-15.3/4-7	5310-99-134-1991	2-4.183-39
5340-99-120-8967	2-11.3-3	5310-99-122-5298	2-11.9-11	5310-99-134-2027	2-9.3-14
5340-99-120-8967	2-11.3-11	5310-99-122-5298	2-13.3-6	5310-99-134-3784	2-2.17-65
5340-99-120-8967	2-11.3-22	5305-99-122-5360	2-11.5-33	5310-99-134-5211	2-2.9-52
5340-99-120-8967	2-11.5-42	5305-99-122-5360	2-11.9-13	5310-99-134-5211	2-2.17-60
5310-99-120-9323	2-4.213-7	5305-99-122-5360	2-15.3/4-9	5310-99-134-5211	2-5.11-4
5310-99-120-9323	2-4.213-15	5305-99-122-5361	2-10.13-104	5310-99-134-5211	2-7.39-17
5310-99-120-9323	2-4.213-29	5305-99-122-5361	2-11.7-8	5310-99-134-5211	2-7.57-45
5310-99-120-9323	2-4.215-48	5305-99-122-5361	2-11.9-14	5305-99-135-0270	2-10.11-96
5305-99-121-1212	2-7.109-20	5305-99-122-5365	2-10.9-62	5305-99-135-0424	2-7.47-94
5305-99-121-1227	2-7.75-19	5305-99-122-5365	2-11.7-12	5305-99-135-0430	2-13.5-4
5305-99-121-1232	2-7.71-26	5305-99-122-5366	2-15.3/4-3	5305-99-135-0431	2-4.131-62
5305-99-121-1234	2-7.157-80	5305-99-122-5367	2-11.7-16	5305-99-135-0451	2-15.3/4-4
5305-99-121-1421	2-1-2.13-9	5305-99-122-5368	2-11.7-17	5305-99-135-0687	2-14.5-22
5305-99-121-1491	2-5.9-9	5310-99-122-5495	2-10.11-85	5310-99-135-0754	2-7.47-92
5305-99-121-1660	2-5.19-10	5310-99-122-6455	2-14.7/8-8	5310-99-135-0755	2-7.47-97
5305-99-121-1662	2-7.151-31	5310-99-122-6474	2-10.11-101	5310-99-135-0788	2-8.9-23
5305-99-121-1725	2-7.31-4	5310-99-122-6474	2-10.13-105	5310-99-135-7834	2-8.11-19
5305-99-121-1751	2-7.71-5	5310-99-122-6474	2-11.7-6	5310-99-135-9291	2-4.59-20
5305-99-121-1751	2-7.71-20	5310-99-122-6474	2-15.3/4-18	5310-99-135-9302	2-8.9-22
5305-99-121-1751	2-7.107-161	5310-99-122-6475	2-10.9-63	5310-99-135-9869	2-4.219-15
5305-99-121-1752	2-7.155-71	5310-99-122-6475	2-10.11-98	5310-99-136-1520	2-1-8.3/4-8
5305-99-121-4840	2-8.3-18	5310-99-122-6475	2-11.7-10	5310-99-136-1526	2-2.7-44
5305-99-121-4840	2-8.1.5-23	5310-99-122-6475	2-11.7-18	5310-99-136-1526	2-2.17-52
5306-99-122-2792	2-13.3-3	5310-99-122-6475	2-13.7/8-15	5310-99-136-1528	2-5.21/22-45
5310-99-122-3030	2-14.7/8-6	5310-99-122-6475	2-15.3/4-5	5310-99-136-4295	2-10.15-23
5310-99-122-3031	2-14.7/8-10	5310-99-122-6477	2-11.7-21	5310-99-136-4733	2-4.127-13
5310-99-122-3032	2-13.5-5	5310-99-122-6477	2-13.3-4	5310-99-136-5324	2-4.131-57
5310-99-122-3033	2-4.145-65	5310-99-122-6477	2-13.5-8	5310-99-136-6194	2-4.131-83
5310-99-122-3033	2-4.207-32	5310-99-122-6722	2-1-2.15-19	5310-99-137-0193	2-4.77-25(7)
5310-99-122-3033	2-7.107-171	5310-99-122-6722	2-8.5-45	5310-99-137-0580	2-2.9-63
5310-99-122-3033	2-7.119-72	5310-99-122-6722	2-8-1.5-50	5305-99-137-1769	2-7.27-19
5306-99-122-5242	2-14.5-26	5310-99-122-6723	2-2.5-18	5310-99-137-2652	2-7.119-80
5305-99-122-5253	2-14.5-28	5310-99-122-6723	2-2.9-61	5310-99-137-2652	2-7.165-84
5305-99-122-5254	2-13.7/8-14	5310-99-122-6723	2-8.5-44	5310-99-137-2652	2-7.167-122
5305-99-122-5273	2-7.47-90	5310-99-122-6723	2-8-1.5-49	5310-99-137-2652	2-7.169-128
5305-99-122-5273	2-14.7/8-5	5315-99-122-6952	2-4.139-5	5310-99-137-2652	2-7.169-134
5305-99-122-5283	2-15.3/4-21	5310-99-122-8066	2-8.9-21	5310-99-137-2652	2-7.169-139
5305-99-122-5284	2-4.129-44	5310-99-122-8068	2-12.9-67	5315-99-137-6398	2-10.17-29
5305-99-122-5289	2-10.9-71	5305-99-122-8099	2-10.5-27	5315-99-137-8903	2-11.3-30
5305-99-122-5290	2-10.11-84	5306-99-122-8178	2-11.9-8	5315-99-137-8940	2-1-2.5-49
5310-99-122-5294	2-13.5-7	5306-99-122-8675	2-11.7-20	5315-99-137-8940	2-1-5.5/6-32
5310-99-122-5295	2-4.99-60	5305-99-123-3314	2-6.15-97	5310-99-137-9232	2-10.5-29
5310-99-122-5295	2-10.5-30	5306-99-123-7392	2-4.115-3	5310-99-137-9232	2-11.5-34
5310-99-122-5295	2-11.5-35	5330-99-124-2509	2-4.207-24	5310-99-137-9232	2-11.7-7
5310-99-122-5295	2-11.9-4	2540-99-127-3008	2-14.5-27	5310-99-137-9232	2-11.9-15
5310-99-122-5295	2-11.9-16	2540-99-127-3008	2-14.7/8-13	5310-99-137-9232	2-15.3/4-10
5310-99-122-5295	2-15.3/4-11	5305-99-127-9450	2-1-2.9-95	5305-99-138-0353	2-4.131-66

INDEX OF NATO STOCK NUMBERS

NATO STOCK No.	Chapter, Page and Item No.	NATO STOCK No.	Chapter, Page and Item No.	NATO STOCK No.	Chapter, Page and Item No.
5315-99-138-2199	2-1.2.15-27	5310-99-138-9224	2-14.7/8-7	1040-99-200-7329	2-7.27-12
5315-99-138-2200	2-15.3/4-19	5310-99-138-9225	2-7.47-96	1040-99-200-7330	2-7.27-13
5315-99-138-2201	2-1-2.17/18-40	5310-99-138-9225	2-14.7/8-11	1040-99-200-7346	2-7.27-14
5315-99-138-2201	2-1-6.7/8-52	5310-99-138-9226	2-13.5-6	5970-99-200-7353	2-7.27-15
5315-99-138-2201	2-1-6.7/8-60	5310-99-138-9226	2-14.5-25	5999-99-200-7357	2-7.27-17
5315-99-138-2201	2-1-6.7/8-69	5310-99-138-9227	2-13.7/8-16	1040-99-200-7363	2-7.21-3
5315-99-138-2201	2-4.85-45	5310-99-138-9227	2-14.5-30	5935-99-200-7372	2-7.27-16
5315-99-138-2201	2-4.145-51	5310-99-138-9227	2-15.3/4-6	5310-99-200-7373	2-7.27-18
5315-99-138-2201	2-4.177-106	5310-99-138-9229	2-11.9-10	4730-99-200-8880	2-4.191-20
5315-99-138-2201	2-4.183-40	5310-99-138-9229	2-13.3-5	4730-99-200-8881	2-4.187-28
5315-99-138-2201	2-4.203-49	5310-99-138-9229	2-13.5-9	4730-99-200-8881	2-4.191-15
5315-99-138-2201	2-4.217-9	5310-99-139-0313	2-14.5-31	6650-99-200-9369	2-1-2.7-64
5315-99-138-2201	2-6.11-38	5310-99-139-1247	2-7.29-19	6650-99-200-9369	2-1-2.13-1
5315-99-138-2201	2-6.19/20-45	5310-99-139-1247	2-7.31-7	6650-99-200-9374	2-1-2.13-2
5315-99-138-2201	2-10.17-24	5310-99-139-1247	2-7.213/214-25	6650-99-200-9375	2-1-2.13-3
5315-99-138-2201	2-11.3-31	5305-99-139-2192	2-4.131-75	6650-99-200-9376	2-1-2.13-4
5315-99-138-2203	2-4.99-72	5305-99-139-2393	2-4.51-17	6650-99-200-9377	2-1-2.13-5
5315-99-138-2205	2-1-7.3/4-12	5310-99-139-4598	2-10.9-66	6650-99-200-9378	2-1-2.13-8
5315-99-138-2205	2-4.147-81	5315-99-139-5252	2-14.5-32	5330-99-200-9379	2-1-2.7-63
5315-99-138-2205	2-4.181-28	5315-99-143-1162	2-4.175-79	6650-99-200-9437	2-1-1.5-2
5315-99-138-2205	2-4.197-53	3110-99-144-4810	2-7.79-79	6650-99-200-9437	2-1-1.11-1
5315-99-138-2205	2-4.197-62	3120-99-145-6730	2-4.31-19(2)	6650-99-200-9445	2-1-1.11-4
5315-99-138-2205	2-6.3-20	2540-99-147-5973	2-12.9-68	6650-99-200-9446	2-1-1.11-9
5315-99-138-2205	2-8.13-46	5925-99-148-7341	2-7.115-30	5330-99-200-9447	2-1-1.11-8
5315-99-138-2205	2-8-1.11-19	5340-99-151-1285	2-14.3-16	6650-99-200-9448	2-1-1.11-11
5315-99-138-2207	2-1-4.3-9	5360-99-152-3676	2-8.5-33	6650-99-200-9448	2-1-1.11-22
5315-99-138-2207	2-3.23-46	5360-99-152-3676	2-8-1.5-38	5330-99-200-9449	2-1-1.11-7
5315-99-138-2207	2-4.49-40	5330-99-172-8541	2-4.145-63	5330-99-200-9450	2-1-1.11-5
5315-99-138-2207	2-4.143-20	5340-99-179-7517	2-4.117-5	5330-99-200-9450	2-1-1.11-18
5315-99-138-2207	2-8.11-17	5940-99-193-6329	2-7-1.7-159	5330-99-200-9452	2-1-1.11-6
5315-99-138-2208	2-3.29-34	5940-99-193-6330	2-7-1.7-160	5330-99-200-9452	2-1-1.11-21
5315-99-138-2209	2-1-4.5/6-31	5305-99-198-4428	2-4.51-4	6650-99-200-9454	2-1-1.11-26
5315-99-138-2209	2-1-7.3/4-7	5305-99-198-4428	2-4.51-16	6650-99-200-9455	2-1-1.11-24
5315-99-138-2209	2-6.13-59	5305-99-198-4428	2-4.53-46	5330-99-200-9456	2-1-1.11-27
5315-99-138-2209	2-6.15-87	5310-99-199-9928	2-7.205-95	5330-99-200-9459	2-1-1.11-13
5315-99-138-2213	2-2.19-23	5365-99-200-1551	2-4.145-68	5975-99-201-0588	2-7.155-75
5315-99-138-2213	2-8.11-5	5365-99-200-1685	2-4.33-15	6650-99-201-3008	2-1-1.11-2
5315-99-138-2214	2-2.13-14	5305-99-200-2300	2-4.79-68	6650-99-201-3009	2-1-1.11-16
5310-99-138-3581	2-2.9-57	5305-99-200-2300	2-4.97-40	2910-99-201-3317	2-4.101-8
5310-99-138-3581	2-2.17-64	3120-99-200-2420	2-1-2.9-90	5305-99-201-4114	2-7.31-10
5310-99-138-3581	2-3.7-54	3120-99-200-2447	2-10.15-4	5365-99-201-5323	2-3.17-86
5305-99-138-3807	2-14.7/8-12	3120-99-200-2448	2-6.7-68	2350-99-201-5576	2-0.3/4-0
5310-99-138-5162	2-1-8.3/4-9	3120-99-200-2464	2-1-2.5-34	5330-99-202-1243	2-2.13-23
5310-99-138-6859	2-7.5-45	1040-99-200-7284	2-7.21-1	2510-99-202-7993	2-1-9.7-5
5310-99-138-6859	2-9.3-4	1040-99-200-7284	2-7.27-1	5310-99-202-9996	2-4.223-47
5310-99-138-6859	2-9.3-17	1040-99-200-7285	2-7.21-2	5920-99-204-8160	2-4.243-11
5310-99-138-6859	2-9.5/6-37	1040-99-200-7285	2-7.27-4	5340-99-205-0219	2-7.155-63
5310-99-138-7965	2-14.5-29	1040-99-200-7286	2-7.27-2	5340-99-205-6507	2-7-1.3-53
5310-99-138-7965	2-19.29-6	1040-99-200-7287	2-7.27-5	5910-99-209-1535	2-4.239-61
5310-99-138-7965	2-19.39/40-6	5905-99-200-7326	2-7.27-7	5925-99-214-2473	2-7.115-26
5310-99-138-8644	2-4.131-65	1040-99-200-7327	2-7.27-6	5940-99-214-6711	2-4.247-2
5310-99-138-9224	2-7.47-91	1040-99-200-7328	2-7.27-3	3120-99-215-2578	2-4.29-18

INDEX OF NATO STOCK NUMBERS

NATO STOCK No.	Chapter, Page and Item No.	NATO STOCK No.	Chapter, Page and Item No.	NATO STOCK No.	Chapter, Page and Item No.
5330-99-215-3657	2-4.51-9	5305-99-290-6167	2-19.33-12	5310-99-419-8882	2-4.127-11
5330-99-215-4023	2-4.51-6	5310-99-300-0150	2-14.5-24	5310-99-419-8882	2-4.127-26
6140-99-219-2903	2-7.63-7	2540-99-300-0986	2-1-1.13/14-4	5310-99-419-9035	2-7.31-13
6140-99-219-2903	2-7.67-3	2590-99-301-1214	2-4.235-58	5310-99-432-7126	2-4.201-27
6140-99-219-2903	2-7.69-11	2590-99-301-1214	2-4.247-3	5365-99-432-7137	2-5.13-23
5306-99-219-3617	2-1-6.5-48	2540-99-301-7175	2-0.3/4-14	4010-99-432-7156	2-4.93-141
5306-99-219-3617	2-1-6.7/8-65	2540-99-301-7175	2-14.3-1	5330-99-433-2948	2-5.9-6
9330-99-220-4509	2-19.11-13	5310-99-301-7655	2-4.89-101	5310-99-438-0221	2-4.143-32
5330-99-222-0681	2-4.143-10	2540-99-304-1227	2-10.3-14	2930-99-438-7681	2-4.195-1
9320-99-225-2411	2-4.203-41	2540-99-309-1074	2-11.7-4	4210-99-441-4701	2-11.9-3
9330-99-225-4336	2-1.3/4-12	3120-99-310-8700	2-4.29-21	5340-99-449-6356	2-7.201-28
9330-99-225-4337	2-1.3/4-11	2510-99-314-6112	2-1-5.3-20	4010-99-461-4514	2-4.205-10
5310-99-236-7667	2-19.15-13	5935-99-316-3363	2-14.3-13	2510-99-464-1646	2-1-6.3-6
5310-99-236-7667	2-19.35-6	2520-99-322-2736	2-2.19-5	5325-99-465-8794	2-1-2.17/18-45
5310-99-236-7667	2-19.39/40-8	5330-99-322-3168	2-4.51-12	2540-99-471-2779	2-11.3-1
5310-99-238-1624	2-16.9-10	5330-99-322-3168	2-4.53-31	2540-99-471-2779	2-11.7-1
5310-99-238-1624	2-16.17-9	2540-99-324-9887	2-10.9-65	5365-99-477-4528	2-4.99-67
5310-99-238-1624	2-17.5/6-8	2540-99-326-7966	2-10.9-75	5330-99-485-3158	2-5.13-3
5310-99-238-1624	2-18.5/6-12	5310-99-335-2904	2-16.11-8	5330-99-495-3546	2-4.165-6
5310-99-238-1624	2-19.15-11	5310-99-335-2904	2-19.21-8	5365-99-497-2220	2-10.11-97
5310-99-238-1624	2-19.25-10	5310-99-335-2904	2-19.35-12	5310-99-497-9043	2-16.7-17
5310-99-238-1624	2-19.29-7	3120-99-335-4590	2-4.31-19	5310-99-497-9043	2-16.7-30
5310-99-238-1624	2-19.31-9	5330-99-339-4355	2-4.51-11	5310-99-497-9043	2-16.21-11
5310-99-238-1624	2-19.35-4	2990-99-344-3477	2-4.125-11	5310-99-497-9043	2-16.21-23
5310-99-238-1624	2-19.39/40-7	5330-99-350-6288	2-4.53-35	5310-99-497-9043	2-17.5/6-12
5935-99-241-6116	2-14.7/8-4	2990-99-361-2589	2-4.125-1	5310-99-497-9043	2-19.7-21
2910-99-250-8387	2-4.99-74	2510-99-364-0551	2-2.11-1	5310-99-497-9043	2-19.7-31
2510-99-250-8389	2-1-8.3/4-2	2530-99-371-0775	2-2.15-37	5310-99-497-9043	2-19.33-8
2920-99-251-5744	2-4.239-34	5340-99-376-2380	2-10.3-13	5340-99-498-8779	2-19.13-6
5910-99-251-5745	2-4.239-35	3120-99-377-4853	2-4.29-17	5340-99-498-8779	2-19.15-2
5910-99-251-5747	2-4.237-16	9330-99-383-4140	2-1.3/4-13	2590-99-499-9311	2-7-1.10-217
5910-99-251-5750	2-4.237-24	5330-99-388-5946	2-4.143-30	2590-99-499-9911	2-7.5-24
5910-99-251-5751	2-4.237-11	2540-99-401-8441	2-6.7-64	2590-99-499-9911	2-7.81-1
5910-99-251-5751	2-4.237-25	5310-99-404-0153	2-3.15-54	5310-99-500-0698	2-4.69-4
2990-99-253-4042	2-4.125-9	5365-99-406-3493	2-14.5-23	6220-99-500-5721	2-7.47-88
2540-99-253-7956	2-15.3/4-13	6220-99-408-2491	2-7.33-2	5940-99-501-7669	2-7.87-6
5895-99-255-6834	2-7.63-3	6220-99-408-2491	2-7.35-2	5970-99-520-6745	2-4.251/252-62
5355-99-255-9193	2-7.91-68	6220-99-408-2491	2-7.53-2	5330-99-523-7820	2-7.103-102
5330-99-256-0124	2-4.187-17	6220-99-408-2491	2-7.93-23	5330-99-523-7820	2-7.105-129
5365-99-256-2927	2-2.9-53	6220-99-408-2491	2-7.145-2	5365-99-530-5121	2-4.103-23
5365-99-256-2927	2-2.17-61	6220-99-408-2494	2-7.33-6	4730-99-533-2957	2-4.185-13
2540-99-256-8425	2-7-1.11-255	6220-99-408-2494	2-7.35-6	4730-99-533-2957	2-4.201-25
5330-99-257-0822	2-4.195-3	6220-99-408-2494	2-7.53-6	4730-99-533-2959	2-3.35/36-33
5310-99-257-0823	2-4.195-28	6220-99-408-2494	2-7.93-27	4730-99-533-2959	2-5.19-23
5330-99-257-0823	2-4.195-30	6220-99-408-2494	2-7.145-6	4730-99-533-2961	2-8.5-36
5935-99-257-1463	2-14.7/8-2	5330-99-409-2633	2-4.117-6	4730-99-533-2961	2-8-1.5-41
2540-99-257-7553	2-13.7/8-2	5330-99-409-2633	2-4.139-33	4730-99-533-2968	2-3.35/36-35
5330-99-273-7837	2-3.15-47	5330-99-409-2633	2-4.143-24	4730-99-533-2968	2-4.187-27
3120-99-282-6164	2-4.29-19	5330-99-409-2633	2-4.145-62	2520-99-538-6801	2-2.19-1
5330-99-290-6005	2-5.5-5	5340-99-409-8530	2-4.123-41	5355-99-547-4650	2-10.5-26
5330-99-290-6005	2-5.13-17	5365-99-414-8221	2-4.57-8	3120-99-547-6901	2-4.29-16
5305-99-290-6167	2-16.21-9	5310-99-417-9189	2-4.235-62	2540-99-549-5386	2-10.21/22-5

INDEX OF NATO STOCK NUMBERS

NATO STOCK No.	Chapter, Page and Item No.	NATO STOCK No.	Chapter, Page and Item No.	NATO STOCK No.	Chapter, Page and Item No.
5310-99-549-6027	2-10.19-2	5305-99-630-0078	2-4.131-55	2540-99-732-1094	2-10.7-47
5310-99-549-6027	2-10.21/22-4	5305-99-639-2235	2-4.127-30	2540-99-732-1095	2-10.7-46
5305-99-549-7430	2-8.5-34	5365-99-647-3001	2-7.1.6-128	2540-99-732-1096	2-10.5-25
5305-99-549-7430	2-8.1.5-39	5310-99-650-8350	2-4.127-12	2540-99-732-1100	2-10.7-50
5940-99-549-8991	2-7.87-31	5310-99-650-8350	2-4.127-27	2540-99-732-1101	2-10.7-49
4730-99-551-0577	2-8.17-16	5330-99-651-0634	2-4.51-28	2540-99-732-1102	2-10.7-55
2530-99-551-2879	2-2.15-38	5940-99-651-7613	2-7.121-101	2540-99-732-1103	2-10.7-54
6220-99-553-0278	2-14.3-20	5940-99-651-7613	2-7.121-113	5315-99-732-1104	2-10.7-52
2540-99-571-1747	2-13.5-1	5940-99-651-7613	2-7.123-131	2540-99-732-1105	2-10.7-60
2910-99-574-0638	2-6.5-50	5940-99-651-7613	2-7.123-144	2540-99-732-1106	2-10.7-59
5310-99-577-1740	2-12.9-69	5940-99-651-7613	2-7.125-152	2540-99-732-1107	2-10.9-78
2590-99-580-3019	2-14.3-11	5940-99-651-7613	2-7.125-162	2540-99-732-1108	2-10.9-79
5340-99-580-5491	2-3.11-9	5940-99-651-7613	2-7.133-274	2540-99-732-1109	2-10.9-80
5340-99-580-5491	2-4.35-13	5940-99-651-7613	2-7.133-277	2540-99-732-1110	2-10.9-81
5340-99-580-5491	2-4.39-64	5330-99-653-4822	2-4.195-9	2540-99-732-1111	2-10.9-82
5340-99-580-5491	2-4.47-3	5940-99-654-3325	2-7.99-46	2540-99-732-1112	2-10.11-86
5340-99-580-5491	2-4.61-13	5330-99-654-4921	2-4.53-33	2540-99-732-1113	2-10.11-87
5340-99-580-5496	2-4.35-12	5930-99-655-4241	2-7.115-23	5315-99-732-1114	2-10.11-88
5340-99-580-5496	2-4.37-31	6240-99-659-8126	2-7.21-15	2540-99-732-1115	2-10.11-83
5340-99-580-5496	2-4.39-63	6240-99-659-8126	2-7.31-19	2540-99-732-1117	2-10.7-58
5340-99-580-5496	2-4.41-82	2540-99-660-5735	2-10.3-7	2540-99-732-1118	2-10.7-57
5340-99-580-5496	2-4.47-4	2930-99-660-7526	2-4.205-5	2540-99-732-1119	2-10.9-74
5340-99-580-5496	2-4.47-9	6140-99-660-8832	2-7.1.8-193	2540-99-732-1120	2-10.9-73
5340-99-580-5496	2-4.71-3	2540-99-662-6357	2-10.5-24	2540-99-732-1121	2-10.9-67
5340-99-580-5496	2-4.111-16	5310-99-663-8112	2-7.37-13	5340-99-732-1122	2-10.9-69
5340-99-580-5501	2-4.71-2	2540-99-665-6396	2-10.9-77	2540-99-732-1123	2-10.9-68
5310-99-580-6759	2-4.239-37	2910-99-667-4791	2-4.225-9	5306-99-732-1125	2-10.11-100
2540-99-582-5606	2-13.3-7	2540-99-679-8115	2-11.7-2	5310-99-732-1126	2-10.9-70
2510-99-585-2206	2-2.11-5	2510-99-679-8193	2-2.9-62	4210-99-734-7818	2-7.7-63
5330-99-591-5676	2-9.3-1	6685-99-687-1695	2-7.131-240	4210-99-734-7818	2-7.139-1
2540-99-593-1863	2-10.7-51	2540-99-690-7049	2-10.21/22-2	4210-99-734-7820	2-7.139-4
5340-99-605-6614	2-14.3-19	5305-99-693-0478	2-16.21-14	2590-99-736-1656	2-4.137-3
5310-99-608-2227	2-5.9-10	5305-99-693-0478	2-16.21-24	4210-99-736-3532	2-11.9-7
2510-99-611-7609	2-2.11-2	5305-99-693-0478	2-19.33-9	5305-99-736-6861	2-7.93-16
5330-99-611-9586	2-4.51-10	2590-99-700-6543	2-14.3-17	5310-99-738-3446	2-19.25-9
5330-99-611-9589	2-4.53-32	5330-99-702-4778	2-7.71-24	5310-99-738-3446	2-19.35-5
5935-99-620-3314	2-4.131-68	2540-99-705-6468	2-12.9-66	4330-99-738-8571	2-8.17-11
5935-99-620-3314	2-7.121-96	5365-99-710-2146	2-4.101-10	2540-99-739-9292	2-10.5-40
5935-99-620-3314	2-7.121-121	5330-99-710-3505	2-4.207-12	2540-99-740-7338	2-15.3/4-12
5935-99-620-3314	2-7.179-257	5330-99-710-3505	2-4.215-44	5970-99-741-3884	2-7.197-200
5935-99-620-3314	2-7.179-264	5940-99-712-4990	2-7.75-13	3120-99-743-2947	2-4.29-20
5945-99-621-7179	2-7.163-54	6145-99-714-9714	2-4.55-61	5340-99-743-7294	2-8.9-19
5940-99-622-5782	2-14.3-15	6210-99-715-1208	2-7.159-14	5940-99-743-8413	2-7.141-44
5935-99-624-3314	2-7.113-6	5331-99-716-2774	2-8.17-15	4210-99-743-8425	2-7.143-45
5935-99-624-3314	2-7.113-13	6625-99-720-8588	2-7.151-21	5310-99-744-0163	2-16.7-16
5935-99-624-3314	2-7.113-18	5910-99-723-8973	2-5.17-15	5310-99-744-0163	2-19.7-20
5935-99-624-3314	2-7.147-18	2540-99-724-5832	2-15.3/4-8	2540-99-746-6255	2-11.7-5
5315-99-624-7029	2-10.7-53	2540-99-732-1087	2-10.5-36	4820-99-747-6310	2-4.225-18
5315-99-624-7029	2-10.9-76	2540-99-732-1088	2-10.5-37	2510-99-748-2600	2-1-6.3-10
5340-99-625-2625	2-1-9.5-10	2540-99-732-1089	2-10.5-38	5306-99-748-6085	2-4.127-15
5970-99-625-6814	2-7.195-174	2540-99-732-1090	2-10.7-44	5360-99-749-0399	2-10.5-34
5330-99-628-5068	2-1-9.5-9	5340-99-732-1091	2-10.7-43		

INDEX OF NATO STOCK NUMBERS

NATO STOCK No.	Chapter, Page and Item No.	NATO STOCK No.	Chapter, Page and Item No.	NATO STOCK No.	Chapter, Page and Item No.
5360-99-749-0400	2-10.5-33	5310-99-774-0710	2-4.129-35(5)	2540-99-794-5109	2-1-1.3-27
4720-99-750-7014	2-4.201-6	5310-99-774-0711	2-4.129-35(6)	2540-99-794-5110	2-11.11-10
4720-99-750-7017	2-4.201-9	5310-99-774-0712	2-4.129-35(7)	2540-99-794-5112	2-11.3-29
5315-99-751-3202	2-10.5-32	5310-99-774-0717	2-4.127-18(2)	5330-99-795-0227	2-4.53-34
5315-99-751-3202	2-10.11-94	5310-99-774-0717	2-4.129-46(2)	5365-99-795-9733	2-6.5-54
2540-99-753-0018	2-10.11-91	5365-99-774-0718	2-4.127-18(3)	2540-99-795-9734	2-1-1.3-26
5320-99-753-0039	2-10.7-56	5310-99-774-0718	2-4.129-46(3)	2910-99-795-9735	2-1-5.3-9
5320-99-753-0039	2-10.9-72	5340-99-774-0721	2-4.127-21	5930-99-796-0132	2-7.57-41
5340-99-753-2803	2-5.21/22-33	2920-99-774-0724	2-4.133-98	2540-99-796-0370	2-10.15-10
2540-99-753-5967	2-1-6.3-18	2920-99-774-0725	2-4.133-93	6150-99-796-0372	2-7-1.5-95
5310-99-756-0389	2-19.17-15	2920-99-774-0726	2-4.131-54	5975-99-796-0374	2-7.23-42
5310-99-756-4694	2-16.21-10	2920-99-774-0727	2-4.131-52	5975-99-796-0374	2-7-1.12-269
5310-99-756-4694	2-16.21-22	2590-99-775-1525	2-4.203-40	2510-99-796-0378	2-1-3.5-44
5310-99-756-4694	2-19.33-7	2590-99-775-1527	2-2.13-1	2530-99-796-0386	2-2.13-7
5315-99-756-9939	2-4.127-32	2590-99-775-5818	2-7-1.5-97	2530-99-796-0387	2-2.13-5
5310-99-757-1948	2-16.7-25	5340-99-775-9048	2-7.181-290	2540-99-796-0389	2-8-1.7-54
5310-99-757-1948	2-19.7-13	5970-99-775-9049	2-7.181-292	2540-99-796-0389	2-8-1.11-1
5310-99-757-1948	2-19.7-26	2590-99-776-0302	2-7-1.6-140	4730-99-796-0392	2-5.13-27
5310-99-759-2084	2-7.47-95	2590-99-777-6039	2-4.235-52	2540-99-796-0419	2-4.221-17
6220-99-759-6052	2-7.71-2	2590-99-777-6039	2-4.247-10	5307-99-796-4158	2-3.11-7
2510-99-760-1530	2-1-1.3-8	2540-99-780-1957	2-7.161-43	5307-99-796-4158	2-3.11-11
5330-99-764-2312	2-7.165-91	5315-99-780-7359	2-14.3-9	2590-99-796-6203	2-7-1.4-69
5330-99-764-2312	2-7.167-103	2930-99-781-3704	2-4.111-10	5306-99-796-9492	2-3.19-16
2540-99-765-7880	2-10.5-22	2930-99-781-3705	2-4.111-11	5330-99-796-9569	2-4.219-4
5310-99-767-3132	2-4.77-39	2930-99-781-3706	2-4.111-9	3040-99-800-0139	2-3.7-68
5910-99-773-8556	2-7.191-127	5310-99-781-3707	2-4.111-8	3040-99-800-0140	2-3.7-69
2920-99-774-0666	2-4.127-1	3110-99-785-7974	2-4.111-6	4730-99-800-0270	2-5.21/22-37
2920-99-774-0667	2-4.129-47	5935-99-785-9113	2-7.47-93	6680-99-800-0311	2-5.9-1
5330-99-774-0669	2-4.133-92	5935-99-785-9113	2-14.7/8-9	2540-99-800-6480	2-11.11-6
5340-99-774-0670	2-4.127-16	2930-99-786-2558	2-4.59-1	2990-99-800-7021	2-4.21-24
5340-99-774-0670	2-4.133-88	4320-99-788-7750	2-4.111-1	5310-99-800-7897	2-5.5-23
5970-99-774-0672	2-4.131-76	2540-99-788-8101	2-13.3-2	4730-99-800-7919	2-5.21/22-36
5970-99-774-0673	2-4.131-77	2920-99-789-8484	2-4.51-19	4730-99-800-7920	2-4.201-26
5340-99-774-0674	2-4.131-72	2920-99-789-8484	2-4.53-40	2990-99-800-7921	2-4-3-3
5970-99-774-0676	2-4.131-56	5315-99-789-9907	2-1-10.3/4-10	2990-99-800-7921	2-4.5-17
2920-99-774-0680	2-4.131-59	5315-99-789-9907	2-5.7-36	2990-99-800-7922	2-4.7-25
2920-99-774-0688	2-4.127-31	5360-99-789-9908	2-1-10.3/4-9	2590-99-800-7973	2-7.63-18
2970-99-774-0690	2-4.127-2	5360-99-789-9908	2-5.7-37	2590-99-800-7973	2-7.67-14
3120-99-774-0691	2-4.127-17	2910-99-789-9909	2-5.7-39	2590-99-800-7973	2-7.69-22
5940-99-774-0695	2-4.127-5	5340-99-790-0840	2-3.19-17	2510-99-800-7974	2-7.63-19
5940-99-774-0695	2-4.131-78	5930-99-790-0974	2-7.115-10	2590-99-800-7975	2-7.63-21
5970-99-774-0696	2-4.127-4	4210-99-790-7004	2-12.7-48	5340-99-800-8049	2-4.115-7
5340-99-774-0697	2-4.127-3	2540-99-791-7661	2-1-4.5/6-43	5330-99-800-8050	2-4.115-8
2920-99-774-0698	2-4.129-34	2590-99-791-9528	2-7-1.4-70	5310-99-800-8070	2-4.115-5
2920-99-774-0699	2-4.129-41	5306-99-791-9693	2-3.27-2	3120-99-800-9692	2-6.11-46
2920-99-774-0703	2-4.129-40	5360-99-792-3138	2-7.63-11	5975-99-800-9887	2-4.135-20
5310-99-774-0704	2-4.129-39	5330-99-793-7920	2-4.101-12	4710-99-800-9888	2-4.193-63
5310-99-774-0705	2-4.129-35	5360-99-794-0401	2-10.5-31	5340-99-800-9907	2-7.105-130
5310-99-774-0706	2-4.129-35(1)	5360-99-794-0403	2-10.11-90	5340-99-800-9907	2-7.161-31
5310-99-774-0707	2-4.129-35(2)	2540-99-794-0404	2-10.13-107	5935-99-800-9925	2-4.247-11
5310-99-774-0708	2-4.129-35(3)	2540-99-794-0405	2-10.13-103	5935-99-800-9926	2-7.203-54
5310-99-774-0709	2-4.129-35(4)	2990-99-794-5108	2-4.115-19	5935-99-800-9927	2-7.97-24

INDEX OF NATO STOCK NUMBERS

NATO STOCK No.	Chapter, Page and Item No.	NATO STOCK No.	Chapter, Page and Item No.	NATO STOCK No.	Chapter, Page and Item No.
5935-99-800-9927	2-7.123-146	4730-99-801-1564	2-6.13-76	2910-99-801-2354	2-4.91-110
5935-99-800-9927	2-7.125-156	4730-99-801-1564	2-6.13-79	2930-99-801-2354	2-4.91-116
5935-99-800-9929	2-7.153-34	4730-99-801-1564	2-8.17-21	5940-99-801-2756	2-1.3/4-15
5935-99-800-9949	2-7.121-115	4730-99-801-1565	2-3.35/36-31	5940-99-801-2756	2-1-10.3/4-1
5935-99-800-9949	2-7.141-33	4730-99-801-1565	2-4.185-11	5940-99-801-2756	2-7.3-17
5965-99-800-9950	2-4.53-55	4730-99-801-1565	2-4.201-29	5340-99-801-3434	2-1-5.3-29
5935-99-800-9950	2-4.247-6	4730-99-801-1565	2-4.225-6	5340-99-801-3435	2-1-5.5/6-35
5935-99-800-9950	2-7.75-24	4730-99-801-1565	2-4.225-12	2540-99-801-3436	2-11.3-23
5935-99-800-9950	2-7.85-47	4730-99-801-1565	2-4.225-17	5310-99-801-3512	2-4.89-93
5935-99-800-9950	2-7.125-174	4730-99-801-1767	2-12.5-25	2910-99-801-3513	2-4.85-42
5935-99-800-9956	2-7.171-161	4730-99-801-1932	2-4.55-70	3120-99-801-3519	2-4.37-49
5935-99-800-9957	2-7.169-148	4730-99-801-1933	2-5.5-18	3120-99-801-3519	2-4.41-105
5935-99-800-9958	2-7.89-50	4730-99-801-1933	2-5.11-3	3120-99-801-3519	2-4.45-147
5935-99-800-9960	2-7.173-182	4730-99-801-1934	2-4.37-36	2930-99-801-3551	2-4.207-18
5935-99-800-9960	2-7.173-191	4730-99-801-1934	2-4.187-24	2930-99-801-3552	2-4.207-22
5935-99-800-9962	2-7.75-23	4730-99-801-1941	2-4.199-66	2930-99-801-3553	2-4.195-12
5935-99-800-9962	2-7.89-60	2930-99-801-1941	2-4.207-23	4730-99-801-3554	2-3.33-9
5935-99-800-9962	2-7.175-207	4730-99-801-1945	2-4.201-16	4210-99-801-3565	2-12.11-31
5935-99-800-9962	2-7.177-226	4730-99-801-1945	2-4.225-23	5330-99-801-3608	2-2.3-7
5935-99-800-9962	2-7.177-236	4730-99-801-1946	2-4.201-17	5330-99-801-3728	2-7.113-30
5935-99-800-9963	2-7.193-156	4730-99-801-2025	2-4.19-21	5930-99-801-3872	2-7.13-119
5935-99-800-9964	2-7.99-44	4730-99-801-2025	2-4.25-1	5360-99-801-4111	2-4.101-6
5935-99-800-9966	2-7.97-15	4730-99-801-2025	2-4.201-23	2365-99-801-4380	2-4.97-24
5935-99-800-9966	2-7.123-127	4730-99-801-2025	2-5.5-16	5330-99-801-4809	2-5.17-25
5935-99-800-9966	2-7.141-29	4730-99-801-2025	2-5.19-28	5330-99-801-5406	2-4.229-4
5935-99-800-9967	2-7.123-133	4730-99-801-2027	2-3.33-11	5310-99-801-5444	2-4.221-23
5935-99-800-9967	2-7.125-166	4730-99-801-2027	2-4.145-58	5310-99-801-5446	2-4.221-4
5935-99-800-9968	2-7.153-44	4730-99-801-2027	2-4.199-65	5330-99-801-5626	2-3.7-56
5935-99-800-9969	2-7.147-9	4730-99-801-2031	2-4.181-17	5330-99-801-5670	2-4.63-28
5935-99-800-9970	2-7.147-13	4730-99-801-2031	2-4.223-55	5330-99-801-6526	2-3.5-37
5935-99-800-9970	2-7.171-170	4730-99-801-2031	2-6.5-41	5330-99-801-6628	2-4.131-84
2510-99-801-0132	2-11.5-48	4730-99-801-2031	2-6.13-81	5330-99-801-6628	2-4.249-42
2510-99-801-0133	2-11.5-43	4730-99-801-2032	2-4.13-8	5330-99-801-6628	2-4.249-51
1005-99-801-0254	2-1-2.15-21	4730-99-801-2032	2-4.25-3	5330-99-801-6628	2-4.251/252-60
5315-99-801-0567	2-6.3-26	4730-99-801-2032	2-4.61-16	5330-99-801-6628	2-7.105-138
2910-99-801-0568	2-6.5-29	4730-99-801-2032	2-4.117-13	5330-99-801-6628	2-7.129-218
2910-99-801-0569	2-6.5-43	4730-99-801-2032	2-4.191-10	5330-99-801-6628	2-7.1-2-17
5940-99-801-0903	2-7.159-19	2910-99-801-2254	2-6.5-51	5330-99-801-6628	2-7-1.2-29
4730-99-801-0992	2-12.3-6	2910-99-801-2255	2-6.5-53	5330-99-801-6628	2-7-1.4-76
4730-99-801-1173	2-7.95-33	2910-99-801-2256	2-6.5-56	5330-99-801-6628	2-7-1.5-85
4730-99-801-1294	2-8.19/20-42	5305-99-801-2257	2-6.5-57	5330-99-801-6628	2-7-1.6-125
4730-99-801-1560	2-6.5-37	2910-99-801-2258	2-6.5-58	5330-99-801-6757	2-4.145-70
4730-99-801-1560	2-6.5-40	2910-99-801-2259	2-6.3-21	5330-99-801-6924	2-3.7-57
4730-99-801-1560	2-6.13-69	2910-99-801-2260	2-6.5-47	5330-99-801-6938	2-4.19-8
4730-99-801-1560	2-6.13-74	2910-99-801-2261	2-6.5-60	5365-99-801-7333	2-4.145-54
4730-99-801-1560	2-6.13-77	2910-99-801-2262	2-6.5-35	5330-99-801-7356	2-3.9-3
4730-99-801-1560	2-6.13-80	2910-99-801-2263	2-6.5-38	5330-99-801-7356	2-3.25-59
4730-99-801-1564	2-4.181-19	5310-99-801-2268	2-4.215-46	5330-99-801-7363	2-3.25-65
4730-99-801-1564	2-6.5-36	5310-99-801-2269	2-4.215-42	5330-99-801-7415	2-7.103-93
4730-99-801-1564	2-6.5-39	6680-99-801-2335	2-5.9-3	5330-99-801-7415	2-7.131-229
4730-99-801-1564	2-6.13-68	2910-99-801-2351	2-4.83-11	2930-99-801-7820	2-4.197-57
4730-99-801-1564	2-6.13-73	5365-99-801-2352	2-4.91-124	2930-99-801-7821	2-4.197-49

INDEX OF NATO STOCK NUMBERS

NATO STOCK No.	Chapter, Page and Item No.	NATO STOCK No.	Chapter, Page and Item No.	NATO STOCK No.	Chapter, Page and Item No.
2930-99-801-7822	2-4.197-48	5330-99-802-2099	2-8-1.7-59	5935-99-802-3722	2-7.127-197
3110-99-801-7823	2-4.165-14	5330-99-802-2099	2-8-1.7-74	5935-99-802-3723	2-7.15/19-134
5330-99-801-7824	2-4.157-5	5330-99-802-2107	2-8-1.9-75	5935-99-802-3723	2-7.127-201
5340-99-801-7881	2-4.115-6	5330-99-802-2108	2-8-1.7-62	5340-99-802-3724	2-7.131-237
5340-99-801-8298	2-7.93-18	2540-99-802-2109	2-1-2.9-94	5340-99-802-3725	2-7.131-238
5365-99-801-8298	2-7.143-55	2540-99-802-2110	2-1-2.9-93	5340-99-802-3727	2-7.135/137-288
4210-99-801-8642	2-12.7-47	2540-99-802-2111	2-1-2.11-109	2910-99-802-3784	2-4.75-10
2590-99-801-8706	2-7.65-27	2805-99-802-2112	2-4.21-25	2815-99-802-4033	2-4.121-11
4730-99-801-8722	2-7.63-16	5310-99-802-2151	2-4.187-33	2815-99-802-4033	2-4.123-45
4730-99-801-8722	2-7.67-12	5330-99-802-2152	2-4.187-34	6110-99-802-4051	2-7.7-58
4730-99-801-8722	2-7.69-20	8305-99-802-2201	2-1-2.7-60	6110-99-802-4051	2-7.115-1
2910-99-801-8747	2-4.87-80	8305-99-802-2201	2-4.187-2	6110-99-802-4052	2-7.115-2
2590-99-801-8840	2-7.63-22	8305-99-802-2202	2-3.33-17	5355-99-802-4053	2-7.115-4
5330-99-801-8841	2-7.63-20	5935-99-802-2227	2-7.167-110	5925-99-802-4054	2-7.115-7
3120-99-801-8847	2-4.67-47	5935-99-802-2423	2-7-1.3-50	6110-99-802-4055	2-7.105-124
2930-99-801-8849	2-4.195-7	1005-99-802-2614	2-1-2.11-116	6110-99-802-4055	2-7.115-15
6680-99-801-9162	2-5.9-11	5975-99-802-2657	2-7.63-17	6110-99-802-4056	2-7.115-16
6680-99-801-9235	2-5.9-4	5975-99-802-2658	2-7.67-13	5330-99-802-4057	2-7.117-35
5330-99-801-9236	2-5.9-5	5975-99-802-2659	2-7.69-21	5310-99-802-4059	2-7.115-14
6680-99-801-9696	2-7.151-20	5310-99-802-2708	2-12.5-39	5975-99-802-4060	2-7.105-125
6680-99-802-0808	2-5.5-9	5935-99-802-2813	2-4.137-12	5975-99-802-4060	2-7.115-19
6680-99-802-0808	2-5.9-0	5935-99-802-2813	2-4.247-17	5330-99-802-4078	2-4.195-27
6680-99-802-0808	2-7.3-16	5935-99-802-2902	2-7.153-37	5330-99-802-4080	2-4.197-36
5330-99-802-0822	2-1-3.7/8-59	6685-99-802-2935	2-7.151-19	5330-99-802-4080	2-4.197-40
5355-99-802-0832	2-4.23-5	2540-99-802-3110	2-7.3-20	4730-99-802-4081	2-4.193-59
5340-99-802-0833	2-4.23-11	2540-99-802-3110	2-8-1.7-70	4710-99-802-4083	2-4.191-34
5340-99-802-0833	2-4.25-6	2540-99-802-3110	2-8-1.13/14-1	5340-99-802-4133	2-4.5-5
5330-99-802-0834	2-7.147-4	2590-99-802-3118	2-7-1.2-24	5930-99-802-4153	2-7.205-84
5330-99-802-0839	2-4.143-9	6150-99-802-3120	2-7-1.3-38	2805-99-802-4337	2-3.35/36-27
5340-99-802-1025	2-4.81-74	4730-99-802-3315	2-12.5-38	2805-99-802-4337	2-4.191-22
2930-99-802-1149	2-4.197-58	4730-99-802-3325	2-12.5-24	5935-99-802-4397	2-7.43-55
2930-99-802-1150	2-4.197-42	2590-99-802-3375	2-1-1.7-41	2990-99-802-5063	2-4.3-1
5365-99-802-1226	2-7.23-34	4720-99-802-3376	2-4.193-45	2990-99-802-5063	2-4.5-1
5365-99-802-1226	2-7.41-41	2520-99-802-3416	2-4.153-2	2990-99-802-5064	2-4.5-6
2990-99-802-1287	2-4.149-18	2520-99-802-3416	2-4.155-5	2990-99-802-5065	2-4.5-7
5340-99-802-1936	2-8-1.11-2	2520-99-802-3417	2-4.155-17	4730-99-802-5243	2-4.191-12
5365-99-802-1937	2-8-1.11-3	4210-99-802-3438	2-12.9-62	4730-99-802-5244	2-4.191-13
2540-99-802-1938	2-8-1.11-15	5330-99-802-3439	2-12.7-54	4720-99-802-5248	2-4.225-31
5120-99-802-1941	2-11.3-6	9905-99-802-3440	2-12.9-63	4210-99-802-5314	2-12.13/14-45
5340-99-802-1958	2-11.3-18	6150-99-802-3442	2-7-1.3-32	6350-99-802-5315	2-12.11-17
5315-99-802-1963	2-1-7.3/4-10	2590-99-802-3444	2-7-1.2-5	5315-99-802-5316	2-2.7-20
5306-99-802-1964	2-1-7.3/4-8	5340-99-802-3529	2-4.21-23	2540-99-802-5545	2-15.3/4-17
5310-99-802-1965	2-1-7.3/4-9	4730-99-802-3550	2-4.115-21	5360-99-802-5546	2-15.3/4-16
2510-99-802-1966	2-8-1.3-5	4720-99-802-3560	2-8.5-35	5315-99-802-5547	2-15.3/4-15
2510-99-802-1967	2-8-1.3-1	4720-99-802-3560	2-8-1.5-40	2940-99-802-5717	2-5.13-28
2510-99-802-1968	2-8-1.3-2	2930-99-802-3562	2-4.207-30	5310-99-802-5827	2-1-9.5-2
2510-99-802-1969	2-8-1.3-3	4210-99-802-3592	2-12.3-16	5355-99-802-5885	2-1-6.5-49
2510-99-802-1970	2-8-1.3-4	4210-99-802-3593	2-12.7-55	5355-99-802-5885	2-1-6.7/8-66
5940-99-802-2080	2-7-1.5-100	4210-99-802-3594	2-12.7-56	5306-99-802-6297	2-4.153-17
2510-99-802-2097	2-8-1.7-57	5940-99-802-3645	2-7-1.8-176	5310-99-802-6298	2-4.153-18
2510-99-802-2098	2-8-1.7-58	4210-99-802-3695	2-12.7-50	2990-99-802-6453	2-9.5/6-34
2510-99-802-2098	2-8-1.7-73	5945-99-802-3719	2-7.117-56	2990-99-802-6454	2-9.5/6-26

INDEX OF NATO STOCK NUMBERS

NATO STOCK No.	Chapter, Page and Item No.	NATO STOCK No.	Chapter, Page and Item No.	NATO STOCK No.	Chapter, Page and Item No.
5935-99-802-6456	2-7.59-59	5940-99-802-9440	2-7.173-185	5310-99-803-3383	2-7.49-6
2590-99-802-6464	2-1-2.7-75	5940-99-802-9440	2-7.173-194	6220-99-803-3390	2-7.49-12
9905-99-802-6465	2-1-2.9-79	5940-99-802-9440	2-7.175-201	6220-99-803-3391	2-7.49-2
2520-99-802-6478	2-3.3-11	5940-99-802-9440	2-7.175-211	6250-99-803-3408	2-7.35-3
2520-99-802-6479	2-3.3-15	5940-99-802-9440	2-7.175-220	6220-99-803-3485	2-7.53-7
5330-99-802-6481	2-3.3-18	5940-99-802-9440	2-7.179-252	6220-99-803-3485	2-7.93-28
5310-99-802-6482	2-3.7-65	5940-99-802-9440	2-7.179-259	6220-99-803-3485	2-7.145-7
2910-99-802-6497	2-4.121-22	5940-99-802-9440	2-7.179-266	6220-99-803-3704	2-7.23-22
5935-99-802-6564	2-7.59-60	5940-99-802-9440	2-7.181-274	6220-99-803-3704	2-7.35-1
5330-99-802-6691	2-4.31-2	5970-99-802-9445	2-7.103-90	6220-99-803-3704	2-7.41-30
2990-99-802-6884	2-9.3-13	5970-99-802-9445	2-7.131-226	6220-99-803-3706	2-7.35-7
5340-99-802-6885	2-9.3-19	5970-99-802-9446	2-7.131-227	6250-99-803-3768	2-7.93-24
6620-99-802-7042	2-4.61-1	5970-99-802-9447	2-7.103-89	6220-99-803-3874	2-7.49-7
5306-99-802-7062	2-1-2.9-80	5970-99-802-9447	2-7.129-225	6220-99-803-4050	2-7.213/214-11
2990-99-802-7296	2-4.139-2	6220-99-803-1123	2-7.213/214-26	6220-99-803-4118	2-7.9-67
2815-99-802-7303	2-4.139-23	6220-99-803-1523	2-7.29-6	6220-99-803-4118	2-7.93-22
5310-99-802-7339	2-7.205B-100	6220-99-803-1523	2-7.31-9	6220-99-803-4118	2-7.145-1
2590-99-802-7340	2-7.203-62	6220-99-803-1523	2-7.213/214-6	6220-99-803-4119	2-7.39-11
5935-99-802-7959	2-7.1.3-43	6220-99-803-1751	2-7.213/214-21	6220-99-803-4119	2-7.49-1
5935-99-802-8441	2-7.135/137-293	5935-99-803-1823	2-7.15/19-131	6220-99-803-4144	2-7.95-38
5935-99-802-8442	2-7.135/137-294	5935-99-803-1823	2-7.213/214-20	6220-99-803-4180	2-7.31-15
5970-99-802-8443	2-7.135/137-295	5940-99-803-1956	2-7.29-13	6220-99-803-4202	2-7.21-14
5970-99-802-8444	2-7.135/137-296	5940-99-803-1956	2-7.33-5	6220-99-803-4202	2-7.31-1
5935-99-802-9423	2-7.113-4	5940-99-803-1956	2-7.35-5	6210-99-803-4203	2-7.29-14
5935-99-802-9423	2-7.113-11	5940-99-803-1956	2-7.49-14	6210-99-803-4203	2-7.31-16
5935-99-802-9423	2-7.113-16	5940-99-803-1956	2-7.51-17	6210-99-803-4203	2-7.213/214-17
5935-99-802-9423	2-7.209-22	5940-99-803-1956	2-7.53-5	6150-99-803-4205	2-7.31-14
5330-99-802-9425	2-7.199-5	5940-99-803-1956	2-7.93-26	6220-99-803-4206	2-7.39-21
5330-99-802-9425	2-7.203-50	5940-99-803-1956	2-7.145-5	6220-99-803-4206	2-7.51-1
5330-99-802-9425	2-7.203-65	5940-99-803-1956	2-7.213/214-16	6210-99-803-4207	2-7.51-14
5305-99-802-9427	2-7.199-6	6220-99-803-2778	2-7.15/19-128	6220-99-803-4210	2-7.49-15
5305-99-802-9427	2-7.203-51	6220-99-803-2778	2-7.213/214-1	6220-99-803-4211	2-7.49-8
5305-99-802-9427	2-7.205-66	6220-99-803-2937	2-7.213/214-14	6220-99-803-4617	2-7.51-8
2590-99-802-9428	2-7.203-47	6220-99-803-3157	2-7.53-4	6220-99-803-4620	2-7.51-10
5930-99-802-9430	2-7.105-148	6220-99-803-3158	2-7.33-4	2990-99-803-4783	2-4.187-9
5930-99-802-9430	2-7.203-61	6220-99-803-3158	2-7.35-4	2940-99-803-4817	2-4.221-30
5970-99-802-9436	2-7.101-77	6220-99-803-3158	2-7.49-13	4240-99-803-4852	2-8-1.11-22
5970-99-802-9436	2-7.103-119	6220-99-803-3158	2-7.51-11	5935-99-803-4870	2-4.247-9
5970-99-802-9437	2-7.101-79	6220-99-803-3158	2-7.93-25	1005-99-803-5295	2-1-2.17/18-41
5940-99-802-9440	2-7.97-16	6220-99-803-3158	2-7.145-4	2520-99-803-5374	2-4.157-16
5940-99-802-9440	2-7.99-45	5305-99-803-3159	2-7.29-3	5310-99-803-6504	2-7.81-16
5940-99-802-9440	2-7.107-153	6220-99-803-3292	2-7.213/214-3	5360-99-803-7979	2-5.17-18
5940-99-802-9440	2-7.157-87	5310-99-803-3293	2-7.51-5	5310-99-803-8006	2-7.127-200
5940-99-802-9440	2-7.159-18	5310-99-803-3294	2-7.51-6	2920-99-803-8132	2-4.133-89
5940-99-802-9440	2-7.161-25	6220-99-803-3295	2-7.51-13	2990-99-803-9582	2-9.5/6-39
5940-99-802-9440	2-7.161-30	6220-99-803-3295	2-7.51-15	5305-99-803-9700	2-4.129-33
5940-99-802-9440	2-7.163-58	6220-99-803-3296	2-7.51-16	5330-99-803-9788	2-7.127-199
5940-99-802-9440	2-7.163-67	6220-99-803-3298	2-7.51-3	5975-99-804-0124	2-7-1.8-183
5940-99-802-9440	2-7.163-70	5330-99-803-3302	2-7.51-4	5365-99-804-1057	2-7.115-21
5940-99-802-9440	2-7.169-152	6250-99-803-3369	2-7.53-3	5365-99-804-1057	2-7-1.4-66
5940-99-802-9440	2-7.171-164	5310-99-803-3380	2-7.49-16	5310-99-804-1057	2-7-1.7-155
5940-99-802-9440	2-7.171-172	5310-99-803-3380	2-7.51-12	5975-99-804-1058	2-7-1.4-64

INDEX OF NATO STOCK NUMBERS

NATO STOCK No.	Chapter, Page and Item No.	NATO STOCK No.	Chapter, Page and Item No.	NATO STOCK No.	Chapter, Page and Item No.
5975-99-804-1058	2-7.1.7-154	5365-99-804-4008	2-7.91-70	1005-99-804-4881	2-1.2.15-20
2510-99-804-2152	2-1.9.15/16-10	5365-99-804-4009	2-7.83-27	2520-99-804-5323	2-4.159-5
5330-99-804-2153	2-1.9.15/16-9	6110-99-804-4010	2-7.5-28	2520-99-804-5324	2-4.159-6
2540-99-804-2206	2-8.17-7	6110-99-804-4010	2-7.87-1	2520-99-804-5325	2-4.159-21
2540-99-804-2207	2-8.17-6	4140-99-804-4011	2-7.3-22	3110-99-804-5348	2-4.159-7
2510-99-804-2220	2-1.6.3-15	4140-99-804-4011	2-8.1.9-84	5935-99-804-5368	2-4.247-8
5310-99-804-2256	2-1.6.3-24	4140-99-804-4011	2-8.1.13/14-18	5315-99-804-5525	2-1-8.3/4-11
5310-99-804-2256	2-1-6.7/8-62	6105-99-804-4012	2-7.3-23	5340-99-804-5612	2-1-9.9-11
5330-99-804-2284	2-1-6.3-19	6105-99-804-4012	2-7.83-1	5340-99-804-5612	2-11.5-44
3020-99-804-2285	2-6.3-1	2540-99-804-4013	2-8-1.13/14-22	3040-99-804-5748	2-4.165-3
3020-99-804-2286	2-6.3-3	6105-99-804-4014	2-7.83-7	4320-99-804-5749	2-4.163-17
2540-99-804-2287	2-6.7-67	6105-99-804-4014	2-7.83-18	5310-99-804-5936	2-4.55-76
2910-99-804-2289	2-4.71-1	6105-99-804-4017	2-7.83-35	2920-99-804-5949	2-4.55-74
5935-99-804-2307	2-7.99-34	5360-99-804-4045	2-7.87-23	5310-99-804-5950	2-4.55-78
2530-99-804-2847	2-4.175-85	5365-99-804-4046	2-7.87-27	5330-99-804-6500	2-4.79-47
5360-99-804-3017	2-4.175-86	5935-99-804-4051	2-7.89-55	2815-99-804-6593	2-4.29-7
2590-99-804-3018	2-4.175-87	6105-99-804-4106	2-7.83-3	2520-99-804-6680	2-4.181-1
2510-99-804-3056	2-1-9.9-10	2540-99-804-4110	2-8-1.13/14-19	2520-99-804-6681	2-4.181-13
5340-99-804-3319	2-6.3-25	4140-99-804-4112	2-8-1.13/14-26	2520-99-804-6682	2-4.181-12
2540-99-804-3324	2-8.3-17	2540-99-804-4113	2-8-1.13/14-27	2910-99-804-7088	2-5.21/22-47
2540-99-804-3324	2-8-1.5-22	2540-99-804-4114	2-8-1.13/14-29	2910-99-804-7089	2-5.21/22-49
2590-99-804-3327	2-6.7-69	5330-99-804-4115	2-7.83-34	2910-99-804-7090	2-5.21/22-48
5365-99-804-3330	2-9.5/6-44	9905-99-804-4136	2-7-1.3-52	2520-99-804-7091	2-4.3-7
2920-99-804-3332	2-7-1.8-194	6110-99-804-4159	2-7.87-28	2520-99-804-7091	2-4.181-0
5340-99-804-3336	2-9.5/6-41	5310-99-804-4258	2-4.93-142	3110-99-804-7894	2-4.107-2
5340-99-804-3337	2-9.5/6-42	2910-99-804-4282	2-4.93-138	5310-99-804-7941	2-1-2.9-86
2990-99-804-3358	2-9.5/6-40	5310-99-804-4284	2-4.91-137	5310-99-804-7941	2-1-6.3-4
2940-99-804-3475	2-4.221-32	5935-99-804-4616	2-7.153-48	5310-99-804-7941	2-1-9.5-8
2510-99-804-3484	2-1-2.3-4	5935-99-804-4617	2-7.153-49	5310-99-804-7941	2-2.21/22-26
4730-99-804-3498	2-4.91-130	5935-99-804-4642	2-4.247-5	5310-99-804-7941	2-3.5-31
2910-99-804-3542	2-4.71-18	4730-99-804-4698	2-4.187-23	5310-99-804-7941	2-3.27-12
5365-99-804-3569	2-4.55-71	4710-99-804-4819	2-8.17-20	5310-99-804-7941	2-3.33-4
3120-99-804-3626	2-4.67-29	1005-99-804-4822	2-1-2.15-3	5310-99-804-7941	2-4.107-6
2815-99-804-3627	2-4.67-28	5340-99-804-4823	2-1-2.15-4	5310-99-804-7941	2-4.109-29
2815-99-804-3628	2-4.65-19	1005-99-804-4824	2-1-2.17/18-33	5310-99-804-7941	2-4.135-25
2815-99-804-3629	2-4.65-16	1005-99-804-4825	2-1-2.15-1	5310-99-804-7941	2-4.149-12
5340-99-804-3630	2-4.65-17	1005-99-804-4827	2-1-2.15-8	5310-99-804-7941	2-4.185-8
5330-99-804-3632	2-4.67-42	1005-99-804-4828	2-1-2.17/18-34	5310-99-804-7941	2-4.191-30
5315-99-804-3634	2-4.69-8	1005-99-804-4829	2-1-2.15-2	5310-99-804-7941	2-4.205-27
2815-99-804-3635	2-4.67-26	2540-99-804-4832	2-8-1.11-25	5310-99-804-7941	2-4.221-14
5315-99-804-3636	2-4.67-30	4130-99-804-4834	2-8.13-50	5310-99-804-7941	2-4.221-22
2815-99-804-3637	2-4.65-25	4130-99-804-4834	2-8-1.11-21	5310-99-804-7941	2-4.223-53
2815-99-804-3638	2-4.69-7	2930-99-804-4854	2-4.209-38	5310-99-804-7941	2-4.231-5
2815-99-804-3639	2-4.67-40	4730-99-804-4871	2-8.17-23	5310-99-804-7941	2-6.9-12
3020-99-804-3641	2-4.65-18	5330-99-804-4873	2-8-1.9-77	5310-99-804-7941	2-6.9-19
2815-99-804-3642	2-4.65-23	1005-99-804-4874	2-1-2.17/18-30	5310-99-804-7941	2-6.15-99
2815-99-804-3643	2-4.65-20	1005-99-804-4875	2-1-2.17/18-36	5310-99-804-7941	2-7.7-56
5307-99-804-3647	2-4.91-118	1005-99-804-4876	2-1-2.15-9	5310-99-804-7941	2-7.9-71
3040-99-804-3648	2-4.83-23	1005-99-804-4877	2-1-2.15-12	5310-99-804-7941	2-7.9-77
4330-99-804-3652	2-8.17-12	1005-99-804-4878	2-1-2.15-15	5310-99-804-7941	2-7.11-98
2815-99-804-3658	2-4.187-1	5315-99-804-4879	2-1-2.17/18-38	5310-99-804-7941	2-7.11-104
5977-99-804-4004	2-7.83-13	5315-99-804-4880	2-1-2.15-6	5310-99-804-7941	2-7.39-8

INDEX OF NATO STOCK NUMBERS

NATO STOCK No.	Chapter, Page and Item No.	NATO STOCK No.	Chapter, Page and Item No.	NATO STOCK No.	Chapter, Page and Item No.
5310-99-804-7941	2-7.43-58	5970-99-805-0023	2-7.165-86	4730-99-805-0668	2-4.201-7
5310-99-804-7941	2-7.47-87	5970-99-805-0023	2-7.165-99	5940-99-805-0745	2-7.99-58
5310-99-804-7941	2-7.55-6	5940-99-805-0024	2-7.129-208	5940-99-805-0745	2-7.101-63
5310-99-804-7941	2-7.57-40	5935-99-805-0024	2-7.167-106	5940-99-805-0745	2-7.133-253
5310-99-804-7941	2-7.59-50	5935-99-805-0027	2-4.249-32	5940-99-805-0745	2-7.133-268
5310-99-804-7941	2-7.59-58	5935-99-805-0027	2-4.249-52	5940-99-805-0745	2-7.169-145
5310-99-804-7941	2-7.61-74	5935-99-805-0027	2-7.1.2-18	5940-99-805-0745	2-7.169-154
5310-99-804-7941	2-7.107-164	5935-99-805-0027	2-7.1.5-86	5940-99-805-0745	2-7.171-165
5310-99-804-7941	2-7.207-5	5935-99-805-0027	2-7.1.5-90	5940-99-805-0745	2-7.175-213
5310-99-804-7941	2-8.17-5	5975-99-805-0028	2-4.249-33	5940-99-805-0745	2-7.177-242
5310-99-804-7941	2-8.19/20-38	5975-99-805-0028	2-4.249-53	5940-99-805-0745	2-7.181-281
5310-99-804-7941	2-8.1.7-66	5975-99-805-0028	2-7.1.2-19	5940-99-805-0745	2-7.181-285
5310-99-804-7941	2-8.1.9-81	5975-99-805-0028	2-7.1.5-87	5940-99-805-0754	2-7.163-61
5310-99-804-7941	2-9.5/6-46	5975-99-805-0028	2-7.1.5-91	5940-99-805-0754	2-7.163-64
5310-99-804-7941	2-10.3-11	5975-99-805-0028	2-7.1.9-215	5970-99-805-0763	2-7.1.2-22
5310-99-804-7941	2-10.3-18	5330-99-805-0032	2-7.105-137	5940-99-805-0797	2-7.159-17
5310-99-804-7941	2-11.13/14-33	5330-99-805-0032	2-7.129-217	5940-99-805-0797	2-7.163-53
5310-99-804-7941	2-12.7-58	5330-99-805-0032	2-7.165-92	5940-99-805-0797	2-7.205-91
5340-99-804-8130	2-7.1.8-187	5970-99-805-0033	2-4.247-26	5940-99-805-0801	2-7.1.8-171
5330-99-804-9560	2-4.119-36	5970-99-805-0033	2-4.249-39	5940-99-805-0893	2-7.1.5-107
6220-99-804-9709	2-7.199-21	5970-99-805-0033	2-4.249-48	5310-99-805-0896	2-7.1.7-162
5935-99-805-0007	2-4.235-48	5970-99-805-0033	2-4.251/252-57	5306-99-805-0896	2-7.1.9-204
5935-99-805-0007	2-4.243-9	5970-99-805-0033	2-7.1.2-14	5340-99-805-0915	2-5.19-24
5935-99-805-0007	2-7.129-204	5970-99-805-0033	2-7.1.2-27	5340-99-805-0915	2-5.19-32
5935-99-805-0007	2-7.165-97	5970-99-805-0033	2-7.1.4-74	5340-99-805-0922	2-7.41-42
5935-99-805-0010	2-4.247-24	5970-99-805-0033	2-7.1.4-82	5340-99-805-0923	2-1.1.3-17
5935-99-805-0010	2-7.1.2-25	5970-99-805-0033	2-7.1.6-122	5340-99-805-0923	2-4.225-24
5935-99-805-0010	2-7.1.4-72	5340-99-805-0034	2-4.249-27	5340-99-805-0923	2-12.9-64
5935-99-805-0011	2-4.249-38	5340-99-805-0034	2-4.249-40	5340-99-805-0923	2-12.13/14-36
5935-99-805-0011	2-4.249-47	5340-99-805-0034	2-4.249-49	5340-99-805-1035	2-7.25-44
5935-99-805-0011	2-4.249-56	5340-99-805-0034	2-4.251/252-58	5940-99-805-1319	2-7.101-62
5935-99-805-0011	2-7.1.2-13	5340-99-805-0034	2-7.1.2-15	5940-99-805-1336	2-7.103-118
5935-99-805-0011	2-7.1.4-81	5340-99-805-0034	2-7.1.2-28	5940-99-805-1338	2-7.103-88
5970-99-805-0011	2-7.1.6-121	5340-99-805-0034	2-7.1.4-75	5970-99-805-1338	2-7.129-224
5935-99-805-0012	2-4.235-47	5340-99-805-0034	2-7.1.4-83	5940-99-805-1345	2-7.1.7-168
5935-99-805-0012	2-4.243-10	5340-99-805-0034	2-7.1.6-123	5310-99-805-1385	2-4.55-77
5935-99-805-0012	2-7.105-132	5995-99-805-0040	2-7.15/19-133	5940-99-805-1429	2-7.199-16
5935-99-805-0012	2-7.129-213	5940-99-805-0220	2-7.59-67	5940-99-805-1429	2-7.201-41
5935-99-805-0012	2-7.165-85	5940-99-805-0220	2-7.157-88	2510-99-805-1430	2-8.1.3-1(1)
5935-99-805-0012	2-16.11-3	5940-99-805-0220	2-7.207-7	2510-99-805-1431	2-8.1.7-72
5935-99-805-0012	2-19.21-3	5935-99-805-0221	2-7.59-68	2540-99-805-1432	2-8.1.9-87
5935-99-805-0018	2-7.1.4-77	5935-99-805-0221	2-7.157-89	5975-99-805-1433	2-7.63-15
5935-99-805-0020	2-4.243-8	5935-99-805-0221	2-7.207-8	5975-99-805-1433	2-7.67-11
5970-99-805-0021	2-7.129-209	5330-99-805-0222	2-7.165-87	5975-99-805-1433	2-7.69-19
5970-99-805-0021	2-7.167-101	5935-99-805-0224	2-7.59-66	2590-99-805-1439	2-6.7-81
5935-99-805-0022	2-7.105-133	5935-99-805-0224	2-7.157-90	5945-99-805-1963	2-4.95-12
5330-99-805-0022	2-7.129-206	5935-99-805-0224	2-7.207-6	5975-99-805-2204	2-7.1.4-78
5330-99-805-0022	2-7.129-215	5935-99-805-0227	2-7.1.9-214	5970-99-805-2206	2-7.105-135
5330-99-805-0022	2-7.165-98	5935-99-805-0328	2-7.1.8-178	5970-99-805-2206	2-7.129-219
5970-99-805-0023	2-7.105-134	5975-99-805-0379	2-7.199-13	5970-99-805-2206	2-7.165-88
5970-99-805-0023	2-7.129-205	5940-99-805-0380	2-7.199-12	5975-99-805-2698	2-7.39-16
5970-99-805-0023	2-7.129-214	2590-99-805-0421	2-7.63-9	5975-99-805-2698	2-7.57-46

INDEX OF NATO STOCK NUMBERS

NATO STOCK No.	Chapter, Page and Item No.	NATO STOCK No.	Chapter, Page and Item No.	NATO STOCK No.	Chapter, Page and Item No.
5935-99-805-2902	2-7.15/19-145	4720-99-805-7774	2-3.35/36-24	2910-99-807-8108	2-4.77-29
5935-99-805-2902	2-7.153-47	4720-99-805-7776	2-4.233-8	2910-99-807-8110	2-4.75-21
5935-99-805-2902	2-7.155-55	4720-99-805-7786	2-4.191-4	5305-99-807-8113	2-4.75-23
5935-99-805-2902	2-7.157-86	2930-99-805-8269	2-4.73-23	2910-99-807-8138	2-4.75-15
5935-99-805-2902	2-7-1.3-40	2930-99-805-8270	2-4.73-24	3120-99-807-8143	2-4.75-20
5935-99-805-2902	2-7-1.3-56	4720-99-805-8383	2-8.17-22	5307-99-807-8147	2-4.75-2
5935-99-805-2902	2-7-1.4-65	9390-99-805-8387	2-1-1.3-6	5307-99-807-8150	2-4.75-4
5935-99-805-2902	2-7-1.5-102	9390-99-805-8387	2-1-2.3-13	4730-99-807-8710	2-4.79-63
5935-99-805-2902	2-7-1.6-138	9390-99-805-8387	2-1-3.7/8-58	5315-99-807-8879	2-4.101-2
5935-99-805-2902	2-7-1.7-149	9390-99-805-8387	2-1-4.5/6-37	5315-99-807-8880	2-4.101-2(1)
5935-99-805-2902	2-7-1.7-156	9390-99-805-8387	2-1-8.3/4-15	5315-99-807-8884	2-4.101-2(2)
5935-99-805-2902	2-7-1.8-188	5325-99-805-8855	2-4.247-7	5305-99-807-9170	2-4.77-26
5935-99-805-2902	2-7-1.10-220	3110-99-805-9056	2-4.195-26	5365-99-807-9173	2-4.75-7
5365-99-805-2984	2-5.17-32	3110-99-805-9741	2-1-4.3-7	5365-99-807-9174	2-4.75-7(1)
5365-99-805-2984	2-7.147-27	3110-99-805-9741	2-7.87-22	5365-99-807-9175	2-4.75-7(2)
5365-99-805-2984	2-7.211-30	3110-99-806-0055	2-4.75-6	2910-99-807-9221	2-5.17-11
5975-99-805-3046	2-7.23-37	3110-99-806-0465	2-4.51-2	2910-99-807-9629	2-4.83-3
5975-99-805-3046	2-7-1.3-44	3110-99-806-1382	2-3.21-33	2910-99-807-9642	2-4.87-64
5975-99-805-3079	2-7-1.7-152	2590-99-806-1668	2-6.7-77	5307-99-807-9644	2-4.85-47
5975-99-805-3145	2-7.23-36	5340-99-806-2023	2-6.7-80	5330-99-807-9647	2-4.91-119
5975-99-805-3145	2-7.41-39	2590-99-806-2028	2-6.7-79	2910-99-807-9652	2-4.85-55
5935-99-805-3201	2-7-1.4-67	5935-99-806-2063	2-7-1.2-8	5315-99-807-9654	2-4.91-128
2805-99-805-3478	2-4.133-104	5310-99-806-7450	2-4.131-85	5330-99-807-9655	2-4.87-74
5340-99-805-3479	2-4.133-103	2590-99-806-8466	2-5.7-42	2910-99-807-9656	2-4.87-76
5306-99-805-3480	2-4.133-105	2590-99-806-8467	2-5.7-41	2910-99-807-9659	2-4.87-71
6160-99-805-4535	2-7.63-2	2510-99-806-9264	2-1-6.3-20	2910-99-807-9660	2-4.87-75
6160-99-805-4535	2-7.67-2	2350-99-807-0644	2-0.3/4-0	2910-99-807-9664	2-4.87-79
6160-99-805-4535	2-7.69-10	3020-99-807-0741	2-4.55-75	5310-99-807-9665	2-4.85-35
2590-99-805-5791	2-14.3-6	4730-99-807-3598	2-4.101-16	2910-99-807-9666	2-4.87-69
5310-99-805-6455	2-4.247-19	4730-99-807-3604	2-4.77-40	2910-99-807-9669	2-4.85-34
5310-99-805-6455	2-7.23-31	4730-99-807-3604	2-4.87-57	5315-99-807-9674	2-4.89-104
5310-99-805-6455	2-7.39-20	2910-99-807-6917	2-4.75-9	5315-99-807-9674	2-4.99-71
5310-99-805-6455	2-7.41-37	2910-99-807-6918	2-4.79-52	5365-99-807-9676	2-4.89-107
5310-99-805-6455	2-7-1.3-47	2910-99-807-6922	2-4.79-65	2910-99-807-9679	2-4.89-100
5310-99-805-6455	2-7-1.5-105	5310-99-807-6927	2-4.77-28	2910-99-807-9682	2-4.91-117
5975-99-805-6457	2-7.15/19-143	5330-99-807-6929	2-4.77-27	2910-99-807-9686	2-4.91-111
5975-99-805-6457	2-7.23-32	5330-99-807-6929	2-4.85-33	2910-99-807-9689	2-4.91-135
5975-99-805-6457	2-7.39-19	5365-99-807-6945	2-4.79-46	5305-99-807-9690	2-4.85-49
5975-99-805-6457	2-7.41-36	5365-99-807-6945	2-4.91-131	2910-99-807-9691	2-4.85-38
5975-99-805-6457	2-7.71-29	5305-99-807-7343	2-4.75-14	2910-99-807-9694	2-4.83-18
5975-99-805-6457	2-7.157-76	5310-99-807-7370	2-4.79-49	5365-99-807-9705	2-4.85-46
5975-99-805-6457	2-7-1.5-104	5310-99-807-7370	2-4.85-53	5365-99-807-9706	2-4.85-37
5975-99-805-6547	2-7-1.3-46	5365-99-807-7376	2-4.77-37	2910-99-807-9708	2-4.83-27
5330-99-805-6629	2-4.131-70	5310-99-807-7387	2-4.77-32	5365-99-807-9712	2-4.101-7
5305-99-805-6831	2-4.133-91	5310-99-807-7444	2-4.77-25	2910-99-807-9785	2-4.75-18
5330-99-805-7017	2-5.17-14	5310-99-807-7445	2-4.77-25(1)	2910-99-807-9789	2-4.77-30
5310-99-805-7379	2-4.127-14	5310-99-807-7446	2-4.77-25(2)	2910-99-807-9837	2-4.83-30
4720-99-805-7729	2-4.191-19	5310-99-807-7448	2-4.77-25(4)	2910-99-807-9944	2-4.85-50
4720-99-805-7730	2-4.209-36	5310-99-807-7450	2-4.77-25(6)	2910-99-807-9949	2-4.87-81
4720-99-805-7730	2-4.223-37	5365-99-807-7469	2-4.79-45	2910-99-807-9951	2-4.89-89
4720-99-805-7771	2-3.35/36-32	4730-99-807-7520	2-4.101-4	2910-99-808-0130	2-4.85-31
4720-99-805-7771	2-4.185-12	2910-99-807-7529	2-4.101-11	2910-99-808-0152	2-4.91-125

INDEX OF NATO STOCK NUMBERS

NATO STOCK No.	Chapter, Page and Item No.	NATO STOCK No.	Chapter, Page and Item No.	NATO STOCK No.	Chapter, Page and Item No.
2910-99-808-0153	2-4.91-123	2815-99-808-1275	2-4.9-0	4730-99-808-4686	2-4.89-84
2910-99-808-0154	2-4.87-65	2815-99-808-1276	2-4.9-1	5365-99-808-4687	2-4.89-83
2520-99-808-0563	2-3.3-6	2990-99-808-1277	2-4.191-6	5330-99-808-4696	2-4.87-56
2520-99-808-0564	2-3.3-5	2990-99-808-1278	2-4.191-5	5330-99-808-4749	2-4.127-8
2815-99-808-0856	2-4.43-119	2990-99-808-1279	2-4.191-3	5330-99-808-4749	2-4.127-24
2815-99-808-0858	2-4.43-124	4730-99-808-1280	2-4.191-7	5330-99-808-4749	2-4.131-81
5360-99-808-0859	2-4.41-84	2990-99-808-1281	2-4.191-11	5365-99-808-4895	2-4.117-10
5360-99-808-0859	2-4.43-126	2815-99-808-1293	2-4.47-20	5305-99-808-4908	2-4.85-40
2815-99-808-0860	2-4.41-86	5365-99-808-1294	2-4.47-22	5340-99-808-4919	2-4.233-37
2815-99-808-0860	2-4.43-127	2815-99-808-1297	2-4.67-44	2590-99-808-5002	2-4.191-18
2815-99-808-1066	2-4.41-97	5365-99-808-1299	2-4.71-7	2590-99-808-5003	2-4.191-17
2815-99-808-1066	2-4.45-140	2815-99-808-1300	2-4.67-45	2910-99-808-5016	2-4.101-1
2815-99-808-1067	2-4.41-98	2815-99-808-1301	2-4.43-109	2910-99-808-5017	2-4.101-3
2815-99-808-1067	2-4.45-141	2815-99-808-1302	2-4.43-114	5340-99-808-5309	2-4.233-38
2910-99-808-1081	2-4.121-13	2815-99-808-1305	2-4.19-9	4710-99-808-5350	2-1-1.3-16
2910-99-808-1082	2-4.121-14	5330-99-808-1306	2-4.25-23	4710-99-808-5350	2-1-1.13/14-7
2910-99-808-1083	2-4.121-15	5330-99-808-1307	2-4.25-24	5905-99-809-0218	2-7.87-2
2910-99-808-1084	2-4.121-16	3040-99-808-1331	2-4.41-102	2920-99-809-0528	2-4.63-27
2910-99-808-1085	2-4.121-17	3040-99-808-1331	2-4.45-144	2520-99-809-0843	2-3.17-76
2910-99-808-1086	2-4.121-18	4730-99-808-1412	2-4.117-2	2530-99-809-0844	2-3.27-1
2520-99-808-1106	2-3.19-2	2920-99-808-2409	2-4.53-30	5340-99-809-2303	2-4.71-19
2815-99-808-1108	2-4.11-5	5930-99-808-3085	2-7.113-24	2910-99-809-2386	2-4.227-33
5365-99-808-1110	2-4.11-9	2910-99-808-3091	2-5.5-3	2910-99-809-2387	2-4.225-28
4730-99-808-1111	2-4.11-19	2910-99-808-3092	2-5.5-4	6680-99-809-3739	2-4.61-20
5365-99-808-1112	2-4.11-20	2520-99-808-3925	2-4.181-11	6680-99-809-4262	2-4.61-19
5365-99-808-1112	2-4.13-5	2520-99-808-3926	2-4.163-13	6680-99-809-4263	2-4.61-9
2815-99-808-1114	2-4.25-12	2930-99-808-3931	2-4.201-14	6680-99-809-4264	2-4.61-8
4730-99-808-1116	2-4.25-14	5330-99-808-4103	2-4.89-82	6680-99-809-4265	2-4.63-25
4730-99-808-1117	2-4.25-19	5330-99-808-4103	2-4.91-112	6680-99-809-4266	2-4.61-10
2815-99-808-1118	2-4.25-22	5330-99-808-4104	2-4.87-68	6680-99-809-4628	2-4.63-26
5315-99-808-1122	2-3.19-4	5330-99-808-4105	2-4.85-32	6680-99-809-4629	2-4.61-22
5365-99-808-1124	2-4.19-16	5330-99-808-4106	2-4.83-24	2520-99-809-5516	2-4.147-84
4710-99-808-1135	2-4.117-14	5330-99-808-4114	2-4.75-12	3040-99-809-5861	2-4.145-45
2910-99-808-1136	2-4.121-7	5365-99-808-4202	2-4.83-26	5305-99-809-6003	2-7.113-31
2910-99-808-1137	2-4.121-8	5325-99-808-4324	2-1.6.5-30	2940-99-809-6450	2-4.223-59
2815-99-808-1139	2-4.123-47	5305-99-808-4618	2-4.85-36	2910-99-809-7587	2-4.97-49
2815-99-808-1140	2-4.123-48	5305-99-808-4620	2-4.85-39	4730-99-809-7912	2-4.97-25
4820-99-808-1253	2-4.41-83	5305-99-808-4624	2-4.83-29	6110-99-809-8194	2-7.87-18
4820-99-808-1253	2-4.43-125	5305-99-808-4624	2-4.85-52	5330-99-809-8204	2-7.143-52
5330-99-808-1254	2-4.41-85	5305-99-808-4624	2-4.89-99	2590-99-809-9546	2-7-1.11-259
5330-99-808-1254	2-4.43-128	5305-99-808-4624	2-4.97-52	3040-99-809-9954	2-1-2.5-55
5330-99-808-1255	2-4.41-88	5305-99-808-4624	2-4.99-70	5360-99-810-0723	2-1-2.5-53
5330-99-808-1255	2-4.45-135	2910-99-808-4649	2-4.85-43	5975-99-810-1640	2-7.199-17
5330-99-808-1255	2-4.117-4	5310-99-808-4665	2-4.99-59	5975-99-810-1640	2-7.203-42
5330-99-808-1256	2-4.41-87	5310-99-808-4675	2-4.131-74	5975-99-810-1640	2-7.203-46
5330-99-808-1256	2-4.43-129	5310-99-808-4679	2-4.91-132	5910-99-810-2049	2-5.17-16
2815-99-808-1257	2-4.45-134	5310-99-808-4683	2-4.91-129	4210-99-810-2254	2-7.139-3
4730-99-808-1258	2-4.43-130	5310-99-808-4683	2-4.99-79	5310-99-810-5430	2-7.63-12
2815-99-808-1259	2-4.9-7	5310-99-808-4684	2-4.83-6	5310-99-810-5430	2-7.67-8
2815-99-808-1274	2-0.3/4-4	5310-99-808-4684	2-4.89-87	5310-99-810-5430	2-7.69-16
2815-99-808-1274	2-4.3-0	5310-99-808-4684	2-4.97-41	2540-99-810-5826	2-14.3-8
2815-99-808-1275	2-4.3-4	5310-99-808-4685	2-4.87-67	5340-99-810-6742	2-6.13-83

INDEX OF NATO STOCK NUMBERS

NATO STOCK No.	Chapter, Page and Item No.	NATO STOCK No.	Chapter, Page and Item No.	NATO STOCK No.	Chapter, Page and Item No.
2910-99-810-6908	2-5.7-35	2910-99-814-6125	2-5.13-12	5930-99-820-3053	2-7.55-7
2910-99-810-6909	2-5.7-38	5365-99-814-6126	2-5.13-14	2590-99-820-4881	2-7.71-11
2910-99-810-6916	2-5.7-32	2540-99-815-0156	2-11.5-32	6150-99-820-8042	2-7.195-180
5340-99-810-8013	2-10.17-35	2590-99-815-6019	2-7.15/19-129	2590-99-820-8043	2-7.193-155
5360-99-810-8014	2-10.17-36	2590-99-815-6019	2-7.1.3-49	9905-99-820-9980	2-7.117-39
2815-99-810-8171	2-4.39-81	2590-99-815-8473	2-7.151-4	2590-99-820-9993	2-7.115-9
6680-99-811-0068	2-4.91-134	5365-99-815-8747	2-1-2.15-7	5306-99-820-9994	2-7.115-8
2510-99-811-2864	2-1-6.3-11	5970-99-815-9178	2-4.249-41	5306-99-820-9995	2-7.115-11
4820-99-811-6699	2-4.205-12	2910-99-815-9700	2-4.75-5	5340-99-820-9996	2-7.115-12
5340-99-811-6864	2-4.205-9	6110-99-816-1949	2-7-1.11-263	5365-99-821-0154	2-3.15-57
6680-99-811-7125	2-4.185-14	4730-99-816-3134	2-4.207-7	5365-99-821-0154	2-3.15-60
2590-99-811-7178	2-7.209-3	4710-99-816-3140	2-4.207-14	4730-99-821-0156	2-3.13-32
5360-99-811-7181	2-7.209-21	5340-99-816-3764	2-1-8.3/4-3	4730-99-821-0156	2-3.15-66
2815-99-811-8720	2-4.47-16	2930-99-816-3766	2-4.201-5	4710-99-821-0157	2-3.17-75
5310-99-811-8978	2-4.133-90	2510-99-816-3771	2-1-4.3-1	5365-99-821-0158	2-3.13-30
2815-99-811-8992	2-4.139-6	2530-99-816-8627	2-2.3-8	5945-99-821-0672	2-7.117-57
5306-99-811-8993	2-4.139-7	2590-99-817-0826	2-4.235-57	5961-99-821-0673	2-7.119-63
2815-99-811-8994	2-4.139-1	2590-99-817-0826	2-4.247-4	5999-99-821-0684	2-7.119-86
5310-99-812-0216	2-4.131-58	2590-99-817-1534	2-7.133-281	5310-99-821-1149	2-7.15/19-135
5330-99-812-0434	2-3.13-40	5305-99-817-1535	2-7.107-157	2590-99-821-1241	2-7.167-115
5305-99-812-0712	2-4.65-10	5305-99-817-1535	2-7.117-54	2590-99-821-1241	2-7.167-120
5310-99-812-1285	2-4.25-10	5330-99-818-3852	2-8.5-31	2590-99-821-1241	2-7.167-126
2520-99-812-4261	2-4.159-8	5330-99-818-3852	2-8-1.5-36	2590-99-821-1241	2-7.169-132
4730-99-812-4269	2-4.151-42	2590-99-818-4699	2-4.53-54	2590-99-821-1241	2-7.169-137
5330-99-812-5074	2-4.221-11	5365-99-818-5986	2-4.135-17	6220-99-821-4898	2-7.33-7
1005-99-812-5805	2-1-4.3-25	6150-99-818-6161	2-7-1.6-127	6250-99-821-6126	2-7.201-33
5306-99-812-8511	2-1-2.15-11	5935-99-818-6285	2-7.153-38	5945-99-821-8620	2-4.95-1
5935-99-812-9257	2-7.103-115	5935-99-818-6285	2-7.155-56	5340-99-822-0278	2-7.209-16
2510-99-812-9724	2-1-5.3-3	5935-99-818-6286	2-7.153-39	6220-99-822-0283	2-7.49-5
5340-99-812-9981	2-4.99-84	5935-99-818-6286	2-7.155-57	2530-99-822-3641	2-3.31-1
5935-99-812-9999	2-7-1.3-51	2910-99-818-6595	2-4.75-0	5930-99-822-7073	2-7.55-19
5310-99-813-0216	2-4.129-45	2520-99-818-6719	2-4.153-3	2590-99-823-0104	2-7-1.10-235
2930-99-813-0256	2-4.103-6	2520-99-818-6719	2-4.155-6	5330-99-823-3818	2-8.5-42
2930-99-813-0257	2-4.103-5	2590-99-818-7792	2-4.249-55	5330-99-823-3818	2-8-1.5-47
2930-99-813-0258	2-4.111-12	2590-99-818-7793	2-4.249-46	5330-99-823-3819	2-8.5-38
5305-99-813-0596	2-4.93-143	2590-99-818-7795	2-4.247-22	5330-99-823-3819	2-8-1.5-43
5330-99-813-4447	2-1-9.15/16-5	2590-99-818-7798	2-4.249-37	5330-99-823-5157	2-4.57-12
5340-99-813-4663	2-7.113-3	6150-99-818-7800	2-7-1.9-208	6220-99-823-6351	2-7.71-25
5310-99-813-6252	2-7-1.9-205	2590-99-818-7802	2-7-1.4-80	2930-99-823-7994	2-4.201-1
5970-99-813-6258	2-4.235-50	2590-99-818-7803	2-7-1.9-210	2930-99-823-7994	2-4.205-1
5970-99-813-6259	2-4.235-49	6150-99-818-7806	2-7-1.11-245	2540-99-823-8827	2-1-1.13/14-2
5970-99-813-6260	2-4.235-51	6620-99-818-7817	2-4.71-22	2540-99-823-8828	2-1-1.3-15
5310-99-813-6899	2-7.45-70	5940-99-818-8898	2-4.135-2	2540-99-823-8828	2-1-1.13/14-3
6150-99-813-9705	2-7-1.11-249	5970-99-818-9178	2-4.249-50	2520-99-823-9285	2-3.7-66
6150-99-813-9706	2-7-1.11-250	5970-99-818-9178	2-4.251/252-59	6220-99-823-9793	2-7.41-28
6150-99-813-9712	2-7-1.10-226	5340-99-819-2758	2-11.3-28	6220-99-823-9793	2-7.53-1
5330-99-814-0890	2-4.191-8	5330-99-819-2785	2-4.109-26	5330-99-823-9884	2-7.93-15
2910-99-814-6120	2-5.13-9	2530-99-819-4952	2-3.23-47	5365-99-824-0155	2-3.11-23
2910-99-814-6121	2-5.13-11	2990-99-820-1554	2-4.105-25	5340-99-824-0335	2-11.3-26
2910-99-814-6122	2-5.13-13	5999-99-820-1558	2-4.237-1	2540-99-824-0432	2-10.17-27
2910-99-814-6123	2-5.13-15	6220-99-820-3051	2-7.23-20	2540-99-824-0433	2-10.17-28
2910-99-814-6124	2-5.13-16	6220-99-820-3051	2-7.33-1	5330-99-824-0606	2-4.207-5

INDEX OF NATO STOCK NUMBERS

NATO STOCK No.	Chapter, Page and Item No.	NATO STOCK No.	Chapter, Page and Item No.	NATO STOCK No.	Chapter, Page and Item No.
2540-99-824-0626	2-11.13/14-29	5306-99-832-1976	2-2.17-62	5315-99-838-7720	2-2.15-45
3040-99-824-3856	2-4.183-43	5306-99-832-1977	2-2.9-56	5315-99-838-7721	2-2.7-38
2590-99-824-4440	2-12.7-45	5305-99-832-1979	2-2.5-10	2510-99-838-9729	2-1-2.5-54
3110-99-824-6262	2-2.9-54	5940-99-832-9440	2-7.121-99	2590-99-839-2507	2-7-1.11-252
3110-99-824-6262	2-2.15-47	5940-99-832-9440	2-7.121-106	2590-99-839-2643	2-7-1.3-42
2815-99-825-2819	2-4.29-1	5940-99-832-9440	2-7.121-111	2930-99-839-5311	2-4.217-15
5999-99-825-6834	2-7.159-4	5940-99-832-9440	2-7.123-124	2930-99-839-5311	2-4.219-0
2590-99-825-7621	2-7-1.11-260	5940-99-832-9440	2-7.123-142	5340-99-839-8251	2-15.3/4-2
5999-99-826-1775	2-7.129-220	5940-99-832-9440	2-7.125-153	5340-99-839-8252	2-15.3/4-1
5999-99-826-1775	2-7.165-89	5940-99-832-9440	2-7.125-163	4210-99-839-9904	2-11.9-12
5310-99-826-4501	2-8.15-13	5940-99-832-9440	2-7.127-180	2540-99-842-0395	2-0.3/4-18
5310-99-826-4501	2-8-1.13/14-13	5940-99-832-9440	2-7.133-264	5315-99-842-8189	2-4.139-14
5930-99-826-8010	2-7.11-106	2590-99-833-5091	2-7-1.8-192	5315-99-842-9000	2-4.103-11
5305-99-826-8015	2-7.73-33	5330-99-833-6174	2-4.79-66	5315-99-842-9000	2-4.143-17(1)
4730-99-827-9327	2-5.19-17	5330-99-833-6174	2-4.83-2	5315-99-842-9000	2-4.145-43
2815-99-828-1055	2-4.29-9	4730-99-833-7457	2-4.201-10	5315-99-842-9001	2-4.103-11(1)
2590-99-828-3661	2-4.247-23	5340-99-833-9560	2-7.7-50	5315-99-842-9001	2-4.143-17
5340-99-828-4174	2-7.25-45	5365-99-834-9151	2-4.65-22	5315-99-842-9001	2-4.145-43(1)
5330-99-828-5174	2-4.165-20	5365-99-834-9152	2-4.95-5	1290-99-846-8196	2-12.9-65
2530-99-828-8123	2-2.19-15	9320-99-835-1324	2-1-6.7/8-74	5310-99-849-0165	2-2.5-11
6250-99-828-8138	2-7.33-3	2910-99-835-2671	2-5.19-3	5310-99-849-0165	2-4.185-3
6250-99-828-8138	2-7.145-3	2910-99-835-2682	2-5.19-1	3040-99-856-3675	2-10.11-95
5365-99-828-9068	2-3.7-58	2590-99-835-6124	2-7-1.4-71	2530-99-856-6113	2-2.7-32
5365-99-828-9069	2-3.7-59	2920-99-836-1280	2-7-1.11-248	5935-99-859-7929	2-14.3-12
3020-99-828-9154	2-3.19-19	5340-99-836-8670	2-3.17-91	4210-99-861-3043	2-12.7-49
5306-99-828-9407	2-4.195-8	5305-99-836-9801	2-3.17-92	5340-99-861-4435	2-5.17-24
2940-99-829-0150	2-4.229-7	2540-99-837-2310	2-1-3.5-28	5935-99-861-6064	2-7-1.8-180
3040-99-829-3856	2-6.3-23	2540-99-837-2311	2-1-3.5-32	5975-99-861-9032	2-7-1.2-9
3040-99-829-3856	2-6.5-49	5330-99-837-2312	2-1-6.3-17	5975-99-861-9032	2-7-1.9-213
3040-99-829-3856	2-6.7-62	9905-99-837-2954	2-0.3/4-17	1005-99-862-2614	2-1-2.15-0
2930-99-829-4369	2-4.205-4	9905-99-837-2954	2-11.5-36	2990-99-864-6435	2-4.125-10
2930-99-829-4370	2-4.205-2	2530-99-837-4987	2-2.3-5	3120-99-865-1134	2-3.23-38
5330-99-829-4371	2-4.205-15	5330-99-838-1001	2-4.205-6	5307-99-865-1136	2-3.11-4
2930-99-829-4372	2-4.205-16	5340-99-838-1364	2-14.5-34	5315-99-865-1360	2-4.31-7
2930-99-829-4373	2-4.205-17	5306-99-838-2271	2-4.163-9	5307-99-865-1445	2-4.107-23
2930-99-829-4374	2-4.205-3	5306-99-838-2277	2-4.153-19	5307-99-865-1454	2-3.11-13
2930-99-829-4375	2-4.205-18	2530-99-838-4922	2-2.3-1	5307-99-865-1454	2-3.11-16
2530-99-829-8621	2-2.13-20	5330-99-838-5039	2-7.63-23	5307-99-865-1457	2-3.11-5
5977-99-829-9354	2-4.127-29	5360-99-838-5142	2-4.133-87	5307-99-865-1462	2-3.11-8
2920-99-829-9364	2-4.133-100	2920-99-838-5148	2-4.131-60	5307-99-865-1464	2-3.11-6
2920-99-829-9365	2-4.133-101	5975-99-838-5151	2-7.7-47	5307-99-865-1464	2-3.15-69
6150-99-830-6133	2-7-1.10-240	5975-99-838-5151	2-7.113-1	5310-99-865-1474	2-4.9-11
5330-99-830-6314	2-4.3-22	2530-99-838-5311	2-2.3-2	5310-99-865-1474	2-4.15-13
5330-99-830-6315	2-4.3-23	2920-99-838-5502	2-4.131-64	5310-99-865-1474	2-4.47-10
5330-99-830-6316	2-4.3-24	2920-99-838-5503	2-4.131-63	5310-99-865-1474	2-4.65-12
5330-99-830-6317	2-4.3-25	5330-99-838-5511	2-4.127-10	5310-99-865-1475	2-3.15-58
2590-99-830-8926	2-7-1.4-68	5330-99-838-5511	2-4.127-23	5310-99-865-1475	2-3.15-59
6145-99-831-2348	2-7-1.5-98	5360-99-838-5514	2-4.129-37	5310-99-865-1475	2-4.9-13
2590-99-831-3311	2-7-1.11-241	5360-99-838-5518	2-4.133-96	5310-99-865-1475	2-4.13-17
5940-99-831-9426	2-7-1.5-93	2920-99-838-5519	2-4.133-99	5310-99-865-1476	2-4.35-19
5940-99-831-9426	2-7-1.6-116	5360-99-838-5520	2-4.131-53	5310-99-865-1476	2-4.39-70
4730-99-831-9999	2-5.19-16	6220-99-838-5677	2-14.3-3	5310-99-865-1476	2-4.113-27

INDEX OF NATO STOCK NUMBERS

NATO STOCK No.	Chapter, Page and Item No.	NATO STOCK No.	Chapter, Page and Item No.	NATO STOCK No.	Chapter, Page and Item No.
5310-99-865-1476	2-4.181-18	3010-99-865-3648	2-4.139-9	3120-99-865-3788	2-3.19-7
5310-99-865-1477	2-4.13-9	3020-99-865-3649	2-4.145-40	3120-99-865-3789	2-3.19-8
5310-99-865-1477	2-4.25-4	5340-99-865-3651	2-4.143-21	2520-99-865-3790	2-3.19-9
5310-99-865-1477	2-4.111-17	3010-99-865-3654	2-4.139-15	3040-99-865-3793	2-4.143-8
5310-99-865-1477	2-4.117-12	2520-99-865-3656	2-4.143-23	3040-99-865-3795	2-3.19-20
5310-99-865-1478	2-4.149-21	5315-99-865-3658	2-4.143-3	5310-99-865-3796	2-3.19-22
5365-99-865-1479	2-3.11-22	3040-99-865-3659	2-4.143-14	5310-99-865-3797	2-3.19-21
5365-99-865-1479	2-3.13-27	3040-99-865-3660	2-4.143-15	3020-99-865-3798	2-3.21-27
5365-99-865-1479	2-3.15-61	3020-99-865-3661	2-4.145-39	5305-99-865-3801	2-3.19-10
5365-99-865-1479	2-4.19-17	5340-99-865-3663	2-4.139-26	2520-99-865-3803	2-3.19-23
5365-99-865-1479	2-4.19-20	5330-99-865-3670	2-3.13-41	3120-99-865-3808	2-3.21-25
5365-99-865-1479	2-4.25-2	2530-99-865-3671	2-3.17-77	3020-99-865-3809	2-3.21-30
5365-99-865-1479	2-4.71-10	5310-99-865-3672	2-3.21-36	5315-99-865-3810	2-3.21-32
5365-99-865-1488	2-3.13-29	4820-99-865-3679	2-4.71-8	5315-99-865-3825	2-3.19-11
5365-99-865-1488	2-3.13-31	3120-99-865-3684	2-3.21-29	5315-99-865-3826	2-3.19-12
5365-99-865-1488	2-3.15-65	5365-99-865-3685	2-3.13-39	5330-99-865-3827	2-3.11-19
5365-99-865-1488	2-4.49-30	5365-99-865-3686	2-3.13-39(1)	2520-99-865-3828	2-3.11-14
5365-99-865-1488	2-4.71-6	5365-99-865-3687	2-3.13-39(2)	2805-99-865-3829	2-3.29-25
5365-99-865-1488	2-4.71-16	5365-99-865-3688	2-3.13-39(3)	5340-99-865-3830	2-3.15-48
5365-99-865-1489	2-4.35-23	5365-99-865-3689	2-3.13-39(4)	3020-99-865-3837	2-3.23-43
5365-99-865-1489	2-4.39-74	5365-99-865-3690	2-3.13-39(5)	3040-99-865-3844	2-3.23-39
5365-99-865-1489	2-4.119-33	3120-99-865-3691	2-3.21-35(2)	3040-99-865-3845	2-3.23-41
5365-99-865-1490	2-3.15-63	3120-99-865-3692	2-3.21-35(3)	5315-99-865-3846	2-4.145-37
5365-99-865-1490	2-3.15-67	3120-99-865-3693	2-3.21-35(4)	2530-99-865-3847	2-3.11-1
5365-99-865-1490	2-4.145-57	3120-99-865-3694	2-3.21-35(5)	3020-99-865-3876	2-4.145-38
5310-99-865-1492	2-3.15-56	3120-99-865-3695	2-3.21-35(6)	2520-99-865-4382	2-4.143-25
2805-99-865-1504	2-4.13-6	3120-99-865-3696	2-3.21-35(7)	3020-99-865-4383	2-4.143-16
2805-99-865-1504	2-4.13-15	3120-99-865-3697	2-3.21-35(8)	5330-99-865-4384	2-4.143-29
2805-99-865-1506	2-4.11-10	3120-99-865-3698	2-3.21-35(9)	5330-99-865-4386	2-4.121-2
5310-99-865-1511	2-3.13-44	3120-99-865-3699	2-3.21-35(10)	5330-99-865-4386	2-4.121-4
5310-99-865-1513	2-4.63-24	3120-99-865-3700	2-3.21-35(11)	5330-99-865-4386	2-4.143-31
5310-99-865-1527	2-4.145-49	3120-99-865-3701	2-3.21-35(12)	5330-99-865-4388	2-3.17-79
5310-99-865-1528	2-4.73-35	3040-99-865-3716	2-4.149-10	2520-99-865-4394	2-4.143-13
5310-99-865-1624	2-4.139-4	2530-99-865-3719	2-3.17-82	5330-99-865-4396	2-4.147-75
5310-99-865-1645	2-4.147-72	5365-99-865-3721	2-3.21-35	4730-99-865-4399	2-3.15-64
5330-99-865-1675	2-4.103-10	5330-99-865-3739	2-3.17-78	2520-99-865-4411	2-4.147-86
5365-99-865-2024	2-4.49-24	5307-99-865-3740	2-3.11-10	2520-99-865-4412	2-4.147-85
5340-99-865-2078	2-4.123-42	2520-99-865-3742	2-4.145-48	5330-99-865-4418	2-4.145-59
5340-99-865-2078	2-4.123-46	2520-99-865-3743	2-4.145-52	5306-99-865-4905	2-3.15-46
5340-99-865-2906	2-4.7-35	2520-99-865-3744	2-4.139-11	4730-99-865-5650	2-4.19-22
4730-99-865-3240	2-4.71-15	5330-99-865-3746	2-4.143-4	4730-99-865-5651	2-4.111-26
5307-99-865-3611	2-3.15-70	1240-99-865-3747	2-4.145-44	3120-99-865-5700	2-3.11-18
5310-99-865-3616	2-3.23-50	5340-99-865-3748	2-4.147-73	5310-99-865-5701	2-3.23-49
4730-99-865-3617	2-3.13-28	3040-99-865-3749	2-4.147-76	3020-99-865-5702	2-3.21-37
3120-99-865-3624	2-4.145-42	5310-99-865-3750	2-3.23-44	5306-99-865-5704	2-3.23-48
5310-99-865-3628	2-4.139-8	3010-99-865-3753	2-4.139-10	3120-99-865-5705	2-3.21-26
5310-99-865-3628	2-4.139-18	5310-99-865-3776	2-3.23-45	3120-99-865-5706	2-3.23-51
5310-99-865-3628	2-4.167-33	5310-99-865-3777	2-3.23-42	3040-99-865-5708	2-3.11-17
5330-99-865-3642	2-3.23-55	4730-99-865-3778	2-3.23-40	2530-99-865-5711	2-3.27-8
5340-99-865-3644	2-4.147-82	3020-99-865-3781	2-4.145-41	5307-99-865-5712	2-3.27-9
5310-99-865-3646	2-4.145-69	3120-99-865-3786	2-3.19-5	2530-99-865-5713	2-3.27-11
5310-99-865-3647	2-4.147-71	3120-99-865-3787	2-3.19-6	2530-99-865-5714	2-3.27-14

INDEX OF NATO STOCK NUMBERS

NATO STOCK No.	Chapter, Page and Item No.	NATO STOCK No.	Chapter, Page and Item No.	NATO STOCK No.	Chapter, Page and Item No.
5310-99-865-5715	2-3.27-10	5330-99-865-6159	2-2.7-27	2530-99-865-6218	2-6.9-8
5310-99-865-5715	2-3.27-15	5330-99-865-6159	2-2.7-29	2530-99-865-6219	2-6.9-10
5340-99-865-5716	2-3.27-17	5330-99-865-6159	2-2.7-31	2530-99-865-6220	2-6.9-9
2530-99-865-5717	2-3.27-18	5330-99-865-6159	2-2.13-4	5360-99-865-6221	2-6.9-13
5305-99-865-5718	2-3.27-19	5330-99-865-6159	2-2.13-8	2530-99-865-6222	2-6.9-16
5315-99-865-5720	2-3.27-23	5330-99-865-6160	2-2.7-41	2530-99-865-6223	2-6.9-17
5330-99-865-5721	2-3.29-24	5330-99-865-6160	2-2.15-48	3120-99-865-6300	2-3.3-24
2530-99-865-5723	2-3.29-28	2530-99-865-6161	2-2.7-24	3020-99-865-6301	2-3.5-32
2530-99-865-5724	2-3.29-32	2530-99-865-6162	2-2.7-28	3040-99-865-6302	2-3.3-23
5315-99-865-5725	2-3.29-33	2530-99-865-6163	2-2.19-10	5305-99-865-6303	2-3.5-46
3040-99-865-5726	2-3.17-88	2530-99-865-6164	2-2.19-2	5340-99-865-6304	2-3.3-20
3040-99-865-5726	2-3.29-35	2530-99-865-6165	2-2.19-6	5330-99-865-6305	2-3.3-19
5365-99-865-5728	2-3.13-35	2530-99-865-6169	2-2.13-2	2520-99-865-6306	2-3.3-28
5365-99-865-5729	2-3.13-35(1)	2530-99-865-6170	2-2.13-6	2520-99-865-6307	2-3.3-27
5365-99-865-5730	2-3.13-35(2)	2530-99-865-6171	2-2.15-34	5315-99-865-6308	2-3.7-70
5365-99-865-5731	2-3.13-35(3)	2530-99-865-6174	2-2.15-33	5305-99-865-6309	2-3.7-67
5365-99-865-5732	2-3.13-35(4)	5310-99-865-6175	2-2.13-10	3020-99-865-6310	2-3.3-17
3040-99-865-5733	2-3.11-15	4730-99-865-6180	2-2.13-17	5365-99-865-6312	2-3.5-38
3040-99-865-5734	2-3.11-12	2530-99-865-6183	2-2.21/22-27	5365-99-865-6313	2-3.5-39
2530-99-865-5735	2-3.29-39	5365-99-865-6184	2-2.19-20	5365-99-865-6314	2-3.5-40
5310-99-865-6100	2-2.13-13	5330-99-865-6185	2-2.19-14	5310-99-865-6319	2-3.5-43
5310-99-865-6100	2-3.5-44	5310-99-865-6186	2-2.19-21	5315-99-865-6320	2-3.3-9
2530-99-865-6101	2-2.5-4	5310-99-865-6187	2-2.9-48	3040-99-865-6324	2-3.3-12
2530-99-865-6103	2-2.5-17	5310-99-865-6187	2-2.17-56	5315-99-865-6325	2-3.3-16
5310-99-865-6104	2-2.5-16	5310-99-865-6189	2-2.19-22	5330-99-865-6328	2-3.5-33
2530-99-865-6105	2-2.5-19	5310-99-865-6190	2-2.9-49	5365-99-865-6329	2-3.5-42
5365-99-865-6107	2-2.5-15	5310-99-865-6190	2-2.17-57	5365-99-865-6330	2-3.5-41
5365-99-865-6108	2-2.5-15(1)	2530-99-865-6191	2-2.9-60	3020-99-865-6332	2-3.3-13
5310-99-865-6109	2-2.5-15(2)	3040-99-865-6193	2-6.11-44	3040-99-865-6333	2-3.9-1
5330-99-865-6110	2-2.19-17	3040-99-865-6194	2-6.11-45	3010-99-865-6334	2-3.9-2
2530-99-865-6111	2-2.19-3	3040-99-865-6195	2-6.11-51	2520-99-865-6335	2-3.9-5
2530-99-865-6111	2-2.19-7	3130-99-865-6196	2-6.11-39	2520-99-865-6335	2-3.23-58
2530-99-865-6111	2-2.19-11	3040-99-865-6197	2-6.11-55	5365-99-865-6336	2-3.9-6
2530-99-865-6112	2-2.19-13	3040-99-865-6198	2-6.13-60	5365-99-865-6336	2-3.23-57
5315-99-865-6115	2-2.5-5	3040-99-865-6199	2-6.13-64	3020-99-865-6337	2-3.3-14
5365-99-865-6124	2-2.13-11	5330-99-865-6200	2-6.11-47	5305-99-865-6338	2-3.5-49
2530-99-865-6129	2-2.9-55	5340-99-865-6201	2-6.11-48	2520-99-865-6341	2-3.3-8
5310-99-865-6130	2-2.7-47	4710-99-865-6202	2-6.13-78	2520-99-865-6342	2-3.3-7
5310-99-865-6130	2-2.17-55	4710-99-865-6203	2-6.13-75	5365-99-865-6350	2-3.33-10
2530-99-865-6131	2-2.9-50	4710-99-865-6204	2-6.13-72	5365-99-865-6351	2-3.33-7
2530-99-865-6131	2-2.17-58	4710-99-865-6205	2-6.13-67	5365-99-865-6351	2-4.185-5
5365-99-865-6132	2-2.7-45	4730-99-865-6206	2-6.13-70	5365-99-865-6351	2-4.187-15
5365-99-865-6132	2-2.17-53	5315-99-865-6207	2-6.15-86	2520-99-865-6354	2-4.187-29
2530-99-865-6136	2-2.19-24	2530-99-865-6208	2-6.9-2	5310-99-865-6355	2-3.33-13
2530-99-865-6143	2-2.5-2	3040-99-865-6209	2-6.9-5	5310-99-865-6355	2-4.189-38
2530-99-865-6144	2-2.5-3	2530-99-865-6210	2-6.9-24	2530-99-865-6358	2-3.33-23
5365-99-865-6145	2-2.17-63	3040-99-865-6211	2-6.9-20	5340-99-865-6360	2-3.33-12
5310-99-865-6146	2-9.3-21	2530-99-865-6212	2-6.11-30	5340-99-865-6360	2-4.189-37
5310-99-865-6146	2-9.5/6-32	2530-99-865-6213	2-6.9-25	4720-99-865-6361	2-3.33-19
2530-99-865-6157	2-2.7-26	5310-99-865-6214	2-6.9-26	5365-99-865-6365	2-3.9-4
2530-99-865-6158	2-2.7-30	5365-99-865-6216	2-6.11-31	5365-99-865-6365	2-3.25-60
5330-99-865-6159	2-2.7-25	2530-99-865-6217	2-6.13-62	2940-99-865-6374	2-4.187-31

INDEX OF NATO STOCK NUMBERS

NATO STOCK No.	Chapter, Page and Item No.	NATO STOCK No.	Chapter, Page and Item No.	NATO STOCK No.	Chapter, Page and Item No.
2510-99-865-6502	2-1-2.7-57	4730-99-865-6655	2-5.13-24	2540-99-865-6780	2-10.17-25
3040-99-865-6503	2-1-2.7-58	2930-99-865-6659	2-4.217-11	2540-99-865-6781	2-10.15-1
2510-99-865-6504	2-1-2.7-61	5340-99-865-6661	2-4.217-12	2540-99-865-6782	2-10.15-5
5305-99-865-6505	2-1-2.7-68	2540-99-865-6663	2-6.3-13	2540-99-865-6783	2-10.15-18
5305-99-865-6506	2-1-2.5-29	9905-99-865-6664	2-6.3-15	2540-99-865-6784	2-10.15-17
5315-99-865-6507	2-1-2.5-43	2540-99-865-6665	2-6.3-17	2540-99-865-6785	2-10.17-31
2510-99-865-6509	2-1-1.3-2	5310-99-865-6666	2-6.3-19	5365-99-865-6786	2-10.15-13
3120-99-865-6510	2-1-2.5-33	5360-99-865-6667	2-6.3-18	5365-99-865-6787	2-10.15-13(1)
3120-99-865-6511	2-1-2.5-35	2510-99-865-6680	2-8.11-2	4820-99-865-6788	2-8.5-49
5306-99-865-6513	2-1-1.3-11	2510-99-865-6681	2-8.11-9	4820-99-865-6788	2-8.9-1
3120-99-865-6514	2-1-1.3-9	2510-99-865-6682	2-8.11-8	4820-99-865-6788	2-8-1.7-51
2590-99-865-6515	2-1-2.3-5	5315-99-865-6700	2-6.17-7	5330-99-865-6792	2-8.9-8
2510-99-865-6516	2-1-2.3-2	5360-99-865-6701	2-6.17-8	5330-99-865-6793	2-8.9-24
5365-99-865-6517	2-1-2.5-48	5360-99-865-6702	2-6.17-28	5365-99-865-6794	2-8.9-3
5365-99-865-6517	2-1-5.5/6-31	5340-99-865-6703	2-6.19/20-30	5360-99-865-6795	2-8.9-4
2510-99-865-6518	2-1-2.5-47	9905-99-865-6715	2-6.17-24	2540-99-865-6796	2-8.9-5
2510-99-865-6518	2-1-5.5/6-30	2520-99-865-6716	2-6.19/20-37	2540-99-865-6797	2-8.19/20-31
5340-99-865-6520	2-1-2.9-83	2520-99-865-6717	2-6.17-1	5360-99-865-6798	2-8.19/20-33
2510-99-865-6521	2-1-2.5-31	5340-99-865-6718	2-6.17-5	2540-99-865-6799	2-8.19/20-35
5330-99-865-6522	2-1-2.5-52	2520-99-865-6719	2-6.17-10	5310-99-865-6800	2-1-6.5-27
2590-99-865-6525	2-1-1.3-7	5340-99-865-6721	2-6.19/20-43	5310-99-865-6800	2-1-6.7/8-71
2510-99-865-6527	2-1-2.5-46	3040-99-865-6722	2-6.17-14	5310-99-865-6800	2-8.5-26
2510-99-865-6529	2-1-2.7-66	5315-99-865-6723	2-6.17-6	5310-99-865-6800	2-8-1.5-31
2510-99-865-6530	2-1-2.7-65	5340-99-865-6724	2-6.17-25	2910-99-865-6803	2-5.5-25
5306-99-865-6531	2-1-2.7-67	5340-99-865-6725	2-6.17-26	5365-99-865-6804	2-5.7-29
2540-99-865-6549	2-1-1.3-22	5330-99-865-6726	2-6.19/20-31	5310-99-865-6807	2-5.7-45
2540-99-865-6550	2-1-1.3-24	2520-99-865-6727	2-6.17-16	2910-99-865-6809	2-5.5-20
2510-99-865-6551	2-1-2.3-16	2520-99-865-6728	2-6.17-20	5330-99-865-6811	2-5.5-19
5306-99-865-6554	2-1-1.3-4	5340-99-865-6729	2-6.19/20-36	5330-99-865-6813	2-5.7-31
5306-99-865-6554	2-1-2.3-9	2540-99-865-6750	2-6.5-46	2910-99-865-6814	2-5.7-27
5306-99-865-6554	2-1-3.5-33	2540-99-865-6750	2-6.7-74	2910-99-865-6823	2-5.11-2
5306-99-865-6556	2-1-2.3-8	2540-99-865-6750	2-6.11-36	5330-99-865-6826	2-5.11-5
5306-99-865-6556	2-1-3.5-29	5310-99-865-6751	2-6.5-44	4730-99-865-6837	2-5.19-2
3040-99-865-6559	2-1-2.3-27	5310-99-865-6751	2-6.5-55	4730-99-865-6839	2-4.225-2
3040-99-865-6560	2-1-2.3-18	9535-99-865-6763	2-6.3-9	4730-99-865-6839	2-4.225-27
3040-99-865-6560	2-1-2.3-22	2540-99-865-6764	2-10.17-38	4730-99-865-6839	2-5.21/22-44
2930-99-865-6560	2-4.217-4	2540-99-865-6765	2-10.17-39	2510-99-865-6851	2-8.3-11
3040-99-865-6561	2-1-2.3-20	2540-99-865-6766	2-10.15-14	2510-99-865-6851	2-8-1.3-16
2510-99-865-6562	2-1-2.3-23	5315-99-865-6767	2-10.17-32	2510-99-865-6853	2-8.3-8
1240-99-865-6563	2-1-2.7-71	2540-99-865-6768	2-10.15-3	2510-99-865-6853	2-8-1.3-13
1240-99-865-6564	2-1-2.7-72	5306-99-865-6769	2-10.15-21	2510-99-865-6854	2-8.3-7
2590-99-865-6565	2-1-2.5-39	2540-99-865-6770	2-10.19-3	2510-99-865-6854	2-8-1.3-12
2590-99-865-6566	2-1-2.5-40	5340-99-865-6771	2-10.19-1	2510-99-865-6855	2-8.3-12
2590-99-865-6567	2-1-2.5-41	5340-99-865-6771	2-10.21/22-3	2510-99-865-6855	2-8-1.3-17
2590-99-865-6568	2-1-2.5-42	2540-99-865-6772	2-10.19-11	2510-99-865-6856	2-8.3-6
5310-99-865-6569	2-1-2.3-24	5315-99-865-6773	2-10.19-5	2510-99-865-6856	2-8-1.3-11
5360-99-865-6570	2-1-2.7-70	2540-99-865-6774	2-10.19-7	2510-99-865-6857	2-8.3-13
5305-99-865-6572	2-1-2.5-37	2540-99-865-6775	2-10.19-6	2510-99-865-6857	2-8-1.3-18
2920-99-865-6611	2-4.5-4	5315-99-865-6776	2-10.19-8	2510-99-865-6858	2-8.3-3
2930-99-865-6651	2-4.217-10	2540-99-865-6777	2-10.19-4	2510-99-865-6859	2-8.3-2
2930-99-865-6652	2-4.217-1	2540-99-865-6778	2-10.15-2	2510-99-865-6860	2-8.3-1
4730-99-865-6655	2-4.225-7	2540-99-865-6779	2-10.17-26	2510-99-865-6861	2-8.3-14

INDEX OF NATO STOCK NUMBERS

NATO STOCK No.	Chapter, Page and Item No.	NATO STOCK No.	Chapter, Page and Item No.	NATO STOCK No.	Chapter, Page and Item No.
2510-99-865-6861	2-8-1.3-19	2510-99-865-7030	2-1-4.3-10	2815-99-865-9961	2-4.139-25
2510-99-865-6862	2-8.3-4	5340-99-865-7031	2-1-4.3-6	3110-99-866-1383	2-3.25-62
2510-99-865-6862	2-8-1.3-9	2510-99-865-7032	2-1-4.5/6-32	3040-99-866-2261	2-3.13-36
2510-99-865-6863	2-8.3-15	1420-99-865-7033	2-1-3.5-40	2805-99-866-2262	2-3.15-51
2510-99-865-6863	2-8-1.3-20	5330-99-865-7042	2-1-9.15/16-13	5305-99-866-2329	2-4.149-20
2510-99-865-6864	2-8.3-5	4730-99-865-7048	2-4.207-13	2520-99-866-2338	2-4.149-4
2510-99-865-6864	2-8-1.3-10	5330-99-865-7049	2-2.7-42	2520-99-866-2340	2-4.149-2
5365-99-865-6959	2-3.7-51	5330-99-865-7049	2-2.17-50	3120-99-866-2341	2-4.149-3
5340-99-865-6960	2-1-9.7-6	2930-99-865-7057	2-4.207-10	5330-99-866-2342	2-4.149-16
5365-99-865-6961	2-1-9.3-8	4730-99-865-7058	2-4.207-8	2590-99-866-2343	2-4.149-17
5306-99-865-6963	2-1-4.3-28	2930-99-865-7081	2-4.207-1	2520-99-866-2344	2-4.153-16
5340-99-865-6966	2-1-3.3-4	2930-99-865-7081	2-4.211-0	5365-99-866-2345	2-4.149-6
5340-99-865-6967	2-1-3.3-5	6680-99-865-7082	2-4.207-25	5330-99-866-2346	2-4.149-5
5365-99-865-6970	2-1-3.3-11	6680-99-865-7082	2-4.213-0	5365-99-866-2348	2-4.149-9
2510-99-865-6971	2-1-3.3-9	5330-99-865-7152	2-2.9-51	5330-99-866-2349	2-4.149-8
2510-99-865-6972	2-1-3.3-10	5330-99-865-7152	2-2.17-59	5330-99-866-2350	2-4.151-39
5340-99-865-6973	2-1-4.3-2	2510-99-865-7161	2-11.3-19	5330-99-866-2351	2-4.151-40
5340-99-865-6974	2-1-9.3-5	2510-99-865-7162	2-11.3-17	2520-99-866-2352	2-4.149-23
5340-99-865-6975	2-1-9.3-3	5120-99-865-7163	2-11.3-4	5330-99-866-2356	2-4.149-27
5330-99-865-6976	2-1-9.3-4	5120-99-865-7164	2-11.3-5	2940-99-866-2357	2-4.149-31
5310-99-865-6977	2-1-5.3-6	5120-99-865-7165	2-11.3-7	5330-99-866-2358	2-4.149-28
5340-99-865-6981	2-1-6.5-44	2540-99-865-7166	2-11.11-23	2805-99-866-2359	2-4.149-32
2510-99-865-6984	2-1-5.3-14	4720-99-865-7253	2-8.11-22	2520-99-866-2360	2-4.149-36
5360-99-865-6987	2-1-3.5-31	5365-99-865-7254	2-8.11-23	4730-99-866-2361	2-4.151-37
5360-99-865-6988	2-1-3.5-35	5330-99-865-7255	2-8.13-37	2520-99-866-2366	2-4.153-4
5340-99-865-6992	2-1-10.3/4-2	5330-99-865-7255	2-8-1.11-14	2520-99-866-2366	2-4.155-7
5315-99-865-6993	2-1-10.3/4-3	5330-99-865-7257	2-8.13-36	2520-99-866-2367	2-4.153-5
5330-99-865-6994	2-1-10.3/4-5	5330-99-865-7257	2-8.13-47	2520-99-866-2367	2-4.155-8
5330-99-865-6995	2-1-9.3-2	5330-99-865-7257	2-8-1.11-13	2520-99-866-2368	2-4.153-5(1)
2510-99-865-6997	2-1-3.3-1	5330-99-865-7257	2-8-1.11-20	2520-99-866-2368	2-4.155-8(1)
2510-99-865-6998	2-1-3.3-2	2540-99-865-7258	2-8.11-21	2520-99-866-2369	2-4.153-5(2)
2510-99-865-6999	2-1-3.3-3	5340-99-865-7259	2-8.11-31	2520-99-866-2369	2-4.155-8(2)
2510-99-865-7000	2-1-3.3-17	5340-99-865-7260	2-8.11-30	2520-99-866-2370	2-4.153-5(3)
2510-99-865-7001	2-1-3.3-18	5340-99-865-7261	2-8.11-27	2520-99-866-2370	2-4.155-8(3)
2510-99-865-7002	2-1-3.3-12	5340-99-865-7262	2-8.11-32	2520-99-866-2371	2-4.153-5(4)
2510-99-865-7003	2-1-3.3-13	5340-99-865-7263	2-8.13-39	2520-99-866-2371	2-4.155-16
2510-99-865-7004	2-1-3.3-22	5340-99-865-7263	2-8-1.11-26	2520-99-866-2372	2-4.153-6
2510-99-865-7005	2-1-3.3-24	5120-99-865-7264	2-8.13-38	2520-99-866-2373	2-4.153-7
2510-99-865-7007	2-1-3.3-25	5120-99-865-7264	2-8-1.11-27	2520-99-866-2375	2-4.153-10
2510-99-865-7009	2-1-3.5-36	5360-99-865-7266	2-8.13-45	2520-99-866-2376	2-4.153-11
2510-99-865-7010	2-1-3.5-37	5360-99-865-7266	2-8-1.11-18	2520-99-866-2377	2-4.153-12
2510-99-865-7010	2-1-3.5-46	5365-99-865-7267	2-8.11-26	2520-99-866-2377	2-4.155-19
2510-99-865-7011	2-1-3.5-38	5306-99-865-7350	2-8.11-6	2520-99-866-2380	2-4.153-15
2510-99-865-7011	2-1-3.5-45	5310-99-865-7370	2-7.37-14	2520-99-866-2382	2-4.153-13
5310-99-865-7012	2-1-3.3-14	5315-99-865-7380	2-8.11-3	2520-99-866-2383	2-4.155-1
2510-99-865-7013	2-1-9.9-3	2540-99-865-7400	2-11.13/14-31	3120-99-866-2385	2-4.155-20
2510-99-865-7013	2-1-9.9-7	5940-99-865-7420	2-7.23-27	5365-99-866-2387	2-4.155-18
2510-99-865-7017	2-1-6.5-37	5940-99-865-7420	2-7.37-1	5365-99-866-2387	2-4.163-3
2510-99-865-7021	2-1-8.3/4-7	5940-99-865-7421	2-7.37-11	3020-99-866-2388	2-4.155-21
2510-99-865-7022	2-1-8.3/4-4	2540-99-865-7430	2-11.11-19	5365-99-866-2389	2-4.155-23
2510-99-865-7027	2-1-4.3-3	2540-99-865-7440	2-11.13/14-26	2520-99-866-2390	2-4.155-9
2510-99-865-7028	2-1-4.3-4	2540-99-865-7445	2-11.11-1	2520-99-866-2391	2-4.159-12

INDEX OF NATO STOCK NUMBERS

NATO STOCK No.	Chapter, Page and Item No.	NATO STOCK No.	Chapter, Page and Item No.	NATO STOCK No.	Chapter, Page and Item No.
2520-99-866-2392	2-4.155-12	5365-99-866-2456	2-4.161-53	2520-99-866-2531	2-4.173-37
2520-99-866-2393	2-4.155-11	3120-99-866-2458	2-4.161-46	2520-99-866-2533	2-4.173-40
2520-99-866-2394	2-4.155-15	2520-99-866-2459	2-4.163-7	2520-99-866-2534	2-4.173-39
3120-99-866-2396	2-4.155-24	2520-99-866-2460	2-4.163-1	2520-99-866-2535	2-4.173-47
5365-99-866-2397	2-4.155-25	3120-99-866-2461	2-4.163-2	2520-99-866-2536	2-4.173-44
2520-99-866-2398	2-4.155-22	2520-99-866-2462	2-4.163-6	2520-99-866-2537	2-4.173-59
6610-99-866-2399	2-4.157-23	2520-99-866-2464	2-4.163-8	2520-99-866-2538	2-4.173-61
2520-99-866-2401	2-4.157-10	3110-99-866-2465	2-4.163-4	5340-99-866-2539	2-4.173-62
2520-99-866-2402	2-4.157-10(1)	2520-99-866-2466	2-4.163-23	2520-99-866-2542	2-4.173-49
2520-99-866-2403	2-4.157-10(2)	2520-99-866-2467	2-4.163-12	2520-99-866-2543	2-4.173-54
2520-99-866-2404	2-4.157-1	5305-99-866-2470	2-4.163-15	2520-99-866-2544	2-4.173-55
2805-99-866-2405	2-4.157-6	5305-99-866-2474	2-4.151-41	5360-99-866-2545	2-4.171-2
5310-99-866-2407	2-4.157-2	5305-99-866-2474	2-4.165-2	2520-99-866-2547	2-4.171-28
5365-99-866-2408	2-4.157-4	2520-99-866-2480	2-4.165-7	5307-99-866-2548	2-4.171-31
5330-99-866-2411	2-4.157-17	5340-99-866-2481	2-4.165-8	2530-99-866-2549	2-4.171-6
2520-99-866-2412	2-4.157-18	2520-99-866-2482	2-4.165-10	2520-99-866-2550	2-4.171-8
5365-99-866-2413	2-4.157-14	5365-99-866-2483	2-4.165-17	2520-99-866-2551	2-4.171-7
5365-99-866-2414	2-4.157-15	3110-99-866-2485	2-4.165-13	2520-99-866-2552	2-4.171-9
2520-99-866-2416	2-4.159-31	2520-99-866-2491	2-4.165-19	2520-99-866-2553	2-4.171-13
2520-99-866-2417	2-4.159-32	2520-99-866-2492	2-4.165-21	2520-99-866-2554	2-4.171-10
5365-99-866-2419	2-4.161-48	2520-99-866-2493	2-4.165-27	2520-99-866-2555	2-4.171-11
2520-99-866-2424	2-4.159-9	5330-99-866-2496	2-4.165-26	2520-99-866-2556	2-4.171-12
5365-99-866-2428	2-4.159-16	5330-99-866-2497	2-4.165-25	2520-99-866-2557	2-4.171-14
5365-99-866-2428	2-4.159-28	5365-99-866-2500	2-4.165-22	2520-99-866-2558	2-4.171-25
5365-99-866-2428	2-4.161-40	5310-99-866-2501	2-4.167-32	2530-99-866-2559	2-4.171-23
5365-99-866-2428	2-4.161-47	5310-99-866-2502	2-4.167-31	2520-99-866-2560	2-4.171-24
2520-99-866-2429	2-4.159-18	5310-99-866-2503	2-4.167-31(1)	2520-99-866-2561	2-4.171-17
2520-99-866-2429	2-4.161-42	5310-99-866-2504	2-4.167-31(2)	2520-99-866-2565	2-4.175-77
2520-99-866-2431	2-4.159-19	5310-99-866-2505	2-4.167-31(3)	5306-99-866-2565	2-4.177-123
2520-99-866-2432	2-4.159-19(1)	5310-99-866-2506	2-4.167-31(4)	2520-99-866-2566	2-4.175-75
2520-99-866-2433	2-4.159-19(2)	2520-99-866-2507	2-4.169-13	5360-99-866-2567	2-4.175-78
2520-99-866-2434	2-4.159-19(3)	4730-99-866-2509	2-4.169-2	2520-99-866-2568	2-4.175-76
5365-99-866-2435	2-4.159-20	4730-99-866-2510	2-4.177-114	4820-99-866-2569	2-4.175-80
5325-99-866-2435	2-4.161-44	5360-99-866-2511	2-4.169-5	5360-99-866-2572	2-4.171-20
2520-99-866-2436	2-4.161-51	4820-99-866-2512	2-4.169-11	5360-99-866-2572	2-4.175-82
3020-99-866-2437	2-4.161-52	5305-99-866-2513	2-4.169-24	2520-99-866-2573	2-4.175-84
5365-99-866-2438	2-4.161-50	5305-99-866-2514	2-4.169-26	5360-99-866-2574	2-4.175-90
2520-99-866-2438	2-4.165-18	2520-99-866-2515	2-4.169-14	5360-99-866-2575	2-4.175-92
6610-99-866-2439	2-4.159-22	2520-99-866-2516	2-4.169-15	2520-99-866-2576	2-4.175-93
2520-99-866-2441	2-4.159-30	2520-99-866-2517	2-4.169-16	5360-99-866-2577	2-4.177-95
2520-99-866-2444	2-4.159-25	5306-99-866-2518	2-4.169-22	5360-99-866-2578	2-4.177-94
5310-99-866-2446	2-4.159-29	5360-99-866-2519	2-4.177-100	2520-99-866-2579	2-4.177-96
3120-99-866-2447	2-4.161-33	5360-99-866-2519	2-4.177-119	2520-99-866-2580	2-4.173-65
3120-99-866-2447	2-4.163-5	2520-99-866-2520	2-4.177-121	2520-99-866-2581	2-4.173-66
2520-99-866-2448	2-4.161-34	4820-99-866-2522	2-4.171-4	2520-99-866-2582	2-4.177-120
3120-99-866-2449	2-4.161-35	2520-99-866-2523	2-4.171-3	5306-99-866-2583	2-4.177-122
5330-99-866-2450	2-4.161-36	2520-99-866-2525	2-4.171-32	5306-99-866-2584	2-4.177-115
2520-99-866-2451	2-4.161-37	2520-99-866-2526	2-4.171-34	2520-99-866-2587	2-4.179-11
2520-99-866-2452	2-4.161-39	2520-99-866-2527	2-4.173-42	2520-99-866-2588	2-4.179-10
2520-99-866-2453	2-4.161-45	2520-99-866-2528	2-4.173-43	2520-99-866-2589	2-4.179-1
2520-99-866-2454	2-4.161-43	2520-99-866-2529	2-4.171-35	2530-99-866-2591	2-4.179-3
3010-99-866-2455	2-4.161-49	2520-99-866-2530	2-4.171-36	5315-99-866-2592	2-4.179-6

INDEX OF NATO STOCK NUMBERS

NATO STOCK No.	Chapter, Page and Item No.	NATO STOCK No.	Chapter, Page and Item No.	NATO STOCK No.	Chapter, Page and Item No.
5305-99-866-2596	2-4.169-12	5310-99-866-6883	2-7.3-14	5310-99-866-6998	2-4.11-3
5305-99-866-2598	2-4.165-9	6220-99-866-6911	2-7.3-9	3120-99-866-6999	2-4.11-4
5306-99-866-2599	2-4.157-9	5340-99-866-6912	2-7.59-69	2520-99-866-7002	2-4.23-7
5306-99-866-2605	2-4.157-19	2510-99-866-6913	2-7.57-35	5315-99-866-7004	2-4.11-13
2520-99-866-2606	2-4.179-9	2540-99-866-6920	2-7.13-109	2815-99-866-7032	2-4.25-8
4730-99-866-2607	2-4.157-20	2540-99-866-6921	2-7.13-110	2815-99-866-7033	2-4.25-9
4730-99-866-2607	2-4.163-16	3040-99-866-6923	2-4.143-2	5340-99-866-7036	2-4.23-14
5306-99-866-2608	2-4.169-21	2520-99-866-6924	2-4.143-28	5330-99-866-7037	2-4.23-13
5306-99-866-2609	2-4.169-25	5315-99-866-6925	2-4.147-80	5340-99-866-7040	2-4.11-14
5310-99-866-2613	2-4.165-30	3040-99-866-6926	2-4.147-77	5330-99-866-7041	2-4.11-15
2540-99-866-2618	2-8.3-21	2520-99-866-6928	2-4.139-21	5306-99-866-7043	2-4.73-36
2540-99-866-2618	2-8.1.5-26	5315-99-866-6929	2-4.139-22	2910-99-866-7044	2-4.13-11
2540-99-866-2619	2-7.25-51	4710-99-866-6930	2-4.139-24	5310-99-866-7045	2-4.13-12
5340-99-866-2620	2-7.21-16	2540-99-866-6931	2-1-1.7-37	2910-99-866-7046	2-4.13-14
2590-99-866-2623	2-7.39-9	2540-99-866-6932	2-1-1.7-36	5306-99-866-7075	2-4.15-16
2590-99-866-2624	2-7.39-5	2540-99-866-6933	2-1-1.5-20	2815-99-866-7091	2-4.31-17
4730-99-866-2625	2-4.185-2	2540-99-866-6933	2-1-1.9-1	5365-99-866-7092	2-4.31-18
2540-99-866-2627	2-7.21-17	2540-99-866-6933	2-7.7-53	5340-99-866-7095	2-4.23-1
2540-99-866-2628	2-7.43-50	2540-99-866-6934	2-1-1.5-19	2520-99-866-7097	2-4.9-8
5330-99-866-2629	2-7.43-59	2540-99-866-6935	2-1-1.5-28	2990-99-866-7101	2-4.7-34
2590-99-866-2630	2-7.69-4	2590-99-866-6936	2-1-1.7-33	5366-99-866-7102	2-4.7-38
2590-99-866-2632	2-7.63-10	2540-99-866-6937	2-1-1.5-21	4710-99-866-7117	2-4.19-10
2590-99-866-2632	2-7.67-6	2540-99-866-6938	2-1-1.5-22	2815-99-866-7119	2-4.19-15
2590-99-866-2632	2-7.69-14	2540-99-866-6939	2-1-1.7-35	3020-99-866-7122	2-4.31-6
5307-99-866-2633	2-7.43-64	2540-99-866-6940	2-1-1.5-26	2815-99-866-7123	2-4.31-3
5970-99-866-2634	2-7.43-62	5315-99-866-6941	2-1-1.7-31	2815-99-866-7124	2-4.31-8
5970-99-866-2635	2-7.43-65	5315-99-866-6942	2-1-1.5-23	5310-99-866-7126	2-4.31-10
6160-99-866-2636	2-7.67-5	2540-99-866-6943	2-1-1.7-38	5340-99-866-7127	2-4.31-11
6160-99-866-2636	2-7.69-13	2590-99-866-6944	2-1-1.5-4	3120-99-866-7130	2-4.29-13
2510-99-866-2638	2-7.43-60	3120-99-866-6945	2-1-1.7-34	5310-99-866-7132	2-4.29-15
2910-99-866-2640	2-5.11-6	2590-99-866-6946	2-1-1.5-7	3120-99-866-7141	2-4.29-4
5330-99-866-2641	2-7.41-22	5310-99-866-6947	2-1-1.5-9	2815-99-866-7142	2-4.29-6
5310-99-866-3298	2-4.169-18	5305-99-866-6948	2-1-1.5-6	2815-99-866-7144	2-4.29-8
5310-99-866-3298	2-4.177-117	3040-99-866-6950	2-1-1.7-29	2815-99-866-7146	2-4.29-10
5340-99-866-3299	2-4.149-30	2540-99-866-6951	2-1-1.7-30	3020-99-866-7150	2-4.49-25
2910-99-866-3300	2-4.173-53	5330-99-866-6953	2-1-1.7-45	2920-99-866-7153	2-4.47-23
5306-99-866-3302	2-4.179-14	2540-99-866-6954	2-1-1.7-46	3120-99-866-7154	2-4.47-21
5306-99-866-3303	2-4.163-22	2540-99-866-6955	2-1-1.7-42	5340-99-866-7156	2-4.49-27
5306-99-866-3303	2-4.179-13	2590-99-866-6956	2-1-1.7-39	5340-99-866-7157	2-4.49-34
5310-99-866-5332	2-3.21-34	2540-99-866-6957	2-1-1.7-44	4730-99-866-7184	2-4.49-31
3120-99-866-5333	2-3.21-35(1)	2540-99-866-6958	2-1-1.5-16	4730-99-866-7185	2-4.49-33
2805-99-866-5334	2-3.15-68	2590-99-866-6959	2-1-1.5-12	3120-99-866-7186	2-4.47-6
5310-99-866-5335	2-3.13-38	2590-99-866-6960	2-1-1.5-14	3120-99-866-7186	2-4.47-8
5310-99-866-5335	2-3.17-72	5310-99-866-6962	2-2.11-3	3020-99-866-7194	2-4.33-5
5310-99-866-5335	2-4.17-22	5330-99-866-6986	2-4.15-11	3020-99-866-7195	2-4.33-3
5310-99-866-5335	2-4.123-29	5330-99-866-6986	2-4.139-34	3120-99-866-7198	2-4.15-20
3120-99-866-5336	2-3.23-52	2815-99-866-6987	2-4.141-35	3020-99-866-7200	2-4.33-7
2910-99-866-5448	2-5.5-24	2815-99-866-6993	2-4.11-6	2815-99-866-7201	2-4.33-9
2990-99-866-5508	2-4.231-6	2815-99-866-6993	2-4.13-2	5310-99-866-7202	2-4.33-10
2990-99-866-5509	2-4.231-7	5365-99-866-6994	2-4.13-3	2815-99-866-7203	2-4.33-1
2510-99-866-6238	2-1-3.5-43	5315-99-866-6995	2-4.11-7	2815-99-866-7206	2-4.33-14
5306-99-866-6881	2-1-4.3-29	5315-99-866-6995	2-4.15-7	3040-99-866-7216	2-4.61-12

INDEX OF NATO STOCK NUMBERS

NATO STOCK No.	Chapter, Page and Item No.	NATO STOCK No.	Chapter, Page and Item No.	NATO STOCK No.	Chapter, Page and Item No.
2815-99-866-7219	2-4.61-2	4730-99-866-7342	2-4.111-22	2520-99-866-7415	2-4.181-5
3120-99-866-7220	2-4.61-3	5330-99-866-7343	2-4.111-23	5340-99-866-7417	2-4.181-21
2815-99-866-7221	2-4.61-4	5330-99-866-7344	2-4.111-14	3040-99-866-7418	2-4.181-26
3040-99-866-7222	2-4.103-1	4730-99-866-7345	2-4.111-18	5360-99-866-7420	2-4.181-3
2815-99-866-7223	2-4.103-4	4320-99-866-7346	2-4.35-1	2930-99-866-7423	2-4.57-1
3020-99-866-7224	2-4.103-16	4320-99-866-7346	2-4.37-53	5365-99-866-7424	2-4.57-13
3120-99-866-7225	2-4.103-17	3020-99-866-7347	2-4.35-4	5310-99-866-7425	2-4.57-14
2815-99-866-7228	2-4.113-29	3020-99-866-7347	2-4.37-56	2815-99-866-7426	2-4.57-9
2815-99-866-7229	2-4.103-15	3020-99-866-7347	2-4.43-112	5310-99-866-7427	2-4.57-10
3020-99-866-7230	2-4.103-21	3120-99-866-7348	2-4.35-5	2990-99-866-7428	2-4.57-4
5365-99-866-7231	2-4.103-19	2815-99-866-7349	2-4.35-2	2815-99-866-7429	2-4.57-5
2815-99-866-7232	2-4.103-18	2815-99-866-7349	2-4.37-54	5365-99-866-7430	2-4.57-6
2815-99-866-7233	2-4.103-8	2815-99-866-7349	2-4.43-110	2930-99-866-7440	2-4.73-33
2930-99-866-7235	2-4.113-32	2815-99-866-7352	2-4.41-103	2930-99-866-7440	2-4.123-50
5365-99-866-7236	2-4.113-31	2815-99-866-7352	2-4.45-145	2520-99-866-7441	2-4.117-18
5310-99-866-7237	2-4.103-9	2815-99-866-7353	2-4.37-44	2815-99-866-7442	2-4.117-15
2815-99-866-7238	2-4.103-22	2815-99-866-7353	2-4.41-100	2815-99-866-7446	2-4.121-1
5310-99-866-7239	2-4.105-24	2815-99-866-7353	2-4.45-143	2920-99-866-7447	2-4.121-5
3120-99-866-7243	2-4.65-6	5360-99-866-7357	2-4.35-15	2990-99-866-7448	2-4.117-7
3120-99-866-7244	2-4.65-5	5360-99-866-7357	2-4.39-66	2910-99-866-7453	2-4.123-31
3120-99-866-7245	2-4.65-3	5360-99-866-7357	2-4.43-123	2520-99-866-7454	2-4.181-4
3120-99-866-7246	2-4.65-4	5330-99-866-7359	2-4.35-16	3040-99-866-7455	2-4.181-25
5310-99-866-7248	2-4.65-11	5330-99-866-7359	2-4.39-67	5365-99-866-7457	2-4.181-10
5330-99-866-7249	2-4.67-38	5330-99-866-7359	2-4.43-120	5310-99-866-7458	2-4.181-7
5330-99-866-7252	2-4.65-9	5330-99-866-7359	2-4.123-33	5315-99-866-7459	2-4.181-27
2910-99-866-7254	2-4.69-5	2815-99-866-7363	2-4.35-10	5315-99-866-7461	2-4.133-108
3020-99-866-7258	2-4.67-37	2815-99-866-7363	2-4.39-62	2920-99-866-7465	2-4.133-106
2815-99-866-7260	2-4.69-2	2815-99-866-7364	2-4.35-30	5310-99-866-7466	2-4.133-107
5310-99-866-7262	2-4.69-11	3040-99-866-7369	2-4.37-40	2910-99-866-7467	2-4.121-10
2910-99-866-7263	2-4.69-6	3040-99-866-7369	2-4.41-96	4710-99-866-7479	2-4.145-60
2910-99-866-7264	2-4.69-9	3040-99-866-7369	2-4.45-139	2940-99-866-7480	2-4.115-17
2910-99-866-7265	2-4.81-70	4730-99-866-7371	2-4.35-28	2815-99-866-7488	2-4.125-4
2910-99-866-7266	2-4.71-11	4730-99-866-7371	2-4.39-79	2815-99-866-7489	2-4.125-2
5315-99-866-7270	2-4.71-4	4730-99-866-7376	2-4.37-34	5330-99-866-7490	2-4.125-8
5305-99-866-7275	2-4.71-14	3020-99-866-7377	2-4.37-48	2815-99-866-7491	2-4.125-3
2910-99-866-7276	2-4.71-13	3020-99-866-7377	2-4.41-104	2815-99-866-7493	2-4.31-16
2910-99-866-7277	2-4.71-13(1)	3020-99-866-7377	2-4.45-146	5340-99-866-7494	2-4.13-1
2910-99-866-7278	2-4.71-13(2)	5330-99-866-7381	2-4.119-27	5340-99-866-7494	2-4.49-26
5306-99-866-7279	2-4.123-30	2815-99-866-7382	2-4.119-26	5330-99-866-7496	2-4.11-12
5330-99-866-7281	2-4.73-34	3120-99-866-7385	2-4.15-2	5330-99-866-7496	2-4.23-10
4730-99-866-7282	2-4.73-25	3120-99-866-7386	2-4.15-3	5330-99-866-7496	2-4.25-5
5330-99-866-7283	2-4.19-3	3120-99-866-7387	2-4.15-4	3120-99-866-7500	2-4.31-20
5330-99-866-7283	2-4.73-26	2815-99-866-7390	2-4.119-25	3120-99-866-7501	2-4.31-21
5330-99-866-7283	2-4.113-28	5330-99-866-7394	2-4.117-8	2815-99-866-7502	2-4.125-5
5330-99-866-7284	2-4.73-29	2815-99-866-7400	2-4.33-17	5330-99-866-7503	2-4.33-13
2930-99-866-7285	2-4.73-30	5306-99-866-7403	2-4.15-21	5330-99-866-7503	2-4.49-42
2910-99-866-7288	2-4.69-12	3120-99-866-7404	2-4.33-18	5330-99-866-7503	2-4.65-15
5310-99-866-7290	2-4.121-24	3120-99-866-7405	2-4.33-19	2920-99-866-7504	2-4.49-41
5310-99-866-7316	2-4.101-14	3120-99-866-7406	2-4.33-20	2920-99-866-7505	2-4.49-37
5315-99-866-7318	2-4.121-28	3120-99-866-7407	2-4.33-21	5330-99-866-7511	2-4.19-2
5365-99-866-7325	2-4.111-7	2815-99-866-7408	2-4.119-32	5330-99-866-7511	2-4.25-7
2930-99-866-7341	2-4.111-15	2520-99-866-7413	2-4.181-8	5330-99-866-7511	2-4.61-18

INDEX OF NATO STOCK NUMBERS

NATO STOCK No.	Chapter, Page and Item No.	NATO STOCK No.	Chapter, Page and Item No.	NATO STOCK No.	Chapter, Page and Item No.
5330-99-866-7513	2-4.13-13	5340-99-866-7630	2-4.177-108	5310-99-866-9076	2-3.31-5
5330-99-866-7513	2-4.19-4	2520-99-866-7631	2-4.173-56	5310-99-866-9077	2-3.31-5(1)
5330-99-866-7513	2-4.111-13	2520-99-866-7632	2-4.173-57	5315-99-866-9078	2-6.11-37
5330-99-866-7514	2-4.23-6	2520-99-866-7633	2-4.173-58	2510-99-866-9081	2-1.9-9-2
5330-99-866-7514	2-4.37-37	2520-99-866-7634	2-4.177-111	2540-99-866-9206	2-10.3-1
3120-99-866-7515	2-4.9-3	4520-99-866-7636	2-4.171-5	5360-99-866-9207	2-6.5-28
3120-99-866-7515	2-4.47-5	2520-99-866-7637	2-4.171-16	5360-99-866-9207	2-10.5-21
4730-99-866-7516	2-4.35-27	2520-99-866-7638	2-4.171-26	2520-99-866-9208	2-3.35/36-25
4730-99-866-7516	2-4.39-78	2520-99-866-7639	2-4.177-97	5330-99-866-9209	2-2.13-21
5330-99-866-7517	2-4.19-14	5310-99-866-7640	2-4.175-67	2930-99-866-9211	2-8.13-51
5330-99-866-7522	2-4.117-22	2520-99-866-7642	2-4.175-74	2930-99-866-9212	2-8.5-46
5315-99-866-7523	2-4.65-8	2520-99-866-7643	2-4.175-73	2930-99-866-9213	2-8.17-1
5315-99-866-7523	2-4.67-41	5360-99-866-7644	2-4.175-72	2930-99-866-9214	2-8.17-4
5315-99-866-7523	2-4.69-3	2520-99-866-7645	2-4.175-71	2540-99-866-9362	2-8.3-19
5315-99-866-7527	2-4.9-6	2520-99-866-7646	2-4.175-70	2540-99-866-9362	2-8.1.5-24
5315-99-866-7527	2-4.11-11	5310-99-866-7647	2-4.175-69	4730-99-866-9559	2-4.121-20
5315-99-866-7527	2-4.13-10	2520-99-866-7648	2-4.173-46	5365-99-866-9560	2-4.121-21
5315-99-866-7527	2-4.15-6	2520-99-866-7648	2-4.177-103	4730-99-866-9561	2-4.121-19
5330-99-866-7528	2-4.35-29	2520-99-866-7650	2-4.171-18	4820-99-866-9564	2-4.35-14
5330-99-866-7528	2-4.39-80	2520-99-866-7652	2-4.173-64	4820-99-866-9564	2-4.39-65
5330-99-866-7528	2-4.61-11	2520-99-866-7654	2-4.177-112	4820-99-866-9564	2-4.43-122
5330-99-866-7528	2-4.63-31	2520-99-866-7657	2-4.175-91	2940-99-866-9566	2-4.35-24
5330-99-866-7528	2-4.73-32	5305-99-866-7658	2-4.171-22	2940-99-866-9566	2-4.39-75
5330-99-866-7528	2-4.115-18	5305-99-866-7659	2-4.173-51	2940-99-866-9567	2-4.35-17
5330-99-866-7528	2-4.191-24	5306-99-866-7660	2-4.171-27	2940-99-866-9567	2-4.39-68
5330-99-866-7530	2-4.11-8	5305-99-866-7660	2-4.173-52	3040-99-866-9568	2-4.35-3
5330-99-866-7530	2-4.15-10	5305-99-866-7660	2-4.175-68	3040-99-866-9568	2-4.37-55
5330-99-866-7530	2-4.123-35	5305-99-866-7661	2-4.171-30	3040-99-866-9568	2-4.43-111
3120-99-866-7534	2-4.33-4	5305-99-866-7662	2-4.173-63	2520-99-866-9572	2-4.123-34
3120-99-866-7534	2-4.33-6	5305-99-866-7662	2-4.169-19	2520-99-866-9573	2-4.123-36
2910-99-866-7536	2-4.149-24	5305-99-866-7662	2-4.171-29	2520-99-866-9575	2-4.121-3
5310-99-866-7538	2-4.149-34	4730-99-866-7665	2-4.193-62	4710-99-866-9576	2-4.181-32
3120-99-866-7539	2-4.9-4	2590-99-866-7668	2-4.181-33	4710-99-866-9578	2-4.121-9
3120-99-866-7539	2-4.15-5	3040-99-866-7775	2-3.29-27	2520-99-866-9580	2-4.123-32
5330-99-866-7540	2-4.61-5	2520-99-866-7776	2-3.27-21	2520-99-866-9676	2-4.149-25
2990-99-866-7541	2-4.57-7	2520-99-866-7777	2-3.27-22	2815-99-866-9960	2-4.145-64
5330-99-866-7542	2-4.15-9	2520-99-866-7792	2-3.11-3	4240-99-867-0218	2-10.13-108
5330-99-866-7542	2-4.47-15	4320-99-866-8244	2-2.13-18	5330-99-867-0236	2-4.149-35
5330-99-866-7542	2-4.103-3	2530-99-866-8245	2-2.13-19	2520-99-867-0237	2-4.169-3
2520-99-866-7551	2-4.149-7	2530-99-866-8246	2-2.13-22	2520-99-867-0237	2-4.171-33
2520-99-866-7617	2-4.165-15	4320-99-866-8247	2-2.13-24	2520-99-867-0403	2-4.3-6
5315-99-866-7618	2-4.165-16	4320-99-866-8249	2-2.13-25	2520-99-867-0403	2-4.149-0
2520-99-866-7619	2-4.169-1	5365-99-866-8250	2-2.15-32	5360-99-867-0417	2-1-1.3-10
2520-99-866-7621	2-4.169-10	5360-99-866-8251	2-2.13-27	2815-99-867-0561	2-4.81-73
2520-99-866-7622	2-4.169-17	5365-99-866-8252	2-2.15-28	2520-99-867-1147	2-4.35-9
2520-99-866-7623	2-4.171-1	5305-99-866-8253	2-2.15-29	2520-99-867-1147	2-4.39-61
2520-99-866-7624	2-4.173-38	9390-99-866-8853	2-7.111-25	2520-99-867-1211	2-4.3-5
2520-99-866-7625	2-4.173-60	5340-99-866-9031	2-1-9.15/16-14	2520-99-867-1211	2-4.143-1
2520-99-866-7626	2-4.173-41	2510-99-866-9072	2-3.31-10	5305-99-867-1356	2-4.187-12
5315-99-866-7627	2-4.173-48	2510-99-866-9073	2-3.31-9	2590-99-867-2694	2-1-2.9-99
2520-99-866-7628	2-4.173-50	5365-99-866-9074	2-3.31-11	5355-99-867-2695	2-1-2.9-105
2520-99-866-7629	2-4.177-107	5365-99-866-9075	2-3.31-11(1)	2540-99-867-2696	2-1-2.11-106

INDEX OF NATO STOCK NUMBERS

NATO STOCK No.	Chapter, Page and Item No.	NATO STOCK No.	Chapter, Page and Item No.	NATO STOCK No.	Chapter, Page and Item No.
5330-99-867-2697	2-1-2.9-88	2910-99-867-4584	2-3.33-18	2510-99-867-4649	2-1-9.11-2
3040-99-867-2699	2-1-2.9-96	4720-99-867-4585	2-3.35/36-34	2540-99-867-4650	2-11.11-11
5315-99-867-2700	2-1-2.9-101	2910-99-867-4586	2-3.35/36-36	2910-99-867-4655	2-5.19-6
2540-99-867-2702	2-1-2.9-89	2910-99-867-4587	2-6.11-32	2910-99-867-4656	2-5.21/22-39
5360-99-867-2703	2-1-2.9-98	2510-99-867-4588	2-6.5-31	2910-99-867-4659	2-5.21/22-40
5930-99-867-2708	2-7.55-20	2910-99-867-4591	2-4.187-10	2910-99-867-4660	2-5.21/22-41
3120-99-867-2709	2-7.55-23	2990-99-867-4593	2-4.195-11	2910-99-867-4663	2-5.19-29
5340-99-867-2711	2-7.55-22	2990-99-867-4594	2-4.195-2	2910-99-867-4664	2-5.19-27
5930-99-867-2712	2-7.55-21	2990-99-867-4595	2-4.195-4	2910-99-867-4665	2-5.19-30
5940-99-867-2713	2-7.55-9	2990-99-867-4596	2-4.195-5	2910-99-867-4666	2-5.19-31
5940-99-867-2715	2-7.55-15	2990-99-867-4597	2-4.195-15	2910-99-867-4672	2-5.19-4
5340-99-867-2716	2-1-4.3-11	2990-99-867-4598	2-4.195-13	2910-99-867-4673	2-5.19-11
2510-99-867-2717	2-1-4.3-14	5310-99-867-4599	2-4.195-10	2910-99-867-4674	2-5.19-8
2510-99-867-2718	2-1-4.3-15	2990-99-867-4601	2-4.195-23	2910-99-867-4675	2-5.7-44
2510-99-867-2719	2-1-4.3-21	2990-99-867-4602	2-4.195-24	2990-99-867-4677	2-9.3-2
5330-99-867-2721	2-1-4.3-12	5340-99-867-4603	2-4.195-25	2990-99-867-4678	2-9.3-6
2510-99-867-2722	2-1-4.3-16	5330-99-867-4604	2-4.195-33	2990-99-867-4680	2-9.3-9
5340-99-867-2723	2-1-4.3-18	4730-99-867-4605	2-4.195-29	5310-99-867-4682	2-9.3-24
5310-99-867-2724	2-2.5-9	2990-99-867-4606	2-4.195-31	5310-99-867-4682	2-9.5/6-27
5310-99-867-2725	2-1-1.3-23	2990-99-867-4607	2-4.195-32	5365-99-867-4683	2-9.5/6-30
5310-99-867-2725	2-2.13-16	5340-99-867-4608	2-4.195-34	5340-99-867-4686	2-9.5/6-29
2510-99-867-2922	2-1-2.3-7	4730-99-867-4609	2-4.197-38	2990-99-867-4687	2-9.3-11
2510-99-867-2923	2-1-2.3-6	2990-99-867-4610	2-4.197-37	2990-99-867-4689	2-9.3-16
3040-99-867-3493	2-3.23-54	4730-99-867-4611	2-4.197-39	2520-99-867-4690	2-3.33-1
2540-99-867-3742	2-8.13-49	2930-99-867-4613	2-4.195-6	2510-99-867-4691	2-7.9-85
2540-99-867-3742	2-8.1.11-24	3040-99-867-4614	2-6.19/20-40	2510-99-867-4692	2-7.11-95
2540-99-867-3812	2-8.1.11-8	2510-99-867-4615	2-1-5.3-1	2510-99-867-4698	2-4.233-3
2540-99-867-3813	2-8.1.11-10	2510-99-867-4616	2-1-5.3-2	2510-99-867-4699	2-4.233-9
2540-99-867-3814	2-8.1.11-9	2510-99-867-4618	2-1-5.3-4	2910-99-867-4700	2-5.13-2
2910-99-867-4025	2-5.19-19	2510-99-867-4620	2-1-5.3-23	2910-99-867-4701	2-5.13-4
2910-99-867-4026	2-5.19-18	2510-99-867-4621	2-1-5.3-25	2910-99-867-4702	2-5.13-7
5360-99-867-4032	2-1-2.3-10	2510-99-867-4622	2-1-5.3-17	2510-99-867-4706	2-4.5-8
5360-99-867-4033	2-1-2.3-11	2510-99-867-4623	2-1-5.3-18	2520-99-867-4710	2-4.5-22
5330-99-867-4129	2-4.67-33	2510-99-867-4624	2-1-5.3-15	2520-99-867-4711	2-4.5-23
2530-99-867-4173	2-2.7-36	2510-99-867-4625	2-1-5.3-16	2520-99-867-4712	2-4.5-24
2530-99-867-4174	2-2.15-43	5820-99-867-4626	2-1-5.3-28	2520-99-867-4714	2-4.5-21
2510-99-867-4195	2-12.7-59	2510-99-867-4628	2-1-6.5-42	2520-99-867-4716	2-4.5-20
2910-99-867-4204	2-5.11-7	2510-99-867-4629	2-1-6.7/8-53	2520-99-867-4717	2-4.5-19
2510-99-867-4207	2-1-1.3-3	2510-99-867-4630	2-1-6.3-14	4710-99-867-4720	2-4.193-58
2520-99-867-4211	2-4.193-57	2510-99-867-4631	2-1-6.5-31	4710-99-867-4721	2-4.193-55
2520-99-867-4270	2-4.193-61	2910-99-867-4632	2-1-6.5-36	4720-99-867-4722	2-4.193-60
2510-99-867-4366	2-8.3-9	2510-99-867-4633	2-1-6.7/8-70	4720-99-867-4723	2-4.193-56
2510-99-867-4366	2-8.1.3-14	2510-99-867-4635	2-1-6.7/8-51	4710-99-867-4724	2-4.193-46
3020-99-867-4384	2-4.67-46	2510-99-867-4635	2-1-6.7/8-68	4710-99-867-4725	2-4.193-47
2520-99-867-4401	2-4.173-45	5360-99-867-4637	2-1-6.5-50	4720-99-867-4726	2-4.193-54
2520-99-867-4402	2-4.145-36	5360-99-867-4637	2-1-6.7/8-67	2510-99-867-4728	2-4.193-48
2805-99-867-4414	2-4.31-9	2510-99-867-4638	2-1-6.7/8-57	2910-99-867-4729	2-4.207-2
3120-99-867-4553	2-4.163-14	2510-99-867-4639	2-1-6.3-23	2910-99-867-4730	2-4.207-3
2910-99-867-4573	2-4.187-36	2510-99-867-4639	2-1-6.7/8-61	4720-99-867-4731	2-4.207-4
2910-99-867-4581	2-3.33-21	5365-99-867-4640	2-1-9.5-3	4710-99-867-4734	2-4.207-15
2910-99-867-4582	2-3.33-22	5340-99-867-4643	2-1-9.11-7	4710-99-867-4735	2-4.207-17
4710-99-867-4583	2-3.33-20	2510-99-867-4648	2-1-9.11-3	4710-99-867-4736	2-4.207-16

INDEX OF NATO STOCK NUMBERS

NATO STOCK No.	Chapter, Page and Item No.	NATO STOCK No.	Chapter, Page and Item No.	NATO STOCK No.	Chapter, Page and Item No.
4710-99-867-4739	2-4.207-21	2520-99-867-4808	2-4.235-43	6680-99-881-3264	2-4.213-20
4710-99-867-4740	2-4.207-19	2920-99-867-4809	2-4.233-29	2930-99-881-3265	2-4.213-22
4720-99-867-4741	2-4.207-9	2920-99-867-4810	2-4.233-28	5360-99-881-3266	2-4.213-23
4710-99-867-4742	2-4.207-11	2920-99-867-4811	2-4.233-31	5315-99-881-3267	2-4.213-12
4710-99-867-4743	2-4.207-20	2920-99-867-4812	2-4.233-35	5360-99-881-3268	2-4.213-19
2910-99-867-4746	2-4.209-42	2920-99-867-4813	2-4.233-15	5340-99-881-3269	2-4.215-47
2930-99-867-4747	2-4.209-35	2920-99-867-4814	2-4.233-11	4320-99-881-3270	2-4.213-10
2510-99-867-4748	2-4.207-26	5365-99-867-4834	2-1-9.13-5	6680-99-881-3274	2-4.215-38
2510-99-867-4749	2-4.209-43	5365-99-867-4835	2-1-9.13-6	5325-99-881-3278	2-4.215-40
2510-99-867-4750	2-4.209-45	5365-99-867-4836	2-1-9.13-8	5330-99-881-3286	2-4.59-21
5340-99-867-4751	2-4.187-8	5365-99-867-4837	2-1-9.13-10	5365-99-881-3289	2-4.215-43
5365-99-867-4755	2-4.187-22	2910-99-867-4843	2-4.65-1	2930-99-881-3290	2-4.213-16
2590-99-867-4757	2-4.187-32	2815-99-867-4844	2-4.11-2	4730-99-881-3292	2-4.211-10
2910-99-867-4759	2-4.193-35	5330-99-867-4873	2-4.179-5	4730-99-881-3293	2-4.211-12
2910-99-867-4761	2-4.191-31	1005-99-867-4912	2-1-2.15-22	5330-99-881-3294	2-4.211-7
4710-99-867-4762	2-4.191-32	5340-99-867-4913	2-1-2.15-23	5330-99-881-3295	2-4.211-2
2590-99-867-4763	2-4.191-21	5315-99-867-4914	2-1-2.15-25	5905-99-881-3340	2-4.71-17
4720-99-867-4764	2-4.191-33	2520-99-867-5031	2-3.33-5	5905-99-881-3340	2-4.235-42
4710-99-867-4765	2-4.191-23	5307-99-867-5032	2-3.33-2	6685-99-881-3341	2-7.151-18
4710-99-867-4765	2-4.225-21	5330-99-867-8370	2-5.13-20	5975-99-881-3357	2-7.1.2-7
2590-99-867-4768	2-4.187-26	5330-99-871-6064	2-9.3-12	5935-99-881-3387	2-7-1.6-120
2910-99-867-4771	2-4.185-1	5365-99-873-4278	2-7.201-27	5975-99-881-3387	2-7-1.7-163
2590-99-867-4772	2-4.185-15	2910-99-874-0503	2-5.5-6	5977-99-881-3579	2-7.77-61
4710-99-867-4773	2-4.185-10	5310-99-874-1035	2-3.19-13	6105-99-881-3580	2-7.77-62
2520-99-867-4774	2-4.183-37	2540-99-874-8857	2-1-8.3/4-10	5930-99-881-3583	2-6.15-90
2520-99-867-4775	2-4.183-41	2540-99-876-0078	2-11.5-41	5930-99-881-3583	2-7.13-118
4720-99-867-4776	2-4.187-25	2540-99-876-0078	2-11.9-1	6105-99-881-3585	2-7.79-78
2930-99-867-4777	2-4.201-19	2540-99-877-1596	2-10.3-12	5910-99-881-3589	2-7.75-31
2930-99-867-4779	2-4.201-11	5340-99-881-2217	2-7.15/19-138	5940-99-881-3590	2-7.75-21
2930-99-867-4780	2-4.201-8	5340-99-881-2217	2-7.23-30	6105-99-881-3595	2-7.3-19
2930-99-867-4783	2-4.201-13	5340-99-881-2217	2-7.39-18	6105-99-881-3595	2-7.3-21
2930-99-867-4784	2-4.201-12	5340-99-881-2217	2-7.41-35	6105-99-881-3595	2-7.75-1
2910-99-867-4786	2-4.225-1	5340-99-881-2217	2-7.71-28	2590-99-881-3633	2-7.199-4
2910-99-867-4787	2-4.225-26	5340-99-881-2217	2-7.157-77	5355-99-881-3634	2-7.201-23
4730-99-867-4788	2-4.225-29	5340-99-881-2217	2-7-1.3-45	6150-99-881-3653	2-7-1.7-150
4730-99-867-4788	2-5.21/22-43	5340-99-881-2217	2-7-1.5-106	6145-99-881-3688	2-7-1.7-158
4730-99-867-4789	2-4.225-32	6145-99-881-2348	2-7-1.2-23	2590-99-881-3692	2-7-1.7-143
4730-99-867-4790	2-4.225-25	5310-99-881-2468	2-7.199-22	6150-99-881-3773	2-5.5-14
4730-99-867-4792	2-4.225-19	3110-99-881-2487	2-4.157-3	6150-99-881-3773	2-7-1.10-234
4730-99-867-4793	2-4.225-13	5330-99-881-3207	2-8.17-17	4730-99-881-3780	2-4.207-6
4710-99-867-4794	2-4.225-15	5330-99-881-3209	2-4.35-25	2930-99-881-3785	2-4.219-1
4710-99-867-4795	2-4.225-10	5330-99-881-3209	2-4.39-76	4320-99-881-3786	2-4.219-3
4710-99-867-4796	2-4.225-4	6220-99-881-3214	2-7.3-13	5310-99-881-3787	2-4.219-7
2990-99-867-4797	2-4.231-2	6220-99-881-3214	2-7.71-1	3120-99-881-3788	2-4.219-9
5340-99-867-4800	2-4.223-48	5905-99-881-3215	2-7.71-4	5330-99-881-3789	2-4.219-5
2940-99-867-4801	2-4.223-36	6250-99-881-3216	2-7.71-13	5365-99-881-3790	2-4.219-2
5330-99-867-4802	2-4.223-34	3120-99-881-3238	2-6.9-7	5330-99-881-3792	2-4.59-18
2840-99-867-4803	2-4.223-35	3120-99-881-3239	2-6.9-4	4320-99-881-3794	2-4.59-17
2340-99-867-4804	2-4.223-49	6680-99-881-3253	2-4.215-41	2930-99-881-3796	2-4.211-1
2510-99-867-4805	2-4.221-33	6680-99-881-3255	2-4.213-1	6220-99-881-3904	2-7.213/214-27
2510-99-867-4806	2-4.223-50	6680-99-881-3256	2-4.215-34		
4710-99-867-4807	2-4.223-54	6680-99-881-3259	2-4.213-13		

INDEX OF NATO STOCK NUMBERS

NATO STOCK No.	Chapter, Page and Item No.	NATO STOCK No.	Chapter, Page and Item No.	NATO STOCK No.	Chapter, Page and Item No.
6350-99-881-3954	2-7.13-114	2910-99-881-4426	2-5.17-2	5310-99-881-5705	2-4.107-15
5970-99-881-3978	2-4.127-9	2910-99-881-4427	2-5.17-3	5330-99-881-5706	2-4.107-11
5970-99-881-3978	2-4.127-22	5950-99-881-4428	2-5.17-4	5310-99-881-5707	2-4.107-3
5970-99-881-3978	2-4.131-82	5950-99-881-4429	2-5.17-5	5310-99-881-5708	2-4.107-4
5970-99-881-3979	2-4.127-7	2910-99-881-4430	2-5.17-10	5930-99-881-5734	2-6.17-21
5970-99-881-3979	2-4.127-25	5330-99-881-4434	2-5.17-22	5365-99-881-5736	2-7.1.8-186
5970-99-881-3979	2-4.131-80	2910-99-881-4438	2-5.17-9	5975-99-881-5742	2-7.1.8-184
5330-99-881-3980	2-4.127-6	6150-99-881-4441	2-5.17-8	2910-99-881-5744	2-4.75-1
5330-99-881-3980	2-4.131-79	3110-99-881-4541	2-4.219-8	4730-99-881-5745	2-4.77-38
5330-99-881-3980	2-7.105-136	3120-99-881-4562	2-6.11-40	2910-99-881-5746	2-4.75-11
5330-99-881-3980	2-7.129-207	5330-99-881-4563	2-4.219-11	2910-99-881-5747	2-4.79-67
5330-99-881-3980	2-7.165-90	2910-99-881-4801	2-4.93-140	4730-99-881-5749	2-4.79-44
5330-99-881-3980	2-7.167-100	2910-99-881-4803	2-4.89-97	4730-99-881-5750	2-4.77-41
5330-99-881-3983	2-2.5-14	5330-99-881-4814	2-4.87-60	4730-99-881-5751	2-4.77-36
5330-99-881-4002	2-4.243-5	2910-99-881-4858	2-4.91-127	5915-99-881-5757	2-7.7-54
4210-99-881-4006	2-7.5-34	2910-99-881-4860	2-4.91-114	2590-99-881-5774	2-7.199-2
4210-99-881-4006	2-7.93-1	2910-99-881-4861	2-4.91-108	2910-99-881-5775	2-4.75-24
5330-99-881-4025	2-12.11-4	2910-99-881-4865	2-4.91-126	2910-99-881-5777	2-4.79-48
5330-99-881-4025	2-12.11-15	2910-99-881-4866	2-4.87-62	4730-99-881-5778	2-4.79-61
5330-99-881-4025	2-12.11-18	5330-99-881-4899	2-5.17-23	4730-99-881-5779	2-4.79-64
5330-99-881-4025	2-12.11-21	5315-99-881-4997	2-4.89-103	5310-99-881-5783	2-4.79-50
5330-99-881-4025	2-12.11-32	4820-99-881-5095	2-3.7-61	5935-99-881-5797	2-7.127-190
5330-99-881-4025	2-12.13/14-35	5330-99-881-5133	2-7.93-12	5935-99-881-5797	2-7.141-39
5330-99-881-4025	2-12.13/14-46	5330-99-881-5615	2-7.209-7	5935-99-881-5797	2-7.171-175
5940-99-881-4027	2-7.131-239	6210-99-881-5622	2-7.201-31	5935-99-881-5797	2-7.175-205
4210-99-881-4028	2-7.139-13	6150-99-881-5631	2-7.1.3-54	5935-99-881-5798	2-7.127-191
4210-99-881-4038	2-12.11-13	2590-99-881-5638	2-4.137-2	5935-99-881-5798	2-7.141-41
4210-99-881-4038	2-12.13/14-47	5935-99-881-5644	2-4.137-9	5935-99-881-5799	2-7.99-52
4210-99-881-4040	2-12.11-5	5975-99-881-5646	2-4.135-3	5935-99-881-5799	2-7.127-193
4210-99-881-4040	2-12.11-16	5940-99-881-5648	2-4.135-10	5935-99-881-5799	2-7.173-189
4210-99-881-4045	2-12.13/14-34	2590-99-881-5649	2-4.135-5	5935-99-881-5799	2-7.173-198
5930-99-881-4053	2-7.1.9-198	5330-99-881-5651	2-4.135-15	5935-99-881-5799	2-7.177-234
5930-99-881-4054	2-7.1.9-197	5305-99-881-5652	2-4.135-16	5935-99-881-5799	2-7.177-245
2590-99-881-4055	2-7.3-18	6150-99-881-5667	2-7.43-54	2910-99-881-5805	2-4.87-61
2590-99-881-4055	2-8.5-53	2590-99-881-5667	2-7.1.8-177	2910-99-881-5806	2-4.87-70
2590-99-881-4055	2-8.15-0	2910-99-881-5685	2-4.107-24	5940-99-881-5821	2-7.97-13
6220-99-881-4080	2-7.73-31	4730-99-881-5686	2-4.107-7	5940-99-881-5821	2-7.165-96
5310-99-881-4153	2-4.53-50	2910-99-881-5687	2-4.109-30	5315-99-881-5840	2-4.83-13
5310-99-881-4153	2-4.53-53	2910-99-881-5690	2-4.107-10	4730-99-881-5846	2-4.85-54
5315-99-881-4307	2-4.95-8	2910-99-881-5692	2-4.107-19	2910-99-881-5847	2-4.87-59
5930-99-881-4308	2-4.119-34	2910-99-881-5693	2-4.107-1	5945-99-881-5851	2-4.95-2
5940-99-881-4406	2-7.129-223	2910-99-881-5694	2-4.107-8	5365-99-881-5855	2-4.89-94
5935-99-881-4410	2-7.97-30	2910-99-881-5695	2-4.109-35	2910-99-881-5856	2-4.91-120
5934-99-881-4410	2-7.99-40	2910-99-881-5696	2-4.109-31	2910-99-881-5857	2-4.89-90
5935-99-881-4410	2-7.127-192	2910-99-881-5697	2-4.109-32	5360-99-881-5859	2-4.95-13
5935-99-881-4410	2-7.177-224	2910-99-881-5698	2-4.109-40	5970-99-881-5861	2-4.95-17
5935-99-881-4410	2-7.181-277	2910-99-881-5699	2-4.109-39	5945-99-881-5864	2-4.95-19
5935-99-881-4411	2-7.179-255	3010-99-881-5700	2-4.107-17	5330-99-881-5865	2-4.95-20
5935-99-881-4411	2-7.211-29	5310-99-881-5701	2-4.107-20	5945-99-881-5872	2-4.95-21
2910-99-881-4425	2-5.13-22	5310-99-881-5702	2-4.107-21	5307-99-881-5873	2-4.95-15
2910-99-881-4425	2-5.17-0	5310-99-881-5703	2-4.107-14	5310-99-881-5876	2-4.95-23
2910-99-881-4425	2-7.3-8	5310-99-881-5704	2-4.107-22	5330-99-881-5878	2-4.95-18

INDEX OF NATO STOCK NUMBERS

NATO STOCK No.	Chapter, Page and Item No.	NATO STOCK No.	Chapter, Page and Item No.	NATO STOCK No.	Chapter, Page and Item No.
2910-99-881-5879	2-4.97-39	5970-99-881-6194	2-7.123-141	5340-99-881-6481	2-7.195-177
2910-99-881-5880	2-4.99-73	5970-99-881-6194	2-7.123-149	5905-99-881-6484	2-7.183-24
2910-99-881-5880	2-4.99-75	5970-99-881-6194	2-7.125-159	6110-99-881-6491	2-7.191-131
2910-99-881-5882	2-4.89-88	5970-99-881-6194	2-7.125-168	6110-99-881-6496	2-7.187-71
5330-99-881-5885	2-4.83-7	5970-99-881-6194	2-7.125-177	6110-99-881-6497	2-7.185-46
5340-99-881-5886	2-4.83-12	5970-99-881-6194	2-7.153-36	5365-99-881-6505	2-12.11-6
4730-99-881-5887	2-4.101-13	5970-99-881-6194	2-7.153-46	5365-99-881-6505	2-12.13/14-37
5365-99-881-5896	2-4.97-37	5970-99-881-6194	2-7.155-54	5365-99-881-6505	2-12.13/14-48
5330-99-881-5899	2-4.97-42	5970-99-881-6194	2-7.199-11	2590-99-881-6506	2-4.243-6
2910-99-881-5901	2-4.97-47	5970-99-881-6194	2-7.203-56	5920-99-881-6508	2-4.243-12
3120-99-881-5902	2-4.97-27	5970-99-881-6194	2-7.205-71	5940-99-881-6512	2-4.243-3
5330-99-881-5903	2-4.97-46	5970-99-881-6194	2-7.205-92	5920-99-881-6513	2-4.243-2
2910-99-881-5904	2-4.101-5	5330-99-881-6199	2-4.109-25	6130-99-881-6514	2-4.187-18
2910-99-881-5906	2-4.75-17	6115-99-881-6218	2-4.51-1	6130-99-881-6514	2-4.233-1
5310-99-881-5907	2-4.75-22	6125-99-881-6219	2-4.51-3	6130-99-881-6514	2-4.237-0
4530-99-881-5908	2-4.75-19	6125-99-881-6220	2-4.51-13	5999-99-881-6521	2-4.237-6
2940-99-881-5911	2-4.115-1	6125-99-881-6221	2-4.53-29	5950-99-881-6523	2-4.237-2
5340-99-881-5913	2-4.115-13	6125-99-881-6222	2-4.51-27	5970-99-881-6524	2-4.239-54
5310-99-881-5916	2-4.115-12	6125-99-881-6223	2-4.51-20	5330-99-881-6622	2-7.211-35
5365-99-881-5918	2-4.115-11	6125-99-881-6223	2-4.53-41	2590-99-881-6738	2-7.155-60
2940-99-881-5919	2-4.115-9	6125-99-881-6225	2-4.53-45	5910-99-881-6845	2-7.189-87
5330-99-881-5925	2-4.115-10	6125-99-881-6226	2-4.51-21	6220-99-881-6898	2-7.5-36
5310-99-881-5929	2-4.119-37	5940-99-881-6246	2-4.53-51	4210-99-881-7335	2-11.11-4
5930-99-881-5931	2-4.119-35	5940-99-881-6247	2-4.53-56	5330-99-881-7635	2-1-2.5-38
3110-99-881-5933	2-4.107-9	5940-99-881-6248	2-4.55-58	5935-99-881-7734	2-7.75-28
4730-99-881-5937	2-3.35/36-30	5940-99-881-6249	2-4.55-57	5330-99-881-7849	2-4.221-18
4730-99-881-5937	2-4.201-22	6125-99-881-6250	2-4.53-48	2540-99-881-8011	2-1-1.9-4
4730-99-881-5937	2-4.201-32	5330-99-881-6251	2-4.55-73	2540-99-881-8012	2-1-1.9-6
4730-99-881-5937	2-4.225-5	6125-99-881-6253	2-4.55-72	2540-99-881-8013	2-1-1.9-8
4730-99-881-5937	2-4.225-11	5310-99-881-6270	2-4.53-44	2540-99-881-8014	2-1-1.9-7
4730-99-881-5937	2-4.225-16	5310-99-881-6271	2-4.53-43	2540-99-881-8015	2-1-1.9-9
4730-99-881-5937	2-4.225-22	5340-99-881-6272	2-4.55-80	5330-99-881-8077	2-7.117-37
4730-99-881-5947	2-12.5-31	6125-99-881-6273	2-4.51-8	5330-99-881-8103	2-4.221-31
4730-99-881-5947	2-12.5-36	6125-99-881-6273	2-4.53-36	4130-99-881-8107	2-4.221-26
4730-99-881-5947	2-12.7-42	6125-99-881-6274	2-4.51-7	5330-99-881-8266	2-4.221-16
4730-99-881-5948	2-12.5-32	5325-99-881-6277	2-4.53-37	2940-99-881-8269	2-4.223-57
4730-99-881-5948	2-12.5-37	3120-99-881-6278	2-4.51-24	2940-99-881-8270	2-4.223-39
4730-99-881-5948	2-12.7-43	5310-99-881-6279	2-4.51-23	2940-99-881-8285	2-4.221-1
4730-99-881-5949	2-12.5-33	6125-99-881-6280	2-4.55-81	5330-99-881-8324	2-7.151-5
4730-99-881-5951	2-12.5-23	4210-99-881-6328	2-12.7-46	6680-99-881-8328	2-7.9-83
4730-99-881-5951	2-12.5-28	6680-99-881-6389	2-7.151-16	5330-99-881-8334	2-7.151-15
4730-99-881-5952	2-12.7-44	2520-99-881-6428	2-3.17-90	5330-99-881-8335	2-7.113-29
5940-99-881-5983	2-7-1.2-30	5940-99-881-6457	2-7-1.2-6	6110-99-881-8338	2-7.11-90
5940-99-881-6012	2-7-1.5-111	5940-99-881-6457	2-7-1.6-119	6110-99-881-8338	2-7.159-1
5330-99-881-6050	2-4.51-22	5940-99-881-6457	2-7-1.9-202	5930-99-881-8339	2-7.161-32
5970-99-881-6194	2-7.121-98	5940-99-881-6458	2-7-1.5-110	5950-99-881-8342	2-7.163-73
5970-99-881-6194	2-7.121-105	5940-99-881-6458	2-7-1.6-115	2920-99-881-8456	2-5.17-17
5970-99-881-6194	2-7.121-110	5940-99-881-6458	2-7-1.9-206	5330-99-881-8619	2-4.133-94
5970-99-881-6194	2-7.121-117	6110-99-881-6460	2-7.11-99	5940-99-881-8918	2-7-1.9-212
5970-99-881-6194	2-7.123-123	6110-99-881-6460	2-7.183-1	5935-99-881-9004	2-7.109-9
5970-99-881-6194	2-7.123-129	5365-99-881-6475	2-7.197-198	5975-99-881-9031	2-7-1.2-10
5970-99-881-6194	2-7.123-135	5905-99-881-6478	2-7.183-25	5975-99-881-9032	2-7.103-114

INDEX OF NATO STOCK NUMBERS

NATO STOCK No.	Chapter, Page and Item No.	NATO STOCK No.	Chapter, Page and Item No.	NATO STOCK No.	Chapter, Page and Item No.
2590-99-881-9068	2-4.137-7	2940-99-881-9531	2-4.229-10	6145-99-901-2567	2-7.177-238
2590-99-881-9069	2-4.137-8	2940-99-881-9532	2-4.223-45	6145-99-901-2567	2-7.1.3-35
2590-99-881-9070	2-4.137-13	2940-99-881-9533	2-4.223-40	6145-99-901-2567	2-7.1.8-169
2590-99-881-9071	2-4.137-14	5305-99-881-9534	2-4.229-5	6145-99-901-2567	2-7.1.8-172
2590-99-881-9072	2-4.137-10	2940-99-881-9536	2-4.227-34	6145-99-901-2998	2-7.1.3-41
5340-99-881-9095	2-7.205B-102	2940-99-881-9536	2-4.229-0	6145-99-901-2998	2-7.1.3-48
2540-99-881-9161	2-1-2.11-110	2910-99-881-9540	2-4.229-9	6145-99-901-2998	2-7.1.3-55
2590-99-881-9171	2-7.13-123	5935-99-881-9655	2-7.89-47	6145-99-901-2998	2-7.1.4-58
2590-99-881-9171	2-7.209-1	5935-99-881-9663	2-7.93-4	6145-99-901-2998	2-7.1.4-61
5945-99-881-9172	2-7.209-12	5935-99-881-9663	2-7.109-8	6145-99-901-2998	2-7.1.5-103
5945-99-881-9173	2-7.209-23	5935-99-881-9663	2-7.141-32	6145-99-901-2998	2-7.1.6-139
5310-99-881-9333	2-4.221-29	5935-99-881-9664	2-7.179-250	6145-99-901-2998	2-7.1.7-142
2920-99-881-9342	2-7.195-182	5935-99-881-9664	2-7.199-9	6145-99-901-2998	2-7.1.7-144
2920-99-881-9343	2-7.191-129	5935-99-881-9664	2-7.209-10	6145-99-901-2998	2-7.1.7-148
5310-99-881-9344	2-7.193-138	5935-99-881-9665	2-7.109-7	6145-99-901-2998	2-7.1.7-157
5310-99-881-9345	2-7.193-139	5935-99-881-9665	2-7.141-34	6145-99-901-2998	2-7.1.10-221
5330-99-881-9346	2-7.193-137	5935-99-881-9665	2-7.173-200	5940-99-901-3120	2-7.191-116
5330-99-881-9347	2-7.195-181	5935-99-881-9666	2-4.243-4	5365-99-901-5323	2-3.15-55
4730-99-881-9358	2-9.3-8	5935-99-881-9666	2-7.121-103	5305-99-901-9278	2-7.139-22
5330-99-881-9359	2-9.3-7	5935-99-881-9666	2-7.123-139	5920-99-901-9668	2-7.109-5
2940-99-881-9365	2-4.229-11	5935-99-881-9666	2-7.141-31	5305-99-901-9736	2-8.3-20
2930-99-881-9368	2-5.19-7	5935-99-881-9666	2-7.153-52	5305-99-901-9736	2-8.1.5-25
6680-99-881-9379	2-7.157-93	5935-99-881-9667	2-7.121-108	6220-99-902-2821	2-7.93-14
2540-99-881-9381	2-4.201-28	5935-99-881-9667	2-7.175-219	6220-99-902-2822	2-7.93-30
5940-99-881-9387	2-7.199-14	5935-99-881-9667	2-7.179-272	2590-99-910-0334	2-7.21-7
5940-99-881-9387	2-7.201-37	5935-99-881-9667	2-7.205-69	5340-99-910-3292	2-6.19/20-42
5975-99-881-9388	2-7.199-15	2590-99-881-9960	2-7.9-75	5340-99-910-3295	2-6.11-56
5975-99-881-9388	2-7.201-38	2590-99-881-9960	2-7.147-1	5340-99-910-3295	2-6.13-61
2590-99-881-9389	2-7.5-39	2910-99-884-5890	2-4.99-68	5340-99-910-3295	2-6.13-65
2590-99-881-9389	2-7.97-1	6685-99-891-0465	2-8.17-26	5315-99-910-3308	2-6.19/20-44
2590-99-881-9390	2-7.97-5	6220-99-895-7727	2-14.3-7	5315-99-910-3311	2-6.13-58
2590-99-881-9391	2-7.119-73	5310-99-899-2027	2-19.7-12	5970-99-910-7067	2-7.195-175
5945-99-881-9392	2-7.101-67	5340-99-900-1027	2-4.135-4	5975-99-910-7205	2-7.93-6
5920-99-881-9393	2-7.103-98	5910-99-900-6728	2-7.191-110	5975-99-910-7218	2-7.93-7
5940-99-881-9395	2-7.103-105	5910-99-900-6728	2-7.191-114	5770-99-910-7348	2-7.93-8
5307-99-881-9399	2-7.103-104	5910-99-900-6728	2-7.191-123	5340-99-910-8186	2-11.5-40
5940-99-881-9403	2-4.249-28	5945-99-900-7655	2-7.115-28	5365-99-910-8190	2-7.83-5
9940-99-881-9406	2-4.249-34	6145-99-900-8507	2-7.191-112	5365-99-910-8192	2-1-2.3-25
9940-99-881-9406	2-4.249-43	6145-99-900-8507	2-7.191-125	5365-99-910-8237	2-7.209-26
5340-99-881-9407	2-4.249-29	6145-99-900-8507	2-7.195-162	5365-99-910-8242	2-4.129-50
5340-99-881-9407	2-4.249-35	6145-99-900-8507	2-7.195-166	5365-99-910-8253	2-3.23-53
5340-99-881-9407	2-4.249-44	5340-99-900-9821	2-4.109-36	5365-99-910-8255	2-3.21-31
5975-99-881-9412	2-4.247-16	5940-99-901-1516	2-7.107-151	5365-99-910-8280	2-4.67-36
5975-99-881-9413	2-4.247-12	6145-99-901-2567	2-7.85-49	5365-99-910-8283	2-4.35-18
6140-99-881-9425	2-7-1.6-114	6145-99-901-2567	2-7.87-4	5365-99-910-8283	2-4.39-69
6140-99-881-9426	2-7-1.6-118	6145-99-901-2567	2-7.87-9	5365-99-910-8283	2-4.43-121
6140-99-881-9429	2-7-1.5-109	6145-99-901-2567	2-7.89-51	5365-99-910-8289	2-4.139-13
6140-99-881-9473	2-7-1.5-108	6145-99-901-2567	2-7.89-61	5365-99-910-8307	2-4.143-12
2590-99-881-9482	2-7-1.5-89	6145-99-901-2567	2-7.173-184	5365-99-910-8327	2-4.93-139
4210-99-881-9495	2-12.11-14	6145-99-901-2567	2-7.173-192	5365-99-910-8328	2-4.145-47
4210-99-881-9498	2-12.11-20	6145-99-901-2567	2-7.175-209	5365-99-910-8341	2-3.25-64
6350-99-881-9499	2-12.11-3	6145-99-901-2567	2-7.177-228	6220-99-910-9175	2-7.21-12
				6220-99-910-9175	2-7.29-1

INDEX OF NATO STOCK NUMBERS

NATO STOCK No.	Chapter, Page and Item No.	NATO STOCK No.	Chapter, Page and Item No.	NATO STOCK No.	Chapter, Page and Item No.
6250-99-910-9176	2-7.29-12	5305-99-914-3456	2-7.149-29	5310-99-940-3514	2-7.193-144
6250-99-910-9176	2-7.213/214-15	4730-99-914-4183	2-12.3-11	5310-99-940-3515	2-4.235-54
5340-99-910-9177	2-7.29-4	4730-99-914-4187	2-12.3-5	5310-99-940-3515	2-7.185-37
5340-99-910-9177	2-7.31-3	4730-99-914-4187	2-12.3-10	5310-99-940-3515	2-7.187-67
5340-99-910-9177	2-7.213/214-4	4730-99-914-4187	2-12.3-18	5310-99-940-3515	2-7.189-102
5340-99-910-9178	2-7.29-7	5305-99-914-5426	2-8.3-16	5310-99-940-3515	2-7.193-145
5940-99-910-9178	2-7.31-11	5305-99-914-5426	2-8-1.3-21	5310-99-940-3515	2-7.197-195
5940-99-910-9178	2-7.213/214-7	5330-99-914-6715	2-2.5-6	5935-99-940-8601	2-7.141-38
5330-99-910-9180	2-7.29-15	5330-99-914-7137	2-7.203-57	5306-99-941-0166	2-4.47-14
5330-99-910-9180	2-7.31-17	5305-99-914-7989	2-7.191-135	5306-99-941-0166	2-4.47-19
5330-99-910-9180	2-7.213/214-18	5310-99-914-8805	2-5.9-24	5306-99-941-0166	2-4.57-3
5330-99-910-9181	2-7.29-16	5305-99-914-9858	2-7.83-10	5305-99-941-0279	2-1-2.9-84
5330-99-910-9181	2-7.31-18	5305-99-914-9858	2-7.83-21	5305-99-941-0279	2-1-2.15-13
5330-99-910-9181	2-7.213/214-19	5305-99-914-9858	2-8-1.13/14-20	5305-99-941-0279	2-1-9.15/16-4
5940-99-910-9182	2-7.29-5	5805-99-915-0587	2-7.161-38	5305-99-941-0279	2-4.53-49
5940-99-910-9182	2-7.31-8	5310-99-915-0628	2-4.235-61	5305-99-941-0279	2-4.109-38
5940-99-910-9182	2-7.213/214-5	5330-99-915-2513	2-4.199-67	5305-99-941-0279	2-6.3-10
6220-99-910-9185	2-7.29-11	5330-99-915-2513	2-4.215-31	5305-99-941-0279	2-7.13-122
6220-99-910-9187	2-7.29-17	5330-99-915-2513	2-5.19-5	5305-99-941-0279	2-8.15-2
6220-99-910-9187	2-7.31-5	5330-99-915-2807	2-2.5-13	5305-99-941-0279	2-8.17-2
6220-99-910-9187	2-7.213/214-23	5310-99-915-5148	2-1-5.3-12	5305-99-941-0279	2-8-1.13/14-4
5305-99-911-0511	2-4.191-28	5310-99-915-5148	2-1-5.5/6-37	5305-99-941-0279	2-10.13-109
5305-99-911-0511	2-4.193-53	5310-99-915-5148	2-3.13-37	5305-99-941-0280	2-4.231-3
5305-99-911-0920	2-7.79-66	5310-99-915-5148	2-4.197-44	5305-99-941-0280	2-6.3-8
5310-99-911-6869	2-4.243-32	5310-99-915-5148	2-4.197-52	5306-99-941-0281	2-4.135-22
5310-99-912-8181	2-4.237-22	5310-99-915-5148	2-4.197-61	5306-99-941-0281	2-4.205-19
5310-99-912-8182	2-4.243-20	5310-99-915-5148	2-7.5-40	5306-99-941-0281	2-4.205-21
5310-99-912-8182	2-7.131-244	5310-99-915-5148	2-8.17-25	5306-99-941-0284	2-7.13-116
5310-99-912-8182	2-7.187-66	6250-99-915-7377	2-7.205-76	5306-99-941-0286	2-4.205-23
5310-99-912-8182	2-7.189-99	6250-99-915-7377	2-7.205-79	5306-99-941-0305	2-6.9-21
5310-99-912-8182	2-7.193-153	5310-99-915-7972	2-7.211-39	5306-99-941-0306	2-6.11-52
5310-99-912-8182	2-7.197-190	5310-99-923-0539	2-8.5-40	5305-99-941-0340	2-1-5.3-21
5310-99-912-9528	2-7.119-91	5310-99-923-0539	2-8.5-48	5306-99-941-0342	2-2.15-36
5310-99-912-9584	2-10.21/22-7	5310-99-923-0539	2-8-1.5-45	5306-99-941-0345	2-4.7-26
5970-99-913-0207	2-7.85-53	5330-99-923-9347	2-4.67-34	5306-99-941-0373	2-3.31-13
5970-99-913-0207	2-7.91-66	5365-99-924-7424	2-11.3-25	5306-99-941-0374	2-3.31-8
5310-99-913-3207	2-7.147-26	5330-99-927-2029	2-4.79-56	5306-99-941-0379	2-3.31-15
5310-99-913-3207	2-7.211-38	3120-99-930-5687	2-4.31-19(1)	5305-99-941-0510	2-4.135-24
5305-99-913-4012	2-4.239-39	6220-99-930-6128	2-7.29-2	5305-99-941-0510	2-4.195-21
5310-99-913-7412	2-4.135-9	6220-99-930-6128	2-7.31-2	5305-99-941-0511	2-1-2.7-74
4730-99-913-7621	2-12.3-4	5945-99-930-6540	2-7.181-293	5305-99-941-0511	2-4.233-13
4730-99-913-7621	2-12.3-9	6880-99-930-8913	2-7.151-17	5305-99-941-0511	2-4.233-34
4730-99-913-7621	2-12.3-17	5940-99-932-4792	2-7.107-152	5305-99-941-0511	2-6.7-65
5310-99-913-9613	2-7.97-22	5940-99-932-4897	2-7.143-49	5305-99-941-0511	2-6.7-70
5310-99-913-9613	2-7.97-32	5340-99-932-5186	2-7.139-14	5305-99-941-0511	2-8.3-24
5310-99-913-9613	2-7.99-42	5340-99-932-5187	2-7.139-8	5305-99-941-0511	2-8-1.5-29
5310-99-913-9613	2-7.141-36	5920-99-940-2085	2-7.109-4	5305-99-941-0511	2-8-1.9-82
5330-99-913-9613	2-7.147-23	5310-99-940-3514	2-4.51-5	5305-99-941-0512	2-1-2.17/18-28
5310-99-913-9613	2-7.151-9	5310-99-940-3514	2-4.51-15	5305-99-941-0512	2-4.185-7
5305-99-914-1664	2-7.109-16	5310-99-940-3514	2-4.53-39	5305-99-941-0512	2-4.187-20
5310-99-914-1831	2-7.181-295	5310-99-940-3514	2-4.53-47	5305-99-941-0512	2-4.223-51
5305-99-914-3456	2-4.123-43	5310-99-940-3514	2-4.243-29	5305-99-941-0512	2-4.233-4

INDEX OF NATO STOCK NUMBERS

NATO STOCK No.	Chapter, Page and Item No.	NATO STOCK No.	Chapter, Page and Item No.	NATO STOCK No.	Chapter, Page and Item No.
5305-99-941-0512	2-5.5-8	5305-99-941-0525	2-6.9-27	5305-99-941-0571	2-6.11-41
5305-99-941-0512	2-5.19-15	5305-99-941-0525	2-7.13-125	5305-99-941-0576	2-9.3-20
5305-99-941-0512	2-5.19-26	5305-99-941-0525	2-7.25-53	5305-99-941-0687	2-4.205-7
5305-99-941-0512	2-5.21/22-35	5305-99-941-0525	2-7.45-74	5305-99-941-0687	2-6.17-12
5305-99-941-0512	2-6.3-12	5305-99-941-0525	2-7.63-6	5305-99-941-0687	2-6.17-17
5305-99-941-0512	2-7.5-33	5305-99-941-0525	2-8-1.7-67	5305-99-941-0687	2-6.19/20-33
5305-99-941-0512	2-7.7-49	5305-99-941-0525	2-8-1.11-6	5305-99-941-0687	2-6.19/20-38
5305-99-941-0512	2-7.11-108	5305-99-941-0525	2-10.3-19	5305-99-941-0697	2-7.27-21
5305-99-941-0512	2-7.21-19	5305-99-941-0525	2-10.15-16	5305-99-941-0698	2-3.3-26
5305-99-941-0512	2-7.39-10	5305-99-941-0525	2-11.11-25	5305-99-941-0698	2-4.215-33
5305-99-941-0512	2-7.167-107	5305-99-941-0525	2-12.7-53	5305-99-941-0700	2-4.217-2
5305-99-941-0512	2-7.211-31	5305-99-941-0526	2-1-6.5-40	5305-99-941-0711	2-4.233-18
5305-99-941-0512	2-8.19/20-36	5305-99-941-0526	2-4.193-42	5305-99-941-0711	2-9.3-18
5305-99-941-0512	2-11.3-16	5305-99-941-0526	2-7.7-66	5305-99-941-0711	2-9.5/6-38
5305-99-941-0512	2-11.11-3	5305-99-941-0526	2-7.205B-110	5305-99-941-0712	2-7.69-9
5305-99-941-0512	2-11.11-18	5305-99-941-0527	2-1-3.3-15	5305-99-941-0714	2-3.7-60
5305-99-941-0512	2-11.13/14-28	5305-99-941-0527	2-3.33-14	5305-99-941-0715	2-4.217-13
5305-99-941-0513	2-1-6.3-2	5305-99-941-0527	2-4.149-33	5305-99-941-0716	2-3.5-48
5305-99-941-0513	2-1-6.5-35	5305-99-941-0527	2-4.187-3	5305-99-941-0739	2-1-5.3-5
5305-99-941-0513	2-3.5-29	5305-99-941-0527	2-4.189-39	5305-99-941-0740	2-1-3.3-19
5305-99-941-0513	2-4.17-23	5305-99-941-0527	2-4.223-43	5305-99-941-0748	2-8-1.11-16
5305-99-941-0513	2-4.49-36	5305-99-941-0527	2-5.7-34	5310-99-941-0864	2-1-7.3/4-6
5305-99-941-0513	2-4.109-41	5305-99-941-0527	2-5.13-6	5310-99-941-0864	2-3.5-50
5305-99-941-0513	2-4.117-19	5305-99-941-0528	2-4.109-42	5310-99-941-0881	2-4.145-50
5305-99-941-0513	2-4.187-21	5305-99-941-0539	2-1-9.3-7	5310-99-941-0882	2-4.217-8
5305-99-941-0513	2-5.5-22	5305-99-941-0539	2-1-9.15/16-8	5310-99-941-0883	2-4.37-50
5305-99-941-0513	2-5.13-19	5305-99-941-0539	2-7.7-59	5310-99-941-0883	2-4.43-106
5305-99-941-0513	2-6.3-5	5305-99-941-0539	2-7.21-8	5310-99-941-0883	2-4.45-148
5305-99-941-0513	2-6.7-72	5305-99-941-0539	2-10.3-5	5310-99-941-0884	2-1-4.3-8
5305-99-941-0513	2-6.11-49	5305-99-941-0540	2-1-3.5-49	5310-99-941-0884	2-4.143-19
5305-99-941-0513	2-6.19/20-32	5305-99-941-0540	2-4.203-35	5310-99-941-0884	2-8.11-16
5305-99-941-0513	2-7.43-56	5305-99-941-0540	2-6.15-89	5310-99-941-0902	2-4.183-42
5305-99-941-0513	2-7.45-85	5305-99-941-0540	2-11.5-39	5310-99-941-0902	2-6.3-7
5305-99-941-0513	2-10.3-15	5305-99-941-0541	2-1-5.3-10	5310-99-941-0902	2-6.3-22
5305-99-941-0513	2-11.11-9	5305-99-941-0541	2-1-5.5/6-36	5310-99-941-0902	2-6.5-48
5305-99-941-0518	2-7.11-100	5305-99-941-0541	2-1-9.11-6	5310-99-941-0902	2-6.5-61
5305-99-941-0522	2-4.121-25	5305-99-941-0541	2-1-9.15/16-16	5310-99-941-0902	2-6.9-15
5305-99-941-0523	2-1-4.5/6-35	5305-99-941-0541	2-2.5-8	5310-99-941-0902	2-6.17-29
5305-99-941-0523	2-7.45-76	5305-99-941-0541	2-2.7-34	5310-99-941-0902	2-6.19/20-41
5310-99-941-0524	2-1-6.3-22	5305-99-941-0542	2-7.5-44	5310-99-941-0902	2-7.11-102
5305-99-941-0524	2-1-6.7/8-73	5305-99-941-0543	2-2.21/22-28	5310-99-941-0902	2-7.107-166
5305-99-941-0524	2-1-9.15/16-12	5305-99-941-0543	2-4.193-36	5310-99-941-0903	2-2.15-30
5305-99-941-0524	2-4.207-28	5305-99-941-0543	2-4.199-64	5310-99-941-0903	2-4.7-36
5305-99-941-0524	2-11.11-21	5305-99-941-0543	2-4.231-9	5310-99-941-0903	2-6.19/20-35
5305-99-941-0525	2-1-2.15-18	5305-99-941-0543	2-8.13-33	5310-99-941-0903	2-7.45-67
5305-99-941-0525	2-1-6.5-45	5305-99-941-0553	2-1-1.5-18	5310-99-941-0904	2-6.13-71
5305-99-941-0525	2-1-10.3/4-8	5305-99-941-0565	2-12.11-25	5310-99-941-0904	2-8.17-19
5305-99-941-0525	2-4.145-67	5305-99-941-0567	2-1-2.11-111	5310-99-941-0906	2-6.13-57
5305-99-941-0525	2-4.209-41	5305-99-941-0567	2-4.209-51	5310-99-941-0906	2-6.13-63
5305-99-941-0525	2-4.209-44	5305-99-941-0568	2-4.193-39	5310-99-941-0906	2-6.13-66
5305-99-941-0525	2-4.233-27	5305-99-941-0568	2-4.227-35	5310-99-941-0908	2-1-1.3-5
5305-99-941-0525	2-5.15-30	5305-99-941-0568	2-10.21/22-8	5310-99-941-0908	2-1-2.9-104

INDEX OF NATO STOCK NUMBERS

NATO STOCK No.	Chapter, Page and Item No.	NATO STOCK No.	Chapter, Page and Item No.	NATO STOCK No.	Chapter, Page and Item No.
5310-99-941-0908	2-3.27-20	5310-99-941-0926	2-1-5.3-13	5306-99-941-1598	2-3.7-55
5310-99-941-0908	2-4.225-3	5310-99-941-0926	2-1-5.5/6-39	5310-99-941-1665	2-2.9-58
5310-99-941-0908	2-5.13-8	5310-99-941-0926	2-2.21/22-30	5305-99-941-1682	2-1-9.13-12
5310-99-941-0908	2-5.21/22-38	5310-99-941-0926	2-3.7-64	5305-99-941-1683	2-4.35-20
5310-99-941-0908	2-5.21/22-46	5310-99-941-0926	2-4.7-32	5305-99-941-1683	2-4.39-71
5310-99-941-0910	2-1-2.3-12	5310-99-941-0926	2-4.193-38	5305-99-941-1748	2-1-9.7-7
5310-99-941-0910	2-1-3.5-30	5310-99-941-0926	2-4.197-46	5305-99-941-1748	2-1-9.9-17
5310-99-941-0910	2-1-3.5-34	5310-99-941-0926	2-4.197-55	5305-99-941-1749	2-6.9-11
5310-99-941-0924	2-6.5-34	5310-99-941-0926	2-4.203-38	5305-99-941-1749	2-10.13-110
5310-99-941-0924	2-6.7-73	5310-99-941-0926	2-4.211-5	5305-99-941-1750	2-6.5-33
5310-99-941-0924	2-6.13-85	5310-99-941-0926	2-5.11-8	5305-99-941-1750	2-10.3-9
5310-99-941-0925	2-1-4.5/6-41	5310-99-941-0926	2-7.5-46	5305-99-941-1751	2-10.3-8
5310-99-941-0925	2-1-5.5/6-44	5310-99-941-0926	2-7.7-60	5305-99-941-1762	2-1-9.13-11
5310-99-941-0925	2-1-6.3-26	5310-99-941-0926	2-7.11-94	5305-99-941-1766	2-4.187-4
5310-99-941-0925	2-1-6.5-47	5305-99-941-0926	2-7.21-11	5305-99-941-1937	2-7.193-148
5310-99-941-0925	2-1-6.7/8-64	5310-99-941-0926	2-7.57-36	5305-99-941-1938	2-1-4.3-17
5310-99-941-0925	2-1-9.5-12	5310-99-941-0926	2-8.13-35	5305-99-941-1940	2-7.185-33
5310-99-941-0925	2-3.11-21	5310-99-941-0926	2-10.17-42	5305-99-941-1940	2-7.187-63
5310-99-941-0925	2-3.13-34	5310-99-941-0926	2-11.3-21	5305-99-941-1950	2-4.243-16
5310-99-941-0925	2-3.17-84	5310-99-941-0927	2-3.15-45	5305-99-941-1970	2-13.7/8-6
5310-99-941-0925	2-3.29-30	5310-99-941-0927	2-4.5-11	5305-99-941-2300	2-4.131-71
5310-99-941-0925	2-3.29-37	5310-99-941-0927	2-4.225-30	5305-99-941-2300	2-4.243-17
5310-99-941-0925	2-3.33-16	5310-99-941-0928	2-1-3.5-42	5305-99-941-2300	2-4.243-21
5310-99-941-0925	2-4.5-13	5310-99-941-0928	2-1-5.3-8	5305-99-941-2300	2-7.197-187
5310-99-941-0925	2-4.105-29	5310-99-941-0928	2-1-5.3-26	5305-99-941-2301	2-7.113-26
5310-99-941-0925	2-4.109-43	5310-99-941-0928	2-2.3-9	5305-99-941-2301	2-7.193-149
5310-99-941-0925	2-4.187-7	5310-99-941-0928	2-3.11-26	5305-99-941-2301	2-7.197-186
5310-99-941-0925	2-4.189-41	5310-99-941-0928	2-3.31-4	5305-99-941-2303	2-7.113-22
5310-99-941-0925	2-4.235-46	5310-99-941-0928	2-4.5-16	5305-99-941-2303	2-7.185-34
5310-99-941-0925	2-6.9-23	5310-99-941-0928	2-4.7-28	5305-99-941-2303	2-7.187-64
5310-99-941-0925	2-6.11-29	5310-99-941-0928	2-4.103-12	5305-99-941-2303	2-7.189-98
5310-99-941-0925	2-6.11-54	5310-99-941-0928	2-4.149-15	5305-99-941-2312	2-4.237-9
5310-99-941-0925	2-7.5-38	5310-99-941-0928	2-4.193-41	5305-99-941-2312	2-7.187-62
5310-99-941-0925	2-7.9-81	5310-99-941-0928	2-4.227-37	5305-99-941-2312	2-7.189-97
5310-99-941-0925	2-7.9-88	5310-99-941-0928	2-6.11-35	5305-99-941-2312	2-7.191-134
5310-99-941-0925	2-7.13-112	5310-99-941-0928	2-7.21-6	5305-99-941-2313	2-7.193-151
5310-99-941-0925	2-7.39-4	5310-99-941-0931	2-1-8.3/4-13	5305-99-941-2313	2-7.197-184
5310-99-941-0925	2-7.43-53	5305-99-941-1067	2-1-2.7-76	5305-99-941-2314	2-4.243-19
5310-99-941-0925	2-7.45-69	5305-99-941-1067	2-4.201-34	5305-99-941-2314	2-7.197-185
5310-99-941-0925	2-7.57-31	5305-99-941-1067	2-5.5-13	5305-99-941-2315	2-7.193-150
5310-99-941-0925	2-7.85-38	5305-99-941-1068	2-1-3.3-26	5305-99-941-2315	2-7.195-183
5310-99-941-0925	2-7.205B-113	5305-99-941-1068	2-4.221-12	5305-99-941-2325	2-4.213-4
5310-99-941-0925	2-8.5-28	5305-99-941-1069	2-4.121-23	5305-99-941-2334	2-7.211-32
5310-99-941-0925	2-8.5-57	5305-99-941-1071	2-6.5-45	5310-99-941-2406	2-4.237-13
5310-99-941-0925	2-8.11-28	5305-99-941-1078	2-4.193-49	5310-99-941-2406	2-4.239-67
5310-99-941-0925	2-8-1.5-33	5310-99-941-1281	2-1-1.3-12	5310-99-941-2406	2-4.245-34
5310-99-941-0925	2-8-1.11-4	5310-99-941-1318	2-4.181-20	5310-99-941-2406	2-7.193-141
5310-99-941-0925	2-8-1.13/14-24	5310-99-941-1318	2-4.181-24	5310-99-941-2406	2-7.197-196
5310-99-941-0925	2-11.3-9	5310-99-941-1324	2-8.15-12	5310-99-941-2419	2-4.205-14
5310-99-941-0925	2-12.9-61	5310-99-941-1324	2-8-1.13/14-14	5305-99-941-3185	2-4.243-13
5310-99-941-0926	2-1-2.3-15	5306-99-941-1547	2-4.201-2	5310-99-941-3188	2-7.133-280
5310-99-941-0926	2-1-3.3-8	5306-99-941-1581	2-2.11-8	5310-99-941-3188	2-7.163-75

INDEX OF NATO STOCK NUMBERS

NATO STOCK No.	Chapter, Page and Item No.	NATO STOCK No.	Chapter, Page and Item No.	NATO STOCK No.	Chapter, Page and Item No.
5310-99-941-3188	2-7.181-288	5305-99-941-6291	2-4.119-30	5306-99-941-6581	2-4.139-3
5310-99-941-3188	2-7.193-140	5305-99-941-6297	2-4.9-9	5306-99-941-6581	2-4.149-11
5310-99-941-3190	2-7.135/137-299	5310-99-941-6306	2-4.245-35	5306-99-941-6583	2-4.35-8
5306-99-941-3313	2-7.205B-106	5310-99-941-6316	2-4.109-37	5306-99-941-6583	2-4.39-60
5310-99-941-3519	2-4.131-86	5310-99-941-6316	2-7.83-32	5306-99-941-6583	2-4.43-116
5310-99-941-3520	2-1-2.15-14	5306-99-941-6347	2-13.5-10	5306-99-941-6583	2-4.181-22
5310-99-941-3520	2-1-2.15-17	5305-99-941-6513	2-9.5/6-43	5306-99-941-6583	2-4.205-22
5310-99-941-3520	2-1-2.17/18-29	5305-99-941-6540	2-4.65-13	5306-99-941-6584	2-4.35-7
5310-99-941-3520	2-4.49-28	5305-99-941-6541	2-4.23-3	5306-99-941-6584	2-4.39-59
5310-99-941-3520	2-8.11-13	5305-99-941-6542	2-3.15-53	5306-99-941-6584	2-4.43-115
5310-99-941-3524	2-4.223-42	5305-99-941-6542	2-4.65-24	5306-99-941-6585	2-4.37-45
5305-99-941-3673	2-2.7-21	5305-99-941-6542	2-4.103-7	5306-99-941-6585	2-4.41-101
5310-99-941-4136	2-7.83-33	5305-99-941-6542	2-4.113-30	5306-99-941-6585	2-4.135-21
5310-99-941-4136	2-7.155-68	5305-99-941-6542	2-4.143-33	5306-99-941-6587	2-4.19-5
5306-99-941-4166	2-6.11-33	5305-99-941-6542	2-4.147-74	5306-99-941-6587	2-4.19-19
5310-99-941-4167	2-6.7-63	5305-99-941-6542	2-4.147-83	5306-99-941-6587	2-4.27-27
5305-99-941-5243	2-4.53-52	5305-99-941-6543	2-3.9-7	5306-99-941-6587	2-4.111-19
5306-99-941-6187	2-4.15-14	5305-99-941-6543	2-3.23-56	5306-99-941-6587	2-4.139-20
5306-99-941-6187	2-4.113-34	5305-99-941-6543	2-4.19-12	5306-99-941-6587	2-4.139-29
5310-99-941-6197	2-4.9-15	5305-99-941-6543	2-4.143-22	5306-99-941-6589	2-4.15-15
5310-99-941-6197	2-4.139-19	5305-99-941-6543	2-4.145-61	5306-99-941-6589	2-4.27-29
5310-99-941-6197	2-4.145-34	5305-99-941-6544	2-3.15-50	5306-99-941-6589	2-4.47-13
5310-99-941-6197	2-8-1.13/14-25	5305-99-941-6544	2-4.61-6	5306-99-941-6589	2-4.143-11
5310-99-941-6198	2-4.139-17	5305-99-941-6544	2-4.65-14	5306-99-941-6590	2-4.105-26
5305-99-941-6249	2-4.83-10	5305-99-941-6544	2-4.117-21	5306-99-941-6590	2-4.113-33
5305-99-941-6249	2-4.83-21	5305-99-941-6544	2-4.117-24	5306-99-941-6590	2-4.143-6
5306-99-941-6282	2-1-2.11-115	5305-99-941-6545	2-4.41-90	5306-99-941-6591	2-4.9-14
5305-99-941-6284	2-1-4.3-20	5305-99-941-6545	2-4.45-133	5306-99-941-6591	2-4.69-15
5305-99-941-6284	2-1-9.11-8	5305-99-941-6545	2-4.67-43	5306-99-941-6591	2-4.101-15
5305-99-941-6284	2-4.7-39	5305-99-941-6545	2-4.115-22	5306-99-941-6591	2-4.105-27
5305-99-941-6284	2-4.19-13	5305-99-941-6545	2-4.145-35	5306-99-941-6591	2-4.111-20
5305-99-941-6284	2-4.25-25	5305-99-941-6546	2-4.23-16	5306-99-941-6592	2-4.15-17
5305-99-941-6284	2-4.61-21	5305-99-941-6546	2-4.67-39	5306-99-941-6592	2-4.111-25
5305-99-941-6284	2-4.67-32	5305-99-941-6546	2-4.69-10	5306-99-941-6592	2-4.125-6
5305-99-941-6284	2-4.125-12	5305-99-941-6547	2-3.13-43	5306-99-941-6594	2-4.61-14
5305-99-941-6284	2-4.139-27	5305-99-941-6547	2-4.11-16	5306-99-941-6594	2-4.119-28
5305-99-941-6284	2-4.139-31	5305-99-941-6547	2-4.15-18	5306-99-941-6595	2-4.73-31
5305-99-941-6284	2-4.145-66	5305-99-941-6547	2-4.23-9	5306-99-941-6597	2-1-4.3-27
5305-99-941-6284	2-4.181-34	5305-99-941-6547	2-4.47-18	5306-99-941-6597	2-4.57-15
5305-99-941-6284	2-4.207-34	5305-99-941-6547	2-4.103-20	5306-99-941-6598	2-3.7-63
5305-99-941-6284	2-7.39-6	5305-99-941-6548	2-4.31-12	5306-99-941-6598	2-7.5-42
5305-99-941-6284	2-7.41-27	5305-99-941-6549	2-4.33-16	5306-99-941-6598	2-7.11-91
5305-99-941-6284	2-7.55-5	5305-99-941-6549	2-4.141-37	5306-99-941-6598	2-10.3-6
5305-99-941-6284	2-7.61-71	5305-99-941-6549	2-4.147-87	5310-99-941-6607	2-7.85-37
5305-99-941-6284	2-7.65-29	5305-99-941-6550	2-4.33-2	5306-99-941-6614	2-1-2.15-16
5305-99-941-6284	2-7.69-7	5305-99-941-6550	2-4.33-11	5306-99-941-6614	2-4.157-22
5305-99-941-6284	2-10.15-20	5305-99-941-6550	2-4.49-39	5306-99-941-6614	2-4.205-20
5305-99-941-6284	2-11.5-47	5305-99-941-6550	2-4.141-36	5310-99-941-6627	2-1-2.11-108
5305-99-941-6289	2-8.5-51	5310-99-941-6570	2-3.17-74	5310-99-941-6627	2-7.117-48
5305-99-941-6289	2-8-1.7-53	5310-99-941-6574	2-1-4.5/6-30	5310-99-941-6628	2-1-6.3-25
5305-99-941-6290	2-4.41-93	5306-99-941-6580	2-4.139-16	5310-99-941-6628	2-1-6.7/8-63
5305-99-941-6290	2-4.45-137	5306-99-941-6581	2-4.117-9	5310-99-941-6628	2-4.213-14

INDEX OF NATO STOCK NUMBERS

NATO STOCK No.	Chapter, Page and Item No.	NATO STOCK No.	Chapter, Page and Item No.	NATO STOCK No.	Chapter, Page and Item No.
5310-99-941-6628	2-4.213-27	5310-99-941-6653	2-7.23-39	5310-99-941-6654	2-4.109-28
5310-99-941-6628	2-4.215-32	5310-99-941-6653	2-7.25-49	5310-99-941-6654	2-4.157-21
5310-99-941-6628	2-4.215-49	5310-99-941-6653	2-7.43-43	5310-99-941-6654	2-4.169-20
5310-99-941-6629	2-4.211-4	5310-99-941-6653	2-7.43-48	5310-99-941-6654	2-4.169-23
5310-99-941-6630	2-1-1.5-8	5310-99-941-6653	2-7.55-10	5310-99-941-6654	2-4.177-116
5310-99-941-6632	2-1-2.9-81	5310-99-941-6653	2-7.55-17	5310-99-941-6654	2-4.185-9
5310-99-941-6633	2-7.29-18	5310-99-941-6653	2-7.57-27	5310-99-941-6654	2-4.187-19
5310-99-941-6633	2-7.213/214-24	5310-99-941-6653	2-7.57-33	5310-99-941-6654	2-4.191-29
5310-99-941-6636	2-1-8.3/4-5	5310-99-941-6653	2-7.57-43	5310-99-941-6654	2-4.193-52
5310-99-941-6641	2-1-2.13-6	5310-99-941-6653	2-7.59-54	5310-99-941-6654	2-4.201-33
5310-99-941-6641	2-4.119-40	5310-99-941-6653	2-7.65-25	5310-99-941-6654	2-4.203-43
5310-99-941-6641	2-7.93-21	5310-99-941-6653	2-7.83-11	5310-99-941-6654	2-4.207-33
5310-99-941-6641	2-7.95-32	5310-99-941-6653	2-7.83-22	5310-99-941-6654	2-4.221-13
5310-99-941-6642	2-7.197-188	5310-99-941-6653	2-7.95-36	5310-99-941-6654	2-4.221-19
5310-99-941-6643	2-4.51-25	5310-99-941-6653	2-7.95-40	5310-99-941-6654	2-4.223-52
5310-99-941-6643	2-4.243-30	5310-99-941-6653	2-7.149-28	5310-99-941-6654	2-4.231-4
5310-99-941-6643	2-7.29-9	5310-99-941-6653	2-7.211-37	5310-99-941-6654	2-4.233-5
5310-99-941-6643	2-7.213/214-9	5310-99-941-6653	2-8-1.3-7	5310-99-941-6654	2-4.233-14
5310-99-941-6644	2-7.193-143	5310-99-941-6653	2-8-1.7-63	5310-99-941-6654	2-4.233-33
5310-99-941-6644	2-9.5/6-45	5310-99-941-6653	2-8-1.9-78	5310-99-941-6654	2-5.5-12
5310-99-941-6646	2-7.197-189	5310-99-941-6653	2-8-1.9-86	5310-99-941-6654	2-5.5-21
5310-99-941-6651	2-5.9-8	5310-99-941-6653	2-8-1.11-12	5310-99-941-6654	2-5.13-18
5310-99-941-6651	2-7.27-10	5310-99-941-6653	2-12.11-11	5310-99-941-6654	2-5.19-14
5310-99-941-6652	2-4.239-66	5310-99-941-6653	2-12.11-29	5310-99-941-6654	2-5.19-25
5310-99-941-6652	2-4.245-33	5310-99-941-6653	2-12.13/14-42	5310-99-941-6654	2-5.21/22-34
5310-99-941-6652	2-6.17-23	5310-99-941-6653	2-12.13/14-51	5310-99-941-6654	2-6.3-6
5310-99-941-6652	2-7.9-73	5310-99-941-6654	2-1-1.13/14-5	5310-99-941-6654	2-6.7-71
5310-99-941-6652	2-7.23-25	5310-99-941-6654	2-1-2.7-73	5310-99-941-6654	2-6.11-50
5310-99-941-6652	2-7.39-13	5310-99-941-6654	2-1-2.7-78	5310-99-941-6654	2-6.13-84
5310-99-941-6652	2-7.41-33	5310-99-941-6654	2-1-2.9-85	5310-99-941-6654	2-6.15-98
5310-99-941-6652	2-7.79-67	5310-99-941-6654	2-1-3.5-27	5310-99-941-6654	2-6.17-13
5310-99-941-6652	2-7.159-11	5310-99-941-6654	2-1-4.3-19	5310-99-941-6654	2-6.17-19
5310-99-941-6652	2-7.181-291	5310-99-941-6654	2-1-6.3-3	5310-99-941-6654	2-6.19/20-34
5310-99-941-6652	2-7.205B-104	5310-99-941-6654	2-1-6.5-34	5310-99-941-6654	2-6.19/20-39
5310-99-941-6652	2-8.9-6	5310-99-941-6654	2-1-9.13-9	5310-99-941-6654	2-7.5-31
5310-99-941-6652	2-8.9-11	5310-99-941-6654	2-1-9.15/16-3	5310-99-941-6654	2-7.7-48
5310-99-941-6653	2-1-1.3-19	5310-99-941-6654	2-2.21/22-25	5310-99-941-6654	2-7.7-55
5310-99-941-6653	2-4.63-29	5310-99-941-6654	2-3.5-30	5310-99-941-6654	2-7.9-70
5310-99-941-6653	2-4.115-15	5310-99-941-6654	2-3.15-52	5310-99-941-6654	2-7.9-76
5310-99-941-6653	2-4.119-42	5310-99-941-6654	2-3.33-3	5310-99-941-6654	2-7.11-97
5310-99-941-6653	2-4.131-61	5310-99-941-6654	2-4.77-31	5310-99-941-6654	2-7.11-103
5310-99-941-6653	2-4.131-73	5310-99-941-6654	2-4.79-54	5310-99-941-6654	2-7.11-107
5310-99-941-6653	2-4.169-8	5310-99-941-6654	2-4.79-59	5310-99-941-6654	2-7.13-115
5310-99-941-6653	2-4.233-7	5310-99-941-6654	2-4.83-9	5310-99-941-6654	2-7.13-121
5310-99-941-6653	2-4.233-22	5310-99-941-6654	2-4.83-28	5310-99-941-6654	2-7.21-18
5310-99-941-6653	2-4.235-40	5310-99-941-6654	2-4.85-51	5310-99-941-6654	2-7.39-7
5310-99-941-6653	2-5.5-10	5310-99-941-6654	2-4.89-98	5310-99-941-6654	2-7.41-26
5310-99-941-6653	2-5.19-9	5310-99-941-6654	2-4.97-43	5310-99-941-6654	2-7.43-57
5310-99-941-6653	2-6.15-92	5310-99-941-6654	2-4.97-51	5310-99-941-6654	2-7.47-86
5310-99-941-6653	2-6.15-102	5310-99-941-6654	2-4.99-69	5310-99-941-6654	2-7.55-4
5310-99-941-6653	2-7.3-11	5310-99-941-6654	2-4.99-78	5310-99-941-6654	2-7.57-39
5310-99-941-6653	2-7.5-26	5310-99-941-6654	2-4.107-5	5310-99-941-6654	2-7.59-49

INDEX OF NATO STOCK NUMBERS

NATO STOCK No.	Chapter, Page and Item No.	NATO STOCK No.	Chapter, Page and Item No.	NATO STOCK No.	Chapter, Page and Item No.
5310-99-941-6654	2-7.59-57	5310-99-941-6655	2-8.5-50	5310-99-941-6660	2-1-2.5-30
5310-99-941-6654	2-7.59-64	5310-99-941-6655	2-8.5-56	5310-99-941-6661	2-4.5-3
5310-99-941-6654	2-7.61-73	5310-99-941-6655	2-8.11-29	5310-99-941-6677	2-4.55-68
5310-99-941-6654	2-7.65-28	5310-99-941-6655	2-8-1.5-32	5310-99-941-6678	2-1-2.15-10
5310-99-941-6654	2-7.69-6	5310-99-941-6655	2-8-1.7-52	5310-99-941-6678	2-4.55-69
5310-99-941-6654	2-7.143-46	5310-99-941-6655	2-8-1.7-69	5310-99-941-6678	2-4.243-15
5310-99-941-6654	2-7.207-4	5310-99-941-6655	2-8-1.11-5	5310-99-941-6678	2-8.11-12
5310-99-941-6654	2-7.205B-108	5310-99-941-6655	2-11.3-8	5310-99-941-6688	2-7.55-13
5310-99-941-6654	2-8.3-23	5310-99-941-6655	2-11.11-20	5310-99-941-6688	2-7.55-24
5310-99-941-6654	2-8.17-3	5310-99-941-6655	2-11.11-24	5310-99-941-6688	2-7.77-39
5310-99-941-6654	2-8.19/20-37	5310-99-941-6656	2-1-2.3-14	5310-99-941-6688	2-7.83-9
5310-99-941-6654	2-8-1.5-28	5310-99-941-6656	2-1-3.3-7	5310-99-941-6688	2-7.83-20
5310-99-941-6654	2-8-1.7-65	5310-99-941-6656	2-1-3.3-16	5305-99-941-6708	2-7.23-29
5310-99-941-6654	2-8-1.9-80	5310-99-941-6656	2-1-4.3-26	5305-99-941-6708	2-7.65-26
5310-99-941-6654	2-10.3-10	5310-99-941-6656	2-1-5.5/6-38	5305-99-941-6708	2-8-1.3-8
5310-99-941-6654	2-10.3-17	5310-99-941-6656	2-1-9.3-6	5305-99-941-6718	2-7.127-182
5310-99-941-6654	2-10.15-19	5310-99-941-6656	2-1-9.11-5	5305-99-941-6718	2-7.127-195
5310-99-941-6654	2-11.3-15	5310-99-941-6656	2-1-9.13-2	5305-99-941-6718	2-7.155-64
5310-99-941-6654	2-11.5-46	5310-99-941-6656	2-1-9.15/16-7	5305-99-941-6729	2-7.125-171
5310-99-941-6654	2-11.11-2	5310-99-941-6656	2-1-9.15/16-15	5305-99-941-6816	2-7.85-44
5310-99-941-6654	2-11.11-8	5310-99-941-6656	2-2.5-7	5305-99-941-6829	2-4.235-53
5310-99-941-6654	2-11.11-17	5310-99-941-6656	2-2.7-33	5305-99-941-6829	2-7.109-11
5310-99-941-6654	2-11.13/14-27	5310-99-941-6656	2-2.21/22-29	5305-99-941-6836	2-7.9-72
5310-99-941-6654	2-11.13/14-32	5310-99-941-6656	2-4.7-31	5305-99-941-6836	2-7.205B-103
5310-99-941-6655	2-1-4.5/6-40	5310-99-941-6656	2-4.99-82	5305-99-941-6843	2-7.37-5
5310-99-941-6655	2-1-5.5/6-43	5310-99-941-6656	2-4.193-37	5305-99-941-6846	2-1-1.11-12
5310-99-941-6655	2-1-6.5-46	5310-99-941-6656	2-4.197-45	5305-99-941-6846	2-1-1.11-23
5310-99-941-6655	2-1-6.7/8-72	5310-99-941-6656	2-4.197-54	5305-99-941-6846	2-7.83-16
5310-99-941-6655	2-3.3-25	5310-99-941-6656	2-4.197-63	5305-99-941-6846	2-7.87-17
5310-99-941-6655	2-3.29-31	5310-99-941-6656	2-4.203-37	5305-99-941-6851	2-1-2.5-56
5310-99-941-6655	2-3.29-38	5310-99-941-6656	2-4.231-8	5310-99-941-6866	2-4.135-11
5310-99-941-6655	2-3.33-15	5310-99-941-6656	2-5.11-9	5310-99-941-6866	2-4.135-19
5310-99-941-6655	2-4.5-12	5310-99-941-6656	2-6.15-88	5310-99-941-6866	2-7.83-12
5310-99-941-6655	2-4.157-8	5310-99-941-6656	2-7.5-41	5310-99-941-6866	2-7.83-23
5310-99-941-6655	2-4.163-21	5310-99-941-6656	2-7.11-93	5310-99-941-6867	2-1-2.15-26
5310-99-941-6655	2-4.179-12	5310-99-941-6856	2-7.21-10	5310-99-941-6867	2-4.221-5
5310-99-941-6655	2-4.187-6	5310-99-941-6656	2-7.69-8	5310-99-941-6867	2-4.233-21
5310-99-941-6655	2-4.189-40	5310-99-941-6656	2-7.135/137-298	5310-99-941-6867	2-4.235-39
5310-99-941-6655	2-4.199-69	5310-99-941-6656	2-8.13-34	5310-99-941-6867	2-7.95-37
5310-99-941-6655	2-4.201-3	5310-99-941-6656	2-8.17-18	5310-99-941-6867	2-7.95-41
5310-99-941-6655	2-4.207-27	5310-99-941-6656	2-8.17-24	5310-99-941-6867	2-8.19/20-29
5310-99-941-6655	2-4.209-40	5310-99-941-6656	2-10.3-4	5310-99-941-6868	2-7.149-35
5310-99-941-6655	2-4.209-46	5310-99-941-6656	2-10.17-41	5310-99-941-6869	2-4.51-18
5310-99-941-6655	2-4.217-3	5310-99-941-6656	2-11.3-20	5310-99-941-6869	2-4.55-64
5310-99-941-6655	2-4.233-26	5310-99-941-6656	2-11.5-38	5310-99-941-6869	2-4.239-65
5310-99-941-6655	2-4.235-45	5310-99-941-6657	2-4.5-10	5310-99-941-6869	2-7.161-39
5310-99-941-6655	2-6.9-22	5310-99-941-6657	2-4.59-12	5305-99-941-6959	2-3.3-10
5310-99-941-6655	2-6.9-28	5310-99-941-6657	2-4.157-11	5310-99-941-6970	2-7.97-10
5310-99-941-6655	2-6.11-53	5310-99-941-6657	2-4.163-25	5306-99-941-7019	2-3.29-29
5310-99-941-6655	2-7.27-20	5310-99-941-6658	2-2.3-10	5306-99-941-7019	2-4.27-28
5310-99-941-6655	2-7.205B-112	5310-99-941-6658	2-4.87-66	5306-99-941-7019	2-4.37-33
5310-99-941-6655	2-8.5-27	5310-99-941-6659	2-4.219-14	5306-99-941-7021	2-4.121-26

INDEX OF NATO STOCK NUMBERS

NATO STOCK No.	Chapter, Page and Item No.	NATO STOCK No.	Chapter, Page and Item No.	NATO STOCK No.	Chapter, Page and Item No.
5306-99-941-7027	2-9.3-15	5305-99-941-7937	2-7.189-96	5310-99-941-8543	2-13.7/8-8
5305-99-941-7062	2-4.9-10	5310-99-941-7943	2-2.3-6	5310-99-941-8548	2-4.177-105
5305-99-941-7062	2-4.15-12	5310-99-941-7948	2-4.203-48	5310-99-941-8554	2-3.17-80
5305-99-941-7062	2-4.47-11	5310-99-941-7948	2-4.233-16	5310-99-941-8571	2-7.97-11
5305-99-941-7062	2-4.71-20	5305-99-941-7988	2-7.91-69	5310-99-941-8571	2-7.127-196
5305-99-941-7062	2-4.125-14	5305-99-941-7991	2-7.143-54	5310-99-941-8580	2-1-2.9-82
5305-99-941-7063	2-4.9-12	5306-99-941-8000	2-4.191-16	5310-99-941-8610	2-4.169-6
5305-99-941-7063	2-4.13-18	5306-99-941-8003	2-4.19-7	5305-99-941-8615	2-4.239-64
5305-99-941-7063	2-4.23-12	5306-99-941-8003	2-4.23-4	5310-99-941-8623	2-3.11-20
5305-99-941-7063	2-4.115-20	5306-99-941-8003	2-4.25-11	5310-99-941-8623	2-4.119-31
5310-99-941-7070	2-1-1.3-21	5306-99-941-8003	2-4.37-38	5310-99-941-8623	2-4.163-20
5310-99-941-7070	2-4.63-30	5303-99-941-8003	2-4.41-94	5310-99-941-8623	2-4.201-4
5310-99-941-7070	2-4.123-44	5306-99-941-8003	2-4.45-136	5310-99-941-8623	2-4.213-28
5310-99-941-7070	2-4.147-79	5306-99-941-8004	2-4.61-23	5310-99-941-8623	2-4.221-7
5310-99-941-7070	2-4.181-16	5306-99-941-8009	2-4.73-39	5310-99-941-8623	2-4.221-24
5310-99-941-7070	2-4.181-31	5305-99-941-8039	2-5.15-33	5310-99-941-8635	2-3.15-71
5310-99-941-7070	2-4.233-23	5305-99-941-8052	2-4.143-26	5310-99-941-8635	2-4.31-14
5310-99-941-7070	2-7.37-8	5310-99-941-8085	2-3.19-24	5310-99-941-8635	2-4.49-38
5310-99-941-7070	2-7.43-49	5307-99-941-8226	2-7.119-70	5310-99-941-8635	2-4.73-37
5310-99-941-7070	2-7.77-58	5310-99-941-8262	2-6.5-59	5310-99-941-8635	2-4.103-13
5310-99-941-7070	2-8.17-10	5305-99-941-8311	2-4.237-19	5310-99-941-8635	2-4.117-16
5310-99-941-7070	2-8.19/20-30	5305-99-941-8315	2-4.55-63	5310-99-941-8635	2-4.121-27
5310-99-941-7070	2-12.11-12	5305-99-941-8315	2-4.243-31	5310-99-941-8635	2-4.203-36
5310-99-941-7070	2-12.11-30	5305-99-941-8343	2-4.221-20	2930-99-941-8635	2-4.217-6
5310-99-941-7070	2-12.13/14-43	5305-99-941-8356	2-7.193-146	5310-99-941-8635	2-4.217-7
5310-99-941-7070	2-12.13/14-52	5310-99-941-8386	2-1-6.5-38	5310-99-941-8637	2-1-2.5-36
5310-99-941-7072	2-3.15-49	5310-99-941-8386	2-1-6.7/8-59	5310-99-941-8637	2-1-2.5-44
5310-99-941-7072	2-4.19-11	5310-99-941-8386	2-4.11-17	5310-99-941-8637	2-1-2.11-113
5310-99-941-7072	2-4.49-35	5310-99-941-8386	2-4.19-6	5310-99-941-8637	2-1-4.5/6-33
5310-99-941-7072	2-4.61-7	5310-99-941-8386	2-4.19-18	5310-99-941-8637	2-3.11-25
5310-99-941-7072	2-4.71-21	5310-99-941-8386	2-4.23-2	5310-99-941-8637	2-3.31-2
5310-99-941-7072	2-4.117-23	5310-99-941-8386	2-4.23-8	5310-99-941-8637	2-4.209-49
5310-99-941-7072	2-4.123-38	5310-99-941-8386	2-4.23-15	5610-99-941-8637	2-4.217-14
5310-99-941-7072	2-4.123-40	5310-99-941-8386	2-4.27-26	5310-99-941-8637	2-8.13-44
5310-99-941-7072	2-4.181-23	5310-99-941-8386	2-4.37-32	5310-99-941-8637	2-8.1.11-17
5310-99-941-7072	2-6.3-11	5310-99-941-8386	2-4.41-92	5310-99-941-8637	2-10.21/22-6
5310-99-941-7072	2-6.9-14	5310-99-941-8386	2-4.47-12	5310-99-941-8639	2-8.11-18
5310-99-941-7072	2-8.11-11	5310-99-941-8386	2-4.47-17	5310-99-941-8642	2-8.11-4
5306-99-941-7079	2-3.29-36	5310-99-941-8386	2-4.57-2	5310-99-941-8703	2-4.237-31
5306-99-941-7079	2-4.9-16	5310-99-941-8386	2-4.61-15	5310-99-941-8703	2-7.191-132
5306-99-941-7079	2-4.73-28	5310-99-941-8386	2-4.69-14	5305-99-941-8727	2-4.163-10
5306-99-941-7079	2-4.111-24	5310-99-941-8386	2-4.73-27	5305-99-941-8855	2-1-2.7-62
5310-99-941-7691	2-7.79-84	5310-99-941-8386	2-4.105-28	5305-99-941-8855	2-1-2.11-107
5305-99-941-7837	2-7.171-157	5310-99-941-8386	2-4.109-44	5305-99-941-8871	2-8.9-16
5305-99-941-7854	2-7.199-20	5310-99-941-8386	2-4.111-21	5305-99-941-8908	2-7.29-8
5305-99-941-7854	2-7.203-59	5310-99-941-8386	2-4.139-30	5305-99-941-8908	2-7.213/214-8
5305-99-941-7854	2-7.205-74	5310-99-941-8386	2-4.223-44	5310-99-941-8921	2-4.203-44
5305-99-941-7855	2-7.171-179	5310-99-941-8386	2-7.9-86	5310-99-941-8921	2-4.245-36
5305-99-941-7905	2-4.5-9	5310-99-941-8386	2-7.205B-111	5306-99-941-9043	2-4.49-29
5305-99-941-7933	2-4.115-16	5310-99-941-8396	2-4.221-6	5305-99-941-9087	2-1-1.11-25
5305-99-941-7933	2-7.31-12	5310-99-941-8461	2-7.193-142	5305-99-941-9087	2-7.77-47
5305-99-941-7937	2-7.185-32	5310-99-941-8543	2-4.95-22	5305-99-941-9087	2-7.131-242

INDEX OF NATO STOCK NUMBERS

NATO STOCK No.	Chapter, Page and Item No.	NATO STOCK No.	Chapter, Page and Item No.	NATO STOCK No.	Chapter, Page and Item No.
5305-99-941-9088	2-7.101-72	5305-99-941-9945	2-7.205-94	5365-99-942-7998	2-4.195-20
5310-99-941-9113	2-5.9-27	5310-99-941-9954	2-7.181-287	5365-99-942-8000	2-3.33-8
5310-99-941-9113	2-7.71-21	5310-99-941-9961	2-7.9-74	5365-99-942-8000	2-4.185-4
5310-99-941-9113	2-7.107-168	5310-99-941-9961	2-7.23-26	5365-99-942-8000	2-4.187-14
5310-99-941-9130	2-7.155-70	5310-99-941-9961	2-7.39-14	5365-99-942-8002	2-1.9.3-9
5310-99-941-9136	2-8.15-3	5310-99-941-9961	2-7.41-34	4730-99-942-8006	2-2.5-12
5310-99-941-9136	2-8.1.13/14-3	5310-99-941-9961	2-7.155-65	5365-99-942-8008	2-3.7-52
5310-99-941-9185	2-7.151-10	5310-99-941-9961	2-7.165-78	3120-99-942-8076	2-3.3-22
5310-99-941-9185	2-7.153-42	5310-99-941-9961	2-7.205B-105	5330-99-942-8450	2-4.99-77
5305-99-941-9194	2-4.115-14	5310-99-941-9964	2-7.107-170	5330-99-942-8450	2-4.135-23
5305-99-941-9194	2-7.89-43	5310-99-941-9964	2-7.135/137-287	5330-99-942-8450	2-4.195-22
5305-99-941-9194	2-7.101-70	5310-99-941-9964	2-7.165-76	5330-99-942-8452	2-4.195-14
5305-99-941-9194	2-7.131-235	5310-99-941-9964	2-7.193-136	5330-99-942-8452	2-4.223-56
5305-99-941-9195	2-7.75-25	5310-99-941-9964	2-8.17-13	5330-99-942-8452	2-4.225-20
5305-99-941-9195	2-7.83-8	5306-99-941-9977	2-4.53-38	5330-99-942-8453	2-4.225-14
5305-99-941-9195	2-7.83-19	5305-99-941-9997	2-1.2.9-92	5330-99-942-8453	2-7.147-25
5305-99-941-9195	2-7.85-43	5315-99-942-0401	2-3.5-45	5330-99-942-8454	2-4.225-8
5305-99-941-9195	2-7.89-49	2590-99-942-0427	2-14.5-33	5330-99-942-8454	2-5.5-17
5305-99-941-9195	2-8.9-7	2590-99-942-0427	2-14.7/8-1	5330-99-942-8454	2-5.13-26
5305-99-941-9195	2-8.9-12	5315-99-942-0813	2-1.2.9-97	5330-99-942-8454	2-7.105-127
5305-99-941-9196	2-7.81-13	5315-99-942-2565	2-6.17-27	5330-99-942-8454	2-7.115-20
5305-99-941-9197	2-1-1.9-10	5325-99-942-3412	2-7.161-37	5330-99-942-8489	2-4.97-53
5305-99-941-9197	2-5.17-27	5325-99-942-3416	2-7.161-47	4730-99-942-8491	2-7.105-145
5305-99-941-9197	2-7.89-54	5325-99-942-3422	2-8.19/20-28	5365-99-942-8491	2-7.131-248
5305-99-941-9197	2-7.147-22	5325-99-942-3425	2-7.89-41	5330-99-942-9636	2-1-1.11-14
5310-99-941-9287	2-4.187-35	5325-99-942-3426	2-14.3-10	5330-99-942-9656	2-7.117-36
5310-99-941-9402	2-8.17-9	5325-99-942-3496	2-4.209-39	5330-99-942-9907	2-5.7-26
5310-99-941-9402	2-8.1.3-6	5315-99-942-3566	2-1.3.5-48	5330-99-942-9959	2-7.211-27
5310-99-941-9403	2-1-5.3-27	5315-99-942-3567	2-6.3-14	5330-99-942-9964	2-4.131-69
5330-99-941-9410	2-7.95-34	5315-99-942-3567	2-6.17-9	5330-99-942-9965	2-7.43-63
5310-99-941-9410	2-7.105-146	5315-99-942-3579	2-2.15-39	5330-99-942-9988	2-2.13-12
5330-99-941-9410	2-7.131-249	5315-99-942-3583	2-6.17-15	5330-99-943-0010	2-4.89-95
5310-99-941-9410	2-7.141-42	5315-99-942-3614	2-1.5.3-19	5330-99-943-0069	2-1.4.3-5
5310-99-941-9454	2-7.37-7	5315-99-942-3697	2-4.217-5	5330-99-943-0117	2-7.129-210
5310-99-941-9454	2-7.43-47	5315-99-942-3842	2-2.11-4	5330-99-943-0117	2-7.129-216
5310-99-941-9465	2-7.181-294	5315-99-942-3859	2-6.17-3	9320-99-943-1181	2-4.207-29
5310-99-941-9467	2-4.163-24	5315-99-942-3926	2-8.11-7	5330-99-943-1638	2-7.101-86
5310-99-941-9541	2-4.237-23	5315-99-942-3936	2-1.2.5-28	5330-99-943-1638	2-7.105-122
5310-99-941-9541	2-7.185-40	5935-99-942-4712	2-12.13/14-33	5330-99-943-2478	2-7.147-7
5310-99-941-9541	2-7.187-69	6145-99-942-4824	2-7.171-171	5310-99-943-3969	2-7.101-73
5310-99-941-9541	2-7.191-106	5340-99-942-5696	2-7.113-32	5310-99-943-4301	2-2.11-6
5310-99-941-9542	2-4.237-17	5365-99-942-5701	2-4.99-55	5330-99-943-4374	2-4.211-11
5310-99-941-9547	2-7.185-39	5365-99-942-5707	2-4.97-35	5330-99-943-4375	2-4.211-9
5310-99-941-9547	2-7.187-68	3110-99-942-5750	2-1.1.9-13	5310-99-943-4387	2-8.1.7-68
5310-99-941-9547	2-7.189-105	3110-99-942-5752	2-4.145-46	5310-99-943-4387	2-8.1.9-83
5306-99-941-9567	2-4.51-26	5325-99-942-6831	2-7.183-26	5310-99-943-4388	2-4.223-41
5305-99-941-9818	2-7.77-49	5325-99-942-6831	2-7.187-61	5330-99-943-4396	2-4.229-6
5305-99-941-9918	2-7.37-10	5325-99-942-6831	2-7.189-91	6145-99-943-4824	2-7.15/19-144
5305-99-941-9945	2-4.119-39	5325-99-942-6838	2-6.7-78	6145-99-943-4824	2-7.77-43
5305-99-941-9945	2-5.17-28	9905-99-942-6893	2-7.43-45	6145-99-943-4824	2-7.97-17
5305-99-941-9945	2-7.93-11	4720-99-942-7724	2-4.201-24	6145-99-943-4824	2-7.99-48
5305-99-941-9945	2-7.95-31	6230-99-942-7876	2-7.15/19-130	6145-99-943-4824	2-7.107-150

INDEX OF NATO STOCK NUMBERS

NATO STOCK No.	Chapter, Page and Item No.	NATO STOCK No.	Chapter, Page and Item No.	NATO STOCK No.	Chapter, Page and Item No.
6145-99-943-4824	2-7.121-97	5325-99-943-4856	2-7.107-156	4730-99-943-9374	2-2.15-31
6145-99-943-4824	2-7.121-104	5325-99-943-4856	2-7.119-69	4730-99-943-9374	2-2.21/22-31
6145-99-943-4824	2-7.121-109	5325-99-943-4856	2-7.157-92	4730-99-943-9374	2-3.7-62
6145-99-943-4824	2-7.121-116	5325-99-943-4856	2-7.159-24	4730-99-943-9374	2-6.5-42
6145-99-943-4824	2-7.121-122	9330-99-943-4858	2-7.107-155	4730-99-943-9374	2-6.13-82
6145-99-943-4824	2-7.123-128	9330-99-943-4858	2-7.119-68	4730-99-943-9375	2-2.7-22
6145-99-943-4824	2-7.123-134	9330-99-943-4858	2-7.157-91	4730-99-943-9375	2-2.13-15
6145-99-943-4824	2-7.123-140	9330-99-943-4858	2-7.159-23	4730-99-943-9377	2-2.7-23
6145-99-943-4824	2-7.123-147	5305-99-943-5590	2-4.237-20	4730-99-943-9377	2-3.29-26
6145-99-943-4824	2-7.125-157	5330-99-943-5658	2-2.19-18	4720-99-943-9438	2-4.191-14
6145-99-943-4824	2-7.125-167	5305-99-943-5715	2-7.75-12	5330-99-943-9585	2-7.209-8
6145-99-943-4824	2-7.125-175	5935-99-943-5878	2-7-1.6-129	5330-99-943-9586	2-7.127-187
6145-99-943-4824	2-7.133-259	5315-99-943-5954	2-4.79-69	4730-99-943-9621	2-8.19/20-39
6145-99-943-4824	2-7.133-262	5315-99-943-5954	2-4.87-63	4730-99-943-9626	2-8.19/20-40
6145-99-943-4824	2-7.133-273	5315-99-943-5956	2-4.219-13	5310-99-943-9795	2-7.75-36
6145-99-943-4824	2-7.133-276	5365-99-943-5986	2-7.37-15	3120-99-943-9829	2-6.5-32
6145-99-943-4824	2-7.135/137-290	5305-99-943-6340	2-7.185-42	5330-99-944-0045	2-7.127-184
6145-99-943-4824	2-7.147-10	5330-99-943-6628	2-1-2.9-103	5315-99-944-0167	2-4.213-9
6145-99-943-4824	2-7.147-14	5330-99-943-6628	2-5.5-15	5315-99-944-0171	2-1-1.5-11
6145-99-943-4824	2-7.147-19	6145-99-943-6806	2-7.87-29	5315-99-944-0171	2-1-1.5-25
6145-99-943-4824	2-7.149-31	6145-99-943-6806	2-7.127-202	5315-99-944-0171	2-1-1.7-32
6145-99-943-4824	2-7.153-35	5310-99-943-6847	2-7.99-54	5315-99-944-0171	2-1-4.3-23
6145-99-943-4824	2-7.153-45	5310-99-943-6847	2-7.107-176	5315-99-944-0171	2-6.3-27
6145-99-943-4824	2-7.153-53	5310-99-943-6847	2-7.141-27	5315-99-944-0171	2-7.45-71
6145-99-943-4824	2-7.157-85	5310-99-943-6847	2-7.161-41	5315-99-944-0171	2-10.17-34
6145-99-943-4824	2-7.159-16	5310-99-943-6847	2-7.171-158	5315-99-944-0171	2-10.19-10
6145-99-943-4824	2-7.159-22	5310-99-943-6848	2-7.23-28	5315-99-944-0176	2-1-2.5-51
6145-99-943-4824	2-7.161-29	5330-99-943-6848	2-7.93-17	5315-99-944-0186	2-1-10.3/4-4
6145-99-943-4824	2-7.163-59	5310-99-943-6848	2-7.143-53	5315-99-944-0190	2-1-1.3-13
6145-99-943-4824	2-7.163-62	5330-99-943-6848	2-7.147-6	5310-99-944-0545	2-4.235-55
6145-99-943-4824	2-7.163-65	5310-99-943-6848	2-7.153-32	5310-99-944-0545	2-5.17-31
6145-99-943-4824	2-7.163-68	5330-99-943-6849	2-7.107-158	5310-99-944-0545	2-7.45-81
6145-99-943-4824	2-7.163-71	5310-99-943-6849	2-7.161-35	5310-99-944-0545	2-7.109-13
6145-99-943-4824	2-7.169-149	5310-99-943-6850	2-8-1.11-7	5310-99-944-0545	2-7.113-21
6145-99-943-4824	2-7.171-162	5310-99-943-6851	2-7.157-79	5310-99-944-0545	2-7.113-25
6145-99-943-4824	2-7.173-183	5305-99-943-6920	2-8.17-8	5310-99-944-0545	2-7.185-35
6145-99-943-4824	2-7.173-193	5330-99-943-6946	2-5.17-21	5310-99-944-0545	2-7.187-65
6145-99-943-4824	2-7.175-202	5330-99-943-6946	2-7.15/19-142	5310-99-944-0545	2-7.189-100
6145-99-943-4824	2-7.175-221	5310-99-943-7118	2-4.149-19	5310-99-944-0545	2-7.193-154
6145-99-943-4824	2-7.179-251	5310-99-943-7455	2-4.241-69	5310-99-944-0549	2-1-6.3-21
6145-99-943-4824	2-7.179-258	5940-99-943-8569	2-7.123-137	5310-99-944-0549	2-1-6.5-28
6145-99-943-4824	2-7.179-265	5940-99-943-8569	2-7.125-170	5310-99-944-0549	2-1-6.5-39
6145-99-943-4824	2-7.181-273	5940-99-943-8569	2-7.133-260	5310-99-944-0549	2-1-9.15/16-11
6145-99-943-4824	2-7.199-10	5940-99-943-8569	2-7.149-33	5310-99-944-0549	2-2.7-43
6145-99-943-4824	2-7.201-36	5940-99-943-8569	2-7-1.2-4	5310-99-944-0549	2-2.17-51
6145-99-943-4824	2-7.201-40	5940-99-943-8569	2-7-1.4-59	5310-99-944-0549	2-5.13-5
6145-99-943-4824	2-7.203-44	5940-99-943-8569	2-7-1.4-62	5310-99-944-0549	2-5.15-29
6145-99-943-4824	2-7.203-55	5310-99-943-8626	2-7.151-8	5310-99-944-0549	2-5.15-32
6145-99-943-4824	2-7.205-70	4710-99-943-8887	2-4.201-15	5310-99-944-0549	2-7.5-37
6145-99-943-4824	2-7.209-11	5330-99-943-9026	2-4.213-21	5310-99-944-0549	2-7.7-65
6145-99-943-4824	2-7-1.8-174	6210-99-943-9076	2-7.151-24	5310-99-944-0549	2-7.9-80
6145-99-943-4824	2-7-1.8-189	5330-99-943-9084	2-4.99-65	5310-99-944-0549	2-7.9-87

INDEX OF NATO STOCK NUMBERS

NATO STOCK No.	Chapter, Page and Item No.	NATO STOCK No.	Chapter, Page and Item No.	NATO STOCK No.	Chapter, Page and Item No.
5310-99-944-0549	2-7.13-111	6145-99-945-5074	2-7.77-40	5310-99-946-9796	2-4.239-42
5310-99-944-0549	2-7.13-124	6145-99-945-5074	2-7.89-57	5310-99-946-9796	2-7.77-57
5310-99-944-0549	2-7.25-52	6145-99-945-5074	2-7.89-62	5310-99-946-9796	2-7.89-45
5310-99-944-0549	2-7.39-3	6145-99-945-5074	2-7.97-27	5310-99-946-9796	2-7.199-7
5310-99-944-0549	2-7.43-52	6145-99-945-5074	2-7.99-37	5310-99-946-9796	2-7.203-52
5310-99-944-0549	2-7.45-68	6145-99-945-5074	2-7.117-32	5310-99-946-9796	2-7.205-67
5310-99-944-0549	2-7.45-73	6145-99-945-5074	2-7.125-158	5310-99-947-1268	2-7.119-94
5310-99-944-0549	2-7.45-75	6145-99-945-5074	2-7.125-176	5310-99-947-1686	2-7.79-85
5310-99-944-0549	2-7.57-30	6145-99-945-5074	2-7.131-251	6145-99-947-9472	2-7.1.2-11
5310-99-944-0549	2-7.63-5	6145-99-945-5074	2-7.133-255	6145-99-947-9472	2-7.1.2-31
5310-99-944-0549	2-10.15-15	6145-99-945-5074	2-7.169-151	6145-99-947-9472	2-7.1.6-113
5310-99-944-0549	2-12.7-52	6145-99-945-5074	2-7.171-163	5310-99-948-0015	2-4.235-56
5310-99-944-0549	2-12.9-60	6145-99-945-5074	2-7.175-210	5305-99-948-0360	2-5.9-30
5310-99-944-0550	2-1.3.5-50	6145-99-945-5074	2-7.177-229	5305-99-948-0361	2-7.155-67
5310-99-944-0550	2-4.233-17	6145-99-945-5074	2-7.177-239	5310-99-948-0389	2-4.237-21
5310-99-944-0552	2-1-2.11-112	6145-99-945-5074	2-7-1.3-36	5310-99-948-0389	2-7.139-5
5310-99-944-0552	2-1-2.11-114	6145-99-945-5075	2-7.101-61	5310-99-948-0389	2-7.139-19
5310-99-944-0552	2-1-3.3-20	6145-99-945-5075	2-7.103-116	5340-99-948-2247	2-4.109-34
5310-99-944-0552	2-1-3.5-41	6145-99-945-5075	2-7.133-266	5306-99-948-2406	2-4.243-28
5310-99-944-0552	2-1-5.3-22	6145-99-945-5075	2-7.169-144	6210-99-948-6557	2-7.205-80
5310-99-944-0552	2-2.15-35	6145-99-945-5075	2-7.169-150	5320-99-948-7471	2-4.221-9
5310-99-944-0552	2-3.11-24	6145-99-945-5075	2-7.175-208	5325-99-948-9257	2-1-2.17/18-42
5310-99-944-0552	2-3.31-3	6145-99-945-5075	2-7.177-227	5325-99-948-9258	2-1-2.17/18-43
5310-99-944-0552	2-4.5-15	6145-99-945-5075	2-7.177-237	5325-99-948-9259	2-1-2.17/18-44
5310-99-944-0552	2-4.7-27	6145-99-945-5075	2-7.181-280	5310-99-948-9815	2-4.135-18
5310-99-944-0552	2-4.193-40	6145-99-945-5075	2-7.181-284	5305-99-949-7020	2-1-1.5-27
5310-99-944-0552	2-4.209-50	6145-99-945-5075	2-7-1.3-37	3110-99-950-0044	2-4.65-21
5310-99-944-0552	2-4.227-36	6145-99-945-5076	2-7.85-48	3110-99-950-0053	2-4.219-6
5310-99-944-0552	2-6.11-34	5330-99-945-5494	2-7.127-186	3110-99-950-0054	2-4.53-42
5310-99-944-0552	2-7.21-5	5310-99-945-7027	2-7.117-47	3110-99-950-0056	2-4.59-3
5310-99-944-0552	2-12.11-24	5310-99-945-7027	2-7.117-51	3110-99-950-0057	2-2.19-19
5310-99-944-0555	2-1-9.13-7	5310-99-945-7027	2-8.11-25	3110-99-950-0063	2-4.143-5
5310-99-944-0555	2-3.31-12	6145-99-945-8074	2-7.123-148	3110-99-950-0064	2-3.25-61
5310-99-944-0566	2-1-10.3/4-7	5305-99-946-2344	2-13.7/8-13	3110-99-950-0076	2-4.219-10
5310-99-944-0567	2-3.5-47	5310-99-946-4795	2-7.85-56	3110-99-950-0083	2-2.7-46
5310-99-944-0569	2-2.11-7	5305-99-946-4987	2-7.39-12	3110-99-950-0083	2-2.17-54
5310-99-944-0569	2-6.11-42	5310-99-946-5179	2-7.75-20	3110-99-950-0201	2-3.25-63
5310-99-944-0572	2-2.15-40	5310-99-946-5179	2-7.107-169	3110-99-950-0257	2-4.145-56
5310-99-944-0572	2-3.31-7	5310-99-946-5182	2-1-2.15-24	3110-99-950-0291	2-1-1.9-12
6250-99-944-0996	2-7.151-23	6145-99-946-7178	2-4.55-60	3110-99-950-0566	2-8.5-32
5365-99-944-3333	2-4.199-68	6145-99-946-8202	2-4.55-59	3110-99-950-0566	2-8-1.5-37
3120-99-944-7737	2-6.17-2	4730-99-946-9060	2-12.5-21	3110-99-950-0569	2-4.9-5
3120-99-944-7737	2-6.17-11	4730-99-946-9060	2-12.5-26	3110-99-950-0569	2-4.181-9
5305-99-945-2106	2-7-1.9-196	4730-99-946-9067	2-12.5-22	3110-99-950-0571	2-4.15-8
5305-99-945-2350	2-7.89-37	4730-99-946-9067	2-12.5-27	3110-99-950-0571	2-4.145-53
5330-99-945-4372	2-7.101-85	3110-99-946-9279	2-3.21-28	3110-99-950-0571	2-4.171-19
5330-99-945-4372	2-7.105-123	5310-99-946-9795	2-7.75-26	3110-99-950-0571	2-4.175-81
5300-99-945-4372	2-7.115-24	5310-99-946-9795	2-7.77-46	3110-99-950-0573	2-1-2.5-32
5970-99-945-4437	2-7.183-27	5310-99-946-9795	2-7.77-51	3110-99-950-0573	2-2.13-26
5970-99-945-4437	2-7.189-93	5310-99-946-9795	2-7.85-40	3110-99-950-0573	2-4.177-101
5940-99-945-4995	2-7.195-163	5310-99-946-9795	2-7.87-13	3110-99-950-0573	2-4.177-118
5940-99-945-4995	2-7.195-167	5310-99-946-9795	2-7.197-192	3110-99-950-0576	2-4.169-7

INDEX OF NATO STOCK NUMBERS

NATO STOCK No.	Chapter, Page and Item No.	NATO STOCK No.	Chapter, Page and Item No.	NATO STOCK No.	Chapter, Page and Item No.
3110-99-950-0578	2-4.179-7	5310-99-971-2810	2-6.3-16	6240-99-995-9118	2-7.205-81
3110-99-950-0578	2-4.197-35	5315-99-971-3177	2-7.115-17	6240-99-995-9813	2-7.15/19-132
3110-99-950-0582	2-4.133-95	3020-99-971-3635	2-4.33-12	2510-99-996-0698	2-1-6.3-7
3110-99-950-0994	2-3.5-35	5310-99-971-3720	2-7.89-53	5330-99-996-1176	2-9.3-10
3110-99-950-1009	2-3.5-34	5310-99-971-3720	2-7.139-15	4320-99-998-9888	2-3.17-89
3110-99-950-1037	2-3.5-36	5310-99-971-3810	2-4.243-14	6145-99-999-3758	2-7.193-158
3110-99-950-1177	2-7.83-4	5310-99-971-3810	2-7.165-83	6145-99-999-3758	2-7.195-170
5305-99-950-3869	2-10.11-89	5310-99-971-3810	2-7.167-114	6145-99-999-4047	2-4.137-5
5305-99-950-4416	2-8.3-22	5310-99-971-3810	2-7.167-119	6145-99-999-4047	2-4.137-11
5305-99-950-4416	2-8-1.5-27	5310-99-971-3810	2-7.167-125	6145-99-999-4047	2-4.247-20
5310-99-950-6170	2-7.105-139	5310-99-971-3810	2-7.169-131	5310-99-999-5407	2-7.197-194
5940-99-950-6263	2-7.123-150	5310-99-971-3810	2-7.169-136	5970-99-999-5578	2-4.237-28
5940-99-950-6263	2-7.125-160	5940-99-972-7294	2-7.119-65	5970-99-999-5579	2-7.93-9
5940-99-950-6263	2-7.125-179	5935-99-972-9649	2-7.127-194	5305-99-999-5692	2-7.85-39
5940-99-950-6263	2-7.133-252	5320-99-977-3496	2-3.27-7	6145-99-999-6438	2-7-1.2-2
5940-99-950-6263	2-7.133-257	5305-99-977-9991	2-4.127-20	5305-99-999-7566	2-7.209-6
5930-99-951-0583	2-7.203-60	2590-99-978-0906	2-7-1.10-230	5305-99-999-7566	2-8-1.13/14-28
5310-99-952-1024	2-4.181-35	2590-99-978-0907	2-7-1.4-60	6145-99-999-7727	2-7.75-30
5910-99-954-0510	2-7.191-118	6150-99-978-1721	2-7-1.10-223	6145-99-999-7727	2-7.99-49
5310-99-954-7408	2-4.235-60	2520-99-978-2351	2-4.165-11	6145-99-999-7727	2-7.99-57
5910-99-954-8415	2-4.237-7	2590-99-978-3110	2-2.13-3	5935-99-999-7864	2-7.45-83
5910-99-954-8415	2-4.243-23	2590-99-978-3111	2-7.43-61	5970-99-999-8808	2-7.85-52
5310-99-954-9617	2-7.83-26	5340-99-978-3113	2-1-4.5/6-38	5970-99-999-8808	2-7.87-7
5310-99-956-1786	2-1-2.17/18-37	2590-99-978-3115	2-1-6.3-5	5970-99-999-8808	2-7.87-11
5310-99-956-1786	2-1-2.17/18-39	2590-99-978-3116	2-1-6.3-12	5970-99-999-8808	2-7.89-59
5310-99-956-1786	2-1-4.5/6-34	2590-99-978-3118	2-5.13-25	5970-99-999-8808	2-7.91-65
5310-99-956-1786	2-1-9.5-11	5975-99-978-3142	2-7.5-43	5305-99-999-8973	2-1-2.7-59
5310-99-956-1786	2-4.125-7	5975-99-978-3142	2-7.109-1	5330-99-999-9422	2-4.59-14
5310-99-956-1786	2-4.233-19	2940-99-978-3166	2-4.221-15		
5310-99-956-1786	2-4.233-25	5310-99-980-6170	2-7.165-94		
5310-99-956-1786	2-4.235-44	5310-99-980-6170	2-7.167-105		
5330-99-957-1921	2-4.55-79	2510-99-988-4242	2-1-6.3-9		
5305-99-957-9616	2-16.23/24-28	6240-99-995-2236	2-7.3-15		
5305-99-957-9616	2-19.33-27	6240-99-995-2236	2-7.9-68		
5340-99-960-3831	2-11.11-13	6240-99-995-2236	2-7.23-21		
4710-99-960-6121	2-3.35/36-29	6240-99-995-2236	2-7.33-8		
4710-99-960-6121	2-4.201-21	6240-99-995-2236	2-7.39-15		
4710-99-960-6121	2-4.201-31	6240-99-995-2236	2-7.41-24		
9505-99-960-6751	2-4.187-16	6240-99-995-2236	2-7.49-18		
9505-99-960-6751	2-4.195-18	6240-99-995-2236	2-7.51-18		
9505-99-960-6752	2-4.187-13	6240-99-995-2236	2-7.73-30		
4710-99-964-9984	2-12.5-20	6240-99-995-2236	2-7.145-8		
4710-99-964-9987	2-12.5-30	6240-99-995-2519	2-14.3-5		
4710-99-964-9987	2-12.5-35	6240-99-995-3288	2-7.41-29		
4710-99-964-9987	2-12.7-41	6240-99-995-3288	2-7.53-8		
9505-99-965-3706	2-8-1.13/14-23	6240-99-995-4508	2-7.21-13		
5330-99-970-0241	2-7.127-185	6240-99-995-4508	2-7.29-20		
5330-99-970-0248	2-7.103-92	6240-99-995-4508	2-7.213/214-28		
5310-99-970-6320	2-1-2.17/18-32	6240-99-995-9118	2-7.105-143		
5305-99-970-7016	2-5.17-26	6240-99-995-9118	2-7.151-28		
5310-99-970-8625	2-7.11-92	6240-99-995-9118	2-7.159-15		
5310-99-970-8625	2-11.5-37	6240-99-995-9118	2-7.201-34		

CHAPTER 4
INDEX OF MANUFACTURERS' PART/DRAWING NUMBERS

4. UNRECORDED

5. UNRECORDED

INDEX OF MANUFACTURERS' PART/DRAWING NUMBERS

Part No./ Drawing No.	Chapter, Page and Item No.	Part No./ Drawing No.	Chapter, Page and Item No.	Part No./ Drawing No.	Chapter, Page and Item No.
AB/02/03/10308	2-4.217-9	ASL-CE40201-002	2-7.191-108	B1/3397/M/65/55	2-4.69-10
AB/1/2/12301	2-4.145-46	AS054869/14	2-11.7-14	B10447-38	2-4.115-11
ABB-03E-C10-SL-3SSN	2-14.7/8-4	AS31281	2-1.1.3-21	B10-70500-28	2-7.127-193
ABB03E10SL3SSN	2-7.47-88	AS31281	2-4.123-44	B10-70500-28	2-7.173-189
ABB-06E-C10-SL-3PSN	2-14.7/8-2	AS31281	2-4.147-79	B10-70500-28	2-7.173-198
ABB08E/C10SL-3PSN	2-14.3-12	AS5419-8	2-4.123-41	B10-70500-28	2-7.177-234
ABB-10SL-E-PCA	2-14.3-13	AS6733-32	2-3.11-9	B10-70500-28	2-7.177-245
ABB10SLXPCA	2-7.47-93	AS6733-32	2-4.35-13	B10-90029	2-12.7-47
ABB10SLXPCA	2-14.7/8-9	AS6733-32	2-4.39-64	B1300 010 OAPP	2-4.67-36
ABB165KFP	2-7.47-89	AS6733-32	2-4.47-3	B13537	2-7.161-37
AB1237	2-1-1.11-25	AS6733-32	2-4.61-13	B21193	2-7.189-81
AGS1186A	2-4.225-20	AS6733-33	2-4.35-12	B22342	2-6.17-27
AGS1186-A	2-4.195-14	AS6733-33	2-4.37-31	B36960	2-8-1.13/14-19
AGS1186-A	2-4.223-56	AS6733-33	2-4.39-63	B36973	2-8-1.13/14-22
AGS1186-B	2-4.225-14	AS6733-33	2-4.41-82	B37535	2-8.15-1
AGS1186-BB	2-4.195-9	AS6733-33	2-4.47-4	B37535	2-8-1.13/14-2
AGS1186CC	2-4.225-8	AS6733-33	2-4.47-9	B51117	2-4.55-67
AGS1186CC	2-7.105-127	AS6733-33	2-4.71-3	B54701	2-4.217-8
AGS1186-CC	2-5.5-17	AS6733-33	2-4.111-16	B61105	2-4.115-13
AGS1186-CC	2-7.115-20	AS6733-34	2-4.71-2	B6438104	2-4.115-12
AGS1186-H	2-4.211-9	AT10005	2-4.21-24	B6445501	2-4.229-9
AGS1186-14	2-4.199-67	AT6836033	2-4.153-19	CA2209-5103	2-7.45-83
AGS1186-14	2-4.215-31	AZ621-1	2-7-1.5-100	CBT11	2-7.101-62
AGS1186-14	2-5.19-5	A0900A025ASF	2-7.91-70	CBT14	2-7.99-46
AGS1186-17	2-4.207-5	A10000031AZC	2-7.37-15	CBT3	2-7.99-58
AGS1186-4	2-4.99-77	A10000068AZC	2-7.87-27	CBT3	2-7.101-63
AGS162B	2-7.161-27	A103-GT	2-4.55-66	CB7023-60	2-4.99-71
AGS162-B	2-7.139-6	A10-90031	2-12.7-46	CB7097-131	2-4.75-8
AGS162-B	2-7.139-20	A116-2E	2-4.53-52	CB7097-414	2-4.75-13
AGS2002 AINYLOC	2-7.139-12	A153F	2-4.201-28	CC565	2-3.23-51
AGS2002B4-77	2-7.155-74	A20185	2-4.149-19	CC851	2-3.27-17
AGS2002B4-77	2-7.157-81	A22592	2-7.147-24	CelluloseAcetate Sheet	2-19.11-13
AGS2002B4-77	2-7.163-52	A26-3C	2-4.119-41	CE300353	2-4.55-60
AGS2011-B3	2-7.161-40	A31125	2-6.7-80	CK106	2-4.29-13
AGS2030-15	2-4.57-8	A31416	2-7.79-79	CK111603	2-4.65-24
AGS2030-22	2-4.49-24	A37-B10	2-7.205B-99	CK111603	2-4.143-33
AGS2035-E	2-4.83-4	A38116	2-8.15-4	CK111603ZNQ	2-4.147-74
AGS2035-E	2-4.87-73	A38116	2-8-1.13/14-5	CK111603ZNQ	2-4.147-83
AGS2035-E	2-4.89-86	A4	2-4.123-42	CK118	2-4.33-4
AGS2035-E	2-4.91-121	A4	2-4.123-46	CK118	2-4.33-6
AGS2035-E	2-4.205-8	A51-Z	2-4.143-18	CK1760	2-4.73-29
AGS2035-E	2-4.205-26	A54-C	2-7.119-91	CK1965	2-4.33-17
AGS216-A	2-7.141-43	BA25018/1	2-9.3-8	CK211	2-4.31-21
AGS565	2-7.95-33	BDLL1056521	2-4.101-3	CK212	2-4.31-20
AGS568A	2-7.147-26	BHHD2BAX1	2-7.59-61	CK4689	2-4.137-3
AG52030-40	2-4.145-68	BMCFNZ506	2-4.203-38	CK540	2-4.35-29
AJ29513517	2-4.165-15	BMCFNZ507	2-4.225-30	CK540	2-4.39-80
AJ68366033	2-4.163-9	BSAU 152	2-11.5-36	CK540	2-4.63-31
ARL4001-70	2-7.83-26	BSAU152	2-0.3/4-17	CK540	2-4.73-32
		BS2859	2-1-9.3-9	CK540	2-4.115-18
		B00034	2-4.147-78	CK540	2-4.191-24

INDEX OF MANUFACTURERS' PART/DRAWING NUMBERS

Part No./ Drawing No.	Chapter, Page and Item No.	Part No./ Drawing No.	Chapter, Page and Item No.	Part No./ Drawing No.	Chapter, Page and Item No.
CK569	2-4.13-13	CV7556/45L20	2-4.239-44	D3004	2-12.13/14-38
CK569	2-4.19-4	CX112401-12	2-7.135/137-287	D3004	2-12.13/14-49
CK569	2-4.111-13	CX112401-13	2-7.169-131	D37640	2-8.15-8
CK608	2-4.19-2	CZ63041	2-7-1.6-129	D37640	2-8-1.13/14-9
CK608	2-4.25-7	C07342-01	2-7.29-12	D37641	2-8.15-10
CK608	2-4.61-18	C07342-01	2-7.213/214-15	D37641	2-8-1.13/14-11
CK609	2-4.11-8	C10-35916-28	2-7-1.8-181	D4414-3	2-12.11-13
CK609	2-4.15-10	C10-35918-22	2-4.247-12	D4414-3	2-12.13/14-47
CK609	2-4.123-35	C10-35918-28	2-7-1.8-179	D4424	2-7.139-2
CK610	2-4.11-12	C10-70500-10	2-7.97-20	D4525	2-7.93-2
CK610	2-4.23-10	C10-70500-10	2-7.141-40	D4532	2-7.93-3
CK610	2-4.25-5	C245	2-7.31-6	D4534	2-7.93-14
CK613	2-4.15-11	C24838FE	2-4.229-10	D4535	2-7.93-15
CK613	2-4.139-34	C6438106	2-4.115-9	D4542	2-7.93-29
CK616	2-4.15-9	C6445483	2-4.229-12	D4580	2-7.93-30
CK616	2-4.47-15	C7101-20	2-4.247-15	D5045	2-7.143-52
CK616	2-4.103-3	C7101-24	2-7-1.8-180	D5900	2-7.131-247
CK792	2-4.19-14	C762-9	2-4.79-69	D6444791	2-4.227-34
CK814	2-4.61-5	C762-9	2-4.87-63	D6444791	2-4.229-0
CK826	2-4.33-13	DE200E75	2-2.13-23	E/0/644-2245	2-12.7-54
CK826	2-4.49-42	DIN1400-14	2-1-2.15-7	E/0/651-4494	2-12.7-40
CK826	2-4.65-15	DP1002	2-7.139-15	E/0/651-4495	2-12.5-34
CK884	2-4.15-2	DRI-52-S	2-19.37-23	E/0/651-4496	2-12.5-29
CK954	2-4.73-34	DRI-54-S	2-19.13-2	E/0/651-4497	2-12.3-7
CK955	2-4.19-3	DRI-54-S	2-19.17-7	E/0/651-4498	2-12.3-2
CK955	2-4.73-26	DS18430A	2-7.75-33	E/0/652-4798	2-12.3-19
CK955	2-4.113-28	D1C23659-267- B6S6X12	2-4.89-102	E/0/653-2942	2-12.9-62
COM656S5	2-4.51-18	D1C23677-267- ECS6X10	2-4.83-10	E/309/S	2-7.79-68
COM656S5	2-4.55-64	D1C23677-267- ECS6X10	2-4.83-21	E/309/S	2-7.79-89
CPS308	2-1-2.5-51	D1C23677-267- ECS6X10	2-4.79-58	E/309/S	2-7.79-94
CS1121	2-7.151-21	D1C23680-267- LB6M6	2-4.77-34	EBA-000638	2-16.5-59
CS32032	2-4.169-18	D1C23680-267- LB6M6	2-4.79-55	EBS-000012	2-16.3-27
CS32032	2-4.177-117	D1C23680-267- LB6M6	2-4.85-41	EBS-000012	2-17.3-12
CT172	2-1-2.9-90	D1C23680-267- LB6M6	2-4.85-44	EBS-000012	2-18.3-3
CU1064	2-4.109-37	D1C23680-267- LB6M6	2-4.91-122	EBS-000012	2-19.5-57
CV11178	2-7.183-21	D10-36675-14	2-7.109-10	EBS-000014	2-16.3-26
CV3591	2-8.15-13	D10-36675-16	2-4.243-5	EBS-000014	2-17.3-11
CV3591	2-8-1.13/14-13	D13001300APP	2-3.25-64	EBS-000014	2-18.3-2
CV5428	2-7.187-57	D13505/1	2-7.205-83	EBS-000014	2-19.5-56
CV5644	2-7.183-23	D14000050 APP	2-4.65-22	EBS-000039	2-19.39/40-21
CV5644	2-7.187-58	D14000750 APP	2-3.23-53	EBS-000047	2-16.3-12
CV7022	2-7.103-108	D14000850APP	2-3.21-31	EBS-000047	2-17.3-4
CV7040	2-7.183-18	D15768	2-19.17-6	EBS-000047	2-18.3-48
CV7040	2-7.189-85	D3004	2-12.11-9	EBS-000047	2-19.3-23
CV7098	2-7.189-84			EBS-000069	2-18.3-10
CV7104	2-7.183-19			EBS-000069	2-19.5-64
CV7104	2-7.189-86			EBS-000072	2-16.3-38
CV7117	2-7.183-22			EBS-000072	2-17.3-42
CV7117	2-7.187-56			EBS-000080	2-16.3-29
CV7117	2-7.189-89			EBS-000080	2-16.5-60
CV7311/SJ102A	2-7.205-86			EBS-000080	2-17.3-14
CV7316	2-7.75-34			EBS-000080	2-17.3-29

INDEX OF MANUFACTURERS' PART/DRAWING NUMBERS

Part No./ Drawing No.	Chapter, Page and Item No.	Part No./ Drawing No.	Chapter, Page and Item No.	Part No./ Drawing No.	Chapter, Page and Item No.
EBS-000080	2-18.3-5	EBS-000236	2-19.5-72	EBS-000638	2-18.3-4
EBS-000080	2-18.3-34	EBS-000294	2-19.3-41	EBS-000638	2-18.3-33
EBS-000080	2-19.3-21	EBS-000302	2-16.5-52	EBS-000638	2-19.3-20
EBS-000083	2-19.3-43	EBS-000302	2-17.3-39	EBS-000658	2-19.39/40-22
EBS-000083	2-19.5-75	EBS-000302	2-18.3-25	EBS-000668	2-18.3-16
EBS-000084	2-19.3-44	EBS-000302	2-19.5-87	EBS-000668	2-18.3-43
EBS-000084	2-19.5-76	EBS-000306	2-18.3-22	EBS-000669	2-16.3-22
EBS-000092	2-16.5-57	EBS-000306	2-19.5-84	EBS-000669	2-16.3-44
EBS-000092	2-17.3-34	EBS000310	2-16.3-49	EBS-000669	2-17.3-24
EBS-000092	2-18.3-31	EBS-000310	2-17.3-36	EBS-000669	2-18.3-17
EBS-000092	2-19.5-81	EBS-000351	2-17.3-41	EBS-000669	2-19.5-70
EBS-000099	2-19.7-25	EBS-000361	2-16.3-3	EBS-000670	2-16.3-7
EBS-000100	2-16.7-24	EBS-000511	2-19.3-33	EBS-000670	2-16.3-34
EBS-000106	2-19.5-82	EBS-000531	2-16.3-37	EBS-000670	2-17.3-44
EBS-000111	2-16.5-67	EBS-000531	2-18.3-9	EBS-000670	2-19.3-5
EBS-000111	2-16.7-13	EBS-000531	2-19.5-63	EBS-000671	2-16.7-14
EBS-000111	2-19.5-93	EBS-000535	2-19.7-34	EBS-000671	2-19.7-18
EBS-000111	2-19.7-17	EBS-000537	2-16.3-11	EBS-000672	2-16.3-19
EBS-000115	2-16.3-14	EBS-000537	2-17.3-3	EBS-000672	2-16.3-42
EBS-000115	2-19.3-25	EBS-000537	2-18.3-47	EBS-000672	2-17.3-22
EBS-000117	2-16.3-13	EBS-000537	2-19.3-22	EBS-000672	2-18.3-14
EBS-000117	2-19.3-24	EBS-000539	2-16.7-12	EBS-000672	2-18.3-41
EBS-000123	2-16.3-6	EBS-000539	2-19.7-16	EBS-000672	2-19.5-68
EBS-000123	2-19.3-10	EBS-000574	2-16.5-54	EBS-000678	2-17.3-25
EBS-000127	2-19.3-34	EBS-000574	2-17.3-31	EBS-000678	2-19.5-71
EBS-000133	2-19.5-94	EBS-000574	2-18.3-28	EBS-000688	2-16.3-17
EBS-000133	2-19.7-35	EBS-000574	2-19.5-78	EBS-000688	2-16.3-40
EBS-000191	2-19.3-32	EBS-000579	2-19.3-28	EBS-000688	2-18.3-12
EBS-000219	2-16.3-8	EBS-000580	2-19.3-27	EBS-000688	2-18.3-39
EBS-000219	2-16.3-35	EBS-000584	2-19.3-46	EBS-000688	2-19.5-66
EBS-000219	2-17.3-45	EBS-000585	2-19.3-30	EBS-000717	2-16.3-18
EBS-000219	2-19.3-6	EBS-000586	2-19.3-29	EBS-000717	2-19.5-67
EBS-000225	2-16.5-66	EBS-000587	2-19.3-3	EBS-000732	2-19.5-60
EBS-000225	2-16.7-15	EBS-000588	2-19.3-2	EBS-000821	2-19.3-47
EBS-000225	2-17.3-47	EBS-000590	2-16.3-5	EBS-000822	2-19.3-45
EBS-000225	2-18.3-7	EBS-000590	2-19.3-9	EBS-000917	2-19.3-16
EBS-000225	2-19.5-92	EBS-000601	2-19.3-31	EBS-001014	2-16.5-56
EBS-000225	2-19.7-19	EBS-000604	2-17.3-7	EBS-001014	2-17.3-33
EBS-000229	2-16.3-20	EBS-000604	2-18.3-46	EBS-001014	2-18.3-30
EBS-000229	2-16.3-43	EBS-000605	2-17.3-6	EBS-001014	2-19.5-80
EBS-000229	2-17.3-23	EBS-000605	2-18.3-45	EBS-001015	2-16.5-55
EBS-000229	2-18.3-15	EBS-000606	2-16.3-16	EBS-001015	2-17.3-32
EBS-000229	2-18.3-42	EBS-000606	2-19.3-38	EBS-001015	2-18.3-29
EBS-000229	2-19.5-69	EBS-000608	2-19.3-40	EBS-001015	2-19.5-79
EBS-000233	2-16.3-21	EBS-000609	2-19.3-39	EBS-001050	2-16.3-24
EBS-000233	2-16.3-45	EBS-000617	2-16.3-41	EBS-001050	2-16.3-47
EBS-000233	2-18.3-18	EBS-000617	2-17.3-21	EBS-001050	2-18.3-20
EBS-000233	2-18.3-44	EBS-000617	2-18.3-13	EBS-001050	2-19.5-73
EBS-000236	2-16.3-23	EBS-000617	2-18.3-40	EBS-001056	2-19.3-15
EBS-000236	2-16.3-46	EBS-000638	2-16.3-28	EBS-001060	2-16.3-50
EBS-000236	2-17.3-20	EBS-000638	2-17.3-13	EBS-001060	2-17.3-37
EBS-000236	2-18.3-19	EBS-000638	2-17.3-28	EBS-001060	2-18.3-23

INDEX OF MANUFACTURERS' PART/DRAWING NUMBERS

Part No./ Drawing No.	Chapter, Page and Item No.	Part No./ Drawing No.	Chapter, Page and Item No.	Part No./ Drawing No.	Chapter, Page and Item No.
EBS-001060	2-19.3-14	E21 UNIPREN50	2-7.99-37	FV(S)6-39-4	2-7.39-20
EBS-001060	2-19.5-85	E21 UNIPREN50	2-7.117-32	FV(S)6-39-4	2-7.41-37
EBS-001061	2-18.3-24	E21 UNIPREN50	2-7.123-148	FV(S)6-39-4	2-7.1.5-105
EBS-001077	2-19.35-2	E21 UNIPREN50	2-7.125-158	FV(S)6-39-6	2-7.1.4-66
EBS-001601	2-16.5-51	E21 UNIPREN50	2-7.125-176	FV(S)6-51-3	2-7.39-16
EBS-001601	2-17.3-38	E21 UNIPREN50	2-7.131-251	FV(S)6-51-3	2-7.57-46
EBS-001601	2-19.5-86	E21 UNIPREN50	2-7.133-255	FV(S)6-51-6	2-7.23-36
ECP11459	2-1-1.9-6	E21 UNIPREN50	2-7.169-151	FV(S)6-51-6	2-7.41-39
ECP11525	2-1-1.9-4	E21 UNIPREN50	2-7.171-163	FV(S)6-55-3	2-7.23-37
ECP11548	2-1-1.9-3	E21 UNIPREN50	2-7.175-210	FV(S)6-70-5	2-7.1.2-23
ECP12252	2-1-1.9-2	E21 UNIPREN50	2-7.177-229	FV(S)6-70-5	2-7.1.5-98
ECP12254	2-1-1.9-5	E21 UNIPREN50	2-7.177-239	FV(S)6-83-1	2-7.15/19-138
EC98PA	2-1-6.7/8-75	E21 UNIPREN6	2-7.93-5	FV(S)6-83-1	2-7.23-30
EE4	2-7.83-4	E21 UNIPREN6	2-7.205-93	FV(S)6-83-1	2-7.39-18
EL1934	2-4.55-59	E524	2-1-6.5-41	FV(S)6-83-1	2-7.41-35
EL38560-1	2-7-1.7-159	FB46011	2-7.133-280	FV(S)6-83-1	2-7.157-77
EM32815/56	2-6.11-38	FD11857-363	2-7.169-142	FV(S)6-83-1	2-7-1.3-45
EPL41	2-7.79-92	FG1982/1	2-5.9-32	FV(S)7/2/1	2-7-1.3-52
EP32028	2-1-1.9-7	FG1992M	2-5.9-4	FV(S)7/3/1	2-7-1.3-53
EP33231	2-1-1.9-8	FG1993	2-5.9-5	FV(S)72/2	2-4.11-17
EP33236	2-1-1.9-9	FG2048	2-5.9-15	FV(S)82/3	2-7.165-93
ERR 0560	2-4.85-48	FG2440	2-5.9-1	FV(S)82/3	2-7.167-104
ET8394	2-4.145-53	FG3043	2-5.9-26	FV(S)87 ITEM 5	2-5.5-16
ET8394	2-4.171-19	FG3128/B	2-5.9-18	FV(S)87 ITEM 7	2-5.5-18
ET8394	2-4.175-81	FG3214	2-5.9-25	FV(S)87 ITEM 7	2-5.11-3
E0641-4399/2	2-12.7-55	FG3259/40	2-5.9-31	FV(S)87/11	2-4.37-36
E0641-4399LH	2-12.7-56	FG490	2-5.9-3	FV(S)87/11	2-4.187-24
E0643-2922	2-12.3-16	FG558	2-5.9-11	FV(S)87/12	2-4.187-23
E0644-2260	2-12.7-50	FG642	2-5.9-6	FV(S)87/2	2-4.223-55
E13240	2-7.205B-102	FG685	2-5.9-14	FV(S)87/3	2-4.117-13
E21 UNIPREN 50	2-7-1.3-36	FG7219	2-5.9-21	FV(S)87/5	2-4.19-21
E21 UNIPREN100	2-7.169-144	FG7220	2-5.9-17	FV(S)87/9	2-3.33-11
E21 UNIPREN100	2-7.169-150	FL70/19	2-8.9-18	FV(S)87-ITEM 5	2-5.19-28
E21 UNIPREN100	2-7.175-208	FNZ104	2-4.107-6	FV(S)87-2	2-4.181-17
E21 UNIPREN100	2-7.177-227	FNZ104	2-4.109-29	FV(S)87-5	2-4.25-1
E21 UNIPREN100	2-7.177-237	FNZ508	2-4.149-15	FV(S)87-5	2-4.201-23
E21 UNIPREN100	2-7.181-280	FSP12/31	2-4.115-6	FV(S)87-9	2-4.199-65
E21 UNIPREN100	2-7.181-284	FV(S)108/3	2-7.113-30	FV(S)88/3	2-4.225-23
E21 UNIPREN24	2-7.85-49	FV(S)21-1-1	2-7.43-45	FV(S)88/5	2-3.35/36-31
E21 UNIPREN24	2-7.87-4	FV(S)55-2	2-7-1.4-63	FV(S)88/5	2-4.225-6
E21 UNIPREN24	2-7.87-9	FV(S)6/38/4	2-7.15/19-143	FV(S)88/5	2-4.225-12
E21 UNIPREN24	2-7.89-51	FV(S)6/38/4	2-7.157-76	FV(S)88/5	2-4.225-17
E21 UNIPREN24	2-7.89-61	FV(S)6/38/4	2-7-1.3-46	FV(S)88-5	2-4.185-11
E21 UNIPREN24	2-7.173-184	FV(S)6/38/4	2-7-1.5-104	FV(S)88-5	2-4.201-29
E21 UNIPREN24	2-7.173-192	FV(S)6/39/7	2-7-1.8-186	FV(S)89/5	2-4.225-5
E21 UNIPREN24	2-7.175-209	FV(S)6/55/3	2-7-1.3-44	FV(S)89/5	2-4.225-11
E21 UNIPREN24	2-7.177-228	FV(S)6/77/1	2-7-1.4-67	FV(S)89/5	2-4.225-16
E21 UNIPREN24	2-7.177-238	FV(S)6-38-4	2-7.23-32	FV(S)89/5	2-4.225-22
E21 UNIPREN50	2-7.77-40	FV(S)6-38-4	2-7.39-19	FV(S)90/2/11	2-2.15-46
E21 UNIPREN50	2-7.89-57	FV(S)6-38-4	2-7.41-36	FV(S)96/7	2-4.207-6
E21 UNIPREN50	2-7.89-62	FV(S)6-38-4	2-7.71-29	FV(S)9-6-2	2-7.109-23
E21 UNIPREN50	2-7.97-27	FV(S)6-39-4	2-7.23-31	FV(S)96-5	2-4.199-66

INDEX OF MANUFACTURERS' PART/DRAWING NUMBERS

Part No./ Drawing No.	Chapter, Page and Item No.	Part No./ Drawing No.	Chapter, Page and Item No.	Part No./ Drawing No.	Chapter, Page and Item No.
FV(S)96-5	2-4.207-23	FV131066	2-4.249-42	FV147762	2-4.111-26
FV(3)6/41A/1	2-4.247-18	FV131066	2-4.249-51	FV148421	2-4.29-14
FVRDE1042	2-4.209-36	FV131066	2-7.105-138	FV148422	2-4.29-15
FVRDE1042	2-4.223-37	FV131066	2-7.165-91	FV148495	2-3.23-55
FVRDE2058/1088	2-7.21-15	FV131066	2-7.167-103	FV148496	2-4.139-14
FVRDE2058/1088	2-7.31-19	FV131066	2-7-1.2-17	FV148500	2-4.147-82
FVS69-8	2-4.219-13	FV131066	2-7-1.2-29	FV148501	2-4.147-72
FVS87-2	2-6.5-41	FV131066	2-7-1.4-76	FV148502	2-4.145-69
FVS87-2	2-6.13-81	FV131066	2-7-1.5-85	FV148503	2-4.147-71
FVS87-3	2-4.13-8	FV131066	2-7-1.6-125	FV148504	2-4.139-9
FVS87-3	2-4.25-3	FV131067	2-7.129-220	FV148507	2-4.145-40
FVS87-3	2-4.61-16	FV131067	2-7.165-89	FV148512	2-4.143-25
FVS87-3	2-4.191-10	FV131069	2-7.105-135	FV148530	2-4.33-7
FVS87-4	2-4.55-70	FV131069	2-7.165-88	FV148543	2-4.33-5
FVS88-2	2-4.181-19	FV131070	2-4.247-26	FV148544	2-4.33-3
FVS88-2	2-6.5-36	FV131070	2-4.249-39	FV148549	2-4.143-16
FVS88-2	2-6.5-39	FV131070	2-4.249-48	FV148574	2-4.143-21
FVS88-2	2-6.13-68	FV131070	2-4.251/252-57	FV148585	2-4.143-29
FVS88-2	2-6.13-73	FV131070	2-7-1.4-74	FV148586	2-4.143-30
FVS88-2	2-6.13-76	FV131071	2-4.249-27	FV148592	2-4.145-63
FVS88-2	2-6.13-79	FV131071	2-4.249-40	FV148593	2-4.139-15
FVS88-2	2-8.17-21	FV131071	2-4.249-49	FV148597	2-4.143-23
FVS89-2	2-6.5-37	FV131071	2-4.251/252-58	FV148599	2-4.121-2
FVS89-2	2-6.5-40	FV131143	2-7.105-132	FV148599	2-4.121-4
FVS89-2	2-6.13-69	FV131143	2-7.165-85	FV148599	2-4.143-31
FVS89-2	2-6.13-74	FV131144	2-4.247-24	FV148623	2-4.143-3
FVS89-2	2-6.13-77	FV131144	2-7-1.4-72	FV148746	2-4.13-12
FVS89-2	2-6.13-80	FV131169	2-4.249-38	FV148748	2-4.117-15
FVS89-5	2-3.35/36-30	FV131169	2-4.249-47	FV148764	2-4.103-2
FVS89-5	2-4.201-22	FV131169	2-4.249-56	FV148770	2-4.11-4
FVS89-5	2-4.201-32	FV131172	2-4.247-25	FV148772	2-4.65-8
FVS90-2-11	2-2.7-39	FV131172	2-7-1.2-26	FV148772	2-4.67-41
FV1020962	2-2.3-1	FV131172	2-7-1.4-73	FV148772	2-4.69-3
FV1042	2-4.191-4	FV131173	2-4.249-41	FV148795	2-4.71-5
FV1068358	2-7.7-63	FV131173	2-4.249-50	FV148803	2-4.9-6
FV1068358	2-7.139-1	FV131173	2-4.251/252-59	FV148803	2-4.11-11
FV1068359	2-7.139-4	FV131173	2-7-1.2-16	FV148803	2-4.13-10
FV107528	2-7.105-136	FV131173	2-7-1.4-84	FV148803	2-4.15-6
FV107528	2-7.129-207	FV131173	2-7-1.5-92	FV148804	2-4.13-1
FV107528	2-7.165-90	FV131173	2-7-1.6-124	FV148804	2-4.49-26
FV107528	2-7.167-100	FV141243	2-4.65-11	FV148805	2-4.117-22
FV107531	2-7-1.4-78	FV143252	2-4.7-35	FV148813	2-4.143-14
FV107619	2-7.129-208	FV14374	2-4.35-6	FV148814	2-4.143-15
FV107619	2-7.167-106	FV145194	2-4.71-15	FV148819	2-4.145-39
FV123817	2-7.45-70	FV145683	2-4.17-22	FV148843	2-4.145-38
FV129964	2-4.249-32	FV145684	2-4.139-8	FV148846	2-4.65-9
FV129964	2-4.249-52	FV145684	2-4.139-18	FV148856	2-4.139-26
FV129965	2-4.249-33	FV145684	2-4.167-33	FV148877	2-4.117-8
FV129965	2-4.249-53	FV146147	2-3.15-46	FV148924	2-4.31-3
FV131065	2-7.105-137	FV146166	2-4.149-20	FV148947	2-4.31-9
FV131065	2-7.129-217	FV147699	2-4.21-23	FV148949	2-4.31-16
FV131065	2-7.165-92	FV147742	2-4.19-22	FV148954	2-4.31-11

INDEX OF MANUFACTURERS' PART/DRAWING NUMBERS

Part No./ Drawing No.	Chapter, Page and Item No.	Part No./ Drawing No.	Chapter, Page and Item No.	Part No./ Drawing No.	Chapter, Page and Item No.
FV148976	2-4.133-106	FV149592	2-4.113-29	FV166001-369N	2-7-1.3-54
FV149022	2-4.11-2	FV149596	2-4.113-32	FV166011/72N	2-7-1.4-57
FV149024	2-4.11-3	FV149600	2-4.113-31	FV166186-1	2-7-1.7-150
FV149064	2-3.13-41	FV149635	2-3.17-78	FV166186-2	2-7-1.7-151
FV149102	2-3.17-77	FV149641	2-4.111-4	FV166208/2N	2-7-1.4-60
FV149111	2-3.17-79	FV149642	2-4.111-5	FV166372/82	2-7-1.4-70
FV149125	2-3.11-4	FV149643	2-4.23-14	FV166372/83M	2-7-1.4-71
FV149136	2-3.21-36	FV149666	2-4.25-8	FV166372-81	2-7-1.4-69
FV149138	2-4.23-1	FV149671	2-4.111-22	FV166403/35M	2-7-1.2-12
FV149191	2-4.71-8	FV149678	2-4.111-7	FV166403-36M	2-4.249-46
FV149207	2-4.101-14	FV149684	2-4.25-9	FV166403-37M	2-7-1.4-80
FV149217	2-3.21-29	FV149703	2-4.23-13	FV166404-3	2-7-1.5-89
FV149221	2-3.13-39	FV149724	2-4.57-7	FV166406-10M	2-4.249-55
FV149223	2-3.13-39(1)	FV149733	2-4.111-23	FV166417	2-4.249-34
FV149225	2-3.13-39(2)	FV149734	2-4.111-14	FV166417	2-4.249-43
FV149226	2-3.13-39(3)	FV149757	2-4.23-11	FV166418/3	2-4.249-31
FV149227	2-3.13-39(4)	FV149757	2-4.25-6	FV166419/5M	2-4.249-37
FV149228	2-3.13-39(5)	FV149758	2-3.11-10	FV166421-5M	2-7-1.9-210
FV149230	2-3.21-35(1)	FV149763	2-4.145-48	FV166705/5	2-4.233-24
FV149233	2-3.21-35(3)	FV149765	2-4.145-52	FV166705/5	2-4.247-1
FV149235	2-3.21-35(4)	FV149766	2-4.139-11	FV166707/3	2-7-1.2-1
FV149236	2-3.21-35(5)	FV149768	2-4.143-4	FV166722/4	2-7-1.5-97
FV149237	2-3.21-35(6)	FV149769	2-4.145-44	FV166722-5	2-7-1.5-95
FV149238	2-3.21-35(7)	FV149770	2-4.147-73	FV166722-6	2-7-1.5-96
FV149239	2-3.21-35(8)	FV149771	2-4.147-76	FV166764/2N	2-7-1.5-101
FV149240	2-3.21-35(9)	FV149772	2-4.15-16	FV166871/2	2-7-1.2-21
FV149241	2-3.21-35(10)	FV149780	2-3.23-44	FV167661-4	2-7-1.2-5
FV149243	2-3.21-35(11)	FV149788	2-4.29-4	FV167663/1	2-7-1.7-158
FV149245	2-3.21-35(12)	FV149790	2-4.29-5	FV167665-2	2-7-1.5-108
FV149249	2-4.121-28	FV149791	2-4.29-6	FV167665-3	2-7-1.5-109
FV149321	2-3.21-35(2)	FV149793	2-4.29-8	FV167667/10	2-4.247-21
FV149357	2-4.35-5	FV149795	2-4.29-10	FV167667/11M	2-4.247-22
FV149357	2-4.37-57	FV149799	2-4.147-75	FV167667-12	2-4.247-23
FV149357	2-4.43-113	FV149800	2-4.139-12	FV167668/4	2-7-1.2-24
FV149374	2-4.39-58	FV149817	2-4.57-12	FV167687/1	2-7-1.11-265
FV149376	2-4.49-34	FV149826	2-4.139-22	FV167702/1	2-7-1.6-118
FV149409	2-4.149-10	FV149834	2-4.139-10	FV167846/1	2-7-1.8-170
FV149427	2-4.145-59	FV149839	2-4.139-24	FV167854/1	2-7-1.8-173
FV149445	2-3.17-82	FV149877	2-4.57-5	FV167997/1	2-7-1.7-143
FV149473	2-4.143-13	FV149878	2-4.67-47	FV169421	2-7-1.3-56
FV149475	2-4.103-4	FV149893	2-3.15-64	FV169421	2-7-1.4-65
FV149487	2-4.19-10	FV157942	2-7.29-11	FV169421	2-7-1.5-102
FV149497	2-3.21-34	FV157949	2-7.15/19-130	FV169421	2-7-1.6-138
FV149498	2-3.21-35	FV157950	2-7.21-7	FV169421	2-7-1.7-149
FV149503	2-4.107-1	FV157970	2-7.21-12	FV169421	2-7-1.7-156
FV149518	2-4.57-14	FV157970	2-7.29-1	FV169421	2-7-1.8-188
FV149530	2-4.103-8	FV159979	2-4.137-12	FV169423	2-7.59-67
FV149550	2-4.11-7	FV159979	2-4.247-17	FV169423	2-7.157-88
FV149550	2-4.15-7	FV161066	2-4.251/252-60	FV169423	2-7.207-7
FV149571	2-4.33-9	FV166001/370N	2-7-1.7-145	FV194243	2-5.13-9
FV149572	2-4.33-10	FV166001/371N	2-7-1.7-146	FV194244	2-5.13-11
FV149590	2-4.11-13	FV166001/372N	2-7-1.7-147	FV194245	2-5.13-13

INDEX OF MANUFACTURERS' PART/DRAWING NUMBERS

Part No./ Drawing No.	Chapter, Page and Item No.	Part No./ Drawing No.	Chapter, Page and Item No.	Part No./ Drawing No.	Chapter, Page and Item No.
FV194246	2-5.13-15	FV2200654	2-14.3-11	FV2249170	2-12.9-65
FV194247	2-5.13-16	FV2200666	2-2.3-0	FV2249171	2-7.45-84
FV194248	2-5.13-12	FV2200680	2-15.3/4-20	FV2249173	2-10.21/22-2
FV194249	2-5.13-10	FV2200692	2-1-8.3/4-10	FV2249240	2-4.213-25
FV194250	2-5.13-14	FV2200708	2-1.3/4-14	FV2249241	2-4.213-17
FV2018251	2-7.63-11	FV2200712	2-10.11-91	FV229568	2-7.59-60
FV2018948	2-12.7-48	FV2200759	2-13.5-3	FV229569	2-7.59-59
FV2029143	2-14.3-15	FV2200760	2-13.5-2	FV232094	2-7-1.7-164
FV2031419	2-1.3/4-12	FV2200773	2-13.3-7	FV252069	2-6.3-19
FV2032604	2-11.7-5	FV2200782	2-13.3-9	FV260864-3	2-4.63-26
FV2042043/29	2-4.207-12	FV2200782	2-13.7/8-0	FV260907	2-7.23-22
FV2042048/29	2-4.215-44	FV2200802	2-13.3-2	FV260907	2-7.35-1
FV2050607	2-7.93-6	FV2200820	2-13.5-1	FV260907	2-7.41-30
FV2050607	2-7.93-7	FV2200825	2-13.7/8-1	FV260940	2-7.59-62
FV2059252	2-14.3-7	FV2200826	2-13.3-1	FV260940	2-7.207-2
FV2059254	2-14.3-17	FV2200827	2-13.3-8	FV272313	2-1-2.9-89
FV2059255	2-14.3-20	FV2200827	2-13.5-0	FV27970	2-4.149-33
FV2086381	2-1.3/4-11	FV2200828	2-0.3/4-16	FV27970	2-4.189-39
FV2087524	2-8.17-26	FV2200828	2-13.3-0	FV27970	2-4.223-43
FV2108369	2-14.5-23	FV2200829	2-13.3-0	FV299295	2-3.3-21
FV2108370	2-14.3-18	FV2200910	2-11.5-32	FV299297	2-3.5-32
FV2108373	2-14.3-19	FV2200959	2-11.3-1	FV299298	2-3.3-23
FV2108374	2-14.3-16	FV2200959	2-11.7-1	FV299300	2-2.13-13
FV2110940	2-14.5-24	FV2200960	2-11.3-2	FV299300	2-3.5-44
FV2115598	2-2.9-53	FV2200960	2-11.7-3	FV299304	2-3.5-46
FV2115598	2-2.17-61	FV2200961	2-11.7-9	FV299312	2-3.3-20
FV2143397	2-7-1.3-35	FV2200963	2-11.7-13	FV299313	2-3.3-19
FV2148382	2-4.185-13	FV2200964	2-11.7-2	FV299339	2-3.3-28
FV2148382	2-4.201-25	FV2200965	2-11.7-4	FV299340	2-3.3-27
FV2150453	2-7.163-54	FV220541	2-3.23-45	FV299349	2-2.5-4
FV2150518	2-7.181-293	FV2227589	2-5.5-5	FV299356	2-2.5-1
FV2151902	2-14.3-14	FV2227589	2-5.13-17	FV299358	2-2.5-17
FV2184210	2-7.97-19	FV2229805	2-12.9-66	FV299359	2-2.5-16
FV2184210	2-7.141-30	FV2229807	2-12.9-68	FV299368	2-3.7-70
FV2184902	2-13.7/8-12	FV2249133	2-7.201-28	FV299373	2-3.7-67
FV2185002	2-4.177-101	FV2249134	2-7.201-27	FV299398	2-3.33-10
FV2185002	2-4.177-118	FV2249135/1	2-7.201-35	FV299399	2-2.5-15
FV2185101	2-13.7/8-2	FV2249135/2	2-7.201-39	FV299400	2-2.5-15(1)
FV2185102	2-13.7/8-3	FV2249135/3	2-7.203-43	FV299401	2-2.5-15(2)
FV2185103	2-13.7/8-4	FV2249143	2-9.3-12	FV299403	2-2.19-17
FV2185104	2-13.7/8-5	FV2249144	2-9.3-10	FV299404	2-2.19-3
FV2186543/2	2-7-1.8-193	FV2249145	2-9.3-1	FV299404	2-2.19-7
FV2187756	2-14.3-8	FV2249146	2-10.21/22-5	FV299404	2-2.19-11
FV2200554	2-11.9-2	FV2249149	2-1-9.9-9	FV299405	2-2.19-13
FV2200586	2-11.9-9	FV2249150	2-1-9.9-6	FV299413	2-2.7-32
FV2200640	2-0.3/4-14	FV2249157	2-1-9.9-5	FV299466	2-2.5-11
FV2200642	2-14.5-33	FV2249161	2-4.235-49	FV299466	2-4.185-3
FV2200642	2-14.7/8-1	FV2249162	2-4.235-51	FV299470	2-1-6.5-27
FV2200644	2-14.5-27	FV2249163	2-4.235-50	FV299470	2-1-6.7/8-71
FV2200644	2-14.7/8-13	FV2249164	2-5.13-3	FV299656	2-3.33-7
FV2200647	2-14.3-6	FV2249165	2-5.13-20	FV299656	2-4.185-5
FV2200650	2-14.3-2	FV2249167	2-4.187-17	FV299656	2-4.187-15
		FV2249168	2-4.231-2	FV299828	2-4.191-9

INDEX OF MANUFACTURERS' PART/DRAWING NUMBERS

Part No./ Drawing No.	Chapter, Page and Item No.	Part No./ Drawing No.	Chapter, Page and Item No.	Part No./ Drawing No.	Chapter, Page and Item No.
FV299995	2-8.5-29	FV39347	2-7.165-97	FV413989	2-3.3-9
FV299995	2-8-1.5-34	FV39348	2-7-1.4-77	FV413990	2-3.7-53
FV299995	2-10.3-3	FV39349	2-7.167-102	FV414128	2-2.19-24
FV300346	2-2.5-5	FV39350	2-7.167-101	FV418082	2-1-1.7-37
FV300421	2-2.9-52	FV39351	2-7.105-133	FV418083	2-1-1.7-36
FV300421	2-2.17-60	FV39351	2-7.129-206	FV421353	2-1-4.3-28
FV300421	2-5.11-4	FV39351	2-7.129-215	FV421369	2-1-9.7-4
FV300728	2-7.63-12	FV39351	2-7.165-87	FV421415	2-1-2.5-29
FV300728	2-7.67-8	FV39351	2-7.165-98	FV421492	2-3.33-1
FV300728	2-7.69-16	FV39352	2-7.105-134	FV421501	2-1-3.3-4
FV300860	2-6.5-46	FV39352	2-7.165-86	FV421506	2-1-3.3-5
FV300860	2-6.7-74	FV39352	2-7.165-99	FV421515	2-1-3.3-11
FV300860	2-6.11-36	FV394851	2-7.115-25	FV421516	2-1-3.3-9
FV31547	2-7.105-131	FV394852	2-7.115-26	FV421517	2-1-3.3-10
FV317436	2-2.5-9	FV394854	2-7.115-27	FV421541	2-0.3/4-10
FV3201752	2-4.119-42	FV394856	2-7.115-30	FV421541	2-10.3-0
FV324164/1	2-7-1.7-166	FV394856	2-7.181-289	FV421544	2-1.3/4-1
FV324164/2	2-7-1.7-167	FV394857	2-7.115-28	FV421544	2-1-1.3-1
FV324167/1	2-7-1.8-177	FV395476	2-3.7-51	FV421595	2-3.31-10
FV324167-1	2-7.43-54	FV395711	2-1-9.7-6	FV421596	2-3.31-9
FV324242/1	2-7-1.6-127	FV395733	2-1-9.3-8	FV421597	2-1-4.3-2
FV324244/2	2-4.235-52	FV395845	2-2.9-59	FV421602	2-1-1.3-6
FV324244/2	2-4.247-10	FV395885	2-2.13-11	FV421602	2-1-2.3-13
FV324284/5	2-7-1.3-49	FV397341	2-1-2.11-110	FV421602	2-1-3.7/8-58
FV324824-5	2-7.15/19-129	FV410126	2-7.113-4	FV421602	2-1-4.5/6-37
FV327850	2-1-1.11-17	FV410126	2-7.113-11	FV421602	2-1-8.3/4-15
FV337673	2-1-2.15-11	FV410126	2-7.113-16	FV421602/1	2-1-4.5/6-36
FV342513	2-7.63-2	FV410126	2-7.209-22	FV421602/10	2-1-8.3/4-14
FV342513	2-7.67-2	FV410133	2-7.127-198	FV421602/2	2-1-3.7/8-55
FV342513	2-7.69-10	FV410137	2-7.15/19-135	FV421602/3	2-1-3.7/8-56
FV342567	2-7.3-19	FV410138	2-7.127-199	FV421602/4	2-1-3.7/8-57
FV342567	2-7.3-21	FV410141	2-7.15/19-134	FV421697	2-5.5-25
FV342567	2-7.75-1	FV410505	2-7.113-31	FV421702	2-5.7-29
FV342586	2-4.51-1	FV410982	2-7.113-29	FV421711	2-1-9.3-5
FV342587	2-7.11-99	FV411771	2-6.13-83	FV421714	2-1-9.3-3
FV342587	2-7.183-1	FV413598	2-2.9-55	FV421721	2-1-4.5/6-43
FV342588	2-4.187-18	FV413797	2-1-2.7-57	FV421724	2-1-2.5-43
FV342588	2-4.233-1	FV413798	2-1-2.7-58	FV421733	2-1-1.3-2
FV342588	2-4.237-0	FV413799	2-1-2.7-61	FV421740	2-1-2.5-33
FV342593	2-5.13-22	FV413800	2-1-2.7-60	FV421741	2-1-2.5-35
FV342593	2-5.17-0	FV413804	2-1-2.7-68	FV421754	2-5.7-43
FV342593	2-7.3-8	FV413809	2-3.3-17	FV421755	2-5.7-45
FV351285	2-11.11-4	FV413813	2-3.5-38	FV421774	2-1-9.3-4
FV361055	2-7.23-35	FV413814	2-3.5-39	FV421775	2-1-5.3-6
FV361055	2-7.41-40	FV413815	2-3.5-40	FV421797	2-6.17-7
FV361154	2-4.223-58	FV413822	2-3.5-43	FV421799	2-6.17-8
FV368824	2-4.29-3	FV413905	2-2.7-47	FV421801	2-6.17-28
FV381722	2-7.109-19	FV413905	2-2.17-55	FV421822	2-1-1.3-11
FV381785	2-7.39-21	FV413909	2-2.9-50	FV421823	2-1-1.3-9
FV381785	2-7.51-1	FV413909	2-2.17-58	FV421825	2-3.3-3
FV388-3	2-4.201-16	FV413912	2-2.7-45	FV421825	2-3.31-0
FV39347	2-7.129-204	FV413912	2-2.17-53	FV421825/18	2-3.31-14

INDEX OF MANUFACTURERS' PART/DRAWING NUMBERS

Part No./ Drawing No.	Chapter, Page and Item No.	Part No./ Drawing No.	Chapter, Page and Item No.	Part No./ Drawing No.	Chapter, Page and Item No.
FV421826	2-3.31-11	FV450206	2-4.145-60	FV450591	2-3.19-5
FV421827	2-3.31-11(1)	FV450222	2-4.145-41	FV450592	2-3.19-6
FV421828	2-3.31-5	FV450237	2-4.33-1	FV450593	2-3.19-7
FV421829	2-3.31-5(1)	FV450238	2-4.103-19	FV450594	2-3.19-8
FV421861	2-1-10.3/4-9	FV450244	2-4.103-9	FV450595	2-3.19-9
FV421861	2-5.7-37	FV450253	2-4.143-2	FV450600	2-4.121-3
FV421863	2-5.7-39	FV450258	2-4.105-24	FV450605	2-4.31-6
FV421876	2-1-2.3-5	FV450265	2-4.103-22	FV450608	2-4.119-26
FV421915	2-4.187-12	FV450266	2-4.61-2	FV450612	2-4.121-1
FV421919	2-4.187-11	FV450269	2-4.57-9	FV450619	2-4.49-31
FV421964	2-3.33-5	FV450282	2-4.61-3	FV450636	2-4.119-27
FV421965	2-3.33-2	FV450283	2-4.61-4	FV450637	2-4.61-12
FV421989	2-3.33-6	FV450289	2-4.57-6	FV450644	2-4.125-9
FV422062	2-1-2.3-2	FV450290	2-4.57-10	FV450648	2-4.125-10
FV422087	2-10.17-38	FV450302	2-4.49-37	FV450652	2-4.125-1
FV422088	2-10.17-39	FV450305	2-4.7-34	FV450656	2-4.125-11
FV422099	2-3.3-12	FV450306	2-4.7-38	FV450683	2-4.61-10
FV422117	2-5.5-6	FV450307	2-4.7-40	FV450685	2-4.143-7
FV422179	2-1-2.5-48	FV450308	2-4.49-41	FV450686	2-4.143-8
FV422179	2-1-5.5/6-31	FV450316	2-4.7-33	FV450688	2-4.115-21
FV422180	2-1-2.5-47	FV450363	2-4.141-35	FV450712	2-4.135-15
FV422180	2-1-5.5/6-30	FV450377	2-4.11-14	FV450721	2-4.119-25
FV422190	2-1-2.9-83	FV450379	2-4.23-6	FV450735	2-4.115-17
FV422196	2-1-2.5-31	FV450379	2-4.37-37	FV450736	2-4.23-5
FV422231	2-6.19/20-30	FV450380	2-4.11-15	FV450751	2-4.117-7
FV422279	2-1-2.5-52	FV450392	2-4.125-5	FV450778	2-4.9-8
FV425117	2-4.177-122	FV450405	2-4.31-10	FV450779	2-4.137-2
FV426612	2-7.21-14	FV450406	2-4.31-17	FV450780	2-4.137-9
FV426612	2-7.31-1	FV450425	2-4.23-7	FV450792	2-4.47-23
FV426618	2-7.59-52	FV450440	2-4.57-4	FV450817	2-4.125-3
FV426636	2-7.3-13	FV450451	2-4.13-16	FV450821	2-4.21-26
FV426636	2-7.71-1	FV450458	2-4.73-30	FV450826	2-3.19-20
FV426641	2-7.31-15	FV450465	2-4.73-33	FV450829	2-3.19-22
FV431725	2-4.153-12	FV450465	2-4.123-50	FV450830	2-3.19-21
FV434553	2-2.5-2	FV450474	2-4.71-14	FV450850	2-3.21-37
FV434554	2-2.5-3	FV450476	2-4.73-25	FV450852	2-3.21-27
FV434564	2-2.17-63	FV450478	2-4.71-12	FV450854	2-4.135-10
FV434615	2-3.3-16	FV450481	2-4.35-27	FV450860	2-3.23-48
FV434749	2-9.3-21	FV450481	2-4.39-78	FV450865	2-3.19-10
FV434749	2-9.5/6-32	FV450482	2-4.37-34	FV450866	2-3.19-14
FV434898	2-7-1.2-9	FV450483	2-4.35-28	FV450867	2-3.19-23
FV435704	2-7.27-13	FV450483	2-4.39-79	FV450873	2-3.19-18
FV435705	2-7.27-14	FV450488	2-4.193-62	FV450875	2-3.21-25
FV435708	2-7.27-18	FV450489	2-4.71-13	FV450876	2-3.21-26
FV435709	2-7.27-17	FV450490	2-4.71-13(1)	FV450877	2-3.21-30
FV435710	2-7.27-15	FV450502	2-4.115-1	FV450878	2-3.21-32
FV438276	2-3.11-18	FV450513	2-4.111-15	FV450887	2-4.35-15
FV438285	2-3.23-42	FV450519	2-4.125-4	FV450887	2-4.39-66
FV438286	2-3.23-40	FV450520	2-4.125-2	FV450887	2-4.43-123
FV446943	2-7.107-157	FV450521	2-4.125-8	FV450892	2-3.17-87
FV446943	2-7.117-54	FV450542	2-4.143-28	FV450892	2-3.19-1
FV448465	2-8.15-12	FV450572	2-3.23-49	FV450894	2-4.29-18

INDEX OF MANUFACTURERS' PART/DRAWING NUMBERS

Part No./ Drawing No.	Chapter, Page and Item No.	Part No./ Drawing No.	Chapter, Page and Item No.	Part No./ Drawing No.	Chapter, Page and Item No.
FV450895	2-4.29-20	FV451270	2-4.145-36	FV451506	2-4.123-36
FV450896	2-4.29-19	FV451273	2-4.35-3	FV451519	2-4.61-11
FV450897	2-4.29-21	FV451273	2-4.37-55	FV451519	2-4.67-37
FV450900	2-4.15-3	FV451273	2-4.43-111	FV451520	2-4.65-18
FV450901	2-4.15-4	FV451279	2-4.37-46	FV451527	2-4.123-32
FV450922	2-3.11-2	FV451282	2-4.37-41	FV451531	2-4.67-33
FV450935	2-4.139-21	FV451284	2-4.35-2	FV451537	2-4.65-4
FV450940	2-3.19-11	FV451284	2-4.37-54	FV451551	2-4.65-20
FV450941	2-3.19-12	FV451284	2-4.43-110	FV451559	2-4.65-17
FV450948	2-3.11-17	FV451285	2-4.35-4	FV451560	2-4.65-16
FV450950	2-3.11-19	FV451285	2-4.37-56	FV451561	2-4.65-19
FV450951	2-3.11-14	FV451285	2-4.43-112	FV451575	2-4.33-12
FV450954	2-4.123-30	FV451287	2-4.37-40	FV451577	2-4.33-18
FV450963	2-3.27-6	FV451287	2-4.41-96	FV451578	2-4.33-19
FV450964	2-3.27-7	FV451287	2-4.45-139	FV451579	2-4.33-20
FV450966	2-3.27-8	FV451288	2-4.37-42	FV451580	2-4.33-21
FV450968	2-3.27-9	FV451290	2-4.37-43	FV451581	2-4.103-16
FV450969	2-3.27-11	FV451290	2-4.41-99	FV451584	2-4.103-15
FV450970	2-3.27-14	FV451290	2-4.45-142	FV451585	2-4.103-18
FV450971	2-3.27-10	FV451291	2-4.11-6	FV451597	2-4.65-2
FV450971	2-3.27-15	FV451291	2-4.13-2	FV451614	2-4.19-15
FV450973	2-3.27-18	FV451292	2-4.37-48	FV451615	2-4.31-1
FV450974	2-3.27-19	FV451292	2-4.41-104	FV451622	2-4.181-4
FV450976	2-3.27-23	FV451292	2-4.45-146	FV451634	2-4.181-33
FV450977	2-3.29-24	FV451293	2-4.31-18	FV451640	2-4.65-7
FV450979	2-3.29-28	FV451294	2-4.31-8	FV451644	2-4.49-27
FV450980	2-3.29-32	FV451321	2-4.37-44	FV451646	2-4.149-2
FV450981	2-3.29-33	FV451321	2-4.41-100	FV451648	2-4.149-3
FV450982	2-3.17-88	FV451321	2-4.45-143	FV451650	2-4.149-17
FV450982	2-3.29-35	FV451322	2-4.37-47	FV451651	2-4.153-16
FV450983	2-3.29-26	FV451322	2-4.41-103	FV451652	2-4.149-4
FV450984	2-3.29-25	FV451322	2-4.45-145	FV451655	2-4.149-6
FV450985	2-3.15-48	FV451325	2-3.23-39	FV451656	2-4.149-5
FV450986	2-3.15-47	FV451326	2-3.23-41	FV451660	2-4.149-9
FV450987	2-4.121-19	FV451347	2-4.35-1	FV451661	2-4.149-8
FV451030	2-4.57-0	FV451347	2-4.37-53	FV451662	2-4.151-39
FV451032	2-3.13-35	FV451356	2-4.149-13	FV451663	2-4.151-40
FV451033	2-3.13-35(1)	FV451359	2-4.149-22	FV451664	2-4.149-23
FV451034	2-3.13-35(2)	FV451371	2-4.103-21	FV451666	2-4.149-26
FV451035	2-3.13-35(3)	FV451375	2-4.145-37	FV451667	2-4.149-29
FV451036	2-3.13-35(4)	FV451380	2-3.23-52	FV451668	2-4.149-27
FV451038	2-3.11-15	FV451391	2-4.181-5	FV451669	2-4.151-38
FV451039	2-3.11-12	FV451395	2-4.181-10	FV451670	2-4.149-31
FV451083	2-4.57-13	FV451397	2-4.181-2	FV451674	2-4.149-28
FV451087	2-4.71-13(2)	FV451397	2-4.181-6	FV451675	2-4.149-30
FV451131	2-4.133-107	FV451418	2-4.181-7	FV451676	2-4.149-32
FV451142	2-3.23-43	FV451419	2-4.181-3	FV451677	2-4.149-36
FV451164	2-4.57-1	FV451423	2-4.37-52	FV451679	2-4.151-37
FV451170	2-4.35-30	FV451432	2-3.29-39	FV451683	2-4.149-35
FV451236	2-3.11-1	FV451469	2-4.149-16	FV451690	2-4.57-11
FV451267	2-4.147-86	FV451479	2-4.145-55	FV451703	2-4.49-25
FV451268	2-4.147-85	FV451504	2-4.123-34	FV451714	2-4.153-4

INDEX OF MANUFACTURERS' PART/DRAWING NUMBERS

Part No./ Drawing No.	Chapter, Page and Item No.	Part No./ Drawing No.	Chapter, Page and Item No.	Part No./ Drawing No.	Chapter, Page and Item No.
FV451714	2-4.155-7	FV451803	2-4.157-2	FV451898	2-4.163-4
FV451715	2-4.153-5	FV451805	2-4.157-4	FV451903	2-4.163-23
FV451715	2-4.155-8	FV451810	2-4.157-17	FV451904	2-4.163-12
FV451716	2-4.153-5(1)	FV451811	2-4.157-18	FV451908	2-4.163-15
FV451716	2-4.155-8(1)	FV451812	2-4.157-14	FV451909	2-4.163-19
FV451717	2-4.153-5(2)	FV451813	2-4.157-15	FV451912	2-4.163-18
FV451717	2-4.155-8(2)	FV451822	2-4.159-31	FV451917	2-4.187-10
FV451718	2-4.153-5(3)	FV451825	2-4.159-32	FV451918	2-4.71-4
FV451718	2-4.155-8(3)	FV451827	2-4.161-48	FV451920	2-4.151-41
FV451719	2-4.153-5(4)	FV451834	2-4.159-4	FV451921	2-4.39-73
FV451719	2-4.155-16	FV451836	2-4.159-9	FV451926	2-4.165-2
FV451720	2-4.153-6	FV451839	2-4.159-14	FV451932	2-4.165-6
FV451721	2-4.153-7	FV451840	2-4.159-13	FV451935	2-4.165-7
FV451723	2-4.153-10	FV451843	2-4.159-16	FV451936	2-4.165-8
FV451724	2-4.153-11	FV451843	2-4.159-28	FV451937	2-4.165-10
FV451725	2-4.155-19	FV451843	2-4.161-40	FV451938	2-4.165-17
FV451730	2-4.153-15	FV451843	2-4.161-47	FV451948	2-4.165-13
FV451732	2-4.153-14	FV451844	2-4.159-18	FV451963	2-4.165-16
FV451733	2-4.153-13	FV451844	2-4.161-42	FV451971	2-3.13-36
FV451739	2-4.155-1	FV451845	2-4.159-17	FV451972	2-3.15-51
FV451745	2-4.69-9	FV451845	2-4.161-41	FV451982	2-4.165-19
FV451746	2-4.69-5	FV451846	2-4.159-19	FV451983	2-4.165-21
FV451747	2-4.155-2	FV451847	2-4.159-19(1)	FV451989	2-4.165-29
FV451752	2-4.155-20	FV451848	2-4.159-19(2)	FV451992	2-4.165-26
FV451755	2-4.103-1	FV451849	2-4.159-19(3)	FV451993	2-4.165-25
FV451759	2-4.15-0	FV451850	2-4.159-20	FV451997	2-4.165-23
FV451762	2-4.155-3	FV451850	2-4.161-44	FV451998	2-4.165-22
FV451763	2-4.155-18	FV451851	2-4.161-51	FV451999	2-4.167-32
FV451763	2-4.163-3	FV451852	2-4.161-52	FV452000	2-4.167-31
FV451764	2-4.155-21	FV451853	2-4.161-50	FV452001	2-4.167-31(1)
FV451765	2-4.155-23	FV451853	2-4.165-18	FV452002	2-4.167-31(2)
FV451766	2-4.153-8	FV451854	2-4.159-22	FV452003	2-4.167-31(3)
FV451766	2-4.155-14	FV451860	2-4.159-30	FV452004	2-4.167-31(4)
FV451768	2-4.155-9	FV451865	2-4.159-25	FV452005	2-4.169-13
FV451769	2-4.155-10	FV451867	2-4.159-29	FV452008	2-4.169-2
FV451769	2-4.159-12	FV451868	2-4.161-33	FV452011	2-4.169-5
FV451770	2-4.155-12	FV451868	2-4.163-5	FV452012	2-4.169-4
FV451771	2-4.155-11	FV451869	2-4.161-34	FV452013	2-4.169-11
FV451772	2-4.155-15	FV451874	2-4.161-35	FV452014	2-4.169-10
FV451774	2-4.155-24	FV451875	2-4.161-36	FV452015	2-4.169-24
FV451775	2-4.155-25	FV451876	2-4.161-37	FV452016	2-4.169-26
FV451776	2-4.155-22	FV451877	2-4.161-39	FV452017	2-4.169-14
FV451787	2-4.181-25	FV451878	2-4.161-45	FV452019	2-4.169-15
FV451788	2-4.181-21	FV451879	2-4.161-43	FV452020	2-4.169-16
FV451789	2-4.181-26	FV451880	2-4.161-49	FV452021	2-4.169-17
FV451790	2-4.157-23	FV451884	2-4.161-53	FV452022	2-4.169-22
FV451793	2-4.157-10	FV451886	2-4.161-46	FV452024	2-4.177-100
FV451794	2-4.157-10(1)	FV451889	2-4.163-7	FV452024	2-4.177-119
FV451795	2-4.157-10(2)	FV451890	2-4.163-1	FV452025	2-4.177-121
FV451796	2-4.157-1	FV451892	2-4.163-2	FV452028	2-4.171-4
FV451797	2-4.157-6	FV451896	2-4.163-6	FV452029	2-4.171-3
FV451802	2-4.157-7	FV451897	2-4.163-8	FV452031	2-4.171-32

INDEX OF MANUFACTURERS' PART/DRAWING NUMBERS

Part No./ Drawing No.	Chapter, Page and Item No.	Part No./ Drawing No.	Chapter, Page and Item No.	Part No./ Drawing No.	Chapter, Page and Item No.
FV452032	2-4.171-34	FV452097	2-4.175-84	FV452178	2-4.177-98
FV452033	2-4.173-42	FV452102	2-4.171-21	FV452197	2-3.15-68
FV452034	2-4.173-43	FV452103	2-4.177-113	FV452202	2-3.13-38
FV452035	2-4.171-35	FV452104	2-4.175-90	FV452202	2-3.17-72
FV452036	2-4.171-36	FV452105	2-4.175-91	FV452202	2-4.123-29
FV452037	2-4.173-37	FV452106	2-4.175-92	FV452228	2-4.133-108
FV452040	2-4.173-39	FV452107	2-4.175-93	FV452240	2-4.133-102
FV452041	2-4.173-47	FV452108	2-4.177-95	FV452242	2-4.177-104
FV452042	2-4.173-44	FV452109	2-4.177-94	FV452243	2-4.175-72
FV452043	2-4.173-59	FV452110	2-4.177-96	FV452245	2-4.177-99
FV452047	2-4.173-60	FV452111	2-4.177-97	FV452248	2-4.173-64
FV452048	2-4.173-61	FV452112	2-4.173-65	FV452249	2-4.9-4
FV452049	2-4.173-62	FV452113	2-4.173-66	FV452249	2-4.15-5
FV452051	2-4.171-15	FV452114	2-4.175-67	FV452250	2-4.65-5
FV452051	2-4.173-53	FV452115	2-4.177-120	FV452251	2-4.65-3
FV452053	2-4.173-49	FV452118	2-4.177-115	FV452252	2-4.65-6
FV452054	2-4.173-50	FV452119	2-4.177-123	FV452253	2-4.15-20
FV452057	2-4.173-54	FV452121	2-4.179-11	FV452254	2-4.103-17
FV452058	2-4.173-55	FV452122	2-4.179-10	FV452255	2-4.9-3
FV452059	2-4.173-58	FV452123	2-4.179-1	FV452255	2-4.47-5
FV452060	2-4.177-111	FV452125	2-4.179-2	FV452256	2-4.47-6
FV452061	2-4.177-110	FV452126	2-4.179-3	FV452256	2-4.47-8
FV452062	2-4.171-2	FV452127	2-4.179-6	FV452258	2-4.169-21
FV452064	2-4.171-28	FV452128	2-4.179-4	FV452259	2-4.169-25
FV452066	2-4.171-31	FV452131	2-4.179-8	FV452260	2-4.173-57
FV452067	2-4.171-6	FV452136	2-4.169-12	FV452261	2-4.171-5
FV452068	2-4.171-8	FV452141	2-4.169-9	FV452264	2-4.159-1
FV452069	2-4.171-7	FV452144	2-4.165-9	FV452268	2-4.135-5
FV452070	2-4.171-9	FV452146	2-4.157-9	FV452270	2-4.135-16
FV452071	2-4.171-13	FV452147	2-4.157-13	FV452278	2-4.33-14
FV452072	2-4.171-10	FV452147	2-4.163-26	FV452279	2-3.29-27
FV452073	2-4.171-11	FV452148	2-4.157-12	FV452280	2-3.27-21
FV452074	2-4.171-12	FV452149	2-4.157-19	FV452281	2-3.27-22
FV452075	2-4.171-14	FV452150	2-4.135-3	FV452283	2-4.149-7
FV452076	2-4.171-16	FV452156	2-4.171-22	FV452285	2-4.173-41
FV452077	2-4.171-25	FV452161	2-4.173-51	FV452286	2-4.159-2
FV452078	2-4.171-23	FV452162	2-4.179-9	FV452287	2-4.159-26
FV452079	2-4.171-24	FV452163	2-4.179-14	FV452289	2-4.159-10
FV452080	2-4.171-26	FV452167	2-4.157-20	FV452289	2-4.161-38
FV452081	2-4.13-11	FV452167	2-4.163-16	FV452291	2-4.173-56
FV452082	2-4.171-17	FV452168	2-4.171-27	FV452292	2-4.173-46
FV452083	2-4.171-18	FV452168	2-4.173-52	FV452292	2-4.177-103
FV452089	2-4.175-77	FV452168	2-4.175-68	FV452293	2-4.175-74
FV452090	2-4.175-75	FV452168	2-4.175-89	FV452294	2-4.177-107
FV452090	2-4.177-112	FV452168	2-4.177-102	FV452295	2-4.175-70
FV452091	2-4.175-78	FV452168	2-4.177-109	FV452296	2-4.175-71
FV452092	2-4.175-76	FV452169	2-4.171-30	FV452297	2-4.177-108
FV452093	2-4.175-80	FV452169	2-4.173-63	FV452298	2-4.173-48
FV452094	2-4.175-79	FV452169	2-4.175-88	FV452301	2-4.175-73
FV452095	2-4.175-83	FV452175	2-4.13-14	FV452316	2-4.137-7
FV452096	2-4.171-20	FV452177	2-4.169-19	FV452317	2-4.137-8
FV452096	2-4.175-82	FV452177	2-4.171-29	FV452318	2-4.137-13

INDEX OF MANUFACTURERS' PART/DRAWING NUMBERS

Part No./ Drawing No.	Chapter, Page and Item No.	Part No./ Drawing No.	Chapter, Page and Item No.	Part No./ Drawing No.	Chapter, Page and Item No.
FV452319	2-4.137-14	FV452556	2-4.179-0	FV453457	2-4.165-14
FV452322	2-4.71-11	FV452557	2-4.149-1	FV453475	2-4.155-17
FV452326	2-4.163-22	FV452584	2-4.179-5	FV453477	2-4.153-2
FV452326	2-4.179-13	FV452587	2-4.133-105	FV453477	2-4.155-5
FV452332	2-4.67-46	FV452614	2-3.11-3	FV453478	2-4.153-17
FV452341	2-4.121-10	FV452667	2-4.159-23	FV453480	2-4.153-18
FV452345	2-4.65-1	FV452686	2-4.159-3	FV453490	2-4.165-27
FV452346	2-4.169-1	FV452705	2-4.35-14	FV453525	2-4.67-35
FV452366	2-4.149-24	FV452705	2-4.39-65	FV453528	2-4.67-28
FV452369	2-4.175-69	FV452705	2-4.43-122	FV453529	2-4.69-1
FV452371	2-4.171-1	FV452707	2-4.35-17	FV453546	2-4.143-9
FV452375	2-4.149-18	FV452707	2-4.39-68	FV453613	2-4.61-1
FV452389	2-4.137-10	FV452711	2-4.163-13	FV453708	2-4.29-9
FV452391	2-4.135-0	FV452748	2-4.21-25	FV453738	2-4.175-85
FV452394	2-4.47-21	FV452764	2-4.181-32	FV453743	2-4.163-17
FV452395	2-4.149-34	FV452766	2-4.121-9	FV453744	2-4.175-87
FV452409	2-4.15-19	FV452773	2-4.163-14	FV453745	2-4.175-86
FV452410	2-4.3-6	FV452781	2-4.145-64	FV453746	2-4.165-3
FV452410	2-4.149-0	FV452786	2-4.139-25	FV453775	2-4.153-1
FV452434	2-4.13-7	FV452799	2-4.123-49	FV453787	2-4.121-11
FV452435	2-4.121-5	FV452803	2-4.159-11	FV453787	2-4.123-45
FV452436	2-4.117-18	FV452804	2-4.153-9	FV453803	2-4.155-4
FV452448	2-4.181-8	FV452805	2-4.159-27	FV453827	2-4.47-22
FV452452	2-4.35-22	FV452811	2-4.35-9	FV453828	2-4.47-16
FV452453	2-4.35-21	FV452811	2-4.39-61	FV453829	2-4.47-20
FV452453	2-4.39-72	FV452815	2-4.165-4	FV453874	2-4.121-22
FV452454	2-4.35-26	FV452816	2-4.81-73	FV453880	2-4.67-45
FV452454	2-4.39-77	FV452817	2-4.165-11	FV453903	2-4.29-12
FV452456	2-4.123-31	FV452868	2-4.149-25	FV453907	2-4.43-114
FV452458	2-4.35-11	FV452878	2-4.169-3	FV453914	2-4.43-109
FV452459	2-4.35-10	FV452878	2-4.171-33	FV453919	2-4.41-88
FV452459	2-4.39-62	FV452940	2-4.173-45	FV453919	2-4.45-135
FV452462	2-4.81-70	FV452977	2-4.67-27	FV453919	2-4.117-4
FV452463	2-4.69-12	FV452978	2-4.65-23	FV453963	2-4.67-40
FV452465	2-4.69-13	FV453013	2-4.115-19	FV453974	2-4.25-22
FV452467	2-4.121-24	FV453028	2-4.135-20	FV453984	2-4.159-21
FV452468	2-4.35-24	FV453033	2-4.9-2	FV453985	2-4.159-6
FV452468	2-4.39-75	FV453050	2-4.65-25	FV453987	2-4.159-5
FV452470	2-4.69-6	FV453072	2-4.193-57	FV453990	2-4.159-7
FV452472	2-4.147-77	FV453074	2-4.193-61	FV454000	2-4.139-23
FV452479	2-4.69-2	FV453093	2-4.9-7	FV454005	2-4.25-13
FV452481	2-3.23-54	FV453102	2-4.67-29	FV454007	2-4.25-12
FV452486	2-4.173-38	FV453104	2-4.67-30	FV454008	2-4.25-23
FV452501	2-4.119-32	FV453237	2-4.193-63	FV454009	2-4.25-24
FV452544	2-4.3-5	FV453306	2-4.69-7	FV454010	2-4.43-130
FV452544	2-4.143-1	FV453307	2-4.69-8	FV454011	2-4.25-19
FV452545	2-4.121-21	FV453312	2-4.67-26	FV454012	2-4.45-134
FV452546	2-4.121-20	FV453338	2-4.37-49	FV454014	2-4.71-18
FV452547	2-4.157-0	FV453338	2-4.41-105	FV454015	2-4.71-1
FV452548	2-4.169-0	FV453338	2-4.45-147	FV454018	2-4.139-2
FV452553	2-4.163-11	FV453396	2-4.121-12	FV454036	2-4.157-16
FV452554	2-4.159-0	FV453429	2-4.157-5	FV454127	2-4.47-2

INDEX OF MANUFACTURERS' PART/DRAWING NUMBERS

Part No./ Drawing No.	Chapter, Page and Item No.	Part No./ Drawing No.	Chapter, Page and Item No.	Part No./ Drawing No.	Chapter, Page and Item No.
FV454217	2-4.41-89	FV462417	2-1-1.11-20	FV480165	2-10.15-9
FV454217	2-4.43-132	FV462418	2-1-1.11-4	FV480166	2-10.15-10
FV454414	2-4.19-9	FV462419	2-1-1.5-4	FV480167	2-10.15-11
FV454522	2-4.41-85	FV462425	2-1-1.5-19	FV480169	2-10.15-7
FV454522	2-4.43-128	FV462428	2-1-1.11-3	FV480173	2-10.15-14
FV454526	2-4.39-81	FV462429	2-1-1.11-13	FV480175	2-10.17-29
FV454528	2-4.41-86	FV462431	2-1-1.11-2	FV480179	2-10.17-32
FV454528	2-4.43-127	FV462432	2-1-1.11-11	FV480181	2-10.17-27
FV454532	2-4.41-83	FV462432	2-1-1.11-22	FV480182	2-10.15-3
FV454532	2-4.43-125	FV462433	2-1-1.11-8	FV480183	2-10.15-21
FV454533	2-4.117-2	FV462435	2-1-1.11-16	FV480211	2-5.7-44
FV454535	2-4.41-84	FV462440	2-1-1.11-10	FV480222	2-1-6.5-44
FV454535	2-4.43-126	FV462440	2-1-1.11-19	FV480254	2-10.19-3
FV454536	2-4.117-14	FV462441	2-1-1.11-5	FV480258	2-10.19-1
FV454549	2-4.29-7	FV462441	2-1-1.11-18	FV480258	2-10.21/22-3
FV454603	2-4.181-13	FV462442	2-1-1.11-6	FV480259	2-10.19-11
FV454604	2-4.181-11	FV462442	2-1-1.11-21	FV480260	2-10.19-5
FV454605	2-4.181-12	FV462443	2-1-1.11-7	FV480261	2-6.5-44
FV454665	2-3.27-3	FV462450	2-1-1.5-28	FV480261	2-6.5-55
FV454666	2-3.27-4	FV462451	2-1-1.7-33	FV480265	2-5.7-27
FV454667	2-3.27-5	FV462452	2-1-1.5-21	FV480316	2-10.19-0
FV454670	2-4.11-19	FV462453	2-1-1.5-22	FV480334	2-4.225-7
FV454671	2-4.3-7	FV462455	2-1-1.7-35	FV480334	2-5.13-24
FV454671	2-4.181-0	FV462456	2-1-1.5-26	FV480380	2-4.185-6
FV454672	2-4.181-1	FV462463	2-1-1.7-34	FV480461	2-3.33-17
FV454673	2-3.27-0	FV462471	2-1-1.5-7	FV480511	2-4.187-29
FV454724	2-4.73-23	FV462472	2-1-1.5-9	FV480542	2-5.11-2
FV454742	2-4.73-24	FV462473	2-1-1.5-6	FV481521	2-7.203-63
FV454837	2-4.67-44	FV462475	2-1-1.5-5	FV481522	2-7.203-49
FV454946	2-4.133-104	FV462476	2-1-1.7-29	FV481522	2-7.203-64
FV454948	2-4.133-103	FV462478	2-1-1.7-31	FV481523	2-7.199-5
FV454995	2-4.159-8	FV462479	2-1-1.7-30	FV481523	2-7.203-50
FV456893	2-7.55-2	FV462494	2-1-1.5-23	FV481523	2-7.203-65
FV456895	2-7.55-1	FV465495	2-7.27-16	FV481524	2-7.203-48
FV462301	2-1-2.7-64	FV468026	2-4.217-10	FV481525	2-7.203-53
FV462301	2-1-2.13-1	FV468027	2-4.217-1	FV481526	2-7.205-68
FV462302	2-1-2.13-2	FV468708	2-7.21-1	FV481532	2-7.105-148
FV462304	2-1-2.7-63	FV468708	2-7.27-1	FV481532	2-7.203-61
FV462305	2-1-2.13-3	FV468709	2-7.21-2	FV481534	2-7.199-3
FV462307	2-1-2.13-5	FV468709	2-7.27-4	FV481535	2-7.199-4
FV462308	2-1-2.13-4	FV468710	2-7.27-3	FV481537	2-7.201-23
FV462311	2-1-2.13-8	FV468711	2-7.27-6	FV481771	2-8.5-49
FV462401	2-1-1.3-14	FV468714	2-7.27-2	FV481771	2-8.9-1
FV462401	2-1-1.5-1	FV468715	2-7.27-5	FV481771	2-8-1.7-51
FV462402	2-1-1.5-3	FV468717	2-7.27-12	FV481772	2-8.9-10
FV462404	2-1-1.5-2	FV470586	2-3.19-16	FV481773	2-8.9-9
FV462404	2-1-1.11-1	FV479020	2-1-1.7-38	FV481774	2-8.9-14
FV462413	2-1-1.5-20	FV480094	2-5.5-20	FV481777	2-8.9-2
FV462413	2-1-1.9-1	FV480096	2-5.5-19	FV481778	2-8.9-8
FV462413	2-7.7-53	FV480098	2-5.7-31	FV481779	2-8.9-24
FV462414	2-1-1.5-16	FV480133	2-6.5-28	FV481782	2-8.9-13
FV462416	2-1-1.11-9	FV480133	2-10.5-21	FV481818	2-7.3-18

INDEX OF MANUFACTURERS' PART/DRAWING NUMBERS

Part No./ Drawing No.	Chapter, Page and Item No.	Part No./ Drawing No.	Chapter, Page and Item No.	Part No./ Drawing No.	Chapter, Page and Item No.
FV481818	2-8.5-53	FV482109	2-8.5-31	FV485441	2-7.57-32
FV481818	2-8.15-0	FV482109	2-8.1.5-36	FV485446	2-7.3-14
FV481829	2-8.19/20-31	FV482111	2-8.5-30	FV485472	2-7.55-9
FV481831	2-8.19/20-33	FV482111	2-8.1.5-35	FV485528	2-1.3.5-31
FV481834	2-8.19/20-35	FV482416	2-7.3-22	FV485529	2-1.3.5-35
FV481851	2-8.13-48	FV482416	2-8.1.9-84	FV485538	2-7.39-2
FV481851	2-8.1.11-23	FV482416	2-8.1.13/14-18	FV485539	2-7.39-1
FV481871	2-8.3-21	FV482426	2-8.1.11-25	FV485540	2-7.39-9
FV481871	2-8-1.5-26	FV482434	2-8.1.7-54	FV485643/8	2-7.23-38
FV481873	2-8.5-35	FV482434	2-8.1.11-1	FV485669	2-1-2.7-66
FV481873	2-8-1.5-40	FV482437	2-8.1.11-15	FV485680	2-1-2.7-65
FV481876	2-8.11-22	FV482439	2-8.1.11-2	FV485691	2-8.5-54
FV481884	2-8.1.13/14-15	FV482456	2-8.1.7-59	FV485834	2-1-2.7-67
FV481885	2-8.13-42	FV482456	2-8.1.7-74	FV485928	2-3.33-23
FV481886	2-8.13-41	FV482459	2-8.1.7-60	FV485936	2-4.193-59
FV481887	2-8.11-26	FV482459	2-8.1.9-75	FV485990	2-3.35/36-28
FV481888	2-8.11-23	FV482462	2-8.1.7-57	FV486008	2-7.59-47
FV481889	2-8.13-37	FV482463	2-8.1.7-56	FV486009	2-7.59-56
FV481889	2-8-1.11-14	FV482464	2-8.1.11-3	FV487180	2-1-2.15-15
FV481890	2-8.13-40	FV482485	2-8.1.9-77	FV487955	2-7.129-223
FV481891	2-8.13-43	FV482486	2-8.1.7-62	FV491781	2-5.13-2
FV481892	2-8.13-36	FV482489	2-8.1.7-58	FV491946	2-7.155-60
FV481892	2-8.13-47	FV482489	2-8.1.7-73	FV491949	2-7.199-6
FV481892	2-8.1.11-13	FV482492	2-8.1.7-71	FV491949	2-7.203-51
FV481892	2-8.1.11-20	FV482493	2-8.1.7-72	FV491949	2-7.205-66
FV481893	2-8.11-20	FV483556	2-7.199-8	FV492394	2-1-2.15-12
FV481895	2-8.11-21	FV485097	2-5.11-5	FV492807	2-7.21-3
FV481903	2-8.11-31	FV485101	2-5.19-20	FV494505	2-7.199-21
FV481904	2-8.11-30	FV485120	2-5.3-2	FV494518	2-7.151-18
FV481905	2-8.11-27	FV485120	2-5.11-1	FV494519	2-4.71-17
FV481906	2-8.11-32	FV485137	2-5.19-19	FV494519	2-4.235-42
FV481907	2-8.13-45	FV485138	2-5.19-18	FV494557	2-7.203-47
FV481907	2-8.1.11-18	FV485149	2-1-5.3-14	FV494560	2-7.9-82
FV481909	2-8.9-3	FV485178	2-1-1.3-7	FV494560	2-7.151-1
FV481910	2-8.9-4	FV485179	2-1-1.3-8	FV494570	2-7.11-90
FV481911	2-8.9-5	FV485217	2-1-2.5-46	FV494570	2-7.159-1
FV481926	2-8.13-38	FV485220	2-1-9.5-7	FV494577	2-7.151-16
FV481926	2-8-1.11-27	FV485272	2-7.25-51	FV494579/21	2-7.9-83
FV481929	2-8.13-39	FV485277	2-7.21-16	FV497409	2-7.27-7
FV481929	2-8.1.11-26	FV485284	2-3.33-13	FV499360	2-10.19-4
FV481939	2-8.13-49	FV485284	2-4.189-38	FV499375	2-7.41-22
FV481939	2-8-1.11-24	FV485349	2-3.35/36-34	FV499376	2-5.5-9
FV481948	2-8-1.13/14-29	FV485350	2-4.187-31	FV499376	2-5.9-0
FV482034	2-8.5-33	FV485366	2-7.55-22	FV499376	2-7.3-16
FV482034	2-8-1.5-38	FV485370	2-10.19-7	FV499383	2-1-9.11-4
FV482035	2-8.5-34	FV485373	2-10.19-6	FV499416	2-1-10.3/4-2
FV482035	2-8-1.5-39	FV485375	2-10.19-8	FV499427	2-1-10.3/4-3
FV482036	2-8.3-19	FV485392	2-10.3-13	FV499428	2-1-10.3/4-11
FV482036	2-8-1.5-24	FV485394	2-10.3-14	FV499431	2-1-10.3/4-5
FV482077	2-8-1.11-8	FV485411	2-7.55-21	FV499442	2-7.39-5
FV482080	2-8-1.11-10	FV485414	2-7.55-23	FV499491	2-7.3-9
FV482089	2-8-1.11-9	FV485422	2-7.55-8	FV499502	2-1-9.3-2

INDEX OF MANUFACTURERS' PART/DRAWING NUMBERS

Part No./ Drawing No.	Chapter, Page and Item No.	Part No./ Drawing No.	Chapter, Page and Item No.	Part No./ Drawing No.	Chapter, Page and Item No.
FV499525	2-2.7-26	FV499878	2-1-3.3-24	FV500116	2-6.9-24
FV499526	2-2.7-30	FV499885	2-1-3.3-25	FV500117	2-6.9-20
FV499541	2-2.7-25	FV499895	2-1-3.5-36	FV500118	2-6.11-30
FV499541	2-2.7-27	FV499898	2-1-3.5-37	FV500119	2-6.9-25
FV499541	2-2.7-29	FV499898	2-1-3.5-46	FV500120	2-6.9-26
FV499541	2-2.7-31	FV499899	2-1-3.5-38	FV500122	2-6.11-31
FV499541	2-2.13-4	FV499899	2-1-3.5-45	FV500131	2-6.13-62
FV499541	2-2.13-8	FV499900	2-1-3.3-14	FV500133	2-6.9-3
FV499542	2-2.7-41	FV499906	2-7.111-26	FV500134	2-6.9-6
FV499542	2-2.15-48	FV499925	2-7.109-2	FV500135	2-6.9-8
FV499543	2-2.7-24	FV499926	2-1-9.9-3	FV500136	2-6.9-10
FV499544	2-2.7-28	FV499926	2-1-9.9-7	FV500137	2-6.9-9
FV499545	2-2.7-35	FV499931	2-2.13-2	FV500138	2-6.9-13
FV499546	2-2.15-42	FV499932	2-2.13-6	FV500139	2-6.9-16
FV499549	2-0.3/4-2	FV499945	2-2.15-34	FV500140	2-6.9-17
FV499549	2-2.3-0	FV499948	2-2.15-41	FV500186	2-10.3-0
FV499554	2-4.185-2	FV499977	2-2.15-33	FV500187	2-10.3-1
FV499562	2-2.19-10	FV499978	2-2.13-10	FV500192	2-10.3-7
FV499566	2-2.19-2	FV500007	2-4.187-5	FV500195	2-10.3-12
FV499567	2-2.19-6	FV500008	2-4.187-8	FV500199	2-4.217-11
FV499682	2-1-1.3-22	FV500040	2-3.3-13	FV500200	2-4.217-4
FV499683	2-1-1.3-23	FV500050	2-3.3-1	FV502516	2-4.135-6
FV499683	2-2.13-16	FV500050	2-3.9-0	FV502539	2-4.137-6
FV499684	2-1-1.3-24	FV500051	2-3.9-1	FV502553	2-4.247-16
FV499686	2-1-1.3-18	FV500052	2-3.9-2	FV502584	2-7-1.7-141
FV499687	2-1-2.3-16	FV500053	2-3.9-5	FV502631	2-7-1.8-178
FV499692	2-7.5-43	FV500053	2-3.23-58	FV502635	2-7-1.8-187
FV499692	2-7.109-1	FV500054	2-3.9-6	FV507192	2-4.217-12
FV499693-2	2-7.111-25	FV500054	2-3.23-57	FV507348	2-4.217-6
FV499694	2-7.21-17	FV500055	2-3.3-14	FV508053	2-7.7-54
FV499697	2-7.37-4	FV500056	2-3.5-49	FV509109	2-5.13-7
FV499698	2-7.37-6	FV500060	2-4.187-22	FV509113	2-5.13-4
FV499760	2-7.37-12	FV500064	2-2.13-17	FV509114	2-5.13-25
FV499761	2-7.37-11	FV500097	2-6.9-0	FV509118	2-5.13-27
FV499763	2-7.37-3	FV500098	2-6.9-1	FV509127	2-5.13-21
FV499767	2-7.37-14	FV500099	2-6.11-44	FV509422	2-4.183-37
FV499784	2-3.5-33	FV500100	2-6.11-45	FV509426	2-4.183-41
FV499785	2-3.5-42	FV500101	2-6.11-51	FV509462	2-4.3-8
FV499786	2-3.5-41	FV500102	2-6.11-39	FV509462	2-4.183-36
FV499813	2-7.37-2	FV500103	2-6.11-55	FV509912	2-1-9.7-2
FV499815	2-7.23-27	FV500104	2-6.13-60	FV509939	2-1-9.7-5
FV499815	2-7.37-1	FV500105	2-6.13-64	FV510388	2-1-6.3-23
FV499833	2-0.3/4-11	FV500106	2-6.11-47	FV510388	2-1-6.7/8-61
FV499833	2-11.3-0	FV500107	2-6.11-48	FV510416	2-5.13-28
FV499860	2-1-3.3-1	FV500108	2-6.13-78	FV510612	2-7.9-69
FV499861	2-1-3.3-2	FV500109	2-6.13-75	FV510689	2-6.3-25
FV499862	2-1-3.3-3	FV500110	2-6.13-72	FV510690	2-6.3-24
FV499871	2-1-3.3-17	FV500111	2-6.13-67	FV510692	2-6.3-26
FV499874	2-1-3.3-18	FV500112	2-6.13-70	FV518137	2-4.231-7
FV499875	2-1-3.3-12	FV500113	2-6.15-86	FV518138	2-4.231-6
FV499876	2-1-3.3-13	FV500114	2-6.9-2	FV518422	2-5.5-24
FV499877	2-1-3.3-22	FV500115	2-6.9-5	FV518751	2-7.71-2

INDEX OF MANUFACTURERS' PART/DRAWING NUMBERS

Part No./ Drawing No.	Chapter, Page and Item No.	Part No./ Drawing No.	Chapter, Page and Item No.	Part No./ Drawing No.	Chapter, Page and Item No.
FV518752	2-7.71-11	FV524698	2-2.15-32	FV524940	2-8.3-6
FV518753	2-7.71-23	FV524699	2-2.13-24	FV524940	2-8-1.3-11
FV518754	2-7.71-4	FV524700	2-8.3-0	FV524943	2-8.3-13
FV518757	2-7.71-6	FV524712	2-7.109-15	FV524943	2-8-1.3-18
FV518759	2-7.73-31	FV524714	2-1-2.3-27	FV524945	2-8.3-3
FV518762	2-7.71-25	FV524715	2-1-2.3-18	FV524946	2-8.3-2
FV518763	2-7.71-3	FV524715	2-1-2.3-22	FV524947	2-8.3-1
FV518765	2-7.71-12	FV524716	2-1-2.3-20	FV524952	2-8.3-14
FV518766	2-7.71-13	FV524718	2-1-2.3-17	FV524952	2-8-1.3-19
FV518767	2-7.71-14	FV524719	2-1-2.3-21	FV524953	2-8.3-4
FV518770	2-7.71-18	FV524720	2-1-2.3-19	FV524953	2-8-1.3-9
FV518771	2-7.71-19	FV524722	2-1-2.3-23	FV524954	2-8.3-15
FV518772	2-7.71-17	FV524744	2-1.3/4-15	FV524954	2-8-1.3-20
FV518781	2-7.71-8	FV524744	2-1-10.3/4-1	FV524955	2-8.3-5
FV518782	2-7.71-10	FV524744	2-7.3-17	FV524955	2-8-1.3-10
FV518783	2-7.71-7	FV524744/7	2-1-10.3/4-6	FV524956	2-8.3-10
FV518784	2-7.73-32	FV524746	2-1-10.3/4-10	FV524956	2-8-1.3-15
FV518786	2-7.73-33	FV524746	2-5.7-36	FV524957	2-0.3/4-8
FV518798	2-7.155-58	FV524747	2-7.61-70	FV524957	2-8.3-0
FV518799	2-7.155-59	FV524750	2-4.187-36	FV524957	2-1-2.7-70
FV518855	2-7.159-21	FV524757	2-1-2.7-71	FV524989	2-4.207-8
FV518856	2-7.159-9	FV524759	2-1-2.7-72	FV524990	2-8.5-25
FV518856	2-7.191-130	FV524767	2-7.59-69	FV524990	2-8-1.5-30
FV518857	2-7.131-239	FV524771	2-4.5-4	FV525042	2-1-4.3-3
FV518867	2-7.167-115	FV524772	2-1-2.5-39	FV525045	2-1-4.3-4
FV518867	2-7.167-120	FV524773	2-1-2.5-40	FV525051	2-1-4.3-10
FV518867	2-7.167-126	FV524774	2-1-2.5-41	FV525059	2-6.3-13
FV518867	2-7.169-132	FV524775	2-1-2.5-42	FV525062	2-6.3-15
FV518867	2-7.169-137	FV524791	2-1-2.3-24	FV525068	2-6.3-17
FV518868	2-7.167-116	FV524802	2-1-8.3/4-2	FV525070	2-6.3-18
FV518868	2-7.167-121	FV524802/7	2-1-8.3/4-6	FV525101	2-1-4.3-6
FV518868	2-7.167-127	FV524803	2-1-8.3/4-3	FV525124	2-6.3-4
FV518868	2-7.169-133	FV524814	2-3.33-12	FV525125	2-6.3-9
FV518868	2-7.169-138	FV524814	2-4.189-37	FV525134	2-1-4.5/6-32
FV518869	2-7.159-8	FV524831	2-1.3/4-2	FV525169	2-1-3.5-40
FV524604	2-3.3-8	FV524831	2-1-2.3-1	FV525206	2-6.17-24
FV524605	2-3.3-7	FV524837	2-3.33-19	FV525209	2-6.19/20-37
FV524632	2-1-6.5-37	FV524847	2-1-8.3/4-7	FV525246	2-7.57-35
FV524664	2-1-1.3-4	FV524850	2-1-8.3/4-4	FV525283	2-6.17-1
FV524664	2-1-2.3-9	FV524884	2-3.33-18	FV525284	2-6.17-4
FV524664	2-1-3.5-33	FV524889	2-1-9.15/16-13	FV525285	2-6.17-5
FV524670	2-1-2.3-8	FV524906	2-4.209-48	FV525289	2-6.17-10
FV524670	2-1-3.5-29	FV524906	2-4.217-0	FV525291	2-6.19/20-43
FV524686	2-2.13-18	FV524913	2-4.207-10	FV525292	2-6.17-14
FV524687	2-2.13-19	FV524925	2-8.3-11	FV525296	2-6.17-6
FV524688	2-2.13-22	FV524925	2-8-1.3-16	FV525297	2-6.17-25
FV524689	2-2.13-25	FV524931	2-8.3-8	FV525298	2-6.17-26
FV524691	2-2.15-28	FV524931	2-8-1.3-13	FV525299	2-6.19/20-31
FV524692	2-2.13-27	FV524935	2-8.3-7	FV525300	2-6.17-16
FV524693	2-2.15-29	FV524935	2-8-1.3-12	FV525301	2-6.17-20
FV524694	2-2.15-37	FV524937	2-8.3-12	FV525303	2-6.19/20-36
FV524695	2-2.15-38	FV524937	2-8-1.3-17	FV525323	2-10.15-2

INDEX OF MANUFACTURERS' PART/DRAWING NUMBERS

Part No./ Drawing No.	Chapter, Page and Item No.	Part No./ Drawing No.	Chapter, Page and Item No.	Part No./ Drawing No.	Chapter, Page and Item No.
FV525325	2-10.17-28	FV527384	2-4.221-27	FV530653	2-7.97-2
FV525332	2-10.17-26	FV527390	2-4.221-29	FV530654	2-7.97-4
FV525337	2-10.17-25	FV527425	2-4.221-11	FV530658	2-7.101-64
FV525342	2-10.15-1	FV528428/2	2-7-1.11-258	FV530659	2-7.101-76
FV525351	2-10.15-5	FV530519	2-7.127-201	FV530660	2-7.101-78
FV525356	2-10.15-18	FV530559	2-7.97-5	FV530661	2-7.101-80
FV525357	2-10.15-17	FV530560	2-7.97-6	FV530662	2-7.103-91
FV525358	2-10.15-0	FV530561	2-7.97-7	FV530663	2-7.103-87
FV525366	2-10.17-31	FV530564	2-7.97-13	FV530664/1-9 & 31/39	2-7.99-55
FV525369	2-1-6.5-43	FV530564	2-7.165-96	FV530665	2-7.103-97
FV525369	2-1-6.7/8-74	FV5305656	2-7.101-66	FV530666	2-7.103-96
FV525369/12	2-1-6.7/8-54	FV530571	2-7.97-8	FV530666	2-7.103-96
FV525369/13	2-1-6.3-16	FV530572	2-7.97-9	FV530667	2-7.103-98
FV525369/2	2-1-6.7/8-55	FV530585	2-7.103-90	FV530668	2-7.103-99
FV525369/3	2-4.187-30	FV530585	2-7.131-226	FV530669	2-7.103-100
FV525369/6	2-1-6.7/8-56	FV530586	2-7.131-227	FV530670	2-7.103-103
FV525383	2-10.15-13	FV530587	2-7.103-89	FV530671	2-7.103-104
FV525384	2-10.15-13(1)	FV530587	2-7.129-225	FV530672	2-7.103-105
FV525386	2-4.201-11	FV530588	2-7.103-88	FV530673	2-7.103-106
FV525414	2-10.15-6	FV530588	2-7.107-165	FV530674	2-7.103-109
FV525439	2-6.3-0	FV530588	2-7.129-224	FV530675	2-7.103-110
FV525455	2-6.3-21	FV530589	2-7.101-77	FV530676	2-7.103-111
FV525463	2-6.7-64	FV530589	2-7.103-119	FV530679	2-7.97-3
FV525487	2-7.43-50	FV530590	2-7.101-79	FV530679	2-7.159-3
FV525490	2-7.43-61	FV530592	2-7.103-118	FV530685	2-7.103-117
FV525494	2-7.43-59	FV530633	2-7.151-13	FV530688	2-7.101-68
FV525497	2-0.3/4-6	FV530641/1	2-7.97-18	FV530689	2-7.105-124
FV525497	2-6.3-0	FV530641/1	2-7.179-260	FV530689	2-7.115-15
FV525535	2-3.9-4	FV530641/1	2-7.179-268	FV530690	2-7.105-125
FV525535	2-3.25-60	FV530641/2	2-7.171-173	FV530690	2-7.115-19
FV525550	2-5.19-2	FV530641/2	2-7.175-203	FV530691/1	2-7.105-126
FV525556	2-11.11-19	FV530641/3	2-7.179-247	FV530691-2	2-7.115-16
FV525562	2-11.13/14-31	FV530641/4	2-7.179-253	FV530692	2-7.101-65
FV525566	2-11.11-23	FV530641/5	2-7.97-28	FV530692	2-7.119-73
FV525570	2-11.3-19	FV530641/5	2-7.99-38	FV530693	2-7.119-74
FV526633	2-1-2.9-87	FV530641/5	2-7.177-222	FV530694	2-7.119-85
FV526635	2-1-2.9-88	FV530641/5	2-7.181-275	FV530695	2-7.119-86
FV526637	2-1-2.9-101	FV530641/7	2-7.99-50	FV530696	2-7.119-87
FV526639	2-1-2.9-96	FV530641/7	2-7.173-187	FV530697	2-7.119-88
FV526649	2-1-2.9-99	FV530641/7	2-7.173-196	FV530698	2-7.119-76
FV527301	2-4.221-1	FV530641/7	2-7.175-215	FV530699	2-7.119-75
FV527304	2-4.221-26	FV530641/7	2-7.177-232	FV530700	2-7.159-2
FV527315	2-4.221-15	FV530641/7	2-7.177-243	FV530701	2-7.159-5
FV527319	2-4.221-16	FV530641/8	2-7.171-155	FV530702	2-7.159-7
FV527325	2-4.221-2	FV530641/8	2-7.171-168	FV530703	2-7.161-32
FV527338	2-4.221-17	FV530644/1-9	2-7.105-149	FV530705	2-7.161-43
FV527350	2-4.221-30	FV530645	2-7.99-56	FV530706	2-7.161-36
FV527351	2-4.221-31	FV530646	2-7.101-60	FV530707	2-7.161-44
FV527353	2-4.223-57	FV530647	2-7.97-23	FV530708	2-7.163-72
FV527356	2-4.223-39	FV530648	2-7.99-33	FV530709	2-7.165-95
FV527382	2-4.223-45	FV530649	2-7.99-43	FV530709	2-7.167-109
FV527383	2-4.223-40	FV530650	2-7.97-14	FV530710	2-7.167-111

INDEX OF MANUFACTURERS' PART/DRAWING NUMBERS

Part No./ Drawing No.	Chapter, Page and Item No.	Part No./ Drawing No.	Chapter, Page and Item No.	Part No./ Drawing No.	Chapter, Page and Item No.
FV530712	2-7.167-112	FV530799	2-7.151-31	FV533369	2-4.213-30
FV530713	2-7.167-117	FV530800	2-7.153-33	FV533952	2-4.213-1
FV530714	2-7.167-123	FV531003	2-4.207-1	FV533954	2-4.213-24
FV530715	2-7.169-129	FV531003	2-4.211-0	FV533955	2-4.213-2
FV530716	2-7.169-135	FV531004	2-4.207-25	FV533956	2-4.213-13
FV530724	2-7.161-45	FV531004	2-4.213-0	FV533957	2-4.213-12
FV530726	2-7.165-80	FV531010	2-4.219-12	FV533958	2-4.213-19
FV530727	2-7.165-81	FV531011	2-4.219-1	FV533959	2-4.213-11
FV530728/1	2-7.181-279	FV531012	2-4.219-3	FV533960	2-4.213-10
FV530728/2	2-7.181-283	FV531013	2-4.219-7	FV533962	2-4.213-20
FV530728/3	2-7.169-143	FV531014	2-4.219-9	FV533963	2-4.213-22
FV530729/1	2-7.163-57	FV531016	2-4.219-10	FV533964	2-4.213-23
FV530729/2	2-7.163-60	FV531018	2-4.219-5	FV533965	2-4.213-26
FV530729/3	2-7.163-63	FV531019	2-4.219-2	FV533970	2-4.213-3
FV530729/4	2-7.163-66	FV531020	2-4.219-11	FV533973	2-4.213-6
FV530729/5	2-7.163-69	FV531025	2-4.59-11	FV533974	2-4.213-8
FV530729/6	2-7.161-28	FV531026	2-4.59-2	FV533977	2-4.215-34
FV530730	2-7.161-33	FV531027	2-4.59-9	FV533978	2-4.215-41
FV530731	2-7.169-147	FV531028	2-4.59-16	FV533979	2-4.215-43
FV530732	2-7.171-160	FV531029	2-4.59-8	FV533980	2-4.215-46
FV530733	2-7.171-169	FV531030	2-4.59-7	FV533981	2-4.215-35
FV530734	2-7.173-181	FV531031	2-4.59-5	FV533984	2-4.215-40
FV530735	2-7.173-190	FV531033	2-4.59-4	FV533985	2-4.215-38
FV530736	2-7.173-199	FV531034	2-4.59-15	FV533991	2-4.215-36
FV530738	2-7.175-218	FV531035	2-4.59-18	FV533995	2-4.215-37
FV530739	2-7.177-225	FV531036	2-4.59-6	FV533998	2-4.215-39
FV530740	2-7.177-235	FV531037	2-4.59-14	FV534001	2-4.211-7
FV530741/3	2-7.179-246	FV531038	2-4.59-23	FV534002	2-4.211-2
FV530742	2-7.179-249	FV531039	2-4.59-22	FV534009	2-4.213-16
FV530743	2-7.179-256	FV531040	2-4.59-13	FV534833	2-7.1.3-50
FV530744	2-7.179-263	FV531042	2-4.59-19	FV534865	2-7.13-114
FV530745	2-7.179-271	FV531043	2-4.59-20	FV534885	2-7.199-2
FV530746	2-7.169-140	FV531044	2-4.59-21	FV534888	2-4.119-34
FV530747	2-7.169-141	FV531045	2-4.59-10	FV534890	2-7.5-39
FV530749	2-7.167-110	FV531049	2-4.211-12	FV534890	2-7.97-1
FV530761	2-7.159-12	FV531050	2-4.211-10	FV534891	2-7.7-58
FV530763	2-7.159-6	FV531053	2-4.59-17	FV534891	2-7.115-1
FV530764	2-7.159-20	FV531055	2-4.215-45	FV534898	2-7.103-114
FV530767	2-7.171-176	FV531056	2-4.211-1	FV534898	2-7.1.9-213
FV530768	2-7.119-77	FV531057	2-4.211-3	FV534899	2-7.1.2-10
FV530769	2-7.119-78	FV531058	2-4.211-8	FV534946	2-7.5-34
FV530770	2-7.119-79	FV531094	2-4.215-42	FV534946	2-7.93-1
FV530787/1-25	2-7.157-84	FV531656	2-1.1.7-45	FV536604	2-5.17-4
FV530788	2-7.153-43	FV531657	2-1.1.7-46	FV536605	2-5.17-5
FV530789	2-7.153-51	FV531661	2-1.1.7-44	FV536606	2-5.17-6
FV530790	2-7.151-2	FV531664	2-1.1.5-12	FV536607	2-5.17-7
FV530791	2-7.151-3	FV531665	2-1.1.5-14	FV536610	2-5.17-10
FV530792	2-7.151-4	FV531670	2-1.1.5-13	FV536612	2-4.225-18
FV530793	2-7.151-5	FV531672	2-1.1.7-39	FV536613	2-5.17-8
FV530794	2-7.151-6	FV531680	2-1.1.11-26	FV536621	2-5.17-9
FV530795	2-7.151-12	FV531688	2-1.1.11-24		
FV530797	2-7.151-15	FV531689	2-1.1.11-27		

INDEX OF MANUFACTURERS' PART/DRAWING NUMBERS

Part No./ Drawing No.	Chapter, Page and Item No.	Part No./ Drawing No.	Chapter, Page and Item No.	Part No./ Drawing No.	Chapter, Page and Item No.
FV537361	2-4.223-59	FV53860	2-4.207-13	FV546746	2-7-1.9-197
FV538103	2-11.13/14-26	FV538609	2-7.67-5	FV546747	2-7-1.9-198
FV538110	2-7.69-4	FV538609	2-7.69-13	FV546749	2-7-1.9-203
FV538130	2-4.225-2	FV538610	2-7.67-4	FV546750	2-7-1.9-207
FV538130	2-4.225-27	FV538610	2-7.69-12	FV546753	2-7-1.2-6
FV538130	2-5.21/22-44	FV538622	2-8.17-4	FV546753	2-7-1.6-119
FV538138	2-1-2.5-37	FV538623	2-7.69-2	FV546753	2-7-1.9-202
FV538156	2-11.3-4	FV538639	2-8.11-10	FV546755	2-7-1.5-110
FV538157	2-11.3-5	FV538640	2-8.13-51	FV546755	2-7-1.6-115
FV538158	2-11.3-7	FV538643	2-4.209-42	FV546755	2-7-1.9-206
FV538215	2-6.5-56	FV538649	2-4.209-35	FV546756	2-7-1.9-200
FV538216	2-6.5-57	FV538657	2-4.3-17	FV546784	2-7-1.8-194
FV538218	2-6.5-47	FV538657	2-4.231-0	FV547578	2-7.151-17
FV538220	2-6.5-60	FV538659	2-1-3.5-43	FV55506	2-4.229-7
FV538246	2-8.17-1	FV538660	2-1-3.5-44	FV557746	2-1-2.15-20
FV538256	2-4.223-48	FV538662	2-1-3.5-47	FV557746/17	2-1-2.15-26
FV538300	2-6.9-18	FV538665	2-4.5-20	FV557748	2-1-2.15-22
FV538311	2-7.63-1	FV538706	2-8.5-46	FV557750	2-1-2.15-25
FV538311	2-7.67-1	FV538758	2-1-3.3-23	FV559190	2-1-9.15/16-14
FV538311	2-7.69-1	FV538793	2-7.43-60	FV559203	2-0.3/4-5
FV538367	2-7.63-10	FV538800	2-4.207-2	FV559203	2-5.3-0
FV538367	2-7.67-6	FV538806	2-8.5-42	FV559211	2-7.55-7
FV538367	2-7.69-14	FV538806	2-8-1.5-47	FV559217	2-1-4.3-29
FV538370	2-7.63-3	FV538807	2-8.5-38	FV559218	2-8.11-14
FV538417	2-7.43-64	FV538807	2-8-1.5-43	FV559229	2-3.35/36-25
FV538418	2-7.43-62	FV538821	2-7.69-3	FV559238	2-5.3-3
FV538419	2-7.43-65	FV538822	2-7.69-5	FV559238	2-5.5-1
FV538441	2-4.191-31	FV538823	2-7.13-109	FV559250	2-6.11-32
FV538444	2-4.207-3	FV538824	2-7.13-110	FV559252	2-6.5-31
FV538463	2-8.11-1	FV538853	2-5.11-6	FV559254	2-6.5-29
FV538464	2-8.11-2	FV538858	2-4.207-20	FV559257	2-6.5-30
FV538465	2-8.11-9	FV538863	2-2.11-3	FV559258	2-6.5-35
FV538466	2-8.11-8	FV538895	2-9.3-11	FV559259	2-6.5-38
FV538475	2-8.11-15	FV538911	2-4.231-1	FV559269	2-5.19-6
FV538478	2-8.11-3	FV538927	2-7.55-20	FV559272	2-5.21/22-39
FV538490	2-4.225-29	FV538929	2-7.55-15	FV559273	2-5.21/22-40
FV538490	2-5.21/22-43	FV538953	2-12.11-7	FV559274	2-5.21/22-41
FV538501	2-11.3-17	FV538980	2-12.11-8	FV559276	2-5.19-27
FV538508	2-11.3-12	FV538984	2-1-3.3-21	FV559278	2-5.19-30
FV538524	2-8.11-6	FV5-39-4	2-7-1.3-47	FV559279	2-5.19-29
FV538562	2-4.185-10	FV53996	2-4.215-47	FV559280	2-5.19-31
FV538576	2-2.7-42	FV541758	2-4.15-1	FV559282	2-5.19-4
FV538576	2-2.17-50	FV542224	2-4.15-8	FV559306	2-5.3-4
FV538577	2-2.9-51	FV542416-36	2-7.81-14	FV559306	2-5.13-1
FV538577	2-2.17-59	FV542416-36	2-7.165-79	FV559326	2-1-9.9-2
FV538587	2-1-3.5-52	FV546132	2-7.163-73	FV559350	2-0.3/4-0
FV538588	2-1-3.5-53	FV546142	2-7.3-23	FV559351	2-0.3/4-1
FV538589	2-1-3.5-54	FV546142	2-7.83-1	FV559351	2-1.3/4-0
FV538590	2-4.3-9	FV546143	2-7.5-28	FV559353	2-0.3/4-3
FV538590	2-4.185-0	FV546143	2-7.87-1	FV559353	2-3.3-0
FV538591	2-4.185-1	FV546743	2-7-1.8-195	FV559355	2-0.3/4-7
FV538598	2-11.11-1	FV546744	2-7-1.9-199	FV559355	2-7.3-0

INDEX OF MANUFACTURERS' PART/DRAWING NUMBERS

Part No./ Drawing No.	Chapter, Page and Item No.	Part No./ Drawing No.	Chapter, Page and Item No.	Part No./ Drawing No.	Chapter, Page and Item No.
FV559357	2-0.3/4-12	FV559775	2-1-9.11-2	FV559986	2-1.3/4-6
FV559357	2-12.3-0	FV559806	2-4.207-26	FV559986	2-1-6.3-0
FV559358	2-1.3/4-16	FV559809	2-10.13-108	FV559987	2-1-6.3-5
FV559359	2-6.5-50	FV559810	2-1.3/4-3	FV559999	2-1-4.3-25
FV559361	2-6.5-51	FV559810	2-1-3.3-0	FV560015	2-1-5.3-2
FV559367	2-1.3/4-5	FV559818	2-7.205B-109	FV560034	2-1-5.3-17
FV559367	2-1-5.3-0	FV559826	2-4.197-49	FV560035	2-1-5.3-18
FV559369	2-1.3/4-9	FV559830	2-4.193-43	FV560036	2-1-5.3-15
FV559369	2-1-9.3-0	FV559833	2-4.3-13	FV560037	2-1-5.3-16
FV559370	2-1.3/4-10	FV559833	2-4.201-0	FV560038	2-1-5.3-23
FV559371	2-6.5-43	FV559834	2-4.201-19	FV560041	2-1-5.3-25
FV559372	2-6.5-58	FV559835	2-4.201-5	FV560044	2-1-5.3-20
FV559377	2-2.13-21	FV559837	2-4.201-13	FV560051	2-7.9-75
FV559383	2-1-9.7-1	FV559838	2-4.201-12	FV560051	2-7.147-1
FV559394	2-4.223-50	FV559842	2-4.3-14	FV560053	2-12.7-51
FV559399	2-6.17-0	FV559842	2-4.207-0	FV560055	2-7.41-25
FV559399	2-7.13-126	FV559844	2-4.209-43	FV560064	2-7.9-89
FV559400	2-6.19/20-40	FV559845	2-4.209-45	FV560065	2-9.3-24
FV559402	2-1-4.5/6-42	FV559850	2-4.197-51	FV560065	2-9.5/6-27
FV559418	2-9.3-6	FV559850	2-4.197-60	FV560066	2-9.5/6-30
FV559421	2-9.3-9	FV559857	2-7.11-105	FV560069	2-1-9.13-5
FV559423	2-9.3-2	FV559858	2-1-1.3-10	FV560070	2-1-9.13-6
FV559459	2-4.201-8	FV559859	2-4.3-16	FV560071	2-1-9.13-8
FV559476	2-4.191-27	FV559859	2-4.225-0	FV560072	2-1-9.13-10
FV559480	2-6.11-37	FV559865	2-1-4.3-13	FV560074	2-7.9-78
FV559484	2-4.3-18	FV559866	2-1-4.3-14	FV560075	2-7.13-117
FV559494	2-5.19-11	FV559867	2-1-4.3-21	FV560075	2-7.207-1
FV559506	2-7.13-113	FV559868	2-1-4.3-15	FV560092	2-7.13-119
FV559506	2-7.199-1	FV559869	2-1-4.3-16	FV560100	2-1-9.15/16-6
FV559507	2-7.205B-101	FV559870	2-1-4.3-18	FV560102	2-2.7-36
FV559526	2-2.7-37	FV559871	2-1-4.3-22	FV560103	2-2.15-43
FV559527	2-2.15-44	FV559879	2-1-4.3-24	FV560108	2-4.225-32
FV559577	2-11.5-48	FV559880	2-1-4.3-12	FV560114	2-1-6.3-9
FV559582	2-5.21/22-33	FV559891	2-12.7-59	FV560116	2-1-6.3-12
FV559618	2-3.33-21	FV559916	2-3.35/36-36	FV560118	2-1-6.3-11
FV559628	2-1-9.5-3	FV559927	2-7.9-79	FV560120	2-1-6.3-8
FV559641	2-1-6.7/8-57	FV559937	2-7.57-37	FV560122	2-1-6.3-7
FV559643	2-8.19/20-41	FV559938	2-7.57-42	FV560124	2-1-6.3-6
FV559657	2-7.11-95	FV559947	2-1-1.3-3	FV560129	2-1-6.3-10
FV559658	2-1-9.7-0	FV559949	2-1-2.3-7	FV560134	2-1-4.5/6-38
FV559660	2-5.15-31	FV559950	2-1-2.3-6	FV560135	2-1-4.5/6-39
FV559667	2-1-6.7/8-58	FV559953	2-1-6.7/8-53	FV560136	2-1-9.15/16-10
FV559701	2-7.9-85	FV559961	2-1-6.5-42	FV560148	2-1-8.3/4-11
FV559713	2-1-6.3-24	FV559968	2-1-6.5-31	FV562001-1	2-7.139-13
FV559713	2-1-6.7/8-62	FV559968/2	2-1-6.5-32	FV562012-102	2-12.11-3
FV559717	2-7.9-84	FV559971	2-1-6.3-14	FV562012-120	2-12.13/14-45
FV559726	2-4.5-19	FV559976	2-1-6.5-50	FV562012-20	2-12.11-31
FV559727	2-4.5-21	FV559976	2-1-6.7/8-67	FV562012-60	2-12.13/14-34
FV559736	2-4.5-24	FV559979	2-1-6.3-1	FV562012-78	2-12.11-17
FV559739	2-1-9.15/16-2	FV559982	2-1-6.7/8-51	FV562012-92	2-12.11-14
FV559771	2-4.235-43	FV559982	2-1-6.7/8-68	FV562013-12	2-12.11-20
FV559774	2-1-9.11-3	FV559985	2-1-6.7/8-70	FV562020	2-12.11-5

INDEX OF MANUFACTURERS' PART/DRAWING NUMBERS

Part No./ Drawing No.	Chapter, Page and Item No.	Part No./ Drawing No.	Chapter, Page and Item No.	Part No./ Drawing No.	Chapter, Page and Item No.
FV562020	2-12.11-16	FV573516	2-7.115-5	FV575241	2-4.195-13
FV562021	2-4.135-2	FV573517	2-7.115-6	FV575243	2-4.195-23
FV562031	2-7.5-36	FV573518	2-7.117-40	FV575244	2-4.195-31
FV562034	2-7.93-13	FV573519	2-7.117-41	FV575248	2-4.195-6
FV562044	2-7.13-123	FV573521	2-7.115-7	FV575252	2-4.197-38
FV562044	2-7.209-1	FV573522	2-7.131-232	FV575253	2-4.197-37
FV562070	2-4.249-35	FV573524/1	2-7.131-233	FV575254	2-4.197-39
FV562070	2-4.249-44	FV573524/2	2-7.131-234	FV575256	2-4.195-34
FV562072	2-7.23-34	FV573525	2-7.115-9	FV575257	2-4.195-32
FV562072	2-7.41-41	FV573526	2-7.115-8	FV575258	2-4.195-33
FV562082	2-7.203-62	FV573527	2-7.115-4	FV575262	2-4.195-24
FV562680	2-4.233-30	FV573528/1	2-7.131-237	FV575264	2-4.195-25
FV562853	2-1-9.7-3	FV573528-2	2-7.131-238	FV575265	2-4.195-27
FV563522	2-1-2.3-3	FV573529	2-7.115-11	FV575266	2-4.195-29
FV563523	2-1-2.3-4	FV573530	2-7.115-12	FV575268	2-4.195-15
FV564151	2-5.17-1	FV573532	2-7.115-14	FV575442	2-4.195-12
FV564270	2-7.3-20	FV573533	2-7.119-92	FV575443	2-4.195-7
FV564270	2-8-1.7-70	FV573534	2-7.133-281	FV575445	2-4.197-36
FV564270	2-8-1.13/14-1	FV573535	2-7.135/137-285	FV575445	2-4.197-40
FV564807/4	2-7.157-93	FV573536	2-7.133-279	FV575504	2-4.187-9
FV564810	2-7-1.9-211	FV573539	2-7.133-278	FV575818	2-7-1.9-212
FV566868	2-1-2.17/18-33	FV573540	2-7.115-29	FV575820	2-7.103-113
FV566872	2-1-2.17/18-34	FV573542	2-7.117-39	FV575821	2-7.103-115
FV566876	2-1-2.15-1	FV573543	2-7.117-38	FV576440/1	2-7.133-258
FV566880	2-1-2.17/18-36	FV573544	2-7.119-62	FV577181	2-1-2.15-21
FV566887	2-1-2.15-2	FV573547	2-7.121-95	FV579429	2-7.209-2
FV570319	2-7.209-4	FV573548	2-7.121-102	FV579430	2-7.209-3
FV570320	2-7.209-5	FV573549	2-7.121-107	FV579433	2-7.209-9
FV570341	2-7.209-16	FV573550	2-7.121-114	FV579437	2-7.209-13
FV570343	2-7.209-17	FV573580	2-7.121-120	FV579438	2-7.209-14
FV570526	2-7.209-18	FV573581	2-7.123-126	FV579439	2-7.209-15
FV570527	2-7.209-19	FV573582	2-7.123-132	FV580561	2-7.209-12
FV570528	2-7.209-20	FV573583	2-7.123-138	FV580562	2-7.209-23
FV570529	2-7.209-21	FV573584	2-7.123-145	FV580780	2-7.113-23
FV572051	2-1-1.7-43	FV573585	2-7.125-155	FV580884	2-7.113-5
FV572052	2-1-1.7-41	FV573586	2-7.125-173	FV580885	2-7.113-12
FV572323	2-1-2.11-106	FV573587	2-7.125-165	FV580886	2-7.113-17
FV572325	2-1-2.9-98	FV573589	2-7.127-197	FV580887	2-7.113-10
FV572332	2-1-2.9-105	FV573590	2-7.119-63	FV580892	2-7.113-2
FV573436/2	2-7.105-130	FV573592	2-7.117-33	FV580893	2-7.113-28
FV573436/2	2-7.161-31	FV573593	2-7.135/137-286	FV582301-26	2-7-1.11-248
FV573436-5	2-7.135/137-288	FV573593/3/4	2-7.131-246	FV582310/2	2-7-1.10-236
FV573437	2-7.131-250	FV573595/1/2	2-7.131-245	FV582311/5/N	2-7-1.10-226
FV573438	2-7.133-254	FV573597	2-7.115-2	FV582312/4	2-7-1.10-225
FV573440/19	2-7.133-272	FV573599	2-7.133-265	FV582322/1	2-7-1.10-239
FV573440/20	2-7.133-275	FV573600	2-7.133-269	FV582322-2	2-7-1.10-240
FV573440/5	2-7.133-261	FV575208	2-4.195-11	FV582326/1	2-7-1.11-254
FV573440/9	2-7.135/137-289	FV575209	2-4.195-2	FV582326/5	2-7-1.11-266
FV573450	2-7.175-206	FV575210	2-4.195-4	FV582327/1	2-7-1.11-247
FV573513	2-7.115-31	FV575211	2-4.195-5	FV582330/1	2-7-1.11-253
FV573514	2-7.119-61	FV575239	2-4.195-8	FV582353/2	2-7-1.10-235
FV573515	2-7.117-56	FV575240	2-4.195-10	FV582357/6	2-7-1.10-218

INDEX OF MANUFACTURERS' PART/DRAWING NUMBERS

Part No./ Drawing No.	Chapter, Page and Item No.	Part No./ Drawing No.	Chapter, Page and Item No.	Part No./ Drawing No.	Chapter, Page and Item No.
FV582357-8	2-7.1.3-38	FV585008	2-7.109-7	FV585107	2-7.155-57
FV582359/1	2-7.45-77	FV585008	2-7.141-34	FV585111	2-4.247-9
FV582359/1	2-7.1.10-227	FV585008	2-7.173-200	FV585121	2-7.113-9
FV582361/3	2-7.1.10-224	FV585009	2-7.147-9	FV585121	2-7.147-21
FV582379/2	2-7.1.11-255	FV585010	2-7.147-13	FV585121	2-7.179-261
FV582405/4	2-7.1.11-244	FV585010	2-7.171-170	FV585121	2-7.179-269
FV582408/4	2-7.1.10-237	FV585013	2-7.153-34	FV585122	2-7.93-10
FV582409-1	2-7-1.11-241	FV585014	2-4.243-4	FV585122	2-7.141-35
FV582410/2	2-7-1.6-140	FV585014	2-7.121-103	FV585122	2-7.147-16
FV582411/1	2-7-1.10-238	FV585014	2-7.123-139	FV585122	2-7.171-174
FV582478/3	2-7-1.11-242	FV585014	2-7.141-31	FV585122	2-7.175-204
FV582484/1	2-7-1.10-233	FV585014	2-7.153-52	FV585123	2-7.153-40
FV582486/2	2-7-1.3-42	FV585015	2-7.179-250	FV585123	2-7.179-248
FV582487/1	2-7-1.11-256	FV585015	2-7.199-9	FV585124	2-7.89-52
FV582488/1	2-5.5-14	FV585015	2-7.209-10	FV585124	2-7.179-254
FV582488-1	2-7-1.10-234	FV585018	2-7.89-50	FV585124	2-7.199-18
FV582495/1	2-7-1.11-264	FV585020	2-4.247-11	FV585124	2-7.209-24
FV582510-3	2-7-1.6-136	FV585021	2-7.203-54	FV585125	2-7.97-29
FV582511/1	2-7-1.10-223	FV585022	2-7.121-108	FV585125	2-7.99-39
FV582578/3	2-7-1.11-252	FV585022	2-7.175-219	FV585125	2-7.177-223
FV582580/2	2-7-1.10-222	FV585022	2-7.179-272	FV585125	2-7.181-276
FV582581/4	2-7-1.11-243	FV585022	2-7.205-69	FV585125	2-7.203-57
FV582676-4	2-7-1.3-32	FV585024	2-7.97-24	FV585125	2-7.205-72
FV582681/13	2-4.235-58	FV585024	2-7.123-146	FV585126	2-7.89-48
FV582681/13	2-4.247-3	FV585024	2-7.125-156	FV585127	2-4.55-62
FV582681/14	2-4.235-57	FV585027	2-7.89-47	FV585127	2-7.99-51
FV582681/14M	2-4.247-4	FV585029	2-4.53-55	FV585127	2-7.173-188
FV582688-1	2-7-1.11-262	FV585029	2-4.247-6	FV585127	2-7.173-197
FV582702-1	2-7-1.11-250	FV585029	2-7.75-24	FV585127	2-7.175-216
FV582702-5	2-7-1.11-251	FV585029	2-7.85-47	FV585127	2-7.177-233
FV582781-1	2-7-1.11-249	FV585029	2-7.125-174	FV585127	2-7.177-244
FV583058	2-7.171-161	FV585030	2-7.75-23	FV585127	2-7.195-178
FV585001	2-7.113-6	FV585030	2-7.89-60	FV585128	2-7.171-156
FV585001	2-7.113-13	FV585030	2-7.175-207	FV585128	2-7.171-166
FV585001	2-7.113-18	FV585030	2-7.177-226	FV585702/1	2-1-2.5-38
FV585001	2-7.121-96	FV585030	2-7.177-236	FV585710	2-4.193-35
FV585001	2-7.121-121	FV585031	2-7.193-156	FV585714	2-1.3/4-8
FV585001	2-7.147-18	FV585032	2-7.173-182	FV585714	2-1-8.3/4-1
FV585001	2-7.179-257	FV585032	2-7.173-191	FV585720	2-1-9.15/16-5
FV585001	2-7.179-264	FV585035	2-7.99-44	FV585730	2-4.193-54
FV585002	2-7.97-15	FV585037	2-7.169-148	FV585732	2-4.191-33
FV585002	2-7.123-127	FV585041	2-7.113-1	FV585733	2-4.193-56
FV585002	2-7.141-29	FV585051	2-7-1.3-43	FV585734	2-4.193-60
FV585003	2-7.109-9	FV585062	2-7.99-34	FV585736	2-4.225-1
FV585004	2-7.123-133	FV585068	2-4.247-5	FV585738	2-4.225-9
FV585004	2-7.125-166	FV585092	2-4.247-7	FV585739	2-4.207-9
FV585005	2-7.153-44	FV585098	2-7.153-48	FV585740	2-4.207-7
FV585006	2-7.121-115	FV585099	2-7.153-38	FV585742	2-4.207-15
FV585006	2-7.141-33	FV585099	2-7.155-56	FV585744	2-4.207-17
FV585007	2-7.93-4	FV585103	2-4.247-8	FV585746	2-4.207-16
FV585007	2-7.109-8	FV585106	2-7.153-49	FV585752	2-4.207-19
FV585007	2-7.141-32	FV585107	2-7.153-39	FV585754	2-4.207-21

INDEX OF MANUFACTURERS' PART/DRAWING NUMBERS

Part No./ Drawing No.	Chapter, Page and Item No.	Part No./ Drawing No.	Chapter, Page and Item No.	Part No./ Drawing No.	Chapter, Page and Item No.
FV585756	2-4.207-11	FV586027	2-4.191-26	FV586220	2-7.147-3
FV585758	2-4.225-21	FV586039	2-4.193-48	FV586221	2-7.149-30
FV585760	2-4.225-4	FV586058	2-1-5.3-11	FV586222	2-1-1.3-27
FV585762	2-4.225-10	FV586059	2-1-5.3-9	FV586223	2-11.3-23
FV585768	2-3.33-22	FV586060	2-4.3-15	FV586230	2-1-6.5-36
FV585770	2-1-5.3-1	FV586060	2-4.221-0	FV586231	2-7.147-12
FV585788	2-4.191-23	FV586061	2-4.223-34	FV586232	2-7.147-17
FV585792	2-4.191-34	FV586062	2-4.223-35	FV586233	2-7.147-8
FV585794	2-4.191-32	FV586064	2-3.3-4	FV586252	2-4.185-15
FV585798	2-4.191-21	FV586064	2-3.33-0	FV586254	2-4.187-32
FV585803	2-4.193-58	FV586065	2-3.33-20	FV586292-1	2-7.63-17
FV585805	2-4.193-55	FV586068	2-1-9.13-1	FV586292-2	2-7.67-13
FV585807	2-4.193-46	FV586069	2-4.193-51	FV586292-3	2-7.69-21
FV585809	2-4.193-47	FV586069	2-4.207-31	FV586302	2-8.3-9
FV585841	2-4.207-4	FV586070	2-4.193-50	FV586302	2-8-1.3-14
FV585842	2-4.223-36	FV586071	2-1.3/4-4	FV586316	2-5.19-8
FV585864	2-1-6.3-19	FV586071	2-1-4.3-0	FV586317	2-5.19-12
FV585865	2-5.3-1	FV586072	2-1-4.3-1	FV586362	2-9.3-16
FV585865	2-5.5-2	FV586074	2-4.225-25	FV586371	2-4.5-22
FV585868	2-1-9.9-16	FV586076	2-12.3-15	FV586374	2-4.5-23
FV585869	2-1-9.9-15	FV586077	2-4.3-20	FV586375	2-4.201-26
FV585870	2-4.225-26	FV586077	2-12.3-1	FV586378	2-4.201-20
FV585920	2-1-9.9-1	FV586078	2-12.13/14-44	FV586379	2-4.201-21
FV585923	2-1-9.9-10	FV586079	2-4.3-19	FV586395	2-1-6.5-48
FV585927	2-4.203-47	FV586079	2-12.11-1	FV586395	2-1-6.7/8-65
FV585928	2-1-9.9-13	FV586081	2-1-5.5/6-41	FV586404	2-4.187-25
FV585934	2-1-9.15/16-9	FV586083	2-4.225-19	FV586405	2-4.187-26
FV585937	2-4.233-31	FV586084	2-4.225-15	FV586406	2-7.63-18
FV585939	2-4.233-11	FV586089	2-1-2.3-10	FV586406	2-7.67-14
FV585940	2-4.233-35	FV586090	2-1-2.3-11	FV586406	2-7.69-22
FV585942	2-4.233-32	FV586091	2-4.223-49	FV586406/4	2-7-1.11-257
FV585943	2-4.233-12	FV586093	2-4.233-2	FV586407	2-7.63-21
FV585944	2-4.233-36	FV586094	2-4.233-3	FV586410	2-7.63-22
FV585945	2-4.233-28	FV586098	2-4.233-9	FV586412	2-7.65-24
FV585947	2-4.233-29	FV586101	2-7.15/19-127	FV586413	2-7.63-20
FV585949	2-4.233-20	FV586104	2-4.221-33	FV586414	2-7.63-19
FV585950	2-4.233-15	FV586108	2-11.11-11	FV586419	2-7.65-27
FV585954	2-4.5-8	FV586109	2-11.11-12	FV586429	2-3.7-68
FV585956	2-5.21/22-42	FV586110	2-11.11-15	FV586430	2-3.7-69
FV585959	2-6.5-53	FV586121	2-7.59-51	FV586490	2-1-5.3-29
FV585963	2-6.5-54	FV586123	2-12.11-2	FV586497	2-1-5.5/6-35
FV585965	2-11.11-10	FV586141	2-4.223-54	FV586498	2-4.201-30
FV585968	2-1-9.5-6	FV586149	2-9.5/6-35	FV586504	2-5.21/22-37
FV585969	2-1-9.5-4	FV586150	2-1-9.11-7	FV586505	2-5.21/22-36
FV585970	2-1-9.5-5	FV586153	2-1-9.15/16-1	FV586518-4	2-7.63-15
FV585977	2-1-5.3-28	FV586202	2-1-1.3-26	FV586518-4	2-7.67-11
FV585997	2-4.225-13	FV586203	2-1-1.3-25	FV586518-4	2-7.69-19
FV586001	2-1-5.5/6-40	FV586205	2-5.11-7	FV586525	2-4.3-3
FV586003	2-1-5.3-4	FV586206	2-5.19-22	FV586525	2-4.5-17
FV586020	2-9.5/6-29	FV586208	2-5.19-21	FV586526	2-4.5-18
FV586021	2-9.5/6-28	FV586211	2-7.147-2	FV586527	2-4.7-25
FV586026	2-4.191-25	FV586219	2-7.147-4	FV586536	2-11.3-24

INDEX OF MANUFACTURERS' PART/DRAWING NUMBERS

Part No./ Drawing No.	Chapter, Page and Item No.	Part No./ Drawing No.	Chapter, Page and Item No.	Part No./ Drawing No.	Chapter, Page and Item No.
FV586537	2-11.3-28	FV594238	2-1-2.15-9	FV602619	2-1-2.9-93
FV586540	2-11.3-25	FV594608	2-8.3-17	FV602623	2-1-9.9-11
FV586548	2-11.3-29	FV594608	2-8-1.5-22	FV602623	2-11.5-44
FV586556	2-5.5-23	FV594639	2-8.13-50	FV602625	2-11.5-43
FV586566	2-8.17-23	FV594639	2-8-1.11-21	FV602632	2-1-2.9-94
FV586571	2-10.17-35	FV596885	2-7.43-55	FV602634	2-2.7-20
FV586584	2-11.3-30	FV599537	2-2.3-7	FV602635	2-11.3-6
FV586586	2-3.3-11	FV599573	2-1-4.3-11	FV602638	2-11.3-14
FV586587	2-3.3-15	FV600148	2-1-2.17/18-41	FV602639	2-11.3-13
FV586590	2-3.7-65	FV60137	2-2.21/22-27	FV602640	2-11.3-18
FV586591	2-3.3-18	FV60138	2-2.19-20	FV602648	2-1-9.5-2
FV586595	2-12.11-22	FV60142	2-2.19-14	FV602655	2-0.3/4-0
FV586599	2-12.11-26	FV60144	2-2.19-21	FV602659	2-4.193-45
FV586602	2-3.3-6	FV602461	2-4.207-18	FV602675	2-4.5-5
FV586603	2-3.3-5	FV602463	2-4.207-22	FV602690	2-4.225-31
FV586620	2-10.17-36	FV602488	2-7.63-16	FV602699	2-4.5-14
FV586634	2-3.33-9	FV602488	2-7.67-12	FV602700	2-4.3-2
FV586645	2-9.3-13	FV602488	2-7.69-20	FV602700	2-4.5-2
FV586662	2-4.197-42	FV602501	2-4.197-47	FV602701	2-4.3-1
FV586669	2-9.3-19	FV602502	2-4.197-48	FV602701	2-4.5-1
FV586672	2-9.3-22	FV602505	2-1.3/4-16(1)	FV602702	2-4.5-6
FV586673	2-1-3.7/8-59	FV602505	2-1-9.7-0	FV602705	2-4.5-7
FV586675	2-5.13-23	FV602510	2-1-7.3/4-2	FV602731	2-4.191-12
FV586676	2-4.207-30	FV602528	2-8-1.3-1	FV602732	2-4.191-13
FV586925	2-7.15/19-146	FV602529	2-8-1.3-2	FV602750	2-4.203-40
FV587177	2-12.9-64	FV602530	2-8-1.3-3	FV602756	2-4.203-45
FV587177	2-12.13/14-36	FV602531	2-8-1.3-4	FV602757	2-4.203-46
FV587-9	2-4.145-58	FV602532	2-8-1.3-5	FV602765	2-4.209-38
FV589438	2-1-2.17/18-30	FV602533	2-8-1.3-1(1)	FV602770	2-4.221-32
FV589440	2-1-2.11-116	FV602534	2-7.5-29	FV602772	2-4.187-1
FV589440	2-1-2.15-0	FV602536	2-8-1.3-0	FV602783	2-1-6.5-49
FV589463	2-4.71-22	FV602537	2-8-1.3-0	FV602783	2-1-6.7/8-66
FV590460	2-7.205-87	FV602540	2-1.3/4-7	FV602784	2-1-2.7-75
FV590461	2-7.205-88	FV602540	2-1-7.3/4-1	FV602787	2-1-2.9-79
FV590462	2-7.205-89	FV602541	2-1-7.3/4-9	FV602788	2-1-2.9-80
FV590463	2-7.205-90	FV602543	2-1-7.3/4-8	FV602794	2-9.5/6-34
FV590464	2-7.205B-98	FV602544	2-1-7.3/4-10	FV602795	2-9.5/6-26
FV590467	2-7.205B-97	FV602545	2-1-7.3/4-4	FV602835	2-6.7-69
FV590492	2-7.125-154	FV602575	2-1-7.3/4-5	FV602864	2-1-7.3/4-3
FV590492	2-7.125-164	FV602577	2-0.3/4-9	FV602891	2-0.3/4-8(2)
FV590492	2-7.127-181	FV602577	2-9.3-0	FV602891	2-8.7-60
FV590495	2-7.205-84	FV602589	2-4.3-12	FV602891	2-8-1.3-0
FV590498	2-7.205B-100	FV602589	2-4.193-44	FV602894	2-6.7-67
FV590586	2-7.201-30	FV602589	2-4.195-0	FV602897	2-6.3-1
FV59-3-1	2-7-1.5-93	FV602590	2-4.197-41	FV602899	2-6.3-3
FV59-3-1	2-7-1.6-116	FV602604	2-0.3/4-8(1)	FV602902	2-1-6.3-15
FV593109	2-1-2.15-3	FV602604	2-8.7-59	FV602904	2-8-1.9-87
FV593115	2-1-2.15-6	FV602604	2-8-1.3-0	FV602905	2-1-6.3-13
FV593120	2-1-2.15-4	FV602612	2-4.197-56	FV602994	2-8.17-20
FV59-3-2	2-7-1.5-111	FV602613	2-4.197-57	FV602996	2-8.17-6
FV594223	2-1-2.17/18-38	FV602615	2-4.197-58	FV602997	2-8.17-7
FV594225	2-1-2.15-8	FV602617	2-1-2.11-109	FV603066	2-7.15/19-147

INDEX OF MANUFACTURERS' PART/DRAWING NUMBERS

Part No./ Drawing No.	Chapter, Page and Item No.	Part No./ Drawing No.	Chapter, Page and Item No.	Part No./ Drawing No.	Chapter, Page and Item No.
FV603066	2-7-1.2-0	FV620746	2-7-1.3-51	FV650905	2-4.191-2
FV603068	2-7.3-0	FV622660	2-4.63-27	FV650952	2-0.3/4-4
FV603068	2-7.21-0	FV622665	2-4.61-22	FV650952	2-4.3-0
FV603258	2-1-5.3-3	FV635765	2-7.113-24	FV650953	2-4.3-10
FV603401	2-5.21/22-47	FV641783	2-4.195-20	FV650953	2-4.187-0
FV603402	2-5.21/22-48	FV642172	2-3.33-8	FV650953	2-4.191-1
FV603403	2-5.21/22-49	FV642172	2-4.185-4	FV650973	2-7.7-57
FV603958	2-7.135/137-293	FV642172	2-4.187-14	FV650978	2-4.191-18
FV603965	2-7.3-15	FV646284	2-5.5-3	FV650979	2-4.191-17
FV603965	2-7.73-30	FV646285	2-5.5-4	FV650982	2-5.7-42
FV604010	2-7-1.2-8	FV646476	2-4.205-9	FV650983	2-5.7-41
FV604654/3	2-7-1.10-229	FV647831	2-7.181-290	FV650985	2-4.201-14
FV604654/4	2-7-1.10-230	FV650060	2-5.7-38	FV650987	2-4.201-18
FV604709-1N	2-7-1.11-261	FV650061	2-5.7-35	FV651021	2-4.233-38
FV604748-1	2-7-1.11-259	FV650065	2-1-2.5-55	FV651022	2-4.233-37
FV604835-4M	2-7-1.11-260	FV650067	2-1-2.5-53	FV651031	2-12.11-19
FV605257-1	2-7-1.11-263	FV650070	2-4.203-39	FV651058	2-8.5-43
FV605338-10	2-7-1.8-192	FV650073	2-5.7-32	FV651058	2-8-1.5-48
FV605338-11	2-7-1.9-208	FV650090	2-4.185-14	FV651059	2-8.5-39
FV605422/2	2-7-1.8-191	FV650093	2-6.15-94	FV651059	2-8-1.5-44
FV605453/3M	2-7-1.9-209	FV650094	2-6.15-95	FV651069	2-8.5-37
FV605455/1	2-7-1.8-190	FV650095	2-6.15-93	FV651069	2-8-1.5-42
FV605457/1	2-7.25-43	FV650097	2-6.15-100	FV651070	2-8.5-41
FV605457/1	2-7-1.11-268	FV650197	2-3.31-1	FV651070	2-8-1.5-46
FV605457/2	2-7.23-42	FV650233	2-7.55-19	FV651075	2-1-6.3-20
FV605457/2	2-7-1.12-269	FV650237	2-3.7-66	FV651361	2-2.19-15
FV605458/1	2-7.23-41	FV650333	2-1-2.5-49	FV651362	2-2.19-9
FV605458/1	2-7-1.12-270	FV650333	2-1-5.5/6-32	FV651363	2-2.19-1
FV605459/3	2-7-1.10-228	FV650342	2-5.19-17	FV651364	2-2.19-5
FV605460/2	2-7-1.10-231	FV650356	2-0.3/4-2(1)	FV651365	2-4.207-14
FV605461/2	2-7-1.10-232	FV650361	2-2.13-1	FV651423	2-3.31-6
FV605462/1	2-7.41-38	FV650362	2-2.13-5	FV651464	2-3.7-58
FV605462/1	2-7-1.12-271	FV650370	2-2.13-3	FV651465	2-3.7-59
FV605477/7	2-7-1.10-217	FV650371	2-2.13-7	FV651467	2-4.3-21
FV605478-1	2-7-1.4-68	FV650498	2-5.19-3	FV651468	2-4.3-22
FV605482/1	2-7.23-33	FV650499	2-5.19-1	FV651469	2-4.3-23
FV605482/1	2-7-1.11-267	FV650510	2-7.63-14	FV651470	2-4.3-24
FV605527-4MM	2-7-1.11-245	FV650511	2-7.67-10	FV651471	2-4.3-25
FV605527-5M	2-7-1.11-246	FV650511	2-7.69-18	FV651473	2-5.19-16
FV611048	2-9.5/6-41	FV650515	2-7.63-9	FV651478	2-2.5-10
FV611049	2-9.5/6-42	FV650516	2-7.63-8	FV651479	2-2.9-56
FV611675	2-9.5/6-39	FV650541	2-6.7-79	FV651480	2-2.17-62
FV611676	2-9.5/6-40	FV650545	2-6.7-75	FV651497	2-1-3.5-28
FV61228	2-11.13/14-29	FV650724	2-6.7-77	FV651498	2-1-3.5-32
FV61262	2-2.9-48	FV650851	2-6.7-66	FV668021	2-4.121-13
FV61262	2-2.17-56	FV650852	2-6.7-76	FV668022	2-4.121-14
FV614571	2-2.9-60	FV650861	2-4.227-33	FV668023	2-4.121-15
FV61530	2-2.19-22	FV650863	2-4.225-28	FV668044	2-4.121-16
FV61538	2-2.9-49	FV650870	2-4.191-11	FV668045	2-4.121-17
FV61538	2-2.17-57	FV650896	2-4.191-3	FV668046	2-4.121-18
FV616497	2-8-1.11-22	FV650901	2-4.191-6	FV668051	2-4.11-5
FV61803	2-3.3-24	FV650904	2-4.191-5	FV668180	2-4.41-97

INDEX OF MANUFACTURERS' PART/DRAWING NUMBERS

Part No./ Drawing No.	Chapter, Page and Item No.	Part No./ Drawing No.	Chapter, Page and Item No.	Part No./ Drawing No.	Chapter, Page and Item No.
FV668180	2-4.45-140	FV668998	2-4.139-7	FV705989	2-1-9.5-9
FV668181	2-4.41-98	FV669000	2-4.139-1	FV709379	2-6.17-3
FV668181	2-4.45-141	FV669155	2-4.151-42	FV709481	2-4.195-21
FV668185	2-4.117-11	FV669643	2-4.135-17	FV724200	2-4.201-1
FV668186	2-4.117-10	FV669677	2-4.153-3	FV724200	2-4.205-1
FV668187	2-4.117-1	FV669677	2-4.155-6	FV760408	2-1-9.5-10
FV668190	2-3.19-2	FV669734	2-4.105-25	FV760663	2-7.23-20
FV668192	2-3.19-3	FV669871	2-3.15-57	FV760663	2-7.33-1
FV668193	2-3.19-4	FV669871	2-3.15-60	FV760732	2-7.41-28
FV668194	2-3.19-15	FV669872	2-3.11-23	FV760732	2-7.53-1
FV668217	2-4.43-119	FV669873	2-3.13-32	FV775084/7	2-4.205-19
FV668224	2-4.43-108	FV669873	2-3.15-66	FV782457	2-8.9-19
FV668233	2-4.19-0	FV669878	2-3.13-30	FV782458	2-8.9-17
FV668235	2-4.19-1	FV669880	2-3.17-75	FV783806/65	2-1-1.11-12
FV668254	2-4.121-7	FV669895	2-3.23-47	FV783806/65	2-1-1.11-23
FV668256	2-4.121-8	FV669926	2-3.17-90	FV783810/33	2-4.123-43
FV668260	2-4.123-48	FV670380	2-4.117-6	FV794433	2-1-1.13/14-2
FV668263	2-4.29-1	FV670380	2-4.139-33	FV794436	2-1-1.3-15
FV668264	2-4.29-2	FV670380	2-4.143-24	FV794436	2-1-1.13/14-3
FV668270	2-4.123-47	FV670380	2-4.145-62	FV830446-9	2-7.163-56
FV668292	2-4.11-1	FV670432	2-4.165-20	FV873513	2-11.5-40
FV668319	2-4.25-14	FV670446	2-3.19-19	FV893573	2-7.181-292
FV668366	2-4.121-6	FV670460	2-4.177-114	FV908859	2-7.5-24
FV668391	2-4.61-20	FV670551	2-4.111-6	FV908859	2-7.81-1
FV668393	2-4.61-19	FV670554	2-4.111-1	FV919946/4	2-7.67-7
FV668394	2-4.61-9	FV670555	2-4.111-2	FV919946/4	2-7.69-15
FV668397	2-4.63-25	FV670588	2-3.19-17	FV925652	2-4.247-2
FV668408	2-4.25-16	FV670622	2-3.11-7	FV939076	2-7.11-106
FV668416	2-4.61-8	FV670622	2-3.11-11	FV943404	2-4.195-3
FV668424	2-4.41-102	FV670665	2-3.27-2	FV943405	2-4.195-28
FV668424	2-4.45-144	FV670680	2-4.137-1	FV943405	2-4.195-30
FV668432	2-4.47-1	FV670683	2-4.137-4	FV943429	2-4.195-1
FV668480	2-4.9-1	FV670684	2-4.135-1	FV947452	2-2.3-2
FV668506	2-4.29-11	FV670720	2-4.117-5	FV947453	2-2.3-5
FV668602	2-4.43-118	FV670837	2-3.17-89	FV951701	2-1-6.3-17
FV668603	2-4.43-117	FV670839	2-4.31-19	FV951710	2-1-6.3-18
FV668604	2-3.27-1	FV670840	2-4.31-19(1)	FV951735	2-1-2.5-54
FV668619	2-4.103-5	FV670841	2-4.31-19(2)	FV951736	2-2.7-38
FV668620	2-4.147-84	FV670842	2-4.29-16	FV951737	2-2.15-45
FV668626	2-4.111-12	FV670845	2-4.29-17	FV951850	2-10.5-35
FV668627	2-4.103-6	FV678586	2-7.49-5	FV951857	2-10.5-37
FV668636	2-4.159-24	FV682895	2-2.3-8	FV951858	2-10.5-38
FV668639	2-3.17-76	FV686854	2-7.123-150	FV951864	2-10.5-23
FV668806	2-4.145-45	FV686854	2-7.125-160	FV951867	2-10.5-25
FV668859	2-4.111-3	FV686854	2-7.125-179	FV951873	2-10.7-48
FV668861	2-4.111-11	FV686854	2-7.133-252	FV951874	2-10.7-51
FV668862	2-4.111-10	FV686854	2-7.133-257	FV951875	2-10.7-50
FV668863	2-4.111-9	FV692585	2-7.107-166	FV951876	2-10.7-49
FV668864	2-4.111-8	FV694906	2-7.33-7	FV951877	2-10.7-55
FV668931	2-4.47-7	FV697777	2-2.3-4	FV951878	2-10.7-54
FV668947	2-4.135-14	FV697778	2-2.3-3	FV951879	2-10.7-52
FV668997	2-4.139-6	FV704961	2-4.205-12	FV951885	2-10.5-39

INDEX OF MANUFACTURERS' PART/DRAWING NUMBERS

Part No./ Drawing No.	Chapter, Page and Item No.	Part No./ Drawing No.	Chapter, Page and Item No.	Part No./ Drawing No.	Chapter, Page and Item No.
FV951886	2-10.5-40	FV952299	2-15.3/4-12	GZ100	2-7.159-4
FV951887	2-10.5-41	FV952313	2-15.3/4-13	G1GA15080	2-4.93-141
FV951892	2-10.13-103	FV952327	2-15.3/4-8	G1GA19110	2-3.17-85
FV951952	2-10.7-45	FV952508	2-8.17-16	G112056	2-5.17-23
FV951954	2-10.7-46	FV952574	2-15.3/4-2	G177-UNINYVIN12	2-7.193-158
FV951957	2-10.5-34	FV952575	2-15.3/4-1	G177-UNINYVIN12	2-7.195-170
FV951958	2-10.5-33	FV952576	2-0.3/4-15	G189	2-4.55-61
FV951960	2-10.7-61	FV952576	2-15.3/4-0	HBP6464ETD	2-2.5-12
FV951961	2-10.9-70	FV952586	2-11.9-7	HC50913	2-4.191-20
FV951965	2-10.13-107	FV952588	2-11.9-0	HC78092	2-4.137-15
FV951968	2-10.11-83	FV952591	2-11.9-3	HNS-608	2-4.33-11
FV951972	2-10.9-65	FV959041	2-7.7-47	HNS-608	2-4.141-36
FV951973	2-10.11-100	FV970176	2-4.201-6	HV3254	2-7.107-155
FV951974	2-10.11-95	FV970177	2-4.201-9	HV3254	2-7.119-68
FV951976	2-10.9-75	FV98813	2-4.201-7	HV3254	2-7.157-91
FV951977	2-10.5-22	FV98814	2-4.191-7	HV3254	2-7.159-23
FV951978	2-10.7-56	FV98818	2-4.201-10	HZS-507	2-4.11-16
FV951978	2-10.9-72	FV989676	2-4.157-8	HZS-606	2-4.31-12
FV951991	2-10.11-97	F11200V2RD	2-8.17-11	H20	2-7.121-98
FV952033	2-10.5-24	F15-20775/F1C-	2-7.87-18	H20	2-7.121-105
FV952035	2-10.7-44	20912		H20	2-7.121-110
FV952038	2-10.5-42	F37639	2-8.15-5	H20	2-7.121-117
FV952039	2-10.7-43	F37639	2-8.1.13/14-6	H20	2-7.123-123
FV952040	2-10.11-86	GB10940	2-12.3-3	H20	2-7.123-129
FV952041	2-10.11-87	GB10940	2-12.3-8	H20	2-7.123-135
FV952042	2-10.11-88	GD1231-6	2-7.141-42	H20	2-7.123-141
FV952047	2-10.7-60	GD132/3	2-7.93-17	H20	2-7.123-149
FV952048	2-10.7-59	GD1321/4	2-7.107-158	H20	2-7.125-159
FV952055	2-10.9-78	GD1321/6	2-7.105-146	H20	2-7.125-168
FV952062	2-10.9-79	GD1321-2	2-7.107-176	H20	2-7.125-177
FV952063	2-10.9-77	GD1321-2	2-7.171-158	H20	2-7.153-36
FV952064	2-10.9-80	GD1456D10	2-4.221-18	H20	2-7.153-46
FV952065	2-10.11-93	GJ40055-00-00A	2-1-2.17/18-45	H20	2-7.155-54
FV952066	2-10.9-81	GJ40055-000000	2-1-2.17/18-44	H20	2-7.199-11
FV952067	2-10.9-82	GLY0549/13	2-4.205-24	H20	2-7.203-56
FV952074	2-10.11-92	GLY0549/14	2-4.205-25	H20	2-7.205-71
FV952075	2-10.11-90	GLY0549/3	2-4.205-18	H20	2-7.205-92
FV952079	2-10.7-58	GLY0549/5	2-4.205-16	IN4003	2-7.163-55
FV952080	2-10.7-57	GLY0549/6	2-4.205-17	JP82362	2-4.93-139
FV952085	2-10.9-74	GLY0549/9	2-4.205-15	JS20457	2-4.145-61
FV952086	2-10.9-73	GLY0549-1	2-4.205-2	JT17225-1	2-7.39-17
FV952089	2-10.9-67	GLY0549-11	2-4.205-4	JT17225-1	2-7.57-45
FV952096	2-10.9-69	GLY0549-2	2-4.205-3	JW50-011 BA40	2-5.7-26
FV952097	2-10.9-68	GLY0549-7	2-4.205-5	KB1081	2-3.11-22
FV952100	2-10.5-36	GLY0549-8	2-4.205-6	KB1081	2-3.13-27
FV952188	2-10.7-47	GM-E-93940-36	2-4.205-10	KB1092	2-3.13-29
FV952190	2-10.5-28	GP2	2-4.217-5	KB1092	2-3.13-31
FV952206	2-10.5-31	GP5	2-8.11-7	KB1094	2-3.15-63
FV952290	2-15.3/4-15	GP8	2-5.7-40	KB1094	2-3.15-67
FV952292	2-15.3/4-14	GR27554	2-4.115-10	KC150	2-4.65-10
FV952293	2-15.3/4-17	GS150-250	2-4.243-11	KC500	2-4.103-11
FV952295	2-15.3/4-16	GUF11T	2-4.165-30	KC500	2-4.143-17(1)

INDEX OF MANUFACTURERS' PART/DRAWING NUMBERS

Part No./ Drawing No.	Chapter, Page and Item No.	Part No./ Drawing No.	Chapter, Page and Item No.	Part No./ Drawing No.	Chapter, Page and Item No.
KC500	2-4.145-43	MAE 43/0/0013	2-11.5-41	MDA2358	2-19.11-10
KC503	2-4.103-11(1)	MAE 43/0/0013	2-11.9-1	MDA2367	2-16.7-28
KC503	2-4.143-17	MAE43/2/0008	2-14.3-1	MDA2367	2-19.7-29
KC503	2-4.145-43(1)	MAK8438	2-4.201-24	MDA2375	2-16.9-2
KC515	2-4.31-7	MB01-037E	2-16.7-18	MDA2375	2-19.9-2
KC518	2-4.31-7(1)	MB01-037E	2-19.7-22	MDA2386	2-19.5-58
KN99-14	2-19.7-11	MDA1854	2-16.5-58	MDA2386	2-19.27-2
KU10006	2-4.143-32	MDA1854	2-16.17-7	MDA2392	2-19.27-3
KU10014	2-3.19-13	MDA1854	2-17.3-27	MDA2406	2-16.19-3
K19209	2-4.99-82	MDA1854	2-18.3-32	MDA2406	2-19.25-3
K19210	2-4.163-25	MDA1854	2-19.5-74	MDA2420	2-16.7-10
K2R3N35	2-7.185-28	MDA1854	2-19.31-7	MDA2420	2-19.7-10
K497K493	2-3.21-28	MDA1887	2-16.11-5	MDA2421	2-16.7-7
K566K563	2-3.5-35	MDA1887	2-19.21-5	MDA2421	2-19.7-7
K60-4-6F	2-4.3-4	MDA1901	2-18.3-36	MDA2422	2-16.7-9
K60-4-6F	2-4.9-0	MDA1901	2-18.5/6-1	MDA2422	2-19.7-9
K6507	2-4.181-27	MDA1913	2-16.3-15	MDA2429	2-19.5-98
K65112	2-4.147-80	MDA1913	2-16.11-1	MDA2429	2-19.39/40-5
K759K752	2-3.5-34	MDA1913	2-17.3-9	MDA2433	2-16.7-6
K81195	2-4.11-10	MDA1913	2-18.3-37	MDA2433	2-19.7-6
LC212	2-4.35-16	MDA1913	2-19.3-37	MDA2437	2-16.5-65
LC212	2-4.39-67	MDA1913	2-19.21-1	MDA2437	2-16.7-1
LC212	2-4.43-120	MDA1916	2-16.11-6	MDA2437	2-19.5-91
LC212	2-4.123-33	MDA1916	2-19.21-6	MDA2437	2-19.7-1
LDJK75	2-3.25-62	MDA1967	2-16.3-33	MDA2604	2-19.3-17
LF3/30	2-4.115-7	MDA1967	2-16.13-6	MDA2604	2-19.15-1
LF3/32	2-4.115-8	MDA1981	2-16.3-48	MDA2605	2-19.17-13
LHA2BG110-1	2-7.205-82	MDA1981	2-16.17-5	MDA2656	2-19.3-11
List 5 No. 21	2-7.127-188	MDA1981	2-17.3-35	MDA2656	2-19.11-1
LLB368	2-7.21-13	MDA1981	2-18.3-21	MDA2657	2-19.11-2
LLB368	2-7.29-20	MDA1981	2-19.5-83	MDA2659	2-16.3-39
LLB368	2-7.213/214-28	MDA1981	2-19.31-5	MDA2659	2-16.17-1
LLRJ1MC3	2-4.51-2	MDA2146	2-18.5/6-5	MDA2659	2-17.3-19
LP47-600-2	2-19.13-3	MDA2147	2-18.5/6-6	MDA2659	2-18.3-11
LP47-600-3	2-19.17-2	MDA2163	2-19.3-12	MDA2659	2-19.5-65
LP47-600-3	2-19.29-24	MDA2163	2-19.13-1	MDA2659	2-19.31-1
LU54930479	2-7-1.8-182	MDA2186	2-19.11-9	MDA2660	2-19.3-19
LU54949588	2-7-1.8-185	MDA2188	2-16.5-61	MDA2660	2-19.15-8
LU54949590	2-7-1.8-184	MDA2188	2-16.19-1	MDA2661	2-16.3-9
LU945894	2-7-1.8-183	MDA2188	2-17.3-26	MDA2661	2-16.9-7
LWZ105	2-4.97-51	MDA2188	2-18.3-26	MDA2661	2-17.3-2
LWZ105	2-4.107-5	MDA2188	2-19.25-1	MDA2661	2-17.5/6-5
LWZ105	2-4.169-20	MDA-2188	2-19.5-88	MDA2661	2-19.3-18
LWZ105	2-4.169-23	MDA2189	2-16.19-2	MDA2661	2-19.15-7
L1055/10	2-7.109-4	MDA2189	2-19.25-2	MDA2665	2-19.3-26
L1055-5A	2-7.109-5	MDA2339	2-19.5-54	MDA2665	2-19.15-9
L1330/100	2-7.105-144	MDA2347	2-16.5-68	MDA2670	2-16.5-53
L1382	2-7.109-3	MDA2347	2-16.7-23	MDA2670	2-16.17-6
L4982-1	2-3.23-38	MDA2347	2-17.3-46	MDA2670	2-18.3-27
L6785/BR1659	2-7.129-210	MDA2347	2-18.3-6	MDA2670	2-19.5-77
L6785/BR1659	2-7.129-216	MDA2347	2-19.5-95	MDA2670	2-19.31-6
L693-5	2-7.151-30	MDA2347	2-19.7-24	MDA2703	2-16.3-32

INDEX OF MANUFACTURERS' PART/DRAWING NUMBERS

Part No./ Drawing No.	Chapter, Page and Item No.	Part No./ Drawing No.	Chapter, Page and Item No.	Part No./ Drawing No.	Chapter, Page and Item No.
MDA2703	2-16.15-1	MDA2940	2-19.5-50	MDA3204	2-19.29-5
MDA2703	2-17.3-43	MDA2956	2-16.21-20	MDA3206	2-19.29-3
MDA2703	2-19.5-61	MDA2956	2-19.33-20	MDA3209	2-19.5-59
MDA2703	2-19.23-1	MDA2957	2-16.21-13	MDA3209	2-19.25-8
MDA2704	2-19.3-13	MDA2958	2-16.21-2	MDA3243	2-19.29-9
MDA2704	2-19.17-1	MDA2958	2-19.33-2	MDA3244	2-19.29-4
MDA2711	2-19.5-96	MDA2971	2-19.11-3	MDA3245	2-19.29-1
MDA2711	2-19.37-1	MDA2972	2-19.11-4	MDA3270	2-19.7-33
MDA2712	2-16.3-4	MDA2986	2-19.5-99	MDA3325	2-16.3-31
MDA2712	2-16.9-1	MDA2986	2-19.39/40-9	MDA3325	2-17.3-16
MDA2712	2-19.3-8	MDA2993	2-16.21-26	MDA3325	2-19.5-49
MDA2712	2-19.9-1	MDA2993	2-19.33-25	MDA3371	2-19.35-1
MDA2753	2-19.37-7	MDA2998	2-19.37-8	MDA3372	2-19.35-10
MDA2760	2-17.3-30	MDA3000	2-19.37-10	MDA3393	2-19.3-4
MDA2804	2-19.37-2	MDA3027	2-18.5/6-15	MDA3393	2-19.23-3
MDA2806	2-19.37-3	MDA3028	2-18.5/6-14	MDA3394	2-16.7-2
MDA2807	2-19.37-16	MDA3033	2-18.3-38	MDA3394	2-19.7-2
MDA2825	2-19.37-15	MDA3033	2-18.5/6-10	MDA3428	2-19.29-23
MDA2827	2-19.37-9	MDA3049	2-17.3-8	MDA3429	2-19.29-19
MDA2845	2-16.3-10	MDA3049	2-17.5/6-10	MDA3431	2-19.29-18
MDA2845	2-16.9-8	MDA3051	2-19.17-10	MDA3454	2-19.29-28
MDA2852	2-16.3-25	MDA3051	2-19.29-14	MDA3461	2-19.29-17
MDA2852	2-16.13-2	MDA3052	2-19.17-9	MDA3475	2-19.3-1
MDA2852	2-17.3-10	MDA3054	2-16.23/24-27	MDA3475	2-19.27-1
MDA2852	2-18.3-1	MDA3054	2-19.33-26	MDA3493	2-19.29-31
MDA2853	2-16.3-1	MDA3064	2-17.3-5	MDA3495	2-19.29-32
MDA2853	2-16.9-3	MDA3064	2-17.5/6-6	MDA3498	2-19.29-33
MDA2853	2-17.3-1	MDA3073	2-16.3-30	MIS212/73NBR3726	2-2.5-13
MDA2853	2-17.5/6-1	MDA3073	2-17.3-15	MIS214	2-4.19-8
MDA2856	2-16.21-21	MDA3073	2-19.3-48	MM-105333	2-9.3-7
MDA2856	2-19.33-18	MDA3092	2-19.5-97	MN01-006E	2-19.35-6
MDA2857	2-19.33-16	MDA3092	2-19.39/40-1	MS01-003C	2-19.35-13
MDA2858	2-19.33-17	MDA3100	2-19.39/40-11	MS01-024B	2-16.7-31
MDA2861	2-16.21-15	MDA3107	2-19.29-10	MS01-024B	2-17.5/6-13
MDA2861	2-19.33-15	MDA3107	2-19.37-24	MS01-024B	2-19.7-32
MDA2880	2-16.3-0	MDA3132	2-16.3-36	MS01-027E	2-16.7-19
MDA2880	2-17.3-17	MDA3132	2-16.15-2	MS01-027E	2-19.7-23
MDA2880	2-18.3-35	MDA3132	2-17.3-40	MS01-035N	2-19.25-11
MDA2907	2-16.21-6	MDA3132	2-18.3-8	MS01-036P	2-16.9-11
MDA2907	2-19.33-6	MDA3132	2-19.5-62	MS01-036P	2-16.17-10
MDA2910	2-16.21-25	MDA3132	2-19.23-2	MS01-036P	2-17.5/6-9
MDA2910	2-19.33-21	MDA3138	2-19.17-8	MS01-036P	2-18.5/6-13
MDA2918	2-16.3-2	MDA3139	2-19.39/40-12	MS01-036P	2-19.15-12
MDA2918	2-16.13-1	MDA3143	2-19.39/40-10	MS01-036P	2-19.31-10
MDA2933	2-16.21-7	MDA3172	2-19.3-36	MS01-037Q	2-19.29-8
MDA2933	2-19.33-10	MDA3172	2-19.29-2	MS01-037Q	2-19.35-3
MDA2935	2-16.21-19	MDA3196	2-19.3-42	MS03-007H	2-16.7-26
MDA2935	2-19.33-19	MDA3196	2-19.9-3	MS03-007H	2-19.7-14
MDA2936	2-19.33-14	MDA3198	2-19.3-7	MS03-007H	2-19.7-27
MDA2937	2-16.21-1	MDA3198	2-19.19-1	MS07-007M	2-16.11-9
MDA2937	2-19.33-1	MDA3199	2-19.5-55	MS07-007M	2-19.21-9
MDA2940	2-16.5-63	MDA3199	2-19.19-2	MS09-0022V	2-19.33-12

INDEX OF MANUFACTURERS' PART/DRAWING NUMBERS

Part No./ Drawing No.	Chapter, Page and Item No.	Part No./ Drawing No.	Chapter, Page and Item No.	Part No./ Drawing No.	Chapter, Page and Item No.
MS09-020T	2-16.23/24-28	NA-00-007	2-7.161-48	NW5-14W4	2-4.91-132
MS09-020T	2-19.33-27	NA1-2	2-4.101-16	NW5-22W4	2-4.133-90
MS09-021U	2-16.21-14	NA1-5	2-4.77-40	NW5-30	2-4.89-83
MS09-021U	2-19.33-9	NA1-5	2-4.87-57	NW5-33	2-4.91-137
MS09-022V	2-16.21-9	NA6625	2-2.15-31	NW5-39	2-4.79-43
MW02-004S	2-19.35-11	NA6625	2-2.21/22-31	NW5-39	2-4.79-62
MW02-006N	2-19.15-11	NA6625	2-3.7-62	NW5-59	2-4.101-10
MW02-006U	2-16.7-29	NA6625	2-6.5-42	N023PH02	2-7.183-4
MW02-006U	2-19.7-30	NA6625	2-6.13-82	N02660	2-4.149-14
MW02-0064	2-17.5/6-11	NA6666Y	2-2.7-22	N15000037AZZ	2-4.99-67
MW02-007V	2-16.9-9	NA6666Y	2-2.13-15	N214	2-2.9-54
MW02-007V	2-16.17-8	NF213C3	2-4.145-56	N214	2-2.15-47
MW02-007V	2-17.5/6-7	NHL2BAB	2-7.109-24	N215C3	2-3.25-63
MW02-007V	2-18.5/6-11	NH2BAB	2-7.109-22	N3829400-V	2-7.209-26
MW02-007V	2-19.15-10	NH4BAB	2-7.55-14	OA6875	2-3.7-61
MW02-007V	2-19.31-8	NH4BAB	2-7.57-25	OD15422	2-4.35-20
MW03-004D	2-19.17-14	NK7203	2-4.51-25	OD15422	2-4.39-71
MW03-005E	2-16.7-16	NK7303	2-4.237-10	OE4526	2-4.133-95
MW03-005E	2-19.7-20	NK8602	2-4.239-63	OP3255	2-7.107-156
MW03-031G	2-19.17-16	NK8602	2-4.243-25	OP3255	2-7.119-69
MW04-002J	2-16.7-25	NK8610	2-4.237-8	OP3255	2-7.157-92
MW04-002J	2-19.7-13	NK8610	2-4.243-24	OP3255	2-7.159-24
MW04-002J	2-19.7-26	NK9799	2-7.195-181	PB555	2-8.19/20-40
MW04-003K	2-16.11-8	NL4053	2-7.197-197	PD-10	2-4.209-47
MW04-003K	2-19.21-8	NS173-721	2-4.129-44	PF47611/314	2-4.55-63
MW04-003K	2-19.35-12	NS209/921	2-4.131-55	PG3126	2-5.9-23
MW04-004L	2-19.17-15	NS209-6T1	2-4.131-75	PG4435	2-5.9-20
MW04-005M	2-16.7-17	NS292-121	2-4.127-15	PG4436	2-5.9-22
MW04-005M	2-16.7-30	NS49-8S1	2-4.91-133	PM8025-83-016	2-8.17-22
MW04-005M	2-16.21-11	NS76/15Y1	2-4.79-68	PM9055-005	2-7.85-53
MW04-005M	2-16.21-23	NU1504	2-4.51-4	PM9055-005	2-7.91-66
MW04-005M	2-17.5/6-12	NU1504	2-4.51-16	PNK7058	2-4.51-5
MW04-005M	2-19.7-21	NU1504	2-4.53-46	PNK7058	2-4.51-15
MW04-005M	2-19.7-31	NU208	2-4.107-9	PNK7058	2-4.53-39
MW04-005M	2-19.33-8	NU7-14Y1	2-4.99-60	PNK7058	2-4.53-47
MW04-006N	2-16.9-10	NU9-1121	2-7.211-34	PNK7060	2-4.53-50
MW04-006N	2-16.17-9	NW1-14T1	2-4.127-13	PNK7060	2-4.53-53
MW04-006N	2-17.5/6-8	NW2-117Y1	2-4.99-66	PNU1301	2-4.51-17
MW04-006N	2-18.5/6-12	NW2-164	2-4.77-25(7)	PNU1510	2-4.51-26
MW04-006N	2-19.25-10	NW2-172	2-4.77-25(5)	PNU1518	2-4.51-14
MW04-006N	2-19.29-7	NW2-180	2-4.91-124	PNU1523	2-4.53-38
MW04-006N	2-19.31-9	NW2-206	2-4.77-28	POS2962	2-7.117-35
MW04-006N	2-19.35-4	NW2-25Y1	2-4.131-74	PPD246-55-6	2-2.9-63
MW04-006N	2-19.39/40-7	NW2-25Z1	2-4.131-65	PP1045	2-7.87-21
MW5-11	2-9.3-4	NW2-28Z1	2-4.129-45	PP45-14	2-4.207-24
MW5-11	2-9.3-17	NW2-28Z1	2-4.131-58	PREN35	2-7.85-48
M1	2-7.115-10	NW2-47	2-4.83-14	PREN70	2-7.75-30
M1S20	2-2.19-18	NW2-47	2-4.89-105	PS1049/13	2-1-6.7/8-52
M1S54	2-3.7-57	NW2-55	2-4.77-32	PS1049/13	2-1-6.7/8-60
M12-208-000	2-4.143-12	NW2-79	2-4.101-7	PS1049/13	2-1-6.7/8-69
NA-00-005	2-7.71-5	NW2-89Y1	2-4.99-54	PS105250	2-4.181-28
NA-00-005	2-7.71-20	NW4-26T	2-4.131-83	PS105250	2-6.3-20

INDEX OF MANUFACTURERS' PART/DRAWING NUMBERS

Part No./ Drawing No.	Chapter, Page and Item No.	Part No./ Drawing No.	Chapter, Page and Item No.	Part No./ Drawing No.	Chapter, Page and Item No.
PS105321	2-1-4.3-9	QRD1015	2-7-1.2-19	R4106E75	2-4.87-74
PS105321	2-3.23-46	QRD1015	2-7-1.5-87	R4131ML5372	2-4.63-28
PS110630	2-2.13-14	QRD1015	2-7-1.5-91	R4150ML5372	2-5.17-21
PS1-1321-14	2-7.153-50	QRD1015	2-7-1.9-215	R4150ML5372	2-7.15/19-142
PS1857-1	2-7.165-77	QRD1021	2-7.129-219	R59-525	2-7.87-22
PS605040	2-4.99-72	QRD1023	2-7-1.2-14	R848ML5391	2-3.9-3
PWZ104	2-4.119-29	QRD1023	2-7-1.2-27	R8487ML5391	2-3.25-59
PWZ104	2-4.125-13	QRD1023	2-7-1.4-82	SBN12	2-7.191-110
PWZ104	2-4.125-15	QRD1023	2-7-1.6-122	SBN12	2-7.191-114
PWZ104	2-4.139-28	QRD1024	2-7-1.2-15	SBN12	2-7.191-123
PWZ104	2-4.139-32	QRD1024	2-7-1.2-28	SBN14CF	2-7.75-32
PWZ106	2-4.31-14	QRD1024	2-7-1.4-75	SBORD193	2-7.135/137-296
PWZ106	2-4.117-16	QRD1024	2-7-1.4-83	SBORD215	2-7.135/137-294
PWZ106	2-4.203-36	QRD1024	2-7-1.6-123	SBORD223	2-7.135/137-295
PWZ106	2-4.217-7	RB19-05	2-4.197-35	SB104T4BM12SX1	2-7.139-25
PWZ108	2-4.217-14	RB6-35	2-4.181-9	SB-14S-RPG	2-7.45-78
P1216	2-4.131-61	RCA292/3/8	2-7.133-256	SB-16S-RPG	2-7.139-26
P1521	2-1-1.3-20	RCA292/3/8	2-7.133-267	SDA229584	2-4.67-31
P1521	2-8.11-24	RCA292/3/8	2-7.133-271	SDA58891	2-7.143-54
P2	2-4.77-31	RCWE547	2-7.135/137-283	SE58000-010	2-7.105-141
P2	2-4.79-54	RC340	2-7.133-263	SE8000-207	2-7.105-143
P2	2-4.79-59	RC516	2-7.135/137-284	SF341-56	2-4.145-54
P2	2-4.83-9	REL140	2-14.5-34	SHHD4BAX5/16B	2-7.55-12
P2	2-4.83-28	RE16379	2-3.15-54	SH607061	2-1-1.5-18
P2	2-4.85-51	RE23374	2-4.31-15	SIC706/836	2-1-6.5-30
P2	2-4.89-98	RE25098	2-4.145-42	SL242/6	2-4.87-66
P28413	2-5.9-2	RSH3/16X1/2A	2-1-9.9-4	SL714	2-4.195-18
P35140	2-5.9-33	RSH3/16X1/2A	2-1-9.9-8	SO35M	2-4.221-28
P45-B	2-7.147-25	RSH3/32X3/8	2-1-9.9-12	SP107-G	2-7.85-37
P4649	2-4.77-42	RSS08	2-6.5-32	SP107-J	2-3.19-24
P5105250	2-4.147-81	RS19	2-6.11-40	SP13-L	2-4.163-24
P5106201	2-3.29-34	RS49	2-7.199-15	SP156	2-7.39-15
P5606160	2-4.143-20	RS49	2-7.201-38	SP156	2-7.41-24
QRA54	2-4.235-48	RS63	2-7.199-13	SP156	2-7.49-18
QRA54	2-4.243-9	R000/2BA	2-7.107-152	SP156	2-7.51-18
QRA57	2-7-1.2-25	R107	2-4.97-53	SP2BAX1/2	2-12.3-12
QRA58	2-7-1.2-13	R112ML5391	2-4.99-65	SP22-Y	2-7.161-46
QRA58	2-7-1.4-81	R14981	2-7.71-24	SP42/C	2-8-1.13/14-7
QRA58	2-7-1.6-121	R16037	2-12.11-4	SP42-G	2-4.9-15
QRA59	2-4.235-47	R16037	2-12.11-15	SP42-G	2-4.139-19
QRA59	2-4.243-10	R16037	2-12.11-18	SP42-G	2-4.145-34
QRA59	2-7.129-213	R16037	2-12.11-21	SP47-A	2-4.119-40
QRA59	2-16.11-3	R16037	2-12.11-32	SP900-10	2-8.19/20-32
QRA59	2-19.21-3	R16037	2-12.13/14-35	SP915/1	2-7.103-92
QRD1006	2-4.243-8	R16037	2-12.13/14-46	SP915-41	2-7.83-34
QRD1008	2-7.129-209	R177/63NBR3722	2-2.5-6	SP915-50	2-7.79-70
QRD1010	2-7.129-205	R2018ML5391	2-7.117-36	SSML5-5	2-6.7-68
QRD1010	2-7.129-214	R30-0312-73	2-7.185-50	SSML7-11-5-161- NX0-125in	2-7.161-47
QRD1014	2-7-1.2-18	R30-3333-56	2-7.185-51	SSML7-17-1E341	2-2.13-12
QRD1014	2-7-1.5-86	R3056ML5372	2-7.129-218	SSML7-17-1F012	2-4.89-95
QRD1014	2-7-1.5-90	R30-9494-53	2-4.243-23	SSML7-18	2-6.11-56
QRD1014	2-7-1.9-214	R30-9496-53	2-4.237-7		

INDEX OF MANUFACTURERS' PART/DRAWING NUMBERS

Part No./ Drawing No.	Chapter, Page and Item No.	Part No./ Drawing No.	Chapter, Page and Item No.	Part No./ Drawing No.	Chapter, Page and Item No.
SSML7-18	2-6.13-61	UA957Z	2-3.15-69	UNIPREN12	2-7.125-157
SSML7-18	2-6.13-65	UCB105-85	2-4.163-10	UNIPREN12	2-7.125-167
SSML7-18	2-6.19/20-44	UCS106/5R	2-1-9.13-3	UNIPREN12	2-7.125-175
STC3334	2-7.15/19-131	UCS106/7R	2-1-9.13-4	UNIPREN12	2-7.133-259
STC3334	2-7.213/214-20	UE30369	2-4.67-42	UNIPREN12	2-7.133-262
ST49938	2-4.101-12	UE3141	2-4.117-3	UNIPREN12	2-7.133-273
ST6359	2-7.141-36	UE33064	2-4.41-87	UNIPREN12	2-7.133-276
ST6359	2-7.147-23	UE33064	2-4.43-129	UNIPREN12	2-7.135/137-290
SV94SA	2-11.11-13	UE9320	2-4.67-38	UNIPREN12	2-7.147-10
SWG109	2-4.219-14	UFN104-3	2-4.205-27	UNIPREN12	2-7.147-14
SW103	2-4.169-8	UK6TNMF	2-7.63-7	UNIPREN12	2-7.147-19
S15Z-24-3	2-4.127-1	UK6TNMF	2-7.67-3	UNIPREN12	2-7.149-31
S420	2-7.141-28	UK6TNMF	2-7.69-11	UNIPREN12	2-7.153-35
S447	2-7.37-13	UNINYVIN 16	2-7-1.3-41	UNIPREN12	2-7.153-45
S80/88	2-7.213/214-12	UNINYVIN 16	2-7-1.3-48	UNIPREN12	2-7.153-53
S800E	2-6.17-21	UNINYVIN 16	2-7-1.3-55	UNIPREN12	2-7.157-85
TERSIL 16	2-4.137-5	UNINYVIN 16	2-7-1.4-58	UNIPREN12	2-7.159-16
TERSIL 16	2-4.137-11	UNINYVIN 16	2-7-1.4-61	UNIPREN12	2-7.159-22
TE1277-3	2-7.87-6	UNINYVIN 16	2-7-1.5-103	UNIPREN12	2-7.161-29
TYPE W24	2-7.103-107	UNINYVIN 16	2-7-1.6-139	UNIPREN12	2-7.163-62
T201303M/10	2-4.181-35	UNINYVIN 16	2-7-1.7-142	UNIPREN12	2-7.163-65
UA10641	2-4.71-9	UNINYVIN 16	2-7-1.7-144	UNIPREN12	2-7.163-68
UA10642N	2-4.19-16	UNINYVIN 16	2-7-1.7-148	UNIPREN12	2-7.163-71
UA10643	2-4.71-7	UNINYVIN14	2-7.191-112	UNIPREN12	2-7.169-149
UA10664	2-4.11-18	UNINYVIN14	2-7.191-125	UNIPREN12	2-7.171-162
UA10669ZP	2-4.11-20	UNINYVIN14	2-7.195-162	UNIPREN12	2-7.171-171
UA10669ZP	2-4.13-5	UNINYVIN14	2-7.195-166	UNIPREN12	2-7.173-183
UA10671ZP	2-4.11-9	UNINYVIN16	2-7-1.7-157	UNIPREN12	2-7.173-193
UA11326	2-4.31-2	UNINYVIN16	2-7-1.10-221	UNIPREN12	2-7.175-202
UA1252	2-4.25-17	UNIPREN 100	2-7-1.3-37	UNIPREN12	2-7.175-221
UA1252	2-4.25-20	UNIPREN 200	2-7-1.2-11	UNIPREN12	2-7.179-251
UA1252	2-4.45-138	UNIPREN 200	2-7-1.2-31	UNIPREN12	2-7.179-258
UA155	2-4.25-18	UNIPREN 200	2-7-1.6-113	UNIPREN12	2-7.179-265
UA156	2-4.25-21	UNIPREN 280	2-7-1.6-117	UNIPREN12	2-7.181-273
UA172	2-4.61-14	UNIPREN 280	2-7-1.6-126	UNIPREN12	2-7.199-10
UA172	2-4.119-28	UNIPREN100	2-7.101-61	UNIPREN12	2-7.201-36
UA2002/SR	2-4.69-4	UNIPREN100	2-7.103-116	UNIPREN12	2-7.201-40
UA2053Z	2-4.145-49	UNIPREN100	2-7.133-266	UNIPREN12	2-7.203-44
UA2662	2-4.15-21	UNIPREN12	2-7.15/19-144	UNIPREN12	2-7.203-55
UA2759	2-4.69-11	UNIPREN12	2-7.77-43	UNIPREN12	2-7.205-70
UA5827	2-4.111-18	UNIPREN12	2-7.97-17	UNIPREN12	2-7.209-11
UA5829	2-3.13-28	UNIPREN12	2-7.99-48	UNIPREN12	2-7-1.8-174
UA5831	2-4.49-33	UNIPREN12	2-7.107-150	UNIPREN12	2-7-1.8-189
UA586ZP	2-4.107-23	UNIPREN12	2-7.121-97	UNIPREN135	2-7-1.7-165
UA653	2-4.13-3	UNIPREN12	2-7.121-104	UNIPREN18	2-7.87-29
UA7643	2-4.25-15	UNIPREN12	2-7.121-109	UNIPREN18	2-7.127-202
UA904ZP	2-3.11-13	UNIPREN12	2-7.121-116	UNIPREN280	2-7-1.9-216
UA904ZP	2-3.11-16	UNIPREN12	2-7.121-122	UNIPREN4	2-7.77-42
UA905Z	2-3.11-5	UNIPREN12	2-7.123-128	UNIPREN6	2-7.113-7
UA927Z	2-3.15-70	UNIPREN12	2-7.123-134	UNIPREN6	2-7.113-14
UA954	2-3.11-8	UNIPREN12	2-7.123-140	UNIPREN6	2-7.113-19
UA957Z	2-3.11-6	UNIPREN12	2-7.123-147	UNIPREN70	2-7.99-49

INDEX OF MANUFACTURERS' PART/DRAWING NUMBERS

Part No./ Drawing No.	Chapter, Page and Item No.	Part No./ Drawing No.	Chapter, Page and Item No.	Part No./ Drawing No.	Chapter, Page and Item No.
UNIPREN70	2-7.99-57	UW02-002H	2-16.9-5	W1S348C10	2-7.181-285
UNIRPEN12	2-7.163-59	UW02-002H	2-17.5/6-3	W109591	2-4.237-33
UN01-010W	2-19.13-10	UW02-002H	2-19.9-4	W132047	2-4.53-37
UN01-011X	2-18.5/6-9	UW02-002H	2-19.19-3	W137450/1	2-7.185-30
US02-0011Q	2-19.33-24	UW02-005L	2-18.5/6-7	W137450/2	2-7.189-94
US02-004H	2-19.5-53	UW03-001N	2-16.7-4	W137450/4	2-7.187-60
US02-004H	2-19.11-16	UW03-001N	2-16.7-21	W140631/8	2-7.195-179
US02-009N	2-16.7-22	UW03-001N	2-16.23/24-30	W15068-22	2-4.237-29
US02-009N	2-16.23/24-31	UW03-001N	2-19.7-4	W151050/1	2-7.183-20
US02-009N	2-19.33-30	UW03-001N	2-19.33-29	W151050/1	2-7.185-54
US02-011Q	2-16.9-6	UW03-002P	2-16.13-4	W151084/2	2-7.189-90
US02-011Q	2-16.13-5	UW03-002P	2-16.17-3	W151926-1	2-7.185-41
US02-011Q	2-16.17-4	UW03-002P	2-16.19-6	W152887-1-6	2-3.15-55
US02-011Q	2-16.19-7	UW03-002P	2-16.21-18	W155787/259	2-4.239-49
US02-011Q	2-16.21-16	UW03-002P	2-19.9-5	W155787/260	2-4.243-26
US02-011Q	2-17.5/6-4	UW03-002P	2-19.15-5	W155787/47	2-4.243-27
US02-011Q	2-19.9-6	UW03-002P	2-19.19-4	W156283	2-7.195-182
US02-011Q	2-19.15-6	UW03-002P	2-19.25-6	W159881	2-4.237-14
US02-011Q	2-19.19-5	UW03-002P	2-19.31-3	W159903	2-4.237-3
US02-011Q	2-19.25-7	UW03-002P	2-19.33-23	W159908	2-4.237-4
US02-011Q	2-19.31-4	UW03-002P	2-19.35-8	W159911	2-4.239-47
US02-011Q	2-19.35-9	UW03-002P	2-19.39/40-3	W159913	2-4.239-48
US02-011Q	2-19.39/40-4	UW03-004R	2-19.5-52	W159914	2-4.239-50
US02-012R	2-19.39/40-20	UW03-004R	2-19.11-15	W159929-1	2-4.243-6
US05-002B	2-16.7-27	UW03-004R	2-19.13-9	W159932	2-4.243-7
US05-002B	2-19.7-28	UW03-005S	2-18.5/6-8	W159935	2-4.237-15
US05-008H	2-16.7-5	UW04-001K	2-16.21-3	W161960	2-4.239-62
US05-008H	2-19.7-5	UW04-001K	2-19.33-3	W162069	2-4.239-46
US06-002H	2-16.21-5	UW05-001N	2-16.21-4	W162390/2	2-7.189-103
US06-002H	2-19.33-5	UW05-001N	2-19.33-4	W162393/13	2-7.197-198
US07-001C	2-16.13-7	UX1981R2	2-8.19/20-39	W162393/9	2-7.197-199
US07-001C	2-19.23-4	VB1A	2-6.15-90	W163274/2	2-7.191-129
UW01-004D	2-19.11-14	VB1A	2-7.13-118	W163274/9	2-7.195-177
UW01-001A	2-16.7-3	VITAFOAM	2-1.3/4-13	W164490/11	2-7.183-25
UW01-001A	2-16.7-20	VFR/2/140/12MM		W164490/20	2-7.183-24
UW01-001A	2-16.23/24-29	VSP1	2-7.57-41	W164710/25	2-7.187-73
UW01-001A	2-19.7-3	V5855-30AV	2-4.75-12	W164710/33	2-7.185-49
UW01-001A	2-19.33-28	WE501-4BA	2-7.163-53	W164710/51	2-7.183-14
UW01-002B	2-16.9-4	WE501-4BA	2-7.205-91	W164710/61	2-7.183-12
UW01-002B	2-16.13-3	WIS3484C10	2-7.133-253	W164710/69	2-7.183-13
UW01-002B	2-16.17-2	WIS3484C10	2-7.133-268	W164710/81	2-7.183-11
UW01-002B	2-16.19-5	WS10X1/2	2-10.19-12	W164711/25	2-7.187-72
UW01-002B	2-16.21-17	WS10X1/2CSK	2-10.17-40	W164711/29	2-7.183-10
UW01-002B	2-17.5/6-2	WTA174349	2-7.189-93	W164766	2-7.189-95
UW01-002B	2-19.15-4	WTA174379	2-7.183-27	W165166	2-4.243-12
UW01-002B	2-19.25-5	W1S2887-1-6	2-3.17-86	W165171	2-4.243-3
UW01-002B	2-19.31-2	W1S348C10	2-7.169-145	W165172	2-4.243-2
UW01-002B	2-19.33-22	W1S348C10	2-7.169-154	W165173	2-4.243-1
UW01-002B	2-19.35-7	W1S348C10	2-7.171-165	W165188	2-4.239-51
UW01-002B	2-19.39/40-2	W1S348C10	2-7.175-213	W165191	2-4.237-1
UW01-004D	2-19.5-51	W1S348C10	2-7.177-242	W165339-6	2-4.53-43
UW01-004D	2-19.13-8	W1S348C10	2-7.181-281	W165340-6	2-4.53-44

INDEX OF MANUFACTURERS' PART/DRAWING NUMBERS

Part No./ Drawing No.	Chapter, Page and Item No.	Part No./ Drawing No.	Chapter, Page and Item No.	Part No./ Drawing No.	Chapter, Page and Item No.
W165350	2-4.51-7	W169354	2-4.55-80	XB1079	2-4.111-17
W165363/1	2-4.51-24	W169469	2-4.51-27	XB1079	2-4.117-12
W165364	2-4.51-22	W169486	2-4.55-57	XB1080	2-4.149-21
W165964	2-7.185-29	W169487	2-4.55-58	XB1081	2-4.19-17
W165964	2-7.189-92	W169488	2-4.53-51	XB1081	2-4.19-20
W166019	2-7.183-3	W170046/5	2-7.191-111	XB1081	2-4.25-2
W166410/14	2-7.189-87	W170046/5	2-7.191-115	XB1081	2-4.71-10
W166410/16	2-7.183-16	W170046/5	2-7.191-120	XB1091	2-4.49-32
W166411/11	2-7.189-88	W170046/5	2-7.191-124	XB1092	2-4.13-4
W166412/11	2-7.183-17	W170046/7	2-7.191-121	XB1092	2-4.49-30
W166412/13	2-7.183-15	W170126	2-4.55-71	XB1092	2-4.71-6
W166454	2-7.183-5	W171453	2-7.191-126	XB1092	2-4.71-16
W166633	2-4.51-8	W171455	2-7.191-109	XB1093	2-4.119-33
W166633	2-4.53-36	W171465	2-7.191-122	XB1094	2-4.145-57
W166673	2-4.51-3	W171483	2-7.193-157	XB1189	2-4.37-35
W166678	2-4.51-20	W171484	2-7.195-161	XB1191	2-4.13-6
W166678	2-4.53-41	W171485	2-7.195-165	XB1191	2-4.13-15
W166681/2	2-4.55-72	W171486	2-7.195-169	XB14025	2-4.31-4
W166740	2-4.51-13	W171497	2-7.191-117	XB14025	2-4.103-23
W166821	2-7.183-2	W171498	2-7.191-113	XB6203	2-4.103-10
W166832	2-7.195-180	W171558	2-7.191-107	XB7108	2-4.139-17
W166846	2-4.239-55	W173186	2-7.193-155	X5856-160	2-5.17-2
W166847	2-4.239-54	W173199	2-4.53-54	X7008A188E	2-4.101-13
W166849	2-4.239-56	W176931	2-7.191-118	X7008A364F	2-4.79-44
W166849/1	2-4.239-57	W178241	2-4.55-74	X7095-104H	2-4.85-47
W166851	2-4.239-58	W178242	2-4.55-78	X7095-170	2-4.85-38
W166851/1	2-4.239-59	W178243	2-4.55-76	X7095-347E	2-4.89-88
W166853	2-4.237-26	W178244	2-4.55-77	X7095-349	2-4.89-89
W166854	2-4.237-27	W184583	2-4.55-75	X7095-424	2-4.89-97
W166856	2-4.237-5	W202458	2-7.191-128	X7095-531	2-4.87-60
W166857	2-4.237-6	W30020037R4	2-4.145-70	X7095-576	2-4.91-127
W166859	2-4.237-12	W62552556	2-3.7-56	X7097-189	2-4.77-29
W166860	2-4.237-2	W65648/2	2-4.239-60	X7097-337D	2-4.75-4
W166862	2-4.239-53	W65648-2	2-4.237-30	X7133-105	2-5.17-3
W166940	2-4.53-45	W70008-49E	2-4.101-5	X7158-31	2-4.99-68
W166941	2-4.53-48	W7003	2-7.119-94	YA11417	2-7.55-3
W166945	2-4.51-23	W78092	2-7.197-191	Y3/Y000049	2-7.195-164
W166946	2-4.55-81	W83532	2-4.53-30	Y3/Y000050	2-7.195-172
W167107	2-4.239-52	XB1025	2-4.31-5	Y3/Y000053	2-7.195-173
W167110	2-7.187-59	XB1076	2-4.9-11	Y3/Y000054	2-7.195-160
W167120	2-7.191-131	XB1076	2-4.15-13	Y3/Y000055	2-7.195-168
W167265	2-4.239-45	XB1076	2-4.47-10	Y5658-114C	2-7-1.4-64
W167660	2-7.185-31	XB1076	2-4.65-12	Y5910-136	2-7.155-75
W167714	2-4.51-21	XB1077	2-4.9-13	Y5915-47	2-5.17-22
W167741	2-4.53-29	XB1077	2-4.13-17	Y5936-286	2-4.81-74
W167821/1	2-7.187-55	XB1078	2-4.35-19	Y6038-125	2-7.201-32
W168718	2-7.187-70	XB1078	2-4.39-70	Y6096/16	2-7.113-3
W168719	2-7.187-71	XB1078	2-4.113-27	Y6346-253	2-5.17-16
W168722	2-7.185-46	XB1078	2-4.181-18	Y6367-5	2-7.151-14
W168723	2-7.185-45	XB1079	2-4.13-9	Y7095A104F	2-4.83-16
W169000	2-4.55-73	XB1079	2-4.25-4	Y7095A-156	2-4.91-126
W169346	2-4.53-56	XB1079	2-4.61-17	Y7095-157	2-4.91-119

INDEX OF MANUFACTURERS' PART/DRAWING NUMBERS

Part No./ Drawing No.	Chapter, Page and Item No.	Part No./ Drawing No.	Chapter, Page and Item No.	Part No./ Drawing No.	Chapter, Page and Item No.
Y7095-247	2-4.83-27	Z5339-901	2-4.79-45	Z8	2-12.5-31
Y7095-282	2-4.85-50	Z5339-999A	2-4.75-7	Z8	2-12.5-36
Y7095-351D	2-4.89-94	Z5339-999B	2-4.75-7(1)	Z8	2-12.7-42
Y7095-362	2-4.91-120	Z5339-999C	2-4.75-7(2)	Z970058	2-7-1.6-128
Y7095-47	2-4.87-77	Z5910-140	2-4.95-6	00-060237	2-8-1.13/14-26
Y7095-541	2-4.87-65	Z5910-36A	2-4.95-10	00-060255	2-8-1.13/14-27
Y7095-616A	2-4.85-42	Z5910-93	2-4.95-8	0009830407	2-1-2.17/18-40
Y7095-647	2-4.83-12	Z67237	2-7-1.6-131	0009830407	2-4.85-45
Y7095-658	2-4.85-54	Z7	2-12.5-21	0009830407	2-4.145-51
Y7095-665	2-4.89-90	Z7	2-12.5-26	0009830407	2-4.177-106
Y7095-668	2-4.83-8	Z7095A310	2-4.89-103	0009830407	2-4.183-40
Y7095-673A	2-4.83-11	Z7095A311	2-4.87-62	0009830407	2-6.19/20-45
Y7095-74	2-4.89-84	Z7095-101	2-4.87-64	0019606092	2-4.217-13
Y7095-755	2-4.91-108	Z7095-106	2-4.91-129	0070-3/8	2-1-4.3-7
Y7097A180	2-4.75-17	Z7095-107	2-4.91-128	01-0015	2-7.151-11
Y7097-20A	2-4.75-3	Z7095-112A	2-4.85-49	010-70500-10	2-7.127-189
Y7097-319	2-4.75-20	Z7095-118	2-4.83-24	010-70500-14	2-7.127-190
Y7097-396	2-4.77-26	Z7095-120	2-4.83-26	010-70500-16	2-7.127-191
Y7097-571	2-4.77-30	Z7095-137D	2-4.85-32	010-70500-22	2-7.127-192
Y7158-7	2-4.99-74	Z7095-143	2-4.91-110	0-19	2-8.17-12
Y80818	2-7.151-20	Z7095-143	2-4.91-116	02-0089A	2-7.159-13
Y86115	2-7.151-19	Z7095-167	2-4.85-46	02-0252 BKCL	2-7.151-24
Y8923162	2-1-2.3-25	Z7095-170	2-4.85-39	02-0402 GREEN	2-7.159-14
Z/4121	2-12.13/14-41	Z7095-173A	2-4.85-40	02-1382	2-7.151-25
Z10009	2-7.163-61	Z7095-197	2-4.87-76	02-1382	2-7.151-26
Z10009	2-7.163-64	Z7095-198	2-4.85-34	02-1847	2-7.151-23
Z2/ZB11104	2-7.171-177	Z7095-271A	2-4.87-80	024802	2-7.83-32
Z2/ZB11380	2-7.161-26	Z7095-283	2-4.83-29	04255	2-7.143-51
Z2/ZB13696	2-7.185-36	Z7095-283	2-4.85-52	0576002	2-4.109-43
Z2/ZB13696	2-7.189-101	Z7095-283	2-4.89-99	0576002	2-4.189-41
Z22	2-12.5-32	Z7095-294	2-4.89-82	06DU08	2-4.183-38
Z22	2-12.5-37	Z7095-294	2-4.91-112	0700771B	2-7.85-42
Z22	2-12.7-43	Z7095-350	2-4.89-93	07734	2-4.205-13
Z335-195	2-4.75-14	Z7095-381	2-4.87-79	0837/001	2-19.13-6
Z510551	2-7.109-6	Z7095-41	2-4.87-69	0837/001	2-19.15-2
Z510583	2-7.203-60	Z7095-42	2-4.87-68	086 DOWTY	2-7.115-18
Z51078	2-7.105-147	Z7095-49	2-4.87-78	08DU06	2-6.5-52
Z5331-48	2-7.127-200	Z7095-519	2-4.87-81	08DU08	2-6.17-2
Z5334-141	2-4.81-75	Z7095-540	2-4.91-123	08DU08	2-6.17-11
Z5334-141	2-4.87-72	Z7095-605	2-4.85-31	0920053	2-4.189-40
Z5339A726A	2-4.77-25	Z7095-61	2-4.87-67	0D14287	2-4.77-39
Z5339A726B	2-4.77-25(1)	Z7095-666	2-4.89-91	10/5/16in	2-7.107-154
Z5339A726C	2-4.77-25(2)	Z7095-669	2-4.83-7	100-007-0640	2-7.209-8
Z5339A726D	2-4.77-25(3)	Z7095-678	2-4.83-22	100-007-270	2-7.147-7
Z5339A726E	2-4.77-25(4)	Z7095-73A	2-4.83-30	100-013-1911	2-7.131-228
Z5339A726G	2-4.77-25(6)	Z7097A178	2-4.75-16	100-014-1911	2-7.105-123
Z5339A726J	2-4.77-25(8)	Z7097-190	2-4.75-21	100-015-1911	2-4.213-21
Z5339A726K	2-4.77-25(9)	Z7097-210	2-4.75-23	100-018-1911	2-7.127-184
Z5339A726L	2-4.77-25(10)	Z7097-45	2-4.77-27	100-020-1911	2-7.127-185
Z5339-131	2-4.79-49	Z7097-45	2-4.85-33	100-022-1911	2-7.127-186
Z5339-131	2-4.85-53	Z7133-97	2-5.17-24	100-028-1911	2-7.127-187
Z5339-321	2-4.87-56	Z7158-50	2-4.97-45	100-253-5616	2-7.117-37

INDEX OF MANUFACTURERS' PART/DRAWING NUMBERS

Part No./ Drawing No.	Chapter, Page and Item No.	Part No./ Drawing No.	Chapter, Page and Item No.	Part No./ Drawing No.	Chapter, Page and Item No.
100878T	2-2.19-16	13258	2-14.3-5	17422	2-7.75-4
10-12-1911	2-7.105-122	132669	2-4.237-13	17525	2-7.77-53
1022P3012	2-3.35/36-24	1342/10	2-7.213/214-13	17537	2-7.75-9
103322	2-4.157-11	137350	2-4.99-69	17563	2-7.75-6
103340	2-4.125-7	137350	2-4.99-78	17591	2-7.77-52
103385	2-6.13-59	138542	2-4.127-11	176	2-7-1.2-2
103385	2-6.15-87	138542	2-4.127-26	17610	2-7.79-82
10-35916-22	2-4.247-14	1400/9/32	2-7.103-101	17611	2-7.79-83
10-37147-18	2-7.89-55	1400-5-32	2-7.113-32	17616	2-7.77-54
10-37147-28	2-7.75-28	1419-20	2-7.213/214-14	17618	2-7.75-3
10-37398-10	2-7.179-267	1419-28	2-7.213/214-26	17684	2-7.79-76
10-37398-22	2-7.181-278	1419-29	2-7.213/214-21	17A	2-7.121-119
10-37398-28	2-7.175-217	1419D	2-7.15/19-128	17A	2-7.123-136
10-40450-105	2-5.17-14	1419D	2-7.213/214-1	17A	2-7.125-169
104PP	2-1-1.9-13	142359	2-6.17-15	180179	2-2.11-4
105	2-4.65-21	1440 223X1	2-4.219-15	180370/7	2-7.31-7
10-70500-10	2-7.113-27	147579	2-1-1.5-10	180373/2	2-7.201-41
10-70500-14	2-7.141-39	147579	2-1-1.5-24	180373-2	2-7.199-16
10-70500-14	2-7.171-175	14DU16	2-6.9-7	180984	2-7.199-17
10-70500-14	2-7.175-205	15043	2-2.7-40	180984	2-7.203-42
10-70500-16	2-7.141-41	15043	2-2.15-49	180984	2-7.203-46
10-70500-18	2-7.211-29	150755-3	2-7.203-45	181566	2-4.17-23
10-70500-22	2-7.97-30	152559	2-4.219-4	181566	2-4.109-41
10-70500-22	2-7.99-40	1527507	2-3.35/36-27	181636	2-4.203-35
10-70500-22	2-7.177-224	1527507	2-4.191-22	18418	2-7.83-24
10-70500-22	2-7.181-277	15341	2-7.83-27	18434	2-7.77-45
10-70500-28	2-7.99-52	154324	2-7.93-18	18441	2-7.75-22
107-211	2-19.39/40-17	156	2-7.9-68	18465	2-7.83-13
10-7500-18	2-7.179-255	156	2-7.145-8	18649	2-7.75-31
108119T	2-4.127-12	15825	2-7.77-60	18685	2-7.75-5
108119T	2-4.127-27	16-2-3C	2-7-1.6-135	187010	2-7-1.5-107
108-211	2-19.37-21	16715	2-7.79-93	187017	2-7-1.8-175
108PP	2-1-1.9-12	16725	2-7.77-55	187042	2-5.19-24
10927852	2-7-1.7-160	16760	2-7.79-72	187042	2-5.19-32
11	2-7.97-26	16782	2-7.77-62	187051	2-7.41-42
11	2-7.99-36	16800	2-7.77-59	187052	2-1-1.3-17
11155	2-11.9-12	16817	2-7.79-73	18707	2-7.83-28
11242	2-1-2.9-103	16818	2-7.79-74	18709	2-7.83-17
11-454-11-4-1707	2-4.169-6	16819	2-7.79-75	187736	2-7-1.8-176
11-454-3-22-5725	2-4.37-51	16842	2-7.77-56	188412	2-7.49-3
11-454-3-22-5725	2-4.43-107	16859	2-7.79-71	18918	2-7.83-6
1191-4CNX5-81N	2-4.109-36	16862	2-7.79-69	18921	2-7.77-63
11924	2-7.79-88	16865	2-7.77-61	18922	2-7.79-86
120453	2-4.205-23	169 1-2IN	2-4.205-11	18973	2-7.79-81
12342G	2-4.223-38	16913	2-7.79-90	18982	2-7.79-64
1300-1 3-161N	2-4.35-18	17216	2-4.59-1	19005	2-7.79-65
1300-1 3-161N	2-4.39-69	17217	2-4.217-15	19011	2-7.79-87
1300-1 3-161N	2-4.43-121	17217	2-4.219-0	19011	2-7-1.2-22
1300-1079	2-16.7-11	172441	2-4.187-20	1904	2-7.199-19
1300-1079	2-19.7-15	172441	2-7.211-31	1906	2-7.163-49
1300-15PP	2-4.33-15	17294	2-7.79-78	19067	2-7.75-21
1325-2CNX5/16IN	2-4.109-34	17295	2-7.79-77	19068	2-7.75-2

INDEX OF MANUFACTURERS' PART/DRAWING NUMBERS

Part No./ Drawing No.	Chapter, Page and Item No.	Part No./ Drawing No.	Chapter, Page and Item No.	Part No./ Drawing No.	Chapter, Page and Item No.
19241	2-7.75-11	218P0503S2	2-4.237-25	27095-123A	2-4.89-100
19247	2-7.75-8	218P10503S2	2-4.239-35	27131-241	2-7.139-11
19248	2-7.75-10	218P20503S2	2-4.237-11	271451007067	2-4.7-36
19299	2-7.77-44	218P47403S2	2-4.237-24	2742	2-4.107-11
19506073	2-4.141-37	2209-2	2-7.149-34	27463-111	2-7.139-23
19631	2-7.87-28	220AD12-25	2-14.7/8-3	2775	2-4.109-35
19659	2-7.79-91	222	2-7.143-49	28173	2-4.197-53
19801	2-7.83-7	23018596	2-4.165-1	28173	2-4.197-62
19801	2-7.83-18	23271-23-0	2-8.19/20-28	28173	2-8.13-46
1EA46435	2-4.109-33	23512-1000	2-4.139-5	28173	2-8-1.11-19
1N4003	2-7.119-64	235125-1000	2-4.107-16	2868	2-4.109-31
1N45978SH80	2-3.13-40	23534	2-8.15-3	2869	2-4.109-32
1N5924-5J	2-4.83-2	23855-00513	2-7.131-240	290	2-7.97-25
200-018-4470	2-4.67-34	24180-010-022	2-7.89-41	290	2-7.99-35
200-212-0103	2-1-4.3-5	2426	2-4.107-24	290	2-7.99-47
200-226-4470	2-8.17-15	2450-2	2-4.143-26	290/1/4	2-7.125-151
200-237-5575	2-4.109-25	2482	2-4.107-18	290/1/4	2-7.125-161
2004-308	2-1-1.9-10	24DU32	2-6.9-4	290/1/4	2-7.125-178
201002	2-4.205-7	251/2BA	2-7.121-100	290/3/8	2-7.117-34
20101-52	2-4.119-39	251/2BA	2-7.121-112	2968	2-4.107-3
2014	2-7.107-151	251/2BA	2-7.123-125	2973	2-4.107-4
2069	2-7.147-11	251/2BA	2-7.123-130	2974	2-4.109-40
2069	2-7.147-15	251/2BA	2-7.123-143	2977	2-4.109-39
2069	2-7.147-20	25476AMP	2-7.75-17	2B28-575	2-4.195-26
20759	2-7.87-3	2550	2-4.69-14	2K4961	2-4.221-4
20775	2-7.87-20	2550	2-4.109-44	2X1R3	2-8.19/20-42
20796	2-7.87-23	2550	2-4.111-21	300-004-1911-02	2-4.135-23
20799	2-7.83-3	2550	2-4.139-30	300-004-1911-02	2-4.195-22
20800	2-7.83-2	2550S0454	2-16.11-4	3000H11C	2-7.199-12
20803	2-7.83-35	2550S0454	2-19.21-4	3000H4A	2-7.199-14
20822	2-7.89-56	255208	2-4.53-49	3000H4A	2-7.201-37
20823	2-7.87-8	255210	2-4.139-16	301183	2-7.93-9
20912	2-7.87-19	2556-6	2-3.35/36-32	302-014-0109-02	2-7.63-23
2103-0710	2-1-4.5/6-31	2556-6	2-4.185-12	30205	2-4.75-6
21132-9-097	2-1-2.15-27	260-1	2-7.15/19-133	30-223-383-01	2-5.9-29
21171-003	2-7.139-16	261158000000	2-7.59-55	30-232-110-11	2-5.9-9
2131325	2-4.119-31	26416-00431	2-7.187-77	30311	2-3.5-36
2131325	2-4.163-20	2652	2-4.107-7	3031926	2-7.75-27
21449	2-7.85-46	2661	2-4.109-30	3031926	2-7.85-54
214506	2-6.7-81	2663	2-4.107-13	3031926	2-7.91-67
21468-142-208	2-7.155-63	2664	2-4.107-12	30503959/8	2-7.115-17
215014	2-7.121-101	2667	2-4.107-10	31-513-313-01	2-4.119-37
215014	2-7.121-113	2676	2-4.107-19	31612-709	2-7.139-9
215014	2-7.123-131	2676/001	2-13.7/8-11	31634	2-7.41-23
215014	2-7.123-144	268086	2-5.17-25	316GP1	2-5.7-28
215014	2-7.125-152	2694	2-4.107-20	31-781-118	2-4.119-36
215014	2-7.125-162	2695	2-4.107-21	31818AMP	2-7.75-16
215014	2-7.133-274	2696	2-4.107-14	31836	2-7.81-11
215014	2-7.133-277	2697	2-4.107-22	320619	2-7.195-163
215075	2-7.149-33	2698	2-4.107-15	320619	2-7.195-167
215075	2-7-1.2-4	2701	2-4.107-17	3230634	2-7.193-159
217	2-7.121-118	2703	2-4.107-8	3230634	2-7.195-171

INDEX OF MANUFACTURERS' PART/DRAWING NUMBERS

Part No./ Drawing No.	Chapter, Page and Item No.	Part No./ Drawing No.	Chapter, Page and Item No.	Part No./ Drawing No.	Chapter, Page and Item No.
32433-401	2-7.139-17	34-0278-06	2-12.3-5	41-564-623-00	2-4.119-35
32561	2-7.97-16	34-0278-06	2-12.3-10	42542PCBM49	2-7.87-31
32561	2-7.99-45	34-0278-06	2-12.3-18	432PDS14108	2-0.3/4-18
32561	2-7.107-153	34-0279-06	2-12.3-4	43429-110	2-7.139-18
32561	2-7.121-99	34-0279-06	2-12.3-9	43474-133	2-7.139-10
32561	2-7.121-106	34-0279-06	2-12.3-17	435-004-1574-91	2-7.143-53
32561	2-7.121-111	34-0279-07	2-12.5-22	435-010-1574-91	2-7.199-22
32561	2-7.123-124	34-0279-07	2-12.5-27	450-112	2-3.35/36-26
32561	2-7.123-142	34-0290-08	2-12.5-24	45LR20	2-4.239-43
32561	2-7.125-153	34-0352-57	2-12.5-23	468723	2-7.85-45
32561	2-7.125-163	34-0352-57	2-12.5-28	4708971	2-4.75-0
32561	2-7.127-180	34-0352-61	2-12.7-44	475227	2-4.117-20
32561	2-7.133-264	34107	2-7.135/137-291	4771-12582	2-7.49-2
32561	2-7.157-87	34112AMP	2-7.75-15	48 0213 29	2-4.35-25
32561	2-7.159-18	347-90	2-7.123-137	48 0213 29	2-4.39-76
32561	2-7.161-25	347-90	2-7.125-170	48-0213-02	2-8.17-17
32561	2-7.161-30	347-90	2-7.133-260	4B9782	2-2.13-26
32561	2-7.163-58	347-90	2-7-1.4-59	4DM004639-04	2-7.201-24
32561	2-7.163-67	347-90	2-7-1.4-62	5001-26	2-4.131-85
32561	2-7.163-70	348424	2-16.21-8	502137-OD	2-7.95-38
32561	2-7.169-152	348424	2-19.33-11	503/4/12872/000	2-4.125-14
32561	2-7.171-164	3-4-GD10	2-4.179-7	503/4/1396/000	2-4.179-12
32561	2-7.171-172	350B1857	2-1-1.3-16	5040391	2-1-1.3-13
32561	2-7.173-185	350B1857	2-1-1.13/14-7	50446	2-6.17-9
32561	2-7.173-194	352250023646	2-7.185-52	50710	2-7.81-5
32561	2-7.175-201	353	2-10.5-26	508/2/41181	2-7.141-38
32561	2-7.175-211	360202070	2-7.151-29	508BR10	2-5.19-7
32561	2-7.175-220	36161	2-7.75-13	5100-18	2-7.117-53
32561	2-7.179-252	36231-101	2-7.143-45	510149	2-7.23-21
32561	2-7.179-259	36906	2-7.85-51	510149	2-7.33-8
32561	2-7.179-266	372:65E	2-14.3-3	5102-100	2-7.79-80
32561	2-7.181-274	3-8GD10	2-1-2.5-32	5102-12	2-4.145-50
3259/40	2-5.9-13	39-0151	2-4.131-62	510225	2-7.29-7
326034	2-7.85-50	395A394A	2-3.21-33	510225	2-7.31-11
329P4U	2-6.3-23	3BOD12052-1	2-7.151-28	510225	2-7.213/214-7
329P4U	2-6.5-49	3BOD12052-1	2-7.159-15	510295	2-7.29-5
329P4U	2-6.7-62	3BOD12052-1	2-7.201-34	510295	2-7.31-8
32DU16	2-6.11-46	3BOD12052-1	2-7.205-81	510295	2-7.213/214-5
33111-101	2-7.141-44	3X16MBS	2-10.7-53	5105-31	2-7.117-43
334	2-7.41-29	3X16MBS	2-10.9-76	51101263	2-7.7-50
334	2-7.53-8	3X20MBS	2-10.5-32	51101266	2-7.25-45
33460	2-7.75-14	3X20MBS	2-10.11-94	51273857	2-7.31-14
33460	2-7.77-41	3Z10Z2	2-7.195-176	51305	2-4.219-8
33460	2-7.89-58	400-001-5615-41	2-7.211-35	51413-101	2-12.13/14-33
33460	2-7.91-64	400-003-4490-41	2-1-1.11-14	51473-101	2-12.11-6
340	2-7.119-65	400-011-44-90-41	2-5.5-15	51473-101	2-12.13/14-37
34-0007-06	2-12.3-11	400-026-449-41	2-4.211-11	51473-101	2-12.13/14-48
34-0007-08	2-12.5-33	402105CP	2-7.131-235	5208009	2-4.101-1
34-0021-08	2-12.5-38	402307CP	2-8-1.13/14-10	522103	2-7.145-4
34-0060-06	2-12.3-6	41121-128	2-7.139-3	5307-829000	2-4.211-6
34-0060-07	2-12.5-25	41456-637-00-2	2-7.187-78	5321516	2-10.15-12
34-0223-07	2-12.5-39	41-50618	2-12.9-63	5322	2-10.17-37

INDEX OF MANUFACTURERS' PART/DRAWING NUMBERS

Part No./ Drawing No.	Chapter, Page and Item No.	Part No./ Drawing No.	Chapter, Page and Item No.	Part No./ Drawing No.	Chapter, Page and Item No.
5324-87	2-5.17-18	552103	2-7.33-4	571-3042	2-4.191-19
5-32GD10	2-8.5-32	552103	2-7.35-4	572727	2-7.53-3
5-32GD10	2-8.1.5-37	552103	2-7.49-13	573042	2-7.49-16
532GP1	2-10.15-8	552103	2-7.51-11	573042	2-7.51-12
5330-183	2-4.101-9	552103	2-7.93-25	573046	2-7.49-17
5330-58A	2-4.97-44	552255	2-7.29-3	573049	2-7.49-7
5331/51CAV	2-7.15/19-136	553281	2-7.29-14	573052	2-7.49-9
5333-159	2-4.129-33	553281	2-7.31-16	573052	2-7.51-7
5333-44C	2-1-1.5-27	553281	2-7.213/214-17	573053	2-7.49-6
5334-231	2-4.79-60	553282	2-7.29-15	573085	2-7.49-12
5334-413	2-4.127-20	553282	2-7.31-17	573285	2-7.35-3
5335-542A	2-4.133-91	553282	2-7.213/214-18	574189	2-7.49-11
5335-681	2-5.17-30	553283	2-7.29-16	576203	2-7.33-2
5335-766A	2-7.31-10	553283	2-7.31-18	576203	2-7.35-2
5335-7690	2-7.211-33	553283	2-7.213/214-19	576203	2-7.53-2
5338-12Z1	2-4.131-57	553287	2-7.29-4	576203	2-7.93-23
5339/919CAV	2-7.15/19-139	553287	2-7.31-3	576203	2-7.145-2
5339/953CAV	2-7.15/19-140	553287	2-7.213/214-4	576204	2-7.53-7
5339-174	2-4.77-37	553289	2-7.29-2	576204	2-7.93-28
5339-241	2-4.99-81	553289	2-7.31-2	576204	2-7.145-7
5339-290D	2-4.97-34	553884	2-7.213/214-27	576207	2-7.33-6
5339-757	2-4.89-107	554509	2-7.213/214-2	576207	2-7.35-6
5339-806	2-4.91-113	554950	2-7.213/214-22	576207	2-7.53-6
536-829	2-7.201-29	5549-68	2-4.133-89	576207	2-7.93-27
53863	2-7.9-67	555910	2-7.29-13	576207	2-7.145-6
53863	2-7.93-22	555910	2-7.33-5	576986	2-7.93-24
53863	2-7.145-1	555910	2-7.35-5	577588	2-7.35-7
53922	2-7.39-11	555910	2-7.49-14	5855-30BA	2-4.97-46
53922	2-7.49-1	555910	2-7.51-17	5855-30BS	2-7.211-27
5393-252AF	2-4.133-92	555910	2-7.53-5	5855-30CV	2-4.95-18
54102296	2-7-1.7-162	555910	2-7.93-26	5855-30K	2-4.127-8
54131146	2-7-1.7-161	555910	2-7.145-5	5855-30K	2-4.127-24
54190178	2-7.51-9	555910	2-7.213/214-16	5855-30K	2-4.131-81
54571261	2-7.51-8	5587-149	2-4.131-56	5856-181	2-5.17-20
54571562	2-7.51-14	5602-62	2-4.99-84	5856-199	2-5.17-19
54571922	2-7.51-10	561-575	2-16.11-2	5856-262	2-5.17-15
54572429	2-7.49-10	561-575	2-19.21-2	5872-16	2-4.127-6
54572430	2-7.49-15	561706	2-7.51-5	5872-16	2-4.131-79
54572450	2-7.49-8	561706	2-7.51-13	5876-54	2-5.17-32
54584780	2-7.33-3	561707	2-7.51-6	5876-54	2-7.147-27
54584780	2-7.145-3	561709	2-7.51-15	5876-54	2-7.211-30
5459-246	2-7.113-8	561710	2-7.51-16	5882-31BU	2-4.95-17
5459-246	2-7.113-15	561712	2-7.51-3	59-004020	2-1-1.3-5
5459-246	2-7.113-20	561716	2-7.51-4	59-04-2552-07	2-7.195-174
548	2-1-2.17/18-43	561726	2-7.51-2	5906/7CAV	2-7.15/19-141
54931752	2-7-1.5-106	562152	2-7.29-6	5906/9CAV	2-7.15/19-137
54931776	2-7-1.7-163	562152	2-7.31-9	5910-126	2-4.95-19
54934360	2-7-1.2-30	562152	2-7.213/214-6	5910-129	2-4.95-20
549347804	2-7-1.2-7	56454	2-7.81-4	5910-130	2-4.95-21
551968	2-7.29-17	5658-259	2-5.17-13	5910-131	2-4.95-15
551968	2-7.31-5	5658-304C	2-4.135-7	5910-132	2-4.95-23
552101	2-7.53-4	5658-305	2-4.131-68	5910-133	2-4.95-3

INDEX OF MANUFACTURERS' PART/DRAWING NUMBERS

Part No./ Drawing No.	Chapter, Page and Item No.	Part No./ Drawing No.	Chapter, Page and Item No.	Part No./ Drawing No.	Chapter, Page and Item No.
5910-135	2-4.95-9	6068-44	2-4.127-29	6366-61	2-4.129-43
5910-139	2-4.95-2	61226	2-7.81-9	6366-86	2-4.129-41
5910-153	2-4.97-25	61227	2-7.81-10	660-04-831712-178-	2-7.93-8
5910-155	2-4.95-7	61228	2-7.81-12	05	
5910-173	2-4.95-11(1)	6204	2-4.219-6	6625-397	2-4.129-38
5910-20	2-4.95-4	6205	2-4.53-42	6670845	2-4.165-24
5910-28B	2-4.95-11	6207	2-4.59-3	670	2-1-2.17/18-42
5910-30	2-4.95-13	6211-621	2-4.133-94	6713	2-10.9-66
5910-32	2-4.95-14	621363	2-4.143-10	6756782	2-4.165-28
5910-51	2-4.95-12	6214	2-4.143-5	6830187	2-4.165-5
5933/64D	2-4.89-96	6215	2-3.25-61	6836585	2-4.165-12
5936-309	2-4.99-57	6237-36	2-7.209-25	691-00011	2-7.103-102
5936-329A	2-4.127-18	6237-85	2-7.211-28	691-00011	2-7.105-129
5936-329A	2-4.129-46	6265-120	2-4.133-87	6X40MBR	2-14.5-32
5936-329B	2-4.127-18(1)	6265-121	2-4.131-54	70011082441000	2-7.21-4
5936-329C	2-4.127-18(2)	6265-122	2-4.131-53	7008-187	2-4.101-4
5936-329C	2-4.129-46(2)	6265-138	2-4.129-49	7008-226	2-4.101-11
5936-329D	2-4.127-18(3)	6265-36S	2-4.129-48	7008-253	2-4.101-6
5936-329D	2-4.129-46(3)	6265-386	2-4.127-10	7008-428A	2-4.101-2
5936-341	2-4.127-19	6265-386	2-4.127-23	7008-428B	2-4.101-2(1)
5936-418	2-4.129-35	6265-430	2-4.129-36	7008-428C	2-4.101-2(2)
5936-418A	2-4.129-35(1)	6265-439	2-4.133-99	7008-599C	2-4.101-8
5936-418B	2-4.129-35(2)	6265-446	2-4.133-96	70101041245900	2-7.7-52
5936-418C	2-4.129-35(3)	6265-475	2-4.133-100	70111000000000	2-7.55-11
5936-418D	2-4.129-35(4)	6265-476	2-4.133-101	70111000000000	2-7.57-26
5936-418E	2-4.129-35(5)	6265-545	2-4.131-60	70111000000000	2-7.57-34
5936-418F	2-4.129-35(6)	6265-547A	2-4.133-93	70111030614900	2-7.23-40
5936-418G	2-4.129-35(7)	6265-558	2-4.131-51	70111030614900	2-7.25-46
5936-446	2-4.129-39	6265-620	2-4.127-16	70111030614900	2-12.13/14-40
5936-58J	2-4.93-142	6265-620	2-4.133-88	70111030814900	2-7.5-25
5936-58T	2-4.97-24	6265-629	2-4.131-76	70111030814900	2-7.25-47
5936-88	2-4.97-36	6265-630	2-4.131-77	70111030814900	2-7.111-28
5939-329B	2-4.129-46(1)	6265-640	2-4.131-63	70111030814900	2-12.11-10
5950-107	2-4.97-37	6265-641	2-4.127-21	70111030814900	2-12.11-27
5959-25C	2-4.97-35	6265-666	2-4.131-52	70111030814900	2-12.13/14-39
5959-25C	2-4.99-55	6265-670A	2-4.133-97	70111030814900	2-12.13/14-50
5966-16A	2-4.99-64	6265-671A	2-4.133-98	70111031214900	2-13.7/8-7
599	2-7.15/19-132	6265-6788	2-4.131-59	70114001014900	2-7.45-79
5X20MBS	2-14.3-9	6265-78	2-4.129-37	701196	2-4.149-12
60092-3	2-2.19-19	6311	2-2.7-46	70131030644900	2-11.11-5
6010-58	2-4.131-64	6311	2-2.17-54	70131030644900	2-11.13/14-30
6011JC3	2-4.157-3	6333-F817	2-4.127-31	70133030615900	2-11.9-6
602816	2-14.3-4	6366-11A	2-4.129-34	70201040115900	2-7.5-32
6029/MS/01	2-1-1.13/14-4	6366-2	2-4.129-40	70221000000000	2-7.55-18
6029-60	2-4.127-9	6366-20	2-4.127-28	70221000000000	2-7.57-28
6029-60	2-4.127-22	6366-32	2-4.127-4	70221030114900	2-7.3-12
6029-60	2-4.131-82	6366-33	2-4.127-3	70221030114900	2-7.5-27
6029-61	2-4.127-7	6366-34	2-4.127-17	70221030114900	2-7.25-50
6029-61	2-4.127-25	6366-38A	2-4.127-2	70221030114900	2-7.109-18
6029-61	2-4.131-80	6366-39	2-4.127-5	70221030114900	2-12.3-14
6067-45	2-5.17-17	6366-39A	2-4.131-78	70221030115900	2-13.7/8-10
60678	2-7.91-68	6366-47	2-4.129-47	7022-180C	2-7.211-36

INDEX OF MANUFACTURERS' PART/DRAWING NUMBERS

Part No./ Drawing No.	Chapter, Page and Item No.	Part No./ Drawing No.	Chapter, Page and Item No.	Part No./ Drawing No.	Chapter, Page and Item No.
70224000114900	2-7.45-82	7088385	2-4.157-21	7097-337A	2-4.75-2
70224000114900	2-7.109-14	7088385	2-4.177-116	7097-469D	2-4.79-61
7023-304	2-4.97-48	7088385	2-4.187-19	7097-549E	2-4.77-38
7023-60	2-4.89-104	7095-106	2-4.99-79	7097-568P	2-4.75-11
7023-60C	2-4.83-13	7095-1198	2-4.83-25	7097-620	2-4.79-48
7023-99L	2-4.79-63	7095-142	2-4.91-109	7097-637	2-4.79-47
70241040021000	2-10.13-111	7095-142	2-4.91-115	7097-71C	2-4.81-76
70241050011000	2-10.5-20	7095-151	2-4.83-3	7097-732	2-4.75-5
70241060011000	2-7.63-13	7095-167A	2-4.85-37	7097-80	2-4.79-46
70241060011000	2-7.67-9	7095-183	2-4.83-18	7097-80	2-4.91-131
70241060011000	2-7.69-17	7095-213G	2-4.83-23	7097-81G	2-4.79-51
70262080025900	2-10.19-2	7095-23	2-4.83-19	7097A113	2-4.77-35
70262080025900	2-10.21/22-4	7095-248B	2-4.91-130	7097A128E	2-4.91-118
70300000094900	2-7.45-80	7095-273	2-4.87-71	7097A19	2-4.79-52
70300030094900	2-7.25-48	7095-275	2-4.87-75	7097A47G	2-4.77-36
7030004009100	2-12.7-57	7095-276	2-4.91-117	7118-107	2-4.99-59
70300040091000	2-5.19-13	7095-283	2-4.97-52	7123-17	2-5.17-12
70300040091000	2-10.17-30	7095-283	2-4.99-70	7123-388	2-5.17-11
70300040094900	2-7.5-30	7095-299	2-4.83-6	7123-417	2-4.95-5
70300040094900	2-7.7-51	7095-299	2-4.89-87	7126-284	2-4.99-80
70300040094900	2-7.13-120	7095-299	2-4.97-41	7129908	2-12.7-49
70300040094900	2-7.57-38	7095-308	2-4.89-101	7135-34T	2-4.75-1
70300040094900	2-7.59-48	7095-319	2-4.91-111	715-15	2-4.187-34
70300040094900	2-7.207-3	7095-321	2-4.127-14	715-3RS	2-4.187-33
70300050091000	2-5.7-33	7095-35	2-4.85-35	7155-57	2-4.97-49
70300050091000	2-10.17-33	7095-36	2-4.85-36	7158-10	2-4.97-29
703000500947900	2-7.43-51	7095-518A	2-4.87-59	7158-11	2-4.99-61
70300050094900	2-7.7-64	7095-528A	2-4.87-61	7158-13	2-4.97-39
70300050094900	2-7.45-72	7095-539	2-4.91-125	7158-15	2-4.99-63
70300050094900	2-7.63-4	7095-55B	2-4.87-58	7158-18	2-4.97-33
70300060091000	2-10.3-2	7095-574	2-4.87-70	7158-19	2-4.97-31
70300060091000	2-10.15-22	7095-585H	2-4.83-17	7158-23	2-4.97-50
70300060091000	2-10.19-9	7095-714	2-4.93-138	7158-3	2-4.97-26
70300060094900	2-7.7-61	7095-751	2-4.91-134	7158-32	2-4.99-73
70300060094900	2-7.21-9	7095-755A	2-4.91-114	7158-33	2-4.99-75
70300060095900	2-9.5/6-36	7095A104D	2-4.83-5	7158-38	2-4.97-30
70300080091000	2-1-7.3/4-11	7095A297A	2-4.85-43	7158-40	2-4.99-83
70300100000000	2-7.57-29	7095A59	2-4.91-135	7158-41	2-4.97-42
70301000000000	2-7.55-16	7097-152	2-4.79-53	7158-42	2-4.99-56
70301000000000	2-7.59-53	7097-157D	2-4.81-77	7158-45	2-4.97-32
70301030094900	2-7.3-10	7097-17	2-4.75-9	7158-47	2-4.97-27
70301030094900	2-7.109-21	7097-176	2-4.75-24	7158-5	2-4.99-76
70301030094900	2-12.3-13	7097-194	2-4.75-22	7158-52	2-4.97-47
70301030094900	2-12.11-28	7097-199B	2-4.75-18	716-520-BD-NCG- BAA	2-4.51-19
70302000000000	2-7.59-63	7097-20B	2-4.97-28	716-520-BD-NCG- BAA	2-4.53-40
70302000000000	2-7.61-72	7097-216B	2-4.75-19	7208JBDB	2-4.107-2
70330060005900	2-7.7-62	7097-21C	2-4.79-50	73006439	2-4.191-14
7034-879	2-4.93-140	7097-222	2-4.85-55	740084A	2-2.5-14
70360030005900	2-11.9-5	7097-301A	2-4.97-38	742626	2-4.109-38
7064112	2-6.5-59	7097-309	2-4.75-15	742646	2-4.115-22
7079-364B	2-4.99-58	7097-313D	2-4.75-10		
7088385	2-4.109-28	7097-316	2-4.79-57		

INDEX OF MANUFACTURERS' PART/DRAWING NUMBERS

Part No./ Drawing No.	Chapter, Page and Item No.	Part No./ Drawing No.	Chapter, Page and Item No.	Part No./ Drawing No.	Chapter, Page and Item No.
742646	2-4.145-35	857538	2-7.185-42	96715032	2-4.51-12
745-505-0074-01	2-2.13-20	860364	2-7.59-68	96715032	2-4.53-31
75240802080149	2-10.9-64	860364	2-7.157-89	96715134	2-4.53-35
75240802080149	2-10.11-99	860364	2-7.207-8	96715237	2-4.51-6
75250601080159	2-12.9-69	860369	2-7.59-66	96715260	2-4.51-11
75250801080159	2-11.7-15	860369	2-7.157-90	96715264	2-4.53-34
75250801080159	2-11.7-19	860369	2-7.207-6	96715265	2-4.55-79
75322000100159	2-9.3-25	860863	2-7.25-44	9760-22	2-7.127-194
75322000100159	2-9.5/6-31	861122	2-7.15/19-145	98/01049	2-12.7-45
75350800000059	2-11.7-11	861122	2-7.153-37	9902265	2-4.213-14
75360600000059	2-14.3-21	861122	2-7.153-47	9902265	2-4.215-32
78214	2-5.9-16	861122	2-7.155-55	9902267	2-1-1.5-8
787006	2-6.7-78	861122	2-7.157-86		
79801353012	2-4.51-10	861122	2-7-1.3-40		
7980-1353-015	2-4.53-32	861122	2-7-1.10-220		
79801353021	2-4.51-28	861607	2-7-1.6-112		
7980-1353-261	2-4.53-33	864469	2-7.185-38		
7CZ106198	2-7.117-57	867579	2-4.159-15		
80/10/0069	2-7.205-77	8752187	2-4.139-13		
80/10/0069	2-7.205-80	884/3	2-7.105-145		
80/10/0098	2-7.151-27	884/3	2-7.131-248		
80/10/0513/A	2-7.205-79	8X2R1	2-7.159-19		
80/10/0513A	2-7.205-76	900527C 1022-011	2-4.109-26		
80/10/0591	2-7.205-78	90-29040100	2-7.85-52		
80/10/0591/A	2-7.205-75	90-29040100	2-7.87-7		
80/10/1350	2-7.201-31	90-29040100	2-7.87-11		
ORANGE		90-29040100	2-7.89-59		
80/10/1360 BLUE	2-7.201-33	90-29040100	2-7.91-65		
80/10/1560RED	2-7.105-142	9048-137C	2-4.97-40		
80/10/1999	2-7.151-22	905-502-00	2-4.201-15		
80018830	2-2.11-2	91054030	2-4.201-27		
80018831	2-2.11-5	910604	2-1-1.11-15		
80018834	2-2.11-1	91086241	2-4.143-19		
80018835	2-2.9-62	91117820	2-4.145-47		
80-10-1350	2-7.105-140	915-4-98070-012	2-4.209-39		
80222232	2-4.237-16	9-16GD10	2-4.169-7		
80226120	2-4.239-36	916H	2-11.3-26		
80226757	2-4.239-34	92279	2-4.143-6		
804469	2-7.189-104	931514A	2-3.25-65		
806149	2-7.213/214-11	93255292	2-4.239-61		
806197	2-7.131-229	933068	2-7-1.7-153		
8120598-90A	2-4.139-20	93644002	2-7.191-127		
81700124	2-7.197-200	941109	2-4.187-16		
819701-1	2-7-1.6-114	9416160	2-4.19-6		
82234100	2-4.93-143	9416160	2-4.19-18		
83951	2-7.81-2	94GB-516	2-3.17-91		
83952	2-7.81-3	9511	2-7.23-23		
850015	2-4.205-14	9511	2-7.35-8		
850406	2-7-1.2-3	9511	2-7.41-31		
850880	2-4.233-10	9511HD	2-7.5-35		
850884	2-5.21/22-50	960316A1052	2-3.5-37		
851011	2-7.119-72	96715014	2-4.51-9		

~~UK RESTRICTED~~

~~UK RESTRICTED~~

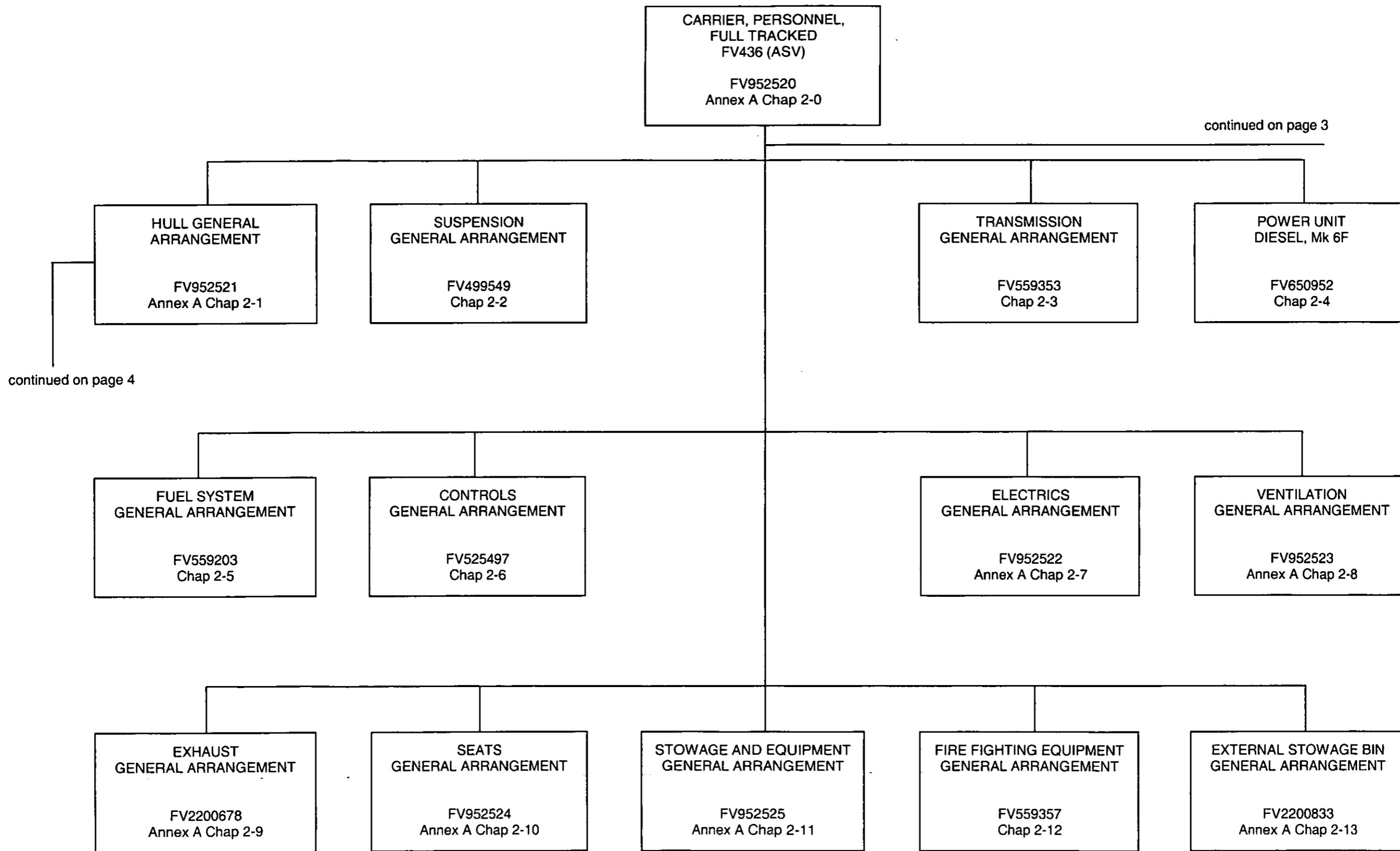
ANNEX A

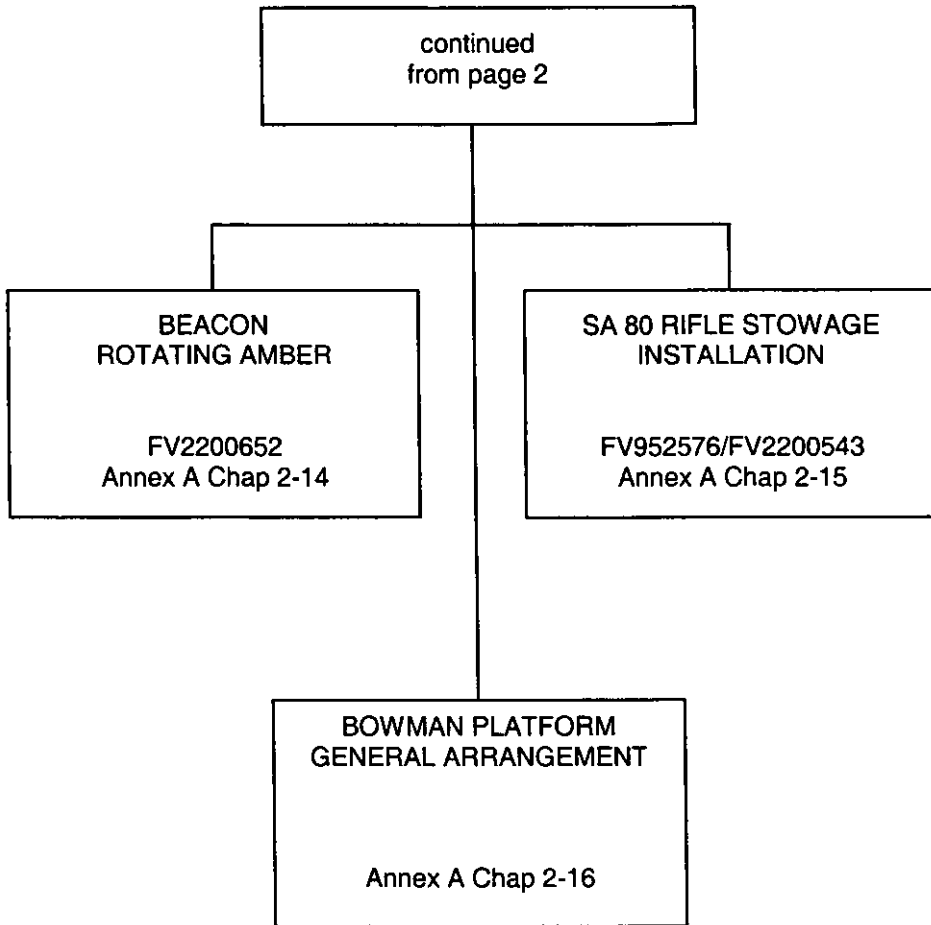
**CARRIER, PERSONNEL, FULL TRACKED,
FV436 ARMoured STAFF VEHICLE (ASV)**

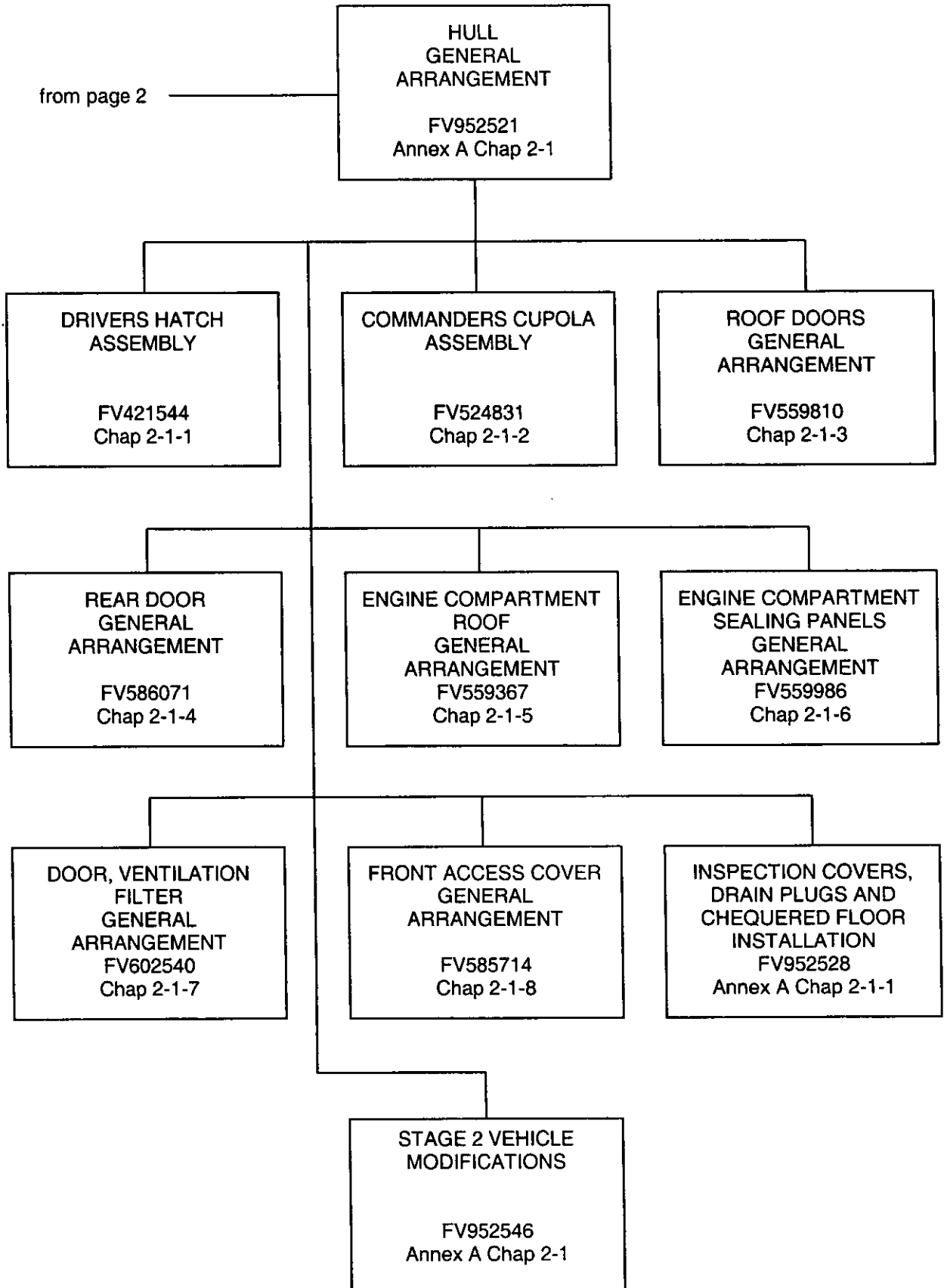
~~UK RESTRICTED~~

~~UK RESTRICTED~~

Chapter 1
INDEX OF MAIN ASSEMBLIES, DRAWING NUMBERS
AND ILLUSTRATIONS







INDEX OF MAIN ASSEMBLIES AND DRAWING NUMBERS
CARRIER, PERSONNEL, FULL TRACKED FV436 (ASV)

<u>Item</u>	<u>Drawing</u>	<u>Chapter</u>	<u>Page</u>
BEACON, AMBER ROTATING	FV2200652	2-14	3
BOWMAN PLATFORM GENERAL ARRANGEMENT		2-16	3
ELECTRICAL EQUIPMENT GENERAL ARRANGEMENT	FV952522	2-7	3
EXHAUST GENERAL ARRANGEMENT	FV2200678	2-9	3
EXTERNAL STOWAGE BIN GENERAL ARRANGEMENT	FV2200833	2-13	3
HULL GENERAL ARRANGEMENT	FV952521	2-1	3
INDEX OF NATO STOCK NUMBERS		3	3
INDEX OF PART NUMBERS		4	3
INSPECTION COVERS, DRAIN PLUG AND CHEQUERED FLOOR	FV952528	2-1-1	3
PERSONNEL SEATS GENERAL ARRANGEMENT	FV952534	2-10	3
SA 80 RIFLE STOWAGE INSTALLATION	FV952576	2-15	3
SEATS GENERAL ARRANGEMENT	FV952524	2-10	3
STAGE 2 VEHICLE MODIFICATIONS	FV952546	2-1	5
STOWAGE GENERAL ARRANGEMENT	FV952525	2-11	3
VEHICLE HARNESSSES	FV952555	2-7-1	2
VENTILATION SYSTEM GENERAL ARRANGEMENT	FV952523	2-8	3

INDEX OF ILLUSTRATIONS,
CARRIER, PERSONNEL, FULL TRACKED FV436 (ASV)

<u>Item</u>	<u>Chapter</u>	<u>Figure</u>
Carrier personnel full tracked FV436 (ASV)	2-0	1
Hull general arrangement	2-1	1
Stage 2 vehicle modifications	2-1	2
Floor plate covers and plugs	2-1-1	1
Filler cap and pyrene pocket flaps	2-1-1	2
Floor channel inspection plates	2-1-1	3
Chequered floor plates assembly	2-1-1	4
Fuel tank and floor cover plates	2-1-1	5
Floor plugs assembly	2-1-1	6
Bulkhead blanking panels installation	2-1-1	7
Electrical equipment general arrangement	2-7	1
Ventilation system general arrangement	2-8	1
Exhaust system general arrangement	2-9	1
Personnel seats general arrangement	2-10	1
External stowage general arrangement	2-11	1
Armoured housing, C.R.B.B.	2-11	2
External stowage bin GA	2-13	1
Beacon, rotating, amber general arrangement	2-14	1
Wiring harness	2-14	2
SA 80 rifle stowage installation	2-15	1
SA 80 rifle stowage installation - rear door	2-15	2
Bowman platform GA, internal	2-16	1
Bowman platform GA, external	2-16	2
UCD/VLS and stepped bracket assembly	2-16	3
Mapboard assembly	2-16	4
LH sliding table assembly	2-16	5
AKEE installation, LH side	2-16	6
RH sliding table assembly	2-16	7
Cross bulkhead table installation	2-16	8
Battery power distribution, tee box assembly	2-16	9
Bandpass filters and BAIU mounting bracket	2-16	10
Keyboard stowage and battery retainer	2-16	11
AKEE installation, commanders table	2-16	12
Cable tray assembly installation	2-16	13
Lighting brackets and plates	2-16	14
VIP/BEOM mounting plates	2-16	15

Chapter 2-0

PARTS LIST

CARRIER, PERSONNEL, FULL TRACKED,

FV436 (ASV)

Chap

- 2-0 Parts list
- 2-1 Hull general arrangement
- 2-2 Suspension general arrangement (AESP 2350-T-251-711)
- 2-3 Transmission general arrangement (AESP 2350-T-251-711)
- 2-4 Power unit, diesel, Mk 6F engine (AESP 2350-T-251-711)
- 2-5 Fuel system, general arrangement (AESP 2350-T-251-711)
- 2-6 Controls general arrangement (AESP 2350-T-251-711)
- 2-7 Electrics general arrangement
- 2-8 Ventilation system general arrangement
- 2-9 Exhaust general arrangement
- 2-10 Seats general arrangement
- 2-11 Stowage and equipment general arrangement
- 2-12 Fire fighting equipment general arrangement (AESP 2350-T-251-711)
- 2-13 External stowage bins general arrangement
- 2-14 Beacon rotating amber
- 2-15 SA80 Rifle stowage
- 2-16 Bowman platform general arrangement

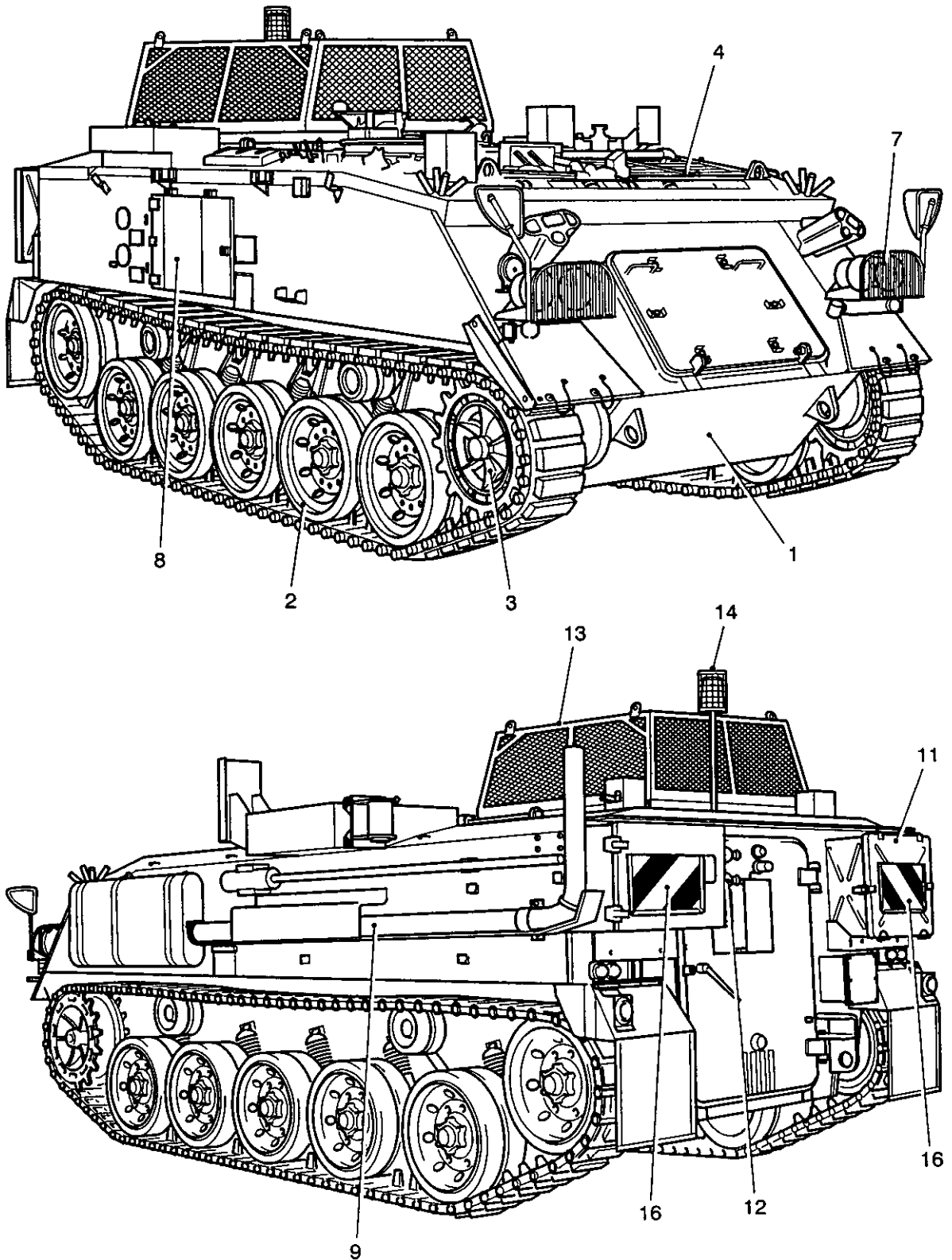


Fig 1 Carrier, personnel full tracked, FV436 (ASV)

430/70000

Fig Item	Man Code Navy - N Army - A RAF - R	NATO Stock No	Item Name and Description	Part No/ Drawing No.	No. Off	Annotations
1-		NP	CARRIER, PERSONNEL, FULL TRACKED, FV436 (ASV)	FV952520	REF	
1		NP	. HULL GENERAL ARRANGEMENT	FV952521	REF	See Annex A Chap 2-1
2		NP	. SUSPENSION GENERAL ARRANGEMENT	FV499549	REF	See Chap 2-2
3		NP	. TRANSMISSION GENERAL ARRANGEMENT	FV559353	REF	See Chap 2-3
4	A 9ACR	2815-99-808-1274	. POWER UNIT, DIESEL, 6 cylinder Mk 6F engine	FV650952	1	See Chap 2-4
NI 5		NP	. FUEL SYSTEM GENERAL ARRANGEMENT	FV559203	REF	See Chap 2-5
NI 6		NP	. CONTROLS GENERAL ARRANGEMENT	FV525497	REF	See Chap 2-6
7		NP	. ELECTRICS GENERAL ARRANGEMENT	FV952522	REF	See Annex A Chap 2-7
8		NP	. VENTILATION SYSTEM, GENERAL ARRANGEMENT, 5.1in. dia FAN	FV952523	REF	See Annex A Chap 2-8
9		NP	. EXHAUST SYSTEM GENERAL ARRANGEMENT	FV2200678	REF	See Annex A Chap 2-9
NI 10		NP	. SEATS GENERAL ARRANGEMENT	FV952524	REF	See Annex A Chap 2-10
11		NP	. STOWAGE AND EQUIPMENT GENERAL ARRANGEMENT	FV952525	REF	See Annex A Chap 2-11
12		NP	. FIRE FIGHTING EQUIPMENT GENERAL ARRANGEMENT	FV559357	REF	See Chap 2-12
13		NP	. EXTERNAL STOWAGE BIN GENERAL ARRANGEMENT	FV2200833	REF	See Annex A Chap 2-13
14	A 9ACR	2540-99-319-8607	. MODIFICATION KIT, VEHICULAR EQUIPMENT COMPONENTS, BEACON ROTATING AMBER		1	See Annex A Chap 2-14
NI 15		NP	. SA 80 RIFLE STOWAGE INSTALLATION		REF	See Annex A Chap 2-15
16	A 6MT1	9905-99-837-2954	. SIGN, LH and RH rear marker boards	BSAU152	SET	
NI 17	A 9ACR	2540-99-842-0395	. INSTALLATION KIT, VEHICLE HEATER, comprising 77 items	432PDS14108	1	
NI 18		NP	. BOWMAN PLATFORM GENERAL ARRANGEMENT		REF	See Annex A Chap 2-16

~~UK RESTRICTED~~

2 ~~UK RESTRICTED~~

Chapter 2-1

PARTS LIST

HULL GENERAL ARRANGEMENT

Chap

- 2-1 Hull general arrangement
- 2-1-1 Inspection covers, drain plugs and chequered floor
- 2-1-1 Drivers hatch assembly (AESP 2350-T-251-711)
- 2-1-2 Commanders cupola assembly (AESP 2350-T-251-711)
- 2-1-3 Roof doors general arrangement (AESP 2350-T-251-711)
- 2-1-4 Rear door general arrangement (AESP 2350-T-251-711)
- 2-1-5 Engine compartment roof assembly (AESP 2350-T-251-711)
- 2-1-6 Engine compartment sealing panels assembly (AESP 2350-T-251-711)
- 2-1-7 Door, ventilation filter assembly (AESP 2350-T-251-711)
- 2-1-8 Front access cover general arrangement (AESP 2350-T-251-711)

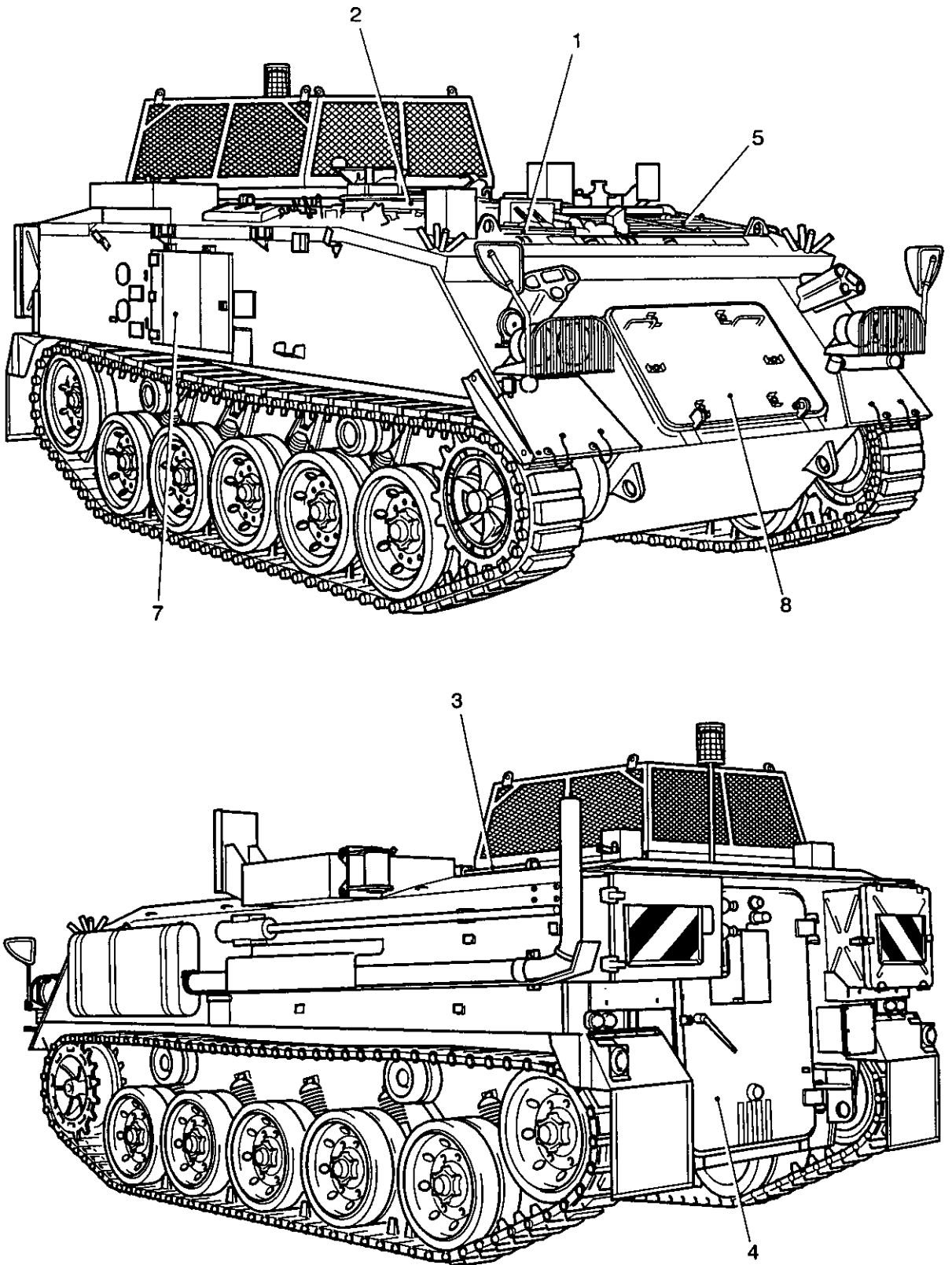


Fig 1 Hull general arrangement

430/70001

Fig Item	Man Code Navy - N Army - A RAF - R	NATO Stock No	Item Name and Description	Part No/ Drawing No.	No. Off	Annotations
1-		NP	HULL GENERAL ARRANGEMENT	FV952521	REF	
1		NP	. DRIVERS HATCH ASSEMBLY	FV421544	REF	See Chap 2-1-1
2		NP	. COMMANDERS CUPOLA ASSEMBLY	FV524831	REF	See Chap 2-1-2
3		NP	. ROOF DOORS GENERAL ARRANGEMENT	FV559810	REF	See Chap 2-1-3
4		NP	. REAR DOOR GENERAL ARRANGEMENT	FV586071	REF	See Chap 2-1-4
5		NP	. ENGINE COMPARTMENT ROOF ASSEMBLY	FV559367	REF	See Chap 2-1-5
NI 6		NP	. ENGINE COMPARTMENT SEALING PANELS ASSEMBLY	FV559986	REF	See Chap 2-1-6
7		NP	. DOOR, VENTILATION FILTER ASSEMBLY	FV602540	REF	See Chap 2-1-7
8		NP	. FRONT ACCESS COVER GENERAL ARRANGEMENT	FV585714	REF	See Chap 2-1-8
NI 9		NP	. INSPECTION COVERS, DRAIN PLUGS AND CHEQUERED FLOOR	FV952528	REF	See Annex A Chap 2-1-1
NI 10		NP	. INSULATION LINING ASSEMBLY	FV952529	REF	LM from items 11,12,13
NI 11	A 9AHY	9330-99-225-4337	. . INSULATION MATERIAL, light tan chloroprene coated, glass fabric, fire resistant, bulk supply, 1220mm w	FV2086381	A/R	
NI 12	A 9AHY	9330-99-225-4336	. . INSULATION MATERIAL, low fire hazard polyurethane barrier foam, bulk supply, 25mm thk, u/w 9AHY/9330-99- 225-4337	FV2031419	A/R	
NI 13	A 9AHY	9330-99-383-4140	. . INSULATION MATERIAL, low fire hazard polyurethane foam, 12mm thk, bulk supply, u/w 9AHY/9330-99-225- 4337	VITAFOAM VFR/2/140/ 12MM	A/R	
NI 14		NP	. FRONT ACCESS COVER HINGE AND HULL HINGE REPLACEMENT	FV2200708	REF	
NI 15		NP	. STAGE 2 VEHICLE MODIFICATIONS	FV952546	REF	See Fig 2

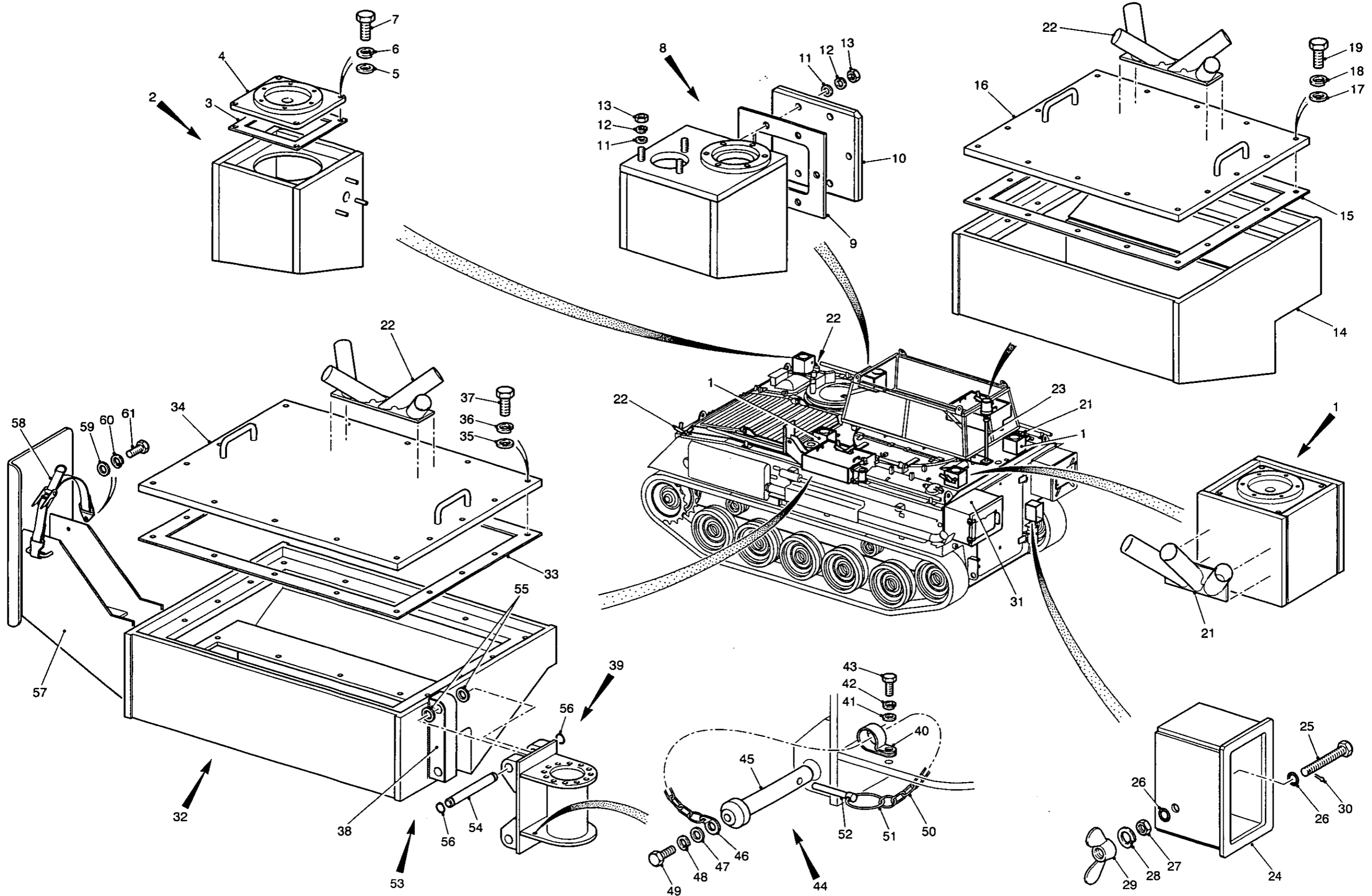


Fig 2 Stage 2 vehicle modifications

430/70068

Fig Item	Man Code Navy - N Army - A RAF - R	NATO Stock No	Item Name and Description	Part No/ Drawing No.	No. Off	Annotations
2-			HULL GA - contd			
1	A Z88	NP 5820-99-219-1491	. . . STAGE 2 VEHICLE MODIFICATIONS . . . BASE, ANTENNA, armoured housing assy	FV952546 FV2072700	REF 3	See items 3 to 7
2	A Z88	5820-99-250-6723	. . . BASE, ANTENNA, fwd RH	FV2072704	1	
3	A Z88	5330-99-749-5834	. . . GASKET, rubber, aperture w 128mm, aperture lg 128mm, 4 bolt holes	FV2072698	1	
4	A Z88	5805-99-784-2277	. . . COVER ASSEMBLY, sq, 164mm x 164mm x 20mm, w/5 plain holes and 6 thd holes, painted	FV2072601	1	
5	A G1	5310-99-956-1786	. . . WASHER, FLAT, 5/8in. od, 21/64in. id, 5/64in. thk	ST1592	4	
6	A G1	5310-99-941-6645	. . . WASHER, LOCK, steel, Cd plated, split helical ring, 5/16in. bolt size, 5/8in. od, 1/16in. thk		4	
7	A G1	5305-99-941-0527	. . . SCREW, MACHINE, UNF, stainless steel, Zn plated; 5/16in. x 1in. lg, class 2A thd	FV27970	4	
8		NP	. . . ARMOURED OUTLET SUB- ASSEMBLY	FV2068656	1	
9	A Z88	5330-99-749-5835	. . . GASKET, rubber, rect, 13mm dia, 124mm aperture w, 147mm aperture lg, 6 bolt holes, 3mm cross-section thk	FV2068658	1	
10		NP	. . . COVER ASSEMBLY	FV2068659	1	
11	A G1	5310-99-956-1786	. . . WASHER, FLAT, 5/8in. od, 21/64in. id, 5/64in. thk	ST1592	9	
12	A G1	5310-99-941-6655	. . . WASHER, LOCK, steel, split helical ring, 0.343in. id, 0.503in. od, 0.08in. thk		9	
13	A G1	5310-99-941-0925	. . . NUT, PLAIN, HEXAGON, UNF, 5/16in. -24, class 2B, rh thd, steel, Zn plated, 1/2in. w A/F, 17/64in. h, chamfered		9	
14	A Z1	5820-99-975-8508	. . . HOUSING ASSEMBLY, S.R.B.B, fabricated steel assy w/bolt on access cover, gasket bonded to housing	FV2072701	1	
15	A Z88	5330-99-749-5836	. . . GASKET, rubber, rect, 10mm dia, 371mm aperture w, 566mm aperture lg, 12 bolt holes, 5mm cross-section thk	FV2072696	1	
16		NP	. . . COVER ASSEMBLY	FV2072565	1	
17	A G1	5310-99-956-1786	. . . WASHER, FLAT, 5/8in. od, 21/64in. id, 5/64in. thk	ST1592	12	
18	A G1	5310-99-941-6655	. . . WASHER, LOCK, steel, split helical ring, 0.343in. id, 0.503in. od, 0.08in. thk		12	
19	A G1	5305-99-941-0527	. . . SCREW, MACHINE, UNF, stainless steel, Zn plated, 5/16in. x 1in. lg, class 2H thd		12	
NI 20	A 9ACR	1080-99-817-7541	. . . MODIFICATION KIT, VEHICULAR COMPONENTS, concealment brackets, comprising 6 items: centre array bracket FV952501 qty 2 and corner array bracket FV952502 qty 4	FV952582	1	
21	A 9MVCV	1080-99-562-2567	. . . BRACKET, SUPPORT, CAMOUFLAGE NET, centre bracket, steel WA, 150mm x 60mm base plate c/w 3 support tubes	FV952501	2	

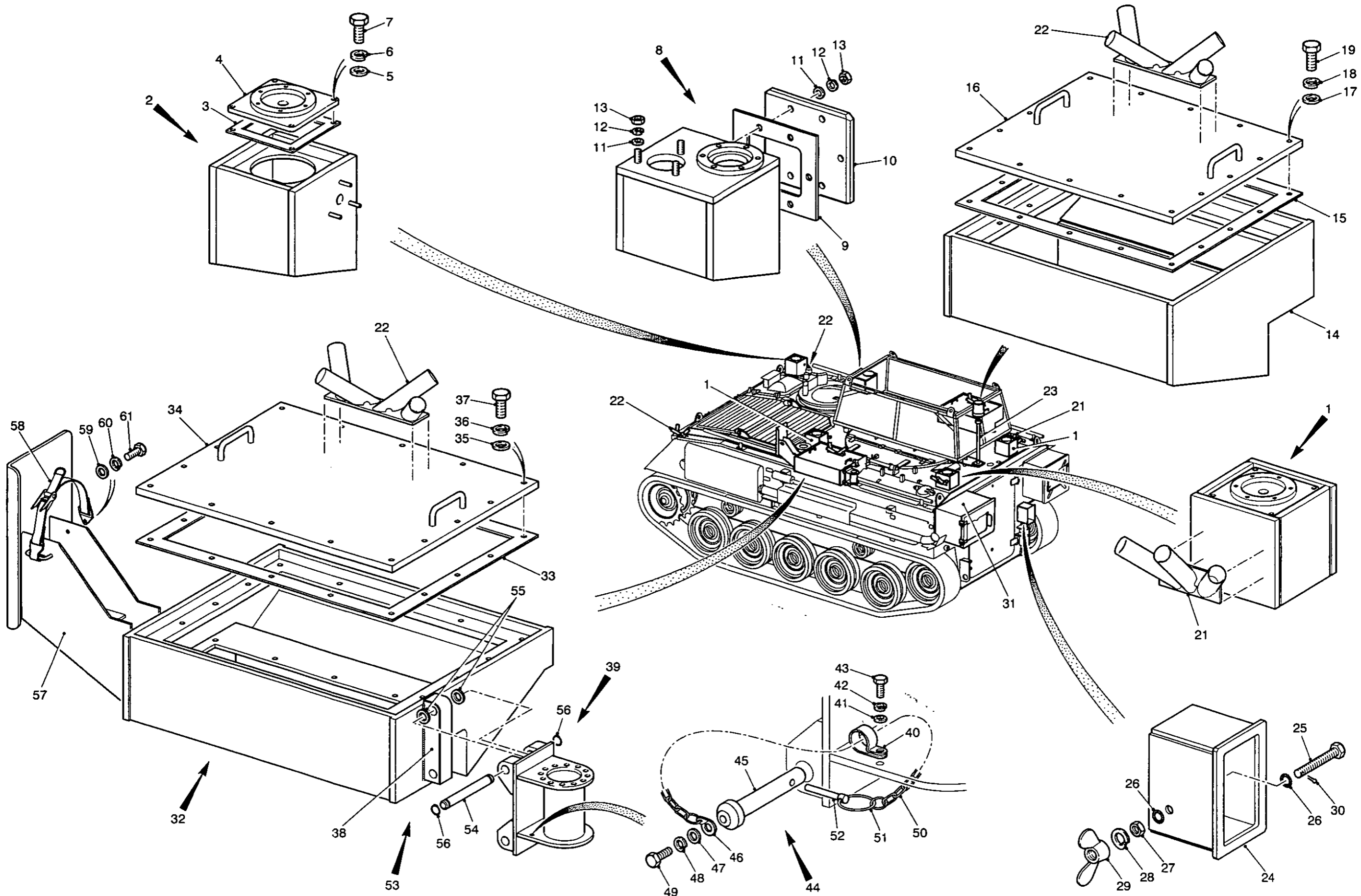


Fig 2 Stage 2 vehicle modifications

430/70068

Fig Item	Man Code Navy - N Army - A RAF - R	NATO Stock No	Item Name and Description	Part No/ Drawing No.	No. Off	Annotations
2-			HULL GA - contd . STAGE 2 VEHICLE MODIFICATIONS - contd . . . MODIFICATION KIT, VEHICULAR COMPONENTS - contd			
22	A 9MVC	1080-99-300-3202	. . . BRACKET, SUPPORT, CAMOUFLAGE NET, corner bracket, steel, WA, 240mm x 60mm base plate c/w 4 support tubes	FV952502	4	
23	A 9ACR	2540-99-319-8607	. . . MODIFICATION KIT, VEHICULAR EQUIPMENT COMPONENTS, Amber Rotating Beacon	FV2200652	1	See Annex A Chap 2-14
24		NP	. . . ARMOURED HOUSING, power outlet	FV2072523	1	
25	A Z88	5360-99-750-8338	. . . BOLT, MACHINE, ISO M, 8mm dia, class 6G thd, 60mm thd and fastener lg, Cu alloy, hex hd, w/hole 3.3mm dia in shank	FV2072845	1	
26	A G1	5310-99-417-9311	. . . WASHER, LOCK, steel, Zn plated, csk ext teeth, 21/64in. id, 5/8in. od, 1/32in. thk	1518	2	
27	A G1	5310-99-135-7803	. . . NUT, PLAIN, HEXAGON, ISO M, 8mm x 1.2mm pitch, class 6H, rh thd, Cu alloy, 12.9mm w A/F, 6.3mm h, chamfered		1	
28	A G1	5310-99-138-9227	. . . WASHER, LOCK, steel, Zn plated w/chromate, split helical ring, 8.55mm id, 12.75mm od, 2.1mm thk		1	
29	A G1	5310-99-136-6577	. . . NUT, PLAIN, WING, ISO M, M8 thd, 23mm h, 13mm boss h, 38mm wing spread w	16810	1	
30	A G1	5315-99-127-5892	. . . PIN, COTTER, SPLIT, cres, 7/64in. dia, 3/4in. lg, extended prong chisel point		1	
31	A Z1	5820-99-611-2765	. . . ARMOURED HOUSING, C.R.B.B., 16mm x 9mm thk steel armour plate, box type, welded fabrication w/hinged and clamped cover, 680mm lg x 460mm w x 455mm deep, NATO green	FV2072690	1	See Annex A Chap 2-11
32		NP	. . . HOUSING ASSEMBLY	FV2072703	1	
33	A Z88	5330-99-749-5845	. . . GASKET, rubber, rect, 10mm dia, 498mm aperture w, 666mm aperture lg, 16 bolt holes, 5mm cross-section thk	FV2072695	1	
34	A Z88	5820-99-784-0291	. . . COVER, PATCH PANEL, rect shape, 702mm lg, 534mm w, steel, w/2 bow handles, NATO green, w/16 plain 9.5mm dia holes	FV2072530	1	
35	A G1	5310-99-956-1786	. . . WASHER, FLAT, 5/8in. od, 21/64in. id, 5/64in. thk	ST1592	16	
36	A G1	5310-99-941-6655	. . . WASHER, LOCK, steel, split helical ring, 0.343in. id, 0.503in. od, 0.08in. thk		16	
37	A G1	5305-99-941-0527	. . . SCREW, MACHINE, UNF, stainless steel, Zn plated, 5/16in. x 1in. lg, class 2H thd	FV27970	16	
38	A 9ACR	2590-99-810-6215	. . . BLOCK, PIVOT, steel, Zn plated and passivated, 215mm lg 59mm w, 45mm h	FV2136935	1	
39	A 9ACR	2590-99-810-6216	. . . SWIVEL ASSEMBLY, comprises: swivel plate assy, swivel pin assy c/w retaining chain, pin and P clip w/fasteners	FV2136942	1	

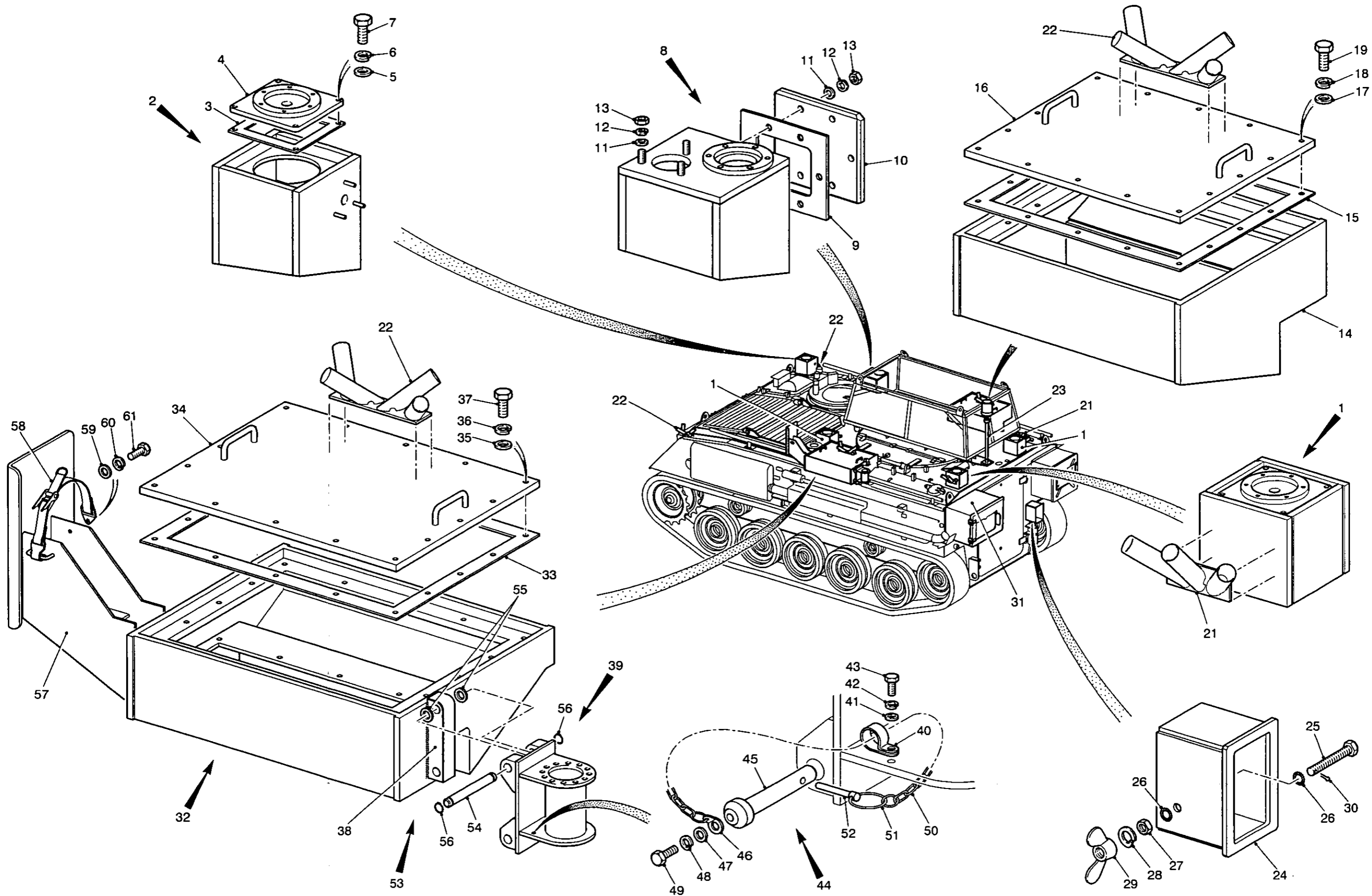


Fig 2 Stage 2 vehicle modifications

430/70068

Fig Item	Man Code Navy - N Army - A RAF - R	NATO Stock No	Item Name and Description	Part No/ Drawing No.	No. Off	Annotations
2-			HULL GA - contd · STAGE 2 VEHICLE MODIFICATIONS - contd · SWIVEL ASSEMBLY - contd			
40	A Z2	5340-99-735-2962	· · · CLAMP, LOOP, steel, Zn plated and passivated, 18mm dia, 12mm w grip, 5.6mm dia fixing hole, 5.6mm x 8.6mm fixing slot	FV964639/6	1	
41	A G1	5310-99-122-3032	· · · WASHER, FLAT, steel, Zn plated, 10mm od, 5.5mm id, 1mm thk		1	
42	A G1	5310-99-138-9226	· · · WASHER, LOCK, steel, Zn plated, split helical ring, 5mm bolt size, 8.55mm od, 1.5mm thk		1	
43	A G1	5305-99-122-5356	· · · SCREW, CAP, HEXAGON HEAD, ISO M, 5mm dia x 0.8mm pitch, class 6G thd, 16mm thd and fastener lg, steel, Zn plated, grade 8.8, hex hd		1	
44		NP	· · · PIN ASSEMBLY	FV2136941	1	
45	A 9ACR	5315-99-771-8402	· · · · PIN, STRAIGHT, HEADED, steel, Zn plated w/chromate, 20mm dia, 155mm under hd lg, knurled No. 1 head style	FV2136940	1	
46	A G1	5325-99-700-0396	· · · · WIRE LOCKING TAB, cres, 53/64in. lg, 1/2in. w, 1/32in. thk	AS4561/3	1	
47	A G1	5310-99-122-6474	· · · · WASHER, FLAT, steel, Zn plated, 12.5mm od, 6.5mm id, 1.6mm thk		1	
48	A G1	5310-99-137-9232	· · · · WASHER, LOCK, steel, Zn plated, split helical ring, 6.3mm id, 9.2mm od, 1.5mm thk		1	
49	A G1	5305-99-122-5361	· · · · SCREW, CAP, HEXAGON HEAD, ISO M, steel, Zn plated w/chromate, hex hd, 6mm thd dia, 20-42mm lg		1	
50		NP	· · · · CHAIN, 1.6mm, steel, Zn plated	ND24401W	A/R	
51	A G1	5365-99-120-7681	· · · · RING, CONNECTING, ROUND, steel, Ni plated, 0.048in. thk, 1/2in. id, split construction	479-050	2	
52	A G1	5315-99-746-2346	· · · · PIN, LINCH, 6mm body dia w/pull ring	1056/001	1	
53	A 9ACR	5315-99-356-7623	· · SWIVEL PIN ASSEMBLY, steel, Zn plated and passivated, 147mm lg, 35mm dia o/a, 20mm pin dia	FV2136947	1	
54	A 9ACR	5315-99-663-6470	· · · PIN, GROOVED, HEADLESS, steel, Zn plated w/chromate, 147mm lg, 2mm x 45deg chamfer each end	FV2136934	1	
55		NP	· · · WASHER, FLAT, steel, Zn plated, 35mm od, 20.3mm id, 1.6mm thk	FV2136943	2	
56	A 46MT1	5365-99-910-8240	· · · RING, RETAINING, steel, phosphate coated, 20mm shaft dia, 1.2mm thk, external	X79	2	
57	A 9ACR	2590-99-616-7788	· · BRACKET SUPPORT ASSEMBLY, comprises bracket and pad	FV2136946	1	
58	A 9ACR	5340-99-820-3318	· · STRAP, WEBBING, 25mm w nylon webbing, 500mm effective lg, w/end fittings, ratchet buckle and D ring, olive drab	FV2136936	1	
59	A G1	5310-99-122-6475	· · WASHER, FLAT, steel, Zn plated, M8 bolt size, 17mm od, 1.6mm thk		1	
60	A G1	5310-9-138-9227	· · WASHER, LOCK, steel, Zn plated w/chromate, split helical ring, 8.5mm id, 12.75mm od, 2.1mm thk		1	

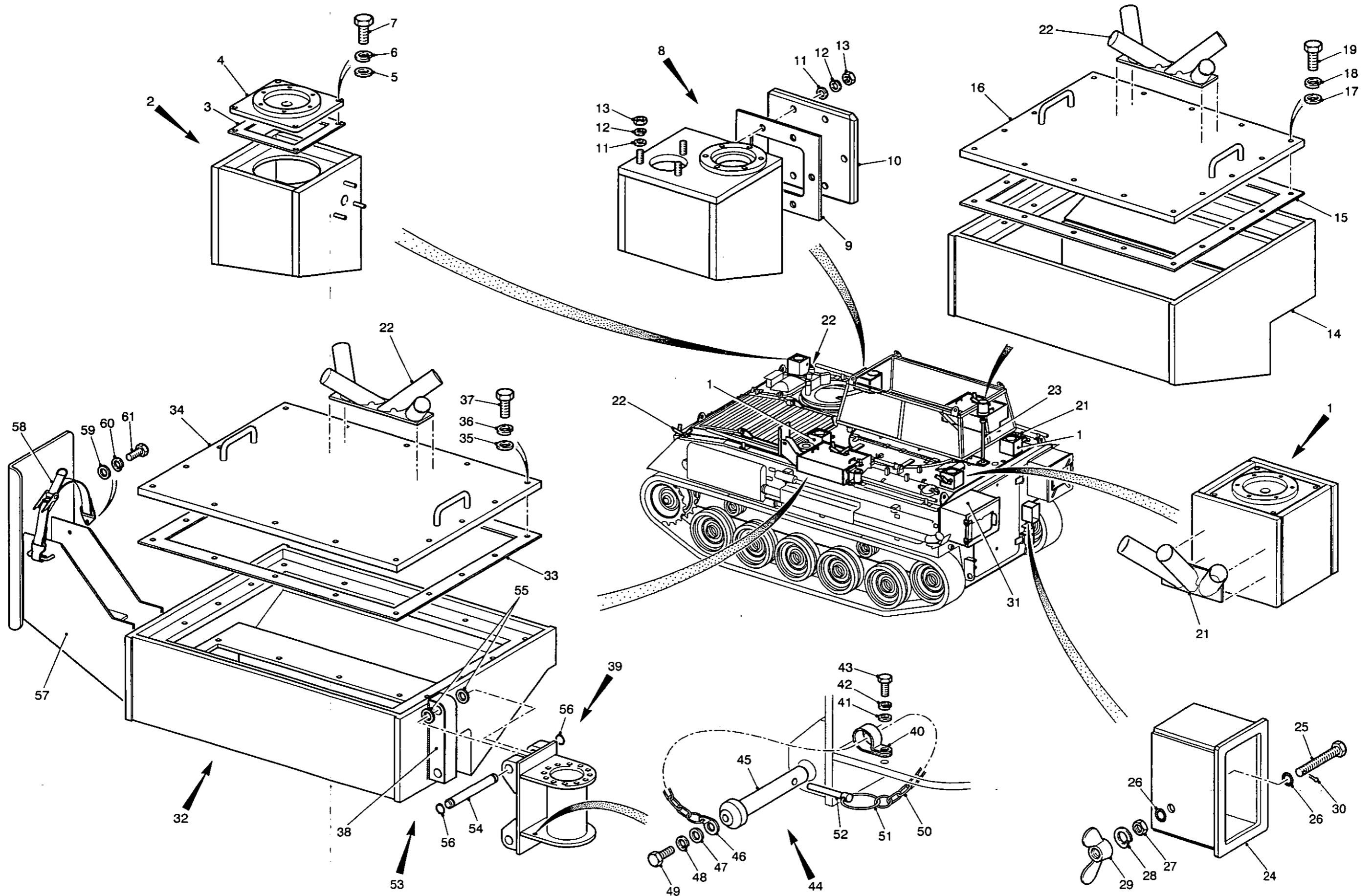


Fig 2 Stage 2 vehicle modifications

430/70068

Fig Item	Man Code Navy - N Army - A RAF - R		NATO Stock No	Item Name and Description	Part No/ Drawing No.	No. Off	Annotations
2- 61 NI 62	A	G1	5305-99-122-5366 NP	HULL GA - contd . STAGE 2 VEHICLE MODIFICATIONS - contd . . SCREW, CAP, HEXAGON HEAD, ISO M, 8mm x 1.25mm thd, 20mm fastener lg, hex hd . . HULL CONVERSION TO STAGE 1	FV952530	1 REF	

~~UK RESTRICTED~~

• ~~UK RESTRICTED~~

Chapter 2-1-1
PARTS LIST
INSPECTION COVERS, DRAIN PLUGS AND
CHEQUERED FLOOR INSTALLATION

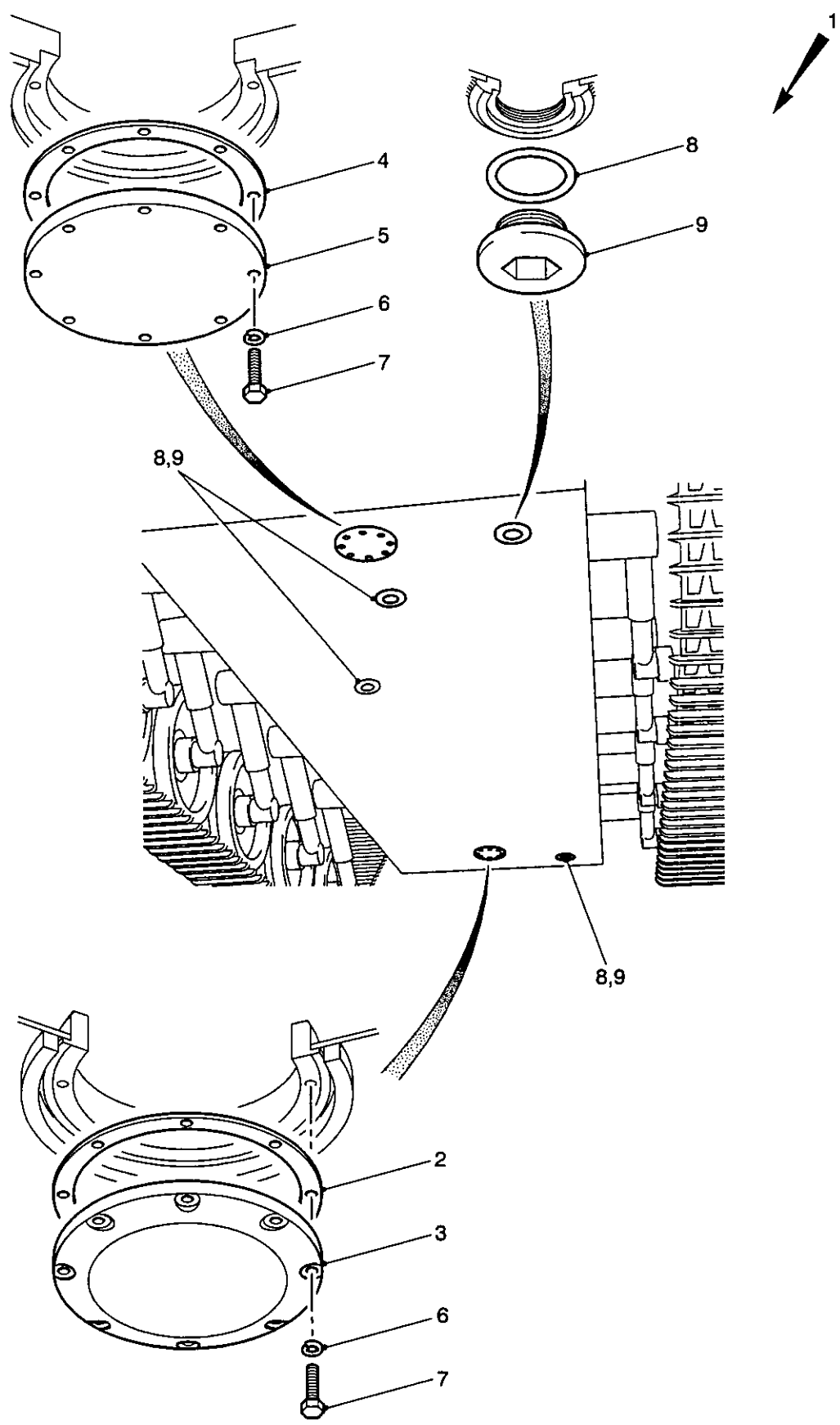


Fig 1 Floor plate covers and plugs

430/70169

Fig Item	Man Code Navy - N Army - A RAF - R	NATO Stock No	Item Name and Description	Part No/ Drawing No.	No. Off	Annotations
1-			HULL GA - contd			
		NP	. INSPECTION COVERS, DRAIN PLUGS AND CHEQUERED FLOOR INSTALLATION	FV952528	REF	
1		NP	. . FLOOR PLATE COVERS AND PLUGS		REF	
2	A 9ACR	5330-99-865-6995	. . GASKET, cork, 0.406in. hole dia, 7.25in. od, 5.75in. aperture dia, 8 bolt holes, 0.062in. thk, 6.5in. bolt circle dia	FV499502	1	
3	A 9ACR	5340-99-865-6975	. . COVER, ACCESS, drain valve assy	FV421714	1	
4	A 9ACR	5330-99-865-6976	. . GASKET, cork, rd shape, 0.406in. hole dia, 6.5in. od, 5in. aperture dia, 8 bolt holes, 0.062in. thk	FV421774	1	
5	A 9ACR	5340-99-865-6974	. . COVER ACCESS, steering drain	FV421711	1	
6	A G1	5310-99-941-6656	. . WASHER, LOCK, steel, split helical ring, 3/8in. bolt size, 0.092in. thk, 0.590in. od, single coil, square section		16	
7	A G1	5305-99-941-0539	. . SCREW, CAP, HEXAGON HEAD, UNF, 3/8in. -24, class 2A thd, 3/4in. lg, steel, Zn plated, 50 tons/sq in. MTS, hex hd		16	
8	A 9ACR	5365-99-865-6961	. . SPACER, RING, Cu, rd, 2.75in. od, 0.064in. thk, rd hole, 2.25in. dia	FV395733	4	
9	A 46MT1	5365-99-942-8002	. . PLUG, MACHINE THREAD, br, hex hd, 2-1/4in. -12 UNF, 3/4in. lg thd	BS2859	4	

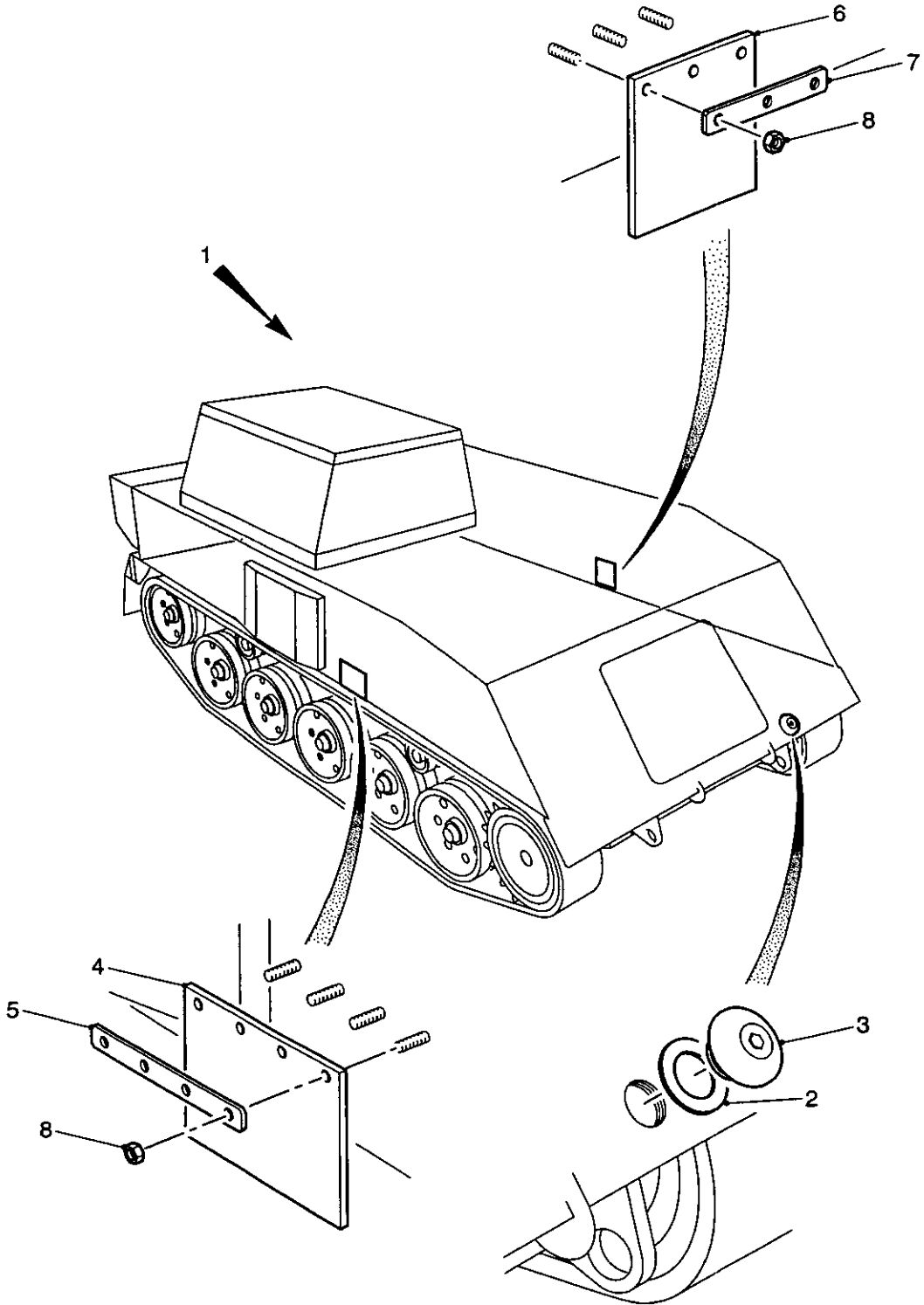


Fig 2 Filler cap and pyrene pocket flaps

430/7063

Fig Item	Man Code Navy - N Army - A RAF - R	NATO Stock No	Item Name and Description	Part No/ Drawing No.	No. Off	Annotations
2-			HULL GA - contd . INSPECTION COVERS, DRAIN PLUGS AND CHEQUERED FLOOR INSTALLATION -contd			
1		NP	. . FILLER CAP, PYRENE POCKET FLAP AND BLANKING PLATES		REF	
2	A	9ACR 5310-99-802-5827	. . WASHER, FLAT, Cu, rd, 3.510in. max od, 2.525in. max id, 0.064in. thk	FV602648	1	
3	A	9ACR 5365-99-867-4640	. . PLUG, MACHINE THREAD, (Steering Unit Oil Filler) UNS ext, 2.5in. 12 TPI, class 2A, rh, steel, painted hd, plug machine, plain end, w/flattened hd, 1.7in. dia, dished recessed end 15 deg x 0.65in.	FV559628	1	
4		NP	. . FLAP, PYRENE POCKET, RH	FV585969	1	
5		NP	. . STRIP, PYRENE POCKET FLAP	FV585970	1	
6		NP	. . FLAP, PYRENE POCKET, LH	FV585968	1	
7		NP	. . STRIP, PYRENE POCKET FLAP	FV485220	1	
8	A	G1 5310-99-804-7941	. . NUT, PLAIN, HEXAGON, UNF, 1/4in. dia -28, class 2B, rh thd, steel, Zn plated, 7/16in. w A/F, 7/32in. o/a h, finished chamfered		7	
NI 9	A	Z1 5330-99-628-5068	. . GASKET, natural rubber, 1in. id, 3-1/2in. od, 1/8in. thk	FV705989	4	} Antennae blanking plates
NI 10	A	Z1 5340-99-625-2625	. . COVER, ACCESS, steel, painted, 9mm h, armour plate, triangle shape, w/radius on corners and 3/8in. dia holes on 3in. PCD	FV760408	4	
NI 11	A	G1 5310-99-956-1786	. . WASHER, FLAT, steel, rd, 5/8in. od, 21/64in. id, 5/64in. thk		12	
NI 12	A	G1 5310-99-941-0925	. . NUT, PLAIN, HEXAGON, UNF, 5/16in. -24, class 2B rh thd, steel, Zn plated, 1/2in. w A/F, 17/64in. h, chamfered		12	} Securing items 9 and 10

← Forward

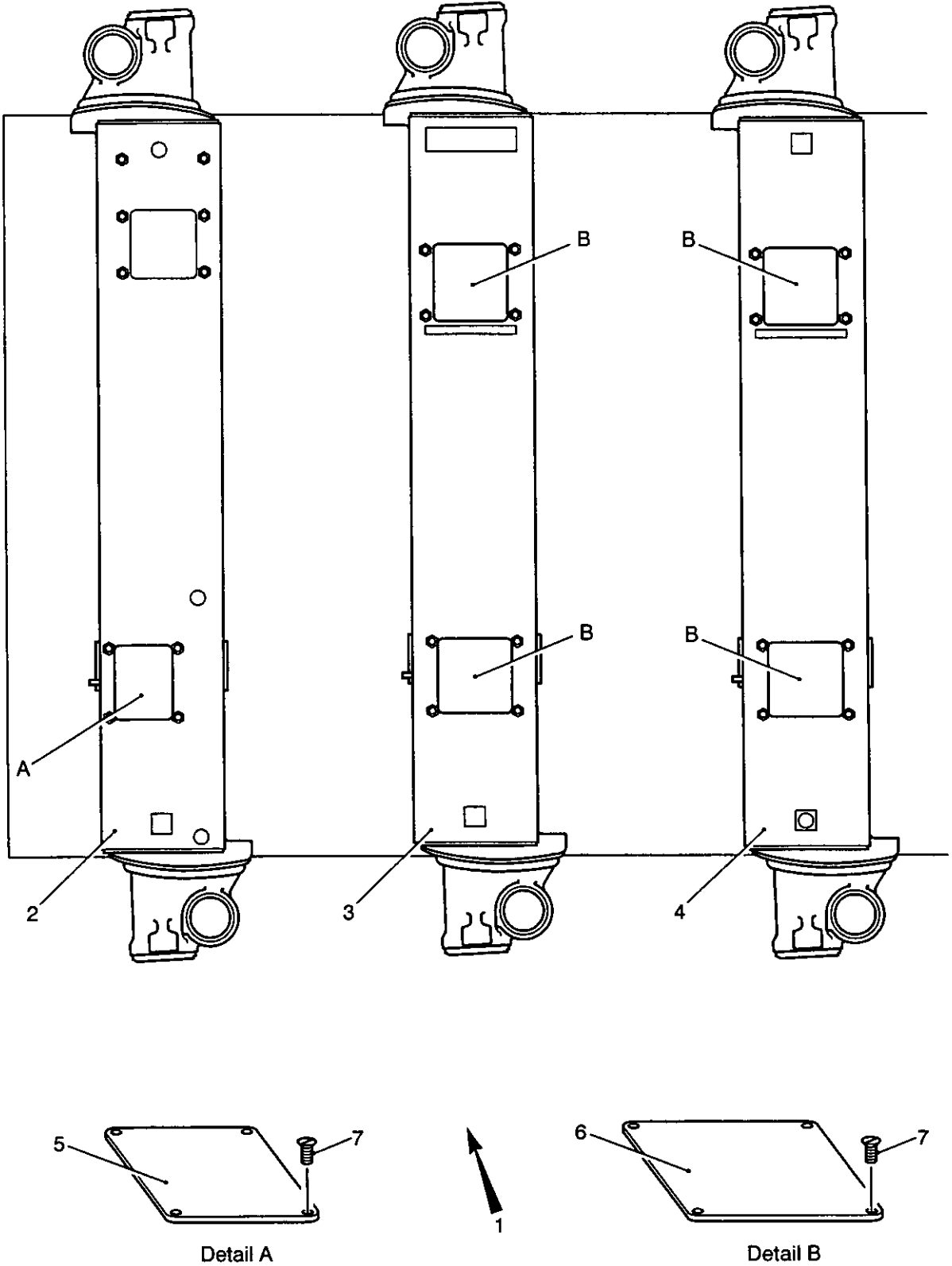


Fig 3 Floor channel inspection plates

430/70171

Fig Item	Man Code Navy - N Army - A RAF - R	NATO Stock No	Item Name and Description	Part No/ Drawing No.	No. Off	Annotations	
3-		NP	HULL GA - contd . HULL WELDED STRUCTURE	FV559358	REF	Mk 2 Vehicle MK 2/1 Vehicle	
		NP	. HULL WELDED STRUCTURE	FV602505	REF		
		NP	. FLOOR CHANNEL INSPECTION PLATES		REF		
	1		NP	. . ASSEMBLY OF SUSPENSION MEMBERS	FV559383		REF
	2		NP	. . . 1st FLOOR CHANNEL ASSY	FV509912		1
	3		NP	. . . 2nd FLOOR CHANNEL ASSY	FV562853		1
	4		NP	. . . 3rd FLOOR CHANNEL ASSY	FV421369		1
				. INSPECTION COVERS, DRAIN PLUG, AND CHEQUERED FLOOR INSTALLATION - contd			
	5	A 9ACR	2510-99-202-7993	. . COVER, PLATE, ACCESS	FV509939		1
	6	A 9ACR	5340-99-865-6960	. . COVER, ACCESS	FV395711		4
7	A G1	5305-99-941-1748	. . SCREW, MACHINE, steel, Zn plated, 0.25in. dia, 0.347in. thd lg, 0.5in. fastener lg, class 2A flat slotted csk hd, UNF		20		

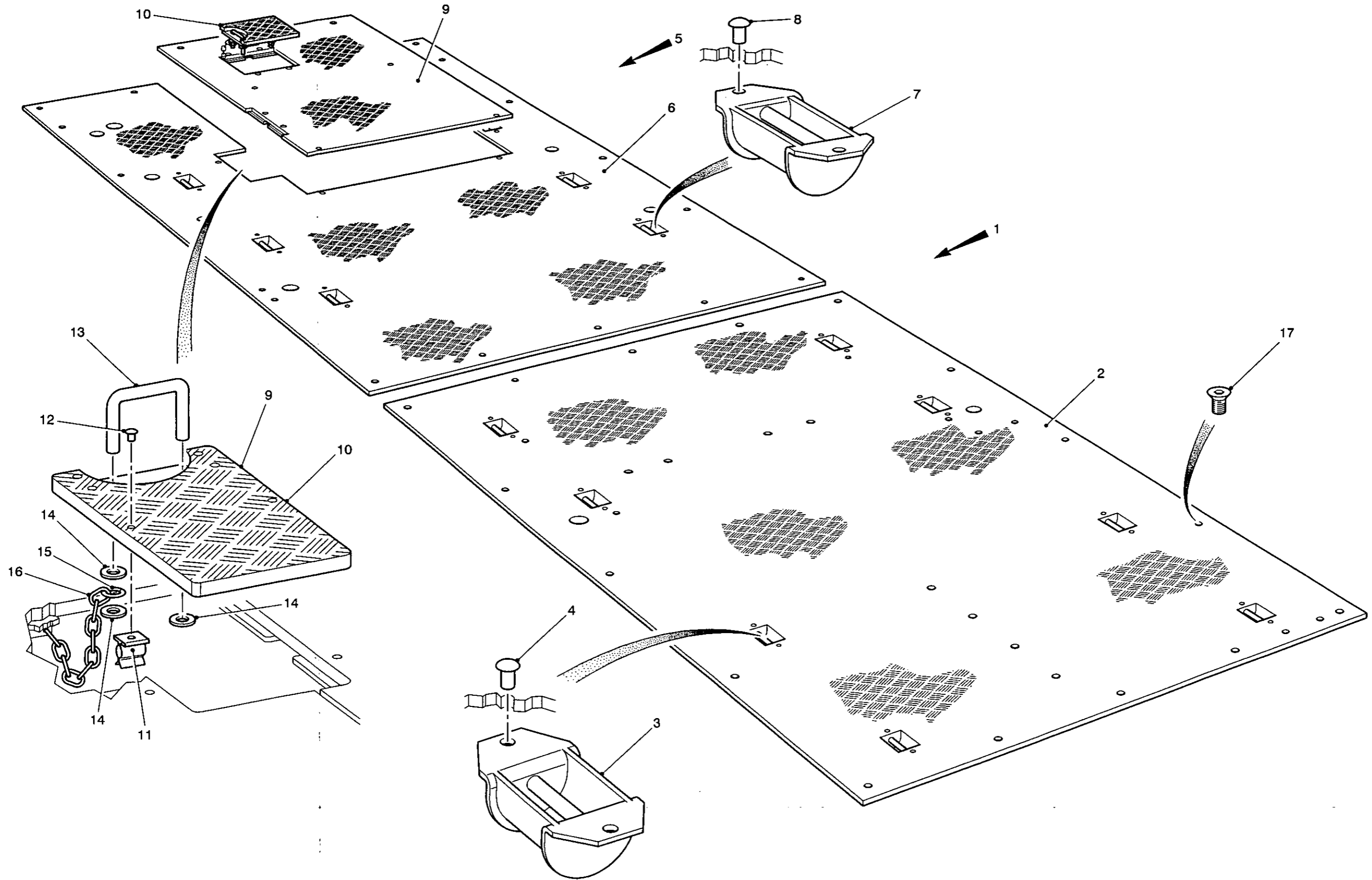


Fig 4 Chequered floor plates assembly

430/70172

Fig Item	Man Code Navy - N Army - A RAF - R	NATO Stock No	Item Name and Description	Part No/ Drawing No.	No. Off	Annotations
4-			HULL GA - contd . INSPECTION COVERS, DRAIN PLUGS AND CHEQUERED FLOOR INSTALLATION - contd			
1		NP	. . . CHEQUERED FLOOR PLATES ASSY	FV952537	REF	
2		NP	. . . FLOOR, BODY, VEHICULAR, front	FV952538	1	
3	A 9ACR	2510-99-865-7013 BRACKET ASSEMBLY, ANCHOR PIN, treaded floor plate assy	FV499926	8	
4		NP RIVET, SNAP HEAD, Al, 3/16in. dia x 1/2in. lg	RSH3/16X1/ 2A	16	
5		NP	. . . FLOOR PLATE ASSEMBLY, REAR		1	
6		NP CHEQUERED FLOOR PLATE, REAR ASSY		1	
7	A 9ACR	2510-99-865-7013 BRACKET ASSEMBLY, ANCHOR PIN, treaded floor plate assy	FV499926	6	
8		NP RIVET, SNAP HEAD, Al, 3/16in. dia x 1/2in. lg	RSH3/16X1/ 2A	12	
9		NP CHEQUERED FLOOR ACCESS COVER ASSY		1	
10	A 9ACR	2510-99-804-3056 COVER, ACCESS, FUEL TAP, Al, 5in. o/a lg, 3-1/2in. o/a w; 1/4in. o/a thk	FV585923	2	
11	A 46MT1	5340-99-804-5612 CLIP, SPRING TENSION, steel; Cd plated, 21/32in. lg, 1/2in. w, 3/4in. h 3/8in. holding dia	FV602623	2	
12		NP RIVET, SNAP HEAD, 3/32in. dia x 3/8in. lg, steel	RSH3/32X3/ 8	2	
13		NP HANDLE	FV585928	2	
14		NP FASTENER, PUSH ON, to fit 3/16in. dia bar		6	
15		NP CONNECTING RING	FV585869	4	
16		NP CHAIN, steel, 5.128in. lg, 7 links, 16 swg (0.064in.)	FV585868	2	
17	A G1	5305-99-941-1748 SCREW, MACHINE, steel, Zn plated, 0.25in. dia, 0.347in. thd lg, 0.5in. fastener lg, class 2A, flat, slotted csk hd, UNF		44	

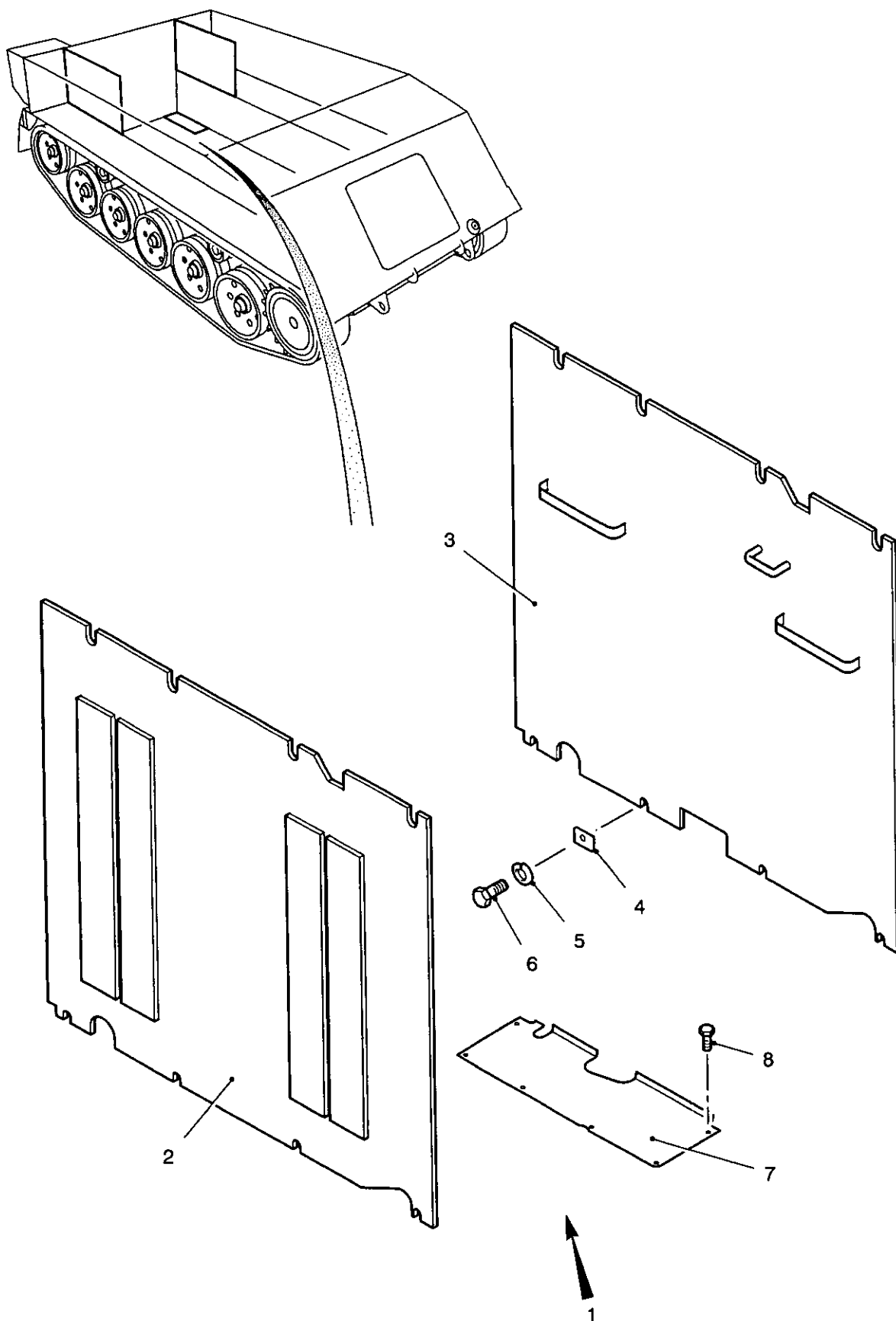
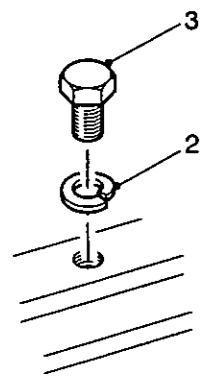
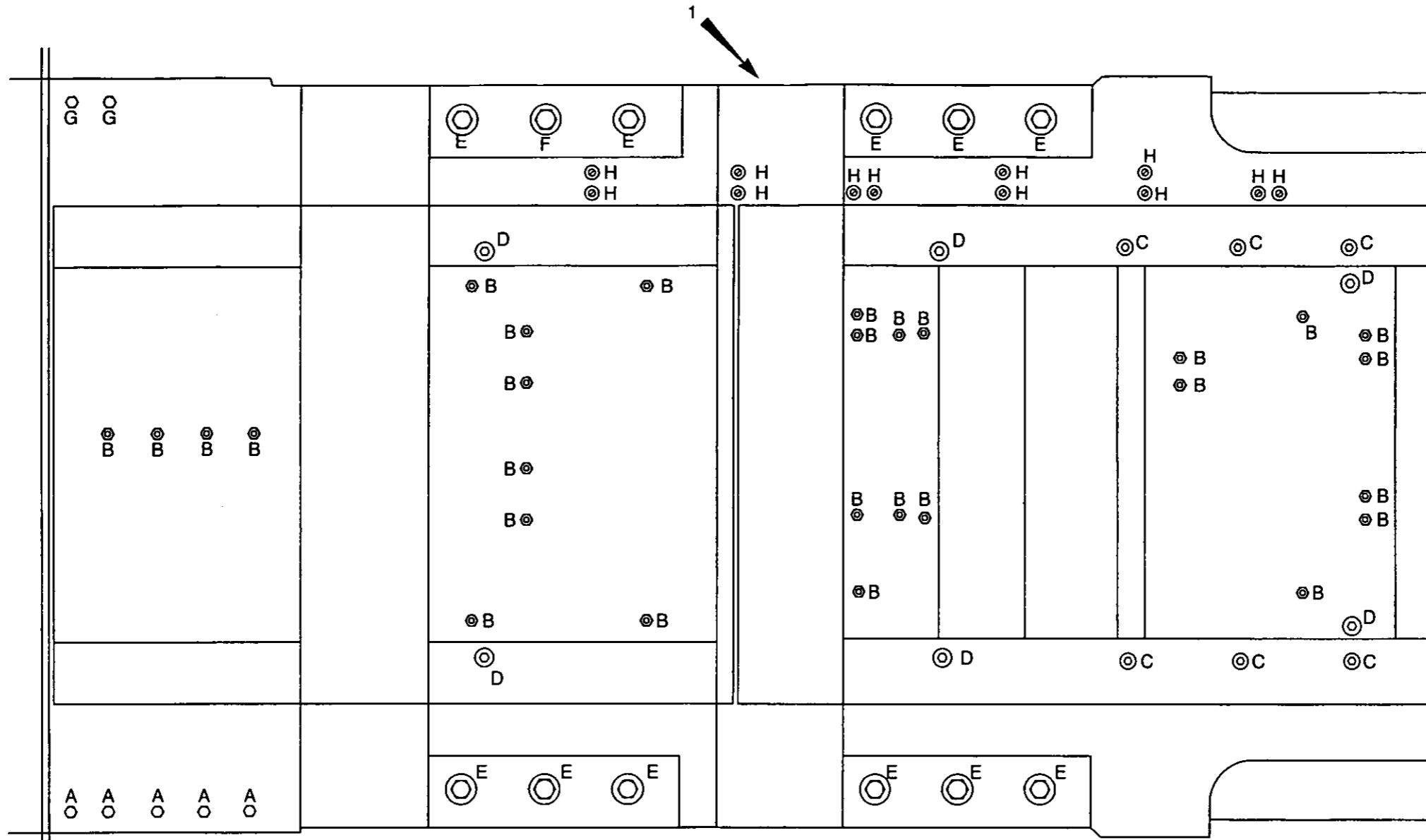


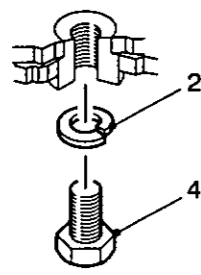
Fig 5 Fuel tank and floor cover plates

430/70066

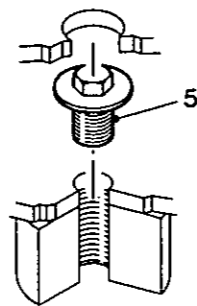
Fig Item	Man Code Navy - N Army - A RAF - R	NATO Stock No	Item Name and Description	Part No/ Drawing No.	No. Off	Annotations
5-			HULL GA - contd . INSPECTION COVERS, DRAIN PLUGS AND CHEQUERED FLOOR INSTALLATION - contd			
1		NP	. . FUEL TANK AND FLOOR COVER PLATES		REF	
2		NP	. . COVER PLATE, FUEL TANK, RH	FV952540	1	
3		NP	. . COVER PLATE, FUEL TANK, LH	FV952547	1	
4		NP	. . STRAP, COVER PLATE	FV499383	16	
5	A G1	5310-99-941-6656	. . WASHER, LOCK, steel, split helical ring, single coil, sq section, 3/8in. bolt size, 0.092in. thk, 0.59in. od		16	
6	A G1	5305-99-941-0541	. . SCREW, CAP HEXAGON HEAD, UNF, 3/8in. -24 thd, 1in. lg, class 2A, hex hd, 50 tons/sq in. MTS		16	
7	A 9ACR	5340-99-867-4643	. . COVER, ACCESS, 17-1/4in. x 5-7/8in. x 16 SWG (0.064in.)	FV586150	1	
8	A G1	5305-99-941-6284	. . SCREW, CAP, HEXAGON HEAD, UNF, 1/4in. dia, class 2A thd, 1/2in. lg, hex hd, steel, Zn plated		6	



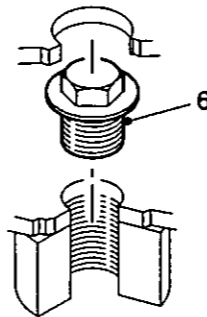
Detail A



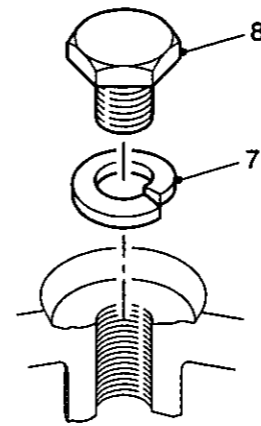
Detail B



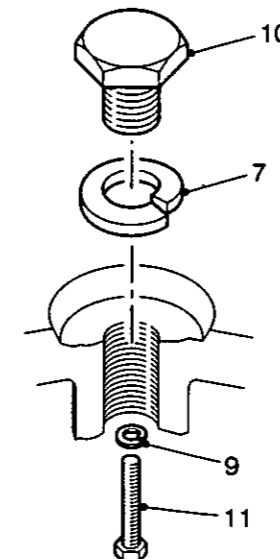
Detail C



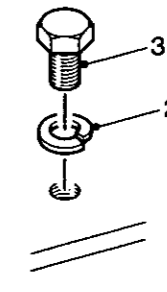
Detail D



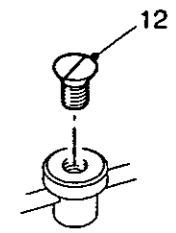
Detail E



Detail F



Detail G



Detail H

Fig 6 Floor plugs assembly

Fig Item	Man Code Navy - N Army - A RAF - R	NATO Stock No	Item Name and Description	Part No/ Drawing No.	No. Off	Annotations
6-			HULL GA - contd . INSPECTION COVERS, DRAIN PLUGS AND CHEQUERED FLOOR INSTALLATION - contd			
1		NP	. . . FLOOR PLUGS ASSEMBLY	FV586068	REF	
2	A G1	5310-99-941-6656	. . . WASHER, LOCK, steel, split helical ring, single coil, sq section, 3/8in. bolt size, 0.092in. thk, 0.59in. od		35	
3		NP	. . . SCREW, SET	UCS106/5R	7	
4		NP	. . . SCREW, SET	UCS106/7R	28	
5	A 9ACR	5365-99-867-4834	. . . PLUG, SCREWED, steel, phosphate finish, 0.9in. lg, 0.437in. w A/F, 0.3in. hd h, 1in. dia flange x 0.05in. thk, 0.5in. dia hd, 1/2in. -13 UNC, 0.44in. lg thd	FV560069	6	
6	A 9ACR	5365-99-867-4835	. . . PLUG, SCREWED, steel, phosphate finish, 1in. lg, 0.625in. w A/F, 0.75in. dia hd, 0.3in. h, 1.25in. dia flange, 0.05in. thk, 3/4in. -10 UNC, 0.5in. lg thd	FV560070	6	
7		5310-99-944-0555	. . . WASHER, LOCK, single coil, 3/4in. dia		12	
8	A 9ACR	5365-99-867-4836	. . . PLUG, SCREWED, steel, phosphate finish, 1.05in. lg, 1.312in. w A/F, 0.3in. hd h, 3/4in. -10 UNC, 0.62in. lg thd	FV560071	11	
9	A G1	5310-99-941-6654	. . . WASHER, LOCK, steel, split helical ring, 1/4in. bolt size, 27/64in. od, 5/64in. thk		1	
10	A 9ACR	5365-99-867-4837	. . . PLUG, MACHINE THREAD, steel, phosphate finish, 1.06in. lg, 0.31in. hd h	FV560072	1	
11	A G1	5305-99-941-1762	. . . SCREW, MACHINE, steel, Zn plated, class 2A, 0.312in. - 24 UNF, 5/16in. thd lg, 1/2in. fastener lg, flat, slotted csk hd		1	
12	A G1	5305-99-941-1682	. . . SCREW, CAP, HEXAGON HEAD, steel, Zn plated, 1/4in. -28 UNF, 1/125in. lg		12	

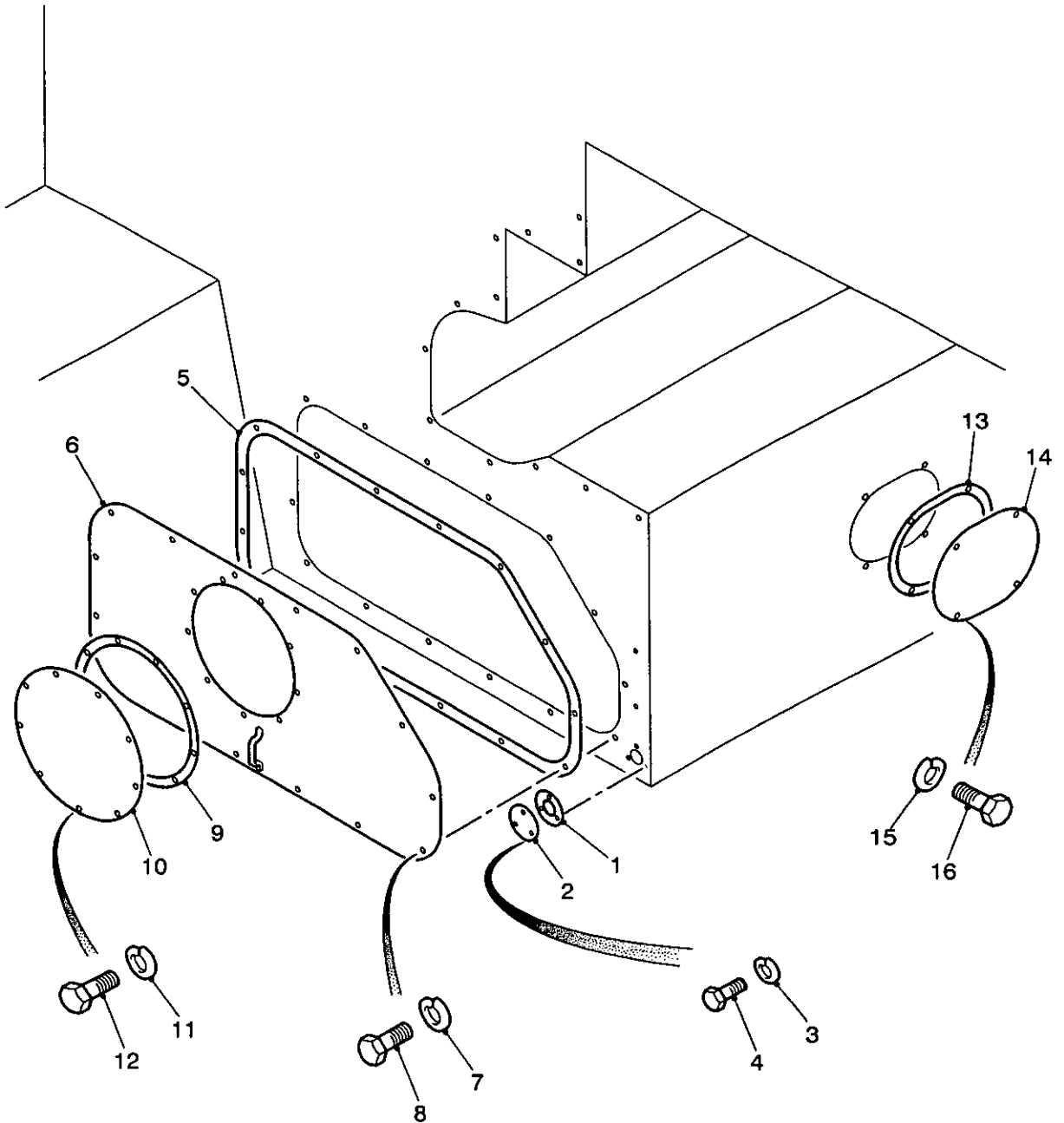


Fig 7 Bulkhead blanking panels installation

430/70076

Fig Item	Man Code Navy - N Army - A RAF - R	NATO Stock No	Item Name and Description	Part No/ Drawing No.	No. Off	Annotations
7-			HULL GA - contd . INSPECTION COVERS, DRAIN PLUGS AND CHEQUERED FLOOR INSTALLATION - contd			
		NP	. . BULKHEAD BLANKING PANELS INSTALLATION		REF	
1		NP	. . GASKET	FV586153	1	
2		NP	. . COVER PLATE, CROSS BULKHEAD	FV559739	1	
3	A G1	5310-99-941-6654	. . WASHER, LOCK, steel, split helical ring, 1/4in. bolt size, 27/64in. od, 5/64in. thk		3	
4	A G1	5305-99-941-0279	. . SCREW, CAP, HEXAGON HEAD, UNF, steel, Zn plated, 1/4in. dia x 7/8in. lg, class 2A thd		3	
5	A 9ACR	5330-99-813-4447	. . GASKET, rubber, 0.438in. hole dia, 15 bolt holes, 0.125in. cross section thk, 33.78in. o/a lg, 16.03in. o/a w	FV585720	1	
6		NP	. . COVER PLATE	FV952533	1	
7	A G1	5310-99-941-6656	. . WASHER, LOCK, steel, split helical ring, single coil, sq section, 3/8in. bolt size, 0.092in. thk, 0.59in. od		15	
8	A G1	5305-99-941-0539	. . SCREW, CAP, HEXAGON HEAD, UNF, steel, Zn plated, hex hd, 3/8in. -24 class 2A thd, 3/4in. lg		15	
9	A 9ACR	5330-99-804-2153	. . GASKET, rubber, rd shape, 0.375in. hole dia, 11.25in. od, 10in. aperture dia, 9 bolt holes, 0.125in. thk	FV585934	1	
10	A 9ACR	2510-99-804-2152	. . COVER PLATE, HULL steel - asbestos, 11.25in. dia, 0.253in. thk	FV560136	1	
11	A G1	5310-99-944-0549	. . WASHER, LOCK, steel, split helical ring, Cd plated, single coil, sq section, 5/16in. bolt size, 0.503in. od, 0.08in. thk		9	
12	A G1	5305-99-941-0524	. . SCREW, CAP, HEXAGON HEAD, UNF, 5/16in. class 2A thd, 5/8in. lg, steel, Zn plated, hex hd		9	
13	A 9ACR	5330-99-865-7042	. . GASKET, syn rubber, 0.125in. thk	FV524889	1	
14	A 9ACR	5340-99-866-9031	. . COVER, ACCESS, bulkhead inspection plate	FV559190	1	
15	A G1	5310-99-941-6656	. . WASHER, LOCK, steel, split helical ring, single coil, sq section, 3/8in. bolt size, 0.092in. thk, 0.59in. od		4	
16	A G1	5305-99-941-0541	. . SCREW, CAP, HEXAGON HEAD, UNF, 3/8in. - 24 class 2A thd, 1in. lg, steel, hex hd		4	

~~UNRESTRICTED~~

~~UNRESTRICTED~~

Chapter 2-2
PARTS LIST
SUSPENSION GENERAL ARRANGEMENT
(See AESP 2350-T-251-711)

~~UK RESTRICTED~~

~~UK RESTRICTED~~

Chapter 2-3
PARTS LIST
TRANSMISSION GENERAL ARRANGEMENT
(See AESP 2350-T-251-711)

UK RESTRICTED

UK RESTRICTED

Chapter 2-4
PARTS LIST
POWER UNIT, DIESEL, GENERAL ARRANGEMENT
(See AESP 2350-T-251-711)

~~UK RESTRICTED~~

~~UK RESTRICTED~~

Chapter 2-5
PARTS LIST
FUEL SYSTEM GENERAL ARRANGEMENT
(See AESP 2350-T-251-711)

~~UK RESTRICTED~~

~~UK RESTRICTED~~

Chapter 2-6
PARTS LIST
CONTROLS GENERAL ARRANGEMENT
(See AESP 2350-T-251-711)

~~UK RESTRICTED~~

~~UK RESTRICTED~~

.. :L

Chapter 2-7

PARTS LIST

ELECTRICAL EQUIPMENT -

GENERAL ARRANGEMENT -

FV436 (ASV)

(Completely revised)

Chap

2-7 Electrical equipment general arrangement
2-7-1 Vehicle harnesses

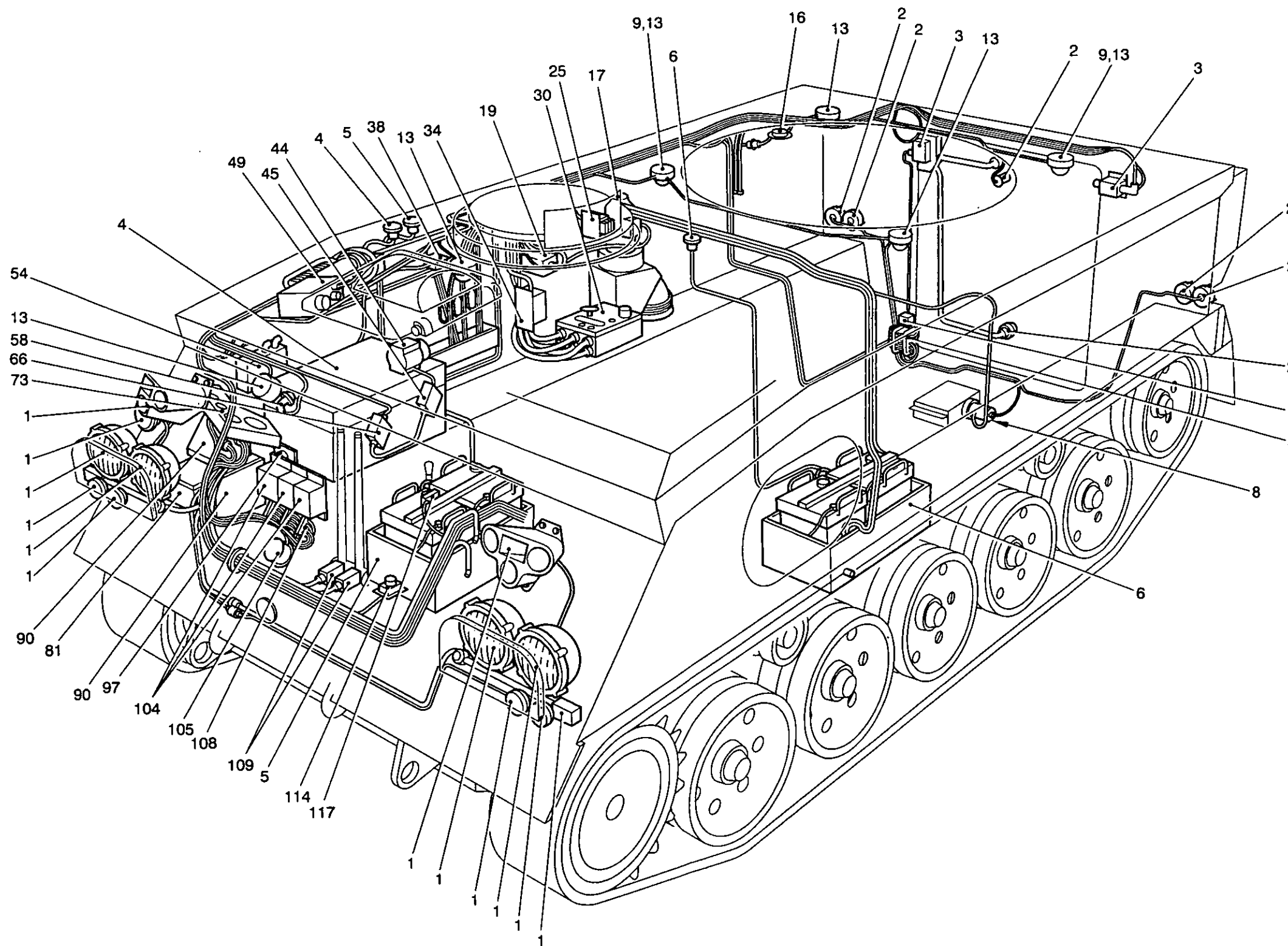


Fig 1 Electrical equipment general arrangement

430/70087A

Fig Item	Man Code Navy - N Army - A RAF - R	NATO Stock No	Item Name and Description	Part No/ Drawing No.	No. Off	Annotations
1-		NP	ELECTRICAL EQUIPMENT GENERAL ARRANGEMENT	FV952522	REF	
		NP	. ELECTRICAL EQUIPMENT, HULL, GENERAL ARRANGEMENT	FV952554	REF	
1		NP	. ELECTRICAL EQUIPMENT, FRONT, EXTERNAL		REF	} See Chap 2-7
2		NP	. ELECTRICAL EQUIPMENT, REAR, EXTERNAL		REF	
3		NP	. ELECTRICAL EQUIPMENT, REAR, INTERNAL		REF	
4		NP	. VEHICLE BATTERIES INSTALLATION		REF	
5		NP	. RADIO BATTERIES INSTALLATION		REF	
6		NP	. VENTILATION BATTERIES INSTALLATION		REF	
NI 7		NP	. ELECTRICAL EQUIPMENT INTERNAL		REF	
8	A 6MT12	2910-99-881-4425	. . PUMP, PRESSURISING, FUEL SYSTEM, 24V dc, No. 2, Mk 1	FV342593	1	See Chap 2-5
9	A 9ACR	6220-99-866-6911	. . RETAINER, LAMP	FV499491	2	} Securing item 9
NI 10		NP	. . WASHER, FLAT, 2BA bolt size	7030103009 4900	2	
NI 11	A G1	5310-99-941-6653	. . WASHER, LOCK, steel, split helical ring, 0.198in. id, 0.064in. thk, 0.33in. od		2	
NI 12		NP	. . NUT, HEXAGONAL, 2BA	7022103011 4900	2	
13	A 46MT3	6220-99-881-3214	. . LIGHT, DOME, 4-3/8in. dia, 2-13/16in. h, 26V dc, mtg hole	FV426636	6	See Chap 2-7
NI 14	A 9ACR	5310-99-866-6883	. . . NUT, SLEEVE, 5/16in. UNF, rh, steel, phosphate coated, 0.438in. dia, 0.4in. lg, 0.562in. w A/F, rd cross section hex flange, 0.562in. w A/F, 0.35in. csk dia, 45 deg angle	FV485446	6	Securing item 13
NI 15	A X5	6240-99-995-2236	. . LAMP, INCANDESCENT, globular bulb, 32,5mm lg, 18mm od, 26V dc, 6W	FV603965	6	u/w item 13
16		NP	. . TRANSMITTER, LIQUID QUANTITY	FV480106	1	See Chap 2-5
17	A 9ACR	4140-99-804-4011	. . FAN, CENTRIFUGAL, No. 4, Mk 1	FV482416	1	See Chap 2-8-1
NI 18	A 9ACR	6105-99-804-4012	. . . MOTOR, DIRECT CURRENT, compound wound, 24V dc, 1.6A, 0.22 and 0.8hp, totally enclosed, 6 unthd mtg holes, w/radio interference suppression	FV546142	1	See Chap 2-7
19	A 9ACR	6110-99-804-4010	. . CONTROLLER, fan, No. 2, Mk 1	FV546143	1	u/w item 17
NI 20		NP	. . BRACKET, FAN CONTROLLER	FV602534	1	u/w item 19
NI 21		NP	. . WASHER, FLAT, 1/4in. bolt size, 17 SWG	7030004009 4900	8	} Securing items 19, 20
NI 22	A G1	5310-99-941-6654	. . WASHER, LOCK, steel, split helical ring, 1/4in. bolt size, 27/64in. od, 5/64in. thk		8	
NI 23		NP	. . NUT, PLAIN, HEXAGON, 1/4in. dia	7020104011 5900	4	Securing item 20
NI 24	A G1	5305-99-941-0512	. . SCREW, MACHINE, UNF, 1/4in. class 2A thd, 5/8in. lg, steel, Zn plated, hex hd		4	Securing item 19

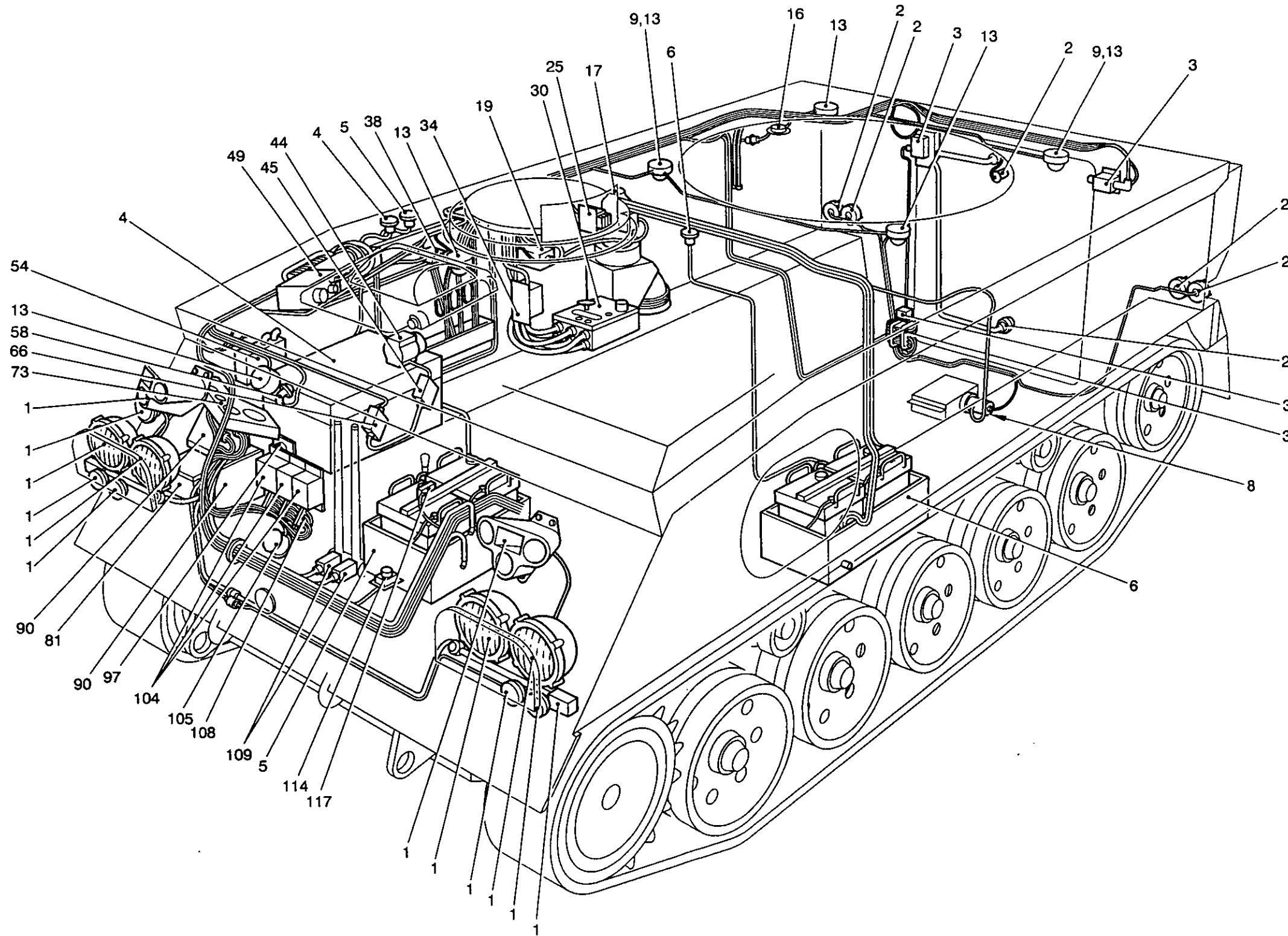


Fig 1 Electrical equipment general arrangement

430/70087A

Fig Item	Man Code Navy - N Army - A RAF - R	NATO Stock No	Item Name and Description	Part No/ Drawing No.	No. Off	Annotations
1-			ELECTRICAL EQUIPMENT GENERAL ARRANGEMENT - contd . ELECTRICAL EQUIPMENT, INTERNAL - contd			
25	A	46MT3	4210-99-881-4006 . . INDICATOR, FIRE DETECTOR SYSTEM, No. 3, Mk 1	FV534946	1	See Chap 2-7
NI 26	A	X5	6240-12-173-4827 . . LAMP, INCANDESCENT, 52.5mm lg, 26.5mm dia, 24V dc, 21W, single contact bayonet, straight sided, transparent w/triple supported filament	9511HD	1	u/w item 25
NI 27	A	46MT3	6220-99-881-6898 . . GUARD, LAMP	FV562031	1	u/w item 25
NI 28	A	G1	5310-99-944-0549 . . WASHER, LOCK, steel, Cd plated, split helical ring, 5/16in. bolt size, 0.503in. od, 0.08in. thk, single coil, sq section		4	} Securing item 25
NI 29	A	G1	5310-99-941-0925 . . NUT, PLAIN, HEXAGON, UNF, 5/16in. -24, class 2B, rh thd, steel, Zn plated, 1/2in. w A/F, 17/64in. h, chamfered		8	
30	A	9ACR	2590-99-881-9389 . . DISTRIBUTION BOX, RADIO, composite assy, No. 1, Mk 3	FV534890	1	See Chap 2-7
NI 31	A	G1	5310-99-915-5148 . . WASHER, FLAT, steel, Cd plated, 3/8in. UNF bolt size, 0.66in. od, 0.048in. thk		4	} Securing item 30
NI 32	A	G1	5310-99-941-6656 . . WASHER, LOCK, steel, split helical ring, 3/8in. bolt size, 0.092in. thk, 0.59in. od, single coil, sq section		4	
NI 33	A	G1	5306-99-941-6598 . . BOLT, MACHINE, UNF, 3/8in. dia, class 2A thd, steel, Zn plated, 1in. thd lg, 1-1/2in. fastener lg, hex hd		4	
34	A	9ACR	5975-99-978-3142 . . JUNCTION BOX, ancillary, 7.8in. lg, 4.3in w, 3.3in. h	FV499692	1	See Chap 2-7
NI 35	A	G1	5305-99-941-0542 . . SCREW, MACHINE, UNF, 3/8in. -24, class 2A thd, steel, Zn plated, 1-1/8in. lg, hex hd		4	} Securing item 34
NI 36	A	G1	5310-99-138-6859 . . WASHER, LOCK, steel, Zn plated, split helical ring, 3/8in. bolt size, 3/32in. thk, 11/16in. od		4	
NI 37	A	G1	5310-99-941-0926 . . NUT, PLAIN, HEXAGON, UNF, steel, Zn plated, chamfered, 3/8in. -24, grade 3, 0.563in. w A/F, 0.333in. h		4	
38	A	6MT4	5975-99-838-5151 . . JUNCTION BOX, SMOKE, DISCHARGER, enamelled, 3-1/2in. lg, 3-3/4in. w, 3-1/4in. h, black, 4 mtg holes, 1/4in. dia	FV959041	1	See Chap 2-7
NI 39	A	G1	5310-99-941-6654 . . WASHER, LOCK, steel, split helical ring, 1/4in. bolt size, 27/64in. od, 5/64in. thk		4	} Securing item 38
NI 40	A	G1	5305-99-941-0512 . . SCREW, MACHINE, UNF, 1/4in. class 2A thd, 5/8in. lg, steel, Zn plated, hex hd,		3	
NI 41	A	6MT4	5340-99-833-9560 . . CLAMP, LOOP, steel, Zn plated, 5/8in. w, 3/4in. loop centre to end, 3/16in. loop, rd and slotted, 11/32in. dia hole	51101263	1	
NI 42		NP	. . WASHER, FLAT, 1/4in. dia x 17 SWG	7030004009 4900	1	} Securing items 38, 41
NI 43		NP	. . SCREW, MACHINE, 1/4in. UNF x 3/4in. lg	7010104124 5900	1	

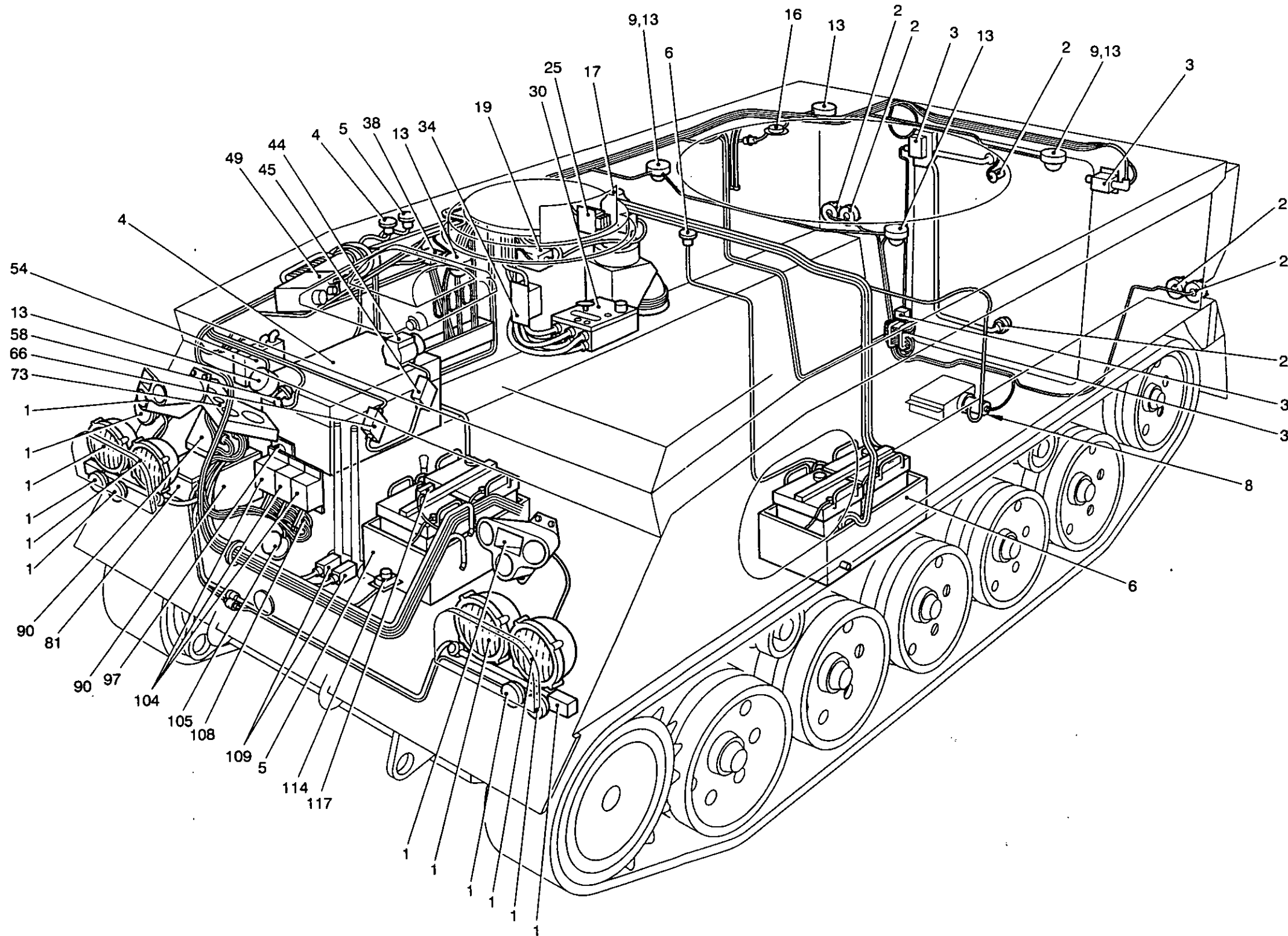


Fig 1 Electrical equipment general arrangement

430/70087A

Fig Item	Man Code Navy - N Army - A RAF - R	NATO Stock No	Item Name and Description	Part No/ Drawing No.	No. Off	Annotations
1-			ELECTRICAL EQUIPMENT GENERAL ARRANGEMENT - contd . ELECTRICAL EQUIPMENT, INTERNAL - contd			
44	A 6MT3	2540-99-866-6933	. . MOTOR, WINDSCREEN WIPER, ELECTRIC, periscope wiper	FV462413	1	See Chap 2-1-1
45	A 6MT4	5915-99-881-5757	. . FILTER, RADIO INTERFERENCE, 6-9/32in. lg, 3-9/16in. w, 1-9/16in. h, 30V dc working	FV508053	1	
NI 46	A G1	5310-99-941-6654	. . WASHER, LOCK, steel, split helical ring, 1/4in. bolt size, 27/64in. od, 5/64in. thk		4	} Securing item 45
NI 47	A G1	5310-99-804-7941	. . NUT, PLAIN, HEXAGON, UNF, 1/4in. dia -28, class 2B rh thd, steel, Zn plated, 7/16in. w A/F, 7/32in. h, chamfered		8	
NI 48		NP	. . STRIP, MOUNTING	FV650973	2	
49	A 9ACR	6110-99-802-4051	. . DISTRIBUTION BOX, 14-35/64in. lg, 12-1/2in. w, 8-11/32in. deep	FV534891	1	See Chap 2-7
NI 50	A G1	5305-99-941-0539	. . SCREW, MACHINE, UNF, 3/8in. -24, class 2A thd, 3/4in. lg, steel, Zn plated, hex hd		4	Securing item 48
NI 51	A G1	5310-99-941-0926	. . NUT, PLAIN, HEXAGON, steel, Zn plated, chamfered, 3/8in. -24, grade 3, 0.563in. w A/F, 0.333in. h		4	Securing item 49
NI 52		NP	. . WASHER, FLAT, 3/8in. bolt size, 15 SWG	7030006009 4900	8	} u/w items 50, 51
NI 53		NP	. . WASHER, LOCK, 3/8in. bolt size	7033006000 5900	8	
54	A 9AHY	4210-99-734-7818	. . CONTROL BOX, FIREWIRE, 5-3/4in. w, 7-3/4in. lg, 3.2in. h, w/earth strap and mtg plate	FV1068358	1	See Chap 2-7
NI 55		NP	. . WASHER, FLAT, 5/16in. dia, 15 SWG	7030005009 4900	4	} Securing item 54
NI 56	A G1	5310-99-944-0549	. . WASHER, LOCK, steel, Cd plated, split helical ring, 5/16in. bolt size, 0.503in. od, 0.08in. thk, single coil, sq section		4	
NI 57	A G1	5305-99-941-0526	. . SCREW, MACHINE, UNF, thd and fastener lg, steel, Zn coated, hex hd		4	} Securing item 58
58	A 46MT3	6220-99-803-4118	. . TAIL LIGHT, VEHICULAR, fire warning, rubber body, glass lens, 5-1/32in. lg, 2-1/2in. dia, unthd hole and flat surface mtg	53863	1	
NI 59	A X5	6240-99-995-2236	. . LAMP INCANDESCENT, globular bulb, 32.5mm lg, 18mm od, 6W, 26V dc	156	1	} u/w item 58
NI 60		NP	. . BRACKET, LAMP	FV510612	1	
NI 61	A G1	5310-99-941-6654	. . WASHER, LOCK, steel, split helical ring, 1/4in. bolt size, 27/64in. od, 5/64in. thk		2	} Securing item 60
NI 62	A G1	5310-99-804-7941	. . NUT, PLAIN, HEXAGON, UNF, 1/4in. dia, -28, class 2B rh thd, steel, Zn plated, 7/16in. w A/F, 7/32in. h, chamfered		2	
NI 63	A G1	5305-99-941-6836	. . SCREW, MACHINE, 4BA x 3/8in. lg, hex hd		3	} Securing item 58 to 60
NI 64	A G1	5310-99-941-6652	. . WASHER, LOCK, steel, split helical ring, 0.168in. id, 0.252in. od, 0.04in. thk		3	
NI 65	A G1	5310-99-941-9961	. . NUT, PLAIN, HEXAGON, 4BA, steel, Cd plated, rh thd, 1/4in. w A/F, 1/8in. h, chamfered		3	

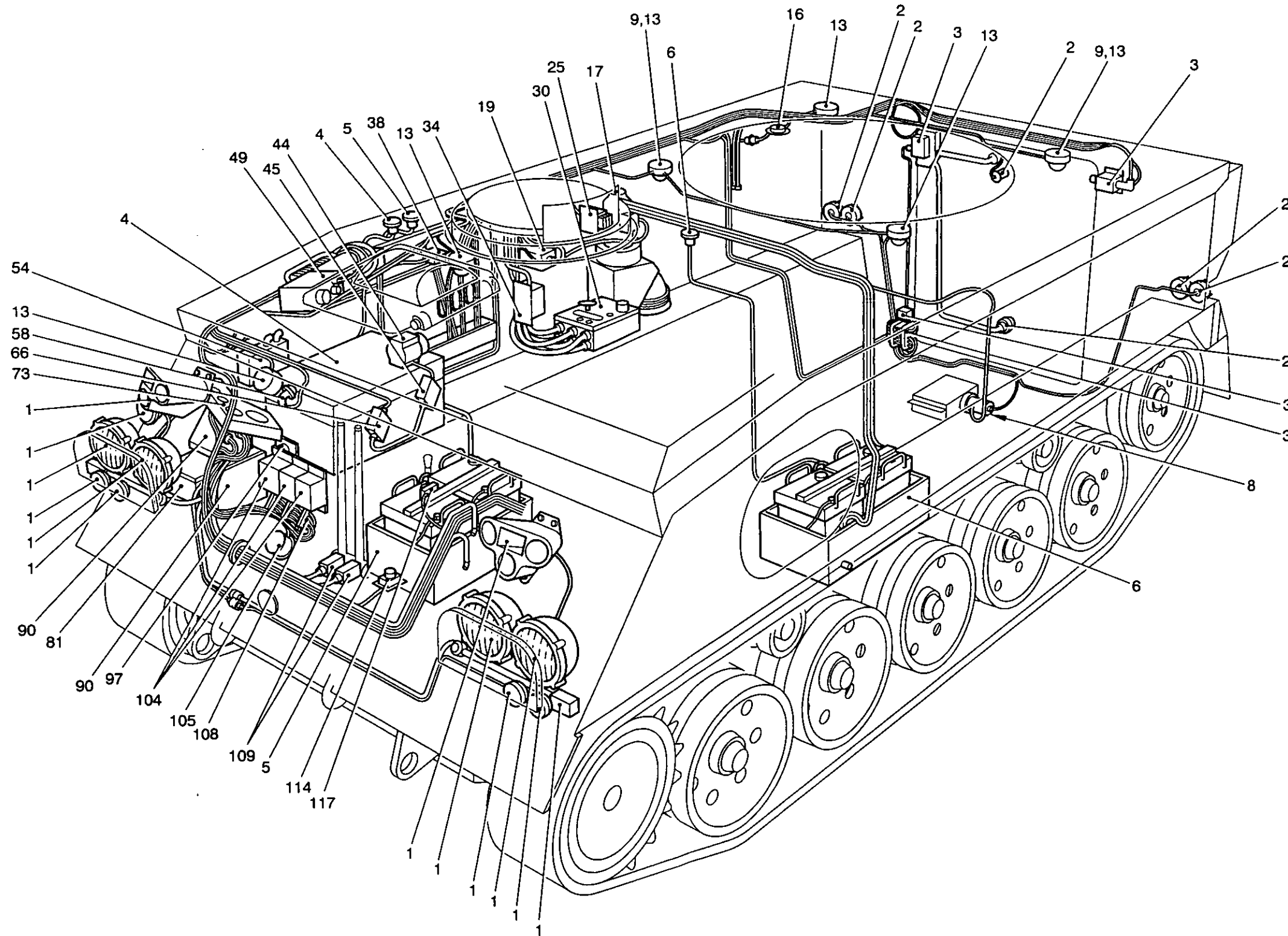


Fig 1 Electrical equipment general arrangement

430/70087A

Fig Item	Man Code Navy - N Army - A RAF - R	NATO Stock No	Item Name and Description	Part No/ Drawing No.	No. Off	Annotations
1-			ELECTRICAL EQUIPMENT GENERAL ARRANGEMENT - contd			
			. ELECTRICAL EQUIPMENT, INTERNAL - contd			
66	A	6MT4	2590-99-881-9960 . . SWITCH UNIT, No. 1, Mk 1, sight wiper	FV560051	1	See Chap 2-7
NI 67	A	G1	5310-99-941-6654 . . WASHER, LOCK, steel, split helical ring, 1/4in. bolt size, 27/64in. od, 5/64in. thk		4	} Securing item 66
NI 68	A	G1	5310-99-804-7941 . . NUT, PLAIN, HEXAGON, UNF, 1/4in. dia, -28, class 2B rh thd, steel, Zn plated, 7/16in. w A/F, 7/32in. h, chamfered		8	
NI 69		NP	. . BRACKET, LH, INSTRUMENT PANEL	FV560074	1	} Securing items 69, 70
NI 70		NP	. . BRACKET, RH, INSTRUMENT PANEL	FV559927	1	
NI 71	A	G1	5310-99-944-0549 . . WASHER, LOCK, steel, Cd plated, split helical ring, 5/16in. bolt size, 0.503in. od, 0.08in. thk, single coil, sq section		4	
NI 72	A	G1	5310-99-941-0925 . . NUT, PLAIN, HEXAGON, UNF, 5/16in. -24, class 2B, rh thd, steel, Zn plated, 1/2in. w A/F, 17/64in. h, chamfered		4	} Securing items 69, 70
73		NP	. . DRIVERS INSTRUMENT PANEL	FV494560	1	
NI 74	A	6MT1	6680-99-881-8328 . . SHAFT ASSEMBLY, FLEXIBLE, speedometer, inner and outer cable, 5/8in. -18tpi, 1st end, 3/4in. -26 tpi 2nd end, 6ft effective lg	FV494579/2 1	1	See Chap 2-7
NI 75		NP	. . BRACKET, LINK BOX, rear	FV559717	1	} Securing items 75, 76
NI 76	A	9ACR	2510-99-867-4691 . . BRACKET, LINK BOX, front	FV559701	1	
NI 77	A	G1	5310-99-941-8386 . . WASHER, FLAT, steel, Zn plated w/chromate, 5/8in. od, 5/16in. bolt size, 0.072in. thk		6	
NI 78	A	G1	5310-99-944-0549 . . WASHER, LOCK, steel, Cd plated, split helical ring, 5/16in. bolt size, 0.503in. od, 0.08in. thk, single coil, sq section		6	} Securing items 75, 76
NI 79	A	G1	5310-99-941-0925 . . NUT, PLAIN, HEXAGON, UNF, 5/16in. -24, class 2B rh thd, steel, Zn plated, 1/2in. w A/F, 17/64in. h, chamfered		6	
NI 80		NP	. . LOCKING BAR, link box	FV560064	1	} Securing item 81
81	A	9ACR	6110-99-881-8338 . . DISTRIBUTION BOX, rect, surface mtd, 15in. h, 12-1/2in. w, 6-37/64in. deep, w/cover and 4 mtg holes, link box	FV494570	1	
NI 82	A	G1	5306-99-941-6598 . . BOLT, MACHINE, UNF, 3/8in. thd dia, class 2A, 1-1/2in. fastener lg, 1in. thd lg, steel, Zn plated, hex hd		4	} Securing item 81
NI 83	A	G1	5310-99-970-8625 . . WASHER, FLAT, steel, Cd plated, 7/8in. od, 3/8in. bolt size, 0.072in. thk		4	
NI 84	A	G1	5310-99-941-6656 . . WASHER, LOCK, steel, split helical ring, 3/8in. bolt size, 0.092in. thk, 0.59in. od, single coil, sq section		4	
NI 85	A	G1	5310-99-941-0926 . . NUT, PLAIN, HEXAGON, UNF, steel, chamfered, Zn plated, 3/8in. -24 thd, 0.563in. w A/F, 0.333in. h, grade 3		2	} Securing item 81
NI 86	A	9ACR	2510-99-867-4692 . . BRACKET, SUPPORT, REGULATOR, front control panel	FV559657	2	
NI 87	A	G1	5310-99-120-4032 . . WASHER, FLAT, steel, Zn plated, 1/4in. bolt size, 9/16in. od, 0.056in. thk		4	} Securing item 86
NI 88	A	G1	5310-99-941-6654 . . WASHER, LOCK, steel, split helical ring, 1/4in. bolt size, 27/64in. od, 5/64in. thk		4	
NI 89	A	G1	5310-99-804-7941 . . NUT, PLAIN, HEXAGON, UNF, 1/4in. dia, -28, class 2B rh thd, steel, Zn plated, 7/16in. w A/F, 7/32in. h, chamfered		4	

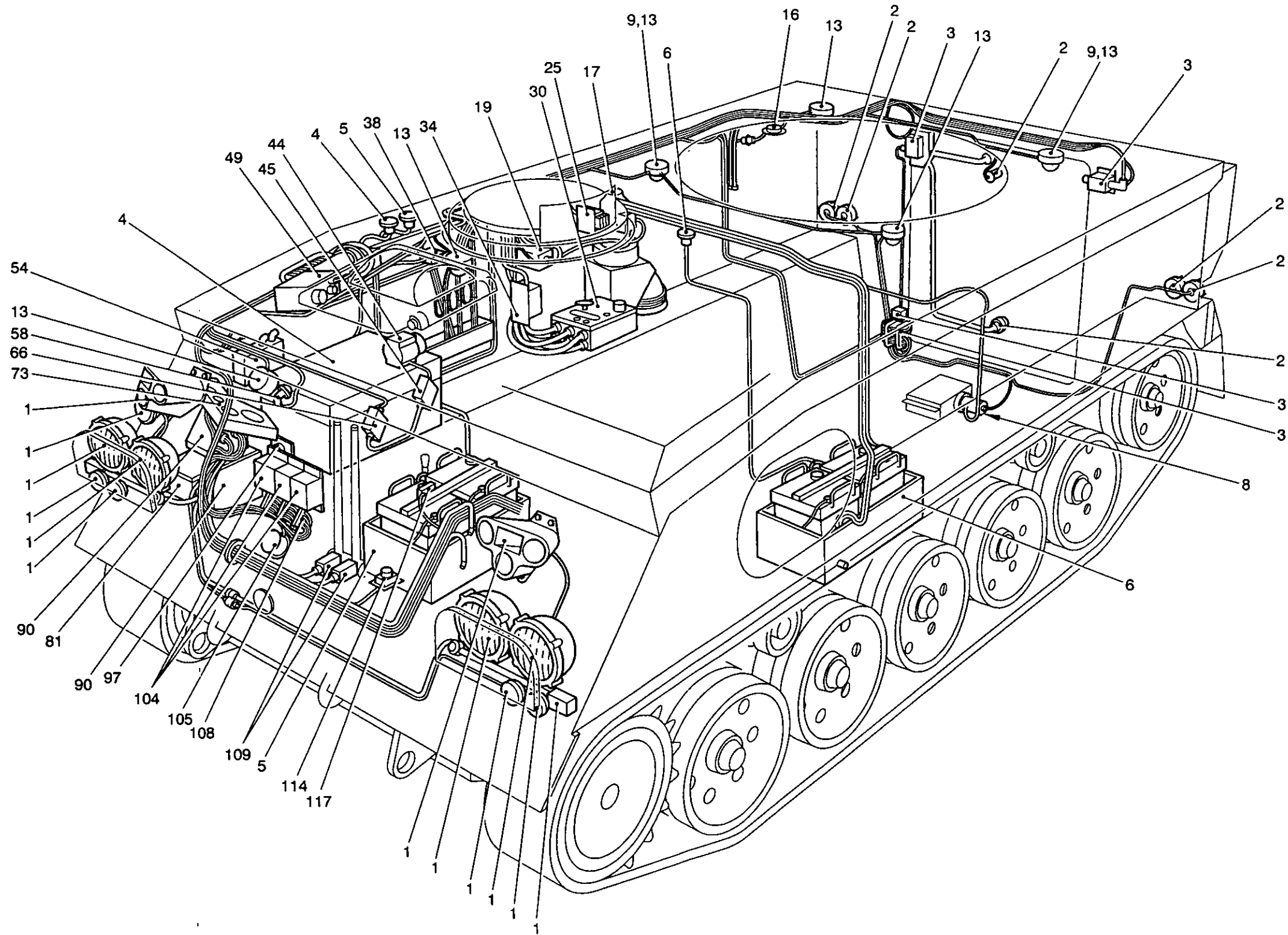


Fig 1 Electrical equipment general arrangement

430/70087A

Fig Item	Man Code Navy - N Army - A RAF - R	NATO Stock No	Item Name and Description	Part No/ Drawing No.	No. Off	Annotations
1-			ELECTRICAL EQUIPMENT GENERAL ARRANGEMENT - contd			
90	A 6MT4	6110-99-881-6460	ELECTRICAL EQUIPMENT, INTERNAL - contd PANEL, CONTROL, ELECTRICAL, ELECTRONIC EQUIPMENT, alternator No. 1, Mk 1	FV342587	2	See Chap 2-7
NI 91	A G1	5305-99-941-0518	SCREW, CAP, HEXAGON HEAD, UNF, 1/4in. dia, class 2A thd, 1-3/4in. lg, steel, Zn plated, hex hd		8	} Securing item 90
NI 92	A G1	5310-99-120-4032	WASHER, FLAT, steel, Zn plated, 1/4in. bolt size, 9/16in. od, 0.056in. thk		8	
NI 93	A G1	5310-99-941-0902	NUT, PLAIN, HEXAGON, 1/4in. -28 UNF, class 2B thd, steel, Zn plated, chamfered, 0.438in. w A/F, 0.156in. h		8	
NI 94	A G1	5310-99-941-6654	WASHER, LOCK, steel, split helical ring, 1/4in. bolt size, 27/64in. od, 5/64in. thk		8	
NI 95	A G1	5310-99-804-7941	NUT, PLAIN, HEXAGON, UNF, 1/4in. dia -28, class 2B rh thd, steel, Zn plated, 7/16in. w A/F, 7/32in. h, chamfered		8	
NI 96		NP	BRACKET, HORN PUSH SWITCH	FV559857	1	} Horn
97	A 6MT4	5930-99-826-8010	SWITCH, PUSH, one pole, single throw, double make, both positives maintained, 5-1/64in. lg, 2-7/8in. w, 2-1/32in. h	FV939076	1	
NI 98	A G1	5310-99-941-6654	WASHER, LOCK, steel, split helical ring, 1/4in. bolt size, 27/64in. od, 5/64in. thk		4	} Securing items 96, 97
NI 99	A G1	5305-99-941-0512	SCREW, MACHINE, UNF, 1/4in. class 2A thd, 5/8in. lg, steel, Zn plated, hex hd		4	
NI 100	A 9ACR	2540-99-866-6920	BRACKET, ANGLE, LH	FV538823	1	} Drivers control panel
NI 101	A 9ACR	2540-99-866-6921	BRACKET, ANGLE, RH	FV538824	1	
NI 102	A G1	5310-99-944-0549	WASHER, LOCK, steel, Cd plated, split helical ring, 5/16in. bolt size, 0.503in. od, 0.08in. thk, single coil, sq section		4	} Securing items 100, 101
NI 103	A G1	5310-99-941-0925	NUT, PLAIN, HEXAGON, UNF, 5/16in. -24, class 2B rh thd, steel, Zn plated, 1/2in. w A/F, 17/64in. h, chamfered		4	
104		NP	DRIVERS CONTROL PANEL ASSEMBLY	FV559506	1	See Chap 2-7
105	A 46MT3	6350-99-881-3954	HORN, ELECTRICAL, fire alarm	FV534865	1	} Securing item 105
NI 106	A G1	5310-99-941-6654	WASHER, LOCK, steel, split helical ring, 1/4in. bolt size, 27/64in. od, 5/64in. thk		2	
NI 107	A G1	5306-99-941-0284	BOLT, MACHINE, UNF, stainless steel, Zn plated, hex hd, 1/4in. dia x 1-1/2in. lg, class 2A		2	
108		NP	ARRANGEMENT OF ELECTRICAL FITTINGS, No. 1 CONNECTOR JUNCTION	FV560075	REF	See Chap 2-7
109	A 46MT4	5930-99-881-3583	SWITCH, SENSITIVE, SPST, N/C, spring return, 500V ac, 250V dc, 1A resistive, 5-7/8in. lg, 1-3/4in. w, 1-5/8in. h, w/syn rubber bellows	VB1A	2	See Chap 2-6
NI 110	A 9ACR	5930-99-801-3872	BRACKET, ELECTRICAL SWITCH, dip switch	FV560092	1	} Securing item 110
NI 111		NP	WASHER, FLAT, 1/4in. x 17 SWG	7030004009 4900	4	
NI 112	A G1	5310-99-941-6654	WASHER, LOCK, steel, split helical ring, 1/4in. bolt size, 27/64in. od, 5/64in. thk		4	
NI 113	A G1	5305-99-941-0279	SCREW, MACHINE, UNF, steel, Zn plated, hex hd, 1/4in. x 7/8in. lg, class 2A thd		4	

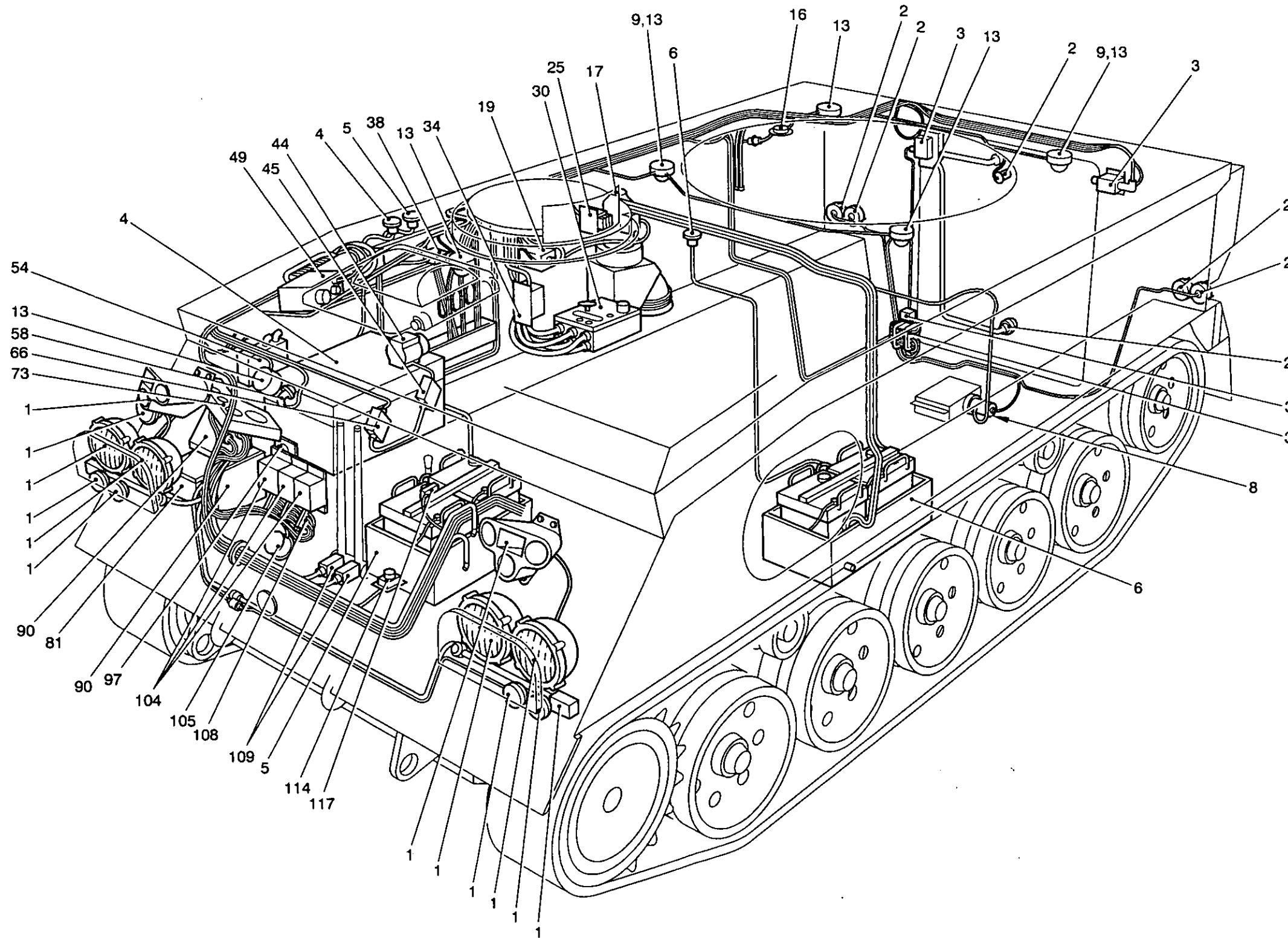


Fig 1 Electrical equipment general arrangement

430/70087A

Fig Item	Man Code Navy - N Army - A RAF - R	NATO Stock No	Item Name and Description	Part No/ Drawing No.	No. Off	Annotations
1-			ELECTRICAL EQUIPMENT GENERAL ARRANGEMENT - contd			
			. ELECTRICAL EQUIPMENT, INTERNAL - contd			
114	A	9ACR	2590-99-881-9171 . . SWITCH, BEAM, SELECTING, HEADLIGHT	FV562044	1	See Chap 2-7
NI 115	A	G1	5310-99-944-0549 . . WASHER, LOCK, steel, Cd plated, split helical ring, 5/16in. bolt size, 0.503in. od, 0.08in. thk, single coil, sq section		4	} Securing item 114
NI 116	A	G1	5305-99-941-0525 . . SCREW, MACHINE, UNF, stainless steel, Zn plated, hex hd, 5/16in. dia x 3/4in. lg, class 2A thd		4	
117		NP	. . GEAR RANGE SELECTOR, GENERAL ARRANGEMENT	FV559399	REF	See Chap 2-6
NI 118		NP	. MISCELLANEOUS ELECTRICAL EQUIPMENT	FV952552	REF	
NI 119	A	6MT4	2590-99-815-6019 . . CABLE ASSEMBLY, INTERVEHICLE, ELECTRICAL, 2 conductors, single pole, free plug both ends, 15ft lg	FV324824-5	1	See Annex A Chap 2-7-1
NI 120		NP	. . EARTH PIPE AND CABLE	FV586925	1	See Annex A Chap 2-7-1
NI 121		NP	. VEHICLE HARNESSSES	FV952555	REF	

~~UK RESTRICTED~~

~~UK RESTRICTED~~

111

Chapter 2-7-1
PARTS LIST
VEHICLE HARNESSSES

Fig Item	Man Code Navy - N Army - A RAF - R	NATO Stock No	Item Name and Description	Part No/ Drawing No.	No. Off	Annotations
1		NP NP	. VEHICLE HARNESSSES . . . LEAD ELECTRICAL, REG EARTH TO EARTH	FV952555 FV166707/3	REF 2	
2	A	Y3	. . . BRAID, FLEX, 0.120in. dia	176	A/R	
3		NP	. . . TERMINAL LUG, br, tinned finish, 1/4in. stud size	850406	2	
4	A	Z37	. . . TERMINAL LUG, 3/16in. solder type	215075	2	
5	A	6MT4	. . . CABLE ASSEMBLY, SPECIAL PURPOSE, ELECTRICAL, 10ft 6in. lg, single branch, lug 1st end, skt 2nd end, B2 +VE - RDP 7	FV167661-4	1	
6	A	46MT4	. . . TERMINAL, battery positive	FV546753	1	
7	A	6MT4	. . . CABLE NIPPLE, ELECTRICAL, battery terminal	549347804	1	
8	A	6MT4	. . . TERMINAL, QUICK DISCONNECT, silver pl brass terminal bolt, tightened ru sheath	FV604010	1	
9	A	46MT4 BUSHING, ELECTRICAL CONDUCTOR, bakelite, 0.750in. od x 0.625in. id x 1.22in. o/a lg	FV534898	1	
10	A	46MT4 BOOT DUST AND MOISTURE SEAL	FV534899	1	
11	A	Y3	. . . CABLE, ELECTRICAL, Unipren 200, 416/0.018 o/a dia, 0.595in., 0.248 ohms approx resistance per 1000 yds	UNIPREN 200	A/R	
12		NP	. . . LEAD, ELECTRICAL, DLB 11 TO DP 1	FV166403/35 M	1	
13	A	46MT4	. . . SOCKET, HEAVY DUTY, heavy duty, 280 amp	QRA58	1	
14	A	46MT4 INSULATOR, BUSHING, bakelite	QRD1023	1	
15	A	46MT4 CLAMP, LOOP, single	QRD1024	1	
16		NP SHEATH, ru moulded	FV131173	1	
17	A	6MT1 RING, SEALING, TOROIDAL, 9/16in. x 3/4in. x 3/32in. 90 deg shore hardness	FV131066	1	
18	A	46MT4	. . . PLUG, ELECTRICAL, heavy duty	QRD1014	1	
19	A	6MT4	. . . CABLE NIPPLE, ELECTRICAL, plug insulating	QRD1015	1	
20	A	Y3	. . . WIRE, ELECTRICAL, single conductor, 666/0.018in., 0.75in. dia, silicon elastomer insulation, PTP tape, glass		A/R	
21		NP	. . . LEAD, ELECTRICAL, DP NEG TO EARTH	FV166871/2	1	
22	A	9ACR	. . . TERMINAL LUG, 3/8in. brass sleeved eyelet pattern	19011	2	
23	A	46MT4	. . . BRAID, FLEXIBLE, tinned Cu, 5/16in. dia	FV(S)6-70-5	A/R	
24	A	46MT4	. . . LEAD, ELECTRICAL, battery lug 1st end, skt 2nd end, 17.0ft o/a lg, DP 15 - B3 VENT +VE	FV167668/4	1	
25	A	46MT4	. . . SOCKET, HEAVY DUTY, heavy duty 200 amp	QRA57	1	
26		NP CABLE NIPPLE, ELECTRICAL	FV131172	1	
27	A	46MT4 INSULATOR, BUSHING, bakelite	QRD1023	1	
28	A	46MT4 CLAMP, LOOP, single	QRD1024	1	
29	A	6MT1 RING, SEALING, TOROIDAL, 9/16in. x 3/4in. x 3/32in. 90 deg shore hardness	FV131066	1	
30	A	46MT4	. . . TERMINAL, battery positive	54935360	1	
31	A	Y3	. . . CABLE, ELECTRICAL, Unipren 200, 416/0.018 o/a dia, 0.595in., 0.248 ohms approx resistance per 1000 yds	UNIPREN 200	A/R	

Fig Item	Man Code Navy - N Army - A RAF - R	NATO Stock No	Item Name and Description	Part No/ Drawing No.	No. Off	Annotations	
			VEHICLE HARNESSSES - contd				
32	A	46MT4	6150-99-802-3442	WIRING HARNESS, 7 conductors, 90 deg skt 1st end, straight skt 2nd end, 6ft-11in. o/a lg, DP 15 TO FAN VENT	FV582676-4	1	
33			NP	CONNECTOR, No. 28-10S, angled free		1	
34			NP	CONNECTOR, No. 28S-10S, straight, free		1	
35	A	Y3	6145-99-901-2567	CABLE, SPECIAL PURPOSE, ELECTRICAL, single, 110/0.0076in. dia, PCP 0.17in. dia max	FV2143397	A/R	
36	A	Y3	6145-99-945-5074	WIRE, ELECTRICAL, 120/0.012in. tinned copper, braid, blue	E21 UNIPREN50	A/R	
37	A	Y3	6145-99-945-5075	WIRE, ELECTRICAL, 294/0.012in., 0.36in. od tinned copper, glass braid, syn ru, blue	UNIPREN 100	A/R	
38	A	46MT4	2590-99-839-2643	WIRING HARNESS, 3 conductors, 75.00in. lg, DP 12 TO FAN CONTROLLER	FV582486/2	1	
39	A	46MT4	5935-99-802-7959	PLUG, ELECTRICAL, free AI, 12A, 700V dc	FV585051	1	
40	A	46MT4	5975-99-805-3046	ELBOW ASSEMBLY, 90 degree	FV(S)6/55/3	1	
41	A	46MT4	5340-99-881-2217	BUSHING, RUBBER, syn ru, 0.595in. od x 7/16in. o/a lg, 4 holes	FV(S)6-83-1	2	
42	A	Z42	5975-99-805-6547	NUT, PLAIN, KNURLED, st, Zn P, 0.692in. Whit form, 0.786in. od, 0.475in. thk	FV(S)6/38/4	1	
43	A	6MT1	5310-99-805-6455	WASHER, FLAT, br, Cd P, rd, 0.437in. id x 0.625in. od x 0.064in. thk	FV5-39-4	1	
44	A	Y3	6145-99-901-2998	CABLE, ELECTRICAL, Uninyvin 16, single conductor, 40/0.0076in., PVC glass braid, 0.11in. dia o/a	UNINYVIN 16	A/R	
45	A	46MT4	2590-99-815-6019	CABLE ASSEMBLY, INTER-VEHICLE, ELECTRICAL, 2 conductor, single pole, 15.0ft lg	FV324284/5	1	
46	A	46MT4	5935-99-802-2423	TERMINAL LUG	FV534833	2	
47	A	46MT4	5935-99-812-9999	TERMINAL LUG	FV620746	4	
48	A	Z1	9905-99-804-4136	BAND, IDENTIFICATION, AI, 7/8in. x 1.00in.	FV(S)7/2/1	A/R	
49	A	46MT4	5340-99-205-6507	BUCKLE STRAP, METALLIC, AI, 9/16in. x 2-1/2in.	FV(S)7/3/1	A/R	
50	A	46MT4	6150-99-881-5631	CABLE ASSEMBLY, POWER, ELECTRICAL, single conductor cable, nipple each end, 6in. lg, INTER-CONNECTOR TO NEG	FV166001- 369N	5	
51	A	Y3	6145-99-901-2998	CABLE, ELECTRICAL, Uninyvin 16, single conductor, 40/0.0076in., PVC glass braid, 0.11in. dia o/a	UNINYVIN 16	A/R	
52	A	46MT4	5935-99-805-2902	PLUG, ELECTRICAL, free, female shell, 1 pole	FV169421	2	
53			NP	LEAD, ELECTRICAL, horn to earth	FV166011/72 N	1	
54	A	Y3	6145-99-901-2998	CABLE, ELECTRICAL, Uninyvin 16, single conductor, 40/0.0076in., PVC glass braid, 0.11in. dia o/a	UNINYVIN 16	A/R	
55	A	Z37	5940-99-943-8569	TERMINAL LUG, 3/16in., solder type	347-90	1	
56	A	46MT4	2590-99-978-0907	WIRING HARNESS, RH ARMoured OUTLET to No. 1 CONNECTOR JUNCTION	FV166208/ 2N	1	

Fig Item	Man Code Navy - N Army - A RAF - R	NATO Stock No	Item Name and Description	Part No/ Drawing No.	No. Off	Annotations
			. VEHICLE HARNESSSES - contd			
57	A Y3	6145-99-901-2998	. . . CABLE, ELECTRICAL, Uninyvin 16, single conductor, 40/0.0076in., PVC glass braid, 0.11in. dia o/a	UNINYVIN 16	A/R	
58	A Z37	5940-99-943-8569	. . . TERMINAL LUG, 3/16in.	347-90	1	
59		NP	. . . ELBOW, FLEXIBLE CONDUIT	FV(S)55-2	1	
60	A 46MT4	5975-99-804-1058	. . . NUT, COUPLING, ELECTRICAL CONDUIT, 1.062in. 20 tpi	Y5658-114C	1	
61	A 46MT4	5935-99-805-2902	. . . PLUG, ELECTRICAL, free, female shell, 1 pole	FV169421	12	
62	A 46MT4	5365-99-804-1057	. . . WASHER, FLAT, br, Cd P, 3/4in. id x 0.990in. od x 0.064in. thk	FV(S)6-39-6	1	
63	A 46MT4	5935-99-805-3201	. . . CONE, SEALING, 13 hole	FV(S)677/1	2	
64	A 46MT4	2590-99-830-8926	. . . CABLE AND CONDUIT ASSEMBLY, ELECTRICAL, 9 conductors, 26.0ft lg, No. 1 CONNECTOR JUNCTION TO No. 2 CONNECTOR JUNCTION	FV605478-1	1	
65	A 6MT4	2590-99-796-6203	. . . CABLE ASSEMBLY, POWER ELECTRICAL, single conductor, plug one end, skt 2nd end, 10ft-1in. lg, PPJ AC3 to DLB 15	FV166372-81	1	} See items 68-75
66	A 6MT4	2590-99-791-9528	. . . CABLE ASSEMBLY, POWER ELECTRICAL, single conductor, skt one end, electrical contact 2nd end, 10ft-1in. lg, PPJ AC2 to DLB 16	FV166372/82	1	
67	A 6MT4	2590-99-835-6124	. . . LEAD, ELECTRICAL, single conductor, connector free one end, quick disconnect terminal 2nd end, 10ft-3in. lg, PPJ AC1 TO DLB 17	FV166372/83 M	1	
68	A 46MT4	5935-99-805-0010	. . . SOCKET, ELECTRICAL, heavy duty, 200A	FV131144	1	
69		NP	. . . SLEEVE, SOCKET	FV131172	1	
70	A 46MT4	5970-99-805-0033	. . . SLEEVE, SOCKET, bakelite	FV131070	1	
71	A 46MT4	5340-99-805-0034	. . . CLAMP, LOOP, single	QRD1024	1	
72	A 6MT1	5330-99-801-6628	. . . RING, SEALING, TOROIDAL, 9/16in. x 3/4in. x 3/32in. 90deg shore hardness	FV131066	1	
73	A 46MT4	5935-99-805-0018	. . . CONTACT, ELECTRICAL, heavy duty, 200A	FV39348	1	
74	A 46MT4	5975-99-805-2204	. . . SLEEVE, PLUG, rubber	FV107531	1	
75	A Y3	6145-99-104-7325	. . . CABLE, ELECTRICAL, single conductor, glass braid, 416/0.018in.		A/R	
76	A 6MT4	2590-99-818-7802	. . . CABLE ASSEMBLY, POWER, ELECTRICAL, single conductor, plug one end, skt 2nd end, 10ft-3in. lg, PPJ DC +VE TO DLB 19	FV166403-37M	1	
77	A 46MT4	5935-99-805-0001	. . . SOCKET, HEAVY DUTY, heavy duty, 280 amp	QRA58	1	
78	A 46MT4	5970-99-805-0033	. . . INSULATOR, BUSHING, bakelite	QRD1023	1	
79	A 46MT4	5340-99-805-0034	. . . CLAMP, LOOP, single	QRD1024	1	
80		NP	. . . SHEATH, ru moulded	FV131173	1	
81	A 6MT1	5330-99-801-6628	. . . RING, SEALING, TOROIDAL, 9/16in. x 3/4in. x 3/32in., 90 deg shore hardness	FV131066	1	
82	A 46MT4	5935-99-805-0027	. . . PLUG, ELECTRICAL, heavy duty	QRD1014	1	
83	A 6MT4	5975-99-805-0028	. . . CABLE NIPPLE, ELECTRICAL, plug insulating	QRD1015	1	
84	A Y3	6145-99-104-7324	. . . WIRE, ELECTRICAL, single conductor, 666/0.018in., 0.75in. dia, silicon elastomer insulation, PTP tape, glass		A/R	

Fig Item	Man Code Navy - N Army - A RAF - R	NATO Stock No	Item Name and Description	Part No/ Drawing No.	No. Off	Annotations	
			. VEHICLE HARNESSSES - contd . . CABLE ASSEMBLY, POWER, ELECTRICAL -contd . . . SOCKET, HEAVY DUTY - contd				
85	A	46MT4	2590-99-881-9482	. . . CABLE ASSEMBLY, POWER ELECTRICAL, DLB 26 TO EARTH	FV166404-3	1	
86	A	46MT4	5935-99-805-0027	. . . PLUG, ELECTRICAL, heavy duty	QRD1014	1	
87	A	6MT4	5975-99-805-0028	. . . CABLE NIPPLE, ELECTRICAL, plug insulating	QRD1015	1	
88		NP		. . . SHEATH, ru moulded	FV131173	1	
89	A	46MT4	5940-99-831-9426	. . . TERMINAL LUG	FV59-3-1	1	
90	A	Y3	6145-99-104-7324	. . . WIRE, ELECTRICAL, single conductor, 666/0.018in., 0.75in. dia, silicon elastomer insulation, PTP tape, glass		A/R	
91	A	9ACR	6150-99-796-0372	. . . LEAD, ELECTRICAL, single conductor, terminal w/mtg hole both ends, 5in. lg, RDP EARTH TO RDP -VE	FV166722-5	1	} See items 94 to 96
92		NP		. . . LEAD, ELECTRICAL, RDP EARTH TO EARTH	FV166722-6	1	
93	A	9ACR	2590-99-775-5818	. . . CABLE, HARNESS, DLB TO EARTH	FV166722/4	1	
94	A	46MT4	6145-99-831-2348	. . . BRAID, WIRE, tinned copper, 5/16in. dia	FV(S)6-70-5	A/R	
95		NP		. . . TERMINAL, flag 3/8in.		1	
96	A	46MT4	5940-99-802-2080	. . . TERMINAL LUG, 0.265in. dia hole, Cu electro-tinned, 1.340in. approx lg x 0.625in. x 0.048in. thk	AZ621-1	1	
97		NP		. . . HARNESS, STOP SWITCH TO No. 1 CONNECTOR JUNCTION	FV166764/ 2N	1	
98	A	46MT4	5935-99-805-2902	. . . PLUG, TIP, Lucon vehicular type, free, female shell, 1 pole	FV169421	2	
99	A	Y3	6145-99-901-2998	. . . CABLE, ELECTRICAL, Uninyvin 16, single conductor, 40/0.0076in., PVC glass braid, 0.11in. dia o/a	UNINYVIN 16	A/R	
100	A	Z42	5975-99-805-6457	. . . NUT, COUPLING, ELECTRICAL CONDUIT, st, Zn P, 0.692in. Whit form, 0.786in. od, 0.475in. thk	FV(S)6/38/4	2	
101	A	6MT1	5310-99-805-6455	. . . WASHER, FLAT, br, Cd P, rd, 0.437in. id x 0.625in. od x 0.064in. thk	FV(S)6-39-4	2	
102	A	46MT4	5340-99-881-2217	. . . SEALING, CONE, syn ru, 0.595in. od x 7/16in. o/a lg, 4 holes	5491752	2	
103	A	46MT4	5940-99-805-0893	. . . TERMINAL LUG	187010	4	
104	A	6MT4	6140-99-881-9473	. . . LEAD, STORAGE BATTERY, battery terminal 1st end, terminal lug 2nd end, 26in. lg, B3 VENT TO -VE TO EARTH	FV167665-2	1	} See items 106 to 109
105	A	6MT4	6140-99-881-9429	. . . LEAD, STORAGE BATTERY, battery terminal 1st end, terminal lug 2nd end, 18in. lg, B2 -VE TO EARTH	FV167665-3	1	
106	A	46MT4	5940-99-881-6458	. . . TERMINAL LUG, battery neg	FV546755	1	
107	A	46MT4	5940-99-881-6012	. . . TERMINAL LUG, Cu, 3/8in. stud size, 2.375in. o/a lg	FV59-3-2	1	
108		NP		. . . CABLE NIPPLE, ELECTRICAL	861607	1	
109	A	Y3	6145-99-947-9472	. . . CABLE, ELECTRICAL, Unipren 200, 416/0.018 o/a dia, 0.595in., 0.248 ohms approx resistance per 1000 yds	UNIPREN 200	A/R	
110	A	46MT4	6140-99-881-9425	. . . LEAD, STORAGE BATTERY, B1 -VE TO EARTH	819701-1	1	
111	A	46MT4	5940-99-881-6458	. . . TERMINAL LUG, battery neg	FV546755	1	
112	A	46MT4	5940-99-831-9426	. . . TERMINAL LUG	FV59-3-1	1	
113	A	Y3	6145-99-104-7324	. . . WIRE, ELECTRICAL, single conductor, 666/0.018in., 0.75in. dia, silicon elastomer insulation, PTP tape, glass	UNIPREN 280	A/R	

Fig Item	Man Code Navy - N Army - A RAF - R	NATO Stock No	Item Name and Description	Part No/ Drawing No.	No. Off	Annotations	
			. VEHICLE HARNESSSES - contd . . LEAD STORAGE BATTERY - contd				
114	A	46MT4	6150-99-818-6161	. . HARNESS, WIRING, JW6 TO IJB No. 3	FV324242/1	1	
115	A	Z2	5365-99-647-3001	. . . BUSHING, RUBBER, special shaped section, M4 size 1	Z970058	2	
116	A	Z32	5935-99-943-5878	. . . MAINTENANCE KIT, ELECTRICAL CONNECTOR, M4, brass angle, size 1	CZ63041	2	
117		NP		. . . RING, COMPRESSION		2	
118	A	Z2	5365-99-097-0111	. . . BUSHING, RUBBER	Z67237	2	
119	A	Z1	5365-99-120-1698	. . . SPACER, RING		2	
120		NP		. . . PLUG, ELECTRICAL, 6 pin free		1	
121		NP		. . . SOCKET, ELECTRICAL, 6 pin free		1	
122	A	Y3	6145-99-111-6724	. . . CABLE, SPECIAL PURPOSE, ELECTRICAL, miniature, No. 3C, 3 cores each of 14/0.0076in., TC wires insulated PVC, TC wire screened, PVC sheathed to 0.285in. o/a dia	16-2-3C	A/R	
123		NP		. . WIRING HARNESS, TURN LAMP SWITCHBOARD TO No. 1 CONNECTOR JUNCTION	FV582510-3	1	
124		NP		. . . CONNECTOR, No. 18-1S free		1	
125	A	46MT4	5935-99-805-2902	. . . PLUG, TIP, Lucon vehicular type, free, female shell, 1 pole	FV169421	7	
126	A	Y3	6145-99-901-2998	. . . WIRE, ELECTRICAL, Uninyvin 16, single conductor, 40/0.0076in., PVC glass braid, 0.11in. dia o/a	UNINYVIN 16	A/R	
127	A	46MT4	2590-99-881-3692	. . WIRING HARNESS, No. 3 INTERNAL LIGHT TO No. 4 INTERNAL LIGHT	FV167997/1	1	
128	A	Y3	6145-99-901-2998	. . . WIRE, ELECTRICAL, Uninyvin 16, single conductor, 40/0.0076in., PVC glass braid, 0.11in. dia o/a	UNINYVIN 16	A/R	
129		NP		. . WIRING HARNESS, POS TO POS	FV166001/370N	2	} See items 132 & 133
130		NP		. . WIRING HARNESS, STOP LIGHT TO STOP LIGHT	FV16001/371N	1	
131		NP		. . WIRING HARNESS, INTER CONNECTOR, CONVOY	FV16001/372N	1	
132	A	Y3	6145-99-901-2998	. . . WIRE, ELECTRICAL, Uninyvin 16, single conductor, 40/0.0076in., PVC glass braid, 0.11in. dia o/a	UNINYVIN 16	A/R	
133	A	46MT4	5935-99-805-2902	. . . PLUG, TIP, Lucon vehicular type, free, female shell, 1 pole	FV169421	2	
134	A	6MT4	6150-99-881-3653	. . CABLE ASSEMBLY, POWER ELECTRICAL, 5 conductors, 1st end processed conductors, 2nd end all nipples, RH ARMoured OUTLET TO No. 2 CONNECTOR JUNCTION	FV166186-1	1	
135		NP		. . WIRING HARNESS, LH ARMoured OUTLET TO No. 2 CONNECTOR JUNCTION	FV166186-2	1	
136	A	46MT4	5975-99-805-3079	. . . CONE, SEALING, 9 hole		2	
137		NP		. . . ELBOW, flexible conduit	933068	1	
138	A	46MT4	5975-99-804-1058	. . . NUT, COUPLING, ELECTRICAL CONDUIT, 1.062in. dia, 20 tpi		1	
139	A	46MT4	5310-99-804-1057	. . . SPACER, RING, rd, brass, Cd P, or Zn P, 3/4in. id x 0.990in. od x 0.064in. lg		1	
140	A	46MT4	5935-99-805-2902	. . . PLUG, TIP, Lucon vehicular type, free, female shell, 1 pole	FV169421	2	

Fig Item	Man Code Navy - N Army - A RAF - R	NATO Stock No	Item Name and Description	Part No/ Drawing No.	No. Off	Annotations
			. VEHICLE HARNESSSES - contd . . WIRING HARNESS, BRANCHED - contd			
141	A Y3	6145-99-901-2998	. . . WIRE, ELECTRICAL, Uninyvin 16, single conductor, 40/0.0076in., PVC glass braid, 0.11in. dia o/a	UNINYVIN 16	A/R	
142	A 46MT4	6145-99-881-3688	. . . LEAD, SECONDARY BATTERY, BATTERY POS TO BATTERY NEG	FV167663/1	3	
143	A 6MT4	5940-99-193-6329	. . . TERMINAL LUG, positive	EL38560-1	1	
144	A 46MT4	5940-99-193-6330	. . . TERMINAL LUG, negative	10927852	1	
145		NP	. . . NUT, PLAIN, HEXAGON, BSW brass, hex, lead coated, 5/16in.	54131146	2	
146	A 46MT4	5310-99-805-0896	. . . BOLT, MACHINE, BSW brass, lead coated, 5/16in. dia x 1-1/4in. lg	54102296	2	
147	A 6MT4	5975-99-881-3387	. . . CABLE, NIPPLE ELECTRICAL, battery terminal	54931776	2	
148		NP	. . . SLEEVE, IDENTIFICATION CABLE	FV232094	2	
149		NP	. . . WIRE, ELECTRICAL, Unipren 135, 203/0.012 o/a dia, 0.435in. approx resistance per 1000 yds, 0.508 ohms	UNIPREN 135	A/R	
150		NP	. . . LEAD, ELECTRICAL, EARTH TO EARTH	FV167854/1	1	
151	A Y3	6145-99-943-4824	. . . WIRE, ELECTRICAL, single conductor, 40/0.0076, 0.13in. dia, glass braid, polychloroprene insulated	UNIPREN 12	A/R	
152		NP	. . . TERMINAL LUG, 2BA	187017	1	
153	A 46MT4	5940-99-802-3645	. . . TERMINAL LUG, 1/4in. dia hole	187736	1	
154		NP	. . . WIRING HARNESS, PPJ FW TO HULL FW JUNCTION	FV605455/1	1	
155		NP	. . . WIRING HARNESS, PPJ FW TO LB FW JUNCTION	FV605455/2	1	
156	A 6MT4	2590-99-833-5091	. . . WIRING HARNESS, 9ft-11in. lg, plug one end, skt 2nd end, PPJ ALTERNATOR FRONT TO DLB13	FV605338- 10	1	
157	A 46MT1	6140-99-660-8832	. . . LEAD, STORAGE BATTERY, 1st end terminal lug all conductors, 2nd end terminal lug all conductors 312mm lg	FV2186543/2	1	
158	A 46MT4	2920-99-804-3332	. . . COVER, ANALOGUE LUG, polythene, 57/64in. dia, 2-5/32in. lg	FV546784	2	
159		NP	. . . COVER, THERMOSTAT	FV546743	1	
160	A G1	5305-99-945-2106	. . . SCREW, SOCKET HEAD, 0.250-20 UNC, class 2A thd, thd lg 0.750in. nom, fastener lg 0.750in. nom steel, Cd P, flat fil hd,		1	
161	A 46MT4	5930-99-881-4054	. . . SWITCH, THERMOSTATIC, SPST, normally open, spring ret, 30V ac, 30V dc, 1st/2nd rating, 5A resistive, 1st/2nd voltage, 120 deg F non adjustable	FV546746	1	
162	A 46MT4	5930-99-881-4053	. . . SWITCH, THERMOSTATIC, SPST, normally open, spring ret, 30V ac, 30V dc, 1st/2nd rating, 5A resistive, 1st/2nd voltage, 105 deg F adjustable preset	FV546747	1	
163		NP	. . . SUPPORT, THERMOSTATIC	FV546744	1	
164		NP	. . . CENTRE PIECE, support thermostat	FV546756	1	
165	A G1	5305-99-120-7950	. . . SCREW, SOCKET HEAD, UNC, steel, flat fil hd, Cd P, 1/4in. x 3/8in. class 2 thd		2	
166	A 46MT4	5940-99-881-6457	. . . TERMINAL LUG, battery post, 1- 31/32in. lg, 1-1/4in. w, 200 mcm 1 post clamp, Cu alloy, lead coated	FV546753	1	

Fig Item	Man Code Navy - N Army - A RAF - R	NATO Stock No	Item Name and Description	Part No/ Drawing No.	No. Off	Annotations
			. VEHICLE HARNESSSES - contd . . LEAD, STORAGE BATTERY - contd			
167		NP TERMINAL LUG, battery positive	FV546749	1	
168	A	46MT4 5306-99-805-0896 BOLT, MACHINE, brass, 5/16in. -18 BSW, 1-1/4in. lg sq hd, lead coated		1	
169	A	6MT1 5310-99-813-6252 NUT, PLAIN, HEXAGON, BSW, steel, chamfered bearing surface, lead coated, 5/16in., 0.525in. w		1	
170	A	46MT4 5940-99-881-6458 TERMINAL LUG, battery post, 1- 31/32in. lg, 1-1/4in. w, 200 mcm 1 post clamp, Cu alloy, lead coated	FV546755	1	
171		NP TERMINAL LUG, battery neg	FV546750	1	
172	A	6MT4 6150-99-818-7800 WIRING HARNESS, 10ft-4in. lg, plug one end, skt 2nd end, PPJ ALTERNATOR REAR TO DLB 14	FV605338- 11	1	
173		NP WIRING HARNESS, PPJ E SERVICES TO DLB 21	FV605453/3 M	1	
174	A	6MT4 2590-99-818-7803 CABLE ASSEMBLY, POWER ELECTRICAL, 9ft-7in. lg, single conductor, 90 deg skt 1st end, plug 2nd end, PPJ DC -VE TO DLB 20	FV166421- 5M	1	
175		NP SOCKET, ELECTRICAL, heavy duty	FV564810	1	
176	A	46MT4 5940-99-881-8918 SHEATH, TERMINAL	FV575818	1	
177	A	46MT4 5975-99-861-9032 BUSHING, ELECTRICAL CONDUCTOR, bakelite, 0.750in. od x 0.625in. id x 1.22in. o/a lg	FV534898	1	
178	A	46MT4 5935-99-805-0027 PLUG, ELECTRICAL, heavy duty	QRD1014	1	
179	A	6MT4 5975-99-805-0028 CABLE NIPPLE, ELECTRICAL, plug insulating	QRD1015	1	
180	A	Y3 6145-99-104-7324 WIRE, ELECTRICAL, single conductor, 666/0.018in., 0.75in. dia, silicon elastomer insulation, PTP tape, glass	UNIPREN 280	A/R	
181	A	6MT4 2590-99-499-9311 WIRING HARNESS, 12ft-3in. lg, LH ARMoured OUTLET TO LB GLAND AND No. 1 CONNECTOR JUNCTION	FV605477/7	1	
182		NP WIRING HARNESS, No. 1 CONNECTOR JUNCTION TO DP 6	FV582357/6	1	
183		NP PLUG, ELECTRICAL, free, 14S-2P		1	
184	A	46MT4 5935-99-805-2902 PLUG, TIP, Lucon vehicular type, free, female shell, 1 pole	861122	4	
185	A	Y3 6145-99-901-2998 CABLE, ELECTRICAL, Uninyvin 16, single conductor, 40/0.0076in., PVC glass braid, 0.11in. dia o/a	UNINYVIN 16	A/R	
186		NP WIRING HARNESS, No. 1 CONNECTOR JUNCTION TO EXTERNAL LIGHTIN SWITCHBOARD	FV582580/2	1	
187	A	6MT4 6150-99-978-1721 WIRING HARNESS, 100in. lg, 10 way connector one end, 9 terminals 2nd end, DIP SWITCH TO No. 1 CONNECTOR JUNCTION	FV582511/1	1	
188		NP WIRING HARNESS, No. 1 CONNECTOR JUNCTION TO GEAR CHANGE SWITCH JUNCTION	FV582361/3	1	
189		NP WIRING HARNESS, No. 1 CONNECTOR JUNCTION TO SMOKE DISCHARGER JB	FV582312/4	1	
190	A	6MT4 6150-99-813-9712 WIRING HARNESS, 2 conductors, skt one end, nipple connectors 2nd end, 3ft lg, HORN PUSH SWITCH TO No. 1 CONNECTOR JUNCTION	FV582311/ 5N	1	

Fig Item	Man Code Navy - N Army - A RAF - R	NATO Stock No	Item Name and Description	Part No/ Drawing No.	No. Off	Annotations
			. VEHICLE HARNESSSES - contd			
191		NP	. . WIRING HARNESS, EXTERNAL LIGHTING TO No. 2 CONNECTOR JUNCTION	FV582359/1	1	
192		NP	. . WIRING HARNESS, DOOR CONTACTS TO No. 2 CONNECTOR JUNCTION	FV605459/3	1	
193		NP	. . WIRING HARNESS, LH SMOKE DISCHARGER TO LH TB	FV604654/3	1	
194	A	6MT4	2590-99-978-0906 . . WIRING HARNESS, 2ft-11in. lg, RH SMOKE DISCHARGER TO RH TB	FV604654/4	1	
195		NP	. . WIRING HARNESS, PLUNGER CONTACTS TO NPL	FV605460/2	1	
196		NP	. . WIRING HARNESS, PLUNGER CONTACTS TO CONVOY LIGHT	FV605461/2	1	
197		NP	. . WIRING HARNESS, INSTRUMENT PANEL No. 3 TO FUEL GAUGE JUNCTION	FV582484/1	1	
198	A	6MT4	6150-99-881-3773 . . WIRING HARNESS, FUEL GAUGE TO FUEL GAUGE JUNCTION	FV582488-1	1	
199	A	6MT4	2590-99-823-0104 . . WIRING HARNESS, 4 conductors, c/w end connectors, 7ft-9in. lg, DP 10 TO AJB No. 3	FV582353/2	1	
200		NP	. . WIRING HARNESS, SDJ No. 1 TO AJB 1	FV582310/2	1	
201		NP	. . WIRING HARNESS, SWITCH UNIT No. 1 TO AJB 4	FV582408/4	1	
202		NP	. . WIRING HARNESS, No. 4 LIGHT TO RH F1 LIGHT JUNCTION	FV582322/1	1	
203	A	6MT4	6150-99-830-6133 . . WIRING HARNESS, 11in. lg, 3 pin fixed plug 1st end, processed ends 2nd end, No. 6 LIGHT TO LH F1 LIGHT JUNCTION	FV582322-2	1	
204		NP	. . WIRING HARNESS, INSTRUMENT PANEL No. 1 TO DP 3	FV582478/3	1	
205		NP	. . WIRING HARNESS, DRIVERS SWITCHBOARD AND No. 1 CONNECTOR JUNCTION TO DP 4	FV582581/4	1	
206		NP	. . WIRING HARNESS, DP 7 TO JW 1	FV582405/4	1	
207	A	6MT4	6150-99-818-7806 . . WIRING HARNESS, PPJ FW TO HULL FW JUNCTION	FV605527-4M	1	
208		NP	. . WIRING HARNESS, PPJ FW TO LB FW JUNCTION	FV605527-5M	1	
209		NP	. . WIRING HARNESS, FW CONTROL BOX JW 4 TO LB JUNCTION	FV582327/1	1	
210	A	6MT4	2920-99-836-1280 . . WIRING HARNESS, 27ft-5in. lg, skt connectors both ends, DLB 23 TO FUEL PUMP	FV582301-26	1	
211	A	6MT4	6150-99-813-9705 . . WIRING HARNESS, 9 conductors, plug 1st end, skt 2nd end, 1ft-7-1/2in. lg, DLB No. 1 TO DLB No. 2	FV582781-1	1	
212	A	6MT4	6150-99-813-9706 . . WIRING HARNESS, 22 conductors, plug 1st end, skt 2nd end, 1ft-9in. lg, DLB 7 TO REG - FRONT	FV582702-1	1	
213		NP	. . WIRING HARNESS, DLB 8 TO REG - REAR	FV582702-5	1	
214	A	6MT4	2590-99-839-2507 . . WIRING HARNESS, 45in. lg, straight connectors both ends, DLB 12 TO DP 2	FV582578/3	1	
215		NP	. . WIRING HARNESS, JW4 TO LB FW JUNCTION	FV582330/1	1	

Fig Item	Man Code Navy - N Army - A RAF - R	NATO Stock No	Item Name and Description	Part No/ Drawing No.	No. Off	Annotations
			. VEHICLE HARNESSSES - contd			
216		NP	. . WIRING HARNESS, LB JUNCTION FW TO JW 5	FV582326/1	1	
217	A 6MT4	2540-99-256-8425	. . WIRING HARNESS, 2 conductors, 6ft-2in. lg, JW 2 TO FIRE WARNING LIGHT	FV582379/2	1	
218		NP	. . WIRING HARNESS, JW 7 TO WARNING LIGHT UNIT	FV582487/1	1	
219		NP	. . WIRING HARNESS, JW 3 TO FIRE ALARM HORN	FV586406/4	1	
220		NP	. . WIRING HARNESS, SW UNIT No. 1 TO FILTER UNIT	FV528428/2	1	
221	A 6MT4	2590-99-809-9546	. . CABLE ASSEMBLY, POWER, ELECTRICAL, skt, key type 1st end, plug, key type 2nd end, 26in. lg, DPW TO FILTER UNIT	FV604748-1	1	
222	A 9ACR	2590-99-825-7621	. . WIRING HARNESS, GEAR CHANGE SW JUNCTION TO GEAR CHANGE SWITCH	FV604835-4M	1	
223		NP	. . WIRING HARNESS, IMAGE INTENSIFIER SIGHT	FV604709-IN	1	
224		NP	. . WIRING HARNESS, DP 16 TO FAN CONTROLLER	FV582688-1	1	
225	A 6MT4	6110-99-816-1949	. . WIRING HARNESS, 2ft-1-1/2in. lg, 7 conductors, FAN CONTROLLER TO FAN VENT	FV605257-1	1	
226		NP	. . WIRING HARNESS, DP 12 LINK	FV582495/1	1	
227		NP	. . WIRING HARNESS, DBL 25 TO RDP 1	FV167687/1	1	
228		NP	. . WIRING HARNESS, DP 9 TO RDP 9	FV582326/5	1	
229		NP	. . CONDUIT, ARMoured OUTLET	FV605482/1	2	
230		NP	. . CONDUIT, IR LIGHT	FV605457/1	2	
231	A 9ACR	5975-99-796-0374	. . CONDUIT ASSEMBLY, NON-METALLIC, ELECTRICAL, braided neoprene, 3/8in. id, 10in. lg, coupling nut 1st end, female 2nd end, headlight	FV605457/2	2	
232		NP	. . CONDUIT, HORN	FV605458/1	1	
233		NP	. . CONDUIT, REAR LIGHTS	FV605462/1	2	

Chapter 2-8
PARTS LIST
VENTILATION SYSTEM
GENERAL ARRANGEMENT

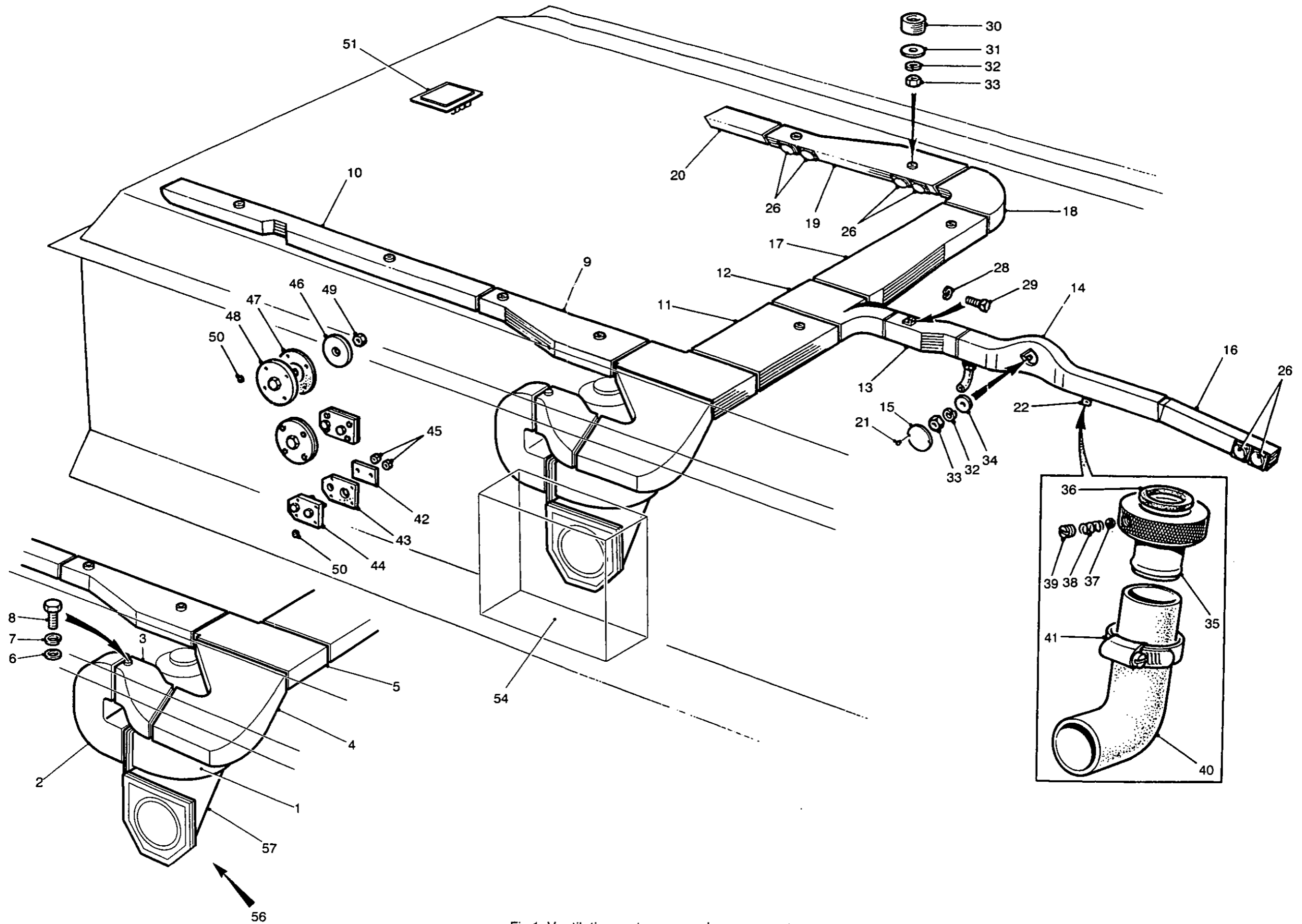


Fig 1 Ventilation system general arrangement

430/70088

Fig Item	Man Code Navy - N Army - A RAF - R	NATO Stock No	Item Name and Description	Part No/ Drawing No.	No. Off	Annotations
1-			VENTILATION SYSTEM GA - contd . VENTILATION DUCTING - contd			
NI 27	A G1	5305-99-950-4416	. . SCREW, TAPPING, THREAD FORMING, steel, pan hd, slotted, Cd P, 1/2in. lg		64	Securing item 26
28	A G1	5310-99-941-6654	. WASHER, LOCK, steel, single coil, sq sect, Cd P, 1/4in. x 27/64in. x 5/64in. thk		2	
29	A G1	5305-99-941-0511	. SCREW, MACHINE, UNF, r steel, hex hd, zinc plated, 1/4in. x 1/2in. x 1/2in. lg		2	
30		NP	. DISTANCE PIECE	FV524990	8	
31	A 9ACR	5310-99-865-6800	. WASHER, FLAT, steel, 0.328 x 1 x 0.072in. thk		8	} Air ducting to roof plate
32	A G1	5310-99-941-6655	. WASHER, LOCK,		10	
33	A G1	5310-99-941-0925	. NUT, PLAIN, HEXAGON, UNF, steel, zinc P, 5/16 -24, 1/2in. x 17/64in. h		10	
34		NP	. WASHER	FV299995	2	
35		NP	. CONNECTOR ASSEMBLY	FV482111	2	
36	A 9AHY	5330-99-818-3852	. . GASKET, natural rubber, 0.822in. id, 1.13in. od, 0.07in. thk	FV482109	1	
37	A 6MT7	3110-99-950-0566	. . BALL, BEARING, steel, 5/32in. dia	5-32GD10	3	
38	A 9AHY	5360-99-152-3676	. . SPRING, HELICAL COMPRESSION, spring steel, Cd plated, 1/8in. od x 3/16in. lg	FV482034	3	
39	A 9AHY	5305-99-549-7430	. . SET SCREW, BA, Cu alloy, slot drive, Zn plated w/chromate, No. 2 dia, 0.114in. thd lg, 0.17in. lg	FV482035	3	
40	A 9ACR	4720-99-802-3560	. HOSE, PREFORMED, pvc, 0.084 x 1.04 x 3-3/4in. o/a lg	FV481873	2	
41	A 6MT1	4730-99-533-2961	. CLAMP, HOSE, steel, 13 x 30 x 1mm thk		2	
42		NP	. COVER, PLATE	FV651069	2	
43	A 9ACR	5330-99-823-3819	. GASKET, rubber, 3-13/64 x 4-13/32 x 1/8 x 1-9/16in. dia	FV538807	2	
44		NP	. BLANKING, PLATE ASSEMBLY	FV651059	2	
45	A G1	5310-99-923-0539	. NUT, SELF-LOCKING, HEXAGON, UNF, steel, Cd P, 1/2 -20 tpi, 3/4 x 17/32in. o/a h		4	
46		NP	. COVER, PLATE	FV651070	2	
47	A 9ACR	5330-99-823-3818	. GASKET, rubber, 2-9/16 x 5-13/64 x 1/8in. thk	FV538806	2	
48		NP	. BLANKING DISC ASSEMBLY	FV651058	2	
49	A G1	5310-99-122-6723	. NUT, SELF-LOCKING, HEXAGON, UNF, steel, Cd P, 3/4 x 1-1/8 x 31/32in. h		2	
50	A G1	5310-99-122-6722	. NUT, SELF-LOCKING, HEXAGON, UNF, steel, Cd P, 5/16 x 13/32 x 1/2in. w		16	
51	A 9ACR	4820-99-865-6788	. VALVE, RELIEF, PRESSURE AND TEMPERATURE, ventilation	FV481771	1	See Chap 2-8
NI 52	A G1	5310-99-941-6655	. WASHER, LOCK, steel, split helical ring, 0.343in. id, 0.08in. thk, 0.503in. od		6	} Relief valve to vehicle
NI 53	A G1	5305-99-941-6289	. SCREW, MACHINE, UNF, steel, zinc P, 5/16 x 1in. lg		6	
54	A 9ACR	2540-99-796-0389	. HOUSING, FILTER, No. 6 Mk 1	FV482434	REF	See Chap 2-8-1
NI 55		NP	. WATER TRAP AND RELIEF VALVE		REF	See Chap 2-8
56		NP	. BRACKET, ASSEMBLY	FV482492	1	
57	A 9ACR	2510-99-805-1431	. . PIPE, AIR, CONDITIONING, HEATING, steel, painted	FV482493	1	
NI 58	A 9ACR	2510-99-802-2098	. . RING, LOCATING, FLEXIBLE CONNECTION, steel, polythene	FV482489	1	
NI 59	A 9ACR	5330-99-802-2099	. . GASKET, asbestos, 10-5/16 x 6-3/8 x 1/32in. thk	FV482456	2	

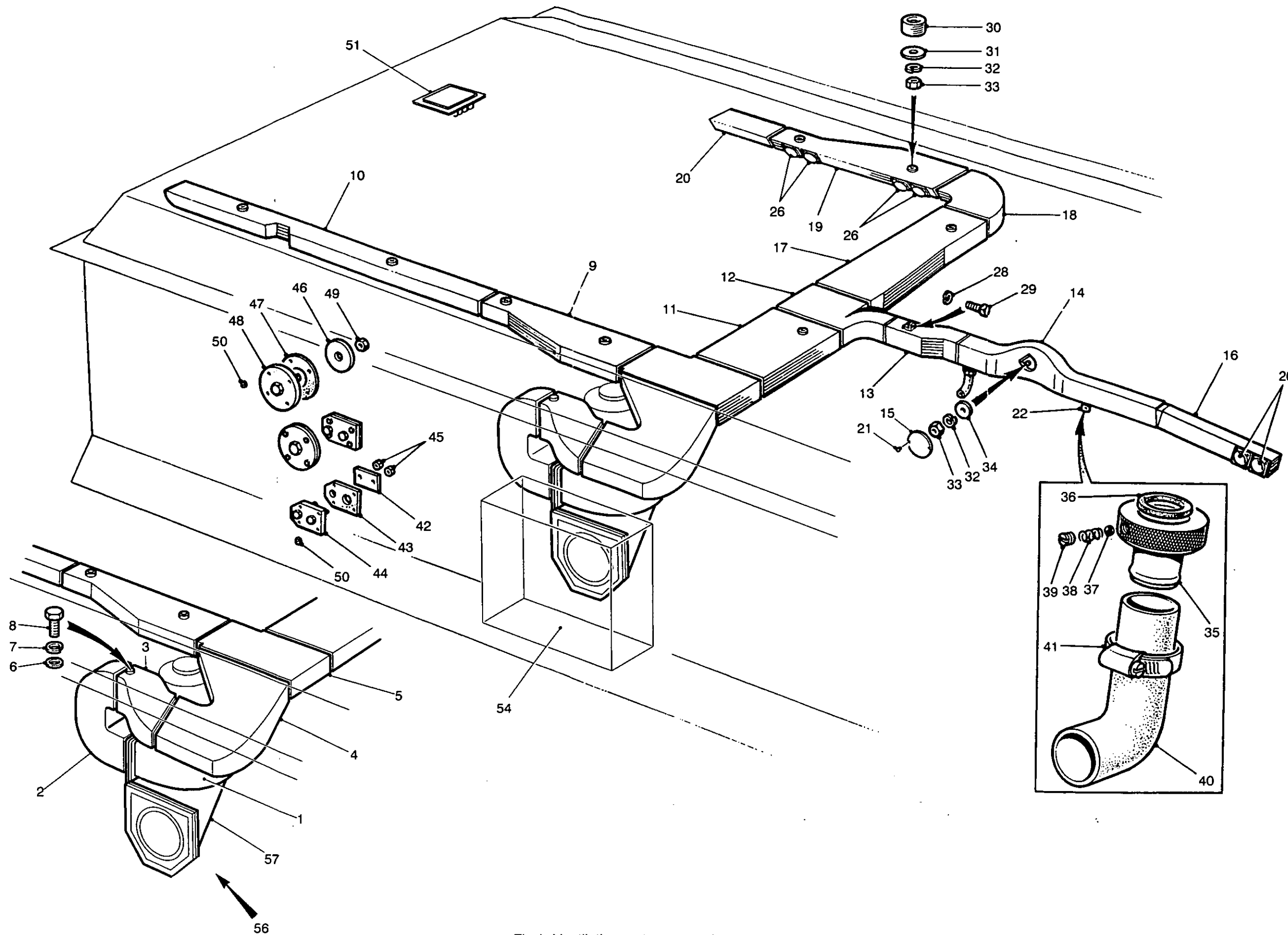


Fig 1 Ventilation system general arrangement

430/70088

Fig Item	Man Code Navy - N Army - A RAF - R	NATO Stock No	Item Name and Description	Part No/ Drawing No.	No. Off	Annotations
1-			VENTILATION SYSTEM GA - contd . BRACKET ASSEMBLY - contd			
NI 60	A 9ACR	5330-99-802-2107	. . GASKET, rubber, 0.25 x 7.37 x 6 x 0.060in. thk	FV482459	1	
NI 61	A G1	5305-99-101-3284	. . SCREW, MACHINE, scr, 29/64 x 21/32in. lg		10	Adjust lg
NI 62	A 9ACR	5330-99-804-4873	. . GASKET, rubber, 0.281 x 9 x 7.5 x 0.60in. thk	FV482485	1	
NI 63	A Z2	5310-99-941-6653	. . WASHER, LOCK, steel, split helical ring, 0.198 x 0.064 x 0.330in. od		18	
NI 64		NP	. . SCREW, MACHINE, steel, hex hd, 0.454in. thd lg, 1/2in. fastener lg		16	
NI 65	A G1	5310-99-941-6654	. . WASHER, LOCK, steel, split helical ring, 1/4in.in. x 27/64in. x 5/64in. thk		17	
NI 66	A G1	5310-99-804-7941	. . NUT, PLAIN, HEXAGON, UNF, steel, zinc P, 1/4in. -28, 7/16in. x 7/32in. h		10	
NI 67	A G1	5305-99-941-0511	. . SCREW, MACHINE, UNF, steel, hex hd, zinc P, 1/4in. x 1/2in. lg		7	
NI 68	A W3	5310-99-943-4387	. . WASHER, NON-METALLIC, fibre, 3/16 x 7/16 x 1/32in. thk		8	
NI 69	A 9ACR	4140-99-804-4011	. . FAN, CENTRIFUGAL, No. 4, Mk 1	FV482416	1	5.1in. dia fan
NI 70	A 46MT4	2540-99-804-4110	. . BACKPLATE, CENTRIFUGAL FAN	B36960	1	
NI 71	A G1	5305-99-914-9858	. . SCREW MACHINE, steel, hex hd, Cd P, No. 10 UNF x 1/2in.		14	
NI 72		NP	. . WASHER, TAB, 3/16in. id		22	
NI 73	A 46MT4	2540-99-804-4013	. . IMPELLOR, FAN, CENTRIFUGAL, Al	B36973	1	
NI 74	A G2	9505-99-965-3706	. . WIRE, NON-ELECTRICAL, steel, sq, 6mm wd, 6mm thk, bulk supply		A/R	
NI 75	A G1	5310-99-941-0925	. . NUT, PLAIN, HEXAGON, steel, Zn P, 5/16in. UNF		1	
NI 76	A G1	5310-99-941-6197	. . WASHER, KEY, 5/16in. id		1	
NI 77	A 46MT4	4140-99-804-4112	. . HOUSING, CENTRIFUGAL FAN	00-060237	1	
NI 78	A 46MT4	2540-99-804-4113	. . INLET, FAN UNIT	00-060255	1	
NI 79	A G1	5305-99-999-7566	. . SCREW, MACHINE, steel, flat csk hd, Cd P, No. 10 UNF x 5/8in. lg		2	
NI 80	A 46MT4	2540-99-804-4114	. . PLATE, MOUNTING, CENTRIFUGAL FAN, Al alloy, 9.00in. o/a dia, 5/8in. thk	FV481948	1	
NI 81		NP	. . SCREW, MACHINE, steel, hex hd, slotted, Cd P, No. 10 UNF x 1.00in. lg		8	
NI 82		NP	. . SCREW, MACHINE, UNF, hex hd, No. 10 -32 thd, 5/16in. lg		8	} Fan unit to ducting
NI 83	A G1	5310-99-941-6653	. . WASHER, LOCK, steel, single coil, sq sect, Cd P, 0.198 x 0.064 x 0.330in. od		8	
NI 84	A 9ACR	2540-99-805-1432	. . GASKET, syn rubber, 5-1/2 x 4-3/8 x 1/16in. thk	FV602904	1	Fan flange

~~UNRESTRICTED~~

27

~~UNRESTRICTED~~

1.000.000

Chapter 2-9
PARTS LIST
EXHAUST SYSTEM
GENERAL ARRANGEMENT

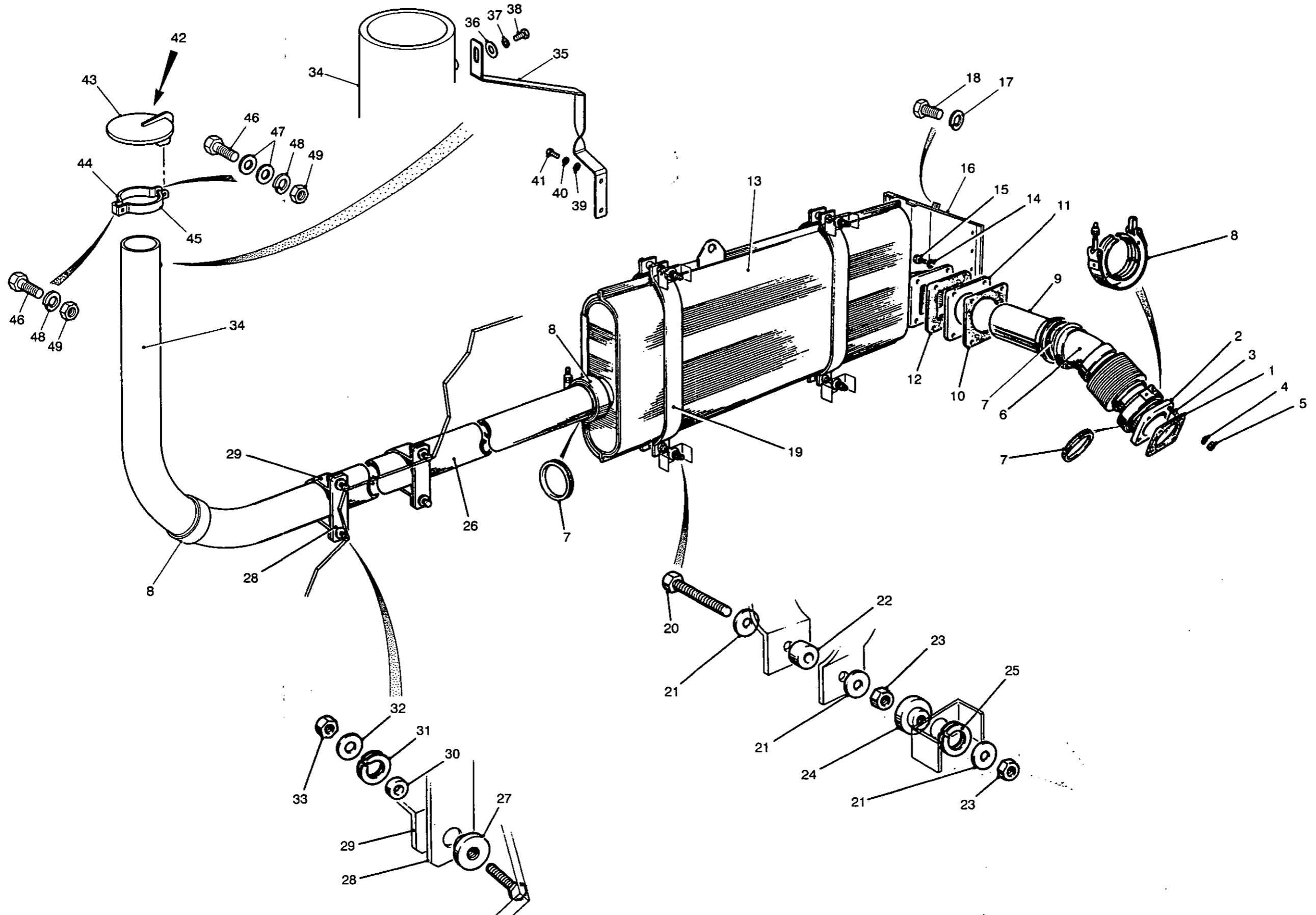


Fig 1 Exhaust system general arrangement

430/70092

Fig Item	Man Code Navy - N Army - A RAF - R	NATO Stock No	Item Name and Description	Part No/ Drawing No.	No. Off	Annotations
1-		NP	EXHAUST SYSTEM GENERAL ARRANGEMENT	FV2200678	REF	
1	A	9ACR	5330-99-591-5676 . GASKET, sq w/rd aperture, 120mm o/a w, 102mm aperture dia, 4 bolt holes, fibre or composition cross-sect shape	FV2249145	1	
2	A	9ACR	2990-99-867-4677 . END FITTING, EXHAUST PIPE	FV559423	1	
3	A	G1	5307-99-120-3527 . STUD, PLAIN, steel, zinc P, 1-3/4 x 3/8in. UNF thd nut end, 3/8 x 27/64in. lg stud end		4	
4	A	G1	5310-99-138-6859 . WASHER, LOCK, steel, Zn plated, split helical ring, 3/8in. bolt size, 11/16in. od, 3/32in. thk		4	
5	A	G1	5310-99-101-2645 . NUT, PLAIN, HEXAGON, UNF, steel, 3/8 x 9/16 x 21/64in. h, rh thd, class 2B, chamfered		4	
6	A	9ACR	2990-99-867-4678 . PIPE, EXHAUST, flexible	FV559418	1	
7	A	46MT1	5330-99-881-9359 . GASKET, Cu, 117.48 x 3.2 x 125.43mm od, non asbestos filler	MM-105333	3	
8	A	9ACR	4730-99-881-9358 . CLAMP, LOOP, steel corrosion resisting	BA25018/1	4	
9	A	9ACR	2990-99-867-4680 . PIPE, EXHAUST	FV559421	1	
10	A	9ACR	5330-99-996-1176 . GASKET, sq w/rd aperture, 13.77mm hole dia, 190mm o/a w, 152mm aperture dia, 4 bolt holes fibre or composition cross-sect shape	FV2249144	1	
11	A	9ACR	2990-99-867-4687 . PLATE, EXHAUST PIPE, front	FV538895	1	
12	A	9ACR	5330-99-871-6064 . GASKET, sq w/sq aperture, 13.77mm hole dia, 190mm o/a w, 120mm aperture w, 120mm aperture lg, 4 bolt holes, fibre or composition cross-sect shape	FV2249143	1	
13	A	9ACR	2990-99-802-6884 . SILENCER, EXHAUST, oval, steel, 47in. x 21in. x 5-1/2in. thk	FV586645	1	
14	A	G1	5310-99-134-2027 . WASHER, LOCK, steel, spring, Zn plated w/chromate, split helical ring, 0.5in. id, 0.851in. od, 0.092in. thk		4	
15	A	G1	5306-99-941-7027 . BOLT, MACHINE, UNF, steel, hex hd, 1/2in. x 2-1/4in. lg, Zn plated w/chromate, 1-1/4in. thd lg		4	
16	A	9ACR	2990-99-867-4689 . GUARD, MUFFLER-EXHAUST PIPE, NON-AIRCRAFT	FV586362	1	
17	A	G1	5310-99-138-6859 . WASHER, LOCK, steel, Zn plated, split helical ring, 3/8in. bolt size, 11/16in. od, 3/32in. thk		6	
18	A	G1	5305-99-941-0711 . SCREW, MACHINE, UNC, stainless steel, hex hd, Zn plated, class 2A thd, 3/8in. x 5/8in. lg		6	
19	A	9ACR	5340-99-802-6885 . STRAP, RETAINING, steel, single, 2-1/2 x 3/16in. thk	FV586669	4	
20	A	G1	5305-99-941-0576 . SCREW, MACHINE, UNF, steel, Zn plated, hex hd, 1/2in. dia, 3-1/4in. lg, class 2A thd		4	
21	A	9ACR	5310-99-865-6146 . WASHER, FLAT, steel, phos, 1.125 x 0.51 x 0.08in. thk	FV434749	12	
22		NP	. SPACER, SLEEVE, silencer	FV586672	4	
23	A	G1	5310-99-100-9641 . NUT, PLAIN, HEXAGON, cres, UNF, 1/2in. dia, 3/4in. w A/F, 0.437in. h, chamfered bearing surface		8	
24	A	9ACR	5310-99-867-4682 . NUT, ROUND	FV560065	4	
25		NP	. WASHER, LOCK, M20, Zn plated, split double helical ring	7532200010 0159	4	

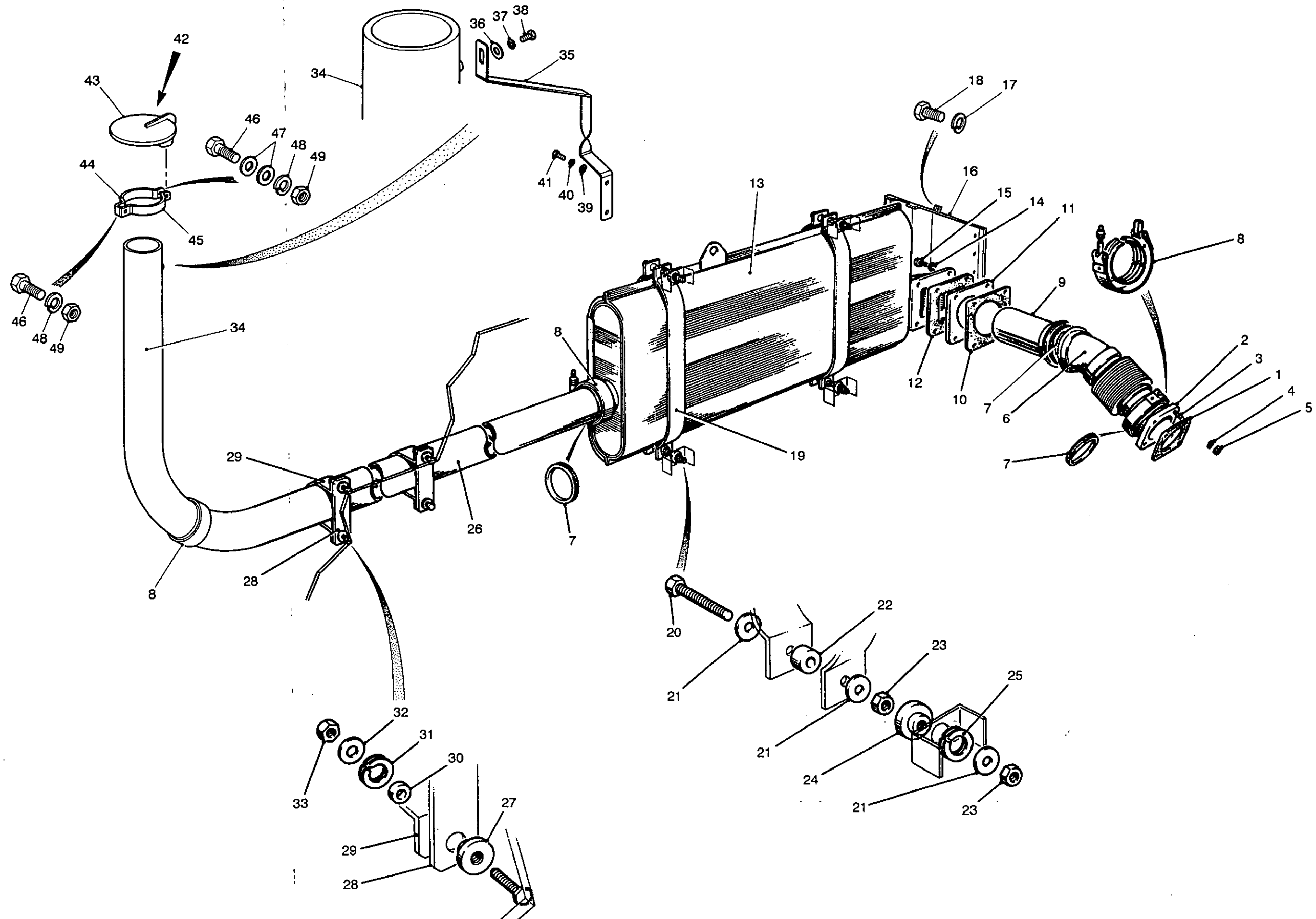


Fig 1 Exhaust system general arrangement

430/70092

Fig Item	Man Code Navy - N Army - A RAF - R	NATO Stock No	Item Name and Description	Part No/ Drawing No.	No. Off	Annotations
1-			EXHAUST SYSTEM GENERAL ARRANGEMENT - contd			
26	A 9ACR	2990-99-802-6454	. PIPE, EXHAUST, steel, rigid flange both ends, 3-7/8in. bore dia, 9ft 2-1/2in. lg	FV602795	1	
27	A 9ACR	5310-99-867-4682	. NUT, ROUND	FV560065	4	
28		NP	. BACK, PLATE, clip	FV586021	2	
29	A 9ACR	5340-99-867-4686	. STRAP, RETAINING, exhaust pipe	FV586020	2	
30	A 9ACR	5365-99-867-4683	. SPACER, SLEEVE, br, 1/4in. lg, 3/4in. od, 17/32in. id	FV560066	4	
31		NP	. WASHER, LOCK, M20, Zn plated, split double helical ring	7532200010 0159	4	
32	A 9ACR	5310-99-865-6146	. WASHER, FLAT, steel, phos, 1.125 x 0.51 x 0.08in. thk	FV434749	4	
33	A G1	5310-99-100-9641	. NUT, PLAIN, HEXAGON, cres, UNF, 1/2in. dia, 3/4in. w A/F, 0.437in. h, chamfered bearing surface		4	
34	A 9ACR	2990-99-802-6453	. PIPE, EXHAUST, steel, rigid frame one end, 3-7/8in. dia bore, 27in. lg	FV602794	1	
35	A 9ACR	2990-99-169-0706	. HANGER, ENGINE, EXHAUST SYSTEM, steel, painted, 16.85in. lg, 3mm thk x 1in. w, w/slot 1st end and 2 holes 2nd end, strap w/twists and bends	FV2200677	1	
36	A G1	5310-99-120-9080	. WASHER, FLAT, steel, Zn plated, 3/8in. bolt hole, 1in. od, 0.08in. thk		1	
37	A G1	5310-99-138-6859	. WASHER, LOCK, steel, Zn plated, split helical ring, 3/8in. bolt size, 11/16in. od, 3/32in. thk		1	
38	A G1	5305-99-941-0711	. SCREW, MACHINE, UNC, stainless steel, hex hd, Zn plated, class 2A thd, 3/8in. x 5/8in. lg		1	
39		NP	. WASHER, FLAT, steel, Zn plated, 1/4in. bolt size	7030004009 5900	2	
40	A X3	5310-99-208-6456	. WASHER, LOCK, steel, Zn plated, split helical ring, 1/4in. bolt size, 1/16in. thk, 15/32in. od		2	
41	A G1	5305-99-941-6284	. SCREW, MACHINE, UNF, 1/4in. dia, class 2A thd, 1/2in. lg, steel, Zn plated, hex hd		2	
42	A 9ACR	2990-99-803-9582	. COVER, EXHAUST, hinged assy	FV611675	1	
43	A 9ACR	2990-99-804-3358	. CAP ASSEMBLY, PROTECTIVE, MUFFLER - EXHAUST PIPE, Cd plated and painted, circular lid w/hinge	FV611676	1	
44	A 9ACR	5340-99-804-3336	. STRAP, RETAINING, steel, single, 1.9in. h from base, 4in. dia grip, 5.85in. o/a lg, 3/4in. o/a w, 0.104in. thk, phosphate coated	FV611048	1	
45	A 9ACR	5340-99-804-3337	. STRAP, RETAINING, steel, single, 1.9in. h from base, 4in. dia grip, 5.9in. o/a lg, 3/4in. o/a w, 0.104in. thk, phosphate coated	FV611049	1	
46	A G1	5305-99-941-0513	. SCREW, MACHINE, UNF, steel, Zn plated, hex hd, 1/4in. dia, 3/4in. lg		2	
47	A 9ACR	5365-99-804-3330	. SPACER, SLEEVE, steel, 0.2in. o/a lg, 0.49in. od, 0.2713in. id		1	
48	A G1	5310-99-941-6644	. WASHER, LOCK, steel, Cd plated, split helical ring, 17/64in. id, 17/32in. od, 1/16in. thk		2	
49	A G1	5310-99-804-7941	. NUT, PLAIN, HEXAGON, UNF, 1/4in. dia - 28, class 2B rh thd, steel, Zn plated, 7/16in. w A/F, 7/32in. o/a h, finished chamfered		2	

~~UNRESTRICTED~~

~~UNRESTRICTED~~

Chapter 2-10
PARTS LIST
SEATS GENERAL ARRANGEMENT

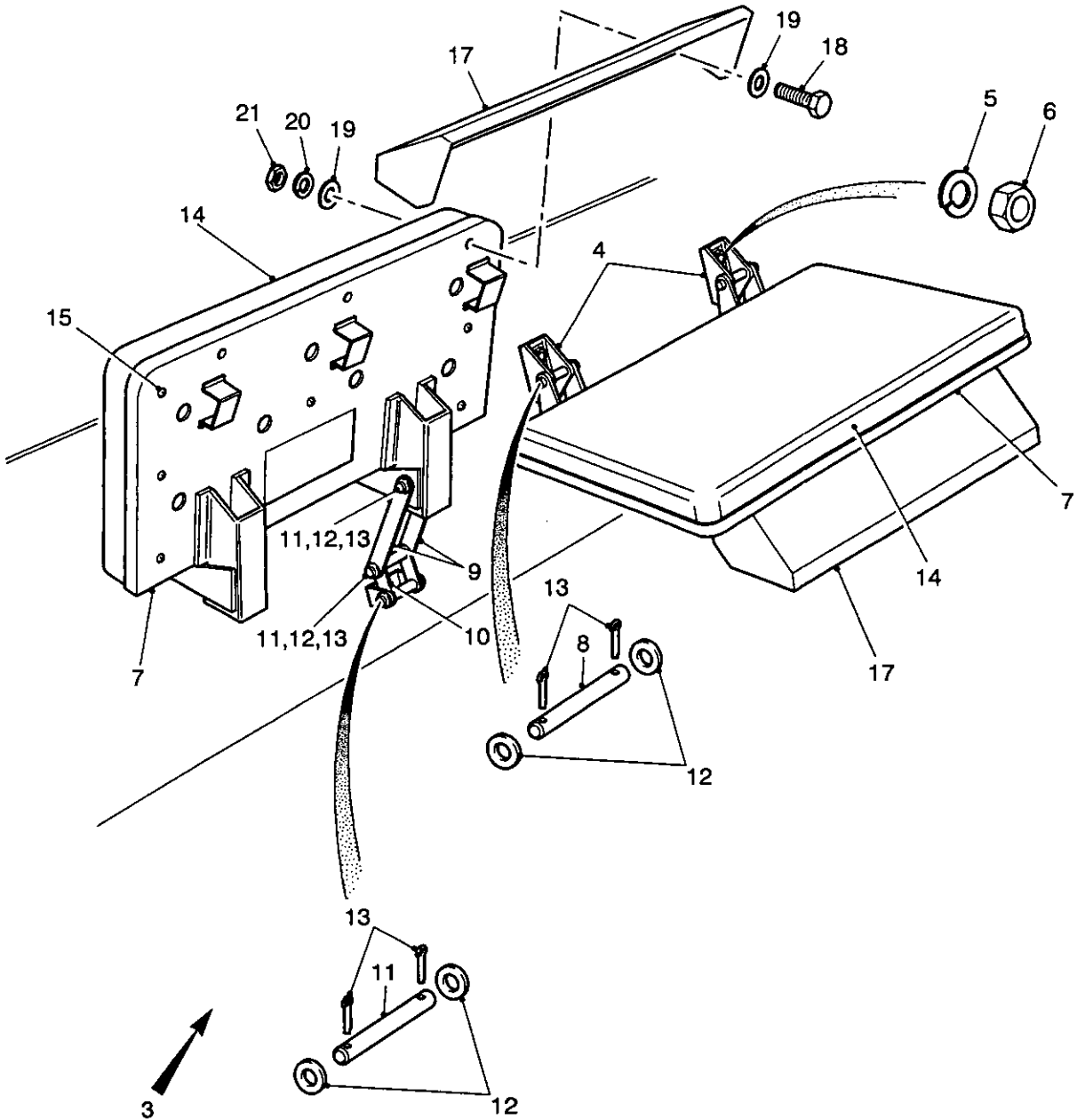


Fig 1 Personnel seats general arrangement

430/70093

Fig Item	Man Code Navy - N Army - A RAF - R	NATO Stock No	Item Name and Description	Part No/ Drawing No.	No. Off	Annotations
1-		NP	SEATS GENERAL ARRANGEMENT	FV952524	REF	
NI 1		NP	. DRIVERS SEAT GENERAL ARRANGEMENT	FV500186	REF	See Chap 2-10
NI 2		NP	. COMMANDERS SEAT GENERAL ARRANGEMENT	FV525358	REF	See Chap 2-10
3		NP	. PERSONNEL SEATS GENERAL ARRANGEMENT	FV952534	REF	
4	A 9ACR	5340-99-865-6771	. BRACKET, DOUBLE ANGLE, steel, adjacent angles, both legs 1.5in. lg, 90 deg, 1.95in. centre section h, 3.5in. centre w, end radius and tapered	FV480258	4	
5	A G1	5310-99-941-6658	. WASHER, LOCK, steel, split helical ring, 1/2in. bolt size, 49/64in. od, 7/64in. thk		8	
6	A G1	5310-99-941-0906	. NUT, PLAIN, HEXAGON, UNF, steel, Zn plated, chamfered, 1/2in. -20, 3/4in. w A/F, 0.317in. h, grade 3		8	
7		NP	. TRAY, SEAT SQUAB	FV952535	2	
8	A 9ACR	5315-99-865-6773	. PIN, STRAIGHT, HEADLESS, steel, phosphate coated, 2.8in. lg, 0.375in. dia. both ends drilled 0.07in. dia	FV480260	4	
9	A 9ACR	2540-99-865-6775	. CONNECTING LINK, BENCH SEAT, long	FV485373	4	
10	A 9ACR	2540-99-865-6774	. CONNECTING LINK, BENCH SEAT, short	FV485370	2	
11	A 9ACR	5315-99-865-6776	. PIN, STRAIGHT, HEADLESS, steel, phosphate coated, 3.5in. lg, 0.375in. dia, hole each end 0.070in. dia	FV485375	6	
12		NP	. WASHER, PLAIN, 3/8in. dia x 15 SWG	7030006009 1000	20	
13	A G1	5315-99-138-2200	. PIN, COTTER, SPLIT, steel, phosphated, std spring type, extended prong chisel point, 1.6mm dia, 16mm lg		20	
14	A 9ACR	2540-99-865-6772	. CUSHION, SEAT, VEHICULAR, personnel	FV480259	2	
15		NP	. SCREW, WOOD, rd hd, No. 10, x 1/2in.	WS10X1/2	18	
NI 16		NP	STAGE 2 VEHICLE MODIFICATIONS	FV952546	REF	
17	A Z88	5820-99-720-7181	. SPLASH GUARD, BATTERY, steel, WA, 1.6mm thk, 640mm lg, trapezoidal section 140mm on 2 right angled sides	FV2072487	2	
18	A G1	5305-99-122-5360	. SCREW, CAP, HEXAGON HEAD, ISO M, 6mm x 1mm pitch, 16mm thd and fastener lg, steel, Zn plated w/chromate		6	
19	A Z88	5310-99-757-3098	. WASHER, FLAT, steel, Zn plated w/chromate, 17.6mm od, 6.8mm id, 2mm thk		12	
20	A G1	5310-99-137-9232	. WASHER, LOCK, steel, Zn plated, split helical ring, 6.3mm id, 9.2mm od, 1.5mm thk		6	
21	A G1	5310-99-122-5295	. NUT, PLAIN, HEXAGON, M6 x 1mm, class 6H thd, steel, Zn plated, 10mm w A/F, 5mm h, chamfered		6	

~~UK RESTRICTED~~

~~UK RESTRICTED~~

Chapter 2-11
PARTS LIST
STOWAGE GENERAL ARRANGEMENT

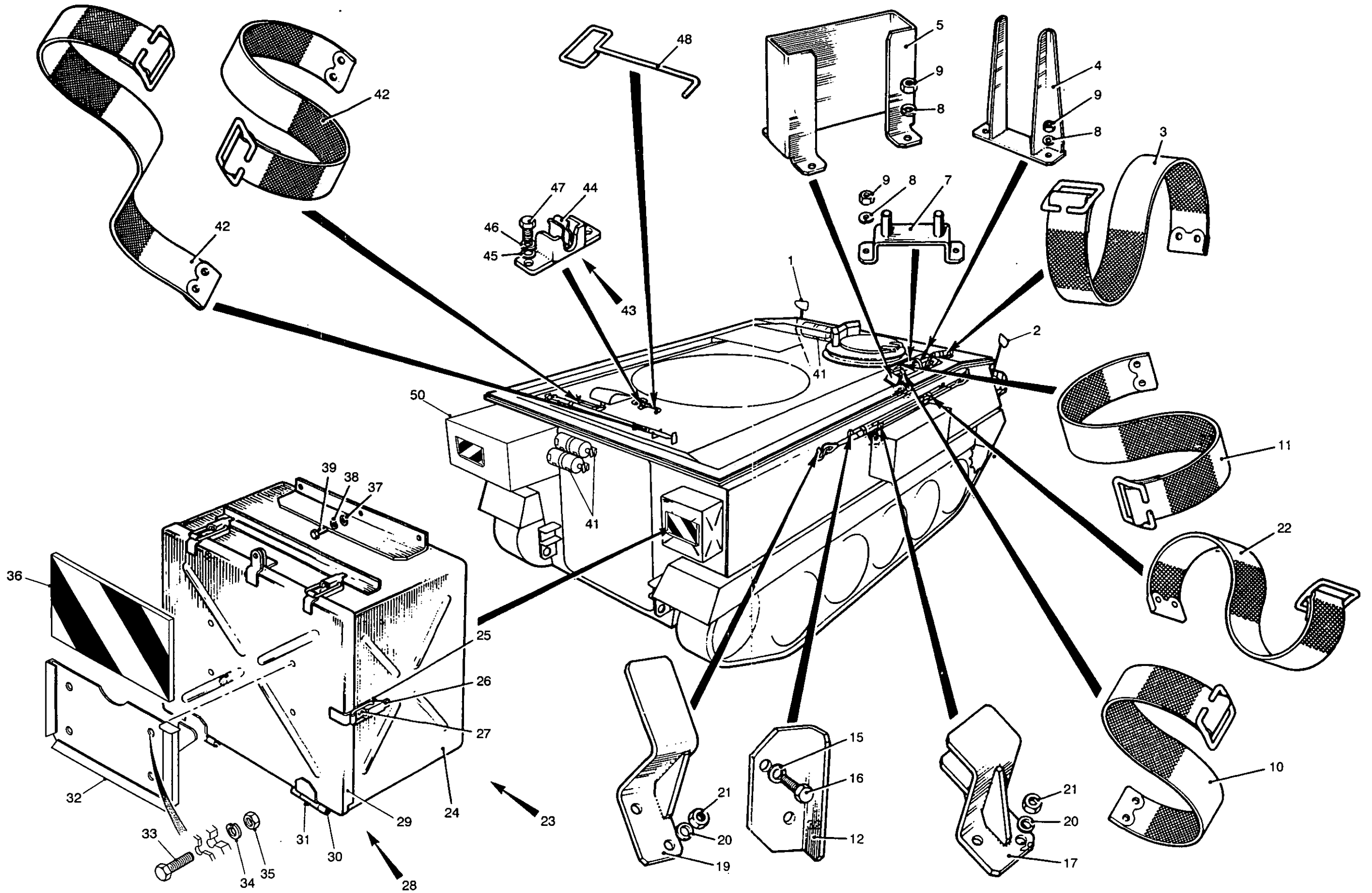


Fig 1 External stowage general arrangement

430/70108

Fig Item	Man Code Navy - N Army - A RAF - R	NATO Stock No	Item Name and Description	Part No/ Drawing No.	No. Off	Annotations
1-		NP NP	STOWAGE GENERAL ARRANGEMENT . STOWAGE, EXTERNAL, GENERAL ARRANGEMENT	FV952525	REF REF	
1	A	9ACR	2540-99-471-2779 . . MIRROR ASSEMBLY, LH	FV2200959	1	See Chap 2-11
2		NP	. . MIRROR ASSEMBLY, RH	FV2200960	1	See Chap 2-11
3	A	6MT1	5340-99-120-8967 . . STRAP, WEBBING, w/buckle and br clip ends, 1-1/4in. x 14in. lg		2	
4	A	9ACR	5120-99-865-7163 . . BRACKET, SPADE	FV538156	1	
5	A	9ACR	5120-99-865-7164 . . BRACKET, SPADE, rear	FV538157	1	Mk 2 vehicle
NI 6	A	9ACR	5120-99-802-1941 . . BRACKET, SPADE, front	FV602635	1	Mk 2/1 vehicle
7	A	9ACR	5120-99-865-7165 . . BRACKET, DIGGING, PICK	FV538158	1	
8	A	G1	5310-99-941-6655 . . WASHER, LOCK, steel, split helical ring, 0.343in. x 0.080in. x 0.503in. dia		8	
9	A	G1	5310-99-941-0925 . . NUT, PLAIN, HEXAGON, UNF, steel, Zn plated, 5/16in. x 1/2in. x 17/64in. h		8	
10		NP	. . STRAP, WEBBING, w/buckle and tab, 1-1/4in. w x 20in. lg		2	Qty 3 on Mk 2/1 vehicle
11	A	6MT1	5340-99-120-8967 . . STRAP, WEBBING, w/buckle and br clip ends, 1-1/4in. x 14in. lg		2	
12		NP	. . BRACKET, stop, crowbar	FV538508	2	Mk 2 vehicle
NI 13		NP	. . BRACKET, stop, rear, crowbar	FV602639	1	} Mk 2/1 vehicle
NI 14		NP	. . BRACKET, stop, front, crowbar	FV602638	1	
15	A	G1	5310-99-941-6654 . . WASHER, LOCK, steel, split helical ring, 1/4in. x 27/64in. x 5/64in. thk		4	
16	A	G1	5305-99-941-0512 . . SCREW, MACHINE, UNF, steel, Zn plated, hex hd, 1/4in. x 5/8in. lg		4	
17	A	9ACR	2510-99-865-7162 . . BRACKET, DOUBLE ANGLE, crowbar stowage	FV538501	2	Mk 2 vehicle
NI 18	A	9ACR	5340-99-802-1958 . . BRACKET, DOUBLE ANGLE, crowbar stowage	FV602640	2	Mk 2/1 vehicle
19	A	9ACR	2510-99-865-7161 . . BRACKET, DOUBLE ANGLE, wire rope assy stowage	FV525570	2	
20	A	G1	5310-99-941-6656 . . WASHER, LOCK, steel, 3/8in. x 0.92in. x 0.59in. od		8	
21	A	G1	5310-99-941-0926 . . NUT, PLAIN, HEXAGON, UNF, steel, Zn plated, 3/8in. x 9/16in. w A/F		8	
22	A	6MT1	5340-99-120-8967 . . STRAP, WEBBING, w/buckle and br clip ends, 1-1/4in. w x 14in. lg		2	Qty 3 on Mk 2/1 vehicle
23	A	9ACR	2540-99-801-3436 . . BOX, ACCESSORIES, STOWAGE	FV586223	1	
24		NP	. . . BOX, ACCESSORIES, STOWAGE	FV586536	1	
25	A	9ACR	5365-99-924-7424 SPACER, PLATE, steel, 2.6in. lg, 0.75in. w, 2 holes	FV586540	4	
26	A	6MT13	5340-99-824-0335 CATCH, TOGGLE, LEVER AND HOOK, steel, 3-3/4in. x 1-1/2in. x 2- 1/4in. x 1in. w	916H	4	
27	A	G1	5320-99-001-7679 RIVET, SOLID, Cu, button hd, 3/16in. x 3/4in. lg		8	
28	A	9ACR	5340-99-819-2758 DOOR, ACCESS, stowage container, c/w seals and pads	FV586537	1	
29	A	9ACR	2540-99-794-5112 LID, VEHICULAR ACCESSORIES STOWAGE BOX, WA	FV586548	1	
30	A	9BTR	5315-99-137-8903 PIN, STRAIGHT, HEADLESS, steel, 3/8in. dia, 4-1/4in. lg	FV586584	2	
31	A	G1	5315-99-138-2201 PIN, COTTER, SPLIT, steel, phosphated, 1.6mm x 25mm lg		2	

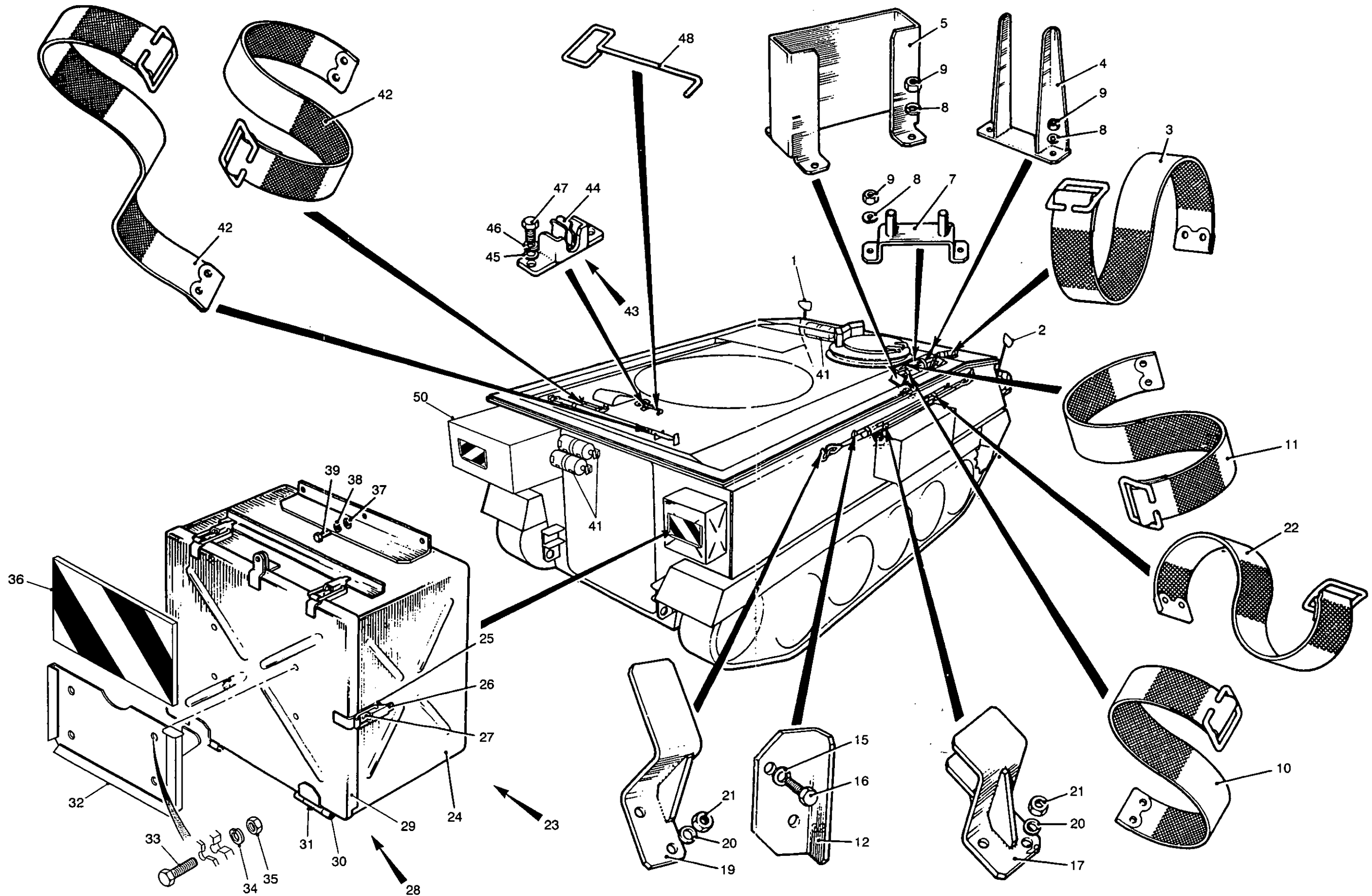


Fig 1 External stowage general arrangement

430/70108

Fig Item	Man Code Navy - N Army - A RAF - R	NATO Stock No	Item Name and Description	Part No/ Drawing No.	No. Off	Annotations
1-			STOWAGE GA - contd . EXTERNAL STOWAGE GA - contd . . BOX, ACCESSORIES, STOWAGE - contd			
32	A 9ACR	2540-99-815-0156	. . . HOLDER ASSEMBLY, MARKER BOARD, painted, 430mm w, 235mm h, to hold high visibility marker board	FV2200910	1	
33	A G1	5305-99-122-5360	. . . SCREW, CAP, HEXAGON HEAD, 6mm x 1mm ISO M, class 6G, rh thd, 16mm thd and fastener lg, steel, Zn plated w/chromate		4	
34	A G1	5310-99-137-9232	. . . WASHER, LOCK, steel, Zn plated, split helical ring, 6.3mm. id, 9.2mm od, 1.5mm thk		4	
35	A G1	5310-99-122-5295	. . . NUT, PLAIN, HEXAGON, M6 x 1mm, ISO M, class 6H rh thd, steel, Zn plated, 10mm w A/F, 5mm h, chamfered bearing surface, grade 8.8		4	
36	A 6MT1	9905-99-837-2954	. . . SIGN, LH and RH marker boards	BSAU 152	SET	
37	A G1	5310-99-970-8625	. . . WASHER, FLAT, steel, Zn coated, 3/8in. id, 7/8in. od, 1/16in. thk		6	
38	A G1	5310-99-941-6656	. . . WASHER, LOCK, steel, 3/8in. x 0.92in. x 0.59in. od		6	
39	A G1	5305-99-941-0540	. . . SCREW, MACHINE, UNF, hex hd, steel, Zn coated, 3/8in. x 7/8in. lg		6	
NI 40	A G1	5340-99-910-8186	. . . PADLOCK, steel, Zn plated, 4 lever type, 50mm w/ c/w 2 keys	FV873513	2	u/w item 23
41	A 9ACR	2540-99-876-0078	. . . MODIFICATION KIT, FIRE EXTINGUISHERS, comprises 11 items, some multiples, fitting of ozone friendly dry powder type extinguishers	MAE 43/0/0013	1	See Chap 2-11
42	A 6MT1	5340-99-120-8967	. . . STRAP, WEBBING, w/buckle and br clip ends, 1-1/4in.		4	
43	A 9ACR	2510-99-801-0133	. . . CLIP, ASSEMBLY, HANDLE STOWAGE, steel, 3/4in. w x 2-3/4in. lg 1/8in. thk x 7/8in. h	FV602625	1	
44	A 46MT1	5340-99-804-5612	. . . CLIP, SPRING TENSION, steel, Cd plated, 21/32in. lg x 3/4in. h x 1/2in. w	FV602623	1	
45	A G1	5310-99-120-4032	. . . WASHER, FLAT, steel, Zn plated, 1/4in. id x 9/16in. od		2	
46	A G1	5310-99-941-6654	. . . WASHER, LOCK, steel, split helical ring, 1/4in. id, 27/64in. od, 5/64in. thk		2	
47	A G1	5305-99-941-6284	. . . SCREW, MACHINE, UNF, steel, hex hd, Zn plated, 1/4in. x 1/2in.		2	
48	A 9ACR	2510-99-801-0132	. . . LEVER, MANUAL CONTROL, steel, 13.06in. x 5.25in. x 0.375in. dia	FV559577	1	
NI 49		NP	STAGE 2 VEHICLE MODIFICATIONS	FV952546	REF	
50	A Z1	5820-99-611-2765	. ARMoured HOUSING, C.R.B.B., 16mm x 9mm thk steel armour plate, box type, welded fabrication w/hinged and clamped cover, 680mm lg x 460mm w x 455mm deep, NATO green	FV2072690	1	See Fig 2
NI 51		NP	. STOWAGE , INTERNAL		REF	See Chap 2-11

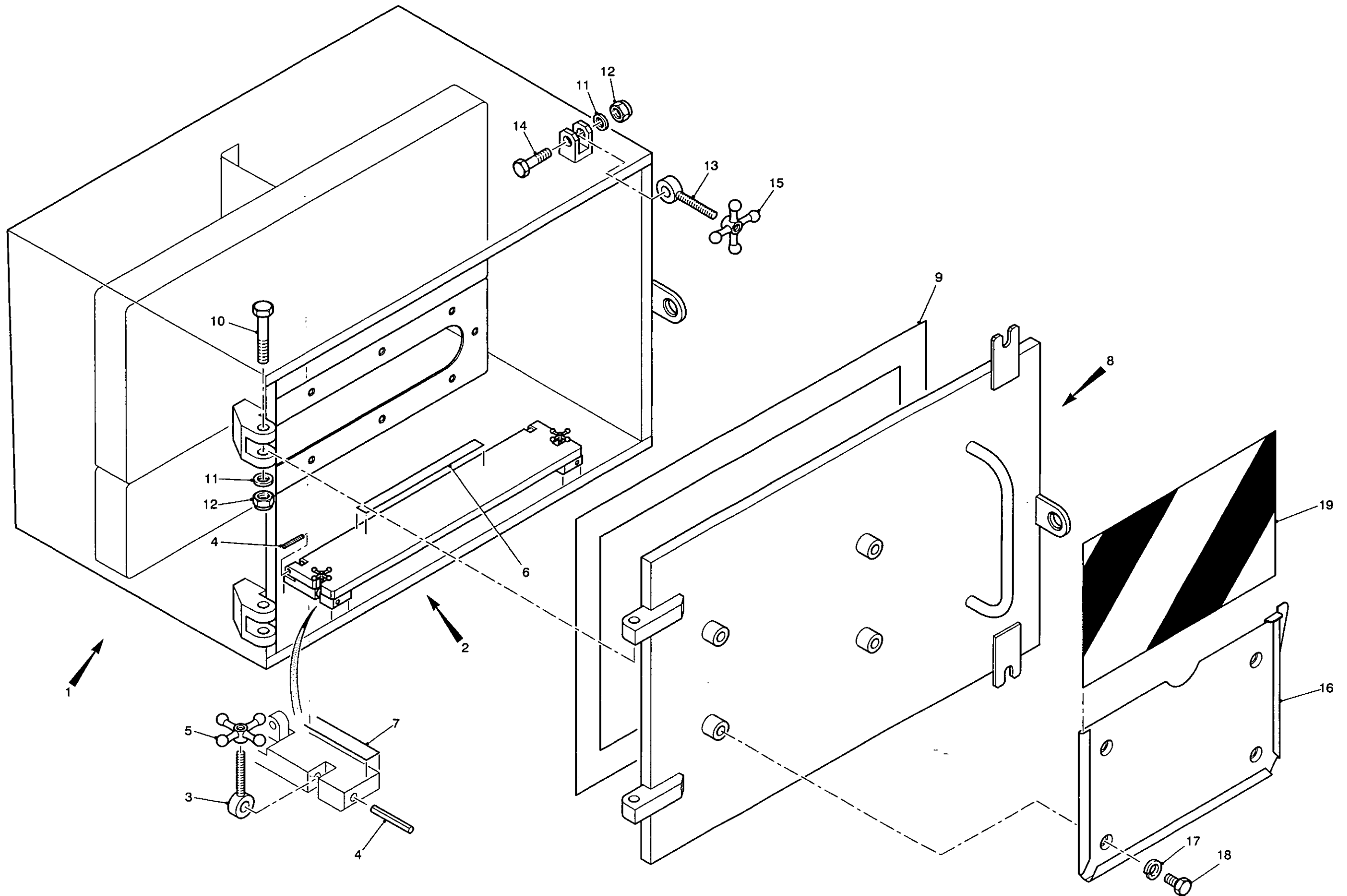


Fig 2 Armoured housing, C.R.B.B.

430/70118

Fig Item	Man Code Navy - N Army - A RAF - R	NATO Stock No	Item Name and Description	Part No/ Drawing No.	No. Off	Annotations
2-			STOWAGE GA - contd			
1	A Z1	5820-99-611-2765	. ARMoured HOUSING, C.R.B.B., 16mm x 9mm thk steel armour plate, box type, welded fabrication w/hinged and clamped cover, 680mm lg x 460mm w x 455mm deep, NATO green	FV2072690	1	
2		NP	. . . FLAP ASSEMBLY	FV2072815	1	
3	A Z88	5306-99-757-0547	. . . BOLT, EYE, 6mm x 1mm pitch, 25mm lg, steel, anodized black, 6.8mm id eye, 43.6mm lg shank, 57mm o/a lg	EB.1MX60	2	
4	A Z88	5315-99-749-5832	. . . PIN, SPRING, steel, 32.5mm lg, 5mm dia	5X32MCK	4	
5	A Z2	5310-99-757-0548	. . . NUT, HAND, steel, 6mm x 1mm pitch, 16mm h, w/finger gripping feature	N.1M	2	
6	A Z88	9320-99-749-5843	. . RUBBER STRIP, 2mm cross section h, 16mm w, 205mm lg	FV2072828	1	
7	A Z88	5330-99-749-5844	. . GASKET, rubber, channel shape, 66mm x 385mm x 2mm cross section thk	FV2072827	1	
8		NP	. . ARMoured DOOR ASSEMBLY	FV2072818	1	
9	A Z88	5330-99-749-5833	. . . GASKET, rubber, rect, w/rect aperture, 343mm w aperture, 580mm lg aperture, 2mm cross section thk	FV2072694	1	
10	A G1	5306-99-122-2793	. . BOLT, MACHINE, M12 x 1.75mm pitch, class 6G thd, 75mm fastener lg, 30mm thd lg, steel, Zn plated w/chromate, hex hd, grade 8.8		2	
11	A G1	5310-99-122-6477	. . WASHER, FLAT, steel, Zn plated, 23mm od, 13.2mm id, 2.5mm thk		4	
12		NP	. . NUT, SELF LOCKING, M12, steel, Zn plated and passivated	12MCPZN	4	
13		NP	. . BOLT, EYE	EBM4-100-M12	2	
14	A G1	5306-99-122-2787	. . BOLT, MACHINE, M12 x 1.75mm pitch, class 6G thd, 45mm fastener lg, 30mm thd lg, steel, Zn plated w/chromate, hex hd, grade 8.8		2	
15	A Z2	5310-99-759-8037	. . NUT, PLAIN, WING	N4MM12	2	
16	A 9ACR	2540-99-815-0156	. . HOLDER ASSEMBLY, MARKER BOARD, painted, 430mm w, 235mm h, to hold high visibility marker board	FV2200910	1	
17	A G1	5310-99-137-9232	. . WASHER, LOCK, steel, Zn plated, split helical ring, 6.3mm id, 9.2mm od, 1.5mm thk		4	
18	A G1	5305-99-122-5360	. . SCREW, CAP, HEXAGON HEAD, 6mm x 1mm ISO M, class 6G rh thd, 16mm thd and fastener lg, steel, Zn plated w/chromate, hex hd		4	
19	A 6MT1	9905-99-970-8625	. . SIGN, LH AND RH, marker boards	BSAU152	SET	

~~UNRESTRICTED~~

~~UNRESTRICTED~~

Chapter 2-12
PARTS LIST
FIRE FIGHTING EQUIPMENT
GENERAL ARRANGEMENT
(See AESP 2350-T-251-711)

UNRESTRICTED

UNRESTRICTED

Chapter 2-13
PARTS LIST
EXTERNAL STOWAGE BIN
GENERAL ARRANGEMENT

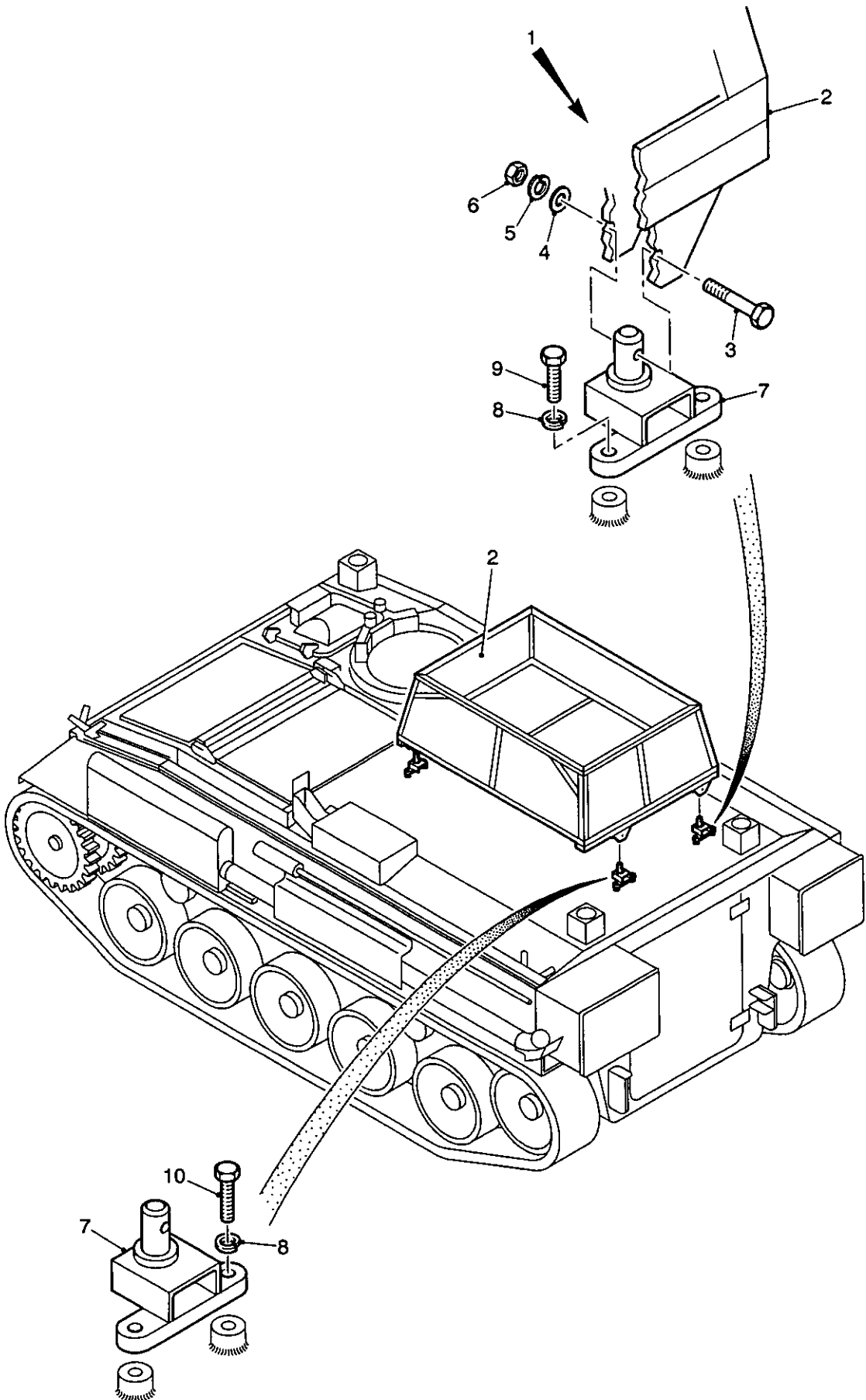


Fig 1 External stowage bin GA

430/70113

Fig Item	Man Code Navy - N Army - A RAF - R	NATO Stock No	Item Name and Description	Part No/ Drawing No.	No. Off	Annotations
1-		NP	EXTERNAL STOWAGE BIN GENERAL ARRANGEMENT	FV2200833	REF	
1		NP	. BIN, ROOF, ASSEMBLY	FV2200826	1	
2	A 9ACR	2540-99-788-8101	. . BOX, ACCESSORIES STOWAGE, 1670mm lg, 1200mm w, 646mm h, c/w lifting eyes mtg brackets	FV2200802	1	
3	A G1	5306-99-122-2792	. . BOLT, MACHINE, ISO M, 12 x 1.75mm pitch class 6G thd, hex hd, steel, Zn plated, 70mm lg, grade 8.8		4	
4	A G1	5310-99-122-6477	. . WASHER, FLAT, steel, Zn plated, 23.8mm od, 13.2mm id, 2.5mm thk		4	
5	A G1	5310-99-138-9229	. . WASHER, LOCK, steel, Zn plated w/chromate, split helical ring, M12 hole size, 2.65mm thk, 17.9mm od		4	
6	A G1	5310-99-122-5298	. . NUT, PLAIN, HEXAGON, M12 dia x 1.75mm pitch, class 6H rh thd, steel, Zn plated w/chromate, 19mm w A/F, 10mm h, chamfered bearing surface, grade 8		4	
7	A 9ACR	5340-99-730-9242	. BRACKET, MOUNTING, steel, 230mm lg x 110mm w, comprising: support, connecting plate and spigot, w/2 mtg holes	FV2200823	4	
8	A G1	5310-99-138-9230	. WASHER, LOCK, steel, Zn plated w/chromate, split helical ring, 16.9mm id, 24.3mm od, 3.7mm thk		8	
9	A G1	5305-99-122-2811	. SCREW, CAP, HEXAGON HEAD, ISO M, 16mm x 2mm, 50mm fastener lg, 38mm thd lg, steel, Zn plated, hex hd		7	
10	A G1	5305-99-122-2810	. SCREW, CAP, HEXAGON HEAD, ISO M, 16mm x 2mm, 45mm fastener lg, 38mm thd lg, steel, Zn plated, hex hd		1	
NI 11	A 9ACR	2540-99-582-5606	. TARPAULIN, cotton and plastics, 1530mm lg, 1070mm w, 50mm h, cover canvas w/plasticized flame resistant reinforcement, for FV432 roof bin	FV2200773	1	

~~UK RESTRICTED~~

~~UK RESTRICTED~~

Chapter 2-14
PARTS LIST
BEACON, ROTATING, AMBER
GENERAL ARRANGEMENT

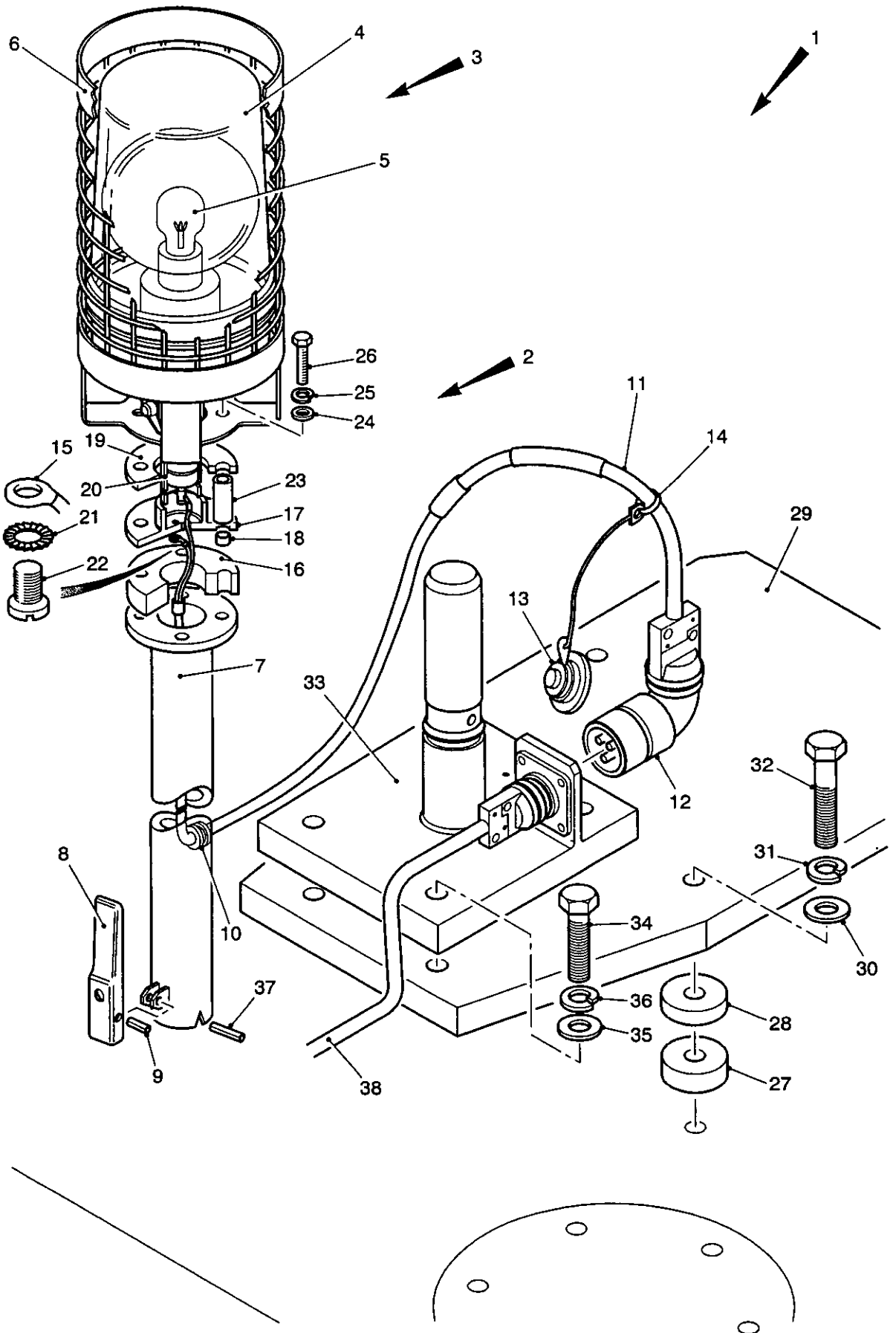


Fig 1 Beacon, rotating, amber, GA

430/70129

Fig Item	Man Code Navy - N Army - A RAF - R	NATO Stock No	Item Name and Description	Part No/ Drawing No.	No. Off	Annotations
1-		NP	BEACON, ROTATING, AMBER GENERAL ARRANGEMENT		REF	
1	A 9ACR	2540-99-319-8607	MODIFICATION KIT, VEHICLE EQUIPMENT COMPONENTS, Beacon - rotating amber	MAE 43/6/ 0004	1	
2		NP	BEACON, AMBER, ROTATING ASSEMBLY	FV2200650	1	
3	A 6MT3	6220-99-838-5677	LIGHT, WARNING, VEHICULAR, 24V, amber	372:65E	1	
4	A 9AHY	6220-99-112-5612	LENS, LIGHT, amber hazard acrylic beacon, 146.5mm h, 128.5mm dia	602816	1	
5	A X5	6240-99-995-2519	LAMP, FILAMENT, P14.5S cap style, tubular bulb, 67.5mm lg, 8.5mm dia, 70W, 24V	13258	1	
6	A 9ACR	2590-99-805-5791	GUARD, BEACON	FV2200647	1	
7	A 9MCV	6220-99-895-7727	MOUNTING ASSEMBLY, VEHICLE WARNING LIGHT, steel, Zn plated, tube w/welded lug and mtg flange at one end	FV2059252	1	
8	A 9MCV	2540-99-810-5826	LATCH SUB-ASSEMBLY, comprising latch, spring leaf and rivet	FV2187756	1	
9	A G1	5315-99-780-7359	PIN, SPRING, carbon steel, Cd plated, 20mm lg, 5mm dia, 0.42mm thk, standard duty	5x20MBS	1	
10	A H9	5325-99-942-3426	GROMMET, RUBBER, 0.25in. id, 0.22in. groove w, 0.104in. flange thk, 0.388in. h, 0.53in. large flange od, 0.395in. groove od		1	
11	A 9ACR	2590-99-580-3019	WIRING HARNESS	FV2200654	1	
12	A 9ACR	5935-99-859-7929	CONNECTOR, PLUG, ELECTRICAL, angle shape, w/strain relief, 0.953in. od, single mating end, 3 contacts, 700V AC RMS/700V DC, Al alloy body, rubber insert, Cd plated, chromate and olive drab body, bayonet slot coupling nut, cable clamp	ABB08E/ C10SL- 3PSN	1	
13	A 9ACR	5935-99-316-3363	COVER, ELECTRICAL CONNECTOR, 28.4mm h, 26.1mm od, c/w 100mm lg nylon cord, for 10SL shell size	ABB-10SL - E-PCA	1	
14		NP	STRAP, LINE SUPPORTING, 2.5mm w, 100mm lg	FV2151902	1	
15	A Z37	5940-99-622-5782	TERMINAL LUG, rd shape, 17.46mm lg, 7.14mm h, 6.35mm w, 0.79mm thk, 3.6mm mtg hole dia	FV2029143	1	
16	A 9MCV	5340-99-151-1285	MOUNT, RESILIENT, feat-vulcanised butadiene acrylonitrile rubber	FV2108374	1	
17	A 9MCV	2590-99-700-6543	BUSH ASSEMBLY, BEACON MOUNTING, painted, comprises steel bush, mtg welded to plate, w/rubber protective cap	FV2059254	1	
18		NP	BUSH INSULATION	FV2108370	4	
19	A 9MCV	5340-99-605-6614	MOUNT, RESILIENT, feat-vulcanised butadiene acrylonitrile rubber	FV2108373	1	
20	A 9MCV	6220-99-553-0278	BUSH, MOUNTING, 57mm lg, 25mm dia	FV2059255	1	
21		NP	WASHER, LOCK, ext teeth, M6	7536060000 0059	1	

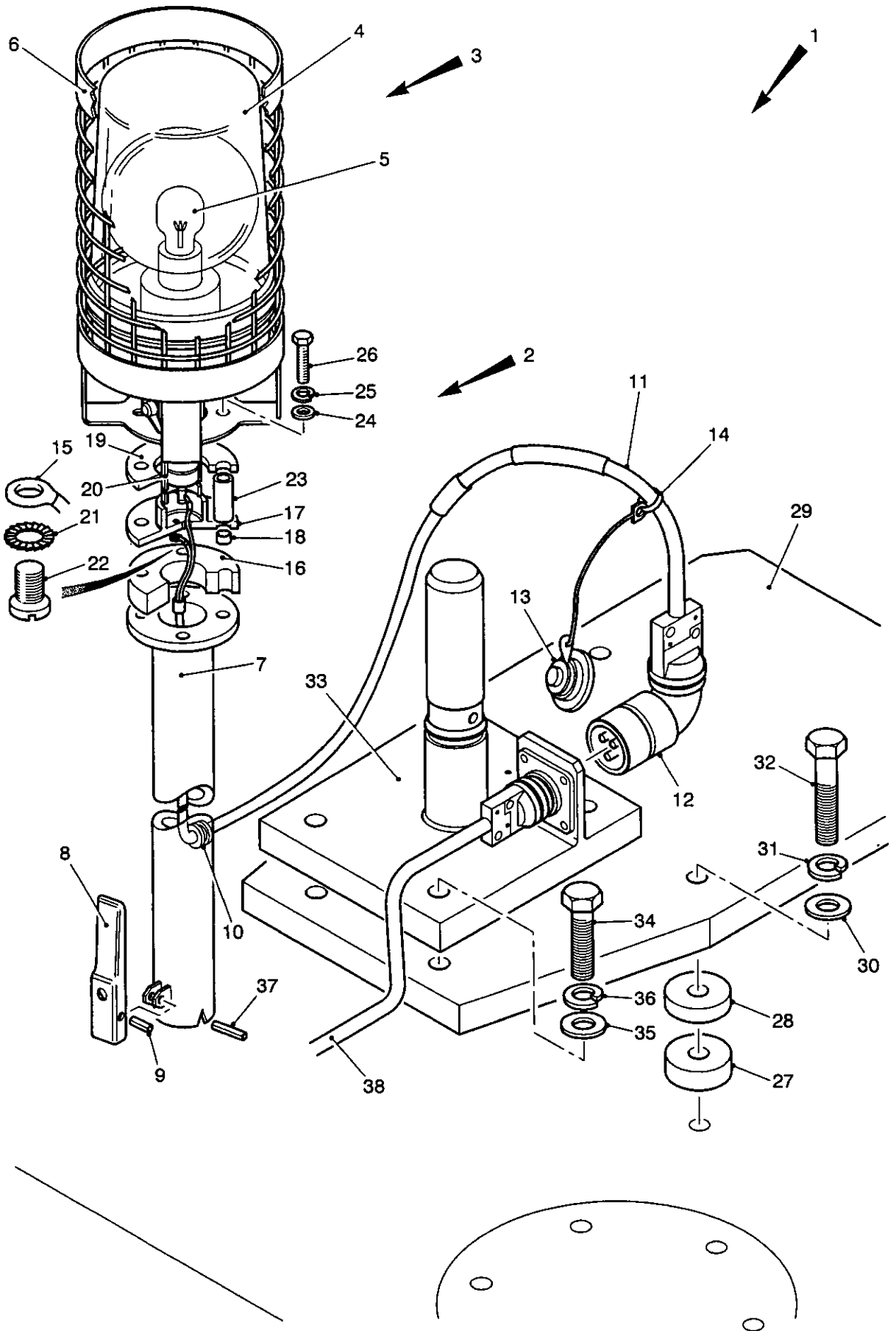


Fig 1 Beacon, rotating, amber, GA

43070129

Fig Item	Man Code Navy - N Army - A RAF - R	NATO Stock No	Item Name and Description	Part No/ Drawing No.	No. Off	Annotations
1-			BEACON, ROTATING, AMBER GENERAL ARRANGEMENT - contd . BEACON, AMBER, ROTATING ASSEMBLY - contd			
22	A G1	5305-99-135-0687	. . SCREW, MACHINE, ISO M, 3mm thd dia, class 6G thd, 6mm thd and fastener lg, steel, Cd plated, pan hd, slot drive, strength grade 4.8		1	
23	A 9MCV	5365-99-406-3493	. . SPACER, SLEEVE, steel, 23mm lg, 9.25mm od, 5.59mm id	FV2108369	4	
24	A 9MCV	5310-99-300-0150	. . WASHER, FLAT, steel, Cd plated, rd, 20mm od, 5mm bolt size, 2mm thk	FV2110940	4	
25	A G1	5310-99-138-9226	. . WASHER, LOCK, steel, Zn plated, split helical ring, 5mm bolt size, 1.5mm thk, 8.55mm od		4	
26	A G1	5306-99-122-5242	. . BOLT, MACHINE, ISO M, 5mm x 0.8mm pitch, class 6G thd, steel, Zn plated w/chromate, hex hd, 16mm thd lg, 40mm fastener lg, strength grade 8.8		4	
27		NP	. BOSS	FV651488	3	
28		NP	. SPACER	FV2200689	3	
29		NP	. PLATE ASSEMBLY	FV2200660	1	
30		NP	. WASHER, FLAT, 3/8in.	7030006009 5900	3	
31		NP	. WASHER, LOCK, 3/8in.	7033006001 5900	3	
32	A G1	5306-99-941-7136	. BOLT, MACHINE, UNF, 3/8in. - 24 thd, 1-3/4in. fastener lg, 1in. thd lg, class 2A, steel, Zn plated, hex hd		3	
33	A 9ACR	2540-99-127-3008	. BASE ASSEMBLY, steel, 110mm lg, 100mm w, comprises base plate, plate and pin, grooved, headless	FV2200644	1	
34	A G1	5305-99-122-8103	. SCREW, CAP, HEXAGON HEAD, ISO M, 8 x 1.25mm pitch, 22mm thd lg, 35mm fastener lg, hex hd, steel, Zn plated w/chromate, class 6 G thd		4	
35	A G1	5310-99-138-7965	. WASHER, FLAT, steel, Zn plated, rd, 21mm od, 8mm bolt size, 1.6mm thk		4	
36	A G1	5310-99-138-9227	. WASHER, LOCK, steel, Zn plated w/chromate, split helical ring, 8.5mm dia, 12.75mm od, 1mm thk		4	
37	A G1	5315-99-780-6744	. PIN, SPRING, steel, phosphate coating, 40mm lg, 6mm dia	FV2027299	1	
38	A 9ACR	2590-99-942-0427	. WIRING HARNESS	FV2200642	1	See Fig 2
NI 39	A 6MT1	5340-99-838-1364	. STRAP, LINE SUPPORTING, nylon strap w/moulded buckle, 140mm lg	REL140	8	Securing item 38

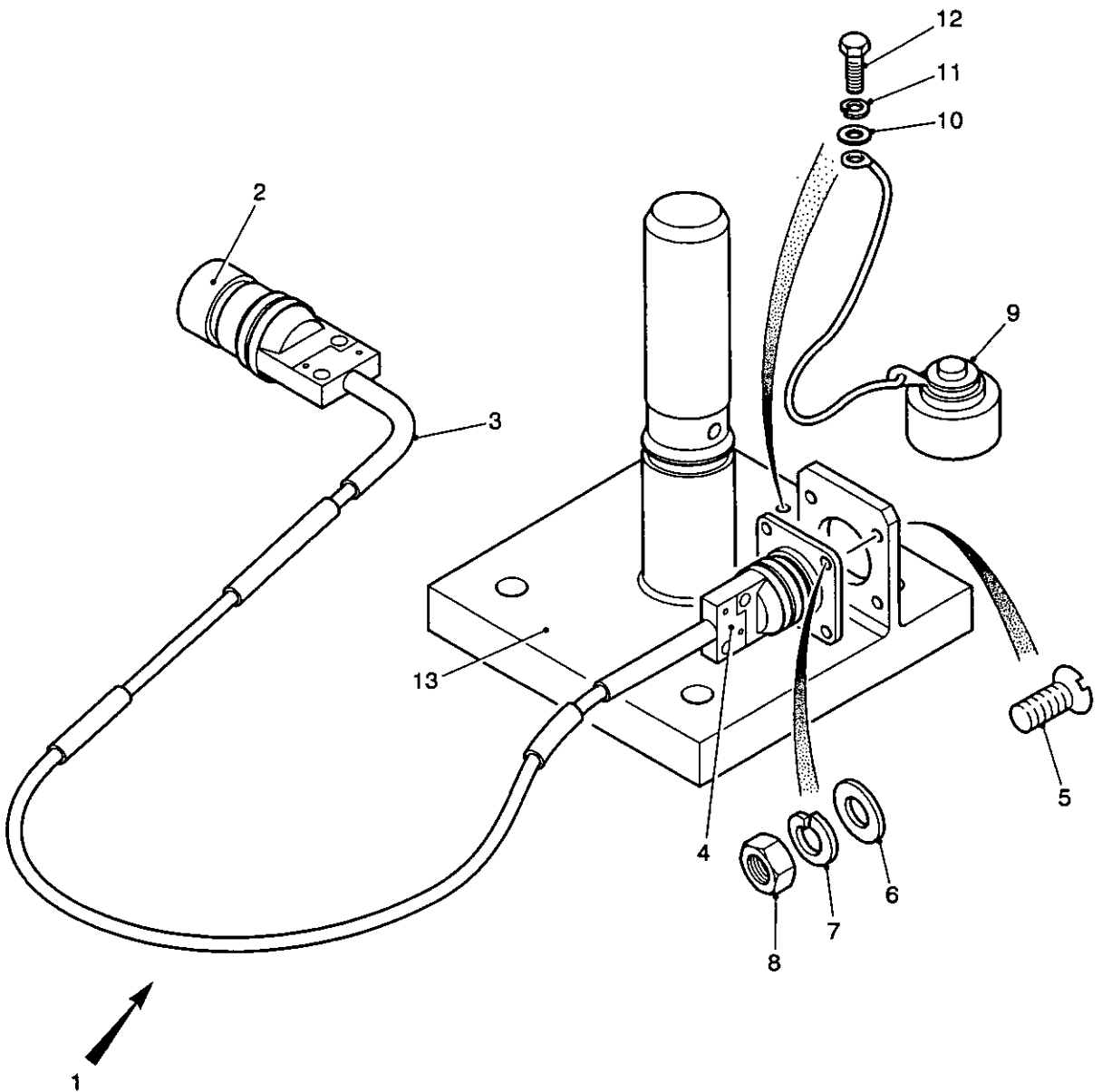


Fig 2 Wiring harness

430/70182

Fig Item	Man Code Navy - N Army - A RAF - R	NATO Stock No	Item Name and Description	Part No/ Drawing No.	No. Off	Annotations
2-			BEACON, ROTATING, AMBER GENERAL ARRANGEMENT - contd			
1	A	9ACR	WIRING HARNESS	FV2200642	1	
2	A	Z32	CONNECTOR, FREE, ELECTRICAL, straight shape, quick connect, 2.24in. lg, 0.953in. dia, single mating end, 700V AC/DC, Al alloy shell, Cd plated, olive drab, bayonet slot coupling nut, cable clamp	ABB-06E- C10-SL- 3PSN	1	
3		NP	COVER, ELBOW	220AD12-25	1	
4	A	9ACR	CONNECTOR, RECEPTACLE, ELECTRICAL, straight shape, quick connect, strain relief, single mating end, 3 contacts, 700V AC/DC, rubber insert, Al alloy, Cd plated, chromate and olive drab shell, bayonet slot, cable clamp	ABB-03E- C10-SL- 3SSN	1	
5	A	G1	SCREW, MACHINE, ISO M, steel, Zn plated, flat csk hd, slot drive, 3mm x 0.5mm pitch, 12mm lg, class 6G thd		4	
6	A	G1	WASHER, FLAT, steel, Zn plated, rd, 7mm od, 0.5mm thk, M3 bolt size		4	
7	A	G1	WASHER, LOCK, steel, Zn plated w/chromate, split helical ring, 3.3mm id, 1.1mm thk, 5.5mm od		4	
8	A	G1	NUT, PLAIN, HEXAGON, ISO M, steel, Zn plated, chamfered bearing surface, 3mm x 0.5mm pitch, 5.5mm w A/F, 2.4mm h, grade 8		4	
9	A	Z32	COVER, ELECTRICAL CONNECTOR, Al, olive drab chromic finish, MS bayonet connection, 24.2mm dia, 17.5mm deep, c/w nylon cord	ABB10SLXP CA	1	
10	A	G1	WASHER, FLAT, steel, Zn plated, 8.85mm od, 4.4mm id, 0.8mm thk		1	
11	A	G1	WASHER, LOCK, steel, Zn plated, split helical ring, 4mm id, 1.2mm thk, 6.95mm od		1	
12	A	G1	SCREW, MACHINE, steel, Zn plated, hex hd, M4 x 12mm lg, grade 8.8		1	
13	A	9ACR	BASE ASSEMBLY, steel, 110mm lg, 100mm w, comprises base plate, plate and pin, grooved, headless	FV2200644	1	See Fig 1

~~UNRESTRICTED~~

~~UNRESTRICTED~~

Chapter 2-15
PARTS LIST
SA 80 RIFLE STOWAGE
INSTALLATION

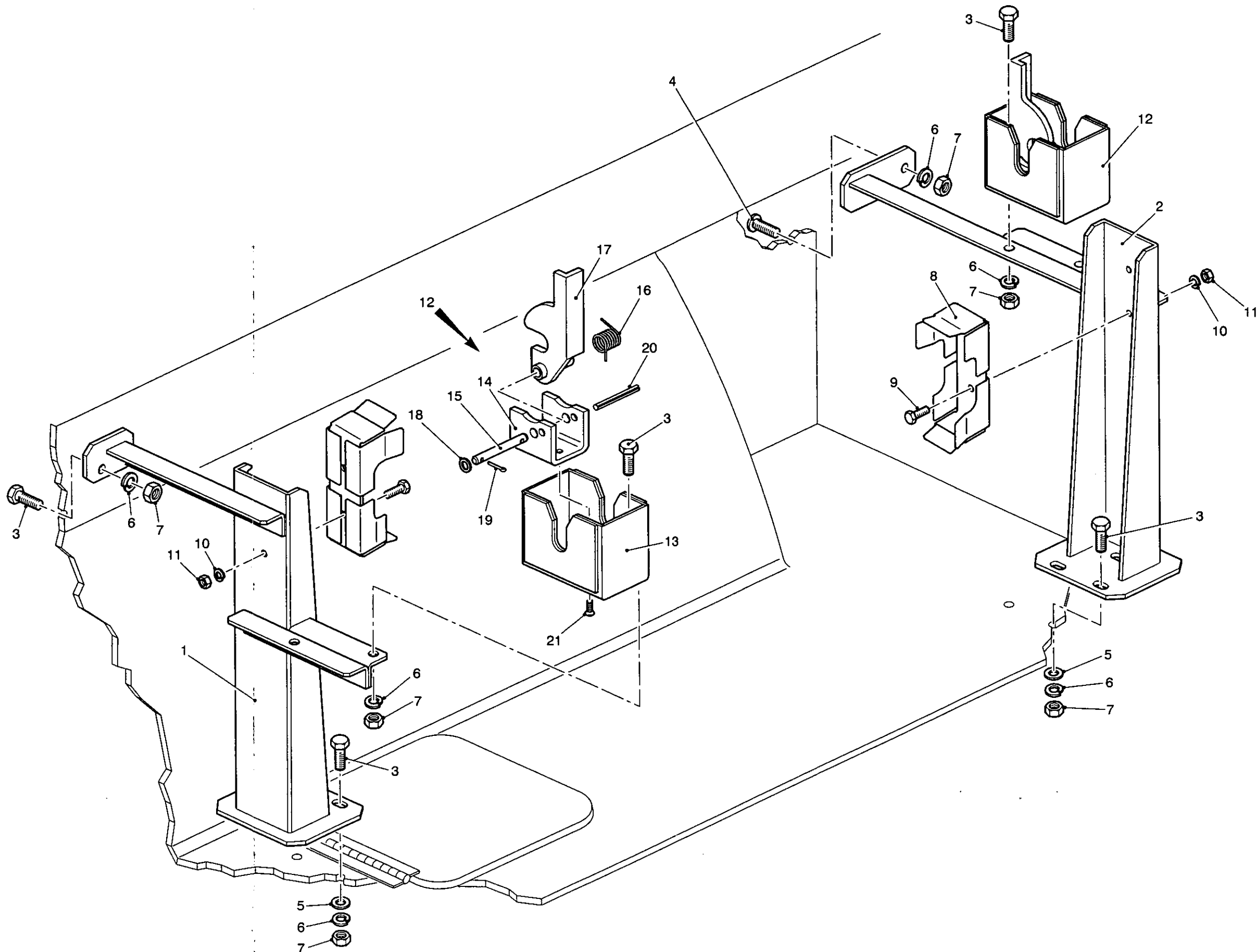


Fig 1 SA 80 rifle stowage installation

430/70180

Fig Item	Man Code Navy - N Army - A RAF - R	NATO Stock No	Item Name and Description	Part No/ Drawing No.	No. Off	Annotations
1-		NP	SA 80 RIFLE STOWAGE INSTALLATION	FV952576	REF	
1	A 9ACR	5340-99-839-8252	. BRACKET, MOUNTING, welded construction, rear	FV952575	1	
2	A 9ACR	5340-99-839-8251	. BRACKET, MOUNTING, welded construction, front	FV952574	1	
3	A G1	5305-99-122-5366	. SCREW, CAP, HEXAGON HEAD, 8 x 1.25 ISO M thd, 20.42mm fastener lg, hex hd		11	
4	A G1	5305-99-135-0451	. SCREW, MACHINE, 8 x 1.25 ISO M thd, 20mm thd and fastener lg, steel, Zn plated, pan hd, slot drive		1	
5	A G1	5310-99-122-6475	. WASHER, FLAT, steel, Zn plated, rd, 17mm od, M8 bolt size, 1.6mm thk		6	
6	A G1	5310-99-138-9227	. WASHER, LOCK, steel, Zn plated w/ chromate, split helical ring, 8.55mm dia, 2.1mm thk, 12.75mm od		12	
7	A G1	5310-99-122-5296	. NUT, PLAIN, HEXAGON, ISO, M8 x 1.25 class 6H thd, rh, steel, Zn plated w/chromate, 13mm w A/F, 6.5mm h, chamfered bearing surface, strength grade 8		12	
8	A 6MT1	2540-99-724-5832	. BUTT CLIP, 134mm lg, 50mm h, 54mm w, u/w SA 80 rifle	FV952327	2	
9	A G1	5305-99-122-5360	. SCREW, CAP, HEXAGON HEAD, 6 x 1.00 ISO M rh thd, 16mm thd and fastener lg, steel, Zn plated w/chromate, hex hd		4	
10	A G1	5310-99-137-9232	. WASHER, LOCK, steel, Zn plated, split helical ring, 6.3mm id, 9.2mm od, 1.5mm thk		4	
11	A 7RU	5310-99-122-5295	. NUT, PLAIN, HEXAGON, M6 x 1.00 ISO M, class 6H rh thd, steel, Zn plated, 10mm w A/F, 5mm h, chamfered bearing surface, strength grade 8		4	
12	A 46MT1	2540-99-740-7338	. BARREL CLIP ASSEMBLY, block dims: 73mm h, 54mm w, 90mm lg, 102mm o/a h, c/w spring catch	FV952299	2	
13	A 9MVC	2540-99-253-7956	. BRACKET, SUPPORTING, plastic coated, black, rect shape w/U shape cut out and various holes	FV952313	1	
14	A 46MT1	2540-99-120-5418	. BRACKET, PIVOT ASSEMBLY, steel, plastic coated, U shape	FV952292	1	
15	A 9GWR	5315-99-802-5547	. PIN, STRAIGHT, HEADLESS, steel, Cd plated, 43mm lg, 6mm dia	FV952290	1	
16	A 9GWR	5360-99-802-5546	. SPRING, HELICAL, TORSION, spring steel, single torsion, 15.2mm od, 22mm and 24mm o/a arm lg	FV952295	1	
17	A 9GWR	2540-99-802-5545	. LATCH, STOWAGE CLIP, weapon stowage, barrel clip assy	FV952293	1	
18	A G1	5310-99-122-6474	. WASHER, FLAT, steel, Zn plated, rd, 12.5mm od, 6.5mm id, 1.6mm thk		2	
19	A G1	5315-99-138-2200	. PIN, COTTER, SPLIT, 1.6mm dia, chisel point, steel, phosphate coated, 16mm under loop lg		2	
20		NP	. PIN, 4mm dia x 32mm lg	FV2200680	1	
21	A G1	5305-99-122-5283	. SCREW, MACHINE, 5 x 0.8 ISO M, steel, Zn plated, 7.62mm thd lg, 10mm fastener lg, strength grade 4.8, slot, flat csk hd		2	
NI 22		NP	SA 80 RIFLE STOWAGE INSTALLATION - REAR DOOR	FV2200543	REF	See Fig 2

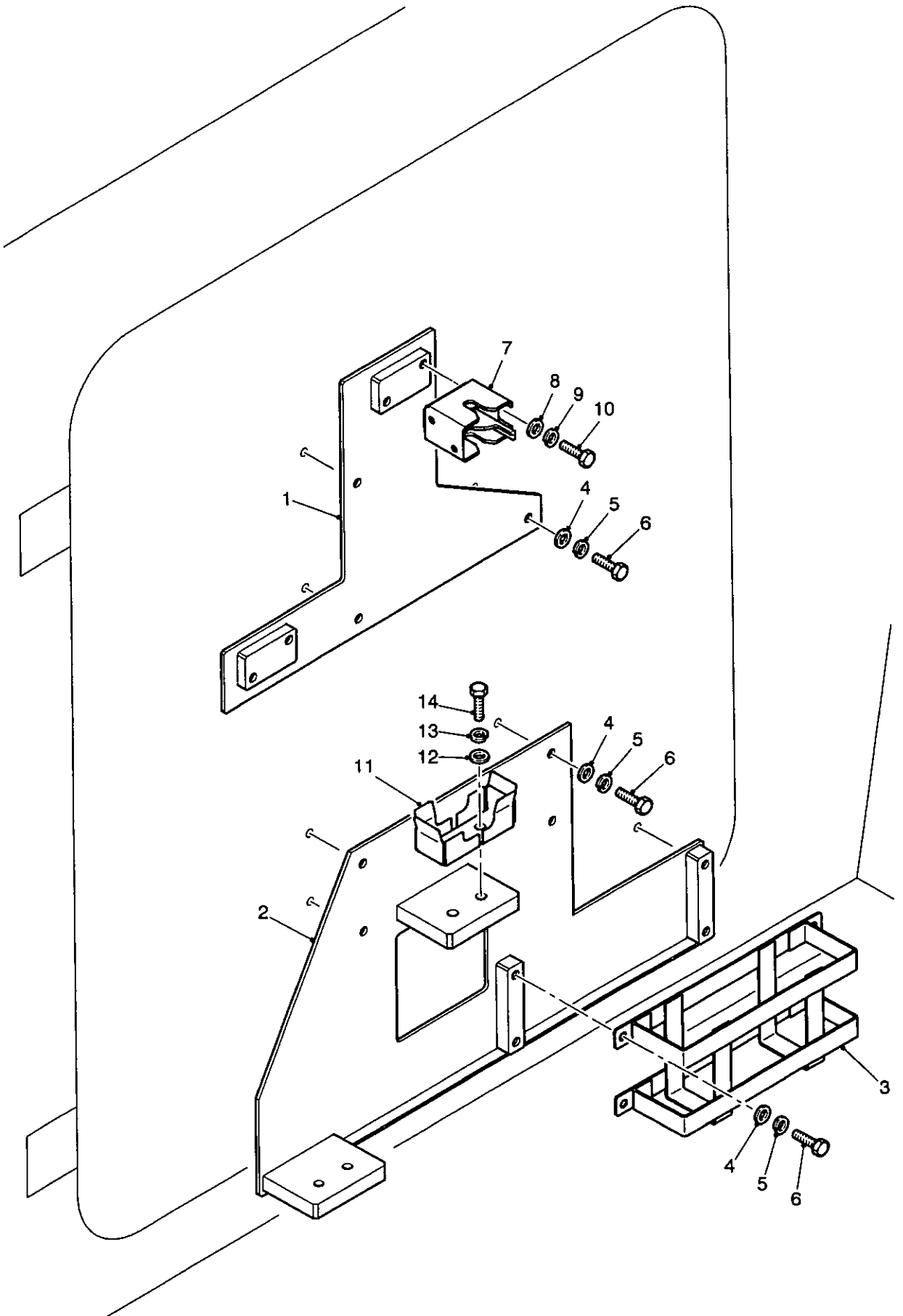


Fig 2 SA 80 rifle stowage installation, rear door

430/70134

Fig Item	Man Code Navy - N Army - A RAF - R	NATO Stock No	Item Name and Description	Part No/ Drawing No.	No. Off	Annotations
2-		NP	SA 80 RIFLE STOWAGE INSTALLATION - REAR DOOR	FV2200543	REF	
1	A 9ACR	2540-99-008-1193	. BASE ASSEMBLY, STOWAGE, irregular shape, comprises plate and 2 tapped blocks, SA 80 rifle stowage bracket support	FV2200668	1	
2	A 9ACR	2540-99-432-7452	. BASE ASSEMBLY, STOWAGE, irregular shape, comprises plate and 4 tapped blocks, SA 80 rifle stowage butt clips	FV2200667	1	
3	A 46MT1	2540-99-865-7166	. RACK, BAGGAGE, VEHICULAR, steel, WA, 13in. lg, 5-1/8in. h, 3-3/8in. w, w/4 mtg holes, first aid kit stowage	FV525566	1	
4		NP	. WASHER, FLAT, 5/16in.	7030005009 5900	11	
5	A G1	5310-99-941-6655	. WASHER, LOCK, steel, split helical ring, 0.343in. id, 0.505in. od, 0.08in. thk		11	
6	A G1	5305-99-941-0526	. SCREW, MACHINE, UNF, 5-1/16in. -24 class 2A thd, 7/8in. lg, steel, Zn plated, hex hd		11	
7	A 46MT1	2540-99-740-7338	. BARREL CLIP ASSEMBLY, block dims: 73mm h, 54mm w, 90mm lg, 102mm o/a h, c/w spring catch	FV952299	2	See Fig 1
8	A G1	5310-99-138-7965	. WASHER, FLAT, steel, Zn plated, 21mm od, 8mm bolt size, 1.6mm thk		4	
9	A G1	5310-99-138-9227	. WASHER, LOCK, steel, Zn plated w/chromate, split helical ring, 8.55mm id, 12.75mm od, 2.1mm thk		4	
10	A G1	5305-99-122-5366	. SCREW, CAP, HEXAGON HEAD, 8 x 1.25 ISO M thd, 20.42mm lg, hex hd		4	
11	A 6MT1	2540-99-724-5832	. BUTT CLIP, 134mm lg, 50mm h, 54mm w, u/w SA 80 rifle	FV952327	2	
12	A 7RU	5310-99-122-6474	. WASHER, FLAT, steel, Zn plated, 12.5mm od, 6.5mm id, 1.6mm thk		A/R	
13	A G1	5310-99-137-9232	. WASHER, LOCK, steel, Zn plated, split helical ring, 6.3mm id, 9.2mm od, 1.5mm thk		4	
14		NP	. SCREW, MACHINE, M6 x 25mm lg, grade 8.8, Zn plated, hex hd	7510806025 0859	4	

~~UK RESTRICTED~~

... ~~UK RESTRICTED~~

CHAPTER 3
INDEX OF NATO STOCK NUMBERS

~~UNRESTRICTED~~

~~UNRESTRICTED~~

INDEX OF NATO STOCK NUMBERS

NATO STOCK No.	Chapter, Page and Item No.	NATO STOCK No.	Chapter, Page and Item No.	NATO STOCK No.	Chapter, Page and Item No.
6240-12-173-4827	2-7.5-26	5305-99-122-5356	2-1.9-43	5310-99-138-9226	2-1.9-42
5320-99-001-7679	2-11.3-27	5305-99-122-5360	2-10.3-18	5310-99-138-9226	2-14.5-25
2540-99-008-1193	2-15.5/6-1	5305-99-122-5360	2-11.5-33	5310-99-138-9227	2-1.7-28
5365-99-097-0111	2-7-1.6-118	5305-99-122-5360	2-11.7/8-18	5310-99-138-9227	2-1.9-60
5310-99-100-9641	2-9.3-23	5305-99-122-5360	2-15.3-9	5310-99-138-9227	2-14.5-36
5310-99-100-9641	2-9.5/6-33	5305-99-122-5361	2-1.9-49	5310-99-138-9227	2-15.3-6
5310-99-101-2645	2-9.3-5	5305-99-122-5366	2-1.11/12-61	5310-99-138-9227	2-15.5/6-9
5305-99-101-3284	2-8.7/8-61	5305-99-122-5366	2-15.3-3	5310-99-138-9229	2-13.3-5
6145-99-104-7324	2-7-1.2-20	5305-99-122-5366	2-15.5/6-10	5310-99-138-9230	2-13.3-8
6145-99-104-7324	2-7-1.4-84	5310-99-122-6455	2-14.7/8-8	5340-99-151-1285	2-14.3-16
6145-99-104-7324	2-7-1.5-90	5310-99-122-6474	2-1.9-47	5360-99-152-3676	2-8.5-38
6145-99-104-7324	2-7-1.5-113	5310-99-122-6474	2-15.3-18	2990-99-169-0706	2-9.5/6-35
6145-99-104-7324	2-7-1.8-180	5310-99-122-6474	2-15.5/6-12	5940-99-193-6329	2-7-1.7-143
6145-99-104-7325	2-7-1.4-75	5310-99-122-6475	2-1.9-59	5940-99-193-6330	2-7-1.7-144
6145-99-111-6724	2-7-1.6-122	5310-99-122-6475	2-15.3-5	2510-99-202-7993	2-1-1.7-5
6220-99-112-5612	2-14.3-4	5310-99-122-6477	2-11.7/8-11	5340-99-205-6507	2-7-1.3-49
5365-99-120-1698	2-7-1.6-119	5310-99-122-6477	2-13.3-4	5310-99-208-6456	2-9.5/6-40
5307-99-120-3527	2-9.3-3	5310-99-122-6722	2-8.5-50	5820-99-219-1491	2-1.5-1
5310-99-120-4032	2-7.9-87	5310-99-122-6723	2-8.5-49	9330-99-220-4509	2-16.11-13
5310-99-120-4032	2-7.11-92	5305-99-122-8103	2-14.5-34	9330-99-225-4336	2-1.3-12
5310-99-120-4032	2-11.5-45	2540-99-127-3008	2-14.5-33	9330-99-225-4337	2-1.3-11
2540-99-120-5418	2-15.3-14	2540-99-127-3008	2-14.7/8-13	5310-99-236-7667	2-16.15-13
5365-99-120-7681	2-1.9-51	5315-99-127-5892	2-1.7-30	5310-99-236-7667	2-16.31-7
5305-99-120-7950	2-7-1.7-165	5310-99-134-2027	2-9.3-14	5310-99-238-1624	2-16.15-11
5340-99-120-8967	2-11.3-3	5305-99-135-0451	2-15.3-4	5310-99-238-1624	2-16.19-7
5340-99-120-8967	2-11.3-11	5305-99-135-0687	2-14.5-22	5310-99-238-1624	2-16.27-9
5340-99-120-8967	2-11.3-22	5310-99-135-7803	2-1.7-27	5310-99-238-1624	2-16.31-6
5340-99-120-8967	2-11.5-42	5310-99-136-6577	2-1.7-29	5935-99-241-6116	2-14.7/8-4
5310-99-120-9080	2-9.5/6-36	5315-99-137-8903	2-11.3-30	5820-99-250-6723	2-1.5-2
5305-99-121-4840	2-8.3-23	5310-99-137-9232	2-1.9-48	2540-99-253-7956	2-15.3-13
5306-99-122-2787	2-11.7/8-14	5310-99-137-9232	2-10.3-20	2540-99-256-8425	2-7-1.10-217
5306-99-122-2792	2-13.3-3	5310-99-137-9232	2-11.5-34	5935-99-257-1463	2-14.7/8-2
5306-99-122-2793	2-11.7/8-10	5310-99-137-9232	2-11.7/8-17	5305-99-290-6167	2-16.29-12
5305-99-122-2810	2-13.3-10	5310-99-137-9232	2-15.3-10	5310-99-300-0150	2-14.5-24
5305-99-122-2811	2-13.3-9	5310-99-137-9232	2-15.5/6-13	1080-99-300-3202	2-1.7-22
5310-99-122-3030	2-14.7/8-6	5315-99-138-2200	2-10.3-13	5935-99-316-3363	2-14.3-13
5310-99-122-3031	2-14.7/8-10	5315-99-138-2200	2-15.3-19	2540-99-319-8607	2-0.3-14
5310-99-122-3032	2-1.9-41	5315-99-138-2201	2-11.3-31	2540-99-319-8607	2-1.7-23
5306-99-122-5242	2-14.5-26	5305-99-138-3807	2-14.7/8-12	2540-99-319-8607	2-14.3-1
5305-99-122-5273	2-14.7/8-5	5310-99-138-6859	2-7.5-36	5310-99-335-2904	2-16.21-8
5305-99-122-5283	2-15.3-21	5310-99-138-6859	2-9.3-4	5315-99-356-7623	2-1.9-53
5310-99-122-5295	2-10.3-21	5310-99-138-6859	2-9.3-17	9330-99-383-4140	2-1.3-13
5310-99-122-5295	2-11.5-35	5310-99-138-6859	2-9.5/6-37	5365-99-406-3493	2-14.5-23
5310-99-122-5295	2-15.3-11	5310-99-138-7965	2-14.5-35	5310-99-417-9311	2-1.7-26
5310-99-122-5295	2-16.29-13	5310-99-138-7965	2-15.5/6-8	2540-99-432-7452	2-15.5/6-2
5310-99-122-5296	2-15.3-7	5310-99-138-9224	2-14.7/8-7	2540-99-471-2779	2-11.3-1
5310-99-122-5298	2-13.3-6	5310-99-138-9225	2-14.7/8-11	5310-99-497-9043	2-16.7-9

INDEX OF NATO STOCK NUMBERS

NATO STOCK No.	Chapter, Page and Item No.	NATO STOCK No.	Chapter, Page and Item No.	NATO STOCK No.	Chapter, Page and Item No.
5310-99-497-9043	2-16.7-14	5330-99-749-5845	2-1.7-33	6110-99-802-4051	2-7.7-49
5310-99-497-9043	2-16.29-8	5360-99-750-8338	2-1.7-25	2540-99-802-5545	2-15.3-17
5340-99-498-8779	2-16.13-6	5310-99-756-0389	2-16.17-15	5360-99-802-5546	2-15.3-16
5340-99-498-8779	2-16.15-2	5310-99-756-4694	2-16.29-7	5315-99-802-5547	2-15.3-15
2590-99-499-9311	2-7-1.8-181	5306-99-757-0547	2-11.7/8-3	5310-99-802-5827	2-1-1.5-2
4730-99-533-2961	2-8.5-41	5310-99-757-0548	2-11.7/8-5	2990-99-802-6453	2-9.5/6-34
5305-99-549-7430	2-8.5-39	5310-99-757-1948	2-16.7-4	2990-99-802-6454	2-9.5/6-26
6220-99-553-0278	2-14.3-20	5310-99-757-3098	2-10.3-19	2990-99-802-6884	2-9.3-13
1080-99-562-2567	2-1.5-21	5310-99-759-8037	2-11.7/8-15	5340-99-802-6885	2-9.3-19
2590-99-580-3019	2-14.3-11	5315-99-771-8402	2-1.9-45	5935-99-802-7959	2-7-1.3-39
2540-99-582-5606	2-13.3-11	2590-99-775-5818	2-7-1.5-93	6220-99-803-4118	2-7.7-58
5330-99-591-5676	2-9.3-1	5315-99-780-6744	2-14.5-37	2990-99-803-9582	2-9.5/6-42
5340-99-605-6614	2-14.3-19	5315-99-780-7359	2-14.3-9	5365-99-804-1057	2-7-1.4-62
5820-99-611-2765	2-1.7-31	5820-99-784-0291	2-1.7-34	5310-99-804-1057	2-7-1.6-139
5820-99-611-2765	2-11.5-50	5805-99-784-2277	2-1.5-4	5975-99-804-1058	2-7-1.4-60
5820-99-611-2765	2-11.7/8-1	5935-99-785-9113	2-14.7/8-9	5975-99-804-1058	2-7-1.6-138
5820-99-611-2765	2-16.7-29	2540-99-788-8101	2-13.3-2	2510-99-804-2152	2-1-1.15/16-10
5820-99-611-2765	2-16.33/34-1	2590-99-791-9528	2-7-1.4-66	5330-99-804-2153	2-1-1.15/16-9
2590-99-616-7788	2-1.9-57	2540-99-794-5112	2-11.3-29	2510-99-804-3056	2-1-1.9-10
5940-99-622-5782	2-14.3-15	6150-99-796-0372	2-7-1.5-91	2540-99-804-3324	2-8.3-22
5340-99-625-2625	2-1-1.5-10	5975-99-796-0374	2-7-1.10-231	5365-99-804-3330	2-9.5/6-47
5330-99-628-5068	2-1-1.5-9	2540-99-796-0389	2-8.5-54	2920-99-804-3332	2-7-1.7-158
5365-99-647-3001	2-7-1.6-115	2590-99-796-6203	2-7-1.4-65	5340-99-804-3336	2-9.5/6-44
6140-99-660-8832	2-7-1.7-157	2510-99-801-0132	2-11.5-48	5340-99-804-3337	2-9.5/6-45
5315-99-663-6470	2-1.9-54	2510-99-801-0133	2-11.5-43	2990-99-804-3358	2-9.5/6-43
5305-99-693-0478	2-16.29-9	2540-99-801-3436	2-11.3-23	6110-99-804-4010	2-7.3-19
5325-99-700-0396	2-1.9-46	5930-99-801-3872	2-7.11-110	4140-99-804-4011	2-7.3-17
2590-99-700-6543	2-14.3-17	5330-99-801-6628	2-7-1.2-17	4140-99-804-4011	2-8.7/8-69
5820-99-720-7181	2-10.3-17	5330-99-801-6628	2-7-1.2-29	6105-99-804-4012	2-7.3-18
2540-99-724-5832	2-15.3-8	5330-99-801-6628	2-7-1.4-72	2540-99-804-4013	2-8.7/8-73
2540-99-724-5832	2-15.5/6-11	5330-99-801-6628	2-7-1.4-81	2540-99-804-4110	2-8.7/8-70
5340-99-730-9242	2-13.3-7	5120-99-802-1941	2-11.3-6	4140-99-804-4112	2-8.7/8-77
4210-99-734-7818	2-7.7-54	5340-99-802-1958	2-11.3-18	2540-99-804-4113	2-8.7/8-78
5340-99-735-2962	2-1.9-40	2510-99-802-1966	2-8.3-5	2540-99-804-4114	2-8.7/8-80
5310-99-738-3446	2-16.19-6	2510-99-802-1968	2-8.3-2	9905-99-804-4136	2-7-1.3-48
5310-99-738-3446	2-16.31-5	2510-99-802-1969	2-8.3-3	5330-99-804-4873	2-8.7/8-62
2540-99-740-7338	2-15.3-12	2510-99-802-1970	2-8.3-4	5340-99-804-5612	2-1-1.9-11
2540-99-740-7338	2-15.5/6-7	5940-99-802-2080	2-7-1.5-96	5340-99-804-5612	2-11.5-44
5310-99-744-0163	2-16.7-13	2510-99-802-2098	2-8.5-58	5310-99-804-7941	2-1-1.5-8
5315-99-746-2346	2-1.9-52	5330-99-802-2099	2-8.5-59	5310-99-804-7941	2-7.7-47
5315-99-749-5832	2-11.7/8-4	5330-99-802-2107	2-8.7/8-60	5310-99-804-7941	2-7.7-62
5330-99-749-5833	2-11.7/8-9	5935-99-802-2423	2-7-1.3-46	5310-99-804-7941	2-7.9-68
5330-99-749-5834	2-1.5-3	2590-99-802-3118	2-7-1.2-24	5310-99-804-7941	2-7.9-89
5330-99-749-5835	2-1.5-9	6150-99-802-3442	2-7-1.3-32	5310-99-804-7941	2-7.11-95
5330-99-749-5836	2-1.5-15	2590-99-802-3444	2-7-1.2-5	5310-99-804-7941	2-8.7/8-66
9320-99-749-5843	2-11.7/8-6	4720-99-802-3560	2-8.5-40	5310-99-804-7941	2-9.5/6-49
5330-99-749-5844	2-11.7/8-7	5940-99-802-3645	2-7-1.7-153	5935-99-805-0001	2-7-1.2-13

INDEX OF NATO STOCK NUMBERS

NATO STOCK No.	Chapter, Page and Item No.	NATO STOCK No.	Chapter, Page and Item No.	NATO STOCK No.	Chapter, Page and Item No.
5935-99-805-0001	2-7-1.4-77	2540-99-810-5826	2-14.3-8	2540-99-842-0395	2-0.3-17
5935-99-805-0010	2-7-1.2-25	2590-99-810-6215	2-1.7-38	5935-99-859-7929	2-14.3-12
5935-99-805-0010	2-7-1.4-68	2590-99-810-6216	2-1.7-39	5975-99-861-9032	2-7-1.2-9
5935-99-805-0012	2-16.21-3	5935-99-812-9999	2-7-1.3-47	5975-99-861-9032	2-7-1.8-177
5935-99-805-0018	2-7-1.4-73	5330-99-813-4447	2-1-1.15/16-5	5310-99-865-6146	2-9.3-21
5935-99-805-0027	2-7-1.2-18	5310-99-813-6252	2-7-1.8-169	5310-99-865-6146	2-9.5/6-32
5935-99-805-0027	2-7-1.4-82	6150-99-813-9705	2-7-1.9-211	5340-99-865-6771	2-10.3-4
5935-99-805-0027	2-7-1.5-86	6150-99-813-9706	2-7-1.9-212	2540-99-865-6772	2-10.3-14
5975-99-805-0028	2-7-1.2-19	6150-99-813-9712	2-7-1.8-190	5315-99-865-6773	2-10.3-8
5975-99-805-0028	2-7-1.4-83	2540-99-815-0156	2-11.5-32	2540-99-865-6774	2-10.3-10
5975-99-805-0028	2-7-1.5-87	2540-99-815-0156	2-11.7/8-16	2540-99-865-6775	2-10.3-9
5975-99-805-0028	2-7-1.8-179	2590-99-815-6019	2-7.13/14-119	5315-99-865-6776	2-10.3-11
5970-99-805-0033	2-7-1.2-14	2590-99-815-6019	2-7-1.3-45	4820-99-865-6788	2-8.5-51
5970-99-805-0033	2-7-1.2-27	6110-99-816-1949	2-7-1.10-225	5310-99-865-6800	2-8.5-31
5970-99-805-0033	2-7-1.4-70	1080-99-817-7541	2-1.5-20	2510-99-865-6851	2-8.3-16
5970-99-805-0033	2-7-1.4-78	5330-99-818-3852	2-8.5-36	2510-99-865-6853	2-8.3-13
5340-99-805-0034	2-7-1.2-15	6150-99-818-6161	2-7-1.6-114	2510-99-865-6854	2-8.3-12
5340-99-805-0034	2-7-1.2-28	6150-99-818-7800	2-7-1.8-172	2510-99-865-6855	2-8.3-17
5340-99-805-0034	2-7-1.4-71	2590-99-818-7802	2-7-1.4-76	2510-99-865-6856	2-8.3-11
5340-99-805-0034	2-7-1.4-79	2590-99-818-7803	2-7-1.8-174	2510-99-865-6857	2-8.3-18
5935-99-805-0227	2-7-1.8-178	6150-99-818-7806	2-7-1.9-207	2510-99-865-6861	2-8.3-19
5970-99-805-0763	2-7-1.2-22	5340-99-819-2758	2-11.3-28	2510-99-865-6862	2-8.3-9
5940-99-805-0893	2-7-1.5-103	5340-99-820-3318	2-1.9-58	2510-99-865-6864	2-8.3-10
5310-99-805-0896	2-7-1.7-146	2590-99-823-0104	2-7-1.9-199	5340-99-865-6960	2-1-1.7-6
5306-99-805-0896	2-7-1.8-168	5330-99-823-3818	2-8.5-47	5365-99-865-6961	2-1-1.3-8
2510-99-805-1430	2-8.3-1	5330-99-823-3819	2-8.5-43	5340-99-865-6974	2-1-1.3-5
2510-99-805-1431	2-8.5-57	5340-99-824-0335	2-11.3-26	5340-99-865-6975	2-1-1.3-3
2540-99-805-1432	2-8.7/8-84	2590-99-825-7621	2-7-1.10-222	5330-99-865-6976	2-1-1.3-4
5975-99-805-2204	2-7-1.4-74	5930-99-826-8010	2-7.11-97	5330-99-865-6995	2-1-1.3-2
5935-99-805-2902	2-7-1.3-52	6150-99-830-6133	2-7-1.9-203	2510-99-865-7013	2-1-1.9-3
5935-99-805-2902	2-7-1.4-61	2590-99-830-8926	2-7-1.4-64	2510-99-865-7013	2-1-1.9-7
5935-99-805-2902	2-7-1.5-98	6145-99-831-2348	2-7-1.5-94	5330-99-865-7042	2-1-1.15/16-13
5935-99-805-2902	2-7-1.6-125	5940-99-831-9426	2-7-1.5-89	2510-99-865-7161	2-11.3-19
5935-99-805-2902	2-7-1.6-133	5940-99-831-9426	2-7-1.5-112	2510-99-865-7162	2-11.3-17
5935-99-805-2902	2-7-1.6-140	2590-99-833-5091	2-7-1.7-156	5120-99-865-7163	2-11.3-4
5935-99-805-2902	2-7-1.8-184	5340-99-833-9560	2-7.5-41	5120-99-865-7164	2-11.3-5
5975-99-805-3046	2-7-1.3-40	2590-99-835-6124	2-7-1.4-67	5120-99-865-7165	2-11.3-7
5975-99-805-3079	2-7-1.6-136	2920-99-836-1280	2-7-1.9-210	2540-99-865-7166	2-15.5/6-3
5935-99-805-3201	2-7-1.4-63	9905-99-837-2954	2-0.3-16	2540-99-866-2618	2-8.3-26
2590-99-805-5791	2-14.3-6	9905-99-837-2954	2-11.5-36	5310-99-866-6883	2-7.3-14
5310-99-805-6455	2-7-1.3-43	5340-99-838-1364	2-14.5-39	6220-99-866-6911	2-7.3-9
5310-99-805-6455	2-7-1.5-101	5975-99-838-5151	2-7.5-38	2540-99-866-6920	2-7.11-100
5975-99-805-6457	2-7-1.5-100	6220-99-838-5677	2-14.3-3	2540-99-866-6921	2-7.11-101
5975-99-805-6547	2-7-1.3-42	2590-99-839-2507	2-7-1.9-214	2540-99-866-6933	2-7.7-44
5935-99-806-2063	2-7-1.2-8	2590-99-839-2643	2-7-1.3-38	5340-99-866-9031	2-1-1.15/16-14
2815-99-808-1274	2-0.3-4	5340-99-839-8251	2-15.3-2	2540-99-866-9362	2-8.3-24
2590-99-809-9546	2-7-1.10-221	5340-99-839-8252	2-15.3-1	2510-99-867-4366	2-8.3-14

INDEX OF NATO STOCK NUMBERS

NATO STOCK No.	Chapter, Page and Item No.	NATO STOCK No.	Chapter, Page and Item No.	NATO STOCK No.	Chapter, Page and Item No.
5365-99-867-4640	2-1-1.5-3	6110-99-881-8338	2-7.9-81	5305-99-941-0527	2-1.5-7
5340-99-867-4643	2-1-1.11-7	5940-99-881-8918	2-7-1.8-176	5305-99-941-0527	2-1.5-19
2990-99-867-4677	2-9.3-2	5975-99-881-9031	2-7-1.2-10	5305-99-941-0527	2-1.7-37
2990-99-867-4678	2-9.3-6	2590-99-881-9171	2-7.13/14-114	5305-99-941-0539	2-1-1.3-7
2990-99-867-4680	2-9.3-9	4730-99-881-9358	2-9.3-8	5305-99-941-0539	2-1-1.15/16-8
5310-99-867-4682	2-9.3-24	5330-99-881-9359	2-9.3-7	5305-99-941-0539	2-7.7-50
5310-99-867-4682	2-9.5/6-27	2590-99-881-9389	2-7.5-30	5305-99-941-0540	2-11.5-39
5365-99-867-4683	2-9.5/6-30	6140-99-881-9425	2-7-1.5-110	5305-99-941-0541	2-1-1.11-6
5340-99-867-4686	2-9.5/6-29	6140-99-881-9429	2-7-1.5-105	5305-99-941-0541	2-1-1.15/16-16
2990-99-867-4687	2-9.3-11	6140-99-881-9473	2-7-1.5-104	5305-99-941-0542	2-7.5-35
2990-99-867-4689	2-9.3-16	2590-99-881-9482	2-7-1.5-85	5305-99-941-0576	2-9.3-20
2510-99-867-4691	2-7.9-76	2590-99-881-9960	2-7.9-66	5305-99-941-0711	2-9.3-18
2510-99-867-4692	2-7.9-86	6220-99-895-7727	2-14.3-7	5305-99-941-0711	2-9.5/6-38
5365-99-867-4834	2-1-1.13-5	6145-99-901-2567	2-7-1.3-35	5310-99-941-0902	2-7.11-93
5365-99-867-4835	2-1-1.13-6	6145-99-901-2998	2-7-1.3-44	5310-99-941-0906	2-10.3-6
5365-99-867-4836	2-1-1.13-8	6145-99-901-2998	2-7-1.3-51	5310-99-941-0925	2-1.5-13
5365-99-867-4837	2-1-1.13-10	6145-99-901-2998	2-7-1.3-54	5310-99-941-0925	2-1-1.5-12
5330-99-871-6064	2-9.3-12	6145-99-901-2998	2-7-1.4-57	5310-99-941-0925	2-7.5-29
2540-99-876-0078	2-11.5-41	6145-99-901-2998	2-7-1.5-99	5310-99-941-0925	2-7.9-72
5340-99-881-2217	2-7-1.3-41	6145-99-901-2998	2-7-1.6-126	5310-99-941-0925	2-7.9-79
5340-99-881-2217	2-7-1.5-102	6145-99-901-2998	2-7-1.6-128	5310-99-941-0925	2-7.11-103
6145-99-881-2348	2-7-1.2-23	6145-99-901-2998	2-7-1.6-132	5310-99-941-0925	2-8.5-33
6220-99-881-3214	2-7.3-13	6145-99-901-2998	2-7-1.7-141	5310-99-941-0925	2-8.7/8-75
5975-99-881-3357	2-7-1.2-7	6145-99-901-2998	2-7-1.8-185	5310-99-941-0925	2-11.3-9
5975-99-881-3387	2-7-1.7-147	5305-99-901-9736	2-8.3-25	5310-99-941-0926	2-7.5-37
5930-99-881-3583	2-7.11-109	5340-99-910-8186	2-11.5-40	5310-99-941-0926	2-7.7-51
6150-99-881-3653	2-7-1.6-134	5365-99-910-8240	2-1.9-56	5310-99-941-0926	2-7.9-85
6145-99-881-3688	2-7-1.7-142	5305-99-914-5426	2-8.3-21	5310-99-941-0926	2-11.3-21
2590-99-881-3692	2-7-1.6-127	5305-99-914-9858	2-8.7/8-71	5305-99-941-1682	2-1-1.13-12
6150-99-881-3773	2-7-1.9-198	5310-99-915-5148	2-7.5-31	5305-99-941-1748	2-1-1.7-7
6350-99-881-3954	2-7.11-105	5310-99-923-0539	2-8.5-45	5305-99-941-1748	2-1-1.9-17
4210-99-881-4006	2-7.5-25	5365-99-924-7424	2-11.3-25	5305-99-941-1762	2-1-1.13-11
5930-99-881-4053	2-7-1.7-162	5305-99-941-0279	2-1-1.15/16-4	5310-99-941-6197	2-8.7/8-76
5930-99-881-4054	2-7-1.7-161	5305-99-941-0279	2-7.11-113	5305-99-941-6284	2-1-1.11-8
2910-99-881-4425	2-7.3-8	5306-99-941-0284	2-7.11-107	5305-99-941-6284	2-9.5/6-41
6150-99-881-5631	2-7-1.3-50	5305-99-941-0511	2-8.5-29	5305-99-941-6284	2-11.5-47
5915-99-881-5757	2-7.7-45	5305-99-941-0511	2-8.7/8-67	5305-99-941-6289	2-8.5-53
5940-99-881-5983	2-7-1.2-30	5305-99-941-0512	2-7.3-24	5306-99-941-6598	2-7.5-33
5940-99-881-6012	2-7-1.5-107	5305-99-941-0512	2-7.5-40	5306-99-941-6598	2-7.9-82
5940-99-881-6457	2-7-1.2-6	5305-99-941-0512	2-7.11-99	5310-99-941-6644	2-9.5/6-48
5940-99-881-6457	2-7-1.7-166	5305-99-941-0512	2-11.3-16	5310-99-941-6645	2-1.5-6
5940-99-881-6458	2-7-1.5-106	5305-99-941-0513	2-9.5/6-46	5310-99-941-6652	2-7.7-64
5940-99-881-6458	2-7-1.5-111	5305-99-941-0518	2-7.11-91	5310-99-941-6653	2-7.3-11
5940-99-881-6458	2-7-1.8-170	5305-99-941-0524	2-1-1.15/16-12	5310-99-941-6653	2-8.3-7
6110-99-881-6460	2-7.11-90	5305-99-941-0525	2-7.13/14-116	5310-99-941-6653	2-8.7/8-63
6220-99-881-6898	2-7.5-27	5305-99-941-0526	2-7.7-57	5310-99-941-6653	2-8.7/8-83
6680-99-881-8328	2-7.9-74	5305-99-941-0526	2-15.5/6-6	5310-99-941-6654	2-1-1.13-9

INDEX OF NATO STOCK NUMBERS

NATO STOCK No.	Chapter, Page and Item No.	NATO STOCK No.	Chapter, Page and Item No.	NATO STOCK No.	Chapter, Page and Item No.
5310-99-941-6654	2-1-1.15/16-3	5940-99-943-8569	2-7-1.3-55		
5310-99-941-6654	2-7.3-22	5940-99-943-8569	2-7-1.4-58		
5310-99-941-6654	2-7.5-39	5310-99-944-0549	2-1-1.15/16-11		
5310-99-941-6654	2-7.7-46	5310-99-944-0549	2-7.5-28		
5310-99-941-6654	2-7.7-61	5310-99-944-0549	2-7.7-56		
5310-99-941-6654	2-7.9-67	5310-99-944-0549	2-7.9-71		
5310-99-941-6654	2-7.9-88	5310-99-944-0549	2-7.9-78		
5310-99-941-6654	2-7.11-94	5310-99-944-0549	2-7.11-102		
5310-99-941-6654	2-7.11-98	5310-99-944-0549	2-7.13/14-115		
5310-99-941-6654	2-7.11-106	5310-99-944-0555	2-1-1.13-7		
5310-99-941-6654	2-7.11-112	5305-99-945-2106	2-7-1.7-160		
5310-99-941-6654	2-8.5-28	6145-99-945-5074	2-7-1.3-36		
5310-99-941-6654	2-8.7/8-65	6145-99-945-5075	2-7-1.3-37		
5310-99-941-6654	2-11.3-15	6145-99-947-9472	2-7-1.2-11		
5310-99-941-6654	2-11.5-46	6145-99-947-9472	2-7-1.2-31		
5310-99-941-6655	2-1.5-12	6145-99-947-9472	2-7-1.5-109		
5310-99-941-6655	2-1.5-18	3110-99-950-0566	2-8.5-37		
5310-99-941-6655	2-1.7-36	5305-99-950-4416	2-8.5-27		
5310-99-941-6655	2-8.5-32	5310-99-956-1786	2-1.5-5		
5310-99-941-6655	2-8.5-52	5310-99-956-1786	2-1.5-11		
5310-99-941-6655	2-11.3-8	5310-99-956-1786	2-1.5-17		
5310-99-941-6655	2-15.5/6-5	5310-99-956-1786	2-1.7-35		
5310-99-941-6656	2-1-1.3-6	5310-99-956-1786	2-1-1.5-11		
5310-99-941-6656	2-1-1.11-5	5305-99-957-9616	2-16.29-27		
5310-99-941-6656	2-1-1.13-2	9505-99-965-3706	2-8.7/8-74		
5310-99-941-6656	2-1-1.15/16-7	5310-99-970-8625	2-7.9-83		
5310-99-941-6656	2-1-1.15/16-15	5310-99-970-8625	2-11.5-37		
5310-99-941-6656	2-7.5-32	9905-99-970-8625	2-11.7/8-19		
5310-99-941-6656	2-7.9-84	5820-99-975-8508	2-1.5-14		
5310-99-941-6656	2-11.3-20	2590-99-978-0906	2-7-1.9-194		
5310-99-941-6656	2-11.5-38	2590-99-978-0907	2-7-1.3-56		
5310-99-941-6658	2-10.3-5	6150-99-978-1721	2-7-1.8-187		
5305-99-941-6708	2-8.3-8	5975-99-978-3142	2-7.5-34		
5305-99-941-6836	2-7.7-63	6240-99-995-2236	2-7.3-15		
5306-99-941-7027	2-9.3-15	6240-99-995-2236	2-7.7-59		
5306-99-941-7136	2-14.5-32	6240-99-995-2519	2-14.3-5		
5310-99-941-8386	2-7.9-77	5330-99-996-1176	2-9.3-10		
5310-99-941-9402	2-8.3-6	6145-99-999-6438	2-7-1.2-2		
5310-99-941-9961	2-7.7-65	5305-99-999-7566	2-8.7/8-79		
2590-99-942-0427	2-14.5-38				
2590-99-942-0427	2-14.7/8-1				
5325-99-942-3426	2-14.3-10				
5365-99-942-8002	2-1-1.3-9				
5310-99-943-4387	2-8.7/8-68				
6145-99-943-4824	2-7-1.7-151				
5935-99-943-5878	2-7-1.6-116				
5940-99-943-8569	2-7-1.2-4				

~~UK RESTRICTED~~

~~UK RESTRICTED~~

CHAPTER 4
INDEX OF MANUFACTURERS' PART/DRAWING NUMBERS

~~UK RESTRICTED~~

~~UK RESTRICTED~~

INDEX OF MANUFACTURERS' PART/DRAWING NUMBERS

Part No./ Drawing No.	Chapter, Page and Item No.	Part No./ Drawing No.	Chapter, Page and Item No.	Part No./ Drawing No.	Chapter, Page and Item No.
ABB-03E-C10-SL-3SSN	2-14.7/8-4	EBS-000511	2-16.3-28	FV107531	2-7-1.4-74
ABB-06E-C10-SL-3PSN	2-14.7/8-2	EBS-000531	2-16.5-46	FV131066	2-7-1.2-17
ABB08E/C10SL-3PSN	2-14.3-12	EBS-000535	2-16.7-23	FV131066	2-7-1.2-29
ABB-10SL-E-PCA	2-14.3-13	EBS-000537	2-16.3-18	FV131066	2-7-1.4-72
ABB10SLXPCA	2-14.7/8-9	EBS-000539	2-16.7-19	FV131066	2-7-1.4-81
AS4561/3	2-1.9-46	EBS-000574	2-16.5-61	FV131070	2-7-1.4-70
AZ621-1	2-7-1.5-96	EBS-000579	2-16.3-24	FV131144	2-7-1.4-68
BA25018/1	2-9.3-8	EBS-000580	2-16.3-23	FV131172	2-7-1.2-26
BSAU 152	2-11.5-36	EBS-000585	2-16.3-26	FV131172	2-7-1.4-69
BSAU152	2-0.3-16	EBS-000586	2-16.3-25	FV131173	2-7-1.2-16
BSAU152	2-11.7/8-19	EBS-000590	2-16.3-7	FV131173	2-7-1.4-80
BS2859	2-1-1.3-9	EBS-000606	2-16.3-31	FV131173	2-7-1.5-88
B36960	2-8.7/8-70	EBS-000638	2-16.3-2	FV16001/371N	2-7-1.6-130
B36973	2-8.7/8-73	EBS-000638	2-16.5-58	FV16001/372N	2-7-1.6-131
CelluloseAcetateSheet	2-16.11-13	EBS-000665	2-16.7-31	FV166001/370N	2-7-1.6-129
CZ63041	2-7-1.6-116	EBS-000669	2-16.5-53	FV166001-369N	2-7-1.3-50
DRI-54-S	2-16.13-2	EBS-000670	2-16.3-42	FV166011/72N	2-7-1.3-53
DRI-54-S	2-16.17-7	EBS-000671	2-16.7-11	FV166186-1	2-7-1.6-134
D15768	2-16.17-6	EBS-000672	2-16.5-51	FV166186-2	2-7-1.6-135
EB.1MX60	2-11.7/8-3	EBS-000678	2-16.5-54	FV166208/2N	2-7-1.3-56
EBM4-100-M12	2-11.7/8-13	EBS-000688	2-16.5-49	FV166372/82	2-7-1.4-66
EBS-000012	2-16.3-5	EBS-000717	2-16.5-50	FV166372/83M	2-7-1.4-67
EBS-000014	2-16.3-4	EBS-000917	2-16.3-14	FV166372-81	2-7-1.4-65
EBS-000039	2-16.7-32	EBS-001014	2-16.5-63	FV166403/35M	2-7-1.2-12
EBS-000047	2-16.3-19	EBS-001015	2-16.5-62	FV166403-37M	2-7-1.4-76
EBS-000069	2-16.5-47	EBS-001050	2-16.5-56	FV166404-3	2-7-1.5-85
EBS-000080	2-16.3-3	EBS-001056	2-16.3-13	FV166421-5M	2-7-1.8-174
EBS-000080	2-16.5-59	EBS-001060	2-16.3-12	FV166707/3	2-7-1.2-1
EBS-000092	2-16.5-64	EBS-001060	2-16.5-67	FV166722/4	2-7-1.5-93
EBS-000099	2-16.7-3	EBS-001077	2-16.31-3	FV166722-5	2-7-1.5-91
EBS-000111	2-16.7-20	EBS-001601	2-16.5-68	FV166722-6	2-7-1.5-92
EBS-000115	2-16.3-21	EL38560-1	2-7-1.7-143	FV166764/2N	2-7-1.5-97
EBS-000117	2-16.3-20	E21 UNIPREN 50	2-7-1.3-36	FV166871/2	2-7-1.2-21
EBS-000123	2-16.3-8	FV(S)55-2	2-7-1.4-59	FV167661-4	2-7-1.2-5
EBS-000127	2-16.3-29	FV(S)6/38/4	2-7-1.3-42	FV167663/1	2-7-1.7-142
EBS-000133	2-16.7-24	FV(S)6/38/4	2-7-1.5-100	FV167665-2	2-7-1.5-104
EBS-000191	2-16.3-27	FV(S)6/55/3	2-7-1.3-40	FV167665-3	2-7-1.5-105
EBS-000219	2-16.3-43	FV(S)6/77/1	2-7-1.4-63	FV167668/4	2-7-1.2-24
EBS-000225	2-16.7-12	FV(S)6-39-4	2-7-1.5-101	FV167687/1	2-7-1.10-227
EBS-000229	2-16.5-52	FV(S)6-39-6	2-7-1.4-62	FV167854/1	2-7-1.7-150
EBS-000236	2-16.5-55	FV(S)6-70-5	2-7-1.2-23	FV167997/1	2-7-1.6-127
EBS-000294	2-16.3-34	FV(S)6-70-5	2-7-1.5-94	FV169421	2-7-1.3-52
EBS-000302	2-16.5-69	FV(S)6-83-1	2-7-1.3-41	FV169421	2-7-1.4-61
EBS-000306	2-16.5-66	FV(S)7/2/1	2-7-1.3-48	FV169421	2-7-1.5-98
		FV(S)7/3/1	2-7-1.3-49	FV169421	2-7-1.6-125
		FV1068358	2-7.7-54	FV169421	2-7-1.6-133

INDEX OF MANUFACTURERS' PART/DRAWING NUMBERS

Part No./ Drawing No.	Chapter, Page and Item No.	Part No./ Drawing No.	Chapter, Page and Item No.	Part No./ Drawing No.	Chapter, Page and Item No.
FV169421	2-7-1.6-140	FV2136947	2-1.9-53	FV342593	2-7.3-8
FV2027299	2-14.5-37	FV2143397	2-7-1.3-35	FV39348	2-7-1.4-73
FV2029143	2-14.3-15	FV2151902	2-14.3-14	FV395711	2-1-1.7-6
FV2031419	2-1.3-12	FV2186543/2	2-7-1.7-157	FV395733	2-1-1.3-8
FV2059252	2-14.3-7	FV2187756	2-14.3-8	FV421369	2-1-1.7-4
FV2059254	2-14.3-17	FV2200543	2-15.3-22	FV421544	2-1.3-1
FV2059255	2-14.3-20	FV2200543	2-15.5/6-0	FV421711	2-1-1.3-5
FV2068656	2-1.5-8	FV2200642	2-14.5-38	FV421714	2-1-1.3-3
FV2068658	2-1.5-9	FV2200642	2-14.7/8-1	FV421774	2-1-1.3-4
FV2068659	2-1.5-10	FV2200644	2-14.5-33	FV426636	2-7.3-13
FV2072487	2-10.3-17	FV2200644	2-14.7/8-13	FV434749	2-9.3-21
FV2072523	2-1.7-24	FV2200647	2-14.3-6	FV434749	2-9.5/6-32
FV2072530	2-1.7-34	FV2200650	2-14.3-2	FV434898	2-7-1.2-9
FV2072565	2-1.5-16	FV2200652	2-1.7-23	FV462413	2-7.7-44
FV2072601	2-1.5-4	FV2200654	2-14.3-11	FV480106	2-7.3-16
FV2072690	2-1.7-31	FV2200660	2-14.5-29	FV480258	2-10.3-4
FV2072690	2-11.5-50	FV2200667	2-15.5/6-2	FV480259	2-10.3-14
FV2072690	2-11.7/8-1	FV2200668	2-15.5/6-1	FV480260	2-10.3-8
FV2072690	2-16.7-29	FV2200677	2-9.5/6-35	FV481771	2-8.5-51
FV2072690	2-16.33/34-1	FV2200678	2-0.3-9	FV481871	2-8.3-26
FV2072694	2-11.7/8-9	FV2200678	2-9.3-0	FV481873	2-8.5-40
FV2072695	2-1.7-33	FV2200680	2-15.3-20	FV481948	2-8.7/8-80
FV2072696	2-1.5-15	FV2200689	2-14.5-28	FV482034	2-8.5-38
FV2072698	2-1.5-3	FV2200708	2-1.3-14	FV482035	2-8.5-39
FV2072700	2-1.5-1	FV2200773	2-13.3-11	FV482036	2-8.3-24
FV2072701	2-1.5-14	FV2200802	2-13.3-2	FV482109	2-8.5-36
FV2072703	2-1.7-32	FV2200823	2-13.3-7	FV482111	2-8.5-35
FV2072704	2-1.5-2	FV2200826	2-13.3-1	FV482416	2-7.3-17
FV2072815	2-11.7/8-2	FV2200833	2-0.3-13	FV482416	2-8.7/8-69
FV2072818	2-11.7/8-8	FV2200833	2-13.3-0	FV482434	2-8.5-54
FV2072827	2-11.7/8-7	FV2200910	2-11.5-32	FV482456	2-8.5-59
FV2072828	2-11.7/8-6	FV2200910	2-11.7/8-16	FV482459	2-8.7/8-60
FV2072845	2-1.7-25	FV2200959	2-11.3-1	FV482485	2-8.7/8-62
FV2086381	2-1.3-11	FV2200960	2-11.3-2	FV482489	2-8.5-58
FV2108369	2-14.5-23	FV2249143	2-9.3-12	FV482492	2-8.5-56
FV2108370	2-14.3-18	FV2249144	2-9.3-10	FV482493	2-8.5-57
FV2108373	2-14.3-19	FV2249145	2-9.3-1	FV485220	2-1-1.5-7
FV2108374	2-14.3-16	FV2249150	2-1-1.9-6	FV485370	2-10.3-10
FV2110940	2-14.5-24	FV2249157	2-1-1.9-5	FV485373	2-10.3-9
FV2136934	2-1.9-54	FV232094	2-7-1.7-148	FV485375	2-10.3-11
FV2136935	2-1.7-38	FV27970	2-1.5-7	FV485446	2-7.3-14
FV2136936	2-1.9-58	FV27970	2-1.7-37	FV494560	2-7.9-73
FV2136940	2-1.9-45	FV299995	2-8.5-34	FV494570	2-7.9-81
FV2136941	2-1.9-44	FV324242/1	2-7-1.6-114	FV494579/21	2-7.9-74
FV2136942	2-1.7-39	FV324284/5	2-7-1.3-45	FV499383	2-1-1.11-4
FV2136943	2-1.9-55	FV324824-5	2-7.13/14-119	FV499491	2-7.3-9
FV2136946	2-1.9-57	FV342587	2-7.11-90	FV499502	2-1-1.3-2

INDEX OF MANUFACTURERS' PART/DRAWING NUMBERS

Part No./ Drawing No.	Chapter, Page and Item No.	Part No./ Drawing No.	Chapter, Page and Item No.	Part No./ Drawing No.	Chapter, Page and Item No.
FV499549	2-0.3-2	FV546743	2-7-1.7-159	FV560136	2-1-1.15/16-10
FV499692	2-7.5-34	FV546744	2-7-1.7-163	FV562031	2-7.5-27
FV499926	2-1-1.9-3	FV546746	2-7-1.7-161	FV562044	2-7.13/14-114
FV499926	2-1-1.9-7	FV546747	2-7-1.7-162	FV562853	2-1-1.7-3
FV500186	2-10.3-1	FV546749	2-7-1.8-167	FV564810	2-7-1.8-175
FV508053	2-7.7-45	FV546750	2-7-1.8-171	FV575818	2-7-1.8-176
FV509912	2-1-1.7-2	FV546753	2-7-1.2-6	FV582301-26	2-7-1.9-210
FV509939	2-1-1.7-5	FV546753	2-7-1.7-166	FV582310/2	2-7-1.9-200
FV510612	2-7.7-60	FV546755	2-7-1.5-106	FV582311/5N	2-7-1.8-190
FV524831	2-1.3-2	FV546755	2-7-1.5-111	FV582312/4	2-7-1.8-189
FV524889	2-1-1.15/16-13	FV546755	2-7-1.8-170	FV582322/1	2-7-1.9-202
FV524925	2-8.3-16	FV546756	2-7-1.7-164	FV582322-2	2-7-1.9-203
FV524931	2-8.3-13	FV546784	2-7-1.7-158	FV582326/1	2-7-1.10-216
FV524935	2-8.3-12	FV559190	2-1-1.15/16-14	FV582326/5	2-7-1.10-228
FV524937	2-8.3-17	FV559203	2-0.3-5	FV582327/1	2-7-1.9-209
FV524940	2-8.3-11	FV559353	2-0.3-3	FV582330/1	2-7-1.9-215
FV524943	2-8.3-18	FV559357	2-0.3-12	FV582353/2	2-7-1.9-199
FV524952	2-8.3-19	FV559367	2-1.3-5	FV582357/6	2-7-1.8-182
FV524953	2-8.3-9	FV559383	2-1-1.7-1	FV582359/1	2-7-1.9-191
FV524955	2-8.3-10	FV559399	2-7.13/14-117	FV582361/3	2-7-1.8-188
FV524956	2-8.3-15	FV559418	2-9.3-6	FV582379/2	2-7-1.10-217
FV524990	2-8.5-30	FV559421	2-9.3-9	FV582405/4	2-7-1.9-206
FV525358	2-10.3-2	FV559423	2-9.3-2	FV582408/4	2-7-1.9-201
FV525497	2-0.3-6	FV559506	2-7.11-104	FV582478/3	2-7-1.9-204
FV525566	2-15.5/6-3	FV559577	2-11.5-48	FV582484/1	2-7-1.9-197
FV525570	2-11.3-19	FV559628	2-1-1.5-3	FV582486/2	2-7-1.3-38
FV528428/2	2-7-1.10-220	FV559657	2-7.9-86	FV582487/1	2-7-1.10-218
FV534833	2-7-1.3-46	FV559658	2-1-1.7-0	FV582488-1	2-7-1.9-198
FV534865	2-7.11-105	FV559701	2-7.9-76	FV582495/1	2-7-1.10-226
FV534890	2-7.5-30	FV559717	2-7.9-75	FV582510-3	2-7-1.6-123
FV534891	2-7.7-49	FV559739	2-1-1.15/16-2	FV582511/1	2-7-1.8-187
FV534898	2-7-1.8-177	FV559810	2-1.3-3	FV582578/3	2-7-1.9-214
FV534899	2-7-1.2-10	FV559857	2-7.11-96	FV582580/2	2-7-1.8-186
FV534946	2-7.5-25	FV559927	2-7.9-70	FV582581/4	2-7-1.9-205
FV538156	2-11.3-4	FV559986	2-1.3-6	FV582676-4	2-7-1.3-32
FV538157	2-11.3-5	FV560051	2-7.9-66	FV582688-1	2-7-1.10-224
FV538158	2-11.3-7	FV560064	2-7.9-80	FV582702-1	2-7-1.9-212
FV538501	2-11.3-17	FV560065	2-9.3-24	FV582702-5	2-7-1.9-213
FV538508	2-11.3-12	FV560065	2-9.5/6-27	FV582781-1	2-7-1.9-211
FV538806	2-8.5-47	FV560066	2-9.5/6-30	FV585051	2-7-1.3-39
FV538807	2-8.5-43	FV560069	2-1-1.13-5	FV585714	2-1.3-8
FV538823	2-7.11-100	FV560070	2-1-1.13-6	FV585720	2-1-1.15/16-5
FV538824	2-7.11-101	FV560071	2-1-1.13-8	FV585868	2-1-1.9-16
FV538895	2-9.3-11	FV560072	2-1-1.13-10	FV585869	2-1-1.9-15
FV5-39-4	2-7-1.3-43	FV560074	2-7.9-69	FV585923	2-1-1.9-10
FV546142	2-7.3-18	FV560075	2-7.11-108	FV585928	2-1-1.9-13
FV546143	2-7.3-19	FV560092	2-7.11-110	FV585934	2-1-1.15/16-9

INDEX OF MANUFACTURERS' PART/DRAWING NUMBERS

Part No./ Drawing No.	Chapter, Page and Item No.	Part No./ Drawing No.	Chapter, Page and Item No.	Part No./ Drawing No.	Chapter, Page and Item No.
FV585968	2-1-1.5-6	FV604654/3	2-7-1.9-193	FV952327	2-15.5/6-11
FV585969	2-1-1.5-4	FV604654/4	2-7-1.9-194	FV952501	2-1.5-21
FV585970	2-1-1.5-5	FV604709-IN	2-7-1.10-223	FV952502	2-1.7-22
FV586020	2-9.5/6-29	FV604748-1	2-7-1.10-221	FV952520	2-0.3-0
FV586021	2-9.5/6-28	FV604835-4M	2-7-1.10-222	FV952521	2-0.3-1
FV586068	2-1-1.13-1	FV605257-1	2-7-1.10-225	FV952521	2-1.3-0
FV586071	2-1.3-4	FV605338-10	2-7-1.7-156	FV952522	2-0.3-7
FV586150	2-1-1.11-7	FV605338-11	2-7-1.8-172	FV952522	2-7.3-0
FV586153	2-1-1.15/16-1	FV605422/2	2-7-1.7-155	FV952523	2-0.3-8
FV586223	2-11.3-23	FV605453/3M	2-7-1.8-173	FV952523	2-8.3-0
FV586302	2-8.3-14	FV605455/1	2-7-1.7-154	FV952524	2-0.3-10
FV586362	2-9.3-16	FV605457/1	2-7-1.10-230	FV952524	2-10.3-0
FV586406/4	2-7-1.10-219	FV605457/2	2-7-1.10-231	FV952525	2-0.3-11
FV586536	2-11.3-24	FV605458/1	2-7-1.10-232	FV952525	2-11.3-0
FV586537	2-11.3-28	FV605459/3	2-7-1.9-192	FV952528	2-1.3-9
FV586540	2-11.3-25	FV605460/2	2-7-1.9-195	FV952528	2-1-1.3-0
FV586548	2-11.3-29	FV605461/2	2-7-1.9-196	FV952529	2-1.3-10
FV586584	2-11.3-30	FV605462/1	2-7-1.10-233	FV952530	2-1.11/12-62
FV586645	2-9.3-13	FV605477/7	2-7-1.8-181	FV952532	2-8.3-0
FV586669	2-9.3-19	FV605478-1	2-7-1.4-64	FV952533	2-1-1.15/16-6
FV586672	2-9.3-22	FV605482/1	2-7-1.10-229	FV952534	2-10.3-3
FV586925	2-7.13/14-120	FV605527-4M	2-7-1.9-207	FV952535	2-10.3-7
FV59-3-1	2-7-1.5-89	FV605527-5M	2-7-1.9-208	FV952536	2-8.3-20
FV59-3-1	2-7-1.5-112	FV611048	2-9.5/6-44	FV952537	2-1-1.9-1
FV59-3-2	2-7-1.5-107	FV611049	2-9.5/6-45	FV952538	2-1-1.9-2
FV594608	2-8.3-22	FV611675	2-9.5/6-42	FV952540	2-1-1.11-2
FV602505	2-1-1.7-0	FV611676	2-9.5/6-43	FV952546	2-1.3-15
FV602529	2-8.3-2	FV620746	2-7-1.3-47	FV952546	2-1.5-0
FV602530	2-8.3-3	FV650952	2-0.3-4	FV952546	2-10.3-16
FV602531	2-8.3-4	FV650973	2-7.7-48	FV952546	2-11.5-49
FV602532	2-8.3-5	FV651058	2-8.5-48	FV952547	2-1-1.11-3
FV602533	2-8.3-1	FV651059	2-8.5-44	FV952552	2-7.13/14-118
FV602534	2-7.3-20	FV651069	2-8.5-42	FV952554	2-7.3-0
FV602540	2-1.3-7	FV651070	2-8.5-46	FV952555	2-7.13/14-121
FV602623	2-1-1.9-11	FV651488	2-14.5-27	FV952555	2-7-1.2-0
FV602623	2-11.5-44	FV705989	2-1-1.5-9	FV952574	2-15.3-2
FV602625	2-11.5-43	FV760408	2-1-1.5-10	FV952575	2-15.3-1
FV602635	2-11.3-6	FV873513	2-11.5-40	FV952576	2-15.3-0
FV602638	2-11.3-14	FV939076	2-7.11-97	FV952582	2-1.5-20
FV602639	2-11.3-13	FV952290	2-15.3-15	FV959041	2-7.5-38
FV602640	2-11.3-18	FV952292	2-15.3-14	FV964639/6	2-1.9-40
FV602648	2-1-1.5-2	FV952293	2-15.3-17	LP47-600-2	2-16.13-3
FV602794	2-9.5/6-34	FV952295	2-15.3-16	LP47-600-3	2-16.17-2
FV602795	2-9.5/6-26	FV952299	2-15.3-12	MAE 43/0/0013	2-11.5-41
FV602904	2-8.7/8-84	FV952299	2-15.5/6-7	MAE43/6/0004	2-14.3-1
FV603965	2-7.3-15	FV952313	2-15.3-13	MDA1854	2-16.5-57
FV604010	2-7-1.2-8	FV952327	2-15.3-8	MDA1854	2-16.27-7

INDEX OF MANUFACTURERS' PART/DRAWING NUMBERS

Part No./ Drawing No.	Chapter, Page and Item No.	Part No./ Drawing No.	Chapter, Page and Item No.	Part No./ Drawing No.	Chapter, Page and Item No.
MDA1887	2-16.21-5	MDA2681	2-16.3-33	MW02-007V	2-16.27-8
MDA1913	2-16.3-32	MDA2681	2-16.19-5	MW03-004D	2-16.17-14
MDA1913	2-16.21-1	MDA2682	2-16.3-1	MW03-005E	2-16.7-13
MDA1916	2-16.21-6	MDA2682	2-16.9-3	MW03-031G	2-16.17-16
MDA1967	2-16.3-40	MDA2703	2-16.3-41	MW04-002J	2-16.7-4
MDA1967	2-16.23-3	MDA2703	2-16.23-1	MW04-003K	2-16.21-8
MDA1981	2-16.5-65	MDA2704	2-16.3-11	MW04-004L	2-16.17-15
MDA1981	2-16.27-5	MDA2704	2-16.17-1	MW04-005M	2-16.7-9
MDA2163	2-16.3-10	MDA2712	2-16.3-6	MW04-005M	2-16.7-14
MDA2163	2-16.13-1	MDA2712	2-16.9-1	MW04-005M	2-16.29-8
MDA2173	2-16.3-30	MDA2856	2-16.29-18	MW04-006N	2-16.19-7
MDA2173	2-16.19-1	MDA2857	2-16.29-16	MW04-006N	2-16.27-9
MDA2186	2-16.11-9	MDA2858	2-16.29-17	MW04-006N	2-16.31-6
MDA2188	2-16.5-70	MDA2861	2-16.29-15	N.1M	2-11.7/8-5
MDA2188	2-16.25-1	MDA2862	2-16.29-2	ND24401W	2-1.9-50
MDA2189	2-16.25-2	MDA2907	2-16.29-6	N4MM12	2-11.7/8-15
MDA2284	2-16.3-44	MDA2910	2-16.29-21	QRA57	2-7-1.2-25
MDA2284	2-16.25-8	MDA2933	2-16.29-10	QRA58	2-7-1.2-13
MDA2325	2-16.19-9	MDA2934	2-16.29-20	QRA58	2-7-1.4-77
MDA2339	2-16.3-39	MDA2935	2-16.29-19	QRA59	2-16.21-3
MDA2344	2-16.31-2	MDA2936	2-16.29-14	QRD1014	2-7-1.2-18
MDA2347	2-16.7-2	MDA2937	2-16.29-1	QRD1014	2-7-1.4-82
MDA2348	2-16.31-1	MDA2940	2-16.3-35	QRD1014	2-7-1.5-86
MDA2358	2-16.11-10	MDA2971	2-16.11-3	QRD1014	2-7-1.8-178
MDA2367	2-16.7-7	MDA2972	2-16.11-4	QRD1015	2-7-1.2-19
MDA2375	2-16.9-2	MDA2993	2-16.29-25	QRD1015	2-7-1.4-83
MDA2406	2-16.25-3	MDA3051	2-16.17-10	QRD1015	2-7-1.5-87
MDA2604	2-16.3-15	MDA3052	2-16.17-9	QRD1015	2-7-1.8-179
MDA2604	2-16.15-1	MDA3054	2-16.29-26	QRD1023	2-7-1.2-14
MDA2605	2-16.17-13	MDA3132	2-16.5-45	QRD1023	2-7-1.2-27
MDA2656	2-16.3-9	MDA3132	2-16.23-2	QRD1023	2-7-1.4-78
MDA2656	2-16.11-1	MDA3138	2-16.17-8	QRD1024	2-7-1.2-15
MDA2657	2-16.11-2	MM-105333	2-9.3-7	QRD1024	2-7-1.2-28
MDA2659	2-16.5-48	MS01-024B	2-16.7-10	QRD1024	2-7-1.4-71
MDA2659	2-16.27-1	MS01-027E	2-16.7-15	QRD1024	2-7-1.4-79
MDA2660	2-16.3-17	MS01-035N	2-16.19-8	REL140	2-14.5-39
MDA2660	2-16.15-8	MS01-036P	2-16.15-12	RSH3/16X1/2A	2-1-1.9-4
MDA2661	2-16.3-16	MS01-036P	2-16.27-10	RSH3/16X1/2A	2-1-1.9-8
MDA2661	2-16.15-7	MS01-036P	2-16.31-4	RSH3/32X3/8	2-1-1.9-12
MDA2665	2-16.3-22	MS03-007H	2-16.7-5	ST1592	2-1.5-5
MDA2665	2-16.15-9	MS07-007M	2-16.21-9	ST1592	2-1.5-11
MDA2670	2-16.5-60	MS09-020T	2-16.29-27	ST1592	2-1.5-17
MDA2670	2-16.27-6	MS09-021U	2-16.29-9	ST1592	2-1.7-35
MDA2672	2-16.7-30	MS09-022V	2-16.29-12	UCS106/5R	2-1-1.13-3
MDA2672	2-16.33/34-2	MW02-006N	2-16.15-11	UCS106/7R	2-1-1.13-4
MDA2673	2-16.7-33	MW02-006U	2-16.7-8	UNINYVIN 16	2-7-1.3-44
MDA2673	2-16.33/34-6	MW02-007V	2-16.15-10	UNINYVIN 16	2-7-1.3-51

INDEX OF MANUFACTURERS' PART/DRAWING NUMBERS

Part No./ Drawing No.	Chapter, Page and Item No.	Part No./ Drawing No.	Chapter, Page and Item No.	Part No./ Drawing No.	Chapter, Page and Item No.
UNINYVIN 16	2-7-1.3-54	UW01-002B	2-16.31-8	19011	2-7-1.2-22
UNINYVIN 16	2-7-1.4-57	UW01-004D	2-16.3-36	215075	2-7-1.2-4
UNINYVIN 16	2-7-1.5-99	UW01-004D	2-16.13-8	220AD12-25	2-14.7/8-3
UNINYVIN 16	2-7-1.6-126	UW03-001N	2-16.7-17	2550S0454	2-16.21-4
UNINYVIN 16	2-7-1.6-128	UW03-001N	2-16.29-29	347-90	2-7-1.3-55
UNINYVIN 16	2-7-1.6-132	UW03-001N	2-16.33/34-4	347-90	2-7-1.4-58
UNINYVIN16	2-7-1.7-141	UW03-002P	2-16.9-5	348424	2-16.29-11
UNINYVIN16	2-7-1.8-185	UW03-002P	2-16.15-5	372:65E	2-14.3-3
UNIPREN 100	2-7-1.3-37	UW03-002P	2-16.19-3	432PDS14108	2-0.3-17
UNIPREN 200	2-7-1.2-11	UW03-002P	2-16.19-11	479-050	2-1.9-51
UNIPREN 200	2-7-1.2-31	UW03-002P	2-16.25-6	51101263	2-7.5-41
UNIPREN 200	2-7-1.5-109	UW03-002P	2-16.25-10	5-32GD10	2-8.5-37
UNIPREN 280	2-7-1.5-113	UW03-002P	2-16.27-3	53863	2-7.7-58
UNIPREN12	2-7-1.7-151	UW03-002P	2-16.29-23	54102296	2-7-1.7-146
UNIPREN135	2-7-1.7-149	UW03-002P	2-16.31-9	54131146	2-7-1.7-145
UNIPREN280	2-7-1.8-180	UW03-004R	2-16.3-37	54931752	2-7-1.5-102
UN01-010W	2-16.13-10	UW03-004R	2-16.11-15	54931776	2-7-1.7-147
US02-004H	2-16.3-38	UW03-004R	2-16.13-9	54934360	2-7-1.2-30
US02-004H	2-16.11-16	UW04-001K	2-16.29-3	549347804	2-7-1.2-7
US02-007L	2-16.33/34-5	UW04-001K	2-16.31-11	561-575	2-16.21-2
US02-009N	2-16.7-18	UW05-001N	2-16.29-4	5X20MBS	2-14.3-9
US02-009N	2-16.29-30	UW05-001N	2-16.31-12	5X32MCK	2-11.7/8-4
US02-011Q	2-16.9-6	VB1A	2-7.11-109	602816	2-14.3-4
US02-011Q	2-16.15-6	VITAFOAM	2-1.3-13	70101041245900	2-7.5-43
US02-011Q	2-16.25-7	VFR/2/140/12MM		70201040115900	2-7.3-23
US02-011Q	2-16.27-4	WS10X1/2	2-10.3-15	70221030114900	2-7.3-12
US02-011Q	2-16.29-24	X79	2-1.9-56	70300040094900	2-7.3-21
US02-011Q	2-16.31-10	Y5658-114C	2-7-1.4-60	70300040094900	2-7.5-42
US02-012R	2-16.25-11	Z67237	2-7-1.6-118	70300040094900	2-7.11-111
US02-014T	2-16.19-12	Z970058	2-7-1.6-115	70300040095900	2-9.5/6-39
US02-021R	2-16.19-4	00-060237	2-8.7/8-77	70300050094900	2-7.7-55
US05-002B	2-16.7-6	00-060255	2-8.7/8-78	70300050095900	2-15.5/6-4
US06-002H	2-16.29-5	0837/001	2-16.13-6	70300060091000	2-10.3-12
US06-002H	2-16.31-13	0837/001	2-16.15-2	70300060094900	2-7.7-52
US07-001C	2-16.23-4	1056/001	2-1.9-52	70300060095900	2-14.5-30
UWO1-004D	2-16.11-14	10927852	2-7-1.7-144	70301030094900	2-7.3-10
UW01-001A	2-16.7-16	12MCPZN	2-11.7/8-12	70330060005900	2-7.7-53
UW01-001A	2-16.29-28	1300-1079	2-16.7-1	70330060015900	2-14.5-31
UW01-001A	2-16.33/34-3	13258	2-14.3-5	75108060250859	2-15.5/6-14
UW01-002B	2-16.9-4	1518	2-1.7-26	75322000100159	2-9.3-25
UW01-002B	2-16.15-4	156	2-7.7-59	75322000100159	2-9.5/6-31
UW01-002B	2-16.19-2	16-2-3C	2-7-1.6-122	75360600000059	2-14.3-21
UW01-002B	2-16.19-10	16810	2-1.7-29	819701-1	2-7-1.5-110
UW01-002B	2-16.25-5	176	2-7-1.2-2	850406	2-7-1.2-3
UW01-002B	2-16.25-9	187010	2-7-1.5-103	861122	2-7-1.8-184
UW01-002B	2-16.27-2	187017	2-7-1.7-152	861607	2-7-1.5-108
UW01-002B	2-16.29-22	187736	2-7-1.7-153	916H	2-11.3-26
				933068	2-7-1.6-137
				9511HD	2-7.5-26

ANNEX B

**CARRIER, PERSONNEL, FULL TRACKED,
FV439 SECONDARY ACCESS SWITCH/MESSAGE CENTRE (SAS/MC)**

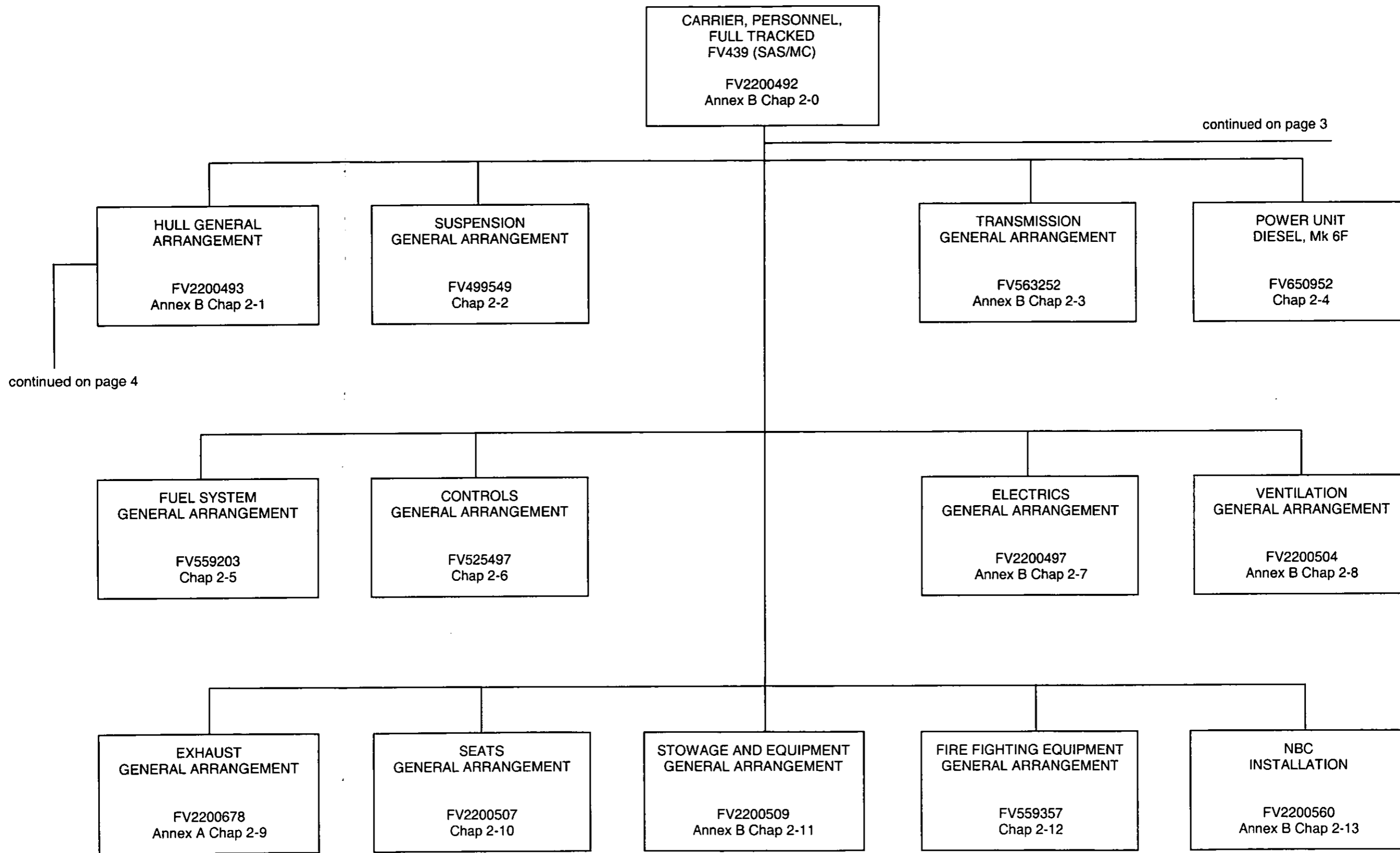
**FOR INFORMATION ON SAS/MC EQUIPMENT
SEE AESP 5895-H-514-711**

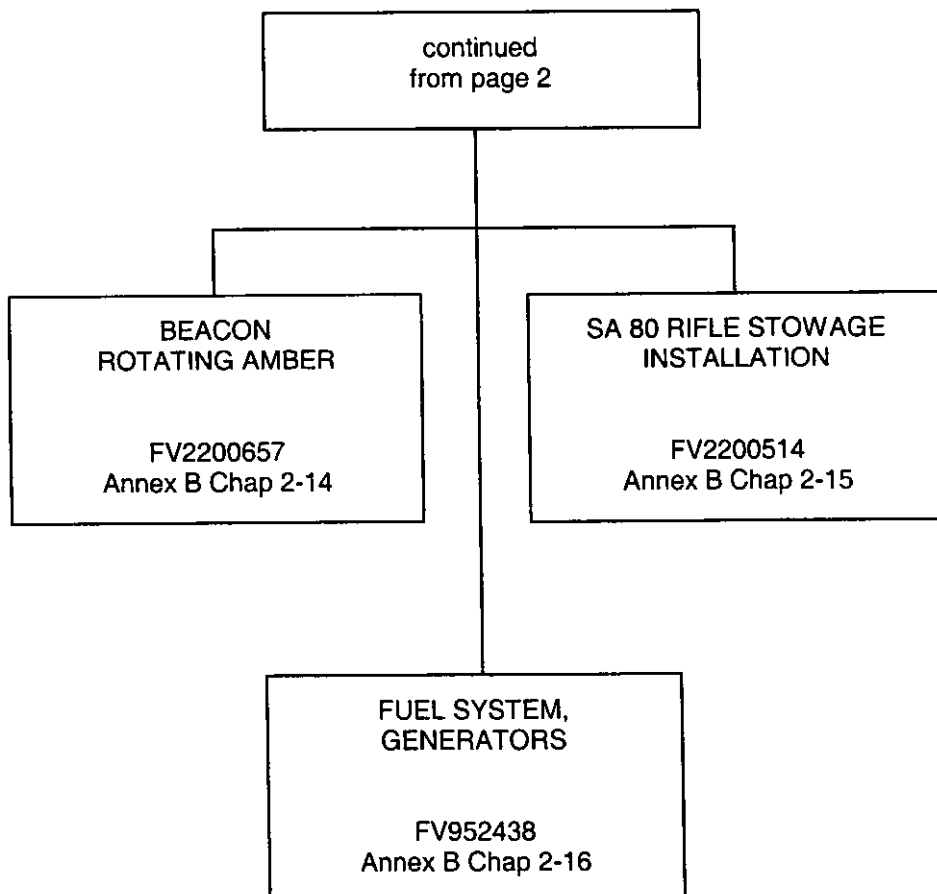
~~UK RESTRICTED~~

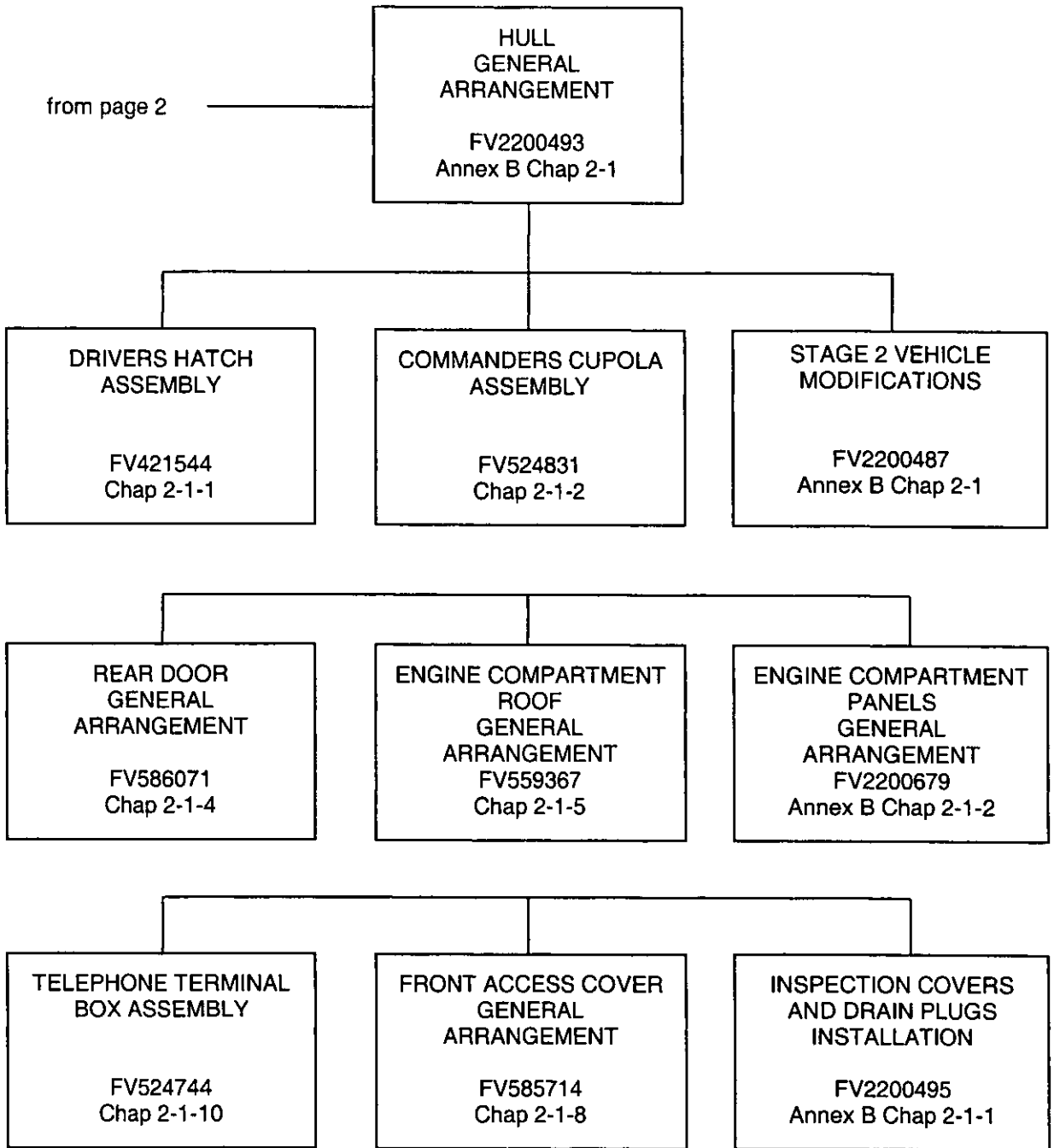
~~UK RESTRICTED~~

Chapter 1
INDEX OF MAIN ASSEMBLIES, DRAWING NUMBERS
AND ILLUSTRATIONS
FV439 (SAS/MC)

F







INDEX OF MAIN ASSEMBLIES AND DRAWING NUMBERS
CARRIER, PERSONNEL, FULL TRACKED FV439 (SAS/MC)

<u>Item</u>	<u>Drawing</u>	<u>Chapter</u>	<u>Page</u>
BEACON, AMBER ROTATING	FV2200657	2-14	3
ELECTRICAL EQUIPMENT GENERAL ARRANGEMENT	FV2200497	2-7	3
ENGINE COMPARTMENT PANELS GENERAL ARRANGEMENT	FV847383	2-1-2	3
FUEL SYSTEM, GENERATORS	FV952438	2-16	3
HULL GENERAL ARRANGEMENT	FV2200493	2-1	3
INDEX OF NATO STOCK NUMBERS		3	3
INDEX OF PART NUMBERS		4	3
INSPECTION COVERS AND DRAIN PLUGS INSTALLATION	FV2200495	2-1-1	3
NBC INSTALLATION	FV2200560	2-13	3
SA 80 RIFLE STOWAGE INSTALLATION	FV2200514	2-15	3
STAGE 2 VEHICLE MODIFICATIONS	FV2200487	2-1	5
STOWAGE GENERAL ARRANGEMENT	FV2200509	2-11	3
TRANSMISSION GENERAL ARRANGEMENT	FV563252	2-3	3
VEHICLE HARNESSSES	FV2200498	2-7-1	2
VENTILATION SYSTEM GENERAL ARRANGEMENT	FV2200504	2-8	3

INDEX OF ILLUSTRATIONS,
CARRIER, PERSONNEL, FULL TRACKED FV439 (SAS/MC)

<u>Item</u>	<u>Chapter</u>	<u>Figure</u>
Carrier personnel full tracked FV439 (SAS/MC)	2-0	1
Hull general arrangement	2-1	1
Stage 2 vehicle modifications	2-1	2
Fuel tank and floor cover plates	2-1-1	1
Engine compartment panels general arrangement	2-1-2	1
Final drive assembly	2-3	1
Electrical equipment general arrangement	2-7	1
Ventilation system general arrangement	2-8	1
External stowage general arrangement	2-11	1
NBC installation	2-13	1
Door assembly, NBC unit	2-13	2
NBC pack, No. 7 Mk 1 installation	2-13	3
AV filter compartment	2-13	4
Pre-filter and UHE filter compartment	2-13	5
Fan compartment	2-13	6
Control box No. 10 Mk 1 installation	2-13	7
Control box No. 10 Mk 1	2-13	8
Beacon, rotating, amber general arrangement	2-14	1
Wiring harness	2-14	2
SA 80 rifle stowage installation	2-15	1
Fuel system, generators	2-16	1

Chapter 2-0

PARTS LIST

CARRIER, PERSONNEL, FULL TRACKED,

FV439 (SAS/MC)

Chap

2-0	Parts list
2-1	Hull general arrangement
2-2	Suspension general arrangement (AESP 2350-T-251-711)
2-3	Transmission general arrangement
2-4	Power unit, diesel, Mk 6F engine (AESP 2350-T-251-711)
2-5	Fuel system, general arrangement (AESP 2350-T-251-711)
2-6	Controls general arrangement (AESP 2350-T-251-711)
2-7	Electrics general arrangement
2-8	Ventilation system general arrangement
2-9	Exhaust general arrangement
2-10	Seats general arrangement (AESP 2350-T-251-711)
2-11	Stowage and equipment general arrangement
2-12	Fire fighting equipment general arrangement (AESP 2350-T-251-711)
2-13	NBC installation
2-14	Beacon rotating amber
2-15	SA80 Rifle stowage
2-16	Fuel system, generators

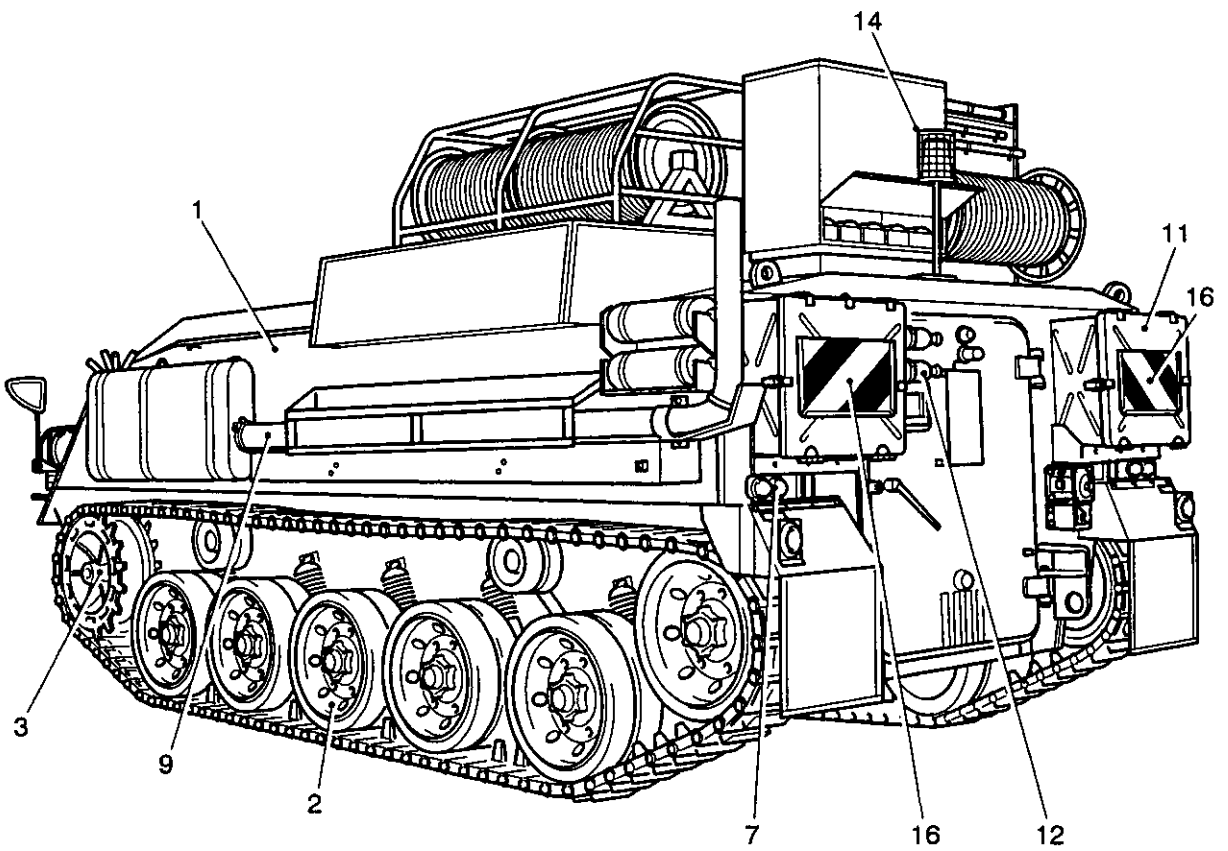


Fig 1 Carrier, personnel, full tracked, FV439 (SAS/MC)

430/70138

Fig Item	Man Code Navy - N Army - A RAF - R	NATO Stock No	Item Name and Description	Part No/ Drawing No.	No. Off	Annotations
1-		NP	CARRIER, PERSONNEL, FULL TRACKED, FV439 (SAS/MC)	FV2200492	REF	
1		NP	. HULL GENERAL ARRANGEMENT	FV2200493	REF	See Annex B Chap 2-1
2		NP	. SUSPENSION GENERAL ARRANGEMENT	FV499549	REF	See Chap 2-2
3		NP	. TRANSMISSION GENERAL ARRANGEMENT	FV563252	REF	See Annex B Chap 2-3
NI 4	A 9ACR	2815-99-808-1274	. POWER UNIT, DIESEL, 6 cylinder Mk 6F engine	FV650952	1	See Chap 2-4
NI 5		NP	. FUEL SYSTEM GENERAL ARRANGEMENT	FV559203	REF	See Chap 2-5
NI 6		NP	. CONTROLS GENERAL ARRANGEMENT	FV525497	REF	See Chap 2-6
7		NP	. ELECTRICS GENERAL ARRANGEMENT	FV2200497	REF	See Annex B Chap 2-7
NI 8		NP	. VENTILATION SYSTEM, GENERAL ARRANGEMENT	FV2200504	REF	See Annex B Chap 2-8
9		NP	. EXHAUST SYSTEM GENERAL ARRANGEMENT	FV2200678	REF	See Annex A Chap 2-9
NI 10		NP	. SEATS GENERAL ARRANGEMENT, Drivers And Commanders	FV2200507	REF	See Chap 2-10
11		NP	. STOWAGE AND EQUIPMENT GENERAL ARRANGEMENT	FV2200509	REF	See Annex B Chap 2-11
12		NP	. FIRE FIGHTING EQUIPMENT GENERAL ARRANGEMENT	FV559357	REF	See Chap 2-12
NI 13		NP	. NBC INSTALLATION	FV2200560	REF	See Annex B Chap 2-13
14	A 9ACR	2540-99-173-0384	. MODIFICATION KIT, VEHICULAR EQUIPMENT COMPONENTS, BEACON ROTATING AMBER	MAE 43/9/0004	1	See Annex B Chap 2-14
NI 15		NP	. SA 80 RIFLE STOWAGE INSTALLATION	FV2200514	REF	See Annex B Chap 2-15
16	A 6MT1	9905-99-837-2954	. SIGN, LH and RH rear marker boards	BSAU152	SET	
NI 17		NP	. FUEL SYSTEM, GENERATORS	FV952438	REF	See Annex B Chap 2-16
For information on SAS/MC equipment see AESP 5895-H-514-711						

~~UNRESTRICTED~~

~~UNRESTRICTED~~

Chapter 2-1

PARTS LIST

HULL GENERAL ARRANGEMENT

FV439 (SAS/MC)

Chap

- 2-1 Hull general arrangement
- 2-1-1 Inspection covers and drain plugs installation
- 2-1-1 Drivers hatch assembly (AESP 2350-T-251-711)
- 2-1-2 Engine compartment panels general arrangement
- 2-1-2 Commanders cupola assembly (AESP 2350-T-251-711)
- 2-1-3 NTU
- 2-1-4 Rear door general arrangement (AESP 2350-T-251-711)
- 2-1-5 Engine compartment roof assembly (AESP 2350-T-251-711)
- 2-1-7 NTU
- 2-1-8 Front access cover general arrangement (AESP 2350-T-251-711)
- 2-1-10 Terminal box, telephone (AESP 2350-T-251-711)

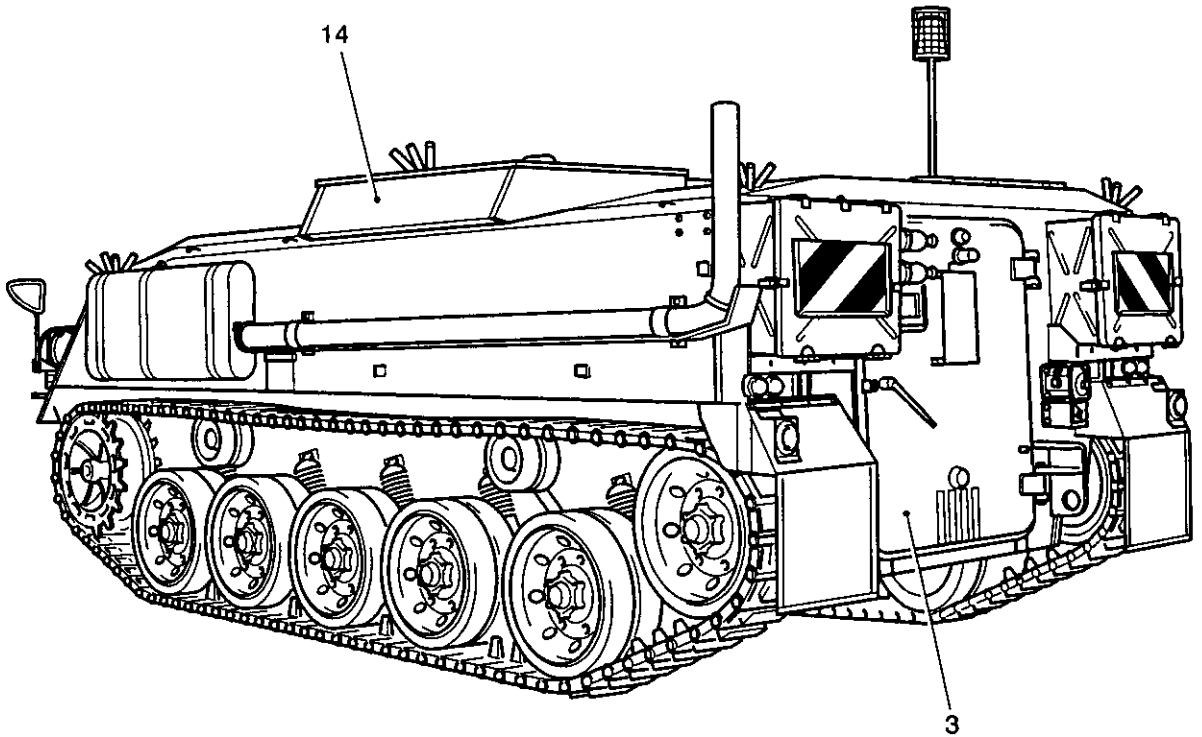
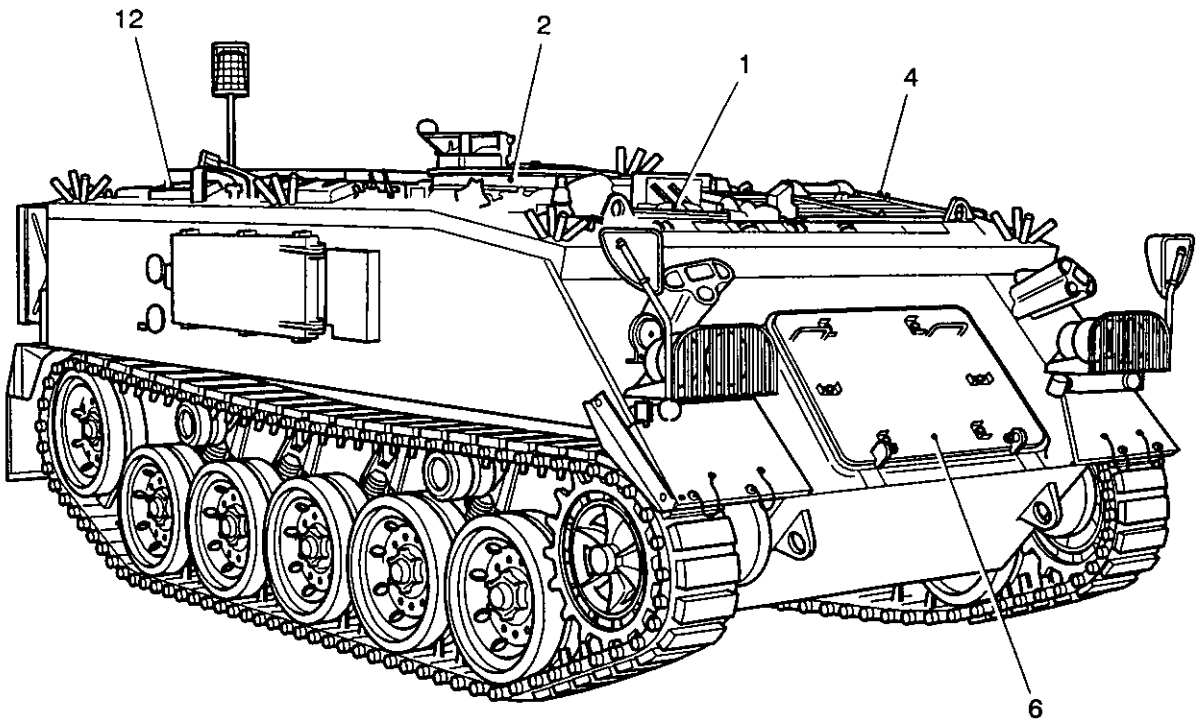


Fig 1 Hull general arrangement FV439 (SAS/MC)

430/70153

Fig Item	Man Code Navy - N Army - A RAF - R	NATO Stock No	Item Name and Description	Part No/ Drawing No.	No. Off	Annotations
1-		NP	HULL GENERAL ARRANGEMENT, FV439 (SAS/MC)	FV2200493	REF	
1		NP	. DRIVERS HATCH ASSEMBLY	FV421544	REF	See Chap 2-1-1
2		NP	. COMMANDERS CUPOLA ASSEMBLY	FV524831	REF	See Chap 2-1-2
3		NP	. REAR DOOR GENERAL ARRANGEMENT	FV586071	REF	See Chap 2-1-4
4		NP	. ENGINE COMPARTMENT ROOF ASSEMBLY	FV559367	REF	See Chap 2-1-5
NI 5		NP	. ENGINE COMPARTMENT SEALING PANELS ASSEMBLY	FV2200679	REF	See Annex B Chap 2-1-2
6		NP	. FRONT ACCESS COVER GENERAL ARRANGEMENT	FV585714	REF	See Chap 2-1-8
NI 7		NP	. INSPECTION COVERS AND DRAIN PLUGS INSTALLATION	FV2200495	REF	See Annex B Chap 2-1-1
NI 8		NP	. INSULATION LINING ASSEMBLY	FV2200511	REF	LM from items 9,10,11
NI 9	A 9AHY	9330-99-225-4337	. INSULATION MATERIAL, light tan chloroprene coated, glass fabric, fire resistant, bulk supply, 1220mm w	FV2086381	A/R	
NI 10	A 9AHY	9330-99-225-4336	. INSULATION MATERIAL, low fire hazard polyurethane barrier foam, bulk supply, 25mm thk, u/w 9AHY/9330-99- 225-4337	FV2031419	A/R	
NI 11	A 9AHY	9330-99-383-4140	. INSULATION MATERIAL, low fire hazard polyurethane foam, 12mm thk, bulk supply, u/w 9AHY/9330-99-225- 4337	VITAFOAM VFR/2/140/ 12MM	A/R	
12	A 9ACR	5940-99-801-2756	. TERMINAL BOX, steel, w/cover, telephone	FV524744	1	See Chap 2-1-10
NI 13		NP	. FRONT ACCESS COVER HINGE AND HULL HINGE REPLACEMENT	FV2200708	REF	
14		NP	. STAGE 2 VEHICLE MODIFICATIONS	FV2200487	REF	See Fig 2

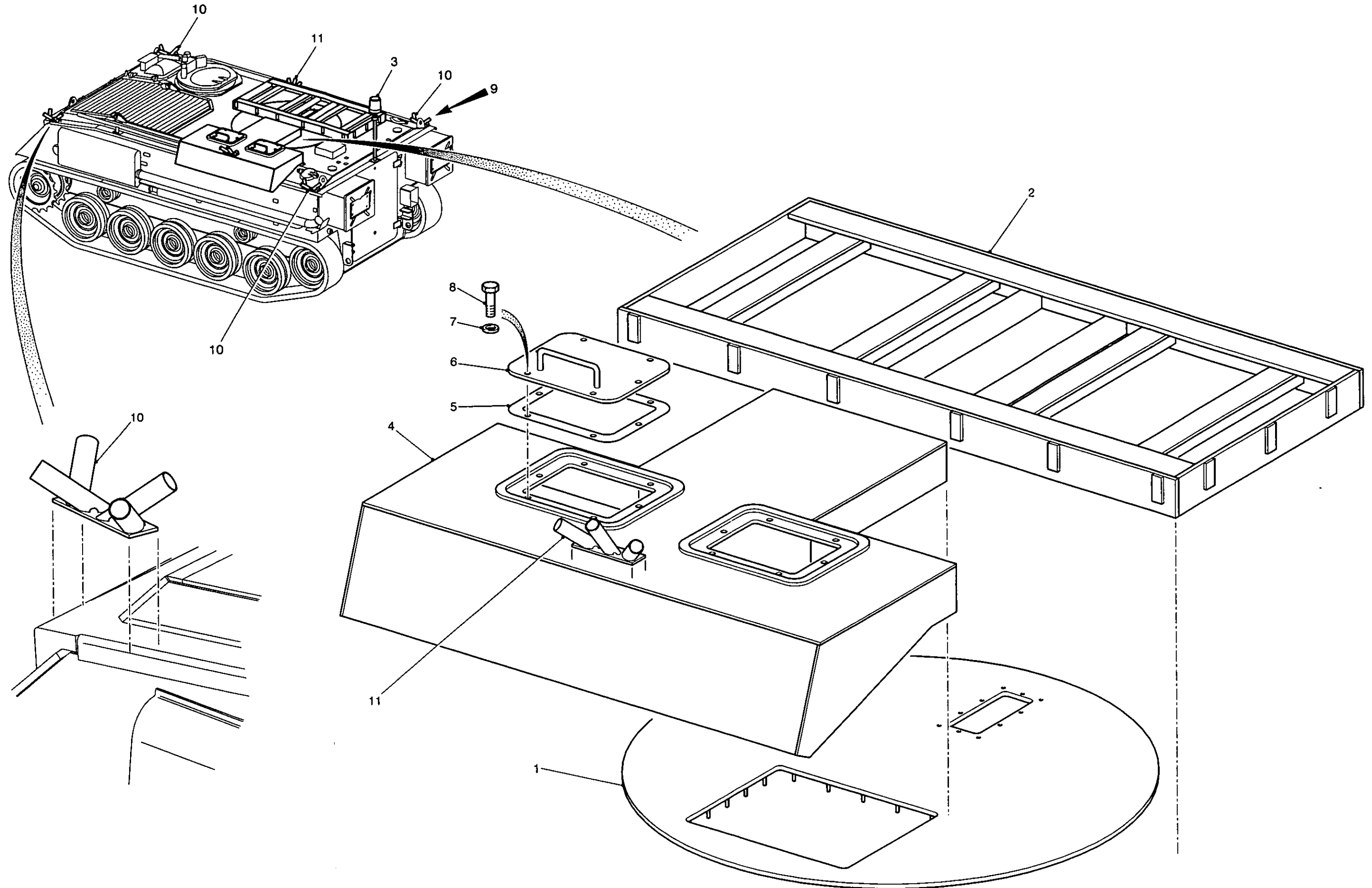


Fig 2 Stage 2 vehicle modifications, FV439 (SAS/MC)

430/70154

Fig Item	Man Code Navy - N Army - A RAF - R	NATO Stock No	Item Name and Description	Part No/ Drawing No.	No. Off	Annotations
2-			HULL GA - contd			
		NP	. STAGE 2 VEHICLE MODIFICATIONS, FV439 (SAS/MC)	FV2200487	REF	
1		NP	. . . PLATE, COVER ASSEMBLY	FV2047987	1	
2		NP	. . . GENERATOR MOUNTING BRACKET	FV2048014	1	
3	A 9ACR	2540-99-173-0384	. . . MODIFICATION KIT, VEHICULAR EQUIPMENT COMPONENTS, BEACON ROTATING, AMBER	MAE 43/9/0004	1	
4		NP	. . . ARMoured HOUSING ASSEMBLY	FV2047988	1	
5		NP	. . . GASKET, rubber, rect, 15.7mm hole dia, 240mm aperture w, 315mm aperture lg, 6 bolt holes, 3mm thk, 396mm lg, 321mm w	FV2048013	2	
6		NP	. . . COVER ASSEMBLY, HATCH	FV2048010	2	
7	A G1	5310-99-122-6476	. . . WASHER, FLAT, steel, Zn plated w/chromate, 21mm od, 10.9mm id, 2.2mm thk		12	
8	A G1	5306-99-122-8671	. . . BOLT, MACHINE, M10 X 1.5mm pitch, class 6G, 45mm thd and fastener lg, steel, Zn plated w/chromate, grade 8.8, hex hd		12	
9		NP	. . . CONCEALMENT BRACKET, GENERAL ARRANGEMENT	FV952594	REF	
10	A 9MCV	1080-99-300-3202	. . . BRACKET, SUPPORT, CAMOUFLAGE NET, corner bracket, WA, 240mm x 60mm base plate, w/4 support tubes	FV952502	4	
11	A 9MCV	1080-99-562-2567	. . . BRACKET, SUPPORT, CAMOUFLAGE NET, centre bracket, steel, WA, 150mm x 60mm base plate, w/3 support tubes	FV952501	2	
NI 12		NP	. . . DOOR ASSEMBLY, NBC UNIT	FV2044321	REF	See Annex B Chap 2-13
NI 13		NP	. . . COVER PLATE, FUEL TANK, RH	FV2200496	1	See Annex B Chap 2-1-1

~~UK RESTRICTED~~

~~UK RESTRICTED~~

Chapter 2-1-1
PARTS LIST
INSPECTION COVERS AND DRAIN PLUGS INSTALLATION
FV439 (SAS/MC)

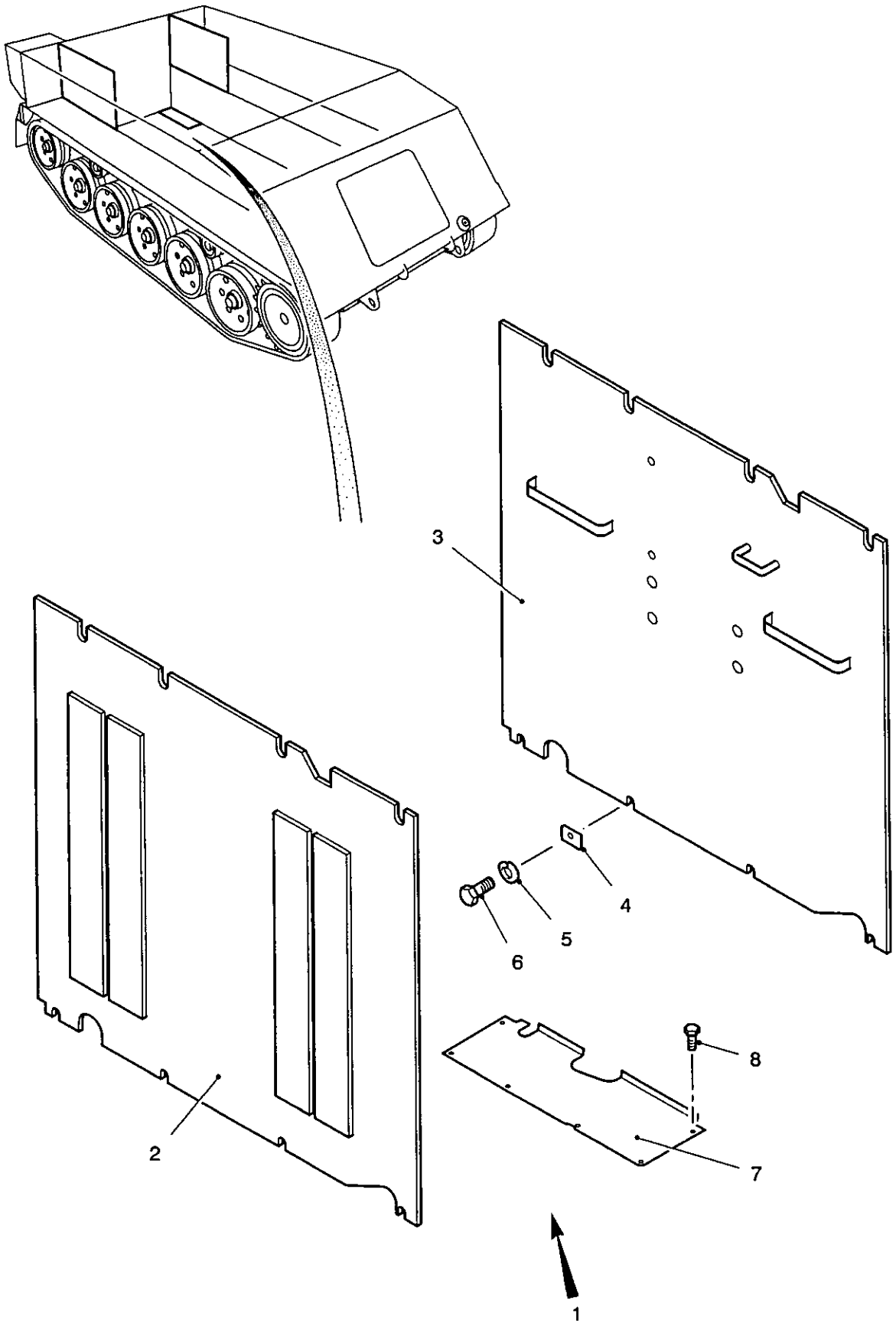


Fig 1 Fuel tank and floor cover plates

430/70173

Fig Item	Man Code Navy - N Army - A RAF - R	NATO Stock No	Item Name and Description	Part No/ Drawing No.	No. Off	Annotations
1-			HULL GA - contd			
			. INSPECTION COVERS AND DRAIN PLUGS INSTALLATION - FV439 (SAS/MC)	FV2200495	REF	
1		NP	. . FUEL TANK AND FLOOR COVER PLATES		REF	
2		NP	. . COVER PLATE, FUEL TANK, RH	FV2200496	1	
3	A	9ACR 2510-99-867-4648	. . COVER PLATE, FUEL TANK, LH	FV559774	1	
4		NP	. . STRAP, COVER PLATE	FV499383	16	
5	A	G1 5310-99-941-6656	. . WASHER, LOCK, steel, split helical ring, single coil, sq section, 3/8in. bolt size, 0.092in. thk, 0.59in. od		16	
6	A	G1 5305-99-941-0541	. . SCREW, CAP HEXAGON HEAD, UNF, 3/8in. -24 thd, 1in. lg, class 2A, hex hd, 50 tons/sq in. MTS		16	
7	A	9ACR 5340-99-867-4643	. . COVER, ACCESS, 17-1/4in. x 5-7/8in. x 16 SWG (0.064in.)	FV586150	1	
8	A	G1 5305-99-941-6284	. . SCREW, CAP, HEXAGON HEAD, UNF, 1/4in. dia, class 2A thd, 1/2in. lg, hex hd, steel, Zn plated		6	
			Remainder of inspection covers and drain plugs same as FV559369			See Chap 2-1-9

~~UNRESTRICTED~~

~~UNRESTRICTED~~

Chapter 2-1-2
PARTS LIST
ENGINE COMPARTMENT PANELS
GENERAL ARRANGEMENT -
FV439 (SAS/MC)

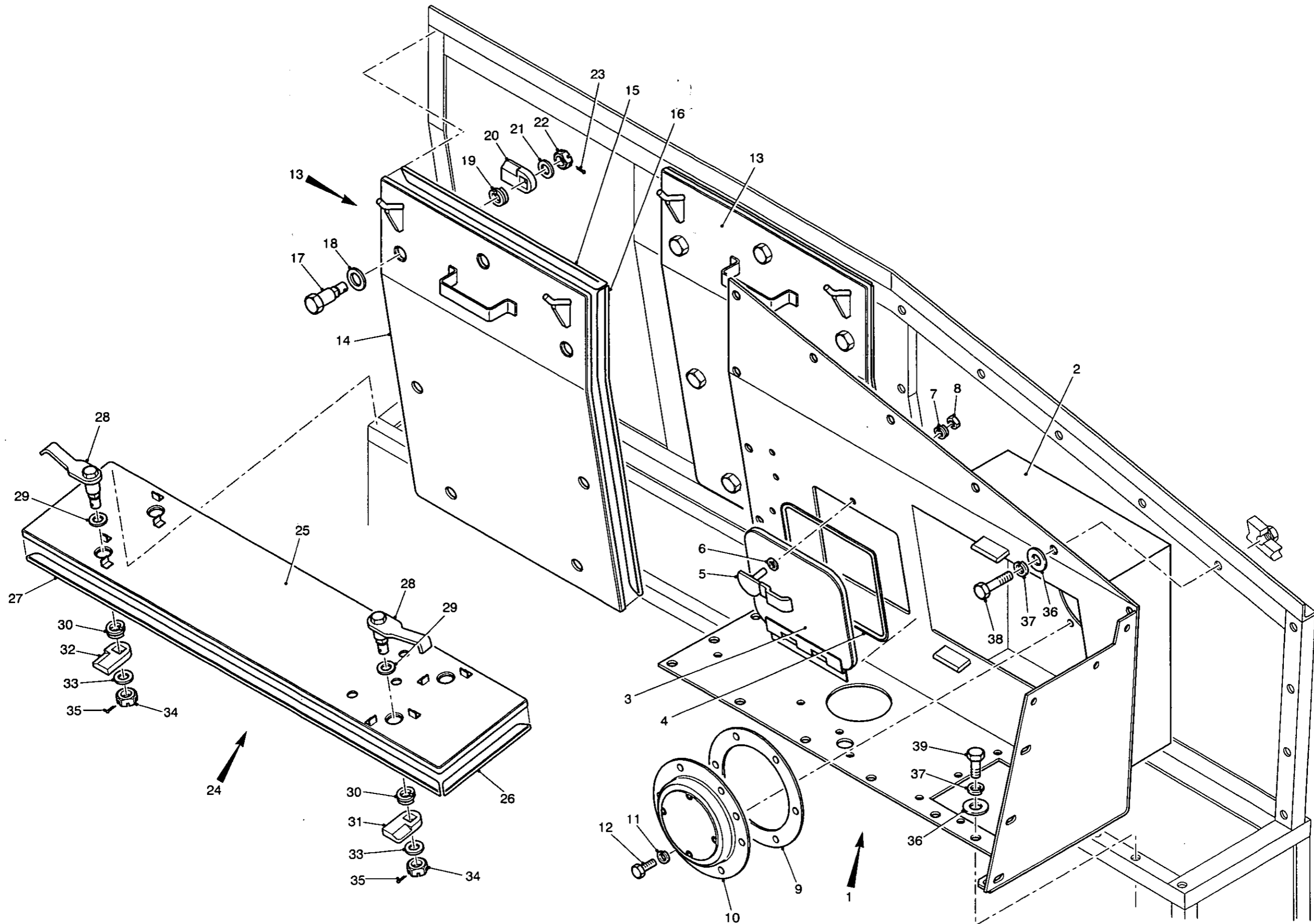


Fig 1 Engine compartment panels general arrangement FV439 (SAS/MC)

430/70155

Fig Item	Man Code Navy - N Army - A RAF - R	NATO Stock No	Item Name and Description	Part No/ Drawing No.	No. Off	Annotations
1-			HULL GA - contd			
		NP	. ENGINE COMPARTMENT PANELS GENERAL ARRANGEMENT	FV847383	REF	
1		NP	. . . FRONT FIXED PANEL, COMPLETE	FV847337	REF	
2		NP FRONT FIXED PANEL, WA	FV847338	1	
3	A 9ACR	2510-99-804-2220 LID, FRONT SEALING PANEL, steel, 6-1/4in. w x 7-3/4in. lg x 1/4in. deep, c/w hinge	FV602902	1	
4		NP SEAL, rubber, 29in. lg	FV525369/1	1	LM from item 36
5	A 9ACR	2510-99-867-4639 HANDLE, LOCKING, access door engine cover	FV510388	1	
6	A 9ACR	5310-99-804-2256 WASHER, FLAT, steel, rd, 11/32in. id x 5/8in. od x 0.15in. thk	FV559713	1	
7	A G1	5310-99-941-6628 WASHER, LOCK, steel, double coil, rect sect, Cd plated, 5/16in.		1	
8	A G1	5310-99-941-0925 NUT, PLAIN, HEXAGON, UNF, steel, Zn plated, chamfered, 5/16in.		1	
9	A 9ACR	5330-99-804-2284 GASKET, syn rubber, 5in. id x 7in. od x 1/8in. thk, 6 holes 6in. PCD	FV585864	1	
10	A 9ACR	2510-99-806-9264 COVER, ACCESS, 7in. dia, 3/4in. o/a thk, c/w instruction plate	FV651075	1	
11	A G1	5310-99-944-0549 WASHER, LOCK, steel, single coil, sq section, Cd plated, 5/16in.		6	
12	A G1	5305-99-941-0524 SCREW, MACHINE, steel, Zn plated, hex hd, 5/16in. x 5/8in.		6	
13		NP	. . . ENGINE COMPARTMENT COVER ASSEMBLY	FV847354	2	
14		NP COVER WA	FV847355	1	
15		NP SEAL, RUBBER, SPECIAL SHAPED SECTION, syn rubber, D shaped cross-section w/rounded corners, 1/16in. w, 3/16in. h, 3/32in. wall thk, 15-1/4in. lg	FV847352/1	2	
16		NP SEAL, RUBBER, SPECIAL SHAPED SECTION, syn rubber, D shaped cross-section w/rounded corners, 1/16in. w, 3/16in. h, 3/32in. wall thk, 20-3/4in. lg	FV847352/2	2	
17		NP PIVOT PIN, 1/2in. -20 UNF thd	FV847364	7	
18		NP WASHER, PLAIN, 3/4in. id x 15 SWG	7030312001 1000	7	
19	A G1	5310-99-941-6684 WASHER, LOCK, Cu alloy, split double helical ring, 51/64in. id, 5/64in. thk, 1-15/64in. od		7	
20		NP CLAMP PLATE	FV847353	7	
21		NP WASHER, PLAIN, 1/2in. dia, 17 SWG	7030108009 1000	7	
22	A G1	5310-99-941-0884 NUT, PLAIN, SLOTTED, HEXAGON, UNF, steel, Zn plated, chamfered, 1/2in. thd dia, 3/4in. w A/F, 7/16in. h, grade 3		7	
23	A G1	5315-99-944-0177 PIN, COTTER, SPLIT, steel, phosphate coated, extended prong chisel type, 0.094in. dia, 1.125in. lg		7	

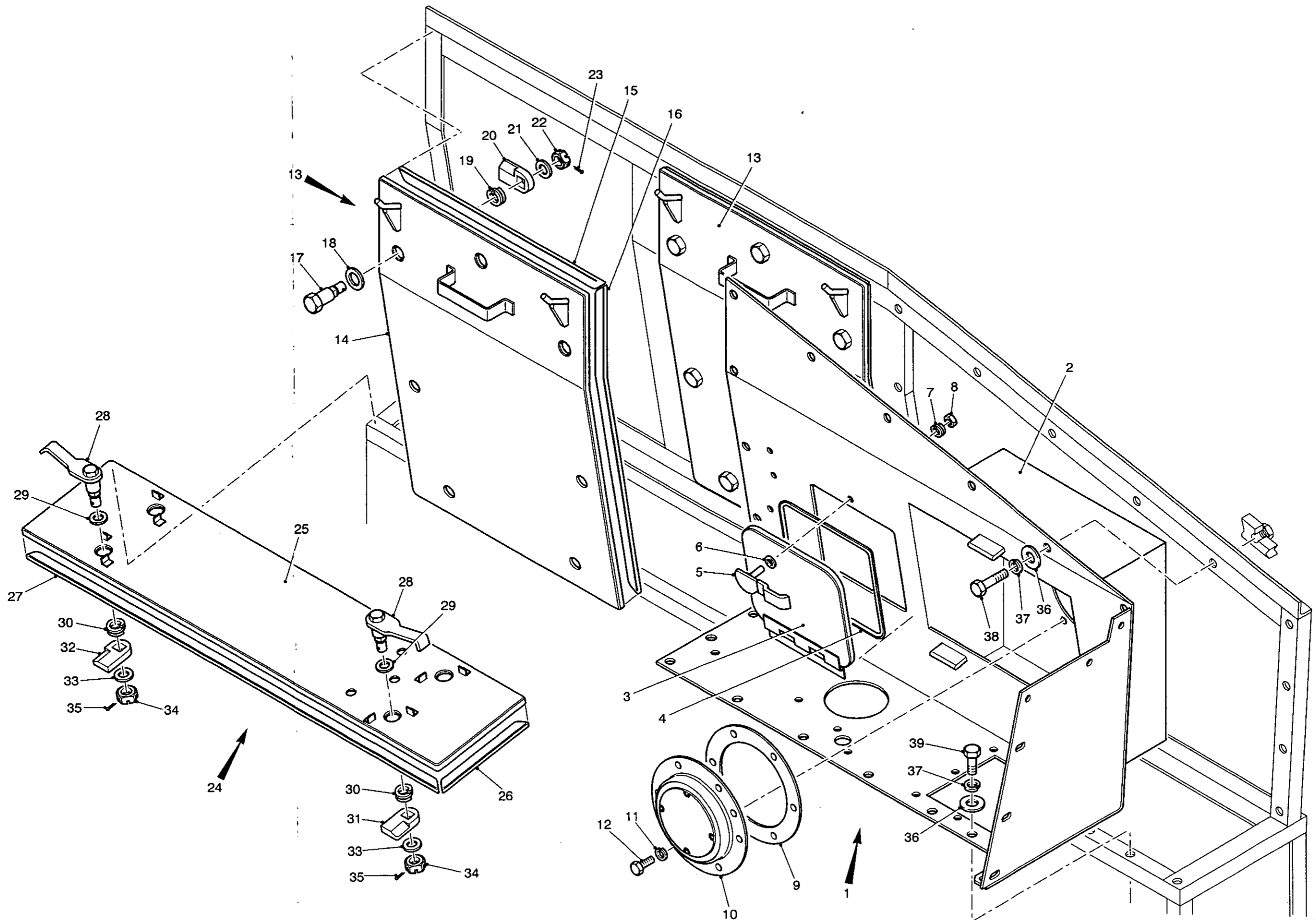


Fig 1 Engine compartment panels general arrangement FV439 (SAS/MC)

430/70155

Fig Item	Man Code Navy - N Army - A RAF - R	NATO Stock No	Item Name and Description	Part No/ Drawing No.	No. Off	Annotations
1-			HULL GA - contd . ENGINE COMPARTMENT PANELS GA - contd			
24		NP	. . . ENGINE COMPARTMENT COVER ASSEMBLY	FV847342	1	
25		NP	. . . COVER WA	FV847343	1	
26		NP SEAL, RUBBER, SPECIAL SHAPED SECTION, syn rubber, D shaped cross-section w/rounded corners, 1/16in. w, 3/16in. h, 3/32in. wall thk, 7.13in. lg	FV847352/3	2	
27		NP SEAL, RUBBER, SPECIAL SHAPED SECTION, syn rubber, D shaped cross-section w/rounded corners, 1/16in. w, 3/16in. h, 3/32in. wall thk, 31.38in. lg	FV847352/4	2	
28		NP	. . . CATCH, WA	FV847349	4	
29		NP	. . . WASHER, PLAIN, 1/2in. id, 17 SWG	70301080091 000	4	
30	A G1	5310-99-941-6684	. . . WASHER, LOCK, Cu alloy, split double helical ring, 51/64in. id, 5/64in. thk, 1-15/64in. od		4	
31		NP	. . . CLAMP PLATE	FV847376	2	
32		NP	. . . CLAMP PLATE	FV847353	2	
33		NP	. . . WASHER, PLAIN, 3/4in. id, 15 SWG	7030312001 1000	4	
34	A G1	5310-99-941-0884	. . . NUT, PLAIN, SLOTTED, HEXAGON, UNF, steel, Zn plated, chamfered, 1/2in. thd dia, 3/4in. w A/F, 7/16in. h, grade 3		4	
35	A G1	5310-99-944-0177	. . . PIN, COTTER, SPLIT, steel, phosphate coated, extended prong, chisel type, 0.094in. dia, 1.125in. lg		4	
36		NP	. . . WASHER, FLAT, 1/4in. large od	FV2044526	24	
37	A G1	5310-99-941-6654	. . . WASHER, LOCK, steel, split helical ring, 1/4in. bolt size, 27/64in. od, 5/64in. thk		24	
38	A G1	5306-99-941-0281	. . . BOLT, MACHINE, UNF, stainless steel, Zn plated, hex hd, 1/4in. x 1-1/8in. lg, class 2A		15	
39	A G1	5305-99-941-0512	. . . SCREW, MACHINE, UNF, steel, Zn plated, 1/4in. x 5/8in. lg, class 2A, hex hd		9	
NI 40	A 46MT6	9320-99-835-1324	. . . RUBBER, SPECIAL SHAPED SECTION, syn rubber, triangular shaped neoprene expanded closed cell, 7/16in. h, 5/8in. w, 5/32in. rad top	FV525369	A/R	For LM of panel seals
NI 41		NP	. . . FIBRE THERM, engine cover and panel insulation	EC98PA	A/R	
NI 42		NP	. FRAME, ENGINE PANELS	FV847384	REF	

~~UNRESTRICTED~~

~~UNRESTRICTED~~

Chapter 2-2
PARTS LIST
SUSPENSION GENERAL ARRANGEMENT -
FV439 (SAS/MC)
(See AESP 2350-T-251-711)

~~UNRESTRICTED~~

~~UNRESTRICTED~~

Chapter 2-3
PARTS LIST
TRANSMISSION GENERAL ARRANGEMENT -
FV439 (SAS/MC)

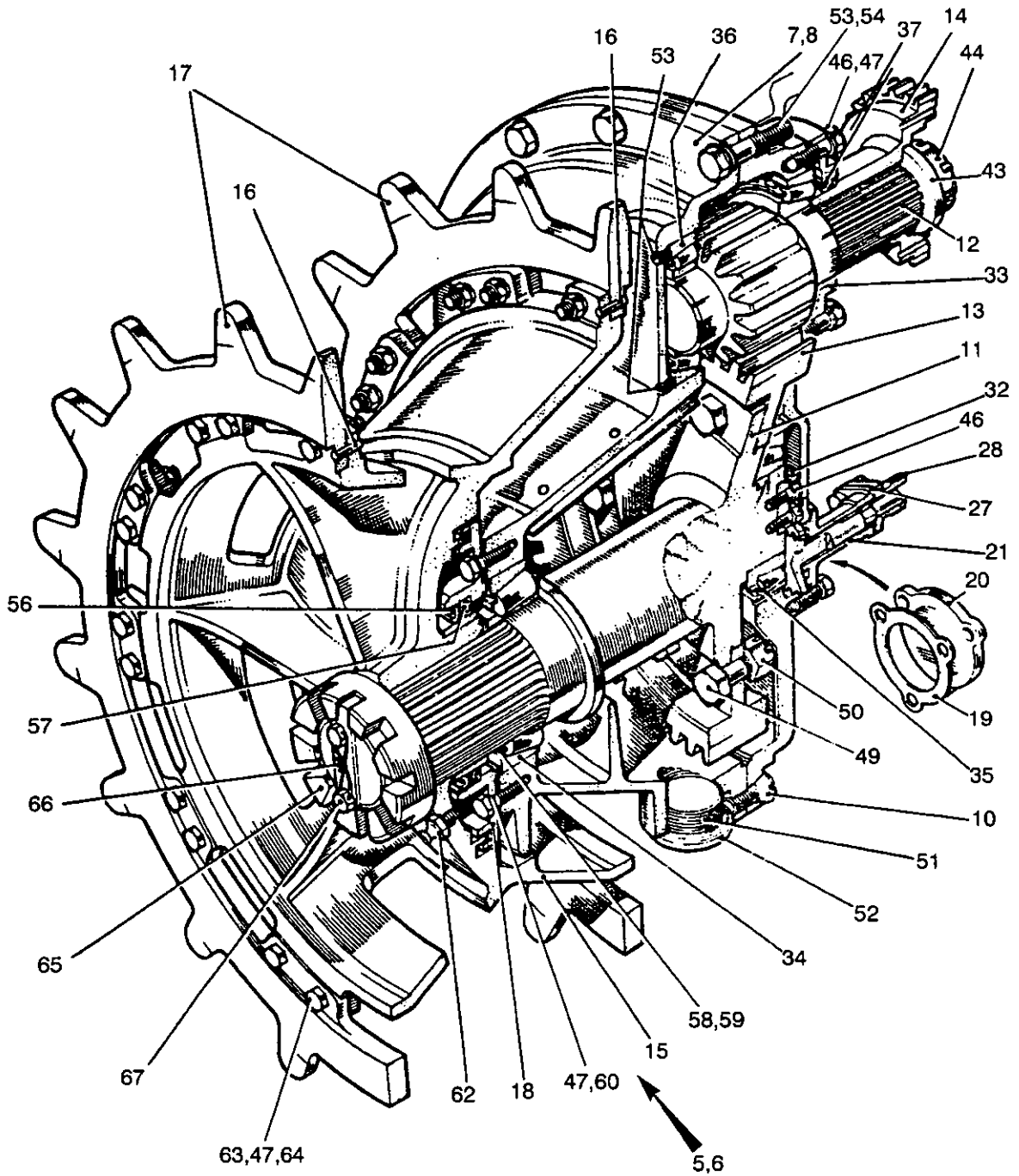


Fig 1 Final drive assembly

430/70145

Fig Item	Man Code Navy - N Army - A RAF - R	NATO Stock No	Item Name and Description	Part No/ Drawing No.	No. Off	Annotations
1-		NP	TRANSMISSION GENERAL ARRANGEMENT, FV439 (SAS/MC)	FV563252	REF	
NI 1		NP	. HALF SHAFT GENERAL ARRANGEMENT	FV500050	REF	} See Chap 2-3
NI 2		NP	. STEERING UNIT INSTALLATION		REF	
NI 3		NP	. STEERING UNIT MOUNTING	FV421825	REF	
NI 4		NP	. STEERING UNIT OIL TANK, PIPES AND FITTINGS	FV586064	REF	
5	A 9ACR	2520-99-802-6477	. FINAL DRIVE, VEHICULAR, RH	FV563406	1	
6	A 9ACR	2520-99-802-5852	. FINAL DRIVE, VEHICULAR, LH	FV563405	1	
7	A 9ACR	2520-99-865-6342	. CASING, VEHICULAR, FINAL DRIVE, RH	FV524605	1	
8	A 9ACR	2520-99-865-6341	. CASING, VEHICULAR, FINAL DRIVE, LH	FV524604	1	
NI 9	A 9ACR	5315-99-865-6320	. . . PIN, STRAIGHT, HEADLESS, steel, 1-7/8in. lg, 1/2in. dia	FV413989	2	
10	A G1	5305-99-941-6959	. . . SCREW, MACHINE, 2A thd, flat csk hd, scr 1-1/32in. x 1-1/4in. lg, 1/2in. UNF thd		3	
11	A 9ACR	2520-99-802-6478	. . SHAFT, VEHICULAR FINAL DRIVE, steel, 35in. od 1st end, 10.25in. od flange w/12 bolt holes 5/8in. dia. 90in. pcd 2nd end, 17.22in. lg	FV586586	1	
12	A 9ACR	3040-99-866-5297	. . GEAR SHAFT, SPUR, vehicular, final drive	FV413824	1	Driving
13	A 9ACR	3020-99-866-5298	. . GEAR SPUR, vehicular, final drive	FV500041	1	Driven Input flange
14	A 9ACR	3020-99-865-6337	. . GEAR SPUR, vehicular, final drive	FV500055	1	
15	A 9ACR	2520-99-802-6479	. . HUB, SPROCKET RING, steel, 2 mtg flanges, 20.6 od, x 10.2in. o/a wd	FV586587	1	
16	A 9ACR	5315-99-865-6325	. . . PIN, STRAIGHT HEADLESS, steel, 3/4in. lg, 1/4in. dia	FV434615	2	
17	A 9ACR	3020-99-865-6310	. . RING, SPROCKET, vehicular final drive	FV413809	2	
18	A 9ACR	5330-99-802-6481	. . RETAINER, OIL SEAL, steel, 5.75 x 10.5in. od, 1.437in. w	FV586591	1	
19	A 9ACR	5330-99-865-6305	. . GASKET, paper, rd, 0.343in. hole dia, 2in. aperture dia, 3 holes 0.010in. thk	FV299313	1	
20	A 9ACR	5340-99-865-6304	. . COVER PLATE, ACCESS, vehicular, final drive casing	FV299312	1	LH only
21		NP	. . SPEEDOMETER, GEAR AND HOUSING SUB-ASSY	FV299295	1	RH only
NI 22	A 9ACR	3120-99-942-8076	. . . BEARING SLEEVE, copper alloy, plain, no outside flanges, solid, 3/4 x 11/16 x 9/16in. id		2	
NI 23	A 9ACR	3040-99-865-6302	. . . GEARSHAFT, SPUR, vehicular final drive, flexible shaft assembly	FV299298	1	Speedometer drive
NI 24	A 9ACR	3120-99-865-6300	. . . BEARING, SLEEVE, steel, plain, no outside flanges, solid, 0.5 x 0.75 x 0.4897in. id	FV61803	1	
NI 25	A G1	5310-99-941-6655	. . WASHER, LOCK, steel, split helical ring 0.343in. hole dia, 0.080in. thk 0.503in. od		3	} Securing items 20 & 21
NI 26	A G1	5305-99-941-0698	. . SCREW, MACHINE, UNC, steel, hex hd, zinc P, 5/16in. x 3/4in. lg, class 2A thd		3	
27	A 9ACR	2520-99-856-6307	. . GASKET, fibre, 0.281in. hole dia, 0.812in. aperture dia, 2 bolt holes, 0.010in. cross sect thk, 2.21in. o/a wd	FV299340	1	} RH only
28	A 9ACR	2520-99-865-6306	. . ADAPTOR, FLEXIBLE SHAFT ASSEMBLY, vehicular, final drive	FV299339	1	

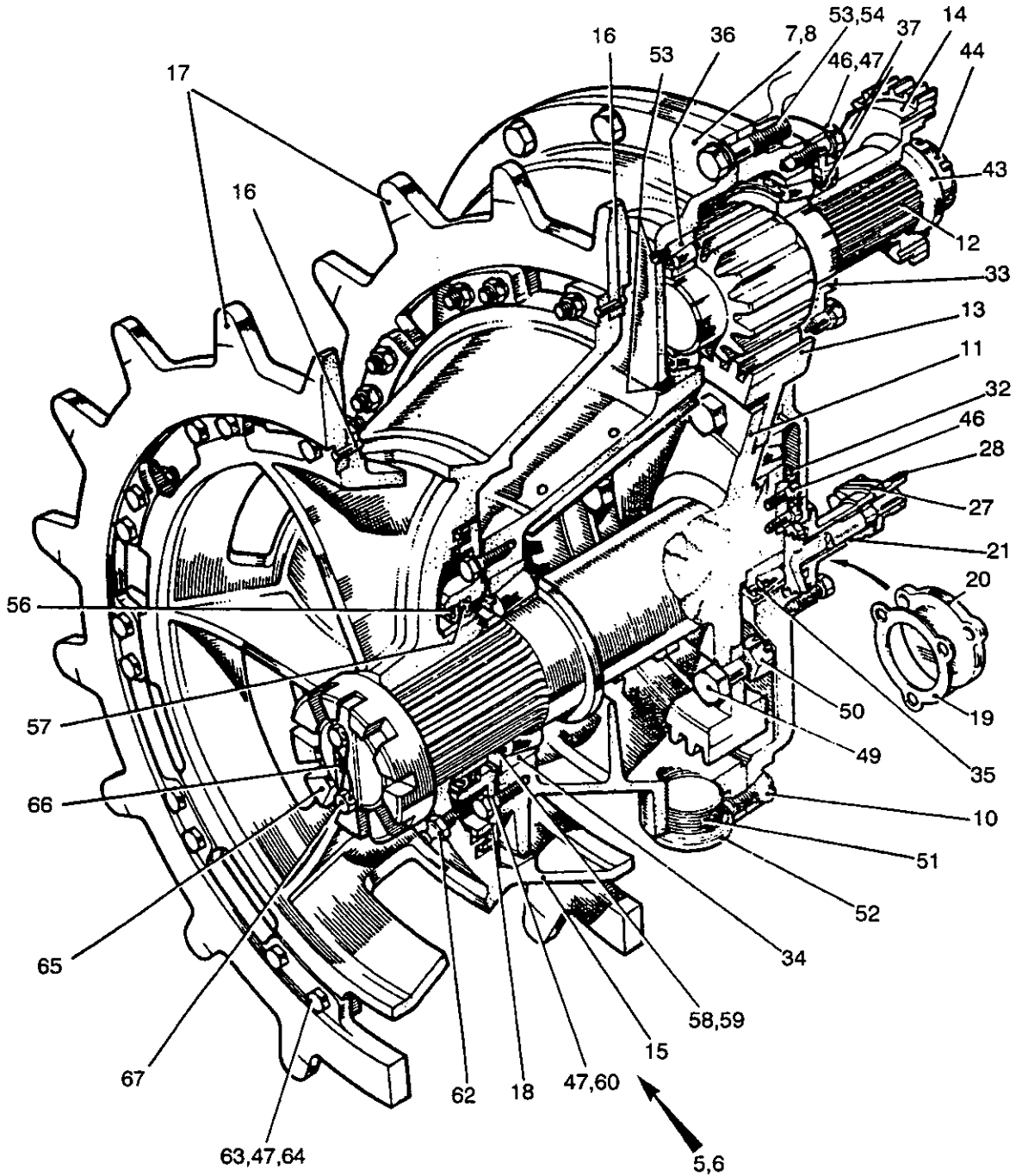


Fig 1 Final drive assembly

430/70145

Fig Item	Man Code Navy - N Army - A RAF - R	NATO Stock No	Item Name and Description	Part No/ Drawing No.	No. Off	Annotations
1-			TRANSMISSION GA - contd . FINAL DRIVE, VEHICULAR, LH/RH - contd			
NI 29	A G1	5305-99-941-0513	. . SCREW, MACHINE, UNF, steel, zinc P, hex hd, 1/4in. x 3/4in. lg		2	} Securing item 28
NI 30	A G1	5310-99-941-6654	. . WASHER, LOCK, steel, split helical ring, 1/4 x 27/64 x 5/64in. thk		2	
NI 31	A G1	5310-99-804-7941	. . NUT, PLAIN, HEXAGON, UNF, 1/4in. dia - 2B, 2B, rh thd, steel, zinc P, 7/16 x 7/32in. h		2	
32	A 9ACR	3020-99-865-6301	. . GEAR SPUR, vehicular final drive, flexible shaft assembly	FV299297	1	
33	A 9ACR	5330-99-865-6328	. . RETAINER, OIL SEAL, vehicular, final drive	FV499784	1	
34	A 46MT7	3110-99-950-1009	. . BEARING, TAPERED ROLLER, straight bore, 3.5/3.5010in. id, 6.375/6.376 x 1.875/1.883in. lg	K759K752	1	Main shaft outer
35	A 6MT7	3110-99-950-0994	. . BEARING, TAPERED ROLLER, 2-3/4in. bore, 5in. od cup, 1-7/16in. lg	K566K563	1	Main shaft inner
36	A 6MT7	3110-99-950-1037	. . BEARING, TAPERED ROLLER, 55mm bore, 12mm x 31.5mm lg	30311	2	} Gear shaft
37	A 9ACR	5330-99-801-6526	. . SEAL, PLAIN, ENCASED, steel case, leather element, 1/2 x 2-3/4in. housing bore dia	960316A10 52	1	
NI 38	A 9ACR	5365-99-865-6312	. . SHIM, brass, solid, rd, 6.45 aperture dia, 0.005 x 9in. od, 8 bolt holes	FV413813	A/R	} Main shaft
NI 39	A 9ACR	5365-99-865-6313	. . SHIM, steel/brass, 7 x 6.45in. id, 8 bolt holes, 0.007 x 9in. od	FV413814	A/R	
NI 40	A 9ACR	5365-99-865-6314	. . SPACER, PLATE, steel/brass, 9 x 6.45in. id, 8 bolt holes, 0.406 x 0.020in. thk	FV413815	A/R	
NI 41	A 9ACR	5365-99-865-6330	. . SHIM, steel or brass, 4.750in. id x 6.6in. x 0.005in. thk	FV499786	A/R	} Gear shaft
NI 42	A 9ACR	5365-99-865-6329	. . SHIM, steel/brass, 4-3/4 x 6-19/32in. x 0.007in. thk	FV499785	A/R	
43	A 9ACR	5310-99-865-6319	. . WASHER, FLAT, steel, phos coated w/oil finish, rd, 2.375 x 1.265 x 0.250in. thk	FV413822	1	
44	A 9ACR	5310-99-865-6100	. . NUT, SLOTTED, HEXAGON, UNF, steel, phos, 1-1/4 x 1.875 x 0.690in, nut h, 2B thd	FV299300	1	
NI 45	A G1	5315-99-942-0401	. . PIN, COTTER, SPLIT, 3/16in. dia x 2-1/2in. lg		1	u/w item 44
46	A 9ACR	5305-99-865-6303	. . SCREW, MACHINE, 2A thd, 3/4in. lg, hex hd, one hole drilled in hd, 0.055in. dia	FV299304	2	
47	A G1	5310-99-944-0567	. . WASHER, LOCK, steel, Cd P, 0.398in. x 0.144in. x 0.658in. od		58	
NI 48	A G1	5305-99-941-0716	. . SCREW, MACHINE, steel, zinc P w/chromate, hex hd, 3/8in. dia x 1-1/4in. lg		6	Oil seal housing output flange
49	A 9ACR	5305-99-865-6338	. . SETSCREW, UNF, steel, hex hd, phos, 5/8in. x 1-5/8in. lg, 0.03 x 0.93 x .75in. w	FV500056	12	
50	A G1	5310-99-941-0864	. . NUT, SLOTTED, HEXAGON, UNF, steel, zinc P, chamfered bearing surface, 5/8 x 15/16in. wd x 23/32in. h, grade 3 nut		12	

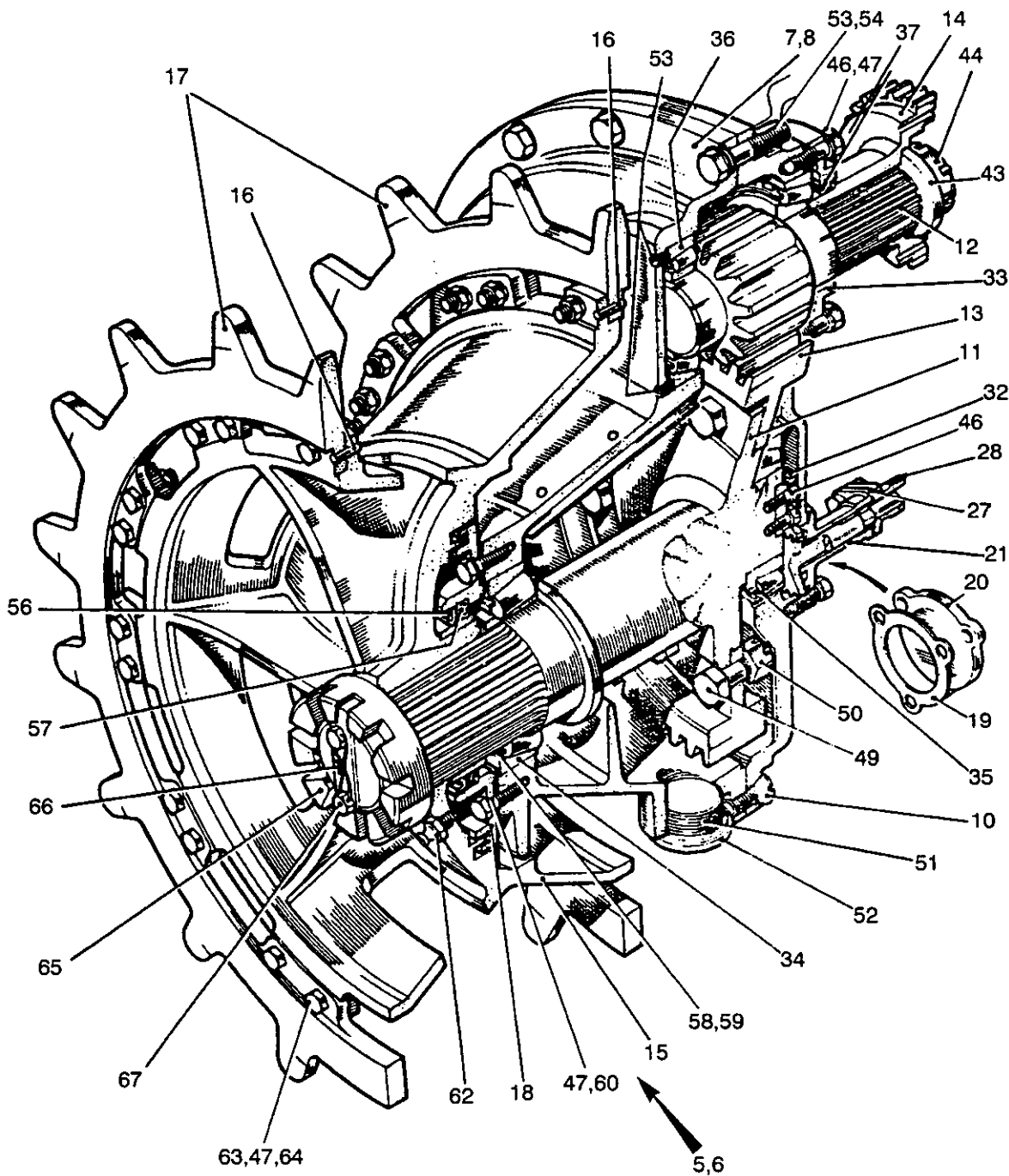


Fig 1 Final drive assembly

430/70145

Fig Item	Man Code Navy - N Army - A RAF - R	NATO Stock No	Item Name and Description	Part No/ Drawing No.	No. Off	Annotations
1-			TRANSMISSION GA - contd . FINAL DRIVE, VEHICULAR, LH/RH - contd			
51	A	9ACR	5365-99-865-6959 . . SPACER, RING, copper, rd, 2.125 x 0.064 x 1.75in. id	FV395476	2	
52	A	46MT1	5365-99-942-8008 . . PLUG, steel, hex hd, 1-3/4in. x 5/8in. lg phosphate finish		2	
53		NP	. . SCREW, GRUB, UNC, r steel, 5/16in. 3/8in. lg	FV413990	2	
54	A	G1	5310-99-138-3581 . . WASHER, LOCK, steel CD P, split helical ring, 41/64in. x 3/16in. thk, 1-3/32in. od		21	
NI 55	A	G1	5306-99-941-1598 . . BOLT, MACHINE, UNC, 5/8 x 2-1/4in. lg, steel, hex hd, zinc plated		18	
56	A	46MT1	5330-99-801-5626 . . SEAL, PLAIN, ENCASED, steel case, leather element, 9/16 x 5-1/4 x 6-1/4in. housing bore dia	W62552556	1	
57	A	46MT1	5330-99-801-6924 . . SEAL, PLAIN, rubber, syn, 5.25 x 0.500in. w, steel strengthening	MIS54	1	
58	A	9ACR	5365-99-828-9068 . . SPACER, RING, steel, rd, 4 x 0.106 x 3.515in. id	FV651464	1	
59	A	9ACR	5365-99-828-9069 . . SPACER, RING, steel, rd, 4 x 0.50 x 3.515in. id	FV651465	1	
60	A	G1	5305-99-941-0714 . . SCREW, MACHINE, UNC, 0.375 x 1in. lg, steel, zinc P, hex hd, 2A thd		8	
NI 61	A	46MT1	4820-99-881-5095 . . VALVE, AIR PRESSURE RELIEF, GEAR HOUSING, 1-5 PSI, 3/8in. UNF	OA6875	1	
62	A	6MT1	4730-99-943-9374 . . LUBRICATING NIPPLE, steel, straight hydraulic type, 1/4 x 3/16 x 5/16in. a/f, 0.545in. max lg	NA6625	1	
63	A	G1	5306-99-941-6598 . . BOLT, MACHINE, UNF, 3/8 x 1-1/2in. lg, steel, hex hd, zinc plated, 1in. lg thd		44	
64	A	G1	5310-99-941-0926 . . NUT, PLAIN, HEXAGON, UN, steel, zinc P, chamfered bearing surface, 3/8in. -24, 0.563 x 0.333in. o/a h		44	
65	A	9ACR	5310-99-802-6482 . . NUT, PLAIN, ROUND, UNS, steel, phos, 5.5 x 1.72in. thk	FV586590	1	
66	A	9ACR	2520-99-823-9285 . . LOCKING PLATE, ROUND PLAIN NUT, steel, phos, 3-19/32in. lg, 1in. wd, 3/8in. thk, c/w 2 holes 11/32in. dia	FV650237	1	
67	A	9ACR	5305-99-865-6309 . . SCREW, CAP, HEXAGON HEAD, steel, phosphate coated, 0.312in. -24UNF thd, 0.875in. thd and fastener lg, one hole drilled in hd 0.055in. dia	FV299373	2	

~~UNRESTRICTED~~

~~UNRESTRICTED~~

Chapter 2-4
PARTS LIST
POWER UNIT, DIESEL, GENERAL ARRANGEMENT -
FV439 (SAS/MC)
(See AESP 2350-T-251-711)

~~UNRESTRICTED~~

~~UNRESTRICTED~~

Chapter 2-5
PARTS LIST
FUEL SYSTEM GENERAL ARRANGEMENT -
FV439 (SAS/MC)
(See AESP 2350-T-251-711)

~~UNRESTRICTED~~

~~UNRESTRICTED~~

Handwritten mark

Chapter 2-6
PARTS LIST
CONTROLS GENERAL ARRANGEMENT -
FV439 (SAS/MC)
(See AESP 2350-T-251-711)

~~UNRESTRICTED~~

~~UNRESTRICTED~~

_ Chapter 2-7

PARTS LIST

ELECTRICAL EQUIPMENT -

GENERAL ARRANGEMENT -

FV439 (SAS/MC)

Chap

2-7 Electrical equipment general arrangement
2-7-1 Vehicle harnesses

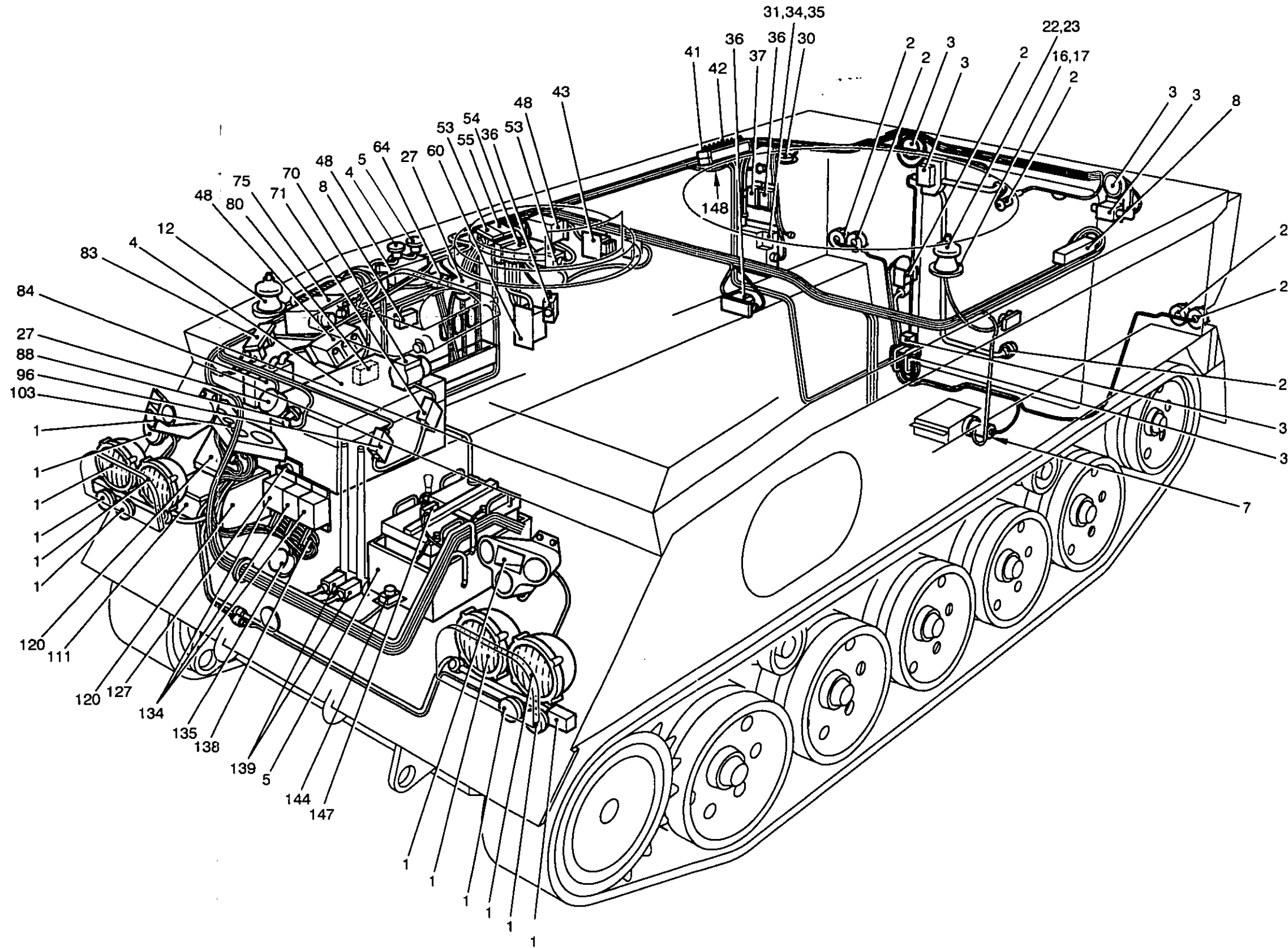


Fig 1 Electrical equipment general arrangement - FV439 (SAS/MC)

430/70164

Fig Item	Man Code Navy - N Army - A RAF - R	NATO Stock No	Item Name and Description	Part No/ Drawing No.	No. Off	Annotations
1-		NP	ELECTRICAL EQUIPMENT GENERAL ARRANGEMENT, FV439 (SAS/MC)	FV2200497	REF	
		NP	ELECTRICAL EQUIPMENT, HULL, GENERAL ARRANGEMENT	FV2200500	REF	
1		NP	ELECTRICAL EQUIPMENT, FRONT, EXTERNAL		REF	} See Chap 2-7
2		NP	ELECTRICAL EQUIPMENT, REAR, EXTERNAL		REF	
3		NP	ELECTRICAL EQUIPMENT, REAR, INTERNAL		REF	
4		NP	VEHICLE BATTERIES INSTALLATION		REF	
5		NP	RADIO BATTERIES INSTALLATION		REF	
NI 6		NP	ELECTRICAL EQUIPMENT INTERNAL		REF	
7	A 6MT12	2910-99-881-4425	PUMP, PRESSURISING, FUEL SYSTEM, 24V dc, No. 2, Mk 1	FV342593	1	See Chap 2-5
8	A 9ACR	2540-99-801-3873	BOX, STOWAGE, VEHICULAR ACCESSORIZED	FV559249	1	
NI 9		NP	WASHER, FLAT, 5/16in. bolt size	7030005009 4900	2	} Securing item 8
NI 10	A G1	5310-99-944-0549	WASHER, LOCK, steel, split helical ring, Cd plated, 5/16in. bolt size, 0.503in. od, 0.08in. thk, single coil, sq section		2	
NI 11	A G1	5305-99-941-0524	SCREW, MACHINE, UNF, 5/16in. class 2A thd, 5/8in. lg, Zn plated, hex hd		2	
12	A Z1	5820-99-949-0981	BASE, AERIAL SUPPORT, rubber and steel, 5.25in. lg, 5in. dia	SDB60930	1	
NI 13		NP	GASKET	ZA35728	1	u/w item 12
NI 14	A G1	5310-99-941-6654	WASHER, LOCK, steel, split helical ring, 1/4in. bolt size, 27/64in. od, 5/64in. thk		6	
NI 15	A G1	5305-99-941-0279	SCREW, MACHINE, UNF, steel, Zn plated, hex hd, 1/4in. dia x 7/8in. lg, class 2A		6	
16		NP	GASKET	FV438535	1	
17	A 9ACR	2590-99-832-5359	ADAPTOR PLATE ASSEMBLY, 2 piece WA, one central hole, 6 spot face holes, 6 plain holes	FV538432	1	
NI 18	A G1	5306-99-941-0283	BOLT, MACHINE, UNF, 1/4in. dia, class 2A thd, 1-3/8in. lg, steel, Zn plated w/chromate, hex hd, 3/4in. thd lg		6	} Securing item 17
NI 19		NP	WASHER, FLAT, 1/4in. bolt size	7030004009 4900	6	
NI 20	A G1	5310-99-941-6654	WASHER, LOCK, steel, split helical ring, 1/4in. bolt size, 27/64in. od, 5/64in. thk		6	
NI 21	A G1	5310-99-804-7941	NUT, PLAIN, HEXAGON, UNF, 1/4in. dia -28, class 2B, rh thd, steel, Zn plated, 7/16in. w A/F, 7/32in. h, chamfered		6	
22		NP	GASKET	ZA35728	2	} Securing item 23
23		NP	AERIAL BASE, No. 31	ZA49827	1	
NI 24		NP	SCREW, MACHINE, flat csk hd, 1/4in. UNF x 1-1/8in. lg	7013104180 4100	6	
NI 25	A G1	5310-99-941-6654	WASHER, LOCK, steel, split helical ring, 1/4in. bolt size, 24/64in. od, 5/64in. thk		6	
NI 26	A G1	5310-99-804-7941	NUT, PLAIN, HEXAGON, UNF, 1/4in. dia -28, class 2B, rh thd, steel, Zn plated, 7/16in. w A/F, 7/32in. h, chamfered		6	

Fig Item	Man Code Navy - N Army - A RAF - R	NATO Stock No	Item Name and Description	Part No/ Drawing No.	No. Off	Annotations
1-			ELECTRICAL EQUIPMENT GENERAL ARRANGEMENT - contd			
			. . . ELECTRICAL EQUIPMENT, INTERNAL - contd			
27	A	46MT3	. . . LIGHT, DOME, 4-3/8in.dia, 2-13/16in. h, 26V dc, mtg hole	FV426636	2	See Chap 2-7
NI 28	A	9ACR	. . . NUT, SLEEVE, 5/16in. UNF, rh, steel, phosphate coated, 0.438in. dia, 0.4in. lg, 0.562in. w A/F, rd cross section hex flange, 0.562in. w A/F, 0.35in. csk dia, 45 deg angle	FV485446	1	Securing item 27
NI 29	A	X5	. . . LAMP, INCANDESCENT, globular bulb, 32,5mm lg, 18mm od, 26V dc, 6W	FV603965	2	u/w item 27
30		NP	. . . TRANSMITTER, LIQUID QUANTITY	FV480106	1	See Chap 2-5
31		NP	. . . PACKING, PLATE, ALS19	FV28370	1	
NI 32	A	G1	. . . WASHER, LOCK, steel, Cd P, split helical ring, 5/16in. bolt size, 0.503in. od, 0.08in. thk, single coil, sq section		4	} Securing item 31
NI 33	A	G1	. . . SCREW, MACHINE, UNF, stainless steel, Zn plated, 5/16in. dia x 3/4in. lg, class 2A		4	
34		NP	. . . CARRIER, AMPLIFIER	FV264401	1	
35		NP	. . . AMPLIFIER, 2W	YA9669	1	
36		NP	. . . CONTROL UNIT, 'C' BOX	ZA46192	3	
37		NP	. . . CONTROL UNIT, '6T'	ZA46195	1	
NI 38		NP	. . . WASHER, FLAT, bolt size 5/16in.	7030005009 4900	8	
NI 39	A	G1	. . . WASHER, LOCK, steel, Cd plated, split helical ring, 5/16in. bolt size, 0.503in. od, 0.08in. thk, single coil, sq section		8	
NI 40	A	G1	. . . SCREW, MACHINE, UNF, stainless steel, Zn plated, 5/16in. dia x 3/4in. lg, class 2A		8	
41	A	9ACR	. . . TERMINAL BOX, telephone box, steel, w/cover	FV524744	1	See Chap 2-1-10
42	A	6MT4	. . . TERMINAL BOX, steel, 16 quick disconnect terminals and board 13- 1/2in. lg, 3-5/32in. w, 7/16in. thk	FV456896	1	
43	A	46MT3	. . . INDICATOR, FIRE DETECTOR SYSTEM, No. 3, Mk 1	FV534946	1	See Chap 2-7
NI 44	A	X5	. . . LAMP, INCANDESCENT, 52.5mm lg, 26.5mm dia, 24V dc, 21W, single contact bayonet, straight sided, transparent w/triple supported filament	9511HD	1	u/w item 43
NI 45	A	46MT3	. . . GUARD, LAMP	FV562031	1	u/w item 43
NI 46	A	G1	. . . WASHER, LOCK, steel, Cd plated, split helical ring, 5/16in. bolt size, 0.503in. od, 0.08in. thk, single coil, sq section		4	} Securing item 43
NI 47	A	G1	. . . NUT, PLAIN, HEXAGON, UNF, 5/16in. -24, class 2B, rh thd, steel, Zn plated, 1/2in. w A/F, 17/64in. h, chamfered		8	
48		NP	. . . JUNCTION BOX, 'J1'	ZA46288	3	
NI 49		NP	. . . WASHER, FLAT, 5/16in. bolt size x 15 SWG	7030005009 4900	12	} Securing item 48
NI 50	A	G1	. . . WASHER, LOCK, steel, Cd plated, split helical ring, 5/16in. bolt size, 0.503in. od, 0.08in. thk, single coil, sq section		12	
NI 51	A	G1	. . . SCREW, MACHINE, UNF, 5/16in. -24 class 2A thd, 7/8in. lg, steel, Zn plated, hex hd		12	

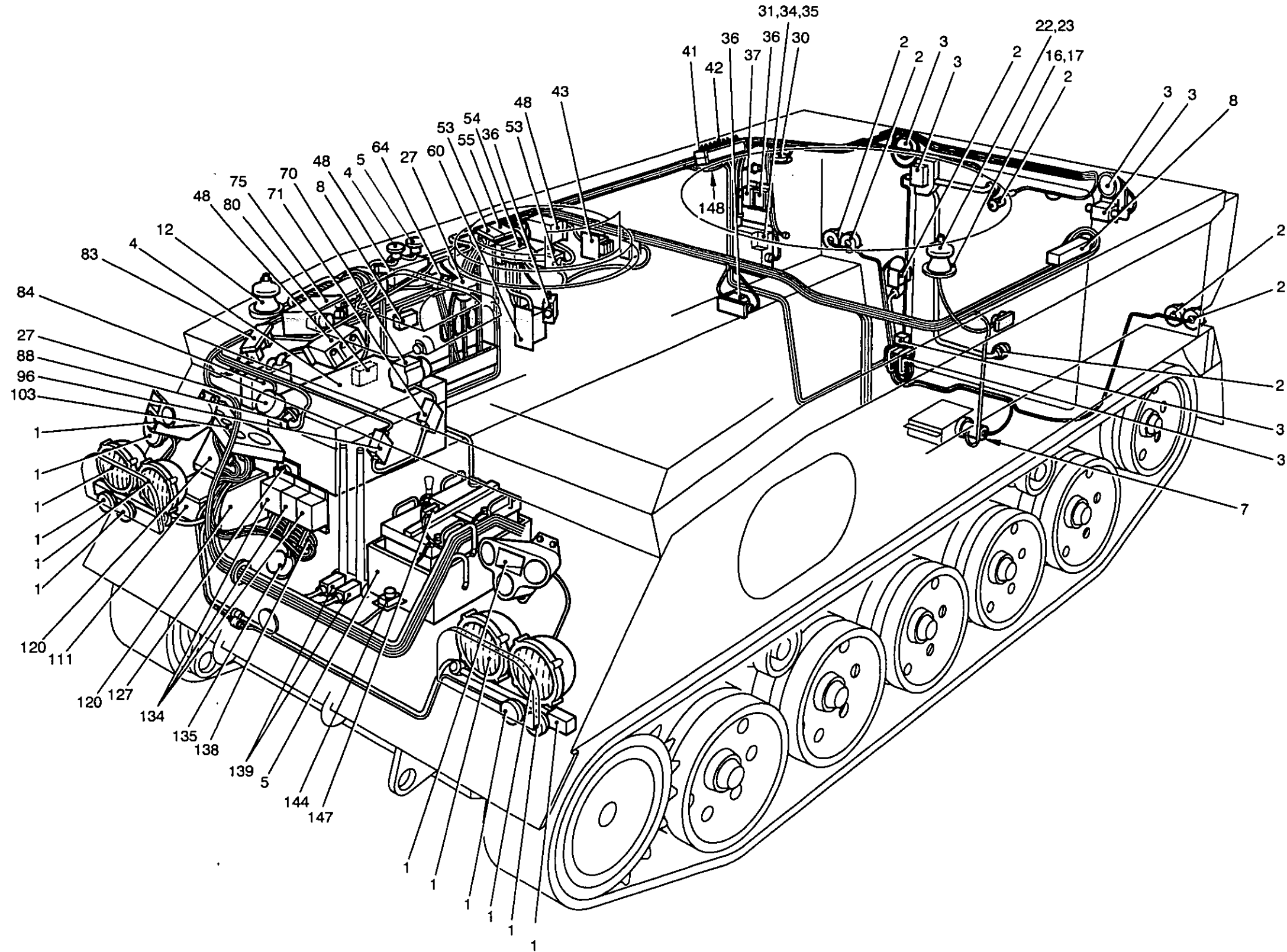


Fig 1 Electrical equipment general arrangement - FV439 (SAS/MC)

430/70164

Fig Item	Man Code Navy - N Army - A RAF - R	NATO Stock No	Item Name and Description	Part No/ Drawing No.	No. Off	Annotations
1-			ELECTRICAL EQUIPMENT GENERAL ARRANGEMENT - contd . ELECTRICAL EQUIPMENT, INTERNAL - contd			
NI 52		NP	. . BRACKET ASSEMBLY, 3 BOX	FV456882	1	
53		NP	. . INTERCONNECTING BOX, '12T'	SDC158757	2	
54		NP	. . CONTROL UNIT, 'MRRB'	ZA50246	1	
55		NP	. . INTERCONNECTING BOX ' E'	SDC193371	1	
NI 56	A G1	5305-99-941-0525	. . SCREW, MACHINE, UNF, stainless steel, Zn plated, hex hd, 5/16in. dia x 3/4in. lg, class 2A thd		6	} Securing items 52 to 55
NI 57		NP	. . WASHER, FLAT, 5/16in. bolt size x 15 SWG	7030005009 4900	6	
NI 58	A G1	5310-99-944-0549	. . WASHER, LOCK, steel, Cd plated, split helical ring, 5/16in. bolt size, 0.503in. od, 0.08in. thk, single coil, sq section		12	
NI 59	A G1	5310-99-941-0925	. . NUT, PLAIN, HEXAGON, UNF, 5/16in. -24, class 2B, rh thd, steel, Zn plated, 1/2in. w A/F, 17/64in. h, chamfered		12	
60	A 9ACR	5975-99-978-3142	. . JUNCTION BOX, ancillary, 7.8in. lg, 4.3in w, 3.3in. h	FV499692	1	See Chap 2-7
NI 61	A G1	5305-99-941-0542	. . SCREW, MACHINE, UNF, 3/8in. -24, class 2A thd, steel, Zn plated, 1-1/8in. lg, hex hd		4	} Securing item 60
NI 62	A G1	5310-99-138-6859	. . WASHER, LOCK, steel, Zn plated, split helical ring, 3/8in. bolt size, 3/32in. thk, 11/16in. od		4	
NI 63	A G1	5310-99-941-0926	. . NUT, PLAIN, HEXAGON, UNF, steel, Zn plated, chamfered, 3/8in. -24, grade 3, 0.563in. w A/F, 0.333in. h		4	
64	A 6MT4	5975-99-838-5151	. . JUNCTION BOX, SMOKE, DISCHARGER, enamelled, 3-1/2in. lg, 3-3/4in. w, 3-1/4in. h, black, 4 mtg holes, 1/4in. dia	FV959041	1	See Chap 2-7
NI 65	A G1	5310-99-941-6654	. . WASHER, LOCK, steel, split helical ring, 1/4in. bolt size, 27/64in. od, 5/64in. thk		4	} Securing item 64
NI 66	A G1	5305-99-941-0512	. . SCREW, MACHINE, UNF, 1/4in. class 2A thd, 5/8in. lg, steel, Zn plated, hex hd,		3	
NI 67	A 6MT4	5340-99-833-9560	. . CLAMP, LOOP, steel, Zn plated, 5/8in. w, 3/4in. loop centre to end, 3/16in. loop, rd and slotted, 11/32in. dia hole	51101263	1	
NI 68		NP	. . WASHER, FLAT, 1/4in. dia x 17 SWG	7030004009 4900	1	} Securing items 64, 67
NI 69		NP	. . SCREW, MACHINE, 1/4in. UNF x 3/4in. lg	7010104124 5900	1	
70	A 6MT3	2540-99-866-6933	. . MOTOR, WINDSCREEN WIPER, ELECTRIC, periscope wiper	FV462413	1	See Chap 2-1-1
71	A 6MT4	5915-99-881-5757	. . FILTER, RADIO INTERFERENCE, 6-9/32in. lg, 3-9/16in. w, 1-9/16in. h, 30V dc working	FV508053	1	
NI 72	A G1	5310-99-941-6654	. . WASHER, LOCK, steel, split helical ring, 1/4in. bolt size, 27/64in. od, 5/64in. thk		4	} Securing item 71
NI 73	A G1	5310-99-804-7941	. . NUT, PLAIN, HEXAGON, UNF, 1/4in. dia -28, class 2B rh thd, steel, Zn plated, 7/16in. w A/F, 7/32in. h, chamfered		8	
NI 74		NP	. . STRIP, MOUNTING	FV650973	2	
75	A 9ACR	6110-99-802-4051	. . DISTRIBUTION BOX, 14-35/64in. lg, 12-1/2in. w, 8-11/32in. deep	FV534891	1	See Chap 2-7

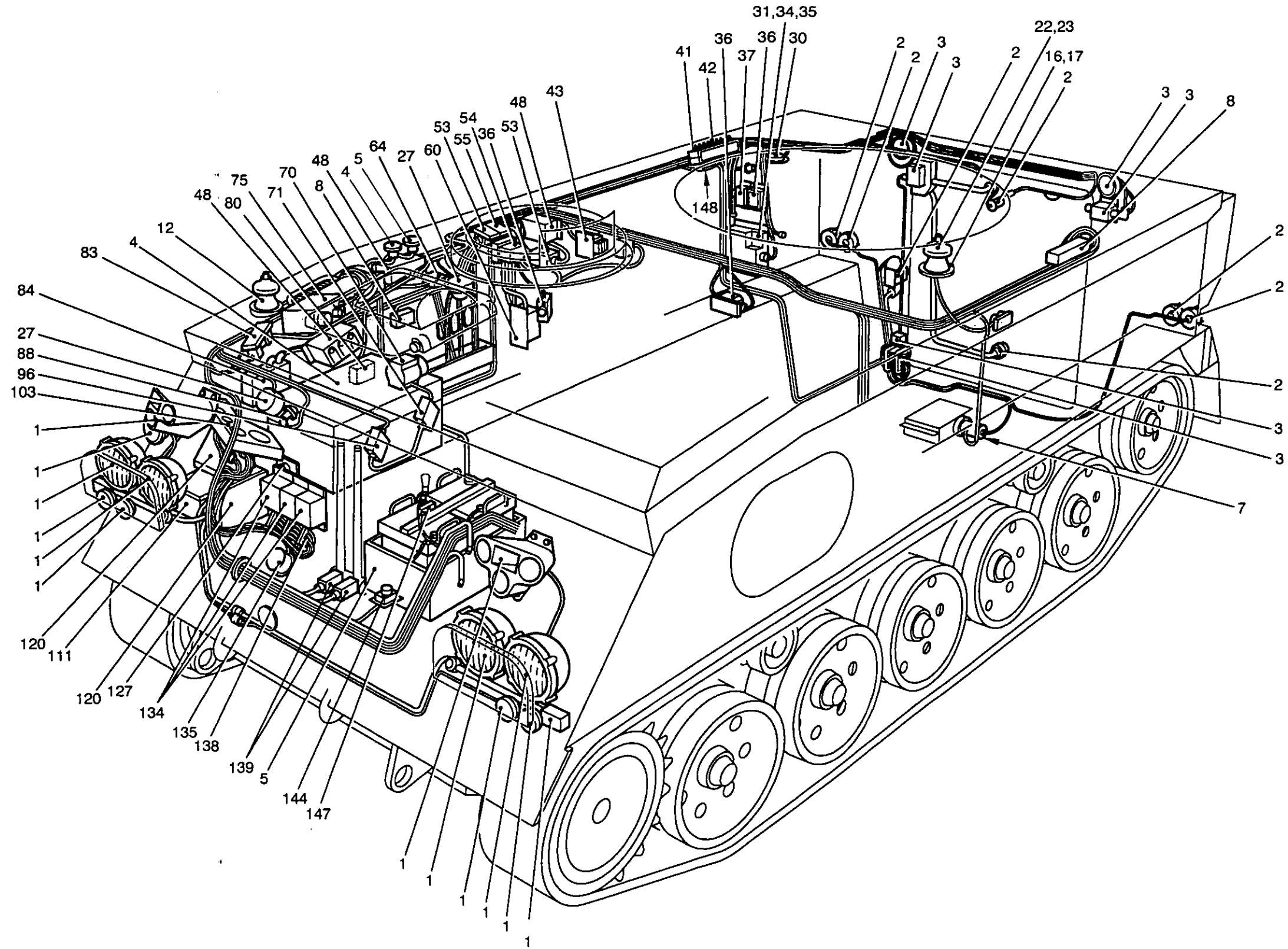


Fig 1 Electrical equipment general arrangement - FV439 (SAS/MC)

430/70164

Fig Item	Man Code Navy - N Army - A RAF - R	NATO Stock No	Item Name and Description	Part No/ Drawing No.	No. Off	Annotations
1-			ELECTRICAL EQUIPMENT GENERAL ARRANGEMENT - contd ELECTRICAL EQUIPMENT, INTERNAL - contd			
NI 76	A G1	5305-99-941-0539	SCREW, MACHINE, UNF, 3/8in. -24, class 2A thd, 3/4in. lg, steel, Zn plated, hex hd		4	Securing item 74
NI 77	A G1	5310-99-941-0926	NUT, PLAIN, HEXAGON, steel, Zn plated, chamfered, 3/8in. -24, grade 3, 0.563in. w A/F, 0.333in. h		4	Securing item 75
NI 78		NP	WASHER, FLAT, 3/8in. bolt size, 15 SWG	7030006009 4900	8	} u/w items 76, 77
NI 79		NP	WASHER, LOCK, 3/8in. bolt size	7033006000 5900	8	
80	A 6MT4	2590-99-881-8336	JUNCTION BOX, intercom No. 2, Mk 1	FV534871	1	See Chap 2-7
NI 81	A G1	5310-99-941-6654	WASHER, LOCK, steel, split helical ring, 1/4in. bolt size, 27/64in. od, 5/64in. thk		4	} Securing item 80
NI 82	A G1	5305-99-941-0512	SCREW, MACHINE, UNF, 1/4in. class 2A thd, 5/8in. lg, steel, Zn plated, hex hd		4	
83		NP	CONTROL UNIT 'D', drivers	ZA46191	1	} See Chap 2-7
84	A 9AHY	4210-99-734-7818	CONTROL BOX, FIREWIRE, 5-3/4in. w, 7-3/4in. lg, 3.2in. h, w/earth strap and mtg plate	FV1068358	1	
NI 85		NP	WASHER, FLAT, 5/16in. dia, 15 SWG	7030005009 4900	6	} Securing items 83, 84
NI 86	A G1	5310-99-944-0549	WASHER, LOCK, steel, Cd plated, split helical ring, 5/16in. bolt size, 0.503in. od, 0.08in. thk, single coil, sq section		6	
NI 87	A G1	5305-99-941-0526	SCREW, MACHINE, UNF, 5/16in. -24 class 2A thd, 7/8in. thd and fastener lg, steel, Zn coated, hex hd		6	
88	A 46MT3	6220-99-803-4118	TAIL LIGHT, VEHICULAR, fire warning, rubber body, glass lens, 5-1/32in. lg, 2-1/2in. dia, unthd hole and flat surface mtg	53863	1	See Chap 2-7
NI 89	A X5	6240-99-995-2236	LAMP, INCANDESCENT, globular bulb, 32.5mm lg, 18mm od, 6W, 26V dc	156	1	} u/w item 88
NI 90		NP	BRACKET, LAMP	FV510612	1	
NI 91	A G1	5310-99-941-6654	WASHER, LOCK, steel, split helical ring, 1/4in. bolt size, 27/64in. od, 5/64in. thk		2	} Securing item 90
NI 92	A G1	5310-99-804-7941	NUT, PLAIN, HEXAGON, UNF, 1/4in. dia -28, class 2B rh thd, steel, Zn plated, 7/16in. w A/F, 7/32in. h, chamfered		2	
NI 93	A G1	5305-99-941-6836	SCREW, MACHINE, 4BA x 3/8in. lg, hex hd		3	} Securing item 88 to 90
NI 94	A G1	5310-99-941-6652	WASHER, LOCK, steel, split helical ring, 0.168in. id, 0.252in. od, 0.04in. thk		3	
NI 95	A G1	5310-99-941-9961	NUT, PLAIN, HEXAGON, 4BA, steel, Cd plated, rh thd, 1/4in. w A/F, 1/8in. h, chamfered		3	
96	A 6MT4	2590-99-881-9960	SWITCH UNIT, No. 1, Mk 1, sight wiper	FV560051	1	See Chap 2-7
NI 97	A G1	5310-99-941-6654	WASHER, LOCK, steel, split helical ring, 1/4in. bolt size, 27/64in. od, 5/64in. thk		4	} Securing item 96
NI 98	A G1	5310-99-804-7941	NUT, PLAIN, HEXAGON, UNF, 1/4in. dia -28, class 2B rh thd, steel, Zn plated, 7/16in. w A/F, 7/32in. h, chamfered		8	

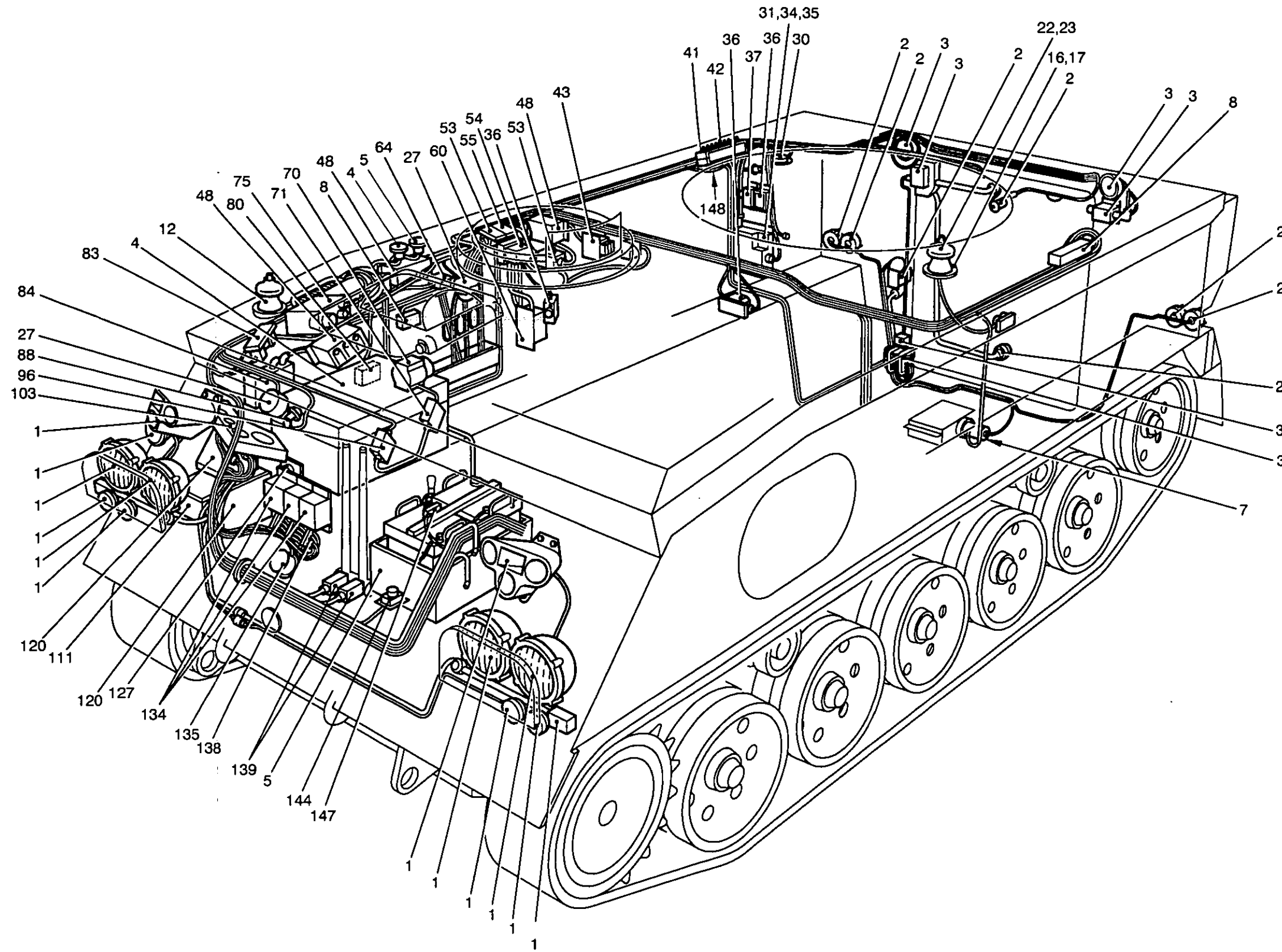


Fig 1 Electrical equipment general arrangement - FV439 (SAS/MC)

430/70164

Fig Item	Man Code Navy - N Army - A RAF - R	NATO Stock No	Item Name and Description	Part No/ Drawing No.	No. Off	Annotations
1-			ELECTRICAL EQUIPMENT GENERAL ARRANGEMENT - contd			
		NP	. . . ELECTRICAL EQUIPMENT, INTERNAL - contd			
NI 99		NP	. . . BRACKET, LH, INSTRUMENT PANEL	FV560074	1	} Securing items 99, 100
NI 100		NP	. . . BRACKET, RH, INSTRUMENT PANEL	FV559927	1	
NI 101	A G1	5310-99-944-0549	. . . WASHER, LOCK, steel, Cd plated, split helical ring, 5/16in. bolt size, 0.503in. od, 0.08in. thk, single coil, sq section		4	
NI 102	A G1	5310-99-941-0925	. . . NUT, PLAIN, HEXAGON, UNF, 5/16in. -24, class 2B, rh thd, steel, Zn plated, 1/2in. w A/F, 17/64in. h, chamfered		4	
103		NP	. . . DRIVERS INSTRUMENT PANEL	FV494560	1	See Chap 2-7
NI 104	A 6MT1	6680-99-881-8328	. . . SHAFT ASSEMBLY, FLEXIBLE, speedometer, inner and outer cable, 5/8in. -18tpi, 1st end, 3/4in. -26 tpi 2nd end, 6ft effective lg	FV494579/2 1	1	
NI 105		NP	. . . BRACKET, LINK BOX, rear	FV559717	1	} Securing items 105, 106
NI 106	A 9ACR	2510-99-867-4691	. . . BRACKET, LINK BOX, front	FV559701	1	
NI 107	A G1	5310-99-941-8386	. . . WASHER, FLAT, steel, Zn plated w/chromate, 5/8in. od, 5/16in. bolt size, 0.072in. thk		6	
NI 108	A G1	5310-99-944-0549	. . . WASHER, LOCK, steel, Cd plated, split helical ring, 5/16in. bolt size, 0.503in. od, 0.08in. thk, single coil, sq section		6	
NI 109	A G1	5310-99-941-0925	. . . NUT, PLAIN, HEXAGON, UNF, 5/16in. -24, class 2B rh thd, steel, Zn plated, 1/2in. w A/F, 17/64in. h, chamfered		6	
NI 110		NP	. . . LOCKING BAR, link box	FV560064	1	} See Chap 2-7
111	A 9ACR	6110-99-881-8338	. . . DISTRIBUTION BOX, rect, surface mtd, 15in. h, 12-1/2in. w, 6-37/64in. deep, w/cover and 4 mtg holes, link box	FV494570	1	
NI 112	A G1	5306-99-941-6598	. . . BOLT, MACHINE, UNF, 3/8in. thd dia, class 2A, 1-1/2in. fastener lg, 1in. thd lg, steel, Zn plated, hex hd		4	} Securing item 111
NI 113	A G1	5310-99-970-8625	. . . WASHER, FLAT, steel, Cd plated, 7/8in. od, 3/8in. bolt size, 0.072in. thk		4	
NI 114	A G1	5310-99-941-6656	. . . WASHER, LOCK, steel, split helical ring, 3/8in. bolt size, 0.092in. thk, 0.59in. od, single coil, sq section		4	
NI 115	A G1	5310-99-941-0926	. . . NUT, PLAIN, HEXAGON, UNF, steel, chamfered, Zn plated, 3/8in. -24 thd, 0.563in. w A/F, 0.333in. h, grade 3		2	
NI 116	A 9ACR	2510-99-867-4692	. . . BRACKET, SUPPORT, REGULATOR, front control panel	FV559657	2	} Securing item 116
NI 117	A G1	5310-99-120-4032	. . . WASHER, FLAT, steel, Zn plated, 1/4in. bolt size, 9/16in. od, 0.056in. thk		4	
NI 118	A G1	5310-99-941-6654	. . . WASHER, LOCK, steel, split helical ring, 1/4in. bolt size, 27/64in. od, 5/64in. thk		4	
NI 119	A G1	5310-99-804-7941	. . . NUT, PLAIN, HEXAGON, UNF, 1/4in. dia, -28, class 2B rh thd, steel, Zn plated, 7/16in. w A/F, 7/32in. h, chamfered		4	
120	A 6MT4	6110-99-881-6460	. . . PANEL, CONTROL, ELECTRICAL, ELECTRONIC EQUIPMENT, alternator No. 1, Mk 1	FV342587	2	See Chap 2-7

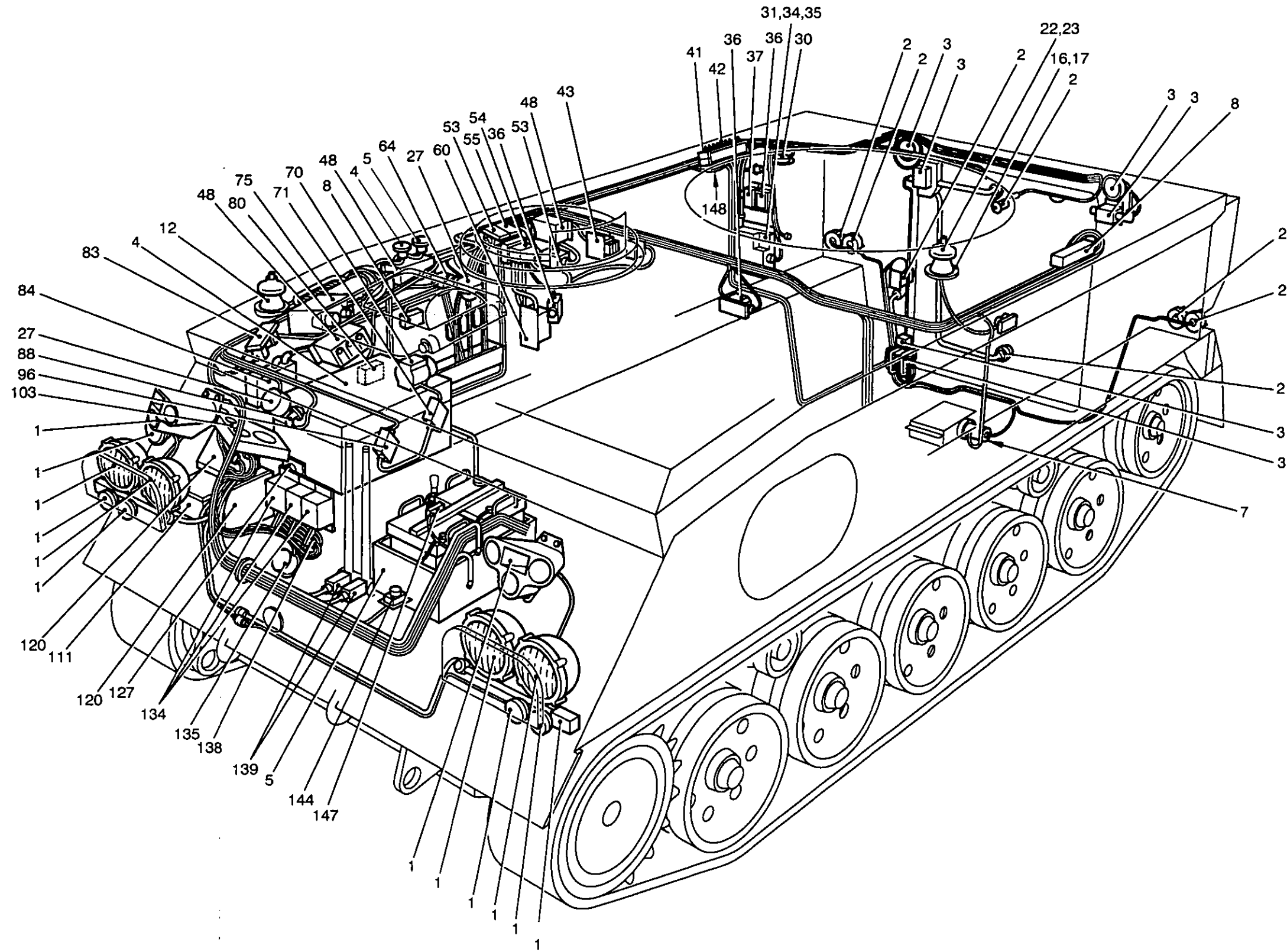


Fig 1 Electrical equipment general arrangement - FV439 (SAS/MC)

430/70164

Fig Item	Man Code Navy - N Army - A RAF - R	NATO Stock No	Item Name and Description	Part No/ Drawing No.	No. Off	Annotations
1-			ELECTRICAL EQUIPMENT GENERAL ARRANGEMENT - contd			
			. ELECTRICAL EQUIPMENT, INTERNAL - contd			
NI 121	A G1	5305-99-941-0518	. . SCREW, CAP, HEXAGON HEAD, UNF, 1/4in. dia, class 2A thd, 1-3/4in. lg, steel, Zn plated, hex hd		8	} Securing item 120
NI 122	A G1	5310-99-120-4032	. . WASHER, FLAT, steel, Zn plated, 1/4in. bolt size, 9/16in. od, 0.056in. thk		8	
NI 123	A G1	5310-99-941-0902	. . NUT, PLAIN, HEXAGON, 1/4in. -28 UNF, class 2B thd, steel, Zn plated, chamfered, 0.438in. w A/F, 0.156in. h		8	
NI 124	A G1	5310-99-941-6654	. . WASHER, LOCK, steel, split helical ring, 1/4in. bolt size, 27/64in. od, 5/64in. thk		8	
NI 125	A G1	5310-99-804-7941	. . NUT, PLAIN, HEXAGON, UNF, 1/4in. dia -28, class 2B rh thd, steel, Zn plated, 7/16in. w A/F, 7/32in. h, chamfered		8	
NI 126		NP	. . BRACKET, HORN PUSH SWITCH	FV559857	1	} Horn
127	A 6MT4	5930-99-826-8010	. . SWITCH, PUSH, one pole, single throw, double make, both positives maintained, 5-1/64in. lg, 2-7/8in. w, 2-1/32in. h	FV939076	1	
NI 128	A G1	5310-99-941-6654	. . WASHER, LOCK, steel, split helical ring, 1/4in. bolt size, 27/64in. od, 5/64in. thk		4	} Securing items 126, 127
NI 129	A G1	5305-99-941-0512	. . SCREW, MACHINE, UNF, 1/4in. class 2A thd, 5/8in. lg, steel, Zn plated, hex hd		4	
NI 130	A 9ACR	2540-99-866-6920	. . BRACKET, ANGLE, LH	FV538823	1	} Drivers control panel
NI 131	A 9ACR	2540-99-866-6921	. . BRACKET, ANGLE, RH	FV538824	1	
NI 132	A G1	5310-99-944-0549	. . WASHER, LOCK, steel, Cd plated, split helical ring, 5/16in. bolt size, 0.503in. od, 0.08in. thk, single coil, sq section		4	} Securing items 130, 131
NI 133	A G1	5310-99-941-0925	. . NUT, PLAIN, HEXAGON, UNF, 5/16in. -24, class 2B rh thd, steel, Zn plated, 1/2in. w A/F, 17/64in. h, chamfered		4	
134		NP	. . DRIVERS CONTROL PANEL ASSEMBLY	FV559506	1	} See Chap 2-7
135	A 46MT3	6350-99-881-3954	. . HORN, ELECTRICAL, fire alarm	FV534865	1	} Securing item 135
NI 136	A G1	5310-99-941-6654	. . WASHER, LOCK, steel, split helical ring, 1/4in. bolt size, 27/64in. od, 5/64in. thk		2	
NI 137	A G1	5306-99-941-0284	. . BOLT, MACHINE, UNF, stainless steel, Zn plated, hex hd, 1/4in. dia x 1-1/2in. lg, class 2A		2	
138		NP	. . ARRANGEMENT OF ELECTRICAL FITTINGS, No. 1 CONNECTOR JUNCTION	FV560075	REF	} See Chap 2-7
139	A 46MT4	5930-99-881-3583	. . SWITCH, SENSITIVE, SPST, N/C, spring return, 500V ac, 250V dc, 1A resistive, 5-7/8in. lg, 1-3/4in. w, 1-5/8in. h, w/syn rubber bellows	VB1A	2	} See Chap 2-6
NI 140	A 9ACR	5930-99-801-3872	. . BRACKET, ELECTRICAL SWITCH, dip switch	FV560092	1	} Securing item 140
NI 141		NP	. . WASHER, FLAT, 1/4in. x 17 SWG	7030004009 4900	4	
NI 142	A G1	5310-99-941-6654	. . WASHER, LOCK, steel, split helical ring, 1/4in. bolt size, 27/64in. od, 5/64in. thk		4	
NI 143	A G1	5305-99-941-0279	. . SCREW, MACHINE, UNF, steel, Zn plated, hex hd, 1/4in. x 7/8in. lg, class 2A thd		4	

Fig Item	Man Code Navy - N Army - A RAF - R	NATO Stock No	Item Name and Description	Part No/ Drawing No.	No. Off	Annotations
1-			ELECTRICAL EQUIPMENT GENERAL ARRANGEMENT - contd			
			. ELECTRICAL EQUIPMENT, INTERNAL - contd			
144	A	9ACR	. . SWITCH, BEAM, SELECTING, HEADLIGHT	FV562044	1	See Chap 2-7
NI 145	A	G1	. . WASHER, LOCK, steel, Cd plated, split helical ring, 5/16in. bolt size, 0.503in. od, 0.08in. thk, single coil, sq section		4	
NI 146	A	G1	. . SCREW, MACHINE, UNF, stainless steel, Zn plated, hex hd, 5/16in. dia x 3/4in. lg, class 2A thd		4	} Securing item 144
147		NP	. . GEAR RANGE SELECTOR, GENERAL ARRANGEMENT	FV559399	REF	
148		NP	. . TERMINAL, BOX, internal batten box	FV457038	1	} Securing item 148
NI 149	A	G1	. . WASHER, LOCK, steel, Cd plated, split helical ring, 5/16in. bolt size, 0.503in. od, 0.08in. thk, single coil, sq section		4	
NI 150	A	G1	. . NUT, PLAIN, HEXAGON, UNF, 5/16in. -24, class 2B rh thd, steel, Zn plated, 1/2in. w A/F, 17/64in. h, chamfered		4	
NI 151		NP	. MISCELLANEOUS ELECTRICAL EQUIPMENT	FV952552	REF	
NI 152	A	6MT4	. . CABLE ASSEMBLY, INTERVEHICLE, ELECTRICAL, 2 conductors, single pole, free plug both ends, 15ft lg	FV324824-5	1	See Annex B Chap 2-7-1
NI 153		NP	. . EARTH PIPE AND CABLE	FV586925	1	See Annex B Chap 2-7-1
NI 154		NP	. VEHICLE HARNESSSES	FV2200498	REF	

~~UK RESTRICTED~~

~~UK RESTRICTED~~

Chapter 2-7-1
PARTS LIST
VEHICLE HARNESSSES
FV439 (SAS/MC)

Fig Item	Man Code Navy - N Army - A RAF - R	NATO Stock No	Item Name and Description	Part No/ Drawing No.	No. Off	Annotations
1		NP	VEHICLE HARNESSSES, FV439 (SAS/MC)	FV2200498	REF	
2	A	NP	LEAD ELECTRICAL, REG EARTH TO EARTH	FV166707/3	2	
3	Y3	6145-99-999-6438	BRAID, FLEX, 0.120in. dia	176	A/R	
4	A	NP	TERMINAL LUG, br, tinned finish, 1/4in. stud size	850406	2	
5	Z37	5940-99-943-8569	TERMINAL LUG, 3/16in. solder type	215075	2	
6	A	NP	LEAD, ELECTRICAL, DLB 11 TO DP 1	FV166403/35 M	1	
7	A	46MT4	SOCKET, HEAVY DUTY, heavy duty, 280 amp	QRA58	1	
8	A	46MT4	INSULATOR, BUSHING, bakelite	QRD1023	1	
9	A	46MT4	CLAMP, LOOP, single	QRD1024	1	
10	A	NP	SHEATH, ru moulded	FV131173	1	
11	A	6MT1	RING, SEALING, TOROIDAL, 9/16in. x 3/4in. x 3/32in. 90 deg shore hardness	FV131066	1	
12	A	46MT4	PLUG, ELECTRICAL, heavy duty	QRD1014	1	
13	A	6MT4	CABLE NIPPLE, ELECTRICAL, plug insulating	QRD1015	1	
14	A	Y3	WIRE, ELECTRICAL, single conductor, 666/0.018in., 0.75in. dia, silicon elastomer insulation, PTP tape, glass		A/R	
15		NP	LEAD, ELECTRICAL, DP NEG TO EARTH	FV166871/2	1	
16	A	9ACR	TERMINAL LUG, 3/8in. brass sleeved eyelet pattern	19011	2	
17	A	46MT4	BRAID, FLEXIBLE, tinned Cu, 5/16in. dia	FV(S)6-70-5	A/R	
18	A	46MT4	LEAD, ELECTRICAL, battery lug 1st end, skt 2nd end, 17.0ft o/a lg, DP 15 - B3 VENT +VE	FV167668/4	1	
19	A	46MT4	SOCKET, HEAVY DUTY, heavy duty 200 amp	QRA57	1	
20		NP	CABLE NIPPLE, ELECTRICAL	FV131172	1	
21	A	46MT4	INSULATOR, BUSHING, bakelite	QRD1023	1	
22	A	46MT4	CLAMP, LOOP, single	QRD1024	1	
23	A	6MT1	RING, SEALING, TOROIDAL, 9/16in. x 3/4in. x 3/32in. 90 deg shore hardness	FV131066	1	
24	A	46MT4	TERMINAL, battery positive	54935360	1	
25	A	Y3	CABLE, ELECTRICAL, Unipren 200, 416/0.018 o/a dia, 0.595in., 0.248 ohms approx resistance per 1000 yds	UNIPREN 200	A/R	
26	A	46MT4	WIRING HARNESS, 4 conductors, plug 1st end, nipples 2nd end, 19.0ft o/a lg, DP17 TO No. 2 CJB	FV582357-8	1	
27		NP	PLUG, ELECTRICAL, free, 14S-2P		1	
28	A	46MT4	PLUG, ELECTRICAL, Lucon vehicular type, free female shell, 1 pole	861122	4	
29	A	Y3	CABLE, ELECTRICAL, Uninyvin 16, single conductor, 40/0.0076in., PVC glass braid, 0.11in. dia o/a	UNINYVIN 16	A/R	
30	A	46MT4	CABLE ASSEMBLY, INTER-VEHICLE, ELECTRICAL, 2 conductor, single pole, 15.0ft lg	FV324284/5	1	
31	A	46MT4	TERMINAL LUG	FV534833	2	
32	A	Z1	TERMINAL LUG	FV620746	4	
	A	9905-99-804-4136	BAND, IDENTIFICATION, Al, 7/8in. x 1.00in.	FV(S)7/2/1	A/R	

Fig Item	Man Code Navy - N Army - A RAF - R	NATO Stock No	Item Name and Description	Part No/ Drawing No.	No. Off	Annotations
			. VEHICLE HARNESSSES - contd . . WIRING HARNESS - contd			
33	A	46MT4	5340-99-205-6507 . . . BUCKLE STRAP, METALLIC, Al, 9/16in. x 2-1/2in.	FV(S)7/3/1	A/R	
34	A	46MT4	6150-99-881-5631 . . CABLE ASSEMBLY, POWER, ELECTRICAL, single conductor cable, nipple each end, 6in. lg, INTER-CONNECTOR TO NEG	FV166001-369N	5	
35	A	Y3	6145-99-901-2998 . . . CABLE, ELECTRICAL, Uninyvin 16, single conductor, 40/0.0076in., PVC glass braid, 0.11in. dia o/a	UNINYVIN 16	A/R	
36	A	46MT4	5935-99-805-2902 . . . PLUG, ELECTRICAL, free, female shell, 1 pole	FV169421	2	
37		NP	. . LEAD, ELECTRICAL, horn to earth	FV166011/72 N	1	
38	A	Y3	6145-99-901-2998 . . . CABLE, ELECTRICAL, Uninyvin 16, single conductor, 40/0.0076in., PVC glass braid, 0.11in. dia o/a	UNINYVIN 16	A/R	
39	A	Z37	5940-99-943-8569 . . . TERMINAL LUG, 3/16in., solder type	347-90	1	
40	A	46MT4	2590-99-978-0907 . . WIRING HARNESS, RH ARMOURED OUTLET TO No. 1 CONNECTOR JUNCTION	FV166208/2N	1	
41	A	Y3	6145-99-901-2998 . . . CABLE, ELECTRICAL, Uninyvin 16, single conductor, 40/0.0076in., PVC glass braid, 0.11in. dia o/a	UNINYVIN 16	A/R	
42	A	Z37	5940-99-943-8569 . . . TERMINAL LUG, 3/16in.	347-90	1	
43		NP	. . . ELBOW, FLEXIBLE CONDUIT	FV(S)55-2	1	
44	A	46MT4	5975-99-804-1058 . . . NUT, COUPLING, ELECTRICAL CONDUIT, 1.062in. 20 tpi	Y5658-114C	1	
45	A	46MT4	5935-99-805-2902 . . . PLUG, ELECTRICAL, free, female shell, 1 pole	FV169421	12	
46	A	46MT4	5365-99-804-1057 . . . WASHER, FLAT, br, Cd P, 3/4in. id x 0.990in. od x 0.064in. thk	FV(S)6-39-6	1	
47	A	46MT4	5935-99-805-3201 . . . CONE, SEALING, 13 hole	FV(S)6/77/1	2	
48	A	46MT4	2590-99-830-8926 . . CABLE AND CONDUIT ASSEMBLY, ELECTRICAL, 9 conductors, 26.0ft lg, No. 1 CONNECTOR JUNCTION TO No. 2 CONNECTOR JUNCTION	FV605478-1	1	
49	A	6MT4	2590-99-796-6203 . . CABLE ASSEMBLY, POWER ELECTRICAL, single conductor, plug one end, skt 2nd end, 10ft-1in. lg, PPJ AC3 to DLB 15	FV166372-81	1	See items 52-59
50	A	6MT4	2590-99-791-9528 . . CABLE ASSEMBLY, POWER ELECTRICAL, single conductor, skt one end, electrical contact 2nd end, 10ft-1in. lg, PPJ AC2 to DLB 16	FV166372/82	1	
51	A	6MT4	2590-99-835-6124 . . LEAD, ELECTRICAL, single conductor, connector free one end, quick disconnect terminal 2nd end, 10ft-3in. lg, PPJ AC1 TO DLB 17	FV166372/83 M	1	
52	A	46MT4	5935-99-805-0010 . . . SOCKET, ELECTRICAL, heavy duty, 200A	FV131144	1	
53		NP SLEEVE, SOCKET	FV131172	1	
54	A	46MT4	5970-99-805-0033 SLEEVE, SOCKET, bakelite	FV131070	1	
55	A	46MT4	5340-99-805-0034 CLAMP, LOOP, single	QRD1024	1	
56	A	6MT1	5330-99-801-6628 RING, SEALING, TOROIDAL, 9/16in. x 3/4in. x 3/32in. 90deg shore hardness	FV131066	1	
57	A	46MT4	5935-99-805-0018 . . . CONTACT, ELECTRICAL, heavy duty, 200A	FV39348	1	
58	A	46MT4	5975-99-805-2204 . . . SLEEVE, PLUG, rubber	FV107531	1	
59	A	Y3	6145-99-104-7325 . . . CABLE, ELECTRICAL, single conductor, glass braid, 416/0.018in.		A/R	

Fig Item	Man Code Navy - N Army - A RAF - R	NATO Stock No	Item Name and Description	Part No/ Drawing No.	No. Off	Annotations	
			. VEHICLE HARNESSSES - contd				
60	A	6MT4	2590-99-818-7802	. . CABLE ASSEMBLY, POWER, ELECTRICAL, single conductor, plug one end, skt 2nd end, 10ft-3in. lg, PPJ DC +VE TO DLB 19	FV166403- 37M	1	
61	A	46MT4	5935-99-805-0001	. . . SOCKET, HEAVY DUTY, heavy duty, 280 amp	QRA58	1	
62	A	46MT4	5970-99-805-0033 INSULATOR, BUSHING, bakelite	QRD1023	1	
63	A	46MT4	5340-99-805-0034 CLAMP, LOOP, single	QRD1024	1	
64		NP	 SHEATH, ru moulded	FV131173	1	
65	A	6MT1	5330-99-801-6628 RING, SEALING, TOROIDAL, 9/16in. x 3/4in. x 3/32in., 90 deg shore hardness	FV131066	1	
66	A	46MT4	5935-99-805-0027	. . . PLUG, ELECTRICAL, heavy duty	QRD1014	1	
67	A	6MT4	5975-99-805-0028	. . . CABLE NIPPLE, ELECTRICAL, plug insulating	QRD1015	1	
68	A	Y3	6145-99-104-7324	. . . WIRE, ELECTRICAL, single conductor, 666/0.018in., 0.75in. dia, silicon elastomer insulation, PTP tape, glass		A/R	
69	A	46MT4	2590-99-881-9482	. . CABLE ASSEMBLY, POWER ELECTRICAL, DLB 26 TO EARTH	FV166404-3	1	
70	A	46MT4	5935-99-805-0027	. . . PLUG, ELECTRICAL, heavy duty	QRD1014	1	
71	A	6MT4	5975-99-805-0028	. . . CABLE NIPPLE, ELECTRICAL, plug insulating	QRD1015	1	
72		NP		. . . SHEATH, ru moulded	FV131173	1	
73	A	46MT4	5940-99-831-9426	. . . TERMINAL LUG	FV59-3-1	1	
74	A	Y3	6145-99-104-7324	. . . WIRE, ELECTRICAL, single conductor, 666/0.018in., 0.75in. dia, silicon elastomer insulation, PTP tape, glass		A/R	
75		NP		. . HARNESS, STOP SWITCH TO No. 1 CONNECTOR JUNCTION	FV166764/ 2N	1	
76	A	46MT4	5935-99-805-2902	. . . PLUG, TIP, Lucon vehicular type, free, female shell, 1 pole	FV169421	2	
77	A	Y3	6145-99-901-2998	. . . CABLE, ELECTRICAL, Uninyvin 16, single conductor, 40/0.0076in., PVC glass braid, 0.11in. dia o/a	UNINYVIN 16	A/R	
78	A	Z42	5975-99-805-6457	. . . NUT, COUPLING, ELECTRICAL CONDUIT, st, Zn P, 0.692in. Whit form, 0.786in. od, 0.475in. thk	FV(S)6/38/4	2	
79	A	6MT1	5310-99-805-6455	. . . WASHER, FLAT, br, Cd P, rd, 0.437in. id x 0.625in. od x 0.064in. thk	FV(S)6-39-4	2	
80	A	46MT4	5340-99-881-2217	. . . SEALING, CONE, syn ru, 0.595in. od x 7/16in. o/a lg, 4 holes	5491752	2	
81	A	46MT4	5940-99-805-0893	. . . TERMINAL LUG	187010	4	
82	A	46MT4	6150-99-818-6161	. . HARNESS, WIRING, JW6 TO IJB No. 3	FV324242/1	1	
83	A	Z2	5365-99-647-3001	. . . BUSHING, RUBBER, special shaped section, M4 size 1	Z970058	2	
84	A	Z32	5935-99-943-5878	. . . MAINTENANCE KIT, ELECTRICAL CONNECTOR, M4, brass angle, size 1	CZ63041	2	
85		NP		. . . RING, COMPRESSION		2	
86	A	Z2	5365-99-097-0111	. . . BUSHING, RUBBER	Z67237	2	
87	A	Z1	5365-99-120-1698	. . . SPACER, RING		2	
88		NP		. . . PLUG, ELECTRICAL, 6 pin free		1	
89		NP		. . . SOCKET, ELECTRICAL, 6 pin free		1	
90	A	Y3	6145-99-111-6724	. . . CABLE, SPECIAL PURPOSE, ELECTRICAL, miniature, No. 3C, 3 cores each of 14/0.0076in., TC wires insulated PVC, TC wire screened, PVC sheathed to 0.285in. o/a dia	16-2-3C	A/R	

Fig Item	Man Code Navy - N Army - A RAF - R	NATO Stock No	Item Name and Description	Part No/ Drawing No.	No. Off	Annotations
			VEHICLE HARNESSSES - contd			
91		NP	WIRING HARNESS, TURN LAMP SWITCHBOARD TO No. 1 CONNECTOR JUNCTION	FV582510-3	1	
92		NP	CONNECTOR, No. 18-1S free		1	
93	A	46MT4 5935-99-805-2902	PLUG, TIP, Lucon vehicular type, free, female shell, 1 pole	FV169421	7	
94	A	Y3 6145-99-901-2998	WIRE, ELECTRICAL, Uninyvin 16, single conductor, 40/0.0076in., PVC glass braid, 0.11in. dia o/a	UNINYVIN 16	A/R	
95	A	6MT4 2590-99-776-0302	WIRING HARNESS, BRANCHED, 12ft-8in. o/a lg, 4 conductors with connector socket, No. 1 ROOF LIGHT TO No. 5 AJB AND No. 3 ROOF LIGHT	FV582410/2	1	
96		NP	CONNECTOR, No. 14S-7S, free	FV502584	1	
97	A	Y3 6145-99-901-2998	WIRE, ELECTRICAL, Uninyvin 16, single conductor, 40/0.0076in., PVC glass braid, 0.11in. dia o/a	UNINYVIN 16	A/R	
98		NP	WIRING HARNESS, POS TO POS	FV166001/37 ON	2	} See items 101 & 102
99		NP	WIRING HARNESS, STOP LIGHT TO STOP LIGHT	FV16001/371 N	1	
100		NP	WIRING HARNESS, INTER CONNECTOR, CONVOY	FV16001/372 N	1	
101	A	Y3 6145-99-901-2998	WIRE, ELECTRICAL, Uninyvin 16, single conductor, 40/0.0076in., PVC glass braid, 0.11in. dia o/a	UNINYVIN 16	A/R	
102	A	46MT4 5935-99-805-2902	PLUG, TIP, Lucon vehicular type, free, female shell, 1 pole	FV169421	2	
103	A	6MT4 6150-99-881-3653	CABLE ASSEMBLY, POWER ELECTRICAL, 5 conductors, 1st end processed conductors, 2nd end all nipples, RH ARMoured OUTLET TO No. 2 CONNECTOR JUNCTION	FV166186-1	1	
104		NP	WIRING HARNESS, LH ARMoured OUTLET TO No. 2 CONNECTOR JUNCTION	FV166186-2	1	
105	A	46MT4 5975-99-805-3079	CONE, SEALING, 9 hole		2	
106		NP	ELBOW, flexible conduit	933068	1	
107	A	46MT4 5975-99-804-1058	NUT, COUPLING, ELECTRICAL CONDUIT, 1.062in. dia, 20 tpi		1	
108	A	46MT4 5310-99-804-1057	SPACER, RING, rd, brass, Cd P, or Zn P, 3/4in. id x 0.990in. od x 0.064in. lg		1	
109	A	46MT4 5935-99-805-2902	PLUG, TIP, Lucon vehicular type, free, female shell, 1 pole	FV169421	2	
110	A	Y3 6145-99-901-2998	WIRE, ELECTRICAL, Uninyvin 16, single conductor, 40/0.0076in., PVC glass braid, 0.11in. dia o/a	UNINYVIN 16	A/R	
111	A	46MT4 6145-99-881-3688	LEAD, SECONDARY BATTERY, BATTERY POS TO BATTERY NEG	FV167663/1	2	
112	A	6MT4 5940-99-193-6329	TERMINAL LUG, positive	EL38560-1	1	
113	A	46MT4 5940-99-193-6330	TERMINAL LUG, negative	10927852	1	
114		NP	NUT, PLAIN, HEXAGON, BSW brass, hex, lead coated, 5/16in.	54131146	2	
115	A	46MT4 5310-99-805-0896	BOLT, MACHINE, BSW brass, lead coated, 5/16in. dia x 1-1/4in. lg	54102296	2	
116	A	6MT4 5975-99-881-3387	CABLE, NIPPLE ELECTRICAL, battery terminal	54931776	2	
117		NP	SLEEVE, IDENTIFICATION CABLE	FV232094	2	

Fig Item	Man Code Navy - N Army - A RAF - R	NATO Stock No	Item Name and Description	Part No/ Drawing No.	No. Off	Annotations
			. VEHICLE HARNESSSES - contd			
			. . LEAD STORAGE BATTERY - contd			
118		NP	. . . WIRE, ELECTRICAL, Unipren 135, 203/0.012 o/a dia, 0.435in. approx resistance per 1000 yds, 0.508 ohms	UNIPREN 135	A/R	
119		NP	. . LEAD, ELECTRICAL, EARTH TO BLACK	FV324164/1	1	See items 121 & 122
120		NP	. . LEAD, ELECTRICAL, EARTH TO GREEN	FV324164/2	1	
121	A 6MT4	5940-99-805-1345	. . . TERMINAL LUG, 5/16in.		1	
122	A Y3	6145-99-901-2567	. . . WIRE, ELECTRICAL, single, 110/0.0076in. dia, polychloroprene, 0.17in. dia max		A/R	
123		NP	. . LEAD, ELECTRICAL, EARTH TO INSULATED EARTH TERMINAL	FV167846/1	1	
124	A 6MT4	5940-99-805-0801	. . . TERMINAL, SERRATED RING, brass claw type with or without lip, 5/16in. stud hole x 5/8in. od x 3/16in. depth		2	
125	A Y3	6145-99-901-2567	. . . WIRE, ELECTRICAL, single, 110/0.0076in. dia, polychloroprene, 0.17in. dia max		A/R	
126		NP	. . LEAD, ELECTRICAL, EARTH TO EARTH	FV167854/1	1	
127	A Y3	6145-99-943-4824	. . . WIRE, ELECTRICAL, single conductor, 40/0.0076, 0.13in. dia, glass braid, polychloroprene insulated	UNIPREN 12	A/R	
128		NP	. . . TERMINAL LUG, 2BA	187017	1	
129	A 46MT4	5940-99-802-3645	. . . TERMINAL LUG, 1/4in. dia hole	187736	1	
130	A 46MT4	2590-99-881-5667	. . WIRING HARNESS, trailer socket to No. 2 CJ	FV324167/1	1	
131	A 46MT4	5935-99-805-0328	. . . CONNECTOR, FIXED ELECTRICAL, st. fixed 12 pole, 24 amp, flange mtg, 2.719in. lg, 2.719in. w, 1.758in. h	FV502631	1	
132		NP	. . . OUTLET, straight connector	C10-35918- 28	1	
133	A 46MT4	5935-99-861-6064	. . . NUT, BUSHING, RETAINER, ELECTRICAL PLUG-SOCKET, NEF aluminium, 1.4375-18 size, 1.562in. w o/a	C7101-24	1	
134		NP	. . . RETAINER, PACKING	C10-35916- 28	1	
135		NP	. . . CONE, SEALING, 12 hole	LU54930479	1	
136	A 46MT4	5975-99-804-0124	. . . NUT, COUPLING, ELECTRICAL CONDUIT	LU945894	1	
137	A 46MT4	5975-99-881-5742	. . . CONE, SEALING	LU54949590	1	
138		NP	. . . ADAPTOR, ELECTRICAL CIRCUIT	LU54949588	1	
139	A 46MT4	5365-99-881-5736	. . . SPACER, RING, 1.176in. od x 0.937in. id	FV(S)6/39/7	1	
140	A 6MT4	5340-99-804-8130	. . . BUSHING, RUBBER	FV502635	1	
141	A 6MT4	5935-99-805-2902	. . . PLUG, TIP, Lucon vehicular type, free, female shell, 1 pole	FV169421	12	
142	A Y3	6145-99-943-4824	. . . WIRE, ELECTRICAL, single conductor, 40/0.0076, 0.13in. dia, glass braid, polychloroprene insulated	UNIPREN 12	A/R	
143		NP	. . WIRING HARNESS, PPJ FW TO HULL FW JUNCTION	FV605455/1	1	
144		NP	. . WIRING HARNESS, PPJ FW TO LB FW JUNCTION	FV605455/2	1	
145	A 6MT4	2590-99-833-5091	. . WIRING HARNESS, 9ft-11in. lg, plug one end, skt 2nd end, PPJ ALTERNATOR FRONT TO DLB13	FV605338- 10	1	

Fig Item	Man Code Navy - N Army - A RAF - R	NATO Stock No	Item Name and Description	Part No/ Drawing No.	No. Off	Annotations
			. VEHICLE HARNESSSES - contd			
146	A	46MT1	6140-99-660-8832 . . LEAD, STORAGE BATTERY, 1st end terminal lug all conductors, 2nd end terminal lug all conductors 312mm lg	FV2186543/2	1	
147	A	46MT4	2920-99-804-3332 . . . COVER, ANALOGUE LUG, polythene, 57/64in. dia, 2-5/32in. lg	FV546784	2	
148		NP	. . . COVER, THERMOSTAT	FV546743	1	
149	A	G1	5305-99-945-2106 . . . SCREW, SOCKET HEAD, 0.250-20 UNC, class 2A thd, thd lg 0.750in. nom, fastener lg 0.750in. nom steel, Cd P, flat fil hd,		1	
150	A	46MT4	5930-99-881-4054 . . . SWITCH, THERMOSTATIC, SPST, normally open, spring ret, 30V ac, 30V dc, 1st/2nd rating, 5A resistive, 1st/2nd voltage, 120 deg F non adjustable	FV546746	1	
151	A	46MT4	5930-99-881-4053 . . . SWITCH, THERMOSTATIC, SPST, normally open, spring ret, 30V ac, 30V dc, 1st/2nd rating, 5A resistive, 1st/2nd voltage, 105 deg F adjustable preset	FV546747	1	
152		NP	. . . SUPPORT, THERMOSTATIC	FV546744	1	
153		NP	. . . CENTRE PIECE, support thermostat	FV546756	1	
154	A	G1	5305-99-120-7950 . . . SCREW, SOCKET HEAD, UNC, steel, flat fil hd, Cd P, 1/4in. x 3/8in. class 2 thd		2	
155	A	46MT4	5940-99-881-6457 . . . TERMINAL LUG, battery post, 1-31/32in. lg, 1-1/4in. w, 200 mcm 1 post clamp, Cu alloy, lead coated	FV546753	1	
156		NP TERMINAL LUG, battery positive	FV546749	1	
157	A	46MT4	5306-99-805-0896 BOLT, MACHINE, brass, 5/16in. -18 BSW, 1-1/4in. lg sq hd, lead coated		1	
158	A	6MT1	5310-99-813-6252 NUT, PLAIN, HEXAGON, BSW, steel, chamfered bearing surface, lead coated, 5/16in., 0.525in. w		1	
159	A	46MT4	5940-99-881-6458 . . . TERMINAL LUG, battery post, 1-31/32in. lg, 1-1/4in. w, 200 mcm 1 post clamp, Cu alloy, lead coated	FV546755	1	
160		NP TERMINAL LUG, battery neg	FV546750	1	
161	A	6MT4	6150-99-818-7800 . . WIRING HARNESS, 10ft-4in. lg, plug one end, skt 2nd end, PPJ ALTERNATOR REAR TO DLB 14	FV605338-11	1	
162		NP	. . WIRING HARNESS, PPJ E SERVICES TO DLB 21	FV605453/3 M	1	
163	A	6MT4	2590-99-818-7803 . . CABLE ASSEMBLY, POWER ELECTRICAL, 9ft-7in. lg, single conductor, 90 deg skt 1st end, plug 2nd end, PPJ DC -VE TO DLB 20	FV166421-5M	1	
164		NP SOCKET, ELECTRICAL, heavy duty	FV564810	1	
165	A	46MT4	5940-99-881-8918 SHEATH, TERMINAL	FV575818	1	
166	A	46MT4	5975-99-861-9032 BUSHING, ELECTRICAL CONDUCTOR, bakelite, 0.750in. od x 0.625in. id x 1.22in. o/a lg	FV534898	1	
167	A	46MT4	5935-99-805-0027 . . . PLUG, ELECTRICAL, heavy duty	QRD1014	1	
168	A	6MT4	5975-99-805-0028 . . . CABLE NIPPLE, ELECTRICAL, plug insulating	QRD1015	1	
169	A	Y3	6145-99-104-7324 . . . WIRE, ELECTRICAL, single conductor, 666/0.018in., 0.75in. dia, silicon elastomer insulation, PTP tape, glass	UNIPREN 280	A/R	

Fig Item	Man Code Navy - N Army - A RAF - R	NATO Stock No	Item Name and Description	Part No/ Drawing No.	No. Off	Annotations
			. VEHICLE HARNESSSES - contd			
170	A 6MT4	2590-99-499-9311	. . WIRING HARNESS, 12ft-3in. lg, LH ARMoured OUTLET TO LB GLAND AND No. 1 CONNECTOR JUNCTION	FV6054777	1	
171		NP	. . WIRING HARNESS, No. 1 CONNECTOR JUNCTION TO DP 6	FV582357/6	1	
172		NP	. . . PLUG, ELECTRICAL, free, 14S-2P		1	
173	A 46MT4	5935-99-805-2902	. . . PLUG, TIP, Lucon vehicular type, free, female shell, 1 pole	861122	4	
174	A Y3	6145-99-901-2998	. . . CABLE, ELECTRICAL, Uninyvin 16, single conductor, 40/0.0076in., PVC glass braid, 0.11in. dia o/a	UNINYVIN 16	A/R	
175		NP	. . WIRING HARNESS, No. 1 CONNECTOR JUNCTION TO EXTERNAL LIGHTIN SWITCHBOARD	FV582580/2	1	
176	A 6MT4	6150-99-978-1721	. . WIRING HARNESS, 100in. lg, 10 way connector one end, 9 terminals 2nd end, DIP SWITCH TO No. 1 CONNECTOR JUNCTION	FV582511/1	1	
177		NP	. . WIRING HARNESS, No. 1 CONNECTOR JUNCTION TO GEAR CHANGE SWITCH JUNCTION	FV582361/3	1	
178		NP	. . WIRING HARNESS, No. 1 CONNECTOR JUNCTION TO SMOKE DISCHARGER JB	FV582312/4	1	
179	A 6MT4	6150-99-813-9712	. . WIRING HARNESS, 2 conductors, skt one end, nipple connectors 2nd end, 3ft lg, HORN PUSH SWITCH TO No. 1 CONNECTOR JUNCTION	FV582311/5N	1	
180		NP	. . WIRING HARNESS, EXTERNAL LIGHTING TO No. 2 CONNECTOR JUNCTION	FV582359/1	1	
181		NP	. . WIRING HARNESS, DOOR CONTACTS TO No. 2 CONNECTOR JUNCTION	FV605459/3	1	
182		NP	. . WIRING HARNESS, LH SMOKE DISCHARGER TO LH TB	FV604654/3	1	
183	A 6MT4	2590-99-978-0906	. . WIRING HARNESS, 2ft-11in. lg, RH SMOKE DISCHARGER TO RH TB	FV604654/4	1	
184		NP	. . WIRING HARNESS, PLUNGER CONTACTS TO NPL	FV605460/2	1	
185		NP	. . WIRING HARNESS, PLUNGER CONTACTS TO CONVOY LIGHT	FV605461/2	1	
186		NP	. . WIRING HARNESS, INSTRUMENT PANEL No. 3 TO FUEL GAUGE JUNCTION	FV582484/1	1	
187	A 6MT4	6150-99-881-3773	. . WIRING HARNESS, FUEL GAUGE TO FUEL GAUGE JUNCTION	FV582488-1	1	
188	A 6MT4	2590-99-823-0104	. . WIRING HARNESS, 4 conductors, c/w end connectors, 7ft-9in. lg, DP 10 TO AJB No. 3	FV582353/2	1	
189		NP	. . WIRING HARNESS, SDJ No. 1 TO AJB 1	FV582310/2	1	
190		NP	. . WIRING HARNESS, SWITCH UNIT No. 1 TO AJB 4	FV582408/4	1	
191		NP	. . WIRING HARNESS, ROOF LIGHTS No. 2, 5 & 6 TO AJB No. 6	FV582411/1	1	
192	A 6MT4	2590-99-831-3311	. . WIRING HARNESS, 2 conductors straight pin connector 1st end, 90 deg elbow 2nd end, AJB 7 TO DOOR ISOLATION SWITCH	FV582409-1	1	

Fig Item	Man Code Navy - N Army - A RAF - R	NATO Stock No	Item Name and Description	Part No/ Drawing No.	No. Off	Annotations
			VEHICLE HARNESSSES - contd			
193		NP	WIRING HARNESS, INSTRUMENT PANEL No. 1 TO DP 3	FV582478/3	1	
194		NP	WIRING HARNESS, DRIVERS SWITCHBOARD AND No. 1 CONNECTOR JUNCTION TO DP 4	FV582581/4	1	
195		NP	WIRING HARNESS, DP 7 TO JW 1	FV582405/4	1	
196	A 6MT4	6150-99-818-7806	WIRING HARNESS, PPJ FW TO HULL FW JUNCTION	FV605527-4M	1	
197		NP	WIRING HARNESS, PPJ FW TO LB FW JUNCTION	FV605527-5M	1	
198		NP	WIRING HARNESS, FW CONTROL BOX JW 4 TO LB JUNCTION	FV582327/1	1	
199	A 6MT4	2920-99-836-1280	WIRING HARNESS, 27ft-5in.lg, skt connectors both ends, DLB 23 TO FUEL PUMP	FV582301-26	1	
200	A 6MT4	6150-99-813-9705	WIRING HARNESS, 9 conductors, plug 1st end, skt 2nd end, 1ft-7-1/2in. lg, DLB No. 1 TO DLB No. 2	FV582781-1	1	
201	A 6MT4	6150-99-813-9706	WIRING HARNESS, 22 conductors, plug 1st end, skt 2nd end, 1ft-9in. lg, DLB 7 TO REG - FRONT	FV582702-1	1	
202		NP	WIRING HARNESS, DLB 8 TO REG - REAR	FV582702-5	1	
203	A 6MT4	2590-99-839-2507	WIRING HARNESS, 45in. lg, straight connectors both ends, DLB 12 TO DP 2	FV582578/3	1	
204		NP	WIRING HARNESS, JW4 TO LB FW JUNCTION	FV582330/1	1	
205		NP	WIRING HARNESS, LB JUNCTION FW TO JW 5	FV582326/1	1	
206	A 6MT4	2540-99-256-8425	WIRING HARNESS, 2 conductors, 6ft-2in. lg, JW 2 TO FIRE WARNING LIGHT	FV582379/2	1	
207		NP	WIRING HARNESS, JW 7 TO WARNING LIGHT UNIT	FV582487/1	1	
208		NP	WIRING HARNESS, JW 3 TO FIRE ALARM HORN	FV586406/4	1	
209		NP	WIRING HARNESS, SW UNIT No. 1 TO FILTER UNIT	FV528428/2	1	
210	A 6MT4	2590-99-809-9546	CABLE ASSEMBLY, POWER, ELECTRICAL, skt, key type 1st end, plug, key type 2nd end, 26in. lg, DPW TO FILTER UNIT	FV604748-1	1	
211	A 9ACR	2590-99-825-7621	WIRING HARNESS, GEAR CHANGE SW JUNCTION TO GEAR CHANGE SWITCH	FV604835-4M	1	
212		NP	WIRING HARNESS, IMAGE INTENSIFIER SIGHT	FV604709-IN	1	
213		NP	WIRING HARNESS, DP 12 LINK	FV582495/1	1	
214		NP	CONDUIT, ARMoured OUTLET	FV605482/1	2	
215		NP	CONDUIT, IR LIGHT	FV605457/1	2	
216	A 9ACR	5975-99-796-0374	CONDUIT ASSEMBLY, NON-METALLIC, ELECTRICAL, braided neoprene, 3/8in. id, 10in. lg, coupling nut 1st end, female 2nd end, headlight	FV605457/2	2	
217		NP	CONDUIT, HORN	FV605458/1	1	
218		NP	CONDUIT, REAR LIGHTS	FV605462/1	2	
219		NP	WIRING HARNESS, black to ATU No. 11	FV324239/1	1	
220		NP	WIRING HARNESS, LOUDSPEAKER TO LOUDSPEAKER	FV324156/2	1	

Fig Item	Man Code Navy - N Army - A RAF - R	NATO Stock No	Item Name and Description	Part No/ Drawing No.	No. Off	Annotations
			. VEHICLE HARNESSSES - contd			
221		NP	. . WIRING HARNESS, AE BASE No. 31 TO TERMINAL BLOCK	FV324154/1	1	
222		NP	. . CABLE ASSEMBLY, POWER, ELECTRICAL, 21ft-3in. lg, 6 conductors, 6 pin skt 1st end, 6 pin plug 2nd end, BATTEN BOX TO GCU BLACK	FV167421-1	1	
223		NP	. . CABLE ASSEMBLY, POWER, ELECTRICAL, 21ft-3in. lg, 6 conductors, 6 pin skt 1st end, 6 pin plug 2nd end, BATTEN BOX TO GCU GREEN	FV167421-2	1	
224		NP	. . WIRING HARNESS, AMPLIFIER TO C BOX	FV167422/1	1	
225		NP	. . WIRING HARNESS, J1 TO 6T	FV167422/2	1	
226		NP	. . WIRING HARNESS, EXTENSION, AMPLIFIER TO C BOX	FV167422/3	1	
227		NP	. . WIRING HARNESS, COUPLER, J1 TO 6T	FV167423/1	1	Alternative
228		NP	. . WIRING HARNESS, COUPLER, C BOX TO C BOX	FV324158/1	1	Alternative
229		NP	. . WIRING HARNESS, J1 TO A13 GREEN	FV324095/19	1	
230		NP	. . WIRING HARNESS, WHITE TO WHITE, J1 TO RH SET	FV324095/20	1	
231		NP	. . WIRING HARNESS, BLUE TO BLUE, J1 REAR TO RH SET	FV324095/21	1	
232		NP	. . WIRING HARNESS, LH SET TO ANY J1 BROWN	FV329095/23	1	
233		NP	. . WIRING HARNESS, C BOX TO C BOX	FV324095/24	1	
234		NP	. . WIRING HARNESS, C BOX TO 12T BOX	FV324095/25	1	
235		NP	. . WIRING HARNESS, 12T BOX TO E BOX	FV324095/26	1	
236		NP	. . WIRING HARNESS, 12T BOX TO C BOX	FV324095/27	1	
237		NP	. . WIRING HARNESS, D BOX TO 12T BOX REAR	FV324095/28	1	
238		NP	. . WIRING HARNESS, RED TO RED, J1 TO RH SET	FV324095/29	1	
239		NP	. . CABLE ASSEMBLY, POWER, ELECTRICAL, 3ft-2in. lg, 12 conductors, 12 pin plug 1st end, 12 pin skt 2nd end, J1 TO E BOX	FV324095/30	2	
240		NP	. . WIRING HARNESS, RH SET - DELPHI - BLACK	FV324095/31	1	
241		NP	. . WIRING HARNESS, RH SET - DELPHI - ORANGE	FV324095/32	1	
242		NP	. . WIRING HARNESS, BLUE TO BLUE, ATU FRONT TO SET	FV324096/5	1	
243		NP	. . WIRING HARNESS, WHITE TO WHITE	FV324096/6	1	
244		NP	. . WIRING HARNESS, RED TO RED	FV324096/7	1	
245		NP	. . WIRING HARNESS, INT BATTEN BOX TO J1 BLUE CENTRE	FV229641/2	1	
246		NP	. . WIRING HARNESS, INT BATTEN BOX TO J1 RED FRONT	FV229641/3	1	
247		NP	. . WIRING HARNESS, J1 TO MRRB	FV229641/4	2	
248	A	46MT4	6145-99-881-5675 . . BRAID, WIRE, Cu tinned, 5/8in. w, RADIO EARTH	FV(S)6-70-6	3	
249		NP	. . WIRING HARNESS, J1 REAR TO RH RJB	FV167346/5	1	

Fig Item	Man Code Navy - N Army - A RAF - R	NATO Stock No	Item Name and Description	Part No/ Drawing No.	No. Off	Annotations
			. VEHICLE HARNESSSES - contd			
250		NP	. . WIRING HARNESS, J1 TO RH RJB	FV167346/7	2	
251		NP	. . WIRING HARNESS, LOUDSPEAKER TO AMPLIFIER	FV324156/1	1	
252		NP	. . WIRING HARNESS, AE BASE TO ATU	FV324098/2	3	
253		NP	. . WIRING HARNESS, FRONT 12T BOX TO IJB No. 2	FV324095/44	1	
254		NP	. . WIRING HARNESS, IJB No. 1 TO D BOX	FV324095/45	1	
255		NP	. . WIRING HARNESS, ATU REAR RH TO A13	FV324287/1	1	
256	A	6MT4	2590-99-802-3443 . . CABLE ASSEMBLY, SPECIAL PURPOSE, ELECTRICAL, 18 conductors, 2ft-2in. lg, terminal fittings both ends, BATTEN BOX INT TO EXT	FV324157-2	1	
257		NP	. . HARNESS, 5ft 9in. lg, INT LT 2 TO AJB 6	FV2200777/1	1	
258	A	6MT4	5935-99-881-9002 . . . CONNECTOR, FREE, ELECTRICAL, straight shape, thd w/clamp, 1.156in. dia, 2.25in.lg, one mating end, 3 contacts, Al alloy, 22A keyway	FV585045	1	
259		NP	. . HARNESS, 9ft 5in. lg, INT LT 1 TO AJB 5	FV2200778/2	1	
260	A	6MT4	5935-99-802-2367 . . . CONNECTOR, FREE, ELECTRICAL, straight shape, thd w/clamp, 1.156in. dia, 2.25in.lg, one mating end, 3 contacts, Al alloy, 22A, keyway	FV585046	1	

~~UK RESTRICTED~~

~~UK RESTRICTED~~

Chapter 2-8
PARTS LIST
VENTILATION SYSTEM
GENERAL ARRANGEMENT
FV439 (SAS/MC)

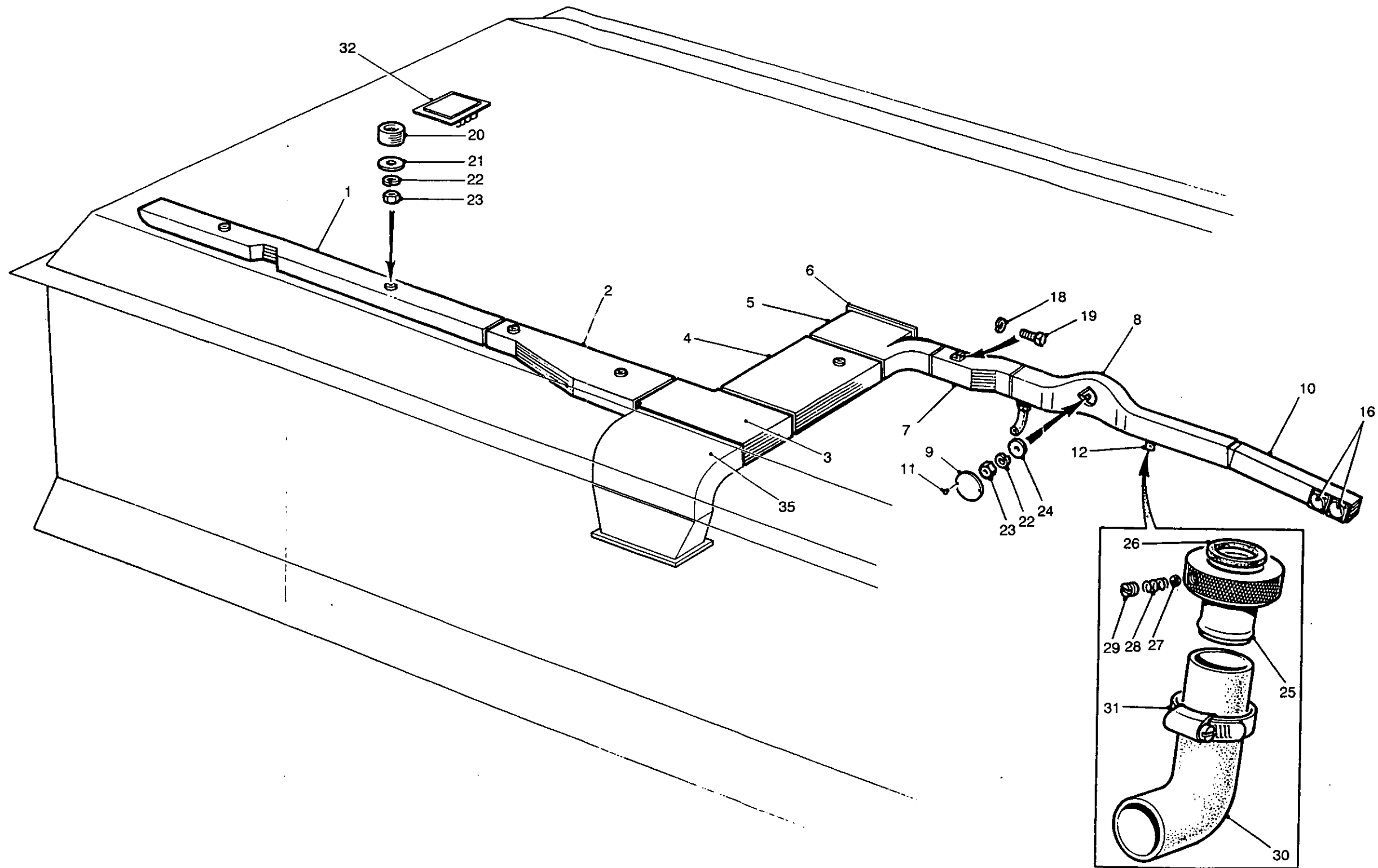


Fig 1 Ventilation system general arrangement, FV439 (SAS/MC)

430/70156

Fig Item	Man Code Navy - N Army - A RAF - R	NATO Stock No	Item Name and Description	Part No/ Drawing No.	No. Off	Annotations
1-		NP	VENTILATION SYSTEM GENERAL ARRANGEMENT FV439 (SAS/MC)	FV2200504	REF	
		NP	. VENTILATION DUCTING	FV2200505	REF	
1	A	9ACR 2510-99-865-6864	. PIPE, AIR, CONDITIONING - HEATING, crew compartment, right rear	FV524955	1	
2	A	9ACR 2510-99-865-6862	. PIPE, AIR, CONDITIONING - HEATING, crew compartment, right front	FV524953	1	
3	A	9ACR 2510-99-802-1966	. PIPE, AIR, CONDITIONING - HEATING, junction right	FV602532	1	
4	A	9ACR 2510-99-865-6856	. PIPE, AIR, CONDITIONING - HEATING, crew compartment, centre right	FV524940	1	
5	A	9ACR 2510-99-865-6854	. PIPE, AIR, CONDITIONING - HEATING, crew compartment, centre front	FV524935	1	
6		NP	. AIR DUCT BLANKING PLATE	FV2048840	1	
7	A	9ACR 2510-99-865-6853	. PIPE, AIR, CONDITIONING - HEATING, driver's compartment, rear	FV524931	1	
8	A	9ACR 2510-99-867-4366	. PIPE, AIR, CONDITIONING - HEATING, front driver	FV586302	1	
9		NP	. DISC	FV524956	1	
10	A	9ACR 2510-99-865-6851	. PIPE, AIR, CONDITIONING - HEATING, driver's compartment, front	FV524925	1	
11	A	G1 5305-99-914-5426	. SCREW, TAPPING, THREAD FORMING, steel, pan hd, slotted, Cd P, No. 6 x 1/4in. lg		40	Securing items 1 to 10
12	A	9AHY 2540-99-804-3324	. ADAPTOR, RESPIRATOR, aluminium alloy, 3/64 x 5/8in. lg	FV594608	8	
NI 13	A	G1 5305-99-121-4840	. SCREW, TAPPING, THREAD FORMING, steel, csk hd, slotted Cd P, 80 - 82 deg csk angle		24	Securing item 12
NI 14	A	9AHY 2540-99-866-9362	. CAP, BLANKING, DIFFUSER BOX	FV482036	4	u/w item 12
NI 15	A	G1 5305-99-901-9736	. SCREW, TAPPING, THREAD FORMING, steel, button hd, Cd P, No. 6 x 3/8in. lg		4	Securing item 14
16	A	6MT13 2540-99-866-2618	. DIFFUSER, AIR, 2in. type SASQ FV	FV481871	11	
NI 17	A	G1 5305-99-950-4416	. SCREW, TAPPING, THREAD FORMING, steel, pan hd, slotted, Cd P, 1/2in. lg		44	Securing item 16
18	A	G1 5310-99-941-6653	. WASHER, LOCK, steel, Cd plated, split helical ring, 0.193in. id, 0.382in. od, 0.048in. thk		2	
19		NP	. SCREW, MACHINE, UNF, 10-32, 3/8in. lg	70111030615 900	2	
20		NP	. DISTANCE PIECE	FV524990	5	
21	A	9ACR 5310-99-865-6800	. WASHER, FLAT, steel, 0.328 x 1 x 0.072in. thk		5	Air ducting to roof plate
22	A	G1 5310-99-941-6655	. WASHER, LOCK, steel, split helical ring, 0.343in. id, 0.503in. od, 0.08in. thk		7	
23	A	G1 5310-99-941-0925	. NUT, PLAIN, HEXAGON, UNF, steel, zinc P, 5/16 -24, 1/2in. x 17/64in. h		7	
24		NP	. WASHER	FV299995	2	
25		NP	. CONNECTOR ASSEMBLY	FV482111	2	
26	A	9AHY 5330-99-818-3852	. GASKET, natural rubber, 0.822in. id, 1.13in. od, 0.07in. thk	FV482109	1	
27	A	6MT7 3110-99-950-0566	. BALL, BEARING, steel, 5/32in. dia	5-32GD10	3	
28	A	9AHY 5360-99-152-3676	. SPRING, HELICAL COMPRESSION, spring steel, Cd plated, 1/8in. od x 3/16in. lg	FV482034	3	

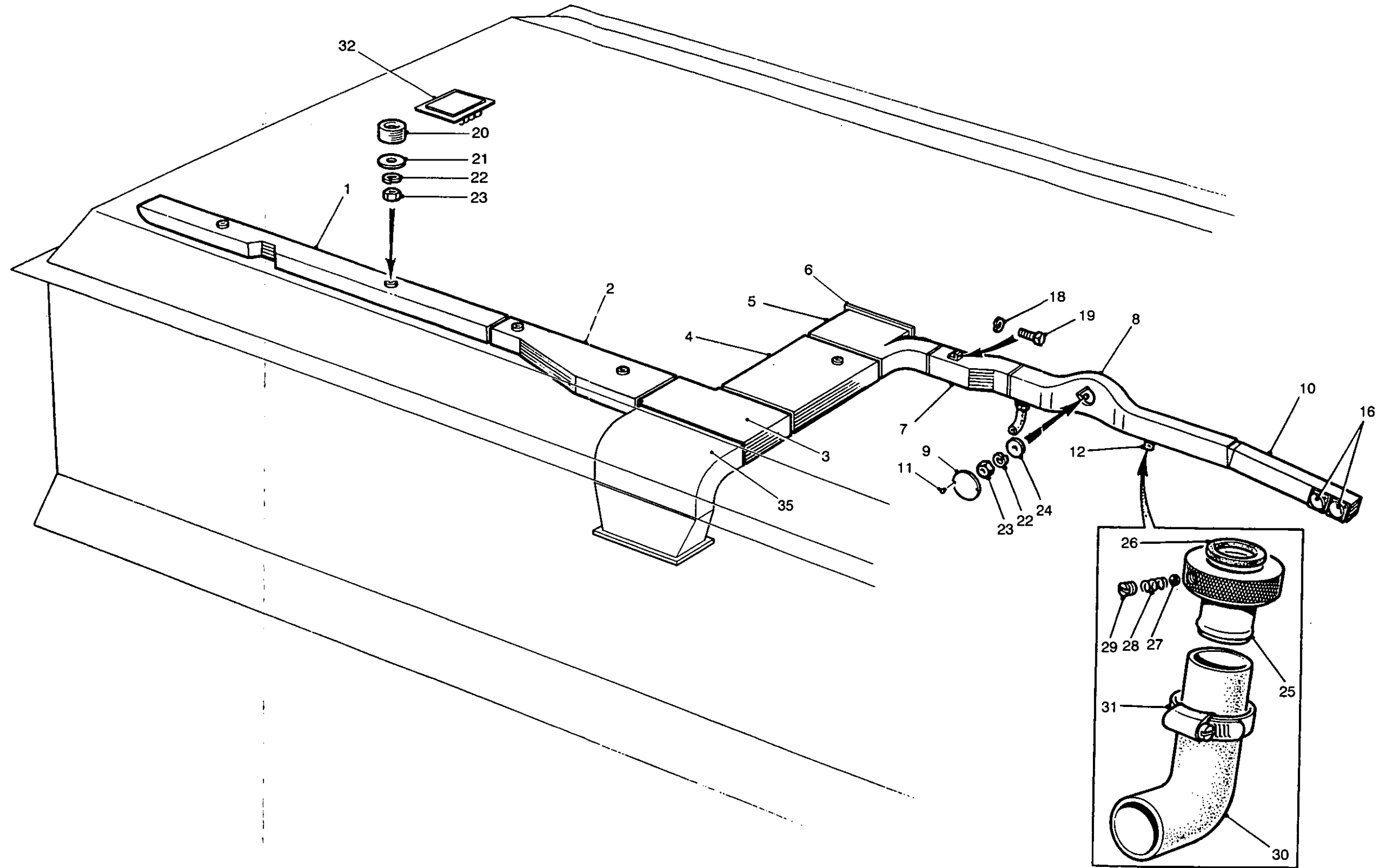


Fig 1 Ventilation system general arrangement, FV439 (SAS/MC)

Fig Item	Man Code Navy - N Army - A RA/F - R	NATO Stock No	Item Name and Description	Part No/ Drawing No.	No. Off	Annotations
1-			VENTILATION SYSTEM GA - contd . VENTILATION DUCTING - contd			
29	A 9AHY	5305-99-549-7430	. SET SCREW, BA, Cu alloy, slot drive, Zn plated w/chromate, No. 2 dia, 0.114in. thd lg, 0.17in. lg	FV482035	3	
30	A 9ACR	4720-99-802-3560	. HOSE, PREFORMED, pvc, 0.084 x 1.04 x 3-3/4in. o/a lg	FV481873	2	
31	A 6MT1	4730-99-533-2961	. CLAMP, HOSE, steel, 13 x 30 x 1mm thk		2	
32	A 9ACR	4820-99-865-6788	. VALVE, RELIEF, PRESSURE AND TEMPERATURE, ventilation	FV481771	1	See Chap 2-8 Relief valve to vehicle See Annex B Chap 2-13
NI 33	A G1	5310-99-941-6655	. WASHER, LOCK, steel, split helical ring, 0.343in. id, 0.08in. thk, 0.503in. od		6	
NI 34	A G1	5305-99-941-6289	. SCREW, MACHINE, UNF, steel, zinc P, 5/16 x 1in. lg		6	
35		NP	OUTLET DUCT WA	FV847271	1	

~~UK RESTRICTED~~

~~UK RESTRICTED~~

Chapter 2-9
PARTS LIST
EXHAUST SYSTEM
GENERAL ARRANGEMENT -
FV439 (SAS/MC)
(See AESP 2350-T-251-711 Annex A)

~~UNRESTRICTED~~

~~UNRESTRICTED~~

Chapter 2-10
PARTS LIST
SEATS GENERAL ARRANGEMENT -
FV439 (SAS/MC)
(See AESP 2320-T-251-711)

~~UNRESTRICTED~~

~~UNRESTRICTED~~

Chapter 2-11
PARTS LIST
STOWAGE GENERAL ARRANGEMENT
FV439 (SAS/MC)

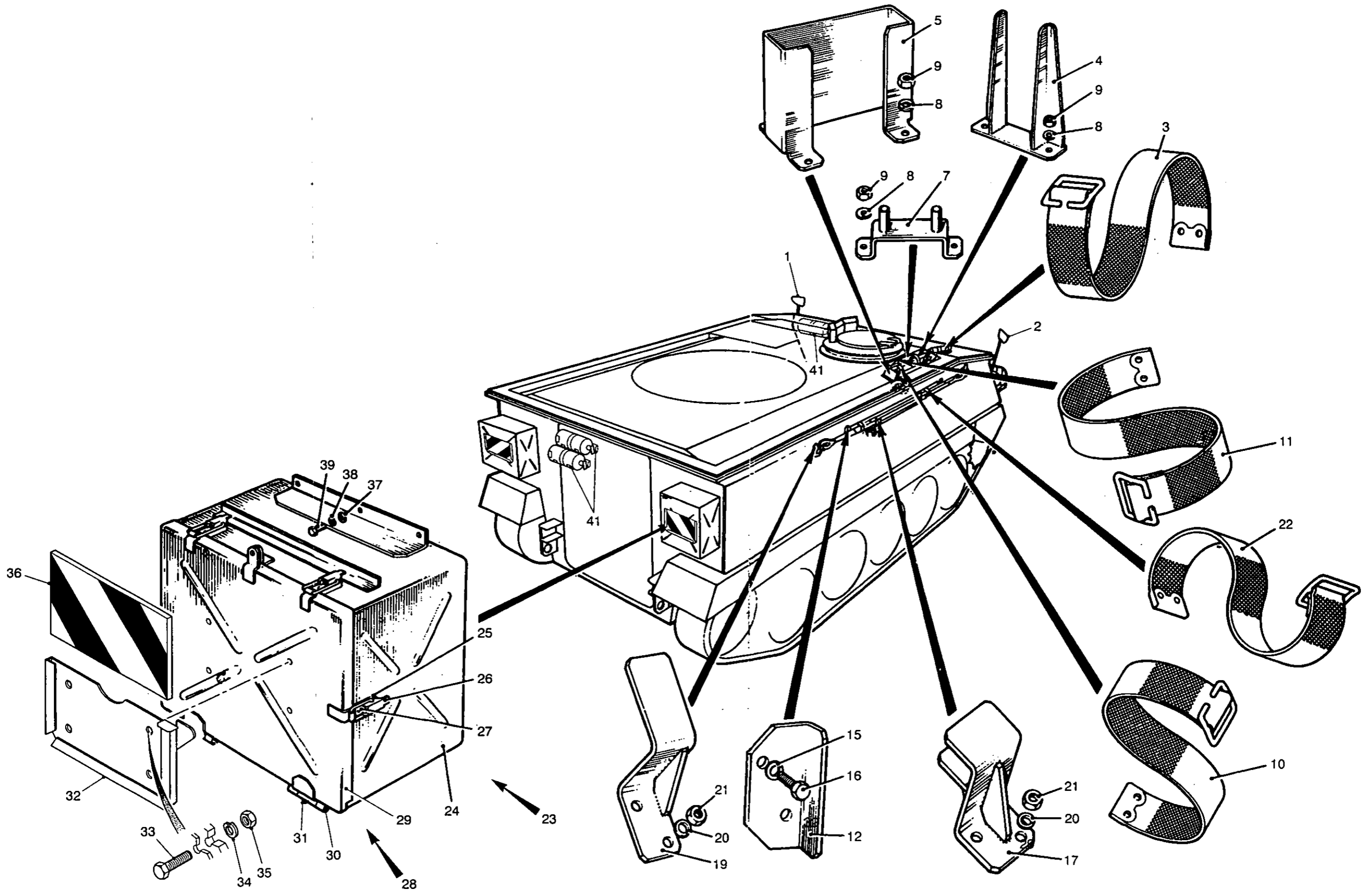


Fig 1 External stowage general arrangement, FV439 (SAS/MC)

430/70157

Fig Item	Man Code Navy - N Army - A RAF - R	NATO Stock No	Item Name and Description	Part No/ Drawing No.	No. Off	Annotations
1-		NP	STOWAGE GENERAL ARRANGEMENT - FV439 (SAS/MC)	FV2200509	REF	
		NP	. STOWAGE, EXTERNAL, GENERAL ARRANGEMENT		REF	
1	A	9ACR	. . MIRROR ASSEMBLY, LH	FV2200959	1	} See Chap 2-11
2		NP	. . MIRROR ASSEMBLY, RH	FV2200960	1	
3	A	6MT1	. . STRAP, WEBBING, w/buckle and br clip ends, 1-1/4in. x 14in. lg		2	
4	A	9ACR	. . BRACKET, SPADE	FV538156	1	
5	A	9ACR	. . BRACKET, SPADE, rear	FV538157	1	Mk 2 vehicle
NI 6	A	9ACR	. . BRACKET, SPADE, front	FV602635	1	Mk 2/1 vehicle
7	A	9ACR	. . BRACKET, DIGGING, PICK	FV538158	1	
8	A	G1	. . WASHER, LOCK, steel, split helical ring, 0.343in. x 0.080in. x 0.503in. dia		8	
9	A	G1	. . NUT, PLAIN, HEXAGON, UNF, steel, Zn plated, 5/16in. x 1/2in. x 17/64in. h		8	
10		NP	. . STRAP, WEBBING, w/buckle and tab, 1-1/4in. w x 20in. lg		2	Qty 3 on Mk 2/1 vehicle
11	A	6MT1	. . STRAP, WEBBING, w/buckle and br clip ends, 1-1/4in. x 14in. lg		2	
12		NP	. . BRACKET, stop, crowbar	FV538508	2	Mk 2 vehicle
NI 13		NP	. . BRACKET, stop, rear, crowbar	FV602639	1	} Mk 2/1 vehicle
NI 14		NP	. . BRACKET, stop, front, crowbar	FV602638	1	
15	A	G1	. . WASHER, LOCK, steel, split helical ring, 1/4in. x 27/64in. x 5/64in. thk		4	
16	A	G1	. . SCREW, MACHINE, UNF, steel, Zn plated, hex hd, 1/4in. x 5/8in. lg		4	
17	A	9ACR	. . BRACKET, DOUBLE ANGLE, crowbar stowage	FV538501	2	Mk 2 vehicle
NI 18	A	9ACR	. . BRACKET, DOUBLE ANGLE, crowbar stowage	FV602640	2	Mk 2/1 vehicle
19	A	9ACR	. . BRACKET, DOUBLE ANGLE, wire rope assy stowage	FV525570	2	
20	A	G1	. . WASHER, LOCK, steel, 3/8in. x 0.92in. x 0.59in. od		8	
21	A	G1	. . NUT, PLAIN, HEXAGON, UNF, steel, Zn plated, 3/8in. x 9/16in. w A/F		8	
22	A	6MT1	. . STRAP, WEBBING, w/buckle and br clip ends, 1-1/4in. w x 14in. lg		2	Qty 3 on Mk 2/1 vehicle
23	A	9ACR	. . BOX, ACCESSORIES, STOWAGE	FV586223	2	
24		NP BOX, ACCESSORIES, STOWAGE	FV586536	1	
25	A	9ACR SPACER, PLATE, steel, 2.6in. lg, 0.75in. w, 2 holes	FV586540	4	
26	A	6MT13 CATCH, TOGGLE, LEVER AND HOOK, steel, 3-3/4in. x 1-1/2in. x 2-1/4in. x 1in. w	916H	4	
27	A	G1 RIVET, SOLID, Cu, button hd, 3/16in. x 3/4in. lg		8	
28	A	9ACR	. . . DOOR, ACCESS, stowage container, c/w seals and pads	FV586537	1	
29	A	9ACR LID, VEHICULAR ACCESSORIES STOWAGE BOX, WA	FV586548	1	
30	A	9BTR	. . . PIN, STRAIGHT, HEADLESS, steel, 3/8in. dia, 4-1/4in. lg	FV586584	2	
31	A	G1	. . . PIN, COTTER, SPLIT, steel, phosphated, 1.6mm x 25mm lg		2	

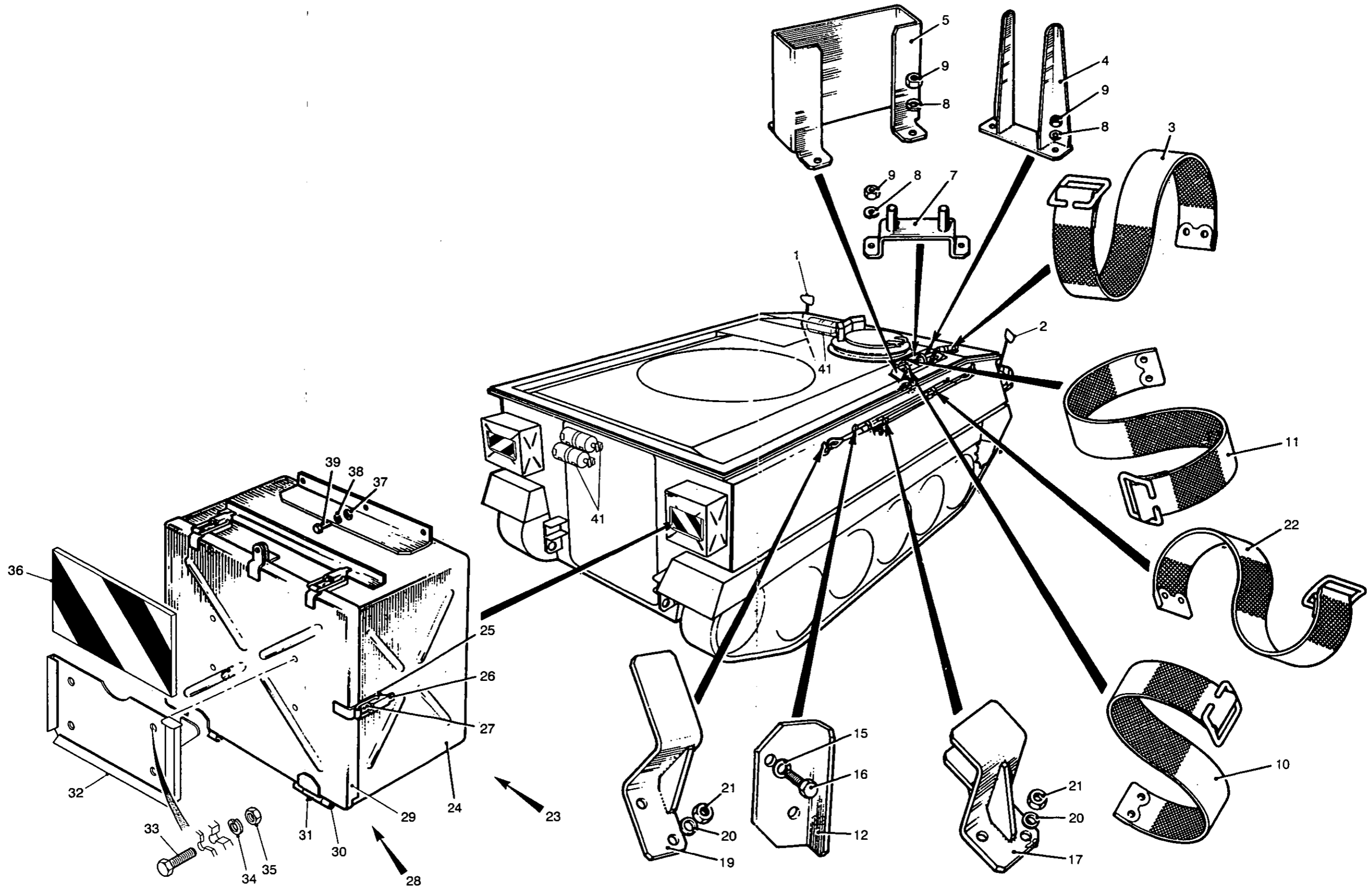


Fig 1 External stowage general arrangement, FV439 (SAS/MC)

430/70157

Fig Item	Man Code Navy - N Army - A RAF - R	NATO Stock No	Item Name and Description	Part No/ Drawing No.	No. Off	Annotations
1-			STOWAGE GA - contd . . . EXTERNAL STOWAGE GA - contd . . . BOX, ACCESSORIES, STOWAGE - contd			
32	A 9ACR	2540-99-815-0156 HOLDER ASSEMBLY, MARKER BOARD, painted, 430mm w, 235mm h, to hold high visibility marker board	FV2200910	1	
33	A G1	5305-99-122-5360 SCREW, CAP, HEXAGON HEAD, 6mm x 1mm ISO M, class 6G, rh thd, 16mm thd and fastener lg, steel, Zn plated w/chromate		4	
34	A G1	5310-99-137-9232 WASHER, LOCK, steel, Zn plated, split helical ring, 6.3mm. id, 9.2mm od, 1.5mm thk		4	
35	A G1	5310-99-122-5295 NUT, PLAIN, HEXAGON, M6 x 1mm, ISO M, class 6H rh thd, steel, Zn plated, 10mm w A/F, 5mm h, chamfered bearing surface, grade 8.8		4	
36	A 6MT1	9905-99-837-2954 SIGN, LH and RH marker boards	BSAU 152	SET	
37	A G1	5310-99-970-8625 WASHER, FLAT, steel, Zn coated, 3/8in. id, 7/8in. od, 1/16in. thk		12	
38	A G1	5310-99-941-6656 WASHER, LOCK, steel, 3/8in. x 0.92in. x 0.59in. od		12	
39	A G1	5305-99-941-0540 SCREW, MACHINE, UNF, hex hd, steel, Zn coated, 3/8in. x 7/8in. lg		12	
NI 40	A G1	5340-99-910-8186 PADLOCK, steel, Zn plated, 4 lever type, 50mm w/ c/w 2 keys	FV873513	2	u/w item 23
41	A 9ACR	2540-99-876-0078 MODIFICATION KIT, FIRE EXTINGUISHERS, comprises 11 items, some multiples, fitting of ozone friendly dry powder type extinguishers	MAE 43/0/0013	1	See Chap 2-11
NI 42		NP INTERNAL STOWAGE GENERAL ARRANGEMENT		REF	See Chap 2-11

~~UK RESTRICTED~~

~~UK RESTRICTED~~

Chapter 2-12
PARTS LIST
FIRE FIGHTING EQUIPMENT
GENERAL ARRANGEMENT -
FV439 (SAS/MC)
(See AESP 2350-T-251-711)

~~UNRESTRICTED~~

~~UNRESTRICTED~~

Chapter 2-13
PARTS LIST
NBC INSTALLATION -
FV439 (SAS/MC)

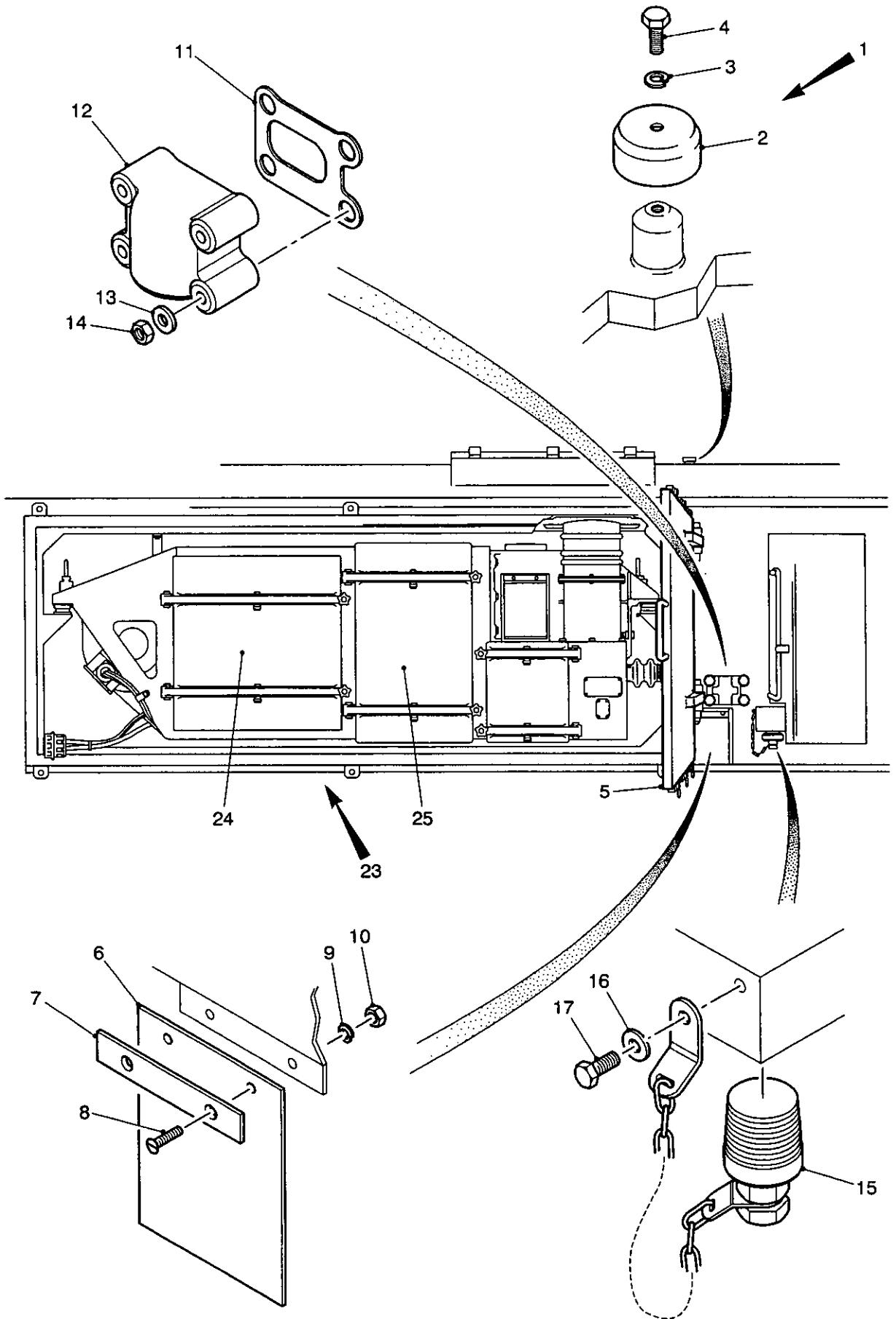


Fig 1 NBC installation, FV439 (SAS/MC)

430/70203

Fig Item	Man Code Navy - N Army - A RAF - R	NATO Stock No	Item Name and Description	Part No/ Drawing No.	No. Off	Annotations
1-			NBC INSTALLATION - FV439 (SAS/MC)	FV2200560	REF	
1		NP	. AMBIENT PRESSURE TAPPING	FV847517	REF	
2	A	9ACR 2590-99-801-8706	. COVER, BATTERY VENT, steel, painted, 1-3/4in. dia, 3/4in. h, 9/32in. dia mtg hole	FV586419	1	
3	A	G1 5310-99-941-6654	. WASHER, LOCK, steel, split helical ring, 1/4in. bolt size, 27/64in. od, 5/64in. thk		1	
4	A	G1 5305-99-941-6284	. SCREW, MACHINE, UNF, 1/4in. dia class 2A thd, 1/2in. lg, steel, Zn plated, hex hd		1	
5		NP	. DOOR ASSEMBLY, NBC UNIT	FV2044321	1	See Fig 2
6		NP	. COVER, FLAP	FV847391	1	
7		NP	. SPREADER STRIP	FV847392	1	
8	A	G1 5305-99-941-1751	. SCREW, MACHINE, steel, Zn plated, flat csk hd, slot drive, 1/4in. x 7/8in. lg, class 2A thd		2	
9	A	G1 5310-99-941-6644	. WASHER, LOCK, steel, Cd plated, split helical ring, 17/64in. id, 17/32in. od, 1/16in. thk		2	
10	A	G1 5310-99-804-7941	. NUT, PLAIN, HEXAGON, UNF, 1/4in. dia -28, class 2B thd, steel, Zn plated, 7/16in. w A/F, 7/32in. h, chamfered		2	
11		NP	. GASKET	FV847245	1	
12		NP	. SCAVENGE OUTLET	FV847242	1	
13		NP	. WASHER, PLAIN, 3/8in. dia x 15 SWG	7030006009 5900	4	
14		NP	. NUT, HEXAGONAL, high, prevailing torque, 3/8in. -16 UNC	7024406001 5900	4	
15		NP	. SCAVENGE PLUG ASSEMBLY	FV847241	1	
16	A	G1 5310-99-941-8543	. WASHER, FLAT, steel, Zn plated, 13/64in. bolt size, 1/2in. od, 3/64in. thk		1	
17	A	G1 5305-99-941-6190	. SCREW, MACHINE, UNF, steel, Zn plated, hex hd, No. 10 x 1/2in. lg, class 2A thd		1	
NI 18		NP	. OUTLET DUCT WA	FV847271	1	
NI 19		NP	. GASKET, OUTLET DUCT	FV847277	1	
NI 20	A	G1 5305-99-941-0280	. SCREW, MACHINE, UNF, steel, Zn plated, hex hd, 1/4in. x 1/2in. lg, class 2A thd		6	} Securing items 18 & 19 to NBC pack
NI 21		NP	. WASHER, PLAIN, 1/4in. dia x 20 SWG	7030104009 5900	12	
NI 22		NP	. NUT, HEXAGONAL, aero-tight 1/4in. UNF	7024104001 5900	6	
23		NP	. NBC PACK, No. 7 Mk 1 INSTALLATION	FV809527	REF	See Fig 3
24		NP	. AV FILTER COMPARTMENT		REF	See Fig 4
25		NP	. PRE-FILTER AND UHE FILTER		REF	See Fig 5
NI 26		NP	. FAN COMPARTMENT		REF	See Fig 6
NI 27		NP	. CONTROL BOX No. 10 Mk 1 INSTALLATION	FV809598	REF	See Fig 7

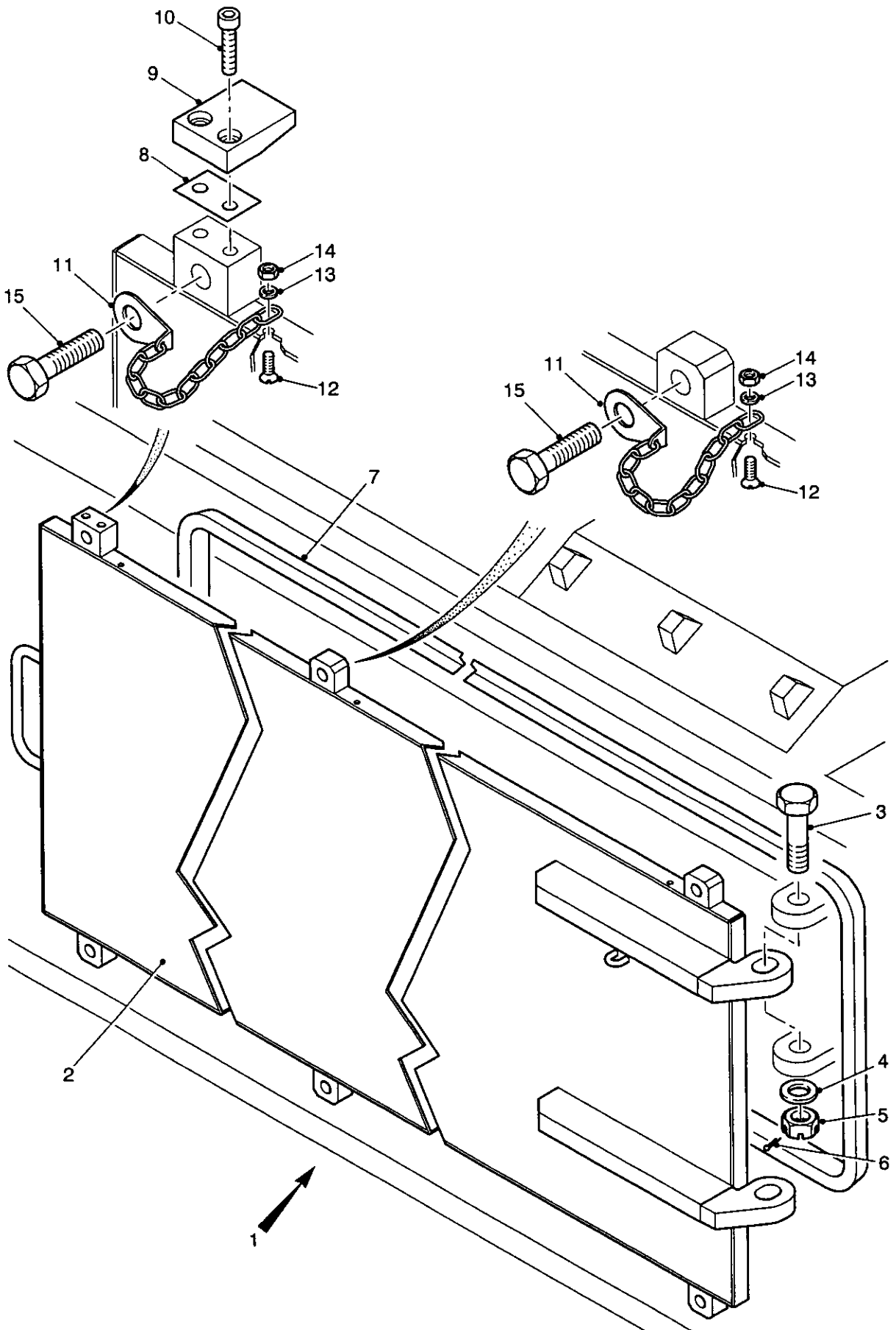


Fig 2 Door assembly, NBC unit

430/70204

Fig Item	Man Code Navy - N Army - A RAF - R	NATO Stock No	Item Name and Description	Part No/ Drawing No.	No. Off	Annotations
2-			NBC INSTALLATION - contd			
1		NP	. DOOR ASSEMBLY, NBC UNIT	FV2044321	1	
2		NP	. DOOR WA	FV847237	1	
3		NP	. BOLT	FV951987	2	
4		NP	. WASHER, FLAT, 1in. dia x 15 SWG	WF115	2	
5	A G1	5310-99-941-0867	. NUT, PLAIN, SLOTTED, HEXAGON, UNF, steel, Zn plated, chamfered, 1in. thd dia, 1/2in. w A/F, 1in. h, grade 3		2	
6	A G1	5315-99-120-9285	. PIN, COTTER, SPLIT, steel, extended prong chisel type, 0.188in. dia, 1.75in. lg		2	
7	A 9ACR	9390-99-805-8387	. NON-METALLIC SPECIAL SHAPED SECTION, linatex and sponge, 0.8in. w, 0.7in. h, 5M lg bulk supply	FV421602	A/R	168in. lg
8		NP	. SHIM, steel, 1in. w, 1.8in. lg, 0.02in. thk, w/2 holes 5/16in. dia	FV847244	A/R	
9		NP	. BLOCK	FV847243	1	
10	A G1	5305-99-941-2433	. SCREW, CAP, SOCKET HEAD, UNF, steel, flat fillister or knurled hd, 1/4in. x 1-1/4in. lg, class 2A		2	
11		NP	. RETAINING WASHER AND CHAIN	FV847247	6	
12	A G1	5305-99-941-1739	. SCREW, MACHINE, steel, Zn plated, flat csk hd, slot drive, No. 10 UNF, 0.509in. thd lg, 0.625in. fastener lg, class 2A		6	
13	A G1	5310-99-941-8543	. WASHER, FLAT, steel, Zn plated, 13/64in. bolt size, 1/2in. od, 3/64in. thk		6	
14		NP	. NUT, HEXAGONAL, aero-tight standard, No. 10 UNF	7024103001 5900	6	
15		NP	. SCREW, door securing, 1/2in. dia	FV847246	6	

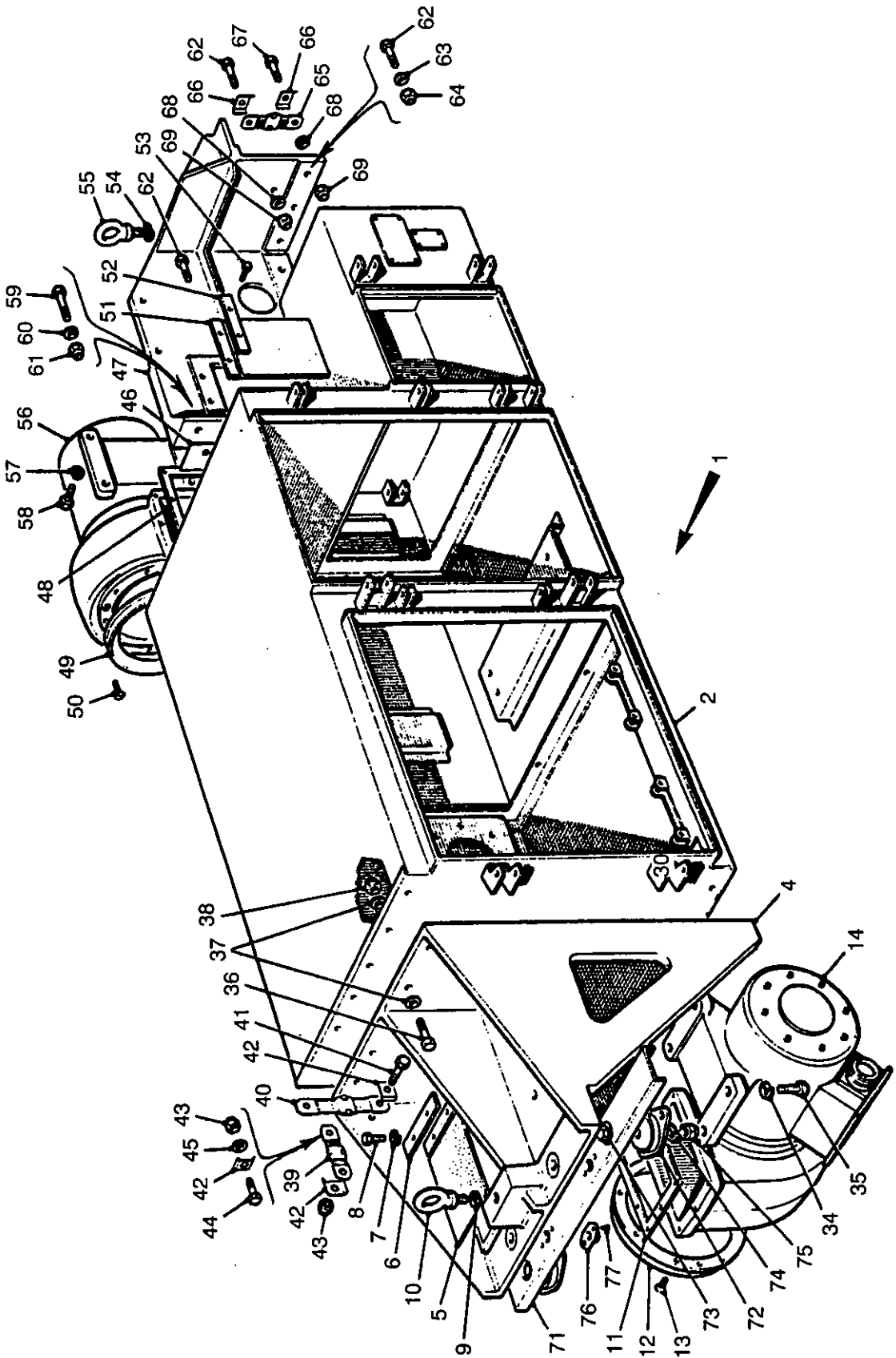


Fig 3 NBC pack, No. 7 Mk 1 installation

430/70159

Fig Item	Man Code Navy - N Army - A RAF - R	NATO Stock No	Item Name and Description	Part No/ Drawing No.	No. Off	Annotations
3-			NBC INSTALLATION - contd			
1		NP	. NBC PACK, No. 7 Mk 1, INSTALLATION	FV809527	REF	
2		NP	. . . PACK NBC, No. 7 Mk 1	FV809351	1	
NI 3		NP PACK ASSEMBLY	FV809408	1	
		NP CLAMP, ARM PIVOT, steel, chamfered sect, 10mm w x 35mm lg x 14mm h	FV809428	4	
4		NP FAN SUPPORT ASSEMBLY, NBC	FV809506	1	
5		NP VALVE, NON-RETURN, plastic, 97 x 144 x 3mm thk	FV809482	1	
6		NP PLATE	FV809545	1	
7	A G1	5310-99-135-9300 WASHER, LOCK, steel, split helical ring, 5 x 1.50 x 8.55mm od		2	
8	A G1	5305-99-122-5355 SCREW, MACHINE, metric, steel, he hd, 5 x 10mm lg, zinc plated		2	
9	A G1	5310-99-135-9303 WASHER, LOCK, steel, split helical ring, 10 x 2.5 x 15.9mm od		1	
10		NP EYEBOLT, metric, painted, 22mm eye id, 10mm x 19mm thd lg	FV809394	1	
11		NP GASKET, rubber, 110 x 133 x 1.50mm thk	FV809552	1	
12	A 9AHY	2590-99-818-6210 SEAL, FAN INLET, metal ring bonded to neoprene seal, 5 x 6.13in. od, 0.75in. h	FV712118	1	
13	A G1	5305-99-941-1973 SCREW, MACHINE, UNF, steel, flat csk hd, Cd P, No. 10 x 7/8in. lg		8	
14	A 9AHY	4140-99-818-6211 FAN, CENTRIFUGAL, type G51-C3- 1101, 5.1in. dia flange mtd w/8 holes 10-32 UNF	FV712112	1	
NI 15	A 46MT4	4140-99-818-6212 HOUSING, CENTRIFUGAL, FAN, HEBA fan	D74512	1	
NI 16	A 9AHY	5340-99-136-2721 INSERT, SCREW, THREAD, Cd P, No. 10-32, 0.160in. o/a lg	40233-99	A/R	
NI 17	A 9AHY	6105-99-744-4680 MOTOR, DIRECT CURRENT, fan motor unit		1	
NI 18	A 46MT4	5977-99-825-1974 BRUSH, ELECTRICAL CONTACT, electrographitic, 25.4mm w, 6.4mm thk, 17.5mm lg	B27236	2	
NI 19	A 46MT4	5310-99-825-1976 WASHER, SPRING, TENSION, 33 x 39.5mm od, 4mm o/a h		2	
NI 20	A 46MT7	3110-99-825-1961 BEARING BALL, ANNULAR, steel, 0.46 x 0.66in. dia, 1.57in. od	203S6G59	1	
NI 21	A 46MT4	5910-99-820-4517 CAPACITOR, FIXED, METALIZED, POLYESTER FILM	33/LWA- 127A/3	1	
NI 22	A 46MT4	5935-99-881-9654 CONNECTOR, FIXED, ELECTRICAL, straight shape, Cd P, 1-1/2in. lg	FV585023	1	
NI 23	A 46MT4	6105-99-825-1960 ARMATURE MOTOR, slot wound, 3-9/16in. dia, 8-5/16in. lg	C27211	1	
NI 24	A G1	5315-99-101-2179 KEY MACHINE, steel, 1/8in. h, 1/2in. lg	24151/99	1	
NI 25		NP INLET, FAN, aluminium alloy, anodized black, 7/32in. dia	W74515	1	
NI 26		NP IMPELLOR, FAN, CENTRIFUGAL, aluminium alloy, araidite, 5-5/32in. dia, 1-49/64in. thk	B77708	1	

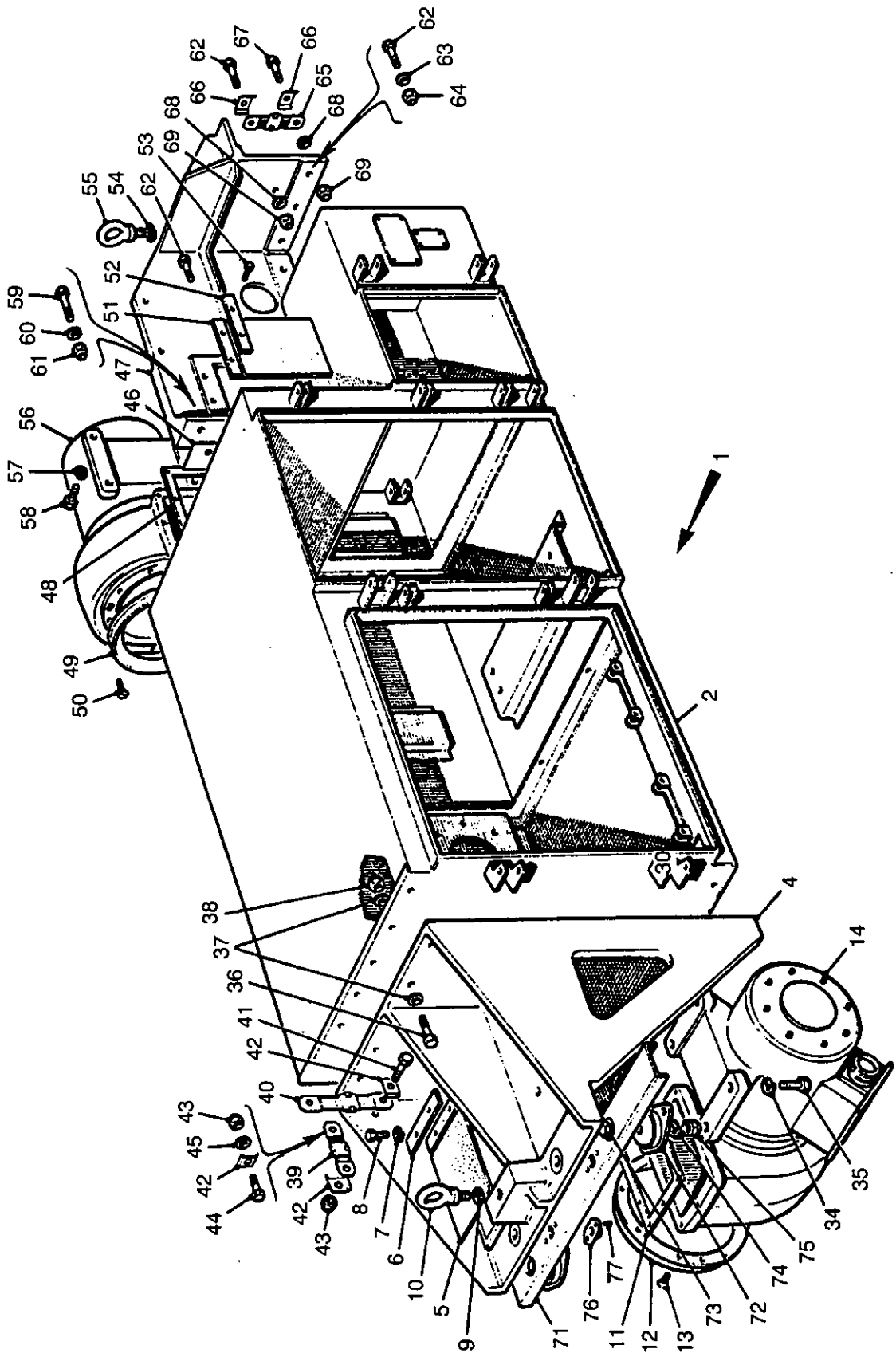


Fig 3 NBC pack, No. 7 Mk 1 installation

430/70159

Fig Item	Man Code Navy - N Army - A RAF - R	NATO Stock No	Item Name and Description	Part No/ Drawing No.	No. Off	Annotations
3-			NBC INSTALLATION - contd . NBC PACK, No. 7 Mk 1, INSTALLATION - contd PACK NBC - contd FAN SUPPORT ASSEMBLY, NBC - contd FAN, CENTRIFUGAL - contd			
NI 27	A G1	5310-99-941-0837 NUT, PLAIN, HEXAGON, UNF, steel, 5/16 x 0.5 x 0.266in. h		1	
NI 28	A G1	5310-99-941-6192 WASHER, KEY, steel, 3 ext keys, Cd P, 0.325in. id		1	
NI 29	A G1	5305-99-941-1971 SCREW, MACHINE, UNF, steel, flat csk hd, Cd P, No. 10 x 5/8in. lg		2	
NI 30	A G1	5306-99-941-9966 SCREW, MACHINE, UNF, steel, hex hd, Cd P, No. 10, 35/64in. lg		7	
NI 31	A G1	5310-99-941-9447 WASHER, TAB, steel, 3 ext keys, Cd P, 0.193in. dia		7	
NI 32		NP EXCLUDER, DUST, steel, Cd P, 2-3/4in. id	77707-55	1	
NI 33		NP RETAINING, RING	FV712116	1	
34	A G1	5310-99-135-9302 WASHER, LOCK, steel, split helical ring, Cd P, 8mm		4	
35	A G1	5305-99-122-5367 SCREW, CAP, HEXAGON HEAD, metric, steel, 8 x 25mm lg		4	
36	A G1	5306-99-122-5244 SCREW, CAP, HEXAGON HEAD, metric, steel, 6 x 25mm lg		5	
37	A G1	5310-99-122-6474 WASHER, FLAT, steel, zinc P, 6.4 - 6.7mm		10	
38	A G1	5310-99-137-7683 NUT, SELF-LOCKING, HEXAGON, steel, 10mm w, 8.5mm h		5	
39		NP BONDING LEAD	FV809514/1	2	
40		NP BONDING LEAD	FV809514/3	1	
41	A G1	5306-99-122-5244 SCREW, CAP, HEXAGON HEAD, metric, steel, 6 x 25mm lg		8	
42	A 9AHY	5310-99-137-3731 SADDLE, WASHER, steel, zinc P, 24.13 x 3.3mm h	FV754792/1	4	
43	A G1	5310-99-137-7683 NUT, SELF-LOCKING, HEXAGON, steel, 10mm w, 8.5mm h		9	
44		NP SCREW, MACHINE, metric, steel, hex hd, 6 x 20mm lg		1	
45	A G1	5310-99-122-6474 WASHER, FLAT, steel, 6.4 - 6.7mm od, zinc P		18	
46		NP SHIMS	FV809392	A/R	
47		NP FAN SUPPORT ASSEMBLY, vent	FV809507	1	
48		NP GASKET, rubber, 111 x 138mm lg, 6mm thk	FV809404	1	
49	A 9AHY	2590-99-818-6210 SEAL, FAN INLET, metal ring bonded to neoprene seal, 5 x 6.13in. od, 0.75in. h	FV712118	1	
50	A G1	5305-99-941-1973 SCREW, MACHINE, UNF, steel, flat csk hd, Cd P, No. 10 x 7/8in. lg		8	
51		NP VALVE, NON-RETURN, plastic, 97 x 144 x 3mm thk	FV809482	1	
52		NP PLATE	FV809545	1	
53	A G1	5305-99-122-5355 SCREW, MACHINE, metric, steel, hex hd, 5 x 10mm lg		2	
54	A G1	5310-99-135-9305 WASHER, LOCK, steel, Cd P, 24.3mm od, 16mm lg		1	
55		NP EYEBOLT, metric, painted, 23mm eye id, 10mm x 19mm thd lg	FV809394	1	

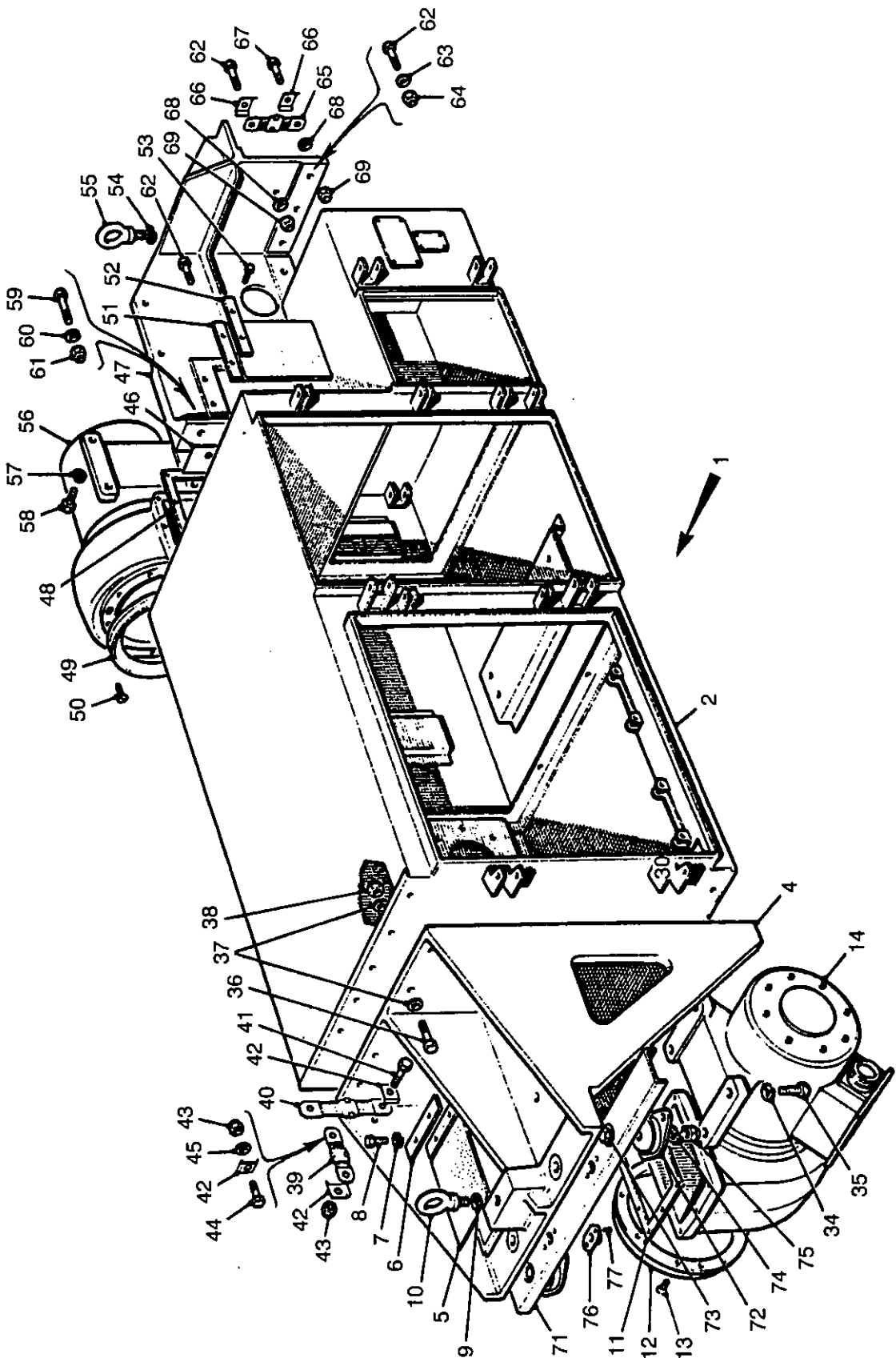


Fig 3 NBC pack, No. 7 Mk 1 installation

430/70159

Fig Item	Man Code Navy - N Army - A RAF - R	NATO Stock No	Item Name and Description	Part No/ Drawing No.	No. Off	Annotations
3-			NBC INSTALLATION - contd . NBC PACK, No. 7 Mk 1, INSTALLATION - contd . . . PACK NBC - contd FAN SUPPORT ASSEMBLY - contd			
56	A 9AHY	4140-99-818-6211 FAN, CENTRIFUGAL, type G51-C3- 1101, 5.1in. dia flange mtd w/8 holes 10-32 UNF	FV712112	1	See items 15 to 33
57	A G1	5310-99-135-9302 WASHER, LOCK, steel, split helical ring, Cd P, 8mm		4	
58	A G1	5305-99-122-5367 SCREW, CAP, HEXAGON HEAD, metric, steel, 8 x 25mm lg		4	
59	A G1	5306-99-122-5245 SCREW, CAP, HEXAGON HEAD, metric, steel, 6G, 30mm lg		1	
60	A G1	5310-99-122-6474 WASHER, FLAT, steel, 6.4 - 6.7mm od, zinc P		2	
61	A G1	5310-99-137-7683 NUT, SELF-LOCKING, HEXAGON, steel, 10mm w, 8.5mm h		1	
62	A G1	5305-99-122-5244 SCREW, CAP, HEXAGON HEAD, 6 x 25mm lg		8	
63	A G1	5310-99-122-6474 WASHER, FLAT, steel, 6.4 - 6.7mm od, zinc P		12	
64	A G1	5310-99-137-7683 NUT, SELF-LOCKING, HEXAGON, steel, 10mm w, 8.5mm h		6	
65		NP BONDING LEAD	FV809514/4	1	
66	A 9AHY	5310-99-137-3731 SADDLE WASHER, steel, zinc P, 24.13 x 3.3mm h	FV754792/1	2	
67		NP SCREW, MACHINE, metric, steel, hex hd, 6 x 20mm lg		1	
68	A G1	5310-99-122-6474 WASHER, FLAT, steel, 6.4 - 6.7mm od, zinc P		2	
69	A G1	5310-99-137-7683 NUT, SELF-LOCKING, HEXAGON, steel, 10mm w, 8.5mm h		2	
NI 70		NP MOUNTING RAIL ASSEMBLY, rh	FV809403	1	
71		NP MOUNTING RAIL ASSEMBLY, lh	FV809401	1	
72	A 6MT1	5340-99-818-7342 MOUNT, RESILIENT, steel, 2 mtg holes, 7.8 x 5/16in. dia	FV739187	4	
73	A G1	5305-99-941-0545 SCREW, MACHINE, UNF, s steel, hex hd, zinc coated, 3/8in. x 1-1/2in. lg		4	
74	A G1	5310-99-941-6656 WASHER, LOCK, steel, split helical ring, Cd P, 3/8 x 0.092 x 0.59in. od		4	
75		NP NUT, SELF-LOCKING, HEXAGON		4	
76		NP NUT, SELF-LOCKING, PLATE	AS8609J	4	
77		NP RIVET, SOLID	SP71-404	8	
NI 78	A G1	5305-99-941-0513 SCREW, MACHINE, UNF, steel, hex hd, zinc P, 1/4 x 3/4in. lg		8	
NI 79	A G1	5310-99-120-4032 WASHER, FLAT, steel, zinc P, 1/2in. id, 9/16in. od, 0.056in. thk		8	} Securing mounting rail
NI 80	A X3	5310-99-124-3754 NUT, SELF-LOCKING, HEXAGON, steel, 7.16 x 11.32in. o/a h		8	
NI 81		NP WASHER, IDENTIFICATION	FV809529	2	} White & green bonded
NI 82		NP WASHER, IDENTIFICATION, plastic, 12 x 21 x 0.25mm thk, white	FV809528/2	2	
NI 83		NP WASHER, IDENTIFICATION, plastic, 12 x 21 x 0.38mm thk, bright red	FV809528/3	2	
NI 84		NP WASHER, IDENTIFICATION, plastic, 12 x 21 x 0.75mm thk, blue	FV809528/6	2	
NI 85		NP COULPLING, BULKHEAD	31865500	4	

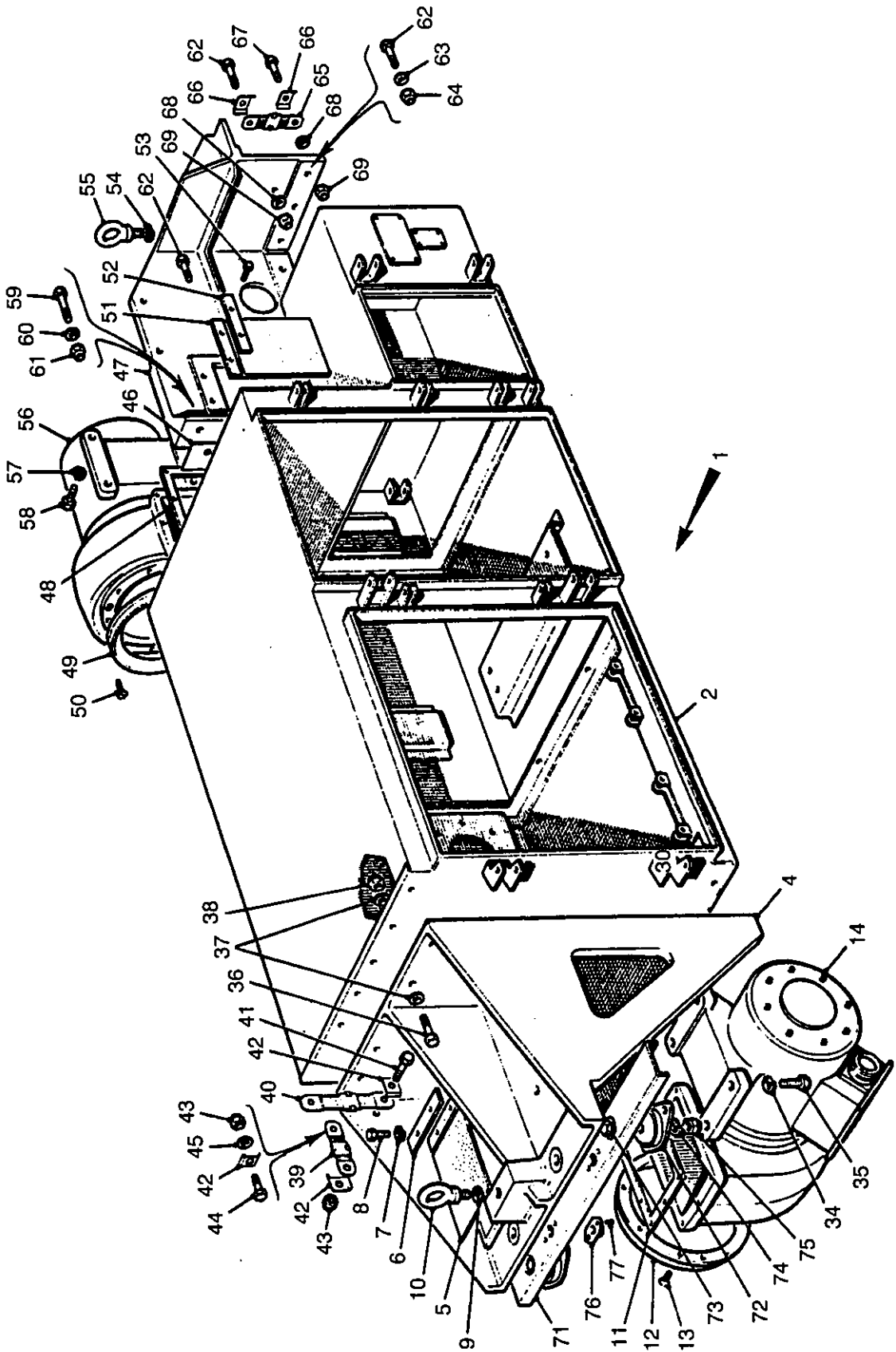


Fig 3 NBC pack, No. 7 Mk 1 installation

430/70159

Fig Item	Man Code Navy - N Army - A RAF - R	NATO Stock No	Item Name and Description	Part No/ Drawing No.	No. Off	Annotations
3-			NBC INSTALLATION - contd . NBC PACK, No. 7 Mk 1, INSTALLATION - contd			
NI 86		NP	. . SCREW, MACHINE, UNC, steel, pan hd, slot drive, zinc coated, 3/4in. lg	SE808244	4	
NI 87	A G1	5310-99-941-8563	. . WASHER, FLAT, steel, Cd P, No. 3 BA		4	
NI 88		NP	. . NUT, SELF-LOCKING, HEXAGON, UNC, steel, Cd P, No. 8		4	
NI 89	A G1	5305-99-941-0513	. . SCREW, MACHINE, UNF, steel, hex hd, zinc P, 1/4in. x 3/4in. lg		1	
NI 90	A 9AHY	5310-99-137-3731	. . SADDLE, WASHER, steel, zinc P, 24.13mm lg, 3.3mm h	FV754792/1	1	
NI 91	A X3	5310-99-124-3754	. . NUT, SELF-LOCKING, HEXAGON, steel, 7.16 x 11.32in. o/a h		1	
NI 92	A Z88	4730-99-603-5530	. . CLAMP, HOSE, cres, 1.26 - 2.05in. id	BAS243/NIX	1	
NI 93	A Z88	4730-99-838-6124	. . CLAMP, HOSE, cres, 122mm - 142mm id	BAS243/M7	1	
NI 94	A G1	5310-99-941-8635	. . WASHER, FLAT, steel, zinc coated, 3/8in.		4	} Securing NBC pack
NI 95	A G1	5305-99-941-0513	. . SCREW, MACHINE, UNF, steel, hex hd, zinc P, 3/8in. x 7/8in. lg		4	

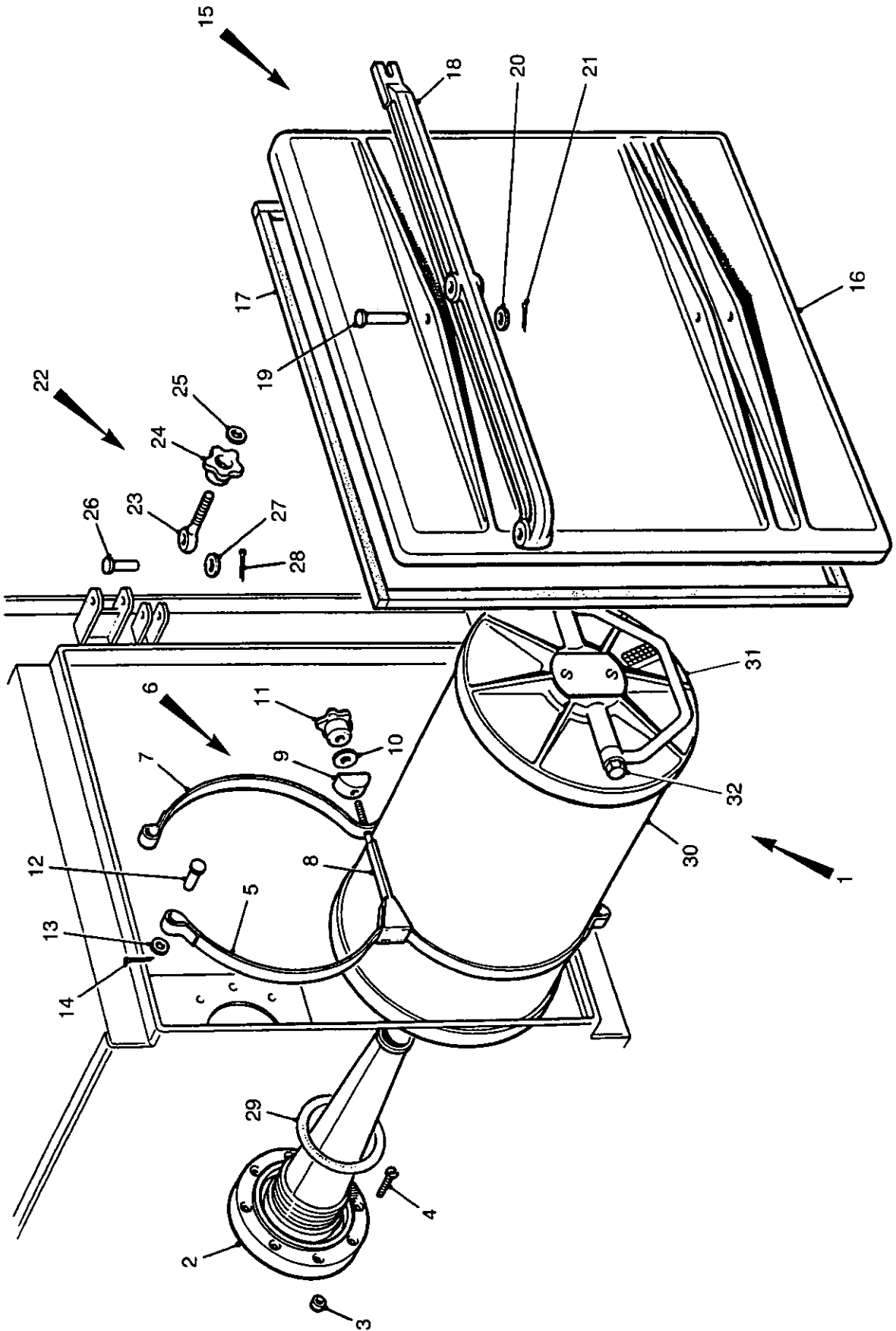


Fig 4 AV filter compartment

430/70160

Fig Item	Man Code Navy - N Army - A RAF - R	NATO Stock No	Item Name and Description	Part No/ Drawing No.	No. Off	Annotations
4-			NBC INSTALLATION - contd . NBC PACK INSTALLATION - contd . . NBC PACK - contd			
1		NP	. . . AV FILTER COMPARTMENT		REF	
2	A 9AHY	2590-99-818-6242	. . . SPIGOT MOUNTING ASSEMBLY, steel, zinc P, passivated, taper tube shape	FV614829	4	
3	A G1	5310-99-117-1578	. . . NUT, PLAIN, CLINCH, UNF, steel, zinc P, No. 10, 9/32in. od, 3/8in. h		32	
4	A Z2	5305-99-941-1740	. . . SCREW, MACHINE, UNF, steel, zinc coated, csk hd, No. 10 x 3/4in. lg		32	
5		NP	. . . STRAP, RETAINING, steel, double, 86mm rad bends, 12 x 1mm thk, 351mm loop c to c	FV809467	2	
6		NP	. . . CLAMP, SUB-ASSEMBLY	FV809469	2	
7		NP BAND, RETAINING	FV809466	1	
8		NP STIRRUP ASSEMBLY, steel, welded assembly	FV809460	1	
9		NP CLAMPING BLOCK, steel, 13mm rad, 13mm w, 13mm h, 1 hole 6.2mm dia	FV809468	1	
10	A G1	5310-99-122-6474 WASHER, FLAT, steel, zinc P, 6.4 - 6.7mm od		1	
11		NP HAND NUT, metric, 6mm	FV809449	1	
12		NP PIN, STRAIGHT, HEADED, steel, zinc coated, 6mm dia		8	
13	A G1	5310-99-122-6474 WASHER, FLAT, steel, zinc P, 6.4 - 6.7mm od		8	
14	A G1	5315-99-138-2199 PIN, COTTER, SPLIT, cres, 1.2mm x 25mm lg		8	
15		NP DOOR ASSEMBLY	FV809455	1	
16		NP DOOR	FV809434	1	
17	A 9ACR	5330-99-838-6740 RUBBER, STRIP, syn rubber, solid, sq sect, 10.4mm sq, 36.8mm lg	FV809459/1	4	
18		NP CLAMP, FILTER DOOR, aluminium, 23 x 434 x 36mm h	FV809452	2	
19		NP PIN, STRAIGHT, HEADED, steel, zinc P, 6 x 38.85mm lg		2	
20	A G1	5310-99-122-6474 WASHER, FLAT, steel, zinc P, 6.4 - 6.7mm od		2	
21	A G1	5315-99-138-2200 PIN, COTTER, SPLIT, steel, phos, 1.6mm x 16mm lg		2	
22	A Z2	2590-99-838-6738 EYE, BOLT ASSEMBLY, 3 items	FV809450	2	
23		NP EYE BOLT	FV809448	1	
24		NP HAND NUT, metric, 6mm	FV809449	1	
25	A G1	5310-99-122-6474 WASHER, FLAT, steel, zinc P, 6.4 - 6.7mm od		1	
26		NP PIN, STRAIGHT, HEADED, steel, 6 x 17.85mm hd lg, flat chamfer head		6	
27	A G1	5310-99-122-6474 WASHER, FLAT, steel, zinc P, 6.4 - 6.7mm od		2	
28	A G1	5315-99-138-2199 PIN, COTTER, SPLIT, cres, 1.2mm x 25mm lg		2	
29	A 46MT1	5330-99-818-7444 RING, SEALING, TOROIDAL, rubber, 2-9/16 x 3/8in. h	FV614948	4	Filter sealing

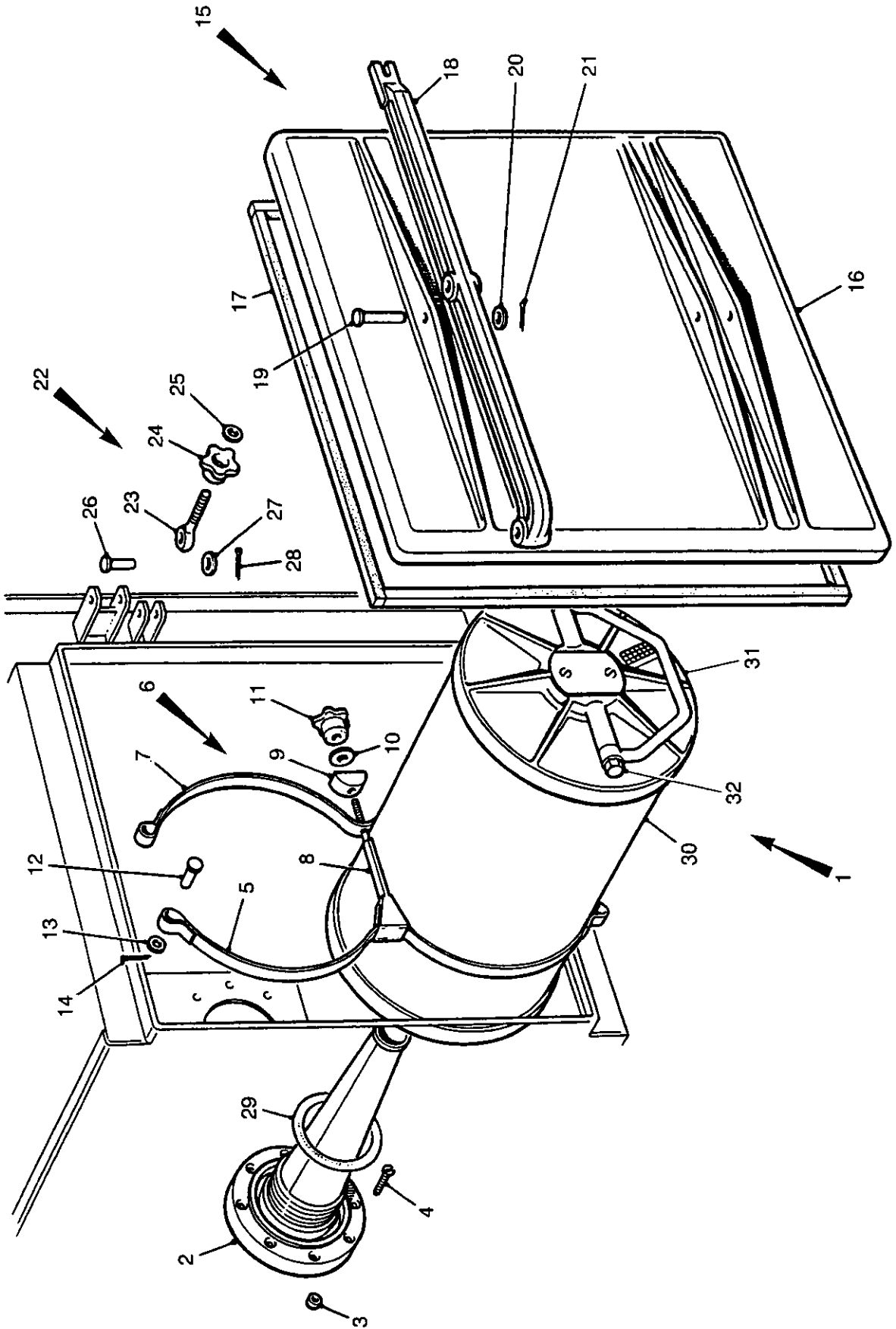


Fig 4 AV filter compartment

430/70160

Fig Item	Man Code Navy - N Army - A RAF - R	NATO Stock No	Item Name and Description	Part No/ Drawing No.	No. Off	Annotations
4-			NBC INSTALLATION - contd . NBC PACK INSTALLATION - contd			
30	A	46MT1	4240-99-613-9394 . . . FILTER, GAS PARTICULATE, No. 5, Mk 1	FV809609	4	
31	A	9AHY	5340-99-818-7986 . . . HANDLE, BAIL, zinc P, 0.280 x 5.020in. lg, 2 drill holes	FV615098	1	
32	A	46MT1	5306-99-838-6117 . . . BOLT, SHOULDER, UNF, steel, hex hd, No. 10, 7/16in. thd lg	FV615099	2	

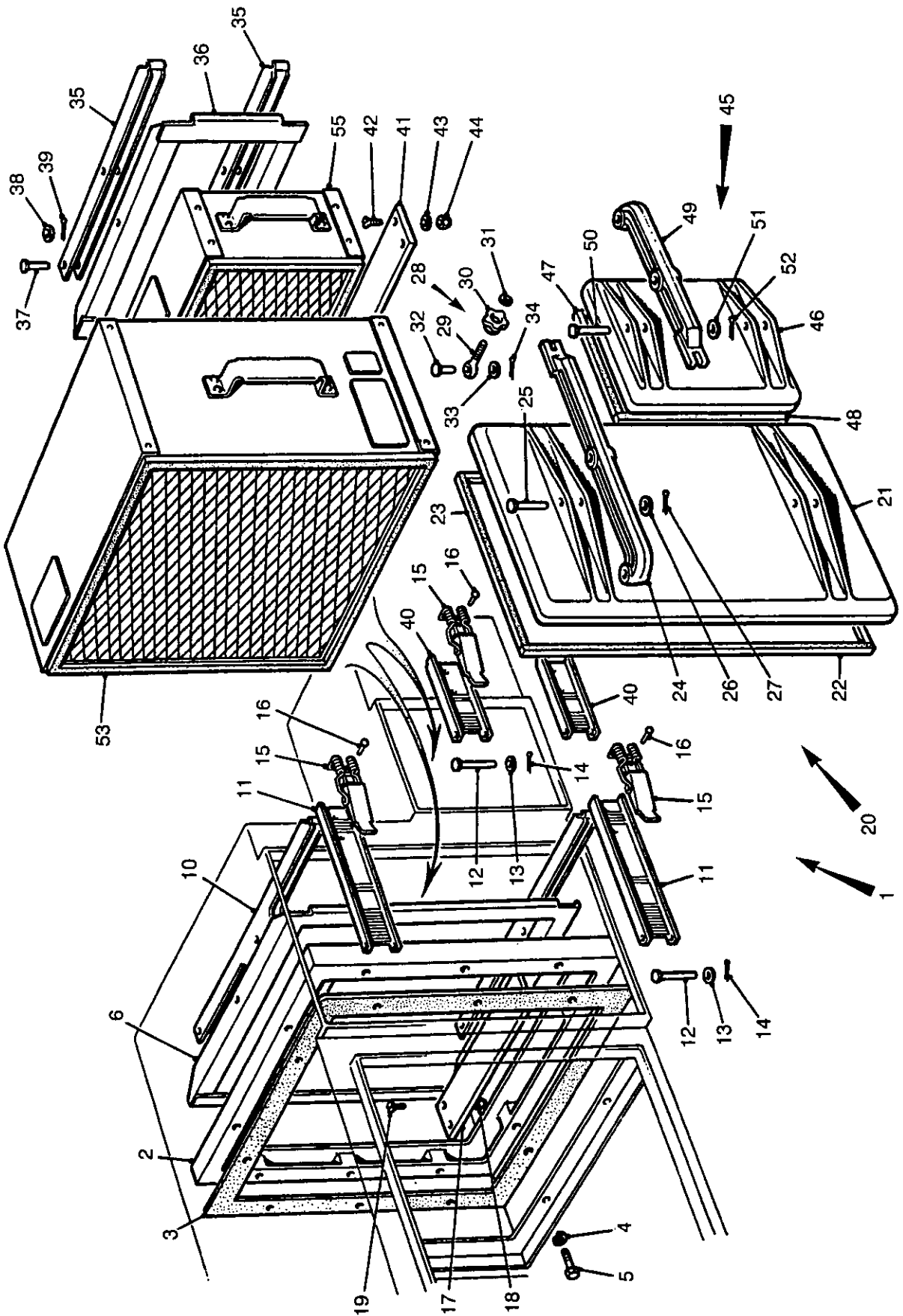


Fig 5 Pre-filter and UHE filter compartment

430/70161

Fig Item	Man Code Navy - N Army - A RAF - R	NATO Stock No	Item Name and Description	Part No/ Drawing No.	No. Off	Annotations
5-			NBC INSTALLATION - contd . NBC PACK INSTALLATION - contd . . NBC PACK - contd			
1		NP	. . . PRE-FILTER AND UHE FILTER COMPARTMENT			REF
2		NP FRAME ASSEMBLY, UHE filter seal	FV809374	1	
3	A	9ACR 5330-99-838-7004 GASKET, syn rubber, rect, 8 x 344 x 374mm lg, 10 bolt holes	FV809451	1	
4	A	G1 5310-99-203-6405 WASHER, LOCK, steel, split helical ring, 6 x 9.6mm od		10	
5	A	G1 5305-99-122-5362 SCREW, CAP, HEXAGON HEAD, steel, 6mm x 25mm lg		10	
6		NP CLAMP, LEVER, UHE filter	FV809475	2	
NI 7		NP PIN, STRAIGHT, HEADED, steel, zinc P, 6 x 31.85mm hd lg	FV987193	4	
NI 8	A	G1 5310-99-122-6474 WASHER, FLAT, steel, zinc P, 6.4 - 6.7mm od		4	
NI 9	A	G1 5315-99-138-2199 PIN, COTTER, SPLIT, cres, 1.2mm x 25mm lg		4	
10		NP CLAMP, FRAME	FV809474	1	
11		NP CLAMP, ARM	FV809476	2	
12		NP PIN, STRAIGHT, HEADED, steel, zinc P, 6 x 48.8mm hd lg		4	
13	A	G1 5310-99-122-6474 WASHER, FLAT, steel, zinc P, 6.4 - 6.7mm od		4	
14	A	G1 5315-99-138-2199 PIN, COTTER, SPLIT, cres, 1.2mm x 25mm lg		4	
15	A	J2 5340-99-710-8945 CATCH, TOGGLE, LEVER, steel, 3- 3/4 x 1-3/8in. w	30-521	4	
16	A	G1 5320-99-137-7913 RIVET, SOLID, steel, rd hd, 4mm dia, 12.2mm lg		8	
17		NP BLOCK, BEARING, plastic, 60 x 260 x 4.75mm thk	FV809375	1	
18		NP NUT, PLAIN, BLIND RIVET		4	
19	A	G1 5305-99-122-5356 SCREW, CAP, HEXAGON HEAD, steel, zinc P, 5mm dia, 16mm lg		4	
20		NP DOOR ASSEMBLY	FV809456	1	
21		NP DOOR	FV809435	1	
22		NP SEAL	FV809459/2	2	
23		NP SEAL	FV809459/3	2	
24		NP CLAMP, FILTER DOOR, aluminium, 23 x 322 x 18mm h	FV809453	2	
25		NP PIN, STRAIGHT, HEADED, steel, zinc P, 6 x 38.85mm lg		2	
26	A	G1 5310-99-122-6474 WASHER, FLAT, steel, zinc P, 6.4 - 6.7mm od		2	
27	A	G1 5315-99-138-2200 PIN, COTTER, SPLIT, steel, phos, 1.6mm x 16mm lg		2	
28	A	Z2 2590-99-838-6738 EYE BOLT ASSEMBLY, 3 items	FV809450	4	
29		NP EYE, BOLT	FV809448	1	
30		NP HAND, NUT	FV809449	1	
31	A	G1 5310-99-122-6474 WASHER, FLAT, steel, zinc P, 6.4 - 6.7mm od		1	
32		NP PIN, STRAIGHT, HEADED		4	
33	A	G1 5310-99-122-6474 WASHER, FLAT, steel, zinc P, 6.4 - 6.7mm od		4	
34	A	G1 5315-99-138-2199 PIN, COTTER, SPLIT, cres, 1.2mm x 25mm lg		4	
35		NP CLAMP, LEVER, pre-filter	FV809478	2	
36		NP CLAMP, FRAME, pre-filter	FV809477	1	

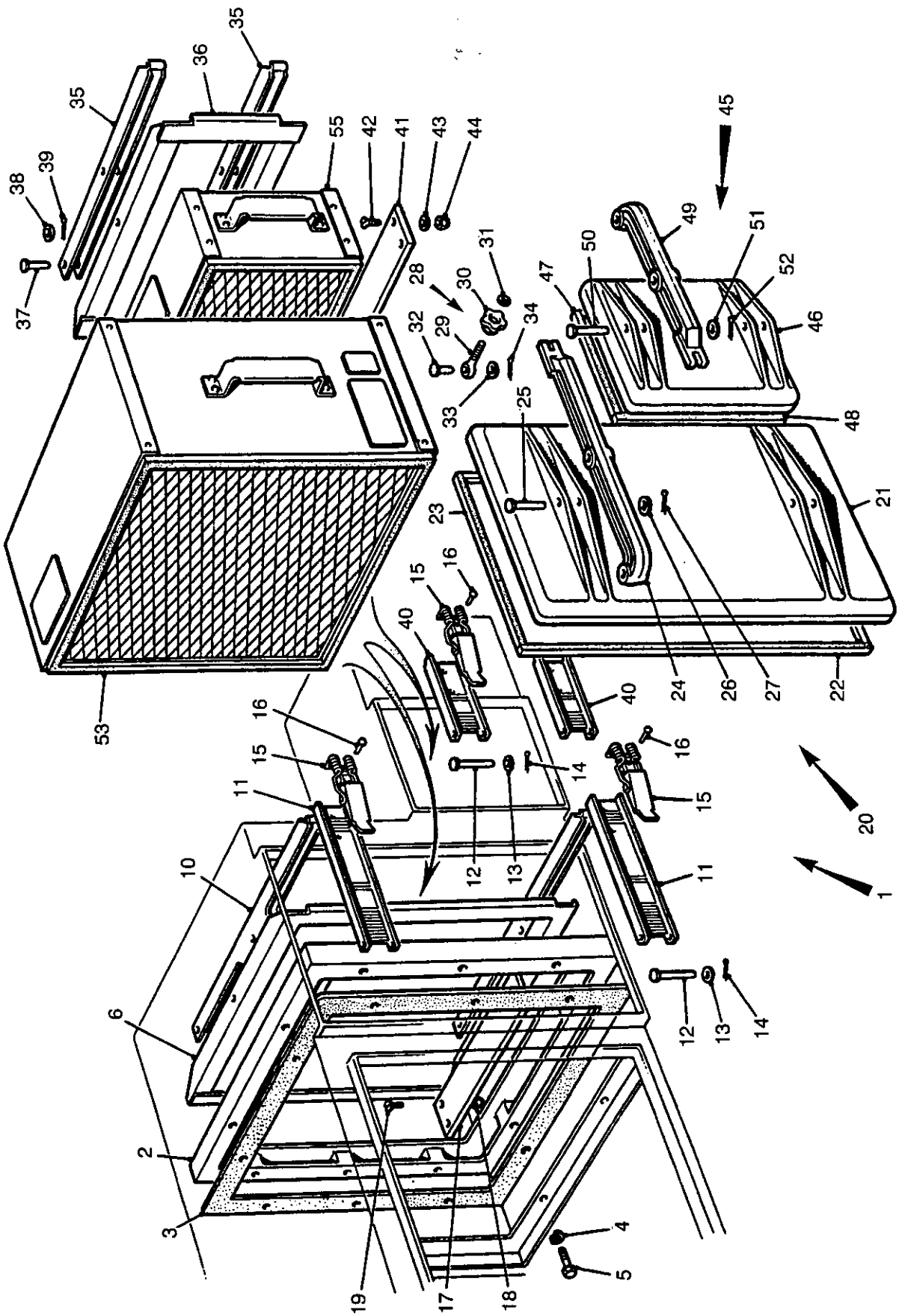


Fig 5 Pre-filter and UHE filter compartment

430/70161

Fig Item	Man Code Navy - N Army - A RAF - R	NATO Stock No	Item Name and Description	Part No/ Drawing No.	No. Off	Annotations
5-			NBC INSTALLATION - contd . NBC PACK INSTALLATION - contd . . . NBC PACK - contd . . . PRE-FILTER AND UHE FILTER COMPARTMENT - contd			
37		NP	. . . PIN, STRAIGHT, HEADED, steel, zinc P, 6 x 31.85mm hd lg	FV987193	4	
38	A	G1 5310-99-122-6474	. . . WASHER, FLAT, steel, zinc P, 6.4 - 6.7mm od		4	
39	A	G1 5315-99-138-2199	. . . PIN, COTTER, SPLIT, cres, 1.2mm x 25mm lg		4	
40		NP	. . . CLAMP, ARM	FV809479	2	
41		NP	. . . BLOCK, BEARING	FV809375	1	
42	A	G1 5305-99-122-5278	. . . SCREW, MACHINE, steel, zinc P, 4 x 0.7mm pitch		4	
43	A	G1 5310-99-122-3031	. . . WASHER, FLAT, steel, zinc P, 8.85 x 4.4mm id		4	
44		NP	. . . NUT, SELF-LOCKING, HEXAGON, M4 - 0.7mm pitch, cres, 7 x 5.6mm o/a h		4	
45		NP	. . . DOOR, ASSEMBLY	FV809457	1	
46		NP DOOR	FV809436	1	
47		NP SEAL	FV809459/4	2	
48		NP SEAL	FV809459/5	2	
49		NP CLAMP FILTER DOOR	FV809454	2	
50		NP PIN, STRAIGHT, HEADED, steel, zinc P, 6 x 38.85mm lg		2	
51	A	G1 5310-99-122-6474 WASHER, FLAT, steel, zinc P, 6.4 - 6.7mm od		2	
52	A	G1 5315-99-138-2200 PIN, COTTER, SPLIT, steel, phos, 1.6mm x 16mm lg		2	
53	A	9ACR 4240-99-838-6119	. . . FILTER, PARTICULATE, UHE, No. 8, Mk 1	FV809355	1	
NI 54	A	9ACR 5330-99-838-6121	. . . GASKET, rubber, 14.90in. sq, fabricated from 1/2in. w strip	FV754756/3	2	
55	A	9ACR 4240-99-838-6122	. . . FILTER, PARTICULATE, pre-filter, No. 9, Mk 1	FV809356	1	
NI 56		NP	. . . SEAL, silicone rubber, 7.75in. w x 13.5in. lg, 0.25in. thk	FV75457-3	1	

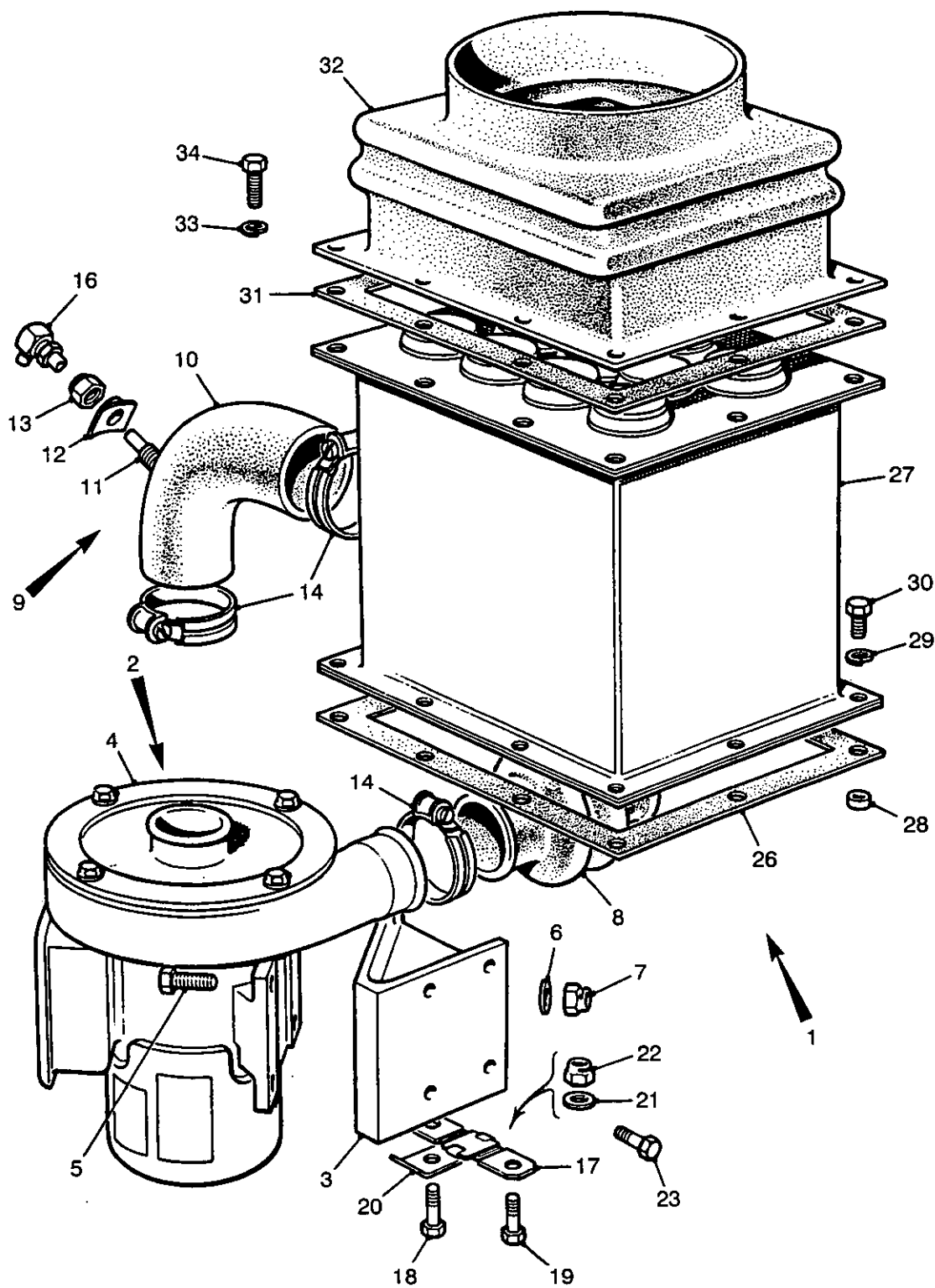


Fig 6 Fan compartment

430/70162

Fig Item	Man Code Navy - N Army - A RAF - R	NATO Stock No	Item Name and Description	Part No/ Drawing No.	No. Off	Annotations
6-			NBC INSTALLATION - contd . NBC PACK INSTALLATION - contd . . NBC PACK - contd			
1		NP	. . FAN COMPARTMENT		REF	
2		NP	. . . SCAVENGE FAN ASSEMBLY	FV809595	1	
3		NP SCAVENGE FAN CASTING	FV809376	1	
4		NP FAN CENTRIFUGAL	FV809594	1	
5	A G1	5305-99-122-5362 SCREW, CAP, HEXAGON HEAD, metric, steel, 6mm x 25mm lg		4	
6	A G1	5310-99-122-6474 WASHER, FLAT, steel, zinc P, 6.4 - 6.7mm od		4	
7	A G1	5310-99-137-7683 NUT, SELF-LOCKING, HEXAGON, steel, 10mm w, 8.5mm h		4	
8	A 9ACR	4720-99-838-6733 HOSE, PREFORMED, syn rubber, 37 x 68 x 96mm lg, 2mm wall thk	FV809365	1	
9		NP	. . . HOSE ASSEMBLY, SCAVENGE FAN, preformed hose c/w adaptor assembly	FV809388	1	
10		NP HOSE, PREFORMED, rubber, 90 deg bend, 37mm id, 3mm wall thk, 1 hole, 8.2mm dia	FV809381	1	
11	A 9ACR	2590-99-838-6735 ADAPTOR ASSEMBLY, 2 items	FV809385	1	
12		NP SADDLE, WASHER ASSEMBLY	FV809387	1	
13	A G1	5310-99-139-0311 NUT, SELF-LOCKING, HEXAGON, steel, zinc P, 8 x 1.25 pitch, grade 8		1	
14	A Z88	4730-99-603-5530	. . . CLAMP, HOSE, cres, 1.26 to 2.05in. id	BAS243NIX	3	
NI 15		NP	. . . CLAMP, COVER	BAS187-1- 2IN	A/R	u/w item 14
16	A 46MT1	4730-99-817-4525	. . . ELBOW, PIPE, br, 5/16in. Whit form, both ends	L20/A	1	
17		NP	. . . BONDING LEAD	FV809514/1	1	
18	A G1	5305-99-122-5244	. . . SCREW, CAP, HEXAGON HEAD, metric, steel, 6mm x 25mm lg		1	
19		NP	. . . SCREW, MACHINE, metric, steel, hex hd, 6 x 20mm		1	
20		NP	. . . SADDLE, WASHER		2	
21	A G1	5310-99-122-6474	. . . WASHER, FLAT, steel, zinc P, 6.4 - 6.7mm od		2	
22	A G1	5310-99-137-7683	. . . NUT, SELF-LOCKING, HEXAGON, steel, 10mm w, 8.5mm h		2	
23		NP	. . . SCREW, MACHINE, metric, steel, hex hd, 6 x 20mm		4	
NI 24	A G1	5310-99-122-6474	. . . WASHER, FLAT, steel, zinc P, 6.4 - 6.7mm od		8	
NI 25	A G1	5310-99-137-7683	. . . NUT, SELF-LOCKING, HEXAGON, steel, 10mm w, 8.5mm h		4	
26	A Z88	5330-99-838-7002	. . . GASKET, syn rubber, 154 x 1.5 x 190mm lg	FV809458	1	
27	A 9ACR	2590-99-838-7000	. . . FILTER ELEMENT, AIR INTAKE CLEANER, 154mm w, 160mm lg, 204mm h	FV809312	1	
28	A G1	5310-99-122-7703	. . . NUT, PLAIN BLIND RIVET, 5.00 - 0.80 ISO M		10	
29	A G1	5310-99-135-9292	. . . WASHER, LOCK, steel, split helical ring, 1.5mm thk, 8.5mm od		10	
30	A G1	5305-99-122-8664	. . . SCREW, CAP, HEXAGON HEAD, metric, steel, 5 x 12mm lg		10	
31		NP	. . . CLAMPING PLATE	FV809378	1	

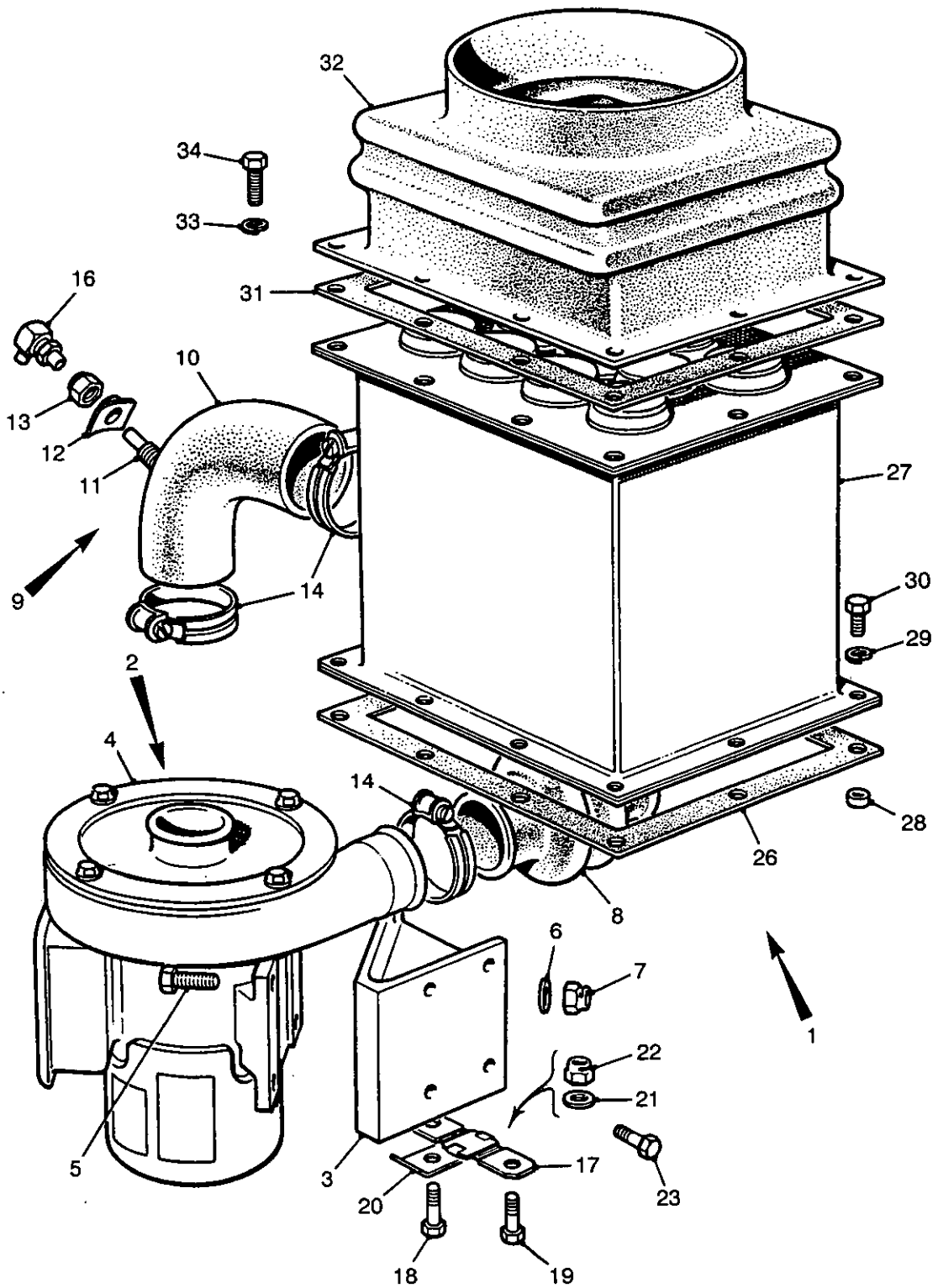


Fig 6 Fan compartment

430/70162

Fig Item	Man Code Navy - N Army - A RAF - R	NATO Stock No	Item Name and Description	Part No/ Drawing No.	No. Off	Annotations
6-			NBC INSTALLATION - contd . NBC PACK INSTALLATION - contd . . NBC PACK - contd			
32		NP	. . . INLET BELLOWS, syn rubber	FV809317	1	
33	A G1	5310-99-135-9292	. . . WASHER, LOCK, steel, split helical ring, 1.5mm thk		10	
34	A G1	5305-99-122-5356	. . . SCREW, CAP, HEXAGON HEAD, metric, steel, 5 x 16mm lg		10	
NI 35		NP	. . . WIRING HARNESS, BRANCHED, 2 branches, 1700mm o/a lg	FV809544	1	
NI 36	A 46MT4	5935-99-804-4612 PLUG, ELECTRICAL, aluminium, free, male shell, 23 pole, 2.26 x 2.219in. id	FV585075	1	
NI 37	A 46MT4	5935-99-804-2307 CONNECTOR, FREE, ELECTRICAL, aluminium, 4 pole, 2-17/64 x 1-19/32in. dia	FV585062	2	
NI 38	A 46MT4	5935-99-881-9034 CONNECTOR, FREE, ELECTRICAL, free, size 10SL, 3 poles	FV585039	1	
NI 39		NP	. . . BULKHEAD COUPLING, brass, 3/16in. od, 29.7mm lg	31865500	3	
NI 40	A Z88	4730-99-825-0413	. . . COUPLING ELBOW, PNEUMATIC PIPE, equal ended, u/w 3/16in. od pipe 11mm od	31025500	3	
NI 41	A 46MT6	4710-99-817-4540	. . . PIPING, PLASTIC, SEMI-RIGID, nylon, 3/16 x 0.107in. id, green		A/R	
NI 42	A 46MT6	4710-99-817-4538	. . . PIPING, PLASTIC, SEMI-RIGID, nylon, 3/16 x 0.040in. id, red		A/R	
NI 43	A 46MT6	4710-99-817-4536	. . . PIPING, PLASTIC, SEMI-RIGID, nylon, 3/16 x 0.107in. id, blue		A/R	
NI 44	A 46MT6	4710-99-817-4539	. . . PIPING, PLASTIC, SEMI-RIGID, nylon, 3/16 x 0.107in. id, white		A/R	
NI 45	A 6MT1	5340-99-817-4534	. . . CLIP, PIPE, plastic, 1/2in. w, 0.070in. thk	N3	5	
NI 46	A Z1	5340-99-945-1524	. . . CLAMP, LOOP, plastic, 0.196in. id	AS4580/4	6	

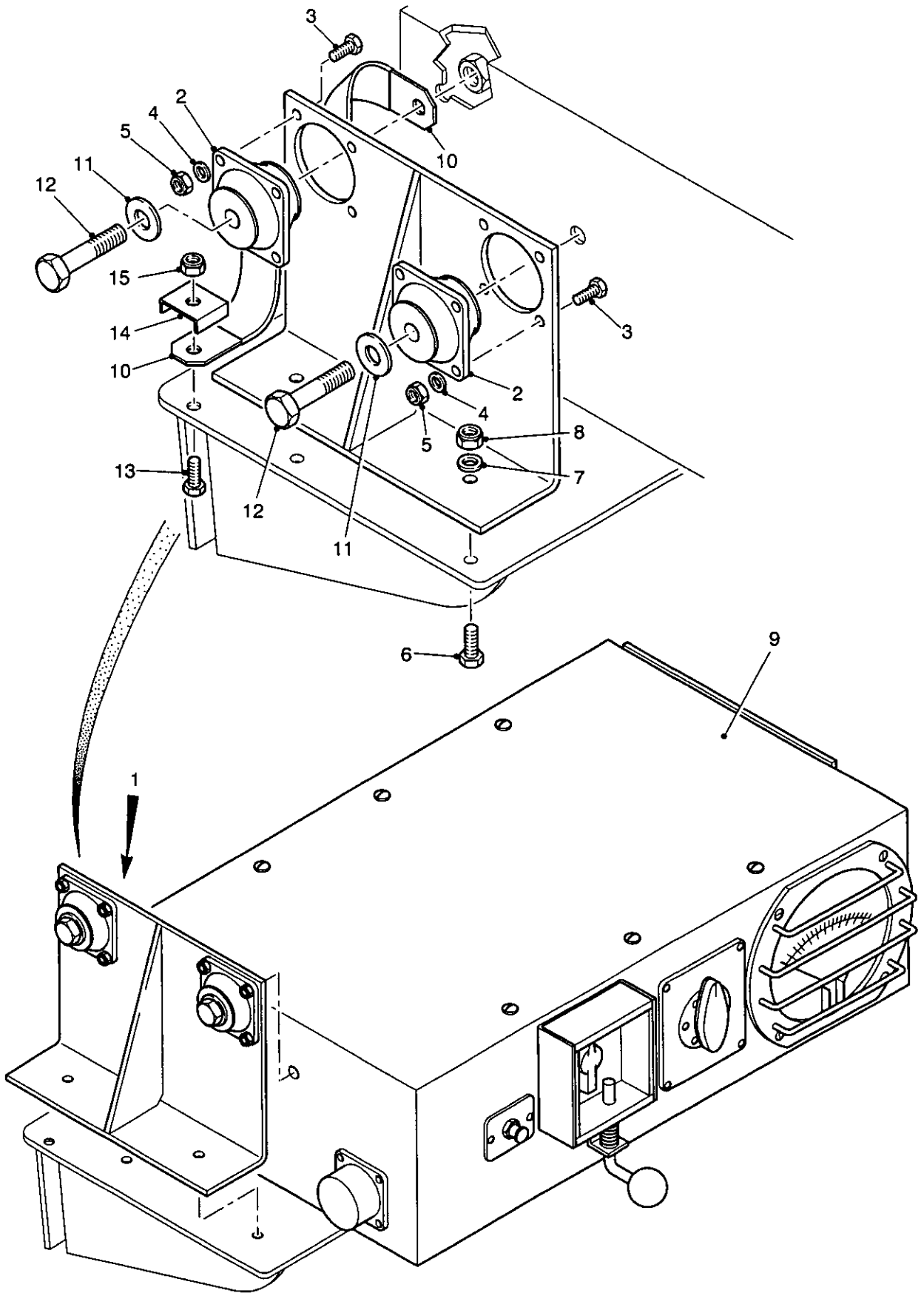


Fig 7 Control box No. 10 Mk 1 installation

430/70205

Fig Item	Man Code Navy - N Army - A RAF - R	NATO Stock No	Item Name and Description	Part No/ Drawing No.	No. Off	Annotations
7-			NBC INSTALLATION - contd			
		NP	. CONTROL BOX No. 10 Mk 1 INSTALLATION	FV809598	REF	
1		NP	. . CONTROL BOX MOUNTING BRACKET ASSEMBLY	FV809484	2	
2	A	6MT1 5340-99-818-7345	. . . MOUNT, RESILIENT, w/4 mtg holes 11/64in. dia	GB-SH-5205	2	
3	A	G1 5305-99-120-0941	. . . SCREW, MACHINE, UNF, No. 10 thd, class 2A, 5/8in. lg, steel, Zn plated, hex hd		8	
4	A	G1 5310-99-941-6867	. . . WASHER, FLAT, steel, Cd plated, No. 10 UNF bolt size, 25/64in. od, 0.032in. thk		8	
5		NP	. . . NUT, SELF-LOCKING, HEXAGON, UNF, No. 10 -32		8	
6	A	G1 5305-99-941-0526	. . SCREW, MACHINE, UNF, 5/16in. -24, class 2A thd, 7/8in. thd and fastener lg, steel, Zn plated hex hd		4	
7	A	G1 5310-99-941-8623	. . WASHER, FLAT, steel, Cd plated, 5/16in. bolt size, 5/8in. od, 0.072in. thk		4	
8	A	G1 5310-99-941-3525	. . NUT, SELF-LOCKING, HEXAGON, UNF, 5/16in. steel, Zn plated, w/nylon insert, 1/2in. w A/F, 7/16in. h		4	
9	A	9ACR 2590-99-838-6139	. . CONTROL BOX, No. 10 Mk 1, w/2 switches, pressure gauge and circuit breaker on front panel	FV809352	1	See Fig 8
10		NP	. . BONDING LEAD	FV809514/2	1	
11	A	G1 5310-99-134-6098	. . WASHER, FLAT, steel, chromium plated, 1/4in. bolt size, 9/16in. od, 0.056in. thk		4	
12	A	G1 5306-99-941-0284	. . BOLT, MACHINE, UNF, stainless steel, Zn plated, 1/4in. x 1-1/2in. lg, class 2A		4	
13	A	G1 5305-99-941-0513	. . SCREW, MACHINE, UNF, steel, Zn plated, hex hd, 1/4in. dia, 3/4in. lg		1	
14	A	9AHY 5310-99-137-3731	. . SADDLE, WASHER, steel, Zn plated, 24.13mm lg, 19.05mm w, 3.3mm h, 0.9mm thk, 6.75mm hole	FV754792-1	1	
15	A	G1 5310-99-124-3754	. . NUT, SELF-LOCKING, HEXAGON, 1/4in. UNF, steel, 7/16in. w A/F, 11/32in. h, w/metal design		1	

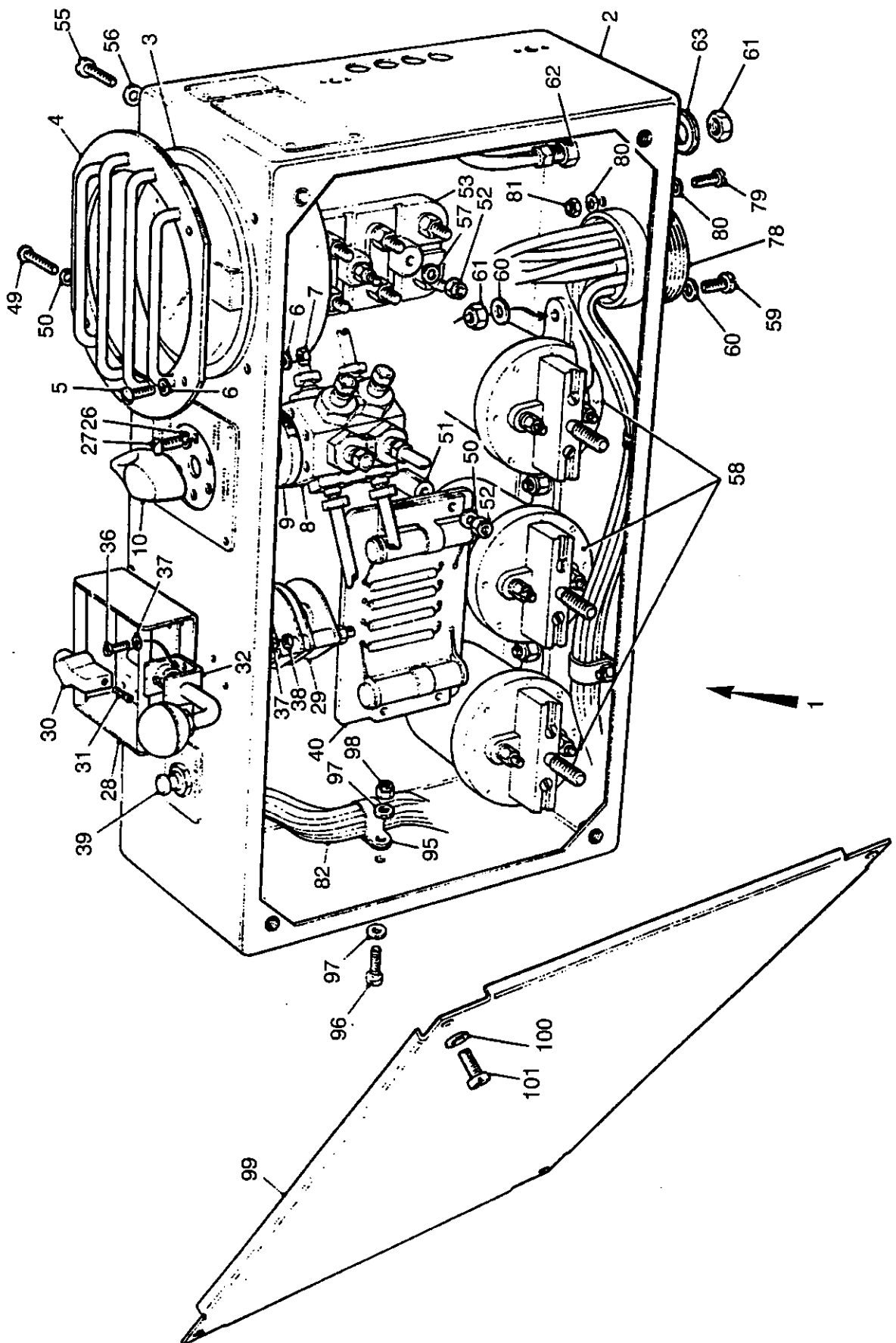


Fig 8 Control box No. 10 Mk 1

430/70163

Fig Item	Man Code Navy - N Army - A RAF - R	NATO Stock No	Item Name and Description	Part No/ Drawing No.	No. Off	Annotations
8-			NBC INSTALLATION - contd . CONTROL BOX No. 10 Mk 1 INSTALLATION - contd			
1	A	9ACR	2590-99-838-6139 . . . CONTROL BOX, No. 10 Mk 1, w/2 switches, pressure gauge and circuit breaker on front panel	FV809352	1	
2		NP	. . . CASING, CONTROL BOX	FV809561	1	
3	A	6MT1	6685-99-838-6141 . . . GAUGE, PRESSURE DIFFERENTIAL DIAL, dial calibrated in millibars and inches of water	FV809315	1	
4		NP	. . . GUARD	FV614955	1	
5	A	G1	5305-99-135-0424 . . . SCREW, MACHINE, metric, steel, pan hd, slot drive, Zn plated, 4 x 16mm lg		4	
6	A	G1	5310-99-122-3031 . . . WASHER, FLAT, steel, zinc P, 8.85 x 4.40mm id		8	
7		NP	. . . NUT, SELF-LOCKING, HEXAGON, M4		4	
8		NP	. . . VALVE, PNEUMATIC CONTROL, two bank, 6 way rotary	FV712327	1	
9		NP SPACER	FV615138	1	
10	A	46MT4	5355-99-110-8120 KNOB, plastic, 23 x 50 x 18mm thk	3611	1	
NI 11	A	6MT7	3110-99-950-0566 BALL, BEARING, steel, 5/32in. dia	RB3-969CK	3	
NI 12	A	46MT1	5365-99-817-4543 PLUG, SCREWED, brass, slotted hd, No. 2BA, 1/8in. lg	3668	3	
NI 13	A	46MT1	4730-99-817-4542 NUT, UNION, PIPE, brass, c/w nitrile seal	SL120/A	12	
NI 14	A	46MT1	5330-99-713-9620 RING, SEALING, TOROIDAL, rubber, 23/64in. id, 5/64in. h, 65.75 degrees hardness	200-012-4470	2	
NI 15	A	46MT1	5330-99-523-7818 RING, SEALING, TOROIDAL, rubber, 0.078in. cross sect, 0.109in. id	200-006-4490	10	
NI 16	A	46MT1	5330-99-601-0264 RING, SEALING, TOROIDAL, rubber, 0.103in. h, 0.424in. id	200-111-9790	12	
NI 17		NP SPINDLE, VALVE, cres, 1/2in. od, 2-15/16in. lg	4492-1	1	
NI 18		NP RING, EXTERNALLY THREADED, Whit, brass, 7/8 x 15/34in. o/a lg	3602	1	
NI 19		NP WASHER, VALVE, brass, 0.257 x 0.560 x 0.060in. thk, 2 halves	3667	2	
NI 20		NP STEM, VALVE, plastics, 0.375in. od, 0.950in. lg	1831	10	
NI 21	A	6MT1	5360-99-824-0613 SPRING, HELICAL, COMPRESSION, steel, 3/8in. od, 5 coils	3665	12	
NI 22		NP RING, DETENT, steel, 3/8in. od, 5 coils, 0.312 x 0.810in. d, 0.170in. h, 6 dimples	1898	1	
NI 23	A	46MT4	5360-99-110-8119 SPRING, HELICAL, COMPRESSION, cres, 3.81mm dia, 11.11mm lg	3662	12	
NI 24	A	46MT4	4730-99-824-0615 ADAPTOR, STRAIGHT PIPE, Whit/BSP, brass, 5/16 x 1/4 x 59/64in. o/a lg	3638	12	
NI 25		NP STEM, DUMMY VALVE, plastics, 3/8in. od, 37/64in. lg	1829	2	
26		NP	. . . WASHER, LOCK, steel, single coil, M5		6	
27		NP	. . . SCREW, MACHINE, BA, steel, pan hd, slot drive, zinc coated, No. 2 x 5/8in. lg		6	

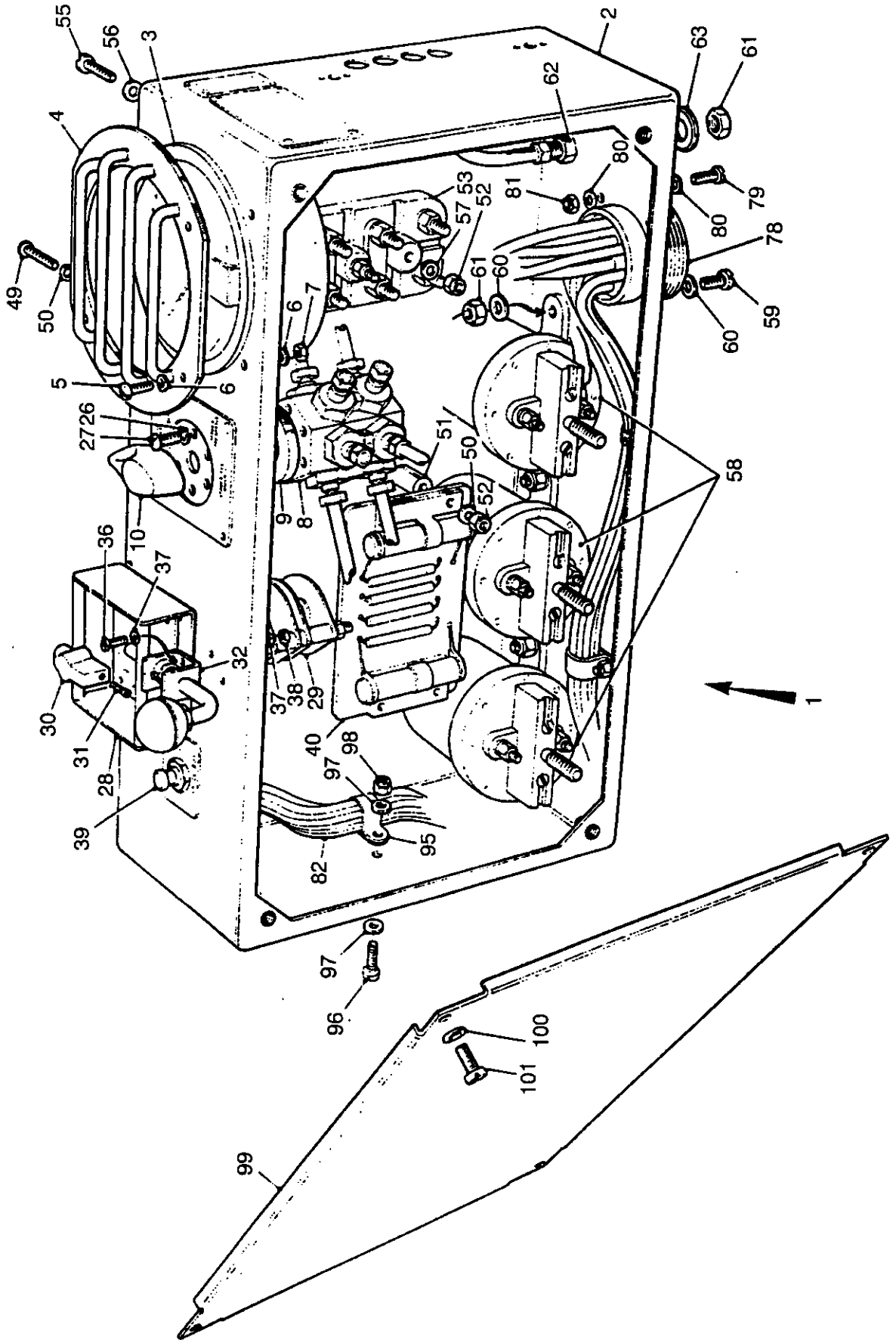


Fig 8 Control box No. 10 Mk 1

430/70163

Fig Item	Man Code Navy - N Army - A RAF - R	NATO Stock No	Item Name and Description	Part No/ Drawing No.	No. Off	Annotations
8-			NBC INSTALLATION - contd . CONTROL BOX No. 10 Mk 1 INSTALLATION - contd . . . CONTROL BOX, No. 10 Mk 1 - contd			
28		NP GUARD, CONTROL	FV809516	1	
29	A	Z32 5930-99-620-1092 SWITCH, ROTARY WAFER, 3.625in. lg, 3/8-32 Whit form	FV712016	1	
30	A	46MT4 5355-99-821-9726 KNOB, POINTER, aluminium, 5/8 x 1-3/4 x 5/8in. h	FV754789	1	
31		NP SCREW, SET, knurled, cup point, 10-32 UNF, 5/8in. lg		1	
32		NP SAFETY CATCH ASSEMBLY	FV809568	1	
NI 33		NP SPRING, HELICAL, COMPRESSION,	FV809567	1	
NI 34	A	G1 5305-99-624-5269 SCREW, GRUB, isometric, cres, 4 x 0.7mm pitch			
NI 35	A	46MT1 5355-17-050-7576 KNOB, 1/4in. UNF, 1/2in. lg	281	1	
36	A	G1 5305-99-135-0416 SCREW, MACHINE, metric, steel, pan hd, 10mm lg, M3		2	
37	A	G1 5310-99-122-3030 WASHER, FLAT, steel, zinc coated, 7mm od		4	
38		NP NUT, SELF-LOCKING, HEXAGON, steel, M3		2	
39	A	Z32 5925-12-148-7336 CIRCUIT BREAKER, 31 x 18mm lg, M12, plastic case		1	
40		NP RESISTOR BOARD ASSEMBLY	FV809589	1	
NI 41		NP RESISTOR ASSEMBLY, control box, No. 6, Mk 2	FV712218	1	
NI 42		NP TERMINAL BOARD	FV712219	1	
NI 43		NP RESISTOR, FIXED, WIREWOUND, vitreous enameled, 11 ohms, 45 watts	AW1603	2	
NI 44		NP RESISTOR, FIXED, WIREWOUND, 7K OHM, 20W	W24	2	
NI 45		NP RESISTOR, FIXED, WIREWOUND, 11K, OHM, 20W	W24	2	
NI 46		NP TERMINAL, STUD	433-589	12	
NI 47	A	Y3 6145-99-943-4824 RING, SEALING, TOROIDAL, rubber, 23/64in. id, 5/64in. h, 65.75 deg hardness	200-012-4470	A/R	
NI 48	A	Z42 5970-99-901-1139 INSULATION, SLEEVING, ELECTRICAL, 0.75 x 2 x 20mm nom, plastics, pink, flexible	FV2050607/2 1	A/R	
49		NP SCREW, MACHINE, pan hd, M4 x 35mm lg		4	
50	A	G1 5310-99-122-3031 WASHER, FLAT, steel, zinc P, 4.4 x 8.85mm od		8	
51		NP SPACER	FV809517	4	
52		NP NUT, SELF-LOCKING, HEXAGON, M4		6	
53		NP TERMINAL BOARD, 52mm w, 82mm lg	725/5K	1	
NI 54		NP BRIDGE LINK	755/X	2	
55	A	G1 5305-99-135-0426 SCREW, MACHINE, metric, steel, pan hd, slot drive, zinc P, 4mm x 25mm lg		2	
56	A	G1 5310-99-122-3031 WASHER, FLAT, steel, zinc P, 4.4 x 8.85mm od		2	
57		NP WASHER, FLAT, steel, Cd P, large od, M4		2	

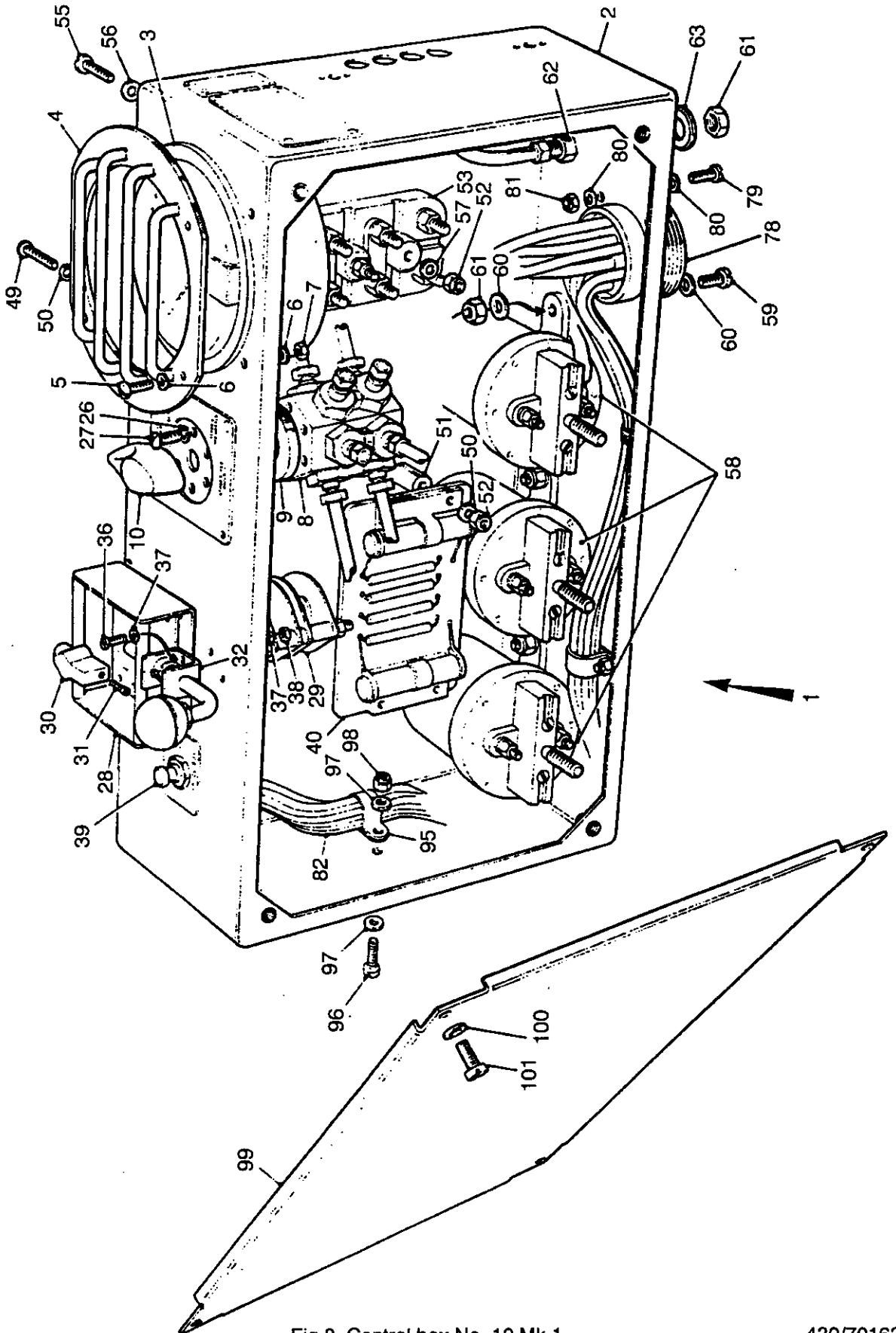


Fig 8 Control box No. 10 Mk 1

430/70163

Fig Item	Man Code Navy - N Army - A RAF - R	NATO Stock No	Item Name and Description	Part No/ Drawing No.	No. Off	Annotations
8-			NBC INSTALLATION - contd CONTROL BOX No. 10 Mk 1 INSTALLATION - contd CONTROL BOX, No. 10 Mk 1 - contd			
58	A 46MT4	5945-99-620-1093	RELAY, ELECTROMAGNETIC, single pole	FV739196	3	
59	A G1	5305-99-135-0441	SCREW, MACHINE, metric, steel, pan hd, slot drive, zinc P, 6mm x 20mm lg		6	
60	A G1	5310-99-122-6474	WASHER, FLAT, steel, zinc P, 6.4 - 6.7mm od		12	
61	A G1	5310-99-137-7683	NUT, SELF-LOCKING, HEXAGON, metric, steel, phosphated, 6mm		6	
62	A 4CH	4730-99-819-8205	NIPPLE, TUBE, copper alloy, 0.188in. nom pipe dia, w/seal	L90A	5	
63		NP	WASHER, IDENTIFICATION	FV809529	1	White & green bonded
NI 64		NP	WASHER, IDENTIFICATION, plastic, 12 x 21 x 0.25mm thk, white	FV809528/2	1	
NI 65		NP	WASHER, IDENTIFICATION, plastic, 12 x 21 x 0.38mm thk, bright red	FV809528/3	1	
NI 66		NP	WASHER, IDENTIFICATION, plastic, 12 x 21 x 0.75mm thk, blue	FV809528/6	1	
NI 67		NP	WASHER, IDENTIFICATION, plastic, 12 x 21 x 0.50mm thk, yellow	FV809528/4	1	
NI 68		NP	PNEUMATIC LOOM	FV809592	1	
NI 69	A 46MT6	4710-99-817-4536	PIPING, PLASTIC, SEMI-RIGID, nylon, blue, 3/16 x 0.107in. id		A/R	
NI 70	A 46MT6	4710-99-817-4539	PIPING, PLASTIC, SEMI-RIGID, nylon, white, 3/16 x 0.107in. id		A/R	
NI 71	A 46MT6	4710-99-817-4538	PIPING, PLASTIC, SEMI-RIGID, nylon, red, 3/16 x 0.040in. id		A/R	
NI 72	A 46MT6	4710-99-817-4540	PIPING, PLASTIC, SEMI-RIGID, nylon, green, 3/16 x 0.107in. id		A/R	
NI 73	A 46MT6	4710-99-817-4537	PIPING, PLASTIC, SEMI-RIGID, nylon, yellow, 3/16 x 0.107in. id		A/R	
NI 74	A 46MT6	4710-99-817-4535	PIPING, PLASTIC, SEMI-RIGID, nylon, black, 3/16 x 3/64in. wall thk		A/R	
NI 75		NP	TEE, HOSE, brass, Cd P, 5/16 x 3/16in. od	30-A	2	
NI 76	A 46MT1	2590-99-823-1120	INSERT, brass, 1/16 x 7/64 x 9/16in. lg	340BS	18	
NI 77	A 46MT1	4730-99-817-4525	ELBOW, PIPE, brass, 5/16in.-26 Whit form male 1st and 2nd ends	L2CA	1	
78		NP	WIRING LOOM, B	FV809891	1	
79	A G1	5305-99-135-0423	SCREW, MACHINE, M4 x 12mm lg, class 6G, pan hd, grade 4.8		4	
80	A G1	5310-99-122-3031	WASHER, FLAT, steel, Zn plated, 4.4mm id, 8.85mm od, 0.8mm thk		8	
81		NP	NUT, SELF-LOCKING, HEXAGON, M4		4	
82		NP	WIRING LOOM, A	FV809590	1	
NI 83	A 46MT4	5935-99-881-9655	CONNECTOR, FIXED ELECTRICAL, aluminium alloy, Cd P, straight, 1-11/32in. lg, 1-3/4in. w and h	FV585027	1	
NI 84	A 46MT4	5935-99-800-9956	SOCKET, ELECTRICAL	FV585038	1	
NI 85	A Y3	6145-99-999-7727	WIRE, ELECTRICAL, copper, tinned, glass braid, 182/0.012mm per strand, blue	UNIPREN70	A/R	

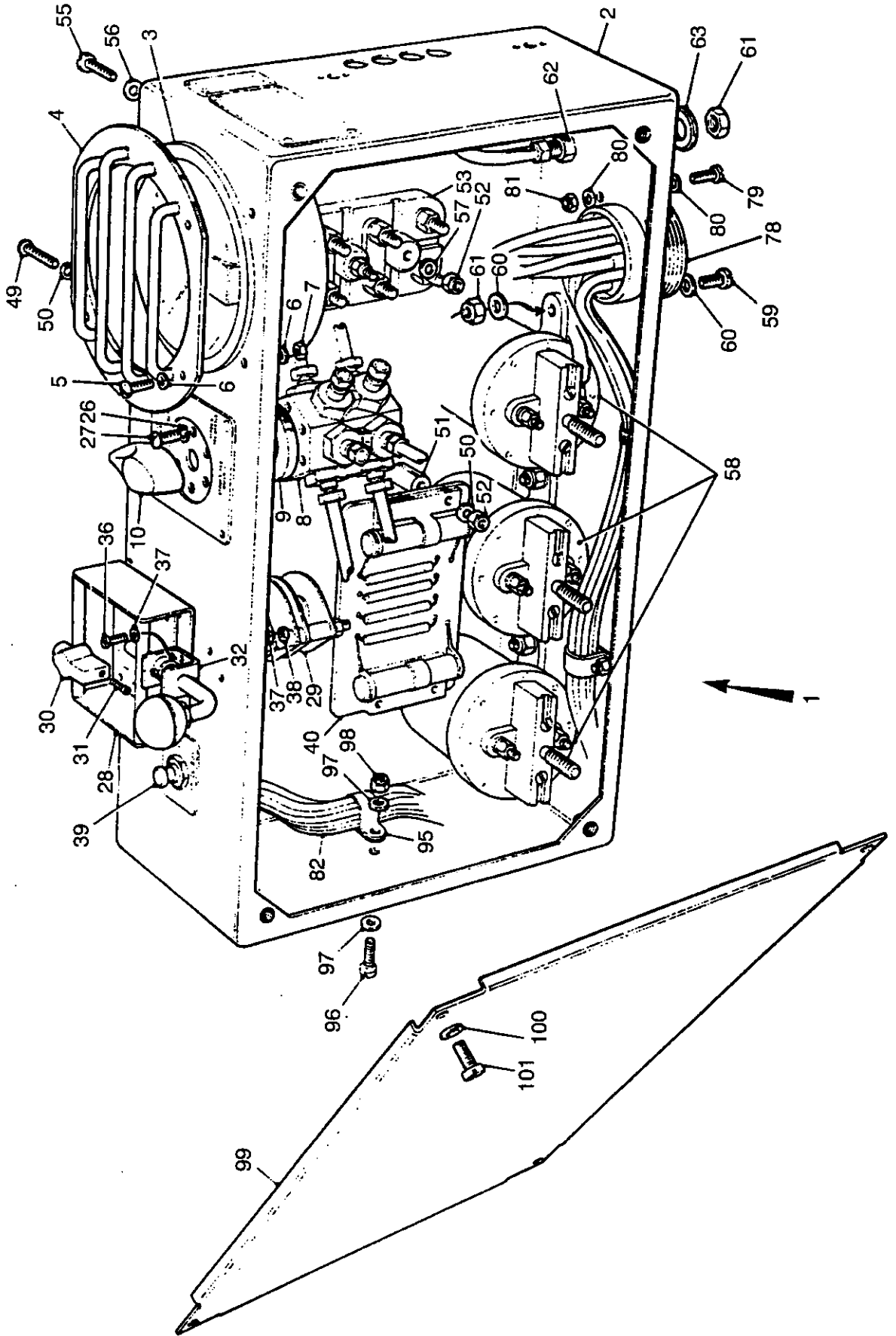


Fig 8 Control box No. 10 Mk 1

430/70163

Fig Item	Man Code Navy - N Army - A RAF - R	NATO Stock No	Item Name and Description	Part No/ Drawing No.	No. Off	Annotations
8-			NBC INSTALLATION - contd . CONTROL BOX No. 10 Mk 1 INSTALLATION - contd . . . CONTROL BOX, No. 10 Mk 1 - contd WIRING LOOM, A - contd			
NI 86	A Z37	5940-99-523-9334 TERMINAL LUG, copper, tinned, 9/32 x 1/8in. h	31882	6	
NI 87	A Z37	5940-99-714-0997 TERMINAL LUG, copper, tinned, 0.828 x 0.312in. w	36153	2	
NI 88	A Z37	5940-99-915-7251 TERMINAL LUG, copper, tinned, 1.062 X 0.468in. w	31892	6	
NI 89	A Z37	5940-99-924-6155 TERMINAL LUG, copper, tinned, 0.938 X 0.469in. w	33461	2	
NI 90	A Z37	5940-01-251-6054 TERMINAL LUG, copper, tinned, 5/8 x 1-1/4in. lg	33465	2	
NI 91	A 46MT4	5340-99-119-6086 STRAP, LINE SUPPORTING, plastics, 0.190 x 6.1in. lg, black	T505	7	
NI 92	A G1	5305-99-135-0417 SCREW, MACHINE, M3 x 12mm lg, class 6G, pan hd, grade 4.8		4	} Securing item 83
NI 93	A G1	5310-99-122-3030 WASHER, FLAT, steel, Zn plated, M3 bolt size, 7mm od, 0.5mm thk		8	
NI 94		NP NUT, SELF-LOCKING, HEXAGON, M3		4	
95	A Z1	5340-99-945-1524 CLAMP, LOOP, plastic, round, 0.196in. dia	AS4580-4	2	
96	A G1	5305-99-135-0430 SCREW, MACHINE, metric, steel, pan hd, zinc P, 5mm x 16mm lg		2	
97	A G1	5310-99-122-3032 WASHER, FLAT, steel, zinc P, 5.5mm x 1mm thk		4	
98		NP NUT, SELF-LOCKING, HEXAGON, M5		2	
99		NP LID	FV809562	1	
100	A G1	5310-99-122-3031 WASHER, FLAT, steel, zinc P, 4.4 x 8.85mm od		4	
101	A G1	5305-99-135-0422 SCREW, MACHINE, metric, steel, pan hd, slot drive, 4mm x 10mm lg		4	

~~UNRESTRICTED~~

~~UNRESTRICTED~~

Chapter 2-14
PARTS LIST
BEACON, ROTATING, AMBER
GENERAL ARRANGEMENT -
FV439 (SAS/MC)

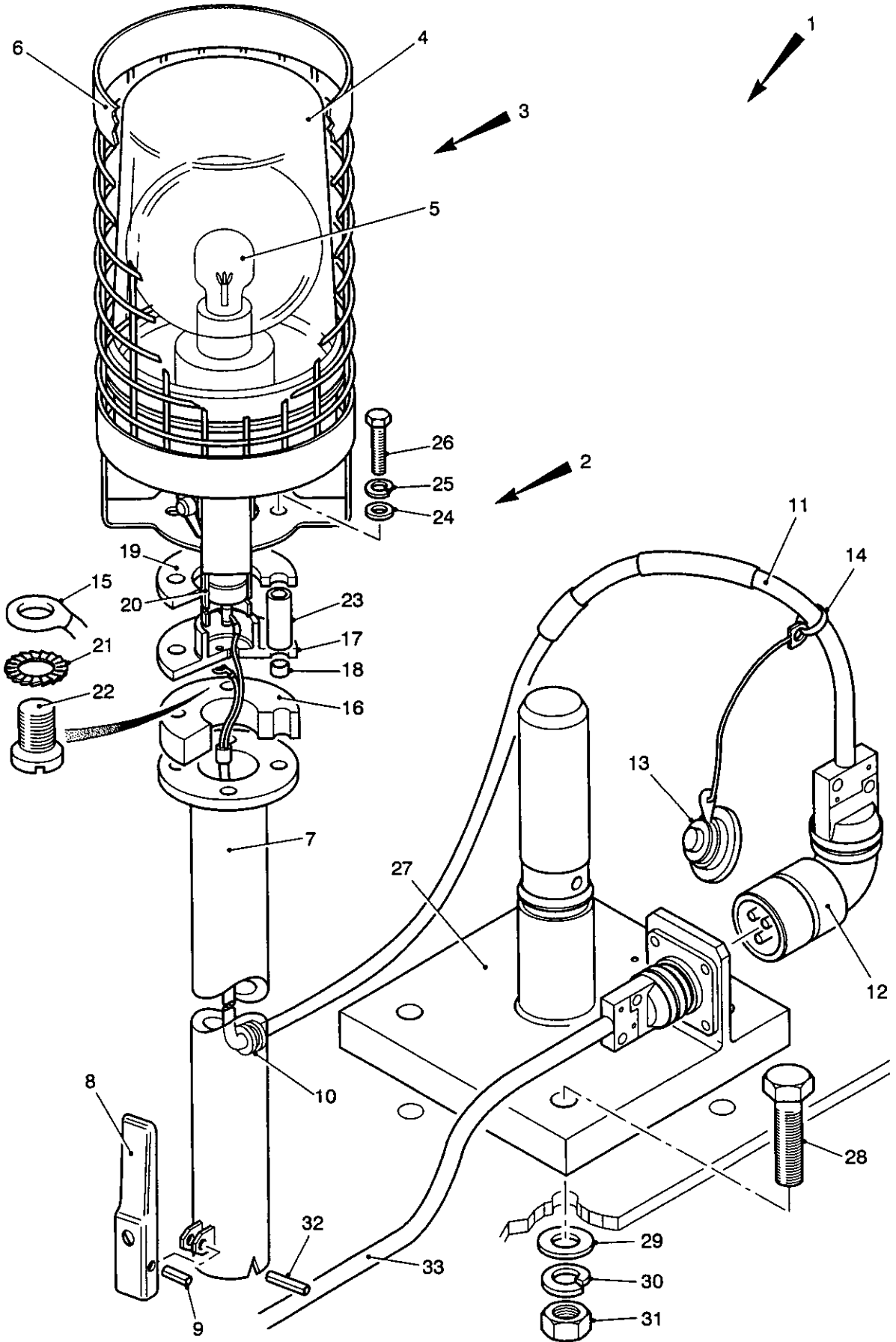


Fig 1 Beacon, rotating, amber, GA, FV439 (SAS/MC)

430/70181

Fig Item	Man Code Navy - N Army - A RAF - R	NATO Stock No	Item Name and Description	Part No/ Drawing No.	No. Off	Annotations	
1-		NP	BEACON, ROTATING, AMBER GENERAL ARRANGEMENT - FV439 (SAS/MC)	FV2200657	REF		
1	A	9ACR	2540-99-173-0384	MODIFICATION KIT, VEHICULAR EQUIPMENT COMPONENTS, Beacon - rotating amber	MAE 43/9/0004	1	
2		NP	BEACON, AMBER, ROTATING ASSEMBLY	FV2200651	1		
3	A	6MT3	6220-99-838-5677	LIGHT, WARNING, VEHICULAR, 24V, amber	372:65E	1	
4	A	9AHY	6220-99-112-5612	LENS, LIGHT, amber hazard acrylic beacon, 146.5mm h, 128.5mm dia	602816	1	
5	A	X5	6240-99-995-2519	LAMP, FILAMENT, P14.5S cap style, tubular bulb, 67.5mm lg, 8.5mm dia, 70W, 24V	13258	1	
6	A	9ACR	2590-99-805-5791	GUARD, BEACON	FV2200647	1	
7	A	9ACR	6220-99-879-5085	MOUNTING, ROTATING BEACON, SUB-ASSEMBLY	FV2200645	1	
8	A	9MCM	2540-99-810-5826	LATCH SUB-ASSEMBLY, comprising latch, spring leaf and rivet	FV2187756	1	
9	A	G1	5315-99-780-7359	PIN, SPRING, carbon steel, Cd plated, 20mm lg, 5mm dia, 0.42mm thk, standard duty	5x20MBS	1	
10	A	H9	5325-99-942-3426	GROMMET, RUBBER, 0.25in. id, 0.22in. groove w, 0.104in. flange thk, 0.388in. h, 0.53in. large flange od, 0.395in. groove od		1	
11	A	9ACR	5995-99-968-0045	CABLE, ASSEMBLY, SPECIAL PURPOSE, ELECTRICAL	FV2200641	1	
12	A	9ACR	5935-99-859-7929	CONNECTOR, PLUG, ELECTRICAL, angle shape, w/strain relief, 0.953in. od, single mating end, 3 contacts, 700V AC RMS/700V DC, Al alloy body, rubber insert, CD plated, chromate and olive drab body, bayonet slot coupling nut, cable clamp	ABB08E/ C10SL-3PSN	1	
13	A	9ACR	5935-99-316-3363	COVER, ELECTRICAL CONNECTOR, 28.4mm h, 26.1mm od, c/w 100mm lg nylon cord, for 10SL shell size	ABB-10SL - E-PCA	1	
14		NP	STRAP, LINE SUPPORTING, 2.5mm w, 100mm lg	FV2151902	1		
15	A	Z37	5940-99-622-5782	TERMINAL LUG, rd shape, 17.46mm lg, 7.14mm h, 6.35mm w, 0.79mm thk, 3.6mm mtg hole dia	FV2029143	1	
16	A	9MCM	5340-99-151-1285	MOUNT, RESILIENT, feat-vulcanised butadiene acrylonitrile rubber	FV2108374	1	
17	A	9MCM	2590-99-700-6543	BUSH ASSEMBLY, BEACON MOUNTING, painted, comprises steel bush, mtg welded to plate, w/rubber protective cap	FV2059254	1	
18		NP	BUSH INSULATION	FV2108370	4		
19	A	9MCM	5340-99-605-6614	MOUNT, RESILIENT, feat-vulcanised butadiene acrylonitrile rubber	FV2108373	1	
20	A	9MCM	6220-99-553-0278	BUSH, MOUNTING, 57mm lg, 25mm dia	FV2059255	1	
21	A	G1	5310-99-980-8331	WASHER, LOCK, steel, Zn plated, flat ext teeth, 3.3mm bolt size, 0.41mm thk, 5.85mm od	7536030000 0059	1	

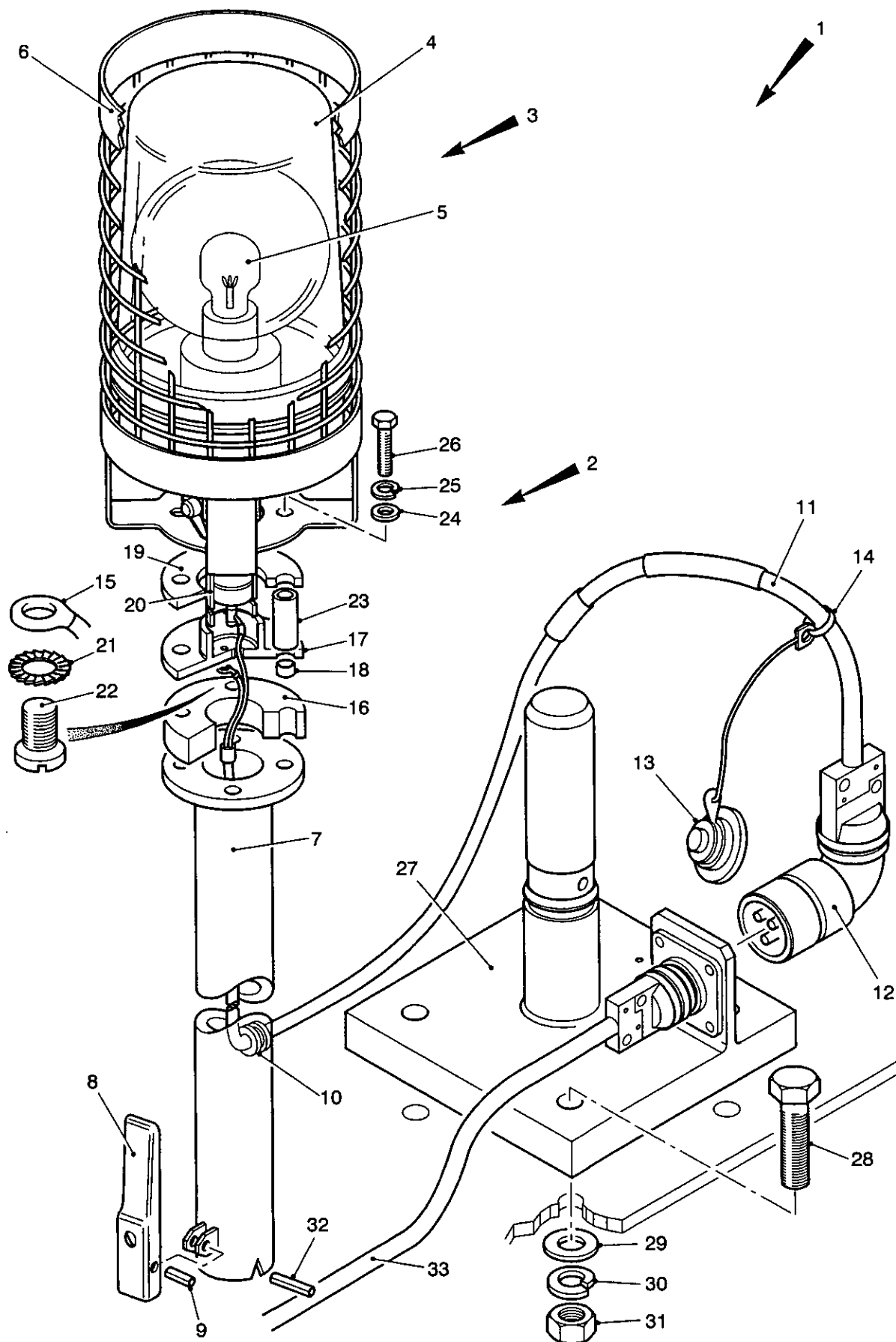


Fig 1 Beacon, rotating, amber, GA, FV439 (SAS/MC)

430/70181

Fig Item	Man Code Navy - N Army - A RAF - R	NATO Stock No	Item Name and Description	Part No/ Drawing No.	No. Off	Annotations
1-			BEACON, ROTATING, AMBER GA - contd BEACON, AMBER, ROTATING ASSEMBLY - contd			
22	A G1	5305-99-135-0687	SCREW, MACHINE, ISO M, 3mm thd dia, class 6G thd, 6mm thd and fastener lg, steel, Cd plated, pan hd, slot drive, strength grade 4.8		1	
23	A 9MCV	5365-99-406-3493	SPACER, SLEEVE, steel, 23mm lg, 9.25mm od, 5.59mm id	FV2108369	4	
24	A 9MCV	5310-99-300-0150	WASHER, FLAT, steel, Cd plated, rd, 20mm od, 5mm bolt size, 2mm thk	FV2110940	4	
25	A G1	5310-99-138-9226	WASHER, LOCK, steel, Zn plated, split helical ring, 5mm bolt size, 1.5mm thk, 8.55mm od		4	
26	A G1	5306-99-122-5242	BOLT, MACHINE, ISO M, 5mm x 0.8mm pitch, class 6G thd, steel, Zn plated w/chromate, hex hd, 16mm thd lg, 40mm fastener lg, strength grade 8.8		4	
27	A 9ACR	2540-99-127-3008	BASE ASSEMBLY, steel, 110mm lg, 100mm w, comprises base plate, plate and pin, grooved, headless	FV2200644	1	
28	A G1	5305-99-122-5253	SCREW, CAP, HEXAGON HEAD, ISO M, 8 x 1.25mm pitch, 22mm thd lg, 30mm fastener lg, hex hd, steel, Zn plated w/chromate, class 6 G thd		4	
29	A G1	5310-99-138-7965	WASHER, FLAT, steel, Zn plated, rd, 21mm od, 8mm bolt size, 1.6mm thk		4	
30	A G1	5310-99-138-9227	WASHER, LOCK, steel, Zn plated w/chromate, split helical ring, 8.5mm dia, 12.75mm od, 1mm thk		4	
31	A G1	5310-99-139-0313	NUT, PLAIN, HEXAGON, ISO M, M8 x 1.25mm pitch, class 6H, steel, Zn plated w/chromate, 13mm w A/F, 5mm h, chamfered bearing surface, grade 8		4	
32	A G1	5315-99-139-5252	PIN, SPRING, steel, phosphate coating, 40.5mm lg, 6mm dia	6 x 40MBR	1	
33	A 9ACR	2590-99-942-0427	WIRING HARNESS	FV2200642	1	See Fig 2
NI 34	A 6MT1	5340-99-838-1364	STRAP, LINE SUPPORTING, nylon strap w/moulded buckle, 140mm lg	REL140	8	Securing item 33

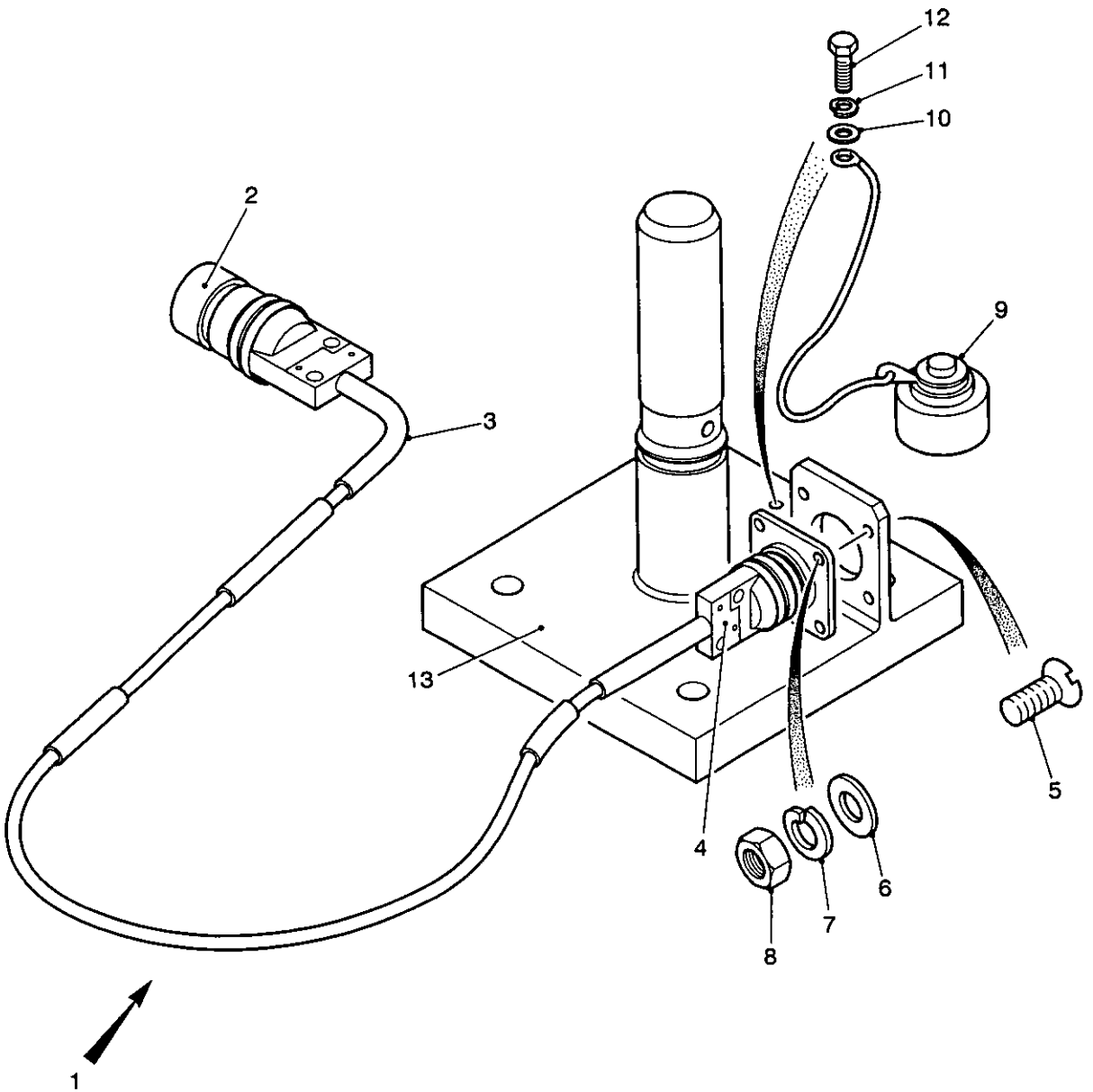


Fig 2 Wiring harness, FV439 (SAS/MC)

430/70182

Fig Item	Man Code Navy - N Army - A RAF - R	NATO Stock No	Item Name and Description	Part No/ Drawing No.	No. Off	Annotations
2-			BEACON, ROTATING, AMBER GA - contd			
1	A	9ACR	WIRING HARNESS	FV2200642	1	
2	A	Z32	CONNECTOR, FREE, ELECTRICAL, straight shape, quick connect, 2.24in. lg, 0.953in. dia, single mating end, 700V AC/DC, Al alloy shell, Cd plated, olive drab, bayonet slot coupling nut, cable clamp	ABB-06E-C10-SL-3PSN	1	
3		NP	COVER, ELBOW	220AD12-25	1	
4	A	9ACR	CONNECTOR, RECEPTACLE, ELECTRICAL, straight shape, quick connect, strain relief, single mating end, 3 contacts, 700V AC/DC, rubber insert, Al alloy, Cd plated, chromate and olive drab shell, bayonet slot, cable clamp	ABB-03E-C10-SL-3SSN	1	
5	A	G1	SCREW, MACHINE, ISO M, steel, Zn plated, flat csk hd, slot drive, 3mm x 0.5mm pitch, 12mm lg, class 6G thd		4	
6	A	G1	WASHER, FLAT, steel, Zn plated, rd, 7mm od, 0.5mm thk, M3 bolt size		4	
7	A	G1	WASHER, LOCK, steel, Zn plated w/chromate, split helical ring, 3.3mm id, 1.1mm thk, 5.5mm od		4	
8	A	G1	NUT, PLAIN, HEXAGON, ISO M, steel, Zn plated, chamfered bearing surface, 3mm x 0.5mm pitch, 5.5mm w A/F, 2.4mm h, grade 8		4	
9	A	Z32	COVER, ELECTRICAL CONNECTOR, Al, olive drab chromic finish, MS bayonet connection, 24.2mm dia, 17.5mm deep, c/w nylon cord	ABB10SLXP CA	1	
10	A	G1	WASHER, FLAT, steel, Zn plated, 8.85mm od, 4.4mm id, 0.8mm thk		1	
11	A	G1	WASHER, LOCK, steel, Zn plated, split helical ring, 4mm id, 1.2mm thk, 6.95mm od		1	
12	A	G1	SCREW, MACHINE, steel, Zn plated, hex hd, M4 x 12mm lg, grade 8.8		1	
13	A	9ACR	BASE ASSEMBLY, steel, 110mm lg, 100mm w, comprises base plate, plate and pin, grooved, headless	FV2200644	1	See Fig 1

~~UNRESTRICTED~~

~~UNRESTRICTED~~

Chapter 2-15

PARTS LIST

SA 80 RIFLE STOWAGE

INSTALLATION -

FV439 (SAS/MC)

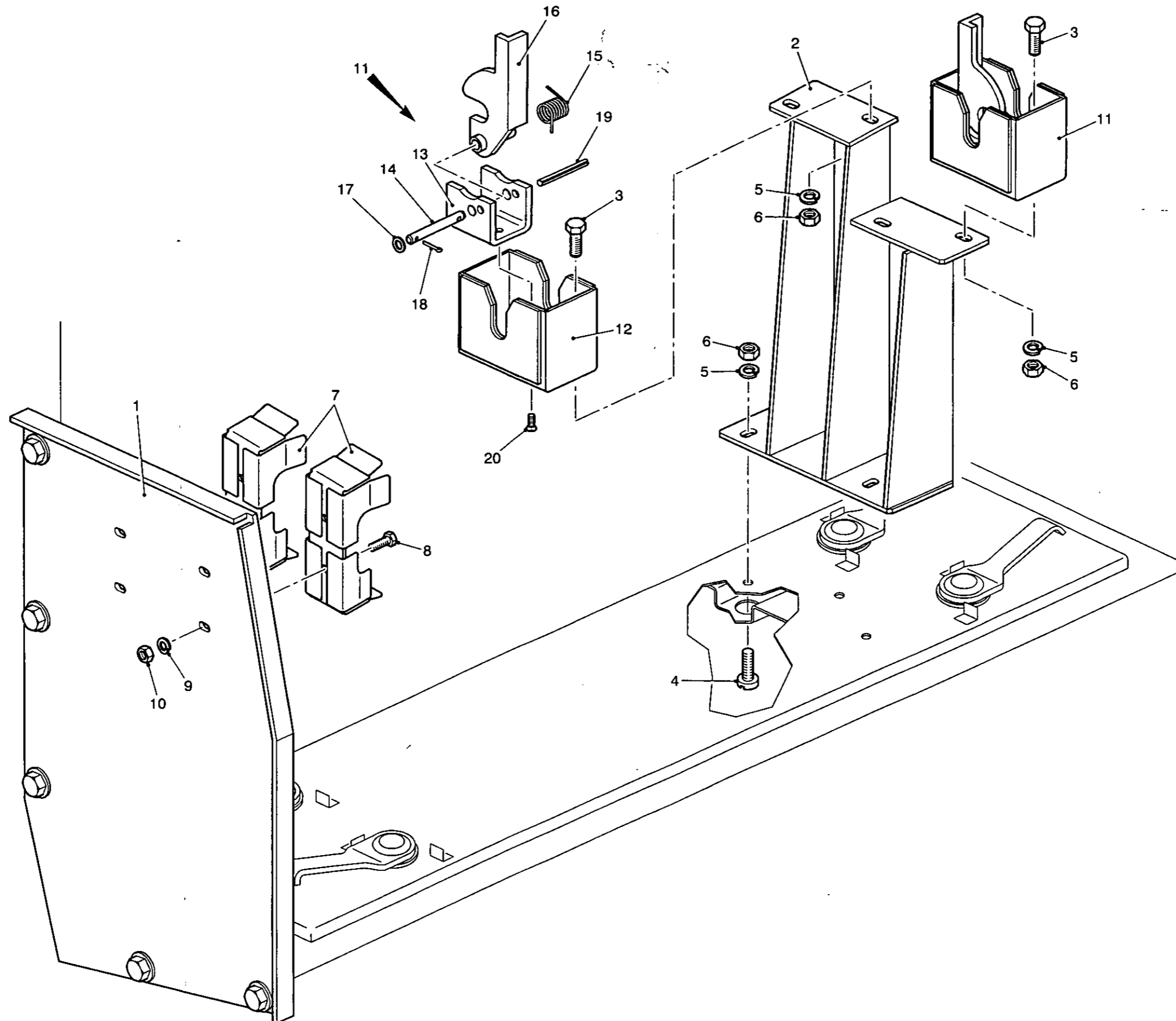


Fig 1 SA 80 rifle stowage installation, FV439 (SAS/MC)

430/70158

Fig Item	Man Code Navy - N Army - A RAF - R	NATO Stock No	Item Name and Description	Part No/ Drawing No.	No. Off	Annotations
1-		NP	SA 80 RIFLE STOWAGE INSTALLATION, FV439 (SAS/MC)	FV2200514	REF	
1	A 9ACR	5340-99-500-7161	. BRACKET, MOUNTING, steel, painted, 240mm w, 10mm h, 390mm lg, 2mm thk, w/5 holes 10mm dia, 90 deg angle along 2 edges, rear	FV2200515	1	Secure w/existing fittings
2	A 9ACR	5340-99-818-0705	. BRACKET, MOUNTING, steel, painted, 198mm w, w/7 slots, front	FV2200516	1	
3	A G1	5305-99-122-5366	. SCREW, CAP, HEXAGON HEAD, 8 x 1.25 ISO M thd, 20.42mm fastener lg, hex hd		4	
4	A G1	5305-99-135-0450	. SCREW, MACHINE, 8 x 1.25 ISO M thd, 16mm thd and fastener lg, steel, Zn plated, pan hd, slot drive		3	
5	A G1	5310-99-138-9227	. WASHER, LOCK, steel, Zn plated w/ chromate, split helical ring, 8.55mm dia, 2.1mm thk, 12.75mm od		7	
6	A G1	5310-99-122-5296	. NUT, PLAIN, HEXAGON, ISO, M8 x 1.25 class 6H thd, rh, steel, Zn plated w/chromate, 13mm w A/F, 6.5mm h, chamfered bearing surface, strength grade 8		7	
7	A 6MT1	2540-99-724-5832	. BUTT CLIP, 134mm lg, 50mm h, 54mm w, u/w SA 80 rifle	FV952327	2	
8	A G1	5305-99-122-5360	. SCREW, CAP, HEXAGON HEAD, 6 x 1.00 ISO M rh thd, 16mm thd and fastener lg, steel, Zn plated w/chromate, hex hd		4	
9	A G1	5310-99-137-9232	. WASHER, LOCK, steel, Zn plated, split helical ring, 6.3mm id, 9.2mm od, 1.5mm thk		4	
10	A 7RU	5310-99-122-5295	. NUT, PLAIN, HEXAGON, M6 x 1.00 ISO M, class 6H rh thd, steel, Zn plated, 10mm w A/F, 5mm h, chamfered bearing surface, strength grade 8		4	
11	A 46MT1	2540-99-740-7338	. BARREL CLIP ASSEMBLY, block dims: 73mm h, 54mm w, 90mm lg, 102mm o/a h, c/w spring catch	FV952299	2	
12	A 9MCV	2540-99-253-7956	. BRACKET, SUPPORTING, plastic coated, black, rect shape w/U shape cut out and various holes	FV952313	1	
13	A 46MT1	2540-99-120-5418	. BRACKET, PIVOT ASSEMBLY, steel, plastic coated, U shape	FV952292	1	
14	A 9GWR	5315-99-802-5547	. PIN, STRAIGHT, HEADLESS, steel, Cd plated, 43mm lg, 6mm dia	FV952290	1	
15	A 9GWR	5360-99-802-5546	. SPRING, HELICAL, TORSION, spring steel, single torsion, 15.2mm od, 22mm and 24mm o/a arm lg	FV952295	1	
16	A 9GWR	2540-99-802-5545	. LATCH, STOWAGE CLIP, weapon stowage, barrel clip assy	FV952293	1	
17	A G1	5310-99-122-6474	. WASHER, FLAT, steel, Zn plated, rd, 12.5mm od, 6.5mm id, 1.6mm thk		2	
18	A G1	5315-99-138-2200	. PIN, COTTER, SPLIT, 1.6mm dia, chisel point, steel, phosphate coated, 16mm under loop lg		2	
19		NP	. PIN, 4mm dia x 32mm lg	FV2200680	1	
20	A G1	5305-99-122-5283	. SCREW, MACHINE, 5 x 0.8 ISO M, steel, Zn plated, 7.62mm thd lg, 10mm fastener lg, strength grade 4.8, slot, flat csk hd		2	

~~UK RESTRICTED~~

~~UK RESTRICTED~~

Chapter 2-16
PARTS LIST
FUEL SYSTEM, GENERATORS -
FV439 (SAS/MC)

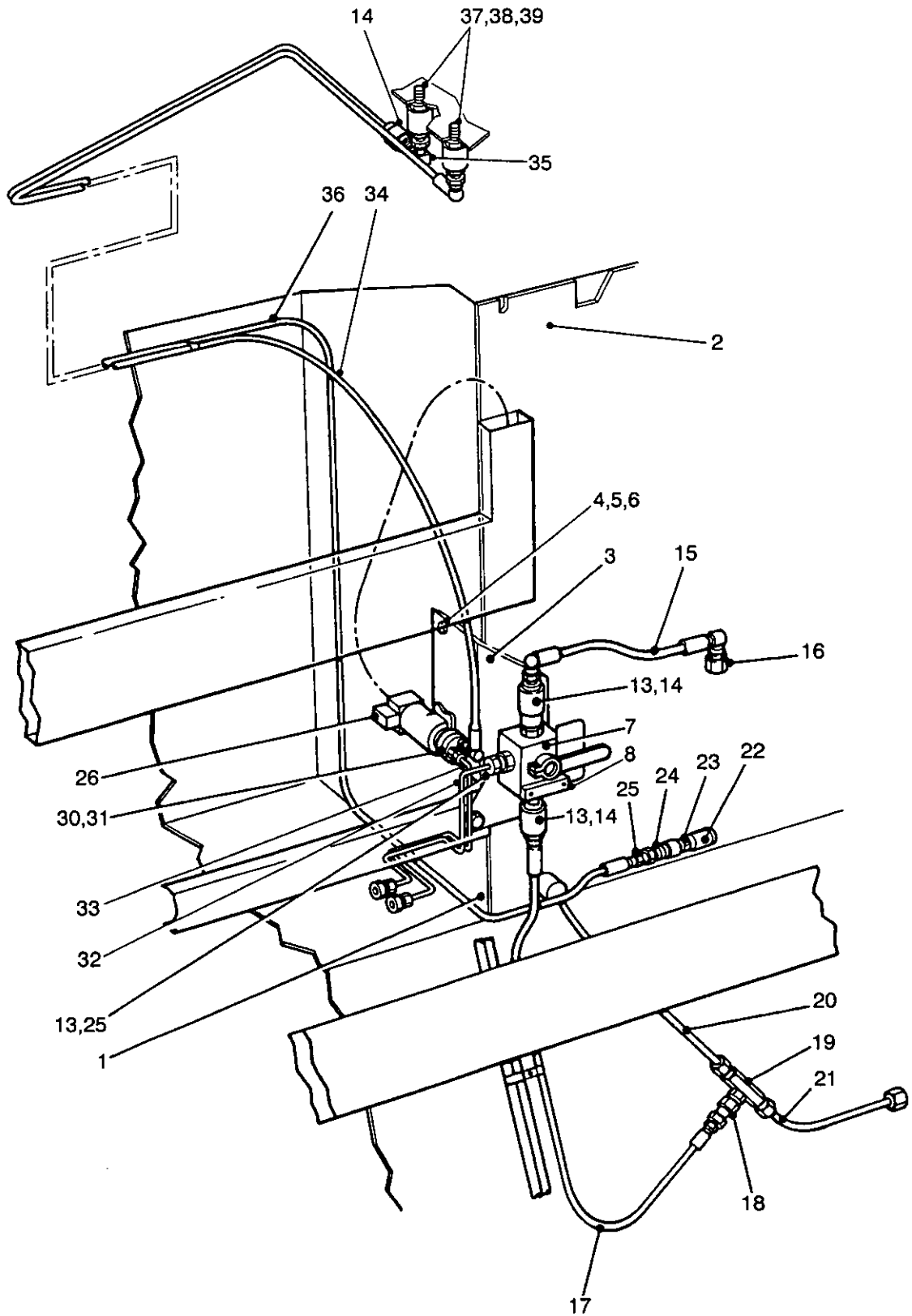


Fig 1 Fuel system, generators, FV439 (SAS/MC)

430/70069

Fig Item	Man Code Navy - N Army - A RAF - R	NATO Stock No	Item Name and Description	Part No/ Drawing No.	No. Off	Annotations
1-		NP	FUEL SYSTEM, GENERATORS, FV439 (SAS/MC)	FV952438	REF	
1		NP	. FUEL TANK ASSEMBLY, RH	FV2068815	1	
2		NP	. COVER PLATE, FUEL TANK, RH	FV2068813	1	
3		NP	. BRACKET ASSEMBLY	FV952437	1	
4	A G1	5310-99-956-1786	. WASHER, FLAT, steel, 21/64in. id, 5/8in. od, 5/64in. thk		1	
5	A G1	5310-99-941-6655	. WASHER, LOCK, steel, split helical ring, 0.343in. id, 0.503in. od, 0.08in. thk		1	
6	A G1	5305-99-941-0524	. SCREW, MACHINE, UNF, 5/16in. class 2A thd, 5/8in. lg, steel, Zn plated, hex hd		1	
7	A 9ACR	2590-99-220-6079	. VALVE MULTIWAY, 2 position valve, 1/4in. BSP connections	FV2068812	1	
8		NP	. CAM STOP SUB ASSEMBLY	FV2068876	1	
NI 9	A 7RU	5310-99-122-6474	. WASHER, FLAT, steel, Zn plated, 6.5mm id, 12.5mm od, 1.6mm thk		4	} Securing items 7 and 8
NI 10	A G1	5310-99-137-9232	. WASHER, LOCK, steel, Zn plated, split helical ring, 6.3mm id, 9.2mm od, 1.5mm thk		4	
NI 11	A G1	5305-99-122-5249	. SCREW, CAP, HEXAGON HEAD, M6, class 6G thd, 55mm fastener lg, 18mm thd lg		2	Securing item 7
NI 12	A G1	5306-99-122-5251	. BOLT, MACHINE, 6mm x 1mm ISO M class 6G thd, steel, Zn plated w/chromate, 65mm fastener lg, 18mm thd lg, hex hd		2	Securing item 8
13	A 46MT1	5330-99-881-4514	. GASKET, rubber and steel, w/rd aperture 0.544in. dia, 0.815in. od, 2 brown spots in rubber bore	GD1307B	3	
14	A 6MT1	4730-99-255-3136	. COUPLING ASSEMBLY, SELF SEALING, Al alloy, 55.4mm lg excluding thd, 29.7mm od, 1/4in. BSP thd each end, 1500 psi working pressure	FV2027258	3	
15		NP	. HOSE ASSEMBLY, RUBBER, comprising: 1/4in SAE-100 R1T hose, 2 ferrules and 2 90 deg elbows	FV952447	1	
16	A 6MT1	4730-99-831-1737	. ADAPTOR, ELBOW, PIPE, steel, Zn plated, G1/4 BSPF truncated both ends		1	
17		NP	. HOSE	FV952436	1	
18	A 6MT1	4730-99-257-5971	. REDUCER PIPE, ext thd pipe 1st end, int thd pipe 2nd end, pipe BSPF 1/4in. 1st end, 1/2in. 2nd end	MMP0804	1	
19	A 6MT1	4730-99-826-1160	. TEE, PIPE, steel, Zn plated, male, 1/2in. BSP		1	
20		NP	. PIPE, BENT, METALLIC, single bend, union nut and elbow 1st end, nut and nipple 2nd end	FV952446	1	
21		NP	. PIPE, BENT, METALLIC, single bend, w/nut and nipple both ends	FV952444	1	
22	A 6MT1	4730-99-831-1742	. ELBOW, PIPE, steel, Zn plated, 1/4in. BSPF ext thd both ends, 90 deg, w/one locknut		1	
23	A 9ACR	4730-99-435-4923	. COUPLING, HALF, QUICK DISCONNECT, 1/4in. BSP, 32mm, male half	FV952440	1	
24	A 9ACR	4730-99-809-8489	. COUPLING, HALF, QUICK DISCONNECT, 1/4in. BSP, 46.5mm lg, 26mm dia, female half	FV952441	1	
25	A 6MT1	4730-99-831-1725	. ADAPTOR, STRAIGHT, PIPE, steel, Zn plated, 1/4in. BSPF truncated male thd each end		2	

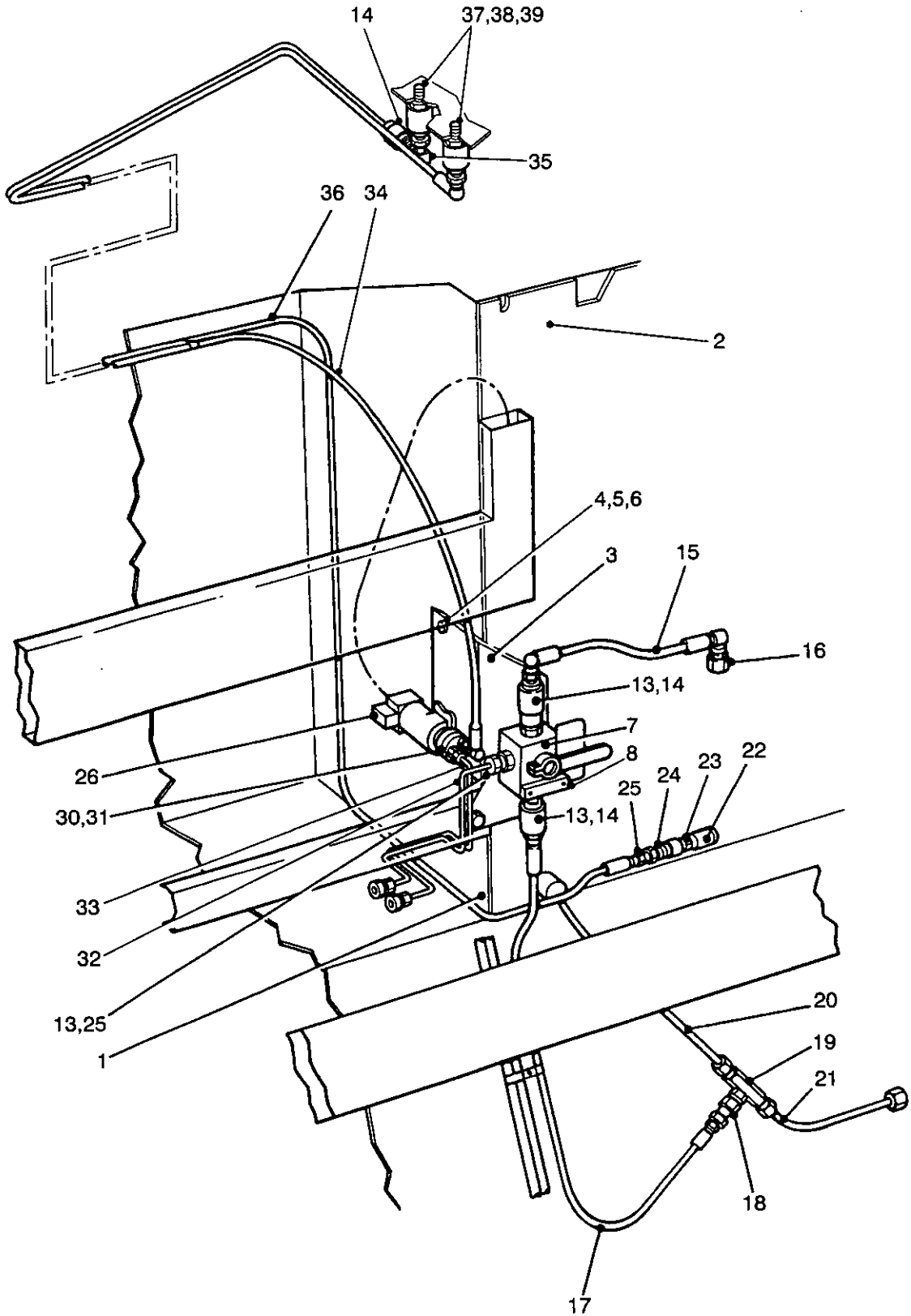


Fig 1 Fuel system, generators, FV439 (SAS/MC)

430/70069

Fig Item	Man Code Navy - N Army - A RAF - R	NATO Stock No	Item Name and Description	Part No/ Drawing No.	No. Off	Annotations
1-			FUEL SYSTEM, GENERATORS, FV439 (SAS/MC) - contd			
26	A 9ACR	2910-99-700-4561	. PUMP, FUEL, ELECTRICAL, 184mm lg, 70mm w base, 81mm h, 24V dc, 30 psi, 2 gall/hr capacity @ 4800 rpm	453702	1	} Securing item 26
NI 27	A G1	5310-99-122-3032	. WASHER, FLAT, steel, Zn plated, 5.5mm id, 10mm od, 1mm thk		4	
NI 28	A G1	5310-99-138-9226	. WASHER, LOCK, steel, Zn plated, split helical ring, 5mm bolt size, 8.5mm od, 1.5mm thk		4	
NI 29	A G1	5305-99-122-5356	. SCREW, CAP, HEXAGON HEAD, steel, Zn plated, 5mm dia x 0.8mm pitch, class 6G thd, 16mm thd and fastener lg, grade 8.8 hex hd		4	
30	A 9CVT	5330-99-881-4517	. GASKET, steel and rubber, 0.46in. id, 0.75in. od, 0.084in. thk	FVS108-10	2	
31		NP	. ADAPTOR, STRAIGHT PIPE, steel, Zn plated, 30mm, 19mm A/F, 1st end, 7/16in. -20 UNF 2nd end, G1/4a, 4.8mm centre bore	FV2068834	2	
32		NP	. PIPE, FUEL SUPPLY TAP TO FILTER	FV2200701	1	
33		NP	. PIPE, FUEL FILTER TO PUMP	FV2200703	1	
34		NP	. HOSE, 1830mm lg	FV952435/1	1	
35	A 9ACR	4730-99-449-1765	. ELBOW, PIPE, 90 deg elbow, w/2 1/4in. BSP female thds	B0491	1	
36		NP	. HOSE, 2565mm lg	FV952435/2	1	
37	A 6MT1	4730-99-257-5966	. UNION PIPE, steel, Cd plated	FV2023298	2	
38	A G1	5310-99-941-8638	. WASHER, FLAT, steel, Zn plated w/chromate, 0.59in. id, 1.12in. od, 0.104in. thk		6	
39	A 9MVC	5310-99-257-5967	. NUT, PLAIN, HEXAGON, 1/4in. -19 BSP, steel, Zn plated, 18mm A/F, 6.4mm h	FV2026106	2	

~~UNRESTRICTED~~

~~UNRESTRICTED~~

CHAPTER 3
INDEX OF NATO STOCK NUMBERS

~~UK RESTRICTED~~

~~UK RESTRICTED~~

INDEX OF NATO STOCK NUMBERS

NATO STOCK No.	Chapter, Page and Item No.	NATO STOCK No.	Chapter, Page and Item No.	NATO STOCK No.	Chapter, Page and Item No.
5940-01-251-6054	2-13.35/36-90	5305-99-122-5253	2-14.5-28	2540-99-127-3008	2-14.7/8-13
5925-12-148-7336	2-13.31-39	5305-99-122-5273	2-14.7/8-5	5310-99-134-6098	2-13.27-11
6240-12-173-4827	2-7.5-44	5305-99-122-5278	2-13.21-42	5305-99-135-0416	2-13.31-36
5355-17-050-7576	2-13.31-35	5305-99-122-5283	2-15.3/4-20	5305-99-135-0417	2-13.35/36-92
5320-99-001-7679	2-11.3-27	5310-99-122-5295	2-11.5/6-35	5305-99-135-0422	2-13.35/36-101
5365-99-097-0111	2-7-1.4-86	5310-99-122-5295	2-15.3/4-10	5305-99-135-0423	2-13.33-79
5315-99-101-2179	2-13.7-24	5310-99-122-5296	2-15.3/4-6	5305-99-135-0424	2-13.29-5
5940-99-102-9755	2-7.5-42	5305-99-122-5355	2-13.7-8	5305-99-135-0426	2-13.31-55
6145-99-104-7324	2-7-1.2-13	5305-99-122-5355	2-13.9-53	5305-99-135-0430	2-13.35/36-96
6145-99-104-7324	2-7-1.4-68	5305-99-122-5356	2-13.19-19	5305-99-135-0441	2-13.33-59
6145-99-104-7324	2-7-1.4-74	5305-99-122-5356	2-13.25-34	5305-99-135-0450	2-15.3/4-4
6145-99-104-7324	2-7-1.7-169	5305-99-122-5356	2-16.5/6-29	5305-99-135-0687	2-14.5-22
6145-99-104-7325	2-7-1.3-59	5305-99-122-5360	2-11.5/6-33	5310-99-135-9292	2-13.23-29
5360-99-110-8119	2-13.29-23	5305-99-122-5360	2-15.3/4-8	5310-99-135-9292	2-13.25-33
5355-99-110-8120	2-13.29-10	5305-99-122-5362	2-13.19-5	5310-99-135-9300	2-13.7-7
6145-99-111-6724	2-7-1.4-90	5305-99-122-5362	2-13.23-5	5310-99-135-9302	2-13.9-34
6220-99-112-5612	2-14.3-4	5305-99-122-5366	2-15.3/4-3	5310-99-135-9302	2-13.11-57
5310-99-117-1578	2-13.15-3	5305-99-122-5367	2-13.9-35	5310-99-135-9303	2-13.7-9
5340-99-119-6086	2-13.35/36-91	5305-99-122-5367	2-13.11-58	5310-99-135-9305	2-13.9-54
5305-99-120-0941	2-13.27-3	5310-99-122-6455	2-14.7/8-8	5340-99-136-2721	2-13.7-16
5365-99-120-1698	2-7-1.4-87	5310-99-122-6474	2-13.9-37	5310-99-137-3731	2-13.9-42
5310-99-120-4032	2-7.11-117	5310-99-122-6474	2-13.9-45	5310-99-137-3731	2-13.11-66
5310-99-120-4032	2-7.13-122	5310-99-122-6474	2-13.11-60	5310-99-137-3731	2-13.13-90
5310-99-120-4032	2-13.11-79	5310-99-122-6474	2-13.11-63	5310-99-137-3731	2-13.27-14
2540-99-120-5418	2-15.3/4-13	5310-99-122-6474	2-13.11-68	5310-99-137-7683	2-13.9-38
5305-99-120-7950	2-7-1.7-154	5310-99-122-6474	2-13.15-10	5310-99-137-7683	2-13.9-43
5340-99-120-8967	2-11.3-3	5310-99-122-6474	2-13.15-13	5310-99-137-7683	2-13.11-61
5340-99-120-8967	2-11.3-11	5310-99-122-6474	2-13.15-20	5310-99-137-7683	2-13.11-64
5340-99-120-8967	2-11.3-22	5310-99-122-6474	2-13.15-25	5310-99-137-7683	2-13.11-69
5315-99-120-9285	2-13.5-6	5310-99-122-6474	2-13.15-27	5310-99-137-7683	2-13.23-7
5305-99-121-4840	2-8.3-13	5310-99-122-6474	2-13.19-8	5310-99-137-7683	2-13.23-22
5310-99-122-3030	2-13.31-37	5310-99-122-6474	2-13.19-13	5310-99-137-7683	2-13.23-25
5310-99-122-3030	2-13.35/36-93	5310-99-122-6474	2-13.19-26	5310-99-137-7683	2-13.33-61
5310-99-122-3030	2-14.7/8-6	5310-99-122-6474	2-13.19-31	5320-99-137-7913	2-13.19-16
5310-99-122-3031	2-13.21-43	5310-99-122-6474	2-13.19-33	5315-99-137-8903	2-11.3-30
5310-99-122-3031	2-13.29-6	5310-99-122-6474	2-13.21-38	5310-99-137-9232	2-11.5/6-34
5310-99-122-3031	2-13.31-50	5310-99-122-6474	2-13.21-51	5310-99-137-9232	2-15.3/4-9
5310-99-122-3031	2-13.31-56	5310-99-122-6474	2-13.23-6	5310-99-137-9232	2-16.3-10
5310-99-122-3031	2-13.33-80	5310-99-122-6474	2-13.23-21	5315-99-138-2199	2-13.15-14
5310-99-122-3031	2-13.35/36-100	5310-99-122-6474	2-13.23-24	5315-99-138-2199	2-13.15-28
5310-99-122-3031	2-14.7/8-10	5310-99-122-6474	2-13.33-60	5315-99-138-2199	2-13.19-9
5310-99-122-3032	2-13.35/36-97	5310-99-122-6474	2-15.3/4-17	5315-99-138-2199	2-13.19-14
5310-99-122-3032	2-16.5/6-27	5310-99-122-6474	2-16.3-9	5315-99-138-2199	2-13.19-34
5306-99-122-5242	2-14.5-26	5310-99-122-6476	2-1.5/6-7	5315-99-138-2199	2-13.21-39
5306-99-122-5244	2-13.9-36	5310-99-122-7703	2-13.23-28	5315-99-138-2200	2-13.15-21
5306-99-122-5244	2-13.9-41	5305-99-122-8664	2-13.23-30	5315-99-138-2200	2-13.19-27
5305-99-122-5244	2-13.11-62	5306-99-122-8671	2-1.5/6-8	5315-99-138-2200	2-13.21-52
5305-99-122-5244	2-13.23-18	5310-99-124-3754	2-13.11-80	5315-99-138-2200	2-15.3/4-18
5306-99-122-5245	2-13.11-59	5310-99-124-3754	2-13.13-91	5315-99-138-2201	2-11.3-31
5305-99-122-5249	2-16.3-11	5310-99-124-3754	2-13.27-15	5310-99-138-3581	2-3.7/8-54
5306-99-122-5251	2-16.3-12	2540-99-127-3008	2-14.5-27	5305-99-138-3807	2-14.7/8-12

INDEX OF NATO STOCK NUMBERS

NATO STOCK No.	Chapter, Page and Item No.	NATO STOCK No.	Chapter, Page and Item No.	NATO STOCK No.	Chapter, Page and Item No.
5310-99-138-6859	2-7.7-62	5930-99-620-1092	2-13.31-29	2520-99-802-6478	2-3.3-11
5310-99-138-7965	2-14.5-29	5945-99-620-1093	2-13.33-58	2520-99-802-6479	2-3.3-15
5310-99-138-9224	2-14.7/8-7	5940-99-622-5782	2-14.3-15	5330-99-802-6481	2-3.3-18
5310-99-138-9225	2-14.7/8-11	5305-99-624-5269	2-13.31-34	5310-99-802-6482	2-3.7/8-65
5310-99-138-9226	2-14.5-25	5365-99-647-3001	2-7-1.4-83	6220-99-803-4118	2-7.9-88
5310-99-138-9226	2-16.5/6-28	6140-99-660-8832	2-7-1.7-146	5975-99-804-0124	2-7-1.6-136
5310-99-138-9227	2-14.5-30	2910-99-700-4561	2-16.5/6-26	5365-99-804-1057	2-7-1.3-46
5310-99-138-9227	2-15.3/4-5	2590-99-700-6543	2-14.3-17	5310-99-804-1057	2-7-1.5-108
5310-99-139-0311	2-13.23-13	5340-99-710-8945	2-13.19-15	5975-99-804-1058	2-7-1.3-44
5310-99-139-0313	2-14.5-31	5330-99-713-9620	2-13.29-14	5975-99-804-1058	2-7-1.5-107
5315-99-139-5252	2-14.5-32	5940-99-714-0997	2-13.35/36-87	2510-99-804-2220	2-1-2.3-3
5340-99-151-1285	2-14.3-16	2540-99-724-5832	2-15.3/4-7	5310-99-804-2256	2-1-2.3-6
5360-99-152-3676	2-8.3-28	4210-99-734-7818	2-7.9-84	5330-99-804-2284	2-1-2.3-9
2540-99-173-0384	2-0.3/4-14	2540-99-740-7338	2-15.3/4-11	5935-99-804-2307	2-13.25-37
2540-99-173-0384	2-1.5/6-3	6105-99-744-4680	2-13.7-17	2540-99-804-3324	2-8.3-12
2540-99-173-0384	2-14.3-1	2590-99-776-0302	2-7-1.5-95	2920-99-804-3332	2-7-1.7-147
5940-99-193-6329	2-7-1.5-112	5315-99-780-7359	2-14.3-9	9905-99-804-4136	2-7-1.2-32
5940-99-193-6330	2-7-1.5-113	5935-99-785-9113	2-14.7/8-9	5935-99-804-4612	2-13.25-36
5310-99-203-6405	2-13.19-4	2590-99-791-9528	2-7-1.3-50	5310-99-804-7941	2-3.5-31
5340-99-205-6507	2-7-1.3-33	2540-99-794-5112	2-11.3-29	5310-99-804-7941	2-7.3-21
2590-99-220-6079	2-16.3-7	5975-99-796-0374	2-7-1.9-216	5310-99-804-7941	2-7.3-26
9330-99-225-4336	2-1.3-10	2590-99-796-6203	2-7-1.3-49	5310-99-804-7941	2-7.7-73
9330-99-225-4337	2-1.3-9	5935-99-800-9956	2-13.33-84	5310-99-804-7941	2-7.9-92
5935-99-241-6116	2-14.7/8-4	5940-99-801-2756	2-1.3-12	5310-99-804-7941	2-7.9-98
2540-99-253-7956	2-15.3/4-12	5940-99-801-2756	2-7.5-41	5310-99-804-7941	2-7.11-119
4730-99-255-3136	2-16.3-14	2540-99-801-3436	2-11.3-23	5310-99-804-7941	2-7.13-125
2540-99-256-8425	2-7-1.9-206	5930-99-801-3872	2-7.13-140	5310-99-804-7941	2-13.3-10
5935-99-257-1463	2-14.7/8-2	2540-99-801-3873	2-7.3-8	5340-99-804-8130	2-7-1.6-140
4730-99-257-5966	2-16.5/6-37	5330-99-801-5626	2-3.7/8-56	5935-99-805-0001	2-7-1.2-6
5310-99-257-5967	2-16.5/6-39	5330-99-801-6526	2-3.5-37	5935-99-805-0001	2-7-1.4-61
4730-99-257-5971	2-16.3-18	5330-99-801-6628	2-7-1.2-10	5935-99-805-0010	2-7-1.2-18
5310-99-300-0150	2-14.5-24	5330-99-801-6628	2-7-1.2-22	5935-99-805-0010	2-7-1.3-52
1080-99-300-3202	2-1.5/6-10	5330-99-801-6628	2-7-1.3-56	5935-99-805-0018	2-7-1.3-57
5935-99-316-3363	2-14.3-13	5330-99-801-6628	2-7-1.4-65	5935-99-805-0027	2-7-1.2-11
9330-99-383-4140	2-1.3-11	5330-99-801-6924	2-3.7/8-57	5935-99-805-0027	2-7-1.4-66
5365-99-406-3493	2-14.5-23	2590-99-801-8706	2-13.3-2	5935-99-805-0027	2-7-1.4-70
4730-99-435-4923	2-16.3-23	5120-99-802-1941	2-11.3-6	5975-99-805-0027	2-7-1.7-168
4730-99-449-1765	2-16.5/6-35	5340-99-802-1958	2-11.3-18	5975-99-805-0028	2-7-1.2-12
2540-99-471-2779	2-11.3-1	2510-99-802-1966	2-8.3-3	5975-99-805-0028	2-7-1.4-67
2590-99-499-9311	2-7-1.8-170	5935-99-802-2367	2-7-1.11/12-260	5975-99-805-0028	2-7-1.4-71
5340-99-500-7161	2-15.3/4-1	5935-99-802-2423	2-7-1.2-30	5970-99-805-0033	2-7-1.2-7
5330-99-523-7818	2-13.29-15	2590-99-802-3118	2-7-1.2-17	5970-99-805-0033	2-7-1.2-20
5940-99-523-9334	2-13.35/36-86	6150-99-802-3120	2-7-1.2-25	5970-99-805-0033	2-7-1.3-54
4730-99-533-2961	2-8.5/6-31	2590-99-802-3443	2-7-1.11/12-256	5970-99-805-0033	2-7-1.4-62
5305-99-549-7430	2-8.5/6-29	4720-99-802-3560	2-8.5/6-30	5340-99-805-0034	2-7-1.2-8
6220-99-553-0278	2-14.3-20	5940-99-802-3645	2-7-1.6-129	5340-99-805-0034	2-7-1.2-21
1080-99-562-2567	2-1.5/6-11	6110-99-802-4051	2-7.7-75	5340-99-805-0034	2-7-1.3-55
5330-99-601-0264	2-13.29-16	2540-99-802-5545	2-15.3/4-16	5340-99-805-0034	2-7-1.4-63
4730-99-603-5530	2-13.13-92	5360-99-802-5546	2-15.3/4-15	5935-99-805-0227	2-7-1.7-167
4730-99-603-5530	2-13.23-14	5315-99-802-5547	2-15.3/4-14	5935-99-805-0328	2-7-1.6-131
5340-99-605-6614	2-14.3-19	2520-99-802-5852	2-3.3-6	5970-99-805-0763	2-7-1.2-15
4240-99-613-9394	2-13.17-30	2520-99-802-6477	2-3.3-5	5940-99-805-0801	2-7-1.6-124

INDEX OF NATO STOCK NUMBERS

NATO STOCK No.	Chapter, Page and Item No.	NATO STOCK No.	Chapter, Page and Item No.	NATO STOCK No.	Chapter, Page and Item No.
5940-99-805-0893	2-7-1.4-81	2590-99-818-6210	2-13.9-49	5330-99-838-6121	2-13.21-54
5310-99-805-0896	2-7-1.5-115	4140-99-818-6211	2-13.7-14	4240-99-838-6122	2-13.21-55
5306-99-805-0896	2-7-1.7-157	4140-99-818-6211	2-13.11-56	4730-99-838-6124	2-13.13-93
5940-99-805-1345	2-7-1.6-121	4140-99-818-6212	2-13.7-15	2590-99-838-6139	2-13.27-9
5975-99-805-2204	2-7-1.3-58	2590-99-818-6242	2-13.15-2	2590-99-838-6139	2-13.29-1
5935-99-805-2902	2-7-1.2-27	5340-99-818-7342	2-13.11-72	6685-99-838-6141	2-13.29-3
5935-99-805-2902	2-7-1.3-36	5340-99-818-7345	2-13.27-2	4720-99-838-6733	2-13.23-8
5935-99-805-2902	2-7-1.3-45	5330-99-818-7444	2-13.15-29	2590-99-838-6735	2-13.23-11
5935-99-805-2902	2-7-1.4-76	6150-99-818-7800	2-7-1.7-161	2590-99-838-6738	2-13.15-22
5935-99-805-2902	2-7-1.5-93	2590-99-818-7802	2-7-1.4-60	2590-99-838-6738	2-13.19-28
5935-99-805-2902	2-7-1.5-102	2590-99-818-7803	2-7-1.7-163	5330-99-838-6740	2-13.15-17
5935-99-805-2902	2-7-1.5-109	6150-99-818-7806	2-7-1.9-196	2590-99-838-7000	2-13.23-27
5935-99-805-2902	2-7-1.6-141	5340-99-818-7986	2-13.17-31	5330-99-838-7002	2-13.23-26
5935-99-805-2902	2-7-1.8-173	5340-99-819-2758	2-11.3-28	5330-99-838-7004	2-13.19-3
5975-99-805-3079	2-7-1.5-105	4730-99-819-8205	2-13.33-62	2590-99-839-2507	2-7-1.9-203
5935-99-805-3201	2-7-1.3-47	5910-99-820-4517	2-13.7-21	5935-99-859-7929	2-14.3-12
2590-99-805-5791	2-14.3-6	5355-99-821-9726	2-13.31-30	5935-99-861-6064	2-7-1.6-133
5310-99-805-6455	2-7-1.4-79	2590-99-823-0104	2-7-1.8-188	5975-99-861-9032	2-7-1.7-166
5975-99-805-6457	2-7-1.4-78	2590-99-823-1120	2-13.33-76	5310-99-865-6100	2-3.5-44
9390-99-805-8387	2-13.5-7	2520-99-823-9285	2-3.7/8-66	3120-99-865-6300	2-3.3-24
2510-99-806-9264	2-1-2.3-10	5340-99-824-0335	2-11.3-26	3020-99-865-6301	2-3.5-32
2815-99-808-1274	2-0.3/4-4	5360-99-824-0613	2-13.29-21	3040-99-865-6302	2-3.3-23
4730-99-809-8489	2-16.3-24	4730-99-824-0615	2-13.29-24	5305-99-865-6303	2-3.5-46
2590-99-809-9546	2-7-1.9-210	4730-99-825-0413	2-13.25-40	5340-99-865-6304	2-3.3-20
2540-99-810-5826	2-14.3-8	6105-99-825-1960	2-13.7-23	5330-99-865-6305	2-3.3-19
5935-99-812-9999	2-7-1.2-31	3110-99-825-1961	2-13.7-20	2520-99-865-6306	2-3.3-28
5310-99-813-6252	2-7-1.7-158	5977-99-825-1974	2-13.7-18	2520-99-865-6307	2-3.3-27
6150-99-813-9705	2-7-1.9-200	5310-99-825-1976	2-13.7-19	5305-99-865-6309	2-3.7/8-67
6150-99-813-9706	2-7-1.9-201	2590-99-825-7621	2-7-1.9-211	3020-99-865-6310	2-3.3-17
6150-99-813-9712	2-7-1.8-179	4730-99-826-1160	2-16.3-19	5365-99-865-6312	2-3.5-38
2540-99-815-0156	2-11.5/6-32	5930-99-826-8010	2-7.13-127	5365-99-865-6313	2-3.5-39
2590-99-815-6019	2-7.15/16-152	5365-99-828-9068	2-3.7/8-58	5365-99-865-6314	2-3.5-40
2590-99-815-6019	2-7-1.2-29	5365-99-828-9069	2-3.7/8-59	5310-99-865-6319	2-3.5-43
4730-99-817-4525	2-13.23-16	2590-99-830-8926	2-7-1.3-48	5315-99-865-6320	2-3.3-9
4730-99-817-4525	2-13.33-77	4730-99-831-1725	2-16.3-25	5315-99-865-6325	2-3.3-16
5340-99-817-4534	2-13.25-45	4730-99-831-1737	2-16.3-16	5330-99-865-6328	2-3.5-33
4710-99-817-4535	2-13.33-74	4730-99-831-1742	2-16.3-22	5365-99-865-6329	2-3.5-42
4710-99-817-4536	2-13.25-43	2590-99-831-3311	2-7-1.8-192	5365-99-865-6330	2-3.5-41
4710-99-817-4536	2-13.33-69	5940-99-831-9426	2-7-1.4-73	3020-99-865-6337	2-3.3-14
4710-99-817-4537	2-13.33-73	2590-99-832-5359	2-7.3-17	5305-99-865-6338	2-3.5-49
4710-99-817-4538	2-13.25-42	2590-99-833-5091	2-7-1.6-145	2520-99-865-6341	2-3.3-8
4710-99-817-4538	2-13.33-71	5340-99-833-9560	2-7.7-67	2520-99-865-6342	2-3.3-7
4710-99-817-4539	2-13.25-44	9320-99-835-1324	2-1-2.5/6-40	4820-99-865-6788	2-8.5/6-32
4710-99-817-4539	2-13.33-70	2590-99-835-6124	2-7-1.3-51	5310-99-865-6800	2-8.3-21
4710-99-817-4540	2-13.25-41	2920-99-836-1280	2-7-1.9-199	2510-99-865-6851	2-8.3-10
4710-99-817-4540	2-13.33-72	9905-99-837-2954	2-0.3/4-16	2510-99-865-6853	2-8.3-7
4730-99-817-4542	2-13.29-13	9905-99-837-2954	2-11.5/6-36	2510-99-865-6854	2-8.3-5
5365-99-817-4543	2-13.29-12	5340-99-838-1364	2-14.5-34	2510-99-865-6856	2-8.3-4
5340-99-818-0705	2-15.3/4-2	5975-99-838-5151	2-7.7-64	2510-99-865-6862	2-8.3-2
5330-99-818-3852	2-8.3-26	6220-99-838-5677	2-14.3-3	2510-99-865-6864	2-8.3-1
6150-99-818-6161	2-7-1.4-82	5306-99-838-6117	2-13.17-32	5365-99-865-6959	2-3.7/8-51
2590-99-818-6210	2-13.7-12	4240-99-838-6119	2-13.21-53	2510-99-865-7161	2-11.3-19

INDEX OF NATO STOCK NUMBERS

NATO STOCK No.	Chapter, Page and Item No.	NATO STOCK No.	Chapter, Page and Item No.	NATO STOCK No.	Chapter, Page and Item No.
2510-99-865-7162	2-11.3-17	5935-99-881-9034	2-13.25-38	5305-99-941-0526	2-13.27-6
5120-99-865-7163	2-11.3-4	2590-99-881-9171	2-7.15/16-144	5305-99-941-0539	2-7.9-76
5120-99-865-7164	2-11.3-5	2590-99-881-9482	2-7.1.4-69	5305-99-941-0540	2-11.5/6-39
5120-99-865-7165	2-11.3-7	5935-99-881-9654	2-13.7-22	5305-99-941-0541	2-1-1.3/4-6
2540-99-866-2618	2-8.3-16	5935-99-881-9655	2-13.33-83	5305-99-941-0542	2-7.7-61
3040-99-866-5297	2-3.3-12	2590-99-881-9960	2-7.9-96	5305-99-941-0545	2-13.11-73
3020-99-866-5298	2-3.3-13	5970-99-901-1139	2-13.31-48	5305-99-941-0698	2-3.3-26
5310-99-866-6883	2-7.5-28	6145-99-901-2567	2-7.1.6-122	5305-99-941-0714	2-3.7/8-60
2540-99-866-6920	2-7.13-130	6145-99-901-2567	2-7.1.6-125	5305-99-941-0716	2-3.5-48
2540-99-866-6921	2-7.13-131	6145-99-901-2998	2-7.1.2-28	5310-99-941-0837	2-13.9-27
2540-99-866-6933	2-7.7-70	6145-99-901-2998	2-7.1.3-35	5310-99-941-0864	2-3.5-50
2540-99-866-9362	2-8.3-14	6145-99-901-2998	2-7.1.3-38	5310-99-941-0867	2-13.5-5
2510-99-867-4366	2-8.3-8	6145-99-901-2998	2-7.1.3-41	5310-99-941-0884	2-1-2.3-22
2510-99-867-4639	2-1-2.3-5	6145-99-901-2998	2-7.1.4-77	5310-99-941-0884	2-1-2.5/6-34
5340-99-867-4643	2-1-1.3/4-7	6145-99-901-2998	2-7.1.5-94	5310-99-941-0902	2-7.13-123
2540-99-867-4648	2-1-1.3/4-3	6145-99-901-2998	2-7.1.5-97	5310-99-941-0925	2-1-2.3-8
2510-99-867-4691	2-7.11-106	6145-99-901-2998	2-7.1.5-101	5310-99-941-0925	2-7.5-47
2510-99-867-4692	2-7.11-116	6145-99-901-2998	2-7.1.5-110	5310-99-941-0925	2-7.7-59
2540-99-876-0078	2-11.5/6-41	6145-99-901-2998	2-7.1.8-174	5310-99-941-0925	2-7.11-102
6220-99-879-5085	2-14.3-7	5305-99-901-9736	2-8.3-15	5310-99-941-0925	2-7.11-109
5340-99-881-2217	2-7.1.4-80	5340-99-910-8186	2-11.5/6-40	5310-99-941-0925	2-7.13-133
6145-99-881-2348	2-7.1.2-16	5305-99-914-5426	2-8.3-11	5310-99-941-0925	2-7.15/16-150
6220-99-881-3214	2-7.5-27	5940-99-915-7251	2-13.35/36-88	5310-99-941-0925	2-8.3-23
5975-99-881-3387	2-7.1.5-116	5940-99-924-6155	2-13.35/36-89	5310-99-941-0925	2-11.3-9
5930-99-881-3583	2-7.13-139	5365-99-924-7424	2-11.3-25	5310-99-941-0926	2-3.7/8-64
6150-99-881-3653	2-7-1.5-103	5305-99-941-0279	2-7.3-15	5310-99-941-0926	2-7.7-63
6145-99-881-3688	2-7-1.5-111	5305-99-941-0279	2-7.13-143	5310-99-941-0926	2-7.9-77
6150-99-881-3773	2-7-1.8-187	5305-99-941-0280	2-13.3-20	5310-99-941-0926	2-7.11-115
6350-99-881-3954	2-7.13-135	5306-99-941-0281	2-1-2.5/6-38	5310-99-941-0926	2-11.3-21
4210-99-881-4006	2-7.5-43	5306-99-941-0283	2-7.3-18	5306-99-941-1598	2-3.7/8-55
5930-99-881-4053	2-7-1.7-151	5306-99-941-0284	2-7.13-137	5305-99-941-1739	2-13.5-12
5930-99-881-4054	2-7-1.7-150	5306-99-941-0284	2-13.27-12	5305-99-941-1740	2-13.15-4
2910-99-881-4425	2-7.3-7	5305-99-941-0512	2-1-2.5/6-39	5305-99-941-1751	2-13.3-8
5330-99-881-4514	2-16.3-13	5305-99-941-0512	2-7.7-66	5305-99-941-1971	2-13.9-29
5330-99-881-4517	2-16.5/6-30	5305-99-941-0512	2-7.9-82	5305-99-941-1973	2-13.7-13
4820-99-881-5095	2-3.7/8-61	5305-99-941-0512	2-7.13-129	5305-99-941-1973	2-13.9-50
6150-99-881-5631	2-7-1.3-34	5305-99-941-0512	2-11.3-16	5305-99-941-2433	2-13.5-10
2590-99-881-5667	2-7-1.6-130	5305-99-941-0513	2-3.5-29	5310-99-941-3525	2-13.27-8
6145-99-881-5675	2-7-1.10-248	5305-99-941-0513	2-13.11-78	5305-99-941-6190	2-13.3-17
5365-99-881-5736	2-7-1.6-139	5305-99-941-0513	2-13.13-89	5310-99-941-6192	2-13.9-28
5975-99-881-5742	2-7-1.6-137	5305-99-941-0513	2-13.13-95	5305-99-941-6284	2-1-1.3/4-8
5915-99-881-5757	2-7.7-71	5305-99-941-0513	2-13.27-13	5305-99-941-6284	2-13.3-4
5940-99-881-5983	2-7-1.2-23	5305-99-941-0518	2-7.13-121	5305-99-941-6289	2-8.5/6-34
5940-99-881-6457	2-7-1.7-155	5305-99-941-0524	2-1-2.3-12	5306-99-941-6598	2-3.7/8-63
5940-99-881-6458	2-7-1.7-159	5305-99-941-0524	2-7.3-11	5306-99-941-6598	2-7.11-112
6110-99-881-6460	2-7.11-120	5305-99-941-0524	2-16.3-6	5310-99-941-6628	2-1-2.3-7
6220-99-881-6898	2-7.5-45	5305-99-941-0525	2-7.5-33	5310-99-941-6644	2-13.3-9
6680-99-881-8328	2-7.11-104	5305-99-941-0525	2-7.5-40	5310-99-941-6652	2-7.9-94
2590-99-881-8336	2-7.9-80	5305-99-941-0525	2-7.7-56	5310-99-941-6653	2-8.3-18
6110-99-881-8338	2-7.11-111	5305-99-941-0525	2-7.15/16-146	5310-99-941-6654	2-1-2.5/6-37
5940-99-881-8918	2-7-1.7-165	5305-99-941-0526	2-7.5-51	5310-99-941-6654	2-3.5-30
5935-99-881-9002	2-7-1.11/12-258	5305-99-941-0526	2-7.9-87	5310-99-941-6654	2-7.3-14

INDEX OF NATO STOCK NUMBERS

NATO STOCK No.	Chapter, Page and Item No.	NATO STOCK No.	Chapter, Page and Item No.	NATO STOCK No.	Chapter, Page and Item No.
5310-99-941-6654	2-7.3-20	4730-99-943-9374	2-3.7/8-62		
5310-99-941-6654	2-7.3-25	5315-99-944-0177	2-1-2.3-23		
5310-99-941-6654	2-7.7-65	5315-99-944-0177	2-1-2.5/6-35		
5310-99-941-6654	2-7.7-72	5310-99-944-0549	2-1-2.3-11		
5310-99-941-6654	2-7.9-81	5310-99-944-0549	2-7.3-10		
5310-99-941-6654	2-7.9-91	5310-99-944-0549	2-7.5-32		
5310-99-941-6654	2-7.9-97	5310-99-944-0549	2-7.5-39		
5310-99-941-6654	2-7.11-118	5310-99-944-0549	2-7.5-46		
5310-99-941-6654	2-7.13-124	5310-99-944-0549	2-7.5-50		
5310-99-941-6654	2-7.13-128	5310-99-944-0549	2-7.7-58		
5310-99-941-6654	2-7.13-136	5310-99-944-0549	2-7.9-86		
5310-99-941-6654	2-7.13-142	5310-99-944-0549	2-7.11-101		
5310-99-941-6654	2-11.3-15	5310-99-944-0549	2-7.11-108		
5310-99-941-6654	2-13.3-3	5310-99-944-0549	2-7.13-132		
5310-99-941-6655	2-3.3-25	5310-99-944-0549	2-7.15/16-145		
5310-99-941-6655	2-8.3-22	5310-99-944-0549	2-7.15/16-149		
5310-99-941-6655	2-8.5/6-33	5310-99-944-0567	2-3.5-47		
5310-99-941-6655	2-11.3-8	5340-99-945-1524	2-13.25-46		
5310-99-941-6655	2-16.3-5	5340-99-945-1524	2-13.35/36-95		
5310-99-941-6656	2-1-1.3/4-5	5305-99-945-2106	2-7-1.7-149		
5310-99-941-6656	2-7.11-114	6145-99-947-9472	2-7-1.2-24		
5310-99-941-6656	2-11.3-20	5820-99-949-0981	2-7.3-12		
5310-99-941-6656	2-11.5/6-38	3110-99-950-0566	2-8.3-27		
5310-99-941-6656	2-13.11-74	3110-99-950-0566	2-13.29-11		
5310-99-941-6684	2-1-2.3-19	3110-99-950-0994	2-3.5-35		
5310-99-941-6684	2-1-2.5/6-30	3110-99-950-1009	2-3.5-34		
5305-99-941-6836	2-7.9-93	3110-99-950-1037	2-3.5-36		
5310-99-941-6867	2-13.27-4	5305-99-950-4416	2-8.3-17		
5305-99-941-6959	2-3.3-10	5310-99-956-1786	2-16.3-4		
5310-99-941-8386	2-7.11-107	5995-99-968-0045	2-14.3-11		
5310-99-941-8543	2-13.3-16	5310-99-970-8625	2-7.11-113		
5310-99-941-8543	2-13.5-13	5310-99-970-8625	2-11.5/6-37		
5310-99-941-8563	2-13.13-87	2590-99-978-0906	2-7-1.8-183		
5310-99-941-8623	2-13.27-7	2590-99-978-0907	2-7-1.3-40		
5310-99-941-8635	2-13.13-94	6150-99-978-1721	2-7-1.8-176		
5310-99-941-8638	2-16.5/6-38	5975-99-978-3142	2-7.7-60		
5310-99-941-9447	2-13.9-31	5310-99-980-8331	2-14.3-21		
5310-99-941-9961	2-7.9-95	6240-99-995-2236	2-7.5-29		
5306-99-941-9966	2-13.9-30	6240-99-995-2236	2-7.9-89		
5315-99-942-0401	2-3.5-45	6240-99-995-2519	2-14.3-5		
2590-99-942-0427	2-14.5-33	6145-99-999-6438	2-7-1.2-2		
2590-99-942-0427	2-14.7/8-1	6145-99-999-7727	2-13.33-85		
5325-99-942-3426	2-14.3-10				
5365-99-942-8008	2-3.7/8-52				
3120-99-942-8076	2-3.3-22				
6145-99-943-4824	2-7-1.6-127				
6145-99-943-4824	2-7-1.6-142				
6145-99-943-4824	2-13.31-47				
5935-99-943-5878	2-7-1.4-84				
5940-99-943-8569	2-7-1.2-4				
5940-99-943-8569	2-7-1.3-39				
5940-99-943-8569	2-7-1.3-42				

~~UNRESTRICTED~~

~~UNRESTRICTED~~

CHAPTER 4
INDEX OF MANUFACTURERS' PART/DRAWING NUMBERS

~~UNRESTRICTED~~

~~UNRESTRICTED~~

INDEX OF MANUFACTURERS' PART/DRAWING NUMBERS

Part No./ Drawing No.	Chapter, Page and Item No.	Part No./ Drawing No.	Chapter, Page and Item No.	Part No./ Drawing No.	Chapter, Page and Item No.
ABB-03E-C10-SL-3SSN	2-14.7/8-4	FV131173	2-7-1.4-64	FV2048013	2-1.5/6-5
ABB-06E-C10-SL-3PSN	2-14.7/8-2	FV131173	2-7-1.4-72	FV2048014	2-1.5/6-2
ABB08E/C10SL-3PSN	2-14.3-12	FV16001/371N	2-7-1.5-99	FV2048840	2-8.3-6
ABB-10SL-E-PCA	2-14.3-13	FV16001/372N	2-7-1.5-100	FV2050607/21	2-13.31-48
ABB10SLXPCA	2-14.7/8-9	FV166001/370N	2-7-1.5-98	FV2059254	2-14.3-17
AS4580/4	2-13.25-46	FV166001-369N	2-7-1.3-34	FV2059255	2-14.3-20
AS4580-4	2-13.35/36-95	FV166011/72N	2-7-1.3-37	FV2068812	2-16.3-7
AS8609J	2-13.11-76	FV166186-1	2-7-1.5-103	FV2068813	2-16.3-2
AW1603	2-13.31-43	FV166186-2	2-7-1.5-104	FV2068815	2-16.3-1
BAS187-1-2IN	2-13.23-15	FV166208/2N	2-7-1.3-40	FV2068834	2-16.5/6-31
BAS243/M7	2-13.13-93	FV166372/82	2-7-1.3-50	FV2068876	2-16.3-8
BAS243/NIX	2-13.13-92	FV166372/83M	2-7-1.3-51	FV2086381	2-1.3-9
BAS243NIX	2-13.23-14	FV166372-81	2-7-1.3-49	FV2108369	2-14.5-23
BSAU 152	2-11.5/6-36	FV166403/35M	2-7-1.2-5	FV2108370	2-14.3-18
BSAU152	2-0.3/4-16	FV166403-37M	2-7-1.4-60	FV2108373	2-14.3-19
B0491	2-16.5/6-35	FV166404-3	2-7-1.4-69	FV2108374	2-14.3-16
B27236	2-13.7-18	FV166421-5M	2-7-1.7-163	FV2110940	2-14.5-24
B77708	2-13.7-26	FV166707/3	2-7-1.2-1	FV2151902	2-14.3-14
CZ63041	2-7-1.4-84	FV166764/2N	2-7-1.4-75	FV2186543/2	2-7-1.7-146
C10-35916-28	2-7-1.6-134	FV166871/2	2-7-1.2-14	FV2187756	2-14.3-8
C10-35918-28	2-7-1.6-132	FV167346/5	2-7-1.10-249	FV2200487	2-1.3-14
C27211	2-13.7-23	FV167346/7	2-7-1.11/12-250	FV2200487	2-1.5/6-0
C7101-24	2-7-1.6-133	FV167421-1	2-7-1.10-222	FV2200492	2-0.3/4-0
D74512	2-13.7-15	FV167421-2	2-7-1.10-223	FV2200493	2-0.3/4-1
EC98PA	2-1-2.5/6-41	FV167422/1	2-7-1.10-224	FV2200493	2-1.3-0
EL38560-1	2-7-1.5-112	FV167422/2	2-7-1.10-225	FV2200495	2-1.3-7
FV(S)55-2	2-7-1.3-43	FV167422/3	2-7-1.10-226	FV2200495	2-1-1.3/4-0
FV(S)6/38/4	2-7-1.4-78	FV167423/1	2-7-1.10-227	FV2200496	2-1.5/6-13
FV(S)6/39/7	2-7-1.6-139	FV167663/1	2-7-1.5-111	FV2200496	2-1-1.3/4-2
FV(S)6/77/1	2-7-1.3-47	FV167668/4	2-7-1.2-17	FV2200497	2-0.3/4-7
FV(S)6-39-4	2-7-1.4-79	FV167846/1	2-7-1.6-123	FV2200497	2-7.3-0
FV(S)6-39-6	2-7-1.3-46	FV167854/1	2-7-1.6-126	FV2200498	2-7.15/16-154
FV(S)6-70-5	2-7-1.2-16	FV169421	2-7-1.3-36	FV2200498	2-7-1.2-0
FV(S)6-70-6	2-7-1.10-248	FV169421	2-7-1.3-45	FV2200500	2-7.3-0
FV(S)7/2/1	2-7-1.2-32	FV169421	2-7-1.4-76	FV2200504	2-0.3/4-8
FV(S)7/3/1	2-7-1.3-33	FV169421	2-7-1.5-93	FV2200504	2-8.3-0
FVS108-10	2-16.5/6-30	FV169421	2-7-1.5-102	FV2200505	2-8.3-0
FV1068358	2-7.9-84	FV169421	2-7-1.5-109	FV2200507	2-0.3/4-10
FV107531	2-7-1.3-58	FV169421	2-7-1.6-141	FV2200509	2-0.3/4-11
FV131066	2-7-1.2-10	FV2023298	2-16.5/6-37	FV2200509	2-11.3-0
FV131066	2-7-1.2-22	FV2026106	2-16.5/6-39	FV2200511	2-1.3-8
FV131066	2-7-1.3-56	FV2027258	2-16.3-14	FV2200514	2-0.3/4-15
FV131066	2-7-1.4-65	FV2029143	2-14.3-15	FV2200514	2-15.3/4-0
FV131070	2-7-1.3-54	FV2031419	2-1.3-10	FV2200515	2-15.3/4-1
FV131144	2-7-1.3-52	FV2044321	2-1.5/6-12	FV2200516	2-15.3/4-2
FV131172	2-7-1.2-19	FV2044321	2-13.3-5	FV2200560	2-0.3/4-13
FV131172	2-7-1.3-53	FV2044321	2-13.5-1	FV2200560	2-13.3-0
FV131173	2-7-1.2-9	FV2044526	2-1-2.5/6-36	FV2200641	2-14.3-11
		FV2047987	2-1.5/6-1	FV2200642	2-14.5-33
		FV2047988	2-1.5/6-4	FV2200642	2-14.7/8-1
		FV2048010	2-1.5/6-6	FV2200644	2-14.5-27

INDEX OF MANUFACTURERS' PART/DRAWING NUMBERS

Part No./ Drawing No.	Chapter, Page and Item No.
FV2200644	2-14.7/8-13
FV2200645	2-14.3-7
FV2200647	2-14.3-6
FV2200651	2-14.3-2
FV2200657	2-14.3-0
FV2200678	2-0.3/4-9
FV2200679	2-1.3-5
FV2200680	2-15.3/4-19
FV2200701	2-16.5/6-32
FV2200703	2-16.5/6-33
FV2200708	2-1.3-13
FV2200777/1	2-7-1.11/12-257
FV2200778/2	2-7-1.11/12-259
FV2200910	2-11.5/6-32
FV2200959	2-11.3-1
FV2200960	2-11.3-2
FV229641/2	2-7-1.10-245
FV229641/3	2-7-1.10-246
FV229641/4	2-7-1.10-247
FV232094	2-7-1.5-117
FV264401	2-7.5-34
FV28370	2-7.5-31
FV299295	2-3.3-21
FV299297	2-3.5-32
FV299298	2-3.3-23
FV299300	2-3.5-44
FV299304	2-3.5-46
FV299312	2-3.3-20
FV299313	2-3.3-19
FV299339	2-3.3-28
FV299340	2-3.3-27
FV299373	2-3.7/8-67
FV299470	2-8.3-21
FV299995	2-8.3-24
FV324095/19	2-7-1.10-229
FV324095/20	2-7-1.10-230
FV324095/21	2-7-1.10-231
FV324095/24	2-7-1.10-233
FV324095/25	2-7-1.10-234
FV324095/26	2-7-1.10-235
FV324095/27	2-7-1.10-236
FV324095/28	2-7-1.10-237
FV324095/29	2-7-1.10-238
FV324095/30	2-7-1.10-239
FV324095/31	2-7-1.10-240
FV324095/32	2-7-1.10-241
FV324095/44	2-7-1.11/12-253
FV324095/45	2-7-1.11/12-254
FV324096/5	2-7-1.10-242
FV324096/6	2-7-1.10-243
FV324096/7	2-7-1.10-244
FV324098/2	2-7-1.11/12-252

Part No./ Drawing No.	Chapter, Page and Item No.
FV324154/1	2-7-1.10-221
FV324156/1	2-7-1.11/12-251
FV324156/2	2-7-1.9-220
FV324157-2	2-7-1.11/12-256
FV324158/1	2-7-1.10-228
FV324164/1	2-7-1.6-119
FV324164/2	2-7-1.6-120
FV324167/1	2-7-1.6-130
FV324239/1	2-7-1.9-219
FV324242/1	2-7-1.4-82
FV324284/5	2-7-1.2-29
FV324287/1	2-7-1.11/12-255
FV324824-5	2-7.15/16-152
FV329095/23	2-7-1.10-232
FV342587	2-7.11-120
FV342593	2-7.3-7
FV39348	2-7-1.3-57
FV395476	2-3.7/8-51
FV413809	2-3.3-17
FV413813	2-3.5-38
FV413814	2-3.5-39
FV413815	2-3.5-40
FV413822	2-3.5-43
FV413824	2-3.3-12
FV413989	2-3.3-9
FV413990	2-3.7/8-53
FV421544	2-1.3-1
FV421602	2-13.5-7
FV421825	2-3.3-3
FV426636	2-7.5-27
FV434615	2-3.3-16
FV438535	2-7.3-16
FV456882	2-7.7-52
FV456896	2-7.5-42
FV457038	2-7.15/16-148
FV462413	2-7.7-70
FV480106	2-7.5-30
FV481771	2-8.5/6-32
FV481871	2-8.3-16
FV481873	2-8.5/6-30
FV482034	2-8.3-28
FV482035	2-8.5/6-29
FV482036	2-8.3-14
FV482109	2-8.3-26
FV482111	2-8.3-25
FV485446	2-7.5-28
FV494560	2-7.11-103
FV494570	2-7.11-111
FV494579/21	2-7.11-104
FV499383	2-1-1.3/4-4
FV499549	2-0.3/4-2
FV499692	2-7.7-60

Part No./ Drawing No.	Chapter, Page and Item No.
FV499784	2-3.5-33
FV499785	2-3.5-42
FV499786	2-3.5-41
FV500041	2-3.3-13
FV500050	2-3.3-1
FV500055	2-3.3-14
FV500056	2-3.5-49
FV502584	2-7-1.5-96
FV502631	2-7-1.6-131
FV502635	2-7-1.6-140
FV508053	2-7.7-71
FV510388	2-1-2.3-5
FV510612	2-7.9-90
FV524604	2-3.3-8
FV524605	2-3.3-7
FV524744	2-1.3-12
FV524744	2-7.5-41
FV524831	2-1.3-2
FV524925	2-8.3-10
FV524931	2-8.3-7
FV524935	2-8.3-5
FV524940	2-8.3-4
FV524953	2-8.3-2
FV524955	2-8.3-1
FV524956	2-8.3-9
FV524990	2-8.3-20
FV525369	2-1-2.5/6-40
FV525369/1	2-1-2.3-4
FV525497	2-0.3/4-6
FV525570	2-11.3-19
FV528428/2	2-7-1.9-209
FV534833	2-7-1.2-30
FV534865	2-7.13-135
FV534871	2-7.9-80
FV534891	2-7.7-75
FV534898	2-7-1.7-166
FV534946	2-7.5-43
FV538156	2-11.3-4
FV538157	2-11.3-5
FV538158	2-11.3-7
FV538432	2-7.3-17
FV538501	2-11.3-17
FV538508	2-11.3-12
FV538823	2-7.13-130
FV538824	2-7.13-131
FV546743	2-7-1.7-148
FV546744	2-7-1.7-152
FV546746	2-7-1.7-150
FV546747	2-7-1.7-151
FV546749	2-7-1.7-156
FV546750	2-7-1.7-160
FV546753	2-7-1.7-155

INDEX OF MANUFACTURERS' PART/DRAWING NUMBERS

Part No./ Drawing No.	Chapter, Page and Item No.	Part No./ Drawing No.	Chapter, Page and Item No.	Part No./ Drawing No.	Chapter, Page and Item No.
FV546755	2-7-1.7-159	FV582510-3	2-7-1.5-91	FV605453/3M	2-7-1.7-162
FV546756	2-7-1.7-153	FV582511/1	2-7-1.8-176	FV605455/1	2-7-1.6-143
FV546784	2-7-1.7-147	FV582578/3	2-7-1.9-203	FV605457/1	2-7-1.9-215
FV559203	2-0.3/4-5	FV582580/2	2-7-1.8-175	FV605457/2	2-7-1.9-216
FV559249	2-7.3-8	FV582581/4	2-7-1.9-194	FV605458/1	2-7-1.9-217
FV559357	2-0.3/4-12	FV582702-1	2-7-1.9-201	FV605459/3	2-7-1.8-181
FV559367	2-1.3-4	FV582702-5	2-7-1.9-202	FV605460/2	2-7-1.8-184
FV559399	2-7.15/16-147	FV582781-1	2-7-1.9-200	FV605461/2	2-7-1.8-185
FV559506	2-7.13-134	FV585023	2-13.7-22	FV605462/1	2-7-1.9-218
FV559657	2-7.11-116	FV585027	2-13.33-83	FV605477/7	2-7-1.8-170
FV559701	2-7.11-106	FV585038	2-13.33-84	FV605478-1	2-7-1.3-48
FV559713	2-1-2.3-6	FV585039	2-13.25-38	FV605482/1	2-7-1.9-214
FV559717	2-7.11-105	FV585045	2-7-1.11/12-258	FV605527-4MM	2-7-1.9-196
FV559774	2-1-1.3/4-3	FV585046	2-7-1.11/12-260	FV605527-5M	2-7-1.9-197
FV559857	2-7.13-126	FV585062	2-13.25-37	FV614829	2-13.15-2
FV559927	2-7.11-100	FV585075	2-13.25-36	FV614948	2-13.15-29
FV560051	2-7.9-96	FV585714	2-1.3-6	FV614955	2-13.29-4
FV560064	2-7.11-110	FV585864	2-1-2.3-9	FV615098	2-13.17-31
FV560074	2-7.11-99	FV586064	2-3.3-4	FV615099	2-13.17-32
FV560075	2-7.13-138	FV586071	2-1.3-3	FV615138	2-13.29-9
FV560092	2-7.13-140	FV586150	2-1-1.3/4-7	FV61803	2-3.3-24
FV562031	2-7.5-45	FV586223	2-11.3-23	FV620746	2-7-1.2-31
FV562044	2-7.15/16-144	FV586302	2-8.3-8	FV650237	2-3.7/8-66
FV563252	2-0.3/4-3	FV586406/4	2-7-1.9-208	FV650952	2-0.3/4-4
FV563252	2-3.3-0	FV586419	2-13.3-2	FV650973	2-7.7-74
FV563405	2-3.3-6	FV586536	2-11.3-24	FV651075	2-1-2.3-10
FV563406	2-3.3-5	FV586537	2-11.3-28	FV651464	2-3.7/8-58
FV564810	2-7-1.7-164	FV586540	2-11.3-25	FV651465	2-3.7/8-59
FV575818	2-7-1.7-165	FV586548	2-11.3-29	FV712016	2-7-1.2-29
FV582301-26	2-7-1.9-199	FV586584	2-11.3-30	FV712112	2-13.7-14
FV582310/2	2-7-1.8-189	FV586586	2-3.3-11	FV712112	2-13.11-56
FV582311/5N	2-7-1.8-179	FV586587	2-3.3-15	FV712116	2-13.9-33
FV582312/4	2-7-1.8-178	FV586590	2-3.7/8-65	FV712118	2-13.7-12
FV582326/1	2-7-1.9-205	FV586591	2-3.3-18	FV712118	2-13.9-49
FV582327/1	2-7-1.9-198	FV586925	2-7.15/16-153	FV712218	2-13.31-41
FV582330/1	2-7-1.9-204	FV59-3-1	2-7-1.4-73	FV712219	2-13.31-42
FV582353/2	2-7-1.8-188	FV594608	2-8.3-12	FV712327	2-13.29-8
FV582357/6	2-7-1.8-171	FV602532	2-8.3-3	FV739187	2-13.11-72
FV582357-8	2-7-1.2-25	FV602635	2-11.3-6	FV739196	2-13.33-58
FV582359/1	2-7-1.8-180	FV602638	2-11.3-14	FV75457-3	2-13.21-56
FV582361/3	2-7-1.8-177	FV602639	2-11.3-13	FV754756/3	2-13.21-54
FV582379/2	2-7-1.9-206	FV602640	2-11.3-18	FV754789	2-13.31-30
FV582405/4	2-7-1.9-195	FV602902	2-1-2.3-3	FV754792/1	2-13.9-42
FV582408/4	2-7-1.8-190	FV603965	2-7.5-29	FV754792/1	2-13.11-66
FV582409-1	2-7-1.8-192	FV604654/3	2-7-1.8-182	FV754792/1	2-13.13-90
FV582410/2	2-7-1.5-95	FV604654/4	2-7-1.8-183	FV754792-1	2-13.27-14
FV582411/1	2-7-1.8-191	FV604709-1N	2-7-1.9-212	FV809312	2-13.23-27
FV582478/3	2-7-1.9-193	FV604748-1	2-7-1.9-210	FV809315	2-13.29-3
FV582484/1	2-7-1.8-186	FV604835-4M	2-7-1.9-211	FV809317	2-13.25-32
FV582487/1	2-7-1.9-207	FV605338-10	2-7-1.6-145	FV809351	2-13.7-1
FV582488-1	2-7-1.8-187	FV605338-11	2-7-1.7-161	FV809352	2-13.27-9
FV582495/1	2-7-1.9-213	FV605422/2	2-7-1.6-144	FV809352	2-13.29-1

INDEX OF MANUFACTURERS' PART/DRAWING NUMBERS

Part No./ Drawing No.	Chapter, Page and Item No.	Part No./ Drawing No.	Chapter, Page and Item No.	Part No./ Drawing No.	Chapter, Page and Item No.
FV809355	2-13.21-53	FV809478	2-13.19-35	FV847277	2-13.3-19
FV809356	2-13.21-55	FV809479	2-13.21-40	FV847337	2-1-2.3-1
FV809365	2-13.23-8	FV809482	2-13.7-5	FV847338	2-1-2.3-2
FV809374	2-13.19-2	FV809482	2-13.9-51	FV847342	2-1-2.5/6-24
FV809375	2-13.19-17	FV809484	2-13.27-1	FV847343	2-1-2.5/6-25
FV809375	2-13.21-41	FV809506	2-13.7-4	FV847349	2-1-2.5/6-28
FV809376	2-13.23-3	FV809507	2-13.9-47	FV847352/1	2-1-2.3-15
FV809378	2-13.23-31	FV809514/1	2-13.9-39	FV847352/2	2-1-2.3-16
FV809381	2-13.23-10	FV809514/1	2-13.23-17	FV847352/3	2-1-2.5/6-26
FV809385	2-13.23-11	FV809514/2	2-13.27-10	FV847352/4	2-1-2.5/6-27
FV809387	2-13.23-12	FV809514/3	2-13.9-40	FV847353	2-1-2.3-20
FV809388	2-13.23-9	FV809514/4	2-13.11-65	FV847353	2-1-2.5/6-32
FV809392	2-13.9-46	FV809516	2-13.31-28	FV847354	2-1-2.3-13
FV809394	2-13.7-10	FV809517	2-13.31-51	FV847355	2-1-2.3-14
FV809394	2-13.9-55	FV809527	2-13.3-23	FV847364	2-1-2.3-17
FV809401	2-13.11-71	FV809527	2-13.7-0	FV847376	2-1-2.5/6-31
FV809403	2-13.11-70	FV809528/2	2-13.11-82	FV847383	2-1-2.3-0
FV809404	2-13.9-48	FV809528/2	2-13.33-64	FV847384	2-1-2.5/6-42
FV809408	2-13.7-2	FV809528/3	2-13.11-83	FV847391	2-13.3-6
FV809428	2-13.7-3	FV809528/3	2-13.33-65	FV847392	2-13.3-7
FV809434	2-13.15-16	FV809528/4	2-13.33-67	FV847517	2-13.3-1
FV809435	2-13.19-21	FV809528/6	2-13.11-84	FV873513	2-11.5/6-40
FV809436	2-13.21-46	FV809528/6	2-13.33-66	FV939076	2-7.13-127
FV809448	2-13.15-23	FV809529	2-13.11-81	FV951987	2-13.5-3
FV809448	2-13.19-29	FV809529	2-13.33-63	FV952290	2-15.3/4-14
FV809449	2-13.15-11	FV809544	2-13.25-35	FV952292	2-15.3/4-13
FV809449	2-13.15-24	FV809545	2-13.7-6	FV952293	2-15.3/4-16
FV809449	2-13.19-30	FV809545	2-13.9-52	FV952295	2-15.3/4-15
FV809450	2-13.15-22	FV809552	2-13.7-11	FV952299	2-15.3/4-11
FV809450	2-13.19-28	FV809561	2-13.29-2	FV952313	2-15.3/4-12
FV809451	2-13.19-3	FV809562	2-13.35/36-99	FV952327	2-15.3/4-7
FV809452	2-13.15-18	FV809567	2-13.31-33	FV952435/1	2-16.5/6-34
FV809453	2-13.19-24	FV809568	2-13.31-32	FV952435/2	2-16.5/6-36
FV809454	2-13.21-49	FV809589	2-13.31-40	FV952436	2-16.3-17
FV809455	2-13.15-15	FV809590	2-13.33-82	FV952437	2-16.3-3
FV809456	2-13.19-20	FV809592	2-13.33-68	FV952438	2-0.3/4-17
FV809457	2-13.21-45	FV809594	2-13.23-4	FV952438	2-16.3-0
FV809458	2-13.23-26	FV809595	2-13.23-2	FV952440	2-16.3-23
FV809459/1	2-13.15-17	FV809598	2-13.3-27	FV952441	2-16.3-24
FV809459/2	2-13.19-22	FV809598	2-13.27-0	FV952444	2-16.3-21
FV809459/3	2-13.19-23	FV809609	2-13.17-30	FV952446	2-16.3-20
FV809459/4	2-13.21-47	FV809891	2-13.33-78	FV952447	2-16.3-15
FV809459/5	2-13.21-48	FV847237	2-13.5-2	FV952501	2-1.5/6-11
FV809460	2-13.15-8	FV847241	2-13.3-15	FV952502	2-1.5/6-10
FV809466	2-13.15-7	FV847242	2-13.3-12	FV952552	2-7.15/16-151
FV809467	2-13.15-5	FV847243	2-13.5-9	FV952594	2-1.5/6-9
FV809468	2-13.15-9	FV847244	2-13.5-8	FV959041	2-7.7-64
FV809469	2-13.15-6	FV847245	2-13.3-11	FV987193	2-13.19-7
FV809474	2-13.19-10	FV847246	2-13.5-15	FV987193	2-13.21-37
FV809475	2-13.19-6	FV847247	2-13.5-11	GB-SH-5205	2-13.27-2
FV809476	2-13.19-11	FV847271	2-8.5/6-35	GD1307B	2-16.3-13
FV809477	2-13.19-36	FV847271	2-13.3-18	K566K563	2-3.5-35

INDEX OF MANUFACTURERS' PART/DRAWING NUMBERS

Part No./ Drawing No.	Chapter, Page and Item No.	Part No./ Drawing No.	Chapter, Page and Item No.	Part No./ Drawing No.	Chapter, Page and Item No.
K759K752	2-3.5-34	UNINYVIN16	2-7-1.5-110	31025500	2-13.25-40
LU54930479	2-7-1.6-135	UNINYVIN16	2-7-1.8-174	31865500	2-13.11-85
LU54949588	2-7-1.6-138	UNIPREN 200	2-7-1.2-24	31865500	2-13.25-39
LU54949590	2-7-1.6-137	UNIPREN12	2-7-1.6-127	31882	2-13.35/36-86
LU945894	2-7-1.6-136	UNIPREN12	2-7-1.6-142	31892	2-13.35/36-88
L2CA	2-13.33-77	UNIPREN135	2-7-1.6-118	33/LWA-127A/3	2-13.7-21
L20/A	2-13.23-16	UNIPREN280	2-7-1.7-169	33461	2-13.35/36-89
L90A	2-13.33-62	UNIPREN70	2-13.33-85	33465	2-13.35/36-90
MAE 43/0/0013	2-11.5/6-41	VB1A	2-7.13-139	340BS	2-13.33-76
MAE 43/9/0004	2-0.3/4-14	VITAFOAM/VFRV	2-1.3-11	347-90	2-7-1.3-39
MAE 43/9/0004	2-1.5/6-3	2/140/12MM		347-90	2-7-1.3-42
MAE43/9/0004	2-14.3-1	WF115	2-13.5-4	3602	2-13.29-18
MMP0804	2-16.3-18	W24	2-13.31-44	3611	2-13.29-10
M1S54	2-3.7/8-57	W24	2-13.31-45	36153	2-13.35/36-87
NA6625	2-3.7/8-62	W62552556	2-3.7/8-56	3638	2-13.29-24
N3	2-13.25-45	W74515	2-13.7-25	3662	2-13.29-23
OA6875	2-3.7/8-61	YA9669	2-7.5-35	3665	2-13.29-21
QRA57	2-7-1.2-18	Y5658-114C	2-7-1.3-44	3667	2-13.29-19
QRA58	2-7-1.2-6	ZA35728	2-7.3-13	3668	2-13.29-12
QRA58	2-7-1.4-61	ZA35728	2-7.3-22	372:65E	2-14.3-3
QRD1014	2-7-1.2-11	ZA46191	2-7.9-83	40233-99	2-13.7-16
QRD1014	2-7-1.4-66	ZA46192	2-7.5-36	433-589	2-13.31-46
QRD1014	2-7-1.4-70	ZA46195	2-7.5-37	4492-1	2-13.29-17
QRD1014	2-7-1.7-167	ZA46288	2-7.5-48	453702	2-16.5/6-26
QRD1015	2-7-1.2-12	ZA49827	2-7.3-23	51101263	2-7.7-67
QRD1015	2-7-1.4-67	ZA50246	2-7.7-54	5-32GD10	2-8.3-27
QRD1015	2-7-1.4-71	Z67237	2-7-1.4-86	53863	2-7.9-88
QRD1015	2-7-1.7-168	Z970058	2-7-1.4-83	54102296	2-7-1.5-115
QRD1023	2-7-1.2-7	10927852	2-7-1.5-113	54131146	2-7-1.5-114
QRD1023	2-7-1.2-20	13258	2-14.3-5	54931752	2-7-1.4-80
QRD1023	2-7-1.4-62	156	2-7.9-89	54931776	2-7-1.5-116
QRD1024	2-7-1.2-8	16-2-3C	2-7-1.4-90	54934360	2-7-1.2-23
QRD1024	2-7-1.2-21	176	2-7-1.2-2	5X20MBS	2-14.3-9
QRD1024	2-7-1.3-55	1829	2-13.29-25	602816	2-14.3-4
QRD1024	2-7-1.4-63	1831	2-13.29-20	6X40MBR	2-14.5-32
RB3-969CKA552	2-13.29-11	187010	2-7-1.4-81	70101041245900	2-7.7-69
REL140	2-14.5-34	187017	2-7-1.6-128	70111030615900	2-8.3-19
SDB60930	2-7.3-12	187736	2-7-1.6-129	70131041804100	2-7.3-24
SDC158757	2-7.7-53	1898	2-13.29-22	70241030015900	2-13.5-14
SDC193371	2-7.7-55	19011	2-7-1.2-15	70241040015900	2-13.3-22
SE808244	2-13.13-86	200-006-4490	2-13.29-15	70244060015900	2-13.3-14
SL120/A	2-13.29-13	200-012-4470	2-13.29-14	70300040094900	2-7.3-19
SP71-404	2-13.11-77	200-012-4470	2-13.31-47	70300040094900	2-7.7-68
T505	2-13.35/36-91	200-111-9790	2-13.29-16	70300040094900	2-7.13-141
UNINYVIN 16	2-7-1.2-28	203SS6G59	2-13.7-20	70300050094900	2-7.3-9
UNINYVIN 16	2-7-1.3-35	215075	2-7-1.2-4	70300050094900	2-7.5-38
UNINYVIN 16	2-7-1.3-38	220AD12-25	2-14.7/8-3	70300050094900	2-7.5-49
UNINYVIN 16	2-7-1.3-41	24151/99	2-13.7-24	70300050094900	2-7.7-57
UNINYVIN 16	2-7-1.4-77	281	2-13.31-35	70300050094900	2-7.9-85
UNINYVIN 16	2-7-1.5-94	30311	2-3.5-36	70300060094900	2-7.9-78
UNINYVIN 16	2-7-1.5-97	30-521	2-13.19-15	70300060095900	2-13.3-13
UNINYVIN 16	2-7-1.5-101	30-A	2-13.33-75	70301040095900	2-13.3-21

INDEX OF MANUFACTURERS' PART/DRAWING NUMBERS

Part No./ Drawing No.	Chapter, Page and Item No.	Part No./ Drawing No.	Chapter, Page and Item No.	Part No./ Drawing No.	Chapter, Page and Item No.
70301080091000 70301080091000 70303120011000 70303120011000 70330060005900 725/5K 75360300000059 755/X 77707-55 850406 861122 861122 916H 933068 9511HD 960316A1052	2-1-2.3-21 2-1-2.5/6-29 2-1-2.3-18 2-1-2.5/6-33 2-7.9-79 2-13.31-53 2-14.3-21 2-13.31-54 2-13.9-32 2-7-1.2-3 2-7-1.2-27 2-7-1.8-173 2-11.3-26 2-7-1.5-106 2-7.5-44 2-3.5-37				

COMMENT(S) ON AESP*

To: DCCS
BFPO 794

From:
.....
.....
.....

Senders Reference	BIN Number	Date
AESP* Title:		
Chapter(s)/Instruction	Page(s)/Paragraph(s)	
If you require more space please use the reverse of this form or a separate piece of paper. Comment(s):		

Signed: Telephone No.:
Name(Capitals): Rank/Grade: Date:
✕

FOR AESP* SPONSOR USE ONLY

To: From:
.....
.....
.....
.....

Thank you for commenting on AESP*:

Your reference: Dated:

Action is being taken to :	Tick		Tick
Issue a revised/amended AESP*		Under investigation	
Incorporate comment(s) in future amendments		No action required	
Remarks			

Signed: Telephone No.:
Name(Capitals): Rank/Grade: Date:

* AESP or EMER

~~UK RESTRICTED~~

~~UK RESTRICTED~~

~~UNRESTRICTED~~

~~UNRESTRICTED~~

UNRESTRICTED

UNRESTRICTED