



CONDITIONS OF RELEASE

- 1 This information is released by the UK Government for Defence purposes only.
- 2 This information must be afforded the same degree of protection as that afforded to information of an equivalent security marking originated by the recipient Government or as required by the recipient Government's security regulations.
- 3 This information may be disclosed only within the Defence Department of the recipient Government, except as otherwise authorized by the Ministry of Defence (Army).
- 4 This information may be subject to privately owned rights.

**CARRIER MAINTENANCE
FULL TRACKED,
FV434 MK 1 AND 1/1, (BOWMAN)**

ILLUSTRATED PARTS CATALOGUE

THIS DOCUMENT IS THE PROPERTY OF HER BRITANNIC MAJESTY'S GOVERNMENT, and is issued for the information of such persons only as need to know its contents in the course of their official duties. Any person finding this document should hand it in to a British forces unit or to a police station for its safe return to the MINISTRY OF DEFENCE, (DSy (Pol)), MAIN BUILDING, WHITEHALL, LONDON, SW1A 2HB, with particulars of how and where found. THE UNAUTHORIZED RETENTION OR DESTRUCTION OF THIS DOCUMENT MAY BE AN OFFENCE UNDER THE OFFICIAL SECRETS ACTS OF 1911-89. (When released to persons outside Government service, this document is issued on a personal basis and the recipient to whom it may be entrusted in confidence, within the provisions of the Official Secrets Acts 1911-89, is personally responsible for its safe custody and for seeing that its contents are disclosed only to authorized persons).

BY COMMAND OF THE DEFENCE COUNCIL

Kevin T. Brown

Ministry of Defence
Issued by

DEFENCE LOGISTICS ORGANISATION

AMENDMENT RECORD

Amdt No.	Incorporated by (Signature)	Date
1	D BOWSER	041000
2	PC TYSON	301106
3		
4		
5		
6		
7		
8		
9		
10		
11		
12		
13		
14		
15		
16		
17		
18		
19		
20		
21		
22		
23		
24		
25		
26		
27		
28		
29		
30		
31		

Amdt No.	Incorporated by (Signature)	Date
32		
33		
34		
35		
36		
37		
38		
39		
40		
41		
42		
43		
44		
45		
46		
47		
48		
49		
50		
51		
52		
53		
54		
55		
56		
57		
58		
59		
60		
61		
62		

CONTENTS

	Page
PRELIMINARY MATERIAL	
Title page (front cover).....	(i)/(ii)
Amendment record.....	(iii)/(iv)
CONTENTS (this page).....	(v)
PREFACE.....	(vi)
PREFACE - continued.....	(vii)
List of Abbreviations.....	(vii)
List of Abbreviations - continued.....	(viii)
Additional Information.....	(ix)/(x)
Comments on AESP.....	Final leaf
 ILLUSTRATED PARTS LIST	
Chapter	
1	Index of Main Assemblies, Drawing Numbers and Illustrations
2-0	Parts List
2-1	Hull general arrangement
2-2	Suspension general arrangement
2-3	Transmission general arrangement
2-4	Power unit, diesel, Mk 6F engine
2-5	Fuel system, general arrangement
2-6	Controls general arrangement
2-7	Electrics general arrangement
2-8	Ventilation system general arrangement
2-9	Exhaust general arrangement
2-10	Seats general arrangement
2-11	Stowage and equipment general arrangement
2-12	Fire fighting equipment general arrangement
2-13	Crane general arrangement
2-14	Beacon rotating amber
2-15	Lockout pipes and fittings general arrangement
2-16	Track guards general arrangement
2-17	Bowman platform general arrangement
3	Index of NATO stock numbers
4	Index of Part Numbers

PREFACE

Introduction

1 This Illustrated Parts Catalogue (IPC) is designed as an aid to the identification of component parts or assemblies of parts of the equipment, and to provide the information necessary for the demanding of spares.

2 This IPC may list some or all of the parts comprising the equipment concerned, but only those parts given a NATO Stock Number, Service Catalogue or Reference Number will normally be available as spares. Should there be a requirement for an item not assigned a number, demands may be submitted quoting the AESP, Item Number, Figure Reference and Item Name. Where a manufacturer's reference is known, this should also be quoted.

Quantities

3 The figure in the 'Number Off' column specifies the quantity for the unit (or assembly, subassembly etc); it does not indicate the quantity to be demanded.

Demands

4 When demanding Spare Parts the following particulars must be quoted:-

- a. Management Code (Man Code).
- b. NATO Stock Number.
- c. Item Name.
- d. Name of Equipment for which the part is required.
- e. Manufacturers reference, if known.

Alternatives quoted apply only to the Equipment covered by this IPC.

Annotations

- 5
- a. A/R When appearing in the 'Number off' column indicates that the quantity is 'as required'.
 - b. NI (Not Illustrated) - against a number in the 'Fig Item' column indicates that the item is not illustrated.
 - c. * (Obsolescent stock) - an asterisk in the 'Part Number' column indicates an obsolescent item, no further purchase of which will be made but stocks are to be used until exhausted.
 - d. NP (Non-provisioned) - when appearing in the 'NATO Stock Number' column indicates that the item may be illustrated, but not available from stock as a replacement item.
 - e. LM Indicates local manufacture, ie a part that is to be manufactured by Service units from local resources.
 - f. REF In the 'Number Off' column indicates that the item is listed for reference purposes only.

Abbreviations

6 Abbreviations and symbols used in this IPC have been approved and are listed separately.

Amendments

7 Amendments to the catalogue will be published as and when necessary. They will be numbered consecutively, and the Amendment Record Sheet is to be completed for each Amendment List embodied.

8 New or amended matter will be indicated by vertical marginal lines (| |) to show the extent of the amendment.

PREFACE - Contd

Indentations

9 Items are listed in a logical assembly/disassembly order and are indented by the 'Dot System' in which each 'dot' depicts the relationship of the item to the main assembly:-

MAIN ASSEMBLY

Attaching parts for main assembly

- . FIRST LEVEL OF BREAKDOWN (Subassembly or detail part of main assembly)
- . Attaching parts for first level
- . . SECOND LEVEL OF BREAKDOWN (Sub-subassembly or detail part of Subassembly)
- . . Attaching parts for second level
- . . . THIRD LEVEL OF BREAKDOWN (Sub-sub-subassembly or detail part of Sub-subassembly)
- . . . Attaching parts for third level

- Note:
- a. Attaching parts for the Main Assembly are listed at the end of the text of the Main Assembly.
 - b. Catalogue numbers quoted in this catalogue will supersede any number that may have been allotted previously.

Publication Information

10 Any communication regarding this AESP should be made in accordance with 0100-P-011-013 to LASS IPT, ES (Land) DLO Andover, Monxton Road, Andover, Hants, SP11 8HT

List of Abbreviations

The following abbreviations are in accordance with the requirements of JSP187.

Each abbreviation is listed individually but may appear in the text coupled with others:- eg. ft/min, ft/sec, o/a lg, o/a dim, hex hd.

A	ampere(s)	dc	direct current
ac	alternating current	deg	degree
A/F	across flats	dia	diameter
Al	aluminium	dim	dimension(s)
A/R	as required	dp	double-pole
AWG	American Wire Gauge	dpdt	double-pole, double-throw
			dpst	double-pole, single-throw
BA	British Association Screw Thread			
Be Cu	beryllium copper	ext	external
BL	breech loading			
br	brass	fil	fillister
BSF	British Standard Fine Thread	fin	finish
BSW	British Standard Whitworth Thread	ft	foot
Cd	cadmium	h	high (height)
ch hd	cheese head	hd	head
contd	continued	hex	hexagon
cres	corrosion resistant steel	HT	high tension
csk	countersunk	Hz	hertz
Cu	copper			
c/w	complete with			

List of Abbreviations - Contd

id	inside diameter	scr	screw
in	inch	skt	socket
int	internal	spdt	single pole, double-throw
IRH	International rubber hardness	spst	single pole, single-throw
kg	kilogram(s)	sq	square
k ohm	kilohm(s)	srbf	synthetic resin bonded fabric
kV	kilovolt(s)	std	standard
lg	long (length)	SWG	standard wire gauge
lh	left hand	syn	synthetic
LT	low tension	thd	thread
M	mega	thk	thick(ness)
mA	milliampere(s)	tpi	threads per inch
max	maximum	uF	microfarad(s)
matl	material	uH	microhenry(s)
Mc/s	megacycles per second	UN	Unified Series
mH	millihenry(s)	UNC	Unified Coarse Thread
min	minimum	UNEF	Unified Extra Fine Thread
Mk	Mark	UNF	Unified Fine Thread
mm	millimetre(s)	UNS	Unified Special Thread
M ohm	megaohms	V	volt(s)
mtd	mounted	w	width
mtg	mounting	W	watt(s)
mW	milliwatt(s)	w/	with
ND	Not Drawn	w/o	without
neg	negative	Whit	Whitworth
nF	nanofarad(s)	wkg	working
NI	non-illustrated	Zn	Zinc
Ni	nickel			
no	number			
nom	nominal			
NP	non-provided as a spare			
o/a	overall			
od	outside diameter			
pF	picofarad(s)			
Phos B	phosphor bronze			
psi	pounds per square inch			
PTFE	polytetrafluoroethylene			
PVC	polyvinyl chloride			
qty	quantity			
rd	round			
rect	rectangular			
ref	reference			
rh	right hand			

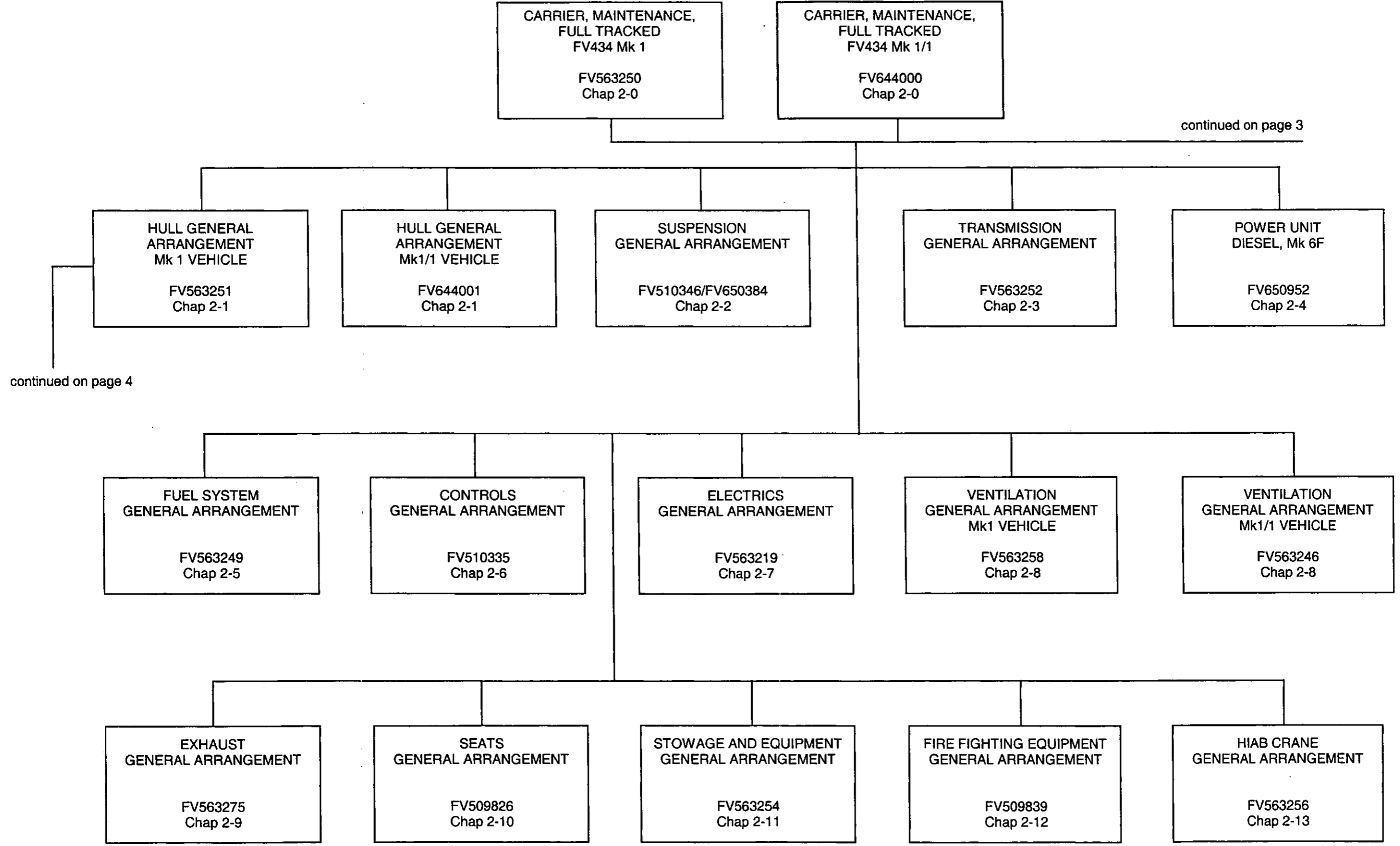
ADDITIONAL INFORMATION

11 This publication identifies the assemblies of the FV434 vehicle.

12 Associated Publications.

AESP 6920-D-100-101	Direct Fire Weapon Effect Simulator family (DFWES)
AESP 6920-D-101-201	Attack and Target Weapon Effects Simulator (ATWES/TAGWES)
AESP 6920-D-102-201	Target Weapon Effects Simulator (TAGWES)
AESP 6920-D-210-211	TAGWES on fighting vehicle FV432 and fighting vehicle FV434

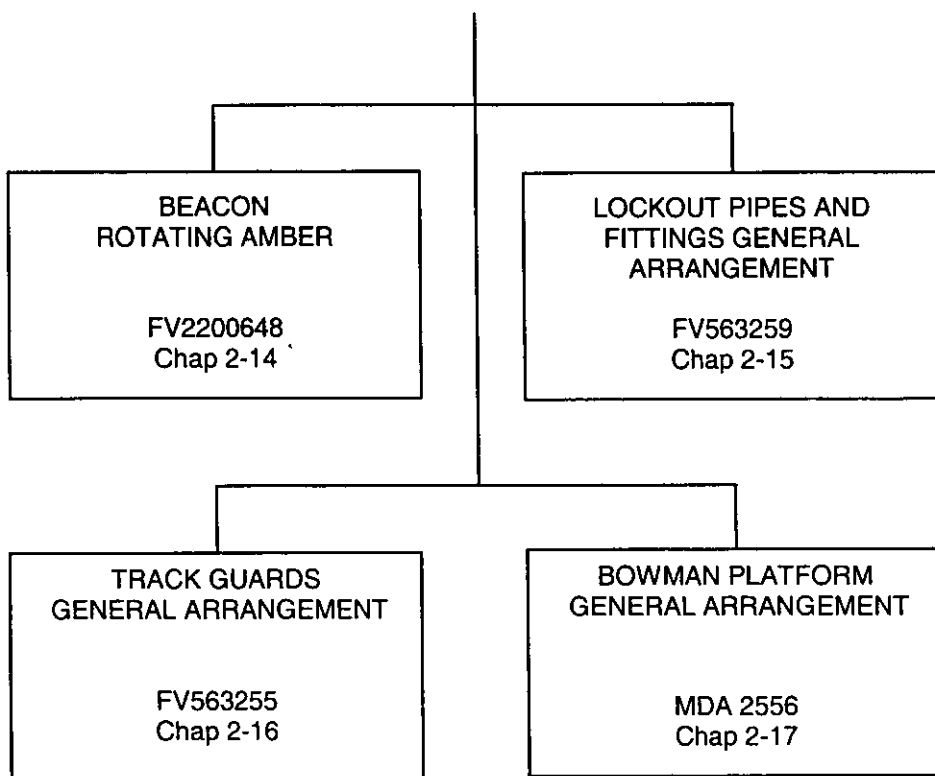
Chapter 1
INDEX OF MAIN ASSEMBLIES, DRAWING NUMBERS
AND ILLUSTRATIONS

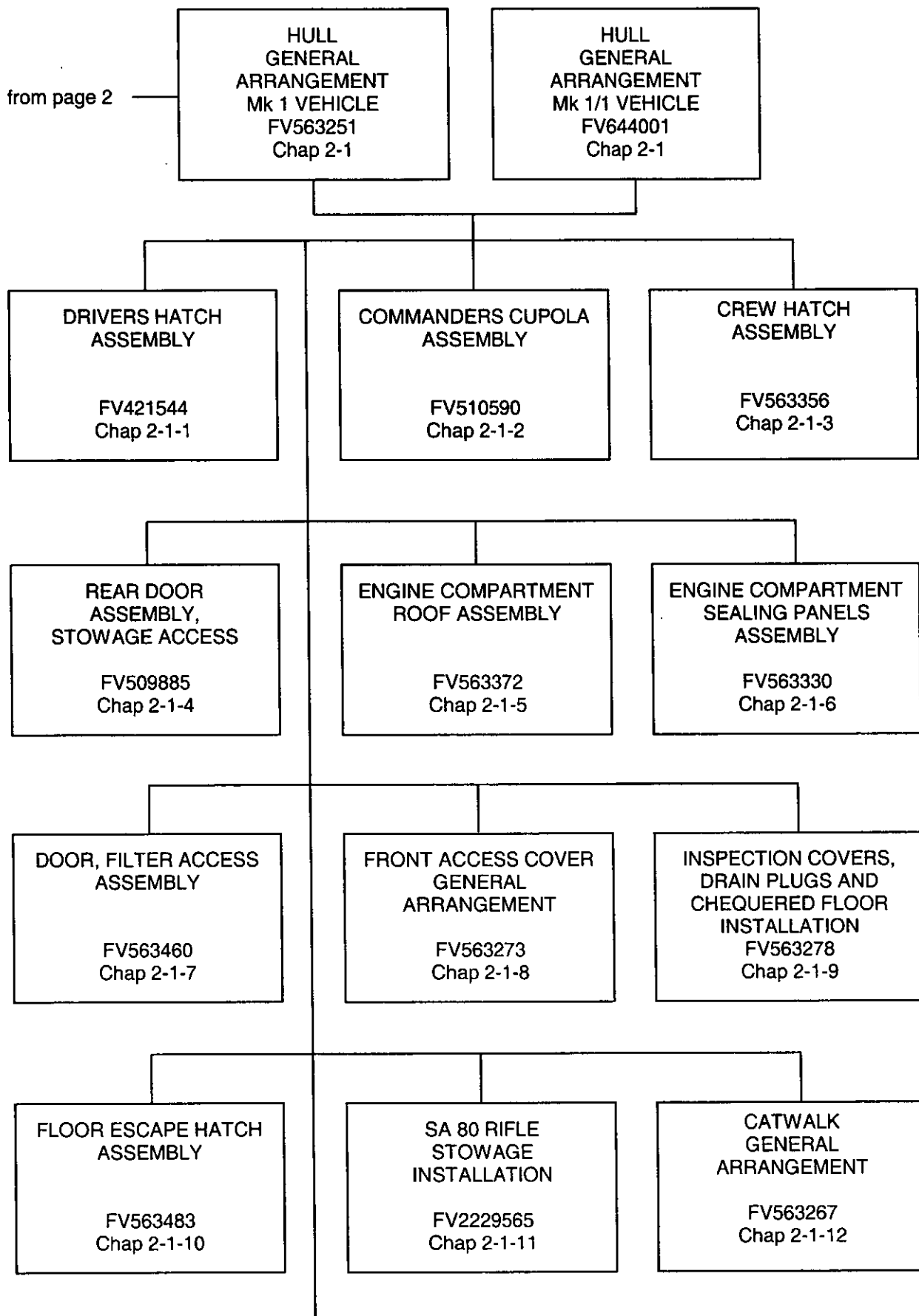


continued on page 3

continued on page 4

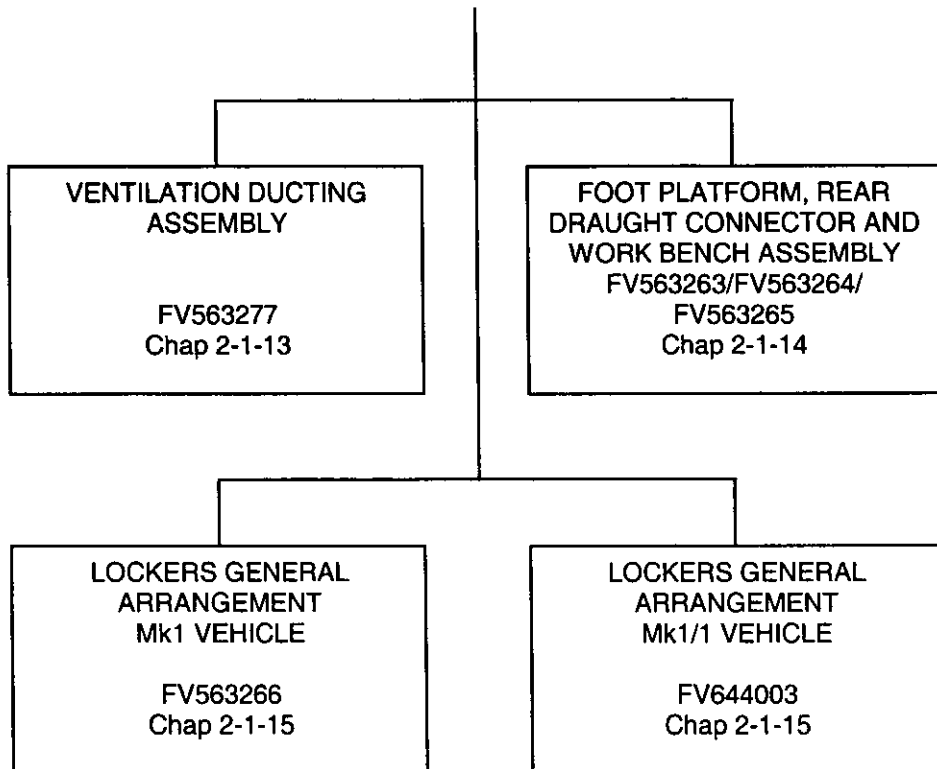
continued
from page 2





continued on page 5

continued
from page 4



INDEX OF MAIN ASSEMBLIES AND DRAWING NUMBERS
CARRIER, MAINTENANCE, FULL TRACKED
FV434 Mk 1 AND FV434 Mk 1/1

<u>Item</u>	<u>Drawing</u>	<u>Chapter</u>	<u>Page</u>
BEACON, AMBER ROTATING	FV2200648	2-14	3
BOWMAN PLATFORM GENERAL ARRANGEMENT	MDA 2556	2-17	3
CATWALK GENERAL ARRANGEMENT	FV563267	2-1-12	3/4
COMMANDERS CUPOLA ASSEMBLY	FV510590	2-1-2	3
COMMANDERS SEAT AND HARNESS GENERAL ARRANGEMENT	FV563245	2-10	15
CONTROLS GENERAL ARRANGEMENT	FV510335	2-6	3
CREW HATCH ASSEMBLY	FV563356	2-1-3	3
CREW SEAT NEARSIDE		2-10	21
CREW SEAT OFFSIDE		2-10	25
DOOR, FILTER ACCESS ASSEMBLY	FV563460	2-1-7	3/4
DRIVERS HATCH ASSEMBLY	FV421544	2-1-1	3
DRIVERS PERISCOPE ASSEMBLY	FV462401	2-1-1	5
DRIVERS SEAT GENERAL ARRANGEMENT	FV644136	2-10	3
ELECTRICAL EQUIPMENT GENERAL ARRANGEMENT	FV563219	2-7	3
ENGINE COMPARTMENT ROOF ASSEMBLY	FV563372	2-1-5	3
ENGINE COMPARTMENT SEALING PANELS ASSEMBLY	FV563330	2-1-6	3
EXHAUST GENERAL ARRANGEMENT	FV563275	2-9	3
FIRE FIGHTING EQUIPMENT GENERAL ARRANGEMENT	FV509839	2-12	3
FOOT PLATFORM ASSEMBLY	FV563263	2-1-14	3
FLOOR ESCAPE HATCH ASSEMBLY	FV563483	2-1-10	3/4
FRONT ACCESS COVER GENERAL ARRANGEMENT	FV563273	2-1-8	3/4
FUEL SYSTEM GENERAL ARRANGEMENT	FV563249	2-5	3
HIAB CRANE GENERAL ARRANGEMENT	FV563256	2-13	3
HULL GENERAL ARRANGEMENT Mk 1 VEHICLE	FV563251	2-1	3/4
HULL GENERAL ARRANGEMENT Mk 1/1 VEHICLE	FV644001	2-1	3/4
INSPECTION COVERS, DRAIN PLUG AND CHEQUERED FLOOR INSTALLATION	FV563278	2-1-9	3
INDEX OF NATO STOCK NUMBERS		3	3
INDEX OF PART NUMBERS		4	3
INSULATION LINING ASSEMBLY	FV563269	2-1	3/4
LOCKERS GENERAL ARRANGEMENT Mk 1 VEHICLE	FV563266	2-1-15	3
LOCKERS GENERAL ARRANGEMENT Mk 1/1 VEHICLE	FV644003	2-1-15	3
LOCKOUT PIPES AND FITTINGS GENERAL ARRANGEMENT	FV563259	2-15	3
POWER UNIT, DIESEL, Mk 6F	FV650952	2-4	3
REAR DOOR ASSEMBLY, STOWAGE ACCESS	FV509885	2-1-4	3/4
REAR DRAUGHT CONNECTOR ASSEMBLY	FV563264	2-1-14	7
SA 80 RIFLE STOWAGE INSTALLATION	FV2229565	2-1-11	3/4
SCREEN WASH INSTALLATION		2-1-1	13
SEATS GENERAL ARRANGEMENT	FV509826	2-10	3
STOWAGE GENERAL ARRANGEMENT	FV563254	2-11	3
SUSPENSION GENERAL ARRANGEMENT	FV510346	2-2	3
TRACK GUARDS GENERAL ARRANGEMENT	FV563255	2-16	3
TRANSMISSION GENERAL ARRANGEMENT	FV563252	2-3	3
VEHICLE HARNESSES	FV611795	2-7-1	2
VENTILATION SYSTEM GENERAL ARRANGEMENT, Mk1 VEHICLE	FV563258	2-8	3
VENTILATION SYSTEM GENERAL ARRANGEMENT, Mk 1/1 VEHICLE	FV563246	2-8	3
VENTILATION DUCTING ASSEMBLY	FV563277	2-1-13	3
WORK BENCH ASSEMBLY	FV563265	2-1-14	9

INDEX OF ILLUSTRATIONS,
CARRIER, MAINTENANCE, FULL TRACKED
FV434 Mk 1 AND FV434 Mk 1/1

<u>Item</u>	<u>Chapter</u>	<u>Figure</u>
Carrier maintenance full tracked FV434 Mk 1	2-0	1
Hull general arrangement	2-1	1
Drivers hatch assembly	2-1-1	1
Mounting periscope assembly	2-1-1	2
Motor, periscope wiper	2-1-1	3
Periscope, armoured vehicle, No. 33 Mk 1	2-1-1	4
Screen wash installation	2-1-1	5
Commanders cupola assembly	2-1-2	1
Periscope armoured vehicle, No. 32 Mk 1	2-1-2	2
Mounting, 7.62mm machine gun, No. 3 Mk 1	2-1-2	3
Roof doors general arrangement	2-1-3	1
Rear door assembly, stowage access	2-1-4	1
Engine compartment roof assembly	2-1-5	1
Engine compartment sealing panels assembly	2-1-6	1
Door, filter access assembly	2-1-7	1
Front access cover general arrangement	2-1-8	1
Floor plate covers and plugs	2-1-9	1
Filler cap, footplate and pyrene pocket flaps	2-1-9	2
Floor channel inspection and cover plates	2-1-9	3
Chequered floor plates, plugs and cover plate, hydraulic ram	2-1-9	4
Fuel pump and heater valve cover plates	2-1-9	5
Floor plugs assembly, cover assembly, hydraulic ram	2-1-9	6
Bulkhead blanking panels installation	2-1-9	7
Floor escape hatch assembly	2-1-10	1
SA 80 rifle stowage installation	2-1-11	1
Catwalk general arrangement	2-1-12	1
Ventilation ducting assembly	2-1-13	1
Foot platform assembly	2-1-14	1
Rear draught connector	2-1-14	2
Work bench assembly	2-1-14	3
Rear lockers assembly	2-1-15	1
RH locker assembly	2-1-15	2
Heater protection frame assembly	2-1-15	3
Track assembly	2-2	1
Torsion bar, axle arms, wheel hubs, road wheels and bump stop	2-2	2
Shock absorber	2-2	3
Hydraulic track adjuster and track tensioner wheel hub	2-2	4
Track top rollers	2-2	5
Final drive assembly	2-3	1
Half shaft general arrangement	2-3	2
Steering unit installation	2-3	3
Differential steering control	2-3	4
Brake mechanism	2-3	5
Steering unit mounting	2-3	6
Steering unit oil tank, pipes and fittings	2-3	7
Power unit diesel, general arrangement	2-4	1
Engine mounting and support frame	2-4	2
Crankcase assembly upper	2-4	3
Crankcase and cylinders	2-4	4 & 5
Wheel case and fittings	2-4	6
Engine front covers	2-4	7
Crankcase top cover	2-4	8
Crankcase bottom cover	2-4	9

INDEX OF ILLUSTRATIONS,
CARRIER, MAINTENANCE, FULL TRACKED
FV434 Mk 1 AND FV434 Mk 1/1

<u>Item</u>	<u>Chapter</u>	<u>Figure</u>
Connecting rods and pistons	2-4	10
Crankshaft	2-4	11
Rear gear train	2-4	12
Oil pumps	2-4	13
Alternator drive and mounting	2-4	14
Generator alternating current	2-4	15
Hydraulic pump drive	2-4	16
Hydraulic pump	2-4	17
Tachometer and drive	2-4	18
Fuel pump drive	2-4	19
Fuel pump drive coupling	2-4	20
Fuel pump mounting and thermostat	2-4	21
Pump, fuel, metering and distributing	2-4	22
Injector pump governor	2-4	23
Excess fuel and stopping device	2-4	24
Fuel injector	2-4	25
Coolant pump and scavenge blower drive	2-4	26
Induction blower and mounting	2-4	27
Coolant pump	2-4	28
Oil filters	2-4	29
Oil pipes and pressure switch	2-4	30
Oil and fuel injection pipes	2-4	31
Exhaust manifold and heat shields	2-4	32
Starter motor	2-4	33
Interconnecting box	2-4	34
Conduits and cables	2-4	35
Engine coupling and flywheel	2-4	36
Transfer gearbox	2-4	37
Housing, transmission	2-4	38
Intermediate range clutch and planet gears	2-4	39
Low and reverse clutches and output shaft	2-4	40
Rear oil pump and bearing retainer	2-4	41
Splitter and high range clutch	2-4	42
Converter housing, hydraulic retarder and front oil pump	2-4	43
Lockup clutch and torque converter	2-4	44
Oil transfer plate and downshift valve body	2-4	45
Control valve	2-4	46
Valve brake control	2-4	47
Actuator valve, throttle	2-4	48
Oil filler, gearbox	2-4	49
Oil tank installation	2-4	50
Oil pipes, heat exchanger pipes and fittings	2-4	51
Heat exchanger and brackets	2-4	52
Radiator, pipes and fittings	2-4	53
Radiator, engine coolant	2-4	54
Hydraulic fan drive assembly	2-4	55
Tank, oil, hydraulic system	2-4	56
Thermostat, flow control	2-4	57

INDEX OF ILLUSTRATIONS,
CARRIER, MAINTENANCE, FULL TRACKED
FV434 Mk 1 AND FV434 Mk 1/1

<u>Item</u>	<u>Chapter</u>	<u>Figure</u>
Cooling fan and drive assembly	2-4	58
Motor, hydraulic	2-4	59
Air filters and covers	2-4	60
Fuel pipes and fittings	2-4	61
Filter, fluid, pressure	2-4	62
Exhaust pipe assembly	2-4	63
Power pack electrical equipment	2-4	64
Rectifier unit	2-4	65 & 66
Wiring harnesses	2-4	67
Fuel tanks and fittings assembly	2-5	1
Fuel system general arrangement	2-5	2
Transmitter, liquid quantity	2-5	3
Pump pressurizing, fuel system	2-5	4
Accelerator and fuel stop control and hand throttle	2-6	1
Steering and brake controls general arrangement	2-6	2
Gear range selector general arrangement	2-6	3
Electrical equipment general arrangement	2-7	1
Electrical equipment front external general arrangement	2-7	2
Discharger, grenade, smoke, countermeasure	2-7	3
Headlight	2-7	4 & 5
Sidelight	2-7	6
Turn light	2-7	7
Terminal box	2-7	8
Electrical equipment rear external general arrangement	2-7	9
Registration plate light and convoy light	2-7	10
Rear services unit	2-7	11
Tail light - stop light	2-7	12
Electrical equipment rear internal	2-7	13
External lighting bracket installation	2-7	14
Vehicle batteries installation	2-7	15
Radio batteries installation	2-7	16
Engine switchboard installation	2-7	17
Dome light	2-7	18
Junction box, auxiliary	2-7	19
Controller, fan, No. 2 Mk 1	2-7	20
Indicator, fire detector system	2-7	21
Distribution box, radio	2-7	23
Control box, fire wire	2-7	24
Junction box, smoke discharger	2-7	25
Distribution box	2-7	26 & 28
Control panel alternator	2-7	27
Fire warning light	2-7	29
Drivers instrument panel	2-7	30
Drivers control panel	2-7	31
Electrical fittings, No. 1 connector junction	2-7	32
Switch, beam selecting headlight	2-7	33
Spotlight No. 1 Mk 1	2-7	34
Spotlight No. 1 Mk 2	2-7	35
Bench light general arrangement	2-7	36

INDEX OF ILLUSTRATIONS,
CARRIER, MAINTENANCE, FULL TRACKED
FV434 Mk 1 AND FV434 Mk 1/1

<u>Item</u>	<u>Chapter</u>	<u>Figure</u>
Ventilation system general arrangement	2-8	1
Fan, centrifugal	2-8	2
Motor, direct current	2-8	3
Water trap assembly	2-8	4
Valve, relief, pressure and temperature	2-8	5
Housing assembly, filter, No. 9 Mk 1	2-8	6
Exhaust system general arrangement	2-9	1
Drivers seat general arrangement	2-10	1
Commanders seat and harness general arrangement	2-10	2
Crew seat, nearside	2-10	3
Crew seat, offside	2-10	4
External stowage general arrangement	2-11	1 & 2
External stowage, cargo bay general arrangement	2-11	3
Rear view mirrors	2-11	4
External fire extinguisher general arrangement	2-11	5
Stowage, internal general arrangement	2-11	6
Fire fighting equipment, hull and power pack	2-12	1
Power pack and steering unit fire wire assemblies	2-12	2
Crane and fittings	2-13	1 & 2
Crane pipes and fittings	2-13	3
Clutch drive assembly	2-13	4
Beacon, rotating, amber general arrangement	2-14	1
Wiring harness	2-14	2
Lockout pipes and fittings general arrangement	2-15	1
Accumulator, hydraulic	2-15	2
Track guards lh general arrangement	2-16	1
Track guards rh general arrangement	2-16	2
Bowman platform general arrangement	2-17	1 & 2
AKEE Installation, drivers station	2-17	3
Keyboard stowage frame assembly	2-17	4
Roof mounted brackets, commanders station	2-17	5
Bracket, base, commanders	2-17	6
Battery power distribution, tee box assembly	2-17	7
HMOP AKEE	2-17	8
HFPFA and rear RSB AKEE	2-17	9

Chapter 2-0

PARTS LIST

CARRIER MAINTENANCE FULL TRACKED

FV434 Mk 1 AND Mk 1/1

Chap

2-0	Parts list
2-1	Hull general arrangement
2-2	Suspension general arrangement
2-3	Transmission general arrangement
2-4	Power unit, diesel, Mk 6F engine
2-5	Fuel system, general arrangement
2-6	Controls general arrangement
2-7	Electrics general arrangement
2-8	Ventilation system general arrangement
2-9	Exhaust general arrangement
2-10	Seats general arrangement
2-11	Stowage and equipment general arrangement
2-12	Fire fighting equipment general arrangement
2-13	Crane general arrangement
2-14	Beacon rotating amber
2-15	Lockout pipes and fittings general arrangement
2-16	Track guards general arrangement
2-17	Bowman platform general arrangement

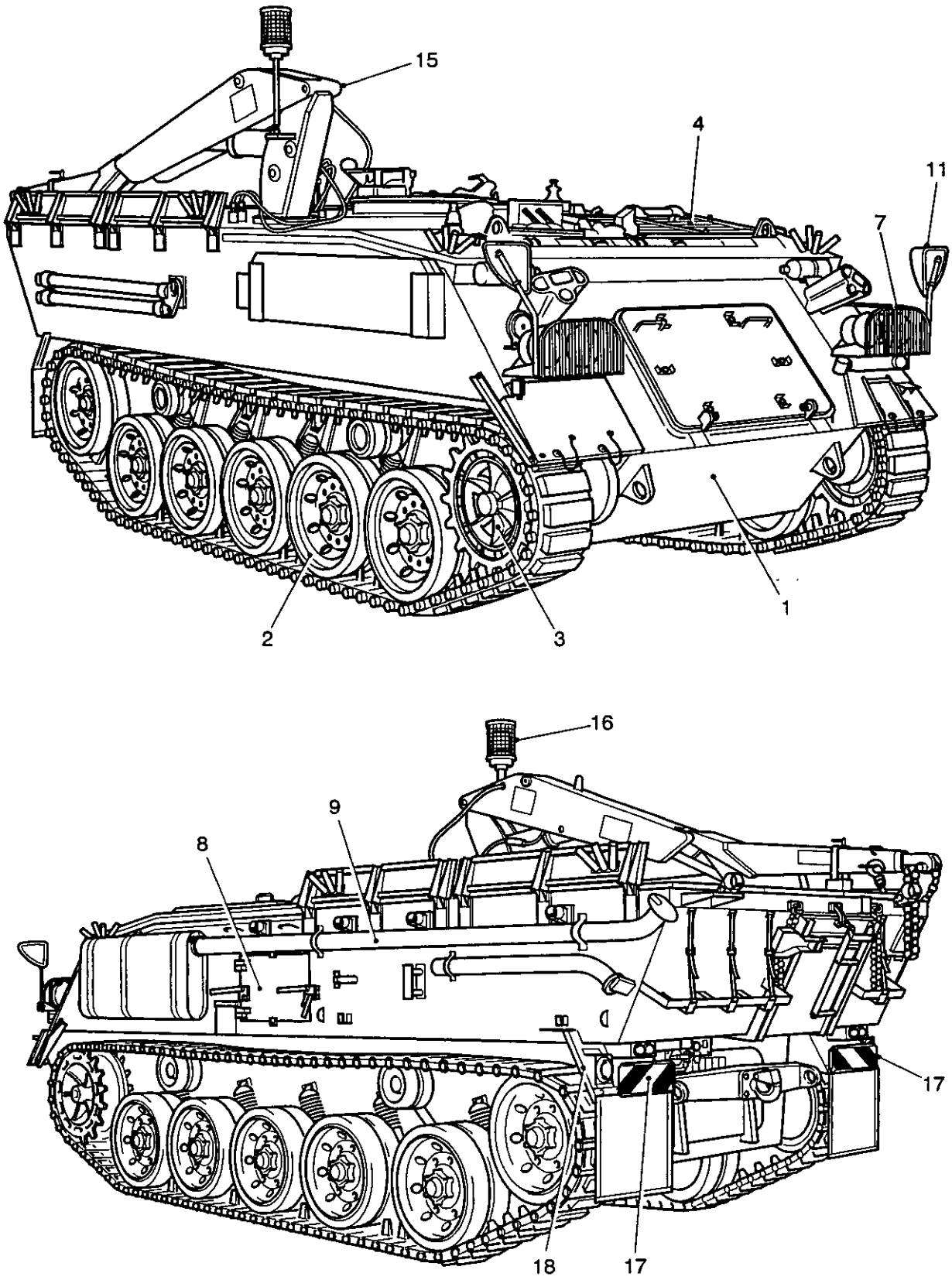


Fig 1 Carrier, maintenance full tracked, FV434 Mk 1

430/70234

Fig Item	Man Code Navy - N Army - A RAF - R	NATO Stock No	Item Name and Description	Part No/ Drawing No.	No. Off	Annotations
1-		NP	CARRIER, MAINTENANCE, FULL TRACKED, FV434 Mk 1	FV563250	REF	
	A EQPT	2350-99-807-0601	CARRIER, MAINTENANCE, FULL TRACKED, FV434 Mk 1/1	FV644000	REF	
1		NP	HULL, GENERAL ARRANGEMENT, Mk 1 VEHICLE	FV563251	REF	See Chap 2-1
1(1)		NP	HULL, GENERAL ARRANGEMENT, Mk 1/1 VEHICLE	FV644001	REF	See Chap 2-1
2		NP	SUSPENSION GENERAL ARRANGEMENT	FV510346	REF	See Chap 2-2
2(1)		NP	SUSPENSION GENERAL ARRANGEMENT	FV650384	REF	See Chap 2-2
3		NP	TRANSMISSION GENERAL ARRANGEMENT	FV563252	REF	See Chap 2-3
4	A 9ACR	2815-99-808-1274	POWER UNIT, DIESEL, 6 cylinder Mk 6F ENGINE	FV650952	1	See Chap 2-4
NI 5		NP	FUEL SYSTEM GENERAL ARRANGEMENT	FV563249	REF	See Chap 2-5
NI 6		NP	CONTROLS GENERAL ARRANGEMENT	FV510335	REF	See Chap 2-6
7		NP	ELECTRICS GENERAL ARRANGEMENT	FV563219	REF	See Chap 2-7
8		NP	VENTILATION SYSTEM, GENERAL ARRANGEMENT, Mk 1 VEHICLE	FV563258	REF	See Chap 2-8
8(1)		NP	VENTILATION SYSTEM, GENERAL ARRANGEMENT, Mk 1/1 VEHICLE	FV563246	REF	See Chap 2-8
9		NP	EXHAUST GENERAL ARRANGEMENT	FV563275	REF	See Chap 2-9
NI 10		NP	SEATS GENERAL ARRANGEMENT	FV509826	REF	See Chap 2-10
11		NP	STOWAGE AND EQUIPMENT, GENERAL ARRANGEMENT	FV563254	REF	See Chap 2-11
NI 12		NP	FIRE FIGHTING EQUIPMENT GENERAL ARRANGEMENT	FV509839	REF	See Chap 2-12
NI 13		NP	DFWES GENERAL ARRANGEMENT	FV2229509	REF	See AESP 6920-D-100-101
NI 14		NP	LOCKOUT PIPES AND FITTINGS, GENERAL ARRANGEMENT	FV563259	1	See Chap 2-15
15		NP	HIAB CRANE GENERAL ARRANGEMENT	FV563256	REF	See Chap 2-13
16	A 9ACR	2540-99-745-4600	MODIFICATION KIT, VEHICULAR EQUIPMENT COMPONENTS, BEACON-ROTATING AMBER, FV434	FV2200648	REF	See Chap 2-14
17	A 6MT1	9905-99-837-2954	SIGN, LH and RH rear marker boards	BSAU152	SET	See Chap 2-16
18		NP	TRACK GUARDS GENERAL ARRANGEMENT	FV563255	REF	See Chap 2-16
NI 19		NP	BOWMAN PLATFORM GENERAL ARRANGEMENT	MDA 2556	REF	See Chap 2-17

Chapter 2-1

PARTS LIST

HULL GENERAL ARRANGEMENT

Chap

- 2-1 Hull general arrangement
- 2-1-1 Drivers hatch assembly
- 2-1-2 Commanders cupola assembly
- 2-1-3 Crew hatch assembly
- 2-1-4 Rear door assembly, stowage access
- 2-1-5 Engine compartment roof assembly
- 2-1-6 Engine compartment sealing panels assembly
- 2-1-7 Door, filter access assembly
- 2-1-8 Front access cover general arrangement
- 2-1-9 Inspection covers, drain plugs and chequered floor
- 2-1-10 Floor escape hatch assembly
- 2-1-11 SA80 rifle stowage installation
- 2-1-12 Catwalk general arrangement
- 2-1-13 Ventilation ducting assembly
- 2-1-14 Foot platform, rear draught connector and work bench assembly
- 2-1-15 Lockers general arrangement

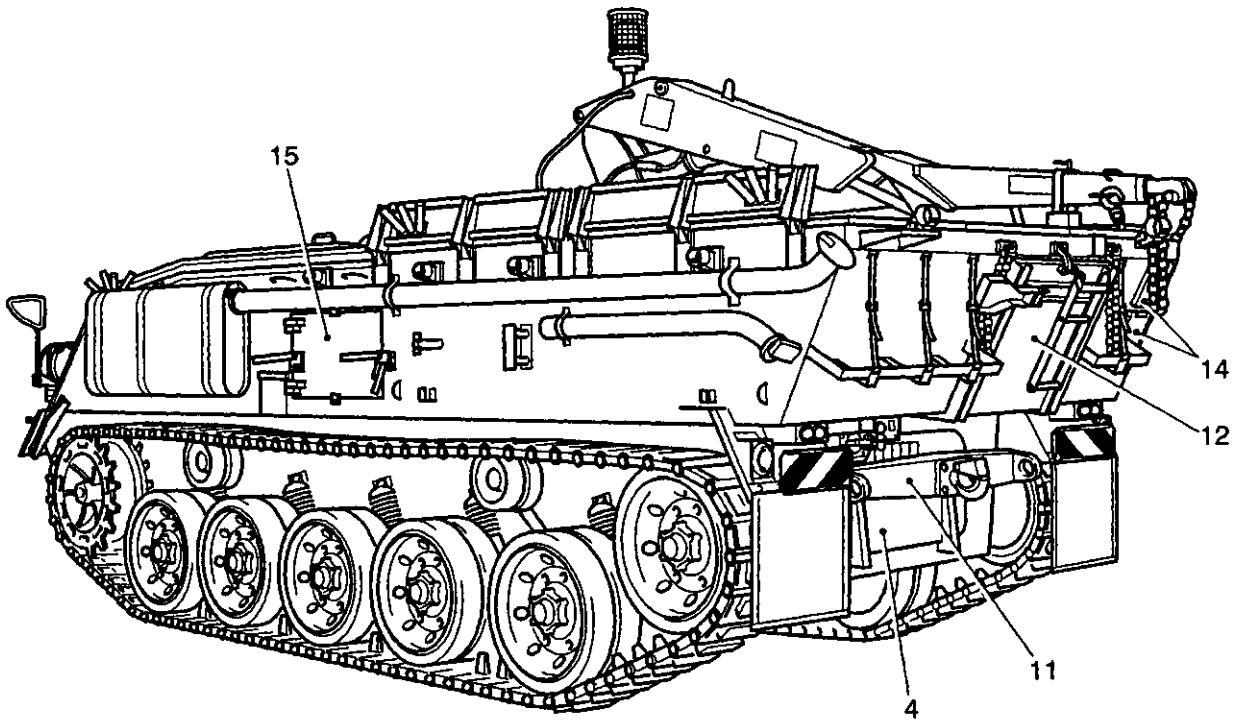
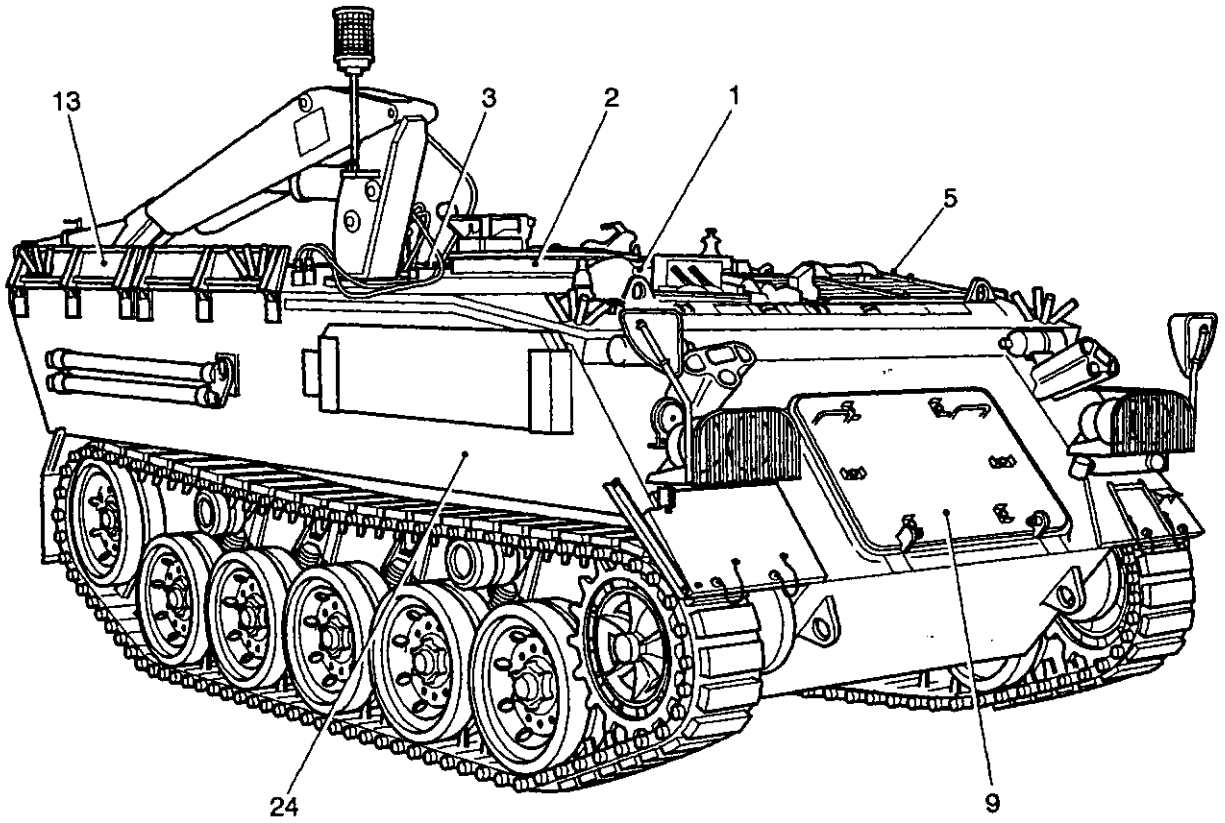


Fig 1 Hull general arrangement

430/70235

Fig Item	Man Code Navy - N Army - A RAF - R	NATO Stock No	Item Name and Description	Part No/ Drawing No.	No. Off	Annotations
1-		NP	HULL GENERAL ARRANGEMENT	FV563251	REF	
		NP	HULL GENERAL ARRANGEMENT MK1/1 VEHICLE	FV644001	REF	
1		NP	. DRIVERS HATCH ASSEMBLY	FV421544	REF	See Chap 2-1-1
2		NP	. COMMANDERS CUPOLA ASSEMBLY	FV510590	REF	See Chap 2-1-2
3		NP	. CREW HATCH ASSEMBLY	FV563356	REF	See Chap 2-1-3
4	A 9ACR	5340-99-804-4701	. DOOR, ACCESS STOWAGE, rear compartment assembly	FV509885	REF	See Chap 2-1-4
5		NP	. ENGINE COMPARTMENT ROOF ASSEMBLY	FV563372	REF	See Chap 2-1-5
NI 6		NP	. ENGINE COMPARTMENT SEALING PANELS ASSEMBLY	FV563330	REF	See Chap 2-1-6
NI 7	A 9ACR	2590-99-804-4900	. COVER PLATE, HYDRAULIC RAM, crane ram	FV563262	REF	See Chap 2-1-9 Fig 4
NI 8		NP	. INSPECTION COVERS, DRAIN PLUGS AND CHEQUERED FLOOR	FV563278	REF	See Chap 2-1-9
9	A 9ACR	2510-99-794-5115	. FRONT ACCESS COVER GENERAL ARRANGEMENT	FV563273	REF	See Chap 2-1-8
NI 10		NP	. FOOT PLATFORM ASSEMBLY	FV563263	REF	See Chap 2-1-14
11		NP	. REAR DRAUGHT CONNECTOR, GENERAL ARRANGEMENT	FV563264	REF	See Chap 2-1-14
12		NP	. WORK BENCH ASSEMBLY	FV563265	REF	See Chap 2-1-14
13	A 9ACR	2590-99-978-3108	. CATWALK, GENERAL ARRANGEMENT	FV563267	REF	See Chap 2-1-12
14		NP	. LOCKERS, GENERAL ARRANGEMENT, MK1 VEHICLE	FV563266	REF	See Chap 2-1-15
14(1)		NP	. LOCKERS, GENERAL ARRANGEMENT, MK1/1 VEHICLE	FV644003	REF	See Chap 2-1-15
15	A 9ACR	2510-99-804-4939	. DOOR, FILTER ACCESS ASSEMBLY	FV563460	REF	See Chap 2-1-7
NI 16		NP	. FLOOR ESCAPE ASSEMBLY, hatch crew compartment	FV563483	REF	See Chap 2-1-10
NI 17		NP	. VENTILATION DUCTING ASSEMBLY	FV563277	REF	See Chap 2-1-13
NI 18	A 9ACR	2540-99-356-0023	. MODIFICATION KIT, SA80 RIFLE STOWAGE	FV2229565	REF	
NI 19		NP	. INSULATION LINING ASSEMBLY	FV563269	REF	LM from items 20, 21, 22
NI 20	A 9AHY	9330-99-225-4337	. INSULATION MATERIAL, light tan chloroprene coated, glass fabric, fire resistant, bulk supply 1220mm w	FV2086381	A/R	
NI 21	A 9AHY	9330-99-225-4336	. INSULATION MATERIAL, low fire hazard polyurethane barrier foam, bulk supply, 25mm thk, u/w 9AHY/9330-99-225-4337	FV2031419	A/R	
NI 22	A 9AHY	9330-99-383-4140	. INSULATION MATERIAL, low fire hazard polyurethane foam, 12mm thk, bulk supply, u/w 9AHY/9330-99-225-4337	VITAFOAM VFR/2/140/1 2MM	A/R	
NI 23		NP	. FRONT ACCESS COVER HINGE AND HULL HINGE REPLACEMENT	FV2200711	REF	
24		NP	. HULL WELDED ASSEMBLY	FV563260	REF	Mk1 only
24(1)		NP	. HULL WELDED ASSEMBLY	FV644002	REF	Mk1/1 only

Chapter 2-1-1
PARTS LIST
DRIVERS HATCH ASSEMBLY

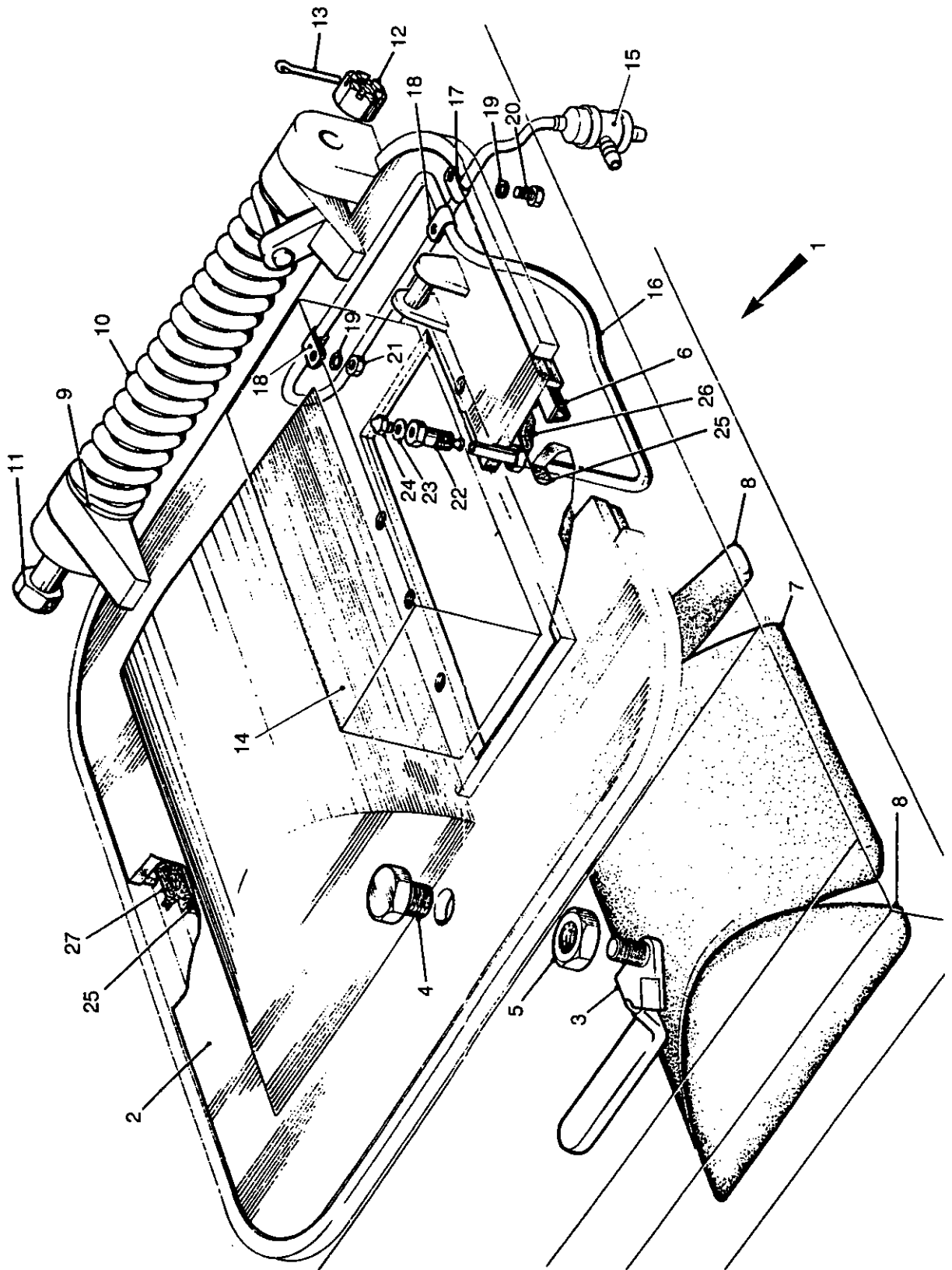


Fig 1 Drivers hatch assembly

430/70081

Fig Item	Man Code Navy - N Army - A RAF - R	NATO Stock No	Item Name and Description	Part No/ Drawing No.	No. Off	Annotations
1-			HULL GA - contd			
1		NP	. DRIVERS HATCH ASSEMBLY	FV421544	REF	
2	A	9ACR 2510-99-865-6509	. . DOOR, HATCH VEHICULAR, drivers	FV421733	1	
3	A	9ACR 2510-99-867-4207	. . HANDLE, HATCH DOOR, vehicular	FV559947	1	
4	A	9ACR 5306-99-865-6554	. . BOLT, INTERNALLY RELIEVED BODY, br. rh handle	FV524664	1	
5	A	G1 5310-99-941-0908	. . NUT, PLAIN, HEXAGON, UNF, P steel, zinc coated, 5/8in.	59-004020	1	
6	A	9ACR 9390-99-805-8387	. . NON-METALLIC SPECIAL SHAPED SECTION, linatex sponge, 0.8in. wd, 0.7in. h, 5m lg bulk supply	FV421602	1	Cut to 83in. lg
7	A	9ACR 2590-99-865-6525	. . PAD CUSHIONING, drivers hatch door	FV485178	1	
8	A	9ACR 2510-99-760-1530	. . PAD CUSHIONING, drivers hatch door	FV485179	2	
9	A	9ACR 3120-99-865-6514	. . BUSHING SLEEVE, 1.10in. lg, 1.1250in. od, 0.78125in. id, phosphated	FV421823	2	
10	A	9ACR 5360-99-867-0417	. . SPRING, HELICAL, TORSION	FV559858	1	
11	A	9ACR 5306-99-865-6513	. . BOLT, MACHINE UNF, steel, hex hd, phos, 3/4in. x 17in. lg	FV421822	1	
12	A	G1 5310-99-941-1281	. . NUT, SLOTTED, HEXAGON, UNF, P steel, Cd P, 3/4in.		1	
13	A	G1 5315-99-944-0190	. . PIN, COTTER, SPLIT, steel, phos, 3.6mm dia, 71mm lg	5040391	1	
14		NP	. . DRIVERS PERISCOPE ASSEMBLY	FV462401	REF	See Fig 2
15	A	46MT3 2540-99-823-8828	. . VALVE, WINDSCREEN WASHER, multi-way valve	FV794436	1	See Fig 5
16	A	6MT6 4710-99-808-5350	. . TUBING PLASTICS, PVC, colourless, 0.25in. od, 0.047in. wall thk, non-rigid	350B1857	A/R	
17	A	6MT4 5340-99-805-0923	. . CLAMP, LOOP, steel, Cd P, 5/8in. loop w, 3/8in. loop id, rd type hole, 0.218in. dia	187052	3	
18		NP	. . CLAMP, LOOP	FV499686	2	} Securing items 17 and 18
19	A	Z2 5310-99-941-6653	. . WASHER, LOCK, steel, single coil, sq sect, Cd P, 3/16in.		5	
20		NP	. . SCREW, MACHINE, BA, steel, hex hd, zinc coated, no. 2 x 1/2in. lg	P1521	1	
21	A	Z2 5310-99-941-7070	. . NUT, PLAIN, HEXAGON, BA, steel; no. 2	AS31281	4	
22	A	9ACR 2540-99-865-6549	. . HOUSING, windscreen washer jet	FV499682	1	
23	A	9ACR 5310-99-867-2725	. . WASHER, FLAT, copper, 17/64in. id x 9/16in. od x 0.056in. thk	FV499683	1	
24	A	9ACR 2540-99-865-6550	. . NOZZLE, WINDSHIELD, WASHER ASSEMBLY	FV499684	1	
25		NP	. . STRIP, RUBBER	FV586203	2	
26	A	9ACR 2540-99-795-9734	. . STRIP BINDING, drives hatch	FV586202	1	
27	A	9ACR 2540-99-794-5109	. . STRIP BINDING, drivers hatch	FV586222	1	

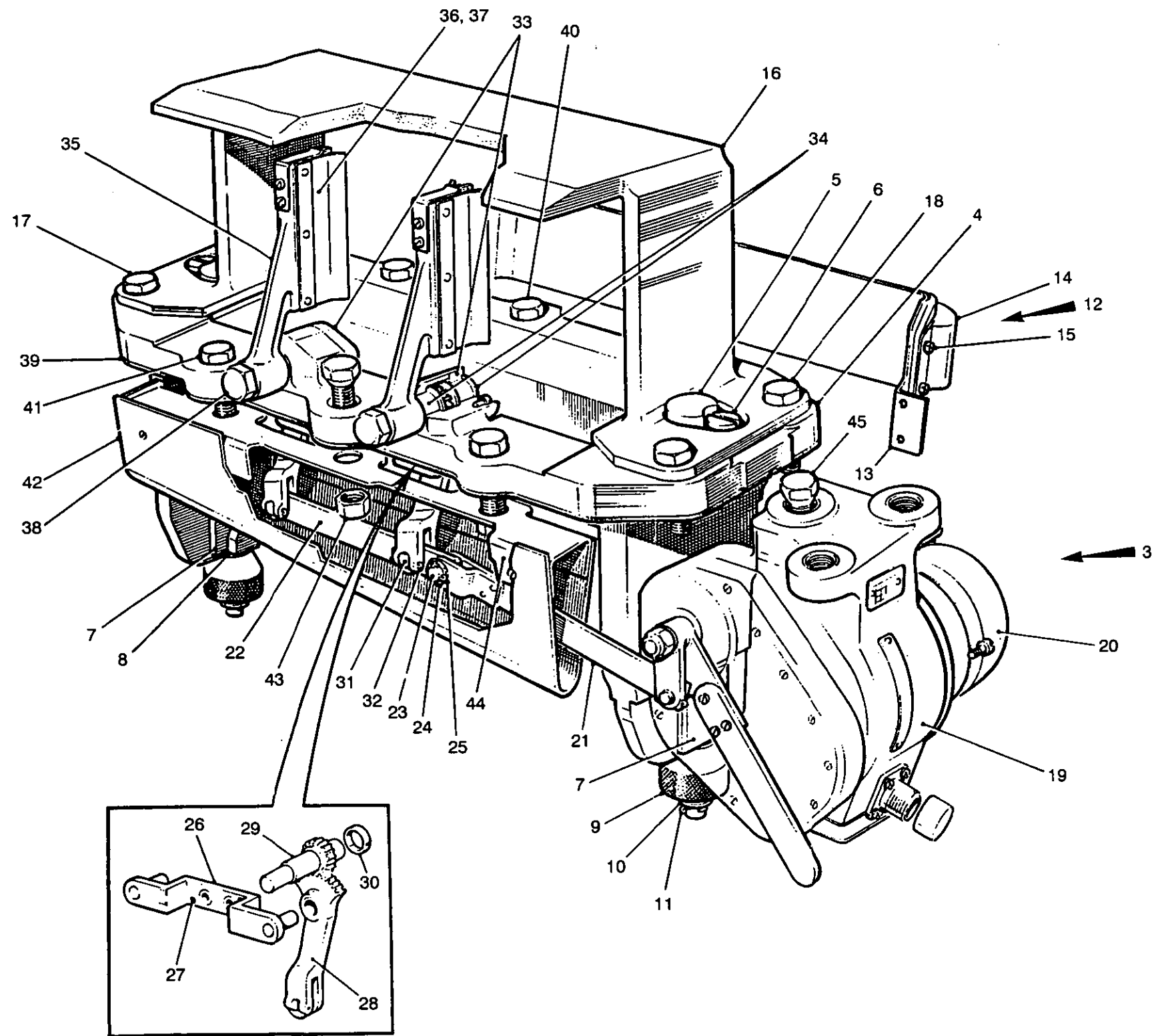


Fig 2 Mounting periscope assembly

430/70091

Fig Item	Man Code Navy - N Army - A RAF - R	NATO Stock No	Item Name and Description	Part No/ Drawing No.	No. Off	Annotations
2-			HULL GA - contd . DRIVERS HATCH ASSEMBLY - contd			
NI 1		NP	. . . DRIVERS, PERISCOPE ASSEMBLY	FV462401	REF	
NI 2	A V5	6650-99-200-9437	. . . PERISCOPE ARMoured VEHICLE, No. 33 Mk 1	FV462404	1	See Fig 4
3		NP	. . . MOUNTING, , PERISCOPE ASSEMBLY, AFV No. 2 Mk 1	FV462402	1	
4	A 9ACR	2590-99-866-6944 BRACKET, VEHICULAR, periscope mounting	FV462419	1	
5	A 9CR2	5306-99-133-4728 BOLT, EXTERNALLY RELIEVED BODY	FV462475	2	
6	A 9ACR	5305-99-866-6948 SCREW, SHOULDER, 5/16in. UNC, periscope mtg.	FV462473	2	
7	A 9ACR	2590-99-866-6946 SLIDE, periscope mtg	FV462471	2	
8	A G1	5310-99-941-6630 WASHER, LOCK, steel, double coil, 7/16in. id	9902267	2	u/w item 9
9	A 9ACR	5310-99-866-6947 NUT, KNURLED, periscope mtg.	FV462472	2	
10	A G1	5310-99-120-4032 WASHER, FLAT, ROUND, steel, 5/16in. id x 9/16in. od x 0.072in. thk	147579	2	
11	A G1	5315-99-944-0171 PIN, COTTER, SPLIT, steel, phos. 1/16in. dia x 5/8in. lg		2	
12	A 9ACR	2590-99-866-6959 HEADREST, OPTICAL INSTRUMENT, rect shape, w/mtg bkt each end	FV531664	1	
13		NP BRACKET, periscope mtg, brow pad	FV531670	1	
14	A 9ACR	2590-99-866-6960 PAD, periscope mtg	FV531665	1	
15		NP SCREW, MACHINE, BA, steel, rd hd, zinc coated, No. 4 x 3/8in		4	
16	A 9ACR	2540-99-866-6958 PROTECTOR, periscope	FV462414	1	
17		NP SCREW, MACHINE, UNF, steel, hex, csk hd, zinc coated, 7/16in. x 1-7/8in.		4	
18	A G1	5305-99-941-0553 SCREW, MACHINE, UNF, R steel, hex hd, zinc coated, 7/16in. x 3/4in.	SH607061	2	
19	A 9ACR	2540-99-866-6934 GEARBOX AND MOTOR ASSEMBLY, periscope wiper	FV462425	1	
20	A 6MT3	2540-99-866-6933 MOTOR, WINDSCREEN WIPER, ELECTRIC, periscope wiper	FV462413	1	See Fig 3
21	A 9ACR	2540-99-866-6937 CONNECTOR, SUB-ASSY, periscope wiper drive	FV462452	1	
22	A 9ACR	2540-99-866-6938 CONNECTOR, SUB-ASSY, quadrant arms, periscope wiper	FV462453	1	
23	A 9ACR	5315-99-866-6942 PIN, connecting bar, periscope wiper	FV462494	1	
24	A G1	5310-99-120-4032 WASHER, FLAT, ROUND, steel, zinc coated, 1/4in. id	147579	1	
25	A G1	5315-99-944-0171 PIN, COTTER, SPLIT, steel, phosphated, 1/16in. x 5/8in.		1	
26	A 9ACR	2540-99-866-6940 SUPPORT, SUB-ASSY, comprises support and 2 pins	FV462456	1	
27	A Z2	5305-99-949-7020 SCREW, MACHINE, BA, steel, flat csk hd, zinc coated, No. 2 x 1/2in.	5333-44C	2	
28	A 9ACR	2540-99-866-6935 GEAR SOCKET, periscope wiper	FV462450	2	

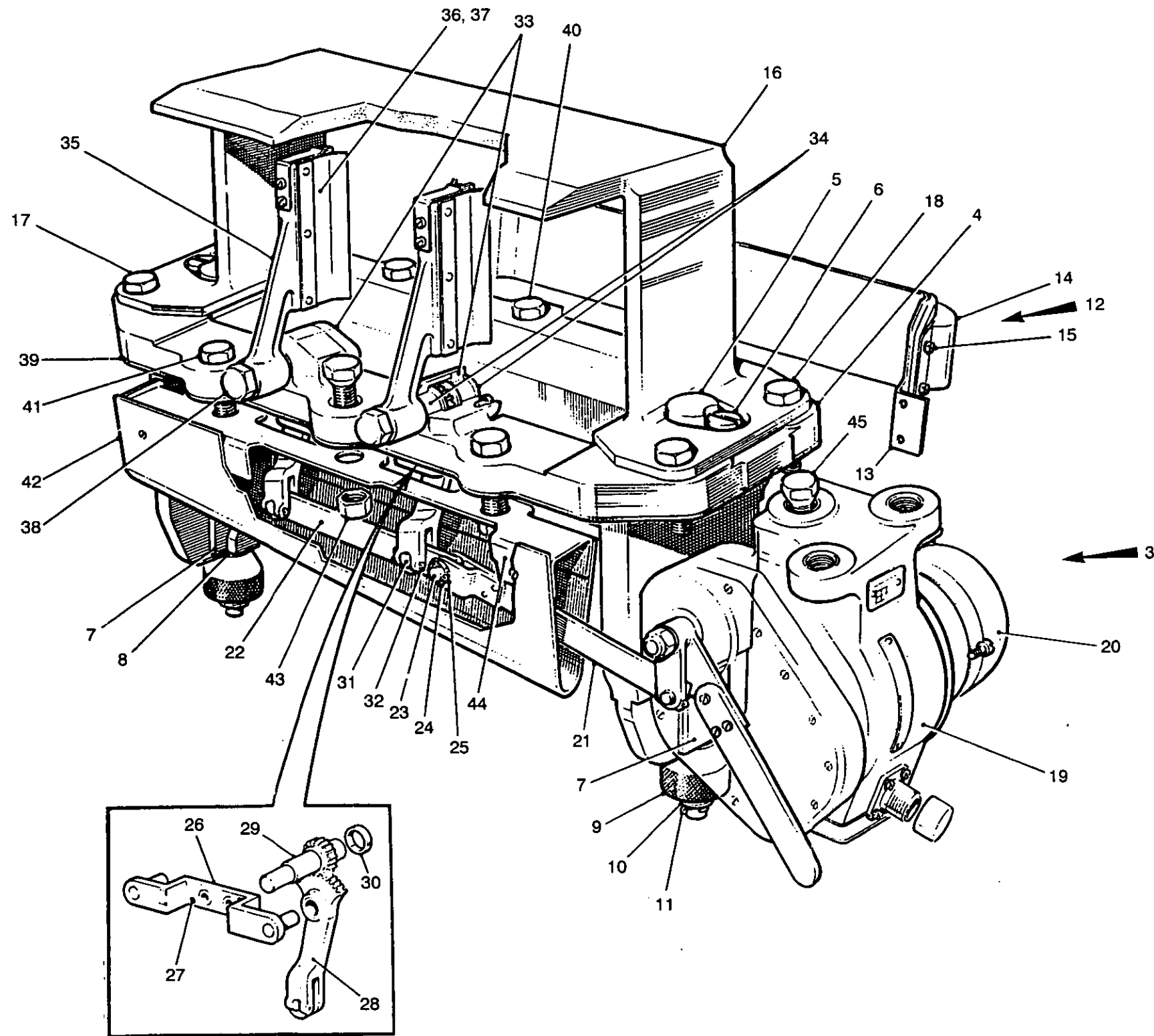


Fig 2 Mounting periscope assembly

Fig Item	Man Code Navy - N Army - A RAF - R	NATO Stock No	Item Name and Description	Part No/ Drawing No.	No. Off	Annotations
2-			HULL GA - contd . DRIVERS HATCH ASSEMBLY - contd . . DRIVERS PERISCOPE ASSY - contd . . . MOUNTING PERISCOPE ASSY - contd			
29	A	46MT3	3040-99-866-6950 GEARSHAFT, SPUR, periscope wiper	FV462476	2	
30	A	46MT3	2540-99-866-6951 SPACER, GEARSHAFT, periscope wiper, pinion shaft	FV462479	2	
31	A	9ACR	5315-99-866-6941 PIN, STRAIGHT, HEADLESS, quadrant to base, periscope wiper	FV462478	2	
32	A	G1	5315-99-944-0171 PIN, COTTER, SPLIT, steel, phosphated, 1/16in. x 5/8in.		2	
33	A	46MT3	2590-99-866-6936 COVER, VEHICLE COMPONENTS	FV462451	2	
34	A	9ACR	3120-99-866-6945 BEARING, SLEEVE, pinion shaft, periscope wiper	FV462463	2	
35	A	46MT3	2540-99-866-6939 ARM, periscope wiper	FV462455	2	
36	A	9ACR	2540-99-866-6932 BLADE, periscope wiper	FV418083	2	
37	A	46MT3	2540-99-866-6931 SPRING, periscope wiper blade	FV418082	2	
38	A	46MT3	2540-99-866-6943 NUT, comprising nut and collet	FV479020	2	
39	A	9ACR	2590-99-866-6956 GASKET, periscope mtg	FV531672	1	
40		NP SCREW, MACHINE, UNF, steel, hex csk hd, zinc coated, 7/16in. x 1-3/8in.		3	
41	A	9ACR	2590-99-802-3375 SCREW, PERISCOPE MOUNTING BRACKET, steel, hex hd, 1st dia 7/16in. UNF, 2nd dia 3/8in. UNF, 1-5/16in. o/a lg	FV572052	3	
42	A	9ACR	2540-99-866-6955 GUARD, SUB-ASSY, composite assembly		1	
43		NP NUT, SPECIAL, periscope wiper guard	FV572051	3	
44	A	9ACR	2540-99-866-6957 STRIP SUB-ASSY	FV531661	1	
NI 45	A	9ACR	5330-99-866-6953 GASKET, periscope wiper gearbox	FV531656	1	
NI 46	A	9ACR	2540-99-866-6954 GASKET, periscope wiper gearbox	FV531657	1	
47		NP SCREW, MACHINE, steel, zinc coated, hex csk hd, 7/16in. x 7/8in.		3	

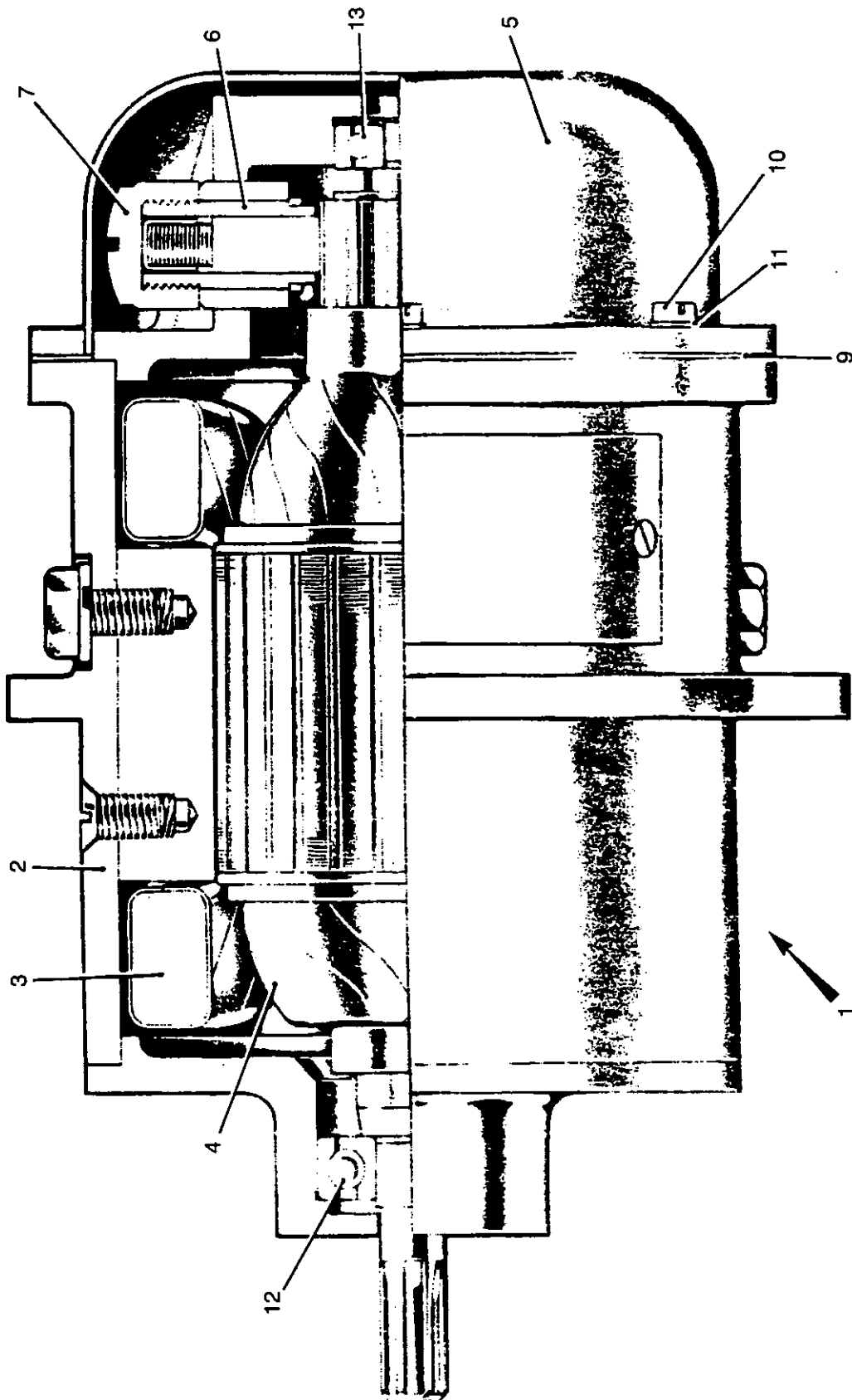


Fig 3 Motor, periscope wiper

430/70137

Fig Item	Man Code Navy - N Army - A RAF - R	NATO Stock No	Item Name and Description	Part No/ Drawing No.	No. Off	Annotations
3-			HULL GA - contd . DRIVERS HATCH ASSEMBLY - contd . . DRIVERS PERISCOPE ASSY - contd . . . MOUNTING PERISCOPE ASSY - contd			
1	A	46MT3	2540-99-866-6933 MOTOR, WINDSCREEN WIPER, ELECTRIC	FV462413	REF
2			NP BODY ASSEMBLY, MOTOR	ECP12252	1
3			NP WINDING, MOTOR FIELD	ECP11548	2
4	A	6MT3	2540-99-881-8011 ARMATURE, MOTOR	ECP11525	1
5			NP COVER ASSEMBLY, ELECTRIC MOTOR	ECP12254	1
6	A	46MT3	2540-99-881-8012 BRUSH HOLDER ASSEMBLY, brush c/w spring	ECP11459	2
7	A	46MT3	2540-99-881-8014 CAP, BRUSH HOLDER	EP32028	2
NI 8	A	46MT3	2540-99-881-8013 WASHER, WAVE	EP33231	1
9	A	46MT3	2540-99-881-8015 GASKET, END COVER	EP33236	1
10	A	G1	5305-99-941-9197 SCREW, MACHINE, st, flat fil hd, 6BA x 3/8in. lg	2004-308	6
11			NP WASHER, LOCK, single coil, 6BA		6
12	A	46MT7	3110-99-950-0291 BEARING, BALL, JOURNAL, 8mm id x 22mm od x 7mm w	108PP	1 Drive end
13	A	46MT7	3110-99-942-5750 BEARING, BALL JOURNAL, 4mm id x 16mm od x 5mm w	104PP	1 Commutator end

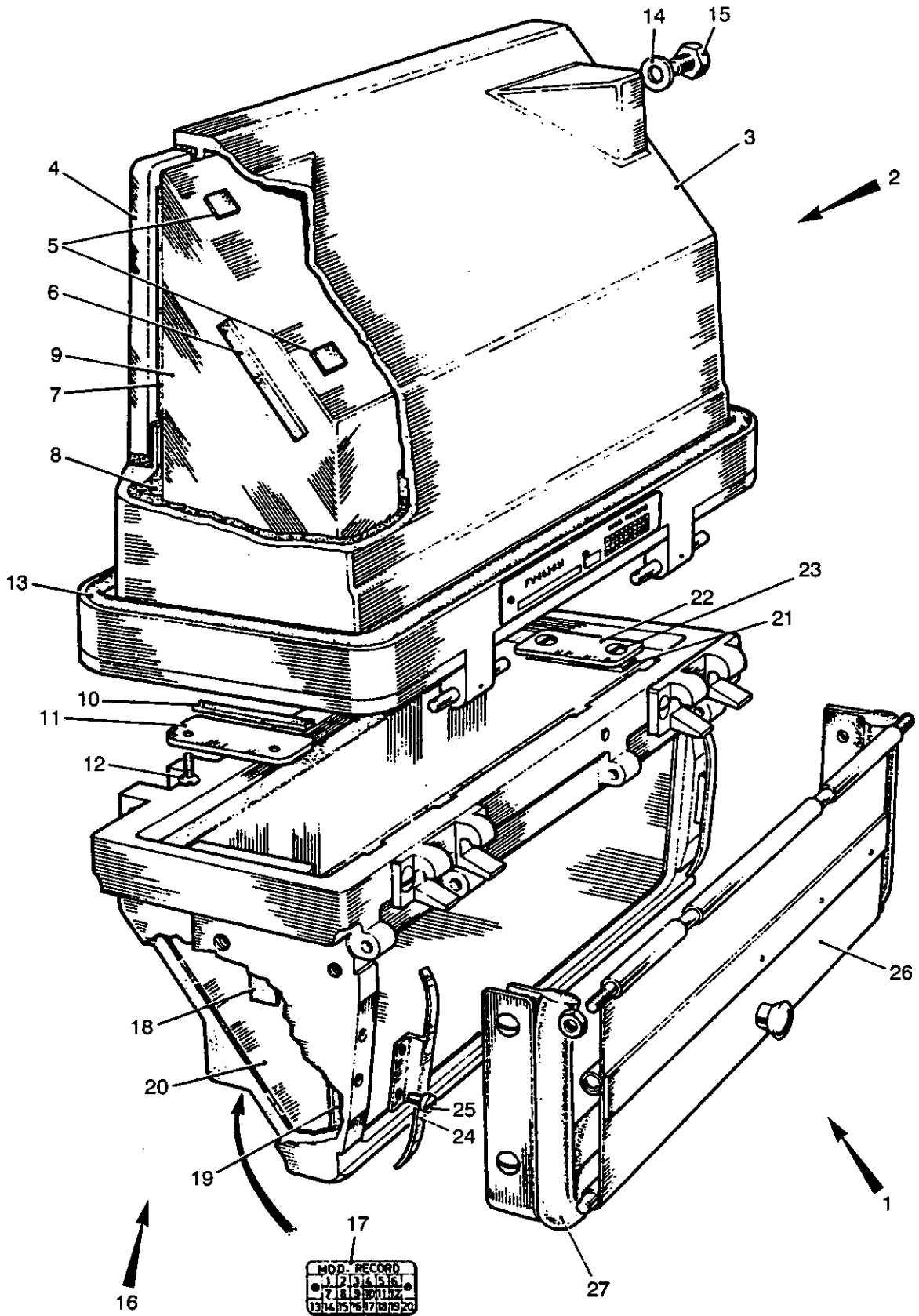


Fig 4 Periscope, armoured vehicle, No. 33 Mk 1

430/70144

Fig Item	Man Code Navy - N Army - A RAF - R	NATO Stock No	Item Name and Description	Part No/ Drawing No.	No. Off	Annotations
4-			HULL GA - contd . DRIVERS HATCH ASSEMBLY - contd . . DRIVERS PERISCOPE ASSY - contd			
1	A V5	6650-99-200-9437	. . . PERISCOPE, ARMOURED VEHICLE, No. 33 Mk 1	FV462404	1	
2	A 4V5	6650-99-201-3008 UPPER CASING ASSEMBLY, periscope	FV462431	1	
3		NP CASING	FV462428	1	
4	A 4V5	6650-99-200-9445 WINDOW, OPTICAL INSTRUMENT	FV462418	1	
5	A 4V5	5330-99-200-9450 RUBBER STRIP, 0.250in. w x 0.250in. lg x 0.033in. thk	FV462441	4	
6	A V5	5330-99-200-9452 RUBBER STRIP, 0.250in. w x 1.50in. lg x 0.033in. thk	FV462442	2	
7	A 4V5	5330-99-200-9449 RUBBER STRIP, 1.30in. w x 0.250in. lg x 0.063in. thk	FV462443	2	
8	A 4V5	5330-99-200-9447 PLASTIC STRIP, 0.50in. w x 24in. lg x 0.250in. thk	FV462433	1	
9	A 4V5	6650-99-200-9446 PRISM, OPTICAL INSTRUMENT	FV462416	1	
10		NP RUBBER STRIP, SOLID, 0.130in. w x 2.750in. lg x 0.063in. thk	FV462440	2	
11	A 4V5	6650-99-200-9448 PLATE, PERISCOPE PRISM ASSEMBLY	FV462432	2	
12	A G1	5305-99-941-6846 SCREW, MACHINE, BA, MS, Cd P, No. 4 x 3/8in.	FV783806/ 65	4	
13	A 4V5	5330-99-200-9459 RING, SEALING, TOROIDAL, syn rubber, 8.450in. id x 8.825in. od x 0.187in. h	FV462429	1	
14	A 46MT1	5330-99-942-9636 GASKET, syn rubber/steel, 0.205in. id x 0.330in. od x 0.050in. thk	400-003- 4490-41	2	
15	A G1	5305-99-128-2767 SCREW, MACHINE, BA, steel, hex hd, Cd P, No. 2 x 1/4in.	910604	2	
16	A 4V5	6650-99-201-3009 LOWER CASING ASSEMBLY, periscope	FV462435	1	
17	A 46MT1	9905-99-101-4237 PLATE MODIFICATION RECORD	FV327850	1	
18	A 4V5	5330-99-200-9450 RUBBER STRIP, SOLID, 0.250in. w x 0.250in. lg x 0.033in. thk	FV462441	6	
19		NP RUBBER STRIP, SOLID, 0.130in. w x 2.750in. lg x 0.630in. thk	FV462440	2	
20		NP PRISM, OPTICAL INSTRUMENT	FV462417	1	
21	A 4V5	5330-99-200-9452 RUBBER STRIP, 0.250in. w x 1.50in. lg x 0.033in. thk	FV462442	2	
22	A 4V5	6650-99-200-9448 PLATE, PERISCOPE PRISM ASSEMBLY	FV462432	2	
23	A G1	5305-99-941-6846 SCREW, MACHINE, BA, MS, Cd P, No. 4 x 3/8in.	FV783806/ 65	4	
24	A 4V5	6650-99-200-9455 SPRING, PERISCOPE SHUTTER	FV531688	2	
25	A G1	5305-99-941-9087 SCREW, MACHINE, BA, steel, flat fillister hd, Cd P, No. 4 x 1/4in.	AB1237	4	
26	A 4V5	6650-99-200-9454 SHUTTER, ARMOURED VEHICLE, PERISCOPE	FV531680	1	
27	A V5	5330-99-200-9456 RUBBER, SPECIAL SHAPED SECTION	FV531689	1	

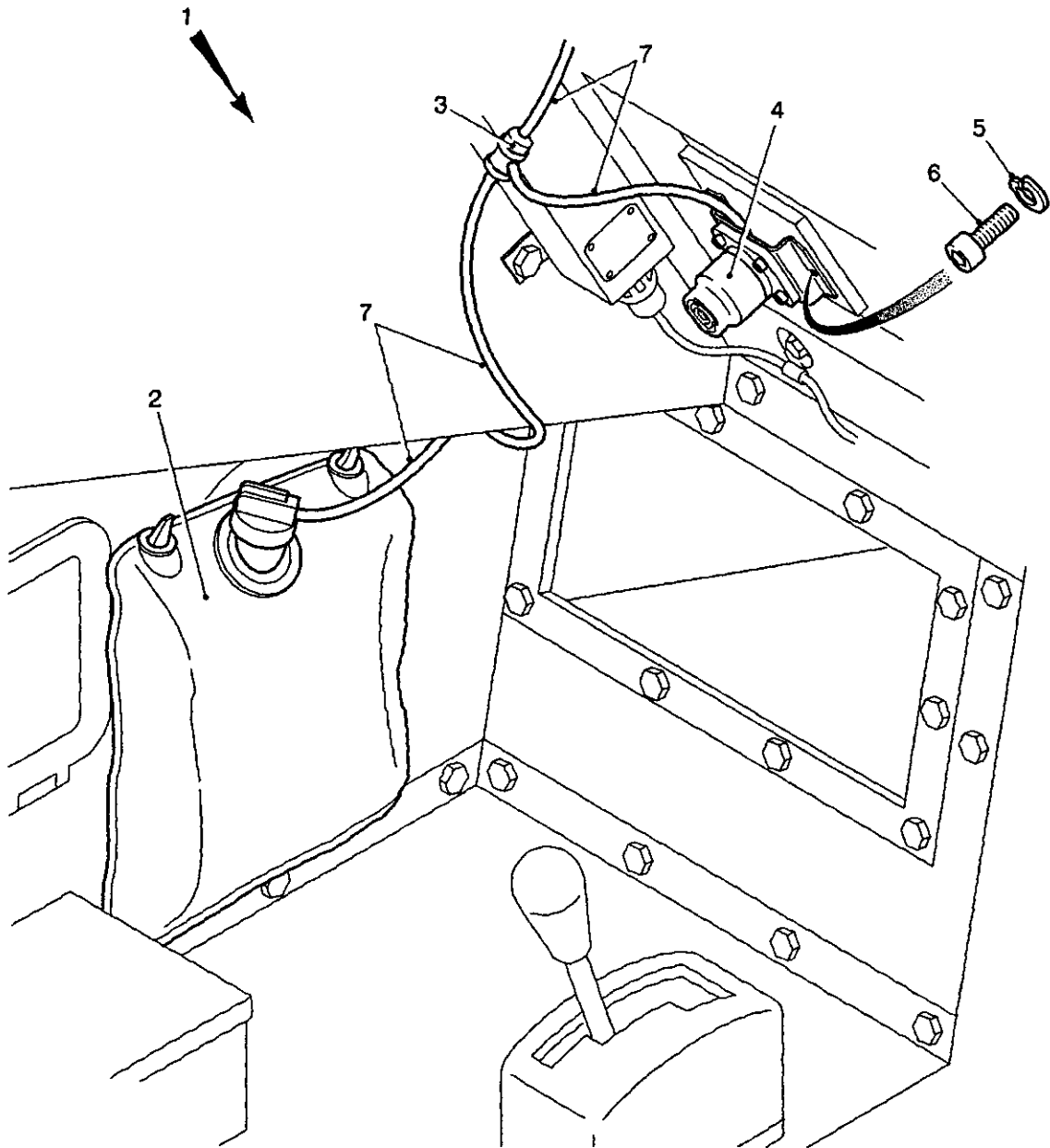


Fig 5 Screen wash installation

430/70177

Fig Item	Man Code Navy - N Army - A RAF - R	NATO Stock No	Item Name and Description	Part No/ Drawing No.	No. Off	Annotations
5-			HULL GA - contd . DRIVERS HATCH ASSEMBLY - contd			
1		NP	. . SCREEN WASH INSTALLATION		REF	
2	A 6MT3	2540-99-823-8827	. . CONTAINER WINDSCREEN WASHER, PVC panels, 10-19/64in. o/a lg, 9-21/32in. o/a w, w/filler neck, 2 x 1/2in. dia holes reinforced for fixing	FV794433	1	
3	A 46MT3	2540-99-823-8828	. . VALVE, WINDSCREEN WASHER, multi-way valve	FV794436	1	
4	A 46MT1	2540-99-300-0986	. . PUMP, WASHER	6029/MS/01	1	
5	A G1	5310-99-941-6654	. . WASHER, LOCK, steel, split helical ring, 1/4in. bolt size, 27/64in. od, 5/64in. thk		2	
6		NP	. . SCREW, MACHINE, 1/4in. dia		2	
7	A 6MT6	4710-99-808-5350	. . TUBING, PLASTICS, PVC, colourless, 0.25in. od, 0.047in. wall thk, non-rigid	350B1857	A/R	

Chapter 2-1-2
PARTS LIST
COMMANDERS CUPOLA ASSEMBLY

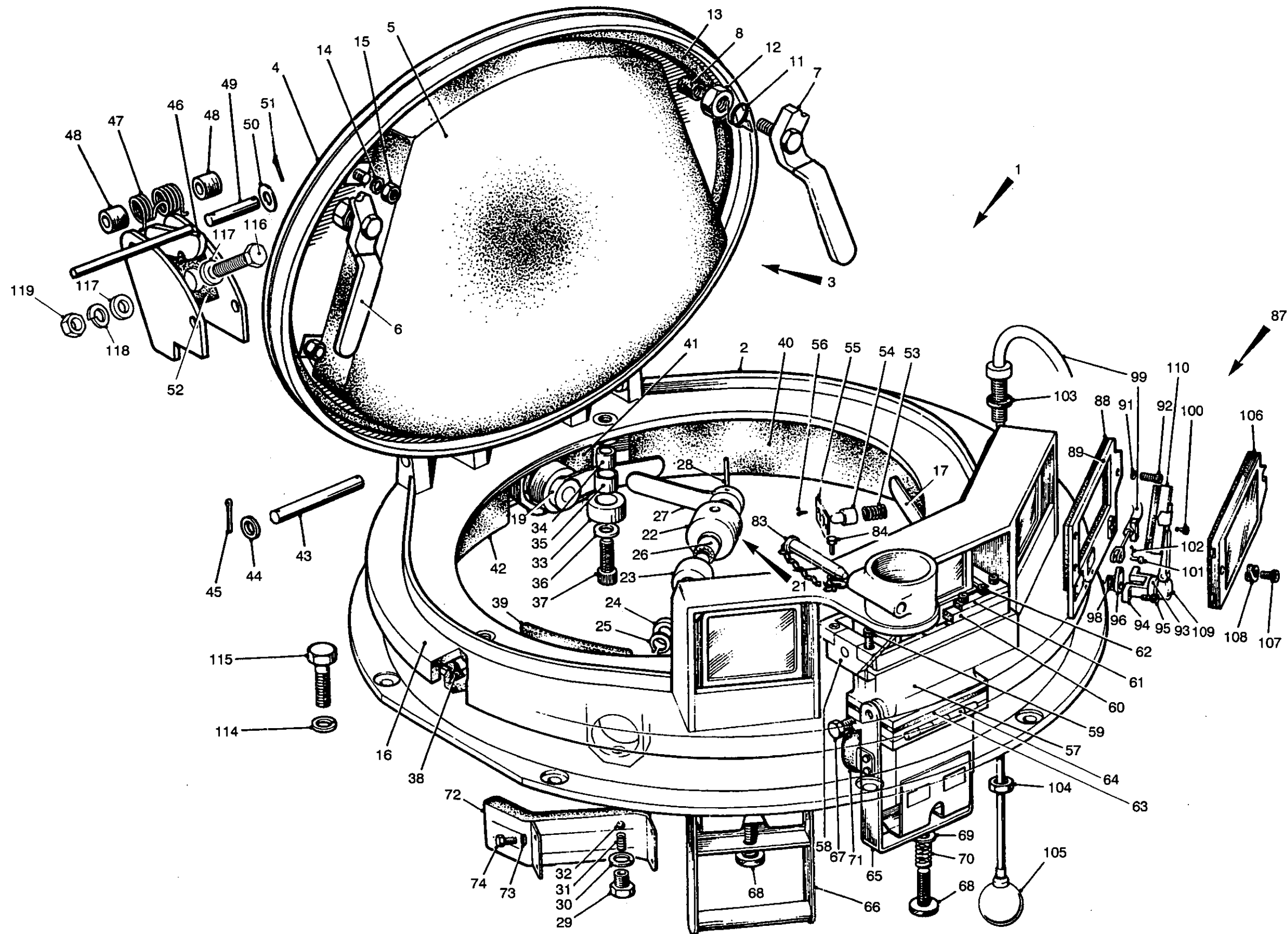


Fig 1 Commander's cupola assembly

430/70210

Fig Item	Man Code Navy - N Army - A RAF - R	NATO Stock No	Item Name and Description	Part No/ Drawing No.	No. Off	Annotations
1-			HULL GA - contd			
1		NP	. . . COMMANDERS CUPOLA ASSEMBLY	FV510590	REF	
2	A	9ACR 2510-99-865-6516	. . . HOUSING VEHICULAR, hatch door, commanders	FV422062	1	
3		NP	. . . COMMANDERS DOOR, COMPLETE	FV563522	1	
4	A	9ACR 2510-99-804-3484	. . . DOOR, HATCH VEHICLE	FV563523	1	
5	A	9ACR 2590-99-865-6515	. . . PAD, CUSHIONING, foam rubber, 19.4in. lg, 18in. wd, 0.048in. thk	FV421876	1	
6	A	9ACR 2510-99-867-2923	. . . HANDLE, commanders door, rh	FV559950	1	
7	A	9ACR 2510-99-867-2922	. . . HANDLE, commanders door, lh	FV559949	1	
8	A	9ACR 5306-99-865-6556	. . . BOLT, INTERNALLY RELIEVED BODY, brass, 7/8in. dia UNF-14 x 1.05in. lg, 1.3in. a/f x 0.4in. h, 5/8in. dia x 1in.	FV524670	1	
NI 9	A	9ACR 5306-99-865-6554	. . . BOLT, INTERNALLY RELIEVED BODY, br, rh handle	FV524664	1	
NI 10	A	9ACR 5360-99-867-4032	. . . SPRING, HELICAL TORSION, commanders door handle, rh	FV586089	1	
11	A	9ACR 5360-99-867-4033	. . . SPRING, HELICAL, TORSION commanders door handle, lh	FV586090	1	
12	A	G1 5310-99-941-0910	. . . NUT, PLAIN, HEXAGON, UNF, P steel, zinc coated, 7/8in.		2	
13	A	9ACR 9390-99-805-8387	. . . NON-METALLIC SPECIAL SHAPED SECTION, linatex and sponge, 0.800in. wd, 0.700in. h, 5m lg, bulk supply	FV421602	1	Cut 72in. lg
14	A	G1 5310-99-941-6656	. . . WASHER, LOCK, steel, 3/8in. nom bolt size, 0.092in. thk, 0.590in. od		4	
15	A	G1 5310-99-941-0926	. . . NUT, PLAIN, HEXAGON, UNF, P steel, zinc coated, 3/8in.		4	
16	A	9ACR 2510-99-865-6551	. . . RING, traversing, cupola	FV499687	1	
17		NP	. . . ECCENTRIC SHAFT AND ROLLER ASSEMBLY, front, lh	FV524718	1	
NI 18	A	9ACR 3040-99-865-6560	. . . SHAFT, SHOULDERED, front, lh, cupola roller	FV524715	1	
19		NP	. . . ECCENTRIC SHAFT AND ROLLER ASSEMBLY, rear	FV524720	1	
NI 20	A	9ACR 3040-99-865-6561	. . . SHAFT, SHOULDERED, steel, 1.997/1.999in. dia o/a, 1.25in. wd, 0.501/0.505in. wd, x 1.625in. dia, 3/8in. dia x 0.125in. deep	FV524716	1	
21		NP	. . . ECCENTRIC SHAFT AND ROLLER ASSEMBLY, front, rh	FV524719	1	
22	A	9ACR 3040-99-865-6560	. . . SHAFT, SHOULDERED	FV524715	1	
23	A	9ACR 2510-99-865-6562	. . . ROLLER, vision cupola	FV524722	3	
24	A	9ACR 5310-99-865-6569	. . . WASHER, FLAT, steel, phos, 0.64in. id, x 1.0in. od x 0.075in. thk	FV524791	3	
25	A	6MT1 5365-99-910-8192	. . . SPRING, RETAINING, steel, ext, 5/8in.	Y8923162	3	
26		<i>6MT 7</i> <i>NP</i> <i>310-99-805-9049</i>	. . . BEARING, NEEDLE ROLLER, 5/8in. dia x 13/16in. od x 1/2in. w		3	
27	A	9ACR 3040-99-865-6559	. . . LEVER, MANUAL CONTROL, steel, 5/8in. lg o/a, 0.75in. wd x 0.18in. thk handle, set to 18 deg 1in. from bore centre, eye end 1.25in. od x 0.75in. h x 0.750/0.751in. id hole, 5/32in.	FV524714	3	

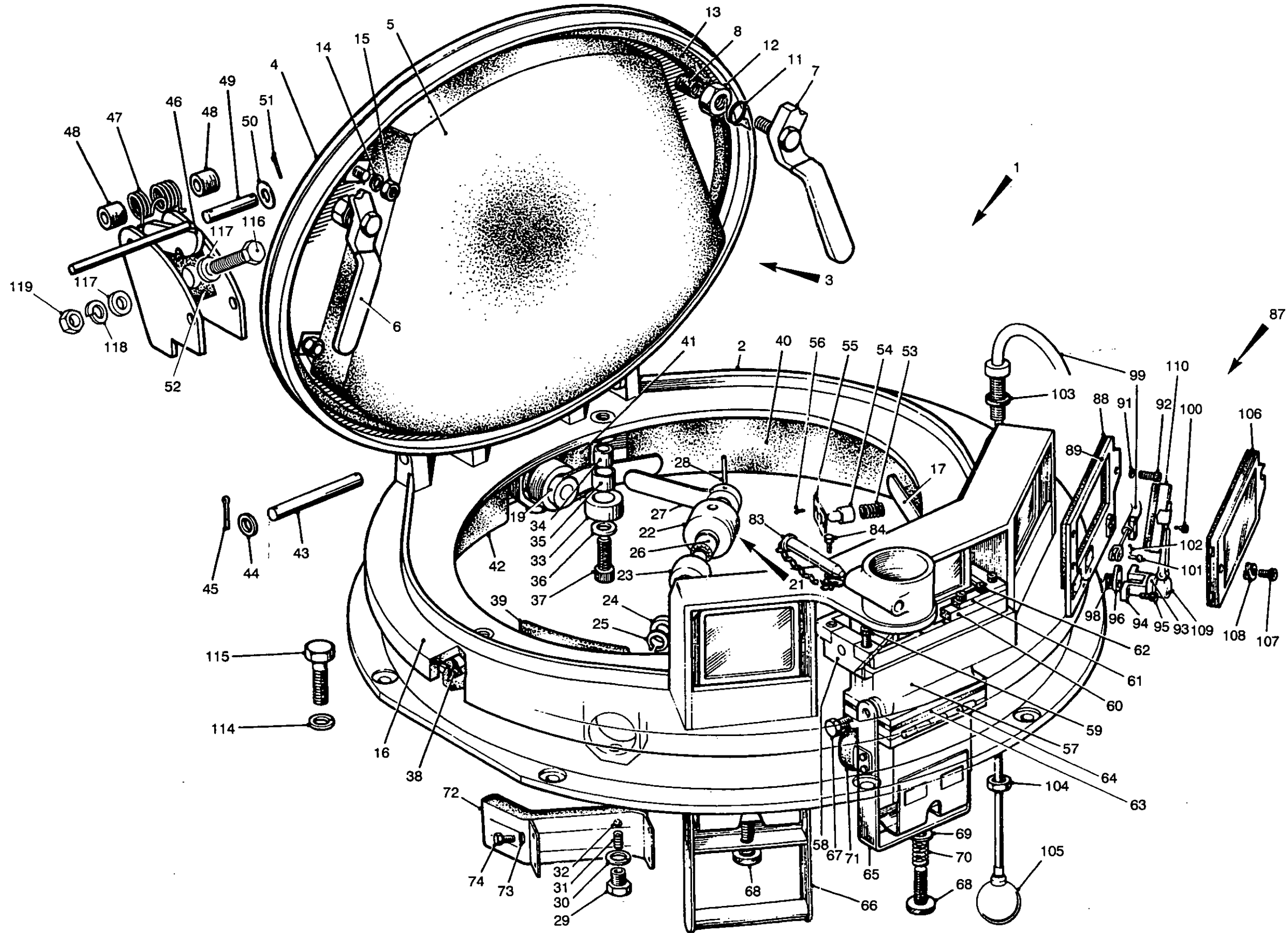


Fig 1 Commander's cupola assembly

430/70210

Fig Item	Man Code Navy - N Army - A RAF - R	NATO Stock No	Item Name and Description	Part No/ Drawing No.	No. Off	Annotations
1-			HULL GA - contd · COMMANDERS CUPOLA ASSY - contd · ECCENTRIC SHAFT AND ROLLER ASSEMBLY, front, rh - contd			
28	A G1	5315-99-942-3936	· · · PIN, GROOVED, HEADLESS, steel, phos, GP5, 5/32in. x 1-1/4in. lg		3	
29	A 9ACR	5305-99-865-6506	· · · SETSCREW, UNF, steel, hex hd, phos	FV421415	3	
30	A G1	5310-99-941-6660	· · · WASHER, LOCK, steel, single coil, 5/8in. nom bolt, 9/64in. thk, 31/32in. od		3	
31	A 9ACR	2510-99-865-6521	· · · SPRING, HELICAL COMPRESSION, vision cupola	FV422196	3	
32	A 6MT7	3110-99-950-0573	· · · BALL, BEARING, steel, 3/8in. dia	3-8GD10	3	
33	A 9ACR	3120-99-865-6510	· · · ROLLER, LINEAR ROTARY MOTION	FV421740	4	
34	A 6MT1	3120-99-200-2464	· · · BEARING, SLEEVE, copper alloy, 3/4in. lg o/a, 7/8in. od, 3/4in. id		4	
35	A 9ACR	3120-99-865-6511	· · · BEARING, SLEEVE, steel, 0.7550in. lg, 0.7470in. od, 0.5000in. body id	FV421741	4	
36	A G1	5310-99-941-8637	· · · WASHER, FLAT, steel, 1in. od, 33/64in. id, 3/32in. thk		4	
37	A 9ACR	5305-99-865-6572	· · · SCREW, SELF-LOCKING, UNF, steel, 1/2in. x 1-1/2in. lg	FV538138	4	
38	A 9ACR	5330-99-881-7635	· · · SEAL, rubber, 92in. lg, 0.63in. h, 0.81in. w	FV585702/1	1	
39	A 9ACR	2590-99-865-6565	· · · PAD, CUSHIONING, foam rubber, 8in. lg x 3.8in. w x 0.62in. thk	FV524772	1	
40	A 9ACR	2590-99-865-6566	· · · PAD, CUSHIONING, foam rubber, 16.7in. lg, 3.8in. wd, 0.62in. thk	FV524773	1	
41	A 9ACR	2590-99-865-6567	· · · PAD, CUSHIONING, foam rubber, 2.6in. lg, 3.8in. w, 0.62in. thk	FV524774	1	
42	A 9ACR	2590-99-865-6568	· · · PAD, CUSHIONING, foam rubber, 13.25in. lg, 3.8in. w, 0.62in. thk	FV524775	1	
43	A 9ACR	5315-99-865-6507	· · · PIN, STRAIGHT HEADLESS, steel, 4.75in. lg, 0.5in. dia	FV421724	2	
44	A G1	5310-99-941-8637	· · · WASHER, FLAT, steel, 1in. od, 33/64in. id, 3/32in. thk		4	
45		NP	· · · PIN, COTTER, SPLIT, steel, phos, 1/8in. x 3/4in. lg		4	
46	A 9ACR	2510-99-804-3485	· · · CATCH, CUPOLA, steel, 4-7/8in. lg	FV611041	1	
47	A 9ACR	2510-99-865-6518	· · · SPRING, HELICAL, TORSION, vehicular hatch door	FV422180	1	
48	A 9ACR	5365-99-865-6517	· · · SPACER, SLEEVE, vehicular hatch door	FV422179	2	
49	A 9ACR	5315-99-137-8940	· · · PIN, STRAIGHT, HEADLESS, steel, 1/2in. x 3-5/32in. lg	FV650333	1	
50	A G1	5310-99-941-8637	· · · WASHER, FLAT, steel, 1in. od, 33/64in. id, 3/32in. thk		2	
51	A G1	5315-99-944-0176	· · · PIN, COTTER, SPLIT, steel, phos, 3/32in. x 7/8in. lg	CPS308	2	
52	A 9ACR	2510-99-804-3541	· · · BUMPER, RUBBER, synthetic, 2in. sq, 1.35in. h	FV611056	1	
53	A 9ACR	5360-99-810-0723	· · · SPRING, HELICAL COMPRESSION, steel, 0.24in. od x 0.75in. free lg	FV650067	2	
54	A 9ACR	2510-99-838-9729	· · · PLUNGER, DETENT, steel, 3/4in. lg, 3/8in. od, 17/64in. id	FV951735	2	
55	A 9ACR	3040-99-809-9954	· · · PLATE, RETAINING SHAFT, steel, 0.60in. w x 1in. lg x 0.064in. thk	FV650065	2	
56	A Z2	5305-99-941-6851	· · · SCREW, MACHINE, BA, steel, csk hd, scr 13/64in. x 1/4in. lg		4	

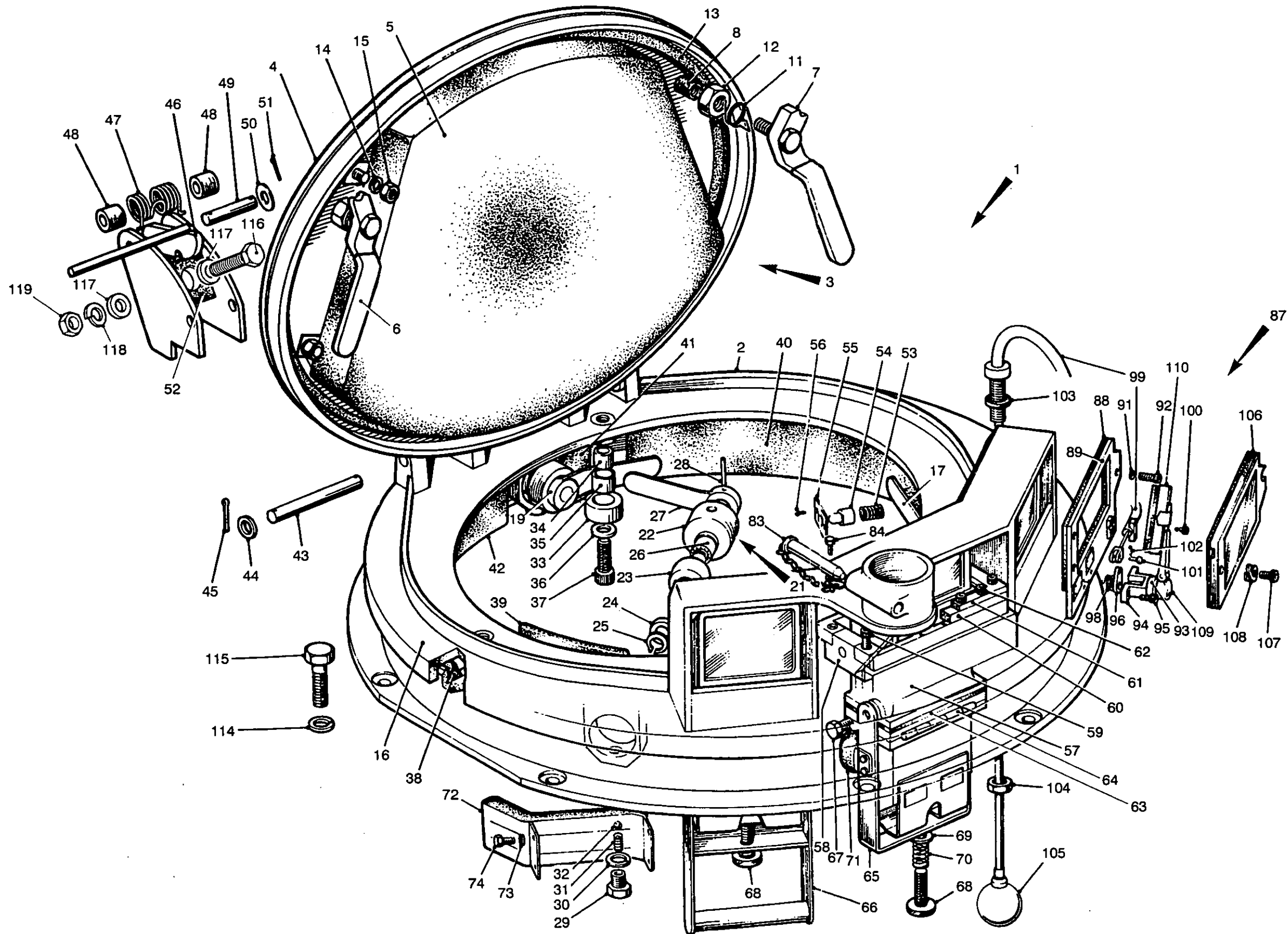


Fig 1 Commander's cupola assembly

430/70210

Fig Item	Man Code Navy - N Army - A RAF - R	NATO Stock No	Item Name and Description	Part No/ Drawing No.	No. Off	Annotations
1-			HULL GA - contd . . . COMMANDERS CUPOLA ASSY - contd			
57	A 9ACR	2510-99-865-6502	. . . HOUSING, PERISCOPE, commanders cupola	FV413797	1	
58	A 9ACR	3040-99-865-6503	. . . BRACKET, EYE ROTATING SHAFT, steel, 1/2in. dia bore, 2.5in. lg o/a x 1in. h x 0.5in. wd, 0.5in. 2 holes drilled and tapped UNF-24, 5/16in.	FV413798	2	
59	A G1	5305-99-999-8973	. . . SCREW, SOCKET HEAD, UNF, 5/16in. thd dia, class 2A thd, 3/4in. lg, steel, Cd plated, flat fillister or knurled hd, 168000 lbf psi		4	
60	A H21	8305-99-802-2201	. . . FELT SHEET, 0.33g/cc, 5mm thk, grey	FV413800	1	
61	A 9ACR	2510-99-865-6504	. . . COVER, periscope housing	FV413799	1	
62	A G1	5305-99-941-8855	. . . SCREW, SOCKET HEAD, steel, UNF, 1/4in. UNF, 5/8in. lg		14	
63	A 4V5	5330-99-200-9379	. . . GASKET, syn rubber, 5.531in. lg, 2.875in. w, 0.188in. thk	FV462304	3	
64	A V5	6650-99-200-9369	. . . PERISCOPE, ARMOURD VEHICLE, No. 32 Mk 1	FV462301	3	See Fig 2
65	A 9ACR	2510-99-865-6530	. . . BRACKET, DOUBLE ANGLE, commanders cupola periscope centre	FV485680	1	
66	A 9ACR	2510-99-865-6529	. . . BRACKET, DOUBLE ANGLE, commanders cupola periscope outer	FV485669	2	
67	A 9ACR	5306-99-865-6531	. . . BOLT, SHOULDERED, UNF, steel, hex hd, periscope brackets	FV485834	5	
68	A 9ACR	5305-99-865-6505	. . . THUMBSCREW, steel, 0.5in. - 20UNF, 2.062in. lg thd, 2.25in. o/a lg	FV413804	3	
69		NP	. . . WASHER, FLAT, steel, 1in. od, 33/64in. id, 3/32in. thk		3	
70	A 9ACR	5360-99-865-6570	. . . SPRING, HELICAL, COMPRESSION, periscope clamp thumbscrew	FV524984	3	
71	A 9ACR	1240-99-865-6563	. . . HEADREST, foam rubber pad, 6.4in. lg, x 2in. wd x 0.5in. thk, 6.6in. lg o/a x 2in. wd x 1.39in. h x 0.128in. thk 4 holes	FV524757	1	
72	A 9ACR	1240-99-865-6564	. . . HEADREST, foam rubber pad, Z shape 8in. lg o/a, 0.5in. thk, 0.128(10swg) thk, x 2in. wd, 2 legs 1.75in. lg, 6.5in. 4 holes 9/32in. d	FV524759	2	
73	A G1	5310-99-941-6654	. . . WASHER, LOCK, steel, split helical ring, 1/4in. nom bolt size, 27/64in. od, 5/64in.		12	
74	A G1	5305-99-941-6284	. . . SCREW, MACHINE, UNF, 1/4in. dia, class 2A thd, 1/2in. lg, steel, Zn plated, hex hd		12	
NI 75	A 9ACR	2590-99-802-6464	. . . PLATE PERISCOPE RETAINER, steel, 3-3/8in. lg, 1-3/4in. wd, 1/8in. thk, two of 1/4in. UNF mtg pads	FV602784	1	} Securing periscope
NI 76	A G1	5305-99-941-0512	. . . SCREW, MACHINE, UNF, 1/4in. class 2A thd, 5/8in. lg, steel, Zn plated, hex hd		2	
NI 77	A G1	5310-99-120-4032	. . . WASHER, FLAT, steel, zinc coated, 1/4in.		2	
NI 78	A G1	5310-99-941-6654	. . . WASHER, LOCK, steel, single coil, Cd P, 1/4in.		2	

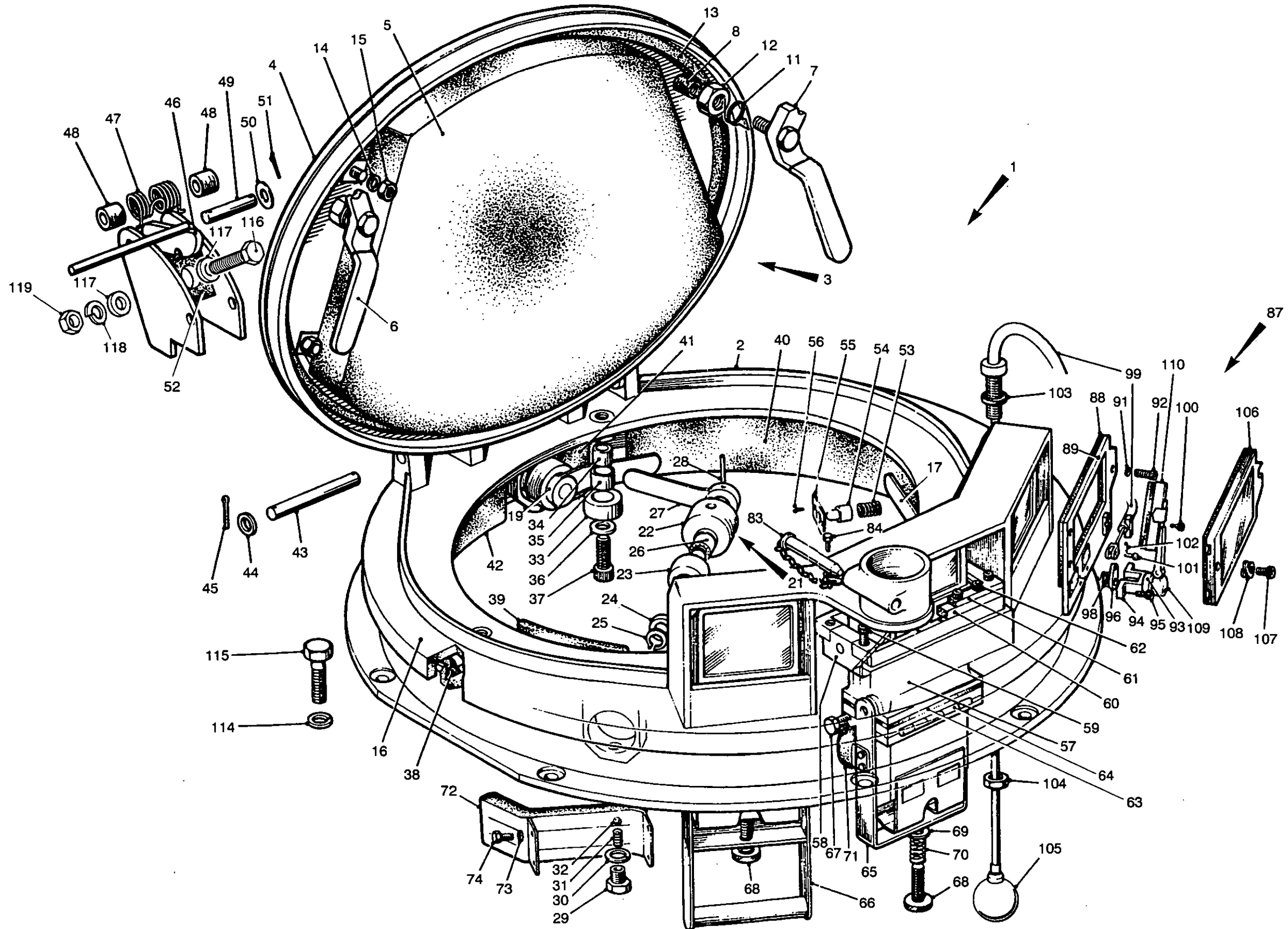


Fig 1 Commander's cupola assembly

430/70210

Fig Item	Man Code Navy - N Army - A RAF - R	NATO Stock No	Item Name and Description	Part No/ Drawing No.	No. Off	Annotations
1-			HULL GA - contd . COMMANDERS CUPOLA ASSY - contd			
NI 79	A 9ACR	9905-99-802-6465	. . . PLATE, INDICATOR DETENT, steel, 3-1/2in. lg, 2-9/16in. wd, 1/8in. thk	FV602787	1	Adjusting periscope
NI 80	A 9ACR	5306-99-802-7062	. . . BOLT, SHOULDER, UNF, steel, 3/4in. x 1.05in. lg	FV602788	1	
NI 81	A G1	5310-99-941-6632	. . . WASHER, LOCK, steel, 39/64in. hole dia, 1/16in. matt thk, 1-1/64in. od		1	
NI 82	A G1	5310-99-941-8580	. . . WASHER, FLAT, steel, 1-1/8in. od, 5/8in. id, 7/64in. thk		2	
83	A 9ACR	5340-99-865-6520	. . . PIN, QUICK RELEASE, MG mtg	FV422190	1	Quick release pin
84	A G1	5305-99-941-0279	. . . SCREW, MACHINE, UNF, S steel, 1/4in. x 7/8in. lg		1	
NI 85	A G1	5310-99-941-6654	. . . WASHER, LOCK, steel, single coil, Cd P, 1/4in.		1	
NI 86	A G1	5310-99-804-7941	. . . NUT, PLAIN, HEXAGON, UNF, steel, zinc coated, 1/4in. x 7/16in. w x 7/32in. o/a		1	
87		NP	. . . WIPER, SIGHT, AFV, No. 17	FV526633	1	
88	A 9ACR	5330-99-867-2697	. . . GASKET, wiper sight window	FV526635	1	
89	A 9ACR	2540-99-867-2702	. . . PLATE, wiper sight, No. 17	FV572313	1	
NI 90	A 6MT1	3120-99-200-2420	. . . BEARING, SLEEVE, 1/4in. id x 3/8in. od x 1/4in. lg	CT172	1	
91	A G1	5310-99-101-7838	. . . WASHER, FLAT, steel, zinc coated 0.265in. id, 0.620in. od, 0.056in. thk		3	
92	A G1	5305-99-941-9997	. . . SCREW, SOCKET HEAD, UNF, x steel, zinc coated, 1/4in. x 1in. lg		3	
93	A 9ACR	2540-99-802-2110	. . . SPINDLE ASSEMBLY, steel, 0.373in. od, 1.987in. lg	FV602619	1	
94	A 9ACR	2540-99-802-2109	. . . BRACKET, spindle, wiper sight, AFV No. 17	FV602632	1	
95	A G1	5305-99-127-9450	. . . SCREW, CAP, SOCKET HEAD, UNF, steel, flat fil. hd, Cd P, No. 10 x 1/2in. lg		2	
96	A 9ACR	3040-99-867-2699	. . . LEVER, remote control	FV526639	1	
NI 97	A G1	5315-99-942-0813	. . . PIN, TAPER, SOLID, steel, phos, 3/32in. x 3/4in. lg		1	
98	A 9ACR	5360-99-867-2703	. . . SPRING, HELICAL, TORSION, 3-1/2 coils, lh wound, wiper sight	FV572325	1	
99	A 9ACR	2590-99-867-2694	. . . CABLE ASSEMBLY, control	FV526649	1	
100	A Z2	5305-99-101-8548	. . . SCREW, SOCKET HEAD, UNF, steel, No. 10 x 1-1/4in. lg		2	Cable Clamp to mounting plate
101	A 9ACR	5315-99-867-2700	. . . PIN, STRAIGHT HEADED, steel, Cd P, 0.1875in. max dia, 0.634in. under hd lg, flat hd, 0.375in. hd dia, 0.06in. h, 0.062in. hole dia	FV526637	1	Cable to lever
102		NP	. . . PIN, COTTER, SPLIT, steel, phos, 3/64in. x 3/8in. lg		1	
103	A 6MT1	5330-99-943-6628	. . . GASKET, rubber, 18.62mm min, 18.88mm max od, 16.38mm min, 16.64mm max app dia	11242	1	
104	A G1	5310-99-941-0908	. . . NUT, PLAIN, HEXAGON, UNF, steel, zinc coated, 5/8in.		1	
105	A 9ACR	5355-99-867-2695	. . . KNOB, syn rubber body, int thd 5/16- 24 thd, 0.7in. lg, 1.5in. thk, 1.5in. od	FV572332	1	

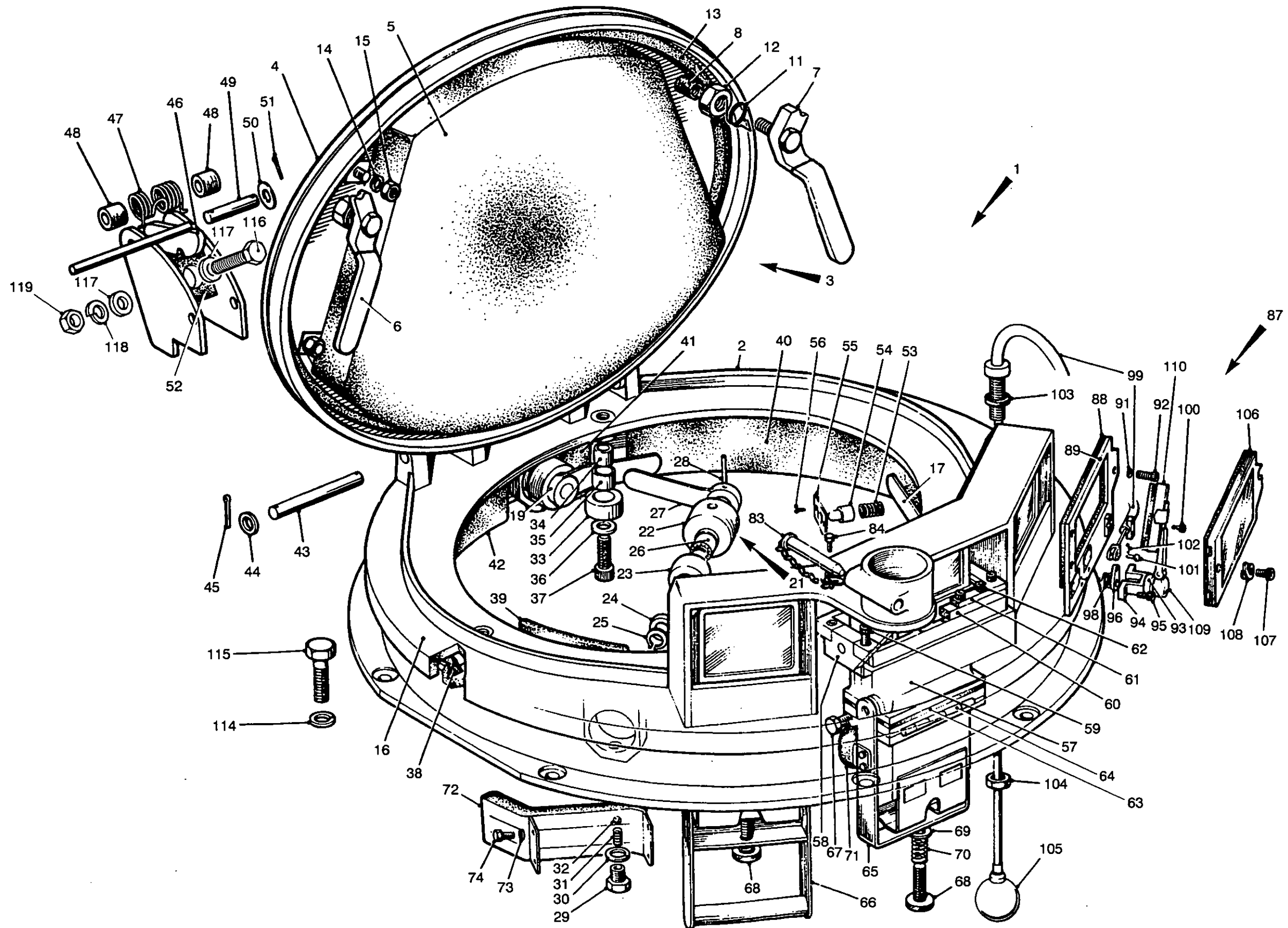


Fig 1 Commander's cupola assembly

430/70210

Fig Item	Man Code Navy - N Army - A RAF - R	NATO Stock No	Item Name and Description	Part No/ Drawing No.	No. Off	Annotations
1-			HULL GA - contd . . . COMMANDERS CUPOLA ASSY - contd . . . WIPER, SIGHT, AFV, No. 17 - contd			
106	A 9ACR	2540-99-867-2696	. . . WINDOW ASSEMBLY, wiper sight AFV No. 17	FV572323	1	
107	A G1	5305-99-941-8855	. . . SCREW, SOCKET HEAD UNF, x steel, zinc coated, 1/4in. x 5/8in. lg		2	
108	A G1	5310-99-941-6627	. . . WASHER, LOCK, steel, double coil, zinc coated, 1/4in.		2	
109	A 9ACR	2540-99-802-2111	. . . ARM ASSEMBLY, WINDSCREEN WIPER, 6in. approx o/a lg, c/w blade	FV602617	1	
110	A 6MT3	2540-99-881-9161 BLADE, WINDSCREEN WIPER, rubber insert, non-replaceable 3-7/32in. lg	FV397341	1	
NI 111	A G1	5305-99-941-0567	. . . SCREW, MACHINE, UNF, S steel, 1/2in. x 1-1/8in. lg		1	} Securing item 99
NI 112	A G1	5310-99-944-0552	. . . WASHER, LOCK, steel, Cd P, 1/2in. x 0.763in. od, 0.116in. thk, split helical ring		1	
NI 113	A G1	5310-99-941-8637	. . . WASHER, FLAT, steel, 1in. od, 33/64in. id, 3/32in. thk		1	
114	A G1	5310-99-944-0552	. . . WASHER, LOCK, steel, Cd plated, 1/2in. x 0.763in. od, 0.116in. thk, split helical ring		8	
115	A G1	5306-99-941-6282	. . . BOLT, MACHINE, UNF, 1/2in. x 1-1/4in. thd lg, class 2A thd, 2in. fastener lg, Zn plated, hex hd, 55 ton/sq in. min TS		8	
116	A G1	5305-99-941-0543	. . . SCREW, MACHINE, UNF, steel, hex hd, zinc coated, 3/8in. x 1-1/4in. lg		1	
117	A G1	5310-99-941-8635	. . . WASHER, FLAT, steel, zinc coated, 3/8in.		2	
118	A G1	5310-99-941-6656	. . . WASHER, LOCK, steel, split helical ring, 3/8in. nom bolt size, 0.092in. thk, 0.590in. od	BS1802	1	
119	A G1	5310-99-941-0926	. . . NUT, PLAIN, HEXAGON, UNF, steel, zinc coated, 3/8in.		1	
NI 120	A G2	9515-99-960-9369	. . . SHIM, steel, 1.9in. sq, 16 SWG w/central, 7/16in. hole	FV510734	A/R	
NI 121	A G2	9515-99-960-9365	. . . SHIM, steel, 1.9in. sq, 24 SWG w/central, 7/16in. hole	FV611057	A/R	
NI 122	A 4	1005-99-802-2614	MOUNTING, 7.62mm MACHINE GUN, No.3 Mk 1	FV589440	1	See Fig 3

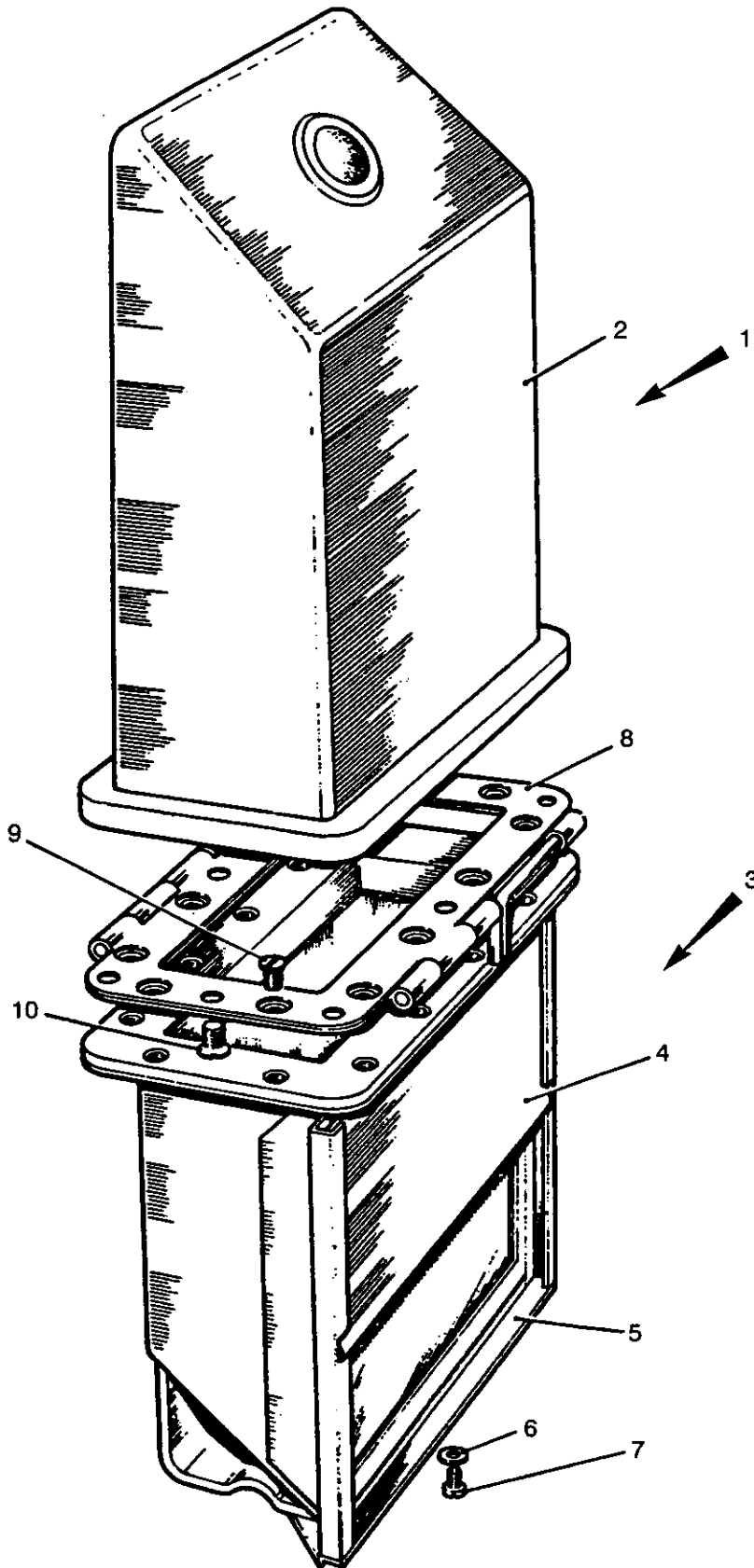


Fig 2 Periscope armoured vehicle, No. 32 Mk 1

430/70143

Fig Item	Man Code Navy - N Army - A RAF - R	NATO Stock No	Item Name and Description	Part No/ Drawing No.	No. Off	Annotations
2-			HULL GA - contd COMMANDERS CUPOLA ASSY - contd			
1	A V5	6650-99-200-9369	PERISCOPE, ARMoured VEHICLE, No. 32 Mk 1, commanders cupola	FV462301	REF	
2	A 4V5	6650-99-200-9374	PRISM, OPTICAL INSTRUMENT MOUNTED, upper	FV462302	1	
3	A 4V5	6650-99-200-9375	PRISM, OPTICAL INSTRUMENT MOUNTED, lower	FV462305	1	
4	A 4V5	6650-99-200-9376	SHUTTER, ARMoured VEHICLE PERISCOPE	FV462308	1	
5	A 4V5	6650-99-200-9377	STOP, PERISCOPE SHUTTER	FV462307	1	
6	A G1	5310-99-941-6641	WASHER, LOCK, steel, single coil, sq sect, Cd P, No. 6 BA		4	
7	A G1	5305-99-120-2007	SCREW, MACHINE, BA, steel, flat fil. hd, Cd P, No 6 x 3/16in.		4	
8	A G1	6650-99-200-9378	HINGE, ARMoured, VEHICLE PERISCOPE	FV462311	1	
9	A G1	5305-99-121-1421	SCREW, MACHINE, BA, MS, Cd P, No. 4 x 3/16in.		12	
10	A G1	5305-99-101-1501	SCREW, MACHINE, BA, MS, Cd P, No. 2 x 1/4in.		8	

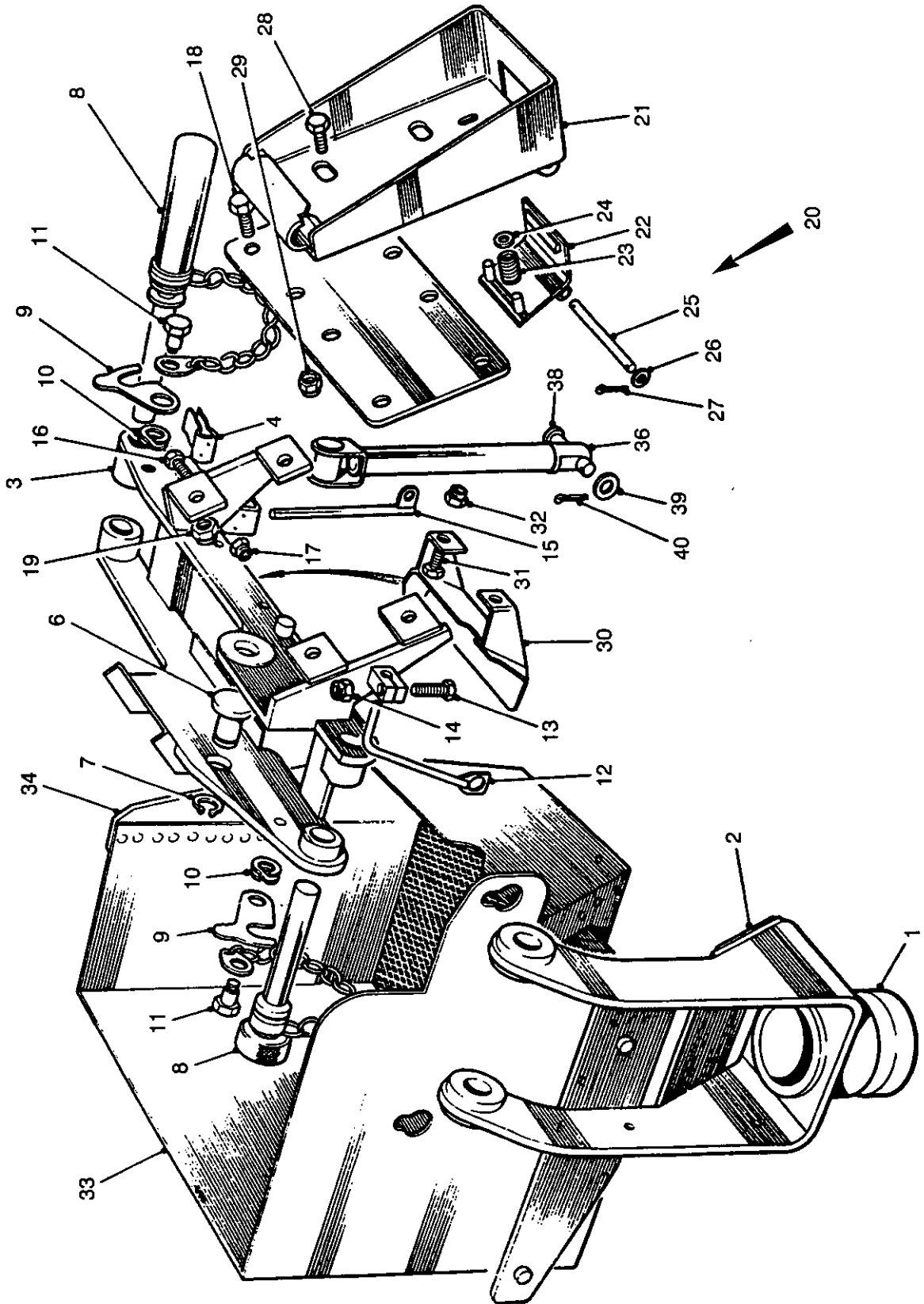


Fig 3 Mounting, 7.62mm machine gun, No.3 Mk 1

430/70146

Fig Item	Man Code Navy - N Army - A RAF - R	NATO Stock No	Item Name and Description	Part No/ Drawing No.	No. Off	Annotations
3-	A 4	1005-99-802-2614	MOUNTING, 7.62mm MACHINE GUN, No.3, Mk 1, CES 31006	FV589440	REF	
1	A 9ACR	1005-99-804-4825	SADDLE, MACHINE GUN MOUNT, 7.62mm, GPMG mount	FV566876	1	
2	A 4	1005-99-804-4829	PAD, SADDLE, rubber, 2-3/8in. w x 3-3/4in. lg x 1/16in. thk	FV566887	1	
3	A 4	1005-99-804-4822	CRADLE, MACHINE GUN MOUNT, 7.62mm GPMG	FV593109	1	
4	A 9ACR	5340-99-804-4823	CLIP, SPRING TENSION, spring steel, 16 swg, 0.69in. lg, 0.69in. wd, 1-1/8in. o/a h, 2 hole fixing	FV593120	1	
NI 5		NP	RIVET, SOLID, steel, csk hd, 1/8in. x 1/2in.		2	Spring clip
6	A 9ACR	5315-99-804-4880	PIN, GROOVED, HEADED, steel, phos coated, flat hd, 0.945in. under hd lg, 0.56in. dia, 0.875in. hd dia, 0.125in. h, 0.772in. grip lg	FV593115	2	
7	A 6MT1	5365-99-815-8747	RING, RETAINING, steel, ext, 9/16in. id	DIN1400-14	2	
8	A 4	1005-99-804-4827	PIN, LOCKING, MACHINE GUN, c/w security chain, front	FV594225	1	
9	A 9ACR	1005-99-804-4876	RETAINER, LOCKING PIN	FV594238	2	
10	A G1	5310-99-941-6678	WASHER, LOCK, phos B, double coil, rect section 5/16in.		2	
11	A 4	5306-99-812-8511	BOLT, SHOULDER, UNF, steel, phosphated, 1/4in.	FV337673	2	
12	A 4	1005-99-804-4877	FORESIGHT, 7.62mm GPMG MOUNT	FV492394	1	
13	A G1	5305-99-941-0279	SCREW, MACHINE, UNF, S, steel, hex hd, zinc coated 1/4in. x 7/8in.		1	
14	A G1	5310-99-941-3520	NUT, SELF-LOCKING, HEXAGON, UNF, steel, all metal, zinc coated, 1/4in.		1	
15	A 4	1005-99-804-4878	SIGHT, REAR, 7.62mm GPMG Mount	FV487180	1	
16	A G1	5306-99-941-6614	BOLT, MACHINE, UNF, S, steel, hex hd, zinc coated 1/4in. x 1-1/4in.		1	
17	A G1	5310-99-941-3520	NUT, SELF-LOCKING, HEXAGON, UNF, steel, all metal, zinc coated 1/4in.		1	
18	A G1	5305-99-941-0525	SCREW, MACHINE, UNF, S, steel, hex hd, zinc coated 5/16in. x 3/4in.		4	
19	A G1	5310-99-122-6722	NUT, SELF-LOCKING, HEXAGON, UNF, steel, Cd plated, 5/16in.		4	
20	A 4	1005-99-804-4881	BRACKET ASSEMBLY, ammunition feed	FV557746	1	
21	A 9AHY	1005-99-801-0254	BRACKET, MOUNTING, steel, 6.85in. o/a lg. 3.35in. o/a wd	FV577181	1	
22	A 9AHY	1005-99-867-4912	HINGE ASSEMBLY, SAA feed box	FV557748	1	
23	A 9AHY	5340-99-867-4913	SPRING, HELICAL COMPRESSION, steel, 0.175in. dia x 0.630in. free lg		2	
24	A Z2	5310-99-946-5182	WASHER, FLAT, steel, Cd plated, No. 4 BA		2	
25	A 9AHY	5315-99-867-4914	PIN, STRAIGHT, HEADLESS, steel, 5/32in. x 2-5/16in. lg	FV557750	1	
26	A G1	5310-99-941-6867	WASHER, FLAT, steel, Cd plated, No. 2 BA	FV557746/17	2	
27	A G1	5315-99-138-2199	PIN, COTTER, SPLIT, steel, phosphated 3/64in. x 1/2in.	21132-9-097	2	

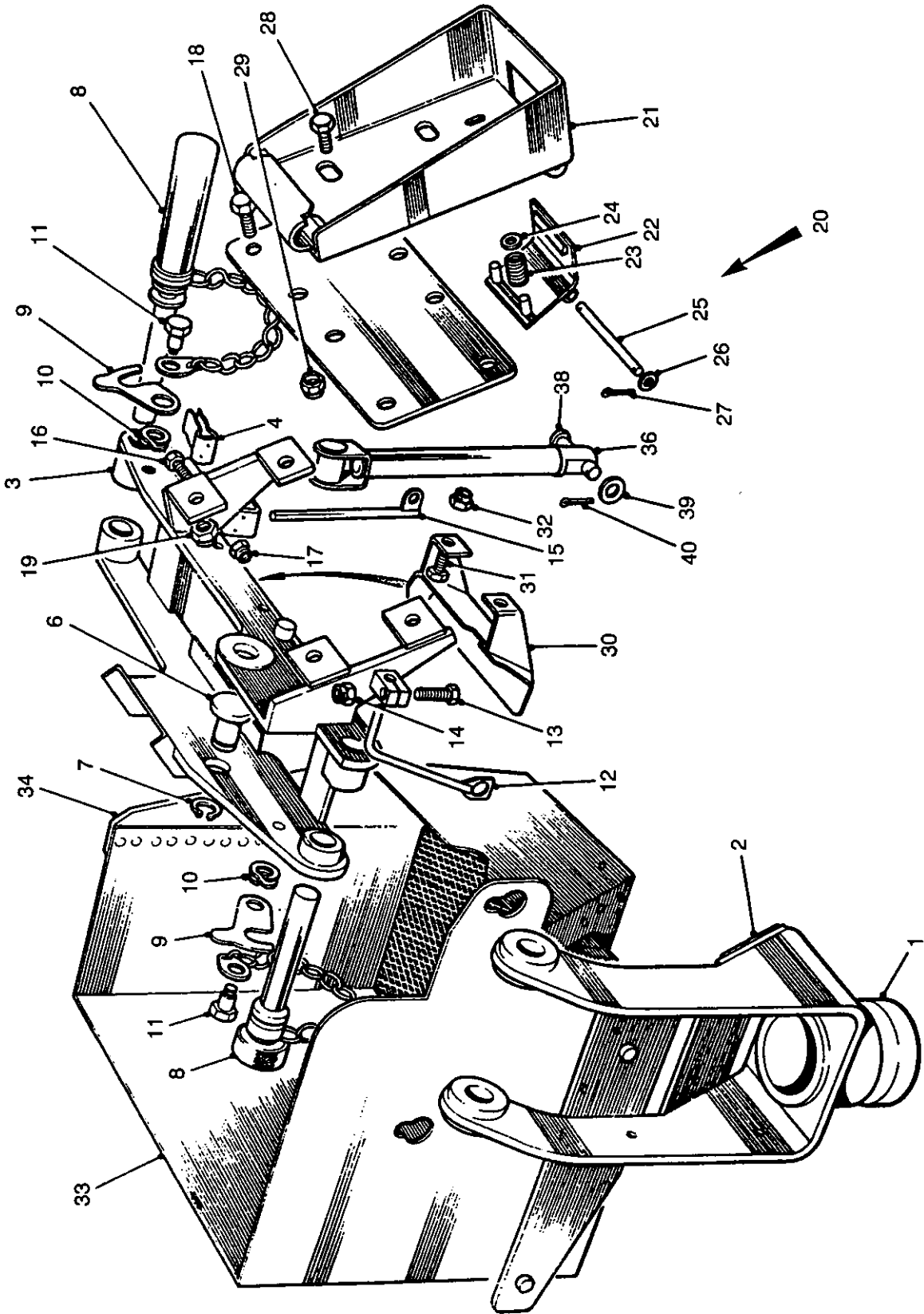


Fig 3 Mounting, 7.62mm machine gun, No.3 Mk 1

430/70146

Fig Item	Man Code Navy - N Army - A RAF - R	NATO Stock No	Item Name and Description	Part No/ Drawing No.	No. Off	Annotations
3-			MOUNTING, 7.62mm MACHINE GUN, No.3, Mk 1, CES 31006 - contd			
28	A G1	5305-99-941-0512	. SCREW, MACHINE, UNF, S steel, hex hd, zinc coated		4	
29	A G1	5310-99-941-3520	. NUT, SELF-LOCKING, HEXAGON, UNF, steel, all metal, zinc coated		4	
30	A 9ACR	1005-99-804-4874	. DEFLECTOR, SPENT CARTRIDGE, 7.62mm ammunition	FV589438	1	
31	A G1	5305-99-120-0941	. SCREW, MACHINE, UNF, steel, hex hd, zinc coated, No. 10 x 5/8in.		2	
32	A G1	5310-99-970-6320	. NUT, SELF-LOCKING, HEXAGON, UNF, steel, all metal Cd plated, No. 10		2	
33	A G1	1005-99-804-4824	. BIN, SPENT CARTRIDGE, 7.62mm ammunition	FV566868	1	
34	A 9ACR	1005-99-804-4828	. PAD, SPENT CARTRIDGE BIN, rubber, 5-3/16in. w x 5-5/16in. lg x 3/16in. thk	FV566872	1	
NI 35		NP	. RIVET, SOLID, copper, boss hd, 3/32in. x 1/2in.		17	
36	A 9ACR	1005-99-804-4875	. STAY, TRAVEL LOCK, 7.62mm GPMG mount	FV566880	1	
NI 37	A G1	5310-99-956-1786	. WASHER, FLAT, steel, 5/16in. thk, 5/8in. od, round		1	Stay bracket to stay arm
38	A 4	5315-99-804-4879	. PIN, STRAIGHT HEADED, steel, 5/16in. dia x 1-3/8in. lg	FV594223	1	
39	A G1	5310-99-956-1786	. WASHER, FLAT, steel, zinc coated, 5/16in.		1	
40	A G1	5315-99-138-2201	. PIN, COTTER, SPLIT	0009830407	1	
NI 41	A 9CVT	1005-99-803-5295	. COVER, MACHINE GUN	FV600148	1	
NI 42	A G1	5325-99-948-9257	. CAP, SNAP FASTENER, br, 5/32in. dia x 19/64in lg	670	4	
NI 43	A G1	5325-99-948-9258	. SOCKET, SNAP FASTENER, br, 9/16in. dia x 5/32in. lg	548	4	Machine gun cover
NI 44	A G1	5325-99-948-9259	. STUD, SNAP FASTENER, br, 13/32in. dia x 11/64in. o/a h	GJ40055-000000	4	
NI 45	A G1	5325-99-465-8794	. EYELET, br, 5/32in. dia x 9/32in. lg	GJ40055-00-00A	4	

Chapter 2-1-3
PARTS LIST
CREW HATCH ASSEMBLY

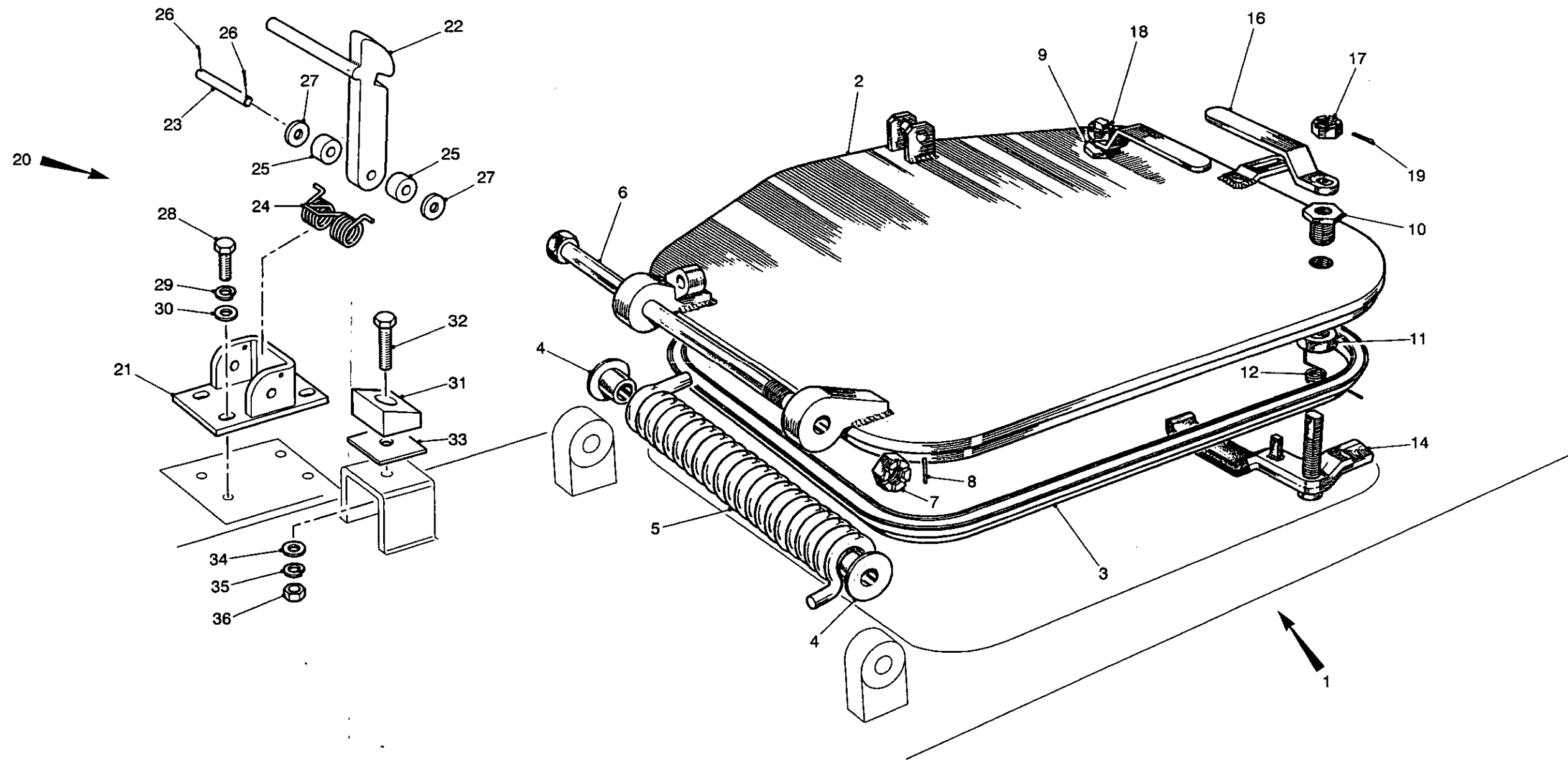


Fig 1 Roof doors general arrangement

Fig Item	Man Code Navy - N Army - A RAF - R	NATO Stock No	Item Name and Description	Part No/ Drawing No.	No. Off	Annotations
1-			HULL GA - contd			
1		NP	. CREW HATCH ASSEMBLY	FV563356	REF	
2	A	9ACR 2510-99-804-3544	. . . DOOR, HATCH VEHICLE	FV563357	1	
3	A	9ACR 9390-99-805-8387	. . . SEAL, NON-METALLIC SPECIAL SHAPED SECTION, Linatex and sponge, 0.8009n. w, 0.700in. h	FV421602/5	1	
4	A	9ACR 3120-99-865-6514	. . . BUSHING, SLEEVE, screw, hatch	FV421823	2	
5	A	9ACR 5340-99-804-3543	. . . SPRING, HELICAL, TORSION, steel, 11.75in. free lg, 21 coils	FV510287	1	
6	A	9ACR 5306-99-865-6513	. . . BOLT, MACHINE, UNF, steel, hex hd	FV421822	1	
7	A	G1 5310-99-941-0865	. . . NUT, PLAIN, SLOTTED, HEXAGON, UNF, chamfered bearing surface, Zn plated, 3/4in. thd dia, 1-1/8in. w A/F, 13/16in. h, grade 3 nut	BS1768	1	
8	A	G1 5315-99-138-2211	. . . PIN, COTTER, SPLIT, steel, phosphated, 50mm lg, 4mm dia		1	
9		NP	. . . INSERT, screw thd, brass, hex hd	FV421443	1	LH thread
10		NP	. . . INSERT, screw thd, brass, hex hd	FV421484	1	RH thread
11	A	G1 5310-99-941-0910	. . . NUT, PLAIN, HEXAGON, UNF, 7/8in. thd dia, class 2B thd, steel, Zn plated, 1-5/16in. w A/F, 31/64in. h; chamfered bearing surface, grade 1 nut	BS1768	2	
12	A	9ACR 5360-99-865-6987	. . . SPRING, HELICAL, TORSION, 3 coils lh wound	FV485528	1	
NI 13	A	9ACR 5360-99-865-6988	. . . SPRING, HELICAL, TORSION, 3 coils rh wound	FV485529	1	
14	A	9ACR 2510-99-804-3545	. . . LEVER, LOCKING, HAND, steel, 7-3/4in. lg, lh thd	FV563358	1	
NI 15	A	9ACR 2510-99-804-3546	. . . LEVER, LOCKING, HAND, steel, 7-3/4in. lg, rh thd	FV563359	1	
16	A	9ACR 2510-99-700-4895	. . . HANDLE, 1in. w, 6in. lg, 1/4in. thk, steel, phosphate finish, green	FV421451	2	
17		NP	. . . NUT, SLOTTED, HEXAGON, UNC, 5/8in. lh	FV480251	1	
18		NP	. . . NUT, SLOTTED, HEXAGON, UNC, A steel, chamfered, zinc coated, 5/8in.		1	
19	A	G1 5315-99-138-2209	. . . PIN, COTTER, SPLIT, steel, phosphate finish, 3.2mm dia, 32mm lg		2	
20		NP	. . . CATCH, ASSEMBLY, crew hatch	FV611544	1	
21	A	9ACR 2510-99-804-3548	. . . CATCH BRACKET, HATCH, 4-3/16in. lg, 2-5/8in. w, 1-7/8in. h	FV563368	1	
22	A	9ACR 2510-99-804-3547	. . . CATCH, HATCH, steel, 4-3/8in. lg	FV563367	1	
23	A	9ACR 5315-99-137-8940	. . . PIN, STRAIGHT, HEADLESS, steel, phosphate coated, 3-5/32in. o/a lg, 1/2in. o/a dia	FV650333	1	
24	A	9ACR 2510-99-865-6518	. . . SPRING, HELICAL, TORSION, vehicular hatch door	FV422180	1	
25	A	9ACR 5365-99-865-6517	. . . SPACER, SLEEVE, crew hatch catch	FV422179	2	
26	A	G1 5315-99-138-2205	. . . PIN, COTTER, SPLIT, steel, phosphate finish, 2.5mm dia, 25mm lg		2	
27		NP	. . . WASHER, FLAT, 1/2in. dia x 13 SWG		2	
28	A	G1 5305-99-941-0524	. . . SCREW, MACHINE, UNF, R steel, hex hd, zinc coated, 5/16in. x 5/8in.		4	
29	A	G1 5310-99-944-0549	. . . WASHER, LOCK, steel, single coil, sq sect, cadmium plated, 5/16in.		4	
30	A	G1 5310-99-941-8386	. . . WASHER, FLAT, steel, rd, zinc coated, 0.333/0.328in. id x 0.625/0.620in. od x 0.072in. thk		4	
31		NP	. . . BUMPER, RUBBER, vehicular hatch door	FV524599	1	

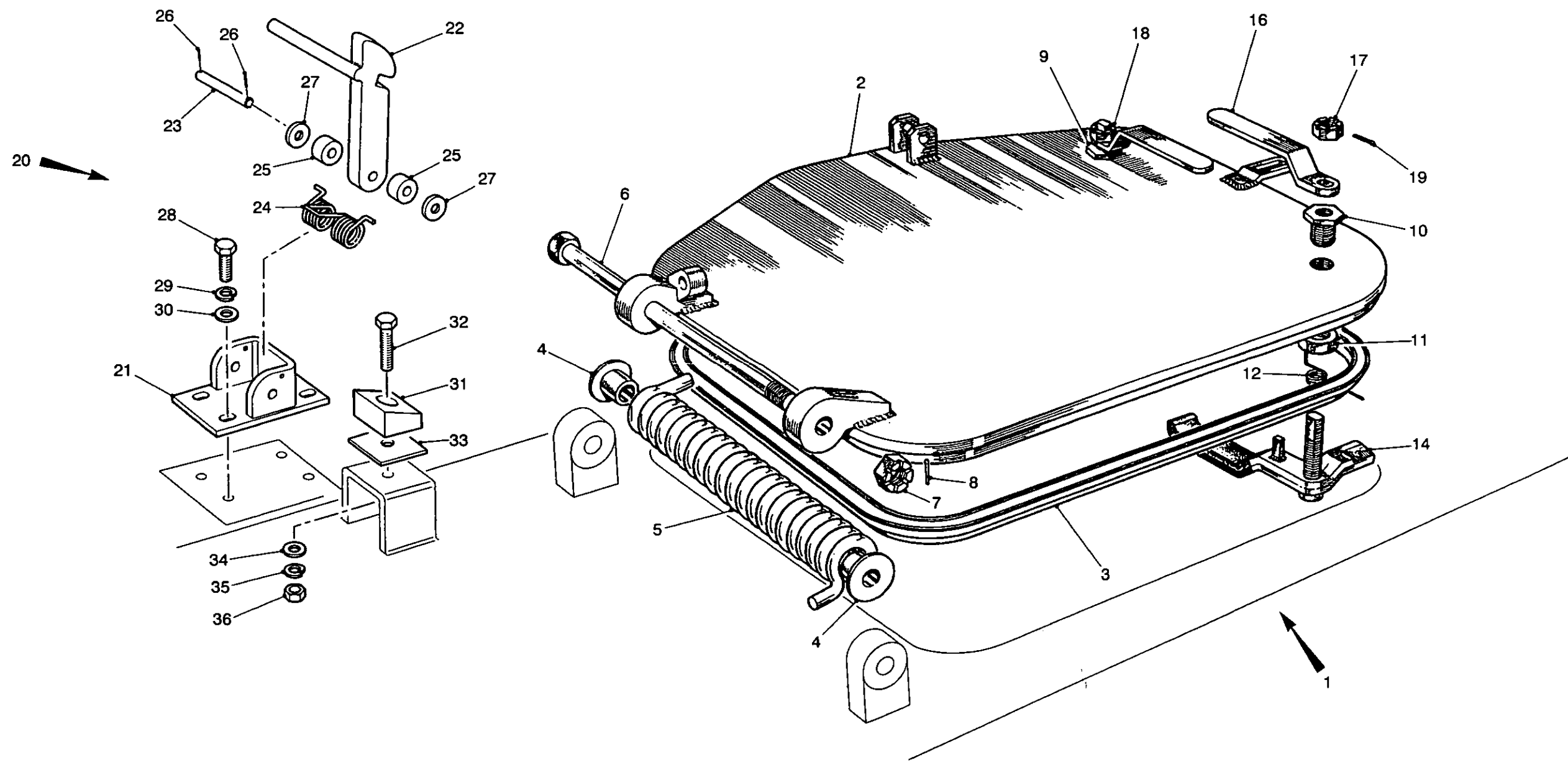


Fig 1 Roof doors general arrangement

430/70211

Fig Item	Man Code Navy - N Army - A RAF - R	NATO Stock No	Item Name and Description	Part No/ Drawing No.	No. Off	Annotations
1-			HULL GA - contd . CREW HATCH ASSEMBLY - contd			
32	A G1	5305-99-941-0542	. . SCREW, MACHINE, UNF, 3/8in. -24, class 2A thd, 1-1/8in. lg, steel, Zn plated, hex hd	BS1768- TABLE 1 3/8 UNF X 1-1/8	1	
33		NP	. . SHIM, steel, 2in. sq, 10 SWG w/central 7/16in. dia hole	FV562868	A/R	
33(1)		NP	. . SHIM, steel, 2in. sq, 16 SWG w/central 7/16in. dia hole	FV559779	A/R	
34	A G1	5310-99-941-8635	. . WASHER, FLAT, steel, Zn plated, rd shape, 3.4in. od, rd hole, 25/64in. nom bolt size, 0.072in. (15 SWG) thk	BS3410	2	
35	A G1	5310-99-941-6656	. . WASHER, LOCK, steel, split helical ring, 3/8in. nom bolt size, 0.092in. thk, 0.590in. od, single coil, square section	BS1802	1	
36	A G1	5310-99-941-0926	. . NUT, PLAIN, HEXAGON, UNF, steel, chamfered bearing surface, Zn plated, 3/8in. -24, 0.563in. w A/F, 0.333in. o/a h, grade 3 nut	BS1768	1	

Chapter 2-1-4

PARTS LIST

REAR DOOR ASSEMBLY, STOWAGE ACCESS

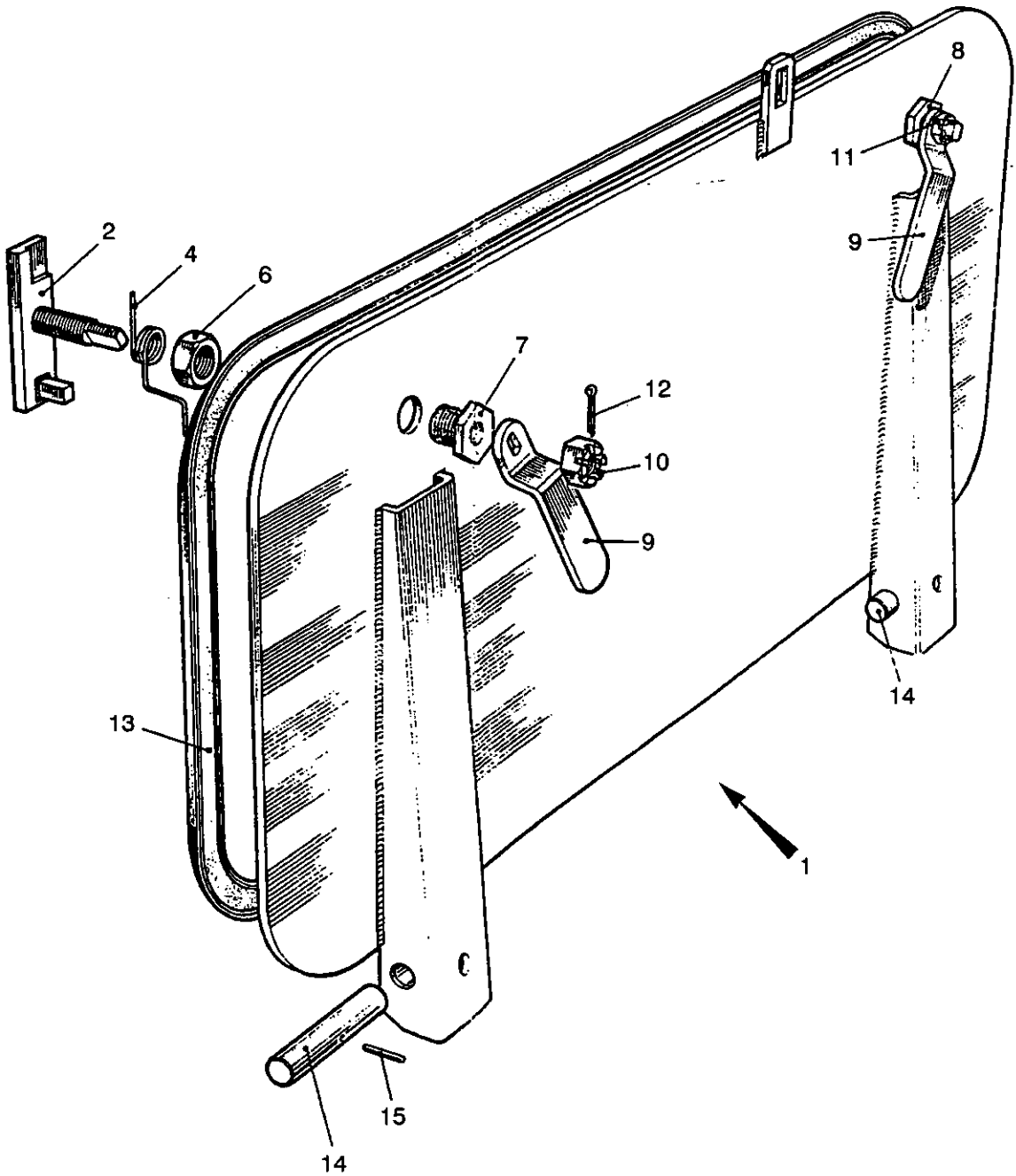


Fig 1 Rear door assembly, storage access

430/70212

Fig Item	Man Code Navy - N Army - A RAF - R	NATO Stock No	Item Name and Description	Part No/ Drawing No.	No. Off	Annotations
1-			HULL GA - contd			
1	A	9ACR	5340-99-804-4701 . DOOR, ACCESS STOWAGE, rear compartment assembly	FV509885	REF	
2	A	9ACR	2510-99-804-5078 . . LATCH, SPINDLE, LH	FV510211	1	
NI 3	A	9ACR	2510-99-804-4850 . . LATCH, SPINDLE, RH	FV510212	1	
4	A	9ACR	5360-99-865-6987 . . SPRING, HELICAL, TORSION, spring, steel, 3 coils, 16 SWG, rh wound	FV485528	1	
NI 5	A	9ACR	5360-99-865-6988 . . SPRING, HELICAL, TORSION, spring, steel, 3 coils 16 SWG, lh wound	FV485529	1	
6	A	G1	5310-99-941-0910 . . NUT, PLAIN, HEXAGON, UNF, 7/8in. thd dia, class 2B thd, rh thd, steel, Zn plated, 1-5/16in. w A/F, 31/64in. h, chamfered bearing surface, grade 1 nut	BS1768	2	
7		NP	. . SCREWED BUSH, LH	FV421484	1	
8		NP	. . SCREWED BUSH, RH	FV421443	1	
9	A	9ACR	2510-99-700-4895 . . HANDLE, steel, phosphate finish, 6.1in. lg, 1in. w, 1in. h, green outer, 0.25in. matl thk	FV421451	2	
10		NP	. . NUT, SLOTTED, HEXAGON, LH, 5/8in. UNC		1	
11		NP	. . NUT, SLOTTED, HEXAGON, RH, 5/8in. UNC	NTS5/8	1	
12	A	G1	5315-99-138-2209 . . PIN, COTTER, SPLIT, steel, phosphate finish, 3.20mm dia, 32mm lg	BS1574	2	
13	A	9ACR	9390-99-805-8387 . . LINTEX SEAL, NON-METALLIC SPECIAL SHAPED SECTION, 103.5in. lg, Linatex and sponge, 0.80in. w, 0.70in. h, 5m lg bulk supply	FV421602/14	1	
14	A	9ACR	5315-99-804-4702 . . PIN, STRAIGHT, HEADLESS, steel, phosphate coated, 4in. lg, 3/4in. dia	FV510210	2	
15		NP	. . PIN, GROOVED, HEADLESS, 3/16in. dia by 1-3/8in. lg	316GP1	2	

Chapter 2-1-5
PARTS LIST
ENGINE COMPARTMENT ROOF ASSEMBLY

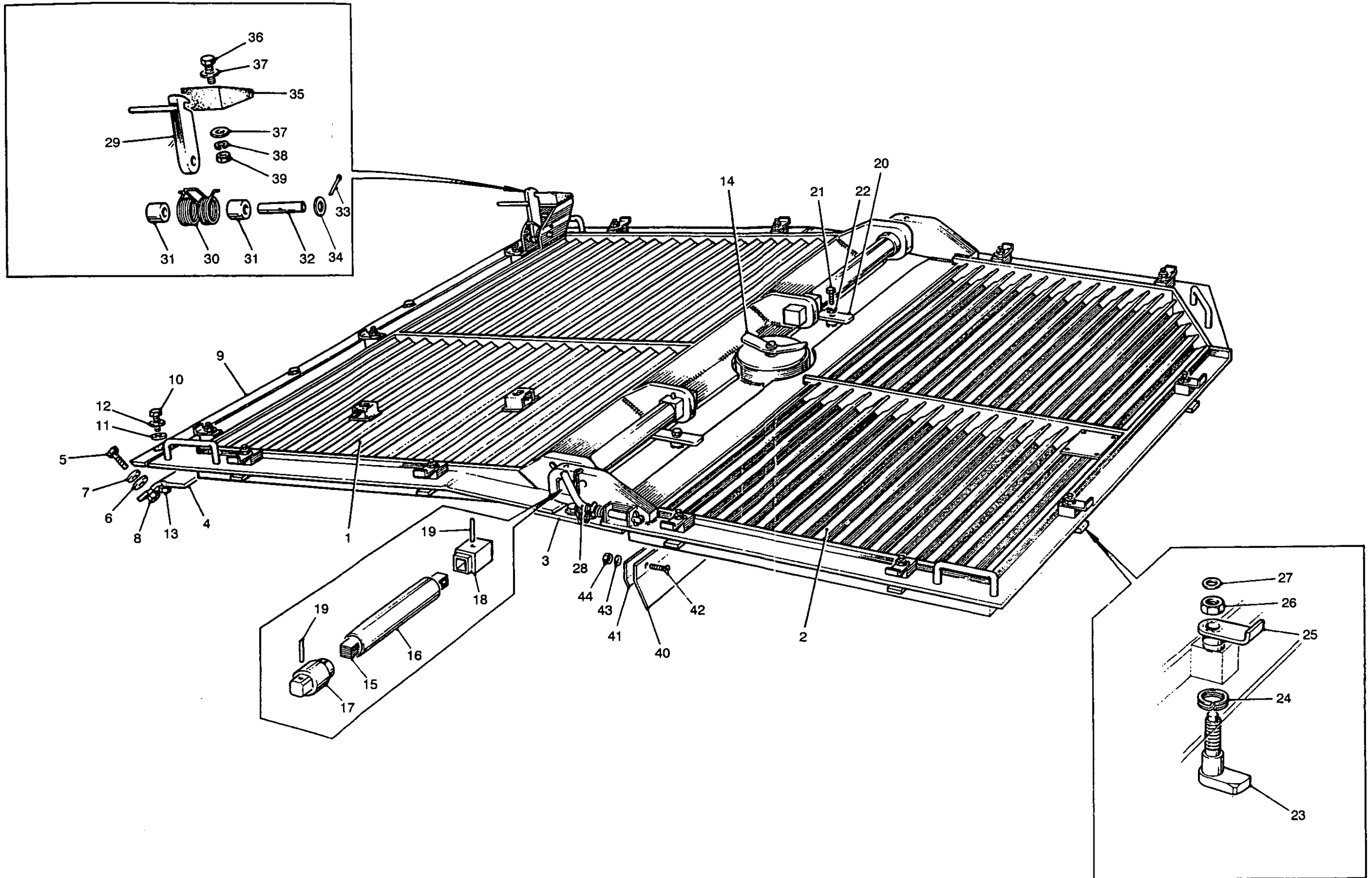


Fig 1 Engine compartment roof assembly

430/70236

Fig Item	Man Code Navy - N Army - A RAF - R	NATO Stock No	Item Name and Description	Part No/ Drawing No.	No. Off	Annotations
1-			HULL GA - contd			
		NP	. ENGINE COMPARTMENT ROOF ASSEMBLY	FV563372	REF	
1	A	9ACR	. . LOUVRE, AIR INLET	FV585770	1	} Louvre front and centre supports to hull
2		NP	. . LOUVRE, ENGINE COMPARTMENT, air outlet	FV563373	1	
3	A	9ACR	. . SUPPORT, LOUVRE, louvre, air inlet and outlet	FV585987	1	
4	A	9ACR	. . SUPPORT, FRONT LOUVRE, air inlet	FV586003	1	
5	A	G1	. . SCREW, MACHINE, UNF, R steel, hex hd, zinc coated, 1/2in. x 1-1/4in. lg		9	
6	A	9ACR	. . WASHER, NON-METALLIC, felt, 1.062in. od	FV421775	9	
7	A	G1	. . WASHER, FLAT, steel, rd, Cd P, 0.520in.		9	
8	A	G1	. . NUT, PLAIN, HEXAGON, UNF, P steel, chamfered, zinc coated, 1/2in.		9	
9		NP	. . STRIP, joint, front louvre support	FV644129	1	
10	A	G1	. . SCREW, MACHINE, UNF, R, steel, hex hd, zinc coated, 3/8in. x 1in lg		4	
11		NP	. . WASHER, NON-METALLIC, felt	FV586058	4	} Joint strip to front louvre support
12	A	G1	. . WASHER, FLAT, steel, rd, Cd P, 3/8in. 0.660in. max 0.392in. nom hole dia, 0.048in. thk		4	
13	A	G1	. . NUT, PLAIN, HEXAGON, UNF, P steel, chamfered, zinc coated, 3/8in. 0.563in. 0.333in.		4	
14	A	9ACR	. . COVER, filler cap, engine radiator	FV485149	1	
15	A	9ACR	. . SPRING, LEAF, louvre hinge	FV560036	32	
16	A	9ACR	. . COVER, torsion bar, louvre hinge	FV560037	2	
17	A	9ACR	. . PIN, HINGE, air inlet and outlet louvres	FV560034	2	
18	A	9ACR	. . RETAINER, torsion bar, louvre hinge	FV560035	2	
19	A	G1	. . PIN, GROOVED, HEADLESS, steel, phos, GP1, 5/16in. x 2-1/4in.		4	
20	A	9ACR	. . SADDLE, steel, painted, 3.5in. lg, 1.25in. wd, 0.5in. thk, w/1 hole 17/32in. dia	FV560044	2	
21	A	G1	. . SCREW, UNF, 1/2in. -20thd, scr 1-3/8in., 1-3/8in. lg, steel, zinc plated, 1232000 lb/sq in. min t/s		2	
22	A	G1	. . WASHER, LOCK, steel, single coil, Cd P, 1/2in., 0.763in. od, 0.116in. thk		2	
23	A	9ACR	. . CATCH, LOCKING, air inlet and outlet louvres	FV560038	13	
24	A	G1	. . WASHER, LOCK, Cu alloy, split double helical ring, 51/64in. dia hole, 1-15/64in. od, 5/64in. matl thk		13	
25	A	9ACR	. . HANDLE, louvre locking catch	FV560041	13	
26	A	G1	. . NUT, PLAIN, HEXAGON, UNF, P steel, chamfered, zinc coated, 1/2in., 3/4in. w a/f, 7/16 o/a h		13	
27	A	G1	. . WASHER, FLAT, steel, rd, Cd P, 0.333in. max hole dia, 0.610in. max od, 0.048in. thk		13	
28	A	9ACR	. . PIN-ASSEMBLY, LOCKING, air inlet and outlet louvres	FV585977	1	
29	A	9ACR	. . CATCH, RETAINING, drivers hatch door	FV586490	1	

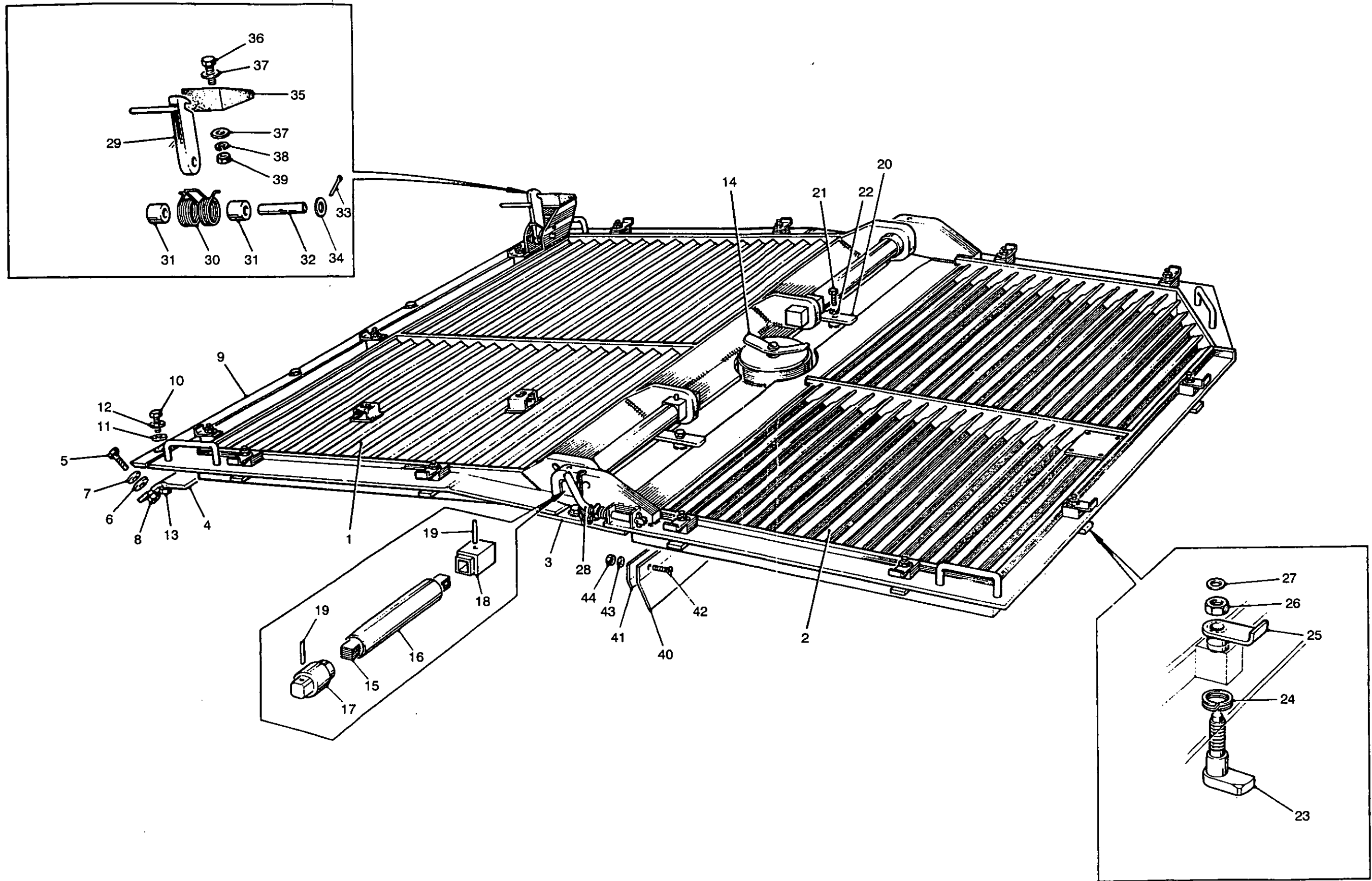


Fig 1 Engine compartment roof assembly

430/70236

Fig Item	Man Code Navy - N Army - A RAF - R	NATO Stock No	Item Name and Description	Part No/ Drawing No.	No. Off	Annotations
1-			HULL GA - contd . ENGINE COMPARTMENT ROOF ASSEMBLY -contd			
30	A	9ACR	2510-99-865-6518 . . SPRING, HELICAL TORSION, drivers hatch retaining catch	FV422180	1	
31	A	9ACR	5365-99-865-6517 . . SPACER, SLEEVE, drivers hatch retaining catch	FV422179	2	
32	A	9ACR	5315-99-137-8940 . . PIN, STRAIGHT HEADLESS, steel, phos, 1/2in. x 3-5/32in. lg	FV650333	1	
33	A	G1	5315-99-138-2205 . . PIN, COTTER, SPLIT, 2.5mm dia, 25mm lg		2	
34	A	G1	5310-99-120-3891 . . WASHER, FLAT, steel, rd, Cd plated, 0.52in.		2	
35	A	9ACR	5340-99-801-3435 . . BUMPER, RUBBER, vehicular hatch door	FV586497		
36	A	G1	5305-99-941-0541 . . SCREW, MACHINE, UNF, R steel, hex hd, zinc coated, 3/8in. x 1in.		1	
37	A	G1	5310-99-915-5148 . . WASHER, FLAT, steel, rd, Cd P, 3/8in.		2	
38	A	G1	5310-99-941-6656 . . WASHER, LOCK, steel, single coil, Cd P, 3/8in., 0.092in. thk, 0.590in. od		1	
39	A	G1	5310-99-941-0926 . . NUT, PLAIN, HEXAGON, UNF, P steel, chamfered, zinc coated, 3/8in.		1	
40		NP	. . STRIP, SEALING, radiator to louvre support	FV586001	1	
41		NP	. . SEAL CLAMPING STRIP, radiator to louvre support	FV586081	1	
42	A	G1	5305-99-941-1766 . . SCREW, MACHINE, UNF, steel, flat csk hd, zinc coated, 5/16in. x 1in.		5	
43	A	G1	5310-99-941-6655 . . WASHER, LOCK, single coil, 5/16in. dia		5	
44	A	G1	5310-99-941-0925 . . NUT, PLAIN, HEXAGON, UNF, P steel, chamfered, zinc coated, 1/2in. w A/F, 17/64in. h		5	

Chapter 2-1-6

PARTS LIST

ENGINE COMPARTMENT SEALING PANELS

GENERAL ARRANGEMENT

1
2
3
4
5
6
7
8
9
10
11
12
13
14
15
16
17
18
19
20
21
22
23
24
25
26
27
28
29
30
31
32
33
34
35
36
37
38
39
40
41
42
43
44
45
46
47
48
49
50
51
52
53
54
55
56
57
58
59
60
61
62
63
64
65
66
67
68
69
70
71
72
73
74
75
76
77
78
79
80
81
82
83
84
85
86
87
88
89
90
91
92
93
94
95
96
97
98
99
100

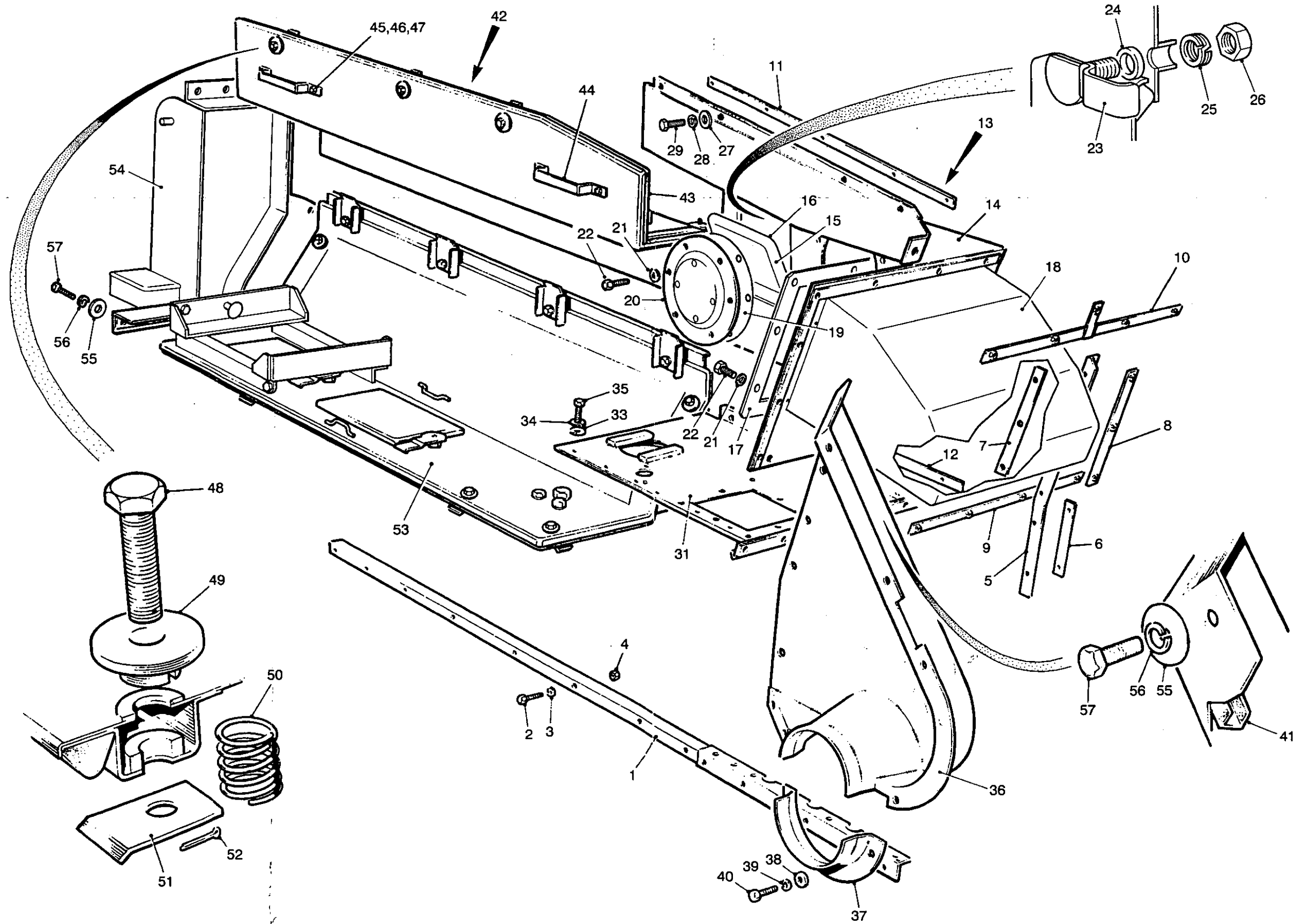


Fig 1 Engine compartment sealing panels assembly

430/70213

Fig Item	Man Code Navy - N Army - A RA/F - R	NATO Stock No	Item Name and Description	Part No/ Drawing No.	No. Off	Annotations
1-			HULL GA - contd			
		NP	. ENGINE COMPARTMENT SEALING PANELS ASSEMBLY	FV563330	REF	
1		NP	. . . SUPPORT ASSEMBLY, angle lower	FV559979	1	
2	A G1	5305-99-941-0513	. . . SCREW, MACHINE, UNF, steel, hex hd, zinc coated, 1/4in. x 3/4in. lg		12	
3	A G1	5310-99-941-6654	. . . WASHER, LOCK, steel, single coil, Cd P, 1/4in., 27/64in. od, 5/64in. thk		12	
4	A G1	5310-99-804-7941	. . . NUT, PLAIN, HEXAGON, UNF, steel, zinc coated, 1/4in., 7/16in. w A/F, 7/32in. o/a h		12	
5	A 9ACR	2590-99-978-3115	. . . SUPPORT	FV559987	1	
6	A 9ACR	2510-99-464-1646	. . . FIXING STRIP ASSEMBLY, rect, w/captive nut each end	FV560124	2	
7	A 9ACR	2510-99-996-0698	. . . FIXING STRIP ASSEMBLY, paint, assy of three 5/16in. UNF nuts welded to a fixing strip	FV560122	1	
8	A 9ACR	2510-99-062-6305	. . . FIXING STRIP ASSEMBLY, painted, assy of three 5/16in. UNF nuts welded to a fixing strip	FV560120	1	
9	A 9ACR	2510-99-988-4242	. . . FIXING STRIP ASSEMBLY, paint, assembly of four 5/16in. UNF nuts welded to a fixing strip	FV560114	1	
10	A 9ACR	2510-99-748-2600	. . . FIXING STRIP ASSEMBLY, paint, assy of five 5/16in. UNF nuts welded to 2 fixing strips	FV560129	1	
11	A 9ACR	2510-99-811-2864	. . . FIXING STRIP ASSEMBLY, assy of five 5/16in. UNF nuts welded to a fixing strip	FV560118	1	
12	A 9ACR	2590-99-978-3116	. . . STRIP	FV560116	1	
13		NP	. . . FRONT SEALING PANEL, UPPER COMPLETE	FV602905	REF	
14	A 9ACR	2510-99-867-4630 PANEL, SEALING, engine, front, door	FV559971	1	
15	A 9ACR	2510-99-804-2220 LID, FRONT SEALING PANEL, steel, 6-1/4in. w x 7-3/4in. lg x 1/4in. deep. c/w hinge	FV602902	1	
16		NP SEAL, RUBBER, 29in. lg	FV525369/1 3	1	LM from item 59
17	A 9ACR	5330-99-837-2312 GASKET, rubber, 14.4in. o/a lg, 10.65in. o/a w, aperture 8.75in. w, 12.8in. lg	FV951701	1	
18	A 9ACR	2540-99-753-5967 CONTAINER ASSEMBLY, DRIVERS SIGHT, comprising 9 items	FV951710	1	
19	A 9ACR	5330-99-804-2284 GASKET, syn rubber, 5in. id x 7in. od x 1/8in. thk, 6 holes, 6in. PCD	FV585864	1	
20	A 9ACR	2510-99-806-9264 COVER, ACCESS, 7in. dia, 3/4in. o/a thk, c/w instruction plate	FV651075	1	
21	A G1	5310-99-944-0549 WASHER, LOCK, steel, single coil, sq sect, Cd P, 5/16in.		14	
22	A G1	5305-99-941-0524 SCREW, MACHINE, UNF, steel, hex hd, zinc coated, 5/16in. x 5/8in.		14	
23	A 9ACR	2510-99-867-4639 HANDLE, LOCKING, access door engine cover	FV510388	1	
24	A 9ACR	5310-99-804-2256 WASHER, FLAT, steel, rd, 11/32in. id x 5/8in. od x 0.15in. thk	FV559713	1	
25	A G1	5310-99-941-6628 WASHER, LOCK, steel, double coil, rect sect, Cd P, 5/16in.		1	
26	A G1	5310-99-941-0925 NUT, PLAIN, HEXAGON, UNF, steel, chamfered, zinc coated, 5/16in.		1	

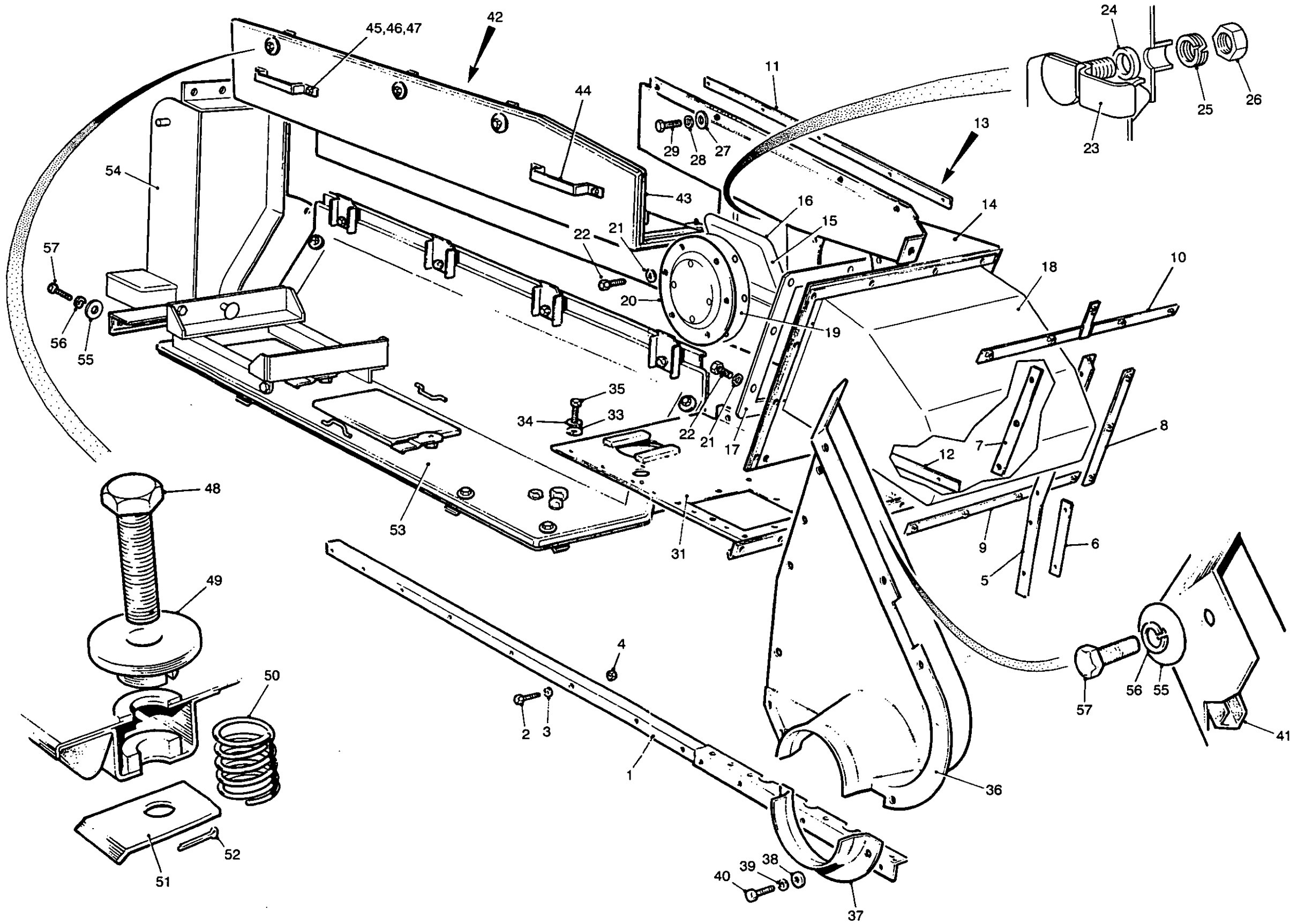


Fig 1 Engine compartment sealing panels assembly

430/70213

Fig Item	Man Code Navy - N Army - A RAF - R	NATO Stock No	Item Name and Description	Part No/ Drawing No.	No. Off	Annotations
1-			HULL GA - contd ENGINE COMPARTMENT SEALING PANELS ASSEMBLY - contd			
27	A	9ACR	5310-99-865-6800 . . . WASHER, FLAT, steel, rd, 1in. od, 0.328in. id, 0.072in. thk	FV299470	5	
28	A	G1	5310-99-944-0549 . . . WASHER, LOCK, steel, split helical ring, Cd plated, 5/16in. bolt size, 0.503in. od, 0.08in. thk, single coil, sq section		5	
29	A	G1	5306-99-941-0297 . . . BOLT, MACHINE, UNF, steel, hex hd, Zn coated, 5/16in. x 1-1/4in. lg	BS1768	5	
NI 30	A	6MT1	5325-99-808-4324 . . . GROMMET, BLANK, NON-METALLIC, syn rubber, 7/16in. od groove, 1/16in. w groove, 11/16in. od flange, 5/16in. o/a h	SIC706/836	1	u/w item 13
31	A	9ACR	2510-99-867-4631 . . . PANEL, SEALING, engine, front, lower	FV559968	1	
NI 32		NP	. . . SEALING, STRIP, rubber, 1in. w x 1/8in. thk x 60in. lg	FV559968/2	1	
33	A	G1	5310-99-120-4032 . . . WASHER, FLAT, steel, zinc plated, 1/4in. nom bolt size, 9/16in. od, 0.056in.		7	
34	A	G1	5310-99-941-6654 . . . WASHER, LOCK, steel, single coil, sq sect, Cd P, 1/4in., 27/64in. od, 5/64in. thk		7	
35	A	G1	5305-99-941-0513 . . . SCREW MACHINE, UNF, steel, zinc plated, hex hd, 1/4in. dia, 3/4in. lg		7	
36	A	9ACR	2910-99-867-4632 . . . COVER ACCESS, steering unit	FV586230	1	
37	A	9ACR	2510-99-865-7017 . . . BRACKET, final drive half shaft	FV524632	1	
38	A	G1	5310-99-941-8386 . . . WASHER, FLAT, steel, Zn plated, w/chromate, 5/8in. od, rd, 5/16in. nom bolt size, 0.072in. thk		3	
39	A	G1	5310-99-944-0549 . . . WASHER, LOCK, steel, Cd plated, single coil, sq section, 5/16in.		3	
40	A	G1	5305-99-941-0526 . . . SCREW, MACHINE, (UK), UNF, steel, hex hd, zinc coated, 5/16in. x 7/8in. lg		3	
41		NP	. . . RUBBER CHANNEL, 1/4in. w int, 5/16in. h, 42in. lg	E524	1	
42	A	9ACR	2510-99-867-4628 . . . COVER ASSEMBLY, DETACHABLE, ENGINE, upper	FV559961	1	
43		NP	. . . SEAL, RUBBER, 125in. lg	FV525369	1	LM from item 59
44	A	9ACR	5340-99-865-6981 . . . HANDLE, BOW, vehicular engine cover	FV480222	2	
45	A	G1	5305-99-941-0525 . . . SCREW, MACHINE, UNF, steel, hex hd, zinc pl, 5/16in. x 3/4in. lg, class 2A thd		4	
46	A	G1	5310-99-941-6655 . . . WASHER, LOCK, steel, single coil, sq sect, Cd P, 5/16in.		4	
47	A	G1	5310-99-941-0925 . . . NUT, PLAIN, HEXAGON, UNF, steel, chamfered, zinc coated, 1/2in. w A/F, 17/64in. h		4	
48	A	9ACR	5306-99-219-3617 . . . BOLT, CLAMP, UNF, 3/8in. x 1-1/2in. lg	FV586395	9	
49	A	9ACR	5355-99-802-5885 . . . KNOB, 0.700in. o/a wd, 1.250in. od, rd shaft accommodation, steel, 0.400in.	FV602783	9	
50	A	9ACR	5360-99-867-4637 . . . SPRING, HELICAL, COMPRESSION engine cover clamp	FV559976	9	

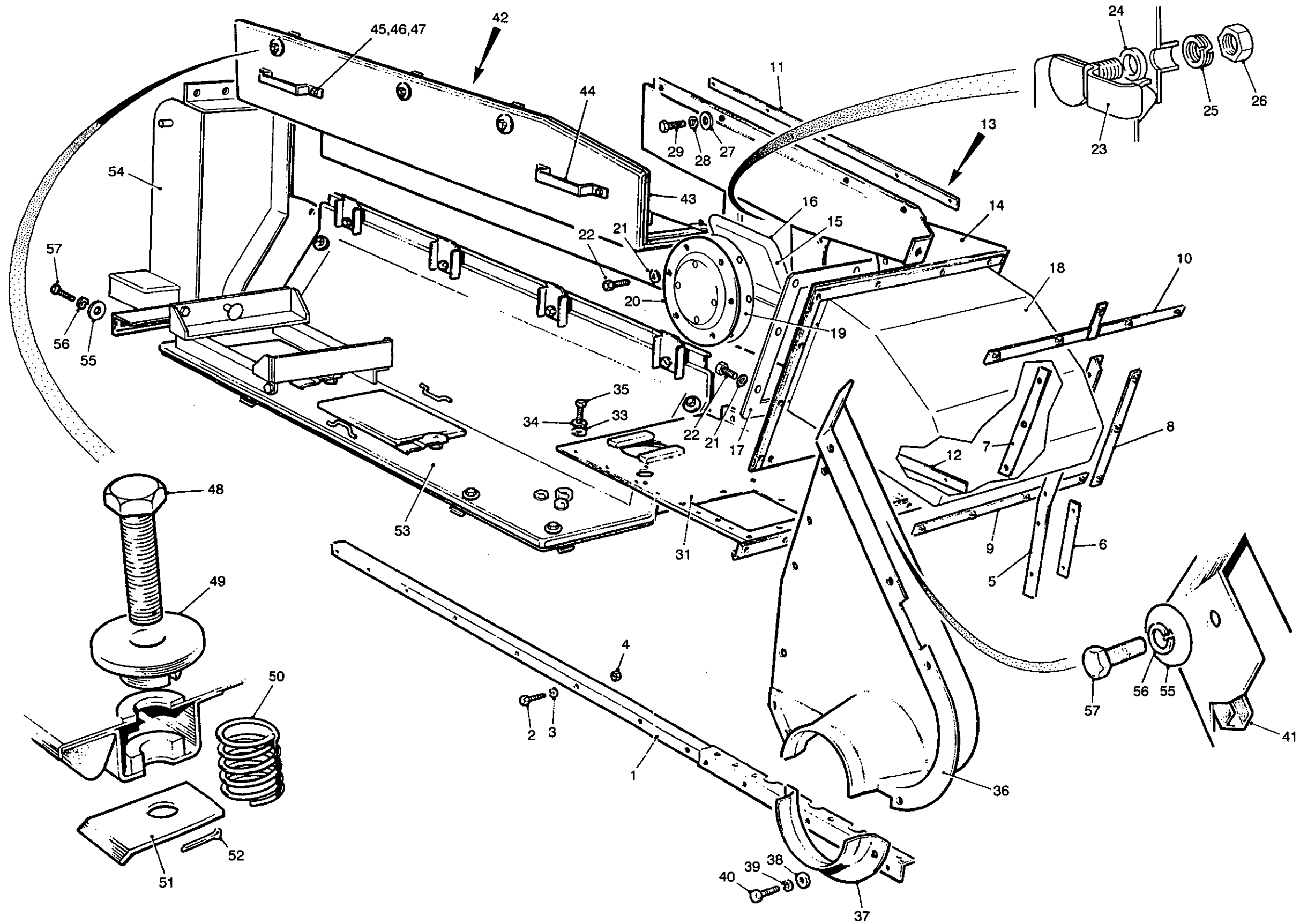


Fig 1 Engine compartment sealing panels assembly

430/70213

Fig Item	Man Code Navy - N Army - A RAF - R	NATO Stock No	Item Name and Description	Part No/ Drawing No.	No. Off	Annotations
1-			HULL GA - contd . ENGINE COMPARTMENT SEALING PANELS ASSEMBLY - contd . COVER ASSEMBLY, DETACHABLE, ENGINE, upper - contd			
51	A 9ACR	2510-99-867-4635	. . . CLAMP, engine cover	FV559982	9	
52	A G1	5315-99-138-2201	. . . PIN, COTTER, SPLIT, steel, phos, 1.6mm x 25mm lg	PS1049/13	9	
53	A 9ACR	2510-99-804-4852	. . COVER ASSEMBLY, DETACHABLE, ENGINE, lower	FV563334	1	See Fig 2
54		NP	. . COVER PLATE AND SEALING ANGLE ASSEMBLY welded construction, irregular shape, fitted w/pads, insulation lining and sealing strips	FV611124	1	
55	A 9ACR	5310-99-865-6800	. . WASHER, FLAT, steel, rd, 1in. od, 0.328in. id, 0.072in. thk	FV299470	40	
56	A G1	5310-99-944-0549	. . WASHER, LOCK, steel, Cd plated, single coil, sq section, 5/16in.		40	
57	A G1	5305-99-941-0526	. . SCREW, MACHINE, (UK), UNF, steel, hex hd, zinc coated, 5/16in. x 7/8in. lg		40	
NI 58	A 46MT6	9320-99-835-1324	. . RUBBER SPECIAL SHAPED SECTION, syn rubber, triangular shaped neoprene sponge expanded closed cell, 7/16in. h, 5/8in. w, 5/32in. rad top	FV525369	A/R	Panel sealing
NI 59		NP	. . FIBRE THERM, engine covers and panel insulation	EC98PA	A/R	

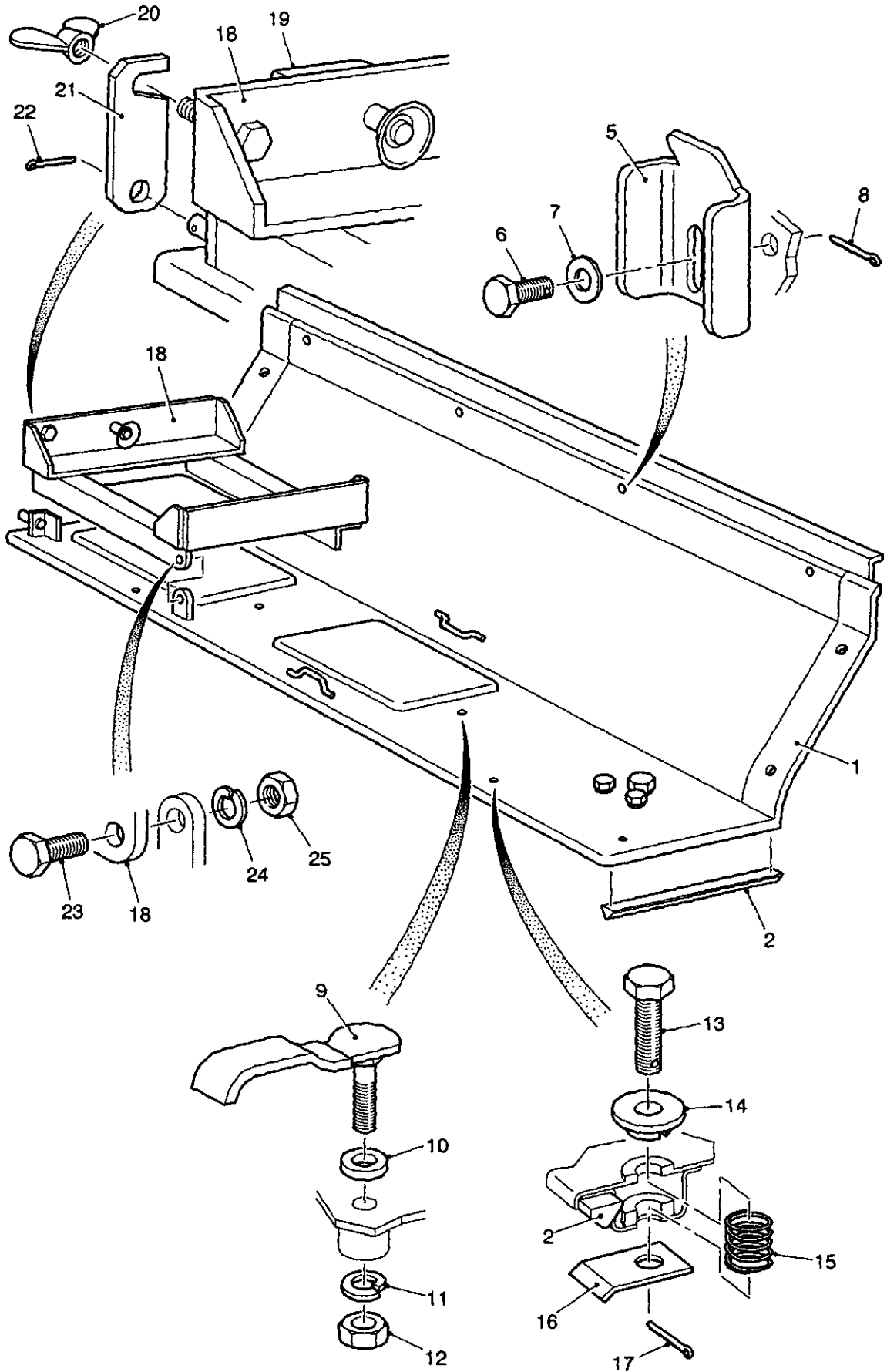


Fig 2 Engine compartment sealing panels, detachable cover, lower

430/70237

Fig Item	Man Code Navy - N Army - A RAF - R	NATO Stock No	Item Name and Description	Part No/ Drawing No.	No. Off	Annotations
2-			HULL GA - contd . ENGINE COMPARTMENT SEALING PANELS ASSEMBLY - contd . . COVER ASSEMBLY, DETACHABLE, ENGINE LOWER		REF	
1		NP	. . . DETACHABLE COVER, LOWER, COMPLETE	FV2229593	1	} LM from item 26
2		NP	. . . SEAL, RUBBER, engine cover lower, 90in. lg	FV525369/ 12	1	
NI 3		NP	. . . SEAL, RUBBER, centre hinged access door, 30in. lg	FV525369/2	1	
NI 4		NP	. . . SEAL, RUBBER, rear hinged access door, 23in. lg	FV525369/6	1	
5	A 9ACR	2510-99-867-4638	. . . CLAMP, ENGINE COVER, upper to lower	FV559641	4	
6		NP	. . . BOLT, UNF, 5/16in. x 1in. lg	FV559667	4	
7	A G1	5310-99-941-8386	. . . WASHER, FLAT, steel, zinc P, 5/16in. x 5/8in. x 0.072in. thk		4	
8	A G1	5315-99-944-0171	. . . PIN, COTTER, SPLIT, steel, phosphate, std spring type, extended prong chisel point, 1-1/16in. nom dia, 5/8in. nom lg		4	
9	A 9ACR	2510-99-867-4639	. . . HANDLE, LOCKING, access door, lower engine cover	FV510388	2	
10	A 9ACR	5310-99-804-2256	. . . WASHER, FLAT, steel, rd, phos coated, rd hole, 11/32in. id, 5/8in. od, 0.15in. thk	FV559713	2	
11	A G1	5310-99-941-6628	. . . WASHER, LOCK, steel, Cd plated, double coil, rect section, 5/16in.		2	
12	A G1	5310-99-941-0925	. . . NUT, PLAIN, HEXAGON, UNF, steel, zinc coated, 5/16in., 17/64in. h		2	
13	A 9ACR	5306-99-219-3617	. . . BOLT, CLAMP, hex hd, 1.5in., 0.07in., 1.35in.	FV586395	9	
14	A 9ACR	5355-99-802-5885	. . . KNOB, steel, 0.700 x 1.250 x 0.400in. id	FV602783	9	
15	A 9ACR	5360-99-867-4637	. . . SPRING, HELICAL, COMPRESSION, engine cover clamp	FV559976	9	
16	A 9ACR	2510-99-867-4635	. . . CLAMP, engine cover	FV559982	9	
17	A G1	5315-99-944-0171	. . . PIN, COTTER, SPLIT, steel, phosphate, std spring type, extended prong chisel point, 1-1/16in. nom dia, 5/8in. nom lg		9	
18	A 9ACR	2590-99-805-3315	. . . FRAME, BOILING VESSEL	FV643911	1	
19		NP	. . . CLAMP ASSEMBLY, boiling vessel	FV643918	1	
20		NP	. . . WING NUT, 5/16in. UNF	7029105001 1000	1	
21		NP	. . . LINK, FRAME, BOILING VESSEL	FV643880	1	
22	A G1	5315-99-944-0171	. . . PIN, COTTER, SPLIT, steel, phosphate, std spring type, extended prong chisel point, 1-1/16in. nom dia, 5/8in. nom lg		1	
23		NP	. . . BOLT, 3/8in. UNF by 1-1/8in. lg	7001106129 1000	1	
24	A G1	5310-99-941-6679	. . . WASHER, LOCK, phosphor bronze, split double helical ring, 25/64in. hole dia, 11/16in. od, 3/64in. matl thk	BS2061	1	

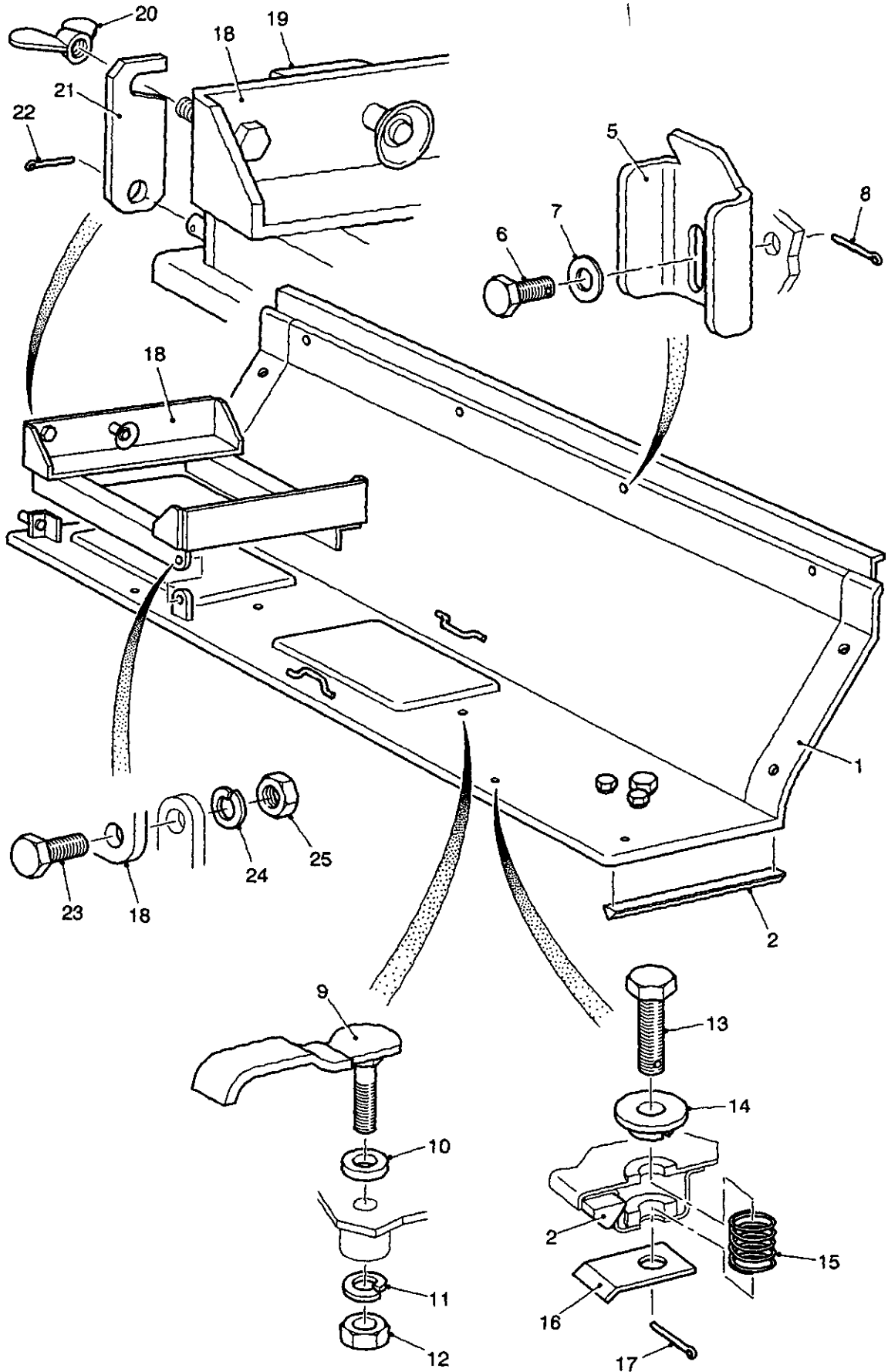


Fig 2 Engine compartment sealing panels, detachable cover, lower

430/70237

Fig Item	Man Code Navy - N Army - A RA/F - R	NATO Stock No	Item Name and Description	Part No/ Drawing No.	No. Off	Annotations
2-			HULL GA - contd . ENGINE COMPARTMENT SEALING PANELS ASSEMBLY - contd . . COVER ASSEMBLY, DETACHABLE, ENGINE LOWER - contd			
25		NP	. . . NUT, HEX, 3/8in. UNF	7020106011 5900	1	
NI 26	A 46MT6	9320-99-835-1324	. . . RUBBER, SPECIAL SHAPED SECTION, syn rubber, triangular shaped neoprene sponge expanded closed cell, 7/16in. h, 5/8in. w, 5/32in. rad top	FV525369	A/R	Panel sealing

Chapter 2-1-7
PARTS LIST
DOOR, FILTER ACCESS ASSEMBLY

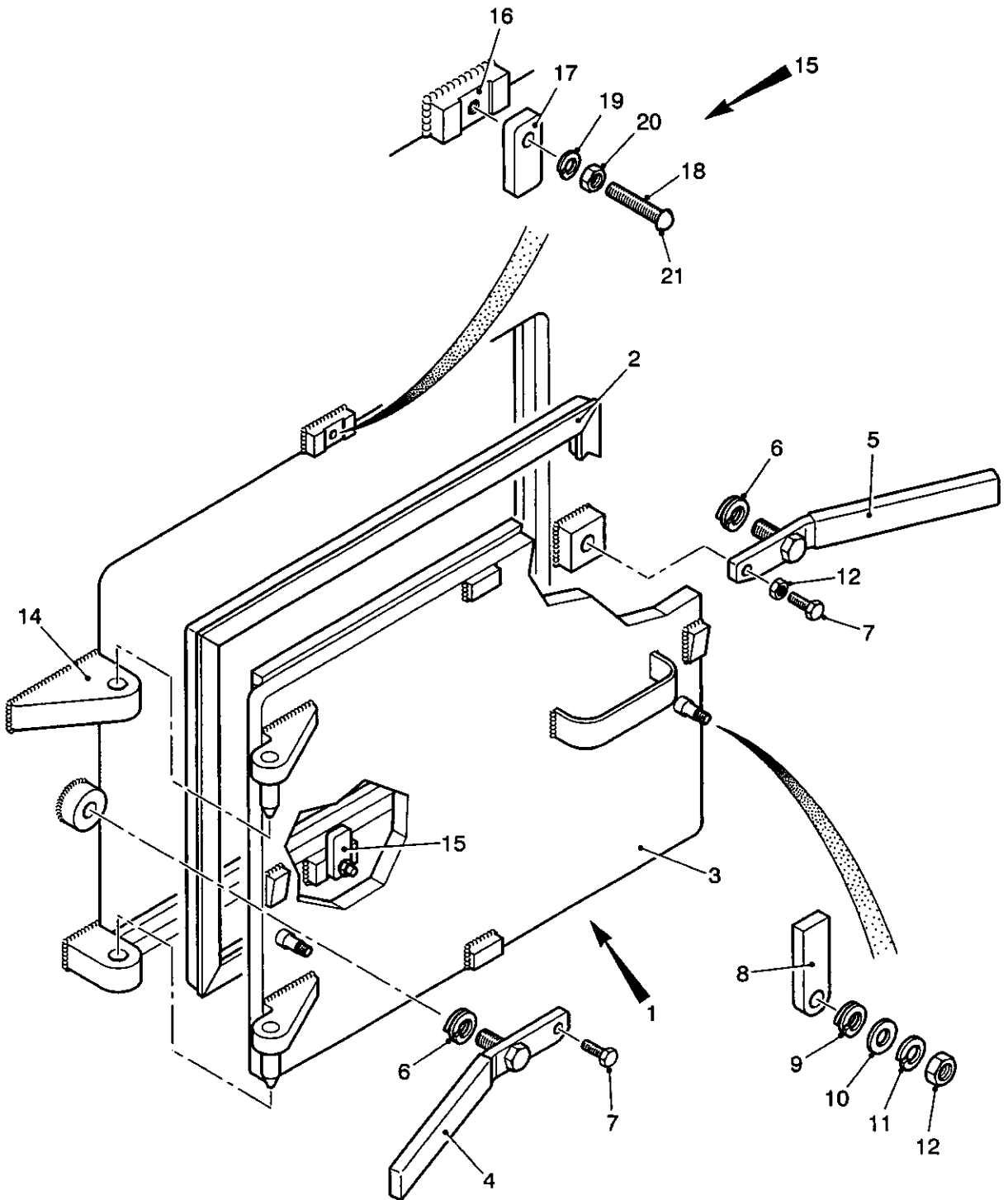


Fig 1 Door, filter access assembly

430/70252

Fig Item	Man Code Navy - N Army - A RAF - R	NATO Stock No	Item Name and Description	Part No/ Drawing No.	No. Off	Annotations
1-			HULL GA - contd			
1	A	9ACR	2510-99-804-4939 . DOOR, FILTER ACCESS ASSEMBLY	FV563460	REF	
2	A	9ACR	2590-99-808-0515 . . SEAL, FILTER ACCESS DOOR	FV611934	1	
3		NP FILTER ACCESS DOOR, COMPLETE	FV563461	1	
4	A	9ACR	2510-99-804-4940 . . HANDLE, ACCESS DOOR, FILTER, lh	FV563506	1	
5	A	9ACR	2510-99-804-4941 . . HANDLE, ACCESS DOOR, FILTER, rh	FV563507	1	
6		NP WASHER, LOCK, phosphate, split double helical ring, 5/8in.		2	
7	A	G1	5305-99-941-0541 . . SCREW, CAP, HEXAGON HEAD, UNF, 3/8in. -24 class 2A thd, 1in. lg, steel, Zn plated		2	
8		NP LOCKING CLAMP BAR, filter access door		2	
9	A	G1	5310-99-941-6630 . . WASHER, LOCK, steel, split double helical ring, 29/64in. hole dia, 1/16in. matl thk, 3/4in. od		2	
10	A	G1	5310-99-941-8635 . . WASHER, FLAT, steel, Zn plated, 3/4in. od, 25/64in. bolt size, 0.072in. (15 SWG) thk		2	
11	A	G1	5310-99-941-6656 . . WASHER, LOCK, steel, split helical ring, 3/8in. bolt size, 0.590in. od, 0.092in. thk, single coil, sq section		2	
12	A	G1	5310-99-941-0904 . . NUT, PLAIN, HEXAGON, UNF, 3/8in. -24, class 2B thd, rh thd, steel, Zn plated, 9/16in. w A/F, 7/32in. o/a h, chamfered, grade 3		3	
NI 13		NP	. HULL WELDED STRUCTURE	FV563260	REF	Mk 1 vehicle
NI 13 (1)		NP	. HULL WELDED STRUCTURE	FV644002	REF	Mk 1/1 vehicle
14		NP SIDE PLATE UPPER LH COMPLETE	FV563348	1	
15		NP CLAMP COMPLETE, filter access door	FV563469	2	
16		NP CLAMP BASE, filter access door	FV563470	1	
17		NP CLAMP BASE, filter access door	FV563471	1	
18		NP STUD, SPECIAL	FV611789	1	
19	A	G1	5310-99-944-0549 WASHER, LOCK, steel, split helical ring, Cd plated, 5/16in. bolt size, 0.503in. od, 0.080in. thk, single coil, square section		1	
20	A	G1	5310-99-941-0925 NUT, PLAIN, HEXAGON, UNF, 5/16 -24, class 2B, rh, steel, Zn plated, 1/2in. w A/F, 17/64in. h, chamfered		1	
21		NP WASHER, FLAT, 3/16in. dia by 18 SWG (2BA)		1	

Chapter 2-1-8
PARTS LIST
FRONT ACCESS COVER
GENERAL ARRANGEMENT

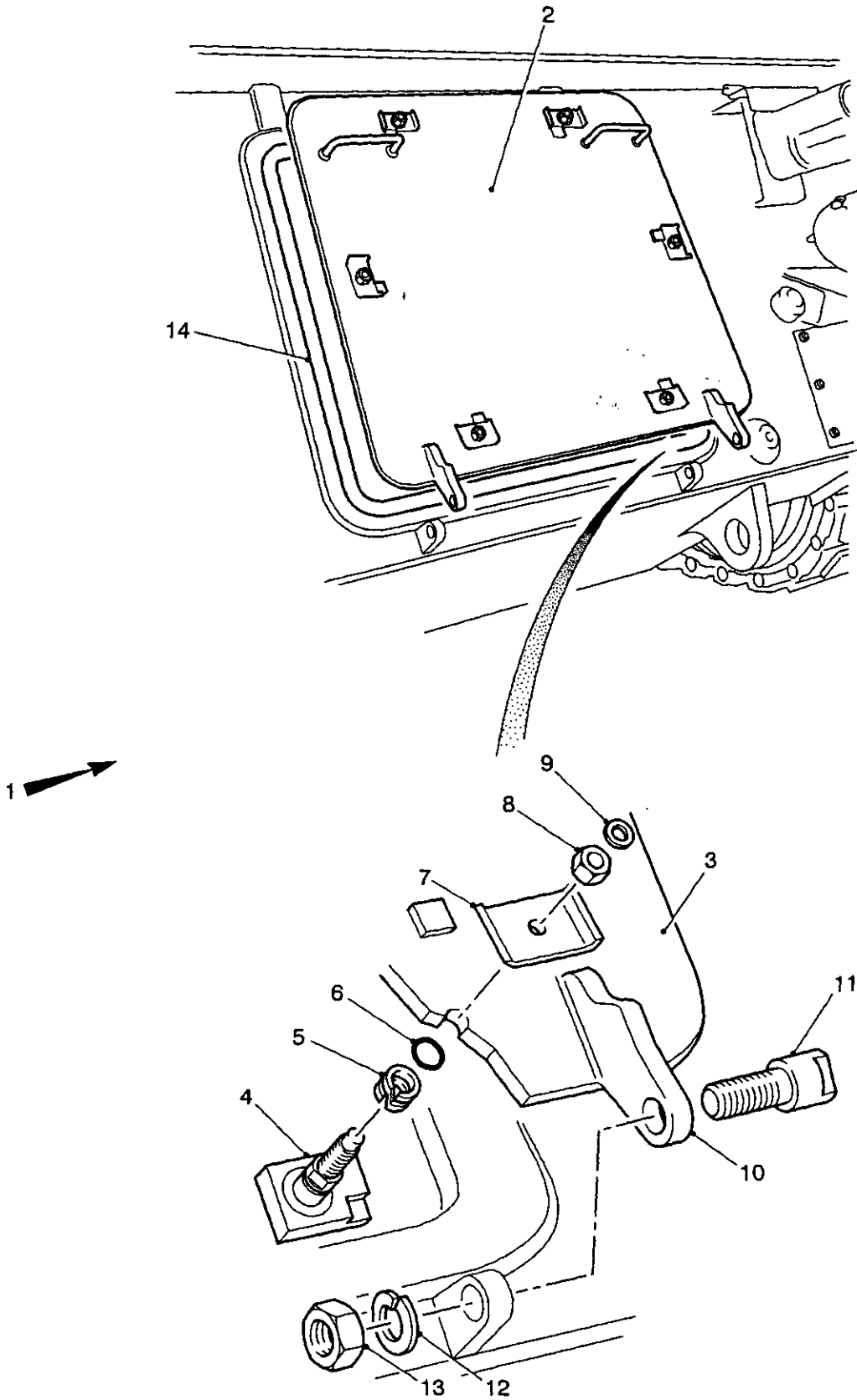


Fig 1 Front access cover general arrangement

430/70238

Fig Item	Man Code Navy - N Army - A RAF - R	NATO Stock No	Item Name and Description	Part No/ Drawing No.	No. Off	Annotations
1-			HULL GA - contd			
1	A 9ACR	2510-99-794-5115	. FRONT ACCESS COVER GENERAL ARRANGEMENT	FV563273	REF	
2		NP	. . COVER ASSEMBLY, front access cover	FV509880	1	
3		NP	. . COVER, ACCESS, front	FV509881	1	
4	A 9ACR	2510-99-865-7022	. . . BOLT, CATCH, vehicular hatch door	FV524850	6	
5	A G1	5310-99-941-6636	. . . WASHER, LOCK, steel, split double helical ring, 1in. nom bolt size, 1/8in. thk, 1-9/16in. od		6	
6		NP	. . . O RING, 1-1/16in. od x 7/8in. id	GR130	6	
7	A 9ACR	2510-99-865-7021	. . . HANDLE, CATCH BOLT, vehicular hatch door	FV524847	6	
8	A G1	5310-99-136-1520	. . . NUT, PLAIN, HEXAGON UNF, 5/8in. -18, class 2B thd, steel, Zn plated, 15/16in. w A/F, 35/64in. h, chamfered or washer faced		6	
9		NP	. . . WASHER, FLAT, 3/8in. dia by 15 SWG	7030006009 1000	6	
10	A 9ACR	2540-99-728-2035	. . PLATE, HINGE	FV2200710	2	
11	A 9ACR	5315-99-804-5525	. . PIN, SHOULDER, HEADLESS, steel, phosphate coated, 1.75in. shank lg, 1in. shoulder dia, 0.75in. dia, 2.8in. o/a lg, 16 TPI UNF, class 2A thd	FV560148	2	
12		NP	. . WASHER, LOCK, single coil, 3/4in. dia		2	
13	A G1	5310-99-941-0931	. . NUT, PLAIN, HEXAGON, UNF, steel, Zn plated, chamfered bearing surface, grade 3, 3/4in., 1-1/8in. w A/F, 41/64in. o/a h		2	
14		NP	. . SEAL, 120in. lg	FV421602/ 10	1	LM from item 15
NI 15	A 9ACR	9390-99-805-8387	. . NON-METALLIC SPECIAL SHAPED SECTION, linatex and sponge, 0.8in. w, 0.7in. h, 5m lg bulk supply	FV421602	A/R	

Chapter 2-1-9

PARTS LIST

INSPECTION COVERS, DRAIN PLUGS AND
CHEQUERED FLOOR INSTALLATION

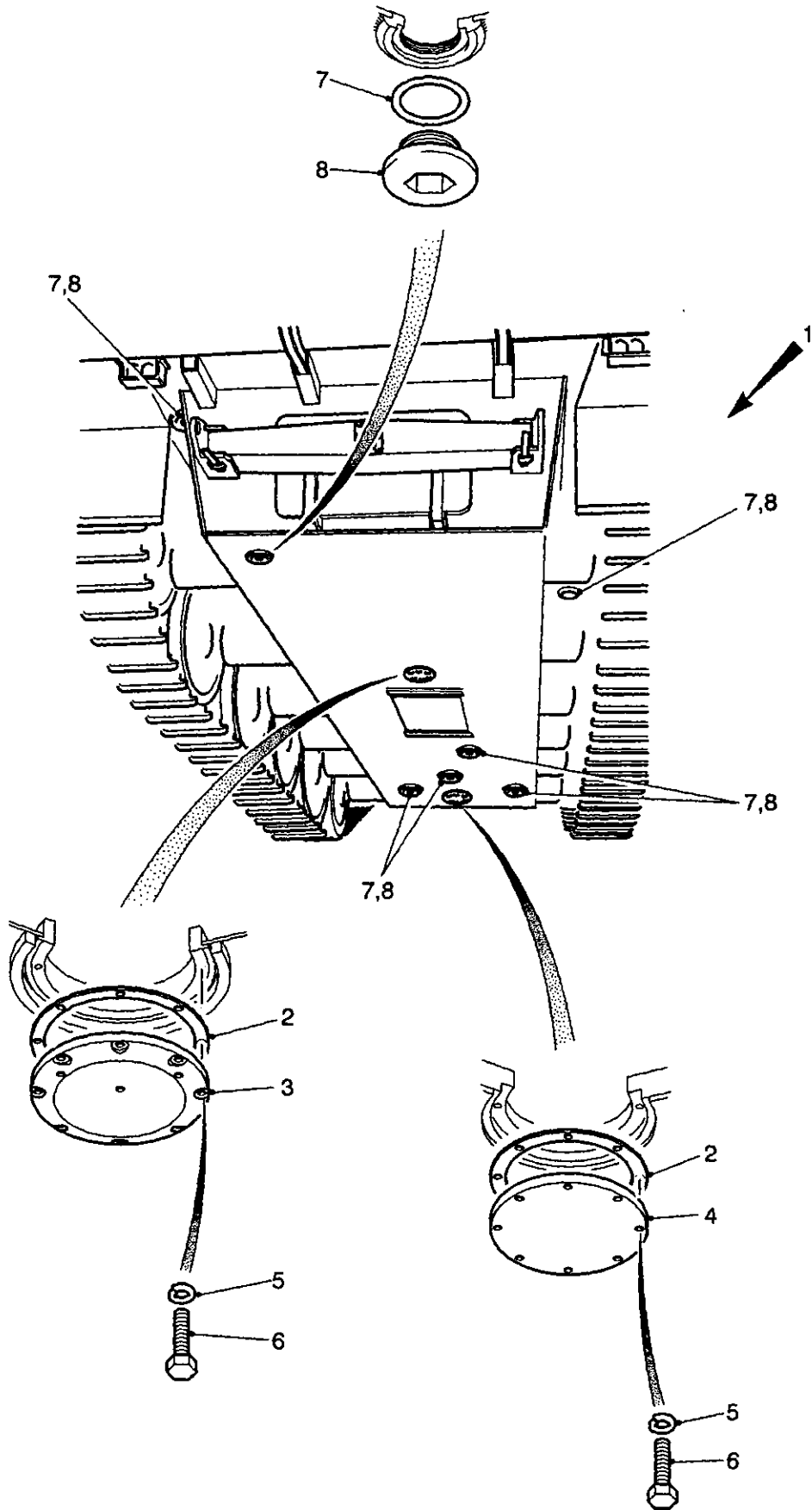


Fig 1 Floor plate covers and plugs

430/70249

Fig Item	Man Code Navy - N Army - A RAF - R	NATO Stock No	Item Name and Description	Part No/ Drawing No.	No. Off	Annotations
1-			HULL GA - contd			
		NP	. INSPECTION COVERS, DRAIN PLUGS AND CHEQUERED FLOOR INSTALLATION	FV563278	REF	
1		NP	. . FLOOR PLATE COVERS AND PLUGS		REF	
2	A	9ACR 5330-99-865-6976	. . GASKET, cork, rd shape, 0.406in. hole dia, 6.5in. od, 5in. aperture dia, 8 bolt holes, 0.062in. thk	FV421774	2	
3	A	9ACR 2510-99-809-0849	. . COVER ACCESS, drain valve assy, steel, 6-1/2in. od, 6mm thk, 8 holes 13/32in. dia, on 5-3/4in. PCD	FV644348	1	
4	A	9ACR 5340-99-865-6974	. . COVER ACCESS, steering drain	FV421711	1	
5	A	G1 5310-99-941-6656	. . WASHER, LOCK, steel, split helical ring, 3/8in. bolt size, 0.092in. thk, 0.590in. od, single coil, square section		16	
6	A	G1 5305-99-941-0539	. . SCREW, CAP, HEXAGON HEAD, UNF, 3/8in. -24, class 2A thd, 3/4in. lg, steel, Zn plated, 50 tons/sq in. MTS, hex hd		16	
7	A	9ACR 5365-99-865-6961	. . SPACER, RING, Cu, rd, 2.75in. od, 0.064in. thk, rd hole, 2.25in. dia	FV395733	7	
8	A	46MT1 5365-99-942-8002	. . PLUG, MACHINE THREAD, br, hex hd, 2-1/4in. -12 UNF, 3/4in. lg thd	BS2859	7	

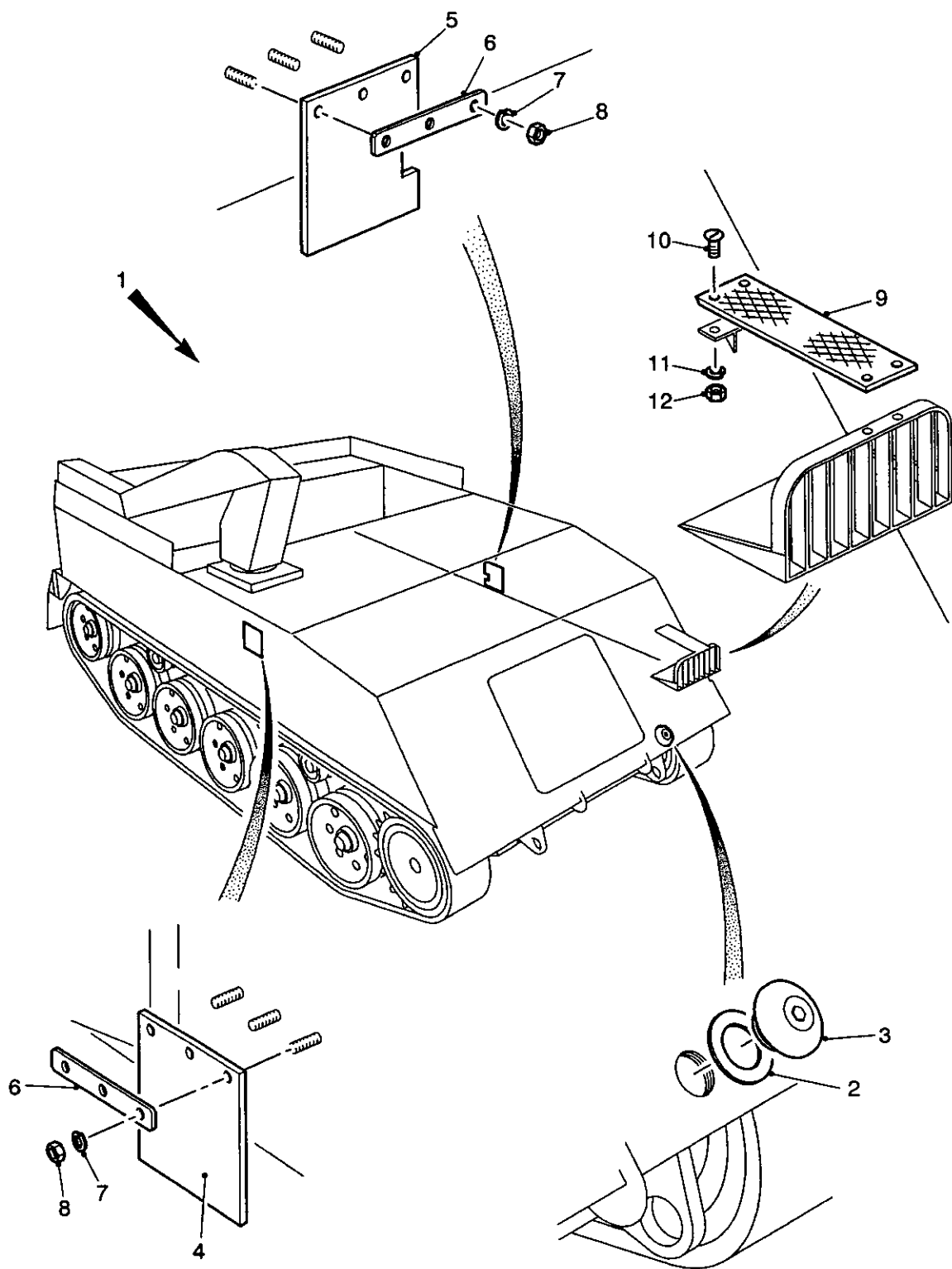


Fig 2 Filler cap, footplate and pyrene pocket flaps

430/70243

Fig Item	Man Code Navy - N Army - A RAF - R	NATO Stock No	Item Name and Description	Part No/ Drawing No.	No. Off	Annotations
2-			HULL GA - contd . INSPECTION COVERS, DRAIN PLUGS AND CHEQUERED FLOOR INSTALLATION -contd			
1		NP	. . FILLER CAP, PYRENE POCKET FLAP AND BLANKING PLATES		REF	
2	A	9ACR 5310-99-802-5827	. . WASHER, FLAT, Cu, rd, 3.510in. max od, 2.525in. max id, 0.064in. thk	FV602648	1	
3	A	9ACR 5365-99-867-4640	. . PLUG, MACHINE THREAD, (Steering Unit Oil Filler) UNS ext, 2.5in. 12 TPI, class 2A, rh, steel, painted hd, plug machine, plain end, w/flattened hd, 1.7in. dia, dished recessed end 15 deg x 0.65in.	FV559628	1	
4		NP	. . FLAP, PYRENE POCKET, RH	FV510499	1	
5		NP	. . FLAP, PYRENE POCKET, LH	FV510442	1	
6		NP	. . STRIP, PYRENE POCKET FLAP	FV485220	2	
7	A	G1 5310-99-941-6654	. . WASHER, LOCK, steel, split helical ring, 1/4in. nom bolt size, 27/64in. od, 5/64in. thk	BS1802	6	
8	A	G1 5310-99-804-7941	. . NUT, PLAIN, HEXAGON, UNF, 1/4in. dia -28, class 2B, rh thd, steel, Zn plated, 7/16in. w A/F, 7/32in. o/a h, finished chamfered		6	
9		NP	. . CHEQUER, PLATE, FRONT STEP, TOP	FV562967	4	
10	A	G1 5305-99-941-1749	. . SCREW, MACHINE, UNF, steel, flat csk hd, slot drive, Zn plated, 1/4in. by 5/8in. lg, class 2A thd		4	
11	A	G1 5310-99-941-6654	. . WASHER, LOCK, steel, split helical ring, 1/4in. nom bolt size, 27/64in. od, 5/64in. thk	BS1802	4	
12		NP	. . NUT, HEX		4	

← Forward

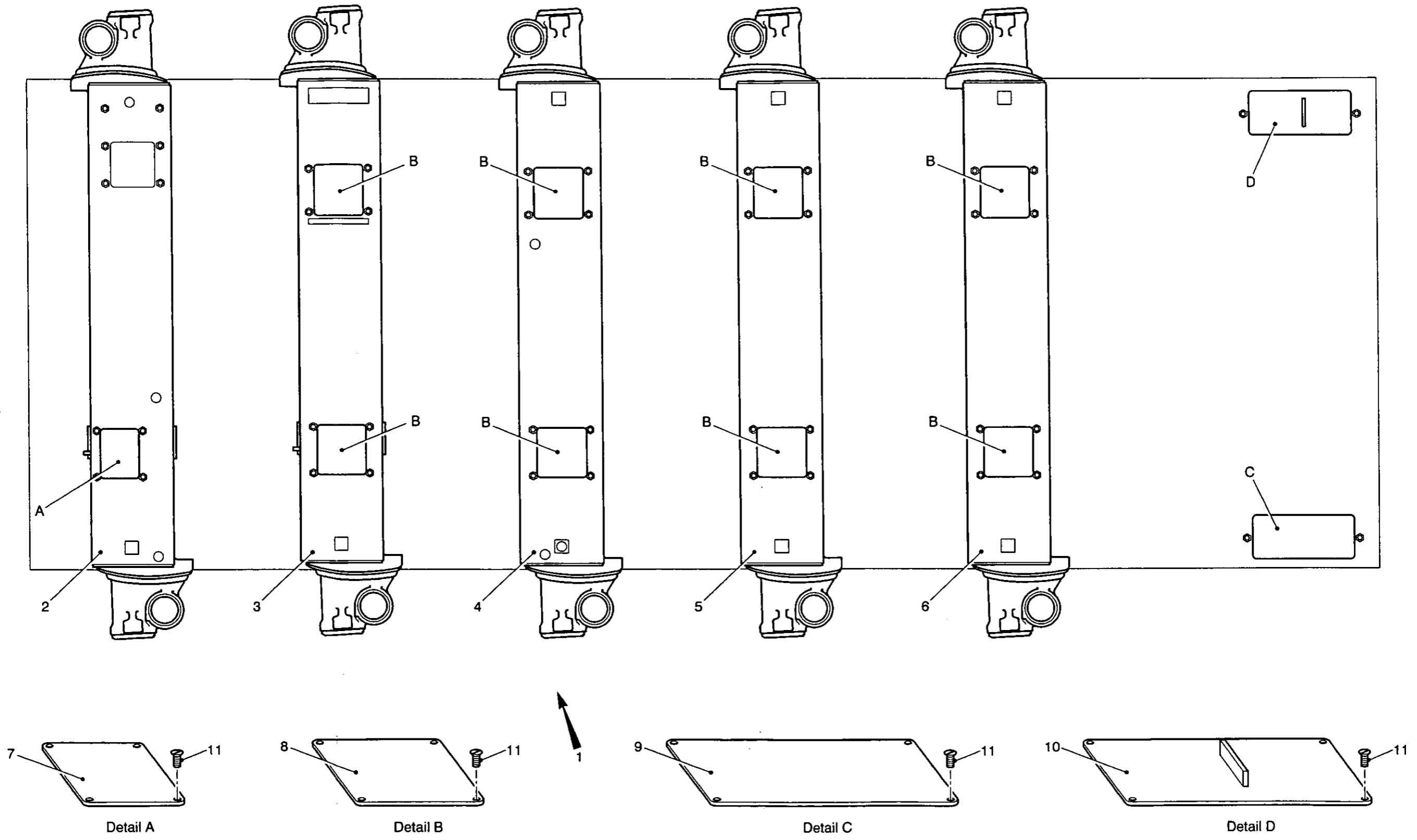


Fig 3 Floor channel inspection and cover plates

430/70228

Fig Item	Man Code Navy - N Army - A RAF - R	NATO Stock No	Item Name and Description	Part No/ Drawing No.	No. Off	Annotations
3-			HULL GA - contd			
		NP	. HULL WELDED STRUCTURE	FV563260	REF	Mk 1 Vehicle MK 1/1 Vehicle
		NP	. HULL WELDED STRUCTURE	FV644002	REF	
		NP	. FLOOR CHANNEL INSPECTION AND COVER PLATES		REF	
1		NP	. . ASSEMBLY OF SUSPENSION MEMBERS	FV509911	REF	
2		NP	. . . 1st FLOOR CHANNEL ASSY	FV509912	1	
3		NP	. . . 2nd FLOOR CHANNEL ASSY	FV562853	1	
4		NP	. . . 3rd FLOOR CHANNEL ASSY	FV510214	1	
5		NP	. . . 4th FLOOR CHANNEL ASSY	FV509913	1	
6		NP	. . . 5th FLOOR CHANNEL ASSY	FV509914	1	
			. INSPECTION COVERS, DRAIN PLUG, AND CHEQUERED FLOOR INSTALLATION - contd			
7	A 9ACR	2510-99-202-7993	. . COVER, PLATE, ACCESS	FV509939	1	
8	A 9ACR	5340-99-865-6960	. . COVER, ACCESS	FV395711	8	
9		NP	. . COVER PLATE, lh rear false floor plate	FV509991	1	
10		NP	. . COVER PLATE, rh rear false floor plate	FV510564	1	
11	A G1	5305-99-941-1748	. . SCREW, MACHINE, steel, Zn plated, 0.25in. dia, 0.347in. thd lg, 0.5in. fastener lg, class 2A flat slotted csk hd, UNF		40	

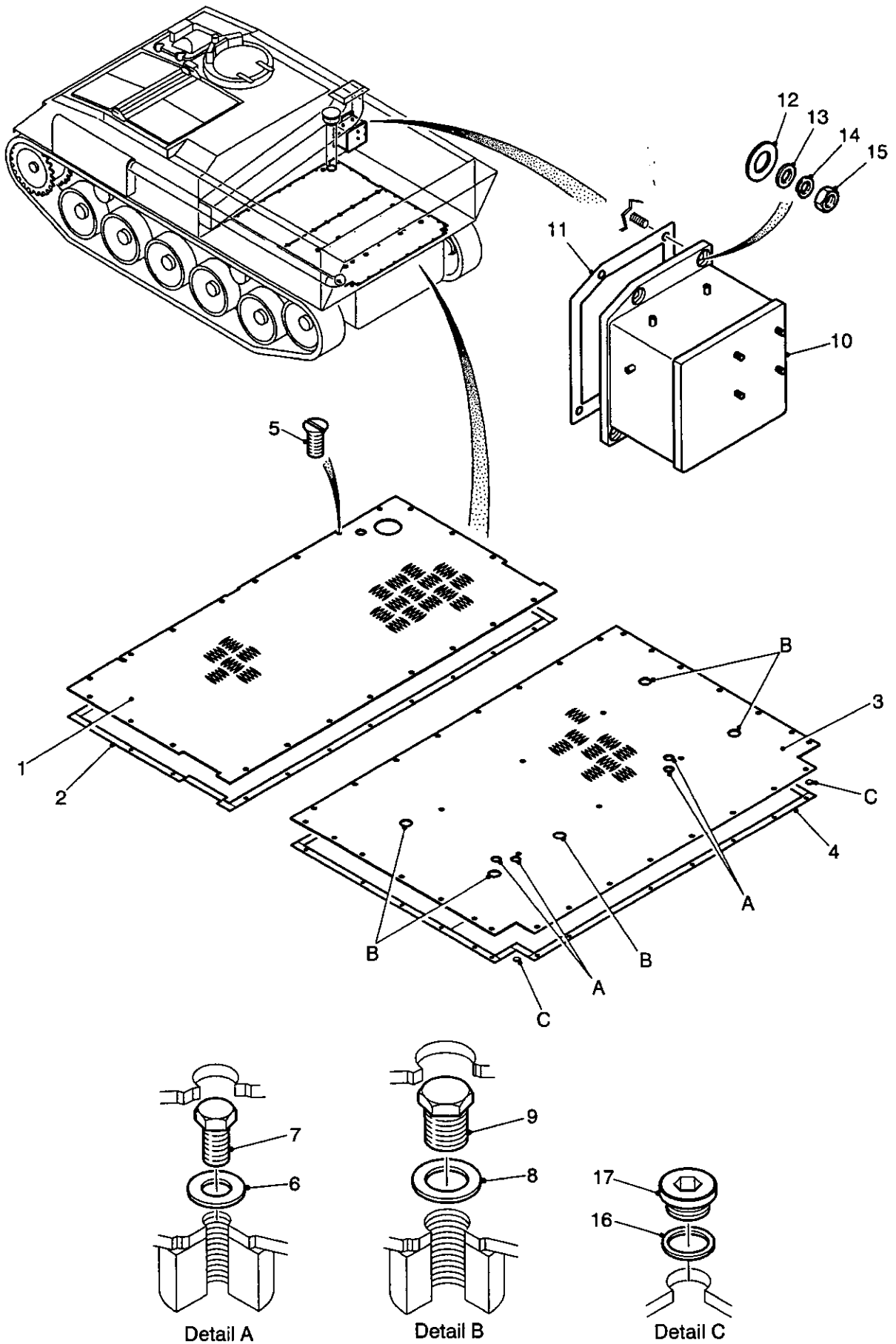


Fig 4 Chequered floor plates, plugs and cover plate, hydraulic ram

430/70218

Fig Item	Man Code Navy - N Army - A RAF - R	NATO Stock No	Item Name and Description	Part No/ Drawing No.	No. Off	Annotations
4-			HULL GA - contd INSPECTION COVERS, DRAIN PLUGS AND CHEQUERED FLOOR INSTALLATION - contd			
1	A	9ACR	2510-99-804-4898	COVER PLATE, FUEL COMPARTMENT, Al alloy, 5ft 3-1/2in. lg, 2ft 7in. w, 3/16in. thk	FV611654	1
2	A	9ACR	2540-99-814-9980	SEAL, CHEQUER PLATE, neoprene, square shape, 5ft 3.3in. lg, 2ft 6.8in. w, 3/16in. thk	FV644380	1
3	A	9ACR	2510-99-804-4899	COVER PLATE, STOWAGE COMPARTMENT, Al alloy, 5ft 3-1/2in. lg, 3ft 6-5/8in. w, 3/16in. thk	FV611655	1
4		NP		SEAL, CHEQUER PLATE, neoprene, square shape, 5ft 3.3in. lg, 3ft 6.4in. w, 3/16in. thk	FV644381	1
5	A	G1	5305-99-941-1748	SCREW, MACHINE, class 2A thd, SCR 11/32in., 1/2in. lg, flat csk hd		58
6		NP		WASHER, SEAL	FV300488	4
7	A	9ACR	5365-99-796-2089	PLUG, MACHINE THREAD, UNC, 0.5in. thd size, hex hd Cu alloy, 0.88in. lg	FV644406	4
8	A	9ACR	5310-99-134-5211	WASHER, FLAT, Cu, BS899, rd, 1in. od, rd hole, 3/4in. nom bolt size, 0.063in. (16 SWG) thk	FV300421	5
9	A	9ACR	5365-99-796-2090	PLUG, MACHINE THREAD, Cu alloy, UNC, 0.75in. thd, hex hd, 0.88in. lg	FV644405	5
10	A	9ACR	2590-99-804-4900	COVER PLATE, HYDRAULIC RAM, crane ram	FV563262	1
11		NP		SEAL, COVER PLATE, crane ram	FV563401	1
12	A	9ACR	5310-99-865-6977	WASHER, FLAT, felt, rd shape, 1.062in. od, rd hole, 0.562in. id, 0.125in. matl thk	FV421775	4
13		NP		WASHER, FLAT, 1/2in. dia x 13 SWG	7030008009 1000	4
14	A	G1	5310-99-944-0552	WASHER, LOCK, steel, split helical ring, Cd plated, 1/2in. nom bolt size, 0.763in. od, 0.116in. thk		4
15	A	G1	5310-99-941-0928	NUT, PLAIN, HEXAGON, UNF, steel, chamfered bearing surface, Zn plated finish, 1/2in. 3/4in. w A/F, 7/16in. o/a h, grade 3 nut		4
16		NP		WASHER, FLAT, 1.875in. od, 1.5in. id, 16 SWG thk	FV485311	2
17	A	9ACR	5365-99-804-5526	PLUG, SCREWED, brass, socket drive, 1-1/2in. UNC, 11/16in. thd lg	FV563201	2

Fig Item	Man Code Navy - N Army - A RAF - R	NATO Stock No	Item Name and Description	Part No/ Drawing No.	No. Off	Annotations
5-			HULL GA - contd INSPECTION COVERS, DRAIN PLUGS AND CHEQUERED FLOOR INSTALLATION - contd			
1		NP	FUEL PUMP AND HEATER FUEL VALVE COVER PLATES		REF	
2		NP	GASKET, fuel pump cover	FV611653	1	
3	A	9ACR 2510-99-804-4901	COVER, ACCESS, fuel pump	FV611440	1	
4	A	9ACR 5310-99-865-6977	WASHER, FLAT, felt, rd shape, 1.062in. od, rd hole, 0.562in. id, 0.125in. matl thk	FV421775	6	
5		NP	WASHER, FLAT, 1/2in. dia by 13 SWG	7030008009 1000	6	
6	A	G1 5310-99-944-0552	WASHER, LOCK, steel, split helical ring, Cd plated, 1/2in. bolt size, 0.763in. od, 0.116in. thk		6	
7	A	G1 5310-99-941-0928	NUT, PLAIN, HEXAGON, UNF, steel, chamfered bearing surface, Zn plated finish, 1/2in., 3/4in. w A/F, 7/16in. o/a h, grade 3 nut		6	
8		NP	PROTECTIVE MEMBER, heater fuel valve	FV611696	1	
9	A	G1 5305-99-941-0526	SCREW, CAP, HEXAGON HEAD, UNF, 5/16 -24, class 2A, 7/8in. lg, steel, Zn plated, hex hd		2	
10	A	G1 5310-99-944-0549	WASHER, LOCK, steel, split helical ring, Cd plated, 5/16in. bolt size, 0.503in. od, 0.080in. thk, single coil, sq section		2	
11	A	G1 5310-99-941-0925	NUT, PLAIN, HEXAGON, UNF, 5/16 - 24, class 2B, rh, steel, Zn plated, 1/2in. w A/F, 17/64in. h, chamfered		2	
NI 12		NP	CENTRE STIFFENER COMPLETE, fuel compt.	FV563524	1	
NI 13		NP	SIDE STIFFENER COMPLETE, fuel compt.	FV563526	2	

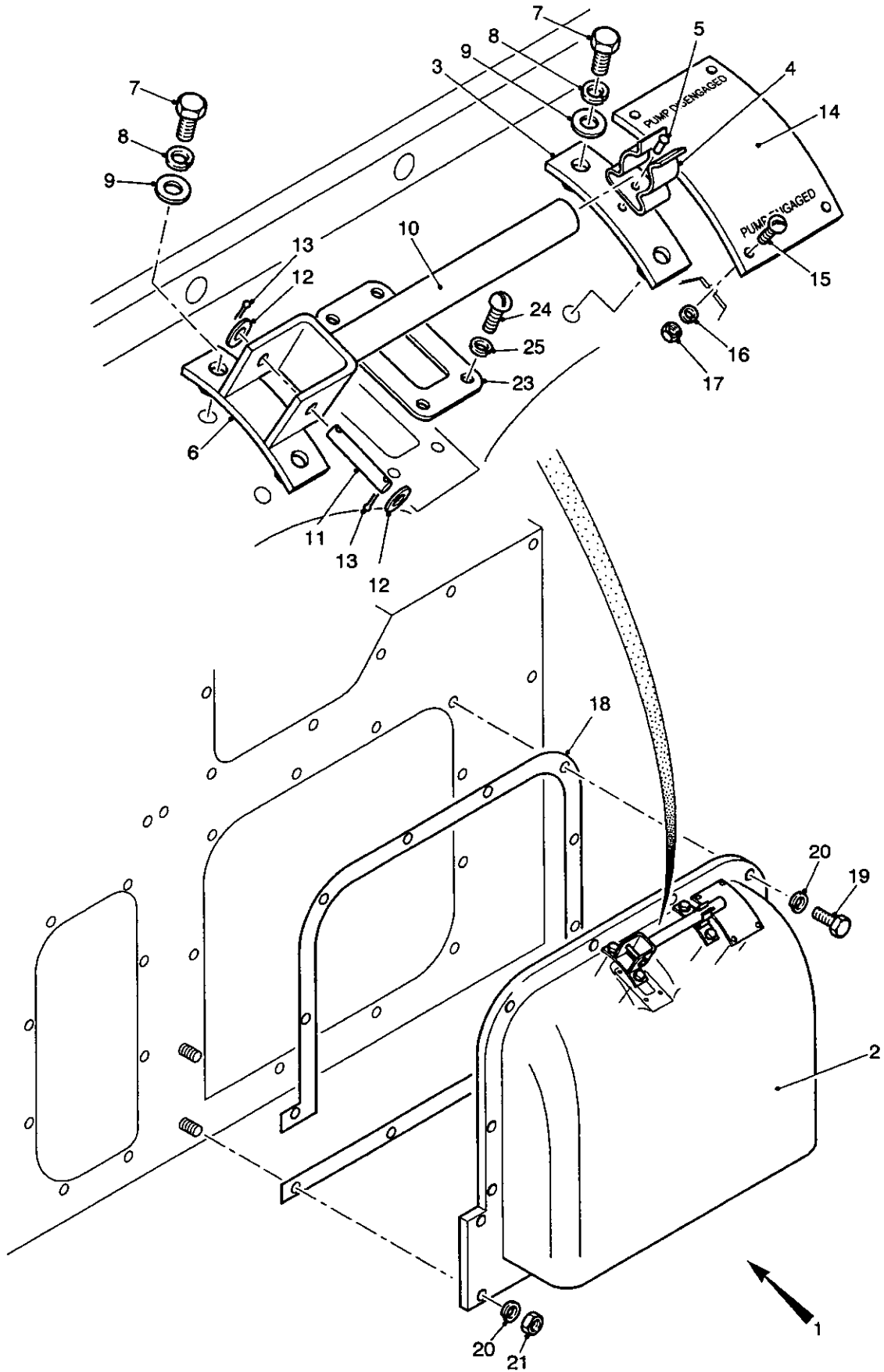


Fig 6 Cover assembly, hydraulic pump

430/70244

Fig Item	Man Code Navy - N Army - A RAF - R	NATO Stock No	Item Name and Description	Part No/ Drawing No.	No. Off	Annotations
6-			HULL GA - contd . INSPECTION COVERS, DRAIN PLUGS AND CHEQUERED FLOOR INSTALLATION - contd			
1	A	9ACR	2510-99-796-0381	. . COVER, ASSEMBLY, hydraulic pump	FV562777	REF
2			NP	. . . COVER, hydraulic pump	FV562594	1
3	A	9ACR	4320-99-796-0383	. . . BRACKET, LOCKING HANDLE, steel, 14 SWG thk, 5/8in. w, 2 slots 3/8in. lg	FV644082	1
4	a	46MT1	5340-99-804-5612	. . . CLIP, SPRING TENSION, steel, Cd plated, 21/32in. lg, 1/2in. w, 3/4in. h, 3/8in. holding dia	FV602623	1
5			NP	. . . RIVET, SNAP HEAD, 3/32 dia	RSHD3/32X 1/4	1
6			NP	. . . BRACKET, PIVOT, LOCKING HANDLE	FV644081	1
7			NP	. . . SCREW, HEX HEAD, 2BA by 1/2in. lg	7011103081 1000	4
8	A	G1	5310-99-941-6653	. . . WASHER, LOCK, steel, split helical ring, 0.198in. hole dia, 0.064in. thk, 0.330in. od		4
9			NP	. . . WASHER, FLAT, 3/16in. dia by 18 SWG (2BA)	7030103009 4900	4
10	A	9ACR	5340-99-804-5611	. . . CONTROL ROD, hydraulic pump cover assy	FV644078	1
11			NP	. . . PIN, hydraulic pump cover	FV644083	1
12			NP	. . . WASHER, FLAT, 1/4in. dia by 17 SWG	7030204009 1000	2
13	A	G1	5315-99-944-0171	. . . PIN, COTTER, SPLIT, steel, phosphated, std spring type, extended prong chisel point, 1/16in. nom dia, 5/8in. nom lg		2
14			NP	. . . INSTRUCTION PLATE	FV510740	1
15	A	G1	5305-99-121-6795	. . . SCREW, MACHINE, normal class thd, 3/8in. lg, pan hd		4
16	A	G1	5310-99-941-6653	. . . WASHER, LOCK, steel, split helical ring, 0.198in. hole dia, 0.064in. thk, 0.330in. od		4
17	A	G1	5310-99-101-2862	. . . NUT, PLAIN, HEXAGON, 2BA, steel, chamfered bearing surface, Zn plated, 0.324in. w A/F, 0.167in. o/a h		4
18			NP	. . GASKET, hydraulic pump cover	FV510087	1
19			NP	. . SCREW, HEX HD, 5/16in. -24 UNF by 5/8in. lg, Zn plated	7002105104 5900	10
20	A	G1	5310-99-944-0549	. . WASHER, LOCK, steel, split helical ring, Cd plated, 5/16in. bolt size, 0.503in. od, 0.080in. thk, single coil, square section		12
21	A	G1	5310-99-941-0925	. . NUT, PLAIN, HEXAGON, UNF, 5/16 -24, CLASS 2B, m, steel, Zn plated, 1/2in. w A/F, 17/64in. h, chamfered		2
NI 22	A	9ACR	2590-99-804-4906	. . BELLOWS, PRESSURE	FV563457	1
23			NP	. . COVER FOR SEAL	FV510349	1
24			NP	. . SCREW, RD HEAD, SLOTTED, 2BA, by 1/2in. lg	2716157002 83	4
25	A	G1	5310-99-941-6653	. . WASHER, LOCK, steel, split helical ring, 0.198in. hole dia, 0.064in. thk, 0.330in. od		4

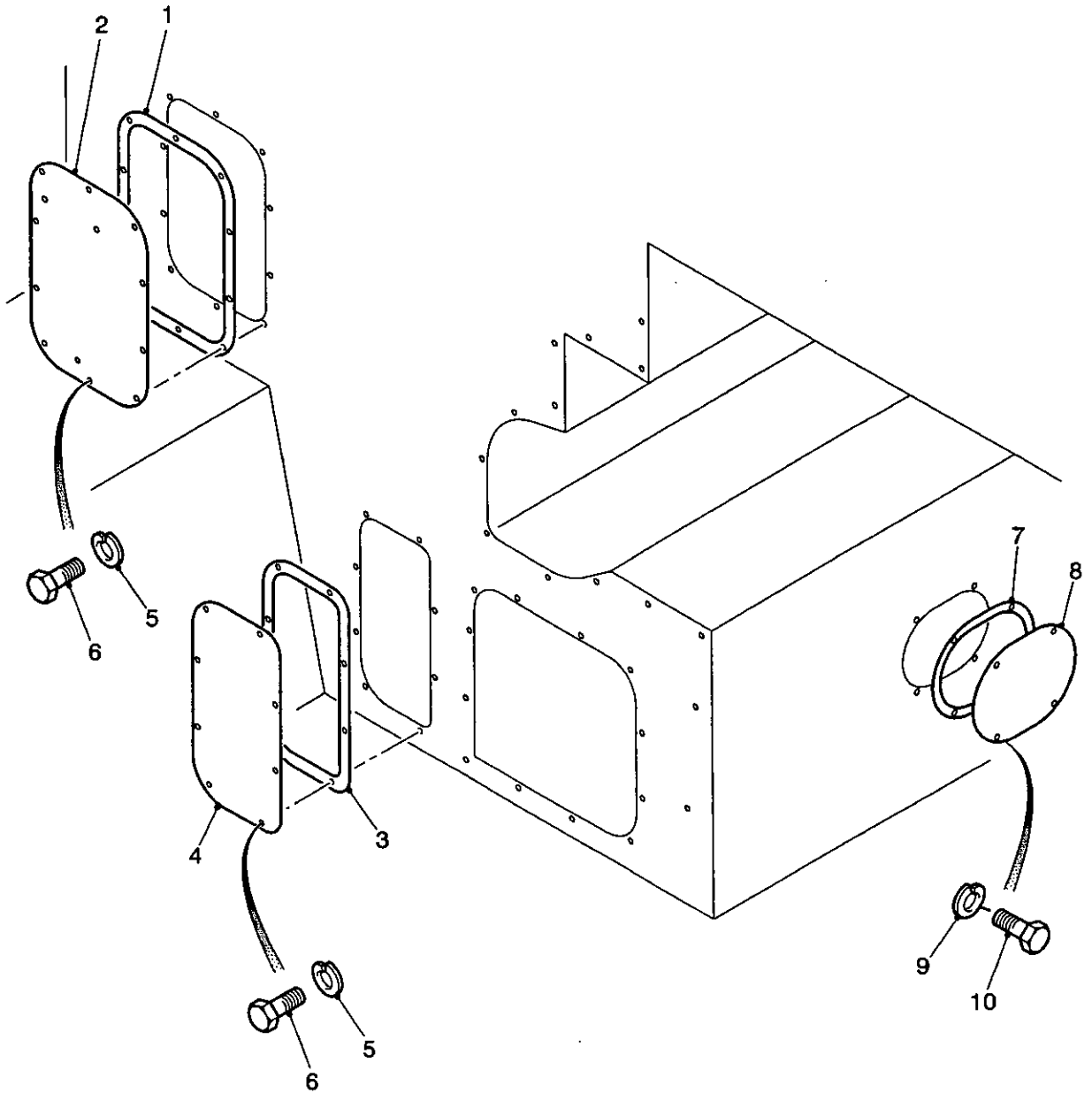


Fig 7 Bulkhead blanking panels installation

430/70250

Fig Item	Man Code Navy - N Army - A RAF - R	NATO Stock No	Item Name and Description	Part No/ Drawing No.	No. Off	Annotations
7-			HULL GA - contd INSPECTION COVERS, DRAIN PLUGS AND CHEQUERED FLOOR INSTALLATION - contd			
		NP	BULKHEAD BLANKING PANELS INSTALLATION		REF	
1		NP	GASKET, cover plate top, cross bulkhead	FV510434	1	Local Army - 5330-99-949-9167
2	A	9ACR	COVER ACCESS, cross bulkhead	FV510730	1	9320-99-120-7071
3		NP	GASKET, cover plate bottom, cross bulkhead	FV510435	1	
4		NP	COVER, ACCESS, bottom, cross bulkhead	FV510090	1	9515-99-960-9149
5	A	G1	WASHER, LOCK, steel, split helical ring, Cd plated, 5/16in. bolt size, 0.503in. od, 0.080in. thk, single coil		18	
6		NP	SCREW, HEX HD, 5/16in. -24 UNF by 5/8in. lg, Zn plated	7002105104 5900	18	
7	A	9ACR	GASKET, syn rubber, 0.125in. thk	FV524889	1	
8	A	9ACR	COVER, ACCESS, bulkhead inspection plate	FV559190	1	
9	A	G1	WASHER, LOCK, steel, split helical ring, single coil, sq section, 3/8in. bolt size, 0.092in. thk, 0.59in. od		4	
10	A	G1	SCREW, CAP, HEXAGON HEAD, UNF, 3/8in. -24 class 2A thd, 1in lg, steel, hex hd		4	

Chapter 2-1-10
PARTS LIST
FLOOR ESCAPE HATCH ASSEMBLY

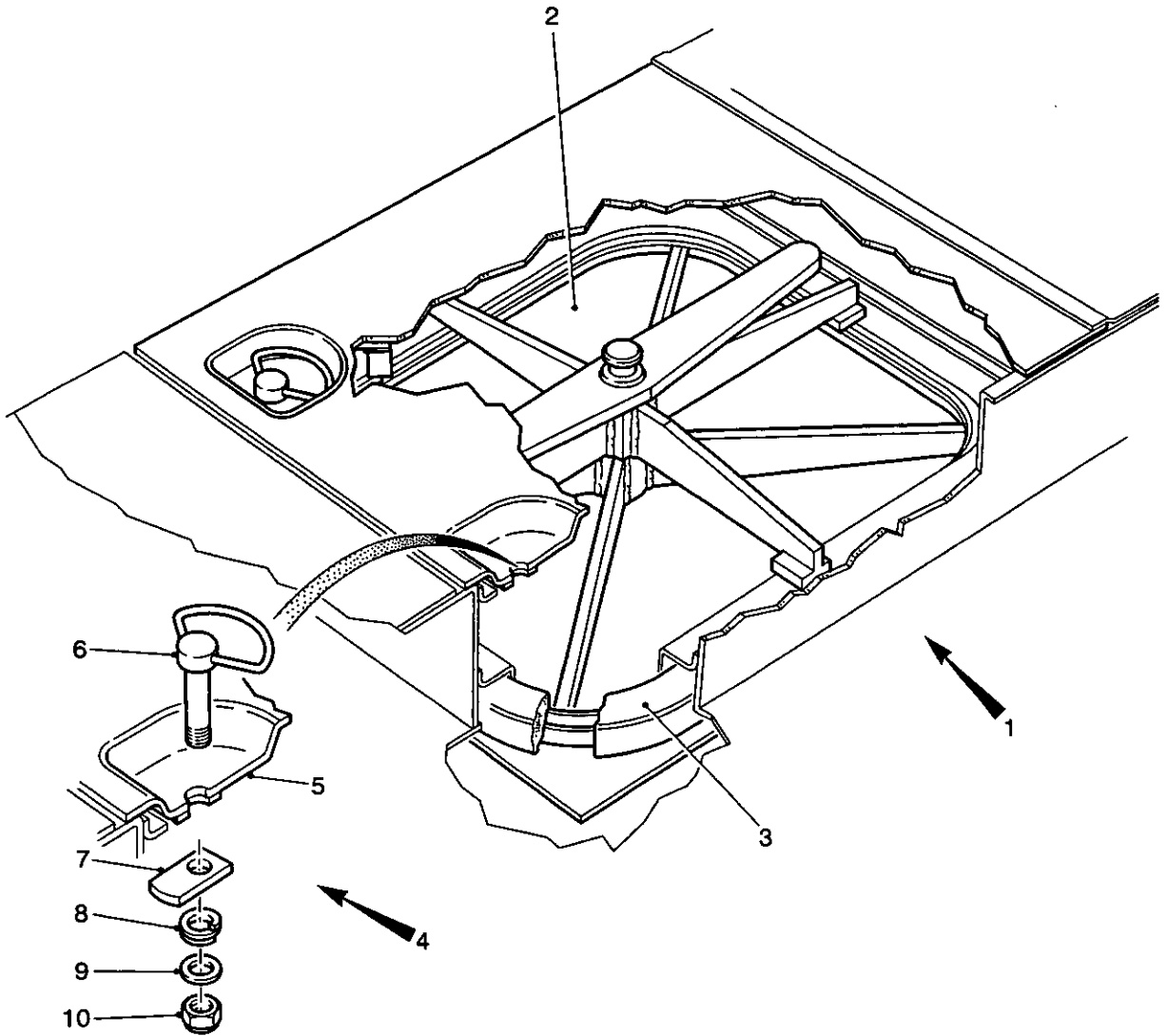


Fig 1 Floor escape hatch assembly

430/70242

Fig Item	Man Code Navy - N Army - A RAF - R	NATO Stock No	Item Name and Description	Part No/ Drawing No.	No. Off	Annotations
1-			HULL GA - contd			
1		NP	. FLOOR ESCAPE HATCH ASSEMBLY	FV563483	REF	
2	A 9ACR	2510-99-804-4907	. . COVER, MANHOLE, crew compartment	FV563484	1	
3		NP	. . RUBBER SEAL, floor escape hatch	FV563485	1	
4	A 9ACR	2510-99-804-4908	. . FLOOR PLATE, VEHICULAR, crew compartment	FV563295	1	
5		NP	. . . FALSE FLOOR PLATE CENTRE COMPLETE	FV563296	1	
6	A 9ACR	2510-99-804-4909	. . . BOLT, RETAINING, FLOOR PLATE, crew compartment	FV563320	2	
7		NP	. . . LOCKING TONGUE, TRAP DOOR	FV563323	2	
8	A G1	5310-99-941-6679	. . . WASHER, LOCK, phosphor bronze, split double helical ring, 25/64in. dia, 11/16in. od, 9/64in. matl thk	BS2061-3-8-TYPE C	2	
9	A G1	5310-99-941-8386	. . . WASHER, FLAT, steel, Zn plated w/chromate, rd, 5/8in. od, 5/16in. nom bolt size, 0.072in. (15 SWG) thk	BS3410	2	
10	A G1	5310-99-941-0925	. . . NUT, PLAIN, HEXAGON, UNF, 5/16 - 24, class 2B, rh, steel, Zn plated, 1/2in. w A/F, 17/64in. h, chamfered	BS1768	2	

Chapter 2-1-11
PARTS LIST
SA 80 RIFLE STOWAGE
INSTALLATION

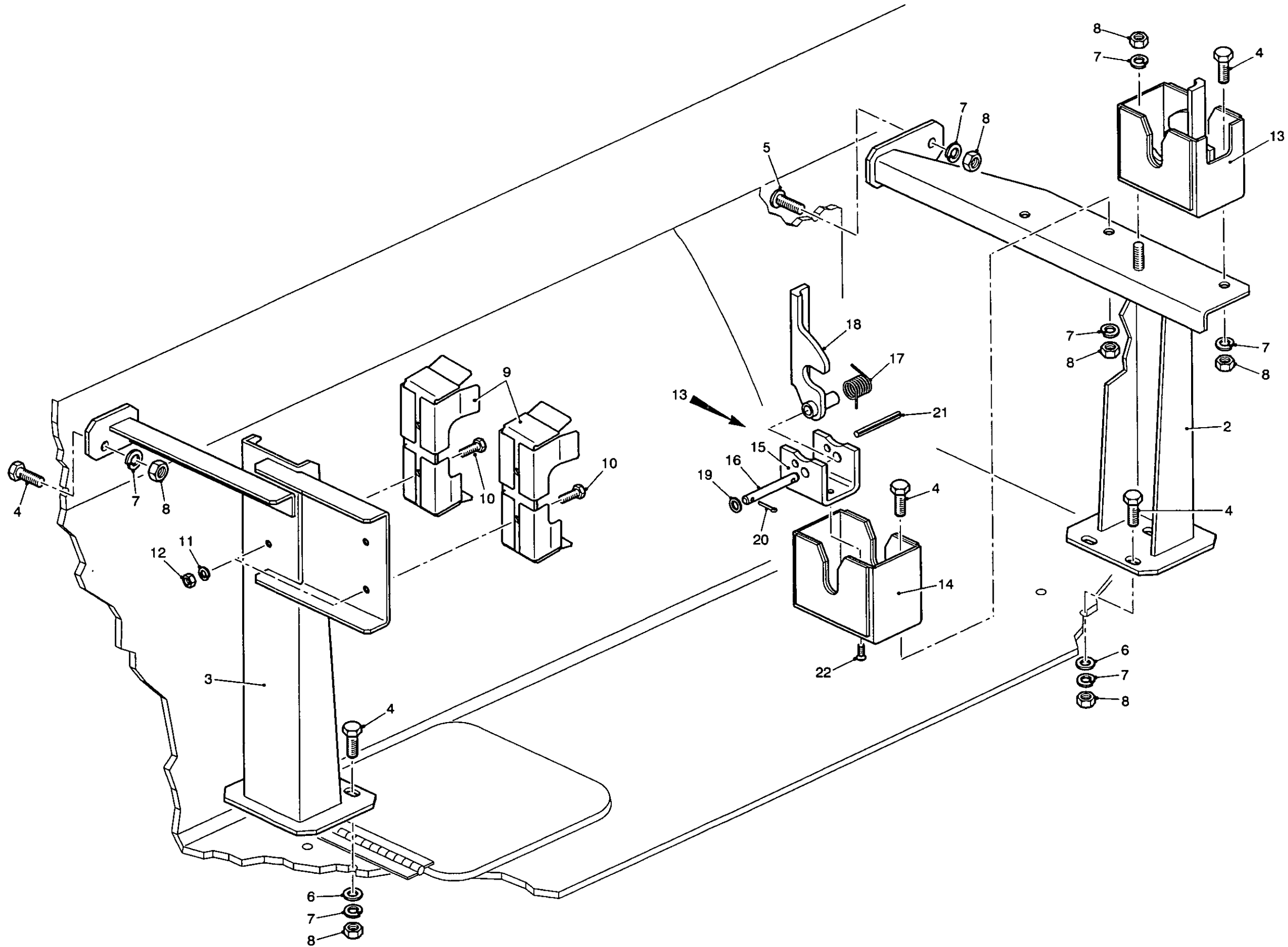


Fig 1 SA 80 rifle stowage installation

Fig Item	Man Code Navy - N Army - A RAF - R	NATO Stock No	Item Name and Description	Part No/ Drawing No.	No. Off	Annotations
1-			HULL GA - contd			
1	A 9ACR	2540-99-356-0023	. SA 80 RIFLE STOWAGE INSTALLATION	FV2229565	REF	
2	A 9ACR	2540-99-190-6909	. . BRACKET, MOUNTING, front	FV2229567	1	
3		NP	. . BRACKET, MOUNTING, rear	FV2229568	1	
4	A G1	5305-99-122-5366	. . SCREW, CAP, HEXAGON HEAD, 8 x 1.25 ISO M thd, 20.42mm fastener lg, hex hd		10	
5	A G1	5305-99-135-0451	. . SCREW, MACHINE, 8 x 1.25 ISO M thd, 20mm thd and fastener lg, steel, Zn plated, pan hd, slot drive		1	
6	A G1	5310-99-122-6475	. . WASHER, FLAT, steel, Zn plated, rd, 17mm od, M8 bolt size, 1.6mm thk		6	
7	A G1	5310-99-138-9227	. . WASHER, LOCK, steel, Zn plated w/ chromate, split helical ring, 8.55mm dia, 2.1mm thk, 12.75mm od		12	
8	A G1	5310-99-122-5296	. . NUT, PLAIN, HEXAGON, ISO, M8 x 1.25 class 6H thd, rh, steel, Zn plated w/chromate, 13mm w A/F, 6.5mm h, chamfered bearing surface, strength grade 8		12	
9	A 6MT1	2540-99-724-5832	. . BUTT CLIP, 134mm lg, 50mm h, 54mm w, u/w SA 80 rifle	FV952327	2	
10	A G1	5305-99-122-5360	. . SCREW, CAP, HEXAGON HEAD, 6 x 1.00 ISO M rh thd, 16mm thd and fastener lg, steel, Zn plated w/chromate, hex hd		4	
11	A G1	5310-99-137-9232	. . WASHER, LOCK, steel, Zn plated, split helical ring, 6.3mm id, 9.2mm od, 1.5mm thk		4	
12	A 7RU	5310-99-122-5295	. . NUT, PLAIN, HEXAGON, M6 x 1.00 ISO M, class 6H rh thd, steel, Zn plated, 10mm w A/F, 5mm h, chamfered bearing surface, strength grade 8		4	
13	A 46MT1	2540-99-740-7338	. . BARREL CLIP ASSEMBLY, block dims: 73mm h, 54mm w, 90mm lg, 102mm o/a h, c/w spring catch	FV952299	2	
14	A 9MCV	2540-99-253-7956	. . . BRACKET, SUPPORTING, plastic coated, black, rect shape w/U shape cut out and various holes	FV952313	1	
15	A 46MT1	2540-99-120-5418	. . . BRACKET, PIVOT ASSEMBLY, steel, plastic coated, U shape	FV952292	1	
16	A 9GWR	5315-99-802-5547	. . . PIN, STRAIGHT, HEADLESS, steel, Cd plated, 43mm lg, 6mm dia	FV952290	1	
17	A 9GWR	5360-99-802-5546	. . . SPRING, HELICAL, TORSION, spring steel, single torsion, 15.2mm od, 22mm and 24mm o/a arm lg	FV952295	1	
18	A 9GWR	2540-99-802-5545	. . . LATCH, STOWAGE CLIP, weapon stowage, barrel clip assy	FV952293	1	
19	A G1	5310-99-122-6474	. . . WASHER, FLAT, steel, Zn plated, rd, 12.5mm od, 6.5mm id, 1.6mm thk		2	
20	A G1	5315-99-138-2200	. . . PIN, COTTER, SPLIT, 1.6mm dia, chisel point, steel, phosphate coated, 16mm under loop lg		2	
21		NP	. . . PIN, 4mm dia x 32mm lg	FV2200680	1	
22	A G1	5305-99-122-5283	. . . SCREW, MACHINE, 5 x 0.8 ISO M, steel, Zn plated, 7.62mm thd lg, 10mm fastener lg, strength grade 4.8, slot, flat csk hd		2	

Chapter 2-1-12

PARTS LIST

CATWALK

GENERAL ARRANGEMENT

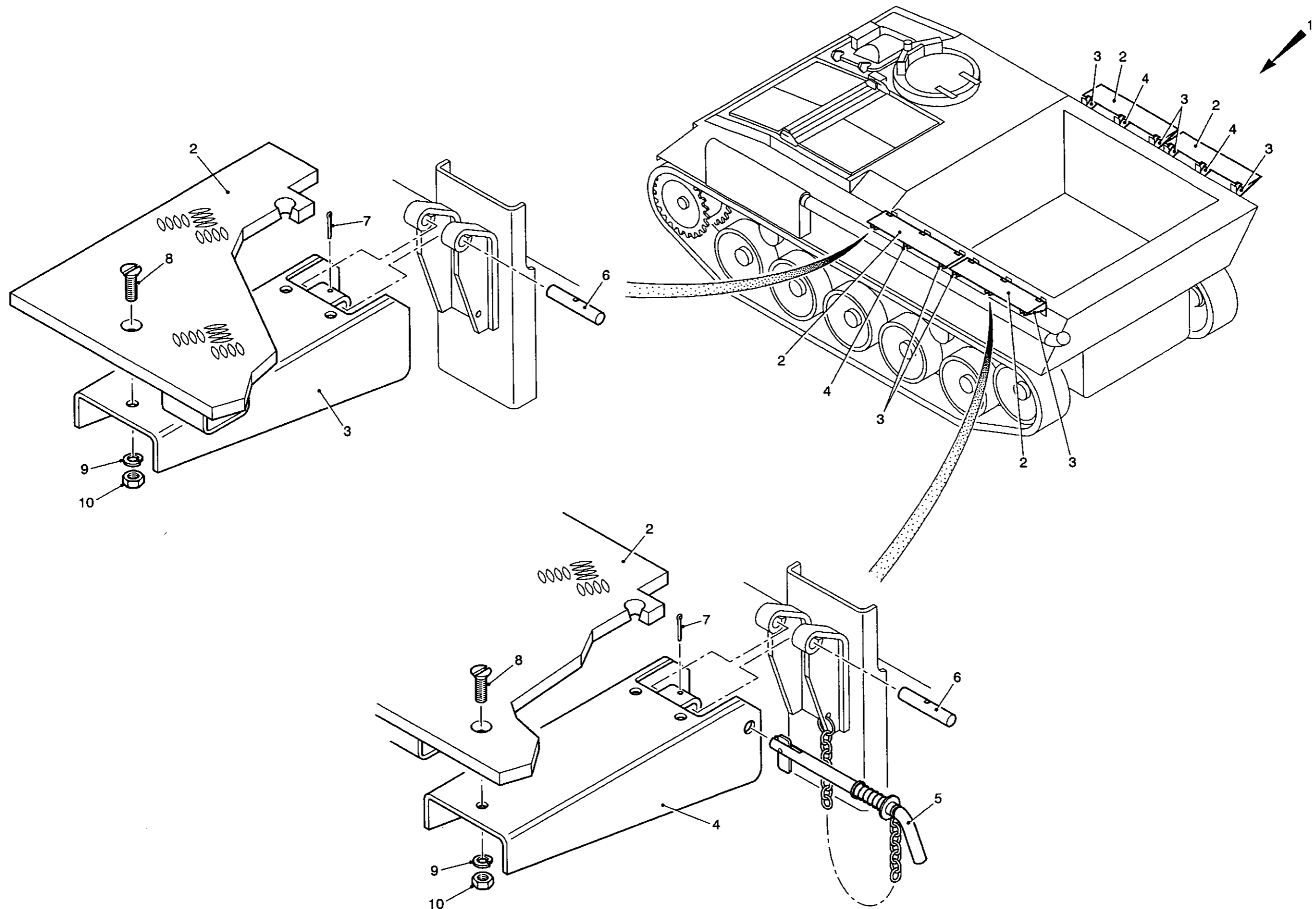


Fig 1 Catwalk general arrangement

Fig Item	Man Code Navy - N Army - A RAF - R	NATO Stock No	Item Name and Description	Part No/ Drawing No.	No. Off	Annotations
1-			HULL GA - contd			
1	A	9ACR	2590-99-978-3108 . CATWALK GENERAL ARRANGEMENT	FV563267	REF	
2	A	9ACR	2510-99-804-4931 . . FLOOR PLATE, VEHICULAR, catwalk	FV563108	4	
3	A	9ACR	2590-99-804-4930 . . BRACKET, CATWALK, welded construction of bracket, double angle with moving hinge	FV611315	8	
4	A	9ACR	2590-99-804-4929 . . BRACKET, CATWALK, VEHICULAR, w/locking handle	FV563109	4	
5	A	9BTR	5315-99-801-0082 . . PIN, TOGGLE, HEADED, dummy coupling bracket	FV569157	4	
6		NP	. . HINGE PIN, CATWALK, steel, 3/8in. dia, 2.35in. lg	FV563113	12	
7	A	G1	5315-99-942-3566 . . PIN, GROOVED, HEADLESS, steel, phosphate coated, 7/8in. lg, 1/8in. dia	18GP1	12	
8	A	G1	5305-99-941-1750 . . SCREW, MACHINE, 2A thd class, 0.597in. lg, 3/4in. fastener lg, flat csk hd		36	
9	A	G1	5310-99-941-6654 . . WASHER, LOCK, steel, split helical ring, 1/4in. nom bolt size, 27/64in. od, 5/64in. thk		36	
10	A	G1	5310-99-804-7941 . . NUT, PLAIN, HEXAGON, UNF, 1/4in. dia, 1/4in. dia -28, class 2B, rh thd, Zn plated, 7/16in. w A/F, 7/32in. o/a h, chamfered		36	

Chapter 2-1-13

PARTS LIST

VENTILATION DUCTING ASSEMBLY

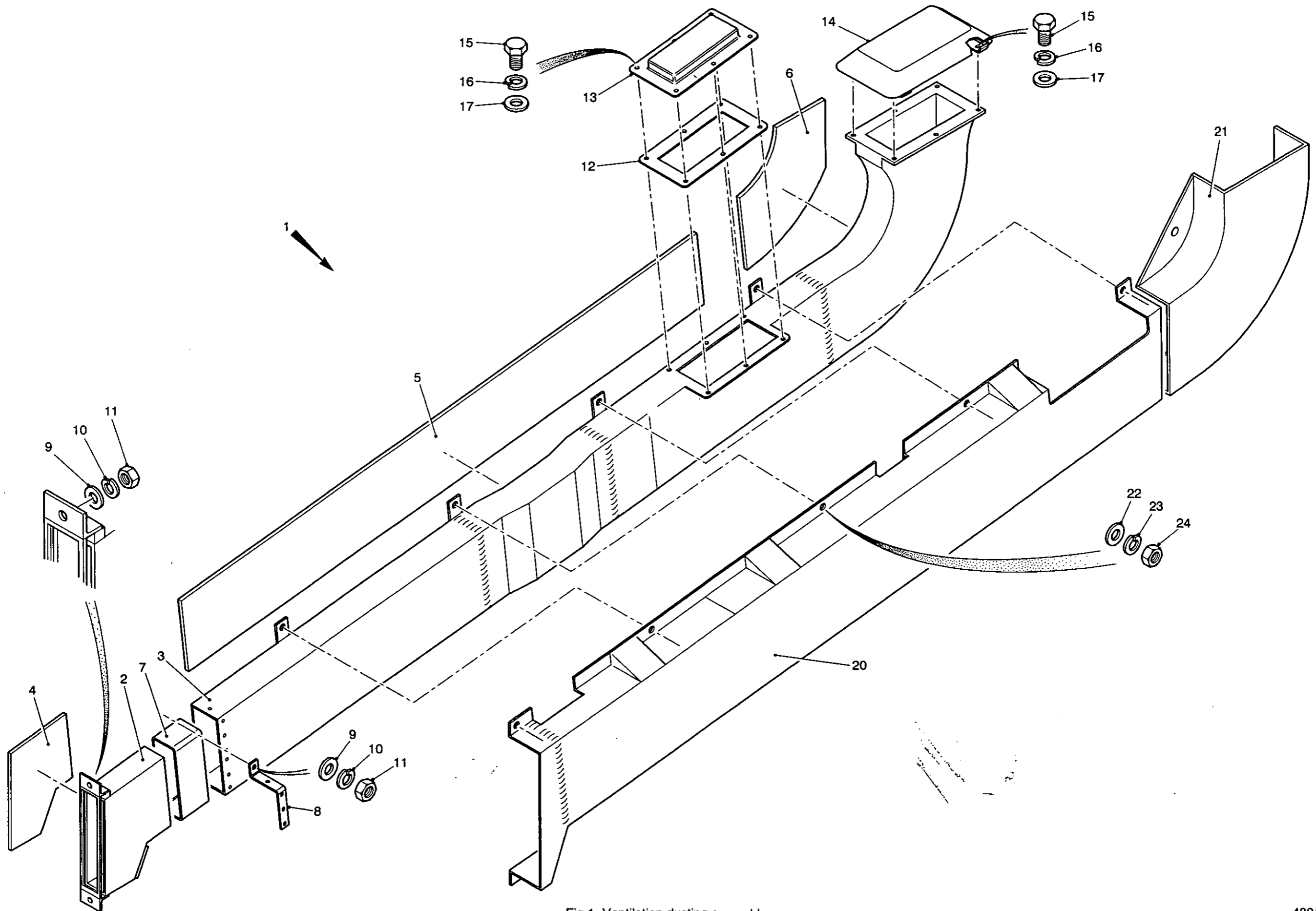


Fig 1 Ventilation ducting assembly

430/70247

Fig Item	Man Code Navy - N Army - A RA/F - R	NATO Stock No	Item Name and Description	Part No/ Drawing No.	No. Off	Annotations
1-			HULL GA - contd			
1		NP	. . VENTILATION DUCTING ASSEMBLY	FV563277	REF	
2	A	9ACR 2510-99-804-4835	. . DUCT, AIR, VEHICULAR, LH	FV611070	1	
3	A	9ACR 2510-99-804-4840	. . DUCT, AIR, VEHICULAR, outer	FV611060	1	
4	A	9ACR 2540-99-804-4837	. . HEAT SHIELD, LH, foil backed asbestos, 11.800in. o/a lg, 8.200in. o/a w, 1/8in. o/a thk	FV611138	1	
5		NP	. . HEAT SHIELD, CENTRE	FV611139	1	
6		NP	. . HEAT SHIELD, RH	FV611140	1	
7		NP	. . SEAL, VENTILATION DUCT	FV611068	1	
8		NP	. . STRAP, FLEXIBLE JOINT	FV611069	4	
9		NP	. . WASHER, FLAT, 5/16in. dia by 15 SWG	7030005009 1000	6	
10	A	G1 5310-99-944-0549	. . WASHER, LOCK, steel, split helical ring, Cd plated, 5/16in. bolt size, 0.503in. od, 0.080in. thk, single coil, sq section		6	
11	A	G1 5310-99-941-0925	. . NUT, PLAIN, HEXAGON, UNF, 5/16 - 24, class 2B, rh, Zn plated, 1/2in. w A/F, 17/64in. h, chamfered		6	
12		NP	. . SEAL	FV611135	1	
13	A	9ACR 5340-99-804-4843	. . COVER, ACCESS	FV611091	1	
14	A	9ACR 2510-99-804-4844	. . INLET COWL, 1ft lg, 6in. w, 1-1/2in. o/a h	FV611014	1	
15	A	G1 5305-99-941-0512	. . SCREW, MACHINE (UK), UNF, 1/4in. class 2A thd, 5/8in. lg, steel, Zn plated, hex hd		10	
16	A	G1 5310-99-941-6654	. . WASHER, LOCK, steel, split helical ring, 1/4in. nom bolt size, 27/64in. od, 5/64in. thk		10	
17		NP	. . WASHER, FLAT, 1/4in. dia by 17 SWG	7030204009 1000	10	
NI 18		NP	. . SCREW, MACHINE, 2BA by 5/8in. lg, hex hd, Cd plated	7011103101 4900	16	} Securing ventilation ducting to bulkhead
NI 19	A	G1 5310-99-941-6866	. . WASHER, FLAT, Cd plated, rd, 1/2in. od, rd hole, 2BA nom bolt size, 0.048in. (18 SWG) thk		16	
20		NP	. . SOLAR SHIELD, AIR DUCT	FV611017	1	
21	A	9ACR 2540-99-804-4838	. . SOLAR SHIELD, AIR DUCT, RH	FV611020	1	
22		NP	. . WASHER, FLAT, 3/8in. dia by 15 SWG	7030006009 1000	14	
23		NP	. . WASHER, LOCK, 3/8in. dia	7033006000 5900	14	
24		NP	. . NUT, HEX, 3/8in. UNF	7020106011 5900	14	

Chapter 2-1-14

PARTS LIST

FOOT PLATFORM, REAR DRAUGHT CONNECTOR
AND WORK BENCH ASSEMBLY

Fig Item	Man Code Navy - N Army - A RAF - R	NATO Stock No	Item Name and Description	Part No/ Drawing No.	No. Off	Annotations
1-			HULL GA - contd FOOT PLATFORM, REAR DRAUGHT CONNECTOR AND WORK BENCH ASSY			
1		NP	. . . FOOT PLATFORM ASSEMBLY	FV563263	REF	
2	A	9ACR 2510-99-804-4910	. . . BRACING MEMBER, FOOT PLATFORM, lh	FV611590	1	
3	A	9ACR 2510-99-804-4911	. . . BRACING MEMBER, FOOT PLATFORM, rh	FV611594	1	
4	A	9ACR 2510-99-804-4912	. . . SUPPORT, FOOT PLATFORM, lh	FV611595	1	
5	A	9ACR 2510-99-804-4913	. . . SUPPORT, FOOT PLATFORM, rh	FV611598	1	
6	A	9ACR 2510-99-804-4935	. . . TREAD, METALLIC, NON-SKID, Al alloy, painted, 1ft 5in. lg, 1ft 2-1/2in. w, 3/16in. thk	FV611599	1	
7	A	G1 5305-99-941-1750	. . . SCREW, MACHINE, flat csk hd, 2A thd class, 0.597in. lg, thd, 3/4in. fastener lg		6	
8	A	G1 5310-99-941-6654	. . . WASHER, LOCK, steel, split helical ring, 1/4in. nom bolt size, 27/64in. od, 5/64in.thk		6	
9	A	G1 5310-99-804-7941	. . . NUT, PLAIN, HEXAGON, UNF, 1/4in. dia -28, class 2B, rh thd, steel, Zn plated, 7/32in. o/a h, chamfered finish		6	
10		NP	. . . BRACKET, HINGE TOP	FV611600	2	
11		NP	. . . BRACKET, STAY PIVOT, LH	FV611601	1	
12		NP	. . . BRACKET, STAY PIVOT, RH	FV644144	1	
13	A	G1 5310-99-941-8635	. . . WASHER, FLAT, steel, Zn plated, rd shape, 3/4in. od, 25/64in. nom bolt size, 0.072in. (15 SWG) thk		8	
14	A	G1 5310-99-941-6656	. . . WASHER, LOCK, steel, split helical ring, 3/8in. nom bolt size, 0.092in. thk, 0.590in. od, single coil, square section		8	
15	A	G1 5310-99-941-0926	. . . NUT, PLAIN, HEXAGON, UNF, steel, chamfered bearing surface, Zn plated, 3/8in. -24, 0.563in. w A/F, 0.333in. o/a h, grade 3 nut		8	
16	A	9ACR 5315-99-804-4934	. . . PIN, STRAIGHT, HEADED, steel, phosphate coated, 0.375in. dia, 2.35in. under head lg, flat chamfered hd, 0.075in. hole dia, 0.625in. hd dia, 0.15in. h	FV611644	2	
17		NP	. . . PIN, STRAIGHT, HEADLESS, bracket stay pivot	FV611602	2	
18	A	G1 5310-99-941-8635	. . . WASHER, FLAT, steel, Zn plated, rd shape, 3/4in. od, 25/64in. nom bolt size, 0.072in. (15 SWG) thk		6	
19	A	G1 5315-99-138-2201	. . . PIN, COTTER, SPLIT, steel, phosphate finish, 1/6mm dia, 25mm lg		6	
20	A	9ACR 2510-99-804-4914	. . . CATCH, FOOT PLATFORM	FV611474	1	
21		NP	. . . CATCH, PIVOT BRACKET, COMPLETE	FV611475	1	
22		NP	. . . CATCH	FV611478	1	
23		NP	. . . PIN	FV611479	1	
24	A	G1 5310-99-941-8635	. . . WASHER, FLAT, steel, Zn plated, rd shape, 3/4in. od, 25/64in. nom bolt size, 0.072in. (15 SWG) thk		2	
25	A	G1 5315-99-138-2201	. . . PIN, COTTER, SPLIT, steel, phosphate finish, 1/6mm dia, 25mm lg		2	
26	A	9ACR 5360-99-804-4928	. . . SPRING, HELICAL, EXTENSION, steel, 1/4in. od lg, 1-19/32in. lg, ring ends	FV611480	1	

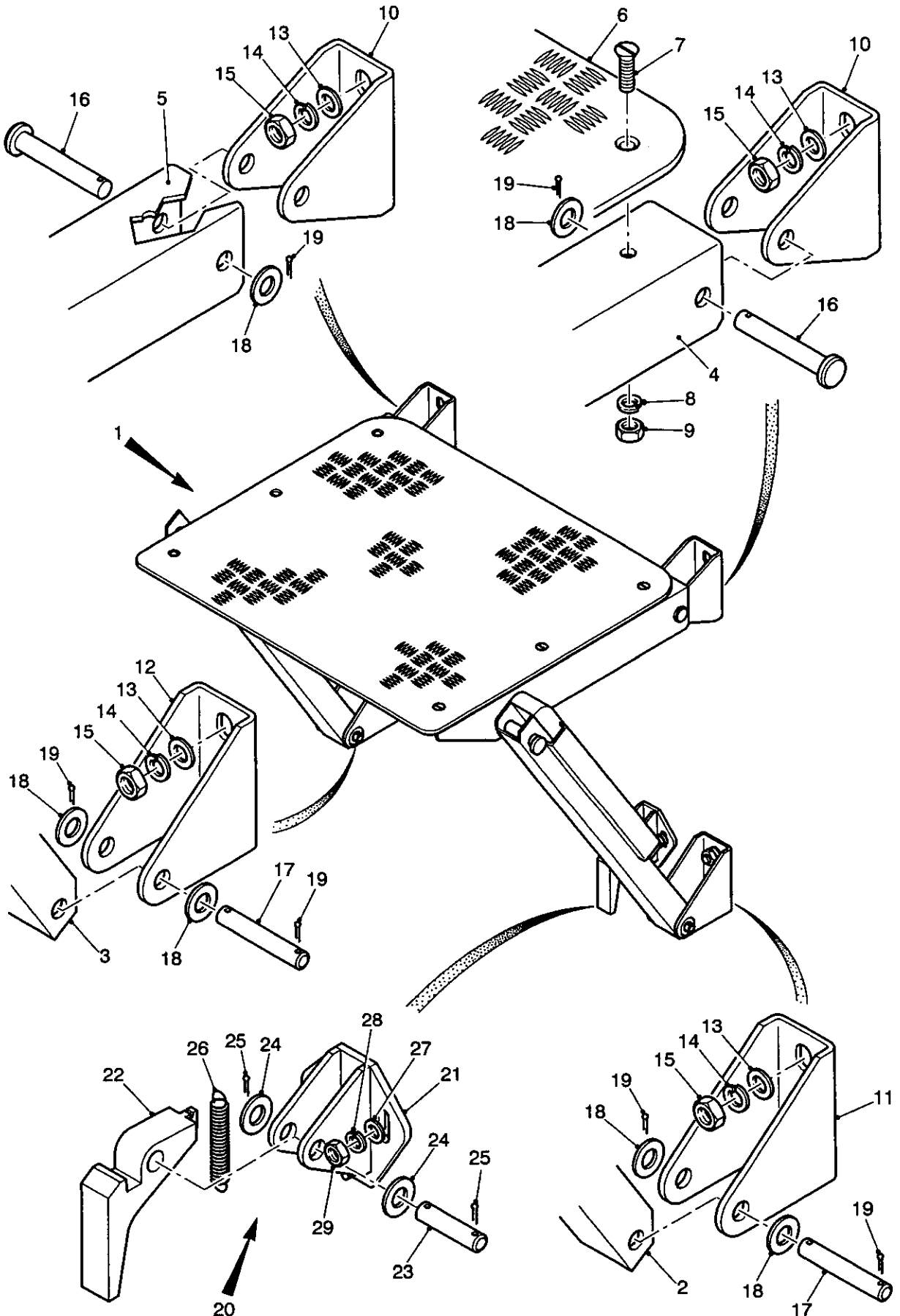


Fig 1 Foot platform assembly

430/70248

Fig Item	Man Code Navy - N Army - A RAF - R	NATO Stock No	Item Name and Description	Part No/ Drawing No.	No. Off	Annotations
1-			HULL GA - contd FOOT PLATFORM, REAR DRAUGHT CONNECTOR AND WORK BENCH ASSY - contd . FOOT PLATFORM ASSEMBLY - contd			
27	A G1	5310-99-941-7072	. . WASHER, FLAT, steel, rd plated, rd hole, 1/4in. nom bolt size, 9/16in. od, 0.056in. (17 SWG) thk		2	
28	A G1	5310-99-941-6654	. . WASHER, LOCK, steel, split helical ring, 1/4in. nom bolt size, 27/64in. od, 5/64in. thk		2	
29	A G1	5310-99-804-7941	. . NUT, PLAIN, HEXAGON, UNF, 1/4in. dia -28, class 2B, rh thd, steel, Zn plated, 7/32in. o/a h, chamfered finish		2	

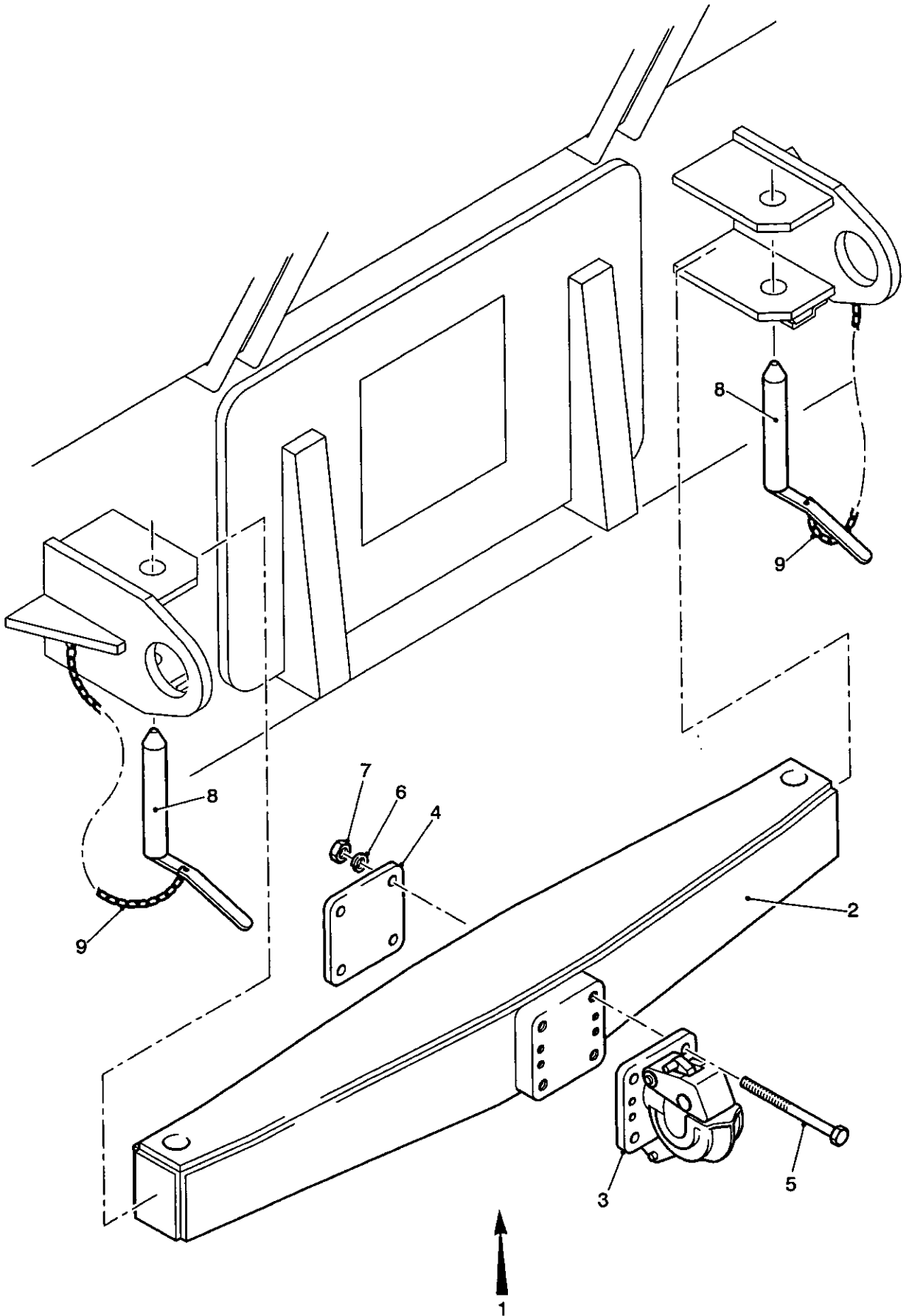


Fig 2 Rear draught connector GA

430/70226

Fig Item	Man Code Navy - N Army - A RAF - R	NATO Stock No	Item Name and Description	Part No/ Drawing No.	No. Off	Annotations
2-			HULL GA - contd FOOT PLATFORM, REAR DRAUGHT CONNECTOR AND WORK BENCH ASSY - contd			
1		NP	. REAR DRAUGHT CONNECTOR, GA	FV563264	REF	
2	A	9ACR 2540-99-804-8360	. . SUPPORT, TOWING HOOK, Al, welded assy, 50.50in. lg, 6.5in. h	FV600931	1	
3	A	6MT13 2540-99-452-6157	. . PINTLE ASSEMBLY, TOWING, SWIVEL TYPE, 5-1/2in. w, 7-1/2in. o/a h, c/w latch locking pin and chain	FV987957	1	
4		NP	. . WASHER, PLATE	FV644393	1	
5	A	G1 5306-99-941-7080	. . BOLT, MACHINE, UNF, 5/8in. -18 thd, class 2A thd, 9-1/4in. lg, steel, Cd plated, w/chromate, 1-5/8in. thd lg, hex hd	FV644394	4	
6	A	G1 5310-99-948-2004	. . WASHER, LOCK, steel, Zn plated, split helical ring, 43/64in. id, 7/32in. matl thk, 1-1/16in. od		4	
7	A	G1 5310-99-136-1520	. . NUT, PLAIN, HEXAGON, UNF, 5/8in. -18, class 2B thd, steel, Zn plated, 35/64in. h, chamfered, or washer faced		4	
8	A	9ACR 2540-99-804-7897	. . PIN, LOCKING, TOWING HOOK SUPPORT, steel, Cd plated, 7-3/4in. o/a lg	FV611640	2	
9		NP	. . CHAIN	FV420369	2	

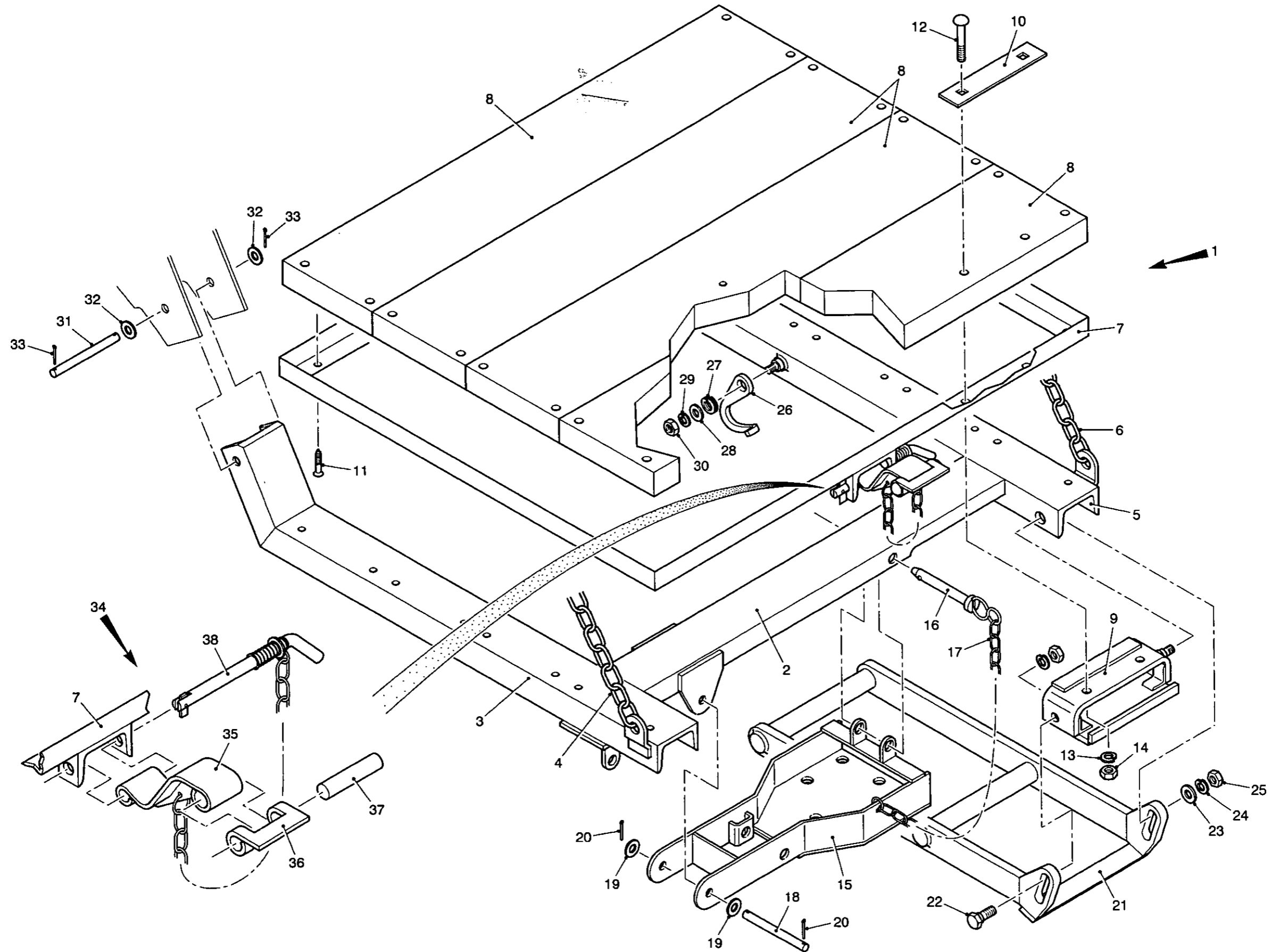


Fig 3 Work bench assembly

430/70227

Fig Item	Man Code Navy - N Army - A RAF - R	NATO Stock No	Item Name and Description	Part No/ Drawing No.	No. Off	Annotations
3-			HULL GA - contd FOOT PLATFORM, REAR DRAUGHT CONNECTOR AND WORK BENCH ASSY - contd			
1		NP	. WORK BENCH ASSEMBLY	FV563265	REF	
2	A 9ACR	2590-99-804-4946	. . SUPPORT, BENCH, welded construction of complete bench	FV611538	1	
3		NP	. . . CHANNEL LH COMPLETE, work bench	FV563119	1	
4		NP CHAIN, work bench	FV611578	1	
5		NP CHANNEL, RH, COMPLETE, work bench	FV563120	1	
6		NP CHAIN, work bench	FV611578	1	
7	A 9ACR	2590-99-804-4947	. . FRAME, WORK BENCH, 2ft 8in. lg, 3ft 3in. w	FV563148	1	
8		NP	. . BOARD, work bench, 31-3/4in. lg, 6- 3/4in. w, 1-1/8in. thk	FV611565	4	
9	A 9ACR	2590-99-804-4948	. . CHANNEL, REAR STIRRUP, painted finish, welded construction of complete channel, rear stirrup	FV563159	1	
10		NP	. . REINFORCEMENT PLATE, work bench	FV644177	1	
11	A G1	5305-99-941-7471	. . SCREW, WOOD, steel, flat csk hd, slot drive, No. 6 by 3/4in. lg		12	
12		NP	. . BOLT, COACH, 5/16in. UNC by 2in. lg, cup hd square	CB5/16	18	
13	A G1	5310-99-944-0549	. . WASHER, LOCK, steel, split helical ring, Cd plated, 5/16in. bolt size, 0.503in. od, 0.080in. thk, single coil, square section		18	
14	A G1	5310-99-941-1660	. . NUT, PLAIN, HEXAGON, UNC, steel, chamfered bearing surface, Zn plated, 5/16in. 1/2in. w A/F, 0.27in. o/a h, grade 3 nut		18	
15	A 9ACR	2590-99-804-4932	. . BRACKET, VICE, phosphate, vice bracket complete comprising plates, lh and rh side plates and spacer channel	FV611530	1	
16	A G1	5315-99-948-2445	. . PIN, QUICK RELEASE, steel, Cd plated w/chromate, 5/8in. shank dia, 3-19/64in. lg grip, push pull type, w/attaching ring		1	
17		NP	. . CHAIN	FV420369	1	
18		NP	. . PIN, STRAIGHT, HEADLESS, 4.7in. lg, 0.5in. dia, 2 holes 7/64in. dia	FV611542	1	
19	A G1	5310-99-120-3891	. . WASHER, FLAT, steel, Cd plated, rd shape, 1in. od, rd shape, 33/64in. id, 3/32in. matl thk		2	
20	A G1	5315-99-138-2207	. . PIN, COTTER, SPLIT, steel, phosphate coated, 2.5mm dia, 50mm lg, extended prong chisel point		2	
21	A 9ACR	2590-99-804-4936	. . STIRRUP, WORK BENCH, rear	FV563155	1	
22	A 9ACR	5306-99-804-4937	. . BOLT, SHOULDER, UNF, 3/8in. thd dia, 0.5in. lg thd, 1.1in. lg fastener, steel, Cd plated, hex hd, 0.5in. dia shoulder, 0.35in. shoulder, 0.75in. w A/F	FV563165	1	
23	A G1	5310-99-941-8635	. . WASHER, FLAT, steel, Zn plated, rd shape, 3/4in. od, rd hole, 25/64in. nom bolt size, 0.072in. (15 SWG) thk		1	
24	A G1	5310-99-941-6656	. . WASHER, LOCK, steel, split helical ring, 3/8in. nom bolt size, 0.092in. thk, 0.590in. od, single coil, square section		2	

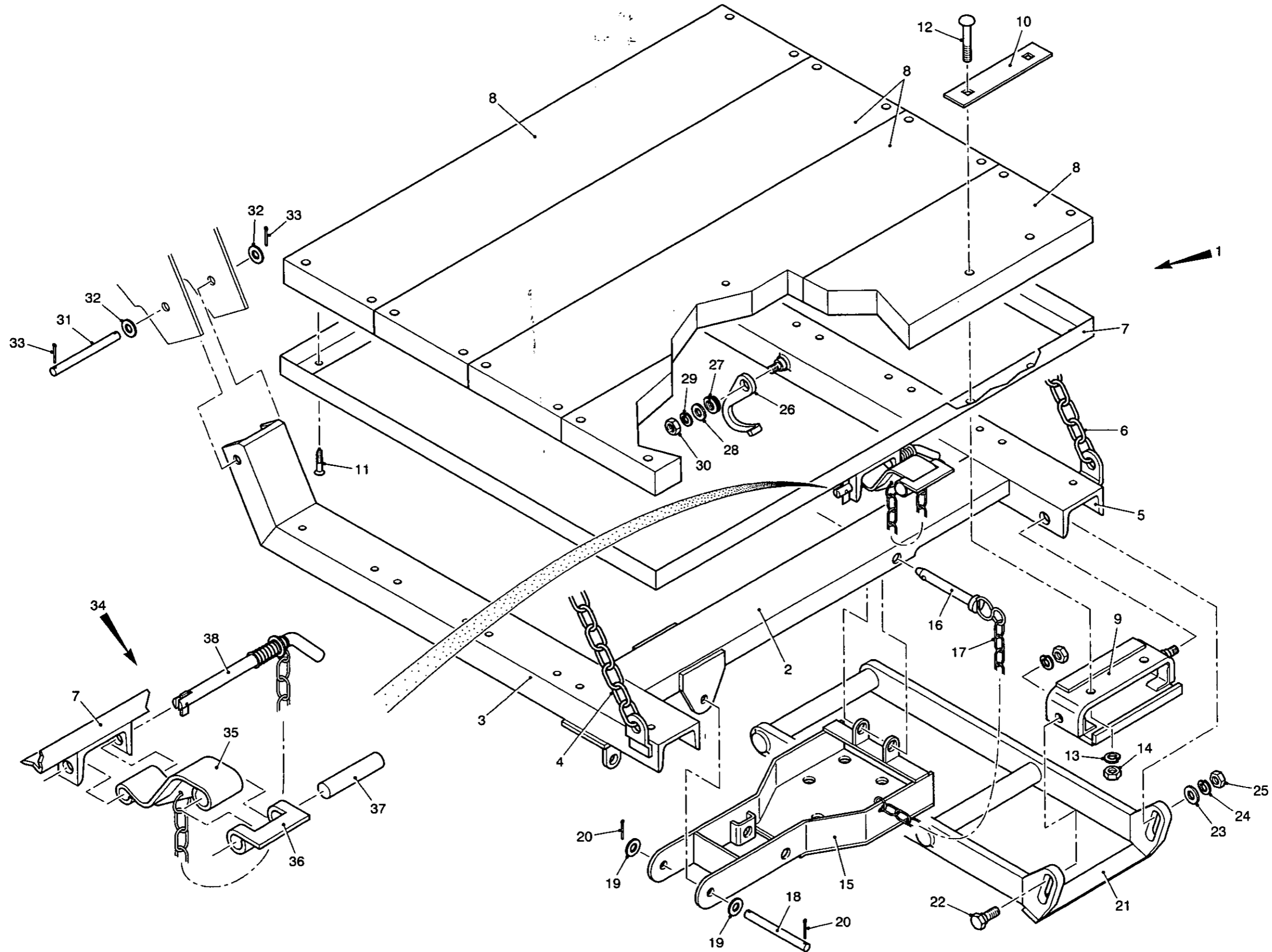


Fig 3 Work bench assembly

430/70227

Fig Item	Man Code Navy - N Army - A RAF - R	NATO Stock No	Item Name and Description	Part No/ Drawing No.	No. Off	Annotations
3-			HULL GA - contd FOOT PLATFORM, REAR DRAUGHT CONNECTOR AND WORK BENCH ASSY - contd . WORK BENCH ASSEMBLY - contd			
25	A G1	5310-99-941-0928	. . NUT, PLAIN, HEXAGON, UNF, steel, chamfered bearing surface, Zn plated finish, 1/2in. 3/4in. w A/F, 7/16in. o/a h, grade 3 nut		2	
26	A 9ACR	2590-99-804-4938	. . CATCH, WORK BENCH STIRRUP, steel, 2.7in. lg, 3/16in. matl thk	FV563163	1	
27	A G1	5310-99-941-6679	. . WASHER, LOCK, phosphor bronze, split double helical ring, 25/64in. hole dia, 11/16in. od, 3/64in. matl thk		1	
28	A G1	5310-99-941-7072	. . WASHER, FLAT, steel, Cd plated, rd hole, 1/4in. nom bolt size, 9/16in. od, 0.056in. (17 SWG) thk		1	
29	A G1	5310-99-941-6654	. . WASHER, LOCK, steel, split helical ring, 1/4in. nom bolt size, 27/64in. od, 5/64in. thk		1	
30	A G1	5310-99-804-7941	. . NUT, PLAIN, HEXAGON, UNF, 1/4in. dia -28, class 2B, rh thd, steel, Zn plated, 7/16in. w A/F, 7/32in. o/a h, chamfered finish		1	
31		NP	. . PIN, STRAIGHT, HEADLESS, 4.35in. lg, 1/2in. dia	FV563151	2	
32	A G1	5310-99-120-3891	. . WASHER, FLAT, steel, Cd plated, rd shape, 1in. od, rd shape, 33/64in. id, 3/32in. matl thk		4	
33	A G1	5315-99-138-2207	. . PIN, COTTER, SPLIT, steel, phosphate coated, 2.5mm dia, 50mm lg, extended prong chisel point		4	
34		NP	. . CATCH ASSEMBLY, work bench	FV611317	1	
35		NP	. . . CATCH COMPLETE, work bench	FV563193	1	
36		NP	. . . HINGE, CATCH, work bench	FV563196	1	
37		NP	. . . HINGE PIN, CATCH, work bench	FV563197	1	
38	A 9BTR	5315-99-801-0082	. . PIN, TOGGLE, HEADED, dummy coupling bracket	FV569157	1	

Chapter 2-1-15
PARTS LIST
LOCKERS GENERAL ARRANGEMENT
(MK1 AND MK1/1 VEHICLES)

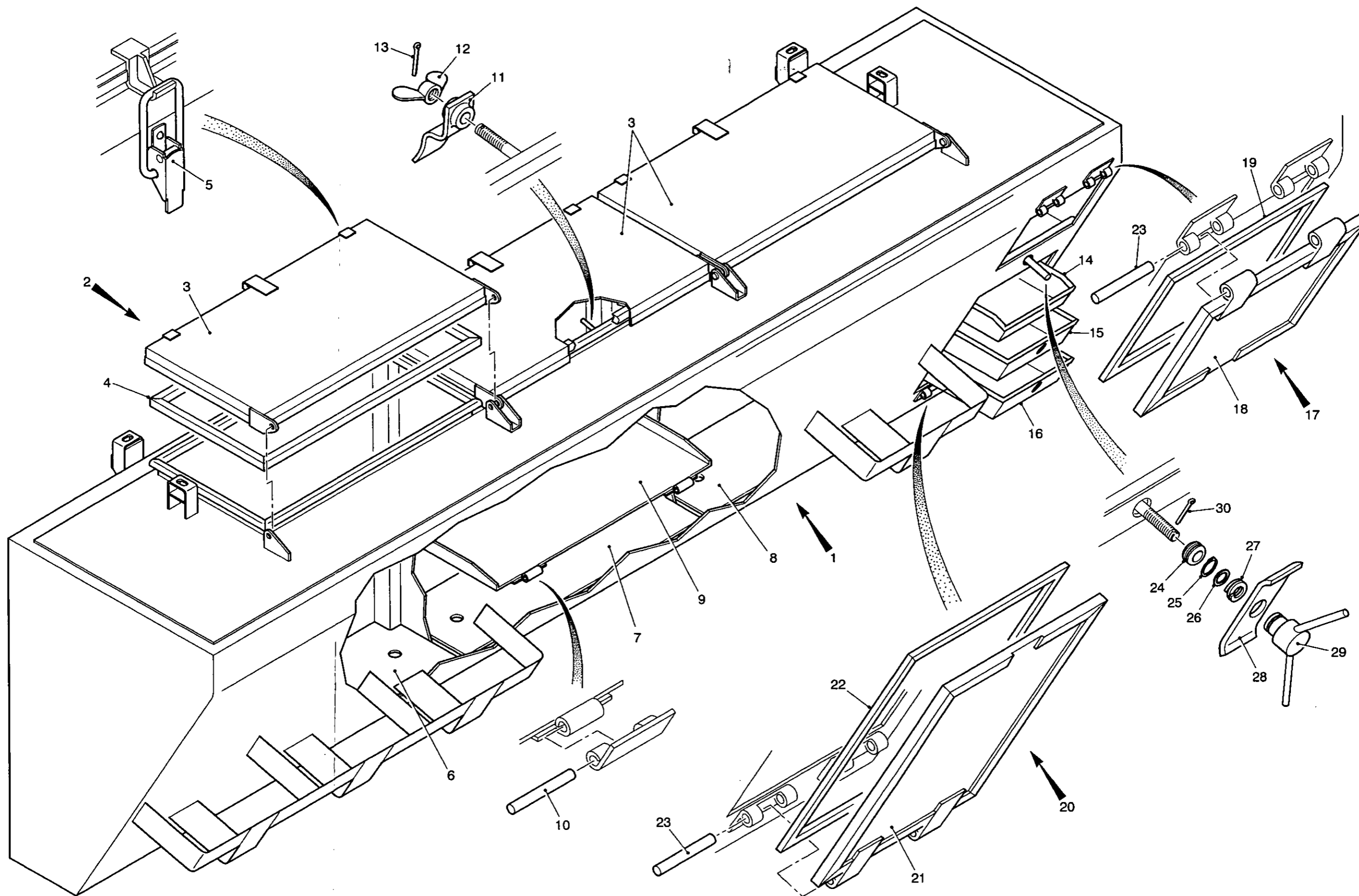


Fig 1 Rear lockers assembly

430/70253

Fig Item	Man Code Navy - N Army - A RAF - R	NATO Stock No	Item Name and Description	Part No/ Drawing No.	No. Off	Annotations
1-			HULL GA - contd			
		NP	. LOCKERS, GENERAL ARRANGEMENT (FV434 MK1)	FV563266	REF	
		NP	. LOCKERS, GENERAL ARRANGEMENT (FV434 MK1/1)	FV644003	REF	
1		NP	. . REAR LOCKERS ASSEMBLY	FV563279	1	
2	A 9ACR	2590-99-804-4949	. . LID, REAR LOCKER, rect shape assembly of top lid for rear locker	FV563057	3	
3		NP	. . . TOP LID COMPLETE	FV563058	1	
4		NP	. . . SEAL, rear locker lids	FV563100	1	
5		NP	. . TOGGLE CATCH	FV485987/2	6	
6		NP	. . FALSE FLOOR PLATE, lh, rear locker	FV563094	1	
7		NP	. . FALSE FLOOR PLATE, centre, rear locker	FV563095	1	
8		NP	. . FALSE FLOOR PLATE, rh, rear locker	FV563096	1	
9		NP	. . HINGED FLOOR COMPLETE, centre, rear locker	FV563052	1	
10		NP	. . HINGE PIN, centre compartment, rear locker	FV563056	2	
11	A 9ACR	5340-99-804-5610	. . CLAMP COMPLETE, WELDING SET, locker assy	FV643928	1	
12	A G1	5310-99-941-8262	. . NUT, PLAIN, WING, UNF, Cd plated, 3/8in. thd dia, 1-13/32in. w, 23/32in. h, class 2B thd	FV(S)65-18	1	
13	A G1	5315-99-944-0171	. . PIN, COTTER, SPLIT, steel, phosphated, std spring type, extended prong chisel point, 1/16in. nom dia, 5/8in. lg		1	
14	A 9ACR	2590-99-804-5141	. . DRAWER, UPPER, STOWAGE LOCKER, VEHICULAR, steel, painted, 13-23/32in. lg, 8-1/4in. w, 3in. h	FV563091	1	
15	A 9ACR	2590-99-804-5142	. . DRAWER, INTERMEDIATE, STOWAGE LOCKER, VEHICULAR, steel, painted, 12-1/2in. lg, 8-1/4in. w, 3in. h	FV563092	1	
16	A 9ACR	2590-99-804-5143	. . DRAWER, LOWER, STOWAGE LOCKER, VEHICULAR, steel, painted, 10-27/32in. lg, 8-1/4in. w, 3in. h	FV563093	1	
17	A 9ACR	5340-99-805-8117	. . DOOR, UPPER ACCESS, STOWAGE, rear locker upper	FV563067	1	
18		NP	. . . DOOR UPPER, COMPLETE	FV563068	1	
19		NP	. . . SEAL, DOOR, upper rear locker	FV563098	1	
20	A 9ACR	5340-99-805-8118	. . DOOR, LOWER, ACCESS, STOWAGE, rear door locker	FV563075	1	
21		NP	. . . DOOR LOWER, COMPLETE	FV563076	1	
22		NP	. . . SEAL, DOOR, lower rear locker	FV563099	1	
23		NP	. . HINGE PIN, MISC, REAR LOCKER	FV563081	4	
24	A H9	5325-99-942-3468	. . GROMMET, RUBBER, rubber, synthetic, 0.75in. hole dia, 0.27in. groove w, 0.135in. flange thk, 0.5in. thk, 1.28in. flange od, 1.02in. groove od		1	
25	A 6MT1	5365-99-301-8006	. . RING, RETAINING, steel, phosphate coated, 1.20mm thk, external, 19mm shaft dia		1	
26	A 9ACR	5310-99-865-6600	. . WASHER, FLAT, steel, rd, 1.062in. od, rd hole, 0.766in. dia, 0.03in. thk	FV299778	1	

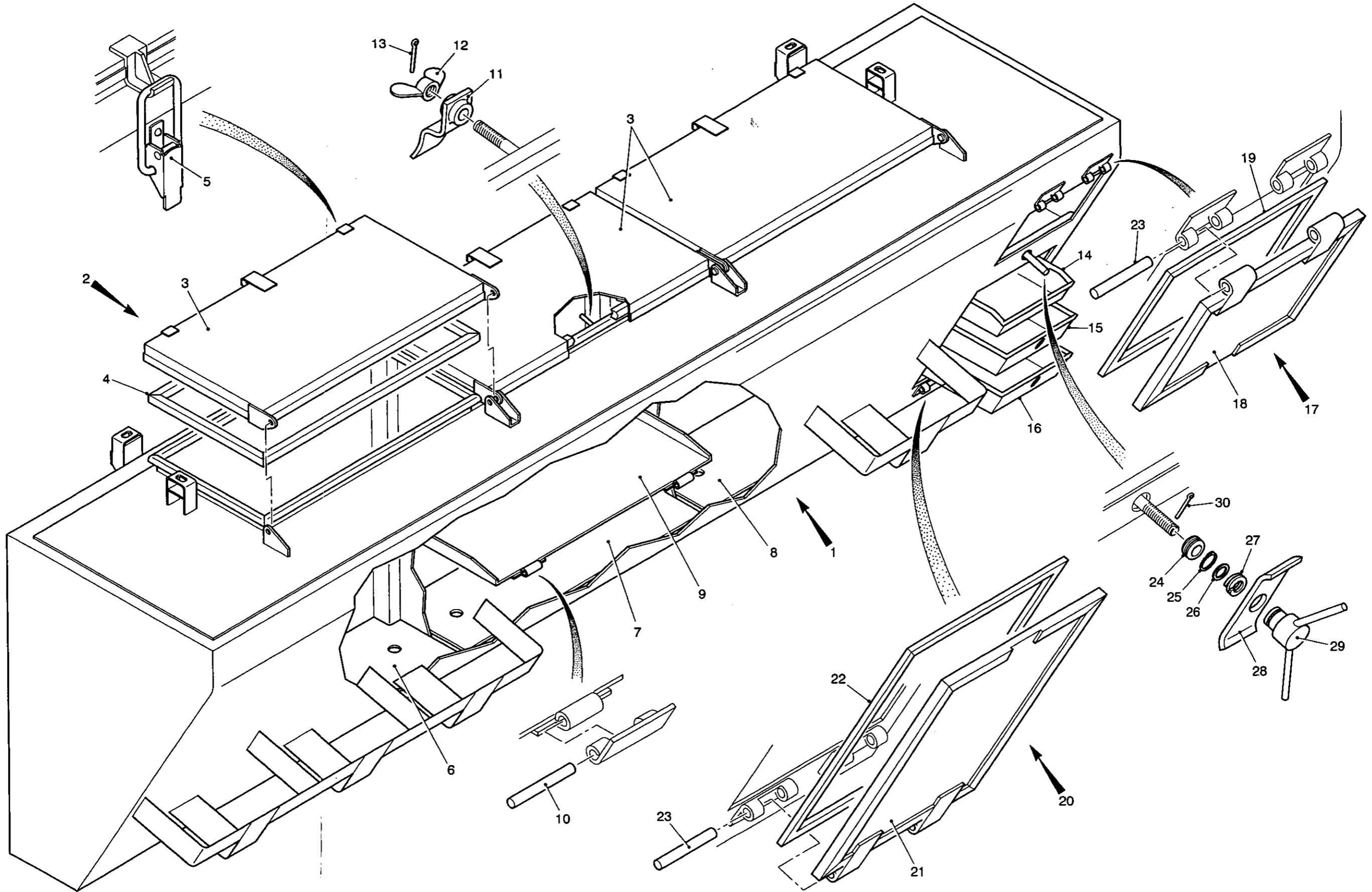


Fig 1 Rear lockers assembly

Fig Item	Man Code Navy - N Army - A RAF - R	NATO Stock No	Item Name and Description	Part No/ Drawing No.	No. Off	Annotations
1-			HULL GA - contd . LOCKERS, GA (FV434 MK1) - contd . LOCKERS, GA (FV434 MK1/1) - contd			
27	A G1	5310-99-941-6684	. . WASHER, LOCK, cu alloy, split double helical ring, 51/64in. hole dia, 5/64in. matl thk, 1-15/64in. od		1	
28		NP	. . LATCH, DOORS; REAR LOCKER	FV563090	1	
29	A 9ACR	2540-99-804-5140	. . HANDLE, DOOR, REAR LOCKER	FV563086	1	
30	A G1	5315-99-944-0171	. . PIN, COTTER, SPLIT, steel, phosphated, std spring type, extended prong chisel point, 1/16in. nom dia, 5/8in. lg			
NI 31		NP	. LH LOCKER ASSY		REF	(Mk 1 only)
NI 32		NP	. . LH LOCKER WA	FV563021	1	
NI 33	A 9ACR	5340-99-804-5135	. . DOOR, ACCESS, STOWAGE, lh, upper	FV611242	1	
NI 34		NP	. . . UPPER DOOR COMPLETE, lh locker	FV611243	1	
NI 35		NP	. . . SEAL, UPPER DOOR, lh locker	FV611244	1	
NI 36		NP	. . . DOOR, ACCESS, STOWAGE, lh locker	FV611223	1	
NI 37		NP	. . . DOOR, WA, lh locker	FV611224	1	
NI 38		NP	. . . SEAL, DOOR, lh locker	FV611235	1	
NI 39	A 9ACR	2590-99-804-5133	. . . SPINDLE, DOOR, LATCH, stowage locker	FV611230	1	
NI 40		NP	. . . LEVER, DOOR, lh locker	FV611233	1	
NI 41	A 9ACR	5355-99-804-5134	. . . KNOB, RDG A8 screw on, without skirt, brass, knob internally threaded 5/16in. -24, 1.75in. od, 0.5in. h	FV611234	1	
NI 42	A G1	5310-99-941-7072	. . . WASHER, FLAT, steel, Cd plated, rd hole, 1/4in. bolt size, 9/16in. od, 0.056in. (17 SWG) thk		1	
NI 43		NP	. . CORNER PILLAR COMPLETE, lh locker	FV611153	1	
NI 44		NP	. . SIDE PLATE DETACHABLE, lh locker	FV611217	1	
NI 45		NP	. . SIDE PLATE, lh locker	FV611218	1	
NI 46		NP	. . BOTTOM PLATE, lh locker	FV611219	1	
NI 47	A G1	5305-99-941-0512	. . SCREW, CAP, HEXAGON HEAD, UNF, 1/4in. class 2A thd, 5/8in. lg, steel, Zn plated, hex hd		35	} Securing items 43, 44, 45
NI 48	A G1	5310-99-941-6654	. . WASHER, LOCK, steel, split helical ring, 1/4in. bolt size, 27/64in. od, 5/64in. thk		35	

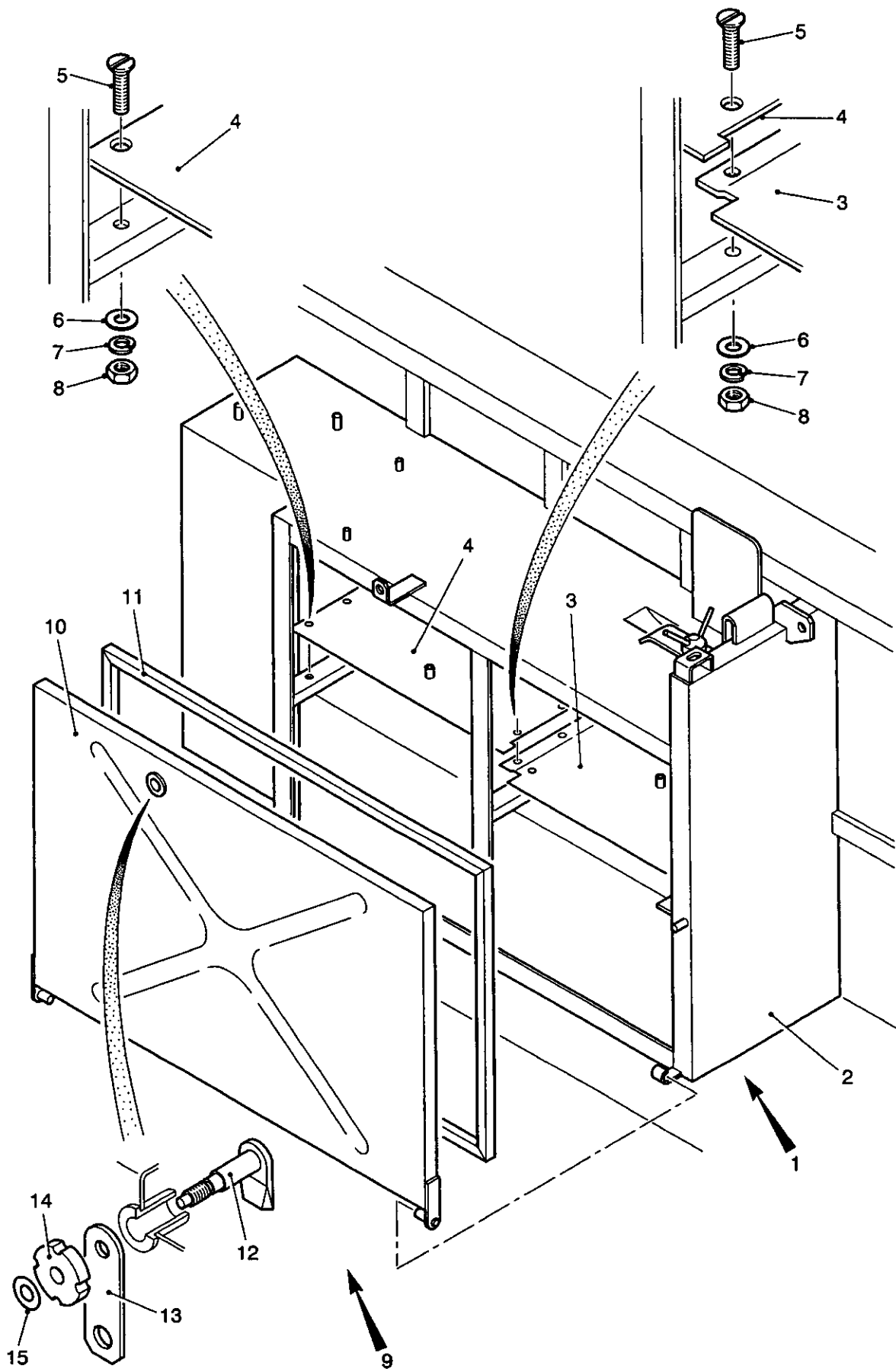


Fig 2 RH locker assembly

430/70254

Fig Item	Man Code Navy - N Army - A RAF - R	NATO Stock No	Item Name and Description	Part No/ Drawing No.	No. Off	Annotations
2-			HULL GA - contd . LOCKERS, GA (FV434 MK1) . LOCKERS, GA (FV434 MK1/1)		REF REF	
1		NP	. . RH LOCKER ASSY		REF	
2		NP	. . RH LOCKER, WELDED ASSEMBLY	FV563022	REF	
3	A 9ACR	5340-99-804-5138	. . COVER, ACCESS, rear	FV611403	1	
4		NP	. . COVER, ACCESS, front	FV611401	1	
5	A G1	5305-99-941-1749	. . SCREW, MACHINE, UNF, steel, flat csk hd, slot drive, Zn plated, 1/4in. by 5/8in. lg, class 2A thd		13	
6	A G1	5310-99-941-7072	. . WASHER, FLAT, steel, Cd plated, rd hole, 1/4in. bolt size, 9/16in. od, 0.056in. (17 SWG) thk		13	
7	A G1	5310-99-941-6654	. . WASHER, LOCK, steel, split helical ring, 1/4in. bolt size, 27/64in. od, 5/64in. thk		13	
8	A G1	5310-99-804-7941	. . NUT, PLAIN, HEXAGON, UNF, 1/4in. dia -28, class 2B, rh thd, Zn plated, 7/16in. w A/F, 7/32in. o/a h, chamfered		13	
9	A 9ACR	5340-99-804-5136	. . DOOR, ACCESS, STOWAGE, rh	FV611332	1	
10		NP	. . . DOOR WA, rh locker	FV611333	1	
11		NP	. . . SEAL, DOOR, rh locker	FV611337	1	
12	A 9ACR	2590-99-804-5133	. . . SPINDLE, DOOR, LATCH, stowage locker	FV611230	1	
13		NP	. . . LEVER, DOOR, rh locker	FV644125	1	
14	A 9ACR	5355-99-804-5134	. . . KNOB, RDG A8 screw on, without skirt, brass, knob internally threaded 5/16in. -24, 1.75in. od, 0.5in. h	FV611234	1	
15	A G1	5310-99-941-7072	. . . WASHER, FLAT, steel, Cd plated, rd hole, 1/4in. bolt size, 9/16in. od, 0.056in. (17 SWG) thk		1	

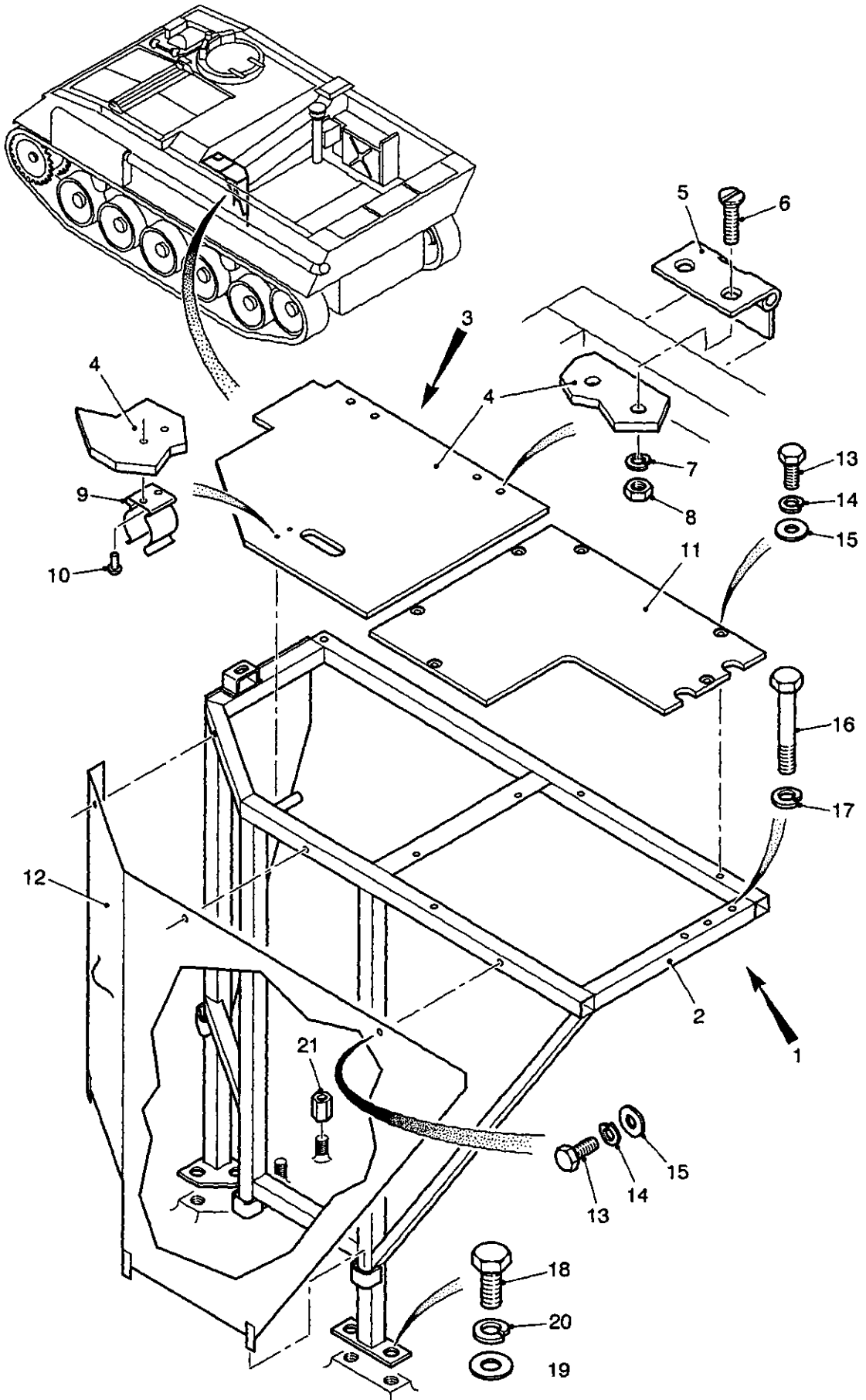


Fig 3 Heater protection frame assy

430/70256

Fig Item	Man Code Navy - N Army - A RAF - R	NATO Stock No	Item Name and Description	Part No/ Drawing No.	No. Off	Annotations
3-			HULL GA - contd . LOCKERS, GENERAL ARRANGEMENT (FV434 MK1/1)			
1		NP	. . . HEATER PROTECTION FRAME ASSEMBLY	FV644042	REF	
2		NP	. . . HEATER PROTECTION FRAME COMPLETE	FV644043	1	
3		NP	. . . TREAD PLATE COMPLETE	FV644090	1	
4		NP TREAD PLATE	FV644064	1	
5		NP HINGE COMPLETE	FV644062	2	
6	A G1	5305-99-941-1750 SCREW, MACHINE, flat csk hd, 0.250in. thd dia, class 2A thd, 0.597in. lg thd, 3/4in. fastener lg		4	
7	A G1	5310-99-941-6654 WASHER, LOCK, steel, split helical ring, 1/4in. bolt size, 27/64in. od, 5/64in. thk		4	
8		NP NUT, HEXAGON, 1/4in. UNF, grade A, Zn plated	7020104011 5900	4	
9	A 9ACR	5340-99-805-8122 CLIP, SPRING TENSION, steel, 1/2in. dia, 1in. w loop, 2 fixing holes, Cd plated	FV644091	1	
10		NP SNAP RIVET, ROUND HEAD, 3/32in. dia by 5/16in. lg	AS051564/4	2	
11		NP	. . . COVER, ACCESS, Al alloy, 1/4in. lg, 12-21/32in. w, 3/16in. thk	FV644063	1	
12		NP	. . . COVER, ACCESS, rh, heater locker	FV644060	1	
13	A G1	5305-99-941-0524	. . . SCREW, CAP, HEXAGON HEAD, UNF, steel, hex hd, Zn plated, 5/16in. by 3/4in. lg, class 2A thd		9	
14	A G1	5310-99-944-0549	. . . WASHER, LOCK, steel, split helical ring, Cd plated, 5/16in. bolt size, 0.503in. od, 0.080in. thk, single coil, square section		9	
15		NP	. . . WASHER, PLAIN, 5/16in. dia	7030005009 1000	9	
16	A G1	5305-99-941-0545	. . . SCREW, CAP, HEXAGON HEAD, UNF, steel, hex hd, Zn plated, 3/4in. by 1-1/2in. lg, class 2A		3	
17		NP	. . . WASHER, LOCK, split helical ring, Zn plated, 3/8in. bolt size	7033006000 5900	3	
18	A G1	5305-99-941-0539	. . . SCREW, CAP, HEXAGON HEAD, UNF, 3/8in. -24, class 2A thd, 3/4in. lg, steel, Zn plated, hex hd		4	
19		NP	. . . WASHER, PLAIN, 3/8in. dia, Zn plated	7030006009 5900	4	
20		NP	. . . WASHER, LOCK, split helical ring, Zn plated, 3/8in. bolt size	7033006000 5900	4	
21		NP	. . . STUD PROTECTOR	FV644111	4	

Chapter 2-2
PARTS LIST
SUSPENSION GENERAL ARRANGEMENT

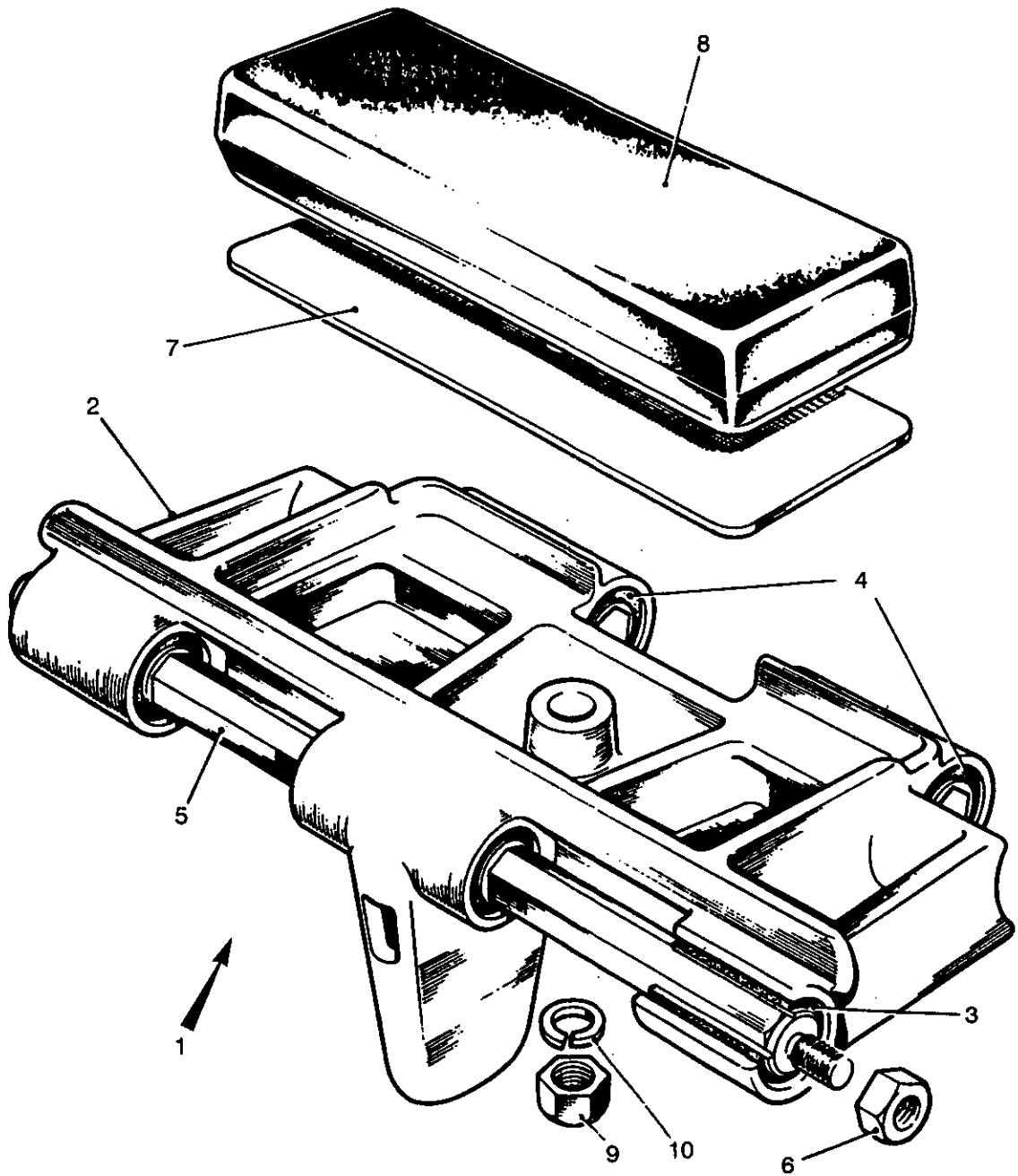


Fig 1 Track assembly

430/70094

Fig Item	Man Code Navy - N Army - A RAF - R	NATO Stock No	Item Name and Description	Part No/ Drawing No.	No. Off	Annotations
1-		NP	SUSPENSION GENERAL ARRANGEMENT	FV510346	REF	
		NP	TRACK ASSEMBLY	FV2200666	1	
1	A	9ACR 2530-99-838-4922	TRACK SECTION, VEHICULAR, 10 links	FV1020962	18	
2	A	9ACR 2530-99-838-5311	TRACK, LINK, VEHICULAR	FV947452	10	
3		NP	MOUNT, RESILIENT	FV697778	3	
4		NP	BUSHING, VEHICULAR TRACK	FV697777	2	
5	A	9ACR 2530-99-837-4987	PIN, TRACK, steel, phos, 14.1 x 0.624 x 0.623in. h, 9/16in. -18 UNF, hex cross sect	FV947453	1	
6	A	G1 5310-99-941-7943	NUT, SELF-LOCKING HEXAGON, steel, nut, plastic insert, zinc P w/chromate, 7/8 x 11/16in. h		2	
7	A	9ACR 5330-99-801-3608	PLASTICS STRIP, polyurethane, 8.4 x 2.75 x 1/8in. thk, 0.562in. dia, centre, 1.3in. from edge	FV599537	1	
8	A	9ACR 2530-99-816-8627	TRACK, SHOE, VEHICULAR, rubber/steel bonded, 8.5in. lg, 1.40in. thk, c/w fixing stud 1/2 UNF	FV682895	1	
9	A	G1 5310-99-941-0928	NUT, PLAIN, HEXAGON, UNF, steel, chamfered, zinc P, 1/2 x 3/4 x 7/16in. h, grade 3 nut		1	
10	A	G1 5310-99-941-6658	WASHER, LOCK, steel, split helical ring, 1/2in. id x 7/64in. thk x 49/64in. od		1	
11	9ACR	2350-99-773-376	Pad kit consisting of items 7, 8, 9 + 10		1	

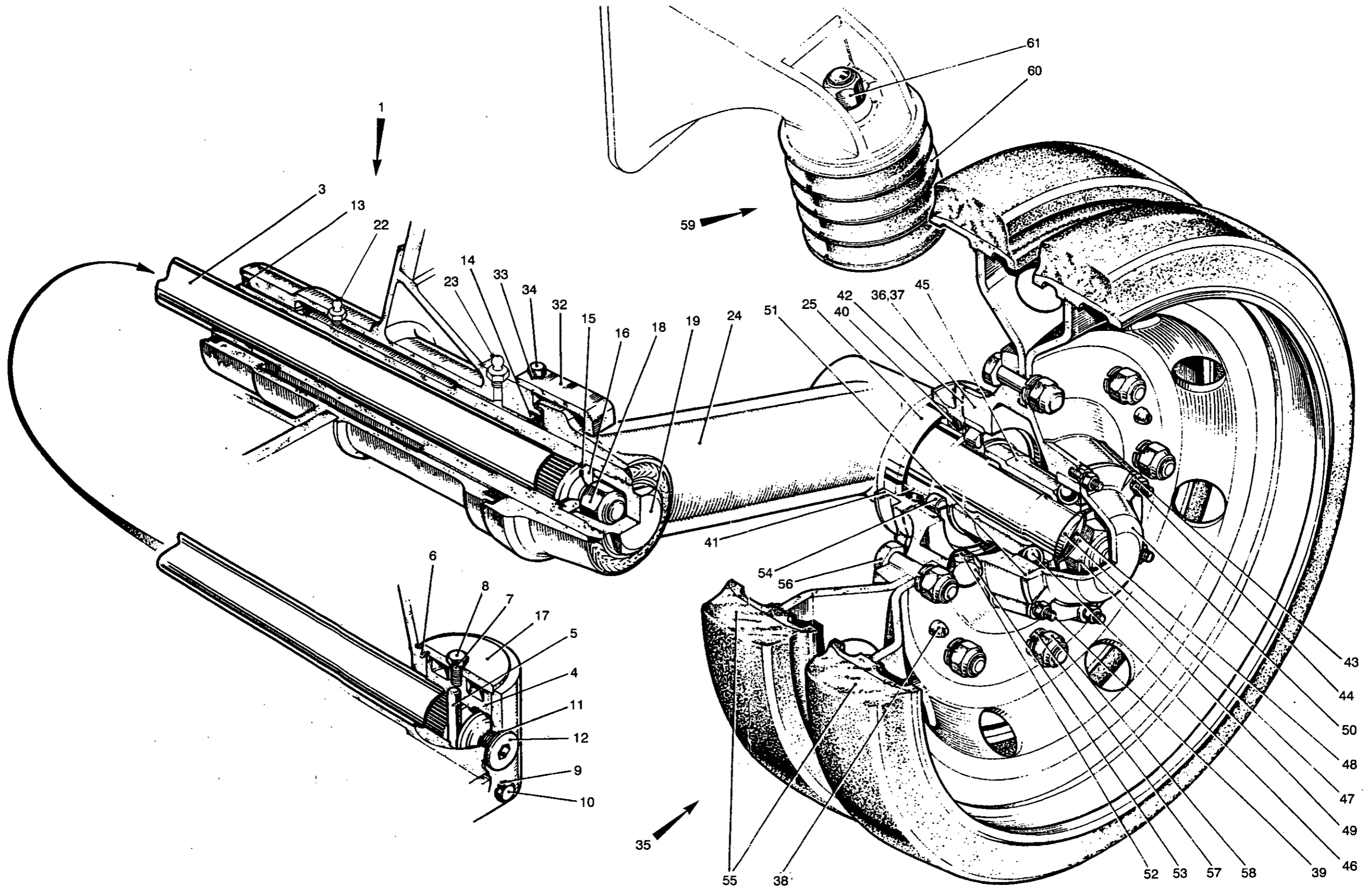


Fig 2 Torsion bar, axle arms, wheel hubs, road wheels and bump stop

430/70095

Fig Item	Man Code Navy - N Army - A RAF - R	NATO Stock No	Item Name and Description	Part No/ Drawing No.	No. Off	Annotations
2-		NP	SUSPENSION GA - contd			
		NP	. TORSION BARS, AXLE ARMS, WHEEL HUBS, ROAD WHEELS AND BUMP STOP		REF	
1		NP	. TORSION BAR ASSEMBLY	FV299356	5	
NI 2	A	9ACR 2530-99-865-6143	. . TORSION BAR, SUSPENSION, 70.6in. lg, ext thd one end, rh, serrations both ends	FV434553	1	
3	A	9ACR 2530-99-856-6144	. . TORSION BAR, SUSPENSION, 70.6in. lg, ext thd one end, lh, serrations both ends	FV434554	1	
4	A	9ACR 2530-99-865-6101	. . BLOCK, ANCHOR, TORSION BAR, steel, 2.992 x 4in. lg, bored to 2.04in. dia, perpendicular to axis w/32 serrations, phos finish	FV299349	2	
5	A	9ACR 5315-99-865-6115	. . PIN, STRAIGHT, HEADLESS, steel, phos, 3.97 x 0.437 x 0.15in. x 30 deg chamfer	FV300346	4	
6	A	46MT1 5330-99-914-6715	. . RING, SEALING, TOROIDAL, rubber/non-metallic hardness 60 deg, 0.135 x 0.143in. centre h	R177/63NBR 3722	4	
7	A	G1 5310-99-941-6656	. . WASHER, LOCK, steel, split helical ring, 3/8in. x 0.092 x 0.59in. od single sq sect		4	
8	A	G1 5305-99-941-0541	. . SCREW, MACHINE, UNF, steel, 2A, hex hd, 3/8 x 1in. lg		4	
9	A	9ACR 5310-99-867-2724	. . WASHER, FLAT, copper, rd, 0.697 x 0.385 x 0.036in. matl thk	FV317436	2	
10	A	9ACR 5305-99-832-1979	. . SCREW, SET, UNF, steel, 3/8in. -24 x 0.59 x 0.77in. lg under hd, w/dog point, hex hd, 0.562in. A/F	FV651478	2	
11	A	9BTR 5310-99-849-0165	. . WASHER, FLAT, copper, rd, 1.438 x 1.04 x 0.064in. thk	FV299466	2	
12	A	46MT1 4730-99-942-8006	. . PLUG, steel, 45/64 x 9/16 x 1-3/8in. dia, 1in. -12 UNF thd	HBP6464ET D	2	
13	A	6MT1 5330-99-915-2807	. . SEAL, PLAIN, rubber, 0.375 x 2.750 x 3.5in. nom strength	MIS212/73N BR3726	2	
14	A	46MT1 5330-99-881-3983	. . SEAL, PLAIN, ENCASED, seal case, leather element, 5/8 x 3-3/8 x 4-3/8in. housing bore dia	740084A	2	
15	A	9ACR 5365-99-865-6107	. . SHIM, steel, solid, round, 1.25 x 2.125 x 0.005in. thk	FV299399	A/R	
15(1)	A	9ACR 5365-99-865-6108	. . SHIM, steel, solid, round, 1.25 x 2.125 x 0.015in. thk	FV299400	A/R	
15(2)	A	9ACR 5310-99-865-6109	. . WASHER, FLAT, steel, rd, 2.125 x 1.250 x 0.030in. thk	FV299401	A/R	
16	A	9ACR 5310-99-865-6104	. . WASHER, SHOULDERED AND RECESSED, steel, 25/32in. dia hole, 90 deg, 2.5 x 2.125 x 0.12 x 0.52in. thk	FV299359	2	
17	A	9ACR 2530-99-865-6103	. . COVER PLATE, ANCHOR BLOCK, steel, 3.45 x 0.35in. thk, 45 deg	FV299358	4	
18	A	G1 5310-99-122-6723	. . NUT, SELF-LOCKING, HEXAGON, steel, Cd P & passivated, 3/4in. -16 UNF, 1-1/8 x 31/32in. h, metal		2	
19	A	9ACR 2530-99-865-6105	. . PLUG, LOCKING, TORSION BAR, steel, 2.7in. - 12 thd, UNS x 0.7 x 2.540 x 0.5in. lg, serrated, 2.5 x 0.45in. lg plain, hex drive, 1.125in. A/F		2	

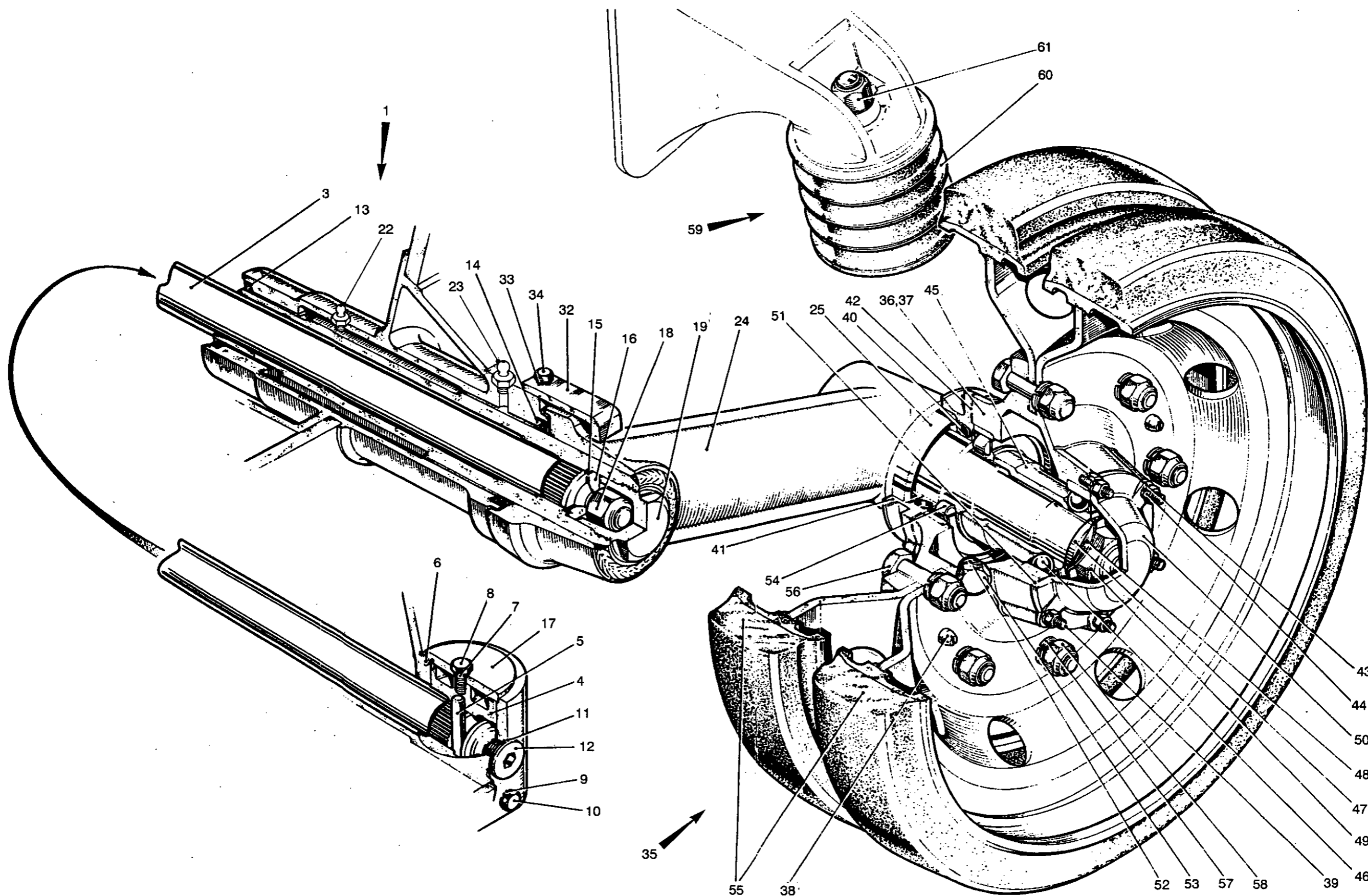


Fig 2 Torsion bar, axle arms, wheel hubs, road wheels and bump stop

430/70095

Fig Item	Man Code Navy - N Army - A RAF - R	NATO Stock No	Item Name and Description	Part No/ Drawing No.	No. Off	Annotations
2-			SUSPENSION GA - contd			
			. TORSION BARS, AXLE ARMS, WHEEL HUBS, ROAD WHEELS AND BUMP STOP - contd			
NI 20	A 9ACR	5315-99-802-5316	. . PIN, STRAIGHT, HEADED, aluminium alloy, 0.315 x 0.30in. lg, flat hd	FV602634	2	} Securing Item 19
NI 21	A G1	5305-99-941-3673	. . SCREW, GRUB, UNF, 3/8in. dia, 2A, 1/2in. lg, Cd P w/chromate, steel		2	
22	A 6MT1	4730-99-943-9375	. . LUBRICATING NIPPLE, steel, hyd, 1/4in. UNF male, 7/32in. lg 3/8in. A/F, 57/64in. h	NA6666Y	2	
23	A 6MT1	4730-99-943-9377	. . FITTING, LUBRICATION		2	
24	A 9ACR	2530-99-865-6161	. . ARM, AXLE, front and rear, left	FV499543	2	
25	A 9ACR	5330-99-865-6159	. . RETAINER, OIL SEAL, road wheel hub	FV499541	1	
NI 26	A 9ACR	2530-99-865-6157	. . ARM, AXLE, intermediate, left	FV499525	3	
NI 27	A 9ACR	5330-99-865-6159	. . RETAINER, OIL SEAL, road wheel hub	FV499541	1	
NI 28	A 9ACR	2530-99-865-6162	. . ARM, AXLE, front and rear, right	FV499544	2	
NI 29	A 9ACR	5330-99-865-6159	. . RETAINER, OIL SEAL, road wheel hub	FV499541	1	
NI 30	A 9ACR	2530-99-865-6158	. . ARM, AXLE, intermediate, right	FV499526	3	
NI 31	A 9ACR	5330-99-865-6159	. . RETAINER, OIL SEAL, road wheel hub	FV499541	1	
32	A 9ACR	2530-99-856-6113	. . PLATE, RETAINING, AXLE ARM, steel, 2 x 3.412 x 0.312in. thk, 90 deg, 2 holes 13/32in. dia phos	FV299413	10	
33	A G1	5310-99-941-6656	. . WASHER, LOCK, steel, split helical ring, single coil, sq section, 3/8in. bolt size, 0.092in. thk, 0.59in. od		20	
34	A G1	5305-99-941-0541	. . SCREW, MACHINE, UNF, 2A, 1in. lg, 3/8in. -24, 50 tons/sq in. min ts, hex hd		20	
35		NP	. . HUB ASSEMBLY, road wheel	FV499545	10	
36	A 9ACR	2530-99-867-4173	. . HUB, WHEEL, VEHICULAR, road	FV560102	1	
37		NP	. . . HUB, road wheel	FV559526	1	
38	A 9ACR	5315-99-838-7721	. . . PIN, STRAIGHT, THREADED, steel, phos, 1/2in. -13 UNC, 1.28in. thd lg, 1st end, slot drive, 2nd end 2.38in. o/a lg	FV951736	2	
39	A G1	5307-99-120-3516	. . . STUD, PLAIN, steel, 123200 lbf, per sq in. zinc P, 1-3/8 x 5/16in. UNF thd, 5/8in. nut end lg, 21/64in. stud end lg	FVS90-2-11	12	
40		NP	. . BEARING, SLEEVE	15043	1	
41	A 9ACR	5330-99-865-6160	. . RETAINER, OIL SEAL, road wheel hub	FV499542	1	
42	A 9ACR	5330-99-865-7049	. . GASKET, road wheel & tensioner hub, outer	FV538576	1	
43	A G1	5310-99-944-0549	. . WASHER, LOCK, steel, split helical ring, single coil, sq section, Cd plated, 5/16in. bolt size, 0.503in. od. 0.08in. thk		12	
44	A G1	5310-99-136-1526	. . NUT, PLAIN, HEXAGON, UNF, steel, Zn plated, chamfered bearing surface, grade 1 nut, 5/16in., 1/2in. w A/F, 3/16in. h		12	
45	A 9ACR	5365-99-865-6132	. . SPACER, STEPPED, steel, 3.2 x 3.4in. lg 2nd dia, 2.94 x 2.4in. lg 1st dia, 2.765 x 0.75in. lg 3rd dia phos	FV413912	1	
46	A 46MT7	3110-99-950-0083	. . BEARING, BALL ANNULAR, 29mm w x 55mm bore dia, 120mm od, normal group fit	6311	1	
47	A 9ACR	5310-99-865-6130	. . WASHER, FLAT, steel, phos, rd, 2.75 x 1.52 x 0.187in. thk, rd hole	FV413905	1	

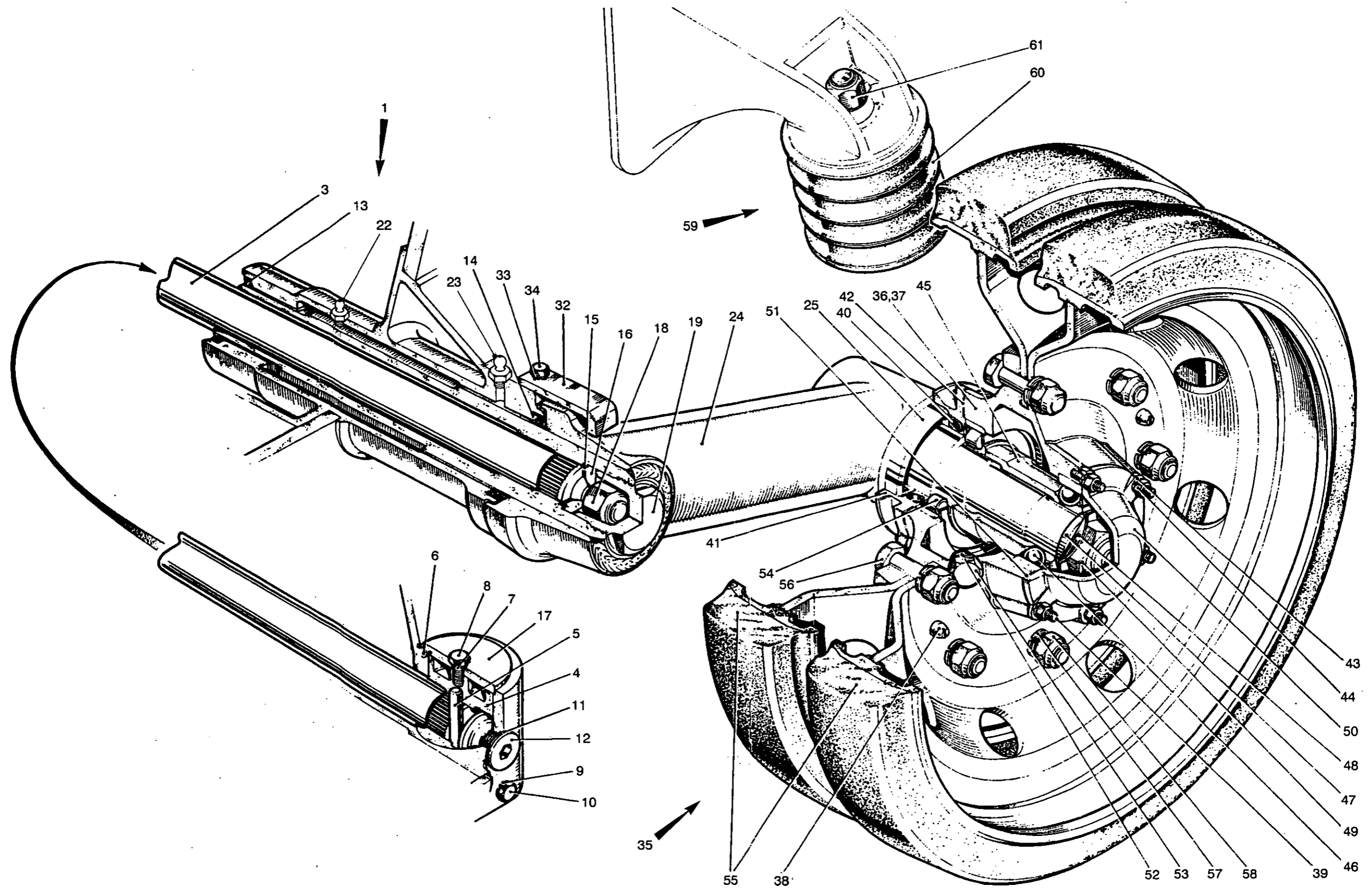


Fig 2 Torsion bars, axle arms, wheel hub, road wheels and bump stop

430/70095

Fig Item	Man Code Navy - N Army - A RAF - R	NATO Stock No	Item Name and Description	Part No/ Drawing No.	No. Off	Annotations
2-			SUSPENSION GA - contd TORSION BARS, AXLE ARMS, WHEEL HUBS, ROAD WHEELS AND BUMP STOP - contd			
48	A	9ACR	5310-99-865-6187	WASHER, KEY, steel, phos & oiled, 1.531 x 0.48in. matl thk, 2.875 x 0.25in. key lg	FV61262	1
49	A	9ACR	5310-99-865-6190	NUT, PLAIN, HEXAGON, UNF, 1-1/2in. dia, 2B, rh phos, 2.250 x 0.750in. nut h	FV61538	1
50	A	9ACR	2530-99-865-6131	CAP, GREASE, Al alloy, paint, 1.675in. h, 6.26in. dia, 6 mtg holes 11/32in. dia	FV413909	1
51	A	9ACR	5330-99-865-7152	GASKET, paper, 0.344 x 4.85 x 0.003in. thk for road wheel & tensioner hub	FV538577	1
52	A	9ACR	5310-99-134-5211	WASHER, FLAT, copper, rd, 1in. od, rd hole, 3/4 x 0.063in. thk (16 SWG)	FV300421	1
53	A	6MT1	5365-99-256-2927	PLUG, SCREWED, steel, hex hd, 27mm nom A/F, 3/4 x 16 UNF, 12.7mm thd lg, phos	FV2115598	1
54	A	46MT7	3110-99-824-6262	BEARING, ROLLER, CYLINDRICAL	N214	1
55	A	9ACR	2530-99-865-6129	WHEEL, SOLID RUBBER TYRE, steel, pressed disc, 24 x 4.125in. o/a dim, 8.8in. dia aperture for hub, 8 bolt holes, 41/64in. dia on a 10.827in. pcd	FV413598	24
56	A	9ACR	5306-99-832-1977	BOLT, MACHINE, UNC, steel, 5/8in. -11, hex hd, 0.938 x 2.35in. lg, 1.1in. thd, phos	FV651479	80
57	A	G1	5310-99-138-3581	WASHER, LOCK, steel, split helical ring, Cd plated, 41/64in. x 3/16in. x 1-3/32in. od		80
58	A	G1	5310-99-941-1665	NUT, PLAIN, HEXAGON, UNC, 5/8in. dia, class 2B rh thd, steel, Zn plated, 15/16in. w, 35/64in. h, chamfered bearing surface		80
59		NP		BUMP, STOP, ASSEMBLY, suspension system	FV395845	10
60	A	9ACR	2530-99-865-6191	BUMPER, RUBBER, suspension system	FV614571	1
61	A	G1	5310-99-122-6723	NUT, SELF-LOCKING, HEXAGON, UNF, steel, Cd P, 1-1/8 x 31/32in. o/a h, all metal		1

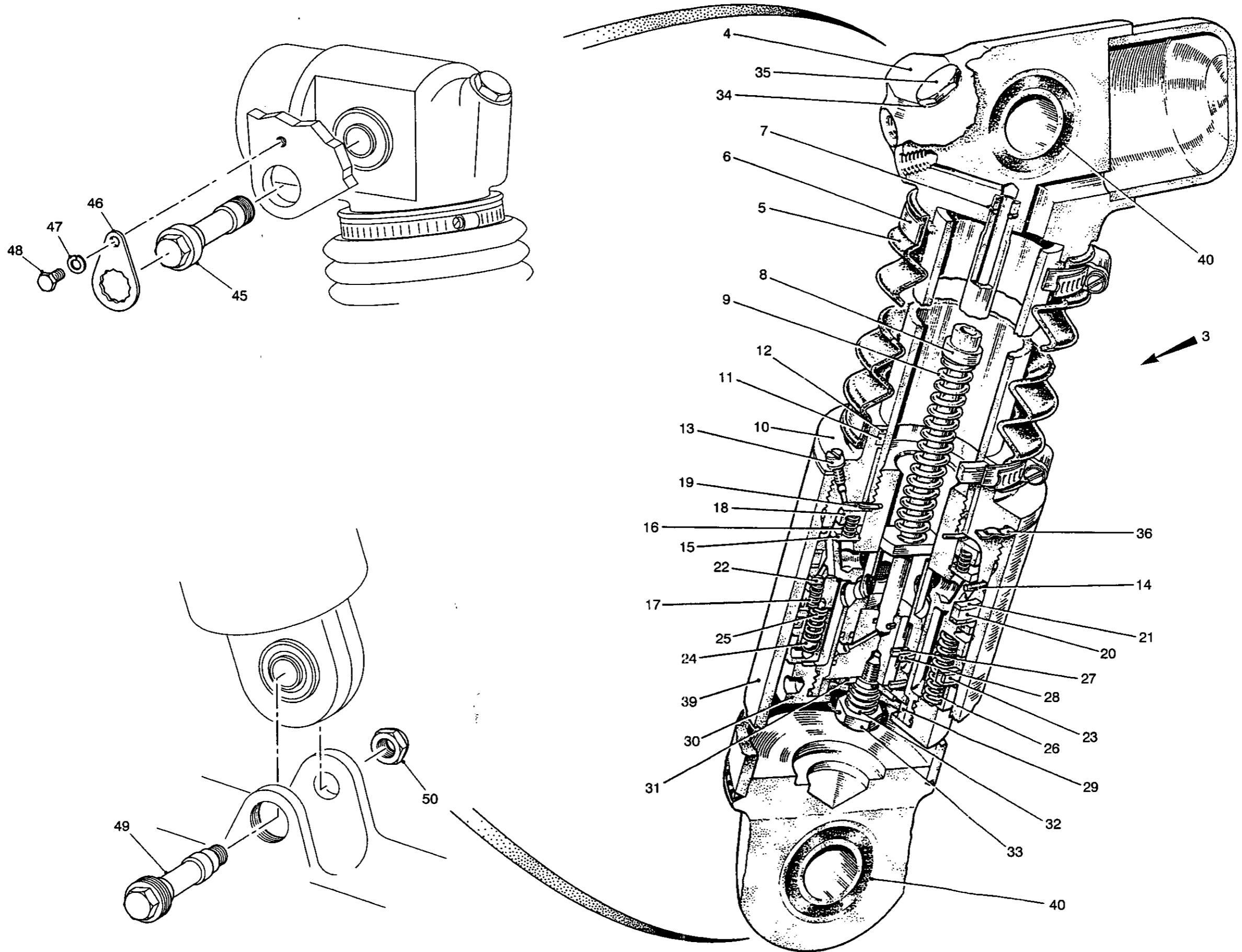


Fig 3 Shock absorber

430/70217

Fig Item	Man Code Navy - N Army - A RAF - R	NATO Stock No	Item Name and Description	Part No/ Drawing No.	No. Off	Annotations
3-			SUSPENSION GA - contd			
NI 1	A 46MT9	2510-99-804-3375	. SHOCK ABSORBER, DIRECT ACTION, c/w silent black bushes, LH	FV563409	2	See items 5 to 44
NI 2		NP	. . . SHOCK ABSORBER, LH	FV563407	1	
3	A 46MT9	2510-99-804-3427	. SHOCK ABSORBER, DIRECT ACTION, c/w silent black bushes, RH	FV563410	2	
4		NP	. . . SHOCK ABSORBER, RH	FV563408	1	
5	A 9ACR	2530-99-804-3439	. . . BOOT, DUST AND MOISTURE SEAL, rubber, 7-23/64in. lg, 4in. od, 2-5/8in. dia	PD6875-44	1	
6	A 6MT1	4730-99-533-2971	. . . CLAMP, HOSE, worm drive type, steel, Zn plated, 13mm band w, 1mm band thk, 85mm to 100mm working range		2	
7	A 6MT1	5331-99-950-5866	. . . O-RING, rubber, 0.364in. x 0.07in. h		2	
8		NP	. . . SPACER, SLEEVE, steel, 0.377in. id, 0.75in. od, 0.25in. w	PD6875-29	1	
9		NP	. . . SPRING, HELICAL COMPRESSION, steel, 0.685in. od x 4.468in. free lg	PD6875-36	1	
10		NP	. . . HOUSING ASSEMBLY, SEALING RING, c/w bush	PD6875-5	1	
11		NP	. . . RING, SEAL, 2.5in. id	136-875-1108	1	
12	A 46MT9	2540-99-804-3437	. . . RING, BACKING, SEAL, plastic, 5/64in. thk, 2-59/64in. od, 2-1/2in. id	PD6875-41	1	
13		NP	. . . SCREW, BLEED, UNF, steel, rd hd, slot drive, No. 10 x 0.4in. lg	PB6875-43	1	
14		NP	. . . RING, SEALING, TOROIDAL, rubber, 3-7/8in. id x 1/16in. h		1	
15		NP	. . . PLATE, VALVE, steel, 2.4in. id, 3.25in. od, 0.125in. thk	PB6875-18	1	
16		NP	. . . SPRING, HELICAL COMPRESSION, steel, 7 free coils, 15/64in. od	DH60-181	6	
17		NP	. . . SPRING, HELICAL COMPRESSION, steel, 0.168in. od, 0.515in. free lg	PD6875-37	2	
18		NP	. . . PLATE, RETAINING, VALVE SPRINGS, steel, 2.4in. id, 3.25in. od, 0.3in. thk	PB6875-26	1	
19		NP	. . . RING, RETAINING, spring steel, 0.064in. dia, 2.2in. od	PD6875-35	1	
20		NP	. . . RING, SEAL, 4.03in. od	137-541-1109	1	
21		NP	. . . RING, BACKING, seal, rubber, 4.03in. od	GD16H4030	2	
22	A 46MT9	2540-99-804-3467	. . . PLATE, VALVE, steel, 3-17/64in. id, 1/8in. thk, 3-29/32in. od	PD6875-20	1	
23	A 9ACR	2540-99-804-3465	. . . RING, SEAL, rubber/plastic, 4-1/32in. od	801-4030HX	1	
24	A 6MT7	3110-99-950-0570	. . . BALL, BEARING, steel, 0.2812in. dia	9-32G010	2	
25		NP	. . . SPRING, HELICAL COMPRESSION, steel, 0.261in. od, 0.732in. free lg	PD6875-38	2	
26		NP	. . . SPRING, HELICAL COMPRESSION, steel, 0.467in. od, 1.678in. free lg	PD6875-40	10	
27	A 9ACR	5331-99-804-3441	. . . O-RING, 1-15/64in. id, 1/16in. h	PP49-14	1	
28		NP	. . . RING, SEALING, TOROIDAL, syn rubber, 1-5/8in. id, 1/16in. h	100-030-1911	2	
29	A 6MT1	5365-99-829-9387	. . . SPACER, RING, steel, rd, 2-1/8in. od, 3/8in. thk, 1-49/64in. dia	PB6875-21	1	
30		NP	. . . SEAT, VALVE, steel, 1.5in. id, 3.535in. od, 0.94in. w, 2-1/2in. UNF	PB6875-17	1	

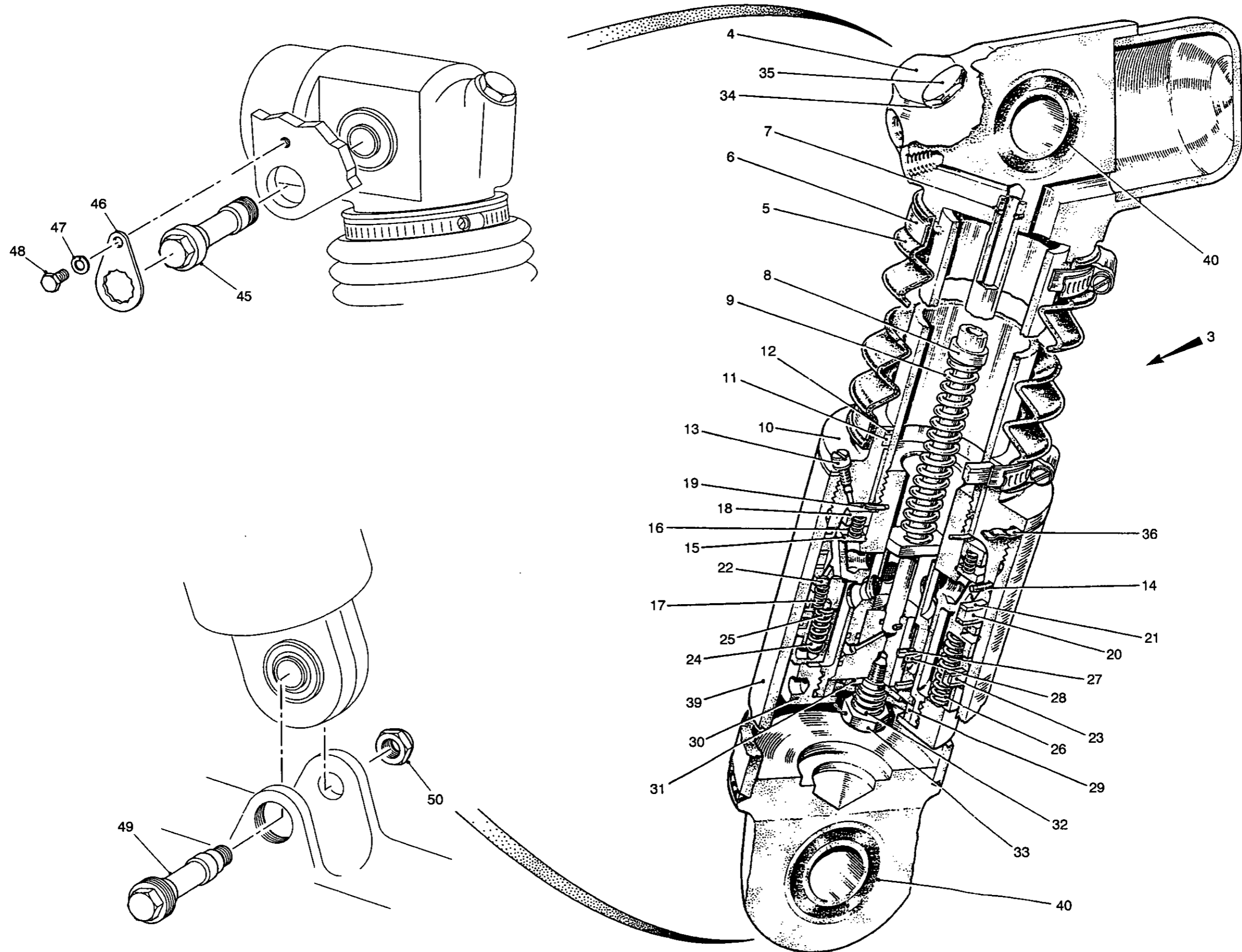


Fig 3 Shock absorber

430/70217

Fig Item	Man Code Navy - N Army - A RAF - R	NATO Stock No	Item Name and Description	Part No/ Drawing No.	No. Off	Annotations	
3-			SUSPENSION GA - contd SHOCK ABSORBER, DIRECT ACTION - contd SHOCK ABSORBER - contd				
31	A	46MT9	2540-99-804-3466	PLATE, VALVE, steel, 1/2in. id, 3/32in. thk, 1-19/64in. od	PD6875-31	1	
32		NP		SPRING, HELICAL COMPRESSION, steel, 0.607in. od x 0.74in. free lg	PD6875-39	1	
33	A	6MT1	5306-99-829-9389	BOLT, SHOULDER, UNF, 5/16in. dia, 11/32in. thd, lg, 63/64in. fastener lg, steel, hex hd, 1/2in. shoulder dia, 41/64in. shoulder lg	PD6875-30	1	
34	A	6MT1	5331-99-621-6576	O-RING, 0.644in. id, 0.087in. h	PP68-8	1	
35		NP		PLUG, MACHINE THREAD, UNF, 3/4in., steel, hex hd		1	
36	A	9ACR	5365-99-804-3431	SPACER, RING, steel, rd, 4-1/2in. od, 1/32in. thk, 4-5/32in. id	PD6875-32	1	
NI 37	A	9ACR	5331-99-804-3444	O-RING, 19/64in. id, 1/16in. h	PP68-3	1	} Lower filler plug
NI 38	A	6MT1	5365-99-942-7984	PLUG, MACHINE THREAD, steel, hex hd, 3/8in. thd, 3/8in. thd lg, phosphate finish		1	
39	A	9ACR	2540-99-825-1565	CYLINDER ASSEMBLY, SHOCK ABSORBER, steel, WA, phosphated, 4-1/32in. bore dia, 14-11/16in. lg	PC6875-4	1	
40	A	6MT1	5340-99-881-9095	MOUNT, RESILIENT, 1in. id	E13240	2	
NI 41	A	6MT1	5330-99-881-6409	GASKET, steel and rubber, Cd plated, 7/8in. od, 9/16in. id, 0.084in. thk	FVS108-12	1	u/w item 42
NI 42	A	9ACR	4730-99-804-4794	ADAPTOR, STRAIGHT, PIPE TO HOSE, br, 9/16in. -18 UNF male 1st end, 5/8in. od 2nd end, 2.2in. lg	FV563513	1	
NI 43	A	9CVT	5330-99-881-4517	GASKET, steel and rubber, 0.75in. od, 0.46in. id, 0.084in. thk	FVS108-10	1	u/w item 44
NI 44	A	9ACR	4730-99-820-3859	ADAPTOR, STRAIGHT, PIPE TO TUBE, steel, Cd plated w/chromate, u/w 1/4in. od pipe 1st end, 0.42in. lg leg 1st end, 0.342in. lg leg 2nd end	FV611343	1	
45	A	9ACR	5306-99-802-6687	BOLT, EXTERNALLY RELIEVED BODY, UNF, 1in. -12 class 2A thd, 3.6in. lg, steel, phosphated and chromium plated, hex hd, extended washer	FV510198	4	
46	A	9ACR	5310-99-802-6688	WASHER, KEY, steel, phosphate, 12 int serrations, single tab, 1.1in. id, 1.5in. od	FV510199	4	
47	A	G1	5310-99-941-6654	WASHER, LOCK, steel, split helical ring, 1/4in. bolt size, 27/64in. od, 5/64in. thk		4	
48	A	G1	5305-99-941-6284	SCREW, MACHINE, UNF, 1/4in. dia, class 2A thd, 1/2in. lg, steel, Zn plated, hex hd		4	
49	A	9ACR	2530-99-865-6114	BOLT, THREADED SHOULDER, SHOCK ABSORBER, steel, 1st end 1-1/4in. UNF, 0.5in. lg, hex drive, 0.75in. w A/F, 0.3in. h, 2nd end 0.998in. dia, 2.8in. lg, centrally relieved to 0.95in. dia, 1.5in. lg, 3rd end 0.746in.	FV300040	4	
50		NP		NUT, SELF-LOCKING, HEXAGON, UNF, steel, Cd plated, all metal, 5/8in. thd, 15/16in. w A/F, 5/8in. h	A126Q	4	

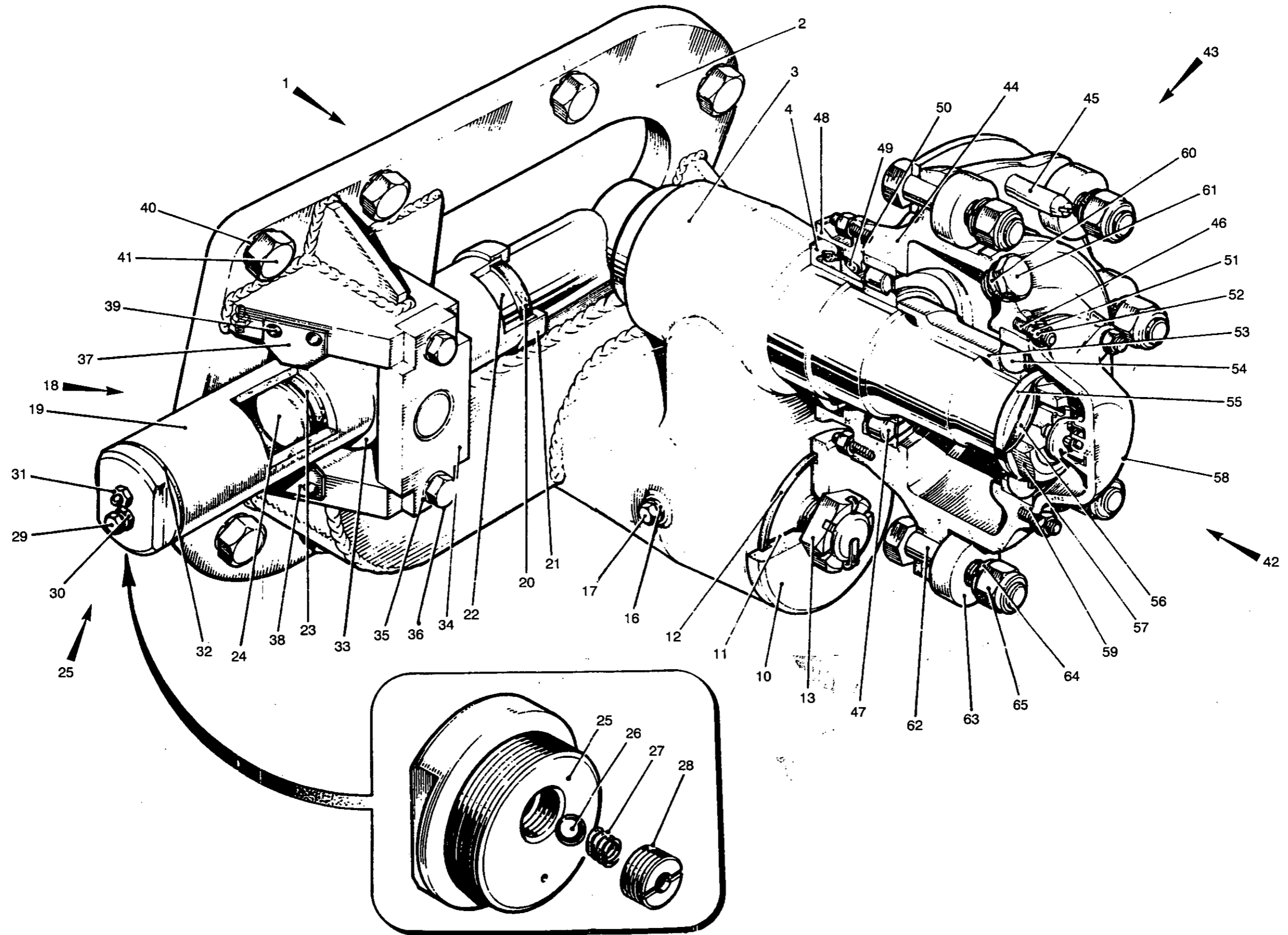


Fig 4 Hydraulic track adjuster and track tensioner wheel hub

Fig Item	Man Code Navy - N Army - A RAF - R	NATO Stock No	Item Name and Description	Part No/ Drawing No.	No. Off	Annotations
4-			SUSPENSION GA - contd			
		NP				REF
1	A	9ACR	2590-99-775-1527	FV650361	1	
2	A	9ACR	2530-99-865-6169	FV499931	1	
3	A	9ACR	2590-99-978-3110	FV650370	1	
4	A	9ACR	5330-99-865-6159	FV499541	1	
NI 5	A	9ACR	2530-99-796-0387	FV650362	1	
NI 6	A	9ACR	2530-99-865-6170	FV499932	1	
NI 7	A	9ACR	2530-99-796-0386	FV650371	1	
NI 8	A	9ACR	5330-99-865-6159	FV499541	1	
NI 9		NP				REF
10	A	9ACR	5310-99-865-6175	FV499978	1	
11	A	9ACR	5365-99-865-6124	FV395885	A/R	
12	A	9ACR	5330-99-942-9988	SSML7-17-1E341	2	
13	A	9ACR	5310-99-865-6100	FV299300	1	
NI 14	A	G1	5315-99-138-2214	PS110630	1	Securing item 13
NI 15	A	6MT1	4730-99-943-9375	NA6666Y	1	
16	A	46MT1	5310-99-867-2725	FV499683	1	
17	A	9ACR	4730-99-865-6180	FV500064	1	
18	A	9ACR	4320-99-866-8244	FV524686	1	
19	A	9ACR	2530-99-866-8245	FV524687	1	
20	A	9ACR	2530-99-829-8621	745-505-0074-01	1	
21	A	9ACR	5330-99-866-9209	FV559377	1	
22	A	9ACR	2530-99-866-8246	FV524688	1	
23	A	6MT1	5330-99-202-1243	DE200E75	1	
24	A	9ACR	4320-99-866-8247	FV524699	1	
25	A	9ACR	4320-99-866-8249	FV524689	1	
26	A	6MT7	3110-99-950-0573	4B9782	1	
27	A	6MT1	5360-99-866-8251	FV524692	1	

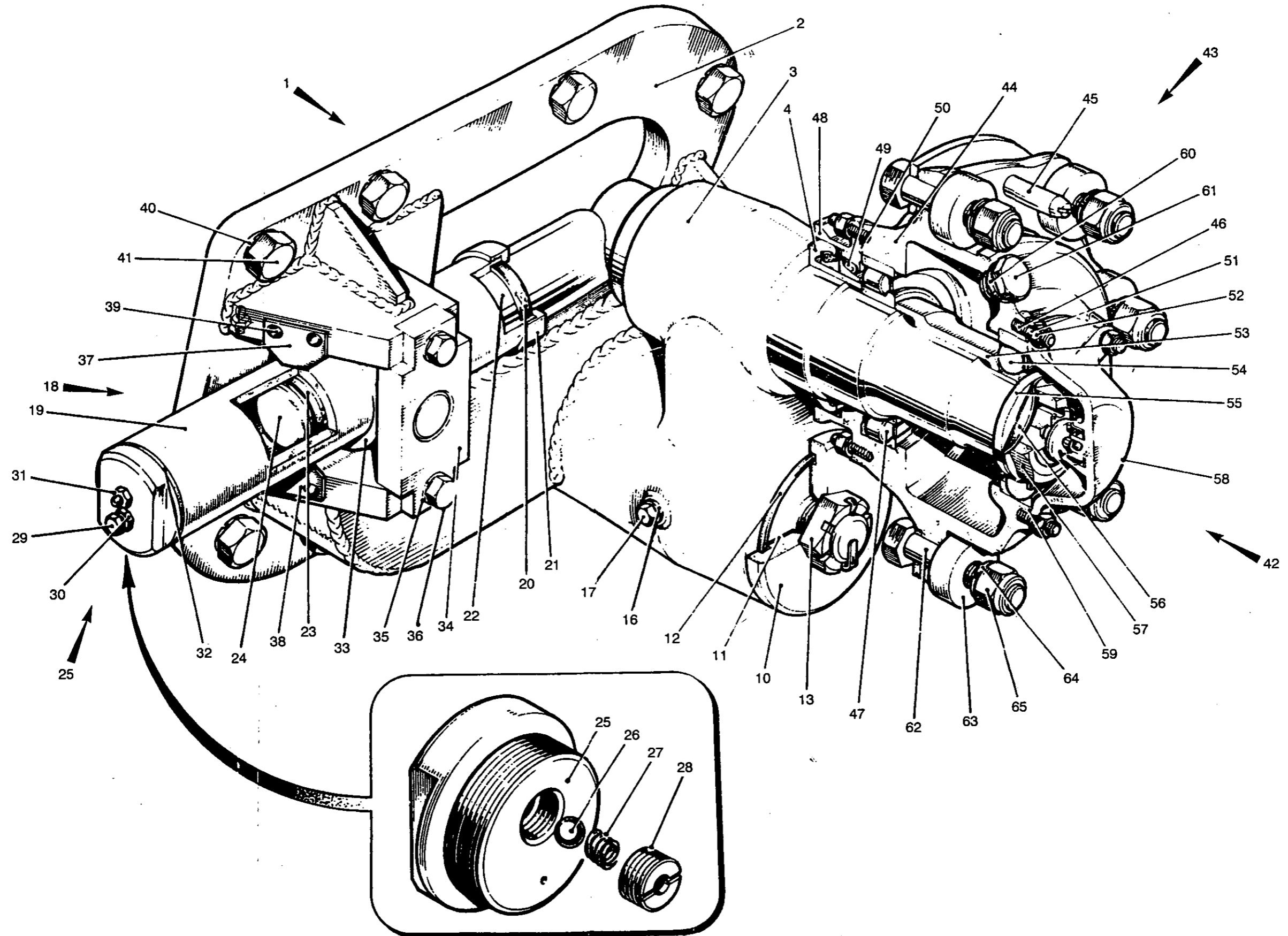


Fig 4 Hydraulic track adjuster and track tensioner wheel hub

Fig Item	Man Code Navy - N Army - A RAF - R	NATO Stock No	Item Name and Description	Part No/ Drawing No.	No. Off	Annotations
4-			SUSPENSION GA - contd LEFT AND RIGHT TRACK ADJUSTER - contd RAM, HYDRAULIC - contd END CAP ASSEMBLY - contd			
28	A 9ACR	5365-99-866-8252	RING EXTERNALLY THREADED, 0.375in. o/a lg	FV524691	1	
29	A 9ACR	5305-99-866-8253	SCREW, SET, UNF, steel, phos, 0.312 x 1.26 x 0.92 x 0.21in. h hex hd	FV524693	1	
30	A G1	5310-99-941-0903	NUT, PLAIN, HEXAGON, UNF, steel, chamfered bearing surface, zinc P, 5/16 x 1/2 x 3/16in. o/a h, grade 3 nut		1	
31	A 6MT1	4730-99-943-9374	FITTING, LUBRICATION, UNF, steel, straight hyd, 1/4 x 3/16 x 5/16 x 0.545in. o/a lg	NA6625	1	
32	A 9ACR	5365-99-866-8250	SPACER, RING, copper, round, 2.625 x 0.064in. x 2.12in. id	FV524698	1	
33	A 9ACR	2530-99-865-6174	TRUNNION, steel, phos, 5 x 3.5 x 1.6 x 2.625 x 2.6262in. id w/boss each side	FV499977	1	
34	A 9ACR	2530-99-865-6171	PLATE, RETAINING, CROSSHEAD, track adjuster	FV499945	1	
35	A G1	5310-99-944-0552	WASHER, LOCK, steel, split helical ring, Cd P, 1/2in. nom bolt size, 0.763in. od x 0.116in. thk		2	
36	A G1	5306-99-941-0342	BOLT, MACHINE, UNF, 1/2in. -20, 2A, 1-3/4in. lg s steel, zinc P, hex hd		2	
37	A 9ACR	2530-99-371-0775	STOP, steel, painted, 1.5 x 1.03 x 0.08in. thk, w/2 chamfered corners and 2 plain holes 13/64in. dia, top stop	FV524694	1	
38	A 9ACR	2530-99-551-2879	STOP, steel, painted, 1.5 x 1.13 x 0.08in. thk, w/2 chamfered corners and 2 plain holes 13/64in. dia bottom stop	FV524695	1	
39	A G1	5315-99-942-3579	PIN, GROOVED, HEADLESS, steel, phos, 1/2 x 3/16in. dia		4	
40	A G1	5310-99-944-0572	WASHER, LOCK, steel, single coil, Cd P, 3/4 x 1-1/4in. od, 1/4in. thk		24	
41		NP	BOLT, MACHINE, UNC, steel, hex hd, phos, 3/4in. x 1.790in. lg	FV499948	24	
42		NP	HUB ASSEMBLY, track tensioner	FV499546	2	
43	A 9ACR	2530-99-867-4174	HUB, WHEEL, VEHICULAR, tensioner	FV560103	1	
44		NP	HUB, track tensioner wheel	FV559527	1	
45	A 9ACR	5315-99-838-7720	PIN, STRAIGHT, THREADED, steel, phos, 1/2in. -13 UNC, 1.28in. thd lg, 1st end, slot drive 2nd end, 3.18in. o/a lg	FV951737	2	
46	A G1	5307-99-120-3516	STUD, PLAIN, UNF, steel, zinc P, 1-3/8 x 5/16 x 5/8in. lg, 21.64in. lg stud end	FV(S)90/2/1 1	12	
47	A 6MT7	3110-99-824-6262	BEARING, ROLLER, CYLINDRICAL, 24.00mm wd, 70.00mm id, 125.00mm od, 2 dot fit	N214	1	
48	A 9ACR	5330-99-865-6160	RETAINER, OIL SEAL, road wheel hub	FV499542	1	
49		NP	BEARING, SLEEVE	15043	1	

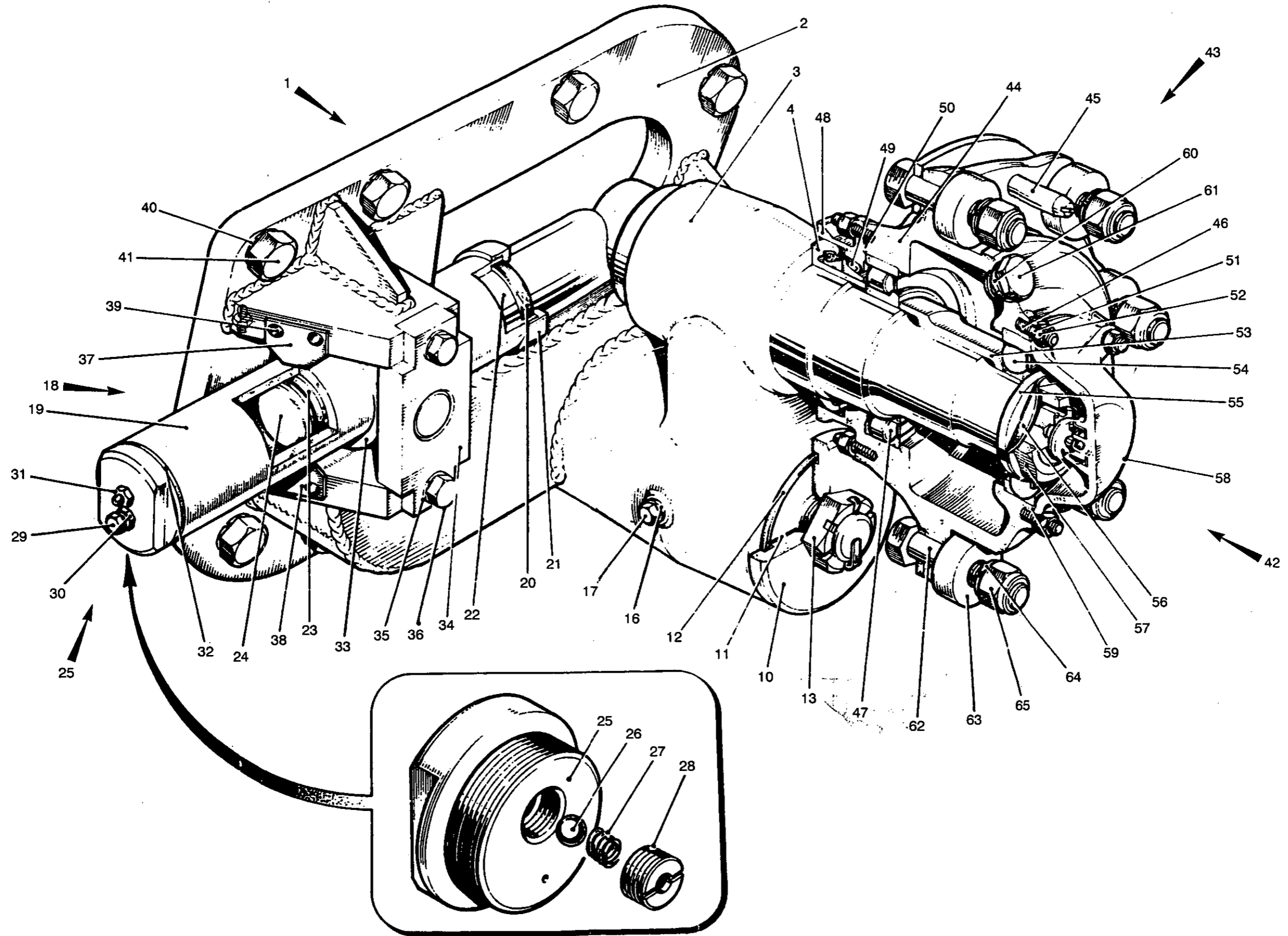


Fig 4 Hydraulic track adjuster and track tensioner wheel hub

Fig Item	Man Code Navy - N Army - A RAF - R	NATO Stock No	Item Name and Description	Part No/ Drawing No.	No. Off	Annotations
4-			SUSPENSION GA - contd HUB ASSEMBLY - contd			
50	A 9ACR	5330-99-865-7049	GASKET, paper, 0.003in. thk, road wheel and tensioner hub, outer	FV538576	1	} Road wheel to hub
51	A G1	5310-99-944-0549	WASHER, LOCK, steel, split helical ring, single coil, sq section, Cd plated, 5/16in. bolt size, 0.503in. od, 0.08in. thk		12	
52	A G1	5310-99-136-1526	NUT, PLAIN, HEXAGON, UNF, steel, Zn plated, chamfered bearing surface, grade 1 nut, 5/16in., 1/2in. w A/F, 3/16in. h		12	
53	A 9ACR	5365-99-865-6132	SPACER, STEPPED, steel, 3.2 x 3.4in. lg, 2.94 x 2.4in. lg 2nd dims, 2.765 x 0.75in. lg 3rd dims, phos	FV413912	1	
54	A 46MT7	3110-99-950-0083	BEARING, BALL, JOURNAL, 29 x 55 x 210mm od, normal group fit-up	6311	1	
55	A 9ACR	5310-99-865-6130	WASHER, FLAT, steel, phos, rd, 2.75 x 1.52 x 0.187in. thk	FV413905	1	
56	A 9ACR	5310-99-865-6187	WASHER, KEY, steel, phos and oiled, 1.531 x 0.048 x 2.875 x 0.25in. key lg	FV61262	1	
57	A 9ACR	5310-99-865-6190	NUT, PLAIN, HEXAGON, UNF, 1-1/2in. dia, 2B, rh thd, steel, phos, 2.50 x 0.750in. nut h	FV61538	1	
58	A 9ACR	2530-99-865-6131	CAP, GREASE, Al alloy, paint, 1.675in. h, 6.26in. dia, 6 mtg holes, 11/32in. dia	FV413909	1	
59	A 9ACR	5330-99-865-7152	GASKET, paper, 0.344 x 4.580in. aperture dia, 6 bolt holes 0.003in. thk	FV538577	1	
60	A 9ACR	5310-99-134-5211	WASHER, FLAT, copper, rd, 1 x 3/4 x 0.063in. thk	FV300421	1	
61	A 46MT1	5365-99-256-2927	PLUG, SCREWED, steel, hex hd, 27 x 3/4 x 16 UNF, 12.70mm thd lg, phosphate	FV2115598	1	
62	A 9ACR	5306-99-832-1976	BOLT, MACHINE, UNC, steel, 5/8in. -11, hex hd, 0.938 x 3.1in. lg, 1.1in. thd lg, phos	FV651480	16	
63	A 9ACR	5365-99-865-6145	SPACER, SLEEVE, steel, 0.75 x 1.74 x 0.646in. id, oil finished to c - spec 906	FV434564	16	
64	A G1	5310-99-138-3581	WASHER, LOCK, steel, Cd P, split helical ring, 41/64 x 3/16 x 1-3/32in. d		16	
65	A G1	5310-99-134-3784	NUT, PLAIN, HEXAGON, UNC, 5/8in. dia, steel, Zn plated, 2B, 5/16in. w, 35/64in. o/a h, chamfered/washer faced		16	

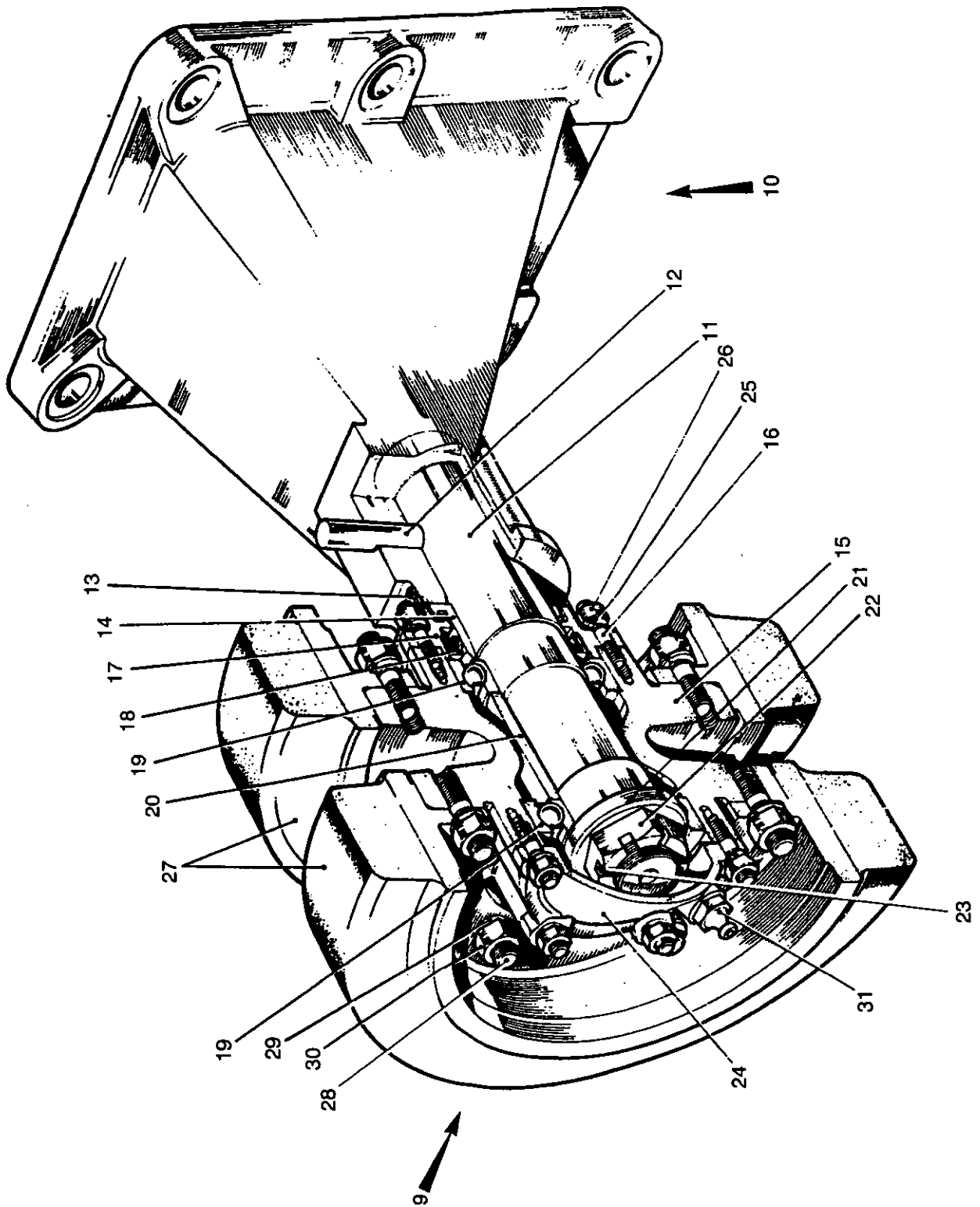


Fig 5 Track top rollers

430/70098

Fig Item	Man Code Navy - N Army - A RAF - R	NATO Stock No	Item Name and Description	Part No/ Drawing No.	No. Off	Annotations
5-			SUSPENSION GA - contd			
		NP				
NI 1	A 9ACR	2520-99-538-6801	. TRACK TOP ROLLERS . TOP ROLLERS, TRACK, lh assembly, rear	FV651363	1	REF See items 13 to 31
NI 2	A 9ACR	2530-99-865-6164	. BRACKET ASSEMBLY, VEHICULAR TRACK ROLLER, rear left	FV499566	1	
NI 3	A 9ACR	2530-99-865-6111	. . . AXLE, STUB, steel, 1.628 x 4.3 x 1.574 x 4in. lg, end thd 1 x 0.87 x 9.42in. lg	FV299404	1	
NI 4	A G1	5315-99-120-7987	. . . PIN, GROOVED, HEADLESS, steel, zinc P, 2-1/2 x 33/64in. dia		1	
NI 5	A 9ACR	2520-99-322-2736	. TOP, ROLLERS, TRACK, rh assembly, rear	FV651364	1	See items 13 to 31
NI 6	A 9ACR	2530-99-865-6165	. BRACKET ASSEMBLY, VEHICULAR TRACK ROLLER, rear, right	FV499567	1	
NI 7	A 9ACR	2530-99-865-6111	. . . AXLE, STUB, steel, 1.628 x 4.3 x 1.574 x 4in. lg, end thd, 1 x 0.87 x 9.42in. lg	FV299404	1	
NI 8	A G1	5315-99-120-7987	. . . PIN, GROOVED, HEADLESS, steel, zinc P, 2-1/2 x 33/64in. dia		1	
9		NP				
10	A 9ACR	2530-99-865-6163	. GUIDE, ROLLER ASSEMBLY, front . BRACKET ASSEMBLY, VEHICULAR TRACK ROLLER, front	FV651362 FV499562	2 1	
11	A 9ACR	2530-99-865-6111	. . . AXLE, STUB, steel, 1.628 x 4.3 x 1.574 x 4in. lg, end thd 1 x 0.87 x 9.42in. lg	FV299404	1	
12	A G1	5315-99-120-7987	. . . PIN, GROOVED, HEADLESS, steel, zinc P, 2-1/4 x 33/64in. dia		1	
13	A 9ACR	2530-99-865-6112	. SHILED, DUST, TRACK SUPPORT ROLLER, steel, sleeve, 3 x 0.90in. lg, flanged 4.35 x 0.36in. thk, 6 holes 9/32in. dia on 3.75in. PCD	FV299405	1	
14	A 9ACR	5330-99-865-6185	. . RETAINER, OIL SEAL, vehicular track roller	FV60142	1	
15	A 9ACR	2530-99-828-8123	. HUB, WHEEL, TRACK SUPPORT, cast iron, c/w studs	FV651361	1	
16	A G1	5307-99-120-3531	. . . STUD, PLAIN, UNC/UNF, steel, zinc, 2A, 1-1/8 x 1/4in. nut/stud end	100878T	12	
17	A 9ACR	5330-99-865-6110	. . RETAINER, OIL SEAL, cast iron, 2.75 x 3.147in. dia spigot, flange 4.351 x 0.35in. thk, 6 holes 9/32 x 3.75in. PCD, 1.05in. lg	FV299403	1	
18	A 46MT1	5330-99-943-5658	. . SEAL, OIL, syn rubber, steel, strengthening, 3/8 x 2 x 2-3/4in. housing bore dia	M1S20	1	
19	A 6MT7	3110-99-950-0057	. . BEARING, BALL, JOURNAL, single row, 40mm bore, 80mm od x 18mm w	60092-3	2	
20	A 9ACR	5365-99-865-6184	. . SPACER, SLEEVE, steel, 2.505 x 2 x 1.576in. id	FV60138	1	
21	A 9ACR	5310-99-865-6186	. . WASHER, RECESSED, steel, phos, oil finish, 90 deg, 1.50 x 0.25 x 2 x 1.60in. recess dia	FV60144	1	
22	A 9ACR	5310-99-865-6189	. . NUT, SLOTTED, HEXAGON, UNF, steel, full bearing surface, phos, 1in. -12 x 1-1/2 x 5/8in. h	FV61530	1	
23	A G1	5315-99-138-2213	. . PIN, COTTER, SPLIT, 5mm wide		1	
24	A 9ACR	2530-99-865-6136	. . CAP, GREASE, aluminium, 3.375 x 1.15in. h, flange 0.35in. thk, 6 holes 9/32in. dia	FV414128	1	

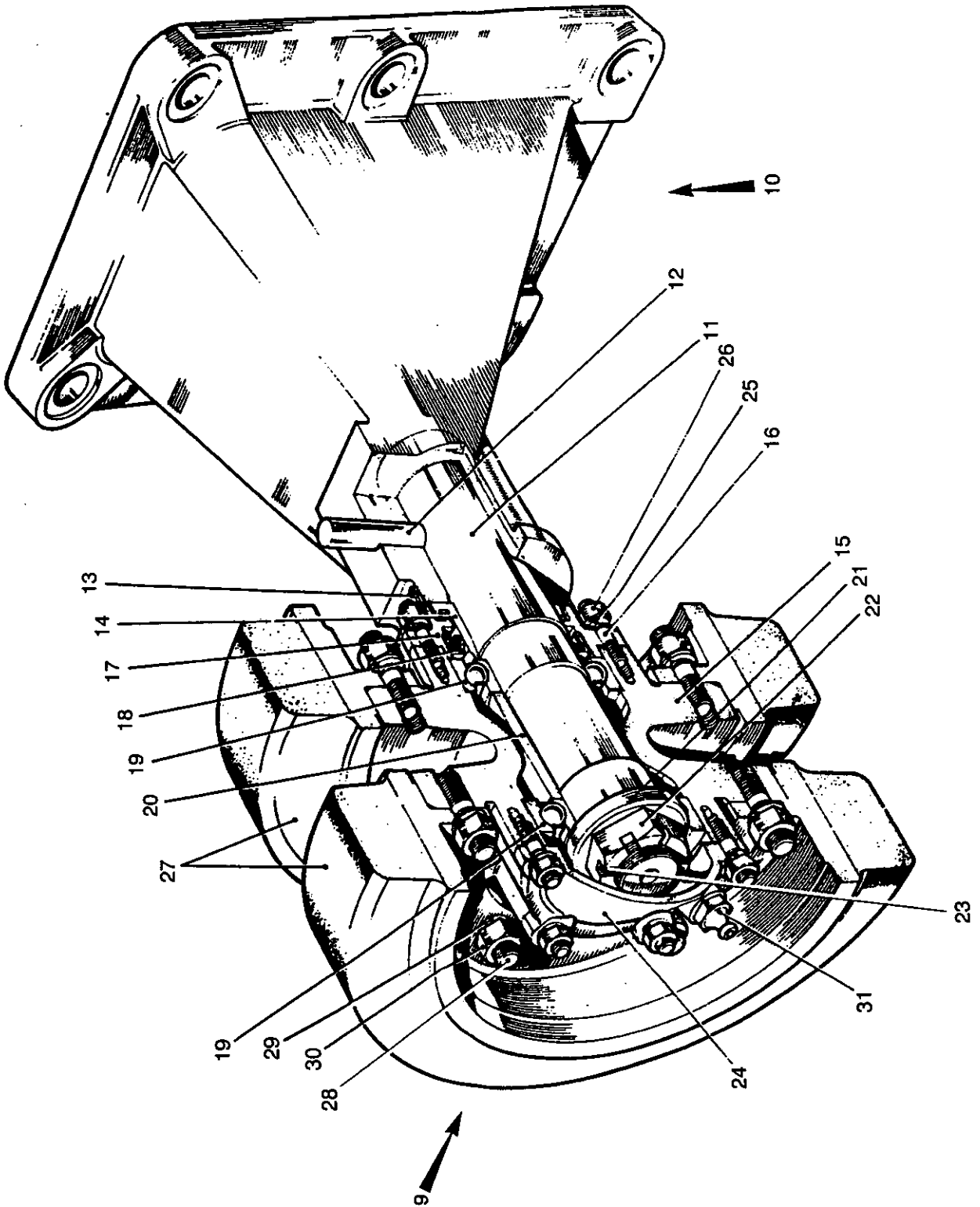


Fig 5 Track top rollers

430/70098

Fig Item	Man Code Navy - N Army - A RAF - R	NATO Stock No	Item Name and Description	Part No/ Drawing No.	No. Off	Annotations
5-			SUSPENSION GA - contd TOP ROLLERS TRACK - contd			
25	A G1	5310-99-941-6654	WASHER, LOCK, steel, split helical ring, 1/4 x 27/64 x 5/64in. thk		12	
26	A G1	5310-99-804-7941	NUT, PLAIN, HEXAGON, UNF, 1/4in. dia, -28, 2B, rd thd, steel, zinc P, 7/16 x 7/32in. h		12	
27	A 9ACR	2530-99-865-6183	WHEEL, SOLID, RUBBER TYRE, solid disc, steel, w/tyre 10.25in. x 2.65in. w	FV60137	2	
28	A G1	5305-99-941-0543	SCREW, MACHINE, 3/4in. UNF, class 2A thd, 1-1/4in. lg, steel, Zn coated, hex hd		12	
29	A G1	5310-99-941-6656	WASHER, LOCK, steel, split helical ring, 3/8 x 0.092 x 0.590in. od, single coil, sq sect		12	
30	A G1	5310-99-941-0926	NUT, PLAIN, HEXAGON, UNF, steel, zinc P, chamfered, 3/8in. -24, 0.563 x 0.333in. h		12	
31	A 6MT1	4730-99-943-9374	FITTING, LUBRICATION, steel, straight hyd, 1/4in. UNF x 3/16 x 5/16 x 0.545in. lg	NA6625	1	
NI 32	A G1	5310-99-138-3581	WASHER, LOCK, steel, split helical ring, Cd plated, 41/64in. x 3/16in. x 1-3/32in. od		24	} Securing items 1, 5 and 9
NI 33		NP	BOLT, UNF, 5/8in. -11 class 2A thd, 3/4in. thd lg, 2in. fastener lg	FV499787	24	

Chapter 2-3
PARTS LIST
TRANSMISSION GENERAL ARRANGEMENT

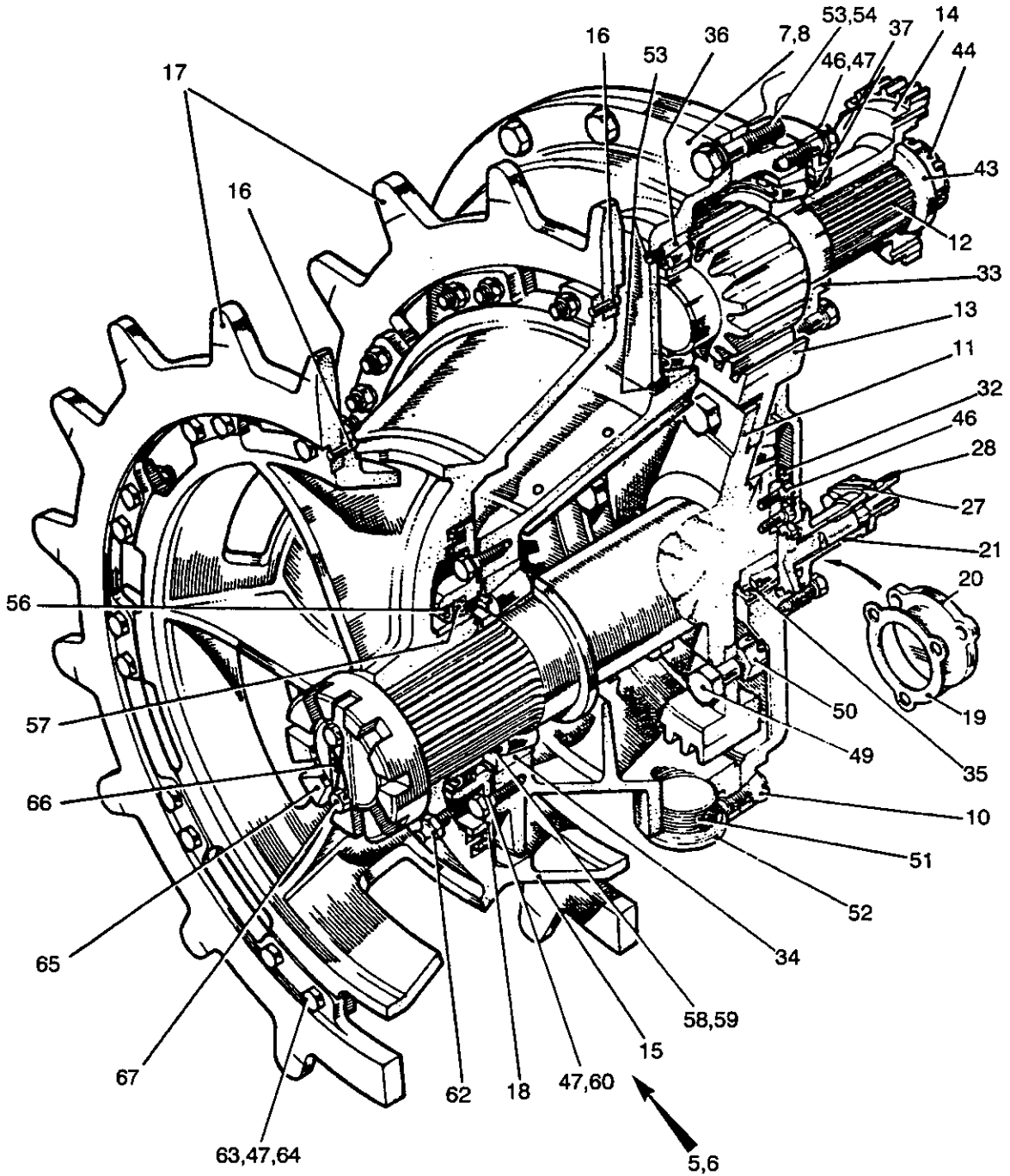


Fig 1 Final drive assembly

430/70145

Fig Item	Man Code Navy - N Army - A RAF - R	NATO Stock No	Item Name and Description	Part No/ Drawing No.	No. Off	Annotations
1-		NP	TRANSMISSION GENERAL ARRANGEMENT	FV563252	REF	
NI 1		NP	. HALF SHAFT GENERAL ARRANGEMENT	FV500050	REF	See Fig 2
NI 2		NP	. STEERING UNIT INSTALLATION		REF	See Fig 3
NI 3		NP	. STEERING UNIT MOUNTING	FV421825	REF	See Fig 6
NI 4		NP	. STEERING UNIT OIL TANK, PIPES AND FITTINGS	FV586064	REF	See Fig 7
5	A	9ACR 2520-99-802-6477	. FINAL DRIVE, VEHICULAR, RH	FV563406	1	
6	A	9ACR 2520-99-802-5852	. FINAL DRIVE, VEHICULAR, LH	FV563405	1	
7	A	9ACR 2520-99-865-6342	. CASING, VEHICULAR, FINAL DRIVE, RH	FV524605	1	
8	A	9ACR 2520-99-865-6341	. CASING, VEHICULAR, FINAL DRIVE, LH	FV524604	1	
NI 9	A	9ACR 5315-99-865-6320	. . . PIN, STRAIGHT, HEADLESS, steel, 1-7/8in. lg, 1/2in. dia	FV413989	2	
10	A	G1 5305-99-941-6959	. . . SCREW, MACHINE, 2A thd, flat csk hd, scr 1-1/32in. x 1-1/4in. lg, 1/2in. UNF thd		3	
11	A	9ACR 2520-99-802-6478	. . . SHAFT, VEHICULAR FINAL DRIVE, steel, 35in. od 1st end, 10.25in. od flange w/12 bolt holes 5/8in. dia. 90in. pcd 2nd end, 17.22in. lg	FV586586	1	
12	A	9ACR 3040-99-866-5297	. . . GEAR SHAFT, SPUR, vehicular, final drive	FV413824	1	Driving
13	A	9ACR 3020-99-866-5298	. . . GEAR SPUR, vehicular, final drive	FV500041	1	Driven
14	A	9ACR 3020-99-865-6337	. . . GEAR SPUR, vehicular, final drive	FV500055	1	Input flange
15	A	9ACR 2520-99-802-6479	. . . HUB, SPROCKET RING, steel, 2 mtg flanges, 20.6 od, x 10.2in. o/a wd	FV586587	1	
16	A	9ACR 5315-99-865-6325	. . . PIN, STRAIGHT HEADLESS, steel, 3/4in. lg, 1/4in. dia	FV434615	2	
17	A	9ACR 3020-99-865-6310	. . . RING, SPROCKET, vehicular final drive	FV413809	2	
18	A	9ACR 5330-99-802-6481	. . . RETAINER, OIL SEAL, steel, 5.75 x 10.5in. od, 1.437in. w	FV586591	1	
19	A	9ACR 5330-99-865-6305	. . . GASKET, paper, rd, 0.343in. hole dia, 2in. aperture dia, 3 holes 0.010in. thk	FV299313	1	
20	A	9ACR 5340-99-865-6304	. . . COVER PLATE, ACCESS, vehicular, final drive casing	FV299312	1	LH only
21		NP	. . . SPEEDOMETER, GEAR AND HOUSING SUB-ASSY	FV299295	1	RH only
NI 22	A	9ACR 3120-99-942-8076	. . . BEARING SLEEVE, copper alloy, plain, no outside flanges, solid, 3/4 x 11/16 x 9/16in. id		2	
NI 23	A	9ACR 3040-99-865-6302	. . . GEARSHAFT, SPUR, vehicular final drive, flexible shaft assembly	FV299298	1	Speedometer drive
NI 24	A	9ACR 3120-99-865-6300	. . . BEARING, SLEEVE, steel, plain, no outside flanges, solid, 0.5 x 0.75 x 0.4897in. id	FV61803	1	
NI 25	A	G1 5310-99-941-6655	. . . WASHER, LOCK, steel, split helical ring 0.343in. hole dia, 0.080in. thk 0.503in. od		3	} Securing items 20 & 21
NI 26	A	G1 5305-99-941-0698	. . . SCREW, MACHINE, UNC, steel, hex hd, zinc P, 5/16in. x 3/4in. lg, class 2A thd		3	
27	A	9ACR 2520-99-856-6307	. . . GASKET, fibre, 0.281in. hole dia, 0.812in. aperture dia, 2 bolt holes, 0.010in. cross sect thk, 2.21in. o/a wd	FV299340	1	} RH only
28	A	9ACR 2520-99-865-6306	. . . ADAPTOR, FLEXIBLE SHAFT ASSEMBLY, vehicular, final drive	FV299339	1	

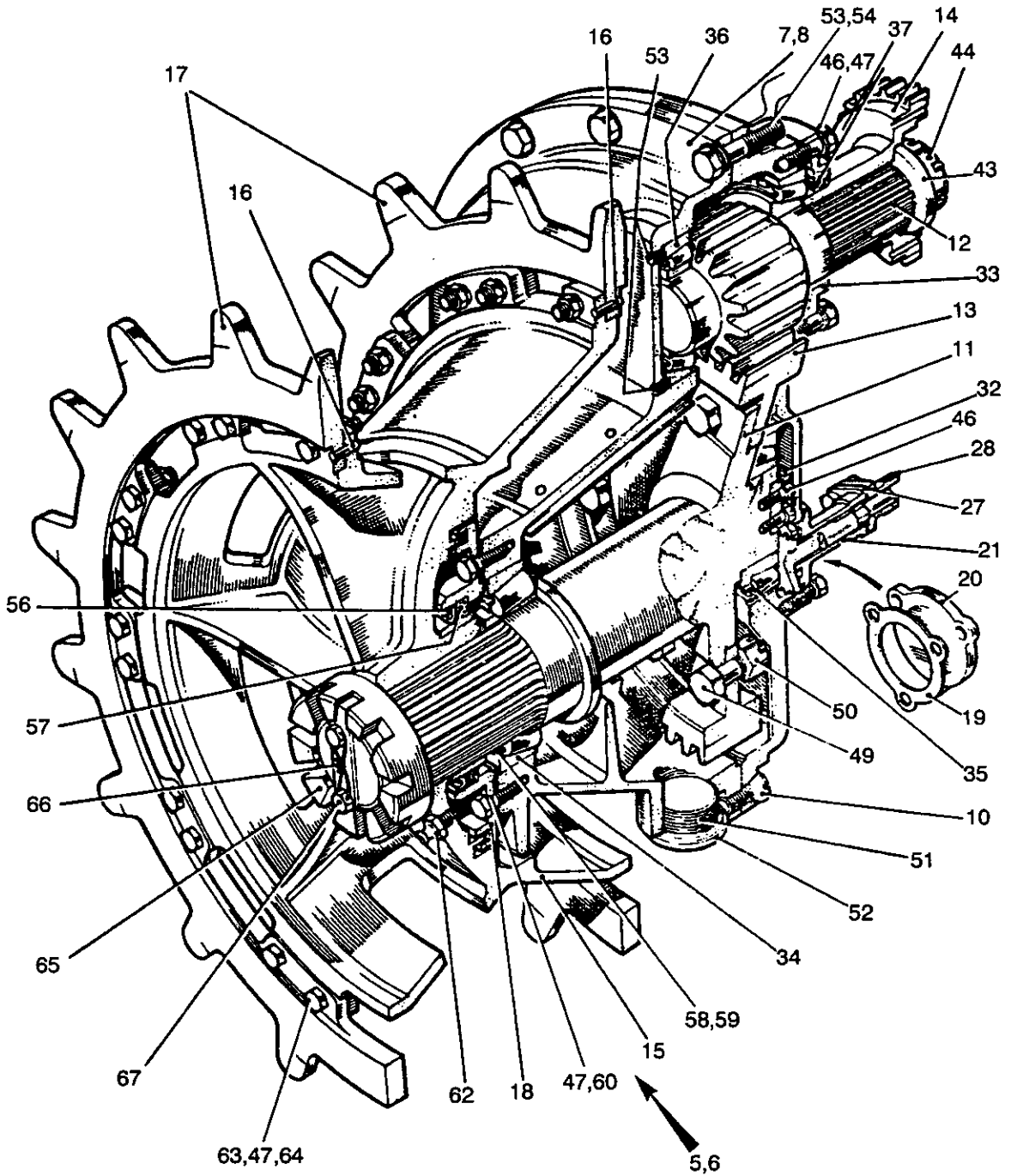


Fig 1 Final drive assembly

430/70145

Fig Item	Man Code Navy - N Army - A RAF - R	NATO Stock No	Item Name and Description	Part No/ Drawing No.	No. Off	Annotations
1-			TRANSMISSION GA - contd FINAL DRIVE, VEHICULAR, LH/RH - contd			
NI 29	A G1	5305-99-941-0513	SCREW, MACHINE, UNF, steel, zinc P, hex hd, 1/4in. x 3/4in. lg		2	} Securing item 28
NI 30	A G1	5310-99-941-6654	WASHER, LOCK, steel, split helical ring, 1/4 x 27/64 x 5/64in. thk		2	
NI 31	A G1	5310-99-804-7941	NUT, PLAIN, HEXAGON, UNF, 1/4in. dia - 28, 2B, rh thd, steel, zinc P, 7/16 x 7/32in. h		2	
32	A 9ACR	3020-99-865-6301	GEAR SPUR, vehicular final drive, flexible shaft assembly	FV299297	1	
33	A 9ACR	5330-99-865-6328	RETAINER, OIL SEAL, vehicular, final drive	FV499784	1	
34	A 46MT7	3110-99-950-1009	BEARING, TAPERED ROLLER, straight bore, 3.5/3.5010in. id, 6.375/6.376 x 1.875/1.883in. lg	K759K752	1	Main shaft outer
35	A 6MT7	3110-99-950-0994	BEARING, TAPERED ROLLER, 2-3/4in. bore, 5in. od cup, 1-7/16in. lg	K566K563	1	Main shaft inner
36	A 6MT7	3110-99-950-1037	BEARING, TAPERED ROLLER, 55mm bore, 12mm x 31.5mm lg	30311	2	} Gear shaft
37	A 9ACR	5330-99-801-6526	SEAL, PLAIN, ENCASED, steel case, leather element, 1/2 x 2-3/4in. housing bore dia	960316A10 52	1	
NI 38	A 9ACR	5365-99-865-6312	SHIM, brass, solid, rd, 6.45 aperture dia, 0.005 x 9in. od, 8 bolt holes	FV413813	A/R	} Main shaft
NI 39	A 9ACR	5365-99-865-6313	SHIM, steel/brass, 7 x 6.45in. id, 8 bolt holes, 0.007 x 9in. od	FV413814	A/R	
NI 40	A 9ACR	5365-99-865-6314	SPACER, PLATE, steel/brass, 9 x 6.45in. id, 8 bolt holes, 0.406 x 0.020in. thk	FV413815	A/R	
NI 41	A 9ACR	5365-99-865-6330	SHIM, steel or brass, 4.750in. id x 6.6in. x 0.005in. thk	FV499786	A/R	} Gear shaft
NI 42	A 9ACR	5365-99-865-6329	SHIM, steel/brass, 4-3/4 x 6-19/32in. x 0.007in. thk	FV499785	A/R	
43	A 9ACR	5310-99-865-6319	WASHER, FLAT, steel, phos coated w/oil finish, rd, 2.375 x 1.265 x 0.250in. thk	FV413822	1	
44	A 9ACR	5310-99-865-6100	NUT, SLOTTED, HEXAGON, UNF, steel, phos, 1-1/4 x 1.875 x 0.690in, nut h, 2B thd	FV299300	1	
NI 45	A G1	5315-99-942-0401	PIN, COTTER, SPLIT, 3/16in. dia x 2-1/2in. lg		1	u/w item 44
46	A 9ACR	5305-99-865-6303	SCREW, MACHINE, 2A thd, 3/4in. lg, hex hd, one hole drilled in hd, 0.055in. dia	FV299304	2	
47	A G1	5310-99-944-0567	WASHER, LOCK, steel, Cd P, 0.398in. x 0.144in. x 0.658in. od		58	
NI 48	A G1	5305-99-941-0716	SCREW, MACHINE, steel, zinc P w/chromate, hex hd, 3/8in. dia x 1-1/4in. lg		6	Oil seal housing output flange
49	A 9ACR	5305-99-865-6338	SETSCREW, UNF, steel, hex hd, phos, 5/8in. x 1-5/8in. lg, 0.03 x 0.93 x .75in. w	FV500056	12	
50	A G1	5310-99-941-0864	NUT, SLOTTED, HEXAGON, UNF, steel, zinc P, chamfered bearing surface, 5/8 x 15/16in. wd x 23/32in. h, grade 3 nut		12	

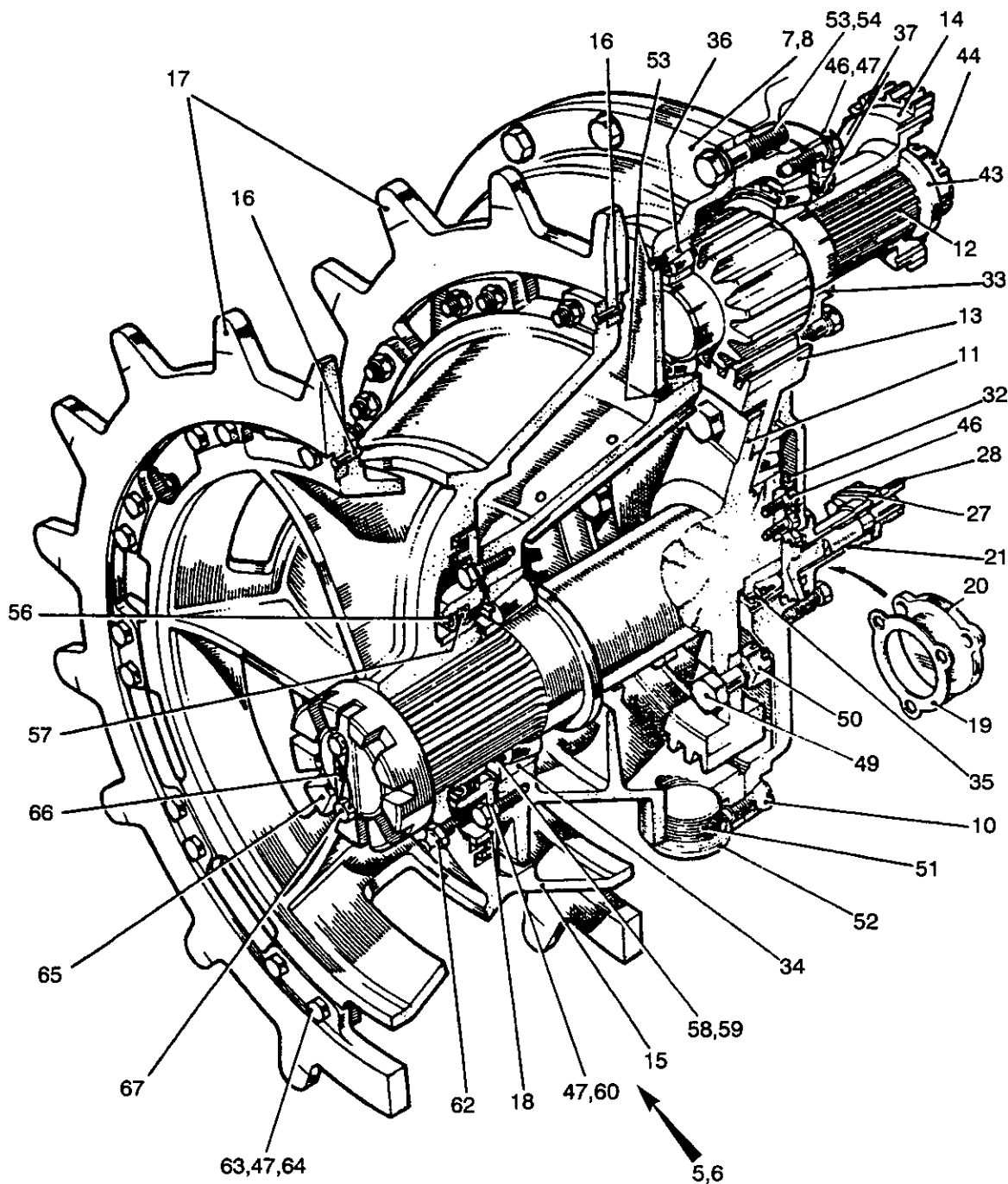


Fig 1 Final drive assembly

430/70145

Fig Item	Man Code Navy - N Army - A RAF - R	NATO Stock No	Item Name and Description	Part No/ Drawing No.	No. Off	Annotations
1-			TRANSMISSION GA - contd FINAL DRIVE, VEHICULAR, LH/RH - contd			
51	A	9ACR	5365-99-865-6959 . . . SPACER, RING, copper, rd, 2.125 x 0.064 x 1.75in. id	FV395476	2	
52	A	46MT1	5365-99-942-8008 . . . PLUG, steel, hex hd, 1-3/4in. x 5/8in. lg phosphate finish		2	
53		NP	. . . SCREW, GRUB, UNC, r steel, 5/16in. 3/8in. lg	FV413990	2	
54	A	G1	5310-99-138-3581 . . . WASHER, LOCK, steel CD P, split helical ring, 41/64in. x 3/16in. thk, 1-3/32in. od		21	
NI 55	A	G1	5306-99-941-1598 . . . BOLT, MACHINE, UNC, 5/8 x 2-1/4in. lg, steel, hex hd, zinc plated		18	
56	A	46MT1	5330-99-801-5626 . . . SEAL, PLAIN, ENCASED, steel case, leather element, 9/16 x 5-1/4 x 6-1/4in. housing bore dia	W62552556	1	
57	A	46MT1	5330-99-801-6924 . . . SEAL, PLAIN, rubber, syn, 5.25 x 0.500in. w, steel strengthening	MIS54	1	
58	A	9ACR	5365-99-828-9068 . . . SPACER, RING, steel, rd, 4 x 0.106 x 3.515in. id	FV651464	1	
59	A	9ACR	5365-99-828-9069 . . . SPACER, RING, steel, rd, 4 x 0.50 x 3.515in. id	FV651465	1	
60	A	G1	5305-99-941-0714 . . . SCREW, MACHINE, UNC, 0.375 x 1in. lg, steel, zinc P, hex hd, 2A thd		8	
NI 61	A	46MT1	4820-99-881-5095 . . . VALVE, AIR PRESSURE RELIEF, GEAR HOUSING, 1-5 PSI, 3/8in. UNF	OA6875	1	
62	A	6MT1	4730-99-943-9374 . . . LUBRICATING NIPPLE, steel, straight hydraulic type, 1/4 x 3/16 x 5/16in. a/f, 0.545in. max lg	NA6625	1	
63	A	G1	5306-99-941-6598 . . . BOLT, MACHINE, UNF, 3/8 x 1-1/2in. lg, steel, hex hd, zinc plated, 1in. lg thd		44	
64	A	G1	5310-99-941-0926 . . . NUT, PLAIN, HEXAGON, UN, steel, zinc P, chamfered bearing surface, 3/8in. -24, 0.563 x 0.333in. o/a h		44	
65	A	9ACR	5310-99-802-6482 . . . NUT, PLAIN, ROUND, UNS, steel, phos, 5.5 x 1.72in. thk	FV586590	1	
66	A	9ACR	2520-99-823-9285 . . . LOCKING PLATE, ROUND PLAIN NUT, steel, phos, 3-19/32in. lg, 1in. wd, 3/8in. thk, c/w 2 holes 11/32in. dia	FV650237	1	
67	A	9ACR	5305-99-865-6309 . . . SCREW, CAP, HEXAGON HEAD, steel, phosphate coated, 0.312in. -24UNF thd, 0.875in. thd and fastener lg, one hole drilled in hd 0.055in. dia	FV299373	2	

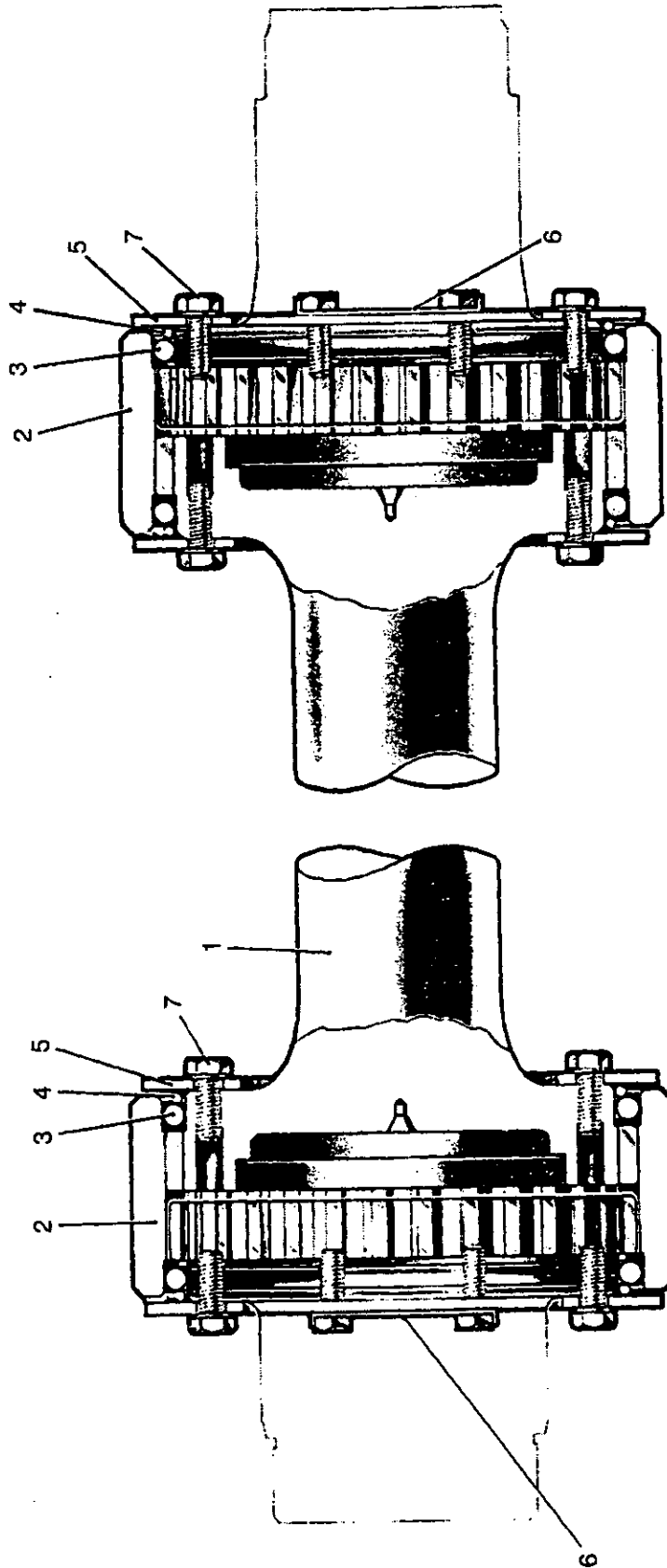


Fig 2 Half shaft general arrangement

430/70072

Fig Item	Man Code Navy - N Army - A RAF - R	NATO Stock No	Item Name and Description	Part No/ Drawing No.	No. Off	Annotations
2-		NP	TRANSMISSION GA - contd			
			. HALF SHAFT GENERAL ARRANGEMENT	FV500050	2	
1	A	9ACR 3040-99-865-6333	. . GEAR SHAFT SPUR, final drive	FV500051	1	
2	A	9ACR 3010-99-865-6334	. . COUPLING, SHAFT RIGID, final drive	FV500052	2	
3	A	46MT1 5330-99-801-7356	. . RING, SEALING, TOROIDAL, rubber, 60-65 deg BS/IRD, 9/32in. cross sect h, 27/32in. id	R848ML539 1	4	
4	A	9ACR 5365-99-865-6365	. . RING, RETAINING, final drive	FV525535	4	
5	A	9ACR 2520-99-865-6335	. . PLATE, SEAL, RETAINING RING, rigid shaft coupling	FV500053	8	
6	A	9ACR 5365-99-865-6336	. . SPACER, PLATE, steel, phos, 2.5 x 0.500in. wd, 0.048in. thk, 2 bolt holes 0.281in. dia	FV500054	16	
7	A	G1 5305-99-941-6543	. . SCREW, MACHINE, UNF, steel, zinc P, w/chromate, 1/4in. dia, 2A, 3/4in. lg, hex hd		32	

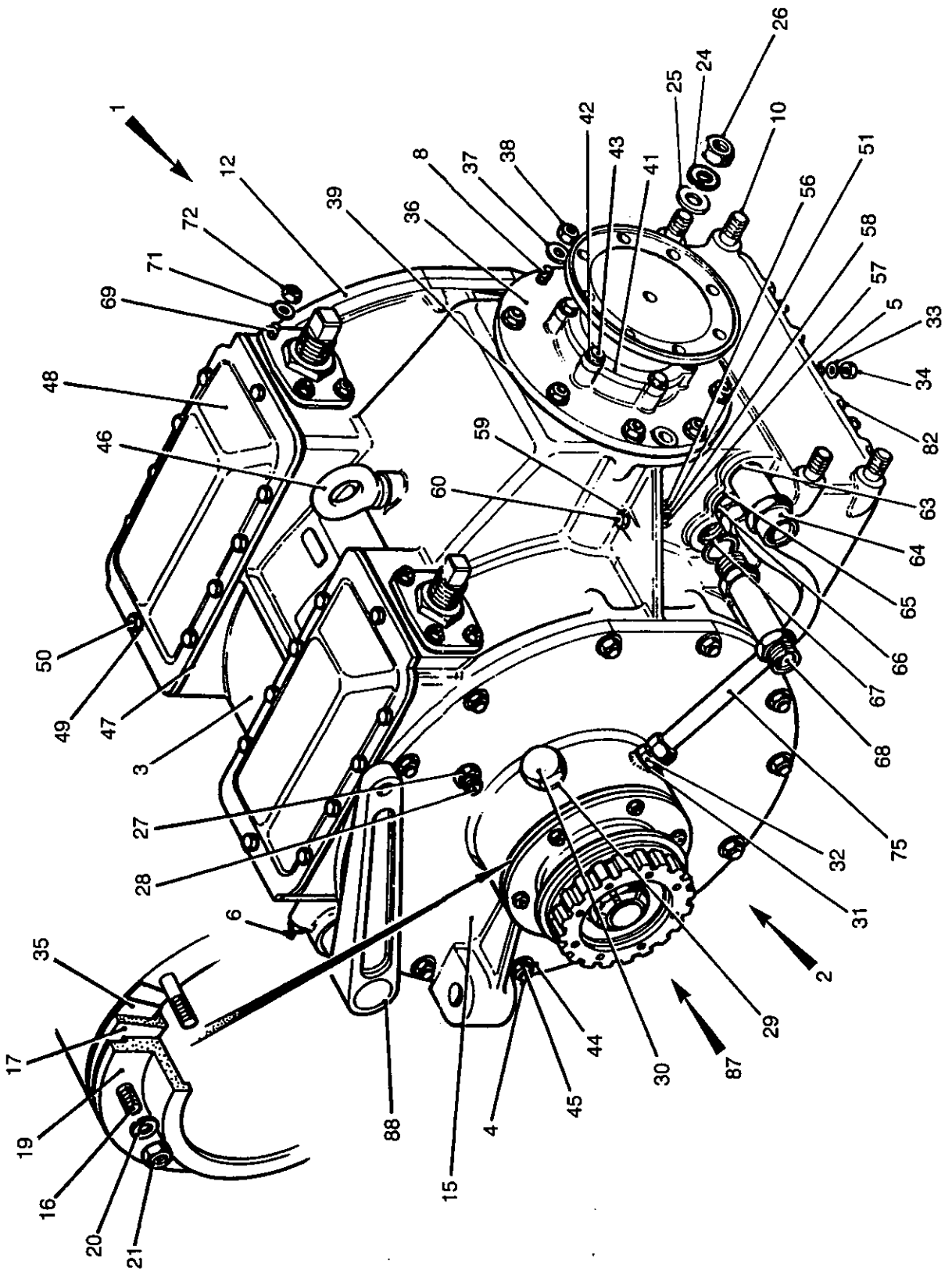


Fig 3 Steering unit installation

430/70073

Fig Item	Man Code Navy - N Army - A RAF - R	NATO Stock No	Item Name and Description	Part No/ Drawing No.	No. Off	Annotations
3-			TRANSMISSION GA - contd			
		NP	. STEERING UNIT INSTALLATION		REF	
1	A	9ACR	. . . STEERING GEAR	FV451236	1	
2		NP	. . . GEARCASE AND COVERS	FV450922	REF	
3	A	10	. . . CASING, GEARBOX, STEERING CONTROL, steering unit, type S1F6	FV452614	1	
4	A	10 STUD, PLAIN, steel, Cd P, 2in. lg, 7/16 x 0.68in. thd lg, class A UNF	FV149125	24	
5	A	10 STUD, PLAIN, UNF, steel, Cd P, 2A, 1.625in. lg, 5/16 x 0.530 x 0.405in. thd lg	UA905Z	13	
6	A	10 STUD, PLAIN, UNF, steel, Cd P, 3/8 x 2-1/8in. lg	UA957Z	4	} Brake actuating housing
NI 7	A	9CET STUD, PLAIN, UNF, steel Cd P w/chromate, 3/8 x 4.450 x 0.948 x 0.625in. lg	FV670622	4	
8	A	10 STUD, PLAIN, UNF, steel, Cd P, 3/8 x 1.75in. lg	UA954	8	
NI 9	A	G1 INSERT, SCREW THREAD, cres, coil wire type	AS6733-32	28	
10	A	10 STUD, PLAIN, UNF, steel, Cd P, 2.025in. lg, 2A	FV149758	4	
NI 11	A	9CET STUD, PLAIN, UNF, steel, Cd P w/chromate	FV670622	4	
12	A	10	. . . HOUSING, MECHANICAL DRIVE, steering unit, rh, with studs	FV451039	1	
NI 13	A	10 STUD, PLAIN, UNF, steel, 5/16in. x 1-1/2in. lg	UA904ZP	6	
NI 14	A	10	. . . HOUSING, MECHANICAL DRIVE, output shaft, rh, steering unit	FV450951	1	
15	A	10	. . . HOUSING, MECHANICAL DRIVE, lh end cover assy	FV451038	1	
16	A	10 STUD, PLAIN, UNF, steel, 5/16in. x 1-1/2in. lg	UA904ZP	6	
17	A	10	. . . HOUSING, MECHANICAL DRIVE, output shaft lh	FV450948	1	
NI 18	A	10 BEARING, SLEEVE, steel, plain, solid, 1 x 2.563 x 2.376in. id, 1 lubrication hole	FV438276	1	
19	A	10	. . . RETAINER, OIL SEAL, output shaft - steering unit	FV450950	2	
20	A	G1	. . . WASHER, FLAT, steel, Cd P, rd hole, 5/16 x 5/8in.		12	
21	A	G1	. . . NUT, PLAIN, HEXAGON, UNF, steel, zinc P, 5/16in. -24, 1/2 x 17/64in. h, rh, 2B, chamfered		12	
NI 22	A	10	. . . SPACER RING, aluminium, rd, 0.825 x 0.036 x 0.625in. dia, rd hole	KB 1081	1	} Oil drilling gear case to sump
NI 23	A	10	. . . PLUG, SCREWED, steel, hex hd, Cd P, 2 holes 5/64in. dia	FV669872	1	
24	A	G1	. . . WASHER, LOCK, steel, split helical ring, Cd P, 1/2 x 0.763 x 0.116in. thk		4	} Mounting brackets to casing
25	A	G1	. . . WASHER, FLAT, steel, zinc P, rd, 1in. x 33/64in. x 3/32in. thk		4	
26	A	G1	. . . NUT, PLAIN, HEXAGON, UNF, steel, zinc P, chamfered, 1/2 x 3/4 x 7/16in. h, grade 3 nut		4	

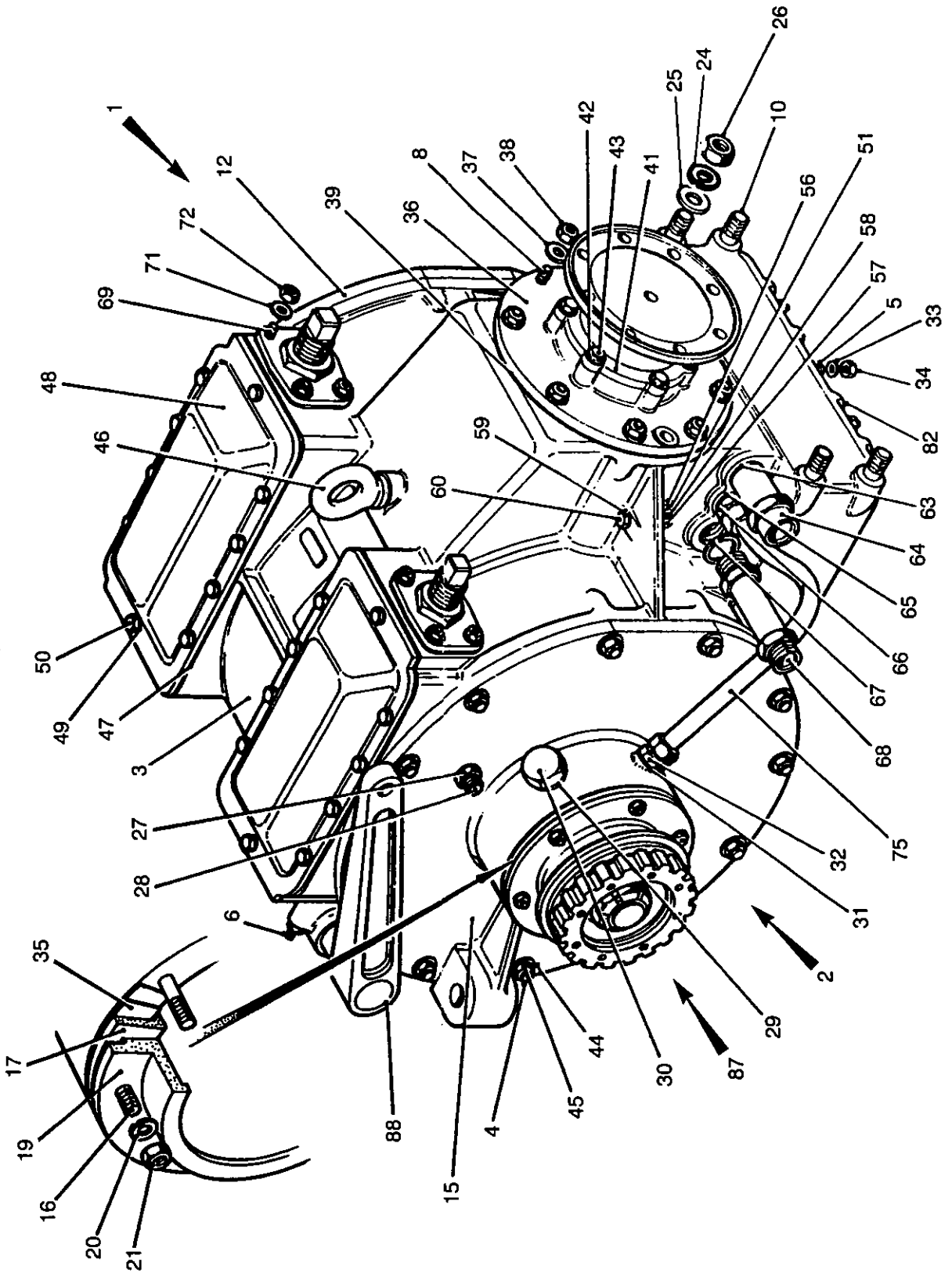


Fig 3 Steering unit installation

430/70073

Fig Item	Man Code Navy - N Army - A RAF - R	NATO Stock No	Item Name and Description	Part No/ Drawing No.	No. Off	Annotations
3-			TRANSMISSION GA - contd STEERING UNIT INSTALLATION - contd GEARCASE AND COVERS - contd			
27	A 10	5365-99-865-1479	SPACER RING, aluminium, rd, 0.825 x 0.036 x 0.625in. dia, rd hole	KB1081	1	
28	A 10	4730-99-865-3617	NIPPLE, TUBE, UNF, steel, thd ext tube 0.625in. x 1.312in. o/a lg	UA5829	1	
29	A 10	5365-99-865-1488	SPACER, RING, aluminium, rd, 0.875 x 0.036 x 1.075in. od, rd hole	KB1092	1	
30	A 10	5365-99-821-0158	PLUG, SCREWED, steel, hex hd, Cd P, 2 holes x 5/64in. dia	FV669878	1	
31	A 10	5365-99-865-1488	SPACER, RING, aluminium, rd, 0.875 x 0.036 x 1.075in. od, rd hole	KB1092	1	
32	A 10	4730-99-821-0156	ADAPTOR, STRAIGHT, PIPE TO TUBE, steel, Cd P, 7/8in. -14 UNF, 17/32 x 1-23/32in. o/a lg	FV669873	1	
33	A G1	5310-99-101-3781	WASHER, FLAT, steel, rd, Cd P, 21/64 x 37/64 x 3/64in. thk		13	
34	A G1	5310-99-941-0925	NUT, PLAIN, HEXAGON, UNF, steel, zinc P, 5/16in. -24, 1/2 x 17/64in. h, rh, 2B, chamfered		13	
35	A 10	5365-99-865-5728	SHIM, steel, solid, 5.781 x 0.002in. thk, 7.5 x 0.343in. dia on 6.5in. pcd	FV451032	A/R	} Bearing housing
35(1)	A 10	5365-99-865-5729	SHIM, solid, 5.781 x 0.003in. thk, 7.5 x 0.343in. dia, 6 bolt holes	FV451033	A/R	
35(2)	A 10	5365-99-865-5730	SHIM, steel, 5-25/32 x 7-1/2 x 0.005in. thk	FV451034	A/R	
35(3)	A 10	5365-99-865-5731	SHIM, steel, 5-25/32 x 7-1/2 x 0.007in. thk	FV451035	A/R	
35(4)	A 10	5365-99-865-5732	SPACER, PLATE, steel, 7-1/2 x 5-25/32 x 3/64in. thk	FV451036	A/R	
36	A 10	3040-99-866-2261	HOUSING, MECHANICAL DRIVE, iron, 6.375 x 9.562in. dia	FV451971	1	
37	A G1	5310-99-915-5148	WASHER, FLAT, UNF, steel, Cd P, rd, 0.660 x 0.392 x 0.048in. thk		8	
38	A 10	5310-99-866-5335	NUT, PLAIN, HEXAGON, UNF, steel, Cd P, 3B, rh, 3/8in. dia x 0.5625 x 0.33in. h, chamfered	FV452202	8	
39	A 10	5365-99-865-3685	SPACER, PLATE, steel, 0.091in. thk	FV149221	A/R	} Input
39(1)	A 10	5365-99-865-3686	SPACER, PLATE, steel, 0.093in. thk	FV149223	A/R	
39(2)	A 10	5365-99-865-3687	SPACER, PLATE, steel, 0.095in. thk	FV149225	A/R	
39(3)	A 10	5365-99-865-3688	SPACER, PLATE, steel, 0.100in. thk	FV149226	A/R	
39(4)	A 10	5365-99-865-3689	SPACER, PLATE, steel, 0.105in. thk	FV149227	A/R	
39(5)	A 10	5365-99-865-3690	SPACER, PLATE, steel, 0.110in. thk	FV149228	A/R	
NI 40	A 46MT1	5330-99-812-0434	SEAL, PLAIN, syn rubber, element, steel strengthened, 1/2 x 2-1/2 x 3-35/64in. od	1N45978SH 80	1	Steering unit
41	A 10	5330-99-865-3670	RETAINER, OIL, SEAL, steel, bevel pinion shaft, steering unit	FV149064	1	
42	A G1	5310-99-101-3781	WASHER, FLAT, steel, Cd P, 21/64 x 37/64 x 3/64in. thk		6	
43	A G1	5305-99-941-6547	SCREW, MACHINE, UNF, steel, zinc P w/chromate, 5/16 x 7/8in. lg, 2A, hex hd		6	
44	A 10	5310-99-865-1511	WASHER, FLAT, steel, rd, 0.875 x 0.458 x 0.099in. matl thk		24	

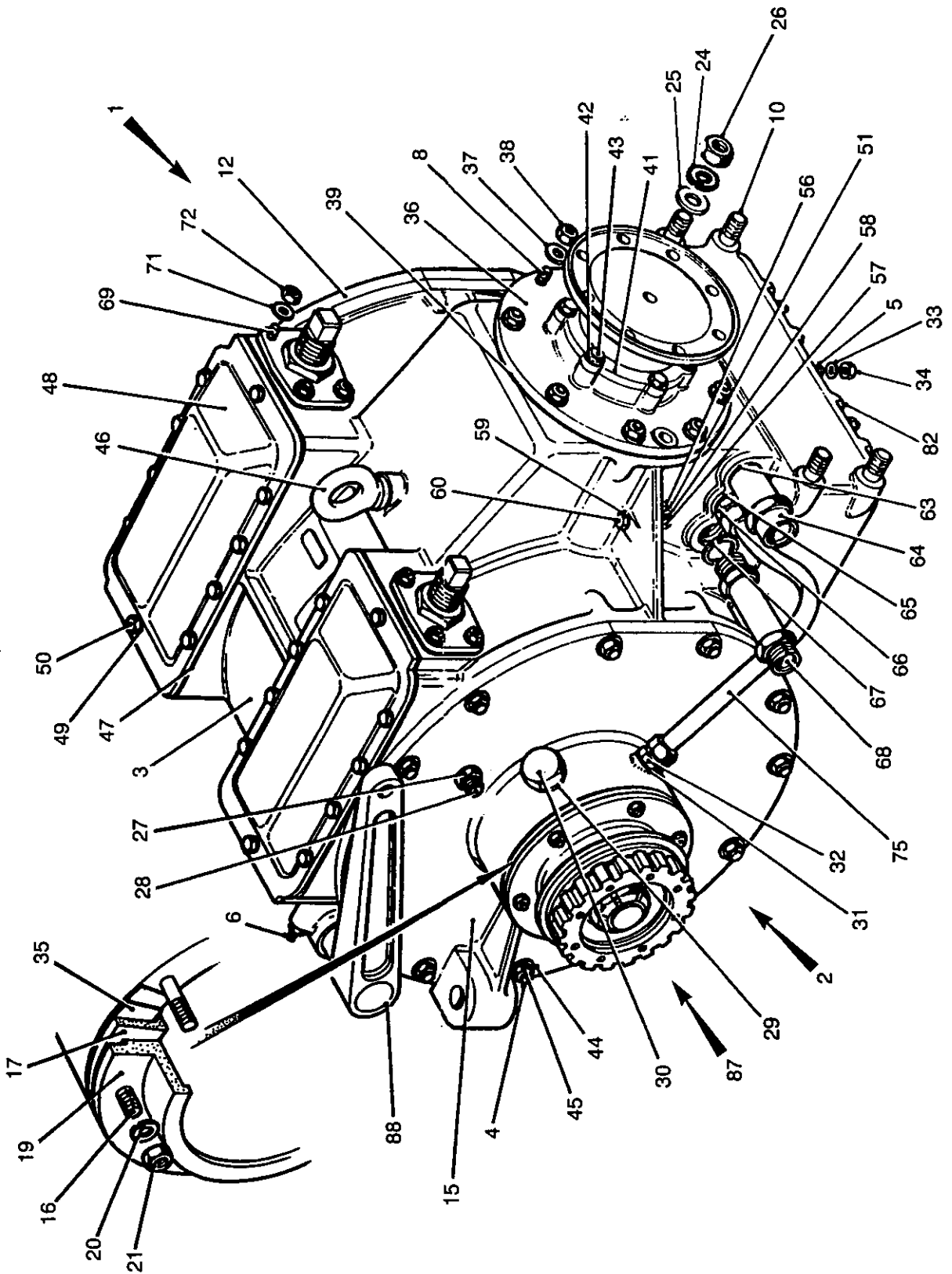


Fig 3 Steering unit installation

430/70073

Fig Item	Man Code Navy - N Army - A RAF - R	NATO Stock No	Item Name and Description	Part No/ Drawing No.	No. Off	Annotations
3-			TRANSMISSION GA - contd STEERING UNIT INSTALLATION - contd GEARCASE AND COVERS - contd			
45	A G1	5310-99-941-0927	NUT, PLAIN, HEXAGON, UNF, steel, zinc P, 7/16 x 11/16 x 3/8in. h, chamfered, grade 3 nut		24	
46	A 10	5306-99-865-4905	EYEBOLT, UNC, steel, Cd P, 1-1/4 x 5/8 x 1-1/2in. thd lg, 3-39/64in. shank lg	FV146147	2	
47	A 10	5330-99-273-7837	GASKET, non-asbestos, 0.063in. thk	FV450986	2	
48	A 10	5340-99-865-3830	COVER PLATE, ACCESS, steering unit casing	FV450985	2	
49	A G1	5310-99-941-7072	WASHER, FLAT, steel, rd, Cd P, 1/4 x 9/16in. od		20	
50	A G1	5305-99-941-6544	SCREW, MACHINE, UNF, steel, zinc P w/chromate, 1/4 x 7/8in. lg, hex hd, 2A		20	
51	A 10	2805-99-866-2262	JET, OIL FEED, drive gear, oil pump	FV451972	1	
NI 52	A G1	5310-99-941-6654	WASHER, LOCK, steel, split helical ring, 1/4 x 27/64 x 5/64in. thk		8	
NI 53	A G1	5305-99-941-6542	SCREW, CAP, HEXAGON HEAD, UNF, steel, zinc P w/chromate, 0.625 x 0.163 x 0.438in. max wd		8	
NI 54	A 7RR	5310-99-404-0153	WASHER, ALUMINIUM	RE16379	1	
NI 55	A 6MT1	5365-99-901-5323	PLUG, SCREWED, brass, hex hd, 1/2in. x 3/4in. BSPF	W152887-1-6	1	
56	A 10	5310-99-865-1492	WASHER, FLAT, aluminium, rd, 0.725 x 0.520 x 0.028in. nom thk		1	
57	A 10	5365-99-821-0154	PLUG, SCREWED, steel, hex hd, Cd P, 2 holes, 3/64in. dia	FV669871	1	
58	A 10	5310-99-865-1475	WASHER, FLAT, aluminium, rd, 0.5 x 0.312in. id x 0.028in. matl thk		1	
59	A 10	5310-99-865-1475	WASHER, FLAT, aluminium, rd, 0.5 x 0.312in. id x 0.028in. matl thk		1	
60	A 10	5365-99-821-0154	PLUG, SCREWED, steel, hex hd, Cd P, 2 holes, 3/64in. dia	FV669871	1	
NI 61	A 10	5365-99-865-1479	WASHER, FLAT, aluminium, rd, 0.825 x 0.036in. x 0.625in. dia, rd hole		1	
NI 62		NP	PLUG, SCREWED, UNF, 5/8in.		1	
63	A 10	5365-99-865-1490	SPACER, RING, aluminium, rd, 1.375 x 0.036 x 1.125in. hole dia	KB1094	1	
64	A 10	4730-99-865-4399	REDUCER, TUBE, steel, Cd P, 0.375 x 1.125 x 3.725in. lg	FV149893	1	
65	A 10	5365-99-865-1488	WASHER, FLAT, aluminium, rd, 0.875 x 0.036 x 1.075in. od, rd hole		1	
66	A 10	4730-99-821-0156	ADAPTOR, STRAIGHT, PIPE TO TUBE, UNF, steel, Cd P, 7/8in. -14, 17/32 x 1-23/32in. o/a lg	FV669873	1	
67	A 10	5365-99-865-1490	SPACER, RING, aluminium, rd, 1.375 x 0.036 x 1.125in. hole dia	KB1094	1	
68	A 10	2805-99-866-5334	ADAPTOR, OIL COOLER, HOUSING UNF, steel, Cd P, 1-1/8 x 5-1/2in. lg	FV452197	1	
69	A 10	5307-99-865-1464	STUD, PLAIN, UNF, steel, Cd P, 3/8 x 2-1/8in. lg	UA957Z	8	
NI 70	A 10	5307-99-865-3611	STUD, PLAIN, UNF, steel, Cd P, 5/16in. x 5.625 x 0.380in. lg	UA927Z	2	Oil pump to casing
71	A G1	5310-99-941-8635	WASHER, FLAT, steel, zinc P, rd, 3/4 x 25/64 x 0.072in. thk		16	

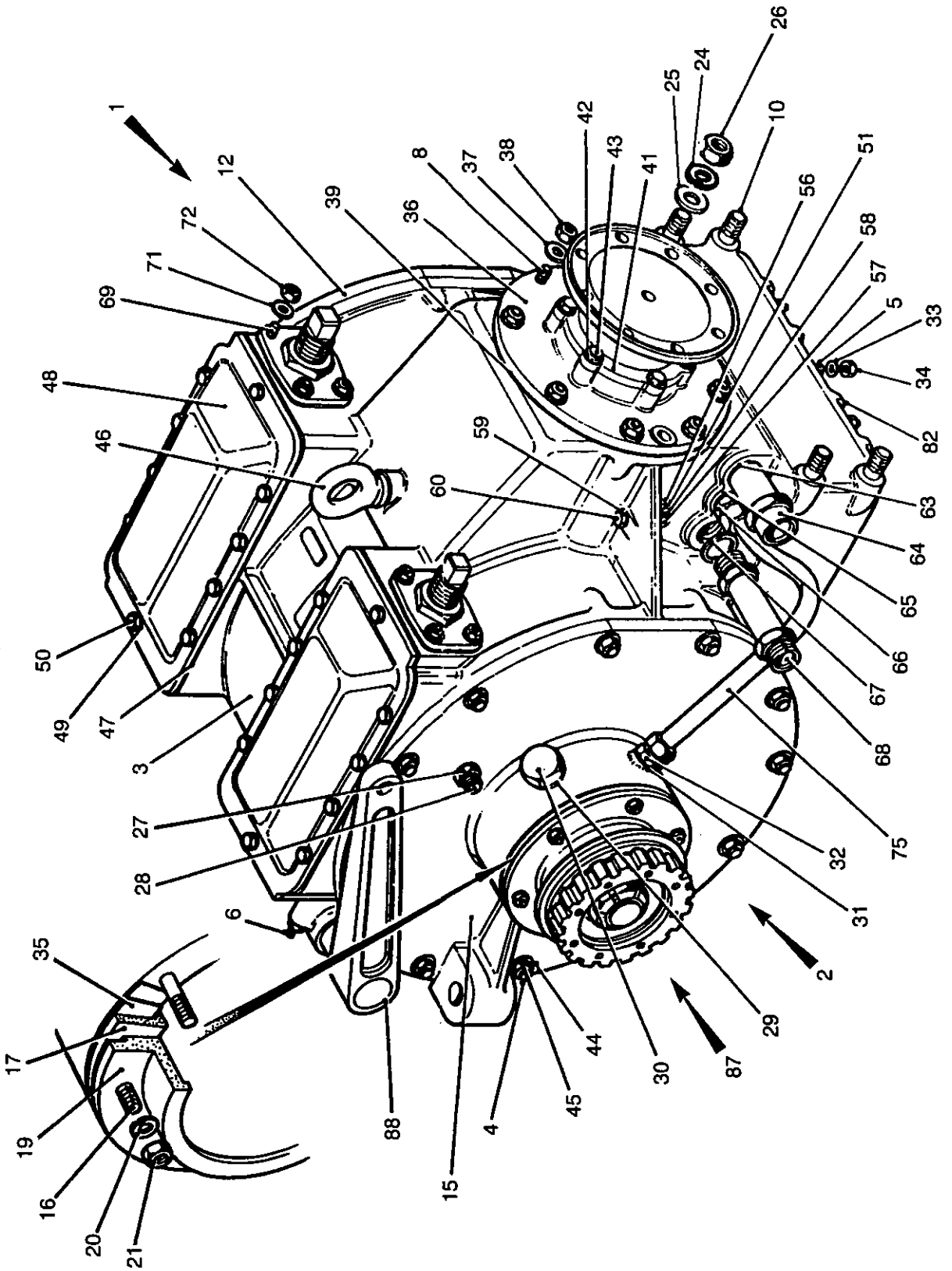


Fig 3 Steering unit installation

430/70073

Fig Item	Man Code Navy - N Army - A RAF - R	NATO Stock No	Item Name and Description	Part No/ Drawing No.	No. Off	Annotations
3-			TRANSMISSION GA - contd STEERING UNIT INSTALLATION - contd GEARCASE AND COVERS - contd			
72	A 10	5310-99-866-5335	NUT, PLAIN, HEXAGON, UNF, steel, Cd P, 3/8 x 0.5625 x 0.33in. h, 3B, rh, chamfered	FV452202	16	
NI 73	A G1	5310-99-101-3781	WASHER, FLAT, steel, Cd P, 21/64in. x 37/64in. x 3/64in. thk		2	
NI 74	A G1	5310-99-941-6570	NUT, PLAIN, HEXAGON, UNF, steel, zinc coated, 2B, rh, 0.563 x 333in. h, chamfered		2	
75	A 10	4710-99-821-0157	PIPE, OIL FEED, c/w nuts and nipples	FV669880	1	Pump to differential
NI 76	A 10	2520-99-809-0843	STRAINER ASSEMBLY, OIL, copper wire mesh, metal reinforcement frame 13-1/4 x 10-1/2in. w	FV668639	1	
NI 77	A 10	2530-99-865-3671	GASKET, asbestos, 0.062in. thk, sump joint, steering unit	FV149102	1	Steering unit sump joint
NI 78	A 10	5330-99-865-3739	GASKET, asbestos, 0.062in. cross sect thk	FV149635	1	
NI 79	A 10	5330-99-865-4388	GASKET, paper, dtd 776, 0.006in. thk	FV149111	1	Internal casing
NI 80	A G1	5310-99-941-8554	WASHER, FLAT, steel, rd hole, 2BA nom bolt size		5	
NI 81		NP	SCREW, MACHINE, hex hd, 0.454in. thd lg, 1/2in. fastener lg		5	
82	A 10	2530-99-865-3719	SUMP, STEERING UNIT, aluminium alloy, 13.228 x 10.133 x 1.300in. h, 0.25in. thk	FV149445	1	
NI 83	A G1	5310-99-101-3781	WASHER, FLAT, steel, Cd P, 21/64 x 37/64 x 3/64in. thk		13	
NI 84	A G1	5310-99-941-0925	NUT, PLAIN, HEXAGON, UNF, 5/16 -24, 2B, rh, steel, zinc P, 1/2in. wd, 17/64in. h		13	
NI 85	A G1	5365-99-120-6763	SPACER, RING, aluminium, rd, 1.850 x 0.080in. x 1.660in. dia hole	G1GA19110	1	
NI 86	A 46MT1	5365-99-901-5323	PLUG SCREWED, brass, hex hd, 1/2in. x 3/4in. BSPF	W1S2887-1-6	1	
87		NP	DIFFERENTIAL STEERING CONTROL	FV450892	REF	See Fig 4
88	A 10	3040-99-865-5726	LEVER, REMOTE CONTROL, forged steel, 13-3/4in. lg, one hole 1/2in. dia, 24 serrations	FV450982	2	See Fig 5
NI 89	A 10	4320-99-998-9888	PUMP, ROTARY, assembly, oil pump steering unit kit	FV670837	1	
NI 90	A 46MT1	2520-99-881-6428	PROPELLER SHAFT, primer, enamel, 13.093in. x 6.623in. od, blue, 8 holes each flange	FV669926	1	
NI 91	A 6MT10	5340-99-836-8670	LOCKING PLATE, NUT AND BOLT, steel, 3/16in. x 23/64in., oblong holes 2-11/32in. c to c	94GB-516	8	} Securing item 90
NI 92	A 6MT10	5305-99-836-9801	SCREW, MACHINE, BSF, steel, hex hd, 5/16in. x 21/32in. lg, medium class thd		16	

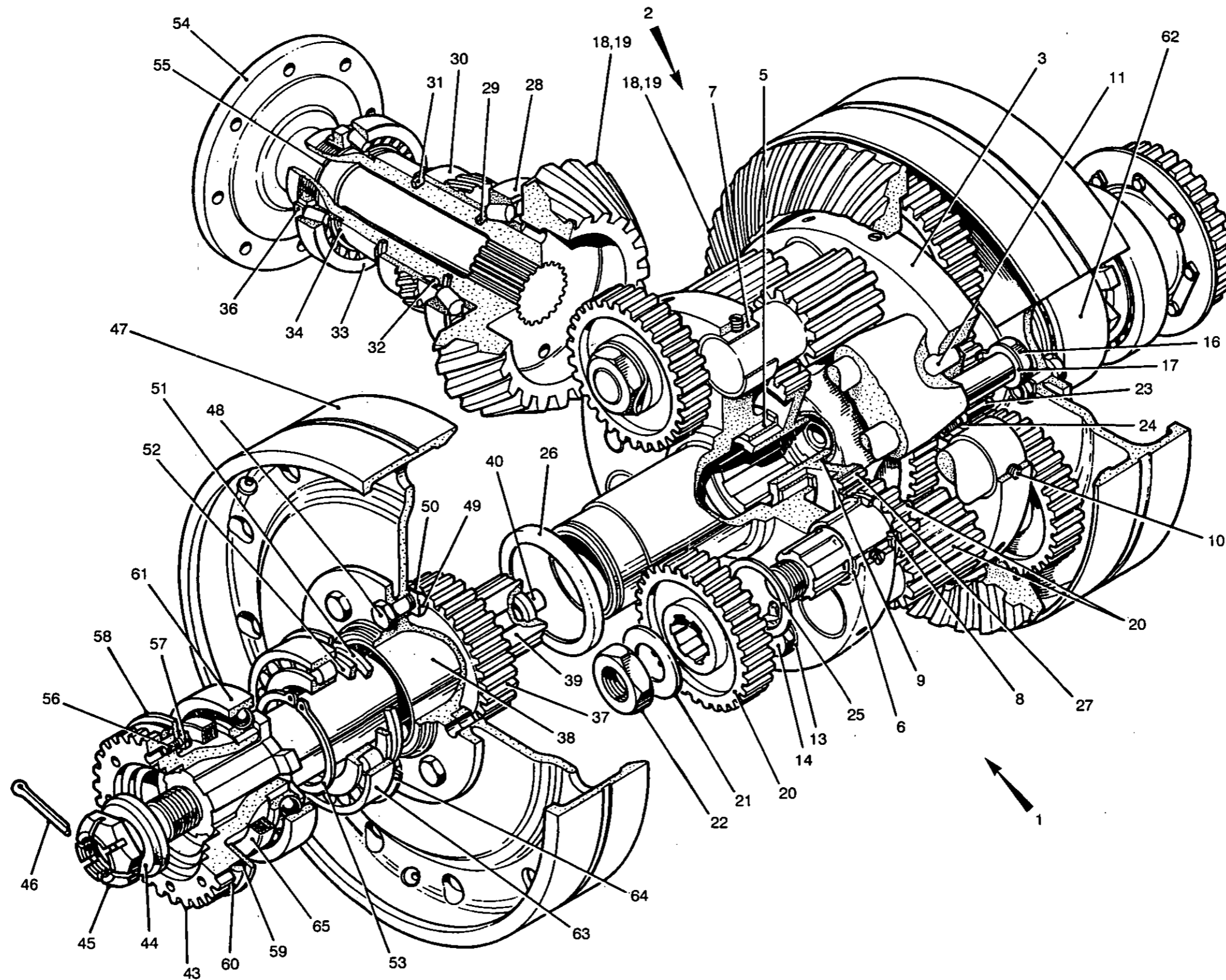


Fig 4 Differential steering control

430/70074

Fig Item	Man Code Navy - N Army - A RAF - R	NATO Stock No	Item Name and Description	Part No/ Drawing No.	No. Off	Annotations
4-			TRANSMISSION GA - contd STEERING UNIT INSTALLATION - contd			
1		NP	. . . DIFFERENTIAL STEERING CONTROL	FV450892	REF	
2	A 10	2520-99-808-1106	. . . GEAR AND SHAFT ASSEMBLY, BEVEL, matched crown wheel and pinion	FV668190	1	
3		NP FLANGE, DIFFERENTIAL, left	FV668192	1	
NI 4	A 10	5315-99-808-1122 PIN, STRAIGHT, HEADLESS, steel, 2.025 x 0.6245in. max dia	FV668193	3	
5	A 10	3120-99-865-3786 BEARING, SLEEVE	FV450591	2	
6	A 10	3120-99-865-3787 BEARING, SLEEVE, phos bronze, plain, solid, 1.18in. x 1.968in. x 1.813in. id, planet gear	FV450592	6	
7	A 10	3120-99-865-3788 BEARING, SLEEVE, phos bronze, solid, 1.377 x 2.049 x 1.814in. id, planet gear	FV450593	6	
8	A 10	3120-99-865-3789 BEARING, WASHER, THRUST, phos bronze, rd, 2.323 x 0.1142in. thk, rect cross-sect shape	FV450594	6	
9	A 10	2520-99-865-3790 BEARING, DIFFERENTIAL FLANGE SPACE	FV450595	2	
10	A 10	5305-99-865-3801 SCREW, GRUB, steel, 5/16in. -24 UNF, 2A, 0.252 x 0.3543 x 0.1752 x 0.2401in. dia	FV450865	12	
11	A 10	5315-99-865-3825 PIN, GROOVED, HEADLESS, steel, 2-9/32in. lg, 25/64in. dia	FV450940	3	
NI 12	A 10	5315-99-865-3826 PIN, GROOVED, HEADLESS, steel, 1-11/16in. lg, 25/64in. dia	FV450941	3	
13	A 7RR	5310-99-874-1035 WASHER, KEY, cres, 3 ext keys, 0.77 x 0.039 x 1.065in. od	KU10014	3	
14		NP BOLT, MACHINE, differential assembly	FV450866	3	
NI 15		NP BOLT, MACHINE, UNF, steel, Cd P w/chromate, 2A, 1in. thd lg, 1.115 x 0.390in. hd h	FV668194	3	
16	A 46MT1	5306-99-796-9492 BOLT, MACHINE, UNF, steel, hex, 0.750 - 16 x 7.820in. fastener lg	FV470586	3	
17	A 10	5340-99-790-0840 LOCKING PLATE, NUT AND BOLT, steel, 3/470 x 1.378in. wd, 16swg, 0.801in. nom dia	FV670588	3	
18		NP	. . . GEAR SET, BEVEL, MATCHED, crown wheel and pinion	FV450873	1	
19	A 10	3020-99-828-9154 GEAR SET, BEVEL, MATCHED, crown wheel and pinion assembly	FV670446	1	
20	A 10	3040-99-865-3795	. . . GEARSHAFT, SPUR, differential assy, steering control	FV450826	6	
21	A 10	5310-99-865-3797 WASHER, KEY, steel, 1.250 x 2.283x 0.048in. thk, 1 int key, 0.256 x 0.085in. lg, planet gear	FV450830	6	
22	A 10	5310-99-865-3796 NUT, PLAIN, HEXAGON, UNS, 1-1/4in. dia, steel, rh, 1.875 x 0.472in. h planet gear, chamfered	FV450829	6	
23	A 10	2520-99-865-3803	. . . JET, OIL FEED, differential assy, steering unit	FV450867	3	
24	A G1	5310-99-941-8085	. . . WASHER, KEY, steel, Cd P, 3 ext keys, 0.395 x 0.570 x 0.036 x 0.856in. o/a lg	SP107-J	3	

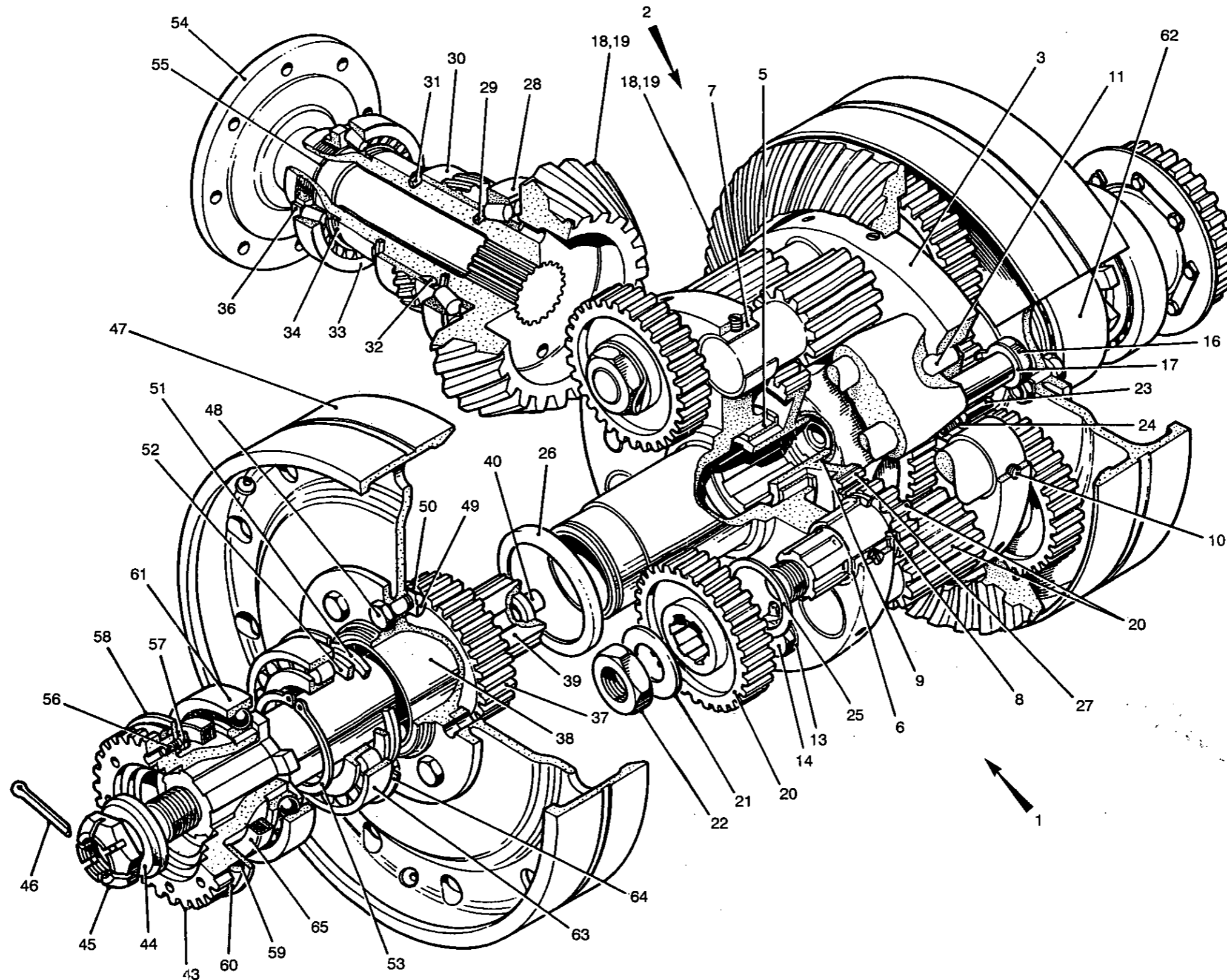


Fig 4 Differential steering control

430/70074

Fig Item	Man Code Navy - N Army - A RAF - R	NATO Stock No	Item Name and Description	Part No/ Drawing No.	No. Off	Annotations
4-			TRANSMISSION GA - contd STEERING UNIT INSTALLATION - contd DIFFERENTIAL STEERING CONTROL - contd			
25	A 10	3120-99-865-3808	WASHER, THRUST, steel, rd, 2-9/32 x 9/64in. thk, 1-3/16in. id, rect cross sect shape	FV450875	6	
26	A 10	3120-99-865-5705	BEARING, WASHER, THRUST, bronze, rd, 3-15/16 x 15/16 x 15/64 x 3-17/64in. od, csk 45 deg, w/2 grooves	FV450876	2	
27	A 10	3020-99-865-3798	GEAR, SPUR, differential assy - steering unit	FV450852	2	
28	A 6MT7	3110-99-946-9279	BEARING, TAPERED, ROLLER, straight bore, 5-3/8 x 1-3/16in. lg	K497K493	1	Steering unit input pinion
29	A 10	3120-99-865-3684	BEARING, WASHER, THRUST, steel, rd, 3.76 x 0.165in. thk rect cross sect shape, 3.35in. hole dia	FV149217	1	
30	A 10	3020-99-865-3809	GEAR, SPUR	FV450877	1	
31	A 46MT1	5365-99-910-8255	RING, RETAINING, steel, phos coated, 0.119in. nom major thk, 85mm shaft dia, ext	D1400 0850 APP	1	
32	A 10	5315-99-865-3810	KEY, WOODRUFF, steel, 41/64in. circle dia, 13/64in. x 1/4in. h	FV450878	1	
33	A 6MT7	3110-99-806-1382	BEARING, TAPERED, ROLLER, 2-5/8 x 4-7/16 x 7/8in. lg	395A394A	1	Steering unit input pinion
34	A 10	5310-99-866-5332	WASHER, BEVEL PINION SHAFT, steel, 2-5/8 x 3in. od, 7/64in. thk	FV149497	1	
NI 35	A 10	5365-99-865-3721	SPACER, PLATE, steel, 3in. x 2-5/8in. x 7/64in. thk	FV149498	1	
NI 35 (1)	A 10	3120-99-866-5333	BEARING, WASHER, THRUST, steel, rd, 3 x 7/64 x 2-41/64in. id	FV149230	A/R	
NI 35 (2)	A 10	3120-99-865-3691	BEARING, WASHER, THRUST, steel, rd, 3 x 0.1165 x 2-41/64in. id	FV149231	A/R	
NI 35 (3)	A 10	3120-99-865-3692	BEARING, WASHER, THRUST, steel, rd, 3 x 0.1185 x 2-41/64in. id	FV149233	A/R	
NI 35 (4)	A 10	3120-99-865-3693	WASHER, THRUST, steel, rd, 3.01 x 2.635 x 0.1205in. thk	FV149235	A/R	
NI 35 (5)	A 10	3120-99-865-3694	BEARING, WASHER, THRUST, steel, rd, 3 x 1/8 x 2-41/64in. id	FV149236	A/R	
NI 35 (6)	A 10	3120-99-865-3695	BEARING, WASHER, THRUST, steel, rd, 3 x 0.1305 x 2-41/64in. id	FV149237	A/R	
NI 35 (7)	A 10	3120-99-865-3696	BEARING, WASHER, THRUST, steel, rd, 3 x 0.1355 x 2-41/64in. id	FV149238	A/R	
NI 35 (8)	A 10	3120-99-865-3697	BEARING, WASHER, THRUST, steel, rd, 3 x 0.1405 x 2-41/64in. id	FV149239	A/R	
NI 35 (9)	A 10	3120-99-865-3698	BEARING, WASHER, THRUST, steel, rd, 3 x 0.1455 x 2-41/64in. id	FV149240	A/R	
NI 35 (10)	A 10	3120-99-865-3699	BEARING, WASHER, THRUST, steel, rd, 3 x 9/64 x 2-41/64in. id	FV149241	A/R	
NI 35 (11)	A 10	3120-99-865-3700	BEARING, WASHER, THRUST, steel, rd, 3 x 5/32 x 2-41/64in. id	FV149243	A/R	
NI 35 (12)	A 10	3120-99-865-3701	BEARING, WASHER, THRUST, steel, rd, 3.01 x 2.635 x 0.1705in. thk	FV149245	A/R	
36	A 10	5310-99-865-3672	NUT, PLAIN, ROUND, UNS, 2-5/8in. -16, rh, 3.575in. x 0.575in. max thk	FV149136	1	
37	A 9ACR	3020-99-865-5702	GEAR SPUR, with bearing surface	FV450850	2	

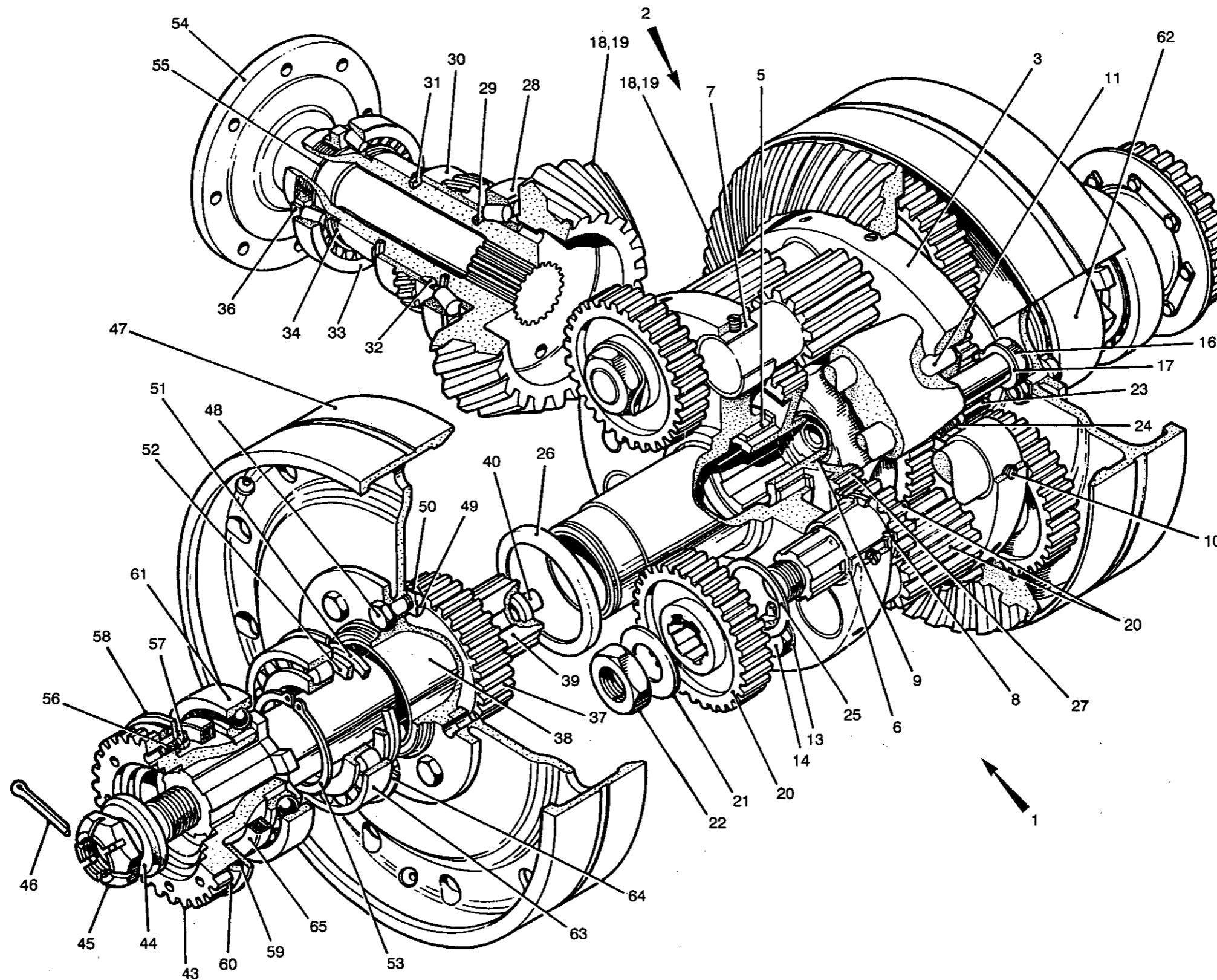


Fig 4 Differential steering control

430/70074

Fig Item	Man Code Navy - N Army - A RAF - R	NATO Stock No	Item Name and Description	Part No/ Drawing No.	No. Off	Annotations
4-			TRANSMISSION GA - contd . STEERING UNIT INSTALLATION - contd . . DIFFERENTIAL STEERING CONTROL - contd . . . GEAR SPUR - contd			
38	A 10	3120-99-865-1134 BEARING, SLEEVE, steel & tin, plain, split, 3.67in. lg, 3.426 x 3.26in. id, brake drum hub	L4982-1	2	
39	A 10	3040-99-865-3844	. . . SHAFT, SHOULDERED, steering box, left	FV451325	1	
40	A 10	4730-99-865-3778 RESTRICTOR, FLUID FLOW, output shaft	FV438286	1	
NI 41	A 10	3040-99-865-3845	. . . SHAFT, SHOULDERED, steering box, right	FV451326	1	
NI 42	A 10	5310-99-865-3777 WASHER, RECESSED, copper alloy, 0.562 x 0.312 x 1.002 x 0.762in. max recess dia, 90 deg	FV438285	1	
43	A 10	3020-99-865-3837	. . . GEAR SPUR, output shaft	FV451142	2	
44	A 10	5310-99-865-3750	. . . WASHER, FLAT, steel, rd, 2.500 x 1.25 x 0.525in. thk	FV149780	2	
45	A 10	5310-99-865-3776	. . . NUT, CASTELLED, HEXAGON, steel, 1-1/4 -16 UNS, Cd P, 1.875 x 0.687in. h, output shaft	FV220541	2	
46	A G1	5315-99-138-2207	. . . PIN, COTTER, SPLIT, steel, phos coated, 2.5 x 50mm lg, extended prong chisel point	PS105321	2	
47	A 10	2530-99-819-4952	. . . BRAKE, DRUM, CI, 15-1/2in. x 3- 55/64in. wd, ext	FV669895	2	
48	A 10	5306-99-865-5704	. . . BOLT, MACHINE, UNF, 1/2in. dia, 2A, 1-5/8in. lg, steel, hex hd	FV450860	16	
49	A 10	5310-99-865-5701	. . . LOCKING PLATE, NUT & BOLT, used on brake drum	FV450572	8	
50	A 10	5310-99-865-3616	. . . NUT, PLAIN, HEXAGON, UNF, 1/2 x 0.75 x 0.5in. h, 2B		16	
51	A 10	3120-99-865-5706	. . . BEARING, WASHER, THRUST, steel, rd, 3.937 x 0.197 x 2.955in. hole dia, rect cross sect shape	CC565	2	
52	A 10	3120-99-866-5336	. . . BEARING, WASHER, THRUST, steel, rd, 3-61/64 x 3/16 x 2-31/32in. id, rect cross sect shape	FV451380	2	
53	A 46MT1	5365-99-910-8253	. . . RING, RETAINING, steel, ext, phos coated, for 75mm dia shaft	D14000750 APP	2	
54	A 10	3040-99-867-3493	. . . SHAFT, STRAIGHT, input steering unit	FV452481	1	
55	A 10	5330-99-865-3642	. . . RING, SEALING, TOROIDAL, rubber, 65 - 75 deg BS or IRH, 0.143in. cross sect h, 1.822in. id	FV148495	1	
56	A G1	5305-99-941-6543	. . . SCREW, MACHINE, UNF, 1/4 x 3/4in. lg, steel, zinc P w/chromate, 2A, hex hd		16	
57	A 9ACR	5365-99-865-6336	. . . SPACER, PLATE, steel, phos, 2.5 x 0.500 x 0.048in. thk, 2 bolt holes 0.281in. dia	FV500054	8	
58	A 9ACR	2520-99-865-6335	. . . PLATE, SEAL RETAINING RING, rigid shaft coupling	FV500053	4	

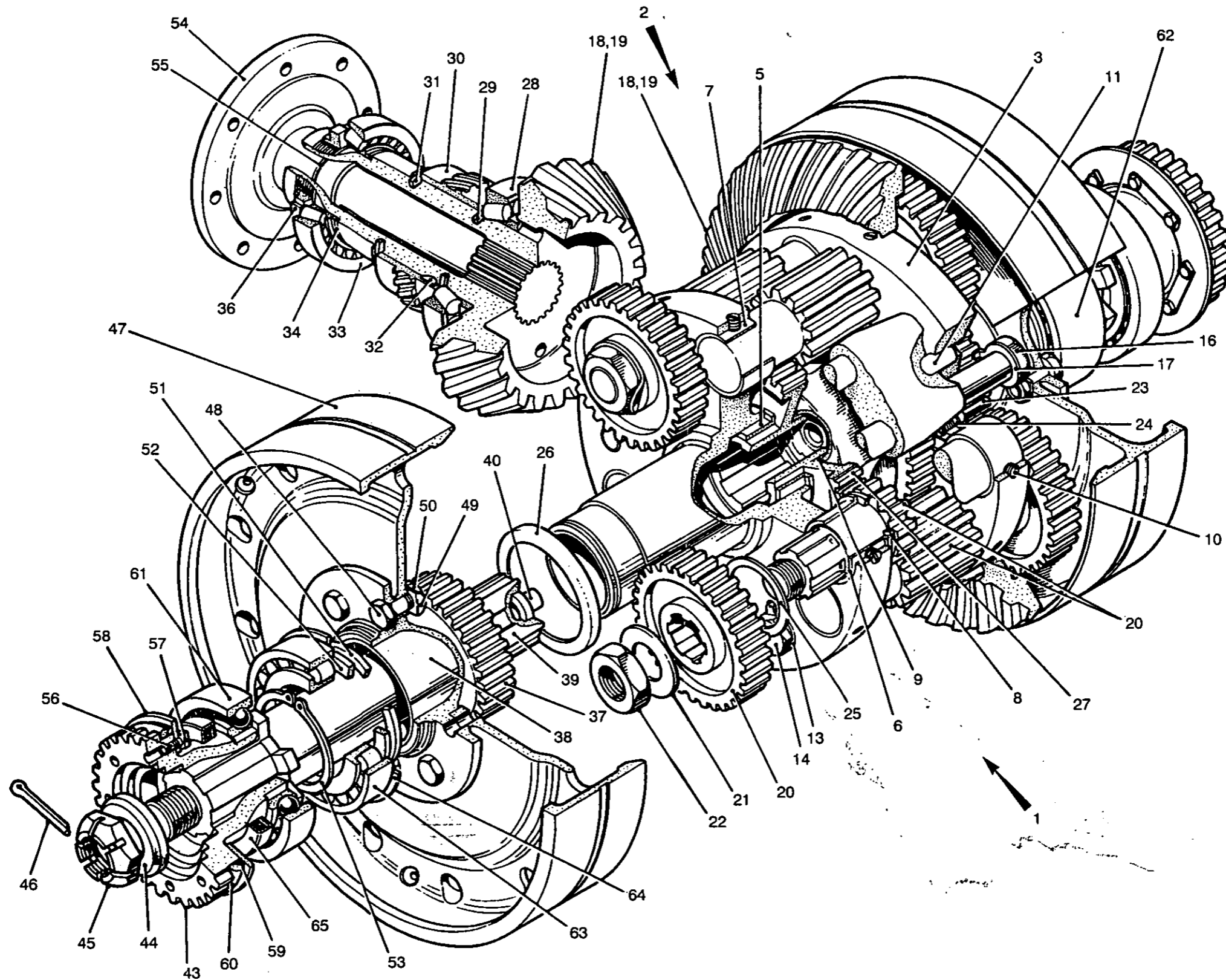


Fig 4 Differential steering control

430/70074

Fig Item	Man Code Navy - N Army - A RAF - R	NATO Stock No	Item Name and Description	Part No/ Drawing No.	No. Off	Annotations
4-			TRANSMISSION GA - contd . STEERING UNIT INSTALLATION - contd . . DIFFERENTIAL STEERING CONTROL - contd			
59	A	46MT1	5330-99-801-7356 . . . RING, SEALING, TOROIDAL, rubber, 65-75 deg BS or IRHD, 9/32 x 4 - 27/32in. id	R8487ML53 91	2	
60	A	9ACR	5365-99-865-6365 . . . RING, RETAINING, steel, ext, 4-55/64in. id, phos	FV525535	2	
61	A	46MT7	3110-99-950-0064 . . . BEARING, BALL, ANNULAR, 25mm x 75mm x 130mm od	6215	1	
62	A	46MT7	3110-99-866-1383 . . . BEARING, BALL, ANNULAR, 41.25mm x 75mm x 130mm od	LDJK75	1	
63	A	46MT7	3110-99-950-0201 . . . BEARING, PARALLEL ROLLER, JOURNAL, 75mm bore, 130mm od, 25mm wd, 3 dot fit	N215C3	1	
64	A	46MT1	5365-99-910-8341 . . . RING, RETAINING, steel, circlip, int, phos, 0.160/0.154in. matl thk, 130mm bore size	D13001300 APP	1	
65	A	46MT1	5330-99-801-7363 . . . SEAL, PLAIN, ENCASED, steel, syn rubber element, 1/2in. x 3-1/4 x 4-1/4in. bore dia	931514A	1	

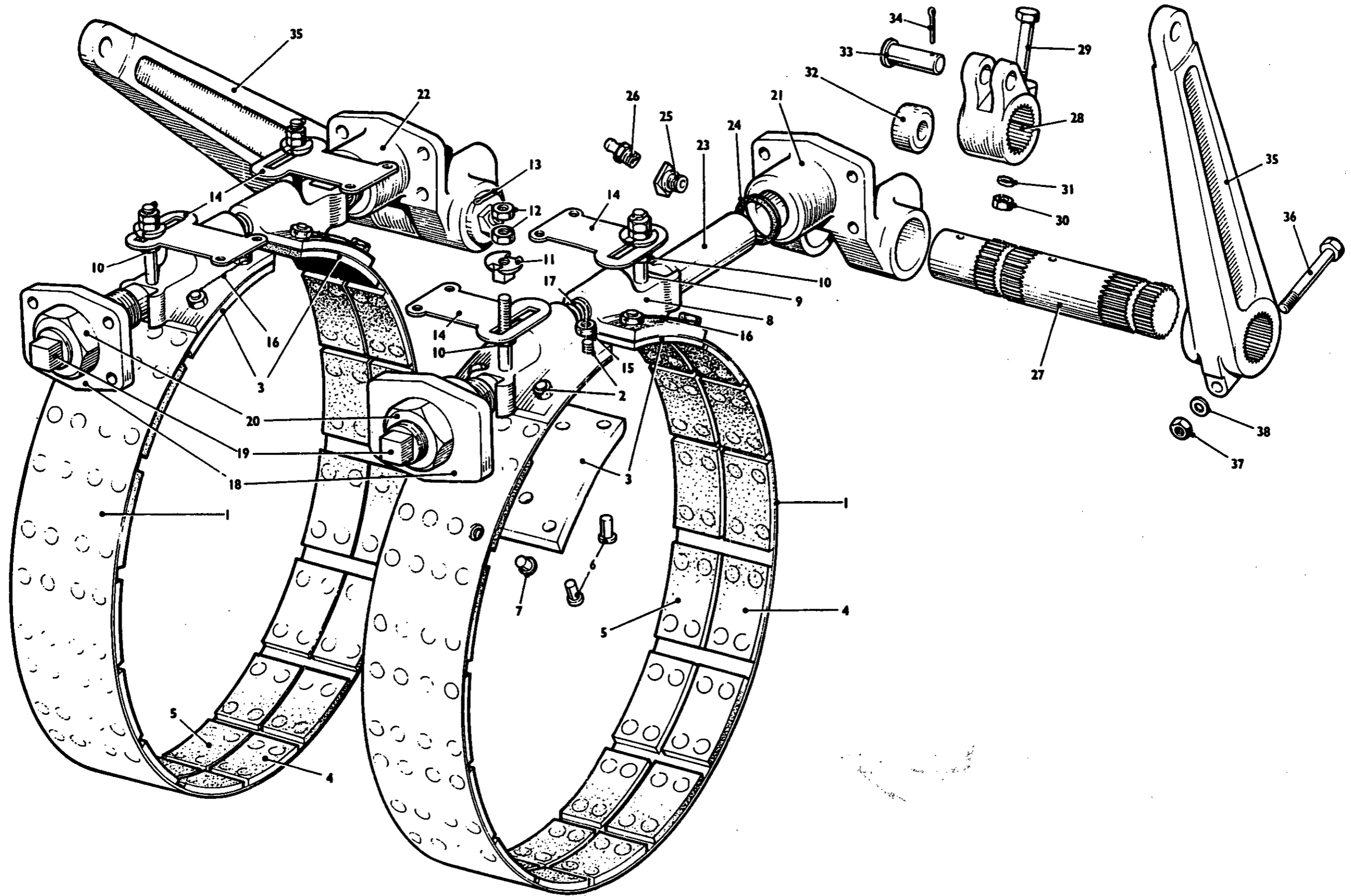


Fig 5 Brake mechanism

Fig Item	Man Code Navy - N Army - A RAF - R	NATO Stock No	Item Name and Description	Part No/ Drawing No.	No. Off	Annotations
5-			TRANSMISSION GA - contd STEERING UNIT INSTALLATION - contd			
1	A 9ACR	NP 2530-99-809-0844	. . . BRAKE, MECHANISM	FV454673	REF	
2	A 10	5306-99-791-9693	. . . BRAKE BAND ASSEMBLY, 28 riveted segments, 16in. dia x 3-1/8in. wd	FV668604	2	
3		NP	. . . BOLT, MACHINE, UNF, steel, 0.25in. -28 x 0.340in. thd lg, 0.115 x 0.745in. hd dia	FV670665	32	
4		NP	. . . LINING, FRICTION, segment end, 4.150 x 3.125 x 0.275in.	FV454665	4	
5		NP	. . . LINING, FRICTION, segment left, 2.950in. x 1.450in. x 0.275in.	FV454666	26	
6		NP	. . . LINING, FRICTION, segment right, 2.950in. x 1.450in. x 0.275in.	FV454667	26	
7	A 9CET	NP 5320-99-977-3496	. . . RIVET, TUBULAR, copper alloy, flat hd, tubular shank 0.188in. x 0.047in. hd h	FV450963	220	
8	A 10	5320-99-977-3496	. . . RIVET, TUBULAR, copper alloy, flat hd, tubular shank 0.047 x 0.375 lg	FV450964	12	
9	A 10	2530-99-865-5711	. . . PLATE, WEAR, BRAKE BAND, with guide stud	FV450966	4	
10	A 10	5307-99-865-5712	. . . STUD, PLAIN, UNF, steel, 1/2in. x 2.400in. lg	FV450968	4	
11	A 10	5310-99-865-5715	. . . NUT, EXTENDED WASHER, HEXAGON, UNF, steel, 1/4in. x 0.625 x 0.450 x 0.437 x 0.130in. thk	FV450971	4	
12	A G1	2530-99-865-5713	. . . SLIDER, BRAKE BAND GUIDE, brake saddle	FV450969	4	
13	A G1	5310-99-804-7941	. . . NUT, PLAIN, HEXAGON, UNF, steel, zinc P, 1/4in. dia -28 x 7/16 x 7/32in. h, 2B, rh, chamfered		8	
14	A 10	5315-99-120-2065	. . . PIN, COTTER, SPLIT, steel, phos, 1/16in. dia x 3/8in. lg		4	
15	A 10	2530-99-865-5714	. . . GUIDE, BRAKE BAND, steel, 3-1/4 x 2.80 x 17 swg, slot 1.80in. x 0.375in.	FV450970	4	
16	A 10	5310-99-865-5715	. . . NUT, EXTENDED WASHER, HEXAGON, UNF, steel, 1/4in. x 0.625 x 0.450 x 0.437 x 0.130in. thk	FV450971	16	
17	A 10	NP 5340-99-865-5716	. . . WIRE, STEEL, CARBON, 1/32in. dia		A/R	
18	A 10	5340-99-865-5716	. . . SPRING, HELICAL, COMPRESSION, 38 coils, 7.1 x 0.625 x 0.072in. swg	CC851	2	
19	A 10	2530-99-865-5717	. . . HOUSING, ADJUSTABLE SCREW, brake adjuster	FV450973	2	
20	A G1	5305-99-865-5718	. . . SCREW, ADJUSTING, BRAKE, UNS, steel, sq hd, oval point, Cd P, 1-1/8in. x 4-1/2in. lg	FV450974	2	
21	A 10	5310-99-941-0908	. . . NUT, PLAIN, HEXAGON, 5/8in. UNF		2	
22	A 10	2520-99-866-7776	. . . HOUSING, BRAKE OPERATING PIN, right hand brake mechanism, steering unit	FV452280	1	
23	A 10	2520-99-866-7777	. . . HOUSING, BRAKE OPERATING PIN, left hand brake mechanism, steering unit	FV452281	1	
23	A 10	5315-99-865-5720	. . . PIN, SHOULDER, HEADLESS, steel, 0.5in. shank lg, 1.125in. shoulder dia, 0.997 x 3.25in. lg	FV450976	2	

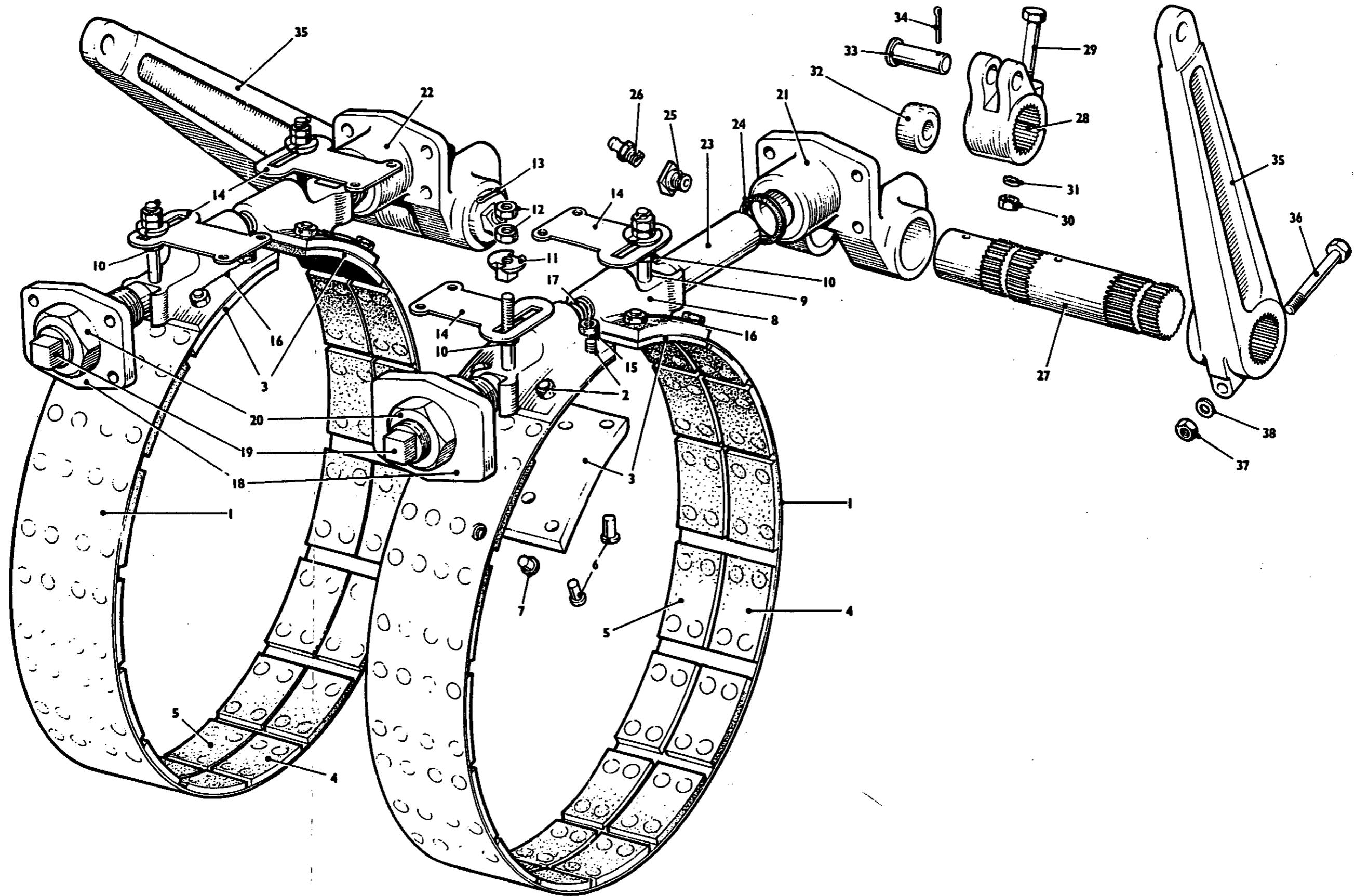


Fig 5 Brake mechanism

Fig Item	Man Code Navy - N Army - A RAF - R	NATO Stock No	Item Name and Description	Part No/ Drawing No.	No. Off	Annotations
5-			TRANSMISSION GA - contd STEERING UNIT INSTALLATION - contd BRAKE, MECHANISM - contd			
24	A 10	5330-99-865-5721	PACKING, PREFORMED, rubber, syn, 0.139in. cross sect h x 1.109in. id, 1.387in. od	FV450977	2	
25	A 10	2805-99-865-3829	ADAPTOR, GREASE NIPPLE, steel, zinc P, 0.625 x 1.025in. h, 3/8in. UNF	FV450984	2	
26	A 46MT1	4730-99-943-9377	FITTING, LUBRICATION, steel, straight hyd, 3/8in. UNF -24 male thd, 7/16 x 0.665in. h	FV450983	2	
27	A 10	3040-99-866-7775	SHAFT, SHOULDERED, brake operating, steering unit type S1F6	FV452279	2	
28	A 10	2530-99-865-5723	FORK, BRAKE OPERATING SHAFT, forged steel, 24 serrations, 2 holes 5/8in. dia	FV450979	2	
29	A G1	5306-99-941-7019	BOLT, MACHINE, UNF, 5/16in. x 2-1/4 x 7/8in. thd lg, steel, zinc P, 2A, hex hd		2	
30	A G1	5310-99-941-0925	NUT, PLAIN, HEXAGON, UNF, 5/16 -24, rh, steel, zinc P, 1/2 x 17/64in. h, chamfered		2	
31	A G1	5310-99-941-6655	WASHER, LOCK, steel, split helical ring, 0.343in. hole dia, 0.080in. thk, 0.503in. od		2	
32	A 10	2530-99-865-5724	ROLLER BRAKE OPERATING SHAFT FORK, steel, 9/16 x 1-1/4in. od, 1.2in. h	FV450980	2	
33	A 10	5315-99-865-5725	PIN, STRAIGHT, HEADED, steel, Cd P, 1-17/32in. x 9/16in. dia, w/one 1/8in. dia hole	FV450981	2	
34	A G1	5315-99-138-2208	PIN, COTTER, SPLIT, steel, phos, 3.2mm dia, 20mm lg	P5106201	2	
35	A 10	3040-99-865-5726	LEVER, REMOTE CONTROL, forged steel, 13-3/4in. lg, 1 hole 1/2in. dia, 24 serrations	FV450982	2	
36	A G1	5306-99-941-7079	BOLT, MACHINE, UNF, 5/16 x 1-1/4 x 7/8in. thd lg, steel, zinc P, hex hd		2	
37	A G1	5310-99-941-0925	NUT, PLAIN, HEXAGON, UNF, 5/16 -24, rh, steel, zinc P, 1/2 x 17/64in. h, chamfered		2	
38	A G1	5310-99-941-6655	WASHER, LOCK, steel, split helical ring, 0.343in. hole dia, 0.080in. thk, 0.503in. od		2	
NI 39	A 10	2530-99-865-5735	BRAKE LINING KIT, complete with rivets	FV451432	2	

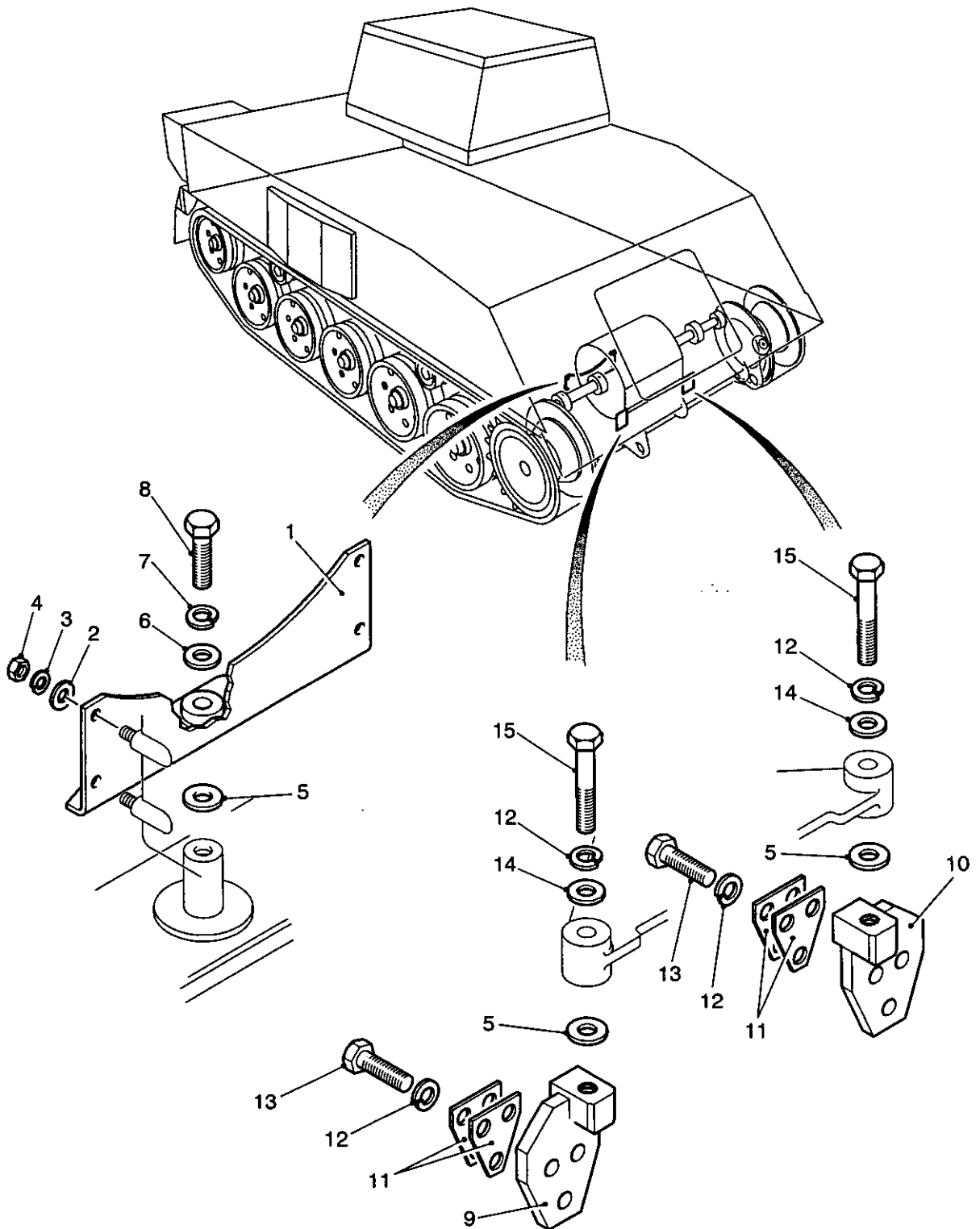


Fig 6 Steering unit mounting

430/70178

Fig Item	Man Code Navy - N Army - A RAF - R	NATO Stock No	Item Name and Description	Part No/ Drawing No.	No. Off	Annotations
6-		NP	TRANSMISSION GA - contd STEERING UNIT MOUNTING	FV421825	REF	
1	A	9ACR 2530-99-822-3641	BRACKET, STEERING UNIT, steel, painted, 90 deg angle, 4 fixing holes, rear bracket	FV650197	1	
2	A	G1 5310-99-941-8637	WASHER, FLAT, steel, Zn plated, rd, 1in. od, 33/64in. id, 3/32in. thk		4	
3	A	G1 5310-99-944-0552	WASHER, LOCK, steel, split helical ring, Cd plated, 1/2in. bolt size, 0.763in. od, 0.116in. thk		4	
4	A	G1 5310-99-941-0928	NUT, PLAIN, HEXAGON, UNF, steel, chamfered bearing surface, Zn plated, 1/2in., 3/4in. w A/F, 7/16in. o/a h, grade 3		4	
5	A	9ACR 5310-99-866-9076	WASHER, FLAT, steel, phosphate coated, rd shape, 1.5in. od, rd hole, 0.812in. id, 0.128in. thk	FV421828	A/R	
5(1)	A	9ACR 5310-99-866-9077	WASHER, FLAT, steel, phosphate coated, 1.5in. od, rd hole, 0.812in. id, 0.036in. thk	FV421829	A/R	
6		NP	WASHER	FV651423	1	
7	A	G1 5310-99-944-0572	WASHER, LOCK, steel, single coil, Cd plated, 3/4in. bolt size, 1-1/4in. od, 1/4in. thk		1	
8	A	G1 5306-99-941-0374	BOLT, MACHINE, UNF, 3/4in. thd dia, class 2A thd, 2-1/2in. lg, 1-3/4in. thd lg, steel, Zn plated w/chromate, hex hd, 112000 lbf psi		1	
9	A	9ACR 2510-99-866-9073	BRACKET, STEERING UNIT MOUNTING, front, RH	FV421596	1	
10	A	9ACR 2510-99-866-9072	BRACKET, STEERING UNIT MOUNTING, front, LH	FV421595	1	
11	A	9ACR 5365-99-866-9074	SPACER, PLATE, steel, phosphate coated, 3.39in. lg, 2.99in. w, 0.118in. thk, w/3 holes 0.802in. dia	FV421826	A/R	
11(1)	A	9ACR 5365-99-866-9075	SPACER, PLATE, steel, phosphate coated, 3.39in. lg, 2.99in. w, w/3 holes 0.802in. dia, 0.026in. thk	FV421827	A/R	
12		5310-99-944-0555	WASHER, LOCK, steel, Cd plated, split helical ring, 1.165in. od, 0.797in. id, 0.176in. thk		8	
13	A	G1 5306-99-941-0373	BOLT, MACHINE, UNF, 3/4in. thd dia, class 2A thd, 2-1/4in. lg, 1-3/4in. thd lg, steel, Zn plated w/chromate, hex hd, 112000 lbf psi		6	
14		NP	WASHER, PLAIN, steel	FV421825/1 8	2	
15	A	G1 5306-99-941-0379	BOLT, MACHINE, UNF, 3/4in. in. dia, class 2A thd, 4in. lg, 1.75in. thd lg, steel, Zn plated, 112000 lbf psi		2	

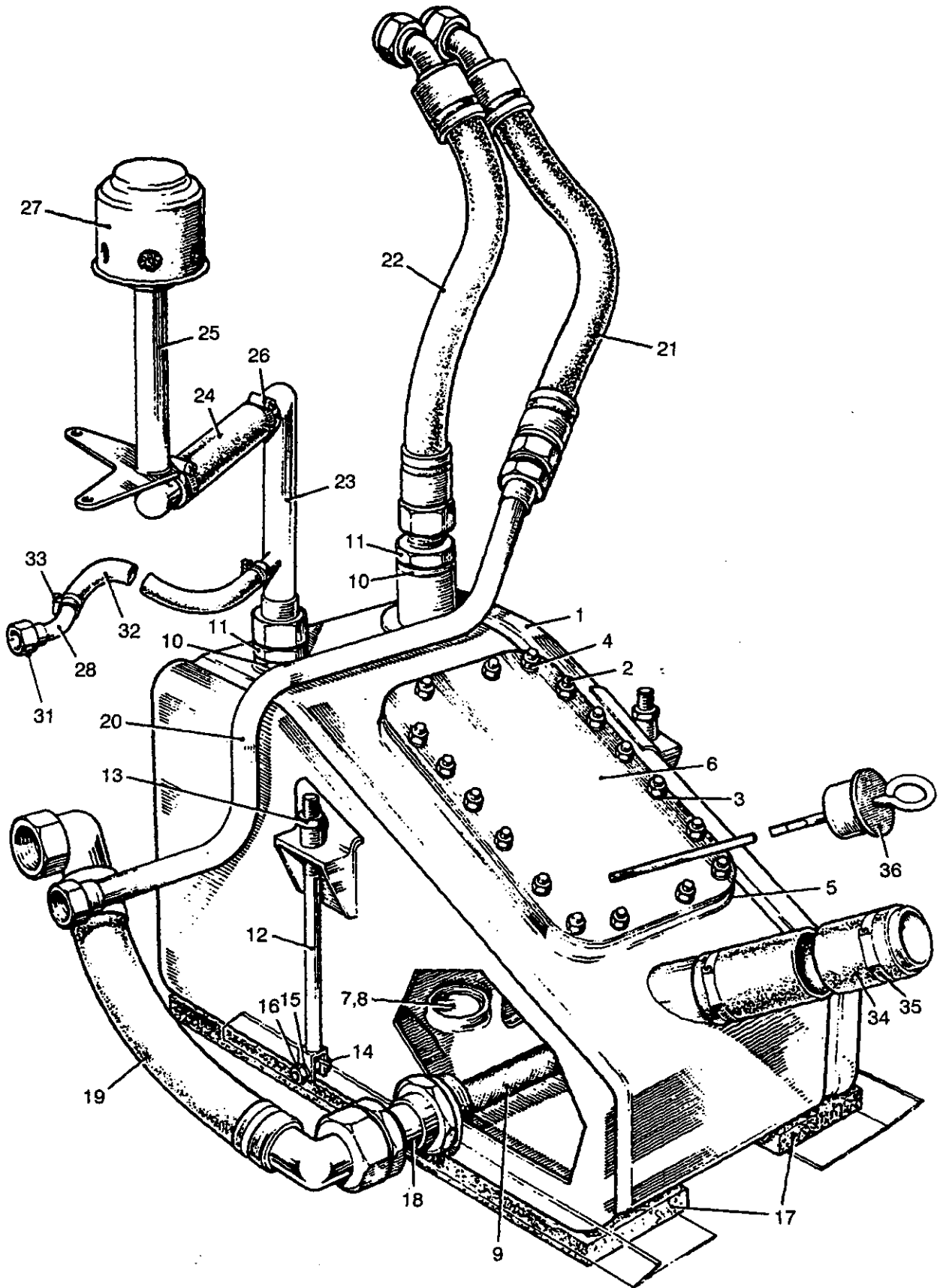


Fig 7 Steering unit oil tank, pipes and fittings

430/70077

Fig Item	Man Code Navy - N Army - A RAF - R	NATO Stock No	Item Name and Description	Part No/ Drawing No.	No. Off	Annotations
7-		NP	TRANSMISSION GA - contd STEERING UNIT OIL TANK, PIPES AND FITTINGS	FV586064	REF	
1	A 9ACR	2520-99-867-4690	TANK ASSEMBLY, OIL, STEERING UNIT, painted, 12.94in. x 13.875in. h, composite assy	FV421492	1	
2	A 9ACR	5307-99-867-5032	STUD, PLAIN, steel, 0.875 x 1/4in. UNF x 0.483 x 0.375in. lg, class 2A thd	FV421965	18	
3	A G1	5310-99-941-6654	WASHER, LOCK, steel, split helical ring, 1/4 x 27/64 x 5/64in. thk		18	
4	A G1	5310-99-804-7941	NUT, PLAIN, HEXAGON. UNF, 1/4 x 7/16 x 7/32in. h, rh thd, steel, zinc plated		18	
5	A 9ACR	2520-99-867-5031	GASKET, steering system, oil tank	FV421964	1	
6		NP	COVER, PLATE, steering system, oil tank	FV421989	1	
7	A 9ACR	5365-99-865-6351	SPACER, RING, copper, 1.75 x 0.064 x 1.375in. id	FV299656	2	
8	A 6MT1	5365-99-942-8000	PLUG, SCREWED, brass	FV642172	1	
9	A 9ACR	4730-99-801-3554	STRAINER ELEMENT, SEDIMENT, cylindrical, 1 x 6in. lg, wire mesh, 1 end solid, 1 end open, 2A thd	FV586634	1	
10	A 9ACR	5365-99-865-6350	SPACER, RING, copper, rd, 1.375in. od, 1.160in. id	FV299398	2	
11	A 46MT1	4730-99-801-2027	NIPPLE, TUBE, steel, 1-1/8in. UNF both ends	FV(S)87/9	2	
12	A 9ACR	5340-99-865-6360	CLEVIS, ROD END	FV524814	2	
13	A 9ACR	5310-99-865-6355	NUT, SLEEVE, steel, Cd P, 5/16in. dia UNF	FV485284	2	
14	A G1	5305-99-941-0527	BOLT, MACHINE, UNF, steel, zinc P, 5/16in. x 1in. lg		2	
15	A G1	5310-99-941-6655	WASHER, LOCK, steel, split helical ring, 0.343in. hole dia, 0.080in. thk, 0.503in. od		2	
16	A G1	5310-99-941-0925	NUT, PLAIN, HEXAGON, UNF, steel, zinc P, rh, 2B, 5/16 -24 x 1/2in. x 17/64in. h, chamfered		2	
17	A H21	8305-99-802-2202	CLOTH, COMPRESSED FELT, BLENDED WOOL, 0.33g/cc, 12mm thk, grey, general purpose, rot resistant treated	FV480461	2	
18	A 9ACR	2910-99-867-4584	PIPE, ASSEMBLY, pipe, filler neck, oil tank	FV524884	1	
19	A 9ACR	4720-99-865-6361	HOSE ASSEMBLY, METAL, oil tank, lower	FV524837	1	
20	A 9ACR	4710-99-867-4583	PIPE, METALLIC, steel, 12.875 x 3/4in. lg, 20 swg	FV586065	1	
21	A 9ACR	2910-99-867-4581	HOSE ASSEMBLY, STEERING OIL TANK, 0.75in. nom bore, 14.625in. o/a lg	FV559618	1	
22	A 9ACR	2910-99-867-4582	HOSE ASSEMBLY, STEERING OIL TANK, 0.75in. nom bore, 13.625in. o/a lg	FV585768	1	
23	A 9ACR	2530-99-865-6358	PIPE, STEEL, steering oil tank breather	FV485928	1	

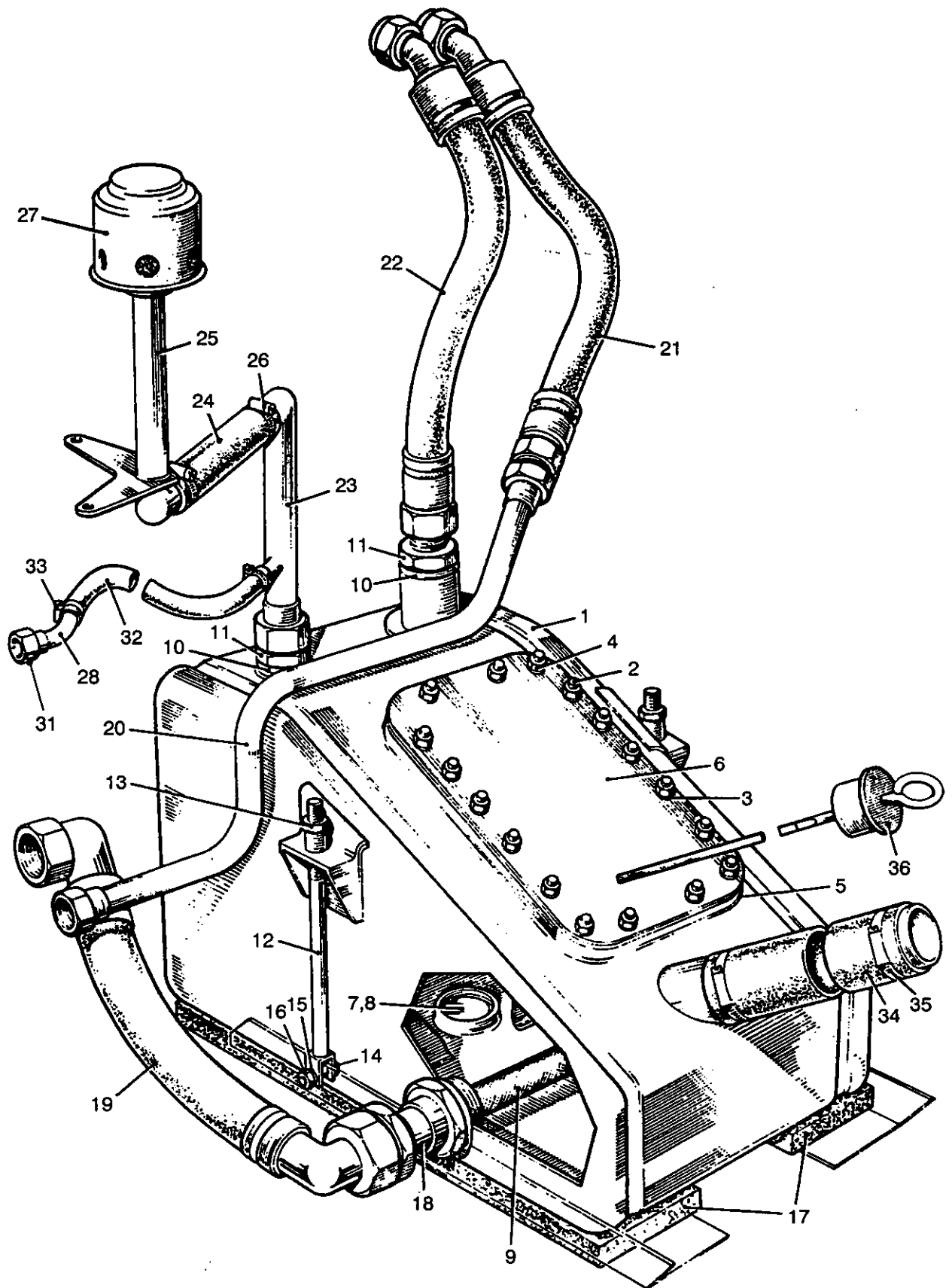


Fig 7 Steering unit oil tank, pipes and fittings

430/70077

Fig Item	Man Code Navy - N Army - A RAF - R	NATO Stock No	Item Name and Description	Part No/ Drawing No.	No. Off	Annotations
7-			TRANSMISSION GA - contd . STEERING UNIT OIL TANK, PIPES AND FITTINGS - contd			
24	A	6MT6	4720-99-805-7774 . . HOSE, RUBBER, 60ft lg, 1-1/8in. od	1022P 30 12	1	
25	A	9ACR	2520-99-866-9208 . . PIPE ASSEMBLY, BREATHER, painted, pre-bent, adaptor and tube one end, fitted w/bracket, 9.25in. effective lg	FV559229	1	
26		NP	. . CLIP, HOSE, worm drive type, 7/8in. to 1-1/2in.	450-112	2	
27	A	6MT1	2805-99-802-4337 . . BREATHER, crankcase	1527507	1	
28		NP	. . PIPE ASSEMBLY, steering unit breather	FV485990	1	
NI 29	A	G2	4710-99-960-6121 . . TUBE, METALLIC, steel, rd, seamless, 3/8in. od, 0.36in. wall thk, bulk supply		1	
NI 30	A	46MT1	4730-99-881-5937 . . FERRULE, BRAZING, TUBE FITTING, steel, u/w 3/8 x 19/32in. lg, 90 deg	FVS89-5	1	
31	A	46MT1	4730-99-801-1565 . . NUT, UNION, PIPE, UNF, steel, zinc P w/chromate, 5/8in. x 3/4in. a/f x 17/32in. lg	FV(S)88/5	1	
32	A	6MT6	4720-99-805-7771 . . HOSE RUBBER, petrol resisting	2556-6	1	
33	A	46MT1	4730-99-533-2959 . . CLAMP, HOSE, steel, zinc P, 13mm wd		2	
34	A	9ACR	4720-99-867-4585 . . HOSE, RUBBER, 1-3/4in. od, 12-1/4in. lg, oil filter	FV485349	1	
35	A	46MT1	4730-99-533-2968 . . CLAMP, HOSE, steel, zinc P, 13.5mm wd		4	
36	A	9ACR	2910-99-867-4586 . . DIPSTICK, LIQUID QUANTITY, steering oil tank	FV559916	1	

Chapter 2-4
PARTS LIST
POWER UNIT, DIESEL, GENERAL ARRANGEMENT

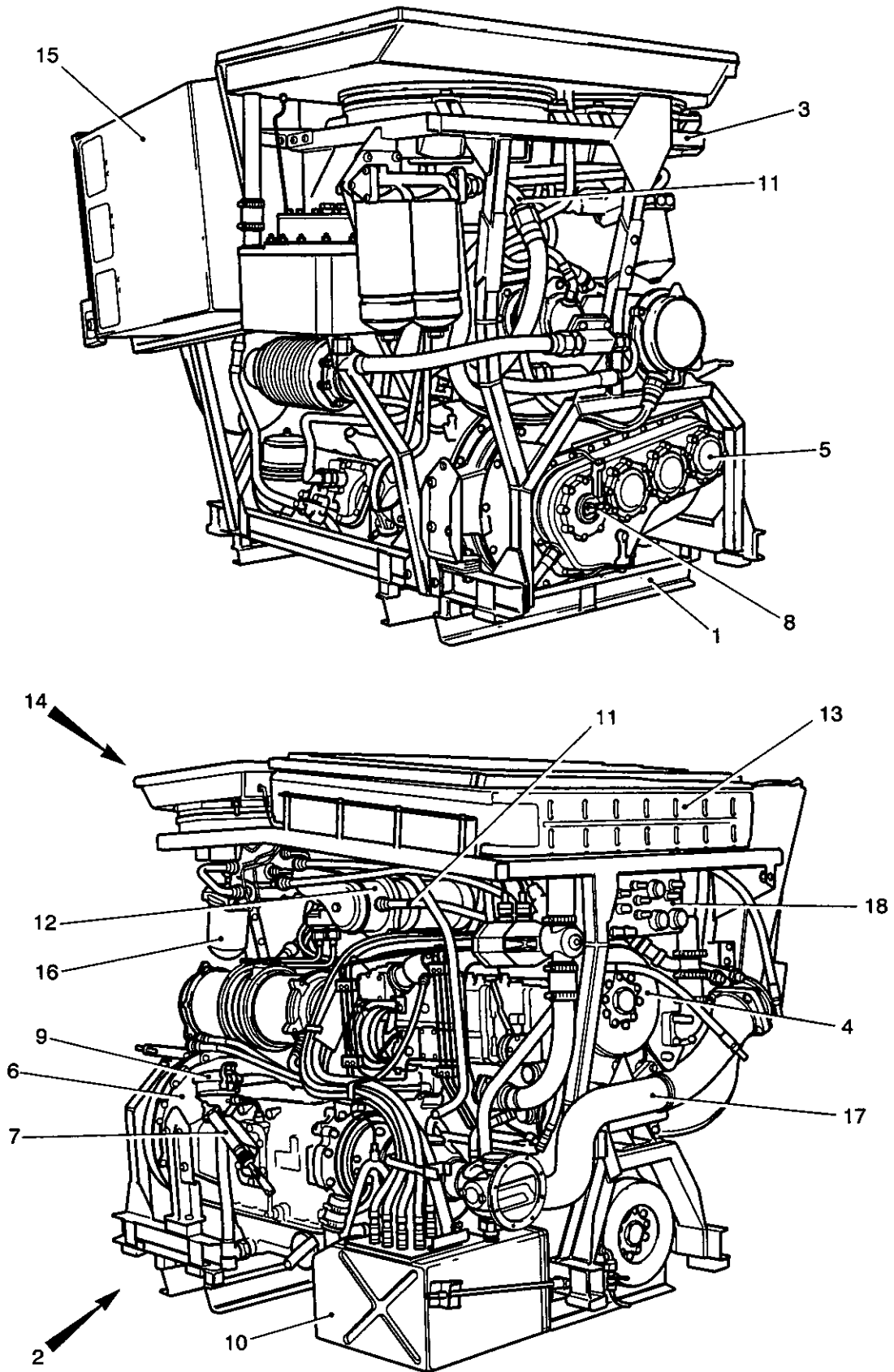


Fig 1 Power unit diesel, general arrangement

430/70189

Fig Item	Man Code Navy - N Army - A RAF - R	NATO Stock No	Item Name and Description	Part No/ Drawing No.	No. Off	Annotations	
1-	A	9ACR	2815-99-808-1274	POWER UNIT, DIESEL, 6 cylinder, Mk 6f engine, general arrangement	FV650952	1	
1	A	9ACR	2990-99-802-5063	. FRAME, ENGINE MOUNTING	FV602701	REF	See Fig 2
2			NP	. MOUNTING ASSEMBLY, power unit	FV602700	REF	See Fig 2
3	A	9ACR	2990-99-800-7921	. UPPER FRAME ASSEMBLY, steel, 4ft 8in. x 3ft 2in. x 3ft 7in. h, (power pack), tub sq sect	FV586525	REF	See Fig 2
4	A	9ACR	2815-99-808-1275	. ENGINE, DIESEL, 6 cylinder	K60-4-6F	1	See Fig 3
5	A	10	2520-99-867-1211	. GEARBOX, MECHANICAL, transfer box	FV452544	1	See Fig 37
6	A	9ACR	2520-99-867-0403	. TRANSMISSION, MECHANICAL, VEHICULAR	FV452410	1	See Fig 38
7	A	10	2520-99-804-7091	. ACTUATOR VALVE, throttle	FV454671	1	See Fig 48
8			NP	. TRANSFER DRIVE DISCONNECTOR LINKAGE ASSEMBLY	FV509462	REF	See Fig 48
9			NP	. OIL FILLER, GEARBOX	FV538590	REF	See Fig 49
10			NP	. ENGINE OIL TANK AND FITTINGS	FV650953	REF	See Fig 50
11			NP	. OIL PIPES, HEAT EXCHANGER PIPES AND FITTINGS		REF	See Fig 51
12			NP	. HEAT EXCHANGER AND BRACKETS	FV602589	REF	See Fig 52
13			NP	. RADIATOR, PIPES AND FITTINGS	FV559833	REF	See Fig 53
14			NP	. HYDRAULIC FAN DRIVE ASSEMBLY	FV559842	REF	See Fig 55
15			NP	. AIR FILTERS AND COVERS	FV586060	REF	See Fig 60
16			NP	. FUEL PIPES AND FITTINGS	FV559859	REF	See Fig 61
17			NP	. EXHAUST PIPE ASSEMBLY	FV538657	REF	See Fig 63
18			NP	. POWER PACK ELECTRICAL EQUIPMENT	FV559484	REF	See Fig 64
NI 19			NP	. POWER PACK FIRE WIRE ASSEMBLY	FV586079	REF	See Chap 2-12
NI 20			NP	. POWER PACK FIRE FIGHTING EQUIPMENT	FV586077	REF	See Chap 2-12
NI 21			NP	. POWER PACK SEALS	FV651467	REF	
NI 22	A	9ACR	5330-99-830-6314	. . SEAL, FAN COWL, rubber, approx rect outline, 44-3/4in. lg, 27-1/8in. w, moulded cross-section 3/4in. w x 1in. h	FV651468	1	
NI 23	A	9ACR	5330-99-830-6315	. . SEAL, RADIATOR, moulded rubber section, 3/4in. w x 1in. h, 89-3/4in. lg	FV651469	1	
NI 24	A	9ACR	5330-99-830-6316	. . SEAL, AIR CLEANER, FRONT, moulded rubber section, 3/4in. w x 1in. h, 10-3/4in. lg, 3in. rad of curve	FV651470	1	
NI 25	A	9ACR	5330-99-830-6317	. . SEAL, AIR CLEANER, REAR, moulded rubber section, 3/4in. w x 1in. h, 12-1/2in. lg, 3in. rad of curve	FV651471	1	

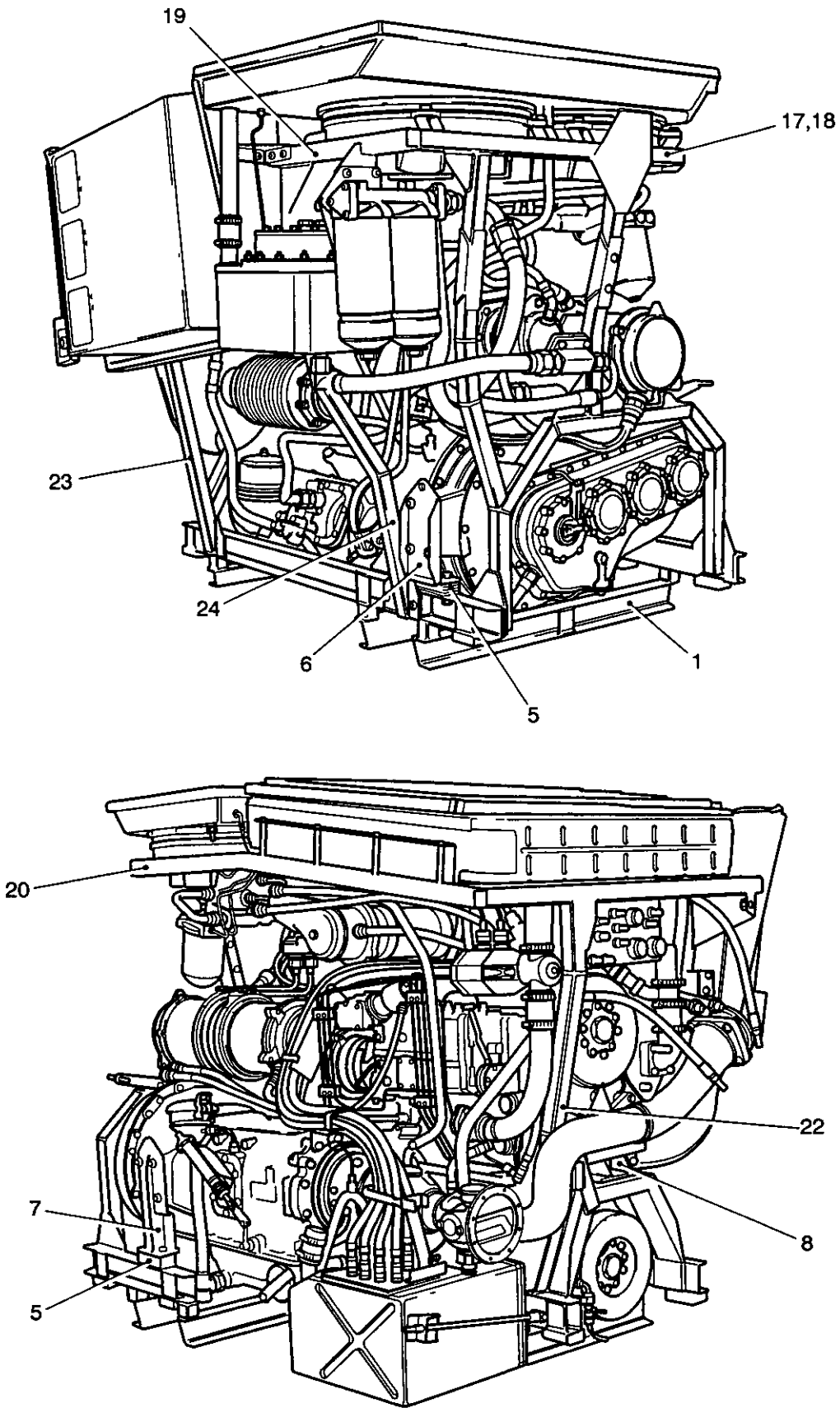


Fig 2 Engine mounting and support frame

430/70190

Fig Item	Man Code Navy - N Army - A RAF - R	NATO Stock No	Item Name and Description	Part No/ Drawing No.	No. Off	Annotations
2-			POWER UNIT, DIESEL - contd			
		NP	ENGINE MOUNTING AND SUPPORT FRAME		REF	
1	A 9ACR	2990-99-802-5063	FRAME, ENGINE MOUNTING, steel fabrication, painted, 54-1/2in. lg, 36in. wd, 20in. h	FV602701	1	
NI 2		NP	MOUNTING ASSEMBLY, power unit	FV602700	1	} Securing item 1
NI 3	A G1	5310-99-941-6661	WASHER, LOCK, steel, split helical ring, 3/4in. x 1.165 x 0.176in. thk		5	
NI 4	A 9ACR	2920-99-865-6611	BOLT ASSEMBLY, ENGINE MOUNTING FRAME, power unit	FV524771	5	
5	A 9ACR	5340-99-802-4133	MOUNT, RESILIENT, rubber/steel, 2-1/2 x 4-1/4 x 1-1/4in. thk, w/4 moulded in 1/2in. UNF bolts	FV602675	2	
6	A 9ACR	2990-99-802-5064	BRACKET, ENGINE MOUNTING, steel fabrication, painted, 9-5/8in. x 4-1/2in. w, six 16/32in. dia mtg holes	FV602702	1	
7	A 9ACR	2990-99-802-5065	BRACKET, ENGINE MOUNTING, steel fabrication, painted, 11-1/2in. x 4-1/2in. w, six 17/32in. dia mtg holes	FV602705	1	
8	A 9ACR	2510-99-867-4706	BRACKET, ENGINE MOUNTING, power unit, front	FV585954	1	
NI 9	A G1	5305-99-941-7905	SCREW, MACHINE, UNF, 7/16in. -20 thd, 2A, scr 1-3/8in. lg, steel zinc P, hex hd		3	} Securing item 8
NI 10	A G1	5310-99-941-6657	WASHER, LOCK, steel, split helical ring, 29/64in. x 7/64in. x 43/64in. od		3	
NI 11	A G1	5310-99-941-0927	NUT, PLAIN, HEXAGON, UNF, steel, chamfered, zinc P, 7/16 x 11/16 x 3/8in. h, grade 3 nut		3	
NI 12	A G1	5310-99-941-6655	WASHER, LOCK, steel, split helical ring, 0.343 x 0.8 x 0.503in. od		8	} Securing items 6 and 8
NI 13	A G1	5310-99-941-0925	NUT, PLAIN, HEXAGON, UNF, steel, zinc P, rh, 2B, 5/16 -24 x 1/2 x 17/64in. h. chamfered		8	
NI 14		NP	SPACER	FV602699	2	u/w item 5
NI 15	A G1	5310-99-944-0552	WASHER, LOCK, steel, split helical ring, Cd P, 1/2in. nom bolt size x 0.763 x 0.116in. thk		16	} Securing items 5, 6 and 7
NI 16	A G1	5310-99-941-0928	NUT, PLAIN, HEXAGON, UNF, steel, chamfered, zinc P, 1/2 x 3/4 x 7/16in. h, grade 3 nut		12	
17	A 9ACR	2990-999-800-7921	UPPER FRAME, ASSEMBLY, steel, 4ft 8in. x 3ft 2in. x 3ft 7in. h, (power pack), tub sq sect	FV586525	1	
18		NP	FRAME, UPPER, power	FV586526	1	
19	A 9ACR	2520-99-867-4717	SUPPORT, POWER PACK FRAME, left	FV559726	1	
20	A 9ACR	2520-99-867-4716	SUPPORT, POWER PACK FRAME, right	FV538665	1	
NI 21	A 9ACR	2520-99-867-4714	SUPPORT, POWER PACK FRAME, upper	FV559727	1	
22	A 9ACR	2520-99-867-4710	LEG, FRONT, POWER PACK FRAME, right	FV586371	1	
23	A 9ACR	2520-99-867-4711	LEG, FRONT, POWER PACK FRAME, left	FV586374	1	
24	A 9ACR	2520-99-867-4712	LEG, REAR, POWER PACK FRAME, left	FV559736	1	

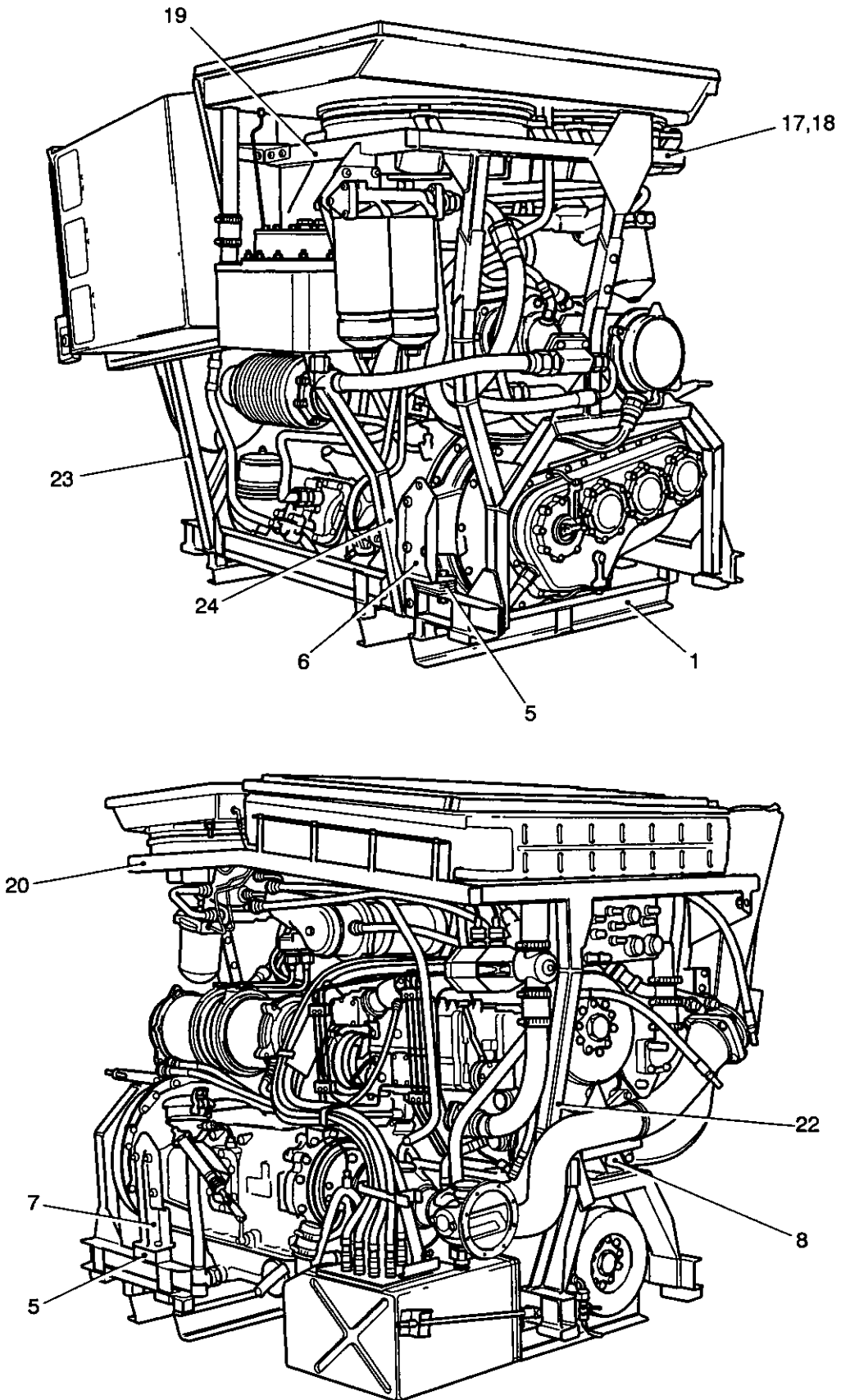


Fig 2 Engine mounting and support frame

430/70190

Fig Item	Man Code Navy - N Army - A RAF - R	NATO Stock No	Item Name and Description	Part No/ Drawing No.	No. Off	Annotations
2-			POWER UNIT, DIESEL - contd MOUNTING ASSEMBLY - contd			
NI 25	A 9ACR	2990-99-800-7922	UPPER FRAME, SUB-ASSEMBLY, steel, tub sq sect, 2ft 11in. x 5in. x 2ft 10in. h, (power pack)	FV586527	1	
NI 26	A G1	5306-99-941-0345	BOLT, MACHINE, UNF, 1/2 -20, 2A, 2-1/2in. fastener lg, steel, zinc P, hex hd		4	
NI 27	A G1	5310-99-944-0552	WASHER, LOCK, steel, split helical ring, Cd P, 1/2in. nom bolt size x 0.763 x 0.116in. thk		4	
NI 28	A G1	5310-99-941-0928	NUT, PLAIN, HEXAGON, UNF, steel, chamfered, zinc P, 1/2 x 3/4 x 7/16in. h, grade 3 nut		12	
NI 29		NP	BOLT, MACHINE, UNF, steel, hex hd, zinc coated, 3/8in. x 1in.		6	} Securing item 18
NI 30		NP	SCREW, GRUB, UNF, 3/8 x 7/8in. lg, steel, socket drive, flat point, 25/32in. thd lg		4	
NI 31	A G1	5310-99-941-6656	WASHER, LOCK, steel, split helical ring, 3/8 x 0.092 x 0.590in. od, single coil, sq sect		10	
NI 32	A G1	5310-99-941-0926	NUT, PLAIN, HEXAGON, UNF, steel, chamfered, zinc P, 3/8in. -24, 0.563 x 0.333in. h		6	
NI 33		NP	ENGINE MOUNTING, FRONT	FV450316	REF	
NI 34	A 10	2990-99-866-7101	PLATE, MOUNTING, ENGINE, front mounting	FV450305	1	
NI 35	A 10	5340-99-865-2906	MOUNT, RESILIENT, engine mounting, front	FV143252	2	
NI 36	A 10	5310-99-941-0903	NUT, PLAIN, HEXAGON, UNF, steel, zinc P, chamfered, 5/16 x 1/2 x 3/16in. h	2714510070 67	8	} Front engine mounting block
NI 37		NP	WASHER, SPRING, flat section, single coil, 5/16in.		8	
NI 38	A 10	5355-99-866-7102	POINTER, DIAL, steel, paint, opaque, 2 mtg holes, 0.281 x 3.625 x 0.251in. h	FV450306	1	
NI 39	A G1	5305-99-941-6284	SCREW, MACHINE, UNF, steel, zinc P, 1/4 x 1/2in. lg hex hd		2	Timing pointer
NI 40		NP	BOLT, MACHINE, UNF, steel, Cd P, hex hd, 0.438 x 4.5 x 0.893 x 0.625 x 0.29in. h	FV450307	6	Engine front cover

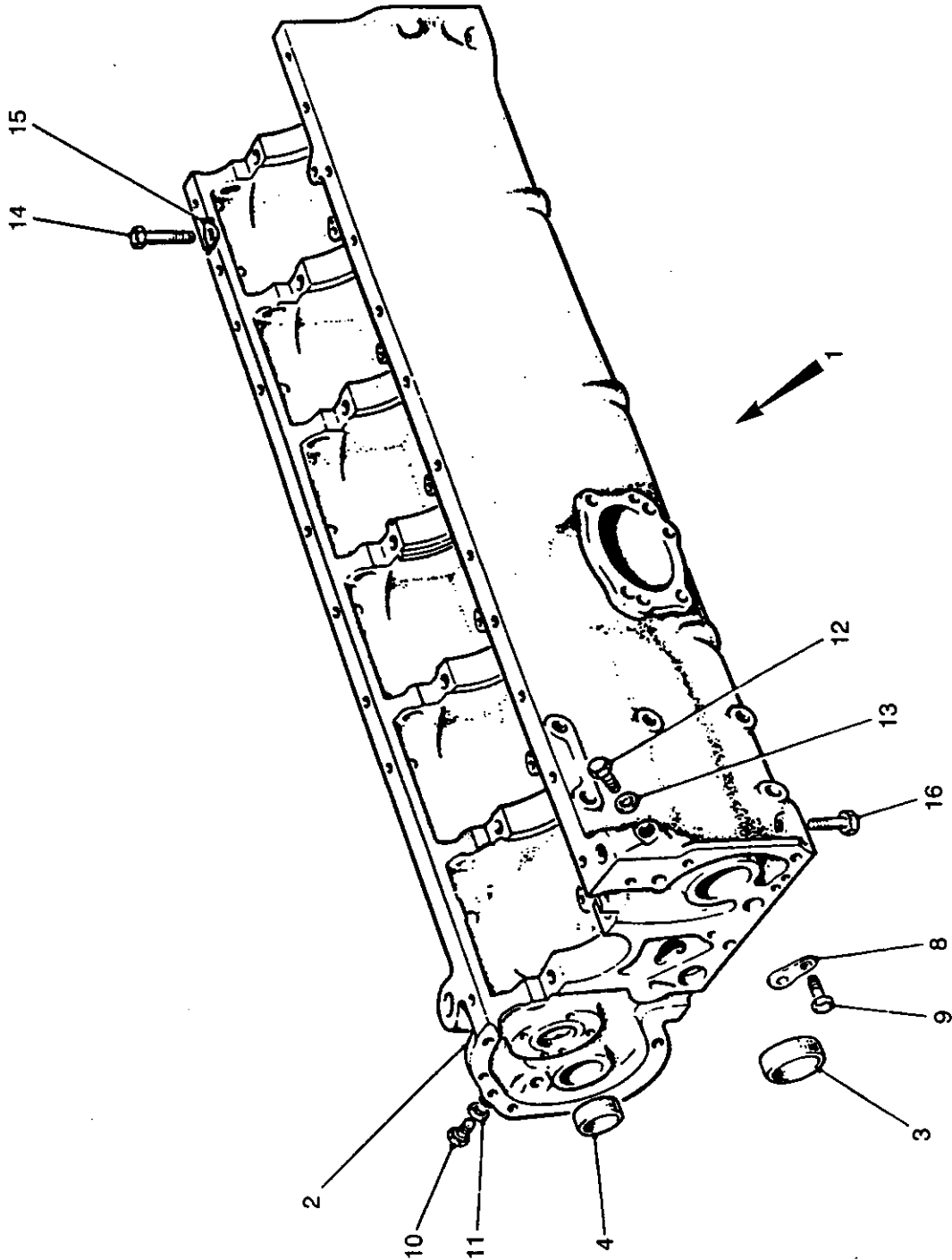


Fig 3 Crankcase assembly upper

430/70002

Fig Item	Man Code Navy - N Army - A RAF - R	NATO Stock No	Item Name and Description	Part No/ Drawing No.	No. Off	Annotations
3-			POWER UNIT, DIESEL - contd			
1	A	9ACR	ENGINE DIESEL, 6 cylinder	K60-4-6F	1	
2	A	10	CRANKCASE, diesel engine, 6 cylinder	FV668480	1	
3	A	10	CRANKCASE ASSEMBLY, upper	FV453033	1	
4	A	10	BEARING, SLEEVE, steel, plain no outside flanges split, 0.6675 - 0.6875in. lg, 1.690-1.6920in. od, 1.4960in. id	FV452255	1	Alternator and injection pump drive gear
5	A	10	BEARING, SLEEVE, tin alloy, plain, no outside flanges, split, 0.59 x 1.5 x 1.36in. id, groove id surface of body	FV452249	1	Supercharger drive gear
NI 5	A	6MT7	BALL, BEARING, steel, ball shape, 6.35mm nom dia		1	
NI 6	A	10	PIN, STRAIGHT HEADLESS, steel, 3/4in. o/a lg, 3/8in. o/a dia	FV148803	1	Front cover
NI 7	A	10	PLUG, BLANKING, steel, 0.68 x 0.6in. lg, int thd 1/4in. UNF 0.3in. deep	FV453093	1	Front face bobbin
8	A	10	RETAINING PLATE ASSEMBLY, OIL GALLERY PLUG, upper crankcase	FV450778	1	
9	A	G1	SCREW, MACHINE, UNF, steel, hex hd, Cd P, 1/4 x 1/2in. lg, class 2A thd		1	
10	A	G1	SCREW, MACHINE, UNF, steel, zinc P, 2A, 1/4in. -28 x 3/8in. lg		1	Blanking plug blower side
11	A	10	WASHER, FLAT, aluminium, rd, 0.4 x 0.028in. matl thk, x 0.25in. id	XB1076	1	
12	A	G1	SCREW, MACHINE, UNF, steel, zinc P, 2A, 5/16in. -24 x 1/2in. fastener lg, hex hd		1	Blanking plug injector side
13	A	10	WASHER, FLAT, aluminium, rd, 0.5 x 0.312in. id x 0.028in. matl thk	XB1077	1	
14	A	G1	BOLT, MACHINE, UNF, steel, zinc P, hex hd, 2A, 5/16in. -24 x 1-3/4in. fastener lg		12	Upper to lower crankcase
15	A	G1	WASHER, KEY, cres, 3 ext keys, 0.32 x 0.53 x 0.032in. thk x 0.787in. o/a lg	SP42-G	12	
16	A	G1	BOLT, MACHINE, UNF, steel, zinc P, 5/16in. -24 x 1-1/4in. lg, 2A, hex hd, 7/8in. thd lg		2	Upper to lower crankcase

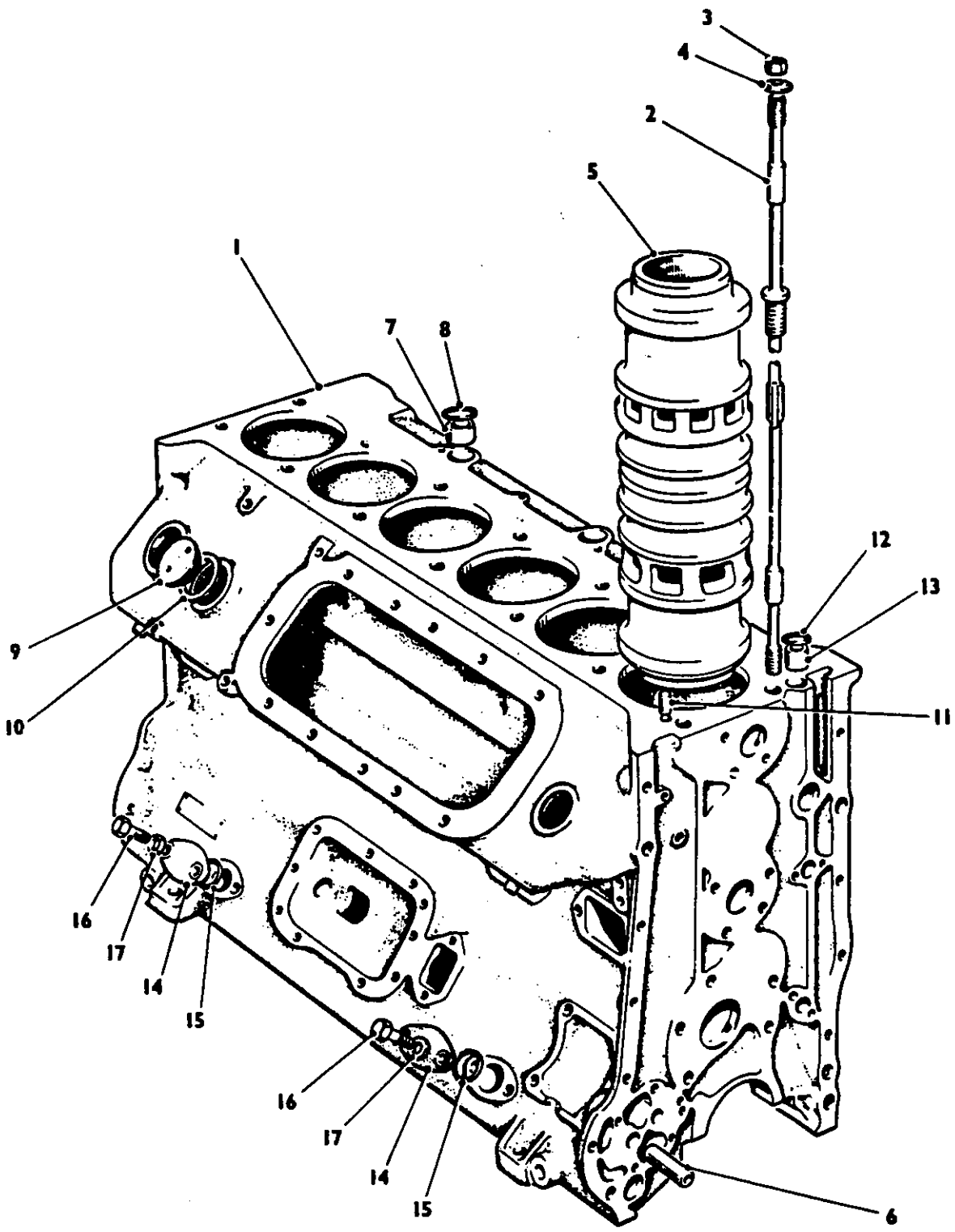


Fig 4 Crankcase and cylinders

430/70003



Fig Item	Man Code Navy - N Army - A RAF - R	NATO Stock No	Item Name and Description	Part No/ Drawing No.	No. Off	Annotations
4-			POWER UNIT, DIESEL - contd ENGINE, DIESEL - contd CRANKCASE - contd			
1		NP	CRANKCASE AND CYLINDERS	FV668292	REF	
2	A 10	2815-99-867-4844	STUD, DIESEL ENGINE ASSEMBLY, steel, 28.15in. o/a lg	FV149022	14	
3	A 10	5310-99-866-6998	NUT, PLAIN, HEXAGON, UNF, 1/2 x 0.75 x 0.545in. h, rh thd, class 3B thd, chamfered	FV149024	14	
4	A 10	3120-99-866-6999	WASHER, THRUST, steel, 33/64 x 1 x 1/8in. thk, Cd P	FV148770	14	
5	A 9ACR	2815-99-808-1108	LINER, CYLINDER, 3-7/16in. dia bore x 4.78in. max od body x 16.0in. o/a lg	FV668051	6	
6	A 10	2815-99-866-6993	SPINDLE, SCAVENGE PUMP, steel, 1/2in. dia x 2-19/64in. lg, 5/16in. UNF x 17/32in. lg int thd, 21/64in. dia x 29/64in. lg, c/bore	FV451291	1	
7	A 10	5315-99-866-6995	PIN, HOLLOW, steel, 55/64in. id x 1-1/64in. od x 51/64in. lg Cd P	FV149550	3	Oil drain
8	A 10	5330-99-866-7530	RING, SEALING, TOROIDAL, rubber, 65 - 75 deg BS or IRH, 9/64in. cross-sect h, 63/64in. id	CK609	3	
9	A 10	5365-99-808-1110	PLUG, SCREWED, steel, hex hd, 1- 3/4in. -16 UNS thd, 3/8in. thd lg, Cd P	UA10671ZP	3	
10	A 10	2805-99-865-1506	WASHER, ALUMINIUM	K81195	3	
11	A 10	5315-99-866-7527	PIN, STRAIGHT HEADLESS, steel, 3/4in. lg, 3/8in. o/a dia	FV148803	2	
12	A 10	5330-99-866-7496	RING, SEALING, TOROIDAL, syn rubber, 65 - 75 deg, 0.106in. x 0.679in. id, black	CK610	1	
13	A 10	5315-99-866-7004	PIN, HOLLOW, steel, 5/8in. x 11/16 x 37/64in. lg	FV149590	2	
14	A 10	5340-99-866-7040	COVER PLATE, ACCESS, aluminium, 2-29/32 x 1-7/8 x 19/64in. thk	FV450377	2	
15	A 10	5330-99-866-7041	RING, SEALING, TOROIDAL, rubber, nitrile, 50- 70 deg, 9/64in. cross-sect h, 1-23/64in. id	FV450380	2	
16	A G1	5305-99-941-6547	SCREW, MACHINE, UNF, 5/16 x 7/8in. lg, steel, zinc P w/chromate, hex hd	HZS-507	4	
17	A G1	5310-99-941-8386	WASHER, FLAT, steel, zinc P w/chromate, rd, 5/8 x 5/16 x 0.072in. thk	FV(S)72/2	4	
NI 18		NP	PLUG, SCREWED, steel, hex hd, 7/8in. -16 UN thd, 3/8in. thd lg, dull nickel finish	UA10664	1	Water outlet passage
NI 19	A 10	4730-99-808-1111	PLUG, CORE, steel, Cd, 1.125in. lg, 1-1/2in. -16 UNF male 1st end, 1/2in. -20 UNF male 2nd end	FV454670	1	Oil drain generator
NI 20	A 10	5365-99-808-1112	PLUG, SCREWED, steel, hex hd, 1- 1/2in. -16 UN thd, 3/8in. thd lg, Cd P	UA10669ZP	1	

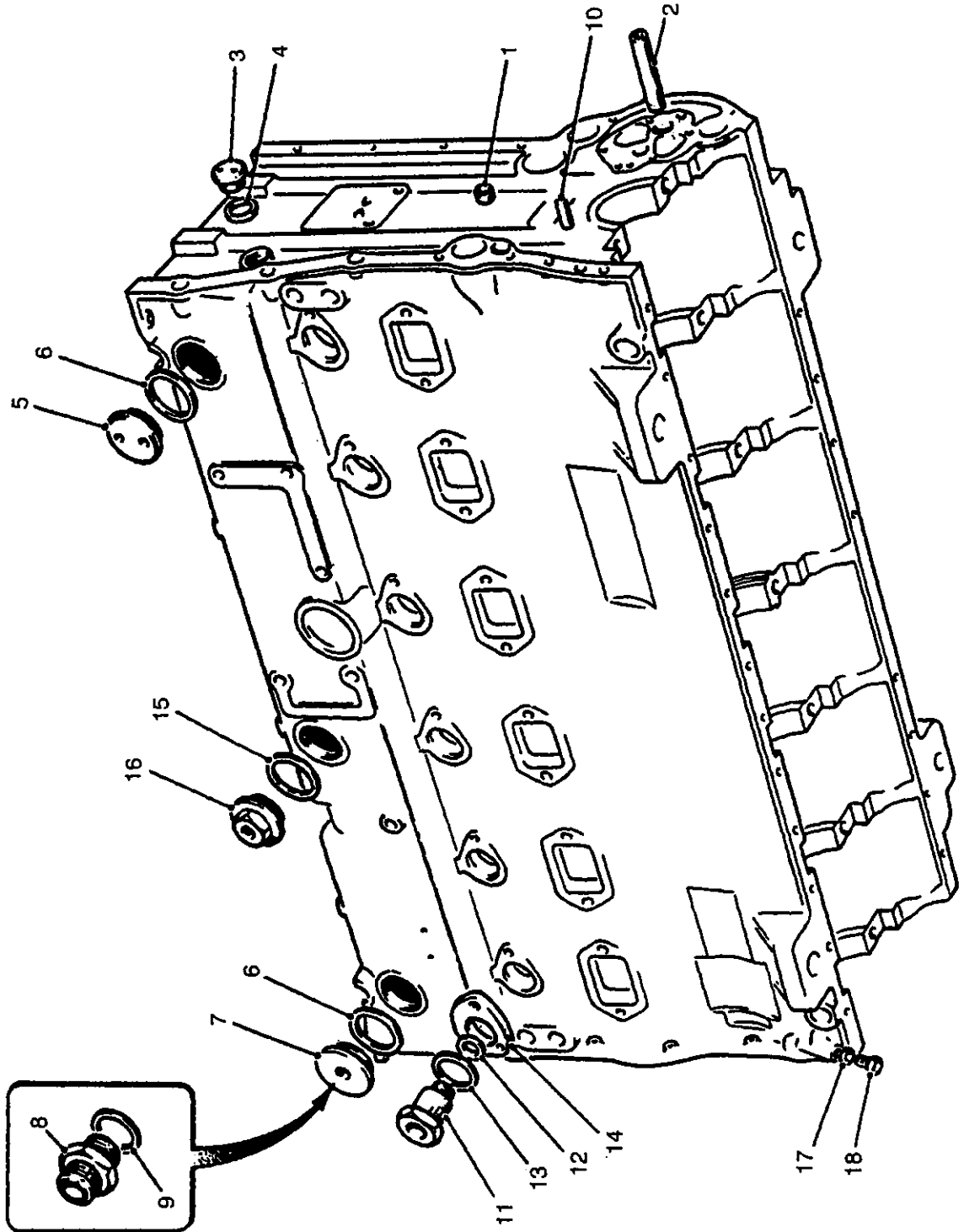


Fig 5 Crankcase and cylinders

430/70004

Fig Item	Man Code Navy - N Army - A RAF - R	NATO Stock No	Item Name and Description	Part No/ Drawing No.	No. Off	Annotations
5-			POWER UNIT, DIESEL - contd . ENGINE, DIESEL - contd . . CRANKCASE - contd . . . CRANKCASE AND CYLINDERS - contd			
1	A 10	5340-99-866-7494 PLUG, EXPANSION, steel, Cd P, 41/64in. od, 7/32in. h, 1/32in. thk matl, 0.549in. small dia	FV148804	1	Oil gallery
2	A 10	2815-99-866-6993 SPINDLE, SCAVENGE PUMP, steel, 1/2in. dia, 2-19/64in. lg, 5/16in. UNF x 17/32in. lg int thd 29/64in. counterbore	FV451291	1	
3	A 10	5365-99-866-6994 PLUG, SCREWED, UNS, steel, 7/8in. thd dia, 0.525in. o/a lg, 1.125in. dia flange, 0.1in. thk, 0.4in. lg thd, 0.656in. id core, 0.1in. d, 2 holes 0.156in. dia	UA653	1	Water outlet
4		NP WASHER, FLAT, Al, 7/8in.	XB1092	1	
5	A 10	5365-99-808-1112 PLUG, SCREWED, steel, hex hd, 1- 1/2in. -16 UN thd, 3/8in. thd lg, Cd P	UA10669ZP	1	
6	A 10	2805-99-865-1504 WASHER, ALUMINIUM	XB1191	2	
7		NP ADAPTOR, BUSHING	FV452434	1	
8	A 46MT1	4730-99-801-2032 NIPPLE, TUBE	FVS87-3	1	
9	A 10	5310-99-865-1477 WASHER, FLAT, aluminium, rd, 7/16in. id, 0.650in. od, 0.028in. matl thk	XB1079	1	
10	A 10	5315-99-866-7527 PIN, STRAIGHT, HEADLESS, steel, 3/4in. lg, 3/8in. o/a dia	FV148803	1	
11	A 10	2910-99-866-7044 ADAPTOR, INJECTOR, CYLINDER LINER, steel, Cd P, 55/64 x 1-5/16 x 2-9/16in. thd lg, 3/8in. BSPF one end	FV452081	6	
12	A 10	5310-99-866-7045 WASHER, FLAT, copper, rd, 0.970 x 0.028in. matl thk,	FV148746	6	
13	A 10	5330-99-866-7513 RING, SEALING, TOROIDAL, rubber, 65 - 75 deg, 9/64in. cross- sect h, 1-7/64in. id	CK569	6	
14	A 10	2910-99-866-7046 PLATE ASSEMBLY, CLAMPING, fuel injection equipment	FV452175	6	
15	A 10	2805-99-865-1504 WASHER, ALUMINIUM	XB1191	1	
16		NP PLUG, SCREWED, injector, pump drain	FV450451	1	
17	A 10	5310-99-865-1475 WASHER, FLAT, aluminium, rd, 0.5 x 0.312 x 0.028in. matl thk	XB1077	1	
18	A G1	5305-99-941-7063 SCREW, MACHINE, UNF, 5/16in. - 24, 2A, hex hd, 1/2in. lg, zinc P w/chromate		1	

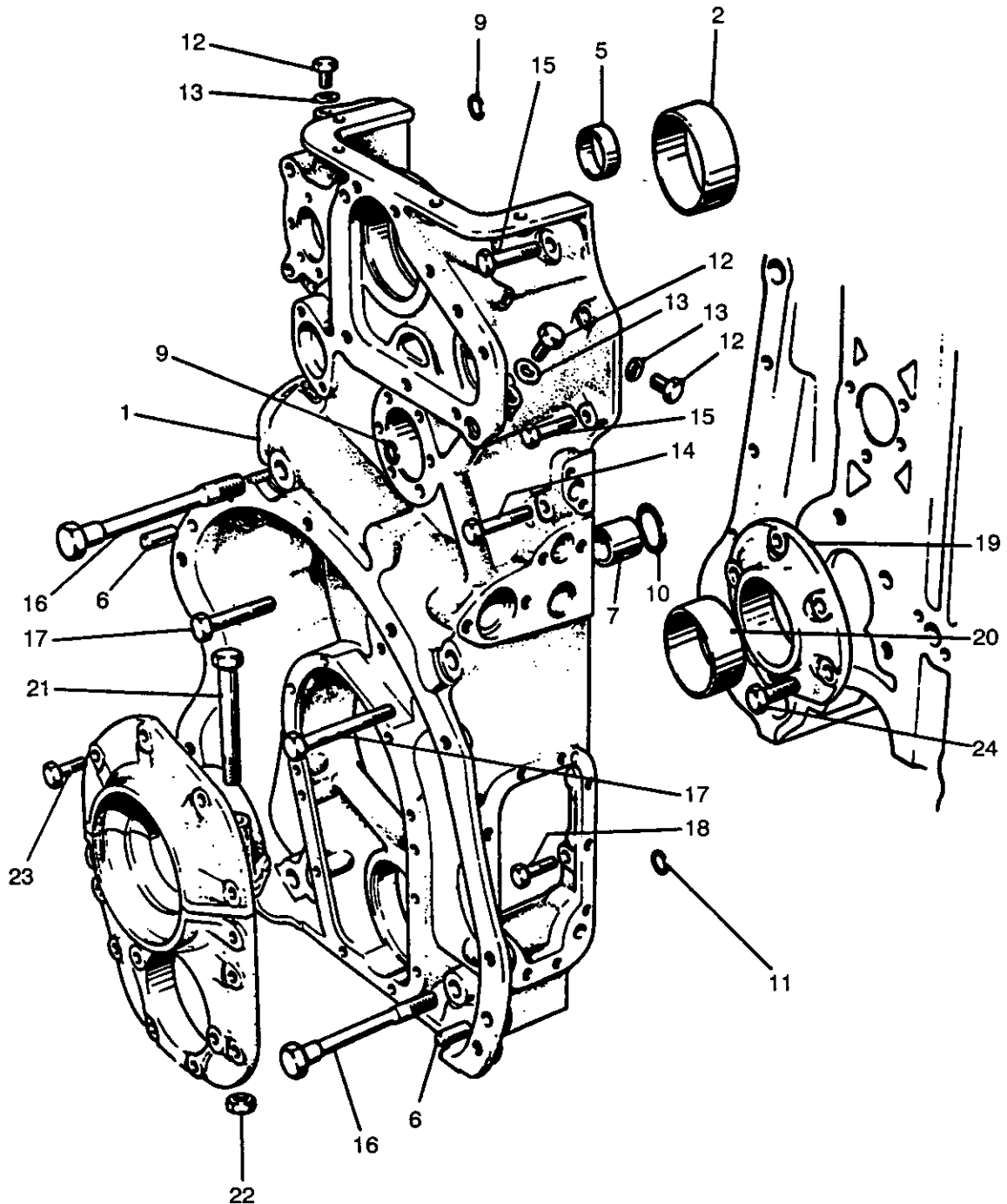


Fig 6 Wheel case and fittings

430/70005

Fig Item	Man Code Navy - N Army - A RAF - R	NATO Stock No	Item Name and Description	Part No/ Drawing No.	No. Off	Annotations
6-			POWER UNIT, DIESEL - contd ENGINE, DIESEL - contd CRANKCASE - contd			
		NP	WHEEL CASE AND FITTINGS	FV451759	REF	
1		NP	GEARCASE ASSEMBLY	FV541758	1	
2	A 10	3120-99-866-7385	BEARING, SLEEVE, steel/lead, plain, no outside flanges, split, 1 x 2.9215 x 2.755in. body id	CK884	2	Crankshafts
NI 3	A 10	3120-99-866-7386	BEARING, SLEEVE, steel, copper and tin alloy, plain, split, 1 x 2.747 x 2.9215in. od	FV450900		
NI 4	A 10	3120-99-866-7387	BEARING, SLEEVE, steel, copper and tin alloy, plain, 1 x 2.737 x 2.9215in. od	FV450901	2	
5	A 10	3120-99-866-7539	BEARING, SLEEVE, tin alloy, plain, no outside flanges, split, 0.59 x 1.5 x 1.36in. id	FV452249	1	Supercharger drive
6	A 10	5315-99-866-7527	PIN, STRAIGHT, HEADLESS, steel, 3/4in. lg, 3/8in. o/a dia	FV148803	2	
7	A 10	5315-99-866-6995	PIN, HOLLOW, steel, 55/64 x 1-1/64 x 51/64in. lg, Cd P	FV149550	1	Oil drain
NI 8	A 6MT7	3110-99-950-0571	BALL, BEARING, steel, 5/16in. dia, inspected to aid, standard	FV542224	2	
9	A 10	5330-99-866-7542	RING, SEALING TOROIDAL, rubber, 65 - 75 deg, 7/64in. cross-sect, 23/64in. id	CK616	3	
10	A 10	5330-99-866-7530	RING, SEALING TOROIDAL, rubber, 65 - 75 deg, 9/64in. cross-sect, 63/64in. id	CK609	1	
11	A 10	5330-99-866-6986	RING, SEALING TOROIDAL, rubber, 0.103in. cross-sect h, 0.549in. centre hole dia	CK613	1	Dowel tubular, gearcase to crankcase
12	A G1	5305-99-941-7062	SCREW, MACHINE, UNF, steel, zinc P, 2A, 3/8in. lg x 1/4in. -28 thd, hex hd		3	
13	A 10	5310-99-865-1474	WASHER, FLAT, aluminium, rd, 0.4 x 0.25 x 0.28in. matl thk	XB1076	3	
14	A G1	5306-99-941-6187	BOLT, MACHINE, UNF, 5/16in. dia, 2A, steel, zinc P, 2in. lg, hex hd		8	Gearcase to crankcase upper and lower
15	A G1	5306-99-941-6589	BOLT, MACHINE, UNF, steel, zinc P, 2A, 1-3/8in. lg x 5/16in. thd dia x 7/8in. thd lg		2	
16	A 10	5306-99-866-7075	BOLT, EXTERNALLY RELIEVED BODY, UNF, steel, Cd P, 2A, 0.500 x 4.9 x 1.175 x 0.75 x 0.32in. max h	FV149772	4	
17	A G1	5306-99-941-6592	BOLT, MACHINE, UNF, 5/16in. thd, 2A, 2-3/4in. lg, steel, zinc P, hex hd, 7/8in. thd lg		7	Gearcase to crankcase upper and lower
18	A G1	5305-99-941-6547	SCREW, MACHINE, UNF, 5/16in. dia, 2A, steel, zinc P w/chromate, 7/8in. lg hex hd		2	
19		NP	HOUSING ASSEMBLY, output gear	FV452409	1	
20	A 10	3120-99-866-7198	BEARING, SLEEVE, steel, tin alloy, plain, no outside flanges, 1-1/8 x 1-3/8 x 2-1/4in. id	FV452253	1	Output gear
21	A 10	5306-99-866-7403	BOLT, MACHINE, UNF, steel, hex hd, 0.375 x 3.5 x 0.646 x 0.562 x 0.265in. max h	UA2662	2	Output gear support plate

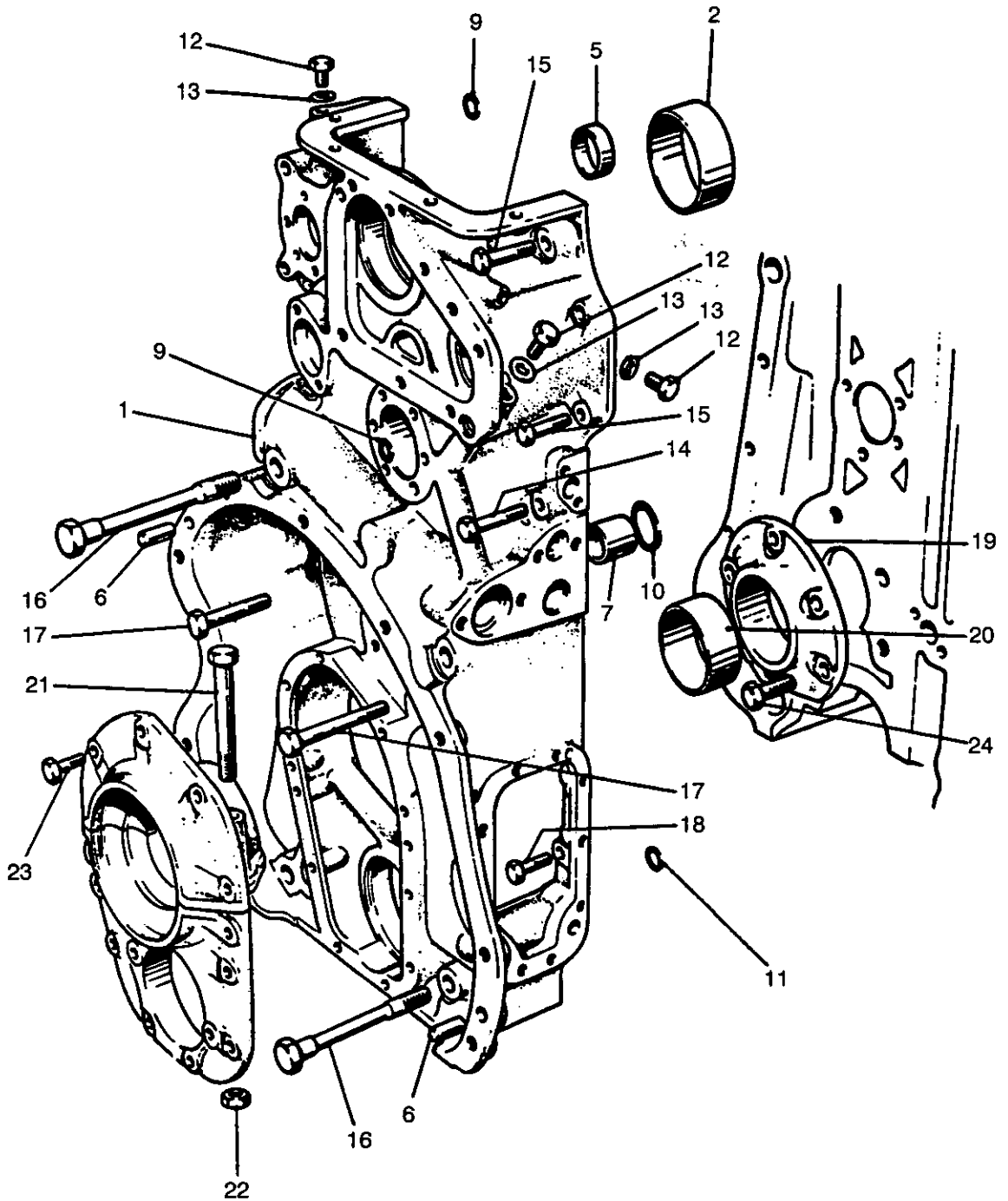


Fig 6 Wheel case and fittings

430/70005

Fig Item	Man Code Navy - N Army - A RAF - R	NATO Stock No	Item Name and Description	Part No/ Drawing No.	No. Off	Annotations
6-			POWER UNIT, DIESEL - contd . ENGINE, DIESEL - contd . . CRANKCASE - contd . . . WHEEL CASE AND FITTINGS - contd			
22	A 10	5310-99-866-5335 NUT, PLAIN, PRECISION, UNF, steel, Cd P, 3.8 x 0.33in. h	FV145683	2	
23	A G1	5305-99-941-0513 SCREW, MACHINE, UNF, steel, zinc P, hex hd, 1/4in. x 3/4in. lg	181566	10	
24		NP BOLT, MACHINE, UNF, steel, hex hd, Zn coated, 3/8in. x 1-1/4in.		5	Output housing to crankcase

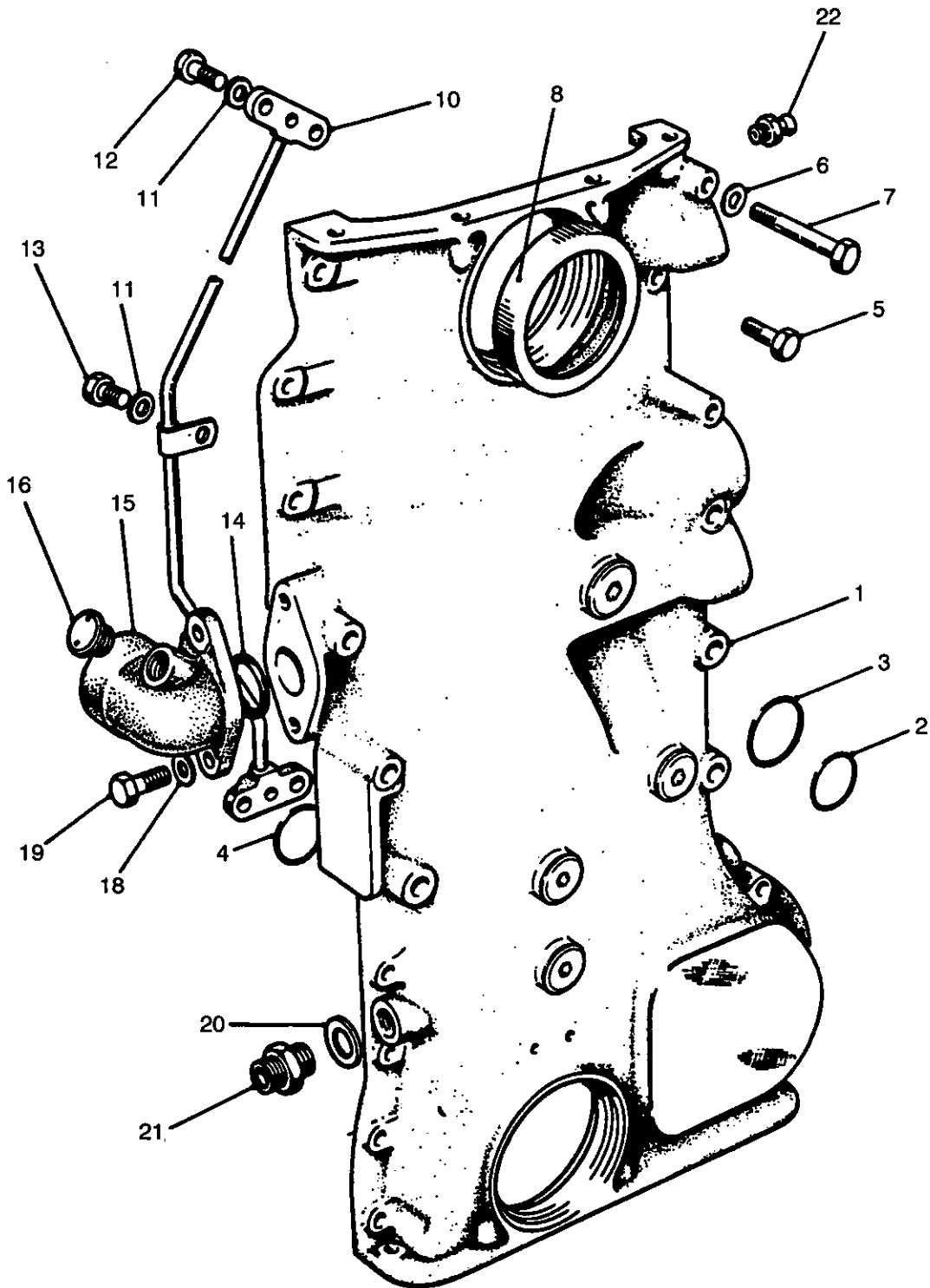


Fig 7 Engine front covers

430/70006

Fig Item	Man Code Navy - N Army - A RAF - R	NATO Stock No	Item Name and Description	Part No/ Drawing No.	No. Off	Annotations
7-			POWER UNIT, DIESEL - contd . ENGINE, DIESEL - contd . . CRANKCASE - contd			
1		NP NP	. . . ENGINE FRONT COVERS	FV668233	REF	
2	A 10	5330-99-866-7511 HOUSING, MECHANICAL DRIVE	FV668235	1	
3	A 10	5330-99-866-7283 RING, SEALING, TOROIDAL, rubber, 65 - 75 deg, 9/64 x 1- 11/64in. id	CK608	1	
4	A 10	5330-99-866-7513 RING, SEALING, TOROIDAL, rubber, 65 - 75 deg, 0.143 x 1.619in. max id	CK955	1	Transfer tube large
5	A G1	5306-99-941-6587 RING, SEALING, TOROIDAL, rubber, 65 - 75 deg, 9/64 x 1-7/64in. id	CK569	1	Transfer tube small
6	A G1	5310-99-941-8386 BOLT, MACHINE, UNF, steel, zinc P, 2A, hex hd, 1 x 5/16in. dia		8	Front cover to crankcase
7	A G1	5310-99-941-8386 WASHER FLAT, steel, zinc P w/chromate, rd, 5/8 x 5/16 x 0.072in. thk	9416160	2	
8	A G1	5306-99-941-8003 BOLT, MACHINE, UNF, steel, zinc P, 2A, hex hd, 5/16 x 2-1/2 x 7/8in. thd lg		4	
9	A 46MT1	5330-99-801-6938 SEAL, PLAIN, syn rubber sealing, steel reinforced, 3/8in. w, 2-7/8in. id, 3-5/8in. housing bore dia	MIS214	4	
NI 9	A 10	2815-99-808-1305 PACKING PIECE, steel, 3-5/8in. x 3-1/8in. x 7/16in. thk	FV454414	2	Damper seals
10	A 10	4710-99-866-7117 PIPE, METALLIC, grease pipe, front cover	FV149487	1	
11	A G1	5310-99-941-7072 WASHER, FLAT, steel, rd, Cd P, 1/4 x 9/16 x 0.056in. thd		5	
12	A G1	5305-99-941-6543 SCREW, MACHINE, UNF, steel, zinc P w/chromate, hex hd, 2A, 1/4 x 3/4in. lg		4	
13	A G1	5305-99-941-6284 SCREW, MACHINE, UNF, steel, zinc P, 2A, hex hd, 1/4 x 1/2in. lg		1	Clip grease pipe
14	A 10	5330-99-866-7517 RING, SEALING, TOROIDAL, rubber, 65 - 75 deg, 9/64 x 1- 19/64in. id	CK792	1	Elbow by-pass
15	A 10	2815-99-866-7119 CONNECTION, ELBOW, HEATER RETURN, heater return pipe	FV451614	1	
16	A 10	5365-99-808-1124 PLUG, SCREWED, brass, socket hd, 3/4in. UNF, 3/8in. thd lg, dull nickel finish	UA10642N	1	Heater return elbow
NI 17	A 10	5365-99-865-1479 SPACER, RING, aluminium, rd, 0.825 x 0.036 x 0.625in. dia	XB1081	1	Breather pipe
18	A G1	5310-99-941-8386 WASHER, FLAT, steel, zinc P w/chromate, rd, 5/8 x 5/16 x 0.072in. thk	9416160	2	Elbow by-pass
19	A G1	5306-99-941-6587 BOLT, MACHINE, UNF, steel, zinc P, 2A, hex hd, 1 x 5/16in. dia		2	
20	A 10	5365-99-865-1479 SPACER, RING, aluminium, rd, 0.825 x 0.625in. dia	XB1081	2	
21	A 46MT1	4730-99-801-2025 NIPPLE, TUBE, steel, 5/8in. UNF both ends	FV(S)87/5	2	Union breather and drain pipes
22	A 10	4730-99-865-5650 LUBRICATING NIPPLE, steel, Cd P, 3/8in. -24 tpi, UNF, 2A male thd, 0.806in. o/a h	FV147742	2	

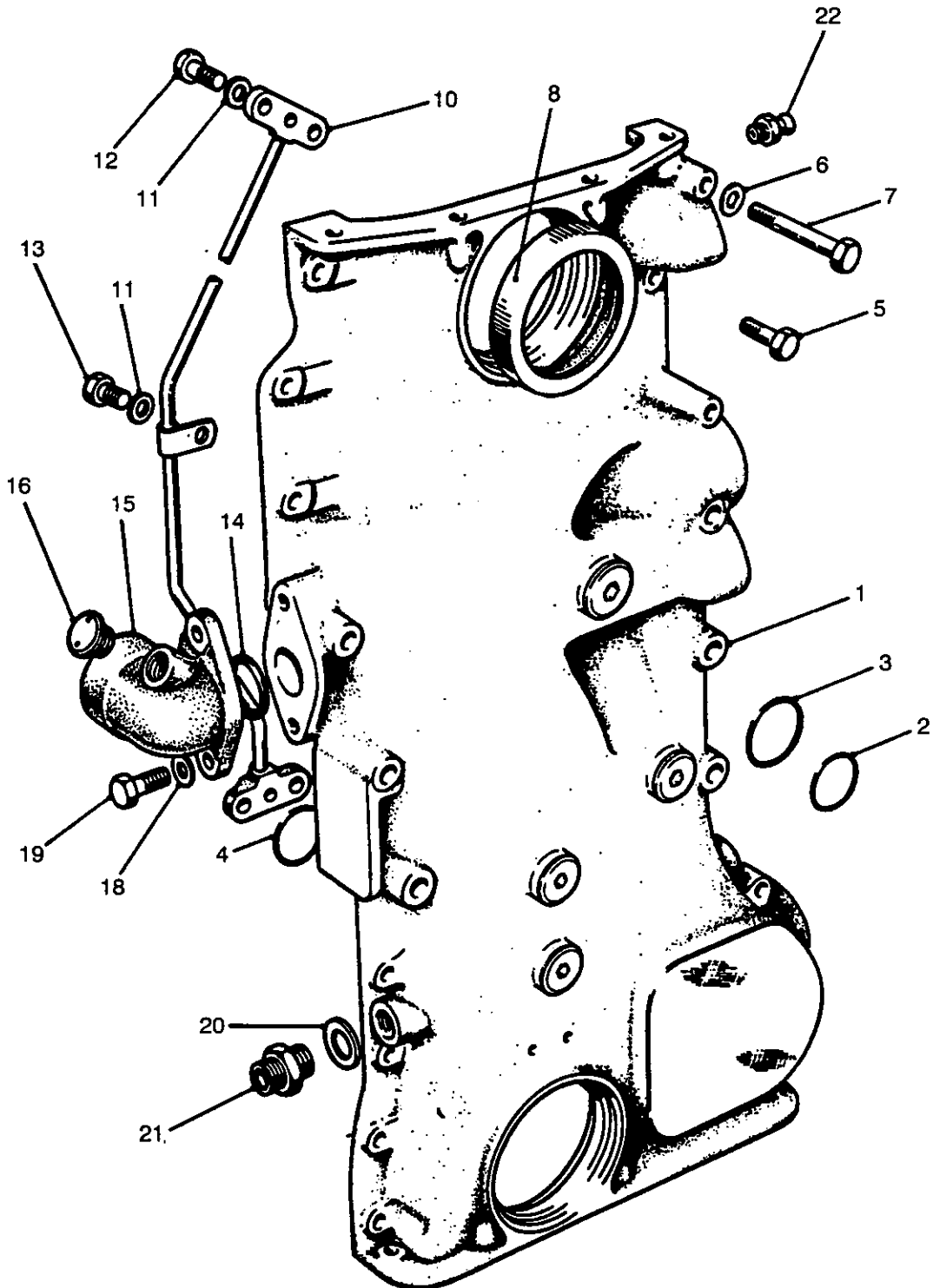


Fig 7 Engine front covers

430/70006

Fig Item	Man Code Navy - N Army - A RAF - R	NATO Stock No	Item Name and Description	Part No/ Drawing No.	No. Off	Annotations
7-			POWER UNIT, DIESEL - contd . ENGINE, DIESEL - contd . . CRANKCASE - contd . . . ENGINE FRONT COVERS - contd			
NI 23	A 46MT1	5340-99-802-3529 CAP, PROTECTIVE DUST AND MOISTURE SEAL	FV147699	1	
NI 24	A 6MT1	2990-99-800-7021 DISC, SOLID, PLAIN	AT10005	1	
NI 25	A 10	2805-99-802-2112 CASING, BREATHER, aluminium, 3-1/2 x 5in. lg, c/w heli - coil insert	FV452748	1	
NI 26		NP RETAINING PLATE, BREATHER, steel, 4-1/16 x 5/64 x 2-9/16in. dia	FV450821	1	

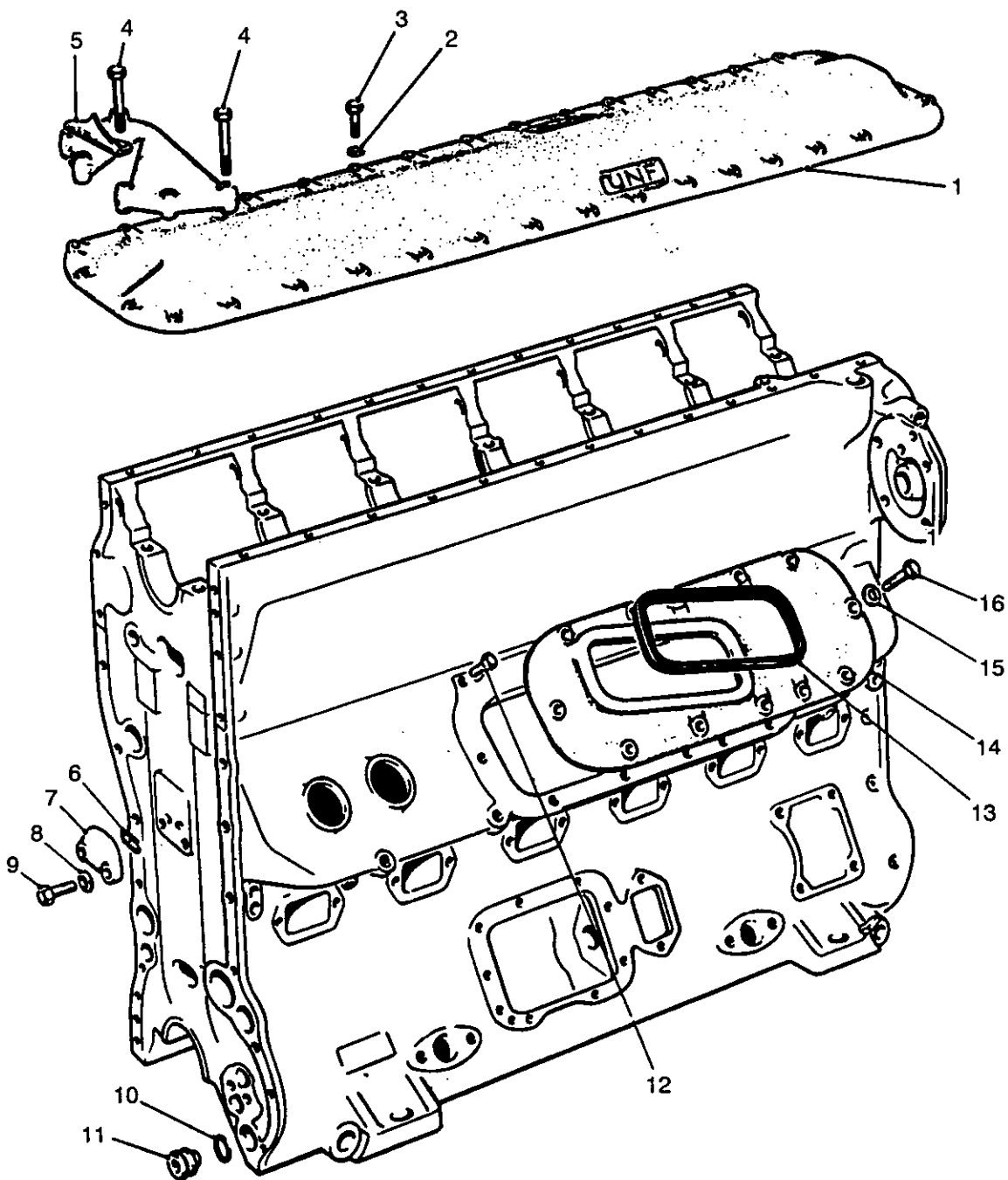


Fig 8 Crankcase top cover

430/70007

Fig Item	Man Code Navy - N Army - A RAF - R	NATO Stock No	Item Name and Description	Part No/ Drawing No.	No. Off	Annotations
B-			POWER UNIT, DIESEL - contd . ENGINE, DIESEL - contd . . CRANKCASE - contd			
		NP	. . . CRANKCASE TOP COVER		REF	
1	A 10	5340-99-866-7095	. . . COVER, ACCESS, top crankcase	FV149138	1	} Top cover gear case
2	A G1	5310-99-941-8386	. . . WASHER, FLAT, steel, zinc P w/chromate, rd, 5/8 x 5/16 x 0.072in. thk		26	
3	A G1	5305-99-941-6541	. . . SCREW, MACHINE, UNF, steel, zinc P, 2A hex hd, 5/16 x 1in. lg		26	
4	A G1	5306-99-941-8003	. . . BOLT, MACHINE, UNF, steel, zinc P, 2A, hex hd, 5/16 x 2-1/2 x 7/8in. thd lg		6	Lifting bracket to crankcase and front cover
5	A 10	5355-99-802-0832	. . . PLATE, TIMING POINTER, steel, 13/16 x 3-7/8in. thk	FV450736	1	
6	A 10	5330-99-866-7514	. . . RING, SEALING, TOROIDAL, rubber, 65 - 75 deg, 9/64 x 1-27/64in. id	FV450379	1	Oil transfer cover
7	A 10	2520-99-866-7002	. . . COVER OIL TRANSFER CRANKCASE, aluminium, 0.65 x 1.175 x 0.375 x 0.325in. dia fixing holes	FV450425	1	
8	A G1	5310-99-941-8386	. . . WASHER, FLAT, steel, zinc P w/chromate, rd, 5/8 x 5/16 x 0.072in. thk		2	} Oil transfer cover
9	A G1	5305-99-941-6547	. . . SCREW, MACHINE, UNF, steel, zinc P w/chromate, 5/16 x 7/8in. lg, hex hd		2	
10	A 10	5330-99-866-7496	. . . RING, SEALING, TOROIDAL, syn rubber, 65 - 75 deg, 0.106 x 0.679in. id, black	CK610	1	
11	A 10	5340-99-802-0833	. . . PLUG, PROTECTIVE DUST AND MOISTURE SEAL, aluminium, friction, 7/8in. o/a dia	FV149757	1	
12	A G1	5305-99-941-7063	. . . SCREW, MACHINE, UNF, steel, zinc P w/chromate, 5/16in. -24 x 1/2in. lg, hex hd		1	Mounting bracket face
13	A 10	5330-99-866-7037	. . . PACKING, PREFORMED, syn rubber, 6-47/64 x 7-25/64 x 35/64in. o/a h	FV149703	1	
14	A 10	5340-99-866-7036	. . . COVER, ACCESS, aluminium, 17-5/32 x 6-27/32 x 21/64in. dia, 12 mounting holes	FV149643	1	
15	A G1	5310-99-941-8386	. . . WASHER, FLAT, steel, zinc P w/chromate, rd, 5/8 x 5/16 x 0.072in. thk		12	} Cover plate to air chest
16	A G1	5305-99-941-6546	. . . SCREW, MACHINE, UNF, steel, zinc P w/chromate, 5/16 x 3/4in. hg, hex hd		12	

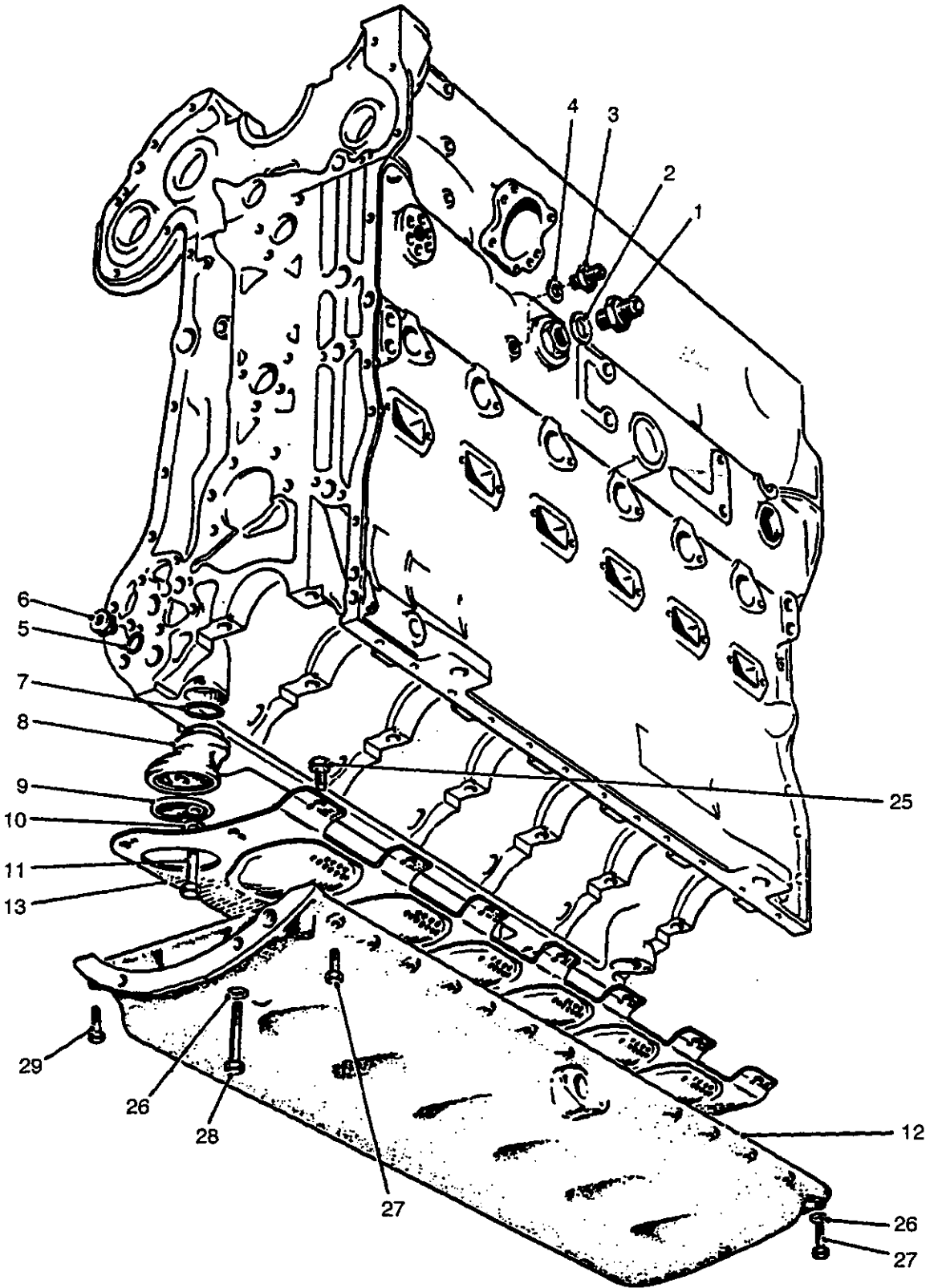


Fig 9 Crankcase bottom cover

430/70008

Fig Item	Man Code Navy - N Army - A RAF - R	NATO Stock No	Item Name and Description	Part No/ Drawing No.	No. Off	Annotations
9-			POWER UNIT, DIESEL - contd ENGINE, DIESEL - contd CRANKCASE - contd			
		NP	CRANKCASE BOTTOM COVER		REF	
1	A 46MT1	4730-99-801-2025	NIPPLE, TUBE, steel, 5/8in. UNF both ends	FV(S)87-5	1	} Injector pump drain
2	A 10	5365-99-865-1479	SPACER, RING, aluminium, rd, 0.825 x 0.036 x 0.625in. dia	XB1081	1	
3	A 46MT1	4730-99-801-2032	NIPPLE, TUBE	FVS87-3	1	} Injector pump feed
4	A 10	5310-99-865-1477	WASHER, FLAT, aluminium, rd, 0.65 x 0.438 x 0.28in. matt thk	XB1079	1	
5	A 10	5330-99-866-7496	RING, SEALING, TOROIDAL, syn rubber, 65 - 75 deg, 0.106 x 0.679in. id, black	CK610	1	
6	A 10	5340-99-802-0833	PLUG, PROTECTIVE DUST AND MOISTURE SEAL, aluminium friction, 7/8in. o/a dia	FV149757	1	
7	A 10	5330-99-866-7511	RING, SEALING, TOROIDAL, rubber, 65 - 75 deg, 9/64 x 1-11/64in. id	CK608	2	
8	A 10	2815-99-866-7032	PICK-UP, SCAVENGE OIL TO PUMP, aluminium alloy, 21/64in. lg, 1-5/64in. dia bore	FV149666	2	
9	A 10	2815-99-866-7033	STRAINER ELEMENT, SEDIMENT, 2.73 x 0.171 x 0.028in. wire dia, mesh size 11, phos finish	FV149684	2	
10	A 3RR	5310-99-812-1285	WASHER, FLAT		2	
11	A G1	5306-99-941-8003	BOLT, MACHINE, UNF, steel, zinc P, hex hd, 5/16 x 7/8in. thd lg		2	
12	A 10	2815-99-808-1114	SUMP, ENGINE	FV454007	1	
13		NP	BAFFLE ASSEMBLY, SUMP, assy of baffle plate with 6 strainers	FV454005	1	
NI 14	A 10	4730-99-808-1116	ADAPTOR, INLET ELBOW SUMP, aluminium, 2 x 1-5/16 x 1-1/4 x 4.08in. x 1.21in. h	FV668319	1	Sump to tank
NI 15		NP	SCREW, csk hd	UA7643	2	Securing item 14
NI 16		NP	COVER, ADAPTOR, SUMP	FV668408	1	
NI 17		NP	WASHER	UA1252	2	} Securing item 16
NI 18		NP	SCREW, MACHINE	UA155	2	
NI 19	A 10	4730-99-808-1117	ADAPTOR, OIL PIPE, aluminium, 1-5/8in. dia 1st end, 1-1/2in. id 2nd end	FV454011	1	Sump to oil pressure pipe
NI 20		NP	WASHER	UA1252	2	} Securing item 19
NI 21		NP	SCREW, MACHINE	UA156	2	
NI 22	A 10	2815-99-808-1118	DUCT, ASSEMBLY, OIL, 9-3/4 x 1.31in. od tube both ends	FV453974	1	
NI 23	A 10	5330-99-808-1306	RING, SEALING, TOROIDAL, syn rubber, 65 - 75 deg, 0.103in. x 1.31in. id	FV454008	2	Oil duct to elbows
NI 24	A 10	5330-99-808-1307	RING, SEALING, TOROIDAL, syn rubber, 65 - 75 deg, 0.103in. x 1.424in. id	FV454009	2	Elbows to sump
25	A G1	5305-99-941-6284	SCREW, MACHINE, UNF, 1/4 x 1/2in. lg, steel, zinc P, hex hd, 2A thd		17	Baffle to sump

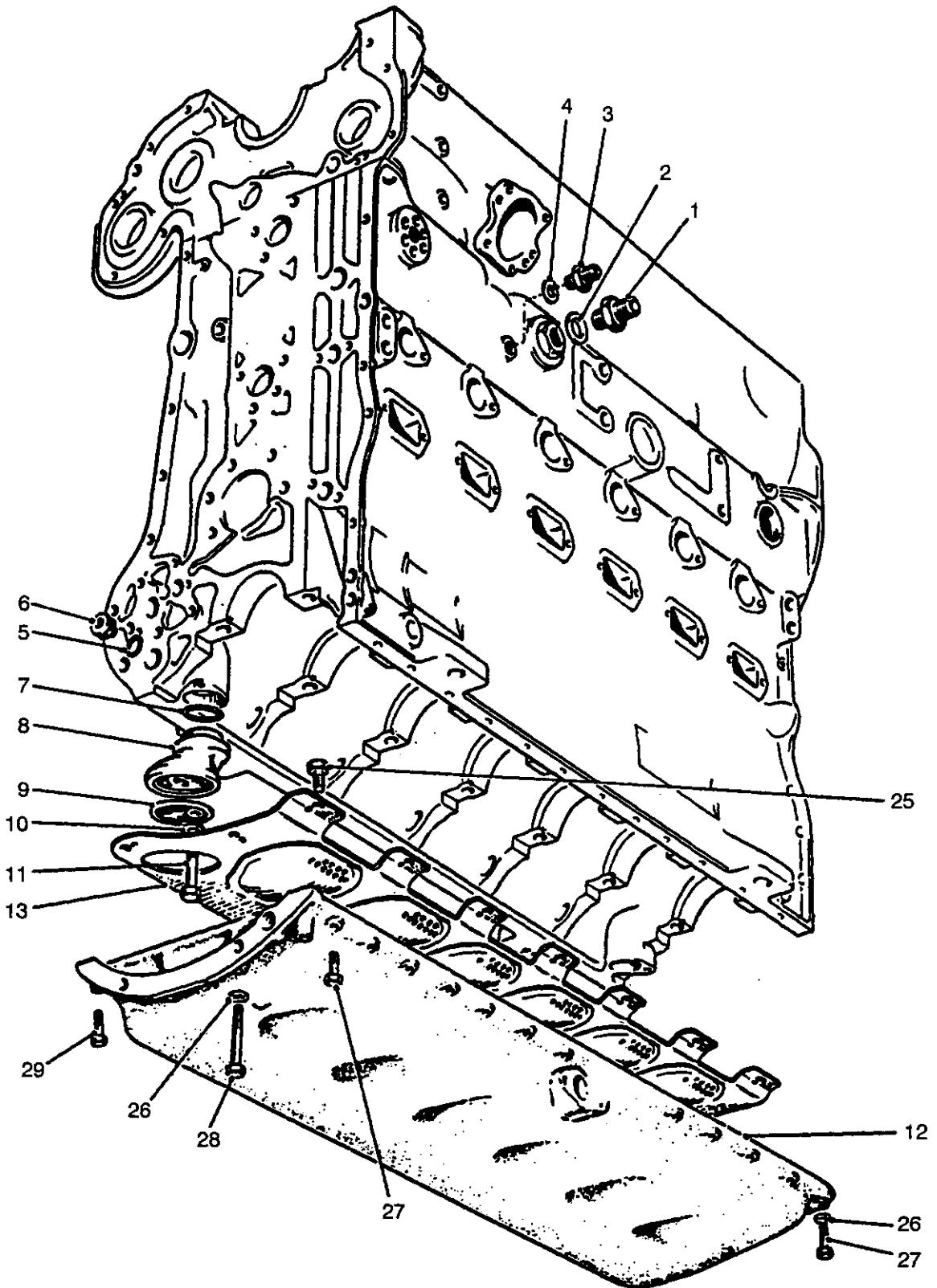


Fig 9 Crankcase bottom cover

430/70008

Fig Item	Man Code Navy - N Army - A RAF - R	NATO Stock No	Item Name and Description	Part No/ Drawing No.	No. Off	Annotations
9-			POWER UNIT, DIESEL - contd . ENGINE, DIESEL - contd . . CRANKCASE - contd			
26	A G1	5310-99-941-8386	. . . WASHER, FLAT, steel, zinc P w/chromate, rd, 5/8 x 5/16 x 0.072in. thk		34	} Sump to crankcase gearcase and front cover
27	A G1	5306-99-941-6587	. . . BOLT, MACHINE, UNF, steel, zinc P, hex hd, 2A, 5/16 x 1in. lg		30	
28	A G1	5306-99-941-7019	. . . BOLT, MACHINE, UNF, steel, zinc P, hex hd, 2A, 5/16in. -24 x 2-1/4 x 7/8in. thd lg		3	
29	A G1	5306-99-941-6589	. . . BOLT, MACHINE, UNF, steel, zinc P, hex hd, 2A, 5/16 x 1-3/8 x 7/8in. thd lg		1	

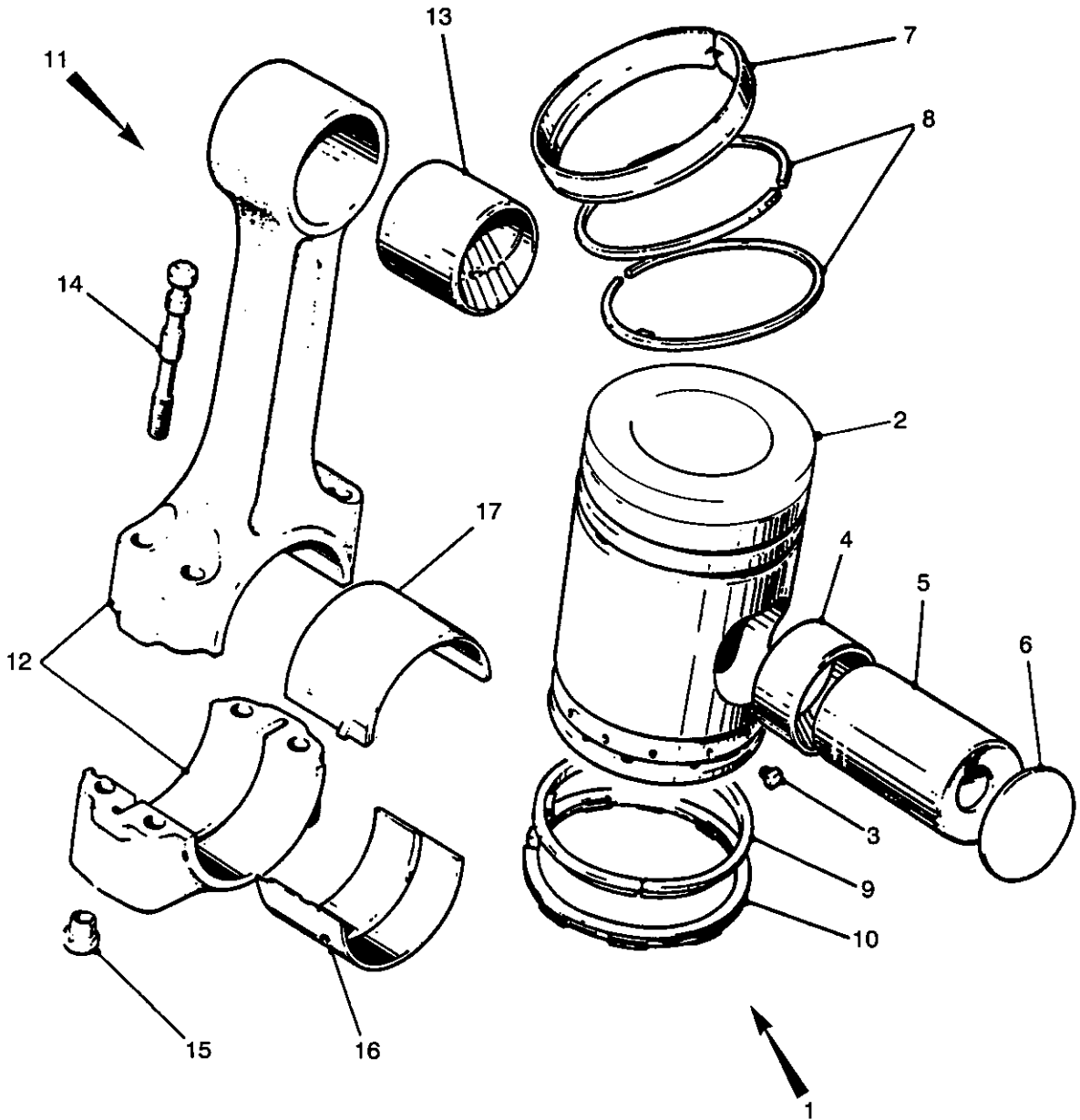


Fig 10 Connecting rods and pistons

430/70009

Fig Item	Man Code Navy - N Army - A RAF - R	NATO Stock No	Item Name and Description	Part No/ Drawing No.	No. Off	Annotations
10-			POWER UNIT, DIESEL - contd ENGINE, DIESEL - contd CRANKCASE - contd			
1	A 10	NP 2815-99-825-2819	CONNECTING RODS AND PISTONS PISTON, ENGINE, MULTI-FUEL, assy consisting of 12 and 24 qty of various items	FV668263	REF 12	
2		NP	PISTON, ONE PIECE	FV668264	1	
3		NP	STOP PEG	FV368824	1	
4	A 10	3120-99-866-7141	BEARING, SLEEVE, steel and bronze, plain, no outside flanges, split, 0.661in. x 1.816in. x 1.61in. body id	FV149788	2	
5		NP	PIN, GUDGEON, steel, 2.632in. x 1.625in. x 0.75in. id	FV149790	1	
6	A 10	2815-99-866-7142	PLUG, GUDGEON PIN, steel, rd, 1-53/64in. x 0.22in. thk	FV149791	2	
7	A 10	2815-99-804-6593	FIRE RING, PISTON, cast iron w/molybdenum, 3-7/16in. x 3/8in. w	FV454549	1	
8	A 10	2815-99-866-7144	RING, PISTON, cast iron	FV149793	2	
9	A 10	2815-99-828-1055	RING, PISTON, cast iron, granolite, 3.4375in. x 0.1392in. w	FV453708	1	
10	A 10	2815-99-866-7146	RING, PISTON, cast iron	FV149795	1	
11		NP	CONNECTING ROD ASSEMBLY	FV668506	1	
12		NP	CONNECTING ROD, w/cap	FV453903	1	
13	A 10	3120-99-866-7130	BEARING SLEEVE, steel/bronze, plain, split, 1.632in. x 1.77in. x 1.295in. lg	CK106	1	
14		NP	BOLT, MACHINE, UNF, steel, flat chamfer hd, 5/16in. -24 x 2-3/8in. lg	FV148421	4	
15	A 10	5310-99-866-7132	NUT, SLEEVE, UNF, steel, rh, 5/16in. x 1/2in. x 0.175in. lg	FV148422	4	
16	A 10	3120-99-547-6901	BEARING HALF SET, SLEEVE, steel/copper/tin, 6 bearing, standard	FV670842	1	
17	A 10	3120-99-377-4853	BEARING HALF SET, SLEEVE, steel/copper/tin, 6 bearing, standard	FV670845	1	
NI 18	A 10	3120-99-215-2578	BEARING HALF SET, SLEEVE, steel/copper/tin, 6 bearing, 0.01in. under-size	FV450894	1	
NI 19	A 10	3120-99-282-6164	BEARING HALF SET, SLEEVE, 6 bearings, 0.01in. under-size	FV450896	1	
NI 20	A 10	3120-99-743-2947	BEARING HALF SET, SLEEVE, 6 bearings, 0.02in. under-size	FV450895	1	
NI 21	A 10	3120-99-310-8700	BEARING HALF SET, SLEEVE, steel/copper/tin, 6 bearing, 0.02in. under-size	FV450897	1	

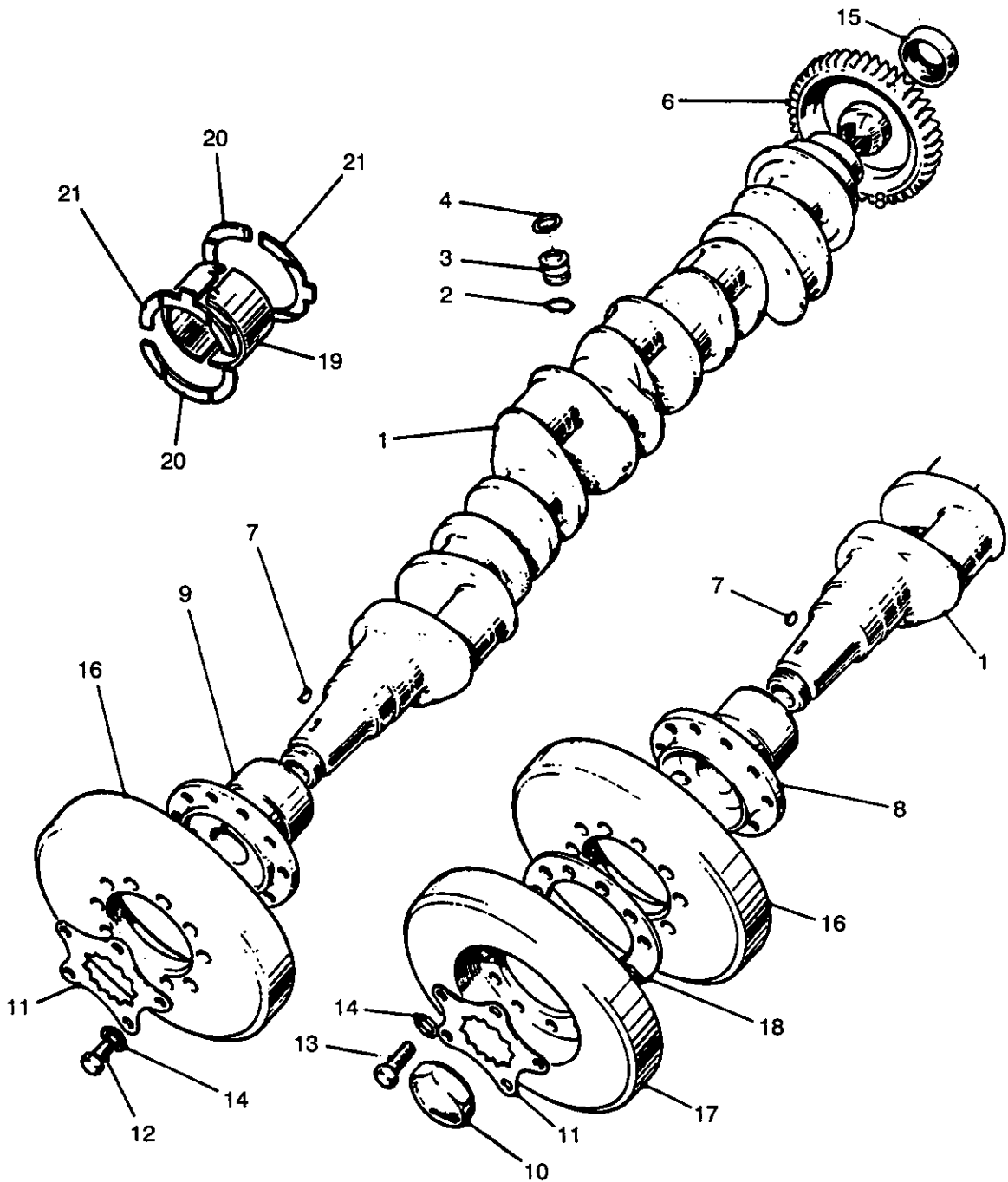


Fig 11 Crankshaft

430/70010

Fig Item	Man Code Navy - N Army - A RAF - R	NATO Stock No	Item Name and Description	Part No/ Drawing No.	No. Off	Annotations
11-			POWER UNIT, DIESEL - contd . ENGINE, DIESEL - contd . . CRANKCASE - contd			
1		NP	. . . CRANKSHAFT, ENGINE	FV451615	2	
2	A 6MT1	5330-99-802-6691 RING, SEALING, TOROIDAL, syn rubber, 0.125 x 0.700in. id, black	UA11326	12	
3	A 10	2815-99-866-7123 PLUG, OIL DRILLING, crankshaft oilways	FV148924	12	
4		NP RING, RETAINING	XB14025	12	
NI 5		NP INSERT, SPLINED	XB1025	1	} Fitted to inlet crankshaft
6	A 10	3020-99-866-7122 GEAR, SPUR, steel, 50 teeth, 4-19/64 x 6-7/16 x 43/64in. o/a lg	FV450605	1	
7	A 10	5315-99-865-1360	. . . KEY, WOODRUFF, steel, 3/4 x 3/16 x 5/16in. h	KC515	2	
7(1)		NP	. . . KEY, WOODRUFF, steel, 0.75 x 0.189 x 0.313in. h	KC518	A/R	
8	A 10	2815-99-866-7124	. . . ADAPTOR, CRANKSHAFT DAMPER, exhaust crankshaft	FV451294	1	
9	A 10	2805-99-867-4414	. . . FLANGE, DRIVING, CRANKSHAFT DAMPER, rear end	FV148947	1	
10	A 10	5310-99-866-7126	. . . NUT, PLAIN, CAP, UNS, steel, Cd P, 1-1/2 x 2-1/6 x 1-7/64in. o/a h	FV450405	2	
11	A 10	5340-99-866-7127	. . . RETAINER, NUT AND BOLT, steel, Cd P, 5-1/4 x 3/64in. thk	FV148954	2	
12	A G1	5305-99-941-6548	. . . SCREW, MACHINE, UNC, steel, zinc P, hex hd, 3/8in. -24 x 3/4in. lg, class 2A	HZS-606	10	Damper unit
13		NP	. . . BOLT, MACHINE, UNF, steel, zinc P, hex hd, 3/8in. x 1-1/4in. fastener lg		10	Damper exhaust
14	A G1	5310-99-941-8635	. . . WASHER, FLAT, steel, zinc P, 3.4 x 0.072in. thk	PWZ106	10	
15		NP	. . . SEAL, PLAIN, ENCASED, 1.375 x 2.125 x 0.375in. lg	RE23374	1	Crankcase inlet
16	A 10	2815-99-866-7493	. . . DAMPER, CRANKSHAFT, steel, 3-3/4 x 10-1/4 x 1-1/2in. h	FV148949	2	Exhaust inner and inlet
17	A 10	2815-99-866-7091	. . . DAMPER, CRANKSHAFT, steel, 3-3/4 x 10-1/4 x 1-1/2in. thk	FV450406	1	Exhaust, outer
18	A 10	5365-99-866-7092	. . . SPACER, PLATE, steel, 5.625 x 3.757 x 0.4162 x 0.075 x 4.5in. circle dia	FV451293	1	
19	A 10	3120-99-335-4590	. . . BEARING HALF SET, SLEEVE, steel/copper/tin, 14 bearings	FV670839	28	
19(1)	A 10	3120-99-930-5687	. . . BEARING HALF SET, SLEEVE, 14 bearings, 0.01in. under-size	FV670840	A/R	
19(2)	A 10	3120-99-145-6730	. . . BEARING HALF SET, SLEEVE, 14 bearings, 0.02in. under-size	FV670841	A/R	
20	A 10	3120-99-866-7500	. . . WASHER, HALF, THRUST, steel/bronze, 1-35/64 x 1-7/8 x 3/32in. thk	CK212	4	
21	A 10	3120-99-866-7501	. . . WASHER, HALF, THRUST, steel/bronze, 1-35/64 x 1-7/8 x 3/32in. thk	CK211	4	

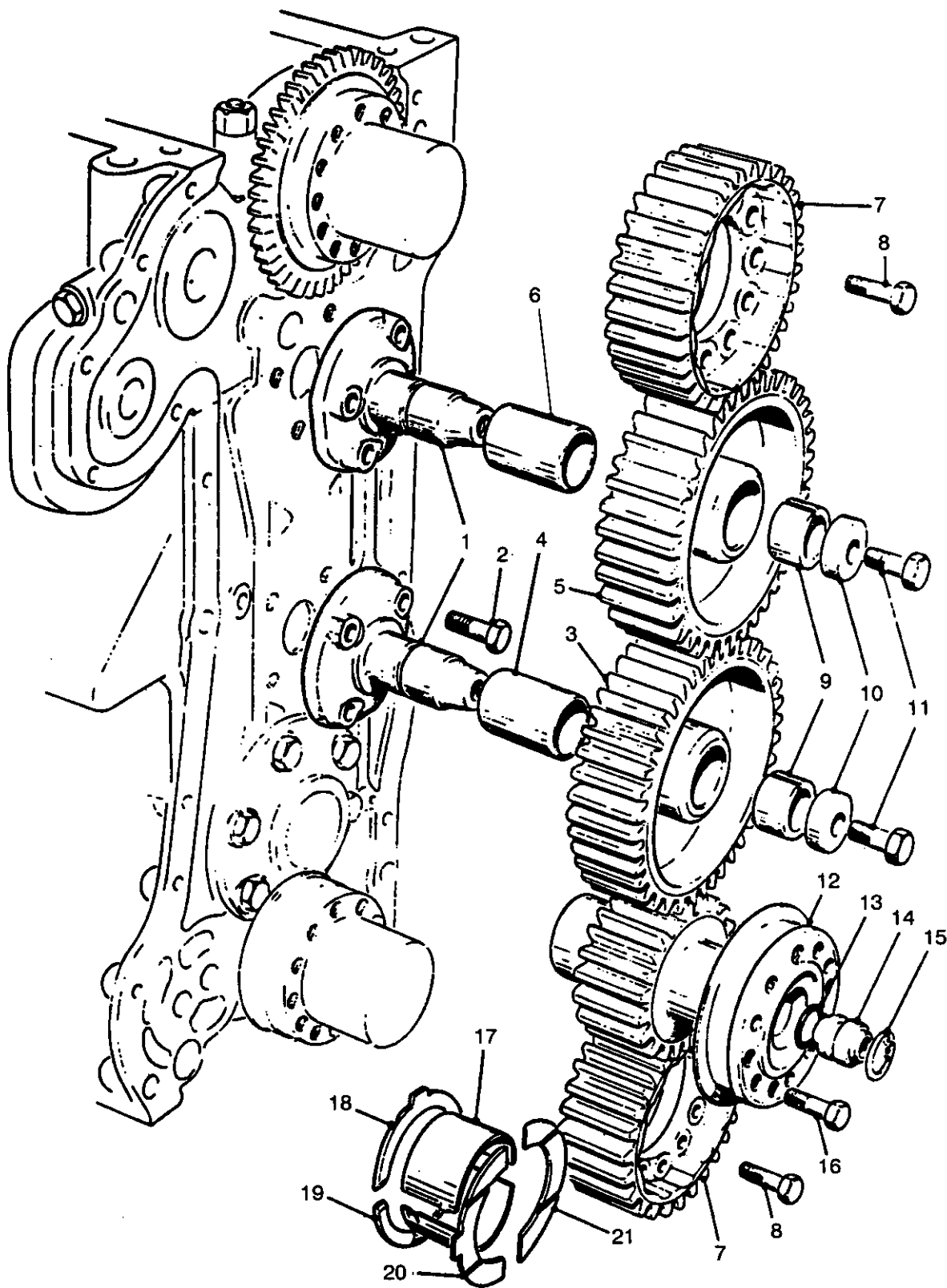


Fig 12 Rear gear train

430/70011

Fig Item	Man Code Navy - N Army - A RAF - R	NATO Stock No	Item Name and Description	Part No/ Drawing No.	No. Off	Annotations
12-			POWER UNIT, DIESEL - contd . ENGINE, DIESEL - contd			
		NP	. . . REAR GEAR TRAIN		REF	
1	A 10	2815-99-866-7203	. . . SPINDLE, BEARING, IDLER GEAR, steel, 3-27/32 x 3-53/64 x 13/32in. dia irregularly spaced, 4 mtg holes	FV450237	2	
2	A 10	5305-99-941-6550	. . . SCREW, MACHINE, UNF, steel, zinc P w/chromate, 1 x 3/8in. dia, hex hd		8	
3	A 10	3020-99-866-7195	. . . GEAR, SPUR, idler gear, main train	FV148544	1	
4	A 10	3120-99-866-7534	. . . BEARING, SLEEVE, steel/bronze, plain, split, 1.99 x 1.629 x 1.497in. id	CK118	1	
5	A 10	3020-99-866-7194	. . . GEAR, SPUR, idler gear, main train	FV148543	1	
6	A 10	3120-99-866-7534	. . . BEARING, SLEEVE, steel/bronze, plain, split, 1.99 x 1.629 x 1.497in. id	CK118	1	
7	A 10	3020-99-866-7200	. . . GEAR, SPUR, steel, 33 teeth, 2-27/32 x 2in. lg	FV148530	2	
8		NP	. . . BOLT, MACHINE, UNF, steel, zinc P, hex hd, 3/8in. x 1-1/4in. fastener lg		24	
9	A 10	2815-99-866-7201	. . . COLLET, SPINDLE, IDLER GEAR, steel, 1-1/2 x 21/32in. lg	FV149571	2	
10	A 10	5310-99-866-7202	. . . WASHER, RECESSED, steel, Cd P, 25/64 x 3/8in. thk, 1-1/2 x 1-1/16 x 1/16in. deep	FV149572	2	
11	A G1	5305-99-941-6550	. . . SCREW, MACHINE, UNF, steel, zinc P w/chromate, 1 x 3/8in. dia, hex hd	HNS-608	2	
12	A 10	3020-99-971-3635	. . . OUTPUT GEAR AND FLINGER ASSEMBLY	FV451575	1	
13	A 10	5330-99-866-7503	. . . RING, SEALING, TOROIDAL, rubber, 65 - 75 deg, 0.070in. cross-sect h, 0.364in. id	CK826	1	Transfer bobbin
14	A 10	2815-99-866-7206	. . . RETAINER, PACKING, steel, 1/4 x 1/2 x 17/32in. lg	FV452278	1	
15	A 6MT1	5365-99-200-1685	. . . RING, RETAINING, steel, 0.0379 x 0.0409in. matl thk	1300-15PP	1	
16	A G1	5305-99-941-6549	. . . SCREW, MACHINE, UNF, steel, zinc P w/chromate, 2A, 3/8in. x 7/8in. lg		12	Flywheel fixing
17	A 10	2815-99-866-7400	. . . BEARING, HALF, SLEEVE, steel, lead al, 2-1/4 x 1-1/8in. lg	CK1965	2	
18	A 10	3120-99-866-7404	. . . WASHER HALF, THRUST, steel, 1-17/64 x 1-1/2 x 3/32in. thk	FV451577	1	
19	A 10	3120-99-866-7405	. . . WASHER HALF, THRUST, steel, 1-17/64 x 1-1/2 x 3/32in. thk	FV451578	1	
20	A 10	3120-99-866-7406	. . . WASHER HALF, THRUST, steel, 1-17/64 x 1-7/8 x 3/32in. thk	FV451579	1	
21	A 10	3120-99-866-7407	. . . WASHER HALF, THRUST, steel, 1-33/64 X 1-29/32 X 3/32in. thk	FV451580	1	

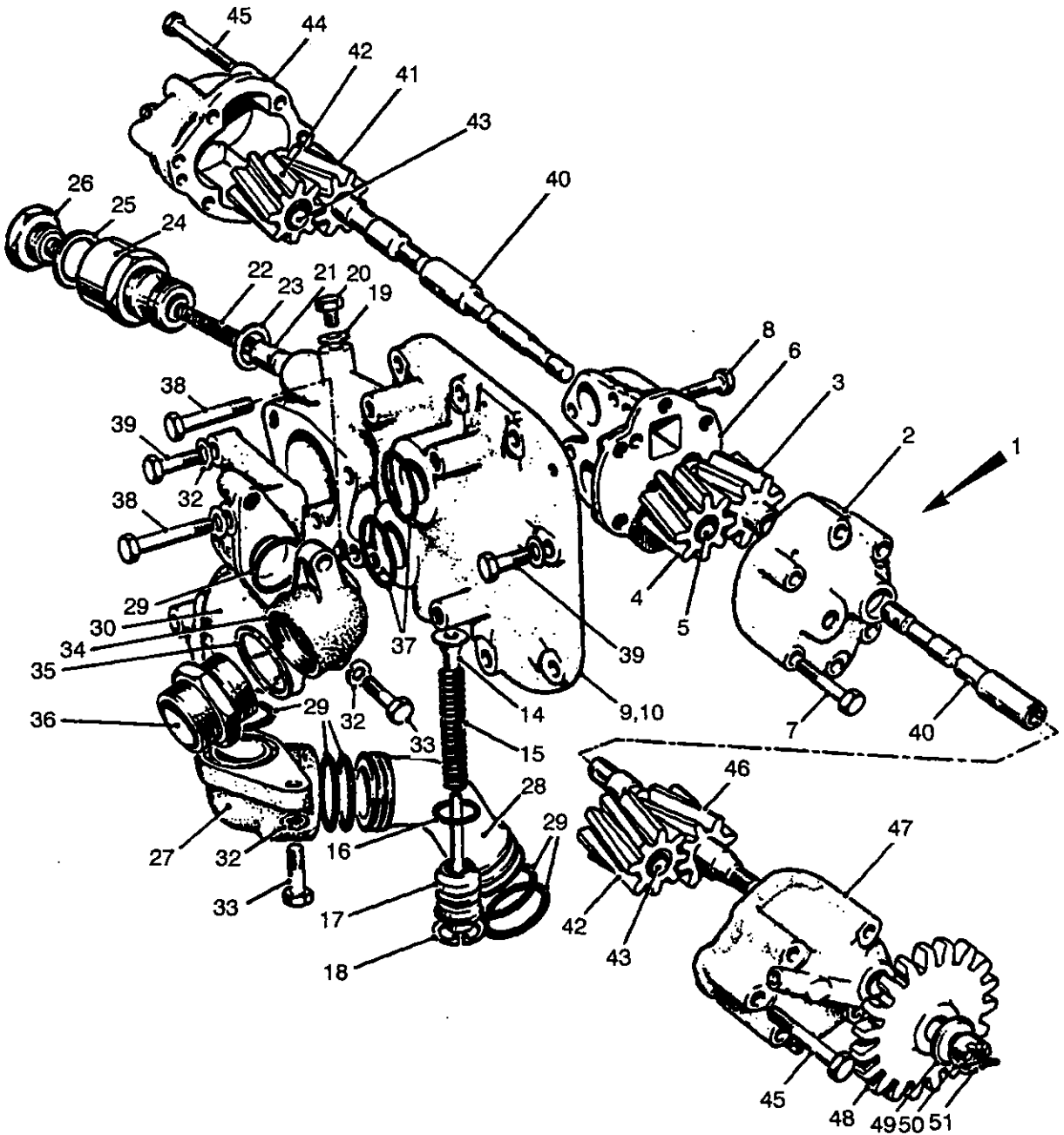


Fig 13 Oil pumps

430/70012

Fig Item	Man Code Navy - N Army - A RAF - R	NATO Stock No	Item Name and Description	Part No/ Drawing No.	No. Off	Annotations
13-			POWER UNIT, DIESEL - contd . ENGINE, DIESEL - contd			
		NP	. . . OIL PUMPS		REF	
1	A 10	4320-99-866-7346	. . . PUMP, ROTARY, lubricating system	FV451347	1	
2	A 10	2815-99-866-7349 BODY, PRESSURE PUMP, lubrication system	FV451284	1	
3	A 10	3040-99-866-9568 GEARSHAFT, SPUR, driver, oil pressure pump	FV451273	1	
4	A 10	3020-99-833-7347 GEAR, SPUR, pressure pump drive	FV451285	1	
5	A 10	3120-99-866-7348 BEARING, SLEEVE, copper Al, plain, 1.414 x 0.6265 x 0.5005in. id	FV149357	1	
6		NP COVER, OIL PUMP, engine oil pump	FV14374	1	
7	A G1	5306-99-941-6584 BOLT, MACHINE, UNF, steel, zinc P, 2in. lg, hex hd		6	Body to casing Pump to main cover
8	A G1	5306-99-941-6583	. . . BOLT, MACHINE, UNF, steel, zinc P, 1/4 x 1-3/4in. lg, hex hd, class 2A thd		4	
9	A 10	2520-99-867-1147	. . COVER, ASSEMBLY, oil pressure pump application	FV452811	1	
10	A 10	2815-99-866-7363 COVER, SUB-ASSEMBLY, PUMP, engine lubricating pump	FV452459	1	
NI 11		NP COVER, oil pressure pump	FV452458	1	
NI 12	A G1	5340-99-580-5496 INSERT, SCREW THREAD, UNF, cres, 5/16 -24 x 36/64in. lg	AS6733-33	6	
NI 13	A G1	5340-99-580-5491 INSERT, SCREW THREAD, cres, 1/4 -28 UNF, 19/64 x 31/64in.	AS6733-32		
14	A 10	4820-99-866-9564	. . . VALVE HEAD	FV452705	1	
15	A 10	5360-99-866-7357	. . . SPRING, HELICAL, COMPRESSION, steel, 3.126 x 0.642in. free od, 20 coils, 18 active coils	FV450887	1	
16	A 10	5330-99-866-7359	. . . RING, SEALING, TOROIDAL, syn rubber, 0.143 x 0.865in. id	LC212	2	
17	A 10	2940-99-866-9567	. . . PIN, GUIDE, RELIEF VALVE, u/o carrier, personnel, FV432 Mk 2	FV452707	1	
18	A 6MT1	5365-99-910-8283	. . . RING, RETAINING, steel, phos, 3/64 x 1-3/16 x 1-1/4 x 0.053in. groove wd	1300-1 3- 161N	1	
19	A 10	5310-99-865-1476	. . . WASHER, FLAT, aluminium, rd 0.575 x 0.375in. id	XB1078	1	} Plug oil drilling
20	A G1	5305-99-941-1683	. . . SCREW, MACHINE, UNF, steel, zinc P w/chromate, 3/8in. dia x 3/8in. lg, hex hd	OD15422	1	
21		NP	. . PISTON, CUTOFF VALVE, steel, 1 x 9/16 x 13/32 x 11/16in. dp	FV452453	1	
22		NP	. . SPRING, HELICAL, COMPRESSION, steel, 3/8in. od x 2in. lg	FV452452	1	Filter isolation valve
23	A 10	5365-99-865-1489	. . SPACER, RING, aluminium, rd, 1.25 x 0.036 x 1in. dia		1	Valve body
24	A 10	2940-99-866-9566	. . BODY, CUTOFF VALVE, oil filter	FV452468	1	
25	A 46MT1	5330-99-881-3209	. . GASKET, copper, rd, 18.5 x 14.3 x 1.5mm thk	48021329	1	plug, valve, body
26		NP	. . PLUG, VALVE BODY, oil filter isolation valve	FV452454	1	
27	A 10	4730-99-866-7516	. . ELBOW, FLANGE TO PIPE, aluminium	FV450481	1	
28	A 10	4730-99-866-7371	. . BEND, PIPE, aluminium, 3-5/64in. centre to end, 63 deg, unthded male both ends	FV450483	1	
29	A 10	5330-99-866-7528	. . RING, SEALING, TOROIDAL, rubber, 9/64 x 1-15/16in. id, 65 - 75 deg	CK540	6	
30	A 10	2815-99-866-7364	. . CONNECTION BLOCK ASSEMBLY, OIL PUMP, oil pump connections	FV451170	1	

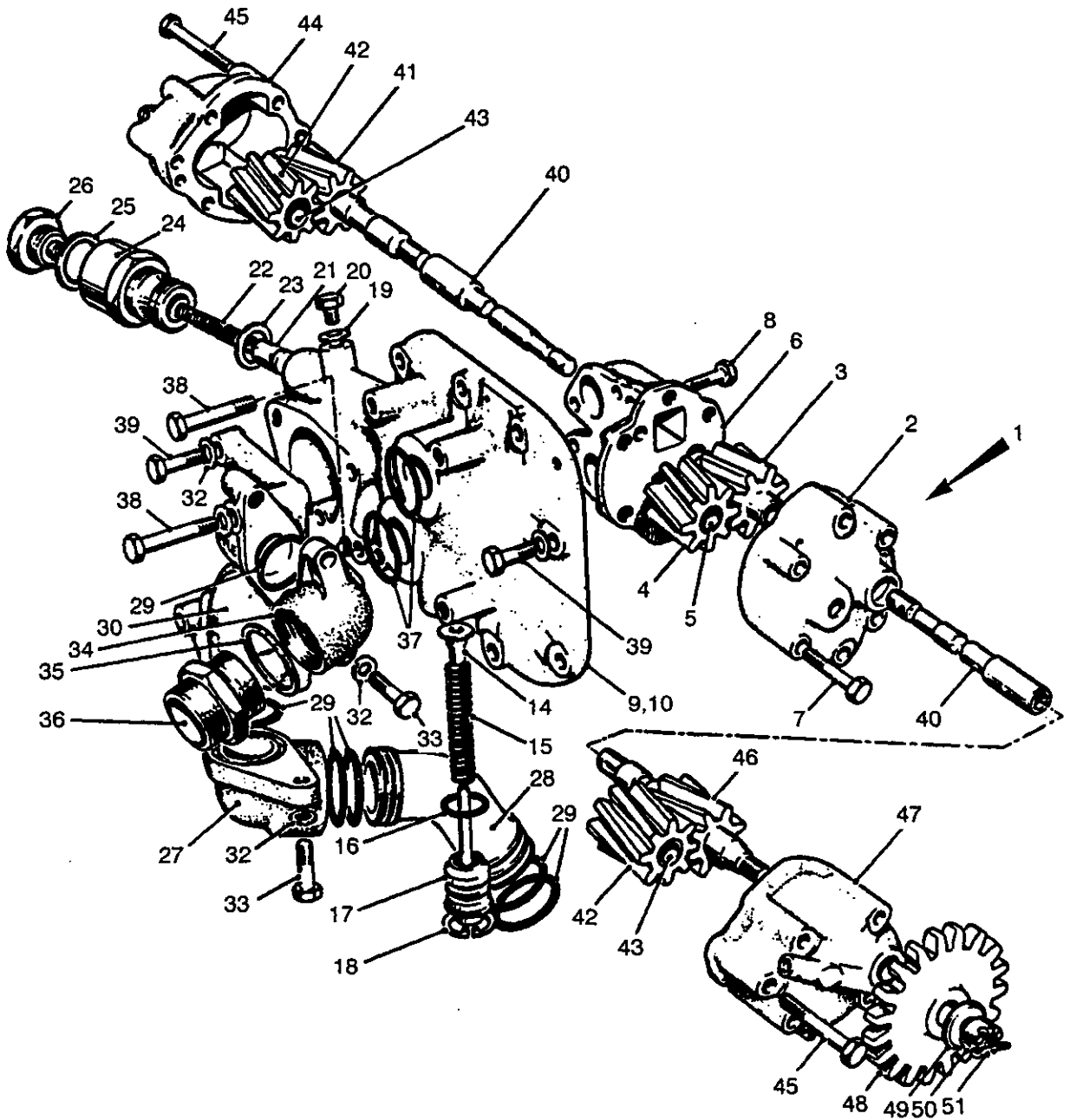


Fig 13 Oil pumps

430/70012

Fig Item	Man Code Navy - N Army - A RAF - R	NATO Stock No	Item Name and Description	Part No/ Drawing No.	No. Off	Annotations
13-			POWER UNIT, DIESEL - contd ENGINE, DIESEL - contd CONNECTION BLOCK ASSEMBLY, OIL PUMP - contd			
NI 31	A G1	5340-99-580-5496	INSERT, SCREW THREAD, UNF, cres, 5/16 -24 x 3/64in. lg	AS6733-33	4	
32	A G1	5310-99-941-8386	WASHER, FLAT, steel, zinc P w/chromate, rd, 5/8 x 5/16 x 0.072in. thk		16	
33	A G1	5306-99-941-7019	BOLT, MACHINE, UNF, steel, zinc P, 5/16in. -24 x 2-1/4in. lg, hex hd, 7/8in. thd lg		4	
34	A 10	4730-99-866-7376	ELBOW, FLANGE TO TUBE, aluminium	FV450482	1	
35		NP	WASHER, METALLIC, aluminium, 1.375in.	XB1189	1	
36	A 46MT1	4730-99-801-1934	NIPPLE, TUBE, steel, zinc P, 1-3/8in. UNF both ends	FV(S)87/11	1	
37	A 10	5330-99-866-7514	RING, SEALING, TOROIDAL, rubber, 9/64 x 1-27/64in. id, 65 -75	FV450379	2	Block cover
38	A G1	5306-99-941-8003	BOLT, MACHINE, UNF, steel, zinc P, 5/16in. x 2-1/2in. lg, hex hd, 7/8in. thd lg		4	
39		NP	BOLT, MACHINE, UNF, steel, hex hd, zinc P w/chromate, 5/16 x 3/8in. lg		8	
40	A 10	3040-99-866-7369	SHAFT, SHOULDERED, driving shaft, scavenge pump	FV451287	2	
41		NP	GEARSHAFT, HELICAL, front	FV451282	1	Scavenge pump
42		NP	GEAR, HELICAL, driven, scavenge pump	FV451288	2	
43		NP	BUSHING, SLEEVE, driven gear	FV451290	2	
44	A 10	2815-99-866-7353	CASING, OIL PUMP, scavenge pump, front half	FV451321	1	
45	A G1	5306-99-941-6585	BOLT, MACHINE, UNF, steel, zinc P, 1/4 x 2-1/2in. lg, hex hd, 2A thd		12	Scavenge pump to crankcase
46		NP	GEARSHAFT, HELICAL, rear	FV451279	1	
47		NP	CASING, OIL PUMP, scavenge pump, rear	FV451322	1	
48	A 10	3020-99-866-7377	GEAR, SPUR, steel, 19 teeth, 5/8 x 3- 37/64 x 43/64in. lg	FV451292	1	
49	A 10	3120-99-801-3519	WASHER, THRUST, steel, 7/16 x 15/16 x 0.150in. thk	FV453338	1	
50	A 10	5310-99-941-0883	NUT, SLOTTED, HEXAGON, UNF, steel, zinc P, 7/16 x 11/16 x 3/8in. h, chamfered, grade 3 nut		1	
51		NP	PIN, COTTER, SPLIT, steel, phos, 3/32 x 7/8in. lg	11-454-3- 22-5725	1	
NI 52		NP	OIL PUMPS	FV451423	1	w/non return valve
NI 53	A 10	4320-99-866-7346	PUMP, ROTARY, lubricating system	FV451347	1	
NI 54	A 10	2815-99-866-7349	BODY, PRESSURE PUMP, lubrication system	FV451284	1	
NI 55	A 10	3040-99-866-9568	GEARSHAFT, SPUR, driver, oil pressure pump	FV451273	1	
NI 56	A 10	3020-99-866-7347	GEAR, SPUR, pressure pump drive	FV451285	1	
NI 57		NP	BEARING, SLEEVE, copper, Al, plain, solid, 1.414 x 0.5005 x 0.6265in. od	FV149357	1	

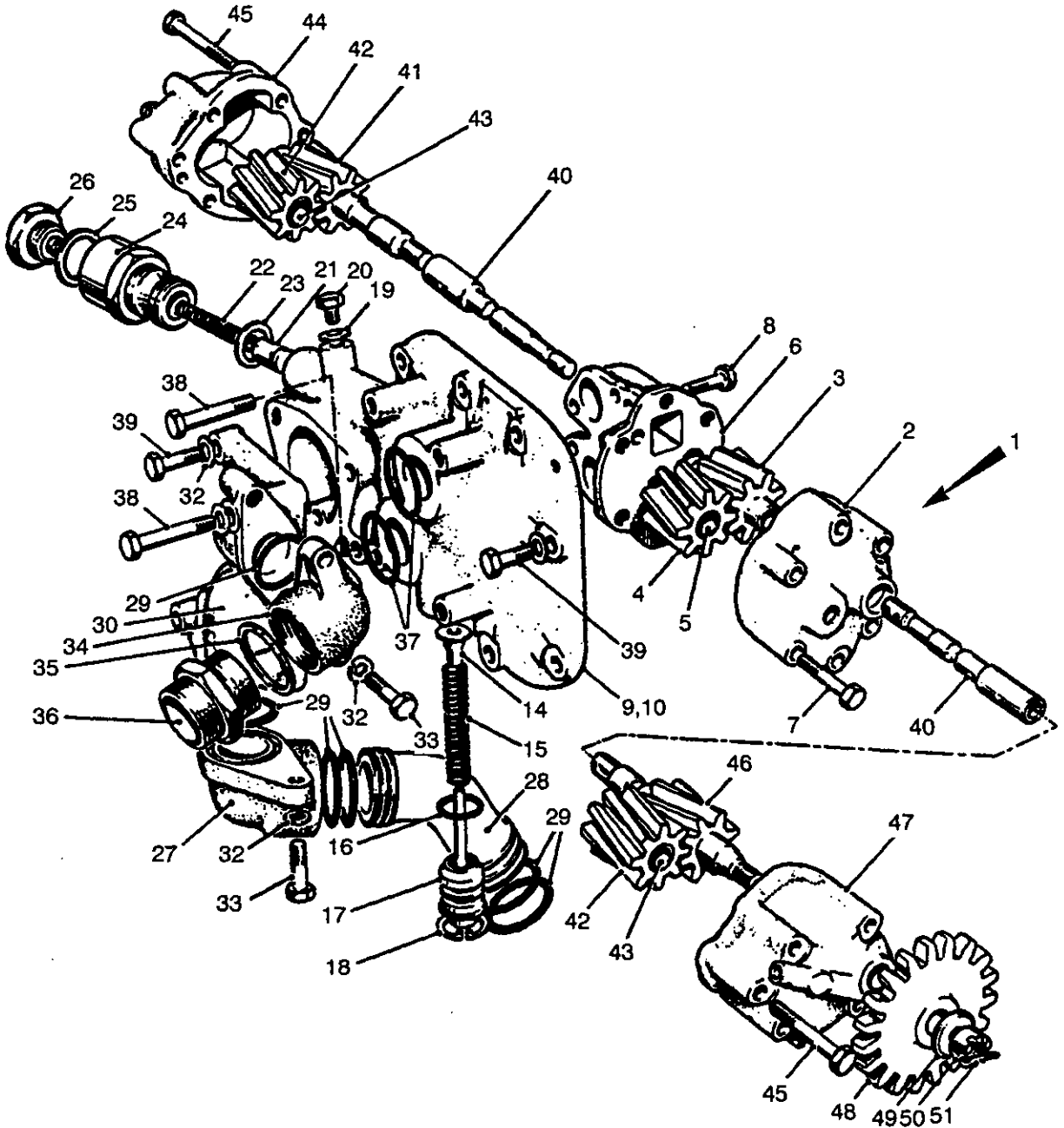


Fig 13 Oil pumps

430/70012

Fig Item	Man Code Navy - N Army - A RAF - R	NATO Stock No	Item Name and Description	Part No/ Drawing No.	No. Off	Annotations
13-			POWER UNIT, DIESEL - contd . ENGINE, DIESEL - contd . . OIL PUMPS - contd . . . PUMP, ROTARY - contd			
NI 58		NP COVER, OIL PUMP, engine oil pump	FV149374	1	
NI 59	A G1	5306-99-941-6584 BOLT, MACHINE, UNF, steel, zinc P, hex hd, 2A, 1/4in. -28 x 2in. lg		6	Body to casing
NI 60	A G1	5306-99-941-6583 BOLT, MACHINE, UNF, 1/4 x 1-3/4in. lg, steel, zinc P, hex hd, class 2A		4	Pump to main cover
NI 61	A 10	2520-99-867-1147 COVER, ASSEMBLY, oil pressure pump application	FV452811	1	
NI 62	A 10	2815-99-866-7363 COVER, SUB-ASSEMBLY, PUMP, engine lubricating pump	FV452459	1	
NI 63	A G1	5340-99-580-5496 INSERT, SCREW THREAD, UNF, cres, 5/16 -24 x 36/64in. lg	AS6733-33	6	
NI 64	A G1	5340-99-580-5491 INSERT, SCREW THREAD, cres, 1/4 -28 UNF, 19/64 x 31/64in. lg, notched, coil wire	AS6733-32	4	
NI 65	A 10	4820-99-866-9564 VALVE HEAD	FV452705	1	
NI 66	A 10	5360-99-866-7357 SPRING, HELICAL COMPRESSION, steel, 3.126 x 0.642in. free od, 20 coils, 18 active coils	FV450887	1	
NI 67	A 10	5330-99-866-7359 RING, SEALING, TOROIDAL, syn rubber, 0.143 x 0.865in. id	LC212	2	
NI 68	A 10	2940-99-866-9567 PIN, GUIDE, RELIEF VALVE, u/o carrier, personnel, FV432 Mk 2	FV452707	1	
NI 69	A 6MT1	5365-99-910-8283 RING, RETAINING, steel, phos, 3/64 x 1-3/16 x 1-1/4 x 0.053in. groove wd	1300-1 3-161N	1	
NI 70	A 10	5310-99-865-1476 WASHER, FLAT, aluminium, rd, 0.575 x 0.375in. id	XB1078	1	} Plug oil drilling
NI 71	A G1	5305-99-941-1683 SCREW, MACHINE, UNF, steel, zinc P w/chromate, 3/8in. dia x 3/8in. lg, hex hd	OD15422	1	
NI 72		NP PISTON, CUTOUT VALVE, steel, 1 x 9/16 x 13/32 x 11/16in. dp	FV452453	1	
NI 73		NP SPRING, HELICAL COMPRESSION, steel, 3/8 x 1-31/32in. lg	FV454921	1	
NI 74	A 10	5365-99-865-1489 SPACER, RING, aluminium, rd, 1.25 x 0.036 x 1in. dia		1	Valve body
NI 75	A 10	2940-99-866-9566 BODY, CUTOUT VALVE, oil filter	FV452468	1	
NI 76	A 46MT1	5330-99-881-3209 GASKET, copper, rd, 18.5 x 14.3 x 1.5mm thk	48021329	1	plug, valve body
NI 77		NP PLUG, VALVE BODY, oil filter isolation valve	FV452454	1	
NI 78	A 10	4730-99-866-7516 ELBOW, FLANGE TO PIPE, aluminium	FV450481	1	
NI 79	A 10	4730-99-866-7371 BEND, PIPE, aluminium, 3-5/64in. centre to end, 63 deg, unthded male both ends	FV450483	1	
NI 80	A 10	5330-99-866-7528 RING, SEALING, TOROIDAL, rubber, 9/64 x 1-15/16in. id, 65 - 75 deg	CK540	4	Oil transfer pipe
NI 81	A 10	2815-99-810-8171 CONNECTOR ASSEMBLY, OIL PUMP, 4.8in. h x 0.9in. wd x 2.6in. deep	FV454526	1	With valve seat

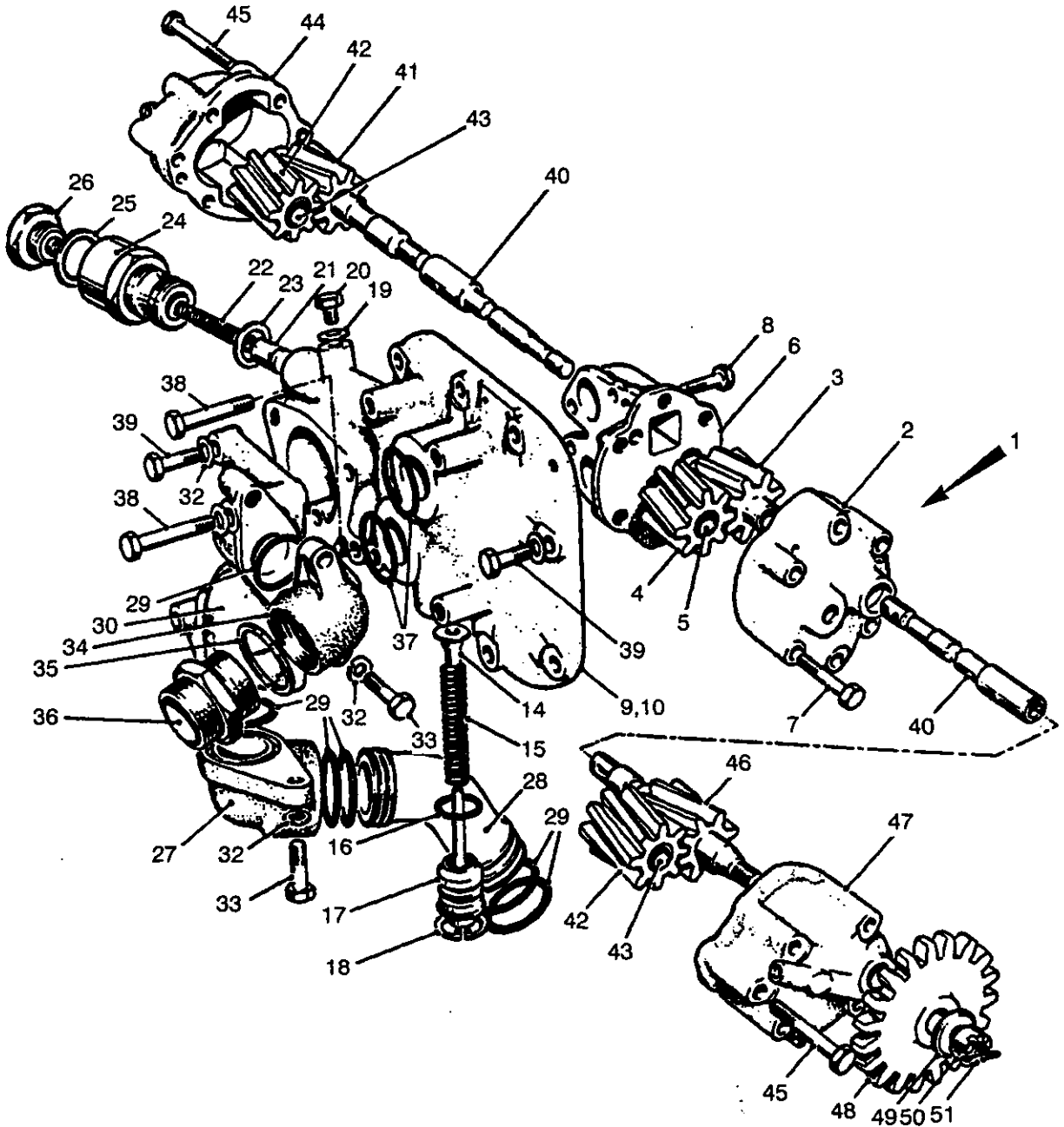


Fig 13 Oil pumps

430/70012

Fig Item	Man Code Navy - N Army - A RAF - R	NATO Stock No	Item Name and Description	Part No/ Drawing No.	No. Off	Annotations
13-			POWER UNIT, DIESEL - contd . ENGINE, DIESEL - contd . . OIL PUMPS - contd . . . CONNECTOR OIL ASSEMBLY - contd			
NI 82	A G1	5340-99-580-5496 INSERT, SCREW THREAD, UNF, cres, 5/16 -24 x 36/64in. lg	AS6733-33	3	
NI 83	A 10	4820-99-808-1253	. . . VALVE, NON-RETURN, steel, 1.35in. dia valve x 1.6in. lg, flat seat	FV454532	1	
NI 84	A 10	5360-99-808-0859	. . . SPRING, HELICAL, COMPRESSION, steel, phos, 2.085 x 1.062in. free od, 8 coils, 6 active, rh helix	FV454535	1	
NI 85	A 10	5330-99-808-1254	. . . RING, SEALING, TOROIDAL, syn rubber, 65 - 75 deg, 0.07 x 1.25in. id	FV454522	2	Bobbin, non- return valve
NI 86	A 10	2815-99-808-0860	. . . GUIDE, VALVE HEAD, steel, 1-3/8in. lg x 1.49in. max od	FV454528	1	
NI 87	A 10	5330-99-808-1256	. . . RING, SEALING, TOROIDAL, syn, rubber, 65 - 75 deg, 0.103 x 1.487in id	UE33064	2	Block to cover
NI 88	A 10	5330-99-808-1255	. . . RING, SEALING, TOROIDAL, syn rubber, 65 - 75 deg, 0.7 x 1.364in. id	FV453919	1	
NI 89		NP	. . . PLATE, RETAINING, ELBOW, steel, painted, 3/16 x 1-27/64in. h	FV454217	1	
NI 90	A G1	5305-99-941-6545	. . . SCREW, MACHINE, UNF, steel, zinc P w/chromate, hex hd, 5/16 x 5/8in. lg, class 2A		1	Retaining elbow
NI 91	A G1	5305-99-120-3307	. . . SCREW, MACHINE, UNF, steel, zinc P w/chromate, hex hd, 5/16 x 2in. lg, class 2A		1	Elbow to gearcase
NI 92	A G1	5310-99-941-8386	. . . WASHER, FLAT, steel, zinc P w/chromate, rd, 5/8 x 5/16 x 0.072in. thk		8	
NI 93	A G1	5305-99-941-6290	. . . SCREW, MACHINE, UNF, steel, zinc P, w/chromate, hex hd, 5/16 x 1-1/4in. lg, class 2A		7	Block to cover and elbows
NI 94	A G1	5306-99-941-8003	. . . BOLT, MACHINE, UNF, steel, zinc P, 5/16in. x 2-1/2in. lg, hex hd, 7/8in. thd lg		3	
NI 95		NP	. . . BOLT, MACHINE, UNF, steel, zinc P w/chromate, hex hd, 1.125 x 0.875in. thd lg		8	Filter bowl to cover
NI 96	A 10	3040-99-866-7369	. . . SHAFT, SHOULDERED, driving shaft, scavenge pump	FV451287	2	
NI 97	A 10	2815-99-808-1066	. . . GEARSHAFT, HELICAL, front oil scavenge pump	FV668180	1	Scavenge pump
NI 98	A 10	2815-99-808-1067	. . . GEAR, HELICAL, oil scavenge pump	FV668181	2	
NI 99		NP BUSHING, SLEEVE, driven gear	FV451290	2	
NI 100	A 10	2815-99-866-7353	. . . CASING, OIL PUMP, scavenge pump, front half	FV451321	1	Scavenge pump front
NI 101	A G1	5306-99-941-6585	. . . BOLT, MACHINE, UNF, steel, zinc P, hex hd, 2A, 1/4in. dia x 2-1/2in. lg		12	Scavenge pump to crankcase
NI 102	A 10	3040-99-808-1331	. . . GEARSHAFT, HELICAL, steel, 1 gear, 1-1/16 x 6-1/4in. lg	FV668424	1	
NI 103	A 10	2815-99-866-7352	. . . CASING, OIL PUMP, scavenge pump - rear	FV451322	1	Scavenge pump rear
NI 104	A 10	3020-99-866-7377	. . . GEAR, SPUR, steel, 19 teeth, 3-37/64 x 43/64in. lg	FV451292	1	
NI 105	A 10	3120-99-801-3519	. . . WASHER, THRUST, steel, 7/16 x 5/16 x 0.150in. thk	FV453338	1	

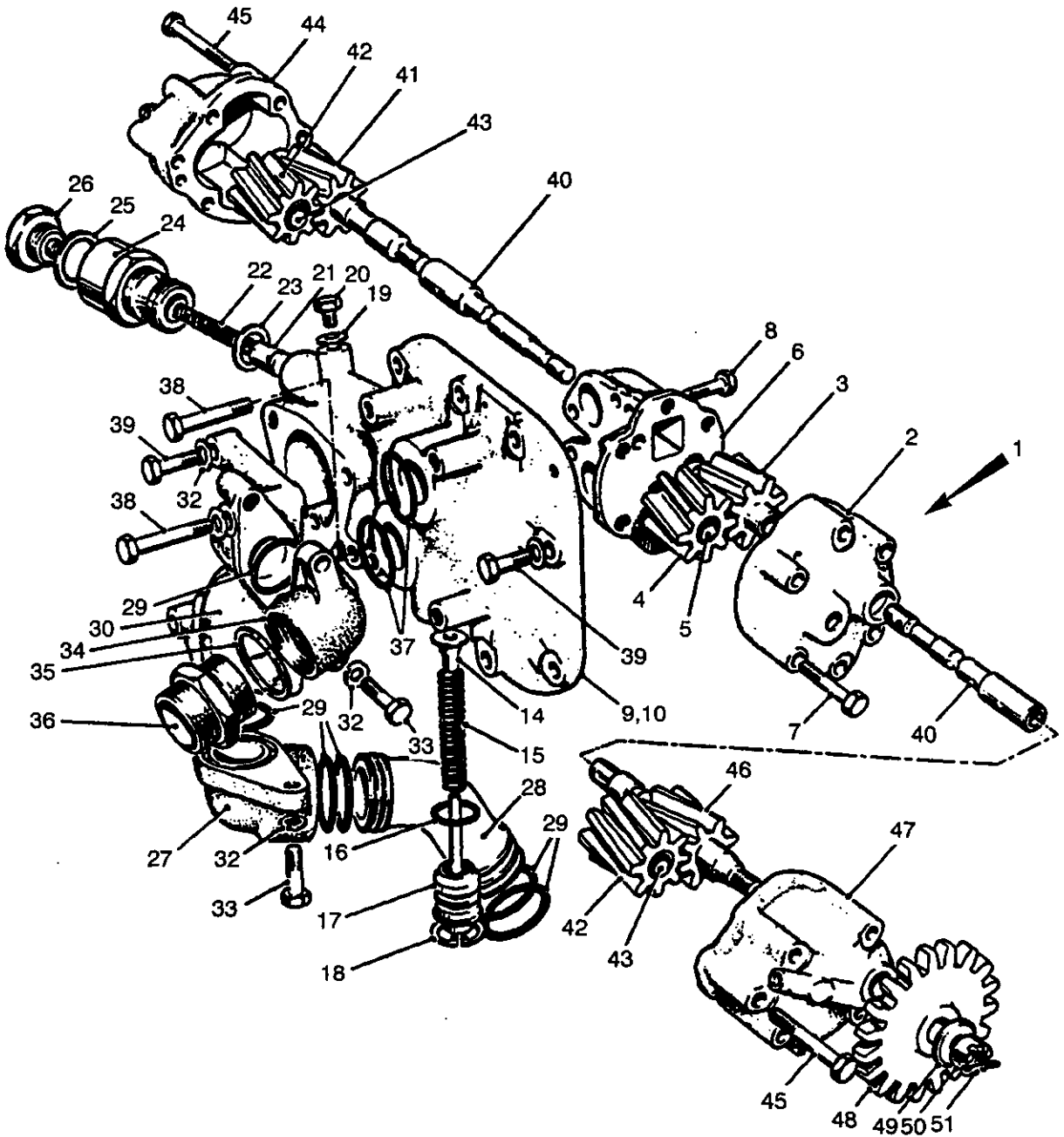


Fig 13 Oil pumps

430/70012

Fig Item	Man Code Navy - N Army - A RAF - R	NATO Stock No	Item Name and Description	Part No/ Drawing No.	No. Off	Annotations
13-			POWER UNIT, DIESEL - contd ENGINE, DIESEL - contd OIL PUMPS - contd			
NI 106	A G1	5310-99-941-0883	NUT, SLOTTED, HEXAGON, UNF, steel, zinc P, 7/16 x 11/16 x 3/8in. h, chamfered, grade 3 nut		1	
NI 107		NP	PIN, COTTER, SPLIT, steel, phos, 3/32 x 7/8in. lg	11-454-3-22-5725	1	
NI 108		NP	OIL PUMPS	FV668224	1	
NI 109	A 10	2815-99-808-1301	PUMP, ROTARY, POWER DRIVEN, oil pressure pump	FV453914	1	
NI 110	A 10	2815-99-866-7349	BODY, PRESSURE PUMP, lubrication system	FV451284	1	
NI 111	A 10	3040-99-866-9568	GEARSHAFT, SPUR, driver, oil pressure pump	FV451273	1	
NI 112	A 10	3020-99-866-7347	GEAR, SPUR, pressure pump drive	FV451285	1	
NI 113		NP	BEARING, SLEEVE, copper Al, plain, 1.414 x 0.6265 x 5005in. id	FV149357	1	
NI 114	A 10	2815-99-808-1302	HOUSING, MECHANICAL, cast iron	FV453907	1	
NI 115	A G1	5306-99-941-6584	BOLT, MACHINE, UNF, steel, zinc P, hex hd, 2A, 1/4in. - 28 x 2in. lg		6	Body to casing
NI 116	A G1	5306-99-941-6583	BOLT, MACHINE, UNF, 1/4 x 1-3/4in. lg, steel, zinc P, hex hd, class 2A		4	Pump to main cover
NI 117		NP	COVER ASSEMBLY, OIL PRESSURE PUMP	FV668603	1	
NI 118		NP	COVER ASSEMBLY, OIL PRESSURE PUMP	FV668602	1	
NI 119	A 10	2815-99-808-0856	GUIDE PIN ASSEMBLY, RELIEF VALVE, steel, 1.175 x 0.184 x 3.675in. lg	FV668217	1	
NI 120	A 10	5330-99-866-7359	RING, SEALING, TOROIDAL, syn rubber, 0.143 x 0.865in. id	LC212	2	
NI 121	A 6MT1	5365-99-910-8283	RING, RETAINING, steel, phos, 3/64 x 1-3/16 x 1-1/4 x 0.053in. groove wd	1300-1 3-161N	1	
NI 122	A 10	4820-99-866-9564	VALVE HEAD	FV452705	1	Relief valve
NI 123	A 10	5360-99-866-7357	SPRING, HELICAL, steel, 3.126 x 0.642in. free od, 20	FV450887	1	
NI 124	A 10	2815-99-808-0858	BLOCK CONNECTING, OIL			Non-return valve
NI 125	A 10	4820-99-808-1253	VALVE, NON-RETURN, steel, 1.35 x 1.6in. lg, flat seat	FV454532	1	
NI 126	A 10	5360-99-808-0859	SPRING, HELICAL, COMPRESSION, steel, phos, 2.085 x 1.062in. free od, 8 coils, 6 active, 0.948in. id	FV454535	1	
NI 127	A 10	2815-99-808-0860	GUIDE, VALVE HEAD, steel, 1-3/8in. lg, 1.49in. max od	FV454528	1	
NI 128	A 10	5330-99-808-1254	RING, SEALING, TOROIDAL, syn rubber, 65 - 75, 0.07 x 1.24in. id	FV454522	2	
NI 129	A 10	5330-99-808-1256	RING, SEALING, TOROIDAL, syn rubber, 65 - 75 deg, 0.103 x 1.487in. id	UE33064	3	
NI 130	A 10	4730-99-808-1258	ADAPTOR OIL PIPE, aluminium, painted, female, 1-1/2in. id, flange w/2 11/32in. dia 2nd end	FV454010	1	Oil transfer pipe to connecting box
NI 131		NP	BOLT, MACHINE, UNF, steel, hex hd, zinc P, 5/16 x 1-1/8in.		3	
NI 132		NP	PLATE, RETAINING, ELBOW, steel, painted, 3/16 x 1-7/8 x 1-27/64in. h, w/mtg hole	FV454217	1	

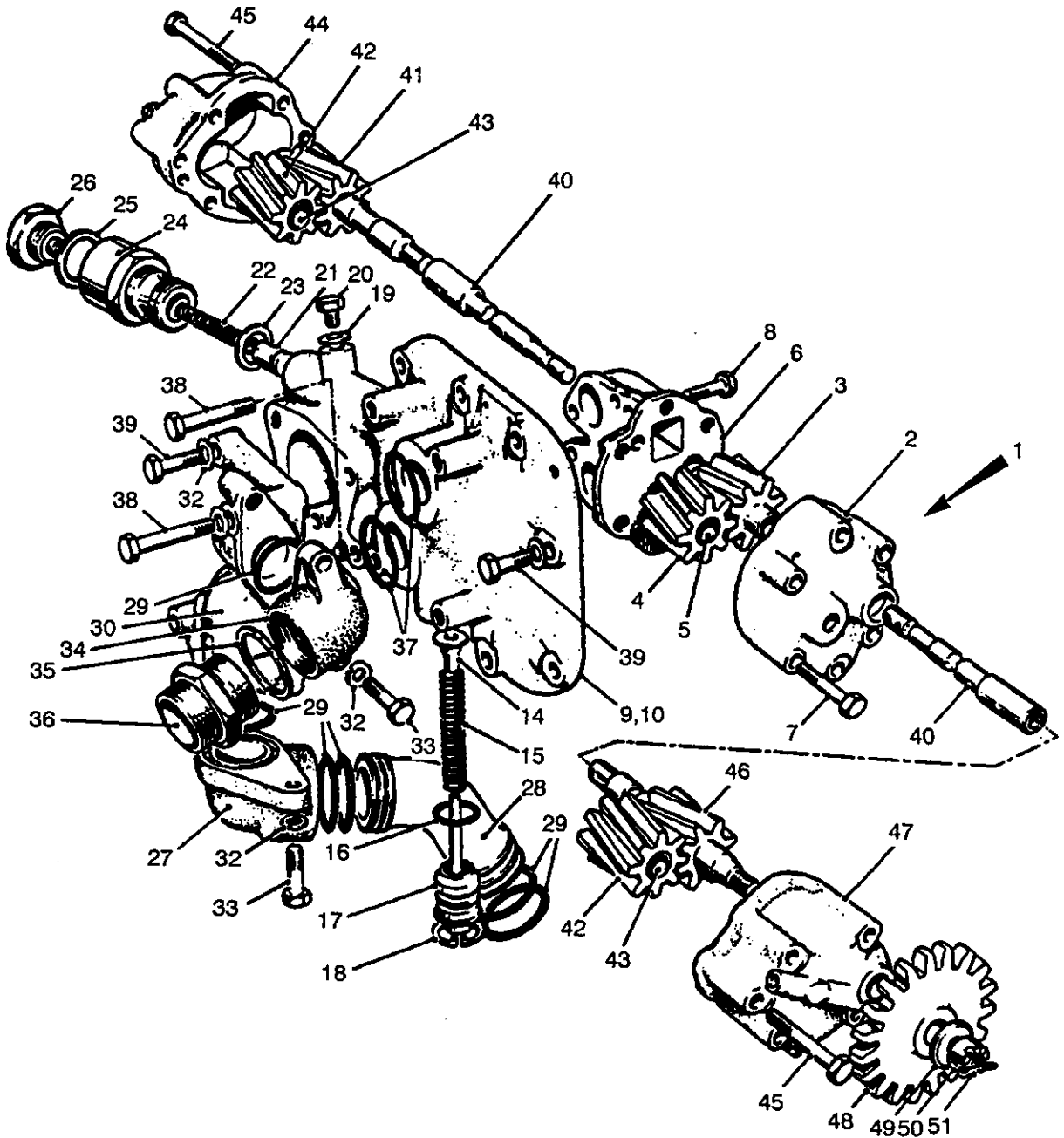


Fig 13 Oil pumps

430/70012

Fig Item	Man Code Navy - N Army - A RAF - R	NATO Stock No	Item Name and Description	Part No/ Drawing No.	No. Off	Annotations
13-			POWER UNIT, DIESEL - contd . ENGINE, DIESEL - contd . . OIL PUMPS - contd			
NI 133	A G1	5305-99-941-6545	. . . SCREW, MACHINE, UNF, steel, zinc P w/chromate, hex hd, 5/16 x 5/8in. lg, class 2A		1	
NI 134	A 10	2815-99-808-1257	. . . PIPE, OIL TRANSFER, aluminium, 1-1/4 x 1.85in. centre to end, 62 deg	FV454012	1	Connecting block to sump
NI 135	A 10	5330-99-808-1255	. . . RING, SEALING, TOROIDAL, syn rubber, 65 - 75 deg, 0.7 x 1.364in. id	FV453919	1	
NI 136	A G1	5306-99-941-8003	. . . BOLT, MACHINE, UNF, steel, zinc P, 5/16in. x 2-1/2in. lg, hex hd, 7/8in. thd lg		3	} Connecting block to cover
NI 137	A G1	5305-99-941-6290	. . . SCREW, MACHINE, UNF, steel, zinc P w/chromate, hex hd, 5/16 x 1-1/4in. lg, class 2A		1	
NI 138		NP	. . . WASHER, FLAT	UA1252	6	
NI 139	A 10	3040-99-866-7369	. . . SHAFT, SHOULDERED, driving shaft, scavenge pump	FV451287	1	
NI 140	A 10	2815-99-808-1066	. . . GEARSHAFT, HELICAL, front oil scavenge pump	FV668180	1	
NI 141	A 10	2815-99-808-1067	. . . GEAR, HELICAL, oil scavenge pump	FV668181	1	
NI 142		NP	. . . BUSHING, SLEEVE, copper Al, 1.714 x 0.6265 x 0.5005in. id, plain, no outside flanges	FV451290	2	
NI 143	A 10	2815-99-866-7353	. . . CASING, OIL PUMP, scavenge pump, front half	FV451321	1	
NI 144	A 10	3040-99-808-1331	. . . GEARSHAFT, HELICAL, steel, 1 gear, 1-1/16 x 6-1/4in. lg	FV668424	1	
NI 145	A 10	2815-99-866-7352	. . . CASING, OIL PUMP, scavenge pump - rear	FV451322	1	Scavenge pump rear
NI 146	A 10	3020-99-866-7377	. . . GEAR, SPUR, steel, 19 teeth, 5/8 x 3-37/64 x 43/64in. lg	FV451292	1	
NI 147	A 10	3120-99-801-3519	. . . WASHER, THRUST, steel, 7/16 x 15/16 x 0.150in. thk	FV453338	1	
NI 148	A 10	5310-99-941-0883	. . . NUT, SLOTTED, HEXAGON, UNF, steel, zinc P, 7/16 x 11/16 x 3/8in. h, chamfered, grade 3 nut		1	
NI 149		NP	. . . PIN, COTTER, SPLIT, steel, phos, 3/32 x 7/8in. lg		1	

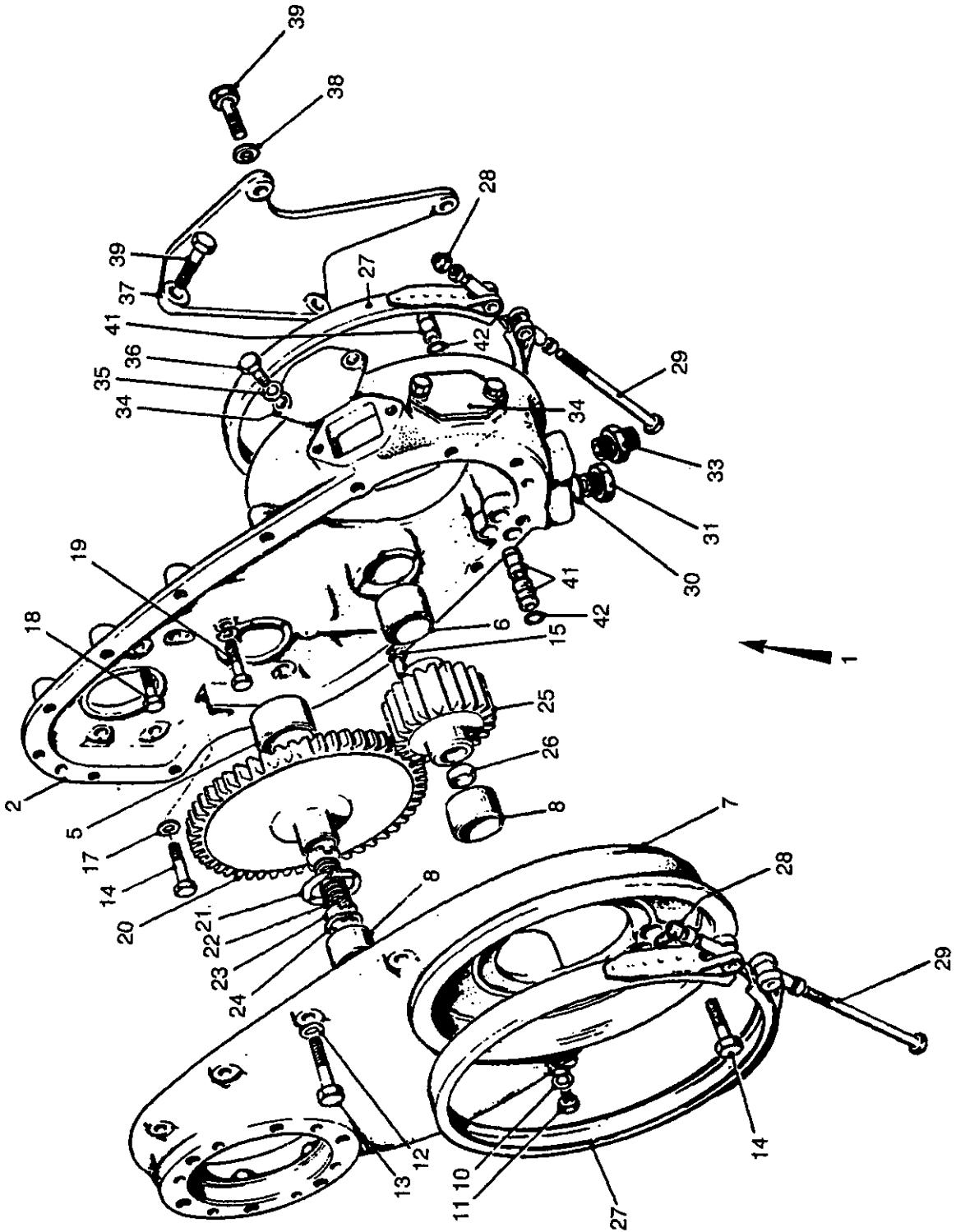


Fig 14 Alternator drive and mounting

430/70013

Fig Item	Man Code Navy - N Army - A RAF - R	NATO Stock No	Item Name and Description	Part No/ Drawing No.	No. Off	Annotations
14-			POWER UNIT, DIESEL - contd ENGINE, DIESEL - contd			
		NP	ALTERNATOR DRIVE AND MOUNTING		REF	
1		NP	HOUSING, MECHANICAL DRIVE, alternator	FV668432	1	
2		NP	CASING, front assy	FV454127	1	
NI 3	A G1	5340-99-580-5491	INSERT, SCREW, THREAD, cres, 1/4 -28 UNF, 19/64 x 31/64in. lg, notched, coil wire	AS6733-32	2	
NI 4	A G1	5340-99-580-5496	INSERT, SCREW, THREAD, UNF, cres, 5/16 -24 X 36/64in. lg	AS6733-33	16	
5	A 10	3120-99-866-7515	BEARING, SLEEVE, steel, 0.6675 x 1.6905 x 1.4905in. id	FV452255	1	
6	A 10	3120-99-866-7186	BEARING, SLEEVE, steel/tin Al, 1-41/64 x 1-1/4 x 1-7/64in. id, plain, inside groove	FV452256	1	
7		NP	CASING, rear assy	FV668931	1	
8	A 10	3120-999-866-7186	BEARING, SLEEVE, steel/tin Al, 1-41/64 x 1-1/4 x 1-7/64in. id, plain, inside groove	FV452256	2	
NI 9	A G1	5340-99-580-5496	INSERT, SCREW THREAD, UNF, cres, 5/16 -24 x 36/64in. lg	AS6733-33	6	
10	A 10	5310-99-865-1474	WASHER, FLAT, aluminium, rd, 0.4 x 0.028in. matl thk, x 0.25in. id	XB1076	3	Oil feed passage
11	A G1	5305-99-941-7062	SCREW, MACHINE, UNF, steel, zinc P, 2A, 1/4in. -28 x 3/8in. lg		3	
12	A G1	5310-99-941-8386	WASHER, FLAT, steel, zinc P w/chromate, rd, 5/8 x 5/16 x 0.072in. thk		16	Casing front to rear
13	A G1	5306-99-941-6589	BOLT, MACHINE, UNF, steel, zinc P, 2A, 5/16 x 1-3/8in. lg, 7/8in. thd lg		10	
14	A G1	5306-99-941-0166	BOLT, MACHINE, UNF, steel, hex hd, 2A, 5/16in. -24 x 1-1/8 x 7/8in. thd lg		6	
15	A 10	5330-99-866-7542	RING, SEALING, TOROIDAL, rubber, 7/64in. x 23/64in. id	CK616	1	
NI 16	A 10	2815-99-811-8720	COUPLING, SHAFT, RIGID, steel, 1.49in. od, 1.525in. lg, int spline	FV453828	1	
17	A G1	5310-99-941-8386	WASHER, FLAT, steel, zinc P w/chromate, rd, 5/8 x 5/16 x 0.072in. thk		1	
18	A G1	5305-99-941-6547	SCREW, MACHINE, UNF, 5/16in. dia, 2A, steel, zinc P w/chromate, 7/8in. lg, hex hd		2	Casing to crankcase int
19	A G1	5306-99-941-0166	BOLT, MACHINE, UNF, steel, hex hd, 2A, 5/16in. -24 x 1-1/8 x 7/8in. thd lg		7	
20	A 10	2815-99-808-1293	GEAR, SPUR, steel, 3-37/64 x 6-9/16 x 7/8 x 33/64in. id	FV453829	1	Generator drive
21	A 10	3120-99-866-7154	WASHER, THRUST, steel, 1-1/4 x 1-5/8 x 3/3in. thk	FV452394	1	Driven gear
22	A 10	5360-99-808-1294	SPRING, HELICAL COMPRESSION, steel, phos, 0.952 x 1.379in. free od, 6 coils, 4 active	FV453827	1	
23	A 10	2920-99-866-7153	DISC, DAMPER SPRING, steel, 27/32in. od, 12 swg thk	FV450792	2	

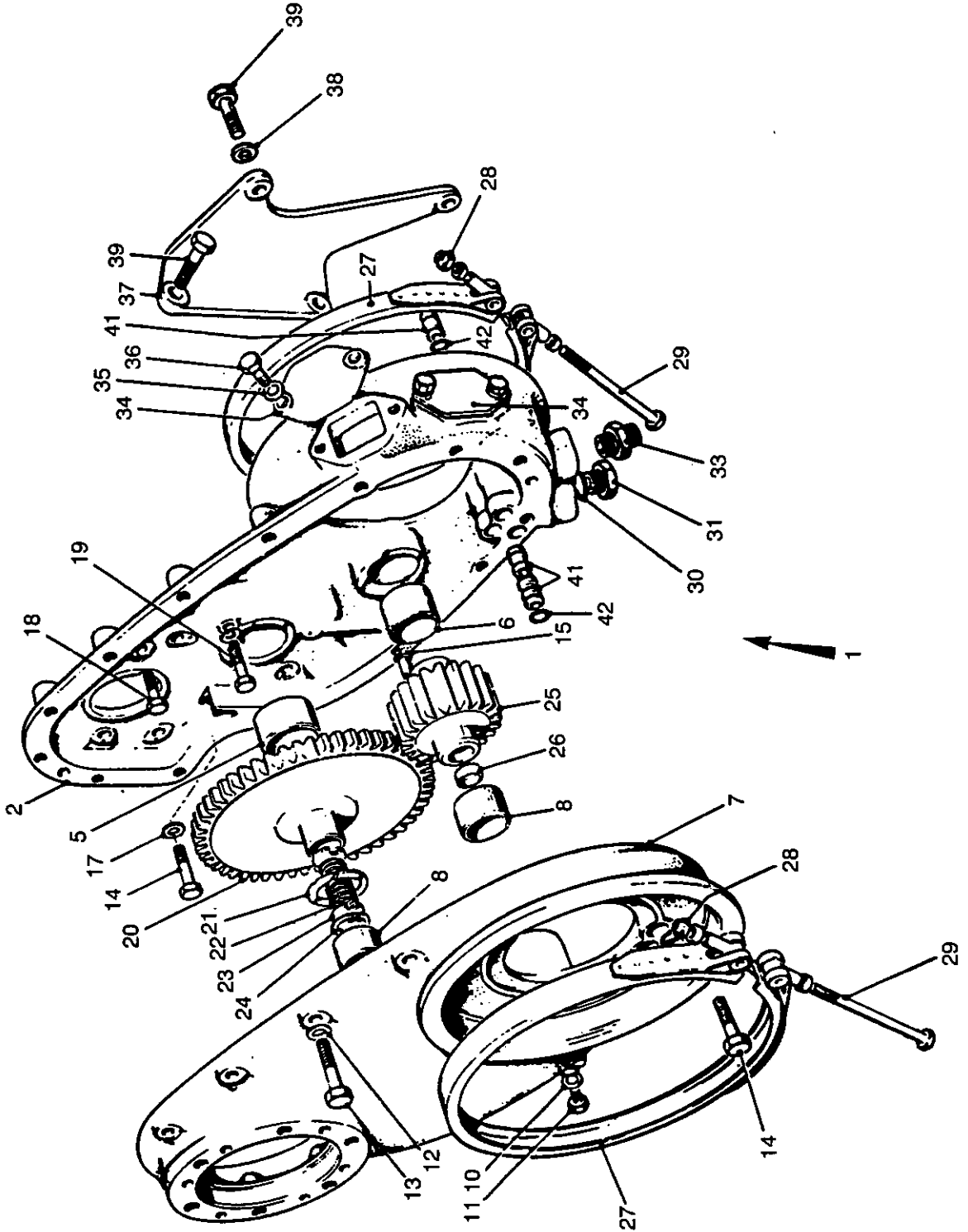


Fig 14 Alternator drive and mounting

430/70013

Fig Item	Man Code Navy - N Army - A RAF - R	NATO Stock No	Item Name and Description	Part No/ Drawing No.	No. Off	Annotations
14-			POWER UNIT, DIESEL - contd ENGINE, DIESEL - contd ALTERNATOR DRIVE AND MOUNTING - contd HOUSING, MECHANICAL DRIVE - contd			
24	A 10	5365-99-865-2024	RING, RETAINING, steel, 0.0394 x 0.969in. od	AGS2030-22	1	
25	A 10	3020-99-866-7150	GEAR, SPUR, idler assembly, alternator drive	FV451703		Idler
26	A 10	5340-99-866-7494	PLUG, EXPANSION, steel, Cd P, 41/64 x 7/32 x 1/32in. matl thk, 0.594in. small dia	FV148804	2	
27	A 10	5340-99-866-7156	CLAMP, RIM CLENCHING, alternator fixing	FV451644	2	
28	A G1	5310-99-941-3520	NUT, SELF-LOCKING, HEXAGON, UNF, cres, 1/4 x 7/16 x 9/31in. h		2	
29	A G1	5306-99-941-9043	BOLT, MACHINE, UNF, steel, Cd P, hex hd, 2A, 1/4in. -28 x 3-3/4 x 3/4in. thd lg		2	
30	A 10	5365-99-865-1488	SPACER, RING, aluminium, rd, 1.075 x 0.036 x 0.875in. hole dia	XB1092	1	
31	A 10	4730-99-866-7184	INVERTED NUT, TUBE COUPLING, steel, Cd P, hex, 7/8 x 11/16 x 1in. lg	FV450619	1	
NI 32		NP	SPACER, RING	XB1091	1	u/w item 33
33	A 10	4730-99-866-7185	ADAPTOR, STRAIGHT, PIPE TO TUBE, steel	UA5831	1	
34	A 10	5340-99-866-7157	COVER, ACCESS, aluminium, 3-21/64 x 1-61/64 x 3/8in. thk	FV149376	2	
35	A G1	5310-99-941-7072	WASHER, FLAT, steel, Cd P, rd, 1/4 x 9/16 x 0.056in. thd		4	} Inspection covers
36	A G1	5305-99-941-0513	SCREW, MACHINE, UNF, steel, zinc P, hex hd, 1/4 x 3/4in. lg		4	
37	A 10	2920-99-866-7505	BRACKET, ENGINE ACCESSORY GENERATOR, steel, 8-31/32 x 4-1/16 x 1-17/32in. h	FV450302	1	
38	A G1	5310-99-941-8635	WASHER, FLAT, steel, zinc P, rd, 3.4 x 25/64 x 0.072in. thk		2	} Bracket to crankcase and generator
39	A G1	5305-99-941-6550	SCREW, MACHINE, UNF, 3/8 x 1in. lg, steel, zinc P w/chromate, hex hd, 2A thd		2	
NI 40	A G1	5315-99-138-2207	PIN, COTTER, SPLIT, steel, phos, 2.5 x 50mm, lg		1	Elbow adaptor
41	A 10	2920-99-866-7504	BOBBIN TRANSFER, OIL FEED, duralumin, 9/32in. x 1/2in. x 23/32in. lg	FV450308	6	
42	A 10	5330-99-866-7503	RING, SEALING, TOROIDAL, rubber, 0.07in. x 0.364in. id	CK826	12	

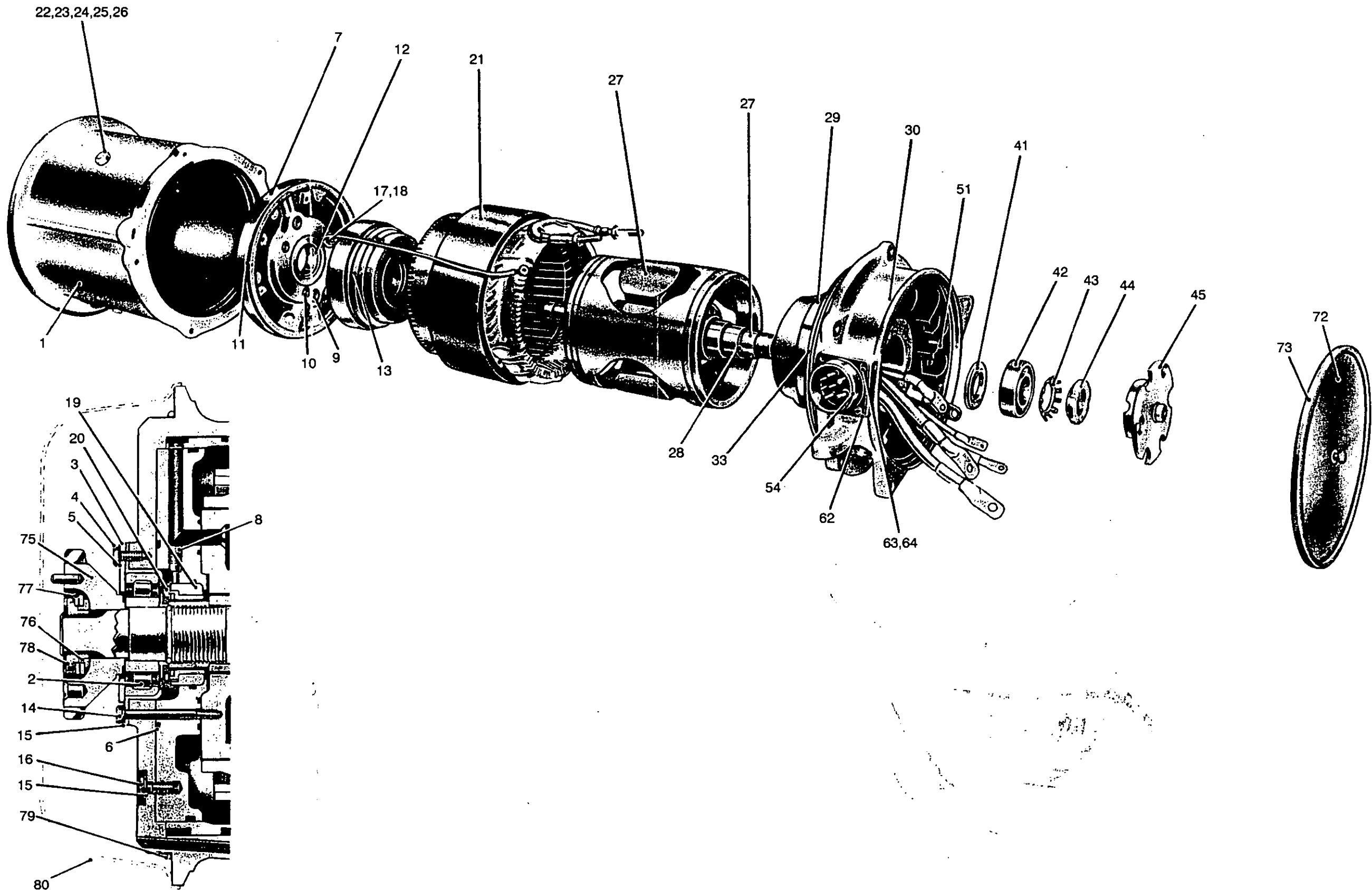


Fig 15 Generator, alternating current

430/70014

Fig Item	Man Code Navy - N Army - A RAF - R	NATO Stock No	Item Name and Description	Part No/ Drawing No.	No. Off	Annotations
15-			POWER UNIT, DIESEL - contd . ENGINE, DIESEL - contd			
1	A	9ACR	6115-99-881-6218 . . . GENERATOR, ALTERNATING CURRENT, alternator assembly, No. 1 MK 1	FV342586	2	
2	A	46MT7	3110-99-806-0465 . . . BEARING, PARALLEL ROLLER, JOURNAL, 1 x 2-1/4 x 5/8in. o/a wd, w/machined brass cage	LLRJ1MC3	1	
3	A	46MT4	6125-99-881-6219 . . . PLATE, RETAINING, BEARING, mild steel, 3-1/2 x 1-1/2 x 3/32in. h	W166673	1	
4	A	6MT4	5305-99-198-4428 . . . SCREW, MACHINE, UNF, steel, hex, 7/16 x 15/32in. lg	NU1504	3	
5	A	G1	5310-99-940-3514 . . . WASHER, FLAT, steel, rd, 2BA, 0.0386 x 0.032in. thk	PNK7058	3	
6	A	46MT1	5330-99-215-4023 . . . RING, SEALING, TOROIDAL, rubber, 70 deg, 9/64 x 3-23/64in. id	96715237	1	
7	A	46MT4	6125-99-881-6274 . . . OIL TRANSFER PLATE ASSEMBLY, plate and inserts	W165350	1	
8	A	46MT4	6125-99-881-6273 . . . OIL, ATTENUATOR ASSEMBLY, assembly	W166633	1	
9	A	46MT1	5330-99-215-3657 . . . RING, SEALING, TOROIDAL, rubber, 70 deg, 5/64 x 1/2in. id	96715014	2	
10	A	46MT1	5330-99-611-9586 . . . RING, SEALING, TOROIDAL, fluorocarbon, 70 deg, 0.070 x 0.364in. nom id	7980135301 2	3	
11	A	46MT1	5330-99-339-4355 . . . RING, SEALING, TOROIDAL, rubber, 70 deg, 9/64 x 6-31/64in. id	96715260	1	
12	A	46MT2	5330-99-322-3168 . . . RING, SEALING, TOROIDAL, rubber, 70 deg, 5/64 x 1-55/64in. id	96715032	1	
13	A	46MT4	6125-99-881-6220 . . . YOKE AND WINDINGS, drive end	W166740	1	
14		NP	. . . BOLT, MACHINE	PNU1518	3	
15	A	G1	5310-99-940-3514 . . . WASHER, FLAT, steel, rd, 2BA, 0.0386 x 0.032in. thk	PNK7058	9	
16	A	6MT4	5305-99-198-4428 . . . SCREW, MACHINE, UNF, steel, hex, 7/16 x 15/32in. lg	NU1504	6	
17	A	9ACR	5305-99-139-2393 . . . SCREW, MACHINE, UNC, steel, Cd P w/chromate, 2A, 3/16 x 5/16in. lg hex hd	PNU1301	3	} Cable clip
18	A	G1	5310-99-941-6869 . . . WASHER, FLAT, steel, Cd P, rd, 19/64 x 0.028in. thk	COM656S5	3	
19	A	46MT1	2920-99-789-8484 . . . SEAL, PRESSURE, steel, carbon faced, 1-1/4 x 1-7/8 x 3/4in. wd, spring loaded	716-520- BD-NCG- BAA	1	Seal ltd
20	A	46MT4	6125-99-881-6223 . . . COLLAR, LUBRICATION, steel, viton bonding, 1 x 3/16in. wd	W166678	1	
21	A	46MT4	6125-99-881-6226 . . . STATOR, MOTOR - GENERATOR, assembly	W167714	1	
22	A	46MT4	5330-99-881-6050 . . . GASKET, syn rubber, rd, 3/8 x 3/16in. id	W165364	3	
23	A	46MT4	5310-99-881-6279 . . . WASHER, KEY, steel, 13/32 x 1/32 x 13/16 x 11/16in. lg	W166945	3	
24	A	46MT4	3120-99-881-6278 . . . BUSHING, SLEEVE, steel, 23/64 x 3/8 x 13/64in. id	W165363/1	3	
25	A	G1	5310-99-941-6653 . . . WASHER, LOCK, steel, Cd P, split helical ring, 2BA, 3/64 x 25/64in. od	NK7203	3	
26	A	G1	5306-99-941-9567 . . . BOLT, MACHINE, UNF, 2A, 29/32 x 1/2in. thd lg, hex hd	PNU1510	3	
27	A	9ACR	6125-99-881-6222 . . . SHAFT AND ROTOR ASSEMBLY	W169469	1	
28	A	6MT1	5330-99-651-0634 . . . RING, SEALING, TOROIDAL, syn rubber, 0.070 x 0.926in. id	7980135302 1	2	Drive and rear ends

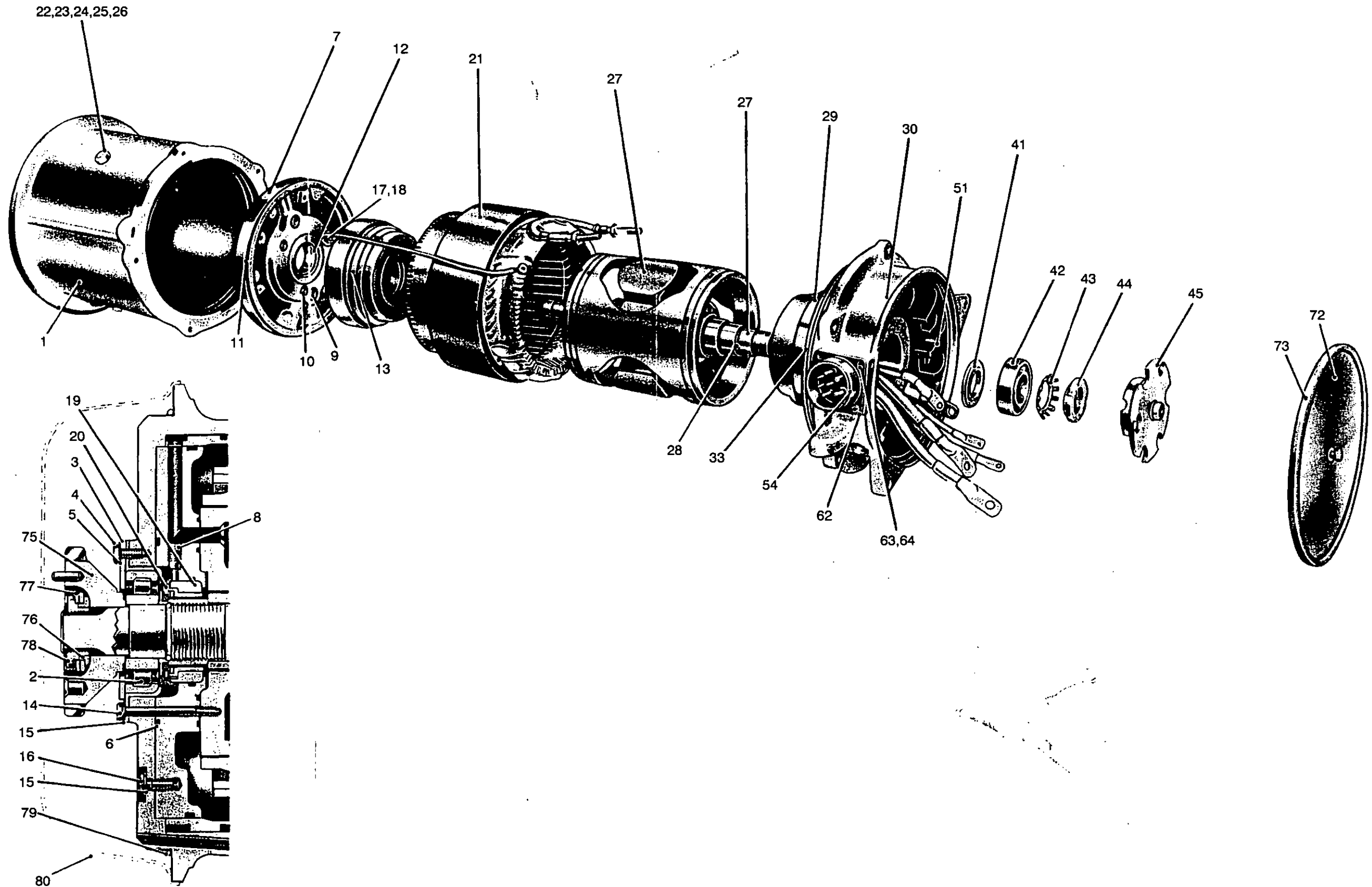


Fig 15 Generator, alternating current

Fig Item	Man Code Navy - N Army - A RAF - R	NATO Stock No	Item Name and Description	Part No/ Drawing No.	No. Off	Annotations	
15-			POWER UNIT, DIESEL - contd . ENGINE, DIESEL - contd . . GENERATOR, ALTERNATING CURRENT - contd				
29	A	46MT4	6125-99-881-6221	. . . YOKE AND WINDINGS, yoke and field coil assy, rear end	W167741	1	
30	A	46MT4	2920-99-808-2409	. . . END BELL, ELECTRICAL ROTATING EQUIPMENT, aluminium Al, 9-9/16 x 3-1/4in. dim	W83532	1	
NI 31	A	46MT1	5330-99-322-3168	. . . RING, SEALING, TOROIDAL, rubber, 70 deg, 5/64 x 1-55/64in. id	97615032	1	
NI 32	A	46MT1	5330-99-611-9589	. . . RING, SEALING, TOROIDAL, fluorocarbon, 70 deg, 0.70 x 0.551in. nom id	7980-1353- 015	1	
33	A	46MT4	5330-99-654-4921	. . . RING, SEALING, TOROIDAL, fluorocarbon, 70 deg, 0.139 x 6.734in. nom id	7980-1353- 261	1	
NI 34	A	46MT1	5330-99-795-0227	. . . RING, SEALING, TOROIDAL, rubber, 70 deg, 9/64 x 7-31/64in. id	96715264	1	
NI 35	A	46MT1	5330-99-350-6288	. . . RING, SEALING, TOROIDAL, rubber, 70 deg, 7/64 x 1-55/64in. id	96715134	1	
NI 36	A	46MT4	6125-99-881-6273	. . . OIL, ATTENUATOR ASSEMBLY, assembly	W166633	1	
NI 37	A	46MT4	5325-99-881-6277	. . . GROMMET, RUBBER, rubber, 29/64 x 21/32in. lg	W132047	1	
NI 38	A	G1	5306-99-941-9977	. . . BOLT, MACHINE, UNF, steel, hex hd, Cd P, No. 10 x 2-13/64in. lg, class 2A thd	PNU1523	3	} Yoke to rear bracket
NI 39	A	G1	5310-99-940-3514	. . . WASHER, FLAT, steel, rd, Cd P, 2BA, 0.386/0.391in. od x 0.032in. thk	PNK7058	3	
NI 40	A	46MT1	2920-99-789-8484	. . . SEAL, PRESSURE, steel, outer, carbon faced, 1-1/4 x 1-7/8 x 3/4in. wd, spring loaded	716-520- BD-NCG- BAA	1	Sealol ltd
41	A	46MT4	6125-99-881-6223	. . . COLLAR, LUBRICATION, steel, viton bonding, 1 x 3/16in. wd	W166678	1	
42	A	46MT7	3110-99-950-0054	. . . BEARING, BALL, ANNULAR, normal group, 15 x 25 x 52mm od	6205	1	
43	A	46MT4	5310-99-881-6271	. . . WASHER	W165339-6	1	
44	A	46MT4	5310-99-881-6270	. . . LOCK NUT	W165340-6	1	
45	A	46MT4	6125-99-881-6225	. . . PLATE, RETAINING, BEARING, mild steel, 3-1/2 x 1-1/16in. h	W166940	1	
NI 46	A	6MT4	5305-99-198-4428	. . . SCREW, MACHINE, UNF, steel, hex hd, 2A, 7/16 x 15/32in. lg	NU1504	3	
NI 47	A	G1	5310-99-940-3514	. . . WASHER, FLAT, steel, rd, Cd P, 2BA, 0.386/0.391in. od x 0.032in. thk	PNK7058	3	
NI 48	A	6MT4	6125-99-881-6250	. . . BOOT, DUST AND MOISTURE SEAL, syn rubber viton	W166941	1	
NI 49	A	G1	5305-99-941-0279	. . . SCREW, MACHINE, UNF, steel, hex hd, zinc P, 1/4 x 7/8in. lg, class 2A	255208	5	} End shield to frame
NI 50	A	46MT4	5310-99-881-4153	. . . WASHER	PNK7060	5	
51	A	46MT4	5940-99-881-6246	. . . TERMINAL BOARD, moulded w/one terminal, blank bakelite, natural finish	W169488	1	
NI 52	A	46MT4	5305-99-941-5243	. . . SCREW, MACHINE, 2A, scr 19/32 x 51/64in. lg, pan hd	A116-2E	2	
NI 53	A	46MT4	5310-99-881-4153	. . . WASHER	PNK7060	2	
54	A	46MT4	2590-99-818-4699	. . . PLUG AND LEAD ASSEMBLY, 7 leads, flanged plug each end, terminals on free ends, 7-1/4in. lg	W173199	1	
NI 55	A	46MT4	5935-99-800-9950	. . . PLUG, ELECTRICAL, 5MS, Al, fixed w/female shell, 28, orientation neutral	FV585029	1	
NI 56	A	46MT4	5940-99-881-6247	. . . TERMINAL LUG, solder/less, 1-5/8 x 16/32in. wd, ring, copper, tinned, 1 SWG	W169346	2	

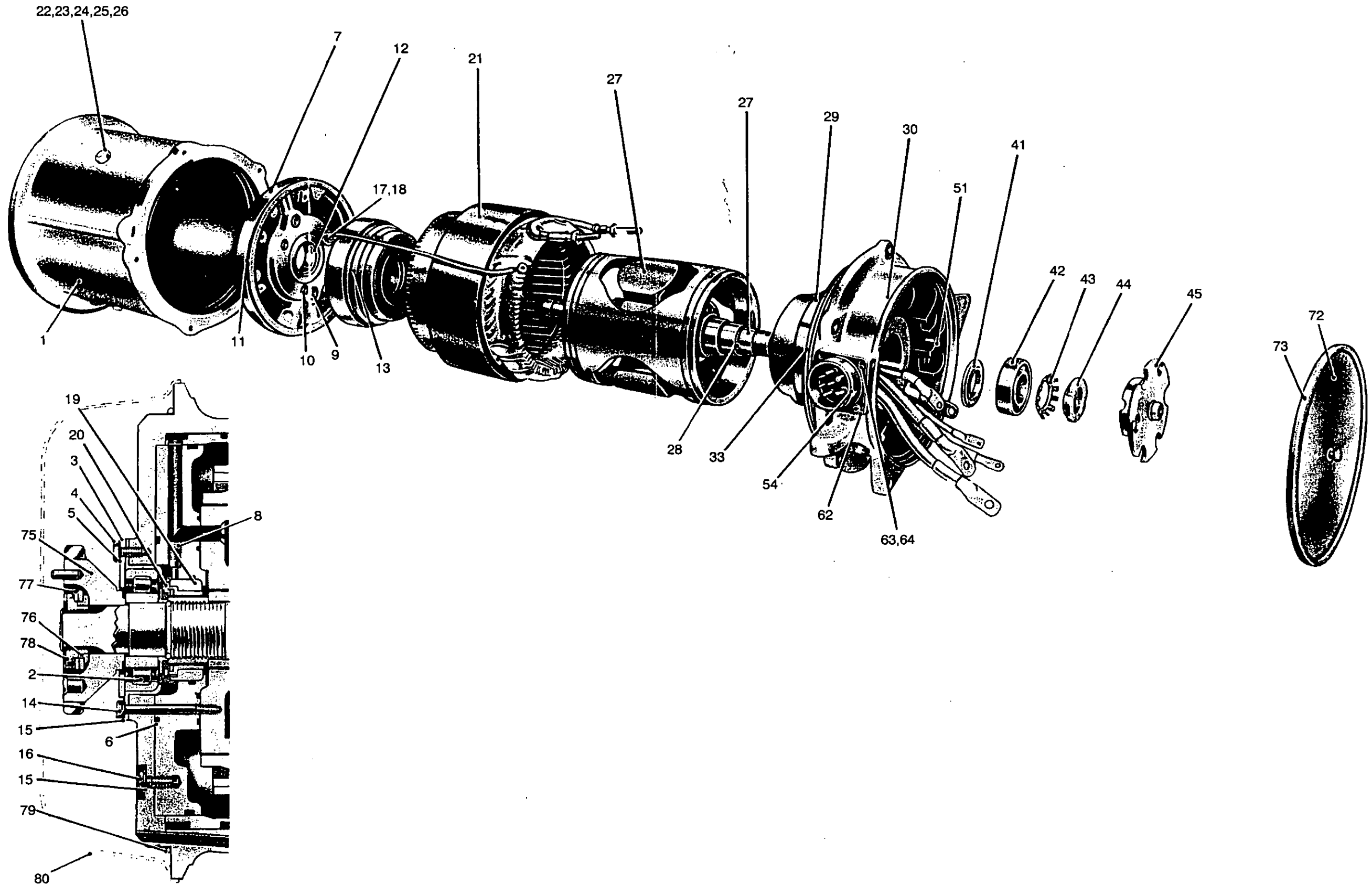


Fig 15 Generator, alternating current

430/70014

Fig Item	Man Code Navy - N Army - A RAF - R	NATO Stock No	Item Name and Description	Part No/ Drawing No.	No. Off	Annotations
15-			POWER UNIT, DIESEL - contd . ENGINE, DIESEL - contd . . GENERATOR, ALTERNATING CURRENT - contd . . . PLUG AND LEAD ASSEMBLY - contd			
NI 57	A	46MT4	5940-99-881-6249 TERMINAL LUG, solder/less, 1-7/16 x 15/32in. wd, ring, copper, tinned, 4 SWG	W169486	2	
NI 58	A	46MT4	5940-99-881-6248 TERMINAL LUG, solder/less, 1-1/8 x 11/32in. wd, ring, copper, tinned, 7 SWG	W169487	3	
NI 59	A	Y3	6145-99-946-8202 WIRE, ELECTRICAL, 110 strands, 0.0076in. strand dia, NP, rubber/glass, orange, single	EL1934	A/R	Unitersil 12
NI 60	A	Y3	6145-99-946-7178 WIRE, ELECTRICAL, 120, 0.012in., copper, single, NP, braided	CE300353	A/R	Unitersil 8
NI 61	A	Y3	6145-99-714-9714 WIRE, ELECTRICAL, 294, 0.012in. dia, copper, NP, plated and fiberglass	G189	A/R	Unitersil 4
62	A	Z2	5330-99-014-7139 GASKET, syn rubber, sq, 1.635 x 0.026 x 2.08in. sq, 4 bolt holes	FV585127	1	
63	A	G1	5305-99-941-8315 SCREW, MACHINE, 2A, fillister hd, 7/16in. lg	PF47611/31 4	4	
64	A	G1	5310-99-941-6869 WASHER, FLAT, steel, Cd P, rd, 19/64 x 0.028in. thk	COM656S5	4	
NI 65		NP WASHER, LOCK, phos B, double coil, 2BA	BS2061- 2BA TYPE C	1	} Terminal connection
NI 66		NP NUT, SELF-LOCKING HEXAGON, UNF, copper, 0.339 x 0.241in. h, rh	A103-GT	1	
NI 67		NP WASHER, LOCK, phos bronze, split double ring, 9/64 x 1/32 x 9/32in. od	B51117	2	Terminals G and H
NI 68	A	G1	5310-99-941-6677 WASHER, LOCK, phos bronze, split double ring, 1/4 x 0.465 x 0.048in. thk	BS2061-1-4 TYPE C	1	Terminal A
NI 69	A	G1	5310-99-941-6678 WASHER, LOCK, copper Al, split double ring, 21/64 x 3/64 x 37/64in. od	BS2061-5- 16 TYPE 3	2	Terminals C and B
NI 70	A	46MT1	4730-99-801-1932 NIPPLE, TUBE	FVS87-4	1	
NI 71	A	46MT4	5365-99-804-3569 SHIM, copper, solid, rd 1/2in. x 1/16in. thk	W170126	1	
72	A	46MT4	6125-99-881-6253 DISC AND DISTANCE PIECE ASSEMBLY	W166681/2	1	
73	A	46MT4	5330-99-881-6251 PACKING PREFORMED, rubber, 1/4 x 7-1/64 x 6-19/32in. dia	W169000	1	
NI 74	A	46MT4	2920-99-804-5949 COLLET, DRIVING GEAR, steel, 1-1/4in. od x 7/16in. wd	W178241	1	
75	A	46MT4	3020-99-807-0741 GEAR SPUR, generator drive, w/dowel pin	W184583	1	
76	A	46MT4	5310-99-804-5936 WASHER, SHOULDERED, steel, 15/16 x 1-1/4 x 9/32 x 1 x 5/64in. shoulder h, 5/64in. matl thk	W178243	1	
77	A	46MT4	5310-99-805-1385 WASHER, SPRING TENSION, steel, 1 x 1-1/2 x 1/8in. h	W178244	1	
78	A	46MT4	5310-99-804-5950 NUT, PLAIN, ROUND, 25/32in. -32 tpi	W178242	1	
79	A	46MT4	5330-99-957-1921 RING, SEALING TOROIDAL, fluorocarbon rubber, 70 deg, 0.139 x 7.734in. id	96715265	1	
80	A	46MT4	5340-99-881-6272 CAP, PROTECTIVE, DUST AND MOISTURE SEAL, mild steel, 9-23/64 x 9-5/16 x 5/32in. deep	W169354	1	} Storage and transit
NI 81	A	46MT4	6125-99-881-6280 COVER	W166946	1	

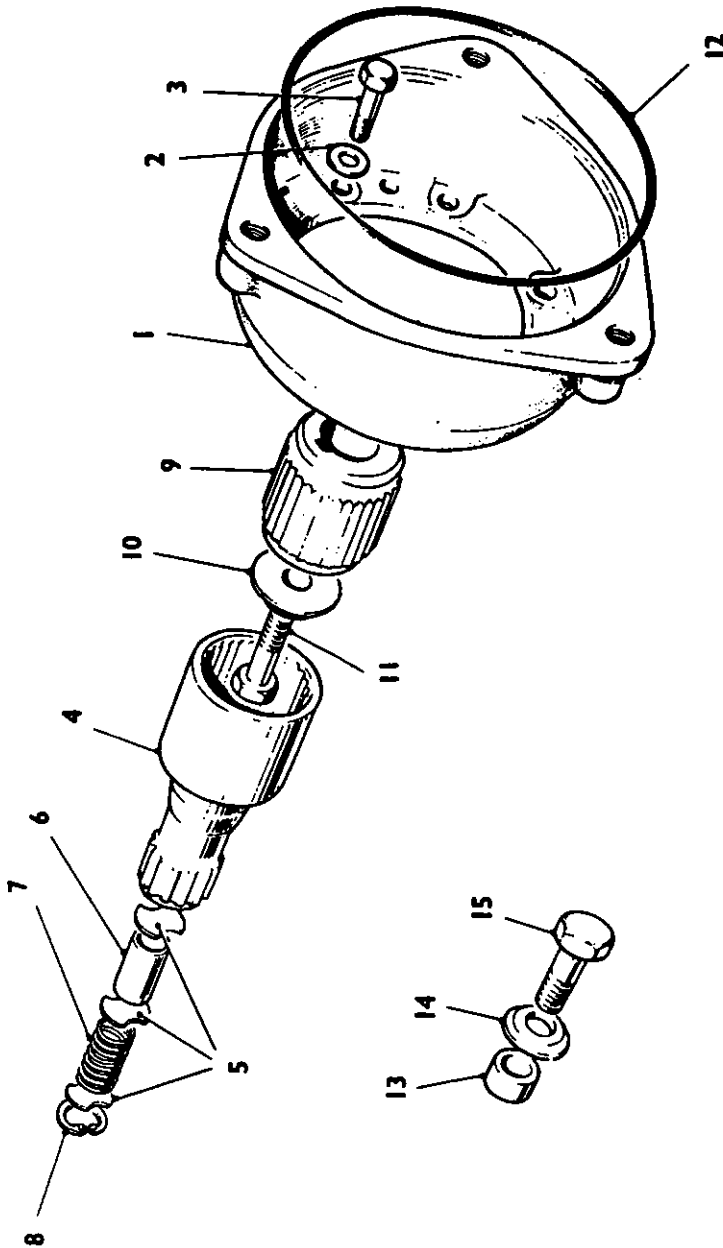


Fig 16 Hydraulic pump drive

430/70015

Fig Item	Man Code Navy - N Army - A RAF - R	NATO Stock No	Item Name and Description	Part No/ Drawing No.	No. Off	Annotations
16-			POWER UNIT, DIESEL - contd ENGINE, DIESEL - contd			
		NP	. . HYDRAULIC PUMP DRIVE	FV451030	REF	
1	A 10	2930-99-866-7423	. . ADAPTOR SUB ASSEMBLY, fan drive pump	FV451164	1	} Adaptor to drive casing
2	A G1	5310-99-941-8386	. . WASHER, FLAT, steel, zinc P w/chromate, rd, 5/8 x 5/16 x 0.072in. thk		6	
3	A G1	5306-99-941-0166	. . BOLT, MACHINE, UNF, steel, 2A thd, hex hd, 5/16in. -24 x 1-1/8 x 7/8in. thd lg		6	
4	A 10	2990-99-866-7428	. . SHAFT, SHOULDERED, steel, 4-59/64 x 2-1/64in. max dia	FV450440	1	
5	A 10	2815-99-866-7429	. . DISC, DAMPER SPRING, steel, 7/64 x 3/4 x 11/64in. rad, 2 grooves	FV149877	3	
6	A 10	5365-99-866-7430	. . SPACER, SLEEVE, steel, 1.435 x 0.75 x 0.725in. id	FV450289	1	
7	A 10	2990-99-866-7541	. . SPRING, HELICAL COMPRESSION, steel, 6-1/4 x 23/32 x 1-11/64in. lg	FV149724	1	Damper driveshaft
8	A 46MT1	5365-99-414-8221	. . RING, RETAINING, steel, phos coated, 3/64 x 25/32 x 53/64in. groove dia	AGS2030-15	1	
9	A 10	2815-99-866-7426	. . COUPLING, DRIVE SHAFT, HYDRAULIC PUMP, steel, 36 serrations, 1-25/32in. dia x 1 x 63/64 x 2in. lg	FV450269	1	
10	A 10	5310-99-866-7427	. . WASHER, SHOULDERED, steel, 11/32 x 1-19/64 x 27/64 x 5/8in. dia shoulder	FV450290	1	
11		NP	. . SCREW, MACHINE, steel, hex hd, 0.92 x 1 x 0.235in. h, medium class thd	FV451690	1	Drive coupling to shaft
12	A 9CET	5330-99-823-5157	. . RING, SEALING, TOROIDAL, syn rubber, 65 - 75 deg, 9/64 x 5-1/2in. id	FV149817	1	
13	A 10	5365-99-866-7424	. . SPACER, SLEEVE, steel, 0.46 x 0.594 x 0.375in. id	FV451083	3	Pump adaptor
14	A 10	5310-99-866-7425	. . WASHER, FLAT, steel, Cd P w/chromate, rd, 0.875 x 0.4 x 0.125in.. matl thk	FV149818	3	
15	A G1	5306-99-941-6597	. . BOLT, MACHINE, UNF, steel, zinc P, hex hd, 2A, 3/8 x 1 x 1-3/8in. lg		3	

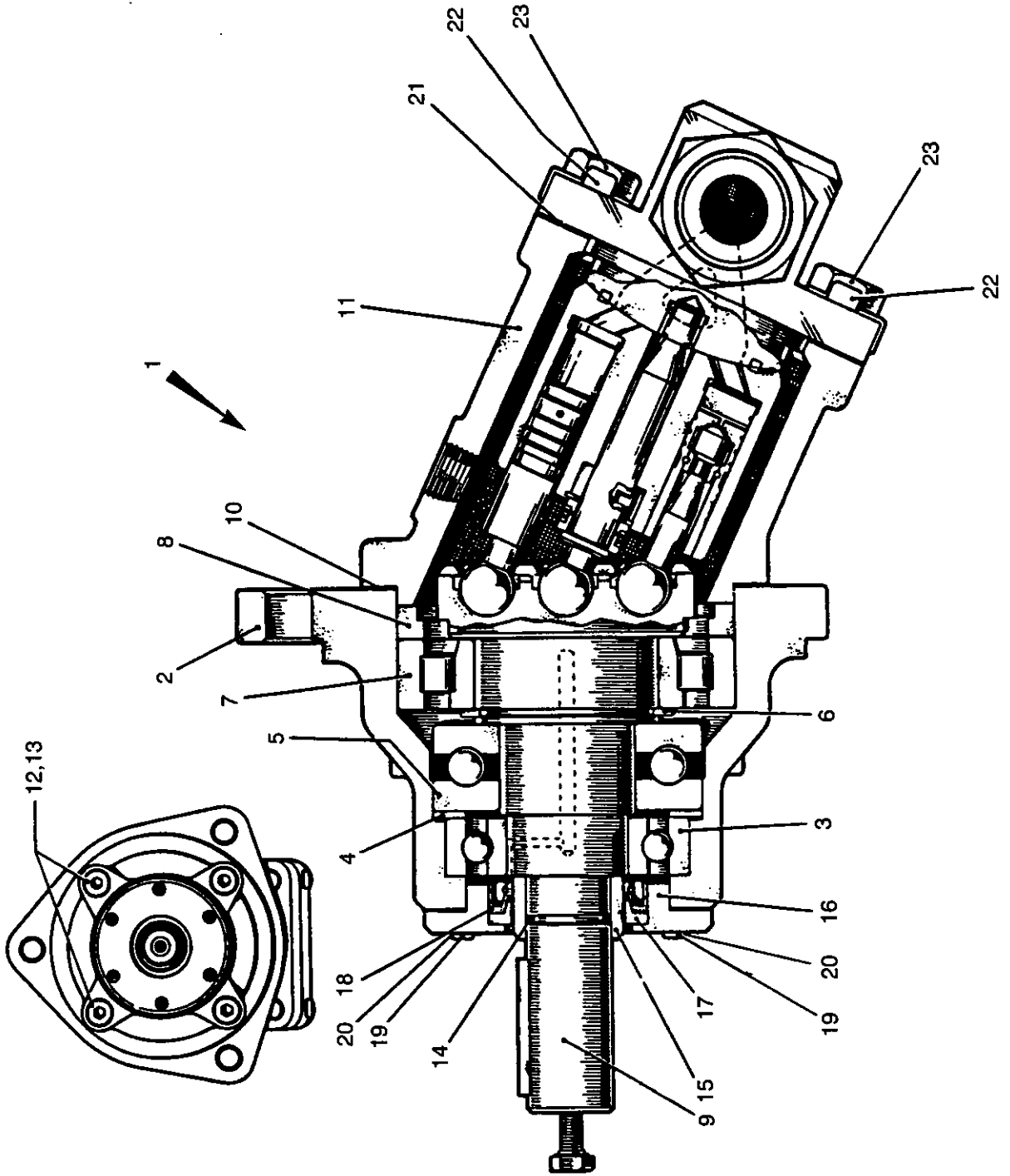


Fig 17 Hydraulic pump

430/70016

Fig Item	Man Code Navy - N Army - A RAF - R	NATO Stock No	Item Name and Description	Part No/ Drawing No.	No. Off	Annotations
17-			POWER UNIT, DIESEL - contd ENGINE, DIESEL - contd			
		NP	HYDRAULIC PUMP		REF	
1	A 46MT1	2930-99-786-2558	PUMP, FAN, hydrostatic, flange mtd, 3 ports	17216	1	
2		NP	HOUSING, MECHANICAL DRIVE	FV531026	1	
3	A 46MT7	3110-99-950-0056	BEARING, BALL ANNULAR, 17 x 72 x 35mm dia	6207	1	
4		NP	BEARING, WASHER, THRUST, steel, rd, 3-5/64 x 5/64 x 2-23/64in. id, rect shape	FV531033	1	
5		NP	BEARING, BALL, THRUST, single row, 40 x 72 x 26mm h	FV531031	1	
6		NP	RING, RETAINING, steel, 5/64in. thk, 2in. id, ext usage	FV531036	1	
7		NP	BEARING, PARALLEL ROLLER JOURNAL	FV531030	1	
8		NP	WASHER, THRUST, steel, 3-15/16 x 23/64 x 3-5/16in. dia	FV531029	1	
9		NP	SHAFT DRIVE ASSEMBLY, HYDROSTATIC PUMP	FV531027	1	w/cyl and cone setting
10		NP	GASKET, 13/32 x 3-61/64 x 1/64in. thk	FV531045	1	
11		NP	HOUSING, CYLINDER, cast iron	FV531025	1	
12	A G1	5310-99-941-6657	WASHER, LOCK, steel, split helical ring, 29/64 x 7/64 x 43/64in. od		4	
13		NP	SCREW, CAP, SOCKET HEAD, isometric, 10 x 1.5 x 26 x 60mm lg	FV531040	4	
14	A 46MT1	5330-99-999-9422	RING, SEALING, TOROIDAL, syn rubber, 66 - 77 deg, 1/16 x 55/64in. id, black	FV531037	1	
15		NP	BUSHING, SLEEVE, steel, plain, no outside flanges, solid, 45/64 x 1-1/4 x 63/64in. id	FV531034	1	
16		NP	RETAINER, OIL SEAL,	FV531028	1	
17	A 9ACR	4320-99-881-3794	RETAINER, OIL SEAL, steel, 1-55/64 x 1-19/64 x 17/64in. dp	FV531053	1	
18	A 9ACR	5330-99-881-3792	SEAL, syn rubber, 0.398 x 0.402 x 1.854 x 1.260in. id	FV531035	1	
19		NP	SCREW, SOCKET HEAD, isometric, M4 x 0.7 x 0.315 x 5/16in. lg, flat fillister hd, 6G thd	FV531042	6	
20	A G1	5310-99-135-9291	WASHER, LOCK, steel, split helical ring, 4 x 6.95 x 1.2mm thk	FV531043	6	
21	A 9ACR	5330-99-881-3286	GASKET, paper, 33/64 x 2-55/64 x 1/64in. thk	FV531044	1	
22		NP	WASHER, KEY, steel, 33/64 x 1/32 x 15/16 x 15/32in. ext key wd	FV531039	4	
23	A G1	5306-99-120-8295	BOLT, MACHINE, ISO M, 12 x 1.75 x 1-11/64in. lg, steel, hex hd	FV531038	4	

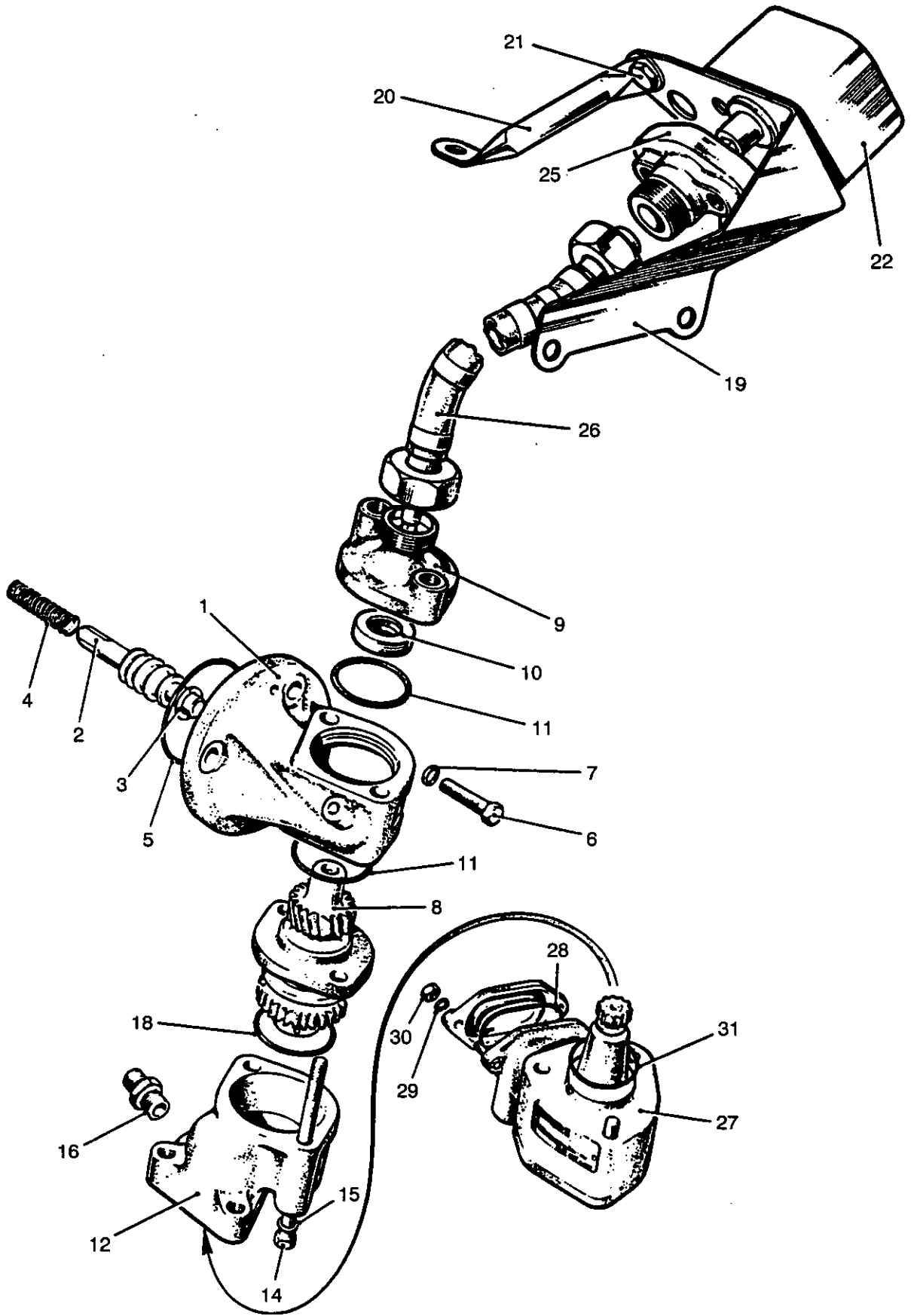


Fig 18 Tachometer and drive

430/70017

Fig Item	Man Code Navy - N Army - A RAF - R	NATO Stock No	Item Name and Description	Part No/ Drawing No.	No. Off	Annotations
18-			POWER UNIT, DIESEL - contd . ENGINE, DIESEL - contd			
		NP	. . . TACHOMETER AND DRIVE		REF	
1	A 10	6620-99-802-7042	. . . HOUSING, MECHANICAL DRIVE, hour meter and tachometer	FV453613	1	
2	A 10	2815-99-866-7219	. . . WORM SHAFT, steel, 3 thd, lh, shaft at both ends, 2-3/8in. o/a lg	FV450266	1	
3	A 10	3120-99-866-7220	. . . BEARING, WASHER, THRUST, bronze, rd, 0.624 x 0.062 x 0.3437in. dia, rect cross-sect, 2 grooves	FV450282	1	
4	A 10	2815-99-866-7221	. . . SPRING, HELICAL COMPRESSION, steel, 13 active turns, 3/8 x 1-9/32in. free lg	FV450283	1	
5	A 10	5330-99-866-7540	. . . RING, SEALING, TOROIDAL, rubber, 65 - 75 deg, 9/64 x 2-39/64in. id	CK814	1	
6	A G1	5305-99-941-6544	. . . SCREW, CAP, HEXAGON HEAD, UNF, steel, zinc P w/chromate, 1/4in. dia x 7/8in. lg, 2A		3	Housing to gearcase
7	A G1	5310-99-941-7072	. . . WASHER, FLAT, steel, rd, Cd P, 1/4 x 9/16 x 0.056in. thd		3	
8	A 10	6680-99-809-4264	. . . SHAFT ASSEMBLY, GEAR SPUR, flanged, tachometer drive	FV668416	1	
9	A 10	6680-99-809-4263	. . . COUPLING, SHAFT, RIGID, leaded brass, 7/8 x 3/4 x 1-1/4in. lg	FV668394	1	
10	A 10	6680-99-809-4266	. . . SEAL, PLAIN, ENCASED, butadiene acrylonitrile, brass shell, 7/8 x 1/2 x 1/4in. wd	FV450683	1	
11	A 10	5330-99-866-7528	. . . RING, SEALING, TOROIDAL, rubber, 65 - 75 deg, 9/64 x 1-15/16in. id	FV451519	2	
12	A 10	3040-99-866-7216	. . . HOUSING, MECHANICAL DRIVE, tachometer drive	FV450637	1	
NI 13	A G1	5340-99-580-5491	. . . INSERT, SCREW THREAD, cres, coil wire, 1/4in. -28 UNF, 19/64 x 31/64in. Nom o/a lg	AS6733-32	3	
14	A G1	5306-99-941-6594	. . . BOLT, MACHINE, UNF, steel, zinc P, 5/16 x 3-1/4in. lg	UA172	2	
15	A G1	5310-99-941-8386	. . . WASHER, FLAT, steel, zinc P w/chromate, rd 5/8 x 5/16 x 0.072in. thk		2	
16	A 46MT1	4730-99-801-2032	. . . NIPPLE TUBE	FVS87-3	1	
NI 17		NP	. . . WASHER	XB1079	1	u/w item 16
18	A 10	5330-99-866-7511	. . . RING, SEALING, TOROIDAL, rubber, 65 - 75, 9/64 x 1-11/64in. id	CK608	1	
19	A 10	6680-99-808-4262	. . . BRACKET, SUPPORT, steel, plate, 2-1/2in. wd	FV668393	1	
20	A 10	6680-99-809-3739	. . . STAY, BRACKET, SUPPORT, steel, tube flattened both ends, 5-17/32in. o/a lg	FV668391	1	
21	A G1	5305-99-941-6284	. . . SCREW, MACHINE, UNF, steel, zinc P, hex hd, 1/4 x 1/2in. lg		1	
22	A 46MT1	6680-99-809-4629	. . . COUNTER, ENGINE REVOLUTIONS, sq, 2-27/32 x 2-19/32 x 2-27/64in. h, 1 unit = 1000,000 revs	FV622665	1	
NI 23	A G1	5306-99-941-8004	. . . BOLT, MACHINE, UNF, steel, zinc P, hex hd, 5/16in. -24 x 3-1/2in. lg		2	

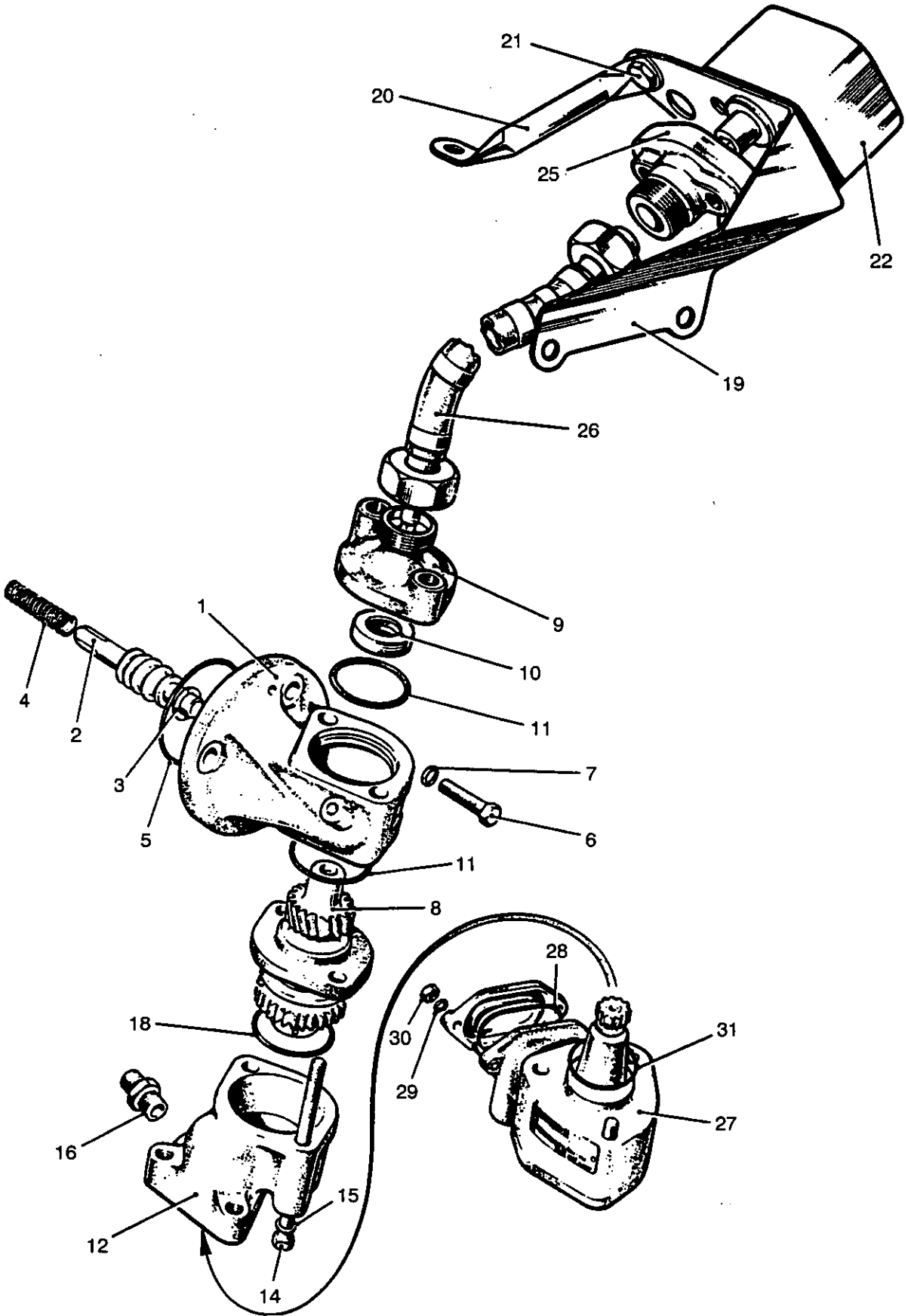


Fig 18 Tachometer and drive

430/70017

Fig Item	Man Code Navy - N Army - A RAF - R	NATO Stock No	Item Name and Description	Part No/ Drawing No.	No. Off	Annotations
18-			POWER UNIT, DIESEL - contd . ENGINE, DIESEL - contd . . TACHOMETER AND DRIVE - contd			
NI 24	A 10	5310-99-865-1513	. . . WASHER, FLAT, steel, 1/2in.		2	
25	A 10	6680-99-809-4265	. . . COUPLING, SHAFT, FLEXIBLE, flanged, tachometer drive	FV668397	1	
26	A 46MT1	6680-99-809-4628	. . . SHAFT ASSEMBLY, FLEXIBLE, outer case neoprene, 45/64in. od x 1ft 1-1/4in. lg	FV260864-3	1	
27	A 9ACR	2920-99-809-0528	. . GENERATOR, TACHOMETER, No. 1, Mk 4, gear driven	FV622660	1	
28	A 46MT1	5330-99-801-5670	. . . RING, SEALING, TOROIDAL, syn rubber, 85 deg, 1/8 x 1-5/16in. id	R4131ML53 72	1	
29	A G1	5310-99-941-6653	. . . WASHER, LOCK, steel, split helical ring, 0.198 x 0.330in. od		2	
30	A G1	5310-99-941-7070	. . . NUT, PLAIN, HEXAGON, BA, No. 2, rh, steel, Cd P, 21/64 x 11/64in h		2	
31	A 10	5330-99-866-7528	. . . RING, SEALING, TOROIDAL, rubber, 9/64in. x 1-15/16in. id	CK540		

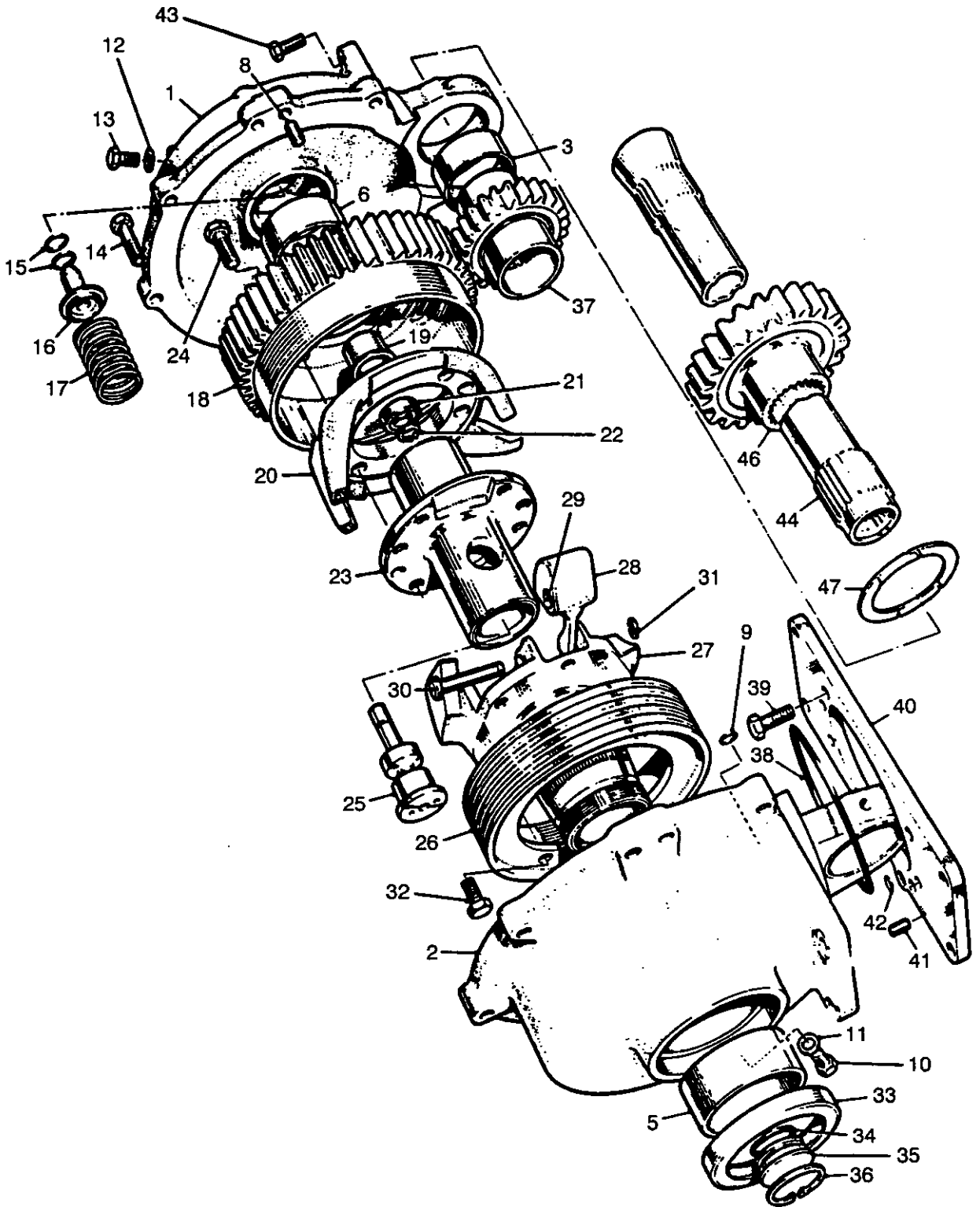


Fig 19 Fuel pump drive

430/70018

Fig Item	Man Code Navy - N Army - A RAF - R	NATO Stock No	Item Name and Description	Part No/ Drawing No.	No. Off	Annotations
19-			POWER UNIT, DIESEL - contd . ENGINE, DIESEL - contd			
1	A 10	NP 2910-99-867-4843	. . . FUEL PUMP DRIVE . . . HOUSING ASSEMBLY, FUEL PUMP DRIVE	FV452345	REF 1	
2		NP HOUSING, front and rear	FV451597	1	
3	A 10	3120-99-866-7245 BEARING, SLEEVE, steel, tin Al, plain, 19/32 x 1-11/16 x 1-31/64in. id, no outside flanges	FV452251	2	Driving gear
NI 4	A 10	3120-99-866-7246 WASHER, THRUST, steel, bronze, rd, w/sq keys, 2.707 x 0.093 x 1.945 x 0.11 x 0.38in. wd	FV451537	1	Driven gear
5	A 10	3120-99-866-7244 BEARING, SLEEVE, steel, tin Al, plain, 3/4 x 1-15/16 x 1-47/64in. id, no outside flanges	FV452250	1	Front casing
6	A 10	3120-99-866-7243 BEARING, SLEEVE, steel, tin Al, plain, 11/16 x 1-1/2 x 1-23/64in. id, no outside flanges	FV452252	1	Rear casing
NI 7		NP PLUG, EXPANSION, steel, 11/64 x 3/32 x 1/64in. matl thk	FV451640	2	Blanking front and rear
8	A 10	5315-99-866-7523 PIN, HOLLOW, steel, 1/8 x 1/4 x 1/2in. lg	FV148772	2	Front and rear casing
9	A 10	5330-99-866-7252 RING, SEALING, TOROIDAL, rubber, 65 - 75, 0.07 x 0.239in.id	FV148846	1	Transfer tube
10	A 3RR	5305-99-812-0712 SCREW, MACHINE, 0.225in. thd x 1/4in. lg, hex hd	KC150	2	} Front housing oilway
11	A 10	5310-99-866-7248 WASHER, FLAT, oilway, front housing	FV141243	2	
12	A 10	5310-99-865-1474 WASHER, FLAT, aluminium, rd, 0.4 x 0.25 x 0.028in. matl thk	XB1076	1	} Rear housing oilway
13	A G1	5305-99-941-6540 SCREW, MACHINE, UNF, steel, zinc P, 1/4 x 1/2in. lg, hex hd, class 2A thd		1	
14	A G1	5305-99-941-6544 SCREW, CAP, HEXAGON HEAD, UNF, steel, zinc P w/chromate, 1/4 x 7/8in lg		7	Front to rear housing

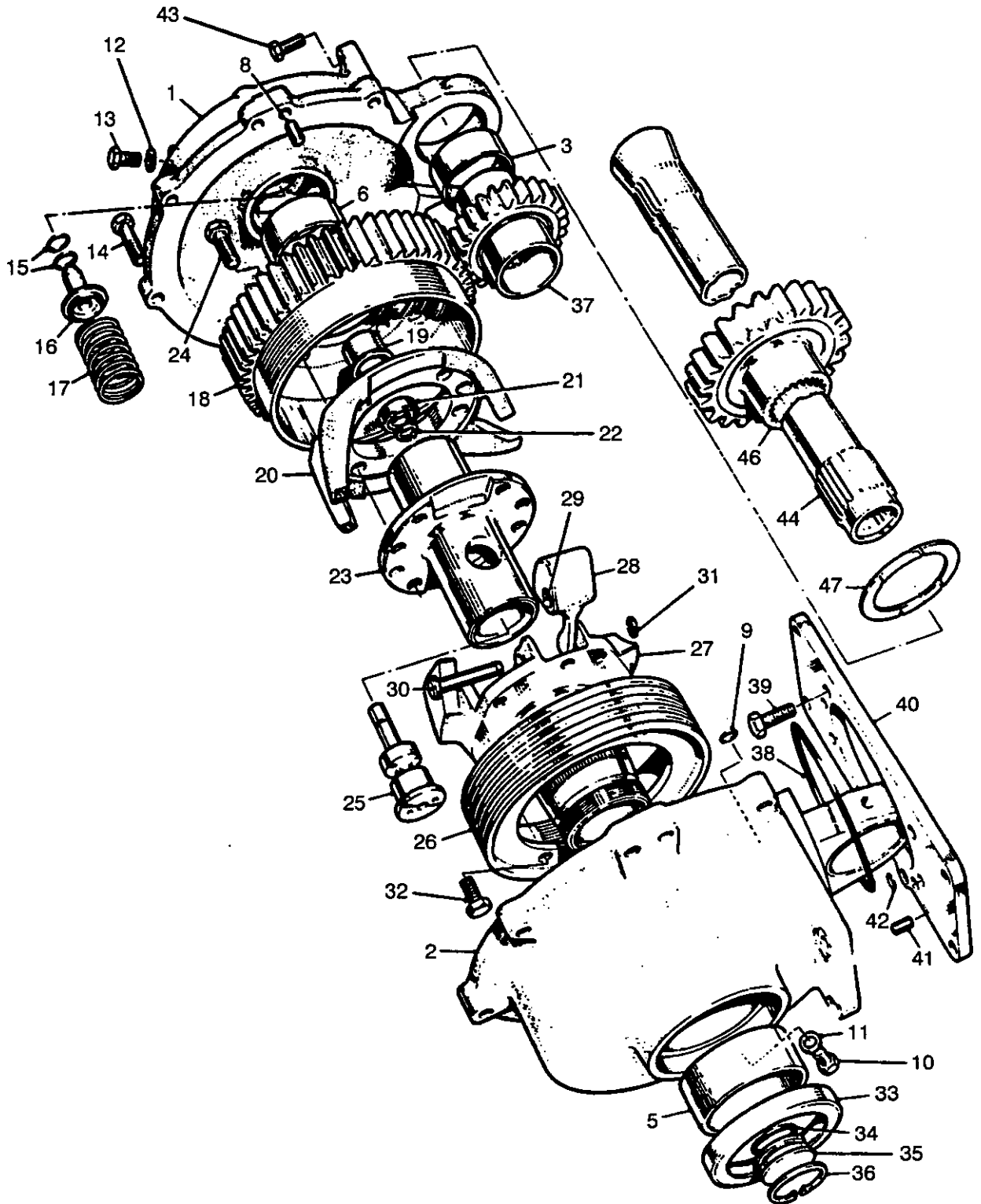


Fig 19 Fuel pump drive

430/70018

Fig Item	Man Code Navy - N Army - A RAF - R	NATO Stock No	Item Name and Description	Part No/ Drawing No.	No. Off	Annotations
19-			POWER UNIT, DIESEL - contd . ENGINE, DIESEL - contd . . . FUEL PUMP DRIVE - contd HOUSING ASSEMBLY, FUEL PUMP DRIVE - contd			
26	A 10	2815-99-804-3635 PISTON, ADVANCE MECHANISM, CI, 4.349in. dia x 1.078in. lg	FV453312	1	
27		NP CLUTCH, HALF POSITIVE, driven, automatic advance mech	FV452977	1	
28	A 10	2815-99-804-3627 WEIGHT ASSEMBLY, automatic advance mechanism	FV453528	2	
29	A 10	3120-99-804-3626 BEARING, SLEEVE, phos bronze, plain, 0.915 x 0.3135 x 0.2505in. id, no outside flanges	FV453102	2	
30	A 10	5315-99-804-3636 PIN, GROOVED, HEADED, steel, dee chamfer hd, 1/4in. dia x 1-25/32in. lg	FV453104	2	
31	A 6MT1	5365-99-120-1010 RING, RETAINING, steel, Cd P w/chromate, 1/32 x 1/4in. shaft dia	SDA229584	2	
32	A G1	5305-99-941-6284 SCREW, MACHINE, UNF, steel, zinc P, hex hd, 2A, 1/4 x 1/2in. lg		4	Piston to driven dog
33	A 10	5330-99-867-4129 SEAL, PLAIN, ENCASED, copper Al, rubber sealing, 0.25 x 1.75 x 2.316in. dia Cd P	FV451531	1	
34	A 6MT1	5330-99-923-9347 RING, SEALING, TOROIDAL, syn rubber, 3/4 x 1/16in. h, 65 - 75 dg	200-018-4470	1	
35		NP BOBBIN, DRIVEN DOG, steel, 0.930 x 0.406in. wd	FV453525	1	
36	A 6MT1	5365-99-910-8280 RING, RETAINING, steel, phos, 0.047 x 1 x 1.053in. groove dia, 0.055in. w of groove	B1300 010 0APP	1	
37	A 10	3020-99-866-7258	. . . GEAR, SPUR, steel, 25, 2-3/4 x 1-7/8in. lg	FV451519	1	Driving gear
38	A 10	5330-99-866-7249	. . . RING, SEALING, TOROIDAL, syn rubber, 0.139 x 2.875in. h, 65 - 75	UE9320	1	
39	A G1	5305-99-941-6546	. . . SCREW, MACHINE, UNF, steel, zinc P, hex hd, 2A, 5/16 x 3/4in. lg		4	
40	A 10	2815-99-804-3639	. . . ADAPTOR PLATE ASSEMBLY, automatic advance mechanism	FV453963	1	
41	A 10	5315-99-866-7523 PIN, HOLLOW, steel, 1/8 x 1/4 x 1/2in. lg	FV148772	2	
42	A 10	5330-99-804-3632	. . . RING, SEALING, TOROIDAL, syn rubber, 0.07 x 0.301in. id, 65 - 75	UE30369	2	
43	A G1	5305-99-941-6545	. . . SCREW, MACHINE, UNF, steel, zinc P w/chromate, 5/16 x 5/8in. lg, class 2A, hex hd		4	
44	A 10	2815-99-808-1297	. . . SHAFT, SHOULDERED, steel, 13-51/64 x 1-1/2in. dia, splined	FV454837	1	
NI 45	A 10	2815-99-808-1300	. . . NUT, LOCKING, INJECTOR SHAFT, steel, hex face drive, 1-5/8in. -16 UNF, 0.72in. o/a lg	FV453880	1	Locking drive shaft
46	A 10	3020-99-867-4384	. . . GEAR, SPUR, injector pump	FV452332	1	
47	A 10	3120-99-801-8847	. . . WASHER, THRUST, phos bronze, 1-7/10 x 2-1/8 x 3/32in. thk	FV149878	1	

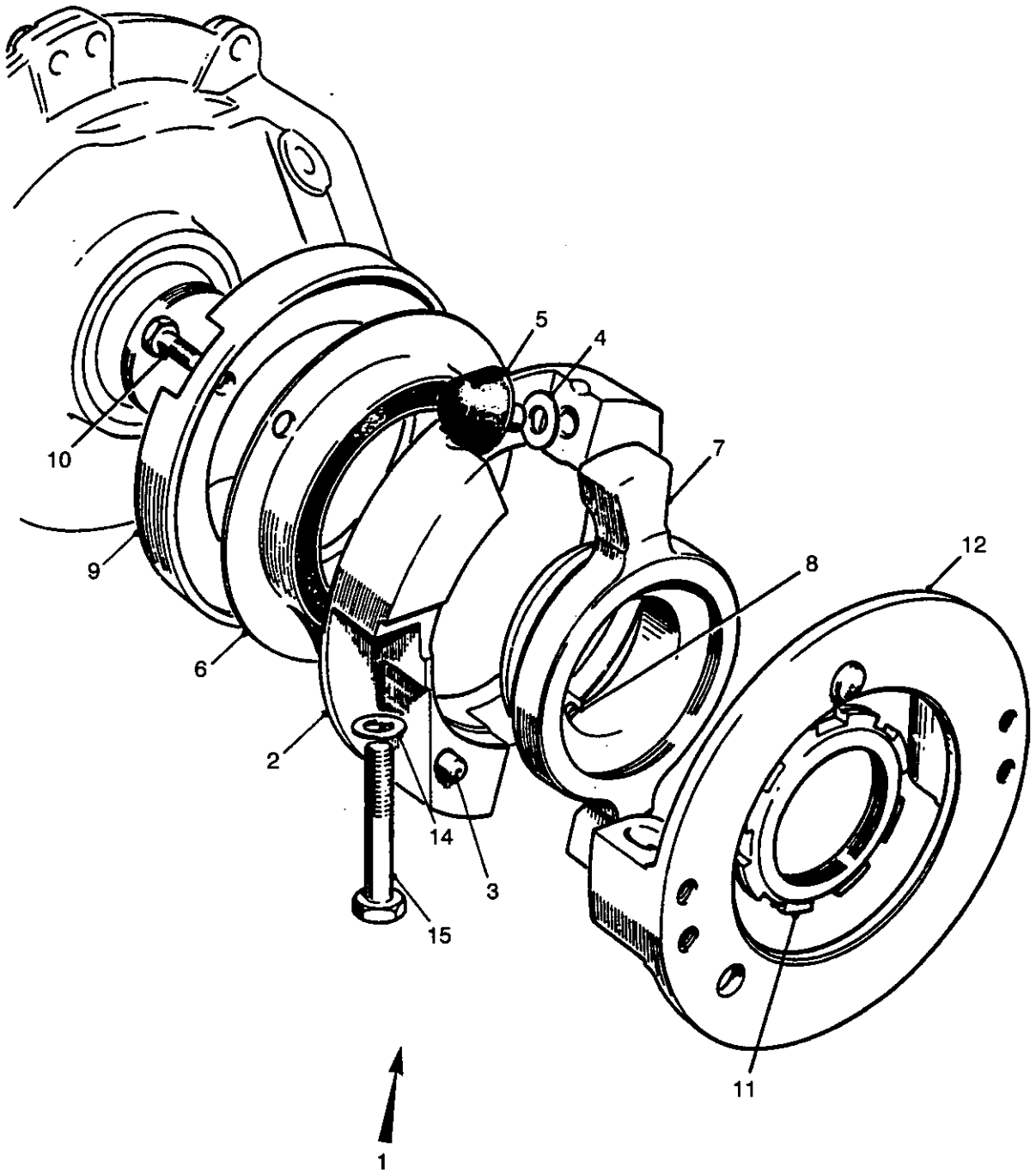


Fig 20 Fuel pump drive coupling

430/70019

Fig Item	Man Code Navy - N Army - A RAF - R	NATO Stock No	Item Name and Description	Part No/ Drawing No.	No. Off	Annotations
20-			POWER UNIT, DIESEL - contd ENGINE, DIESEL - contd			
1		NP NP	. . . FUEL PUMP DRIVE COUPLING . . . COUPLING ASSEMBLY, injector pump drive	FV453529	REF 1	
2	A 10	2815-99-866-7260	. . . RING, INERTIA, DRIVE COUPLING, injector pump drive	FV452479	1	
3	A 10	5315-99-866-7523 PIN, HOLLOW, steel, 1/8in. x 1/4in. x 1/2in. lg	FV148772	1	
4	A 10	5310-99-500-0698	. . . WASHER, FLAT, steel, rd, 0.625in. od, 0.328in. id, 0.018in. thk	UA2002/SR	4	
5	A 10	2910-99-866-7254	. . . BUMPER, RUBBER, natural, black, 7/8in. x 13/16in. h	FV451746	4	
6	A 10	2910-99-866-7263	. . . DAMPER, COUPLING, steel and bonded rubber, 2-19/64in. x 4-1/16in. x 35/64in. h	FV452470	1	
7	A 10	2815-99-804-3638	. . . COUPLING ASSEMBLY, FUEL PUMP DRIVE	FV453306	1	
8	A 10	5315-99-804-3634 PIN, STRAIGHT HEADLESS, steel, 11/32in. lg x 3/16in. dia	FV453307	1	
9	A 10	2910-99-866-7264	. . . RING, CLAMPING, COUPLING DAMPER, steel, 4-15/32 x 2-7/8 x 31/64in. lg, counterbored, 4-1/4in. dia	FV451745	1	
10	A G1	5305-99-941-6546	. . . SCREW, MACHINE, UNF, steel, zinc P, hex hd, 2A, 5/16 x 3/4in. lg	B1/3397/M/ 65/55	2	Clamping ring to inertia ring
11	A 10	5310-99-866-7262	. . . NUT, PLAIN, ROUND, UNF, steel, rh, 1-5/8 x 2.125 x 0.28in. max o/a thk	UA2759	1	Driven gear
12	A 10	2910-99-866-7288	. . . RING, DRIVEN, COUPLING, injector pump drive	FV452463	1	
NI 13		NP PIN, STRAIGHT, HEADED, steel, 3/16in. od x 13/64in. lg	FV452465	1	Driven ring
14	A G1	5310-99-941-8386	. . WASHER, FLAT, steel, zinc P w/chromate, rd, 5/8 x 5/16 x 0.072in. thk	2550	2	} Flange to inertia ring
15	A G1	5306-99-941-6591	. . BOLT, MACHINE, UNF, steel, zinc P, hex hd, 2A, 5/16in. -24 x 1-3/4in. fastener lg		4	

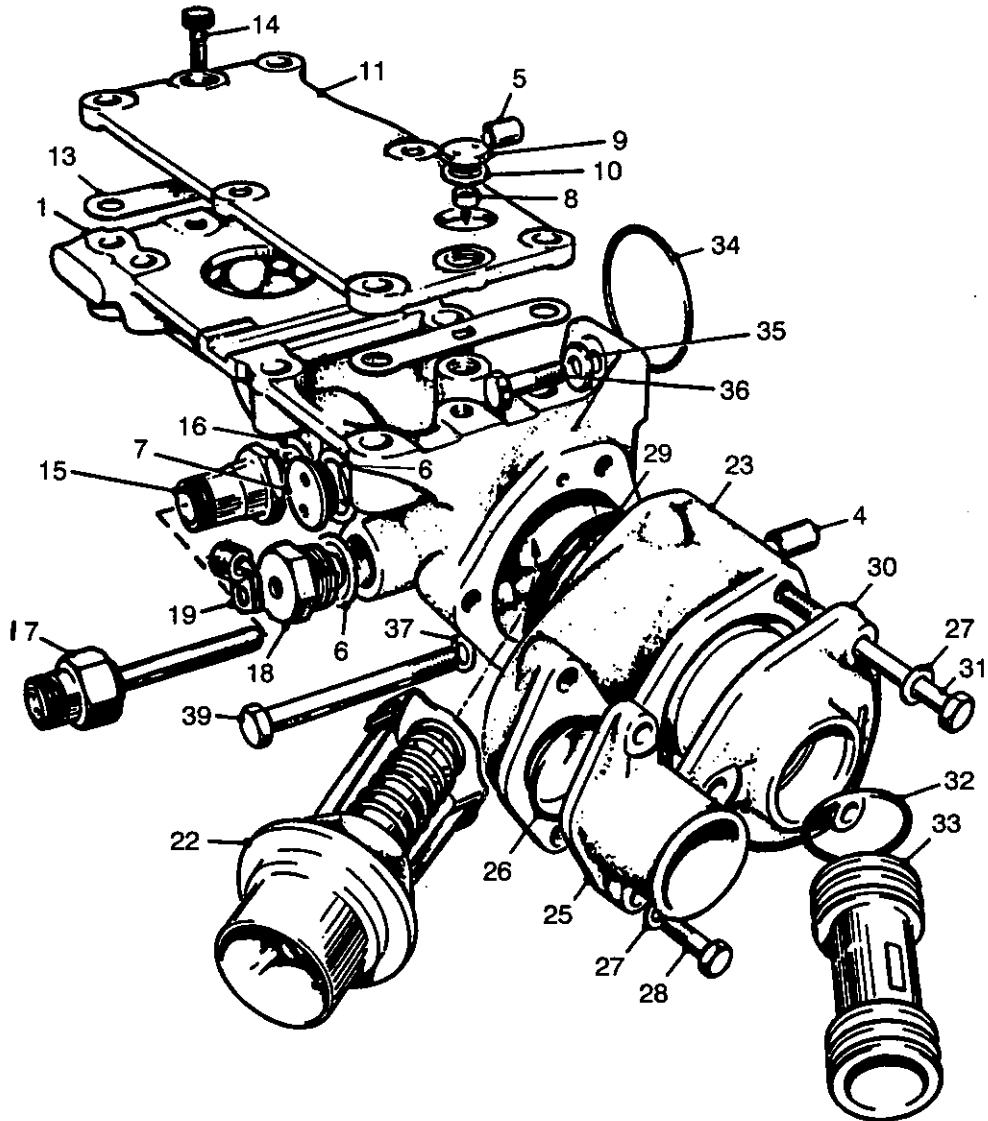


Fig 21 Fuel pump mounting and thermostat

430/70020

Fig Item	Man Code Navy - N Army - A RAF - R	NATO Stock No	Item Name and Description	Part No/ Drawing No.	No. Off	Annotations
21-			POWER UNIT, DIESEL - contd ENGINE, DIESEL - contd			
		NP	FUEL PUMP MOUNTING AND THERMOSTAT			REF
1	A 10	2910-99-804-2289	BRACKET AND THERMOSTAT HOUSING ASSEMBLY	FV454015	1	
NI 2	A G1	5340-99-580-5501	INSERT, SCREW THREAD, cres, coiled, 3/8 -24 UNF, 47/64in. lg, notched	AS6733-34	4	Injector pump facing
NI 3	A G1	5340-99-580-5496	INSERT, SCREW THREAD, cres, coiled, 5/16 -24 UNF, 39/64in. lg, notched	AS6733-33	3	Thermostat housing facing
4	A 10	5315-99-866-7270	PIN, HOLLOW, steel, 11/32 x 1/2 x 5/8in. lg	FV451918	1	} Mounting brackets to crankcase
5		NP	PIN, HOLLOW	FV148795	1	
6	A 10	5365-99-865-1488	SPACER, RING, aluminium, rd, 1.075 x 0.036 x 0.875in. hole dia	XB1092	2	
NI 7	A 10	5365-99-808-1299	PLUG, MACHINE THREAD, brass, socket hd, 7/8in. -16 UN, 3/8in. thd lg, dull nickel finish	UA10643	1	
8	A 10	4820-99-865-3679	VALVE, RELIEF, PRESSURE AND TEMPERATURE, thermostat, jiggle pin assembly	FV149191	1	
9		NP	PLUG, MACHINE, THD, copper, Al, NP, plain, rh, 2A, UNF, 0.875 x 0.110 x 0.535in. lg	UA10641	1	
10	A 10	5365-99-865-1479	SPACER, RING, aluminium, rd, 0.825 x 0.036 x 0.625in. dia	XB1081	1	
11	A 10	2910-99-866-7266	PLATE, ADJUSTING, FUEL PUMP, fuel injection pump	FV452322	1	
NI 12		NP	PIN, GROOVED, HEADED, steel, 3/8 x 9/32in. lg	FV450478	2	
13	A 10	2910-99-866-7276	SHIM, steel, solid, 4-7/32 x 61/64 x 0.005in. thk	FV450489	A/R	
13(1)	A 10	2910-99-866-7277	SHIM, steel, solid, 4-7/32 x 61/64 x 0.008in. thk	FV450490	A/R	
13(2)	A 10	2910-99-866-7278	SHIM, steel, solid, 4-7/32 x 61/64 x 1/32in. thk	FV451087	A/R	
14	A 10	5305-99-866-7275	SCREW, MACHINE, UNF, steel, Cd P, 5/16 x 27/32 x 47/64in. scr, 2A, splined	FV450474	1	
15	A 10	4730-99-865-3240	ADAPTOR, STRAIGHT, PIPE TO TUBE, thermo-bulb, temperature gauge	FV145194	1	
16	A 10	5365-99-865-1488	SPACER, RING, aluminium, rd, 1.075 x 0.036 x 0.875in. hole dia	XB1092	1	
17	A 46MT4	5905-99-881-3340	RESISTOR, THERMAL, 28V, 40 - 212 deg, 73.4 - 139.8 ohms	FV494519	1	
18	A 10	2910-99-804-3542	ADAPTOR, SUPPORT CLIP, copper, Al, 1.125in. lg, 7/8in. -16 UNS x 1/4in. -28 UNF int thd	FV454014	1	
19	A 46MT4	5340-99-809-2303	CLAMP, LOOP, steel, Cd plated, 3/16in. id, 17/64in. dia		1	
NI 20	A G1	5305-99-941-7062	SCREW, MACHINE, UNF, 1/4in. -28 x 3/8in. lg, steel, zinc P, hex hd, 2A thd		1	} Securing item 19
NI 21	A G1	5310-99-941-7072	WASHER, FLAT, steel, Cd P, rd, 1/4 x 9/16 x 0.056in. thd		1	
22	A 9ACR	6620-99-818-7817	THERMOSTAT, FLOW CONTROL, 2-7/8 x 4-7/16in. lg, 74 deg C	FV589463	1	

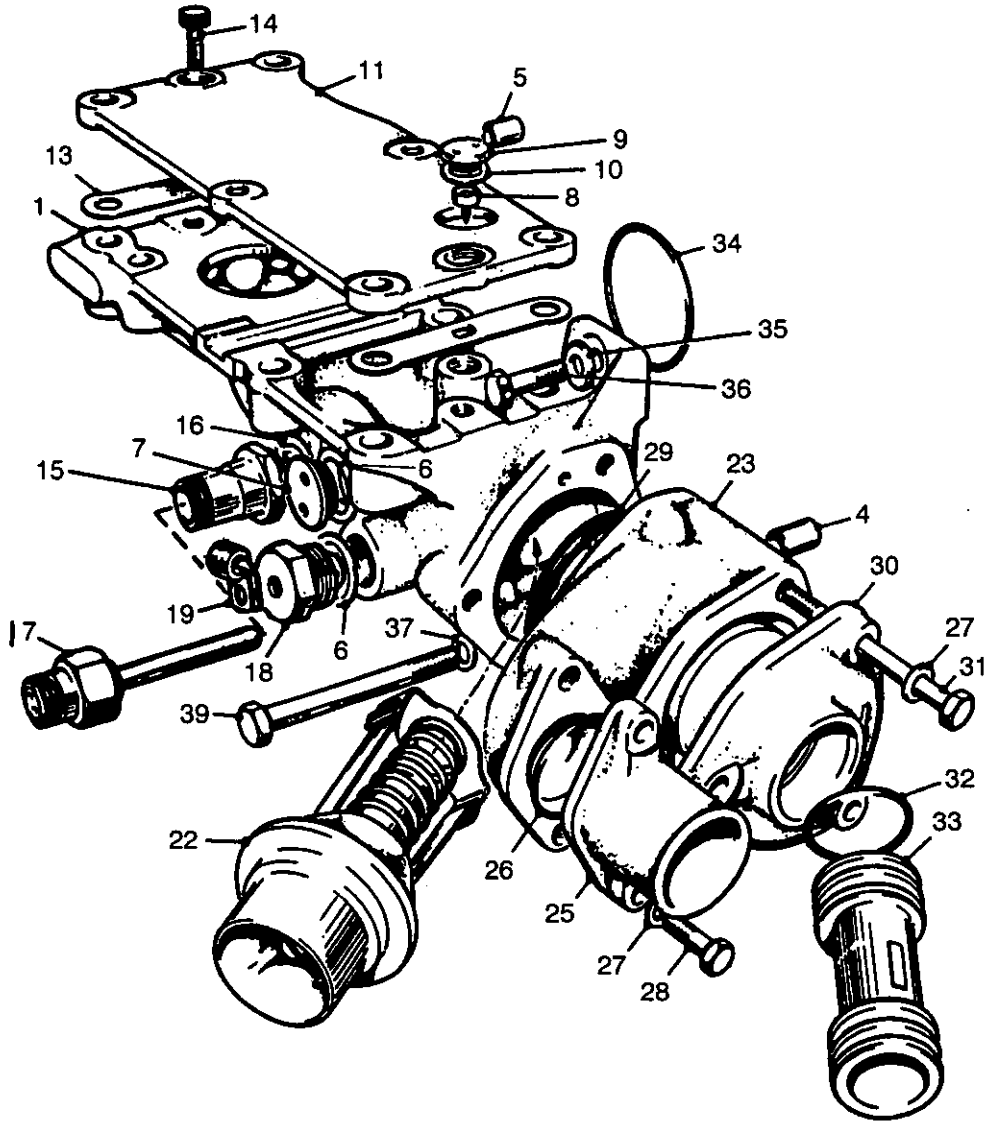


Fig 21 Fuel pump mounting and thermostat

430/70020

Fig Item	Man Code Navy - N Army - A RAF - R	NATO Stock No	Item Name and Description	Part No/ Drawing No.	No. Off	Annotations
21-			POWER UNIT, DIESEL - contd . ENGINE, DIESEL - contd . . FUEL PUMP MOUNTING AND THERMOSTAT - contd			
23	A 10	2930-99-805-8269	. . . WATER OUTLET, ENGINE, thermostat housing, 2 helical inserts & associated hardware	FV454724	1	
NI 24	A 10	2930-99-805-8270	. . . JIGGLE PIN ASSEMBLY, comprising 3 components	FV454742	1	
25	A 10	4730-99-866-7282	. . . ADAPTOR, STRAIGHT, PIPE TO HOSE, aluminium, flange w/two 11/32in. dia bolt holes 1st end, unthd male	FV450476	1	
26	A 10	5330-99-866-7283	. . . RING, SEALING, TOROIDAL, rubber, 65 - 75 deg, 0.143 x 1.619in. id	CK955	1	
27	A G1	5310-99-941-8386	. . . WASHER, FLAT, steel, zinc P w/chromate, rd, 5/8 x 5/16 x 0.072in. thk		5	
28	A G1	5306-99-941-7079	. . . BOLT, MACHINE, UNF, steel, zinc P, hex hd, 2A, 5/16in. -24 x 1-1/4 x 7/8in. thd lg		2	
29	A 10	5330-99-866-7284	. . . PACKING, PREFORMED, syn rubber, 0.21 x 1.85 x 2.27in. od	CK1760	1	
32	A 10	5330-99-866-7528	. . . RING, SEALING, TOROIDAL, rubber, 65 - 75. 9/64 x 1-15/16in. id	CK540	4	
33	A 10	2930-99-866-7440	. . . PIPE, STEEL, thermostat bypass pipe	FV450465	1	
34	A 10	5330-99-866-7281	. . . RING, SEALING, TOROIDAL, syn rubber, 65 - 75, 0.143 x 2.244in. id	CK954	1	
35	A 10	5310-99-865-1528	. . . WASHER, FLAT, steel, Cd P, rd, 1 x 0.39 x 0.1in. thk		2	} Mounting bracket to crankcase
36	A 10	5306-99-866-7043	. . . BOLT, MACHINE, UNF, steel, Cd P, 2A, hex hd, 0.375 x 1.25 x 0.5625 x 0.2in. max h		2	
37	A G1	5310-99-941-8635	. . . WASHER, FLAT, steel, zinc P, rd, 3/4 x 25/64 x 0.072in. thk		2	
NI 38		NP	. . . BOLT, MACHINE, UNF, steel, zinc P, hex hd, 2A, 3/8 x 1-1/4in. lg		2	
39	A G1	5306-99-941-8009	. . . BOLT, MACHINE, UNF, steel, zinc P w/chromate, 3/8 x 3-3/4 x 1in. thd lg, hex hd, 2A		1	

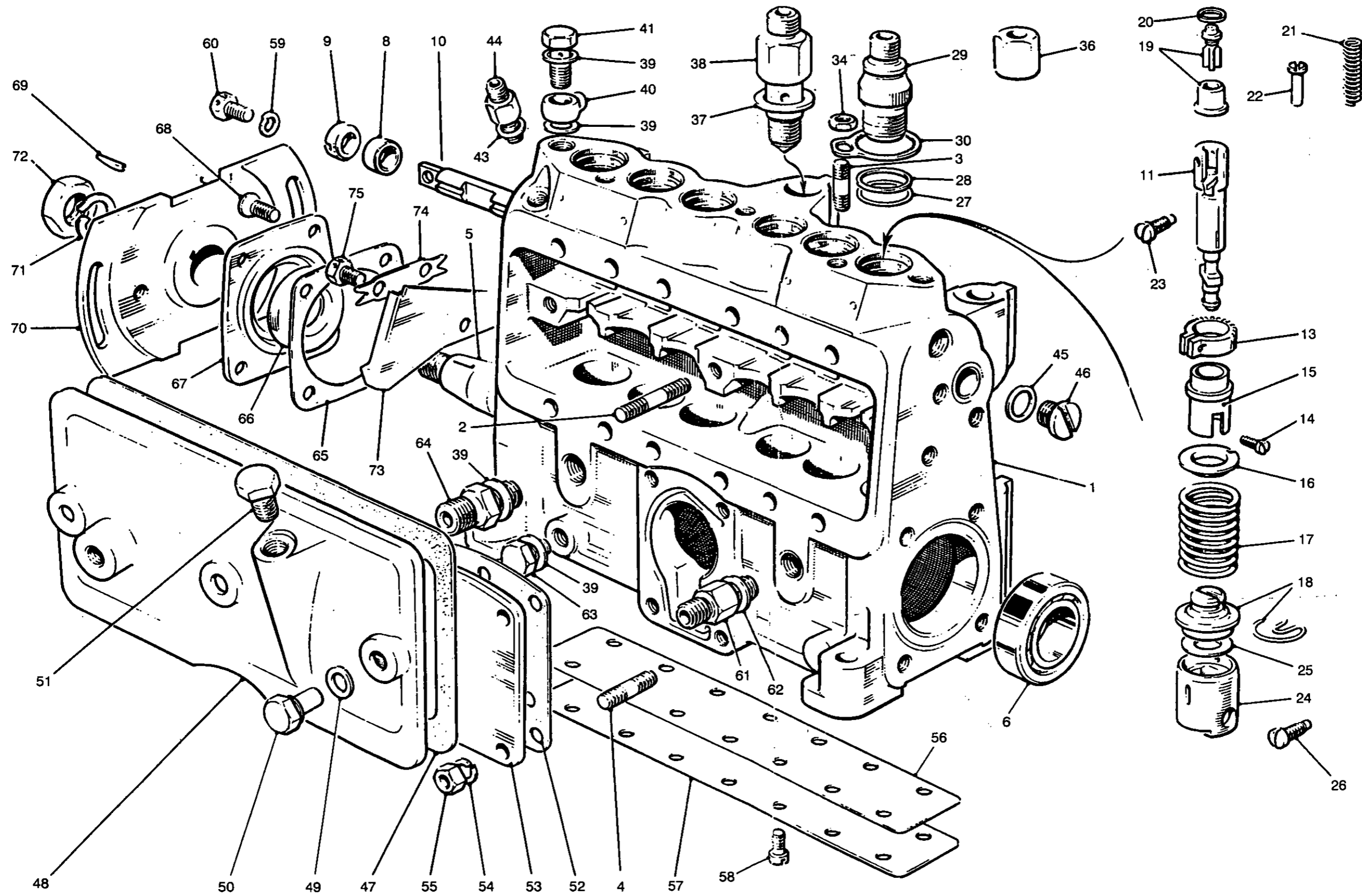


Fig 22 Pump, fuel, metering and distributing

Fig Item	Man Code Navy - N Army - A RAF - R	NATO Stock No	Item Name and Description	Part No/ Drawing No.	No. Off	Annotations
22-			POWER UNIT, DIESEL - contd ENGINE, DIESEL - contd			
	A	46MT12	2910-99-818-6595 . . . PUMP, FUEL, METERING AND DISTRIBUTING	4708971	1	
1	A	9ACR	2910-99-881-5744 . . . HOUSING ASSEMBLY, PUMP, fuel injection	7135-34T	1	
2	A	6MT12	5307-99-807-8147 STUD, PLAIN, steel, phos, 40 x 6 x 1 x 14mm thd lg	7097-337A	3	Inspection cover
3		NP STUD, PLAIN, steel, phos, 6 x 26.5mm, rh	Y7097-20A	3	Locking plate
4	A	6MT12	5307-99-807-8150 STUD, PLAIN, steel, ISO M, black chemical, 23 x 6 x 1mm	X7097-337D	4	Feed pump
5	A	9ACR	2910-99-815-9700 . . . CAMSHAFT, ENGINE, 393.2mm lg, 6 cams, fuel injection pump	7097-732	1	
6	A	6MT7	3110-99-806-0055 . . . BEARING, ROLLER, TAPERED, single row, steel, 25 x 52 x 16.25mm lg	30205	2	
NI 7	A	6MT12	5365-99-807-9173 . . . SHIM, steel, 42.3 x 0.008 x 51.5mm od, solid	Z5339-999A	A/R	Adjusting camshaft
NI 7 (1)	A	6MT12	5365-99-807-9174 . . . SHIM, steel, 42.3 x 0.006 x 51.5mm od	Z5339-999B	A/R	
NI 7 (2)	A	46MT12	5365-99-807-9175 . . . SHIM, steel, 42.3 x 0.01 x 51.5mm od	Z5339-999C	A/R	
8		NP	. . . BUSH	CB7097-131	2	
9	A	46MT12	2910-99-807-6917 . . . BUSH, LOCKING ROD, CONTROL, fuel pump	7097-17	2	
10	A	9ACR	2910-99-802-3784 . . . CONTROL RACK, METERING AND DISTRIBUTING FUEL PUMP	7097-313D	1	
11	A	9ACR	2910-99-881-5746 . . . PLUNGER ASSEMBLY, FUEL INJECTOR	7097-568P	6	
NI 12	A	46MT12	5330-99-808-4114 . . . RING, SEALING, TOROIDAL, syn rubber, 88 deg, 7/64 x 16/32in. id, black	V5855-30AV	6	Plunger seal
13		NP	. . . QUADRANT, CONTROL,	CB7097-414	6	
14	A	6MT12	5305-99-807-7343 . . . SCREW, MACHINE, ISO M, steel, fillister csk hd, slot, 4.5 x 0.75 x 8.3mm lg	Z335-195	6	
15	A	46MT12	2910-99-807-8138 . . . CONTROL SLEEVE, FUEL INJECTOR, steel, 15.02 x 17.9 x 32.8mm lg, 21.4mm flange od	7097-309	6	
16		NP	. . . SEAT, COMPRESSION, HELICAL SPRING, fuel injection pump, steel, 18.5 x 27.95 x 4.5mm wd	Z7097A178	6	
17	A	9ACR	2910-99-881-5906 . . . SPRING, HELICAL, COMPRESSION, 9 swg matl thk, fuel injection pump	Y7097A180	6	
18	A	6MT12	2910-99-807-9785 . . . SEAT, HELICAL COMPRESSION SPRING	7097-199B	6	
19	A	46MT12	4530-99-881-5908 . . . VALVE, REGULATING, FUEL OIL, fuel injection pump	7097-216B	6	
20	A	46MT12	3120-99-807-8143 . . . BEARING, WASHER, THRUST, steel, rd, 15 x 1 x 12.05mm dia, rect	Y7097-319	6	
21	A	46MT12	2910-99-807-8110 . . . SPRING, HELICAL, COMPRESSION, steel, 8-1/2 coils, 29.2mm free lg, 19 swg, delivery valve spring	Z7097-190	6	Delivery valve
22	A	46MT12	5310-99-881-5907 . . . PEG, delivery valve spring	7097-194	6	
23	A	6MT12	5305-99-807-8113 . . . SCREW, SET, SI, steel, fillister hd, dog point, 6mm x 16.9mm lg	Z7097-210	6	
24	A	46MT12	2910-99-881-5775 . . . CAM FOLLOWER, NEEDLE BEARING, fuel injection pump	7097-176	6	

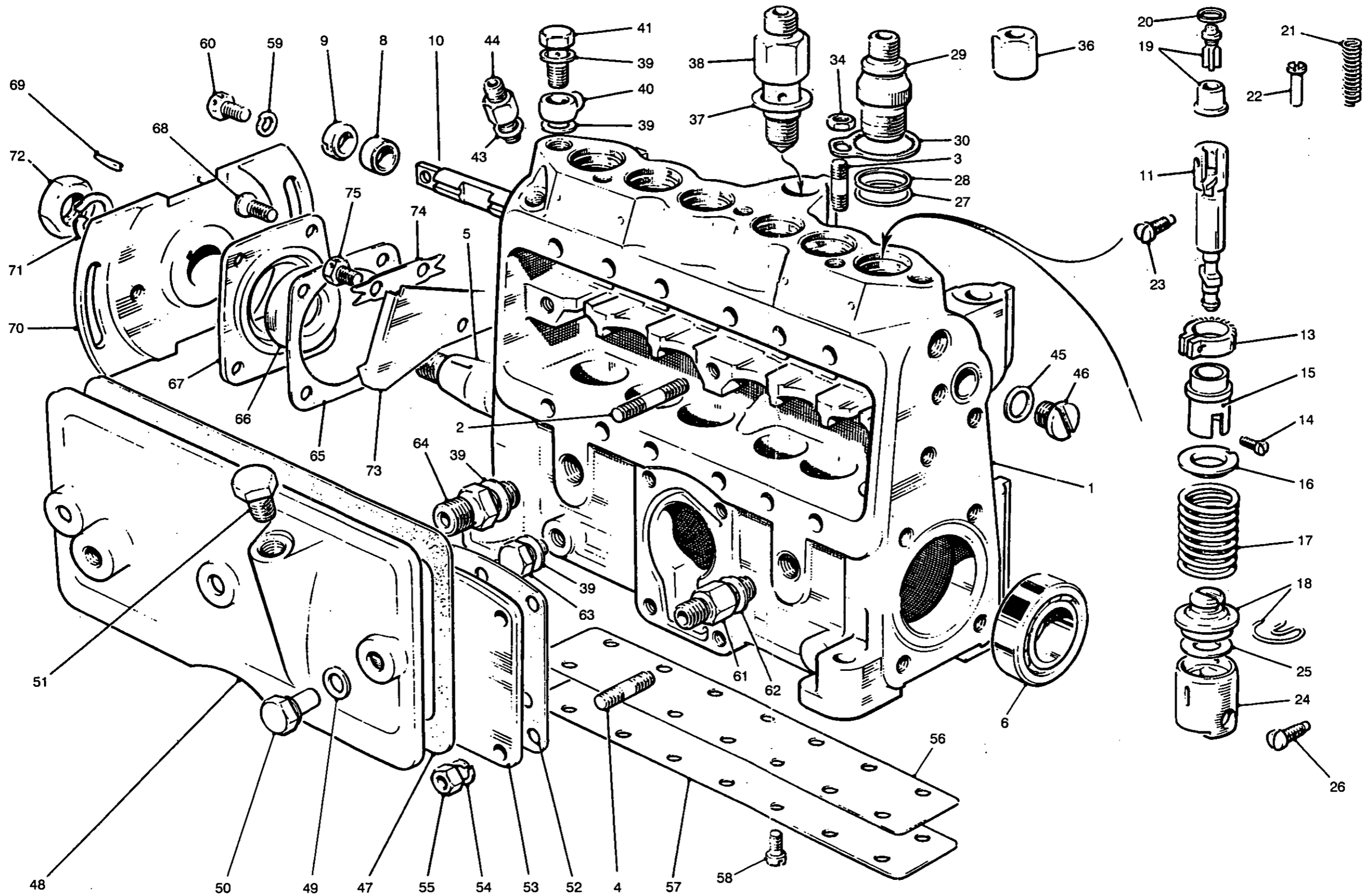


Fig 22 Pump, fuel, metering and distributing

Fig Item	Man Code Navy - N Army - A RAF - R	NATO Stock No	Item Name and Description	Part No/ Drawing No.	No. Off	Annotations
22-			POWER UNIT, DIESEL - contd . ENGINE, DIESEL - contd . . . PUMP, FUEL, METERING AND DISTRIBUTING - contd			
25	A	6MT12	5310-99-807-7444 . . . WASHER, FLAT, steel, rd, 24.3 x 13 x 0.8mm thk	Z5339A726 A	A/R	Tappet adjusting
25(1)	A	6MT12	5310-99-807-7445 . . . WASHER, FLAT, steel, rd, 24.3 x 13 x 0.9mm thk	Z5339A726 B	A/R	
25(2)	A	6MT12	5310-99-807-7446 . . . WASHER, FLAT, steel, rd, 24.3 x 13 x 1mm thk	Z5339A726 C	A/R	
25(3)		NP	. . . WASHER, FLAT, steel, 13mm id x 1.1mm thk	Z5339A726 D	A/R	
25(4)	A	6MT12	5310-99-807-7448 . . . WASHER, FLAT, steel, rd, 24.3 x 13 x 1.2mm thk	Z5339A726 E	A/R	
25(5)		NP	. . . WASHER, FLAT, steel, rd, 24.2 x 13.2 x 1.3mm thk	NW2-172	A/R	
25(6)	A	46MT12	5310-99-807-7450 . . . WASHER, FLAT, steel, rd, 24.3 x 13 x 1.4mm thk	Z5339A726 G	A/R	
25(7)	A	6MT12	5310-99-137-0193 . . . WASHER, FLAT, steel, rd, 24.2 x 13.2 x 0.5mm thk	NW2-164	A/R	
25(8)		NP	. . . SHIM, steel, 13mm id x 0.4mm thk	Z5339A726 J	A/R	
25(9)		NP	. . . SHIM, steel, 13mm id x 0.3mm thk	Z5339A726 K	A/R	
25(10)		NP	. . . WASHER, FLAT, steel, 13mm id x 0.6mm thk	Z5339A726 L	A/R	
26	A	6MT12	5305-99-807-9170 . . . SCREW, SET, ISO M, 6 x 1mm pitch, steel, black oxidized, fillister hd	Y7097-396	6	
27	A	46MT12	5330-99-807-6929 . . . RING, SEALING, TOROIDAL, rubber, 75 deg, 2mm h x 21mm id	Z7097-45	6	
28	A	6MT12	5310-99-807-6927 . . . WASHER, RECESSED, steel, 21.7 x 24.8 x 23mm dia	NW2-206	6	
29	A	46MT12	2910-99-807-8108 . . . BODY, VALVE, steel, cylindrical, 25 x 20 x 1.5mm 1st end, 14 x 1.5mm, 50mm lg	X7097-189	6	
30	A	6MT12	2910-99-807-9789 . . . LOCKING, PLATE	Y7097-571	6	
NI 31	A	G1	5310-99-941-6654 . . . WASHER, LOCK, steel, split helical ring, 1/4 x 27/64 x 5/64in. thk	P2	3	
NI 32	A	6MT12	5310-99-807-7387 . . . WASHER, FLAT, steel, rd, 6.2 x 11mm od, 1/16in. thk	NW2-55	3	
NI 33		NP	. . . WASHER, FLAT, steel, 6.4mm		3	
34		NP	. . . NUT, PLAIN, HEXAGON, steel, phos, 6 x 1 x 11 x 4.15mm h	D1C23680- 267-LB6M6	3	
NI 35		NP	. . . WASHER, DELIVERY UNION, steel, 12 x 4 x 6.7mm dia, 30 deg taper	7097A113	6	
36	A	9ACR	4730-99-881-5751 . . . NUT, UNION, PIPE, steel, 19 x 8.4mm id, 3/4in. hex shape, 40 deg seat, M14 x 15 ISO M	7097A47G	6	
37	A	46MT12	5365-99-807-7376 . . . SPACER, RING, copper, rd, tinned, 21.4 x 0.056 x 18.25in. dia	5339-174	1	
38	A	46MT12	4730-99-881-5745 . . . BOLT, FLUID PASSAGE, steel, 60.7 x 16 x 1.5 x 12mm thd lg	7097-549E	1	
39	A	7PK	5310-99-767-3132 . . . WASHER, SEALING, copper, 10 x 16 x 1.42mm thk	0D14287	4	
40	A	6MT12	4730-99-807-3604 . . . CONNECTOR, MULTIPLE, FLUID PRESSURE LINE, brass, 26 x 17 x 10mm dia bolt hole, 5mm od pipe size	NA1-5	2	
41	A	46MT12	4730-99-881-5750 . . . BOLT, FLUID PASSAGE, steel, 20.5 x 10 x 1.25 x 10mm lg		1	
NI 42		NP	. . . STOP, DELIVERY VALVE	P4649	1	

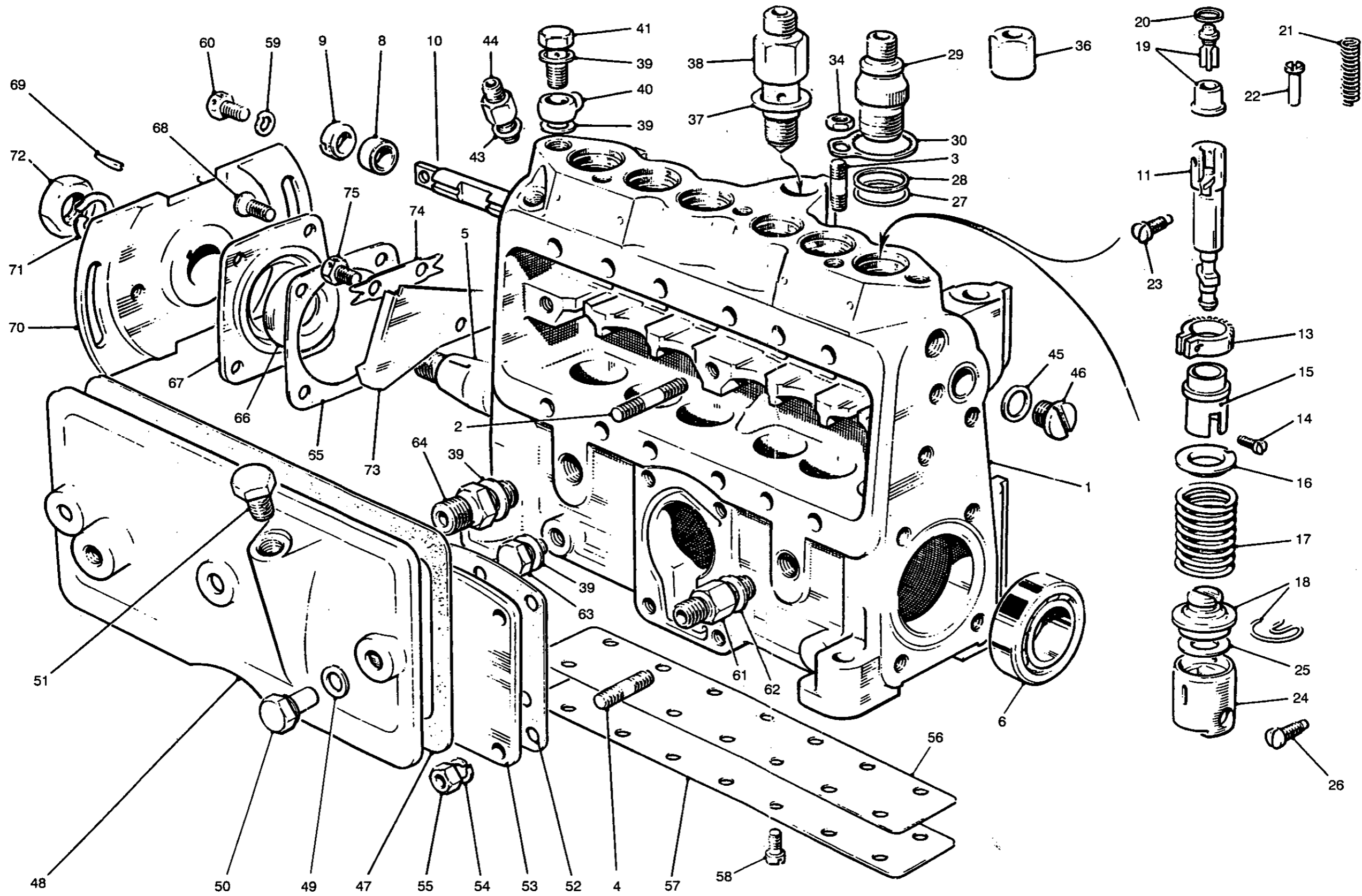


Fig 22 Pump, fuel, metering and distributing

Fig Item	Man Code Navy - N Army - A RAF - R	NATO Stock No	Item Name and Description	Part No/ Drawing No.	No. Off	Annotations
22-			POWER UNIT, DIESEL - contd . ENGINE, DIESEL - contd . . . PUMP, FUEL, METERING AND DISTRIBUTING - contd			
43		NP	. . . SPACER, RING, copper, rd, 16.7 x 14.1mm dia	NW5-39	1	
44	A	9ACR 4730-99-881-5749	. . . ADAPTOR, STRAIGHT, PIPE, steel, 3/8 -24 UNF, 3 x 32.5mm lg, phos finish	X7008A364 F	1	
45	A	46MT12 5365-99-807-7469	. . . SPACER, RING, aluminium, rd, 15.8 x 12.2mm id, 1/64in.thk	Z5339-901	1	
46	A	46MT12 5365-99-807-6945	. . . PLUG, SCREWED, steel, slot drive, 12 x 1.5 x 12.5mm lg, fuel injector pump	7097-80	1	
47	A	6MT12 5330-99-804-6500	. . . GASKET, cork, rect, 9-23/64 x 3-25/32 x 1/16in. thk	7097-637	1	
48	A	9ACR 2910-99-881-5777	. . . COVER, ACCESS, 238 x 89 x 18mm thk	7097-620	1	
49	A	9ACR 5310-99-807-7370	. . . WASHER, FLAT, fibre, rd, 15 x 10 x 1.5mm thk	Z5339-131	3	
50	A	46MT12 5310-99-881-5783	. . . NUT, SLEEVE, 6 x 1 x 10 x 13.5mm lg, rd, steel	7097-21C	3	
51		NP	. . . PLUG, SCREWED	7097-81G	1	
52	A	6MT12 2910-99-807-6918	. . . GASKET, rubber bonded asbestos, 0.008in. thk, 56 x 80mm lg, 5 holes	7097A19	1	Lift pump cover
53		NP	. . . COVER PLATE, ACCESS, aluminium, for fuel pump injection	7097-152	1	
54	A	G1 5310-99-941-6654	. . . WASHER, LOCK, steel, spring helical ring, 1/4 x 27/64 x 5/64in. thk	P2	4	
55		NP	. . . NUT, PLAIN, HEXAGON, steel, phos, 6 x 1 x 11 x 4.15mm h	D1C23680- 267-LB6M6	4	
56	A	6MT12 5330-99-927-2029	. . . GASKET, BASEPLATE, non-asbestos		1	
57		NP	. . . BASEPLATE, FUEL INJECTION, steel, 240 x 45 x 6.4mm dia	7097-316	1	
58		NP	. . . SCREW, MACHINE, flat fillister hd, 6G, 8mm lg	D1C23677- 237-FS6X8	14	
59	A	G1 5310-99-941-6654	. . . WASHER, LOCK, steel, spring helical ring, 1/4 x 27/64 x 5/64in.thk	P2	6	
60		NP	. . . SCREW, MACHINE	5334-231	6	Rear housing Cambox lubrication
61	A	6MT12 4730-99-881-5778	. . . ADAPTOR	7097-469D	1	
62		NP	. . . SPACER, RING, copper, rd, 16.7 x 14.1mm dia	NW5-39	1	
63	A	46MT12 4730-99-807-8710	. . . PLUG, SCREWED, steel, zinc P, hex hd, 10 x 1.5 x 17 x 8mm hd h, 5/8in. A/F	7023-99L	1	Fuel filter drain
64	A	46MT12 4730-99-881-5779	. . . ADAPTOR, STRAIGHT PIPE, steel, 14 x 1.5 x 30mm lg, 3/8in. BSP, hex centre		1	
65	A	6MT12 2910-99-807-6922	. . . GASKET, asbestos, 1/64in. thk, 70 x 75 x 58mm dia, 4 holes 6.4mm dia		1	
66	A	6MT1 5330-99-833-6174	. . . SEAL, PLAIN, rubber, steel, 6 x 19.9 x 35mm dia		1	
67	A	46MT12 2910-99-881-5747	. . . PLATE, RETAINING, BEARING, 75mm x 70mm x 9mm thk		1	
68	A	46MT12 5305-99-200-2300	. . . SCREW, MACHINE, steel, oval csk hd, 6 x 17.3mm lg	NS76/15Y1	4	
69	A	46MT1 5315-99-943-5954	. . . KEY, WOODRUFF, 0.62 x 0.157 x 0.25in. h	C762-9	1	

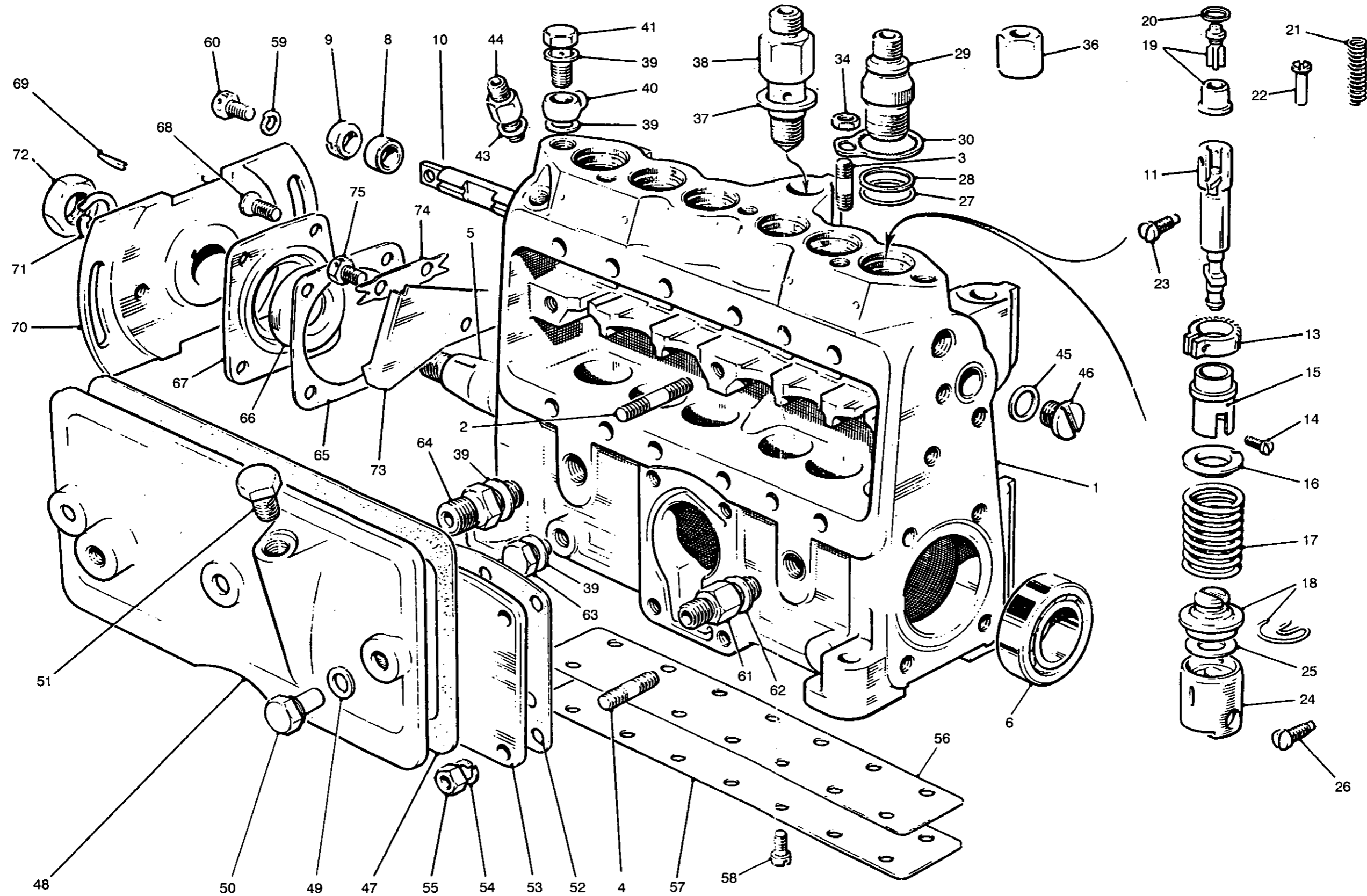


Fig 22 Pump, fuel, metering and distributing

Fig Item	Man Code Navy - N Army - A RAF - R	NATO Stock No	Item Name and Description	Part No/ Drawing No.	No. Off	Annotations
22-			POWER UNIT, DIESEL - contd . ENGINE, DIESEL - contd . . . PUMP, FUEL, METERING AND DISTRIBUTING - contd			
70	A 10	2910-99-866-7265	. . . COUPLING HALF, SHAFT, steel, 5- 19/64 x 13/16 x 3-1/8in. od	FV452462	1	
71		NP	. . . WASHER, LOCK, steel, flat, 14.9mm		1	
72		NP	. . . NUT, PLAIN, HEXAGON, metric, steel, zinc coated, 14mm		1	
73	A 10	2815-99-867-0561	. . . TIMING, POINTER, injection pump	FV452816	1	
74	A 9ACR	5340-99-802-1025	. . . LOCKING PLATE, NUT AND BOLT, steel, 46.25 x 9.5 x 0.8mm thk	Y5936-286	1	
75		NP	. . . SCREW, MACHINE, metric, steel, hex hd, 6 x 12mm	Z5334-141	2	
NI 76		NP	. . . NUT, UNION, PIPE, steel, 12.7 x 12.8mm id, 13/16 x 5/8in. -18 UNF thd, hex shape	7097-71C	2	
NI 77		NP	. . . NUT, UNION, PIPE, steel, 11.2 x 6.7mm id, 1/2 x 3/8in. -24 UNF thd, hex shape	7097-157D	2	

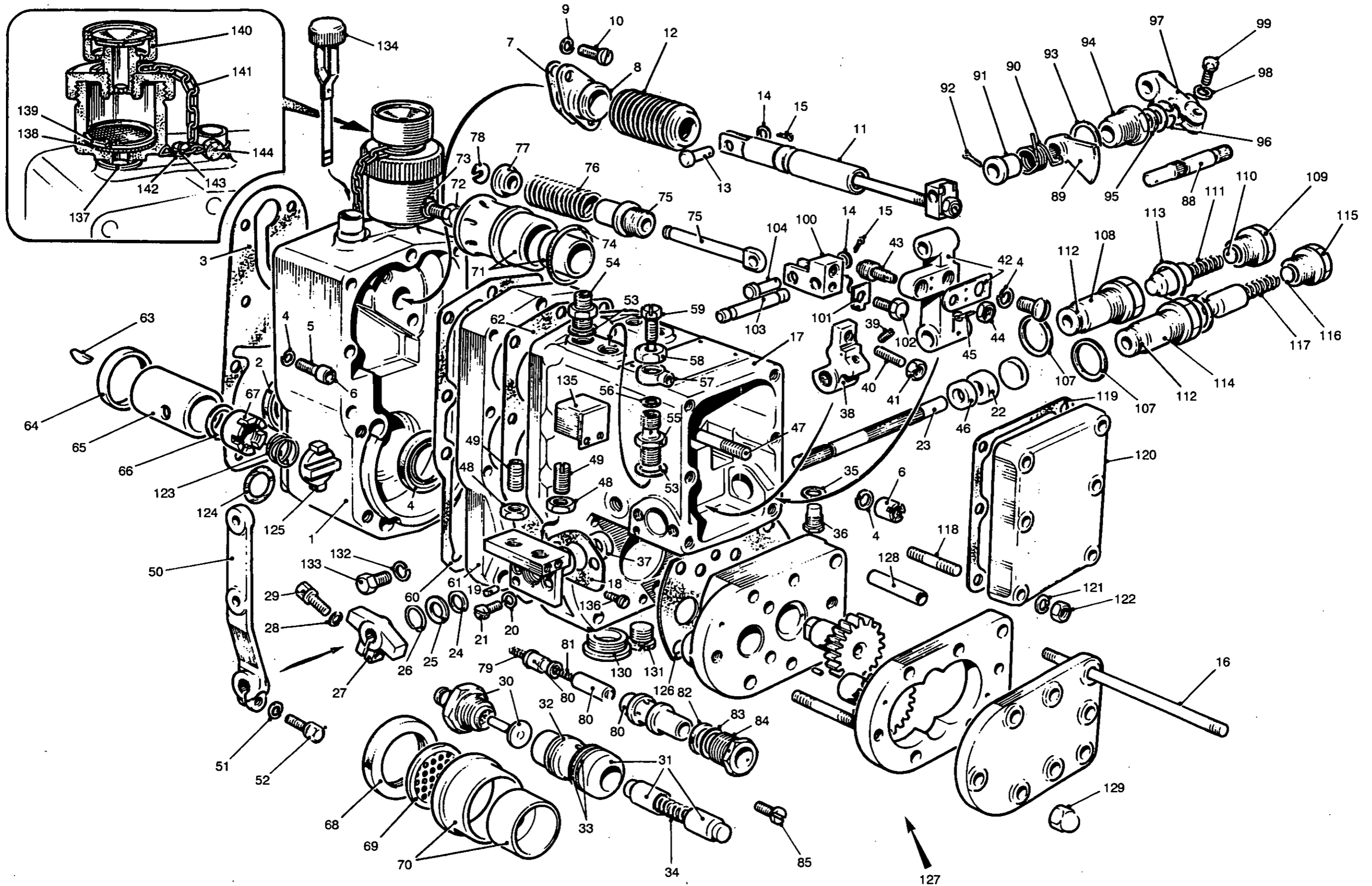


Fig 23 Injector pump governor

430/70022

Fig Item	Man Code Navy - N Army - A RAF - R	NATO Stock No	Item Name and Description	Part No/ Drawing No.	No. Off	Annotations
23-			POWER UNIT, DIESEL - contd ENGINE, DIESEL - contd PUMP, FUEL, METERING AND DISTRIBUTING - contd			
1		NP	FUEL INJECTION PUMP, GOVERNOR		REF	
2	A	6MT1 5330-99-833-6174	SEAL, PLAIN, rubber, steel, 6 x 19.9 x 35mm dia	1N5924-5J	2	
3	A	46MT12 2910-99-807-9629	GASKET, syn rubber, 1/64in. thk	7095-151	1	
4	A	G1 5310-99-100-6945	WASHER, LOCK, steel, flat int teeth, 1/4 x 15/32 x 0.026in. thk	AGS2035-E	7	
5		NP	STUD, PLAIN, metric, steel, 6 x 27mm	7095A104D	4	
6	A	46MT12 5310-99-808-4684	NUT, PLAIN, ROUND, SI, 6 x 1 x 10 x 9.9mm thk, rh thd	7095-299	4	
7	A	46MT12 5330-99-881-5885	GASKET, rubber, syn, rd, 6.5 x 17mm id, 1/64in. cross-sect thk	Z7095-669	1	
8		NP	LINK, PLATE, BELLOWS, governor, fuel injection pump	Y7095-668	1	
9	A	G1 5310-99-941-6654	WASHER, LOCK, steel, split helical ring, 1/4 x 27/64 x 5/64in. thk	P2	3	
10	A	G1 5305-99-941-6249	SCREW, MACHINE, flat fillister hd, 10mm lg, 6G	D1C23677-267-ECS 6X10	1	
11	A	9ACR 2910-99-801-2351	LINK ASSEMBLY	Y7095-673A	1	
12	A	46MT12 5340-99-881-5886	BELLOWS, PROTECTION, rubber, 26 x 17.5 x 54mm lg	Y7095-647	1	
13	A	9ACR 5315-99-881-5840	PIN, STRAIGHT, HEADED, steel, 6 x 11.65mm lg, flat hd	7023-60C	1	
14		NP	WASHER, FLAT, steel, 6mm id	NW2-47	1	
15		NP	PIN, COTTER, SPLIT, steel, 3/64in. od x 1/2in. lg		1	
16		NP	STUD, PLAIN	Y7095A104 F	2	
17		NP	HOUSING, GOVERNOR	7095-585H	1	
18	A	6MT12 2910-99-807-9694	GASKET, 38mm lg, 30mm wd	7095-183	1	
19		NP	PIN, STRAIGHT, HEADLESS, steel, 11mm pin o/a lg, 5mm dia	7095-23	1	
20		NP	WASHER, LOCK, steel, zinc P, flat int teeth, 6.6 x 0.6 x 12mm od		2	
21	A	G1 5305-99-941-6249	SCREW, MACHINE, flat fillister hd, 10mm lg, 6G	D1C23677-267-ECS 6X10	2	
22		NP	BEARING, SLEEVE, steel, zinc P, flat int teeth, 6.6 x 0.6 x 12mm od	Z7095-678	1	
23	A	46MT12 3040-99-804-3648	SHAFT, SHOULDERED, steel, 113mm lg x 10mm dia	7095-213G	1	
24	A	46MT12 5330-99-808-4106	PACKING, PREFORMED, syn rubber, 3.17 x 9.52 x 14.28mm od, 84 deg	Z7095-118	1	
25		NP	WASHER, HYDRAULIC GOVERNOR, steel, Cd P, 14.2 x 10.2 x 1/32in. thk	7095-1198	1	
26	A	46MT12 5365-99-808-4202	RING, RETAINING, steel, 0.9 x 16 x 15.1 x mm wd	Z7095-120	1	
27	A	46MT12 2910-99-807-9708	BELL, CRANK, hydraulic governor	Y7059-247	1	
28	A	G1 5310-99-941-6654	WASHER, LOCK, steel, split helical ring, 1/4 x 27/64 x 5/64in thk	P2	1	
29	A	46MT12 5305-99-808-4624	SCREW, SHOULDERED, SI, 5 x 8 x 11 x 15mm lg, steel, phos hex hd, 9.5 x 3mm shoulder dia	Z7095-283	1	
30	A	46MT12 2910-99-807-9837	VALVE, HYDRAULIC GOVERNOR, amplifier	Z7095-73A	1	

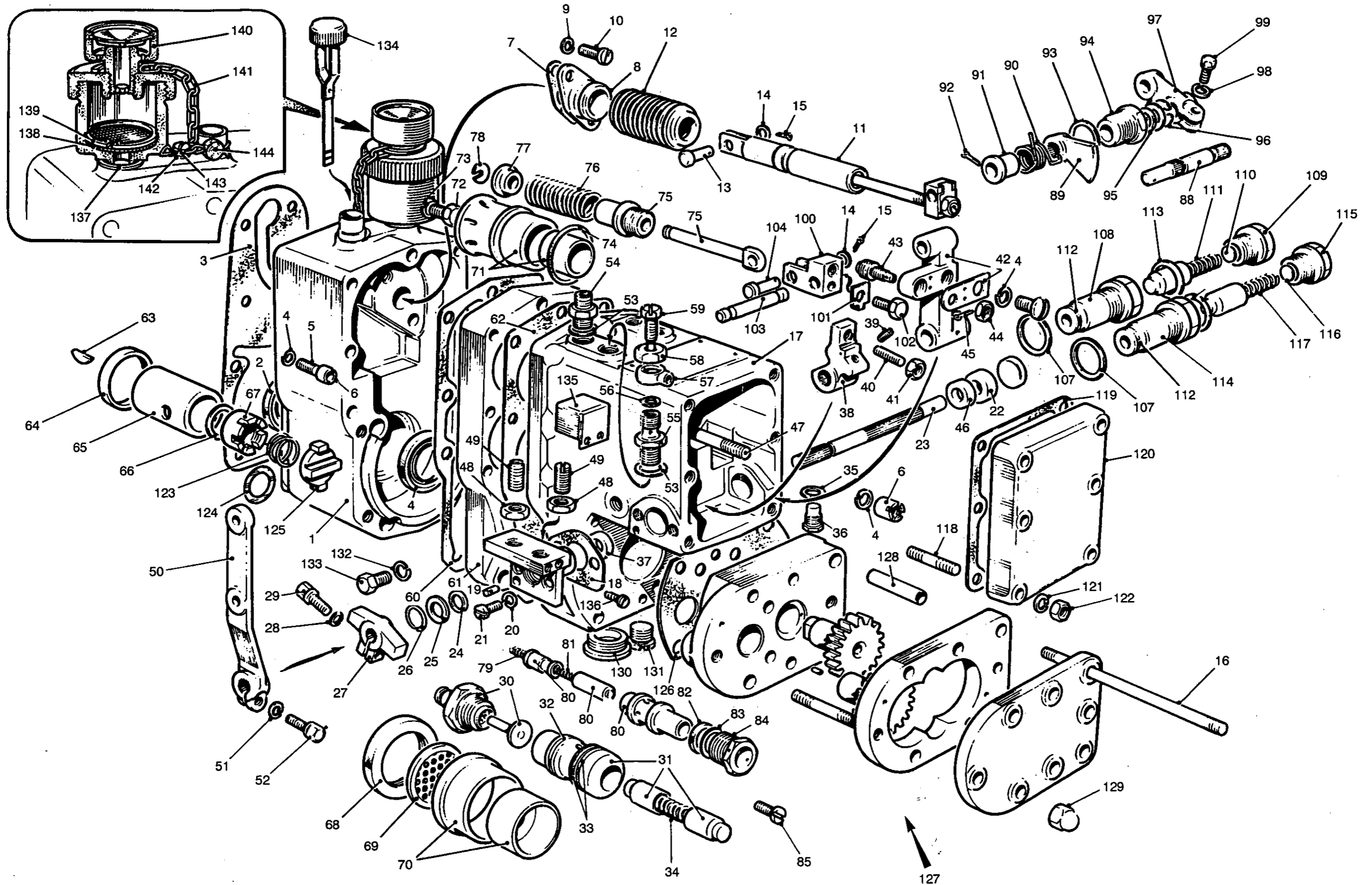


Fig 23 Injector pump governor

430/70022

Fig Item	Man Code Navy - N Army - A RAF - R	NATO Stock No	Item Name and Description	Part No/ Drawing No.	No. Off	Annotations
23-			POWER UNIT, DIESEL - contd ENGINE, DIESEL - contd FUEL INJECTION PUMP GOVERNOR - contd			
31	A	46MT12	2910-99-808-0130 . . . VALVE, HYDRAULIC GOVERNOR	Z7095-605	1	With sleeve
32	A	6MT12	5330-99-808-4105 . . . RING, SEALING, TOROIDAL, syn rubber, 77 deg, 2 x 19mm id	Z7095-137D	1	
33	A	46MT12	5330-99-807-6929 . . . RING, SEALING, TOROIDAL, syn rubber, 75 deg, 2 x 21mm id	Z7097-45	2	
34	A	46MT12	2910-99-807-9669 . . . SPRING, HELICAL, COMPRESSION, 7.6mm id	Z7095-198	1	
35	A	6MT12	5310-99-807-9665 . . . WASHER, FLAT, aluminium, rd, 13 x 8mm nom bolt size, 1/32in. matl thk	7095-35	1	
36	A	6MT12	5305-99-808-4618 . . . SCREW, SET, ISO M, steel, hex hd, dog point, 8 x 1.25mm pitch, 17.5mm lg	7095-36	1	
37	A	6MT12	5365-99-807-9706 . . . SPACER, SLEEVE, steel, 6mm lg, 15 x 9.5mm id	7095-167A	1	
38	A	6MT12	2910-99-807-9691 . . . CAM, CONTROL, hydraulic govermor	X7095-170	1	
39	A	6MT12	5305-99-808-4620 . . . SCREW, GRUB, ISO M, steel, dog point, slot drive, 5mm x 0.8mm pitch, 19mm lg	Z7095-170	1	
40	A	46MT12	5305-99-808-4908 . . . SCREW, GRUB, SI, steel, phos, 6 x 1mm pitch, 16mm lg, rd slot drive	Z7095-173A	1	
41		NP	. . . NUT, PLAIN, HEXAGON, metric, steel, zinc coated, 6mm	D1C23680-267-LB6M6	1	
42	A	46MT12	2910-99-801-3513 . . . LEVER, REMOTE CONTROL, hydraulic govermor	Y7095-616A	1	
43	A	46MT1	2910-99-808-4649 . . . SCREW, ADJUSTING, GOVERNOR, 22.5mm o/a lg	7095A297A	1	
44		NP	. . . NUT, PLAIN, HEXAGON, metric, steel, zinc coated, 6mm	D1C23680-267-LB6M6	1	
45	A	G1	5315-99-138-2201 . . . PIN, COTTER, SPLIT, steel, phos finish, 1.6 x 25mm lg	0009830407	1	
46	A	46MT12	5365-99-807-9705 . . . SPACER, SLEEVE, steel, 8mm lg x 15 x 9.5mm id	Z7095-167	1	
47	A	46MT12	5307-99-807-9644 . . . STUD, PLAIN, steel, 71.5mm lg, 6 x 1mm pitch nut end, 5.8 x 1mm SI thd end, 10 x 9mm nut and stud end lg	X7095-104H	1	
48		NP	. . . NUT, PLAIN, HEXAGON, ISO M, 8 x 12mm pitch, rh, steel, phos, 12.9 x 4.8mm h, chamfered	ERR0560	2	
49	A	6MT12	5305-99-807-9690 . . . SCREW, GRUB, ISO M, steel, zinc P & passivated, slot drive, rd, 1.25 x 21mm lg	Z7095-112A	2	
50	A	9ACR	2910-99-807-9944 . . . LEVER, REMOTE CONTROL, hydraulic govermor	Y7095-282	1	
51	A	G1	5310-99-941-6654 . . . WASHER, LOCK, steel, split helical ring, 1/4 x 27/64 x 5/64in. thk	P2	1	
52	A	46MT12	5305-99-808-4624 . . . SCREW, SHOULDER, SI, steel phos, hex hd, 9.5 x 3mm lg, 5 x 8mm pitch, 15mm o/a lg	Z7095-283	1	
53	A	6MT12	5310-99-807-7370 . . . WASHER, FLAT, fibre, 15 x 10 x 1.5mm thk, rd hole	Z5339-131	2	
54	A	9ACR	4730-99-881-5846 . . . ADAPTOR, STRAIGHT, PIPE, steel, 3/8 -24 UNF, 4.75 x 20mm lg, zinc plated	Y7095-658	1	
55	A	46MT12	2910-99-807-9652 . . . BODY, VALVE, steel, 29 x 0.5mm A/F, 10 - 1.25mm ext thd smallest end, 10 - 1mm ext thd other end	7097-222	1	

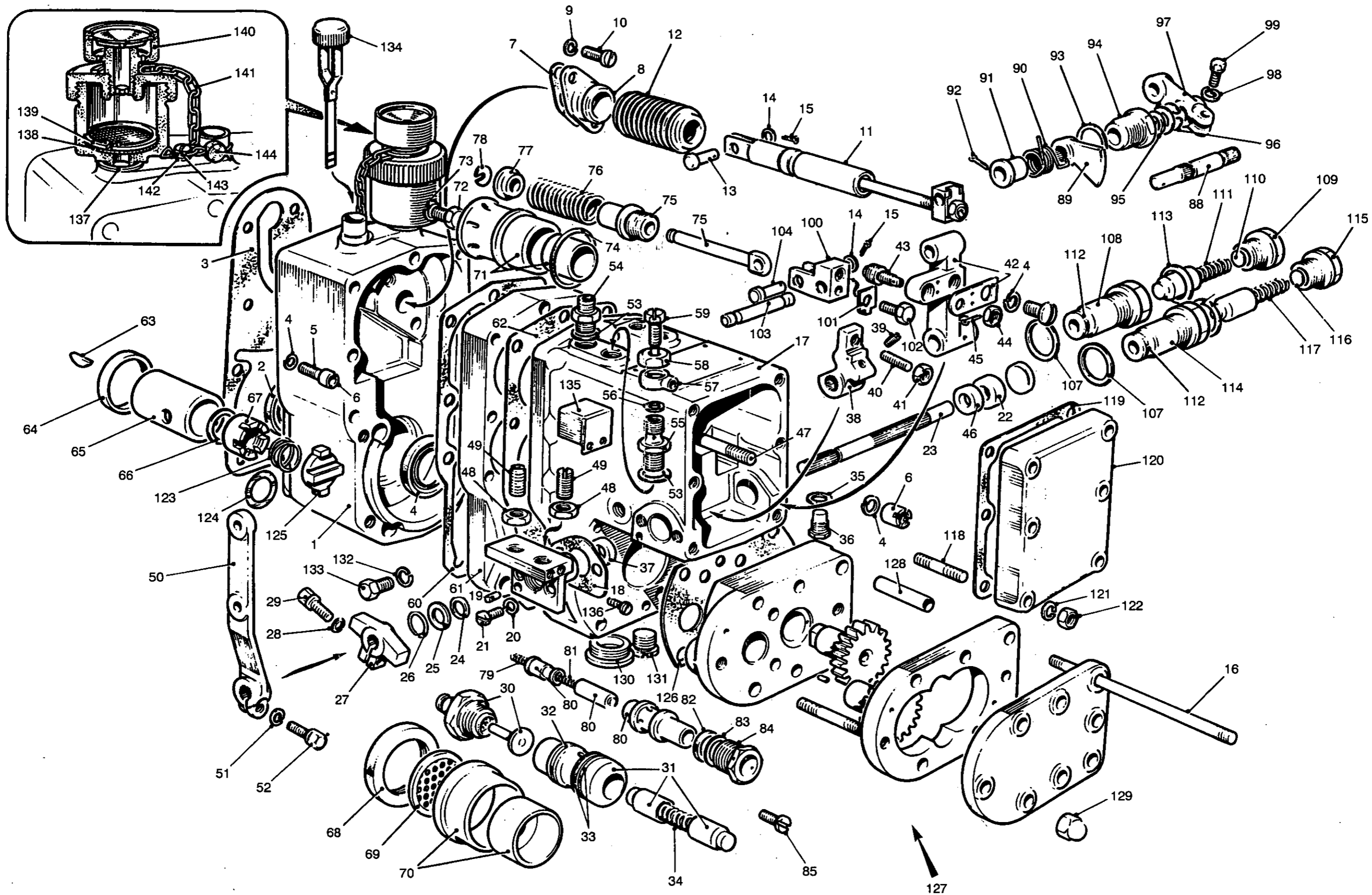


Fig 23 Injector pump governor

430/70022

Fig Item	Man Code Navy - N Army - A RAF - R	NATO Stock No	Item Name and Description	Part No/ Drawing No.	No. Off	Annotations
23-			POWER UNIT, DIESEL -- contd ENGINE, DIESEL -- contd FUEL INJECTION PUMP GOVERNOR -- contd			
56	A	6MT12	5330-99-808-4696 . . . FELT, MECHANICAL, PREFORMED, felt, rd, 8.6 x 6.2 x 4.1mm thk	Z5339-321	1	
57	A	6MT12	4730-99-807-3604 . . . CONNECTOR, MULTIPLE FLUID, PRESSURE LINE, brass, 26 x 17 x 10mm dia bolt hole, 5mm od pipe size	NA1-5	1	
58		NP	. . . NUT, UNION, PIPE, metric, steel, 10mm	7095-55B	1	
59	A	46MT12	2910-99-881-5847 . . . VALVE, AIR VENT, hydraulic governor	7095-518A	1	
60	A	46MT12	5330-99-881-4814 . . . GASKET, 88mm wd x 190.5mm o/a h	X7095-531	1	
61	A	46MT12	2910-99-881-5805 . . . HOUSING, MECHANICAL DRIVE, hydraulic governor, aluminium, 191 x 23 x 19.7mm thk	7095-528A	1	
62	A	46MT12	2910-99-881-4866 . . . GASKET, syn rubber, 187.5 x 5 x 86 x 0.015in. thk	Z7095A311	1	
63	A	46MT1	5315-99-943-5954 . . . KEY, WOODRUFF, rd bottom, 0.62 x 0.157 x 0.25in. h	C762-9	1	
64	A	46MT12	2910-99-807-9642 . . . RING, DOWEL, 30mm id x 35mm od x 6.8mm thk	Z7095-101	1	
65	A	46MT12	2910-99-808-0154 . . . COUPLING, SHAFT, RIGID, steel, 28mm od x 47mm lg	Y7095-541	1	
66	A	G1	5310-99-941-6658 . . . WASHER, LOCK, steel, split helical ring, 1/2 x 7/64 x 29/64in. od	SL242/6	1	
67	A	6MT12	5310-99-808-4685 . . . NUT, PLAIN, ROUND, SI, steel, phos, 12 x 1.5mm pitch, 21mm dia x 11mm thk	Z7095-61	1	
68	A	46MT1	5330-99-808-4104 . . . PACKING, PREFORMED, syn rubber, 6.5 x 36.5 x 45.4mm od	Z7095-42	1	
69	A	46MT12	2910-99-807-9666 . . . STRAINER ELEMENT, SEDIMENT, 140.0 mesh size	Z7095-41	1	
70	A	46MT12	2910-99-881-5806 . . . PISTON ASSEMBLY, ORIFICE, hydraulic governor	7095-574	1	
71	A	46MT12	2910-99-807-9659 . . . PISTON, SERVO ASSEMBLY, hydraulic governor	7095-273	1	
72		NP	. . . SCREW, MACHINE, metric, steel, hex hd, 6 x 12mm	Z5334-141	1	
73	A	G1	5310-99-100-6945 . . . WASHER, LOCK, steel, flat int teeth, 1/4in. id x 0.026in. thk x 15/32in. od	AGS2035-E	1	
74	A	46MT1	5330-99-807-9655 . . . RING, SEALING, TOROIDAL, rubber, 75-85, 9/64 x 1-3/64in. id	R4106E75	1	
75	A	6MT12	2910-99-807-9660 . . . ROD AND SPRING, SEAT ASSEMBLY, hydraulic governor	7095-275	1	
76	A	46MT12	2910-99-807-9656 . . . SPRING, HELICAL, COMPRESSION, 15mm id	Z7095-197	1	
77		NP	. . . SEAT, COMPRESSION, HELICAL SPRING, steel, 6 x 18mm od, 7mm thk c/bored 12mm dia x 2.5mm deep	Y7095-47	1	
78		NP	. . . LOCK, VALVE SPRING RETAINER, steel, 11.5mm od x 0.071in. thk, w/slot 6mm wd	Z7095-49	1	
79	A	46MT12	2910-99-807-9664 . . . SPRING, HELICAL, COMPRESSION, steel, 18 coils, 5.8mm free od x 20.5mm free lg	Z7095-381	1	
80	A	46MT12	2910-99-801-8747 . . . VALVE, IDLING, hydraulic governor	Z7095-271A	1	
81	A	9ACR	2910-99-807-9949 . . . SPRING, HELICAL, COMPRESSION, hydraulic governor	Z7095-519	1	

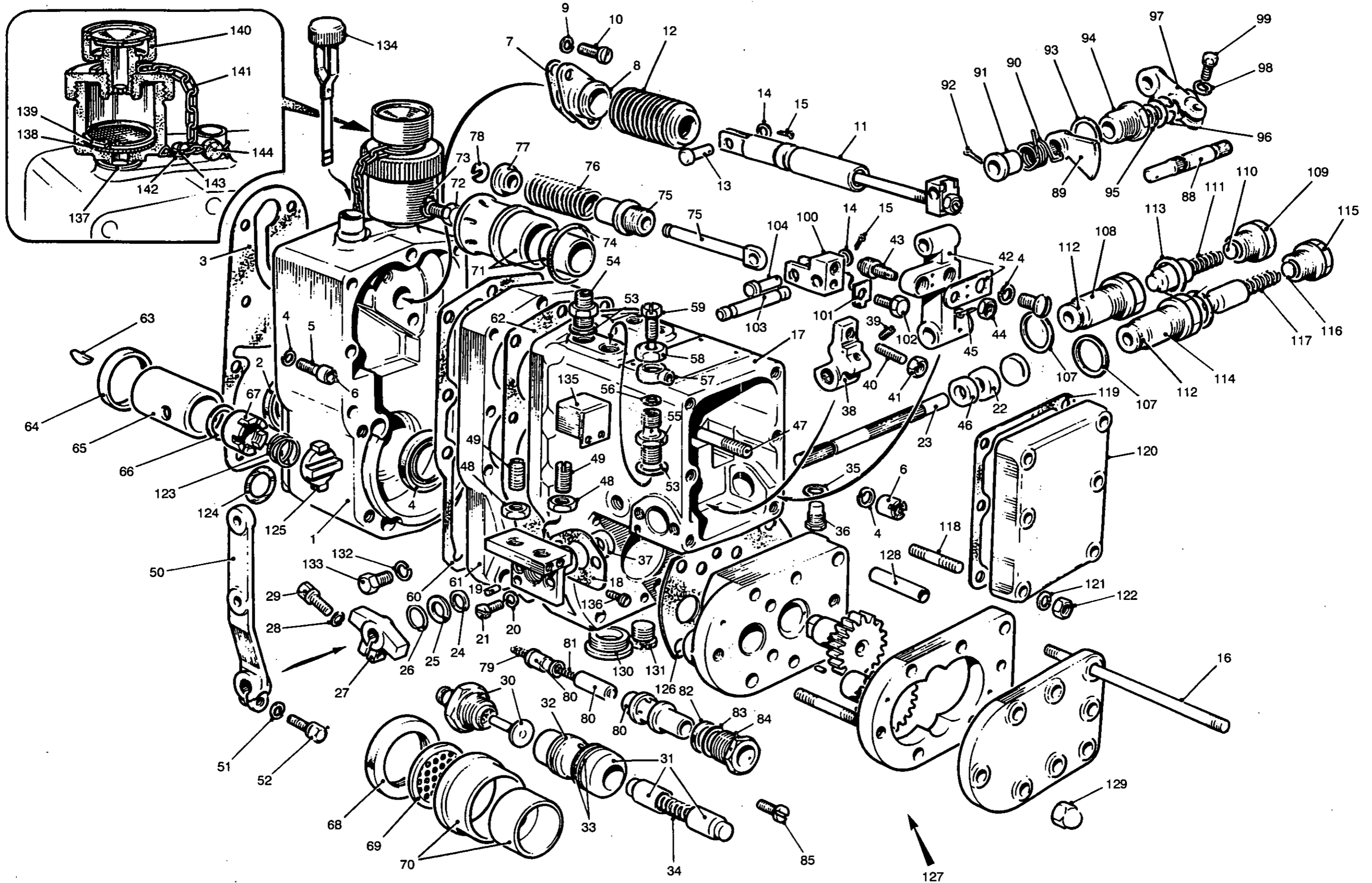


Fig 23 Injector pump governor

430/70022

Fig Item	Man Code Navy - N Army - A RAF - R	NATO Stock No	Item Name and Description	Part No/ Drawing No.	No. Off	Annotations
23-			POWER UNIT, DIESEL - contd . ENGINE, DIESEL - contd . . . FUEL INJECTION PUMP GOVERNOR - contd			
82	A	46MT12	5330-99-808-4103 . . . RING, SEALING, TOROIDAL, syn rubber, 80 deg, 2 x 12mm id	Z7095-294	1	
83	A	6MT12	5365-99-808-4687 . . . SPACER, RING, copper, rd, 15.7 x 12.2mm dia hole, 0.036in. thk	NW5-30	1	
84	A	46MT12	4730-99-808-4686 . . . PACKING, NUT, steel, 18 x 1.5 x 12.5 x 16.5mm lg	Y7095-74	1	
85		NP	. . . SCREW, MACHINE, metric, steel, Cd P, pan hd, slot drive, M5 x 0.8 x 12mm lg		1	
NI 86	A	G1	5310-99-100-6945 . . . WASHER, LOCK, steel, flat int teeth, 1/4in. id x 0.026in. thk x 15/32in. od	AGS2035-E	1	
NI 87	A	46MT12	5310-99-808-4684 . . . NUT, PLAIN, ROUND, SI, steel, 6 x 1 x 10 x 9.9mm thk	7095-299	1	
88	A	46MT12	2910-99-881-5882 . . . SHAFT, SHOULDERED, steel, 9.5 x 7 x 59.2mm lg w/2 serrations on 2 sections	X7095-347E	1	
89	A	46MT12	2910-99-807-9951 . . . LEVER, STOP, hydraulic governor	X7095-349	1	
90	A	46MT12	2910-99-881-5857 . . . SPRING, HELICAL, TORSION, stop lever return, fuel injector pump governor	Y7095-665	1	Stop lever return
91		NP	. . . BUSHING, SLEEVE, steel, ext flange one end, solid, 12.5 x 10.6 x 8mm id	Z7095-666	1	
92		NP	. . . PIN, COTTER, SPLIT, steel, phos, 1/16 x 1/2in.		1	
93	A	46MT12	5310-99-801-3512 . . . WASHER, KEY, steel, 2 ext keys, 45/64 x 1/32 x 63/64 x 17/64in. key lg and wd	Z7095-350	1	
94	A	46MT12	5365-99-881-5855 . . . BUSHING, MACHINE, THREAD, steel, SI, hex hd, 18 x 1.5 x 19 x 2.4mm wd x 1/2in. A/F	Y7095-351D	1	
95	A	6MT1	5330-99-943-0010 . . . RING, SEALING, TOROIDAL, rubber, 81-88, 5/64 x 23/64in. id	SSML7-17- 1F012	1	
96		NP	. . . CLIP	5933/64D	1	
97	A	46MT12	2910-99-881-4803 . . . LEVER, REMOTE CONTROL, hydraulic governor, short	X7095-424	1	
98	A	G1	5310-99-941-6654 . . . WASHER, LOCK, steel, split helical ring, 1/4 x 27/64 x 5/64in. thk	P2	1	
99	A	46MT12	5305-99-808-4624 . . . SCREW, SHOULDER, SI, steel, phos, hex hd, 9.5 x 3mm lg, 5 x 8mm pitch, 15mm o/a lg	Z7095-283	1	
100	A	46MT12	2910-99-807-9679 . . . BLOCK, CONTROL LINK, tapped 6 x 1mm pitch - hyd governor	27095-123A	1	
101	A	46MT12	5310-99-301-7665 . . . WASHER, KEY, steel, 6.9mm id, 3/64 x 41/64in. lg	7095-308	1	
102		NP	. . . SCREW, MACHINE, SI, steel, zinc P, hex hd, 6 x 1mm pitch, 12mm lg	D1C23659- 267-B6S 6X12	1	
103	A	46MT12	5315-99-881-4997 . . . PIN, GROOVED, HEADLESS, steel, 47mm o/a lg	Z7095A310	1	
104	A	46MT12	5315-99-807-9674 . . . PIN, STRAIGHT, HEADED, steel, 6 x 16.5 x 2.25mm drilled hole	7023-60	1	
NI 105		NP	. . . SHIM	NW2-47	1	
NI 106		NP	. . . PIN, COTTER, SPLIT, steel, 3/64in. od x 3/8in. lg		1	
107	A	46MT12	5365-99-807-9676 . . . SPACER, RING, copper, rd, 24 x 20.1mm id, 3/64in. thk	5339-757	2	

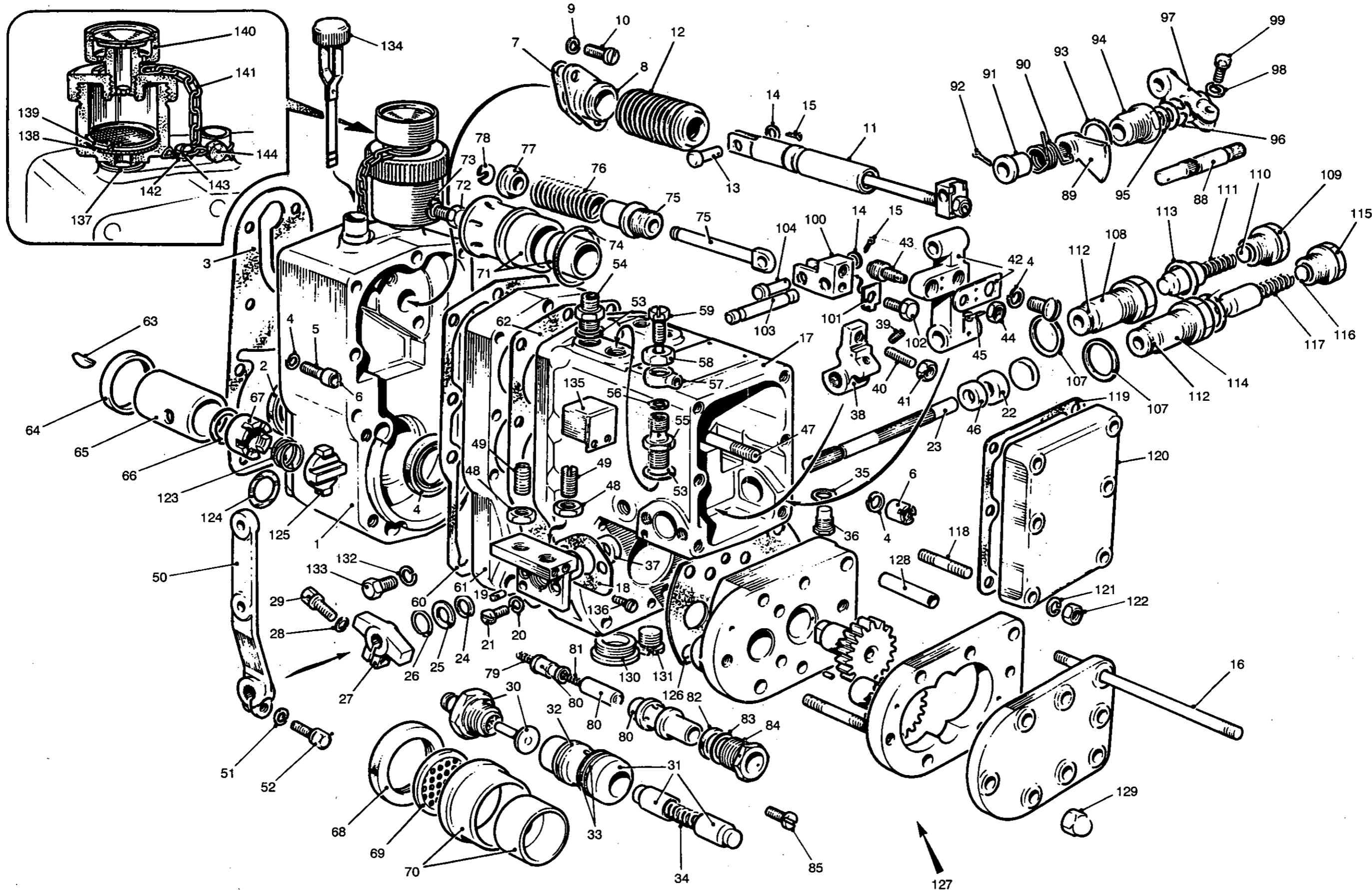


Fig 23 Injector pump governor

430/70022

Fig Item	Man Code Navy - N Army - A RAF - R	NATO Stock No	Item Name and Description	Part No/ Drawing No.	No. Off	Annotations
23-			POWER UNIT, DIESEL - contd . ENGINE, DIESEL - contd . . FUEL INJECTION PUMP GOVERNOR - contd			
108	A	46MT12	2910-99-881-4861 . . . VALVE, RELIEF, PRESSURE AND TEMPERATURE, opening pressure to atmosphere 46 - 48 PSI	Y7095-755	1	
109		NP PLUG, SCREWED, steel, 17 x 20.5 x 2mm flange thk	7095-142	1	
110	A	46MT12	2910-99-801-2354 DISC, SOLID, PLAIN, 0.5mm thk	Z7095-143	A/R	
111	A	46MT12	2910-99-807-9686 SPRING, HELICAL, COMPRESSION, u/w high pressure relief valve	7095-319	1	
112	A	46MT12	5330-99-808-4103 . . . RING, SEALING, TOROIDAL, syn rubber, 80 deg, 2 x 12mm id	Z7095-294	2	
113		NP	. . . SPACER, RING	5339-806	2	
114	A	46MT12	2910-99-881-4860 . . . VALVE, RELIEF, PRESSURE AND TEMPERATURE, opening pressure to atmosphere 22-24 PSI	7095-755A	1	
115		NP PLUG, SCREWED, steel, 17 x 20.5 x 2mm flange thk	7095-142	1	
116	A	46MT12	2930-99-801-2354 DISC, SOLID, PLAIN, 0.5mm thk	Z7095-143	A/R	
117	A	46MT12	2910-99-807-9682 SPRING, HELICAL, COMPRESSION, u/w low pressure relief valve	7095-276	1	
118	A	46MT12	5307-99-804-3647 . . . STUD, PLAIN, steel, walterised, 46 x 6 x 1mm pitch, 11mm stud end lg	7097A128E	6	
119	A	46MT12	5330-99-807-9647 . . . GASKET, asbestos, 0.008in. thk	Y7095-157	1	Cover plate
120	A	9ACR	2910-99-881-5856 . . . COVER, ACCESS, governor, fuel injection pump	Y7095-362	1	
121	A	G1	5310-99-100-6945 . . . WASHER, LOCK, steel, flat int teeth, 1/4 x 15/32in. od x 0.026in. thk	AGS2035-E	6	
122		NP	. . . NUT, PLAIN, HEXAGON, metric, steel, zinc coated, 6mm	D1C23684- 267BUF 06M6	6	
123	A	46MT12	2910-99-808-0153 . . . SPRING, HELICAL, COMPRESSION, steel, 17 x 10mm free lg, 20 SWG	Z7095-540	1	
124	A	6MT12	5365-99-801-2352 . . . SHIM, steel, solid, rd, 14 x 0.3 x 21mm od	NW2-180	1	
125	A	46MT12	2910-99-808-0152 . . . COUPLING, GEAR PUMP	7095-539	1	
126	A	46MT12	2910-99-881-4865 . . . GASKET, syn rubber, 104 x 68mm w x 1/64in. thk	Y7095A156	1	
127	A	46MT12	2910-99-881-4858 . . . PUMP, ROTARY, POWER DRIVEN, high speed, 2200 rev/min	X7095-576	1	
128	A	46MT12	5315-99-807-9654 . . . PIN, HOLLOW, hyd governor	Z7095-107	2	
129	A	46MT12	5310-99-808-4683 . . . NUT, PLAIN, CAP, SI, steel, 6 x 1mm pitch, 10.5 x 13mm o/a h	Z7095-106	6	
130	A	46MT12	4730-99-804-3498 . . . PLUG, SCREWED, SI, steel, hex hd, 22 x 1.5 x 6.2mm lg	7095-248B	1	
131	A	6MT12	5365-99-807-6945 . . . PLUG, SCREWED, steel, slot drive, 12 x 1.5 x 12.5mm lg	7097-80	1	
132	A	6MT12	5310-99-808-4679 . . . WASHER, FUEL INJECTION, copper, 6.2 x 11mm od, 1/32in. thk	NW5-14W4	1	
133		NP	. . . SCREW, MACHINE, metric, steel, hex hd, 6 x 8mm	NS49-8S1	1	
134	A	46MT12	6680-99-811-0068 . . . DIPSTICK - CAP, LIQUID QUANTITY	7095-751	1	
135	A	46MT12	2910-99-807-9689 . . . COVER PLATE, ACCESS	7095A59	1	
136	A	G1	5305-99-120-4684 . . . SCREW, MACHINE, med thd, 8mm lg, flat fillister hd		2	
137	A	46MT12	5310-99-804-4284 . . . WASHER, FLAT, copper, rd, 17 x 12 x 1mm thk	NW5-33	1	

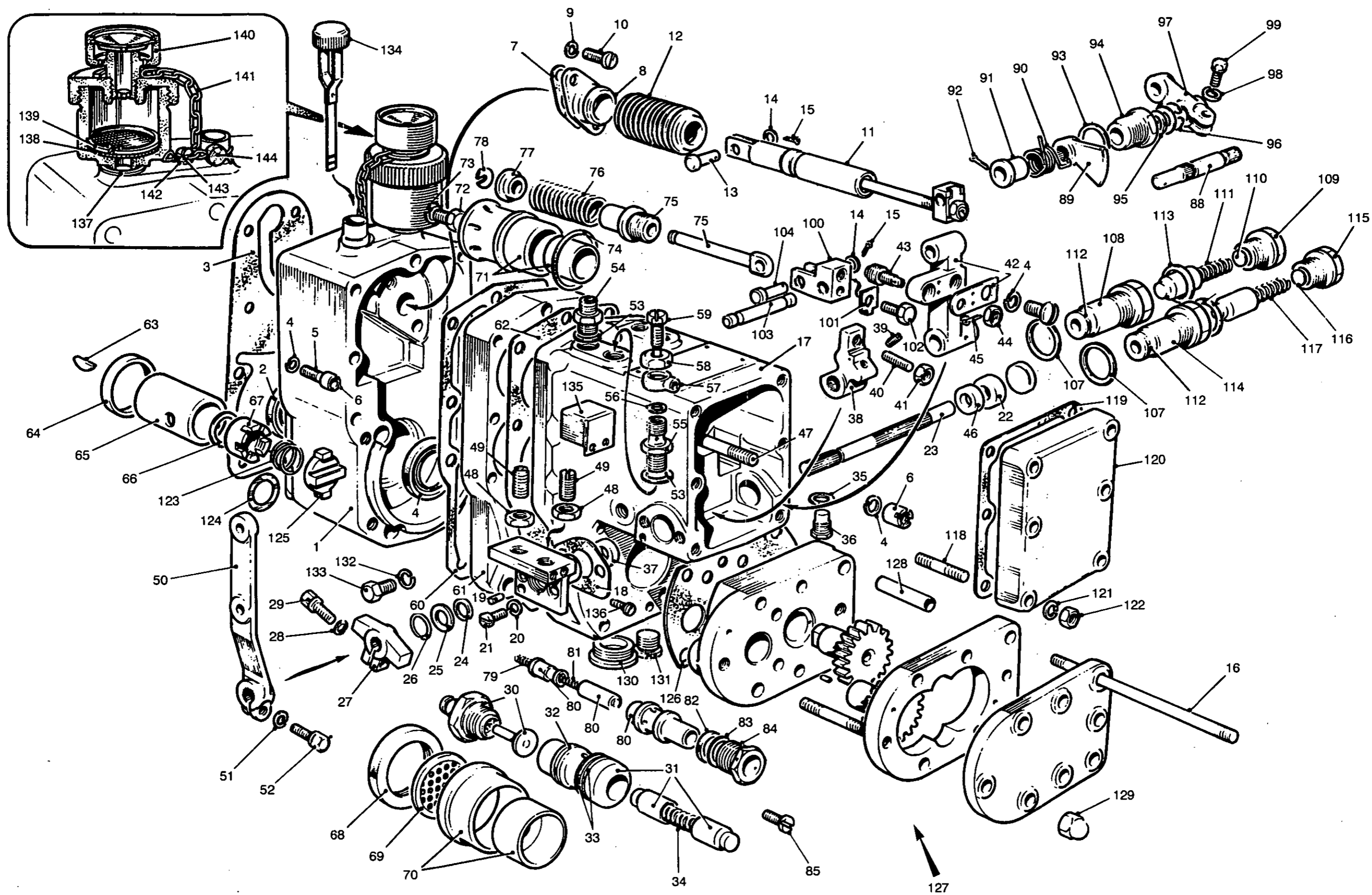


Fig 23 Injector pump governor

430/70022

Fig Item	Man Code Navy - N Army - A RAF - R	NATO Stock No	Item Name and Description	Part No/ Drawing No.	No. Off	Annotations
23-			POWER UNIT, DIESEL - contd . ENGINE, DIESEL - contd . . FUEL INJECTION PUMP GOVERNOR - contd			
138	A 6MT12	2910-99-804-4282	. . . STRAINER ELEMENT, SEDIMENT, rd, 31.5mm od, 27/64 x 7/32in. wire dia, wire mesh 50mm size	7095-714	1	
139	A 46MT1	5365-99-910-8327	. . . RING, RETAINING, steel, circlip, 1-21/64 x 1/16in. groove wd, EN42 range	JP82362	1	
140	A 46MT12	2910-99-881-4801	. . . BREATHER	7034-879	1	
141	A G1	4010-99-432-7156	. . . CHAIN, SOLID, LINK, parallel/pear shaped, 134.5 grams, 1.6 x 24mm o/a dim	G1GA15080	1	
142	A 46MT12	5310-99-804-4285	. . . WASHER, FLAT, aluminium Al, rd, 7.1 x 4.3mm id x 1/32in. matl thk	5936-58J	1	
143	A G1	5305-99-135-0596	. . . SCREW, MACHINE, flat fillister hd, 10mm lg, 6G thd	82234100	1	
144		NP	. . . SEAL, LEAD, 1/2in. dia		3	

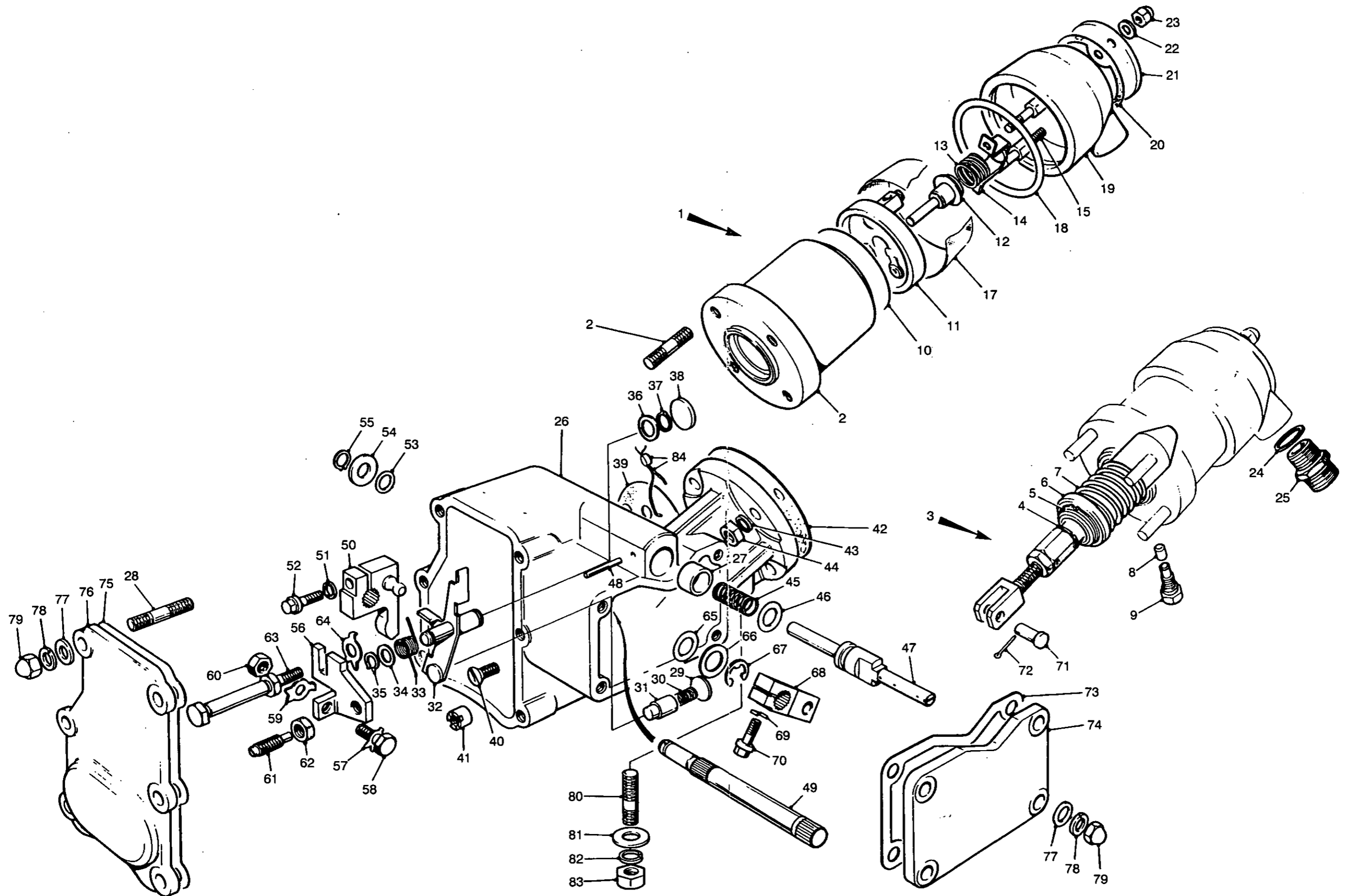


Fig 24 Excess fuel and stopping device

430/70023

Fig Item	Man Code Navy - N Army - A RAF - R	NATO Stock No	Item Name and Description	Part No/ Drawing No.	No. Off	Annotations
24-			POWER UNIT, DIESEL - contd ENGINE, DIESEL - contd PUMP, FUEL, METERING AND DISTRIBUTING - contd			
		NP	EXCESS FUEL AND STOPPING DEVICE		REF	
1	A	6MT12	5945-99-821-8620	SOLENOID, ELECTRICAL, 24V, fixing studs, 10 x 2.75in. dia	1	
2	A	46MT12	5945-99-881-5851	BODY ASSEMBLED, SOLENOID, solenoid electrical fuel injection pump	5910-139	1
3		NP	LINK AND CORE ASSEMBLY	5910-133	1	
4		NP	RING, RETAINING, steel, int, 15 x 2mm matl dia	5910-20	1	
5	A	6MT1	5365-99-834-9152	RING, RETAINING, steel, 1.17 x 22mm shaft dia	7123-417	1
6		NP	SEAT, COMPRESSION HELICAL SPRING, steel, 1.13 x 0.133 x 1.22 x 0.216in. thk, solenoid link	Z5910-140	1	
7		NP	SPRING, HELICAL, COMPRESSION, steel, 9-1/2 coils, 8 active, 3/8in. x 1-3/64in. free od	5910-155	1	
8	A	46MT4	5315-99-881-4307	PIN, STRAIGHT, HEADLESS, steel, 25/64in. lg x 5mm dia	Z5910-93	1
9		NP	SCREW, SET, BSF, steel, zinc P, hex hd, 1/4in. -26 x 9/32 x 43/64 x 7/16in. w A/F	5910-135	1	
10		NP	SHIM, SOLENOID TERMINAL BLOCK, presspahn, 2-3/4 x 1/64 x 7/16 x 3/16in. dia hole, w/2 mtg holes	Z5910-36A	A/R	
11		NP	TERMINAL BLOCK ASSEMBLY, circular block w/2 contacts, 3 terminals and 3 tags	5910-28B	1	
11(1)		NP	TERMINAL BLOCK, round, 3 terminals	5910-173	1	Alternative
12	A	46MT4	5945-99-805-1963	CONTACT, ELECTRICAL	5910-51	1
13	A	46MT12	5360-99-881-5859	SPRING, HELICAL, COMPRESSION, steel, 29/64 x 9/16in. free lg, 17 SWG matl thk, solenoid switch	5910-30	1
14		NP	BRIDGE PIECE ASSEMBLY, excess fuel & stop device	5910-32	1	
15	A	46MT12	5307-99-881-5873	STUD, SHOULDERED, steel, zinc P, 21/64 x 1/2 x 5/16in. lg metal end	5910-131	2
NI 16	A	G1	5310-99-100-9786	WASHER, LOCK, steel, Cd P, flat int teeth, 2BA, 0.021in. thk x 25/64in. od		2
17	A	6MT12	5970-99-881-5861	INSULATION SHEET ELECTRICAL, presspahn, 178 x 16mm x 0.0102in. thk o/a dims	5882-31BU	1
18	A	46MT12	5330-99-881-5878	RING, SEALING	5855-30CV	1
19	A	46MT12	5945-99-881-5864	COVER, SOLENOID, fuel injection pump	5910-126	1
20	A	46MT12	5330-99-881-5865	GASKET, syn rubber, 13/64 x 1- 15/16in. od, 2 bolt holes, 1/64in. thk	5910-129	1
21	A	9ACR	5945-99-881-5872	COVER, ACCESS, solenoid terminal	5910-130	1
22	A	G1	5310-99-941-8543	WASHER, FLAT, steel, rd, zinc P, 13/64 x 1/2 x 3/64in. thk		2
23	A	46MT12	5310-99-881-5876	NUT, PLAIN, CAP, BA, steel, zinc P, 3/8in. w 7 h, w/2 holes 1/16in. dia drilled in. hd	5910-132	2

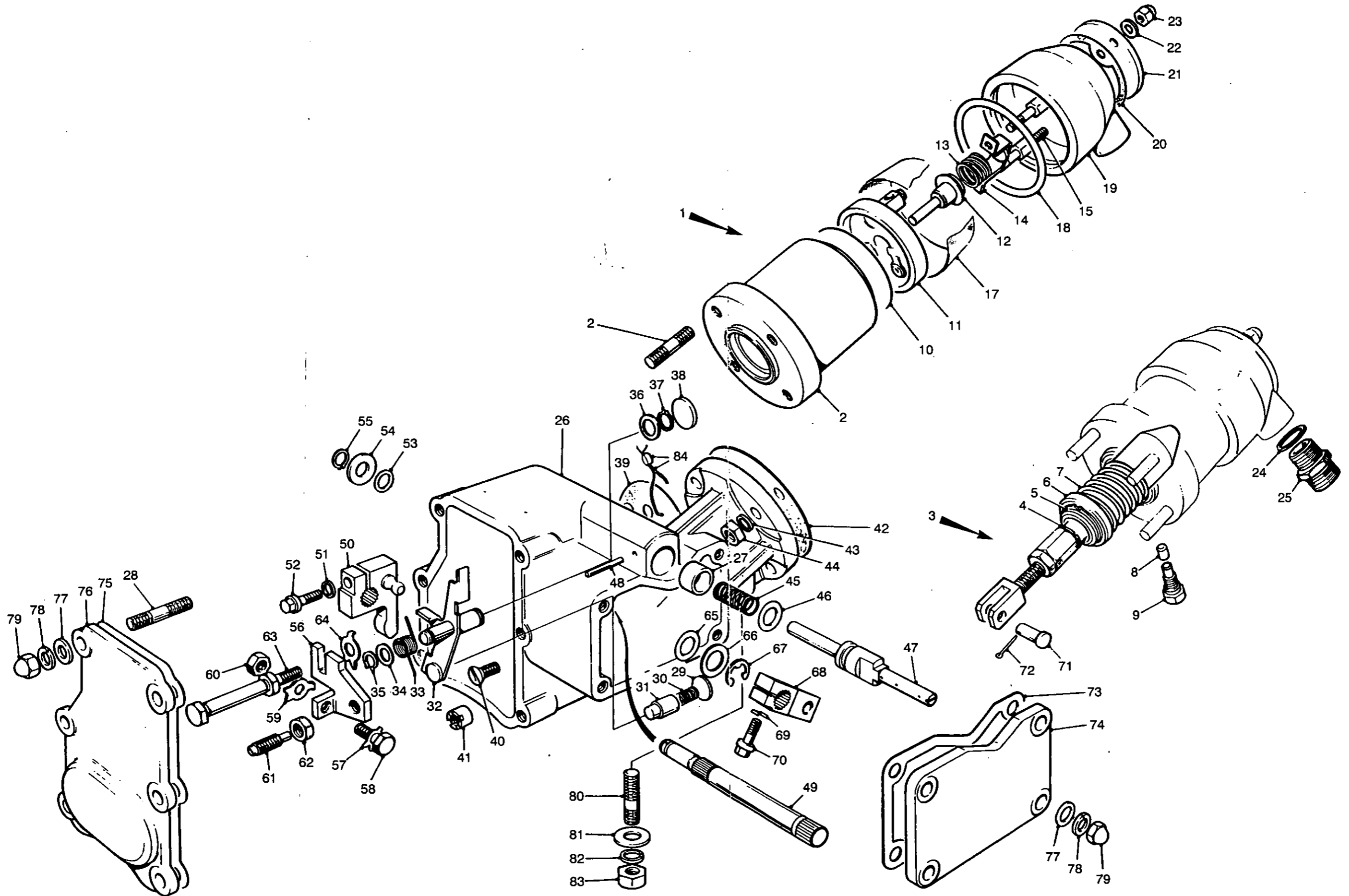


Fig 24 Excess fuel and stopping device

Fig Item	Man Code Navy - N Army - A RAF - R	NATO Stock No	Item Name and Description	Part No/ Drawing No.	No. Off	Annotations
24-			POWER UNIT, DIESEL - contd . ENGINE, DIESEL - contd . . . PUMP, FUEL, METERING AND DISTRIBUTING - contd EXCESS FUEL AND STOPPING DEVICE - contd			
24	A	6MT1	5365-99-801-4380 SPACER, RING, aluminium AJ, 12.8 x 15.8mm od x 0.036in. thk	5936-58T	1	
25	A	46MT12	4730-99-809-7912 ADAPTOR, PIPE COUPLING, steel, chemical black, 1/2in. -20 tpi whit 1st end, 11/16in. -24 tpi 2nd end, 1-7/16in. o/a lg	5910-153	1	
26		NP HOUSING	7158-3	1	
27	A	6MT12	3120-99-881-5902 BUSHING SLEEVE, steel, plain, solid, 9.9 x 14.02 x 11mm id	7158-47	1	
28		NP STUD, PLAIN, metric, steel, phos, 6 x 24mm lg	7097-20B	12	
29		NP STOP, DISC	7158-10	1	
30		NP SPRING, HELICAL, COMPRESSION	7158-38	1	
31		NP PLUNGER	7158-19	1	
32		NP LATCH PLATE ASSEMBLY	7158-45	1	
33		NP SPRING, HELICAL, TORSION, excess fuel device, fuel injection pump	7158-18	1	
34		NP WASHER, FLAT	5339-290D	1	
35	A	46MT1	5365-99-942-5707 RING, RETAINING, steel, phos, 0.78 x 8mm dia	5959-25C	1	
36		NP WASHER, FLAT, steel, zinc P, rd, 0.5625 x 0.028 x 0.357in. id	5936-88	1	
37	A	46MT1	5365-99-881-5896 RING, RETAINING, steel, phos, 1 x 9 x 8.6mm groove dia, 1.1mm wd groove	5950-107	1	
38		NP PROTECTION CAP	7097-301A	1	
39	A	6MT12	2910-99-881-5879 GASKET, pump to excess fuel device	7158-13	1	
40	A	46MT12	5305-99-200-2300 SCREW, MACHINE, metric, steel, oval csk hd, slot drive, 6 x 17.3 x 13mm scr, 6G thd	9048-137C	2	
41	A	46MT12	5310-99-808-4684 NUT, PLAIN, ROUND, SI, steel, rd thd, 6 x 1 x 10 x 9.9mm thk	7095-299	2	
42	A	46MT12	5330-99-881-5899 GASKET, asbestos, rd, 6-1/2in. hole dia, 70 x 35mm id, 4 bolt holes 0.008in. thk	7158-41	1	
43	A	G1	5310-99-941-6654 WASHER, LOCK, steel, split helical ring, 1/4 x 27/64 x 5/64in.thk		4	
44		NP NUT, PLAIN, HEXAGON	5330-58A	4	
45		NP SPRING, HELICAL, COMPRESSION, 0.81mm matl thk, fuel injection pump	Z7158-50	1	
46	A	6MT12	5330-99-881-5903 RING, SEALING, TOROIDAL	5855-30BA	1	
47	A	46MT12	2910-99-881-5901 FUEL STOP ASSEMBLY, fuel injection pump	7158-52	1	
48		NP PIN, GROOVED	7023-304	1	
49	A	46MT12	2910-99-809-7587 SHAFT, SHOULDERED, steel, 9.95 x 115.5mm lg, w/2 serrations on 2 sections	7155-57	1	
50		NP STOP ASSEMBLY, PAWL, assemble comprising of 2 items	7158-23	1	
51	A	G1	5310-99-941-6654 WASHER, LOCK, steel, split helical ring, 1/4 x 27/64 x 5/64in. thk	LWZ105	1	
52	A	46MT12	5305-99-808-4624 SCREW, SHOULDERED, SI, steel, phos, hex hd, 8 x 11 x 15 x 9.5 x 3mm shoulder lg	7095-283	1	
53	A	6MT1	5330-99-942-8489 RING, SEALING, TOROIDAL, rubber, 60-65, 5/64 x 19/64in. id	R107	1	

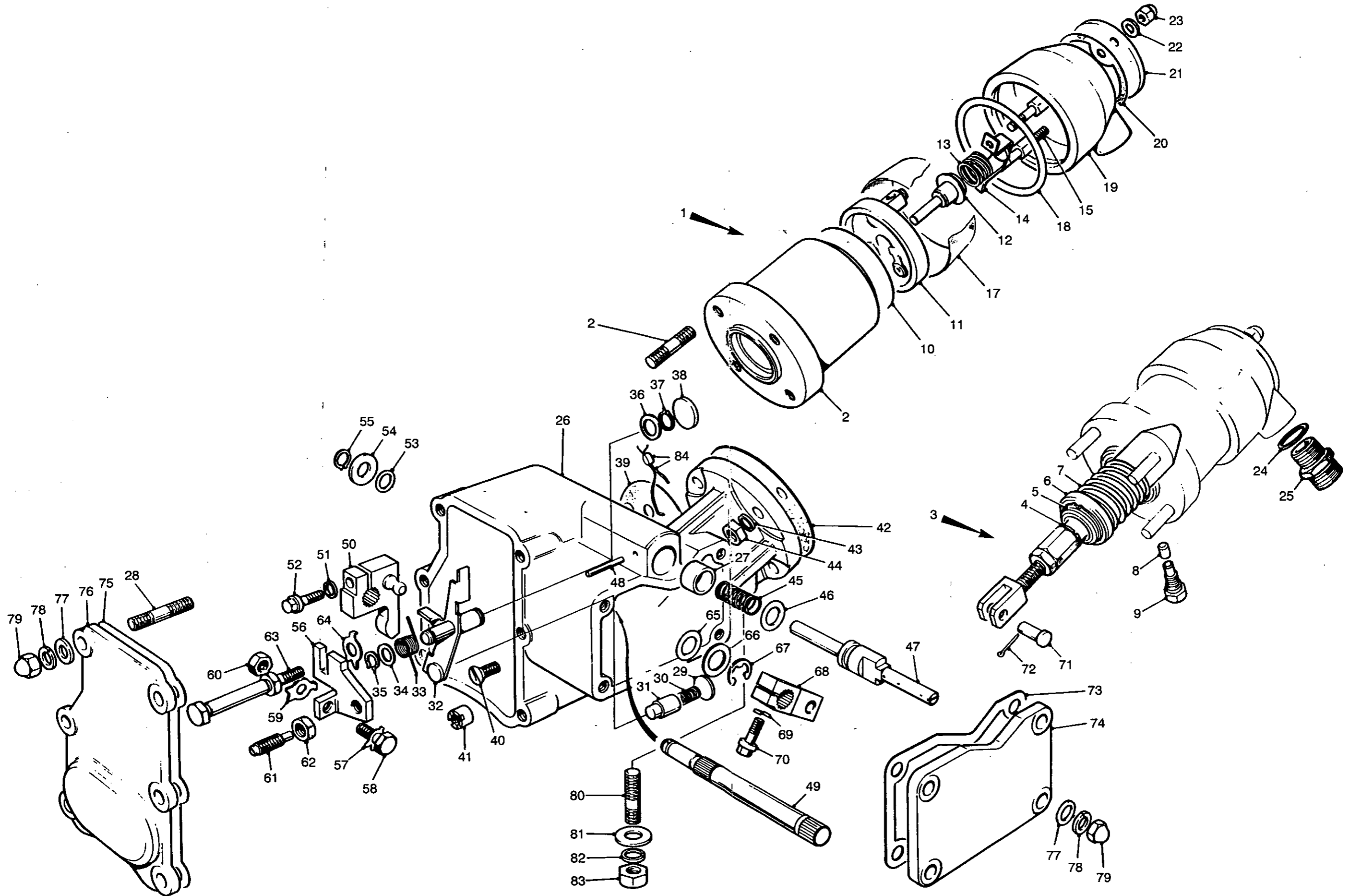


Fig 24 Excess fuel and stopping device

Fig Item	Man Code Navy - N Army - A RAF - R	NATO Stock No	Item Name and Description	Part No/ Drawing No.	No. Off	Annotations
24-			POWER UNIT, DIESEL - contd . ENGINE, DIESEL - contd . . . PUMP, FUEL, METERING AND DISTRIBUTING - contd			
54		NP	. . . WASHER, FLAT, spindle	NW2-89Y1	1	
55	A 46MT1	5365-99-942-5701	. . . RING, RETAINING, steel, circlip, ext, phos, 0.040 x 3/8in. nom shaft size	5959-25C	1	
56		NP	. . . GUIDE, PLATE, steel, 3/16in. thk, w/mtg holes, 1st hole M6 thd, c/w locating slot	7158-42	1	
57		NP	. . . WASHER, KEY	5936-309	1	
58		NP	. . . SCREW, MACHINE, metric, steel, hex hd, 6 x 15mm lg	7079-364B	1	
59	A 46MT12	5310-99-808-4665	. . . WASHER, KEY, steel, 6.1 x 18.5 dim incl keys	7118-107	1	
60	A G1	5310-99-122-5295	. . . NUT, PLAIN, HEXAGON, steel, zinc P, rh, 6H thd, metric 10 x 5mm max h, chamfered	NU7-14Y1	1	
61		NP	. . . ADJUSTING SCREW	7158-11	1	
62		NP	. . . NUT, PLAIN, HEXAGON, metric, steel, zinc coated, 6mm		1	
63		NP	. . . GUIDE BOLT	7158-15	1	
64		NP	. . . WASHER, KEY	5966-16A	1	
65	A 6MT1	5330-99-943-9084	. . . RING, SEALING, TOROIDAL, rubber, 60-65, 7/64 x 25/64in. id	R112ML539 1	1	
66		NP	. . . WASHER, SPINDLE	NW2-117Y1	1	
67	A 6MT1	5365-99-477-4528	. . . RING, RETAINING, steel, zinc P w/chromate, 0.035 x 3/8in. nom shaft dia	N15000037 AZZ	1	
68	A 46MT12	2910-99-881-5890	. . . LEVER, REMOTE CONTROL, excess fuel device, injection pump	X7158-31	1	
69	A G1	5310-99-941-6654	. . . WASHER, LOCK, steel, split helical ring, 1/4 x 27/64 x 5/64in. thk	137350	1	
70	A 46MT12	5305-99-808-4624	. . . SCREW SHOULDERED, SI, steel, phos, 5 x 8 x 11 x 15 x 9.5 x 3mm shoulder lg	7095-283	1	
71	A 6MT12	5315-99-807-9674	. . . PIN, STRAIGHT, HEADED, steel, flat chamfer hd, 6 x 16.5 x 2.25mm hole drilled in shank	CB7023-60	1	
72	A G1	5315-99-138-2203	. . . PIN, COTTER, SPLIT, steel, phos finish, 2 x 25mm lg	PS605040	1	
73	A 46MT12	2910-99-881-5880	. . . GASKET, side cover, excess fuel device	7158-32	1	
74	A 46MT4	2910-99-250-8387	. . . COVER PLATE, ACCESS, aluminium, 95 x 65 x 6 x 6.5mm dia, 4 holes	Y7158-7	7	1
75	A 46MT12	2910-99-881-5880	. . . GASKET, front inspection cover, excess fuel device	7158-33	1	
76		NP	. . . COVER	7158-5	1	
77	A 6MT1	5330-99-942-8450	. . . GASKET, matl rubber, dtd 458 grade B and steel, Cd P w/chromate	AGS1186-4	10	
78	A G1	5310-99-941-6654	. . . WASHER, LOCK, steel, split helical ring, 1/4 x 27/64 x 5/64in. thk	137350	10	
79	A 46MT12	5310-99-808-4683	. . . NUT, PLAIN, CAP, SI, steel, 6 x 1 x 10.5 x 13mm h	7095-106	10	
80		NP	. . . STUD	7126-284	1	
81		NP	. . . WASHER, FLAT	5339-241	1	
82	A G1	5310-99-941-6656	. . . WASHER, LOCK, steel, split helical ring, 3/8 x 0.092 x 0.590in. od single coil sq sect	K19209	1	
83		NP	. . . NUT, PLAIN, HEXAGON	7158-40	1	
84	A 6MT4	5340-99-812-9981	. . . SEAL, STRAPPING	5602-62	1	

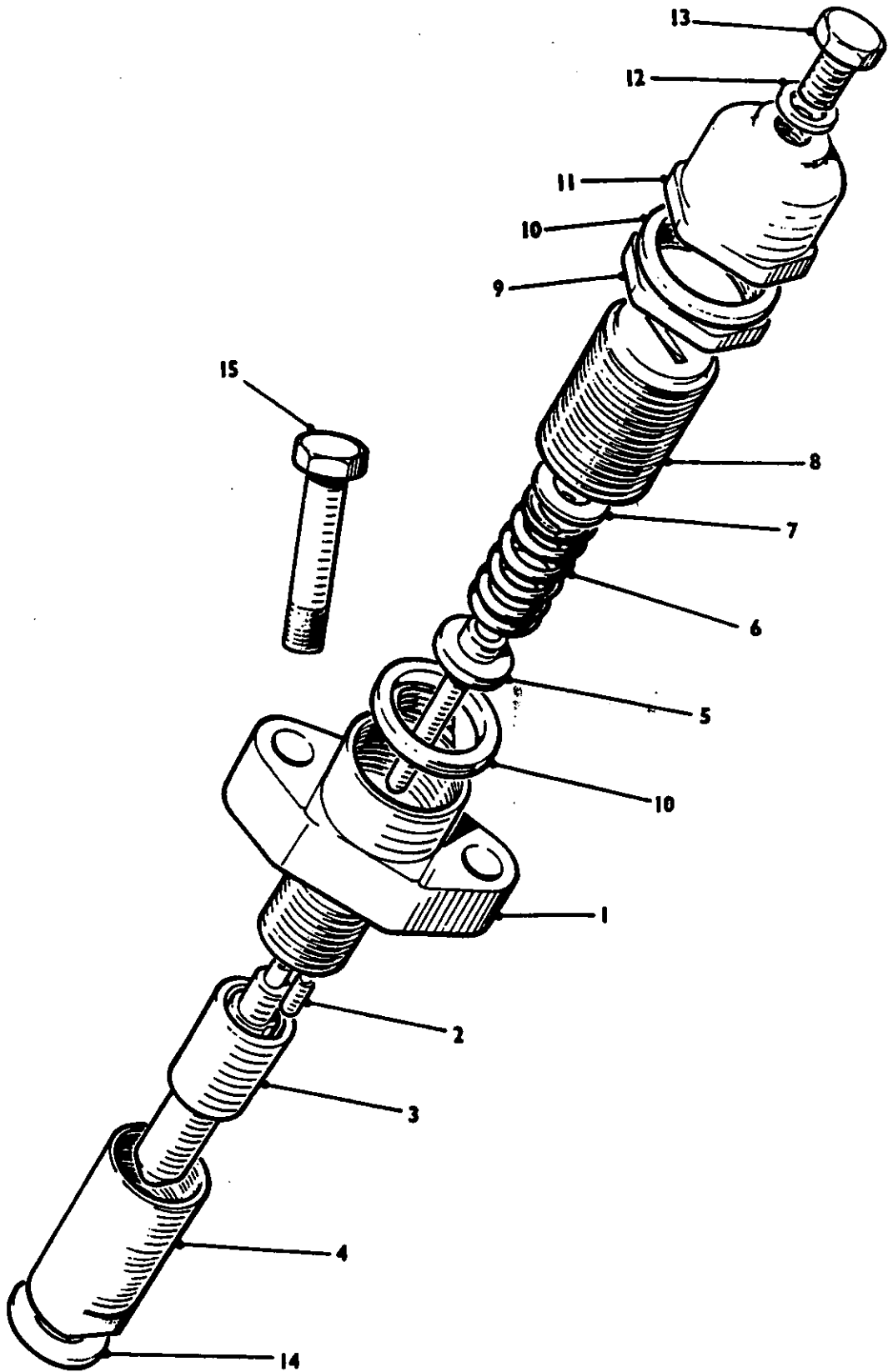


Fig 25 Fuel injector

430/70024

Fig Item	Man Code Navy - N Army - A RAF - R	NATO Stock No	Item Name and Description	Part No/ Drawing No.	No. Off	Annotations
25-			POWER UNIT, DIESEL - contd ENGINE, DIESEL - contd PUMP, FUEL, METERING AND DISTRIBUTING - contd			
1	A	46MT12	2910-99-808-5016	INJECTOR ASSEMBLY, FUEL	5208009	6
2	A	6MT12	5315-99-807-8879	PIN, STRAIGHT, HEADLESS, steel, 10mm lg, 2.9mm o/a dia	7008-428A	12
2(1)	A	6MT12	5315-99-807-8880	PIN, STRAIGHT HEADLESS, steel, 10mm lg, 2.9mm o/a dia	7008-428B	12
2(2)	A	6MT12	5315-99-807-8884	PIN, STRAIGHT, HEADLESS, steel, 10mm lg, 2.9mm o/a dia	7008-428C	12
3	A	9ACR	2910-99-808-5017	SPRAY TIP, NOZZLE, FUEL INJECTOR, comprising body and valve	BDLL10565 21	6
4	A	6MT12	4730-99-807-7520	NUT, UNION, PIPE	7008-187	6
5	A	46MT12	2910-99-881-5904	SPINDLE ASSEMBLY, FUEL INJECTOR, fuel injection pump	W7008-49E	6
6	A	6MT12	5360-99-201-4111	SPRING, HELICAL COMPRESSION, steel, 28.5mm spring free lg	7008-253	6
7	A	6MT12	5365-99-807-9712	SHIM, steel, solid, 8 x 14mm od x 0.010in. thk	NW2-79	6
8	A	X3	2910-99-201-3317	SCREW, ADJUSTING, NOZZLE	7008-599C	6
9		NP		NUT, PLAIN, HEXAGON, metric, 21 x 1.5 x 5mm h, rh, steel	5330-183	6
10	A	6MT12	5365-99-710-2146	SPACER, RING, copper, rd, 25 x 21.2mm dia hole x 0.056in. nom thk	NW5-59	12
11	A	6MT12	2910-99-807-7529	CAP, NUT, FUEL INJECTOR, BSF, steel, 21mm lg x 5/8 x 1in. A/F	7008-226	6
12	A	7PK	5330-99-793-7920	WASHER, INJECTION PIPE, low pressure	ST49938	6
13	A	6MT12	4730-99-881-5887	BOLT, FLUID PASSAGE, steel, zinc P, 16.9 x 75 x 6.5mm end thd lg, 29/64in. w	X7008A188 E	6
14	A	10	5310-99-866-7316	WASHER, FLAT, copper, rd, 0.815 x 0.39 x 0.0825in. max o/a thk	FV149207	6
15	A	G1	5306-99-941-6591	BOLT, MACHINE, UNF, steel, zinc P, hex hd, 5/16in. -24 x 1-3/4in. fastener lg, 2A thd		12
NI 16	A	6MT12	4730-99-807-3598	CONNECTOR, MULTIPLE, FLUID PRESSURE LINE, brass, 8.1 x 4.85mm od pipe size	NA1-2	6

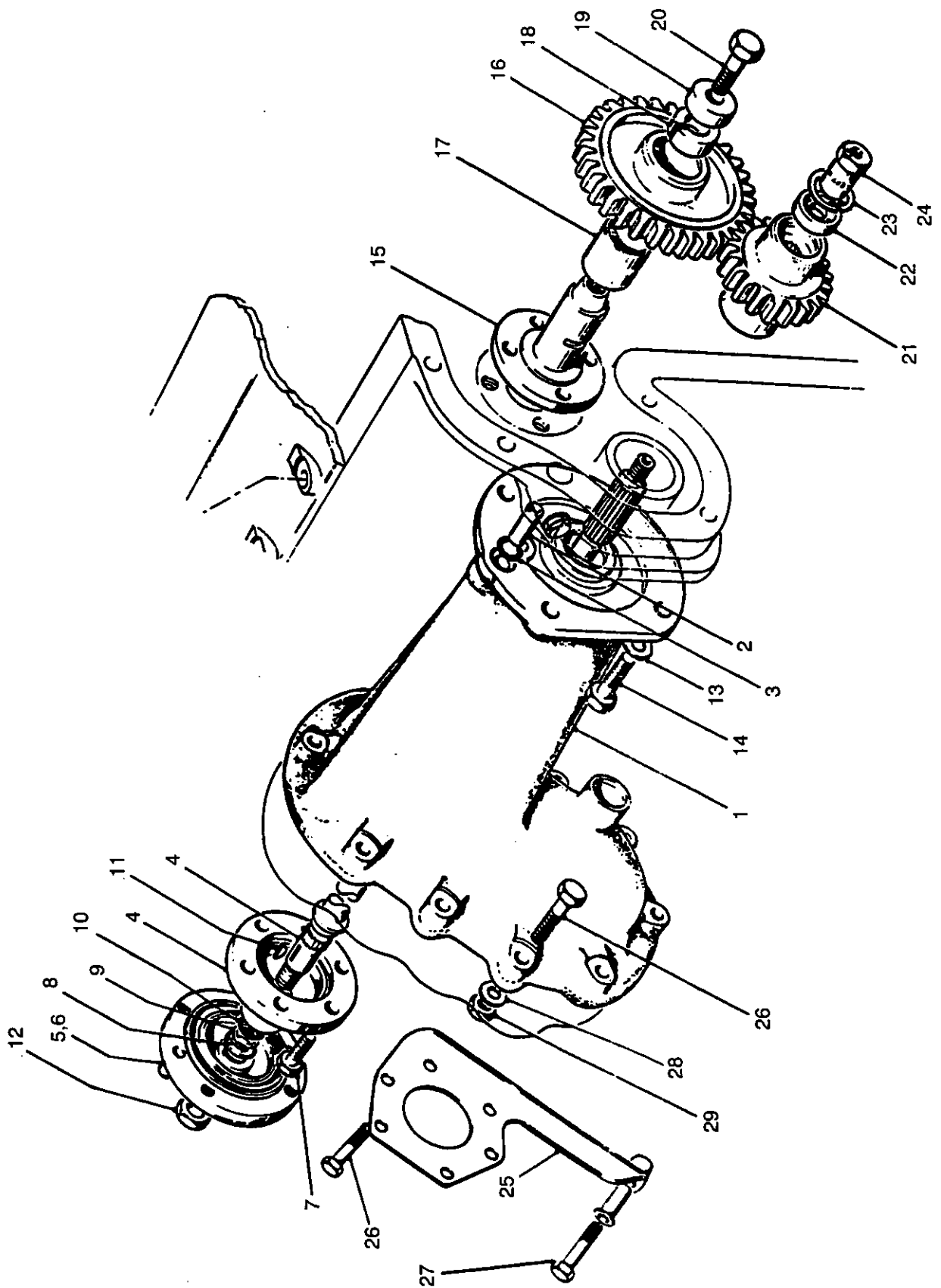


Fig 26 Coolant pump and scavenge blower drive

430/70025

Fig Item	Man Code Navy - N Army - A RAF - R	NATO Stock No	Item Name and Description	Part No/ Drawing No.	No. Off	Annotations
26-			POWER UNIT, DIESEL - contd ENGINE, DIESEL - contd			
		NP	COOLANT PUMP AND SCAVENGE BLOWER DRIVE		REF	
1	A 10	3040-99-866-7222	HOUSING, MECHANICAL DRIVE, supercharger drive	FV451755	1	Blower casing to drive gear
2		NP	DOWEL, drive housing	FV148764	1	
3	A 10	5330-99-866-7542	RING, SEALING, TOROIDAL, rubber, 65-75, 7/64 x 23/64in. id	CK616	1	
4	A 10	2815-99-866-7223	SHAFT & FLANGE ASSEMBLY, SUPERCHARGER, supercharger drive shaft and coupling flange	FV149475	1	
5	A 10	2930-99-813-0257	SHAFT, DRIVE, WATER PUMP, c/w flanges, 3.821in. lg	FV668619	1	Coolant pump drive
6	A 10	2930-99-813-0256	COUPLING, HALF, SHAFT, steel, 3.437in. dia, 0.575in. thk, plain bore w/keyway	FV668627	1	
7	A G1	5305-99-941-6542	SCREW, CAP, HEXAGON HEAD, steel, zinc P w/chromate, UNF, 0.625in. thd & fastener lg		4	Blower coupling flange to gear
8	A 10	2815-99-866-7233	COLLET, DRIVE SHAFT, steel, 37/64 x 15/16 x 13/64in. thk	FV149530	1	
9	A 10	5310-99-866-7237	WASHER, FLAT, steel, rd, 51/64 x 19/32 x 1/32in. thk	FV450244	1	
10	A 10	5330-99-866-1675	RING, SEALING, TOROIDAL, syn rubber, 65-75, 0.128 x 0.585in. max id	XB6203	1	
11	A 9ACR	5315-99-842-9000	KEY, WOODRUFF, steel, 1/2 x 3/32 x 13/64in. h	KC500	A/R	
11(1)	A 9ACR	5315-99-842-9001	KEY, WOODRUFF, steel, 1/2 x 3/32 x 13/64in. h	KC503	A/R	
12	A G1	5310-99-941-0928	NUT, PLAIN, HEXAGON, UNF, steel, zinc P, chamfered, 1/2 x 3/4 x 7/16in. h, grade 3 nut		1	
13	A G1	5310-99-941-8653	WASHER, FLAT, steel, zinc P, rd, 3/4 x 25/64 x 0.072in. thk		3	
14		NP	BOLT, MACHINE, UNF, steel, hex hd, zinc coated, 3/8in. x 1-1/4in.		4	Housing to crankcase
15	A 10	2815-99-866-7229	SPINDLE, IDLER GEAR, steel, 3 x 1-25/32 x 11/32 x 2-3/8in. bolt circle dia, 4 mounting holes	FV451584	1	
16	A 10	3020-99-866-7224	GEAR, SPUR, idler gear, blower drive	FV451581	1	Idler, blower drive
17	A 10	3120-99-866-7225	BEARING, SLEEVE, steel/tin Al, 1-3/32 x 1-1/8 x 63/64in. id, 2 items of production	FV452254	1	Idler gear
18	A 10	2815-99-866-7232	COLLET, SUPPORT, BEARING SPINDLE, steel, 1 x 3/8in. wd, 30 deg seat angle	FV451585	1	
19	A 10	5365-99-866-7231	SPACER, SLEEVE, steel, 0.345 x 1 x 0.3535in. id	FV450238	1	
20	A G1	5305-99-941-6547	SCREW, MACHINE, UNF, steel, hex hd, zinc P w/chromate, 5/16in. dia x 7/8in. lg		1	
21	A 10	3020-99-866-7230	GEAR, SPUR, steel, 20 teeth, csk & counter-bored, 2-25/32 x 2-3/8in. lg	FV451371	1	Scavenge blower drive
22	A 10	2815-99-866-7238	WASHER, CLAMPING, steel, 25/64 x 1 x 5/16in. thk	FV450265	1	Drive gear, blower
23	A 6MT1	5365-99-530-5121	RING, RETAINING, steel, phosphate coated, 3/64in. thk, internal	XB14025	1	

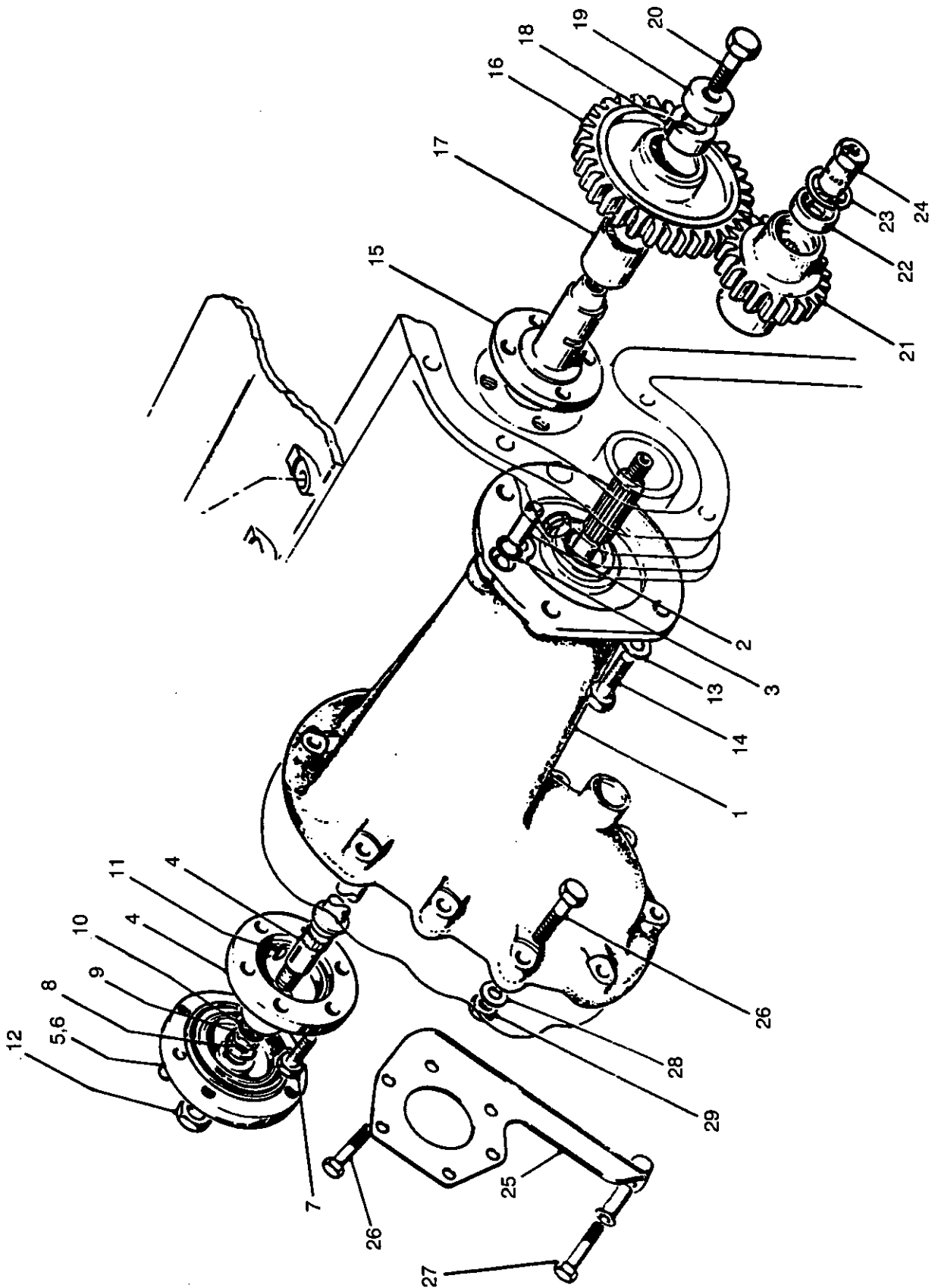


Fig 26 Coolant pump and scavenge blower drive

430/70025

Fig Item	Man Code Navy - N Army - A RAF - R	NATO Stock No	Item Name and Description	Part No/ Drawing No.	No. Off	Annotations
26-			POWER UNIT, DIESEL - contd . ENGINE, DIESEL - contd . . COOLANT PUMP AND SCAVENGE BLOWER DRIVE			
24	A 10	5310-99-866-7239	. . . NUT, SLEEVE, UNF, steel, rh, hex, 3/8 x 1 x 9/16in. wd	FV450258	1	
25	A 10	2990-99-820-1554	. . . BRACKET, ENGINE ACCESSORY SUPERCHARGER	FV669734	1	
26	A G1	5306-99-941-6590	. . . BOLT, MACHINE, UNF, steel, zinc P, hex hd, 5/16 x 1-1/2 x 7/8in. thd lg		12	
27	A G1	5306-99-941-6591	. . . BOLT, MACHINE, UNF, steel, zinc P, hex hd, 5/16in. -24 x 1-3/4in. fastener lg		1	
28	A G1	5310-99-941-8386	. . . WASHER, FLAT, steel, zinc P w/chromate, rd, 5/8 x 5/16 x 0.072in. thk		11	
29	A G1	5310-99-941-0925	. . . NUT, PLAIN, HEXAGON, UNF, steel, zinc P, 1/2 x 17/64in. h		11	

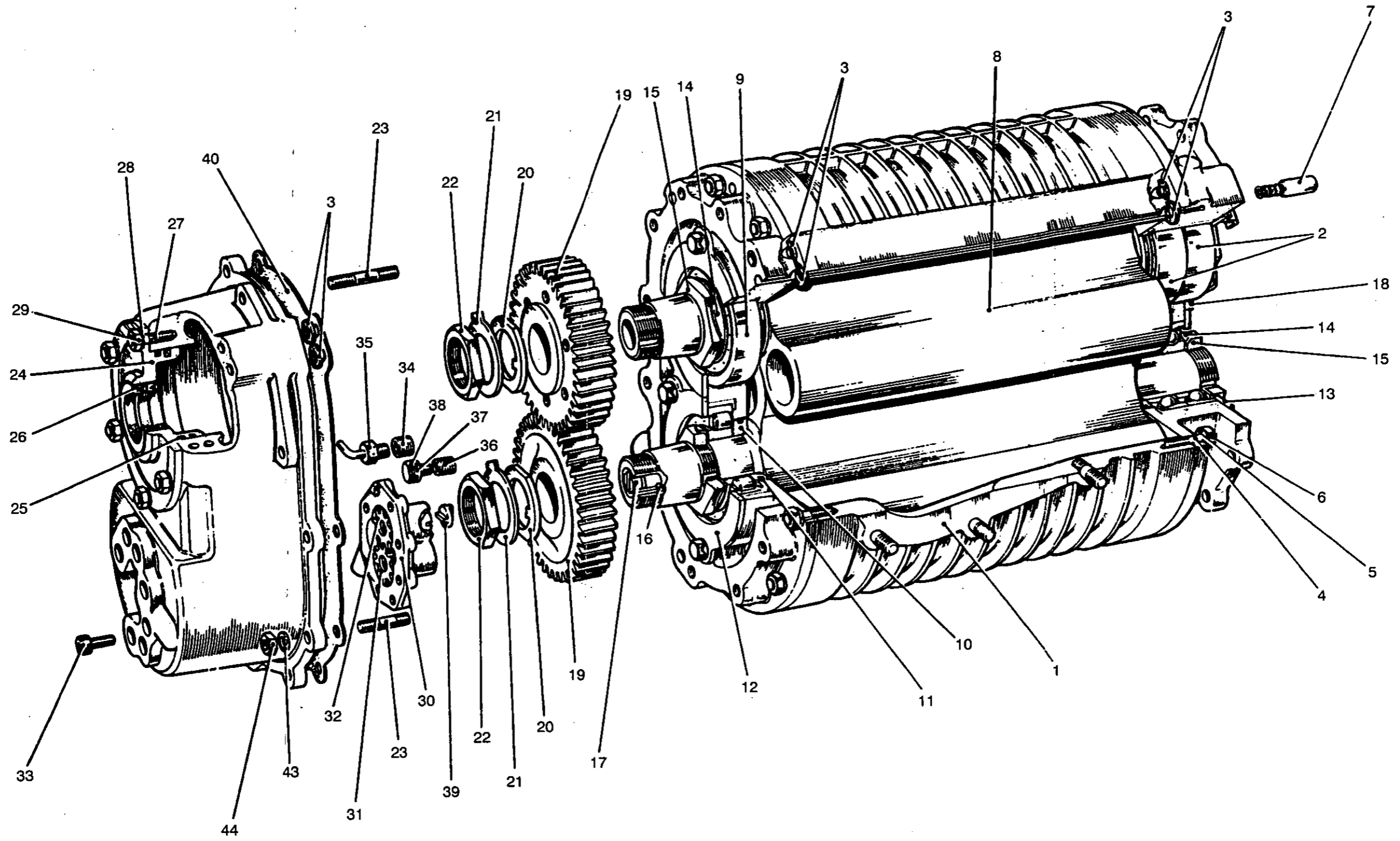


Fig 27 Induction blower and mounting

Fig Item	Man Code Navy - N Army - A RAF - R	NATO Stock No	Item Name and Description	Part No/ Drawing No.	No. Off	Annotations
27-			POWER UNIT, DIESEL - contd ENGINE, DIESEL - contd			
		NP	INDUCTION BLOWER AND MOUNTING	FV149547	REF	
1	A	46MT12	2910-99-881-5693 INDUCTION BLOWER, scavenge assembly	FV149503	1	Wade, type 2R050/2680
2	A	46MT7	3110-99-804-7894 BEARING, BALL, ANGULAR MATCHED PAIR, single row, 40 x 80 x 18 x 36mm wd	7208JBDB	2	
3	A	46MT12	5310-99-881-5707 WASHER, FLAT, rubber, rd, 35/64 x 3/32 x 17/64in. id	2968	6	
4	A	46MT12	5310-99-881-5708 WASHER, FLAT, rubber, rd, 43/64 x 3/32 x 31/64in. id	2973	2	
5	A	G1	5310-99-941-6654 WASHER, LOCK, steel, split helical ring, 1/4 x 27/64 x 5/64in. thk	LWZ105	33	
6	A	G1	5310-99-804-7941 NUT, PLAIN, HEXAGON, UNF, steel, zinc P, 1/4in. dia -28 x 7/16 x 7/32in. h, chamfered	FNZ104	33	
7	A	46MT12	4730-99-881-5686 RESISTOR UNIT, FLUID FLOW, 3/8in. dia x 7/8in. lg	2652	1	
8	A	9ACR	2910-99-881-5694 ROTOR, INDUCTION BLOWER, steel, 6-1/32 x 15-29/64in. lg, 3 blades	2703	2	w/shaft
9	A	46MT7	3110-99-881-5933 BEARING, PARALLEL ROLLER JOURNAL, 40mm bore, 80mm od, 18mm w, 2 dot fit	NU208	2	
10	A	46MT12	2910-99-881-5690 RETAINER, METAL SEAL RING, steel, 1-37/64 x 25/64 x 2-15/64in. od	2667	4	
11	A	46MT12	5330-99-881-5706 SEAL, RING, METAL, CI, 2.25 x 0.124 x 0.093in. wall thk	2742	4	
12		NP	PLATE, RETAINING, BEARING, steel, 4-21/32 x 5/32 x 2-3/4in. bore, 5 holes 9/32in. dia	2664	2	
13		NP	PLATE, RETAINING, BEARING, steel, 2.755in. id	2663	2	
14	A	46MT12	5310-99-881-5703 WASHER, KEY, steel, 1-15/32 x 3/64 x 2 x 2-3/8in. lg	2696	4	
15	A	9ACR	5310-99-881-5705 NUT, PLAIN, HEXAGON, UNF, steel, rh, 1-9/16 x 2 x 11/32in. h	2698	4	
16	A	G1	5315-99-120-8148 PIN, SPRING, steel, carbon Cd P, 1 x 1/8 x 1/32in. matl thk	235125-1000	1	
17	A	46MT12	3010-99-881-5700 COUPLING, SHAFT, RIGID, steel, 3/4 x 61/64 x 1/8in. hole	2701	1	
18		NP	DEFLECTOR, DIRT & LIQUID, steel, 1-1/16 x 4-21/32 x 61/64in. h	3482	1	
19	A	46MT12	2910-99-881-5692 GEAR SET, SPUR, MATCHED, gear, spur No. 2693 & 2692 (driven)	2676	1	
20	A	9ACR	5310-99-881-5701 WASHER, KEY, steel, 1-9/32 x 1/8 x 1-15/16in. od	2694	2	
21	A	46MT12	5310-99-881-5702 WASHER, KEY, steel, 1-9/32 x 1/32 x 1-31/32 x 1-29/32in. o/a lg	2695	2	
22	A	46MT12	5310-99-881-5704 NUT, PLAIN, HEXAGON, UNS, steel, 1-1/4 x 1-1/2 x 5/16in. h	2697	2	
23	A	10	5307-99-865-1445 STUD, PLAIN, steel, Cd P, 1.620 x 1/4 x 0.32in. thd lg, dog point on nut end	UA856ZP	2	
24	A	46MT12	2910-99-881-5685 RETAINER, OIL SEAL, end cover, 4-7/8 x 3/4in. o/a thk	2426	1	

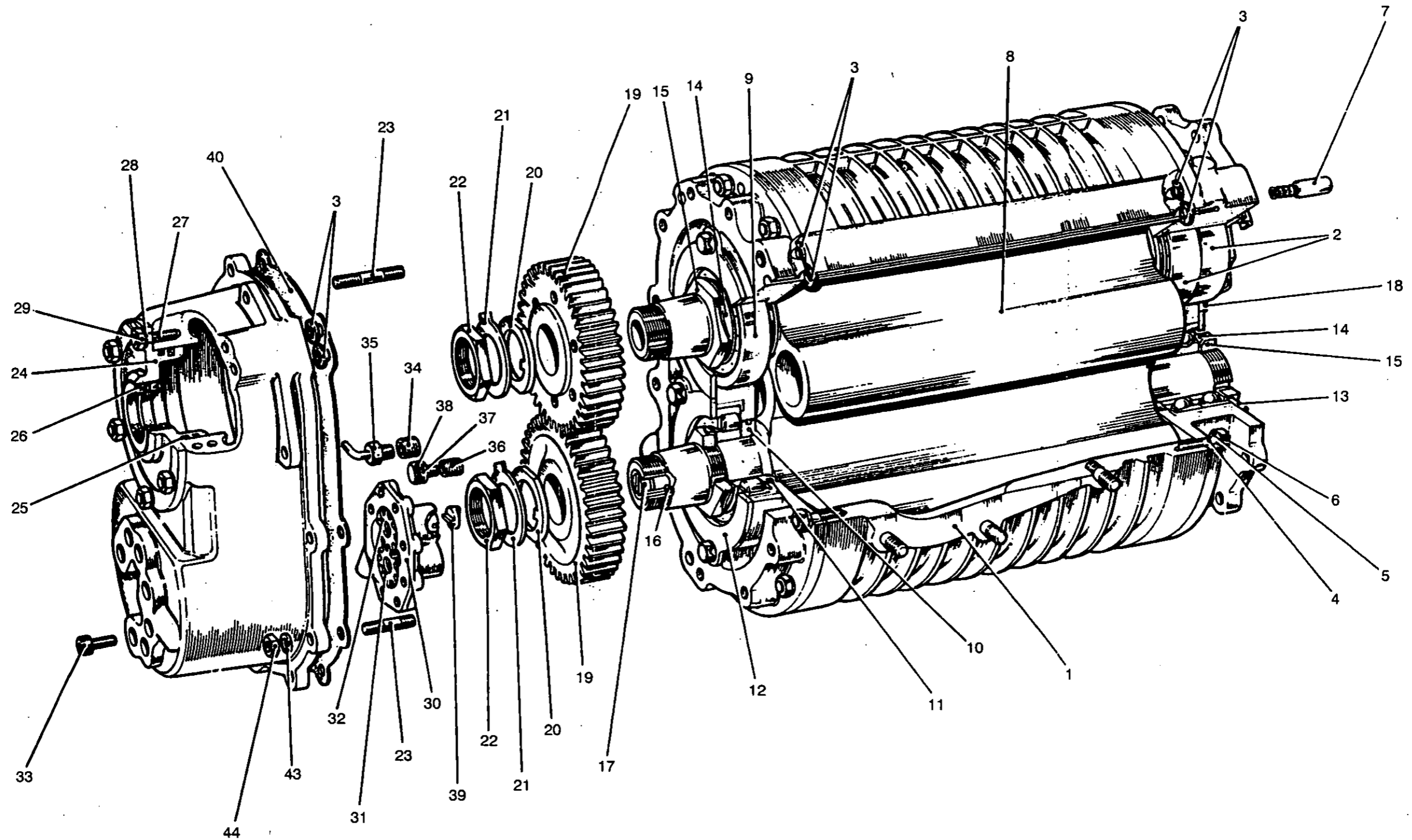


Fig 27 Induction blower and mounting

430/70026

Fig Item	Man Code Navy - N Army - A RAF - R	NATO Stock No	Item Name and Description	Part No/ Drawing No.	No. Off	Annotations	
27-			POWER UNIT, DIESEL - contd . ENGINE, DIESEL - contd . . . INDUCTION BLOWER AND MOUNTING - contd INDUCTION BLOWER - contd				
25	A	46MT1	5330-99-881-6199 RING, SEALING, TOROIDAL, syn rubber, 70-80, 9/64 x 3-23/64in. id	200-237-5575	1	
26	A	6MT1	5330-99-819-2785 SEAL, PLAIN, syn rubber, steel, 1/4 x 1-1/4 x 1-3/4in. housing bore dia	900527C10 22-11	1	
27		NP	 STUD, PLAIN, steel, zinc P, 1-3/8 x 1/4in. UNF x 1/2 x 1/4in. stud end lg		6	
28	A	G1	5310-99-941-6654 WASHER, LOCK, steel, split helical ring, 1/4 x 27/64 x 5/64in. thk	7088385	6	
29	A	G1	5310-99-804-7941 NUT, PLAIN, HEXAGON, UNF, steel, zinc P, 1/4in. dia -28 x 7/16 x 7/32in. h, chamfered	FNZ104	6	
30	A	9ACR	2910-99-881-5687 BODY, PUMP, 3-3/16in. wd lg & deep	2661	1	
31	A	46MT12	2910-99-881-5696 GEAR, SPUR, 1-13/64in. od, 9 teeth, for oil pump	2868	1	} Oil pump driven
32	A	46MT12	2910-99-881-5697 GEARSHAFT, SPUR, 1-13/64 x 1-1/32in. lg, 9 teeth	2869	1	
33		NP	 SCREW, CAP, SOCKET HEAD, UNF, steel, flat fil hd, 1/4 x 3/4in.	1EA46435	7	
34	A	G1	5340-99-948-2247 INSERT, SCREW THREAD, cres, 5/16 x 15/32 x 1/8in. -28 BSPF int thd	1325-2CNX 5/16IN		
35	A	46MT12	2910-99-881-5695 PIPE, METALLIC, induction blower	2775	1	
36	A	10	5340-99-900-9821 INSERT, SCREW THREAD	1191- 4CNX5-81N	16	
37	A	G1	5310-99-941-6316 WASHER, KEY, steel, Cd P, 1/4 x 1/32 x 7/16in. od, 21/32in. o/a distance incl keys	CU1064	16	
38	A	G1	5305-99-941-0279 SCREW, MACHINE, UNF, steel, hex hd, zinc P, 1/4 x 7/8in. lg class 2A thd	742626	1	Adjust lg
39	A	46MT12	2910-99-881-5699 COUPLING, SHAFT, RIGID, 7/16 x 29/64 x 1/8in. wd	2977	1	
40	A	46MT12	2910-99-881-5698 GASKET, paper, 0.010 x 6-53/64 x 10-21/32in. lg, end cover to housing	2974	1	
NI 41	A	G1	5305-99-941-0513 SCREW, MACHINE, UNF, steel, zinc P, hex hd, 1/4 x 3/4in. lg	181566	15	
NI 42	A	G1	5305-99-941-0528 SCREW, MACHINE, UNF, 5/16in. - 24 x 1-1/8in. lg, steel, zinc P and passivated, hex hd		6	Coupling flange gear
43	A	G1	5310-99-941-0925 NUT, PLAIN, HEXAGON, UNF, steel, zinc P, 1/2 x 17/64in. h	0576002	11	Drive housing
44	A	G1	5310-99-941-8386 WASHER, FLAT, steel, zinc P w/chromate, rd, 5/8 x 5/16 x 0.072in. thk	2550	11	Drive housing screw

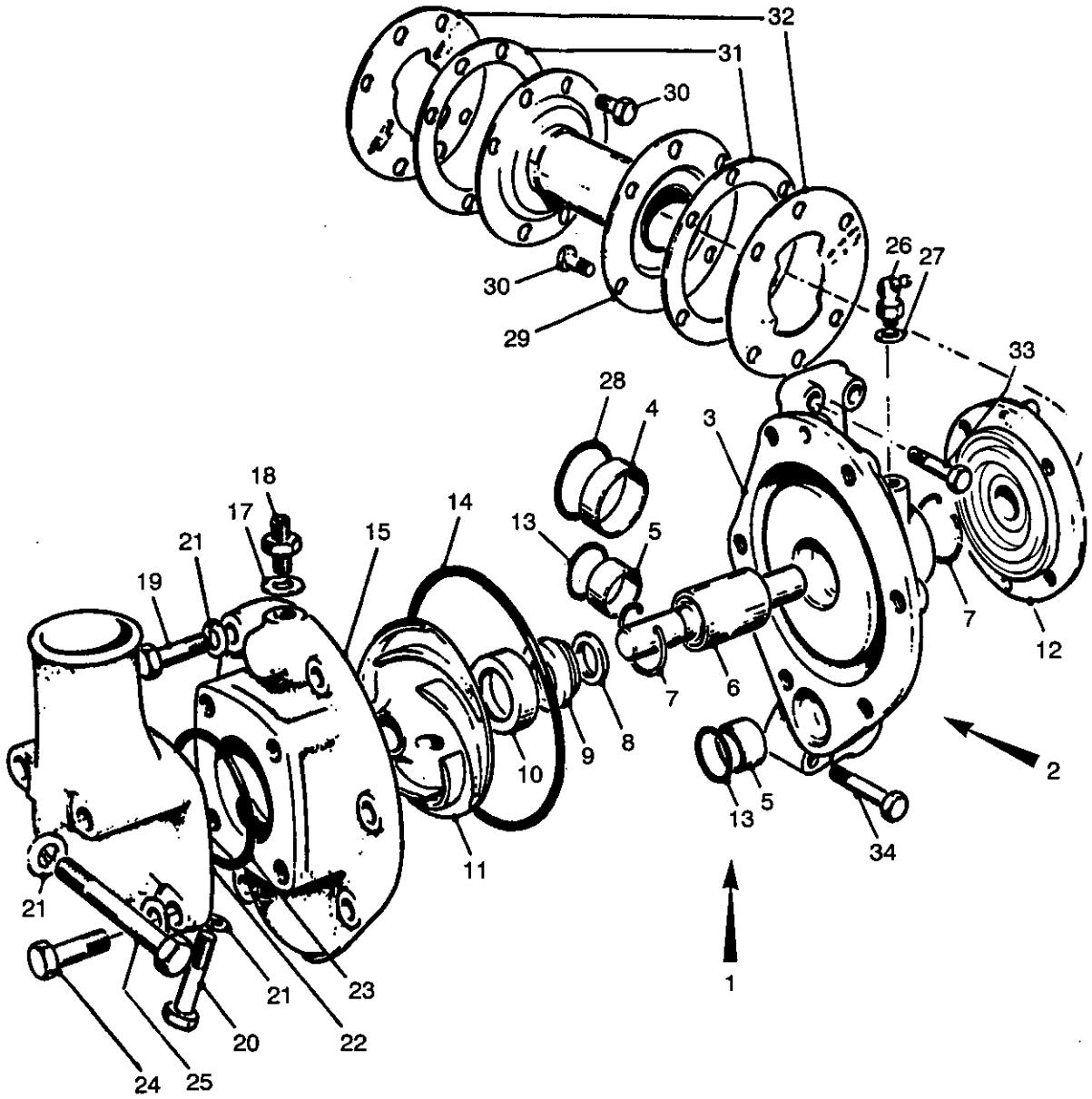


Fig 28 Coolant pump

430/70027

Fig Item	Man Code Navy - N Army - A RAF - R	NATO Stock No	Item Name and Description	Part No/ Drawing No.	No. Off	Annotations
28-			POWER UNIT, DIESEL - contd . ENGINE, DIESEL - contd			
1	A 10	NP 4320-99-788-7750	. . . COOLANT, PUMP . . . PUMP, CENTRIFUGAL, shaft drive, 20 gals/min, engine coolant	FV670554	REF 1	
2		NP VOLUTE CASING ASSEMBLY, impeller and coupling	FV670555	1	
3		NP CASING, VOLUTE ASSEMBLY	FV668859	1	
4		NP TRANSFER TUBE	FV149641	1	
5		NP TRANSFER TUBE	FV149642	2	
6	A 46MT7	3110-99-785-7974 BEARING, BALL, FAN AND WATER PUMP, 30 x 116mm lg, w/seal both ends	FV670551	1	
7	A 10	5365-99-866-7325 RING, RETAINING, steel, int, 1-1/4 x 1-3/8in. od	FV149678	2	
8	A G1	5310-99-781-3707 WASHER, FLAT, steel, Cd P, rd, 1- 1/2 x 7/8 x 5/64in. thk	FV668864	1	
9	A 10	2930-99-781-3706 SEAL, COOLANT PUMP, 5/8 x 1-1/2 x 3/4in. free lg	FV668863	1	
10	A 10	2930-99-781-3704 RETAINER, PACKING, 25/32in. id x 1in. od x 15/64in. thk, 5/8 x 1-1/2 x 3/4in. free lg	FV668862	1	
11	A 10	2930-99-781-3705 IMPELLER, PUMP, CENTRIFUGAL, cast iron, 6 vanes, 5/8in. x 9-3/4in. x 27/32in. w	FV668861	1	
12	A 10	2930-99-813-0258 COUPLING, HALF, SHAFT, steel, 3.437in. x 0.65in. x 0.625in. dia	FV668626	1	
13	A 10	5330-99-866-7513	. . . RING, SEALING, TOROIDAL, rubber, 9/64in. x 1-7/64in. id, 65-75 degrees	CK569	2	Transfer tube small
14	A 10	5330-99-866-7344	. . . RUBBER, ROUND SECTION, syn rubber, solid, 9/64in. dia x 15-7/8in. lg	FV149734	1	
15	A 10	2930-99-866-7341	. . . HOUSING, COOLANT PUMP, engine coolant pump	FV450513	1	
NI 16	A G1	5340-99-580-5496 INSERT, SCREW, THREAD, cres, coiled wire, 39/64 x 15/16 x 23/64in. dia of tapped hole	AS6733-33	4	
17	A 10	5310-99-865-1477	. . WASHER, FLAT, aluminium, rd, 0.65 x 0.438 x 0.028in. matl thk	XB1079	1	} Air vent
18	A 10	4730-99-86-7345	. . ADAPTOR, STRAIGHT PIPE, steel, 7/16 UNF male both ends, 1-5/32in. lg	UA5827	1	
19	A G1	5306-99-941-6587	. . BOLT, MACHINE, UNF, steel, zinc P, hex hd, 5/16in. dia		5	
20	A G1	5306-99-941-6591	. . BOLT, MACHINE, UNF, steel, zinc P, hex hd, 5/16in. -24 x 1-3/4in. fastener lg, 2A thd		1	
21	A G1	5310-99-941-8386	. . WASHER, FLAT, steel, zinc P w/chromate, rd, 5/8 x 5/16 x 0.072in. thk	2550	10	
22	A 10	4730-99-866-7342	. . ELBOW, PIPE TO HOSE, aluminium, flange w/four 11/32in. dia bolt holes, unthd male 2nd end	FV149671	1	
23	A 10	5330-99-866-7343	. . RING, SEALING, TOROIDAL, syn rubber, 65-75 deg, 0.143 x 2.437in. id	FV149733	1	Inlet elbow
24	A G1	5306-99-941-7079	. . BOLT, MACHINE, UNF, steel, zinc P, hex hd, 5/16in. -24 x 7/8in. thd lg, 1- 1/4in. fastener lg		2	
25	A G1	5306-99-941-6592	. . BOLT, MACHINE, UNF, steel, zinc P, hex hd, 5/16in. thd dia x 7/8in. thd lg, 2- 3/4in. fastener lg		2	
26	A 10	4730-99-865-5651	. . LUBRICATING NIPPLE, steel, Cd P, 3/8in. -24 tpi UNF x 1.12in. o/a h, 2A thd	FV147762	1	

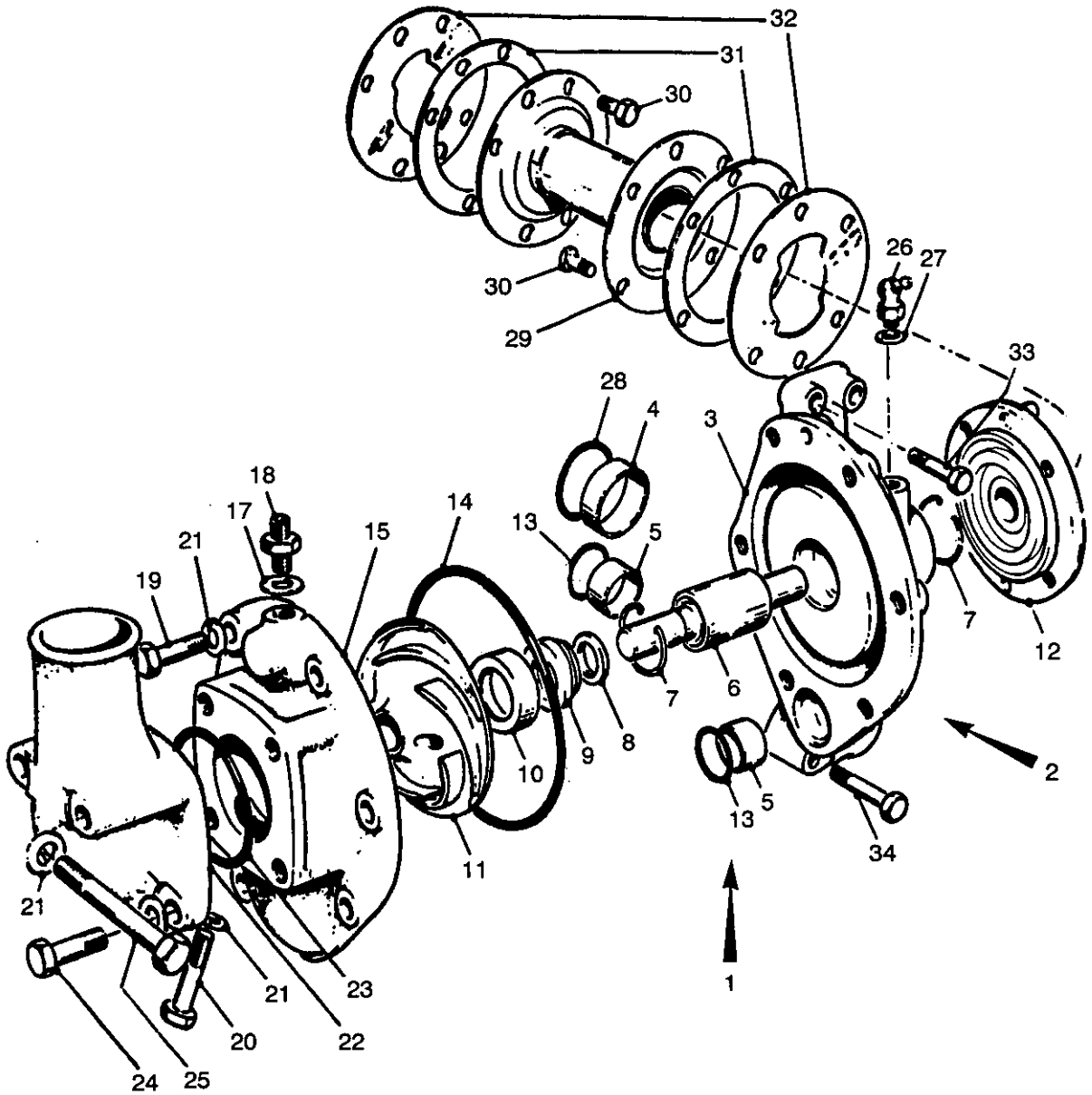


Fig 28 Coolant pump

430/70027

Fig Item	Man Code Navy - N Army - A RAF - R	NATO Stock No	Item Name and Description	Part No/ Drawing No.	No. Off	Annotations
28-			POWER UNIT, DIESEL - contd . ENGINE, DIESEL - contd			
27	A 10	5310-99-865-1476	. . WASHER, FLAT, aluminium, rd, 0.575 x 0.375 x 0.028in. matl thk	XB1078	1	
28	A 10	5330-99-866-7283	. . RING, SEALING, TOROIDAL, rubber, 65-75, 0.143 x 1.619in. id	CK955	1	Transfer tube
29	A 10	2815-99-866-7228	. . SHAFT, DRIVE, WATER PUMP, steel, Cd P, 2 flanges, 4-39/64in. lg	FV149592	1	
30	A G1	5305-99-941-6542	. . SCREW, CAP, HEXAGON HEAD, steel, zinc P w/chromate, UNF, 0.25 -28 x 0.625 x 0.163 x 0.438in. wd		8	
31	A 10	5365-99-866-7236	. . SPACER, PLATE, steel, Cd P, 0.052in. max thk	FV149600	A/R	
32	A 10	2930-99-866-7235	. . PLATE, CHECK, WATER, PUMP DRIVE, steel, Cd P, 4-1/8 x 1/16in. thk	FV149596	2	
33	A G1	5306-99-941-6590	. . BOLT, MACHINE, UNF, steel, zinc P, 5/16 x 1-1/2 x 7/8in. thd lg		2	
34	A G1	5306-99-941-6187	. . BOLT, MACHINE, UNF, steel, zinc P, hex hd, 5/16 x 2in. lg, class 2A thd		2	

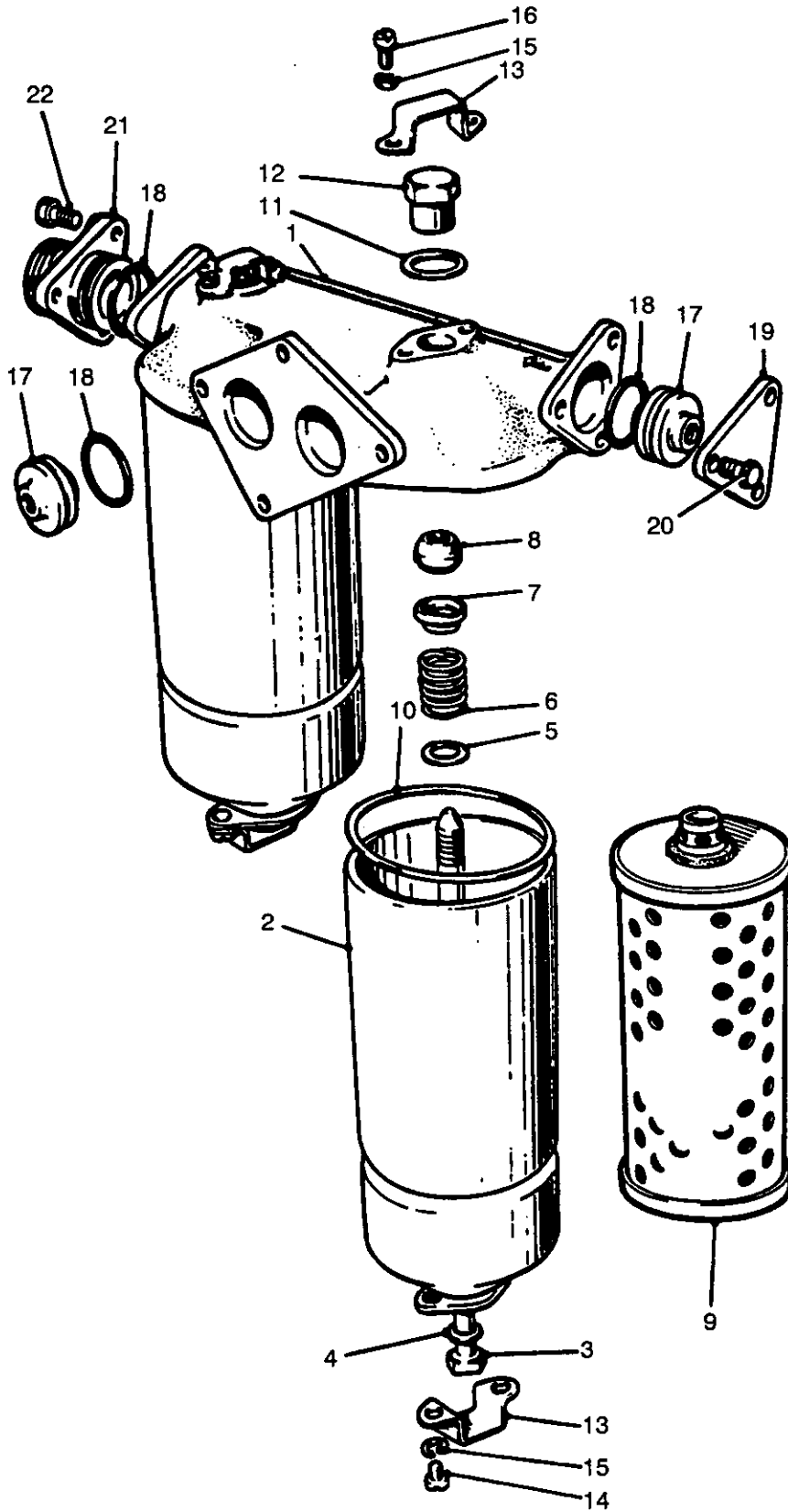


Fig 29 Oil filters

430/70028

Fig Item	Man Code Navy - N Army - A RAF - R	NATO Stock No	Item Name and Description	Part No/ Drawing No.	No. Off	Annotations
29-			POWER UNIT, DIESEL - contd ENGINE, DIESEL - contd			
1	A 46MT1	NP 2940-99-881-5911	. . . OIL FILTERS . . . FILTER, FLUID, PRESSURE, replaceable type, felt element, 60 psi, 10-29/64 x 14-13/32 x 5-3/32in. thk, twin container	FV450502	REF 1	Type E282
2		NP	. . . FILTER, BODY, FLUID, steel, 4.46in. od x 10.875in. lg		2	
3	A 6MT1	5306-99-123-7392	. . . BOLT, MACHINE, UNF, steel, Cd P, 1/2 x 12-11/16in. lg, hex hd, 2A thd		2	
4	A G1	5310-99-120-2196	. . . WASHER, FLAT, aluminium, rd, 3/4 x 33/64 x 3/64in. matl thk		2	
5	A 46MT1	5310-99-800-8070	. . . WASHER, FLAT, rubber, 0.875 x 0.486 x 0.125in. thk, 60 deg		1	
6	A 46MT1	5340-99-801-7881	. . . SPRING, HELICAL COMPRESSION, steel, Cd P, 3/4 x 1-3/8in. free lg	FSP12/31	1	
7	A 46MT1	5340-99-800-8049	. . . SEAT, HELICAL COMPRESSION SPRING, tin P or steel (Cd P), 0.513 x 0.781 x 0.312 x 0.018in. matl thk	LF3/30	1	
8	A 46MT1	5330-99-800-8050	. . . PACKING, PREFORMED, cork, 13/32 x 1/2 x 3/4in. od	LF3/32	2	
9	A 46MT1	2940-99-881-5919	. . . FILTER ELEMENT, FLUID, PRESSURE, used w/twin full flow type E282	C6438106	2	
10	A 10	5330-99-881-5925	. . . RING, SEALING, TOROIDAL, syn rubber, 44 deg, 0.133 x 4.188in. id, black	GR27554	2	
11	A 46MT1	5365-99-881-5918	. . . SPACER, RING, aluminium, rd, 29/32 x 1/32 x 45/64in. dia	B10447-38	2	
12	A 9ACR	5310-99-881-5916	. . . NUT, SLEEVE, steel, phos, rh, UNF, 1/2 x 1-1/4 x 15/16 x 1-1/8in. thd lg	B6438104	2	
13	A 46MT1	5340-99-881-5913	. . . RETAINER, NUT AND BOLT, steel, 15/16 x 2 x 3/4 x 41/64 x 3/64in. thk	B61105	4	
14	A G1	5305-99-941-9194	. . . SCREW, MACHINE, steel, flat fillister hd, slot drive, Cd P, No. 2 x 3/8in. lg		4	
15	A G1	5310-99-941-6653	. . . WASHER, LOCK, steel, split helical ring, 0.198 x 0.064 x 0.330in. od		8	
16	A G1	5305-99-941-7933	. . . SCREW, MACHINE, steel, flat fillister hd, slot drive, Cd P, No. 2 x 7/16in. lg		4	
17	A 10	2940-99-866-7480	. . . PLUG, FILTER, aluminium Al, rd, 5/16 UNF x 1/2 x 1-1/2in. dia	FV450735	2	
18	A 10	5330-99-866-7528	. . . RING, SEALING, TOROIDAL, rubber, 65-75, 9/64 x 1-15/16in. id	CK540	3	
19	A 9ACR	2990-99-794-5108	. . . PLATE, BLANKING, inlet, twin	FV453013	1	
20	A G1	5305-99-941-7063	. . . SCREW, MACHINE, UNF, steel, zinc P, w/chromate, hex hd, 5/16in. -24 x 1/2in. lg		3	
21	A 10	4730-99-802-3550	. . . ADAPTOR, STRAIGHT, PIPE TO TUBE, steel, 1-5/8in. UNS 1st end, 1.8in. lg unthded male 2nd end	FV450688	1	
22	A G1	5305-99-941-6545	. . . SCREW, MACHINE, UNF, steel, zinc P w/chromate, hex hd, 5/16 x 5/8in. lg	742646	3	

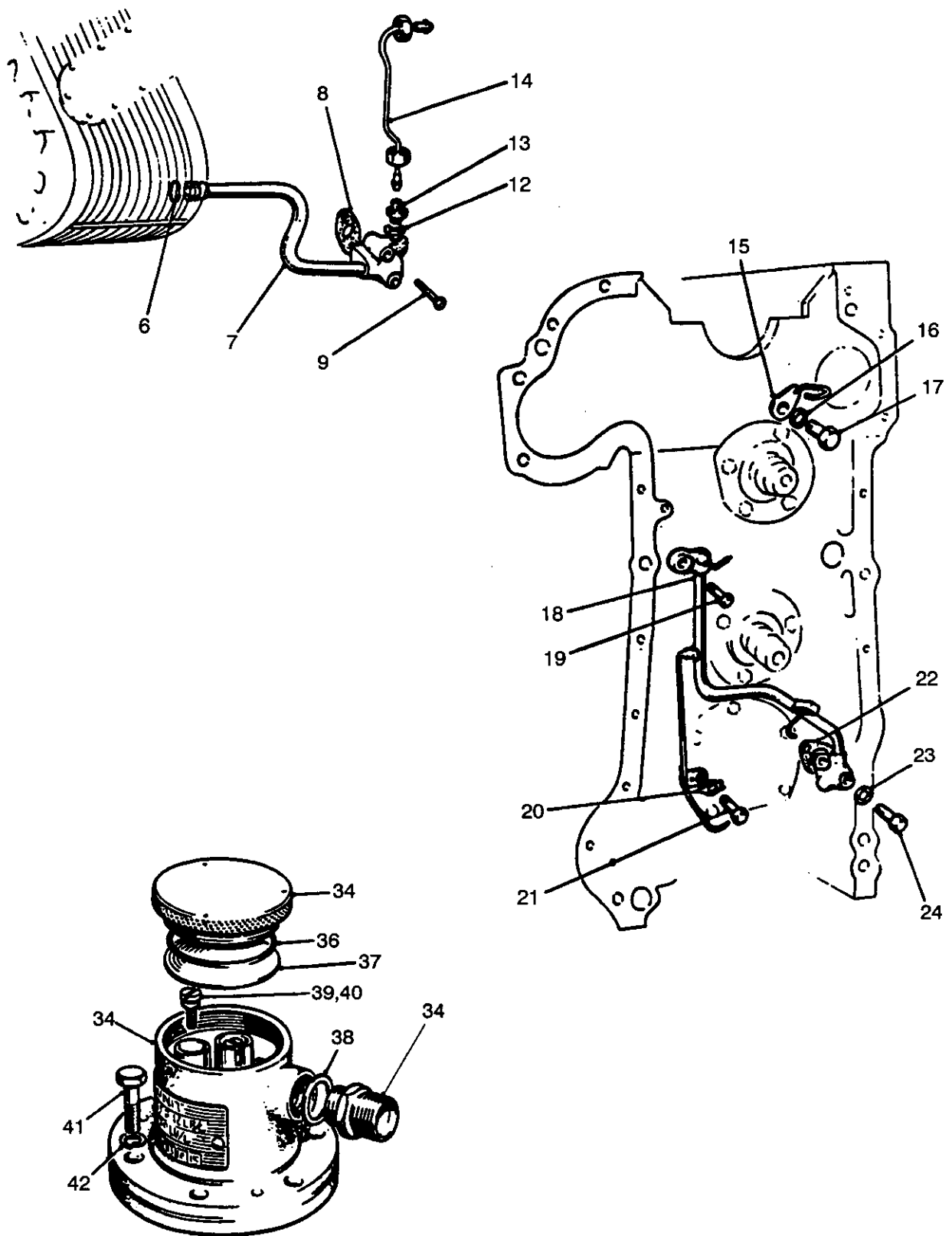


Fig 30 Oil pipes and pressure switch

430/70029

Fig Item	Man Code Navy - N Army - A RAF - R	NATO Stock No	Item Name and Description	Part No/ Drawing No.	No. Off	Annotations
30-			POWER UNIT, DIESEL - contd . ENGINE, DIESEL - contd			
NI 1		NP NP	. . OIL PIPES AND PRESSURE SWITCH . . PIPE ASSEMBLY, oil supply pipe, pressure pump to gearcase	FV668187	REF 1	
NI 2	A 10	4730-99-808-1412	. . ELBOW CONNECTOR, OIL SUPPLY PIPE, br, 1-1/2in. dia bore, 1st end, flanged w/two 0.34in. dia holes 2nd end	FV454533	1	} u/w item 1
NI 3		NP	. . RING, SEALING, TOROIDAL, elbow to gearcase	UE3141	1	
NI 4	A 10	5330-99-808-1255	. . RING, SEALING, TOROIDAL, syn rubber, 0.7in. cross-sect h, 1.364in. id, bobbin, oil supply pipe	FV453919	1	
NI 5	A 10	5340-99-179-7517	. . CLAMP, LOOP, steel, w/int bonded rubber sleeve	FV670720	1	
6	A 9CET	5330-99-409-2633	. . RING, SEALING, TOROIDAL	FV670380	1	Pipe to scavenge blower
7	A 10	2990-99-866-7448	. . PIPE, OIL DRAIN, supercharger and tacho-generator casings	FV450751	1	
8	A 10	5330-99-866-7394	. . GASKET, asbestos, oval, 0.291 x 0.585in. dia, 2 bolt holes, 0.015 x 1.7in. wd	FV148877	1	
9	A G1	5306-99-941-6581	. . BOLT, MACHINE, UNF, steel, zinc P, hex hd, 1/4 x 1-3/8in. lg, class 2 A thd		2	Oil drain pipe to gear- case
NI 10	A 10	5365-99-808-4895	. . SPACER, SLEEVE, steel, 0.16in. lg, 0.625in. body od, 0.358in. body id	FV668186	2	} u/w item 7
NI 11		NP	. . BRACKET, ANGLE, steel, painted, 85 deg angle, 1-3/32in. lg both legs, 3- 5/64in. w, 5/64in. thk	FV668185	1	
12	A 10	5310-99-865-1477	. . WASHER, FLAT, aluminium, rd, 0.65 x 0.438 x 0.028in. matl thk	XB1079	1	
13	A 46MT1	4730-99-801-2032	. . NIPPLE, TUBE	FV(S)87/3	1	
14	A 10	4710-99-808-1135	. . PIPE, METALLIC, tacho drive drain pipe	FV454536	1	Gear housing drain
15	A 10	2815-99-866-7442	. . OIL JET ASSEMBLY, air crankshaft gear	FV148748	1	
16	A G1	5310-99-941-8635	. . WASHER, FLAT, steel, zinc P, rd, 3.4 x 25/64 x 0.072in. thk	PWZ106	1	
17		NP	. . STUD, PLAIN, steel, zinc coated, 1-1/2 x 3/8 x 1/2in. lg nut end, 3/8in. lg stud end		1	
18	A 10	2520-99-866-7441	. . PIPES AND JETS ASSEMBLY, OIL SUPPLY, gearcase oil supply	FV452436	1	
19	A G1	5305-99-941-0513	. . SCREW, MACHINE, UNF, steel, zinc P, hex hd, 1/4 x 3/4in. lg		1	Pipes to crankcase
20		NP	. . WASHER, KEY, steel, 0.260in. id	475227	1	
21	A G1	5305-99-941-6544	. . SCREW, CAP, HEXAGON HEAD, UNF, steel, zinc P w/chromate, hex hd, 1/4 x 7/8in. lg, 2A thd		1	Pipe clip to bearing housing
22	A 10	5330-99-866-7522	. . GASKET, asbestos, oval, 0.288 x 0.682 x 0.015in. thk, 2 bolt holes	FV148805	1	
23	A G1	5310-99-941-7072	. . WASHER, FLAT, steel, rd, Cd P, 1/4 x 9/16 x 0.056in. thd		2	} Elbow to crank- case
24	A G1	5305-99-941-6544	. . SCREW, CAP, HEXAGON HEAD, UNF, steel, zinc P w/chromate, hex hd, 1/4 x 7/8in. lg, 2A thd		2	

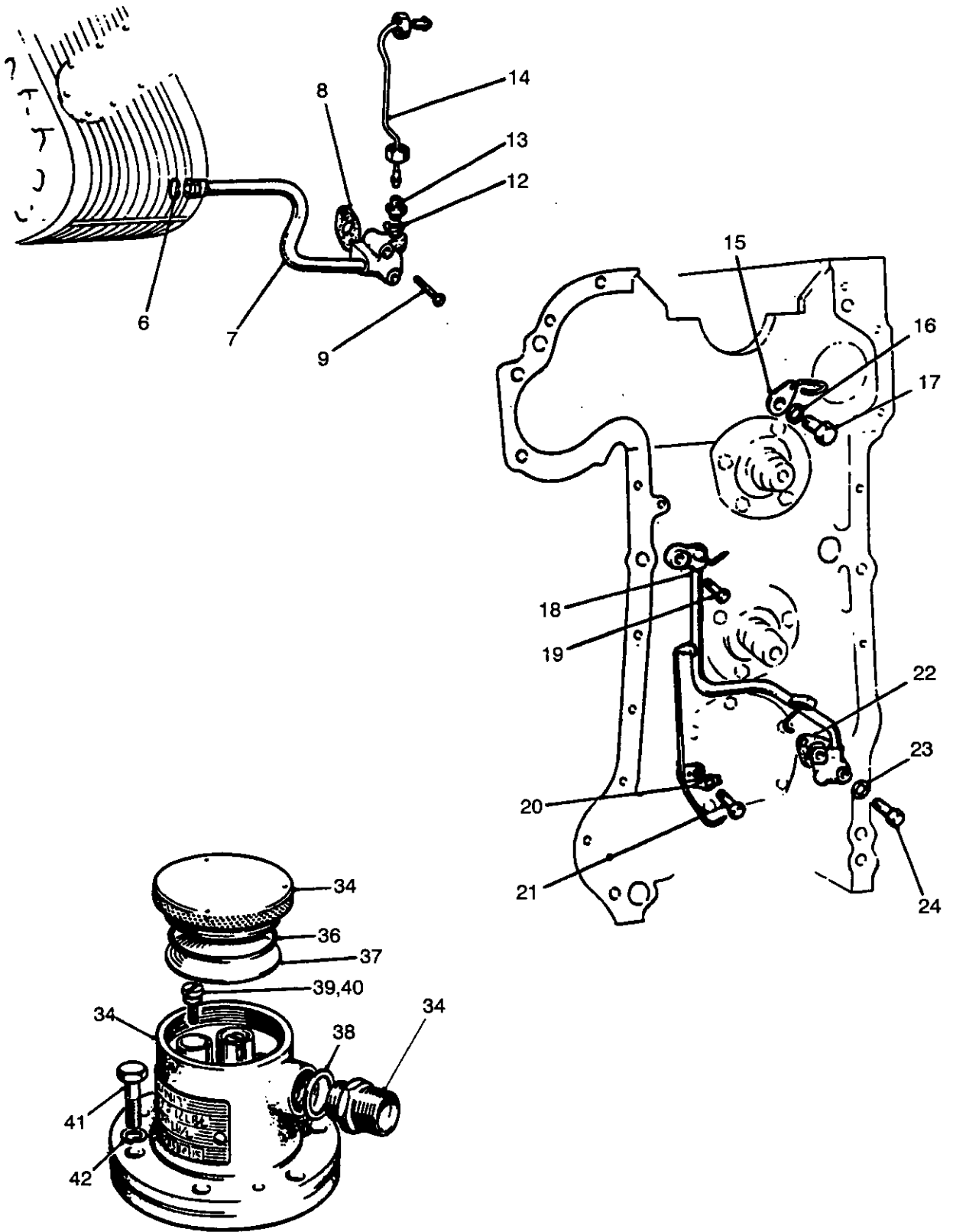


Fig 30 Oil pipes and pressure switch

430/70029

Fig Item	Man Code Navy - N Army - A RAF - R	NATO Stock No	Item Name and Description	Part No/ Drawing No.	No. Off	Annotations
30-			POWER UNIT, DIESEL - contd ENGINE, DIESEL - contd			
NI 25	A 10	2815-99-866-7390	ADAPTOR ASSEMBLY, OIL CONNECTION, gear train, gearcase	FV450721	1	} Adaptor to Wheel-case
NI 26	A 10	2815-99-866-7382	RETAINER, PACKING, steel, 3/4in. id x 31/32 x 3/4in. lg	FV450608	1	
NI 27	A 10	5330-99-866-7381	RING, SEALING, TOROIDAL, syn rubber, 65-75, 0.073 x 0.843in. max id	FV450636	2	
NI 28	A G1	5306-99-941-6594	BOLT, MACHINE, UNF, steel, zinc P, hex hd, 5/16 x 3-1/4 x 7/8in. thd lg	UA172	2	
NI 29	A G1	5310-99-120-4032	WASHER, FLAT, steel, zinc P, rd, 1/4 x 9/16 x 0.056in. thk	PWZ104	2	
NI 30	A G1	5305-99-941-6291	SCREW, MACHINE, UNF, steel, zinc P w/chromate, hex hd, 5/16 x 1-1/2in. lg, 2A thd		1	
NI 31	A G1	5310-99-941-8623	WASHER, FLAT, steel, rd, Cd P, 5/16 x 0.072in. thk	2131325	1	
NI 32	A 10	2815-99-866-7408	ADAPTOR, OIL PRESSURE SWITCH, steel, Cd P, 3/16 x 2-3/4 x 1-7/32in. lg, 6 No. 2 BA thd holes	FV452501	1	
NI 33	A 10	5365-99-865-1489	SPACER, RING, aluminium, rd, 1.25 x 0.036 x 1in. hole dia	KB1093	1	
34	A 46MT4	5930-99-881-4308	SWITCH, PRESSURE	FV534888	1	
NI 35	A 46MT4	5930-99-881-5931	PUSH ROD ASSEMBLY, oil pressure switch	41-564-623-00	1	
36	A 46MT4	5330-99-804-9560	RING, SEALING, TOROIDAL, rubber, 60-65, 5/64 x 1-29/64in. id	31-781-118	1	
37	A 46MT4	5310-99-881-5929	WASHER, FLAT, aluminium, rd, 23/32 x 15/32 x 1/32in. matl thk	31-513-313-01	1	
38		NP	WASHER, FLAT, aluminium, 0.520in.		1	
39	A G1	5305-99-941-9945	SCREW, MACHINE, 1/2in. lg, flat fillister hd, normal thd	20101-52	3	
40	A G1	5310-99-941-6641	WASHER, LOCK, steel, Cd P, split helical ring, 4 UNC, 1/32 x 15/64in. od	SP47-A	3	
41	A G1	5305-99-101-1466	SCREW, MACHINE, close class thd, 33/64 x 3/4in. lg	A26-3C	6	
42	A G1	5310-99-941-6653	WASHER, LOCK, steel, split helical ring, 0.198 x 0.064 x 0.330in. od		6	

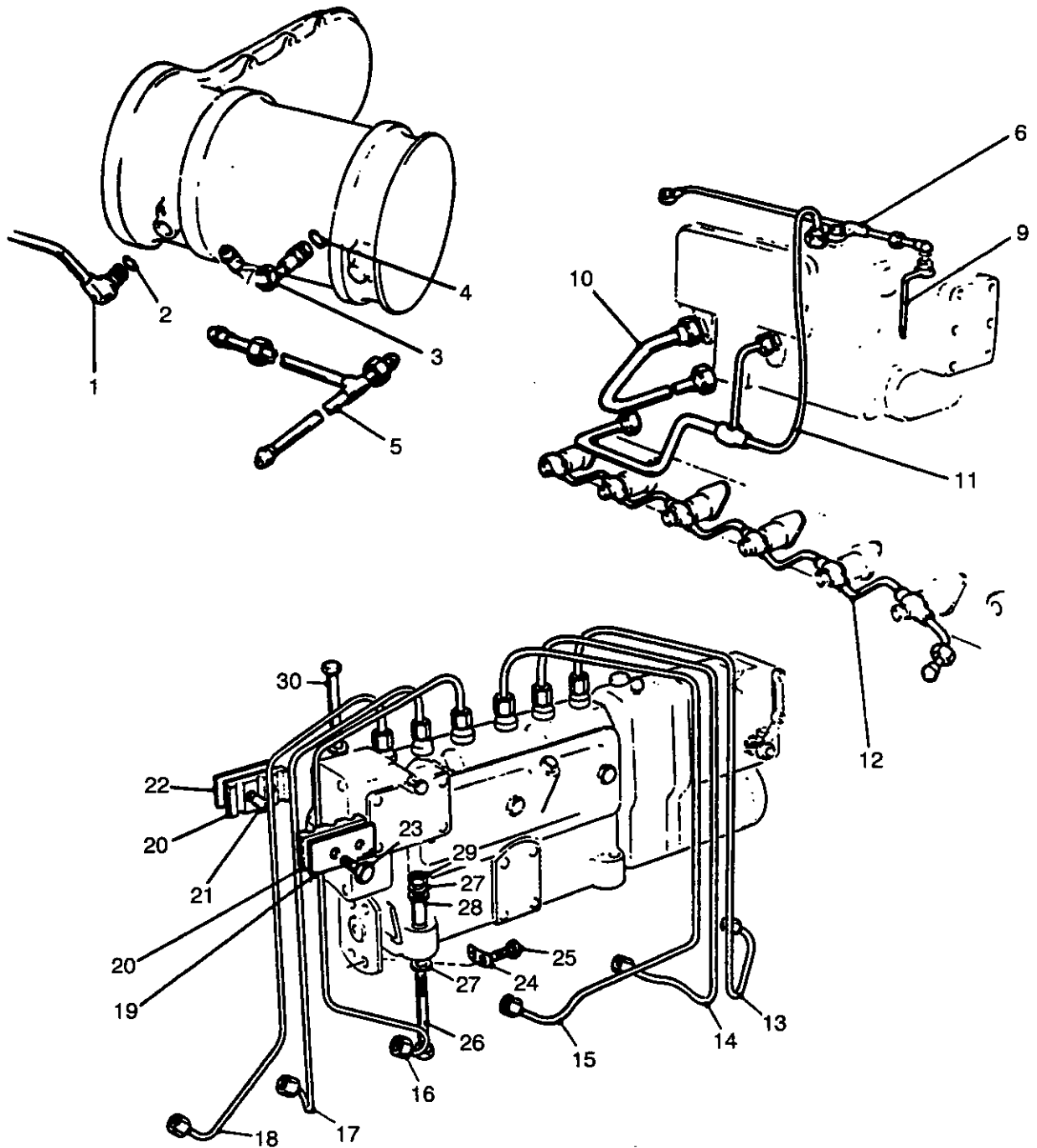


Fig 31 Oil and fuel injection pipes

430/70030

Fig Item	Man Code Navy - N Army - A RAF - R	NATO Stock No	Item Name and Description	Part No/ Drawing No.	No. Off	Annotations
31-			POWER UNIT, DIESEL - contd ENGINE, DIESEL - contd			
		NP	. . OIL AND FUEL INJECTION PIPES		REF	
1	A 10	2815-99-866-7446	. . PIPE, STEEL, alternator oil feed	FV450612	1	
2	A 10	5330-99-865-4386	. . RING, SEALING, TOROIDAL, syn rubber, 0.487 x 0.693 x 0.103 cross section dia	FV148599	2	Elbow alternator feed
3	A 10	2520-99-866-9575	. . PIPE, STEEL, alternator oil return	FV450600	1	
4	A 10	5330-99-865-4386	. . RING, SEALING, TOROIDAL, syn rubber, 0.487 x 0.693 x 0.103 cross section dia	FV148599	2	Elbow alternator drain
5	A 10	2920-99-866-7447	. . PIPE ASSEMBLY, OIL DRAIN	FV452435	1	
6		NP	. . SPILL PIPES AND TEE PIECE ASSEMBLY	FV668366	1	
NI 7	A 10	2910-99-808-1136	. . BRACKET, UNION, PIPE, steel, Cd P, 1-3/4 x 3-3/8in. w	FV668254	4	Spill pipes to cover
NI 8	A 10	2910-99-808-1137	. . BRACKET, UNION, PIPE, steel, Cd P, 3-5/8 x 1/16in. thk	FV668256	1	Spill pipes to thermostat housing
9	A 10	4710-99-866-9578	. . PIPE, METALLIC, steel, governor bleeder spill	FV452766	1	
10	A 10	2910-99-866-7467	. . PIPE, METALLIC, injection pump drain to crankcase	FV452341	1	
11	A 10	2815-99-802-4033	. . PIPE, STEEL, copper, 1/4 x 3/16 x 26in. lg welded	FV453787	1	Injection pump to crankcase
12		NP	. . PIPE, STEEL	FV453396	1	
13	A 10	2910-99-808-1081	. . PIPE, STEEL, copper P, 0.24 x 0.08 x 30.75in. lg	FV668021	1	
14	A 10	2910-99-808-1082	. . PIPE, STEEL, copper P, 0.24 x 0.08 x 30.75in. lg	FV668022	1	
15	A 10	2910-99-808-1083	. . PIPE, STEEL, copper P, 0.24 x 0.08 x 30.75in. lg	FV668023	1	
16	A 10	2910-99-808-1084	. . PIPE, STEEL, copper P, 0.24 x 0.08 x 31.5in. lg	FV668044	1	
17	A 10	2910-99-808-1085	. . PIPE, STEEL, copper P, 0.24 x 0.08 x 31.5in. lg	FV668045	1	
18	A 10	2910-99-808-1086	. . PIPE, STEEL, copper P, 0.24 x 0.08 x 31.5. lg	FV668046	1	
19	A 10	4730-99-866-9561	. . PLATE, CLAMPING BLOCK	FV450987	4	
20	A 10	4730-99-866-9559	. . BLOCK, CLAMPING, FUEL PIPE	FV452546	8	
21	A 10	5365-99-866-9560	. . SPACER, SLEEVE, steel, 0.5 x 0.375 x 0.22in. id	FV452545	8	
22	A 10	2910-99-802-6497	. . PLATE ASSEMBLY, FUEL PIPES, steel, Cd P, 2-5/16 x 1in. wd, c/w 2 integral 1/4in. UNF nuts	FV453874	3	
23	A G1	5305-99-941-1069	. . SCREW, MACHINE, UNF, steel, Cd P, 2A, 0.875in.		8	
24	A 10	5310-99-866-7290	. . PLATE, WASHER, PLAIN, setscrew, driven flange, fuel pump drive	FV452467	2	
25	A G1	5305-99-941-0522	. . SCREW, MACHINE, UNF, steel, zinc coated, hex hd, 5/16 x 3/8in. lg, 2A thd		4	
26	A G1	5306-99-941-7021	. . BOLT, MACHINE, UNF, steel, zinc P w/chromate, 3/8in. -24 x 3 x 1in. thd lg		2	
27	A G1	5310-99-941-8635	. . WASHER, FLAT, steel, zinc P, rd, 3/4 x 25/64 x 0.072in. thk		4	
28	A 10	5315-99-866-7318	. . PIN, HOLLOW, HEADED, steel, flat hd, 25/64 x 31/64 x 1-1/4 x 7/16 x 1/2in. lg int thd	FV149249	2	

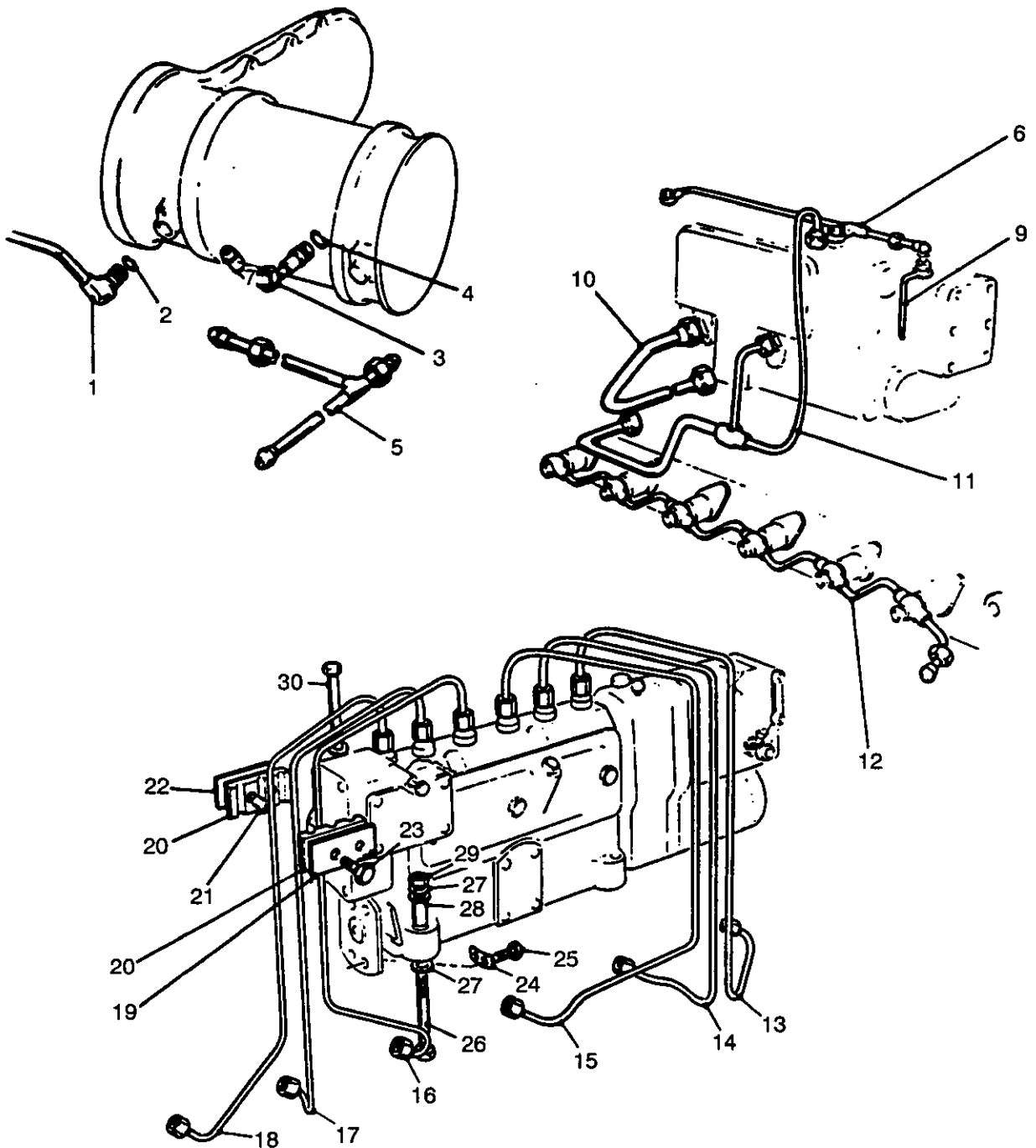


Fig 31 Oil and fuel injection pipes

430/70030

Fig Item	Man Code Navy - N Army - A RAF - R	NATO Stock No	Item Name and Description	Part No/ Drawing No.	No. Off	Annotations
31-			POWER UNIT, DIESEL - contd . ENGINE, DIESEL - contd			
29	A 10	5310-99-866-5335	. . NUT, PLAIN, HEXAGON, UNF, steel, Cd P, 3/8 x 0.5625 x 0.33in. h, chamfered, 3B thd	FV452202	2	
30	A 10	5306-99-866-7279	. . BOLT, MACHINE, UNF, steel, Cd P, hex hd, 3/8 x 1in. scr, 2A thd	FV450954	2	Adjusting mtg plate
NI 31	A 10	2910-99-866-7453	. . PIPE, METALLIC, steel, oil pressure pump cover to centrifugal oil filter	FV452456	1	Oil pump cover to rotor oil pump
NI 32	A 10	2520-99-866-9580	. . PIPE, STEEL, gear housing to gearcase	FV451527	1	
NI 33	A 10	5330-99-866-7359	. . RING, SEALING, TOROIDAL, syn rubber, 65-75, 0.143 x 0.865in. max id	LC212	2	
NI 34	A 10	2520-99-866-9572	. . PIPE, STEEL, gearcase to oil filter	FV451504	1	
NI 35	A 10	5330-99-866-7530	. . RING, SEALING, TOROIDAL, rubber, 65-75, 9/64 x 63/64in. id	CK609	2	Oil pipe elbow
NI 36	A 10	2520-99-866-9573	. . PIPE, STEEL, oil filter to gearcase	FV451506	1	Mounting plate, oil connections
NI 37		NP	. . SCREW, MACHINE, 1/4in. UNC x 1/2in. lg		2	
NI 38	A G1	5310-99-941-7072	. . WASHER, FLAT, steel, Cd P, rd, 1/4 x 9/14 x 0.056in. thd		2	Oil pipes to mtg plate
NI 39		NP	. . SCREW, MACHINE, 1/4in. UNC x 1/2in. lg		4	
NI 40	A G1	5310-99-941-7072	. . WASHER, FLAT, steel, Cd P, rd, 1/4 x 9/14 x 0.056in. thd		4	
NI 41	A Z1	5340-99-409-8530	. . CLAMP, LOOP, steel, Cd P, 3/8 x 1/2 x 13/64in. dia	AS5419-8	1	Oil pipes, crankcase to injection pump
NI 42	A 10	5340-99-865-2078	. . CLAMP, LOOP, steel/syn rubber, Cd P, 0.25 x 0.203 x 0.028 x 0.375in. wd	A4	1	
NI 43	A G1	5305-99-914-3456	. . SCREW, MACHINE, 3/8in. lg, hex hd, normal thd	FV783810/3	1	injection pump
NI 44	A Z2	5310-99-941-7070	. . NUT, PLAIN, HEXAGON, BA, steel, Cd P, rh, No. 2, 21/64 x 11/64in. h, chamfered	AS31281	1	
NI 45	A 10	2815-99-802-4033	. . PIPE, STEEL, welded, copper coated, 1/4 x 3/16in. min od, branched, 26in. lg	FV453787	1	Oil pipe crankcase to injector pump
NI 46	A 10	5340-99-865-2078	. . CLAMP, LOOP, steel/syn rubber, Cd P, 0.25 x 0.203 x 0.028 x 0.375in. wd	A4	1	
NI 47	A 10	2815-99-808-1139	. . PIPE ASSEMBLY, STEEL, painted, 32-5/8in. lg, leak off pipe to injector fuel pump	FV668270	1	
NI 48	A 10	2815-99-808-1140	. . PIPE, STEEL, seamless, Cd plated, 3/16in. x 1/32in. x 9-5/8in. lg, nipple, spill off injectors	FV668260	1	
NI 49		NP	. . PIPE ASSEMBLY, air pressure	FV452799	1	
NI 50	A 10	2930-99-866-7440	. . PIPE, STEEL, thermostat bypass pipe	FV450465	1	

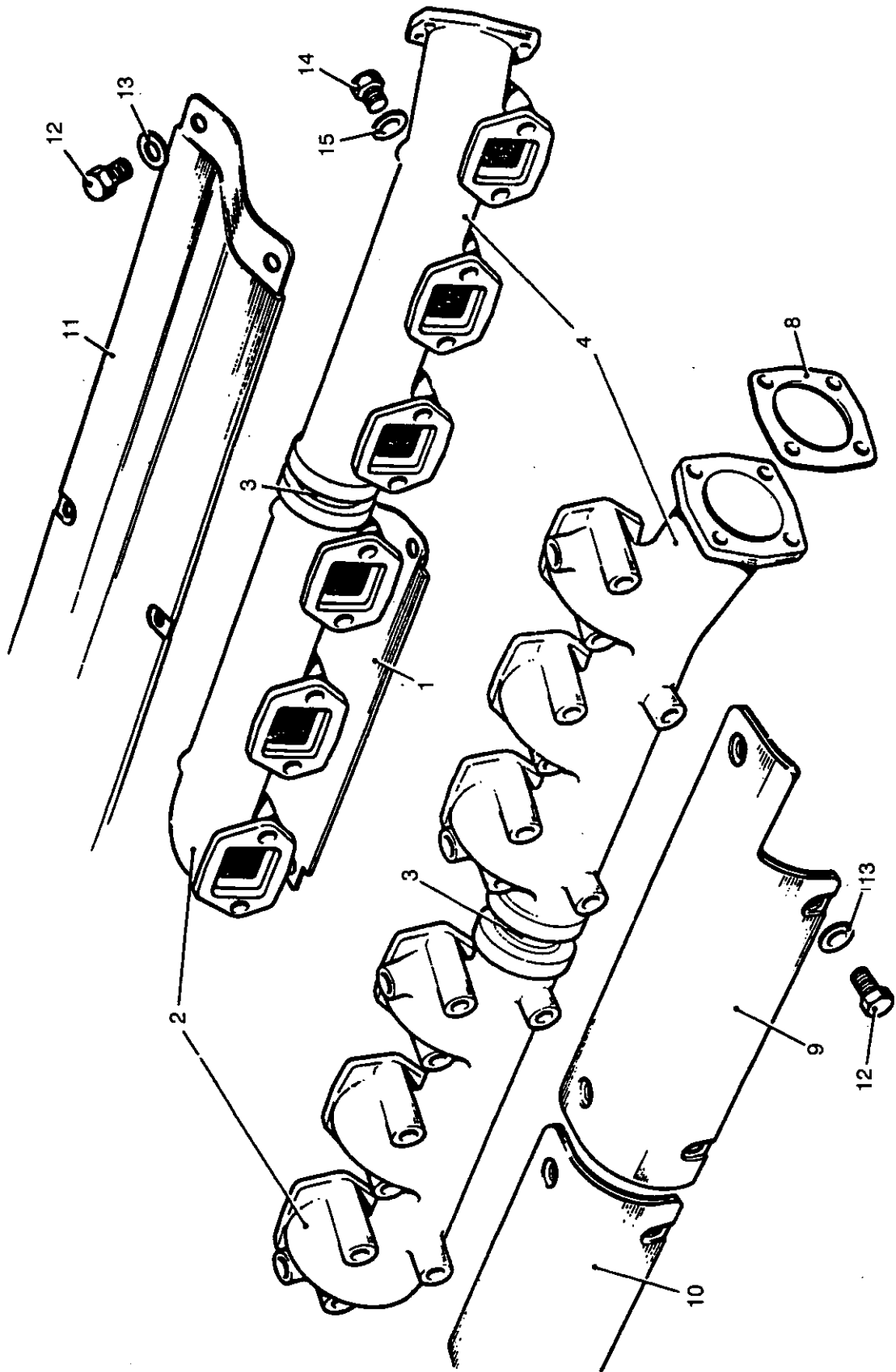


Fig 32 Exhaust manifold and heat shields

430/70031

Fig Item	Man Code Navy - N Army - A RAF - R	NATO Stock No	Item Name and Description	Part No/ Drawing No.	No. Off	Annotations
32-			POWER UNIT, DIESEL - contd ENGINE, DIESEL - contd			
		NP	EXHAUST MANIFOLD AND HEAT SHIELDS		REF	
1	A 10	2990-99-361-2589	GUARD, MUFFLER - EXHAUST PIPE, NON-AIRCRAFT	FV450652	1	
2	A 10	2815-99-866-7489	MANIFOLD, EXHAUST, ENGINE, CI, 13-7/8 x 4-11/16 x 3-11/16in. h	FV450520	2	
3	A 10	2815-99-866-7491	SLEEVE, EXHAUST, MANIFOLD, CI, 2-1/4 x 2-5/8 x 59/64in. o/a lg	FV450817	2	
4	A 10	2815-99-866-7488	MANIFOLD, EXHAUST, ENGINE, CI, 18-9/64 x 6-5/16 x 5-11/16in. h	FV450519	2	
NI 5	A 10	2815-99-866-7502	GASKET, steel, rect, 3-3/4 x 1/64 x 2-1/4in. w	FV450392	12	
NI 6	A G1	5306-99-941-6592	BOLT, MACHINE, UNF, steel, zinc P, hex hd, 5/16 x 2-3/4 x 7/8in. lg, class 2A		24	} Manifold to crankcase
NI 7	A G1	5310-99-956-1786	WASHER, FLAT, steel, rd, 5/8 x 21/64 x 5/64in. thk	103340	24	
8	A 10	5330-99-866-7490	GASKET, non asbestos, 0.4112 x 4.2 x 5in. w	FV450521	2	} Manifold flange
9	A 10	2990-99-253-4042	GUARD, MUFFLER - EXHAUST PIPE, NON-AIRCRAFT, for injectors, front, contains no asbestos	FV450644	1	
10	A 10	2990-99-864-6435	GUARD, MUFFLER - EXHAUST PIPE, NON-AIRCRAFT, for injectors, rear, contains no asbestos	FV450648	1	
11	A 10	2990-99-344-3477	GUARD, MUFFLER - EXHAUST PIPE, NON-AIRCRAFT, for air chest, contains no asbestos	FV450656	1	
12	A G1	5305-99-941-6284	SCREW, MACHINE, UNF, steel, zinc P, hex hd, 1/4 x 1/2in. lg, class 2A thd		18	} Heat shields to manifold
13	A G1	5310-99-120-4032	WASHER, FLAT, steel, rd, zinc P, 1/4 x 9/16 x 0.056in. thk	PWZ104	18	
14	A G1	5305-99-941-7062	SCREW, MACHINE, UNF, steel, zinc P, 1/4in. -28 x 3/8in. lg, hex hd	503/4/12872 /000	2	} Heat shield to front manifold
15	A G1	5310-99-120-4032	WASHER, FLAT, steel, rd, zinc P, 1/4 x 9/16 x 0.056in.thk	PWZ104	2	

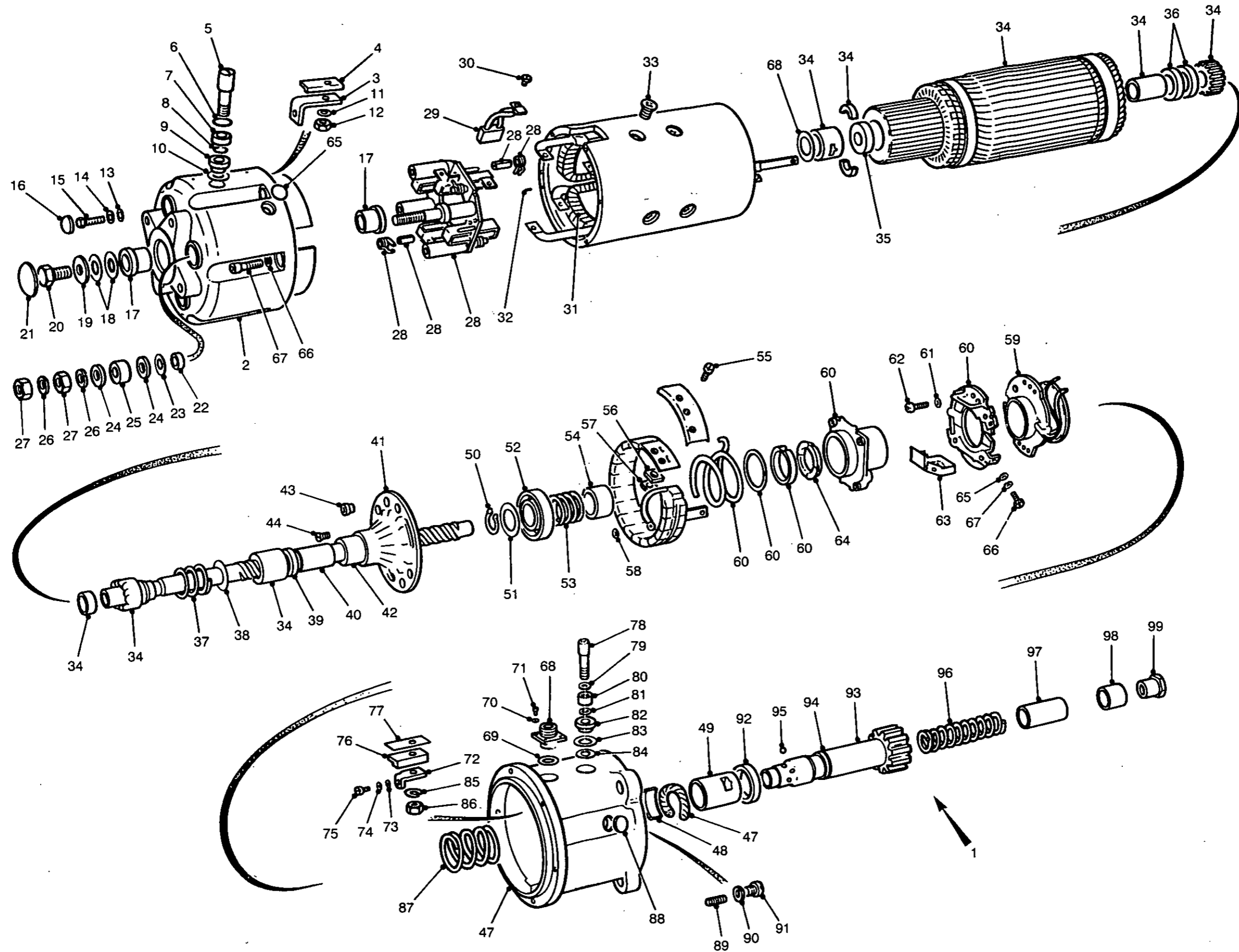


Fig 33 Starter motor

Fig Item	Man Code Navy - N Army - A RAF - R	NATO Stock No	Item Name and Description	Part No/ Drawing No.	No. Off	Annotations
33-			POWER UNIT, DIESEL - contd ENGINE, DIESEL - contd			
		NP	. . . STARTER MOTOR AND MOUNTING		REF	
1	A	9ACR	. . . STARTER, ENGINE, ELECTRICAL	S15Z-24-3	1	
2	A	6MT4	. . . END SHIELD	6366-38A	1	
3	A	6MT4	. . . BRACKET, ANGLE	6366-33	1	
4	A	6MT4	. . . INSULATOR, ANGLE BRACKET	6366-32	1	
5	A	6MT4	. . . TERMINAL POST	6366-39	1	
6	A	6MT4	. . . RING, SEALING, TOROIDAL	5872-16	1	
7	A	6MT4	. . . INSULATOR, BUSHING	6029-61	1	
8	A	6MT12	. . . RING, SEALING, TOROIDAL, rubber, 3/8in. id x 1/16in. h	5855-30K	1	
9	A	6MT4	. . . INSULATOR, BUSHING	6029-60	1	
10	A	6MT4	. . . GASKET	6265-386	1	
11	A	G1	. . . WASHER, LOCK, steel, flat int teeth, 3/8in. dia	138542	1	
12	A	G1	. . . NUT, PLAIN, HEXAGON, copper, 3/8in. UNF	108119T	1	
13	A	6MT4	. . . WASHER, FLAT, st, 1/4in. id x 7/16in. od x 3/64in. thk	NW1-14T1	1	
14	A	G1	. . . WASHER, LOCK, steel, split helical ring, 1/4in. dia	7095-321	3	
15	A	6MT4	. . . BOLT, MACHINE, steel, fil hd, slot drive, NO. 4 UNC x 1/2in. lg	NS292-121	3	
16	A	6MT4	. . . PLUG, EXPANSION, aluminium, 17mm dia	6265-620	A/R	
17	A	46MT4	. . . BEARING, SLEEVE, Cu alloy, 20mm o/a lg, 22.09mm od, 16.06mm id	6366-34	2	
18		NP	. . . WASHER, FLAT, st, 16mm id x 28mm od x 0.056in. thk	5936-329A	A/R	
18(1)		NP	. . . WASHER, FLAT, st, 16mm id x 28mm od x 0.048in. thk	5936-329B	A/R	
18(2)	A	46MT4	. . . WASHER, FLAT, st, 16mm id x 28mm od x 0.028in. thk	5936-329C	A/R	
18(3)	A	46MT4	. . . SHIM, st, 16mm id x 28mm od x 0.011in. thk	5936-329D	A/R	
19		NP	. . . WASHER, RECESSED	5936-341	1	
20	A	6MT4	. . . SCREW, SELF-LOCKING, steel, hex hd, M10 x 18mm lg	5334-413	1	
21	A	6MT4	. . . PLUG, EXPANSION	6265-641	1	
22	A	6MT4	. . . INSULATOR, BUSHING	6029-60	1	
23	A	6MT4	. . . GASKET	6265-386	1	
24	A	6MT12	. . . RING, SEALING, TOROIDAL, rubber, 3/8in. id x 1/16in. h	5855-30K	2	
25	A	6MT4	. . . INSULATOR, BUSHING	6029-61	1	
26	A	G1	. . . WASHER, LOCK, steel, flat int teeth, 3/8in. dia	138542	1	
27	A	G1	. . . NUT, PLAIN, HEXAGON, copper, 3/8in. UNF	108119T	2	
28		NP	. . . HOLDER ASSEMBLY, ELECTRICAL CONTACT	6366-20	1	
29	A	6MT4	. . . BRUSH SET, ELECTRICAL CONTACT	6068-44	1	
30	A	G1	. . . SCREW, MACHINE, steel, hex hd, M5 x 18mm lg		4	
31	A	6MT4	. . . PARTS KIT, FIELD COIL SET	6333-F817	1	
32	A	X3	. . . PIN, STRAIGHT, HEADLESS, steel, 0.6mm dia x 8mm lg		2	

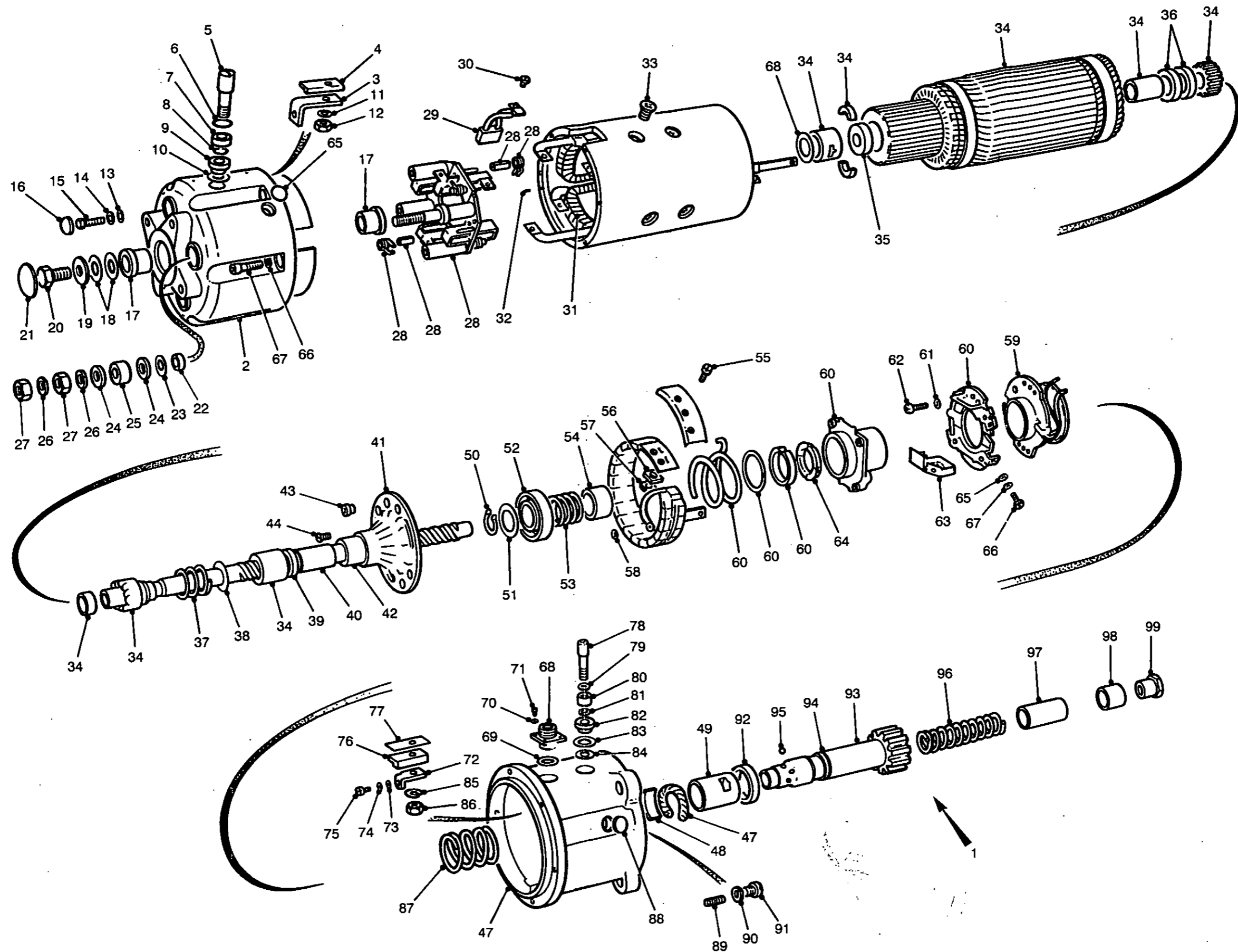


Fig 33 Starter motor

Fig Item	Man Code Navy - N Army - A RAF - R	NATO Stock No	Item Name and Description	Part No/ Drawing No.	No. Off	Annotations
33-			POWER UNIT, DIESEL - contd ENGINE, DIESEL - contd STARTER, ENGINE, ELECTRICAL - contd			
33	A 6MT4	5305-99-803-9700	SCREW, MACHINE, st, flat csk hd, cross drive, 3/8in. BSW x 19/32in. lg	5333-159	8	
34	A 6MT4	2920-99-774-0698	ARMATURE AND SHAFT ASSEMBLY	6366-11A	1	
35	A 6MT4	5310-99-774-0705	WASHER, FLAT, st, 17mm id x 31mm od x 5.8mm thk	5936-418	A/R	
35(1)	A 6MT4	5310-99-774-0706	WASHER, FLAT, st, 17mm id x 31mm od x 5.6mm thk	5936-418A	A/R	
35(2)	A 6MT4	5310-99-774-0707	WASHER, FLAT, st, 17mm id x 31mm od x 5.4mm thk	5936-418B	A/R	
35(3)	A 6MT4	5310-99-774-0708	WASHER, FLAT, st, 17mm id x 31mm od x 5.2mm thk	5936-418C	A/R	
35(4)	A 6MT4	5310-99-774-0709	WASHER, FLAT, st, 17mm id x 31mm od x 5.0mm thk	5936-418D	A/R	
35(5)	A 6MT4	5310-99-774-0710	WASHER, FLAT, st, 17mm id x 31mm od x 4.8mm thk	5936-418E	A/R	
35(6)	A 6MT4	5310-99-774-0711	WASHER, FLAT, st, 17mm id x 31mm od x 4.6mm thk	5936-418F	A/R	
35(7)	A 6MT4	5310-99-774-0712	WASHER, FLAT, st, 17mm id x 31mm od x 4.4mm thk	5936-418G	A/R	
36		NP	BEARING, WASHER, THRUST, fabric/resin, 20mm id x 33mm od x 5mm thk	6265-430	2	
37	A 6MT4	5360-99-838-5514	SPRING, HELICAL, COMPRESSION, st, 1-1/2 coils, 29mm od x 10mm lg	6265-78	1	
38		NP	WASHER, FLAT, st, 18mm id x 32mm od x 1.00mm thk	6625-397	1	
39	A 6MT4	5310-99-774-0704	WASHER, RECESSED	5936-446	1	
40	A 6MT4	2920-99-774-0703	SHAFT, SHOULDERED	6366-2	1	
41	A 6MT4	2920-99-774-0699	BEARING ASSEMBLY, c/w mtg flange	6366-86	1	
42		NP	BEARING, SLEEVE, Cu, 22mm id x 28mm od x 35mm lg		1	
43		NP	GROMMET, RUBBER	6366-61	1	
44	A G1	5305-99-122-5284	SCREW, MACHINE, st, flat csk hd, slot drive, M5 x 12mm lg	NS173-721	3	
NI 45	A 6MT4	5310-99-813-0216	WASHER, FLAT, st, 5mm id x 12mm od, 2mm thk	NW2-28Z1	3	
NI 46		NP	WASHER, FLAT, st, 16mm id x 28mm od x 0.056in. thk	5936-329A	A/R	
NI 46 (1)		NP	WASHER, FLAT, st, 16mm id x 28mm od x 0.048in. thk	5936-329B	A/R	
NI 46 (2)	A 46MT4	5310-99-774-0717	WASHER, FLAT, st, 16mm id x 28mm od x 0.028in. thk	5936-329C	A/R	
NI 46 (3)	A 46MT4	5310-99-774-0718	SHIM, st, 16mm id x 28mm od x 0.011in. thk	5936-329D	A/R	
47	A 6MT4	2920-99-774-0667	END SHIELD	6366-47	1	
48		NP	PAD, LUBRICATION	6265-36S	1	
49		NP	BEARING, SLEEVE, steel/white metal, 31mm id x 36mm od x 38mm lg	6265-138	1	
50	A 6MT1	5365-99-910-8242	RING, RETAINING, steel, u/w 25mm dia shaft		1	

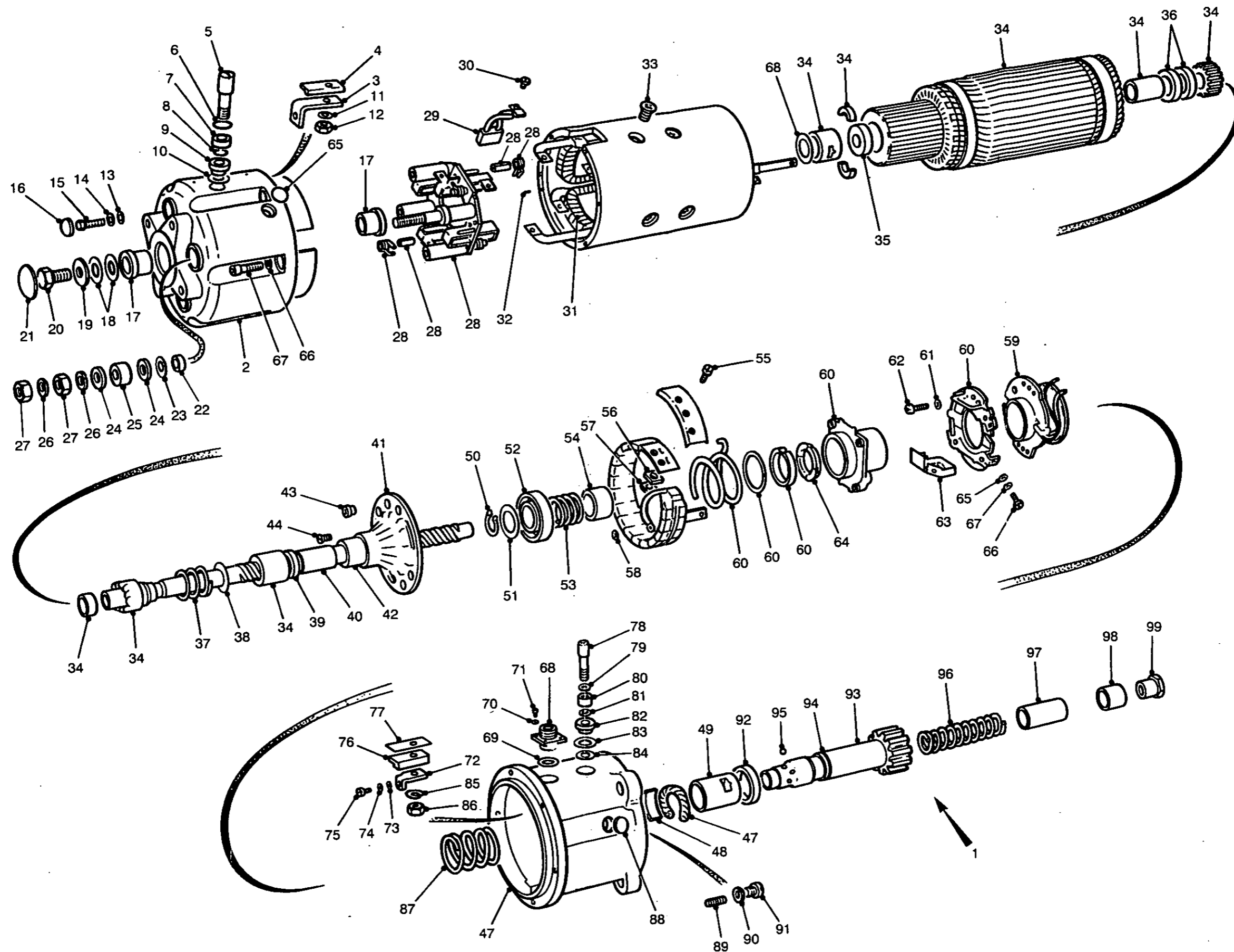


Fig 33 Starter motor

Fig Item	Man Code Navy - N Army - A RAF - R	NATO Stock No	Item Name and Description	Part No/ Drawing No.	No. Off	Annotations
33-			POWER UNIT, DIESEL - contd . ENGINE, DIESEL - contd . . . STARTER, ENGINE, ELECTRICAL - contd			
51		NP	. . . WASHER, FLAT, st, 25mm id x 37mm od x 0.5mm thk	6265-558	1	
52	A	6MT4 2920-99-774-0727	. . . PLATE, TRIP	6265-666	1	
53	A	6MT4 5360-99-838-5520	. . . SPRING, HELICAL, COMPRESSION, steel, 4-1/2 coils	6265-122	1	
54	A	6MT4 2920-99-774-0726	. . . COLLAR, LOCKING	6265-121	1	
55	A	G1 5305-99-630-0078	. . . SCREW, MACHINE, st, flat fillister hd, slot drive, M5 x 14mm lg	NS209/921	1	
56	A	6MT4 5970-99-774-0676	. . . INSULATOR, BUSHING	5587-149	1	
57	A	G1 5310-99-136-5324	. . . NUT, PLAIN, SQUARE, st, M5 x 0.8mm pitch x 2.5mm h	5338-12Z1	1	
58	A	6MT1 5310-99-812-0216	. . . WASHER, FLAT, st, 5mm id x 12mm od x 2.00mm thk	NW2-28Z1	1	
59	A	6MT4 2920-99-774-0680	. . . RELAY-SOLENOID	6265-6788	1	
60	A	6MT4 2920-99-838-5148	. . . PLUNGER ASSEMBLY	6265-545	1	
61	A	G1 5310-99-941-6653	. . . WASHER, LOCK, steel, split helical ring, 3/16in. id	P1216	13	
62	A	G1 5305-99-135-0431	. . . SCREW, MACHINE, steel, pan hd, slot drive, M5 x 20mm lg	39-0151	2	
63	A	6MT4 2920-99-838-5503	. . . SPRING AND TRIGGER ASSEMBLY	6265-640	1	
64	A	6MT4 2920-99-838-5502	. . . PARTS KIT, segments and spring	6010-58	1	
65	A	6MT4 5310-99-138-8644	. . . WASHER, FLAT, st, 5mm id x 10mm od x 1.00mm thk	NW2-25Z1	2	
66	A	G1 5305-99-138-0353	. . . SCREW, MACHINE, st, hex hd, No.10 UNC x 1/2in. lg		7	
67		NP	. . . WASHER, LOCK		7	
68	A	6MT4 5935-99-620-3314	. . . CONNECTOR ELECTRICAL	5658-305	4	
69	A	6MT1 5330-99-942-9964	. . . RING, SEALING, TOROIDAL, rubber, 5/8in. id x 3/32in. h		1	
70	A	6MT1 5330-99-805-6629	. . . GASKET, rubber/steel, 1/8in. id x 1/4in. od		4	
71	A	G1 5305-99-941-2300	. . . SCREW, MACHINE, st, fillister hd, slot drive, No. 4 UNC		4	
72	A	6MT4 5340-99-774-0674	. . . BRACKET, ANGLE		1	
73	A	G1 5310-99-941-6653	. . . WASHER, LOCK, steel, split helical ring, 3/16in. id		14	
74	A	6MT4 5310-99-808-4675	. . . WASHER, FLAT	NW2-25Y1	1	
75	A	6MT4 5305-99-139-2192	. . . SCREW, MACHINE, st, flat fillister hd, slot drive, M5 x 10mm lg	NS209-6T1	1	
76	A	6MT4 5970-99-774-0672	. . . INSULATOR, ANGLE BRACKET	6265-629	1	
77	A	6MT4 5970-99-774-0673	. . . INSULATOR, PLATE	6265-630	1	
78	A	6MT4 5940-99-774-0695	. . . TERMINAL POST	6366-39A	1	
79	A	6MT4 5330-99-881-3980	. . . RING, SEALING, TOROIDAL	5872-16	1	
80	A	6MT4 5970-99-881-3979	. . . INSULATOR, BUSHING	6029-61	1	
81	A	6MT12 5330-99-808-4749	. . . RING, SEALING, TOROIDAL, rubber, 3/8in. id x 1/16in. h	5855-30K	1	
82	A	6MT4 5970-99-881-3978	. . . INSULATOR, BUSHING	6029-60	1	
83	A	6MT4 5310-99-136-6194	. . . WASHER, FLAT, br, 15mm id x 25mm od x 1.00mm thk	NW4-26T	1	
84	A	6MT1 5330-99-801-6628	. . . RING, SEALING, TOROIDAL, rubber, 9.64in. id x 3/32in. h		1	
85	A	6MT1 5310-99-806-7450	. . . WASHER, LOCK, steel, 13/32in. id x 5/8in. od x 3/16in. thk	5001-26	1	
86	A	G1 5310-99-941-3519	. . . NUT, PLAIN, HEXAGON, brass, 3/8in. UNF		2	

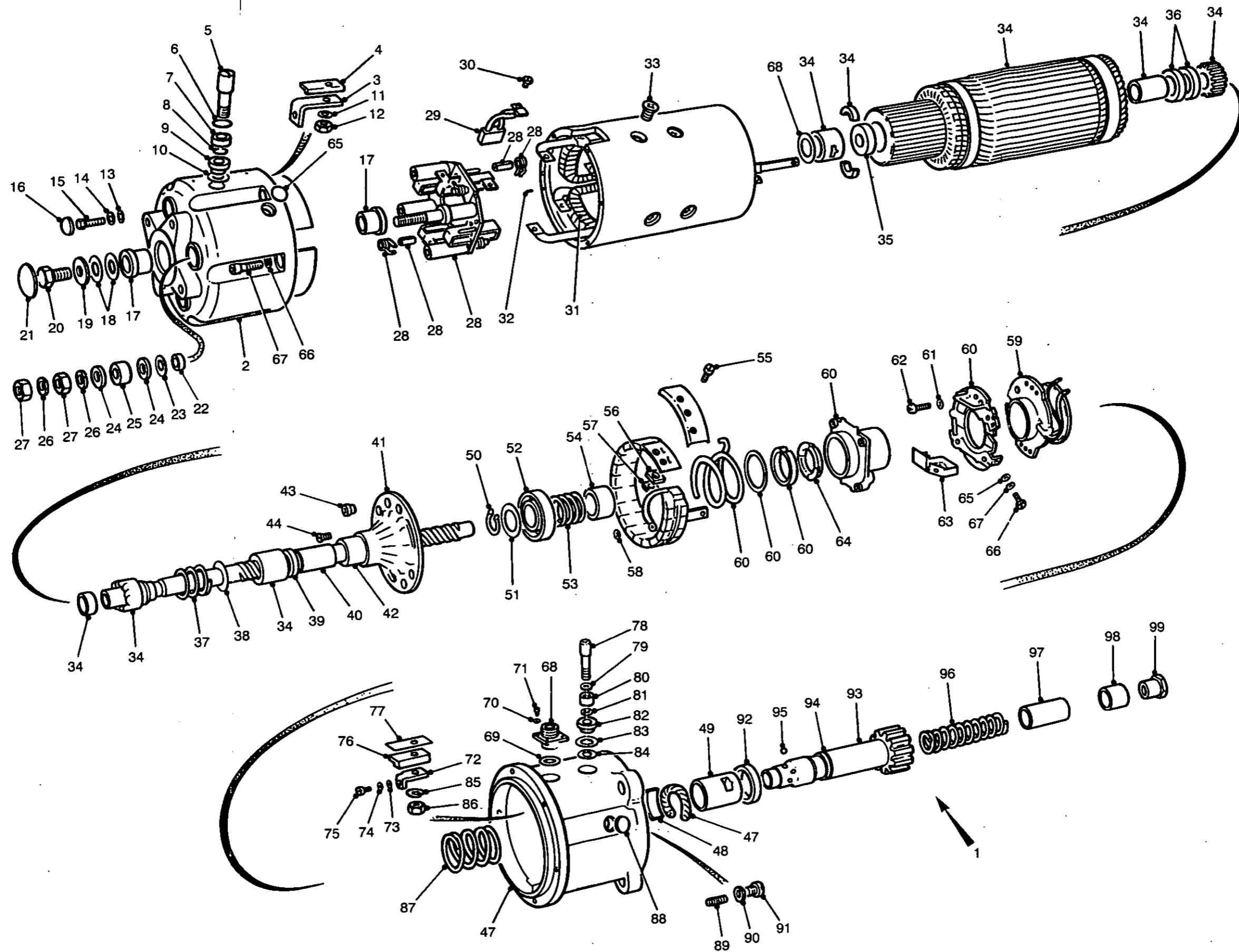


Fig 33 Starter motor

Fig Item	Man Code Navy - N Army - A RAF - R	NATO Stock No	Item Name and Description	Part No/ Drawing No.	No. Off	Annotations
33-			POWER UNIT, DIESEL - contd . ENGINE, DIESEL - contd . . . STARTER, ENGINE, ELECTRICAL - contd			
87	A 6MT4	5360-99-838-5142	. . . SPRING, HELICAL, COMPRESSION	6265-120	1	
88	A 6MT1	5340-99-774-0670	. . . PLUG, EXPANSION, aluminium, 17mm dia	6265-620	A/R	
89	A 6MT4	2920-99-803-8132	. . . SPRING, HELICAL, COMPRESSION, 7mm od x 30mm free lg, 9 coils	5549-68	1	
90	A 6MT12	5310-99-811-8978	. . . WASHER, FLAT, Cu, 10mm id x 15mm od x 1.5mm thk	NW5-22W4	1	
91	A 9ACR	5305-99-805-6831	. . . SCREW, MACHINE, steel, fillister hd, slot drive, M10 x 6.5mm lg	5335-542A	1	
92	A 6MT1	5330-99-774-0669	. . . SEAL, PLAIN, ru, copper alloy strengthening, 32mm id x 45mm od x 7mm w	5393-252AF	1	
93	A 6MT4	2920-99-774-0725	. . . PINION	6265-547A	1	
94	A 6MT4	5330-99-881-8619	. . . PACKING, PREFORMED	6211-621	1	
95	A 6MT7	3110-99-950-0582	. . . BALL, BEARING, steel, 5mm dia	OE4526	8	
96	A 6MT1	5360-99-838-5518	. . . SPRING, HELICAL, COMPRESSION, st, 12 coils, 25mm od x 100mm free lg	6265-446	1	
97		NP	. . . BOOT, DUST AND MOISTURE SEAL	6265-670A	1	
98	A 6MT4	2920-99-774-0724	. . . BOOT, DUST AND MOISTURE SEAL	6265-671A	1	
99	A 6MT4	2920-99-838-5519	. . . NUT, PINION	6265-439	1	
NI 100	A 6MT4	2920-99-829-9364	. . . PARTS KIT, ARMATURE BUSHES, 3 bushes	6265-475	1	
NI 101	A 6MT4	2920-99-829-9365	. . . PARTS KIT, RATCHET	6265-476	1	
NI 102		NP	. . . MOUNTING, STARTER MOTOR	FV452240	1	
NI 103	A 10	5340-99-805-3479	. . . CLAMP, LOOP, steel, starter motor mounting	FV454948	1	
NI 104	A 10	2805-99-805-3478	. . . MOUNTING, BRACKET, STARTER MOTOR, CI, 4 hole fixing	FV454946	1	
NI 105	A 10	5306-99-805-3480	. . . BOLT, SHOULDER, UNF, steel, Cd P, hex hd, 0.312 x 1 x 3.75 x 0.5 x 1in. shoulder lg	FV452587	1	
NI 106	A 10	2920-99-866-7465	. . . TRUNNION, PIN, steel, Cd P, 3/44 x 1/4 x 1-1/4 x 11/32in. hole dia	FV148976	1	
NI 107	A 10	5310-99-866-7466	. . . NUT, PLAIN, BARREL, UNF, steel, Cd P, 5/16 x 0.748 x 2.05 x 0.3343 x 0.06in. deep	FV451131	1	
NI 108	A 10	5315-99-866-7461	. . . PIN, STRAIGHT HEADED, steel, flat chamfer hd, 0.3765 x 0.31 x 0.76 x 0.27in. h	FV452228	1	

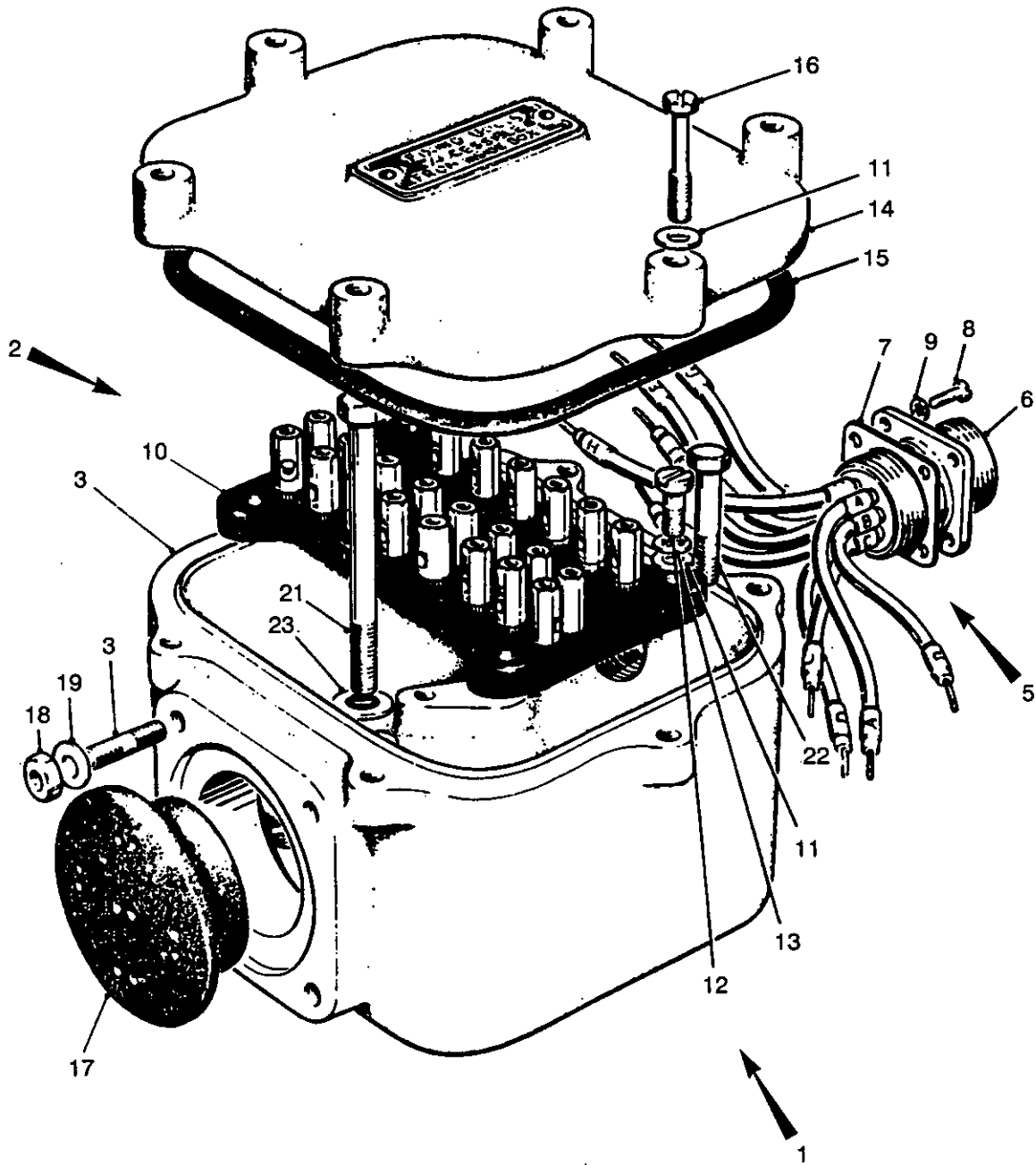


Fig 34 Interconnecting box

430/70032

Fig Item	Man Code Navy - N Army - A RAF - R	NATO Stock No	Item Name and Description	Part No/ Drawing No.	No. Off	Annotations
34-			POWER UNIT, DIESEL - contd . ENGINE, DIESEL - contd			
1		NP NP	. . . ELECTRICAL ACCESSORIES . . . INTERCONNECTING BOX, conduits and cables	FV452391 FV670684	REF 1	
2	A	46MT4	5940-99-818-8898 . . . TERMINAL BOX, aluminium, w/cover, 5-3/8 x 3-27/32in. deep	FV562021	1	
3	A	46MT4	5975-99-881-5646 JUNCTION BOX, preformed hole, aluminium Al, 5-3/8 x 2-7/8in. thk	FV452150	1	
NI 4	A	G1	5340-99-900-1027 INSERT, SCREW THREAD, cres, 0.370in. lg No. 2, 31-4 BA int thd		6	
5	A	46MT4	2590-99-881-5649 LEAD ASSEMBLY, ELECTRICAL	FV452268	1	
6		NP CONNECTOR, RECEPTACLE, ELECTRICAL	FV502516	1	
7	A	Z2	5330-99-014-7135 GASKET, rubber, syn, sq, 1.010 x 1.383 x 0.041in. thk	5658-304C	1	
8		NP SCREW, MACHINE, BA, flat fillister hd, No. 6 x 3/8in.		4	
9	A	G1	5310-99-913-7412 WASHER, LOCK, phos, bronze, flat int teeth, Cd P, No. 6 BA x 0.255 x 0.016in. thk		4	
10	A	46MT4	5940-99-881-5648 TERMINAL BOARD, 22 terminals in 2 rows of 8, linked in pairs & 1 row of 6 together	FV450854	1	
11	A	G1	5310-99-941-6866 WASHER, FLAT, steel, Cd P, rd, 1/2 x 0.048in. thk		10	
12		NP SCREW, MACHINE, BA, steel, flat fillister hd, No. 2 x 7/8in.		4	
13		NP WASHER, LOCK, shakeproof, No. 2BA		4	
14		NP COVER, ACCESS, assy cover plate, circuit, diag. plate, label for cover and screw	FV668947	1	
15	A	46MT4	5330-99-881-5651 GASKET, syn rubber, sq, 3-7/8 x 5/32in. thk	FV450712	1	
16	A	46MT4	5305-99-881-5652 SCREW, EXTERNALLY RELIEVED BODY, BA, No. 2 x 0.81 x 29/64 x 1- 5/32in. lg, steel, Cd P, hex hd, slot drive	FV452270	6	
17	A	46MT4	5365-99-818-5986 BUSHING, RUBBER, syn rubber, 1- 35/64 x 2-1/8 x 5/8in. lg, c/w 11 holes 1/8in. dia	FV669643	1	
18	A	G1	5310-99-948-9815 NUT, PLAIN, HEXAGON, BA, steel, chamfered, Cd P, 21/64 x 1/8in. h		4	
19	A	G1	5310-99-941-6866 WASHER, FLAT, steel, Cd P, rd, 1/2 x 0.048in. thk		4	
NI 20	A	10	5975-99-800-9887 . . . BRACKET, MOUNT, steel, welded assy, 9-1/2 x 6-1/4in. wd and h	FV453028	1	
21	A	G1	5306-99-941-6585 . . . BOLT, MACHINE, UNF, steel, zinc P, hex hd, 1/4 x 2-1/2in. lg		1	
22	A	G1	5306-99-941-0281 . . . BOLT, MACHINE, UNF, s steel, hex hd, zinc P, 1/4 x 1-1/8in. lg, 2A thd		2	
23	A	6MT1	5330-99-942-8450 . . . GASKET, rubber, steel, Cd P w/chromate	300-004- 1911-02	3	
NI 24	A	G1	5305-99-941-0510 . . . SCREW, MACHINE, UNF, steel, zinc P, 1/4in. -28 x 3/8in. lg, hex hd		1	
NI 25	A	G1	5310-99-804-7941 . . . NUT, PLAIN, HEXAGON, UNF, steel, zinc P, 1/4in. -28 x 7/16 x 7/32in. h, chamfered finish		1	

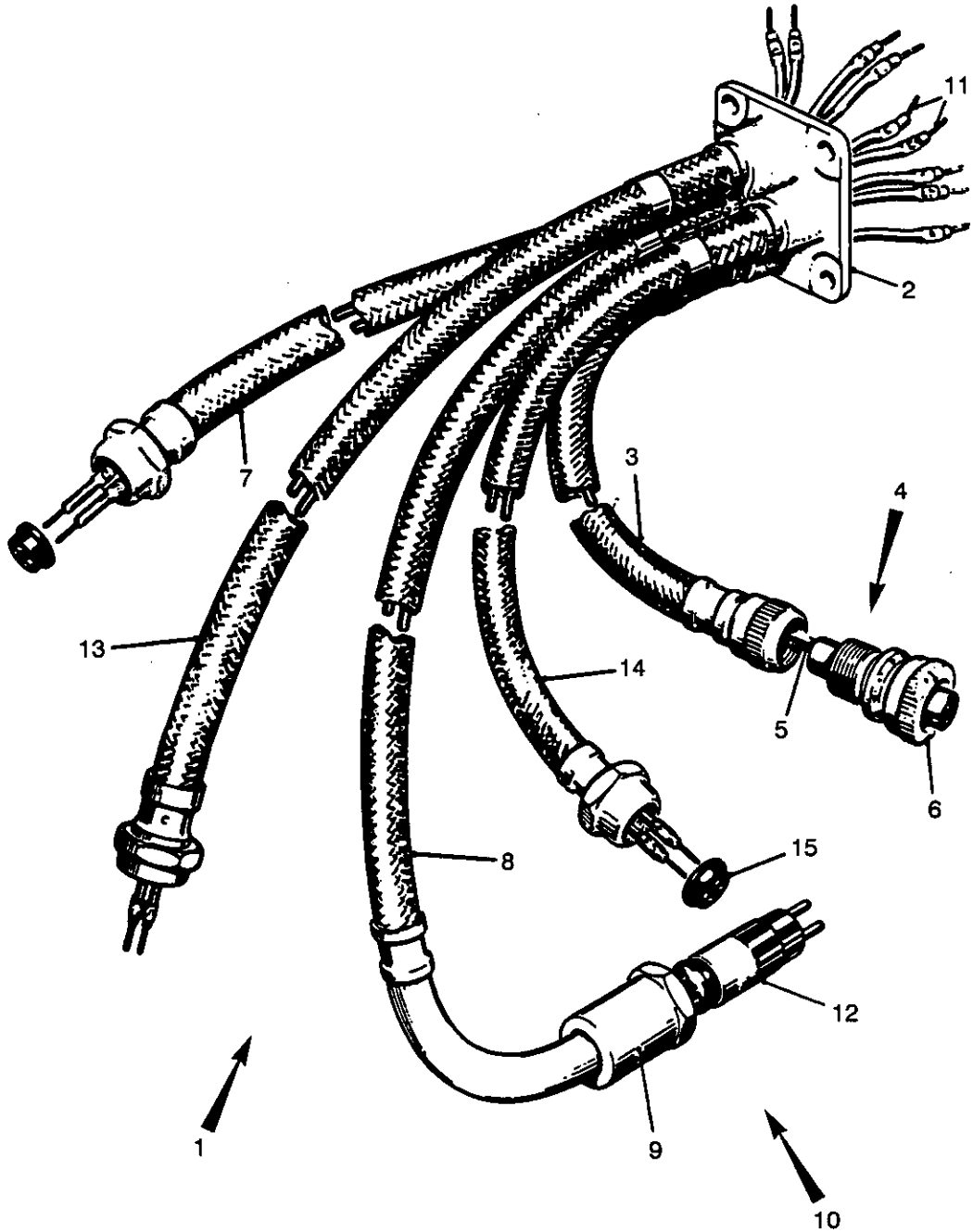


Fig 35 Conduits and cables

430/70033

Fig Item	Man Code Navy - N Army - A RAF - R	NATO Stock No	Item Name and Description	Part No/ Drawing No.	No. Off	Annotations
35-			POWER UNIT, DIESEL - contd . ENGINE, DIESEL - contd . . . ELECTRICAL ACCESSORIES - contd			
1		NP NP	. . . CONDUITS AND CABLES . . . ASSEMBLY, ENTRY PLATE AND CONDUITS	FV670680	REF 1	
2	A 46MT4	2590-99-881-5638 ENTRY, PLATE, JUNCTION BOX, brass, tinned, 2-3/8 x 45/64in. h, 4 mtg holes, 3/8 x 33/64in. dia	FV450779	1	
3	A 9ACR	2590-99-736-1656 CONDUIT, ASSEMBLY, FLEXIBLE ELECTRICAL, junction box to starter motor solenoid	CK4689	1	
4		NP CABLE ASSEMBLY, junction box to starter motor solenoid	FV670683	1	
5	A Y3	6145-99-999-4047 WIRE, ELECTRICAL, 40 strands, 0.0076in. dia, copper, nickel P, rubber insulation 0.13in. dia	TERSIL 16	A/R	
6		NP CONNECTOR, FREE, ELECTRICAL	FV502539	1	
7	A 46MT4	2590-99-881-9068 CONDUIT ASSEMBLY, FLEXIBLE ELECTRICAL, junction box to oil pressure switch	FV452316	1	
8	A 46MT4	2590-99-881-9069 CONDUIT ASSEMBLY, FLEXIBLE ELECTRICAL, junction box to coolant temperature bulb	FV452317	1	
9	A 46MT4	5935-99-881-5644 ADAPTOR, ELECTRICAL SHIELD TO PLUG SOCKET, hex hd, 1- 21/64 x 47/64in. 26 whit int thd	FV450780	1	
10	A 46MT4	2590-99-881-9072 CABLE ASSEMBLY, POWER, ELECTRICAL, junction box to coolant temp. bulb	FV452389	1	
11	A Y3	6145-99-999-4047 WIRE, ELECTRICAL, 40 strands, 0.0076in. dia, copper, nickel P, rubber insulation 0.13in. dia	TERSIL 16	A/R	
12	A 46MT4	5935-99-802-2813 PLUG, ELECTRICAL, 2 pole	FV159979	1	
13	A 46MT4	2590-99-881-9070 CONDUIT ASSEMBLY, FLEXIBLE ELECTRICAL, junction box to tachometer generator	FV452318	1	
14	A 46MT4	2590-99-881-9071 CONDUIT ASSEMBLY, FLEXIBLE ELECTRICAL, junction box to fuel injection pump stop solenoid	FV452319	1	
15		NP BUSHING, RUBBER, 4 holes	HC78092	1	

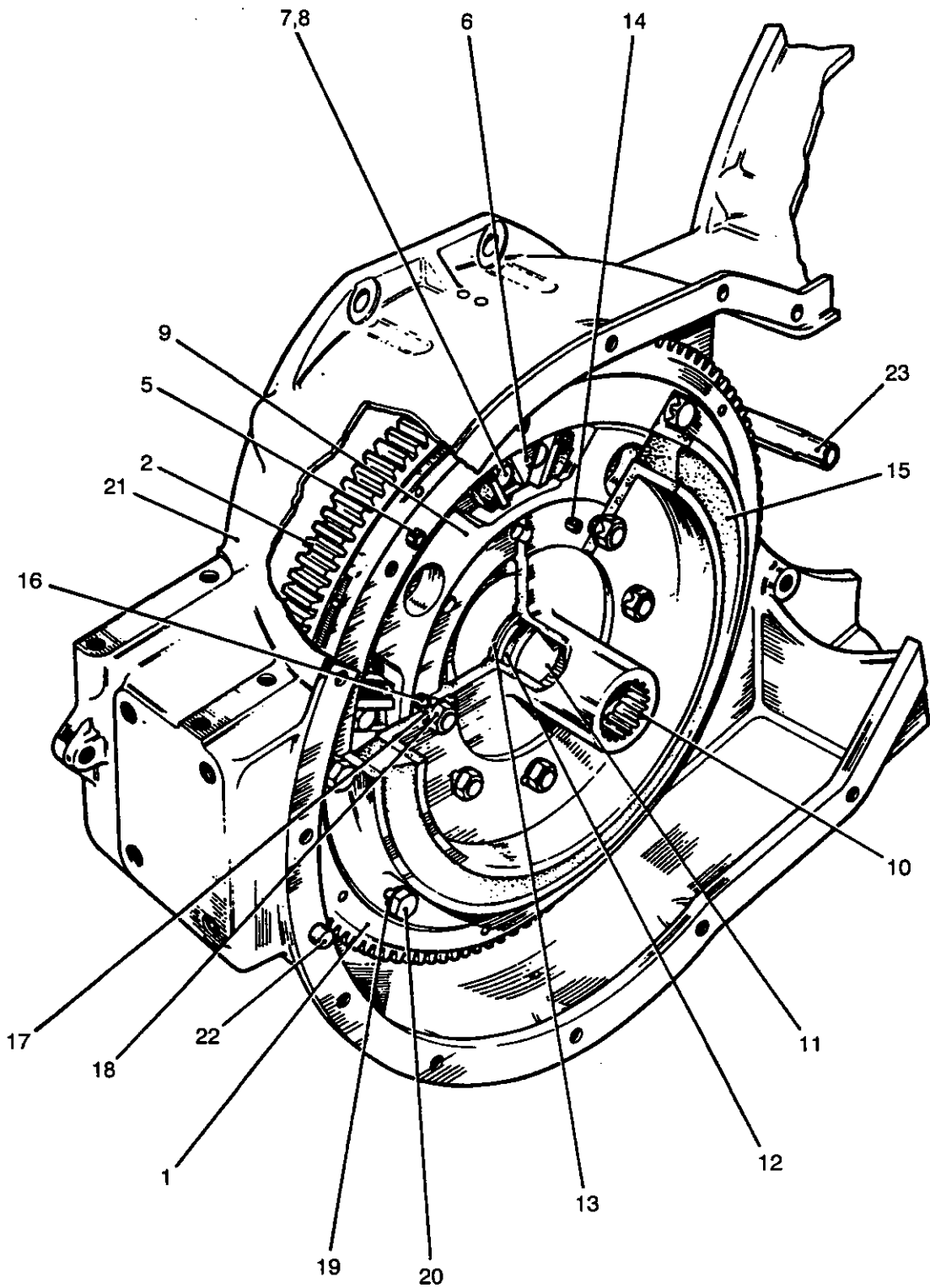


Fig 36 Engine coupling and flywheel

430/70034

Fig Item	Man Code Navy - N Army - A RAF - R	NATO Stock No	Item Name and Description	Part No/ Drawing No.	No. Off	Annotations
36-			POWER UNIT, DIESEL - contd ENGINE, DIESEL - contd			
		NP	ENGINE COUPLING AND FLYWHEEL		REF	
1	A 10	2815-99-811-8994	FLYWHEEL, ENGINE	FV669000	1	
2	A 10	2990-99-802-7296	RING, STARTER, FLYWHEEL, steel, 118 teeth	FV454018	1	
NI 3	A G1	5306-99-941-6581	BOLT, MACHINE, st, hex hd, 1/4in. UNF x 1-3/8in. lg		8	} Starter ring to flywheel
NI 4	A 10	5310-99-865-1624	WASHER, LOCK, steel, 1/4in.		8	
5	A G1	5315-99-122-6952	PIN, SPRING, st, 5/16in. od x 1.00in. lg	23512-1000	3	
6	A 10	2815-99-811-8992	PLATE, STOP	FV668997	4	
7	A 10	5306-99-811-8993	BOLT, MACHINE, steel, 3/8in. UNF	FV668998	8	
8	A 10	5310-99-865-3628	NUT, PLAIN, HEXAGON, steel, 3/8in. UNF	FV145684	8	
9	A 10	3010-99-865-3648	COUPLING SHAFT, RIGID, steel	FV148504	1	
10	A 10	3010-99-865-3753	COUPLING SHAFT, RIGID	FV149834	1	
11	A 10	2520-99-865-3744	RETAINER, TOROIDAL SEALING RING	FV149766	1	
12		NP	RING, SEALING TOROIDAL	FV149800	1	
13	A 6MT1	5365-99-910-8289	RING, RETAINING, steel, int, 1-5/8in.	8752187	1	
14	A G1	5315-99-842-8189	PIN, SPRING, steel, 1/4in. od x 3/4in. lg	FV148496	1	
15	A 10	3010-99-865-3654	COUPLING, SHAFT, FLEXIBLE, steel/rubber	FV148593	1	
16	A G1	5306-99-941-6580	BOLT, MACHINE, st, hex hd, 3/8in. UNF x 1-1/8in. lg	255210	8	} Coupling to stop plate
17	A G1	5310-99-941-6198	WASHER, KEY, steel, 3/8in.	XB7108	8	
18	A 10	5310-99-865-3628	NUT, PLAIN, HEXAGON, steel, 3/8in. UNF	FV145684	8	
19	A G1	5310-99-941-6197	WASHER, KEY, steel, 3 ext keys, 5/16in.	SP42G	8	} Flexible coupling to flywheel
20	A G1	5306-99-941-6587	BOLT, MACHINE, steel, 5/16in. UNF	8120598- 90A	8	
21	A 10	2520-99-866-6928	CASING ASSEMBLY, FLYWHEEL AND TOURS	FV450935	1	
22	A 10	5315-99-866-6929	PIN, STRAIGHT, HEADLESS, steel, 0.402in. x 1.25in. lg	FV149826	2	
23	A 10	2815-99-802-7303	PIPE, ASSEMBLY	FV454000	1	} Oil transfer Gearcase to flywheel housing
NI 24	A 10	4710-99-866-6930	PIPE, METALLIC	FV149839	1	
NI 25	A 10	2815-99-865-9961	GASKET	FV452786	1	
NI 26	A 10	5340-99-865-3663	COVER ACCESS	FV148856	1	} Main casing transformer box
NI 27	A G1	5305-99-941-6284	SCREW, MACHINE, st, hex hd, Zn pl, 1/4in. UNF x 1/2in.		2	
NI 28	A G1	5310-99-120-4032	WASHER, FLAT, steel, Zn pl, 1/4in.	PWZ104	2	} Cover plate
NI 29	A G1	5306-99-941-6587	BOLT, st, hex hd, Zn pl, 5/16in. UNF x 1in. lg		2	
NI 30	A G1	5310-99-941-8386	WASHER, FLAT, st, Zn coated, 5/16in.	2550	2	} Housing oil feed pipe
NI 31	A G1	5305-99-941-6284	SCREW, MACHINE, st, hex hd, Zn pl, 1/4in. UNF x 1/2in.		2	
NI 32	A G1	5310-99-120-4032	WASHER, FLAT, st, Zn pl, 1/4in.	PWZ104	2	} Clip oil feed pipe
NI 33	A 9CET	5330-99-409-2633	RING, SEALING, TOROIDAL	FV670380	3	
NI 34	A 10	5330-99-866-6986	RING, SEALING, TOROIDAL	CK613	1	} Bobbin tube

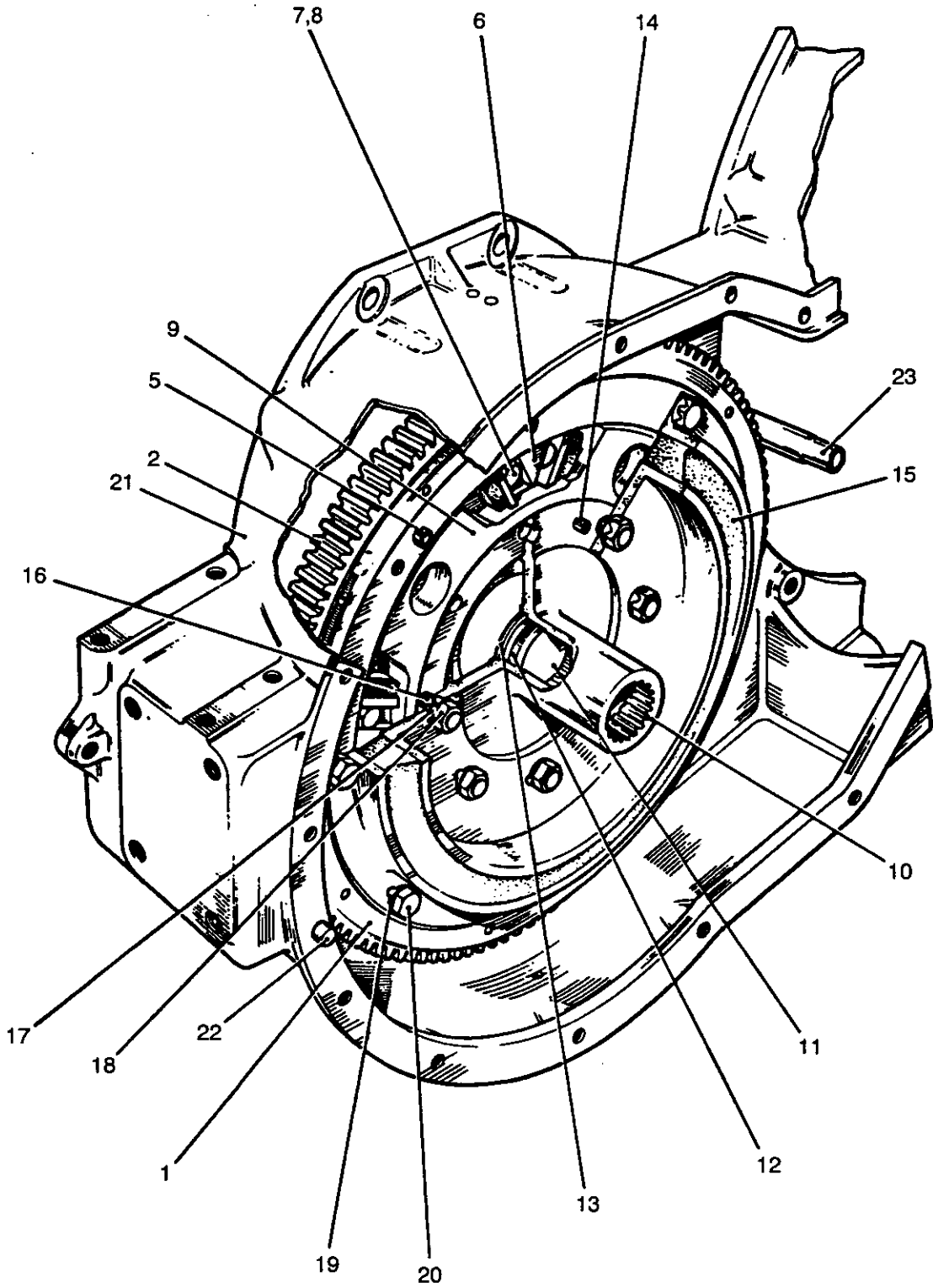


Fig 36 Engine coupling and flywheel

430/70034

Fig Item	Man Code Navy - N Army - A RAF - R		NATO Stock No	Item Name and Description	Part No/ Drawing No.	No. Off	Annotations
36-				POWER UNIT, DIESEL - contd ENGINE, DIESEL - contd ENGINE COUPLING AND FLYWHEEL -contd			
NI 35	A	10	2815-99-866-6987	RETAINER, PACKING	FV450363	1	Scavenge return flywheel casing to sump
NI 36	A	G1	5305-99-941-6550	SCREW, MACHINE, st, hex hd, Zn pl, 3/8in. UNF x 1.00in.	HNS-608	17	Gearbox to flywheel casing
NI 37	A	G1	5305-99-941-6549	SCREW, MACHINE, st, hex hd, Zn pl, 3/8in. UNF 7/8in.	19506073	18	Flywheel casing

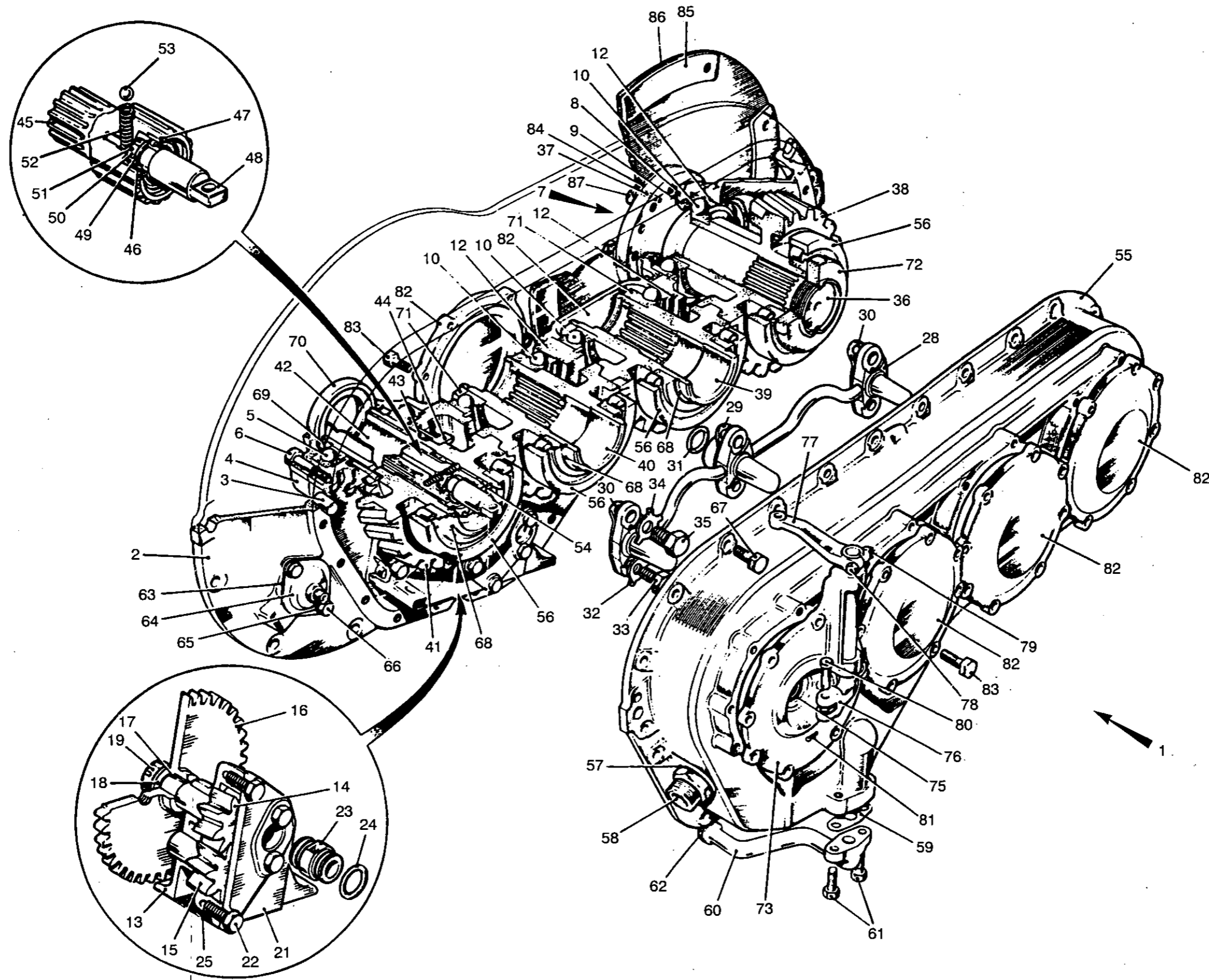


Fig 37 Transfer gearbox

430/70035

Fig Item	Man Code Navy - N Army - A RAF - R	NATO Stock No	Item Name and Description	Part No/ Drawing No.	No. Off	Annotations
37-			POWER UNIT, DIESEL - contd			
		NP	. TRANSFER GEARBOX		REF	
1	A 10	2520-99-867-1211	. GEARBOX, MECHANICAL, transfer box	FV452544	1	
2	A 10	3040-99-866-6923	. . . HOUSING, MECHANICAL DRIVE	FV450253	1	
3	A 10	5315-99-865-3658	. . . PIN, STRAIGHT, HEADLESS, st, 0.402in. od x 3/4in. lg	FV148623	2	
4	A 10	5330-99-865-3746	. . RETAINER, OIL SEAL	FV149768	1	
5	A 46MT7	3110-99-950-0063	. . BEARING, BALL, ANNULAR, single row, 70mm id x 125mm x 24mm w	6214	1	
6	A G1	5306-99-941-6590	. . BOLT, MACHINE, st, hex hd, Zn pl, 5/16in. UNF x 1-1/2in. lg	92279	8	
7		NP	. . HOUSING ASSEMBLY	FV450685	1	
8	A 10	3040-99-865-3793	. . . HOUSING, MECHANICAL DRIVE	FV450686	1	
9	A 46MT1	5330-99-802-0839	. . . SEAL, PLAIN, ENCASED, 3in. id x 4in . od x 1/2in. w	FV453546	1	
10	A 46MT1	5330-99-222-0681	. . . BEARING, BALL, JOURNAL, single row, 65mm id x 120mm od x 23mm w	621363	3	
NI 11	A G1	5306-99-941-6589	. . BOLT, MACHINE, st, hex hd, Zn pl, 5/16in. UNF x 1-3/8in. lg		8	
12	A 46MT1	5365-99-910-8307	. . RING, RETAINING, st, int, 4-3/4in.	M12-208- 000	3	
13	A 10	2520-99-865-4394	. . BODY POWER DRIVEN ROTARY PUMP	FV149473	1	
14	A 10	3040-99-865-3659	. . GEARSHAFT, HELICAL, st, 8 teeth, 1.35in. od	FV148813	1	} Oil pump driver
15	A 10	3040-99-865-3660	. . GEARSHAFT, HELICAL, st, 8 teeth, 1.35in. od	FV148814	1	
16	A 10	3020-99-865-4383	. . GEAR SPUR, st, 39 teeth, 5.1in. od	FV148549	1	
17	A 9ACR	5315-99-842-9001	. . KEY, WOODRUFF	KC503	A/R	
17(1)	A 7RR	5315-99-842-9000	. . KEY, WOODRUFF	KC500	A/R	
18		NP	. . WASHER FLAT, st, Cd P, 1/2in.	A51-Z	1	
19	A G1	5310-99-941-0884	. . NUT, SLOTTED, HEXAGON, st, Zn pl, 1/2in. UNF	91086241	1	
NI 20	A G1	5315-99-138-2207	. . PIN, COTTER, SPLIT, st, phosphated, 3/32in. od x 1-1/8in.	P5606160	1	
21	A 10	5340-99-865-3651	. . COVER, ACCESS	FV148574	1	
22	A G1	5305-99-941-6543	. . SCREW, MACHINE, st, hex hd, Zn pl, 1/4in. UNF x 3/4in.		6	
23	A 1C	2520-99-865-3656	. . RETAINER, PACKING, steel, 0.812in. dia	FV148597	1	
24	A 10	5330-99-409-2633	. . RING, SEALING, TOROIDAL, rubber, 0.612in. id x 0.103in. h	FV670380	2	Bobbin scavenge return
25	A 10	2520-99-865-4382	. . STRAINER, ELEMENT, SEDIMENT, st, 2-1/4in. w x 6-1/8in. lg x 0.024in. thk	FV148512	1	
NI 26	A G1	5305-99-941-8052	. . SCREW, DRIVE, st, Zn pl, 3/16in. lg	2450-2	8	Strainer to casing
NI 27		NP	. . BOLT, MACHINE, st, hex hd, Zn pl, 5/16in. UNF x 1-1/8in. lg		2	Oil pump to body casing
28	A 10	2520-99-866-6924	. . PIPE ASSEMBLY, OIL FEED	FV450542	1	
29	A 10	5330-99-865-4384	. . GASKET, 0.95in. id x 0.01in. thk	FV148585	1	Oil jet, centre
30	A 10	5330-99-388-5946	. . GASKET	FV148586	2	Oil jets, outer
31	A 10	5330-99-865-4386	. . RING, SEALING, TOROIDAL, ru, 0.487in. id x 0.103in. h	FV148599	1	
32	A 7PK	5310-99-438-0221	. . WASHER, KEY, steel, 0.26in.	KU10006	3	
33	A G1	5305-99-941-6542	. . SCREW, CAP, HEXAGON HEAD, st, hex hd, Zn pl, 1/4in. UNF x 5/8in. lg	CK111603Z N2	3	

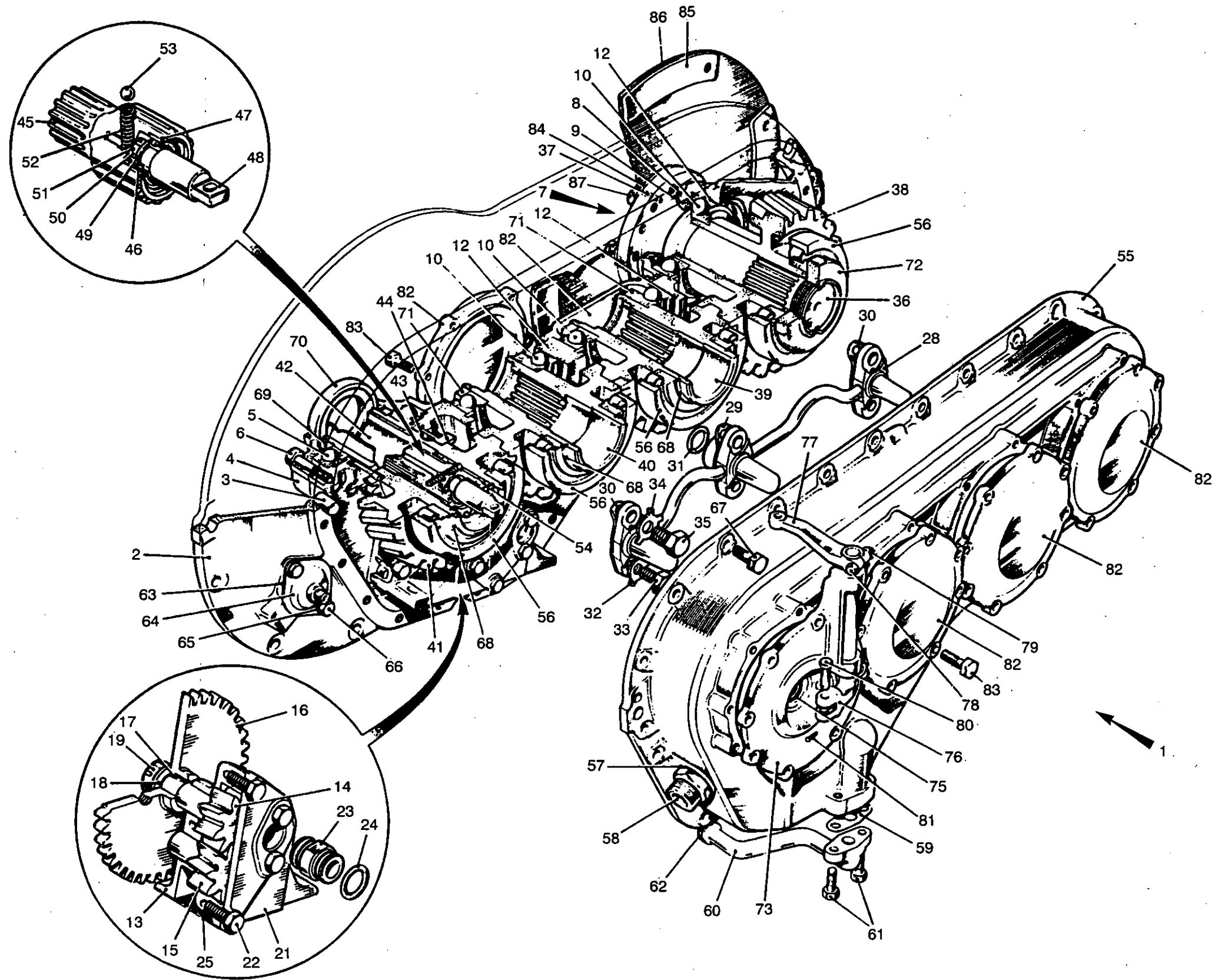


Fig 37 Transfer gearbox

Fig Item	Man Code Navy - N Army - A RAF - R	NATO Stock No	Item Name and Description	Part No/ Drawing No.	No. Off	Annotations
37-			POWER UNIT, DIESEL - contd . GEARBOX, MECHANICAL - contd			
34	A G1	5310-99-941-6197	. . WASHER, KEY, steel, 5/16in.	SP42-G	3	
35	A G1	5305-99-941-6545	. . SCREW, MACHINE, st, hex hd, Zn pl, 5/16in. x 5/8in. lg	742646	3	
36	A G1	2520-99-867-4402	. . SHAFT ASSEMBLY, SHOULDERED	FV451270	1	
37	A 10	5315-99-865-3846	. . PIN, SPRING, steel, 0.125in. od x 1/2in.	FV451375	1	
38	A 10	3020-99-865-3876	. . GEAR, HELICAL, driven gear, 33 teeth	FV148843	1	
39	A 10	3020-99-865-3661	. . GEAR, CLUSTER	FV148819	1	
40	A 10	3020-99-865-3649	. . GEAR, CLUSTER, idler, 31 teeth	FV148507	1	
41	A 10	3020-99-865-3781	. . GEAR, SPUR, driving gear, 33 teeth	FV450222	1	
42	A 10	3120-99-865-3624	. . BEARING, SLEEVE, bronze/steel, 1.99in. od x 2.5in.	RE25098	1	
43	A 7RR	5315-99-842-9000	. . KEY, WOODRUFF, st, 0.5in. x 0.094in. 0.203in.	KC500	1	
43(1)	A 9ACR	5315-99-842-9001	. . KEY, WOODRUFF, st, 0.5in. x 0.095in. 0.203in.	KC503		
44	A 10	1240-99-865-3747	. . GEAR, SPUR	FV149769	1	
45	A 10	3040-99-809-5861	. . SHAFT, SHOULDERED	FV668806	1	
46	A 46MT7	3110-99-942-5752	. . BEARING, BALL, ANNULAR, single row, 15mm id x 35mm od x 11mm w	AB/1/2/1230 1	1	
47	A 46MT1	5365-99-910-8328	. . RING, RETAINING, steel, int, 1-3/8in.	91117820	1	
48	A 10	2520-99-865-3742	. . SHAFT, SHOULDERED	FV149763	1	
49	A 10	5310-99-865-1527	. . WASHER, FLAT, steel, 5/16in.	UA2053Z	1	
50	A G1	5310-99-941-0881	. . NUT, SLOTTED, HEXAGON, st, Zn pl, 5/16in. UNF	5102-12	1	
51	A G1	5315-99-138-2201	. . PIN, COTTER, SPLIT, st, Cd P, 1/16in. x 5/8in.	0009830407	1	
52	A 10	2520-99-865-3743	. . SPRING, HELICAL, COMPRESSION	FV149765	1	
53	A 6MT7	3110-99-950-0571	. . BALL BEARING, steel, 5/16in. dia	ET8394	1	
54	A 46MT1	5365-99-801-7333	. . RING, RETAINING, steel, int, 2-1/16in.	SF341-56	1	
55		NP	. . CASING, GEARBOX	FV451479	1	
56	A 6MT7	3110-99-950-0257	. . BEARING, PARALLEL, single row, 65mm id x 120mm od, x 23mm w, 000 fit	NF213C3	4	
57	A 10	5365-99-865-1490	. . SPACER, RING, Al, 1-1/8in.	XB1094	1	
58	A 46MT1	4730-99-801-2027	. . NIPPLE, TUBE, steel, 1-1/8in. UNF	FV587-9	1	Oil drain
59	A 10	5330-99-865-4418	. . GASKET	FV149427	1	
60	A 10	4710-99-866-7479	. . PIPE, METALLIC	FV450206	1	Oil return
61	A G1	5305-99-941-6543	. . SCREW, MACHINE, st, hex hd, Zn pl, 1/4in. UNF x 3/4in. lg	JS20457	2	
62	A 9CET	5330-99-409-2633	. . RING, SEALING, TOROIDAL, ru, 0.612in. id x 0.103in. h	FV670380	1	
63	A 10	5330-99-172-8541	. . GASKET	FV148592	1	
64	A 10	2815-99-866-9960	. . COVER ASSEMBLY, INTERMEDIATE DRIVE, CASING	FV452781	1	
65	A G1	5310-99-122-3033	. . WASHER, FLAT, steel, 1/4in.		2	
66	A G1	5305-99-941-6284	. . SCREW, MACHINE, st, hex hd, Zn pl, 1/4in. UNF x 1/2in. lg		2	
67	A G1	5305-99-941-0525	. . SCREW, MACHINE, st, hex hd, Zn pl, 5/16in. x 3/4in. lg		27	
68	A 6MT1	5365-99-200-1551	. . RING, RETAINING, steel, 2-1/2in.	AG52030- 40	3	
69	A 10	5310-99-865-3646	. . NUT, PLAIN, ROUND, steel, 2-3/4in. UNS	FV148502	1	
70	A 46MT1	5330-99-801-6757	. . SEAL, PLAIN, ENCASED, 2in. id x 3in. od, x 3/8in. w	W30020037 R4	1	

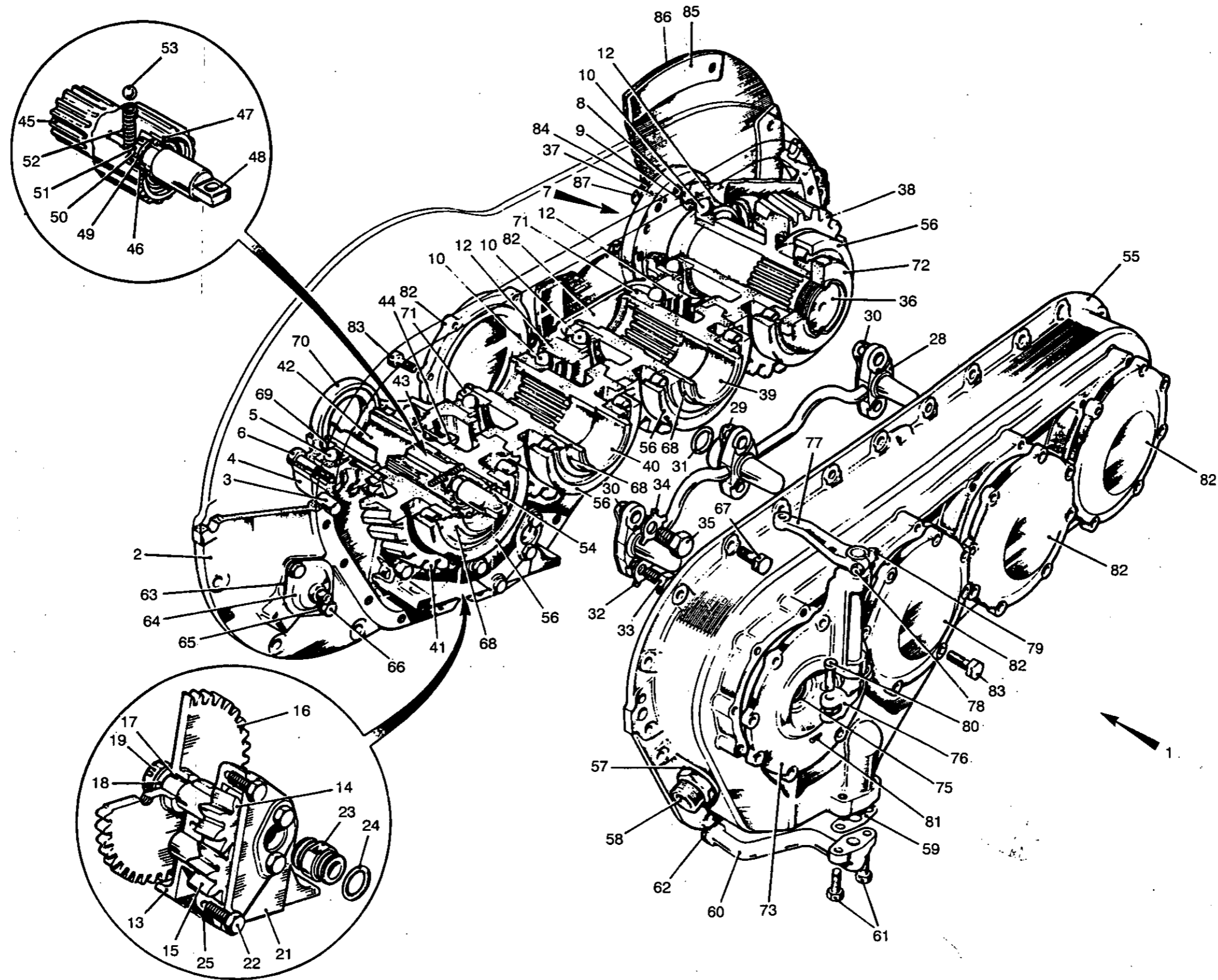


Fig 37 Transfer gearbox

Fig Item	Man Code Navy - N Army - A RAF - R	NATO Stock No	Item Name and Description	Part No/ Drawing No.	No. Off	Annotations
37-			POWER UNIT, DIESEL - contd . GEARBOX, MECHANICAL - contd			
71	A 10	5310-99-865-3647	. . NUT, PLAIN, ROUND, steel, 2-1/2in. UNS	FV148503	2	
72	A 10	5310-99-865-1645	. . NUT, PLAIN, ROUND, steel, 1-3/4in. UNS	FV148501	1	
73	A 10	5340-99-865-3748	. . COVER, ACCESS	FV149770	1	
NI 74	A G1	5305-99-941-6542	. . SCREW, CAP, HEXAGON HEAD, st, hex hd, Zn pl, 1/4in. UNF x 5/8in. lg	CK111603Z NQ	8	
75	A 10	5330-99-865-4396	. . RING, SEALING, TOROIDAL, ru, 0.737in. id x 0.103in. h	FV149799	1	
76	A 10	3040-99-865-3749	. . CONNECTING, LINK, RIGID	FV149771	1	
77	A 10	3040-99-866-6926	. . LEVER, REMOTE, CONTROL	FV452472	1	
78	A G1	5305-99-101-0030	. . SCREW, MACHINE, st, hex hd, Cd Pl, 2BA x 1-3/16in. lg	B00034	1	
79	A G1	5310-99-941-7070	. . NUT, PLAIN, HEXAGON, steel, 2BA	AS31281	1	
80	A 10	5315-99-866-6925	. . PIN, STRAIGHT, HEADED, steel, Cd Pl, 1/4in. od x 15/16in. lg	K65112	1	
81	A G1	5315-99-138-2205	. . PIN, COTTER, SPLIT, steel, 3/32in. dia x 5/8in. lg	P5105250	1	
82	A 10	5340-99-865-3644	. . COVER, ACCESS	FV148500	5	Gear train bearings
83	A G1	5305-99-941-6542	. . SCREW, CAP, HEXAGON HEAD, st, ex hd, Zn pl, 1/4in. UNF x 5/8in. lg	CK111603Z NQ	40	
84	A 10	2520-99-809-5516	. . PLATE, RETAINING, FLEXIBLE PLATE	FV668620	2	
85	A 10	2520-99-865-4412	. . PLATE, DRIVE, FLEXIBLE	FV451268	1	Outer assy
86	A 10	2520-99-865-4411	. . PLATE, DRIVE, FLEXIBLE	FV451267	2	Inner assy
87	A G1	5305-99-941-6549	. . SCREW, MACHINE, st, hex hd, Zn pl, 3/8in. UNF x 7/8in. lg		12	Flexiplates to coupling shaft

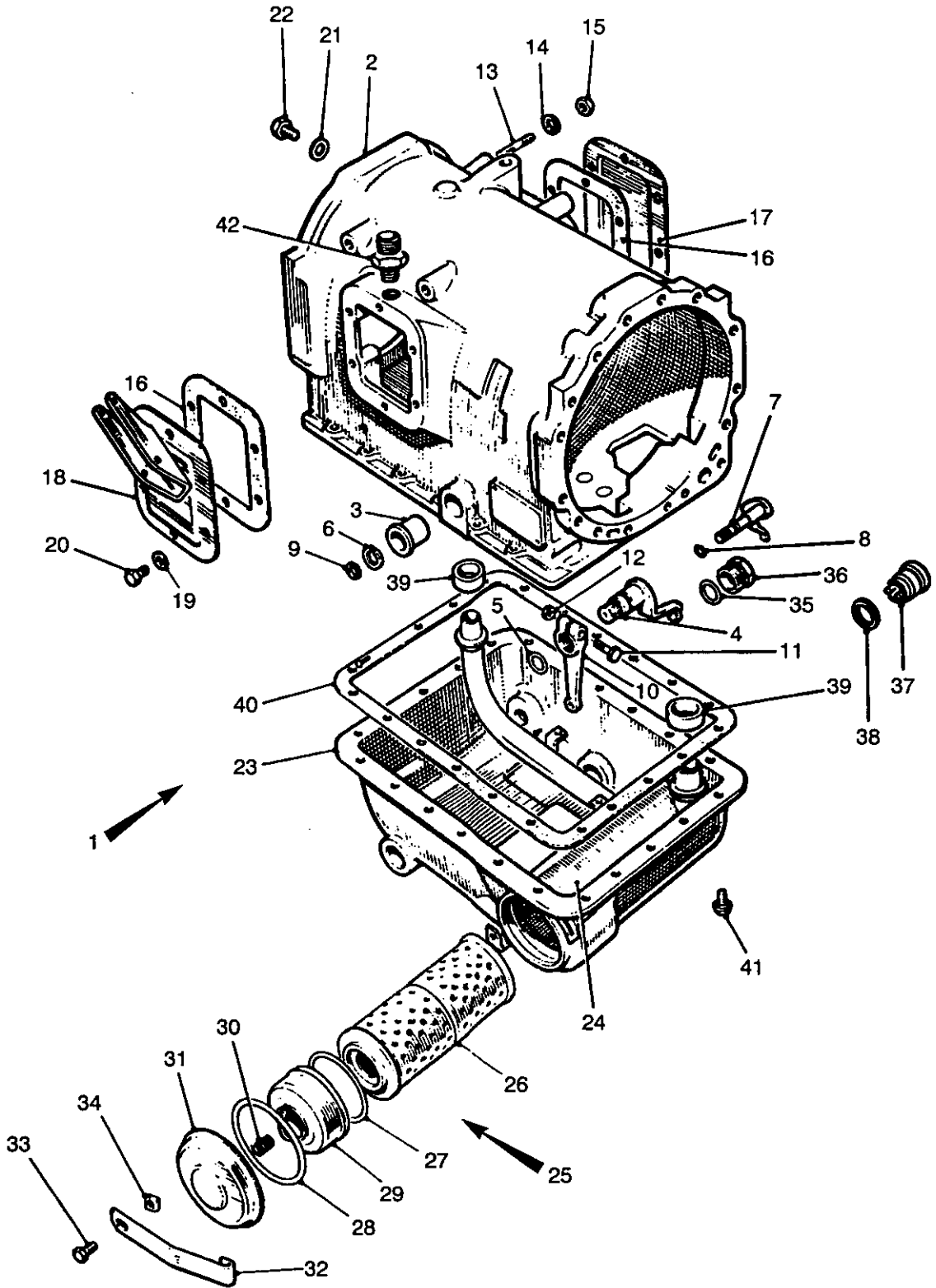


Fig 38 Housing, transmission

430/70036

Fig Item	Man Code Navy - N Army - A RAF - R	NATO Stock No	Item Name and Description	Part No/ Drawing No.	No. Off	Annotations	
38-			POWER UNIT, DIESEL - contd				
	A	9ACR	2520-99-867-0403	TRANSMISSION, MECHANICAL, VEHICULAR	FV452410	1	
1		NP	MAIN HOUSING ASSY	FV452557	1		
2	A	10	2520-99-866-2340	HOUSING, TRANSMISSION	FV451646	1	
3	A	10	3120-99-866-2341	BUSHING, SLEEVE, st, 0.808in. id, x 1.041in. od x 1.216in. lg	FV451648	1	Shift lever
4	A	10	2520-99-866-2338	SHAFT ASSEMBLY, SELECTOR	FV451652	1	Manual control
5	A	10	5330-99-866-2346	RING, SEALING, TOROIDAL, ru, 0.607in. id x 0.106in. h	FV451656	1	Selector shaft
6	A	10	5365-99-866-2345	RING, RETAINING, st, ext, 0.724in. id x 0.094in. thk	FV451655	1	
7	A	10	2520-99-866-7551	SHAFT ASSEMBLY, THROTTLE VALVE	FV452283	1	
8	A	10	5330-99-866-2349	RING, SEALING, TOROIDAL, ru, 0.360in. id x 0.070in. h	FV451661	1	Throttle valve shaft
9	A	10	5365-99-866-2348	RING, RETAINING, st, ext, 0.430in. id, x 0.065in. thk	FV451660	1	
10	A	10	3040-99-865-3716	LEVER, REMOTE CONTROL,	FV149409	1	
11	A	G1	5306-99-941-6581	BOLT, MACHINE, st, hex hd, Zn pl, 1/4in. UNF x 1-3/8in. lg		1	
12	A	G1	5310-99-804-7941	NUT, PLAIN, HEXAGON, st, Zn pl, 1/4in. UNF	701196	1	
13		NP	STUD, PLAIN, steel, 1/2in. UNF/UNC	FV451356	4		
14	A	G1	5310-99-120-3891	WASHER, FLAT, st, Cd Pl, 1/2in.	N02660	4	
15	A	G1	5310-99-941-0928	NUT, PLAIN, HEXAGON, st, Zn pl, 1/2in. UNF	FNZ508	4	
16	A	10	5330-99-866-2342	GASKET, cork	FV451469	2	
17	A	10	2590-99-866-2343	COVER, VEHICULAR COMPONENTS	FV451650	2	
18	A	10	2990-99-802-1287	COVER, ACCESS	FV452375	1	
19	A	G1	5310-99-943-7118	WASHER, FLAT, steel, 3/8in.	A20185	12	Cover screw
20	A	10	5305-99-866-2329	SCREW, MACHINE, st, hex hd, 3/8in. UNC x 3/4in. lg	FV146166	12	
21	A	10	5310-99-865-1478	WASHER, FLAT, Al, 1/2in.	XB1080	4	
22		NP	SCREW, MACHINE, st, 1/2in. UNC x 5/8in.	FV451359	4		
23	A	10	2520-99-866-2352	OIL PAN	FV451664	1	
24	A	10	2910-99-866-7536	FILTER BODY, FLUID	FV452366	1	
25	A	10	2520-99-866-9676	PART, KIT, FLUID PRESSURE	FV452868	1	
26		NP	FILTER ELEMENT, FLUID	FV451666	1		
27	A	10	5330-99-866-2356	RING, SEALING, TOROIDAL, ru, 2.974in. id x 0.140in. h	FV451668	1	
28	A	10	5330-99-866-2358	RING, SEALING, TOROIDAL, ru, 3.590in. id x 0.140in. h	FV451674	1	
29	A	8REAG	4330-99-860-7344	COVER, FLUID, FILTER ELEMENT	FV451667	1	
30	A	10	5340-99-866-3299	SPRING, HELICAL, COMPRESSION	FV451675	1	
31	A	10	2940-99-866-2357	COVER, FLUID, FILTER	FV451670	1	
32	A	10	2805-99-866-2359	STRAP, OIL FILTER	FV451676	1	
33	A	G1	5305-99-941-0527	SCREW, CAP, HEXAGON HEAD, st, Zn pl, hex hd, 5/16in. UNF x 1.0in. lg	FV27970	1	
34	A	10	5310-99-866-7538	NUT, PLAIN, SQUARE, st, Cd pl, 5/16in. UNF	FV452395	1	
35	A	10	5330-99-867-0236	GASKET, copper/asbestos, 3/4in. id	FV451683	1	
36	A	10	2520-99-866-2360	PLUG, OIL FILLER PIPE, steel, 1-1/16in. UNS	FV451677	1	

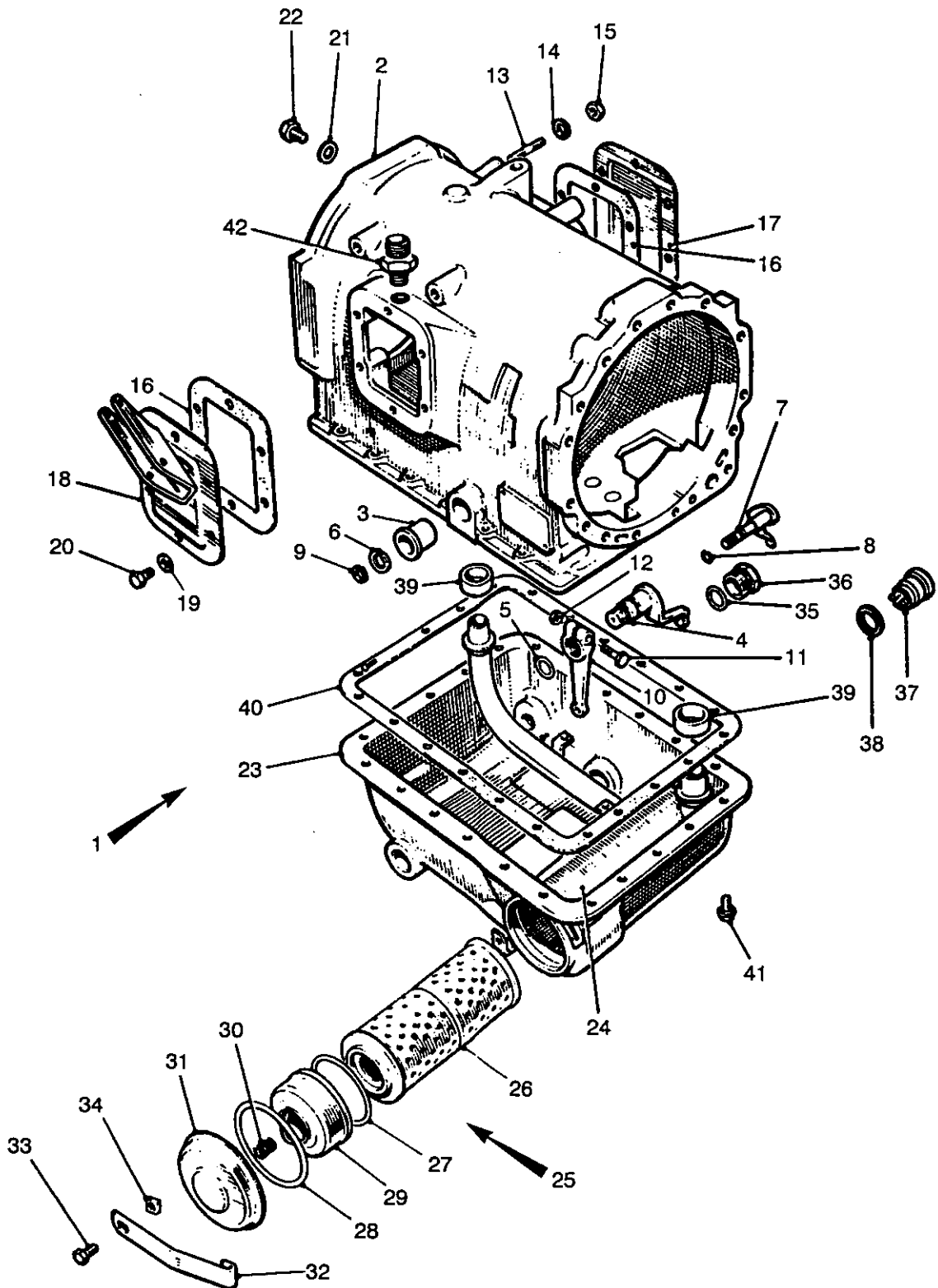


Fig 38 Housing, transmission

430/70036

Fig Item	Man Code Navy - N Army - A RAF - R	NATO Stock No	Item Name and Description	Part No/ Drawing No.	No. Off	Annotations
38-			POWER UNIT, DIESEL - contd . TRANSMISSION, MECHANICAL, VEHICULAR - contd . . MAIN HOUSING ASSY - contd			
37	A 10	4730-99-866-2361	. . . PLUG, MACHINE, THREAD, MAGNETIC, sq skt hd, 1.00in. UNS	FV451679	1	
38		NP	. . . GASKET, copper/asbestos, 20mm id	FV451669	1	
39	A 10	5330-99-866-2350	. . . GASKET, rubber, 1.00in. id x 0.405in. h	FV451662	2	
40	A 10	5330-99-866-2351	. . . GASKET	FV451663	1	
41	A 10	5305-99-866-2474	. . . SCREW, SELF LOCKING, steel, 5/16in. UNC	FV451920	22	
42	A 10	4730-99-812-4269	. . . ADAPTOR, STRAIGHT, PIPE, 5/8in. UNF	FV669155	1	

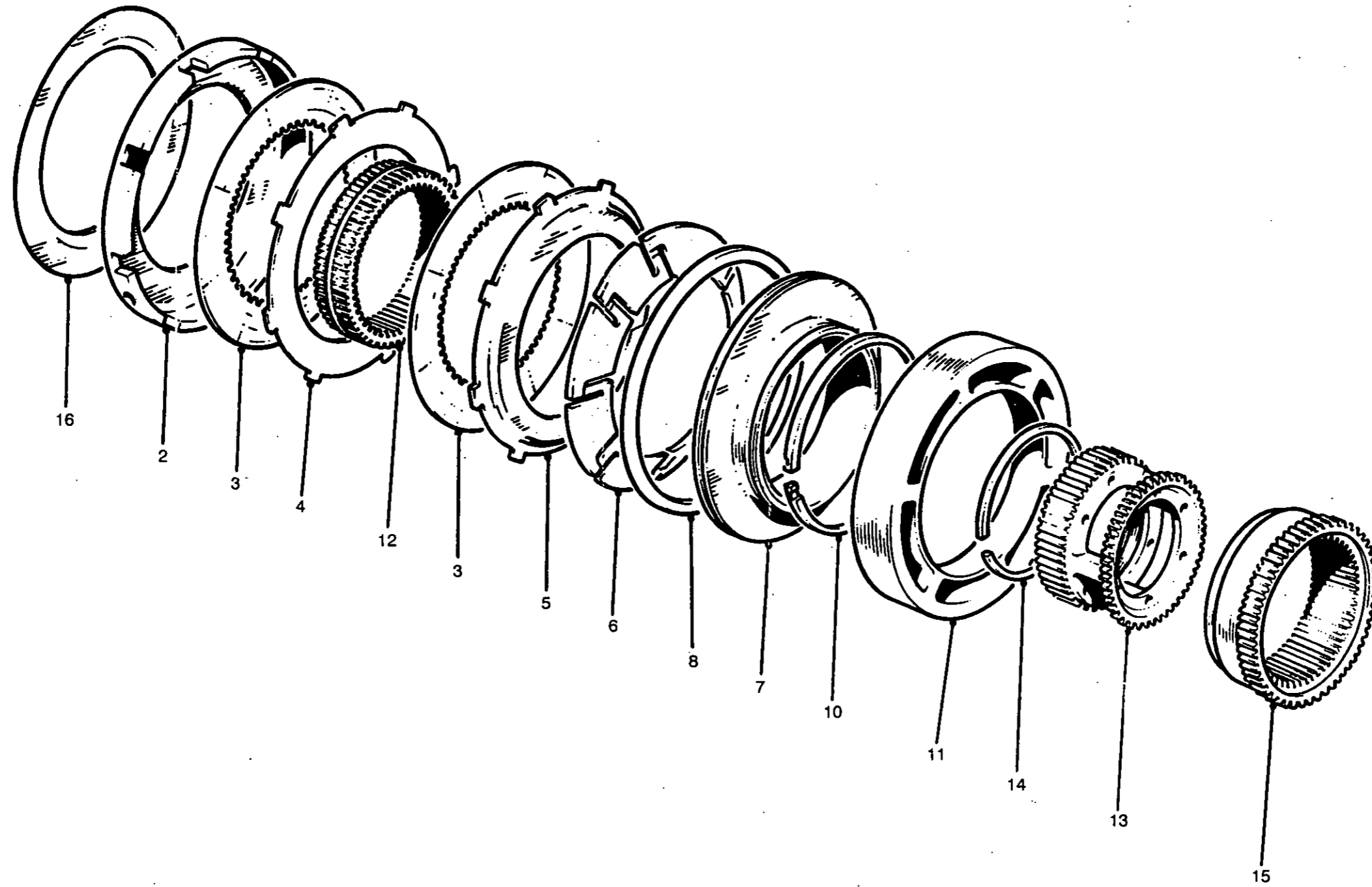


Fig 39 Intermediate range clutch and planet gears

430/70037

Fig Item	Man Code Navy - N Army - A RAF - R	NATO Stock No	Item Name and Description	Part No/ Drawing No.	No. Off	Annotations
39-			POWER UNIT, DIESEL - contd . TRANSMISSION, MECHANICAL, VEHICULAR - contd			
		NP	. . . INTERMEDIATE RANGE CLUTCH AND PLANET GEARS		REF	
NI 1		NP	. . . PARTS KIT, FRICTION TYPE, INTERMEDIATE	FV453775	1	
2	A 10	2520-99-802-3416	. . . HOUSING, CLUTCH PLATE, steel	FV453477	1	
3	A 10	2520-99-818-6719	. . . PLATE, CLUTCH, int spline	FV669677	2	
4	A 10	2520-99-866-2366	. . . PLATE, CLUTCH	FV451714	1	
5	A 10	2520-99-866-2367	. . . PLATE, CLUTCH, st, 0.312in. thk	FV451715	A/R	
5(1)	A 10	2520-99-866-2368	. . . PLATE, CLUTCH, st, 0.298in. thk	FV451716	A/R	
5(2)	A 10	2520-99-866-2369	. . . PLATE, CLUTCH, st, 0.284in. thk	FV451717	A/R	
5(3)	A 10	2520-99-866-2730	. . . PLATE, CLUTCH, st, 0.270in. thk	FV451718	A/R	
5(4)	A 10	2520-99-866-2371	. . . PLATE, CLUTCH, st, 0.295in. thk	FV451719	A/R	
6	A 10	2520-99-866-2372	. . . SPRING, RETURN VALVE	FV451720	1	
7	A 10	2520-99-866-2373	. . . PISTON, CLUTCH	FV451721	1	
8		NP	. . . RING, SEALING	FV451766	1	
NI 9		NP	. . . EXPANDER	FV452804	1	
10	A 10	2520-99-866-2375	. . . SEAL, RING, METAL, CI, 7-1/4in.od x 1/8in. thk	FV451723	1	
11	A 10	2520-99-866-2376	. . . HOUSING, CLUTCH PISTON	FV451724	1	
12	A 10	2520-99-866-2377	. . . GEAR, CLUTCH	FV431725	1	
13	A 10	2520-99-866-2382	. . . CARRIER ASSEMBLY, PLANETARY	FV451733	1	
14		NP	. . . RING, RETAINING, st, int, 6-5/32in. od x 3/32in. thk	FV451732	1	
15	A 10	2520-99-866-2380	. . . GEAR, CLUTCH	FV451730	1	
16	A 10	2529-99-866-2344	. . . COLLECTOR, OIL	FV451651	1	
NI 17	A 10	5306-99-802-6297	. . . BOLT, MACHINE, st, sq hd, 1/2in. UNF x 7/8in. lg	FV453478	1	Main hsg to inter- mediate and low low clutch housings
NI 18	A 10	5310-99-802-6298	. . . NUT, PLAIN, HEXAGON, steel, 1/2in. UNF	FV453480	1	
NI 19	A 10	5306-99-838-2277	. . . BOLT, CLUTCH, HOUSING, st, hex hd, 5/16in. UNC x 1-1/4in. lg	AT6836033	2	

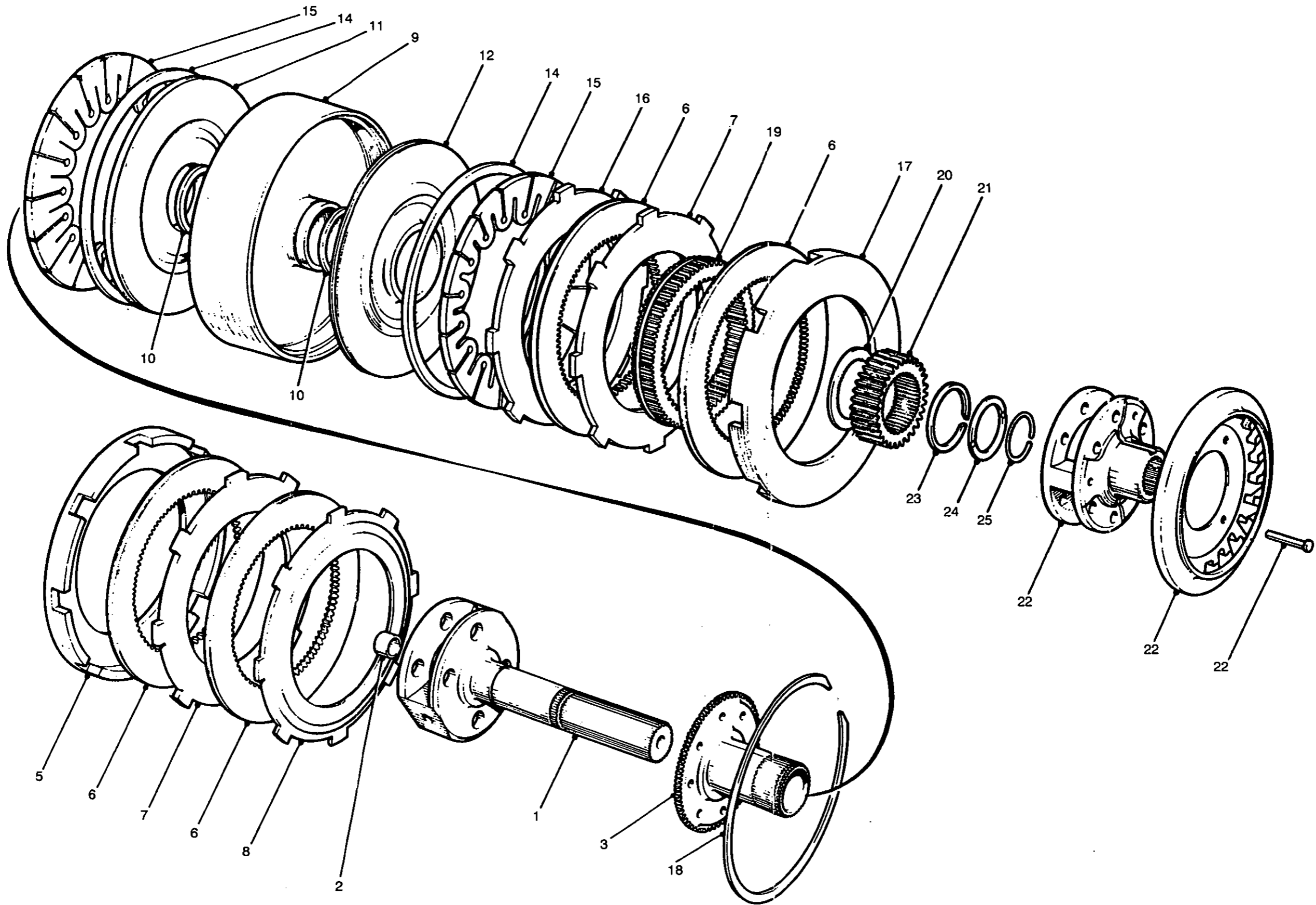


Fig 40 Low and reverse clutches and output shaft

430/70038

Fig Item	Man Code Navy - N Army - A RAF - R	NATO Stock No	Item Name and Description	Part No/ Drawing No.	No. Off	Annotations
40-			POWER UNIT, DIESEL - contd . TRANSMISSION, MECHANICAL, VEHICULAR - contd			
		NP	. . . LOW AND REVERSE CLUTCHES AND OUTPUT SHAFT		REF	
1	A 10	2520-99-866-2383	. . . SHAFT ASSEMBLY, TRANSMISSION, OUTPUT	FV451739	1	
2	A 10	3120-99-842-4195	. . . BEARING, SLEEVE, steel/bronze, 7/8in. id x 1.00in. od x 5/8in. lg	FV451747	1	
3		NP	. . . SHAFT, SPUR GEAR	FV451762	1	
NI 4		NP	. . . PARTS KIT, FRICTION CLUTCH, LOW AND REVERSE	FV453803	1	
5	A 10	2520-99-802-3416	. . . HOUSING, CLUTCH PLATE	FV453477	1	
6	A 10	2520-99-818-6719	. . . PLATE, CLUTCH, int spline	FV669677	4	
7	A 10	2520-99-866-2366	. . . PLATE, CLUTCH	FV451714	2	
8	A 10	2520-99-866-2367	. . . PLATE, CLUTCH, 0.312in. to 0.316in. thk	FV451715	A/R	
8(1)	A 10	2520-99-866-2368	. . . PLATE, CLUTCH, 0.298in. to 0.302in. thk	FV451716	A/R	
8(2)	A 10	2520-99-866-2369	. . . PLATE, CLUTCH, 0.284in. to 0.288in. thk	FV451717	A/R	
8(3)	A 10	2520-99-866-2370	. . . PLATE, CLUTCH, 0.270in. to 0.274in. thk	FV451718	A/R	
9	A 10	2520-99-866-2390	. . . HOUSING, LOW AND REVERSE PISTON	FV451768	1	
10		NP	. . . SEAL RING, METAL, CI, 2.875in. od	FV451769	2	
11	A 10	2520-99-866-2393	. . . PISTON	FV451771	1	
12	A 10	2520-99-866-2392	. . . PISTON	FV451770	1	
NI 13		NP	. . . EXPANDER		2	
14		NP	. . . RING, SEALING	FV451766	2	
15	A 10	2520-99-866-2394	. . . SPRING, LOW AND REVERSE CLUTCH	FV451772	2	
16	A 10	2520-99-866-2371	. . . PLATE, CLUTCH, 0.295in. thk	FV451719	1	
17	A 10	2520-99-802-3417	. . . HOUSING, CLUTCH PLATE	FV453475	1	
18	A 10	5365-99-866-2387	. . . RING, RETAINING, st, int, 6.128in. id x 0.094in. thk	FV451763	1	
19	A 10	2520-99-866-2377	. . . GEAR, CLUTCH	FV451725	1	
20	A 10	3120-99-866-2385	. . . WASHER, THRUST, steel, 35 int keys	FV451752	1	
21	A 10	3020-99-866-2388	. . . GEAR, SPUR	FV451764	1	
22	A 10	2520-99-866-2398	. . . CARRIER, ASSEMBLY, PLANETARY	FV451776	1	
23	A 10	5365-99-866-2389	. . . RING, RETAINING, st, ext, 2.46in. od x 0.094in. thk	FV451765	1	
24	A 10	3120-99-866-2396	. . . WASHER, THRUST, bronze, 1.860in. thk	FV451774	1	
25	A 10	5365-99-866-2397	. . . RING, RETAINING, st, ext, 1.82in. od x 0.125in. thk	FV451775	1	

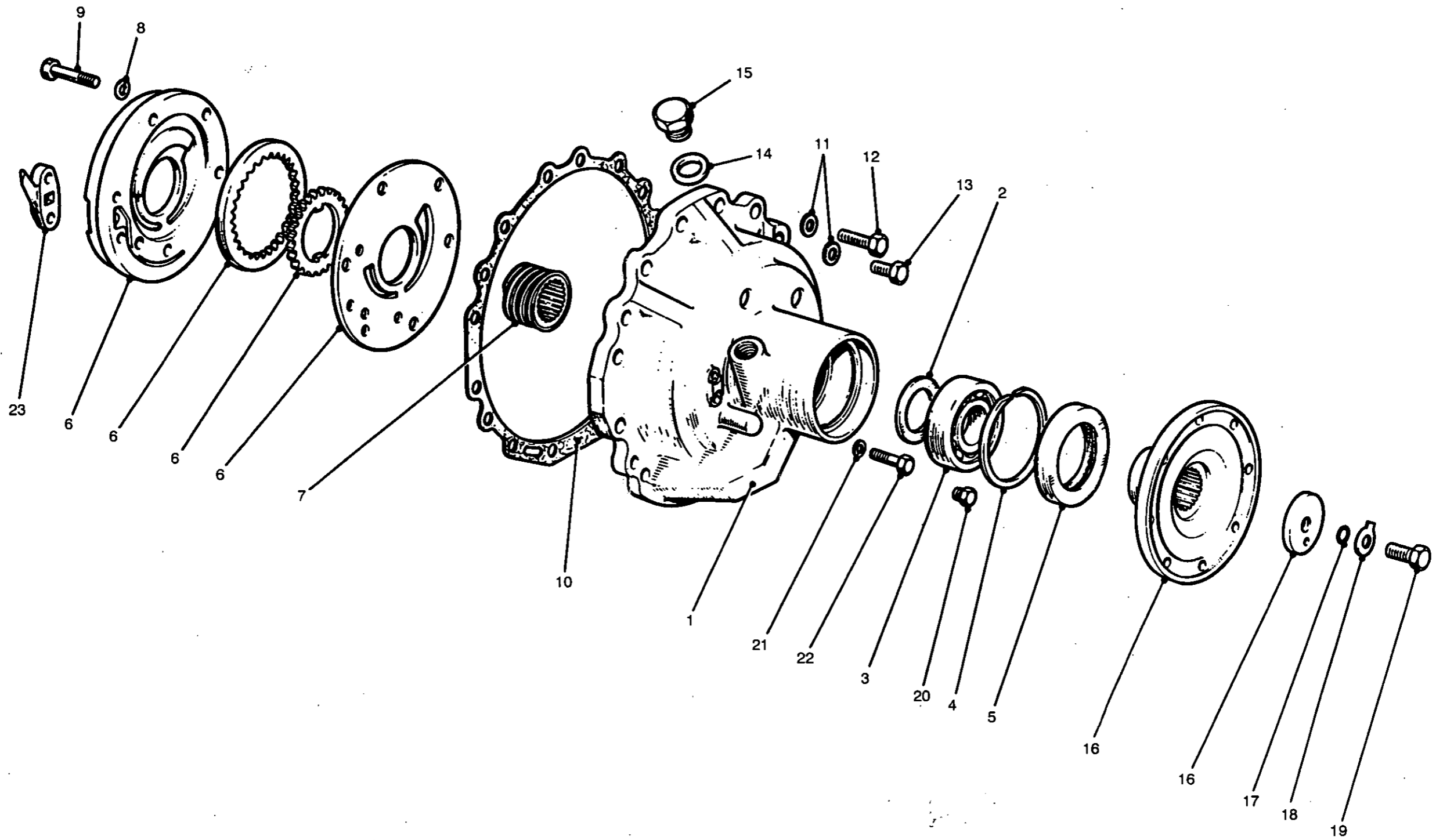


Fig 41 Rear oil pump and bearing retainer

Fig Item	Man Code Navy - N Army - A RAF - R	NATO Stock No	Item Name and Description	Part No/ Drawing No.	No. Off	Annotations
41-			POWER UNIT, DIESEL - contd . TRANSMISSION, MECHANICAL, VEHICULAR - contd			
		NP	. . . REAR OIL PUMP AND BEARING RETAINER	FV452547	REF	
1	A 10	2520-99-866-2404	. . . RETAINER, BEARING, REAR	FV451796	1	
2	A 10	5310-99-866-2407	. . . WASHER, FLAT, steel, 1-3/4in.	FV451803	1	
3	A 6MT1	3110-99-881-2487	. . . BEARING, BALL ANNULAR, single row, 55mm id x 90mm od x 18mm w x 000 fit	6011JC3	1	
4	A 10	5365-99-866-2408	. . . RING, RETAINING, st, 3.4in. id x 3.8in. od x 0.093in. thk	FV451805	1	
5	A 10	5330-99-801-7824	. . . SEAL, PLAIN ENCASED, st, 2-9/16in. id x 3-5/8in. od x 1/2in. w	FV453429	1	
6	A 10	2805-99-866-2405	. . . PUMP ASSEMBLY, OIL, REAR	FV451797	1	
7		NP	. . . GEAR, HELICAL	FV451802	1	
8	A G1	5310-99-941-6655	. . . WASHER, LOCK, steel, single coil, 5/16in. id	FV989676	5	
9	A 10	5306-99-866-2599	. . . BOLT, MACHINE, st, hex hd, 5/16in. UNC x 1-5/8in. lg	FV452146	5	
10	A 10	2520-99-866-2401	. . . GASKET, 0.012in. thk	FV451793	A/R	
10(1)	A 10	2520-99-866-2402	. . . GASKET, 0.016in. thk	FV451794	A/R	
10(2)	A 10	2520-99-866-2403	. . . GASKET, 0.021in. thk	FV451795	A/R	
11	A G1	5310-99-941-6657	. . . WASHER, LOCK, st, single coil, 7/16in. id	103322	16	
12		NP	. . . SCREW, MACHINE, st, hex hd, 7/16in. UNC x 1-3/8in. lg	FV452148	10	
13		NP	. . . BOLT, MACHINE, st, hex hd, 7/16in. UNC x 2.00in. lg	FV452147	6	
14	A 10	5365-99-866-2413	. . . SPACER, RING, copper, 0.815in.	FV451812	1	
15	A 10	5365-99-866-2414	. . . PLUG, SCREWED, st, Cd pl, 13/16in. UNF	FV451813	1	
16	A 10	2520-99-803-5374	. . . FLANGE AND WASHER ASSEMBLY	FV454036	1	
17	A 10	5330-99-866-2411	. . . RING, SEALING, TOROIDAL, ru, 0.440in. id x 0.07in. h	FV451810	1	
18	A 10	2520-99-866-2412	. . . WASHER, st, 0.52in. id	FV451811	1	
19	A 10	5306-99-866-2605	. . . BOLT, MACHINE, st, hex hd, 1/2in. UNF x 1-1/2in. lg	FV452149	1	
20	A 10	4730-99-866-2607	. . . PLUG, PIPE, NPTF, steel, hex hd, 1/8in.	FV452167	1	
21	A G1	5310-99-941-6654	. . . WASHER, LOCK, steel, Cd pl, single coil, 1/4in. id	7088385	2	
22	A G1	5306-99-941-6614	. . . BOLT, MACHINE, st, hex hd, Zn pl, 1/4in. UNF x 1-1/4in. lg		2	
23	A 10	6610-99-866-2399	. . . PITOT, TUBE, pump assy	FV451790	1	

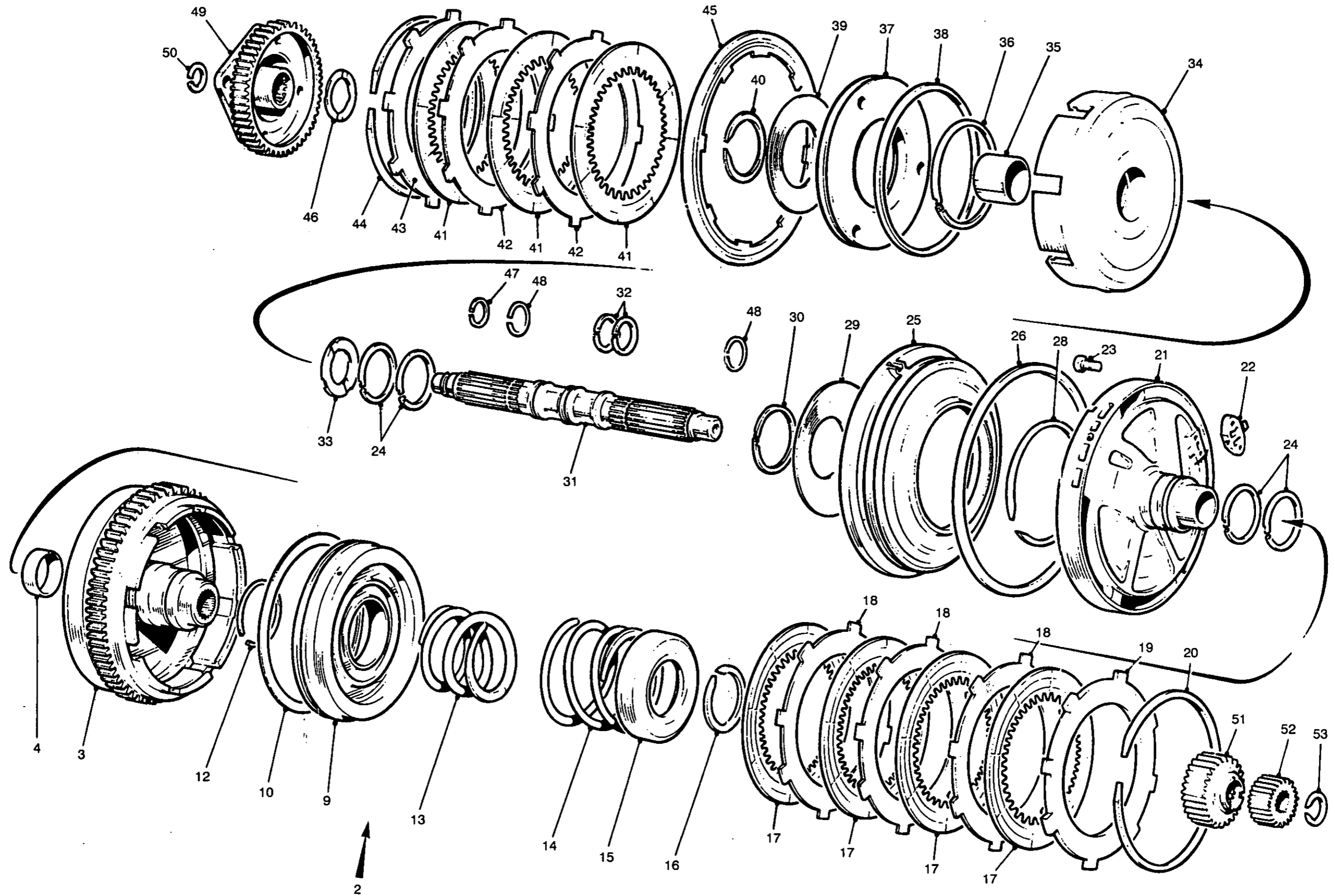


Fig 42 Splitter and high range clutch

430/70040

Fig Item	Man Code Navy - N Army - A RAF - R	NATO Stock No	Item Name and Description	Part No/ Drawing No.	No. Off	Annotations
42-			POWER UNIT, DIESEL - contd . . TRANSMISSION, MECHANICAL, VEHICULAR - contd			
		NP	. . . SPLITTER AND HIGH RANGE CLUTCH	FV452554	REF	
NI 1		NP	. . . PARTS KIT, SPLITTER AND HIGH CLUTCH	FV452264	1	
2		NP CLUTCH ASSEMBLY	FV452286	1	
3		NP HOUSING ASSEMBLY, HIGH CLUTCH	FV452686	1	
4		NP BUSHING, SLEEVE, steel, bronze, 1-3/4in. id x 1-7/8in. od x 1.00in. lg	FV451834	1	
NI 5	A 10	2520-99-804-5323 CLUTCH POSITIVE, VEHICULAR	FV453987	1	Alternative to FV452286
NI 6	A 10	2520-99-804-5324 HOUSING ASSEMBLY, CLUTCH	FV453985	1	
NI 7	A 6MT7	3110-99-804-5348 BEARING, NEEDLE, ROLLER	FV453990	1	
NI 8	A 10	2520-99-812-4261 DISK, CLUTCH	FV454995	1	
9	A 10	2520-99-866-2424 PISTON ASSEMBLY, HIGH CLUTCH	FV451836	1	
10		NP WASHER, NON-METALLIC, PTFE, 7-1/2in.	FV452289	1	
NI 11		NP EXPANDER, SEAL	FV452803	1	
12	A 10	2520-99-866-2391 SEAL RING, METAL, CI, int, 2- 7/8in. od x 3/32in. thk	FV451769	1	
13		NP SPRING, HELICAL COMPRESSION, steel, 2 coils, 3.8in. od x 3.00in. free lg	FV451840	1	
14		NP SPRING, HELICAL COMPRESSION, steel, 1-4 coils, 4.7in. od x 2.88in. free lg	FV451839	1	
15	A 10	2520-00-911-1076 RETAINER, HELICAL COMPRESSION SPRING	867579	1	
16	A 10	5365-99-866-2428 RING, RETAINING, st, ext, 3in. od x 1/8in. h	FV451843	1	
17		NP PLATE, CLUTCH	FV451845	4	
18	A 10	2520-99-866-2429 PLATE, CLUTCH	FV451844	3	
19	A 10	2520-99-866-2431 PLATE, CLUTCH, steel, 0.296in. thk	FV451846	A/R	
19(1)	A 10	2520-99-866-2432 PLATE, CLUTCH, steel, 0.304in. thk	FV451847	A/R	
19(2)	A 10	2520-99-866-2433 PLATE, CLUTCH, steel, 0.312in. thk	FV451848	A/R	
19(3)	A 10	2520-99-866-2434 PLATE, CLUTCH, steel, 0.320in. thk	FV451849	A/R	
20	A 10	5365-99-866-2435 RING, RETAINING, st, int, 8.2in. od	FV451850	1	
21	A 10	2520-99-804-5325 DIAPHRAGM ASSEMBLY, CLUTCH	FV453984	1	
22	A 10	6610-99-866-2439 PITOT TUBE	FV451854	1	With grub screw
23		NP SCREW, MACHINE, steel, No. 10 UNF x 5/8in. lg	FV452667	2	
24		NP SEAL RING, METAL	FV668636	4	
25	A 10	2520-99-866-2444 PISTON, LOW, SPLITTER CLUTCH	FV451865	1	
26		NP WASHER, NON-METALLIC, PTFE, 0.34in.	FV452287	1	
NI 27		NP EXPANDER	FV452805	1	
28	A 10	5365-99-866-2428 RING, RETAINING, steel, ext, 3.00in. od x 1/8in. thk	FV451843	1	
29	A 10	5310-99-866-2446 WASHER, SPRING TENSION, steel, 2.64in. od x 0.30in. thk	FV451867	1	
30	A 10	2520-99-866-2441 SEAL RING, METAL, CI, 5-5/8in. od x 1/8in. thk	FV451860	1	
31	A 10	2520-99-866-2416 SHAFT ASSEMBLY	FV451822	1	
32	A 10	2520-99-866-2417 SEAL RING, METAL, CI, 1.50in. od x 3/32in. thk	FV451825	2	

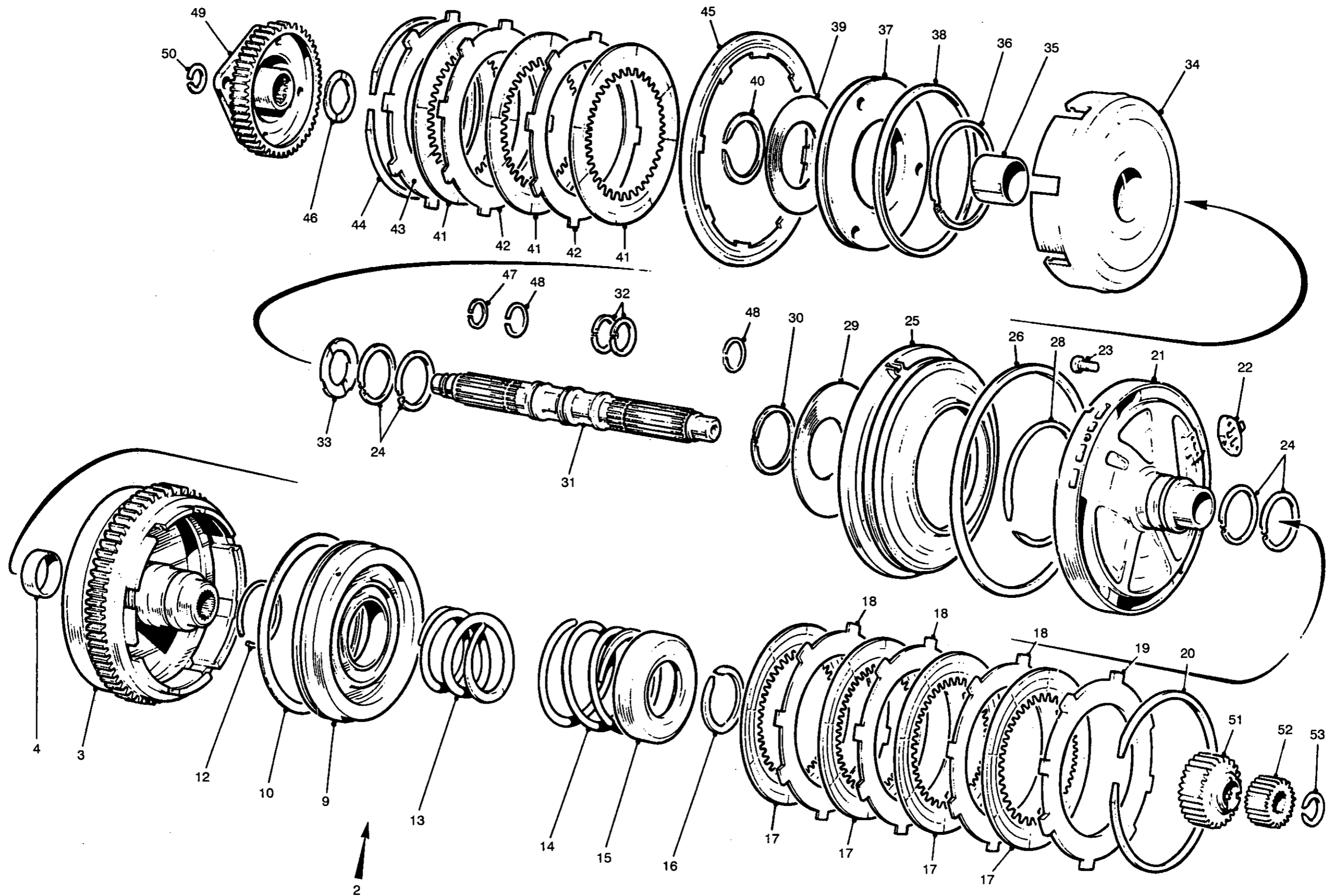


Fig 42 Splitter and high range clutch

430/70040

Fig Item	Man Code Navy - N Army - A RAF - R	NATO Stock No	Item Name and Description	Part No/ Drawing No.	No. Off	Annotations
42-			POWER UNIT, DIESEL - contd . TRANSMISSION, MECHANICAL, VEHICULAR - contd . . . PARTS KIT, SPLITTER AND HIGH CLUTCH - contd			
33	A 10	3120-99-866-2447	. . . WASHER, THRUST, bronze, 1-1/2in.	FV451868	1	
34	A 10	2520-99-866-2448	. . . HOUSING AND GEAR ASSEMBLY	FV451869	1	
35	A 10	3120-99-866-2449 BEARING SLEEVE, Cu alloy, 1- 11/16in. od x 1-5/8in. id x 1-3/4in. lg	FV451874	1	
36	A 10	5330-99-866-2450	. . . SEAL, RING METAL, CI, 4-1/16in. x 1/8in. thk	FV451875	1	
37	A 10	2520-99-866-2451	. . . PISTON, CLUTCH	FV451876	1	
38		NP	. . . WASHER, PTFE, 7.543in.	FV452289	1	
39	A 10	2520-99-866-2452	. . . SPRING, PISTON RETURN	FV451877	1	
40	A 10	5365-99-866-2428	. . . RING, RETAINING, steel, 3in. od x 1/8in. thk	FV451843	1	
41		NP	. . . PLATE, CLUTCH	FV451845	3	
42	A 10	2520-99-866-2429	. . . PLATE, CLUTCH	FV451844	2	
43	A 10	2520-99-866-2454	. . . PLATE, CLUTCH	FV451879	1	
44	A 10	5325-99-866-2435	. . . RING, RETAINING, steel, int, 8.2in. nom od x 0.127in. thk	FV451850	1	
45	A 10	2520-99-866-2453	. . . PLATE, CLUTCH	FV451878	1	
46	A 10	3120-99-866-2458	. . . BEARING, WASHER, THRUST, Cu alloy, 1.632in. id x 0.094in. thk	FV451886	1	
47	A 10	5365-99-866-2428	. . . RING, RETAINING, CI, integral, 7/8in. od x 3/32in. thk	FV451843	1	
48	A 10	5365-99-866-2419	. . . RING, RETAINING, steel, ext, 1.14in. id x 0.063in. thk	FV451827	2	
49	A 10	3010-99-866-2455	. . . GEAR ASSEMBLY, SPEED DE- CREASER	FV451880	1	
50	A 10	5365-99-866-2438	. . . RING, RETAINING, steel, ext, 1.00in. id x 1/8in. thk	FV451853	1	
51	A 10	2520-99-866-2436	. . . GEAR, SPUR	FV451851	1	
52	A 10	3020-99-866-2437	. . . GEAR, SPUR	FV451852	1	
53	A 10	5365-99-866-2456	. . . RING, RETAINING, steel, ext, 1.015in. id x 0.094in. thk	FV451884	1	

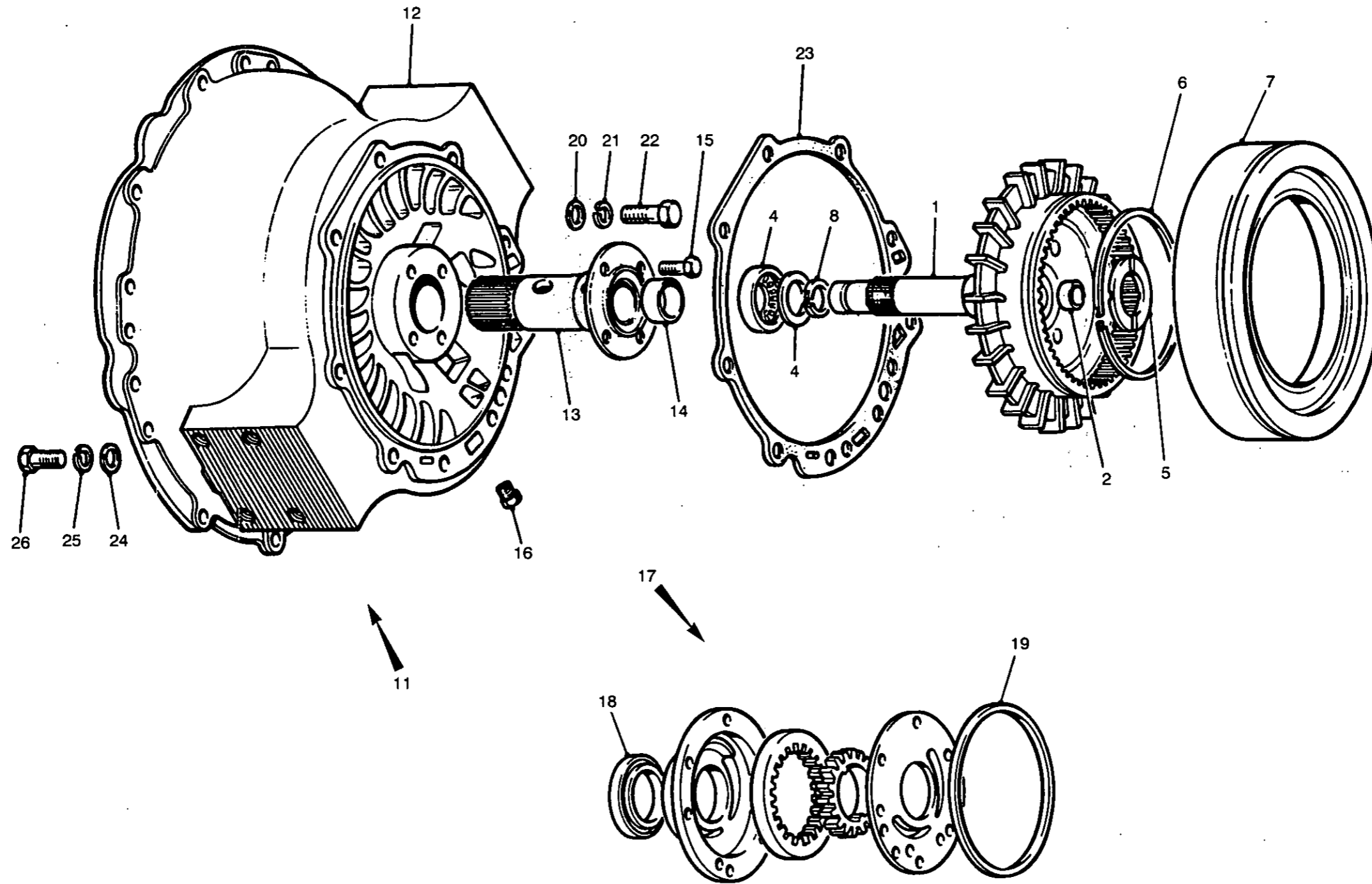


Fig 43 Converter housing, hydraulic retarder and front oil pump

Fig Item	Man Code Navy - N Army - A RAF - R	NATO Stock No	Item Name and Description	Part No/ Drawing No.	No. Off	Annotations
43-			POWER UNIT, DIESEL - contd TRANSMISSION, MECHANICAL, VEHICULAR - contd			
		NP	CONVERTER HOUSING, HYDRAULIC RETARDER AND FRONT OIL PUMP		REF	
1	A 10	2520-99-866-2460	SHAFT AND ROTOR ASSEMBLY	FV451890	1	
2	A 10	3120-99-866-2461	BUSHING, SLEEVE, steel/bronze, 5/8in. id x 3/4in. od x 1/2in. lg	FV451892	1	
NI 3	A 10	5365-99-866-2387	RING, RETAINING, steel, int, 6.32in. od x 0.095in. thk	FV451763	1	
4	A 10	3110-99-866-2465	BEARING, ROLLER THRUST	FV451898	1	
5	A 10	3120-99-866-2447	WASHER, THRUST, bronze, 1-1/2in.	FV451868	1	
6	A 10	2520-99-866-2462	SEAL, RING, METAL, CI, 6.8in. od x 1/8in. thk	FV451896	1	
7	A 10	2520-99-866-2459	PLATE, REACTION, CLUTCH	FV451889	1	
8	A 10	2520-99-866-2464	SEAL RING, METAL, CI, 1.00in. od x 3/32in. thk	FV451897	1	
NI 9	A 10	5306-99-838-2271	BOLT, MACHINE, st, hex hd, 5/16in. UNC x 1-1/4in. lg	AJ68366033	3	} Housing to high clutch diaphragm and plate
NI 10	A 10	5305-99-941-8727	BOLT, MACHINE, st, hex hd, 5/16in. UNC x 1.00in. g	UCB105-85		
11		NP	CONVERTER AND FRONT OIL PUMPS	FV452553	1	
12	A 10	2520-99-866-2467	HOUSING TORQUE CONVERTER	FV451904	1	
13	A 10	2520-99-808-3926	SLEEVE ASSEMBLY	FV454711	1	
14	A 10	3120-99-867-4553	BEARING SLEEVE, st/bronze, 1.312in. id x 1.44in. od x 1/2in. lg	FV452773	1	
15	A 10	5305-99-866-2470	SCREW, MACHINE, st, hex hd, 5/16in. UNC x 3/4in. lg	FV451908	4	Sleeve to converter housing
16	A 10	4730-99-866-2607	PLUG PIPE, NPTF, steel, hex hd, 1/8in.	FV452167	1	
17	A 10	4320-99-804-5749	PUMP, ROTARY	FV453743	1	
18		NP	SEAL, OIL	FV451912	1	
19		NP	WASHER, NON-METALLIC, rubber, 6.685in.	FV451909	1	
20	A G1	5310-99-941-8623	WASHER, FLAT, steel, 5/16in.	2131325	6	
21	A G1	5310-99-941-6655	WASHER, LOCK, st, Cd PI, 5/16in., single coil		6	
22	A 10	5306-99-866-3303	BOLT, MACHINE, st, 5/16in. UNC x 1- 1/4in. lg	FV452326	6	
23	A 10	2520-99-866-2466	GASKET	FV451903	1	Converter to gearbox
24	A G1	5310-99-941-9467	WASHER, FLAT, st, Cd PI, 7/16in.	SP13-L	10	
25	A G1	5310-99-941-6657	WASHER, LOCK, st, single coil, 7/16in.	K19210	10	
26		NP	BOLT, MACHINE, st, hex hd, 7/16in. UNC x 2.00in. lg	FV452147	10	Converter to main bag

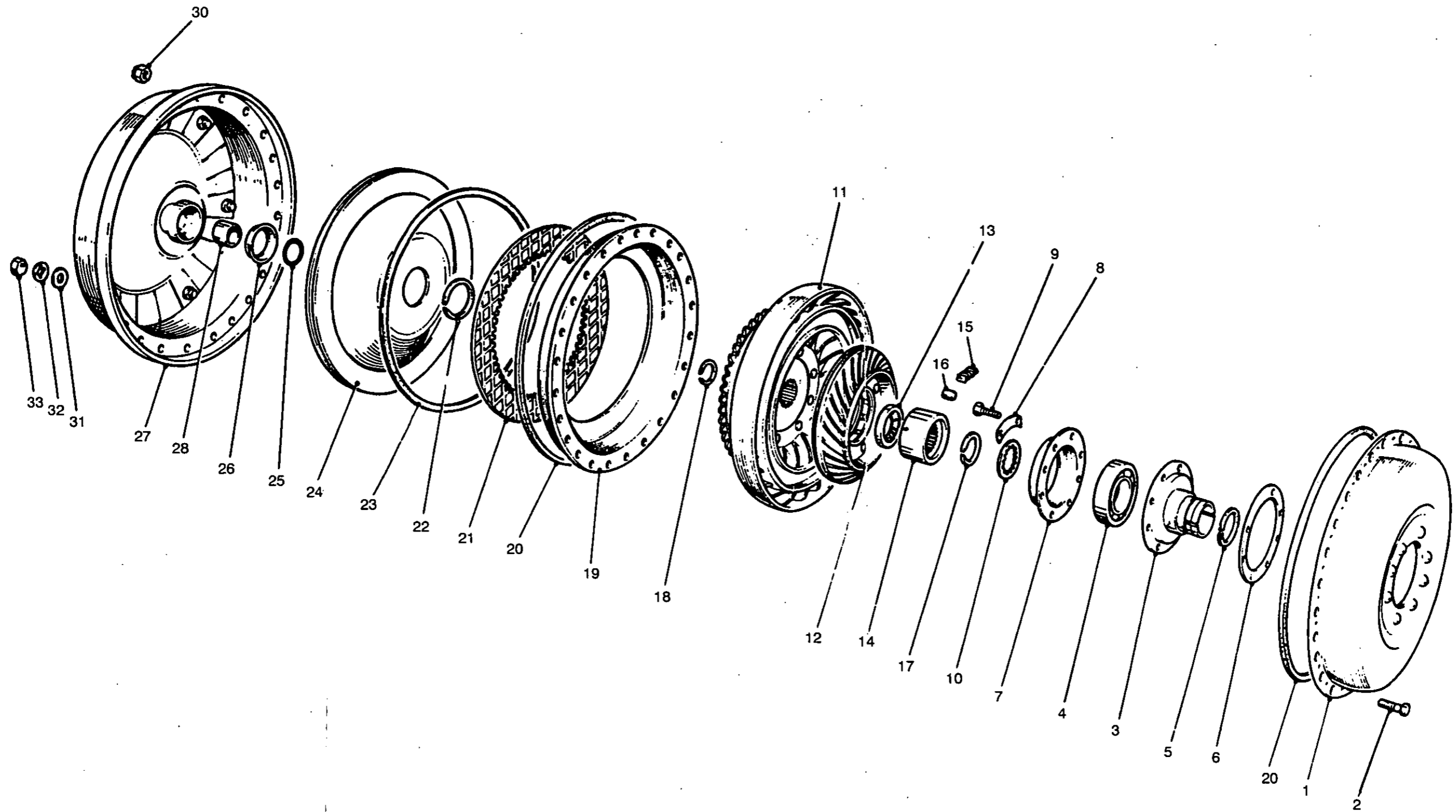


Fig 44 Lockup clutch and torque converter

Fig Item	Man Code Navy - N Army - A RAF - R	NATO Stock No	Item Name and Description	Part No/ Drawing No.	No. Off	Annotations
44-			POWER UNIT, DIESEL - contd . TRANSMISSION, MECHANICAL, VEHICULAR - contd			
		NP	. . LOCKUP CLUTCH AND TORQUE CONVERTER			
1	A 10	2520-99-767-5419	. . PUMP ASSEMBLY, CONVERTER	23018596	1	
2	A 10	5305-99-866-2474	. . SCREW, SELF-LOCKING, st, hex hd, 5/16in. UNF x 1.3in. lg	FV451926	24	
3	A 10	3040-99-804-5748	. . HUB, BODY	FV453746	1	
4		NP	. . BEARING, BALL, JOURNAL, single row, 45mm id x 100mm od x 25mm w, 00 fit	FV452815	1	
5	A 10	2520-99-405-1842	. . SEAL RING, METAL, 2-7/32in. id x 3/32in. thk	6830187	1	
6	A 10	5330-99-495-3546	. . GASKET	FV451932	1	
7	A 10	2520-99-866-2480	. . RETAINER, BEARING	FV451935	1	
8	A 10	5340-99-866-2481	. . LOCKING PLATE, NUT AND BOLT	FV451936	4	
9	A 10	5305-99-866-2598	. . SCREW, MACHINE, st, hex hd, 1/4in. UNC x 5/8in. lg	FV452144	8	
10	A 10	2520-99-866-2482	. . SPACER	FV451937	1	
11	A 10	2520-99-978-2351	. . IMPELLOR, TORQUE CONVERTER	FV452817	1	
12	A 10	2520-01-007-0343	. . STATOR, TORQUE CONVERTER	6836585	1	
13	A 10	3110-99-866-2485	. . BEARING ROLLER, THRUST, single row, 1.767in. id x 2.631in. od x 0.220in. w	FV451948	1	
14	A 10	3110-99-801-7823	. . RING, BEARING, INNER, steel, 1.64in. id x 2.843in. od x 1.54in. lg, splined bore	FV453457	1	
15	A 10	2520-99-866-7617	. . SPRING, FREEWHEEL ROLLER	AJ29513517	10	
16	A 10	5315-99-866-7618	. . PIN, STRAIGHT, HEADLESS, steel, 3/8in. od x 0.925in. lg	FV451963	10	
17	A 10	5365-99-866-2483	. . RING, RETAINING, steel, ext, 1.75in. od x 0.187in. thk	FV451938	1	
18	A 10	2520-99-866-2438	. . RING, RETAINING, steel, ext, 1.270in. od x 0.118in. thk	FV451853	1	
19	A 10	2520-99-866-2491	. . PLATE, BACKING CLUTCH	FV451982	1	
20	A 10	5330-99-828-5174	. . GASKET, syn ru, 13.814in. id x 0.138in. w	FV670432	2	
21	A 10	2520-99-866-2492	. . DISK, CLUTCH	FV451983	1	
22	A 10	5365-99-866-2500	. . RING, RETAINING, steel, ext, 2.16in. od x 0.156in. thk	FV451998	1	
23	A 10	2520-99-679-6974	. . SEAL, RING, TRANSMISSION, rubber, 13.00in. od x 5/64in. thk	FV451997	1	
24	A 10	2520-00-767-5417	. . PISTON, CLUTCH, SHAFT ASSEMBLY	6770845	1	
25	A 10	5330-99-866-2497	. . RING, SEALING TOROIDAL, rubber, 1.984in. id x 0.140in. h	FV451993	1	
26	A 10	5330-99-866-2496	. . RETAINER, SEAL	FV451992	1	
27	A 10	2520-99-866-2493	. . COVER, ASSEMBLY, CONVERTER PUMP	FV453490	1	
28	A 10	3120-00-679-7068	. . BEARING, SLEEVE, steel/copper, 1.00in. id x 1.275in. od x 7/8in. lg	6756782	1	
NI 29		NP	. . PIN, SHOULDER, HEADLESS, steel, 3/8in. UNF	FV451989	6	
30	A 10	5310-99-866-2613	. . NUT, SELF-LOCKING HEXAGON, steel, 5/16in. UNF	GUF11T	24	

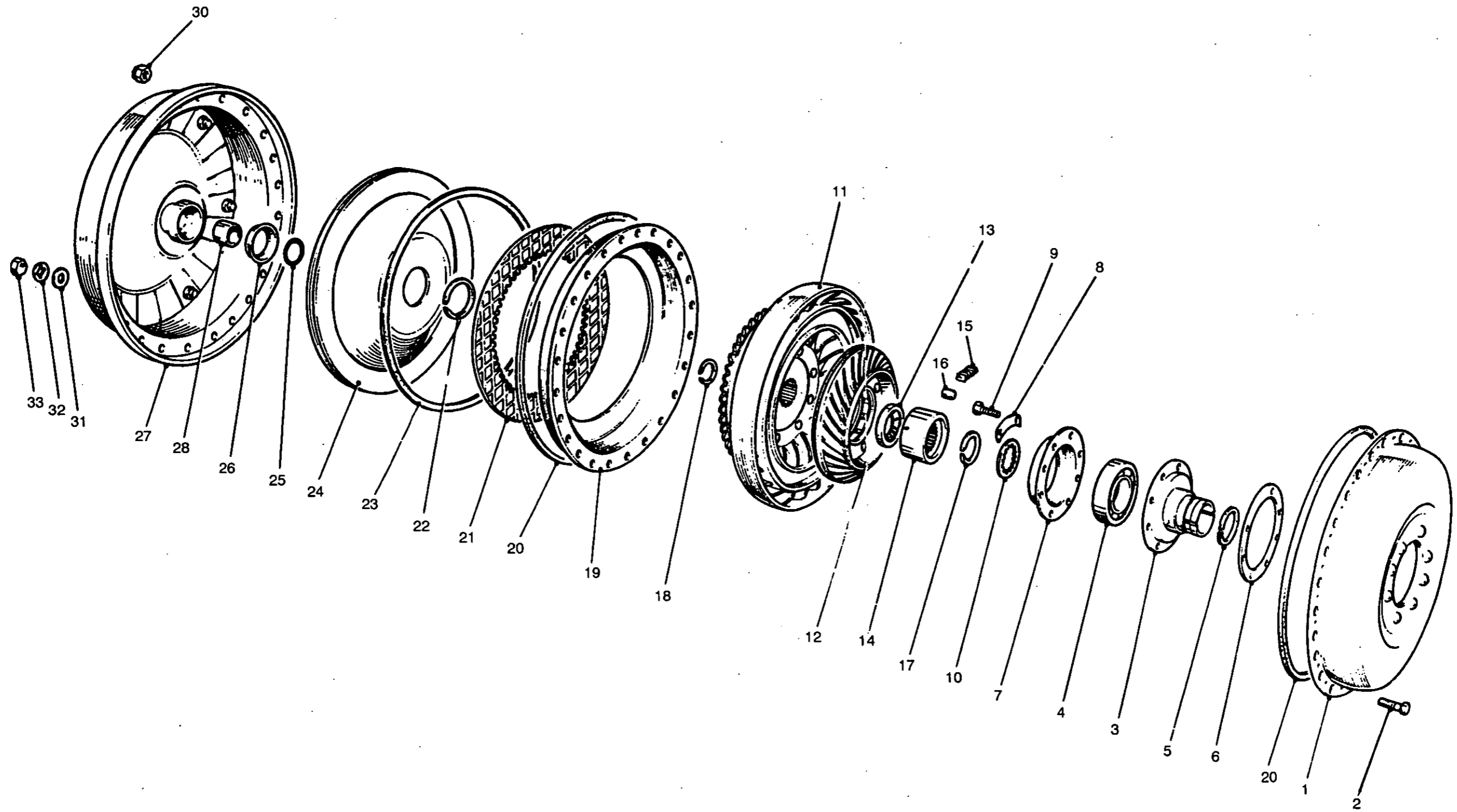


Fig 44 Lockup clutch and torque converter

Fig Item	Man Code Navy - N Army - A RAF - R	NATO Stock No	Item Name and Description	Part No/ Drawing No.	No. Off	Annotations
44-			POWER UNIT, DIESEL - contd . TRANSMISSION, MECHANICAL, VEHICULAR - contd			
31	A 10	5310-99-866-2502	. . WASHER, FLAT, steel, 3/8in. id x 0.027in. thk	FV452000	A/R	
31(1)	A 10	5310-99-866-2503	. . WASHER, FLAT, steel, 3/8in. id x 0.045in. thk	FV452001	A/R	
31(2)	A 10	5310-99-866-2504	. . WASHER, FLAT, steel, 3/8in. id x 0.063in. thk	FV452002	A/R	
31(3)	A 10	5310-99-866-2505	. . WASHER, FLAT, steel, 3/8in. id x 0.81in. thk	FV452003	A/R	
31(4)	A 10	5310-99-866-2506	. . WASHER, FLAT, steel, 3/8in. id x 0.099in. thk	FV452004	A/R	
32	A 10	5310-99-866-2501	. . WASHER, SPRING TENSION, steel, 3/8in.	FV451999	6	
33	A 10	5310-99-865-3628	. . NUT, PLAIN, HEXAGON, steel, 3/8in. UNF	FV145684	6	

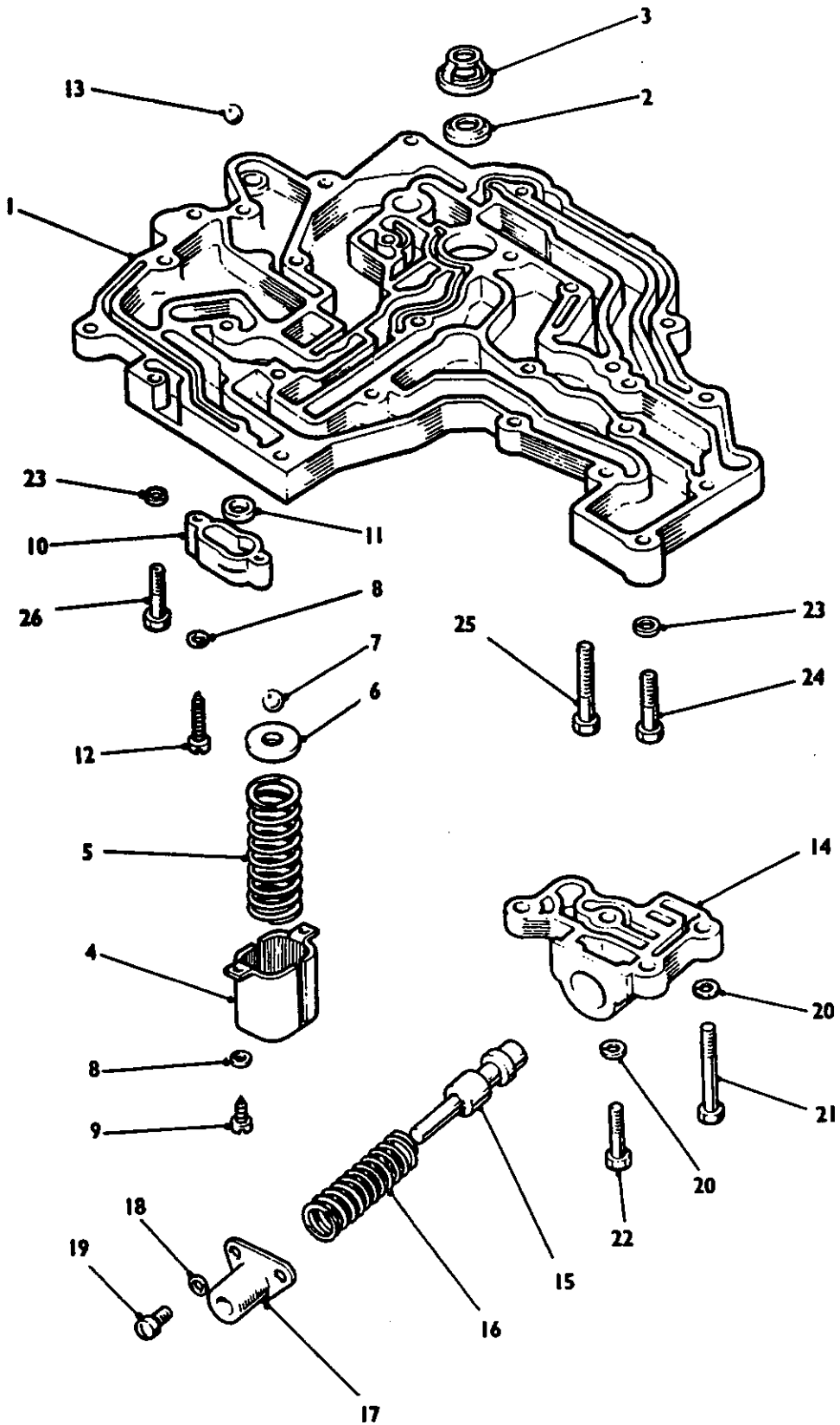


Fig 45 Oil transfer plate and downshift valve body

430/70043

Fig Item	Man Code Navy - N Army - A RAF - R	NATO Stock No	Item Name and Description	Part No/ Drawing No.	No. Off	Annotations
45-			POWER UNIT, DIESEL - contd . TRANSMISSION, MECHANICAL, VEHICULAR - contd			
		NP NP	. . . CONTROL VALVE	FV452548	REF	
		 OIL TRANSFER PLATE AND DOWNSHIFT VALVE BODY		REF	
1	A 10	2520-99-866-7619 PLATE ASSEMBLY, OIL TRANSFER	FV452346	1	
2	A 10	4730-99-866-2509 RESTRICTOR, FLUID FLOW	FV452008	1	
3	A 10	2520-99-867-0237 VALVE ASSEMBLY	FV452878	1	
4		NP RETAINER, RELIEF VALVE	FV452012	1	
5	A 10	5360-99-866-2511 SPRING, HELICAL COMPRESSION, steel, 13 coils, 7/8in. od x 3-3/32in. free lg	FV452011	1	
6	A G1	5310-99-941-8610 WASHER, FLAT, steel, 7/16in.	11-454-11- 4-1707	1	
7	A 6MT1	3110-99-950-0576 BALL, BEARING, steel, 9/16in. dia	9-16GD10	1	
8	A G1	5310-99-941-6653 WASHER, LOCK, st, single coil, Cd Pl, 3/16in. int dia	SW103	4	
9		NP SCREW, MACHINE COVER, locating spring retainer	FV452141	2	
10	A 10	2520-99-866-7621 COVER, LUBRICATION SUPPLY	FV452014	1	
11	A 10	4820-99-866-2512 SEAT, VALVE	FV452013	1	
12	A 10	5305-99-866-2596 SCREW, MACHINE, lubrication supply cover	FV452136	2	
13	A 10	2520-99-866-2507 BALL, NYLON, 3/8in. dia	FV452005	1	
14	A 10	2520-99-866-2515 VALVE, TIMING	FV452017	1	
15	A 10	2520-99-866-2516 PISTON, TIMING VALVE	FV452019	1	
16	A 10	2520-99-866-2517 SPRING, HELICAL COMPRESSION	FV452020	1	
17	A 10	2520-99-866-7622 RETAINER, TIMING VALVE	FV452021	1	
18	A G1	5310-99-866-3298 WASHER, LOCK, steel, 0.190in.	CS32032	3	
19	A 10	5305-99-866-7662 SCREW, MACHINE	FV452177	3	
20	A G1	5310-99-941-6654 WASHER, LOCK, steel, single coil, Cd Pl, 1/4in. int dia	LWZ105	4	
21	A 10	5306-99-866-2608 BOLT, MACHINE, st, hex hd, 1/4in. UNC x 2.00in. lg	FV452258	1	
22	A 10	5306-99-866-2518 BOLT, MACHINE, st, hex hd, 1/4in. UNC x 1-3/8in. lg	FV452022	3	Body to plate
23	A G1	5310-99-941-6654 WASHER, LOCK, st, single coil, Cd Pl, 1/4in. int dia	LWZ105	11	} Plate to main housing
24	A 10	5305-99-866-2513 SCREW, MACHINE, st, hex hd, 1/4in. UNC x 7/8in. lg	FV452015	8	
25	A 10	5306-99-866-2609 BOLT, MACHINE, st, hex hd, 1/4in. UNC x 1-1/8in. lg	FV452259	1	
26	A 10	5305-99-866-2514 SCREW, MACHINE, st, hex hd, 1/4in. UNC x 3/4in. lg	FV452016	2	

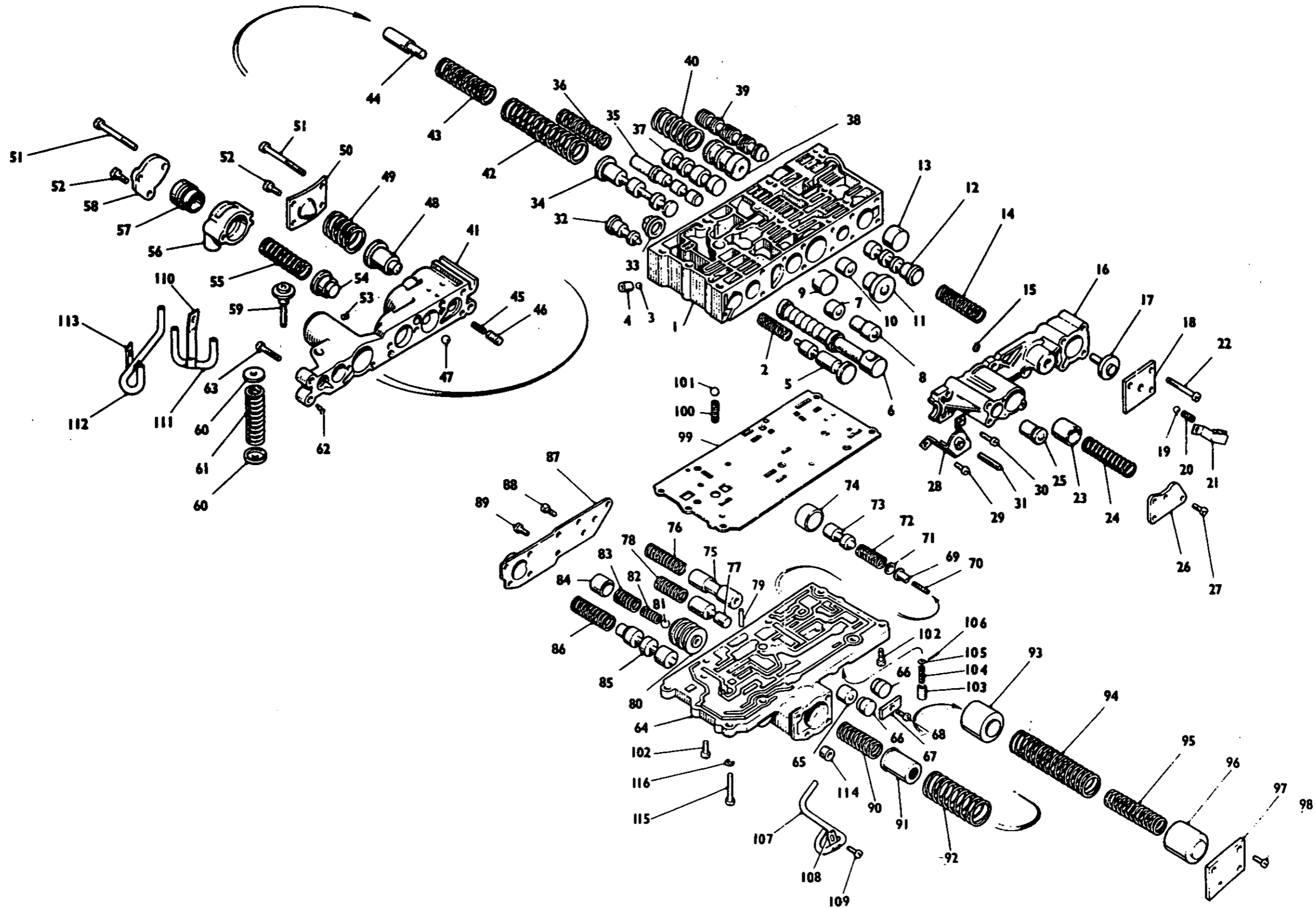


Fig 46 Control valve

Fig Item	Man Code Navy - N Army - A RAF - R	NATO Stock No	Item Name and Description	Part No/ Drawing No.	No. Off	Annotations
46-			POWER UNIT, DIESEL - contd . TRANSMISSION, MECHANICAL, VEHICULAR - contd . . . CONTROL VALVE - contd			
1	A 10	2520-99-866-7623 BODY ASSEMBLY	FV452371	1	
2	A 10	5360-99-866-2545 SPRING, HELICAL COMPRESSION	FV452062	1	
3	A 10	2520-99-866-2523 BALL, NYLON, 7/32in. dia	FV452029	1	
4	A 10	4820-99-866-2522 RETAINER, CHECK VALVE	FV452028	1	
5	A 10	4520-99-866-7636 VALVE, THROTTLE	FV452261	1	
6	A 10	2530-99-866-2549 VALVE, MANUAL SELECTOR	FV452067	1	
7	A 10	2520-99-866-2551 PLUG, REGULATOR	FV452069	1	
8	A 10	2520-99-866-2550 PLUG, REGULATOR	FV452068	1	
9	A 10	2520-99-866-2552 PLUG, LOCKUP	FV452070	1	
10	A 10	2520-99-866-2554 PLUG, SPLITTER	FV452072	1	
11	A 10	2520-99-866-2555 PLUG, SPLITTER	FV452073	1	
12	A 10	2520-99-866-2556 VALVE, SHIFT	FV452074	1	
13	A 10	2520-99-866-2553 PLUG, SHIFT	FV452071	1	
14	A 10	2520-99-866-2557 SPRING, HELICAL COMPRESSION, steel, 13-1/2 coils, 5/8in. od x 2-11/32in. free lg	FV452075	1	
15	A 10	5305-99-014-0829 SCREW, SET, steel, No. 10 UNC x 3/16in. lg	FV452051	1	
16	A 10	2520-99-866-7637 COVER, REAR VALVE BODY	FV452076	1	
17	A 10	2520-99-866-2561 PLUG, ACCELERATOR	FV452082	1	
18	A 10	2520-99-866-7650 COVER, ACCELERATOR PLUG	FV452083	1	
19	A 6MT1	3110-99-950-0571 BALL, BEARING, steel, 5/16in. dia	ET8394	2	
20	A 10	5360-99-866-2572 SPRING, HELICAL COMPRESSION, steel, 8 coils, 5/16in. od x 5/8in. free lg	FV452096	2	
21		NP BRACKET, VALVE GUIDE	FV452102	2	
22	A 10	5305-99-866-7658 SCREW, MACHINE, steel, No. 10 UNC x 1-5/8in. lg	FV452156	3	
23	A 10	2520-99-866-2559 VALVE, ACCUMULATOR	FV452078	1	
24	A 10	2520-99-866-2560 SPRING, HELICAL COMPRESSION, steel, 14 coils, 21/32in. od x 2-27/32in. free lg	FV452079	1	
25	A 10	2520-99-866-2558 PLUG, KNOCK DOWN	FV452077	1	
26	A 10	2520-99-866-7638 COVER, ACCUMULATOR, CI	FV452080	1	
27	A 10	5306-99-866-7660 SCREW, MACHINE, UNC, steel, No. 10 x 7/16in.	FV452168	4	
28	A 10	2520-99-866-2547 RETAINER, THROTTLE VALVE	FV452064	1	
29	A 10	5305-99-866-7662 SCREW, MACHINE, UNC, steel, No. 10 x 3/8in.	FV452177	1	
30	A 10	5305-99-866-7661 SCREW, MACHINE, UNC, steel, No. 10 x 3/4in.	FV452169	4	
31	A 10	5307-99-866-2548 SCREW, MACHINE, UNF, steel, headless, 1/4in. x 1in.	FV452066	1	
32	A 10	2520-99-866-2525 VALVE, THROTTLE REGULATOR	FV452031	1	
33	A 10	2520-99-867-0237 VALVE, ASSEMBLY	FV452878	1	
34	A 10	2520-99-866-2526 VALVE, REGULATOR	FV452032	1	Main pressure
35	A 10	2520-99-866-2529 VALVE, SHIFT	FV452035	1	
36	A 10	2520-99-866-2530 SPRING, HELICAL COMPRESSION, steel, 18-1/2 coils, 2.22in. free lg	FV452036	1	Lockup shift valve

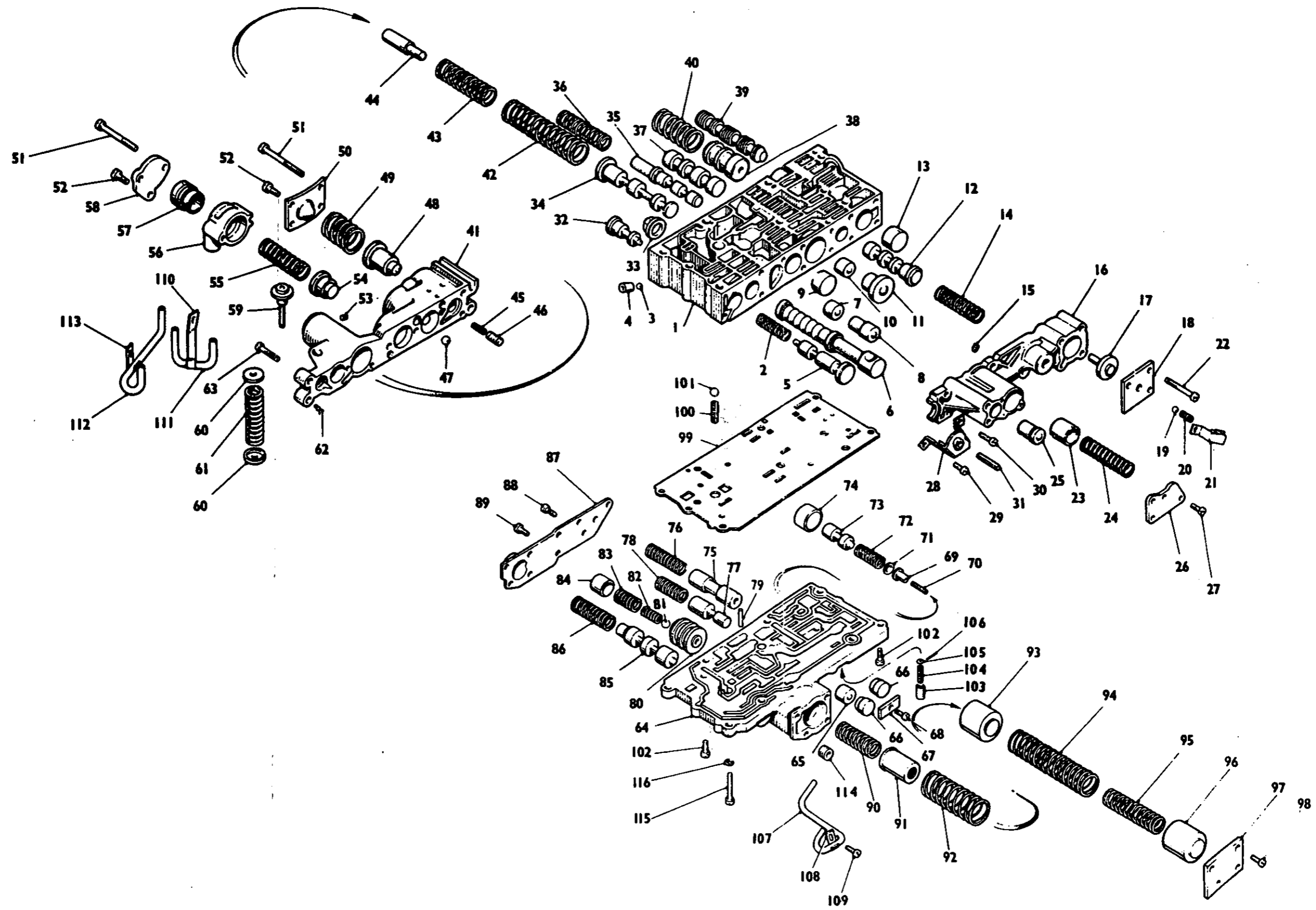


Fig 46 Control valve

430/70044

Fig Item	Man Code Navy - N Army - A RAF - R	NATO Stock No	Item Name and Description	Part No/ Drawing No.	No. Off	Annotations
46-			POWER UNIT, DIESEL - contd . TRANSMISSION, MECHANICAL, VEHICULAR - contd . . . CONTROL VALVE - contd BODY ASSEMBLY - contd			
37	A 10	2520-99-866-2531 VALVE, SPLITTER SHIFT	FV452037	1	Intermediate to high shift Splitter relay valve
38	A 10	2520-99-866-7624 VALVE, SPLITTER RELAY	FV452486	1	
39	A 10	2520-99-866-2534 VALVE, SHIFT	FV452040	1	
40	A 10	2520-99-866-2533 SPRING, HELICAL, COMPRESSION, steel, 0.95in. od x 2in. free lg		1	
41	A 10	2520-99-866-7626 COVER, FRONT VALVE BODY	FV452285	1	Main regulator valve
42	A 10	2520-99-866-2527 SPRING, HELICAL, COMPRESSION, steel, 16 coils, 7in. od x 4.46in. free lg	FV452033	1	
43	A 10	2520-99-866-2528 SPRING, HELICAL, COMPRESSION, steel, 12-1/2 coils, 0.78in. od x 2.92in. free lg	FV452034	1	
44	A 10	2520-99-866-2536 PLUG, THROTTLE VALVE	FV452042	1	
45	A 10	2520-99-867-4401 SPRING, HELICAL, COMPRESSION	FV452940	1	
46	A 10	2520-99-866-7648 VALVE, INHIBITOR	FV452292	1	
47	A 10	2520-99-866-2535 BALL, NYLON, 1/4in. dia	FV452041	1	
48	A 10	5315-99-866-7627 PIN, SHOULDER HEADED, steel, 1-1/2in. lg	FV452298	1	
49	A 10	2520-99-866-2542 SPRING, HELICAL, COMPRESSION	FV452053	1	
50	A 10	2520-99-866-7628 COVER, SHIFT VALVE, steel	FV452054	1	
51	A 10	5305-99-866-7659 SCREW, MACHINE, UNC, steel, No. 10 x 2-3/8in.	FV452161	4	
52	A 10	5305-99-866-7660 SCREW, MACHINE, UNC, steel, No. 10 x 7/16in.	FV452168	1	
53	A 10	2910-99-866-3300 SCREW, SET, UNC, steel, No. 10 x 3/16in.	FV452051	1	
54	A 10	2520-99-866-2543 PLUG, VALVE BODY COVER	FV452057	1	
55	A 10	2520-99-866-2544 SPRING, HELICAL, COMPRESSION, steel, 14 coils, 9/16in. od x 2in. free lg	FV452058	1	
56	A 10	2520-99-866-7631 BODY, VALVE	FV452291	1	
57	A 10	2520-99-866-7632 VALVE, OVER-CONTROL SPLITTER	FV452260	1	
58	A 10	2520-99-866-7633 COVER, PLATE, ACCESS	FV452059	1	
59	A 10	2520-99-866-2537 VALVE ASSEMBLY, EXHAUST CHECK	FV452043	1	
60	A 10	2520-99-866-7625 WASHER, RECESSED, steel, 13/64in.	FV452047	2	
61	A 10	2520-99-866-2538 SPRING, HELICAL, COMPRESSION, steel, 9-1/2 coils, 0.6in. od x 1.4in. free lg	FV452048	1	
62	A 10	5340-99-866-2539 CLIP, RETAINING, steel	FV452049	1	
63	A 10	5305-99-866-7661 SCREW, MACHINE, UNC, steel, No. 10 x 3/4in.	FV452169	3	
64	A 10	2520-99-866-7652 BODY, VALVE EXHAUST REGULATOR	FV452248	1	
65	A 10	2520-99-866-2580 PLUG, EXHAUST REGULATOR	FV452112	1	
66	A 10	2520-99-866-2581 PLUG, STOP	FV452113	2	

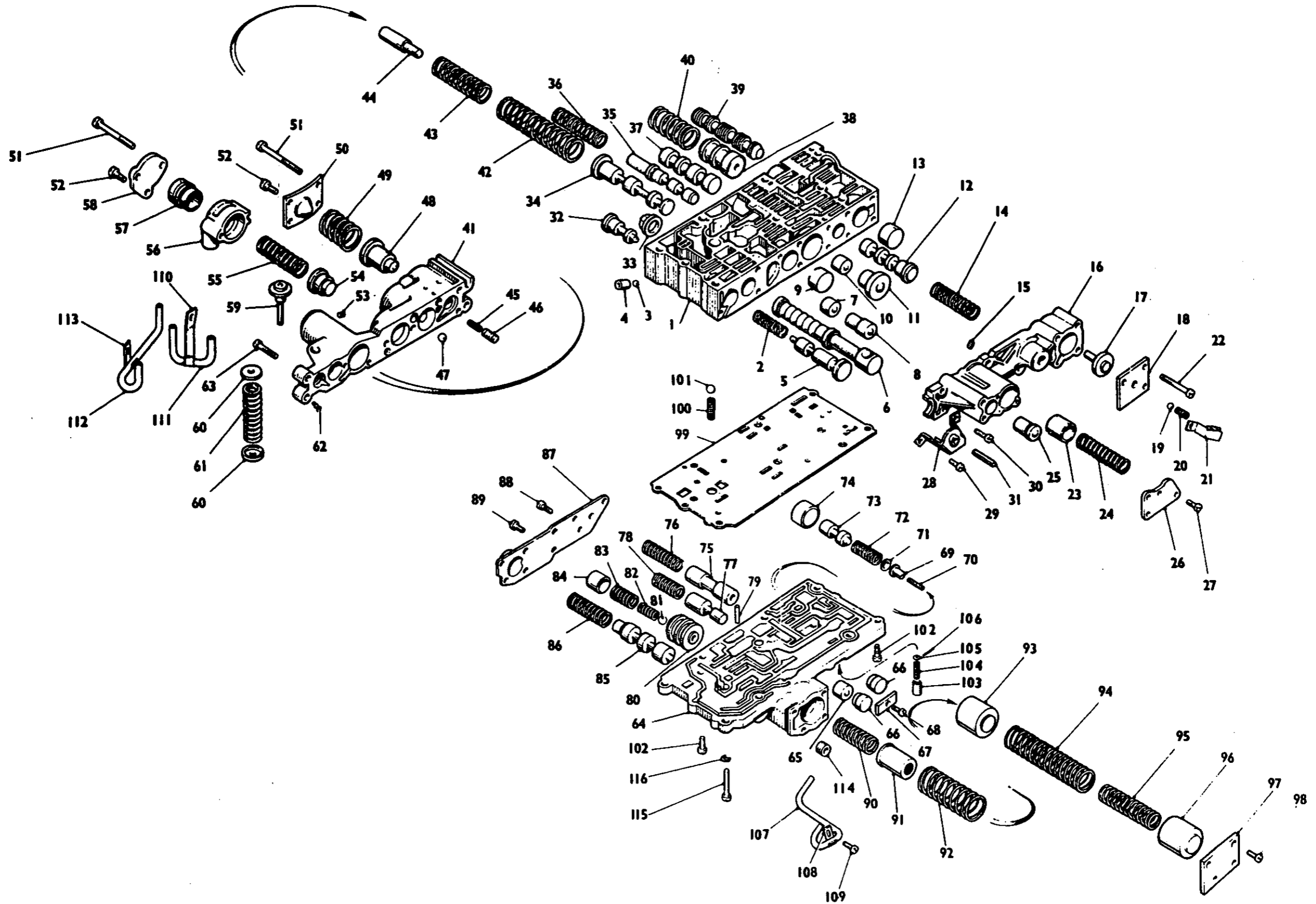


Fig 46 Control valve

Fig Item	Man Code Navy - N Army - A RAF - R	NATO Stock No	Item Name and Description	Part No/ Drawing No.	No. Off	Annotations
46-			POWER UNIT, DIESEL - contd . TRANSMISSION, MECHANICAL, VEHICULAR - contd . . . CONTROL VALVE - contd BODY ASSEMBLY - contd			
67	A 10	5310-99-866-7640 WASHER, FLAT, rectangular, 0.215in. id	FV452114	1	
68	A 10	5305-99-866-7660 SCREW, MACHINE, steel, No. 10 UNC x 7/16in. lg	FV452168	1	
69	A 10	5310-99-866-7647 NUT, PLAIN, PLATE, steel, No. 10 UNF	FV452369	1	
70	A 10	2520-99-866-7646 SCREW, INHIBITOR ADJUSTING, steel, No. 10 ANF x 3/4in. lg	FV452295	1	
71	A 10	2520-99-866-7645 SEAT, COMPRESSION, HELICAL SPRING	FV452296	1	
72	A 10	5360-99-866-7644 SPRING, HELICAL COMPRESSION, steel, 12 coils, 2- 5/64in. od, x 1-33/64in. free lg	FV452243	1	
73	A 10	2520-99-866-7643 VALVE, LOW INHIBITOR	FV452301	1	
74	A 10	2520-99-866-7642 PLUG, INHIBITOR VALVE, AI, 7/8in. od x 9/16in. lg	FV452293	1	
75	A 10	2520-99-866-2566 VALVE, EXHAUST REGULATOR	FV452090	1	
76	A 10	2520-99-866-2568 SPRING, HELICAL COMPRESSION, steel, 14 coils, 31/64in. od x 2-1/32in. free lg	FV452092	1	
77	A 10	2520-99-866-2565 VALVE, EXHAUST REGULATOR	FV452089	1	
78	A 10	5360-99-866-2567 SPRING, HELICAL COMPRESSION, steel, 11 coils, 31/64in. od x 1-15/64in. free lg	FV452091	1	
79	A G1	5315-99-143-1162 PIN, SPRING, steel, 3/16in. od x 1-1/4in. lg	FV452094	1	
80	A 10	4820-99-866-2569 BODY, EXTENDED VALVE	FV452093	1	
81	A 6MT7	3110-99-950-0571 BALL, BEARING, steel, 5/16in. dia	ET8394	1	
82	A 10	5360-99-866-2572 SPRING, HELICAL COMPRESSION, steel, 8 coils, 5/16in. od x 5/8in. free lg	FV452096	1	
83		NP SPRING, HELICAL COMPRESSION, steel, 7 coils, 27/64in. od x 1-1/16in. free lg	FV452095	1	
84	A 10	2520-99-866-2573 VALVE, EXTENDER	FV452097	1	
85	A 10	2530-99-804-2847 VALVE, CUT-OFF	FV453738	1	
86	A 10	5360-99-804-3017 SPRING, HELICAL COMPRESSION, steel, 9-1/2 coils, 0.44in. od x 1.454in. free lg	FV453745	1	
87	A 10	2590-99-804-3018 COVER, EXHAUST REGULATOR	FV453744	1	
88		NP SCREW, MACHINE, steel, No. 10 UNC x 3/4in. lg	FV452169	2	
89		NP SCREW, MACHINE, steel, No. 10 UNC x 7/16in. lg	FV452168	1	
90	A 10	5360-99-866-2574 SPRING, HELICAL COMPRESSION, steel, 10 coils, 45/64in. od x 1-7/8in. free lg	FV452104	1	
91	A 10	2520-99-866-7657 SEAT, COMPRESSION, HELICAL SPRING, steel, 3/4in.	FV452105	1	
92	A 10	5360-99-866-2575 SPRING, HELICAL COMPRESSION, steel, 9-1/2 coils, 1-1/16in. od x 2-21/32in. free lg	FV452106	1	
93	A 10	2520-99-866-2576 PLUG, TRIMMER	FV452107	1	

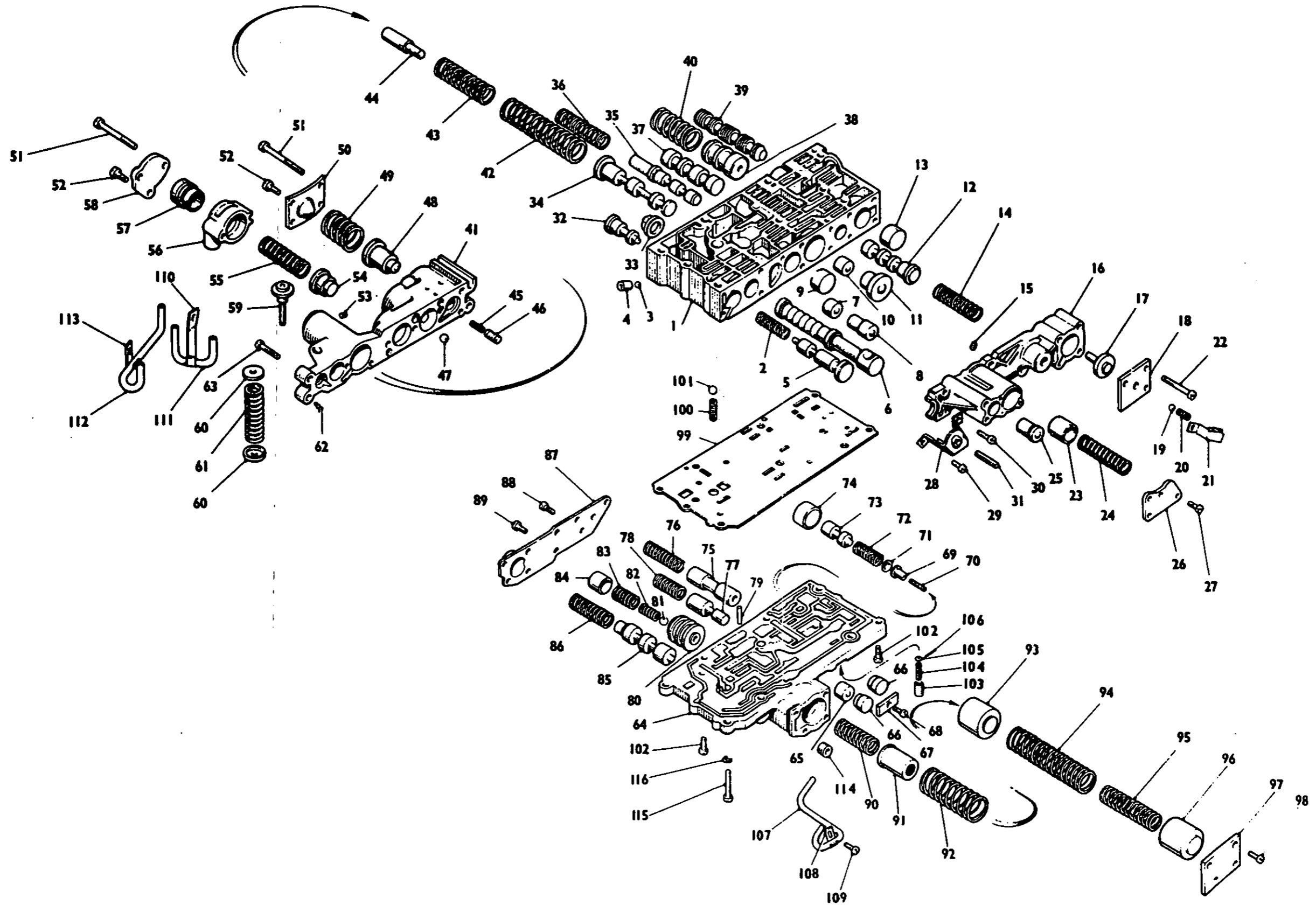


Fig 46 Control valve

Fig Item	Man Code Navy - N Army - A RAF - R	NATO Stock No	Item Name and Description	Part No/ Drawing No.	No. Off	Annotations
46-			POWER UNIT, DIESEL - contd . TRANSMISSION, MECHANICAL, VEHICULAR - contd . . . CONTROL VALVE - contd BODY ASSEMBLY - contd			
94	A 10	5360-99-866-2578 SPRING, HELICAL COMPRESSION, steel, 15 coils, 27/32in. od x 4-1/2in. free lg	FV452109	1	
95	A 10	5360-99-866-2577 SPRING, HELICAL COMPRESSION, steel, 12 coils, 43/64in. od x 3-1/4in. free lg	FV452108	1	
96	A 10	2520-99-866-2579 VALVE, TRIMMER	FV452110	1	
97	A 10	2520-99-866-7639 COVER, EXHAUST, FEED, CI	FV452111	1	
98		NP SCREW, MACHINE, steel, No. 10 UNC x 1/2in. lg	FV452178	4	
99		NP PLATE, SEPARATOR, VALVE BODY	FV452245	1	
100	A 10	5360-99-866-2519 SPRING, HELICAL COMPRESSION, steel, 9 coils, 0.345in. od x 1.77in. free lg	FV452024	1	
101	A 6MT7	3110-99-950-0573 BALL, BEARING, steel, 3/8in. dia	FV2185002	1	
102		NP SCREW, MACHINE, steel, No. 10 UNC x 7/16in. lg	FV452168	9	
103	A 10	2520-99-866-7648 VALVE, INHIBITOR	FV452292	1	
104		NP SPRING, HELICAL COMPRESSION, steel, 14 coils, 13/64in. od x 27/32in. lg	FV452242	1	
105	A Z2	5310-99-941-8548 WASHER, FLAT, steel, 0.106in. id		1	
106	A G1	5315-99-138-2201 PIN, COTTER, SPLIT, steel, phosphated, 1/16in. dia x 7/8in. lg	0009830407	1	
107	A 10	2520-99-866-7629 PIPE, STEEL	FV452294	1	
108	A 10	5340-99-866-7630 STRAP, RETAINING, steel	FV452297	1	
109		NP SCREW, MACHINE, steel, No. 10 UNC x 7/16in. lg	FV452168	3	
110		NP STRAP, RETAINING, steel	FV452061	1	
111	A 10	2520-99-866-7634 PIPE, STEEL	FV452060	1	
112	A 10	2520-99-866-7654 PIPE, STEEL	FV452099	1	
113		NP STRAP, RETAINING	FV452103	1	
114	A 10	4730-99-866-2510 PLUG, PIPE, steel, Cd PI, 1/4in. NPTF	FV670640	1	
115	A 10	5306-99-866-2584	. . . BOLT, MACHINE, st, hex hd, 1/4in. UNC x 3-3/4in. lg	FV452118	4	
116	A G1	5310-99-941-6654 WASHER, LOCK, steel, single coil, sq sect, Cd PI, 1/4in. dia	7088385	9	
NI 117	A G1	5310-99-866-3298 WASHER, LOCK, steel, 2BA	CS32032	40	
NI 118	A 6MT7	3110-99-950-0573	. . . BALL, BEARING, steel, 3/8in. dia	FV2185002	1	
NI 119	A 10	5360-99-866-2519	. . . SPRING, HELICAL COMPRESSION, steel, 9 coils, 0.345in. od x 1.77in. free lg	FV452024	1	
NI 120	A 10	2520-99-866-2582	. . . SLEEVE VALVE, BODY BOLT	FV452115	3	
NI 121	A 10	2520-99-866-2520	. . . BALL, NYLON, 1/2in. dia	FV452025	1	
NI 122	A 10	5306-99-866-2583	. . . BOLT, MACHINE, st, hex hd, 1/4in. UNC x 2-3/4in. lg	FV452117	4	
NI 123	A 10	5306-99-866-2565	. . . BOLT, MACHINE, st, hex hd, 1/4in. UNC x 3-1/4in. lg	FV452119	1	

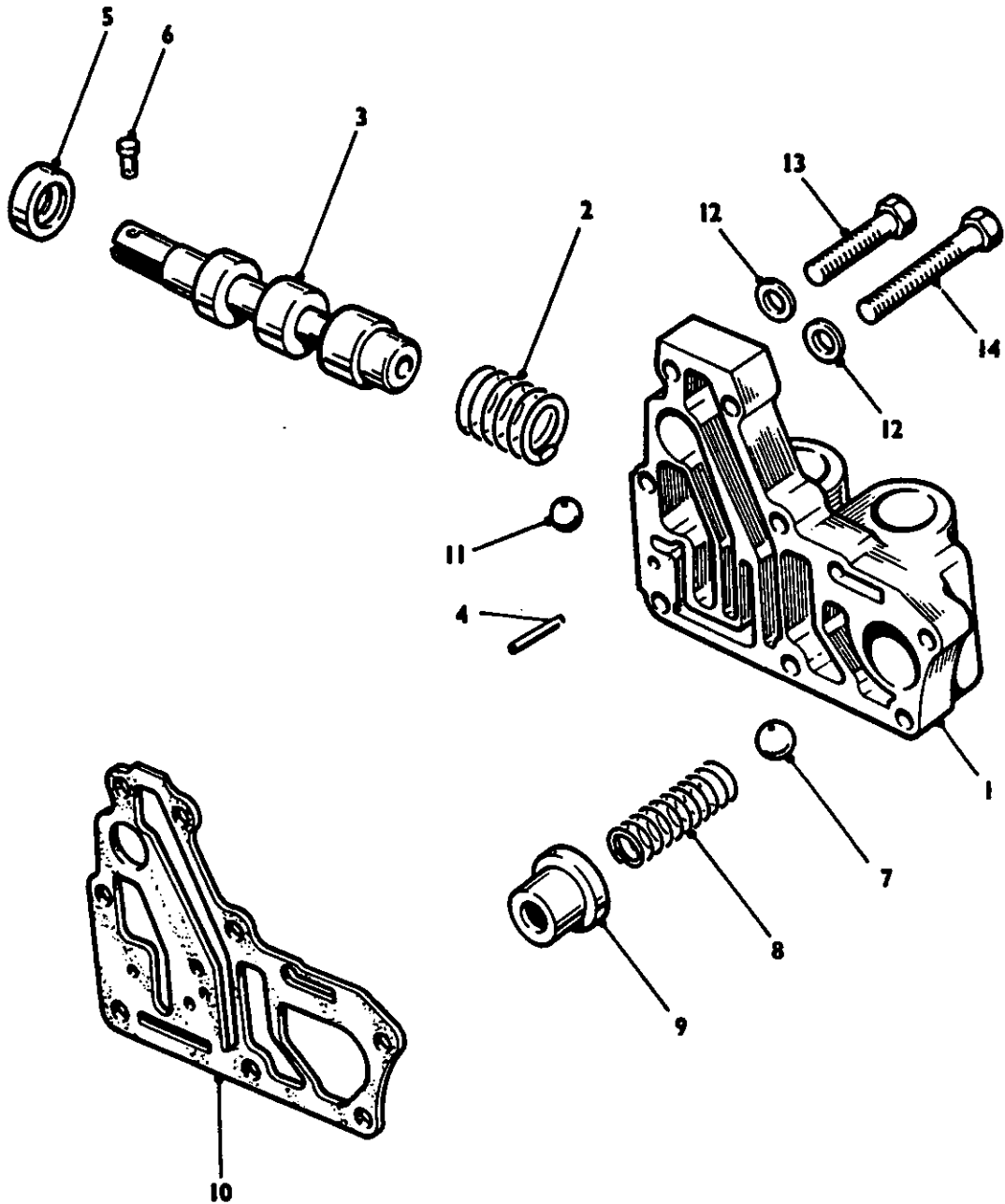


Fig 47 Valve, brake control

430/70045

Fig Item	Man Code Navy - N Army - A RAF - R	NATO Stock No	Item Name and Description	Part No/ Drawing No.	No. Off	Annotations
47-			POWER UNIT, DIESEL - contd TRANSMISSION, MECHANICAL, VEHICULAR - contd			
1	A 10	NP 2520-99-866-2589	. . . VALVE, BRAKE CONTROL . . . BODY ASSEMBLY, CONTROL VALVE	FV452556 FV452123	REF 1	
2		NP SPRING, HELICAL COMPRESSION, steel, 1-1/16in. od x 2-3/16in. lg	FV452125	1	
3	A 10	2530-99-866-2591 VALVE, HYDRAULIC RETARDER	FV452126	1	
4		NP PIN, STRAIGHT, HEADLESS, steel, 3/16in. od x 1-1/2in. lg	FV452128	1	
5	A 10	5330-99-867-4873 SEAL, PLAIN, ENCASED, st, 9/16in. id x 1-1/8in. od x 1/4in. w	FV452584	1	
6	A 10	5315-99-866-2592 PIN, STRAIGHT, HEADED, st, 3/16in. od x 0.525in. lg	FV452127	1	
7	A 10	3110-99-950-0578 BALL, BEARING, steel, 3/4in. dia	3-4-GD10	1	
8		NP SPRING, HELICAL COMPRESSION, steel, 47/64in. od x 2-1/8in. lg	FV452131	1	
9	A 10	2520-99-866-2606 RETAINER, SPRING	FV452162	1	
10	A 10	2520-99-866-2588	. . . GASKET	FV452122	1	Valve body to gearbox
11	A 10	2520-99-866-2587	. . . BALL, PLASTICS, 5/8in. dia	FV452121	1	
12	A G1	5310-99-941-6655	. . . WASHER, LOCK, st, single coil, Cd PI, 5/16in. dia	503/4/13396 /000	8	
13	A 10	5306-99-866-3303	. . . BOLT, MACHINE, st, hex hd, 5/16in. UNC x 1-1/4in. lg	FV452326	5	} Body to main housing
14	A 10	5306-99-866-3302	. . . BOLT, MACHINE, st, hex hd, 5/16in. UNC x 2-1/4in. lg	FV452163	3	

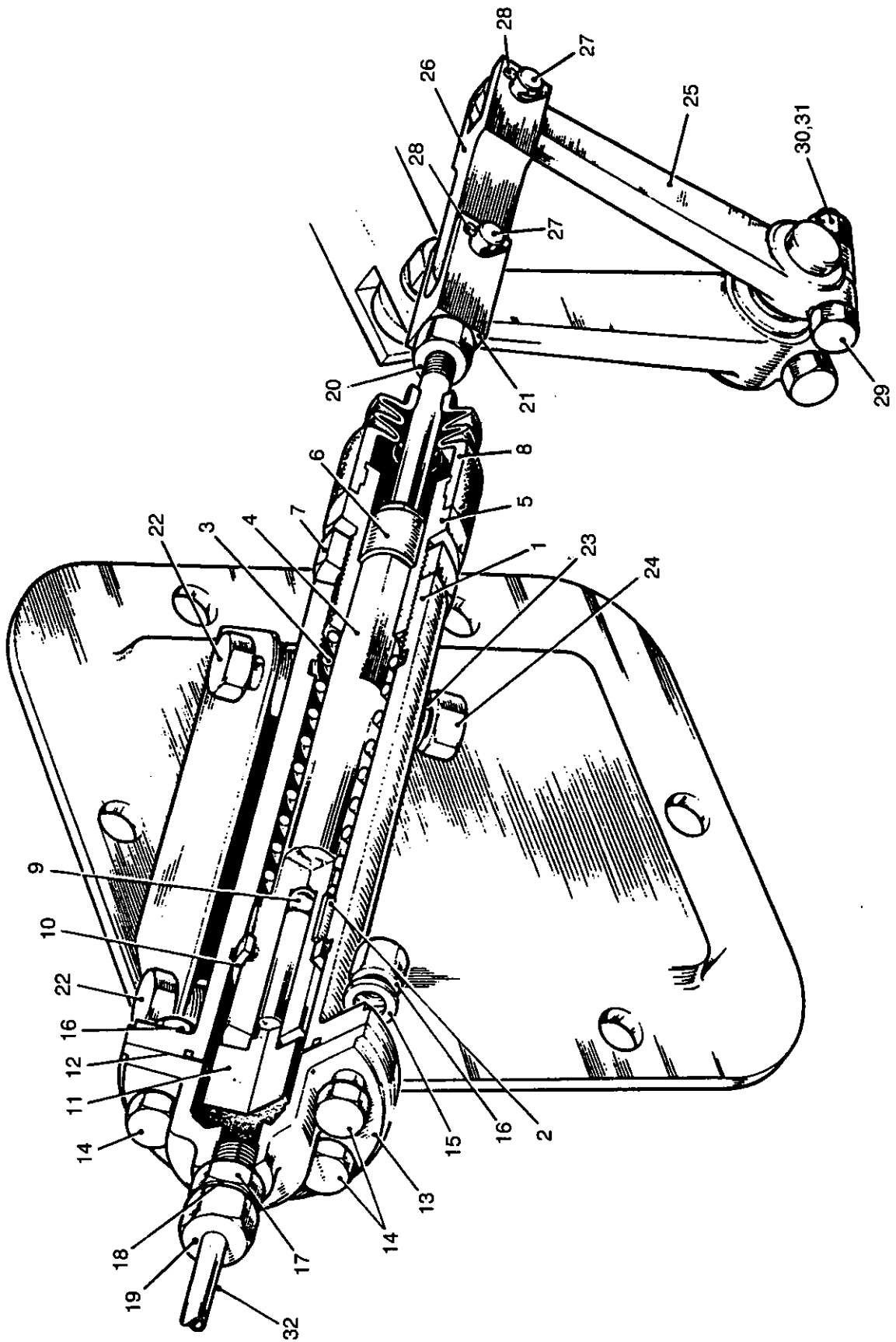


Fig 48 Actuator valve, throttle

430/70046

Fig Item	Man Code Navy - N Army - A RAF - R	NATO Stock No	Item Name and Description	Part No/ Drawing No.	No. Off	Annotations
48-			POWER UNIT, DIESEL - contd			
1	A 10	2520-99-804-7091	. ACTUATOR VALVE, throttle	FV454671	1	
2	A 10	2520-99-804-6680	. . BODY VALVE	FV454672	1	
3	A 46MT1	3120-99-101-7163	. . . BEARING, SLEEVE	FV451397	1	
4	A 10	5360-99-866-7420	. . SPRING, HELICAL COMPRESSION, steel	FV451419	1	
5	A 10	2520-99-866-7454	. . PISTON, ACTUATOR VALVE, LOWER	FV451622	1	
6	A 10	2520-99-866-7415	. . ADAPTOR, ASSEMBLY, ACTUATOR VALVE	FV451391	1	
7	A 46MT1	3120-99-101-7163	. . . BEARING, SLEEVE, steel/bronze/PTFE	FV451397	1	
8	A 10	5310-99-866-7458	. . NUT, PLAIN, HEXAGON, steel, Cd PI, 7/8 UNS x 16tpi	FV451418	1	Valve lock
9	A 10	2520-99-866-7413	. . BOOT, DUST AND MOISTURE SEAL	FV452448	1	
10	A 6MT7	3110-99-950-0569	. . BEARING, BALL, steel, 1/4in. dia	RB6-35 CLASS3	1	
11	A 10	5365-99-866-7457	. . SPACER, steel, 45/64in.	FV451395	1	
12	A 10	2520-99-808-3925	. . PISTON, ACTUATOR VALVE	FV454604	1	
13	A 10	2520-99-804-6682	. . DIAPHRAGM, ACTUATOR VALVE	FV454605	1	
14	A 10	2520-99-804-6681	. . HEAD, ACTUATOR VALVE	FV454603	1	
15		NP	. . BOLT, MACHINE, st, hex hd, 2BA x 5/8in. lg		6	
16	A G1	5310-99-941-7070	. . WASHER, FLAT, steel, Cd PI, 3/16in. id		6	
17	A 46MT1	4730-99-801-2031	. . NUT, PLAIN, HEXAGON, steel, Cd PI, 2BA		6	
18	A 10	4730-99-801-1564	. . NIPPLE, TUBE, steel, 3/8in. UNF	FV(S)87-2	1	
19	A 6MT1	5310-99-865-1476	. . WASHER, FLAT, AI, 3/8in.	XB1078	1	
20	A G1	4730-99-801-1564	. . NUT, UNION, PIPE, steel, Cd PI, 3/8in. UNF	FVS88-2	1	
21	A 10	5310-99-941-1318	. . NUT, PLAIN, HEXAGON, steel, Cd PI, 1/4in. UNF		1	
22	A 10	5340-99-866-7417	. . FORK, END	FV451788	1	
23	A G1	5306-99-941-6583	. . BOLT, MACHINE, st, hex hd, Zn pl, 1/4in. UNF x 1-3/4in. lg		2	} Actuator to bracket
24	A G1	5310-99-941-7072	. . WASHER, FLAT, steel, 1/4in. dia		2	
25	A G1	5310-99-941-1318	. . NUT, PLAIN, HEXAGON, steel, Cd PI, 1/4in. UNF		2	
26	A 10	3040-99-866-7455	. . CONNECTING LINK, RIGID, steel, 2- 51/64in. lg	FV451787	1	
27	A 10	3040-99-866-7418	. . LEVER, REMOTE CONTROL	FV451789	1	
28	A 10	5315-99-866-7459	. . PIN, STRAIGHT HEADED, steel, 1/4in. od x 11/16in. lg	K6507	2	
29	A G1	5315-99-138-2205	. . PIN, COTTER, SPLIT, steel, 3/32in. dia x 5/8in. lg	PS105250	2	
30		NP	. . BOLT, MACHINE, st, hex hd, 2BA x 1- 1/8in. lg		1	} Gearbox lever
31		NP	. . WASHER, FLAT		1	
32	A G1	5310-99-941-7070	. . NUT, PLAIN, HEXAGON, steel, Cd PI, 2BA		1	
NI 33	A 10	4710-99-866-9576	. . PIPE, ASSEMBLY, governor to actuator throttle valve	FV452764	1	
NI 34	A 10	2590-99-866-7668	. . BRACKET ASSEMBLY, oil pipes	FV451634	1	Pipe to actuator
NI 35	A G1	5305-99-941-6284	. . SCREW, MACHINE, st, hex hd, Zn pl, 1/4in. UNF x 1/2in. lg		1	
NI 35	A G1	5310-99-952-1024	. . WASHER, FLAT, steel, Cd PI, 1/4in. id	T201303M/1 0	1	

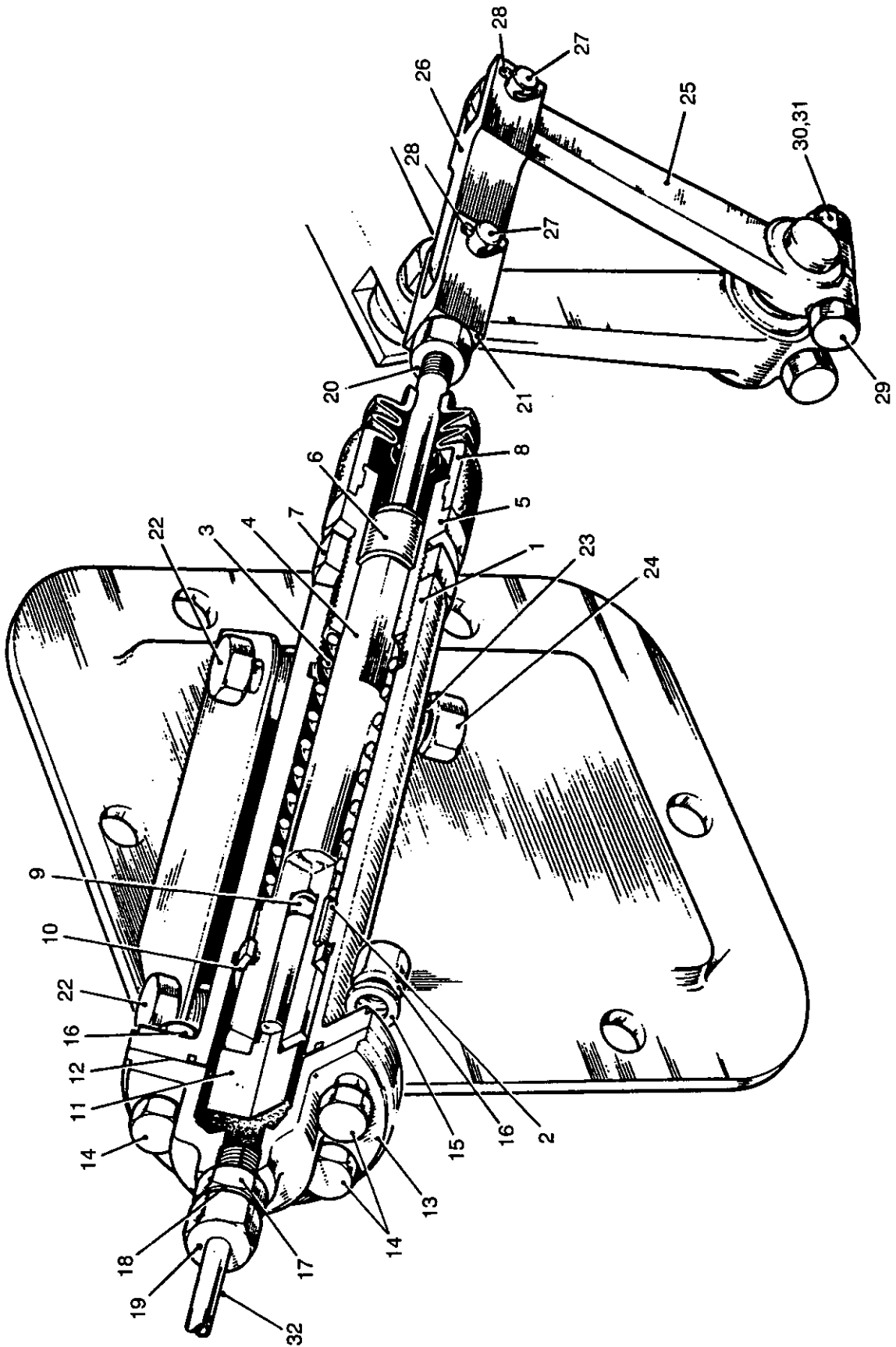


Fig 48 Actuator valve, throttle

430/70046

Fig Item	Man Code Navy - N Army - A RAF - R	NATO Stock No	Item Name and Description	Part No/ Drawing No.	No. Off	Annotations
48-			POWER UNIT, DIESEL - contd			
NI 36		NP	. DISCONNECTOR LINKAGE, transfer drive	FV509462	1	
NI 37	A 9ACR	2520-99-867-4774	. . LEVER, BELL CRANK	FV509422	1	
NI 38	A 6MT4	3120-99-101-7148	. . BEARING, SLEEVE, 3/8in. x 1/2in lg	06DU08	1	
NI 39	A G1	5310-99-134-1991	. . WASHER, FLAT, steel, 3/8in. id		1	
NI 40	A G1	5315-99-138-2201	. . PIN, COTTER, SPLIT, steel, phosphated, 1/16in. dia x 5/8in. lg	0009830407	1	
NI 41	A 9ACR	2520-99-867-4775	. . CONNECTING LINK RIGID	FV509426	1	
NI 42	A G1	5310-99-941-0902	. . . NUT, PLAIN, HEXAGON, steel, Zn pl, 1/4in. UNF		2	
NI 43	A 6MT1	3040-99-824-3856	. . . BALL JOINT		2	
NI 44	A G1	5310-99-120-5862	. . NUT, SELF-LOCKING, HEXAGON, steel, Cd Pl, 1.4in. UNF		2	

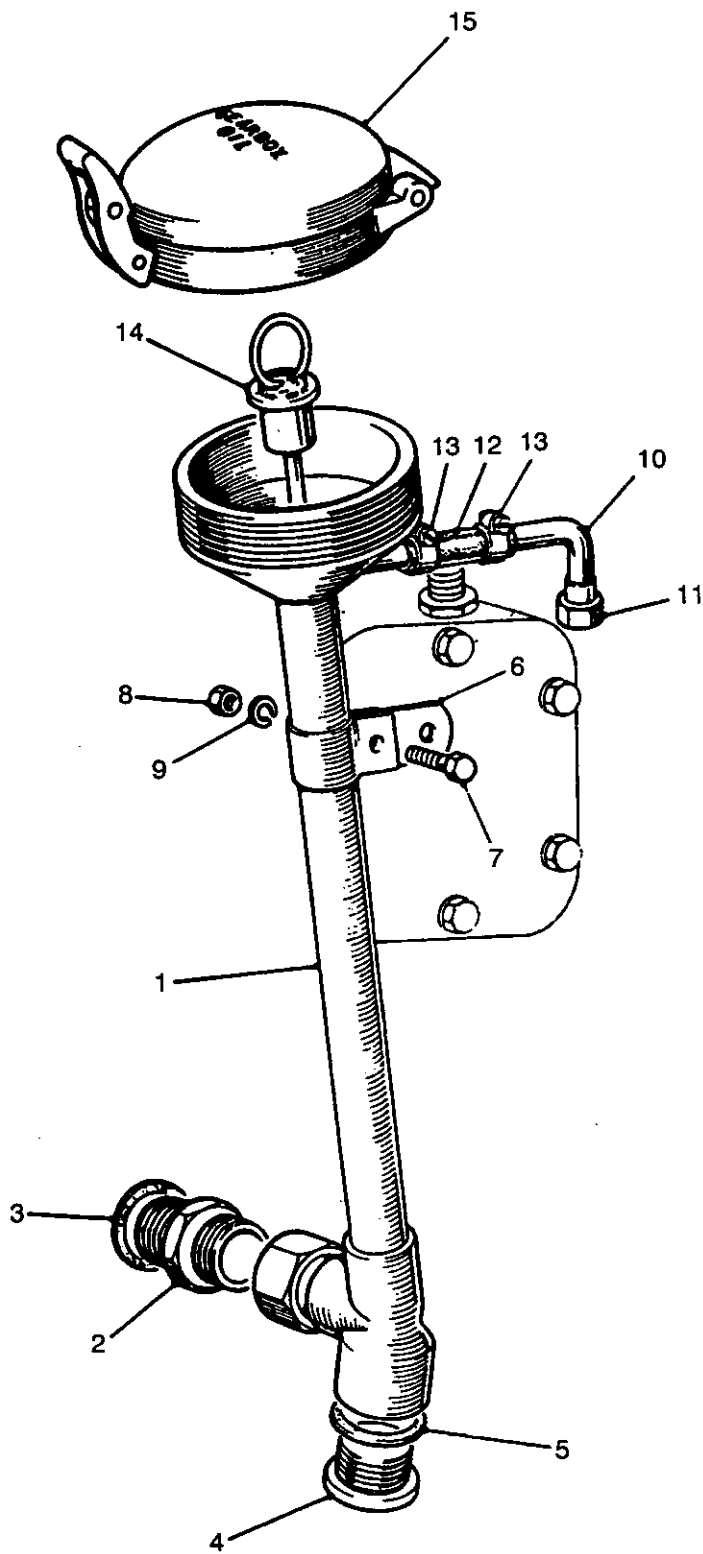


Fig 49 Oil filler, gearbox

430/70047

Fig Item	Man Code Navy - N Army - A RAF - R	NATO Stock No	Item Name and Description	Part No/ Drawing No.	No. Off	Annotations
49-			POWER UNIT, DIESEL - contd			
		NP	. OIL FILLER, GEARBOX	FV538590	REF	
1	A 9ACR	2910-99-867-4771	. . FILLER NECK	FV538591	1	
2	A 9ACR	4730-99-866-2625	. . ADAPTOR, STRAIGHT PIPE	FV499554	1	Oil filler to gearbox
3	A 9BTR	5310-99-849-0165	. . WASHER, FLAT	FV299466	1	
4	A 6MT1	5365-99-942-8000	. . PLUG, SCREWED, brass, 1-3/8in. UNF x 12 tpi	FV642172	1	
5	A 9ACR	5365-99-865-6351	. . WASHER, FLAT, copper, 1-3/8in. id	FV299656	1	
6		NP	. . CLIP	FV480380	1	
7	A G1	5305-99-941-0512	. . SCREW, MACHINE, steel, 1/4in. UNF x 5/8in. lg		1	
8	A G1	5310-99-804-7941	. . NUT, PLAIN, HEXAGON, steel, 1/4in. UNF		1	
9	A G1	5310-99-941-6654	. . WASHER, LOCK, steel, Cd PI, 1/4in.		1	
10	A 9ACR	4710-99-867-4773	. . PIPE, GEARBOX OIL FILLER	FV538562	1	
11	A 6MT1	4730-99-801-1565	. . NUT, UNION, PIPE, steel, Cd PI, 5/8in. UNF	FV (S)88-5	1	
12	A 46MT6	4720-99-805-7771	. . HOSE, RUBBER, 2.00in. lg	2556-6	A/R	
13	A 46MT1	4730-99-533-2957	. . CLAMP HOSE, steel, Cd PI	FV2148382	2	
14	A 9ACR	6680-99-811-7125	. . DIPSTICK, LIQUID QUANTITY	FV650090	1	
15	A 9ACR	2590-99-867-4772	. . CAP, FILLER GEARBOX	FV586252	1	

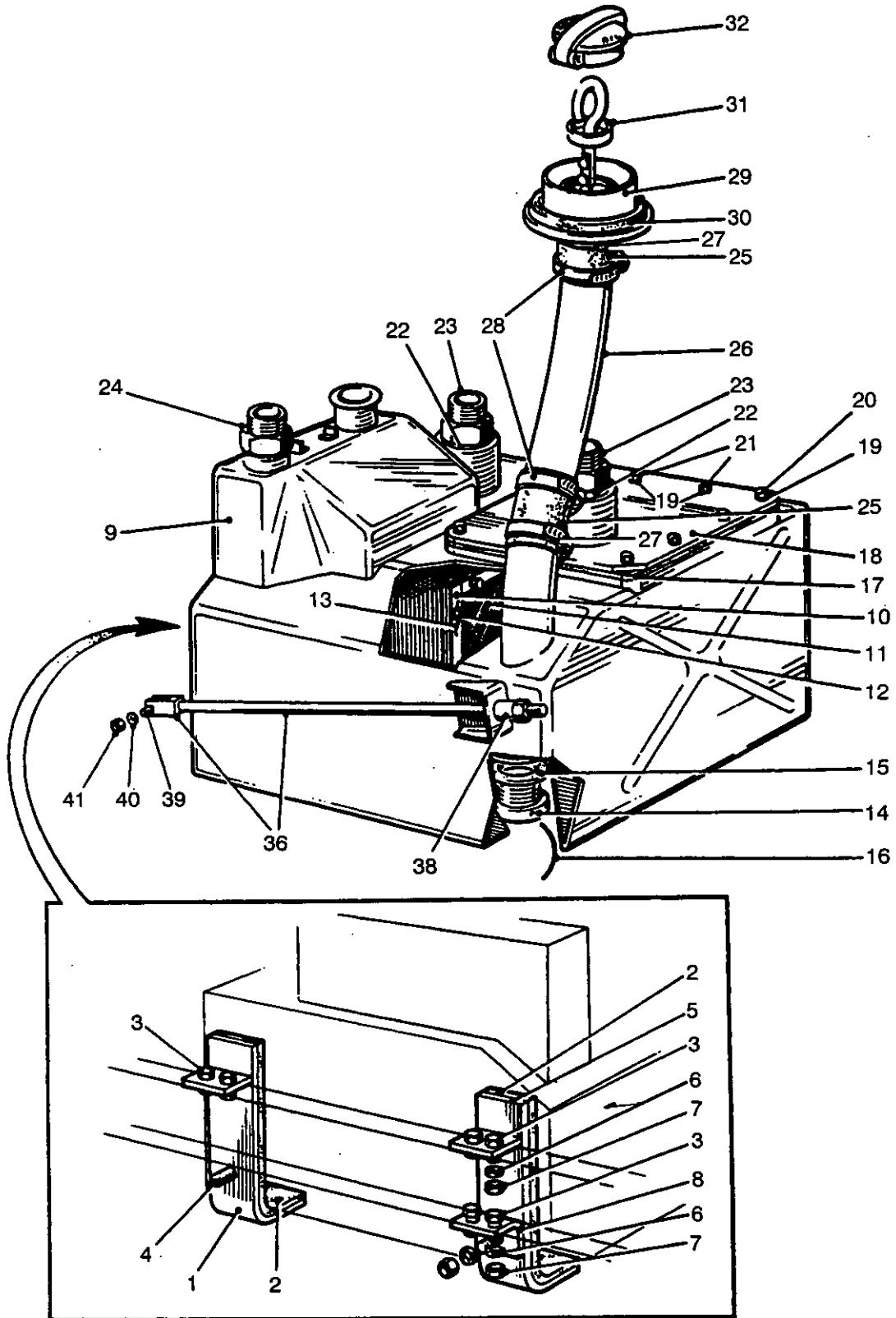


Fig 50 Oil tank installation

430/70048

Fig Item	Man Code Navy - N Army - A RAF - R	NATO Stock No	Item Name and Description	Part No/ Drawing No.	No. Off	Annotations
50-			POWER UNIT, DIESEL - contd			
		NP	. ENGINE OIL TANK AND FITTINGS ASSEMBLY	FV650953	REF	
		NP	. . OIL TANK INSTALLATION		REF	
1	A	9ACR	. . BRACKET, ANGLE, steel	FV602772	1	
2	A	H21	. . FELT, WOOL, COMPRESSED, GREY, 1/4in. thk		A/R	
3	A	G1	. . SCREW, MACHINE, st, hex hd, Zn pl, 5/16in. UNF x 1in. lg		6	
4	A	G1	. . SCREW, MACHINE, st, flat csk hd, Cd Pl, 5/16in. UNF x 1.00in. lg		2	
5		NP	. . BRACKET, SUPPORTING, OIL TANK	FV500007	1	
6	A	G1	. . WASHER, LOCK, st, single coil, Cd Pl, 5/16in. od		10	
7	A	G1	. . NUT, PLAIN, HEXAGON, steel, Zn pl, 5/16in. UNF		8	
8	A	9ACR	. . BRACKET, ANGLE, steel	FV500008	1	
9	A	9ACR	. . TANK, OIL	FV575504	1	
10	A	9ACR	. . . FILTER, FLUID, PRESSURE	FV451917	1	
11		NP	. . . GAUZE	FV421919	A/R	
12	A	9AHY	. . . SCREW, MACHINE, steel, hex hd, No. 10 UNF x 3/8in. lg	FV421915	12	} Filter to tank
13	A	G2	. . . WIRE, STEEL, CORROSION RESISTING, 18 SWG		A/R	
14	A	46MT1	. . PLUG, SCREWED, brass, 1-3/8in. UNF x 12 tpi	FV642172	1	} Tank drain
15	A	9ACR	. . WASHER, FLAT, copper, 1-3/8in. id	FV299656	1	
16	A	G2	. . WIRE, STEEL, CORROSION RESISTING, 22 swg	941109	A/R	
17	A	9ACR	. . GASKET	FV2249167	1	
18	A	9ACR	. . RECTIFIER UNIT, No. 1 Mk 1	FV342588	1	See Fig 64
19	A	G1	. . WASHER, LOCK, steel, single coil, sq sect, Cd Pl, 1/4in. id	7088385	12	
20	A	G1	. . SCREW, MACHINE, steel, hex hd, Zn pl, 1/4in. UNF x 5/8in. lg	172441	10	
21	A	G1	. . SCREW, MACHINE, steel, hex hd, Zn pl, 1/4in. UNF x 3/4in. lg		2	
22	A	9ACR	. . WASHER, FLAT, copper, 1-5/8in. id	FV500060	2	
23	A	46MT1	. . DOUBLE ENDED UNION, PIPE, MALE, steel, 1-5/8in. UNF	FV(S)87/12	2	
24	A	46MT1	. . DOUBLE ENDED UNION, PIPE, MALE, steel, 1-3/8in. UNF	FV(S)87/11	1	
25	A	9ACR	. . HOSE, PREFORMED	FV586404	2	
26	A	9ACR	. . PIPE FILLER	FV586405	1	
27	A	46MT1	. . CLAMP, HOSE, steel, Zn pl, 13.5in. w		2	
28	A	6MT1	. . CLAMP, HOSE, steel, Cd plated, 1-1/2in. to 2-1/4in. grip dia		2	
29	A	9ACR	. . ADAPTOR, OIL TANK, FILLER CAP	FV480511	1	
30		NP	. . . SEAL, rubber, triangular section, 12-1/2in. lg	FV525369/3	A/R	
31	A	9ACR	. . DIPSTICK, LIQUID QUANTITY	FV485350	1	
32	A	9ACR	. . CAP, FILLER, OIL TANK	FV586254	1	
NI 33	A	46MT1	. . . WASHER, NON-METALLIC, rubber, 31/32in.	715-3RS	1	
NI 34	A	46MT1	. . . WASHER, NON-METALLIC, fibre, 1-3/4in.	715-15	2	
NI 35	A	G1	. . . NUT, SELF-LOCKING, HEXAGON, brass, nylon insert, 4BA		1	
36	A	9ACR	. . ROD, RETAINING	FV524750	1	

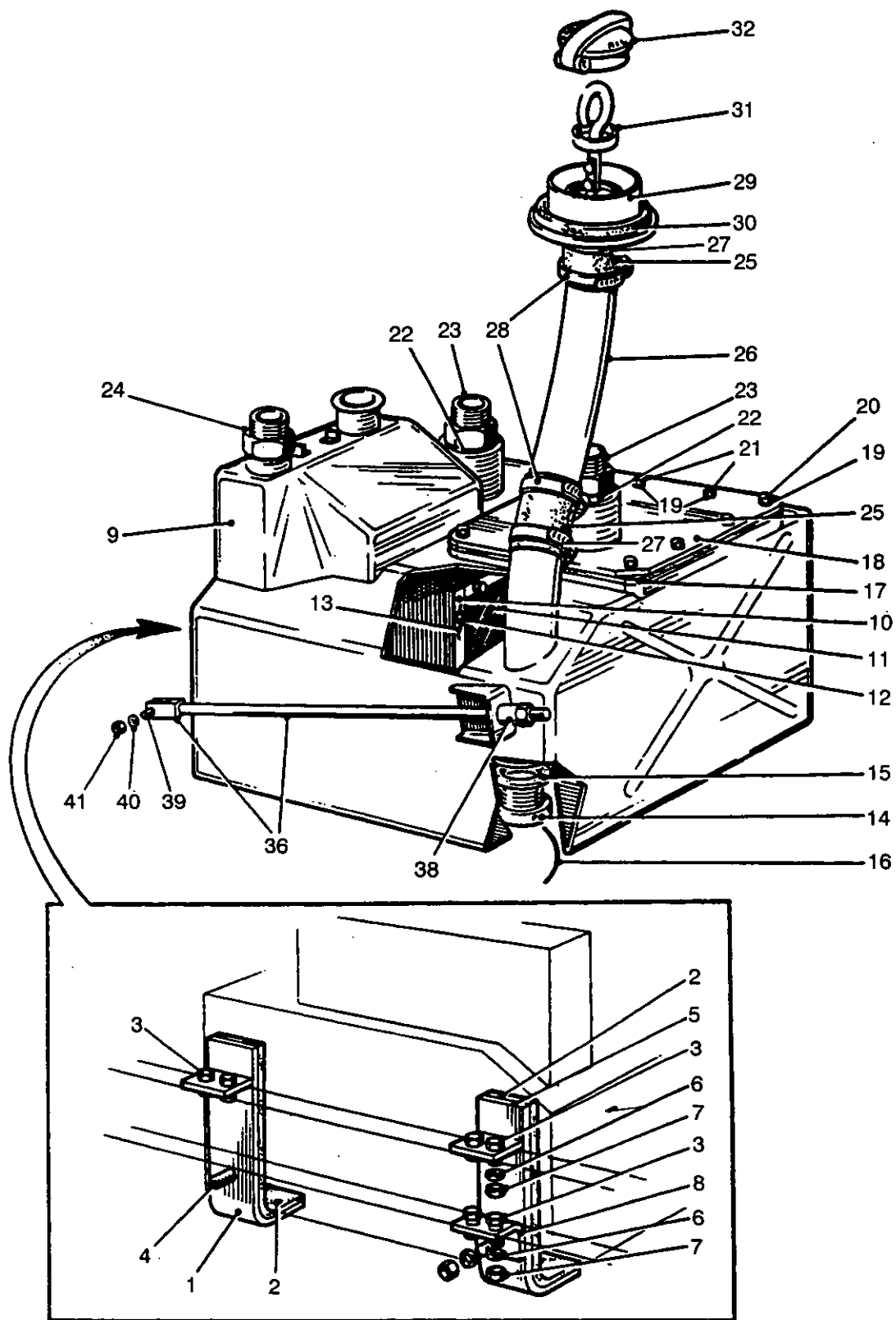


Fig 50 Oil tank installation

430/70048

Fig Item	Man Code Navy - N Army - A RAF - R	NATO Stock No	Item Name and Description	Part No/ Drawing No.	No. Off	Annotations
50-			POWER UNIT, DIESEL - contd ENGINE OIL TANK AND FITTINGS ASSEMBLY - contd			
NI 37	A 9ACR	5340-99-865-6360	. . CLEVIS, ROD END	FV524814	1	
38	A 9ACR	5310-99-865-6355	. . NUT, SLEEVE, steel, hex hd, Cd Pl, 5/16in. UNF	FV485284	2	
39	A G1	5305-99-941-0527	. . SCREW, CAP, HEXAGON HEAD, steel, hex hd, Zn pl, 5/16in. UNF x 1.00in. lg	FV27970	2	
40	A G1	5310-99-941-6655	. . WASHER, LOCK, steel, single coil, sq sect, Cd Pl, 5/16in. id	0920053	2	
41	A G1	5310-99-941-0925	. . NUT, PLAIN, HEXAGON, steel, Zn pl, 5/16in. UNF	0576002	2	

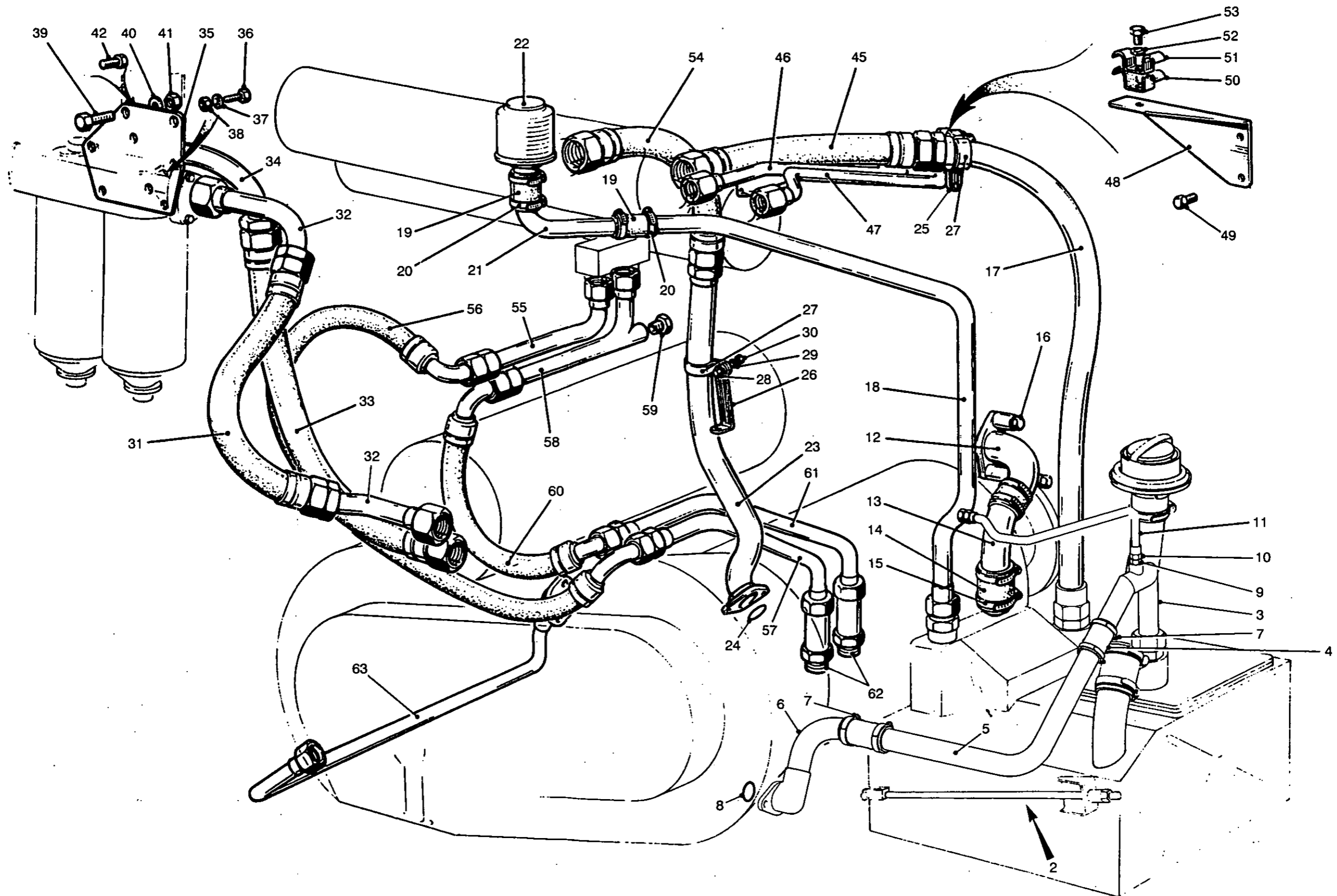


Fig 51 Oil pipes, heat exchanger pipes and fittings

Fig Item	Man Code Navy - N Army - A RAF - R	NATO Stock No	Item Name and Description	Part No/ Drawing No.	No. Off	Annotations
51-			POWER UNIT, DIESEL - contd			
		NP	. OIL PIPES, HEAT EXCHANGER PIPES AND FITTINGS		REF	
NI 1		NP	. OIL PIPES AND FITTINGS	FV650953	REF	
2		NP	. . OIL PIPE ASSEMBLY, tank to engine	FV650905	1	
3	A 10	2990-99-808-1279	. . . ADAPTOR, OIL PIPE, steel, 1-7/16in. od 1st end, union nut 2nd end, 6-1/8in. lg	FV650896	1	
4	A 6MT6	4720-99-805-7786	. . . HOSE, RUBBER, neoprene, 3ply, 1-3/8in. id, 1-3/4in. od, 3ft lg	FV1042	2	cut to 3-1/2in. lg
5	A 9ACR	2990-99-808-1278	. . . PIPE, METALLIC, steel, paint, 11.781in. lg, 1-3/8in. od x 1/16in. wall thk x 1-7/16in. od both ends	FV650904	1	
6	A 9ACR	2990-99-808-1277	. . . ELBOW, OIL PIPE, steel/br, 1-7/16in. od 1st end, flange w/2 mtg holes 2nd end, 6-15/16in. lg	FV650901	1	
7	A 46MT1	4730-99-808-1280	. . . CLAMP, HOSE, steel, 1-3/4in. to 1-29/32in. id, 57/64in. w	FV98814	4	
8	A 46MT1	5330-99-814-0890	. . RING, SEALING, TOROIDAL, syn rubber, 1-5/8in. id x 1-13/16in. od x 3/32in. thk		1	
9		NP	. . WASHER	FV299828	1	
10	A 46MT1	4730-99-801-2032	. . DOUBLE-ENDED UNION, PIPE, MALE	FVS87-3	1	
11	A 10	2990-99-808-1281	. . PIPE, BRASS, oil tank breather	FV650870	1	
12	A 9ACR	4730-99-802-5243	. . ELBOW, PIPE TO HOSE, front breather	FV602731	1	
13	A 9ACR	4730-99-802-5244	. . PIPE, BENT, METALLIC, front breather	FV602732	1	
14	A 46MT6	4720-99-943-9438	. . HOSE, RUBBER, ru, 1-1/2in. id x 1-7/8in. od	73006439	A/R	
15	A 46MT1	4730-99-200-8881	. . CLAMP, HOSE, steel, Cd plated, 1-1/2in. to 2-1/4in. grip dia		4	
16	A G1	5306-99-941-8000	. . BOLT, MACHINE, st, hex hd, Zn pl, 5/16in. UNF x 2-1/2in. lg		2	
17	A 9ACR	2590-99-808-5003	. . PIPE, STEEL	FV650979	1	
18	A 9ACR	2590-99-808-5002	. . PIPE, STEEL, engine oil tank to breather pipe	FV650978	1	
19	A 46MT6	4720-99-805-7729	. . HOSE, RUBBER, ru, 1.00in. id x 1-3/8in. od	571-3042	A/R	
20	A 7SL	4730-99-200-8880	. . CLAMP, HOSE, 1-1/8in. id to 1-5/8in. id	HC50913	4	
21	A 9ACR	2590-99-867-4763	. . PIPE, BREATHER, engine oil tank upper	FV585798	1	
22	A 6MT1	2805-99-802-4337	. . BREATHER, engine oil tank	1527507	1	
23	A 9ACR	4710-99-867-4765	. . PIPE, STEEL, engine to fluid cooler oil feed	FV585788	1	
24	A 10	5330-99-866-7528	. . RING, SEALING, TOROIDAL, rubber, 9/64in. cross-sect h, 1-15/16in. id	CK540	1	
25		NP	. . BRACKET	FV586026	1	
26		NP	. . BRACKET	FV586027	1	
27		NP	. . CLIP	FV559476	2	
28	A G1	5305-99-911-0511	. . SCREW, MACHINE, st, hex hd, Zn pl, 1/4in. UNF x 1/2in. lg		2	Oil pipe clamps
29	A G1	5310-99-941-6654	. . WASHER, LOCK, steel, Cd Pl, single coil, sq section, 1/4in. ld		2	
30	A G1	5310-99-804-7941	. . NUT, PLAIN, HEXAGON, steel, Zn pl, 1/4in. UNF		2	
31	A 9ACR	2910-99-867-4761	. . HOSE ASSEMBLY, FILTER RETURN, engine	FV538441	1	
32	A 9ACR	4710-99-867-4762	. . PIPE, STEEL, engine oil filter to engine	FV585794	2	
33	A 9ACR	4720-99-867-4764	. . HOSE, ASSEMBLY, OIL FEED, engine to filter	FV858732	1	
34	A 9ACR	4710-99-802-4083	. . PIPE, STEEL	FV585792	1	

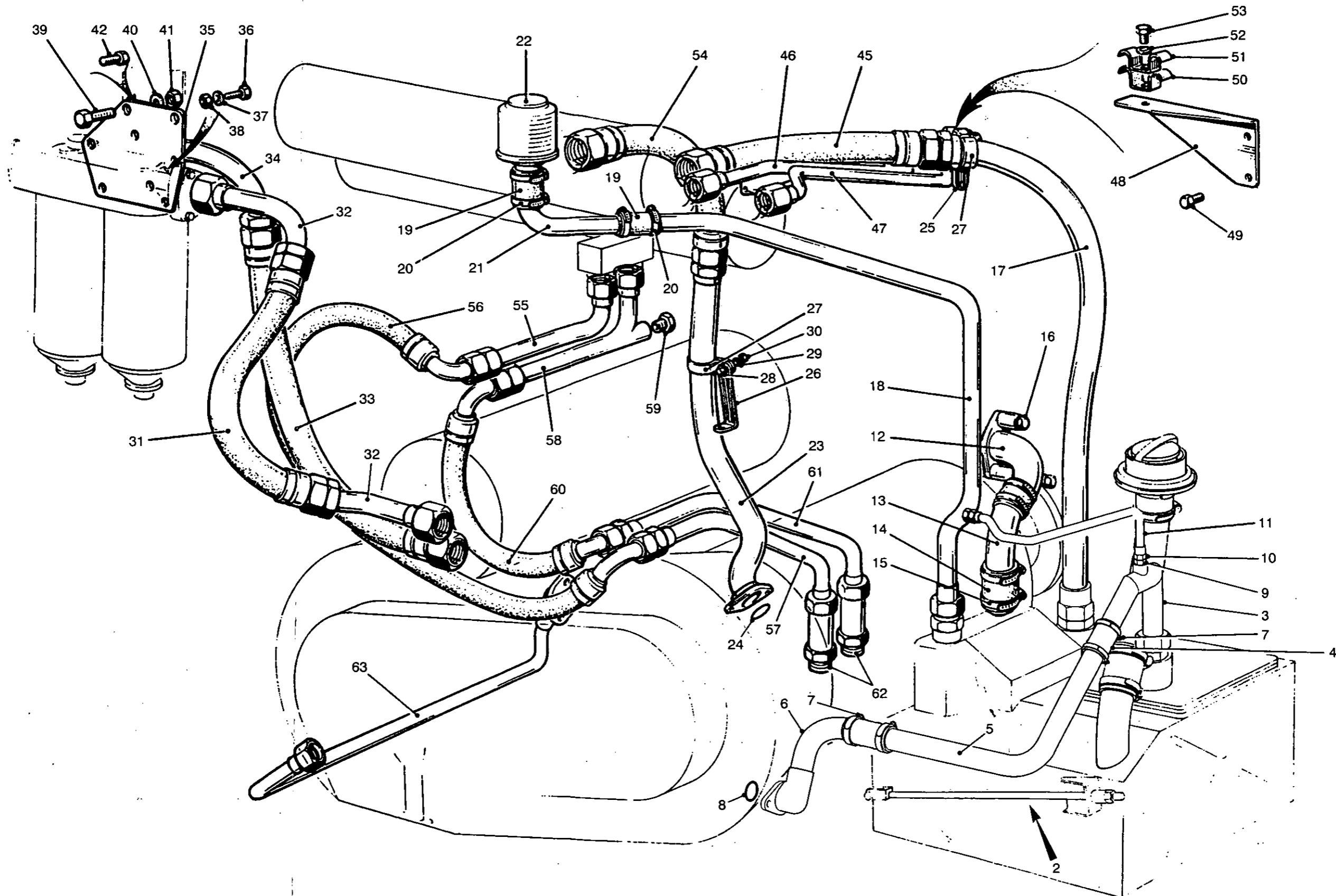


Fig 51 Oil pipes, heat exchanger pipes and fittings

430/70049

Fig Item	Man Code Navy - N Army - A RAF - R	NATO Stock No	Item Name and Description	Part No/ Drawing No.	No. Off	Annotations
60-			POWER UNIT, DIESEL - contd . AIR FILTERS AND COVERS - contd . . . FILTER, AIR INTAKE - contd			
34	A 9ACR	5330-99-867-4802	. . . GASKET, ru, rd, 3.420in. od x 1.190in. hole dia, x 0.062in. thk	FV586061	1	
35	A 9ACR	2940-99-867-4803	. . . PLATE, RETAINING GASKET	FV586062	1	
36	A 9ACR	2940-99-867-4801	. . . ADAPTOR, FLANGED, INTAKE, AIR FILTER	FV585842	1	
37	A 6MT6	4720-99-805-7730	. . . HOSE, NON-METALLIC, syn ru, 1-1/4in. id x 1-5/8in. od, bulk	FVRDE1042 TYPEA	1	
38		NP	. . . CLAMP, HOSE, worm drive, 1-1/2in. to 2-1/8in.	12342G	2	
39	A 46MT12	2940-99-881-8270	. . . GASKET, rubber, 9-1/2in.	FV527356	2	Air filter outer
40	A 46MT12	2940-99-881-9533	. . . OUTER CASING, AIR CLEANER,	FV527383	1	
41	A H9	5310-99-943-4388	. . . WASHER, FLAT, fibre, 1-1/4in. nom hole dia		8	
42	A G1	5310-99-941-3524	. . . NUT, SELF-LOCKING, HEXAGON, steel, Zn pl, 1/4in. UNF, nylon insert		8	
43	A G1	5305-99-941-0527	. . . SCREW, CAP, HEXAGON HEAD, st, Zn pl, hex hd, 5/16in. UNF x 1.00in. lg	FV27970	8	
44	A 9ACR	5310-99-941-8386	. . . WASHER, FLAT, st, Cd P, 5/16in. nom bolt size		8	
45	A 9ACR	2940-99-881-9532	. . . COUPLING, FLEXIBLE, AIR CLEANER OUTLET	FV527382	1	
46	A G1	5310-99-120-0697	. . . NUT, SELF-LOCKING, HEXAGON, steel, Zn pl, 5/16in. UNF, nylon insert		8	
47	A G1	5310-99-202-9996	. . . NUT, SELF-LOCKING, HEXAGON, steel, 5/16in. UNF		8	Coupling to blower
48	A 9ACR	5340-99-867-4800	. . . COVER, ACCESS	FV538256	1	
49	A 9ACR	2340-99-867-4804	. . . ADAPTOR, INTAKE, AIR FILTER	FV586091	1	
50	A 9ACR	2510-99-867-4806	. . . BRACKET, AIR FILTER COVER	FV559394	1	
51	A G1	5305-99-941-0512	. . . SCREW, CAP, HEXAGON HEAD, st, Zn pl, hex hd, 1/4in. UNF x 5/8in. lg		17	
52	A G1	5310-99-941-6654	. . . WASHER, LOCK, steel, 1/4in. nom bolt size		19	Air filter to mounting
53	A G1	5310-99-804-7941	. . . NUT, PLAIN, HEXAGON, steel, Zn pl, 1/4in. UNF		5	
54	A 9ACR	4710-99-867-4807	. . . PIPE, STEEL	FV586141	1	Filter to service ind.
55	A 6MT1	4730-99-801-2031	. . . NIPPLE, TUBE, steel, 3/8in. UNF	FV(S)87/2	1	
56	A 6MT1	5330-99-942-8452	. . . GASKET, rubber/steel, rd, 3/8in. nom bolt size	AGS1186-A	2	
57	A 46MT12	2940-99-881-8269	. . . ADAPTOR AND ELEMENT ASSEMBLY, male to male adaptor	FV527353	1	
58		NP	. . . WASHER, SPECIAL	FV361154	2	
59	A 46MT12	2940-99-809-6450	. . . INDICATOR, RESTRICTION, AIR CLEANER, cylindrical w/boss, 1.37in. dia, 2.44in. o/a lg, c/w adaptor 3/8in. UNF male thd	FV537361	1	

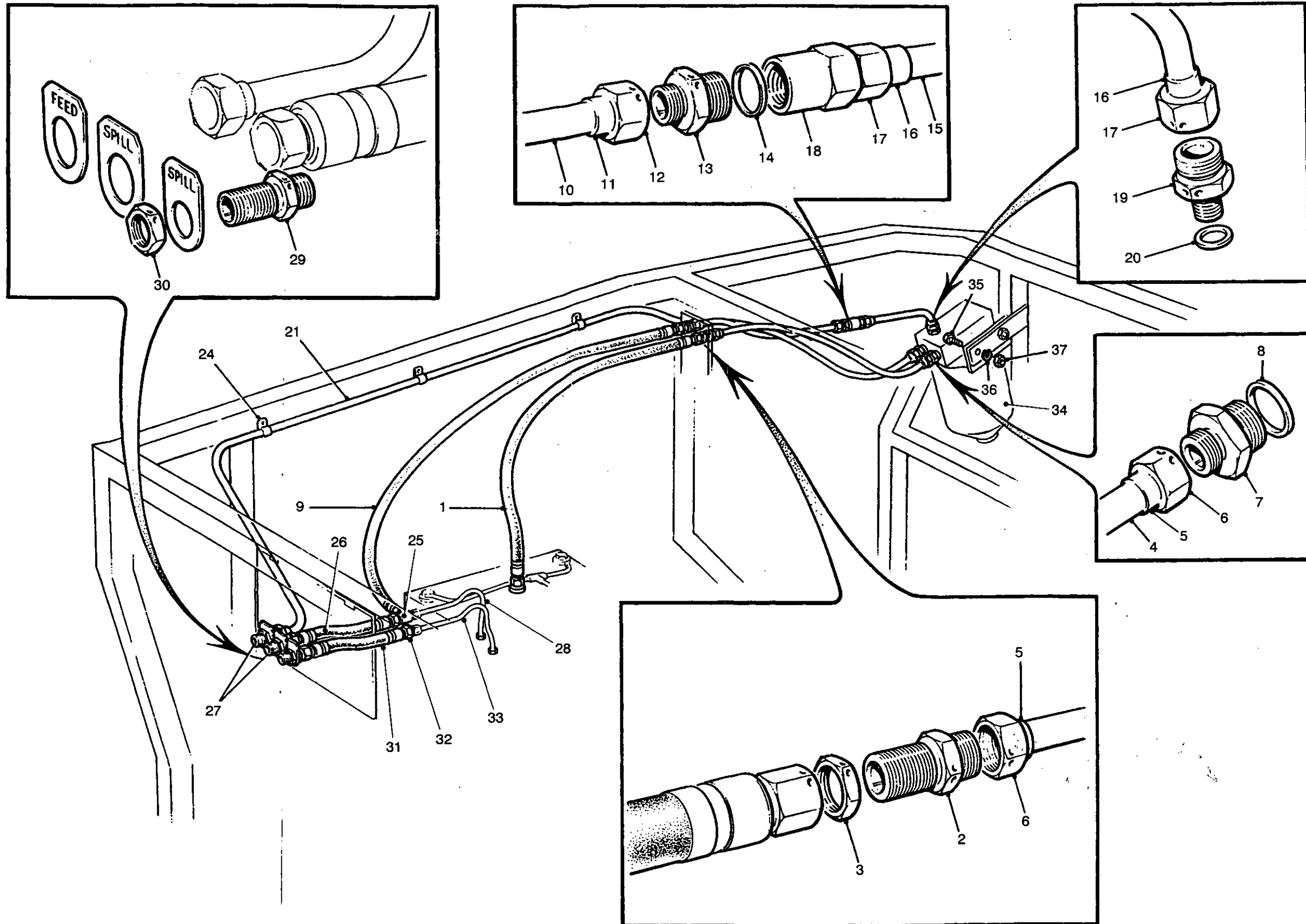


Fig 61 Fuel pipes and fittings

Fig Item	Man Code Navy - N Army - A RAF - R	NATO Stock No	Item Name and Description	Part No/ Drawing No.	No. Off	Annotations
61-			POWER UNIT, DIESEL - contd			
		NP				
1	A	9ACR 2910-99-867-4786	. FUEL PIPES AND FITTINGS . HOSE ASSEMBLY, FUEL FEED	FV559859 FV585736	REF 1	Filter to injector pump
2	A	9ACR 4730-99-865-6839	. NIPPLE, PIPE, 5/8in. UNF	FV538130	2	
3	A	G1 5310-99-941-0908	. NUT, PLAIN, HEXAGON, steel, Zn pl, 5/8in. UNF		4	
4	A	9ACR 4710-99-867-4796	. PIPE, STEEL	FV585760	1	Filter to injector
5	A	6MT1 4730-99-881-5937	. . . FERRULE, BRAZING-SOLDERING, PIPE FITTING, steel, 3/8in. od	FV(S)89/5	2	
6	A	6MT1 4730-99-801-1565	. . . NUT, UNION, PIPE, steel, Cd P, 5/8in. UNF	FV(S)88/5	2	
7	A	9ACR 4730-99-865-6655	. . REDUCER, PIPE, st, Cd P, 5/8in., 3/4in.	FV480334	2	
8	A	6MT1 5330-99-942-8454	. . GASKET, ru/st, rd, 0.774in. min id	AGS1186C C	2	
9	A	9ACR 2910-99-667-4791	. . HOSE ASSEMBLY, FUEL RETURN	FV585738	1	
10	A	9ACR 4710-99-867-4795	. . PIPE, STEEL	FV585762	1	Fuel return
11	A	6MT1 4730-99-881-5937	. . . FERRULE, BRAZING-SOLDERING, PIPE FITTING, steel, 3/8in. od	FV(S)89/5	2	
12	A	6MT1 4730-99-801-1565	. . . NUT, UNION, PIPE, steel, Cd P, 5/8in. UNF	FV(S)88/5	2	
13	A	9ACR 4730-99-867-4793	. . REDUCER, TUBE, st, Cd P, UNF, 5/8in. to 1/2in.	FV585997	1	
14	A	6MT1 5330-99-942-8453	. . GASKET, steel/rubber, 0.540in. id	AGS1186-B	1	
15	A	9ACR 4710-99-867-4794	. . PIPE, STEEL	FV586084	1	
16	A	6MT1 4730-99-881-5937	. . . FERRULE, BRAZING-SOLDERING, PIPE FITTING, steel, 3/8in. od	FV(S)89/5	2	
17	A	6MT1 4730-99-801-1565	. . . NUT, UNION, PIPE, steel, Cd P, 5/8in. UNF	FV(S)88/5	2	
18	A	46MT12 4820-99-747-6310	. . VALVE, SAFETY RELIEF, 13-17 psi opening pressure	FV536612	1	
19	A	9ACR 4730-99-867-4792	. . REDUCER, TUBE, steel, Cd P, UNF, 5/8in. to 3/8in.	FV586083	1	
20	A	46MT12 5330-99-942-8452	. . GASKET, rubber/steel, 0.411in. od	AGS1186A	1	
21	A	9ACR 4710-99-867-4765 -4785	. . PIPE, STEEL	FV585758	1	Fluid filter feed
NI 22	A	6MT1 4730-99-881-5937	. . . FERRULE, BRAZING-SOLDERING, PIPE FITTING, steel, 3/8in. od	FV(S)89/5	2	
NI 23	A	6MT1 4730-99-801-1945	. . . NUT, UNION, PIPE, steel, Cd P, 7/16in. UNF	FV(S)88/3	1	
24	A	6MT1 5340-99-805-0923	. . CLAMP, LOOP, steel, 5/8in. id		3	
25	A	9ACR 4730-99-867-4790	. . TEE, PIPE, 5/8in. female thd, 7/16in. male thd	FV586074	1	
26	A	9ACR 2910-99-867-4787	. . HOSE, ASSEMBLY, FUEL RETURN	FV585870	1	
27	A	9ACR 4730-99-865-6839	. . NIPPLE, PIPE, 5/8in. UNF	FV538130	2	
28	A	9ACR 2910-99-809-2387	. . PIPE, METALLIC, Cu alloy, 8.25in. lg, 0.178in. id, 0.036in. thk x 3.65in. lg, c/w nipples and union nut both ends	FV650863	1	
29	A	9ACR 4730-99-867-4788	. . NIPPLE, TUBE, st, Cd P, 0.438in. UNF ext both ends, 1.28in. o/a lg	FV538490	1	
30	A	G1 5310-99-941-0927	. . NUT, PLAIN, HEXAGON, steel, Zn pl, 7/16in. UNF	BMCFNZ50 7	1	
31	A	9ACR 4720-99-802-5248	. . HOSE, ASSEMBLY, NON-METALLIC, 8-1/2in. lg, 7/16in. UNF nut both ends	FV602690	1	
32	A	9ACR 4730-99-867-4789	. . REDUCER, PIPE, steel, UNF, 3/8in. / 7/16in.	FV560108	1	

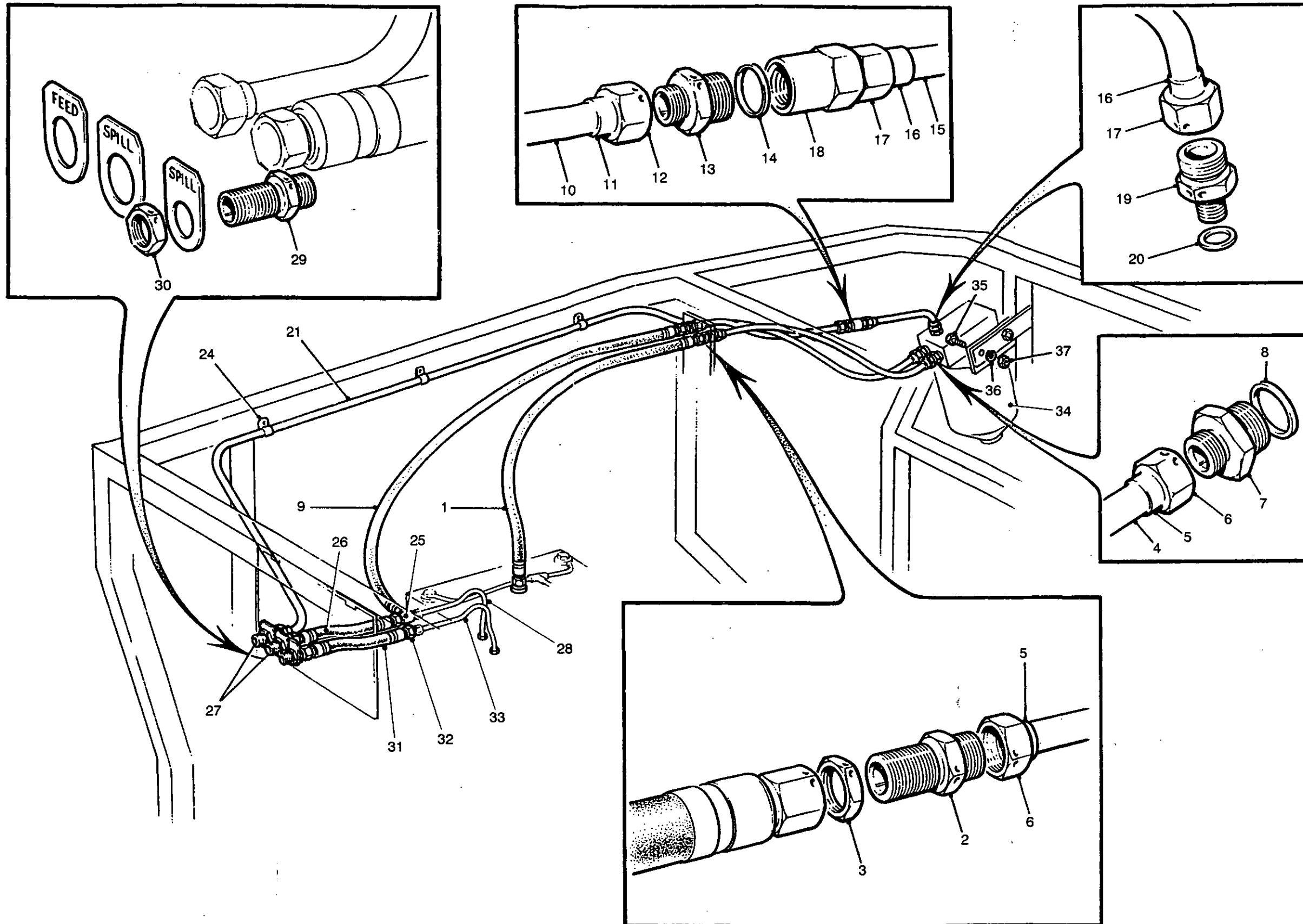


Fig 61 Fuel pipes and fittings

Fig Item	Man Code Navy - N Army - A RAF - R	NATO Stock No	Item Name and Description	Part No/ Drawing No.	No. Off	Annotations
61-			POWER UNIT, DIESEL - contd . FUEL PIPES AND FITTINGS - contd			
33	A 9ACR	2910-99-809-2386	. . PIPE, METALLIC, Cu alloy, 7.30in. lg, 0.115in. id, 0.036in. thk x 4.50in. lg, c/w nipples and union nuts both ends	FV650861	1	
34	A 6MT12	2940-99-881-9536	. . FILTER, FLUID PRESSURE, fuel filter replaceable type	D6444791	1	See Fig 62
35	A G1	5305-99-941-0568	. . SCREW, MACHINE, st, Zn pl, hex hd, 1/2in. UNF, 1-1/4in. lg		2	
36	A G1	5310-99-944-0552	. . WASHER, LOCK, st, single coil, sq sect, Cd P, 1/2in. nom bolt size		2	} Fuel filter to frame
37	A G1	5310-99-941-0928	. . NUT, PLAIN, HEXAGON, steel, Zn plated, 1/2in. UNF		2	

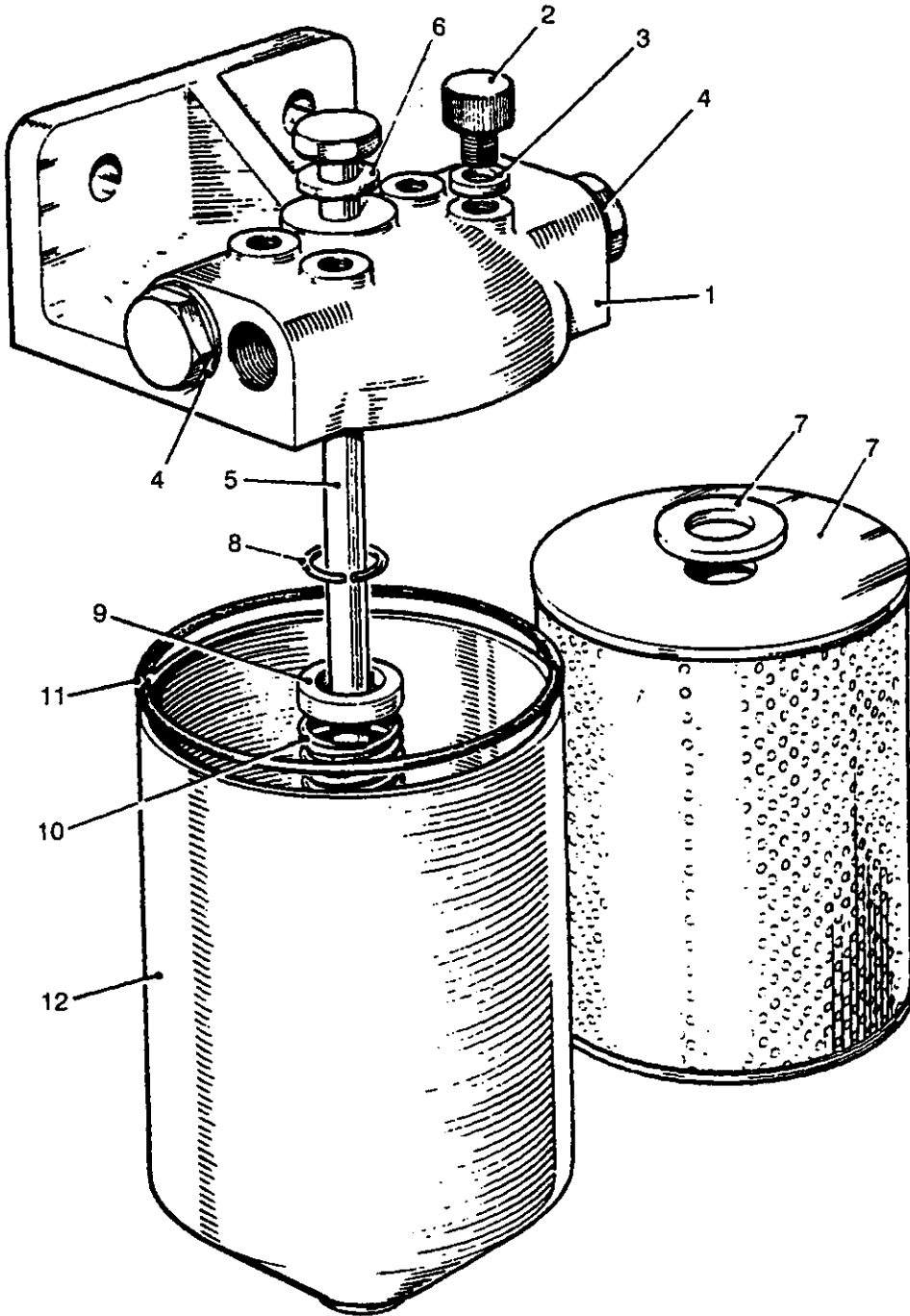


Fig 62 Filter, fluid, pressure

430/70058

Fig Item	Man Code Navy - N Army - A RAF - R	NATO Stock No	Item Name and Description	Part No/ Drawing No.	No. Off	Annotations
62-			POWER UNIT, DIESEL - contd . FUEL PIPES AND FITTINGS - contd			
	A	6MT12	2940-99-881-9536	. . . FILTER, FLUID, PRESSURE, fuel filter replaceable type	D6444791	1
1			NP	. . . HEAD CASTING, SUB-ASSEMBLY		1
2			NP	. . . SCREW, VENT		2
3			NP	. . . SEAL, VENT SCREW		2
4	A	6MT1	5330-99-801-5406	. . . WASHER, FLAT, fibre, rd hole, 3/4in. nom bolt size, 1.00in. od, 1/16in. thk		2
5	A	6MT12	5305-99-881-9534	. . . SCREW, SET, st, 1/2in. UNC x 1- 3/8in. thd lg, 6.687in. fastener lg		1
6	A	6MT12	5330-99-943-4396	. . . WASHER, FLAT, fibre, rd hole, 1/2in. nom bolt size		1
7	A	46MT12	2940-99-829-0150	. . . ELEMENT ASSEMBLY, 4.15in. o/a dia, 4.866in. lg	FV55506	1
8			NP	. . . RING, RETAINING, st, Zn pl, 1/16in. id, 25/32in. od, 3/64in.		1
9	A	46MT12	2910-99-881-9540	. . . PLATE, SPRING	B6445501	1
10	A	46MT12	2940-99-881-9531	. . . SPRING, ELEMENT	C24838FE	1
11	A	6MT1	2940-99-881-9365	. . . RING, SEALING, HEAD CASTING		1
12			NP	. . . CASE, FILTER	C6445483	1

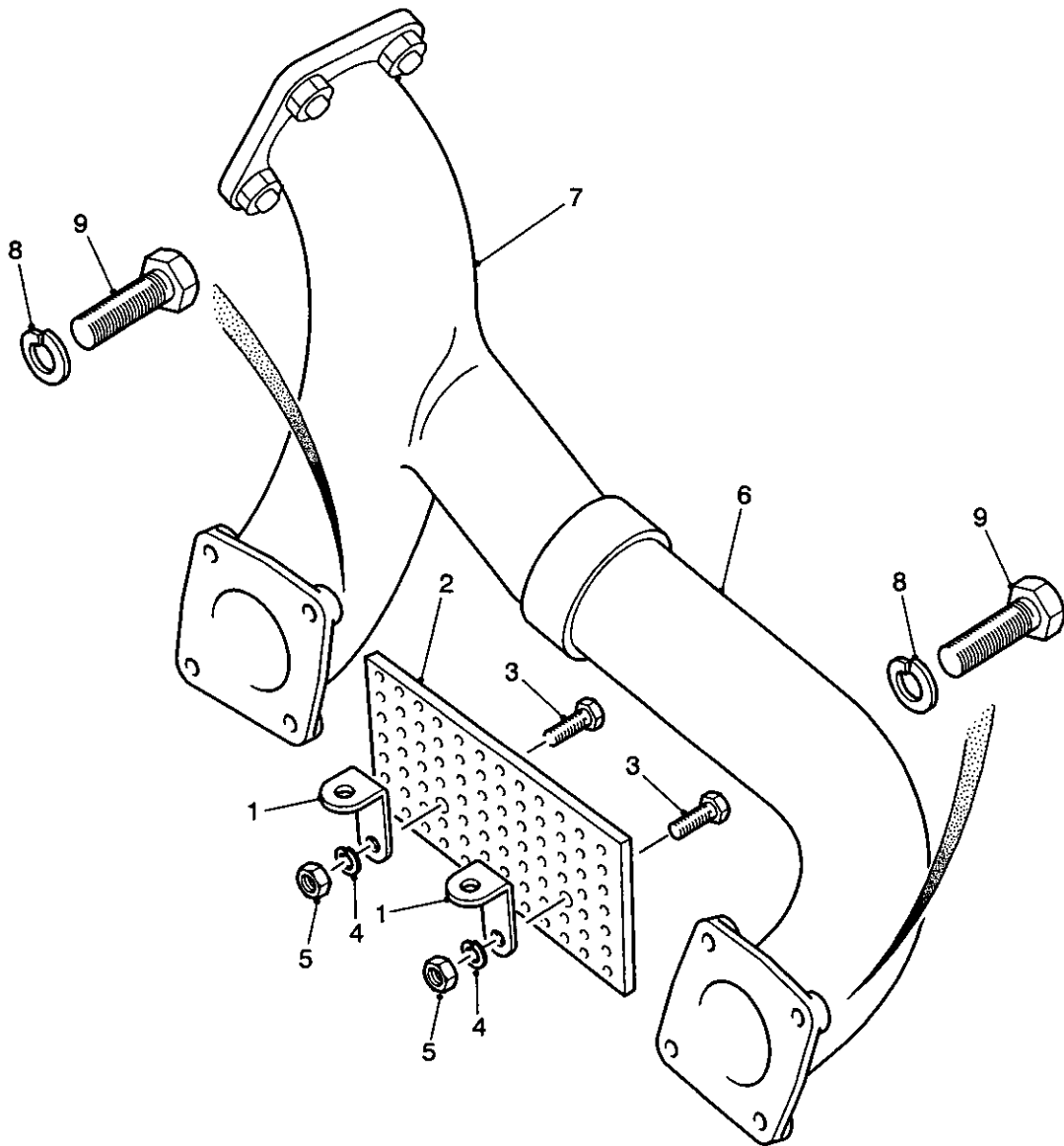


Fig 63 Exhaust pipe assembly

430/70191

Fig Item	Man Code Navy - N Army - A RAF - R	NATO Stock No	Item Name and Description	Part No/ Drawing No.	No. Off	Annotations
63-			POWER UNIT, DIESEL - contd			
1		NP NP	. EXHAUST PIPE ASSEMBLY	FV538657	REF	
2	A	9ACR 2990-99-867-4797	. . BRACKET	FV538911	2	
3	A	G1 5305-99-941-0280	. . HEAT SHIELD, EXHAUST, steel, 8in. x 4in. x 0.187in., perforated rect shape plate w/2 fixing holes	FV2249168	1	
4	A	G1 5310-99-941-6654	. . SCREW, MACHINE, UNF, steel, Zn plated hex, hd, 1/4in. x 1in. lg, class 2A thd		2	
5	A	G1 5310-99-804-7941	. . WASHER, LOCK, steel, split helical ring, 1/4in. bolt size, 27/64in. od, 5/64in. thk		2	
6	A	9ACR 2990-99-866-5508	. . NUT, PLAIN, HEXAGON, UNF, steel, Zn plated, 1/4in. dia -28, class 2B, rh thd, 7/16in. w A/F, 7/32in. h, finished chamfered		2	
7	A	9ACR 2990-99-866-5509	. . PIPE, EXHAUST, engine exhaust assy	FV518138	1	
8	A	G1 5310-99-941-6656	. . PIPE, EXHAUST, engine exhaust assy, branched	FV518137	1	
9	A	G1 5305-99-941-0543	. . WASHER, LOCK, steel, split helical ring, 3/8in. bolt size, 0.092in. thk, 0.59in. od, single coil, sq section		8	
			. . SCREW, MACHINE, 3/8in. UNF, class 2A thd, steel, Zn plated, hex hd, 1-1/4in. lg		8	

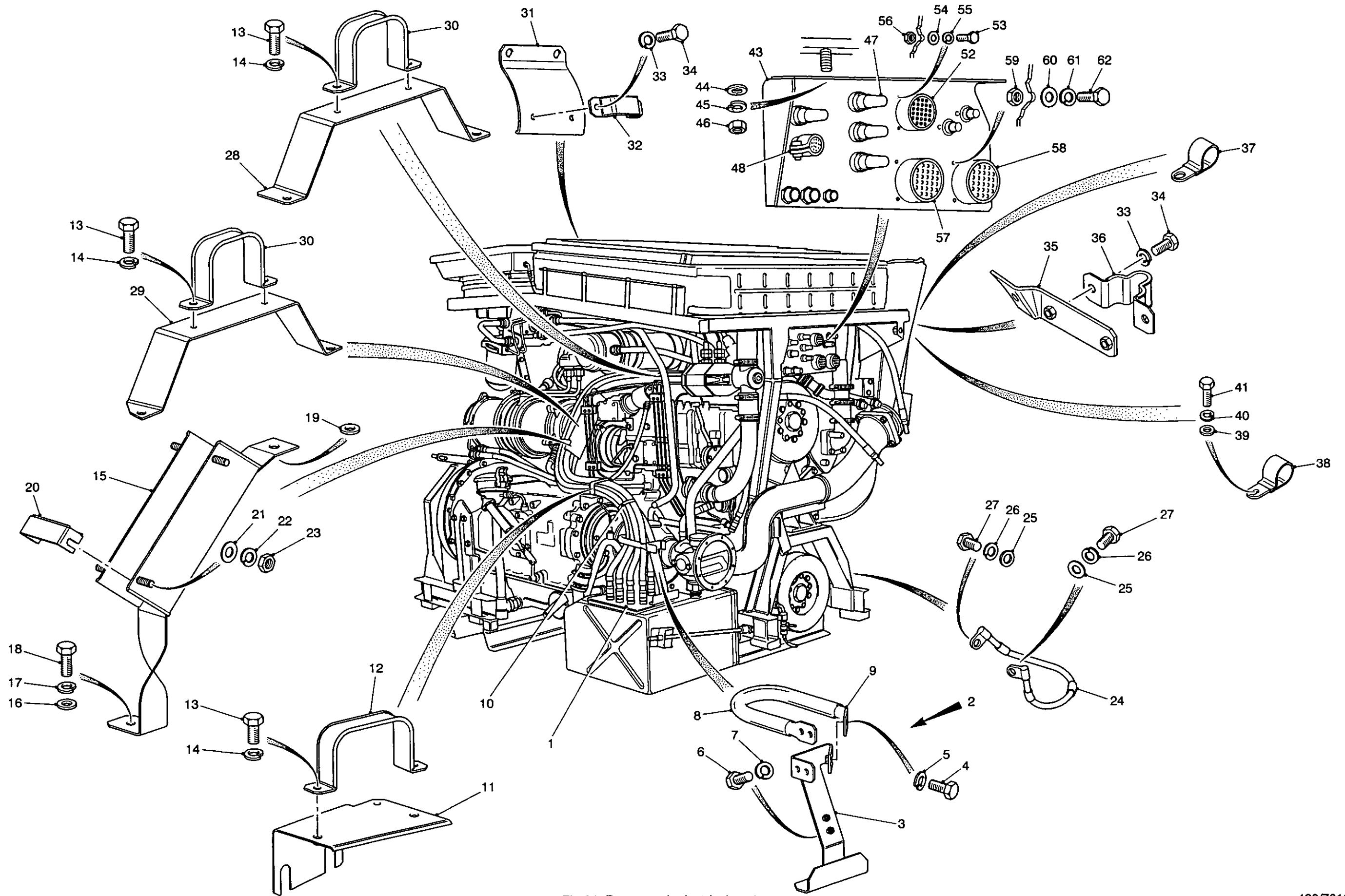


Fig 64 Power pack electrical equipment

Fig Item	Man Code Navy - N Army - A RAF - R	NATO Stock No	Item Name and Description	Part No/ Drawing No.	No. Off	Annotations
64-			POWER UNIT, DIESEL - contd			
		NP	POWER PACK ELECTRICAL EQUIPMENT		REF	
1	A	9ACR	RECTIFIER UNIT, No. 1, Mk 1	FV342588	1	See Fig 65 Harness to rectifier assy
2		NP	SUPPORT ASSEMBLY	FV586093	1	
3	A	9ACR	BRACKET, CABLE RETAINER	FV586094	1	
4	A	G1	SCREW, MACHINE, st, hex hd, Zn pl, 1/4in. UNF x 5/8in. lg		3	
5	A	G1	WASHER, LOCK, st, single coil, sq sect, Cd P, 1/4in.		3	
6		NP	SCREW, MACHINE, steel, hex hd, Zn pl, 2BA x 1/2in. lg		2	
7	A	G1	WASHER, LOCK, st, single coil, sq sect, Cd P, 3/16in.		2	
8	A	6MT6	HOSE, NON-METALLIC, neoprene, 0.438in. id, bulk		A/R	12in. lg
9	A	9ACR	RETAINER, CABLE	FV586098	1	
10		NP	BOWDEN CLIP	850880	8	
11	A	9ACR	BRACKET, POWER UNIT HARNESS	FV585939	1	
12		NP	CLAMP, LOOP	FV585943	1	
13	A	G1	SCREW, MACHINE, st, hex hd, Zn pl, 1/4in. UNF x 1/2in. lg		6	
14	A	G1	WASHER, LOCK, st, single coil, sq sect, Cd P, 1/4in.		6	
15	A	9ACR	BRACKET, POWER UNIT HARNESS	FV585950	1	
16	A	G1	WASHER, FLAT, steel, 3/8in. hole dia		1	
17	A	G1	WASHER, LOCK, st, single coil, sq sect, Cd P, 3/8in.		1	
18	A	G1	SCREW, MACHINE, st, hex hd, Zn pl, 3/8in. UNC x 5/8in. lg		1	
19	A	G1	WASHER, FLAT, steel, Zn pl, 5/16in. hole dia		1	
20		NP	CLAMP, LOOP	FV585949	2	
21	A	G1	WASHER, FLAT, st, Cd P, 2BA		4	Power unit harness to panel
22	A	G1	WASHER, LOCK, st, single coil, sq sect, Cd P, 3/16in.		4	
23	A	G1	NUT, PLAIN, HEXAGON, st, Cd P, 2BA		4	
24		NP	HARNESS, power pack sub-frame to engine	FV166705/5	1	See Fig 67
25	A	G1	WASHER, FLAT, steel, Zn pl, 5/16in. hole dia		1	Securing power pack harness sub-frame to engine
26	A	G1	WASHER, LOCK, steel, single coil, 5/16in. hole dia		1	
27	A	G1	SCREW, MACHINE, st, hex hd, Zn pl, 5/16in. UNF x 3/4in. lg		1	
28	A	9ACR	BRACKET, POWER UNIT HARNESS	FV585945	1	
29	A	9ACR	BRACKET, POWER UNIT HARNESS	FV585947	1	
30		NP	CLAMP, LOOP	FV562680	2	
31	A	9ACR	BRACKET, POWER UNIT HARNESS	FV585937	1	
32		NP	CLAMP, LOOP	FV585942	1	
33	A	G1	WASHER, LOCK, steel, single coil, sq section, Cd plated, 1/4in.		4	
34	A	G1	SCREW, MACHINE, steel, Zn plated, hex hd, 1/4in. UNF x 1/2in. lg		4	
35	A	9ACR	BRACKET, POWER UNIT HARNESS	FV585940	1	
36		NP	CLAMP, LOOP	FV585944	1	
37	A	46MT1	CLAMP, LOOP, insulated	FV651022	1	
38	A	9ACR	CLAMP, LOOP, insulated, 3/4in. loop dia	FV651021	1	

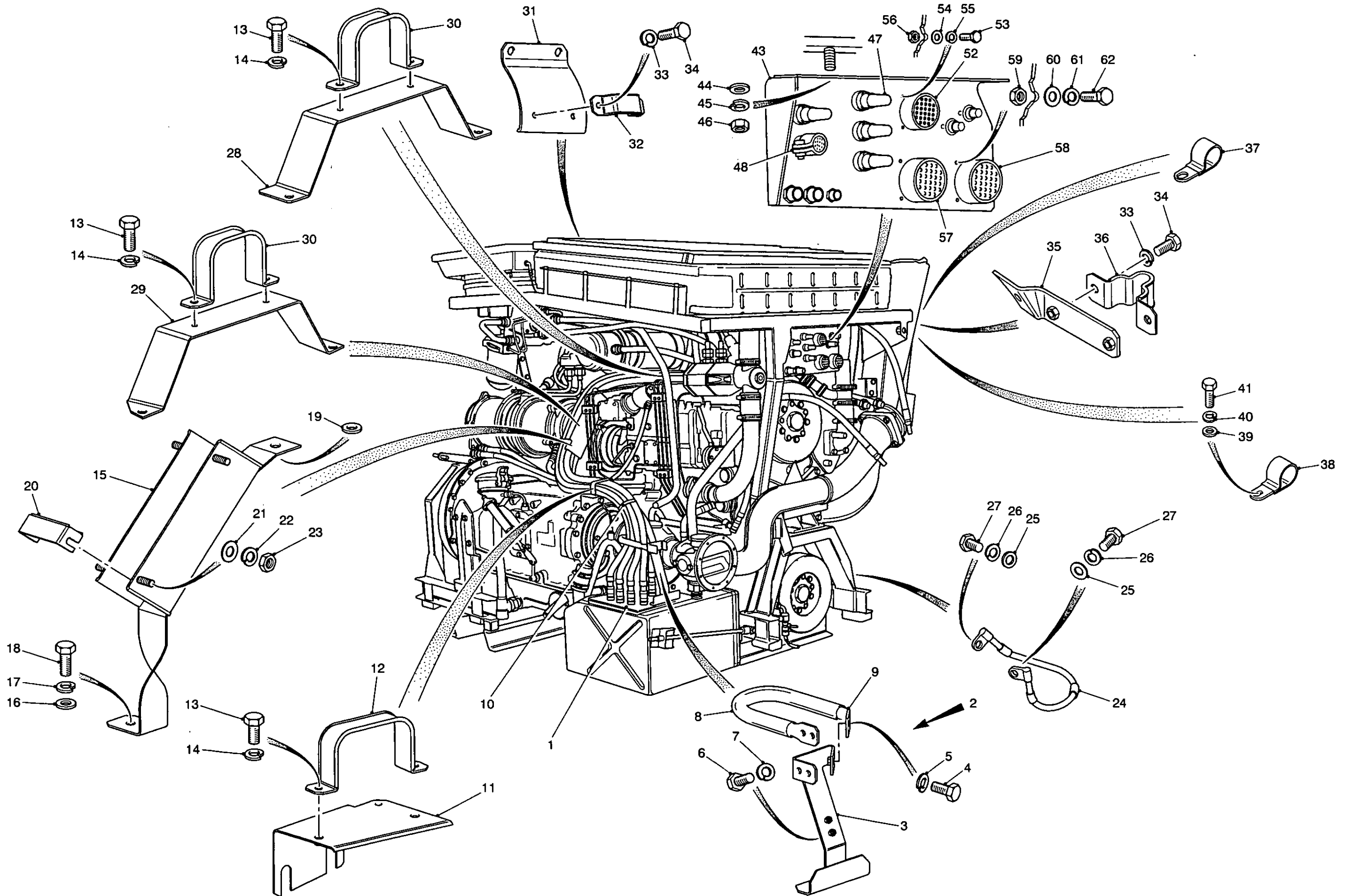


Fig 64 Power pack electrical equipment

430/70192

Fig Item	Man Code Navy - N Army - A RAF - R	NATO Stock No	Item Name and Description	Part No/ Drawing No.	No. Off	Annotations
64-			POWER UNIT, DIESEL - contd . . . POWER PACK ELECTRICAL EQUIPMENT - contd			
39	A G1	5310-99-941-6867	. . . WASHER, FLAT, st, Cd P, 2BA		1	
40	A G1	5310-99-941-6653	. . . WASHER, LOCK, st, single coil, sq sect, Cd P, 3/16in.		1	
41		NP	. . . SCREW, MACHINE, steel, hex hd, Zn pl, 2BA x 1/2in. lg		1	
NI 42	A 46MT4	5905-99-881-3340	. . . RESISTOR, THERMAL, 28V max operating voltage, 40 deg F to 212 deg F, 73.4 ohms to 139.8 ohms zero power resistance	FV494519	1	Gearbox oil temp bulb
43	A 9ACR	2520-99-867-4808	. . . PANEL, POWER PACK JUNCTION	FV559771	1	} Panel to sub-frame
44	A G1	5310-99-956-1786	. . . WASHER, FLAT, steel, Zn pl, 5/16in. hole dia		2	
45	A G1	5310-99-941-6655	. . . WASHER, LOCK, steel, single coil, 5/16in. hole dia		2	
46	A G1	5310-99-941-0925	. . . NUT, PLAIN, HEXAGON, steel, Zn pl, 5/16in. UNF		2	
47	A 46MT4	5935-99-805-0012	. . . CONNECTOR, RECEPTACLE, ELECTRICAL	QRA59	4	
48	A 46MT4	5935-99-805-0007	. . . CONNECTOR, RECEPTACLE, ELECTRICAL, single mating end, 2.688in. lg x 0.938in. dia	QRA54	1	
NI 49	A 9ACR	5970-99-813-6259	. . . INSULATOR, ANGLE BRACKET, plastics, 2.2in. x 1.25in. x 1.25in., w/hole 13/32in. dia	FV2249161	2	
NI 50	A 9ACR	5970-99-813-6258	. . . THERMAL BARRIER, plastics, 2.2in. x 1.5in. x 0.125in. channel section, w/hole 13/32in. dia	FV2249163	2	
NI 51	A 9ACR	5970-99-813-6260	. . . INSULATOR, ANGLE BRACKET, plastics, 2.2in. x 1.25in. x 1.25in., w/hole 13/32in. dia	FV2249162	1	
52	A 6MT4	2590-99-777-6039	. . . WIRING, HARNESS, BRANCHED, PPJ, engine servo to EJB, thermostat gearbox oil and rectifier unit	FV324244/2	1	See Fig 67
53	A G1	5305-99-941-6829	. . . SCREW, MACHINE, st, hex hd, Cd P, 6BA x 1/2in. lg		4	} Engine services harness to panel
54	A G1	5310-99-940-3515	. . . WASHER, FLAT, steel, Cd P, 1/8in. hole dia		4	
55	A G1	5310-99-944-0545	. . . WASHER, LOCK, st, single coil, sq sect, Cd P, 1/8in.		4	
56	A G1	5310-99-948-0015	. . . NUT, PLAIN, HEXAGON, st, Cd P, 6BA		4	
57	A 6MT4	2590-99-817-0826	. . . WIRING HARNESS, 5ft 7in. lg, PPJ alt front to alt front	FV582681/1 4	1	See Fig 67
58	A 6MT4	2590-99-301-1214	. . . WIRING HARNESS, 7 conductors, 6ft 7in. lg, PPJ alt rear to alt rear	FV582681/1 3	1	See Fig 67
59		NP	. . . SCREW, MACHINE, steel, hex hd, Zn pl, 4BA x 3/8in. lg		8	} Alternator harness front and rear to panel
60	A G1	5310-99-954-7408	. . . WASHER, FLAT, steel, Zn pl, 4BA		8	
61	A G1	5310-99-915-0628	. . . WASHER, LOCK, st, single coil, sq sect Cd P, 4BA		8	
62	A G1	5310-99-417-9189	. . . NUT, PLAIN, HEXAGON, steel, Zn pl, 4BA		8	

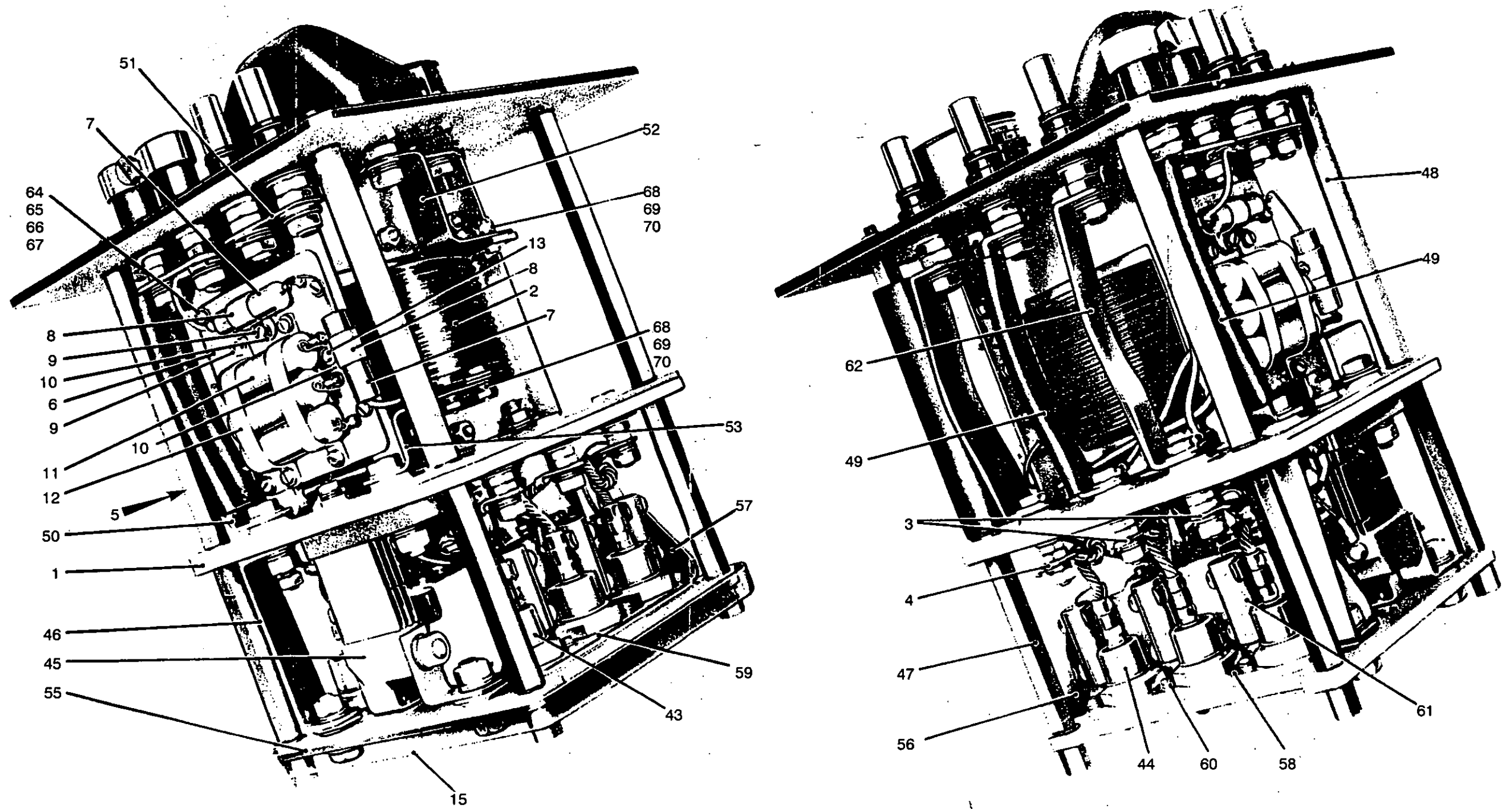


Fig 65 Rectifier unit

430/70120

Fig Item	Man Code Navy - N Army - A RAF - R	NATO Stock No	Item Name and Description	Part No/ Drawing No.	No. Off	Annotations
65-			POWER UNIT, DIESEL - contd POWER PACK ELECTRICAL EQUIPMENT - contd			
1	A	9ACR	RECTIFIER UNIT, No. 1, Mk 1	FV342588	1	
2	A	46MT4	PLATE, MOUNTING	W165191	1	
3	A	46MT4	REACTOR, rectifier unit	W166860	1	
4		NP	BUS BAR	W159903	2	
5		NP	BUS BAR	W159908	1	
6	A	46MT4	PLATE, assy suppression	W166856	1	
7	A	Z31	PLATE, MOUNTING, rectifier unit, No. 1 MK 1	W166857	1	
8		NP	CAPACITOR, fixed, plastic dielectric, metallized electrode	R30-9496- 53	2	
9	A	G1	CLAMP, cable	NK8610	2	
10		NP	SCREW, MACHINE, No. 6 UNC x 3/8in. lg		5	
11	A	Z31	WASHER, LOCK, phosph, bronze, spring, double coil, 4BA	NK7303	6	
12		NP	CAPACITOR, fixed, plastic dielectric, metallized electrode, tub plas case, 2.0 µF 250V dc	281P20503 S2	3	
13	A	G1	CLAMP, capacitor	W166859	2	
NI 14		NP	NUT, PLAIN, HEXAGON, st, chamf, Zn pl, No. 6 UNC	132669	1	
NI 15		NP	COVER, rectifier unit	W159881	1	
NI 16	A	9ACR	COVER, base	W159935	1	
NI 17	A	G1	CAPACITOR ASSEMBLY, bracket mounting, sq board, 110mm lg x 90mm w x 40mm h w/5 capacitors	80222232	1	Alternative to W166856
NI 18		NP	NUT, PLAIN, HEXAGON, st, No. 6 UNC		1	
NI 19	A	G1	WASHER, LOCK, st, double coil, 6BA		3	
NI 20	A	G1	SCREW, MACHINE, st, pan hd, No. 6 UNC x 3/8in. lg		2	
NI 21	A	G1	SCREW, MACHINE, st, csk hd, No. 4 UNC x 3/8in. lg		1	
NI 22	A	G1	WASHER, FLAT, steel, 4BA bolt size		1	
NI 23	A	G1	WASHER, LOCK, st, split helical ring, 1/8in. id		1	
NI 24	A	Z31	NUT, PLAIN, HEXAGON, st, No. 4 UNC		1	
NI 25	A	Z31	CAPACITOR, fixed metallized paper-plastic dielectric	218P47403 S2	2	
NI 26		NP	CAPACITOR, metal case, un- insulated 300V dc, w/2 terminals	218P0503S 2	3	
NI 27		NP	BOARD, group assembly	W166853	1	
NI 28	A	Y3	BOARD, group, sub-assembly	W166854	1	
NI 29		NP	INSULATION, SLEEVING, ELECTRICAL, PVC, 1.5mm		6	
NI 30		NP	DIODE, silicon 400V	W15068-22	A/R	
NI 31	A	G1	TERMINAL, LUG, eyelet	W65648-2	9	
NI 32		NP	WASHER, FLAT, brass, small, 6BA		1	
NI 33		NP	SCREW, MACHINE, br, ch hd, 6BA x 3/8in. lg		3	
		NP	TERMINAL, LUG, eyelet	W109591	3	

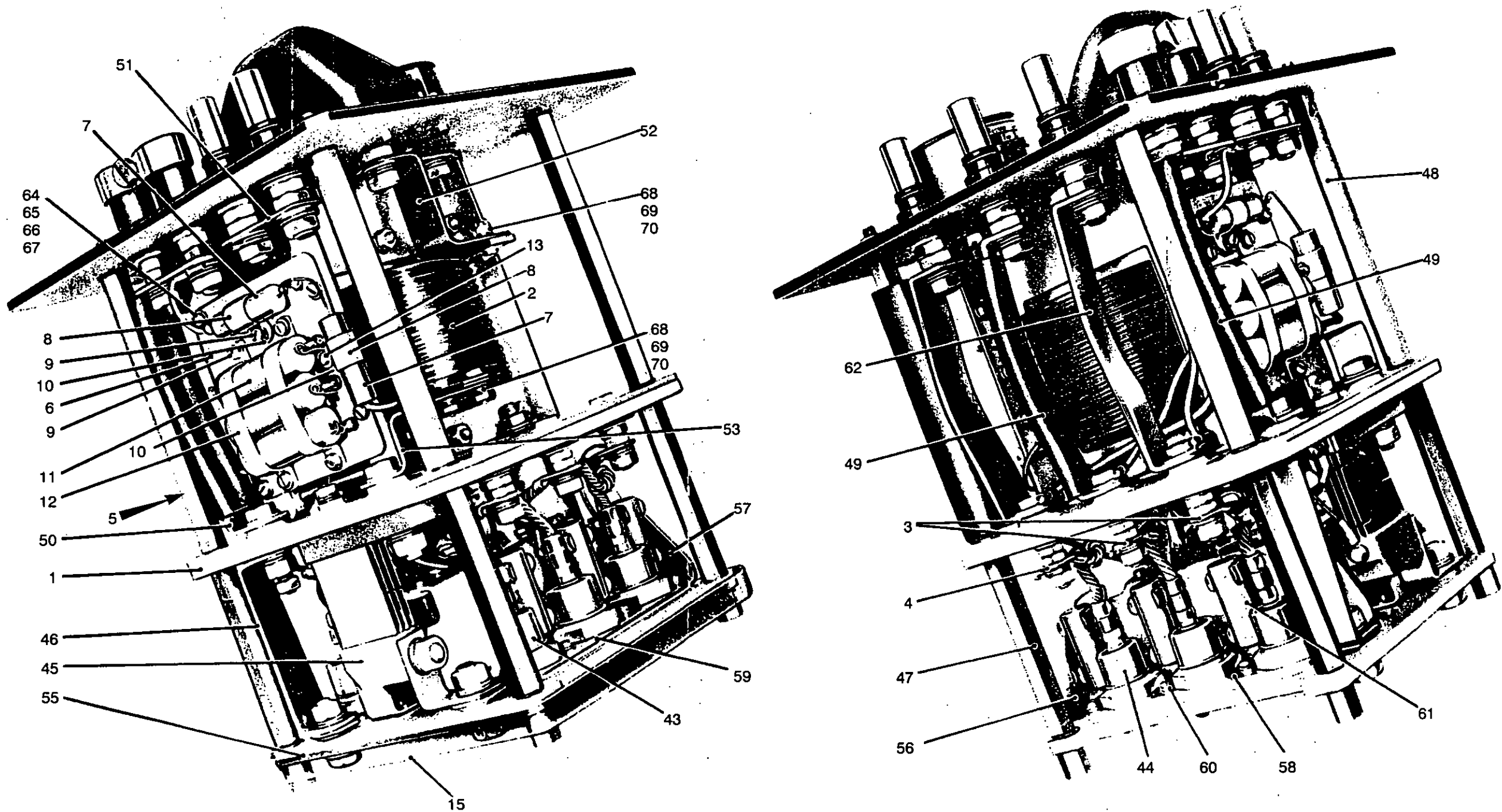


Fig 65 Rectifier unit

Fig Item	Man Code Navy - N Army - A RAF - R	NATO Stock No	Item Name and Description	Part No/ Drawing No.	No. Off	Annotations
65-			POWER UNIT, DIESEL - contd POWER PACK ELECTRICAL EQUIPMENT - contd RECTIFIER UNIT, No. 1, Mk 1 - contd			
NI 34	A 9ACR	2920-99-251-5744	GROUP BOARD ASSEMBLY, 110mm lg x 55mm w x 27mm h, w/3 capacitors and 3 diodes mtd in line	80226757	1	Alternative to W166853
NI 35	A Z31	5910-99-251-5754	CAPACITOR, fixed metallized paper-plastic dielectric, metal case, 300V dc w/2 terminals	218P10503 S2	9	
NI 36		NP	SEMI-CONDUCTOR DEVICE, DIODE, 6BA, c/w 10-32 UNF nut and 2BA washer	80226120	3	
NI 37	A 46MT4	5310-99-580-6759	NUT, PLAIN, HEXAGON, st, No. 10 UNF		3	
NI 38		NP	NUT, SELF-LOCKING HEXAGON, bronze, 6BA		3	
NI 39	A G1	5305-99-913-4012	SCREW, MACHINE, br, fil hd, 6BA		3	
NI 40		NP	WASHER, FLAT, brass, 6BA		6	
NI 41	A G1	5310-99-100-9752	WASHER, FLAT, br, 3/16in. id		3	
NI 42	A G1	5310-99-946-9796	WASHER, SPRING TENSION, cu, 13/64in. id		3	
43	A Z42	5961-99-037-3870	SEMI-CONDUCTOR DEVICE, DIODE	45LR20	3	
44	A Z42	5961-99-037-3809	SEMI-CONDUCTOR DEVICE, DIODE	CV7556/45L 20	3	
45		NP	SHUNT, INSTRUMENT, 300A, 75mV	W167265	1	
46		NP	BUS BAR	W162069	1	
47		NP	SPACER SCREWED	W159911	4	
48		NP	SPACER, SCREWED	W159913	4	
49		NP	INSULATION, SLEEVING	W155787/2 59	2	
50		NP	BUS BAR	W159914	1	
51		NP	BUS BAR	W165188	1	
52		NP	BUS BAR	W167107	1	
53		NP	BUS BAR	W166862	1	
NI 54	A 46MT4	5970-99-881-6524	BOARD ASSEMBLY, INSULATING	W166847	1	
55		NP	BOARD, insulating	W166846	1	
56		NP	HEAT SINK, assy	W166849	1	
57		NP	HEAT SINK, assy	W166849/1	1	
58		NP	BUS BAR	W166851	1	
59		NP	BUS BAR	W166851/1	1	
60		NP	TERMINAL, LUG, eyelet	W65648/2	6	
61	A Z31	5910-99-209-1535	CAPACITOR, FIXED, plastic dielectric, metallized electrode, tub plas case, 1.0µF 250V dc	93255292	6	
62		NP	BUS BAR	W161960	3	
NI 63		NP	CLAMP, cable	NK8602	2	
64	A G1	5305-99-941-8615	SCREW, MACHINE, st, fil hd, Cd P, slotted, No. 6 UNC x 7/16in. lg		4	
65	A G1	5310-99-941-6869	WASHER, FLAT, st, rd, 0.152in. id x 0.296in. od x 0.028in. thk		4	
66	A G1	5310-99-941-6652	WASHER, LOCK, single tum, flat sect, 4BA		4	
67	A G1	5310-99-941-2406	NUT, PLAIN, HEXAGON, st, chamfered, Zn pl, No. 6 UNC		4	

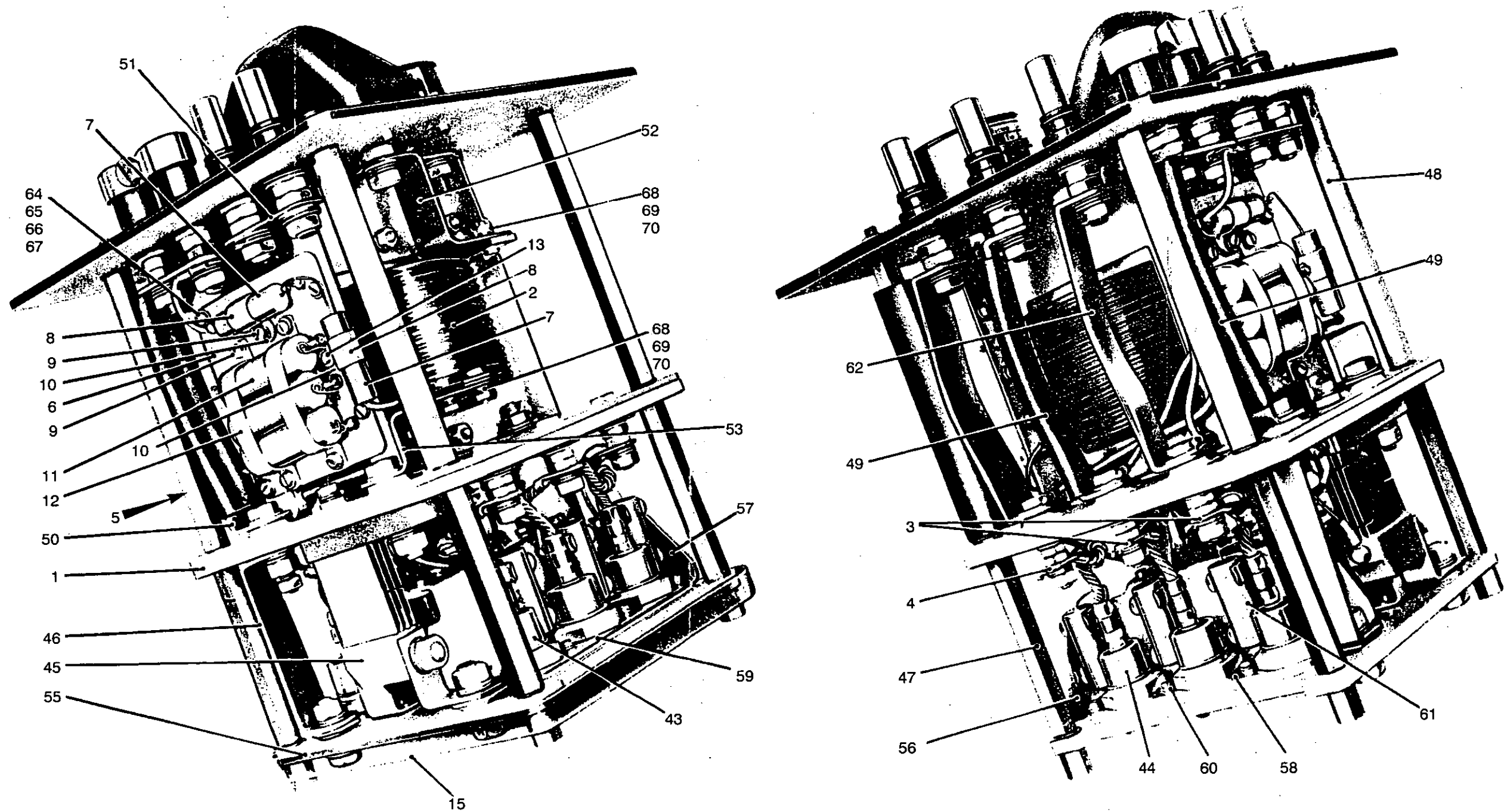


Fig 65 Rectifier unit

430/70120

Fig Item	Man Code Navy - N Army - A RAF - R	NATO Stock No	Item Name and Description	Part No/ Drawing No.	No. Off	Annotations
65-			POWER UNIT, DIESEL - contd . POWER PACK ELECTRICAL EQUIPMENT - contd . . RECTIFIER UNIT, No. 1, Mk 1 - contd			
68		NP	. . . WASHER, LOCK, phosph bronze, double coil, 0.157in. id x 0.286in. od x 0.032in. thk, BA		4	
69	A G1	5310-99-943-7455	. . . WASHER, FLAT, br, rd, tin pl, 0.157/0.152in. id, 0.301/0.296in. od, 0.208in. thk		4	
70		NP	. . . NUT, PLAIN, HEXAGON, st, 0.1150/0.125in. o/a h, No. 6 UNC		4	

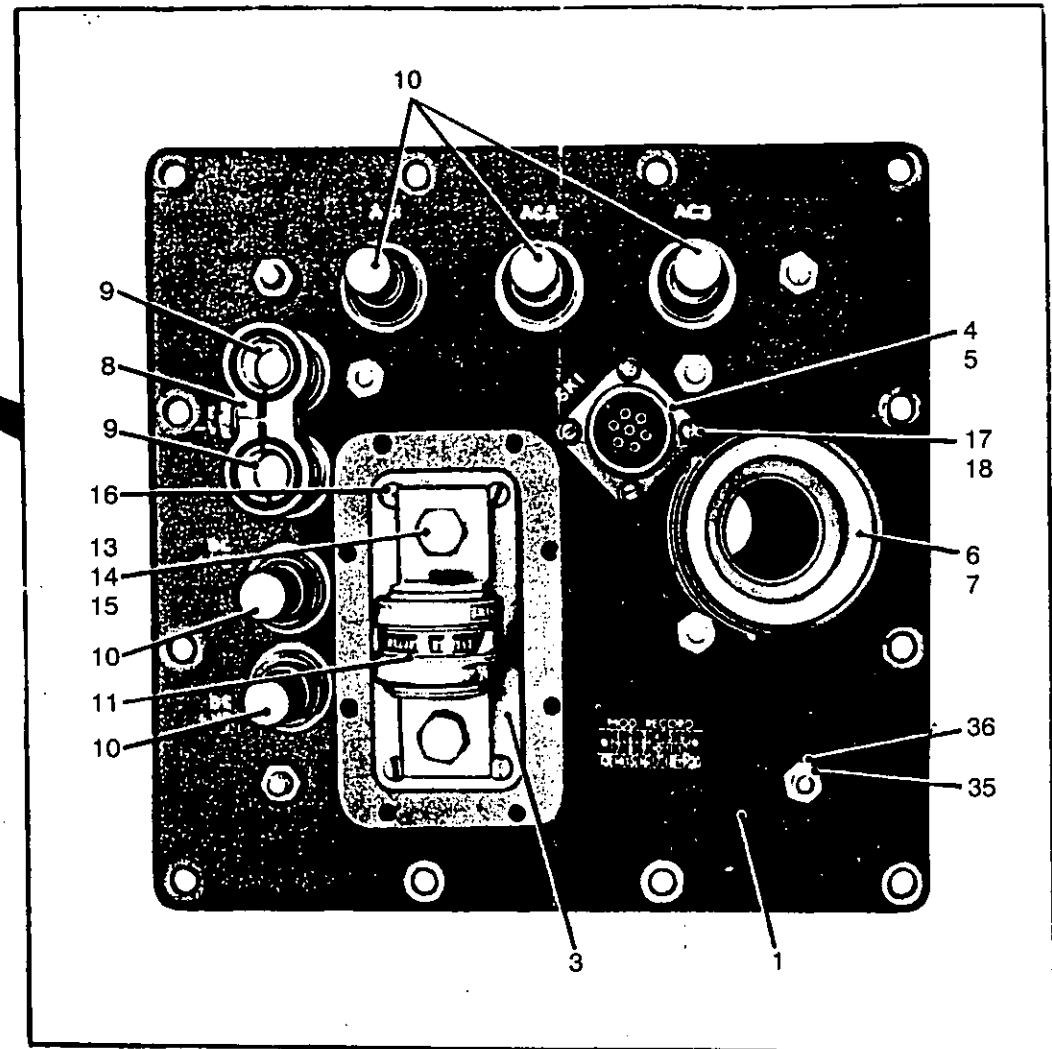
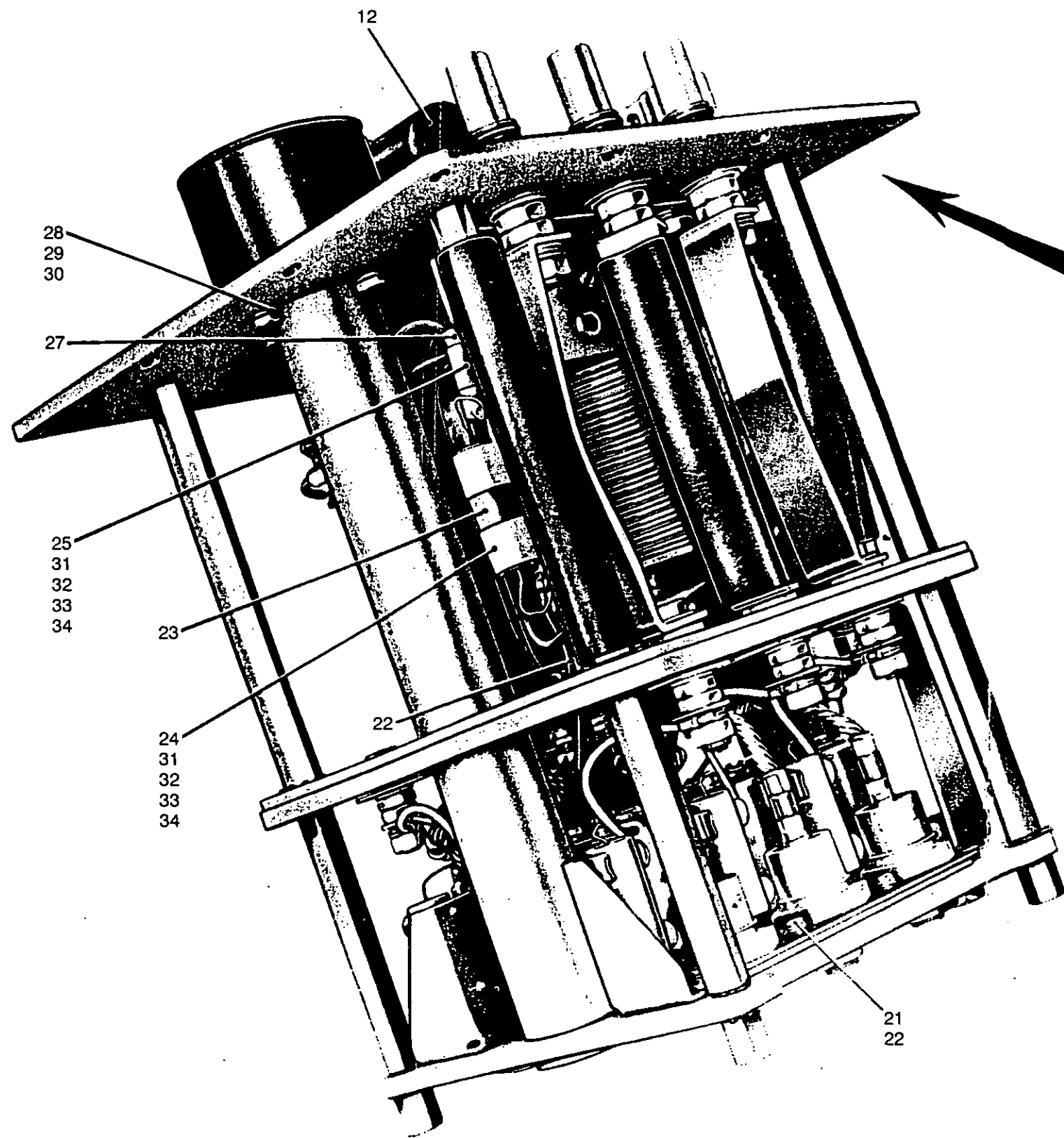


Fig 66 Rectifier unit

Fig Item	Man Code Navy - N Army - A RAF - R	NATO Stock No	Item Name and Description	Part No/ Drawing No.	No. Off	Annotations
66-			POWER UNIT, DIESEL - contd . POWER PACK ELECTRICAL EQUIPMENT - contd . . . RECTIFIER UNIT - contd			
1		NP	. . . PLATE, assy top	W165173	1	
NI 2	A 6MT4	5920-99-881-6513	. . . GASKET	W165172	1	
3	A 46MT4	5940-99-881-6512	. . . TERMINAL BOARD, insulation assy	W165171	1	
4	A 46MT4	5935-99-881-9666	. . . CONNECTOR, FIXED, ELECTRICAL, fixed, 16S-1S	FV585014	1	
5	A 46MT4	5330-99-881-4002	. . . GASKET, shell, size 16S	D10-36675-16	1	
6	A 46MT4	2590-99-881-6506	. . . TUBE AND FLANGE ASSEMBLY, rectifier unit	W159929-1	1	
7		NP	. . . GASKET, oil outlet	W159932	1	
8	A 46MT4	5935-99-805-0020	. . . RETAINER, ELECTRICAL PLUG/SOCKET	QRD1006	1	
9	A 46MT4	5935-99-805-0007	. . . SOCKET, ELECTRICAL, heavy duty, 280 amp	QRA54	2	
10	A 46MT4	5935-99-805-0012	. . . CONNECTOR, RECEPTACLE, ELECTRICAL	QRA59	5	
11	A 46MT4	5920-99-204-8160	. . . FUSE LINK, CARTRIDGE, heavy duty, 250 amp	GS150-250		
12	A 9ACR	5920-99-881-6508	. . . COVER, FUSE, rectifier unit	W165166	1	
13	A G1	5305-99-941-3185	. . . SCREW, CAP, HEXAGON HEAD, br, hex hd, tin pl, 5/16in. UNF x 1.00in. lg		4	Reduce to 1/2in.
14	A G1	5310-99-971-3810	. . . WASHER, FLAT, 5/16in. brass		4	
15	A G1	5310-99-941-6678	. . . WASHER, LOCK, 5/16in. double coil		4	
16	A G1	5305-99-941-1950	. . . SCREW, MACHINE, st, flat, csk hd, slotted, No. 6 UNC x 1/2in. lg		4	
17	A G1	5305-99-941-2300	. . . SCREW, MACHINE, st, Cd P, fil hd, slotted, No. 4 UNC x 5/16in. lg		4	
18		NP	. . . WASHER, SPRING TENSION, beryllium cu, crinkle, 0.125in. id x 0.250in. od x 0.006in. thk		4	
NI 19	A G1	5305-99-941-2314	. . . SCREW, MACHINE, st, Cd P, fil hd, slotted, No. 6 UNC x 5/8in. lg		8	Reduce to 9/16in. Securing fuse cover
NI 20	A G1	5310-99-912-8182	. . . WASHER, LOCK, double coil, 4BA		8	
21	A G1	5305-99-941-2300	. . . SCREW, MACHINE, st, Cd P, fil hd, slotted, No. 4 UNC x 5/16in. lg		4	
22		NP	. . . WASHER, LOCK, steel, double coil, 6BA		6	
23	A Z31	5910-99-954-8415	. . . CAPACITOR FIXED, PLASTICS DIELECTRIC	R30-9494-53	1	
24		NP	. . . CLAMP, cable	NK8610	2	
25		NP	. . . CLAMP, cable	NK8602	1	
26		NP	. . . INSULATION SLEEVING	W155787/260	1	
27		NP	. . . SLEEVE, IDENTIFICATION CABLE, 3mm id x 1.00in. white	W155787/47	1	
28	A G1	5306-99-948-2406	. . . BOLT, MACHINE, st, hex hd, No. 10 UNF x 0.407in. lg		4	
29	A G1	5310-99-940-3514	. . . WASHER, FLAT, special, generator and alternator		4	
30	A G1	5310-99-941-6643	. . . WASHER, LOCK, single coil, 2BA		4	
31	A G1	5305-99-941-8315	. . . SCREW, MACHINE, st, fil hd, Cd P, slotted, No. 6 UNC x 7/16in. lg		3	
32	A G1	5310-99-911-6869	. . . WASHER, FLAT, st, 0.152in. x 0.296in. x 0.028in. thk		3	

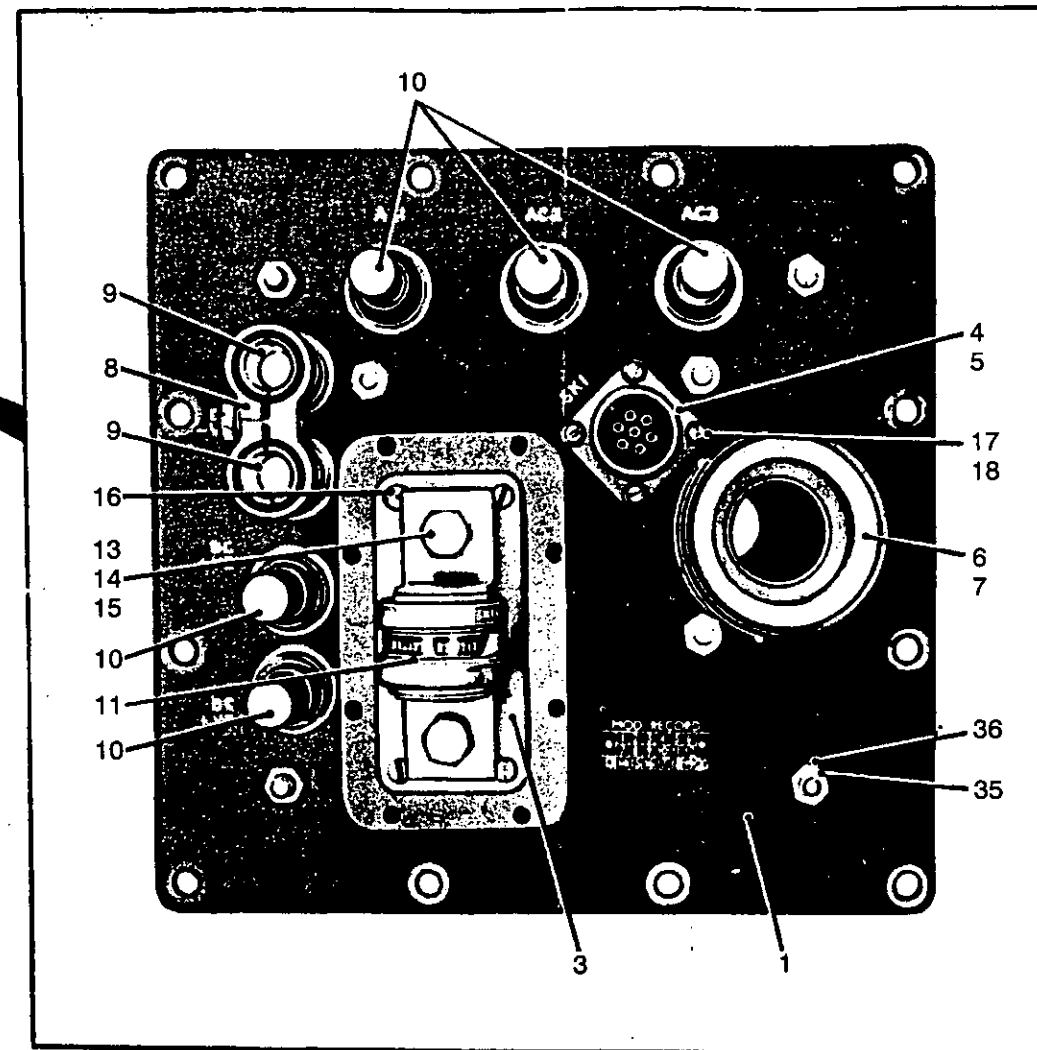
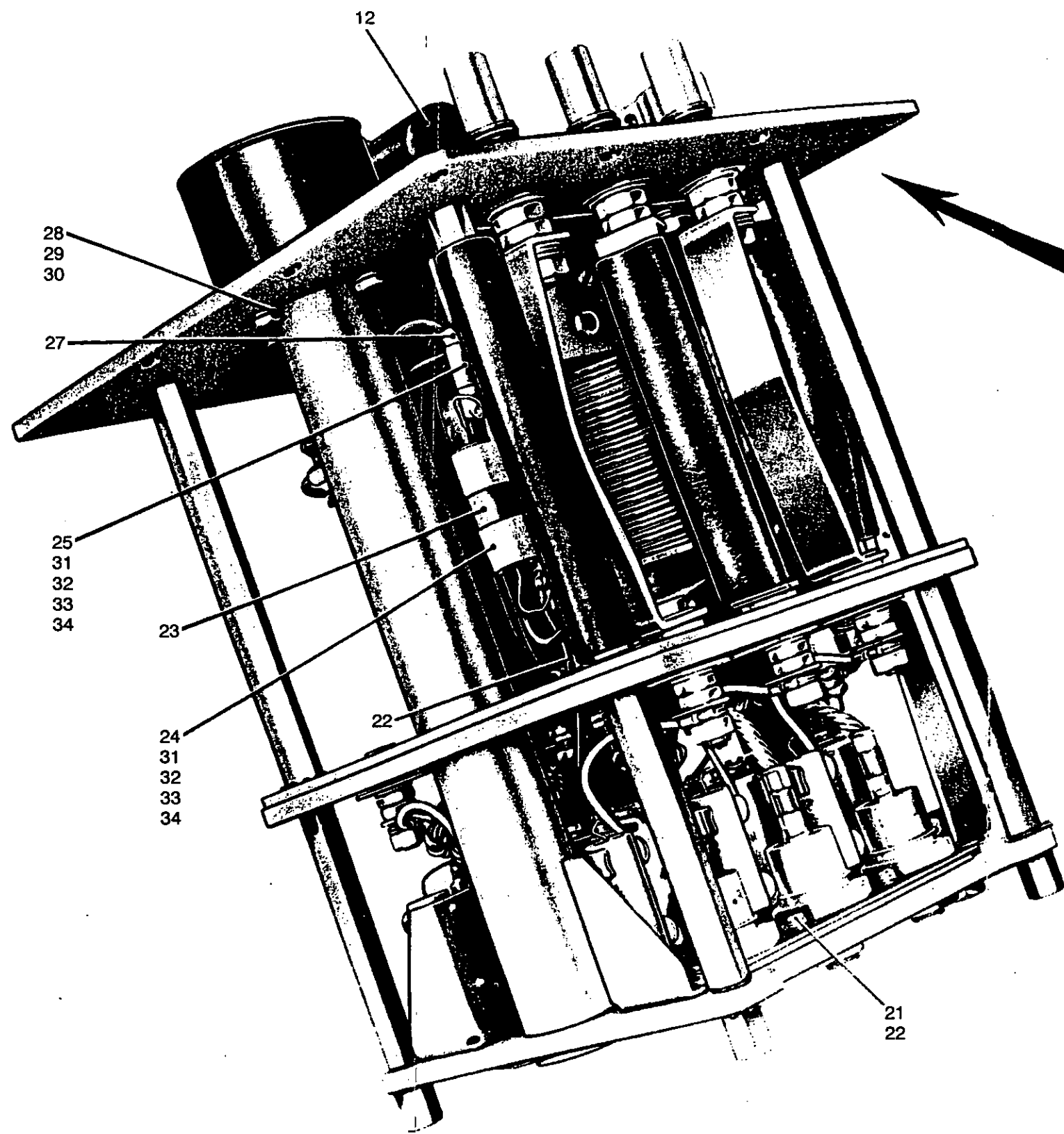


Fig 66 Rectifier unit

Fig Item	Man Code Navy - N Army - A RAF - R	NATO Stock No	Item Name and Description	Part No/ Drawing No.	No. Off	Annotations
66-			POWER UNIT, DIESEL - contd . POWER PACK ELECTRICAL EQUIPMENT - contd . . RECTIFIER UNIT - contd			
33	A G1	5310-99-941-6652	. . . WASHER, LOCK, single tum, flat sect, 4BA		3	
34	A G1	5310-99-941-2406	. . . NUT, PLAIN, HEXAGON, st, chamfered, Zn pl, No. 6 UNC		3	
35	A G1	5310-99-941-6306	. . . NUT, PLAIN, HEXAGON, st, chamfered, Cd P, 1/4in. UNF		4	
36	A G1	5310-99-941-8921	. . . WASHER, FLAT, st, Cd P, 1/4in.		4	

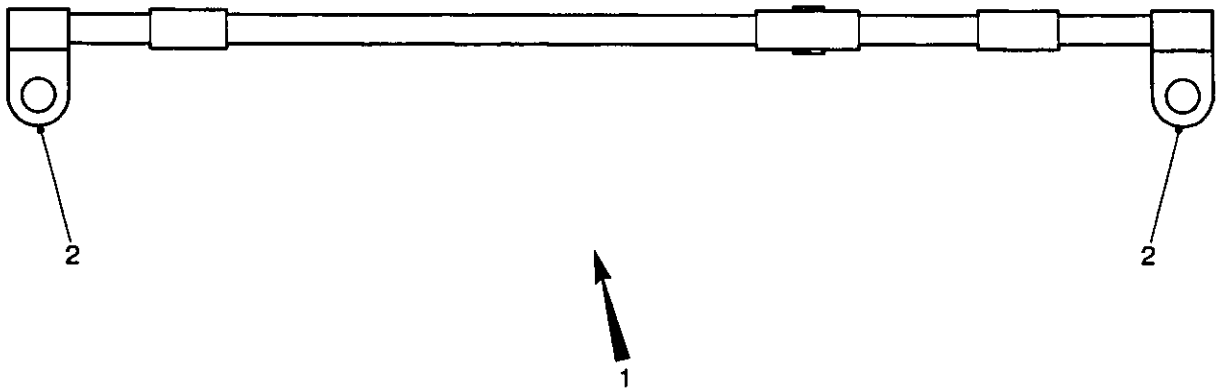


Fig 67 Wiring harnesses

430/70193

Fig Item	Man Code Navy - N Army - A RAF - R	NATO Stock No	Item Name and Description	Part No/ Drawing No.	No. Off	Annotations
67-			POWER UNIT, DIESEL - contd . POWER PACK ELECTRICAL EQUIPMENT - contd			
1		NP NP	. . . WIRING, HARNESSSES		REF 1	
2	A	Z37	. . . WIRING, HARNESS, power sub-frame, to engine	FV166705/5	1	
NI 3	A	6MT4	. . . TERMINAL, LUG	FV925652	2	
NI 4	A	6MT4	. . . WIRING, HARNESS, 7 conductors, 6ft 7in. lg, PPJ alt rear to alt rear	FV582681/1 3	1	See items 5 to 9
NI 5	A	6MT4	. . . WIRING, HARNESS, 5ft 7in. lg, PPJ alt front to alt front	FV582681/1 4M	1	
NI 6	A	6MT4	. . . SOCKET, ELECTRICAL, free, 28S- 10S	FV585068	1	
NI 7	A	6MT4	. . . PLUG, ELECTRICAL, free, 28S-7P	FV585029	1	
NI 8	A	6MT4	. . . GROMMET, RUBBER	FV585092	1	
NI 9	A	6MT4	. . . FOLLOWER, RING, GROMMET, AI, 1.200in. id, 1-7/16in. od	FV585103	1	
NI 10	A	6MT4	. . . NUT, BUSHING RETAINER, ELECTRICAL PLUG-SOCKET	FV585111	1	
NI 11	A	6MT4	. . . WIRING, HARNESS BRANCHED, 3ft 1-1/2in. lg, 4 branches, power pack junction, engine servo to engine junction box and thermostat gearbox and rectifier unit	FV324244/2	1	
NI 12	A	46MT4	. . . CONNECTOR, RECEPTACLE, ELECTRICAL, fixed, 22-14	FV585020	1	
NI 13		NP	. . . ADAPTOR, ASSEMBLY, ELECTRICAL CONNECTOR, straight	C10-35918- 22	1	
NI 14		NP	. . . CONE, SEALING	10-35916- 22	1	
NI 15		NP	. . . RING, PISTON	C7101-20	1	
NI 16	A	46MT4	. . . NUT, COUPLING, ELECTRICAL CONNECTOR, AI	FV502553	1	
NI 17	A	6MT1	. . . CONNECTOR, FREE, free, 18S-1P	FV159979	1	
NI 18		NP	. . . PLUG, ELECTRICAL	FV(3)6/41A/ 1	1	
NI 19	A	6MT4	. . . WASHER, FLAT, br, Cd P, 7/16in. hole dia		1	
NI 20	A	Y3	. . . WIRE, ELECTRICAL, single conductor, tersil 16	BSG189 UNTERSIL 16	A/R	
NI 21		NP	. . . CABLE, ASSEMBLY. POWER, ELECTRICAL, rectifier AC1 to PPJ AC1	FV167667/1 0	1	} See Items 24 to 30
NI 22	A	9ACR	. . . CABLE ASSEMBLY, POWER, ELECTRICAL, single conductor, heavy duty socket 1st end, right angled lug 2nd end, 6ft 5in. lg, rectifier AC2 to PPJ AC2	FV167667/1 1M	1	
NI 23	A	6MT4	. . . CABLE ASSEMBLY, POWER, ELECTRICAL, single conductor, heavy duty, socket 1st end, angled lug 2nd end, 6ft 5in. lg, rectifier AC3 to PPJ AC3	FV167667- 12	1	
NI 24	A	6MT4	. . . SOCKET, ELECTRICAL, heavy duty, 200A	FV131144	1	
NI 25		NP CABLE, NIPPLE, ELECTRICAL, socket	FV131172	1	
NI 26	A	46MT4 INSULATOR, BUSHING, socket, bakelite	FV131070	1	

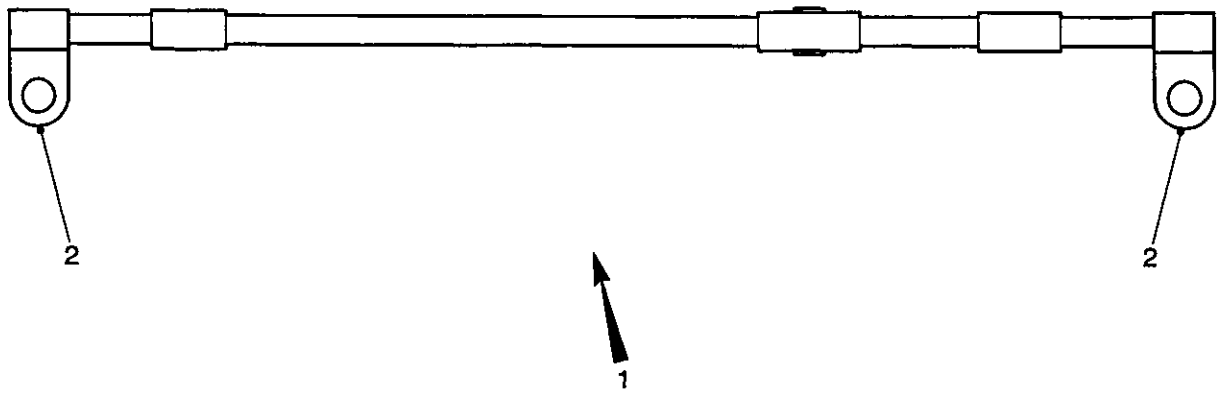


Fig 67 Wiring harnesses

430/70193

Fig Item	Man Code Navy - N Army - A RAF - R	NATO Stock No	Item Name and Description	Part No/ Drawing No.	No. Off	Annotations
67-			POWER UNIT, DIESEL - contd . POWER PACK ELECTRICAL EQUIPMENT - contd . . . CABLE ASSEMBLY, POWER, ELECTRICAL - contd SOCKET, ELECTRICAL - contd			
NI 27	A 6MT4	5340-99-805-0034 CLAMP, LOOP, socket	FV131071	1	
NI 28	A 6MT4	5940-99-881-9403 TERMINAL, LUG, 7/8in. od		1	
NI 29	A 6MT4	5340-99-881-9407 BUSHING, RUBBER		1	
NI 30	A Y3	6145-99-104-7325 WIRE, ELECTRICAL, tersil 00		A/R	
NI 31		NP	. . . CABLE ASSEMBLY, POWER, ELECTRICAL, rectifier, dc -ve to PPJ dc -ve	FV166418/3	1	
NI 32	A 6MT4	5935-99-805-0027 CONTACT, ELECTRICAL, heavy duty, 280A	FV129964	1	
NI 33	A 6MT4	5975-99-805-0028 CABLE, NIPPLE, ELECTRICAL, insulation plug	FV129965	1	
NI 34	A 6MT4	9940-99-881-9406 TERMINAL LUG	FV166417	1	
NI 35	A 6MT4	5340-99-881-9407 BUSHING, RUBBER	FV562070	1	
NI 36	A Y3	6145-99-104-7324 WIRE, ELECTRICAL, tersil 0000		A/R	
NI 37	A 6MT4	2590-99-818-7798	. . . CABLE ASSEMBLY, POWER, ELECTRICAL, rectifier, dc +ve to PPJ dc +ve	FV166419/5 M	1	
NI 38	A 6MT4	5935-99-805-0011 SOCKET, ELECTRICAL, heavy duty, 280A	FV131169	1	
NI 39	A 46MT4	5970-99-805-0033 INSULATOR, BUSHING, socket, bakelite	FV131070	1	
NI 40	A 6MT4	5340-99-805-0034 CLAMP, LOOP, socket	FV131071	1	
NI 41	A 6MT4	5970-99-818-9178 SLEEVE, INSULATOR, rubber moulded	FV131173	1	
NI 42	A 6MT1	5330-99-801-6628 RING, SEALING TOROIDAL, ru, 9/16in. id x 3/32in. h, 90 deg BS harness	FV131066	1	
NI 43	A 6MT4	9940-99-881-9406 TERMINAL LUG	FV166417	1	
NI 44	A 6MT4	5340-99-881-9407 BUSHING RUBBER	FV562070	1	
NI 45	A Y3	6145-99-104-7324 WIRE, ELECTRICAL, tersil 0000		A/R	
NI 46	A 6MT4	2590-99-818-7793	. . . CABLE ASSEMBLY, POWER, ELECTRICAL, single conductor, socket 1st end, plug 2nd end, 7ft 5in. lg, ST -ve to rectifier dc -ve	FV166403- 36M	1	
NI 47	A 6MT4	5935-99-805-0011 SOCKET, ELECTRICAL, heavy duty, 280A	FV131169	1	
NI 48	A 46MT4	5970-99-805-0033 INSULATOR, BUSHING, socket, bakelite	FV131070	1	
NI 49	A 6MT4	5340-99-805-0034 CLAMP, LOOP, socket	FV131071	1	
NI 50	A 6MT4	5970-99-818-9178 SLEEVE, INSULATOR, rubber moulded	FV131173	1	
NI 51	A 6MT1	5330-99-801-6628 RING, SEALING TOROIDAL, ru, 9/16in. id x 3/32in. h, 90 deg BS hardness	FV131066	1	
NI 52	A 6MT4	5935-99-805-0027 CONTACT, ELECTRICAL, heavy duty, 280A	FV129964	1	
NI 53	A 6MT4	5975-99-805-0028 CABLE, NIPPLE, ELECTRICAL, insulating plug	FV129965	1	
NI 54	A Y3	6145-99-104-7324 WIRE, ELECTRICAL, tersil 0000		A/R	
NI 55	A 6MT4	2590-99-818-7792	. . . CABLE ASSEMBLY, POWER, ELECTRICAL, single conductor, socket both ends, 7ft 2in. lg, ST +ve to rectifier dc +ve	FV166406- 10M	1	
NI 56	A 6MT4	5935-99-805-0011 SOCKET, ELECTRICAL, heavy duty, 280A	FV131169	1	

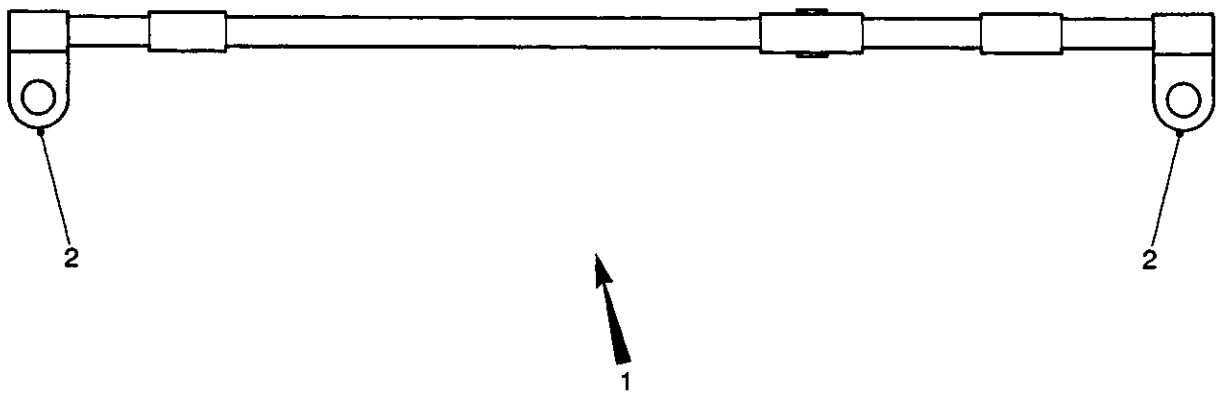


Fig 67 Wiring harnesses

430/70193

Fig Item	Man Code Navy - N Army - A RAF - R	NATO Stock No	Item Name and Description	Part No/ Drawing No.	No. Off	Annotations
67-			POWER UNIT, DIESEL - contd . POWER PACK ELECTRICAL EQUIPMENT - contd . CABLE ASSEMBLY, POWER, ELECTRICAL - contd			
NI 57	A 46MT4	5970-99-805-0033 INSULATOR, BUSHING, socket, bakelite	FV131070	1	
NI 58	A 6MT4	5340-99-805-0034 CLAMP, LOOP, socket	FV131071	1	
NI 59	A 6MT4	5970-99-818-9178 SLEEVE, INSULATOR, rubber moulded	FV131173	1	
NI 60	A 6MT1	5330-99-801-6628 RING, SEALING, TOROIDAL, ru, 9/16in. id x 3/32in. h, 90 deg BS hardness	FV131066	1	
NI 61	A Y3	6145-99-104-7324	. . . WIRE, ELECTRICAL, tersil 0000		A/R	
NI 62	A 6MT4	5970-99-520-6745	. . . SLEEVE, INSULATION, ELECTRICAL, flexible, yellow, 2.00in. nom lg		1	

Chapter 2-5
PARTS LIST
FUEL SYSTEM GENERAL ARRANGEMENT

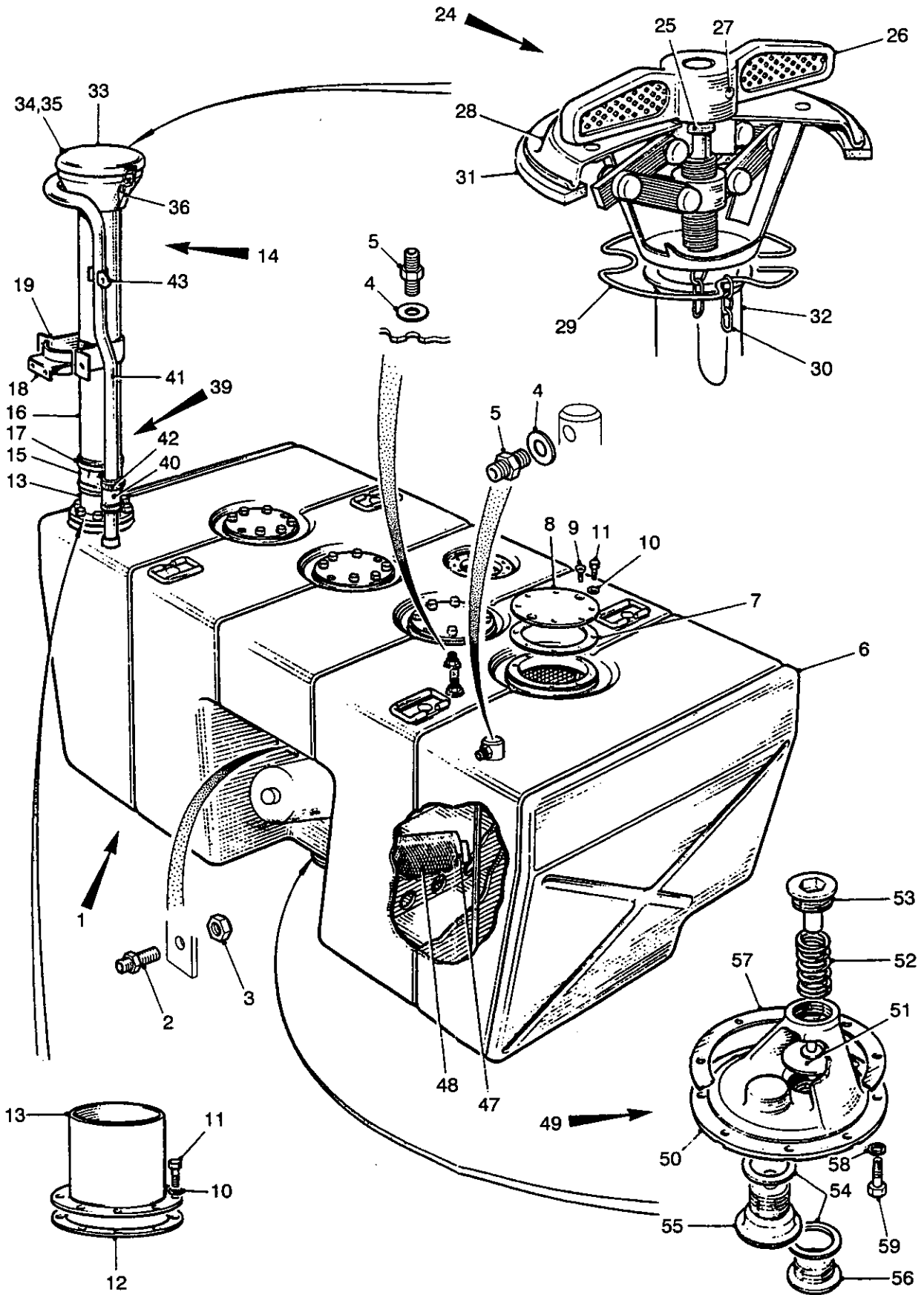


Fig 1 Fuel tank and fittings assembly

430/70206

Fig Item	Man Code Navy - N Army - A RAF - R	NATO Stock No	Item Name and Description	Part No/ Drawing No.	No. Off	Annotations
1-		NP	FUEL SYSTEM GENERAL ARRANGEMENT	FV563249	REF	
1		NP	FUEL TANK AND FITTINGS ASSEMBLY	FV611665	REF	
2	A	9ACR 4730-99-865-6839	NIPPLE, TUBE, steel, Cd, 0.625in. UNF ext thd both ends, 1.5in. lg	FV538130	1	
3	A	G1 5310-99-941-0908	NUT, PLAIN, HEXAGON, 5/8in. UNF		1	
4	A	6MT1 5330-99-881-4518	GASKET, syn rubber/steel, 1in. od, 0.65in. id	300-011-0008-02	3	
5	A	6MT1 4730-99-801-2025	NIPPLE, TUBE, steel, 5/8in. UNF both ends	FV(S)87 ITEM 5	3	
6	A	9ACR 2910-99-804-3338	TANK, FUEL, ENGINE, painted, 59in. lg, 27.5in. w, 25.85in. h	FV491790	1	
7	A	9CVT 5330-99-290-6005	GASKET, cork, 8 bolt holes 7.1mm dia, 139.95mm od, 114.55mm id, 1.5mm thk	FV2227589	4	
8		NP	COVER, PLATE, ACCESS	FV491809	4	
9	A	G1 5305-99-941-6915	SCREW, CAP, SOCKET HEAD, UNF, 0.25in. dia, class 2A thd, 0.5in. fastener lg, 0.333in. thd lg, steel, Zn plated w/chromate, flat csk hd		8	
10	A	G1 5310-99-100-6945	WASHER, LOCK, steel, flat int teeth, 1/4in. id, 15/32in. od, 0.026in. thk	C724	32	
11	A	G1 5305-99-941-0512	SCREW, MACHINE, UNF, 1/4in. dia, class 2A thd, 5/8in. lg, steel, Zn plated, hex hd		32	
12		NP	GASKET	FV575567	1	
13		NP	PIPE, METALLIC, steel, hot tin dipped, 3-3/16in. dia x 3-3/4in. lg, flanged one end	FV575570	1	
14		NP	FILLER CAP AND TUBE ASSEMBLY	FV611666	REF	
15		NP	HOSE, FUEL FILLER TUBE	FV510456	1	
16	A	9ACR 2910-99-804-5326	FILLER AND TUBE, fuel tank assy	FV643979	1	
17	A	6MT1 4730-99-533-2971	CLAMP, HOSE, worm drive type, Zn plated, 13mm band w, 1mm band thk, 85mm to 100mm working range		2	
18		NP	BRACKET, STEADY, INNER	FV510451	1	
19		NP	BRACKET, STEADY, OUTER	FV510450	1	
NI 20		NP	PACKING STRIP, long	FV510454	1	
NI 21		NP	PACKING STRIP, short	FV510455	1	
NI 22	A	G1 5310-99-944-0549	WASHER, LOCK, steel, split helical ring, Cd plated, 5/16in. bolt size, 0.503in. od, 0.08in. thk, single coil, sq section		4	} Securing items 18 and 19
NI 23	A	G1 5310-99-941-0925	NUT, PLAIN, HEXAGON, UNF, 5/16in. - 24 class 2B thd, steel, Zn plated, 1/2in. w A/F, 17/64in. h, chamfered		4	
24	A	9CVT 2910-99-824-7682	CAP, FILLER, FUEL TANK, w/winged screw lock and keeper chain, toggle type locking	FV813714	1	
25	A	6MT1 5331-99-942-9960	O-RING, 23/64in. id, 7/64in. h		1	
26	A	9ACR 2910-99-865-6814	LEVER, FUEL TANK CAP	FV480265	1	
27		NP	PIN, GROOVED, HEADLESS, steel, phos coated, 1-3/8in. x 3/16in. dia	316GP1	1	
28		NP	COVER ASSEMBLY	FV421698	1	
29	A	9ACR 5365-99-865-6804	RING, RETAINING, steel, Cd plated w/chromate, int usage, 3.1in. od, 0.0104in. thk	FV421702	1	
30	A	G1 4010-99-120-2784	CHAIN, WELDED, steel, 12 links per foot, 3/4in. lg x 5/16in. w		A/R	

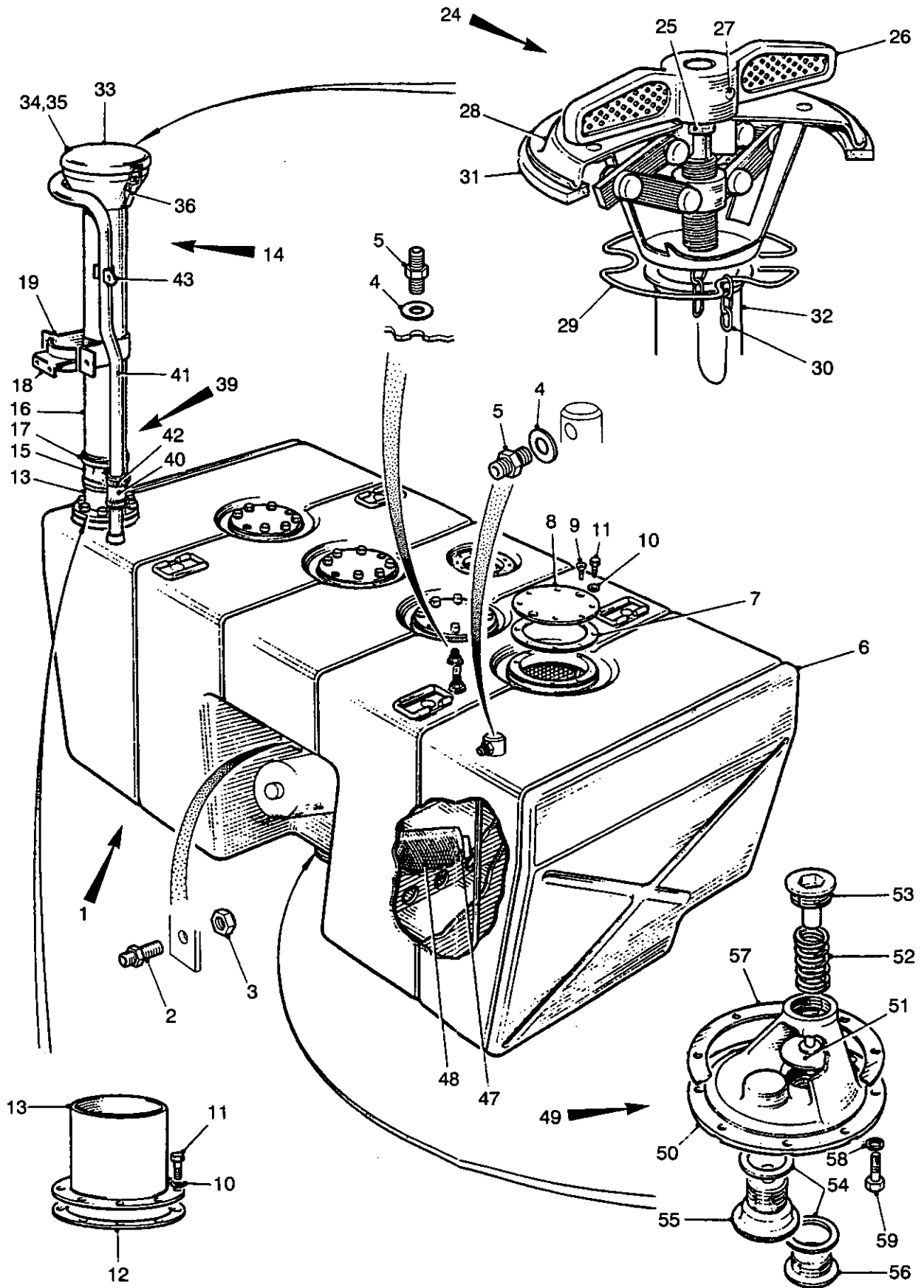


Fig 1 Fuel tank and fittings assembly

430/70206

Fig Item	Man Code Navy - N Army - A RAF - R	NATO Stock No	Item Name and Description	Part No/ Drawing No.	No. Off	Annotations
1-			FUEL SYSTEM GENERAL ARRANGEMENT - contd FILLER CAP AND TUBE ASSEMBLY - contd			
31	A 9ACR	5330-99-824-6545	GASKET, syn rubber, 5.1in. od, 4.15in. id, 0.25in thk, chamfered corners	FV421703	1	
32	A 9ACR	2910-99-866-5448	STRAINER ELEMENT, SEDIMENT, cylindrical, 2.375in. od, 10in. lg, wire mesh, ext flange one end, 2.8in. od, 0.375in. thk, w/collar at one end, 2.447in. od, 0.375in. lg, open end, closed other end	FV518422	1	
33	A 9ACR	2590-99-804-3368	CAP, FILLER OPENING, painted, circular lid w/hinge, hook, spring clip and rivet	FV611701	1	
34	A 9ACR	2910-99-804-3370	BRACKET, HINGE, steel, 2.5in. lg, 1.25in. w	FV611705	1	
35	A 9ACR	5315-99-804-3369	PIN, STRAIGHT, HEADLESS, steel, phosphate coated, 2.6in. lg, 5/16in. dia	FV611706	1	
36		NP	CATCH, TOGGLE	FV485987	1	
NI 37	A G1	5310-99-941-6654	WASHER, LOCK, steel, split helical ring, 1/4in. bolt size, 27/64in. od, 5/64in. thk		4	} Securing items 34 and 36
NI 38	A G1	5305-99-941-8339	SCREW, MACHINE, 1/4in. class 2A thd, 1/2in. lg, fillister hd		4	
39		NP	VENT PIPE ASSEMBLY	FV611667	REF	
40		NP	HOSE	FV538914	1	
41	A 9ACR	2910-99-804-3367	PIPE, METALLIC, steel, 1in. dia, 0.036in. wall thk, 27-1/4in. lg	FV611668	1	
42	A 6MT1	4730-99-533-2963	CLAMP, HOSE, steel, Zn, 40mm id, 13mm w, collared slotted hd screw		2	
43		NP	CLIP	FV510586	1	
NI 44	A G1	5310-99-941-6654	WASHER, LOCK, steel, split helical ring, 1/4in. bolt size, 27/64in. od, 5/64in. thk		1	} Securing item 43
NI 45	A G1	5310-99-804-7941	NUT, PLAIN, HEXAGON, UNF, 1/4in. dia -28, class 2B thd, steel, Zn plated, 7/16in. w A/F, 7/32in. h., chamfered		1	
46		NP	FILTER INTERNAL AND FITTINGS	FV611672	REF	
47	A 9ACR	2910-99-804-3340	FILTER TUBE, tin plated, WA of tube, pipe, flange and nipple c/w nut and washer	FV611673	1	
48	A 6MT9	2940-99-802-5717	ELEMENT, FILTER	MP5671	1	
49	A 9AHY	2910-99-814-6120	VALVE ASSEMBLY, DRAIN, ENGINE FUEL TANK	FV194243	1	
50		NP	BODY, valve, fuel drain	FV194249	1	
51	A 9AHY	2910-99-814-6121	VALVE, DRAIN, ENGINE FUEL TANK	FV194244	1	
52	A 9AHY	5360-99-814-6125	SPRING, HELICAL, COMPRESSION, fuel tank drain valve assy	FV194248	1	
53	A 9AHY	2910-99-814-6122	GUIDE, DRAIN VALVE ASSEMBLY, engine fuel tank	FV194245	1	
54	A 9AHY	5365-99-814-6126	SPACER, RING, Cu, 1.5in. od, 1.203in. id, 0.063in. thk	FV194250	2	
55	A 9AHY	2910-99-814-6124	PLUG, DRAIN VALVE ASSEMBLY, engine fuel tank	FV194247	1	
56	A 9AHY	2910-99-814-6123	PLUG, DRAIN VALVE ASSEMBLY, engine fuel tank	FV194246	1	
57	A 9CVT	5330-99-290-6005	GASKET, cork, 8 bolt holes, 7.1mm dia, 139.5mm od, 114.55mm id, 1.55mm thk	FV2227589	1	

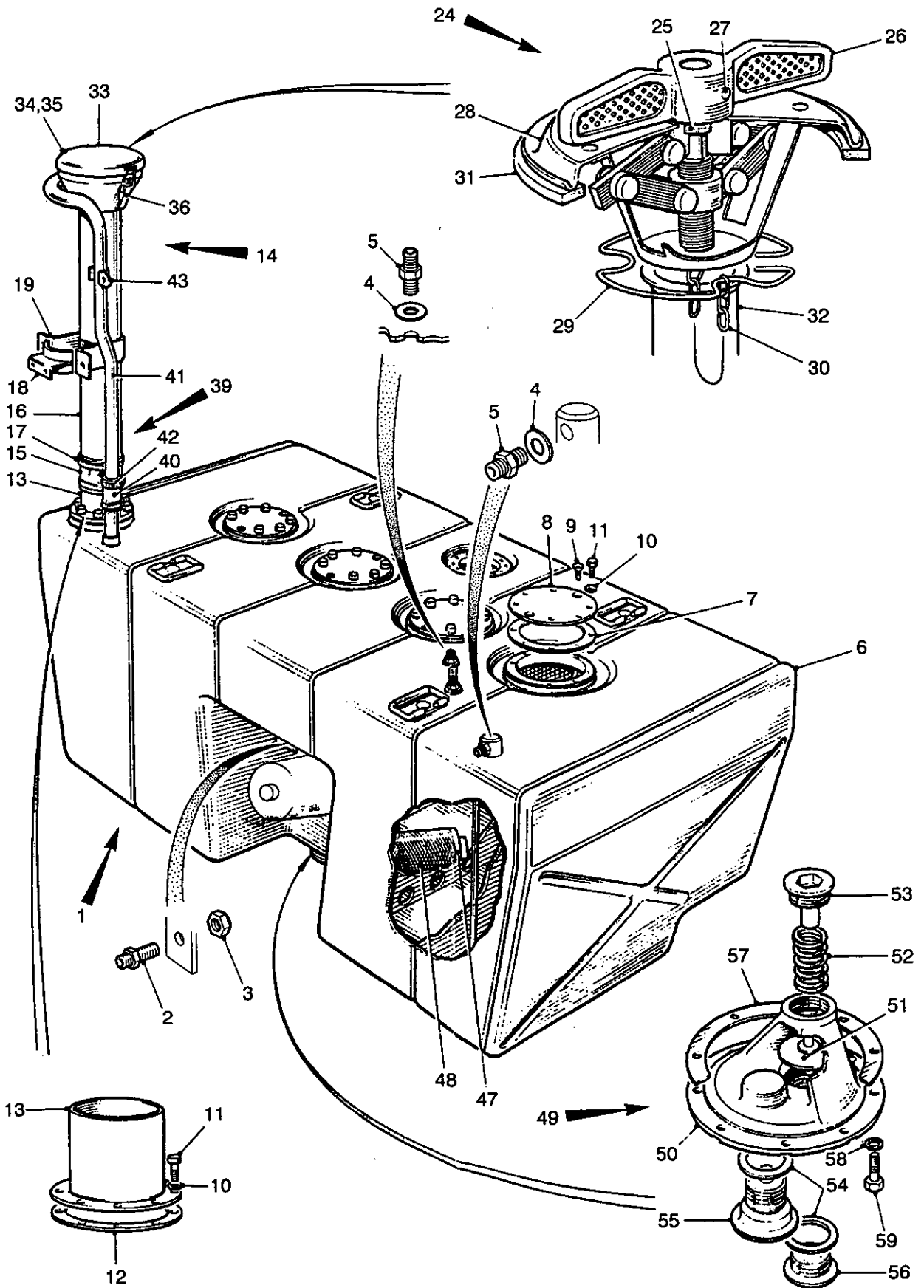


Fig 1 Fuel tank and fittings assembly

430/70206

Fig Item	Man Code Navy - N Army - A RAF - R		NATO Stock No	Item Name and Description	Part No/ Drawing No.	No. Off	Annotations
1-				FUEL SYSTEM GENERAL ARRANGEMENT - contd			
58	A	G1	5310-99-941-6654	. WASHER, LOCK, steel, split helical ring, 1/4in. bolt size, 27/64in. od, 5/64in. thk		8	
59	A	G1	5305-99-941-0512	. SCREW, MACHINE, UNF, 1/4in. class 2A thd, 5/8in. lg, steel, Zn plated, hex hd		8	

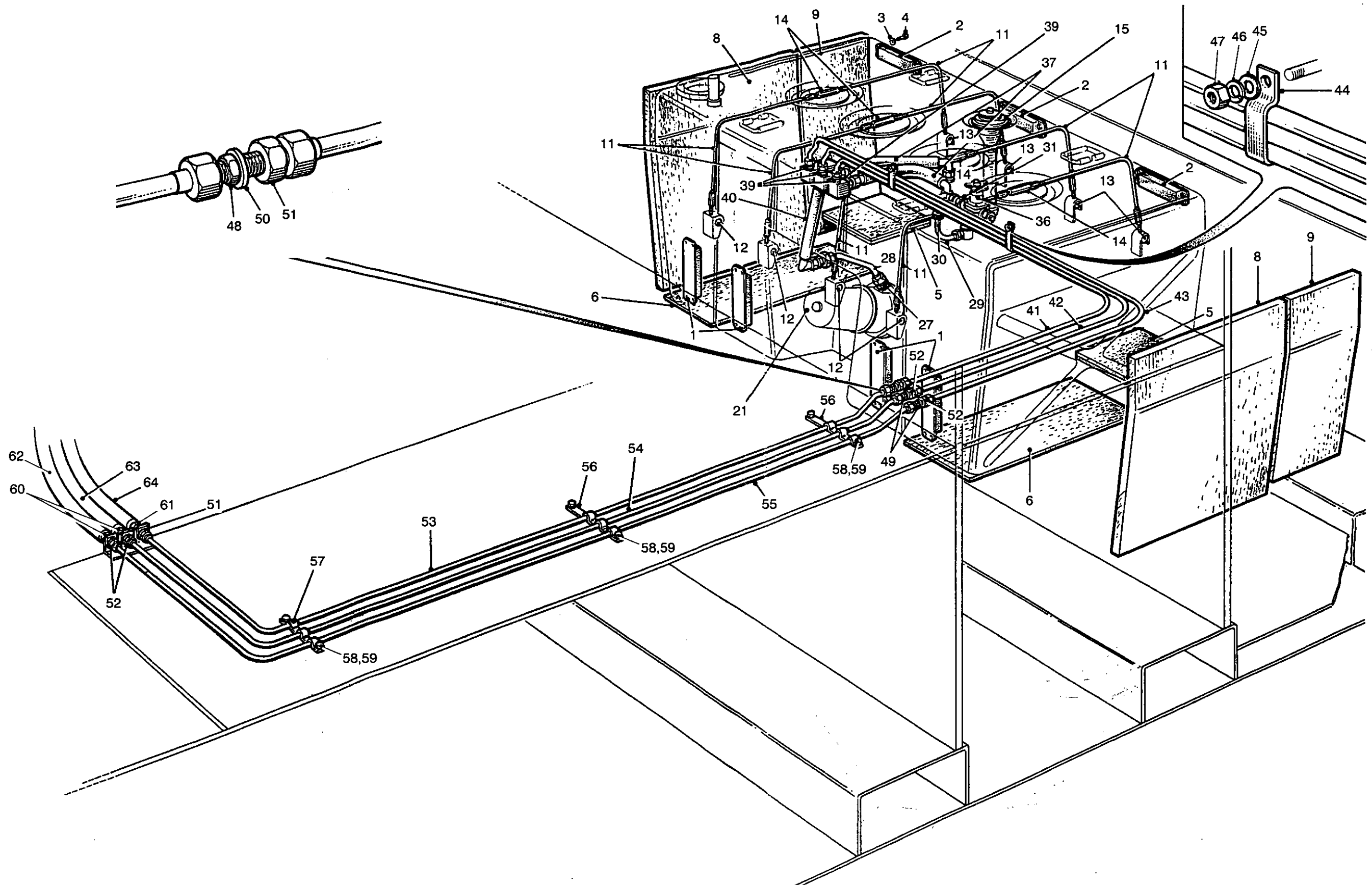


Fig 2 Fuel system general arrangement

430/70207

Fig Item	Man Code Navy - N Army - A RAF - R	NATO Stock No	Item Name and Description	Part No/ Drawing No.	No. Off	Annotations	
2-			FUEL SYSTEM GA - contd				
1	A	9ACR	5340-99-804-3342	MOUNT, RESILIENT, rubber/steel	FV510107	4	} Securing item 1 and 2 } LM from item 7
2	A	9ACR	5340-99-804-3343	MOUNT, RESILIENT, rubber/steel	FV562720	3	
3	A	G1	5310-99-941-6654	WASHER, LOCK, steel, split helical ring, 1/4in. bolt size, 27/64in. od, 5/64in. thk		28	
4	A	G1	5305-99-941-0512	SCREW, MACHINE, UNF, 1/4in. class 2A thd, 5/8in. lg, steel, Zn plated, hex hd		28	
5		NP		PAD, RUBBER, 8in. lg, 8in. w, 1/4in. thk	FV510110	4	
6		NP		PAD, RUBBER, 20in. lg, 8in. w, 1/4in. thk	FV510111	4	
NI 7	A	Z15	9320-99-104-9713	RUBBER, SHEET, CELLULAR, syn, medium soft grade, unexploded cell structure, smooth both sides, 36in. x 24in. x 1/4in.		A/R	
8		NP		PAD, RUBBER, 20in. lg, 20in. w, 1in. thk	FV510112	2	
9		NP		PAD, RUBBER, 19in. lg, 8in. w, 1in. thk	FV510113	2	
NI 10	A	46MT6	9320-99-805-5468	RUBBER, SHEET, CELLULAR, syn, medium soft grade, unexploded cell 2 metres lg, 1 metre w, 25.4mm thk		A/R	
11	A	9ACR	5340-99-804-3344	BAND RETAINING, steel cable, 21-1/4in. lg, 1/4in. -28 UNF rh thd 1st end, 1/4in. -28 UNF lh thd 2nd end	FV510108	8	
12	A	9ACR	5310-99-804-3345	NUT, PLAIN, BARREL, 1/4in. -28 UNF lh thd, 0.5in. nut dia, 1in. nut lg	FV510409	4	
13	A	9ACR	5310-99-804-3346	NUT, PLAIN, BARREL, 1/4in. -28 UNF	FV480336	4	
14	A	9ACR	5340-99-804-3347	TURNBUCKLE BODY, steel, thd, 1/4in. -28 UNF rh thd 1st end, 1/4in. -28 UNF lh thd 2nd end, 3in. lg	FV510414	4	
15	A	9ACR	6680-99-802-0808	TRANSMITTER, LIQUID QUANTITY INDICATOR	FV499376	1	See Fig 3
NI 16	A	G1	5310-99-941-6654	WASHER, LOCK, steel, split helical ring, 1/4in. bolt size, 27/64in. od, 5/64in. thk		1	} Securing item 15
NI 17	A	G1	5305-99-941-0512	SCREW, MACHINE, UNF, 1/4in. class 2A thd, 5/8in. lg, steel, Zn plated, hex hd		1	
NI 18	A	G1	5310-99-941-6653	WASHER, LOCK, steel, split helical ring, 0.198in. id, 0.33in. od, 0.64in. thk		11	
NI 19	A	G1	5305-99-946-1274	SCREW, MACHINE, 0.19 -32 UNF, class 2A thd, 5/8in. lg, steel, hex hd		11	
NI 20		NP		FUEL PUMP AND FITTINGS ASSEMBLY	FV611669	REF	
21	A	6MT12	2910-99-881-4425	PUMP, PRESSURIZING, FUEL SYSTEM 24V, No. 2 Mk 1	FV342593	1	See Fig 4
NI 22	A	9ACR	5330-99-867-8370	GASKET, cork, 8 x 9mm dia holes, 103mm aperture dia, 140.5mm od, 2mm thk	FV2249165	1	u/w item 21
NI 23	A	G1	5310-99-944-0549	WASHER, LOCK, steel, Cd plated, split helical ring, single coil, sq section, 5/16in. bolt size, 0.503in. od, 0.08in. thk		8	} Securing item 21
NI 24	A	G1	5306-99-941-0297	BOLT, MACHINE, UNF, 5/16in. class 2A thd, 1-1/4in. lg, steel, Zn plated, hex hd		8	
NI 25	A	6MT1	5330-99-881-6424	GASKET, steel and rubber, 3/4in. bolt size, 1.065in. od, 0.102in. thk, Cd plated	FVS108-17	2	Fuel pump inlet and outlet
NI 26	A	6MT1	4730-99-801-1933	NIPPLE, TUBE, steel, 3/4in. UNF thd both ends	FVS87-7	1	Fuel pump inlet
27	A	9ACR	4730-99-865-6655	REDUCER, TUBE, steel, phosphate, 0.75in. UNF ext thd 1st end, 0.625in. UNF ext thd 2nd end, 1.125in. lg, concentric	FV480334	1	
28	A	9ACR	2910-99-804-3341	PIPE, METALLIC, Cu alloy, 6.375in. lg, 0.303in. bore, 0.036in. wall thk, nut and nipple each end	FV611670	1	

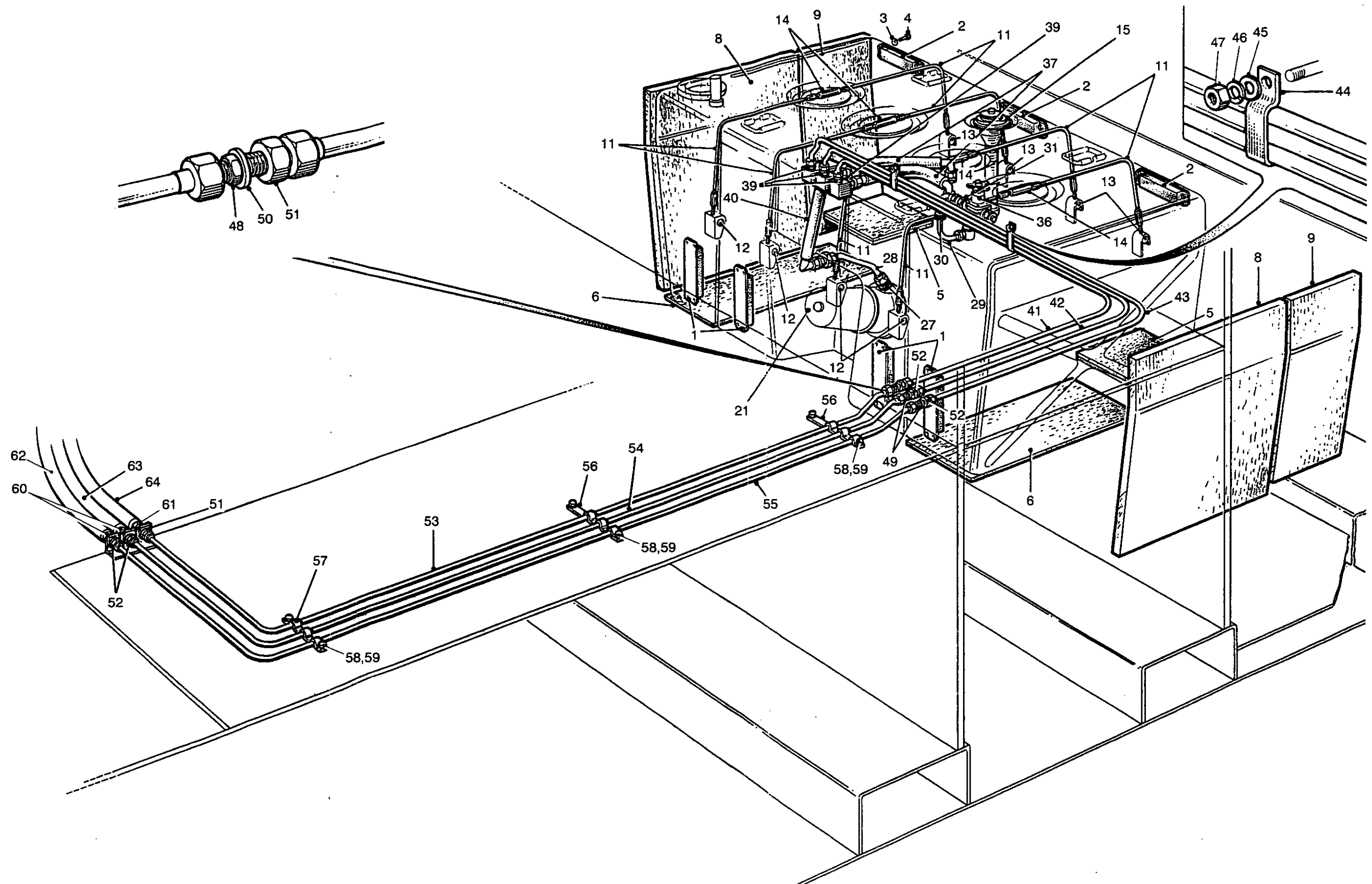


Fig 2 Fuel system general arrangement

430/70207

Fig Item	Man Code Navy - N Army - A RAF - R	NATO Stock No	Item Name and Description	Part No/ Drawing No.	No. Off	Annotations
2-			FUEL SYSTEM GA - contd			
29	A 9ACR	4710-99-804-3353	. PIPE ASSEMBLY, METAL, w/fitted nipple and union nut each end, ends at 90 deg to each other	FV611710	1	
30		NP	. GROMMET, RUBBER	660-367-7	1	
31	A 9ACR	4730-99-804-3350	. ADAPTOR, STRAIGHT PIPE, steel, Cd plated, 5/8in. UNF male 1st end, 1/4in. BSP male 2nd end, 1.9in. lg	FV611700	1	
NI 32		NP	. WASHER, FLAT, 5/8in. id, 15 SWG		2	
NI 33	A G1	5310-99-944-0554	. WASHER, LOCK, split helical ring, steel, Cd plated, 0.672in. id, 0.976in. od, 0.144in. thk		1	} Securing item 31
NI 34	A G1	5310-99-941-0908	. NUT, PLAIN, HEXAGON, 5/8in. UNF		1	
NI 35	A 46MT1	5330-99-881-4514	. GASKET, rubber/steel, 0.544in. id, 0.815in. od	FVS108-11	1	u/w item 36
36	A 46MT1	4820-99-526-6730	. VALVE, DIAPHRAGM, STOP, bronze body, 1/4in. valve size, 200 psi, 1/4in. BSP female both ends	107693	1	
37	A 9ACR	2910-99-804-3352	. HOSE ASSEMBLY, NON-METALLIC, syn rubber, 3/8in. id female union 1st end, 90 deg female union 2nd end, 12in. lg	FV611634	2	
NI 38	A 6MT1	5330-99-881-4518	. GASKET, syn rubber/steel, 1in. od, 0.65in. id	FVS108-14	6	u/w item 39
39	A 6MT1	4730-99-801-2025	. NIPPLE, TUBE, steel, 5/8in. UNF both ends	FV(S)87 ITEM 5	6	
40	A 9ACR	2910-99-804-3351	. HOSE ASSEMBLY, NON-METALLIC, syn rubber, 3/8in. id female union 1st end, 90 deg female union 2nd end, 10in. lg	FV611633	1	
41	A 9ACR	2910-99-804-3372	. PIPE, METALLIC, 0.303in. bore dia, 0.036in. wall thk, 63in. lg, nut and nipple both ends	FV562729	1	
42	A 9ACR	2910-99-804-3356	. PIPE, METALLIC, Cu alloy, 0.303in. bore dia, 0.036in. wall thk, 66in. lg, nut and nipple both ends	FV562725	1	
43	A 9ACR	2910-99-804-3354	. PIPE, METALLIC, Cu alloy, 0.303in. bore dia, 0.036in. wall thk, 70-1/4in. lg, nut and nipple both ends	FV562721	1	
44		NP	. CLIP, fuel pipes	FV611792	2	
45		NP	. WASHER, FLAT, 1/4in. id, 17 SWG		2	
46	A G1	5310-99-941-6654	. WASHER, LOCK, split helical ring, 1/4in. bolt size, 27/64in. od, 5/64in. thk		2	
47	A G1	5310-99-804-7941	. NUT, PLAIN, HEXAGON, UNF, 1/4in. dia -28 class 2B thd, steel, Zn plated, 7/16in. w A/F, 7/32in. h, chamfered		2	
48	A 9ACR	4730-99-804-3348	. REDUCER, PIPE, steel, Cd plated, 5/8in. UNF male 1st end, 7/16in. UNF male 2nd end, 2in. lg	FV611697	1	
49	A 9ACR	4730-99-800-0270	. NIPPLE, TUBE, steel, UNF, ext thd both ends	FV586504	2	
50	A 6MT1	5330-99-881-4518	. GASKET, syn rubber/steel, 1in. od, 0.65in. id	FVS108-4	3	u/w items 48 and 49
51	A G1	5310-99-136-1528	. NUT, PLAIN, HEXAGON, UNF, 7/16in. -20 class 2B thd, steel, Zn plated w/chromate, 0.68in. w A/F, 1/4in. h, chamfered, grade 1		2	
52	A G1	5310-99-941-0908	. NUT, PLAIN, HEXAGON, 5/8in. UNF		4	
53	A 9ACR	2910-99-804-3373	. PIPE, METALLIC, Cu alloy, 0.168in. bore dia x 0.036in. wall thk x 79-3/4in. lg, nut and nipple both ends	FV562731	1	

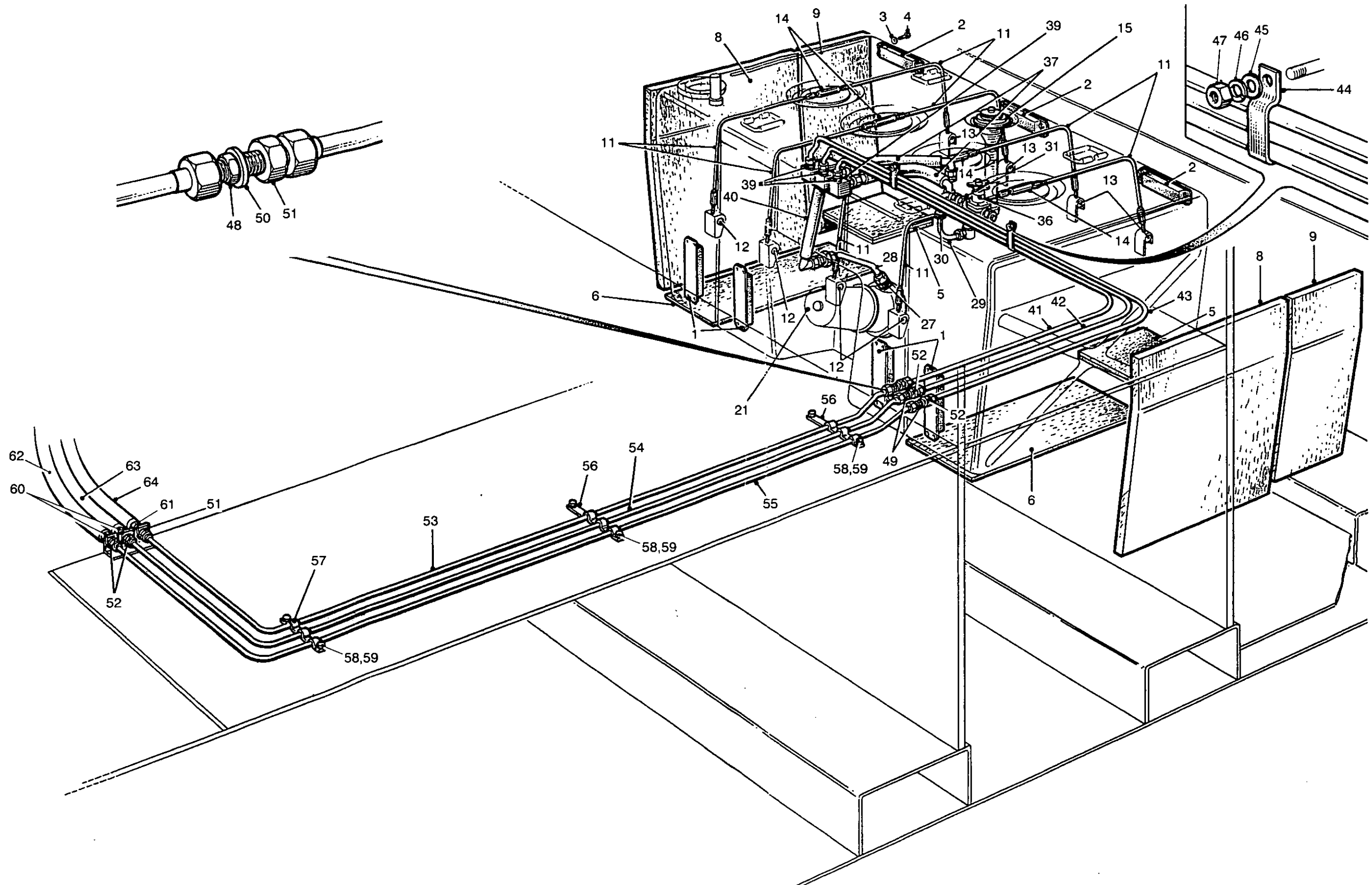


Fig 2 Fuel system general arrangement

430/70207

Fig Item	Man Code Navy - N Army - A RAF - R	NATO Stock No	Item Name and Description	Part No/ Drawing No.	No. Off	Annotations	
2-			FUEL SYSTEM GA - contd				
54	A	9ACR	2910-99-804-3357	. PIPE, METALLIC, Cu alloy, 0.303in. bore dia, 0.036in. wall thk, 83in. lg, nut and nipple both ends	FV562727	1	
55	A	9ACR	2510-99-804-3355	. PIPE, METALLIC, Cu alloy, 0.303in. bore dia, 0.036in. wall thk, 87in. lg, nut and nipple both ends	FV562723	1	
56		NP		. CLAMP, STRIP	FV611524	2	
57		NP		. CLAMP, STRIP	FV585956	1	
58	A	G1	5310-99-941-6654	. WASHER, LOCK, steel, split helical ring, 1/4in. bolt size, 27/64in. od, 5/64in. thk		6	
59	A	G1	5305-99-941-0512	. SCREW, MACHINE, UNF, 1/4in. class 2A thd, 5/8in. lg, steel, Zn plated, hex hd		6	
60	A	9ACR	4730-99-865-6839	. NIPPLE, TUBE, steel, Cd plated, 0.625in. ext thd both ends, 1.5in. lg	FV538130	2	
61	A	9ACR	4730-99-867-4788	. NIPPLE, TUBE, steel, Cd plated, 0.438in. UNF ext thd both ends, 1.28in. lg	FV538490	1	
62	A	9ACR	2910-99-804-7088	. HOSE, ASSEMBLY, RUBBER, 3/8in. id, 5/8in. UNF female unions both ends 5ft 3/4in. lg	FV603401	1	
63	A	9ACR	2910-99-804-7090	. HOSE, ASSEMBLY, NON-METALLIC, syn rubber, 5ft 3/4in. lg, 5/8in. -18 UNF thd, 3/8in. id female union both ends	FV603402	1	
64	A	9ACR	2910-99-804-7089	. HOSE, ASSEMBLY, NON-METALLIC, syn rubber, 5ft 5/8in. lg, 7/16in. -20 UNF thd, 1/4in. female union both ends	FV603403	1	
NI 65		NP		. CLIP	850884	8	Securing flexible hoses

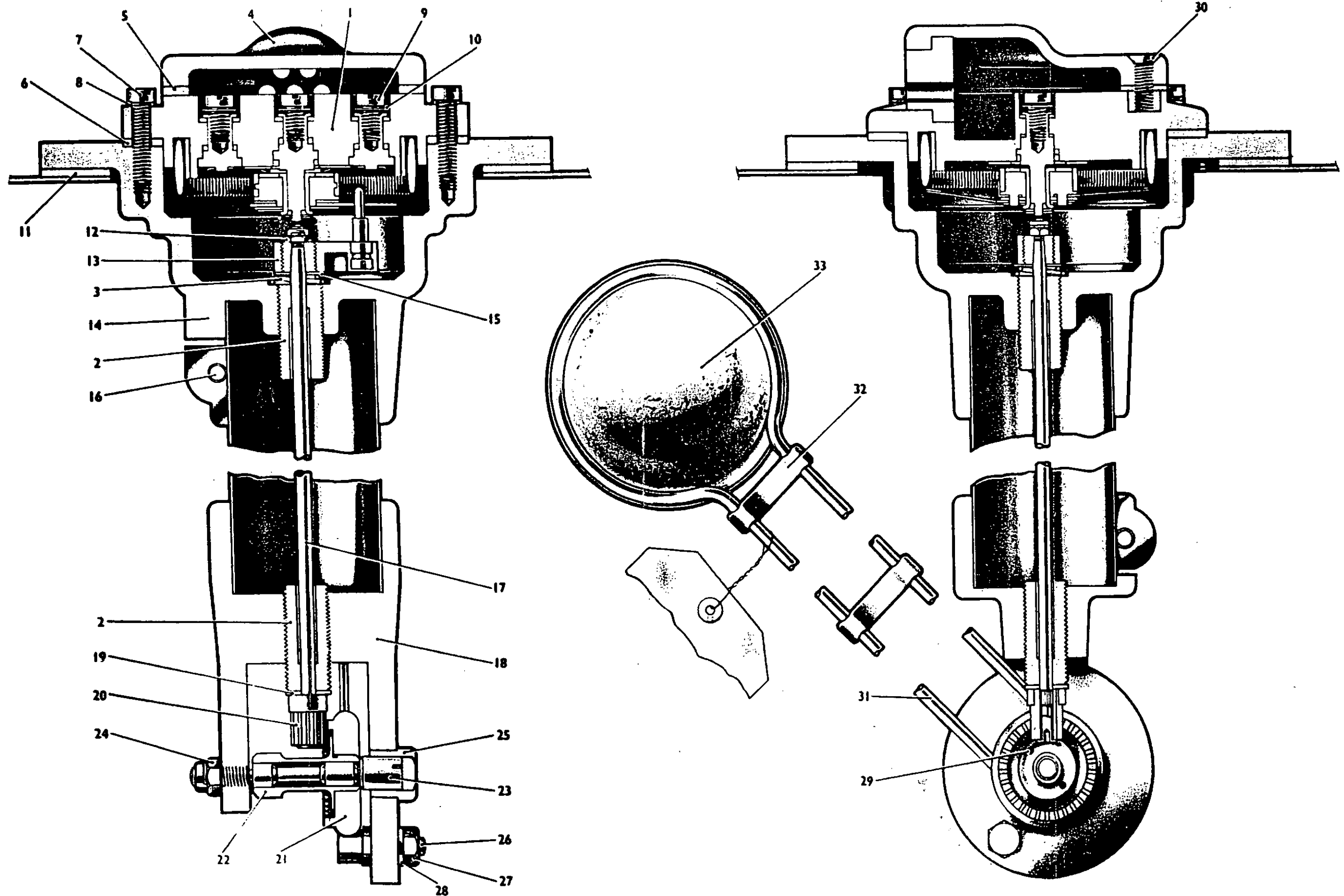


Fig 3 Transmitter, liquid quantity

Fig Item	Man Code Navy - N Army - A RAF - R	NATO Stock No	Item Name and Description	Part No/ Drawing No.	No. Off	Annotations
3-			FUEL SYSTEM GA - contd			
	A	9ACR	6680-99-802-0808	TRANSMITTER, LIQUID QUANTITY INDICATOR	FV499376	REF
1	A	46MT4	6680-99-800-0311	RESISTOR, VARIABLE	FG2440	1
2		NP	BEARING, SLEEVE, actuating spindle	P28413	2	
3	A	9ACR	6680-99-801-2335	SPRING, HELICAL, contact operating arm	FG490	1
4	A	46MT1	6680-99-801-9235	COVER, TERMINAL BOARD, tank unit	FG1992M	1
5	A	6MT1	5330-99-801-9236	GROMMET AND SEALING WASHER, sealing, and grommet	FG1993	1
6	A	6MT1	5330-99-433-2948	GAITER, rubber	FG642	1
7		NP	SCREW, MACHINE, st, ch hd, 5BA x 5/8in. lg		6	
8	A	G1	5310-99-941-6651	WASHER, LOCK, st, split helical ring, 1/8in. x 0.205in. od x 0.032in. thk		6
9	A	G1	5305-99-121-1491	SCREW, MACHINE, br, ch hd, 4BA x 1/4in. lg dull NP	30-232-110-11	5
10	A	Z2	5310-99-608-2227	WASHER, FLAT, br, rd, 4BA, 0.301in.od, NP		5
11	A	6MT1	6680-99-801-9162	GASKET, cork, 3.00in. id x 4.25in. od x 0.062in. thk	FG558	1
12		NP	NUT, LOCK, stainless steel, aerotight, thin, 6BA		1	
13		NP	ARM, assy, contact operating	3259/40	1	
14		NP	HOUSING, upper, transmitter unit, fuel gauge	FG685	1	
15		NP	WASHER, friction	FG2048	1	
16	A	G1	5305-99-120-0188	SCREW, MACHINE, st, ch hd, 2BA x 7/8in. lg	78214	2
17		NP	SPINDLE, operating	FG7220	1	
18		NP	HOUSING, gear, assembly	FG3128/B	1	
19		NP	WASHER, FLAT, st, rd, 0.157in. id x 0.378in. od x 0.040in. thk, NP		1	Between sleeve and pinion
20		NP	GEAR, SPUR	PG4435	1	
21		NP	GEAR, DRIVE	FG7219	1	
22		NP	BEARING, SLEEVE, drive gear	PG4436	1	
23		NP	SPINDLE, bearing drive gear	PG3126	1	
24	A	G1	5310-99-914-8805	NUT, SELF-LOCKING, HEXAGON, stainless steel, aerotight, stiff, 4BA		1
25		NP	BUSHING, SLEEVE, drive gear spindle	FG3214	1	
26		NP	PIN, gear stop	FG3043	2	
27	A	G1	5310-99-941-9113	NUT, PLAIN, HEXAGON, br, hex, tin pl, 4BA, 0.135in. o/a h		2
28		NP	WASHER, LOCK, phosph bronze, single coil, 0.152/0.175in. id x 0.254in. od x 0.048in. thk, electro tinned		2	
29		NP	RIVET, br, csk hd, 1/16in. dia x 19/64in. lg 0.118/0.110in. hd dia	30-223-383-01	2	
30	A	G1	5305-99-948-0360	SCREW, MACHINE, st, oval, csk hd, Cd P, 4BA x 1/2in. lg		3
31		NP	FLOAT ARM, transmitter unit fuel gauge, MK IV B	FG3259/40	1	
32		NP	TIE-BAR, float arm	FG1982/1	3	
33		NP	FLOAT, transmitter unit fuel gauge, MK IV B	P35140	1	

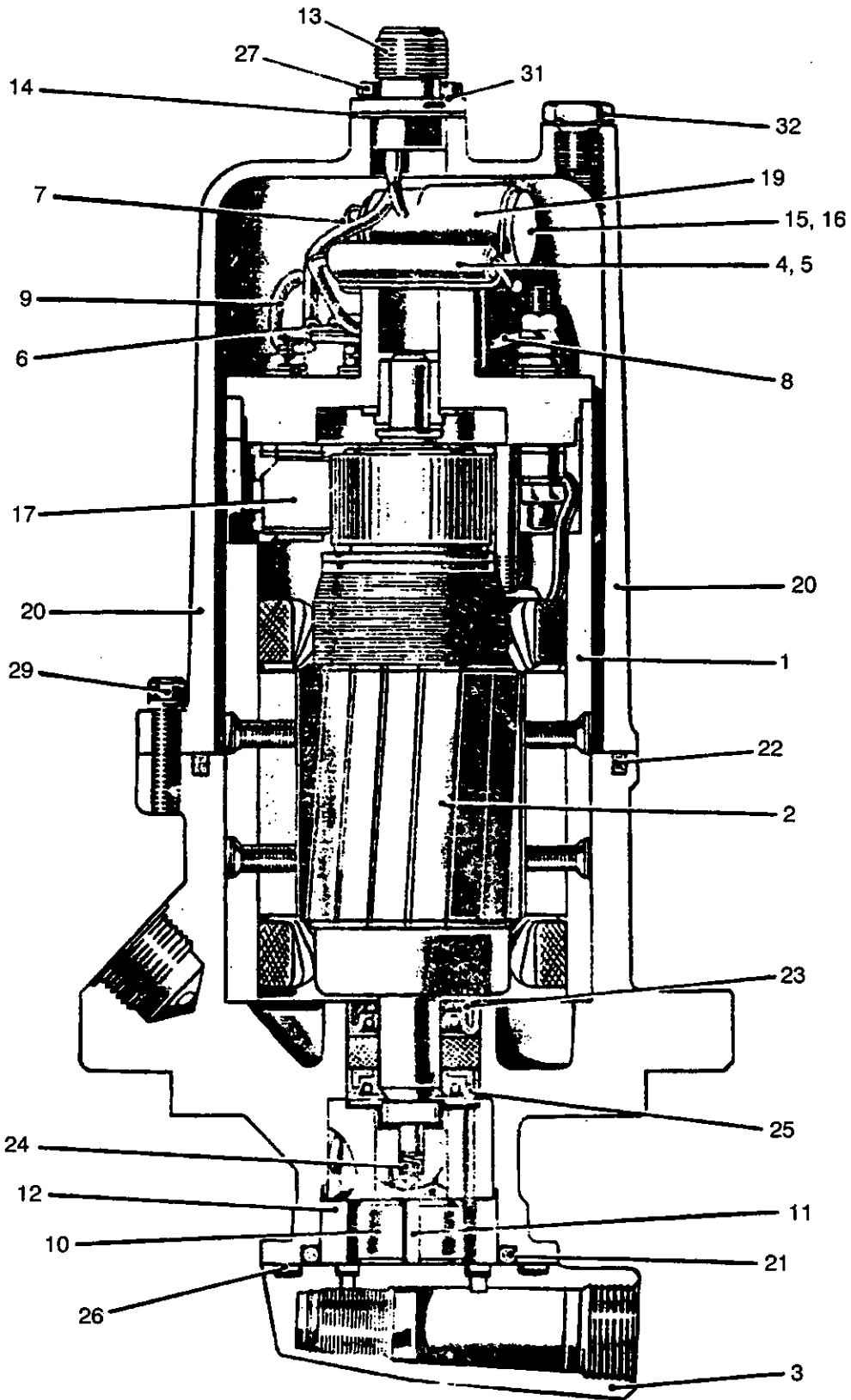


Fig 4 Pump pressurizing, fuel system

430/70128

Fig Item	Man Code Navy - N Army - A RAF - R	NATO Stock No	Item Name and Description	Part No/ Drawing No.	No. Off	Annotations
4-			FUEL SYSTEM GA - contd . FUEL PUMP AND FITTINGS - contd			
	A	6MT12	2910-99-881-4425 . . . PUMP, PRESSURIZING, FUEL SYSTEM, 24V, No. 2 Mk 1	FV342593	1	
1		NP BODY, PUMP, fuel pressurizing	FV564151	1	
2	A	46MT12	2910-99-881-4426 ARMATURE, MOTOR	X5856-160	1	
3	A	46MT12	2910-99-881-4427 ENDPLATE ASSEMBLY	X7133-105	1	
4	A	46MT12	5950-99-881-4428 CHOKE, RADIO FREQUENCY	FV536604	1	
5	A	6MT12	5950-99-881-4429 CHOKE, RADIO FREQUENCY	FV536605	1	
6		NP LEAD, ELECTRICAL	FV536606	1	
7		NP LEAD, ELECTRICAL	FV536607	1	
8	A	46MT12	6150-99-881-4441 LEAD, ELECTRICAL	FV536613	1	
9	A	46MT12	2910-99-881-4438 LEAD, ELECTRICAL	FV536621	1	
10	A	46MT12	2910-99-881-4430 ROTOR, pressurizing pump	FV536610	1	
11	A	46MT12	2910-99-807-9221 BLADE, ROTOR, TRANSFER PUMP	7123-388	2	
12		NP LINER, pressurizing pump	7123-17	1	
13		NP CONNECTOR, fixed (FV502501)	5658-259	1	
14	A	6MT1	5330-99-805-7017 GASKET, syn rubber	10-40450-105	1	
15	A	6MT4	5910-99-723-8973 CAPACITOR	5856-262	1	
16	A	46MT4	5910-99-810-2049 CONDENSER	Y6346-253	1	
17	A	46MT12	2920-99-881-8456 BRUSH, FUEL PUMP	6067-45	2	
NI 18	A	46MT4	5360-99-803-7979 SPRING, HELICAL TORSION, brush	5324-87	2	
19		NP CLAMP, loop	5856-199	1	
20		NP COVER, ELECTRIC MOTOR	5856-181	1	
21	A	6MT1	5330-99-943-6946 RING, SEALING, TOROIDAL, 1-1/2in. x 1-3/4in., 90 deg shore hardness	R4150ML53 72	1	
22	A	46MT12	5330-99-881-4434 PACKING, PREFORMED	Y5915-47	1	
23	A	6MT1	5330-99-881-4899 SEAL, PLAIN, ENCASED, 9/16in. id x 1.125in. od x 3/8in.	G112056	1	
24	A	46MT12	5340-99-861-4435 SPRING, HELICAL COMPRESSION	Z7133-97	1	
25	A	46MT1	5330-99-801-4809 SEAL, PLAIN, plain, 9/16in. x 1-1/8in. x 1/4in.	268086	1	
26	A	G1	5305-99-970-7016 SCREW, CAP, HEXAGON HEAD, st, hex hd, slotted, Cd P, No.10-32 UNF x 7/8in.		4	
27	A	G1	5305-99-941-9197 SCREW, MACHINE, st, flat fil hd, Cd P, 6BA x 3/8in. lg		4	
NI 28	A	G1	5305-99-941-9945 SCREW, MACHINE, st, flat fil hd, Cd P, 6BA x 1/2in. lg		2	
29		NP SCREW, CAP, SOCKET HEAD, hex, socket		3	
NI 30		NP PLUG, SCREWED	5335-681	2	
31	A	G1	5310-99-944-0545 WASHER, LOCK, st single coil, Cd P, 0.125in. id, 0.205in. od, 0.032in. thk		6	
32	A	46MT4	5365-99-805-2984 PLUG, MACHINE THREAD, hex hd	5876-54	1	

Chapter 2-6

PARTS LIST

CONTROLS GENERAL ARRANGEMENT

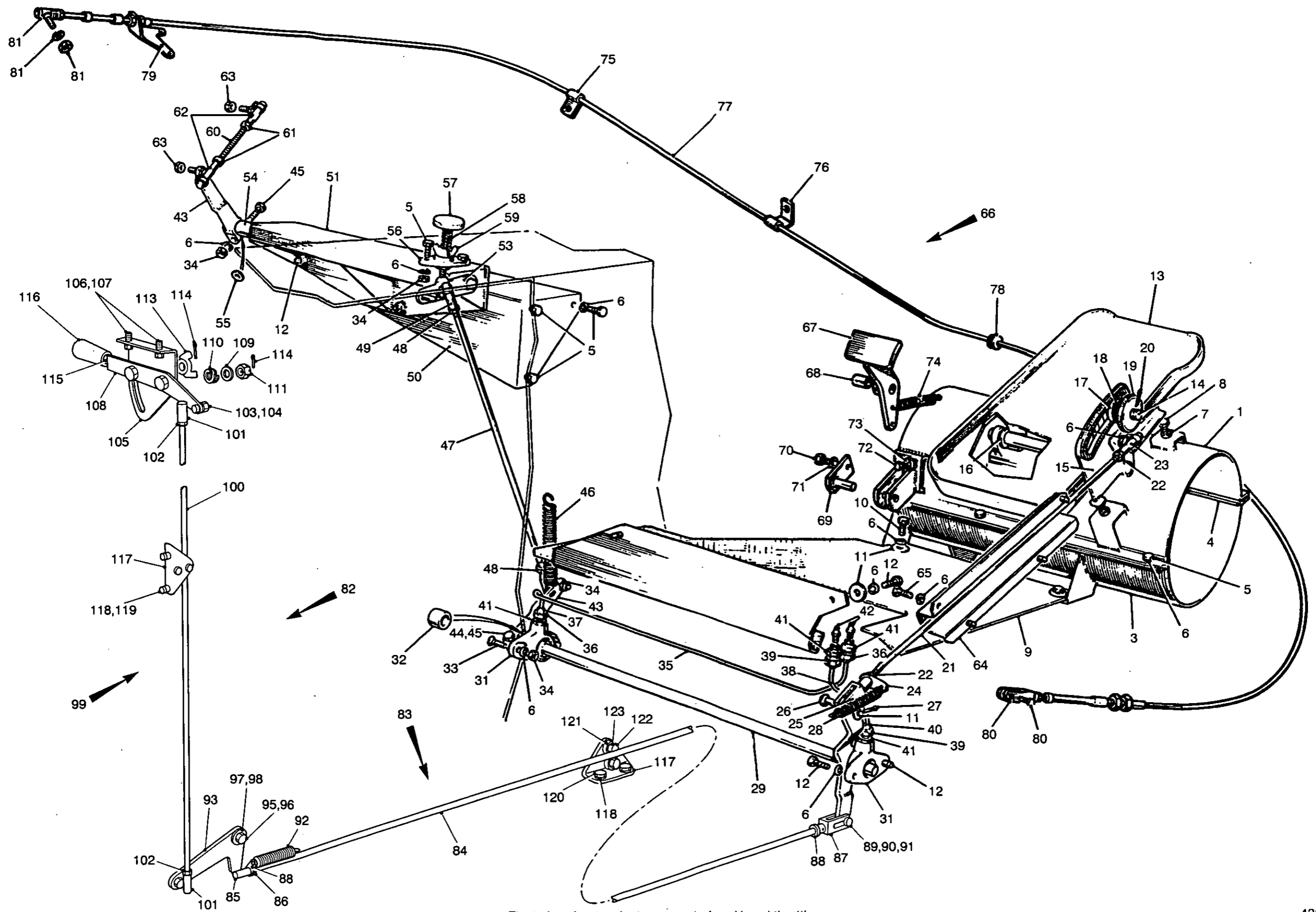


Fig 1 Accelerator, fuel stop control and hand throttle

430/70209

Fig Item	Man Code Navy - N Army - A RAF - R	NATO Stock No	Item Name and Description	Part No/ Drawing No.	No. Off	Annotations
1-		NP	CONTROLS GENERAL ARRANGEMENT	FV510335	REF	
		NP	. ACCELERATOR, FUEL STOP CONTROL AND HAND THROTTLE		REF	
		NP	. ACCELERATOR CONTROL GENERAL ARRANGEMENT	FV525439	REF	
1	A	9ACR	3020-99-804-2285 . . . GUARD, MECHANICAL DRIVE, half shaft upper	FV602897	1	
Ni 2	A	46MT1	3120-99-101-7163 . . . BEARING, SLEEVE, 1/2in. id x 19/32in. od x 3/8in. lg		2	
3	A	9ACR	3020-99-804-2286 . . . GUARD, MECHANICAL DRIVE, half shaft lower	FV602899	1	
4		NP	. SEAL, RUBBER STRIP	FV525124	A/R	
5	A	G1	5305-99-941-0513 . . . SCREW, MACHINE, UNF, steel, hex hd, zinc plated, 1/4in. x 3/4in.		16	
6	A	G1	5310-99-941-6654 . . . WASHER, LOCK, steel, split helical ring, 1/4in. nom bolt size, 27/64in. od, 5/64in. thk		31	} Pedal adjusting
7	A	G1	5310-99-941-0902 . . . NUT, PLAIN, HEXAGON, UNF, steel, zinc plate, 1.4in.		2	
8	A	G1	5305-99-941-0280 . . . SCREW, MACHINE, steel, Zn plated, hex hd, UNF 1/4in. dia thd, 1in. lg		1	
9	A	9ACR	9535-99-865-6763 . . . FLOOR PLATE, Al alloy, rolled, drivers	FV525125	1	
10	A	G1	5305-99-941-0279 . . . SCREW, MACHINE, UNF, steel, hex hd, zinc plated, 1/4in. x 7/8in.		2	
11	A	G1	5310-99-941-7072 . . . WASHER, FLAT, steel, Cd plated, 1/4in. nom bolt size, 9/16in. od, 0.056in. thk		4	} Floor plate bracket to drivers seat frame
12	A	G1	5305-99-941-0512 . . . SCREW, MACHINE, UNF, steel, zinc plated, hex hd, 1/4in. x 5/8in. lg		5	
13	A	9ACR	2540-99-865-6663 . . . PEDAL, CONTROL, accelerator	FV525059	1	
14	A	G1	5315-99-942-3567 . . . PIN, GROOVED, HEADLESS, steel, phosphated coated, 1in. lg		1	
15	A	9ACR	9905-99-865-6664 . . . PLATE, INDICATOR DETENT; accelerator	FV525062	1	
16	A	G1	5310-99-971-2810 . . . WASHER, FLAT, steel, round, cadmium plated, 7/16in. id, 7/8in. od, 0.048in. thk		2	
17	A	9ACR	2540-99-865-6665 . . . WASHER, DETENT PLATE, accelerator	FV525068	1	
18	A	9ACR	5360-99-865-6667 . . . SPRING, HELICAL, COMPRESSION, steel, 1in. lg, 4 coils	FV525070	1	
19	A	9ACR	5310-99-865-6666 . . . NUT, PLAIN, KNURLED, UNF, steel, 1/2in.	FV525069	1	
20	A	G1	5315-99-138-2205 . . . PIN, COTTER, SPLIT, steel, phosphate finish, 2.50mm dia, 25mm lg	PS105250	1	
21	A	9ACR	2910-99-801-2259 . . . CONNECTING LINK, RIGID, steel, 19.25in. centres, ball joint 1st end, fork 2nd end	FV525455	1	
22	A	G1	5310-99-941-0902 . . . NUT, PLAIN, HEXAGON, 1/4in. -28 UNF thd, 0.438in. w A/F, 0.156in. o/a h		2	
23	A	6MT1	3040-99-829-3856 . . . BALL, JOINT, brass, steel ball pin, 1/4-28 NF ball end, socket end 1/4in. female id, 1-5/16in. lg	329P4U	1	
24		NP	. . . PLATE, CONNECTING LINK	FV510690		
25	A	9ACR	5340-99-804-3319 . . . FORK END, steel, 0.26in. fork span, 0.687in. sq o/a, 0.44in. dia	FV510689	1	
26	A	9ACR	5315-99-801-0567 . . . PIN, STRAIGHT, HEADED, steel, phosphated coated, 0.2495in. max dia, 0.950in. lg	FV510692	1	
27	A	G1	5315-99-944-0171 . . . PIN, COTTER, SPLIT, steel, phosphated, 1/16in. x 5/8in.		1	

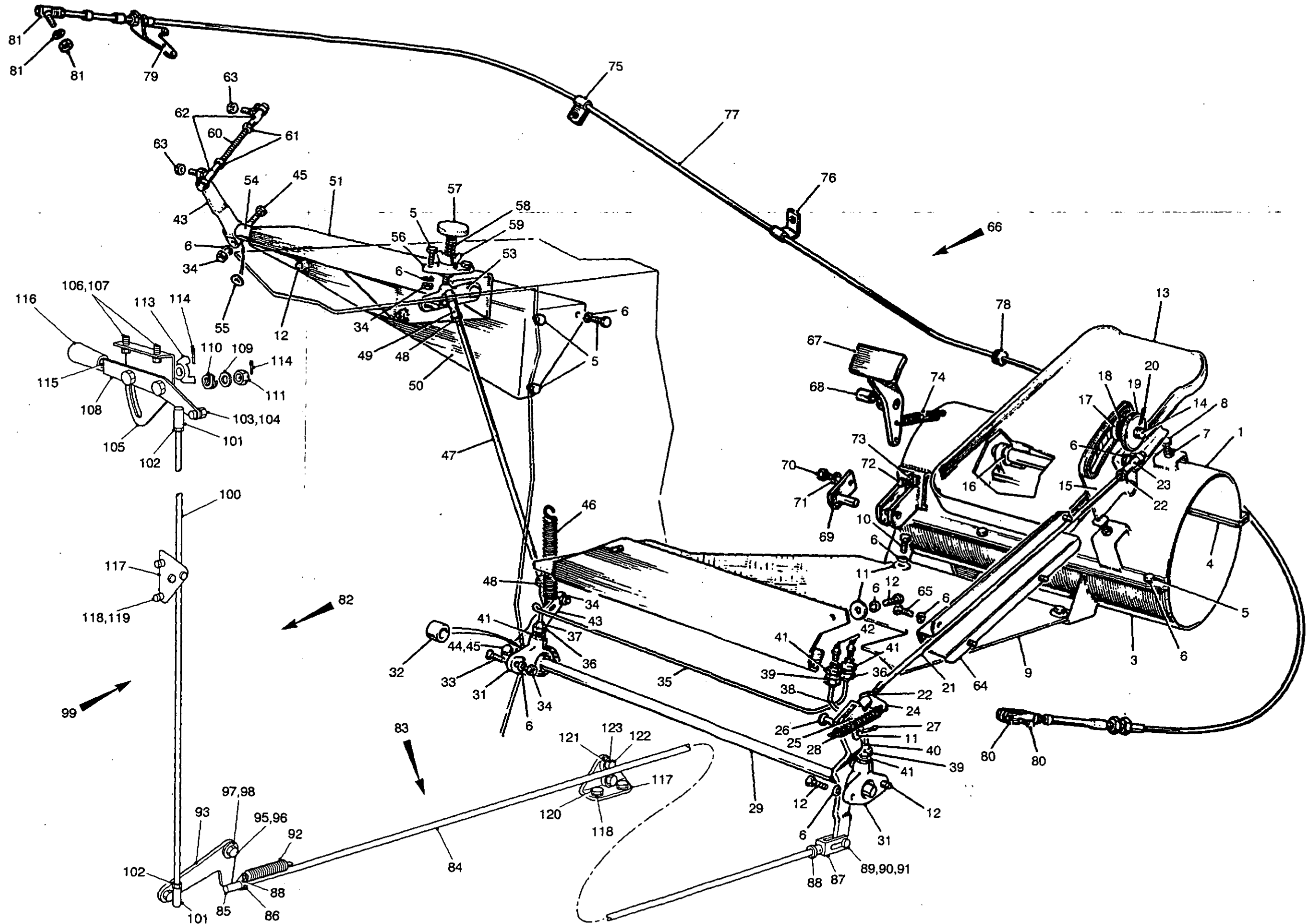


Fig 1 Accelerator, fuel stop control and hand throttle

Fig Item	Man Code Navy - N Army - A RAF - R	NATO Stock No	Item Name and Description	Part No/ Drawing No.	No. Off	Annotations
1-			CONTROLS GENERAL ARRANGEMENT - contd			
			. ACCELERATOR CONTROL GA - contd			
28	A	9ACR	. . . SPRING, HELICAL, EXTENSION	FV480133	1	
29	A	9ACR	. . . BELL, CRANK, steel,	FV559254	1	
NI 30		NP	. . . SPACER, SLEEVE	FV559257	1	u/w item 29
31	A	9ACR	. . . HOUSING, BEARING UNIT, accelerator control shaft	FV559252	2	
32	A	6MT7	. . . BEARING, PLAIN, SELF-ALIGNING	RSS08	2	
33	A	G1	. . . SCREW, MACHINE, UNF, steel, flat csk hd, zinc coated, 1/4in. x 3/4in.		2	} Bearing housing to support plate
34	A	G1	. . . NUT, PLAIN, HEXAGON, UNF, steel, zinc coated, 1/4in.		9	
35	A	9ACR	. . . PIPE, STEEL, 3/16in. od x 8in. lg	FV559258	1	
36	A	46MT1	. . . NUT, UNION, PIPE, UNF, steel, Cd plated, 3/8in.	FVS88-2	2	
37	A	46MT1	. . . FERRULE, BRAZING-TUBE FITTING, steel	FVS89-2	2	
38	A	9ACR	. . . PIPE, STEEL, 3/16in. od x 2-1/2in. lg	FV559259	1	
39	A	46MT1	. . . NUT, UNION, PIPE, UNF, steel, Cd plated, 3/8in.	FVS88-2	2	
40	A	46MT1	. . . FERRULE, BRAZING-TUBE FITTING, steel	FVS89-2	2	
41	A	46MT1	. . . NIPPLE, TUBE, UNF, steel, 3/8in. to 3/16in.	FVS87-2	4	
42	A	46MT1	. . . LUBRICATING NIPPLE, steel	NA6625	2	
43	A	9ACR	. . . LEVER, REMOTE CONTROL, steel	FV559371	2	
44	A	9ACR	. . . WASHER, FLAT, steel, 1/4in. id	FV480261	1	
45	A	G1	. . . SCREW, MACHINE, UNF, stainless steel, hex hd, Cd plated, 1/4in. x 1-1/4in.		2	
46	A	9ACR	. . . SPRING, HELICAL EXTENSION, control pedal	FV300860	1	
47	A	9ACR	. . . CONNECTING, LINK, RIGID, steel, 18.75in.	FV538218	1	
48	A	G1	. . . NUT, PLAIN, HEXAGON, UNF, steel, zinc coated, 1/4in.		2	
49	A	46MT1	. . . BALL JOINT, 1/4-28 NF ball end, socket end 1/4in., 1-5/16in. o/a lg	329P4U	2	
50	A	9ACR	. . . BRACKET, UPPER CROSS-SHAFT SUPPORT	FV559359	1	
51	A	9ACR	. . . BRACKET, EYE, ROTATING SHAFT, steel	FV559361	1	
NI 52	A	46MT1	. . . BEARING, SLEEVE, 1/2in. id x 19/32in. od x 3/8in. lg	08DU06	2	
53	A	9ACR	. . . UPPER CROSS SHAFT, COMPLETE, steel	FV585959	1	
54	A	9ACR	. . . SPACER, SLEEVE, steel, 1-1/2in. lg, 3/4in. od, 1/2in. id	FV585963	1	
55	A	9ACR	. . . WASHER, FLAT, 1/4in. id	FV480261	2	
56	A	9ACR	. . . HOUSING, THUMBSCREW, brass	FV538215	1	
57	A	9ACR	. . . THUMBSCREW, UNF, steel, 3/8in.	FV538216	1	
58	A	9ACR	. . . SPRING, HELICAL, COMPRESSION, steel, 1/2in. dia x 1-3/4in. lg	FV559372	1	
59	A	G1	. . . NUT, PLAIN, WING, UNF, steel, zinc coated, 3/8in.	7064112	1	
60	A	9ACR	. . . CONNECTING LINK, RIGID	FV538220	1	
61	A	G1	. . . NUT, PLAIN, HEXAGON, UNF, steel, zinc coated, 1/4in.		2	

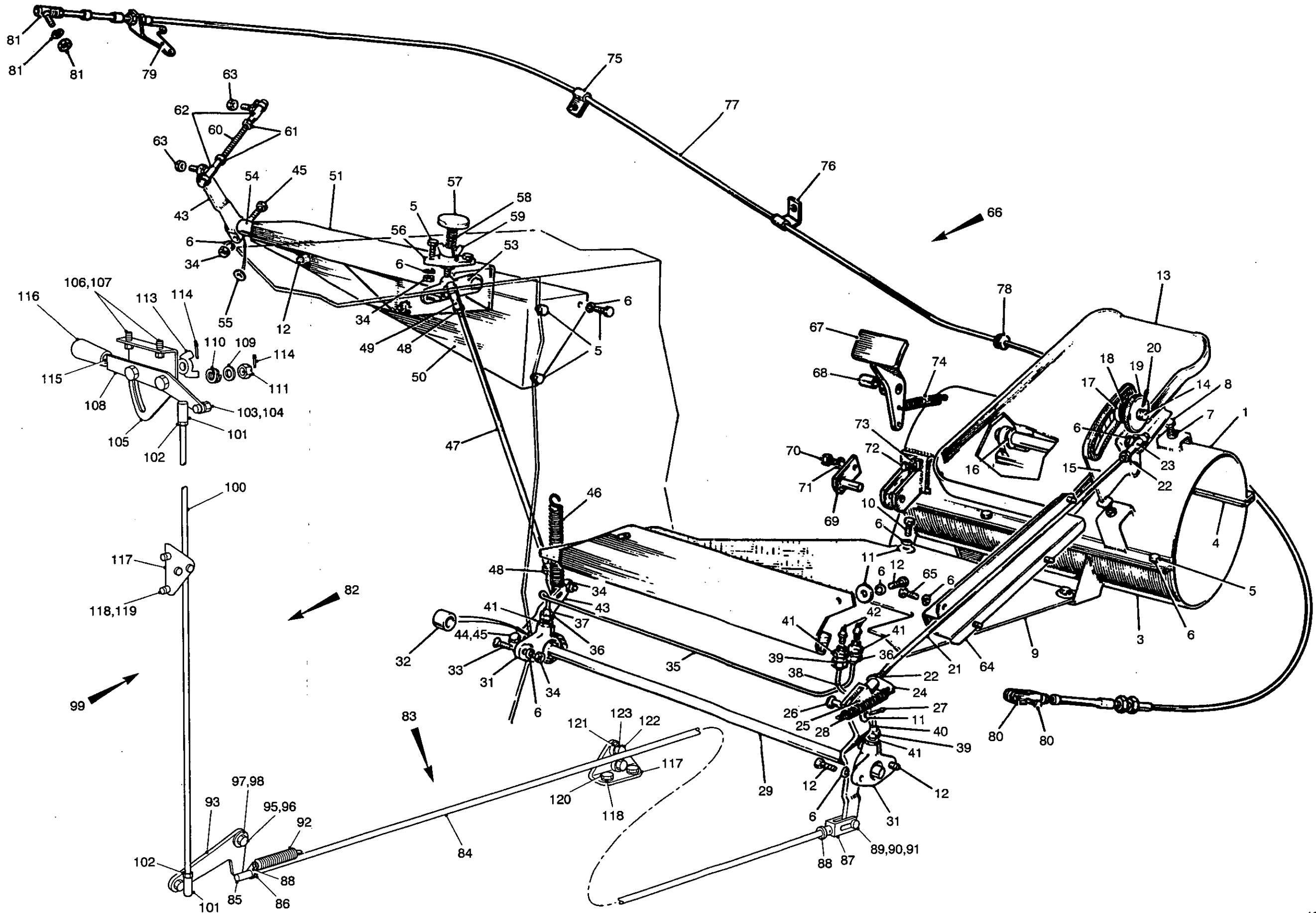


Fig 1 Accelerator, fuel stop control and hand throttle

Fig Item	Man Code Navy - N Army - A RAF - R	NATO Stock No	Item Name and Description	Part No/ Drawing No.	No. Off	Annotations
1-			CONTROLS GENERAL ARRANGEMENT - contd . ACCELERATOR CONTROL GA - contd . . . CONNECTING LINK, RIGID - contd			
62	A	46MT1	3040-99-829-3856 . . . BALL JOINT, 1/4 -28 NF ball end, socket end 1/4in., 1-5/16in. o/a lg	329P4U	2	
63	A	G1	5310-99-941-4167 . . NUT, SELF-LOCKING, HEXAGON, UNF, steel, Cd plated, 1/4in.		2	
64	A	9ACR	2540-99-401-8441 . . COVER, steel, 8.50in. lg x 2.60in. w	FV525463	1	
65	A	G1	5305-99-941-0511 . . SCREW, MACHINE, UNF, steel, hex hd, zinc coated, 1/4in. x 1/2in.		4	
66		NP	. FUEL STOP CONTROL, GENERAL ARRANGEMENT	FV650851	1	
67	A	9ACR	2540-99-804-2287 . . PEDAL, CONTROL, steel, 5-3/4in. lg, 3in. wd	FV602894	1	
68	A	46MT1	3120-99-200-2448 . . . BEARING, SLEEVE, bronze, 1/2in. id x 5/8in. od x 3/4in. lg	SSML5-5	1	
69	A	9ACR	2590-99-804-3327 . . PIVOT, PEDAL CONTROL, steel, 1/2in. od x 1.48in. lg	FV602835	1	
70	A	G1	5305-99-941-0511 . . SCREW, MACHINE, UNF, steel, hex hd, zinc coated, 1/4in. x 1/2in.		1	
71	A	G1	5310-99-941-6654 . . WASHER, LOCK, steel, split helical ring, 1/4in. nom bolt size, 27/64in. od, 5/64in. thk		1	
72	A	G1	5305-99-941-0513 . . SCREW, MACHINE, UNF, steel, hex hd, zinc coated, 1/4in. x 3/4in.		1	
73	A	G1	5310-99-941-0924 . . NUT, PLAIN, HEXAGON, UNF, steel, zinc coated, 1/4in.		1	
74	A	9ACR	2540-99-865-6750 . . SPRING, HELICAL, EXTENSION, control pedal	FV300860	1	
75		NP	. . CLIP	FV650545	1	
76		NP	. . CLIP	FV650852	1	
77	A	9ACR	2590-99-806-1668 . . CABLE, CONTROL, FUEL STOP, steel cable, 1/16in. dia, 7ft 6in. lg	FV650724	1	
78	A	H9	5325-99-942-6838 . . GROMMET, RUBBER, synthetic, 0.302in. id, 0.260in. groove w, 0.500in. h	787006	1	
79	A	9ACR	2590-99-806-2028 . . BRACKET, stop, control cable	FV650541	1	
80	A	6MT1	5340-99-806-2023 . . FORK END, c/w washer and split pin	A31125	1	
81	A	46MT1	2590-99-805-1439 . . BALL JOINT, quick release type, stud length 7/16in., screwed 10-32 UNF	214506	1	
82		NP	. HAND THROTTLE CONTROL ASSEMBLY GENERAL ARRANGEMENT	FV510432	REF	
83		NP	. . ROD, SUB-ASSEMBLY, shaft to bell crank	FV510687	1	
84	A	9ACR	5306-99-804-3318 . . . ROD, THREADED END, steel, phosphate coated, 1/4in. dia, 72.9in. lg, 1/4in. UNF thds	FV510688	1	
85	A	46MT1	3040-99-829-3856 . . . BALL JOINT, br, steel ball pin, br pads, male thd 1/4in.-28 UNF ball end, socket end 1/4in. female id, spring loaded, 1-5/16in. lg	329P4U	1	
86		NP	. . . PLATE, DETENT, spring anchor	FV510690	1	
87	A	9ACR	5340-99-804-3319 . . . FORK END, steel, 0.26in. fork span, 0.687in. sq, 0.44in. shank dia	FV510689	1	
88	A	G1	5310-99-941-0902 . . . NUT, PLAIN, HEXAGON, 1/4in. -28 UNF class 2B thd, steel, Zn plated, chamfered, 0.438in. w A/F, 0.156in. h		2	

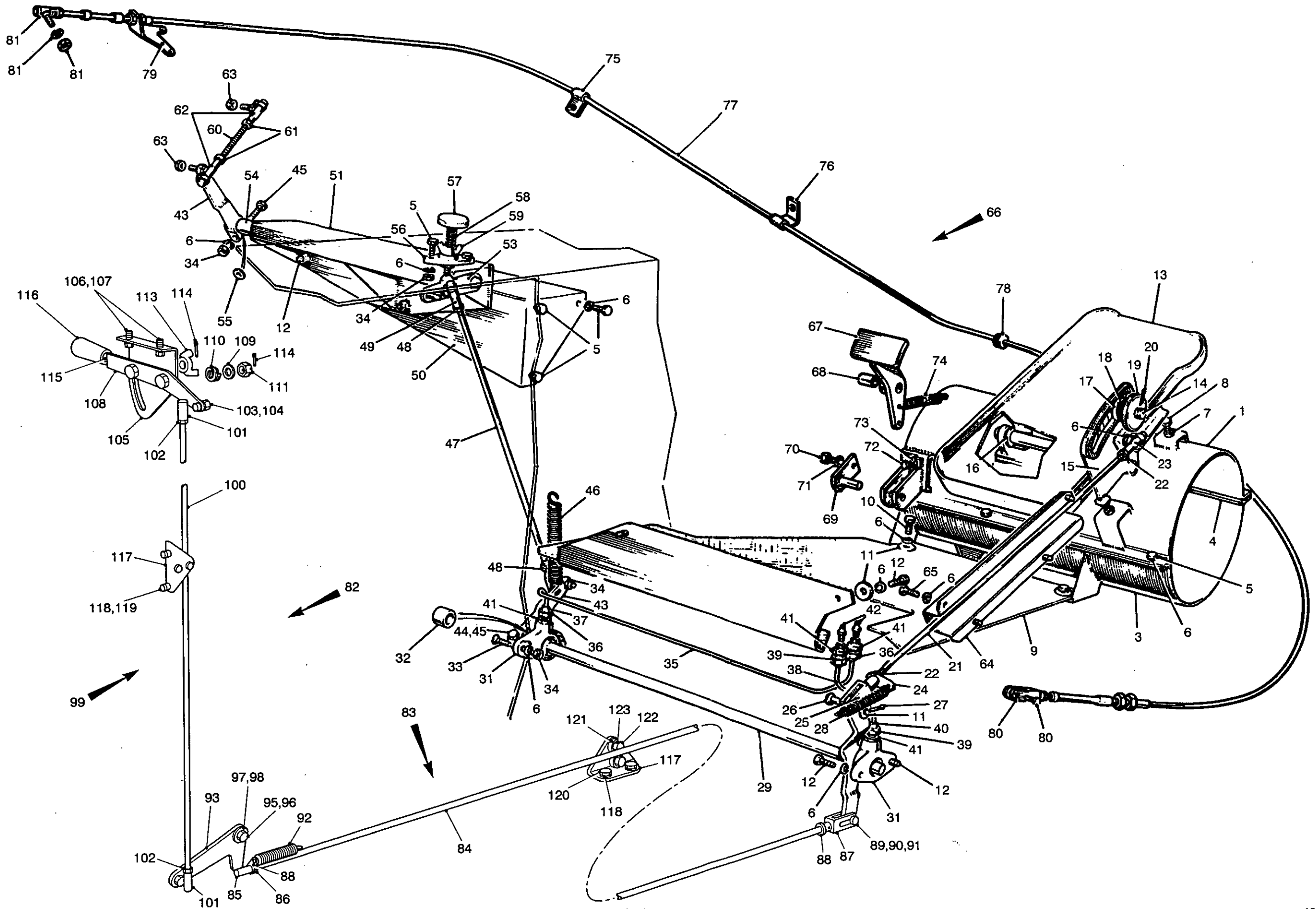


Fig 1 Accelerator, fuel stop control and hand throttle

430/70209

Fig Item	Man Code Navy - N Army - A RAF - R	NATO Stock No	Item Name and Description	Part No/ Drawing No.	No. Off	Annotations
1-			CONTROLS GENERAL ARRANGEMENT - contd			
			. HAND THROTTLE CONTROL ASSEMBLY GA - contd			
89	A	9ACR	5315-99-801-0567 . . . PIN, STRAIGHT, HEADED, steel, phosphate coated, 0.2495in. dia, 0.95in. lg, flat chamfered hd	FV510692	1	
90	A	G1	5310-99-941-7072 . . . WASHER, FLAT, steel, Cd plated, 1/4in. bolt size, 9/16in. od, 0.056in. thk		1	
91	A	G1	5315-99-944-0171 . . . PIN, COTTER, SPLIT, steel, phosphated, spring type, extended prong chisel point, 1/16in. dia, 5/8in. lg		1	
92	A	9ACR	5360-99-866-9207 . . . SPRING, HELICAL, EXTENSION	FV480133	1	
93	A	9ACR	3040-99-804-3317 . . . BELL CRANK, steel, 5-1/2in. x 2-1/2in. x 1/2in.	FV510682	1	
NI 94	A	46MT1	3120-99-101-7148 . . . BEARING SLEEVE, multi-layer, steel, Cu, PTFE, plain, split, no flanges, 1/2in. lg, 15/32in. od, 3/8in. id	06DU08	1	
95	A	9ACR	5315-99-804-3316 . . . PIN, SHOULDER, HEADLESS, steel, phosphate coated, 0.8in. shank lg, 0.5in. shoulder dia, 0.375in. shank dia, 1.8in. lg	FV510681	1	
96	A	G1	5310-99-941-0906 . . . NUT, PLAIN, HEXAGON, UNF, steel, Zn plated, chamfered, 1/2in. -20 thd, 3/4in. w A/F, 0.317in. h, grade 3		1	
97	A	G1	5310-99-941-7948 . . . WASHER, FLAT, steel, Cd plated, 3/8in. bolt size, 3/4in. od, 0.072in. thk		2	
98	A	G1	5315-99-944-0171 . . . PIN, COTTER, SPLIT, steel, phosphated, spring type, extended prong chisel point, 1/16in. dia, 5/8in. lg		1	
99		NP	. . . ROD, SUB-ASSEMBLY, bell crank to quadrant	FV510685	1	
100	A	9ACR	5306-99-804-3307 . . . ROD, THREADED END, steel, 1/4in. dia, 46.9in. lg, 1/4in. UNF thds	FV510686	1	
101	A	46MT1	3040-99-829-3856 . . . BALL, JOINT, br, steel ball pin, br pads, male thd, 1/4in. -28 UNF ball end, socket end 1/4in. female id, spring loaded, 1-5/16in. lg	329P4U	2	
102	A	G1	5310-99-941-0902 . . . NUT, PLAIN, HEXAGON, 1/4in. -28 UNF class 2B thd, steel, Zn plated, chamfered, 0.438in. w A/F, 0.156in. h		2	
103	A	G1	5310-99-941-6654 . . . WASHER, LOCK, steel, split helical ring, 1/4in. bolt size, 27/64in. od, 5/64in. thk		1	
104	A	G1	5310-99-804-7941 . . . NUT, PLAIN, HEXAGON, UNF, 1/4in. dia -28 class 2B thd, steel, Zn plated, 7/16in. w A/F, 7/32in. h, chamfered		3	Securing items 85 and 101
105		NP	. . . QUADRANT, HAND THROTTLE CONTROL, steel, 3.1in. w, 0.128in. thk	FV510674	1	
106	A	G1	5310-99-941-6654 . . . WASHER, LOCK, steel, split helical ring, 1/4in. bolt size, 27/64in. od, 5/64in. thk		2	
107	A	G1	5305-99-941-0513 . . . SCREW, MACHINE, UNF, steel, Zn plated, hex hd, 1/4in. dia, 3/4in. lg		2	
108		NP	. . . LEVER, MANUAL CONTROL, steel, 6- 3/4in. lg	FV510675	1	
109	A	G1	5310-99-941-7948 . . . WASHER, FLAT, steel, Cd plated, 3/8in. bolt size, 3/4in. od, 0.072in. thk		3	
110	A	G1	5310-99-941-6679 . . . WASHER, LOCK, phosphor bronze, split double helical ring, 25/64in. hole dia, 11/16in. od, 3/64in. thk		1	

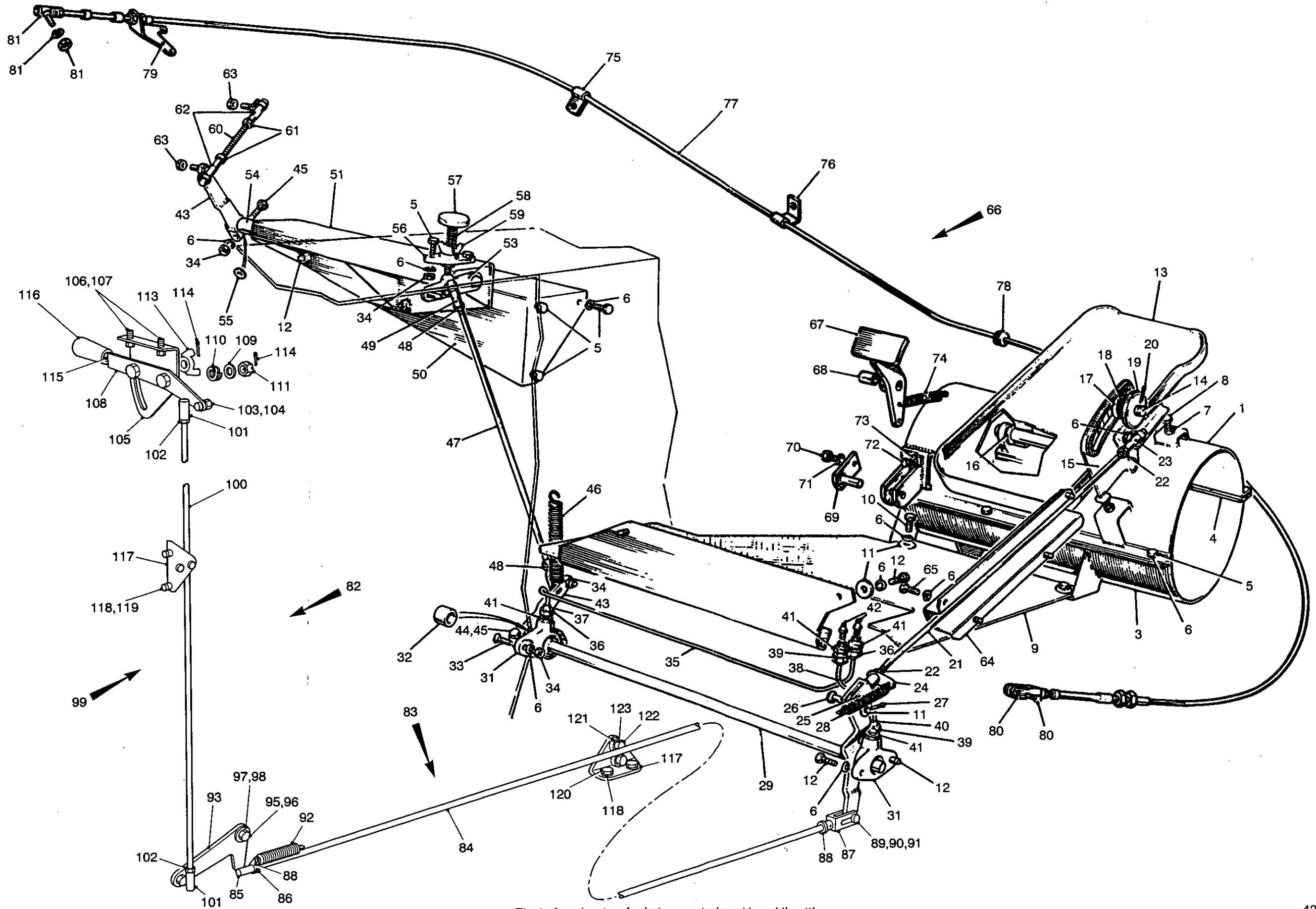


Fig 1 Accelerator, fuel stop control and hand throttle

430/70209

Fig Item	Man Code Navy - N Army - A RAF - R	NATO Stock No	Item Name and Description	Part No/ Drawing No.	No. Off	Annotations
1-			CONTROLS GENERAL ARRANGEMENT - contd			
			. HAND THROTTLE CONTROL ASSEMBLY GA - contd			
111	A G1	5310-99-941-0860	. . NUT, PLAIN, SLOTTED, HEXAGON, UNF, steel, Zn plated, chamfered, 3/8in. dia thd, 9/16in. w A/F, 13/32in. h, grade 3		1	
NI 112		NP	. . WASHER, FLAT, steel, 13/32in. id, 3/4in. od, 0.15in. thk	FV510693	1	u/w item 113
113	A G1	5310-99-941-8262	. . NUT, PLAIN, WING, UNF, steel, Cd plated, 3/8in. thd, dia, 1-13/32in. w, 23/32in. h, class 2B thd		1	
114	A G1	5315-99-138-2201	. . PIN, COTTER, SPLIT, steel, phosphate finish, 1.6mm dia, 25mm lg		2	
115	A G1	5310-99-941-0903	. . NUT, PLAIN, HEXAGON, UNF, steel, Zn plated, chamfered, 5/16in. thd, 1/2in. w A/F, 3/16in. h, grade 3		1	
116	A 9ACR	5340-99-865-6729	. . HANDLE, CONTROL ROD	FV525303	1	
117	A 9ACR	2590-99-804-3314	. . BRACKET ASSEMBLY, ROD GUIDE, steel, 2-3/4in. x 1-3/4in. x 1-1/16in.	FV510678	2	
118	A G1	5310-99-944-0549	. . WASHER, LOCK, steel, Cd plated, split helical ring, 5/16in. bolt size 0.503in. od, 0.084in. thk, single coil, sq section		4	
119	A G1	5305-99-941-0523	. . SCREW, MACHINE, UNF, stainless steel, Zn plated, hex hd, 5/16in. x 1/2in. lg, class 2A thd		2	
120	A G1	5305-99-941-0525	. . SCREW, MACHINE, UNF, stainless steel, Zn plated, hex hd, 5/16in. x 3/4in. lg, class 2A thd		2	
121	A 9ACR	2590-99-804-3315	. . ROLLER, ROD, GUIDE, br, 5/8in. od, 0.3in. thk	FV510691	2	
122	A G1	5310-99-941-7072	. . WASHER, FLAT, steel, Cd plated, 1/4in. bolt size, 9/16in. od, 0.056in. thk		8	
123	A G1	5315-99-944-0171	. . PIN, COTTER, SPLIT, steel, phosphated, spring type, extended prong chisel point, 1/16in. dia, 5/8in. lg		4	

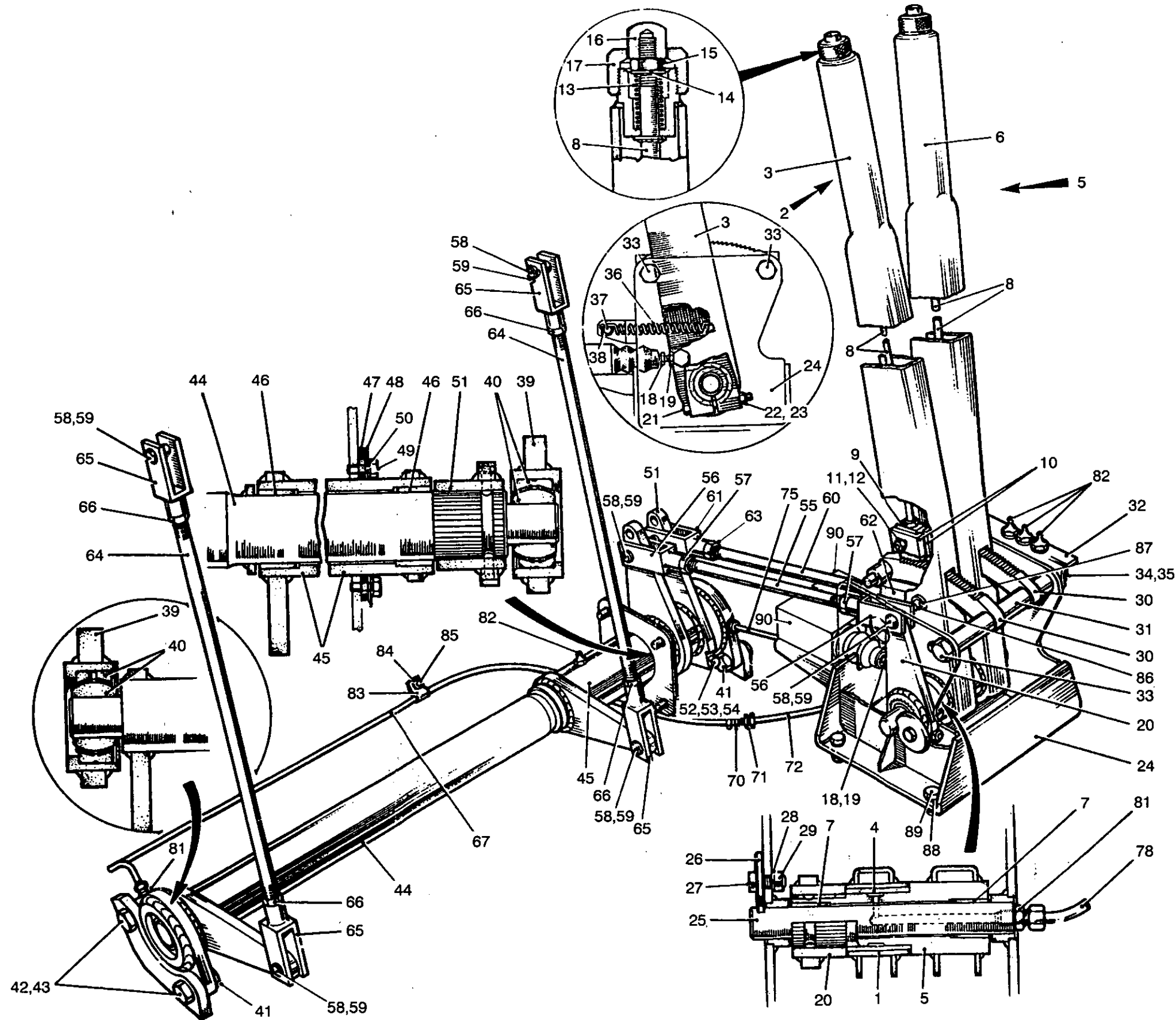


Fig 2 Steering and brake controls general arrangement

430/70079

Fig Item	Man Code Navy - N Army - A RAF - R	NATO Stock No	Item Name and Description	Part No/ Drawing No.	No. Off	Annotations
2-			CONTROLS GA - contd			
		NP	. STEERING AND BRAKE CONTROLS GENERAL ARRANGEMENT	FV500097	REF	
NI 1		NP	. . . ASSEMBLY OF STEERING LEVERS	FV500098	REF	
2	A 9ACR	2530-99-865-6208	. . . LEVER CONTROL, LH, steering	FV500114	1	See items 8 to 19
3		NP LEVER, LH, steering	FV500133	1	
4	A 46MT1	3120-99-881-3239 BEARING, SLEEVE, 1-1/2in. id x 1- 21/32in. od x 2in. lg	24DU32	1	
5	A 9ACR	3040-99-865-6209	. . . LEVER, MANUAL CONTROL, RH, steering	FV500115	1	
6		NP LEVER, RH, steering	FV500134	1	
7	A 46MT1	3120-99-881-3238 BEARING, SLEEVE, 1-7/8in. x 1in. od x 1in. lg	14DU16	2	
8	A 9ACR	2530-99-865-6218 ROD, parking brake, UNF, steel, 0.25in. dia x 30in. o/a lg	FV500135	1	
9	A 9ACR	2530-99-865-6220 PAWL, steering, hand control lever	FV500137	1	
10	A 9ACR	2530-99-865-6219 GUIDE, PAWL, steering, hand control lever	FV500136	1	
11	A G1	5305-99-941-1749 SCREW, MACHINE, UNF, MS, csk hd, slotted, zinc coated, 1/4in. x 5/8in.		4	
12	A G1	5310-99-804-7941 NUT, PLAIN, HEXAGON, UNF, steel, 1/4in. dia, 7/16in. w A/F, 7/32in. o/a h, Zn plated, chamfered		4	
13	A 9ACR	5360-99-865-6221 SPRING, HELICAL, COMPRESSION, steering, hand control lever	FV500138	1	
14	A G1	5310-99-941-7072 WASHER, FLAT, steel, cadmium plated, 1/4in. nom bolt size, 9/16in. od, 0.056in. thd		1	
15	A G1	5310-99-941-0902 NUT, PLAIN, HEXAGON, UNF, P steel, chamfered, zinc coated, 1/4in., lock		1	
16	A 9ACR	2530-99-865-6222 PLUNGER, hand control, lever steering	FV500139	1	
17	A 9ACR	2530-99-865-6223 CAP, hand control, lever steering	FV500140	1	
18		NP SCREW, MACHINE, UNF, steel, hex hd, Zn plated, 0.25in. x 1.15in.	FV538300	1	LM from G1/ 5305-99-941- 1071
19	A G1	5310-99-804-7941 NUT, PLAIN, HEXAGON, UNF, steel, chamfered, zinc coated, 1/4in. dia, 7/16in. w A/F, 7/32in. o/a h		1	
20	A 9ACR	3040-99-865-6211	. . . LEVER, REMOTE CONTROL, short, steering	FV500117	1	
21	A G1	5306-99-941-0305	. . . BOLT, MACHINE, UNF, 5/16in. -24, class 2A thd, 3in. lg, steel, zinc plated, 50 tons sq in. min ts, hex hd		1	
22	A G1	5310-99-941-6655	. . . WASHER, LOCK, 5/16in. hole dia		1	
23	A G1	5310-99-941-0925	. . . NUT, PLAIN, HEXAGON, UNF, 5/16 - 24, class 2B, steel, 1/2in. w A/F, 17/64in. h, chamfered		1	
24	A 9ACR	2530-99-865-6210	. . . BRACKET, hand control, lever steering	FV500116	1	
25	A 9ACR	2530-99-865-6213	. . . SPINDLE, steering	FV500119	1	
26	A 9ACR	5310-99-865-6214	. . . WASHER, FLAT, steel, phos coated, rd, 1.625in. od rd hole, 0.328in. id, 0.184in. thk	FV500120	1	
27	A G1	5305-99-941-0525	. . . SCREW, MACHINE, UNF, S steel, hex hd, zinc coated, 5/16in. x 3/4in.		1	
28	A G1	5310-99-941-6655	. . . WASHER, LOCK, 5/16in. hole dia		1	

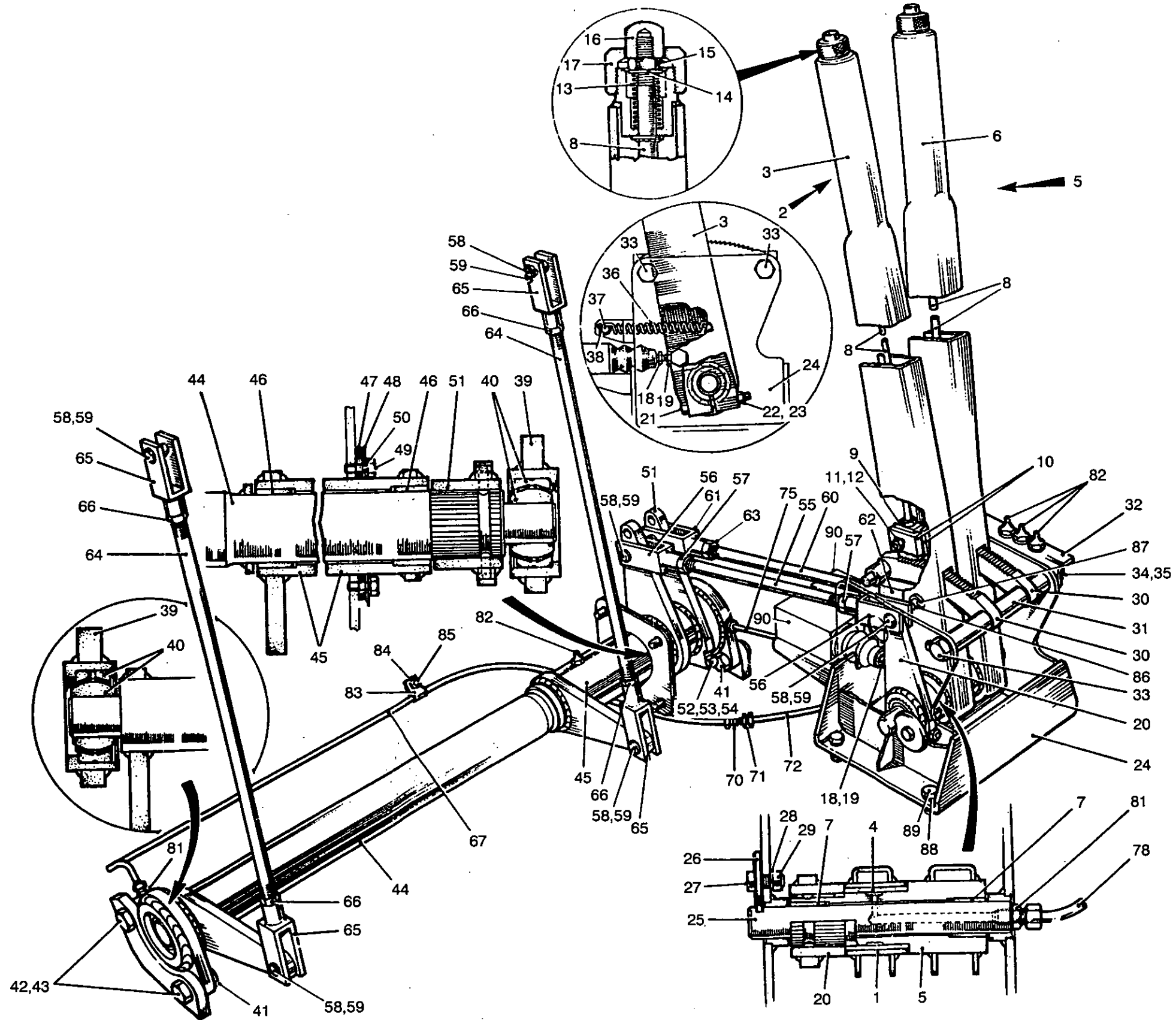


Fig 2 Steering and brake controls general arrangement

430/70079

Fig Item	Man Code Navy - N Army - A RAF - R	NATO Stock No	Item Name and Description	Part No/ Drawing No.	No. Off	Annotations
2-			CONTROLS GA - contd . STEERING AND BRAKE CONTROLS GA - contd . . . ASSEMBLY OF STEERING LEVERS - contd			
29	A G1	5310-99-941-0925	. . . NUT, PLAIN, HEXAGON, UNF, 5/16 -24, class 2B, steel, 1/2in. w A/F, 17/64in. h, chamfered		1	
30	A 9ACR	2530-99-865-6212	. . . QUADRANT, control lever, parking brake	FV500118	2	
31	A 9ACR	5365-99-865-6216	. . . SPACER, SLEEVE, steel, phosphated, 0.532in. id, 0.750in. od, 1.710in. lg	FV500122	2	
32	A 9ACR	2910-99-867-4587	. . . BRACKET, lubricating nipple, steering	FV559250	1	
33	A G1	5306-99-941-4166	. . . BOLT, MACHINE, UNF, 1/2in. -20 thd, class 2A thd, 8in. lg, steel, zinc plated, hex hd, 1-1/2in. thd lg		2	
34	A G1	5310-99-944-0552	. . . WASHER, LOCK, steel, split helical ring, Cd plated, 1/2in. nom bolt size, 0.763in. od		2	
35	A G1	5310-99-941-0928	. . . NUT, PLAIN, HEXAGON, UNF, steel, zinc plated, 1/2in., 3/4in. w A/F, 7/16in. o/a h, grade 3 nut		2	
36	A 9ACR	2540-99-865-6750	. . . SPRING, HELICAL, EXTENSION, control pedal	FV300860	2	
37	A 9ACR	5315-99-866-9078	. . . PIN, GROOVED, HEADLESS, steel, phos, 0.375in. dia, 3.950in. lg	FV559480	2	
38	A G1	5315-99-138-2201	. . . PIN, COTTER, SPLIT, steel, phos, 1.6mm dia, 25mm lg	EM32815/5 6	2	
39	A 9ACR	3130-99-865-6196	. . BEARING UNIT, PLAIN, steering	FV500102	2	
40	A 46MT1	3120-99-881-4562	. . . BEARING, PLAIN, SELF-ALIGNING, steel, 1-3/16in. id, 2-5/8in. od, 1-1/4in. w	RS19	2	
41	A G1	5305-99-941-0571	. . SCREW, MACHINE, UNF, steel, hex hd, zinc coated, 1/2in. dia x 2in. lg		4	
42	A G1	5310-99-944-0569	. . WASHER, LOCK, steel, girder section, Cd plated, 1/2in. nom bolt size		4	
43	A G1	5310-99-120-7391	. . NUT, SELF-LOCKING, HEXAGON, 1/2in. dia, UNF, steel, 3/4in. w A/F, 21/32in. h		4	
44	A 9ACR	3040-99-865-6193	. . LEVER, REMOTE CONTROL, steering gear	FV500099	1	
45	A 9ACR	3040-99-865-6194	. . LEVER, REMOTE CONTROL, steering gear	FV500100	1	
46	A 46MT1	3120-99-800-9692	. . . BEARING, SLEEVE, 1in. o/a lg, 2-3/16in. od, 2in. id	32DU16	2	
47	A 9ACR	5330-99-865-6200	. . GASKET, synthetic rubber	FV500106	1	
48	A 9ACR	5340-99-865-6201	. . PLATE, RETAINING, SEAL, steering	FV500107	1	
49	A G1	5305-99-941-0513	. . SCREW, MACHINE, UNF, steel, zinc plated, hex hd, 1/4in. dia		4	
50	A G1	5310-99-941-6654	. . WASHER, LOCK, 1/4in. bolt size, 27/64in. od		4	
51	A 9ACR	3040-99-865-6195	. . LEVER, REMOTE CONTROL, steering	FV500101	1	
52	A G1	5306-99-941-0306	. . BOLT, MACHINE, 5/16in. x 3-1/4in., steel, hex hd, Zn coated		1	
53	A G1	5310-99-941-6655	. . WASHER, LOCK, 5/16in. hofe dia		1	
54	A G1	5310-99-941-0925	. . NUT, PLAIN, HEXAGON, UNF, steel, zinc coated, 5/16in.		1	
55	A 9ACR	3040-99-865-6197	. . CONNECTING LINK, RIGID, short, lh	FV500103	1	
56	A 6MT1	5340-99-910-3295	. . . FORK, END, steel, 1/2in. -20 UNF int rh thd	SSML7-18	2	

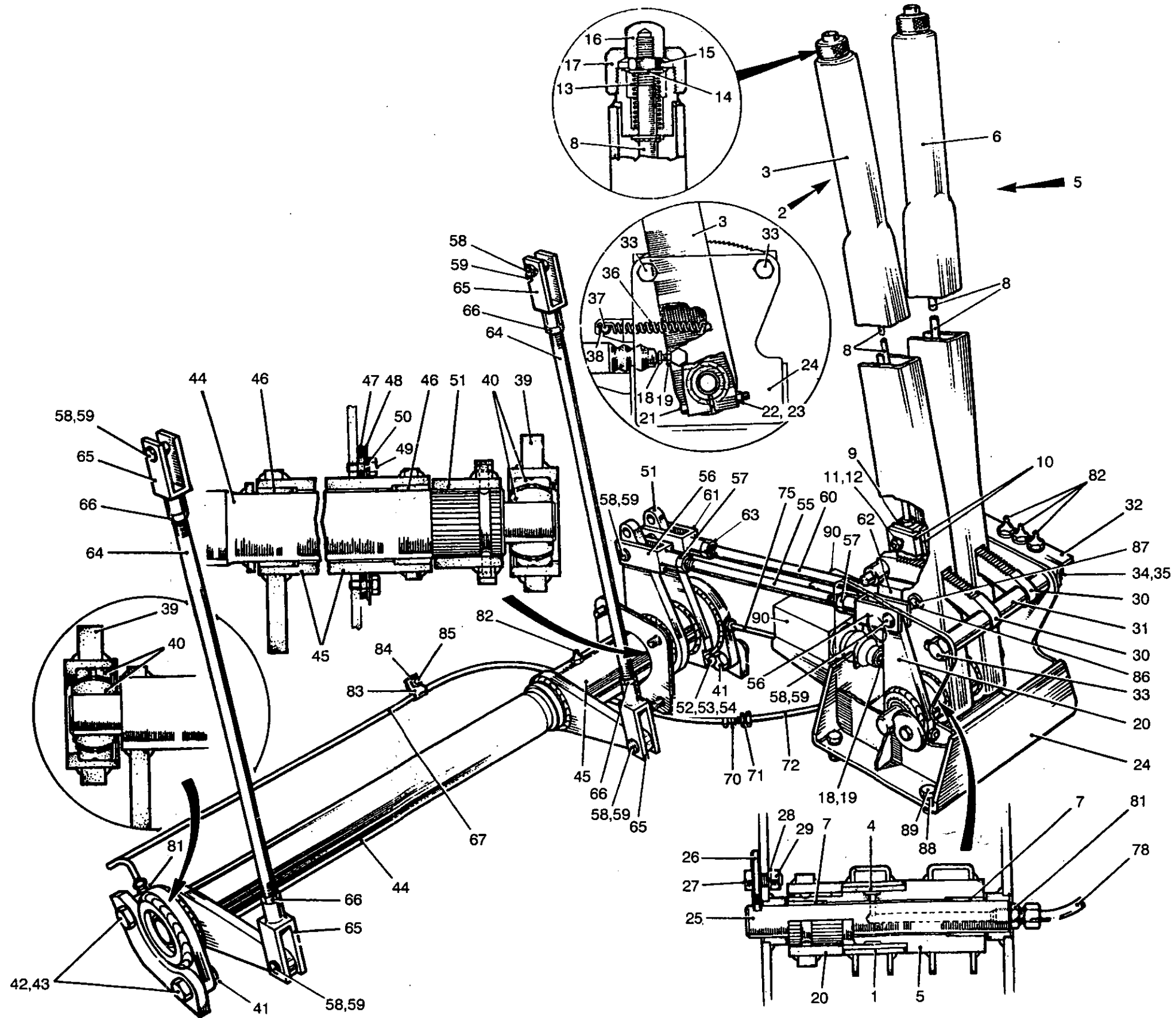


Fig 2 Steering and brake controls general arrangement

430/70079

Fig Item	Man Code Navy - N Army - A RAF - R	NATO Stock No	Item Name and Description	Part No/ Drawing No.	No. Off	Annotations
2-			CONTROLS GA - contd . STEERING AND BRAKE CONTROLS GA - contd . . . CONNECTING LINK, RIGID - contd			
57	A G1	5310-99-941-0906	. . . NUT, PLAIN, HEXAGON, UNF, steel, zinc coated, 1/2in.		2	
58	A G1	5315-99-910-3311	. . . PIN, STRAIGHT, HEADED, steel, phosphated, 1/2in.		7	
59	A G1	5315-99-138-2209	. . . PIN, COTTER, SPLIT, steel, phosphated finish, 3.20mm dia, 32mm lg	103385	7	
60	A 9ACR	3040-99-865-6198	. . . CONNECTING LINK, RIGID, short, rh	FV500104	1	
61	A 6MT1	5340-99-910-3295	. . . FORK, END, steel, zinc plated, 1/2in. -20 UNF int rh thd	SSML7-18	1	
62	A 9ACR	2530-99-865-6217	. . . ROD END, rigid, connecting link, steering	FV500131	1	
63	A G1	5310-99-941-0906	. . . NUT, PLAIN, HEXAGON, UNF, steel, chamfered, zinc coated, 1/2in. -20, 3/4in. w		2	
64	A 9ACR	3040-99-865-6199	. . . CONNECTING LINK RIGID, long	FV500105	2	
65	A 46MT1	5340-99-910-3295	. . . FORK, END, 1/2in. -20 UNF int rh thd, 3-13/32in. o/a lg	SSML7-18	2	
66	A G1	5310-99-941-0906	. . . NUT, PLAIN, HEXAGON, UNF, steel, zinc coated, 1/2in.		2	
67	A 9ACR	4710-99-865-6205	. . . PIPE, METALLIC, bulkhead to lh spherical bearing	FV500111	1	
NI 68	A 46MT1	4730-99-801-1564	. . . NUT, UNION, PIPE, UNF, 3/8in., 3/16in. pipe size	FVS88-2	2	
NI 69	A 46MT1	4730-99-801-1560	. . . FERRULE, BRAZING, TUBE FITTING, 3/16in. od pipe	FVS89-2	2	
70	A 9ACR	4730-99-865-6206	. . . NIPPLE, TUBE, steel, phos, male thd, 0.375in. UNF 2A, 0.188in. od tube	FV500112	1	
71	A G1	5310-99-941-0904	. . . NUT, PLAIN, HEXAGON, UNF, steel, chamfered, zinc coated, 3/8in.		1	
72	A 9ACR	4710-99-865-6204	. . . PIPE, METALLIC, greaser to bulkhead	FV500110	1	
NI 73	A 46MT1	4730-99-801-1564	. . . NUT, UNION, PIPE, UNF, 3/8in., 3/16in. pipe size	FVS88-2	2	
NI 74	A 46MT1	4730-99-801-1560	. . . FERRULE, BRAZING, TUBE FITTING, 3/16in. od pipe	FVS89-2	2	
75	A 9ACR	4710-99-865-6203	. . . PIPE, METALLIC, greaser to rh spherical bearing	FV500109	1	
NI 76	A 46MT1	4730-99-801-1564	. . . NUT, UNION, PIPE, UNF, 3/8in., 3/16in. pipe size	FVS88-2	2	
NI 77	A 46MT1	4730-99-801-1560	. . . FERRULE, BRAZING, TUBE FITTING, 3/16in. od pipe	FVS89-2	2	
78	A 9ACR	4710-99-865-6202	. . . PIPE, METALLIC, greaser to fulcrum pin	FV500108	1	
NI 79	A 46MT1	4730-99-801-1564	. . . NUT, UNION, PIPE, UNF, 3/8in., 3/16in. pipe size	FVS88-2	2	
NI 80	A 46MT1	4730-99-801-1560	. . . FERRULE, BRAZING, TUBE FITTING, 3/16in. od pipe	FVS89-2	2	
81	A 46MT1	4730-99-801-2031	. . . NIPPLE, TUBE, UNF, steel, 3/8in. to 3/16in.	FVS87-2	6	
82	A 46MT1	4730-99-943-9374	. . . LUBRICATING, NIPPLE, hydraulic straight, 1/4in. UNF	NA6625	4	
83	A 9BTR	5340-99-810-6742	. . . STRAP, RETAINING, steel, 0.75in. x 1.25in. x 16 SWG	FV411771	1	
84	A G1	5310-99-941-6654	. . . WASHER, LOCK, steel, split helical ring, 1/4in. nom bolt size, 27/64in. od, 5/64in. thk		1	
85	A G1	5310-99-941-0924	. . . NUT, PLAIN, HEXAGON, UNF, steel, chamfered, zinc coated, 1/4in.		1	

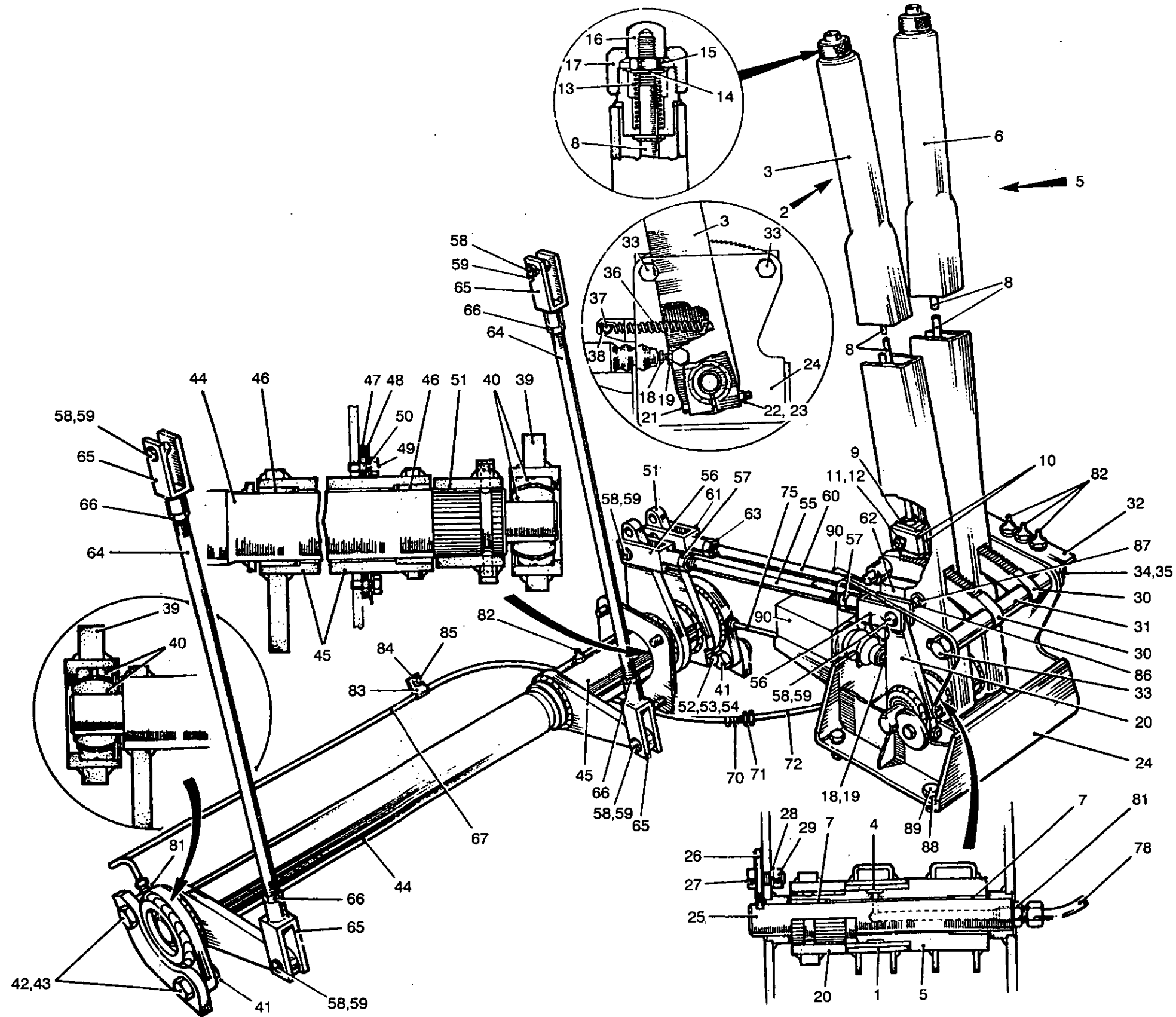


Fig 2 Steering and brake controls general arrangement

430/70079

Fig Item	Man Code Navy - N Army - A RAF - R	NATO Stock No	Item Name and Description	Part No/ Drawing No.	No. Off	Annotations
2-			CONTROLS GA - contd STEERING AND BRAKE CONTROLS GA - contd			
86	A	9ACR	5315-99-865-6207 . . PIN, STRAIGHT, HEADLESS, steel, phos, 0.4989in. od, 2.150in. lg	FV500113	1	
87	A	G1	5315-99-138-2209 . . PIN, COTTER, SPLIT, steel, phosphate finish, 3.20mm dia, 32mm lg	103385	2	
88	A	G1	5310-99-941-6656 . . WASHER, LOCK, steel, split, helical ring, 3/8in. nom bolt size, single coil, square sect		6	} Bracket to floor plates
89	A	G1	5305-99-941-0540 . . SCREW, MACHINE, UNF, steel, hex hd, zinc coated, 3/8in. x 7/8in.		6	
90	A	46MT4	5930-99-881-3583 . . SWITCH, SENSITIVE, SPST, N/C, spring return, 500V ac, 250V dc, 1A resistive, 5-7/8in. lg, 1-3/4in. w, 1-5/8in. h, w/syn rubber bellows	VB1A	2	
NI 91		NP	. . SCREW, MACHINE, ch hd, 2BA x 3/8in. lg		8	} Securing item 90
NI 92	A	G1	5310-99-941-6653 . . WASHER, LOCK, steel, split helical ring, 0.198in. id, 0.064in. thk, 0.33in. od		8	
NI 93		NP	. . TAPPING PLATE, GAITER	FV650095	1	
NI 94		NP	. . GAITER, STEERING	FV650093	1	
NI 95		NP	. . CLAMP PLATE, GAITER	FV650094	1	
NI 96		NP	. . SCREW, MACHINE, ch hd, 2BA x 1/2in. lg		3	} Securing items 94, 95, 96
NI 97	A	G1	5305-99-123-3314 . . SCREW, MACHINE, UNF, 1/4in. -28 class 2A thd, 3/4in. lg, steel, hex hd		4	
NI 98	A	G1	5310-99-941-6654 . . WASHER, LOCK, steel, split helical ring, 1/4in. bolt size, 27/64in. od, 5/64in. thk		4	} Securing items 94, 95
NI 99	A	G1	5310-99-804-7941 . . NUT, PLAIN, HEXAGON, UNF, 1/4in. dia -28, class 2B rh thd, steel, Zn plated, 7/16in. w A/F, 7/32in. h, finished chamfered		4	
NI 100		NP	. . CLIP, GAITER	FV650097	2	
NI 101		NP	. . SCREW, MACHINE, hex hd, 2BA x 3/4in. lg		2	} Securing item 100
NI 102	A	G1	5310-99-941-6653 . . WASHER, LOCK, steel, split helical ring, 0.198in. id, 0.064in. thk, 0.33in. od		2	
NI 103		NP	. . NUT, HEXAGONAL, No. 10 (2BA)		2	

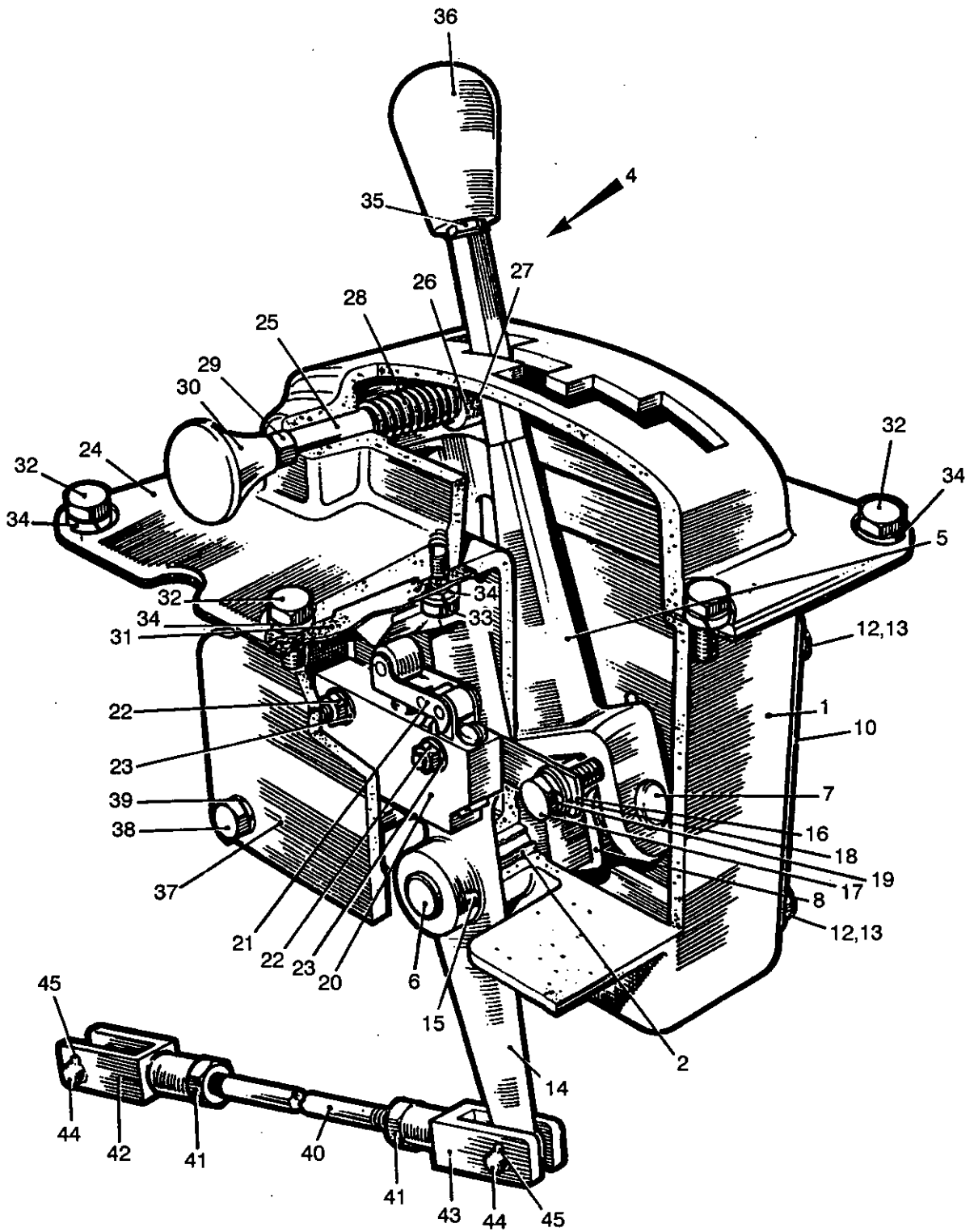


Fig 3 Gear range selector general arrangement

430/70080

Fig Item	Man Code Navy - N Army - A RAF - R	NATO Stock No	Item Name and Description	Part No/ Drawing No.	No. Off	Annotations
3-			CONTROLS GA - contd			
		NP	GEAR RANGE SELECTOR GENERAL ARRANGEMENT	FV559399	REF	
1	A 9ACR	2520-99-865-6717	CASING, control mechanism, gearbox selector	FV525283	1	
2	A 46MT1	3120-99-944-7737	BEARING, SLEEVE, steel, bronze, PTFE, 0.5000in. id, 0.5938in. od, 0.5000in. lg	08DU08	1	
NI 3	A G1	5315-99-942-3859	PIN, GROOVED, HEADLESS, steel, phos, GP4, 1/4in. x 1/2in.	FV709379	1	
4		NP	LEVER, CONTROL, HAND, gear selector	FV525284	1	
5	A 9ACR	5340-99-865-6718	CONTROL ROD, gearbox selector	FV525285	1	
6	A 9ACR	5315-99-865-6723	PIN, SHOULDER, HEADLESS, steel	FV525296	1	
7	A 9ACR	5315-99-865-6700	PIN, SHOULDER, HEADED, steel, phos, 1/2in. dia, 2-3/4in. o/a lg	FV421797	1	
8	A 9ACR	5360-99-865-6701	SPRING, HELICAL, TORSION, steel, 3 coils	FV421799	1	
NI 9	A G1	5315-99-942-3567	PIN, GROOVED, HEADLESS, steel, phosphated, GP1, 1/8in. x 1in.	50446	1	
10	A 9ACR	2520-99-865-6719	COVER, PLATE, control mechanism, gearbox selector	FV525289	1	
NI 11	A 46MT1	3120-99-944-7737	BEARING, SLEEVE, steel/bronze/PTFE, 0.5000in. id, 0.5938in. od, 0.5000in. lg	08DU08	1	
12	A G1	5305-99-941-0687	SCREW, MACHINE, UNC, steel, hex hd, zinc coated, 1/4in. x 3/4in.		4	
13	A G1	5310-99-941-6654	WASHER, LOCK, steel, single coil, square section, cadmium plated, 1/4in. bolt size		4	
14	A 9ACR	3040-99-865-6722	LEVER, REMOTE CONTROL, gearbox selector	FV525292	1	
15	A G1	5315-99-942-3583	PIN, GROOVED, HEADLESS, steel, phosphated, 3/16in. x 1in.	142359	1	
16	A 9ACR	2520-99-865-6727	PLATE, MOUNTING, control switch, gearbox selector	FV525300	1	
17	A G1	5305-99-941-0687	SCREW, MACHINE, UNC, steel, hex hd, zinc coated, 1/4in. x 3/4in.		2	
18	A G1	5310-99-100-6945	WASHER, LOCK, steel, flat int teeth, 1/4in. id, 0.026in. thk, 15/32in. od		2	
19	A G1	5310-99-941-6654	WASHER, LOCK, steel, single coil, square section, cadmium plated, 1/4in. bolt size		4	
20	A 9ACR	2520-99-865-6728	CLAMP, MOUNTING PLATE, gearbox selector control switch	FV525301	1	
21	A 6MT4	5930-99-881-5734	SWITCH, quick action	S800E	1	
22	A G1	5310-99-120-0118	NUT, PLAIN, HEXAGON, 4-0.66 BA thd, steel, Cd plated w/chromate, 1/4in. w		4	
23	A G1	5310-99-941-6652	WASHER, LOCK, steel, split helical ring, 0.168in. id, 0.252in. od, 0.04in. thk		2	
24	A 9ACR	9905-99-865-6715	PLATE, INDICATOR DETENT, gear selector	FV525206	1	
25	A 9ACR	5340-99-865-6724	CONTROL ROD, gearbox selector	FV525297	1	
26	A 9ACR	5340-99-865-6725	COLLAR, control rod, gearbox selector	FV525298	1	
27	A G1	5315-99-942-2565	PIN, GROOVED, HEADLESS, steel, phosphated, 1/8in. x 3/4in.	B22342	1	
28	A 9ACR	5360-99-865-6702	SPRING, HELICAL, COMPRESSION, steel, 8 coils, 1-1/4in. lg	FV421801	1	
29	A G1	5310-99-941-0902	NUT, PLAIN, HEXAGON, UNF, steel, chamfered, zinc coated, 1/4in. lock		1	

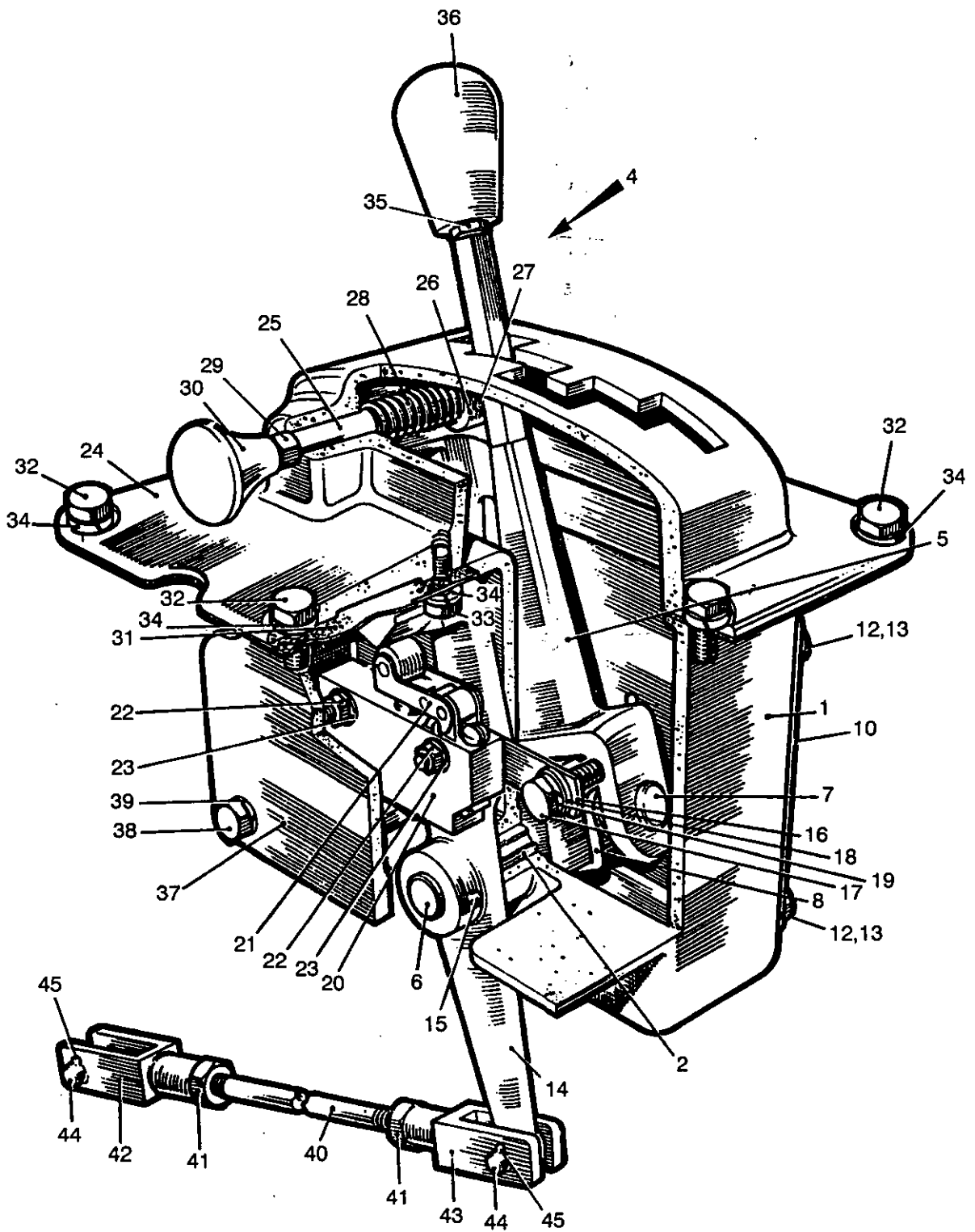


Fig 3 Gear range selector general arrangement

430/70080

Fig Item	Man Code Navy - N Army - A RAF - R	NATO Stock No	Item Name and Description	Part No/ Drawing No.	No. Off	Annotations
3-			CONTROLS GA - contd . GEAR RANGE SELECTOR GA - contd			
30	A 9ACR	5340-99-865-6703	. . HANDLE, control rod, gearbox selector	FV422231	1	
31	A 9ACR	5330-99-865-6726	. . GASKET, gear selector gate	FV525299	1	
32	A G1	5305-99-941-0513	. . SCREW, CAP, HEXAGON HEAD, UNF, steel, chamfered bearing surface, 1/4in. -28		8	
33	A G1	5305-99-941-0687	. . SCREW, MACHINE, UNC, steel, hex hd, zinc coated, 1/4in. x 3/4in.		6	
34	A G1	5310-99-941-6654	. . WASHER, LOCK, steel, single coil, square section, cadmium plated, 1/4in. bolt size		14	
35	A G1	5310-99-941-0903	. . NUT, PLAIN, HEXAGON, UNF, steel, chamfered bearing surface, zinc plated, 5/16in., 1/2in. w		1	
36	A 9ACR	5340-99-865-6729	. . HANDLE, control rod, gearbox selector	FV525303	1	
37	A 9ACR	2520-99-865-6716	. . COVER, PLATE, control mechanism, gearbox selector	FV525209	1	
38	A G1	5305-99-941-0687	. . SCREW, MACHINE, UNC, steel, hex hd, zinc coated, 1/4in. x 3/4in.		4	
39	A G1	5310-99-941-6654	. . WASHER, LOCK, steel, single coil, square section, cadmium plated, 1/4in. bolt size		4	
40	A 9ACR	3040-99-867-4614	. . CONNECTING LINK, RIGID	FV559400	1	
41	A G1	5310-99-941-0902	. . NUT, PLAIN, HEXAGON, UNF, steel, chamfered, zinc coated, 1/4in., lock		2	
42	A 46MT1	5340-99-910-3292	. . CLEVIS, ROD END, steel, zinc plated, 1/4in. UNF int thd		1	
43	A 9ACR	5340-99-865-6721	. . CLEVIS, ROD END, steel, phosphated, 1/4in. UNF thd	FV525291	1	
44	A G1	5315-99-910-3308	. . PIN, STRAIGHT, HEADED, steel, 0.25in. dia x 0.722in. lg	SSML7-18	2	
45	A G1	5315-99-138-2201	. . PIN, COTTER, SPLIT, steel, phosphated, 1/16in. x 1in.	0009830407	2	

Chapter 2-7
PARTS LIST
ELECTRICAL EQUIPMENT -
GENERAL ARRANGEMENT

Chap

2-7 Electrical equipment general arrangement
2-7-1 Vehicle harnesses

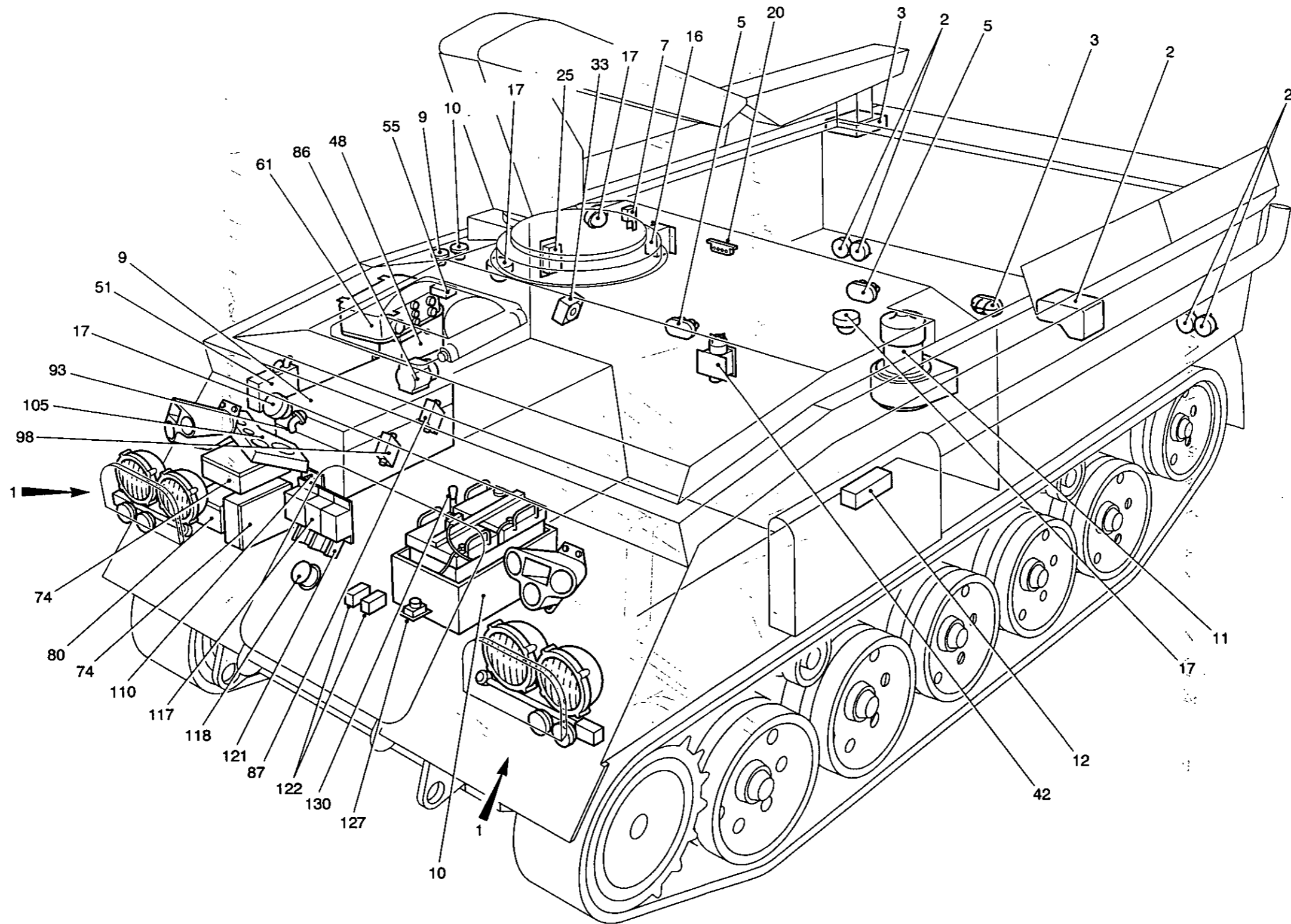


Fig 1 Electrical equipment general arrangement

Fig Item	Man Code Navy - N Army - A RAF - R	NATO Stock No	Item Name and Description	Part No/ Drawing No.	No. Off	Annotations
1-		NP	ELECTRICAL EQUIPMENT GENERAL ARRANGEMENT	FV563219	REF	
		NP	. ELECTRICAL EQUIPMENT, HULL, GENERAL ARRANGEMENT	FV563218	REF	
1		NP	. ELECTRICAL EQUIPMENT, FRONT, EXTERNAL		REF	See Fig 2
2		NP	. ELECTRICAL EQUIPMENT, REAR, EXTERNAL		REF	See Fig 9
3		NP	. ELECTRICAL EQUIPMENT, REAR, INTERNAL		REF	See Fig 13
NI 4		NP	. ELECTRICAL EQUIPMENT, REAR BULKHEAD, EXTERNAL		REF	
5	A	46MT3	. LIGHT, BULKHEAD	FV603967	2	See Fig 13
NI 6		NP	. ELECTRICAL EQUIPMENT, ROOF, EXTERNAL		REF	
7		NP	. EXTERNAL LIGHTING BRACKET INSTALLATION		REF	See Fig 14
NI 8		NP	. ELECTRICAL EQUIPMENT, INTERNAL		REF	
9		NP	. VEHICLE BATTERIES INSTALLATION		REF	See Fig 15
10		NP	. RADIO BATTERIES INSTALLATION		REF	See Fig 16
11	A	G1	. FAN, CENTRIFUGAL, 400 CF/M, 6650-11000 rpm, 24V dc, 12-1/2in. x 9in.	FV482416	1	See Chap 2-8
12		NP	. HEATER JUNCTION BOX	FV563520	1	
NI 13	A	G1	. WASHER, FLAT, steel, Zn plated w/chromate, 5/16in. bolt size, 5/8in. od, 0.072in. thk		4	} Securing item 12
NI 14	A	G1C	. WASHER, LOCK, steel, split helical ring, 0.343in. id, 0.503in. od, 0.08in. thk		4	
NI 15	A	G1	. SCREW, MACHINE, UNF, stainless steel, Zn plated, hex hd, 5/16in. x 1/2in. lg, class 2A thd		4	
16		NP	. ENGINE SWITCHBOARD INSTALLATION		REF	See Fig 17
17	A	46MT3	. LIGHT, DOME, 4-3/8in. dia, 2-13/16in. h, 26V dc, mtg hole	FV426636	4	See Fig 18
NI 18	A	X5	. LAMP, INCANDESCENT, globular bulb, 18mm od, 28V dc, 5W	599	4	u/w item 17
NI 19	A	9ACR	. NUT, SLEEVE, 5/16in. UNF rh thd, steel, phosphate coated, 0.438in. dia, 0.4in. lg, 0.562in. w A/F, rd cross-section hex flange, 0.562in. w A/F, 0.35in. csk dia, 45 deg angle	FV485446	4	Securing item 17
20	A	6MT4	. CLAMP, TERMINAL CONNECTOR, rubber, 2 way, 2 double, 5in. lg, 3/4in. w, 1-1/16in. h, end flanges 5/16in. h, 4-1/2in. c to c bolt holes	FV229568	1	No. 3 connector junction
NI 21	A	6MT4	. CONNECTOR, PLUG, ELECTRICAL, single mating end, 2 contacts, free, rubber female shell	860364	2	u/w item 20
NI 22	A	G1	. WASHER, FLAT, steel, Cd plated, 2BA bolt size, 25/64in. od, 0.032in. thk		2	} Securing item 20
NI 23	A	G1C	. WASHER, LOCK, steel, split helical ring, 0.343in. id, 0.503in. od, 0.08in. thk		2	
NI 24	A	G1B	. SCREW, MACHINE, 2BA, 0.45in. thd lg, 0.5in. fastener lg, hex hd		2	

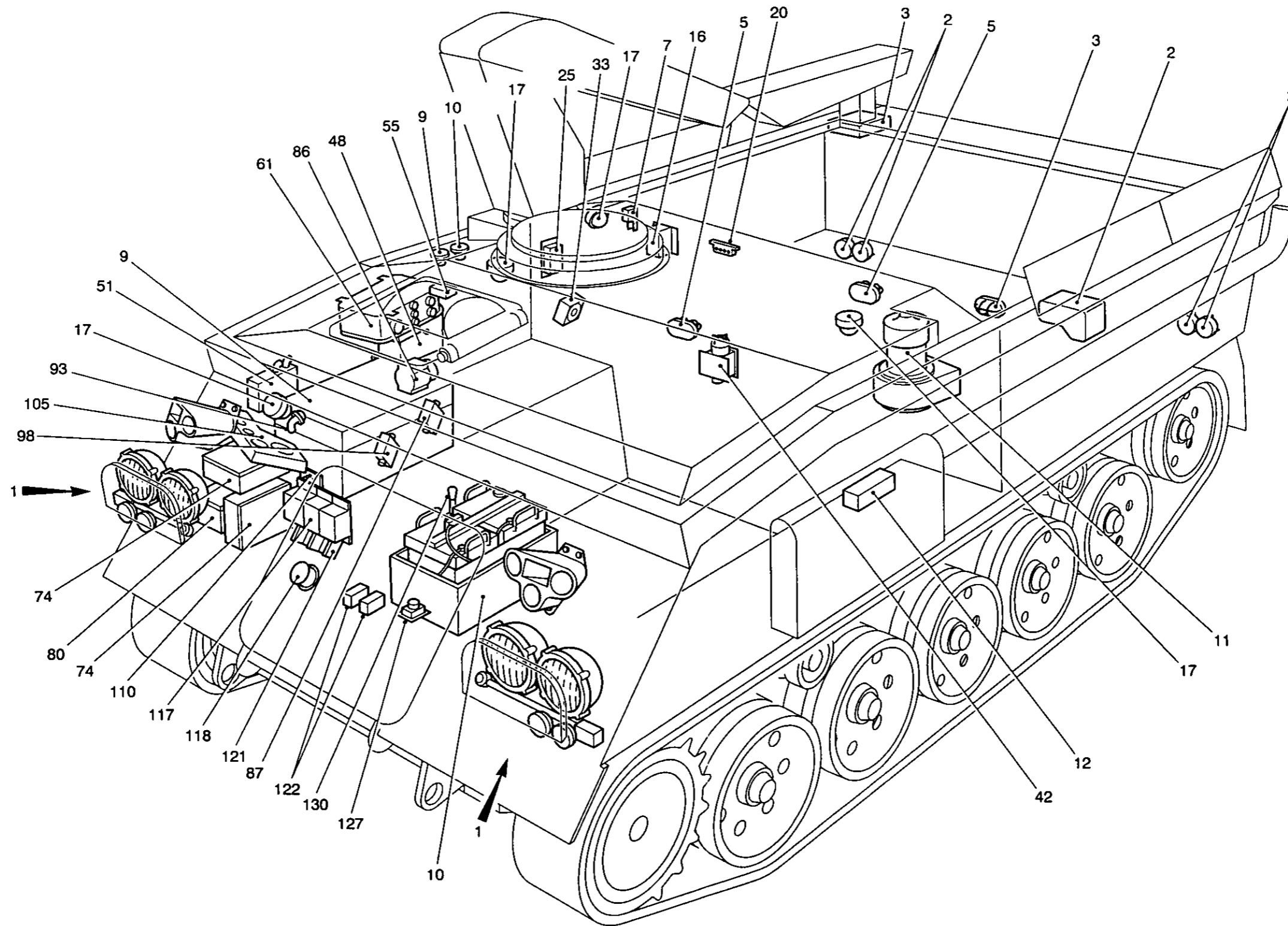


Fig 1 Electrical equipment general arrangement

430/70259A

Fig Item	Man Code Navy - N Army - A RAF - R	NATO Stock No	Item Name and Description	Part No/ Drawing No.	No. Off	Annotations
1-			ELECTRICAL EQUIPMENT GA - contd . . . ELECTRICAL EQUIPMENT, HULL, GA - contd . . . ELECTRICAL EQUIPMENT, INTERNAL - contd			
25	A	9ACR	5975-99-978-3142	FV499692	1	See Fig 19
NI 26	A	G1	5310-99-941-7948		4	} Securing item 25
NI 27	A	G1	5310-99-941-6656		4	
NI 28	A	G1	5305-99-941-0539		4	
NI 29	A	9ACR	2590-99-804-5149	FV611657	1	
NI 30	A	G1	5310-99-941-8386		4	} Securing item 29
NI 31	A	G1C	5310-99-941-6655		4	
NI 32	A	G1	5305-99-941-0525		4	
33	A	9ACR	6110-99-804-4010	FV546143	1	See Fig 20
NI 34		NP		FV644310	1	
NI 35	A	6MT4	5935-99-808-9679	FV634206	1	
NI 36	A	G1	5305-99-941-6829		4	} Securing item 35
NI 37	A	G1	5305-99-944-0545		4	
NI 38	A	G1	5310-99-948-0015		4	
NI 39	A	G1	5310-99-941-6654		4	
NI 40	A	G1	5305-99-941-6284		4	} Securing items 33 & 34
NI 41	A	Z88	5935-99-035-3030	SB-18-PC	1	
42	A	46MT3	4210-99-881-4006	FV534946	1	See Fig 21
NI 43	A	X5	6240-99-995-9813	599	1	} u/w item 42
NI 44	A	46MT3	6220-99-881-6898	FV562031	1	
NI 45	A	G1	5310-99-941-8386		4	} Securing item 42
NI 46	A	G1C	5310-99-941-6655		4	
NI 47	A	G1	5305-99-941-0526		4	

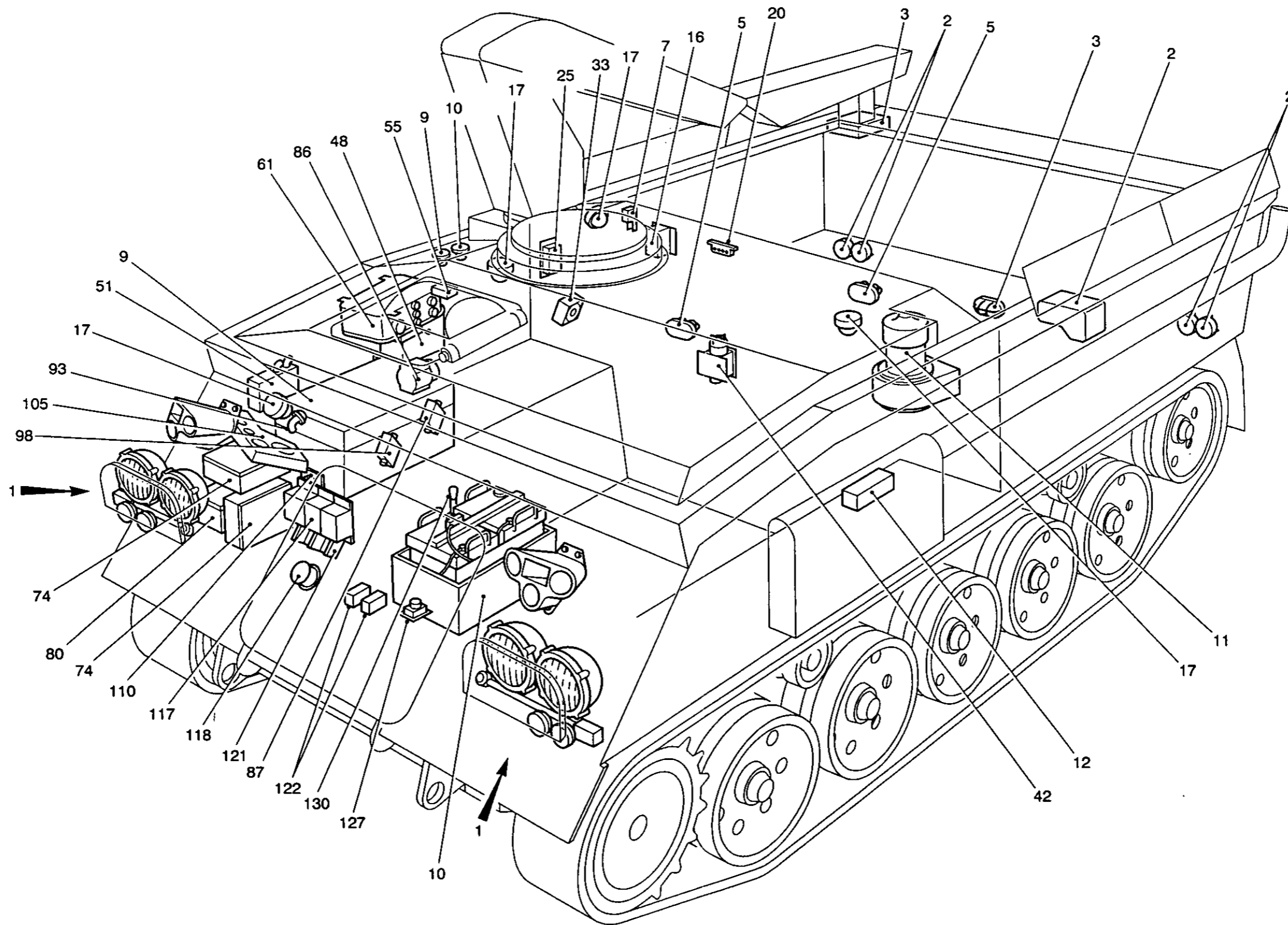


Fig 1 Electrical equipment general arrangement

Fig Item	Man Code Navy - N Army - A RAF - R	NATO Stock No	Item Name and Description	Part No/ Drawing No.	No. Off	Annotations
1-			ELECTRICAL EQUIPMENT GENERAL ARRANGEMENT - contd . . . ELECTRICAL EQUIPMENT, HULL, GA - contd . . . ELECTRICAL EQUIPMENT, INTERNAL - contd			
48	A	9ACR	2590-99-881-9389 . . . DISTRIBUTION BOX, RADIO, No. 1 Mk 3	FV534890	1	See Fig 23
NI 49	A	G1	5310-99-915-5148 . . . WASHER, FLAT, steel, Cd plated, 3/8in. bolt size, 0.66in. od, 0.048in. thk		4	} Securing item 48
NI 50	A	G1	5306-99-941-6597 . . . BOLT, MACHINE, UNF, 3/8in. dia class 2A thd, 1-3/8in. lg, steel, Zn plated, hex hd		4	
51	A	9AHY	4210-99-734-7818 . . . CONTROL BOX, FIREWIRE, 5-3/4in. w, 7-3/4in. lg, 3.2in. h, w/earth strap and mounting plate	FV1068358	1	See Fig 24
NI 52	A	G1	5310-99-941-8386 . . . WASHER, FLAT, steel, Zn plated w/chromate, 5/16in. bolt size, 5/8in. od, 0.072in. thk		4	} Securing item 51
NI 53	A	G1C	5310-99-941-6655 . . . WASHER, LOCK, steel, split helical ring, 0.343in. id, 0.503in. od, 0.08in. thk		4	
NI 54	A	G1	5305-99-941-0526 . . . SCREW, MACHINE, UNF, 5/16in. -24 class 2A thd, 7/8in. lg, steel, Zn plated, hex hd		4	
55	A	6MT4	5975-99-838-5151 . . . JUNCTION BOX, SMOKE DISCHARGER, enamelled, 3-1/2in. lg, 3-3/4in. w, 3-1/4in. h, black, 4 mtg holes 1/4in. dia	FV959041	1	See Fig 25
NI 56	A	6MT4	5340-99-833-9560 . . . CLAMP, LOOP, steel, Zn plated, 5/8in. w, 3/4in. loop centre to end, 3/16in. loop id, rd and slotted, 11/32in. dia hole	51101263	1	
NI 57	A	G1	5310-99-941-7072 . . . WASHER, FLAT, steel, Cd plated, 1/4in. bolt size, 9/16in. od, 0.056in. thk		4	} Securing items 55 & 56
NI 58	A	G1	5310-99-941-6654 . . . WASHER, LOCK, steel, split helical ring, 1/4in. bolt size, 27/64in. od, 5/64in. thk		4	
NI 59	A	G1	5305-99-941-0513 . . . SCREW, MACHINE, UNF, steel, Zn plated, hex hd, 1/4in. dia, 3/4in. lg		3	Securing item 55
NI 60	A	G1	5305-99-941-0279 . . . SCREW, MACHINE, steel, Zn plated, hex hd, UNF, 1/4in. -24 class 2A thd, 7/8in. lg		1	Securing items 55 & 56
61	A	9ACR	6110-99-802-4051 . . . DISTRIBUTION BOX, 14-35/64in. lg, 12-1/2in. w, 8-11/32in. deep	FV534891	1	See Fig 26
NI 62	A	G1	5310-99-941-7948 . . . WASHER, FLAT, steel, Cd plated, 3/8in. bolt size, 3/4in. od, 0.072in. thk		4	} Securing item 61
NI 63	A	G1	5310-99-941-6656 . . . WASHER, LOCK, steel, split helical ring, 3/8in. bolt size, 0.59in. od, 0.092in. thk, single coil, sq section		4	
NI 64	A	G1	5310-99-941-0926 . . . NUT, PLAIN, HEXAGON, UNF, 3/8in. -24 grade 3 nut, steel, Zn plated, chamfered, 0.563in. w A/F, 0.333in. h		4	
NI 65	A	9ACR	2510-99-867-4692 . . . BRACKET, SUPPORT, REGULATOR, front panel	FV559657	2	
NI 66	A	G1	5310-99-941-7072 . . . WASHER, FLAT, steel, Cd plated, 1/4in. bolt size, 9/16in. od, 0.056in. thk		4	} Securing item 65
NI 67	A	G1	5310-99-941-6654 . . . WASHER, LOCK, steel, split helical ring, 1/4in. bolt size, 27/64in. od, 5/64in. thk		4	
NI 68	A	G1	5310-99-804-7941 . . . NUT, PLAIN, HEXAGON, UNF, 1/4in. dia -28 class 2B rh thd, steel, Zn plated, 7/16in. w A/F, 7/32in. h, chamfered		4	

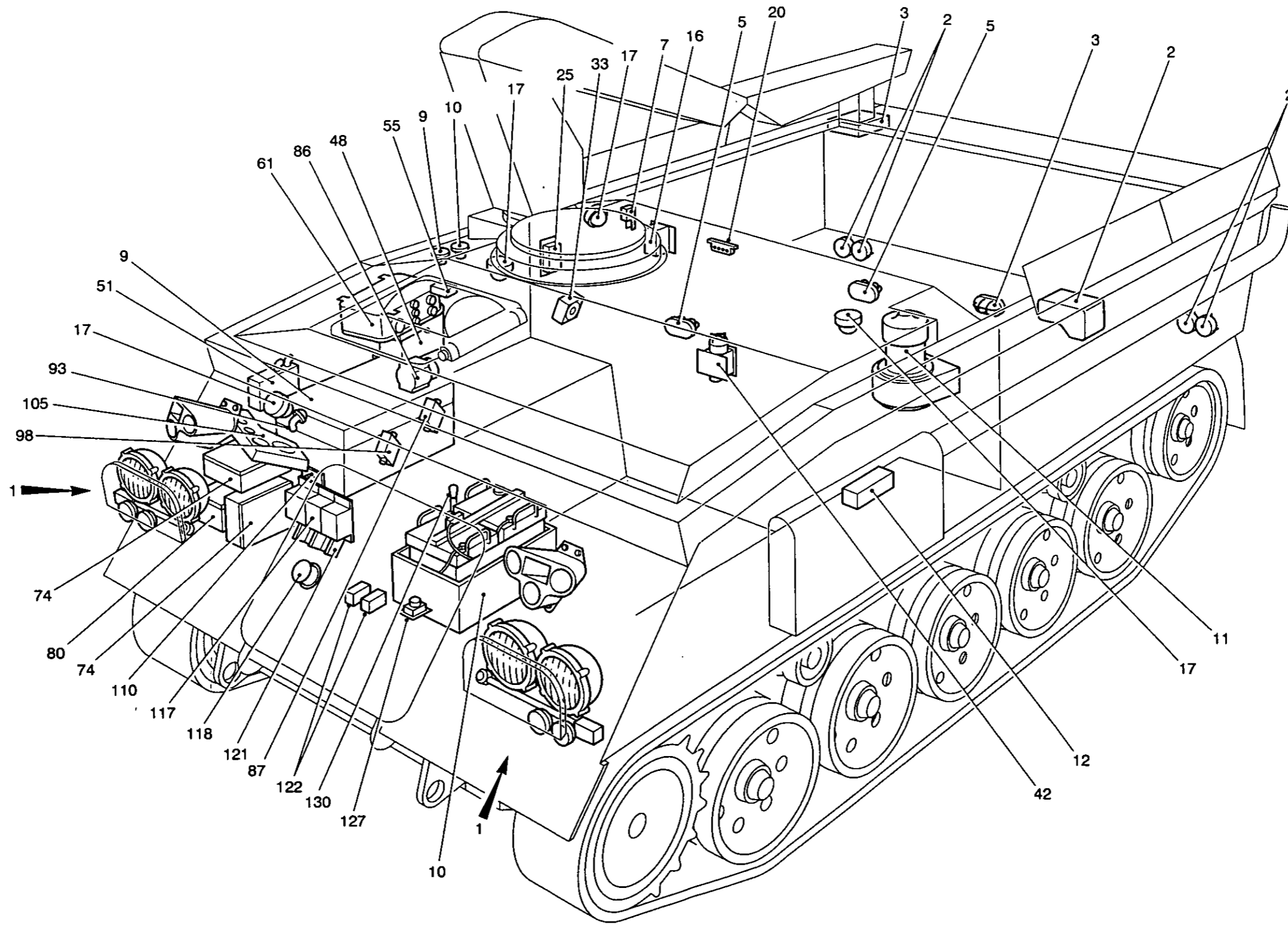


Fig 1 Electrical equipment general arrangement

Fig Item	Man Code Navy - N Army - A RAF - R	NATO Stock No	Item Name and Description	Part No/ Drawing No.	No. Off	Annotations
1-			ELECTRICAL EQUIPMENT GENERAL ARRANGEMENT - contd <ul style="list-style-type: none"> . . ELECTRICAL EQUIPMENT, HULL, GA - contd . . ELECTRICAL EQUIPMENT, INTERNAL - contd 			
NI 69		NP	. . BRACKET, LINK BOX, REAR	FV559717	1	
NI 70	A 9ACR	2510-99-867-4691	. . BRACKET, LINK BOX, FRONT	FV559701	1	
NI 71	A G1	5310-99-941-8386	. . WASHER, FLAT, steel, Zn plated w/chromate, 5/16in. bolt size, 5/8in. od, 0.072in. thk		6	
NI 72	A G1C	5310-99-941-6655	. . WASHER, LOCK, steel, split helical ring, 0.343in. id, 0.503in. od, 0.08in. thk		6	} Securing items 69 & 70
NI 73	A G1	5310-99-941-0925	. . NUT, PLAIN, HEXAGON, UNF, 5/16in. -24 class 2B rh thd, steel, Zn plated, 1/2in. w A/F, 17/64in. h, chamfered		6	
74	A 6MT4	6110-99-881-6460	. . PANEL, CONTROL ELECTRICAL- ELECTRONIC EQUIPMENT, alternator, No. 1 Mk 1	FV342587	2	See Fig 27
NI 75	A G1	5306-99-941-6583	. . BOLT, MACHINE, UNF, 1/4in. dia class 2A thd, 1-3/4in. lg, steel, Zn plated, hex hd		8	} Securing item 74
NI 76	A G1	5310-99-941-7072	. . WASHER, FLAT, steel, Cd plated, 1/4in. bolt size, 9/16in. od, 0.056in. thk		8	
NI 77	A G1	5310-99-941-0902	. . NUT, PLAIN, HEXAGON, UNF, 1/4in. -28 class 2B thd, steel, Zn plated, 0.438in. w A/F, 0.156in. h, chamfered		8	
NI 78	A G1	5310-99-941-6654	. . WASHER, LOCK, steel, split helical ring, 1/4in. bolt size, 27/64in. od, 5/64in thk		8	
NI 79	A G1	5310-99-804-7941	. . NUT, PLAIN, HEXAGON, UNF, 1/4in. dia -28 class 2B rh thd, steel, Zn plated, 7/16in. w A/F, 7/32in. h, chamfered		8	
NI 80	A 9ACR	6110-99-881-8338	. . DISTRIBUTION BOX, rect, surface mtd, 15in. h, 12-1/2in. w, 6-37/64in. deep, w/cover and 4 mtg holes, Link Box	FV494570	1	See Fig 28
NI 81		NP	. . LOCKING BAR	FV560064	1	} Securing item 80
NI 82	A G1	5306-99-941-6598	. . BOLT, MACHINE, UNF, 3/8in. dia class 2A thd, 1in. thd lg, 1-1/2in. fastener lg, steel, Zn plated, hex hd		4	
NI 83	A G1	5310-99-941-7948	. . WASHER, FLAT, steel, Cd plated, 3/8in. bolt size, 3/4in. od, 0.072in. thk		4	
NI 84	A G1	5310-99-941-6656	. . WASHER, LOCK, steel, split helical ring, 3/8in. bolt size, 0.59in. od, 0.092in. thk, single coil sq section		4	
NI 85	A G1	5310-99-941-0926	. . NUT, PLAIN, HEXAGON, UNF, 3/8in. -24 grade 3 nut, steel, Zn plated, 0.563in. w A/F, 0.333in. h, chamfered		2	
NI 86	A 46MT3	2540-99-866-6933	. . MOTOR, WINDSHIELD WIPER, ELECTRIC	FV462413	1	See Chap 2-1-1
NI 87	A 6TM4	5915-99-881-5757	. . FILTER, RADIO INTERFERENCE, 6-9/32in. lg, 3-9/16in. w, 1-9/16in. h, 30V dc	FV508053	1	} Securing item 87
NI 88	A G1	5310-99-941-6654	. . WASHER, LOCK, steel, split helical ring, 1/4in. bolt size, 27/64in. od, 5/64in. thk		4	
NI 89	A G1	5310-99-804-7941	. . NUT, PLAIN, HEXAGON, UNF, 1/4in. -28 class 2B rh thd, steel, Zn plated, 7/16in. w A/F, 7/32in. h, chamfered		8	

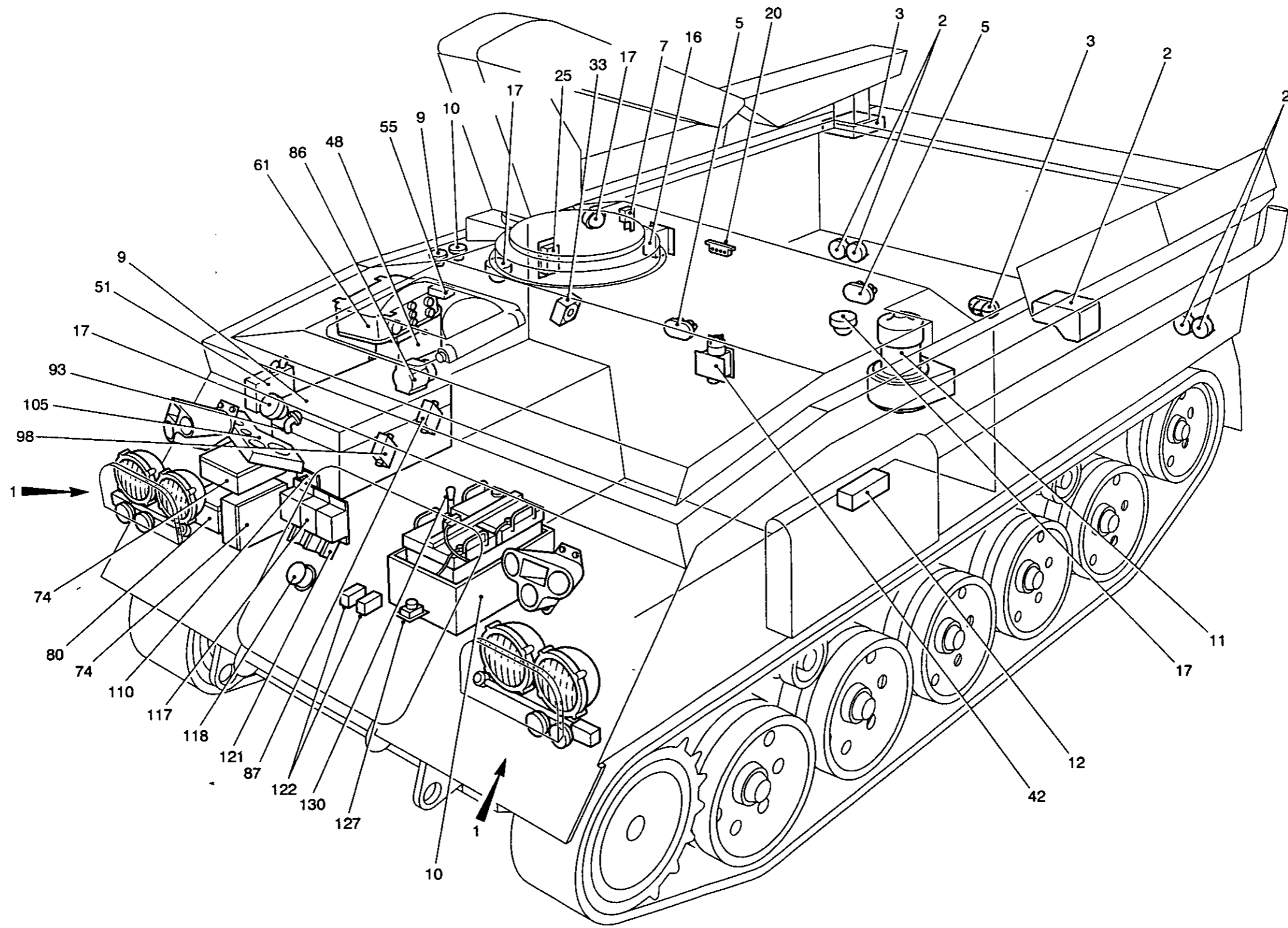


Fig 1 Electrical equipment general arrangement

Fig Item	Man Code Navy - N Army - A RAF - R	NATO Stock No	Item Name and Description	Part No/ Drawing No.	No. Off	Annotations
1-			ELECTRICAL EQUIPMENT GENERAL ARRANGEMENT - contd . ELECTRICAL EQUIPMENT, HULL, GA - contd . . . ELECTRICAL EQUIPMENT, INTERNAL - contd			
NI 90		NP	. . BRACKET, LAMP	FV510612	1	
NI 91	A G1	5310-99-941-6654	. . WASHER, LOCK, steel, split helical ring, 1/4in. bolt size, 27/64in. od, 5/64in. thk		2	} Securing item 90
NI 92	A G1	5310-99-804-7941	. . NUT, PLAIN, HEXAGON, UNF, 1/4in. -28 class 2B rh thd, steel, Zn plated, 7/16in. w A/F, 7/32in. h, chamfered		2	
93	A 46MT3	6220-99-803-4118	. . TAIL LIGHT, VEHICULAR, rubber body, glass lens, 5-1/32in. lg, 2-1/2in. dia, unthd hole and surface mtg, fire warning	53863	1	See Fig 29
NI 94	A G1	5305-99-941-6836	. . SCREW, MACHINE, 4BA x 3/8in. lg, hex hd		3	} Securing item 93
NI 95	A G1	5310-99-941-6652	. . WASHER, LOCK, steel, split helical ring, 0.168in. id, 0.252in. od, 0.04in. thk		3	
NI 96	A G1	5310-99-941-9961	. . NUT, PLAIN, HEXAGON, 4BA, steel, Cd plated, rh thd, 1/4in. w A/F, 1/8in. h, chamfered		3	
NI 97	A X5	6240-99-995-9813	. . LAMP, INCANDESCENT, globular bulb, 18mm od, 28V dc, 5W	599	1	u/w item 93
NI 98	A 6MT4	2590-99-881-9960	. . SWITCH UNIT, No. 1 Mk 1, sight wiper	FV560051	1	
NI 99	A G1	5310-99-941-6654	. . WASHER, LOCK, steel, split helical ring, bolt size, 27/64in. od, 5/64in. thk		4	} Securing item 98
NI100	A G1	5310-99-804-7941	. . NUT, PLAIN, HEXAGON, UNF, 1/4in. -28 class 2B rh thd, steel, Zn plated, 7/16in. w A/F, 7/32in. h, chamfered		8	
NI101	A 9ACR	2590-99-804-3800	. . BRACKET, VEHICULAR COMPONENTS, steel, fabricated, 7-1/2in. lg, 2-5/8in. w/ c/w weld nuts, DIP LH support	FV603164	1	
NI102	A 9ACR	5340-99-804-3801	. . BRACKET, ANGLE, steel, 90 deg angle, 1.2in. 1st leg lg, 4in. 2nd leg lg, 0.16in. thk both legs, 1st leg w/2 holes 0.375in. dia, 2nd leg w/one hole, DIP RH support	FV603163	1	
NI103	A G1C	5310-99-941-6655	. . WASHER, LOCK, steel, split helical ring, 0.343in. id, 0.503in. od, 0.08in. thk		4	} Securing items 101 & 102
NI104	A G1	5310-99-941-0925	. . NUT, PLAIN, HEXAGON, UNF, 5/16in. -24 class 2B rh thd, steel, Zn plated, 1/2in. w A/F, 17/64in. h, chamfered		4	
NI105		NP	. . DRIVERS INSTRUMENT PANEL	FV494560	1	See Fig 30
NI106	A 6MT1	6680-99-881-8328	. . SHAFT ASSEMBLY, FLEXIBLE, inner and outer cable, 5/8in. -18 thd 1st end, 3/4in. -26 thd 2nd end, 6ft lg, speedometer	FV494579- 21	1	
NI 107		NP	. . BRACKET, HORN PUSH SWITCH	FV559857	1	
NI 108	A G1C	5310-99-941-6655	. . WASHER, LOCK, steel, split helical ring, 0.343in. id, 0.503in. od, 0.08in. thk		2	} Securing Item 107
NI 109	A G1	5305-99-136-6252	. . SCREW, MACHINE, UNC, 5/16in. -18 class 2A thd, 3/8in. lg, steel, Zn plated, hex hd		2	

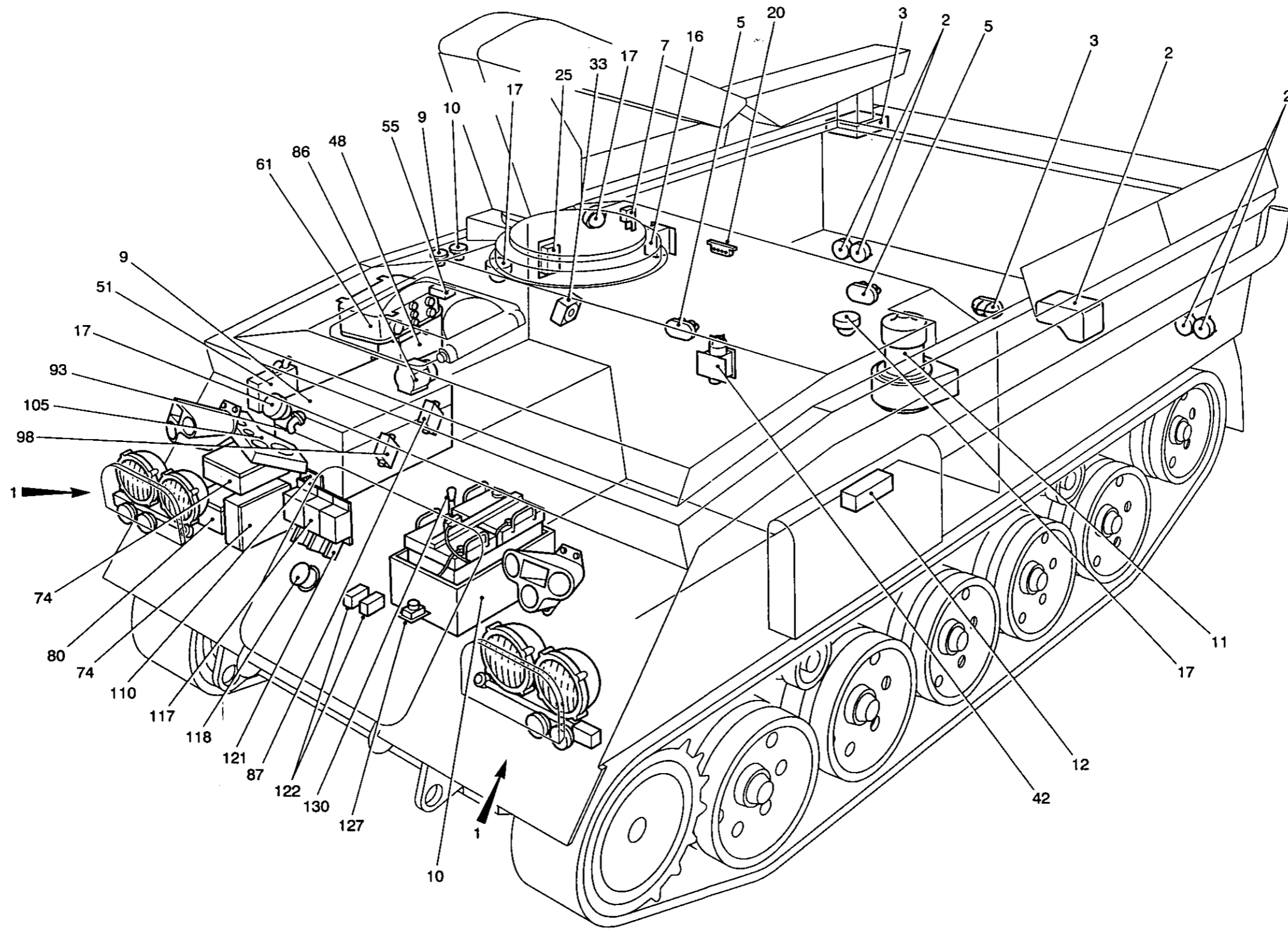


Fig 1 Electrical equipment general arrangement

Fig Item	Man Code Navy - N Army - A RAF - R	NATO Stock No	Item Name and Description	Part No/ Drawing No.	No. Off	Annotations	
1-			ELECTRICAL EQUIPMENT GENERAL ARRANGEMENT - contd				
			. . ELECTRICAL EQUIPMENT, HULL, GA - contd				
			. . ELECTRICAL EQUIPMENT, INTERNAL - contd				
110	A	6MT4	5930-99-826-8010	. . SWITCH, PUSH, one pole, one way, single throw, double make, both positions maintained, 5-1/64in. lg, 2-7/8in. w, 2-1/32in. h	FV939076	1	horn
NI 111	A	G1	5310-99-941-6654	. . WASHER, LOCK, steel, split helical ring, 1/4in. bolt size, 27/64in. od, 5/64in. thk		2	} Securing item 110
NI 112	A	G1	5305-99-941-0512	. . SCREW, MACHINE, UNF, 1/4in. class 2A thd, 5/8in. lg, steel, Zn plated, hex hd		2	
NI 113	A	9ACR	2540-99-866-6920	. . BRACKET, ANGLE, LH, DCP	FV538823	1	} Securing items 113 & 114
NI 114	A	9ACR	5340-99-866-6921	. . BRACKET, ANGLE, RH, DCP	FV538824	1	
NI 115	A	G1C	5310-99-941-6655	. . WASHER, LOCK, steel, split helical ring, 0.343in. id, 0.503in. od, 0.08in. thk		4	
NI 116	A	G1	5310-99-941-0925	. . NUT, PLAIN, HEXAGON, UNF, 5/16in. -24 class 2B rh thd, steel, Zn plated, 1/2in. w A/F, 17/64in. h, chamfered		4	
117		NP		. . DRIVERS CONTROL PANEL ASSEMBLY	FV559506	1	See Fig 31
118	A	46MT3	6350-99-881-3954	. . HORN, ELECTRICAL, fire alarm	FV534865	1	} Securing item 118
NI 119	A	G1	5310-99-941-6654	. . WASHER, LOCK, steel, split helical ring, 1/4in. bolt size, 27/64in. od, 5/64in. thk		2	
NI 120	A	G1	5306-99-941-0284	. . BOLT, MACHINE, UNF, stainless steel, Zn plated, hex hd, 1/4in. class 2A thd, 1-1/2in. lg		2	
121		NP		. . ARRANGEMENT OF ELECTRICAL FITTINGS No. 1 CONNECTOR JUNCTION	FV611846	1	See Fig 32
122	A	46MT4	5930-99-881-3583	. . SWITCH, SENSITIVE, SPST, N/C, spring return, 500V ac, 250V dc, 1A resistive, 5-7/8in. lg, 1-3/4in. w, 1-5/8in. h, w/syn rubber bellows	VB1A	2	See Chap 2-6
NI 123	A	9ACR	5930-99-801-3872	. . BRACKET, ELECTRICAL SWITCH, dip switch	FV560092	1	} Securing item 123
NI 124	A	G1	5310-99-941-7072	. . WASHER, FLAT, steel, Cd plated, 1/4in. bolt size, 9/16in. od, 0.056in. thk		4	
NI 125	A	G1	5310-99-941-6654	. . WASHER, LOCK, steel, split helical ring, 1/4in. bolt size, 27/64in. od, 5/64in. thk		4	
NI 126	A	G1	5305-99-941-0279	. . SCREW, MACHINE, UNF, 1/4in. class 2A thd, 7/8in. lg, steel, Zn plated, hex hd		4	
127	A	9ACR	2590-99-881-9171	. . SWITCH, BEAM SELECTING, HEADLIGHT	FV562044	1	See Fig 33
NI 128	A	G1C	5310-99-941-6655	. . WASHER, LOCK, steel, split helical ring, 0.343in. id, 0.503in. od, 0.08in. thk		4	} Securing item 127
NI 129	A	G1	5305-99-941-0525	. . SCREW, MACHINE, stainless steel, Zn plated, hex hd, 5/16in. class 2A thd, 3/4in. lg		4	
130		NP		. . GEAR RANGE SELECTOR, GENERAL ARRANGEMENT	FV559406	REF	See Chap 2-6

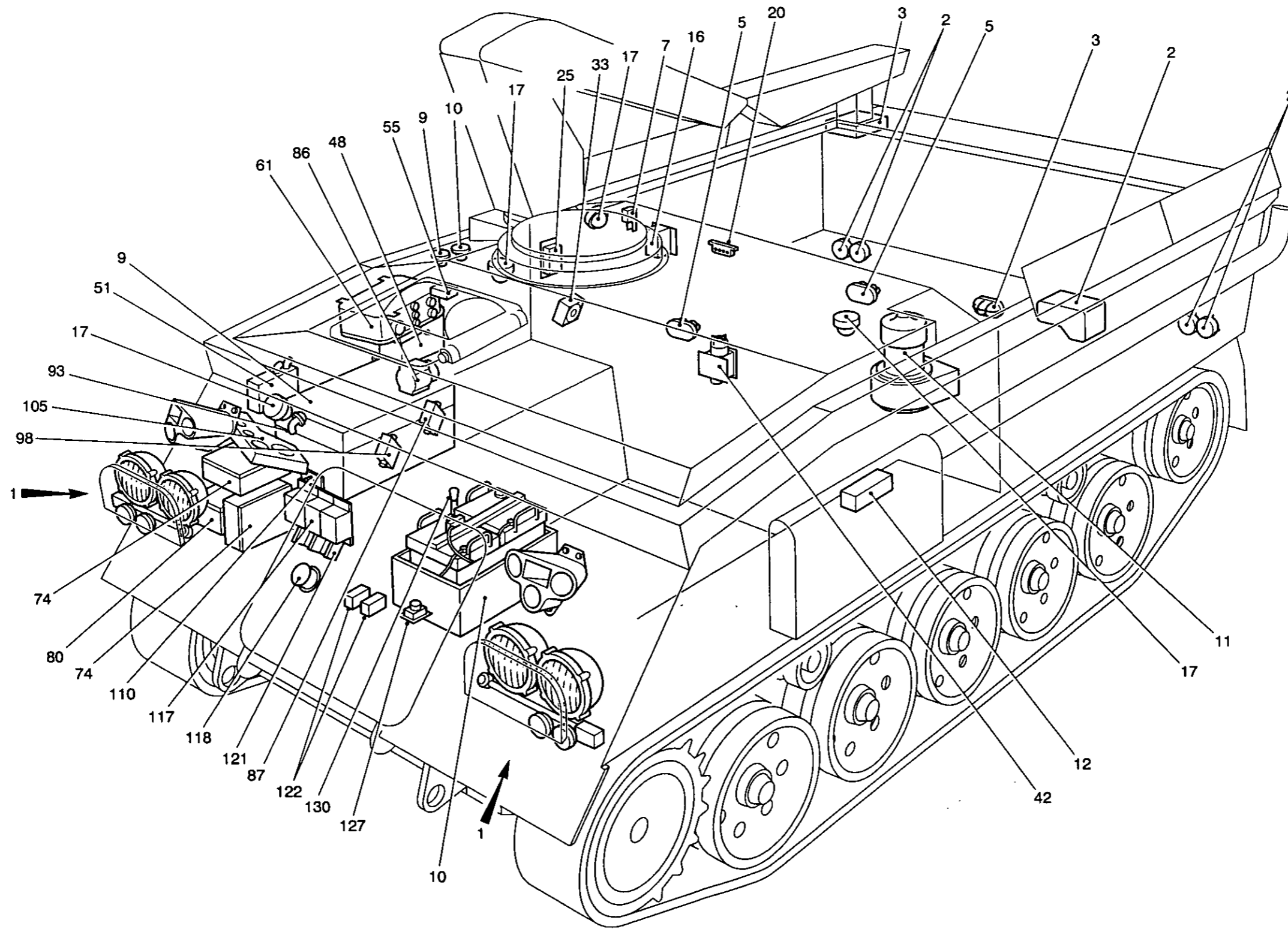


Fig 1 Electrical equipment general arrangement

430/70259A

Fig Item	Man Code Navy - N Army - A RAF - R	NATO Stock No	Item Name and Description	Part No/ Drawing No.	No. Off	Annotations
1-			ELECTRICAL EQUIPMENT GENERAL ARRANGEMENT - contd . ELECTRICAL EQUIPMENT, HULL, GA - contd . . . ELECTRICAL EQUIPMENT, INTERNAL - contd			
NI 131		NP	. MISCELLANEOUS ELECTRICAL EQUIPMENT	FV611794	REF	
NI 132	A 6MT3	6220-99-803-2278	. . . SPOTLIGHT, No. 1 Mk 1	1419D	1	See Fig 34
NI 133	A 46MT3	6220-99-804-5108	. . . SPOTLIGHT, No. 1 Mk 2, w/o bulb	FV603972	1	See Fig 35
NI 134		NP	. . . BENCH LIGHT GENERAL ARRANGEMENT	FV563231	REF	See Fig 36
NI 135	A 46MT3	6230-99-942-7876	. . . LIGHT, EXTENSION, hook mtg, 6-1/4in. h excluding hook, No. 2, Mk 1 inspection lamp accepts 26V dc 5W bulb or 14V dc 7W bulb	FV157949	1	
NI 136	A 6MT4	5935-99-803-1823 PLUG, 2 pins, one mtg hole	STC3334	1	
NI 137	A X5	6240-99-995-9813 LAMP, INCANDESCENT, 18mm dia, 5W, 28V, 35 lumens min tight o/p	599	1	
NI 138	A 6MT4	5995-99-805-0040 CONNECTOR, No. 1, Mk 1	260-1	1	
NI 139	A 46MT4	5935-99-802-3723 COVER, ELECTRICAL CONNECTOR, assembly comprises of:- cover, washer and brass chain w/2 swivel links	FV410141	1	
NI 140	A 46MT4	5310-99-821-1149 WASHER, FLAT, synthetic rubber, rd, rd hole, 31/32in. id, 1-1/2in. od, 3/32in. thk	FV410137	2	
NI 141		NP NUT, plain rd	5331/51 CAV	1	
NI 142		NP NUT, gland	5906/9 CAV	1	
NI 143	A 46MT4	5340-99-881-2217 SEALING CONE, neoprene, 19/32in. dia x 7/16in. lg, w/4 holes 7/64in. dia	FV(S)6-83-1	1	
NI 144		NP WASHER, FLAT, 7/16in. id x 5/8in. od x 9/16in. thk	5339/919 CAV	1	
NI 145		NP WASHER, FLAT	5339/953 CAV	1	
NI 146		NP BODY, socket	5906/7 CAV	1	
NI 147	A 6MT1	5331-99-943-6946 RING, SEALING, TOROIDAL, rubber, 85-92 deg BS or IRHD, 0.139in. cross sect h, 1.484in. id	R4150ML53 72	1	
NI 148	A Z42	5975-99-805-6457 NUT, PLAIN, KNURLED, Whit, 11/16in. -24 tpi, brass or low carbon steel, 25/32in. od, 15/32in. o/a h, knurled	FV(S)6/38/4	1	
NI 149	A Y3	6145-99-943-4824 WIRE, ELECTRICAL, single conductor, 40/0.0070in. dia Cu tinned braid, glass, polychloroprene compound yellow	UNIPREN 12	A/R	
NI 150	A 46MT4	5935-99-805-2902 PLUG, TIP, free, single pole 24V male shell	861122	2	
NI 151		NP	. . . LIGHT, EXTENSION	FV604013	2	
NI 152	A X5	6240-12-173-4827 LAMP, INCANDESCENT, 52.5mm lg, 26.5mm dia, 24V dc, 21W, single contact bayonet, straight sided, w/triple supported filament	9511	1	

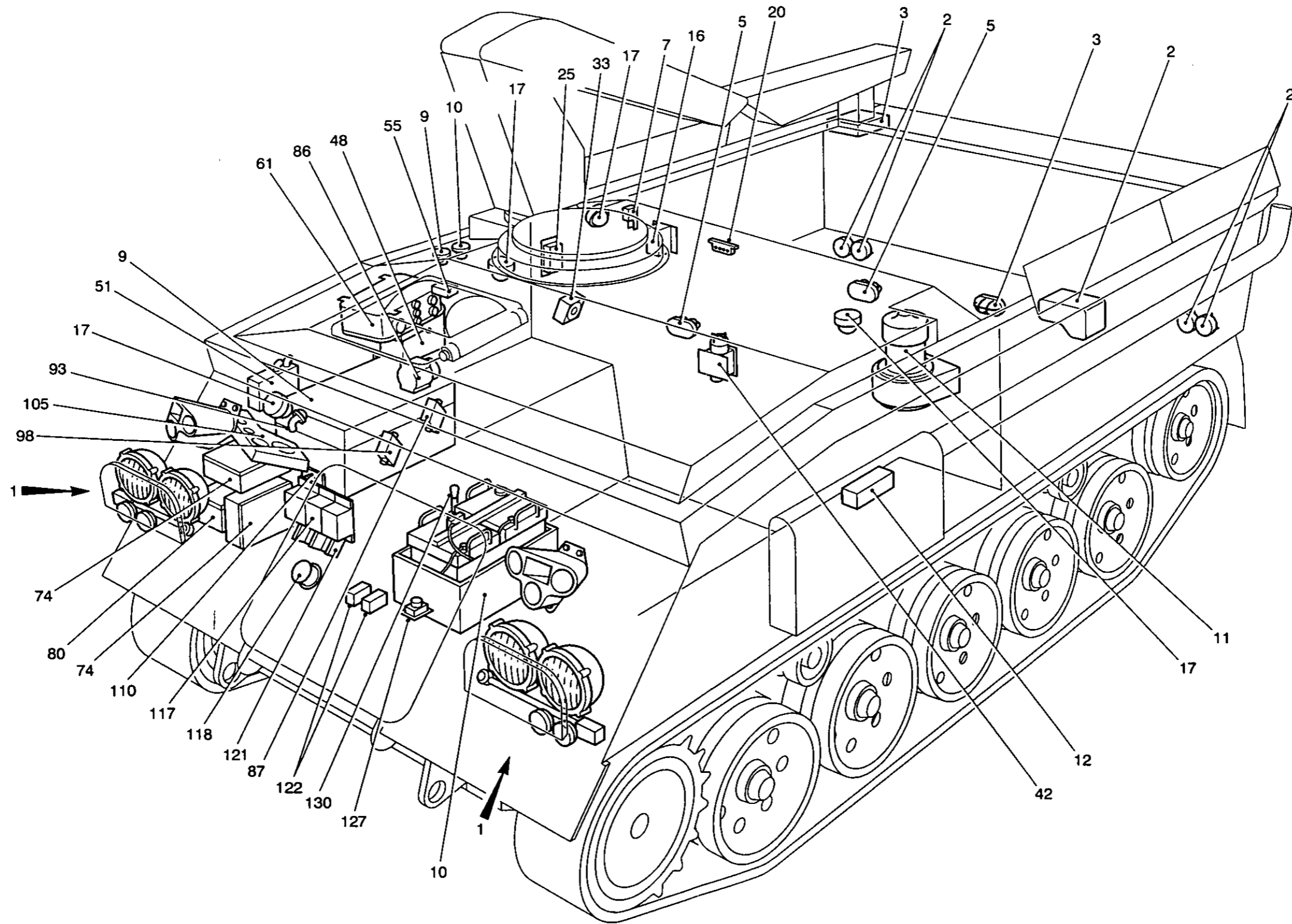


Fig 1 Electrical equipment general arrangement

Fig Item	Man Code Navy - N Army - A RAF - R	NATO Stock No	Item Name and Description	Part No/ Drawing No.	No. Off	Annotations
1-			ELECTRICAL EQUIPMENT GENERAL ARRANGEMENT - contd			
			. MISCELLANEOUS ELECTRICAL EQUIPMENT - contd			
			. LIGHT EXTENSION - contd			
NI 153	A 6MT4	5935-99-881-9033	. . . CONNECTOR, FREE ELECTRICAL, straight, thd, w/clamp, 1.156in. dia, 2.25in. lg, single mating end, 4 contacts, Al alloy	FV585041	1	
NI 154		NP	. . EARTH PIPE AND CABLE	FV586925	1	
NI 155	A 6MT4	2590-99-815-8021	. . CABLE ASSEMBLY, INTER-VEHICLE, ELECTRICAL, 2 conductors, single pole, free plug both ends, 18ft lg	FV324284-8 ISSUE E	1	
NI 156		NP	. VEHICLE HARNESS ASSEMBLIES	FV611795	REF	See Chap 2-7-1

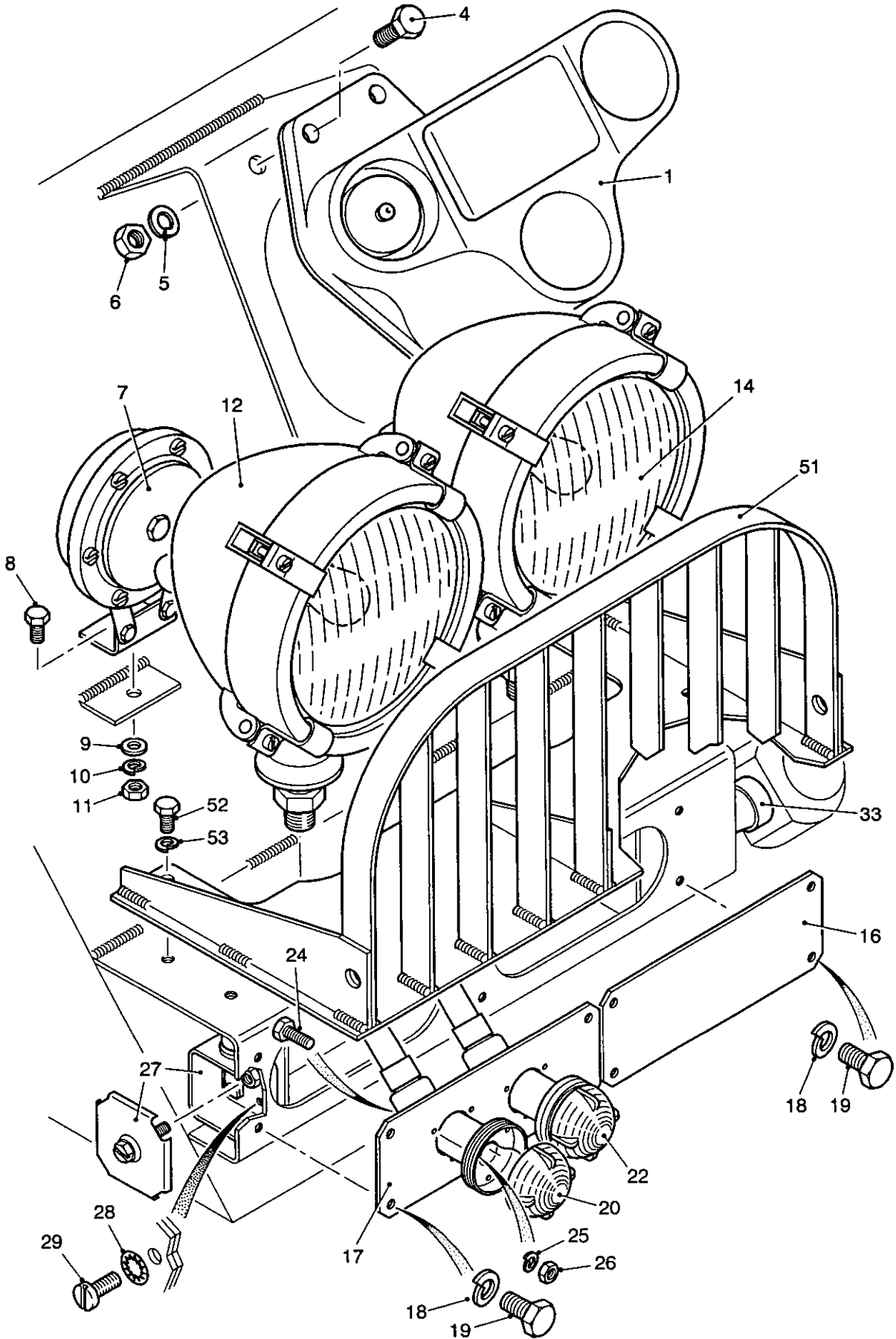


Fig 2 Electrical equipment front external GA

430/70196

Fig Item	Man Code Navy - N Army - A RAF - R	NATO Stock No	Item Name and Description	Part No/ Drawing No.	No. Off	Annotations
2-			ELECTRICAL EQUIPMENT GA - contd ELECTRICAL EQUIPMENT, HULL, GA - contd			
		NP	ELECTRICAL EQUIPMENT, FRONT EXTERNAL GA		REF	
1	A	9ACR	DISCHARGER, GRENADE, SMOKE, COUNTERMEASURES, RH	FV468708	1	} See Fig 3
NI 2	A	9ACR	DISCHARGER, GRENADE, SMOKE, COUNTERMEASURES, LH	FV468709	1	
NI 3	A	9ACR	COVER, SMOKE GRENADE DISCHARGER	FV492807	2	
4		NP	BOLT, hex hd, UNF 1/2in. -20 x 1-1/2in. lg	7001108244 1000	6	
5	A	G1	WASHER, LOCK, steel, Cd plated, 1/2in. bolt size, 0.763in. od, 0.116in. thk		6	
6	A	G1	NUT, PLAIN, HEXAGON, UNF, steel, chamfered bearing surface, Zn plated, 1/2in., 3/4in. w A/F, 7/16in. h, grade 3 nut		6	
7	A	46MT3	HORN, ELECTRICAL, 24V dc, 3A, 5-1/16in. w, 6-9/32in. lg, 2-1/2in. deep, push in type terminals w/waterproof cover, supplied w/bracket	FV157950	1	
8	A	G1	SCREW, MACHINE, UNF, 3/8in. -24 class 2A thd, 5/8in. lg, steel, Zn plated, hex hd		1	
9		NP	WASHER, FLAT, 3/8in. id, Cd plated	7030006009 1900	1	
10	A	G1	WASHER, LOCK, steel, split helical ring, single coil, sq section, 3/8in. bolt size, 0.092in. thk, 0.59in. od		1	
11	A	G1	NUT, PLAIN, HEXAGON, UNF, steel, chamfered bearing surface, Zn plated, 3/8in. -24 thd, 0.563in. w A/F, 0.333in. h, grade 3 nut		1	
12	A	46MT3	HEADLIGHT, 7.906in. dia, 9.531in. h, 7.688in. lg, 24V dc, steel enamelled body, glass lens, adjustable	FV157970	2	See Fig 4
NI 13	A	X5	LAMP, INCANDESCENT, S(straight side) bulb, 62mm lg, 28mm dia, 50W, 26V dc, cap type, British pre-focus P22D, vertical dip	LLB 368	2	u/w item 12
14	A	46MT3	HEADLIGHT, 7.906in. dia, 9.469in. deep, 7.188in. lg, light position non-adjustable	FV426612	2	See Fig 5
NI 15	A	X5	LAMP, INCANDESCENT, special cap type P45-41, quartz or hard glass, 82mm lg, 14.2mm dia, 24V dc, 75/70 w	FVRDE2058/ 1088	2	u/w item 14
16	A	9ACR	COVER, ACCESS, steel, 8.3in. x 3in. x 0.128in., 4 holes 9/32in. dia	FV485277	2	
17	A	9ACR	PLATE, MOUNTING, LIGHT ASSEMBLY, side and signal lights	FV499694	2	
18	A	G1	WASHER, LOCK, steel, split helical ring, 1/4in. bolt size, 27/64in. od, 5/64in. thk		16	} Securing items 16 & 17
19	A	G1	SCREW, CAP, HEXAGON HEAD, UNF, 1/4in. class 2A thd, 5/8in. lg, steel, Zn plated, hex hd		16	

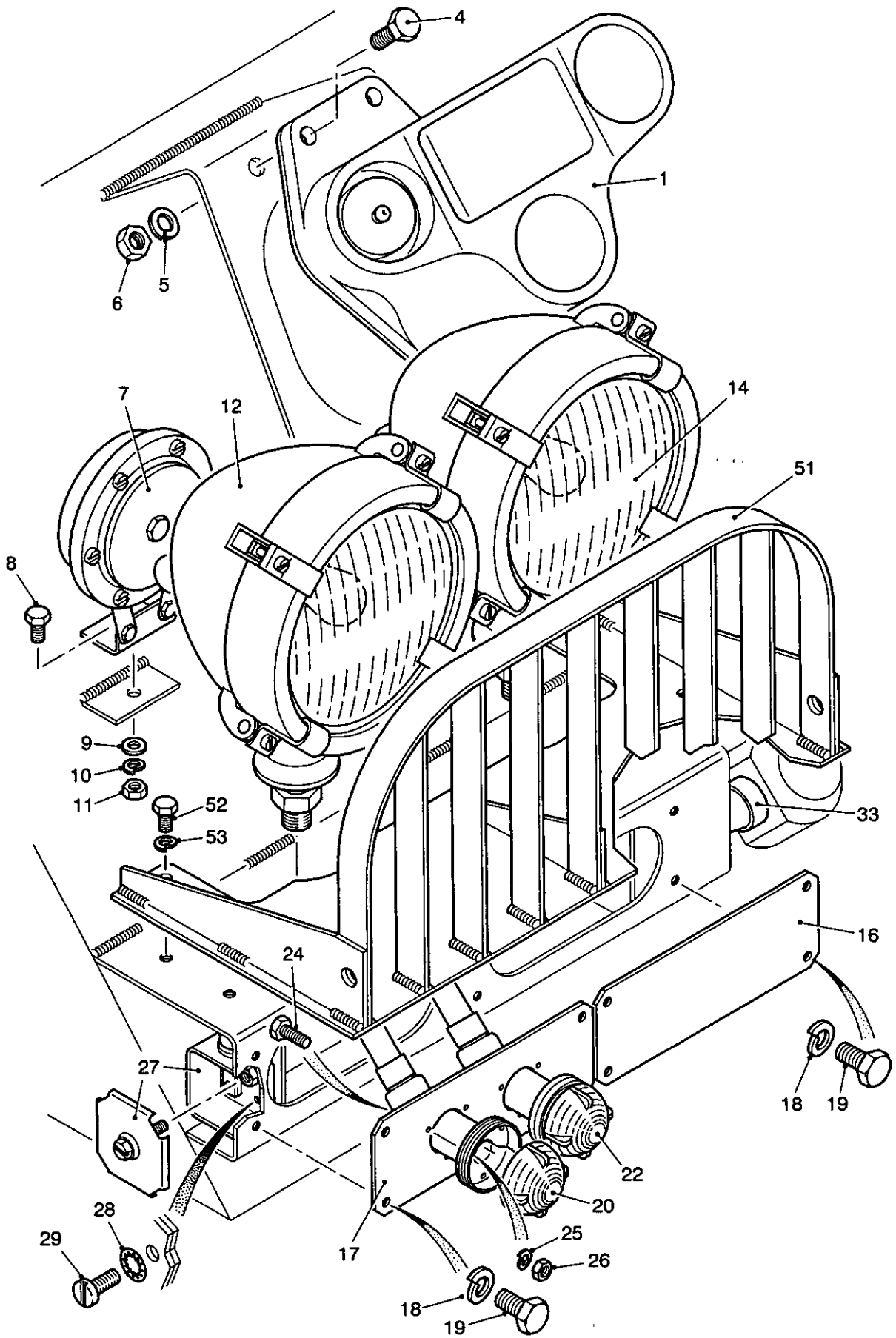


Fig 2 Electrical equipment front external GA

430/70196

Fig Item	Man Code Navy - N Army - A RA/F - R	NATO Stock No	Item Name and Description	Part No/ Drawing No.	No. Off	Annotations
2-			ELECTRICAL EQUIPMENT GA - contd . ELECTRICAL EQUIPMENT, HULL, GA - contd . ELECTRICAL EQUIPMENT, FRONT EXTERNAL GA - contd			
20	A	46MT3	. . SIDELIGHT	FV760663	2	See Fig 6 u/w item 20
NI 21	A	X5	. . LAMP, INCANDESCENT, globular bulb, 32.5in. lg, 18mm od, 26V dc, 6w	510149	2	
22	A	6MT3	. . DIRECTIONAL LIGHT, VEHICULAR, rubber body, glass lens, SCC cap, amber translucent, one lamp accommodated, 2-1/2in. dia, 5-1/32in. lg, 26V dc, w/3 mtg holes 5/32in. dia	FV260907	2	See Fig 7
NI 23	A	X5	. . LAMP, INCANDESCENT, 52.5mm lg, 26.5mm dia, 24V dc, 21W, single contact bayonet, straight sided	9511	2	u/w item 22
24	A	G1	. . SCREW, MACHINE, steel, Cd plated, hex hd, 4BA x 1/2in. lg		12	
25	A	G1	. . WASHER, LOCK, steel, split helical ring, 0.168in. id, 0.252in. od, 0.04in. thk		12	
26	A	G1	. . NUT, PLAIN, HEXAGON, No. 4 BA, steel, Cd plated, rh thd, 1/4in. w A/F, 1/8in. h, chamfered		12	
27	A	9ACR	. . TERMINAL BOX, steel, phosphate finish, w/cover, 1.9in. lg, 1.9in. w, 1.362in.h, base mtg w/two 0.224in. dia holes	FV499815	2	See Fig 8
28	A	G1	. . WASHER, LOCK, rubber/steel, flat internal teeth, 0.197in. id, 0.06in. thk, 0.44in. od, steel locking feature		4	
29	A	Z2	. . SCREW, MACHINE, BA, steel, hex hd, slot drive, Cd plated, No. 2 x 1/2in. lg		4	
NI 30	A	6MT4	. . SEALING CONE, neoprene, 19/32in. dia x 7/16in., w/4 holes 7/64in. dia	FV(S)6-83-1	6	u/w items 20,22,27
NI 31	A	6MT1	. . WASHER, FLAT, br, Zn plated, rd, 5/8in. od, 7/16in. id, 1/16in. thk	FV(S)6-39-4	6	
NI 32	A	Z42	. . NUT, COUPLING, ELECTRICAL CONDUIT, 11/64in. -24 TPI, br or low carbon steel, 25/32in. od, 15/32in. h, knurled	FV(S)6-38-4	6	
33		NP	. . CONDUIT, ARMoured OUTLET	FV605482/1	2	u/w item 33
NI 34	A	46MT4	. . BUSHING, NON-METALLIC, rubber, chloroprene, multiple holes, 0.4in. lg, 0.99in. flange dia, 0.875in. body dia, 0.342in. body lg, 0.06in. flange h	FV562072	2	
NI 35		NP	. . WASHER, copper	FV361055	2	u/w item 33
NI 36	A	46MT4	. . ADAPTOR, ELECTRICAL CONDUIT, steel, Cd plated, 1in. -16 ext thd both ends, 1.093in. lg	FV(S)6-51-6	2	
NI 37	A	46,T4	. . ELBOW, ASSEMBLY, 90 deg	FV(S)6-55-3	4	u/w item 12 & 14
NI 38		NP	. . SADDLE	FV485643/8	2	Securing conduits
NI 39	A	G1	. . WASHER, LOCK, steel, split helical ring, 0.198in. id, 0.064in. thk, 0.33in. od		4	} Securing item 38
NI 40		NP	. . SCREW, MACHINE, hex hd, steel, Cd plated, No. 10, (2BA) UNF x 1/2in. lg	7011103081 4900	4	
NI 41		NP	. . CONDUIT, horn	FV605458/1	1	Headlights
NI 42	A	9ACR	. . CONDUIT ASSEMBLY, NON- METALLIC, ELECTRICAL, braided neoprene, 3/8in. id, 10in. lg, coupling nut 1st end, ferrule 2nd end	FV605457/2	2	

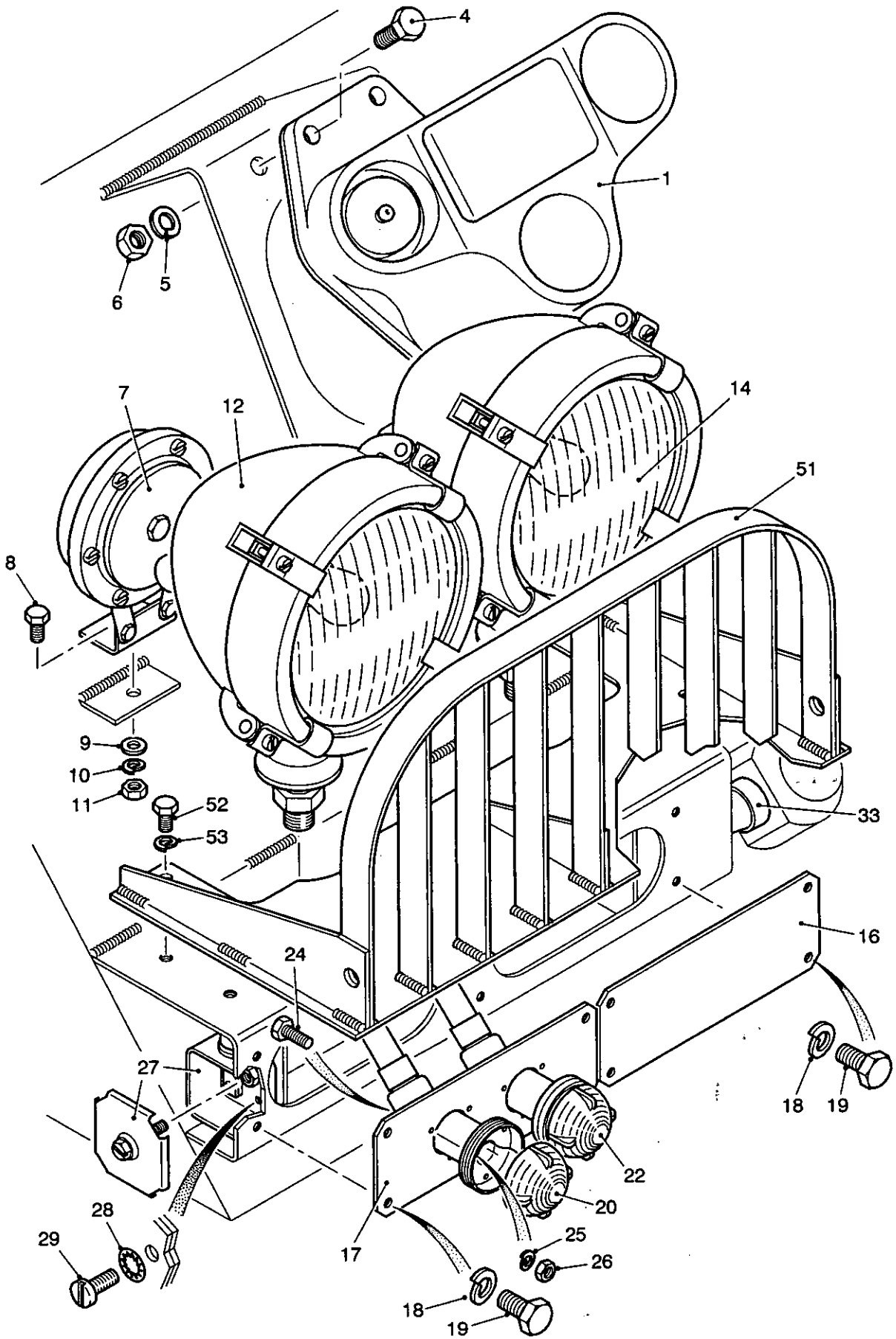


Fig 2 Electrical equipment front external GA

430/70196

Fig Item	Man Code Navy - N Army - A RA/F - R	NATO Stock No	Item Name and Description	Part No/ Drawing No.	No. Off	Annotations
2-			ELECTRICAL EQUIPMENT GA - contd . ELECTRICAL EQUIPMENT, HULL, GA - contd . . . ELECTRICAL EQUIPMENT, FRONT EXTERNAL GA - contd			
NI 43		NP	. . CONDUIT, IR, headlight	FV605457/1	2	
NI 44	A	6MT1 5340-99-805-1035	. . CLAMP, LOOP, steel, Cd plated, 0.812in. loop id, 0.196in. dia	860863	2	Securing conduits
NI 45	A	6MT4 5340-99-828-4174	. . CLAMP, LOOP, steel, Zn plated, 0.5in. loop id, 0.196in. dia	51101266	4	Securing conduits
NI 46		NP	. . SCREW, MACHINE, hex hd, steel, Cd plated, No. 10 (2BA) UNF x 3/8in. lg	7011103061 4900	2	Securing item 45
NI 47		NP	. . SCREW, MACHINE, hex hd, steel, Cd plated, No. 10 (2BA) UNF x 1/2in. lg	7011103081 4900	4	Securing items 44,45
NI 48		NP	. . WASHER, FLAT, steel, Cd plated, 3/16in. dia	7030003009 4900	1	u/w horn earth lead
NI 49	A	G1 5310-99-941-6653	. . WASHER, LOCK, steel, split helical ring, 0.198in. id, 0.064in. thk, 0.33in. od		6	u/w items 46 & 47
NI 50		NP	. . NUT, HEXAGONAL, steel, Cd plated, 2BA	7022103011 4900	2	Securing item 44
51	A	9ACR 2540-99-866-2619	. . GUARD, LAMP, steel, painted, 18.25in. lg, 6.003in. w, 9.25in. h, headlamp guard w/assorted holes, RH	FV485272	1	
52	A	G1 5310-99-944-0549	. . WASHER, LOCK, steel, split helical ring, Cd plated, 5/16in. bolt size, 0.503in. od, 0.08in. thk, single coil, sq section		10	} Securing items 51 and 54
53	A	G1 5305-99-941-0525	. . SCREW, MACHINE, stainless steel, Zn plated, UNF, 5/16in. x 3/4in. lg class 2A thd, hex hd		10	
NI 54	A	9ACR 2540-99-804-7898	. . GUARD, HEADLIGHT, steel, 18-1/4in. lg, 9-1/4in. w, 9in. h, LH	FV611101	1	

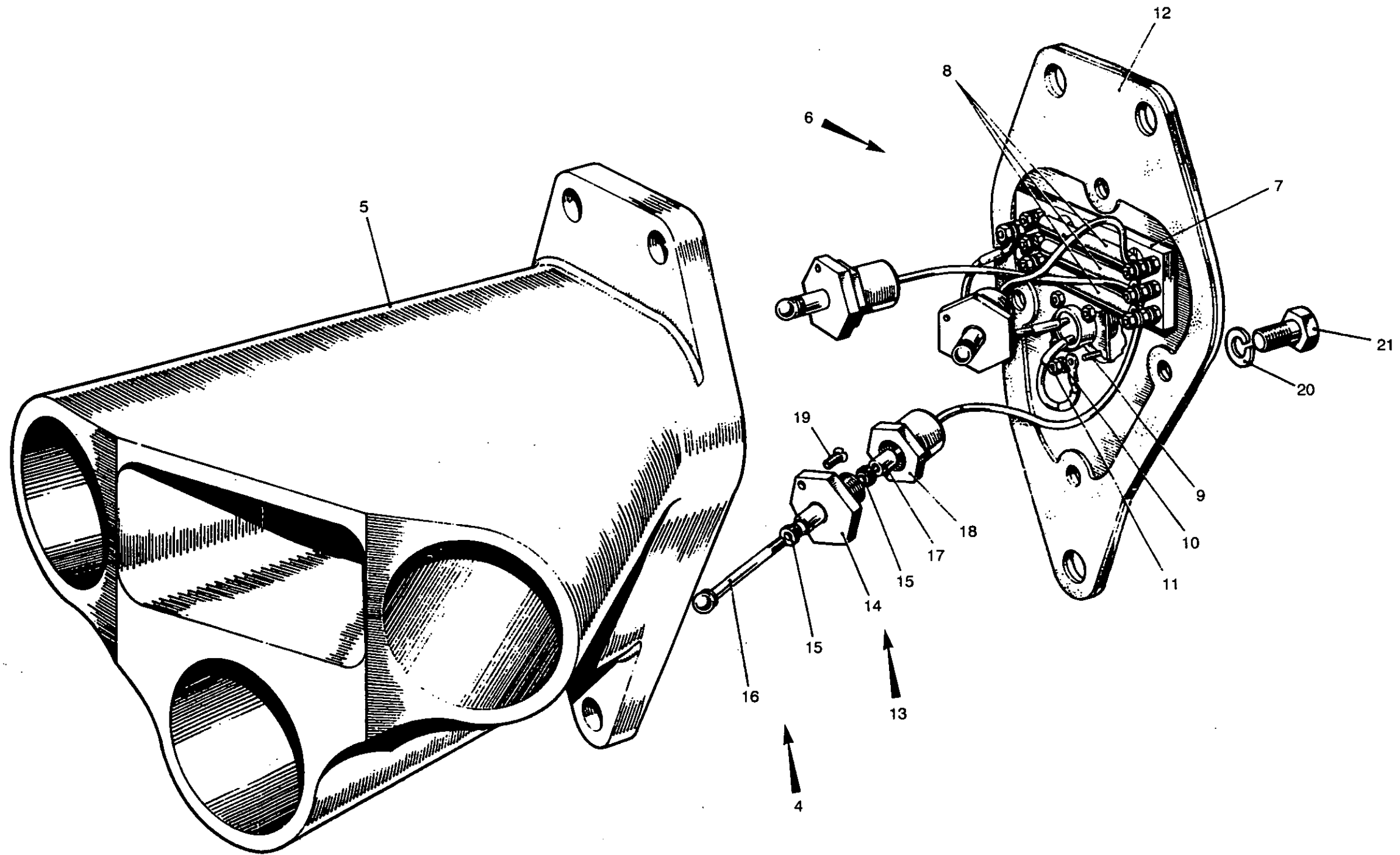


Fig 3 Discharger, grenade, smoke, countermeasure

Fig Item	Man Code Navy - N Army - A RA/F - R	NATO Stock No	Item Name and Description	Part No/ Drawing No.	No. Off	Annotations
3-			ELECTRICAL EQUIPMENT GA - contd . ELECTRICAL EQUIPMENT, HULL GA- contd . . . ELECTRICAL EQUIPMENT, FRONT EXTERNAL GA - contd			
NI 1	A 9ACR	1040-99-200-7284	. . . DISCHARGER, GRENADE, SMOKE COUNTERMEASURE, RH	FV468708	1	See items 7 to 21
NI 2	A 9ACR	1040-99-200-7286 BODY, SMOKE GRENADE DISCHARGER	FV468714	1	
NI 3	A 9ACR	1040-99-200-7328 COVER ASSEMBLY, SMOKE GRENADE DISCHARGER	FV468710	1	
4	A 9ACR	1040-99-200-7285	. . . DISCHARGER, GRENADE, SMOKE COUNTERMEASURE, LH	FV468709	1	
5	A M1	1040-99-200-7287 BODY, SMOKE GRENADE DISCHARGER	FV468715	1	
6	A 9ACR	1040-99-200-7327 COVER ASSEMBLY, SMOKE GRENADE DISCHARGER	FV468711	1	
7	A Z30	5905-9-200-7326 RESISTOR ASSEMBLY, smoke grenade discharger	FV497409	1	
8	A Z30	5905-99-014-0178 RESISTOR, FIXED, WIRE WOUND, 22 ohms, ± 5%, MB, 12W		3	
9		NP SCREW, MACHINE, UNF, steel, pan hd, zinc coated, No. 4 x 3/8in. lg		4	
10	A G1	5310-99-941-6651 WASHER, LOCK, steel, split helical ring, 0.138 x 0.032 x 0.205in. od		4	
11		NP NUT, PLAIN, HEXAGON, UNF, steel, zinc coated, No. 4		4	
12	A M1	1040-99-200-7329 GASKET	FV468717	1	
NI 13	A M1	1040-99-200-7330 CONTACT ASSEMBLY, ELECTRICAL	FV435704	3	
14	A M1	1040-99-200-7346 ADAPTOR, ELECTRICAL CONTACT	FV435705	3	
15	A Z42	5970-99-200-7353 INSULATOR, BUSHING, 9/64 x 15/64 x 1/8in. h, ebonite	FV435710	6	
16	A Z32	5935-99-200-7372 PLUG, TIP	FV465495	3	
17	A M1	5999-99-200-7357 CAP, ELECTRICAL	FV435709	3	
18	A M1	5310-99-200-7373 NUT, PLAIN, CAP	FV435708	3	
19	A G1	5305-99-137-1769 SCREW, MACHINE, 2A, thd, 5/16in. scr, 3/8in. lg, csk hd		3	
20	A G1	5310-99-941-6655 WASHER, LOCK,		4	
21	A G1	5305-99-941-0697 SCREW, MACHINE, UNC, s steel, hex hd, zinc P, 2A thd 5/16 x 5/8in. lg		4	

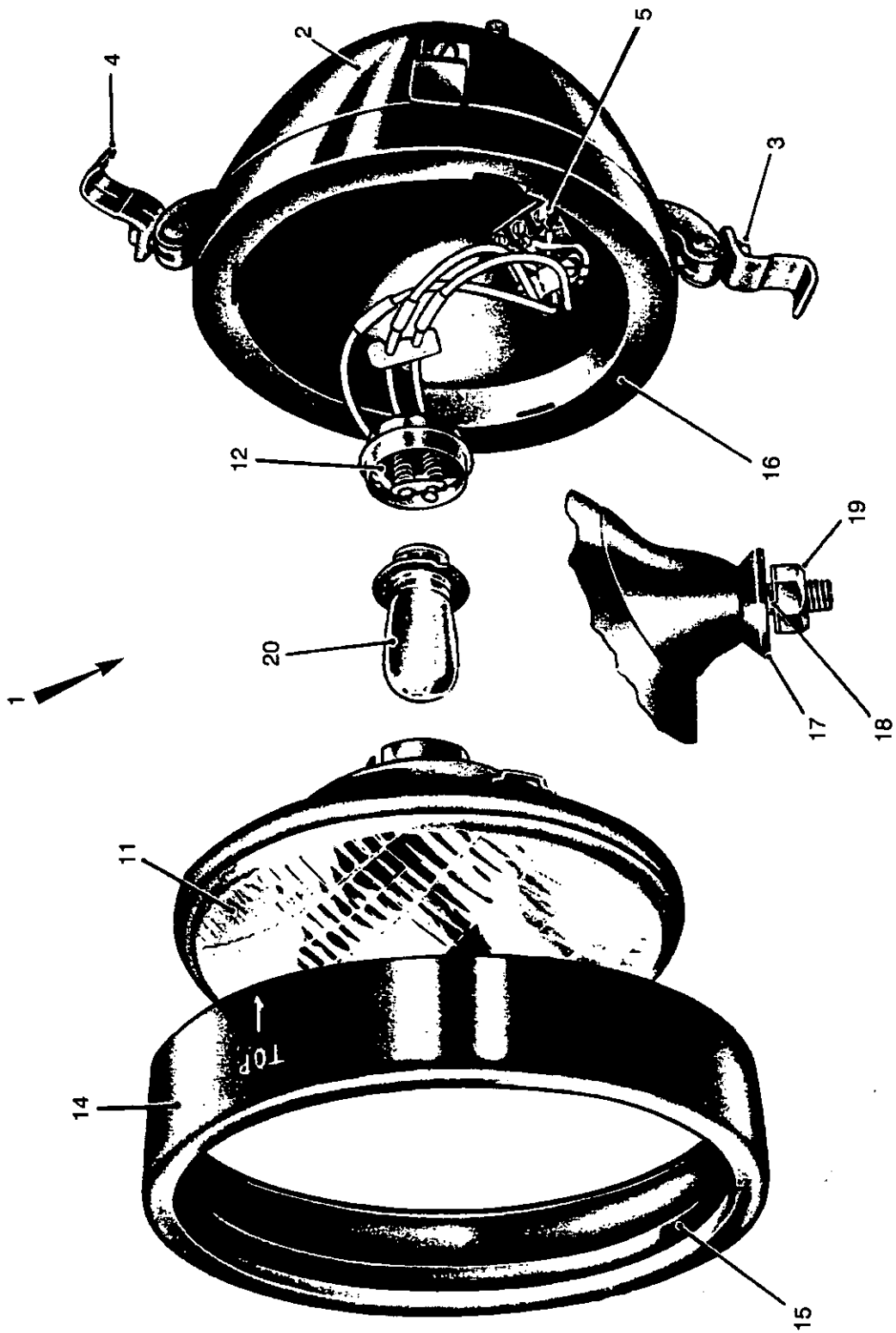


Fig 4 Headlight

430/70099

Fig Item	Man Code Navy - N Army - A RA/F - R	NATO Stock No	Item Name and Description	Part No/ Drawing No.	No. Off	Annotations
4-			ELECTRICAL EQUIPMENT GA - contd ELECTRICAL EQUIPMENT, HULL, GA - contd ELECTRICAL EQUIPMENT, FRONT EXTERNAL GA - contd			
1	A	46MT3	6220-99-910-9175 HEADLIGHT, o/a dia 7.906in. nom, o/a h 9.531in. nom, o/a lg 7.688in. nom, voltage rating 26.0 volt nom. steel enamelled body, glass lens adjustment	FV157970	2	
2	A	6MT3	6220-99-930-6128 BODY ASSEMBLY, c/w fittings for light unit, attachment fittings and gland bush	553289	1	Lucas
3	A	6MT3	5305-99-803-3159 SCREW, MACHINE, BA, No. 2 by 7/8in. lg, normal class thd, scr 11/16in. brass chromium plated hd, fillister csk hd slot drive	552255	4	Fixing rim
4	A	6MT3	5340-99-910-9177 CLAMP, RIM CLENCHING, steel	553287	4	
5	A	6MT4	5940-99-610-9182 TERMINAL BOARD, plastics, 3 post type terminals incl, board dims 1-1/2in. lg by 1-1/2in. w by 11/16in. h, w/1 unthreaded mtg hole 0.15in. dia	510295	1	
NI 6	A	6MT3	6220-99-803-1523 INSERT, TERMINAL BOARD, br, 0.312in. sq, 1/2in. o/a h, threaded 1/4in. BSF w/slot 0.125in. wd x 0.297in. lg on one longitudinal side	562152	3	
NI 7	A	6MT3	5340-99-910-9178 STRAP, RETAINING,	510225	1	
NI 8	A	G1	5305-99-941-8908 SCREW, MACHINE, rh, 5/8in. thd lg, 5/8in. fastener lg, flat fillister hd, 0.185in. dia thd		2	} Securing item 7
NI 9	A	G1	5310-99-941-6643 WASHER, LOCK, steel, Cd P, split helical ring, No. 2 BA nom bolt size, 3/64in. thk, 25/64in. od		2	
NI 10		NP	SCREW, MACHINE, steel, 4BA x 5/16in. lg, flat fil hd, Zn Pl		2	Terminal board
11	A	6MT3	6220-99-910-9185 LIGHT, UTILITY VEHICULAR	FV157942	1	
12	A	6MT3	6250-99-910-9176 LAMPHOLDER	C07342-01	1	
NI 13	A	6MT4	5940-99-803-1956 FERRULE ELECTRICAL CONDUCTOR, brass 0.375in. lg x 0.250in. od x 0.150in. o/a dims	555910	1	
14	A	6MT3	6210-99-803-4203 RETAINER LENS	553281	1	
15	A	6MT3	5330-99-910-9180 SEAL, RUBBER SPECIAL SHAPED SECTION, joint-less, 6.960in. id, 0.562in. w, u/w headlight	553282	1	
16	A	6MT1	5330-99-910-9181 SEAL, RUBBER SPECIAL SHAPED SECTION, joint-less, 6.386in. nom aperture dia	553283	1	
17	A	6MT3	6220-99-910-9187 WASHER, BASE SEATING HEADLIGHT	551968	1	
18	A	G1	5310-99-941-6633 WASHER, LOCK, steel, split double helical ring, hole dia 0.672in. nom, matl thk 0.080in. nom, o/side dia 1.071in. nom, o/a h 0.240in. nom		1	
19	A	46MT3	5310-99-139-1247 NUT, PLAIN, HEXAGON, whit s, 5/8in. dia, normal, rh steel, Cd P, 13/16in. w A/F, 25/64in. o/a h, full bearing surface		1	
20	A	X3	6240-99-995-4508 LAMP, INCANDESCENT, s (straight side), 62mm o/a lg, 28mm dia, 50 watts, 26 volts, cap type UK pre-focus P22d, vertical dip	LLB 368	2	

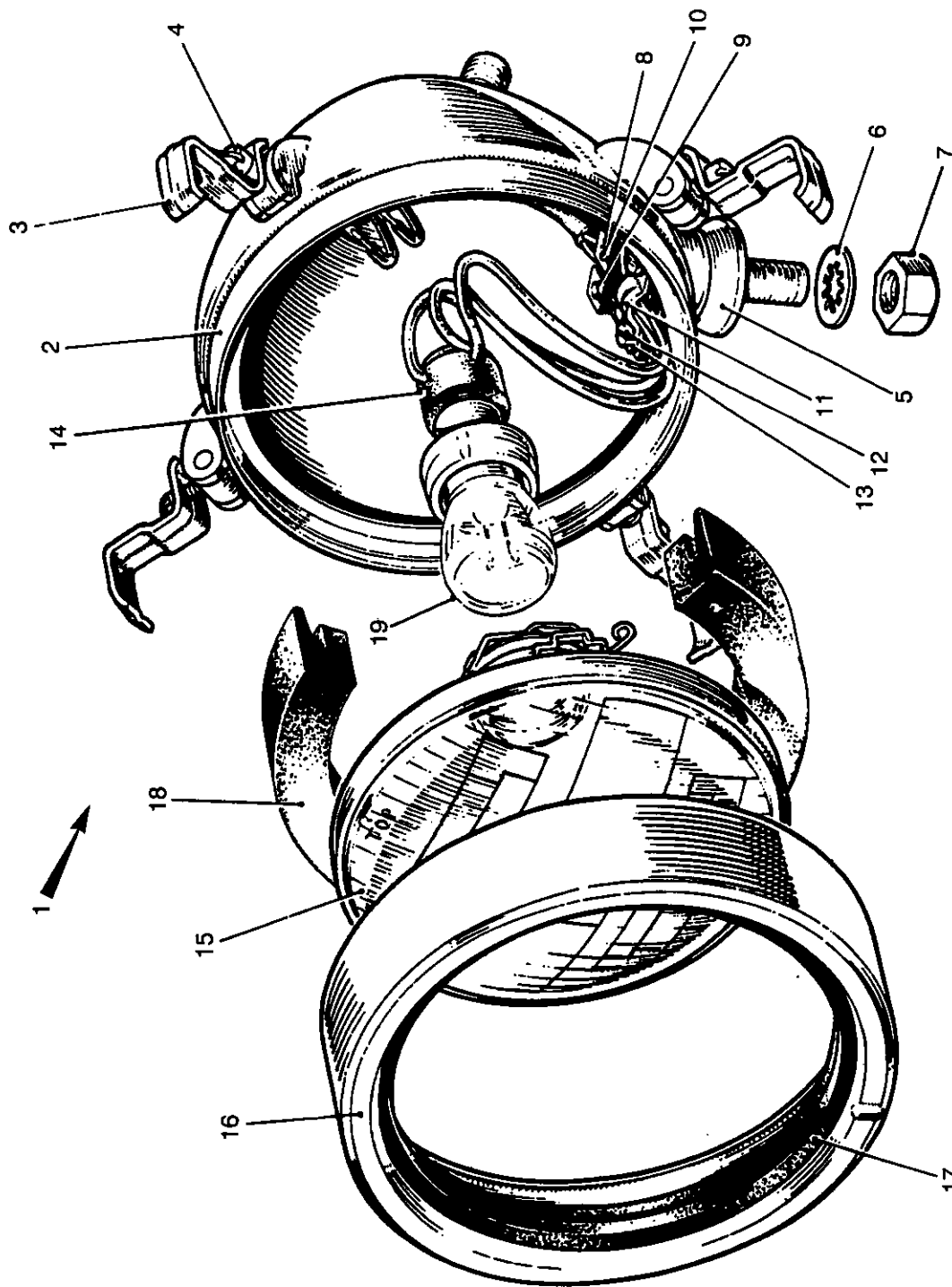


Fig 5 Headlight

430/70100

Fig Item	Man Code Navy - N Army - A RA/F - R	NATO Stock No	Item Name and Description	Part No/ Drawing No.	No. Off	Annotations
5-			ELECTRICAL EQUIPMENT GA - contd . ELECTRICAL EQUIPMENT, HULL, GA - contd . . . ELECTRICAL EQUIPMENT, FRONT EXTERNAL GA - contd			
1	A	6MT3	6220-99-803-4202 . . HEADLIGHT, 7.906in. nom o/a dia, 9.469in. nom o/a deep, 7.188in. nom o/a lg, light position non adjustable	FV426612	2	
2	A	46MT3	6220-99-930-6128 . . . BODY ASSEMBLY, HEADLIGHT, c/w fittings for light unit, attachment fittings, and gland bush	553289	1	
3	A	6MT3	5340-99-910-9177 CLAMP, RIM CLENCHING, steel,	553287	4	
4	A	G1	5305-99-121-1725 SCREW, MACHINE, brass, 2BA x 1.00in. lg, flat fil hd, slot drive, tin pl		4	
5	A	6MT3	6220-99-910-9187 WASHER, BASE SEATING HEADLIGHT	551968	1	
6	A	G1	5310-99-120-6049 WASHER, LOCK, steel, flat int teeth, 5/8in. bolt size, 0.045in. thk, 1.065in. od	C245	1	
7	A	46MT3	5310-99-139-1247 NUT, PLAIN, HEXAGON, whit s, 5/8in. dia, normal, rh steel, Cd P, 13/16in. w A/F, 25/64in. o/a h, full bearing surface	1803707	2	
8	A	6MT4	5940-99-910-9182 TERMINAL BOARD, plastics, 3 post type terminals incl, board dims 1-1/2in. lg by 1-1/2in. w by 11/16in. h, w/1 unthreaded mtg hole 0.15in. dia	510295	1	
9	A	6MT3	6220-99-803-1523 INSERT, TERMINAL BOARD, br, 0.312in. sq, 1/2in. o/a h, threaded 1/4in. BSF w/slot 0.125in. wd x 0.297in. lg on one longitudinal side	562152	3	
10	A	X3	5305-99-201-4114 SCREW, SET, steel, tin plate, 0.250-26 bst, 0.304in. thd lg, 0.421in. max fastener lg, flat hd, slot drive	5335-766A	3	
11	A	6MT3	5940-99-910-9178 STRAP, RETAINING	510225	1	
12	A	G1	5305-99-941-7933 SCREW, MACHINE, BA, steel, flat fillister hd, slot drive, Cd P, No. 2 by 7/16in. lg, normal class thd		2	} Strap to terminal board
13	A	G1	5310-99-419-9035 WASHER, LOCK, steel, Cd P, split helical ring, 3/16in. id, 1/16in. (16 SWG) thk, 21/64in. od		2	
14	A	46MT3	6150-99-803-4205 LEAD ASSEMBLY, ELECTRICAL	51273857	1	
15	A	46MT3	6220-99-803-4180 LIGHT UNIT, HEADLIGHT	FV426641	1	
16	A	6MT3	6210-99-803-4203 RETAINER, LENS	553281	1	
17	A	6MT3	5330-99-910-9180 SEAL, RUBBER, SPECIAL SHAPED SECTION, joint-less, 6.960in. id, 0.562in. w, u/w headlight	553282	1	Front
18	A	6MT1	5330-99-910-9181 SEAL, RUBBER, SPECIAL SHAPED SECTION, joint-less, 6.385in. nom aperture dia	553283	1	Rear
19	A	X5	6240-99-659-8126 . . LAMP INCANDESCENT, special cap type P45-41, quartz or hard glass, 82.00mm o/a lg, 14.20 - 0.5mm dia, 24V 75/70W	FVRDE2058/1088	2	

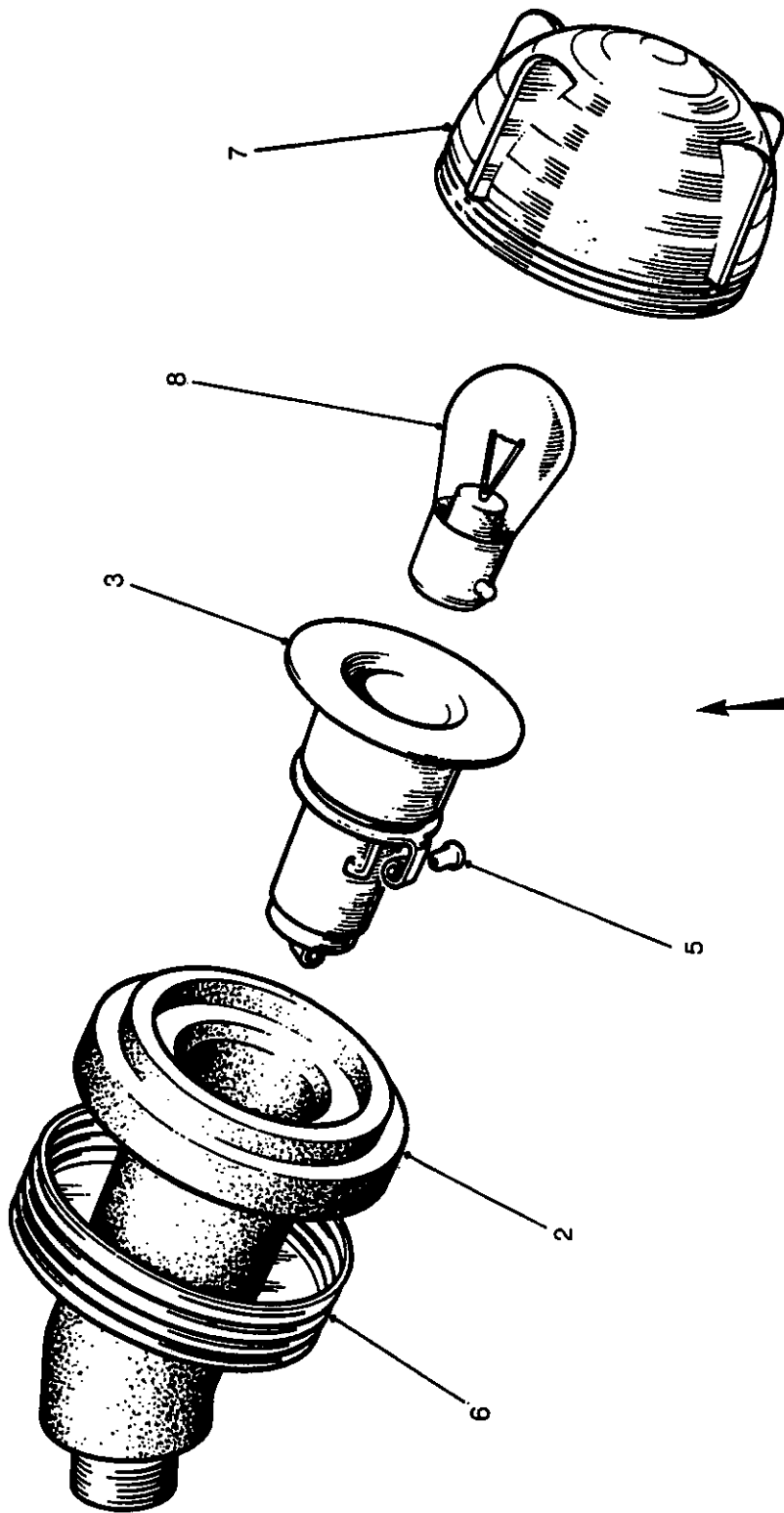


Fig 6 Sidelight

430/70101

Fig Item	Man Code Navy - N Army - A RAF - R	NATO Stock No	Item Name and Description	Part No/ Drawing No.	No. Off	Annotations
6-			ELECTRICAL EQUIPMENT GA - contd . ELECTRICAL EQUIPMENT, HULL, GA - contd . . . ELECTRICAL EQUIPMENT, FRONT EXTERNAL GA - contd			
1	A	46MT3	6220-99-820-3051 . . . SIDELIGHT	FV760663	2	
2	A	6MT4	6220-99-408-2491 BODY, LIGHT	576203	1	
3	A	6MT3	6250-99-828-8138 LAMPHOLDER	54584780	1	
NI 4	A	6MT3	6220-99-803-3158 PLUNGER, LAMPHOLDER	552103	1	
5	A	6MT4	5940-99-803-1956 FERRULE, ELECTRICAL CONDUCTOR, brass, 0.375in. lg x 0.250in. od x 0.150in. o/a dims	555910	2	
6	A	46MT3	6220-99-408-2494 BASE, LAMP	576207	1	
7	A	6MT3	6220-99-821-4898 LENS, LIGHT, 1-1/2in. lg, 2-33/64in. od, glass lens, transparent, ext thd mtd, 2-1/2in. dia thd	FV694906	1	
8	A	X5	6240-99-995-2236 . . . LAMP, INCANDESCENT, globular bulb, 32.5mm lg, 18mm od, 26V dc, 6W	510149	1	

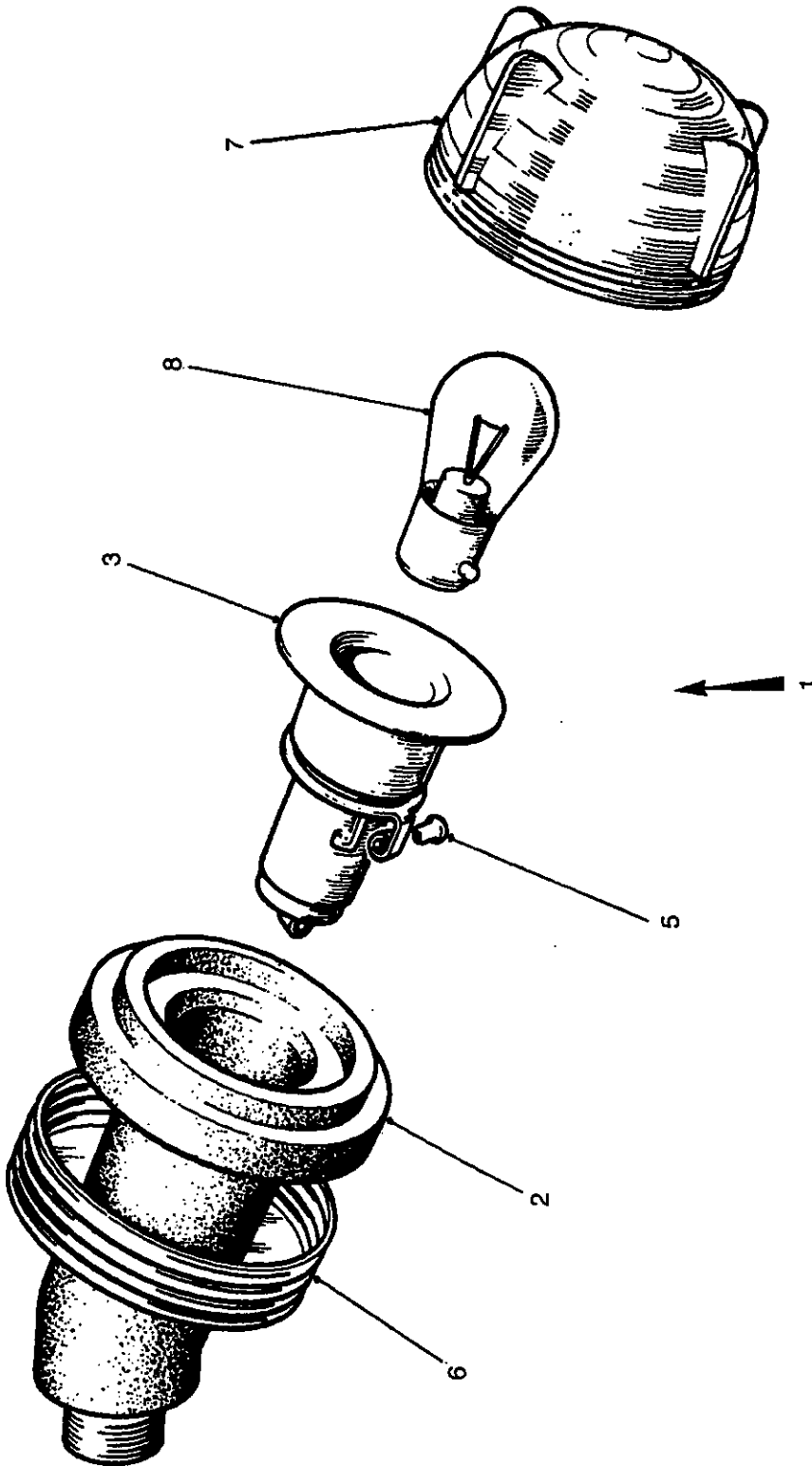


Fig 7 Turn light

430/70105

Fig Item	Man Code Navy - N Army - A RA/F - R	NATO Stock No	Item Name and Description	Part No/ Drawing No.	No. Off	Annotations
7-			ELECTRICAL EQUIPMENT GA - contd . ELECTRICAL EQUIPMENT, HULL, GA - contd . ELECTRICAL EQUIPMENT, FRONT EXTERNAL GA - contd			
1	A	6MT3	6220-99-803-3704 . . . DIRECTIONAL LIGHT, VEHICULAR, rubber body, glass lens, SCC cap, amber translucent, one lamp accommodated, 2-1/2in. dia, 5-1/32in. lg, 26V dc, w/3 mtg holes 5/32in. dia	FV260907	4	
2	A	6MT4	6220-99-408-2491 . . . BODY, LIGHT	576203	1	
3	A	6MT3	6250-99-803-3408 . . . LAMPHOLDER, 2.156in. lg	573285	1	
NI 4	A	6MT3	6220-99-803-3158 . . . PLUNGER, LAMPHOLDER	552103	1	
5	A	6MT4	5940-99-803-1956 . . . FERRULE, ELECTRICAL CONDUCTOR, br, 0.150in. id x 0.250in. od x 0.375in. lg	555910	3	
6	A	46MT3	6220-99-408-2494 . . . BASE LAMP	576207	1	
7	A	6MT3	6220-99-803-3706 . . . LENS, LIGHT, stovepipe style, 1-17/32in. o/a lg, 2-1/2in. o/a dia, glass lens, transparent, ext thd, 2-1/2in. -8 thd, amber	577588	1	
8	A	X5	6240-12-173-4827 . . . LAMP, INCANDESCENT, 52.5mm o/a lg, 26.5mm o/a dia, 24V, 21W, single contact bayonet, straight sided	9511	1	

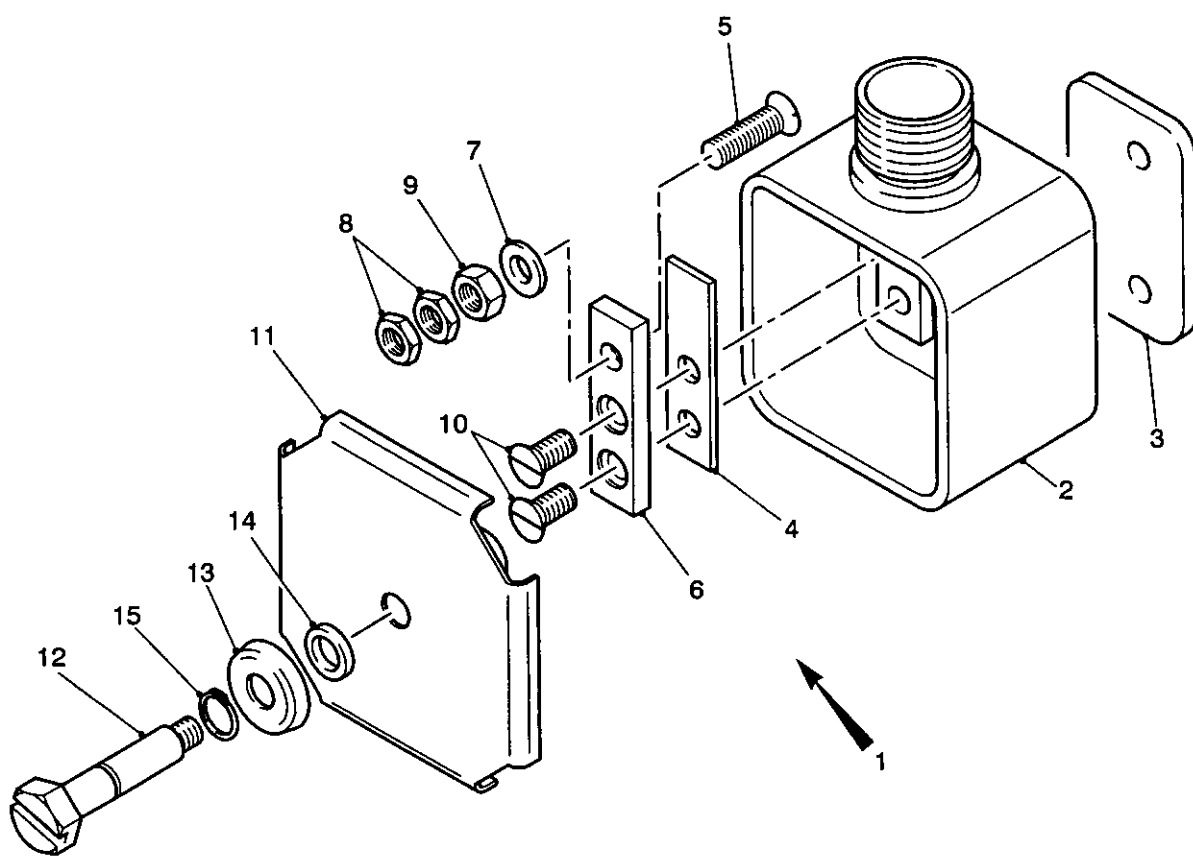


Fig 8 Terminal box

430/70197

Fig Item	Man Code Navy - N Army - A RAF - R	NATO Stock No	Item Name and Description	Part No/ Drawing No.	No. Off	Annotations
8-			ELECTRICAL EQUIPMENT GA - contd . . . ELECTRICAL EQUIPMENT, HULL, GA - contd: . . . ELECTRICAL EQUIPMENT, FRONT EXTERNAL GA - contd			
1	A	9ACR	5940-99-865-7420	. . . TERMINAL BOX, steel, phosphate finish, w/cover, 1.9in. lg, 1.9in. w, 1.362in. h, base mtg w/two 0.224in. dia holes	FV499815	2
2			NP	. . . BOX, TERMINAL	FV499813	1
3	A		NP	. . . GASKET	FV499763	1
4			NP	. . . INSULATION STRIP	FV499697	1
5	A	G1	5305-99-941-9918	. . . SCREW, MACHINE, 2BA, steel, flat csk hd, slot drive, Cd P, 7/8in. lg		1
6			NP	. . . INSULATION BLOCK	FV499698	1
7	A	G1	5310-99-941-9454	. . . WASHER, FLAT, steel, Cd P, rd hole, 2BA nom bolt size, 25/64in. od, 0.018in.thk		1
8	A	G1	5310-99-941-7070	. . . NUT, PLAIN, HEXAGON, BA, steel, No. 2 x 0.167in. h		2
9			NP	. . . NUT, HEXAGONAL, high, prevailing torque, No. 10 - 32 (2BA) UNF		
10	A	G1	5305-99-941-9918	. . . SCREW, MACHINE, 2BA, steel, flat csk hd, slot drive, Cd P, 3/8in. lg		2
11	A	9ACR	5940-99-865-7421	. . . COVER, TERMINAL BOX, steel, 2.35in. x 2.35in. x 0.064in. thk	FV499761	1
12			NP	. . . SCREW, SHOULDER, UNF, steel, phos, hex hd, 0.250in. x 1.380in. lg	FV499760	1
13	A	6MT1	5310-99-663-8112	. . . WASHER, FINISHING, brass, 5/16in. id, 21/32in. od	S447	1
14	A	9ACR	5310-99-865-7370	. . . WASHER, NON-METALLIC, rubber, rd, 0.500in. od, rd hole, 0.312in. id, 0.125in. thk	FV499767	1
15	A	46MT1	5365-99-943-5986	. . . RING, RETAINING, steel, zinc coated, 1/64in. thk, external, 5/16in. shaft dia	A10000031A ZC	1

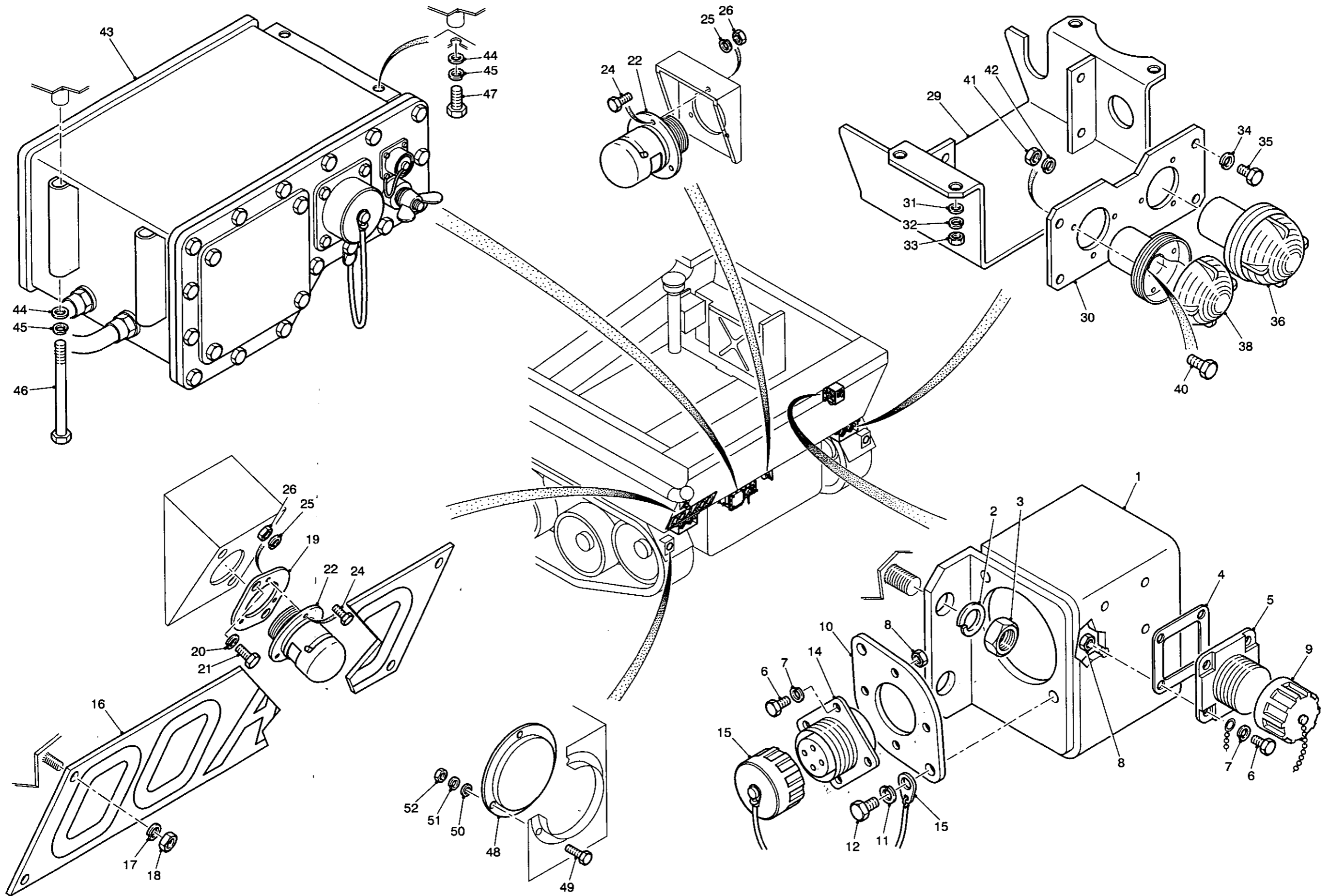


Fig 9 Electrical equipment, rear external GA

Fig Item	Man Code Navy - N Army - A RA/F - R	NATO Stock No	Item Name and Description	Part No/ Drawing No.	No. Off	Annotations
9-		NP	ELECTRICAL EQUIPMENT GA - contd . . . ELECTRICAL EQUIPMENT, HULL, GA - contd		REF	
			. . . ELECTRICAL EQUIPMENT, REAR EXTERNAL			
1	A	9ACR	2590-99-804-7914 . . . BRACKET, JUNCTION BOX, bench light	FV611484	1	
2	A	G1	5310-99-941-6654 . . . WASHER, LOCK, steel, split helical ring, 1/4in. bolt size, 27/64in. od, 5/64in. thk		2	
3	A	G1	5310-99-804-7941 . . . NUT, PLAIN, HEXAGON, UNF, 1/4in. dia -28 class 2B rh thd, steel, Zn plated, 7/16in. w A/F, 7/32in. h, chamfered		2	
4	A	Z2	5330-99-014-7133 . . . GASKET, syn rubber, 1.196in. sq, 0.76in. id, 4 bolt holes, 0.035in. thk	SB-14S-RPG	1	
5	A	6MT4	5935-99-519-3493 . . . DUMMY ELECTRICAL SOCKET	CA2182-17	1	
6	A	G1	5305-99-941-6829 . . . SCREW, MACHINE, steel, Cd plated, 6BA x 1/2in. lg, hex hd		8	
7	A	G1	5310-99-944-0545 . . . WASHER, LOCK, steel, Cd plated, split helical ring, 0.138in. bolt size, 0.205in. od, 0.032in. thk		8	
8		NP	. . . NUT, PLAIN, HEXAGON, steel, Cd plated, 6BA x 0.095in. h	7022400011 4900	8	
9	A	G1	5935-99-999-7864 . . . COVER, ELECTRICAL CONNECTOR, metallic, 7/16in. lg, 1in. dia, 7/8in. -20 int thd, w/chain, knurled	CA2209-4	1	
10		NP	. . . FRONT PLATE	FV611487	1	
11	A	G1	5310-99-941-6653 . . . WASHER, LOCK, steel, split helical ring, 0.198in. hole dia, 0.33in. od, 0.064in. thk		2	
12		NP	. . . SCREW, MACHINE, steel, Cd plated, 2BA x 1/2in. lg, hex hd	7011103081 4900	2	
NI 13		NP	. . . WIRING HARNESS, BENCH LIGHT JUNCTION to No. 2 CONNECTOR JUNCTION	FV605498/1	1	See Chap 2-7-1
14	A	6MT4	5935-99-800-9967 . . . CONNECTOR, FIXED, ELECTRICAL, straight, thd, 1.186in. sq, 1.04in. lg, single mating end, 4 contacts, 22A, Al alloy	FV585004	1	
15	A	6MT4	5935-99-014-7122 . . . COVER, ELECTRICAL CONNECTOR, metallic, 0.57in. lg, 1.156in. dia, 7/18in. -20 UNEF int thd, w/chain 4in. lg	SB-14S-PC	1	
16		NP	. . . NUMBER PLATE	FV611807	1	
17	A	G1	5310-99-941-6654 . . . WASHER, LOCK, steel, split helical ring, 1/4in. bolt size, 27/64in. od, 5/64in. thk		4	
18	A	G1	5310-99-804-7941 . . . NUT, PLAIN, HEXAGON, UNF, 1/4in. dia -28 class 2B rh thd, steel, Zn plated, 7/16in. w A/F, 7/32in. h, chamfered		4	
19		NP	. . . PLATE	FV563189	1	
20	A	G1	5310-99-944-0549 . . . WASHER, LOCK, steel, Cd plated, split helical ring, 5/16in. bolt size, 0.503in. od, 0.08in. thk, single coil, sq section		2	
21	A	G1	5305-99-941-0525 . . . SCREW, MACHINE, UNF, stainless steel, Zn plated, 5/16in. dia class 2A thd, 3/4in. lg, hex hd		2	

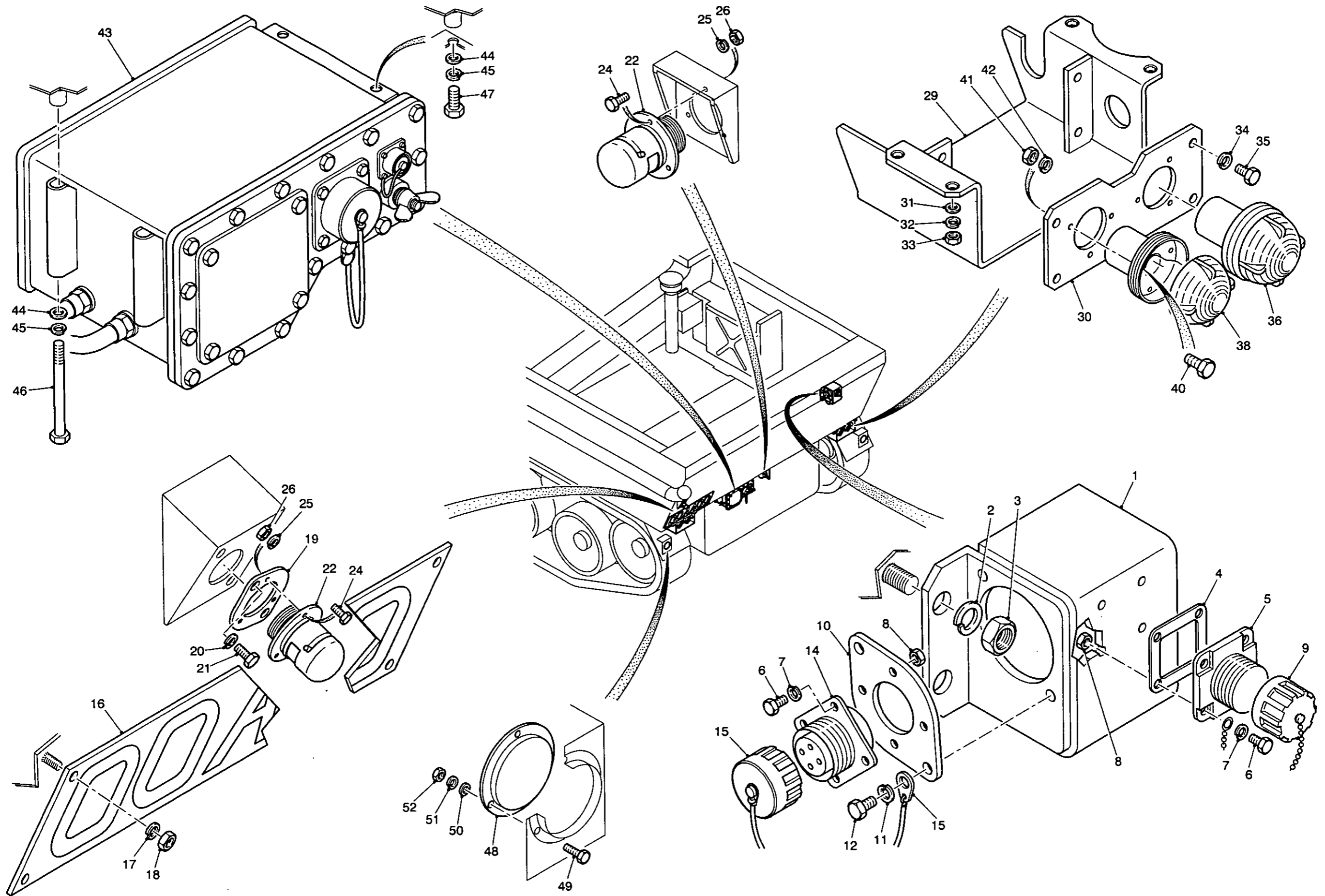


Fig 9 Electrical equipment, rear external GA

430/70264

Fig Item	Man Code Navy - N Army - A RAF - R	NATO Stock No	Item Name and Description	Part No/ Drawing No.	No. Off	Annotations	
9-			ELECTRICAL EQUIPMENT GA - contd . ELECTRICAL EQUIPMENT, HULL, GA - contd . . . ELECTRICAL EQUIPMENT, REAR EXTERNAL - contd				
22	A	6MT3	6220-99-803-4119	. . LIGHT, UTILITY, VEHICULAR, 4in. lg, 2-5/16in. dia, one lamp accommodated, number plate and convoy light	53922	2	See Fig 10
NI 23	A	X5	6240-99-995-2236	. . LAMP, INCANDESCENT, globular bulb, 32.5mm lg, 18mm od, 6W, 26V	156	2	u/w item 22
24		NP		. . SCREW, MACHINE, 4BA x 1/2in. lg, hex hd	7011401081 4900	6	
25	A	G1	5310-99-941-6652	. . WASHER, LOCK, steel, split helical ring, 0.168in. id, 0.252in. od, 0.04in. thk		6	
26		NP		. . NUT, PLAIN, HEXAGON, steel, Cd plated, 4BA	7022401011 4900	6	
NI 27	A	9ACR	2590-99-804-7907	. . BRACKET, TAIL LIGHT, 8-3/4in. lg, 5-3/4in. w, 3-3/16in. h, LH	FV611460	1	
NI 28		NP		. . PLATE, MOUNTING, TAIL LIGHT	FV611462	1	
29	A	9ACR	2590-99-804-7908	. . BRACKET, TAIL LIGHT, 8-3/4in. lg, 5-3/4in. w, 3-3/16in. h, RH	FV611461	1	
30	A	9ACR	2590-99-804-7899	. . PLATE, MOUNTING, TAIL LIGHT, steel, 6-5/16in. lg, 2-13/16in. w, 1/8in. thk	FV611463	1	
31		NP		. . WASHER, FLAT, 5/16in.	7030005009 1000	8	
32	A	G1	5310-99-944-0549	. . WASHER, LOCK, steel, Cd plated, split helical ring, 5/16in. bolt size, 0.503in. od, 0.08in. thk, single coil, sq section		8	
33	A	G1	5310-99-941-0925	. . NUT, PLAIN, HEXAGON, UNF, 5/16in. -24 class 2B rh thd, steel, Zn plated, 1/2in. w A/F, 17/64in. h, chamfered		8	
34	A	G1	5310-99-941-6654	. . WASHER, LOCK, steel, split helical ring, 1/4in. bolt size, 27/64in. od, 5/64in. thk		8	
35	A	G1	5305-99-941-6284	. . SCREW, MACHINE, UNF, 1/4in. dia class 2A thd, 1/2in. lg, steel, Zn plated, hex hd		8	
36	A	6MT3	6220-99-823-9793	. . TAIL LIGHT - STOP LIGHT	FV760732	2	See Fig 12
NI 37	A	X5	6240-99-995-3288	. . LAMP, INCANDESCENT, bulb style straight line, 47mm lg, 25mm bulb dia, 24V dc, 6/24W	334	2	u/w item 36
38	A	6MT3	6220-99-803-3704	. . DIRECTIONAL LIGHT, VEHICULAR, rubber body, glass lens, SCC cap, amber translucent, one lamp accommodated, 26V dc, 2-1/2in. dia, 5-1/32in. lg, w/3 mtg holes 5/32in. dia and one integral	FV260907	2	See Fig 7
NI 39	A	X5	6240-12-173-4827	. . LAMP, INCANDESCENT, 52.5mm lg, 26.5mm dia, 24V dc, 21W, single contact bayonet, straight sided	9511	2	u/w item 38
40		NP		. . SCREW, MACHINE, 4BA x 1/2in. lg, hex hd	7011401081 4900	12	
41	A	G1	5310-99-941-6652	. . WASHER, LOCK, steel, split helical ring, 0.168in. id, 0.252in. od, 0.04in. thk		12	
42		NP		. . NUT, PLAIN, HEXAGON, steel, Cd plated, 4BA	7022401011 4900	12	
43		NP		. . REAR SERVICES UNIT	FV611355	1	See Fig 11
44		NP		. . WASHER, FLAT, 3/8in. id, 15 SWG	7030006009 1000	4	

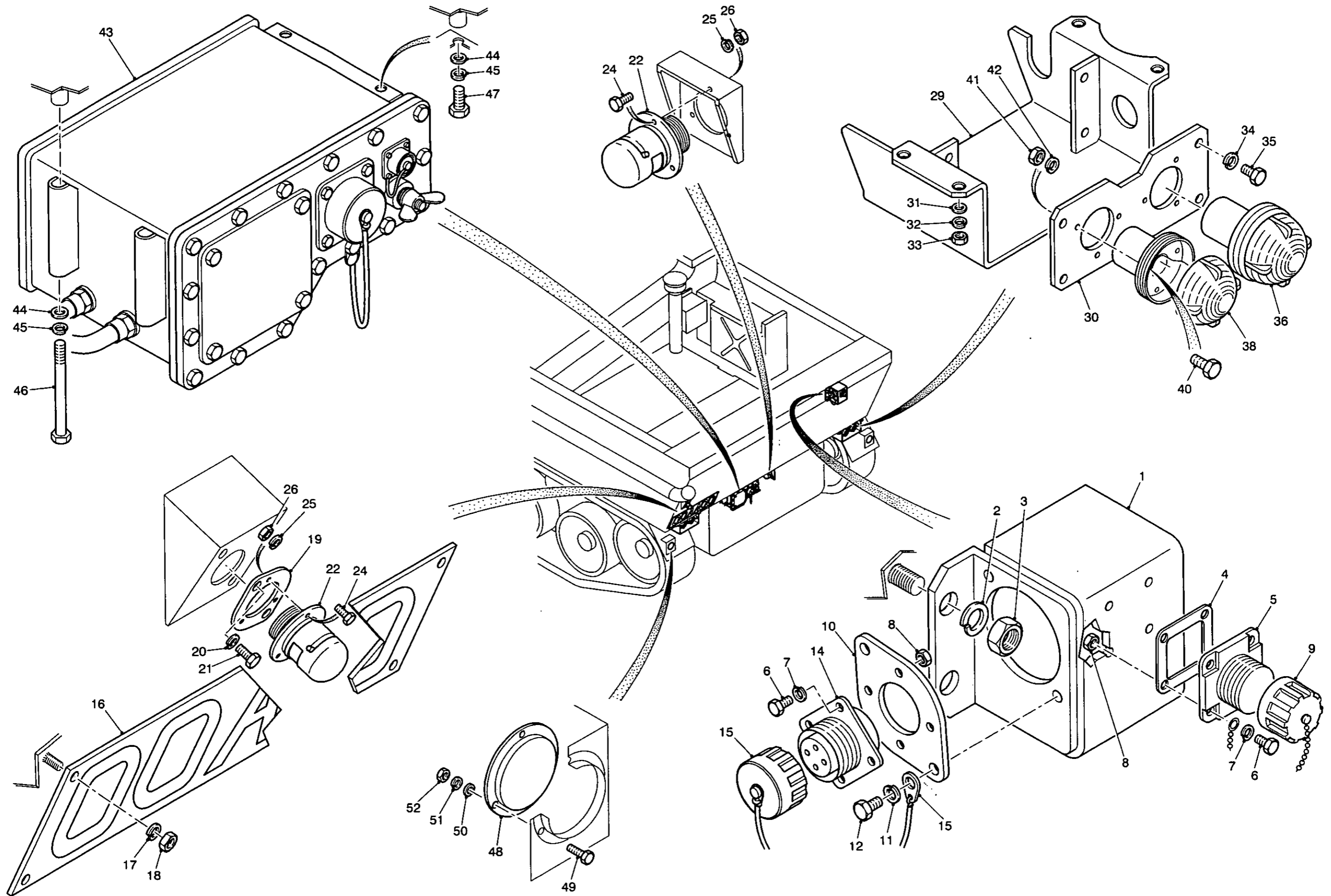


Fig 9 Electrical equipment, rear external GA

43070264

Fig Item	Man Code Navy - N Army - A RA/F - R	NATO Stock No	Item Name and Description	Part No/ Drawing No.	No. Off	Annotations
9-			ELECTRICAL EQUIPMENT GA - contd . ELECTRICAL EQUIPMENT, HULL, GA - contd . . ELECTRICAL EQUIPMENT, REAR EXTERNAL - contd			
45	A G1	5310-99-941-6656	. . WASHER, LOCK, steel, split helical ring, 3/8in. bolt size, 0.59in. od, 0.092in. thk, single coil, sq section		4	
46	A G1	5306-99-941-0321	. . BOLT, MACHINE, UNF, 3/8in. dia class 2A thd, 3-1/2in. lg, steel, Zn plated, hex hd		2	
47	A G1	5305-99-941-0539	. . SCREW, MACHINE, UNF, 3/8in. -24 class 2A thd, 3/4in. lg, steel, Zn plated, hex hd		2	
48	A 46MT3	9905-99-942-6893	. . REFLECTOR, INDICATING, CLEARANCE, red	FVS21-1-1	2	
49	A G1	5305-99-120-1622	. . SCREW, MACHINE, 2BA, 3/4in. lg, steel, Cd plated, hex hd		6	
50	A G1	5310-99-941-9454	. . WASHER, FLAT, steel, Cd plated, 2BA bolt size, 25/64in. od, 0.018in. thk		6	
51	A G1	5310-99-941-6653	. . WASHER, LOCK, steel, split helical ring, 0.198in. id, 0.33in. od, 0.064in. thk		6	
52	A G1	5310-99-941-7070	. . NUT, PLAIN, HEXAGON, 2BA rh thd, steel, Cd plated, 21/64in. w A/F, 11/64in. h, chamfered		6	

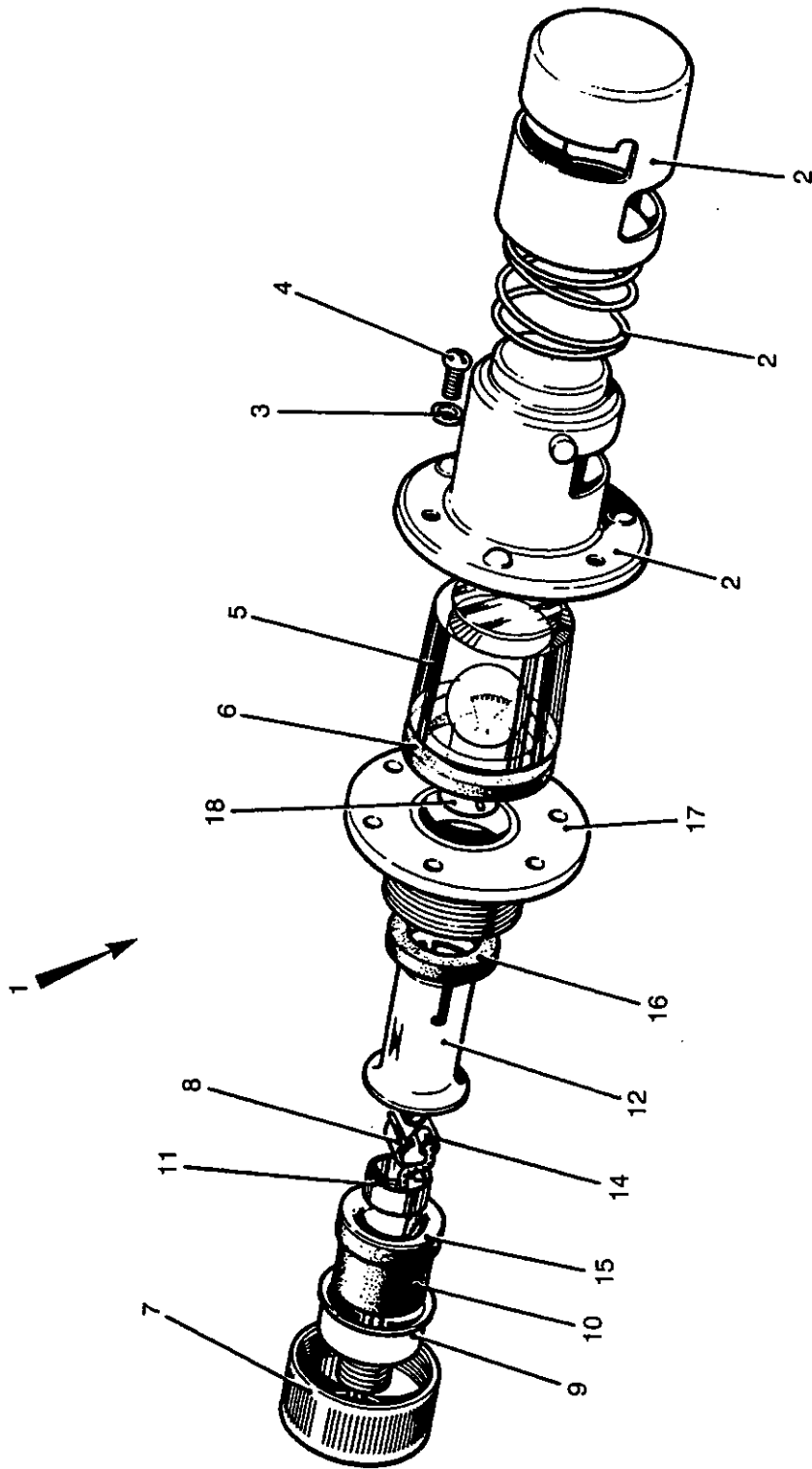


Fig 10 Registration plate light and convoy light

430/70103

Fig Item	Man Code Navy - N Army - A RAF - R	NATO Stock No	Item Name and Description	Part No/ Drawing No.	No. Off	Annotations
10-			ELECTRICAL EQUIPMENT GA - contd . ELECTRICAL EQUIPMENT, HULL, GA - contd . . . ELECTRICAL EQUIPMENT REAR EXTERNAL GA - contd			
1	A	6MT3	6220-99-803-4119	. . . LIGHT, UTILITY VEHICULAR, 4in. lg, 2- 5/16in. dia, one lamp accommodated, 14/26V dc, 5/7W, registration plate light	53922	2
2	A	6MT3	6220-99-803-3391	. . . COVER AND LIGHT SHIELD ASSEMBLY, comprises cover, light shield, spring and peg	4771-12582	1
3		NP	. . . WASHER, LOCK, BA, steel, single coil, sq section No. 4	188412	3	
4	A	G1	5305-99-128-7539	. . . SCREW, MACHINE, 4BA, Cu alloy, hex hd, nickel pl, 5/16in. lg		3
5	A	6MT3	6220-99-822-0283	. . . LENS, REGISTRATION PLATE LIGHT, glass, clear, 1.35in. max dia, 1.63in. lg	FV678586	1
6	A	6MT3	5310-99-803-3383	. . . WASHER, FLAT, syn rubber, rd shape, 1-11/32in. od, rd hole, 59/64in. nom bolt size, 3/16in. matl thk	573053	1
7	A	6MT3	6220-99-803-3874	. . . NUT, PANEL LIGHT	573049	1
8	A	6MT3	6220-99-803-4211	. . . BOOT, DUST AND MOISTURE SEAL	54572450	1
9		NP	. . . CASE AND BUSH ASSEMBLY	573052	1	
10		NP	. . . MOUNTING, RUBBER, rear	54572429	1	
11		NP	. . . INSERT, RUBBER BUSHING	574189	1	
12	A	46MT3	6220-99-803-3390	. . . LAMPHOLDER SUB-ASSEMBLY	873085	1
NI 13	A	6MT3	6220-99-803-3158	. . . PLUNGER, LAMPHOLDER	552103	1
14	A	6MT4	5940-99-803-1956	. . . FERRULE, ELECTRICAL CONDUCTOR, brass, 0.375in. lg x 0.250in. od x 0.150in. id o/a dims	555910	1
15	A	9ACR	6220-99-803-4210	. . . CONTACT ELECTRICAL, silicone bronze, 47/64in. lg, 5/16in. h, 23/32in. dia	54572430	1
16	A	6MT1	5310-99-803-3380	. . . WASHER, FLAT, syn rubber, rd shape, 31/32in. od, rd hole, 5/18in. nom bolt size, 3/16in. matl thk	573042	1
17		NP	. . . BUSH AND BACK PLATE ASSEMBLY	573046	1	
18	A	X5	6240-99-995-2236	. . . LAMP, INCANDESCENT, globular bulb, 32.5mm lg, 18mm od, 26V dc, 6W	SP156	2

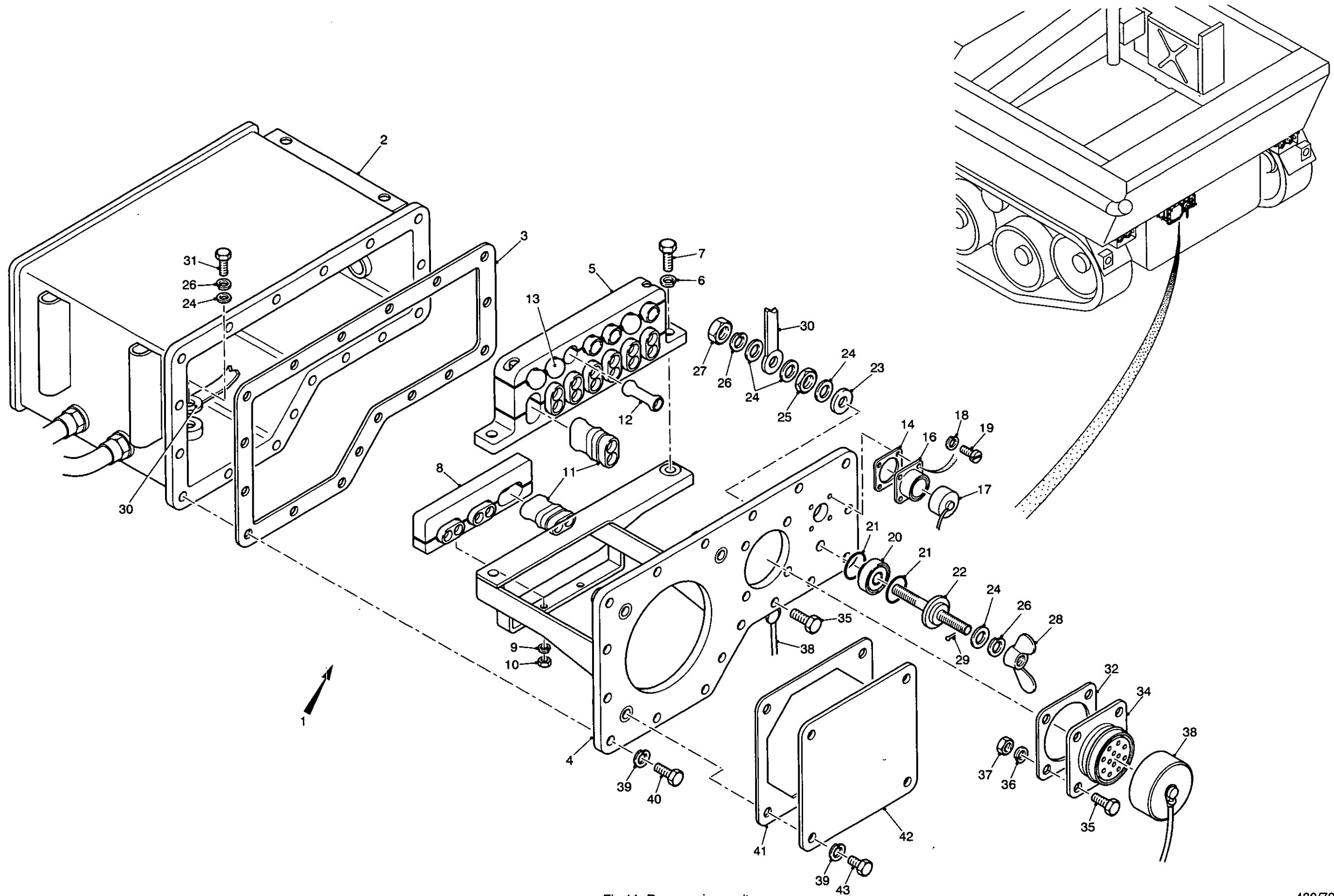


Fig 11 Rear services unit

Fig Item	Man Code Navy - N Army - A RAF - R	NATO Stock No	Item Name and Description	Part No/ Drawing No.	No. Off	Annotations
11-			ELECTRICAL EQUIPMENT GA - contd . ELECTRICAL EQUIPMENT, HULL, GA - contd . . . ELECTRICAL EQUIPMENT REAR EXTERNAL - contd			
1		NP	. . . REAR SERVICES UNIT	FV611355	1	
2	A	9ACR 2590-99-804-7909	. . . BODY, SERVICES UNIT, rear	FV611356	1	
3	A	9ACR 2590-99-804-7910	. . . GASKET, syn rubber, irregular shape, 12-5/32in. lg, 6-13/32in. w, 1/16in. thk	FV611362	1	
4	A	9ACR 2590-99-804-7911	. . . PLATE, MOUNTING, SERVICES UNIT, rear	FV611357	1	
5		NP	. . . CONNECTOR ASSEMBLY, ELECTRICAL	FV260940	1	
6	A	G1 5310-99-941-6654	. . . WASHER, LOCK, steel, split helical ring, 1/4in. bolt size, 27/64in. od, 5/64in. thk		2	
7	A	G1 5305-99-941-0513	. . . SCREW, MACHINE, UNF, steel, Zn plated, hex hd, 1/4in. dia, 3/4in. lg		2	
8	A	6MT4 5935-99-805-2864	. . . CLAMP, ELECTRICAL SOCKET	FV159941	1	
9	A	G1 5310-99-941-6652	. . . WASHER, LOCK, steel, split helical ring, 0.168in. id, 0.252in. od, 0.04in. thk		2	
10		NP	. . . NUT, PLAIN, HEXAGON, UNC, No. 6 -32 thd	7022401011 4900	2	
11	A	6MT4 5935-99-805-0221	. . . CONNECTOR, PLUG, ELECTRICAL, single mating end, w/2 contacts, free, rubber, female shell	860364	10	
12	A	Z37 5940-99-805-0220	. . . TERMINAL, QUICK DISCONNECT, rubber, single pole, 12A female shell	FV169423	7	
13	A	6MT4 5935-99-805-0224	. . . INSERT, RESILIENT, syn rubber, 1/2in. dia, 9/16in. lg	860369	9	
14	A	Z2 5330-99-014-7133	. . . GASKET, syn rubber, 0.76in. id, 0.35in. thk, 1.196in. sq, w/4 bolt holes	CCB1352-3	1	
NI 15		NP	. . . HARNESS, EXTERNAL LIGHT SOCKET TO REAR SERVICES UNIT JUNCTION	FV582365/1	1	
16	A	6MT4 5935-99-80-9967 CONNECTOR FIXED, ELECTRICAL, straight shape, thd, 1.186in. sq, single mating end, 4 contacts, 22A, Al alloy shell	FV585004	1	
17	A	G1 5935-99-999-7864	. . . COVER, ELECTRICAL CONNECTOR, metallic, 7/16in. lg, 1in dia, 7/8in. -20 int thd, w/chain, straight knurl	CA2209- 5103	1	
18	A	G1 5310-99-913-9613	. . . WASHER, LOCK, syn rubber, steel, No. 6 BA screw size, 0.3in. od, 0.05in. thk	ST6359	4	
19		NP	. . . SCREW, MACHINE, 6BA x 3/8in. lg, flat fillister hd		4	
20	A	9ACR 5970-99-866-2634	. . . INSULATOR, BUSHING, 1in. od, 0.53in. shank od, 0.4in. lg, 0.328in. id, csk one end 0.36in. dia, plastics	FV538418	1	
21	A	46MT1 5331-99-942-9965	. . . O-RING, 0.674in. id, 0.103in. cross- section		2	
22	A	9ACR 5307-99-866-2633	. . . STUD, SHOULDERED, Cu alloy, Cd plated, 1in. shoulder dia, 2.95in. lg, 5/16in. UNF thd nut end, 1in. lg nut end, 5/16in. UNF thd stud end, 1in. lg stud end	FV538417	1	

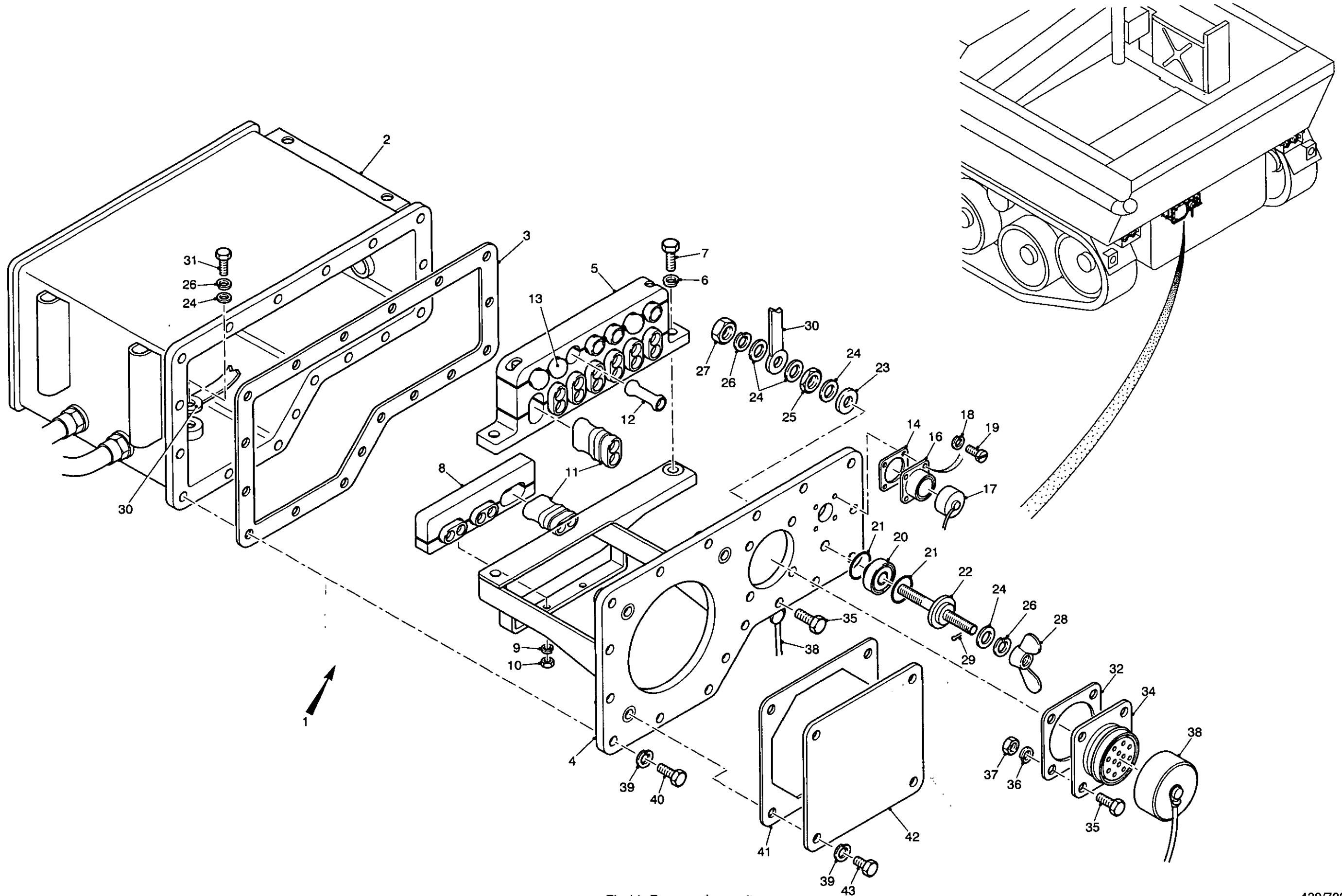


Fig 11 Rear services unit

Fig Item	Man Code Navy - N Army - A RA/F - R	NATO Stock No	Item Name and Description	Part No/ Drawing No.	No. Off	Annotations
11-			ELECTRICAL EQUIPMENT GA - contd . ELECTRICAL EQUIPMENT, HULL, GA - contd . . . ELECTRICAL EQUIPMENT REAR EXTERNAL - contd . . . REAR SERVICES UNIT - contd			
23	A 9ACR	5970-99-866-2635	. . . INSULATOR, WASHER, plastics, 21/64in. id, 3/4in. od, 1/8in. thk	FV538419	1	
24		NP	. . . WASHER, FLAT, 5/16in., br	7030005009 1000	5	
25		NP	. . . NUT, SELF-LOCKING, HEXAGON, UNF, 5/16in. -24, high prevailing torque, nylon insert	7026105001 4900	1	
26	A G1	5310-99-944-0549	. . . WASHER, LOCK, steel, split helical ring, Cd plated, 5/16in. bolt size, 0.503in. od, 0.08in. thk, single coil, sq section		3	
27	A G1	5310-99-941-0925	. . . NUT, PLAIN, HEXAGON, UNF, 5/16in. -24 class 2B rh thd, steel, Zn plated, 1/2in. w A/F, 17/64in. h, chamfered		1	
28	A 46MT1	5310-99-813-6899	. . . NUT, PLAIN, WING, br, 5/16in.		1	
29	A G1	5315-99-944-0171	. . . PIN, COTTER, SPLIT, steel, phosphated, std spring type, extended prong chisel point, 1/16in. dia, 5/8in. lg		1	
30		NP	. . . LEAD, ELECTRICAL, earth to earth	FV167846/2	1	
31	A G1	5305-99-941-0523	. . . SCREW, MACHINE, UNF, stainless steel, Zn plated, hex hd, 5/16in. dia, 1/2in. lg, class 2A		1	
32		NP	. . . GASKET, syn rubber	FV502637	1	
NI 33		NP	. . . HARNESS, ELECTRICAL, TRAILER SOCKET TO REAR SERVICES UNIT JUNCTION	FV324225/2	1	
34	A 46MT4	5935-99-805-0328 CONNECTOR, FIXED, ELECTRICAL, 1.665in. lg, single mating end, 12 contacts, 2.719in. h, 2.719in. w	FV502631	1	
35	A G1	5305-99-941-0513	. . . SCREW, MACHINE, UNF, steel, Zn plated, hex hd, 1/4in. dia, 3/4in. lg		4	
36	A G1	5310-99-943-6849	. . . WASHER, LOCK, steel, rubber coated, flat int teeth, 0.26in. id, 0.525in. od, 0.07in. thk	335-005- 1574-91	4	
37	A G1	5310-99-804-7941	. . . NUT, PLAIN, HEXAGON, UNF, 1/4in. -28 class 2B rh thd, steel, Zn plated, 7/16in. w A/F, 7/32in. h, chamfered		4	
38	A 6MT4	5935-99-802-4397	. . . COVER, ELECTRICAL CONNECTOR, rubber, 2-1/4in. od, 1-1/16in. h, c/w anchor plate and nylon cord, push on type	FV596885	1	
39	A G1	5310-99-941-6654	. . . WASHER, LOCK, steel, split helical ring, 1/4in. bolt size, 27/64in. od, 5/64in. thk		20	
40	A G1	5305-99-941-0512	. . . SCREW, MACHINE, UNF, 1/4in. class 2A thd, 5/8in. lg, steel, Zn plated, hex hd		16	
41	A 9ACR	5330-99-866-2629	. . . GASKET, rubber, 0.062in. cross- section thk	FV525494	1	
42		NP	. . . PLATE, BLANKING	FV2249171	1	
43	A G1	5305-99-941-6284	. . . SCREW, MACHINE, UNF, 1/4in. dia class 2A thd, 1/2in. lg, steel, Zn plated, hex hd		4	

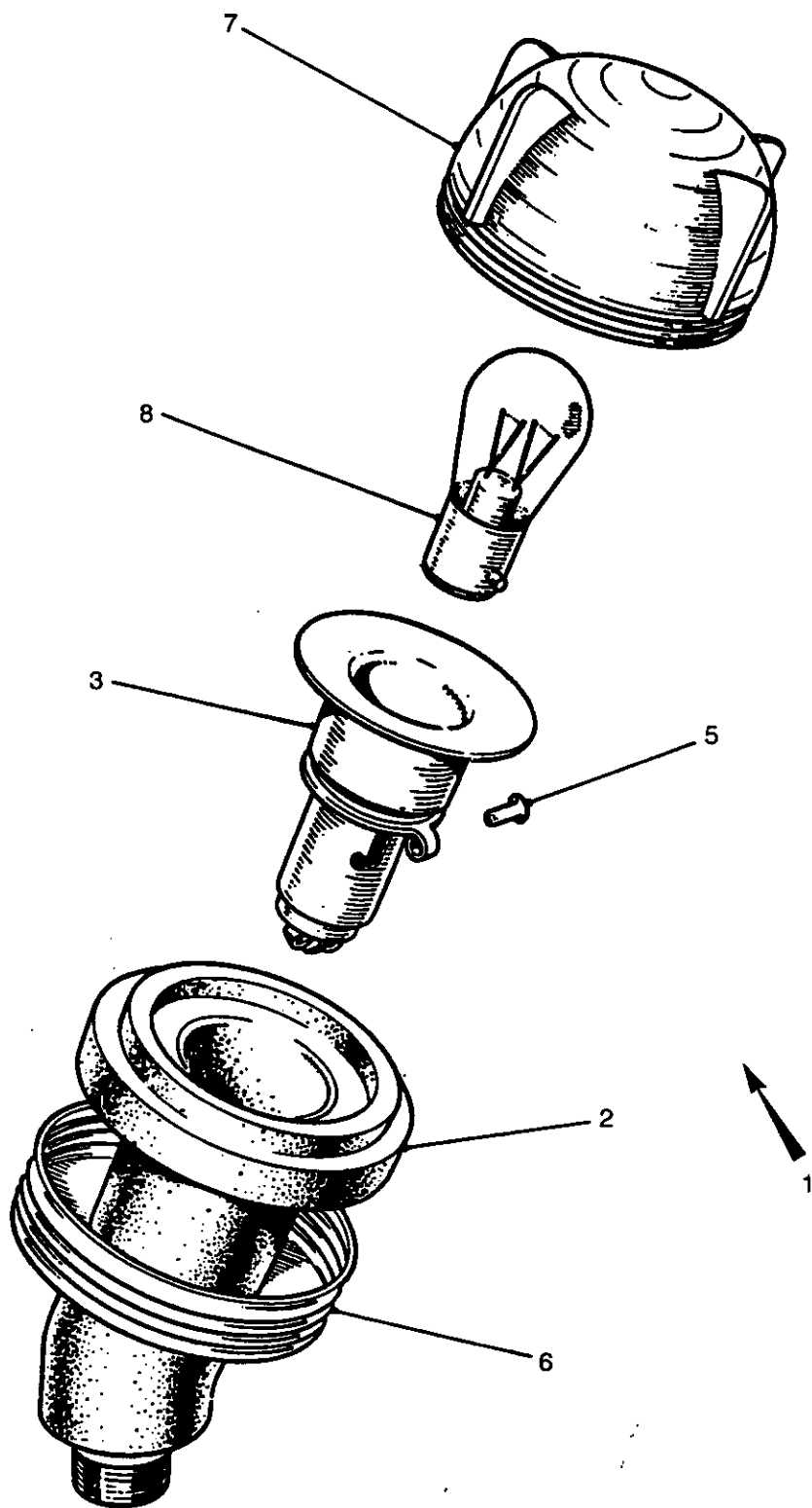


Fig 12 Tail light - stop light

430/70102

Fig Item	Man Code Navy - N Army - A RAF - R	NATO Stock No	Item Name and Description	Part No/ Drawing No.	No. Off	Annotations
12-			ELECTRICAL EQUIPMENT GA - contd . ELECTRICAL EQUIPMENT, HULL, GA - contd . . . ELECTRICAL EQUIPMENT REAR EXTERNAL GA - contd			
1	A	6MT3	6220-99-823-9793	. . . TAIL LIGHT - STOP LIGHT, No. 3, Mk 6	FV760732	2
2	A	6MT4	6220-99-408-2491	. . . BODY, LIGHT	576203	1
3	A	6MT3	6250-99-803-3369	. . . LAMP HOLDER, plastics body, steel shell, double contact, bayonet candelabra (American) Cap, 28V, 30W, 3 hole mtg, 3 female ferrule terminals	572727	1
NI 4	A	6MT3	6220-99-803-3157	. . . CONTACT ASSEMBLY, ELECTRICAL	552101	1
5	A	6MT4	5940-99-03-1956	. . . FERRULE ELECTRICAL CONDUCTOR, brass, 0.375in. lg x 0.250in. od x 0.150in. o/a dims	555910	3
6	A	46MT3	6220-99-408-2494	. . . BASE, LAMP	576207	1
7	A	6MT3	6220-99-803-3485	. . . LENS, LIGHT, stove pipe style, 1- 17/32in. o/a lg, 2-1/2in. od, glass lens, transparent, ext thd mtg, 2-1/2in. -8 tpi, ribbed surface	576204	1
8	A	X5	6240-99-995-3288	. . . LAMP, INCANDESCENT, bulb style straight line, 47mm lg, 25mm bulb dia, 24V dc, 6/24W	334	2

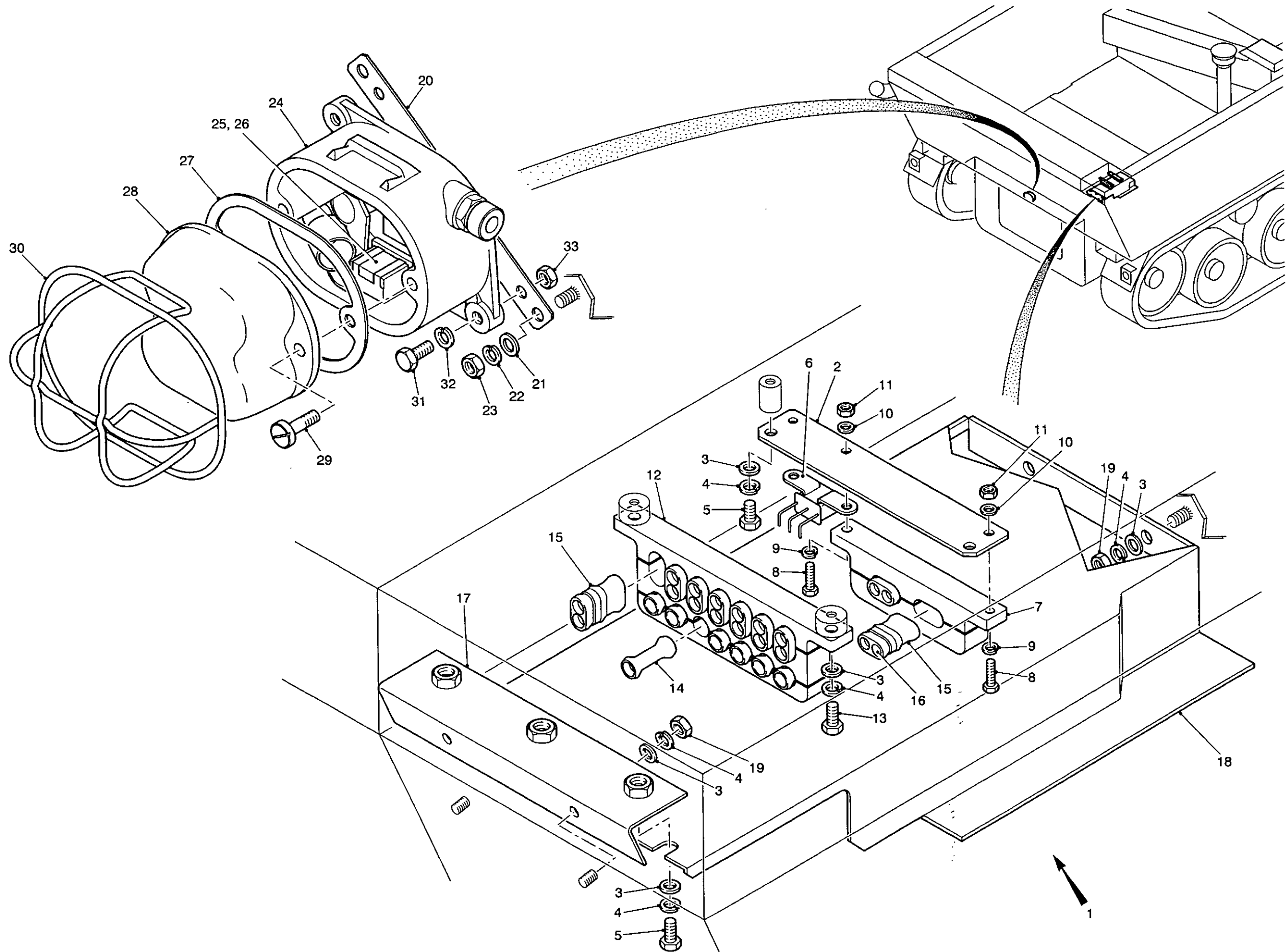


Fig 13 Electrical equipment, rear, internal

Fig Item	Man Code Navy - N Army - A RAF - R	NATO Stock No	Item Name and Description	Part No/ Drawing No.	No. Off	Annotations
13-			ELECTRICAL EQUIPMENT GA - contd			
		NP	. . . ELECTRICAL EQUIPMENT, HULL, GA - contd			
		NP	. . . ELECTRICAL EQUIPMENT REAR INTERNAL		REF	
1		NP	. . . ARRANGEMENT OF ELECTRICAL FITTINGS No. 2 CONNECTOR JUNCTION	FV611830	REF	
2		NP	. . . MOUNTING PLATE	FV643877	1	
3	A G1	5310-99-941-7072	. . . WASHER, FLAT, steel, Cd plated, 1/4in. bolt size, 9/16in. od, 0.056in. thk		11	
4	A G1	5310-99-941-6654	. . . WASHER, LOCK, steel, split helical ring, 1/4in. bolt size, 27/64in. od, 5/64in. thk		11	
5	A G1	5305-99-941-6284	. . . SCREW, MACHINE, UNF, 1/4in. dia class 2A thd, 1/2in. lg, steel, Zn plated, hex hd		5	
6		NP	. . . RELAY, No. 3 Mk 1, trailer	FV426618	1	
7	A 6MT4	5935-99-802-6564	. . . CLAMP, TERMINAL CONNECTOR, rubber, 2 way, 2 double, 5in. lg, 3/4in. w, 1-1/8in. h, end flanges 5/16in. h, 4-1/2in. in. c to c bolt holes	FV229568	1	
8	A G1	5305-99-941-6819	. . . SCREW, MACHINE, steel, Cd plated, hex hd, No. 2BA x 7/8in. lg		3	
9	A G1	5310-99-941-6653	. . . WASHER, LOCK, steel, split helical ring, 0.198in. id, 0.33in. od, 0.064in. thk		3	
10	A G1	5310-99-941-6866	. . . WASHER, FLAT, steel, Cd plated, No. 2BA bolt size, 1/2in. od, 0.048in. thk		3	
11	A G1	5310-99-941-7070	. . . NUT, PLAIN, HEXAGON, No. 2BA rh thd, steel, Cd plated, 21/64in. w A/F, 11/64in. h, chamfered		3	
12		5935-99-805-3072 NP	. . . CONNECTOR ASSEMBLY, ELECTRICAL	FV260940	1	
13	A G1	5305-99-941-0513	. . . SCREW, MACHINE, UNF, 1/4in. thd, 3/4in. lg, steel, Zn plated, hex hd		2	
14	A Z37	5940-99-805-0220	. . . TERMINAL, QUICK DISCONNECT, rubber, single pole, 12A female shell	FV169423	7	
15	A 6MT4	5935-99-805-0221	. . . CONNECTOR, PLUG, ELECTRICAL, single mating end, 2 contacts free, rubber, female shell	860364	9	
16	A 6MT4	5935-99-805-0224	. . . INSERT, RESILIENT, syn rubber, 1/2in. dia, 9/16in. lg	860369	7	
17	A 9ACR	2590-99-805-0417	. . . BRACKET, VEHICULAR COMPONENTS	FV643879	1	
18	A 9ACR	2590-99-805-0418	. . . COVER, VEHICULAR COMPONENTS	FV643886	1	
19	A G1	5310-99-804-7941	. . . NUT, PLAIN, HEXAGON, UNF, 1/4in. dia -28 class 2B rh thd, steel, Zn plated, 7/16in. w A/F, 7/32in. h, chamfered		4	
20		NP	. . . BRACKET, MOUNTING	FV611325	1	
21	A G1	5310-99-941-7072	. . . WASHER, FLAT, steel, Cd plated, 1/4in. bolt size, 9/16in. od, 0.056in. thk		2	
22	A G1	5310-99-941-6654	. . . WASHER, LOCK, steel, split helical ring, 1/4in. bolt size, 27/64in. od, 5/64in. thk		2	

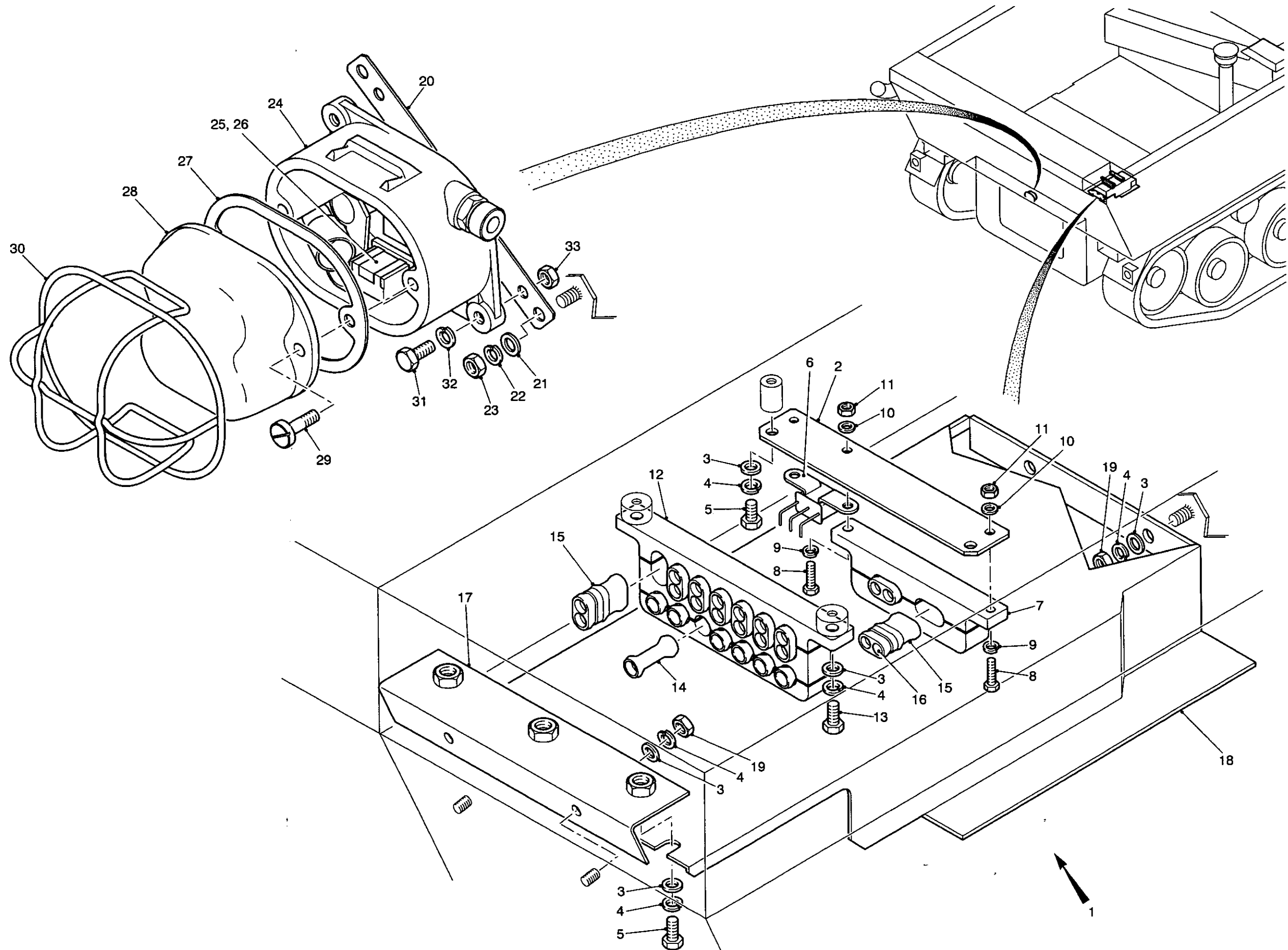


Fig 13 Electrical equipment, rear, internal

Fig Item	Man Code Navy - N Army - A RA/F - R	NATO Stock No	Item Name and Description	Part No/ Drawing No.	No. Off	Annotations
13-			ELECTRICAL EQUIPMENT GA - contd . ELECTRICAL EQUIPMENT, HULL, GA - contd . . . ELECTRICAL EQUIPMENT REAR INTERNAL - contd			
23	A G1	5310-99-804-7941	. . . NUT, PLAIN, HEXAGON, UNF, 1/4in. dia -28 class 2B rh thd, steel, Zn plated, 7/16in. w A/F, 7/32in.h, chamfered		2	
24	A 46MT3	6210-99-804-5104	. . . LIGHT, BULKHEAD	FV603967	1	
25		NP	. . . SWITCH, TOGGLE, single pole, on- off, 25V dc, 6A	S259PD	1	
26	A Z32	5930-99-946-5877	. . . COVER, ELECTRICAL SWITCH, black PVC, 7/8in. dia, 1-1/16in. lg	SX0550/BLA CK	1	
27	A 6MT3	5330-99-804-5106	. . . GASKET, rubber, oval shape, 2 mtg holes 7/32in. dia, 3/32in. cross- section thk, 2-5/8in. w, 3-5/8in. lg	FV628771	1	
28	A 46MT3	6210-99-804-5105	. . . LENS, BULKHEAD, LIGHT, glass, clear, 2-1/2in. w, 1-1/8in. h, w/2 fixing holes	FV580962	1	
29		NP	. . . SCREW, SHOULDER	FV628772	2	
30	A Z2	5820-99-734-3014	. . . WIRE GUARD	FV580964	1	
31	A G1	5305-99-941-6842	. . . SCREW, MACHINE, 2BA, 3/4in. lg, steel, Cd plated, flat csk hd, slot drive		2	
32	A G1	5310-99-941-6653	. . . WASHER, LOCK, steel, split helical ring, 0.198in. id, 0.33in. od, 0.064in. thk		2	
33	A G1	5310-99-941-7070	. . . NUT, PLAIN, HEXAGON, No. 2BA rh thd, steel, Cd plated, 21/64in. w A/F, 11/64in. h, chamfered		2	
NI 34	A X5	6240-99-995-2236	. . . LAMP, INCANDESCENT, globular bulb, 32.5mm lg, 18mm od, 26V dc, 6W	156	1	u/w item 24

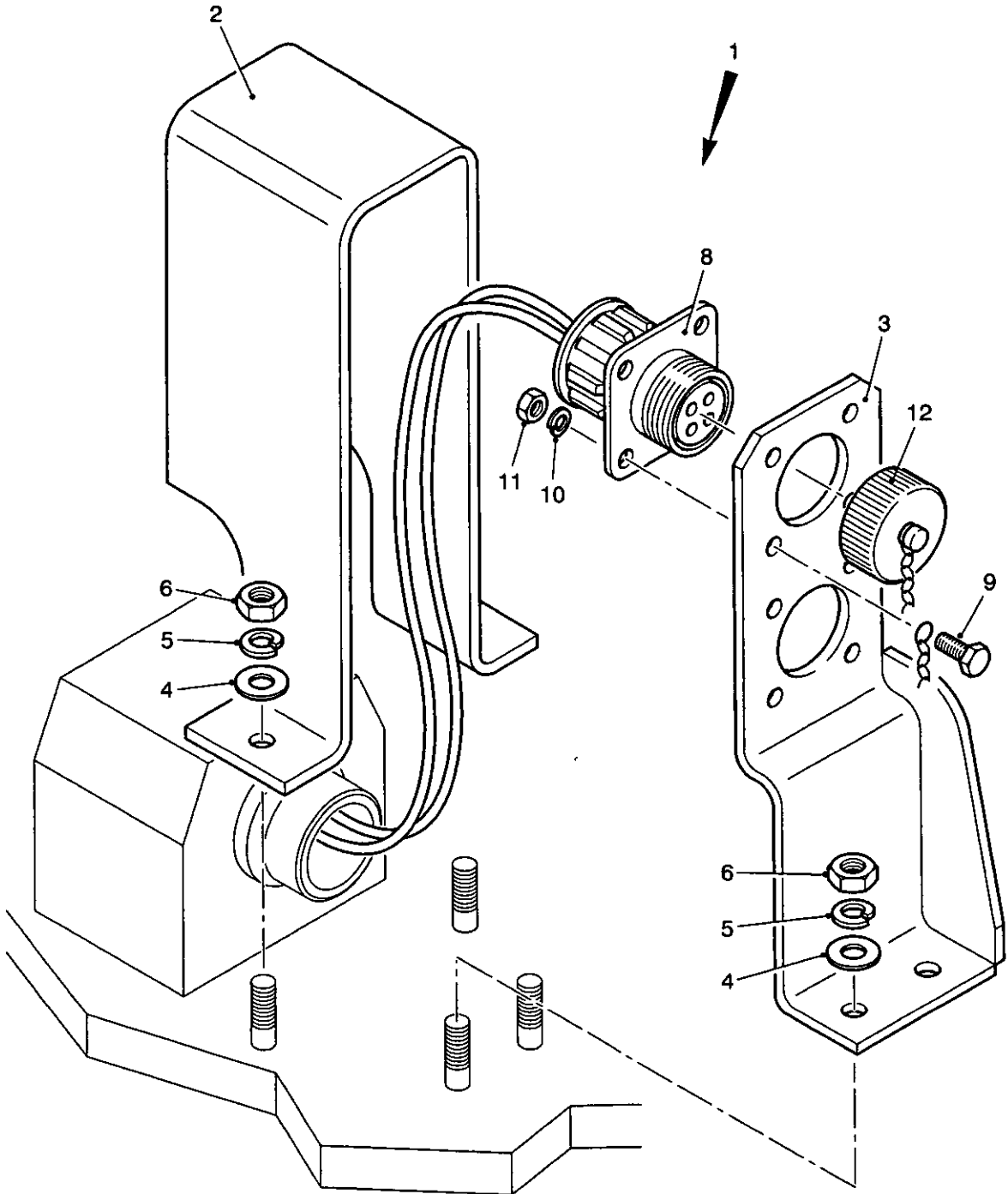


Fig 14 External lighting bracket installation

430/70267

Fig Item	Man Code Navy - N Army - A RA/F - R	NATO Stock No	Item Name and Description	Part No/ Drawing No.	No. Off	Annotations
14-			ELECTRICAL EQUIPMENT GA - contd			
		NP	. . ELECTRICAL EQUIPMENT, HULL, GA - contd			
			. . ELECTRICAL EQUIPMENT, ROOF, EXTERNAL		REF	
1		NP	. . EXTERNAL LIGHTING BRACKET INSTALLATION		REF	
2	A 9ACR	2590-99-805-0415	. . COVER, painted WA, comprising cover and plate	FV611546	1	
3	A 9ACR	2590-99-804-7915	. . BRACKET, VEHICULAR COMPONENTS, comprising bracket and stiffening plate	FV611547	1	
4	A G1	5310-99-941-7072	. . WASHER, FLAT, steel, Cd plated, 1/4in. bolt size, 9/16in. od, 0.056in. thk		4	
5	A G1	5310-99-941-6654	. . WASHER, LOCK, steel, split helical ring, 1/4in. bolt size, 27/64in. od, 5/64in. thk		4	
6	A G1	5310-99-804-7941	. . NUT, PLAIN, HEXAGON, UNF, 1/4in. dia -28 class 2B rh thd, steel, Zn plated, 7/16in. w A/F, 7/32in. h, chamfered		4	
NI 7		NP	. . WIRING HARNESS, LIGHTS JUNCTION TO ARMoured OUTLET TO No. 3 CONNECTOR JUNCTION	FV582366/1	1	See Chap 2-7-1
8	A 6MT4	5935-99-800-9967	. . . CONNECTOR, FIXED, ELECTRICAL, straight shape, thd, 1.186in. sq, 1.04in. lg, single mating end, 4 contacts, 22A, Al alloy	FV585004	2	
9	A G1	5305-99-941-6829	. . SCREW, MACHINE, steel, Cd plated, No. 6BA x 1/2in. lg, hex hd		8	
10	A G1	5310-99-944-0545	. . WASHER, LOCK, steel, Cd plated, split helical ring, 0.138in. bolt size, 0.205in. od, 0.032in. thk		8	
11	A G1	5310-99-948-0015	. . NUT, PLAIN, HEXAGON, 6BA, steel, Cd plated and passivated, 0.189in. w A/F, 0.105in. h, chamfered		8	
12	A G1	5935-99-999-7864	. . COVER, ELECTRICAL CONNECTOR, metallic, 7/16in. lg, 1in. dia, int thd, 7/8in. -20, w/chain, straight knurl round outside of cover	CA2209-5103	2	

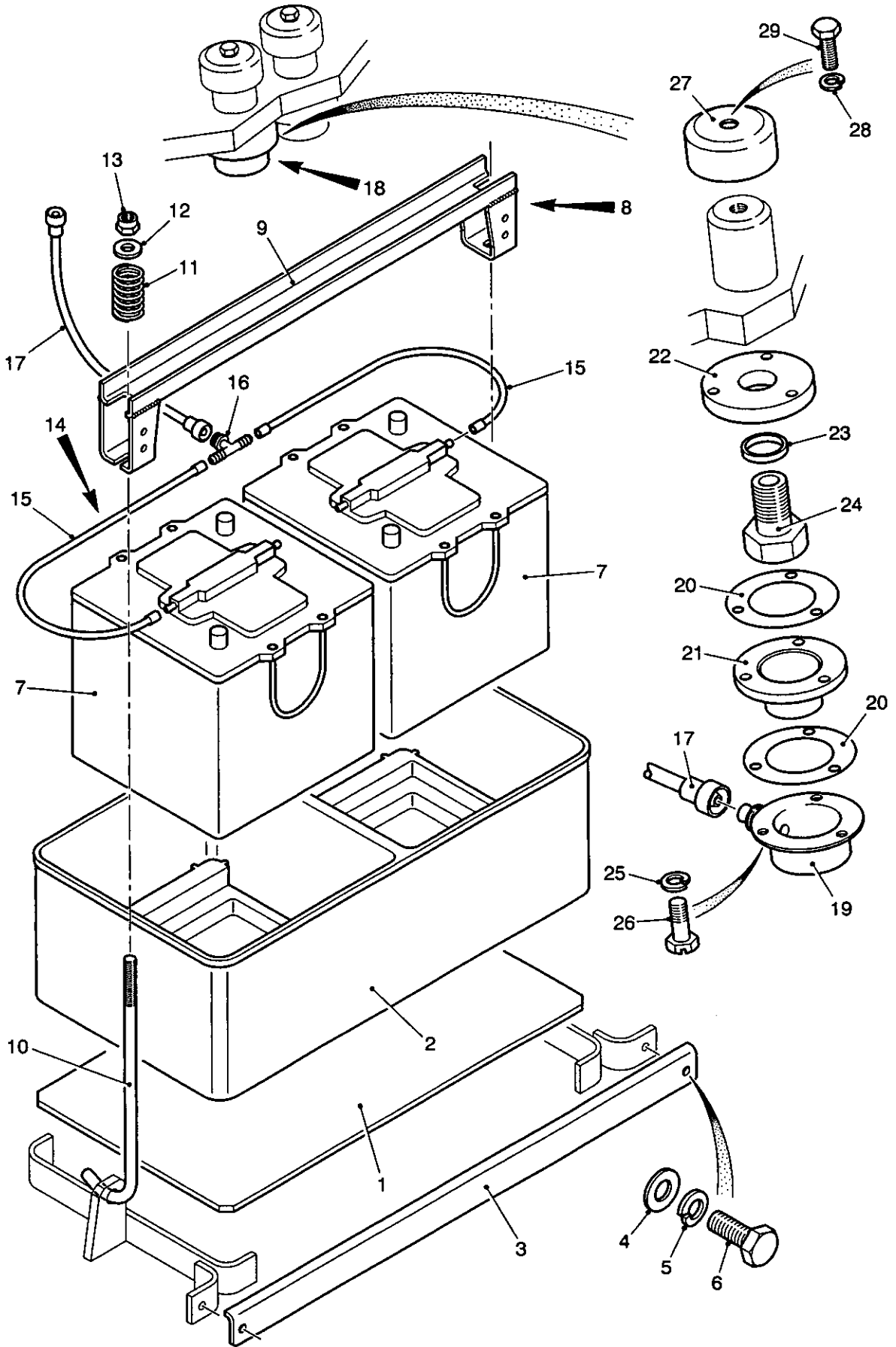


Fig 15 Vehicle batteries installation

430/70200

Fig Item	Man Code Navy - N Army - A RA/F - R	NATO Stock No	Item Name and Description	Part No/ Drawing No.	No. Off	Annotations
15-			ELECTRICAL EQUIPMENT GA - contd . ELECTRICAL EQUIPMENT, HULL, GA - contd			
1		NP	. . . VEHICLE BATTERIES INSTALLATION		REF	
2	A	6MT4	. . . PAD	FV538311	1	
3	A	Z88	. . . BATTERY BOX, battery container	FV342513	1	
4			. . . HOLDING PLATE, steel, 26-3/4in, 1- 1/2in. w, w/2 holes 3/8in. dia, painted finish	FV538370	1	
5		NP	. . . WASHER, FLAT, 5/16in. bolt size	7030005009 4900	2	
6	A	G1	. . . WASHER, LOCK, steel, Cd plated, split helical ring, 5/16in. bolt size, 0.503in. od, 0.08in. thk, single coil, sq section		2	
7	A	G1	. . . SCREW, MACHINE, stainless steel, Zn plated, hex hd, 5/16in. dia x 3/4in. lg, class 2 A thd		2	
8	A	6MT4	. . . BATTERY, STORAGE, lead plates, acid electrolyte, glass fibre separators, 12V dc, 110AH capacity, 2 taper post terminals, 6 cells, maintenance free	UK6TNMF	2	
9		NP	. . . BATTERY FIXING ARRANGEMENT	FV650516	1	
10	A	9ACR	. . . CLAMP ASSEMBLY, BATTERY BOX	FV650515	1	
11	A	9ACR	. . . ROD, CLAMPING, BATTERY ASSEMBLY, steel, 3/8in. dia, thd one end, UNF 3/8in.	FV538367	2	
12	A	6MT1	. . . SPRING, HELICAL, COMPRESSION, steel, 1-1/2in. free lg, to fit 1in. dia bore	FV2018251	2	
13	A	9BTR	. . . WASHER, FLAT, steel, phosphate coated, 0.875in. od, 0.39in. id, 0.104in. thk	FV300728	2	
14		NP	. . . NUT, HEXAGONAL, UNF, 3/8in. -24, high prevailing torque	7024106001 1000	2	
15	A	6MT4	. . . VEHICLE BATTERY VENTING GA	FV650510	REF	
16	A	6MT1	. . . CONDUIT ASSEMBLY, METAL FLEXIBLE, cres/plastics, 5/16in. id, 15/32in. od, 16in. lg, w/sleeve both ends	FV586518-4	2	
17	A	6MT1	. . . ADAPTOR, TEE, PIPE TO HOLE, plastics, 9mm unthd male 1st and 2nd ends, 11/64in. Whit form male 3rd end	FV602488	1	
18	A	46MT1	. . . CONDUIT ASSEMBLY, NON- METALLIC, ELECTRICAL, polychloroprene/nylon, w/reinforcement, 5/16in. id, 15/32in. od, 42in. lg, nut both ends	FV586292-1	1	
19	A	46MT1	. . . FLAME TRAP, BATTERY VENT, circular shaped, composite item	FV586406	1	
20	A	46MT1	. . . BODY, FLAME TRAP, BATTERY VENT	FV586414	1	
21	A	9AHY	. . . GASKET, plastics, rd shape, 0.218in. dia, 3.125in. od, 2.1in. id, 3 bolt holes, 0.062in. cross section thk	FV586413	2	
22	A	46MT1	. . . FILTER, FLAME TRAP, BATTERY VENT	FV586407	1	
23	A	9AHY	. . . PLATE, MOUNTING, BATTERY VENT, stainless steel, 21/32in. id, 3- 1/8in. od, 1/4in. thk, 3 mtg holes	FV586410	1	
24	A	9AHY	. . . GASKET, steel/rubber, 16.8in. id, 19.44in. od, 2.54in. thk	302-014- 0109-02	1	

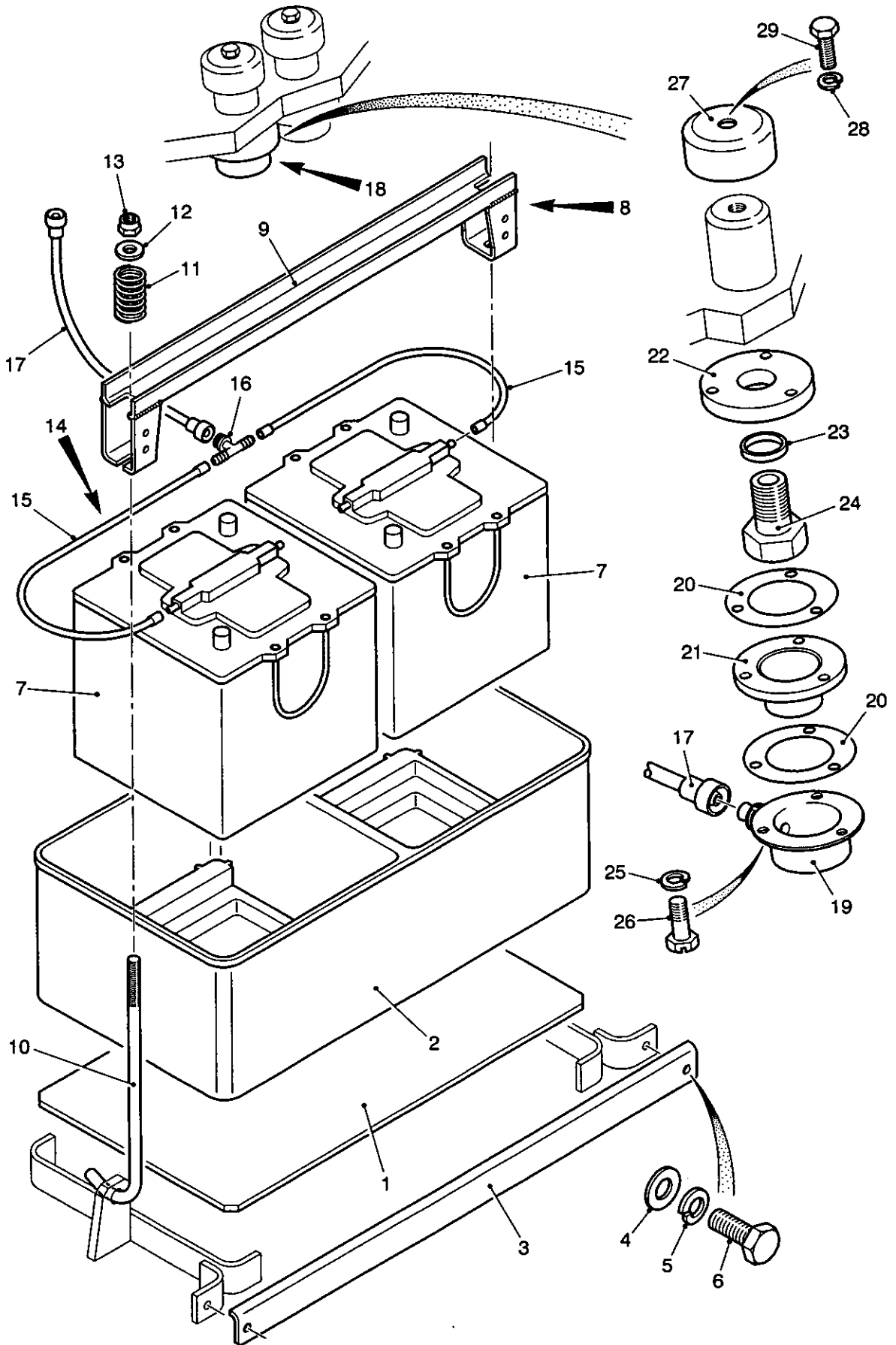


Fig 15 Vehicle batteries installation

430/70200

Fig Item	Man Code Navy - N Army - A RAF - R	NATO Stock No	Item Name and Description	Part No/ Drawing No.	No. Off	Annotations
15-			ELECTRICAL EQUIPMENT GA - contd . ELECTRICAL EQUIPMENT, HULL, GA - contd . . . VEHICLE BATTERIES INSTALLATION - contd . . . FLAME TRAP, BATTERY VENT - contd			
24	A 9AHY	5306-99-120-8529	. . . BOLT, INTERNALLY RELIEVED BODY, UNF, corrosion resisting steel, hex hd, 5/8in. dia, 1in. lg, class 2A thd	FV586412	1	
25	A G1	5310-99-941-6653	. . . WASHER, LOCK, steel, split helical ring, 0.198in. id, 0.064in. thk, 0.33in. od		3	
26	A Z2	5305-99-941-6708	. . . SCREW, MACHINE, steel, hex hd, slot drive, Cd plated, 2BA x 1/2in. lg		3	
27	A 9ACR	2590-99-801-8706	. . . COVER BATTERY VENT, steel, painted, 1-3/4in. dia, 3/4in. h, 9/32in. dia mtg hole	FV586419	1	
28	A G1	5310-99-941-6654	. . . WASHER, LOCK, steel, split helical ring, , 1/4in. bolt size, 27/64in. od, 5/64in. thk		1	
29	A G1	5305-99-941-6284	. . . SCREW, MACHINE, UNF, 1/4in. dia, class 2A thd, 1/2in. lg, steel, Zn plated, hex hd		1	

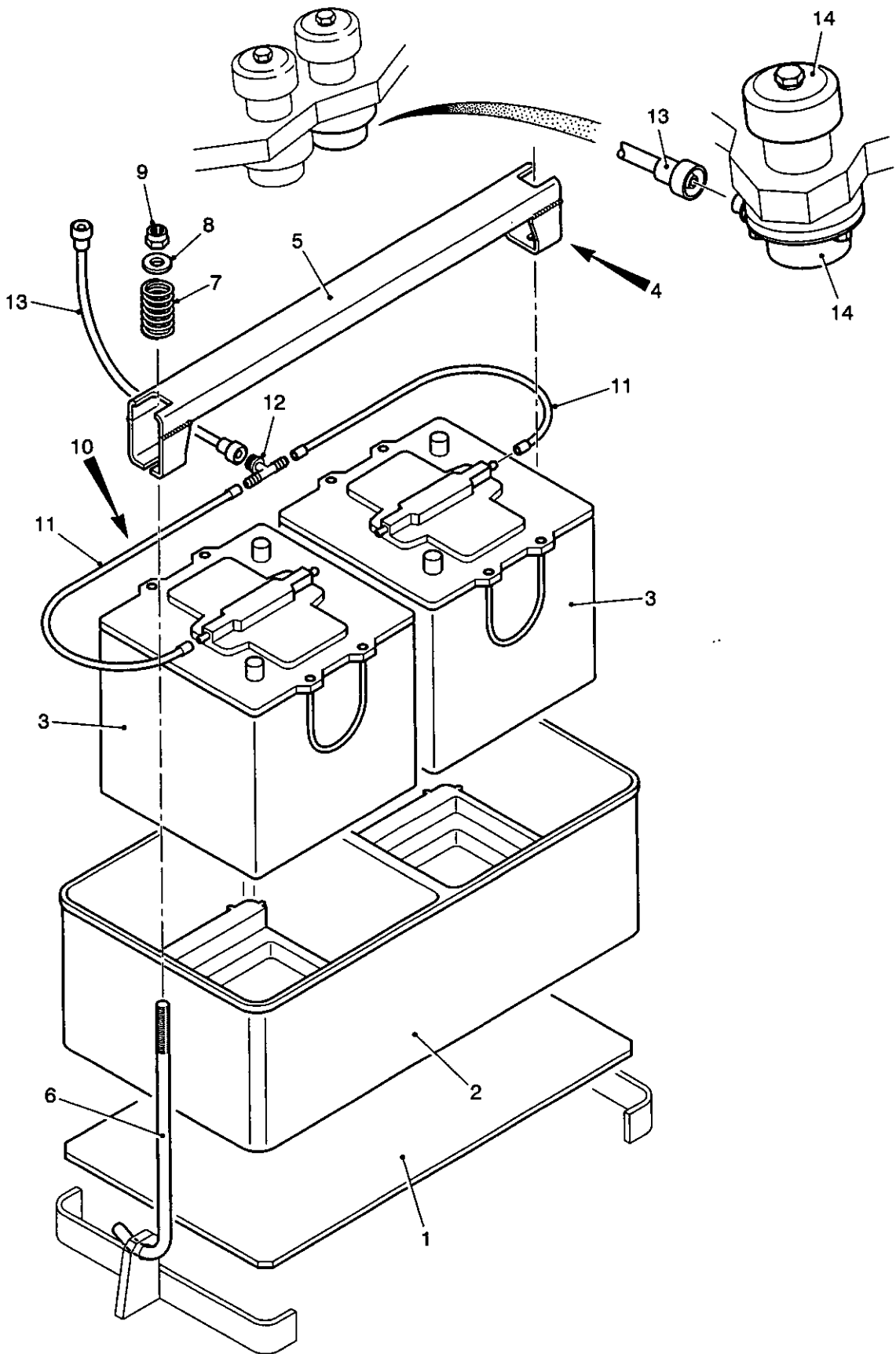


Fig 16 Radio batteries installation

430/70201

Fig Item	Man Code Navy - N Army - A RA/F - R	NATO Stock No	Item Name and Description	Part No/ Drawing No.	No. Off	Annotations
16-			ELECTRICAL EQUIPMENT GA - contd . ELECTRICAL EQUIPMENT, HULL, GA - contd			
1		NP	. RADIO BATTERIES INSTALLATION		REF	
2	A	6MT4	. . . PAD	FV538311	1	
3	A	6MT4	. . . BATTERY BOX, battery container	FV342513	1	
4		NP	. . . BATTERY, STORAGE, lead plates, acid electrolyte, glass fibre separators, 12V dc, 110AH capacity, 2 taper post terminals, 6 cells, maintenance free	UK6TNMF	2	
5	A	9ACR	. . . BATTERY FIXING ARRANGEMENT	FV538610	1	
6	A	9ACR	. . . RETAINER, BATTERY	FV538609	1	
7		NP	. . . ROD, CLAMPING, BATTERY ASSEMBLY, steel, 3/8in. dia, thd one end, UNF 3/8in.	FV538367	2	
8	A	98TR	. . . SPRING, HELICAL, COMPRESSION	<i>FV2618251</i> FV918946/4	2	
9		NP	. . . WASHER, FLAT, steel, phosphate coated, 0.875in. od, 0.39in. id, 0.104in. thk	FV300728	2	
10		NP	. . . NUT, HEXAGONAL, UNF, 3/8in. -24, high prevailing torque	7024106001 1000	2	
11	A	6MT4	. . . VEHICLE BATTERY VENTING GA . . . CONDUIT ASSEMBLY, METAL FLEXIBLE, cres/plastics, 5/16in. id, 15/32in. od, 16in. lg, w/sleeve both ends	FV650511 FV586518-4	REF 2	
12	A	6MT1	. . . ADAPTOR, TEE, PIPE TO HOLE, plastics, 9mm unthd male 1st and 2nd ends, 11/64in. Whit form male 3rd end	FV602488	1	
13	A	46MT1	. . . CONDUIT ASSEMBLY, NON- METALLIC, ELECTRICAL, polychloroprene/nylon, w/reinforcement, 5/16in. id, 15/32in. od, 78in. lg, nut both ends	FV586292-2	1	
14	A	46MT1	. . . FLAME TRAP, BATTERY VENT, circular shaped, composite item	FV586406	1	See Fig 15

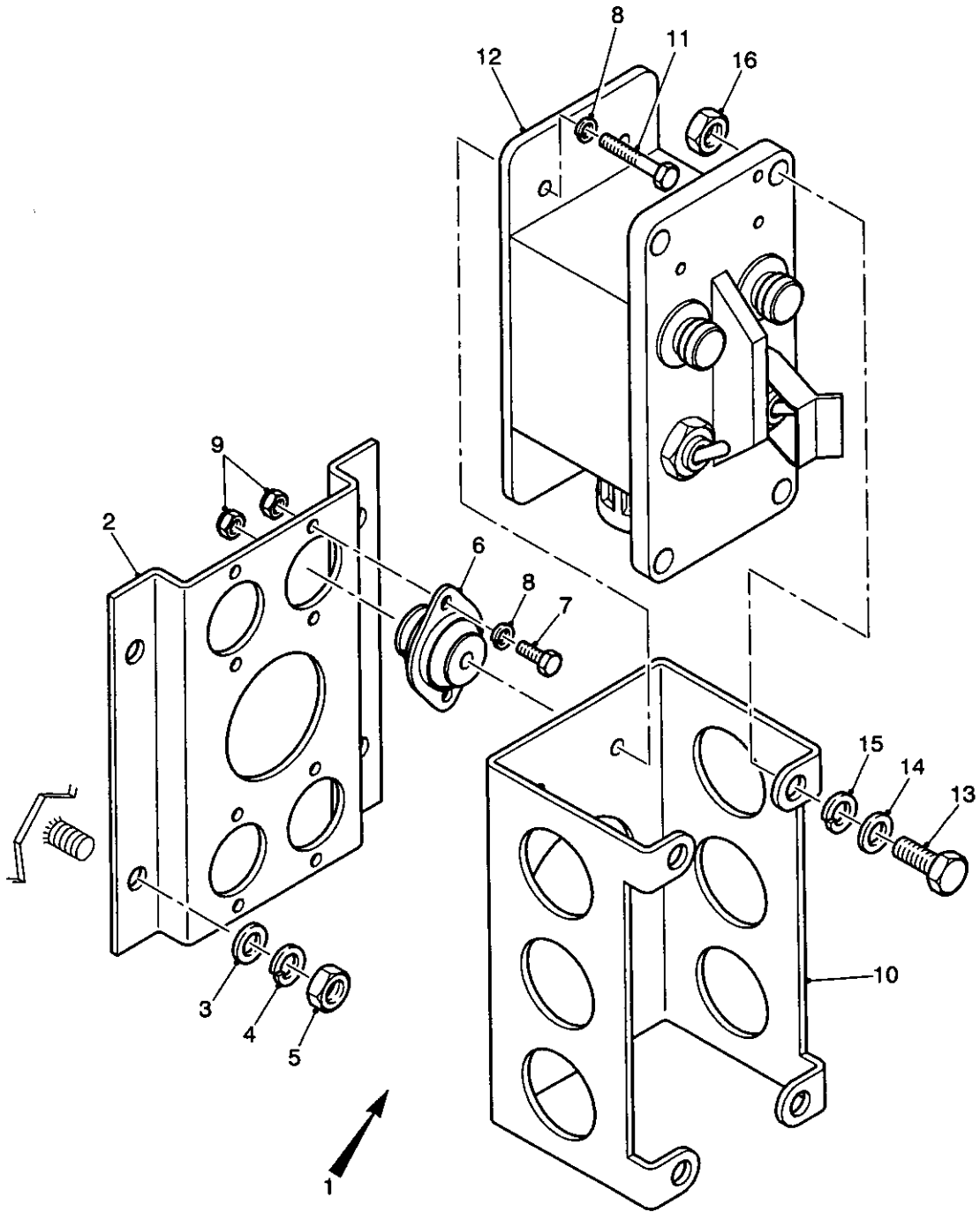


Fig 17 Engine switchboard installation

430/70268

Fig Item	Man Code Navy - N Army - A RA/F - R	NATO Stock No	Item Name and Description	Part No/ Drawing No.	No. Off	Annotations
17-			ELECTRICAL EQUIPMENT GA - contd . ELECTRICAL EQUIPMENT, HULL, GA - contd . ELECTRICAL EQUIPMENT, INTERNAL - contd			
1		NP	. ENGINE SWITCHBOARD INSTALLATION		REF	
2		NP	. BRACKET, MOUNTING	FV611201	1	
3	A G1	5310-99-120-4032	. WASHER, FLAT, steel, Zn plated, 1/4in. bolt size, 9/16in. od, 0.056in. thk		4	
4	A G1	5310-99-941-6654	. WASHER, LOCK, steel, split helical ring, 1/4in. bolt size, 27/64in. od, 5/64in. thk		4	
5	A G1	5310-99-804-7941	. NUT, PLAIN, HEXAGON, UNF, 1/4in. dia -28 class 2B rh thd, steel, Zn plated, 7/16in. w A/F, 7/32in. h, chamfered		4	
6	A z2	5340-99-580-9762	. MOUNT, RESILIENT, rubber, 44.5mm lg, 31.8mm w, 19.8mm h, 23.8mm dia base, 4.2mm dia hole	GB6300-11	4	
7	A G1	5305-99-941-6836	. SCREW, MACHINE, 4BA, 3/8in. lg, hex hd		8	
8	A G1	5310-99-941-6652	. WASHER, LOCK, steel, split helical ring, 0.168in. id, 0.252in. od, 0.04in. thk		12	
9	A G1	5310-99-941-9961	. NUT, PLAIN, HEXAGON, 4BA, steel, Cd plated, 1/4in. w A/F, 1/8in. h, chamfered		12	
10	A 9ACR	2590-99-978-3114	. BRACKET	FV611200	1	
11	A G1	5305-99-101-1337	. SCREW, MACHINE, 4BA, 29/64in. thd lg, 1in. fastener lg, hex hd		4	
12	A 9ACR	2590-99-802-7340	. SWITCHBOARD, ENGINE, No. 3 Mk 2	FV562082	1	See Fig 31
13	A G1	5305-99-941-0525	. SCREW, MACHINE, UNF, stainless steel, Zn plated, hex hd, 5/16in. dia x 3/4in. lg class 2A thd		4	
14	A G1	5310-99-941-8386	. WASHER, FLAT, steel, Zn plated w/chromate, 5/16in. bolt size, 5/8in. od, 0.072in. thk		4	
15	A G1	5310-99-944-0549	. WASHER, LOCK, steel, split helical ring, Cd plated, 5/16in. bolt size, 0.503in. od, 0.08in. thk, single coil, sq section		4	
16	A G1	5310-99-941-0925	. NUT, PLAIN, HEXAGON, UNF, 5/16in. -24 class 2B rh thd, steel, Zn plated, 1/2in. w A/F, 17/64in. h, chamfered		4	

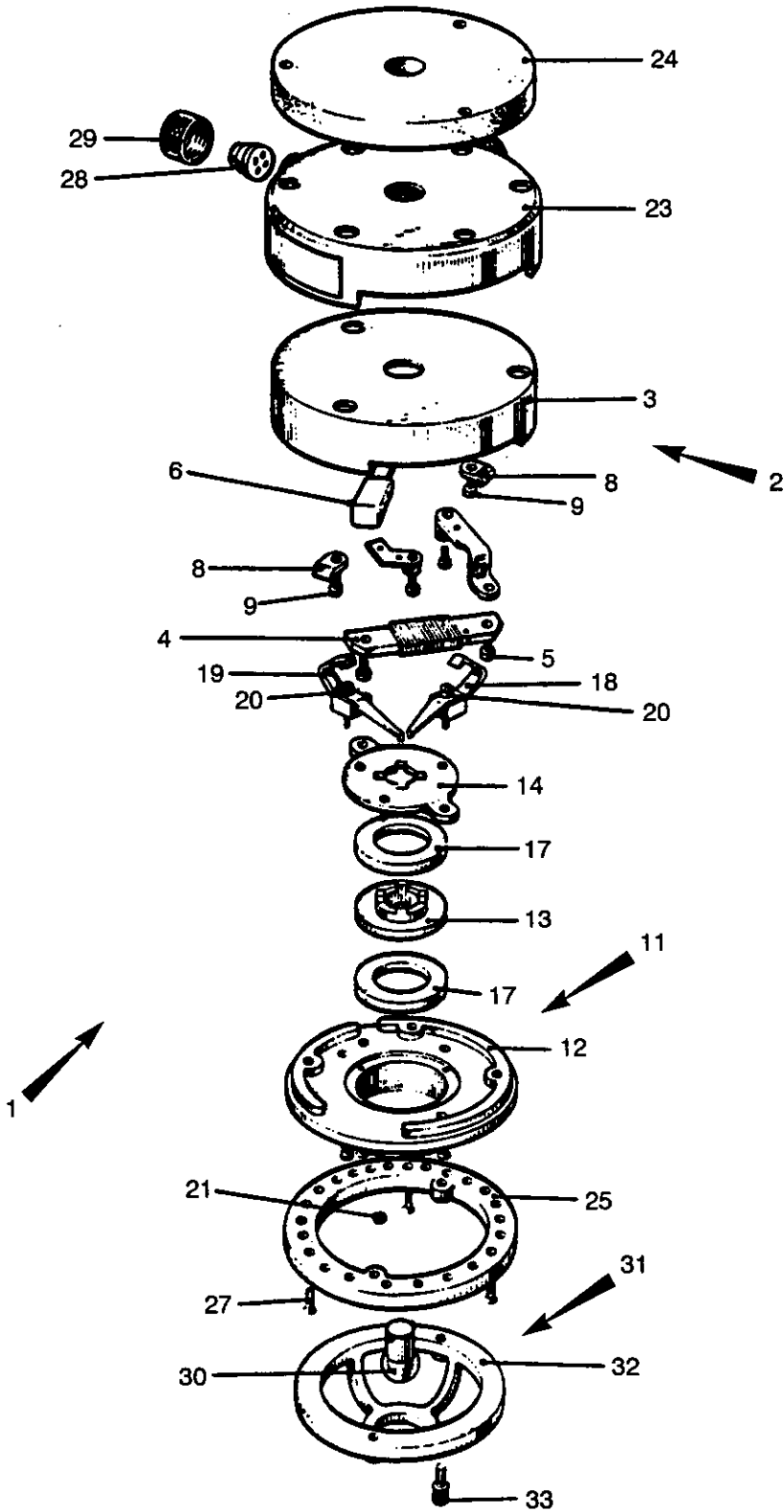


Fig 18 Dome light

430/70107

Fig Item	Man Code Navy - N Army - A RA/F - R	NATO Stock No	Item Name and Description	Part No/ Drawing No.	No. Off	Annotations
18-			ELECTRICAL EQUIPMENT GA - contd . ELECTRICAL EQUIPMENT, HULL, GA - contd ELECTRICAL EQUIPMENT, INTERNAL - contd			
1	A	46MT3	6220-99-881-3214 LIGHT, DOME, 4-3/8in. dia, 2-13/16in. h, 26V dc, mtg hole	FV426636	6	
2	A	9CR2	6220-99-759-6052 BASE ASSEMBLY, comprises base, dimmer resistance assy, arm assy, connector assy, terminal connection assy	FV518751	1	
3		NP BASE	FV518763	1	
4	A	46MT3	5905-99-881-3215 RESISTOR SUB-ASSEMBLY, DIMMER, wire sound, 200 ohms	FV518754	1	
5	A	G1	5305-99-121-1751 SCREW, MACHINE, 4BA, br, flat fil hd, tin pl, 3/8in. lg	NA-00-005	2	
6		NP ARM, RESISTANCE	FV518757	1	
NI 7		NP PIN, SHOULDER, HEADED	FV518783	1	
8		NP STRAP, RETAINER CABLE	FV518781	2	
9		NP SCREW, MACHINE, BA, br, flat fil hd, No. 6 x 1/4in. lg		2	
NI 10		NP WASHER, KEY	FV518782	1	
11	A	46MT4	2590-99-820-4881 CARRIER, CONTACT, c/w 2 spring contact brushes	FV518752	1	
12		NP HOLDER, CONTACTS MOULDING	FV518765	1	
13	A	46MT3	6250-99-881-3216 LAMPHOLDER, plastics 1-9/32in. od, 15/32in. h	FV518766	1	
14		NP PLATE, RETAINING, LAMPHOLDER	FV518767	1	
NI 15		NP SCREW, MACHINE, BA, br, flat csk hd, No. 6 x 3/8in. lg		3	} Plate retaining
NI 16		NP NUT, PLAIN, HEXAGON, BA, br, No. 6		3	
17		NP FELT, MECHANICAL, PREFORMED, 7/8in. id x 1-5/16in. od x 1/8in. thk	FV518772	2	
18		NP CONTACT, ELECTRICAL, SHORT	FV518770	1	
19		NP CONTACT, ELECTRICAL, SHORT	FV518771	1	
20	A	G1	5305-99-121-1751 SCREW, MACHINE, BA, br, flat fil hd, No. 4 x 3/8in. lg	NA-00-005	2	
21	A	G1	5310-99-941-9113 NUT, PLAIN, HEXAGON, BA, br, tin pl, No. 4 x 1/8in. o/a h,		2	
NI 22		NP WASHER, LOCK, steel, flat int teeth, No. 4 BA		2	} Contacts
23		NP BOX, CONNECTOR, ELECTRICAL	FV518753	1	
24	A	6MT1	5330-99-702-4778 FELT, MECHANICAL PREFORMED, felt, 0.250in. hole dia, 3.5in. bolt circle dia, 4.062in. od, 0.5in. id, 3 bolt holes	R14981	1	
25	A	6MT3	6220-99-823-6351 RING, POSITIONING, ROOF LIGHT, plastics, 2-7/8in. id, 4in. od, 5/16in. thk, 24 holes 13/64in. dia	FV518762	1	
NI 26	A	G1	5305-99-121-1232 SCREW, MACHINE, BA, br, flat csk hd, No. 4 x 1/2in. lg		2	
27		NP SCREW, MACHINE, BA, br, flat csk hd, No. 2 x 7/8in. lg		3	
28	A	46MT4	5340-99-881-2217 SEALING, CONE, neoprene, 19/32in. dia by 7/16in. lg, w/4 holes 7/64in. dia		1	
29	A	Z42	5975-99-805-6457 NUT, PLAIN, KNURLED, Whit, 11/16in. -24tpi, br, 25/32in. od, 15/32in. h	FVS6-38-4	1	

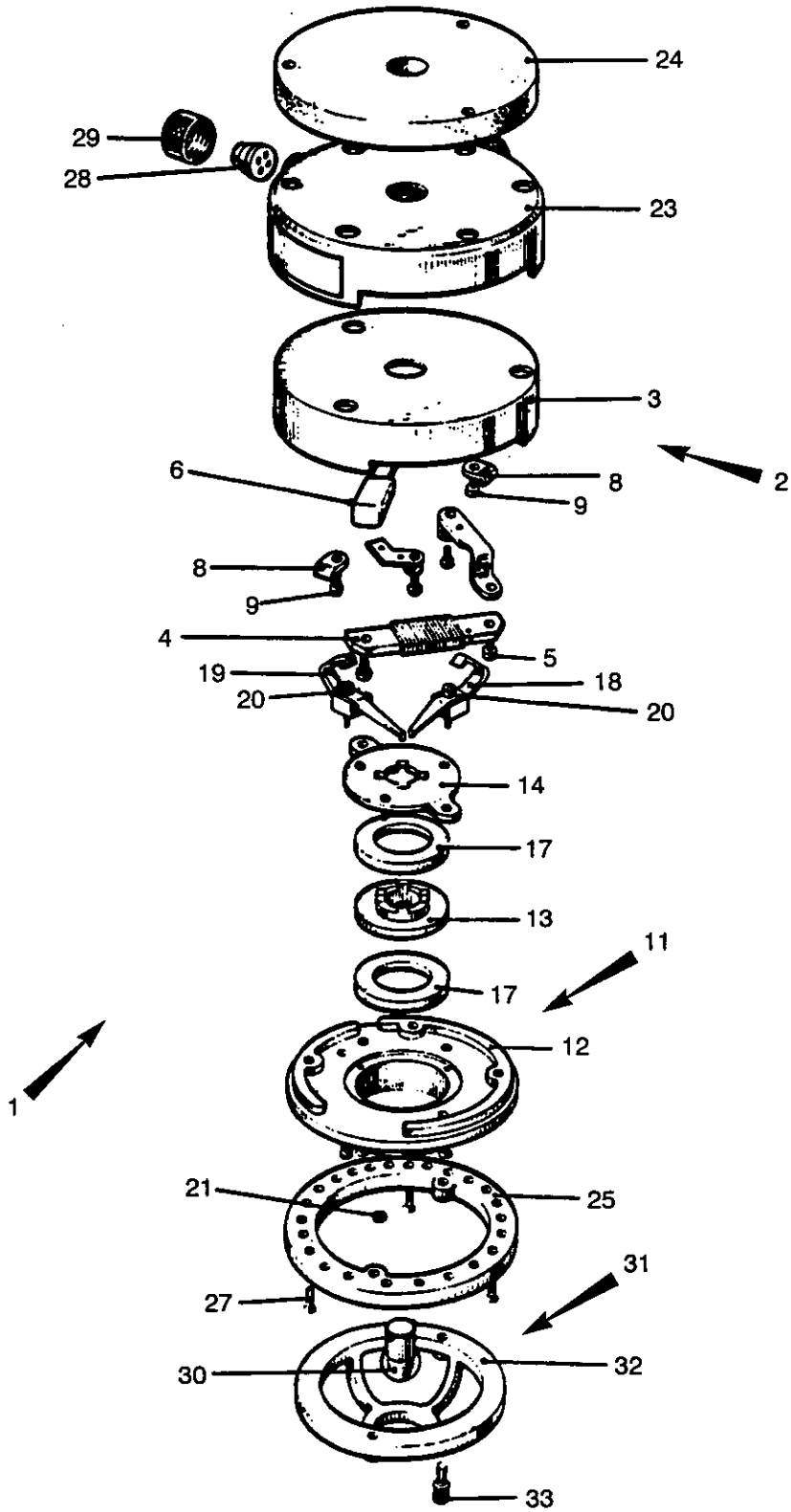


Fig 18 Dome light

430/70107

Fig Item	Man Code Navy - N Army - A RAF - R	NATO Stock No	Item Name and Description	Part No/ Drawing No.	No. Off	Annotations
18-			ELECTRICAL EQUIPMENT GA - contd . ELECTRICAL EQUIPMENT, HULL, GA - contd . . . ELECTRICAL EQUIPMENT, INTERNAL - contd			
30	A X5	6240-99-995-2236	. . . LAMP, INCANDESCENT, globular bulb, 32.5mm. lg, 18mm. od, 26V dc, 6W	FV603965	6	
31	A 46MT3	6220-99-881-4080	. . . GUARD, LAMP, c/w clamping, screws, roof light No. 3 Mk 1	FV518759	6	
32		NP	. . . GUARD	FV518784	1	
33	A 6MT1	5305-99-826-8015	. . . SCREW, CLAMPING, brass, knurled hd, 2BA thd, 31//32in. o/a lg	FV518786	2	

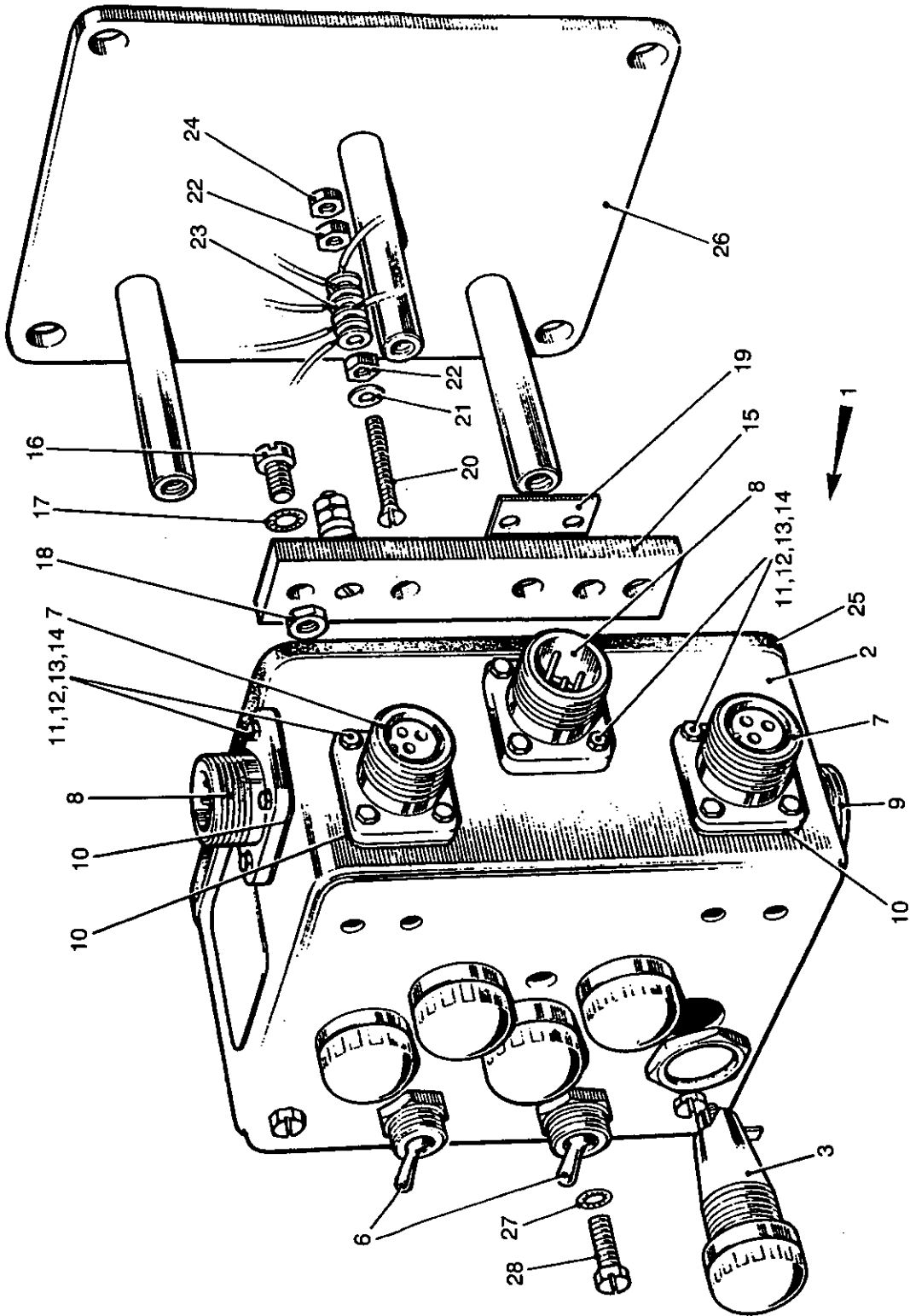


Fig 19 Junction box, auxiliary

430/70130

Fig Item	Man Code Navy - N Army - A RAF - R	NATO Stock No	Item Name and Description	Part No/ Drawing No.	No. Off	Annotations
19-			ELECTRICAL EQUIPMENT GA - contd . ELECTRICAL EQUIPMENT, HULL, GA - contd . . . ELECTRICAL EQUIPMENT, INTERNAL - contd			
1	A	9ACR	5975-99-978-3142 . . . JUNCTION BOX, auxiliary, 7.8in. lg, 4.3in. w, 3.3in. h	FV499692	1	
2		NP	. . . COVER	FV499925	1	
3	A	Z32	5920-99-012-0231 . . . FUSE HOLDER, BLOCK, sealed, single way, 0.859in. dia, 2.125in. lg excluding terminals	L1382	5	
NI 4	A	Z32	5920-99-940-2085 . . . FUSE, CARTRIDGE, tube type, 1.25in. lg, 0.25in. dia, 10A, 32V dc, normal instantaneous, visible element	L1055/10	1	
NI 5	A	Z32	5920-99-901-9668 . . . FUSE, CARTRIDGE, tube type, 1- 1/4in. lg, 1/4in. dia, 5A, 32V dc, normal instantaneous, visible element	L1055-5A	4	
6	A	Z32	5930-99-051-0551 . . . SWITCH, TOGGLE, one pole, one way, single throw, tag, 2 solder lugs, 31/32in. lg, 57/64in. w, 25/32in. h	Z510551	2	
7	A	6MT4	5935-99-881-9665 . . . CONNECTOR, FIXED, ELECTRICAL, straight shape, thd, 1.188in. lg, single mating end, 3 contacts, Al alloy shell, neoprene rubber insert	FV585008	4	
8	A	6MT4	5935-99-881-9663 . . . CONNECTOR, FIXED, ELECTRICAL, straight shape, thd, 1.06in. lg, 1- 3/16in. w, 1-3/16in. h, Al alloy shell, single mating end, 3 contacts	FV585007	2	
9	A	Z32	5935-99-881-9004 . . . CONNECTOR, FIXED, ELECTRICAL, straight shape, thd, 1.138in. lg, sq, 1.042in. lg, single mating end, 4 contacts, Al alloy shell	FV585003	1	
10	A	Z1	5330-99-103-2336 . . . GASKET, rubber, rect w/rd aperture, 11/64in. dia, 7/8in. id, 4 bolt holes, 1/32in. cross section thk	D10-36675- 14	7	
11	A	G1	5305-99-941-6829 . . . SCREW, MACHINE, hex hd, steel, Cd plated, 6BA x 1/2in. lg		28	
12		NP	. . . WASHER, FLAT, 6BA		28	
13	A	G1	5310-99-944-0545 . . . WASHER, LOCK, steel, Cd plated, split helical ring, 0.138in. bolt size, 0.032in. thk, 0.205in. od		28	
14		NP	. . . NUT, HEXAGON, 6BA	7022400011 4900	28	
15		NP	. . . INSULATOR PLATE	FV524712	1	
16	A	G1	5305-99-914-1664 . . . SCREW, MACHINE, flat fil hd, 2BA x 11/16in. lg		2	Cut to 1/2in. lg
17	A	G1	5310-99-100-6946 . . . WASHER, LOCK, steel, flat int teeth, 13/64in. bolt size, 0.021in. thk, 13/32in. od		2	
18		NP	. . . NUT, HEXAGON, 2BA	7022103011 4900	2	
19		NP	. . . BUSBAR	FV381722	1	
20	A	G1	5305-99-121-1212 . . . SCREW, MACHINE, flat csk hd, br, 2BA x 1-1/4in. fastener lg, 1-11/64in. thd lg		4	
21		NP	. . . WASHER, FLAT, 3/16in. dia x 18 SWG (2BA)	7030103009 4900	2	
22		NP	. . . NUT, HEXAGON, 2BA, br	NH2BAB	8	
23		NP	. . . TERMINAL LUG	FVS9-6-2	18	
24		NP	. . . NUT, HEXAGON, lock, 2BA, br	NHL2BAB	4	

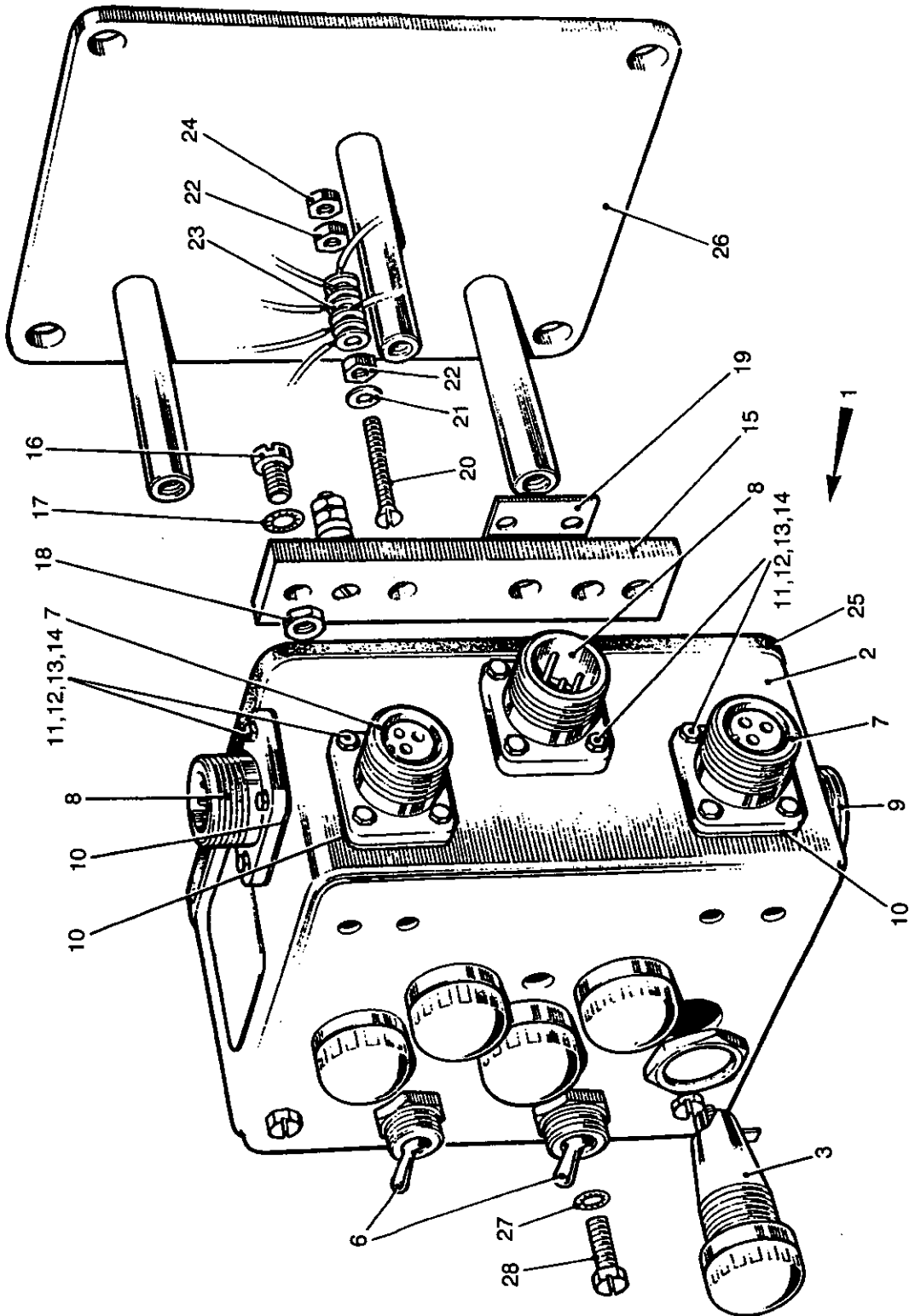


Fig 19 Junction box, auxiliary

430/70130

Fig Item	Man Code Navy - N Army - A RAF - R	NATO Stock No	Item Name and Description	Part No/ Drawing No.	No. Off	Annotations
19-			ELECTRICAL EQUIPMENT GA - contd . ELECTRICAL EQUIPMENT, HULL, GA - contd . . . ELECTRICAL EQUIPMENT, INTERNAL - contd . . . JUNCTION BOX - contd			
25	A 9ACR	9390-99-866-8853	. . . NON-METALLIC SPECIAL SHAPED SECTION, syn rubber, junction box	FV499693-2	1	
26		NP	. . . PLATE, BACKING	FV499906	1	
27	A G1	5310-99-100-6946	. . . WASHER, LOCK, steel, flat int teeth, 13/64in. bolt size, 0.021in. thk, 13/32in. od		3	
28		NP	. . . SCREW, MACHINE, UNF, hex hd, No. 10 (2BA) x 1/2in. lg	7011103081 4900	3	

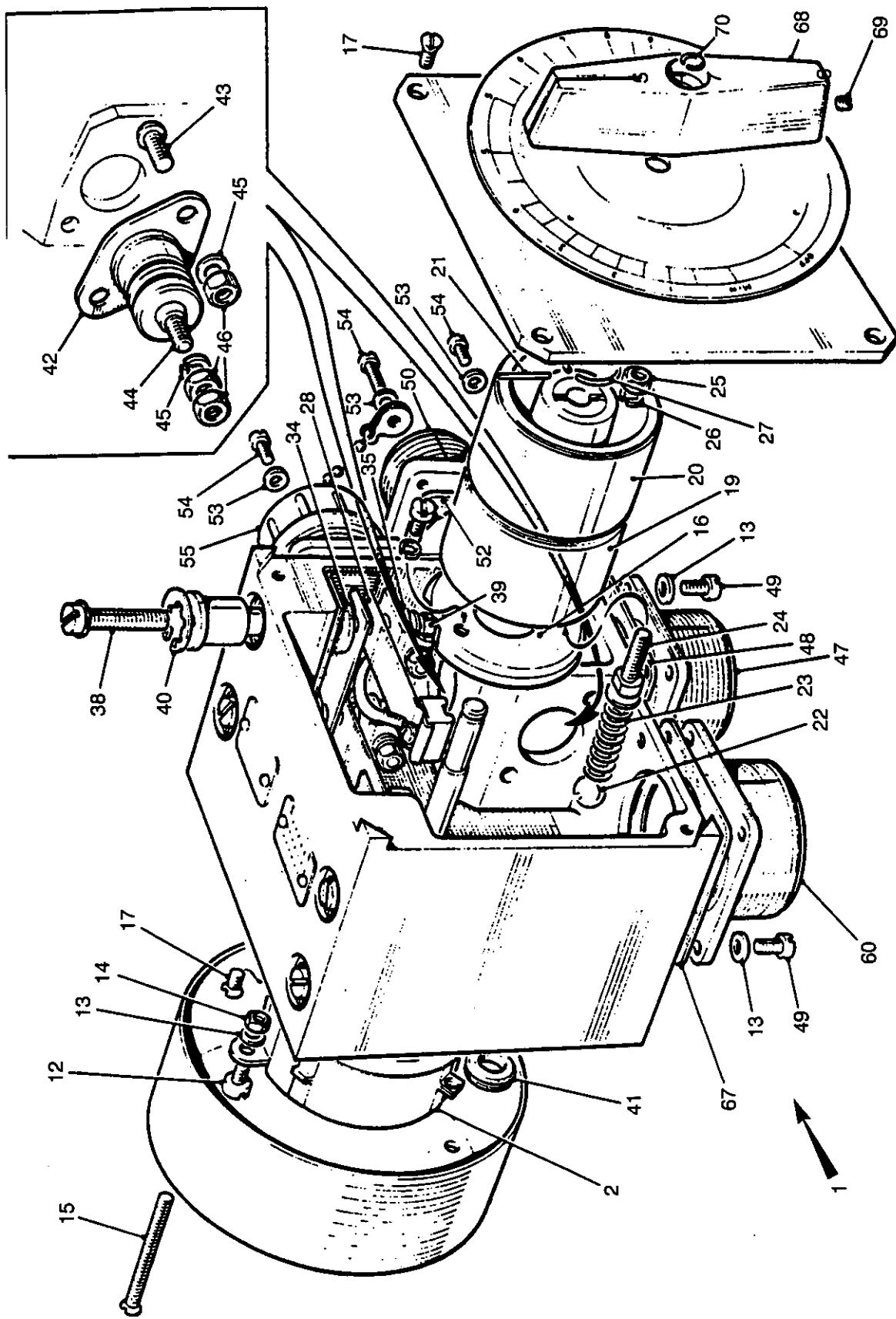


Fig 20 Controller, fan, No. 2 Mk 1

430/70127

Fig Item	Man Code Navy - N Army - A RAF - R	NATO Stock No	Item Name and Description	Part No/ Drawing No.	No. Off	Annotations
20-			ELECTRICAL EQUIPMENT GA - contd . ELECTRICAL EQUIPMENT, HULL, GA - contd ELECTRICAL EQUIPMENT, INTERNAL - contd			
1	A	9ACR	6110-99-804-4010 . . . CONTROLLER, FAN, No. 2 Mk 1	FV546143	1	
2	A	6MT4	5905-99-809-0218 . . . RHEOSTAT, 30 OHMS		1	
NI 3		NP CABLE, RHEOSTAT ASSEMBLY	20759	1	Nelco
NI 4	A	Y3	6145-99-901-2567 WIRE, ELECTRICAL, Unipren 24	E21 UNIPREN24	A/R	
NI 5		NP TERMINAL LUG		1	
NI 6	A	Z37	5940-99-501-7669 TERMINAL LUG	TE1277-3	1	
NI 7	A	Y3	5970-99-999-8808 INSULATION, SLEEVING ELECTRICAL, PVC, 3mm id, 0.5mm wall thk, black	90-29040100	A/R	
NI 8		NP CABLE, RHEOSTAT LINK ASSEMBLY	20823	1	
NI 9	A	Y3	6145-99-901-2567 WIRE, ELECTRICAL, Unipren 24	E21 UNIPREN24	A/R	
NI 10		NP TERMINAL LUG		2	
NI 11	A	Y3	5970-99-999-8808 INSULATION, SLEEVING ELECTRICAL, PVC, 3mm id, 0.5mm wall thk, black	90-29040100	A/R	
12		NP SCREW, MACHINE, st, Cd P, flat fil hd, 4BA x 1/4in. lg		3	
13	A	G1	5310-99-946-9795 WASHER, SPRING TENSION, Cu, Cd P, 5/32in.		15	
14		NP NUT, PLAIN, HEXAGON, br, Cd P, 4BA		3	
15		NP SCREW, MACHINE, st, Cd P, csk hd, 4BA x 1-1/2in. lg		2	
16		NP PLATE, LOCATING, BALL		1	
17	A	G1	5305-99-941-6846 SCREW, MACHINE, st, Cd P, flat csk hd, 4BA x 3/8in. lg		7	
NI 18	A	9ACR	6110-99-809-8194 CONTACT ASSEMBLY, ELECTRICAL, 4 contacts	F15-20775 & F1C-20912	1	
19		NP CONTACT DRUM ASSEMBLY	20912	1	
20		NP CONTACT DRUM ASSEMBLY	20775	1	
21	A	G1	5315-99-120-1036 PIN, STRAIGHT, HEADLESS, st, 1/16in. dia x 1.00in. lg	PP1045	1	Adjusting lg
22	A	6MT7	3110-99-805-9741 BALL, BEARING, steel, 3/8in.	R59-525 CLASS2	1	
23	A	46MT4	5360-99-804-4045 SPRING, HELICAL COMPRESSION	20796	1	
24		NP SCREW, MACHINE, st, Cd P, flat fil hd, 2BA x 5/8in. lg		1	
25		NP NUT, PLAIN, HEXAGON, br, Cd P, 2BA		1	} Contact drum
26		NP WASHER, LOCK, Phos B, single coil, Cd P, 2BA		1	
27	A	46MT1	5365-99-804-4046 RING, RETAINING, st, ext, 11/16in. id	A1000068 AZC	1	Not used on modified Rheostat
28	A	46MT4	6110-99-804-4159 FINGER ASSEMBLY, CONTACT	19631	4	
NI 29	A	Y3	6145-99-943-6806 WIRE, ELECTRICAL, Unipren 18	UNIPREN18	A/R	
NI 30		NP TERMINAL LUG		4	
NI 31	A	Z37	5940-99-549-8991 TERMINAL LUG	42542PCBM 49	4	
NI 32		NP SCREW, MACHINE, br, Cd P, hex hd, 4BA x 1/2in. lg		4	
NI 33		NP NUT, PLAIN, HEXAGON, br, Cd P, 4BA		4	

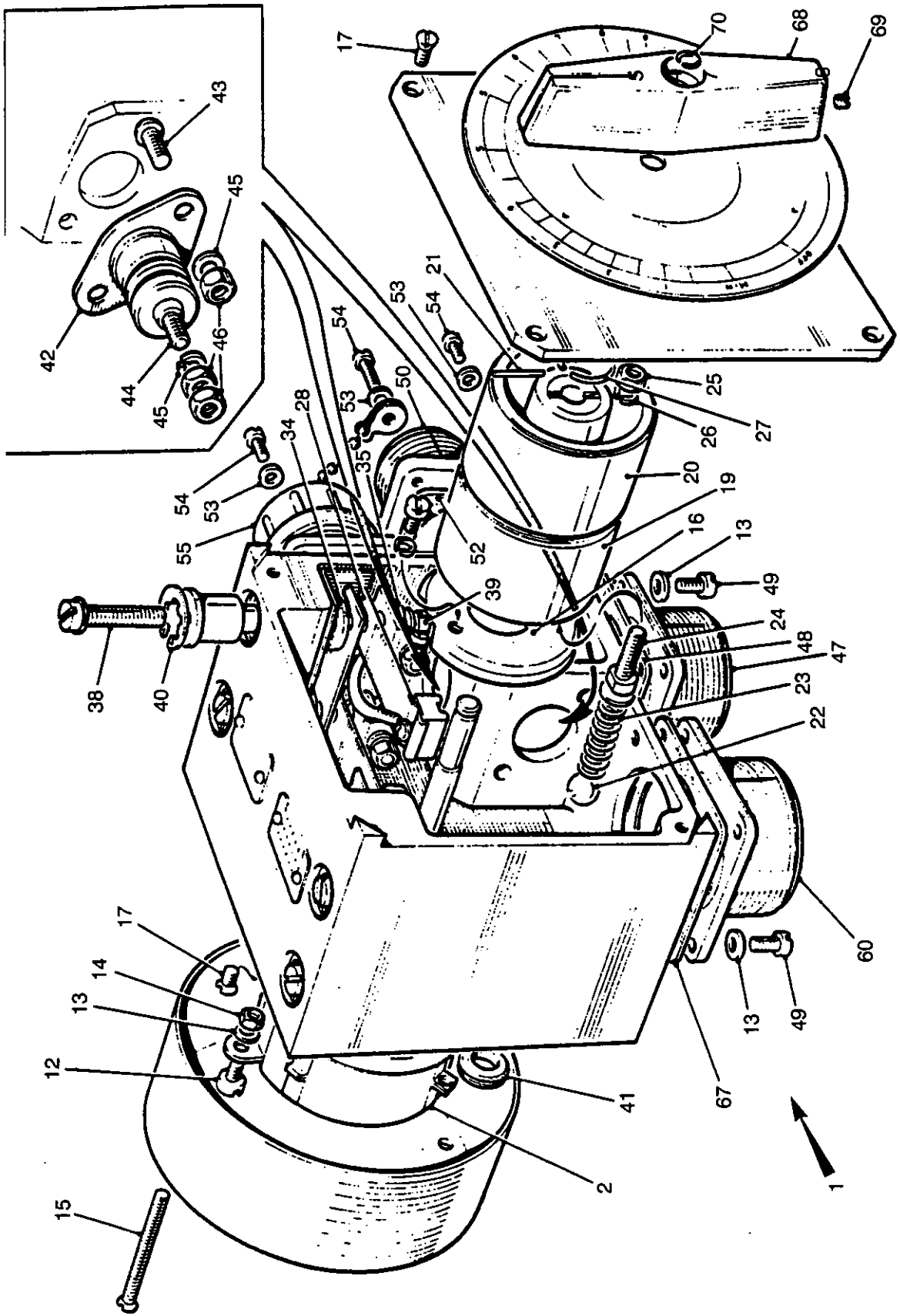


Fig 20 Controller, fan, No. 2 Mk 1

430/70127

Fig Item	Man Code Navy - N Army - A RAF - R	NATO Stock No	Item Name and Description	Part No/ Drawing No.	No. Off	Annotations
20-			ELECTRICAL EQUIPMENT GA - contd . . . ELECTRICAL EQUIPMENT, HULL, GA - contd . . . ELECTRICAL EQUIPMENT, INTERNAL - contd . . . CONTROLLER FAN, No. 2 Mk 1 - contd			
34		NP	. . . INSULATOR, WASHER		4	
35		NP	. . . INSULATOR, WASHER		4	
NI 36		NP	. . . INSULATION, SLEEVING ELECTRICAL		4	
NI 37	A G1	5305-99-945-2350	. . . SCREW, MACHINE, flat fil hd, 1/4in. lg		4	
38	A G1	5305-99-100-7753	. . . SCREW, MACHINE, st, Cd P, flat fil hd, 2BA x 1-1/4in. lg		4	
39		NP	. . . NUT, PLAIN, HEXAGON, st, Cd P, 2BA		4	
40		NP	. . . RING, RETAINING, st, int, 16mm		4	
41	A H9	5325-99-942-3425	. . . GROMMET, RUBBER, syn ru, 3/8in. id x 0.15in. h, 61-70 deg hardness	24180-010- 022	1	
42		NP	. . . CONDENSER, 0.5µF		4	
43	A G1	5305-99-941-9194	. . . SCREW, MACHINE, st, Cd P, flat fil hd, 2BA x 3/8in. lg		4	
44	A G1	5305-99-120-1616	. . . SCREW, MACHINE, st, Cd P, flat fil hd, 2BA x 1-1/2in. lg		2	
45	A G1	5310-99-946-9796	. . . WASHER, SPRING TENSION, Cu, Cd P, 2BA		14	
46		NP	. . . NUT, PLAIN, HEXAGON, st, Cd P, 2BA		8	
47	A 46MT4	5935-99-881-9655	. . . CONNECTOR, FIXED, ELECTRICAL, fixed, 24-12P	FV585027	1	Input
48	A 46MT4	5330-99-014-7138	. . . GASKET, shell, size 24	FV585126	1	
49	A G1	5305-99-941-9195	. . . SCREW, MACHINE, st, Cd P, flat fil hd, 4BA x 3/8in. lg		8	
50	A 46MT4	5935-99-800-9958	. . . CONNECTOR, FIXED, ELECTRICAL, fixed, 18-11S	FV585018	1	Heater
NI 51	A Y3	6145-99-901-2567	. . . WIRE, ELECTRICAL, Unipren 24	E21 UNIPREN24	A/R	
52	A Z2	5330-99-014-7135	. . . GASKET, shell, size 18	FV585124	1	
53	A G1	5310-99-971-3720	. . . WASHER, SPRING TENSION, Cu, Cd P, 1/8in.		8	
54	A G1	5305-99-941-9197	. . . SCREW, MACHINE, flat fil hd, 3/8in. lg		9	
55	A 46MT4	5935-99-804-4051	. . . COVER, ELECTRICAL CONNECTOR	10-37147-18	1	
NI 56		NP	. . . CABLE, SUPPRESSOR ASSEMBLY	20822	1	
NI 57	A Y3	6145-99-945-5074	. . . WIRE, ELECTRICAL, 120/0.012in. tinned copper, braid, blue	E21 UNIPREN50	A/R	
NI 58	A Z37	5940-99-103-9031	. . . TERMINAL LUG	33460	2	
NI 59	A Y3	5970-99-999-8808	. . . INSULATION, SLEEVING ELECTRICAL, PVC, 3mm id, 0.5mm wall thk, black	90-29040100	A/R	
60	A 46MT4	5935-99-800-9962	. . . CONNECTOR, FIXED, ELECTRICAL, fixed, 28-10S	FV585030	1	Output
NI 61	A Y3	6145-99-901-2567	. . . WIRE, ELECTRICAL, Unipren 24	E21 UNIPREN24	A/R	
NI 62	A Y3	6145-99-945-5074	. . . WIRE, ELECTRICAL, 120/0.012in. tinned copper, braid, blue	E21 UNIPREN50	A/R	

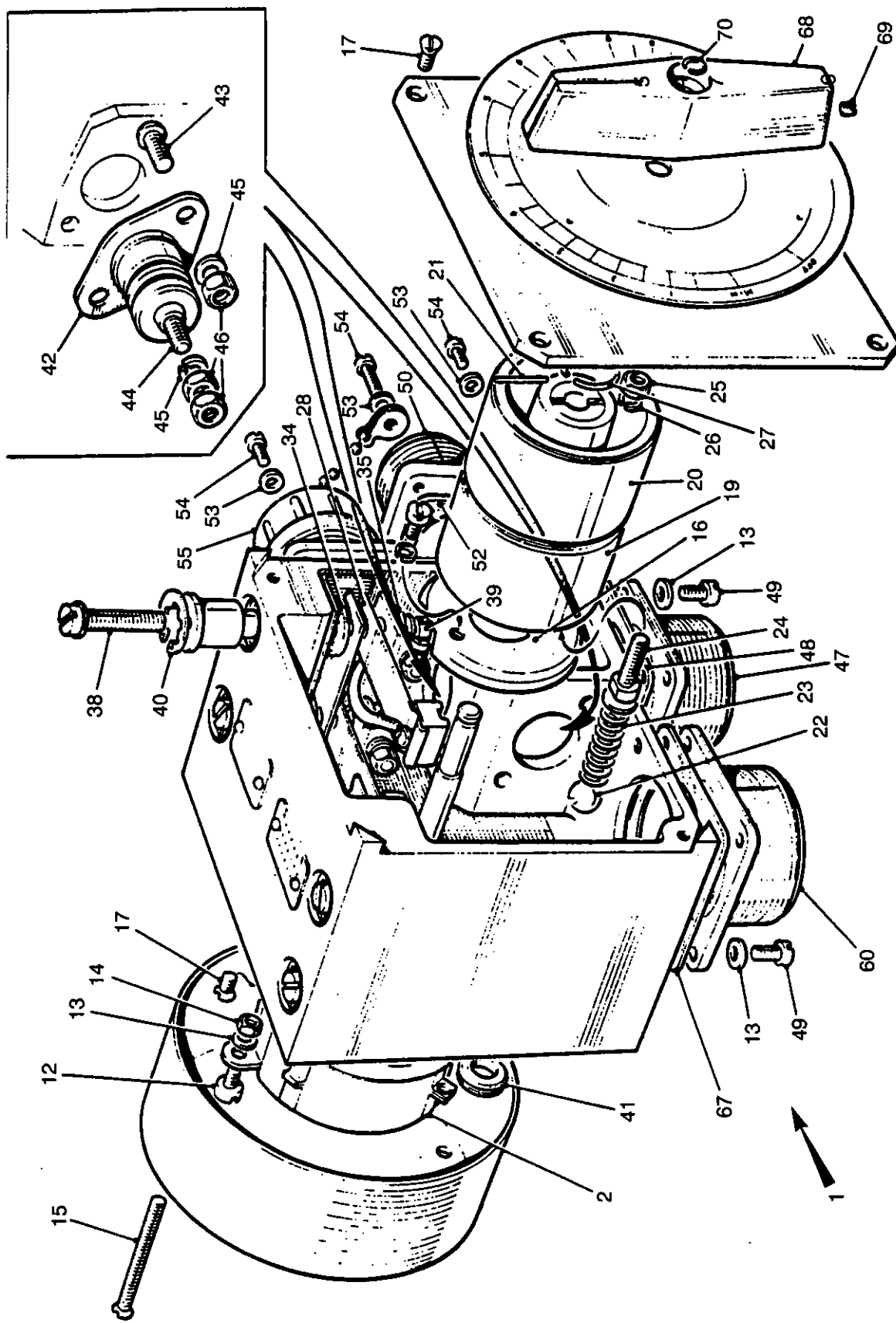


Fig 20 Controller, fan, No. 2 Mk 1

430/70127

Fig Item	Man Code Navy - N Army - A RAF - R	NATO Stock No	Item Name and Description	Part No/ Drawing No.	No. Off	Annotations
20-			ELECTRICAL EQUIPMENT GA - contd . . . ELECTRICAL EQUIPMENT, HULL, GA - contd . . . ELECTRICAL EQUIPMENT, INTERNAL - contd . . . CONTROLLER FAN, No. 2 Mk 1 - contd			
NI 63		NP	. . . TERMINAL LUG		1	
NI 64	A Z37	5940-99-103-9031	. . . TERMINAL LUG	33460	3	
NI 65	A Y3	5970-99-999-8808	. . . INSULATION, SLEEVING ELECTRICAL, PVC, 3mm id, 0.5mm wall thk, black	90-29040100	A/R	
NI 66	A Z42	5970-99-913-0207	. . . INSULATION, SLEEVING ELECTRICAL, plastics, flexible, non- shrinkable, 5mm nom id, 0.50mm thk, black	PM9055-005	A/R	
67	A Z42	5330-99-014-7139	. . . GASKET, shell size 28	303926	1	
68	A 46MT4	5355-99-255-9193	. . . KNOB	60678	1	
69	A G1	5305-99-941-7988	. . . SCREW, GRUB, st, Cd P, socket drive, cup pt, 4BA x 1/4in. lg		2	
70	A 46MT1	5365-99-804-4008	. . . RING, RETAINING, st, ext, 0.23in.	A0900A025A SF	1	

~~RESTRICTED~~

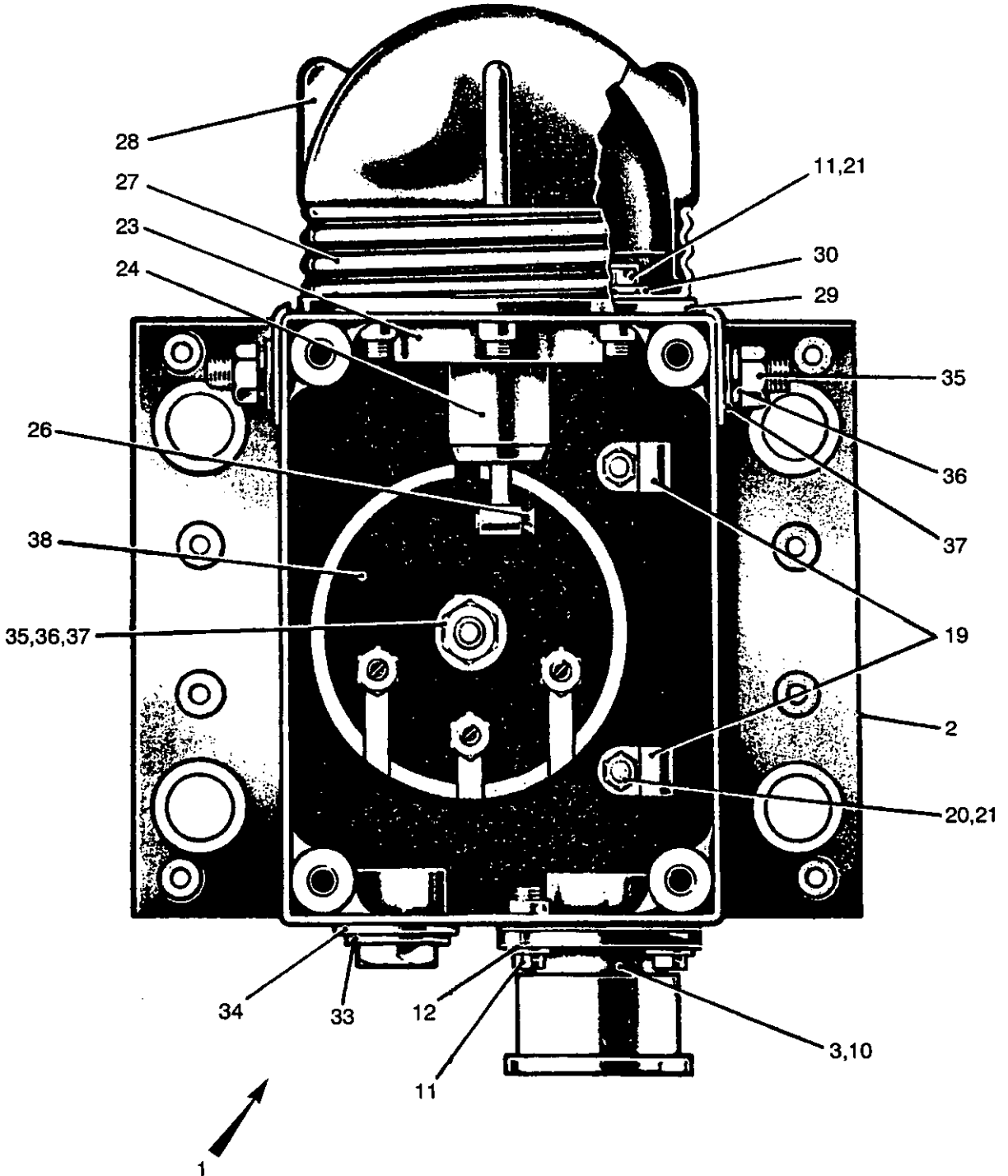


Fig 21 Indicator, fire detector system

430/70115

~~RESTRICTED~~

Fig Item	Man Code Navy - N Army - A RA/F - R	NATO Stock No	Item Name and Description	Part No/ Drawing No.	No. Off	Annotations
21-			ELECTRICAL EQUIPMENT GA - contd . . . ELECTRICAL EQUIPMENT, HULL, GA - contd . . . ELECTRICAL EQUIPMENT, INTERNAL - contd			
1	A	46MT3	4210-99-881-4006 . . . INDICATOR, FIRE DETECTOR SYSTEM, No. 3 Mk 1	FV534946	1	
2		NP BOX ASSEMBLY, LIGHT UNIT, light unit	D4525	1	
3		NP PLUG, ELECTRICAL, c/w leads	D4532	1	
NI 4	A	46MT4	5935-99-881-9663 CONNECTOR, FIXED ELECTRICAL, 1.06 x 1-3/16in. h, Cd P	FV585007	1	
NI 5	A	Y3	6145-99-100-4628 WIRE, ELECTRICAL, Unipren 6, Cu, 1/64in. dia, blue	E21 UNIPREN6	1	
NI 6	A	Z42	5975-99-910-7205 SLEEVE, IDENTIFICATION, CABLE, type 3B, 2mm id x 5mm lg, yellow/A	FV2050607 ITEM 25	1	
NI 7	A	Z42	5975-99-910-7218 SLEEVE, IDENTIFICATION, CABLE, type 3B, 2mm id x 5mm lg, yellow/B	FV2050607 ITEM 26	1	
NI 8	A	Z42	5770-99-910-7348 INSULATION SLEEVING, ELECTRICAL, type B, 2mm id x 3/16in. yellow	660-04- 831712-178- 05	1	
NI 9	A	Z42	5970-99-999-5579 INSULATION SLEEVING, ELECTRICAL, PVC, 2mm id, pink type 3, class 85T	301183	A/R	
10	A	46MT4	5330-99-585-1591 GASKET, shell size 14S, syn rubber	FV585122	1	
11	A	Z2	5305-99-941-9945 SCREW, MACHINE, st, flat fil hd, 6BA X 1/2in. lg		4	
12	A	G1	5330-99-881-5133 WASHER, LOCK, 0.120in. id x 0.300in. od x 0.05in. thk		4	
NI 13	A	9CR2	9905-99-009-1137 LABEL, wiring diagram	FV562034	1	
NI 14	A	9CR2	6220-99-902-2812 LID	FV4574	1	
NI 15	A	9CR2	5330-99-823-9884 GASKET, WARNING LIGHT, box cover	D4535	1	
NI 16	A	46MT1	5305-99-736-6861 SCREW, MACHINE, 2BA		4	
NI 17	A	6MT1	5330-99-943-6848 WASHER, SEAL, LOCK, 0.195in. x 0.440in. od x 0.060in. thk	GD132/3	4	
NI 18	A	46MT1	5340-99-801-8298 RING, RETAINING, steel, ext, 3/16in. dia	154324	4	
19		NP CLAMP, LOOP		2	
20	A	Z2	5310-99-100-6328 NUT, PLAIN, HEXAGON, steel, 6BA		2	
21	A	Z2	5310-99-941-6641 WASHER, LOCK, steel, single coil, 6BA		2	
NI 22	A	46MT3	6220-99-803-4118 TAIL LIGHT, VEHICULAR, No. 3 Mk 3	53863	1	
23	A	6MT4	6220-99-408-2491 BODY, TAIL LIGHT	576203	1	
24	A	6MT3	6250-99-803-3768 LAMP HOLDER	576986	1	
NI 25	A	6MT3	6220-99-803-3158 PLUNGER, LAMP HOLDER	552103	1	
26	A	6MT3	5940-99-803-1956 FERRULE, ELECTRICAL CONDUCTOR, br, 0.150in. id x 0.250in. od x 0.375in. lg	555910	2	
27	A	46MT3	6220-99-408-2494 BASE, LAMP	576207	1	
28	A	6MT3	6220-99-803-3485 LENS, LIGHT	576204	1	
29		NP GASKET	D4542	1	
30	A	9CR2	6220-99-902-2822 RING, STIFFENING	D4580	1	

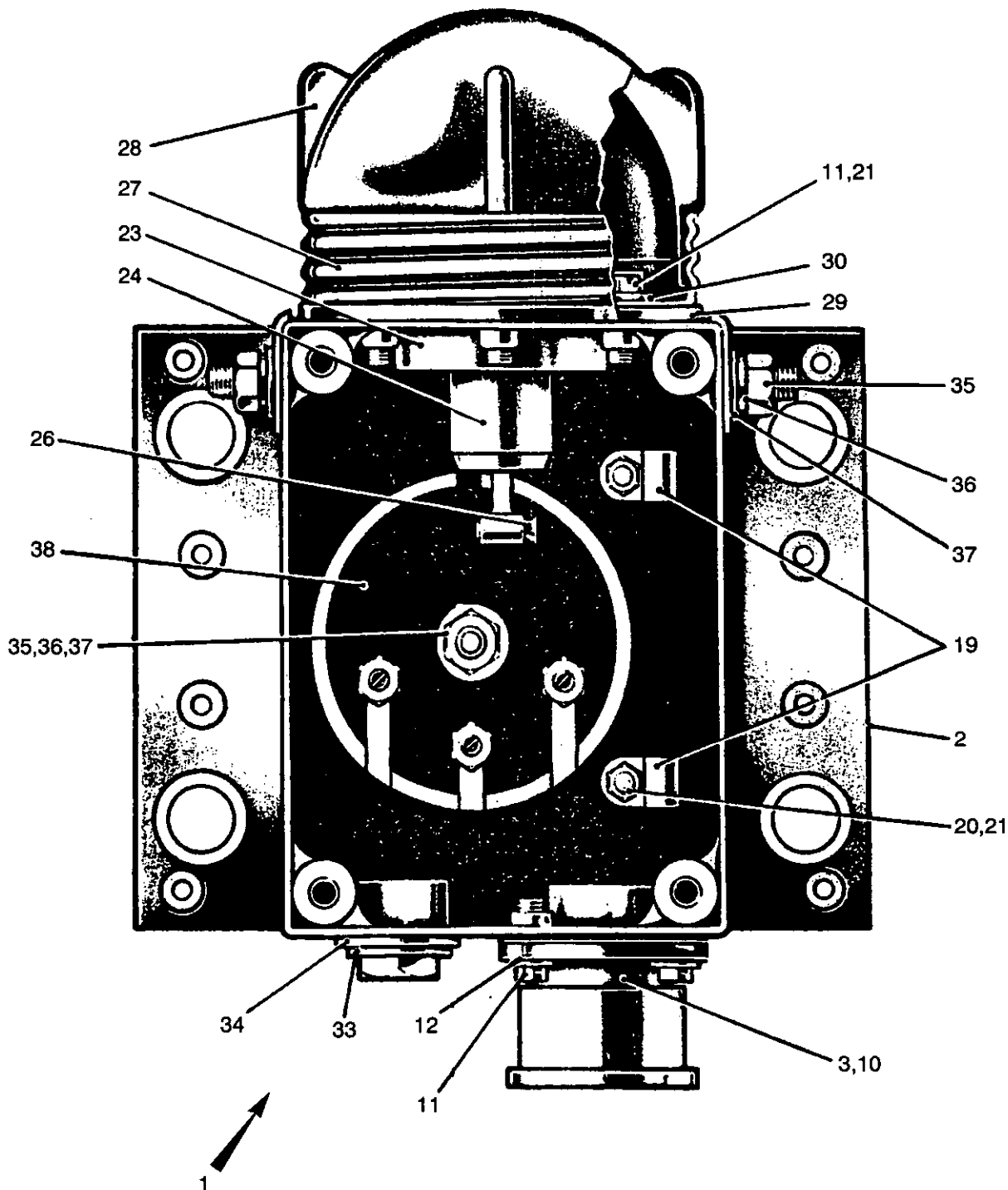


Fig 21 Indicator, fire detector system

430/70115

Fig Item	Man Code Navy - N Army - A RA/F - R	NATO Stock No	Item Name and Description	Part No/ Drawing No.	No. Off	Annotations
21-			ELECTRICAL EQUIPMENT GA - contd . ELECTRICAL EQUIPMENT, HULL, GA - contd . . . ELECTRICAL EQUIPMENT, INTERNAL - contd . . . INDICATOR, FIRE DETECTOR SYSTEM - contd			
NI 31	A Z2	5305-99-941-9945	. . . SCREW, MACHINE, steel, flat fil hd, 6BA x 1/2in. lg		6	
NI 32	A Z2	5310-99-941-6641	. . . WASHER, LOCK, steel, single coil, 6BA		6	
33	A 46MT1	5365-99-801-1173	. . . PLUG, SCREWED, brass, hex hd, 1/8in. BSP		1	
34	A 6MT1	5330-99-941-9410	. . . WASHER, LOCK, 0.385in. id x 0.730in. od x 0.080in.		1	
35	A Z2	5310-99-101-6807	. . . NUT, PLAIN, HEXAGON, steel, 2BA		2	
36	A G1	5310-99-941-6653	. . . WASHER, LOCK, steel, single coil, 2BA		1	
37	A Z2	5310-99-941-6867	. . . WASHER, FLAT, steel, 2BA		2	
38	A 46MT3	6220-99-803-4144	. . . FLASHER UNIT, 24V	502137-OD	1	
NI 39	A Z2	5310-99-101-6807	. . . NUT, PLAIN, HEXAGON, steel, 2BA		1	
NI 40	A Z2	5310-99-941-6653	. . . WASHER, LOCK, steel, single coil, 2BA		1	
NI 41	A Z2	5310-99-941-6867	. . . WASHER, FLAT, steel, 2BA		2	

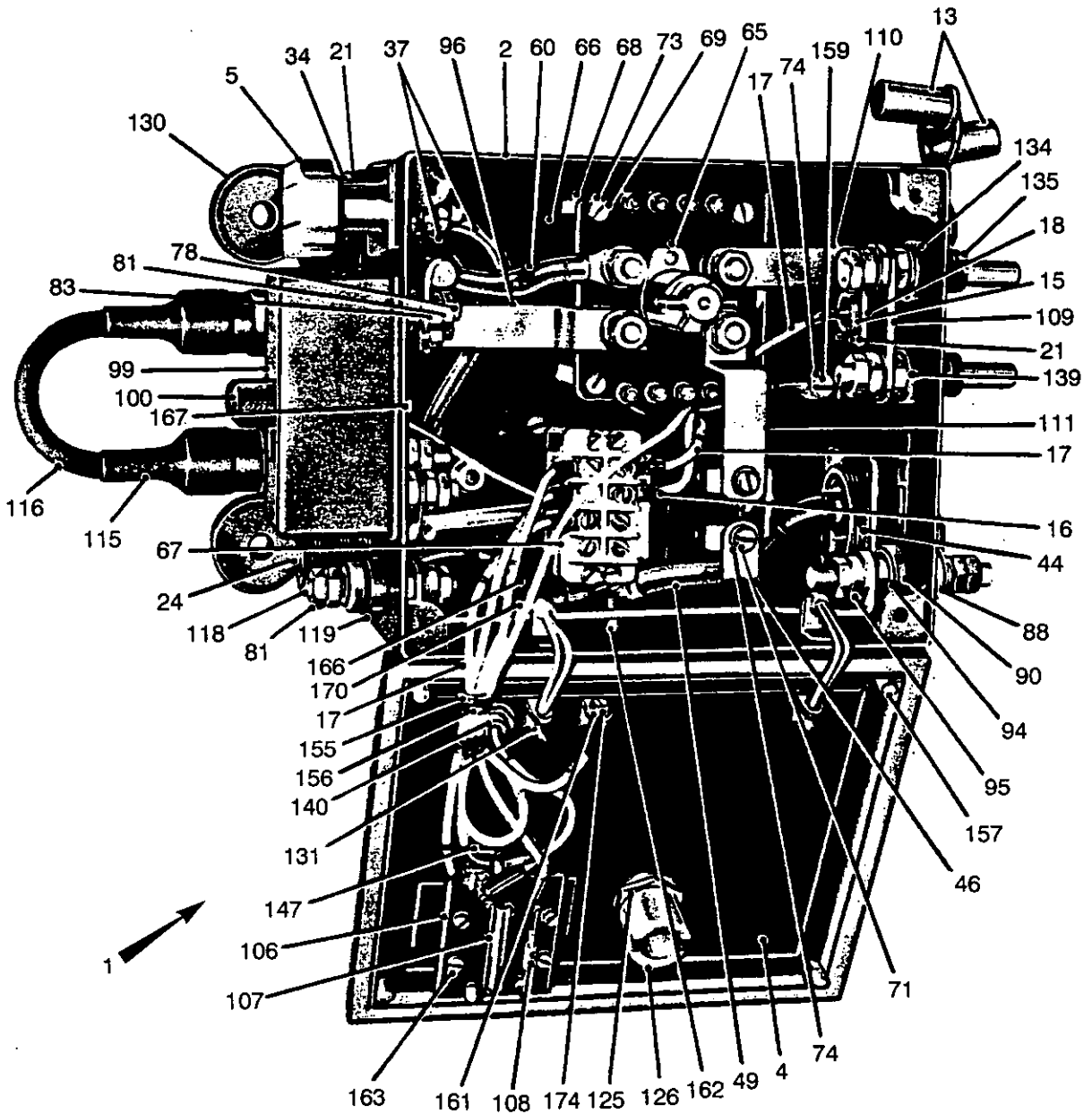


Fig 23 Distribution box, radio

430/70131

Fig Item	Man Code Navy - N Army - A RAF - R	NATO Stock No	Item Name and Description	Part No/ Drawing No.	No. Off	Annotations
23-			ELECTRICAL EQUIPMENT GA - contd ELECTRICAL EQUIPMENT, HULL, GA - contd ELECTRICAL EQUIPMENT, INTERNAL - contd			
1	A	9ACR	2590-99-881-9389 . . . DISTRIBUTION BOX, RADIO, composite assy, No. 1, Mk 3	FV534890	1	
2		NP BOX, RADIO DISTRIBUTION	FV530653	1	
NI 3		NP TERMINAL POST	FV530679	1	
4		NP COVER PLATE, ACCESS, radio box	FV530654	1	
5	A	46MT4	2590-99-881-9390 . . . COVER, TERMINAL, single terminal cover	FV530559	1	
NI 6		NP MOUNTING, terminal cover	FV530560	1	
NI 7		NP COVER, terminal	FV530561	1	
NI 8		NP PLUNGER, terminal cover	FV530571	1	
NI 9		NP SPRING, terminal cover	FV530572	1	
NI 10	A	G1	5310-99-941-6970 NUT, SELF-LOCKING, HEXAGON, steel, 2BA		1	
NI 11	A	G1	5310-99-941-8571 WASHER, FLAT, st, rd, Zn P, 0.152in. id, 0.296in. od, 0.028in. thk, 4BA		1	
NI 12		NP WASHER, FLAT, st, rd, Zn P, 5/32in. id, 7.26in. od, 1/32in. thk		1	
13	A	46MT4	5940-99-881-5821 . . . SHROUD	FV530564	2	Serviced as an assy only
NI 14		NP PLUG ASSEMBLY, ELECTRICAL	FV530650	1	
15	A	46MT4	5935-99-800-9966 CONNECTOR, FIXED ELECTRICAL, 10SL-4P	FV585002	1	
16	A	9MCV	5940-99-802-9440 TERMINAL LUG, 4BA	32561	1	
17	A	Y3	6145-99-943-4824 WIRE, ELECTRICAL, single conductor, 40/0.0076, 0.13in. dia, glass braid, polychloroprene insulated	UNIPREN12	A/R	
18		NP PLATE, RETAINING, ELECTRICAL PUG/SOCKET	FV530641/1	1	
NI 19	A	4BTR	5330-99-014-7131 GASKET, size 10SL	FV2184210	1	
NI 20	A	Z32	5935-99-102-9579 COVER, ELECTRICAL, CONNECTOR, blanking	C10-70500-10	1	
21		NP SCREW, MACHINE, st, hex hd, slotted, Cd P, 6BA x 1/2in.		4	Reduce to 7/16in. lg
NI 22	A	G1	5310-99-913-9613 WASHER, LOCK, 0.120in. id x 0.300in. od x 0.051in. thk		4	u/w item 21
NI 23		NP SOCKET ASSEMBLY, ELECTRICAL	FV530647	1	
24	A	46MT4	5935-99-800-9927 CONNECTOR, FIXED, ELECTRICAL, 22-22S	FV585024	1	
NI 25	A	B3	1005-12-185-2101 TERMINAL, straight, 1/4in. hole	290	1	
NI 26		NP TERMINAL, flag, 5/16in. hole, 7/32in. dia cable entry, 1-1/16in. o/a lg	11	1	
NI 27	A	Y3	6145-99-945-5074 WIRE, ELECTRICAL, 120/0.012in. tinned copper, braid, blue	E21 UNIPREN50	A/R	
NI 28		NP PLATE, RETAINING, ELECTRICAL PUG/SOCKET	FV530641/5	1	
NI 29	A	Z2	5330-99-014-7137 GASKET, size 22S	FV585125	1	
NI 30	A	46MT4	5935-99-881-4410 CAP, blanking	10-70500-22	1	
NI 31		NP SCREW, MACHINE, st, hex hd, slotted, Cd P, 6BA x 1/2in.		4	Reduce to 7/16in. lg skt securing
NI 32	A	G1	5310-99-913-9613 WASHER, LOCK, 0.120in. id x 0.300in. od x 0.051in. thk		4	skt securing

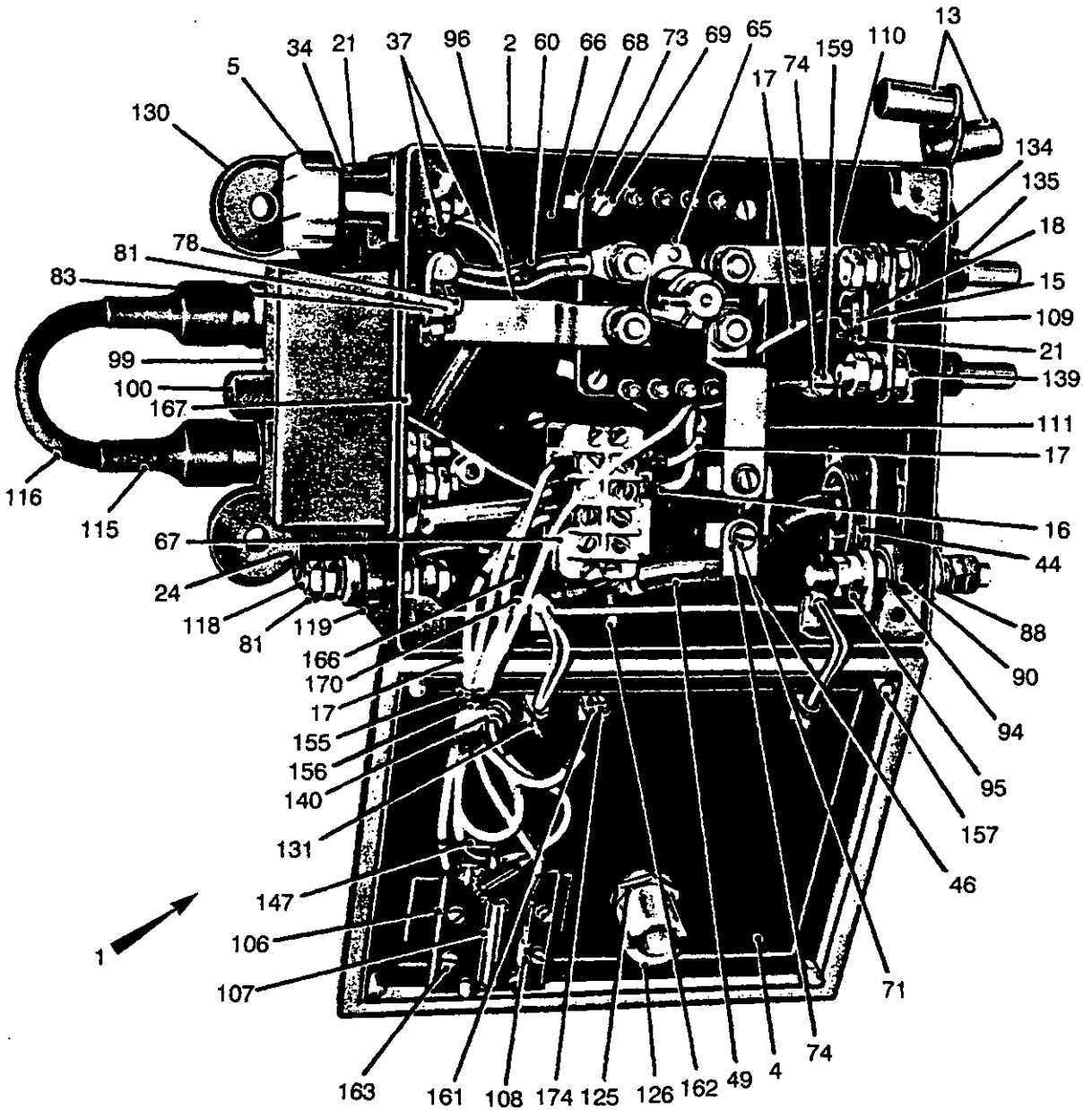


Fig 23 Distribution box, radio

430/70131

Fig Item	Man Code Navy - N Army - A RA/F - R	NATO Stock No	Item Name and Description	Part No/ Drawing No.	No. Off	Annotations
23-			ELECTRICAL EQUIPMENT GA - contd . ELECTRICAL EQUIPMENT, HULL, GA - contd ELECTRICAL EQUIPMENT, INTERNAL - contd DISTRIBUTION BOX, RADIO - contd			
NI 33		NP SOCKET ASSEMBLY, ELECTRICAL	FV530648	1	
34	A 46MT4	5935-99-804-2307 CONNECTOR, FREE, ELECTRICAL, 22-22S	FV585062	1	
NI 35	A B3	1005-12-185-2101 TERMINAL, straight, 1/4in. hole	290	1	
NI 36		NP TERMINAL, flag, 5/16in. hole, 7/32in. dia cable entry, 1-1/16in. o/a lg	11	1	
37	A Y3	6145-99-945-5074 WIRE, ELECTRICAL, 120/0.012in. tinned copper, braid, blue	E21 UNIPREN50	A/R	
NI 38		NP PLATE, RETAINING, ELECTRICAL PLUG/SOCKET	FV530641/5	1	
NI 39	A Z2	5330-99-014-7137 GASKET, size 22S	10-70500-22	1	
NI 40	A 46MT4	5935-99-881-4410 CAP, blanking		1	
NI 41		NP SCREW, MACHINE, st, hex hd, slotted, Cd P, 6BA x 1/2in.		4	Reduce to 7/16in. lg skt securing skt securing
NI 42	A G1	5310-99-913-9613 WASHER, LOCK, 0.120in. id x 0.300in. od x 0.051in. thk		4	
NI 43		NP SOCKET ASSEMBLY, ELECTRICAL	FV530649	1	
44	A 6MT4	5935-99-800-9964 PLUG, ELECTRICAL, 28-22P	FV585035	1	
NI 45	A 9MVCV	5940-99-802-9440 TERMINAL LUG, 4BA	32561	6	
46	A Z37	5940-99-654-3325 TERMINAL, flag, 3/16in.	CBT14	1	
NI 47	A B3	1005-12-185-2101 TERMINAL, straight, 1/4in. hole	290	1	
NI 48	A Y3	6145-99-943-4824 WIRE, ELECTRICAL, single conductor, 40/0.0076, 0.13in. dia, glass braid, polychloroprene insulated	UNIPREN12	A/R	
49	A Y3	6145-99-999-7727 WIRE, ELECTRICAL, Unipren 70	UNIPREN70	A/R	
NI 50		NP PLATE, RETAINING, ELECTRICAL PLUG/SOCKET	FV530641/7	1	
NI 51	A Z2	5330-99-014-7139 GASKET, size 28-22P	FV585127	1	
NI 52	A 6MT4	5935-99-881-5799 CAP, connector, protection, No. 28	10-70500-28	1	
NI 53		NP SCREW, MACHINE, st, slotted hd, Cd P, 4BA x 7/16in. lg		4	
NI 54	A G1	5310-99-943-6847 WASHER, LOCK, 0.152in. id x 0.340in. od x 0.05in. thk, 60/70 deg shore hardness		4	
NI 55		NP LABEL, self-adhesive	FV530664/ 1-9 & 31/39	1 ea	
NI 56		NP LEAD, ELECTRICAL, s/assy	FV530645	1	LM from following indented detail
NI 57	A Y3	6145-99-999-7727 WIRE, ELECTRICAL, Unipren 70	UNIPREN70	A/R	
NI 58	A 46MT4	5940-99-805-0745 TERMINAL, 5/16in. hole	CBT3	1	
NI 59		NP TERMINAL, ST3, 5/8in. hole		1	

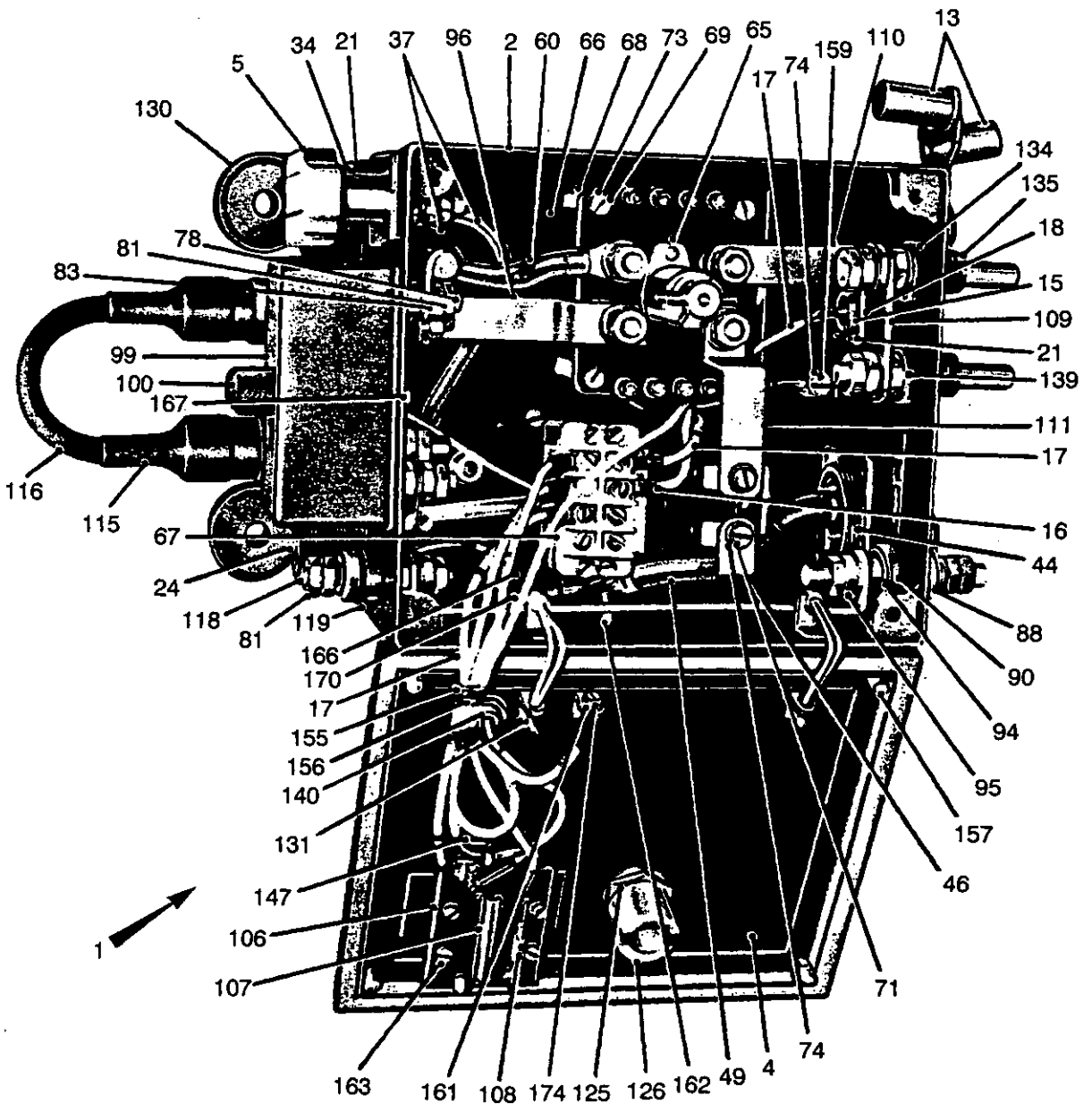


Fig 23 Distribution box, radio

430/70131

Fig Item	Man Code Navy - N Army - A RA/F - R	NATO Stock No	Item Name and Description	Part No/ Drawing No.	No. Off	Annotations
23-			ELECTRICAL EQUIPMENT GA - contd . ELECTRICAL EQUIPMENT, HULL, GA - contd ELECTRICAL EQUIPMENT, INTERNAL - contd DISTRIBUTION BOX, RADIO - contd			
NI 60		NP LEAD, ELECTRICAL, s/assy	FV530646	1	LM from following indented detail
NI 61	A Y3	6145-99-945-5075 WIRE, ELECTRICAL, 294/0.012in., 0.36in. od tinned copper, glass braid, syn ru, blue	UNIPREN100	A/R	
NI 62	A 6MT4	5940-99-805-1319 TERMINAL LUG, 0.328in. dia hole	CBT11	2	
NI 63	A 46MT4	5940-99-805-0745 TERMINAL, 5/16in. hole	CBT3	1	
NI 64		NP SWITCH, RELAY, sub assy	FV530658	1	
65		NP SWITCH, battery c/w auxiliary contacts	FV530692	1	Serviced as assy only
66		NP BASE SWITCH	FV5305656	1	
67	A 46MT4	5945-99-881-9392 RELAY, and terminal block sub-assy		1	Serviced as assy only
68		NP PILLAR	FV530688	4	
69		NP SCREW, MACHINE, st, flat fil hd, Cd P, 2BA x 9/16in. lg		4	
NI 70	A Z2	5305-99-941-9194 SCREW, MACHINE, st, flat fil hd, Cd P, 2BA x 3/8in. lg		4	
71	A G1	5305-99-101-6854 SCREW, MACHINE, br, ch hd, 2BA x 3/8in. lg		1	
NI 72	A G1	5305-99-941-9088 SCREW, MACHINE, st, ch hd, rustproof, 4BA x 5/16in. lg		3	
73	A G1	5310-99-943-3969 WASHER, LOCK, lock, shakeproof, int type 19, 2BA		8	
74		NP WASHER, FLAT, lock, phos bronze, flat int teeth, Zn P, 2BA, 0.395/0.406in. od		2	
NI 75		NP WASHER, FLAT, st, flat int teeth, Cd P, 4BA, 0.150in. id x 0.300in. od x 0.018in. thk		3	
NI 76		NP TERMINAL, SCREWED HEAD, fuse sub assy	FV530659	2	
NI 77	A 46MT4	5970-99-802-9436 INSULATOR, BOWL, 5/16in.	FV530589	1	
78		NP TERMINAL, SCREWED HEAD	FV530660	1	
NI 79	A 46MT4	5970-99-802-9437 INSULATOR, WASHER	FV530590	1	
NI 80		NP INSULATOR, BUSHING	FV530661	1	
81		NP NUT, PLAIN, HEXAGON, st, lock, Cd P, 5/16in. UNF		3	
NI 82		NP SCREW, MACHINE, br, hex hd, 5/16in. UNF x 3/8in. lg		1	
83		NP WASHER, FLAT, br, tin pl, 5/16in. id x 5/8in. od x 1/16in. thk		3	
NI 84	A G1	5310-99-101-0187 WASHER, LOCK, shakeproof, int type 12, 5/16in.		1	
NI 85	A 46MT1	5330-99-945-4372 RING, SEALING, TOROIDAL, 0.5in. id x 0.625in. od x 0.07in. thk, 84/95 deg shore hardness		1	
NI 86	A 46MT1	5330-99-943-1638 RING, SEALING, TOROIDAL, 0.375in. id x 0.50in. od x 0.0625in. thk, 84/95 deg shore hardness		1	

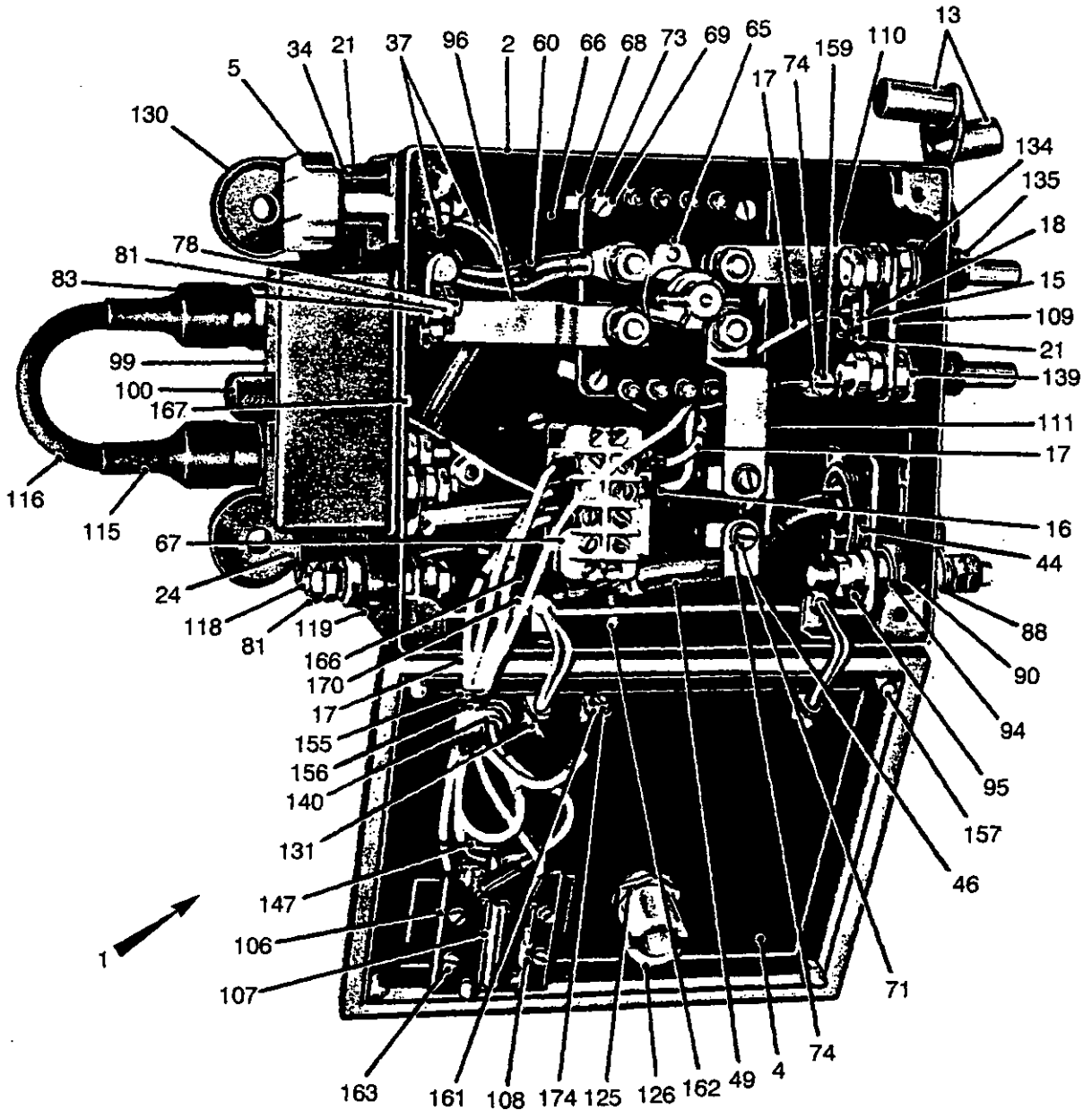


Fig 23 Distribution box, radio

430/70131

Fig Item	Man Code Navy - N Army - A RAF - R	NATO Stock No	Item Name and Description	Part No/ Drawing No.	No. Off	Annotations
23-			ELECTRICAL EQUIPMENT GA - contd . ELECTRICAL EQUIPMENT, HULL, GA - contd . . . ELECTRICAL EQUIPMENT, INTERNAL - contd . . . DISTRIBUTION BOX, RADIO - contd			
NI 87		NP TERMINAL, SCREWED HEAD, sub assy	FV530663	1	
88	A	46MT4	5940-99-805-1338 TERMINAL, SCREWED HEAD	FV530588	1	
NI 89	A	46MT4	5970-99-802-9447 INSULATOR, BOWL, 3/8in.	FV530587	1	
90	A	46MT4	5970-99-802-9445 INSULATOR, WASHER, 3/8in.	FV530585	1	
NI 91		NP INSULATOR, BUSHING, 3/8in.	FV530662	1	
NI 92	A	6MT1	5330-99-970-0248 RING, SEALING, TOROIDAL, 7/16in. id x 9/16in. od x 1/16in. thk, 84/95 deg shore hardness	SP915/1	1	
NI 93	A	46MT1	5330-99-801-7415 RING, SEALING, TOROIDAL, 5/8in. id x 3/4in. d x 1/16in. thk, 84/95 deg shore hardness		1	
94	A	G1	5310-99-120-6590 WASHER, FLAT, br, 3/8in. id x 3/4in. od x 0.048in. thk		3	
95	A	G1	5310-99-101-1692 NUT, PLAIN, HEXAGON, br, lock, chamfered, 3/8in. UNF		5	
96		NP BUSBAR, switch	FV530666	1	
NI 97		NP BUSBAR, neg	FV530665	1	
NI 98	A	46MT4	5920-99-881-9393 COVER, FUSE, fuse sub assy	FV530667	1	
99		NP COVER, ACCESS, fuse	FV530668	1	
100		NP NUT, CAPTIVE	FV530669	2	
NI 101		NP RING, RETAINING, circlip type 1400, 9/32in. shaft size	1400/9/32	2	
NI 102	A	6MT1	5330-99-523-7820 RING, SEALING, TOROIDAL, 0.301in. id x 0.070in. h	691-00011	2	
NI 103		NP GASKET, fuse cover	FV530670	1	
NI 104	A	6MT4	5307-99-881-9399 STUD, fuse cover	FV530671	2	
NI 105	A	46MT4	5940-99-881-9395 BOARD, terminal	FV530672	1	
106		NP TERMINAL BOARD	FV530673	1	
107	A	Z30	5905-99-014-0199 RESISTOR, FIXED, WIRE WOUND, vitreous enamelled, 160 ohms, 6W	TYPE W24	1	
108	A	Z42	5960-99-037-2043 SEMI-CONDUCTOR, DEVICE DIODE, silicon	CV7022	1	
109		NP LINK, TERMINAL, CONNECTION	FV530674	1	
110		NP BUSBAR, pos	FV530675	1	
111		NP BUSBAR, relay	FV530676	1	
NI 112		NP LINK, FLEXIBLE		1	
NI 113		NP SOCKET, ELECTRICAL, free, single pole, heavy duty	FV575820	2	
NI 114	A	46MT4	5975-99-881-9032 BUSHING, ELECTRICAL	FV534898	2	
115	A	46MT4	5935-99-812-9257 SHEATH, ELECTRICAL	FV575821	2	
116	A	Y3	6145-99-945-5075 WIRE, ELECTRICAL, 294/0.012in., 0.36in. od tinned copper, glass braid, syn ru, blue	UNIPREN 100	A/R	
NI 117		NP TERMINAL, SCREWED HEAD	FV530685	2	
118	A	46MT4	5940-99-805-1336 TERMINAL, STUD, 5/16in.	FV530592	1	
119	A	46MT4	5970-99-802-9436 INSULATOR, BOWL	FV530589	1	
NI 120		NP NUT, PLAIN, HEXAGON, st, lock, Cd P, 5/16in. UNF		5	
NI 121		NP WASHER, FLAT, br, tin pl, 5/16in. id, 5/8in. od, 1/16in. thk		3	

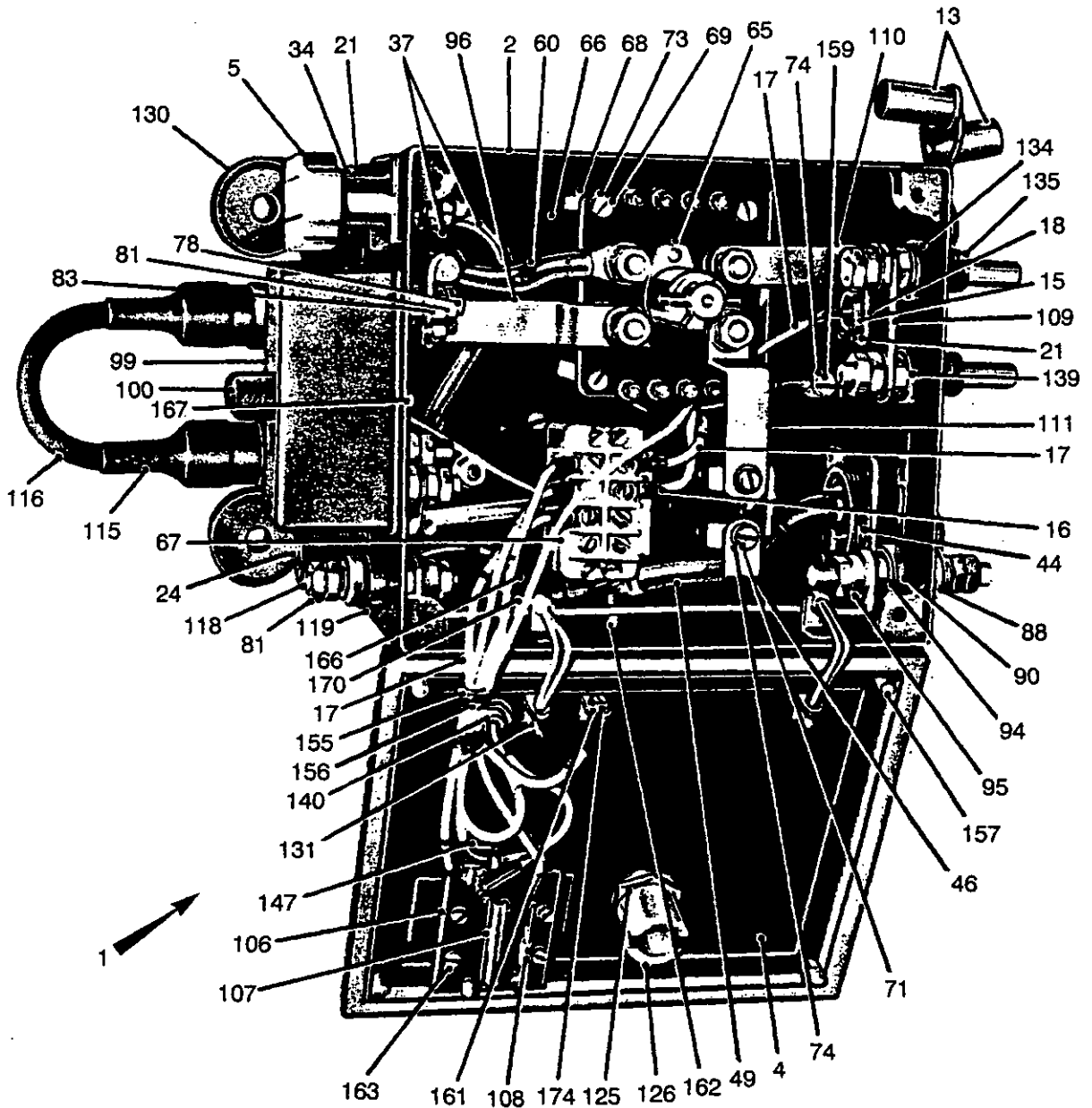


Fig 23 Distribution box, radio

430/70131

Fig Item	Man Code Navy - N Army - A RA/F - R	NATO Stock No	Item Name and Description	Part No/ Drawing No.	No. Off	Annotations
23-			ELECTRICAL EQUIPMENT GA - contd ELECTRICAL EQUIPMENT, HULL, GA - contd ELECTRICAL EQUIPMENT, INTERNAL - contd DISTRIBUTION BOX, RADIO - contd TERMINAL, SCREWED HEAD - contd			
NI 122	A 46MT1	5330-99-943-1638 RING, SEALING, TOROIDAL, 0.375in. id x 0.0625in. h	10-12-1911	1	
NI 123	A 46MT1	5330-99-945-4372 RING, SEALING, TOROIDAL, 0.50in. id x 0.07in. h	100-014- 1911	1	
NI 124	A 6MT4	6110-99-802-4055 HANDLE, SWITCH	FV530689	1	
125	A 6MT4	5975-99-802-4060 BUSHING, ELECTRICAL CONDUIT, br, Cd P, 3/4in. Whit form, hex wrenching facility, 1.00in. o/a lg, 3/4in. dia	FV530690	1	
126		NP SHAFT, SHOULDERED	FV530691/1	1	
NI 127	A 46MT1	5330-99-942-8454 WASHER, SEAL, FLAT, 3/4in. bolt size x 1.06in. id	AGS1188CC	1	
NI 128		NP NUT, PLAIN, HEXAGON, br, 3/4in.		1	
NI 129	A 6MT1	5330-99-523-7820 RING, SEALING, TOROIDAL, 0.301in. id x 0.070in. h	691-00011	1	
130	A 46MT4	5340-99-800-9907 MOUNT, RESILIENT	FV573436/2	4 sets	
131		NP EYELET, cable medium	FV31547	2	
NI 132	A 46MT4	5935-99-805-0012 PLUG, electrical, heavy duty	FV131143	5	
NI 133	A 46MT4	5935-99-805-0022 RETAINER, PACKING, clamp	FV39351	1	
134	A 46MT4	5970-99-805-0023 INSULATOR, WASHER, rd plastics, 0.406in. id x 0.937in. od x 0.125in. thk	FV39352	1	
135	A 46MT4	5970-99-805-2206 INSULATOR, BUSHING, bakelite, heavy duty panel plug	FV131069	1	
NI 136	A 46MT4	5330-99-881-3980 RING, SEALING, TOROIDAL, ru, 0.531in. id x 0.060in. h	FV107528	1	
NI 137	A 46MT1	5330-99-805-0032 RING, sealing, rubber plug	FV131065	1	
NI 138	A 6MT1	5330-99-801-6628 RING, SEALING, TOROIDAL, syn ru, 9/16in. id x 3/32in. h	FV131066	1	
139	A G1	5310-99-950-6170 WASHER, FLAT, 3/8in.		1	
140		NP LAMP HOLDER, miniature, sealed, red	80-10-1350	1	
NI 141	A X1	6250-99-012-0913 LAMP HOLDER	SE58000- 010	1	
NI 142	A Z1	6210-99-012-7421 LENS, INDICATOR, LIGHT, glass, red, translucent, 5/8in. lg x 3/4in. dia	80/10/1560 RED	1	
NI 143	A X5	6240-99-995-9118 LAMP, FILAMENT, 28V, 0.004A, midget flange, clear	SE8000-207	1	
NI 144		NP FUSE, link, 100A	L1330/100	1	
NI 145	A 6MT1	4730-99-942-8491 PLUG, SCREWED, br hex hd, flanged, 3/8in. BSP	884/3	1	
NI 146	A G1	5310-99-941-9410 WASHER, SEAL, LOCK, 0.385in. id x 0.730in. od x 0.080in. thk	GD1321/6	1	
147	A Z32	5930-99-051-0578 SWITCH, LEVER, SPCO, SMSB, 10A, 150V ac	Z51078	1	
NI 148	A 46MT4	5930-99-802-9430 GUARD, SWITCH	FV481532	1	
NI 149		NP LEADS, ELECTRICAL	FV530644/1- 9	1	

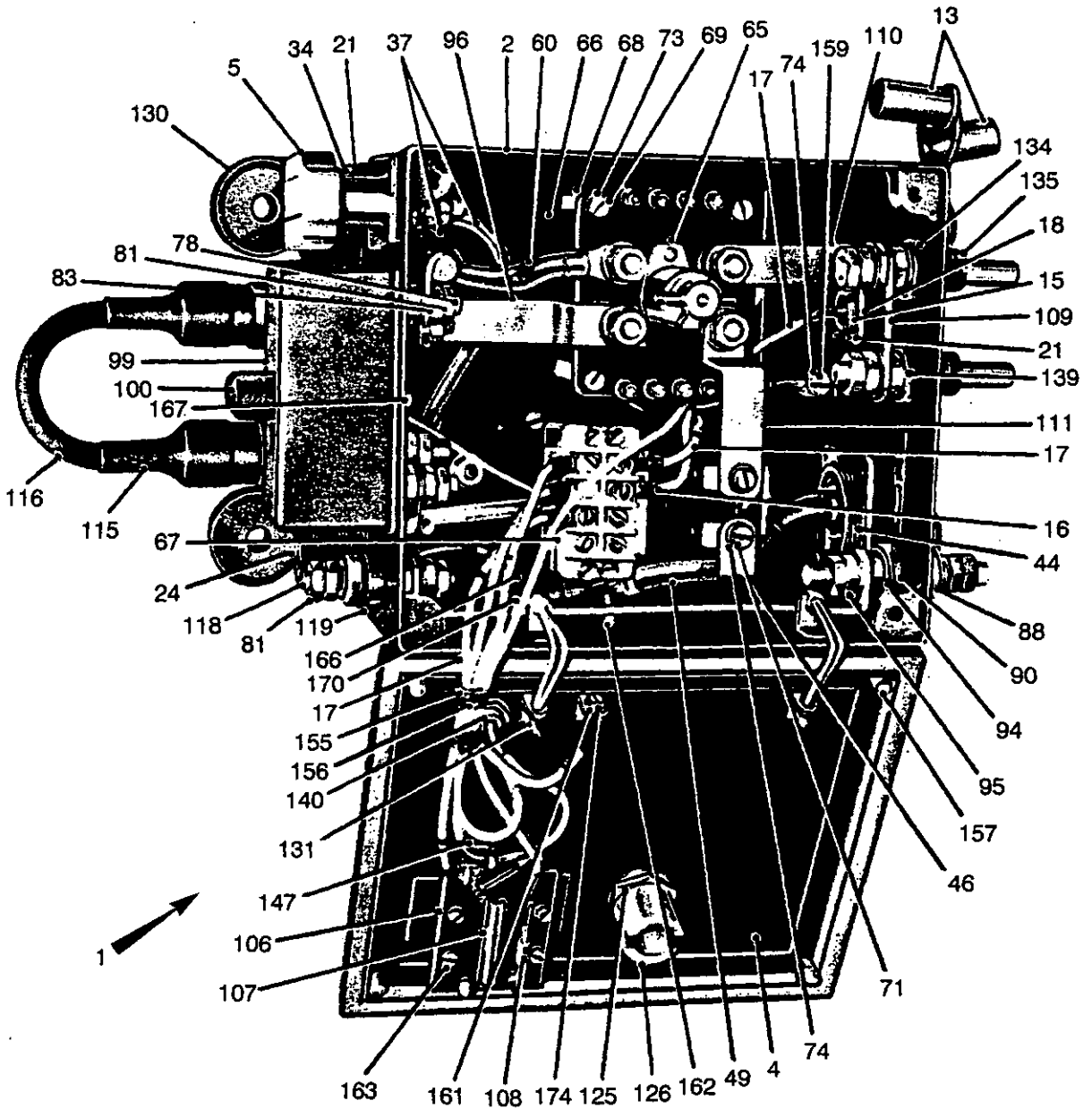


Fig 23 Distribution box, radio

430/70131

Fig Item	Man Code Navy - N Army - A RAF - R	NATO Stock No	Item Name and Description	Part No/ Drawing No.	No. Off	Annotations
23-			ELECTRICAL EQUIPMENT GA - contd . ELECTRICAL EQUIPMENT, HULL, GA - contd . . . ELECTRICAL EQUIPMENT, INTERNAL - contd . . . DISTRIBUTION BOX, RADIO - contd . . . LEADS, ELECTRICAL - contd			
NI 150	A Y3	6145-99-943-4824 WIRE, ELECTRICAL, single conductor, 40/0.0076, 0.13in. dia, glass braid, polychloroprene insulated	UNIPREN12	1	
NI 151	A Z37	5940-99-901-1516 TERMINAL LUG, 37/64in. lg x 1/16 cable hole x 4BA	2014	1	
NI 152	A Z37	5940-99-932-4792 TERMINAL LUG, 1/2in. x 0.062 cable hole x 2BA	R000/2BA	A/R	
NI 153	A 9MCV	5940-99-802-9440 TERMINAL LUG, 4BA	32561	3	
NI 154		NP TERMINAL, rolled, flag tag, 5/16in. dia	10/5/16in.		
155	A Y3	9330-99-943-4858 PLASTICS, STRIP, plastic, pvc, 5/16in. w	HV3254	A/R	
156	A Y3	5325-99-943-4856 STUD, nylon	OP3255	2	
157	A 46MT4	5305-99-817-1535 SCREW, CAPTIVE, cover	FV446943	4	
NI 158	A G1	5330-99-943-6849 WASHER, SEAL, LOCK, st, 0.260in. nom hole dia, 0.470in. nom thk, 0.525in. nom od	GD1321/4	4	
159		NP SCREW, MACHINE, br, ch hd, 2BA x 1/2in. lg		1	Earth terminal
NI 160		NP SCREW, MACHINE, cres, csk hd, 4BA x 5/16in. lg		1	Adjust to lg
161	A G1	5305-99-121-1751 SCREW, MACHINE, br, ch hd, anti- corrosive, 4BA x 3/8in.		1	Earth cover
162		NP SCREW, nylon, ch hd, 2BA x 1/4in. lg		1	Neg busbar
163		NP SCREW, MACHINE, cres, ch hd, 4BA x 1/4in. lg		6	Terminal panel
NI 164	A G1	5310-99-804-7941 NUT, PLAIN, HEXAGON, ST, Zn P, 1/4in. UNF		4	Base fixing
NI 165		NP BUSH	FV530588	4	
166	A G1	5310-99-941-0902 NUT, PLAIN, HEXAGON, st, lock, chamfered, 1/4in. UNF	FV692585	5	Busbar & earth
167	A G1	5305-99-101-6807 SCREW, MACHINE, st, Cd P, 2BA x 2-3/4in. lg, flat csk hd, slot drive		2	Fuse cover
NI 168	A G1	5310-99-941-9113 NUT, PLAIN, HEXAGON, br, anti- corrosive, 4BA		1	Earth cover
NI 169	A G1	5310-99-946-5179 NUT, PLAIN, HEXAGON, br, lock, anti-corrosive, 4BA		1	
170	A G1	5310-99-941-9964 WASHER, FLAT, br, tin pl, 1/4in.		3	Earth busbar
NI 171	A G1	5310-99-122-3033 WASHER, FLAT, st, 0.25in. id x 0.050in. od x 1/32in. thk		4	Base fixing
NI 172	A Z2	5310-99-100-6946 WASHER, LOCK, st, int, 2BA		1	Fuse cover
NI 173		NP WASHER, LOCK, phos bronze, int flat, Zn P, 2BA		1	Earth terminal
174	A G1	5310-99-120-0328 WASHER, LOCK, phos bronze, int flat, Zn P, 4BA		2	Earth cover
NI 175	A 6MT1	5310-99-120-2520 WASHER, LOCK, st, int, flat, Zn P, 0.125in. id		5	Panel & cord
NI 176	A G1	5310-99-943-6847 WASHER, SEAL, LOCK, 0.152in. id x 0.340in. od x 0.05in. thk	GD1321-2	7	

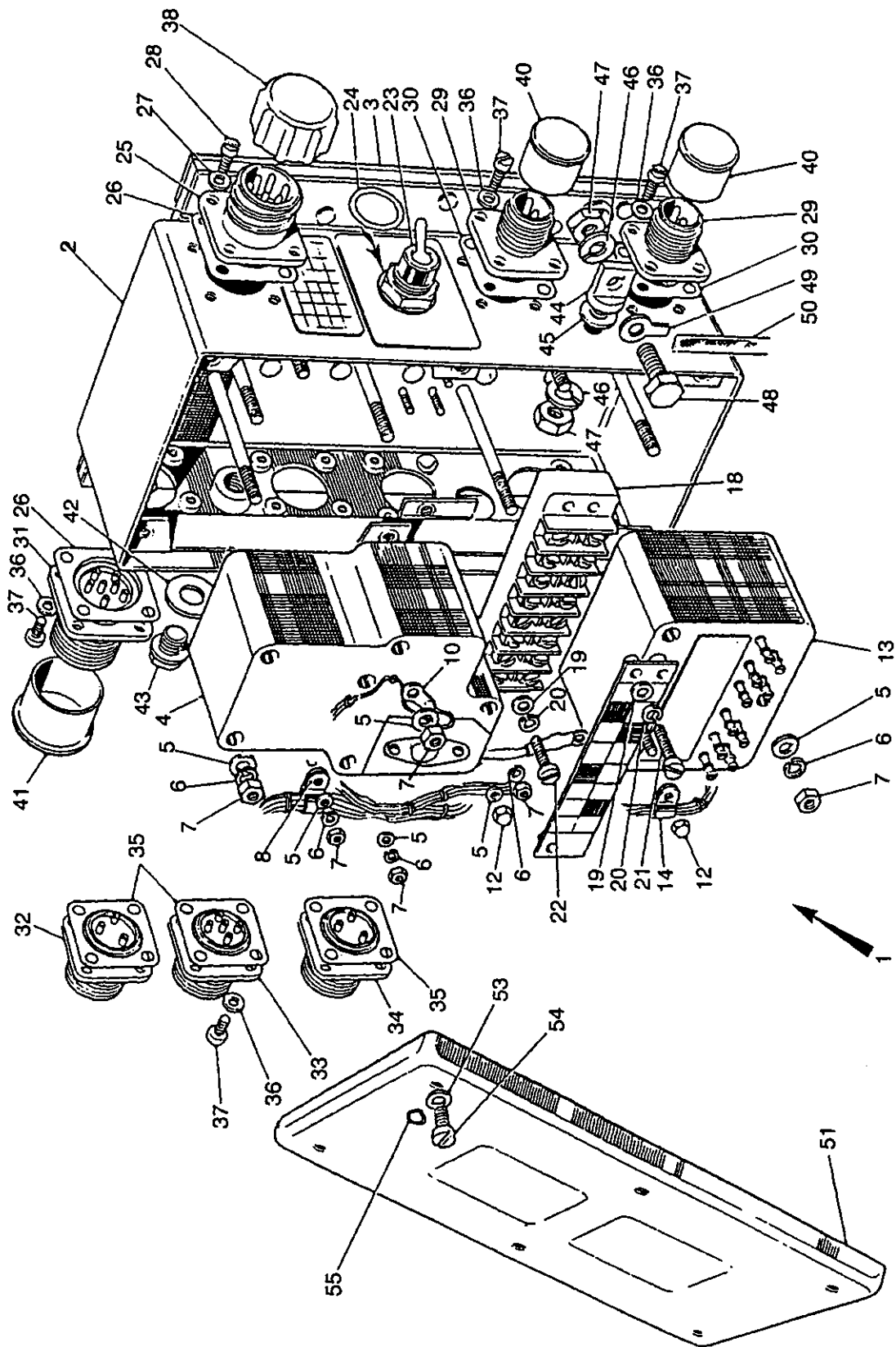


Fig 24 Control box, fire wire

430/70114

Fig Item	Man Code Navy - N Army - A RAF - R	NATO Stock No	Item Name and Description	Part No/ Drawing No.	No. Off	Annotations	
24-			ELECTRICAL EQUIPMENT GA - contd . ELECTRICAL EQUIPMENT, HULL, GA - contd . . . ELECTRICAL EQUIPMENT, INTERNAL - contd				
1	A	9AHY	4210-99-734-7818	. . . CONTROL BOX, FIRE WIRE, 5-3/4in. w, 7-3/4in. lg, 3.2in. h, w/earth strap and mtg plate	FV1068358	1	
2			NP	. . . BOX AND MOUNTING STRAP ASSEMBLY	D4424	1	
3	A	46MT4	4210-99-810-2254 STRAP, MOUNTING, rect, Cu braid edges	41121-128	1	
4	A	6MT4	4210-99-734-7820 MODULE CONTROL, fire detector system, 42mm x 70mm x 85.9mm body	FV1068359	1	
5	A	G1	5310-99-948-0389 WASHER, FLAT, steel, Cd plated, 4BA bolt size, 19/64in. od, 1/32in. thk		9	
6			NP WASHER, LOCK, steel, Cd plated, split helical ring, 4BA bolt size, 5/16in. od, 0.048in. thk	AGS162-B	9	
7	A	G1	5310-99-120-0118 NUT, PLAIN, HEXAGON, 4BA thd, steel, Cd plated w/chromate, 1/4in. w A/F, 3/32in. h, chamfered		9	
8	A	Z1	5340-99-932-5187 CLAMP, LOOP, plastics, 1/4in. loop id, 0.14in. dia hole		1	
NI 9			NP SPACER	31612-709	1	
10			NP BOX PLUG LEAD ASSEMBLY	43474-133	1	
NI 11			NP SLEEVE	27131-241	2	
12			NP NUT, SELF-LOCKING, HEXAGON, 6BA, prevailing torque w/non-metallic insert	AGS2002 AINYLOC	4	
13	A	6MT4	4210-99-881-4028 RELAY, FIRE DETECTOR SYSTEM	FV562001-1	1	
14	A	Z1	5340-99-932-5186 CLAMP, LOOP, plastics, 0.202in. loop id, unthd torque hole 0.143in. dia		1	
NI 15	A	G1	5310-99-971-3720 WASHER, SPRING TENSION, Cu alloy, Cd plated w/chromate, 1/8in. id, 1/4in. od, 11/64in. thk	DP1002	1	
NI 16			NP WASHER, FLAT, steel, Zn plated, 0.288in. od, 0.123in. id, 0.036in. thk	21171-003	1	
NI 17			NP SPACER, SLEEVE, Al alloy, anodized, shouldered, 0.317in. lg, 0.21in. od, 0.17in. id	321433-401	3	
18			NP TERMINAL BOARD	43429-110	1	
NI 19	A	G1	5310-99-948-0389 WASHER, FLAT, steel, Cd plated, 4BA bolt size, 19/64in. od, 1/32in. thk		4	
20			NP WASHER, LOCK, steel, Cd plated, split helical ring, 4BA bolt size, 5/16in. od, 0.048in. thk	AGS162-B	4	
21	A	G1	5305-99-120-0189 SCREW, MACHINE, steel, flat fillister hd, No. 4 x 1in. lg		3	
22	A	G1	5305-99-901-9278 SCREW, MACHINE, steel, Zn plated, 4BA thd, 0.625in. lg, flat fillister hd, slot drive		1	
23	A	Z32	5930-00-470-0329 SWITCH, TOGGLE	27463-111	1	
24			NP RING, SEAL		1	
25			NP CONNECTOR, FIXED, ELECTRICAL	SB104T4BM 12SX1	1	No. 6
26	A	6MT1	5330-99-014-7134 GASKET, syn rubber, sq, 0.885in. id, 4 bolt holes, 0.033in. thk, 1.289in. sq	SB-165-RPG	2	

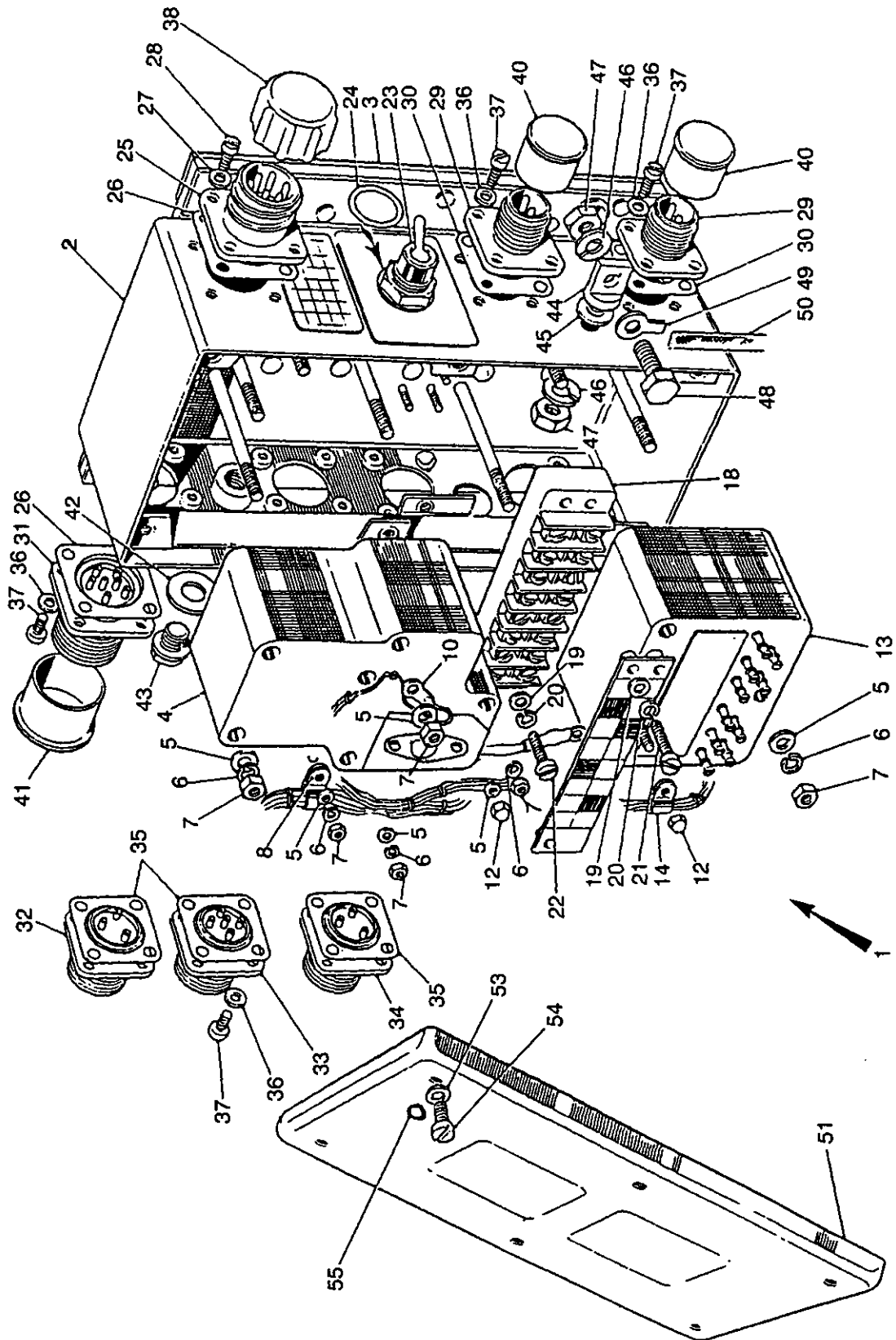


Fig 24 Control box, fire wire

430/70114

Fig Item	Man Code Navy - N Army - A RA/F - R	NATO Stock No	Item Name and Description	Part No/ Drawing No.	No. Off	Annotations
24-			ELECTRICAL EQUIPMENT GA - contd . ELECTRICAL EQUIPMENT, HULL, GA - contd . . . ELECTRICAL EQUIPMENT, INTERNAL - contd . . . CONTROL BOX, FIRE WIRE - contd			
27	A G1	5310-99-943-6847	. . . WASHER, LOCK, rubber/steel, flat int teeth, 0.152in. id, 0.34in. od, 0.05in. thk		4	
28		NP	. . . SCREW, MACHINE, 4BA x 7/16in. lg, br, Ni plated, flat fillister hd, slot drive	S420	4	
29	A 6MT4	5935-99-800-9966	. . . CONNECTOR, FIXED, ELECTRICAL, straight shape, 1.192in. lg, 1in sq flange, Cd plated w/olive drab chromate finish, single mating end, 2 contacts, rubber insert, Al alloy	FV585002	2	No. 4, 5
30	A 9BTR	5330-99-014-7131	. . . GASKET, syn rubber, 0.6275in. hole dia, 4 bolt holes, 0.0335in. thk	FV2184210	2	
31	A 6MT4	5935-99-881-9666	. . . CONNECTOR, FIXED, ELECTRICAL, straight shape, thd, 1.281in. sq, single mating end, 7 contacts, Al alloy	FV585014	1	No. 7
32	A 6MT4	5935-99-881-9663	. . . CONNECTOR, FIXED, ELECTRICAL, straight shape, thd, 1.06in. lg, 1- 3/16in. w, 1-3/16in. h, Cd plated shell, single mating end, 3 contacts, Al alloy shell	FV585007	1	No. 1
33	A 6MT4	5935-99-800-9949	. . . CONNECTOR, FIXED, ELECTRICAL, straight shape, thd, 1.188in. sq, 1.04in. lg, mating end, 5 contacts, Al alloy shell	FV585006	1	No. 2
34	A 6MT4	5935-99-881-9665	. . . CONNECTOR, FIXED, ELECTRICAL, straight shape, thd, 1.188in. lg, single mating end, 3 contacts, Al alloy shell, neoprene insert Cd plated	FV585008	1	No. 3
35	A 46MT4	5330-00-585-1591	. . . GASKET, non-metallic cross section, 0.13in. hole dia, 1.125in. lg, 1.125in. w, 0.875in. aperture dia, w/4 bolt holes, syn rubber	FV585122	3	
36	A G1	5310-99-913-9613	. . . WASHER, LOCK, syn rubber/steel, 6BA screw size, 0.3in. od, 0.05in. thk	ST6359	24	
37	A G1	5305-99-120-0192	. . . SCREW, MACHINE, 6BA x 7/16in. lg, flat fillister hd		24	
38	A Z32	5935-99-940-8601	. . . COVER, ELECTRICAL CONNECTOR, plastics, 1-13/64in. dia, 33/64in. lg, int thd	508/2/41181	1	
NI 39	A 6MT4	5935-99-881-5797	. . . COVER, ELECTRICAL CONNECTOR, plastics, shell size 13, 1-1/8in. dia, 5/8in. lg	10-70500-14	3	u/w items 32, 33, 34
40	A Z32	5935-99-102-9579	. . . COVER, ELECTRICAL CONNECTOR, red polythene, 5/8in. id, 3/4in. od, 5/8in. h	C10-70500- 10	2	
41	A 6MT4	5935-99-881-5798	. . . COVER, ELECTRICAL CONNECTOR, non-metallic, 1-1/4in. dia, 11/16in. lg, friction mtg	10-70500-16	1	
42	A G1	5310-99-941-9410	. . . WASHER, LOCK, syn rubber/steel, 3/8in. bolt size, 0.73in. od, 0.8in. thk	GD1231-6	1	
43	A 6MT1	4730-99-101-3219	. . . PLUG, SCREWED, br, Cd plated, 0.49in. lg	AGS216-A	1	
44	A 6MT4	5940-99-743-8413	. . . TERMINAL POST	33111-101	1	

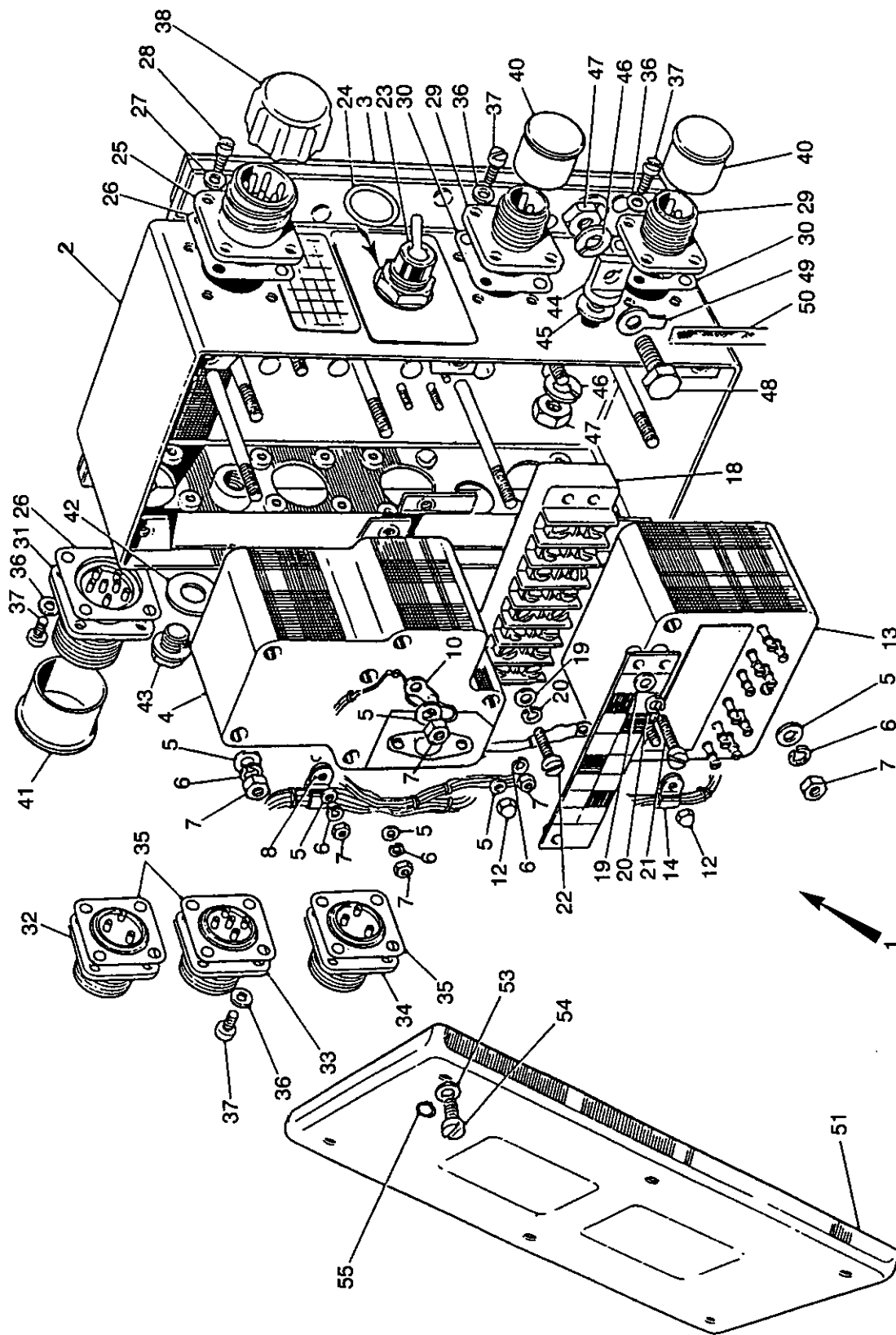


Fig 24 Control box, fire wire

430/70114

Fig Item	Man Code Navy - N Army - A RAF - R	NATO Stock No	Item Name and Description	Part No/ Drawing No.	No. Off	Annotations
24-			ELECTRICAL EQUIPMENT GA - contd . ELECTRICAL EQUIPMENT, HULL, GA - contd . . . ELECTRICAL EQUIPMENT, INTERNAL - contd . . . CONTROL BOX FIRE WIRE - contd			
45	A 6MT4	4210-99-743-8425	. . . WASHER, TERMINAL, steel, 'D' shaped hole, 17.64in. dia, 7/32in. across 'D', 33/64in. washer w, 35/64in. lg dished	36231-101	1	
46	A G1	5310-99-941-6654	. . . WASHER, LOCK, steel, split helical ring, 1/4in. bolt size, 27/64in. od, 5/64in. thk		2	
47	A G1	5310-99-101-1475	. . . NUT, PLAIN, HEXAGON, BSF, 1/4in. dia, rh, steel, Cd plated, 7/16in. w A/F, 3/16in. h, chamfered		2	
48		NP	. . . SCREW, MACHINE, BSF, steel, Cd plated, hex hd, 1/4in. dia x 5/8in. lg		1	
49	A Z37	5940-99-932-4897	. . . TERMINAL LUG, 1/4in. dia, br, electro-tinned, 1-1/16in. lg, 11/16in. w, 0.028in. h	222	1	
50		NP	. . . EARTH BONDING STRAP		1	
51		NP	. . . LID	D4255	1	
NI 52	A 6MT4	5330-99-809-8204	. . . GASKET, rubber, rect shape, 7-3/8in. lg, 3-7/8in. w, 1/4in. thk	D5045	1	
53	A G1	5310-99-943-6848	. . . WASHER, LOCK, rubber/steel, flat int teeth, 0.197in. id, 0.06in. thk, 0.44in. od, steel locking feature	435-004- 1574-91	6	
54	A 6MT4	5305-99-941-7991	. . . SCREW, EXTERNALLY RELIEVED BODY, 2BA, 1/4in. thd lg, 5/8in. fastener lg, steel, Cd plated w/chromate, knurled hd, slot drive	SDA58891	6	
55	A 6MT1	5365-99-801-8298	. . . RING, RETAINING, steel, 1/32in. thk, 15/64in. shaft dia, 9/64in. groove dia, 3/64in. w groove		6	

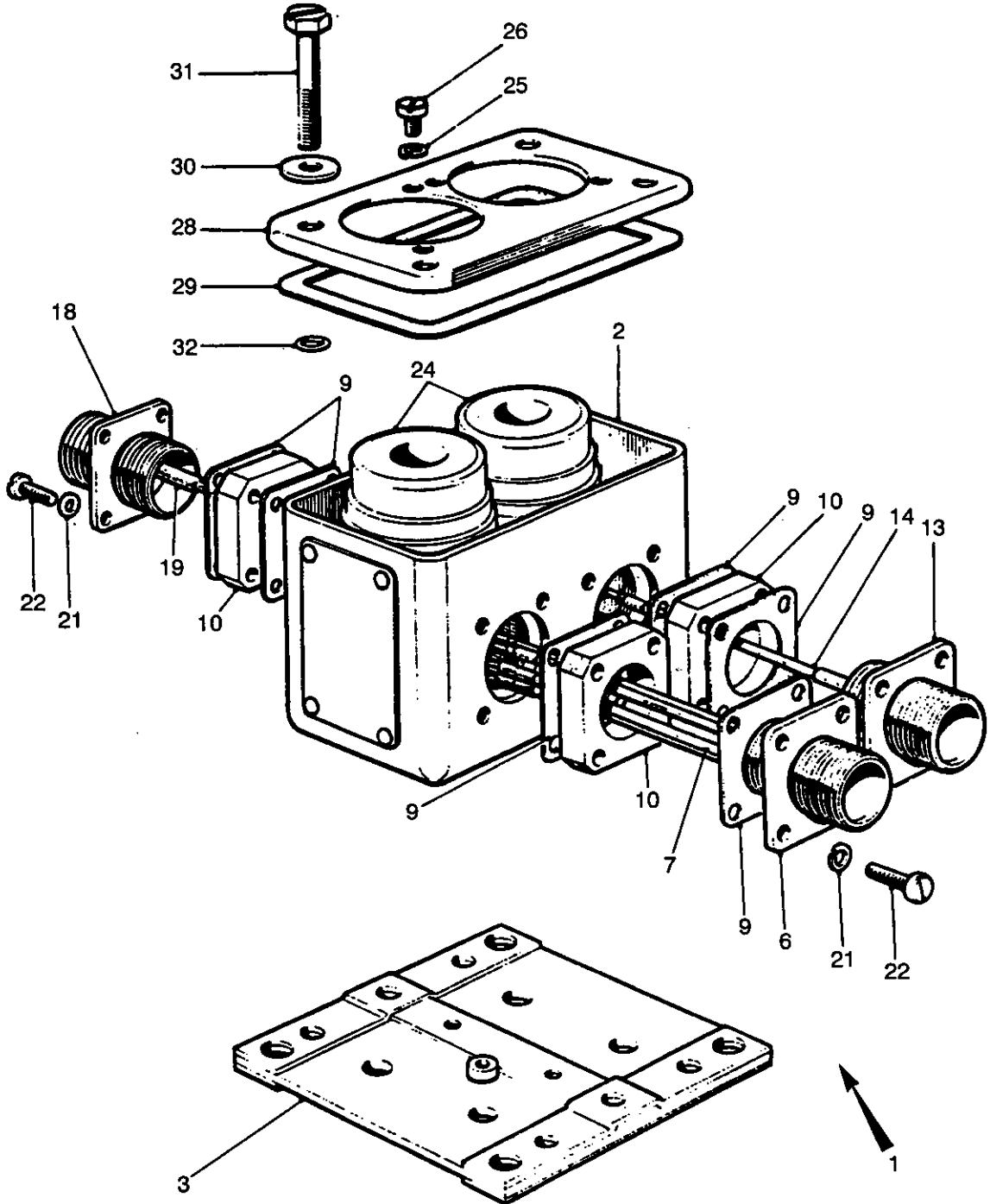


Fig 25 Junction box, smoke discharger

430/70133

Fig Item	Man Code Navy - N Army - A RAF - R	NATO Stock No	Item Name and Description	Part No/ Drawing No.	No. Off	Annotations	
25-			ELECTRICAL EQUIPMENT GA - contd ELECTRICAL EQUIPMENT, HULL, GA - contd ELECTRICAL EQUIPMENT, INTERNAL - contd				
1	A	6MT4	5975-99-838-5151	JUNCTION BOX, SMOKE DISCHARGER, enamelled, 3-1/2in. lg, 3-3/4in. w, 3-1/4in. h, black, 4 mtg holes 1/4in. dia	FV959041	1	
2			NP	BOX ASSEMBLY	FV580892	1	
3	A	46MT4	5340-99-813-4663	MOUNT, RESILIENT	Y6096/16	1	
NI 4	A	46MT4	5935-99-802-9423	PLATE, RETAINING, ELECTRICAL PLUG, st, 1.00in. sq x 0.112in. thk	FV410126	1	
NI 5			NP	PLUG, ELECTRICAL ASSEMBLY	FV580884	1	
6	A	6MT4	5935-99-624-3314	CONNECTOR, RECEPTACLE, ELECTRICAL, fixed, female, size 10 SL, 3 pole	FV585001	1	
7	A	Y3	6145-99-100-4628	WIRE, ELECTRICAL, single conductor, glass braid, 40/0.0076in.	UNIPREN 6	A/R	
NI 8			NP	TERMINAL LUG	5459-246	2	
9	A	9BTR	5330-99-014-7131	GASKET, syn ru, 1.00in. sq x 1/32in.	FV585121	6	} Plug
10			NP	PACKING PIECE	FV580887	3	
NI 11	A	46MT4	5935-99-802-9423	PLATE, RETAINING, ELECTRICAL PLUG, st, 1.00in. sq x 0.112in. lg	FV410126	1	
NI 12			NP	CONNECTOR, RECEPTACLE, ELECTRICAL, fixed, female, size 10 SL, 3 pole	FV585001	1	
14	A	Y3	6145-99-100-4628	WIRE, ELECTRICAL, single conductor, glass braid, 40/0.0076in.	UNIPREN 6	A/R	
NI 15			NP	TERMINAL LUG	5459-246	2	
NI 16	A	46MT4	5935-99-802-9423	PLATE, RETAINING, ELECTRICAL PLUG, st, 1.00in. sq x 0.112in. lg	FV410126	1	
NI 17			NP	PLUG, ELECTRICAL ASSEMBLY	FV580886	1	
18	A	6MT4	5935-99-624-3314	CONNECTOR, RECEPTACLE, ELECTRICAL, fixed, female, size 10 SL, 3 pole	FV585001	1	
19	A	Y3	6145-99-100-4628	WIRE, ELECTRICAL, single conductor, glass braid, 40/0.0076in.	UNIPREN 6	A/R	
NI 20			NP	TERMINAL LUG	5459-246	1	
21	A	G1	5310-99-944-0545	WASHER, LOCK, st, single coil, sq sect, Cd P, 1/8in.		12	} Plug fixing
22	A	G1	5305-99-941-2303	SCREW, MACHINE, st, fil, hd, slot drive, Cd P, No. 4 UNC x 5/8in. lg		12	
NI 23			NP	PLATE, RETAINING	FV580780	1	
24	A	46MT4	5930-99-808-3085	SWITCH, PUSH, double pole, normally open, flange type B	FV635765	2	
25	A	G1	5310-99-944-0545	WASHER, LOCK, st, single coil, sq sect, Cd P, 1/8in.		4	} Push switch
26	A	Z2	5305-99-941-2301	SCREW, MACHINE, st, fil hd, slot drive, Cd P, No. 4 UNC x 3/8in. lg		4	
NI 27	A	Z32	5935-99-102-9579	CAP, BLANKING	10-70500-10	3	} Plugs
28			NP	COVER, ASSEMBLY	FV580893	1	
29	A	46MT4	5330-99-881-8335	GASKET, syn ru, 1-5/16in. x 3-5/16in. x 1/32in. thk	FV410982	1	
30	A	46MT1	5330-99-801-3728	WASHER, SEAL, FLAT, ru/steel, 0.210in. id	FV(S)108/3	4	
31	A	46MT4	5305-99-809-6003	SCREW, MACHINE, st, hex hd, slot drive, Cd P, No. 10 UNC x 1.00in. lg	FV410505	4	
32	A	46MT1	5340-99-942-5696	RING, RETAINING, st, ext, 5/32in. lg	1400-5-32	4	

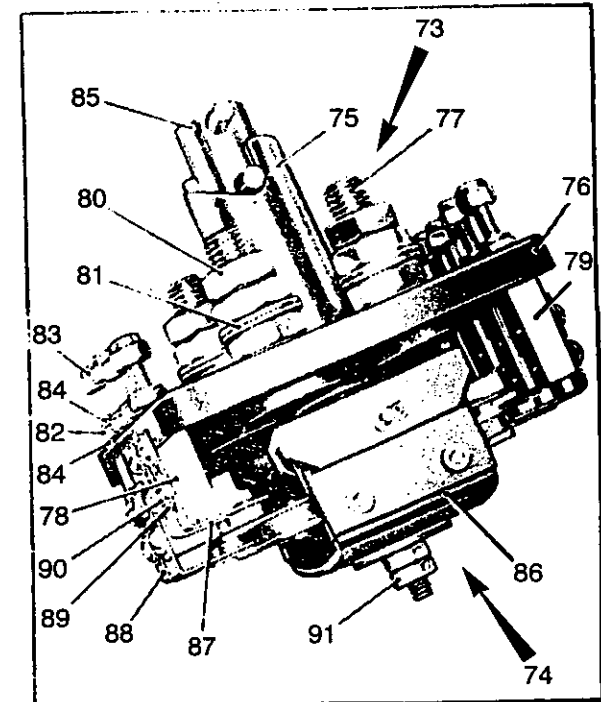
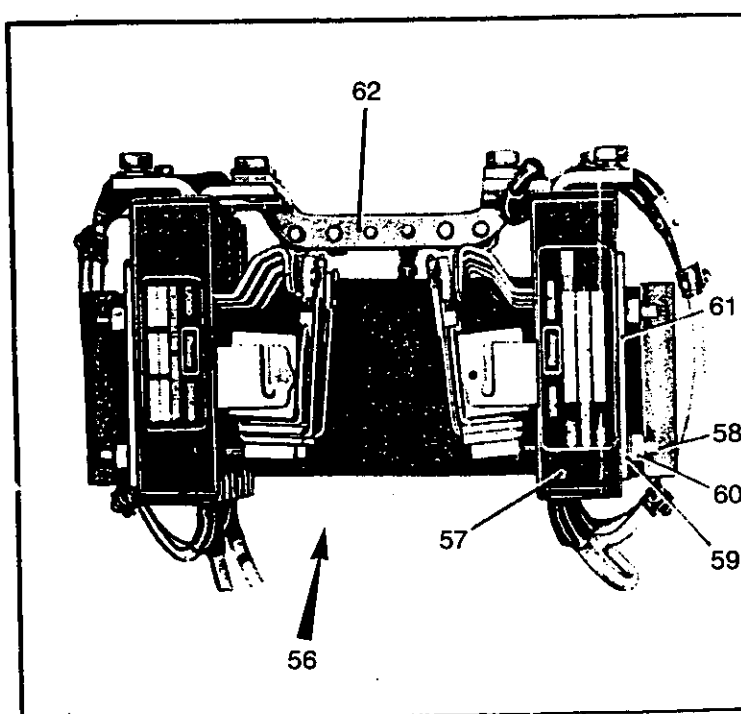
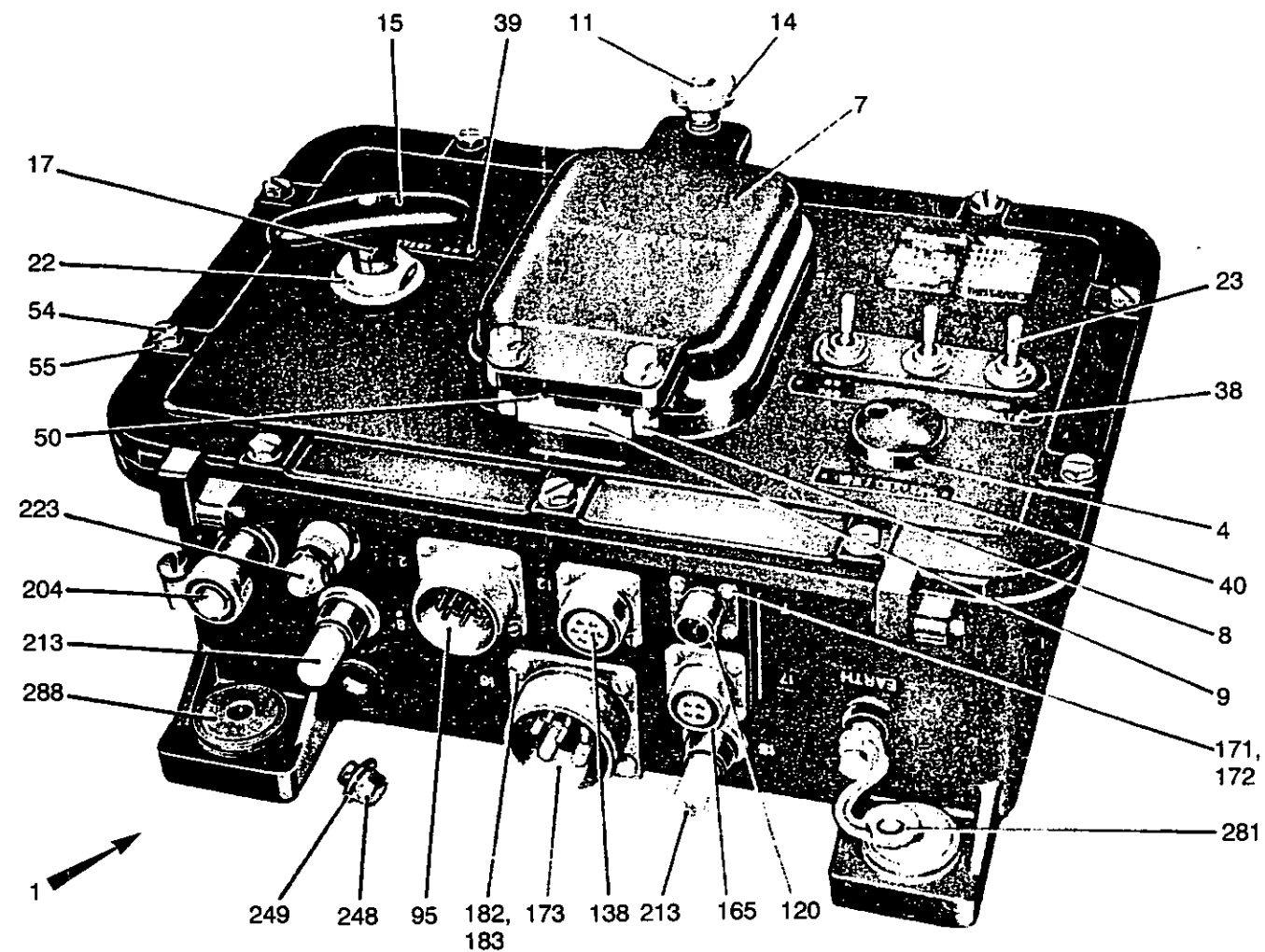
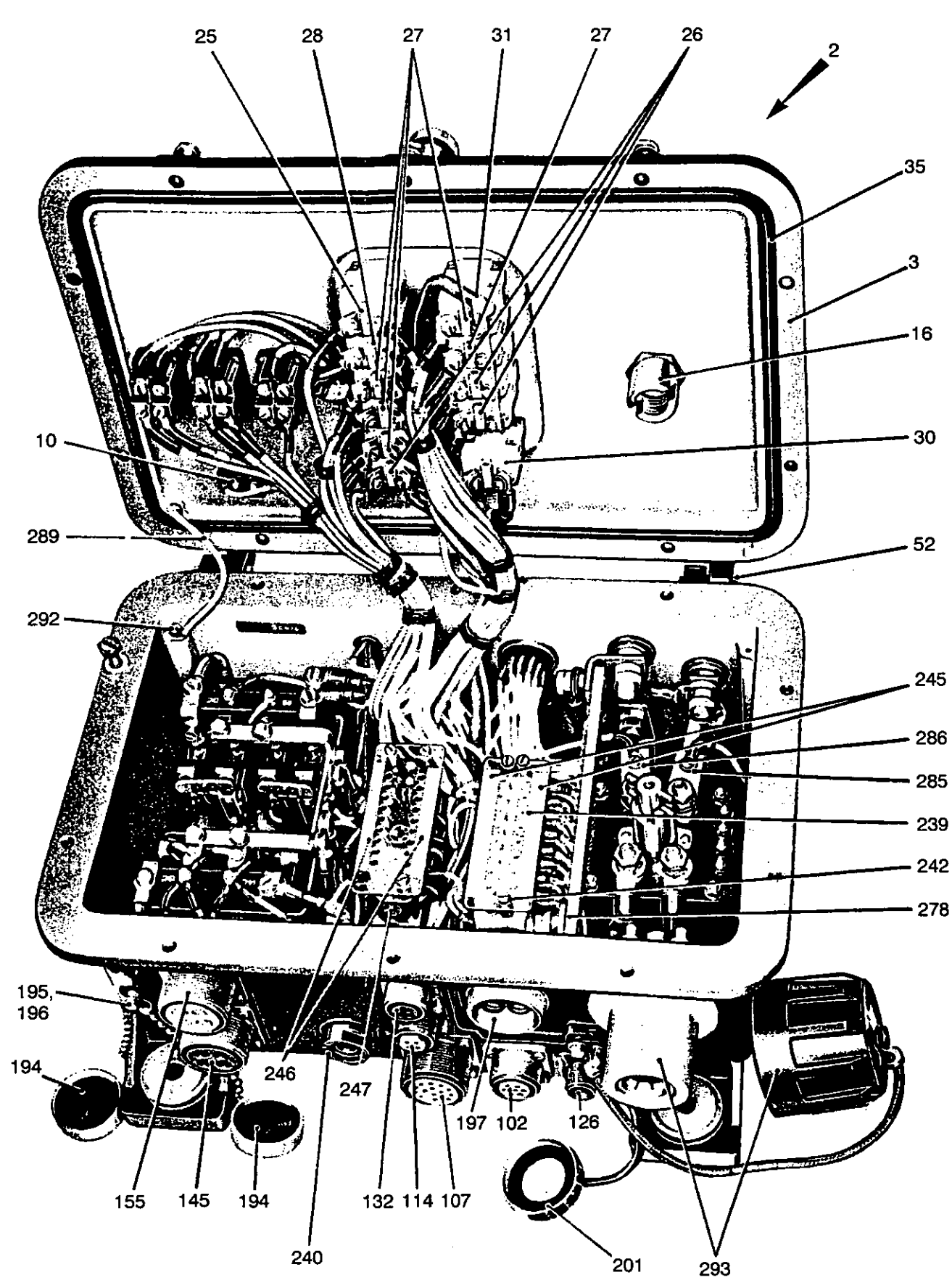


Fig 26 Distribution box

430/70119

Fig Item	Man Code Navy - N Army - A RA/F - R	NATO Stock No	Item Name and Description	Part No/ Drawing No.	No. Off	Annotations
26-			ELECTRICAL EQUIPMENT GA - contd . ELECTRICAL EQUIPMENT, HULL, GA - contd ELECTRICAL EQUIPMENT, INTERNAL - contd			
1	A	9ACR	6110-99-802-4051 DISTRIBUTION BOX, 14-35/64in. lg, 12-1/2in. w, 8-11/32in. deep	FV534891	1	
2	A	46MT4	6110-99-802-4052 COVER, DISTRIBUTION BOX, 14-35/64in. lg, 10-1/16in. w, 3-3/4in. h	FV573597	1	
3		NP COVER, DISTRIBUTION BOX		1	
4	A	46MT4	5355-99-802-4053 KNOB AND SPINDLE ASSEMBLY, Al alloy, press fit type, rd, 1.375in. od, 0.311in. dia shaft, 1.01in. lg	FV573527	1	
NI 5		NP SPINDLE, knurled	FV573516	1	
NI 6		NP KNOB, switch	FV573517	1	
7	A	46MT4	5925-99-802-4054 COVER, CIRCUIT BREAKER, Al alloy, black, 7-3/8in. lg, 4-3/8in. w, 1.00in. h	FV573521	1	
8	A	46MT4	5306-99-820-9994 BOLT, EYE	FV573526	2	
9	A	46MT4	2590-99-820-9993 HINGE	FV573525	1	
10	A	Z32	5930-99-790-0974 SWITCH, micro, 4 circuit, double breaker	M1	1	
11	A	46MT4	5306-99-820-9995 BOLT, EYE	FV573529	2	
NI 12	A	46MT4	5340-99-820-9996 CLEVIS	FV573530	1	
NI 13		NP PIN, spring, 5/32in. dia x 0.5in. lg seloc		1	
14	A	46MT4	5310-99-802-4059 NUT, PLAIN, KNURLED, 19/32in. o/a thk	FV573532	1	
15	A	46MT4	6110-99-802-4055 HANDLE, SWITCH, Al alloy, 3- 1/8in. lg x 15/16in. w x 29/32in. h	FV530689	1	
16	A	46MT4	6110-99-802-4056 SHAFT, st, 0.94in. max dia, 2.73in. o/a lg	FV5306091- 2	1	
17	A	G1	5315-99-971-3177 DOWEL, st, Cd P, 1/8in. dia x 5/8in. lg	30503959/8	1	
NI 18		NP RING, SEALING, TOROIDAL, 0.301in. id x 0.441in. od x 0.070in. dia, 90 deg shore hardness	086 DOWTY	1	
NI 19	A	46MT4	5975-99-802-4060 BUSHING, MACHINE THREAD, br, Cd P, 3/4in. Whit form, hex, wrenching facility, 1.00in. o/a lg	FV530690	1	
NI 20	A	46MT1	5330-99-942-8454 WASHER, SEAL, FLAT, 3/4in. bolt size x 1.06in. od	AGS1186- CC	1	
NI 21	A	46MT4	5365-99-804-1057 SPACER, RING, br, Cd P, 3/4in. id		1	
22		NP NUT, PLAIN, HEXAGON, Whit form, br, double chamfer, 3/4in. -16 tpi, 1/4in. o/a h	BS31	1	
23	A	Z32	5930-99-655-4241 SWITCH, TOGGLE, w/locking ring, washer lock and nut		3	
NI 24	A	46MT1	5300-99-945-4372 RING, SEALING, TOROIDAL, 0.5in. id x 0.625in. od x 0.07in. thk, 81/95 shore hardness		3	Sealing switches
25		NP CIRCUIT BREAKER, 5A	FV394851	1	
26	A	Z32	5925-99-214-2473 CIRCUIT BREAKER, 10A	FV394852	3	
27	A	Z32	5925-99-103-2893 CIRCUIT BREAKER, 15A	FV394854	5	
28	A	Z32	5945-99-900-7655 CIRCUIT BREAKER, 35A	FV395857	1	
NI 29		NP LABEL, circuit breaker, paper	FV573540	1	
30	A	Z32	5925-99-148-7341 CIRCUIT BREAKER, 25A	FV394856	1	
31		NP LEAD, ELECTRICAL, pos	FV573513	1	

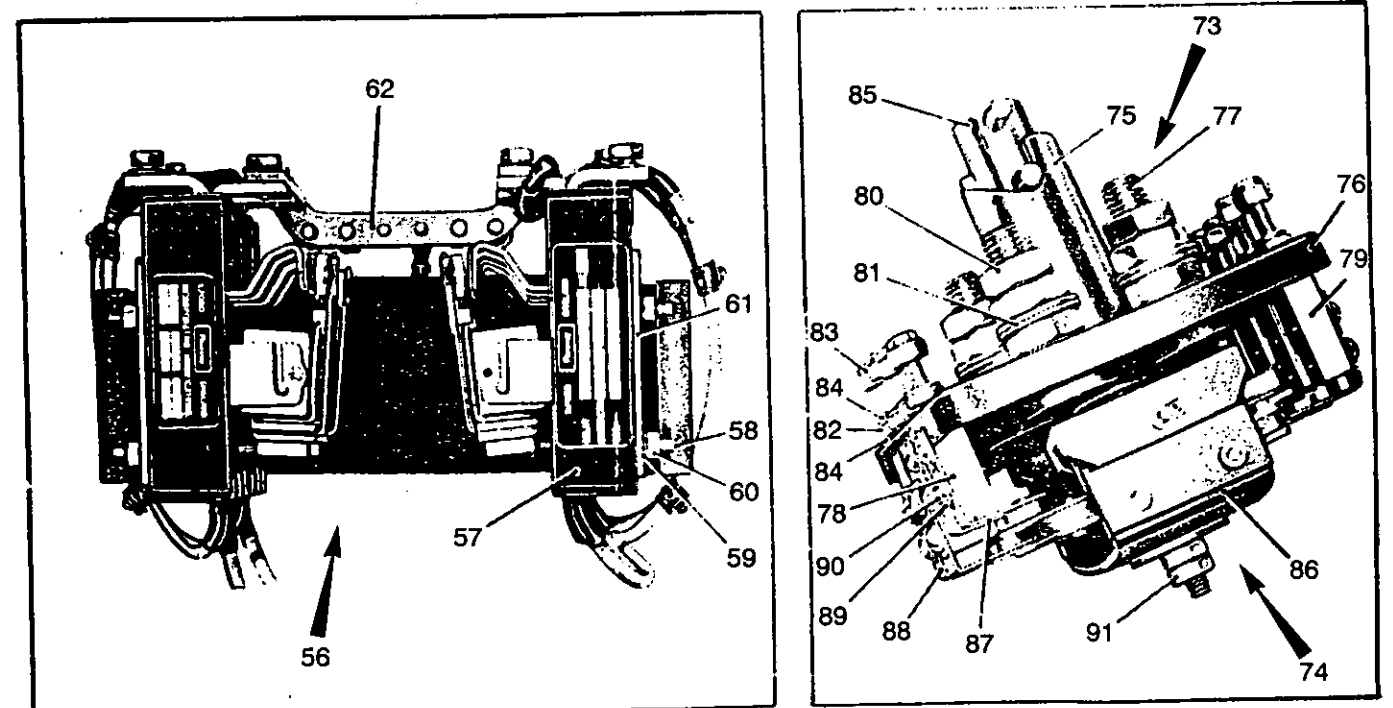
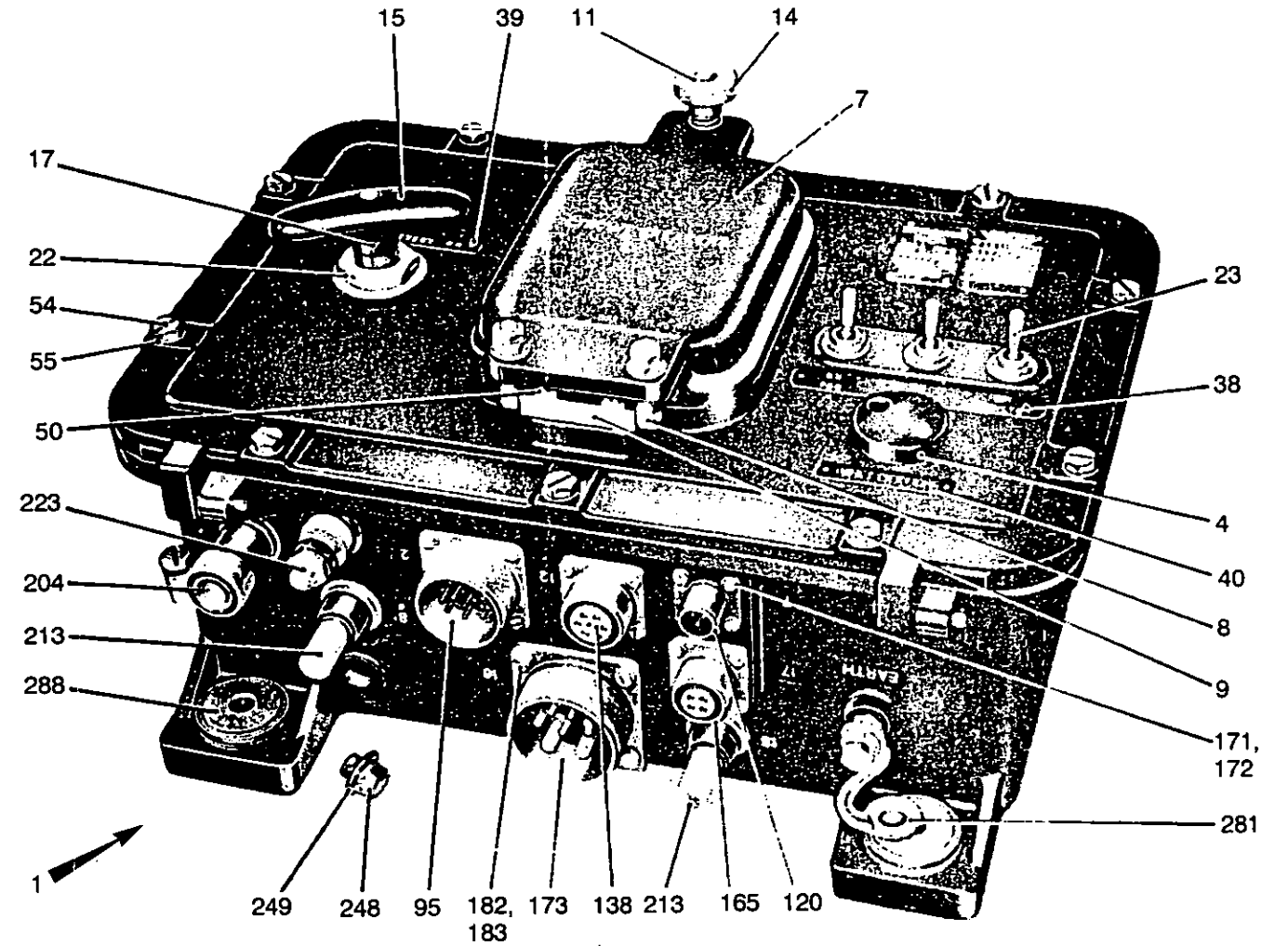
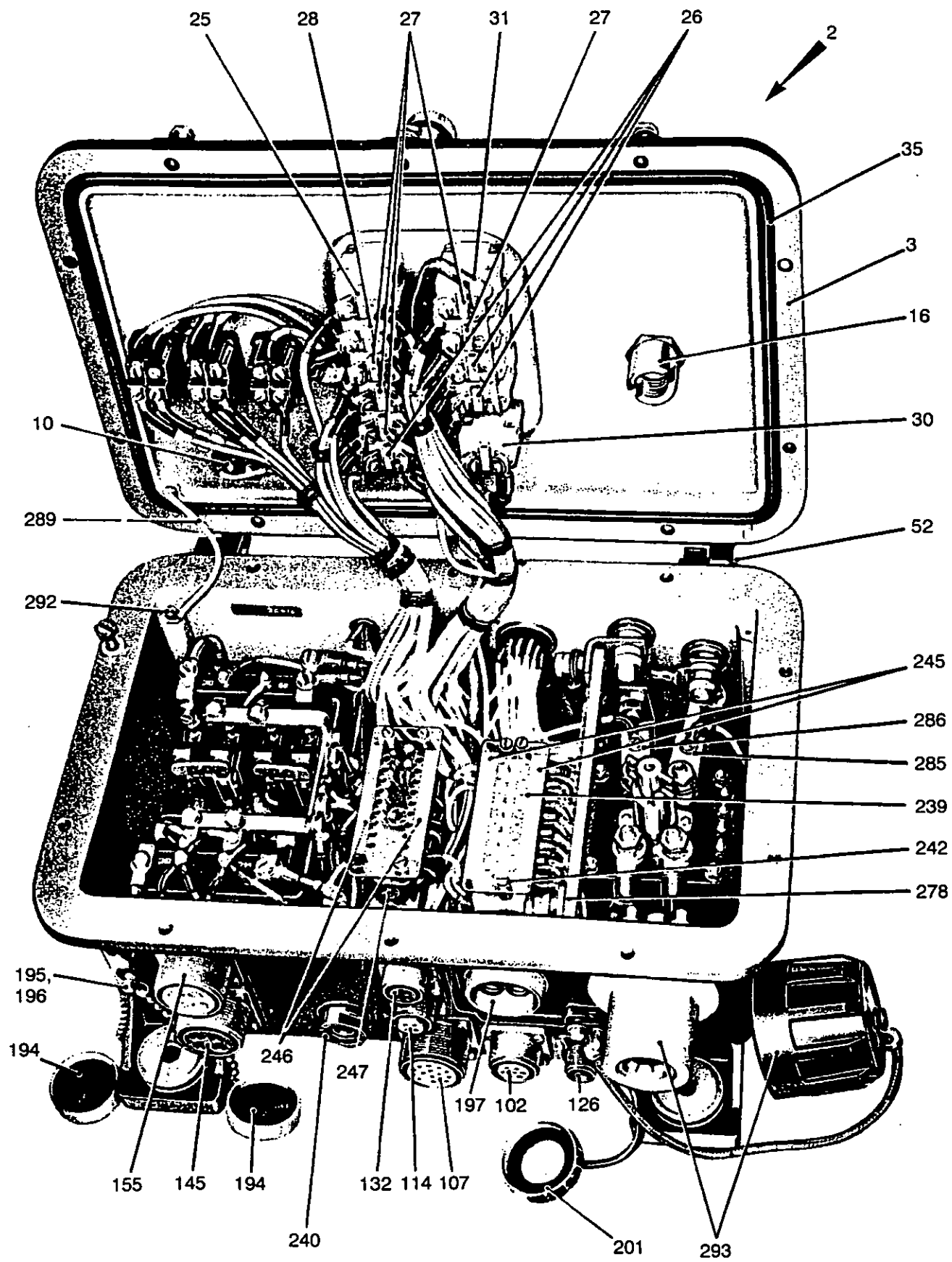


Fig 26 Distribution box

430/70119

Fig Item	Man Code Navy - N Army - A RAF - R	NATO Stock No	Item Name and Description	Part No/ Drawing No.	No. Off	Annotations
26-			ELECTRICAL EQUIPMENT GA - contd . ELECTRICAL EQUIPMENT, HULL, GA - contd ELECTRICAL EQUIPMENT, INTERNAL - contd DISTRIBUTION BOX - contd COVER, DISTRIBUTION BOX - contd			
NI 32	A Y3	6145-99-945-5074 WIRE, ELECTRICAL, 120/0.012in. tinned copper, braid, blue	E21 UNIPREN50	AVR	
NI 33		NP STRIP, Cu, 3/8in. w x 18 SWG	FV573592	1	
NI 34		NP TERMINAL LUG, br, electro-tinned, 1-5/16in. lg, 3/8in. hole	290/3/8	1	
35	A 46MT1	5330-99-802-4057 RING, SEALING, TOROIDAL, syn ru, 13.080in. id x 0.210in. h	POS2962	1	
NI 36	A 46MT1	5330-99-92-9656 RING, SEALING, TOROIDAL, syn ru, 3/16in. id x 1/16in. h	R2018ML53 91	1	
NI 37	A 46MT1	5330-99-881-8077 RING, SEALING, TOROIDAL, ru, 5.375in. id x 0.139in. h	100-253-5616	1	
38		NP LABEL, fan and heater	FV573543	1	
39	A 46MT4	9905-99-820-9980 PLATE IDENTIFICATION, battery cut off	FV573542	1	
40		NP LABEL, batteries	FV573518	1	
NI 41		NP SCREW, MACHINE, br, ch hd, 6BA x 3/8in. lg	FV573519	1	
NI 42		NP SCREW, MACHINE, br, ch hd, 8BA x 5/8in. lg		2	Micro-sw
NI 43		NP PUSH ON NUT, st, 0.512in. dia	5105-31	1	
NI 44		NP WASHER, LOCK, st, int flat, Zn P, No. 8 BA		2	Micro-sw
NI 45		NP WASHER, LOCK, st, int flat, No. 6 BA		1	Spindle and knob
NI 46		NP SCREW, MACHINE, cres, hex hd, No. 2 BA x 3/8in. lg		2	} Clevis fixing
NI 47	A G1	5310-99-945-7027 WASHER, LOCK, st, int flat, No. 2 BA		2	
NI 48	A G1	5310-99-941-6627 WASHER, LOCK, st, double coil, 1/4in. id		1	} C B cover fixing
NI 49	A G1	5310-99-120-4032 WASHER, FLAT, st, Zn P, 0.25in. id		1	
50		NP SCREW, MACHINE, st, hex hd, slotted, Cd P, 2BA x 5/8in.		2	} Hinge bar fixing
NI 51	A G1	5310-99-945-7027 WASHER, LOCK, st, int flat, No. 2 BA		2	
52		NP PIN, GROOVED, HEADLESS, st, phos type GP2, 3/16in. x 1-3/8in. lg		1	Reduce to lg
NI 53	A 6MT1	5365-99-120-0556 RING, RETAINING, st, ext, 0.014in. dia	5100-18	1	
54	A 46MT4	5305-99-817-1535 SCREW, CAPTIVE, st, hex hd, slotted, 1/4in. UNF x 3/4in. lg	FV446943	10	
55		NP WASHER, LOCK, shakeproof, 5/16in. id		10	Cover fixing
56	A 9ACR	5945-99-802-3719 RELAY, ASSEMBLY, 4 relays	FV573515	1	
57	A 46MT4	5945-99-821-0672 RELAY, relay B type	7CZ106198	4	
58		NP SCREW, MACHINE, cres, ch hd, 4BA x 13/16in. lg		16	Reduce to 3/4in. lg
59		NP WASHER, LOCK, st, int flat, No. 4 BA		16	} Relay fixing
60		NP NUT, PLAIN, HEXAGON, cres, No. 4 BA		16	

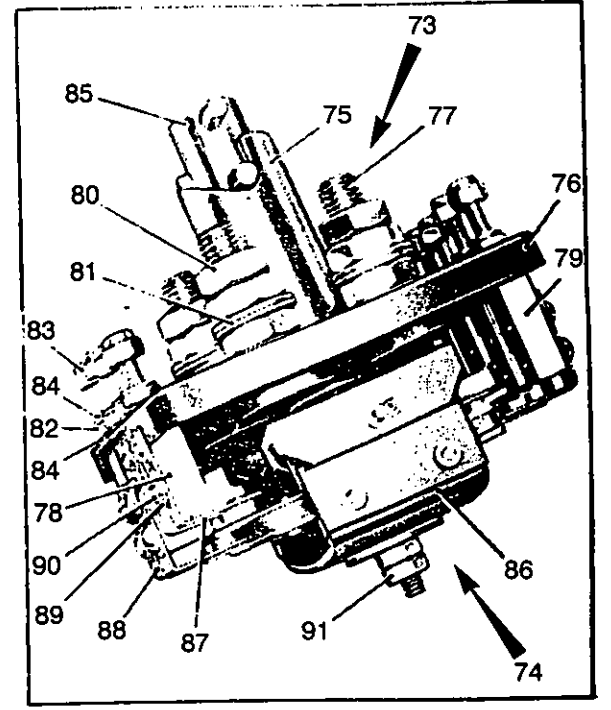
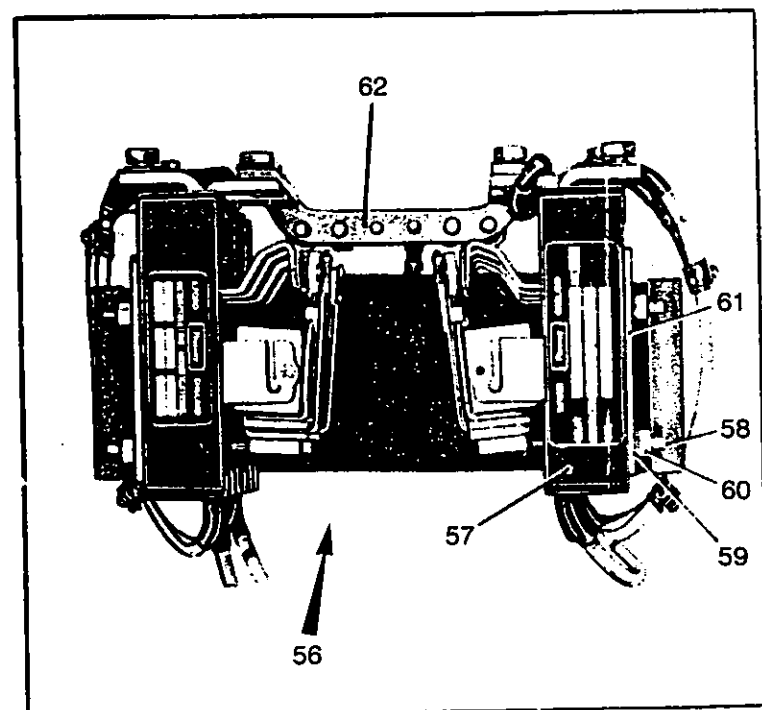
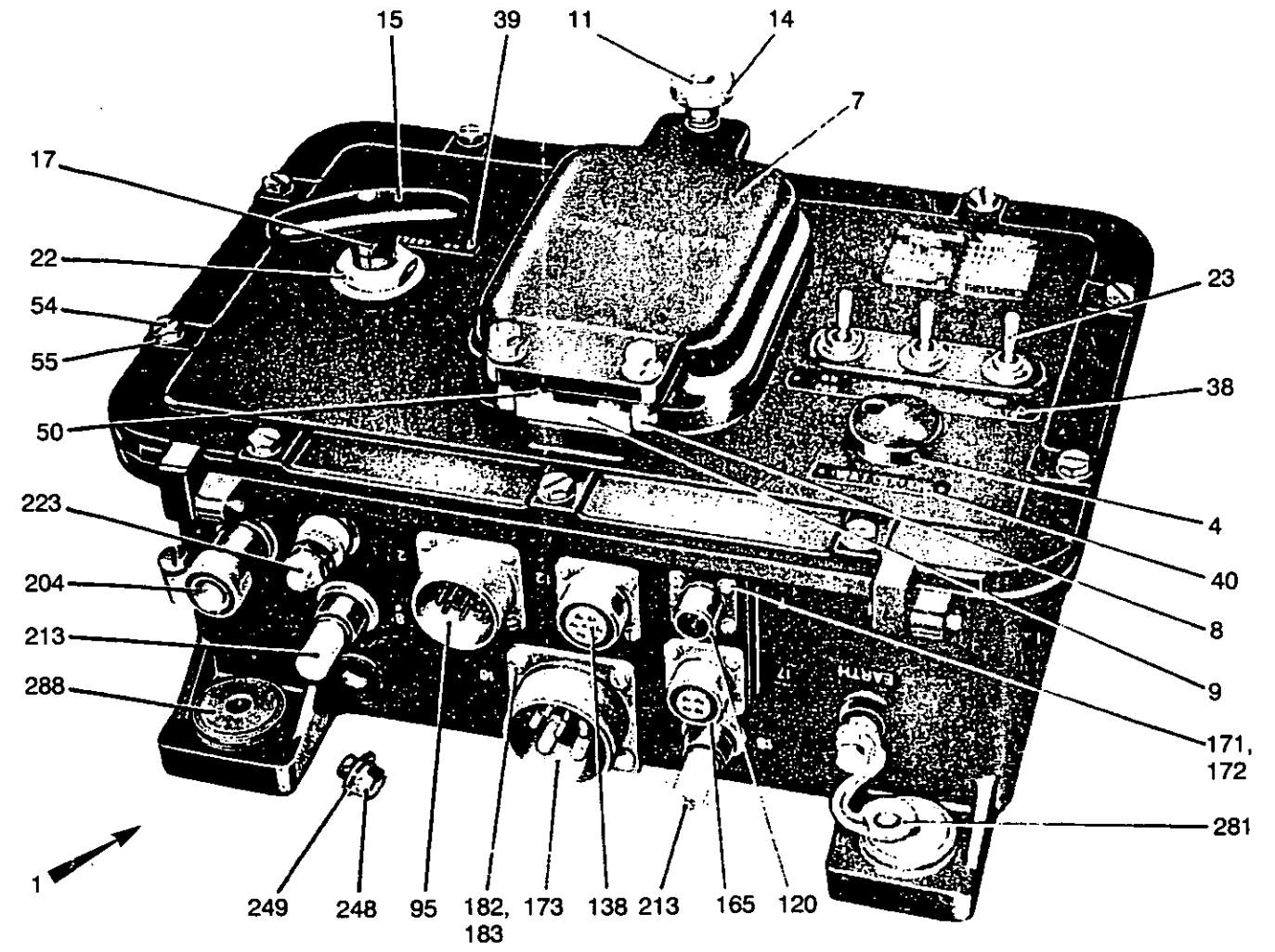
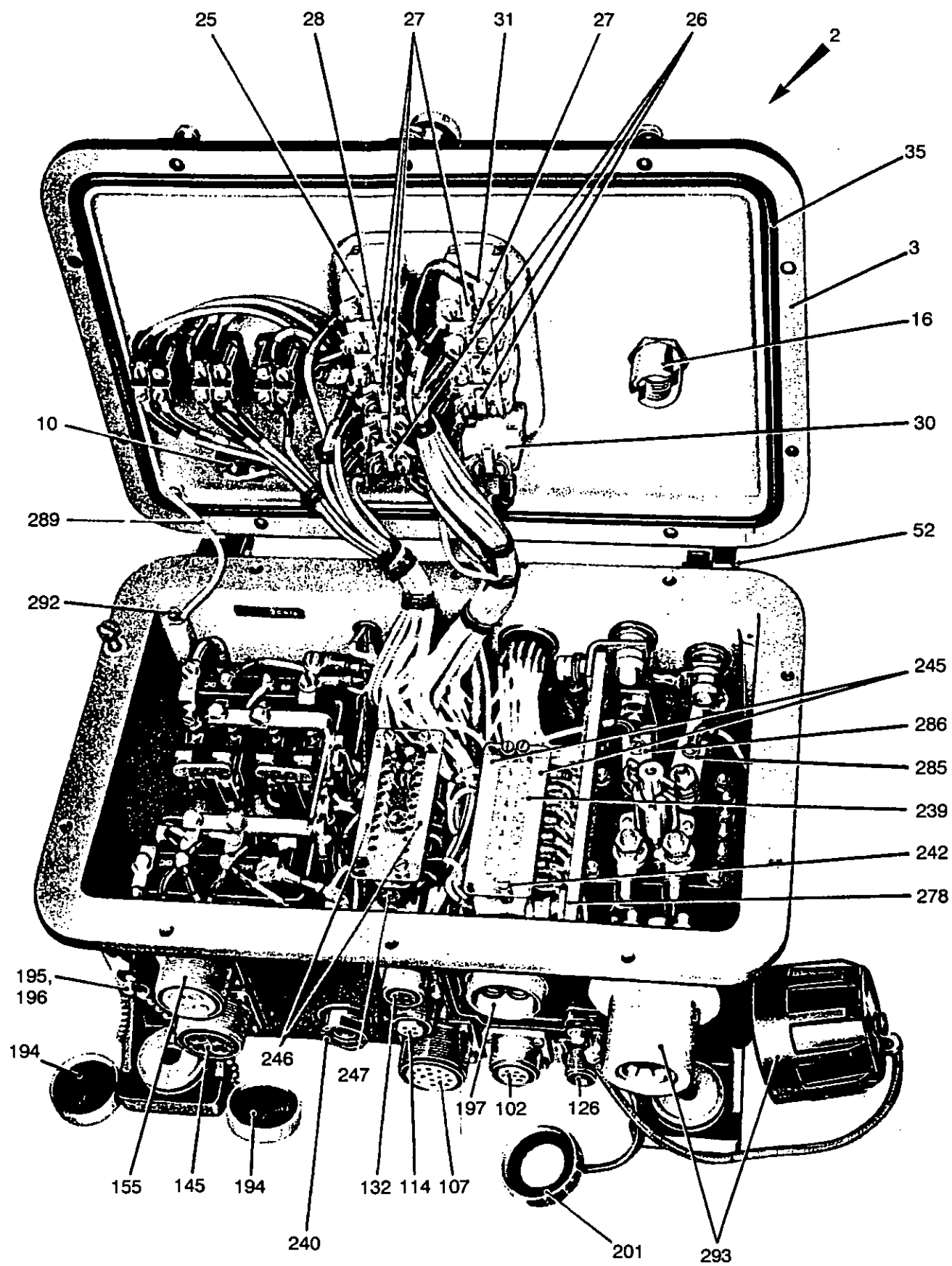


Fig 26 Distribution box

430/70119

Fig Item	Man Code Navy - N Army - A RAF - R	NATO Stock No	Item Name and Description	Part No/ Drawing No.	No. Off	Annotations
26-			ELECTRICAL EQUIPMENT GA - contd . ELECTRICAL EQUIPMENT, HULL, GA - contd ELECTRICAL EQUIPMENT, INTERNAL - contd DISTRIBUTION BOX - contd RELAY ASSEMBLY - contd			
61		NP BRACKET, relay	FV573514	1	
62		NP BUSBAR, relay	FV573544	1	
NI 63	A 6MT4	5961-99-821-0673 SEMI-CONDUCTOR, DEVICE DIODE	FV573590	3	
NI 64	A Z42	5961-99-118-1454 SEMI-CONDUCTOR, DEVICE DIODE	IN4003	3	
NI 65	A Y3	5940-99-972-7294 TERMINAL LUG, 4BA	340	6	
NI 66		NP SCREW, MACHINE, br, ch hd, No. 6 BA x 1/4in. lg		3	Securing diodes
NI 67		NP WASHER, LOCK, phos B, int flat, No. 6 BA		3	
NI 68	A Y3	9330-99-943-4858 PLASTICS, STRIP, PVC, perforated, 3/32in. dia holes, 1/4in. pitch, 25 yds lg, 5/16in. w, 0.31in. thk	HV3254	A/R	Issue in running yards
NI 69	A Y3	5325-99-943-4856 STUD, NYLON	OP3255	A/R	
NI 70	A G1	5307-99-941-8226 STUD, MACHINE, st, Zn P, 1/4in. UNF x 3.00in. lg		4	Reduce to lg
NI 71		NP NUT, SELF-LOCKING, st, nylon insert, Cd P, 1/4in. UNF		4	} Relay fixing
NI 72	A G1	5310-99-122-3033 WASHER, FLAT, st, Cd P, 0.25in. id	851011	4	
73	A 46MT4	2590-99-881-9391 BATTERY, SWITCH, c/w auxiliary contacts	FV530692	1	
74		NP BASE ASSEMBLY	FV530693	1	
75		NP SWITCH CAM	FV530699	1	
76		NP BASE	FV530698	1	
77		NP CONTACT STUD	FV530768	4	
78		NP STUD, PLAIN, short	FV530769	4	
79		NP STUD, PLAIN, long	FV530770	4	
80	A G1	5310-99-137-2652 NUT, PLAIN, HEXAGON, br, Cd P, 5/16in. UNF		12	
81		NP WASHER, FLAT, br, 5/16in. id		12	
82		NP NUT, PLAIN, HEXAGON, br, lock, 4BA		8	
83		NP NUT, SELF-LOCKING, br, 4BA		8	
84	A Z2	5310-99-120-1873 WASHER, FLAT, br, Cd P, 4BA		16	
85		NP SHAFT ASSEMBLY	FV530694	1	
86	A 46MT4	5999-99-821-0684 CONTACT ASSEMBLY, ELECTRICAL	FV530695	1	
87		NP CONTACT AND SPRING, lower	FV530696	4	
88		NP CONTACT AND SPRING, upper	FV530697	4	
89		NP WASHER, LOCK, phos B, int flat, No. 6 BA		16	
90		NP SCREW, MACHINE, br, rd, 6BA x 1/4in. lg		16	
91	A G1	5310-99-912-9528 NUT, PLAIN, HEXAGON, br, lock, tin pl, 2BA	A54-C	2	
NI 92		NP PILLAR, battery switch	FV573533	4	} Battery sw fixing
NI 93		NP NUT, SELF-LOCKING, steel, No. 2 BA		4	
NI 94	A Z2	5310-99-947-1268 WASHER, FLAT, st, rd, Cd P, 2BA	W7003	4	

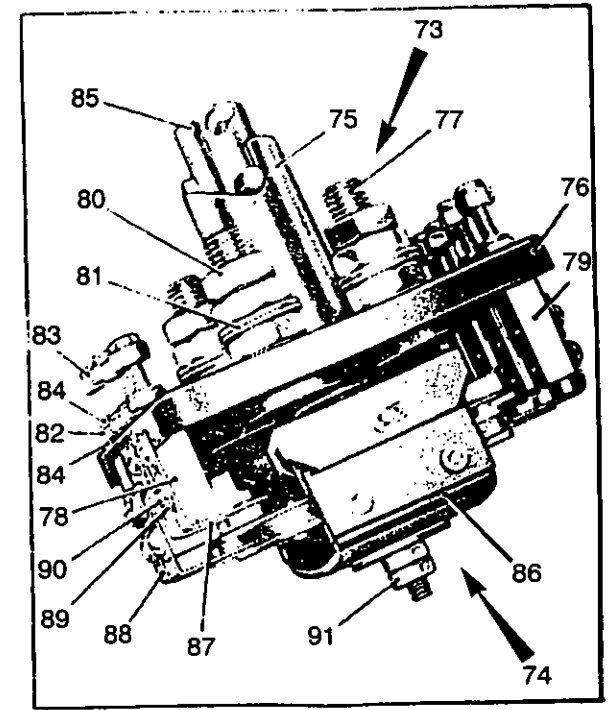
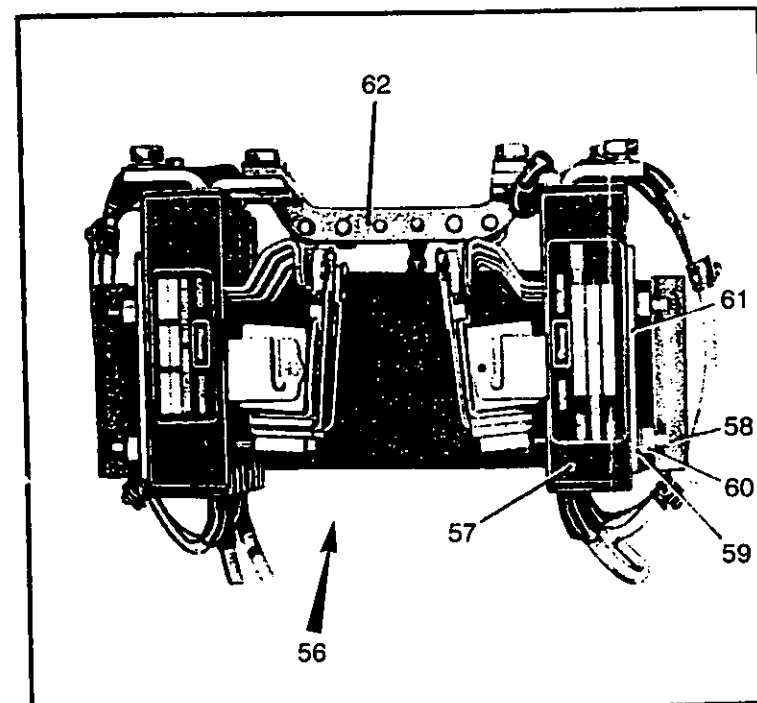
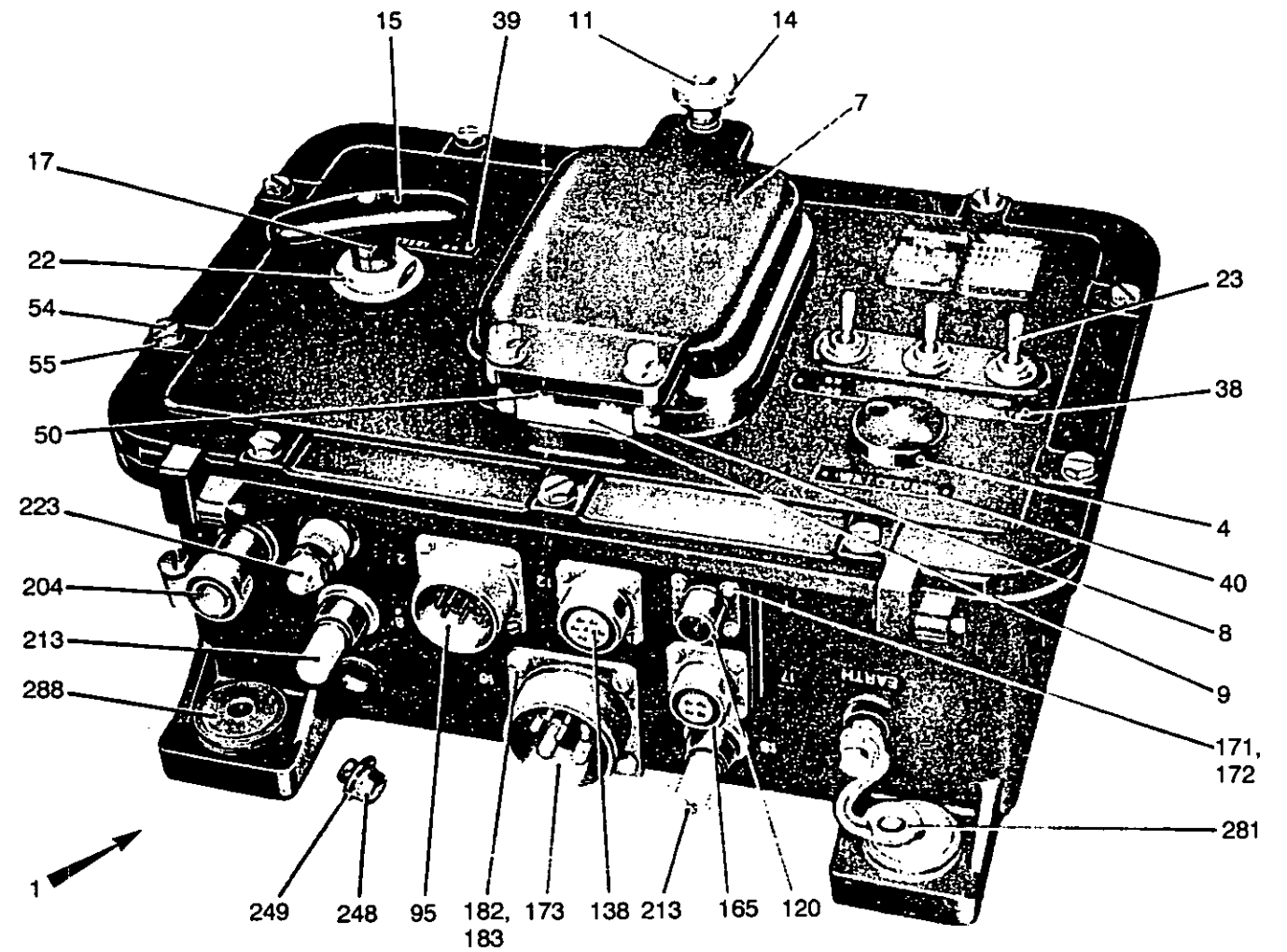
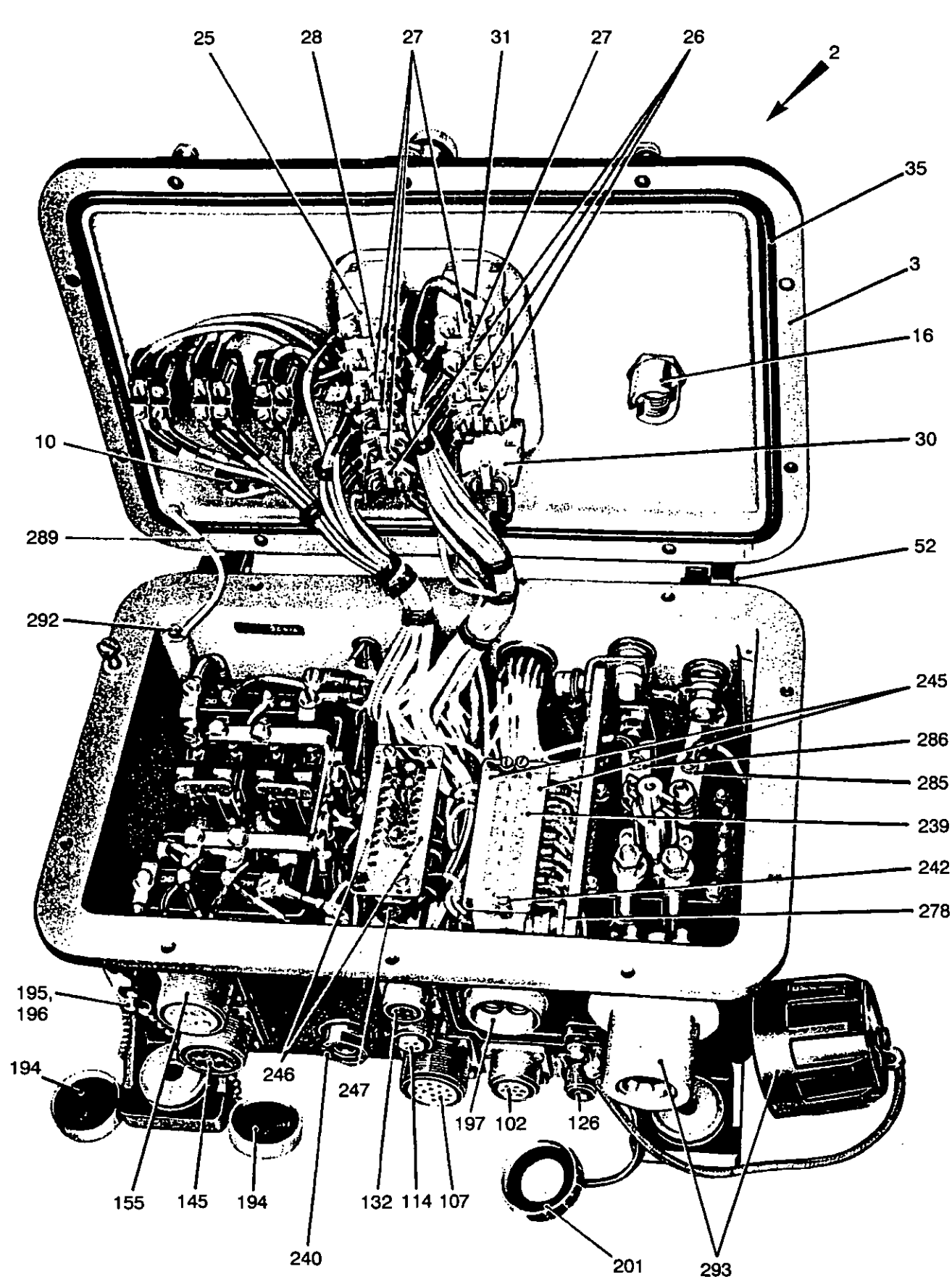


Fig 26 Distribution box

430/70119

Fig Item	Man Code Navy - N Army - A RAF - R	NATO Stock No	Item Name and Description	Part No/ Drawing No.	No. Off	Annotations	
25-			ELECTRICAL EQUIPMENT GA - contd ELECTRICAL EQUIPMENT, HULL, GA - contd ELECTRICAL EQUIPMENT, INTERNAL - contd				
1	A	6MT4	5975-99-838-5151	JUNCTION BOX, SMOKE DISCHARGER, enamelled, 3-1/2in. lg, 3-3/4in. w, 3-1/4in. h, black, 4 mtg holes 1/4in. dia	FV959041	1	
2			NP	BOX ASSEMBLY	FV580892	1	
3	A	46MT4	5340-99-813-4663	MOUNT, RESILIENT	Y6096/16	1	
NI 4	A	46MT4	5935-99-802-9423	PLATE, RETAINING, ELECTRICAL PLUG, st, 1.00in. sq x 0.112in. thk	FV410126	1	
NI 5			NP	PLUG, ELECTRICAL ASSEMBLY	FV580884	1	
6	A	6MT4	5935-99-624-3314	CONNECTOR, RECEPTACLE, ELECTRICAL, fixed, female, size 10 SL, 3 pole	FV585001	1	
7	A	Y3	6145-99-100-4628	WIRE, ELECTRICAL, single conductor, glass braid, 40/0.0076in.	UNIPREN 6	A/R	
NI 8			NP	TERMINAL LUG	5459-246	2	
9	A	9BTR	5330-99-014-7131	GASKET, syn ru, 1.00in. sq x 1/32in.	FV585121	6	} Plug
10			NP	PACKING PIECE	FV580887	3	
NI 11	A	46MT4	5935-99-802-9423	PLATE, RETAINING, ELECTRICAL PLUG, st, 1.00in. sq x 0.112in. lg	FV410126	1	
NI 12			NP	CONNECTOR, RECEPTACLE, ELECTRICAL, fixed, female, size 10 SL, 3 pole	FV585001	1	
13	A	6MT4	5935-99-624-3314	CONNECTOR, RECEPTACLE, ELECTRICAL, fixed, female, size 10 SL, 3 pole	FV585001	1	
14	A	Y3	6145-99-100-4628	WIRE, ELECTRICAL, single conductor, glass braid, 40/0.0076in.	UNIPREN 6	A/R	
NI 15			NP	TERMINAL LUG	5459-246	2	
NI 16	A	46MT4	5935-99-802-9423	PLATE, RETAINING, ELECTRICAL PLUG, st, 1.00in. sq x 0.112in. lg	FV410126	1	
NI 17			NP	PLUG, ELECTRICAL ASSEMBLY	FV580886	1	
18	A	6MT4	5935-99-624-3314	CONNECTOR, RECEPTACLE, ELECTRICAL, fixed, female, size 10 SL, 3 pole	FV585001	1	
19	A	Y3	6145-99-100-4628	WIRE, ELECTRICAL, single conductor, glass braid, 40/0.0076in.	UNIPREN 6	A/R	
NI 20			NP	TERMINAL LUG	5459-246	1	
21	A	G1	5310-99-944-0545	WASHER, LOCK, st, single coil, sq sect, Cd P, 1/8in.		12	} Plug fixing
22	A	G1	5305-99-941-2303	SCREW, MACHINE, st, fil, hd, slot drive, Cd P, No. 4 UNC x 5/8in. lg		12	
NI 23			NP	PLATE, RETAINING	FV580780	1	
24	A	46MT4	5930-99-808-3085	SWITCH, PUSH, double pole, normally open, flange type B	FV635765	2	
25	A	G1	5310-99-944-0545	WASHER, LOCK, st, single coil, sq sect, Cd P, 1/8in.		4	} Push switch
26	A	Z2	5305-99-941-2301	SCREW, MACHINE, st, fil hd, slot drive, Cd P, No. 4 UNC x 3/8in. lg		4	
NI 27	A	Z32	5935-99-102-9579	CAP, BLANKING	10-70500-10	3	} Plugs
28			NP	COVER, ASSEMBLY	FV580893	1	
29	A	46MT4	5330-99-881-8335	GASKET, syn ru, 1-5/16in. x 3-5/16in. x 1/32in. thk	FV410982	1	
30	A	46MT1	5330-99-801-3728	WASHER, SEAL, FLAT, ru/steel, 0.210in. id	FV(S)108/3	4	
31	A	46MT4	5305-99-809-6003	SCREW, MACHINE, st, hex hd, slot drive, Cd P, No. 10 UNC x 1.00in. lg	FV410505	4	
32	A	46MT1	5340-99-942-5696	RING, RETAINING, st, ext, 5/32in. lg	1400-5-32	4	

Fig Item	Man Code Navy - N Army - A RA/F - R	NATO Stock No	Item Name and Description	Part No/ Drawing No.	No. Off	Annotations
26-			ELECTRICAL EQUIPMENT GA - contd . ELECTRICAL EQUIPMENT, HULL, GA - contd . . . ELECTRICAL EQUIPMENT, INTERNAL - contd			
1	A	9ACR	6110-99-802-4051 . . . DISTRIBUTION BOX, 14-35/64in. lg, 12-1/2in. w, 8-11/32in. deep	FV534891	1	
2	A	46MT4	6110-99-802-4052 . . . COVER, DISTRIBUTION BOX, 14-35/64in. lg, 10-1/16in. w, 3-3/4in. h	FV573597	1	
3		NP COVER, DISTRIBUTION BOX		1	
4	A	46MT4	5355-99-802-4053 KNOB AND SPINDLE ASSEMBLY, Al alloy, press fit type, rd, 1.375in. od, 0.311in. dia shaft, 1.01in. lg	FV573527	1	
NI 5		NP SPINDLE, knurled	FV573516	1	
NI 6		NP KNOB, switch	FV573517	1	
7	A	46MT4	5925-99-802-4054 COVER, CIRCUIT BREAKER, Al alloy, black, 7-3/8in. lg, 4-3/8in. w, 1.00in. h	FV573521	1	
8	A	46MT4	5306-99-820-9994 BOLT, EYE	FV573526	2	
9	A	46MT4	2590-99-820-9993 HINGE	FV573525	1	
10	A	Z32	5930-99-790-0974 SWITCH, micro, 4 circuit, double breaker	M1	1	
11	A	46MT4	5306-99-820-9995 BOLT, EYE	FV573529	2	
NI 12	A	46MT4	5340-99-820-9996 CLEVIS	FV573530	1	
NI 13		NP PIN, spring, 5/32in. dia x 0.5in. lg seloc		1	
14	A	46MT4	5310-99-802-4059 NUT, PLAIN, KNURLED, 19/32in. o/a thk	FV573532	1	
15	A	46MT4	6110-99-802-4055 HANDLE, SWITCH, Al alloy, 3- 1/8in. lg x 15/16in. w x 29/32in. h	FV530689	1	
16	A	46MT4	6110-99-802-4056 SHAFT, st, 0.94in. max dia, 2.73in. o/a lg	FV5306091- 2	1	
17	A	G1	5315-99-971-3177 DOWEL, st, Cd P, 1/8in. dia x 5/8in. lg	30503959/8	1	
NI 18		NP RING, SEALING, TOROIDAL, 0.301in. id x 0.441in. od x 0.070in. dia, 90 deg shore hardness	086 DOWTY	1	
NI 19	A	46MT4	5975-99-802-4060 BUSHING, MACHINE THREAD, br, Cd P, 3/4in. Whit form, hex, wrenching facility, 1.00in. o/a lg	FV530690	1	
NI 20	A	46MT1	5330-99-942-8454 WASHER, SEAL, FLAT, 3/4in. bolt size x 1.06in. od	AGS1186- CC	1	
NI 21	A	46MT4	5365-99-804-1057 SPACER, RING, br, Cd P, 3/4in. id		1	
22		NP NUT, PLAIN, HEXAGON, Whit form, br, double chamfer, 3/4in. -16 tpi, 1/4in. o/a h	BS31	1	
23	A	Z32	5930-99-655-4241 SWITCH, TOGGLE, w/locking ring, washer lock and nut		3	
NI 24	A	46MT1	5300-99-945-4372 RING, SEALING, TOROIDAL, 0.5in. id x 0.625in. od x 0.07in. thk, 81/95 shore hardness		3	Sealing switches
25		NP CIRCUIT BREAKER, 5A	FV394851	1	
26	A	Z32	5925-99-214-2473 CIRCUIT BREAKER, 10A	FV394852	3	
27	A	Z32	5925-99-103-2893 CIRCUIT BREAKER, 15A	FV394854	5	
28	A	Z32	5945-99-900-7655 CIRCUIT BREAKER, 35A	FV395857	1	
NI 29		NP LABEL, circuit breaker, paper	FV573540	1	
30	A	Z32	5925-99-148-7341 CIRCUIT BREAKER, 25A	FV394856	1	
31		NP LEAD, ELECTRICAL, pos	FV573513	1	

Fig Item	Man Code Navy - N Army - A RAF - R	NATO Stock No	Item Name and Description	Part No/ Drawing No.	No. Off	Annotations
26-			ELECTRICAL EQUIPMENT GA - contd . ELECTRICAL EQUIPMENT, HULL, GA - contd ELECTRICAL EQUIPMENT, INTERNAL - contd DISTRIBUTION BOX - contd COVER, DISTRIBUTION BOX - contd			
NI 32	A Y3	6145-99-945-5074 WIRE, ELECTRICAL, 120/0.012in. tinned copper, braid, blue	E21 UNIPREN50	AVR	
NI 33		NP STRIP, Cu, 3/8in. w x 18 SWG	FV573592	1	
NI 34		NP TERMINAL LUG, br, electro-tinned, 1-5/16in. lg, 3/8in. hole	290/3/8	1	
35	A 46MT1	5330-99-802-4057 RING, SEALING, TOROIDAL, syn ru, 13.080in. id x 0.210in. h	POS2962	1	
NI 36	A 46MT1	5330-99-92-9656 RING, SEALING, TOROIDAL, syn ru, 3/16in. id x 1/16in. h	R2018ML53 91	1	
NI 37	A 46MT1	5330-99-881-8077 RING, SEALING, TOROIDAL, ru, 5.375in. id x 0.139in. h	100-253- 5616	1	
38		NP LABEL, fan and heater	FV573543	1	
39	A 46MT4	9905-99-820-9980 PLATE IDENTIFICATION, battery cut off	FV573542	1	
40		NP LABEL, batteries	FV573518	1	
NI 41		NP SCREW, MACHINE, br, ch hd, 6BA x 3/8in. lg	FV573519	1	
NI 42		NP SCREW, MACHINE, br, ch hd, 8BA x 5/8in. lg		2	Micro-sw
NI 43		NP PUSH ON NUT, st, 0.512in. dia	5105-31	1	
NI 44		NP WASHER, LOCK, st, int flat, Zn P, No. 8 BA		2	Micro-sw
NI 45		NP WASHER, LOCK, st, int flat, No. 6 BA		1	Spindle and knob
NI 46		NP SCREW, MACHINE, cres, hex hd, No. 2 BA x 3/8in. lg		2	} Clevis fixing
NI 47	A G1	5310-99-945-7027 WASHER, LOCK, st, int flat, No. 2 BA		2	
NI 48	A G1	5310-99-941-6627 WASHER, LOCK, st, double coil, 1/4in. id		1	} C B cover fixing
NI 49	A G1	5310-99-120-4032 WASHER, FLAT, st, Zn P, 0.25in. id		1	
50		NP SCREW, MACHINE, st, hex hd, slotted, Cd P, 2BA x 5/8in.		2	} Hinge bar fixing
NI 51	A G1	5310-99-945-7027 WASHER, LOCK, st, int flat, No. 2 BA		2	
52		NP PIN, GROOVED, HEADLESS, st, phos type GP2, 3/16in. x 1-3/8in. lg		1	Reduce to lg
NI 53	A 6MT1	5365-99-120-0556 RING, RETAINING, st, ext, 0.014in. dia	5100-18	1	
54	A 46MT4	5305-99-817-1535 SCREW, CAPTIVE, st, hex hd, slotted, 1/4in. UNF x 3/4in. lg	FV446943	10	
55		NP WASHER, LOCK, shakeproof, 5/16in. id		10	Cover fixing
56	A 9ACR	5945-99-802-3719 RELAY, ASSEMBLY, 4 relays	FV573515	1	
57	A 46MT4	5945-99-821-0672 RELAY, relay B type	7CZ106198	4	
58		NP SCREW, MACHINE, cres, ch hd, 4BA x 13/16in. lg		16	Reduce to 3/4in. lg
59		NP WASHER, LOCK, st, int flat, No. 4 BA		16	} Relay fixing
60		NP NUT, PLAIN, HEXAGON, cres, No. 4 BA		16	

Fig Item	Man Code Navy - N Army - A RAF - R	NATO Stock No	Item Name and Description	Part No/ Drawing No.	No. Off	Annotations
26-			ELECTRICAL EQUIPMENT GA - contd . ELECTRICAL EQUIPMENT, HULL, GA - contd ELECTRICAL EQUIPMENT, INTERNAL - contd DISTRIBUTION BOX - contd RELAY ASSEMBLY - contd			
61		NP BRACKET, relay	FV573514	1	
62		NP BUSBAR, relay	FV573544	1	
NI 63	A 6MT4	5961-99-821-0673 SEMI-CONDUCTOR, DEVICE DIODE	FV573590	3	
NI 64	A Z42	5961-99-118-1454 SEMI-CONDUCTOR, DEVICE DIODE	IN4003	3	
NI 65	A Y3	5940-99-972-7294 TERMINAL LUG, 4BA	340	6	
NI 66		NP SCREW, MACHINE, br, ch hd, No. 6 BA x 1/4in. lg		3	Securing diodes
NI 67		NP WASHER, LOCK, phos B, int flat, No. 6 BA		3	
NI 68	A Y3	9330-99-943-4858 PLASTICS, STRIP, PVC, perforated, 3/32in. dia holes, 1/4in. pitch, 25 yds lg, 5/16in. w, 0.31in. thk	HV3254	A/R	Issue in running yards
NI 69	A Y3	5325-99-943-4856 STUD, NYLON	OP3255	A/R	
NI 70	A G1	5307-99-941-8226 STUD, MACHINE, st, Zn P, 1/4in. UNF x 3.00in. lg		4	Reduce to lg
NI 71		NP NUT, SELF-LOCKING, st, nylon insert, Cd P, 1/4in. UNF		4	} Relay fixing
NI 72	A G1	5310-99-122-3033 WASHER, FLAT, st, Cd P, 0.25in. id	851011	4	
73	A 46MT4	2590-99-881-9391 BATTERY, SWITCH, c/w auxiliary contacts	FV530692	1	
74		NP BASE ASSEMBLY	FV530693	1	
75		NP SWITCH CAM	FV530699	1	
76		NP BASE	FV530698	1	
77		NP CONTACT STUD	FV530768	4	
78		NP STUD, PLAIN, short	FV530769	4	
79		NP STUD, PLAIN, long	FV530770	4	
80	A G1	5310-99-137-2652 NUT, PLAIN, HEXAGON, br, Cd P, 5/16in. UNF		12	
81		NP WASHER, FLAT, br, 5/16in. id		12	
82		NP NUT, PLAIN, HEXAGON, br, lock, 4BA		8	
83		NP NUT, SELF-LOCKING, br, 4BA		8	
84	A Z2	5310-99-120-1873 WASHER, FLAT, br, Cd P, 4BA		16	
85		NP SHAFT ASSEMBLY	FV530694	1	
86	A 46MT4	5999-99-821-0684 CONTACT ASSEMBLY, ELECTRICAL	FV530695	1	
87		NP CONTACT AND SPRING, lower	FV530696	4	
88		NP CONTACT AND SPRING, upper	FV530697	4	
89		NP WASHER, LOCK, phos B, int flat, No. 6 BA		16	
90		NP SCREW, MACHINE, br, rd, 6BA x 1/4in. lg		16	
91	A G1	5310-99-912-9528 NUT, PLAIN, HEXAGON, br, lock, tin pl, 2BA	A54-C	2	
NI 92		NP PILLAR, battery switch	FV573533	4	} Battery sw fixing
NI 93		NP NUT, SELF-LOCKING, steel, No. 2 BA		4	
NI 94	A Z2	5310-99-947-1268 WASHER, FLAT, st, rd, Cd P, 2BA	W7003	4	

Fig Item	Man Code Navy - N Army - A RA/F - R	NATO Stock No	Item Name and Description	Part No/ Drawing No.	No. Off	Annotations
26-			ELECTRICAL EQUIPMENT GA - contd . ELECTRICAL EQUIPMENT, HULL, GA - contd ELECTRICAL EQUIPMENT, INTERNAL - contd DISTRIBUTION BOX - contd			
95		NP PLUG, ELECTRICAL, assy	FV573547	1	No. 2
NI 96	A Z32	5935-99-620-3314 CONNECTOR, RECEPTACLE, ELECTRICAL, fixed, 10SL-3P	FV585001	1	
NI 97	A Y3	6145-99-943-4824 CABLE, ELECTRICAL, single conductor, 40/0.0076, 0.13in. dia, glass braid, polychloroprene insulated	UNIPREN12	A/R	
NI 98	A 46MT4	5970-99-881-6194 SLEEVE, Helsyn H20 x 3/4in. lg black	H20	20	
NI 99	A 9MCV	5940-99-832-9440 TERMINAL LUG, solderless, slotted, 16 AWG	32561	A/R	
NI 100		NP TERMINAL LUG, 2BA	251/2BA	2	
NI 101	A Z37	5940-99-651-7613 TERMINAL LUG, 6BA	215014	4	
102		NP SOCKET, ELECTRICAL, assy	FV573548	1	No. 3
NI 103	A 46MT4	5935-99-881-9666 SOCKET, fixed, 16S-1S	FV585014	1	
NI 104	A Y3	6145-99-943-4824 CABLE, ELECTRICAL, single conductor, 40/0.0076, 0.13in. dia, glass braid, polychloroprene insulated	UNIPREN12	A/R	
NI 105	A 46MT4	5970-99-881-6194 SLEEVE, Helsyn H20 x 3/4in. lg black	H20	5	
NI 106	A 9MCV	5940-99-832-9440 TERMINAL LUG, solderless, slotted, 16 AWG	32561	A/R	
NI 107		NP SOCKET, ELECTRICAL, assy	FV573549	1	No. 4
NI 108	A 46MT4	5935-99-881-9667 CONNECTOR, FIXED, ELECTRICAL, fixed, 22-19S	FV585022	1	
NI 109	A Y3	6145-99-943-4824 CABLE, ELECTRICAL, single conductor, 40/0.0076, 0.13in. dia, glass braid, polychloroprene insulated	UNIPREN12	A/R	
NI 110	A 46MT4	5970-99-881-6194 SLEEVE, Helsyn H20 x 3/4in. lg black	H20	20	
NI 111	A 9MCV	5940-99-832-9440 TERMINAL LUG, solderless, slotted, 16 AWG	32561	A/R	
NI 112		NP TERMINAL LUG, 2BA	251/2BA	2	
NI 113	A Z37	5940-99-651-7613 TERMINAL LUG, 6BA	215014	4	
114		NP SOCKET, ELECTRICAL, assy	FV573550	1	No. 6
NI 115	A 46MT4	5935-99-800-9949 CONNECTOR, FIXED, ELECTRICAL, fixed, 14S-5S	FV585006	1	
NI 116	A Y3	6145-99-943-4824 CABLE, ELECTRICAL, single conductor, 40/0.0076, 0.13in. dia, glass braid, polychloroprene insulated	UNIPREN12	A/R	
NI 117	A 46MT4	5970-99-881-6194 SLEEVE, Helsyn H20 x 3/4in. lg black	H20	4	
NI 118		NP TERMINAL LUG, 4BA	217	1	
NI 119		NP TERMINAL LUG, 4BA	17A	1	
120		NP PLUG, ELECTRICAL, assy	FV573580	1	No. 7
NI 121	A Z32	5935-99-620-3314 CONNECTOR, RECEPTACLE, ELECTRICAL, fixed, 10SL-3P	FV585001	1	
NI 122	A Y3	6145-99-943-4824 CABLE, ELECTRICAL, single conductor, 40/0.0076, 0.13in. dia, glass braid, polychloroprene insulated	UNIPREN12	A/R	

Fig Item	Man Code Navy - N Army - A RA/F - R	NATO Stock No	Item Name and Description	Part No/ Drawing No.	No. Off	Annotations
26-			ELECTRICAL EQUIPMENT GA - contd . ELECTRICAL EQUIPMENT, HULL, GA - contd ELECTRICAL EQUIPMENT, INTERNAL - contd DISTRIBUTION BOX - contd			
95		NP PLUG, ELECTRICAL, assy	FV573547	1	No. 2
NI 96	A Z32	5935-99-620-3314 CONNECTOR, RECEPTACLE, ELECTRICAL, fixed, 10SL-3P	FV585001	1	
NI 97	A Y3	6145-99-943-4824 CABLE, ELECTRICAL, single conductor, 40/0.0076, 0.13in. dia, glass braid, polychloroprene insulated	UNIPREN12	A/R	
NI 98	A 46MT4	5970-99-881-6194 SLEEVE, Helsyn H20 x 3/4in. lg black	H20	20	
NI 99	A 9MCV	5940-99-832-9440 TERMINAL LUG, solderless, slotted, 16 AWG	32561	A/R	
NI 100		NP TERMINAL LUG, 2BA	251/2BA	2	
NI 101	A Z37	5940-99-651-7613 TERMINAL LUG, 6BA	215014	4	
102		NP SOCKET, ELECTRICAL, assy	FV573548	1	No. 3
NI 103	A 46MT4	5935-99-881-9666 SOCKET, fixed, 16S-1S	FV585014	1	
NI 104	A Y3	6145-99-943-4824 CABLE, ELECTRICAL, single conductor, 40/0.0076, 0.13in. dia, glass braid, polychloroprene insulated	UNIPREN12	A/R	
NI 105	A 46MT4	5970-99-881-6194 SLEEVE, Helsyn H20 x 3/4in. lg black	H20	5	
NI 106	A 9MCV	5940-99-832-9440 TERMINAL LUG, solderless, slotted, 16 AWG	32561	A/R	
NI 107		NP SOCKET, ELECTRICAL, assy	FV573549	1	No. 4
NI 108	A 46MT4	5935-99-881-9667 CONNECTOR, FIXED, ELECTRICAL, fixed, 22-19S	FV585022	1	
NI 109	A Y3	6145-99-943-4824 CABLE, ELECTRICAL, single conductor, 40/0.0076, 0.13in. dia, glass braid, polychloroprene insulated	UNIPREN12	A/R	
NI 110	A 46MT4	5970-99-881-6194 SLEEVE, Helsyn H20 x 3/4in. lg black	H20	20	
NI 111	A 9MCV	5940-99-832-9440 TERMINAL LUG, solderless, slotted, 16 AWG	32561	A/R	
NI 112		NP TERMINAL LUG, 2BA	251/2BA	2	
NI 113	A Z37	5940-99-651-7613 TERMINAL LUG, 6BA	215014	4	
114		NP SOCKET, ELECTRICAL, assy	FV573550	1	No. 6
NI 115	A 46MT4	5935-99-800-9949 CONNECTOR, FIXED, ELECTRICAL, fixed, 14S-5S	FV585006	1	
NI 116	A Y3	6145-99-943-4824 CABLE, ELECTRICAL, single conductor, 40/0.0076, 0.13in. dia, glass braid, polychloroprene insulated	UNIPREN12	A/R	
NI 117	A 46MT4	5970-99-881-6194 SLEEVE, Helsyn H20 x 3/4in. lg black	H20	4	
NI 118		NP TERMINAL LUG, 4BA	217	1	
NI 119		NP TERMINAL LUG, 4BA	17A	1	
120		NP PLUG, ELECTRICAL, assy	FV573580	1	No. 7
NI 121	A Z32	5935-99-620-3314 CONNECTOR, RECEPTACLE, ELECTRICAL, fixed, 10SL-3P	FV585001	1	
NI 122	A Y3	6145-99-943-4824 CABLE, ELECTRICAL, single conductor, 40/0.0076, 0.13in. dia, glass braid, polychloroprene insulated	UNIPREN12	A/R	

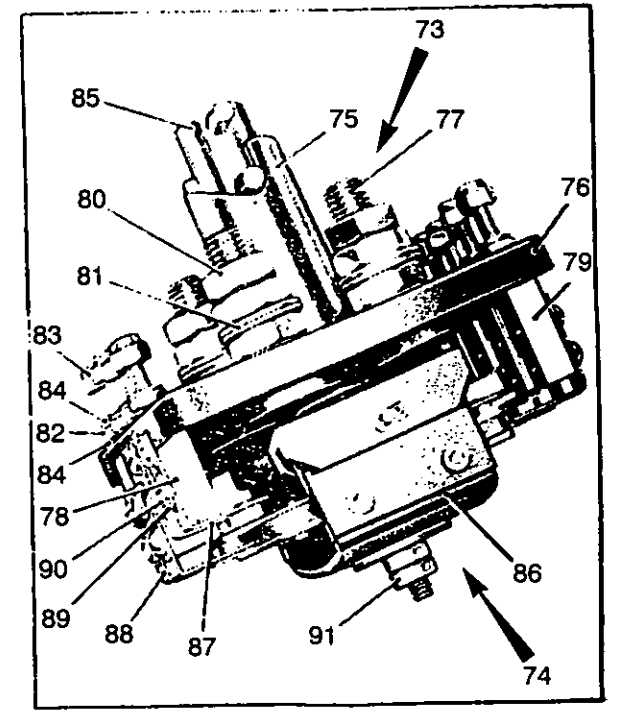
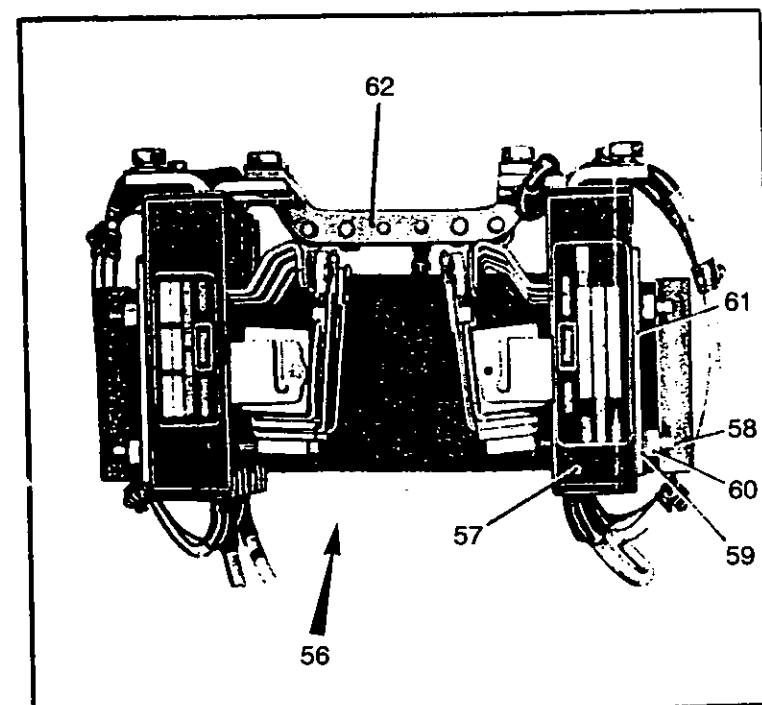
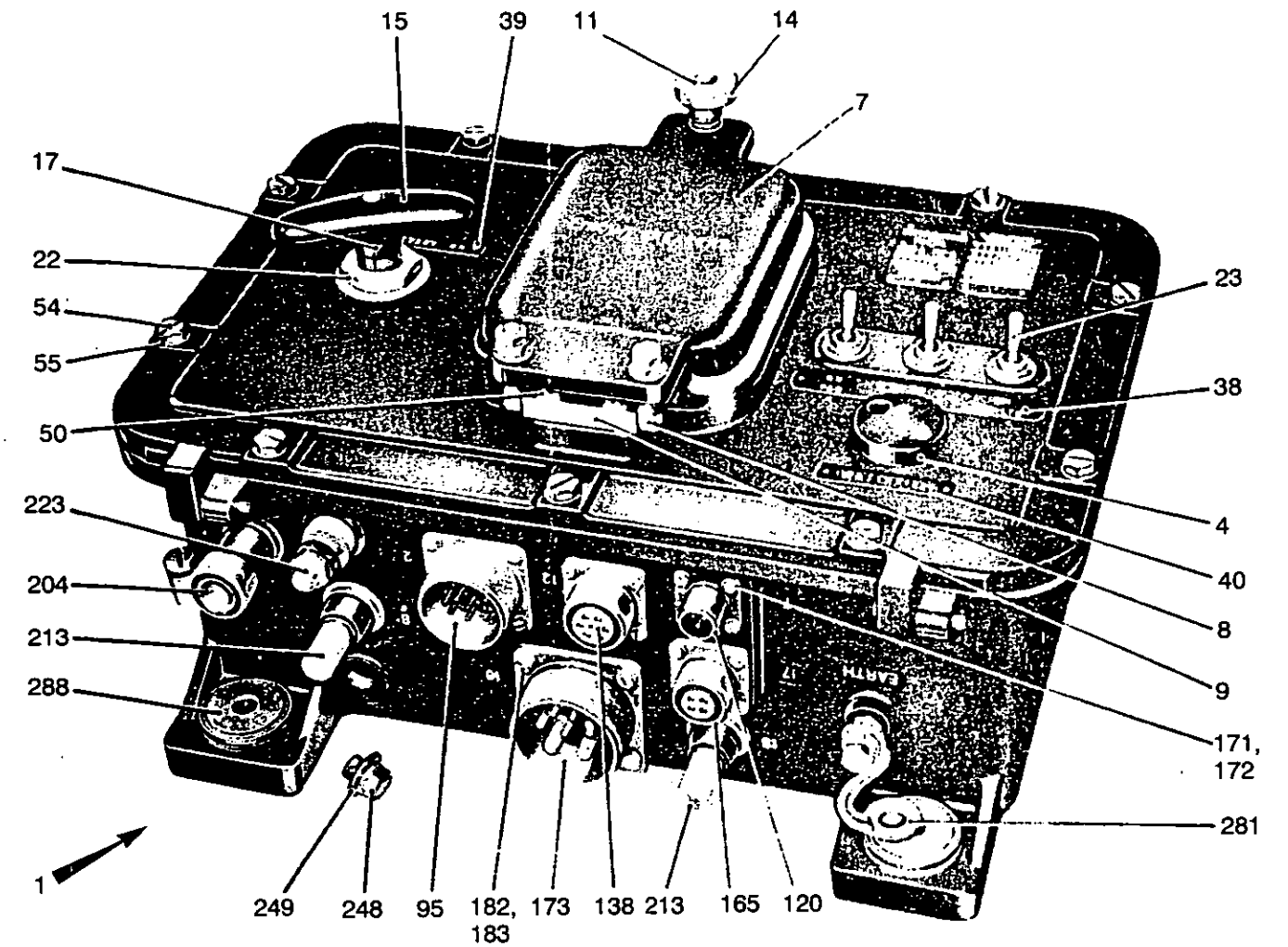
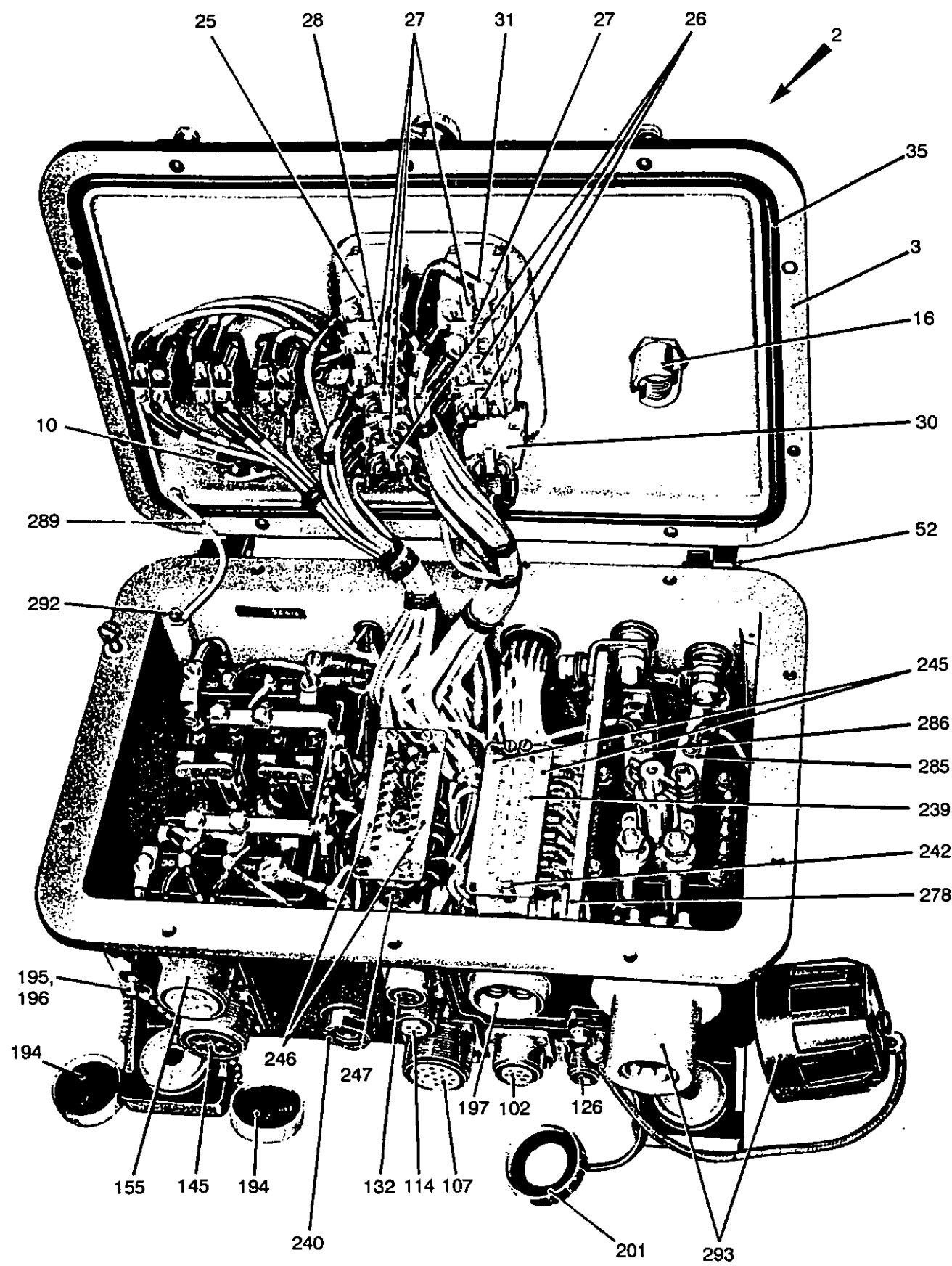


Fig 26 Distribution box

430/70119

Fig Item	Man Code Navy - N Army - A RA/F - R	NATO Stock No	Item Name and Description	Part No/ Drawing No.	No. Off	Annotations
26-			ELECTRICAL EQUIPMENT GA - contd . ELECTRICAL EQUIPMENT, HULL, GA - contd ELECTRICAL EQUIPMENT, INTERNAL - contd DISTRIBUTION BOX - contd PLUG, ELECTRICAL - contd			
NI 123	A 46MT4	5970-99-881-6194 SLEEVE, Helsyn H20 x 3/4in. lg black	H20	20	
NI 124	A 9MVCV	5940-99-832-9440 TERMINAL LUG, solderless, slotted, 16 AWG	32561	A/R	
NI 125		NP TERMINAL LUG, 2BA	251/2BA	2	
126		NP PLUG, ELECTRICAL, assy	FV573581	1	No. 9
NI 127	A 46MT4	5935-99-800-9966 PLUG, ELECTRICAL, fixed, 10SL- 4P	FV585002	1	
NI 128	A Y3	6145-99-943-4824 CABLE, ELECTRICAL, single conductor, 40/0.0076, 0.13in. dia, glass braid, polychloroprene insulated	UNIPREN12	A/R	
NI 129	A 46MT4	5970-99-881-6194 SLEEVE, Helsyn H20 x 3/4in. lg black	H20	4	
NI 130		NP TERMINAL LUG, 2BA	251/2BA	1	
NI 131	A Z37	5940-99-651-7613 TERMINAL LUG, 6BA	215014	1	
132		NP SOCKET, ELECTRICAL, assy	FV573582	1	No. 10
NI 133	A 46MT4	5935-99-800-9967 CONNECTOR, FIXED, ELECTRICAL, fixed, 14S-2S	FV585004	1	
NI 134	A Y3	6145-99-943-4824 CABLE, ELECTRICAL, single conductor, 40/0.0076, 0.13in. dia, glass braid, polychloroprene insulated	UNIPREN12	A/R	
NI 135	A 46MT4	5970-99-881-6194 SLEEVE, Helsyn H20 x 3/4in. lg black	H20	4	
NI 136		NP TERMINAL LUG, 4BA	17A	1	
NI 137	A Z37	5940-99-943-8569 TERMINAL LUG, 2BA	347-90	1	
138		NP SOCKET, ELECTRICAL, assy	FV573583	1	No. 12
NI 139	A 46MT4	5935-99-881-9666 SOCKET, ELECTRICAL, fixed, 16S-1S	FV585014	1	
NI 140	A Y3	6145-99-943-4824 CABLE, ELECTRICAL, single conductor, 40/0.0076, 0.13in. dia, glass braid, polychloroprene insulated	UNIPREN12	A/R	
NI 141	A 46MT4	5970-99-881-6194 SLEEVE, Helsyn H20 x 3/4in. lg black	H20	A/R	
NI 142	A 9MVCV	5940-99-832-9440 TERMINAL LUG, solderless, slotted, 16 AWG	32561	2	
NI 143		NP TERMINAL LUG, 2BA	251/2BA	1	
NI 144	A Z37	5940-99-651-7613 TERMINAL LUG, 6BA	215014	1	
145		NP SOCKET, ELECTRICAL, assy	FV573584	1	No. 13
NI 146	A 46MT4	5935-99-800-9927 SOCKET, ELECTRICAL, fixed, 22- 22S	FV585024	1	
NI 147	A Y3	6145-99-943-4824 CABLE, ELECTRICAL, single conductor, 40/0.0076, 0.13in. dia, glass braid, polychloroprene insulated	UNIPREN12	A/R	
NI 148	A Y3	6145-99-945-5074 WIRE, ELECTRICAL, 120/0.012in. tinned copper, braid blue	E21 UNIPREN50	A/R	
NI 149	A 46MT4	5970-99-881-6194 SLEEVE, Helsyn H20 x 3/4in. lg black	H20	3	
NI 150	A Z37	5940-99-950-6263 TERMINAL LUG, 3/16in.	FV686854	1	

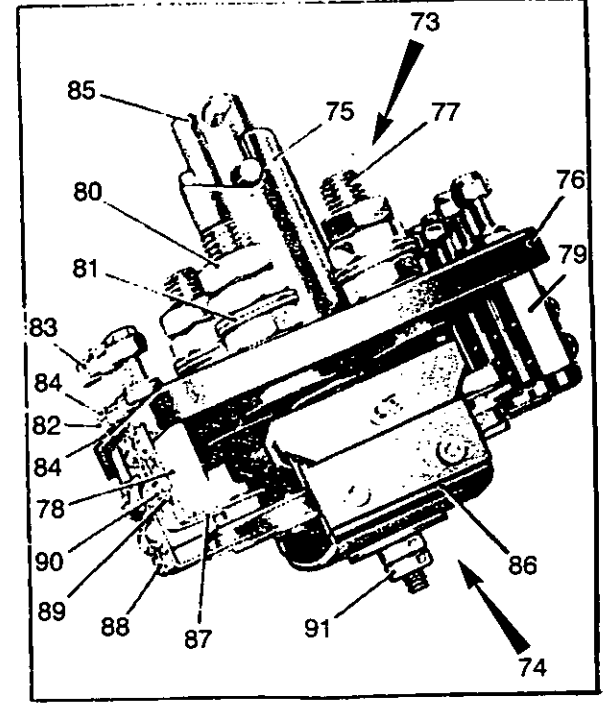
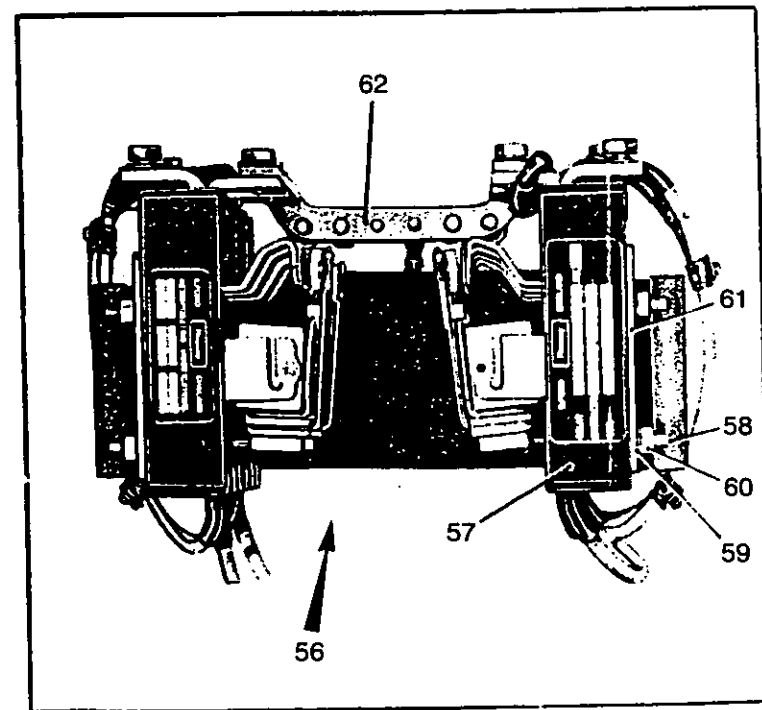
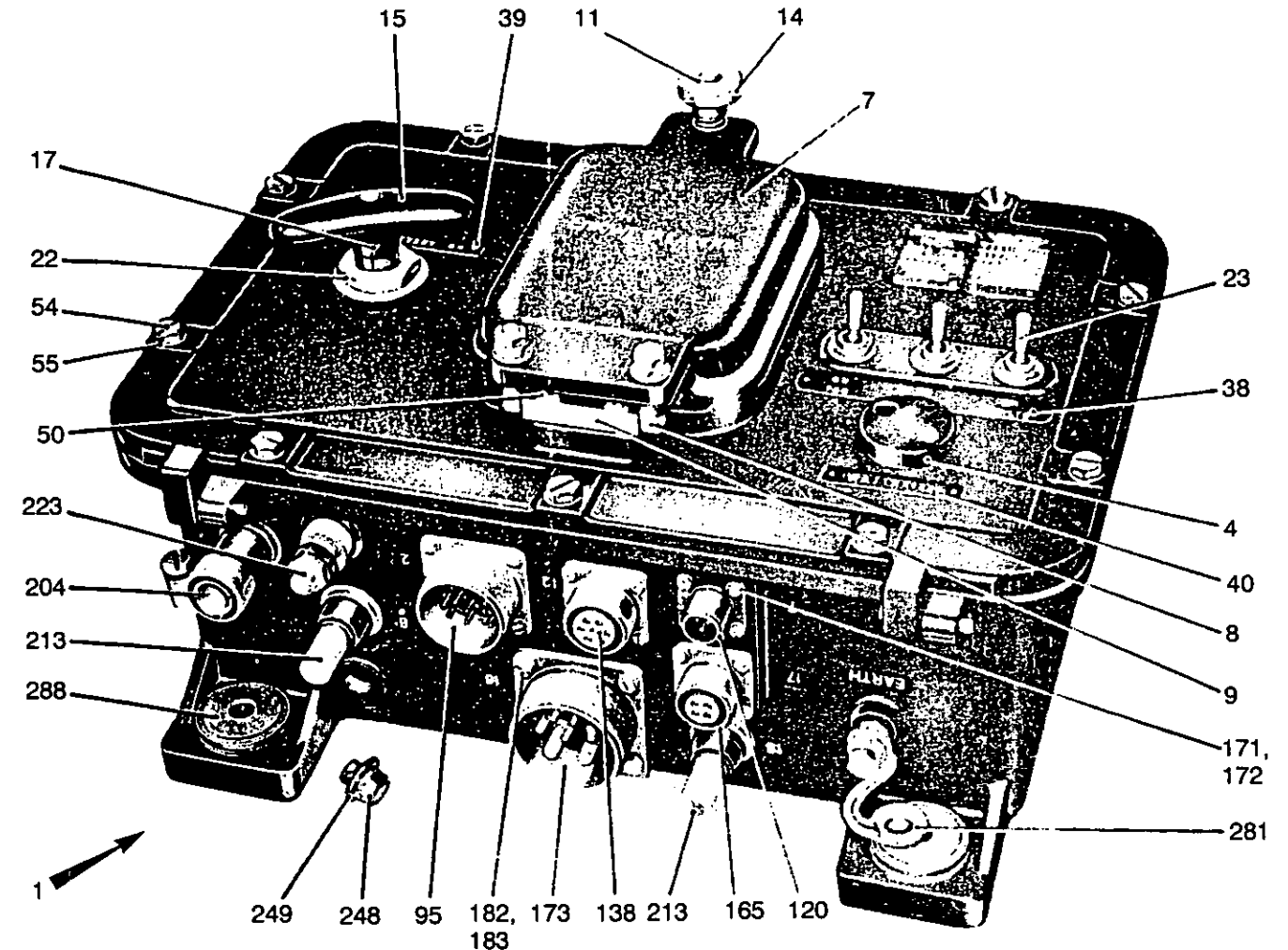
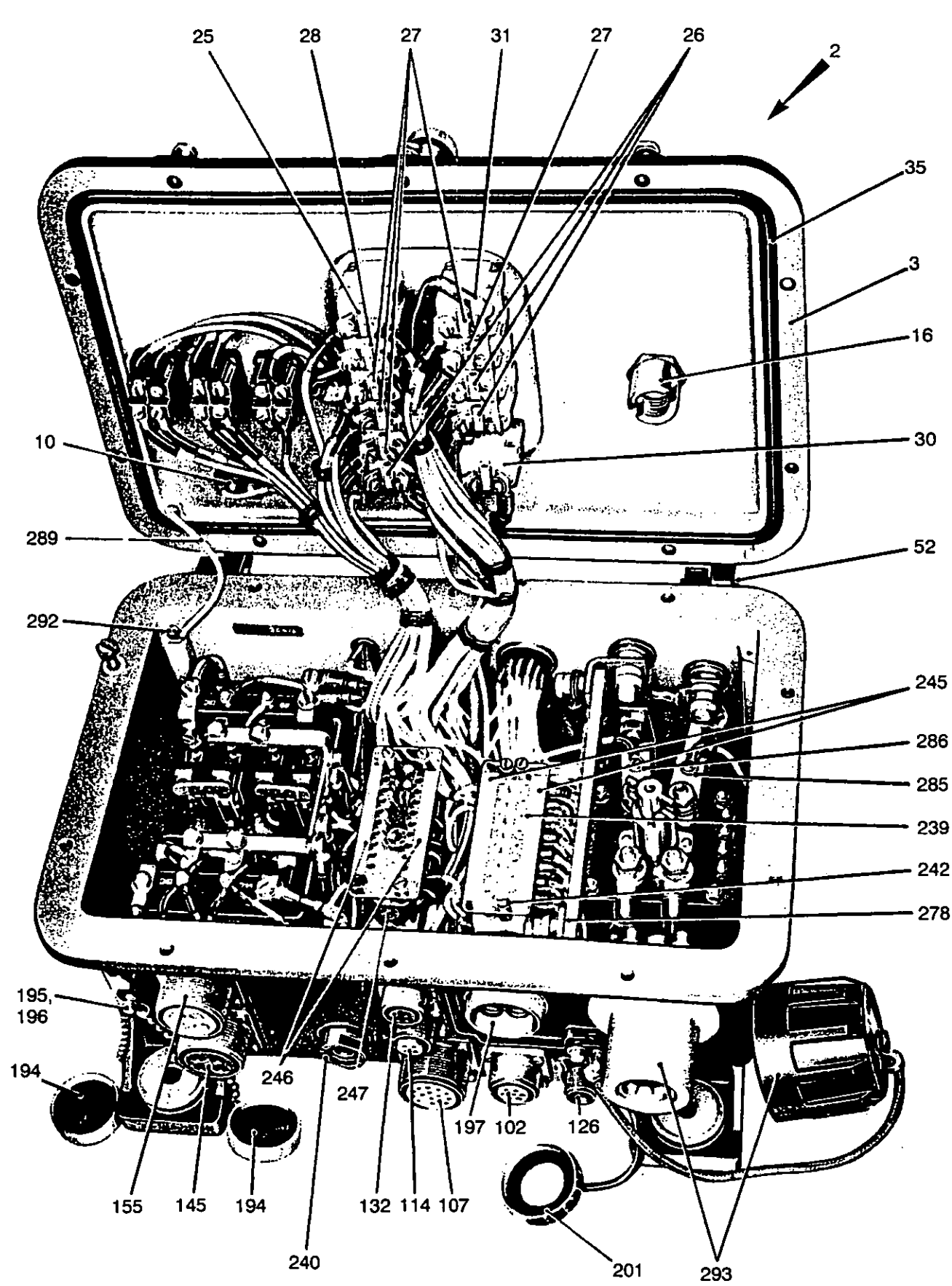


Fig 26 Distribution box

430/70119

Fig Item	Man Code Navy - N Army - A RAF - R	NATO Stock No	Item Name and Description	Part No/ Drawing No.	No. Off	Annotations
26-			ELECTRICAL EQUIPMENT GA - contd . ELECTRICAL EQUIPMENT, HULL, GA - contd ELECTRICAL EQUIPMENT, INTERNAL - contd DISTRIBUTION BOX - contd SOCKET, ELECTRICAL - contd			
NI 151	A Z37	5940-01-251-6054 TERMINAL LUG, straight, 1/4in.	2901/4	1	
NI 152	A Z37	5940-99-651-7613 TERMINAL LUG, 6BA	215014	1	
NI 153	A 9MVCV	5940-99-832-9440 TERMINAL LUG, solderless, 16 AWG	32561	1	
NI 154		NP BUSHING, SLEEVE, br, 0.076in. id x 0.187in. od x 0.312in. o/a lg	FV590492	1	
155		NP SOCKET, ELECTRICAL, assy	FV573585	1	No. 14
NI 156	A 46MT4	5935-99-800-9927 SOCKET, ELECTRICAL, fixed, 22- 22S	FV585024	1	
NI 157	A Y3	6145-99-943-4824 CABLE, ELECTRICAL, single conductor, 40/0.0076, 0.13in. dia, glass braid, polychloroprene insulated	UNIPREN12	A/R	
NI 158	A Y3	6145-99-945-5074 WIRE, ELECTRICAL, 120/0.012in. tinned copper, braid blue	E21 UNIPREN50	A/R	
NI 159	A 46MT4	5970-99-881-6194 SLEEVE, Helsyn H20 x 3/4in. lg black	H20	3	
NI 160	A Z37	5940-99-950-6263 TERMINAL LUG, 3/16in.	FV686854	1	
NI 161	A Z37	5940-01-251-6054 TERMINAL LUG, straight, 1/4in.	2901/4	1	
NI 162	A Z37	5940-99-651-7613 TERMINAL LUG, 6BA	215014	1	
NI 163	A 9MVCV	5940-99-832-9440 TERMINAL LUG, solderless, 16 AWG	32561	1	
NI 164		NP BUSHING, SLEEVE, br, 0.076in. id x 0.187in. od x 0.312in. o/a lg	FV590492	1	
165	A 46MT4	 SOCKET, ELECTRICAL, assy	FV573587	1	No. 17
NI 166	A 6MT4	5935-99-800-9967 CONNECTOR, FIXED, ELECTRICAL, fixed, 14S-2S	FV585004	1	
NI 167	A Y3	6145-99-943-4824 CABLE, ELECTRICAL, single conductor, 40/0.0076, 0.13in. dia, glass braid, polychloroprene insulated	UNIPREN12	A/R	
NI 168	A 46MT4	5970-99-881-6194 SLEEVE, Helsyn H20 x 3/4in. lg black	H20	4	
NI 169		NP TERMINAL LUG, 4BA	17A	1	
NI 170	A Z37	5940-99-943-8569 TERMINAL LUG, 2BA	347-90	1	
171	A Z2	5305-99-941-6729 SCREW, MACHINE, st, hex hd, slotted, Cd P, 6BA x 3/8in. lg		44	
172		NP WASHER, LOCK, shakeproof, int type 12, 6BA		44	
173		NP PLUG, ELECTRICAL, assy	FV573586	1	No. 16
NI 174	A 46MT4	5935-99-800-9950 PLUG, ELECTRICAL, fixed 28-10p	FV585029	1	
NI 175	A Y3	6145-99-943-4824 CABLE, ELECTRICAL, single conductor, 40/0.0076, 0.13in. dia, glass braid, polychloroprene insulated	UNIPREN12	A/R	
NI 176	A Y3	6145-99-945-5074 WIRE, ELECTRICAL, 120/0.012IN. tinned copper, braid, blue	E21 UNIPREN50	A/R	
NI 177	A 46MT4	5970-99-881-6194 SLEEVE, Helsyn H20 x 3/4in. lg black	H20	1	
NI 178	A Z37	5940-01-251-6054 TERMINAL LUG, straight, 1/4in.	2901/4	2	
NI 179	A Z37	5940-99-950-6263 TERMINAL LUG, 3/16in.	FV686854	2	

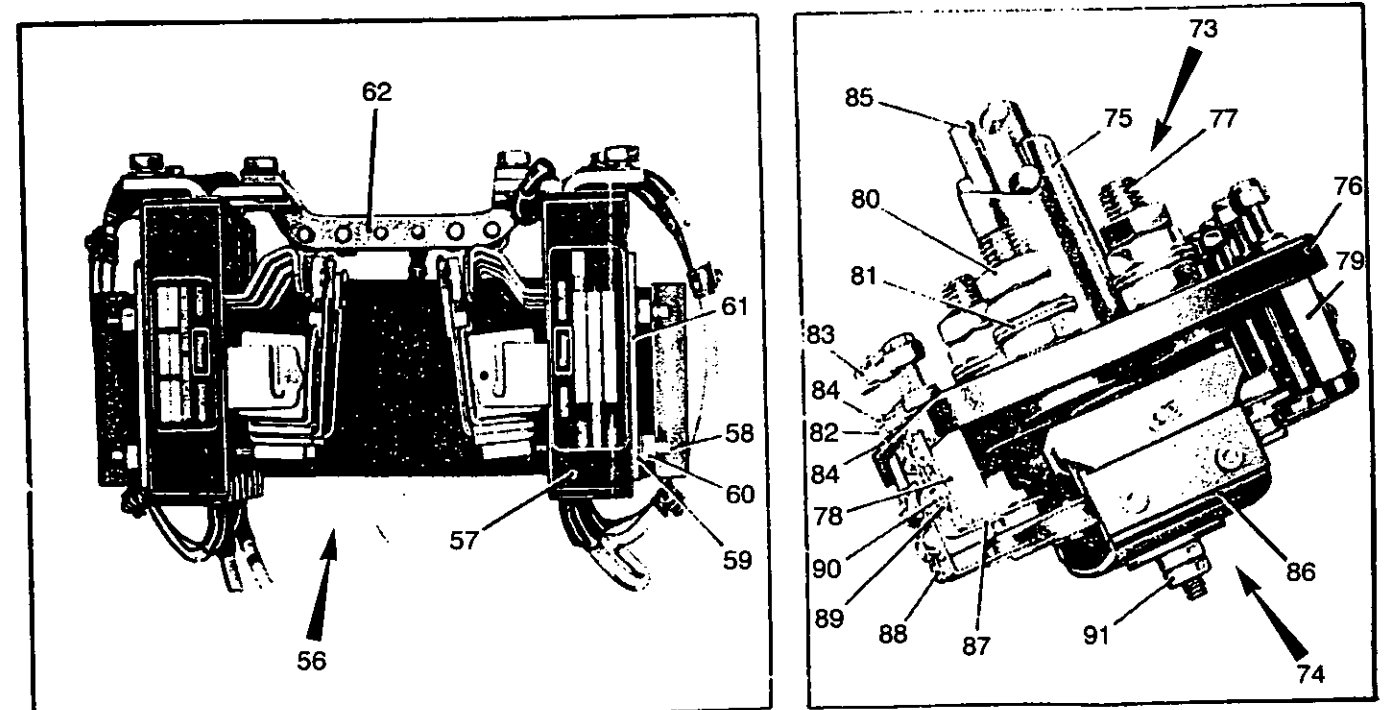
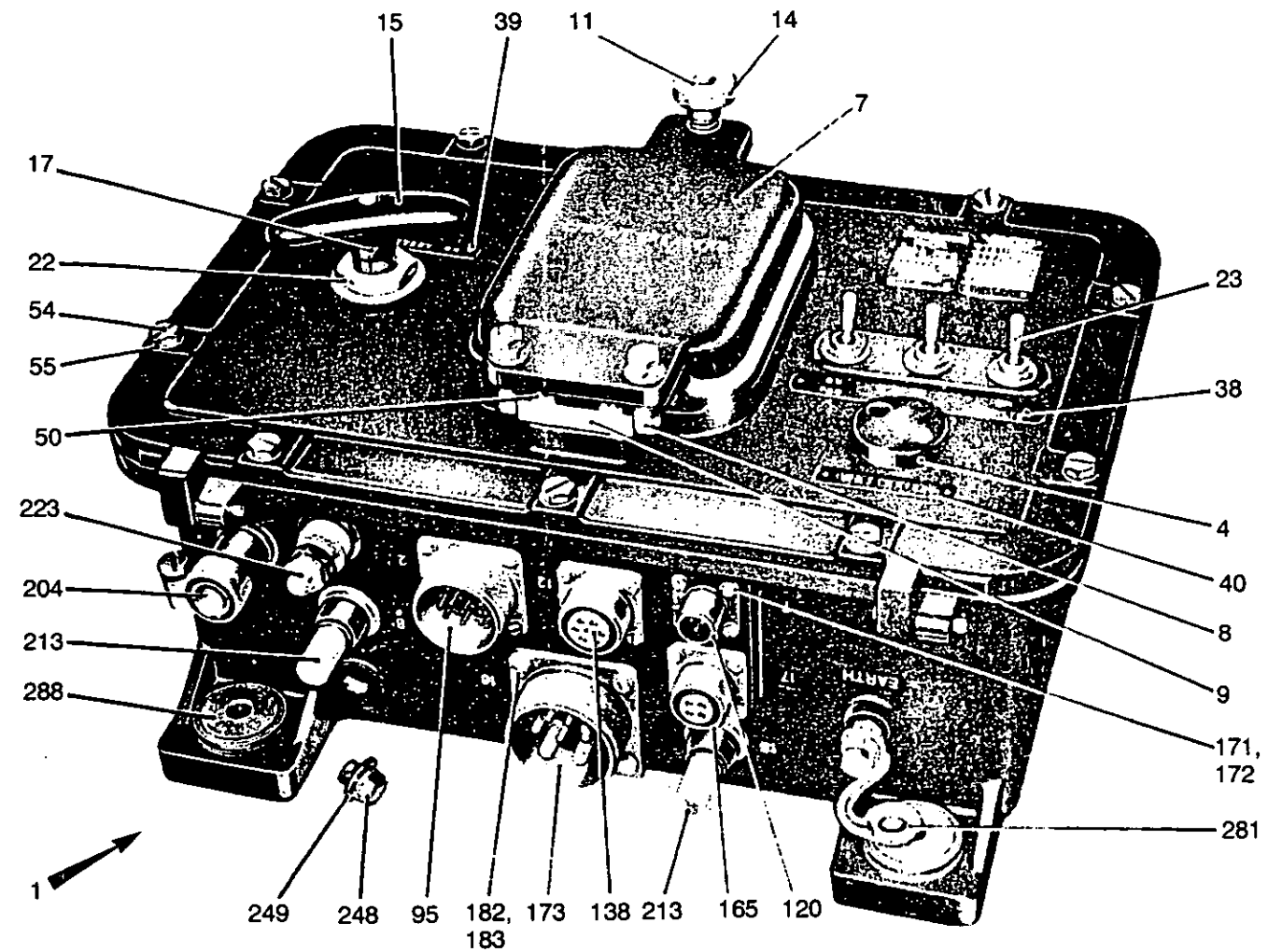
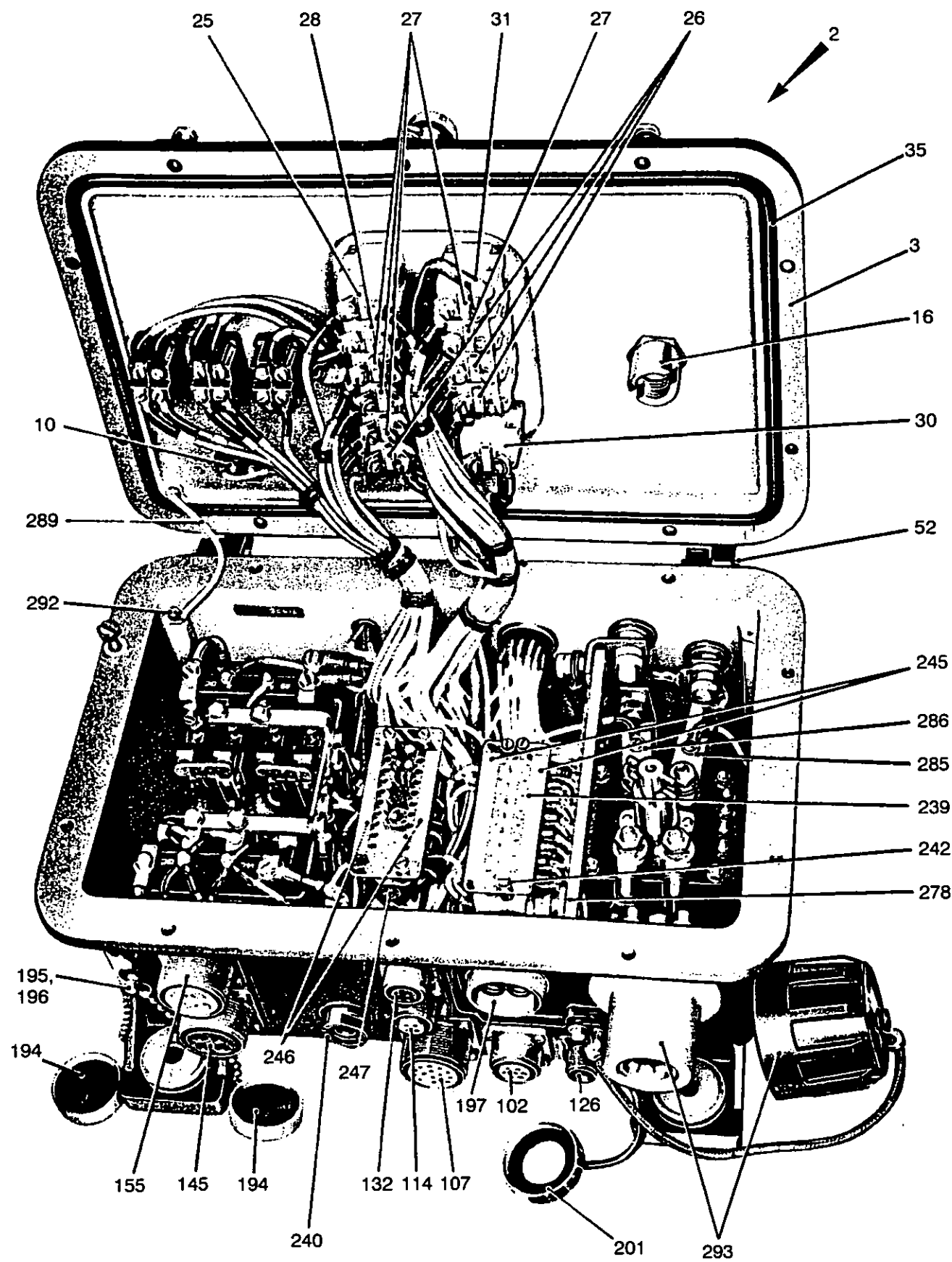


Fig 26 Distribution box

43070119

Fig Item	Man Code Navy - N Army - A RAF - R	NATO Stock No	Item Name and Description	Part No/ Drawing No.	No. Off	Annotations
26-			ELECTRICAL EQUIPMENT GA - contd . ELECTRICAL EQUIPMENT, HULL, GA - contd ELECTRICAL EQUIPMENT, INTERNAL - contd DISTRIBUTION BOX - contd PLUG, ELECTRICAL - contd			
NI 180	A	9MCV	5940-99-832-9440 TERMINAL LUG, solderless, 16 AWG	32561	1	
NI 181		NP BUSHING, SLEEVE, br, 0.076in. id x 0.187in. od x 0.312in. o/a lg	FV590492	1	
182	A	46MT4	5305-99-941-6718 SCREW, MACHINE, st, hex hd, slotted, Cd P, 4BA x 3/8in. lg		4	} Plug fixing
183		NP WASHER, LOCK, shakeproof, int type 12, 4BA		4	
NI 184	A	6MT1	5330-99-944-0045 RING, SEALING, TOROIDAL, ru, 3/4in. id, 1/16in. h, 84-85 deg hardness	100-018- 1911	2	Shell size 10S
NI 185	A	46MT1	5330-99-970-0241 RING, SEALING, TOROIDAL, ru, 7/8in. id, 1/16in. h, 84-85 deg hardness	100-020- 1911	2	Shell size 14S
NI 186	A	6MT1	5330-99-945-5494 RING, SEALING, TOROIDAL, ru, 1.00in. id, 1.425in. od, 0.070in. od, 84-85 deg hardness	100-022- 1911	2	Shell size 16S
NI 187	A	46MT1	5330-99-943-9586 RING, SEALING, TOROIDAL, ru, 1- 3/8in. x 1-1/2in. x 1/16in., 84-85 deg hardness	100-028- 1911	4	Shell size 16
NI 188		NP RING, SEALING, TOROIDAL, ru, 1- 3/4in. id, 1-7/8in. od, 0.070in. od, 84- 85 deg hardness	List 5 No. 21	1	Shell size 26
NI 189	A	Z32	5935-99-102-9579 COVER, ELECTRICAL, CONNECTOR, connector protection	010-70500- 10	2	Shell size 10SL
NI 190	A	46MT4	5935-99-881-5797 COVER, ELECTRICAL, CONNECTOR, connector protection	010-70500- 14	3	Shell size 14S
NI 191	A	46MT4	5935-99-881-5798 COVER, ELECTRICAL, CONNECTOR, connector protection	010-70500- 16	2	Shell size 16S
NI 192	A	46MT4	5935-99-881-4410 CAP, BLANKING	010-70500- 22	2	Shell size 22
NI 193	A	46MT4	5935-99-881-5799 COVER, ELECTRICAL, CONNECTOR, connector protection	B10-70500- 28	1	Shell size 28
194	A	46MT4	5935-99-972-9649 COVER, plug and socket electrical c/w chain	9760-22	2	Shell size 22
195	A	46MT4	5305-99-941-6718 SCREW, MACHINE, st, hex hd, slotted, Cd P, 4BA x 3/8in. lg		2	} Plug cover chain fixing
196	A	G1	5310-99-941-8571 WASHER, FLAT, rd, Zn P, 0.152in. id x 0.296in. od x 0.028in. thk		2	
197	A	46MT4	5935-99-802-3722 SOCKET, ELECTRICAL, fixed, c/w cover, securing cord and leads	FV573589	1	
NI 198		NP BODY, assy	FV410133	1	
NI 199	A	46MT4	5330-99-803-9788 GASKET, inspection socket	FV410138	1	
NI 200	A	46MT4	5310-99-803-8006 NUT, PLAIN, ROUND	Z5331-48	1	
201	A	6MT4	5935-99-802-3723 COVER, ELECTRICAL, CONNECTOR, metallic, 1.625in. dia, 0.760in. lg, int thd, c/w securing cord	FV530519	1	
NI 202	A	Y3	6145-99-943-6806 WIRE, ELECTRICAL, PCP, insulation 70/0.0076in., 0.143 dia o/a glass braid covering, 600V	UNIPREN18	A/R	

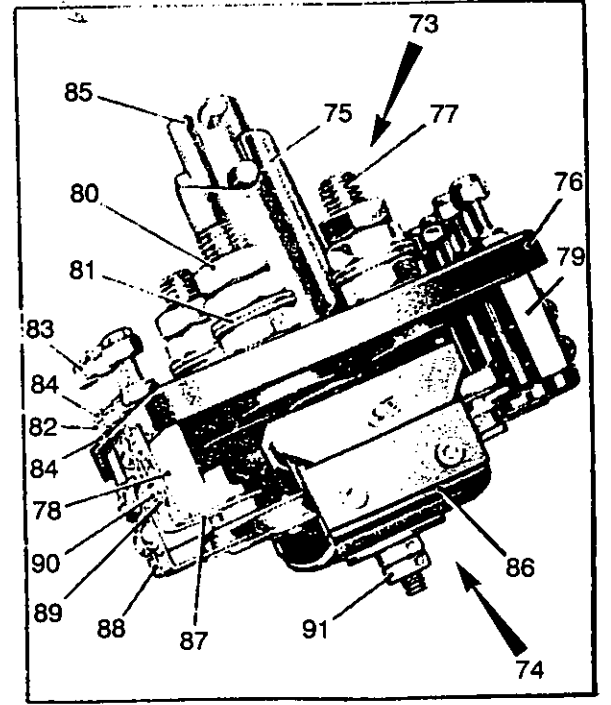
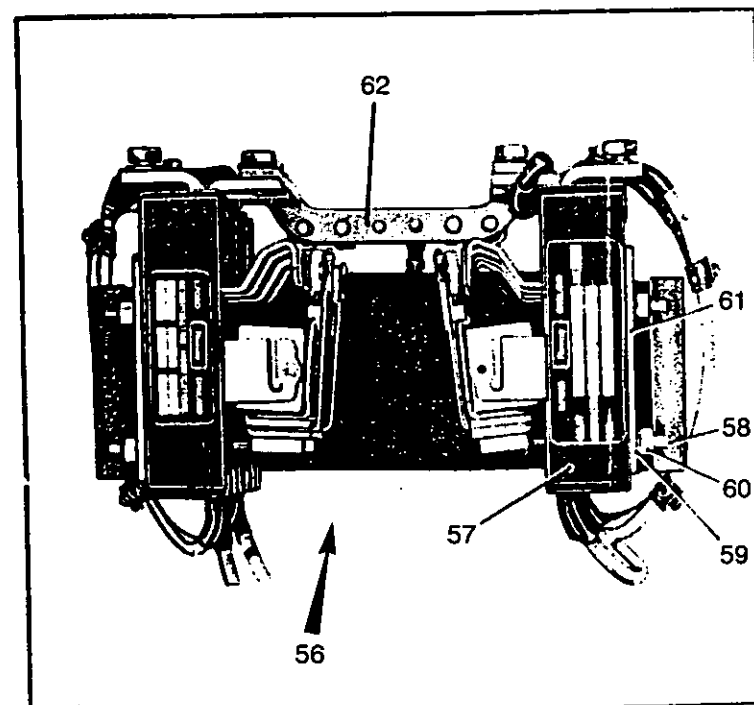
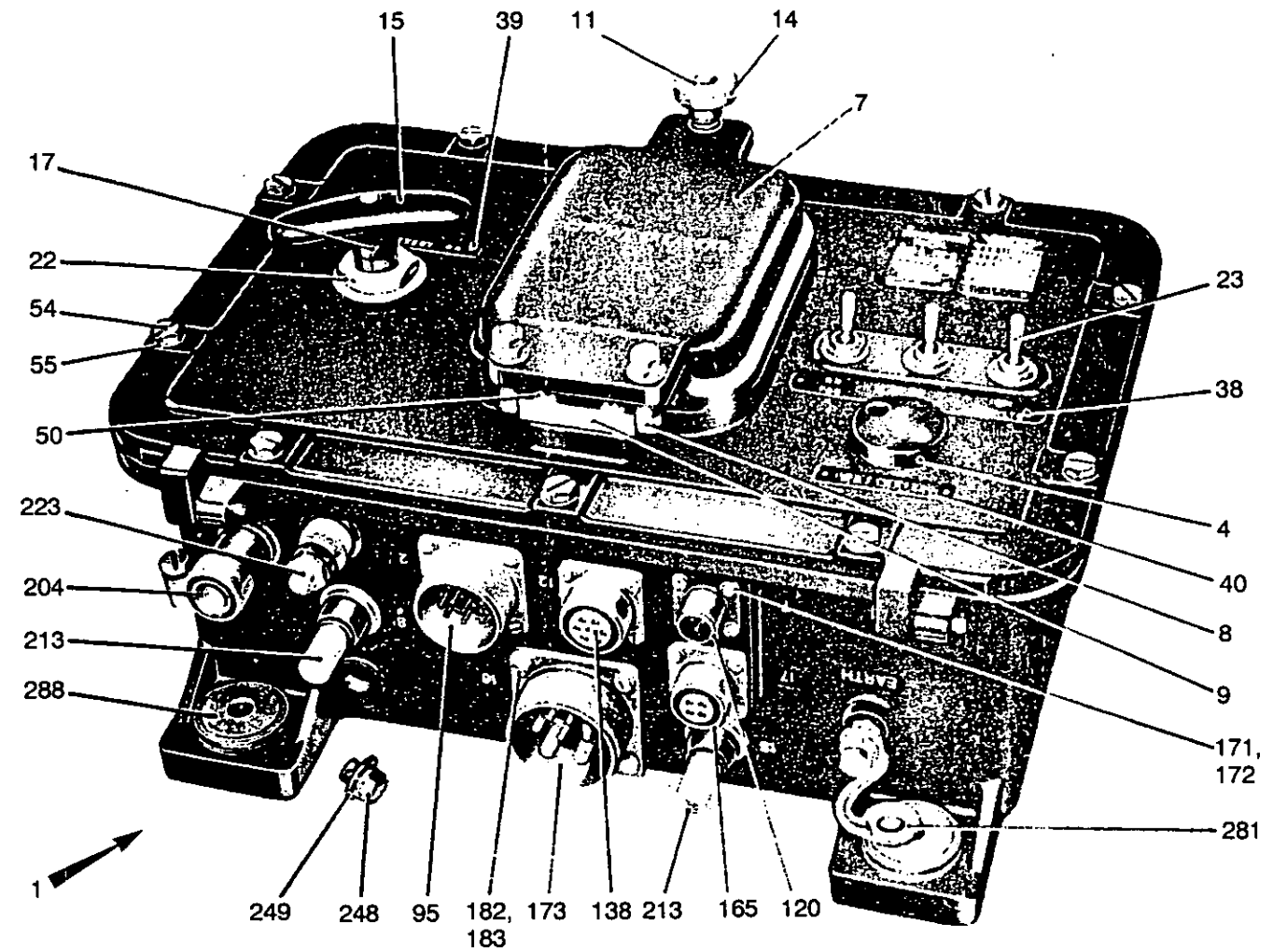
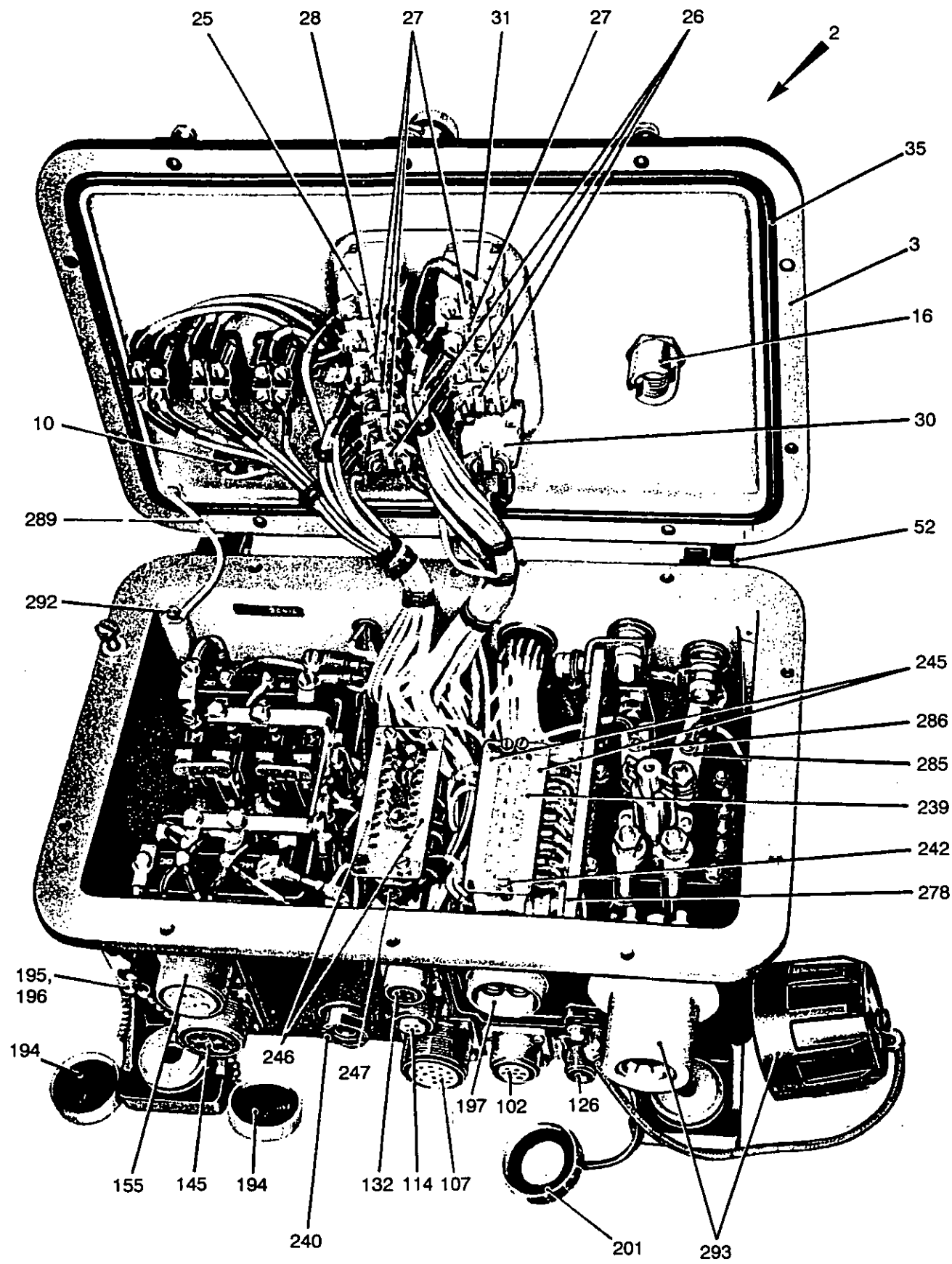


Fig 26 Distribution box

430/70119

Fig Item	Man Code Navy - N Army - A RAF - R	NATO Stock No	Item Name and Description	Part No/ Drawing No.	No. Off	Annotations
26-			ELECTRICAL EQUIPMENT GA - contd ELECTRICAL EQUIPMENT, HULL, GA - contd ELECTRICAL EQUIPMENT, INTERNAL - contd DISTRIBUTION BOX - contd SOCKET, ELECTRICAL - contd			
NI 203	A Z37	5940-99-105-7377 TERMINAL LUG		2	
204	A 46MT4	5935-99-805-0007 SOCKET, ELECTRICAL, heavy duty	FV39347	1	No. 1
NI 205	A 46MT4	5970-99-805-0023 INSULATOR, WASHER, plastics, 13/32in. id, 15/16in. od, 15/16in. h, hole recessed, 9/16in. dia, 1/16in. deep	QRD1010	1	
NI 206	A 46MT4	5330-99-805-0022 RETAINER, PACKING, internal recess, 0.812in. dia, 0.010in. thk	FV39351	1	
NI 207	A 46MT4	5330-99-881-3980 RING, SEALING, TOROIDAL, ru, 0.531in. id, 0.651in. od, 0.060in. o/a h, 81-88 deg hardness	FV107528	1	
NI 208	A 46MT4	5940-99-805-0024 CLAMP, plug	FV107619	1	
NI 209	A 46MT4	5970-99-805-0021 INSULATOR, BUSHING, bushing, bakelite, heavy duty panel socket	QRD1008	1	
NI 210	A 46MT1	5330-99-943-0117 RING, SEALING, TOROIDAL, ru, 0.549in. x 0.103in., 60 deg hardness	L6785/BR16 59	1	
NI 211		NP WASHER, FLAT, 3/8in., 25/64in. id x 13/16in. od x 16 SWG		1	
NI 212	A G1	5310-99-101-1692 NUT, PLAIN, HEXAGON, br, lock, chamfered, 3/8in. UNF		3	
213	A 46MT4	5935-99-805-0012 PLUG, ELECTRICAL	QRA59	2	No. 8 and 15
NI 214	A 46MT4	5970-99-805-0023 INSULATOR, WASHER, plastics, 13/32in. id, 15/16in. od, 15/16in. h, hole recessed, 9/16in. dia, 1/16in. deep	QRD1010	2	
NI 215	A 46MT4	5330-99-805-0022 RETAINER, PACKING, internal recess, 0.812in. dia, 0.010in. thk	FV39351	2	
NI 216	A 46MT4	5330-99-943-0117 RING, SEALING, TOROIDAL, ru, 0.549in. x 0.103in., 60 deg hardness	L6785/BR16 59	2	
NI 217	A 46MT1	5330-99-805-0032 RING, SEALING, TOROIDAL, sealing rubber plug	FV131065	2	
NI 218	A 6MT1	5330-99-801-6628 RING, SEALING, TOROIDAL, 9/16in. x 3/4in. x 3/32in., 90 deg hardness	R3056ML53 72	2	
NI 219	A 46MT4	5970-99-805-2206 INSULATOR, BUSHING, bushing, bakelite, heavy duty panel plug	QRD1021	2	
NI 220	A Z42	5999-99-826-1775 CONTACT, ELECTRICAL	FV131067	2	
NI 221	A G1	5310-99-101-1692 NUT, PLAIN, HEXAGON, br, lock, chamfered, 3/8in. UNF		6	
NI 222		NP WASHER, FLAT, 3/8in., 25/64in. id x 13/16in. od x 16 SWG		2	
223	A 46MT4	5940-99-881-4406 TERMINAL, FEED-THROUGH, 7/16in. UNF, pos	FV487955	1	
NI 224	A 6MT4	5940-99-805-1338 TERMINAL POST, heavy duty, 3/8in.	FV530588	1	
NI 225	A 46MT4	5970-99-802-9447 INSULATOR, BOWL, bowl, syn, resin bonded paper, 31/32in. od x 3/8in. thk, 3/8in. dia hole	FV530587	1	

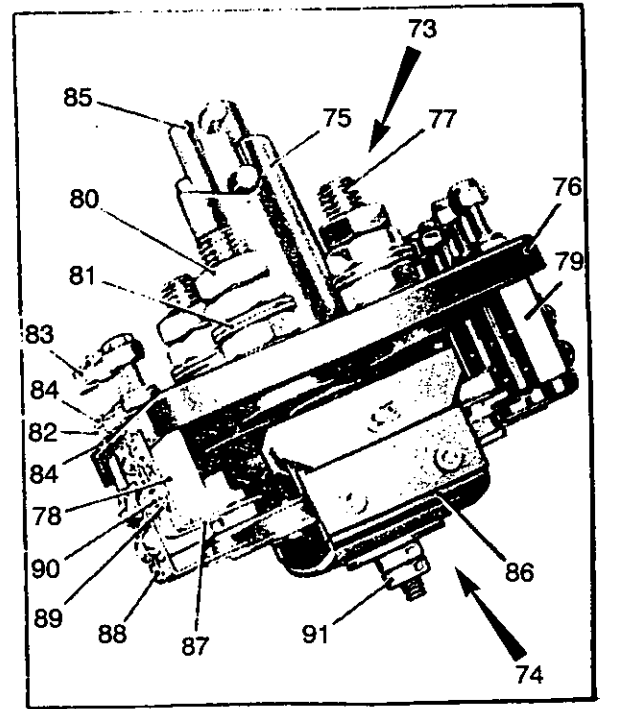
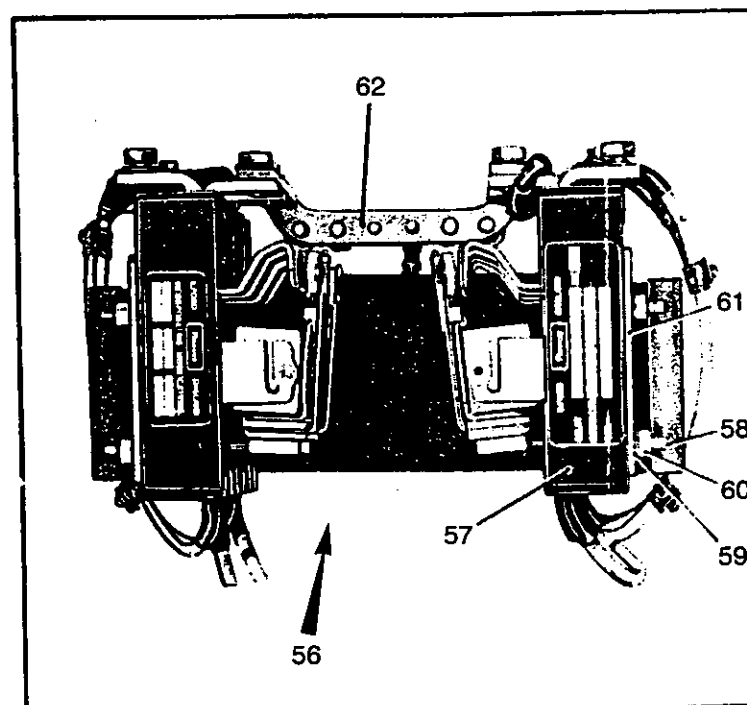
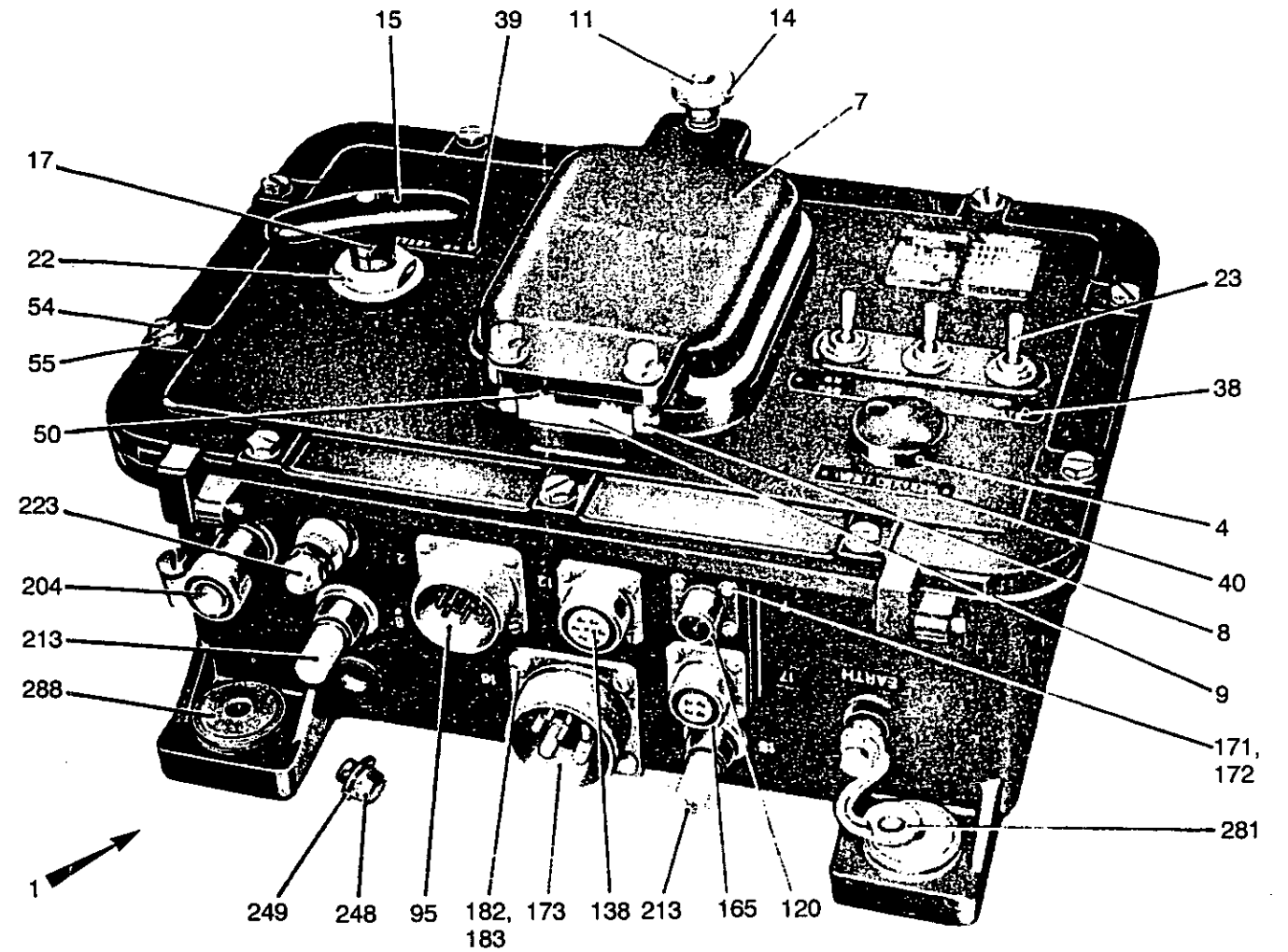
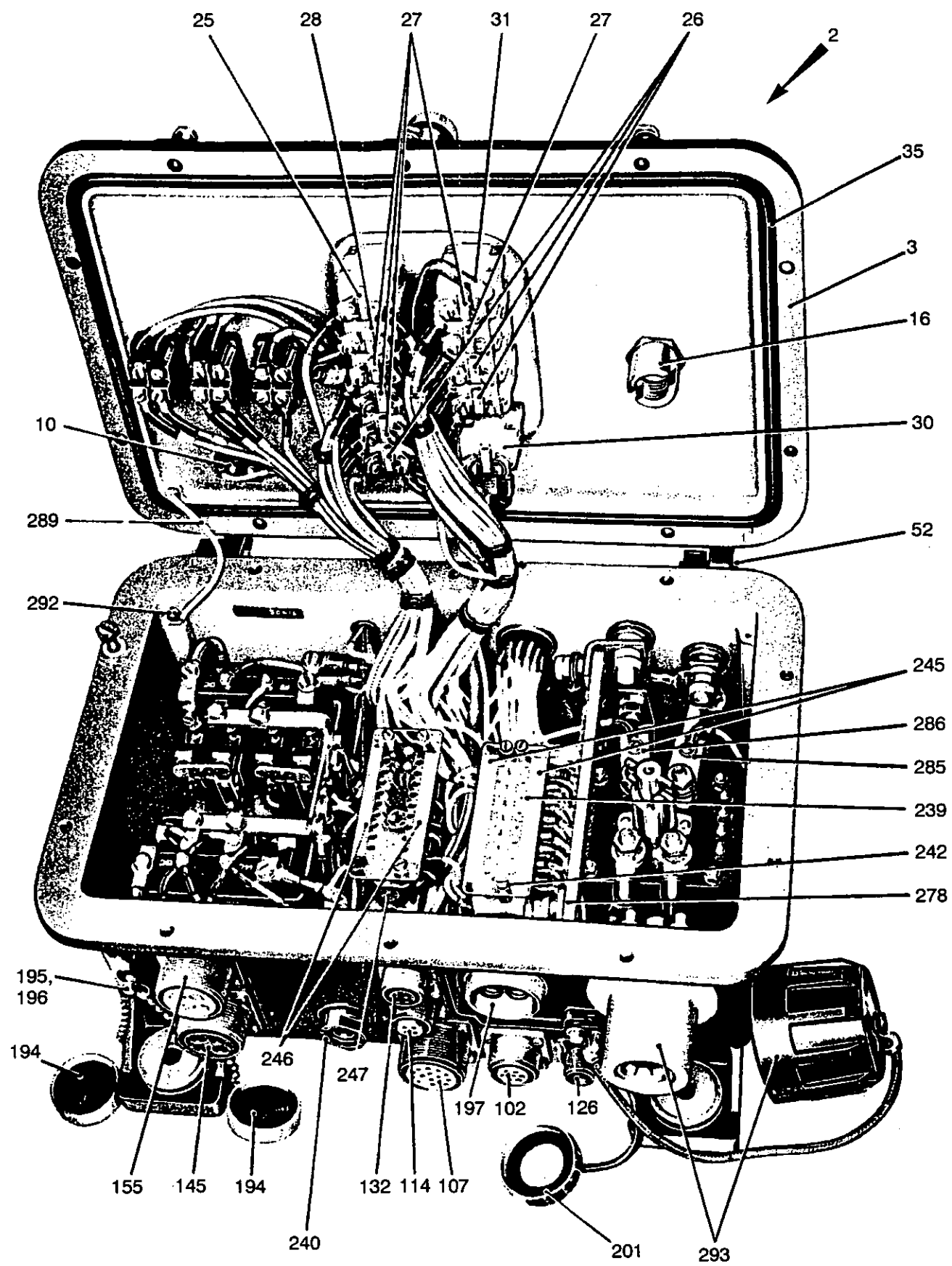


Fig 26 Distribution box

430/70119

Fig Item	Man Code Navy - N Army - A RA/F - R	NATO Stock No	Item Name and Description	Part No/ Drawing No.	No. Off	Annotations
26-			ELECTRICAL EQUIPMENT GA - contd . ELECTRICAL EQUIPMENT, HULL, GA - contd ELECTRICAL EQUIPMENT, INTERNAL - contd DISTRIBUTION BOX - contd TERMINAL FEED-THROUGH - contd			
NI 226	A 46MT4	5970-99-802-9445 INSULATOR, WASHER, SRBP, 0.970in. od x 0.565in. id x 0.125in. thk	FV530585	1	
NI 227	A 46MT4	5970-99-802-9446 INSULATOR, BUSHING, SRBP, 0.555in. od x 0.385in. x 0.40in. lg	FV530586	1	
NI 228		NP RING, SEALING, TOROIDAL, 7/16in. id x 9/16in. od x 1/16in. thk, 84-95 deg hardness	100-013- 1911	1	
NI 229	A 46MT1	5330-99-801-7415 RING, SEALING, TOROIDAL, 5/8in. id x 3/4in. od x 1/16in. thk, 84-95 deg hardness	806197	1	
NI 230	A G1	5310-99-101-1692 NUT, PLAIN, HEXAGON, br, lock, chamfered, 3/8in. UNF		5	
NI 231		NP WASHER, FLAT, 3/8in., 25/64in. id x 13/16in. od x 16 SWG		3	
NI 232		NP BRACKET, terminal block	FV573522	2	
NI 233		NP BRACKET, Hendry block (2 holes)	FV573524/1	1	
NI 234		NP BRACKET, Hendry block (1 hole)	FV573524/2	1	
NI 235	A G1	5305-99-941-9194 SCREW, MACHINE, st, fil hd, Cd P, 2BA x 3/8in. lg	402105CP	8	
NI 236		NP WASHER, LOCK, st, shakeproof, int, type 12, 2BA		8	
NI 237	A 6MT4	5340-99-802-3724 TERMINAL POST, st, Zn P, . 0.248in. A/F, 0.875in. lg	FV573528/1	3	
NI 238	A 46MT4	5340-99-802-3725 POST, ELECTRICAL-MECHANICAL EQPT, st, Zn P, 0,248in. A/F, 1.250in. lg	FV573528-2	3	
239	A 46MT4	5940-99-881-4027 TERMINAL BOARD, 16 way	FV518857	1	
240	A W10	6685-99-687-1695 INDICATOR, HUMIDITY, PLUG	26855-00513	1	
NI 241		NP DESSICANT CONTAINER DEHUMIDIFIER, aluminium silica gel, 1-1/4in. lg		1	
242	A G1	5305-99-941-9087 SCREW, MACHINE, st, flat fil hd, Cd P, slot drive, 4BA x 1/4in. lg		6	} Terminal block fixing
NI 243	A G1	5305-99-120-0040 SCREW, MACHINE, st, flat fil hd, Cd P, 4BA x 1/4in. lg		1	
NI 244	A G1	531-99-912-8182 WASHER, LOCK, st, Cd P, double coil, sq sect, 5/32in.		7	
245		NP LABEL, paper	FV573595/1/ 2	1	
246		NP LABEL, paper	FV573593/3/ 4	1	
247	A Z37	5945-99-105-7583 RELAY, ELECTRO-MAGNETIC, double break, 10A, 208V ac, 10A, 30V dc	D5900	1	
248	A 6MT1	5365-99-942-8491 PLUG, SCREWED, br, hex hd, 3/8in. BSP	884/3	2	} Air plug
249	A 6MT1	5330-99-941-9410 WASHER, SEAL, LOCKING, 0.385in. id x 0.730in. od x 0.080in. thd		2	
NI 250		NP LEAD, ELECTRICAL, switch to relay busbar	FV573437	1	
NI 251	A Y3	6145-99-945-5074 WIRE, ELECTRICAL, 120/0.012in. tinned copper, braid blue	E21 UNIPREN50	A/R	

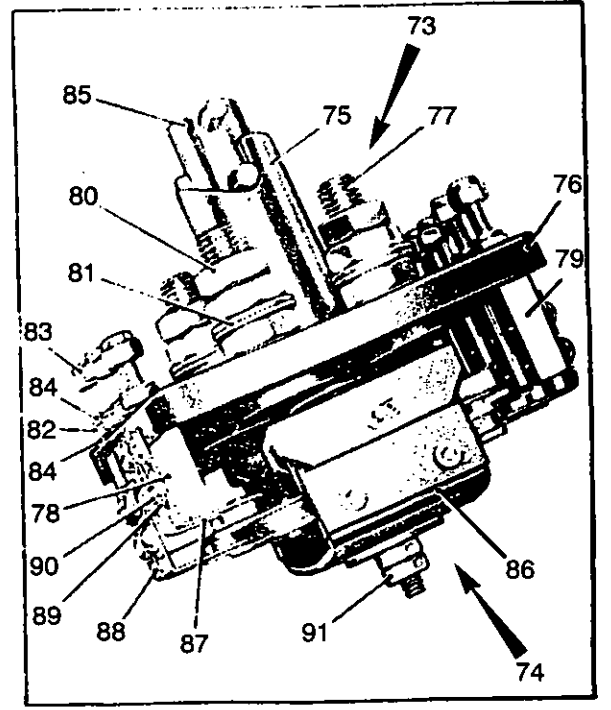
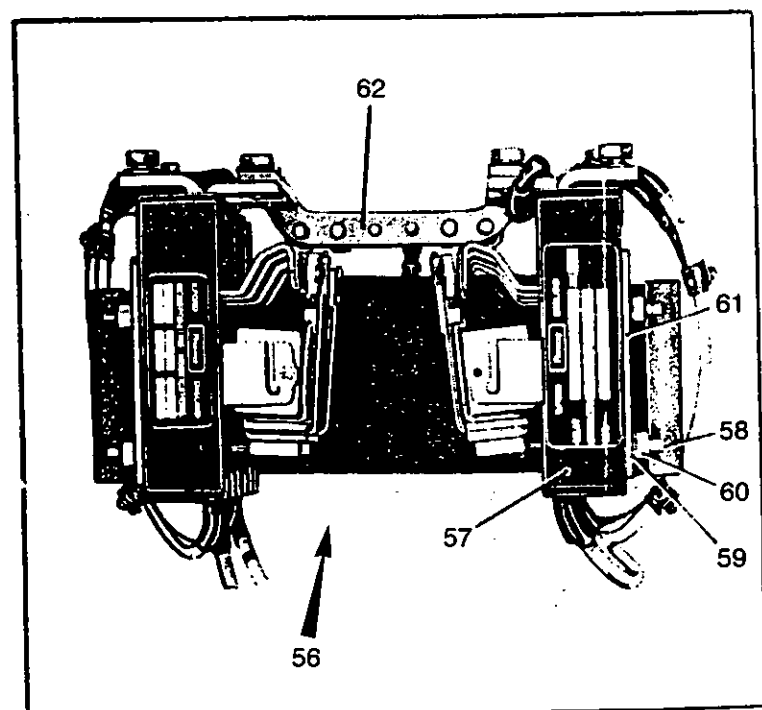
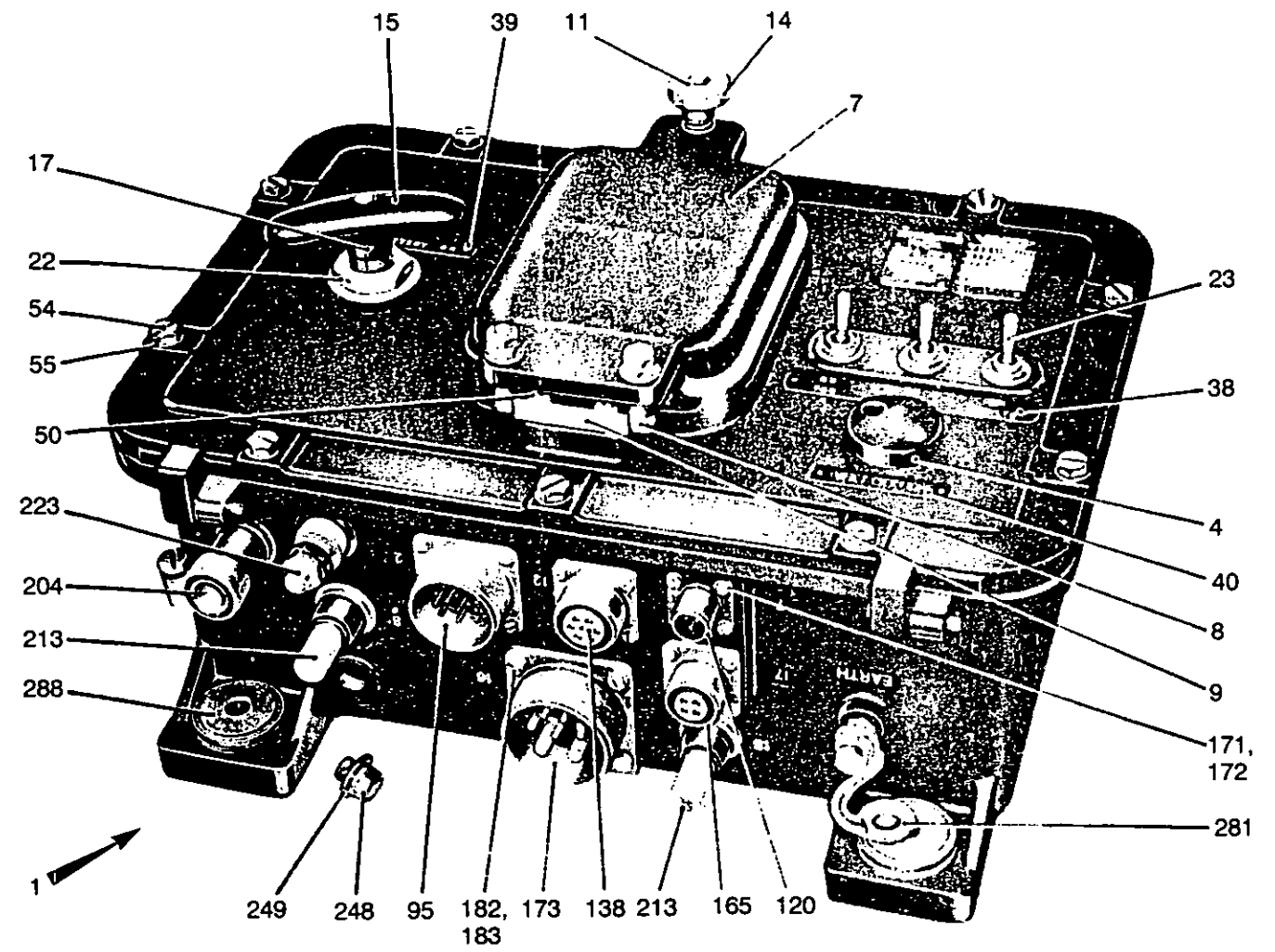
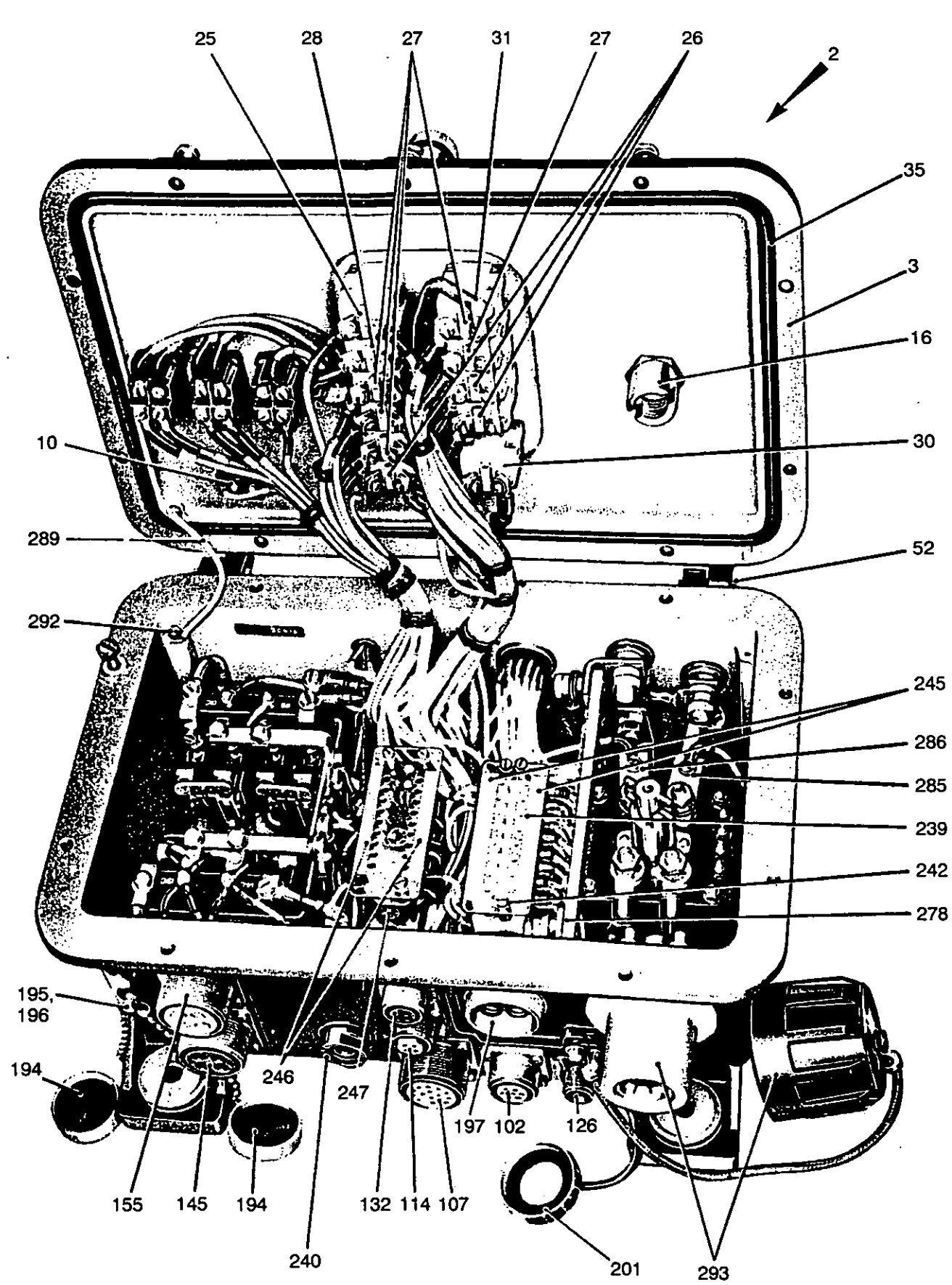


Fig 26 Distribution box

430/70119

Fig Item	Man Code Navy - N Army - A RAF - R	NATO Stock No	Item Name and Description	Part No/ Drawing No.	No. Off	Annotations
26-			ELECTRICAL EQUIPMENT GA - contd . ELECTRICAL EQUIPMENT, HULL, GA - contd ELECTRICAL EQUIPMENT, INTERNAL - contd DISTRIBUTION BOX - contd LEAD, ELECTRICAL - contd			
NI 252	A Z37	5940-99-950-6263 TERMINAL LUG, 3/16in.	FV686854	2	
NI 253	A 46MT4	5940-99-805-0745 TERMINAL LUG, 5/16in.	WIS3484C1 0	1	
NI 254		NP LEAD, ELECTRICAL, heavy duty socket to RB relay	FV573438	1	
NI 255	A Y3	6145-99-945-5074 WIRE, ELECTRICAL, 120/0.012in. tinned copper, braid, blue	E21 UNIPREN50	A/R	
NI 256		NP TERMINAL LUG, br, tin pl, 3/8in.	RCA292/3/8	1	
NI 257	A Z37	5940-99-950-6263 TERMINAL LUG, 3/16in.	FV686854	2	
NI 258		NP LEAD, ELECTRICAL, auxiliary switch to positive	FV573440/1	1	
NI 259	A Y3	6145-99-943-4824 CABLE, ELECTRICAL, single conductor, 40/0.0076, 0.13in. dia, glass braid, polychloroprene insulated	UNIPREN12	A/R	
NI 260	A Z37	5940-99-943-8569 TERMINAL LUG, 3/16in.	347-90	1	
NI 261		NP LEAD, ELECTRICAL, RA1 to neg	FV573440/5	1	
NI 262	A Y3	6145-99-943-4824 CABLE, ELECTRICAL, single conductor, 40/0.0076, 0.13in. dia, glass braid, polychloroprene insulated	UNIPREN12	A/R	
NI 263		NP TERMINAL LUG, 4BA	RC340	1	
NI 264	A 9MCMV	5940-99-832-9440 TERMINAL LUG, solderless, slotted, 16 AWG	32561	1	
NI 265		NP LEAD, ELECTRICAL, switch 1	FV573599	1	
NI 266	A Y3	6145-99-945-5075 CABLE, ELECTRICAL, Unipren 100	UNIPREN 100	A/R	
NI 267		NP TERMINAL LUG, br, tin pl, 3/8in.	RCA292/3/8	1	
NI 268	A 46MT4	5940-99-805-0745 TERMINAL LUG, 5/16in.	WIS3484C1 0	1	
NI 269		NP LEAD, ELECTRICAL, heavy duty socket 1	FV573600	1	
NI 270		NP CABLE, ELECTRICAL, Unipren 135	UNIPREN 135	A/R	
NI 271		NP TERMINAL LUG, br, tin pl, 3/8in.	RCA292/3/8	1	
NI 272		NP LEAD, ELECTRICAL, RA-1A to TB1.13D 14D	FV573440/1 9	1	
NI 273	A Y3	6145-99-943-4824 CABLE, ELECTRICAL, single conductor, 40/0.0076, 0.13in. dia, glass braid, polychloroprene insulated	UNIPREN12	A/R	
NI 274	A Z37	5940-99-651-7613 TERMINAL LUG, 6BA	215014	1	
NI 275		NP LEAD, ELECTRICAL, RA-6 to TB1.3A.4F	FV573440/2 0	1	
NI 276	A Y3	6145-99-943-4824 CABLE, ELECTRICAL, single conductor, 40/0.0076, 0.13in. dia, glass braid, polychloroprene insulated	UNIPREN12	A/R	
NI 277	A Z37	5940-99-651-7613 TERMINAL LUG, 6BA	215014	1	
278		NP TERMINAL, BAR, assy	FV573539	1	
NI 279		NP TERMINAL, BAR	FV573536	1	
NI 280	A G1	5310-99-941-3188 NUT, PLAIN, HEXAGON, br, tin pl, lock, 1/4in. UNF	FB46011	6	
281	A 46MT4	2590-99-817-1534 LEAD, ELECTRICAL, earthing	FV573534	1	

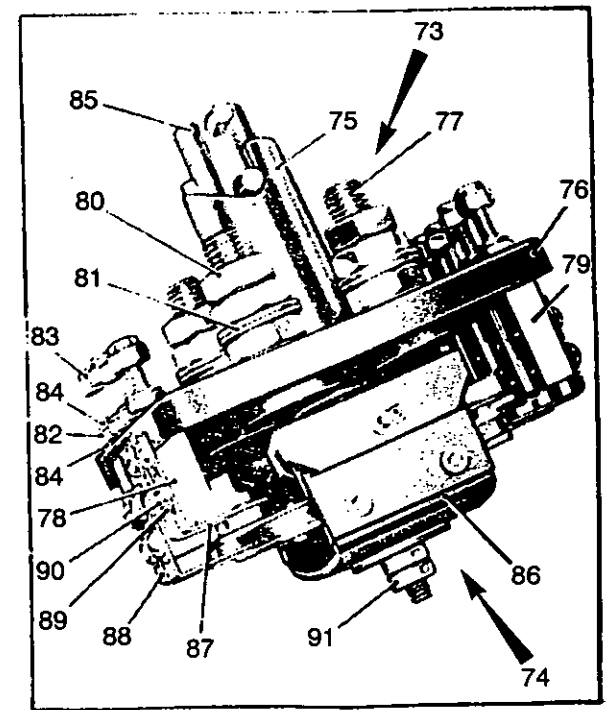
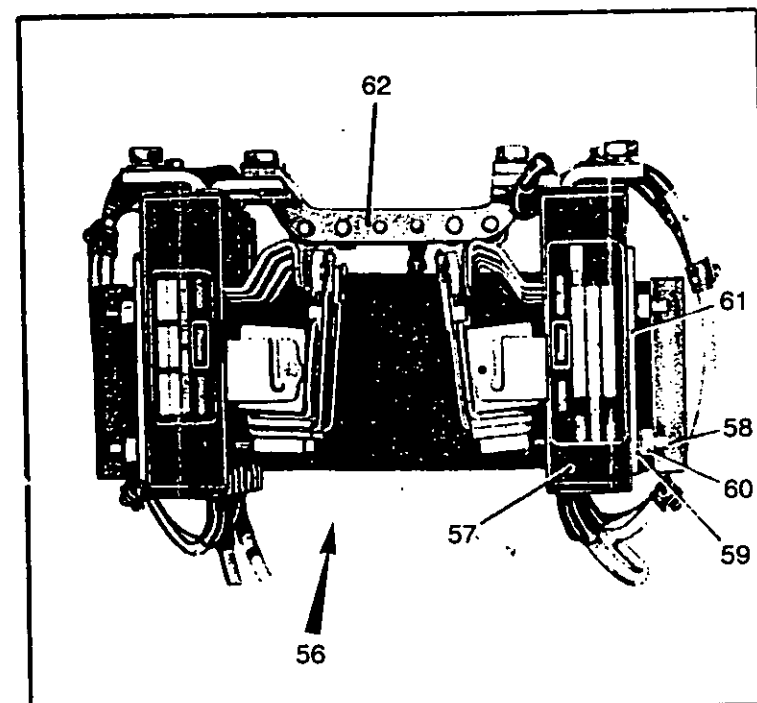
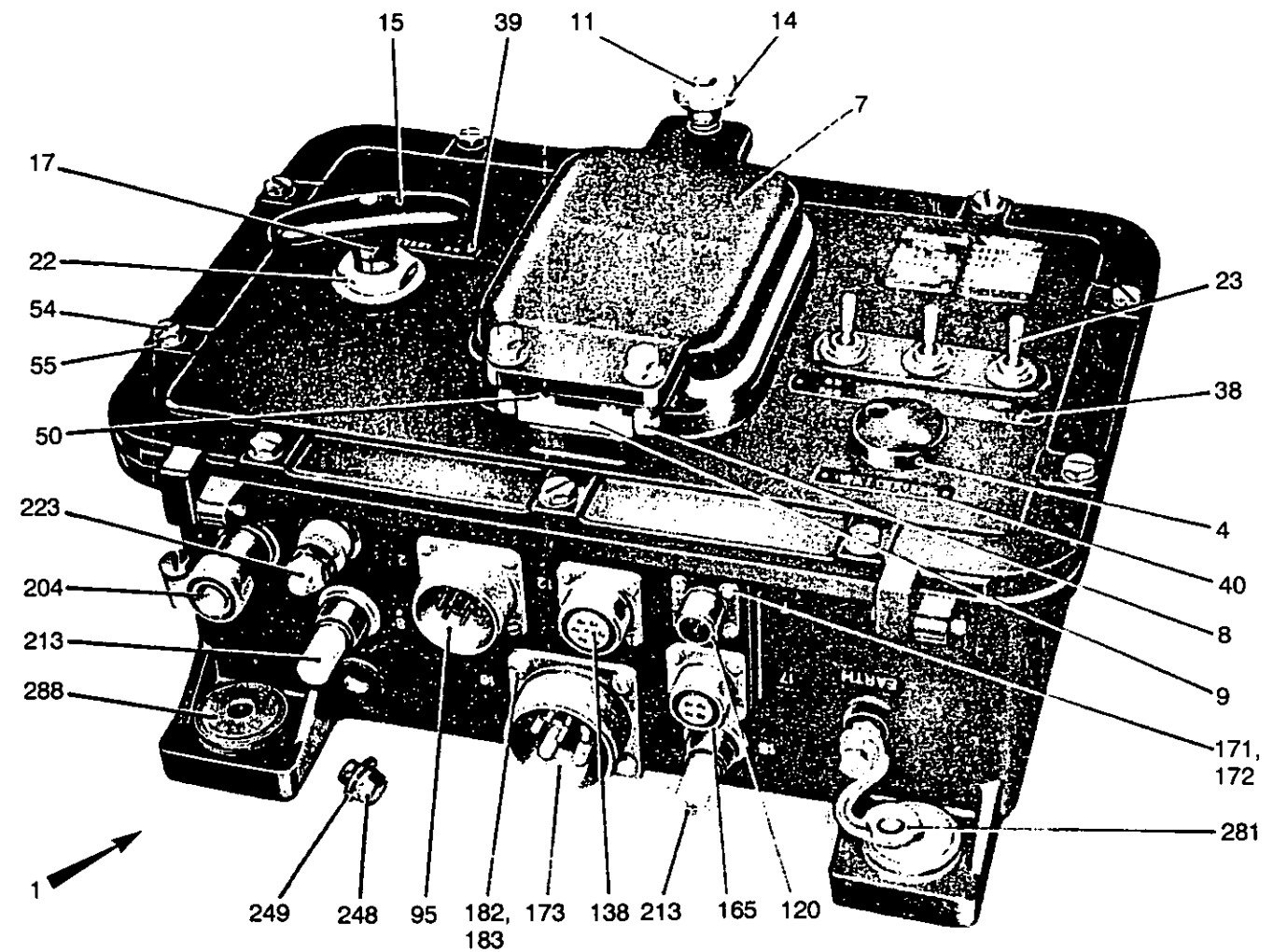
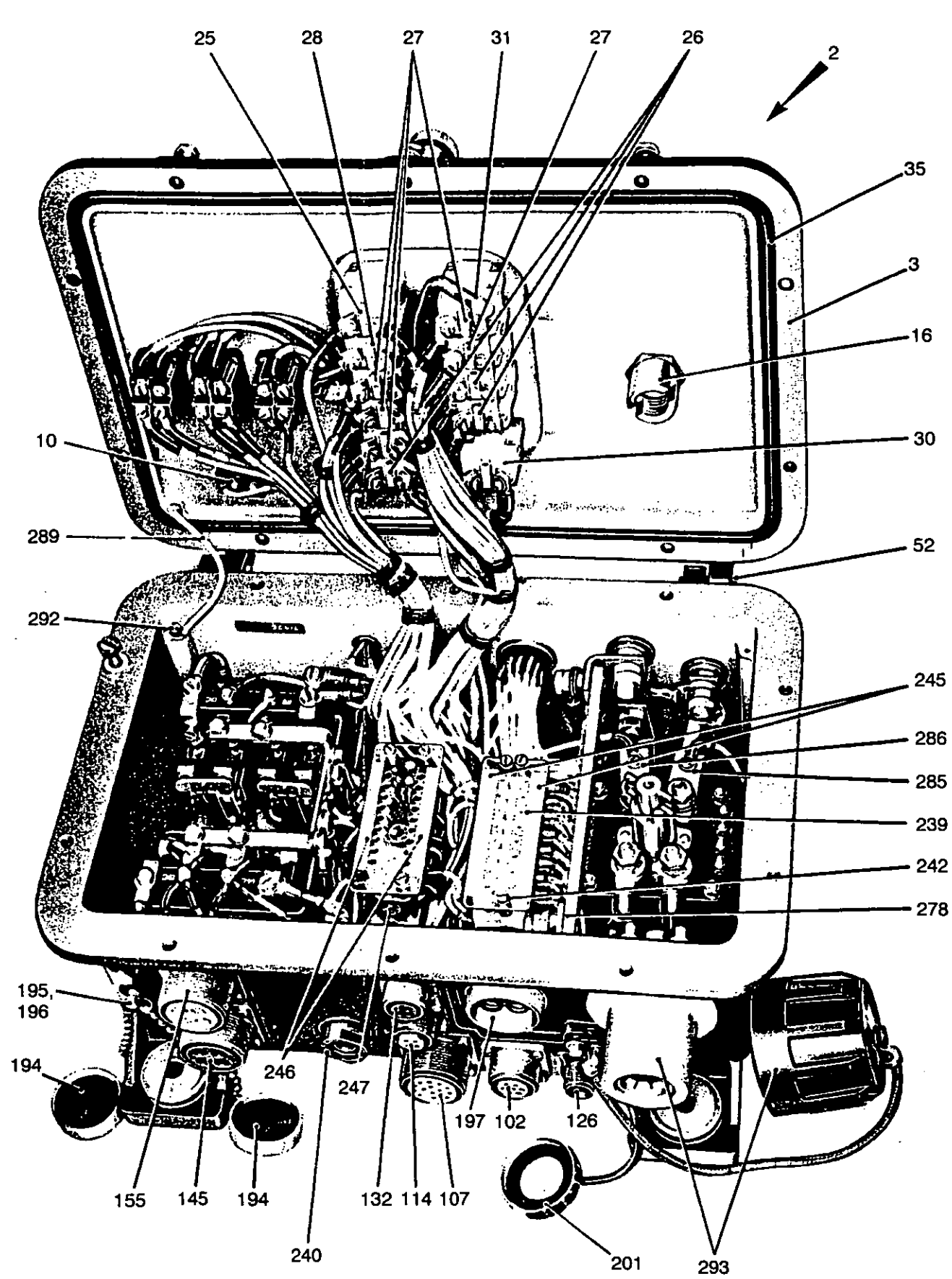


Fig 26 Distribution box

430/70119

Fig Item	Man Code Navy - N Army - A RAF - R	NATO Stock No	Item Name and Description	Part No/ Drawing No.	No. Off	Annotations
26-			ELECTRICAL EQUIPMENT GA - contd . ELECTRICAL EQUIPMENT, HULL, GA - contd ELECTRICAL EQUIPMENT, INTERNAL - contd DISTRIBUTION BOX - contd LEAD, ELECTRICAL - contd			
NI 282		NP CORD, ELECTRICAL, Cu, flexible, 7/90/0.0032in.		A/R	
NI 283		NP TERMINAL, wire end, 1/4in. hole	RC.WE547	1	
NI 284		NP TERMINAL, wire end, 3/8in. hole	RC516	1	
285		NP BUSBAR	FV573535	1	
286		NP BUSBAR, switch	FV573593	1	
NI 287	A G1	5310-99-941-9964 WASHER, FLAT, br, tin pl, 1/4in.	CX112401- 12	1	
288	A 9ACR	5340-99-802-3727 MOUNT, RESILIENT	FV573436-5	4	
289		NP LEAD, ELECTRICAL, box to lid, earth	FV573440/9	1	
NI 290	A Y3	6145-99-943-4824 CABLE, ELECTRICAL, single conductor, 40/0.0076, 0.13in. dia, glass braid, polychloroprene insulated	UNIPREN12	A/R	
NI 291	A Z37	5940-99-271-6709 TERMINAL LUG, solderless, 4BA	34107	2	
292		NP SCREW, MACHINE, br, flat fil hd, tin pl, slot drive, 4BA x 1/4in. lg		2	
293	A 46MT4	5935-99-802-8441 SOCKET, ELECTRICAL, inter-vehicle starting	FV603958	1	
NI 294	A 46MT4	5935-99-802-8442 COVER, ELECTRICAL, PLUG SOCKET	SBORD215	1	
NI 295	A 46MT4	5970-99-802-8443 INSULATOR, rubber	SBORD223	1	
NI 296	A 46MT4	5970-99-802-8444 INSULATOR, DISC	SBORD193	1	
NI 297	A G1	5310-99-120-6892 NUT, SELF-LOCKING, HEXAGON, br, nylon insert, tin pl, 1/4in.		6	
NI 298	A G1	5310-99-941-6656 WASHER, LOCK, st, single coil, sq sect, Cd P, 3/8in.		1	
NI 299	A G1	5310-99-941-3190 NUT, PLAIN, HEXAGON, br, tin pl, 3/8in.		1	

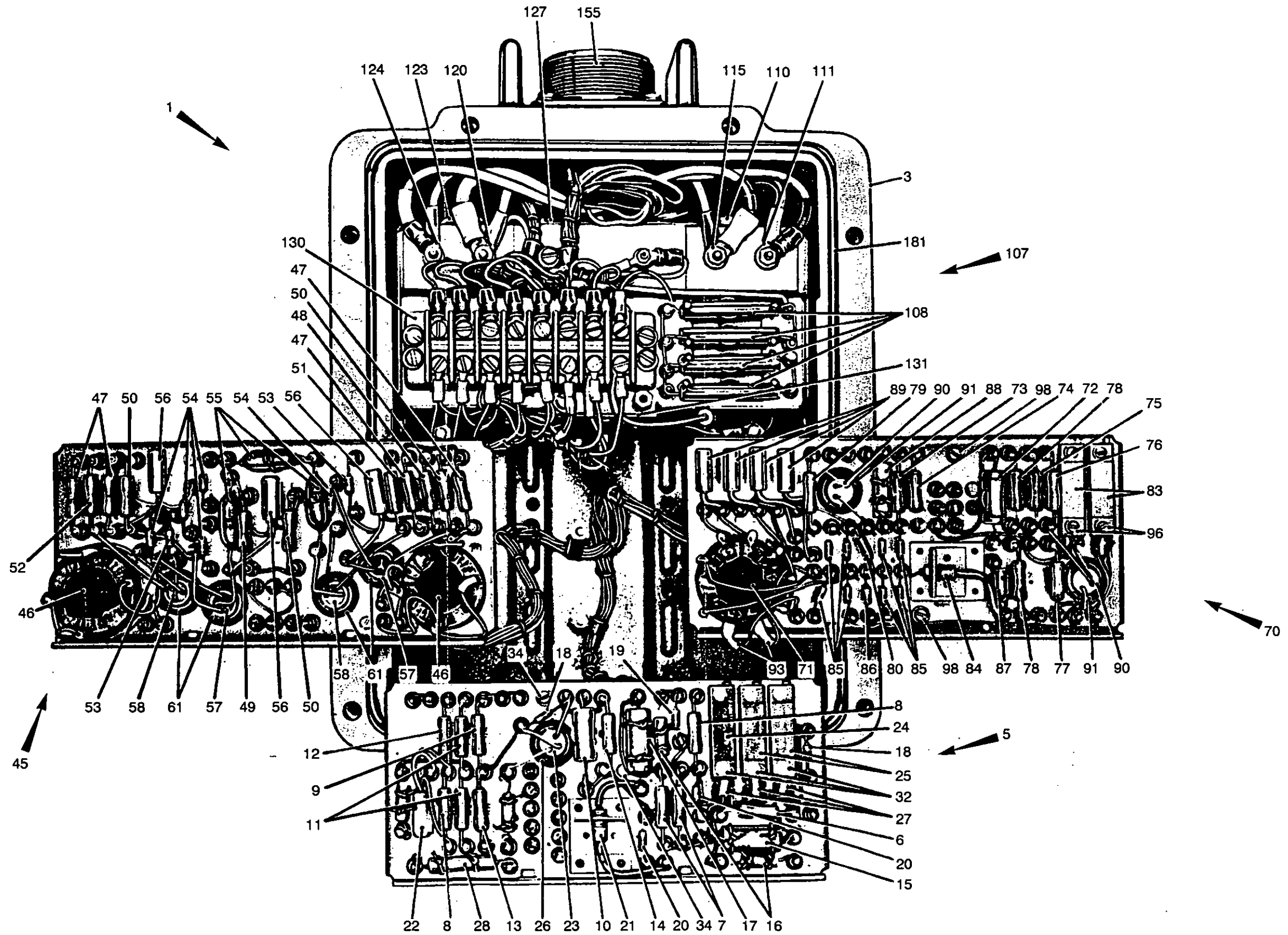


Fig 27 Control panel, alternator

430/70116

Fig Item	Man Code Navy - N Army - A RAF - R	NATO Stock No	Item Name and Description	Part No/ Drawing No.	No. Off	Annotations
27-			ELECTRICAL EQUIPMENT GA - contd ELECTRICAL EQUIPMENT, HULL, GA - contd ELECTRICAL EQUIPMENT, INTERNAL - contd			
1	A	6MT4	6110-99-881-6460	PANEL, CONTROL ELECTRICAL-ELECTRONIC EQUIPMENT, alternator No. 1 Mk 1	FV342587	2
NI 2		NP	COVER, panel assy	W166821	1	
3		NP	CASING, panel assy	W166019	1	
NI 4	A	Z42	5961-99-037-5587	SEMI-CONDUCTOR, DEVICE	N023PH02	2
5		NP	PANEL ASSEMBLY, No. 1	W166454	1	
6	A	Z30	5905-99-013-5482	RESISTOR, FIXED, FILM, 470 ohms, 1W		1
7	A	Z30	5905-99-012-8214	RESISTOR, FIXED, FILM, 100 ohms, 1W		2
8	A	Z30	5905-99-013-5490	RESISTOR, FIXED FILM, 1K ohm, 1W		2
9	A	Z30	5905-99-013-5498	RESISTOR, FIXED FILM, 2.2K ohms, 1W		1
10	A	Z30	5905-99-013-5077	RESISTOR, FIXED FILM, 150 ohms, 1W	W164711/29	1
11		NP	RESISTOR, FIXED FILM, 22K ohms, 1W	W164710/81	2	
12	A	Z30	5905-99-012-8250	RESISTOR, FIXED FILM, 3.3K ohms, 1W	W164710/61	1
13		NP	RESISTOR, FIXED FILM, 6.8K ohms, 1W	W164710/69	1	
14	A	Z30	5905-99-013-5492	RESISTOR, FIXED FILM, 1.2K ohms, 1W	W164710/51	1
15		NP	CAPACITOR, 220MFD, 10V	W166412/13	1	
16		NP	CAPACITOR, ELECTROLYTIC, 10MFD, 20V	W166410/16	2	
17	A	6MT4	5910-99-015-8891	CAPACITOR, FIXED, 100MFD, 20V	W166412/11	1
18	A	Z42	5961-99-037-2016	SEMI-CONDUCTOR DEVICE, silicon, glass enclosure, 50V dc, 250mA	CV7040	2
19	A	Z42	5961-99-037-2204	SEMI-CONDUCTIVE DEVICE, silicon, glass enclosure, 5mA, 400mW	CV7104	1
20	A	Z42	5960-99-037-2036	SEMI-CONDUCTOR DEVICE, DIODE	W151050/1	2
21	A	Z42	5961-99-037-5960	SEMI-CONDUCTOR DEVICE, DIODE	CV11178	1
22	A	Z42	5961-99-037-2279	TRANSISTOR	CV7117	1
23		NP	VALVE, ELECTRONIC	CV5644	1	
24	A	46MT4	5905-99-881-6484	POTENTIOMETER, 1W, 1000 ohms, type 224S	W164490/20	1
25	A	46MT4	5905-99-881-6478	POTENTIOMETER, 1W, 100 ohms, type 224S	W164490/11	2
26	A	6MT1	5325-99-942-6831	GROMMET, RUBBER, syn ru, 0.302in. id, 0.448in. x 0.050in. groove		1
27	A	Y3	5970-99-945-4437	INSULATION, SLEEVING, ELECTRICAL, chloroprene ru, 1mm id x 2mm od x 0.375in. lg, pink	WTA174379	3

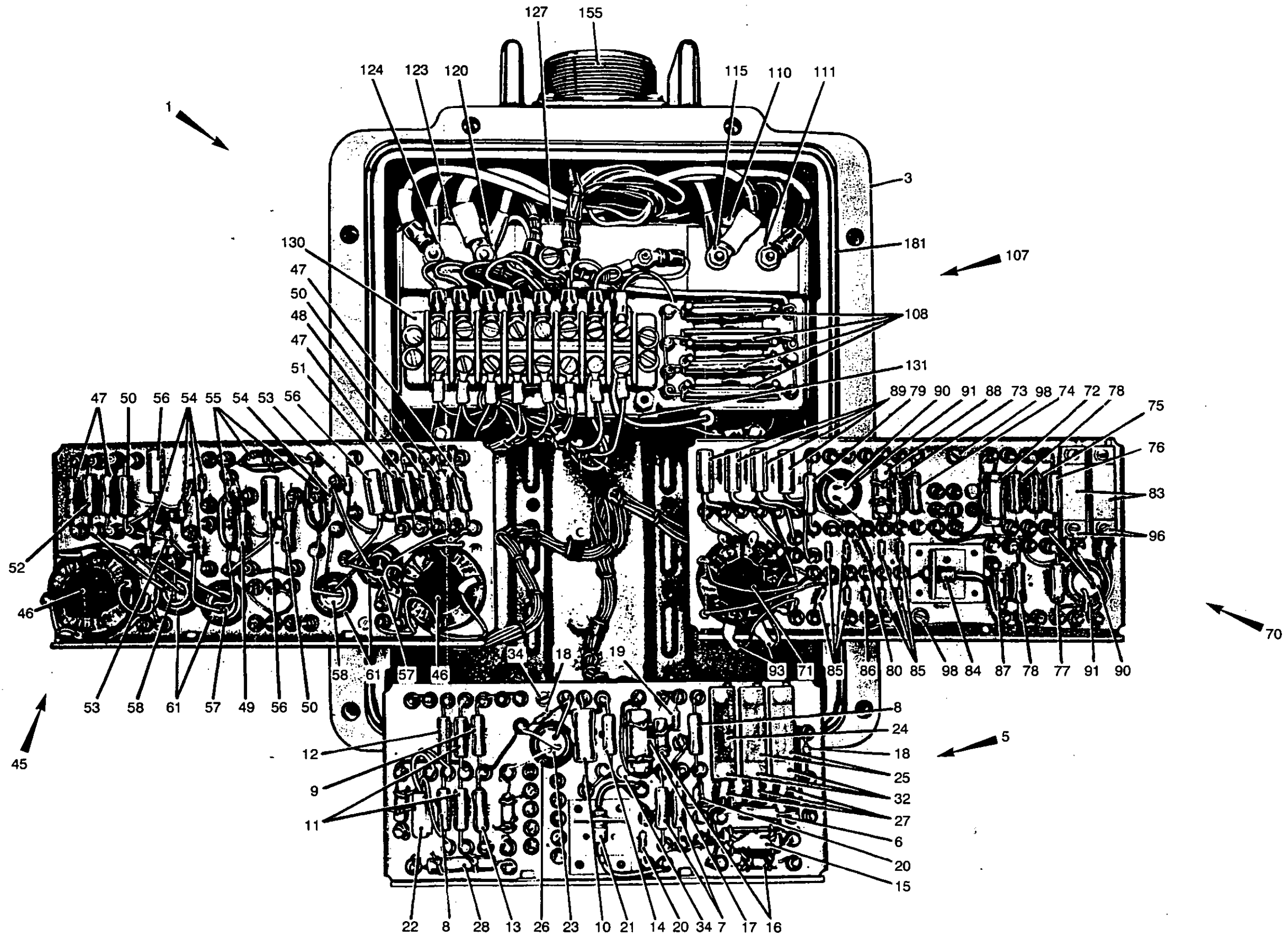


Fig 27 Control panel, alternator

430/70116

Fig Item	Man Code Navy - N Army - A RAF - R	NATO Stock No	Item Name and Description	Part No/ Drawing No.	No. Off	Annotations
27-			ELECTRICAL EQUIPMENT GA - contd ELECTRICAL EQUIPMENT, HULL, GA - contd ELECTRICAL EQUIPMENT, INTERNAL - contd PANEL CONTROL, ELECTRICAL-ELECTRONIC EQUIPMENT - contd PANEL ASSEMBLY - contd			
28		NP	CAPACITOR, 42MFD, 35V	K2R3N35	1	
NI 29		NP	INSULATOR, PLATE	W165964	3	
NI 30		NP	CLAMP, LOOP	W137450/1	2	
NI 31		NP	WIRING HARNESS, BRANCHED, 6 branches	W167660	1	Cable form No. 1
32	A G1	5305-99-941-7937	SCREW, MACHINE, st, flat fil, Cd P, 8BA x 3/8in. lg		6	
NI 33	A G1	5305-99-941-1940	SCREW, MACHINE, st, flat csk hd, slotted, No. 4 UNC x 5/8in. lg		1	
34	A G1	5305-99-941-2303	SCREW, MACHINE, st, fil hd, slotted, Cd P, No. 4 UNC x 5/8in. lg		2	
NI 35	A G1	5310-99-944-0545	WASHER, LOCK, st, split helical ring, Cd P, 0.138in. hole		2	
NI 36		NP	WASHER, FLAT, steel, 8BA	Z2/ZB13669 6	12	
NI 37	A G1	5310-99-940-3515	WASHER, FLAT, st, Cd P, 0.223in. x 0.123in. id		7	
NI 38		NP	NUT, PLAIN, HEXAGON, st, Cd P, 8BA, 0.152in. w	864469	6	
NI 39	A G1	5310-99-941-9547	NUT, PLAIN, HEXAGON, st, Cd P, No. 4 UNC, 0.188in. w		6	
NI 40	A G1	5310-99-941-9541	NUT, PLAIN, HEXAGON, st, Cd P, No. 4 UNC, 3/32in. h		2	
NI 41		NP	CLIP, SPRING TENSION	W151926-1	1	} Securing item 21
NI 42	A G1	5305-99-943-6340	SCREW, MACHINE, st, flat fil hd, slot dr, Cd P, 8BA x 3/16in. lg	857538	1	
NI 43	A G1	5310-99-120-0072	WASHER, FLAT, st, Cd P, 8BA, 3/16in. od		1	
NI 44		NP	NUT, PLAIN, HEXAGON, st, Cd P, 8BA		1	
45		NP	PANEL ASSEMBLY, No. 2	W168723	1	
46	A 46MT4	6110-99-881-6497	COIL AND INSERTS assy	W168722	2	
47	A Z30	5905-99-012-5490	RESISTOR, FIXED FILM, 1K ohms, 1/4W		4	
48	A Z30	5905-99-013-5878	RESISTOR, FIXED FILM, 820 ohms, 0.125W		1	
49	A Z30	5905-99-013-5474	RESISTOR, FIXED FILM, 220 ohms, 1W	W164710/33	1	
50	A Z30	5905-99-012-8214	RESISTOR, FIXED FILM, 100 ohms, 1W	R30-0312-73	3	
51		NP	RESISTOR, FIXED FILM, 10K ohms, 1W	R30-3333-56	1	
52	A Z30	5905-99-013-5498	RESISTOR, FIXED FILM, 2.2K ohms, 1W	3522500236 46	1	
53	A Z42	5961-17-053-9731	SEMI-CONDUCTOR DEVICE, DIODE, 3.6V, 9.39mm dia, 6.6mm lg, 3 wire leads		2	
54	A Z42	5960-99-037-2036	SEMI-CONDUCTOR DEVICE, DIODE, silicon, 225V, 1.00in. lg, glass	W151050/1	5	

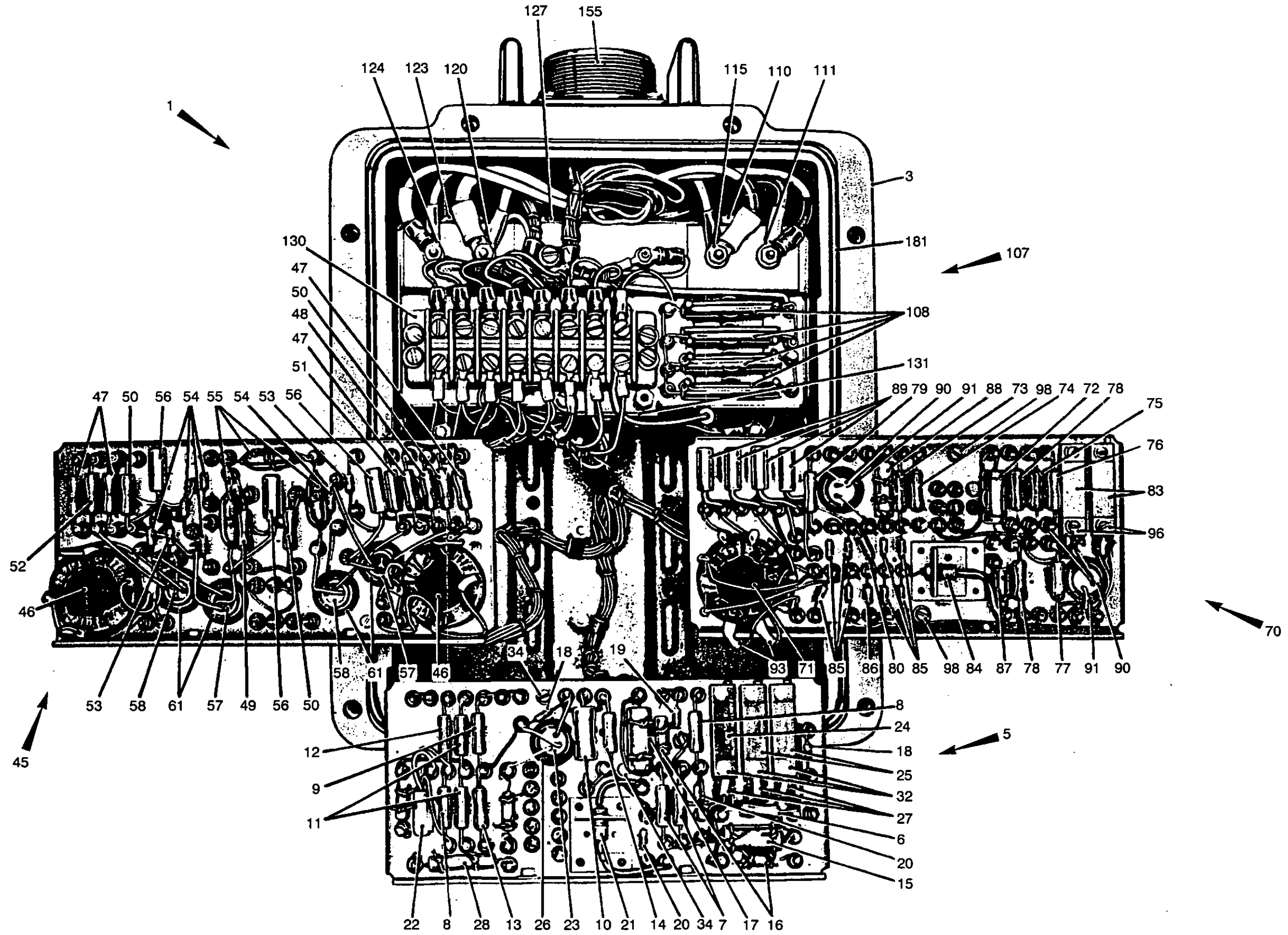


Fig 27 Control panel, alternator

Fig Item	Man Code Navy - N Army - A RAF - R	NATO Stock No	Item Name and Description	Part No/ Drawing No.	No. Off	Annotations
27-			ELECTRICAL EQUIPMENT GA - contd . ELECTRICAL EQUIPMENT, HULL, GA - contd ELECTRICAL EQUIPMENT, INTERNAL - contd PANEL CONTROL, ELECTRICAL- ELECTRONIC EQUIPMENT - contd PANEL ASSEMBLY - contd			
55		NP CAPACITOR, 1 μ F, 200V dc	W167821/1	3	
56	A	Z42	5910-99-037-2279 TRANSISTOR	CV7117	3	
57		NP SEMI-CONDUCTOR DEVICE, DIODE	CV5428	2	
58	A	Z42	5960-99-037-4159 SEMI-CONDUCTOR DEVICE, DIODE	CV5644	2	
NI 59		NP WIRING HARNESS, BRANCHED	W167110	1	Cable form No. 2
NI 60		NP CLAMP, LOOP	W137450/4	1	
61	A	H9	5325-99-942-6831 GROMMET, RUBBER, syn ru, 0.302in. id x 0.448in. od x 0.060in. w groove		4	
NI 62	A	G1	5305-99-941-2312 SCREW, MACHINE, st, fil hd, Cd P, No. 6 UNC x 3/8in. lg		2	
NI 63	A	G1	5305-99-941-1940 SCREW, MACHINE, st, flat csk hd, No. 4 UNC x 5/8in. lg		1	
NI 64	A	G1	5305-99-941-2303 SCREW, MACHINE, st, fil hd, Cd P, No. 4 UNC x 5/8in. lg		2	
NI 65	A	G1	5310-99-944-0545 WASHER, LOCK, st, split helical ring, Cd P, 0.138in. hole		2	
NI 66	A	G1	5310-99-912-8182 WASHER, LOCK, st, double ring, Cd P, 18/32in. thk, 0.123in. id		2	
NI 67	A	G1	5310-99-940-3515 WASHER, FLAT, st, Cd P, 0.223in. x 0.123in. id		7	
NI 68	A	G1	5310-99-941-9547 NUT, PLAIN, HEXAGON, st, Cd P, No. 4 UNC, 0.188in. w		6	
NI 69	A	G1	5310-99-941-9541 NUT, PLAIN, HEXAGON, st, Cd P, No. 4 UNC, 3/32in. h		1	
70		NP PANEL ASSEMBLY, No. 3	W168718	1	
71	A	46MT4	6110-99-881-6496 COIL AND INSERT ASSEMBLY	W168719	1	TR3
72		NP RESISTOR, FIXED FILM, 100 ohms, 2W	W164711/25	1	R27
73	A	Z30	5905-99-012-8214 RESISTOR, FIXED FILM, 100 ohms, 1W	W164710/25	1	R29
74	A	Z30	5905-99-013-6233 RESISTOR, FIXED FILM, 680 ohms, 0.25W		1	R28
75	A	Z30	5905-99-013-5516 RESISTOR, FIXED FILM, 12K ohms, 1W		2	R30 and R35
76	A	Z30	5905-99-013-8940 RESISTOR, FIXED FILM, 560K ohms, 0.5W		1	R31
77	A	Z30	5905-99-013-5472 RESISTOR, FIXED FILM, 180 ohms, 1W	26416-00431	1	R33
78	A	Z30	5905-99-013-5478 RESISTOR, FIXED FILM, 330 ohms, 1W	41456-637- 00-2	2	R32 and R34
79	A	Z30	5905-99-013-5498 RESISTOR, FIXED FILM, 2.2K ohms, 1W		1	R36
80	A	Z30	5905-99-013-5494 RESISTOR, FIXED FILM, 1.5K ohms, 1W		1	R38

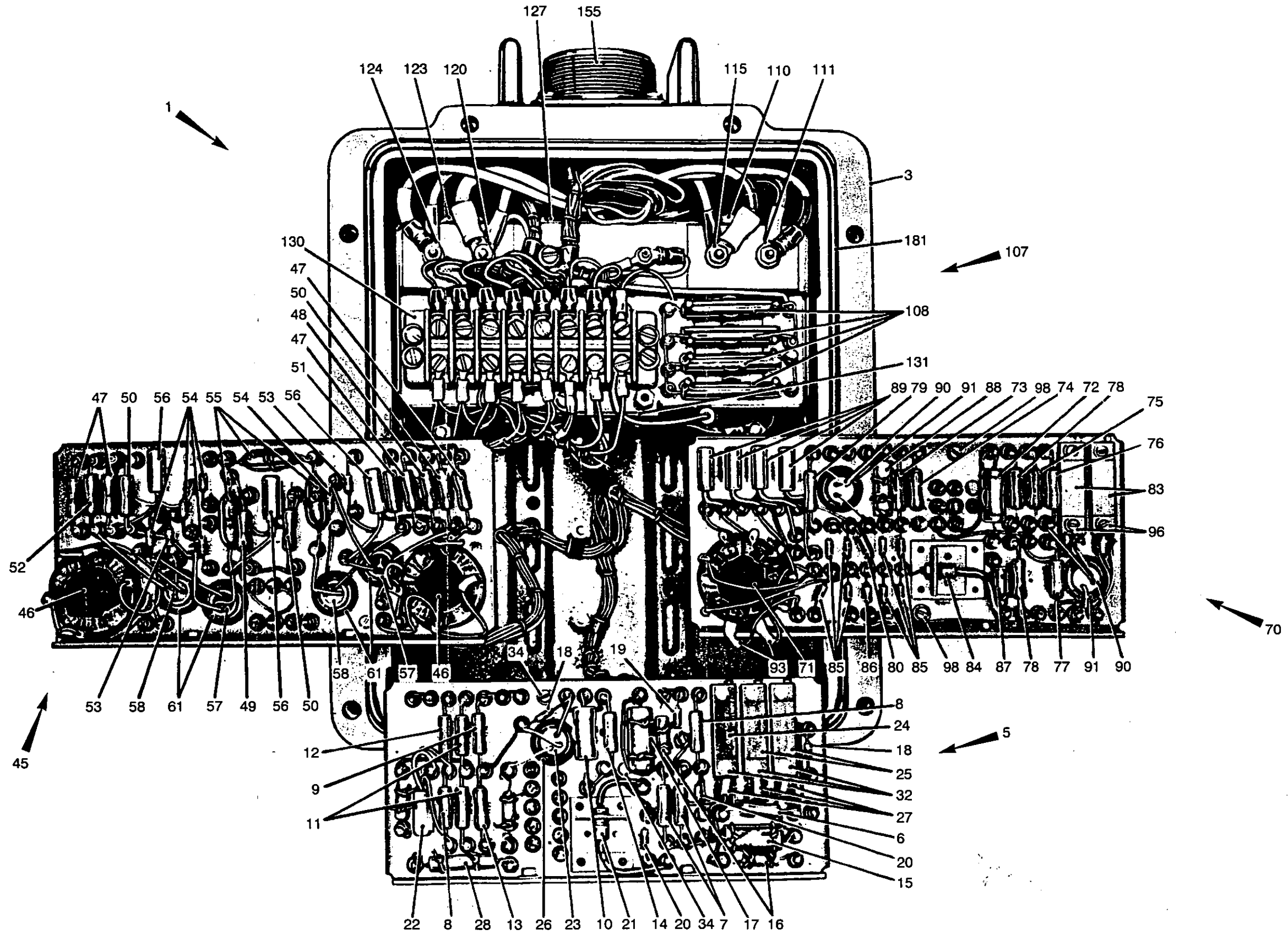


Fig 27 Control panel, alternator

430/70116

Fig Item	Man Code Navy - N Army - A RAF - R	NATO Stock No	Item Name and Description	Part No/ Drawing No.	No. Off	Annotations
27-			ELECTRICAL EQUIPMENT GA - contd . ELECTRICAL EQUIPMENT, HULL, GA - contd ELECTRICAL EQUIPMENT, INTERNAL - contd PANEL CONTROL, ELECTRICAL- ELECTRONIC EQUIPMENT - contd PANEL ASSEMBLY - contd			
NI 136	A G1	5310-99-941-9964 WASHER, FLAT, br, tin pl, 9/16in. od x 17/64in. id x 0.024in. thk		1	
NI 137	A 46MT4	5330-99-881-9346 WASHER, acrylonitrile-butagi, 9/16in. od x 17/64in. id x 1/16in. thk		1	
NI 138	A 46MT4	5310-99-881-9344 WASHER		3	
NI 139	A 46MT4	5310-99-881-9345 WASHER, LOCK		4	
NI 140	A G1	5310-99-941-3188 NUT, PLAIN, HEXAGON, br, chamfered, tin pl, 1/4in. UNF x 7/16in. w x 5/32in. h		1	
NI 141	A G1	5310-99-941-2406 NUT, PLAIN, HEXAGON, st, chamfered, ZN P, No. 6 UNC x 0.114in. h		4	
NI 142	A G1	5310-99-941-8461 NUT, SELF-LOCKING, st, Zn P, w/nylon insert, No. 10 UNF		6	
NI 143	A G1	5310-99-941-6644 WASHER, LOCK, st, split helical ring, Cd P, 1/4in. id		6	
NI 144	A G1	5310-99-940-3514 WASHER, FLAT, st, rd hole, 2BA		14	
NI 145	A Z2	5310-99-940-3515 WASHER, FLAT, st, Cd P, 0.223 x 0.123 x 0.024in. thk		3	
NI 146	A G1	5305-99-941-8356 SCREW, MACHINE, st, pan hd, Cd P, No. 10 UNC x 3/8in. lg		2	
NI 147		NP SCREW, MACHINE, st, pan hd, Cd P, No. 10 x 7/16in.		4	
NI 148	A G1	5305-99-941-1937 SCREW, MACHINE, st, csk hd, slotted, Cd P, No. 4 UNC x 5/16in. lg		2	
NI 149	A G1	5305-99-941-2301 SCREW, MACHINE, st, slotted, fil hd, Cd P, No. 4 UNC x 3/8in. lg		2	
NI 150	A G1	5305-99-941-2315 SCREW, MACHINE, st, slotted, fil hd, Cd P, No.6 UNC x 3/4in. lg		4	
NI 151	A G1	5305-99-941-2313 SCREW, MACHINE, st, slotted, fil hd, Cd P, No. 6 UNC x 1/2in. lg		1	
NI 152		NP NUT, PLAIN, HEXAGON, steel, 2BA, lock		2	
NI 153	A G1	5310-99-912-8182 WASHER, LOCK, steel, 4BA		6	
NI 154	A G1	5310-99-944-0545 WASHER, LOCK, st, split helical ring, Cd P, 0.138in. hole		3	
155	A 46MT4	2590-99-820-8043 PLUG ASSEMBLY, CONTROL PANEL, c/w leads	W173186	1	
NI 156	A 46MT4	5935-99-800-9933 CONNECTOR, FIXED, ELECTRICAL, fixed, 23-22P, Al with female shell	FV585031	1	
NI 157		NP LEAD ASSEMBLY	W171483	1	
NI 158	A Y3	6145-99-999-3758 WIRE, ELECTRICAL, 110 strands, 0.19mm strand dia, Cu tinned	G177- UNINYVIN12	A/R	
NI 159	A Z37	5940-99-106-7668 TERMINAL LUG, 4BA, Cu, 15/16 x 9/32 x 0.083in. thk	3230634	1	

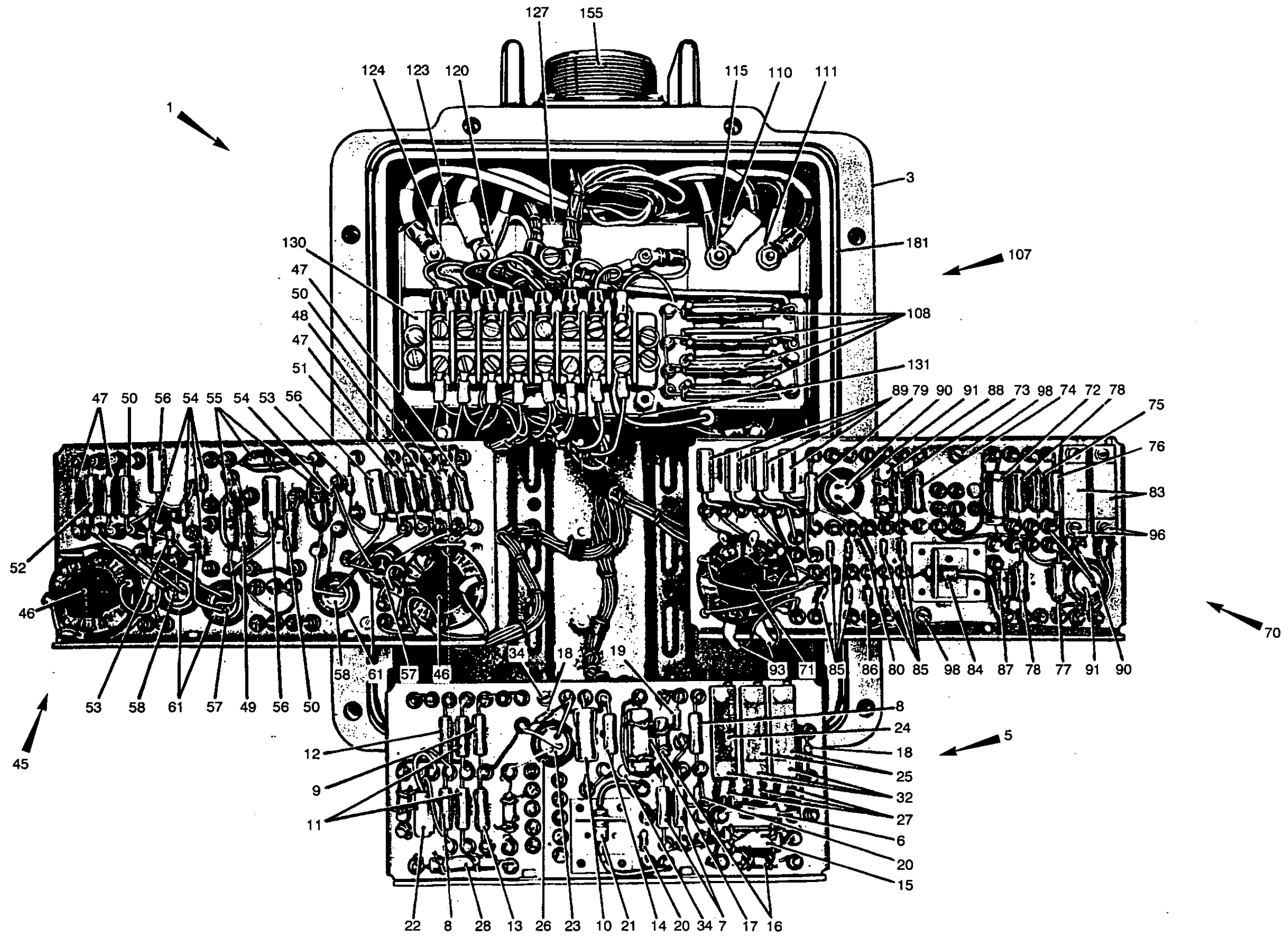


Fig 27 Control panel, alternator

430/70116

Fig Item	Man Code Navy - N Army - A RA/F - R	NATO Stock No	Item Name and Description	Part No/ Drawing No.	No. Off	Annotations
27-			ELECTRICAL EQUIPMENT GA - contd . ELECTRICAL EQUIPMENT, HULL, GA - contd ELECTRICAL EQUIPMENT, INTERNAL - contd PANEL CONTROL, ELECTRICAL- ELECTRONIC EQUIPMENT - contd PANEL ASSEMBLY - contd LEAD ASSEMBLY - contd			
NI 160		NP SLEEVE, CABLE IDENTIFICATION, 3mm id, white	Y3/Y000054	2	
NI 161		NP LEAD ASSEMBLY	W171484	1	
NI 162	A Y3	6145-99-900-9807 WIRE, ELECTRICAL, Nyvin 14, 70/0.0076in. Cu	UNINYVIN14	A/R	
NI 163	A Y3	5940-99-945-4995 TERMINAL LUG, copper, 0.172in. lg x 0.250in. w, 14/16 AWG	320619	1	
NI 164		NP SLEEVE, IDENTIFICATION, 3mm id, black	Y3/Y000049	2	
NI 165		NP LEAD ASSEMBLY	W171485	1	
NI 166	A Y3	6145-99-900-8507 WIRE, ELECTRICAL, Nyvin 14, 70/0.0076in. Cu	UNINYVIN14	A/R	
NI 167	A Y3	5940-99-945-4995 TERMINAL LUG, copper, 0.172in. lg x 0.250in. w, 14/16 AWG	320619	1	
NI 168		NP SLEEVE, CABLE IDENTIFICATION, 3mm id, yellow	Y3/Y000055	1	
NI 169		NP LEAD ASSEMBLY	W171486	1	
NI 170	A Y3	6145-99-999-3758 WIRE, ELECTRICAL, 110 strands, 0.19mm strand dia, Cu tinned	G177- UNINYVIN12	A/R	
NI 171	A Z37	5940-99-106-7668 TERMINAL LUG, 4BA, Cu, 15/16 x 9/32 x 0.083in. thk	3230634	1	
NI 172		NP SLEEVE, CABLE IDENTIFICATION, 3mm id, blue	Y3.Y000050	1	
NI 173		NP SLEEVE, CABLE IDENTIFICATION, 3mm id, red	Y3/Y000053	1	
NI 174	A Z42	5970-99-625-6814 SLEEVE, INSULATION, ELECTRICAL, 3mm id, pink, 1.0in. lg	59-04-2552- 07	2	
NI 175	A Z42	5970-99-910-7076 SLEEVE, INSULATION, ELECTRICAL, 5mm id, pink, 1.0in. lg, 1mm thk		1	
NI 176	A Z37	5940-99-100-6580 TERMINAL LUG, 2BA, Cu tinned, 23/32 x 1/4 x 1/8in. h, 26-22 AWG	3Z10Z2	1	
NI 177	A 6MT4	5340-99-881-6481 BUSHING, PLASTICS, PTFE, 3/8 x 1/2 x 9/64in. thk	W163274/9	2	
NI 178	A Z2	5330-99-014-7139 GASKET, ru sym, 1.635in. id	FV585127	1	
NI 179		NP COVER, ELECTRICAL, PLUG, ru, 1-11/16in. od, 7/16in. h	W140631/8	1	
NI 180	A 46MT4	6150-99-820-8042 WIRING HARNESS, BRANCHED, 4 branches, 3 with terminal ends	W166832	1	Main loom
181	A 46MT4	5330-99-881-9347 RING, SEALING	NK9799	1	
NI 182	A 46MT4	2920-99-881-9342 FERRULE	W156283	8	
NI 183	A G1	5305-99-941-2315 SCREW, MACHINE, st, fil hd, slotted, Cd P, No. 6 UNC x 3/4in. lg		13	

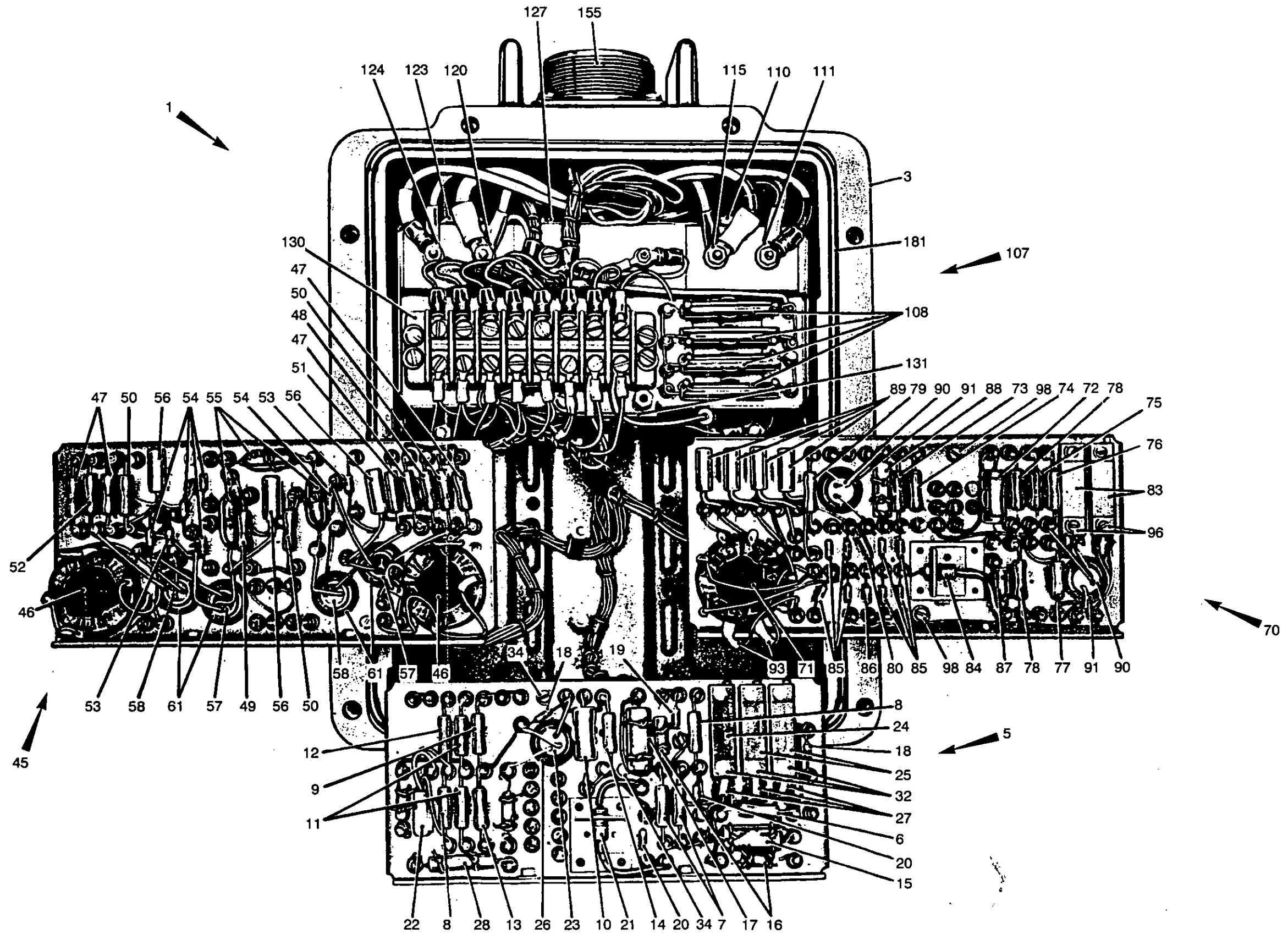


Fig 27 Control panel, alternator

430/70116

Fig Item	Man Code Navy - N Army - A RAF - R	NATO Stock No	Item Name and Description	Part No/ Drawing No.	No. Off	Annotations
27-			ELECTRICAL EQUIPMENT GA - contd . ELECTRICAL EQUIPMENT, HULL, GA - contd . . . ELECTRICAL EQUIPMENT, INTERNAL - contd . . . PANEL CONTROL, ELECTRICAL- ELECTRONIC EQUIPMENT - contd			
NI 184	A G1	5305-99-941-2313	. . . SCREW, MACHINE, st, fil hd, slotted, Cd P, No. 6 UNC x 1/2in. lg		20	
NI 185	A G1	5305-99-941-2314	. . . SCREW, MACHINE, st, fil hd, slotted, Cd P, No. 6 UNC x 5/8in. lg		2	
NI 186	A G1	5305-99-941-2301	. . . SCREW, MACHINE, st, fil hd, slotted, Cd P, No. 4 UNC x 3/8in. lg		10	
NI187	A G1	5305-99-941-2300	. . . SCREW, MACHINE, st, fil hd, slotted, Cd P, No. 4 UNC x 5/16in. lg		4	
NI 188	A G1	5310-99-941-6642	. . . WASHER, LOCK, st, Cd P, split helical ring, 4BA, 1/32in. thk x 5/16in. od		3	
NI 189	A G1	5310-99-941-6646	. . . WASHER, LOCK, st, Cd P, split helical ring, 3/8in. nom bolt size, 0.723in. od x 0.077in. thk		2	
NI 190	A G1	5310-99-912-8182	. . . WASHER, LOCK, st, Cd P, split helical ring, 4BA, 1/32in.thk, 19/64in. od		8	
NI 191		NP	. . . WASHER, LOCK	W78092	21	
NI 192	A G1	5310-99-946-9795	. . . WASHER, SPRING, TENSION, Beryllium copper, crinkle electro- tinned, Cd P, 0.152in. id x 0.300in. od x 0.008in. thk		30	
NI 193		NP	. . . WASHER, FLAT, st, rd, 0.152in. id, 0.296in. od, 0.028in. thk, Cd P		9	
NI 194	A G1	5310-99-999-5407	. . . WASHER, FLAT, Cu al, tin pl, rd, 0.233 x 0.123 x 0.024in. thk		3	
NI 195	A G1	5310-99-940-3515	. . . WASHER, FLAT, st, rd, 0.118in. id x 0.228in. od x 0.024in. thk, Cd P		18	
NI 196	A G1	5310-99-941-2406	. . . NUT, PLAIN, HEXAGON, st, chamfered, Zn P, No. 6 UNC		3	
NI 197		NP	. . . NUT, PLAIN, HEXAGON, br, tin pl, 0.185 x 0.095in. h, 6BA	NL4053	3	
NI 198	A 46MT4	5365-99-881-6475	. . . SHIM, solder, 0.75in. od x 0.375in. od hole dia x 0.005in. thk	W162393/13	2	
NI 199		NP	. . . SHIM, solder, 1.00in. od x 0.391in. hole dia x 0.005in. thk	W162393/9	4	
NI 200	A 46MT4	5970-99-741-3884	. . . INSULATOR, Melinex polyester, 0.212in. id x 0.002in. thk x 1.865in. od	81700124	2	

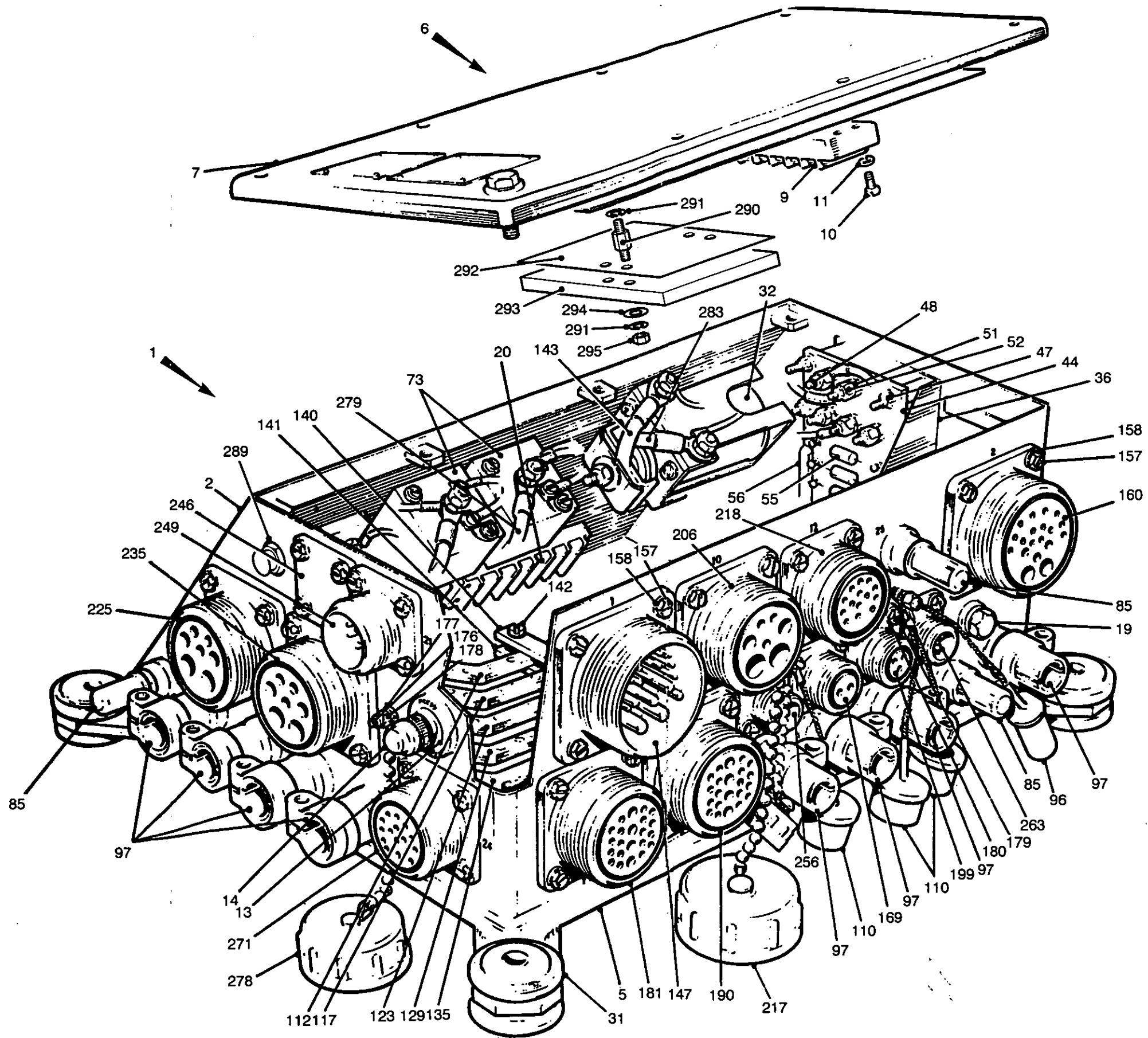


Fig 28 Distribution box

Fig Item	Man Code Navy - N Army - A RAF - R	NATO Stock No	Item Name and Description	Part No/ Drawing No.	No. Off	Annotations
28-			ELECTRICAL EQUIPMENT GA - contd . ELECTRICAL EQUIPMENT, HULL, GA - contd . . . ELECTRICAL EQUIPMENT, INTERNAL - contd			
1	A	9ACR	6110-99-881-8338 . . . DISTRIBUTION BOX, rect surface mtd, 15in. h, 12-1/2in. w, 6-7/64in. deep, w/cover and 4 mtg holes, link box	FV494570	1	
2		NP BOX, distribution	FV530700	1	
NI 3		NP TERMINAL, POST, neg	FV530679	1	
NI 4	A	46MT1	5999-99-825-6834 . . . EYELET, PERFORATED, PLATE, brass, preformed, 3/4in. dia, 1/8in. lg, 11/64in. h	GZ100	4	
5		NP COVER, bottom, distribution box	FV530701	1	
6		NP COVER, top, distribution box	FV530763	1	
7		NP COVER, top, fabrication	FV530702	1	
NI 8		NP LINK, TERMINAL CONNECTING	FV518869	1	
9	A	Z37	5940-99-105-1390 TERMINAL, BOARD, plastic, 1.12in. w, 0.600in. h x 3.70in. lg, 16 way	FV518856	2	
10	A	G1	5305-99-101-5890 SCREW, MACHINE, st, flat fil hd, 4BA x 9/16in. lg		4	
11	A	G1	5310-99-941-6652 WASHER, LOCK, steel, split helical ring, 0.168in. id, 0.252in. od, 0.04in. thk		4	
NI 12		NP LAMP HOLDER, indicator light assy	FV530761	1	
13		NP LAMP HOLDER, indicator light	02-0089A	1	
14	A	46MT3	6210-99-715-1208 LENS, LIGHT, indicator light glass, green, 9/16in. dia, 24/32in. lg	02-0402 green	1	
NI 15	A	X5	6240-99-995-9118 LAMP, INCANDESCENT, 28V, 0.04A, midget, 5.85mm dia flange clear, tubular, 16.1mm lg	3BOD12052- 1	1	
NI 16	A	Y3	6145-99-943-4824 CABLE, ELECTRICAL, single conductor, 40/0.0076, 0.13in. dia, glass braid, polychloroprene insulated	UNIPREN12	A/R	
NI 17	A	6MT4	5940-99-805-0797 TERMINAL LUG, 4BA, 11/32in. o/a dia x 5/32in. h		3	
NI 18	A	9MCV	5940-99-802-9440 TERMINAL LUG, solder/solderless, 0.719 x 0.247 x 0.094in. h	32561	2	
19	A	6MT1	5940-99-801-0903 PLUG, SCREWED, brass, hex hd, 1/4in. BSP	8X2R1	2	
20		NP TERMINAL BOARD ASSEMBLY	FV530764	1	
NI 21	A	6MT4	5940-99-105-1388 TERMINAL BOARD, 12 way, plastic, 0.312 x 0.154in. dia	FV518855	2	
NI 22	A	Y3	6145-99-943-4824 CABLE, ELECTRICAL, single conductor, 40/0.0076, 0.13in. dia, glass braid, polychloroprene insulated	UNIPREN12	A/R	
NI 23	A	Y3	9330-99-943-4858 PLASTIC STRIP, plastics, opaque, black, 25 metres lg, 0.312in. w, 0.028in. thk	HV3254	4	
NI 24	A	Y3	5325-99-943-4856 STUD, POSITIVE LOCK, polythene, rd hd, 5/32in. dia shank, 3/32in. dia, 13/64in. o/a lg	OP3255	4	

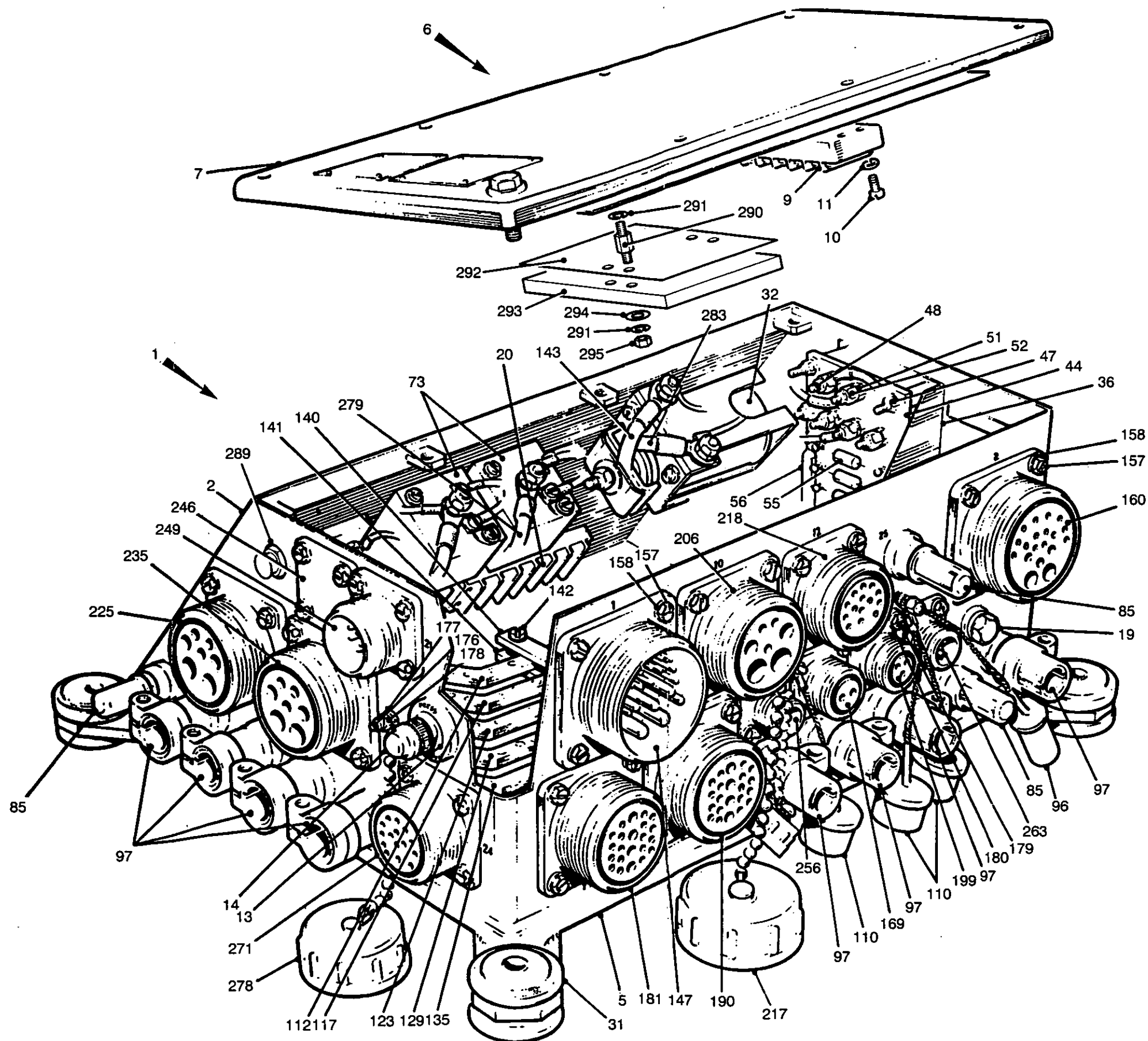


Fig 28 Distribution box

430/70117A

Fig Item	Man Code Navy - N Army - A RAF - R	NATO Stock No	Item Name and Description	Part No/ Drawing No.	No. Off	Annotations
28-			ELECTRICAL EQUIPMENT GA - contd ELECTRICAL EQUIPMENT, HULL, GA - contd ELECTRICAL EQUIPMENT, INTERNAL - contd DISTRIBUTION BOX - contd TERMINAL BOARD ASSEMBLY - contd			
NI 25	A 9MCV	5940-99-802-9440	TERMINAL LUG, solder/solderless, 0.719 x 0.247 x 0.094in. h	32561	11	
NI 26		NP	SCREW, MACHINE, steel, 4BA, 9/16in. lg	Z2/ZB11380	8	
NI 27		NP	WASHER, LOCK, st, single coil, Cd P, 4BA	AGS162B	8	
NI 28		NP	LEAD, ASSEMBLY, ELECTRICAL	FV530729/6	1	
NI 29	A Y3	6145-99-943-4824	CABLE, ELECTRICAL, single conductor, 40/0.0076, 0.13in. dia, glass braid, polychloroprene insulated	UNIPREN12	A/R	
NI 30	A 9MCV	5940-99-802-9440	TERMINAL LUG, solder/solderless, 0.719 x 0.247 x 0.094in. h	32561	2	
31	A 46MT4	5340-99-800-9907	MOUNT, RESILIENT, 3/8in. bolt dia, 3/16in. bore thk	FV573436/2	4	
32	A 46MT4	5930-99-881-8339	MOUNT, STEPPING, solenoid, 3/391 x 3.38 x 2.322in. h	FV530703	1	
NI 33		NP	PACKING PIECE, solenoid switch	FV530730	1	
NI 34		NP	SCREW, MACHINE, hex hd, slotted, Cd P, 1/4in. x 5/8in. lg		2	
NI 35	A G1	5310-99-943-6849	WASHER, LOCK, steel/rubber, 0.260in. dia x 0.52in. od x 0.070in. thk		2	
36		NP	BRACKET, control circuit	FV530706	1	
NI 37	A H9	5325-99-942-3412	GROMMET, RUBBER, syn ru, 0.060in. x 0.104in. x 0.188in. x 0.228in. thk	B13537	2	
NI 38	A G1	5805-99-915-0587	SCREW, MACHINE, st, csk hd, 4BA x 1-1/4in. lg		2	
NI 39	A G1	5310-99-941-6869	WASHER, PLAIN, st, Cd P, 4BA, 0.028in. thk		2	
NI 40		NP	NUT, SELF-LOCKING, Al alloy, 4BA, 0.299in. h	AGS2011-B3	2	
NI 41	A G1	5310-99-943-6847	WASHER, LOCK, steel/rubber, 0.152in. id x 0.340in. od x 0.05in. thk, flat internal teeth		4	
NI 42		NP	SCREW, MACHINE, st, slotted, hex hd, 4BA x 3/8in. lg		4	
NI 43	A 9ACR	2540-99-780-1957	PANEL ASSEMBLY, control circuit	FV530705	1	
44		NP	PANEL, control circuit	FV530707	1	
NI 45		NP	PIN, STRAIGHT, HEADLESS, panel assy	FV530724	2	
NI 46		NP	WASHER, FLAT, Cu alloy, 0.176in. od x 0.016in. thk, 10BA	SP22-Y	4	
47	A 6MT1	5325-99-942-3416	GROMMET, RUBBER, syn ru, 5/16in. x 0.125in. x 0.094in. x 0.187in. id	SSML7-11-5-161-NX0-125IN	2	
48		NP	SCREW, MACHINE, flat fil hd, 5/8in. lg	NA-00-007-	7	

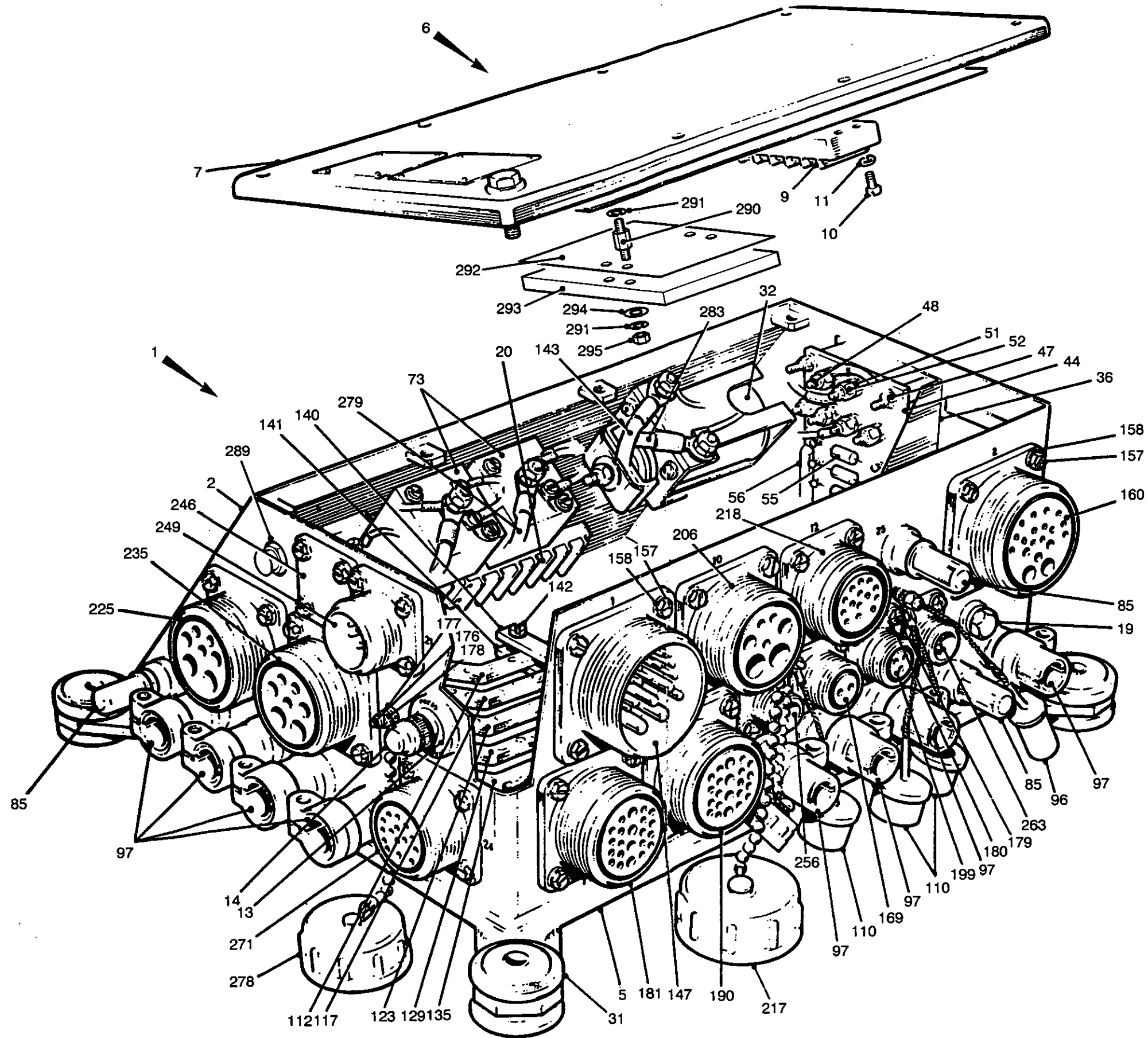


Fig 28 Distribution box

430/70117A

Fig Item	Man Code Navy - N Army - A RAF - R	NATO Stock No	Item Name and Description	Part No/ Drawing No.	No. Off	Annotations
28-			ELECTRICAL EQUIPMENT GA - contd . ELECTRICAL EQUIPMENT, HULL, GA - contd . . . ELECTRICAL EQUIPMENT, INTERNAL - contd . . . DISTRIBUTION BOX - contd PANEL ASSEMBLY - contd			
NI 49		NP WASHER, LOCK, phos B, Zn P, flat int teeth, 4BA	1906	7	
NI 50		NP WASHER, FLAT, Cu alloy, Cd P, 0.152in. id x 0.296in. od x 0.028in. thk		7	
51		NP NUT, PLAIN, HEXAGON, brass, Cd P, No. 4 BA, 0.084in. h		7	
52		NP NUT, PLAIN, HEXAGON, brass, nylon insert, hex, 0.169in. h	AGS2002B4- 77	7	
NI 53	A 6MT4	5940-99-805-0797 TERMINAL LUG, 4BA, serrated ring	WE501-4BA	7	
NI 54	A 9ACR	5945-99-621-7179 RELAY	FV2150453	1	
55	A Z42	5961-99-118-1454 SEMI-CONDUCTOR DEVICE, DIODE, 200V, 1A, 5mm lg, 3mm od	IN4003	3	
56	A Z30	5905-99-014-0314 LEAD, ELECTRICAL, 82ohm, wire wound	FV830446-9	1	
NI 57		NP LEAD, ELECTRICAL, U12 assy	FV530729/1	1	
NI 58	A 9MCV	5940-99-802-9440 TERMINAL LUG, solder/solderless, 0.719 x 0.247 x 0.094in. h	32561	2	
NI 59	A Y3	6145-99-943-4824 CABLE, ELECTRICAL 40/0.0076, 0.13in. dia, glass braid, polychloroprene insulated	UNIPREN12	A/R	
NI 60		NP LEAD, ELECTRICAL, U12 assy	FV530729/2	1	
NI 61	A 46MT4	5940-99-805-0754 TERMINAL LUG, brass, M5	Z10009	2	
NI 62	A Y3	6145-99-943-4824 CABLE, ELECTRICAL 40/0.0076, 0.13in. dia, glass braid, polychloroprene insulated	UNIPREN12	A/R	
NI 63		NP LEAD, ELECTRICAL, U12 assy	FV530729/3	1	
NI 64	A 46MT4	5940-99-805-0754 TERMINAL LUG, brass, M5	Z10009	2	
NI 65	A Y3	6145-99-943-4824 CABLE, ELECTRICAL 40/0.0076, 0.13in. dia, glass braid, polychloroprene insulated	UNIPREN12	A/R	
NI 66		NP LEAD, ELECTRICAL, U12 assy	FV530729/4	1	
NI 67	A 9MCV	5940-99-802-9440 TERMINAL LUG, solder/solderless, 0.719 x 0.247 x 0.094in. h	32561	2	
NI 68	A Y3	6145-99-943-4824 CABLE, ELECTRICAL 40/0.0076, 0.13in. dia, glass braid, polychloroprene insulated	UNIPREN12	A/R	
NI 69		NP LEAD, ELECTRICAL, U12 assy	FV530729/5	1	
NI 70	A 9MCV	5940-99-802-9440 TERMINAL LUG, solder/solderless, 0.719 x 0.247 x 0.094in. h	32561	2	
NI 71	A Y3	6145-99-943-4824 CABLE, ELECTRICAL 40/0.0076, 0.13in. dia, glass braid, polychloroprene insulated	UNIPREN12	A/R	
NI 72		NP BRACKET, ASSEMBLY, transformer	FV530708	1	
73	A 46MT4	5950-99-881-8342 TRANSFORMER, CURRENT	FV546132	2	
NI 74		NP STUD, PLAIN, brass, 1/4in. UNF x 2- 5/8in. lg		2	
NI 75	A G1	5310-99-941-3188 NUT, PLAIN, HEXAGON, br, hex, chamfered, tin pl, 1/4in. UNF		12	

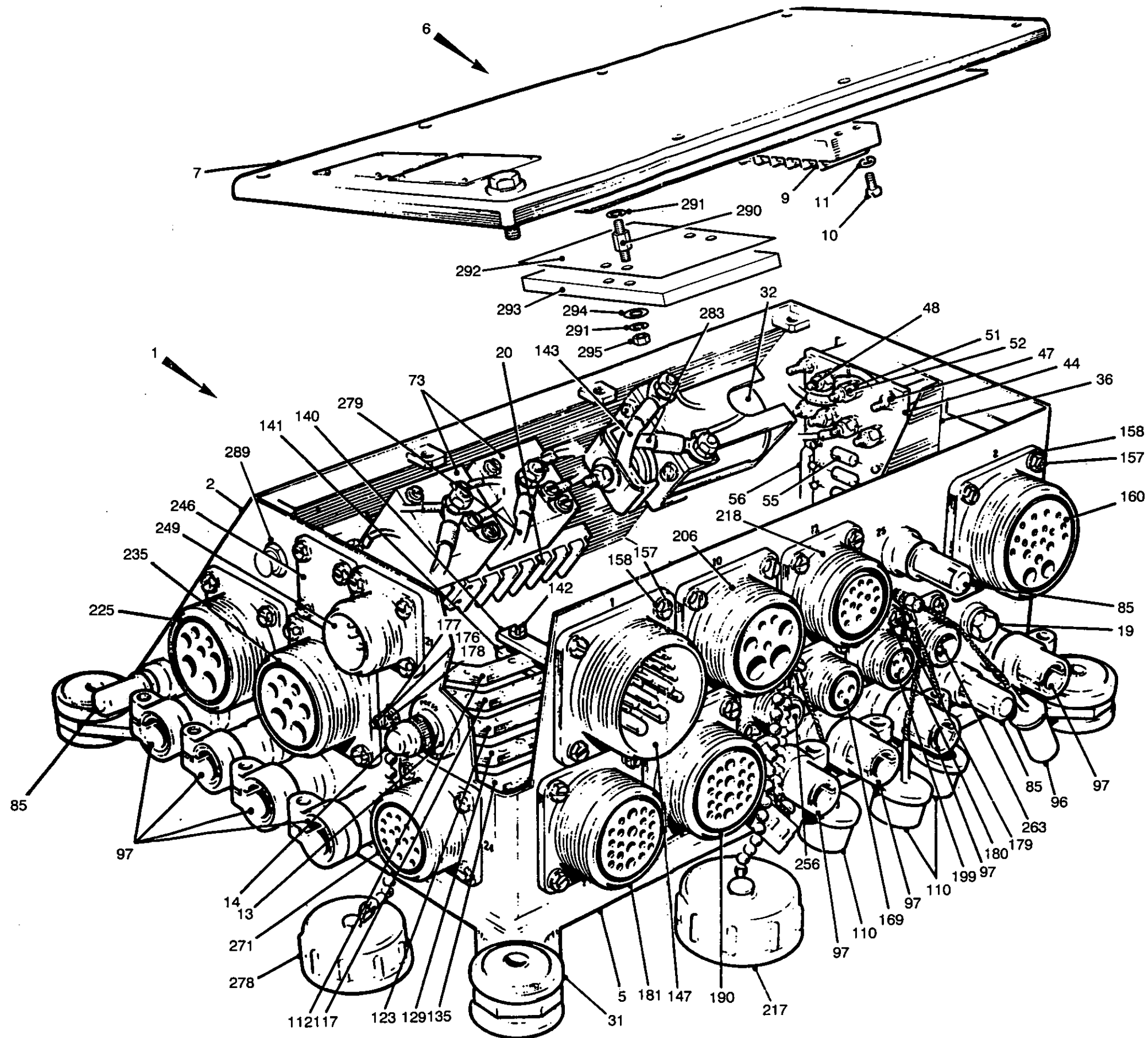


Fig 28 Distribution box

Fig Item	Man Code Navy - N Army - A RA/F - R	NATO Stock No	Item Name and Description	Part No/ Drawing No.	No. Off	Annotations
28-			ELECTRICAL EQUIPMENT GA - contd . ELECTRICAL EQUIPMENT, HULL, GA - contd . . . ELECTRICAL EQUIPMENT, INTERNAL - contd . . . DISTRIBUTION BOX - contd			
NI 76	A G1	5310-99-941-9964	. . . WASHER, FLAT, br, tin pl, 1/4in. hole id		4	
NI 77		NP	. . . SCREW, MACHINE, st, flat fil hd, 4BA x 1-1/2in. lg	PS1857-1	4	
NI 78	A G1	5310-99-941-9961	. . . NUT, PLAIN, HEXAGON, st, Cd P, 4BA, 0.125in. h		4	
NI 79		NP	. . . WASHER, LOCK, st, Cd P, shakeproof, 4BA	FV542416- 36	4	
NI 80		NP	. . . INSULATOR, STANDOFF, SPBP, brown	FV530726	1	
NI 81		NP	. . . INSULATOR, STANDOFF, SRBP, brown	FV530727	1	
NI 82		NP	. . . SCREW, MACHINE, br, hex hd, 5/16in UNF x 1-1/8in. lg		2	
NI 83	A G1	5310-99-971-3810	. . . WASHER, FLAT, br, tin pl, 5/16in. od		4	
NI 84	A G1	5310-99-137-2652	. . . NUT, PLAIN, HEXAGON, br, NI P, 5/16in. UNF		6	
85	A 46MT4	5935-99-805-0012	. . . CONNECTOR, RECEPTACLE, ELECTRICAL	FV131143	3	
NI 86	A 6MT4	5970-99-805-0023 INSULATOR, WASHER, rd, Tufnal, 0.406in. id x 0.937in. od x 0.063in. deep	FV39352	3	
NI 87	A 6MT4	5330-99-805-0022 RETAINER, PACKING, int recess, 0.812in. dia x 0.010in. thk	FV39351	3	
NI 88	A 46MT4	5970-99-805-2206 INSULATOR, BUSHING, bakelite, heavy duty panel plug	FV131069	3	
NI 89	A Z42	5999-99-826-1775 CONTACT, ELECTRICAL, br, silver pl, 2.75 x 0.499in. dia	FV131067	3	
NI 90	A 6MT4	5330-99-881-3980 RING, SEALING, TOROIDAL, ru, 0.531in. id, 0.651in. od, 0.060in. o/a h, 93 deg hardness	FV107528	3	
NI 91	A 6MT1	5330-99-764-2312 RING, SEALING, TOROIDAL, 9/16in. x 7/64in. h 90 deg shore hardness	FV131066	3	
NI 92	A 46MT1	5330-99-805-0032 RING, SEALING, TOROIDAL, ru, 1/16in. x 9/32in. id, 90 deg hardness	FV131065	3	
NI 93		NP NUT, PLAIN, HEXAGON, Cu alloy, 3/8in. UNF, 0.22in. o/a h	FV(S)82/3	9	
NI 94	A G1	5310-99-980-6170 WASHER, FLAT, br tin pl, 3/8in. id, 3/4in. od		3	
NI 95		NP TERMINAL LUG, brass	FV530709	3	
96	A 46MT4	5940-99-881-5821 SHROUD CAPTIVE, ASSEMBLY, w/nylon cord looped one end	FV530564	1	
97	A 46MT4	5935-99-805-0007 SOCKET, ELECTRICAL, 15/16in. od, 2-11/16in. lg	FV39347	8	
NI 98	A 6MT4	5330-99-805-0022 RETAINER, PACKING, int recess, 0.812in. dia x 0.010in. thk	FV39351	8	
NI 99	A 6MT4	5970-99-805-0023 INSULATOR, WASHER, rd, Tufnal, 0.406in.id x 0.937in. od x 0.063in. deep	FV39352	8	

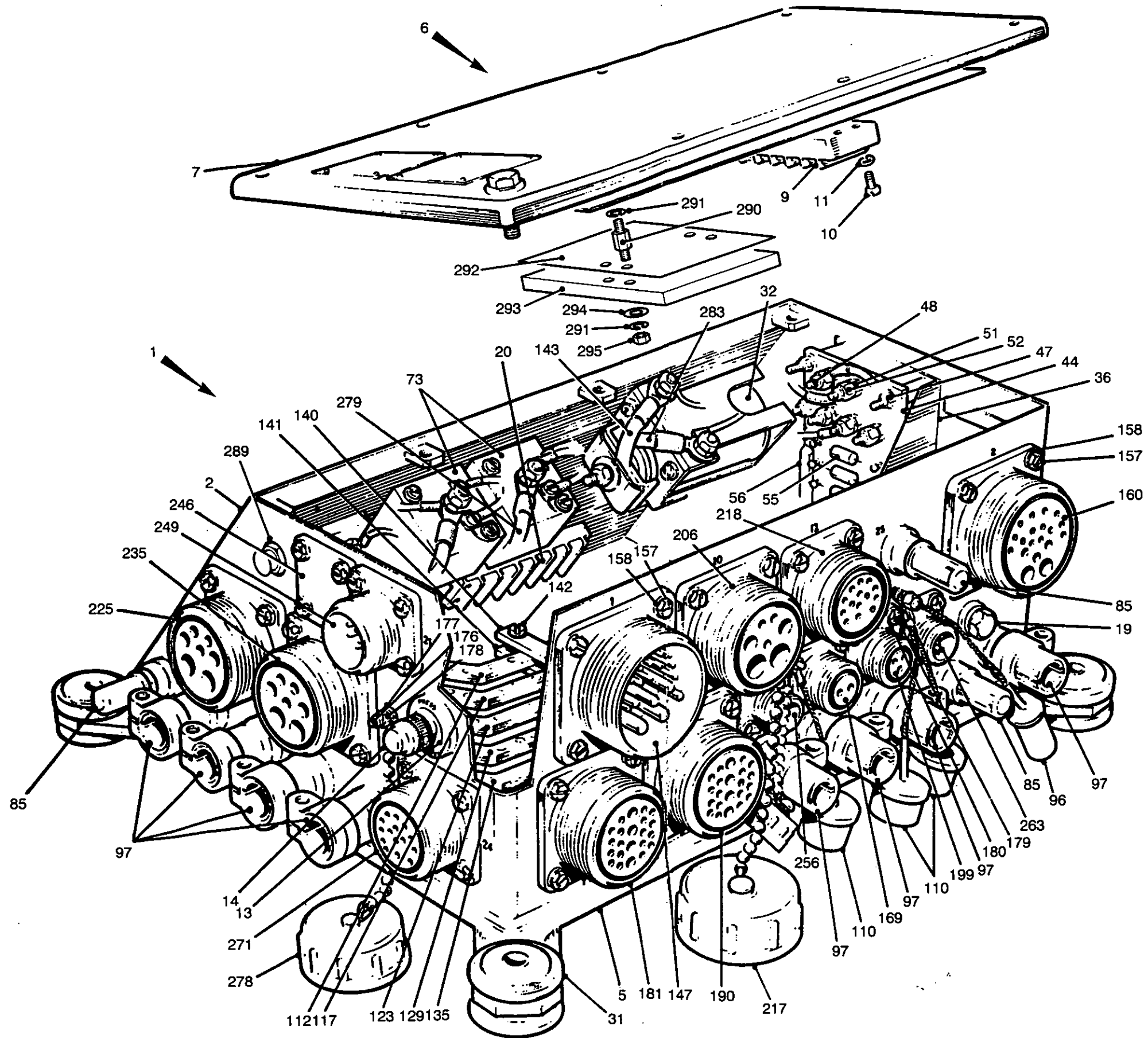


Fig 28 Distribution box

Fig Item	Man Code Navy - N Army - A RAF - R	NATO Stock No	Item Name and Description	Part No/ Drawing No.	No. Off	Annotations
28-			ELECTRICAL EQUIPMENT GA - contd . ELECTRICAL EQUIPMENT, HULL, GA - contd . . . ELECTRICAL EQUIPMENT, INTERNAL - contd . . . DISTRIBUTION BOX - contd . . . SOCKET, ELECTRICAL - contd			
NI 100	A 6MT4	5330-99-881-3980 RING, SEALING, TOROIDAL, ru, 0.531in. id, 0.651in. od, 0.060in. o/a h, 93 deg hardness	FV107528	8	
NI 101	A 6MT4	5970-99-805-0021 INSULATOR, BUSHING, plastics, 3/8in. x 13/16in. od x 1-13/32in. h	FV39350	8	
NI 102		NP TERMINAL POST, brass	FV39349	8	
NI 103	A 6MT1	5330-99-764-2312 RING, SEALING, TOROIDAL, 9/16in. x 7/64in. h, 90 deg shore hardness	FV131066	8	
NI 104		NP NUT, PLAIN, HEXAGON, Cu alloy, 3/8in. UNF, 0.22in. o/a h	FV(S)82/3	9	
NI 105	A G1	5310-99-980-6170 WASHER, FLAT, br, tin pl, 3/8in. id, 3/4in. od		3	
NI 106	A 46MT4	5935-99-805-0024 CLAMP, LOOP, br Cd P, 3/4in. id, 1/2in. w	FV107619	8	
NI 107	A G1	5305-99-941-0512 SCREW, MACHINE, st, hex hd, Zn P, 1/4in. UNF x 5/8in. lg		8	
NI 108	A G1	5310-99-120-4032 WASHER, FLAT, rd, Zn P, 1/4in. id x 9/16in. od		8	
NI 109		NP TERMINAL LUG, brass	FV530709	3	
110	A 9ACR	5935-99-802-2227 COVER, ELECTRICAL SOCKET, non-metallic, 1-1/8in. x 5/8in. lg	FV530749	3	
NI 111		NP CONNECTOR STUD, 5/16in. UNF	FV530710	4	
112		NP LINK, TERMINAL, CONNECTING, neg	FV530712	1	
NI 113		NP SCREW, MACHINE, high tensile brass, hex hd, 5/16in. UNF x 3/4in. lg		2	
NI 114	A G1	5310-99-971-3810 WASHER, FLAT, br, tin pl, 5/16in. od		4	
NI 115	A 46MT4	2590-99-821-1241 SCREW, TERMINAL, br, cheese hd, 4BA x 0.275in. lg	FV518867	16	
NI 116		NP WASHER, CAPTIVE, brass	FV518868	16	
117		NP LINK, TERMINAL, CONNECTING, pos	FV530713	1	
NI 118		NP SCREW, MACHINE, high tensile brass, hex hd, 5/16in. UNF x 3/4in. lg		2	
NI 119	A G1	5310-99-971-3810 WASHER, FLAT, br, tin pl, 5/16in. od		2	
NI 120	A 46MT4	2590-99-821-1241 SCREW, TERMINAL, br, cheese hd, 4BA x 0.275in. lg	FV518867	7	
NI 121		NP WASHER, CAPTIVE, brass	FV518868	16	
NI 122	A G1	5310-99-137-2652 NUT, PLAIN, HEXAGON, br, Ni P, 5/16in. UNF		2	
123		NP LINK, TERMINAL, CONNECTING, A.C.3	FV530714	1	
NI 124		NP SCREW, MACHINE, high tensile brass, hex hd, 5/16in. UNF x 3/4in. lg		2	
NI 125	A G1	5310-99-971-3810 WASHER, FLAT, br, tin pl, 5/16in. od		2	
NI 126	A 46MT4	2590-99-821-1241 SCREW, TERMINAL, br, cheese hd, 4BA x 0.275in. lg	FV518867	4	
NI 127		NP WASHER, CAPTIVE, brass	FV518868	4	

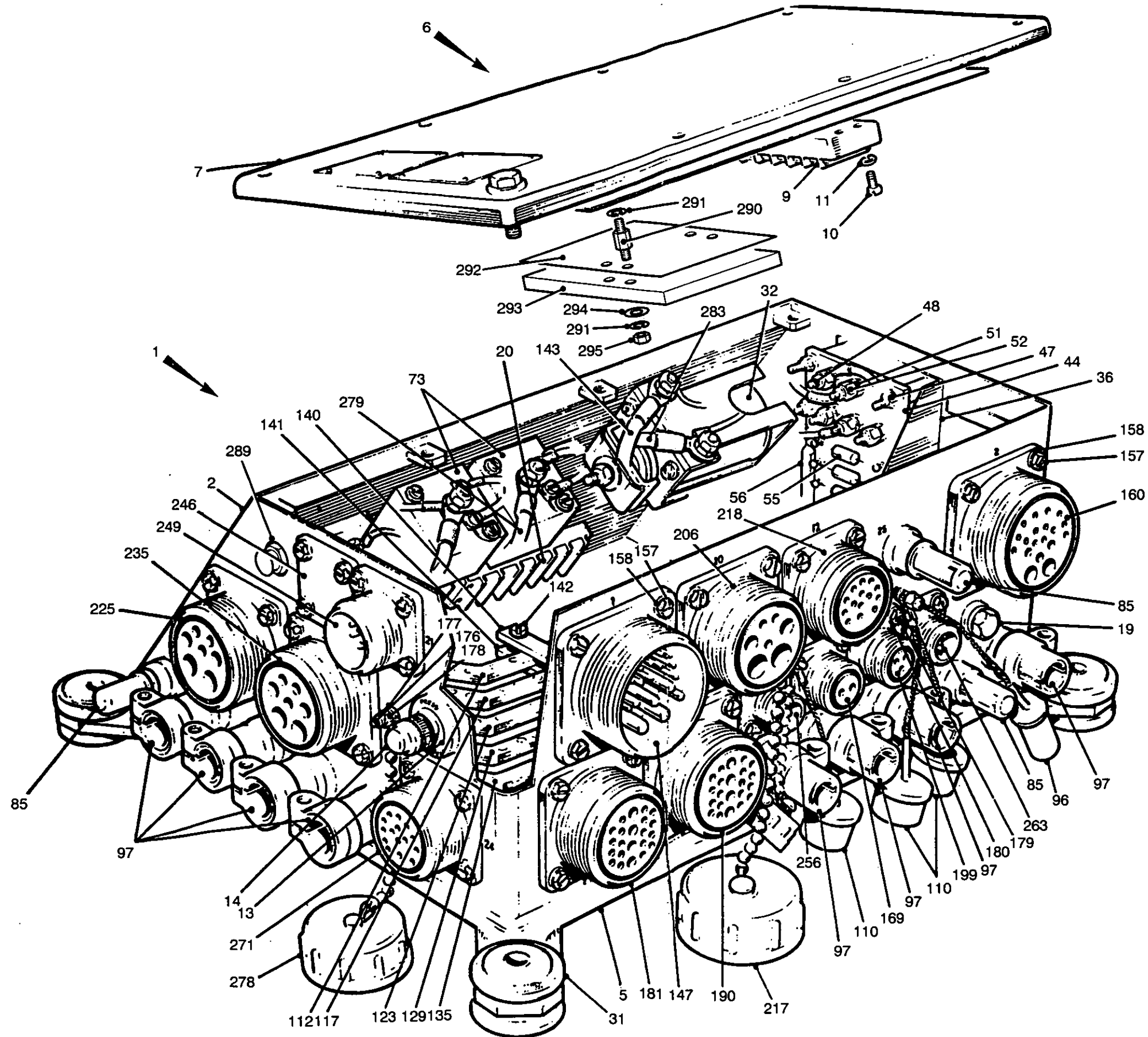


Fig 28 Distribution box

430/70117A

Fig Item	Man Code Navy - N Army - A RAF - R	NATO Stock No	Item Name and Description	Part No/ Drawing No.	No. Off	Annotations
28-			ELECTRICAL EQUIPMENT GA - contd . ELECTRICAL EQUIPMENT, HULL, GA - contd . . . ELECTRICAL EQUIPMENT, INTERNAL - contd . . . DISTRIBUTION BOX - contd			
NI 128	A G1	5310-99-137-2652	. . . NUT, PLAIN, HEXAGON, br, Ni P, 5/16in. UNF		2	
NI 129		NP	. . . LINK, TERMINAL, CONNECTING, A.C.2	FV530715	1	
NI 130		NP	. . . SCREW, MACHINE, high tensile brass, hex hd, 5/16in. UNF x 3/4in. lg		2	
NI 131	A G1	5310-99-971-3810	. . . WASHER, FLAT, br, tin pl, 5/16in. od	CX112401- 13	2	
NI 132	A 46MT4	2590-99-821-1241	. . . SCREW, TERMINAL, br, cheese hd, 4BA x 0.275in. lg	FV518867	4	
NI 133		NP	. . . WASHER, CAPTIVE, brass	FV518868	4	
NI 134	A G1	5310-99-137-2652	. . . NUT, PLAIN, HEXAGON, br, Ni P, 5/16in. UNF		2	
135		NP	. . . LINK, TERMINAL, CONNECTING, A.C.1	FV530716	1	
NI 136	A G1	5310-99-971-3810	. . . WASHER, FLAT, br, tin pl, 5/16in. od		2	
NI 137	A 46MT4	2590-99-821-1241	. . . SCREW, TERMINAL, br, cheese hd, 4BA x 0.275in. lg	FV518867	2	
NI 138		NP	. . . WASHER, CAPTIVE, brass	FV518868	4	
NI 139	A G1	5310-99-137-2652	. . . NUT, PLAIN, HEXAGON, br, Ni P, 5/16in. UNF		2	
140		NP	. . . BRACE, TOP, nylon, connector link fixing	FV530746	1	
141		NP	. . . BRACE, BOTTOM, nylon, connector link fixing	FV530747	1	
142		NP	. . . SCREW, MACHINE, flat fil hd, 2BA x 1.00in. lg	FD11857- 363	3	
143		NP	. . . LEAD, ELECTRICAL, U100	FV530728/3	1	
NI 144	A Y3	6145-99-945-5075 WIRE, ELECTRICAL, 294/0.012in. tinned copper, glass braid, synthetic rubber, 0.36in. od, blue	E21 UNIPREN 100	A/R	
NI 145	A 46MT4	5940-99-805-0745 TERMINAL LUG, 1-15/32 x 11/16 x 1/16in. thk, Cu alloy, 1 conductor 1/16in. sq	W1S348C10	1	
NI 146		NP TERMINAL LUG, 1/4in. X 5/16in.		1	
147		NP PLUG, ELECTRICAL, No. 1	FV530731	1	
NI 148	A 46MT4	5935-99-800-9957 PLUG, ELECTRICAL, fixed, 23 poles, 5MS	FV585037	1	
NI 149	A Y3	6145-99-943-4824 CABLE, ELECTRICAL single conductor, 40/0.0076, 0.13in. dia, glass braid, polychloroprene insulated	UNIPREN12	A/R	NI 151
NI 150	A Y3	6145-99-945-5075 WIRE, ELECTRICAL, 294/0.012in. tinned copper, glass braid, synthetic rubber, 0.36in. od blue	E21 UNIPREN 100	A/R	
NI 151	A Y3	6145-99-945-5074 WIRE, ELECTRICAL, 120/0.012in. tinned copper, braid, blue	E21 UNIPREN50	A/R	
NI 152	A 9MCV	5940-99-802-9440 TERMINAL LUG, solder/solderless, 0.719 x 0.247 x 0.094in. h	32561	10	
NI 153		NP TERMINAL LUG, 1/4in. x 5/16in.		1	
NI 154	A 46MT4	5940-99-805-0745 TERMINAL LUG, 1-15/32 x 11/16 x 1/16in. thk, Cu alloy, 1 conductor 1/16in. sq	W1S348C10	1	

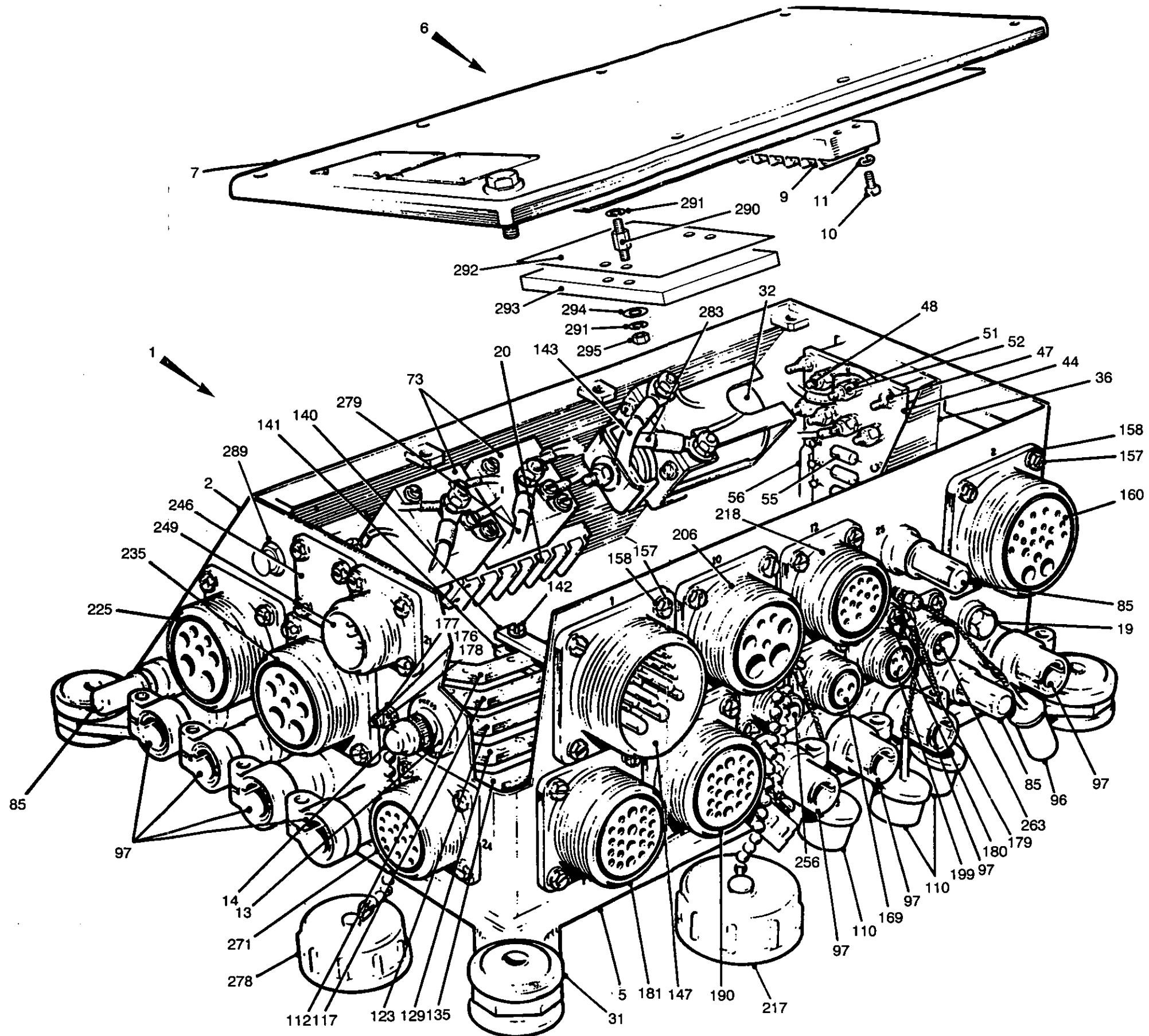


Fig 28 Distribution box

Fig Item	Man Code Navy - N Army - A RA/F - R	NATO Stock No	Item Name and Description	Part No/ Drawing No.	No. Off	Annotations
28-			ELECTRICAL EQUIPMENT GA - contd . ELECTRICAL EQUIPMENT, HULL, GA - contd . . . ELECTRICAL EQUIPMENT, INTERNAL - contd . . . DISTRIBUTION BOX - contd			
NI 155		NP	. . . PLATE, RETAINING, ELECTRICAL PLUG-SOCKET, MS, Zn P, shell size 32	FV530641/8	1	
NI 156	A Z2	5330-99-014-7140	. . . GASKET, shell size 32	FV585128	1	
157	A G1	5305-99-941-7837	. . . SCREW, MACHINE, corrosion resisting steel, hex hd, 4BA x 7/16in. lg		28	
158	A G1	5310-99-943-6847	. . . WASHER, LOCK, rubber/steel, flat int teeth, 0.152in. x 0.050in. thk x 0.34in. id	GD1321-2	28	
NI 159		NP	. . . CAP, BLANKING, shell size 32		1	
NI 160		NP	. . . SOCKET, ELECTRICAL, No. 2 assy	FV530732	1	
NI 161	A 46MT4	5935-99-800-9956 SOCKET, fixed 32-6S	FV583058	1	
NI 162	A Y3	6145-99-943-4824 CABLE, ELECTRICAL 40/0.0076, 0.13in. dia, glass braid, polychloroprene insulated	UNIPREN12	A/R	
NI 163	A Y3	6145-99-945-5074 WIRE, ELECTRICAL, 120/0.012in. tinned copper, braid, blue	E21 UNIPREN50	A/R	
NI 164	A 9MCV	5940-99-802-9440 TERMINAL LUG, solder/solderless, 0.719 x 0.247 x 0.094in. h, 16AWG	32561	5	
NI 165	A 46MT4	5940-99-805-0745 TERMINAL LUG, 1-15/32 x 11/16 x 1/16in. thk, Cu alloy, 1 conductor 1/16in. sq	W1S348C10	3	
NI 166	A Z2	5330-99-014-7140 GASKET, shell size 32	FV585128	1	
NI 167		NP CAP, BLANKING, shell size 32		1	
NI 168		NP PLATE, RETAINING, ELECTRICAL PLUG-SOCKET, MS, Zn P, shell size 32	FV530641/8	1	
169		NP SOCKET, ELECTRICAL, No. 6	FV530733	1	
NI 170	A 46MT4	5935-99-800-9970 CONNECTOR, ELECTRICAL, straight shape, 1.188 x 1.040in. lg, aluminium alloy, 22A	FV585010	1	
NI 171	A Y3	6145-99-943-4824 CABLE, ELECTRICAL, single conductor, 40/0.0076, 0.13in. dia, glass braid, polychloroprene insulated	UNIPREN12	A/R	
NI 172	A 9MCV	5940-99-802-9440 TERMINAL LUG, solder/solderless, 0.719 x 0.247 x 0.094in. h	32561	2	
NI 173		NP PLATE, RETAINING, ELECTRICAL PLUG-SOCKET, MS Zn P, shell size 14S	FV530641/2	1	
NI 174	A 46MT4	5330-00-585-1591 GASKET, syn ru, 0.13 x 0.875in. x 0.02in. thk	FV585122	1	
NI 175	A 46MT4	5935-99-881-5797 CONNECTOR, COVER ELECTRICAL, syn ru, 0.13 x 0.875 x 0.02in. thk plastics, 1-1/8in. dia, 5/8in. lg	10-70500-14	1	
176		NP SCREW, MACHINE, special, 6BA	FV530767	3	
177		NP WASHER, FLAT, steel, No. 12, large, rustproof, 6BA	Z2/ZB11104	3	
178		NP NUT, SELF-LOCKING, HEXAGON, BA, cres, No. 6		3	
179	A G1	5305-99-941-7855 SCREW, MACHINE, hex hd, 6BA x 7/16in. lg		32	

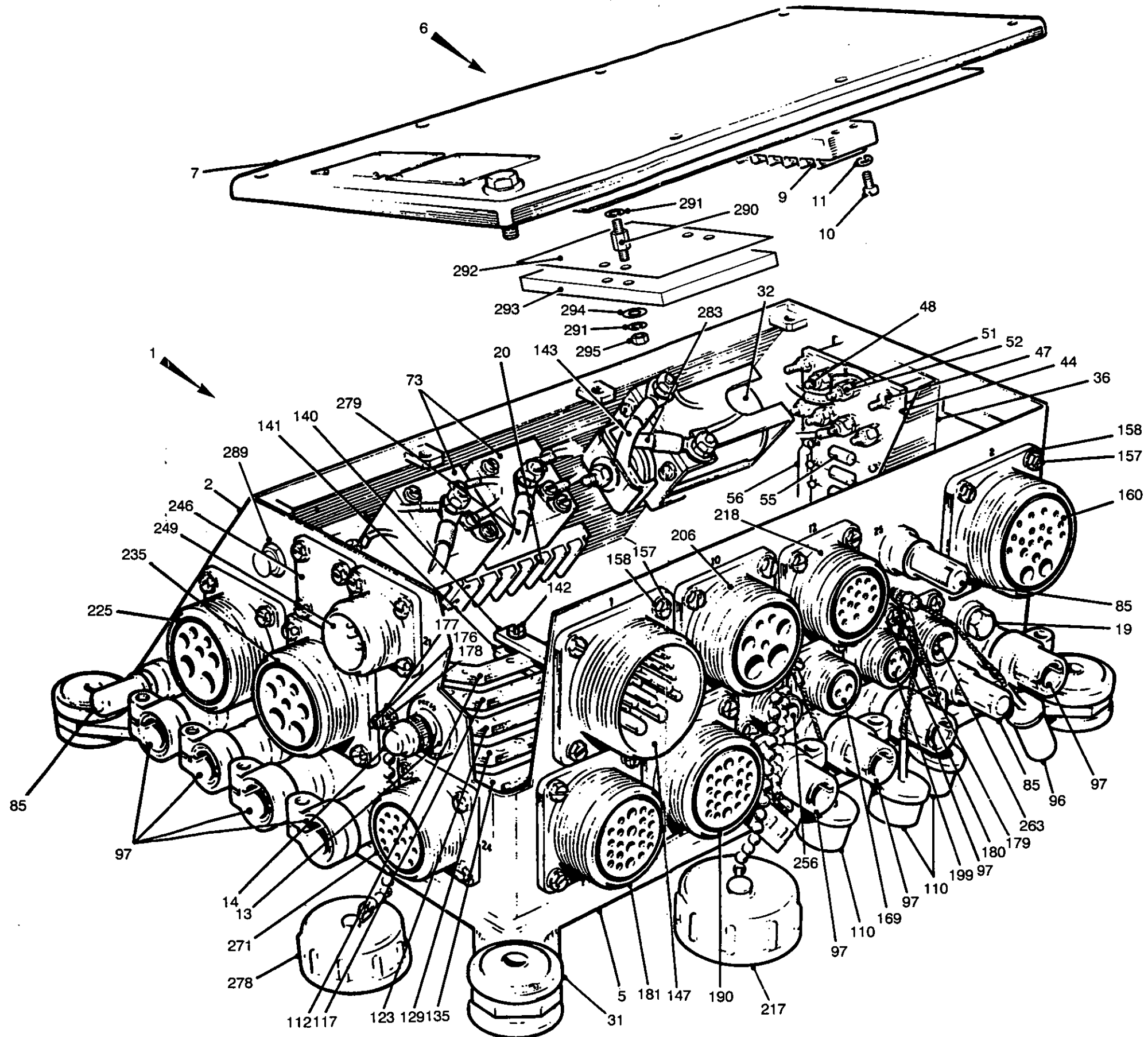


Fig 28 Distribution box

430/70117A

Fig Item	Man Code Navy - N Army - A RAF - R	NATO Stock No	Item Name and Description	Part No/ Drawing No.	No. Off	Annotations
28-			ELECTRICAL EQUIPMENT GA - contd . ELECTRICAL EQUIPMENT, HULL, GA - contd ELECTRICAL EQUIPMENT, INTERNAL - contd DISTRIBUTION BOX - contd SOCKET, ELECTRICAL - contd			
180		NP WASHER, SEAL, LOCKING, 0.120in. id x 0.300in. od x 0.05in. thk		32	
181		NP SOCKET, ELECTRICAL, No. 7	FV530734	1	
NI 182	A 46MT4	5935-99-800-9960 SOCKET, fixed, 5ms, al, 22 poles	FV585032	1	
NI 183	A Y3	6145-99-943-4824 CABLE, ELECTRICAL, single conductor, 40/0.0076, 0.13in. dia, glass braid, polychloroprene insulated	UNIPREN12	A/R	
NI 184	A Y3	6145-99-901-2567 WIRE, ELECTRICAL, 110/0.0076in., glass braid, syn ru, blue	E21 UNIPREN24	A/R	
NI 185	A 9MCV	5940-99-802-9440 TERMINAL LUG, solder/solderless, 0.719 x 0.247 x 0.094in. h	32561	2	
NI 186		NP TERMINAL LUG, 4BA, 11/32in. o/a dia x 5/32in. h o/a		4	
NI 187		NP PLATE, RETAINING, ELECTRICAL PLUG-SOCKET, MS, Zn P, shell size 28	FV530641/7	1	
NI 188	A Z2	5330-99-014-7139 GASKET, syn ru, 1.635in. x 0.041in. thk x 2.08in. sq	FV585127	1	
NI 189	A 46MT4	5935-99-881-5799 COVER, ELECTRICAL CONNECTOR, non-metallic, 2.00in. dia, 11/16in. lg	B10-70500- 28	1	
190		NP SOCKET, ELECTRICAL, No. 8 assy	FV530735	1	
NI 191	A 46MT4	5935-99-800-9960 SOCKET, ELECTRICAL, fixed 5ms, al, 22 poles	FV585032	1	
NI 192	A Y3	6145-99-901-2567 WIRE, ELECTRICAL, 110/0.0076in., glass braid, syn ru, blue	E21 UNIPREN24	A/R	
NI 193	A Y3	6145-99-943-4824 CABLE, ELECTRICAL, single conductor, 40/0.0076, 0.13in. dia, glass braid, polychloroprene insulated	UNIPREN12	A/R	
NI 194	A 9MCV	5940-99-802-9440 TERMINAL LUG, solder/solderless, 0.719 x 0.247 x 0.094in. h	32561	2	
NI 195		NP TERMINAL LUG, 4BA, 11/32in. o/a dia x 5/32in. h o/a		4	
NI 196		NP PLATE, RETAINING, ELECTRICAL PLUG-SOCKET, MS, Zn P, shell size 28	FV530641/7	1	
NI 197	A Z2	5330-99-014-7139 GASKET, syn ru, 1.635in. x 0.041in. thk x 2.08in. sq	FV585127	1	
NI 198	A 46MT4	5935-99-881-5799 COVER, ELECTRICAL CONNECTOR, non-metallic, 2.00in. dia, 11/16in. lg	B10-70500- 28	1	
199		NP SOCKET, ELECTRICAL, No. 9 assy	FV530736	1	
NI 200	A 46MT4	5935-99-881-9665 SOCKET, ELECTRICAL, straight threaded, 1.188in. lg, Al/ru, Cd P, 3 contacts, 1 mating end, 700V ac, 500V dc	FV585008	1	

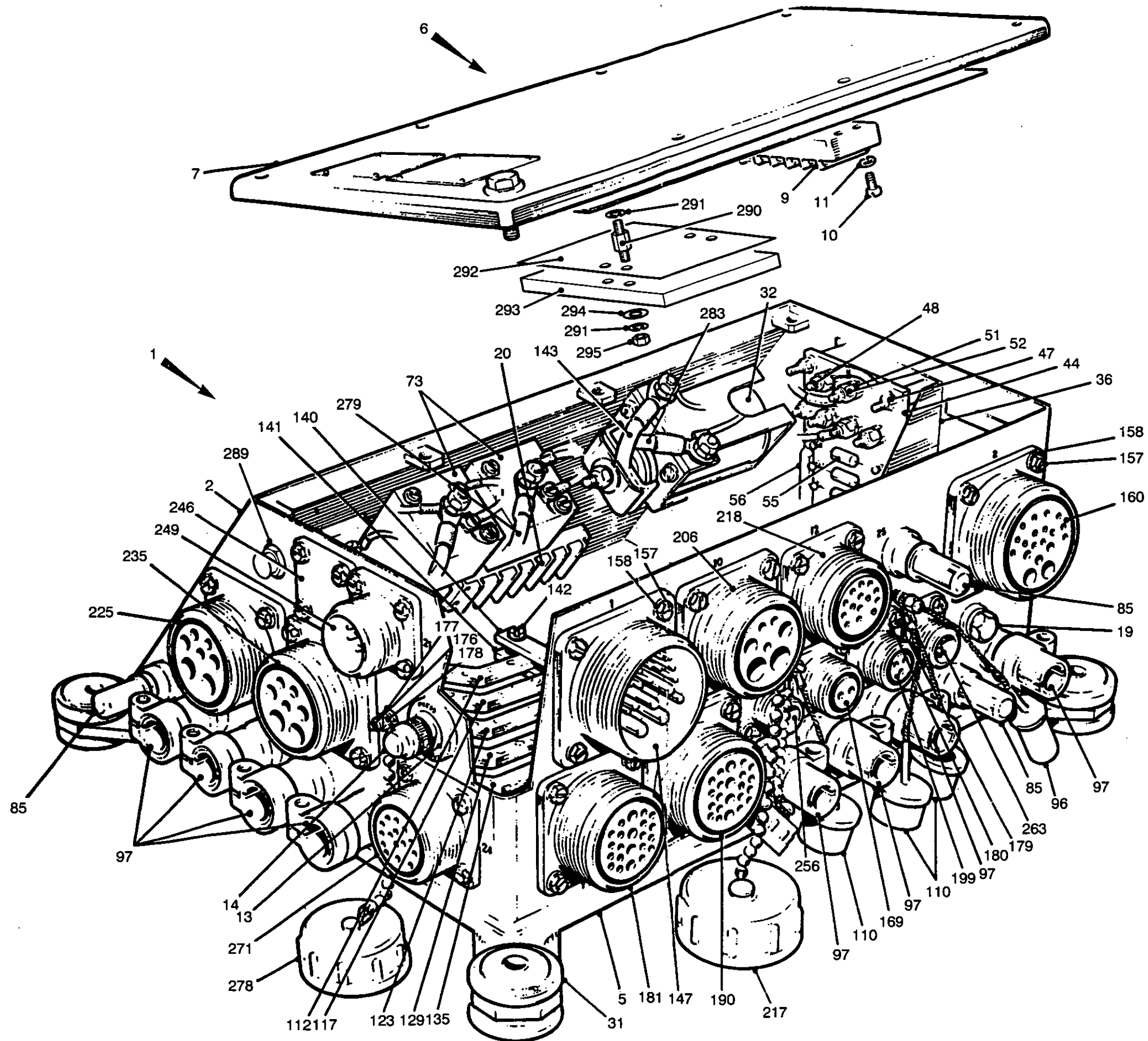


Fig 28 Distribution box

43070117A

Fig Item	Man Code Navy - N Army - A RAF - R	NATO Stock No	Item Name and Description	Part No/ Drawing No.	No. Off	Annotations
28-			ELECTRICAL EQUIPMENT GA - contd . ELECTRICAL EQUIPMENT, HULL, GA - contd . . . ELECTRICAL EQUIPMENT, INTERNAL - contd . . . DISTRIBUTION BOX - contd . . . SOCKET, ELECTRICAL - contd			
NI 201	A 9MCV	5940-99-802-9440 TERMINAL LUG, solder/solderless, 0.719 x 0.247 x 0.094in. h	32561	2	
NI 202	A Y3	6145-99-943-4824 CABLE, ELECTRICAL 40/0.0076, 0.13in. dia, glass braid, polychloroprene insulated	UNIPREN12	A/R	
NI 203		NP PLATE, RETAINING, ELECTRICAL PLUG-SOCKET, MS, Zn P, shell size 14S	FV530641/2	1	
NI 204	A 46MT4	5330-00-585-1591 GASKET, syn ru, 0.13 x 0.875 x 0.02in. thk	FV585122	1	
NI 205	A 46MT4	5935-99-881-5797 CONNECTOR, COVER, ELECTRICAL, plastics, 1-1/8in. dia, 5/8in. lg	10-70500-14	1	
206		NP SOCKET, ELECTRICAL, No. 10 assy	FV573450	1	
NI 207	A 46MT4	5935-99-800-9962 CONNECTOR, FIXED, ELECTRICAL, thd, 1 mating end, 7 contacts, 2.00in. sq, 1.4in. lg, Al alloy	FV585030	1	
NI 208	A Y3	6145-99-945-5075 WIRE, ELECTRICAL, 294/0.012in. tinned copper, glass braid, synthetic rubber, 0.36in. od blue	E21 UNIPREN 100	A/R	
NI 209	A Y3	6145-99-901-2567 WIRE, ELECTRICAL, 110/0.0076in. glass braid, syn ru, blue	E21 UNIPREN24	A/R	
NI 210	A Y3	6145-99-945-5074 WIRE, ELECTRICAL, 120/0.012in. tinned copper, braid, blue	E21 UNIPREN50	A/R	
NI 211	A 9MCV	5940-99-802-9440 TERMINAL LUG, solder/solderless, 0.719 x 0.247 x 0.094in. h	32561	1	
NI 212		NP TERMINAL LUG, 4BA, 11/32in. o/a dia x 5/32in. h o/a		1	
NI 213	A 6MT4	5940-99-805-0745 TERMINAL LUG, 1-15/32 x 11/16 x 1/16in. thk, Cu alloy, 1 conductor 1/16in. sq	W1S348C10	2	
NI 214		NP TERMINAL LUG, 1/4in. x 5/16in.		2	
NI 215		NP PLATE, RETAINING, ELECTRICAL PLUG-SOCKET, MS, Zn P, shell size 28	FV530641/7	1	
NI 216	A Z2	5330-99-014-7139 GASKET, syn ru, 1.635in. x 0.041in. thk x 2.08in. sq	FV585127	1	
217	A Z32	5935-99-104-3680 COVER, ELECTRICAL, PLUG- SOCKET	10-37398-28	1	
218		NP SOCKET, ELECTRICAL, No. 12 assy	FV530738	1	
NI 219	A 46MT4	5935-99-881-9667 CONNECTOR, FIXED, ELECTRICAL, 1 mating end, 14 contacts	FV585022	1	
NI 220	A 9MCV	5940-99-802-9440 TERMINAL LUG, solder/solderless, 0.719 x 0.247 x 0.094in. h	32561	1	
NI 221	A Y3	6145-99-943-4824 CABLE, ELECTRICAL, single conductor, 40/0.0076, 0.13in. dia, glass braid, polychloroprene insulated	UNIPREN12	A/R	

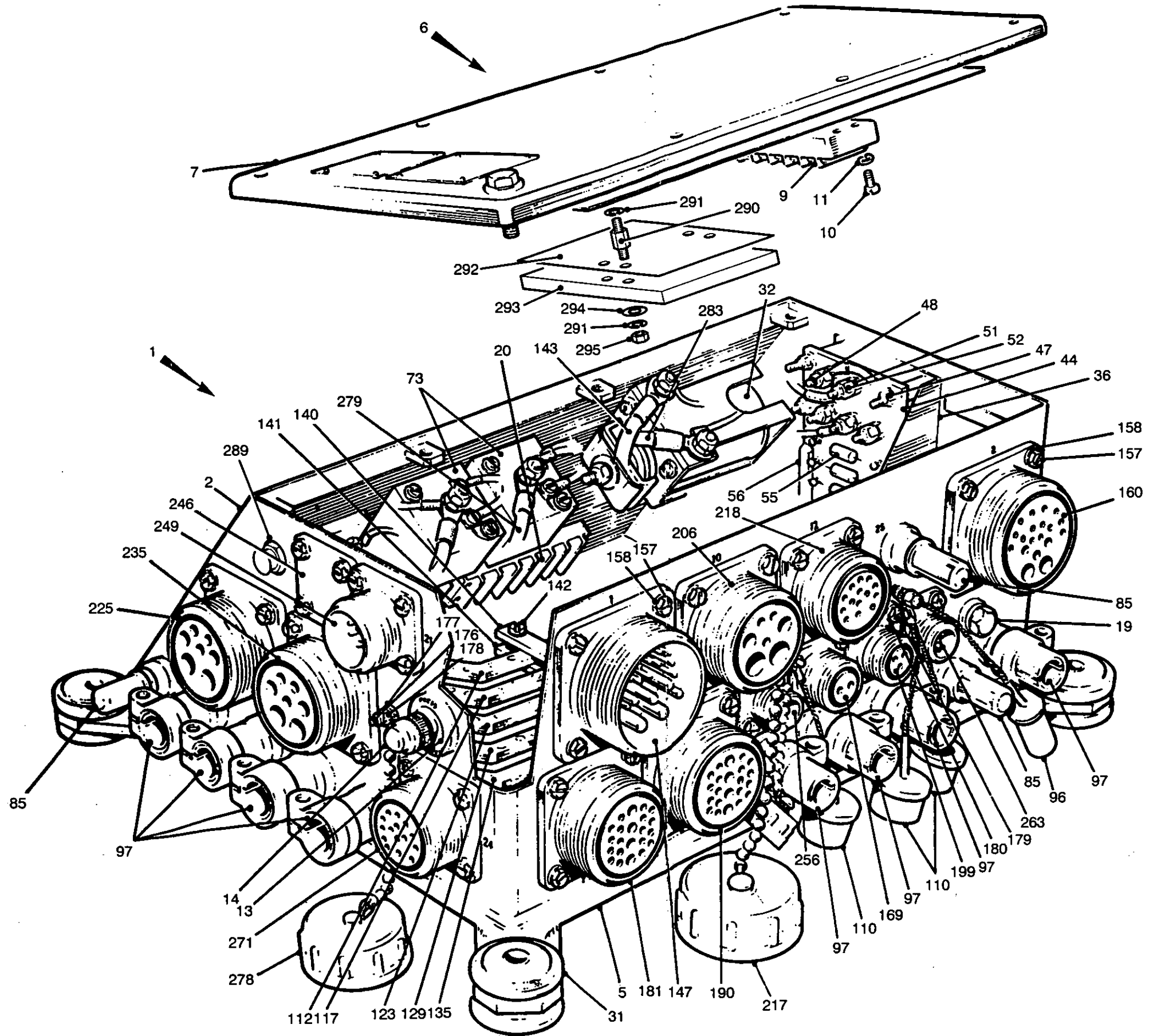


Fig 28 Distribution box

Fig Item	Man Code Navy - N Army - A RAF - R	NATO Stock No	Item Name and Description	Part No/ Drawing No.	No. Off	Annotations
28-			ELECTRICAL EQUIPMENT GA - contd . ELECTRICAL EQUIPMENT, HULL, GA - contd . . . ELECTRICAL EQUIPMENT, INTERNAL - contd . . . DISTRIBUTION BOX - contd			
NI 222		NP	. . . PLATE, RETAINING, ELECTRICAL PLUG-SOCKET, MS, Zn P, shell size 22	FV530641/5	1	
NI 223	A Z2	5330-99-014-7137 GASKET, syn ru, 1.653in. sq, 0.041in. thk, 4 bolt holes	FV585125	1	
NI 224	A 46MT4	5935-99-881-4410 CAP, BLANKING	10-70500-22	1	
NI 225		NP SOCKET, ELECTRICAL, No. 13 assy	FV530739	1	
NI 226	A 46MT4	5935-99-800-9962 CONNECTOR, FIXED, ELECTRICAL, thd, 1 mating end, 7 contacts, 2.00in. sq, 1.4in. lg, Al alloy	FV585030	1	
NI 227	A Y3	6145-99-945-5075 WIRE, ELECTRICAL, 294/0.012in. tinned copper, glass braid, synthetic rubber, 0.36in. od blue	E21 UNIPREN10 0	A/R	
NI 228	A Y3	6145-99-901-2567 WIRE, ELECTRICAL, 110/0.0076in. glass braid, syn ru, blue	E21 UNIPREN24	A/R	
NI 229	A Y3	6145-99-945-5074 WIRE, ELECTRICAL, 120/0.012in. tinned copper, braid, blue	E21 UNIPREN50	A/R	
NI 230		NP TERMINAL LUG, 4BA, 11/32in. o/a dia x 5/32in. h o/a		3	
NI 231		NP TERMINAL LUG, 1/4in. x 5/16in.		2	
NI 232		NP PLATE, RETAINING, ELECTRICAL PLUG-SOCKET, MS, Zn P, shell size 28	FV530641/7	1	
NI 233	A Z2	5330-99-014-7139 GASKET, syn ru, 1.635in. x 0.041in. thk x 2.08in. sq	FV585127	1	
NI 234	A 46MT4	5935-99-881-5799 COVER, ELECTRICAL CONNECTOR, non-metallic, 2.00in. dia, 11/16in. lg	B10-70500- 28	1	
235		NP SOCKET, ELECTRICAL, No. 14 assy	FV530740	1	
NI 236	A 46MT4	5935-99-800-9962 CONNECTOR, FIXED, ELECTRICAL, thd, 1 mating end, 7 contacts, 2.00in. sq, 1/4in. Al alloy	FV585030	1	
NI 237	A Y3	6145-99-945-5075 WIRE, ELECTRICAL, 294/0.012in., tinned copper, glass braid, synthetic rubber, 0.36in. od blue	E21 UNIPREN10 0	A/R	
NI 238	A Y3	6145-99-901-2567 WIRE, ELECTRICAL, 110/0.0076in. glass braid, syn ru, blue	E21 UNIPREN24	A/R	
NI 239	A Y3	6145-99-945-5074 WIRE, ELECTRICAL, 120/0.012in. tinned copper, braid, blue	E21 UNIPREN50	A/R	
NI 240		NP TERMINAL LUG, 4BA, 11/32in. o/a dia x 5/32in. h o/a		3	
NI 241		NP TERMINAL LUG, 1/4in. x 5/16in.		1	
NI 242	A 6MT4	5940-99-805-0745 TERMINAL LUG, 1-15/32 x 11/16 x 1/16in. thk, Cu alloy, 1 conductor 1/16in. sq	W1S348C10	2	
NI 243		NP PLATE, RETAINING, ELECTRICAL PLUG-SOCKET, MS, Zn P, shell size 28	FV530641/7	1	
NI 244	A Z2	5330-99-014-7139 GASKET, syn ru, 1/635in. x 0.041in. thk x 2.08in. sq	FV585127	1	
NI 245	A 46MT4	5935-99-881-5799 COVER, ELECTRICAL CONNECTOR, non-metallic, 2.00in. dia, 11/16in. lg	B10-70500- 28	1	

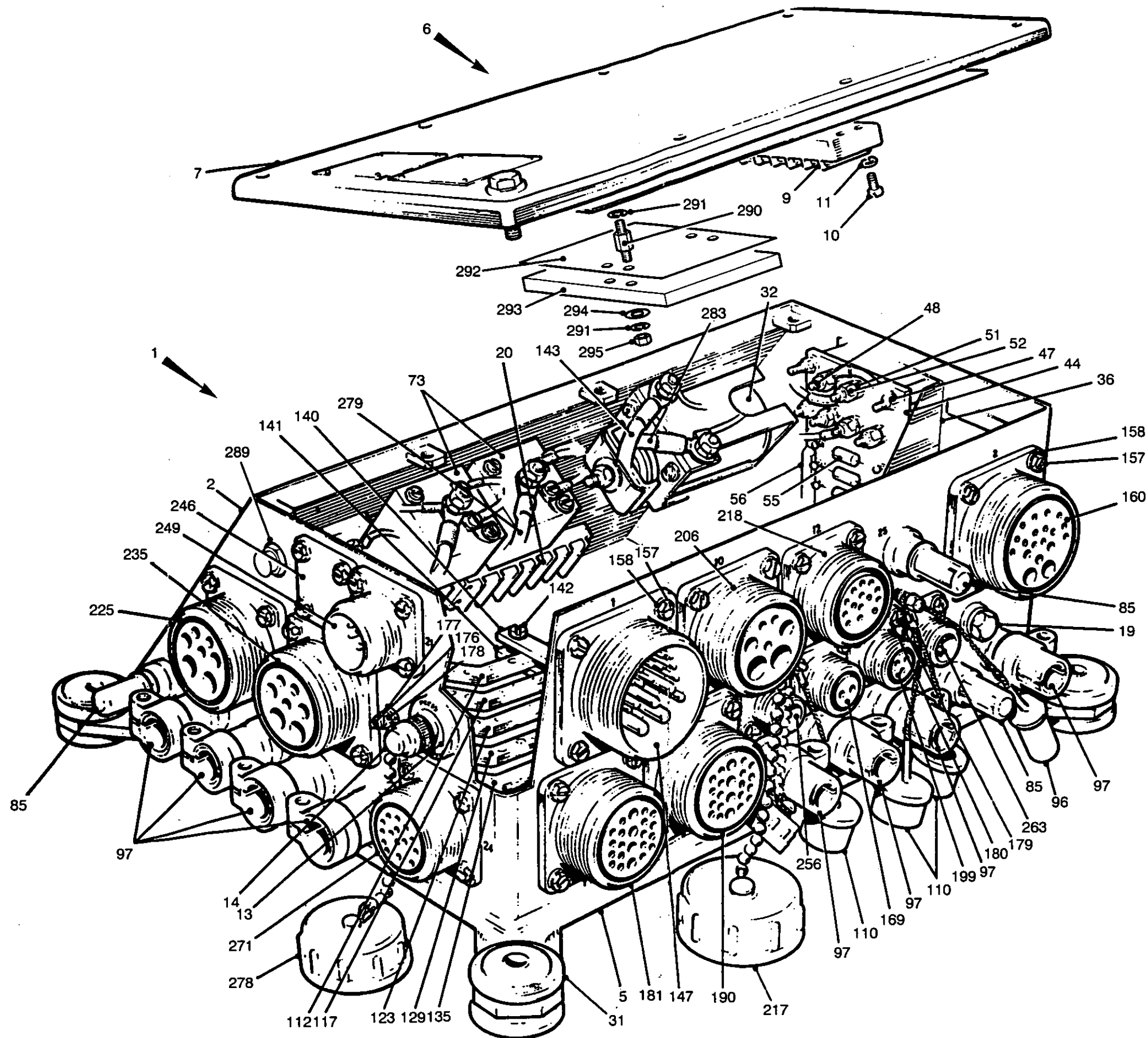


Fig 28 Distribution box

Fig Item	Man Code Navy - N Army - A RAF - R	NATO Stock No	Item Name and Description	Part No/ Drawing No.	No. Off	Annotations
28-			ELECTRICAL EQUIPMENT GA - contd . ELECTRICAL EQUIPMENT, HULL, GA - contd . . . ELECTRICAL EQUIPMENT, INTERNAL - contd . . . DISTRIBUTION BOX - contd			
NI 246		NP	. . . PLATE, BLANKING, for shell size 16S hole	FV530741/3	1	
NI 247		NP	. . . PLATE, RETAINING, ELECTRICAL PLUG-SOCKET, MS, Zn P, shell size 16S	FV530641/3	1	
NI 248	A 46MT4	5330-99-014-7134	. . . GASKET, syn ru, 0.885in. x 0.041in. thk x 1.289in. sq	FV585123	1	
249		NP	. . . PLUG, ELECTRICAL, No. 21 assy	FV530742	1	
NI 250	A 46MT4	5935-99-881-9664 CONNECTOR, RECEPTACLE, ELECTRICAL	FV585015	1	
NI 251	A Y3	6145-99-943-4824 CABLE, ELECTRICAL 40/0.0076, 0.13in. dia, glass braid, polychloroprene insulated	UNIPREN12	A/R	
NI 252	A 9MCV	5940-99-802-9440 TERMINAL LUG, solder/solderless, 0.719 x 0.247 x 0.094in. h	32561	8	
NI 253		NP	. . . PLATE, RETAINING, ELECTRICAL PLUG-SOCKET, MS, Zn P, shell size 18	FV530641/4	1	
NI 254	A Z2	5330-99-014-7135	. . . GASKET, syn ru, 1.010in. x 0.041in. thk x 1.38in. sq	FV585124	1	
NI 255	A 46MT4	5935-99-881-4411	. . . CAP, BLANKING	10-7500-18	1	
256		NP	. . . PLUG, ELECTRICAL, No. 22 assy	FV530743	1	
NI 257	A Z32	5935-99-620-3314 CONNECTOR, RECEPTACLE, ELECTRICAL, 1-1/16in. o/a lg	FV585001	1	
NI 258	A Y3	6145-99-943-4824 CABLE, ELECTRICAL 40/0.0076, 0.13in. dia, glass braid, polychloroprene insulated	UNIPREN12	A/R	
NI 259	A 9MCV	5940-99-802-9440 TERMINAL LUG, solder/solderless, 0.719 x 0.247 x 0.094in. h	32561	2	
NI 260		NP	. . . PLATE, RETAINING, ELECTRICAL PLUG-SOCKET, MS, Zn P, shell size 10SL	FV530641/1	1	
NI 261	A 9BTR	5330-99-014-7131	. . . GASKET, syn ru, 0.6375 x 0.315in.	FV585121	1	
NI 262		NP	. . . CAP, BLANKING		1	
263		NP	. . . PLUG, ELECTRICAL, No. 23 assy	FV530744	1	
NI 264	A Z32	5935-99-620-3314 CONNECTOR, RECEPTACLE, ELECTRICAL, 1-1/16in. o/a lg	FV585001	1	
NI 265	A Y3	6145-99-943-4824 CABLE, ELECTRICAL 40/0.0076, 0.13in. dia, glass braid, polychloroprene insulated	UNIPREN12	A/R	
NI 266	A 9MCV	5940-99-802-9440 TERMINAL LUG, solder/solderless, 0.719 x 0.247 x 0.094in. h	32561	2	
NI 267	A Z1	5935-99-102-4388	. . . COVER, ELECTRICAL, CONNECTOR, metal, 0.520in. dia, 0.895in. lg	10-37398-10	1	
NI 268		NP	. . . PLATE, RETAINING, ELECTRICAL PLUG-SOCKET, MS, Zn P, shell size 10SL	FV530641/1	1	
NI 269	A 9BTR	5330-99-014-7131	. . . GASKET, syn ru, 0.6275 x 0.335in. thk	FV585121	1	
NI 270		NP	. . . CAP, BLANKING		1	
271		NP	. . . SOCKET, ELECTRICAL, No. 24 assy	FV530745	1	
NI 272	A 46MT4	5935-99-881-9667 CONNECTOR, FIXED, ELECTRICAL, 1 mating end, 14 contacts	FV585022	1	

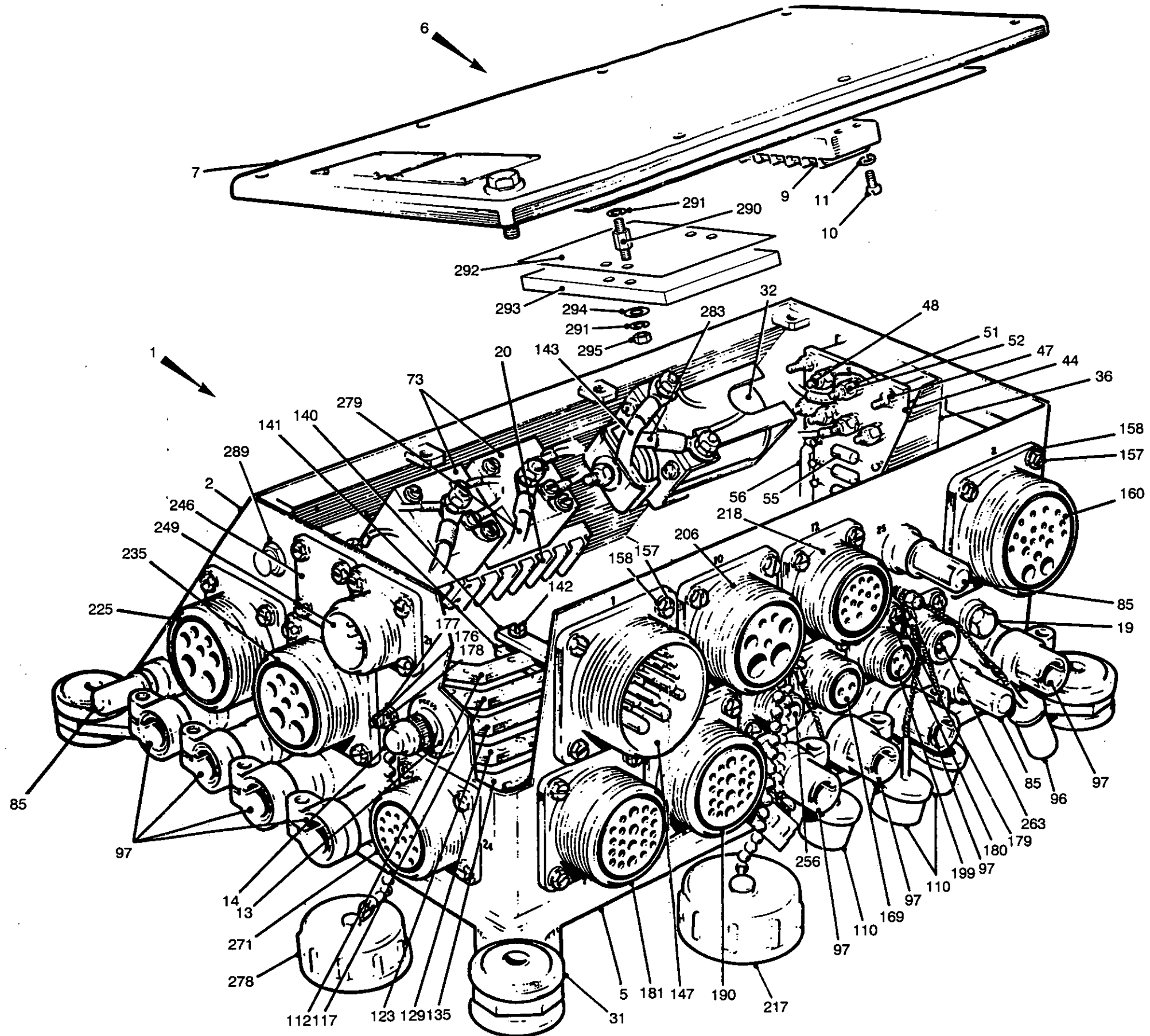


Fig 28 Distribution box

Fig Item	Man Code Navy - N Army - A RA/F - R	NATO Stock No	Item Name and Description	Part No/ Drawing No.	No. Off	Annotations
28-			ELECTRICAL EQUIPMENT GA - contd . ELECTRICAL EQUIPMENT, HULL, GA - contd . . . ELECTRICAL EQUIPMENT, INTERNAL - contd . . . DISTRIBUTION BOX - contd SOCKET, ELECTRICAL - contd			
NI 273	A Y3	6145-99-943-4824 CABLE, ELECTRICAL 40/0.0076, 0.13in. dia, glass braid, polychloroprene insulated	UNIPREN12	A/R	
NI 274	A 9MCV	5940-99-802-9440 TERMINAL LUG, solder/solderless, 0.719 x 0.247 x 0.094in. h	32561	2	
NI 275		NP PLATE, RETAINING, ELECTRICAL PLUG-SOCKET, MS, Zn P, shell size 22	FV530641/5	1	
NI 276	A Z2	5330-99-014-7137 GASKET, syn ru, 1.653in. sq, 0.041in. thk, 4 bolt holes	FV585125	1	
NI 277	A 46MT4	5935-99-881-4410 CAP, BLANKING	10-70500-22	1	
278	A Z32	5935-99-102-9671 COVER, ELECTRICAL, CONNECTOR, Al, 0.754in. lg, 1.635in. dia with chain 4.00in. lg	10-37398-22	1	
279		NP LEAD, ELECTRICAL, U100 assy	FV530728/1	2	
NI 280	A Y3	6145-99-945-5075 WIRE, ELECTRICAL, 294/0.012in. tinned copper, glass braid, synthetic rubber, 0.36in. od blue	E21 UNIPREN10 0	A/R	
NI 281	A 6MT4	5940-99-805-0745 TERMINAL LUG, 1-15/32 x 11/16 x 1-1/16in. thk Cu alloy, 1 conductor 1/16in. sq	W1S348C10	2	
NI 282		NP TERMINAL LUG, 1/4in. x 5/16in.		1	
283		NP LEAD, ELECTRICAL, U100 assy	FV530728/2	2	
NI 284	A Y3	6145-99-945-5075 WIRE, ELECTRICAL, 294/0.012in. tinned copper, glass braid, synthetic rubber, 0.36in. od blue	E21 UNIPREN10 0	A/R	
NI 285	A 6MT4	5940-99-805-0745 TERMINAL LUG, 1-15/32 x 11/16 x 1/16in. thk, Cu alloy, 1 conductor 1/16in. sq	W1S348C10	2	
NI 286		NP TERMINAL LUG, 1/4in. x 5/16in.		1	
NI 287	A G1	5310-99-941-9954 WASHER, FLAT, br, tin pl, 9/16in. od x 17/64in. id		2	
NI 288	A G1	5310-99-941-3188 NUT, PLAIN, HEXAGON, br, chamfered, 1/4in. UNF x 7/16in.		4	
289	A Z32	5925-99-105-3145 CIRCUIT BREAKER, 25A, 2.547in. lg, 1.094in. w, 0.688in. h	FV394856	1	
290	A 6MT4	5340-99-775-9048 POST, ELECTRICAL-MECHANICAL EQUIPMENT, steel, Zn plated, hex section, 1-3/8in. lg post, 4BA x 9/16in. thd both ends	FV647831	4	
291	A G1	5310-99-941-6652 WASHER, LOCK, steel, split helical ring, 0.168in. id, 0.252in. od, 0.04in. thk		8	
292	A 6MT4	5970-99-775-9049 INSULATOR PLATE, 3-3/16in. lg, 2- 3/16in. w, 1/16in. thk, fibre, flat, rectangular	FV893573	1	
293	A 9ACR	5945-99-930-6540 RELAY, BASE ASSEMBLY, relay assy w/connections mtd on a relay base 60mm w x 98mm lg x 6.35mm thk, Tufnel	FV2150518	1	
294	A G1	5310-99-941-9465 WASHER, FLAT, steel, Cd plated, 4BA bolt size, 0.3in. od, 0.048in. thk		4	
295	A G1	5310-99-914-1831 NUT, PLAIN, HEXAGON, 4BA, rh thd, cres, 1/4in. w A/F, 3/32in. h, chamfered		4	

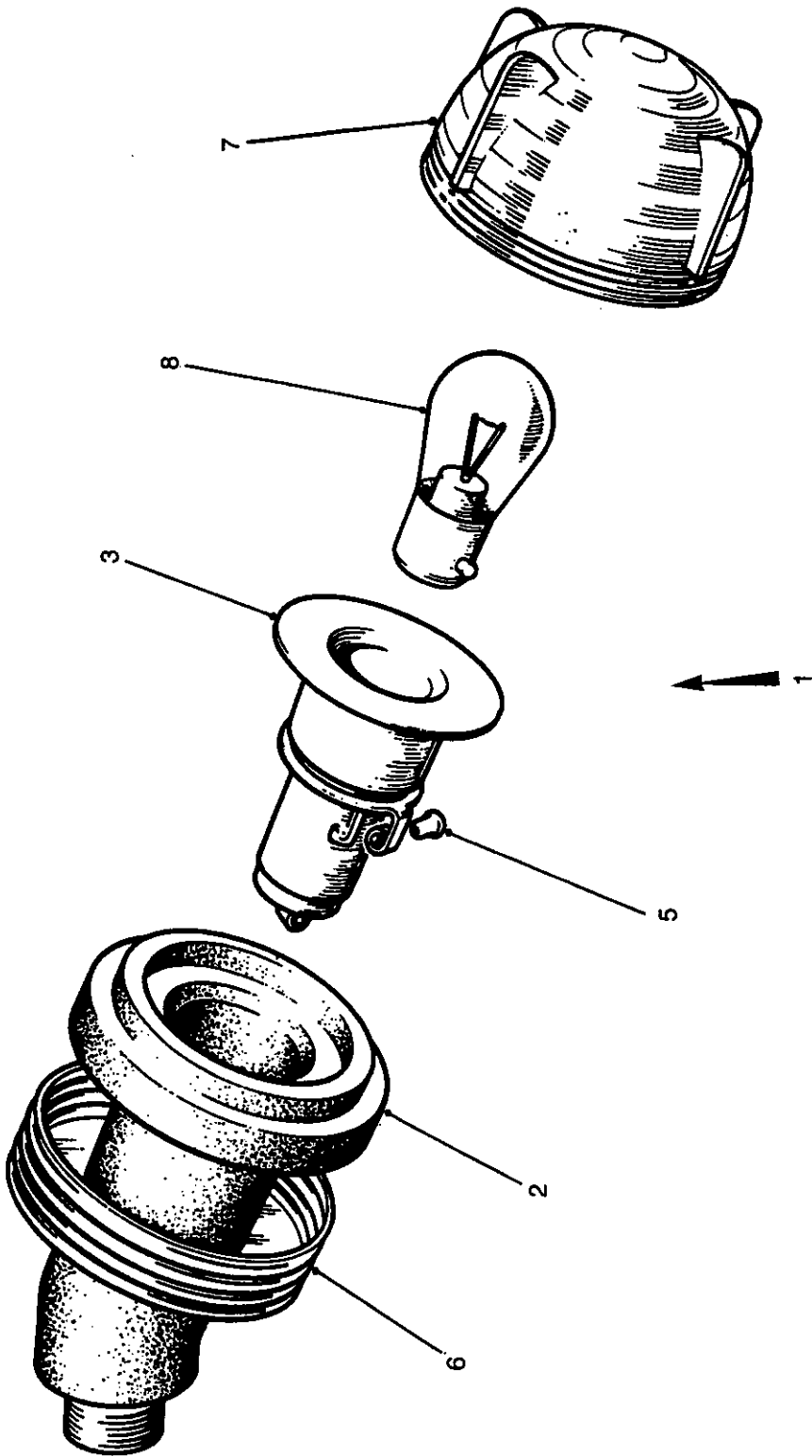


Fig 29 Fire warning light

430/70101

Fig Item	Man Code Navy - N Army - A RAF - R	NATO Stock No	Item Name and Description	Part No/ Drawing No.	No. Off	Annotations
29-			ELECTRICAL EQUIPMENT GA - contd ELECTRICAL EQUIPMENT, HULL, GA - contd ELECTRICAL EQUIPMENT, INTERNAL - contd			
1	A	46MT3	6220-99-803-4118 . . . TAIL LIGHT VEHICULAR, fire warning, rubber body, glass lens, 5-1/32in. lg, 2- 1/2in. dia, unthd hole and flat surface mtg	53863	1	
2	A	6MT4	6220-99-408-2491 . . . BODY LIGHT	576203	2	
3	A	6MT3	6250-99-828-8138 . . . LAMP HOLDER	54584780	2	
NI 4	A	6MT3	6220-99-803-3158 . . . PLUNGER, LAMP HOLDER	522103	2	
5	A	6MT4	5940-99-803-1956 . . . FERRULE, ELECTRICAL CONDUCTOR, brass, 0.375in. lg x 0.250in. od x 0.150in. o/a dims	555910	4	
6	A	46MT3	6220-99-408-2494 . . . BASE, LAMP	576207	2	
7	A	6MT3	6220-99-803-3485 . . . LENS, LIGHT, stove pipe style, 1- 17/32in. o/a lg, 2-1/2in. od, glass lens, transparent, ext thd mtd, 2-1/2in. -8 tpi, ribbed surface	576204	2	
8	A	X5	6240-99-995-2236 . . . LAMP, INCANDESCENT, globular bulb, 32.5mm lg, 18mm od, 6W, 26V dc	156	1	

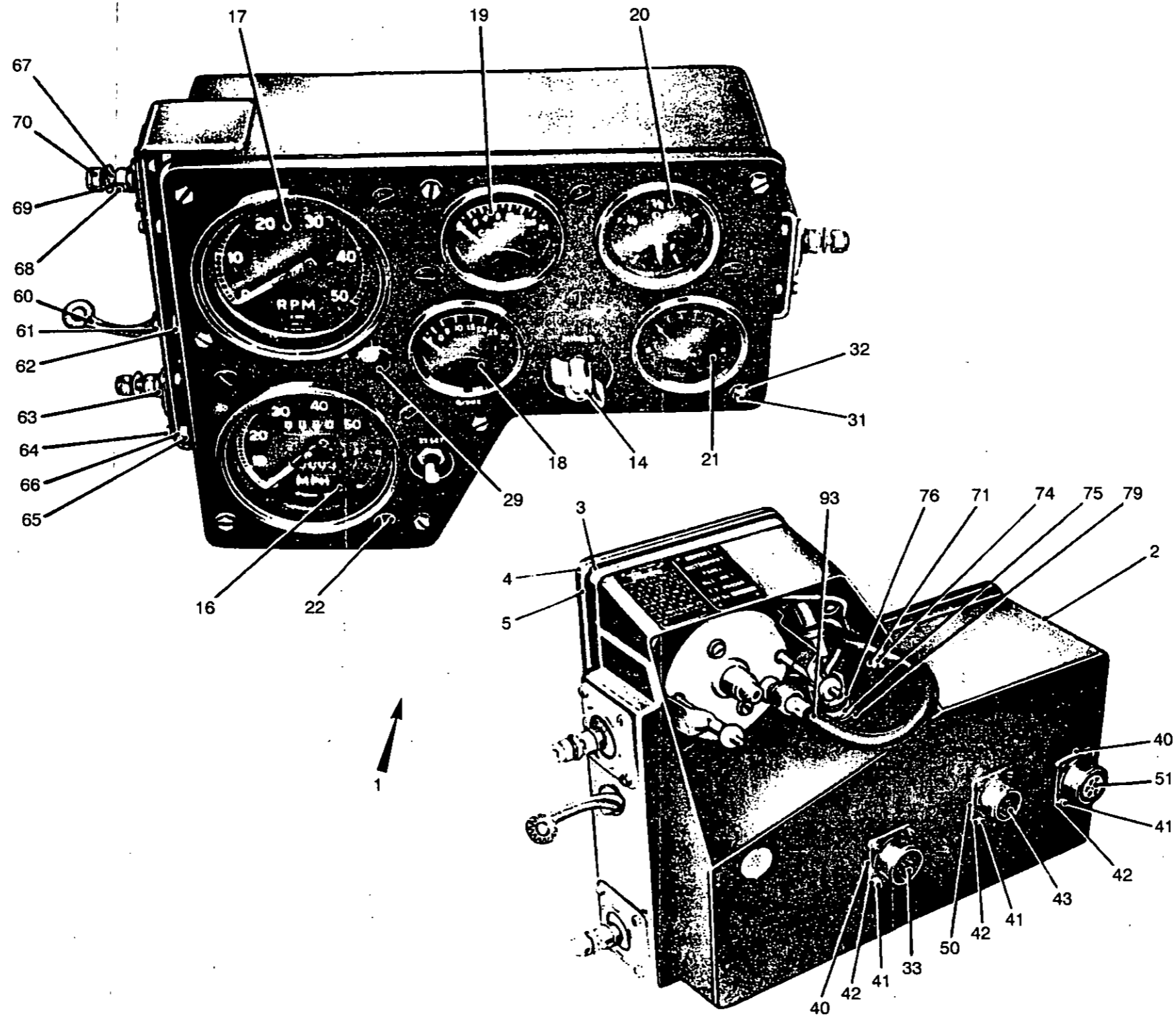


Fig 30 Drivers instrument panel

430/70111

Fig Item	Man Code Navy - N Army - A RA/F - R	NATO Stock No	Item Name and Description	Part No/ Drawing No.	No. Off	Annotations
30-			ELECTRICAL EQUIPMENT GA - contd . ELECTRICAL EQUIPMENT, HULL, GA - contd . . . ELECTRICAL EQUIPMENT, INTERNAL - contd			
1		NP	. . . DRIVERS INSTRUMENT PANEL	FV494560	1	
2		NP	. . . BOX, FABRICATION, panel, instrument, vehicular, No. 3, Mk 1	FV530790	1	
3		NP	. . . PANEL, INSTRUMENT MOUNTING VEHICULAR	FV530791	1	
4	A 46MT4	2590-99-815-8473	. . . PANEL, TRANS-ILLUMINATING	FV530792	1	
5	A 46MT4	5330-99-881-8324	. . . GASKET	FV530793	1	
NI 6		NP	. . . BRACKET, SWITCH MOUNTING	FV530794	1	
NI 7		NP	. . . SCREW, MACHINE, steel, flat fillister hd, Zn P, 6BA x 5/16in. lg		4	
NI 8	A G1	5310-99-943-8626	. . . NUT, PLAIN, HEXAGON, st, 3/16in. w, 1/16in. h o/a, Cd P, 6BA		4	
NI 9	A G1	5310-99-913-9613	. . . WASHER, LOCK, 0.120in. id x 0.300in. od x 0.05in. thk		4	
NI 10	A G1	5310-99-941-9185	. . . WASHER, LOCK, steel, flat int teeth, 0.255in. od, 0.016in. thk, No. 6BA		4	
NI 11	A Z30	5905-99-104-1153	. . . RESISTOR, VARIABLE, 150 ohms, 1 section, wire wound, linear	01-0015	1	
NI 12		NP	. . . EXTENSION SHAFT, switch, dimmer	FV530795	1	
NI 13		NP	. . . SPINDLE, SEALED	FV530633	1	
14	A Z2	5355-99-011-2990	. . . KNOB, plastic, setscrew type rd, 1/4in. core, 1-7/32in. od, 7/8in. h	Y6367-5	1	
NI 15	A 46MT4	5330-99-881-8334	. . . RUBBER STRIP	FV530797	A/R	
16	A 46MT1	6680-99-881-6389	. . . SPEEDOMETER, nemag type, No. 4, Mk 1	FV494577	1	
17	A 46MT4	6880-99-930-8913	. . . TACHOMETER HEAD, electric, No. 1, Mk 1	FV547578	1	
18	A 46MT1	6685-99-881-3341	. . . THERMOMETER, INDICATING RESISTANCE, No. 2, Mk 2	FV494518	1	
19	A 46MT1	6685-99-802-2935	. . . THERMOMETER, INDICATING RESISTANCE, No. 2, Mk 1	Y86115	1	
20	A 46MT1	6680-99-801-9696	. . . INDICATOR, LIQUID QUANTITY, fuel 24V, No. 1, Mk 1	Y80818	1	
21	A 46MT4	6625-99-720-8588	. . . AMMETER, No. 5, Mk 1, waterproofed	CS1121	1	
22		NP	. . . LAMP HOLDER ASSEMBLY	80/10/1999	8	THORN
NI 23	A Z1	6250-99-944-0996	. . . BASE, LAMP HOLDER	02-1847	8	
NI 24	A Z1	6210-99-943-9076	. . . LENS LIGHT, clear, black anodized	02-0252 BK CL	8	
NI 25	A 46MT1	5970-99-115-8585	. . . INSULATOR, BUSHING, insulating top	02-1382	8	
NI 26	A Z42	5970-99-115-8037	. . . INSULATOR, WASHER, insulating, bottom	02-1382	8	
NI 27	A Z37	5940-99-100-1400	. . . TERMINAL LUG, lamp holder	80/10/0098	8	
NI 28	A X5	6240-99-995-9118	. . . LAMP, INCANDESCENT, filament, 28V, 0.04A, midget flange clear	3B0D12052- 1	8	
29	A Z32	5920-99-012-0231	. . . FUSE HOLDER, BLOCK	360202070	1	
NI 30	A Z32	5920-99-059-0112	. . . FUSE, CARTRIDGE 5 amp	L693-5	1	
31	A G1	5305-99-121-1662	. . . SCREW, MACHINE, special, No. 2 BA, steel, slotted, hex hd, Cd P, 1- 1/8in. lg	FV530799	8	

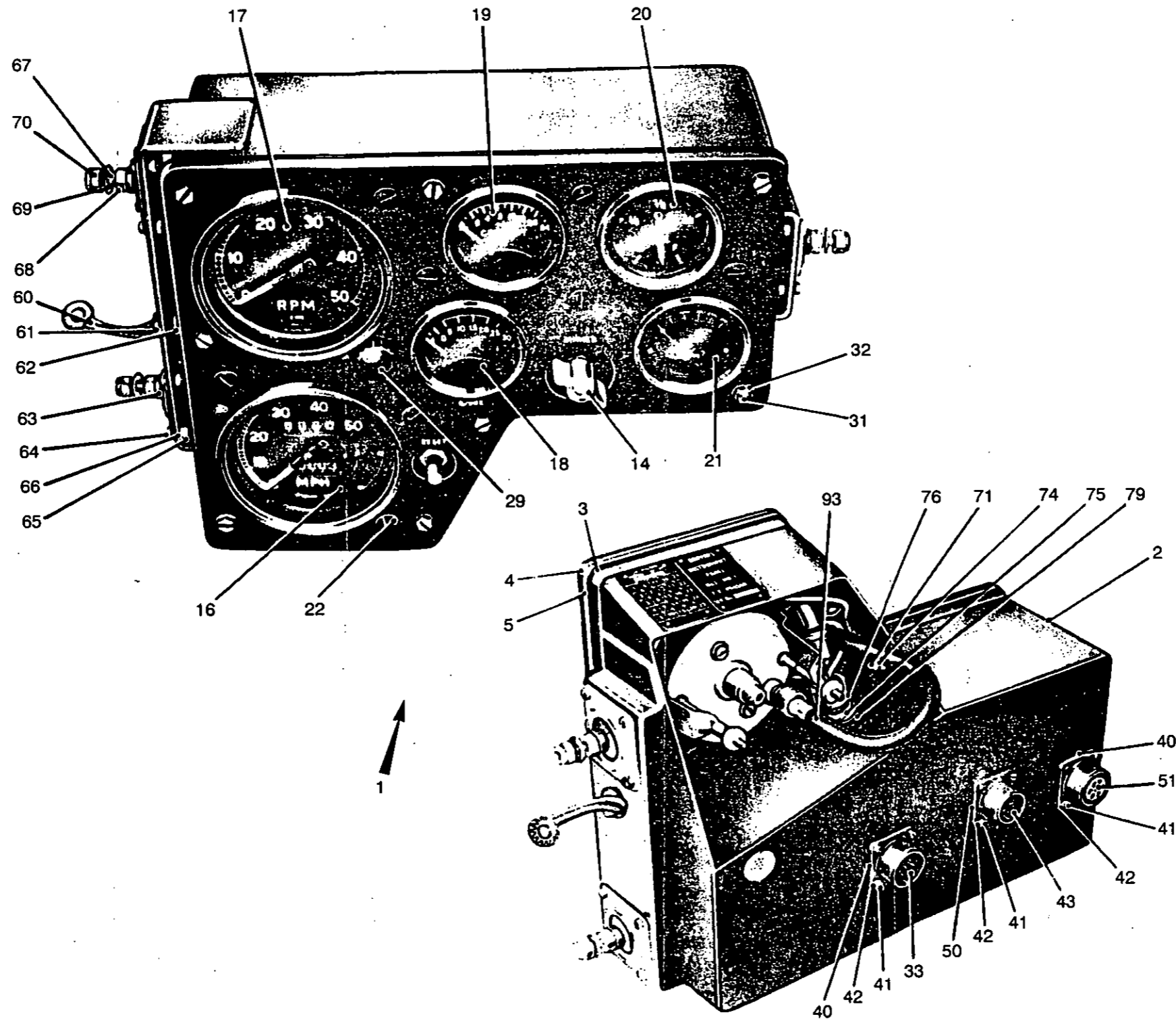


Fig 30 Drivers instrument panel

Fig Item	Man Code Navy - N Army - A RA/F - R	NATO Stock No	Item Name and Description	Part No/ Drawing No.	No. Off	Annotations
30-			ELECTRICAL EQUIPMENT GA - contd . ELECTRICAL EQUIPMENT, HULL, GA - contd . . . ELECTRICAL EQUIPMENT, INTERNAL - contd . . . DRIVERS INSTRUMENT PANEL - contd			
32	A G1	5310-99-943-6848	. . . WASHER, LOCK, ru/st, 0.197in. id x 0.440in. od x 0.060in. thk, 60-70 deg hardness		8	
33		NP	. . . PLUG ASSEMBLY, No. 1	FV530800	1	
NI 34	A 46MT4	5935-99-800-9929 CONNECTOR, FIXED, ELECTRICAL, fixed, 1.060in. lg, 1.28in. h, 1.281in. w	FV585013	1	
NI 35	A Y3	6145-99-943-4824 CABLE, ELECTRICAL, single conductor, 40/0.0076, 0.13in. dia, glass braid, polychloroprene insulated	UNIPREN12	A/R	
NI 36	A 46MT4	5970-99-881-6194 INSULATION SLEEVING, ELECTRICAL, Helsyn, H20 x 2mm nom id, 3/4mm nom wall thk, black	H20	5	
NI 37	A 46MT4	5935-99-805-2902 PLUG, TIP, Lucon, vehicular type, free female shell, 1 pole, 24V	861122	5	
NI 38	A 46MT4	5935-99-818-6285 FOLLOWER, GROMMET, shell size 16S	FV585099	1	
NI 39	A 46MT4	5935-99-818-6286 NUT, BUSHING RETAINER, ELECTRICAL, CONNECTOR, shell size 16S	FV585107	1	
40	A 46MT1	5330-99-014-7134	. . . GASKET, shell size 16S	FV585123	2	
41		NP	. . . SCREW, MACHINE, st, hex hd, slotted, Cd P, 6BA x 3/8in. lg		12	
42	A G1	5310-99-941-9185	. . . WASHER, LOCK, st, flat int teeth, 0.255in. od, 0.016in. thk, 6BA		12	
43		NP	. . . PLUG ASSEMBLY, No. 2	FV530788	1	
NI 44	A 46MT4	5935-99-800-9968 CONNECTOR, FIXED, ELECTRICAL, fixed, 14S-5p, female shell	FV585005	1	
NI 45	A Y3	6145-99-943-4824 CABLE, ELECTRICAL, single conductor, 40/0.0076, 0.13in. dia, glass braid, polychloroprene insulated	UNIPREN12	A/R	
NI 46	A 46MT4	5970-99-881-6194 INSULATION SLEEVING, ELECTRICAL, Helsyn, H20 x 2mm nom id, 3/4mm nom wall thk, black	H20	5	
NI 47	A 46MT4	5935-99-805-2902 PLUG, TIP, Lucon, vehicular type, free female shell, 1 pole, 24V	861122	5	
NI 48	A 46MT4	5935-99-804-4616 FOLLOWER RING, GROMMET	FV585098	1	
NI 49	A 46MT4	5935-99-804-4617 NUT, BUSHING RETAINER, ELECTRICAL PLUG SOCKET	FV585106	1	
50	A 46MT4	5330-99-585-1598	. . . GASKET, shell size 14S	PS1-1321-14	1	
51		NP	. . . SOCKET ASSEMBLY, No. 3	FV530789	1	
NI 52	A 46MT4	5935-99-881-9666 CONNECTOR, FIXED ELECTRICAL, fixed, 16S-4S, 1.28 x 1.040in. lg	FV585014	1	
NI 53	A Y3	6145-99-943-4824 CABLE, ELECTRICAL, single conductor, 40/0.0076, 0.13in. dia, glass braid, polychloroprene insulated	UNIPREN12	A/R	

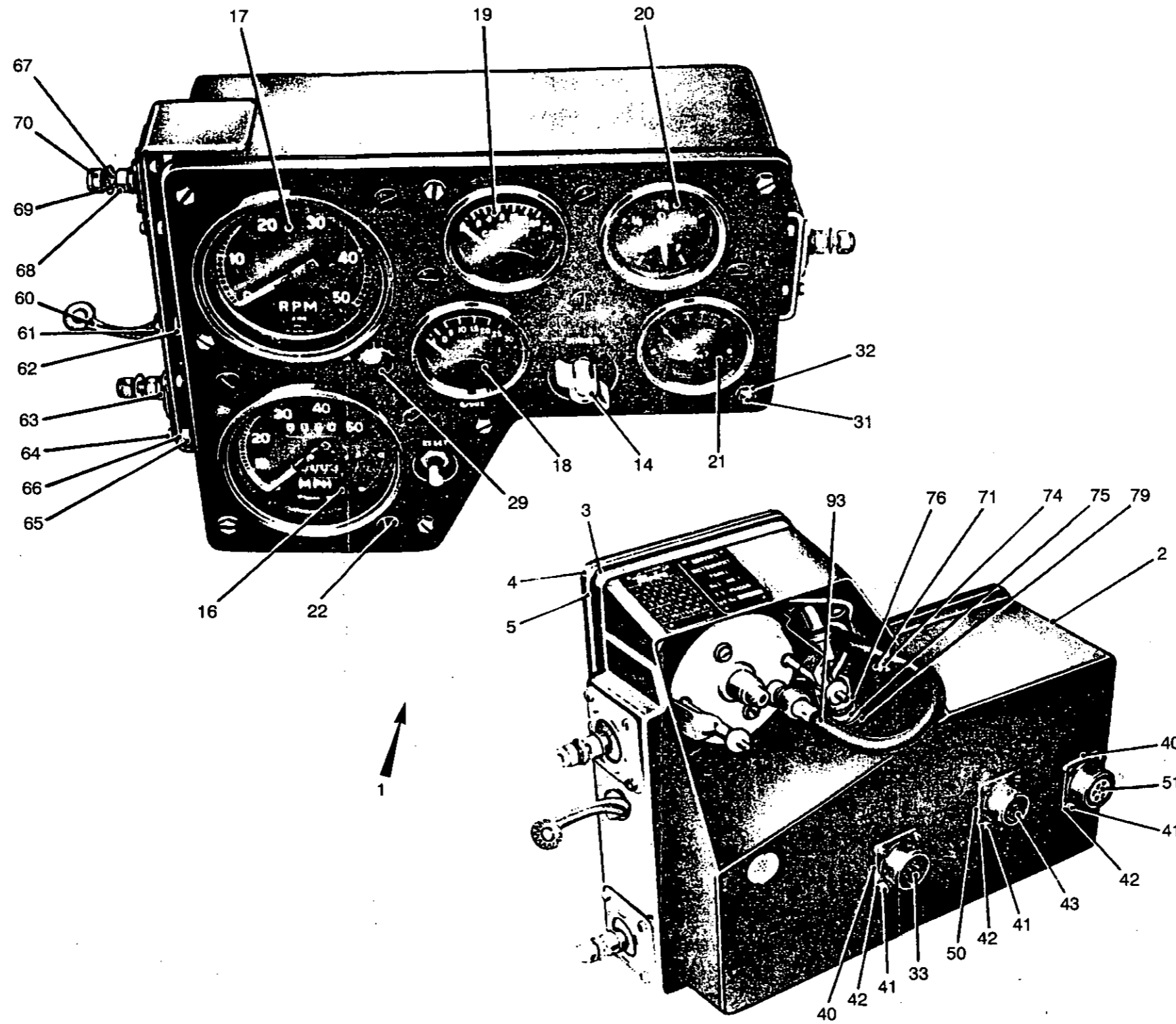


Fig 30 Drivers instrument panel

Fig Item	Man Code Navy - N Army - A RAF - R	NATO Stock No	Item Name and Description	Part No/ Drawing No.	No. Off	Annotations	
30-			ELECTRICAL EQUIPMENT GA - contd . ELECTRICAL EQUIPMENT, HULL, GA - contd . . . ELECTRICAL EQUIPMENT, INTERNAL - contd . . . DRIVERS INSTRUMENT PANEL - contd SOCKET ASSEMBLY - contd				
NI 54	A	46MT4	5970-99-881-6194 INSULATION SLEEVING, ELECTRICAL, Helsyn, H20 x 2mm nom id, 3/4mm nom wall thk, black	H20	5	
NI 55	A	46MT4	5935-99-805-2902 PLUG, TIP, Lucon, vehicular type, free female shell, 1 pole, 24V	861122	5	
NI 56	A	46MT4	5935-99-818-6285 FOLLOWER, GROMMET, shell size 16S	FV585099	1	
NI 57	A	46MT4	5935-99-818-6286 NUT, BUSHING RETAINER, ELECTRICAL, CONNECTOR, shell size 16S	FV585107	1	
NI 58		NP NUT, PLATE, special	FV518798	1	Plug No. 2	
NI 59		NP NUT, PLATE, special	FV518799	2	Plug No. 1 skt No. 3	
60	A	46MT4	2590-99-881-6738 LEAD, ELECTRICAL, earthing, gearbox controller	FV491946	1	
61		NP SCREW, MACHINE, br, hex hd, 1/4in. UNF x 5/8in. lg		1		
62		NP NUT, SELF-LOCKING, HEXAGON, br, 1/4in. UNF		1		
63	A	46MT1	5340-99-205-0219 BUSH	21468-142- 208	3	
64	A	46MT4	5305-99-941-6718 SCREW, MACHINE, st, hex hd, slotted, Cd P, 4BA x 3/8in.		12	
65	A	G1	5310-99-941-9961 NUT, PLAIN, HEXAGON, st, Cd P, 0.125in. o/a h, 4BA		12	
66		NP WASHER, LOCK, st, flat int teeth, 0.0156in. id, 0.313in. od, 0.018in. thk, Cd P		12		
67	A	G1	5305-99-948-0361 SCREW, CAP, HEXAGON HEAD, st, hex hd, Zn P, 1/4in. UNF x 1-3/8in. lg		3	
68	A	G1	5310-99-941-4136 NUT, PLAIN, HEXAGON, st, Cd P, 1/4in. UNF		3	
69		NP WASHER, FLAT, st, rd, Cd P, 0.265/0.255in. id x 1/2in. od x 1/64in. thk		3		
70	A	G1	5310-99-941-9130 NUT, SELF-LOCKING, HEXAGON, steel, all metal, Cd P, 1/4in. UNF		3	
71	A	G1	5305-99-121-1752 SCREW, MACHINE, brass, ch hd, 4BA x 1/2in. lg, anti-corrosive		1	
NI 72		NP NUT, PLAIN, HEXAGON, brass, 0.125in. thk, Cd P, double chamfer, 4BA		1	} Securing earth lead to box	
NI 73		NP WASHER, FLAT, brass, rd, 0.028in. thk, Cd P, 4BA		1		
74		NP NUT, SELF-LOCKING, HEXAGON, brass, 0.169in. h, nylon insert, 4BA	AGS2002 B4-77	1		
75	A	46MT4	5975-99-201-0588 ADAPTOR, CABLE GLAND, steel, 1/2in. -18 tpi by 0.692in. -24 tpi, 1- 1/16in. o/a lg	Y5910-136	1	

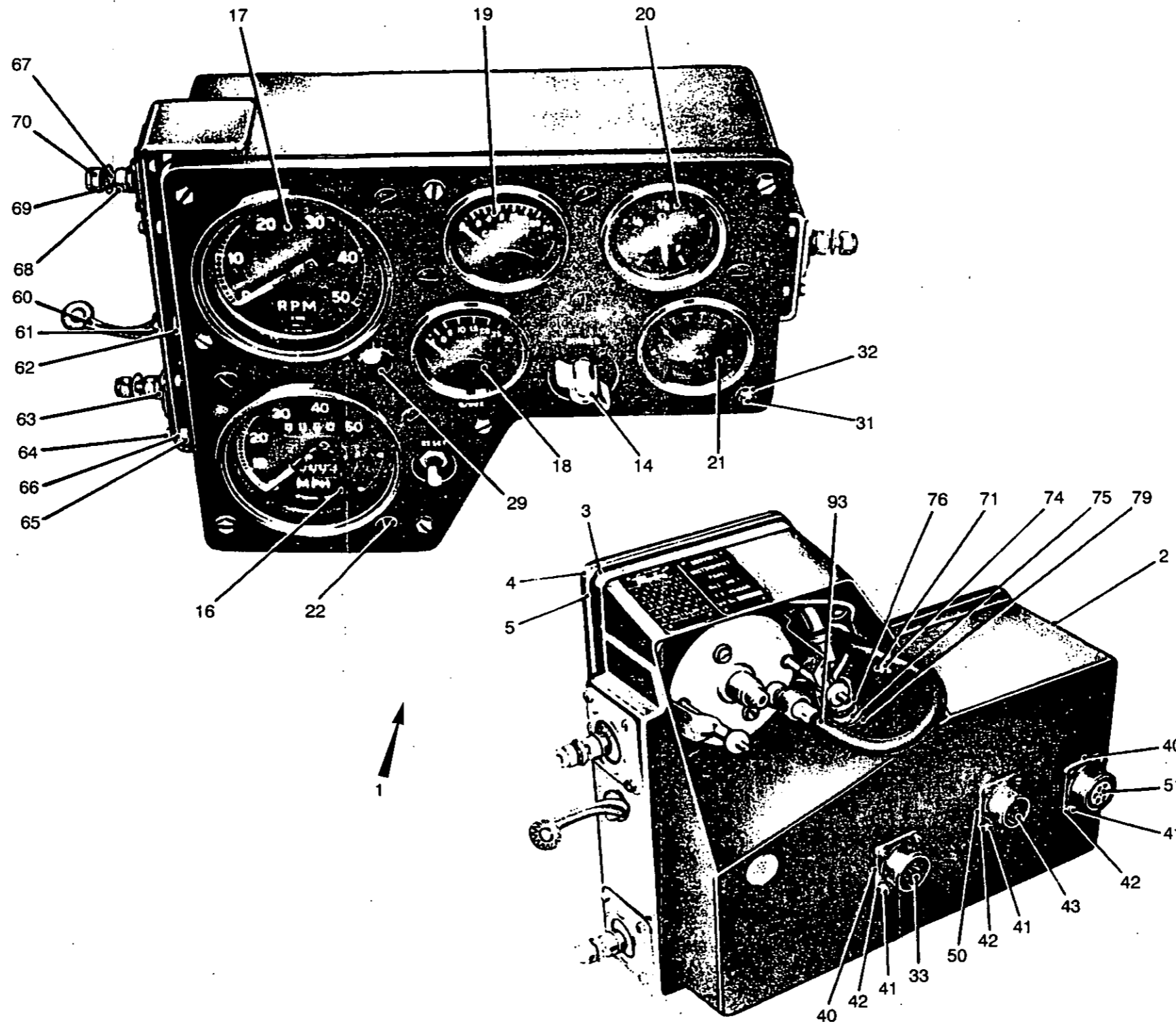


Fig 30 Drivers instrument panel

Fig Item	Man Code Navy - N Army - A RA/F - R	NATO Stock No	Item Name and Description	Part No/ Drawing No.	No. Off	Annotations
30-			ELECTRICAL EQUIPMENT GA - contd . ELECTRICAL EQUIPMENT, HULL, GA - contd . . . ELECTRICAL EQUIPMENT, INTERNAL - contd . . . DRIVERS INSTRUMENT PANEL - contd			
76	A	Z42	5975-99-805-6457 . . . NUT, COUPLING, ELECTRICAL CONDUIT, steel, Zn P, 0.688in. Whit form, 0.786in. od, 0.469in. thk	FV(S)6/38/4	1	
NI 77	A	46MT4	5340-99-881-2217 . . . BUSHING, RUBBER SEALING, CONE, 0.125in. dia holes, 4 holes, 0.64in. dia of flange, 0.374in. o/a lg	FV(S)6-83-1	1	
NI 78		NP	. . . NUT, PLAIN, HEXAGON, brass, 1/2in. Whit form, 18 tpi		1	
79	A	6MT1	5310-99-943-6851 . . . WASHER, LOCK, 0.520in. id x 0.920in. od x 0.090in. thk, syn ru, sealing element, 60/70 deg hardness		1	
NI 80	A	G1	5305-99-121-1234 . . . SCREW, MACHINE, brass, csk hd, 4BA x 5/8in. lg, anti-corrosive		1	} Securing earth lead to panel
NI 81		NP	. . . NUT, SELF-LOCKING, HEXAGON, brass, 0.169in. h, nylon insert, 4BA	AGS2002 B4-77	1	
NI 82		NP	. . . NUT, PLAIN, HEXAGON, brass, 0.125in. thk, Cd P, double chamfer, 4BA		1	
NI 83		NP	. . . WASHER, FLAT, brass, rd, 0.028in. thk, Cd P, 4BA		1	
NI 84		NP	. . . LEAD ASSEMBLIES	FV530787/1-25	1	LM from following details
NI 85	A	Y3	6145-99-943-4824 CABLE, ELECTRICAL, single conductor, 40/0.0076, 0.13in. dia, glass braid, polychloroprene insulated	UNIPREN12	A/R	
NI 86	A	46MT4	5935-99-805-2902 PLUG, TIP, Lucon, vehicular type, free female shell, 1 pole, 24V	861122	14	
NI 87	A	9MVCV	5940-99-802-9440 TERMINAL LUG, solder/solderless, 0.719 x 0.247 x 0.094in. h	32561	2	
NI 88	A	Z37	5940-99-805-0220 TERMINAL, QUICK DISCONNECT, free, rubber, 1 pole 12A, female shell	FV169423	13	
NI 89	A	46MT4	5935-99-805-0221 SOCKET, ELECTRICAL, free, rubber, 2 pole, female shell	860364	4	
NI 90	A	46MT4	5935-99-805-0224 INSERT, RESILIENT, syn ru, 1/2in. dia, 9/16in. lg o/a dims	860369	1	
NI 91	A	Y3	9330-99-943-4858 PLASTIC STRIP, PVC, perforated, 3/32in. dia holes, 1/4in pitch, 5/16in. w x 0.031in. thk	HV3254	A/R	
NI 92	A	Y3	5325-99-943-4856 STUD, POSITIVE LOCK, polythene, rd hd, 5/32in. shank, 3/32in. dia, 13/64in. lg o/a	OP3255	A/R	
93	A	46TM1	6680-99-881-9379 CABLE, TRIP RESET, No. 4, Mk 1	FV564807/4	1	

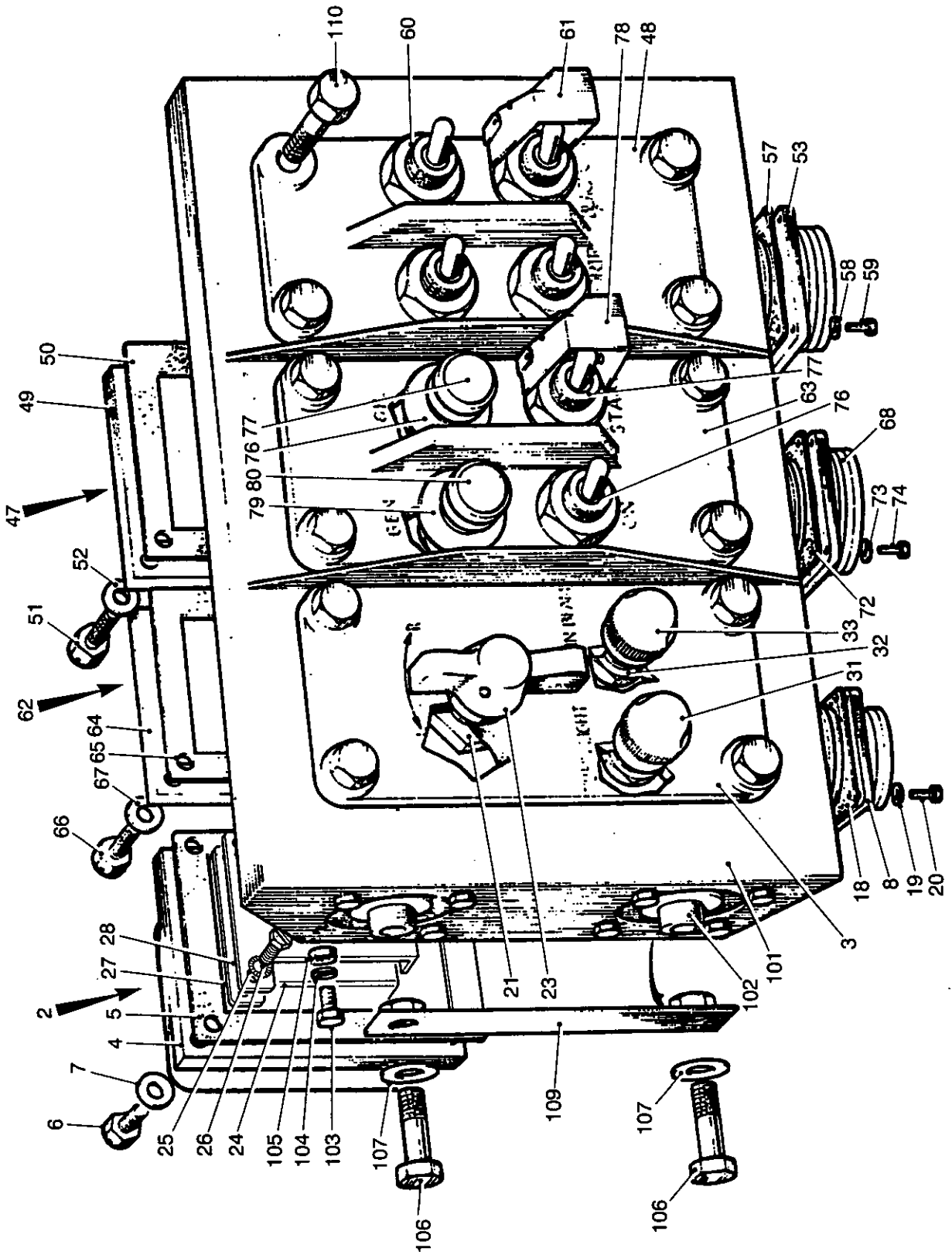


Fig 31 Drivers control panel

430/70110A

Fig Item	Man Code Navy - N Army - A RA/F - R	NATO Stock No	Item Name and Description	Part No/ Drawing No.	No. Off	Annotations
31-			ELECTRICAL EQUIPMENT GA - contd . ELECTRICAL EQUIPMENT, HULL, GA - contd ELECTRICAL EQUIPMENT, INTERNAL - contd			
1		NP DRIVERS CONTROL PANEL	FV559506	1	
2	A	46MT4 2590-99-881-5774 SWITCHBOARD TURNLIGHT, No. 1, Mk 2	FV534885	1	
3		NP BOX, TURNLIGHT SWITCH	FV481534	1	
4	A	46MT4 2590-99-881-3633 COVER	FV481535	1	
5	A	46MT4 5330-99-802-9425 GASKET, switchboards, No. 1, Mk 1, No. 3 Mk 1	FV481523	1	
6	A	46MT4 5305-99-802-9427 SCREW, EXTERNALLY RELIEVED BODY, BA phosphate finish, No. 2, 0.365in. thd lg x 7/8in. o/a lg	FV491949	4	
7	A	G1 5310-99-946-9796 WASHER, SPRING TENSION, Beryllium copper, Cd P, 0.208/0.203id, 0.380/0.370in. od, 0.012in. thk		4	
8		NP PLUG AND LEAD ASSEMBLY	FV483556	1	
NI 9	A	46MT4 5935-99-881-9664 CONNECTOR, RECEPTACLE, ELECTRICAL	FV585015	1	
NI 10	A	Y3 6145-99-943-4824 WIRE, ELECTRICAL	UNIPREN12	A/R	
NI 11	A	6MT4 5970-99-881-6194 INSULATION, SLEEVING, ELECTRICAL, rubber, 2mm nom id, 3/4mm nom wall thk, black	H20	9	
NI 12	A	6MT4 5940-99-805-0380 TERMINAL, QUICK DISCONNECT, brass, not rated for current, for 5/64in. max dia conductor, 11/16in. lg, 5/16in. w, 3/8in. o/a h	3000H11C	2	
NI 13	A	6MT4 5975-99-805-0379 CABLE NIPPLE, ELECTRICAL, plastics, u/w 1/8in. od cable, 21/32in. lg o/a	RS63	2	
NI 14	A	6MT4 5940-99-881-9387 TERMINAL, QUICK DISCONNECT, 1/2in. nom id, 47/64in. od, 0.012in. max thk, solid, steel	3000H4A	3	
NI 15	A	6MT4 5975-99-881-9388 CABLE NIPPLE, ELECTRICAL, plastic, u/w 1/8in. od cable, 5/8in. o/a lg	RS49	3	
NI 16	A	6MT4 5940-99-805-1429 TERMINAL, QUICK DISCONNECT, br, tin plated, 19/32in. lg, 17/32in. w, 11/64in. h	180373-2	1	
NI 17	A	6MT4 5975-99-810-1640 CABLE, NIPPLE, ELECTRICAL, plastic, clear, faston type	180984	1	
18	A	Z2 5330-99-014-7135 GASKET, rubber, syn sq, 1.010in. id max, 4 bolt holes, 0.026 to 0.041in. thk, 1.383in. sq	FV585124	1	
19		NP WASHER, LOCK, Phos B, int, flat, zinc coated, No. 6 BA	1904	4	
20	A	G1 5305-99-941-7854 SCREW, MACHINE, BA, corr/res S hex hd, slot drive, No. 6 by 3/8in. lg, normal class thd		4	
21	A	6MT4 6220-99-804-9709 CONTROL, DIRECTIONAL, SIGNAL LIGHT AUTOMOTIVE, turn light, 3 position, lh, centre off, rh, 24V, 10A	FV494505	1	
NI 22	A	G1 5310-99-881-2468 WASHER, SEAL, LOCK, syn rubber, steel, flat int teeth, 9/16in. nom bolt size, 3/32in. thk, 1-1/64 od, steel locking, 67 deg BS	435-010- 1574-91	1	

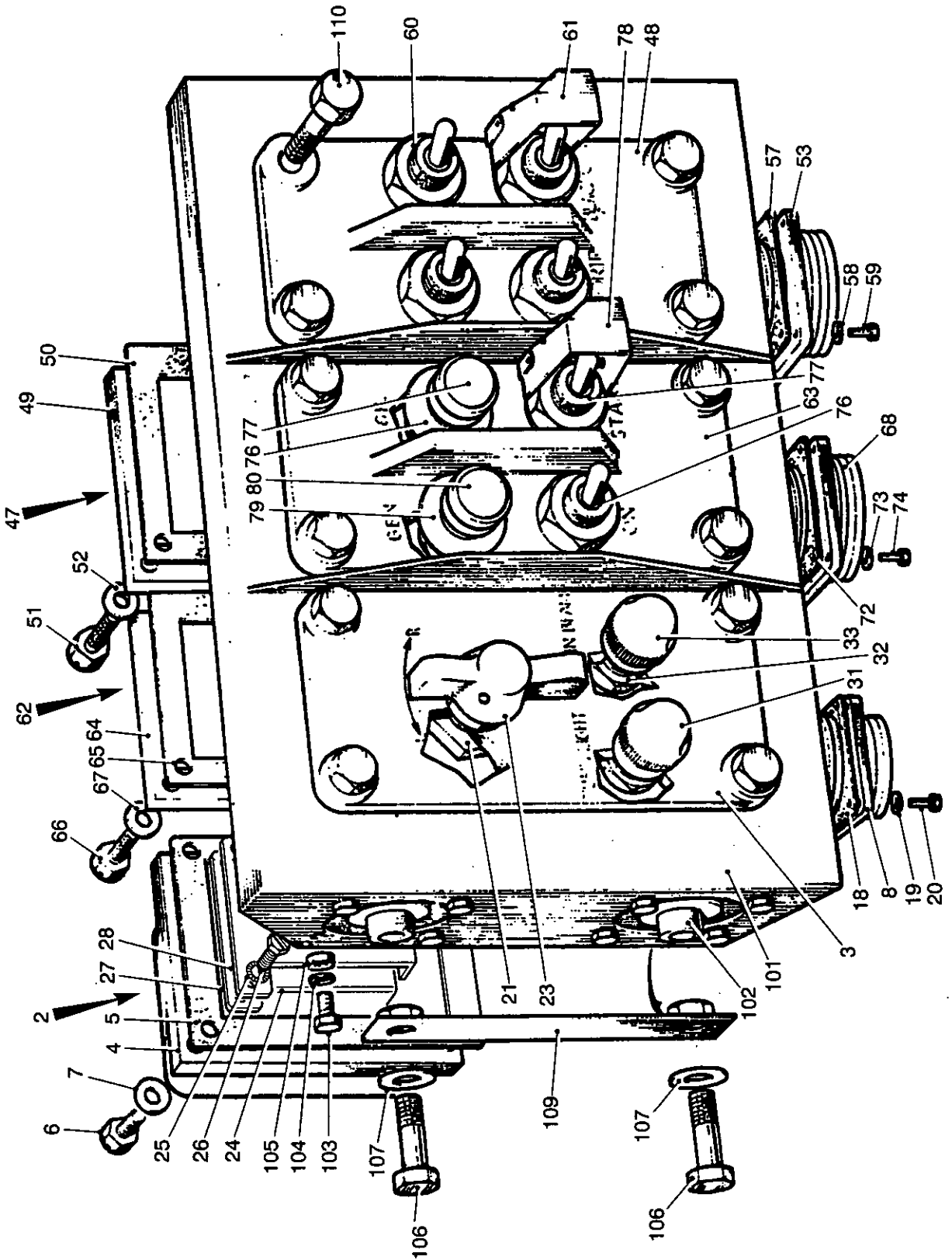


Fig 31 Drivers control panel

430/70110A

Fig Item	Man Code Navy - N Army - A RA/F - R	NATO Stock No	Item Name and Description	Part No/ Drawing No.	No. Off	Annotations
31-			ELECTRICAL EQUIPMENT GA - contd . ELECTRICAL EQUIPMENT, HULL, GA - contd ELECTRICAL EQUIPMENT, INTERNAL - contd DRIVERS CONTROL PANEL - contd SWITCHBOARD TURNLIGHT - contd			
23	A 46MT4	5355-99-881-3634 KNOB, Al, pin type, 1/4in. A/F hex bore, 2in. lg, 7/8in. od, 13/16in. thk, w/o skirt	FV481537	1	
24	A 6MT3	5945-12-326-2756 FLASHER, THERMAL	4DM 004639-04	1	
25		NP WASHER, LOCK, steel, int, flat, No. 4 BA		2	
26		NP SCREW, MACHINE, hex slotted hd, 4BA x 5/16in. lg, steel, Zn plated		2	
27	A 6MT4	5365-99-873-4278 SPACER, PLATE, steel, Zn plated and passivated, 45.25mm lg, 12.75mm w, 2 x 4.48mm dia mtg holes, 1.2mm thk	FV2249134	2	
28	A 6MT4	5340-99-449-6356 BRACKET, MOUNTING, steel, Zn plated and passivated, 68mm lg, 45mm w, 9.2mm h, tee end w/2 x 4.3mm dia mtg holes, straight end w/7mm w x 5mm lg cut out and 2 x 90 deg angle flanges 9mm w x 8mm h	FV2249133	1	
NI 29		NP STRIP, PVC, foam, self adhesive, 6mm x 19mm	536-829	A/R	
NI 30		NP PAD	FV590586	1	
31	A 6MT3	6210-99-881-5622 LIGHT, INDICATOR, 1.438in. lg, 28V, midget flange	80/10/1350 ORANGE	1	
32	A X1	6250-99-012-0913 LAMP HOLDER, panel mtg, 3/4in. dia 1in lg, S6/8 midget flange, 24V, 2.5W, 0.5A, threaded bushing	Y6038-125	1	
33	A 46MT3	6250-99-821-6126 CAP, INDICATOR, blue	80/10/1360 BLUE	1	
NI 34	A X5	6240-99-995-9118 LAMP, INCANDESCENT, midget flange, tubular, 16.1mm max lg, 5.85mm max dia, 1.12W, 28V	3BOD12052-1	2	u/w items 31, 32
NI 35		NP LEAD ASSEMBLY, switch to lamp -ve	FV2249135/ 1	1	
NI 36	A Y3	6145-99-943-4824 WIRE, ELECTRICAL	UNIPREN12	A/R	
NI 37	A 6MT4	5940-99-881-9387 TERMINAL, QUICK DISCONNECT, 1/2in. nom id, 47/64in. od, 0.012in. max thk, solid, steel	3000H4A	4	
NI 38	A 6MT4	5975-99-881-9388 CABLE NIPPLE, ELECTRICAL, plastic, u/w 1/8in. od cable, 5/8in. o/a lg	RS49	4	
NI 39		NP LEAD ASSEMBLY, thermal flash to lamp +ve	FV2249135/ 2	1	
NI 40	A Y3	6145-99-943-4824 WIRE, ELECTRICAL	UNIPREN12	A/R	
NI 41	A 6MT4	5940-99-805-1429 TERMINAL, QUICK, DISCONNECT, brass, tin plated, 19/32in. o/a lg, 17/32in. w, 11/64in. o/a h	180373/2	1	

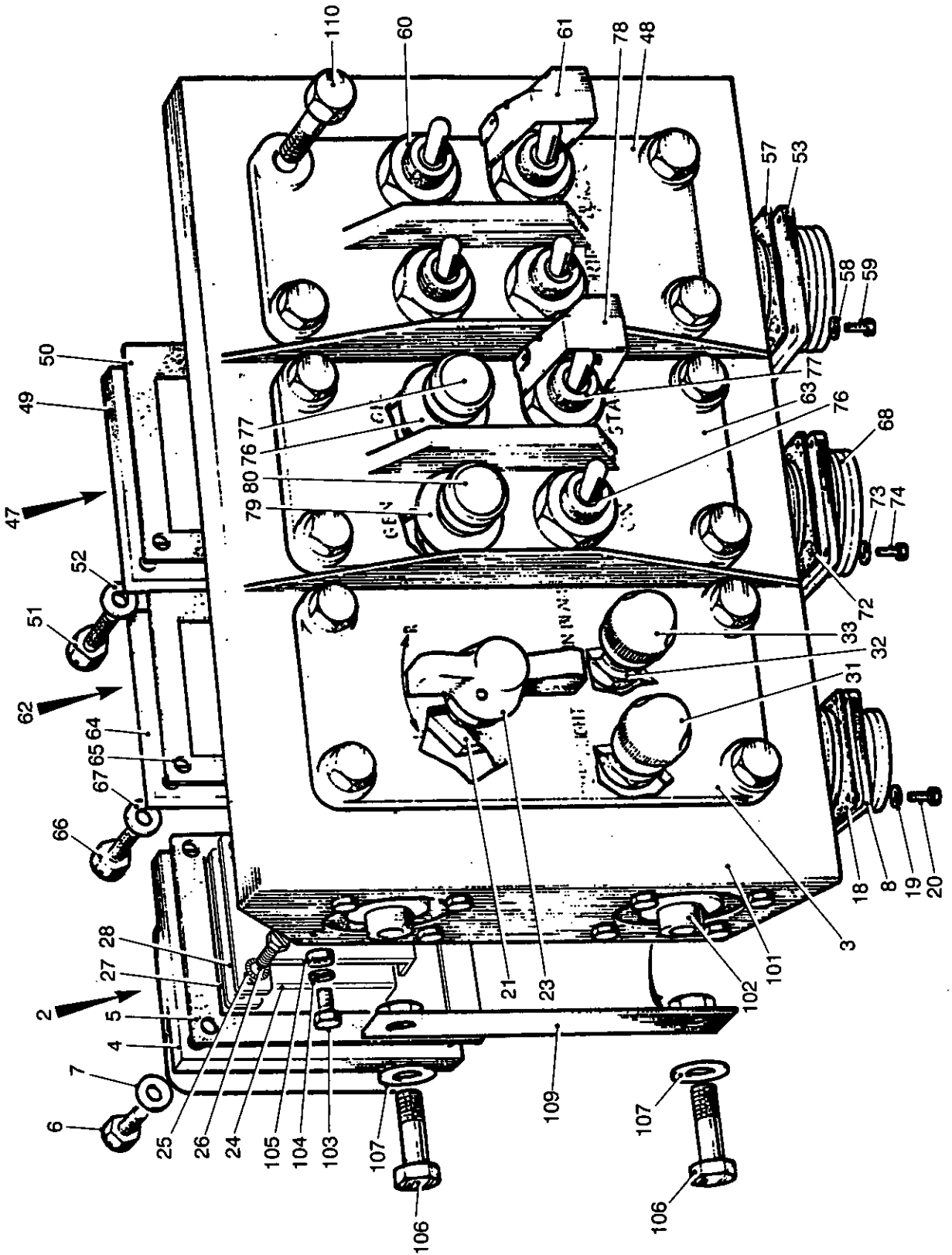


Fig 31 Drivers control panel

430/70110A

Fig Item	Man Code Navy - N Army - A RAF - R	NATO Stock No	Item Name and Description	Part No/ Drawing No.	No. Off	Annotations
31-			ELECTRICAL EQUIPMENT GA - contd . ELECTRICAL EQUIPMENT, HULL, GA - contd ELECTRICAL EQUIPMENT, INTERNAL - contd DRIVERS CONTROL PANEL - contd SWITCHBOARD, TURNLIGHT - contd LEAD ASSEMBLY - contd			
NI 42	A 6MT4	5975-99-810-1640 CABLE, NIPPLE, ELECTRICAL, plastic, clear, faston type	180984	1	
NI 43		NP LEAD ASSEMBLY, thermal flash to lamp -ve	FV2249135/ 3	1	
NI 44	A Y3	6145-99-943-4824 WIRE, ELECTRICAL	UNIPREN 12	A/R	
NI 45		NP TERMINAL, QUICK DISCONNECT	150755-3	1	
NI 46	A 6MT4	5975-99-810-1640 CABLE, NIPPLE, ELECTRICAL, plastic, clear, faston type	180984	1	
47	A 9ACR	2590-99-802-9428 SWITCHBOARD, EXTERNAL LIGHTING, No. 1, Mk 1	FV494557	1	
48		NP JUNCTION BOX	FV481524	1	
49		NP COVER	FV481522	1	
50	A 46MT4	5330-99-802-9425 GASKET, switchboards, No. 1, Mk 2, No. 3, Mk 1	FV481523	1	
51	A 46MT4	5305-99-802-9427 SCREW, EXTERNALLY RELIEVED BODY, BA, steel hex hd, slotted, phosphate finish, No. 2, 0.365in. thd lg, x 7/8in. o/a lg	FV491949	8	
52	A G1	5310-99-946-9796 WASHER, SPRING TENSION, Beryllium copper, Cd P, 0.208/0.203 id, 0.380/0.370in. od, 0.012in. thk		8	
53		NP PLUG AND LEAD ASSEMBLY	FV481525	1	
NI 54	A 46MT4	5935-99-800-9926 CONNECTOR, FIXED, ELECTRICAL	FV585021	1	
NI 55	A Y3	6145-99-943-4824 WIRE, ELECTRICAL	UNIPREN12	A/R	
NI 56	A 46MT4	5970-99-881-6194 INSULATION SLEEVING, ELECTRICAL, rubber, 2mm nom id, 3/4mm nom wall thk	H20	9	
57	A Z2	5330-99-914-7137 GASKET, rubber, syn sq, 1.260in. id max, 0.026 to 0.041in. thk, 1.633in. sq, 4 bolt holes	FV585125	1	
58		NP WASHER, LOCK, Phos B, int flat, zinc coated, No. 6 BA		4	
59	A G1	5305-99-941-7854 SCREW, MACHINE, BA, cres, hex hd, slot drive, No. 6 by 3/8in. lg, normal class thd		4	
60	A Z32	5930-99-951-0583 SWITCH, TOGGLE	Z510583	4	
61	A 46MT4	5930-99-802-9430 GUARD, SWITCH, switchboard No. 1, Mk 1	FV481532	1	
62	A 9ACR	2590-99-802-7340 SWITCHBOARD, ENGINE, No. 3, Mk 2	FV562082	1	
63		NP BOX, JUNCTION, switchboard	FV481521	1	
64		NP COVER, switchboard	FV481522	1	
65	A 46MT4	5330-99-802-9425 GASKET, switchboards, No. 1, Mk 2, No. 3, Mk 1	FV481523	1	

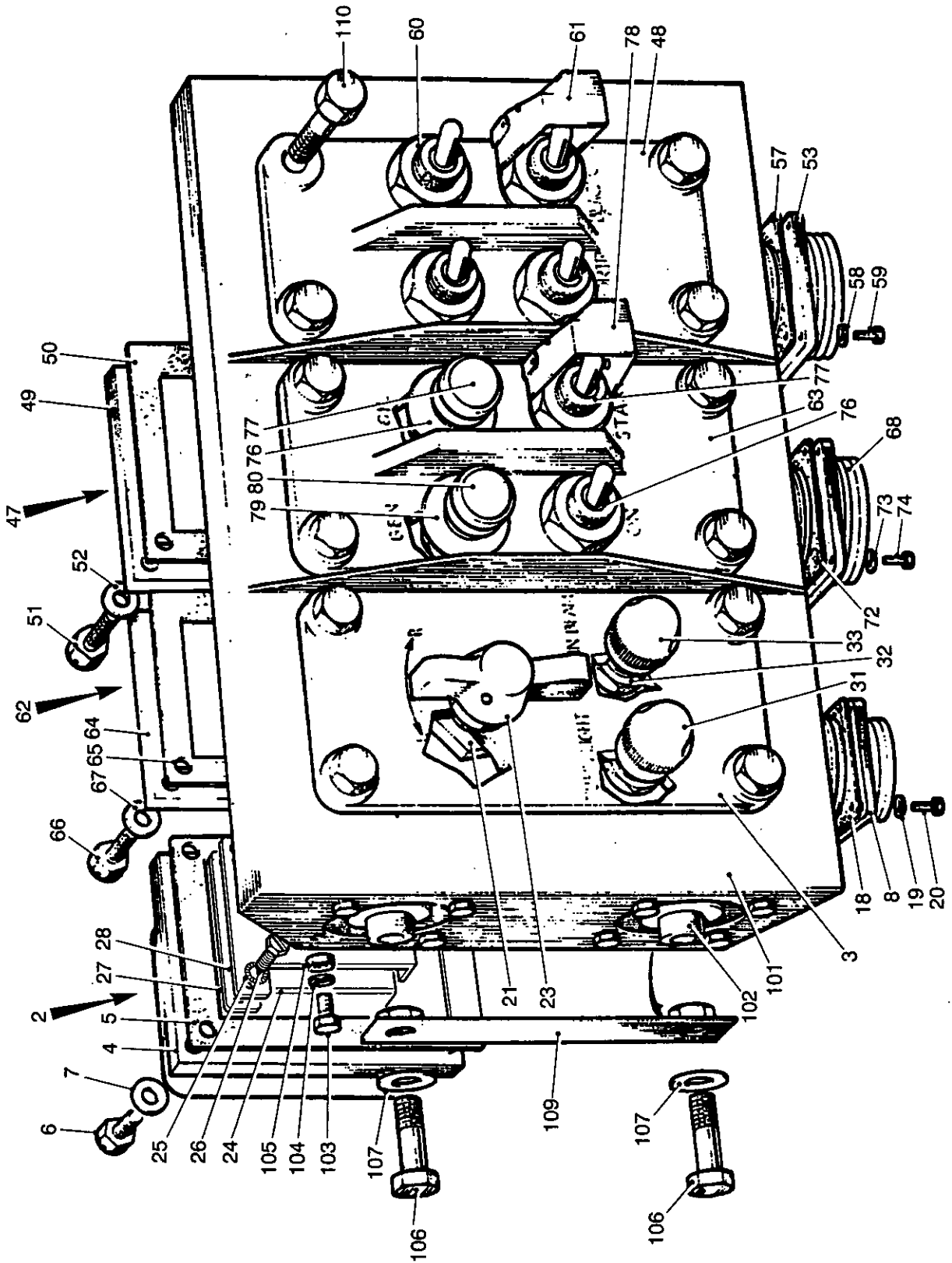


Fig 31 Drivers control panel

430/70110A

Fig Item	Man Code Navy - N Army - A RA/F - R	NATO Stock No	Item Name and Description	Part No/ Drawing No.	No. Off	Annotations
31-			ELECTRICAL EQUIPMENT GA - contd ELECTRICAL EQUIPMENT, HULL, GA - contd ELECTRICAL EQUIPMENT, INTERNAL - contd DRIVERS CONTROL PANEL SWITCHBOARD, ENGINE - contd			
66	A 46MT4	5305-99-802-9427 SCREW, EXTERNALLY RELIEVED BODY, BA steel, hex hd, slotted, phosphate finish, No. 2, 0.365in. thd lg x 7/8in. o/a lg	FV491949	4	
67	A G1	5310-99-946-9796 WASHER, SPRING TENSION, Beryllium copper, Cd P, 0.208/0.203 id, 0.380/0.370in. od, 0.012in. thk		4	
68		NP PLUG AND LEAD ASSEMBLY	FV481526	1	
NI 69	A 46MT4	5935-99-881-9667 CONNECTOR, FIXED, ELECTRICAL	FV585022	1	
NI 70	A Y3	6145-99-943-4824 WIRE, ELECTRICAL	UNIPREN12	A/R	
NI 71	A 46MT4	5970-99-881-6194 INSULATION SLEEVING, ELECTRICAL, rubber, 2mm nom id, 3/4mm nom wall thk	H20	11	
NI 72	A Z2	5330-99-014-7137 GASKET, shell size 22	FV585125	1	
73		NP WASHER, LOCK, Phos B, int, flat, Zn P, 6BA		4	
74	A G1	5305-99-941-7854 SCREW, MACHINE, st, cres, hex hd, slotted, 6BA x 3/8in. lg		4	
NI 75		NP LENS INDICATOR LIGHT	80/10/0591/A	1	AMBER
76	A 46MT3	6250-99-915-7377 LAMP HOLDER, press to test type	80/10/0513A	1	
77		NP CAP, amber indicator light	80/10/0069	1	
NI 78		NP LAMP HOLDER ASSEMBLY	80/10/0591	1	
79	A 46MT3	6250-99-915-7377 LAMP HOLDER, press to test type	80/10/0513/A	1	
80	A 46MT3	6210-99-948-6557 LENS, LIGHT	80/10/0069	1	RED
NI 81	A X5	6240-99-995-9118 LAMP, INCANDESCENT, 28V, 0.04A	3BOD12052- 1	2	
82	A Z32	5930-99-105-8352 SWITCH, TOGGLE	LHA2BG110- 1	1	
83		NP SWITCH, TOGGLE	D13505/1	1	
84	A 6MT14	5930-99-802-4153 GUARD, SWITCH, steel	FV590495	1	
NI 85		NP DIODE ASSEMBLY		1	
NI 86	A Z42	5961-99-037-2718 SEMI-CONDUCTOR DEVICE, DIODE, CV7311	CV7311/SJ1 02A	1	
NI 87		NP BRACKET	FV590460	1	
NI 88		NP SUPPORT	FV590461	1	
NI 89		NP INSULATION PIECE	FV590462	2	
NI 90		NP INSULATION TUBE	FV590463	2	
NI 91	A 6MT4	5940-99-805-0797 TERMINAL LUG, br, 4BA	WE501-4BA	1	
NI 92	A 46MT4	5970-99-881-6194 INSULATION SLEEVING, ELECTRICAL, rubber, 2mm nom id, 3/4mm nom wall thk	H20	3	
NI 93	A Y3	6145-99-100-4628 WIRE ELECTRICAL	E21 UNIPREN6	A/R	
NI 94	A G1	5305-99-941-9945 SCREW, MACHINE, st, flat fil hd, Cd P, 6BA x 1-1/2in. lg		2	
NI 95	A G1	5310-99-199-9928 NUT, SELF-LOCKING, HEXAGON, st, Cd P, 6BA		2	
NI 96		NP WASHER, FLAT, st, Zn P, 6BA		4	

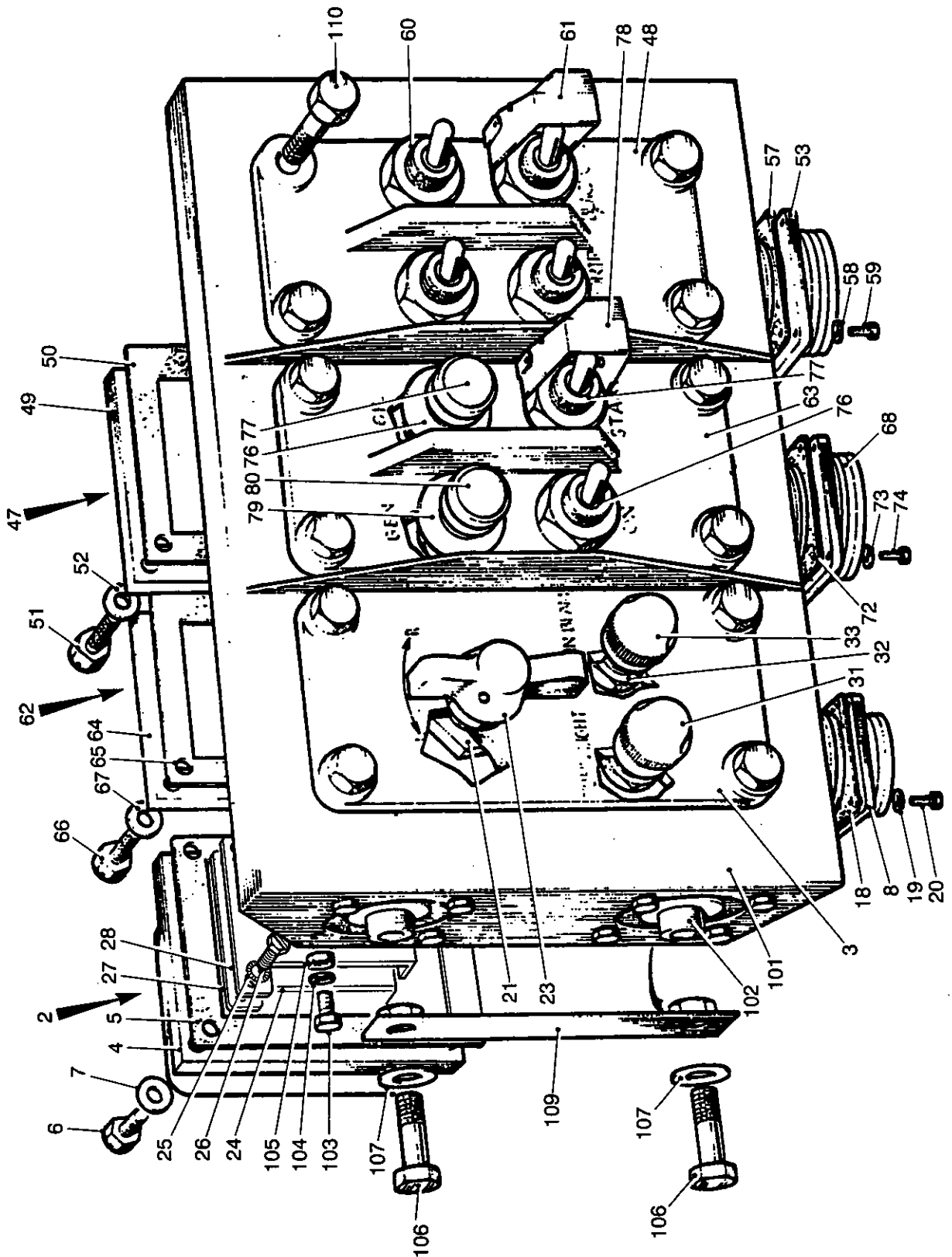


Fig 31 Drivers control panel

430/70110A

Fig Item	Man Code Navy - N Army - A RA/F - R	NATO Stock No	Item Name and Description	Part No/ Drawing No.	No. Off	Annotations
31-			ELECTRICAL EQUIPMENT GA - contd ELECTRICAL EQUIPMENT, HULL, GA - contd ELECTRICAL EQUIPMENT, INTERNAL - contd DRIVERS CONTROL PANEL SWITCHBOARD, ENGINE - contd LAMP HOLDER ASSY - contd			
NI 97		NP BUSH	FV590467	2	
NI 98		NP INSULATION STRIP	FV590464	2	
NI 99		NP SCREW, MACHINE, st, csk hd, Zn P, 4BA x 5/16in. lg	A37-B10	2	
NI 100	A	6MT4	5310-99-802-7339 TAB WASHER	FV590498	1
101		NP FRAME, DRIVERS CONTROL PANEL	FV559507	1	
102	A	46MT1	5340-99-881-9095 MOUNT, RESILIENT, 1.00in. id	E13240	4
103	A	G1	5305-99-941-6836 SCREW, MACHINE, st, hex hd, Cd P, No. 4BA x 3/8in. lg		16
104	A	G1	5310-99-941-6652 WASHER, LOCK, st, single coil, sq sect, Cd P, 5/32in. hole dia		16
105	A	G1	5310-99-941-9961 NUT, PLAIN, HEXAGON, st, Cd P, 4BA		16
106	A	G1	5306-99-941-3313 BOLT, MACHINE, st, hex hd, Cd P, 1/4in. UNC x 1-1/4in. lg		4
107	A	G1	5310-99-120-4032 WASHER, FLAT, st, Zn P, 1/4in. hole dia		4
NI 108	A	G1	5310-99-941-6654 WASHER, LOCK, st, single coil, sq sect, Cd P, 1/4in. hole dia		4
109		NP LOCKING PLATE, frame mtg	FV559818	2	
110	A	G1	5305-99-941-0526 SCREW, CAP, HEXAGON HEAD, st, Zn P, hex hd, 5/16in. UNF x 7/8in. lg		12
NI 111	A	G1	5310-99-941-8386 WASHER, FLAT, st, Zn P, 5/16in. hole dia		12
NI 112	A	G1	5310-99-941-6655 WASHER, LOCK		12
NI 113	A	G1	5310-99-941-0925 NUT, PLAIN, HEXAGON, steel, Zn P, 5/16in. UNF		12

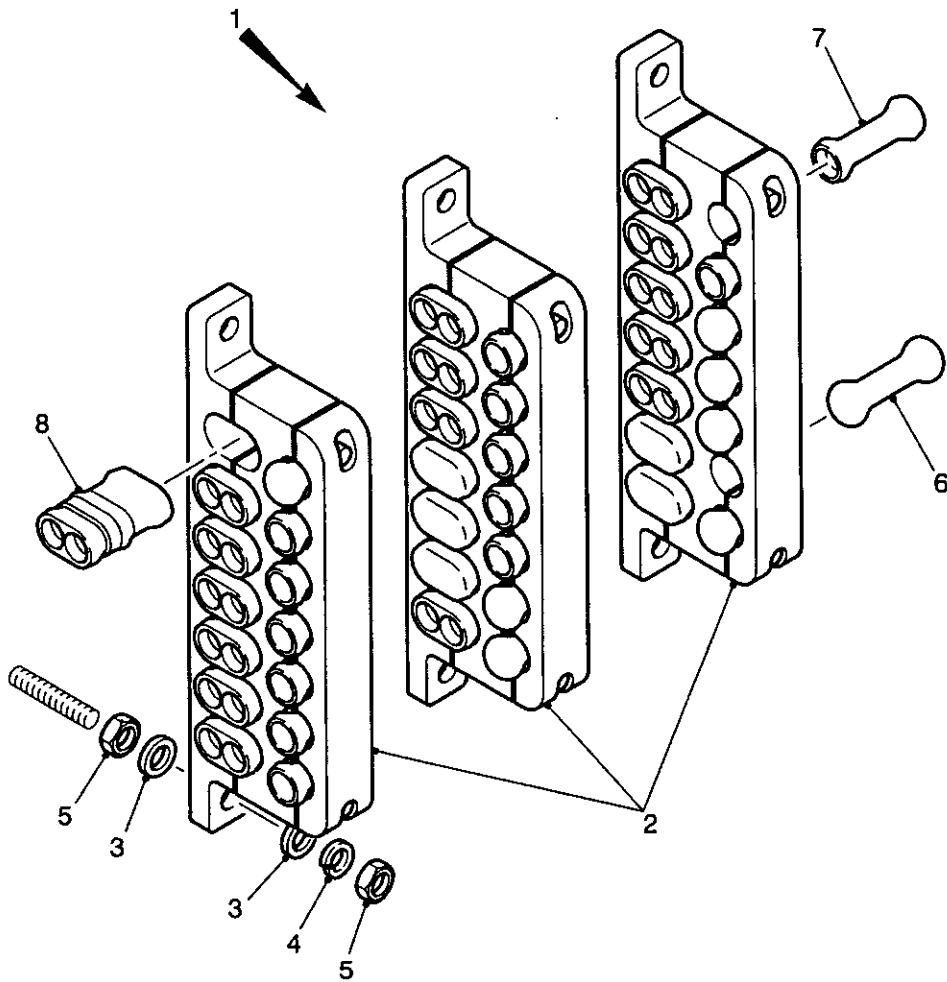


Fig 32 Electrical fittings, No. 1 connector junction

430/70136

Fig Item	Man Code Navy - N Army - A RA/F - R	NATO Stock No	Item Name and Description	Part No/ Drawing No.	No. Off	Annotations
32-			ELECTRICAL EQUIPMENT GA - contd . ELECTRICAL EQUIPMENT, HULL, GA - contd . ELECTRICAL EQUIPMENT, INTERNAL - contd			
1		NP	. . ARRANGEMENT OF ELECTRICAL FITTINGS No. 1 CONNECTOR JUNCTION	FV611846	REF	
2		NP	. . . CONNECTOR ASSEMBLY, ELECTRICAL	FV260940	3	
3	A G1	5310-99-941-7072	. . . WASHER, FLAT, steel, Cd plated, 1/4in. bolt size, 9/16in. od, 0.056in. thk		12	
4	A G1	5310-99-941-6654	. . . WASHER, LOCK, steel, split helical ring, 1/4in. bolt size, 27/64in. od, 5/64in. thk		6	
5	A G1	5310-99-804-7941	. . . NUT, PLAIN, HEXAGON, UNF, 1/4in. dia -28, class 2B rh thd, steel, Zn plated, 7/16in. w A/F, 7/32in. h, chamfered		12	
6	A 6MT4	5935-99-805-0224	. . . INSERT, RESILIENT, syn rubber, 1/2in. id, 9/16in. lg	860369	27	
7	A Z37	5940-99-805-0220	. . . TERMINAL, QUICK DISCONNECT, rubber, one pole, 12A female shell	FV169423	21	
8	A 6MT4	5935-99-805-0221	. . . CONNECTOR, PLUG, ELECTRICAL, single mating end, w/2 contacts free, rubber, female shell	860364	21	

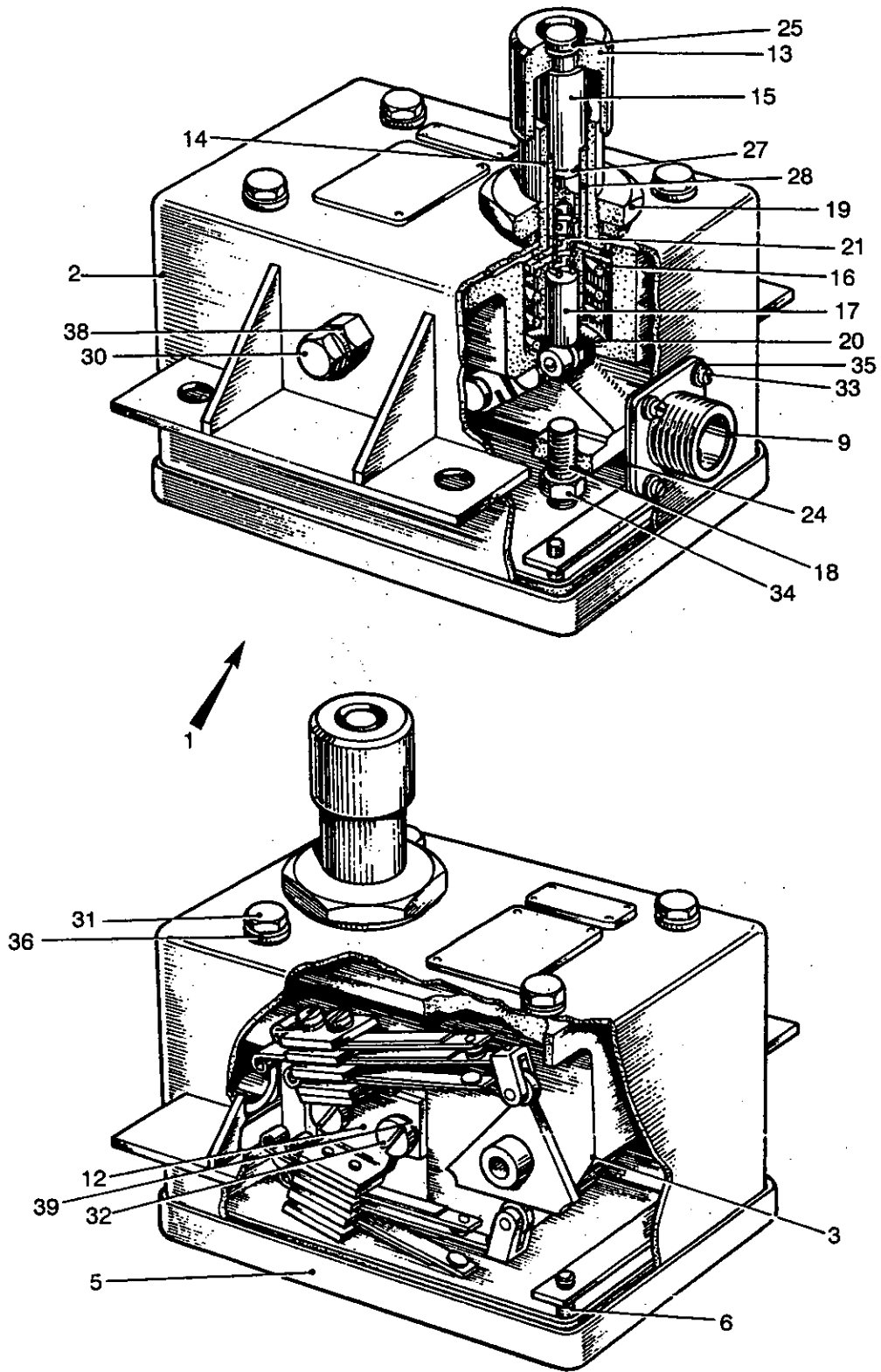


Fig 33 Switch, beam selecting, headlight

430/70109

Fig Item	Man Code Navy - N Army - A RAF - R	NATO Stock No	Item Name and Description	Part No/ Drawing No.	No. Off	Annotations
33-			ELECTRICAL EQUIPMENT GA - contd . ELECTRICAL EQUIPMENT, HULL, GA - contd . . . ELECTRICAL EQUIPMENT, INTERNAL - contd			
1	A 9ACR	2590-99-881-9171	. . . SWITCH, BEAM SELECTING, HEADLIGHT	FV562044	1	
2		NP	. . . SWITCHBOX	FV579429	1	
3	A 46MT4	2590-99-811-7178	. . . BODY ASSEMBLY, BEAM SELECTING SWITCH, c/w actuator lever assembly, twin dip switch	FV579430	1	
NI 4		NP	. . . COVER, ELECTRICAL SWITCH, assy	FV570319	1	
5		NP COVER, ELECTRICAL SWITCH	FV570320	1	
6	A G1	5305-99-999-7566 SCREW, MACHINE, steel, No. 10 UNF, 5/8in. lg flat csk hd		4	
NI 7	A 46MT1	5330-99-881-5615 WASHER, SEAL, FLAT, syn rubber/steel, 13/64in. id, 21/64in. od, 4/64in. h of reinforcement		4	
NI 8	A 46MT1	5330-99-943-9585 RING, SEALING, TOROIDAL, rubber, 40-52 deg BS or IRHD 1/16in. h, 9/64in. id	100-007- 0640	4	
9		NP	. . . PLUG, ELECTRICAL, assy	FV579433	1	
NI 10	A 46MT4	5935-99-881-9664 CONNECTOR ELECTRICAL, fixed, size 18-1P	FV585015	1	
NI 11	A Y3	6145-99-943-4824 CONNECTOR, ELECTRICAL, single conductor, 40/0.0070in. dia, Cu tinned braid, glass polychloroprene compound yellow	UNIPREN12	A/R	
12	A 46MT4	5945-99-881-9172	. . . CONTACT, ASSEMBLY, ELECTRICAL, used in, twin dip switch No. 1, Mk 2	FV580561	1	
13		NP	. . . PUSH BUTTON, switch	FV579437	1	
14		NP	. . . HOUSING, plunger	FV579438	1	
15		NP	. . . SHAFT	FV579439	1	
16	A 46MT4	5340-99-822-0278	. . . SEAT, COMPRESSION, HELICAL SPRING, steel, zinc plated, 1-9/32in. od, 33/64in. dia bore, 3/16in. o/a h	FV570341	1	
17		NP	. . . PLUNGER, switch	FV570343	1	
18		NP	. . . SCREW, GRUB	FV570526	1	
19		NP	. . . NUT, PLAIN, HEXAGON	FV570527	1	
20		NP	. . . SPRING, HELICAL, COMPRESSION, large	FV570528	1	
21	A 46MT4	5360-99-811-7181	. . . SPRING, HELICAL, COMPRESSION, small	FV570529	1	
NI 22	A 46MT4	5935-99-802-9423	. . . PLATE, RETAINING, ELECTRICAL CONNECTOR, steel, 11/16in. dia aperture, 1in. x 1in. x 7/64in. thk	FV410123	1	
NI 23	A 46MT4	5945-99-881-9173	. . . CONTACT ASSEMBLY, ELECTRICAL, used in, twin dip switch No. 1, Mk 2	FV580562	1	
24	A Z21	5330-99-014-7135	. . . GASKET, rubber, synthetic, sq, 1.010in. id max, 4 bolt holes, 0.026 to 0.041in. thk, 1.383in. sq	FV585124	1	
25		NP	. . . RING, RETAINING, circlip	6237-36	1	
NI 26	A 6MT1	5365-99-910-8237	. . . RING, RETAINING, steel, phosphate coated, 1mm major thk, external, 12mm shaft dia	N3829400-V	1	

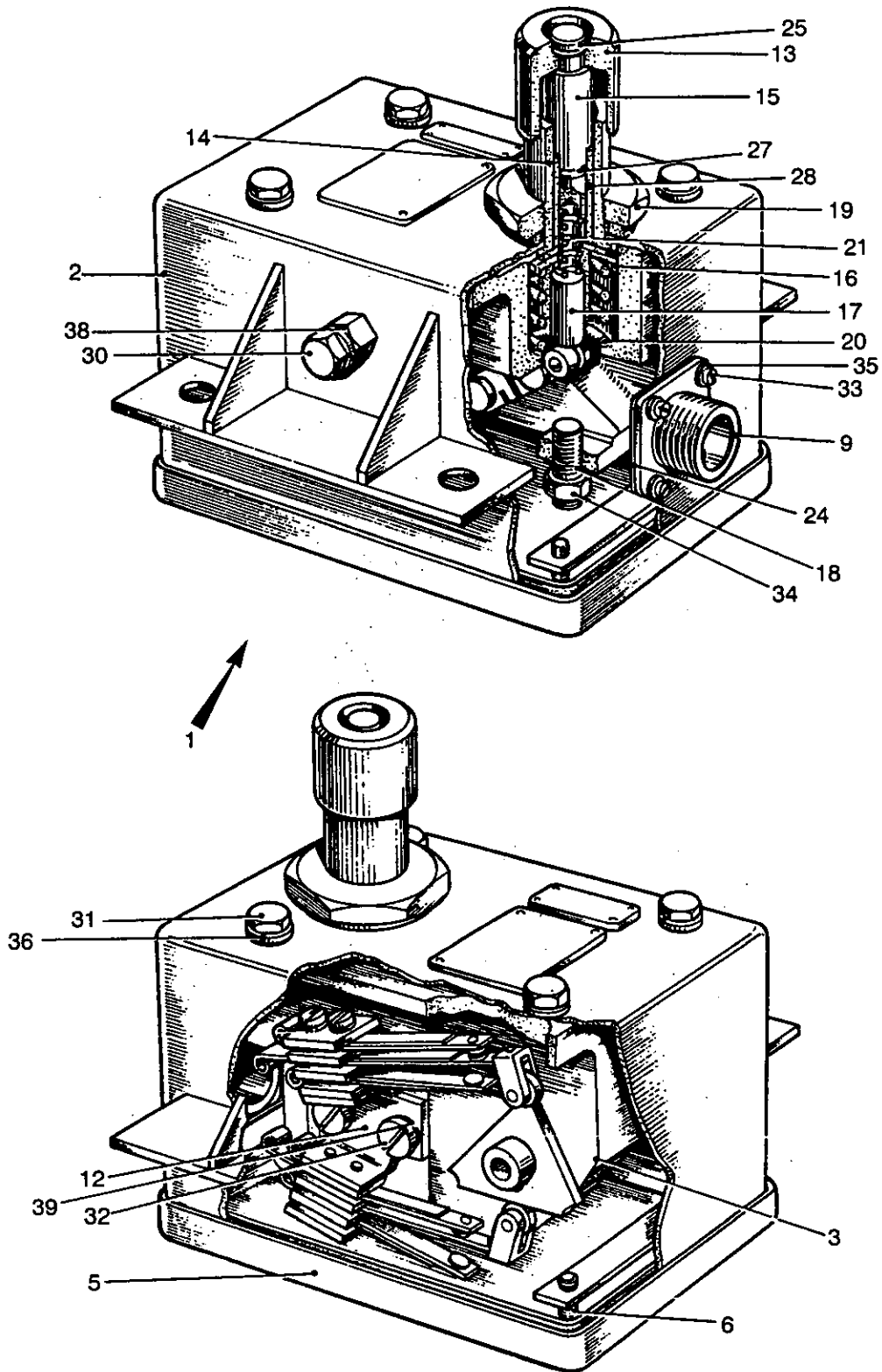


Fig 33 Switch, beam selecting, headlight

430/70109

Fig Item	Man Code Navy - N Army - A RAF - R	NATO Stock No	Item Name and Description	Part No/ Drawing No.	No. Off	Annotations
33-			ELECTRICAL EQUIPMENT GA - contd . ELECTRICAL EQUIPMENT, HULL, GA - contd . ELECTRICAL EQUIPMENT, INTERNAL - contd . SWITCH BEAM, SELECTING HEADLIGHT - contd			
27	A	6MT1	5330-99-942-9959 . . . RING, SEALING, TOROIDAL, syn rubber, 61 to 70 deg BS or IRHD, 1/16in. h, 3/8in. id	5855-30BS	1	
28		NP	. . . BEARING, SLEEVE, plain, 1/2in. x 3/4in. x 5/8in.	6237-85	2	
NI 29	A	46MT4	5935-99-881-4411 . . . CAP, BLANKING	10-70500-18	1	
30	A	46MT4	5365-99-805-2984 . . . PLUG, MACHINE THREAD, steel, BSPF, 1/8in. 28tpi, rh, 13/32in. lg thd, 17/32in. A/F hex hd, 5/32in. h	5876-54	1	
31	A	G1	5305-99-941-0512 . . . SCREW, CAP, HEXAGON HEAD, UNF, 1/4in. class 2A thd, 5/8in. lg, steel, zinc plated, hex hd	172441	4	
32	A	G1	5305-99-941-2334 . . . SCREW, MACHINE, UNF, steel, fillister hd, slot drive, Cd P, No. 10 x 3/8in. lg		4	
33		NP	. . . SCREW, MACHINE, UNF, steel, fillister hd, zinc coated, No. 4 x 3/8in.	5335-7690	4	
34		NP	. . . NUT, PLAIN, HEXAGON, UNF, steel, zinc coated, 1/4in.	NU9-1121	1	
35	A	46MT1	5330-99-881-6622 . . . GASKET, syn rubber/steel, rd, 1/8in. id, 1/4in. gauge ring od, 3/64in. gauge ring thk	400-001- 5615-41	4	
36		NP	. . . WASHER, SEAL, 0.270in. id x 0.522in.	70220180C	4	
NI 37	A	G1	5310-99-941-6653 . . . WASHER, LOCK, steel, split helical ring, 0.198in. hole dia, 0.064in. thk, 0.330in. od		2	
38	A	G1	5310-99-913-3207 . . . WASHER, FLAT, Al rd, 0.605in. max od, rd hole, 25/64in. bolt size, 3/64in. thk		1	
39	A	G1	5310-99-915-7972 . . . WASHER, FLAT, steel, Cd P, rd shape, 0.4in. nom od rd hole, 0.2in. nom id, 0.018in. nom thk		1	

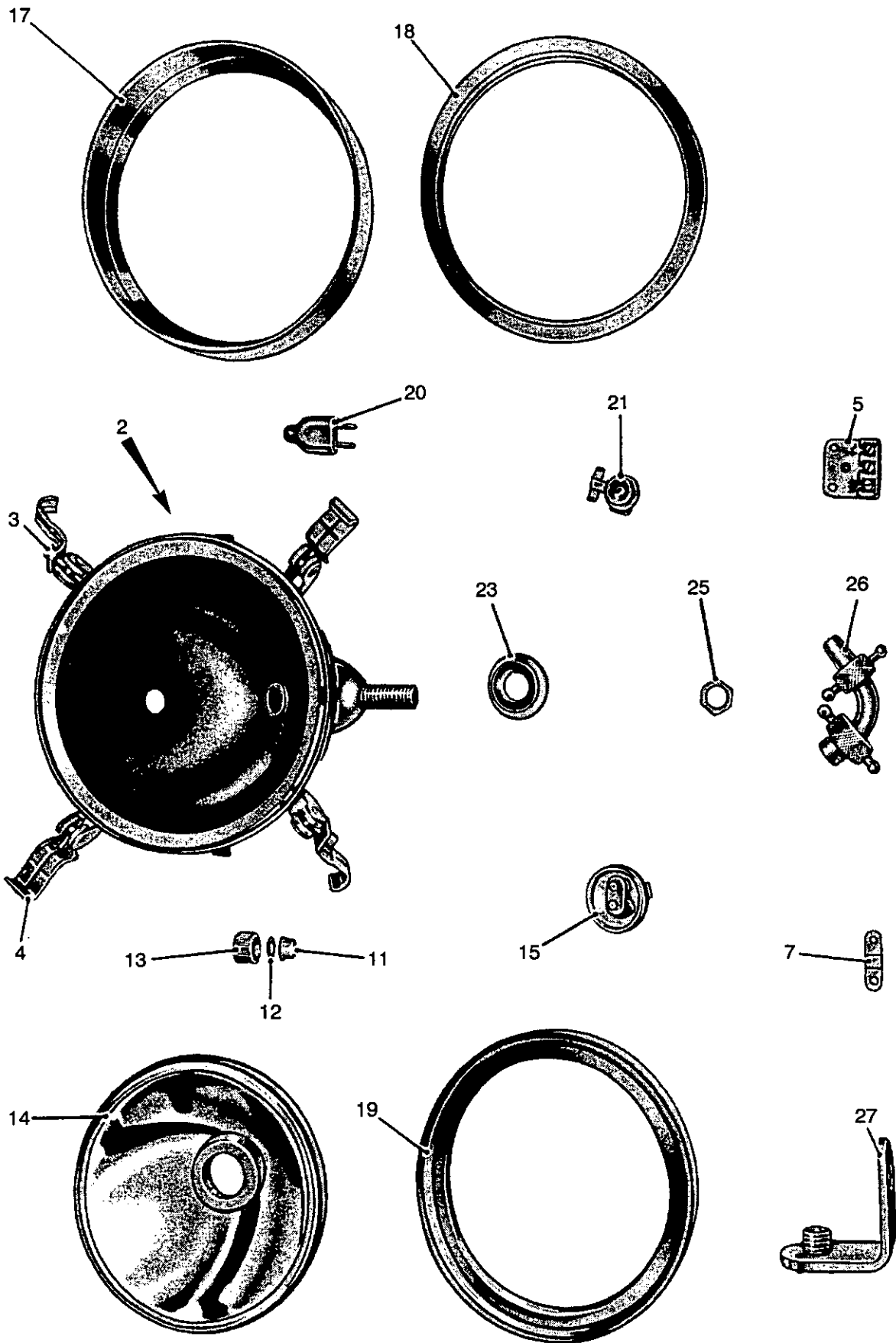


Fig 34 Spotlight, No. 1 Mk 1

430/70106

Fig Item	Man Code Navy - N Army - A RA/F - R	NATO Stock No	Item Name and Description	Part No/ Drawing No.	No. Off	Annotations
34-		NP	ELECTRICAL EQUIPMENT GA - contd MISCELLANEOUS ELECTRICAL EQUIPMENT	FV611794	REF	
NI 1	A	6MT3	6220-99-803-2778 . . . SPOTLIGHT, No. 1 Mk 1	1419D	1	
2		NP	. . . BODY ASSEMBLY, SEARCHLIGHT	554509	1	
3	A	6MT3	5305-99-803-3159 . . . SCREW, MACHINE, br, 2BA, 0.688in. thd lg, 0.875in. fastener lg, flat fillister csk hd	552255	4	
4	A	6MT3	. . . CLAMP, RIM CLENCHING, steel	553287	4	
5	A	6MT4	5940-99-910-9182 . . . TERMINAL BOARD, plastics, 3 post type terminals, 1-1/2in. lg, 1-1/2in. w, 11/16in. h, w/one unthd mtg hole 0.15in. dia	510295	1	
NI 6	A	6MT3	6220-999-803-1523 . . . INSERT, TERMINAL BOARD, brass, 0.312in. sq, 1/2in. o/a h, threaded 1/4in. BSF, w/slot	562152	3	
7	A	6MT3	. . . STRAP, RETAINING	510225	1	
NI 8	A	G1	5305-99-941-8908 . . . SCREW, MACHINE, steel, 2BA, flat fillister hd, slot drive, Cd P w/chromate, 5/8in. lg		2	
NI 9	A	G1	5310-99-941-6643 . . . WASHER, LOCK, steel, Cd P, split helical ring, No. 2BA nom bolt size, 3/64in. thk, 25/64in. od		2	
NI 10		NP	. . . SCREW, MACHINE, BA, steel, flat fil hd, No. 4 x 5/16in. lg		1	
11	A	46MT3	6220-99-803-4050 . . . GLAND, SEALING, SINGLE WAY	806149	1	
12		NP	. . . WASHER, CABLE BUSH	S80/88	1	
13		NP	. . . NUT, GLAND	1342/10	1	
14	A	6MT3	6220-99-803-2937 . . . LIGHT UNIT, SPOTLIGHT	1419-20	1	
15	A	6MT3	6250-99-910-9176 . . . LAMP HOLDER, c/w grip washer, wire leads	C07342-01	1	
NI 16	A	6MT4	5940-99-803-1956 . . . FERULE, ELECTRICAL CONDUCTOR, br, 0.150in. id x 0.250in. od x 0.375in. lg	555910	1	
17	A	6MT3	6210-99-803-4203 . . . RETAINER LENS	553281	1	
18	A	6MT3	5330-99-910-9180 . . . SEAL, RUBBER, SPECIAL SHAPED SECTION, joint-less, 6.690in. id, 0.562in. w, u/w headlight	553282	1	
19	A	6MT1	5330-99-910-9181 . . . SEAL, RUBBER, SPECIAL SHAPED SECTION, natural rubber, joint-less, 6.385in. aperture id, 0.721in. h, 0.188in. groove w	553283	1	
20	A	6MT4	5935-99-803-1823 . . . PLUG, 2 pins, one mtg hole	STC3334	1	
21	A	6MT3	6220-99-803-1751 . . . CABLE AND SWITCH ASSEMBLY	1419-29	1	
NI 22		NP	. . . STRAP, RETAINING, switch cable	554950	1	
23	A	6MT3	6220-99-910-9187 . . . WASHER, BASE SETTING, HEADLIGHT,		1	
NI 24	A	G1	5310-99-941-6633 . . . WASHER, LOCK, steel, double helical ring, 5/8in. nom bolt size, 1-1/6in. od, 5/16in. thk		1	
25	a	46MT3	5310-99-139-1247 . . . NUT, PLAIN, HEXAGON, Whit s/steel, full bearing surface, Cd P, 5/8in. dia, 13/16in. a/flats, 25/64in. o/a h		1	
26	A	6MT3	6220-99-803-1123 . . . BRACKET, ASSEMBLY, SPOTLIGHT	1419-28	1	
27	A	6MT3	6220-99-881-3904 . . . BRACKET, LIGHT MOUNTING	553884	1	Lower
NI 28	A	X5	6240-99-995-4508 . . . LAMP, INCANDESCENT, s (straight side) bulb, 62mm lg, 28mm dia, 26V dc, 50W	LLB368	1	

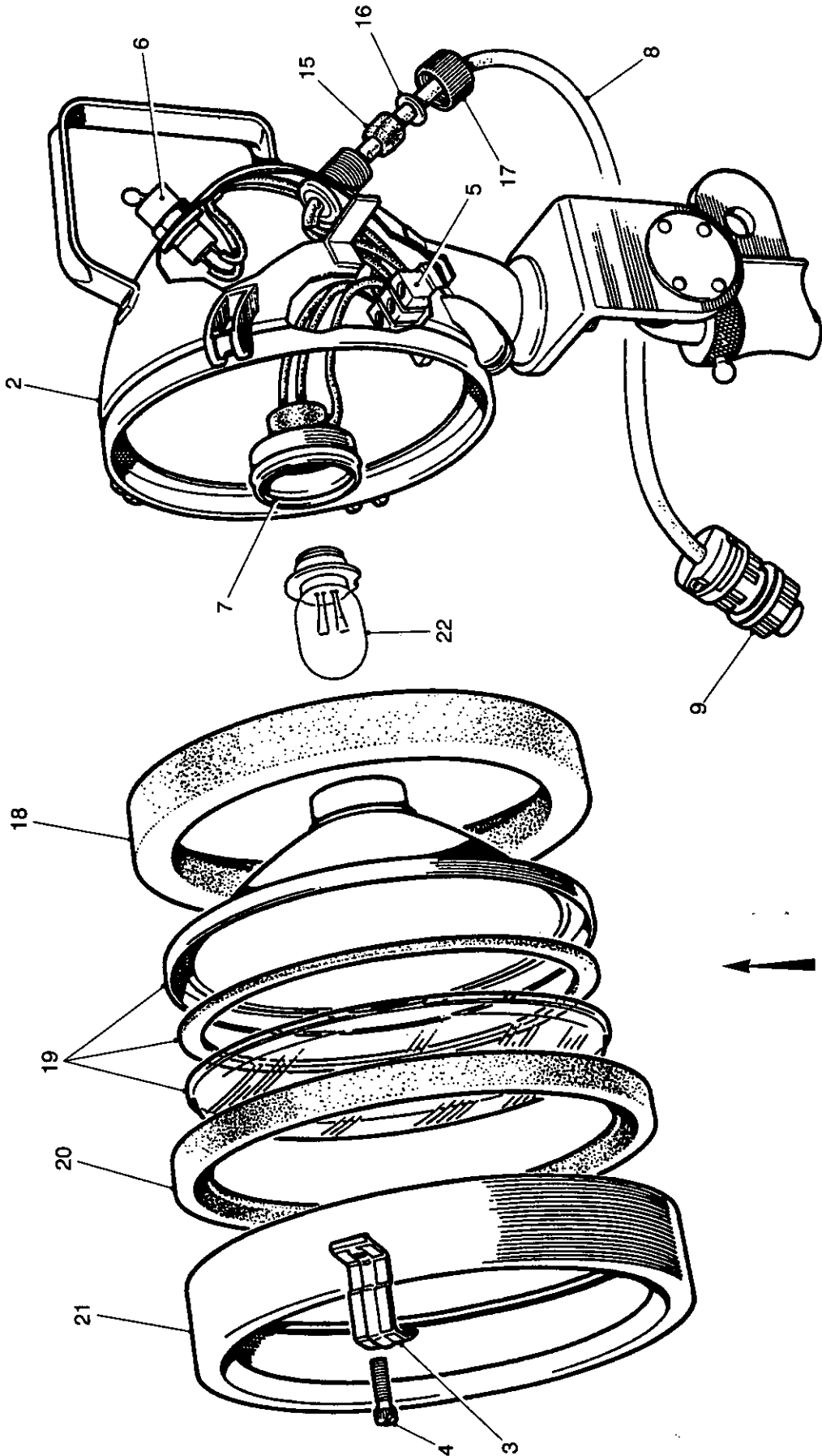


Fig 35 Spotlight, No. 1 Mk 2

430/70219

Fig Item	Man Code Navy - N Army - A RAF - R	NATO Stock No	Item Name and Description	Part No/ Drawing No.	No. Off	Annotations
35-			ELECTRICAL EQUIPMENT GA - contd MISCELLANEOUS ELECTRICAL EQUIPMENT - contd			
1	A	46MT3	6220-99-804-5108 . . . SPOTLIGHT, No. 1 Mk 2, w/o bulb	FV603972	1	
2			NP . . . BODY ASSEMBLY	54523716	1	
3	A	6MT3	5340-99-910-9177 . . . CLAMP, RIM CLENCHING, steel	553287	4	
4	A	6MT3	5305-99-803-3159 . . . SCREW, MACHINE, br, 2BA, 0.688in. thd lg, 0.875in. fastener lg, flat fillister csk hd	552255	4	
5	A	6MT4	5940-99-910-9182 . . . TERMINAL BOARD, plastics, 3 post type terminals, 1-1/2in. lg, 1-1/2in. w, 11/16in. h, w/one unthd mtg hole 0.15in. dia	510295	1	
6	A	6MT3	6220-99-803-1751 . . . CABLE AND SWITCH ASSEMBLY	1419-29	1	
7	A	6MT3	6250-99-910-9176 . . . LAMP HOLDER, c/w grip washer and leads	C07342-01	1	
8	A	6MT4	2590-99-817-2322 . . . WIRING HARNESS, 30ft lg, plug 1st end, finished wires 2nd end	FV582364/1	1	
9	A	6MT4	5935-99-804-5153 . . . SOCKET, ELECTRICAL, free male shell, 4 pole	FV599331	1	
NI 10	A	9CVT	5325-99-825-4952 . . . GROMMET	FV585079	1	
NI 11	A	6TM4	5935-99-804-4616 . . . FOLLOWER, RING, GROMMET	FV585098	1	
NI 12	A	6MT4	5935-99-804-5154 . . . ADAPTOR, CABLE TO ELECTRICAL PLUG/SOCKET, metallic, 0.13in. cable opening, 3/4in. -20J int thd coupling, 1-1/4in. lg, 31/32in. dia	SB14S2CCA	1	
NI 13	A	6MT4	5935-99-804-4625 . . . CAP-PLUG, PROTECTIVE, DUST AND MOISTURE SEAL, nylon, cylindrical, 0.11in. od, 0.41in. lg, 0.14in. flange dia one end	FV612065	2	
NI 14	A	Y3	6145-99-943-4824 . . . WIRE, ELECTRICAL, single conductor, 40/0.007in. dia, Cu tinned, braid glass, polychloroprene compound, yellow	UNIPREN 12	A/R	
15	A	6MT4	6220-99-805-3150 . . . CONE, SEALING	FV(S)6/47/1	1	
16	A	6MT1	5310-99-805-6455 . . . WASHER, FLAT, br, Zn plated, 5/8in. od, 7/16in. id, 1/16in. thk	FV(S)6-39-4	1	
17	A	Z42	5975-99-805-6457 . . . NUT, COUPLING, ELECTRICAL CONDUIT, Whit, 11/16in. -24, br or low carbon steel, 25/32in. od, 15/32in. h, knurled	FV(S)6/38/4	1	
18	A	6MT1	5330-99-910-9181 . . . SEAL, RUBBER, SPECIAL SHAPED SECTION, natural rubber, joint-less, 6.385in. aperture id, 0.721in. h, 0.188in. groove w	553283	1	
19	A	6MT3	6220-99-803-2937 . . . LIGHT UNIT, SPOTLIGHT	554506	1	
20	A	6MT3	5330-99-910-9180 . . . SEAL, RUBBER, SPECIAL SHAPED SECTION, joint-less, 6.96in. id, 0.562in. w	553282	1	
21	A	6MT3	6210-99-803-4203 . . . RETAINER, LENS	553281	1	
22	A	X5	6240-99-995-4508 . . . LAMP, INCANDESCENT, s (straight side) bulb, 62mm lg, 28mm dia, 26V dc, 50W	LLB368	1	

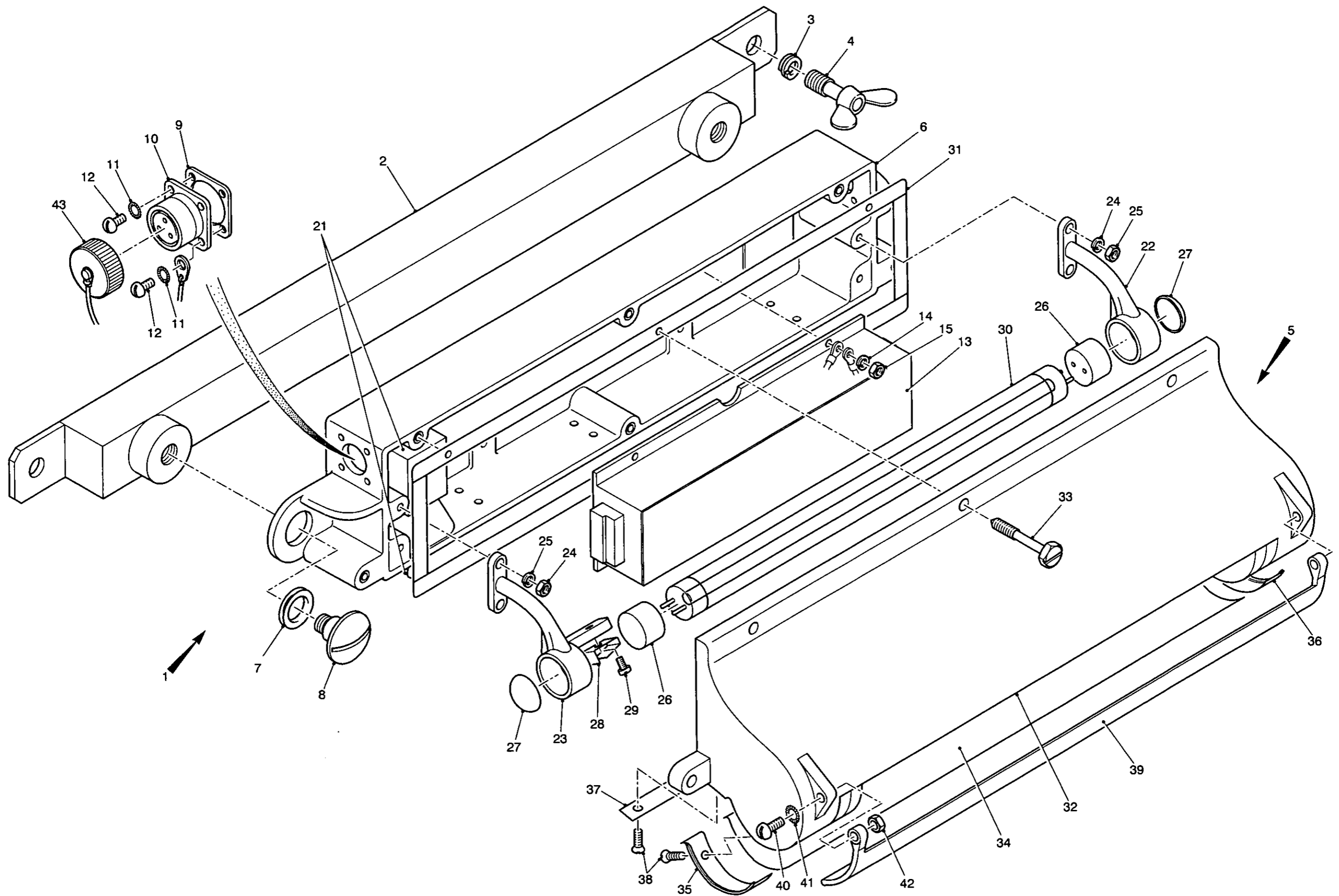


Fig 36 Bench light general arrangement

Fig Item	Man Code Navy - N Army - A RA/F - R	NATO Stock No	Item Name and Description	Part No/ Drawing No.	No. Off	Annotations
36-			ELECTRICAL EQUIPMENT GA - contd MISCELLANEOUS ELECTRICAL EQUIPMENT - contd			
1		NP	BENCH LIGHT GENERAL ARRANGEMENT	FV563231	REF	
2		NP	BRACKET, 20-1/2in.lg, 1in.w	FV563226	1	
3	A G1	5310-99-941-6678	WASHER, LOCK, Cu alloy, split double helical ring, 21/64in. id, 37/64in. od, 3/64in. thk		2	
4		NP	NUT WING AND STUD	FV563229	2	
5	A 46MT3	6210-99-201-4896	LIGHT PANEL, type 6, Mk 13	FV562011	1	
6		NP	BASE	FV622203	1	
7	A Z2	5325-99-970-8578	GROMMET, PLASTICS, PVC, 1in. od, 0.438in. id, 2 flanges w/groove, 3/8in. h	HV2904	2	
8	A 46MT3	5305-99-201-4932	SCREW, SHOULDER, UNF, 5/16in. thd dia	12171	2	
9	A 9BTR	5330-99-014-7131	GASKET, syn rubber, 5/8in. aperture dia, 4 bolt holes, 0.335in. thk	FV585121	2	
10	A Z32	5935-99-620-3314	CONNECTOR, RECEPTACLE, ELECTRICAL, 1-1/16in. lg	FV585001	2	
11		NP	WAVY WASHER, Berillium Cu, Zn plated w/yellow passivation, 0.25in. od, 6BA bolt size, 0.06in. thk	FV436076	8	
12	A G1	5305-99-951-3987	SCREW, MACHINE, 6BA x 1/4in. lg, steel, Cd plated, rd hd, slot drive		8	
13	A 46MT3	6210-99-837-2142	CONTROL UNIT ASSEMBLY, 240mm lg	FV925082	1	
14	A G1	5310-99-941-6652	WASHER, LOCK, steel, split helical ring, 4BA bolt size, 0.252in. od, 0.04in. thk		4	
15	A G1	5310-99-941-9961	NUT, PLAIN, HEXAGON, 4BA, steel, Cd plated, rh thd, 1/4in. w A/F, 1/8in. h, chamfered		4	
NI 16	A Z42	5961-99-037-2719	SEMI-CONDUCTOR DEVICE, DIODE	CV7312	1	
NI 17	A G1	5310-99-608-2227	WASHER, FLAT, br, nickel plated, 4BA bolt size, 19/64in. od, 0.028in. thk		1	} Securing item 16
NI 18	A G1	5310-99-941-9448	WASHER, LOCK, steel, Cd plated, flat int teeth, 4BA bolt size, 5/16in. od, 1/64in. thk		1	
NI 19	A G1	5310-99-941-9961	NUT, PLAIN, HEXAGON, 4BA, steel, Cd plated, rh thd, 1/4in. w A/F, 1/8in. h, chamfered		1	
NI 20	A 6MT4	5910-99-700-1364	CAPACITOR, FIXED PAPER DIELECTRIC, TUBULAR, METAL CASE, 0.75 μF	ELRAE2688 4-7	2	
21	A Z32	5930-99-051-0575	SWITCH, TOGGLE, single pole, 2 way, w/centre off, 3 solder lugs, 1-1/8in. lg, 57/64in. w, 1-1/8in. h, w/panel barrier seal		1	
22		NP	BRACKET, SUPPORT, Al, 2.75in. h, 2.187in. lg, 0.562in. w, rh fluorescent tube support	FV622205	1	
23		NP	BRACKET, SUPPORT, LH	FV622206	1	

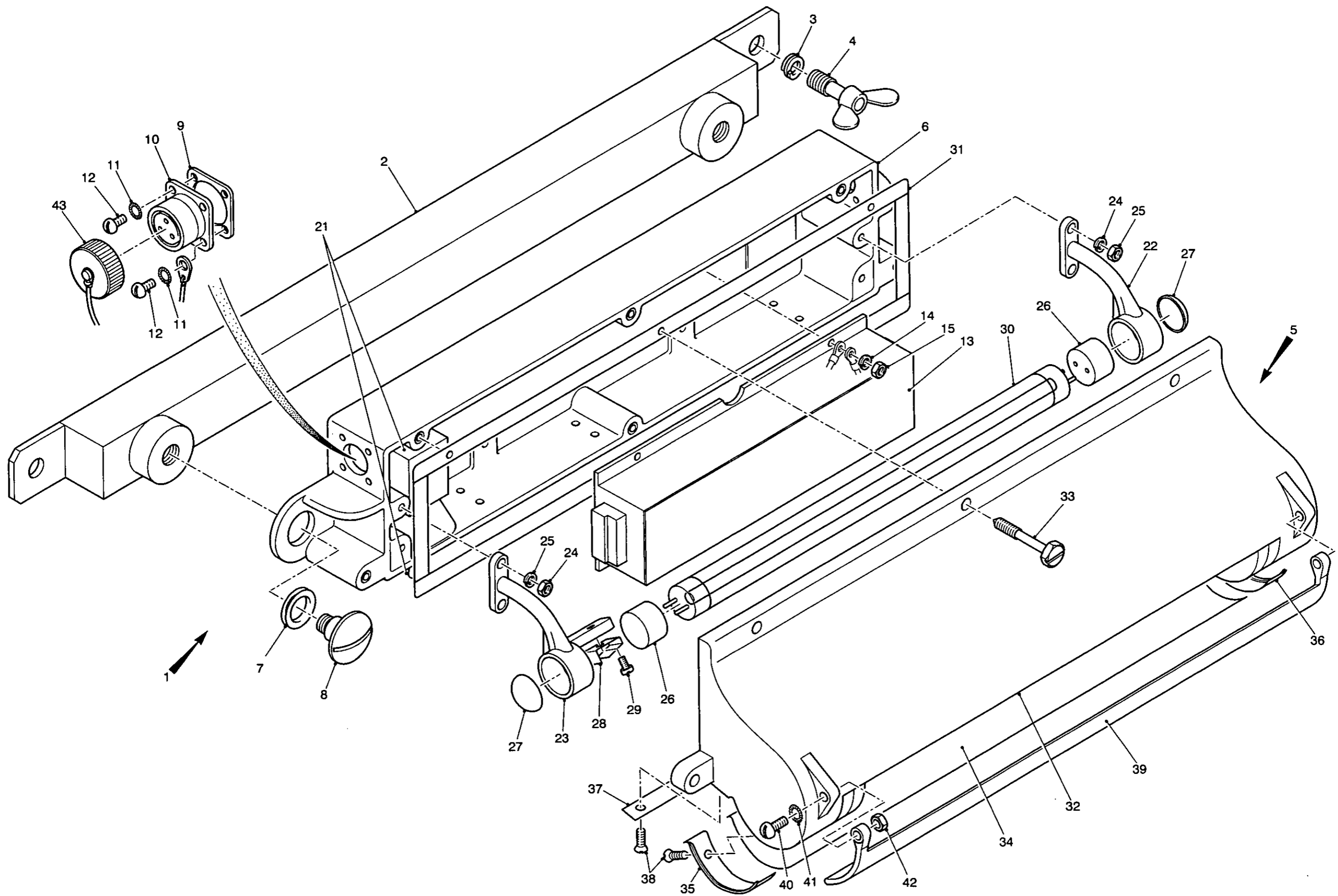


Fig 36 Bench light general arrangement

430/70221

Fig Item	Man Code Navy - N Army - A RAF - R	NATO Stock No	Item Name and Description	Part No/ Drawing No.	No. Off	Annotations
36-			ELECTRICAL EQUIPMENT GA - contd . MISCELLANEOUS ELECTRICAL EQUIPMENT - contd . . . BENCH LIGHT GENERAL ARRANGEMENT - contd LIGHT PANEL - contd			
24	A G1	5310-99-100-9786 WASHER, LOCK, steel, Cd plated, flat int teeth, 2BA bolt size, 25/64in. od, 0.021in. thk	1210	4	
25	A G1	5310-99-941-7070 NUT, PLAIN, HEXAGON, 2BA rh thd, steel, Cd plated, 21/64in. w A/F, 11/64in. h, chamfered		4	
26	A X1	6250-17-023-6795 LAMP HOLDER	61495-02	2	
27	A Y3	5975-99-105-3592 CAP, ELECTRICAL, PVC, friction mtd, 0.656in. dia, 7/8in. lg	HV2286	2	
28	A 46MT3	6210-99-201-4897 CONTACT, ELECTRICAL, phosphor bronze, earthing	12253	1	
29	A G1	5305-99-100-6166 SCREW, MACHINE, 6BA x 1/4in. lg, steel, Cd plated, flat fillister slotted hd		1	
30	A X5	6240-12-140-4715 LAMP, FLUORESCENT, 302.4mm lg, 15mm dia, 450 lumens white, preheat, 8W, miniature bi-pin base	TL8W/33	1	
31	A X2	5330-99-111-8329 GASKET, syn rubber PVC backed, rect shape w/rect aperture, 2-3/8in. aperture w, 12-7/8in. aperture lg, 5/16in. bearing surface, 2mm thk, 3 bolt holes	FV622215	1	
32		NP COVER, LAMP	FV622210	1	
33	A 6TM4	5305-99-114-3548 SCREW, EXTERNALLY RELIEVED BODY, 2BA, 7/16in. thd lg, 1-1/6in. fastener lg, steel, Cd plated, hex hd, slot drive, 90 deg cone point at thd end	FV622217	5	
34	A 46MT3	6210-99-201-4917 LENS, LIGHT, plastics, transparent, 2in. w, 10-15/16in. lg	FV622212	1	
35	A 46MT3	5340-99-201-4888 CLAMP, RIM CLENCHING, LH	12287	1	
36	A 46MT3	5340-99-201-4889 CLAMP, RIM, CLENCHING, RH	12247	1	
37		NP BAR, LENS	FV827906	1	
38		NP SCREW, MACHINE, Al alloy, 4BA x 1/4in. lg, flat slotted csk hd		9	
39	A 46MT3	6220-99-813-3981 SHIELD, LAMP, Al, anodized, di- chromate sealed, 12-1/2in. lg	FV622211	1	
40		NP SCREW, MACHINE, 2BA x 7/8in. lf, steel, Cd plated, slotted rd hd		2	
41		NP WAVY WASHER, 2BA		4	
42		NP NUT, STIFF, HEXAGON, 2BA, steel, thin		2	
43	A Z32	5935-99-785-2485	. . . COVER, ELECTRICAL, CONNECTOR, w/cord and retaining ring	SB-10SL-PC	1	

4. ~~UNRECORDED~~

1001.00 ~~UNRECORDED~~

Chapter 2-7-1
PARTS LIST
VEHICLE HARNESES

Fig Item	Man Code Navy - N Army - A RAF - R	NATO Stock No	Item Name and Description	Part No/ Drawing No.	No. Off	Annotations	
1		NP	. VEHICLE HARNESSSES	FV611795	REF		
2		NP	. WIRING HARNESS, PPJ FW TO HULL FW JUNCTION	FV605455/1	1		
3	A	46MT4	5935-99-972-5773	. WIRING HARNESS, 2 conductors, connector skt both ends, 7ft lg, PPJ FW TO LB FW JUNCTION	FV605455/2	1	
4	A	6MT4	5935-99-804-4602	. CONNECTOR, FREE, ELECTRICAL, straight shape, thd w/back shell, 2in. lg, 31/32in. dia, one mating end, 2 contacts, plastic insert, steel, Cd plated shell, in thd coupling nut	CA3106KE 10SL4S	2	
5		NP	. NUT, BUSHING RETAINER, ELECTRICAL PLUG-SOCKET, Al, Cd plated, 3/8in. id, 13/16in. lg	FV585105	2		
6		NP	. WIRING HARNESS, 7 conductors, 9ft 11in. lg, PPJ ALTERNATOR FRONT TO DLB13	FV605338/4	1		
7	A	6MT4	2590-99-804-4651	. WIRING HARNESS, 7 conductors, 10ft 4in. lg, PPJ ALTERNATOR REAR TO DLB14	FV605338/5	1	
8		NP	. WIRING HARNESS, BRANCHED, PPJ ENGINE SERVICES TO No.1 CONNECTOR JUNCTION, DLB21 AND No.2 INSTALLATION PANEL	FV605502-1	1		
9		NP	. WIRING HARNESS, PP JUNCTION AC3 TO DLB15	FV166372/ 60T	1	} See items 11 to 13	
10		NP	. WIRING HARNESS, PP JUNCTION AC2 TO DLB16	FV166372/ 61T	1		
11	A	6MT4	5935-99-805-0010	. WIRING HARNESS, PP JUNCTION AC1 TO DLB17	FV166372/ 62T		1
12	A	6MT4	5935-99-805-0018	. SOCKET, HEAVY DUTY, steel, silver and Cd plated, 3.625in. lg	QRA57	1	
13	A	6MT4	5975-99-805-2204	. CONTACT, ELECTRICAL, br, 1-7/8in. lg, 3/4in. od, quick release terminal	QRD1002	1	
14	A	6MT4	6150-99-461-9129	. CABLE NIPPLE, ELECTRICAL	QRD1005	1	} See items 16 to 18
15		NP	. CABLE ASSEMBLY, POWER, ELECTRICAL, skt assy 1st end, plug 2nd end, 10ft 3in lg, PP JUNCTION DC +VE TO DLB19	FV166403/37	1		
16	A	6MT4	5935-99-805-0011	. CABLE ASSEMBLY, POWER, ELECTRICAL, DLB11 TO DB 1	FV166403/26	1	
17	A	6MT4	5935-99-805-0027	. SOCKET, HEAVY DUTY, steel, silver and Cd plated, 3.625in. lg	QRA58	1	
18	A	6MT4	5975-99-805-0028	. CONTACT, ELECTRICAL, br, 280A, 7/8in. od, quick release terminal	QRD1014	1	
19	A	6MT4	2590-99-978-0899	. CABLE NIPPLE, ELECTRICAL	QRD1015	1	
20		NP	. WIRING HARNESS, 115in. lg, PP JUNCTION DC -VE TO DLB20	FV166421/ 2T	1		
21	A	6MT4	5935-99-805-0027	. SOCKET, HEAVY DUTY	FV564810	1	
22	A	6MT4	5975-99-805-0028	. CONTACT, ELECTRICAL, br, 280A, 7/8in. od, quick release terminal	QRD1014	1	
			. CABLE, NIPPLE, ELECTRICAL	QRD1015	1		

Fig Item	Man Code Navy - N Army - A RAF - R	NATO Stock No	Item Name and Description	Part No/ Drawing No.	No. Off	Annotations
			VEHICLE HARNESSSES - contd			
23	A 6MT4	2590-99-978-0907	WIRING HARNESS, 12 conductors, 4ft 7in. lg, RH ARMoured OUTLET TO No.1 CONNECTOR JUNCTION	FV166208/2N	1	
24	A Z37	5940-99-943-8569	TERMINAL LUG, 3/16in.		1	
25	A 6MT4	5935-99-805-3201	CONE, SEALING, w/13 holes	FVS6-77-1	2	
26	A 6MT4	5365-99-804-1057	SPACER, RING, br, Zn plated, 3/4in. id, 63/64in. od, 1/16in. thk	FVS6-39-6	1	
27	A 6MT4	5975-99-804-1058	NUT, COUPLING, ELECTRICAL, CONDUIT, br, tin plated, 0.456in. lg, 1.19in. od, 0.875in. id seat end, 1-1/16in. -20 thd knurled drive	FVS6-38-6	1	
28	A 6MT4	5935-99-805-2902	PLUG, TIP, free, single pole, 24V, male shell	861122	12	
29	A 6MT4	2590-99-499-9311	WIRING HARNESS, 12ft 3in. lg, LH ARMoured OUTLET TO LB GLAND AND No.1 CONNECTOR JUNCTION	FV6054777	1	
30	A Z37	5940-99-943-8569	TERMINAL LUG, 3/16in.		1	
31	A 6MT4	5935-99-805-3201	CONE, SEALING, w/13 holes	FVS6-77-1	2	
32	A 6MT4	5365-99-804-1057	SPACER, RING, br, Zn plated, 3/4in. id, 63/64in. od, 1/16in. thk	FVS6-39-6	1	
33	A 6MT4	5975-99-804-1058	NUT, COUPLING, ELECTRICAL, CONDUIT, br, tin plated, 0.456in. lg, 1.19in. od, 0.875in. id seat end, 1-1/16in. -20 thd knurled drive	FVS6-38-6	1	
34	A 6MT4	5935-99-805-2902	PLUG, TIP, free, single pole, 24V, male shell	861122	11	
35		NP	WIRING HARNESS, LH SMOKE DISCHARGER TO LH TERMINAL BOX	FV604654/3	1	See items 37 and 38
36	A 6MT4	2590-99-978-0906	WIRING HARNESS, 2ft 11in. lg, RH SMOKE DISCHARGER TO RH TERMINAL BOX	FV604654/4	1	
37	A Z37	5940-99-943-8569	TERMINAL LUG, 3/16in.		1	
38	A 46MT4	5935-99-881-9034	CONNECTOR, FREE, ELECTRICAL, 5MS, Al, free female shell, 3 poles	FV585039	1	
39		NP	WIRING HARNESS, HORN TO EARTH	FV166011/72	1	
40	A Z37	5940-99-943-8569	TERMINAL LUG, 3/16in.		1	
41		NP	WIRING HARNESS, No.1 CONNECTOR JUNCTION TO EXTERNAL LIGHTING SWITCH BOARD	FV582580/2	1	
42	A 6MT4	5935-99-804-4609	CONNECTOR, FREE, ELECTRICAL, straight, thd, 2.083in. lg, 1.594in. dia, single mating end, 14 contacts, Al, Cd plated, olive drab shell, thd coupling nut, compression nut	FV585060	1	
43	A 6MT4	5940-99-804-8138	PLUG, PROTECTIVE, DUST AND MOISTURE SEAL, nylon, blue, 7/64in. dia, 11/16in. lg	A10-101033-1	5	
44	A 6MT4	5935-99-805-2902	PLUG, TIP, free, single pole, 24V, male shell	861122	9	
45		NP	WIRING HARNESS, STOP SWITCH TO No.1 CONNECTOR JUNCTION	FV166764/2	1	
46	A 6MT4	5935-99-805-2902	PLUG, TIP, free, single pole, 24V, male shell	861122	2	
47	A 46MT4	5940-99-805-0893	TERMINAL LUG, 4BA, br, tinned, 55/64in. lg, 5/16in. w, 5/32in. h, 12 SWG conductor, soldered connection	FVS9-2-2	4	

Fig Item	Man Code Navy - N Army - A RAF - R	NATO Stock No	Item Name and Description	Part No/ Drawing No.	No. Off	Annotations
			. VEHICLE HARNESSSES - contd			
48		NP	. WIRING HARNESS, TURNLIGHT SWITCH BOARD TO No.1 CONNECTOR JUNCTION	FV582510/3	1	
49	A	6MT4	5935-99-802-6374 . . CONNECTOR, FREE, ELECTRICAL, straight, thd, w/clamp, 1.344in. dia, 2.688in. lg, single mating end, 10 contacts, Al alloy	FV585054	1	
50	A	6MT4	5940-99-804-8138 . . PLUG, PROTECTIVE, DUST AND MOISTURE SEAL, nylon, blue, 7/64in. dia, 11/16in. lg	A10-101033-1	3	
51	A	6MT4	5935-99-805-2902 . . PLUG, TIP, free, single pole, 24V, male shell	861122	7	
52	A	6MT4	6150-99-978-1721 . WIRING HARNESS, 100in. lg, w/10 way connector one end and 9 terminals other end, DIP SWITCH TO No.1 CONNECTOR JUNCTION	FV582511/1	1	
53	A	6MT4	5935-99-802-6374 . . CONNECTOR, FREE, ELECTRICAL, straight, thd, w/clamp, 1.344in. dia, 2.688in. lg, single mating end, 10 contacts, Al alloy	FV585054	1	
54	A	46MT4	5340-99-972-5754 . . PLUG, PROTECTIVE, DUST AND MOISTURE	10-101033-12	1	
55	A	6MT4	5935-99-805-2902 . . PLUG, TIP, free, single pole, 24V, male shell	861122	9	
56	A	6MT4	6150-99-881-9482 . CABLE, ASSEMBLY, POWER, ELECTRICAL, single conductor, plug 1st end, lug 2nd end, 12in. lg, DLB26 TO EARTH	FV166404/3	1	
57	A	6MT4	5935-99-805-0027 . . CONTACT, ELECTRICAL, br, 280A, 7/8in. od, quick release terminal	QRD1014	1	
58	A	6MT4	5975-99-805-0028 . . CABLE NIPPLE, ELECTRICAL	QRD1015	1	
59	A	6MT4	5940-99-881-9426 . . TERMINAL, LUG, 2-7/8in. lg, 1-3/8in. w, 1/4in. thk	FVS9-3-1	1	
60	A	6MT4	6150-99-813-9705 . WIRING HARNESS, 9 conductors, plug 1st end, skt 2nd end, 1ft 7-1/2in. lg, DLB1 to DLB2	FV582781-1	1	
61	A	6MT4	5935-99-804-4612 . . PLUG, ELECTRICAL, single mating end, 23 contacts, 2.26in. lg, 2.219in. dia, 2in. -20 thd	FV585075	1	
62	A	6MT4	5935-99-804-4613 . . SOCKET, ELECTRICAL, single mating end, 23 contacts, 2.26in. lg, 2.219in. dia, 2in. -18 thd	FV585076	1	
63	A	6MT4	5935-99-940-3775 . . PLUG, END SEAL, ELECTRICAL CONNECTOR, PTFE, non-conductive, 3/16in. body dia, 5/16in. hd dia, 15/32in. lg	05-3375-8	2	
64		NP	. WIRING HARNESS, GEAR CHANGE SW JUNCTION TO No.1 CONNECTOR JUNCTION	FV582361/3	1	
65	A	6MT4	5935-99-800-9967 . . CONNECTOR, FIXED, ELECTRICAL, straight, thd, 1.186in. sq, 1.04in. lg, single mating end, 4 contacts, 22A, Al alloy	FV585004	1	
66	A	6MT4	5935-99-805-2902 . . PLUG, TIP, free, single pole, 24V, male shell	861122	4	
67	A	9CVT	5325-99-825-4952 . . GROMMET	FV585079	2	
68	A	6MT4	5935-99-804-4616 . . FOLLOWER, RING, GROMMET	FV585098	1	
69	A	6MT4	5935-99-804-4617 . NUT, BUSHING RETAINER, ELECTRICAL PLUG-SOCKET, Al, Cd plated, 3/4in. -20 thd, 13/16in. h	FV585106	1	

Fig Item	Man Code Navy - N Army - A RAF - R	NATO Stock No	Item Name and Description	Part No/ Drawing No.	No. Off	Annotations
			. VEHICLE HARNESSSES - contd			
70	A	6MT4	6150-99-813-9712 . WIRING HARNESS, 2 conductors, skt 1st end, nipple connectors 2nd end, 3ft lg, HORN PUSH SWITCH TO No.1 CONNECTOR JUNCTION	FV582311-SN	1	
71	A	46MT4	5935-99-881-9034 . . CONNECTOR, FREE, ELECTRICAL, 5MS, Al, free female shell size 10SL, 3 poles	FV585039	1	
72	A	6MT4	5940-99-804-8138 . . PLUG, PROTECTIVE, DUST AND MOISTURE SEAL, nylon, blue, 7/64in. dia, 11/16in. lg	A10-101033-1	1	
73	A	6MT4	5935-99-805-2902 . . PLUG, TIP, free, single pole, 24V, male shell	861122	2	
74	A	6MT4	6150-99-813-9706 . WIRING HARNESS, 22 conductors, plug 1st end, skt 2nd end, 1ft 9in. lg, DLB7 TO REGULATOR: FRONT	FV585702-1	1	See items 76 and 77
75		NP	. WIRING HARNESS, DLB8 TO REGULATOR: REAR	FV585702-5	1	
76	A	6MT4	5935-99-804-4618 . . CONNECTOR, FREE, ELECTRICAL, straight, thd, w/clamp, 1.969in. dia, 3.03in. lg, single mating end, 22 contacts, Al alloy	FV585070	1	
77	A	6MT4	5935-99-804-5355 . . CONNECTOR, FREE, ELECTRICAL, straight, thd, w/clamp, 1.969in. dia, 3.03in. lg, single mating end, 22 contacts, Al alloy	FV585069	1	
78	A	9ACR	2590-99-825-7621 . WIRING HARNESS, GEAR CHANGE SW JUNCTION TO GEAR CHANGE SWITCH	FV604835-4M	1	
79	A	6MT	5935-99-881-9033 . . CONNECTOR, FREE, ELECTRICAL, straight, thd, w/clamp, 1.156in. dia, 2.25in. lg, single mating end, 4 contacts, 22A, Al alloy	FV585041	1	
80	A	6MT4	5975-99-805-3046 . . ELBOW ASSEMBLY, 90 deg	FV(S)6/55/3	1	
81	A	6MT4	5340-99-881-2217 . . SEALING, CONE, neoprane, 19/32in. dia, 7/16in. lg, w/4 holes 7/64in. dia	FV(S)6-83-1	1	
82	A	6MT4	5940-99-805-1220 . . TERMINAL, LUG, 47/64in. lg, 1/4in. w, 14 SWG, Cu or br, tinned	FVS9-2-1	4	
83	A	9ACR	2590-99-775-5818 . CABLE, HARNESS, DLB EARTH TO EARTH	FV166722/4	1	See items 85 and 86
84	A	9ACR	6150-99-796-0372 . LEAD, ELECTRICAL, 256 strands, 0.012in. dia, terminal w/mtg hole both ends, 5in. lg, RDP EARTH TO RDP NEG	FV166722-5	1	
85	A	6MT4	5940-99-802-2080 . . TERMINAL, LUG, 1-3/16in. lg, 5/8in. w, 3/64in. thk, ring mtg, Cu or br, tinned	FVS9-5-3	1	
86	A	9ACR	5940-99-805-0763 . . TERMINAL, 3/8in.		1	
87	A	6MT4	6140-99-881-3688 . LEAD, STORAGE BATTERY, battery terminals both ends, 16in. lg, BATTERY +VE TO BATTERY -VE	FV167663-1	1	
88	A	6MT4	5940-99-193-6329 . . TERMINAL, LUG, battery post, 1-15/16in. lg, 1-1/2in. w, post clamp mtg, Cu alloy, lead coated		1	
89	A	6MT4	5940-99-193-6330 . . TERMINAL, LUG, battery post, 105/16in. lg, 1-1/4in. w, post clamp mtg, br mtg		1	
90	A	6MT4	5975-99-881-3630 . . CABLE NIPPLE, ELECTRICAL, black, PVC	54947804	2	
91	A	46MT4	5306-99-805-0896 . . BOLT, MACHINE, br, 5/16in. -18 BSW, 1-1/4in. lg, sq hd, lead coated	54102296	2	
92	A	6MT4	5310-99-805-0900 . . NUT, PLAIN, HEXAGON, 5/15in. -18 BSW, br, lead coated, chamfered, 0.52in. w AVF, 0.25in. h	54131140	2	

Fig Item	Man Code Navy - N Army - A RAF - R	NATO Stock No	Item Name and Description	Part No/ Drawing No.	No. Off	Annotations
			VEHICLE HARNESSSES - contd			
93	A 6MT4	6140-99-881-9429	LEAD, STORAGE, BATTERY, battery terminal 1st end, terminal lugs 2nd end, 18in. lg, B2 -VE TO EARTH	FV167665-3	1	
94	A 6MT4	5940-99-881-5984	TERMINAL, LUG, battery post, 2in. lg, 1-1/4in. w, post clamp, br, lead coated	59434364	1	
95	A 46MT4	5306-99-805-0896	BOLT, MACHINE, br, 5/16in. -18 BSW, 1-1/4in. lg, sq hd, lead coated	54102296	1	
96	A 6MT4	5310-99-805-0900	NUT, PLAIN, HEXAGON, 5/15in. -18 BSW, br, lead coated, chamfered, 0.52in. w A/F, 0.25in. h	54131140	1	
97	A 6MT4	5940-99-881-6012	TERMINAL, LUG, Cu, 3/8in. stud size, 2.375in. lg	FVS9-3-2	1	
98		NP	LEAD, STORAGE BATTERY, B1 -VE TO EARTH	FV167701/1	1	
99	A 6MT4	5940-99-881-6458	TERMINAL, LUG, battery post, 1-31/32in. lg, 1-1/4in. w, post clamp, Cu alloy, lead coated	FV546755	1	
100	A 6MT4	5365-99-881-9407	BUSHING, NON-METALLIC, syn rubber, 5/8in. id, 3/4in. od, 1-1/2in. lg	FV562070	1	
101	A 6MT4	5940-99-881-9426	TERMINAL LUG, 2-7/8in. lg, 1-3/8in. w, 1/4in. thk	FVS9-3-1	1	
102		NP	WIRING HARNESS, FILTER UNIT TO DRIVERS HOOD WIPER	FV604834/3	1	
103	A 6MT4	5935-99-881-9023	PLUG, ELECTRICAL, Al alloy, free, female shell size 14S, 2 pole	FV585047	1	
104	A 6MT4	5325-99-804-4620	GROMMET, RUBBER, 1/2in. od, 15/32in. h	FV585082	1	
105	A 6MT4	2590-99-809-9546	CABLE ASSEMBLY, POWER, ELECTRICAL, skt 1st end, plug 2nd end, 26in. lg, DPW TO FILTER UNIT	FV604748-1	1	
106	A 46MT4	5935-99-881-9034	CONNECTOR, FREE, ELECTRICAL, Al, free, female shell size 10SL, 3 poles	FV585039	1	
107	A 6MT4	5935-99-881-9023	PLUG, ELECTRICAL, Al, free, female shell size 14S, 2 pole	FV585047	1	
108	A 6MT4	5935-99-804-4625	CAP-PLUG, PROTECTIVE, DUST AND MOISTURE SEAL, nylon cylindrical, 0.11in. od, 0.41in. lg, w/o.14in. dia flange one end	FV612065	1	
109	A 6MT4	5325-99-804-4604	GROMMET, RUBBER	FV585077	1	
110	A 6MT4	5325-99-804-4620	GROMMET, RUBBER, 1/2in. od, 15/32in. h	FV585082	1	
111		NP	WIRING HARNESS, SWITCH UNIT, No.1 TO FILTER UNIT	FV582428/2	1	
112	A 6MT4	5935-99-881-9023	PLUG, ELECTRICAL, Al, free, female shell size 14S, 2 pole	FV585047	1	
113	A 6MT4	5935-99-881-9024	CONNECTOR, FREE, ELECTRICAL, straight, thd, w/clamp, 1.156in. dia, 2.25in. lg, single mating end, 2 contacts, 22A, Al alloy	FV585048	1	
114		NP	WIRING HARNESS, EARTH WIPER MOTOR TO EARTH	FV167854/1		
115		NP	TERMINAL, LUG, 2BA	187017	1	
116	A 6MT4	5940-99-802-3645	TERMINAL, LUG, 7/8in. lg, 3/8in. w, 1/64in. thk, ring mtg, br	187736	1	
117		NP	WIRING HARNESS, RH REAR LIGHT TO No.2 CONNECTOR JUNCTION	FV605490/1	1	
118	A 6MT4	5935-99-805-2902	PLUG, TIP, free, single pole, 24V male shell	861122	5	
119		NP	WIRING HARNESS, LH, REAR LIGHTS TO REAR SWITCH UNIT	FV605491/1	1	
120	A 6MT4	5935-99-805-2902	PLUG, TIP, free, single pole, 24V male shell	861122	5	

Fig Item	Man Code Navy - N Army - A RAF - R	NATO Stock No	Item Name and Description	Part No/ Drawing No.	No. Off	Annotations
			VEHICLE HARNESSSES - contd			
121		NP	WIRING HARNESS, NUMBER PLATE LIGHT TO REAR SWITCH UNIT	FV605493/1	1	
122	A 6MT4	5935-99-805-2902	PLUG, TIP, FREE, single pole, 24V, male shell	861122	2	
123	A 6MT4	6150-99-804-4647	WIRING HARNESS, BRANCHED, 3 ends, enclosed in conduit, 4ft 8-1/4in. lg, REAR SWITCH UNIT TO CONVOY AND REAR LOCKER LIGHT	FV605494/IN	1	
124		NP	WIRING HARNESS, No.1 CONNECTOR JUNCTION TO No.2 CONNECTOR JUNCTION	FV605495/2	1	
125	A 6MT4	5935-99-805-2902	PLUG, TIP, FREE, single pole, 24V, male shell	861122	26	
126		NP	WIRING HARNESS, EXTERNAL LIGHTING SOCKET TO REAR SWITCH UNIT JUNCTION	FV582365/1	1	
127		NP	WIRING HARNESS, FUEL GAUGE TO FUEL TANK JUNCTION	FV582497/1	1	
128	A 6MT4	5935-99-802-7959	CONNECTOR, FREE, ELECTRICAL, straight, thd, w/clamp, 1.25in. dia, 2.25in. lg, single mating end, 7 contacts, 22A, Al alloy	FV585051	1	
129	A 46MT4	5935-99-881-9034	CONNECTOR, FREE, ELECTRICAL, Al, free, female shell size 10SL, 3 pole	FV585039	1	
130	A 46MT4	5940-99-805-0893	TERMINAL, LUG, 4BA, br, tinned, 55/64in. lg, 5/16in. w, 5/32in. h	187010	5	
131		NP	WIRING HARNESS, INSTRUMENT PANEL No.3 TO DLB23 AND FUEL TANK JUNCTION	FV582498/1	1	
132	A 6MT4	5935-99-802-7959	CONNECTOR, FREE, ELECTRICAL, straight, thd, w/clamp, 1.25in. dia, 2.25in. lg, single mating end, 7 contacts, 22A, Al alloy	FV585051	1	
133	A 6MT4	5935-99-804-4625	CAP, PLUG, PROTECTIVE, DUST AND MOISTURE SEAL, nylon, cylindrical, 0.11in. od, 0.41in. lg, w/0.14in. dia flange at one end	FV612065	3	
134	A 46MT4	5935-99-881-9034	CONNECTOR, FREE, ELECTRICAL, Al, free, female shell size 10SL, 3 poles	FV585039	1	
135	A 6MT4	5935-99-999-6367	CONNECTOR, FREE, ELECTRICAL, Al, free, male shell size 16S, 7 pole	FV585052	1	
136		NP	WIRING HARNESS, 12 PIN TRAILER SOCKET TO REAR SWITCH UNIT JUNCTION	FV324225/2	1	
137	A 9ACR	2920-99-978-3120	HARNESS, ELECTRICAL, REAR SWITCH UNIT LIGHTING No.2 TO No.2 CONNECTOR JUNCTION	FV605496/1	1	
138	A 6MT4	5935-99-805-2902	PLUG, TIP, FREE, single pole, 24V, male shell	861122	14	
139			WIRING HARNESS, REAR SWITCH UNIT LIGHTING No.1 TO No.2 CONNECTOR JUNCTION	FV605497/1	1	
140	A 6MT4	5935-99-805-2902	PLUG, TIP, FREE, single pole, 24V, male shell	861122	14	

Fig Item	Man Code Navy - N Army - A RAF - R	NATO Stock No	Item Name and Description	Part No/ Drawing No.	No. Off	Annotations
			. VEHICLE HARNESSSES - contd			
141		NP	. WIRING HARNESS, AJB5 TO CREW LIGHT No. 3	FV582414/1	1	
142	A 6MT4	5935-99-802-2367	. . CONNECTOR, FREE, ELECTRICAL, straight, thd, w/clamp, 1.156in. dia, 2.25in. lg, single mating end, 3 contacts, 22A, Al alloy	FV585046	1	
143	A 6MT4	5935-99-804-4625	. . CAP-PLUG, PROTECTIVE, DUST AND MOISTURE SEAL, nylon, cylindrical, 0.11in. od, 0.41in. lg, w/0.14in. dia flange at one end	FV612065	1	
144		NP	. WIRING HARNESS, AJB2 TO No.3 CONNECTOR JUNCTION	FV582417/1	1	
145	A 6MT4	5935-99-802-2367	. . CONNECTOR, FREE, ELECTRICAL, straight, thd, w/clamp, 1.156in. dia, 2.25in. lg, single mating end, 3 contacts, 22A, Al alloy	FV585046	1	
146	A 6MT4	5935-99-804-4625	. . CAP-PLUG, PROTECTIVE, DUST AND MOISTURE SEAL, nylon, cylindrical, 0.11in. od, 0.41in. lg, w/0.14in. dia flange at one end	FV612065	1	
147	A 6MT4	5935-99-805-2902	. . PLUG, TIP, FREE, single pole, 24V, male shell	861122	2	
148		NP	. WIRING HARNESS, LIGHTING JUNCTION TO No.3 CONNECTOR JUNCTION	FV582366/1	1	
149	A 6MT4	5935-99-800-9967	. . CONNECTOR, FIXED, ELECTRICAL, straight, thd, 1.186in. sq, 1.04in. lg, single mating end, 4 contacts Al alloy	FV585004	2	
150	A 9CVT	5325-99-825-4952	. . GROMMET	FV585079	2	
151	A 6MT4	5935-99-804-4616	. . FOLLOWER, RING, GROMMET	FV585098	2	
152	A 6MT4	5935-99-804-4617	. . NUT, BUSHING RETAINER, ELECTRICAL PLUG-SOCKET, Al, Cd plated, 3/4in. -20, 13/16in. h	FV585106	2	
153	A 6MT4	5935-99-804-4625	. . CAP-PLUG, PROTECTIVE, DUST AND MOISTURE SEAL, nylon, cylindrical, 0.11in. od, 0.41in. lg, w/0.14in. dia flange at one end	FV612065	4	
154	A 6MT4	5935-99-805-2902	. . PLUG, TIP, FREE, single pole, 24V, male shell	861122	4	
155		NP	. WIRING HARNESS, BENCH LIGHT JUNCTION TO No.2 CONNECTOR JUNCTION	FV605498/1	1	
156	A 6MT4	5935-99-800-9967	. . CONNECTOR, FIXED, ELECTRICAL, straight, thd 1.186in. sq, 1.04in. lg, single mating end, 4 contacts, Al alloy	FV585004	1	
157	A 9CVT	5325-99-825-4952	. . GROMMET	FV585079	1	
158	A 6MT4	5935-99-804-4616	. . FOLLOWER, RING, GROMMET	FV585098	1	
159	A 6MT4	5935-99-804-4617	. . NUT, BUSHING RETAINER, ELECTRICAL PLUG-SOCKET, Al, Cd plated, 3/4in. -20, 13/16in. h	FV585106	1	
160	A 6MT4	5935-99-804-4625	. . CAP-PLUG, PROTECTIVE, DUST AND MOISTURE SEAL, nylon, cylindrical, 0.11in. od, 0.41in. lg, w/0.14in. dia flange at one end	FV612065	1	
161	A 6MT4	5935-99-805-2902	. . PLUG, TIP, FREE, single pole, 24V, male shell	861122	2	

Fig Item	Man Code Navy - N Army - A RAF - R	NATO Stock No	Item Name and Description	Part No/ Drawing No.	No. Off	Annotations
			. VEHICLE HARNESSSES - contd			
162		NP	. WIRING HARNESS, AJB6 TO ROOF LIGHT No.4, COMMANDERS LIGHT No.2 AND DRIVERS LIGHT No.1	FV582411/2	1	
163	A	6MT4 5935-99-881-9002	. . CONNECTOR, FREE, ELECTRICAL, straight, thd, w/clamp, 1.56in. dia, 2.25in. lg, single mating end, 3 contacts, 22A, Al alloy	FV585045	1	
164	A	6MT4 5340-99-804-8138	. . PLUG, PROTECTIVE, DUST AND MOISTURE SEAL, nylon, blue, 7/64in. dia shank, 11/16in. lg	A10-101033-1	1	
165		NP	. WIRING HARNESS, DP 10 TO AJB3	FV582353/5	1	
166	A	6MT4 5935-99-881-9033	. . CONNECTOR, FREE, ELECTRICAL, straight, thd, w/clamp, 1.156in. dia, 2.25in. lg, single mating end, 4 contacts, 22A, Al alloy	FV585041	1	
167	A	6MT4 5935-99-947-0244	. . CONNECTOR, FREE, ELECTRICAL, straight, thd, 1.156in. dia, 1.9in. lg, single mating end, 4 contacts, 22A, Al alloy	FV585042	1	
168		NP	. WIRING HARNESS, No.1 CONNECTOR JUNCTION TO SMOKE DISCHARGER JUNCTION BOX 2 AND 3	FV582312/5	1	
169	A	46MT4 5935-99-881-9034	. . CONNECTOR, FREE, ELECTRICAL, Al, free, female shell size 10SL, 3 contacts	FV585039	1	
170	A	6MT4 5935-99-805-2902	. . PLUG, TIP, FREE, single pole, 24V, male shell	861122	2	
171	A	6MT4 5340-99-804-8138	. . PLUG, PROTECTIVE, DUST AND MOISTURE SEAL, nylon, blue, 7/64in. dia shank, 11/16in. lg	A10-101033-1	4	
172		NP	. WIRING HARNESS, DP 3 TO INSTRUMENT PANEL No.1	FV582478/1	1	
173	A	6MT4 5935-99-802-7959	. . CONNECTOR, FREE, ELECTRICAL, straight, thd, w/clamp, 1.25in. dia, 2.25in. lg, single mating end, 7 contacts, 22A, Al alloy	FV585051	1	
174	A	6MT4 5935-99-999-6367	. . CONNECTOR, FREE, ELECTRICAL, Al, free, male shell size 16S, 7 contacts	FV585052	1	
175		NP	. WIRING HARNESS, DP 6 TO No.1 CONNECTOR JUNCTION	FV582357/9	1	See items 177 and 178
176		NP	. WIRING HARNESS, DP 17 TO No. 1 CONNECTOR JUNCTION	FV582357/10	1	
177	A	6MT4 5935-99-881-9033	. . CONNECTOR, FREE, ELECTRICAL, straight, thd, w/clamp, 1.156in. dia, 2.25in. lg, single mating end, 4 contacts, 22A, Al alloy	FV585041	1	
178	A	6MT4 5935-99-805-2902	. . PLUG, TIP, FREE, single pole, 24V, male shell	861122	4	
179		NP	. WIRING HARNESS, DP 4 TO DRIVERS SWITCHBOARD AND No.1 CONNECTOR JUNCTION	FV582584/1	1	
180	A	6MT4 5935-99-804-4622	. . CONNECTOR, FREE, ELECTRICAL, straight, thd, w/clamp, 1.594in. dia, 2.75in. lg, single mating end, 14 contacts, 22A, Al alloy	FV585059	2	
181	A	6MT4 5935-99-804-4625	. . CAP-PLUG, PROTECTIVE, DUST AND MOISTURE SEAL, nylon, cylindrical, 0.11in. od, 0.41in. lg, w/0.14in. dia flange at one end	FV612065	7	

Fig Item	Man Code Navy - N Army - A RAF - R	NATO Stock No	Item Name and Description	Part No/ Drawing No.	No. Off	Annotations
			. VEHICLE HARNESSSES - contd			
182		NP	. WIRING HARNESS, JW5 TO L/B FIREWIRE JUNCTION	FV582326/4	1	See item 184
183		NP	. WIRING HARNESS, RDP9 TO DP 9	FV582326/6	1	
184	A 6MT4	5935-99-802-7958	. . CONNECTOR, FREE, ELECTRICAL, straight, 1-43/64in. lg, 31/32in. dia, single mating end, 2 contacts, int thd coupling nut	FV585040	2	
185		NP	. WIRING HARNESS, DP7 TO JW1	FV582405/4	1	
186	A 6MT4	5935-99-802-2367	. . CONNECTOR, FREE, ELECTRICAL, straight, thd, w/clamp, 1.156in. dia, 2.25in. lg, single mating end, 3 contacts, 22A, Al alloy	FV585046	1	
187	A 46MT4	5935-99-881-9034	. . CONNECTOR, FREE, ELECTRICAL, Al, free, female shell size 10SL, 3 contacts	FV585039	1	
188		NP	. WIRING HARNESS, JW 6 TO IJB 3	FV324242/2	1	
189	A 6MT4	5935-99-972-9530	. . SOCKET, ELECTRICAL, 1.02in. lg, 1.25in. dia, single mating end, 6 contacts	2CZ138074	1	
190	A Z32	5935-99-943-5878	. . MAINTENANCE KIT, ELECTRICAL CONNECTOR, Cu alloy, comprising 90 deg outlet and union nut	CZ63041	2	
191	A Z2	5365-99-097-0108	. . BUSHING, RUBBER, syn, 0.28in. id, 0.375in. body dia, 0.535in. flange dia	Z62235	2	
192	A Y1	5365-99-097-0096	. . SPACER, RING, Cu alloy, 0.54in. od, 0.445in. id, 0.0148in. thk	CCB1189-2	2	
193	A Z32	5935-99-013-1320	. . CONNECTOR, FREE, ELECTRICAL, straight, thd, 1-3/64in. lg, single mating end, 6 contacts, br shell, int thd, coupling nut	FV700921	1	
194		NP	. WIRING HARNESS, RDP7 TO DP15	FV167677/6	1	See items 196 to 198
195		NP	. WIRING HARNESS, DLB25 TO RDP1	FV167677/7	1	
196		NP	. . TERMINAL, QUICK DISCONNECT	FV534895	1	
197		NP	. . CABLE NIPPLE, ELECTRICAL	FV131172	1	
198	A 6MT4	5935-99-805-0010	. . SOCKET, HEAVY DUTY, steel, silver and Cd plated, 3.625in. lg	QRA57	1	
199		NP	. WIRING HARNESS, RS UNIT EARTH TO EARTH	FV166719/4	1	
200	A 6MT4	5940-99-802-2080	. . TERMINAL, LUG, 1-3/16in. lg, 5/8in. w, 3/64in. thk, ring mtd, Cu or br, tinned	FVS9-5-3	2	
201		NP	. WIRING HARNESS, BENCH LIGHT TO BENCH LIGHT JUNCTION	FV582367/1	1	
202	A 46MT4	5935-99-881-9034	. . CONNECTOR, FREE, ELECTRICAL, Al, free, female shell size 10SL, 3 contacts	FV585039	1	
203	A 6MT4	5935-99-804-4625	. . CAP-PLUG, PROTECTIVE, DUST AND MOISTURE SEAL, nylon, cylindrical, 0.11in. od, 0.41in. lg, w/0.14in. dia flange at one end	FV612065	1	
204	A 6MT4	5935-99-881-9033	. . CONNECTOR, FREE, ELECTRICAL, straight, thd, w/clamp, 1.156in. dia, 2.25in. lg, single mating end, 4 contacts, 22A, Al alloy	FV585041	1	

Fig Item	Man Code Navy - N Army - A RAF - R	NATO Stock No	Item Name and Description	Part No/ Drawing No.	No. Off	Annotations
			. VEHICLE HARNESES - contd			
205		NP	. WIRING HARNESS, JW4 TO L/B FIREWIRE JUNCTION	FV582330/2	1	
206		NP	. . CONNECTOR, PLUG	HT3100- 10SL-4P	1	
207	A Z99	5935-99-804-4601	. . FOLLOWER RING, GROMMET, Al, Cd plated, 5/16in. id, 7/16in. old, 1/2in. lg	FV585097	1	
208	A 6MT4	5935-99-804-4602	. . NUT, BUSHING RETAINER, ELECTRICAL PLUG-SOCKET, Al, Cd plated, 3/8in. id, 13/16in. lg	FV585105	1	
209	A 6MT4	5935-99-802-7958	. . CONNECTOR, FREE, ELECTRICAL, STRAIGHT, 1-43/64in. lg, 31/32in. dia, single mating end, 2 contacts, int thd coupling nut	FV585040	1	
210		NP	. WIRING HARNESS, JW2 TO FIREWIRE LIGHT	FV582379/3	1	
211	A 6MT4	5935-99-881-9001	. . CONNECTOR, FREE, ELECTRICAL, STRAIGHT, 1-29/32in. lg, 1-5/32in. dia, single mating end, 5 contacts, thd coupling nut	FV585043	1	
212	A 46MT4	5340-99-972-5754	. . PLUG, PROTECTIVE, DUST AND MOISTURE SEAL	10-101033- 12	3	
213		NP	. WIRING HARNESS, JW7 TO WARNING LIGHT UNIT	FV582487/3	1	
214	A 6MT4	5935-99-802-7959	. . CONNECTOR, FREE, ELECTRICAL, straight, thd, w/clamp, 1.25in. dia, 2.25in. lg, single mating end, 7 contacts, 22A, Al alloy	FV585051	1	
215	A 6MT4	5935-99-802-2367	. . CONNECTOR, FREE, ELECTRICAL, straight, thd, w/clamp, 1.156in. dia, 2.25in. lg, single mating end, 3 contacts, 22A, Al alloy	FV585046	1	
216	A 6MT4	5340-99-804-8138	. . PLUG, PROTECTIVE, DUST AND MOISTURE SEAL, nylon, blue, 7/64in. dia shank, 11/16in. lg	A101033-1	4	
217		NP	. WIRING HARNESS, DLB12 TO DP 2	FV582578/4	1	
218	A 6MT4	5935-99-804-4622	. . CONNECTOR, FREE, ELECTRICAL, straight, thd, w/clamp, 1.594in. dia, 2.75in. lg, single mating end, 14 contacts, 22A, Al alloy	FV585059	1	
219	A 6MT4	5935-99-804-4609	. . CONNECTOR, FREE, ELECTRICAL, straight, thd, 2.083in. lg, 1.594in. dia, single mating end, 14 contacts, Al shell, rubber insert, Cd plated, olive drab, thd coupling nut, compression nut	FV585060	1	
220 to 226			} Deleted			

Fig Item	Man Code Navy - N Army - A RAF - R	NATO Stock No	Item Name and Description	Part No/ Drawing No.	No. Off	Annotations
			. VEHICLE HARNESSSES - contd			
227		NP	. WIRING HARNESS, DP 12 LINK	FV582495/1	1	
228	A	6MT4 5935-99-802-7959	. . CONNECTOR, FREE, ELECTRICAL, straight, thd, w/clamp, 1.25in. dia, 2.25in. lg, single mating end, 7 contacts, 22A, Al alloy	FV585051	1	
229	A	6MT4 5935-99-804-4625	. . CAP-PLUG, PROTECTIVE, DUST AND MOISTURE SEAL, nylon, cylindrical, 0.11in. od, 0.41in. lg, w/0.14in. dia flange at one end	FV612065	5	
230		NP	. WIRING HARNESS, AJB1 TO SDJ1	FV582404/2	1	
231	A	46MT4 5935-99-881-9034	. . CONNECTOR, FREE, ELECTRICAL, Al, free, female shell size 10SL, 3 contacts	FV585039	1	
232	A	6MT4 5935-99-881-9002	. . CONNECTOR, FREE, ELECTRICAL, straight, thd, w/clamp, 1.156in. dia, 2.25in. lg, single mating end, 3 contacts, 22A, Al alloy	FV585045	1	
233		NP	. WIRING HARNESS, B1 VEHICLE +VE TO DP8	FV167702/3	1	
234	A	6MT4 5940-99-881-6457	. . TERMINAL, LUG, battery post, 1- 31/32in. lg, 1-1/4in. w, post clamp, Cu alloy, lead coated	FV546753	1	
235	A	46MT4 5306-99-805-0896	. . BOLT, MACHINE, br, 5/16in. -18 BSW, 1/4in. lg, sq hd, lead coated	54102296	1	
236		NP	. . NUT, BATTERY TERMINAL	54131146	1	
237	A	6MT4 5975-99-881-3387	. . CABLE NIPPLE, ELECTRICAL, black, PVC	54947804	1	
238	A	6MT4 5935-99-805-0011	. . SOCKET, HEAVY DUTY, steel, silver and Cd plated, 3.625in. lg	QRA58	1	
239		NP	. WIRING HARNESS, B2 RADIO/VENT +VE TO RDP8	FV167661/5	1	
240	A	6MT4 5940-99-881-5983	. . TERMINAL, LUG, battery post, 2in. lg, 1-1/4in. w, 3/16in. dia conductor, post clamp mtg, br, lead coated	54934360	1	
241	A	6MT4 5975-99-881-3387	. . CABLE NIPPLE, ELECTRICAL, black, PVC	54947804	1	
242	A	46MT4 5306-99-805-0896	. . BOLT, MACHINE, br, 5/16in. -18 BSW, 1/4in. lg, sq hd, lead coated	54102296	1	
243		NP	. . NUT, BATTERY TERMINAL	54131146	1	
244		NP	. . TERMINAL, QUICK DISCONNECT	FV534895	1	
245		NP	. WIRING HARNESS, BULKHEAD LIGHT No.1 TO ARMoured OUTLET AND CREW LIGHT No.3	FV605500/1	1	
246	A	46MT4 5940-99-805-0893	. . TERMINAL, LUG, 4BA, br, tinned, 55/64in. lg, 5/16in. w, 5/32in. h	187010	2	
247		NP	. WIRING HARNESS, BULKHEAD LIGHT No.1 TO BULKHEAD LIGHT No.2	FV605501/1	1	
248	A	46MT4 5940-99-805-0893	. . TERMINAL, LUG, 4BA, br, tinned, 55/64in. lg, 5/16in. w, 5/32in. h	187010	4	
249		NP	. WIRING HARNESS, DP -VE TO EARTH	FV166871/3	1	
250	A	9ACR 5940-99-805-0763	. . TERMINAL, LUG		2	
251		NP	. WIRING HARNESS, DUP SWITCH BOARD TO DLB24 TO No.1 CONNECTOR JUNCTION	FV582584/2	1	
252	A	6MT4 5935-99-804-4622	. . CONNECTOR, FREE, ELECTRICAL, straight, thd, w/clamp, 1.594in. dia, 2.75in. lg, single mating end, 14 contacts, 22A, Al alloy	FV585059	2	
253	A	6MT4 5935-99-804-4625	. . CAP-PLUG, PROTECTIVE, DUST AND MOISTURE SEAL, nylon, cylindrical, 0.11in. od, 0.41in. lg, w/0.14in. dia flange at one end	FV612065	7	

Fig Item	Man Code Navy - N Army - A RAF - R	NATO Stock No	Item Name and Description	Part No/ Drawing No.	No. Off	Annotations
			. VEHICLE HARNESSSES - contd			
254		NP	. WIRING HARNESS, DP16 TO FAN CONTROLLER	FV582688/2	1	
255	A	6MT4	5935-99-804-4642 . . CONNECTOR, FREE, ELECTRICAL, straight, thd, w/clamp, 1.969in. dia, 3.031in. lg single mating end, 7 contacts, Al alloy	FV585068	1	
256	A	6MT4	5935-99-804-4625 . . CAP-PLUG, PROTECTIVE, DUST AND MOISTURE SEAL, nylon, cylindrical, 0.11in. od, 0.41in. lg, w/0.14in. dia flange at one end	FV612065	4	
257	A	6MT4	5935-99-802-6372 . . CONNECTOR, FREE, ELECTRICAL, Al, free, female shell size 24, 5 contacts	FV585066	1	
258	A	6MT4	2590-99-804-4643 . . CABLE ASSEMBLY, SPECIAL PURPOSE ELECTRICAL FAN CONTROLLER TO FAN VENT	FV605260-1	1	
259		NP	. WIRING HARNESS, JW3 TO FIRE ALARM HORN	FV582406/4	1	
260	A	6MT4	5935-99-881-9002 . . CONNECTOR, FREE, ELECTRICAL, straight, thd, w/clamp, 1.156in. dia, 2.25in. lg, single mating end, 3 contacts, 22A, Al alloy	FV585045	1	
261	A	Z37	5940-99-943-8569 . . TERMINAL, LUG		1	
262		NP	. WIRING HARNESS, SWITCH UNIT No.1 TO AJB4	FV582408/5	1	
263	A	6MT4	5935-99-881-9002 . . CONNECTOR, FREE, ELECTRICAL, straight, thd, w/clamp, 1.156in. dia, 2.25in. lg, single mating end, 3 contacts, 22A, Al alloy	FV585045	1	
264	A	6MT4	5935-99-881-9024 . . CONNECTOR, FREE, ELECTRICAL, straight, thd, w/clamp, 1.156in. dia, 2.25in. lg, single mating end, 2 contacts, 22A, Al alloy	FV585048	1	
265	A	46MT4	5340-99-972-5754 . . PLUG, PROTECTIVE, DUST AND MOISTURE SEAL	10-101033-12	1	
266	A	6MTY	6150-99-881-5631 . . CABLE ASSEMBLY, POWER, ELECTRICAL, single conductor, nipple both ends, NEG TO NEG	FV166001-369	7	} See item 271
267		NP	. CABLE ASSEMBLY, POS TO POS	FV166001-370	2	
268		NP	. CABLE ASSEMBLY, CONVOY TO CONVOY	FV166001-372	1	
269		NP	. CABLE ASSEMBLY, EXT LIGHT POS TO EXT LIGHT POS	FV166001-422	1	
270		NP	. CABLE ASSEMBLY, EXT LIGHT NEG TO EXT LIGHT NEG	FV166001-423	1	
271	A	6MT4	5935-99-805-2902 . . PLUG, TIP, free, single pole, 24V, male shell	861122	2	
272		NP	. WIRING HARNESS, PPJ FW TO HULL FW JUNCTION	FV605527/1	1	
273		NP	. WIRING HARNESS, PPJ FW TO LB FW JUNCTION	FV605527/2	1	
274		NP	. WIRING HARNESS, JW4 TO LB FW JUNCTION	FV582337/2	1	

Fig Item	Man Code Navy - N Army - A RAF - R	NATO Stock No	Item Name and Description	Part No/ Drawing No.	No. Off	Annotations
			. VEHICLE HARNESSSES - contd			
275		NP	. WIRING HARNESS, IMAGE INTENSIFIER SIGHT	FV604709/IN	1	
276		NP	. WIRING HARNESS, FAN CONTROLLER TO HEATER JUNCTION BOX	FV582531/1	1	
277	A Z32	5935-99-198-6312	. . CONNECTOR, PLUG, ELECTRICAL, 2.688in. lg, 1.125in. dia, single mating end, 5 contacts, Al alloy shell, Cd, chromate, olive drab, int thd coupling nut, rubber insert	FV585055	1	
278	A Z32	5935-99-804-5364	. . ELBOW ASSEMBLY, Al alloy, Cd and chromate, 1in. -20 UNEF, green, 90 deg angle, int thd coupling nut 1st end, grommet nut 2nd end	FV564842	1	
279	A 6MT4	5935-99-804-5354	. . GROMMET, ELECTRICAL CONNECTOR, syn rubber, for shell size 18, 3/4in. dia, 17/32in. lg	FV585086	1	
280	A 6MT4	5935-99-802-6382	. . CONNECTOR, FREE, ELECTRICAL, straight, thd, w/clamp, 1.344in. dia, 2.688in. lg, single mating end, 5 contacts, 41A, Al alloy	FV585056	1	
281		NP	. WIRING HARNESS, HEATER CONTROL BOX TO BYPASS DUCT	FV582428/5	1	
282	A 6MT4	5935-99-881-9023	. . PLUG, ELECTRICAL, Al, free, female shell size 14S, 2 contacts	FV585047	1	
283	A 6MT4	5935-99-881-9024	. . CONNECTOR, FREE, ELECTRICAL, straight, thd, w/clamp, 1.156in. dia, 2.25in. lg, single mating end, 2 contacts, Al alloy	FV585048	1	
284		NP	. WIRING HARNESS, HEATER CONTROL BOX TO HEATER JUNCTION BOX	FV582702/6	1	
285	A 6MT4	5935-99-804-4618	. . CONNECTOR, FREE, ELECTRICAL, straight, thd, w/clamp, 1.969in. dia, 3.031in. lg, single mating end, 22 contacts, Al alloy	FV585070	1	
286	A 6MT4	5935-99-804-5355	. . CONNECTOR, FREE, ELECTRICAL, straight, thd, w/clamp, 1.969in. dia, 3.031in. lg, 22 contacts, Al alloy	FV585069	1	
287	A 6MT4	2590-99-815-8021	. CABLE ASSEMBLY, INTER VEHICLE, ELECTRICAL, 2 conductors, single pole free plug both ends, 18ft lg	FV324284-8 ISSUE E	1	
288	A 6MT4	5935-99-802-2423	. . CONNECTOR, SLAVE, ELECTRICAL, inter-vehicle, max contact, rating 1500A, 110V dc rating, 8mm h, 3.5mm w	FV564833	1	
289	A 6MT4	5940-99-812-9999	. . TERMINAL, LUG, INTER-VEHICLE CONNECTOR	FV620746	2	
290		NP	. CONDUIT, ARMoured OUTLET	FV605482/1	2	
291		NP	. CONDUIT, IR LAMP	FV605457/1	2	
292	A 9ACR	5975-99-796-0374	. CONDUIT ASSEMBLY, NON-METALLIC, ELECTRICAL, braided neoprene, 3/8in. id, 10in. lg, coupling nut 1st end, ferrule 2nd end, HEADLIGHT	FV605457/2	2	
293		NP	. CONDUIT, HORN	FV605458/1	1	

Chapter 2-8
PARTS LIST
VENTILATION SYSTEM
GENERAL ARRANGEMENT

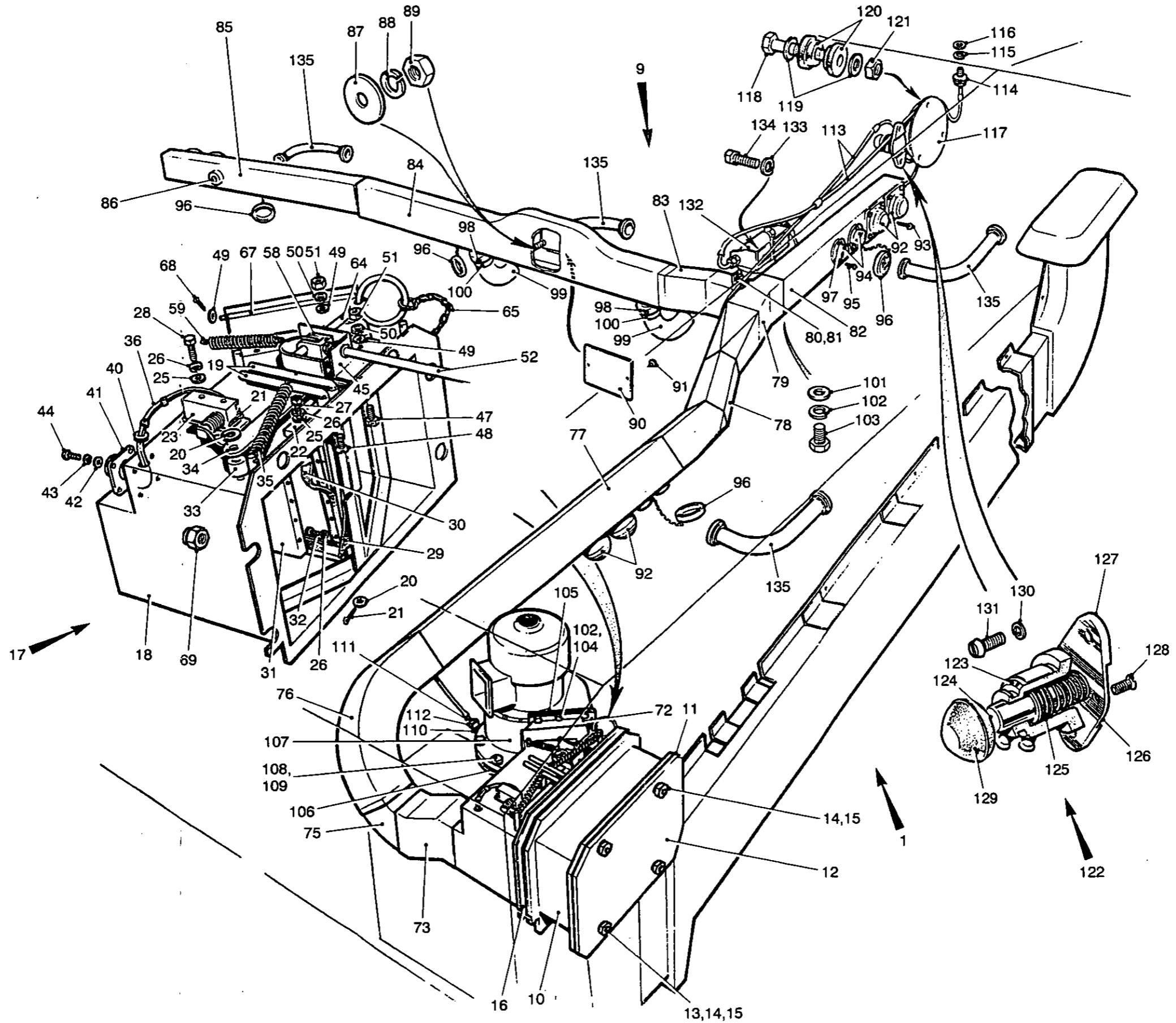


Fig 1 Ventilation system general arrangement

Fig Item	Man Code Navy - N Army - A RA/F - R	NATO Stock No	Item Name and Description	Part No/ Drawing No.	No. Off	Annotations
1-		NP	VENTILATION SYSTEM GENERAL ARRANGEMENT FV434 Mk 1	FV563258	REF	
		NP	VENTILATION SYSTEM GENERAL ARRANGEMENT FV434 Mk 1/1	FV563246	REF	
1	A 9ACR	NP	. VENTILATION DUCTING ASSEMBLY - EXTERNAL	FV563277	REF	See Chap 2-1-13
NI 2		NP	. VENTILATION DUCTING ASSEMBLY - INTERNAL, FV434 Mk 1	FV563276	REF	See items 3 to 8 and 74 to 104
NI 3		NP	. . DUCT, AIR, VEHICULAR, Zintec sheet, painted finish, 7-1/4in. lg, 4-5/8in. w, 6-9/16in. h	FV611758	1	
NI 4		NP	. . FLANGE, VENTILATION DUCT	FV611756	1	
NI 5	A G1	5310-99-941-6653	. . WASHER, LOCK, steel, split helical ring, 0.198in. id, 0.33in. od, 0.064in. thk		14	} Securing item 3 to 4
NI 6		NP	. . SCREW, MACHINE, hex hd, 10-32 UNF, 3/8in. lg	7011103061 5900	8	
NI 7		NP	. . COVER, PLATE	FV611755	1	
NI 8		NP	. . SCREW, TAPPING, THREAD FORMING, rd hd, No. 6 x 1/4in. lg	7053130504 4900	3	Securing item 7
9		NP	. VENTILATION DUCTING ASSEMBLY - INTERNAL, FV434 Mk 1/1	FV563247	REF	See items 10 to 104
10	A 9ACR	2510-99-805-8134	. . PIPE, AIR CONDITIONING - HEATING, steel, painted, 11-1/2in. x 9-13/16in. x 7-1/4in.	FV644024	1	
11		NP	. . SEAL, BLANKING PLATE	FV644122	1	
12	A 9ACR	2510-99-796-0384	. . PLATE, BLANKING, armour plate, 10.87in. lg, 9.8in. h, 16mm thk, 4 mtg holes	FV644121	1	
13	A G1	5306-99-941-7136	. . BOLT, MACHINE, UNF, 3/8in. -24 class 2A thd, 1-3/4in. fastener lg, 1in. thd lg, steel, Zn plated, hex hd		2	
14	A G1	5310-99-941-6656	. . WASHER, LOCK, steel, split helical ring, 3/8in. bolt size, 0.59in. od, 0.092in. thk, single coil, sq section		4	
15	A G1	5310-99-135-6785	. . NUT, PLAIN, HEXAGON, UNF, 3.8in. dia, class 2B thd, steel, Zn plated w/chromate, 9/16in. w A/F, 21/64in. h, chamfered or washer faced		4	
16	A 9ACR	2510-99-805-9166	. . GASKET, rubber, irregular shape, 9-45/64in. w, 11-1/2in. lg, 1/4in. thk, w/8 holes, 17/32in. dia	FV510548	1	
17		NP	. . DUCT, BY-PASS	FV608921	1	
18		NP	. . . DUCT, AIR, VEHICULAR	FV608932	1	
19	A 9ACR	2510-99-805-8125	. . . SPINDLE, AIR DUCT, 8-13/32in. lg	FV608940	2	
20	A G1	5310-99-101-7838	. . . WASHER, FLAT, steel, Zn plated, 0.265in. id, 0.62in. od, 0.056in. thk		2	
21	A G1	5315-99-138-2201	. . . PIN, COTTER, SPLIT, steel, phosphated, 1.6mm dia, 25mm lg		2	
22		NP	. . . BLOCK, SPINDLE SUPPORT, tufmol, 0.87in. w 3in. lg, 0.25in. thk	FV608939	2	
23		NP	. . . SWITCH, SENSITIVE	412-10-10	1	
NI 24		NP	. . . PLATE, SUPPORT	FV564386	1	u/w item 23
25		NP	. . . WASHER, FLAT, steel, 0.152in. id, 0.296in. od, 0.028in. thk		6	
26	A G1	5310-99-941-6652	. . . WASHER, LOCK, steel, split helical ring, 0.168in. id, 0.252in. od, 0.04in. thk		18	

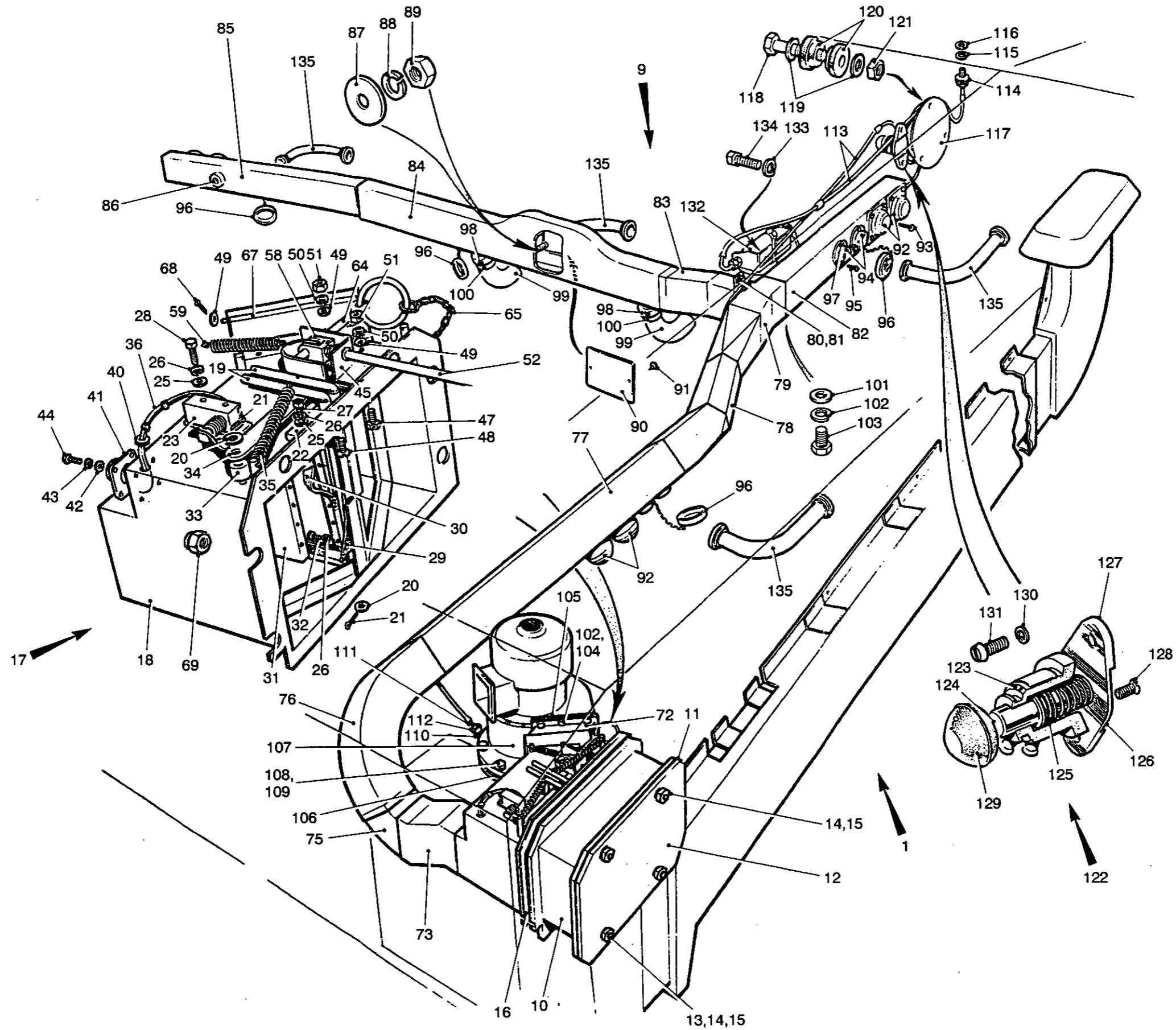


Fig 1 Ventilation system general arrangement

430/70222

Fig Item	Man Code Navy - N Army - A RAF - R	NATO Stock No	Item Name and Description	Part No/ Drawing No.	No. Off	Annotations
1-			VENTILATION SYSTEM GENERAL ARRANGEMENT FV434 Mk 1 - contd VENTILATION SYSTEM GENERAL ARRANGEMENT FV434 Mk 1/1 - contd VENTILATION DUCTING ASSEMBLY - INTERNAL, FV434 Mk 1/1 - contd DUCT, BY-PASS - contd			
27	A G1	5305-99-999-8900	SCREW, MACHINE, UNC, No. 6 x 5/8in. lg, steel, hex hd, Cd plated		4	
28	A G1	5305-99-946-1272	SCREW, MACHINE, UNC, No. 6 x 1in. lg, steel, hex hd		2	
29		NP	SEAL, felt, 6-1/4in. x 4-13/16in. x 1/2in. w, 1/16in. thk		2	
30		NP	SEAL, felt, 6-3/8in. x 4.37in. x 3/8in. w, 1/16in. thk		2	
31		NP	FLAP	FV608945	2	
32		NP	SCREW, MACHINE, UNC, steel, flat fillister hd, No. 6 x 1/4in. lg		12	
33	A 9ACR	5365-99-805-8128	SPACER, SLEEVE, plastics, 0.216in. id, 0.62in. od, 0.65in. lg	FV608962	1	
34	A 9ACR	2510-99-805-8127	LEVER, REMOTE CONTROL, air duct	FV608949	1	
35	A 9ACR	2510-99-805-8126	SPRING, EXTENSION, steel, Cd plated, 3/8in. od, 2-5/8in. free lg	FV609200	2	
36	A Y3	6145-99-943-4824	WIRE, ELECTRICAL, single conductor, 40/0.007in. dia, Cu, tinned, braid glass, polychloroprene compound, yellow		A/R	
NI 37	A Y3	9330-99-945-4141	PLASTICS STRIP, plastic, polyamine, 900in. lg, 0.5in. w, .015in. thk, 3/32in. dia holes on 3/16in. pitch	NY18007A	A/R	
NI 38	A Y3	5325-99-913-8823	STUD, POSITIVE LOCK, nylon, 5/32in. dia hd, 3/32in. dia shank, 13/64in. lg	NY3255	A/R	
NI 39	A 6MT4	5940-99-881-6138	TERMINAL, LUG, 0.531in. lg, 0.187in. w, 0.02in. thk, single conductor, ring mtg	169	2	
40	A H9	5325-99-942-3420	GROMMET, RUBBER, 0.23in. hold dia, 0.06in. groove w, 0.104in. flange thk, 0.228in. thk, 0.5in. flange od, 0.395in. groove od		1	
41	A 6MT4	5935-99-800-9969	CONNECTOR, FIXED, ELECTRICAL, 5MS, Al, fixed w/female shell size 14S, 2 contacts	FV585009	1	
42	A G1	5310-99-940-3515	WASHER, FLAT, steel, Cd plated w/chromate, 0.123in. id, 0.233in. od, 0.024in. thk		4	
43	A G1	5310-99-944-0545	WASHER, LOCK, steel, Cd plated, split helical ring, 0.138in. bolt size, 0.205in. od, 0.032in. thk		4	
44	A G1	5305-99-914-8032	SCREW, MACHINE, UNC, 0.112in. dia, -40 class 2A thd, steel, Cd plated, 3/8in. lg, hex hd			
45		NP	BRACKET ASSEMBLY, extinguisher cable	FV608952	1	
NI 46		NP	GASKET, syn rubber, 3.68in. x 2in. x 0.062in. thk	FV608921	1	

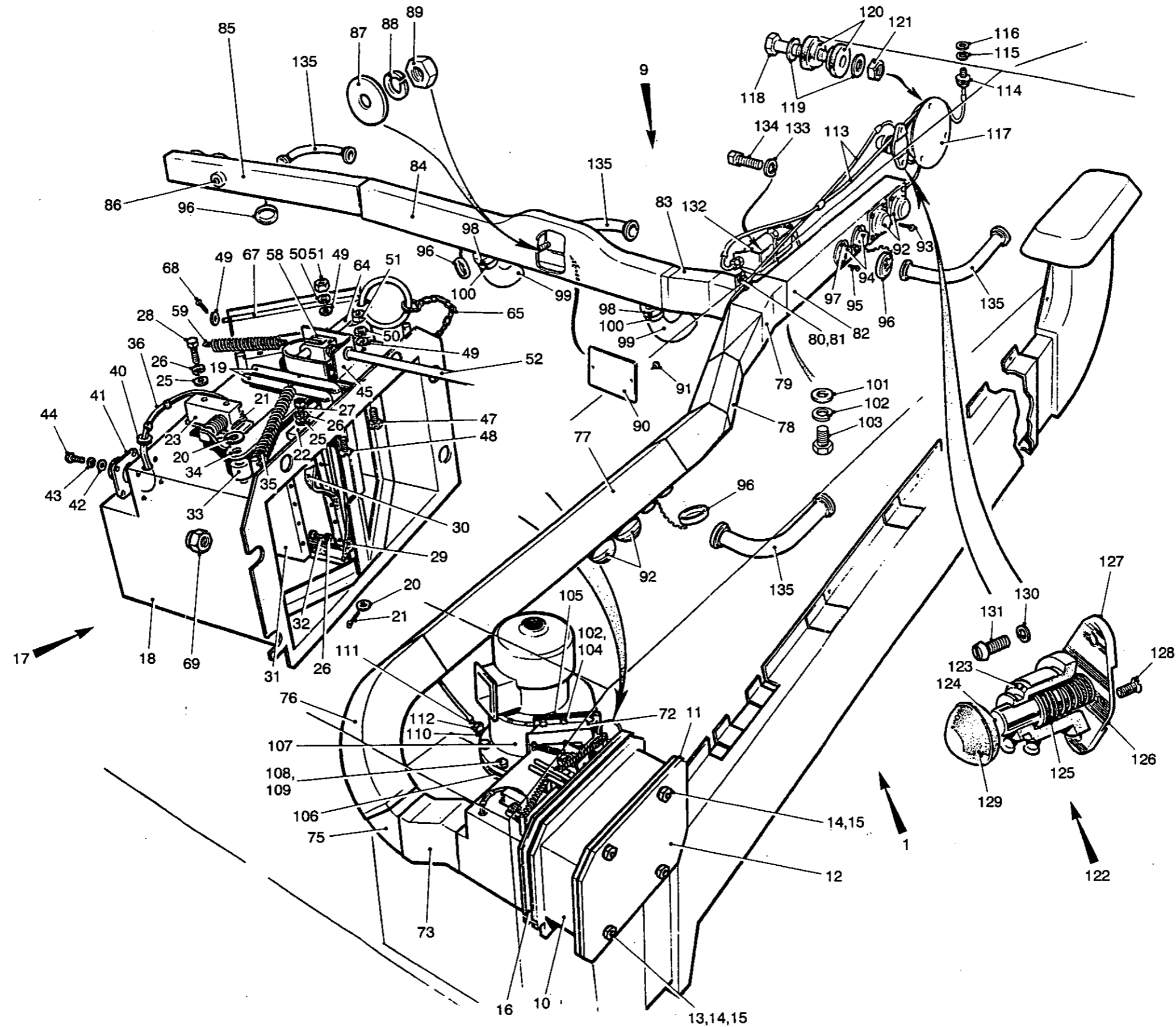


Fig 1 Ventilation system general arrangement

430/70222

Fig Item	Man Code Navy - N Army - A RAF - R	NATO Stock No	Item Name and Description	Part No/ Drawing No.	No. Off	Annotations
1-			VENTILATION SYSTEM GENERAL ARRANGEMENT FV434 Mk 1 - contd VENTILATION SYSTEM GENERAL ARRANGEMENT FV434 Mk 1/1 - contd VENTILATION DUCTING ASSEMBLY - INTERNAL, FV434 Mk 1/1 - contd DUCT, BY-PASS - contd			
47	A G1	5305-99-941-6190	SCREW, MACHINE, UNF, steel, Zn plated, hex hd, No. 10 x 1/2in. lg, class 2A thd		2	
48	A G1	5305-99-941-1738	SCREW, MACHINE, UNF, 0.19in. dia, class 2A thd, 0.5in. fastener lg, 0.348in. thd lg, steel, Zn plated, flat csk hd, slot drive		1	
49	A G1	5310-99-945-8598	WASHER, FLAT, cres, No. 10 UNF bolt size, 0.4in. od, 0.048in. thk		7	
50	A G1	5310-99-941-6653	WASHER, LOCK, steel, split helical ring, 0.198in. id, 0.33in. od, 0.064in. thk		3	
51	A G1	5310-99-941-2419	NUT, PLAIN, HEXAGON, UNF, steel, Zn plated, chamfered, No. 10 x 0.13in. h		3	
52		NP	CABLE ASSEMBLY, extinguisher control	B10783	1	
NI 53	A 46MT1	4710-99-282-3383	TUBE ASSEMBLY, METAL, 12-13/16in. lg, 1/4in. od, 1/4in. UNF male thd both ends	C4723	1	
NI 54		NP	CABLE, FLEXIBLE ASSEMBLY, inner	B10783/2	1	
NI 55		NP	PIN, STRAIGHT, THREADED, cres, 2in. lg, No. 10 -32 UNF thd	A12941/16	1	
NI 56	A G1	5310-99-956-4064	NUT, PLAIN, HEXAGON, UNF, 1/4i. class 2B rh thd, cres, 7/16in. w A/F, 5/32in. h, chamfered		1	
NI 57	A G1	5310-99-134-3463	NUT, PLAIN, HEXAGON, UNF, No. 10 class 2B rh thd, cres, 3/8in. w A/F, 1/8in. h, chamfered		1	
58		NP	YOKE ASSEMBLY	FV608959	1	
59	A 9ACR	2510-99-805-8130	SPRING, EXTENSION, steel, Cd plated, 3/8in. od, 2in. free lg	FV608931	1	
NI 60		NP	COVER, ASSEMBLY, AIR DUCT	FV608964	1	
NI 61		NP	WASHER, FLAT, steel, Cd plated, 0.152in. id, 0.296in. od, 0.028in. thk		3	
NI 62	A G1	5310-99-941-6652	WASHER, LOCK, steel, split helical ring, 0.168in. id, 0.252in. od, 0.04in. thk		3	} Securing item 60
NI 63	A G1	5305-99-941-6907	SCREW, MACHINE, UNC, 0.138in. dia, -32 class 2A thd, steel, Zn plated, hex hd, 3/8in. lg		3	
64	A 9ACR	2510-99-805-8132	PIN ASSEMBLY, OVER RIDE	FV608955	1	
65	A G1	4010-99-461-4514	CHAIN, br, oval link, NI plated, 1.8mm stock lg, 12mm inside link lg, 10mm o/a lg		8in.	
NI 66	A 9ACR	2510-99-805-8602	FLAT, METAL LOUVRE, Al, 4-1/2in. lg, 1-27/64in. w, 0.03in. thk	FV608928	2	
67		NP	SPINDLE, FLAP, tufnol, 1.8in. dia, 5/04in. lg	FV608930	2	
NI 68		NP	PIN, COTTER SPLIT, steel, phosphated, 1/32in. x 3/8in.		4	

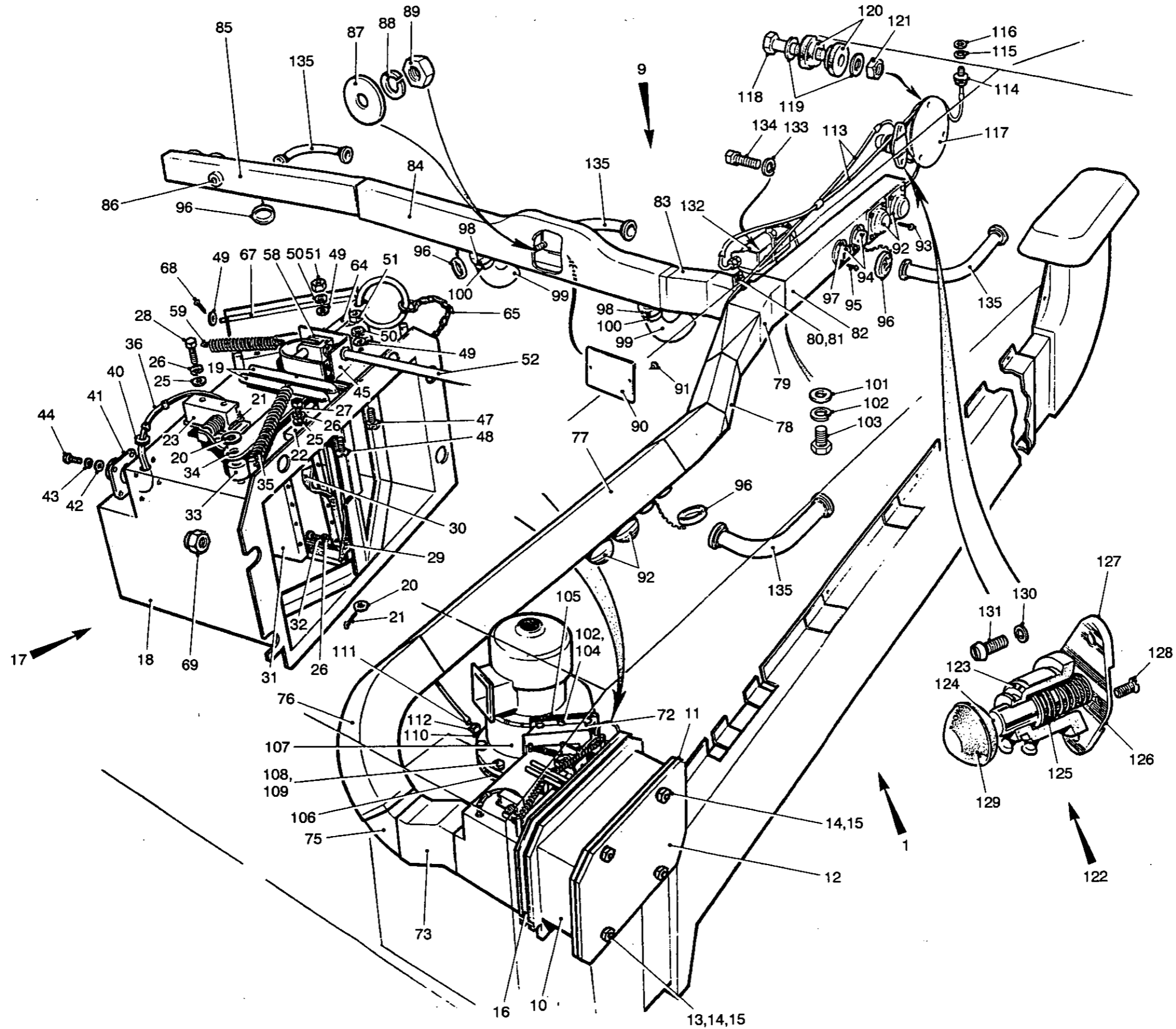


Fig 1 Ventilation system general arrangement

430/70222

Fig Item	Man Code Navy - N Army - A RAV - R	NATO Stock No	Item Name and Description	Part No/ Drawing No.	No. Off	Annotations
1-			VENTILATION SYSTEM GENERAL ARRANGEMENT FV434 Mk 1 - contd VENTILATION SYSTEM GENERAL ARRANGEMENT FV434 Mk 1/1 - contd VENTILATION DUCTING ASSEMBLY - INTERNAL, FV434 Mk 1/1 - contd			
69		NP	. . NUT, SHOULDERED, 1/2in.	FV644147	6	} Securing ducts to bulkhead
NI 70	A G1	5310-99-941-8637	. . WASHER, FLAT, steel, Zn plated, 33/64in. id, 1in. od, 3/32in. thk		2	
NI 71	A G1	5310-99-941-0928	. . NUT, PLAIN, HEXAGON, UNF, steel, Zn plated, chamfered, UNF, 1/2in., 3/4in. w A/F, 7/16in. h, grade 3		2	
72	A 9ACR	2510-99-805-8133	. . PIPE, AIR CONDITIONING - HEATING, steel, painted, flanged, 5-1/2in. w, 4-3/8in. h 1st end, 4-19/32in. w, 3-1/2in. h 2nd end, 2in lg	FV644041	1	
73	A 9ACR	2510-99-805-8123	. . PIPE, AIR CONDITIONING - HEATING, steel, painted, 4.072in. w, 3.072in. h 1st end, 4in. w, 3in. h 2nd end, 5in. lg	FV644040	1	
NI 74		NP	. . VENTILATION DUCTING ASSEMBLY - INTERNAL, FV434 Mk 1 and 1/1		REF	
75	A 9ACR	2510-99-804-4860	. . DUCT, AIR, VEHICULAR, short bend	FV611762	1	
76	A 9ACR	2510-99-804-4861	. . DUCT, AIR, VEHICULAR, long bend	FV611742	1	
77	A 9ACR	2510-99-804-4862	. . DUCT, AIR, VEHICULAR, crew compartment	FV611739	1	
78	A 9ACR	2510-99-804-4863	. . DUCT, AIR, VEHICULAR, bulkhead	FV611760	1	
79	A 9ACR	2510-99-804-4864	. . DUCT, AIR, VEHICULAR, 3 way	FV611734	1	
80	A G1	5310-99-941-6654	. . WASHER, LOCK, steel, split helical ring, 1/4in. bolt size, 27/64in. od, 5/64in. thk		2	
81	A G1	5305-99-941-6284	. . SCREW, MACHINE, UNF, 1/4in. dia class 2A thd, 1/2in. lg, steel, Zn plated, hex hd		2	
82	A 9ACR	2510-99-804-4865	. . DUCT, AIR, VEHICULAR, Zintec sheet, painted, 1ft 2-1/2in. lg, 2-1/2in. w, 1-3/4in. h	FV611738	1	
83	A 9ACR	2510-99-804-4866	. . DUCT, AIR, VEHICULAR, Zintec sheet, painted, 4-1/4in. lg, 2-1/2in. w, 2-5/8in. h	FV611733	1	
84	A 9ACR	2510-99-804-4867	. . DUCT, AIR, VEHICULAR, commanders	FV611729	1	
85	A 9ACR	2510-99-804-4868	. . DUCT, AIR, VEHICULAR, Zintec sheet, painted, 18-1/2in. lg, 2-1/2in. w, 1-3/4in. h	FV611728	1	
86		NP	. . DISTANCE PIECE	FV524990	1	
87		NP	. . WASHER, FLAT, steel, 13/32in. id, 1in, od, 0.064in. thk	FV299995	5	
88	A G1	5310-99-944-0549	. . WASHER, LOCK, steel, Cd plated, split helical ring, 15/16in. bolt size, 0.503in. od, 0.08in. thk, single coil, sq section		5	
89	A G1	5310-99-941-0925	. . NUT, PLAIN, HEXAGON, UNF, 5/16in. -24 class 2B thd, steel, Zn plated, 1/2in. w A/F, 17/64in. h, chamfered		5	
90		NP	. . COVER, air duct	FV524956	2	
91		NP	. . SCREW, TAPPING, THREAD FORMING, steel, pan hd slotted, gimlet point, No. 6 x 1/4in. lg	7053130504 4900	4	
92	A 46MT13	2540-99-866-2618	. . DIFFUSER, AIR, 2in. type	FV481871	6	

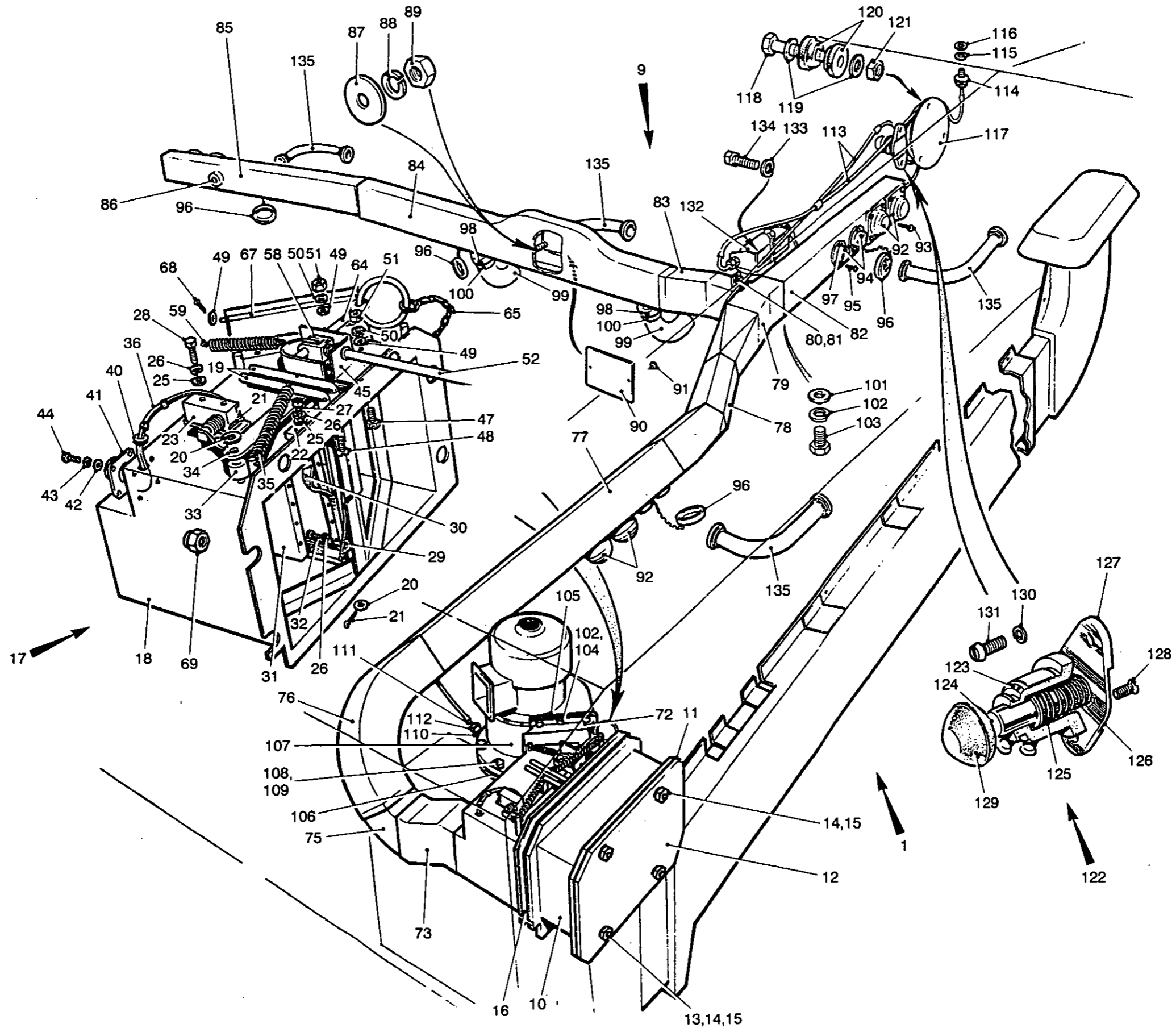


Fig 1 Ventilation system general arrangement

Fig Item	Man Code Navy - N Army - A RA/F - R	NATO Stock No	Item Name and Description	Part No/ Drawing No.	No. Off	Annotations
1-			VENTILATION SYSTEM GENERAL ARRANGEMENT FV434 Mk 1 - contd VENTILATION SYSTEM GENERAL ARRANGEMENT FV434 Mk 1/1 - contd VENTILATION DUCTING ASSEMBLY - INTERNAL, FV434 Mk 1/1 - contd			
93		NP	SCREW, TAPPING, THREAD FORMING, steel, button hd, slot drive, dog point, Cd plated, No. 6 x 1/2in. lg	7053240508 4900	24	
94	A 9AHY	2540-99-804-3324	ADAPTOR, RESPIRATOR, Al alloy, 53/64in. id, 5/8in. lg	FV594608	10	
95	A G1	5305-99-135-7506	SCREW, TAPPING, THREAD FORMING, steel, flat csk hd, dog point, No. 6 x 1/2in. lg, Zn plated		30	
96	A 9AHY	2540-99-866-9362	CAP, BLANKING, DIFFUSER BOX	FV482036	4	
97	A G1	5305-99-120-5485	SCREW, TAPPING, THREAD FORMING, steel, Zn plated, pan hd, slot drive, dog point, No. 6 x 3/8in. lg		4	
98		NP	COUPLING, AIR DIFFUSER, Al anodised, 1.813in. od, 0.84in. id, 1- 1/4in. lg	FV482111	2	
99	A 9ACR	4720-99-802-3560	HOSE, PREFORMED, PVC, 80 deg angle, 0.84in. id, 1.04in. od, 3-3/4in. lg	FV481873	2	
100	A 6MT1	4730-99-583-2961	CLAMP, HOSE, worm drive, steel, Zn plated, 13mm band w, 1mm band thk, 22m - 30mm working range		2	
101	A G1	5310-99-941-6866	WASHER, FLAT, steel, Cd plated, No. 2 BA bolt size, 1/2in. od, 0.048in. thk		22	
102	A G1	5310-99-941-6653	WASHER, LOCK, steel, split helical ring, 0.198in. id, 0.33in. thk, 0.064in. thk		30	
103	A G1	5305-99-120-1554	SCREW, MACHINE, steel, Zn plated, hex hd, No. 2 BA x 1/2in. lg		22	
104	A G1	5305-99-945-8423	SCREW, MACHINE, UNF, No. 10 -32 class 2A thd, 3/8in. lg, cres, hex hd		8	
105	A 9ACR	2540-99-805-1432	GASKET, syn rubber, rect, 5-1/2in. lg, 4-3/8in. w, 1/16in. thk	FV602904	1	
106	A 9ACR	5330-99-804-4873	GASKET, rubber, rd, 0.281in. hole dia, 9in. od, 7.5in. aperture dia, 8 bolt holes, 0.06in. thk	FV482485	1	
107	A 9ACR	4140-99-804-4011	FAN, CENTRIFUGAL, 400 CFM, 6650- 11000 rev/min, 24V dc, 12-1/2in. x 9in.	FV482416	1	See Fig 2
108	A G1	5310-99-941-6654	WASHER, LOCK, steel, split helical ring, 1/4in. bolt size, 27/64in. od, 5/64in. thk		8	
109	A G1	5305-99-941-6284	SCREW, MACHINE, UNF, 1/4in. dia, class 2A thd, 1/2in. lg, steel, Zn plated, hex hd		8	
110		NP	UNION, PIPE, ADAPTOR BODY, double ended, 1/8in. thd	FV611844	1	
111		NP	PIPE ASSEMBLY, valve pressure tubing	FV559643	1	
112		NP	NUT, UNION	AGS1217A	1	
113	A 6MT4	5970-99-827-9583	INSULATION SLEEVING, ELECTRICAL, PVC, 3mm id, 6mm od, 3 metres lg	RZP6-0	A/R	
114	A 9ACR	4730-99-804-4871	ADAPTOR, STRAIGHT, PIPE TO HOSE, steel, Cd plated, 3/8in. UNF male 1st end, 3/16in. od 2nd end, 2-3/4in. lg	FV586566	1	
115	A G1	5310-99-941-6656	WASHER, LOCK, steel, split helical ring, 3/8in. bolt size, 0.59in. od, 0.092in. thk, single coil, sq section		1	

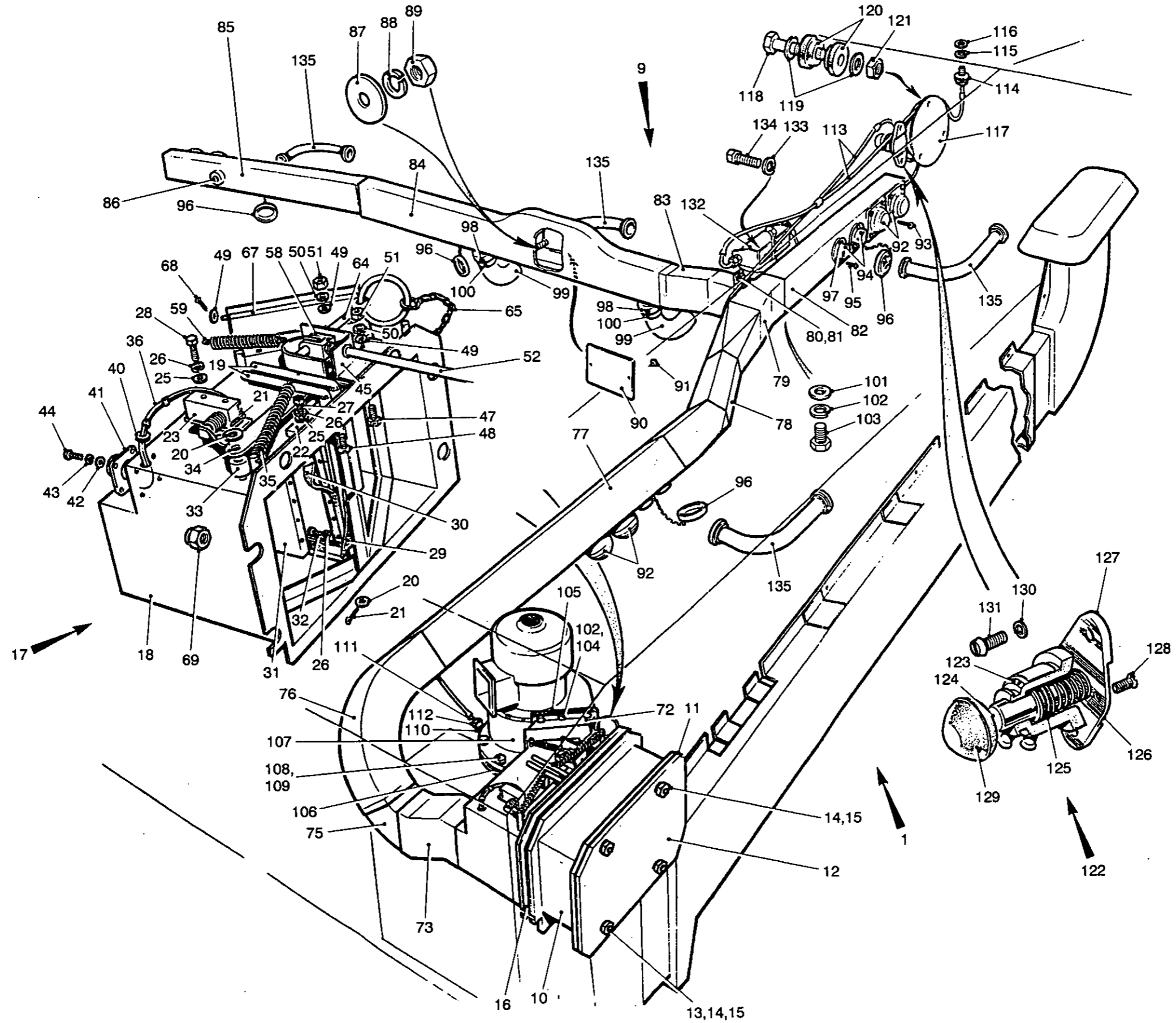


Fig 1 Ventilation system general arrangement

430/70222

Fig Item	Man Code Navy - N Army - A RAF - R	NATO Stock No	Item Name and Description	Part No/ Drawing No.	No. Off	Annotations
1-			VENTILATION SYSTEM GENERAL ARRANGEMENT FV434 Mk 1 - contd VENTILATION SYSTEM GENERAL ARRANGEMENT FV434 Mk 1/1 - contd			
116	A	G1C	5310-99-915-5148 . WASHER, FLAT, steel, Cd plated, 0.66in. od, 0.392in. id, 3/8in. bolt size, 0.048in. thk		1	
117	A	9ACR	6685-99-891-0465 . GAUGE, DIFFERENTIAL, DIAL INDICATING, arc, differential pressure, scale 0 to -6in. and 0 to 6in. of water, filter vehicle, inches WG markings, indicating, flange and hole mtg	FV2087524	1	
118	A	G1A	5305-99-941-6820 . SCREW, MACHINE, steel, Cd plated, hex hd, 2BA x 1-1/4in. lg		3	
119	A	G1	5310-99-941-6866 . WASHER, FLAT, steel, Cd plated, 1/2in. od, 2BA bolt size, 0.048in. thk		6	
120	A	46MT4	5365-99-804-4870 . BUSHING, RUBBER, 7/32in. id, 9/16in. od, 1/32in. h, 7/16in. dia, 1/64in. lg shoulder	FV643902	6	
121	A	G1	5310-99-941-7070 . NUT, PLAIN, HEXAGON, 2BA, steel, Cd plated, 21/64in. w A/F, 11/64in. h, chamfered		3	
122	A	9ACR	2540-99-865-6797 . VALVE, PRESSURE GAUGE, ventilation	FV481829	1	
123		NP	. . . BODY, VALVE PRESSURE	FV481830	1	
124		NP	. . . PLUNGER, DETENT	FV481832	1	
125		NP	. . . O-RING, rubber, 31/64in. id, 7/64in. cross-section h, black	SP900-10	1	
126	A	9ACR	5360-99-865-6798 . . . SPRING, HELICAL, COMPRESSION, 1.12in. lg, 6 coils	FV484831	1	
127		NP	. . . PLATE, DETENT	FV481833	1	
128		NP	. . . SCREW, MACHINE, br, Cd plated, flat csk hd, slot drive, 4BA x 1/4in. lg		3	
129	A	46MT1	2540-99-865-6799 . . . CAP, PRESSURE GAUGE VALVE PLUNGER	FV481834	1	
130	A	G1C	5310-99-941-6654 . WASHER, LOCK, steel, split helical ring, 1/4in. bolt size, 27/64in. od, 5/64in. thk		2	
131		NP	. . . SCREW, MACHINE, UNF, 1/4in. dia, class 2A thd, 5/8in. lg, steel, Zn plated, pan hd, slot drive		2	
132		NP	. . . WATER TRAP ASSEMBLY	FV611843	REF	See Fig 4
133	A	G1C	5310-99-941-6654 . WASHER, LOCK, steel, split helical ring, 1/4in. bolt size, 27/64in. od, 5/64in. thk		2	
134	A	G1B	5305-99-941-0512 . SCREW, MACHINE, UNF, 1/4in. dia, class 2A thd, 5/8in. lg, steel, Zn plated, hex hd		2	
135	A	9ACR	4720-99-804-4869 . HOSE ASSEMBLY, NON-METALLIC, female adaptor both ends	FV482084	4	
NI 136	A	9ACR	4820-99-865-6788 . VALVE, RELIEF, PRESSURE AND TEMPERATURE, ventilation	FV481771	1	See Fig 5
NI 137	A	G1	5310-99-944-0549 . WASHER, LOCK, steel, Cd plated, split helical ring,, 5/16in. bolt size, 0.503in. od, 0.08in. thk, single coil, sq section		6	} Securing item 136
NI 138	A	G1B	5305-99-941-0527 . SCREW, MACHINE, steel, Zn plated, UNF, 5/16in. dia, class 2A thd, 1in. lg, hex hd		6	
NI 139	A	G1B	5305-99-941-0523 . SCREW, MACHINE, steel, Zn plated, UNF, 5/16in. dia, class 2A thd, 1/2in. lg, hex hd		6	} Mk 1/1 vehicle
NI 140		NP	. . . HOUSING ASSEMBLY FILTER, No. 9 Mk 1	FV616580	REF	

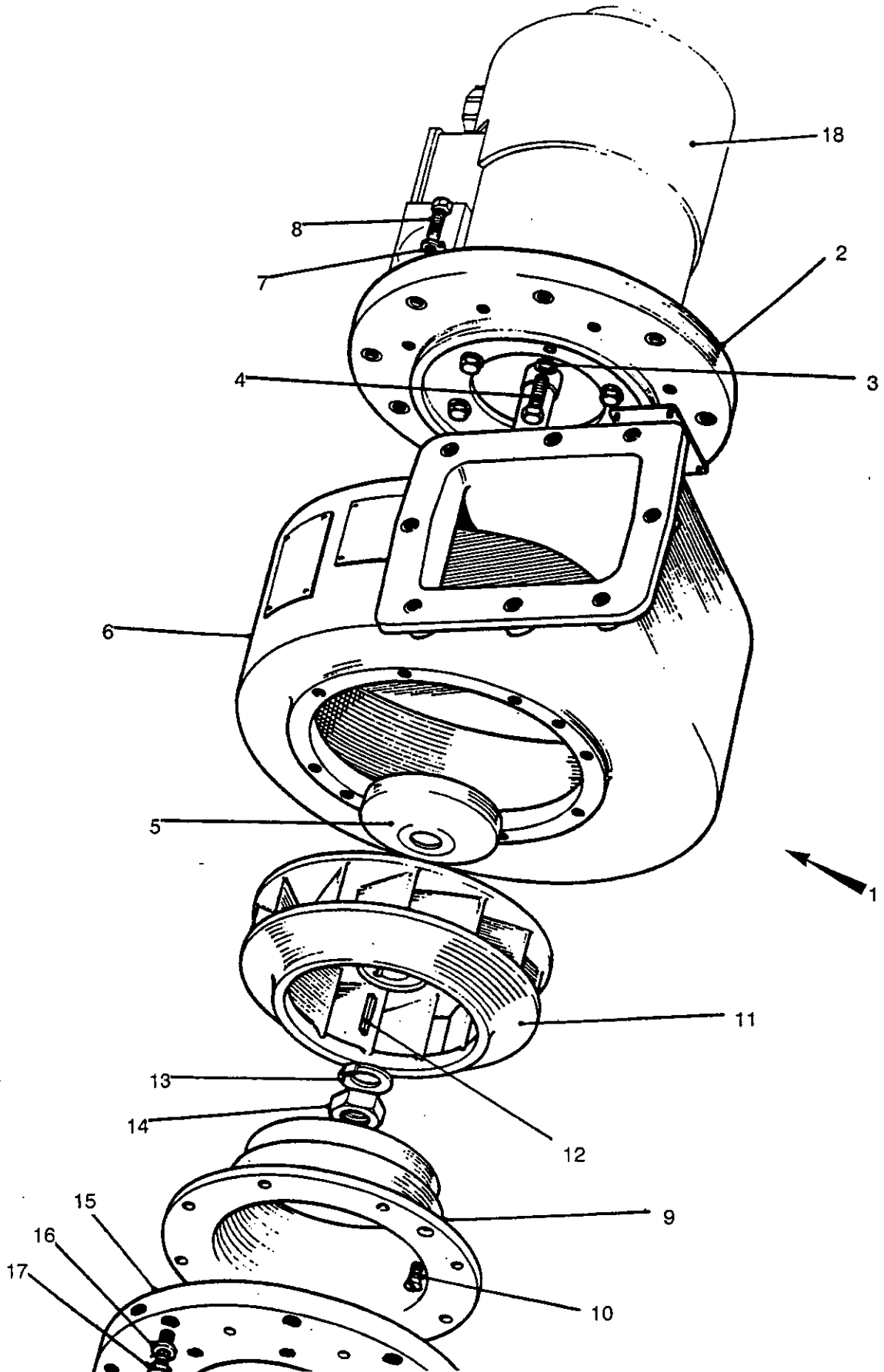


Fig 2 Fan, centrifugal

430/70220

Fig Item	Man Code Navy - N Army - A RA/F - R	NATO Stock No	Item Name and Description	Part No/ Drawing No.	No. Off	Annotations
2-			VENTILATION SYSTEM GA - contd			
1	A	9ACR	4140-99-804-4011 . FAN, CENTRIFUGAL, 400 CF/M, 6650-11000 rev/min, 24V dc, 12-1/2in. x 9in.	FV482416	1	
2	A	6MT4	2540-99-804-4110 . . . BACK PLATE, CENTRIFUGAL FAN	B36960	1	
3		NP	. . . WASHER, KEY, cres, 3 ext keys, 3/16in. id, 0.22in. thk, 21/64in. od, 0.55in. lg	XB7104	6	
4	A	G1	5305-99-914-9858 . . . SCREW, MACHINE, steel, hex hd, Cd plated, No. 10 UNF x 1/2in. lg		6	
5		NP	. . . WASHER, SPINNER, steel, Cd plated, 0.63in. id, 3.32in. od, 0.16in. thk, 0.5in. h	A38116	1	
6	A	6MT4	4140-99-804-4112 . . . HOUSING, CENTRIFUGAL FAN	00-060237	1	
7		NP	. . . WASHER, KEY, cres, 3 ext key, 3/16in. id, 0.22in. thk, 21/64in. od, 0.55in. lg	XB7104	8	
8	A	G1	5305-99-914-9858 . . . SCREW, MACHINE, steel, hex hd, Cd plated, No. 10 UNF x 1/2in. lg		8	
9	A	46MT4	2540-99-804-4113 . . . INLET, FAN UNIT, Al alloy, painted, 1.885in. h, 6.14in. dia, white, 3.2in. id, w/assorted holes on 5.7in. PCD	00-060255	1	
10	A	G1	5305-99-999-7566 . . . SCREW, MACHINE, steel, Cd plated, flat csk hd, slot drive, No. 10 UNF, 0.541in. thd lg, 5/8in. fastener lg		2	
11	A	6MT4	4140-99-804-4013 . . . IMPELLOR, FAN, CENTRIFUGAL, Al, 2.328in. w, 5.156in. dia, 3/8in. bore	B36973	1	
12		NP	. . . KEY, 3/16in. sq		1	
13	A	G1	5310-99-941-6197 . . . WASHER, KEY, cres, 3 ext keys, 0.32in. id, 0.53in. od, 0.032in. thk, 0.787in. lg		1	
14	A	G1	5310-99-941-0925 . . . NUT, PLAIN, HEXAGON, UNF, 5/16in. -24 class 2B rh thd, steel, Zn plated, 1/2in. w A/F, 17/64in. h, chamfered		1	
15	A	6MT4	2540-99-804-4114 . . . PLATE, MOUNTING, CENTRIFUGAL FAN, Al alloy, 9in. dia, 5/8in. thk	FV481948	1	
16		NP	. . . WASHER, KEY, cres, 3 ext keys, 3/16in. id, 0.22in. thk, 21/64in. od, 0.55in. lg		8	
17		NP	. . . SCREW, MACHINE, steel, hex hd, slotted, Cd plated, No. 10 UNF x 1in. lg		8	
18	A	9ACR	6105-99-804-4012 . . . MOTOR, DIRECT CURRENT, compound wound, 24V, 1.6A 0.8 HP, 6 mtg holes, w/radio interference suppression	FV546142	1	See Fig 3

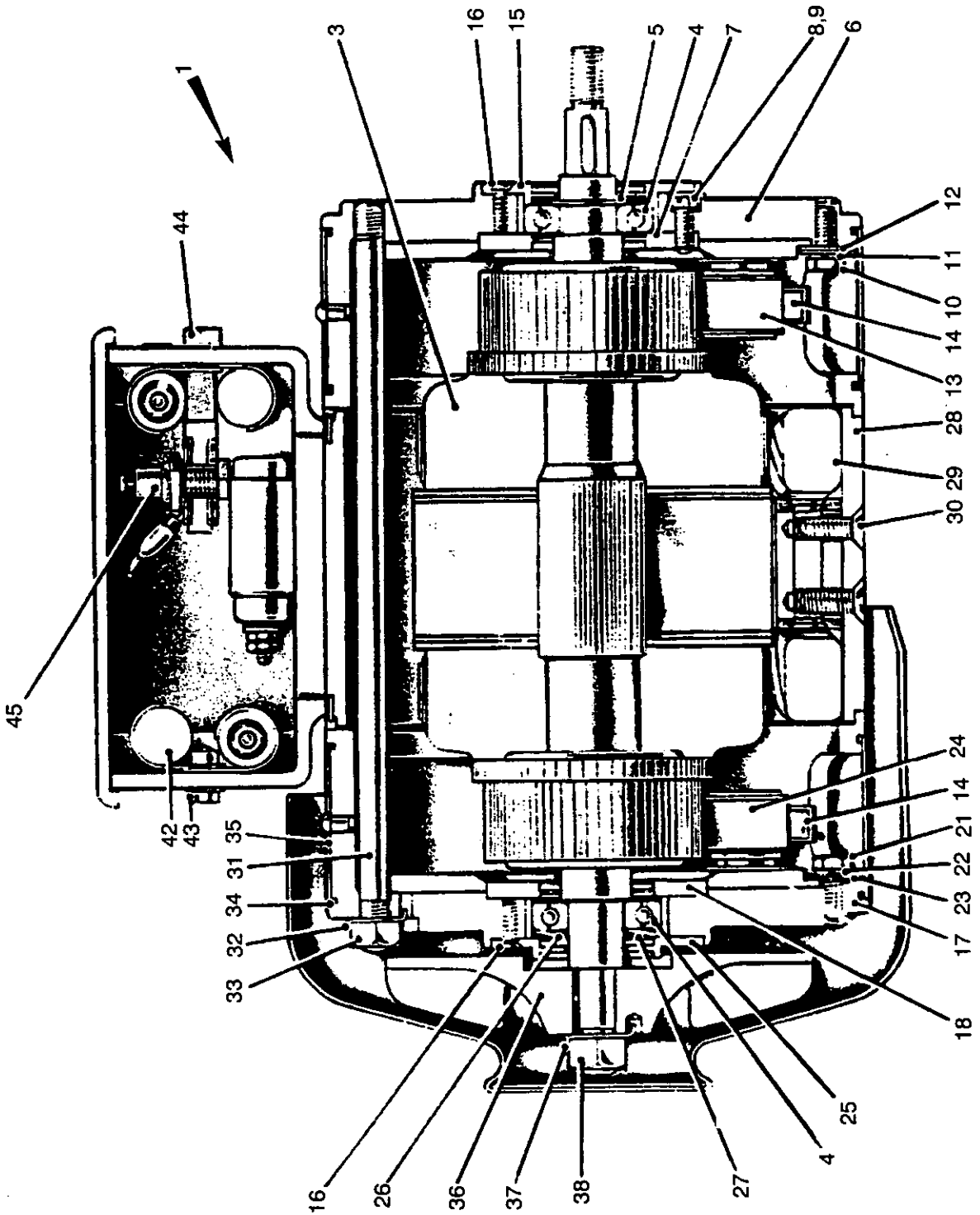


Fig 3 Motor, direct current

430/70126

Fig Item	Man Code Navy - N Army - A RA/F - R	NATO Stock No	Item Name and Description	Part No/ Drawing No.	No. Off	Annotations	
3-			VENTILATION SYSTEM GA - contd . FAN CENTRIFUGAL - contd				
1	A	9ACR	6105-99-804-4012	MOTOR, DIRECT CURRENT, compound wound, 24V dc, 1.6A, 0.22 and 0.8hp, totally enclosed, 6 unthd mtg holes, w/radio interference suppression	FV546142	1	
NI 2		NP	ARMATURE ASSEMBLY	20800	1		
3	A	46MT4	6105-99-804-4106	ARMATURE MOTOR	20799	1	
4	A	6MT7	3110-99-950-1177	BEARING, BALL, JOURNAL	EE4	2	
5	A	46MT1	5365-99-910-8190	RING, RETAINING, st, ext, 1/2in.		1	
6		NP	BRACKET, DRIVE END	18918	1		
7	A	46MT4	6105-99-804-4014	CAP, HOUSING, BEARING UNIT	19801	1	
8	A	G1	5305-99-941-9195	SCREW, MACHINE, st, Cd P, flat fil hd, 4BA x 3/8in. lg		2	
9	A	G1	5310-99-941-6688	WASHER, LOCK, Phos B, BA, single coil, 1/4in.		2	
10	A	G1	5305-99-914-9858	SCREW, MACHINE, st, hex hd, Cd P, No. 10 UNF x 1/2in.		2	
11	A	G1	5310-99-941-6653	WASHER, LOCK, st, single coil, Cd P, 3/16in.		2	
12	A	G1	5310-99-941-6866	WASHER, FLAT, st, Cd P, 3/16in.		2	
13	A	46MT4	5977-99-804-4004	BRUSH, ELECTRICAL CONTACT	18465	4	
14		NP	BRUSH, SPRING		8		
15		NP	CAP		1		
16	A	G1	5305-99-941-6846	SCREW, MACHINE, st, Cd P, flat csk hd, 4BA x 3/8in. lg		8	
17		NP	BRACKET, FAN END	18709	1		
18	A	46MT4	6105-99-804-4014	CAP, HOUSING, BEARING UNIT	19801	1	
NI 19	A	G1	5305-99-941-9195	SCREW, MACHINE, st, Cd P, flat fil hd, 4BA x 3/8in. lg		2	
NI 20	A	G1	5310-99-941-6688	WASHER, LOCK, Phos B, BA, single coil, 1/4in.		2	
21	A	G1	5305-99-914-9858	SCREW, MACHINE, st, hex hd, Cd P, No. 10 UNF x 1/2in.		2	
22	A	G1	5310-99-941-6653	WASHER, LOCK, st, single coil, Cd P, 3/16in.		2	
23	A	G1	5310-99-941-6866	WASHER, FLAT, st, Cd P, 3/16in.		2	
24		NP	BRUSH, ELECTRICAL CONTACT	18418	4		
25		NP	CAP, HOUSING		1		
26	A	46MT4	5310-99-954-9617	WASHER, LOCK	ARL4001-70	1	
27	A	46MT4	5365-99-804-4009	SHIM	15341	A/R	
28		NP	YOKE	18707	1		
29		NP	WINDING, MOTOR FIELD, 4 coils		1		
30	A	G1	5305-99-120-1605	SCREW, MACHINE, st, Cd P, flat csk hd, 2BA x 7/16in. lg		8	
31		NP	STUD, PLAIN, st, Cd P, 1/4in. UNF x 6-3/8in.		2		
32	A	G1	5310-99-941-6316	WASHER, KEY, st, Cd P, 2 ext keys, 1/4in.	024802	2	
33	A	G1	5310-99-941-4136	NUT, PLAIN, HEXAGON, st, Zn P, 1/4in. UNF		2	
34	A	46MT1	5330-99-804-4115	RING, SEALING, TOROIDAL, syn ru, 4-1/2in. id x 1/16in. h, 85-95 deg harness	SP915-41	4	
35	A	46MT4	6105-99-804-4017	COVER, ELECTRICAL CONTACT	20803	2	

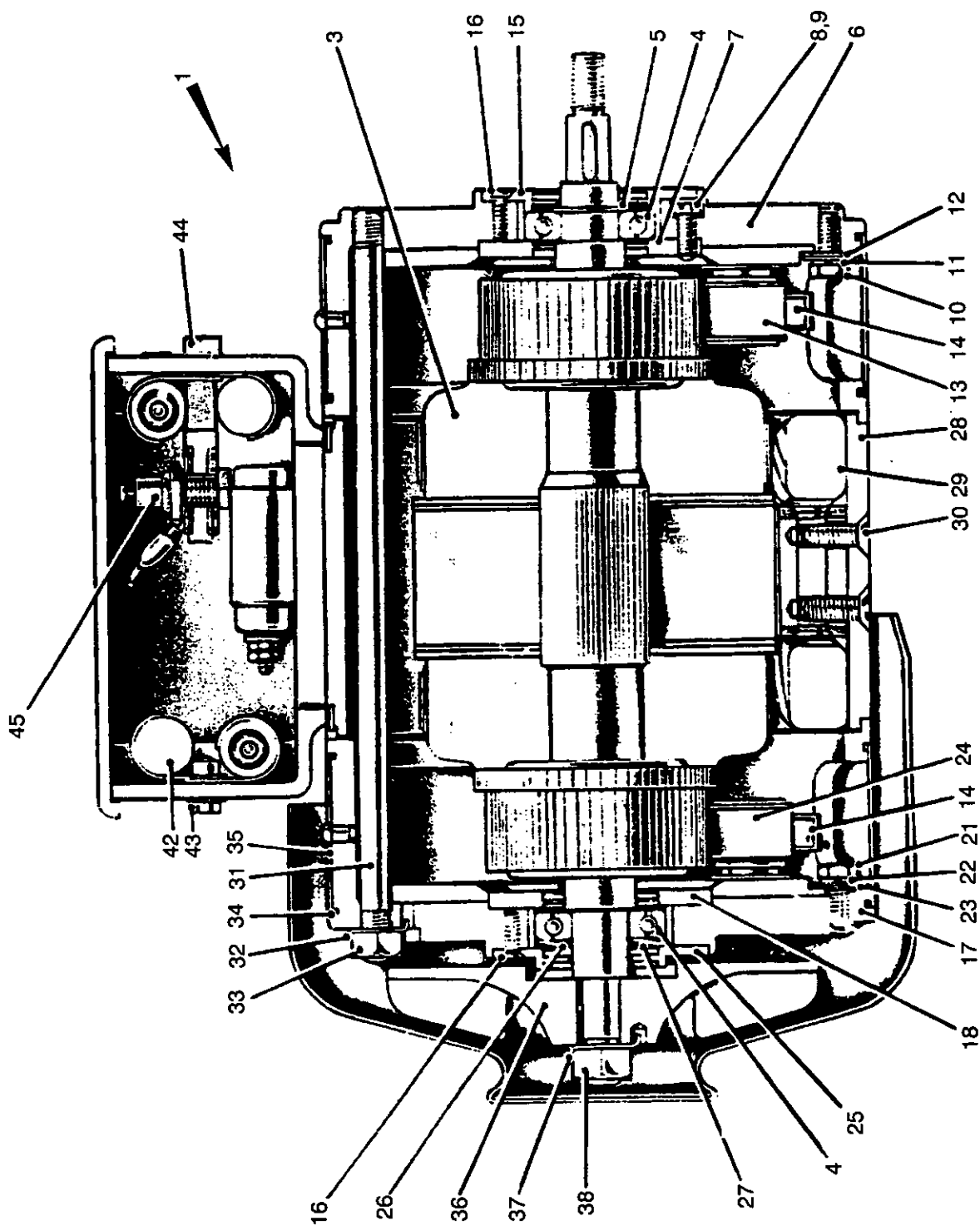


Fig 3 Motor, direct current

430/70126

Fig Item	Man Code Navy - N Army - A RA/F - R	NATO Stock No	Item Name and Description	Part No/ Drawing No.	No. Off	Annotations
3-			VENTILATION SYSTEM GA - contd . . . FAN CENTRIFUGAL - contd . . . MOTOR, DIRECT CURRENT - contd			
36		NP	. . . FAN, ELECTRICAL, Al, 5 blades		1	
37	A G1	5310-99-941-6607	. . . WASHER, KEY, st, Cd P, 5/16in.	SP107-G	1	
38	A G1	5310-99-941-0925	. . . NUT, PLAIN, HEXAGON, st, Zn P, 5/16in. UNF		1	
NI 39	A G1	5305-99-999-5692	. . . SCREW, MACHINE, st, Cd P, flat fil hd, 4BA x 1/2in. lg		3	
NI 40	A G1	5310-99-946-9795	. . . WASHER, LOCK		15	
NI 41		NP	. . . SCREW, MACHINE, st, flat fil hd, Cd P, 4BA x 1/4in. lg		4	
42	A Z31	5910-99-106-6462	. . . CAPACITOR, FIXED, METALLIZED PAPER, 0.75µF, 30V dc	0700771B	3	
43	A G1	5305-99-941-9195	. . . SCREW, MACHINE, st, Cd P, flat fil hd, 4BA x 3/8in. lg		4	
44	A G1	5305-99-941-6816	. . . SCREW, MACHINE, st, Cd P, hex hd, 2BA x 9/16in. lg		2	
45	A Z42	5961-99-037-2718	. . . SEMI-CONDUCTOR DEVICE, DIODE, CV7311	468723	1	
NI 46		NP	. . . PLUG, ELECTRICAL AND LEAD ASSEMBLY	21449	1	
NI 47	A 46MT4	5935-99-800-9950 CONNECTOR, RECEPTACLE, ELECTRICAL	FV585029	1	
NI 48	A Y3	6145-99-945-5076 WIRE, ELECTRICAL, Unipren 35	PREN35	A/R	
NI 49	A Y3	6145-99-901-2567 WIRE, ELECTRICAL, Unipren 24	E21 UNIPREN24	A/R	
NI 50	A Z37	5940-99-106-7668 TERMINAL LUG	326034	5	
NI 51	A Z37	5940-99-106-7672 SPLICE, CONDUCTOR	36906	2	
NI 52	A Y3	5970-99-999-8808 INSULATION, SLEEVING, ELECTRICAL	90-29040100	A/R	
NI 53	A Z42	5970-99-913-0207 INSULATION, SLEEVING, ELECTRICAL	PM9055-005	A/R	
NI 54	A Z2	5330-99-014-7139	. . . GASKET	3031926	1	
NI 55	A G1	5305-99-120-1448	. . . SCREW, MACHINE, st, Cd P, flat fil hd, 4BA x 5/16in. lg		4	
NI 56	A G1	5310-99-946-4795	. . . WASHER, LOCK		4	

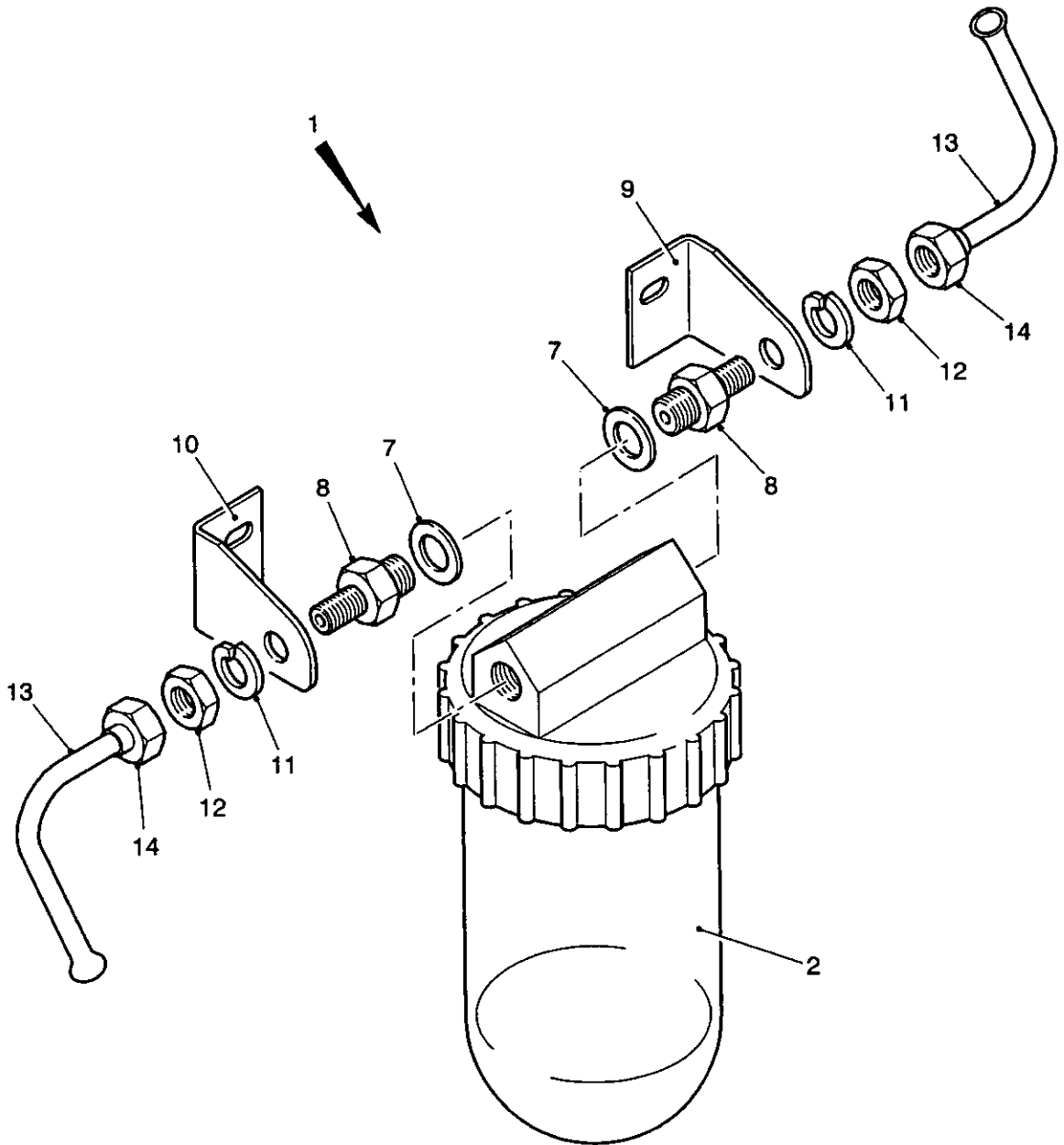


Fig 4 Water trap assembly

430/70224

Fig Item	Man Code Navy - N Army - A RAF - R	NATO Stock No	Item Name and Description	Part No/ Drawing No.	No. Off	Annotations
4-			VENTILATION SYSTEM GA - contd			
1		NP	. WATER TRAP ASSEMBLY	FV611843	REF	
2	A	46MT4 4330-99-738-8571	. . . FILTER, FLUID, VACUUM, 145mm lg, 58mm dia, 1/4in. BSP parallel inlet and outlet ports	F11-200-V2RD	1	
NI 3	A	9ACR 4330-99-804-3652 FILTER TUBE, tubular shape, porous Vyon 3 material, 0.03in. wall thk, ends cut sq	0-19	1	
NI 4	A	G1 5310-99-941-9964 WASHER, FLAT, br, tin, plated, 17/64in. id, 9/16in. od, 1/16in. thk		1	
NI 5	A	G1 5310-99-101-2564 NUT, SELF-LOCKING, HEXAGON, UNF, cres, Cd plated, nylon insert, 1/4in. thd, 7/16in. w A/F, 0.34in. h		1	
NI 6	A	6MT1 5331-99-716-2774 O-RING, 1-63/64in. id, 9/64in. cross-section h	200-226-4470	1	
7	A	6mt1 5330-99-881-3207	. . . GASKET, Cu, 33/64in. id, 27/32in. od, 1/16in. thk	48-0213-02	2	
8	A	9ACR 4730-99-551-0577	. . . ADAPTOR, STRAIGHT, PIPE TO TUBE, steel, Cd plated and passivated, 38mm lg	FV952508	2	
9	A	9ACR 2540-99-804-2207	. . . BRACKET, ANGLE, steel, painted, 90 deg angle, 2-7/16in. lg, 1st leg, 1-1/14in. lg 2nd leg	FV602996	1	
10	A	9ACR 2590-99-827-7475	. . . BRACKET, ANGLE, RIGHT HAND, steel, 2-7/16in. lg 1st end, 1-1/4in. lg 2nd end, 1-1/2in. w, 5/64in. thk, one hole 7/16in. dia, one slot 9/32in. w	FV602998	1	
11	A	G1 5310-99-941-6656	. . . WASHER, LOCK, steel, split helical ring, 3/8in. bolt size, 0.59in. od, 0.092in. thk, single coil, sq section		2	
12	A	G1 5310-99-941-0904	. . . NUT, PLAIN, HEXAGON, UNF, 3/8in. -24 class 2B rh thd, steel, Zn plated, 9/16in. w A/F, 7/32in. h, chamfered, grade 3		2	
13	A	9ACR 4710-99-804-4819	. . . TUBE, METALLIC, tungum, 3/16in. od, 22 SWG wall thk	FV602994	2	
14	A	6MT1 4730-99-801-1564	. . . NUT, UNION, PIPE, steel, Cd plated, 3/8in. UNF, 1/2in w A/F, 3/8in. h	FVS88-2	2	

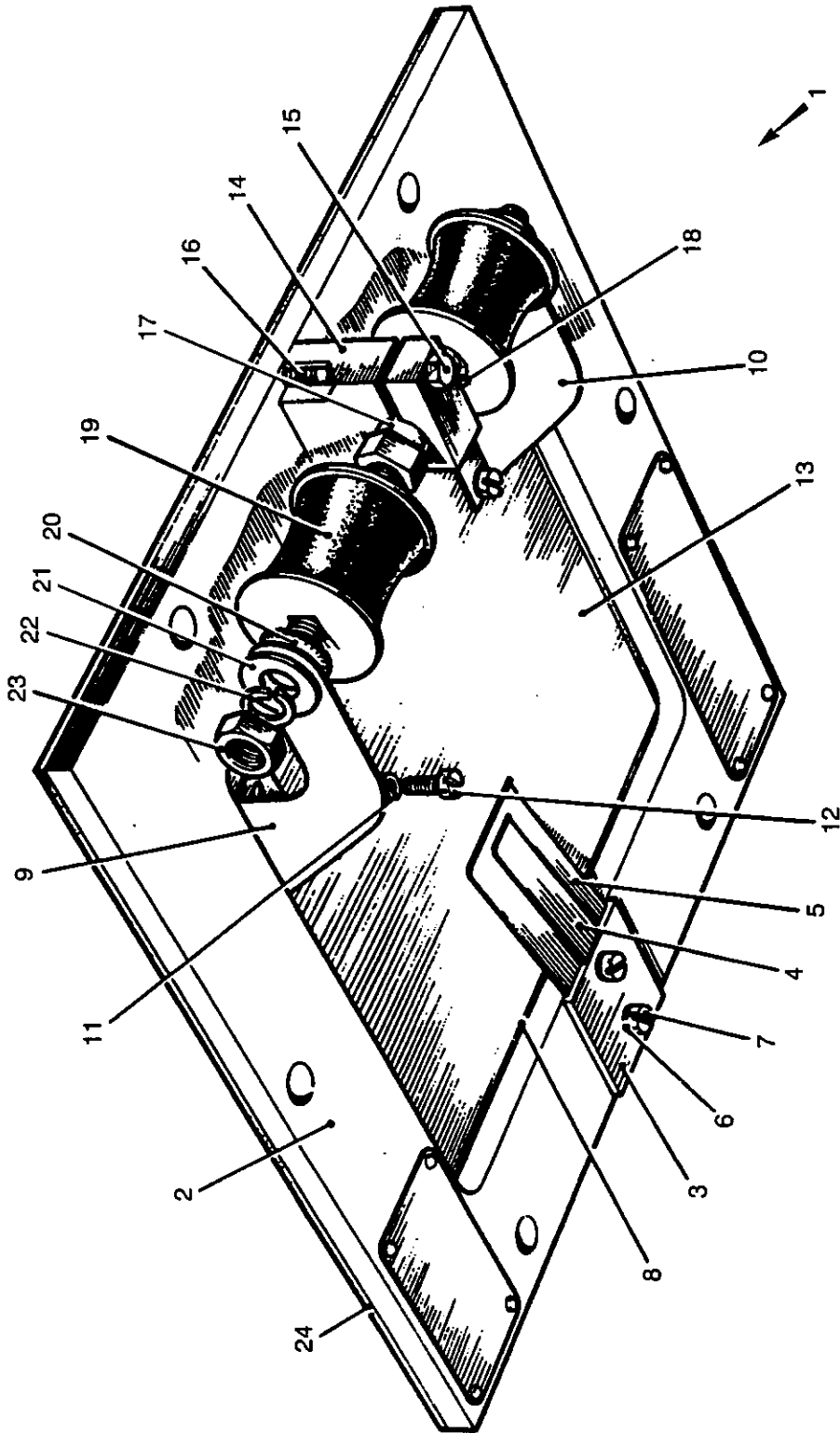


Fig 5 Valve, relief, pressure and temperature

430/70152

Fig Item	Man Code Navy - N Army - A RAF - R	NATO Stock No	Item Name and Description	Part No/ Drawing No.	No. Off	Annotations
5-			VENTILATION SYSTEM GA - contd			
1	A	9ACR 4820-99-865-6788	. VALVE, RELIEF, PRESSURE AND TEMPERATURE, ventilation	FV481771	1	
2		NP	. . FLAP SEAT AND MOUNTING	FV481777	1	
3	A	9ACR 5365-99-865-6794	. . SPACER PLATE, steel, painted, 1.120in. lg & h, 0.147 x 0.018in. thk, 2 holes	FV481909	1	
4	A	9ACR 5360-99-865-6795	. . SPRING, FLAT, steel, 2.37 x 0.37 x 0.008in. thk	FV481910	1	
5	A	9ACR 2540-99-865-6796	. . STRIP, WEAR, FLAT SPRING, ventilation relief valve	FV481911	1	
6	A	G1 5310-99-941-6652	. . WASHER, LOCK, steel, split helical ring, 0.168in. dia x 0.025in. od x 0.040in. thk		2	
7	A	G1 5305-99-941-9195	. . SCREW, MACHINE, 4BA, steel, flat fil hd, Cd P, 3/8in. lg		2	
8	A	G1 5330-99-865-6792	. . GASKET, rubber, rect, 6.5 x 5.5 x 0.060in. thk	FV481778	1	
9		NP	. . BRACKET, LH	FV481773	1	
10		NP	. . BRACKET, RH	FV481772	1	
11	A	G1 5310-99-941-6652	. . WASHER, LOCK, steel, split helical ring, 0.168in. dia, 0.252in. od, 0.040in. thk		4	
12	A	G1 5305-99-941-9195	. . SCREW, MACHINE, 4BA, steel, flat fil hd, Cd P, 3/8in. lg		4	
13		NP	. . FLAP ASSEMBLY	FV481782	1	
14		NP	. . PILLAR	FV481774	1	
15		NP	. . SCREW, MACHINE, BA, steel, hex hd, slotted, zinc P, No. 2 x 3/4in. lg		1	
16	A	G1 5305-99-941-8871	. . SCREW, MACHINE, 2BA, steel, 3/4in. lg flat csk hd		2	
17		NP	. . BUSH	FV782458	1	
18		NP	. . PIN, COTTER, SPLIT, steel, phosphate coated, 1/16in. dia x 3/4in. lg	FL70/19	1	
19	A	9ACR 5340-99-743-7294	. . MOUNT, RESILIENT, rubber steel, 35mm. dia, 34mm. lg, M8 thd, 12.7mm. lg both ends	FV782457	2	
20	A	G1 5310-99-100-6941	. . WASHER, LOCK, steel, flat ext teeth, 5/16in. nom, bolt size, 0.598 x 0.030in. thk		2	
21	A	G1 5310-99-122-8066	. . WASHER, FLAT, steel, Cd plated, rd, 17mm od, rd hole, 8.7mm id, 1.8mm thk		2	
22	A	G1 5310-99-135-9302	. . WASHER, LOCK, steel, Cd plated, split helical ring, 8mm bolt size, 2mm thk, 12.75mm od		2	
23	A	G1 5310-99-135-0788	. . NUT, PLAIN, HEXAGON, ISO M8 x 1.25mm pitch, class 6H thd, steel, Cd plated, 13mm w A/F, 6.5mm h, grade 8, chamfered bearing surface		2	
24	A	9ACR 5330-99-865-6793	. . GASKET, rubber, rect, 8.75in. x 7.62in. w, 6 bolt holes	FV481779	1	

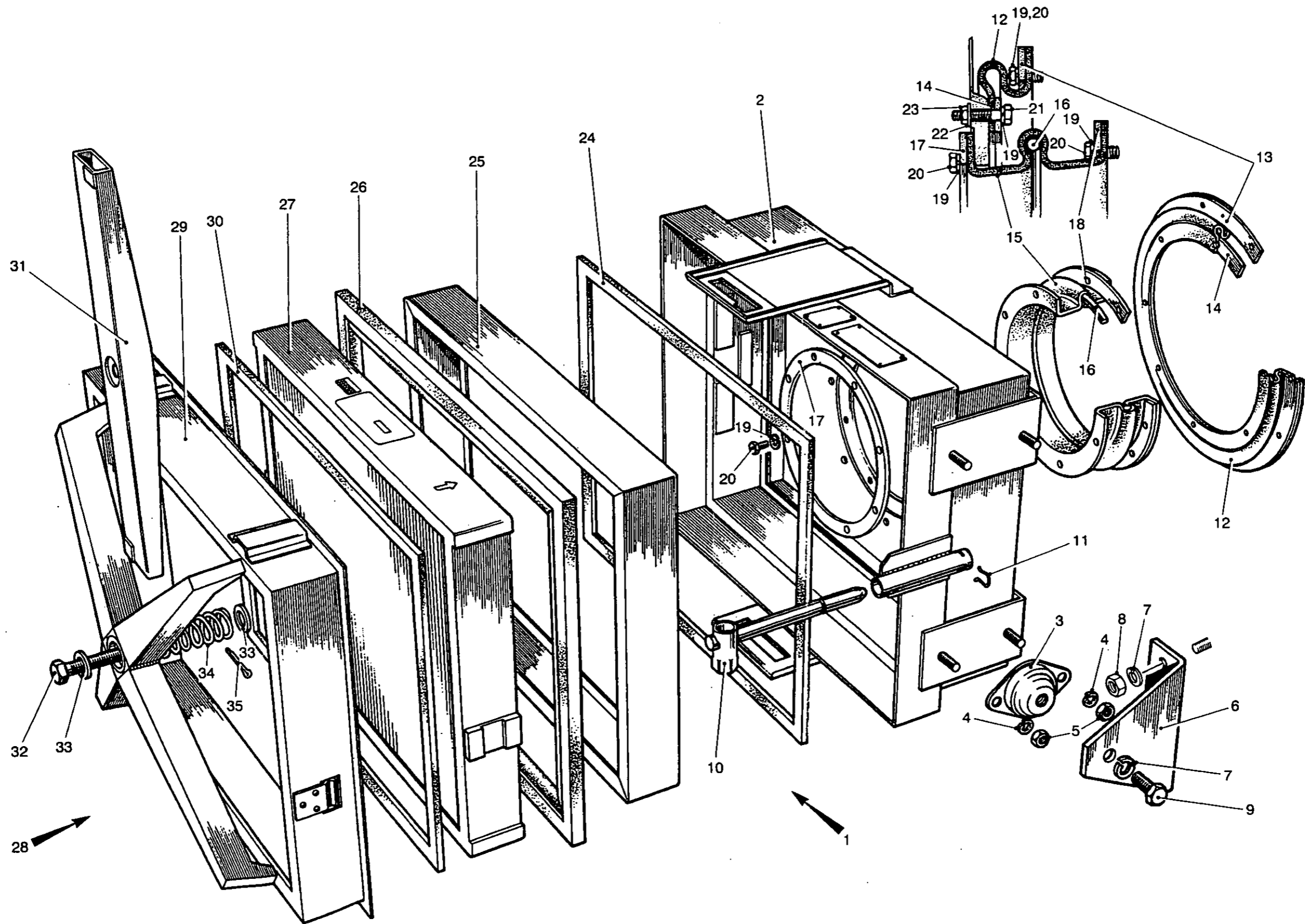


Fig 6 Housing assembly, filter, No. 9 Mk 1

Fig Item	Man Code Navy - N Army - A RA/F - R	NATO Stock No	Item Name and Description	Part No/ Drawing No.	No. Off	Annotations
6-			VENTILATION SYSTEM GA - contd			
1		NP	HOUSING ASSEMBLY, FILTER, No 9 Mk 1	FV616580	REF	
2	A	9ACR	HOUSING, FILTER, No. 9 Mk 1	FV564281	1	
3	A	9ACR	MOUNT, RESILIENT, ventilation filter	FV481905	4	
4	A	G1	WASHER, LOCK, steel, Cd plated, split helical ring, 5/16in. bolt size, 0.503in. od, 0.08in. thk, single coil, sq section		8	
5	A	G1	NUT, PLAIN, HEXAGON, UNF, 5/16in. dia class 2B rh thd, steel, Cd plated, 1/2in. w A/F, 17/64in. h, chamfered		8	
6	A	9ACR	BRACKET, ANGLE, steel, 90 deg angle, 1.87in. lg 1st leg, 4.18in. lg 2nd leg, 0.25in. thk, 5in. w 1st leg w/2 holes, 2nd leg w/one hole	FV481903	4	
7	A	G1	WASHER, LOCK, steel, split helical ring, 3/8in. bolt size, 0.59in. od, 0.092in. thk, single coil, sq section		12	
8	A	G1	NUT, PLAIN, HEXAGON, UNF, 3/8in. dia class 2B rh thd, steel, Cd plated, 9/16in. w A/F, 21/64in. h, chamfered		8	
9	A	G1	SCREW, MACHINE, UNF, 3/8in. -24 class 2A thd, 1in. lg, steel, hex hd		4	
10	A	9ACR	WRENCH, BOX, straight single, hex hd, 3/4in. w A/F, 7in. lg	FV481926	1	
11	A	9ACR	CLIP, RETAINING, steel, Cd plated, 7/8in. lg, 0.48in. w	FV481929	1	
12	A	9ACR	CONNECTION, FLEXIBLE, rubber, 7-1/8in. id, 10-3/16in. of, 15/16in. h, 10 holes 7/32in. dia on 9-9/16in. PCD, 8 holes 7/32in. dia on 7-3/4in. PCD	FV482077	1	
13	A	9ACR	SEALING, RING, steel, 7.12in. id, 8.37in. od, 0.128in. thk, 8 x 2BA holes on 7-3/4in. PCD	FV616633	1	
14	A	9ACR	RING, SEALING, FLEXIBLE CONNECTION, steel, painted, 9in. od, 10-1/4in. od, 1/8in. thk, 10 holes 7/32in. dia on 9-9/16in. PCD	FV482080	1	
15	A	9ACR	HOSE, AIR DUCT, rubber, 2.56in. lg	FV481876	1	
16	A	9ACR	RING, LOCATING, FLEXIBLE CONNECTION, steel, polythene covered	FV482489	1	
17	A	9ACR	SPACER, PLATE	FV481887	1	
18	A	9ACR	SPACER, PLATE	FV481888	1	
19	A	G1	WASHER, LOCK, steel, split helical ring, 0.198in. id, 0.33in. od, 0.064in thk		34	
20	A	G1	SCREW, MACHINE, steel, Cd plated, No. 2BA x 5/8in. lg, hex hd		26	
21		NP	SCREW, MACHINE, steel, Cd plated, No. 2BA x 1in. lg, hex hd		8	
22	A	G1	WASHER, LOCK, rubber/steel, flat int teeth, 0.197in. id, 0.44in. od, 0.06in. thk, steel locking feature	435-004-1574-91	8	
23	A	G1	NUT, PLAIN, HEXAGON, No. 2BA rh thd, steel, Cd plated, 21/64in. w A/F, 11/64in. h, chamfered		8	
24	A	9ACR	GASKET, rubber, rect, 11in. aperture w, 14.18in. aperture lg, 0.25in. thk, 16.18in. lg, 12in. w	FV481892	1	

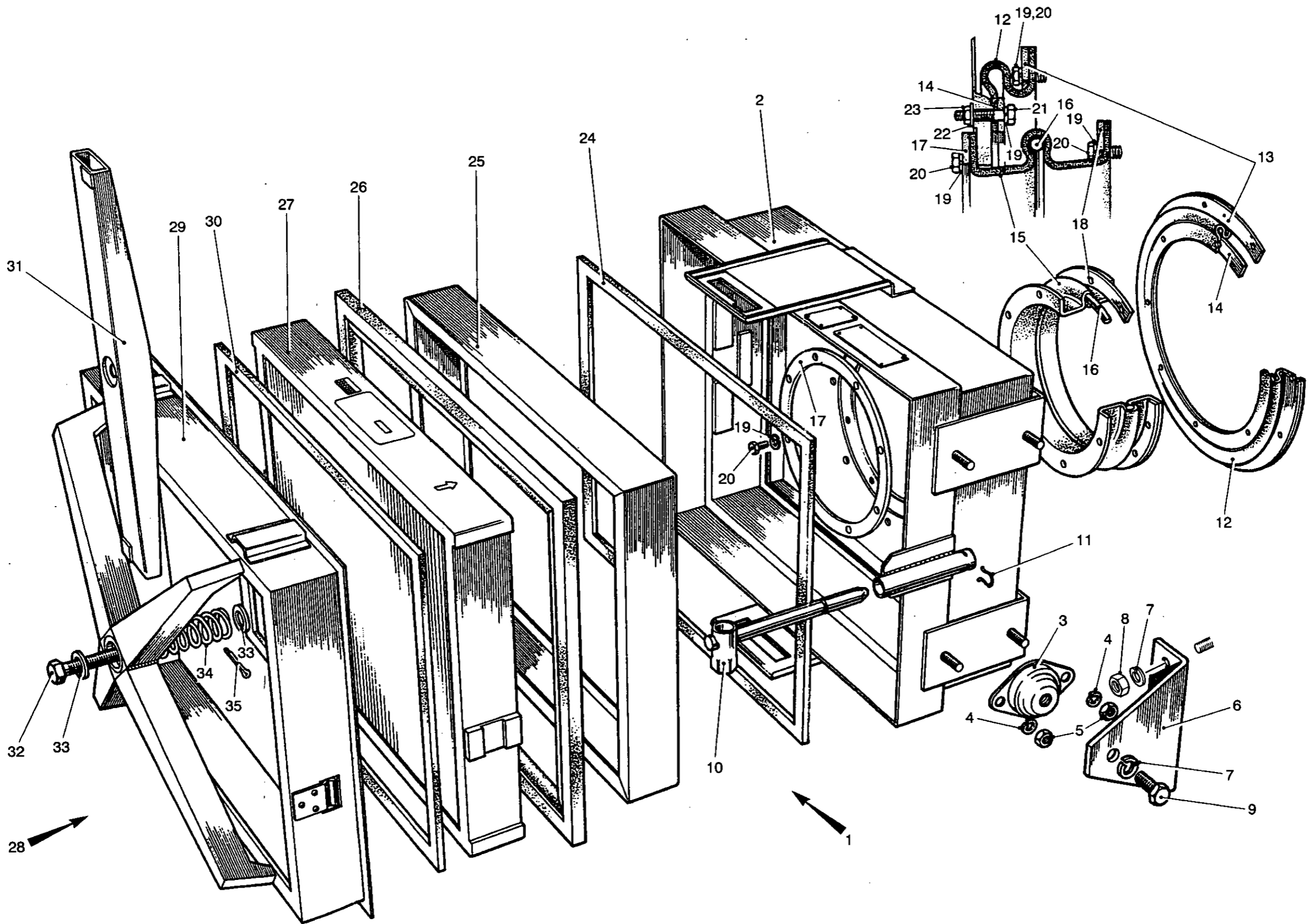


Fig 6 Housing assembly, filter, No. 9 Mk 1

Fig Item	Man Code Navy - N Army - A RAF - R	NATO Stock No	Item Name and Description	Part No/ Drawing No.	No. Off	Annotations
6-			VENTILATION SYSTEM GA - contd . HOUSING ASSEMBLY, FILTER, No 9 Mk 1 - contd			
25	A 9ACR	2540-99-804-4832	. . . FRAME, FILTER ASSEMBLY, anti- vapour No. 2 Mk 1	FV482426	1	
26	A 9ACR	5330-99-865-7255	. . . GASKET, rubber, rect, 12.73in. aperture w, 15.92in. aperture lg, 16.12in. lg, 12.93in. w, 0.5in. thk	FV481889	1	
27	A 46MT1	4130-99-804-4834	. . . FILTER, AIR CONDITIONING, 15.236in. lg, 12in. w, 2.015in. h	FV594639	1	
28	A 9ACR	2540-99-802-1938	. . . HOLDER, FILTER ELEMENT, air conditioning	FV482437	1	
29		NP	. . . HOLDER FILTER, WA	FV481886	1	
30	A 9ACR	5330-99-865-7257	. . . GASKET, rubber, rect, 11in. aperture w, 14.18in. aperture lg, 0.25in. thk, 16.18in. lg, 12in. w	FV481892	1	
31	A 9ACR	2540-99-804-4833	. . . CLAMP, BAR ASSEMBLY	FV482469	1	
32		NP	. . . SCREW, MACHINE, UNC, 1/2in. -13 class 2A thd, 2-1/2in. lg, 0.104in. hole drilled 2.23in. from shoulder, hex hd, steel	FV482479	1	
33	A G1	5310-99-941-8637	. . . WASHER, FLAT, steel, Zn plated, 33/64in. id, 1in. od, 3/32in. thk		2	
34	A 9ACR	5360-99-865-7266	. . . SPRING, HELICAL COMPRESSION, 10 coils, 3-1/12in. lg	FV481907	1	
35		NP	. . . PIN, COTTER, SPLIT, steel, phosphated, 0.094in. dia, 3/4in. lg		1	

Chapter 2-9
PARTS LIST
EXHAUST SYSTEM
GENERAL ARRANGEMENT

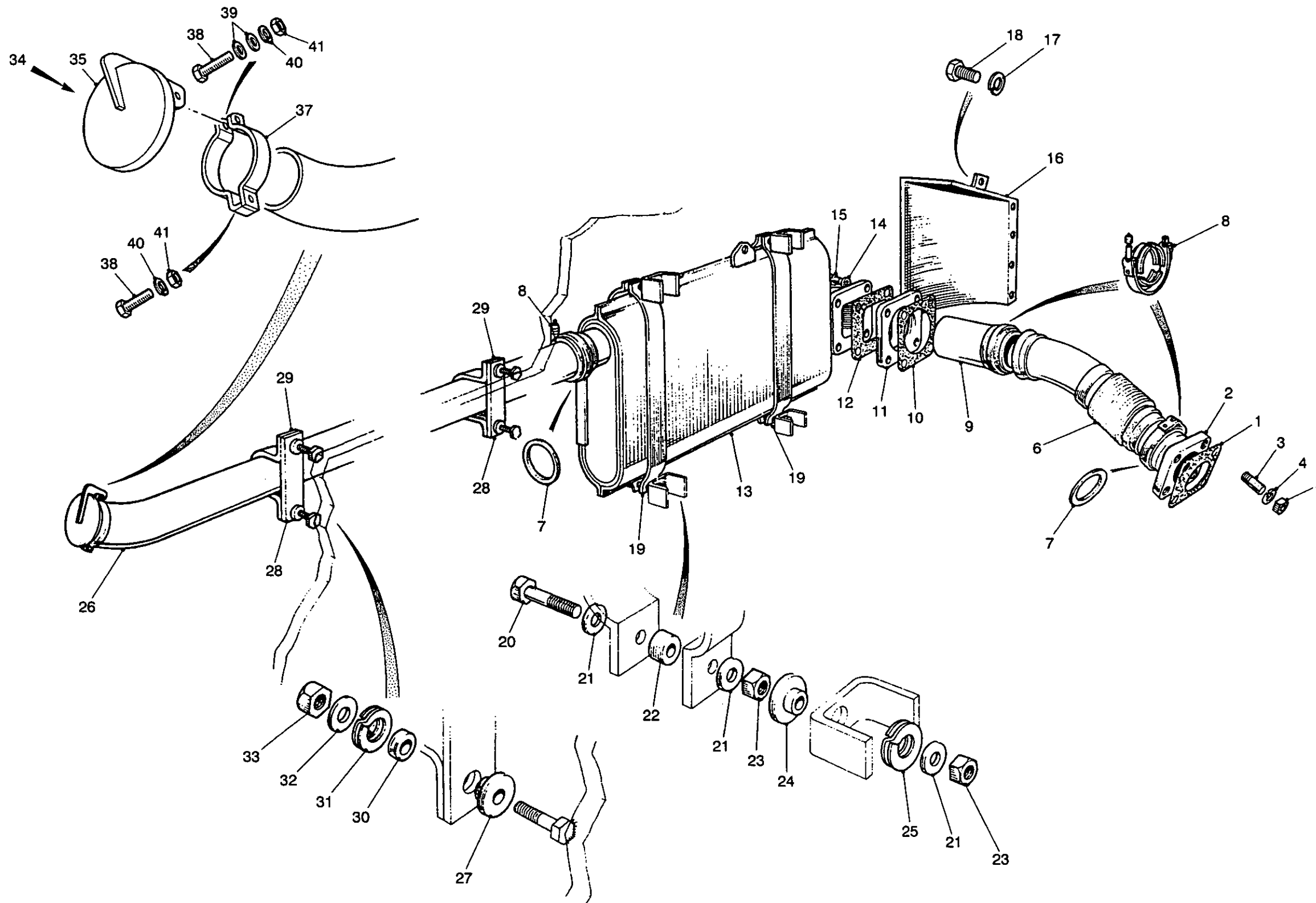


Fig 1 Exhaust system general arrangement

Fig Item	Man Code Navy - N Army - A RAF - R	NATO Stock No	Item Name and Description	Part No/ Drawing No.	No. Off	Annotations
1-		NP	EXHAUST SYSTEM GENERAL ARRANGEMENT	FV563275	REF	
1	A	9ACR 5330-99-591-5676	GASKET, sq w/rd aperture, 120mm o/a w, 102mm aperture dia, 4 bolt holes, fibre or composition cross-sect shape	FV2249145	1	
2	A	9ACR 2990-99-867-4677	END FITTING, EXHAUST PIPE	FV559423	1	
3	A	G1 5307-99-120-3527	STUD, PLAIN, steel, zinc P, 1-3/4 x 3/8in. UNF thd nut end, 3/8 x 27/64in. lg stud end		4	
4	A	G1 5310-99-138-6859	WASHER, LOCK, steel, Zn plated, split helical ring, 3/8in. bolt size, 11/16in. od, 3/32in. thk		4	
5	A	G1 5310-99-101-2645	NUT, PLAIN, HEXAGON, UNF, steel, 3/8 x 9/16 x 21/64in. h, rh thd, class 2B, chamfered		4	
6	A	9ACR 2990-99-867-4678	PIPE, EXHAUST, flexible	FV559418	1	
7	A	46MT1 5330-99-881-9359	GASKET, Cu, 117.48 x 3.2 x 125.43mm od, non asbestos filler	MM-105333	3	
8	A	9ACR 4730-99-881-9358	CLAMP, LOOP, steel corrosion resisting	BA25018/1	3	
9	A	9ACR 2990-99-867-4680	PIPE, EXHAUST	FV559421	1	
10	A	9ACR 5330-99-996-1176	GASKET, sq w/rd aperture, 13.77mm hole dia, 190mm o/a w, 152mm aperture dia, 4 bolt holes fibre or composition cross-sect shape	FV2249144	1	
11	A	9ACR 2990-99-867-4687	PLATE, EXHAUST PIPE, front	FV538895	1	
12	A	9ACR 5330-99-871-6064	GASKET, sq w/sq aperture, 13.77mm hole dia, 190mm o/a w, 120mm aperture w, 120mm aperture lg, 4 bolt holes, fibre or composition cross-sect shape	FV2249143	1	
13	A	9ACR 2990-99-804-3328	SILENCER, EXHAUST, steel, 47in. lg	FV563402	1	
14	A	G1 5310-99-134-2027	WASHER, LOCK, steel, spring, Zn plated w/chromate, split helical ring, 0.5in. id, 0.851in. od, 0.092in. thk		4	
15	A	G1 5306-99-941-7027	BOLT, MACHINE, UNF, steel, hex hd, 1/2in. x 2-1/4in. lg, Zn plated w/chromate, 1-1/4in. thd lg		4	
16	A	9ACR 2990-99-867-4689	GUARD, MUFFLER-EXHAUST PIPE, NON-AIRCRAFT	FV586362	1	
17	A	G1 5310-99-138-6859	WASHER, LOCK, steel, Zn plated, split helical ring, 3/8in. bolt size, 11/16in. od, 3/32in. thk		6	
18	A	G1 5305-99-941-0711	SCREW, MACHINE, UNC, stainless steel, hex hd, Zn plated, class 2A thd, 3/8in. x 5/8in. lg		6	
19	A	9ACR 5340-99-802-6885	STRAP, RETAINING, steel, single, 2-1/2 x 3/16in. thk	FV586669	4	
20	A	G1 5305-99-941-0576	SCREW, MACHINE, UNF, steel, Zn plated, hex hd, 1/2in. dia, 3-1/4in. lg, class 2A thd		4	
21	A	9ACR 5310-99-865-6146	WASHER, FLAT, steel, phos, 1.125 x 0.51 x 0.08in. thk	FV434749	12	
22		NP	SPACER, SLEEVE, silencer	FV586672	4	
23	A	G1 5310-99-100-9641	NUT, PLAIN, HEXAGON, cres, UNF, 1/2in. dia, 3/4in. w A/F, 0.437in. h, chamfered bearing surface		8	
24	A	9ACR 5310-99-867-4682	NUT, ROUND	FV560065	4	
25	A	G1 5310-99-941-6684	WASHER, LOCK, Cu alloy, split double helical ring, 51/64in. id, 1-15/64in. od, 5/64in. thk		4	

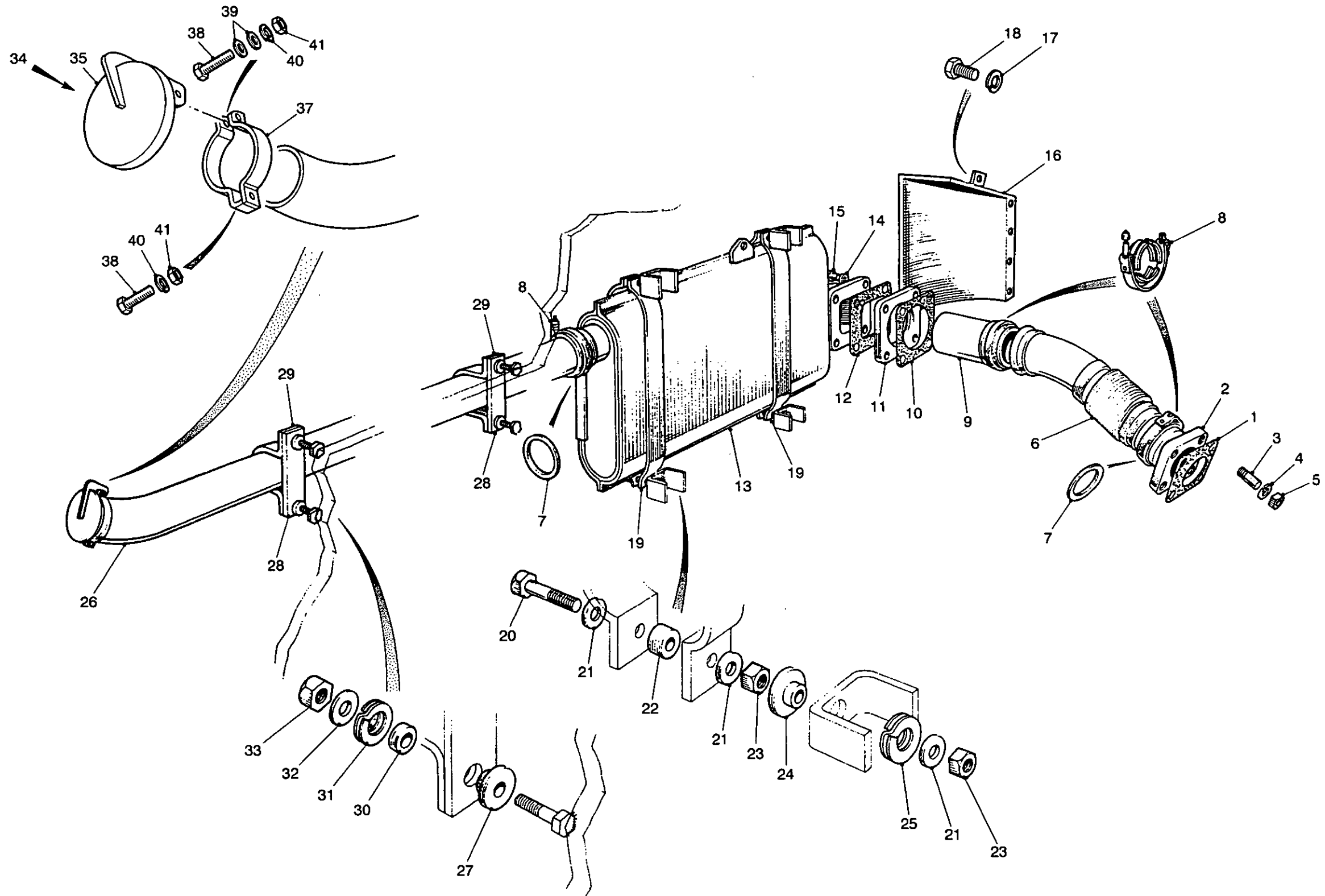


Fig 1 Exhaust system general arrangement

Fig Item	Man Code Navy - N Army - A RA/F - R	NATO Stock No	Item Name and Description	Part No/ Drawing No.	No. Off	Annotations
1-			EXHAUST SYSTEM GENERAL ARRANGEMENT - contd			
26	A 9ACR	2990-99-804-3329	. PIPE, EXHAUST, painted, comprises pipe and 2 flanges, rear application	FV611053	1	
27	A 9ACR	5310-99-867-4682	. NUT, ROUND	FV560065	4	
28		NP	. BACK, PLATE, clip	FV586021	2	
29	A 9ACR	5340-99-867-4686	. STRAP, RETAINING, exhaust pipe	FV586020	2	
30	A 9ACR	5365-99-867-4683	. SPACER, SLEEVE, br, 1/4in. lg, 3/4in. od, 17/32in. id	FV560066	4	
31	A G1	5310-99-941-6684	. WASHER, LOCK, Cu alloy, split double helical ring, 51/64in. id, 1-15/64in. od, 5/64in. thk		4	
32	A 9ACR	5310-99-865-6146	. WASHER, FLAT, steel, phos, 1.125 x 0.51 x 0.08in. thk	FV434749	4	
33	A G1	5310-99-100-9641	. NUT, PLAIN, HEXAGON, cres, UNF, 1/2in. dia, 3/4in. w A/F, 0.437in. h, chamfered bearing surface		4	
34	A 9ACR	2990-99-803-9582	. COVER, EXHAUST, hinged assy	FV611675	1	
35	A 9ACR	2990-99-804-3358	. CAP ASSEMBLY, PROTECTIVE, MUFFLER - EXHAUST PIPE, Cd plated and painted, circular lid w/hinge	FV611676	1	
36	A 9ACR	5340-99-804-3336	. STRAP, RETAINING, steel, single, 1.9in. h from base, 4in. dia grip, 5.85in. o/a lg, 3/4in. o/a w, 0.104in. thk, phosphate coated	FV611048	1	
37	A 9ACR	5340-99-804-3337	. STRAP, RETAINING, steel, single, 1.9in. h from base, 4in. dia grip, 5.9in. o/a lg, 3/4in. o/a w, 0.104in. thk, phosphate coated	FV611049	1	
38	A G1	5305-99-941-0513	. SCREW, MACHINE, UNF, steel, Zn plated, hex hd, 1/4in. dia, 3/4in. lg		2	
39	A 9ACR	5365-99-804-3330	. SPACER, SLEEVE, steel, 0.2in. o/a lg, 0.49in. od, 0.2713in. id		1	
40	A G1	5310-99-941-6644	. WASHER, LOCK, steel, Cd plated, split helical ring, 17/64in. id, 17/32in. od, 1/16in. thk		2	
41	A G1	5310-99-804-7941	. NUT, PLAIN, HEXAGON, UNF, 1/4in. dia - 28, class 2B rh thd, steel, Zn plated, 7/16in. w A/F, 7/32in. o/a h, finished chamfered		2	

Chapter 2-10
PARTS LIST
SEATS GENERAL ARRANGEMENT

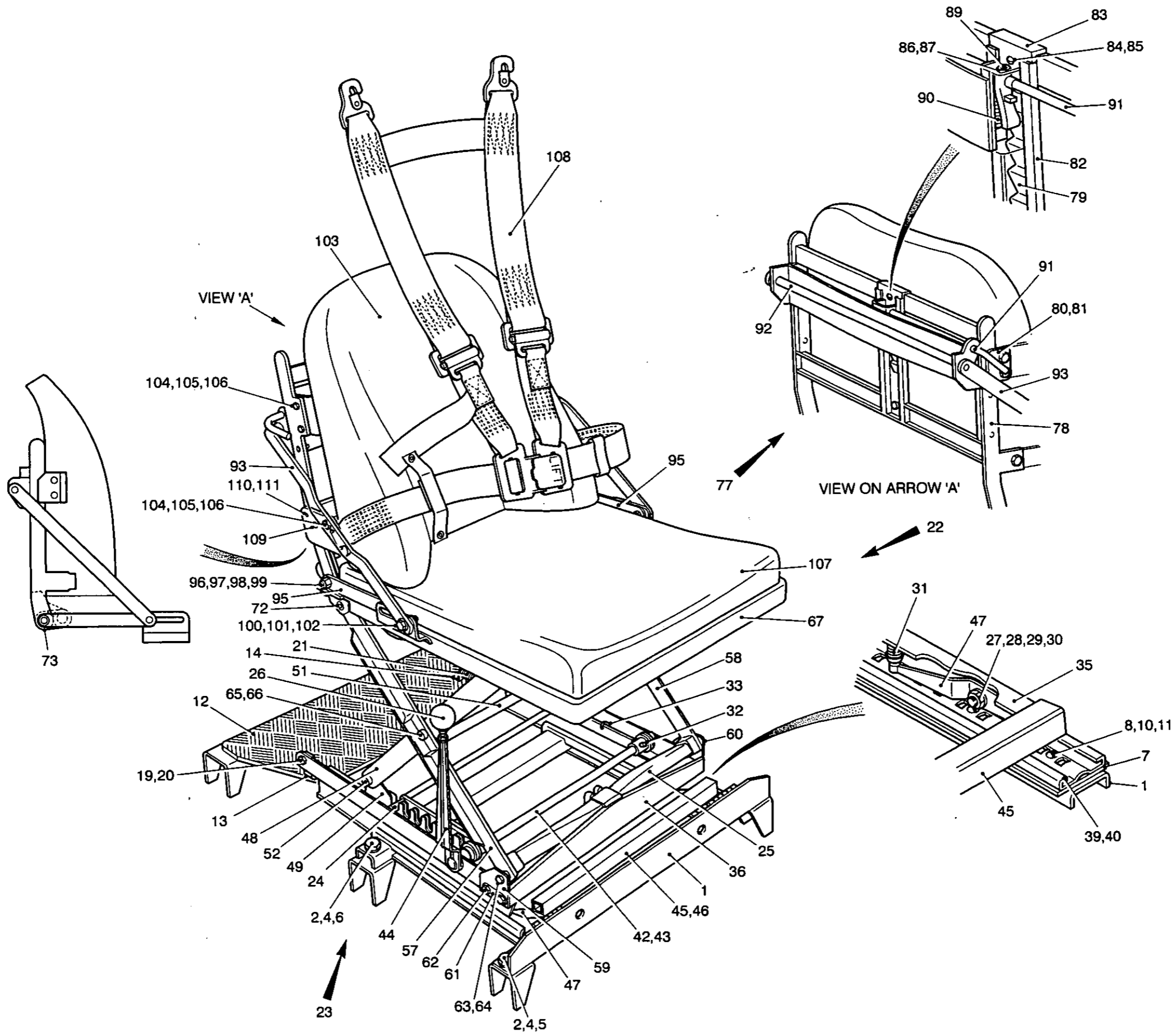


Fig 1 Drivers seat general arrangement

430/70183

Fig Item	Man Code Navy - N Army - A RAF - R	NATO Stock No	Item Name and Description	Part No/ Drawing No.	No. Off	Annotations
1-		NP NP	SEATS GENERAL ARRANGEMENT DRIVERS SEAT GENERAL ARRANGEMENT	FV509826 FV644136	REF REF	
1	A	9ACR	2540-99-805-3645 . . FRAME, DRIVERS SEAT, 19.40in. o/a lg, 16.60in. o/a w, 1.60in. o/a h, steel, hinged	FV644137	1	
2		NP	. . WASHER, PLAIN, 3/8in. dia, 15 SWG	7030006009 1000	2	u/w rh fixings
NI 3		NP	. . WASHER	FV299995	2	u/w lh fixings
4	A	G1	5310-99-941-6656 . . WASHER, LOCK, steel, split helical ring, 3/8in. bolt size, 0.092in. thk, 0.59in. od, single coil, sq section		4	
5	A	G1	5305-99-941-0539 . . SCREW, MACHINE, UNF, 3/8in. -24, class 2A thd, 3/4in. lg steel, Zn plated, hex hd		2	
6	A	G1	5306-99-941-6598 . . BOLT, MACHINE, UNF, 3/8in. thd dia, class 2A thd, 1-1/2in. fastener lg, 1in. thd lg, steel, Zn plated, hex hd		2	
7	A	9ACR	2540-99-660-5735 . . SUPPORT	FV500192	2	
8	A	G1	5305-99-941-1751 . . SCREW, MACHINE, UNF, steel, Zn plated, flat csk hd, slot drive, 1/4in. x 7/8in. lg, class 2A thd		6	
NI 9	A	G1	5305-99-941-1750 . . SCREW, MACHINE, UNF, steel, Zn plated, class 2A thd, 1/4in, 0.597in. thd lg, 3/4in. fastener lg, flat csk hd, slot drive		2	
10	A	G1	5310-99-941-6654 . . WASHER, LOCK, steel, split helical ring, 1/4in. bolt size, 27/64in. thk		8	
11	A	G1	5310-99-804-7941 . . NUT, PLAIN, HEXAGON, UNF, 1/4in. dia -28, class 2B thd, steel, Zn plated, 7/16in. w A/F, 7/32in. h, finished chamfered		8	
12		NP	. . FOOT REST, VEHICULAR, Al alloy, 18in. lg, 9in. w, 3/16in. base thk, w/5 plain holes 9/32in. dia	FV644140	1	
13	A	9ACR	5340-99-376-2380 . . BRACKET, ANGLE, steel, painted, angled, 1.75in. 1st leg lg, 2.225in. 2nd leg lg, 0.16in. bolt legs thk, 1in. w both legs, 2 slotted holes 2nd leg, one hole 1st leg	FV485392	2	
14	A	9ACR	2540-99-304-1227 . . BRACKET, SPRING, steel, 0.8in. lg, 0.5in. h, 90 deg angle, 2 holes	FV485394	1	
NI 15	A	G1	5305-99-941-0513 . . SCREW, MACHINE, UNF, steel, Zn plated, hex hd, 1/4in. dia x 3/4in. lg		5	} Securing items 13 and 14
NI 16		NP	. . WASHER, PLAIN, 1/4in. id x 17 SWG		4	
NI 17	A	G1	5310-99-941-6654 . . WASHER, LOCK, steel, split helical ring, 1/4in. bolt size, 27/64in. od, 5/64in. thk		5	
NI 18	A	G1	5310-99-804-7941 . . NUT, PLAIN, HEXAGON, UNF, 1/4in. dia -28, class 2B thd, steel, Zn plated, 7/16in. w A/F, 7/32in. h, finished chamfered		5	
19	A	G1	5305-99-941-0525 . . SCREW, MACHINE, UNF, stainless steel, Zn plated, hex hd, 5/16in. dia x 3/4in. lg, class 2A thd		2	

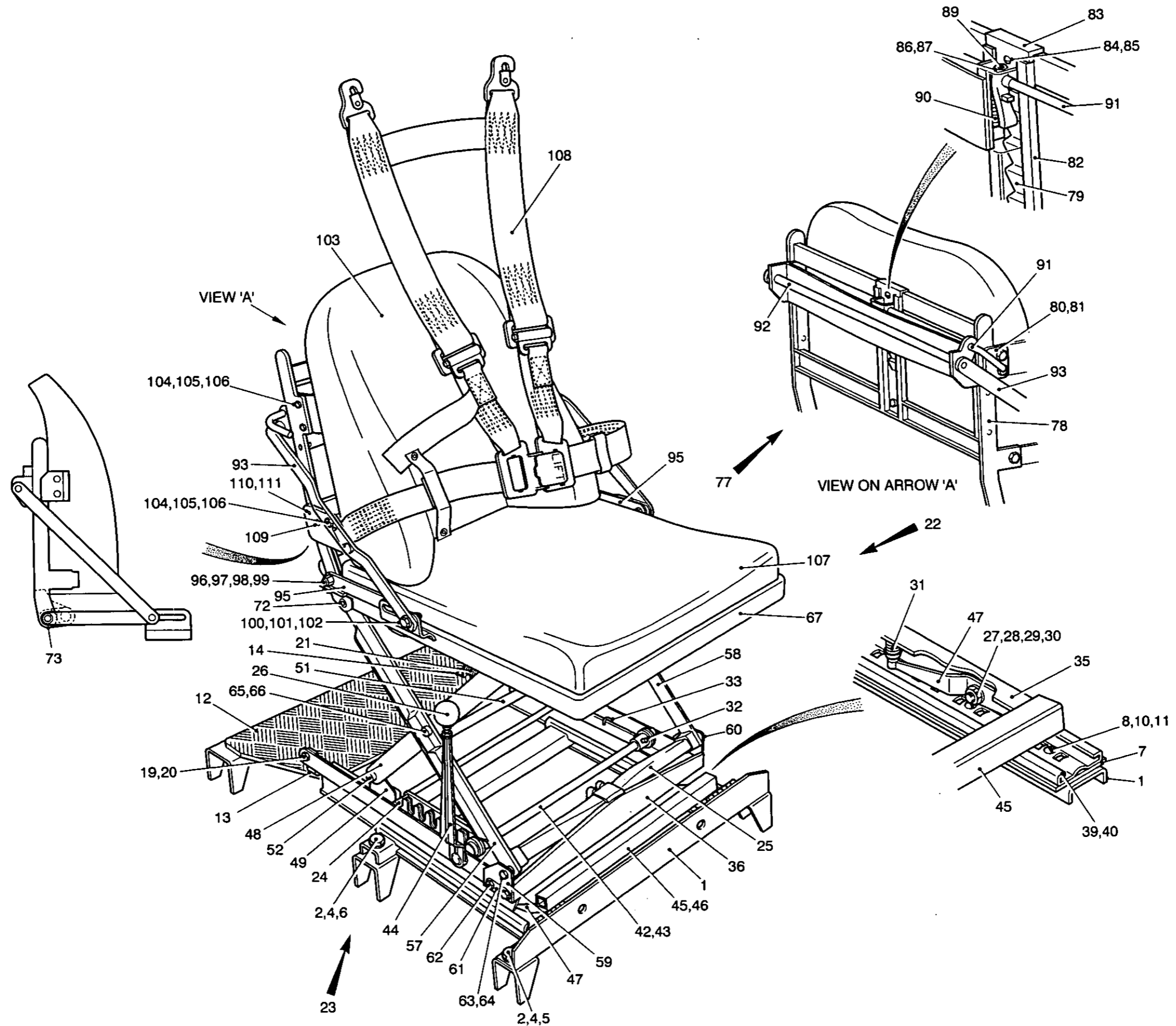


Fig 1 Drivers seat general arrangement

430/70183

Fig Item	Man Code Navy - N Army - A RAF - R	NATO Stock No	Item Name and Description	Part No/ Drawing No.	No. Off	Annotations
1-			SEATS GENERAL ARRANGEMENT - contd . DRIVERS SEAT GENERAL ARRANGEMENT - contd			
20		NP	. . . NUT, HEXAGON, high, prevailing torque, 5/16in. - 24 UNF	7024105001 1000	2	
21	A	9ACR	. . . SPRING, HELICAL, EXTENSION	FV480133	1	
22	A	46MT13	2540-99-765-7880 . . . SEAT, INDIVIDUAL, drivers, adjustable type, c/w backrest	FV951977	1	
23		NP	. . . FLOOR FRAME ASSEMBLY	FV951864	1	
24	A	9ACR	2540-99-662-6357 CATCH LEVER ASSEMBLY, INDIVIDUAL SEAT, 2 levers and locating bar WA, 378in lg, Zn plated	FV952033	1	
25	A	9ACR	2540-99-732-1096 TORSION BAR, steel, Zn plated, 19mm w, 20 SWG, 380mm lg	FV951867	20	
26	A	6MT1	5355-99-547-4650 KNOB, screw on, ball, 38in. dia, plastic body, Al insert, M8 x 1.25mm insert int thd	353	1	
27	A	G1	5305-99-122-8099 SCREW, CAP, HEXAGON HEAD, ISO M, 6 x 1mm thd, 18mm thd lg, 35mm fastener lg, class 6G, steel, Zn plated, hex hd, grade 8.8		2	
28		NP DISTANCE TUBE	FV952190	2	
29	A	G1	5310-99-137-9232 WASHER, LOCK, steel, Zn plated, split helical ring, 6.3mm id, 1.5mm thk, 9.2mm id		2	
30	A	G1	5310-99-122-5295 NUT, PLAIN, HEXAGON, M6 x 1mm, class 6H, steel, Zn plated, 10mm w A/F, 5mm h, chamfered bearing surface, grade 8		2	
31	A	9GWR	5360-99-794-0401 SPRING, HELICAL COMPRESSION, steel, Zn plated w/chromate, 26.7mm free lg, 22.5mm free od, 7 active coils	FV952206	2	
32	A	G1	5315-99-751-3202 PIN, SPRING, steel, Cd plated, 20.5mm lg, 3mm dia	3X20MBS	2	
33	A	9GWR	5360-99-749-0400 SPRING, HELICAL, TORSION, steel, single torsion type, 31.32mm od, LH helix	FV951958	1	
NI 34	A	9GWR	5360-99-749-0399 SPRING, HELICAL, TORSION, steel, single torsion type, 31.32mm od, RH helix	FV951957	1	
35		NP FLOOR FRAME WA	FV951850	1	
36	A	46MT13	2540-99-732-1087 CROSS MEMBER, FRONT, sub assy, seat floor frame	FV952100	1	
NI 37	A	46MT13	2540-99-732-1088 SLIDE, INDIVIDUAL SEAT, rail slide, steel, 2mm thk, 23mm w, 318mm lg	FV951857	2	
NI 38	A	46MT13	2540-99-732-1089 SLIDE, INDIVIDUAL SEAT, steel, 36mm w, 432mm lg, 30mm deep, seat slide	FV951858	2	
39		NP FLOOR RAIL ASSEMBLY	FV951885	2	
40	A	46MT13	2540-99-739-9292 RAIL, FLOOR, steel, 40mm w, 9mm thk, 406mm lg, 6.76mm dia	FV951886	1	
NI 41		NP STOP	FV951887	1	
42		NP LEVER, VERTICAL ADJUSTMENT ASSEMBLY	FV952038	1	

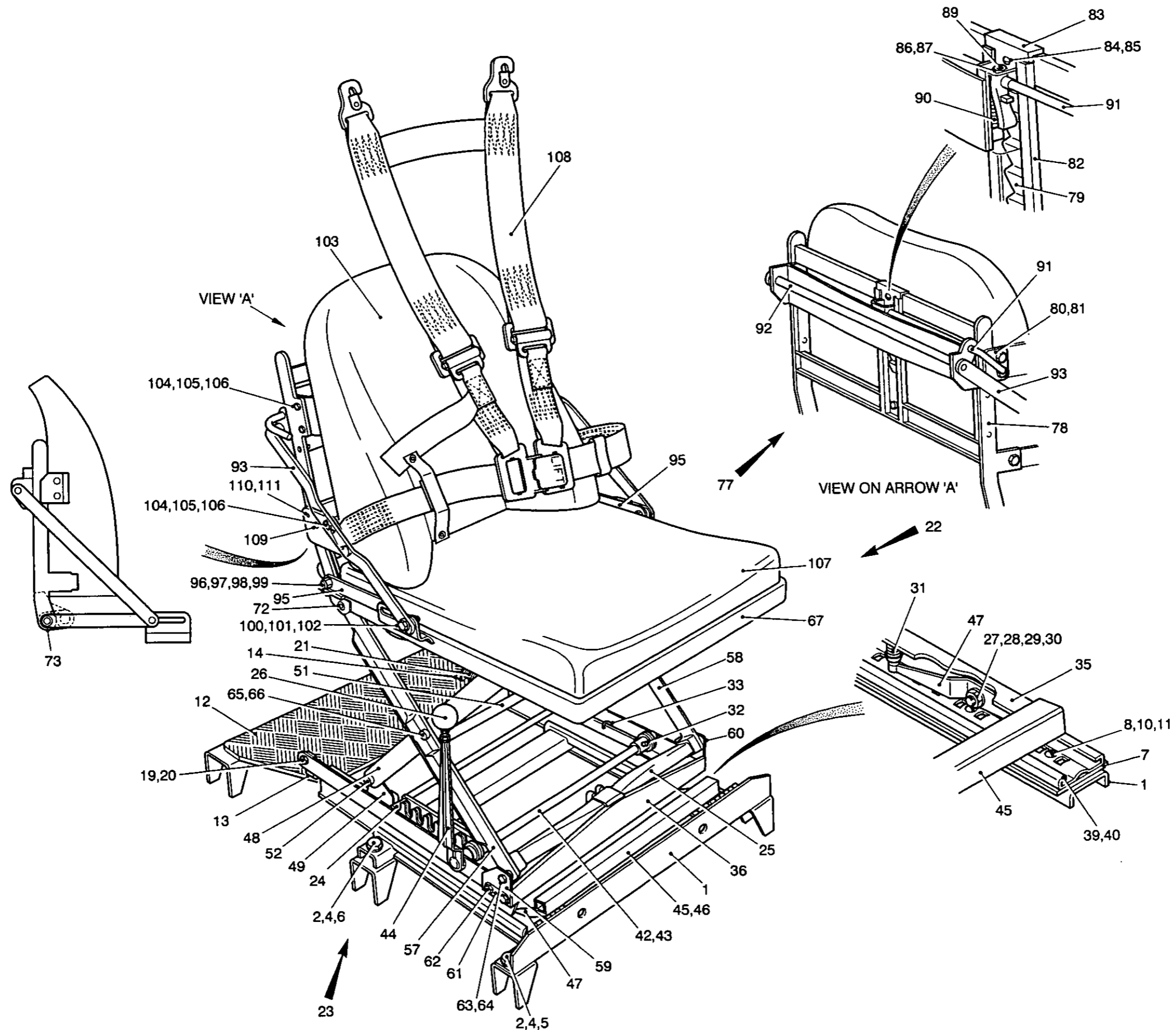


Fig 1 Drivers seat general arrangement

430/70183

Fig Item	Man Code Navy - N Army - A RAF - R	NATO Stock No	Item Name and Description	Part No/ Drawing No.	No. Off	Annotations
1-			SEATS GENERAL ARRANGEMENT - contd . DRIVERS SEAT GENERAL ARRANGEMENT - contd . . . SEAT, INDIVIDUAL - contd FLOOR, FRAME ASSEMBLY - contd LEVER, VERTICAL ADJUSTMENT ASSY - contd			
43	A	46MT13	5340-99-732-1091 ROD, STRAIGHT, HEADLESS, steel, 423mm lg, 12mm od	FV952039	1	
44	A	46MT13	2540-99-732-1090 LEVER, CONTROL, HAND, c/w boss 1st end and thd 2nd end, WA	FV952035	1	
45		NP FORWARD ADJUSTMENT LEVER ASSEMBLY	FV951952	1	
46	A	46MT13	2540-99-732-1095 LEVER, CROSS MEMBER, fwd adjustment, steel, 19mm w, 19mm h, 389mm lg	FV951954	1	
47	A	46MT13	2540-99-732-1094 LEVER ASSEMBLY, steel, WA, 5mm thk, 22mm w, 185mm lg, c/w boss	FV952188	2	
48		NP INNER CROSS LEVER ASSEMBLY	FV951873	1	
49	A	46MT13	2540-99-732-1101 SEAT ANCHOR, SLIDING ASSEMBLY, RH, steel, Zn plated, 44.5mm h, 7.64mm thk, 203mm lg	FV951876	1	
NI 50	A	46MT13	2540-99-732-1100 SEAT ANCHOR, SLIDING ASSEMBLY, LH, steel, Zn plated, 44.5mm h, 7.64mm thk, 203mm lg	FV951875	1	
51	A	9ACR	2540-99-593-1863 TUBE, PIVOT	FV951874	1	
52	A	9ACR	5315-99-732-1104 PIN, STRAIGHT, HEADED, steel, Zn plated w/chromate, 1mm dia, 45mm under hd lg, flat chamfered hd	FV951879	1	
NI 53	A	V5	5315-99-624-7029 PIN. SPRING, steel, Cd plated, 16mm lg, 3mm dia	3X16MBS	2	Securing item 52
NI 54	A	46MT13	2540-99-732-1103 PLATE, ANCHOR SLIDE, RH, steel, Zn plated, 29.5mm h, 2.64mm thk, 60mm lg	FV951878	1	
NI 55	A	46MT13	2540-99-732-1102 PLATE, ANCHOR SLIDE, LH, steel, Zn plated, 29.5mm h, 2.64mm thk, 60mm lg	FV951877	1	
NI 56	A	9ACR	5320-99-753-0039 RIVET, TUBULAR, 8mm dia shank, steel, Zn plated, 13.5mm fastener lg, tinnerns hd, 16.5mm h, tubular shank	FV951978	2	Securing items 54 and 55
57	A	9ACR	2540-99-732-1118 CONNECTING LINK, RIGID, RH, Zn plated, 32mm w, 406mm lg	FV952080	1	
58	A	9ACR	2540-99-732-1117 CONNECTING LINE, RIGID, LH, Zn plated, 32mm w, 406mm lg	FV952079	1	
59	A	9ACR	2540-99-732-1106 BRACKET ASSEMBLY, HINGE, rh, front, steel, Zn plated, 58mm h, 11mm thk, 52mm lg	FV952048	1	
60	A	9ACR	2540-99-732-1105 BRACKET ASSEMBLY, HINGE, lh, front, steel, Zn plated, 58mm h, 11mm thk, 52mm lg	FV952047	1	
61		NP LOCKING PLATE	FV951960	2	

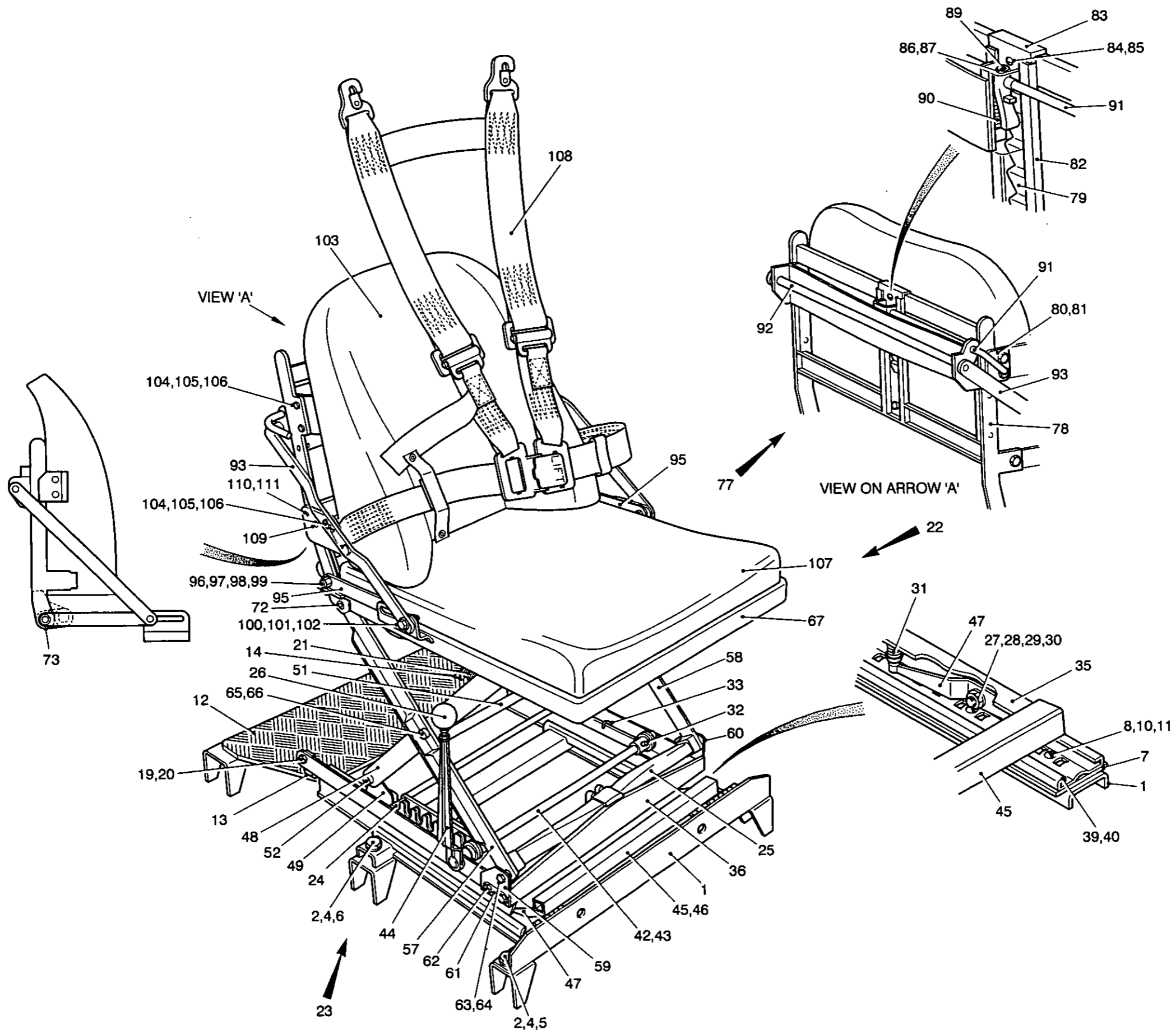


Fig 1 Drivers seat general arrangement

430/70183

Fig Item	Man Code Navy - N Army - A RAF - R	NATO Stock No	Item Name and Description	Part No/ Drawing No.	No. Off	Annotations
1-			SEATS GENERAL ARRANGEMENT - contd . DRIVERS SEAT GENERAL ARRANGEMENT - contd . SEAT, INDIVIDUAL - contd			
62	A G1	5305-99-122-5365	. . . SCREW, CAP, HEXAGON HEAD, ISO M, 8 x 1.25, steel, Zn plated, class 6G, 16mm thd and fastener lg, hex hd, grade 8.8		4	
63	A G1	5310-99-122-6475	. . . WASHER, FLAT, steel, Zn plated, rd, 17mm od, M8 bolt size, 1.6mm thk		2	
64		NP	. . . NUT, HEXAGON, high, prevailing torque, M8	7524080208 0149	2	
65	A 9ACR	2540-99-324-9887	. . . SHAFT, PIVOT	FV951972	1	
66	A 9ACR	5310-99-139-4598	. . . PUSH ON NUT, steel, 25mm dia, 12mm id, 0.016 matl thk	6713	2	
67	A 9ACR	2540-99-732-1121	. . . FRAME, SEAT, VEHICULAR, WA, steel, Zn plated, 402mm w, 25mm h, 465mm lg	FV952089	1	
NI 68	A 46MT13	2540-99-732-1123	. . . SLIDE, INDIVIDUAL SEAT, steel, 22mm h, 9.5mm w, 165mm lg	FV952097	2	
NI 69	A 6MT13	5340-99-732-1122	. . . HANDLE, BOW, steel, 12.7mm dia, 130mm h, 254mm lg	FV952096	1	
NI 70	A 9ACR	5310-99-732-1126	. . . NUT, PLAIN, SQUARE, ISO M, Zn plated, M6 x 1mm pitch, 18mm sq, 6mm h	FV951961	2	Limit stop
NI 71	A G1	5305-99-122-5289	. . . SCREW, MACHINE, 6mm thd, 9.15mm thd lg, 12mm fastener lg, flat csk hd, grade 4.8		2	Securing item 70
72	A 9ACR	5320-99-753-0039	. . . RIVET, TUBULAR, steel, Zn plated, tinnrs hd, 8mm dia shank, 13.5mm fastener lg, 2.5mm hd h, 16.5mm hd dia, tubular shank	FV951978	2	
73	A 46MT13	2540-99-732-1120	. . . RATCHET PLATE, WA, RH, steel, Zn plated, c/w pivot pin	FV952086	1	
NI 74	A 9ACR	2540-99-732-1119	. . . RATCHET PLATE, WA, LH, steel, Zn plated, c/w pivot pin	FV952085	1	
NI 75	A 9ACR	2540-99-326-7966	. . . TUBE, CROSS	FV951976	1	u/w items 73 and 74
NI 76	A V5	5315-99-624-7029	. . . PIN, SPRING, steel, Cd plated, 16mm lg, 3mm dia	3X16MBS	2	Securing item 75
77	A 9ACR	2540-99-665-6396	. . . PLATE ASSEMBLY, SEAT, back and carrier	FV952063	1	
78	A 46MT13	2540-99-732-1107	. . . SUPPORT ASSEMBLY, SEAT BACK, WA, Zn plated	FV952055	1	
79	A 46MT13	2540-99-732-1108	. . . PLATE, SEAT BACK ADJUSTER steel, 12mm w, 41mm h, 200mm lg	FV952062	1	
80	A 46MT12	2540-99-732-1109	. . . PLATE ASSEMBLY, CARRIER SEAT BACK, Zn plated, 50mm w, 3mm thk, 414mm lg	FV952064	1	
81	A 46MT13	2540-99-732-1110	. . . PLATE, CARRIER, SEAT BACK, steel, Zn plated, 50mm w, 3mm thk, 414mm lg	FV952066	1	
82	A 46MT13	2540-99-732-1111	. . . SLIDE, LOCKING BAR, steel, 36mm w, 1.5mm thk, 68mm lg	FV952067	1	

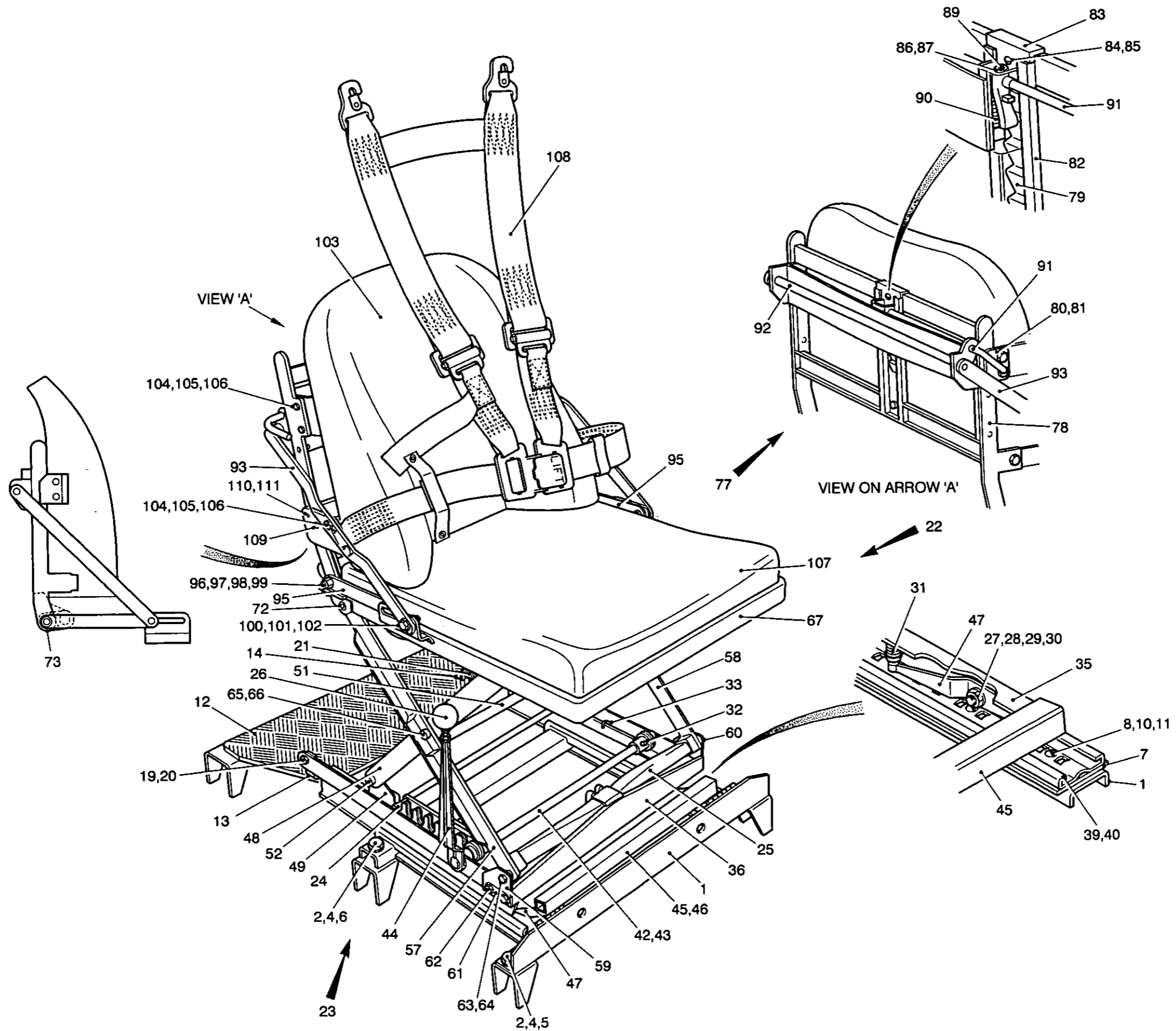


Fig 1 Drivers seat general arrangement

430/70183

Fig Item	Man Code Navy - N Army - A RAF - R	NATO Stock No	Item Name and Description	Part No/ Drawing No.	No. Off	Annotations
1-			SEATS GENERAL ARRANGEMENT - contd . DRIVERS SEAT GENERAL ARRANGEMENT - contd . . SEAT, INDIVIDUAL - contd . . . PLATE ASSEMBLY, SEAT BACK - contd			
83	A	46MT13	2540-99-732-1115 BRACKET, STOP, steel, Zn plated, 14mm w, 25mm h, 3mm thk, 38mm lg	FV951968	1	
84	A	G1	5305-99-122-5290 SCREW, MACHINE, 6mm dia, 13.5mm thd lg, 16mm fastener lg, flat csk hd, grade 4.8		1	
85	A	G1	5310-99-122-5495 NUT, SELF-LOCKING, HEXAGON, ISO M, 6mm dia x 1mm pitch thd, steel, Zn plated, 10mm w A/F, 7.8mm h, w/nylon locking insert, strength grade 8		1	
86	A	46MT13	2540-99-732-1112 . . . LEVER, TRIGGER ASSEMBLY, steel, Zn plated, 12mm w, 12mm h, 51mm lg, c/w pin	FV952040	1	
87	A	46MT13	2540-99-732-1113 . . . LEVER, TRIGGER, steel, Zn plated, 12mm w, 12mm h, 51mm lg	FV952041	1	
NI 88	A	46MT13	5315-99-732-1114 PIN, STRAIGHT, HEADLESS, steel, 24.5mm lg, 6mm dia	FV952042	1	End stop
89	A	G1	5305-99-950-3869 . . . SCREW, GRUB, ISO M, 6mm x 1mm pitch, class 5G6G thd, 10mm fastener lg, steel, Zn plated w/chromate, socket drive		1	
90	A	9GWR	5360-99-794-0403 . . . SPRING, HELICAL, COMPRESSION, steel, Zn plated w/chromate finish, 19.5mm free lg, 18mm free od, 5 active coils	FV952075	1	
91	A	9ACR	2540-99-753-0018 . . . HANDLE, steel, Zn plated and passivated, L shape, 8mm dia, 1st leg 273mm lg, 2nd leg 56mm lg, w/ dimple in 1st leg	FV2200712	1	
92		NP ROD	FV952074	1	
93		NP SIDE LINK ASSEMBLY	FV952065	2	
NI 94	A	G1	5315-99-751-3202 . . . PIN, SPRING, steel, Cd plated, 20.5mm lg, 3mm dia	3X20MBS	2	
95	A	9ACR	3040-99-856-3675 . . . CONNECTING LINK, RIGID	FV951974	2	
96	A	G1	5305-99-135-0270 . . . SCREW, MACHINE, ISO M, 8 x 1.25, 21.2mm thd lg, 25mm fastener lg, steel, Zn plated		2	
97	A	9ACR	5365-99-497-2220 . . . SPACER, SLEEVE	FV951991	2	
98	A	G1	5310-99-122-6475 . . . WASHER, FLAT, steel, Zn plated, rd, 17mm od, M8 bolt size, 1.6mm thk		2	
99		NP NUT, HEXAGONAL, high, prevailing torque, M8	7524080208 0149	2	
100	A	9ACR	5306-99-732-1125 . . . BOLT, SHOULDER, ISO M, 6mm x 1mm pitch, 14mm thd lg, 26.5mm fastener lg, steel, Zn plated, 8mm dia shoulder, 12.5mm shoulder lg	FV951973	2	
101	A	7RU	5310-99-122-6474 . . . WASHER, FLAT, steel, Zn plated, 12.5mm od, 6.5mm id, 1.6mm thk		2	
102		NP NUT, HEXAGONAL, prevailing torque, M6, Zn plated		2	

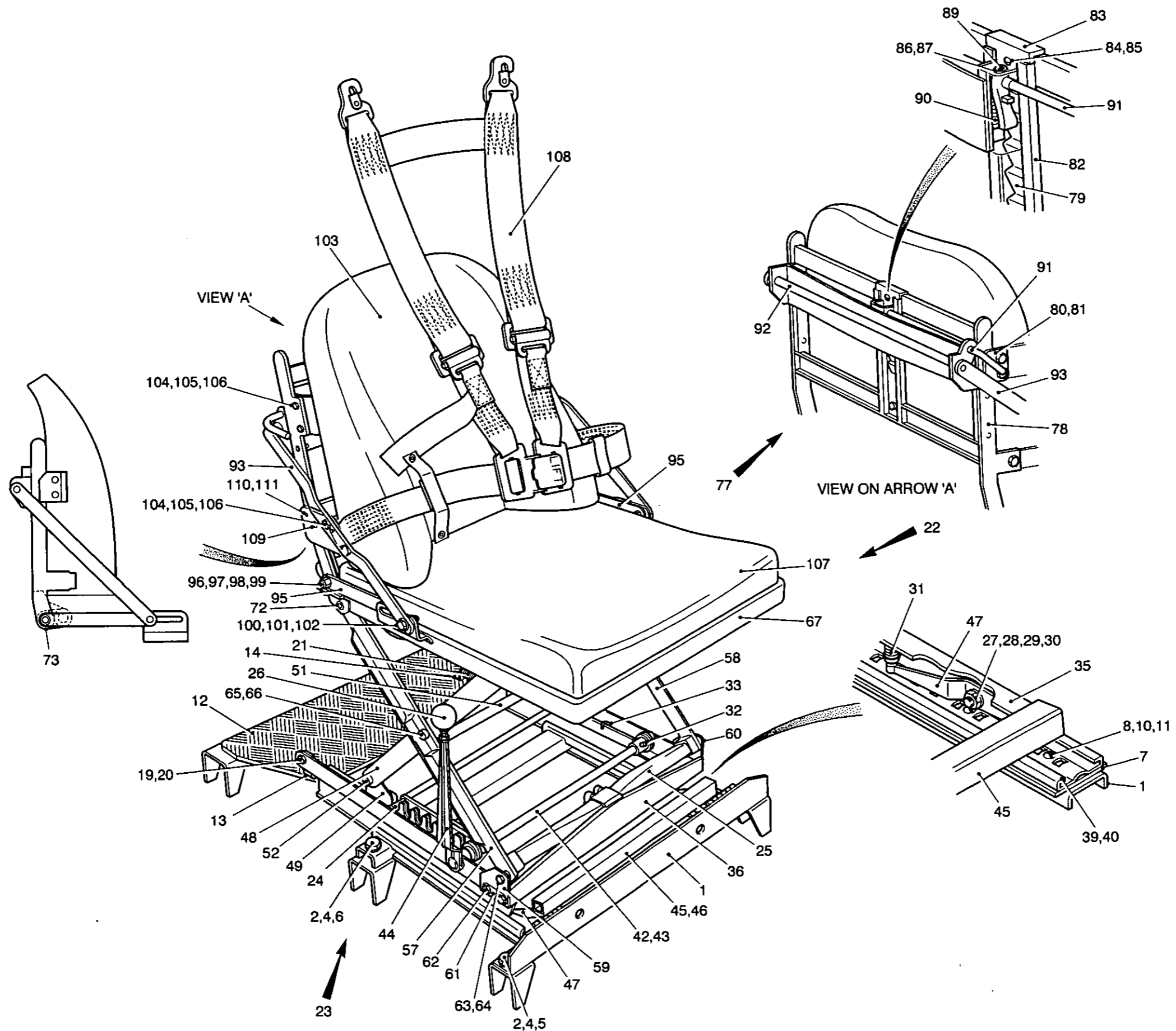


Fig 1 Drivers seat general arrangement

430/70183

Fig Item	Man Code Navy - N Army - A RAF - R	NATO Stock No	Item Name and Description	Part No/ Drawing No.	No. Off	Annotations
1-			SEATS GENERAL ARRANGEMENT - contd . DRIVERS SEAT GENERAL ARRANGEMENT - contd . SEAT, INDIVIDUAL - contd			
103	A 9GWR	2540-99-794-0405	. . . CUSHION, SEAT BACK, VEHICULAR, fire resistant neoprene, deep bronze green, 359mm h, 419mm w, 108mm thk	FV951892	1	
104	A G1	5305-99-122-5361	. . . SCREW, CAP, HEXAGON HEAD, ISO M, steel, Zn plated w/chromate, hex hd, 6mm thd dia, 20mm lg, grade 8.8		6	
105	A 7RU	5310-99-122-6474	. . . WASHER, FLAT, steel, Zn plated, 12.5mm od, 6.5mm id, 1.6mm thk		6	
106		NP	. . . NUT, HEXAGONAL, prevailing torque, M6, Zn plated		6	
107	A 9GWR	2540-99-794-0404	. . . CUSHION, SEAT, VEHICULAR, fire resistant neoprene, deep bronze green, 127mm x 381mm x 448mm	FV951965	1	
108	A 9ACR	4240-99-867-0218	. . HARNESS, DRIVERS SAFETY, comprises 2 shoulder straps, LH and RH lap straps and various other components	FV559809	1	
109	A G1	5305-99-941-0279	. . SCREW, MACHINE, UNF, steel, Zn plated, hex hd, 1/4in. dia, 7/8in. lg		2	
110	A G1	5305-99-941-1749	. . SCREW, MACHINE, UNF, steel, Zn plated, flat csk hd, slot drive, 1/4in. dia x 5/8in. lg, class 2A thd		2	
111		NP	. . NUT, HEXAGONAL, normal, prevailing torque, 1/4in. -28 UNF	7024104002 1000	2	

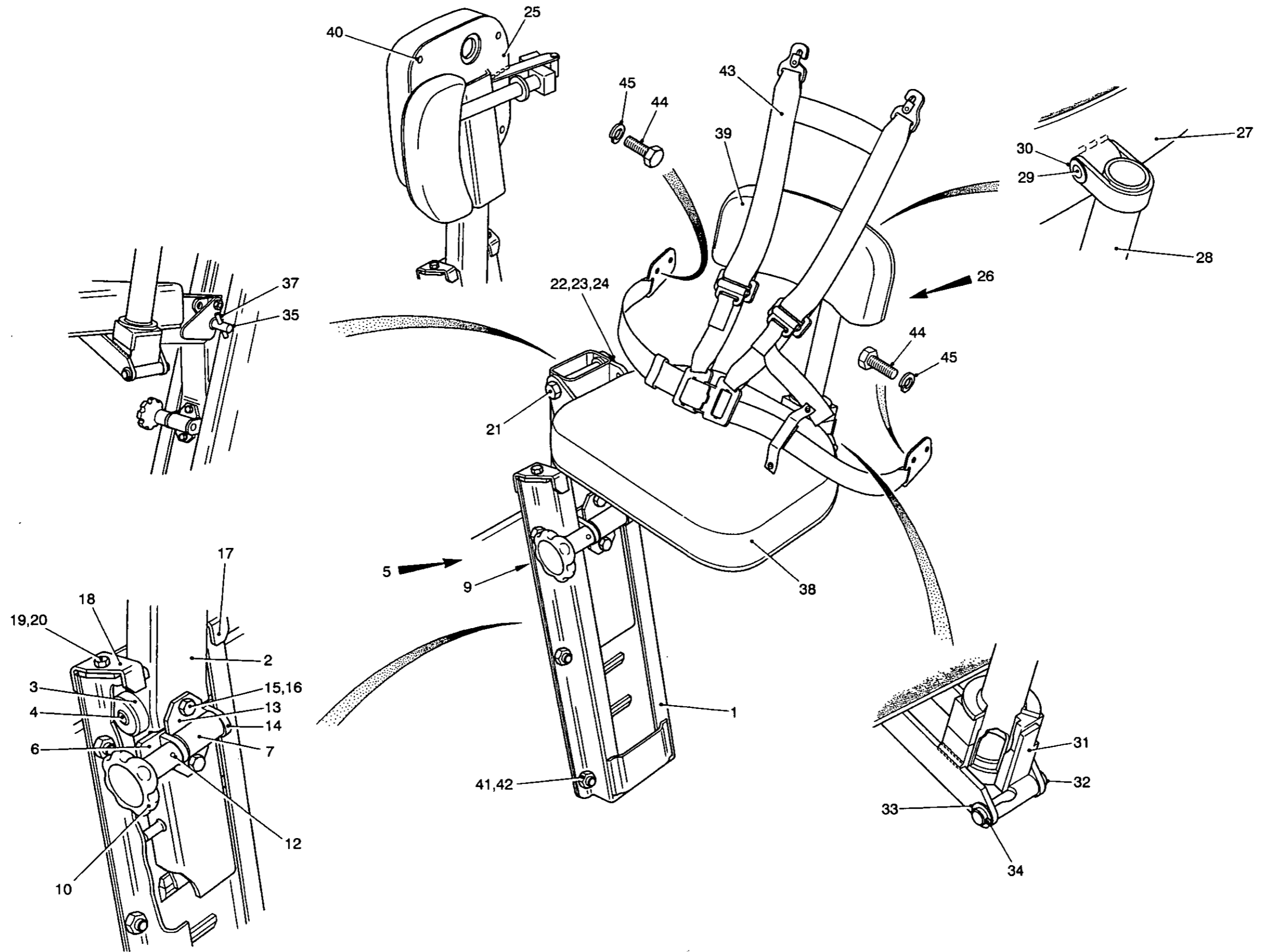


Fig 2 Commanders seat and harness general arrangement

430/70255

Fig Item	Man Code Navy - N Army - A RAF - R	NATO Stock No	Item Name and Description	Part No/ Drawing No.	No. Off	Annotations
2-		NP	SEATS GA - contd			
		NP COMMANDERS SEAT AND HARNESS GENERAL ARRANGEMENT	FV563245	REF	
		NP COMMANDERS SEAT ASSEMBLY	FV525358	REF	
1	A	9ACR	2540-99-865-6781 TRACK, INDIVIDUAL SEAT ROLLER, commanders	FV525342	1	
2	A	9ACR	2540-99-865-6778 PILLAR, INDIVIDUAL SEAT, commanders	FV525323	1	
3	A	9ACR	2540-99-865-6768 ROLLER, INDIVIDUAL SEAT PILLAR, commanders	FV480182	2	
4	A	46MT1	3120-99-200-2447 BEARING, SLEEVE, bronze, plain, no outside flanges, solid, 5/8in. lg, 5/8in. od, 1/2in. id		1	
5	A	9ACR	2540-99-865-6782 CLAMP, SEAT PILLAR, commanders	FV525351	1	
6		NP BRACKET, double angle	FV525414	1	
7		NP CAM, CONTROL	FV480169	1	
NI 8		NP PIN, GROOVED, HEADLESS, 5/32in. dia x 1in. lg	532GP1	1	Securing item 7
9		NP CLAMP NUT ASSEMBLY	FV480165	1	
10	A	9ACR	2540-99-796-0370 NUT, CLAMP, br, 2.75in. lg, 2.5in. dia grip	FV480166	1	
NI 11		NP PIN, STRAIGHT, HEADLESS	FV480167	1	
12		NP PIN, GROOVED, HEADLESS, 5/32in. dia, 15/16in. lg	5321516	1	
13	A	9ACR	5365-99-865-6786 SHIM, steel, solid, rect, 3in. lg, 1.75in. w, 0.005in. thk, w/2 bolt holes 0.343in. dia, 2.25in. apart along length C/L	FV525383	A/R	
13(1)	A	9ACR	5365-99-865-6787 SHIM, steel, solid, rect, 3in. lg, 1.75in. w, 0.010in. thk, w/2 bolt holes 0.343in. dia, 2.25in. apart along length C/L	FV525384	A/R	
14	A	9ACR	2540-99-865-6766 PLATE, CONNECTING, PILLAR, commanders seat	FV480173	1	
15	A	G1	5310-99-944-0549 WASHER, LOCK, steel, Cd plated, split helical ring, 5/16in. bolt size, 0.503in. od, 0.08in. thk, single coil, sq section		2	
16	A	G1	5305-99-941-0525 SCREW, MACHINE, UNF, stainless steel, Zn plated, hex hd, 5/16in. x 3/4in. class 2A thd		2	
17	A	9ACR	2540-99-865-6784 STOP, INDIVIDUAL SEAT, commanders, RH	FV525357	1	
18	A	9ACR	2540-99-865-6783 STOP, INDIVIDUAL SEAT, commanders, LH	FV525356	1	
19	A	G1	5310-99-941-6654 WASHER, LOCK, steel, split helical ring, 1/4in. bolt size, 27/64in. od, 5/64in. thk		2	
20	A	G1	5305-99-941-6284 SCREW, MACHINE, UNF, steel, Zn plated, hex hd, 1/4in. dia, class 2A thd, 1/2in. lg		2	
21	A	9ACR	5306-99-865-6769 BOLT, MACHINE, UNF, steel, Zn plated w/chromate, hex hd, 4in. fastener lg, 1in. thd lg, 0.375in. thd dia, class 2A, 0.563in. w A/F, 0.24in. h	FV480183	1	
22		NP WASHER, PLAIN, 3/8in. dia, 15 SWG	7030006009 1000	1	
23	A	G1	5310-99-136-4295 NUT, PLAIN, SLOTTED, HEXAGON, UNF, steel, Zn plated w/chromate, chamfered or washer faced bearing surface, 3/8in. -24, 9/16in. w A/F, 21/64in. h, class 2B		1	

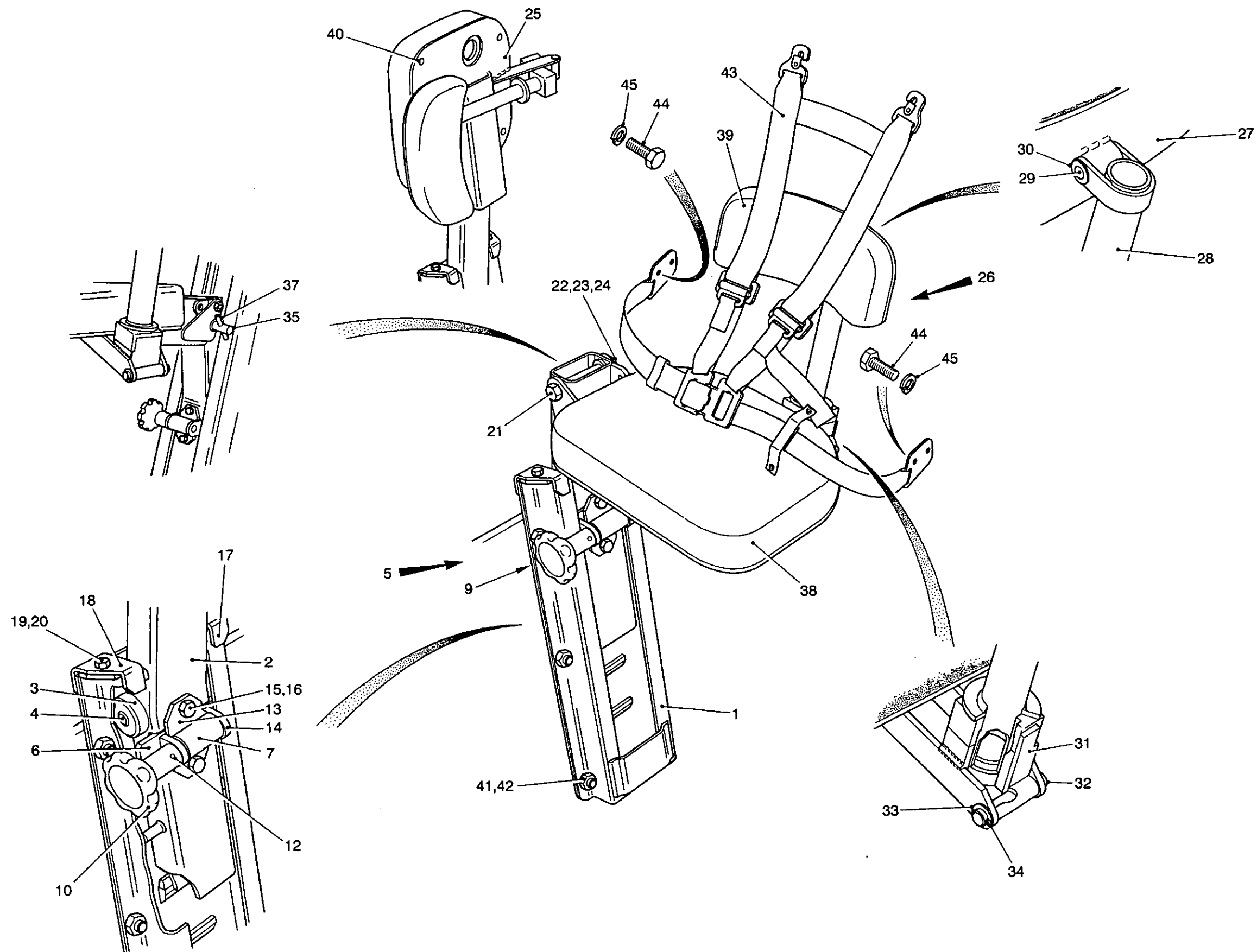


Fig 2 Commanders seat and harness general arrangement

Fig Item	Man Code Navy - N Army - A RAF - R	NATO Stock No	Item Name and Description	Part No/ Drawing No.	No. Off	Annotations
2-			SEATS GA - contd COMMANDERS SEAT AND HARNESS GA - contd COMMANDERS SEAT ASSEMBLY - contd			
24	A G1	5315-99-138-2201	PIN, COTTER, SPLIT, steel, phosphate finish, 1.6in. dia, 25mm lg		1	
25	A 9ACR	2540-99-865-6780	TRAY, VEHICULAR, SEAT CUSHION, commanders	FV525337	1	
26	A 9ACR	2540-99-865-6779	CUSHION, SEAT BACK, VEHICULAR, commanders	FV525332	1	
27		NP	BACK REST, INDIVIDUAL SEAT, steel, painted, curved plate w/welded centre pivot block, 4 holes, 4in. w	FV480181	1	
28	A 9AHY	2540-99-824-0433	TUBE ASSEMBLY, BACKREST, SEAT, steel, painted, WA, tube w/U strap 1st end, flange ring and cross pin 2nd end	FV525325	1	
29	A 46MT1	5315-99-137-6398	PIN, STRAIGHT, HEADLESS, steel, 1-19/32in. lg, 1/4in. dia	FV480175	1	
30		NP	WASHER, PLAIN, 1/4in. id, 17 SWG	7030004009 1000	2	
31	A 9ACR	2540-99-865-6785	BRACKET, INDIVIDUAL SEAT BACK-REST, commanders	FV525366	1	
32	A 9ACR	5315-99-865-6767	PIN, STRAIGHT, HEADLESS, steel, phosphate coated, 2.35in. lg, 0.312in. dia, both ends drilled, 0.078in. dia holes	FV480179	1	
33		NP	WASHER, PLAIN, 5/16in. dia, 15 SWG	7030005009 1000	2	
34	A G1	5315-99-944-0171	PIN, COTTER, SPLIT, steel, phosphated, std spring type, extended prong chisel point, 1/16in. dia, 5/8in. lg		2	
35	A 9ACR	5340-99-810-8013	PLUNGER, DETENT, steel, Cd plated, 0.375in. dia, 1.4in. lg, chamfered one end	FV586571	1	
NI 36	A 9ACR	5360-99-810-8014	SPRING, HELICAL, COMPRESSION, steel, Cd plated w/chromate, 1in. free lg, 0.375in. free od, 8-1/2 coils	FV586620	1	u/w item 35
37		NP	PIN, HEADLESS, 5/32in. dia, 2in. lg	5322	1	
38	A 9ACR	2540-99-865-6764	CUSHION, SEAT, VEHICULAR, rubber padding, PVC leather cloth, wood frame, bronze green cover, 14in. lg, 10.5in. w, 2.5in. thk, commanders	FV422087	1	
39	A 9ACR	2540-99-865-6765	CUSHION, SEAT BACK, VEHICULAR, commanders	FV422088	1	
40		NP	SCREW, WOOD, csk, No. 10 x 1/2in. lg steel	WS10x1/2c sk	10	Securing items 38 and 39
41	A G1	5310-99-941-6656	WASHER, LOCK, steel, split helical ring, 3/8in. bolt size, 0.092in. thk, 0.59in. od, single coil, sq section		6	
42	A G1	5310-99-941-0926	NUT, PLAIN, HEXAGON, UNF, steel, Zn plated, chamfered bearing surface, 3/8in. -24, 0.563in. w A/F, 0.333in. h, grade 3		6	

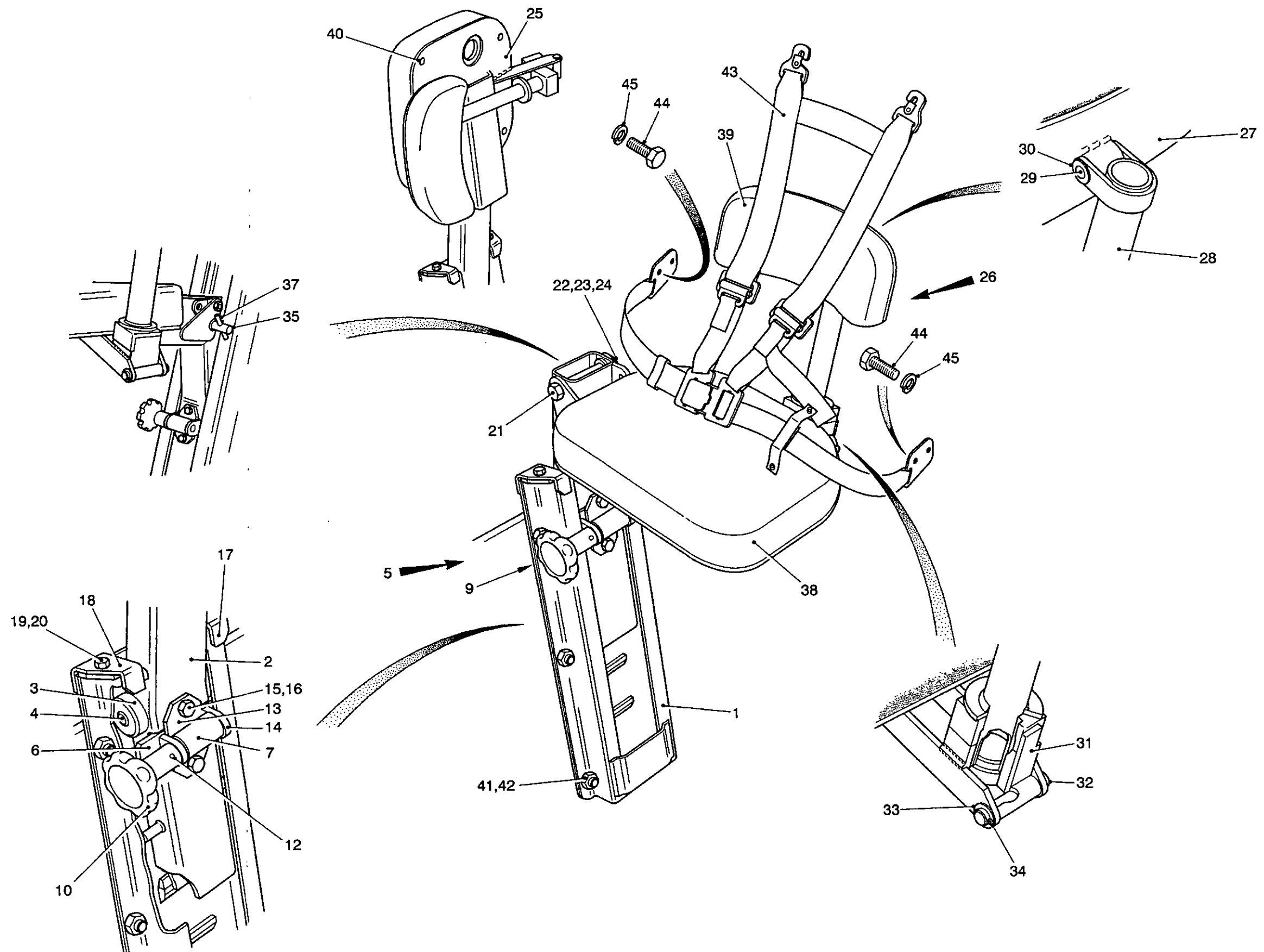


Fig 2 Commanders seat and harness general arrangement

430/70255

Fig Item	Man Code Navy - N Army - A RAF - R	NATO Stock No	Item Name and Description	Part No/ Drawing No.	No. Off	Annotations
2-			SEATS GA - contd · COMMANDERS SEAT AND HARNESS GA - contd			
43	A 9ACR	4240-99-867-0218	· · HARNESS, DRIVERS SAFETY, comprises 2 shoulder straps, LH and RH lap straps and various other components	FV559809	1	
44	A G1	5305-99-941-0513	· · SCREW, CAP, HEXAGON HEAD, UNF, steel, Zn plated, hex hd, 1/4in. dia, 3/4in. lg		4	
45	A G1	5310-99-941-6654	· · WASHER, LOCK, steel, split helical ring, 1/4in. nom bolt size, 27/64in. od, 5/64in. thk		4	

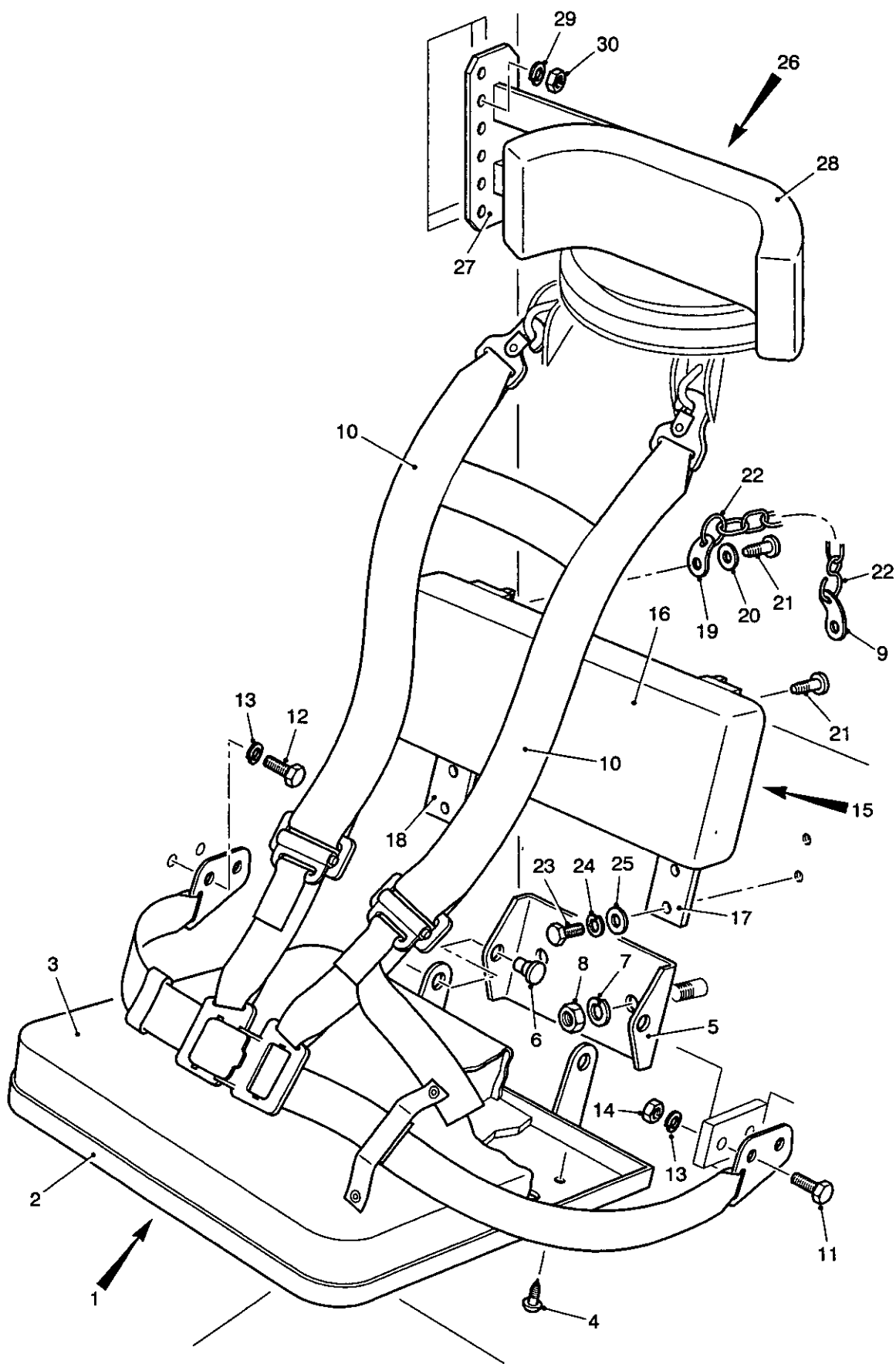


Fig 3 Crew seat, nearside

430/70214

Fig Item	Man Code Navy - N Army - A RAF - R	NATO Stock No	Item Name and Description	Part No/ Drawing No.	No. Off	Annotations
3-			SEATS GENERAL ARRANGEMENT - contd CREW SEAT NEARSIDE		REF	
1	A	9ACR	SEAT ASSEMBLY, nearside	FV510124	REF	
2		NP	SEAT TRAY COMPLETE	FV510126	1	
3	A	9ACR	CUSHION, SEAT, VEHICULAR, PVC, coated fabric, 13.70in. lg, 15.45in. w, 2.50in. thk	FV510129	1	
4		NP	SCREW, WOOD, round head, No. 10 x 1/2in. lg	WS10X1/2	7	
5	A	9ACR	BRACKET, HINGE, steel, 5.950in. lg, 3.50in. w, 1.50in. thk	FV510130	1	
6	A	9ACR	RIVET, SOLID, 0.390in. max shoulder dia, steel, phosphate coated, 3/8in. o/a lg, flat fillister hd	FV510131	2	
7	A	G1	WASHER, LOCK, steel, split helical ring, Cd plated, 1/2in. nom bolt size, 0.763in. od, 0.116in. thk		2	
8	A	G1	NUT, PLAIN, HEXAGON, UNF, steel, chamfered bearing surface, Zn plated, 1/2in. 3/4in. w A/F, 7/16in. o/a h, grade 3 nut		2	
9		NP	TAG, for chain crew seat	FV562879	1	See chap 2- 11 Fig 6
10	A	9ACR	HARNES, DRIVERS SAFETY, comprises 2 shoulder straps, LH and RH lap straps and various other components	FV559809	1	
11	A	G1	SCREW, CAP, HEXAGON HEAD, UNF, steel, Zn plated, hex hd, 1/4in. dia, 3/4in. lg		2	
12	A	G1	SCREW, CAP, HEXAGON HEAD, UNF, 1/4in. class 2A thd, 5/8in. lg, steel, Zn plated, hex hd		2	
13	A	G1	WASHER, LOCK, steel, split helical ring, 1/4in. nom bolt size, 27/64in. od, 5/64in. thk		4	
14	A	G1	NUT, PLAIN, HEXAGON, UNF, 1/4in. dia -28, class 2B, rh thd, steel, Zn plated, 7/16in. w A/F, 7/32in. o/a h, chamfered finish		2	
15		NP	SEAT BACKREST ASSEMBLY, nearside	FV510138	REF	
16	A	9ACR	CUSHION, SEAT BACK, VEHICULAR, PVC, coated fabric, 13in. lg, 5in. w, 1-5/8in. thk	FV510144	1	
17		NP	BRACKET, for seat backrest nearside front	FV510140	1	
18		NP	BRACKET, for seat backrest nearside rear	FV510141	1	
19		NP	TAG, for chain crew seat	FV562879	1	
20	A	G1	WASHER, FLAT, steel, Cd plated, rd, 1/2in. od, rd hole, 2BA nom bolt size, 0.048in. (18 SWG) thk		1	
21	A	G1	SCREW, WOOD, round hd, slot drive, No. 10 x 3/4in. lg	WSCX10X3 /4	6	
22		NP	CHAIN, SEAT	FV362147	1	
23	A	G1	SCREW, CAP, HEXAGON HEAD, UNF, 1/4in. class 2A thd, 5/8in. lg, steel, Zn plated, hex hd		4	
24	A	G1	WASHER, LOCK, steel, split helical ring, 1/4in. nom bolt size, 27/64in. od, 5/64in. thk		4	
25		NP	WASHER, FLAT, 1/4in. dia, by 17 SWG thk, Zn plated	7030004009 5900	4	

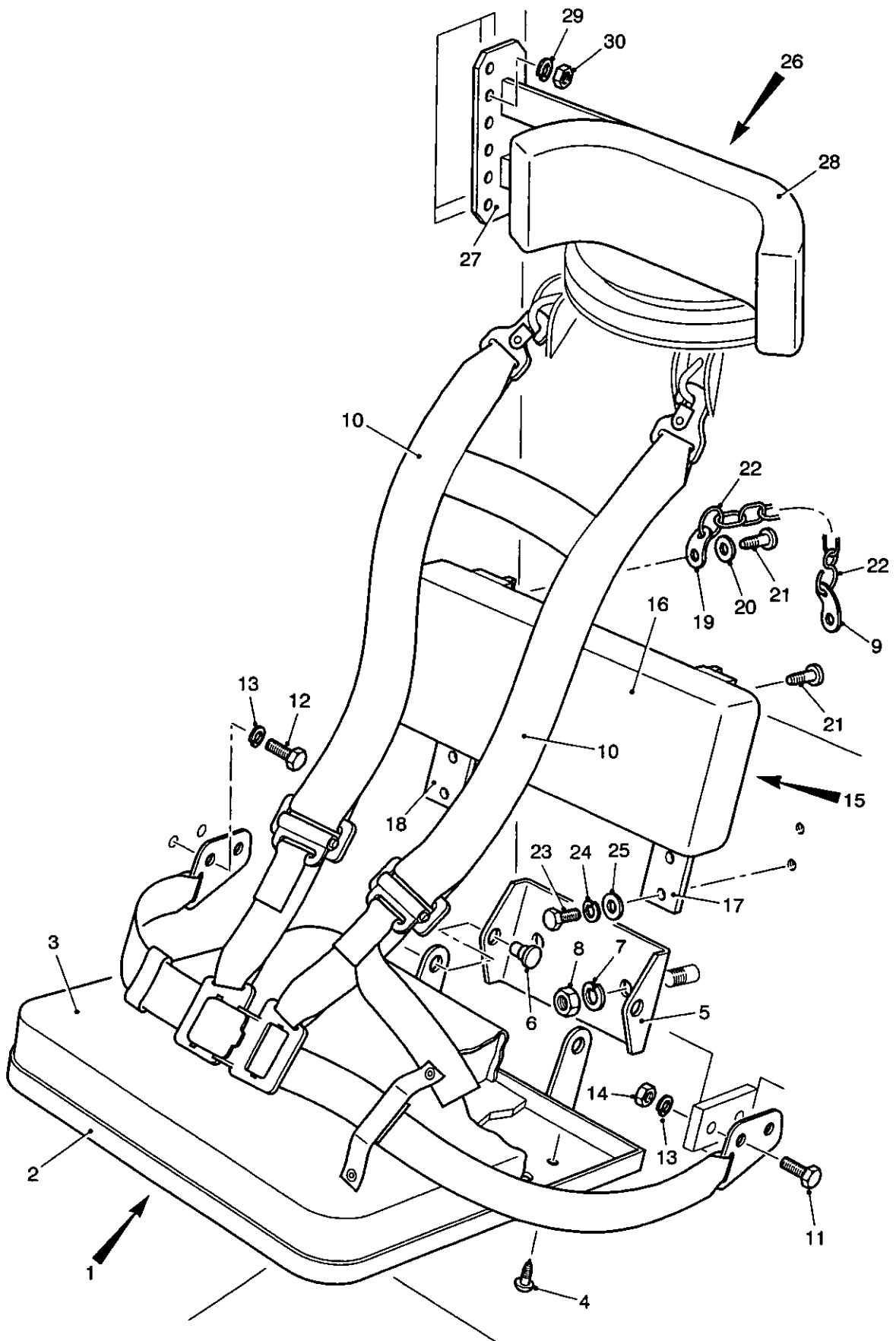


Fig 3 Crew seat, nearside

430/70214

Fig Item	Man Code Navy - N Army - A RAF - R	NATO Stock No	Item Name and Description	Part No/ Drawing No.	No. Off	Annotations
3-			SEATS GENERAL ARRANGEMENT - contd CREW SEAT NEARSIDE - contd			
26		NP	. HEADREST ASSEMBLY, crew seat, nearside	FV643851	REF	
27	A 9ACR	2590-99-804-3683	. . BRACKET, HEADREST, LH crew seat	FV643852	1	
28	A 9ACR	2590-99-804-3681	. . PAD CUSHIONING, cellular rubber and leather cloth, 4-1/4in. w, 1in. thk, 14-3/4in. lg	FV612000	1	
29	A G1	5310-99-944-0549	. . WASHER, LOCK, steel, split helical ring, Cd plated, 5/16in. bolt size, 0.503in. od, 0.080in. thk, single coil, square section		2	
30	A G1	5310-99-136-1515	. . NUT, PLAIN, HEXAGON, 5/16in. -24 UNF, class 2B thd, rh, steel, Zn plated, 1/2in. w A/F, 17/64in. h, chamfered or washer faced		2	

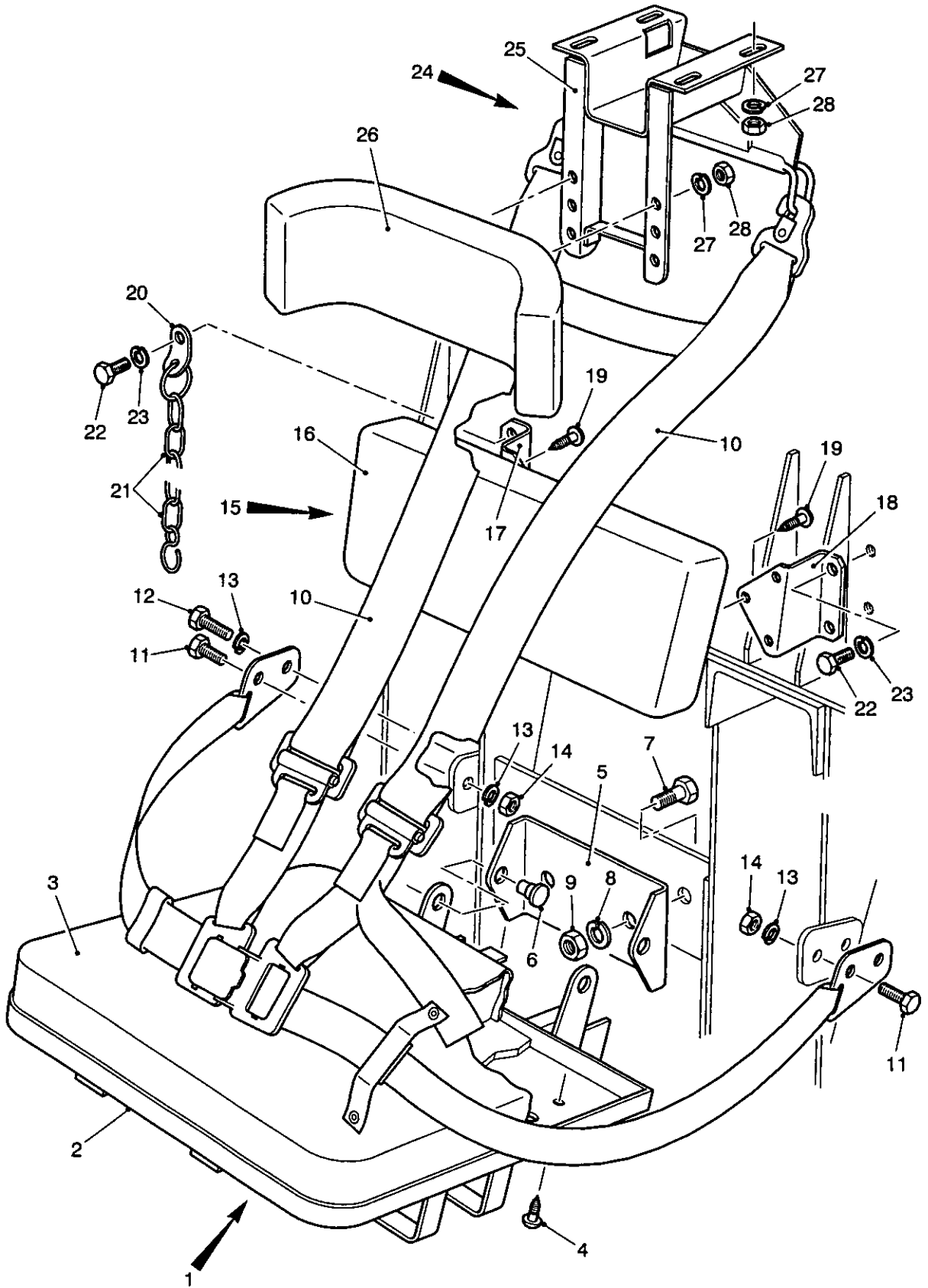


Fig 4 Crew seat, offside

430/70215

Fig Item	Man Code Navy - N Army - A RAF - R	NATO Stock No	Item Name and Description	Part No/ Drawing No.	No. Off	Annotations
4-			SEATS GENERAL ARRANGEMENT - contd CREW SEAT OFFSIDE		REF	
1		NP	. SEAT ASSEMBLY, offside	FV510125	1	
2		NP	. SEAT TRAY COMPLETE	FV510132	1	
3	A	9ACR 2540-99-804-3364	. CUSHION, SEAT, VEHICULAR, PVC, coated fabric, 13.70in. lg, 15,45in. w, 2.50in. thk	FV510129	1	
4		NP	. SCREW, WOOD, round head, No. 10 x 1/2in. lg	WS10X1/2	7	
5	A	9ACR 2540-99-804-3365	. BRACKET, HINGE, steel, 5.950in. lg, 3.50in. w, 1.50in. thk	FV510130	1	
6	A	9ACR 5320-99-804-3366	. RIVET, SOLID, 0.390in. max shoulder dia, steel, phosphate coated, 3/8in. o/a lg, flat fillister hd	FV510131	2	
7	A	G1 5305-99-941-0566	. SCREW, CAP, HEXAGON HEAD, 1/2in. UNF, class 2A thd, 1in. o/a lg, steel, Zn plated w/chromate, hex hd		2	
8	A	G1 5310-99-944-0552	. WASHER, LOCK, steel, split helical ring, Cd plated, 1/2in. nom bolt size, 0.763in. od, 0.116in. thk		2	
9	A	G1 5310-99-941-0928	. NUT, PLAIN, HEXAGON, UNF, steel, chamfered bearing surface, Zn plated, 1/2in. 3/4in. w A/F, 7/16in. o/a h, grade 3 nut		2	
10	A	9ACR 4240-99-867-0218	. HARNESS, DRIVERS SAFETY, comprises 2 shoulder straps, LH and RH lap straps and various other components	FV559809	1	
11	A	G1 5305-99-941-0513	. SCREW, CAP, HEXAGON HEAD, UNF, steel, Zn plated, hex hd, 1/4in. dia, 3/4in. lg		3	
12	A	G1 5305-99-941-0280	. SCREW, CAP, HEXAGON HEAD, UNF, 1/4in. class 2A thd, 1in. lg, steel, Zn plated, hex hd		1	
13	A	G1 5310-99-941-6654	. WASHER, LOCK, steel, split helical ring, 1/4in. nom bolt size, 27/64in. od, 5/64in. thk		4	
14	A	G1 5310-99-804-7941	. NUT, PLAIN, HEXAGON, UNF, 1/4in. dia -28, class 2B, rh thd, steel, Zn plated, 7/16in. w A/F, 7/32in. o/a h, chamfered finish		3	
15		NP	. SEAT BACKREST ASSEMBLY, offside	FV510139	REF	
16	A	9ACR 2540-99-804-3371	. CUSHION, SEAT BACK, VEHICULAR, PVC, coated fabric, 13in. lg, 5in. w, 1-5/8in. thk	FV510144	1	
17		NP	. BRACKET, for seat backrest offside front	FV510142	1	
18		NP	. BRACKET, for seat backrest offside rear	FV510143	1	
19	A	G1 5305-99-941-7415	. SCREW, WOOD, brass, round head, slot drive, No. 10 by 5/8in. lg		6	
20		NP	. TAG, for chain crew seat	FV562879	1	
21	A	9MCV 2540-99-029-7507	. CHAIN, SEAT, steel, phosphated, 10 SWG (0.128in.), 3/4in. dia open ring 1st end, 5/8in. dia 1/4in. open hook 2nd end, 6-1/4in. o/a lg	FV562898	1	
22	A	G1 5305-99-941-6284	. SCREW, CAP, HEXAGON HEAD, UNF, 1/4in. dia, class 2A thd, 1/2in. lg, steel, Zn plated hex hd		4	
23	A	G1 5310-99-941-6654	. WASHER, LOCK, steel, split helical ring, 1/4in. nom bolt size, 27/64in. od, 5/64in. thk		4	

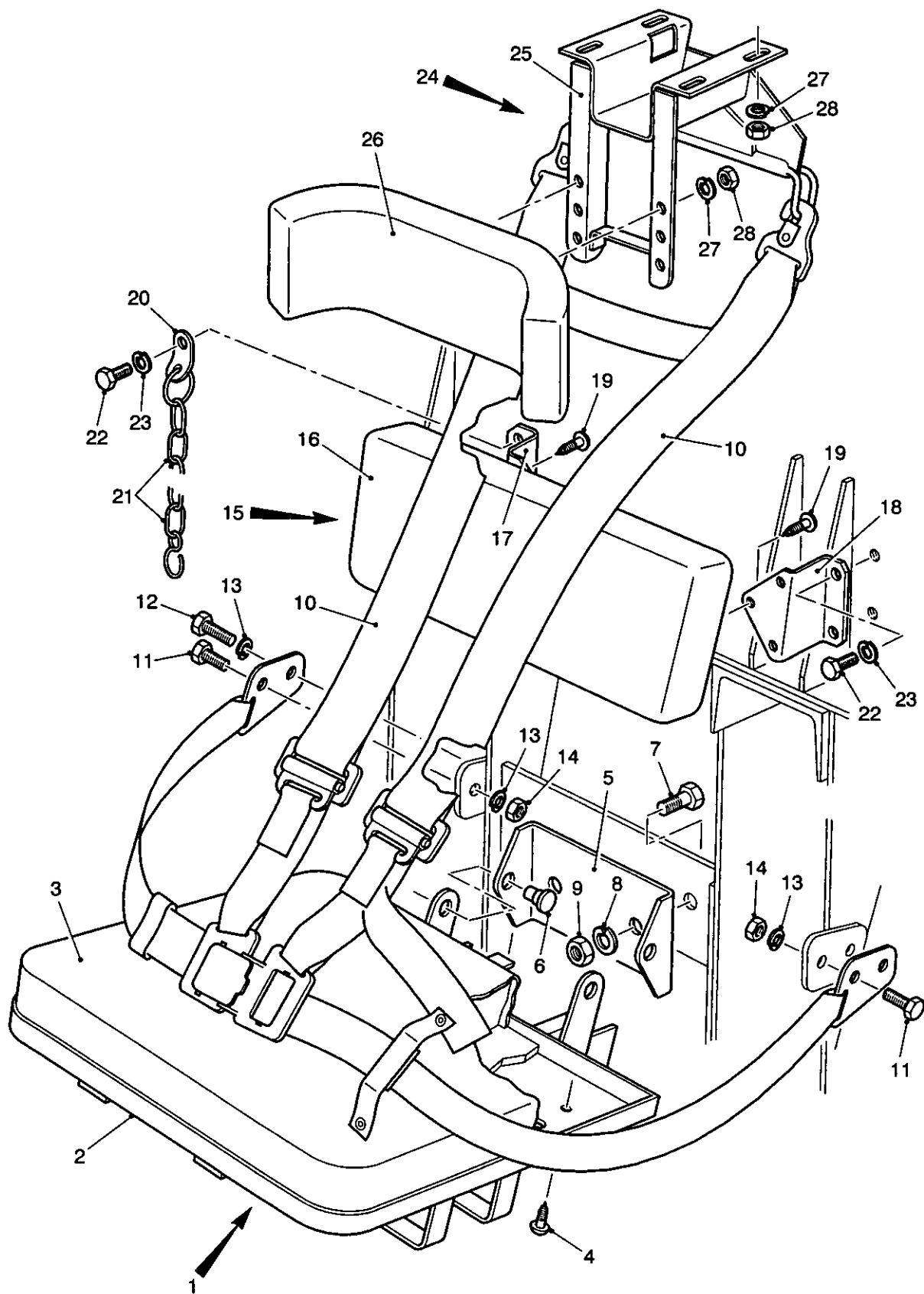


Fig 4 Crew seat, offside

430/70215

Fig Item	Man Code Navy - N Army - A RAF - R	NATO Stock No	Item Name and Description	Part No/ Drawing No.	No. Off	Annotations
4-			SEATS GENERAL ARRANGEMENT - contd CREW SEAT OFFSIDE - contd			
24		NP	. HEADREST AND HARNESS BRACKET ASSEMBLY	FV611912	REF	
25	A 9ACR	2590-99-804-3684	. . BRACKET, HEADREST, RH, crew seat	FV611914	1	
26		NP	. . PAD ASSEMBLY	FV643894	1	
27	A G1	5310-99-944-0549	. . WASHER, LOCK, steel, split helical ring, Cd plated, 5/16in. bolt size, 0.503in. od, 0.080in. thk, single coil square section		6	
28	A G1	5310-99-136-1515	. . NUT, PLAIN, HEXAGON, 5/16in. -24 UNF, class 2B thd, rh, steel, Zn plated, 1/2in. w A/F, 17/64in. h; chamfered or washer faced		6	

Chapter 2-11
PARTS LIST
STOWAGE AND EQUIPMENT GENERAL ARRANGEMENT

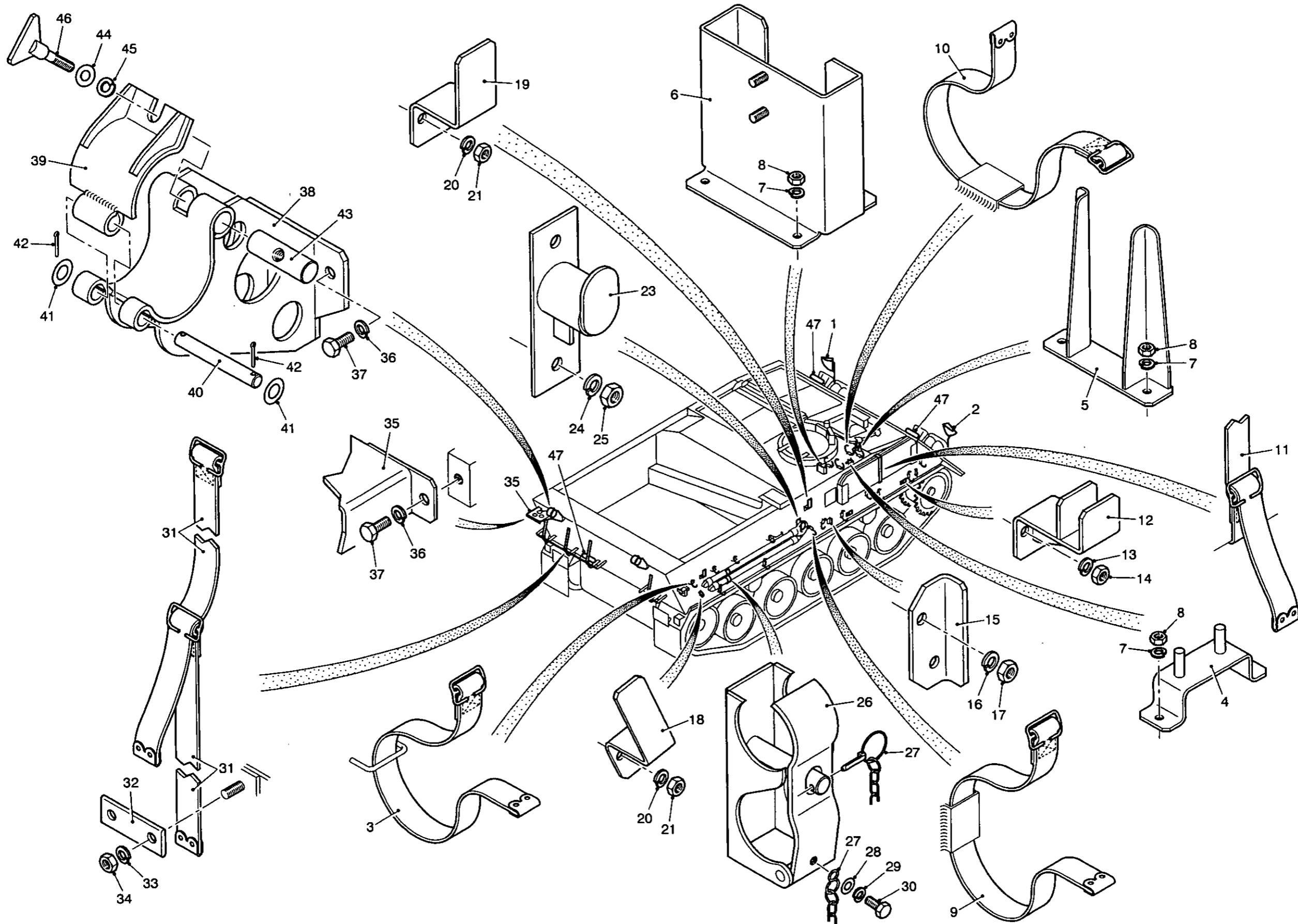


Fig 1 External stowage general arrangement

430/70260

Fig Item	Man Code Navy - N Army - A RAF - R	NATO Stock No	Item Name and Description	Part No/ Drawing No.	No. Off	Annotations
1-		NP	STOWAGE AND EQUIPMENT GENERAL ARRANGEMENT	FV563254	REF	
		NP	. STOWAGE, EXTERNAL, GENERAL ARRANGEMENT		REF	
1	A	9ACR	2540-99-471-2779 . . MIRROR ASSEMBLY, LH	FV2200959	1	See Fig 4
2		NP	. . MIRROR ASSEMBLY, RH	FV2200960	1	See Fig 4
3	A	9ACR	5340-99-829-1191 . . STRAP, WEBBING, cotton, 10in. lg, 1.25in. w, w/attachment, buckle, 0.093in. thk, one quick release buckle, brass tab at free end	FV485600/3	13	Axe pick, crowbar, axe, tool track, towing cable, hammer
4	A	9ACR	5120-99-865-7165 . . BRACKET, DIGGING, PICK	FV538158	1	
5	A	9ACR	5120-99-865-7163 . . BRACKET, SPADE, front	FV538156	1	
6	A	9ACR	2590-99-805-0484 . . BRACKET, VEHICULAR COMPONENTS	FV611887	1	
7	A	G1	5310-99-944-0549 . . WASHER, LOCK, steel, split helical ring, Cd plated, 5/16in. bolt size, 0.503in. od, 0.080in. thk, single coil, square section		8	
8	A	G1	5310-99-941-0925 . . NUT, PLAIN, HEXAGON, 5/16 -24, UNF, class 2B, rh, steel, Zn plated, 1/2in. w A/F, 17/64in. h, chamfered		8	
9	A	X2	5340-99-214-1245 . . STRAP, WEBBING, cotton webbing, 14in. lg, 1-1/4in. w, 3/32in. thk matl, w/standard quick release buckle	FV485600/1	2	Shovel & towing cable
10		NP	. . STRAP, WEBBING, cotton webbing, 20in. lg, 1-1/4in. w, 3/32in. thk matl, w/standard quick release buckle	FV485600/4	1	Shovel
11		NP	. . STRAP, WEBBING, cotton webbing, 40in. lg, 1-1/4in. w, 3/32in. thk matl, w/standard quick release buckle	FV485600/5	1	Planks
12	A	9ACR	5340-99-865-7162 . . BRACKET, MOUNTING, paint, comprising bracket, spacer, web	FV538501	2	
13	A	G1	5310-99-941-6656 . . WASHER, LOCK, steel, split helical ring, 3/8in. nom bolt size, 0.092in. thk, 0.590in. od, single coil, square section		4	
14	A	G1	5310-99-941-0926 . . NUT, PLAIN, HEXAGON, UNF, steel, chamfered bearing surface, Zn plated, 3/8in. -24, 0.563in. w A/F, 0.333in. o/a h, grade 3 nut		4	
15		NP	. . BRACKET, STOP, crow bar	FV538508	2	
16	A	G1	5310-99-941-6654 . . WASHER, LOCK, steel, split helical ring, 1/4in. nom bolt size, 27/64in. od, 5/64in. thk		4	
17	A	G1	5305-99-941-0512 . . SCREW, CAP, HEXAGON HEAD, UNF, 1/4in. class 2A thd, 5/8in. lg, steel, Zn plated, hex hd		4	
18	A	9ACR	2510-99-865-7161 . . BRACKET, DOUBLE ANGLE, wire rope assembly stowage	FV525570	1	
19	A	9ACR	5340-99-829-1190 . . BRACKET, DOUBLE ANGLE, steel, painted, 5-3/8in. o/a lg, 2-1/4in. w, 1/4in. thk, 1st leg 3in. lg, 2nd leg 2-1/8in. lg, centre section 2-39/64in. lg	FV644397	1	
20	A	G1	5310-99-941-6656 . . WASHER, LOCK, steel, split helical ring, 3/8in. nom bolt size, 0.092in. thk, 0.590in. od, single coil, square section		4	
21	A	G1	5310-99-941-0926 . . NUT, PLAIN, HEXAGON, UNF, steel, chamfered bearing surface, Zn plated, 3/8in. -24in. 0.563in. w A/F, 0.333in. o/a h, grade 3 nut		4	
NI 22		NP	. . 'D' RING, for straps	FV644076	4	Axe & hammer

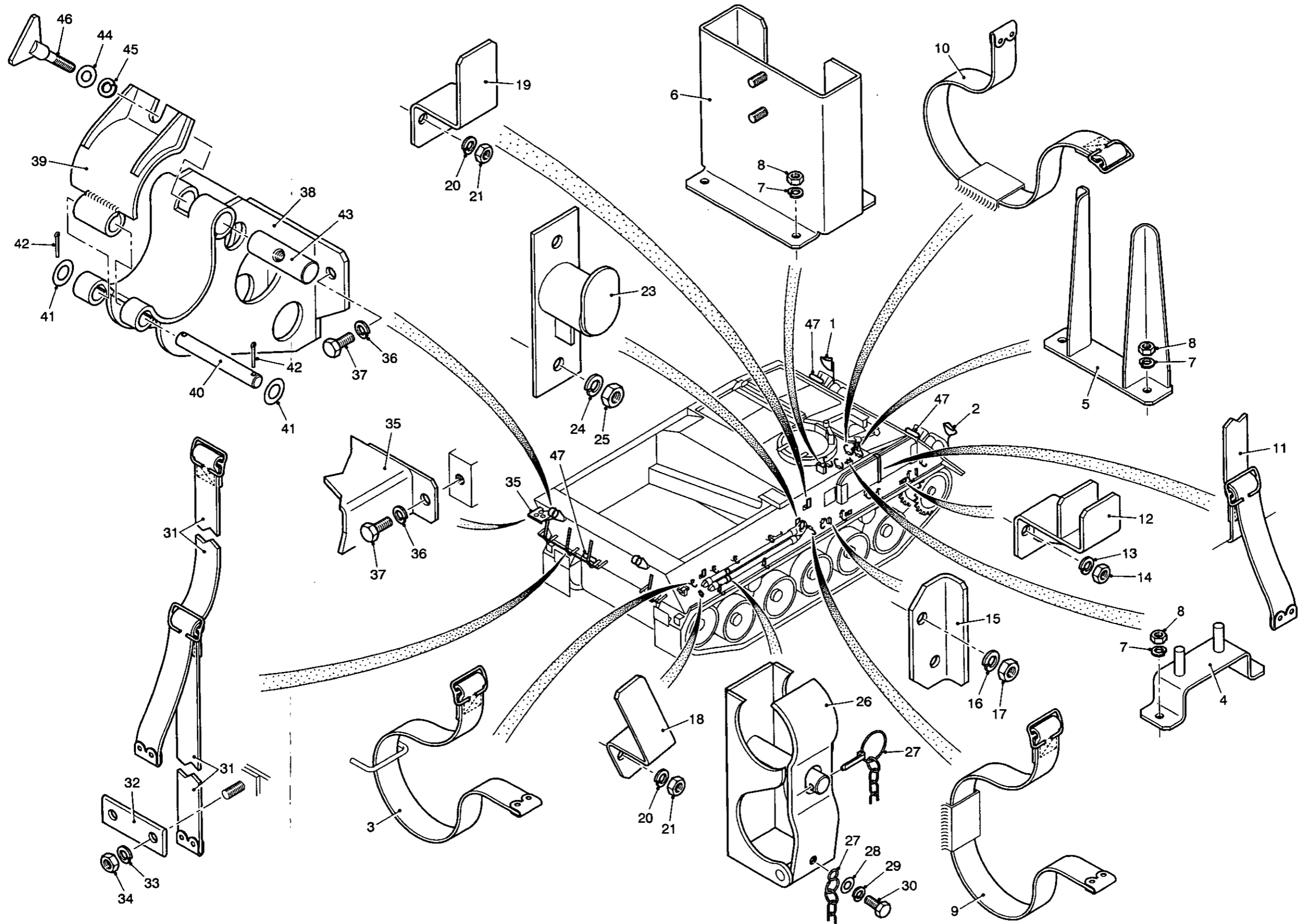


Fig 1 External stowage general arrangement

Fig Item	Man Code Navy - N Army - A RAF - R	NATO Stock No	Item Name and Description	Part No/ Drawing No.	No. Off	Annotations
1-			STOWAGE AND EQUIPMENT GA - contd . STOWAGE, EXTERNAL, GA - contd			
23	A	9ACR	2590-99-806-9169 . . BRACKET, VEHICULAR COMPONENTS, draw bar stowage	FV644180	1	
24	A	G1	5310-99-944-0552 . . WASHER, LOCK, steel, split helical ring, Cd plated, 1/2in. nom bolt size, 0.763in. od, 0.116in. thk		4	
25	A	G1	5310-99-941-0928 . . NUT, PLAIN, HEXAGON, UNF, steel, chamfered bearing surface, Zn plated, 1/2in. 3/4in. w A/F, 7/16in. o/a h, grade 3 nut		4	
26	A	9AC6	2510-99-809-7015 . . BRACKET, DRAWBAR MOUNTING, rear, c/w securing pin and chain	FV644366	1	
27	A	9ACR	5340-99-809-7016 . . . PIN AND CHAIN ASSEMBLY, comprises one linch pin, ring and chain	FV644403	1	
28		NP	. . . WASHER, FLAT, 5/16in. dia by 15 SWG	7030005009 1000	1	
29	A	G1	5310-99-944-0549 . . . WASHER, LOCK, steel, split helical ring, Cd plated, 5/16in. bolt size, 0.503in. od, 0.080in. thk, single coil, square section		1	
30	A	G1	5305-99-941-0524 . . . SCREW, CAP, HEXAGON HEAD, UNF, 5/16in., class 2A thd, 5/8in. lg, steel, Zn plated, hex hd		1	
31	A	X2	5340-99-214-1245 . . STRAP, WEBBING, cotton webbing, 14in. lg, 1-1/4in. w, 3/32in. thk matl w/standard quick release buckle	FV485600/1	8	
32		NP	. . CLAMP, PLATE, strap, jerrican	FV562666	4	
33	A	G1	5310-99-941-6654 . . WASHER, LOCK, steel, split helical ring, 1/4in. nom bolt size, 27/64in. od, 5/64in. thk		8	
34	A	G1	5310-99-804-7941 . . NUT, PLAIN, HEXAGON, UNF, 1/4in. dia -28, class 2B., rh thd, steel, Zn plated, 7/16in. w A/F, 7/32in. o/a h, chamfered finish		8	
35	A	9ACR	5340-99-805-2068 . . BRACKET, MOUNTING, 10.125in. o/a lg, fabricated, 2 mounting holes, bracket, stowage, vehicular	FV643961	1	
36	A	G1	5310-99-944-0549 . . WASHER, LOCK, steel, split helical ring, Cd plated, 5/16in. bolt size, 0.503in. od, 0.080in. thk, single coil, square section		8	
37	A	G1	5305-99-941-0524 . . SCREW, CAP, HEXAGON HEAD, UNF, 5/16in., class 2A thd, 5/8in. lg, steel, Zn plated, hex hd		8	
38	A	9ACR	5340-99-805-2069 . . BRACKET, MOUNTING, fabricated, 3 mounting holes, bracket, stowage vehicular	FV643964	2	
39	A	9ACR	2540-99-805-0485 . . CLAMP, STOWAGE, VEHICULAR	FV611903	2	
40		NP	. . HINGE	FV611910	2	
41		NP	. . WASHER, FLAT, 1/4in. dia by 17 SWG	7030004009 1000	4	
42	A	G1	5315-99-944-0171 . . PIN, COTTER, SPLIT, steel, phosphated, std spring type, extended prong chisel point, 1/16in. nom dia, 5/8in. nom lg		4	
43	A	9ACR	5310-99-805-0486 . . NUT, PLAIN, BARREL, UNF, cres, 5/16in., 5/8in. max od, 2in. o/a lg	FV611906	2	
44		NP	. . WASHER, FLAT, 5/16in. dia	7030005009 1000	2	

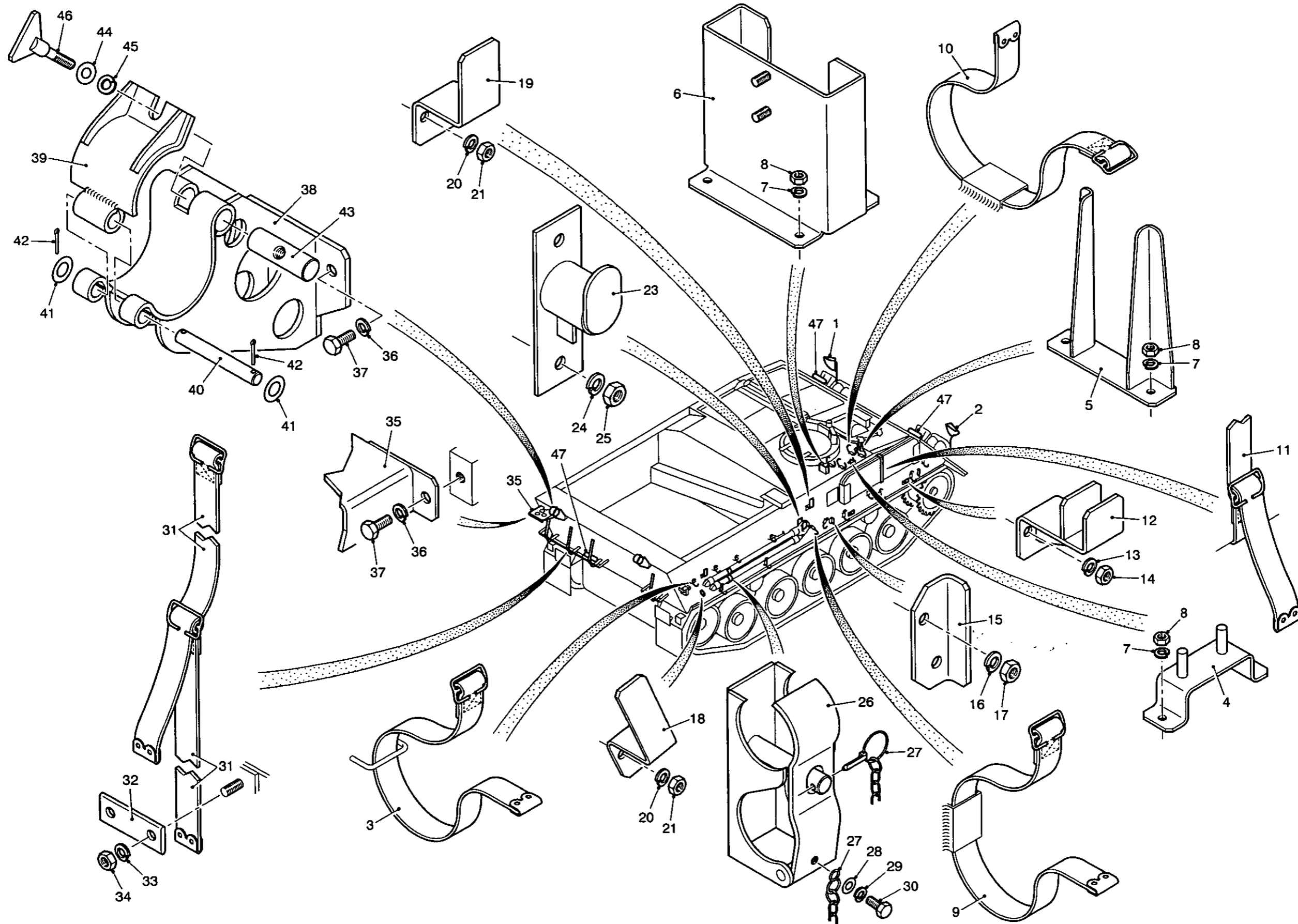


Fig 1 External stowage general arrangement

Fig Item	Man Code Navy - N Army - A RAF - R	NATO Stock No	Item Name and Description	Part No/ Drawing No.	No. Off	Annotations
1-			STOWAGE AND EQUIPMENT GA - contd . STOWAGE, EXTERNAL, GA - contd			
45	A G1	5310-99-944-0549	. . WASHER, LOCK, steel, split helical ring, Cd plated, 5/16in. bolt size, 0.503in. od, 0.080in. thk, single coil, square section		2	
46	A 9ACR	5305-99-805-0487	. . THUMBSCREW, 5/16in. dia UNF thd, SCR 1-1/4in. 1-1/2in. o/a lg, steel, phosphate coated, flat point	FV611927	2	
47	A 9ACR	2540-99-496-0321	. . MODIFICATION KIT, FIRE EXTINGUISHER, comprises 8 items, some multiples, fitting of ozone friendly dry powder type extinguisher	MAE43/4/00 13	1	See Fig 5

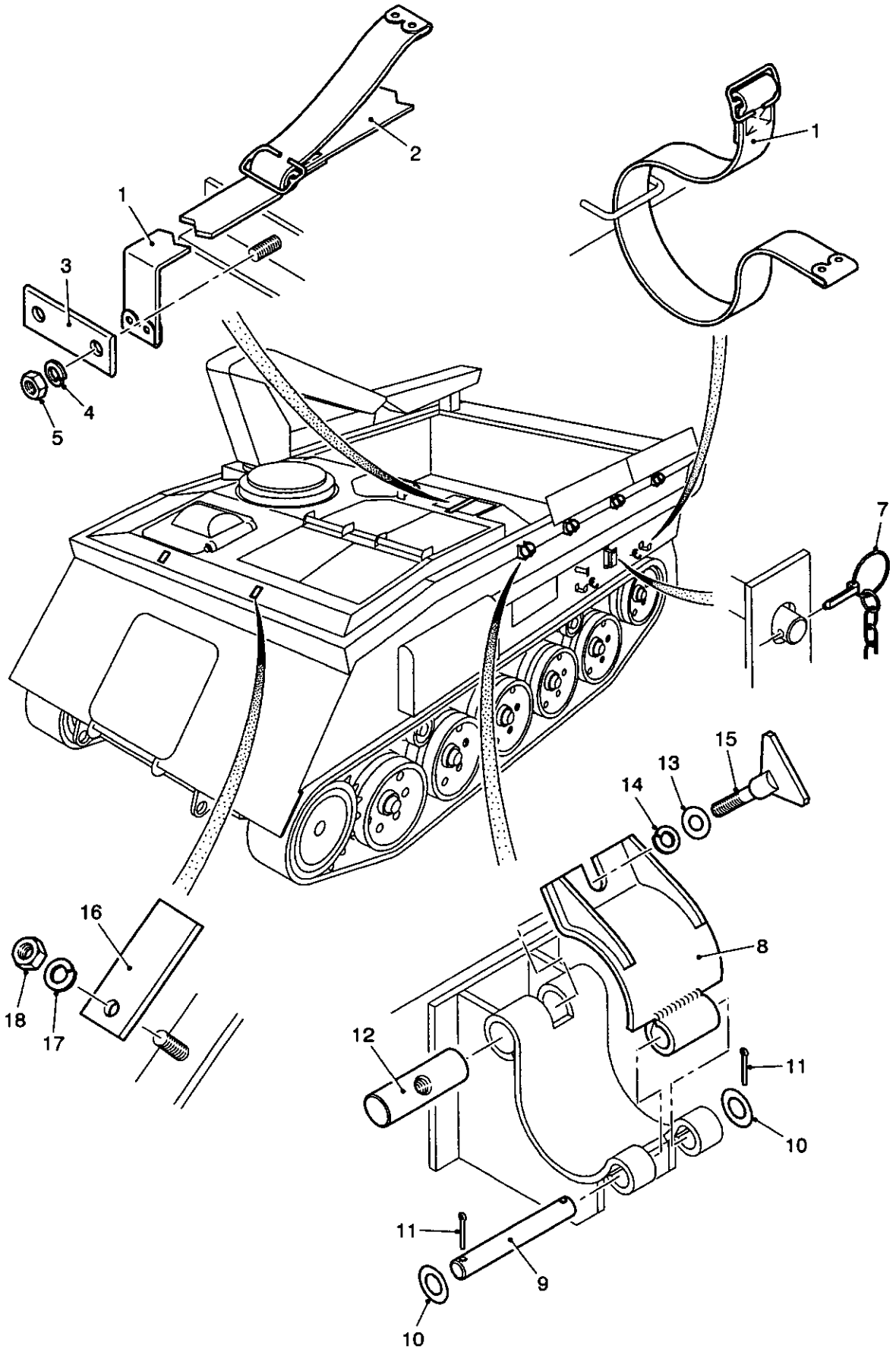


Fig 2 External storage, general arrangement

430/70261

Fig Item	Man Code Navy - N Army - A RAF - R	NATO Stock No	Item Name and Description	Part No/ Drawing No.	No. Off	Annotations
2-			STOWAGE AND EQUIPMENT GA - contd STOWAGE EXTERNAL GENERAL ARRANGEMENT - contd			
1	A	X2 5340-99-214-1245	STRAP, WEBBING, cotton webbing, 14in. lg, 1-1/4in. w, 3/32in. thk matl, w/standard quick release buckle	FV485600/1	3	Fuel hopper & lifting sling
2	A	9ACR 5340-99-829-1191	STRAP, WEBBING, cotton, 10in. lg, 1.25in. w, w/attachment, buckle, 0.093in. thk, one quick release buckle, brass tab at free end	FV485600/3	1	Fuel hopper
3		NP	CLAMP PLATE, strap, jerrican	FV562666	4	
4	A	G1 5310-99-941-6654	WASHER, LOCK, steel, split helical ring, 1/4in. nom bolt size, 27/64in. od, 5/64in. thk		2	
5	A	G1 5310-99-804-7941	NUT, PLAIN, HEXAGON, UNF, 1/4in. dia -28, class 2B, rh thd, steel, Zn plated, 7/16in. w A/F, 7/32in. o/a h, chamfered finish		2	
NI 6		NP	'D' RING, for straps	FV644076	2	Lifting sling
7		NP	LINCH PIN, RING, CHAIN	816660	1	
8	A	9ACR 2540-99-805-0485	CLAMP, STOWAGE, VEHICULAR	FV611903	4	
9		NP	HINGE	FV611910	4	
10		NP	WASHER, FLAT, 1/4in. dia by 17 SWG	7030004009 1000	8	
11	A	G1 5315-99-944-0171	PIN, COTTER, SPLIT, steel, phosphated, std, spring type, extended prong chisel point, 1/16in. nom dia, 5/8in. nom lg		8	
12	A	9ACR 5310-99-805-0486	NUT, PLAIN, BARREL, UNF, cres, 5/16in., 5/8in. max od, 2in. o/a lg	FV611906	4	
13		NP	WASHER, FLAT, 5/16in. dia	7030005009 1000	4	
14	A	G1 5310-99-944-0549	WASHER, LOCK, steel, split helical ring, Cd plated, 5/16in. bolt size, 0.503in. od, 0.080in. thk, single coil, square section		4	
15	A	9ACR 5305-99-805-0487	THUMBSCREW, 5/16in. dia UNF thd, SCR 1-1/4in.. 1-1/2in. o/a lg, steel, phosphate coated, flat point	FV611927	4	
16		NP	BRACKET, ANTENNAE ROD CASE	FV562869	2	
17	A	G1 5310-99-941-6654	WASHER, LOCK, steel, split helical ring, 1/4in. nom bolt size, 27/64in. od, 5/64in. thk		2	
18	A	G1 5310-99-804-7941	NUT, PLAIN, HEXAGON, UNF, 1/4in. dia -28, class 2B, rh thd, steel, Zn plated, 7/16in. w A/F, 7/32in. o/a h, chamfered finish		2	

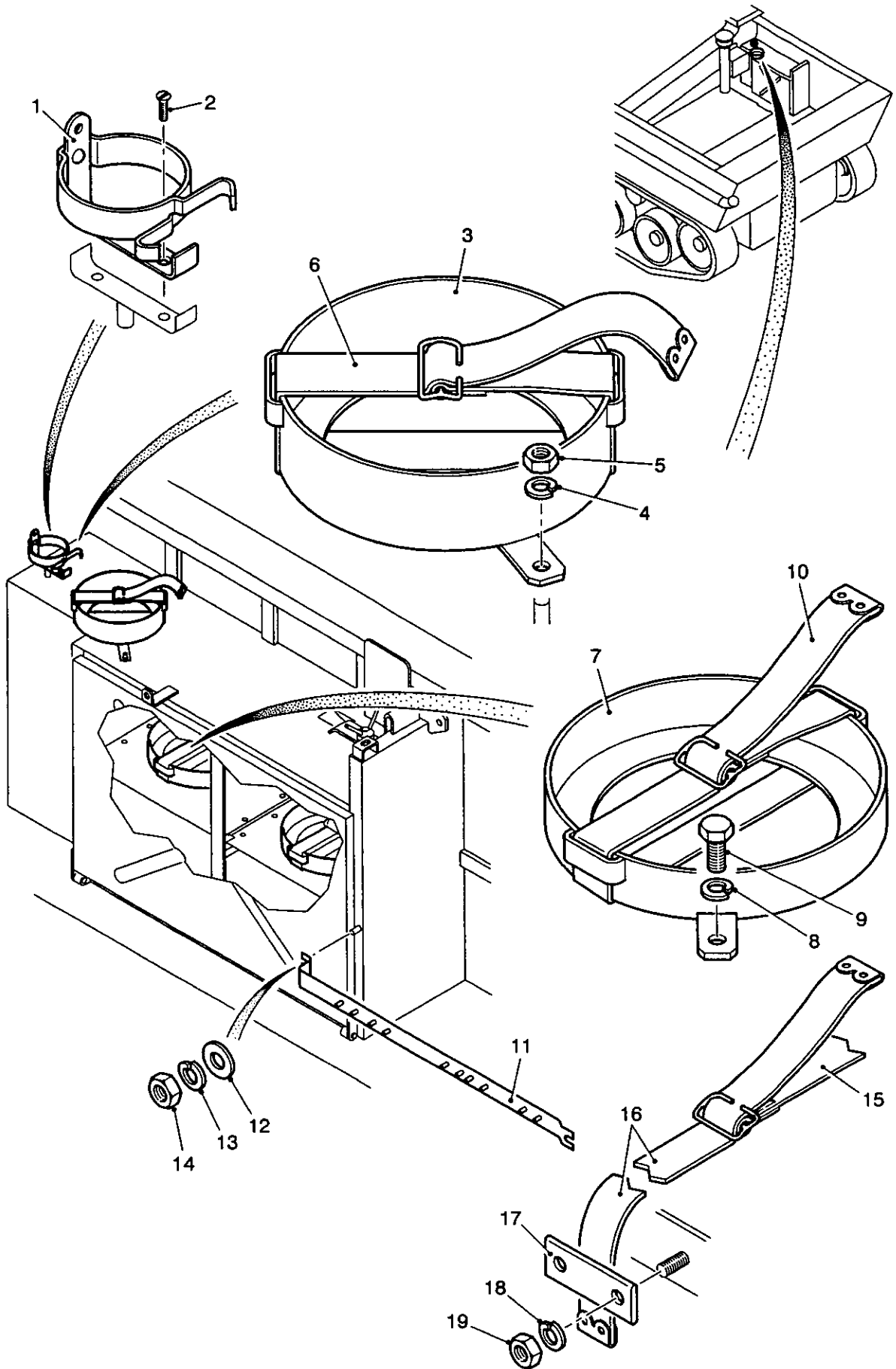


Fig 3 External stowage, cargo bay GA

430/70262

Fig Item	Man Code Navy - N Army - A RAF - R	NATO Stock No	Item Name and Description	Part No/ Drawing No.	No. Off	Annotations
3-		NP	STOWAGE AND EQUIPMENT GA - contd STOWAGE EXTERNAL CARGO BAY GA		REF	
1	A	9AHY	2540-99-824-0626 . . . HOLDER, OIL CAN, phosphate finish	FV771783	1	
2		NP	. . . SCREW, CSK HEAD, 2BA by 3/8in. lg		2	
3	A	9ACR	2540-99-805-0489 . . . BOX, STOWAGE, VEHICULAR ACCESSORIES, container for grease bucket	FV611941	1	
4	A	G1	5310-99-944-0549 . . . WASHER, LOCK, steel, split helical ring, Cd plated, 5/16in. bolt size, 0.503in. od, 0.080in. thk, single coil, square section		3	
5	A	G1	5310-99-136-1515 . . . NUT, PLAIN, HEXAGON, UNF, 5/16in. -24 UNF, class 2B thd, rh thd, steel, Zn plated, 1/2in. w A/F, 17/64in. h, chamfered or washer faced		3	
6		NP	. . . STRAP, WEBBING, cotton webbing, 40in. lg, 1-1/4in. w, 3/32in. thk matl, w/standard quick release buckle	FV485600/5	1	Grease bucket
7	A	9ACR	2540-99-865-7430 . . . BOX, ACCESSORIES STOWAGE, spotlight	FV525556	2	
8	A	G1	5310-99-941-6655 . . . WASHER, LOCK, steel, split helical ring, 0.343in. id, 0.503in. od, 0.080in. thk		6	
9	A	G1	5305-99-941-0524 . . . SCREW, CAP, HEXAGON HEAD, UNF, 5/16in., class 2A thd, 5/8in. lg, steel, Zn plated hex hd		6	
10	A	6MT1	5340-99-127-9986 . . . STRAP, WEBBING, cotton, 30in. lg, 1-1/4in. w, 3/32in. thk matl, w/buckle clip end	FV485600/2	2	Spot lamps
11	A	9ACR	2540-99-805-0495 . . . CLAMP, STOWAGE, VEHICULAR, jerrican stowage	FV611768	1	
12		NP	. . . WASHER, FLAT, 3/8in. dia	7030006009 1000	2	
13	A	G1	5310-99-941-6656 . . . WASHER, LOCK, steel, split helical ring, 3/8in. nom bolt size, 0.092in. thk, 0.590in. od, single coil, square section		2	
14	A	G1	5310-99-941-0926 . . . NUT, PLAIN, HEXAGON, UNF, steel, chamfered bearing surface, Zn plated, 3/8in. -24, 0.563in. w A/F, 0.333in. o/a h, grade 3 nut		2	
15	A	X2	5340-99-214-1245 . . . STRAP, WEBBING, cotton webbing, 14in. lg, 1-1/4in. w, 3/32in. thk matl, w/standard quick release buckle	FV485600/1	8	Securing jerrican, engine cover, bivouac
16	A	6MT1	5340-99-127-9986 . . . STRAP, WEBBING, cotton, 30in. lg, 1-1/4in. w, 3/32in. thk matl, w/buckle clip end	FV485600/2	2	Securing engine cover, & bivouac
17		NP	. . . CLAMP PLATE, strap, jerrican	FV562666	5	
18	A	G1	5310-99-941-6654 . . . WASHER, LOCK, steel, split helical ring, 1/4in. nom bolt size, 27/64in. od, 5/64in. thk		10	
19	A	G1	5310-99-804-7941 . . . NUT, PLAIN, HEXAGON, UNF, 1/4in. dia -28, class 2B, rh thd, steel, Zn plated, 7/16in. w A/F, 7/32in. o/a h, chamfered finish		10	
NI 20	A	9ACR	5340-99-829-1191 . . . STRAP, WEBBING, cotton, 10in. lg, 1.25in. w, w/attachment, buckle, 0.093in. thk, one quick release buckle, brass tab at free end	FV485600/3	1	Securing crane hook to crane arm

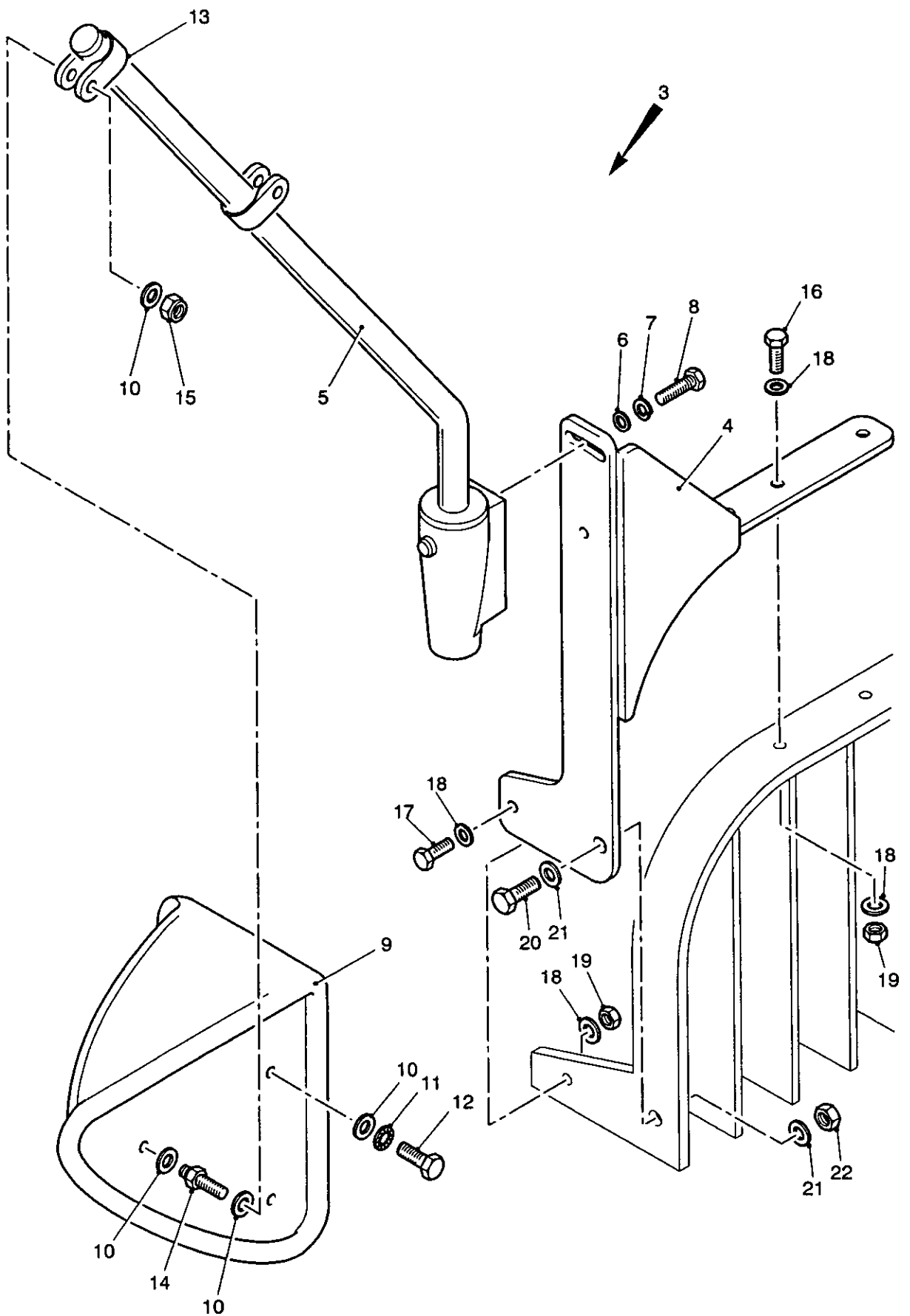


Fig 4 Rear view mirrors

430/70184

Fig Item	Man Code Navy - N Army - A RAF - R	NATO Stock No	Item Name and Description	Part No/ Drawing No.	No. Off	Annotations
4-		NP	STOWAGE AND EQUIPMENT GA - contd . REAR VIEW MIRRORS		REF	
NI 1	A 9ACR	2540-99-471-2779	. . MIRROR ASSEMBLY, LH	FV2200959	1	See items 5 to 15
NI 2	A 9ACR	2540-99-679-8115	. . . BRACKET, LH	FV2200964	1	
3		NP	. . MIRROR ASSEMBLY, RH	FV2200960	1	
4	A 9ACR	2540-99-309-1074	. . . BRACKET, RH	FV2200965	1	
5	A 9ACR	2540-99-746-6255	. . . ARM, REAR VIEW MIRROR, 2 hole plate mtg, cranked, 45 deg deflection	FV2032604	1	
6	A 7RU	5310-99-122-6474	. . . WASHER, FLAT, steel, Zn plated, rd od, 12.5mm max od, 6.5mm id, 1.6mm thk		2	
7	A G1	5310-99-137-9232	. . . WASHER, LOCK, steel, Zn plated, split helical ring, 6.3mm id, 9.2mm od, 1.5mm thk		2	
8	A G1	5305-99-122-5361	. . . SCREW, CAP, HEXAGON HEAD, ISO M, steel, Zn plated w/chromate, 6mm thd dia, 20.42mm lg		2	
9	9ACR	2540 99 696 9812	. . . MIRROR, REAR VIEW	FV2200961	1	
10	A G1	5310-99-122-6475	. . . WASHER, FLAT, steel, Zn plated, 17mm od, M8 bolt size, 1.6mm thk		7	
11		NP	. . . WASHER, LOCK, int tooth, M8	7535080000059	1	
12	A G1	5305-99-122-5365	. . . SCREW, CAP, HEXAGON HEAD, ISO M, M8 x 1.25mm class 6G thd, steel, Zn plated, 16mm thd and fastener lg		1	
13	9ACR	2540 99 968 446	. . . CLAMP, MIRROR MOUNTING	FV2200963	2	
14		NP	. . . SPACER, M8 x 30mm lg	AS054869/14	2	
15		NP	. . . NUT, HEXAGONAL, normal, prevailing torque, M8, nylon insert	75250801080159	2	
16	A G1	5305-99-122-5367	. . SCREW, CAP, HEXAGON HEAD, ISO M, 8 x 1.25mm thd, 25mm thd and fastener lg, steel, Zn plated w/chromate, hex hd, 5.65mm hd h, 13mm w A/F		2	
17	A G1	5305-99-122-5368	. . SCREW, CAP HEXAGON HEAD, ISO M, 8 x 1.25mm class 6G thd, hex hd, 30mm lg, steel, Zn plated		1	
18	A G1	5310-99-122-6475	. . WASHER, FLAT, steel, Zn plated, 17mm od, M8 bolt size, 1.6mm thk		6	
19		NP	. . NUT, HEXAGONAL, normal, prevailing torque, M8, nylon insert	75250801080159	3	
20	A G1	5306-99-122-8675	. . BOLT, MACHINE, ISO M, M12 x 1.75mm pitch class 6G thd, 35mm lg, hex hd, steel alloy, Zn plated, grade 8.8		1	
21	A G1	5310-99-122-6477	. . WASHER, FLAT, steel, Zn plated, 23.8mm od, 13.2mm id, 2.5mm thk		2	
22		NP	. . NUT, HEXAGONAL, normal, prevailing torque, M12, nylon insert		1	

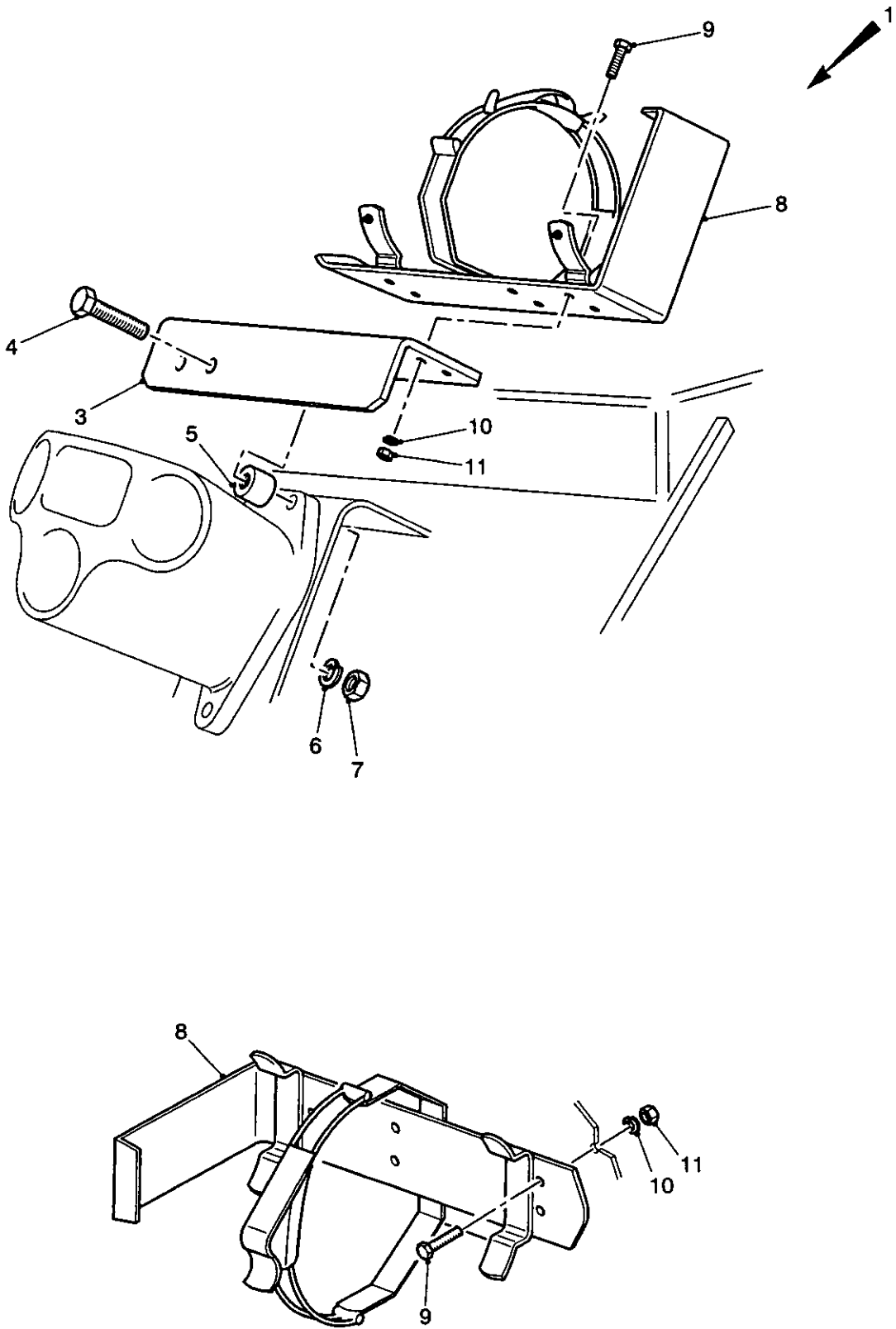


Fig 5 External fire extinguisher general arrangement

430/70216

Fig Item	Man Code Navy - N Army - A RAF - R	NATO Stock No	Item Name and Description	Part No/ Drawing No.	No. Off	Annotations
5-		NP	STOWAGE AND EQUIPMENT GA - contd . . . STOWAGE EXTERNAL GA - contd . . . EXTERNAL FIRE EXTINGUISHER GENERAL ARRANGEMENT	FV952589	REF	
1	A 9ACR	2540-99-496-0321	. . . MODIFICATION KIT, FIRE EXTINGUISHER, comprises 8 items, some multiples, fitting of ozone friendly dry powder type extinguisher	MAE 43/4/0013	1	
NI 2	A 9ACR	4210-99-851-0258	. . . PLATE, MOUNTING, FIRE EXTINGUISHER, RH	FV952587	1	See items 4 to 11
3	A 9ACR	4210-99-736-3532	. . . PLATE, MOUNTING, FIRE EXTINGUISHER, LH, steel, painted, 90 deg angled, 2-3/8in. w x 2-1/2in. w x 3/16in. thk x 10-1/2in. lg, 6 x 0.281in. dia holes, 2 x 0.531in. dia holes	FV952586	1	
NI 4	A G1	5306-99-122-8178	. . . BOLT, MACHINE, ISO M, steel, Cd plated, hex hd, 12mm x 1.75mm pitch, 70mm lg, class 6G thd		2	
5		NP	. . . SPACER	FV2200586	2	
6	A G1	5310-99-138-9229	. . . WASHER, LOCK, steel, Zn plated w/chromate, split helical ring, M12 hole size, 2.65mm thk, 17.9mm od		2	
7	A G1	5310-99-122-5298	. . . NUT, PLAIN, HEXAGON, ISO M, M12 x 1.75mm pitch, class 6H, rh thd, steel, Zn plated w/chromate, 19mm w A/F, chamfered bearing surface, grade 8		2	
8	A 6MT1	4210-99-839-9904	. . . BRACKET, FIRE EXTINGUISHER, steel, for dry powder type	11155	3	
9	A G1	5305-99-122-5361	. . . SCREW, CAP, HEXAGON HEAD, ISO M, steel, hex hd, Zn plated w/chromate, 6mm thd dia, 20.42mm lg		18	
10	A G1	5310-99-137-9232	. . . WASHER, LOCK, steel, Zn plated, split helical ring, 6.3mm id, 1.5mm thk, 9.2mm od		18	
11	A 7RU	5310-99-122-5295	. . . NUT, PLAIN, HEXAGON, ISO M, M6 x 1mm class 6H thd, rh, steel, Zn plated, 10mm w A/F, 5mm h, chamfered bearing surface, strength grade 8		18	

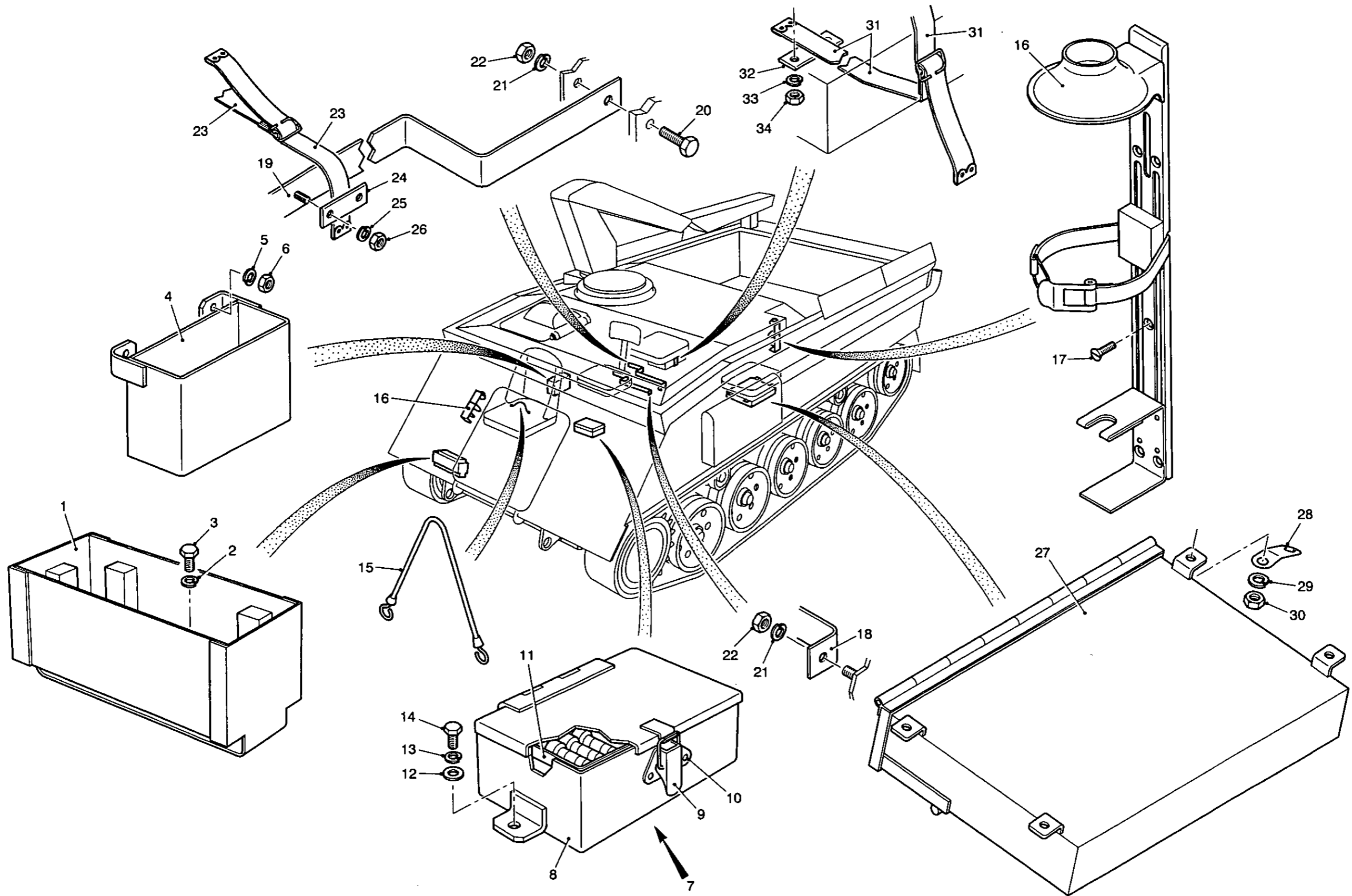


Fig 6 Stowage, internal general arrangement

430/70263

Fig Item	Man Code Navy - N Army - A RAF - R	NATO Stock No	Item Name and Description	Part No/ Drawing No.	No. Off	Annotations
6-		NP	STOWAGE AND EQUIPMENT GA - contd STOWAGE INTERNAL GENERAL ARRANGEMENT		REF	
1	A	9ACR	2540-99-865-7445	BOX, STOWAGE ACCESSORIES, drivers periscope	FV538598	1
2	A	G1	5310-99-941-6654	WASHER, LOCK, steel, split helical ring, 1/4in. nom bolt size, 27/64in. od, 5/64in. thk		4
3	A	G1	5305-99-941-0512	SCREW, CAP, HEXAGON HEAD, UNF, 1/4in. class 2A thd, 5/8in. lg, steel, Zn plated, hex hd		4
4	A	9ACR	2540-99-805-0488	BOX, STOWAGE, VEHICULAR ACCESSORIES, container for commanders periscope	FV562712	1
5	A	G1	5310-99-941-6654	WASHER, LOCK, steel, split helical ring, 1/4in. nom bolt size, 27/64in. od, 5/64in. thk		3
6	A	G1	5310-99-804-7941	NUT, PLAIN, HEXAGON, UNF, 1/4in. dia -28, class 2B, rh thd, steel, Zn plated, 7/16in. w A/F, 7/32in. o/a h, chamfered finish		3
7	A	6MT4	2540-99-867-4650	BOX, STOWAGE, VEHICULAR ACCESSORIES, spare fuses	FV586108	1
8		NP	BOX, SPARE FUSES	FV586109	1	
9	A	G1	5340-99-960-3831	CATCH, TOGGLE LEVER, steel, 3/4in. x 1-7/16in. w, w/hook plate	SV94SA	1
10		NP	RIVET, SOLID, steel, tinners hd, 1/8in. x 1/4in. lg		2	
11		NP	TRAY, SPARE FUSE BOX	FV586110	1	
12		NP	WASHER, FLAT, 1/4in. dia by 17 SWG	7030004009 1000	4	
13	A	G1	5310-99-941-6654	WASHER, LOCK, steel, split helical ring, 1/4in. nom bolt size, 27/64in. od, 5/64in. thk		4
14	A	G1	5305-99-941-0512	SCREW, CAP, HEXAGON HEAD, UNF, 1/4in. class 2A thd, 5/8in. lg, steel, Zn plated, hex hd		4
15		NP	CORD ASSEMBLY, elastic, drivers periscope	FV951800	1	
16	A	6MT1	4210-99-881-7335	BRACKET, FIRE EXTINGUISHER, 5 hole fixings	FV351285	2
17		NP	SCREW, flat csk hd, slotted, No. 10 2BA UNC x 3/8in. lg	7013103064 4900	6	
18	A	9ACR	5340-99-805-0494	STRAP, RETAINING, FRONT, jerrican stowage	FV643954	1
19	A	9ACR	5340-99-805-0493	STRAP, RETAINING, REAR, jerrican stowage	FV643956	1
20	A	G1	5305-99-941-0526	SCREW, CAP, HEXAGON HEAD, UNF, 5/16 -24, class 2A, 7/8in. lg, steel, Zn plated		2
21	A	G1	5310-99-944-0549	WASHER, LOCK, steel, split helical ring, Cd plated, 5/16in. bolt size, 0.503in. od, 0.080in. thk, single coil square section		4
22	A	G1	5310-99-941-0925	NUT, PLAIN, HEXAGON, UNF, 5/16 -24, class 2B, rh, steel, Zn plated, 1/2in. w A/F, 17/64in. h, chamfered		4

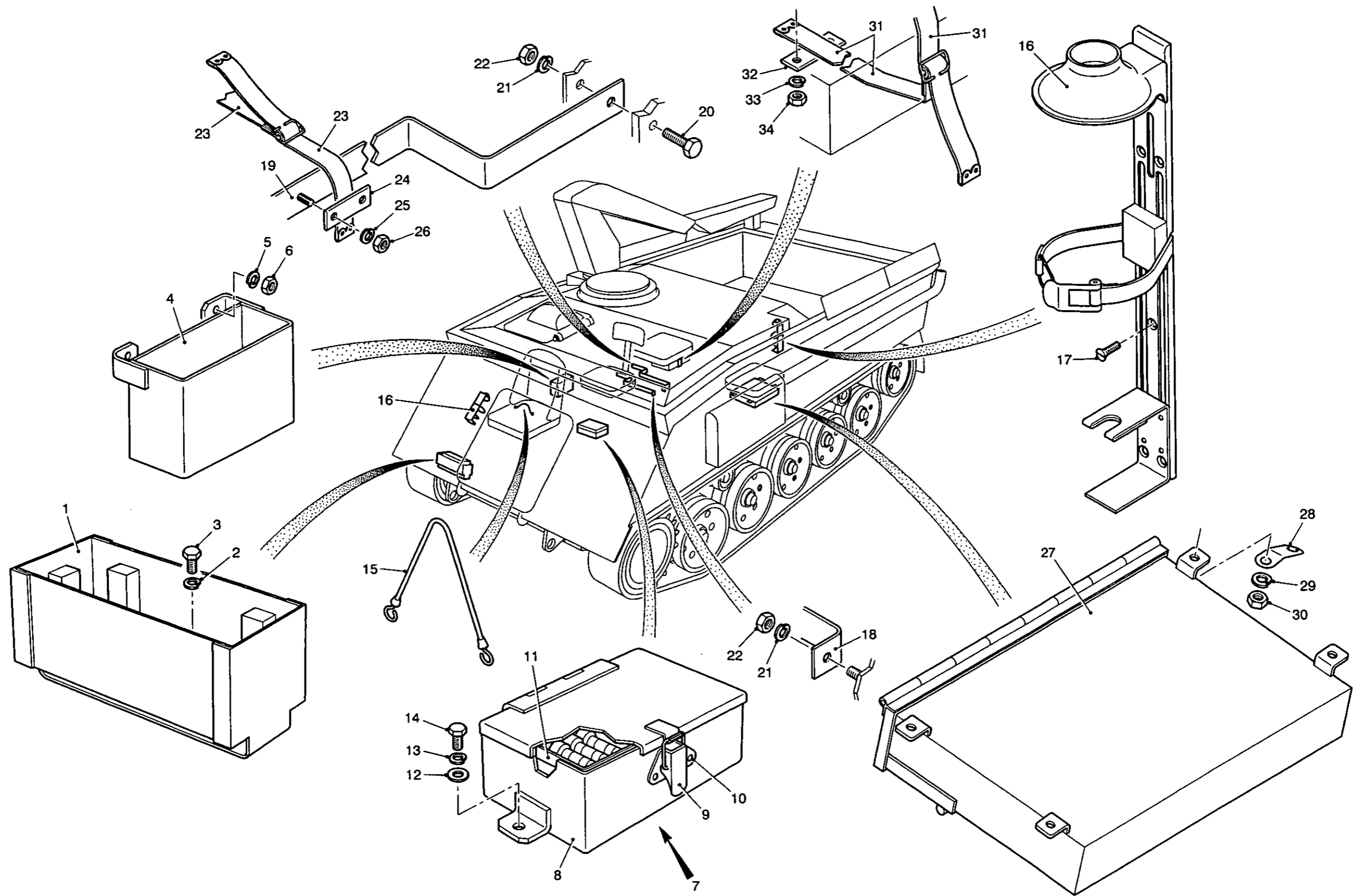


Fig 6 Stowage, internal general arrangement

430/70263

Chapter 2-12
PARTS LIST
FIRE FIGHTING EQUIPMENT
GENERAL ARRANGEMENT

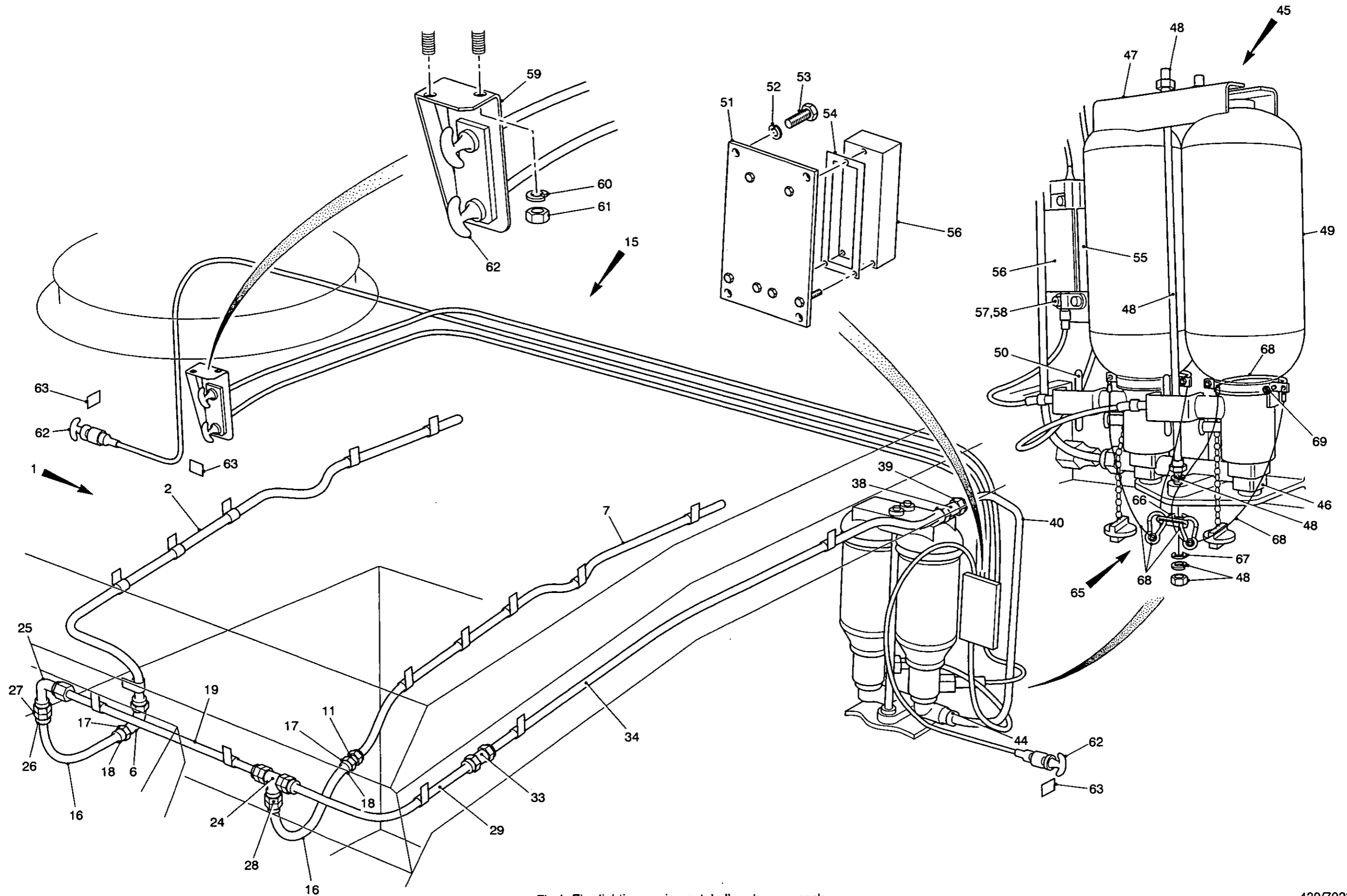


Fig 1 Fire fighting equipment, hull and power pack

Fig Item	Man Code Navy - N Army - A RAF - R	NATO Stock No	Item Name and Description	Part No/ Drawing No.	No. Off	Annotations
6-			STOWAGE AND EQUIPMENT GA - contd STOWAGE INTERNAL GENERAL ARRANGEMENT - contd			
23	A 9ACR	5340-99-829-1191	. . STRAP, WEBBING, cotton, 10in. lg, 1.25in. w, w/attachment buckle, 0.093in. thk, one quick release buckle, brass tab at free end	FV485600/3	2	Water jerrican
24		NP	. . CLAMP PLATE, strap, jerrican	FV562666	1	
25	A G1	5310-99-941-6654	. . WASHER, LOCK, steel, split helical ring, 1/4in. nom bolt size, 27/64in. od, 5/64in. thk		2	
26	A G1	5310-99-804-7941	. . NUT, PLAIN, HEXAGON, UNF, 1/4in. dia -28, class 2B, rh thd, steel, Zn plated, 7/16in. w A/F, 7/32in. o/a h, chamfered finish		2	
27	A 46MT1	2540-99-800-6480	. . HOLDER, vehicle literature, 10.5in. x 14.5in. x 1.5in.	9893	1	Secured under crew seat nearside
28		NP	. . TAG, for chain, crew seat	FV562879	1	
29	A G1	5310-99-941-6654	. . WASHER, LOCK, steel, split helical ring, 1/4in. nom bolt size, 27/64in. od, 5/64in. thk		4	
30	A G1	5310-99-804-7941	. . NUT, PLAIN, HEXAGON, UNF, 1/4in. dia -28, class 2B, rh thd, steel, Zn plated, 7/16in. w A/F, 7/32in. o/a h, chamfered finish		4	
31	A 9ACR	5340-99-829-1191	. . STRAP, WEBBING, cotton, 10in. lg, 1.25in. w, w/attachment buckle, 0.093in. thk, one quick release buckle, brass tab at free end	FV485600/3	2	Securing first aid box
32		NP	. . CLAMP PLATE, strap, jerrican	FV562666	1	
33	A G1	5310-99-941-6654	. . WASHER, LOCK, steel, split helical ring, 1/4in. nom bolt size, 27/64in. od, 5/64in. thk		2	
34	A G1	5310-99-804-7941	. . NUT, PLAIN, HEXAGON, UNF, 1/4in. dia -28, class 2B, rh thd, steel, Zn plated, 7/16in. w A/F, 7/32in. o/a h, chamfered finish		2	

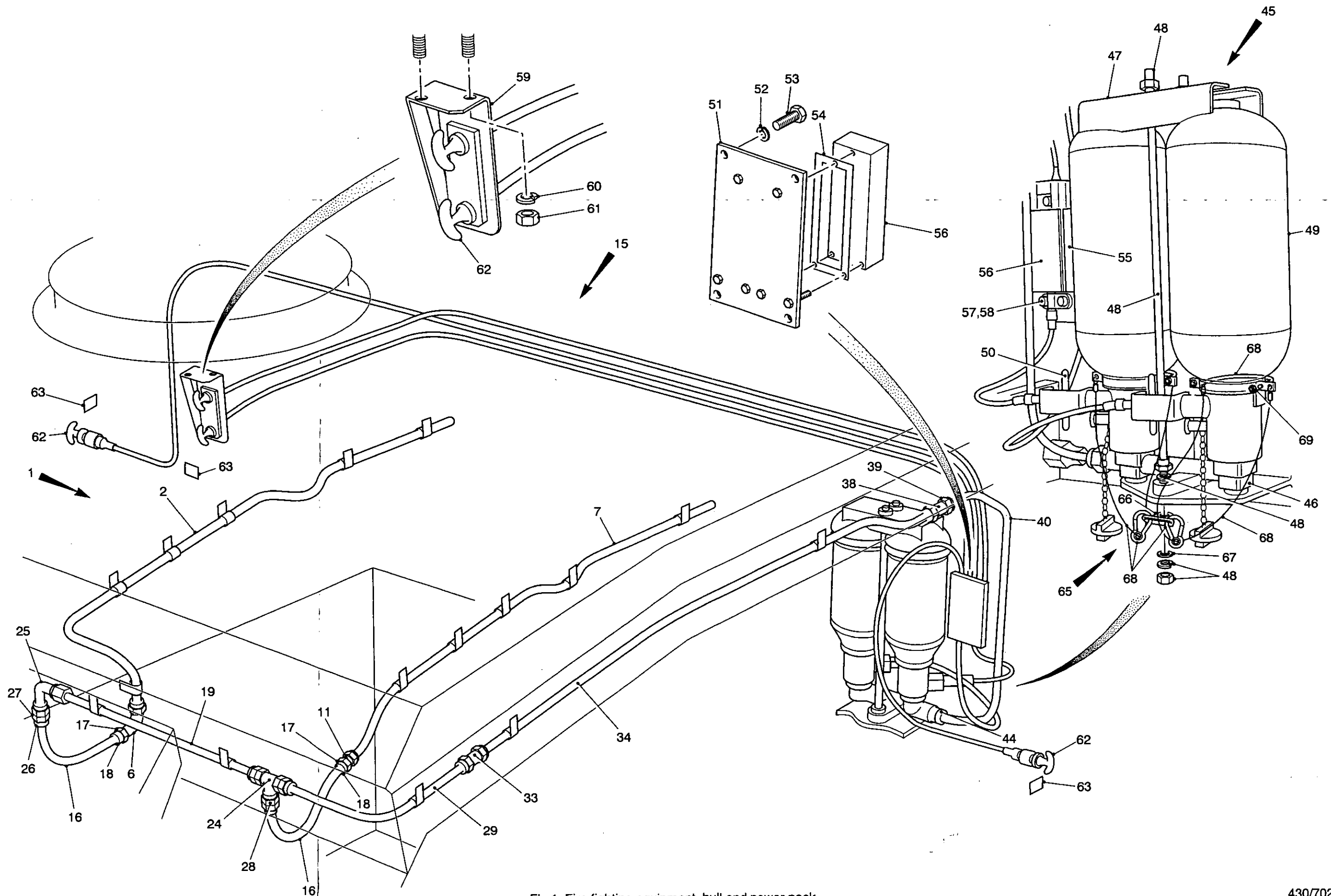


Fig 1 Fire fighting equipment, hull and power pack

Fig Item	Man Code Navy - N Army - A RAF - R	NATO Stock No	Item Name and Description	Part No/ Drawing No.	No. Off	Annotations
1-			FIRE FIGHTING EQUIPMENT GA - contd . FIRE FIGHTING EQUIPMENT, HULL - contd			
40		NP	. . . FEED PIPE, Cu, 5/8in. w/compression sleeves, tube nuts and one clip	E06614705	1	
NI 41	A G2	4710-99-964-9987	. . . TUBE, METALLIC, Cu, rd, seamless, 16mm od, bulk supply		A/R	
NI 42	A 46MT1	4730-99-881-5947	. . . SLEEVE, COMPRESSION, TUBE- HOSE FITTING, br, 5/8in. od pipe, 0.344in. lg	Z8	2	
NI 43	A 46MT1	4730-99-881-5948	. . . INVERTED NUT, TUBE COUPLING, br, hex, 7/8in. whit form male thd, 0.919in. w A/F, 0.631in. dia, 23/32in. lg	Z22	2	
44	A 46MT1	4730-99-881-5952	. . . ADAPTOR, STRAIGHT, PIPE TO TUBE, br, 1.025in. whit form ext, 7/8in whit form int, 1-7/16in. lg	34-0352-61	1	
45	A 46MT1	2590-99-824-4440	. . . BRACKET AND MANIFOLD ASSEMBLY, manifold, tie rod and bracket	98/01049	1	
46	A 46MT1	4210-99-881-6328	. . . MANIFOLD ASSEMBLY, FIRE EXTINGUISHER	A10-90031	1	
47	A 46MT1	4210-99-801-8642	. . . BRACKET, FIRE EXTINGUISHER, plate 7.7in. lg, 4in. w, web 2.75in. lg, 2.14in. w, 2 bosses 0.562in. lg, 1.125in. dia	B10-90029	1	
48	A 46MT1	4210-99-790-7004	. . . TIE ROD, assembly, 1/2in. UNC thd each end, 500mm lg, nut brazed on 50mm free end, 2 nuts, 3 spring washers	FV2018948	2	
49	A 6BCF	4210-99-861-3043	. . . EXTINGUISHER, FIRE, 130mm w, 393mm h, 24 bar pressure, light stone colour, contains 3 kg heptafluoropropane, (FM200) 3.12 litre container, rechargeable	7129908	2	
50	A 46MT1	4210-99-802-3695	. . . HANDLE, FIRE EXTINGUISHER, steel, Cd plated and red enameled, 2-1/2in. lg, 5/16in. thk, 21/64in. hole dia	E0644-2260	2	
51		NP	. . . MOUNTING PLATE WA	FV560053	1	
52	A G1	5310-99-944-0549	. . . WASHER, LOCK, steel, split helical ring, Cd plated, 5/16in. bolt size, 0.503in.od, 0.08in. thk, single coil, sq section		4	
53	A G1	5305-99-941-0525	. . . SCREW, MACHINE, stainless steel, Zn plated, 5/16in. x 3/4in. lg, class 2A thd		4	
54	A 46MT1	5330-99-802-3439	. . . GASKET, rubber, rect shape, 5-3/16in. lg, 2-1/16in. w, 1/16in. thk, 3 mtg holes 5/16in. dia	E/0/644- 2245	2	
55	A 6MT1	4210-99-804-3660	. . . CONTROL ASSEMBLY, FIRE EXTINGUISHER, RH, comprises control cables, junction box and handle, 11ft lg	E0-661- 4706RH	1	
56	A 6MT1	4210-99-804-3659	. . . CONTROL ASSEMBLY, FIRE EXTINGUISHER, LH, comprises control cables, junction box and handles, 11ft 7in. lg	E0-661- 4706LH	1	
57		NP	. . . WASHER, PLAIN, 1/4in. dia x 17 SWG	7030204009 100	6	
58	A G1	5310-99-804-7941	. . . NUT, PLAIN, HEXAGON, UNF, 1/4in. dia -28 class 2B rh thd, steel, Zn plated, 7/16in. w A/F, 7/32in. h, finished chamfered		6	
59	A 9ACR	2510-99-867-4195	. . . BRACKET, ANGLE	FV559891	1	

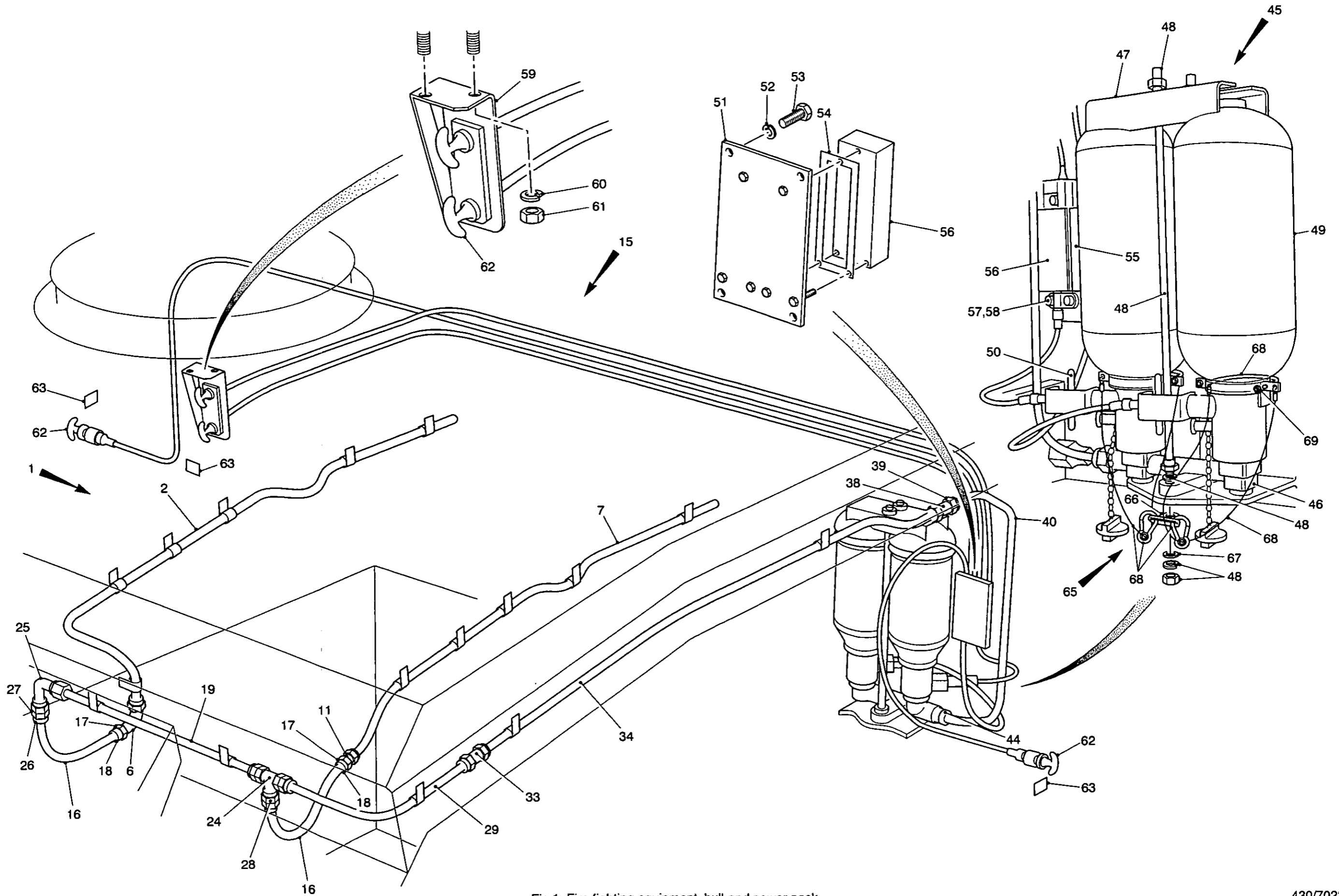


Fig 1 Fire fighting equipment, hull and power pack

430/70239

Fig Item	Man Code Navy - N Army - A RAF - R	NATO Stock No	Item Name and Description	Part No/ Drawing No.	No. Off	Annotations
1-			FIRE FIGHTING EQUIPMENT GA - contd . FIRE FIGHTING EQUIPMENT, HULL - contd			
60	A G1	5310-99-944-0549	. . WASHER, LOCK, steel, split helical ring, Cd plated, 5/16in. bolt size, 0.503in. od, 0.08in. thk, single coil, sq section		2	
61	A G1	5310-99-941-0925	. . NUT, PLAIN, HEXAGON, UNF, 5/16in. - 24 class 2B rh thd, steel, Zn plated, 1/2in. w A/F, 17/64in. h chamfered		2	
62	A 46MT1	4210-99-802-3438	. . PULL HANDLE ASSEMBLY, pull handle w/sleeve nut, washer, collar, Allen set screw, cork seal, spindle, lock plate and bush assy	E/0/653- 2942	4	
63	A 46MT1	9905-99-802-3440	. . PLATE, INSTRUCTION, plastic, legend, red, white, 1-1/4in. w, 15/16in. thk, 1-1/2in. lg, adhesive	41-50618	3	
NI 64	A 6MT1	5340-99-805-0925	. . CLAMP, LOOP, steel, Cd plated, 0.406in. loop w, 7/8in. loop lg, rd hole type, 0.196in. dia fixing hole	187064	4	
65	A 9ACR	1290-99-846-8196	. . MODIFICATION KIT, FIRE CONTROL EQUIPMENT, restraint, fire extinguisher	FV2249170	1	
66	A 9MCV	2540-99-705-6468	. . ANCHOR, 42mm w, angled shape, 32mm matl thk, w/machined slot and single mtg hole	FV2229805	1	
67	A G1	5310-99-122-8068	. . WASHER, FLAT, steel, Cd plated, rd hole, 12mm bolt size, 24mm od, 2.5mm thk		1	
68	A 9MCV	2540-99-147-5973	. . RETAINER ASSEMBLY, comprising U bolt and clamp connected by 430mm lg lanyard fitted w/snap hook	FV2229807	2	
69	A G1	5310-99-577-1740	. . NUT, SELF-LOCKING, HEXAGON, 6 x 1 ISO M, plastics, nylon insert, Zn plated nut, prevailing torque	7525060108 0159	2	

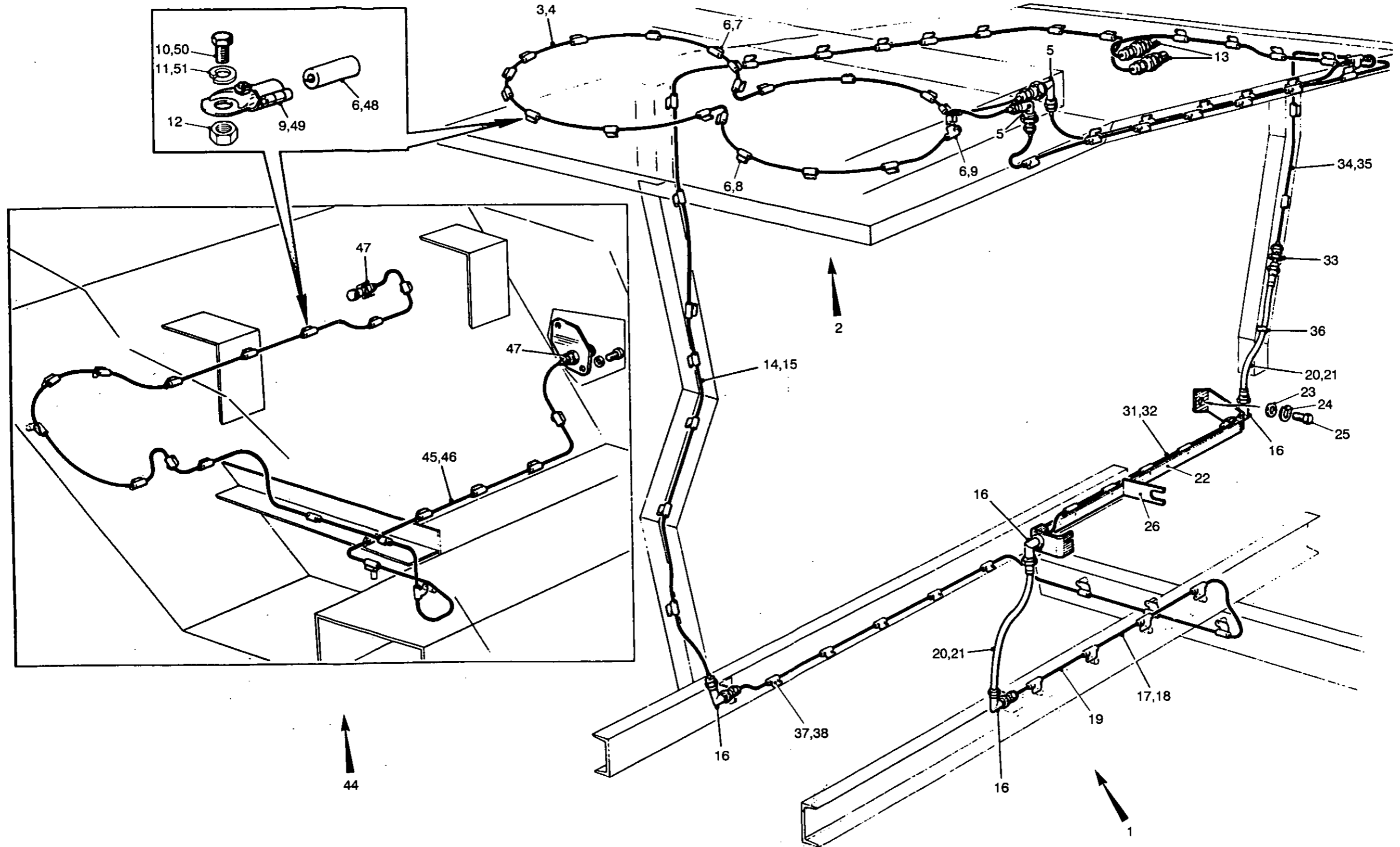


Fig 2 Power pack and steering unit fire wire assemblies

430/70112

Fig Item	Man Code Navy - N Army - A RAF - R	NATO Stock No	Item Name and Description	Part No/ Drawing No.	No. Off	Annotations
2-			FIRE FIGHTING EQUIPMENT GA - contd			
		NP	. POWER PACK AND STEERING UNIT FIRE WIRE ASSEMBLIES		REF	
1		NP	. POWER PACK FIRE WIRE ASSEMBLY	FV586079	REF	
2		NP	. FIRE WIRE COWL ASSEMBLY	FV586123	REF	
3	A 46MT4	6350-99-881-9499	. . . SENSING ELEMENT, FIRE DETECTOR SYSTEM, 8ft 6in. lg	FV562012- 102	1	
4	A 46MT4	5330-99-881-4025 RING, SEALING, TOROIDAL, rubber, 1/16in. cross-sect h, 3/8in. id	R16037	2	
5	A 46MT4	4210-99-881-4040 COUPLING, SENSING ELEMENT	FV562020	2	
6	A 46MT1	5365-99-881-6505 BUSHING, NON-METALLIC, syn rubber, split, 1in. lg, 0.285in. body dia, 0.063in. centre hole dia, 0.01in. w slit	51473-101	22	
7		NP DISC, CLIP, COMPLETE	FV538953	19	
8		NP DISC, CLIP, COMPLETE	FV538980	1	
9	A 46MT1	5340-99-104-2862 CLAMP, LOOP, sensing element	D3004	2	
10		NP SCREW, hex hd, No. 10 (2BA) UNF x 1/2in. lg	7011103081 4900	2	
11	A G1	5310-99-941-6653 WASHER, LOCK, steel, split helical ring, 0.198in. id, 0.064in. thk, 0.33in. od		2	
12	A G1	5310-99-941-7070 NUT, PLAIN, HEXAGON 2BA		2	
13	A 46MT4	4210-99-881-4038	. . . ADAPTOR, SENSING ELEMENT, plug to fire wire	D4414-3	2	
14	A 46MT4	4210-99-881-9495	. . . ELEMENT ASSEMBLY, FIRE WIRE 7ft 6in. lg	FV562012- 92	1	
15	A 46MT4	5330-99-881-4025 RING, SEALING, TOROIDAL, rubber, 1/16in. cross-sect h, 3/8in. id	R16037	2	
16	A 46MT4	4210-99-881-4040	. . . COUPLING, SENSING ELEMENT	FV562020	4	
17	A 46MT4	6350-99-802-5315	. . . SENSING ELEMENT, FIRE DETECTOR SYSTEM, 6ft 6in. lg	FV562012- 78	1	
18	A 46MT4	5330-99-881-4025 RING, SEALING, TOROIDAL, rubber, 1/16in. cross-sect h, 3/8in. id	R16037	2	
19		NP	. . . FIRE WIRE GUARD, 1/8in. od, 1/16in. id, 5in. lg	FV651031	1	
20	A 46MT4	4210-99-881-9498	. . . COUPLING, FLEXIBLE, 1ft lg	FV562013- 12	2	
21	A 46MT4	5330-99-881-4025 RING, SEALING, TOROIDAL, rubber, 1/16in. cross-sect h, 3/8in. id	R16037	2	
22		NP	. . . FIRE WIRE SUPPORT ASSEMBLY	FV586595	1	
23	A G1	5310-99-120-3891	. . . WASHER, FLAT, steel, Cd plated, 0.515in. id, 1in. od, 0.092in. thk		1	
24	A G1	5310-99-944-0552	. . . WASHER, LOCK, steel, Cd plated, single coil, sq sect, 1/2in.		1	
25	A G1	5305-99-941-0565	. . . SCREW, MACHINE, steel, Zn plated, hex hd, 1/2in. UNF x 3/4in. lg		1	
26		NP	. . . BRACKET	FV586599	1	
NI 27		NP	. . . SCREW, hex hd, No. 10 (2BA) UNF x 1/2in. lg	7011103081 4900	1	} Securing item 26
NI 28		NP	. . . WASHER, FLAT, 3/16in. dia x 18 SWG	7030103009 4900	1	
NI 29	A G1	5310-99-941-6653	. . . WASHER, LOCK, steel, split helical ring, 0.198in. id, 0.33in. od, 0.064in. thk		1	
NI 30	A G1	5310-99-941-7070	. . . NUT, PLAIN, HEXAGON 2BA		1	
31	A 46MT4	4210-99-801-3565	. . . SENSING ELEMENT, FIRE DETECTOR SYSTEM, 20in. lg	FV562012- 20	1	
32	A 46MT4	5330-99-881-4025 RING, SEALING, TOROIDAL, rubber, 1/16in. cross-sect h, 3/8in. id	R16037	2	

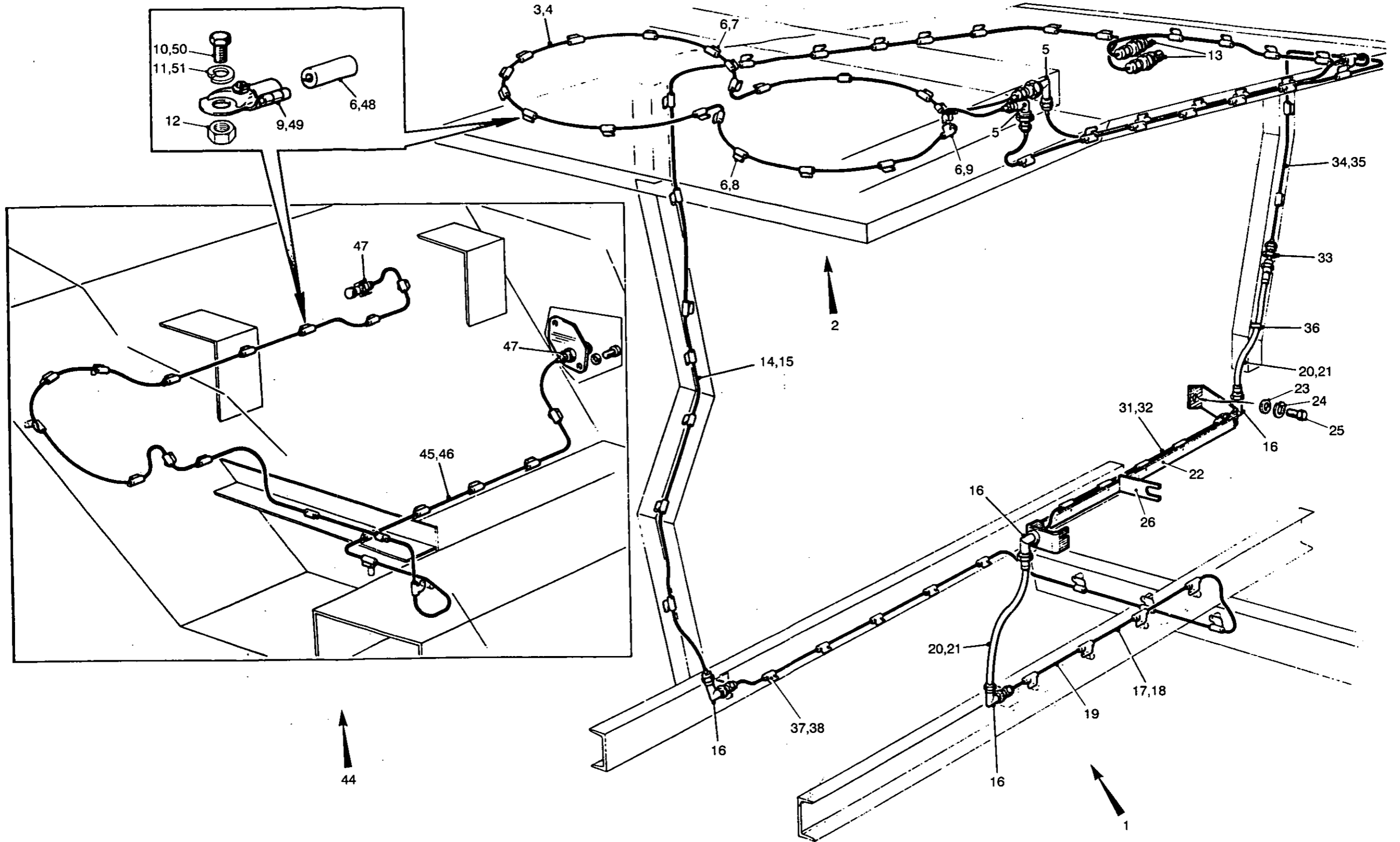


Fig 2 Power pack and steering unit fire wire assemblies

430/70112

Fig Item	Man Code Navy - N Army - A RAF - R	NATO Stock No	Item Name and Description	Part No/ Drawing No.	No. Off	Annotations
2-			FIRE FIGHTING EQUIPMENT GA - contd POWER PACK FIRE WIRE ASSEMBLY - contd			
33	A	46MT4	5935-99-942-4712 . . ADAPTOR, CONNECTOR, steel, cres, straight, thd to thd coupling, 38.1mm lg, non-removable single contact both mating ends	51413-101	1	
34	A	46MT4	4210-99-881-4045 . . SENSING ELEMENT, FIRE DETECTOR SYSTEM, 5ft lg	FV562012- 60	2	
35	A	46MT4	5330-99-881-4025 . . . RING, SEALING, TOROIDAL, rubber, 1/16in. cross-sect h, 3/8in. id	R16037	2	
36	A	6MT1	5340-99-805-0923 . . CLAMP, LOOP, steel, Cd plated, 5/8in. loop w, 3/8in. loop id, rd hole 0.218in. dia	FV587177	1	
37	A	46MT1	5365-99-881-6505 . . BUSHING, NON-METALLIC, syn rubber, split, 1in. lg, 0.285in. body dia, 0.063in. centre hole dia, 0.01in. w slit	51473-101	52	
38	A	46MT1	5340-99-104-2862 . . CLAMP, LOOP, sensing element	D3004	52	
NI 39		NP	. . SCREW, hex hd, No. 10 (2BA) UNF x 1/2in. lg	7011103081 4900	9	} Securing items 36 and 38
NI 40		NP	. . SCREW, hex hd, No. 10 (2BA) UNF x 3/8in. lg	7011103061 4900	13	
NI 41		NP	. . SCREW, SELF-TAPPING, rd hd, No. 10 x 3/8in. lg	Z/4121	32	
NI 42	A	G1	. . WASHER, LOCK, steel, split helical ring, 0.198in. od		22	
NI 43	A	G1	. . NUT, PLAIN, HEXAGON, 2BA		4	
44		NP	. STEERING UNIT FIRE WIRE ASSEMBLY	FV586078	REF	
45	A	46MT4	4210-99-802-5314 . . SENSING ELEMENT, FIRE DETECTOR SYSTEM, 10ft lg	FV562012- 120	1	
46	A	46MT4	5330-99-881-4025 . . . RING, SEALING, TOROIDAL, rubber, 1/16in. cross-sect h, 3/8in. id	R16037	2	
47	A	46MT4	4210-99-881-4038 . . ADAPTOR, SENSING ELEMENT, plug to fire wire	D4414-3	2	
48	A	46MT4	5365-99-881-6505 . . BUSHING, NON-METALLIC, syn rubber, split, 1in. lg, 0.285in. body dia, 0.063in. centre hole dia, 0.01in. w slit	51473-101	20	
49	A	46MT1	5340-99-104-2862 . . CLAMP, LOOP, sensing element	D3004	20	
50		NP	. . SCREW, hex hd, No.10 (2BA) UNF x 1/2in. lg	7011103081 4900	18	
51	A	G1	. . WASHER, LOCK, steel, split helical ring, 0.198in. id, 0.33in. od, 0.064in. thk		20	
NI 52	A	G1	. . NUT, PLAIN, HEXAGON, 2BA		2	

Chapter 2-13
PARTS LIST
HIAB CRANE GENERAL ARRANGEMENT

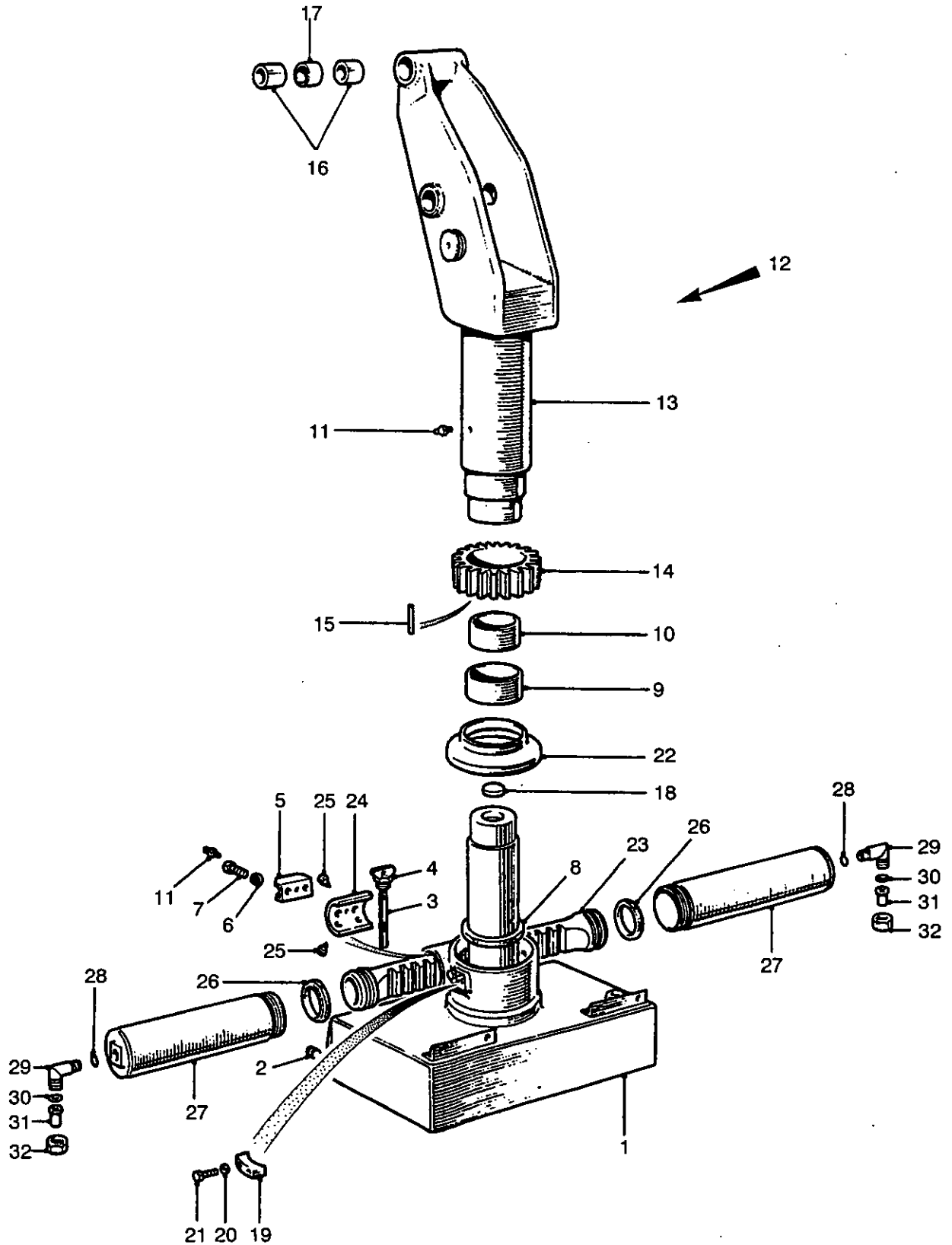


Fig 1 Crane and fittings

430/70229

Fig Item	Man Code Navy - N Army - A RAF - R	NATO Stock No	Item Name and Description	Part No/ Drawing No.	No. Off	Annotations
1-		NP NP	HIAB CRANE GENERAL ARRANGEMENT . CRANE AND FITTINGS	FV563256 FV510599	REF REF	
1		NP	. . . BASE ASSEMBLY, CRANE, c/w hydraulic reservoir	16720	1	
2	A	8REGC 4730-99-804-4805	. . . PLUG, MACHINE THREAD	9903623	1	
3		NP	. . . DIPSTICK, LIQUID QUANTITY	15998	1	
4		NP	. . . 'O' RING, 1-1/4in. id, 1/8in. h	200-218- 0105	1	
5	A	8REGC 2590-99-804-4807	. . . BRACKET, CRANE BASE, steel, 90mm lg, 44mm w, 30mm h	16576	1	
6	A	G1 5310-99-941-8637	. . . WASHER, FLAT, steel, Zn plated, 1in. od, 33/64in. id, 3/32in. thk		2	
7	A	G1 5306-99-941-1580	. . . BOLT, MACHINE, UNC, 1/2in. dia, class 2A thd, 1-1/2in. lg, steel, Zn plated, hex hd		2	
8	A	8REGC 2590-99-804-4808	. . . PACKING, PREFORMED	FV649290	1	
9	A	8REGC 3120-99-804-4809	. . . BEARING, SLEEVE, Cu alloy, plain, no outside flanges, solid, 50mm lg, 155mm od, 145mm id, porosity o/a	FV649289	1	
10	A	8REGC 3830-99-866-8717	. . . BUSH, SLEW PIVOT, UPPER	21-145	1	
11	A	6MT1 4730-99-801-1275	. . . FITTING, LUBRICATION	NA6613	2	
12		NP	. . . BODY SLEWING, CRANE	16875	1	
13		NP BODY	16874	1	
14		NP PINION		1	
15		NP PIN		6	
16	A	46MT1 3120-99-804-5000	. . . BEARING, SLEEVE, steel, Cu alloy, PTFE and lead, plain, no outside flanges, split, 2-23/64in. lg, 1-31/32in. od, 1-49/64in. id	12690	2	
17	A	8REGC 5365-99-804-4811 SPACER, SLEEVE, steel, tube, BS1770, 69mm lg, 50mm od, 46mm id	FV649284	1	
18		NP	. . . DISC, SOLID, PLAIN, 50mm od, 8mm thk	9915097	1	
19	A	8REGC 2590-99-804-4813	. . . STOP BLOCK, CRANE BASE	14227	2	
20	A	G1 5310-99-941-8637	. . . WASHER, FLAT, steel, Zn plated, 1in. od, 33/64in. id, 3/32in. thk		4	
21	A	G1 5305-99-941-0739	. . . SCREW, CAP, HEXAGON HEAD, steel, Zn plated w/chromate, hex hd, 0.5in. -13 UNC class 2A thd, 1.25in. thd and fastener lg		4	
22	A	8REGC 2590-99-804-4814	. . . SEAL, RUBBER, SPECIAL SHAPED SECTION	FV649287	1	
23	A	8REGC 2590-99-804-4815	. . . RACK, SLEWING	16719	1	
24	A	8REGC 2590-99-804-4817	. . . GUIDE, SLEWING RACK, 37.5mm inner rad, 53mm outer rad, 120mm lg	16579	1	
25	A	8REGC 5315-99-804-4818	. . . PIN, STRAIGHT HEADED, steel, 12mm dia, 23mm lg, rd hd	FV649242	4	
26	A	8REGC 2590-99-804-4816	. . . PACKING ASSEMBLY, SLEWING RACK	91741	2	
27	A	8REGC 3830-99-821-7324	. . . CYLINDER, SLEWING	27-054	2	
28	A	8REGC 3830-99-821-7304	. . . RING, SEALING, SLEW CYLINDER ELBOW	25-725	2	
29	A	8REGC 3830-99-821-7281	. . . ELBOW, SLEWING CYLINDER	21-157	2	
30	A	M3 5310-99-962-2300	. . . WASHER, FLAT, Cu, 18mm od, 10mm id, 1.5mm thk	MC9506	2	
31	A	8REGC 4730-99-866-8772	. . . NIPPLE	20-019	2	
32		NP	. . . NUT	20-013	2	

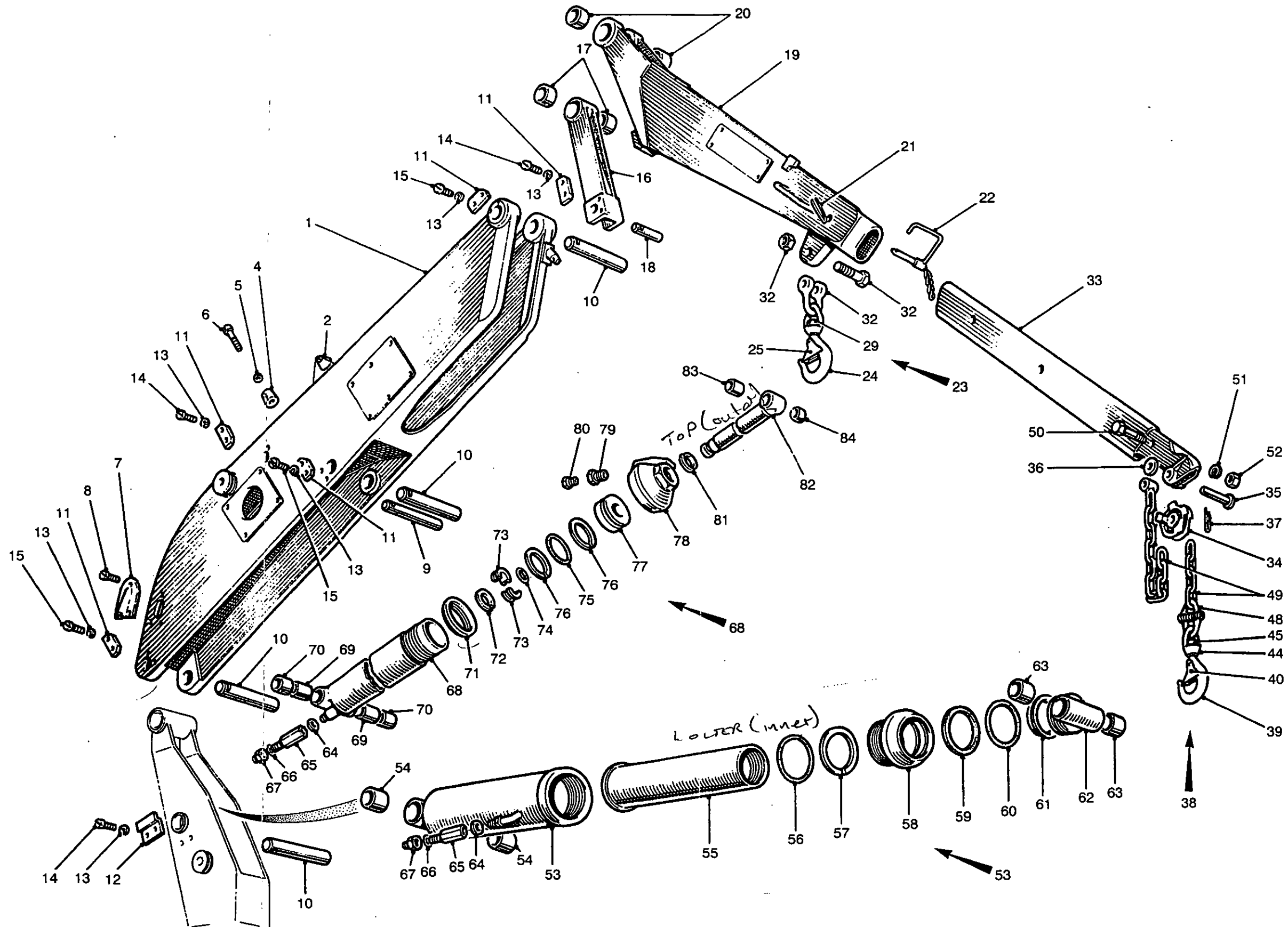


Fig 2 Crane and fittings

Fig Item	Man Code Navy - N Army - A RAF - R	NATO Stock No	Item Name and Description	Part No/ Drawing No.	No. Off	Annotations
2-			HIAB CRANE GA - contd CRANE AND FITTINGS - contd			
1		NP	BOOM SECTION, INNER, CRANE, 2067mm lg, 290mm w, 352mm h	16542	1	
2	A	8REGC 5315-99-866-8748	PIN, LOCKING, INNER TO OUTER BOOM	10-456	1	
NI 3	A	8REGC 5340-99-866-8784	RING, RETAINING, LOCKING PIN	90-589	1	u/w item 2
4	A	8REGC 3815-99-821-7216	BUFFER, RUBBER, INNER BOOM	21-160	1	
5		NP	WASHER, FLAT, steel, Zn plated w/chromate, 0.265in. id, 0.56in. od, 0.056in. thk	H68040-8	1	
6	A	G1 5305-99-941-1521	SCREW, CAP, HEXAGON HEAD, UNC, steel, Zn plated, hex hd, 1/4in. x 1-1/4in. lg, class 2A		1	
7	A	8REGC 3815-99-821-7236	SHIELD, INNER BOOM HOSE, 123.5mm lg, 60mm w, 27.5mm h, w/tapered recess	3259293	1	
8		NP	SCREW, MACHINE		3	
9		NP	PIN, STRAIGHT, HEADLESS	15-239	1	
10		NP	PIN, STRAIGHT, HEADLESS	15-240	4	
11	A	2590 79 809 NP 0330 8REGC 2590-99-825-3341	LOCKING PLATE	3104494	5	
12		NP	LOCKING PLATE	10-450	1	
13	A	G1 5310-99-941-6656	WASHER, LOCK, steel, split helical ring, 3/8in. bolt size, 0.092in. thk, 0.59in. od, single coil, sq section		12	
14	A	G1 5305-99-941-0712	SCREW, CAP, HEXAGON HEAD, steel, Zn plated, hex hd, 0.375in. -16 UNC class 2A thd, 0.75in. thd and fastener lg		6	
15	A	G1 5305-99-941-0713	SCREW, CAP, HEXAGON HEAD, steel, Zn plated, hex hd, 0.375in. -16 UNC, class 2A thd, 0.875in. thd and fastener lg		6	
16	A	8REGC 2590-99-804-4964	BOOM LINK, c/w bushes, 470mm lg, 102mm w, 60mm h	3152359	1	
17	A	8REGC 2590-99-804-4956	BUSHING, SLEEVE	FV649369	2	
18	A	8REGC 5315-99-804-4999	PIN, STRAIGHT, HEADLESS	15238	1	
19		NP	BOOM JIB, CRANE	16-717	1	
20	A	8REGC 2590-99-804-4956	BUSHING, SLEEVE	FV649369	2	
21		NP	LOCK, extension boom locking pin	21-249	1	
22	A	9ACR 2590-99-804-4957	LOCK PIN ASSEMBLY	3165566	1	
23	A	8REGC 4030-99-834-7839	HOOK, HOIST, c/w shackle	9842870	1	
24		NP	HOOK	15059	1	
25		NP	LATCH, SAFETY, THROAT CLOSURE	91486	1	
NI 26		NP	PIN, GROOVED, HEADLESS	91487	1	
NI 27	A	8REGC 5340-99-804-4963	SPRING, HELICAL, TORSION	FV649395	1	} Securing Item 25
NI 28	A	6MT1 5365-99-910-8237	RING, RETAINING, steel, phosphate coated, 1mm thk, 12mm shaft dia		2	
29		NP	NUT, PLAIN, ROUND	15058	1	} u/w item 29
NI 30		NP	WASHER, FLAT	15768	1	
NI 31		NP	PIN, COTTER, SPLIT		1	
32		NP	SHACKLE, c/w nut and bolt	91-485	1	
33	A	8REGC 2590-99-804-4965	BOOM JIB, CRANE EXTENSION, 1220mm lg, 90mm w, 115mm h	15289	1	
* 34	A	8REGC 3040-99-802-3363	PAWL	15-019	1	
35	A	8REGC 5315-99-867-5667	PIN, STRAIGHT, HEADED, steel, chrome plated, 20mm dia, 105mm under hd lg, flat chamfered hd	S4-51-11	1	
*	9ACR	2590 99 795 322	Hook + chain Assy incl Pawl			

*

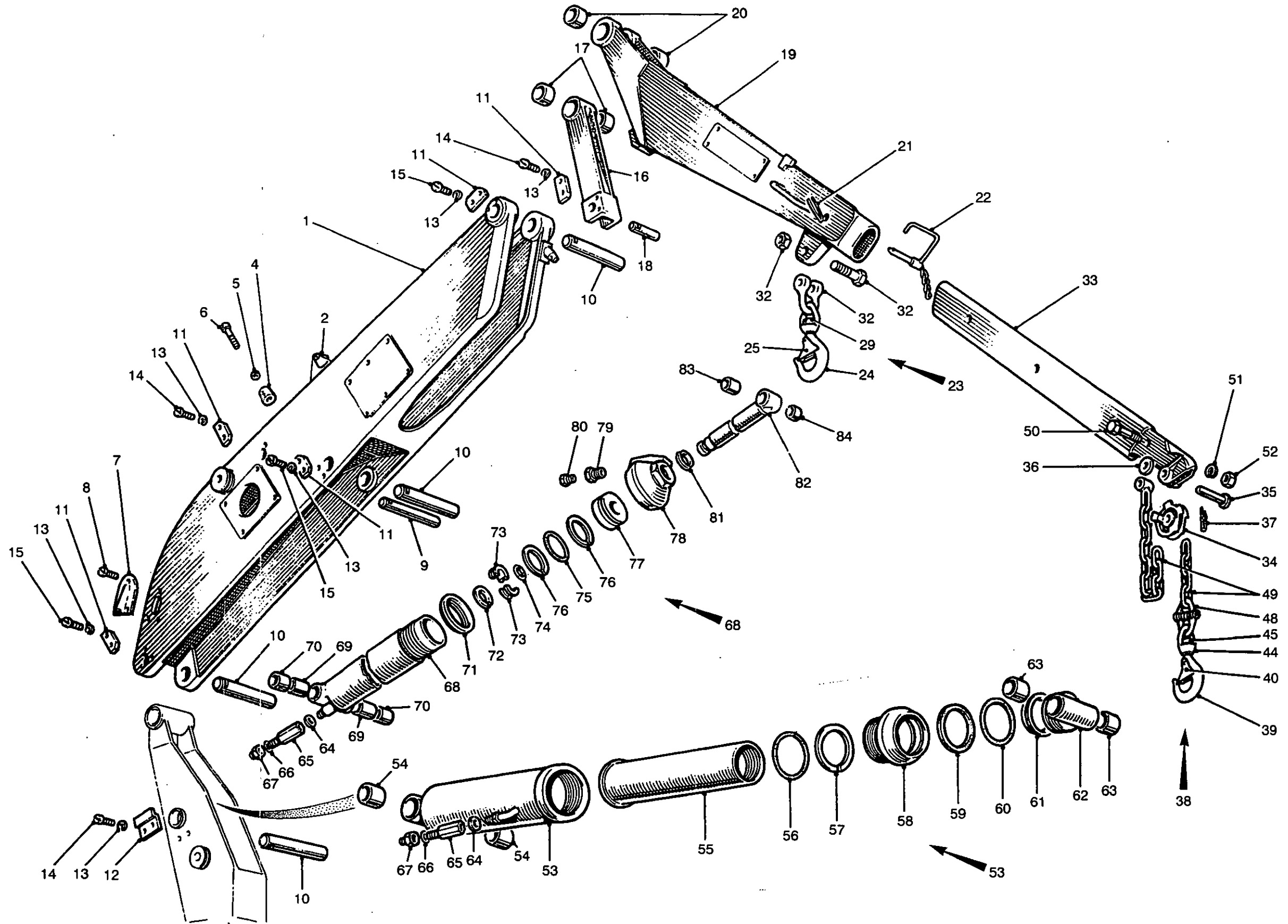


Fig 2 Crane and fittings

430/70230

Fig Item	Man Code Navy - N Army - A RAF - R	NATO Stock No	Item Name and Description	Part No/ Drawing No.	No. Off	Annotations
2-			HIAB CRANE GA - contd . CRANE AND FITTINGS - contd			
36	A G1	5310-99-941-8583	WASHER, FLAT, steel, Zn plated w/chromate, 1-5/8in. od, 13/16in. bolt size, 5/32in. thk		1	
37	A 8REGC	3815-99-821-7210	SPRING, LOCK, AXIS PIN	20-458	1	
38	A 8REGC	4030-99-804-4966	HOOK, HOIST	14946	1	
39		NP	HOOK	14947	1	
40		NP	LATCH, SAFETY, THROAT CLOSURE	91472	1	
NI 41		NP	PIN, GROOVED, HEADLESS	91473	1	} Securing item 40
NI 42	A 8REGC	5340-99-804-4968	SPRING, HELICAL, TORSION	FV649418	1	
NI 43	A 6MT1	5365-99-942-5710	RING, RETAINING, steel, phosphate coated, 1mm thk, ext, 11mm shaft dia		2	
44	A 8REGC	4030-99-804-4997	SWIVEL EYE, 87mm lg, 69mm dia	14948	1	
45	A 8REGC	4030-99-804-4996	NUT, PLAIN, ROUND, steel, 38mm od, 27mm thk, 24mm pitch dia	FV649423	1	
NI 46		NP	WASHER, FLAT	15769	1	} u/w item 45
NI 47	A G1	5315-99-120-2114	PIN, COTTER, SPLIT, steel, phosphate coated, extended prong bevel point, 9/64in. dia, 2-1/4in. lg		1	
48		NP	SHACKLE	19459	1	
49	A 8REGC	4010-99-804-5071	CHAIN, WELDED, link 37mm inside lg, 16mm outside w, 13mm dia	FV649426	1	
50	A G1	5306-99-941-1587	BOLT, MACHINE, UNC, 1/2in. dia class 2A thd, 3-1/4in. lg, steel, Zn plated w/chromate, hex hd		1	
51	A G1	5310-99-944-0552	WASHER, LOCK, steel, split helical ring, Cd plated, 1/2in. bolt size, 0.763in. od, 0.116in. thk		1	
52	A G1	5310-99-941-0928	NUT, PLAIN, HEXAGON, UNF, steel, Zn plated, chamfered, 1/2in. thd, 3/4in. w A/F, 7/16in. h, grade 3		1	
53		2550-99-8194472 2540-1-89-4672	CYLINDER ASSEMBLY, ACTUATING, LINEAR	15-172	1	
54	A 46MT1	3120-99-804-5000	BEARING, SLEEVE, steel, Cu alloy, PTFE and lead, plain, no outside flanges, split, 2-23/64in. lg, 1-31/32in. od, 1-49/64in. id	93749	2	
55	A 8REGC	3815-99-821-7201	RAM, HYDRAULIC, INNER BOOM	10-156	1	
56	A 8REGC	3830-99-821-7312	RING, SEALING NUT TO HYDRAULIC CYLINDER	25-784	1	
57	A 8REGC	2590-99-804-5001	RING, SEALING, HYDRAULIC CYLINDER	91572	1	
58		NP	BUSHING, MACHINE THREAD	15-287	1	
59	A 8REGC	3815-99-866-8763	RING, SUPPORTING, SEALING RING GLAND NUT	11-291	1	
60	A 8REGC	3815-99-866-8764	RING, SEALING, HYDRAULIC CYLINDER GLAND NUT	9933662	1	
61	A 8REGC	3815-99-866-8767	RING, WIPER, HYDRAULIC CYLINDER	14-424	1	
62		NP	ADAPTOR, RAM	15-130	1	
63	A 46MT1	3120-99-804-5000	BEARING, SLEEVE, steel, Cu alloy, PTFE and lead, plain, no outside flanges, split, 2-23/64in. lg, 1-31/32in. od, 1-49/64in. id	93749	2	
64		NP	WASHER, Cu, 22mm id x 28mm od x 1mm thk	MC9497	2	

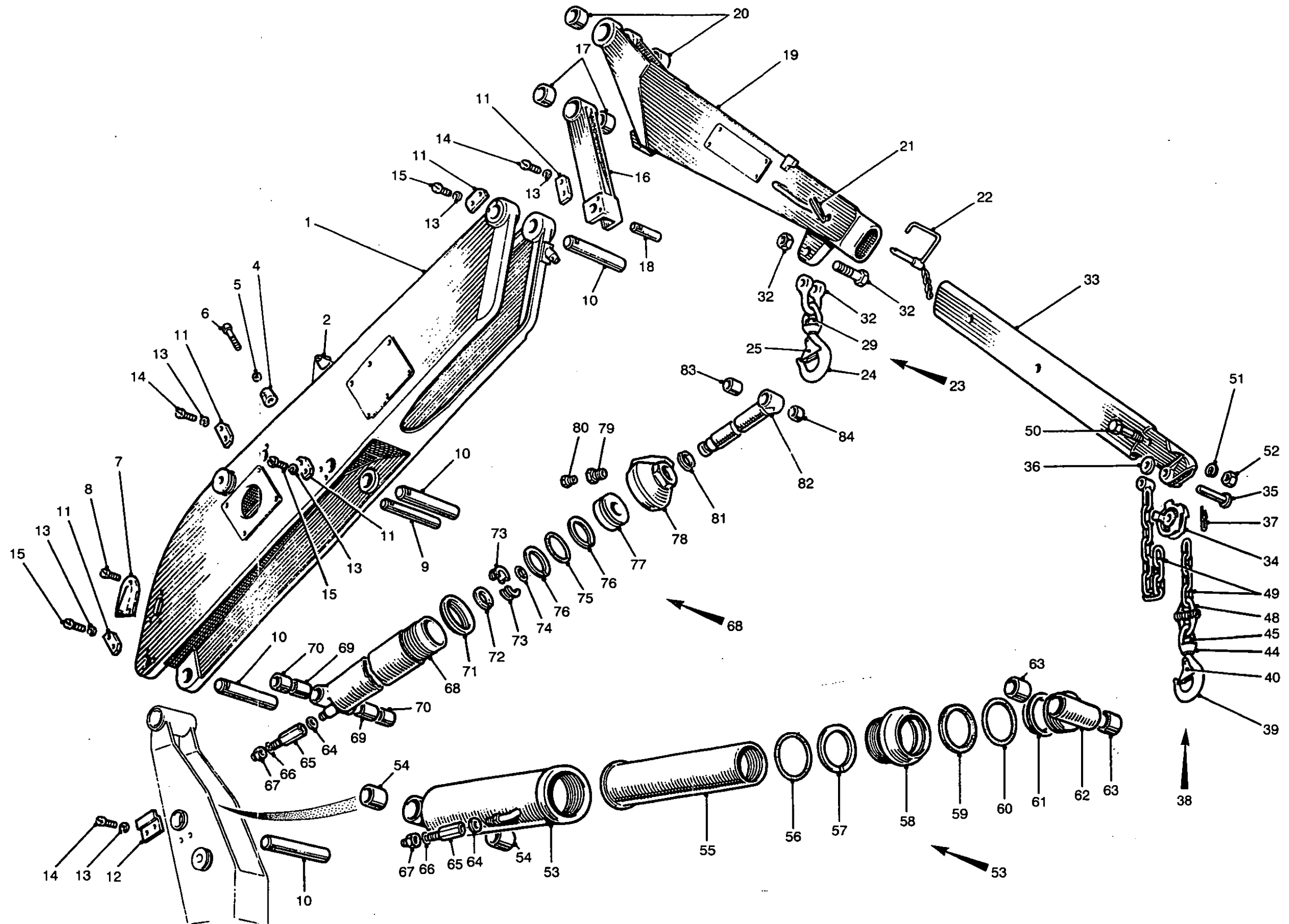


Fig 2 Crane and fittings

Fig Item	Man Code Navy - N Army - A RAF - R	NATO Stock No	Item Name and Description	Part No/ Drawing No.	No. Off	Annotations
2-			HIAB CRANE GA - contd . CRANE AND FITTINGS - contd			
65	A	8REGC	4820-99-588-0037 . . . VALVE, CHECK	3012115	2	
66	A	M3	5310-99-962-2300 . . . WASHER, FLAT, Cu, 10mm id x 18mm od x 1.5mm thk	MC9506	2	
67	A	6MT1	4730-99-930-6825 . . . COUPLING, PIPE, 1/2in. BSP male 1st end, 1/2in. BSP female 2nd end, 1.475in. lg	13302	2	
68			3815 99 781 373 NP . . . CYLINDER ASSEMBLY, ACTUATING, LINEAR	15-220	1	
69	A	46MT1	3120-99-804-5006 . . . BEARING, SLEEVE, steel, Cu alloy, lead alloy, PTFE, plain, no flange, split, 1.1854in. id, 1.342in. od, 1.5847in. lg	MB3040DU	2	
70	A	6MT1	3120-99-804-5007 . . . BEARING, SLEEVE, steel, Cu alloy, lead alloy, PTFE, plain, no outside flanges, split, 1.1854in. id, 1.342in. od, 1.1902in. lg	MB3030DU	2	
71		NP	. . . NUT, PLAIN, ROUND, steel, 113.5mm id, 127mm od, 10mm thk	11-306	1	
72		NP	. . . RING, RETAINING	91-084	1	
73		NP	. . . WASHER, HALF, THRUST, steel, 35mm id, 56mm od, 10mm thk	14-886	2	
74		NP	. . . RING, SEALING, TOROIDAL, piston to piston rod	25-720	1	
75		NP	. . . RING, SEALING, TOROIDAL, piston outer boom	91-071	1	
76	A	8REGC	5330-99-803-5122 . . . WASHER, NON-METALLIC	11-826	2	
77	A	8REGC	3040-99-819-4481 . . . PISTON, LINEAR ACTUATING CYLINDER	3019926	1	
78	A	8REGC	2590-99-804-5009 . . . CAP, ACTUATING CYLINDER	12444	1	
79	A	8REGC	4730-99-804-5072 . . . ADAPTOR, STRAIGHT, PIPE TO TUBE	91508	1	
80	A	8REGC	2590-99-804-5010 . . . BLEEDER VALVE, HYDRAULIC SYSTEM	12952	1	
81	A	8REGC	2590-99-804-5011 . . . SEAL, PLAIN	12513	1	
82	A	8REGC	4320-99-804-5012 . . . RAM, HYDRAULIC	15217	1	
83	A	46MT1	3120-99-804-5006 . . . BEARING, SLEEVE, steel, Cu alloy, lead alloy, PTFE, plain, no flange, split, 1.1854in. id, 1.342in. od, 1.5847in. lg	MB3040DU	1	
84	A	6MT1	3120-99-804-5007 . . . BEARING, SLEEVE, steel, Cu alloy, lead alloy, PTFE, plain, no outside flanges, split, 1.1854in. id, 1.342in. od, 1.1902in. lg	MB3030DU	1	

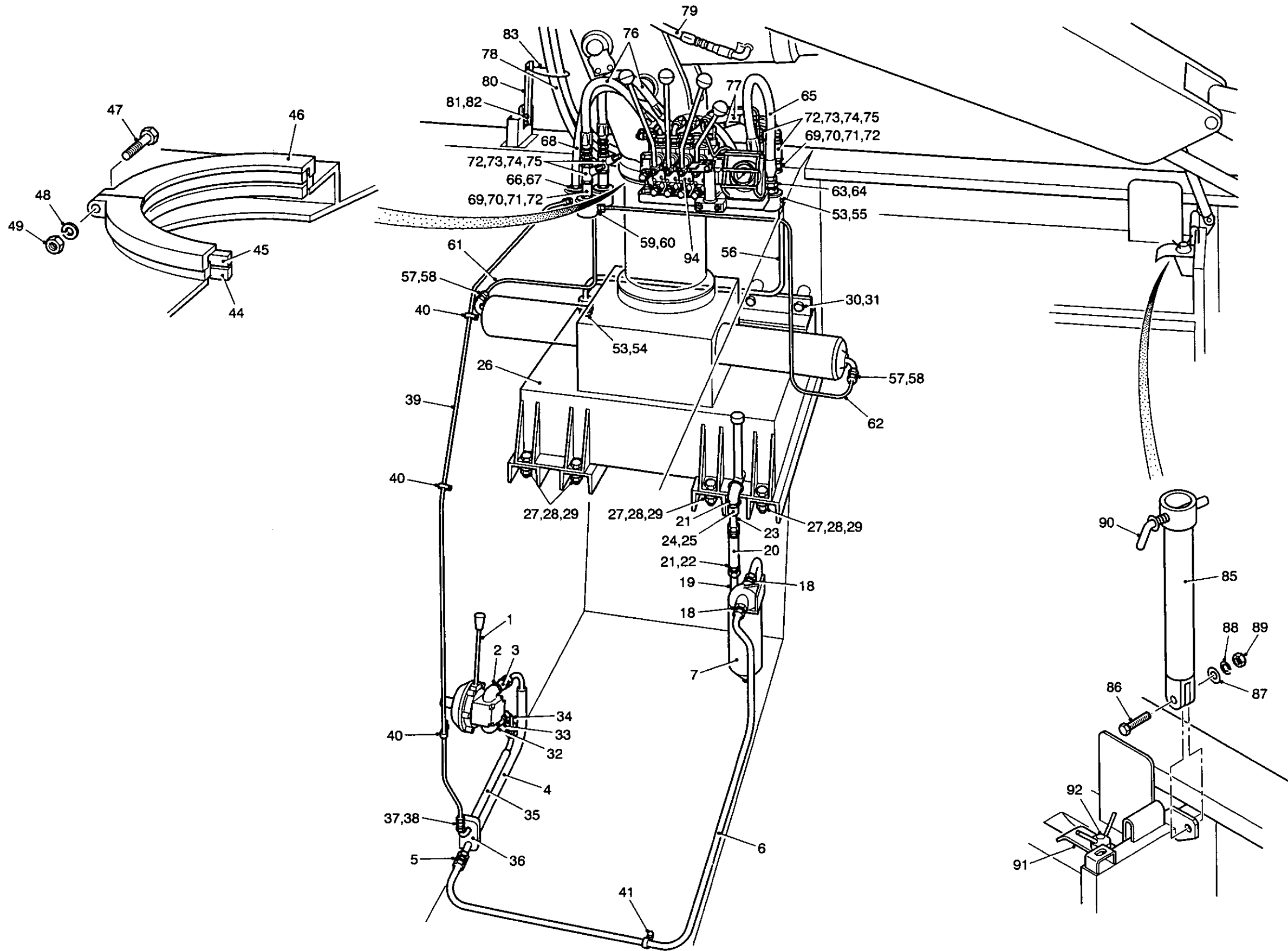


Fig 3 Crane pipes and fittings

Fig Item	Man Code Navy - N Army - A RAF - R	NATO Stock No	Item Name and Description	Part No/ Drawing No.	No. Off	Annotations
3-		NP	HIAB CRANE GA - contd CRANE PIPES AND FITTINGS		REF	
1		NP	CLUTCH DRIVE ASSEMBLY	FV611439	1	See Fig 4
2	A 6MT1	5330-99-881-4516	GASKET, rubber/steel, 1-1/16in. id, 7/64in. cross section thk	FVS108-21	1	
3	A 9ACR	4730-99-805-0571	ADAPTOR, STRAIGHT, PIPE TO TUBE, steel, Cd plated	FV611526	1	
4	A 9ACR	4720-99-805-0573	HOSE ASSEMBLY, METAL, flexible, nut both ends, 3/4in. id, 27-1/2in. lg	FV611616	1	
5	A 9ACR	4730-99-865-6375	REDUCER, TUBE, steel, phosphate, 1.5in. UNF ext thd 1st end, 1.125in. UNF ext thd 2nd end, 2in. lg, concentric	FV510284	1	
6	A 9ACR	4710-99-805-0574	TUBE ASSEMBLY, METAL	FV510788	1	
7	A 46MT1	4330-99-524-2681	FILTER, FLUID, PRESSURE, 1in. female thd connections, 100psi max working pressure, 14-7/16in. lg, 4-9/32in. body od	DX62979/3	1	
NI 8		NP	SPRING, HELICAL, COMPRESSION, steel, phosphated, 2-3/4in. free lg, 13/16in. free od	C24838/HX	1	
NI 9	A 9ACR	5310-99-802-5766	WASHER, FLAT, syn rubber, 1in. od, 0.497in. id, 0.125in. thk	B63451	1	
NI 10	A 6MT1	4330-99-524-2682	FILTER ELEMENT, FLUID PRESSURE, oil system duplex filter	B62982	1	
NI 11	A 6MT1	5365-99-200-3943	RING, RETAINING, steel, Zn plated, ext, 1/2in. shaft dia	A10000050 AZC	1	
NI 12	A 6MT1	5310-99-801-7236	WASHER, FLAT, syn rubber, 0.906in. od, 0.485in. id, 0.195in. thk	A6365032/3 9	1	
NI 13	A 6MT1	5330-99-802-5764	GASKET, syn rubber, 4.31in. od, 4.04in. id, 0.133in. thk	A6365032/3 0	1	
NI 14	A 6MT1	5310-99-801-5591	WASHER, FLAT, fibre, 22mm od, 13mm id, 3/32in. thk	40281	1	} Sump drain
NI 15		NP	PLUG, hex hd	A9416	1	
NI 16	A G1	5310-99-941-6656	WASHER, LOCK, steel, split helical ring, 3/8in. bolt size, 0.092in. thk, 0.59in. od, single coil, square section		2	} Securing item 7
NI 17	A G1	5310-99-941-0926	NUT, PLAIN, HEXAGON, UNF, steel, Zn plated, 3/8in. -24 thd, 0.563in. w A/F, 0.333in. h, chamfered, grade 3		2	
18	A 9ACR	4730-99-805-0575	ADAPTOR, STRAIGHT, PIPE TO TUBE, steel, Cd plated, 1-1/12in. UNF male 1st end, 1in. BSP male 2nd end, 2in. lg	FV510285	2	
19	A 9ACR	4710-99-805-0576	TUBE ASSEMBLY, METAL	FV510790	1	
20	A 8REGC	4820-99-804-5062	COCK, PLUG, 2 way, 2 port, 90 deg plug turn, thd female ends	FV649457	1	
21	A 6MT1	5330-99-805-0580	GASKET, rubber/steel, 1-11/16in. od, 1-21/64in. id, 1/8in. cross-section thk	FVS108-25	3	
22	A 9ACR	4730-99-805-0577	ADAPTOR, STRAIGHT, PIPE TO TUBE, steel, Cd plated	FV510273	2	
23	A 9ACR	4710-99-805-0578	TUBE ASSEMBLY, METAL	FV510792	1	
24	A 6MT1	5331-99-943-0070	O-RING, 63/64in. id, 9/64in. h		1	
25	A 9ACR	4730-99-805-0579	ADAPTOR, STRAIGHT, PIPE TO TUBE, steel, Cd plated	FV510274	1	
26		NP	BASE ASSEMBLY, CRANE, c/w hydraulic reservoir	16720	1	
27	A G1	5306-99-941-1628	BOLT, MACHINE, UNC, 7/8in. dia class 2A thd, 3-1/4in. lg, steel, Zn plated, hex hd		4	

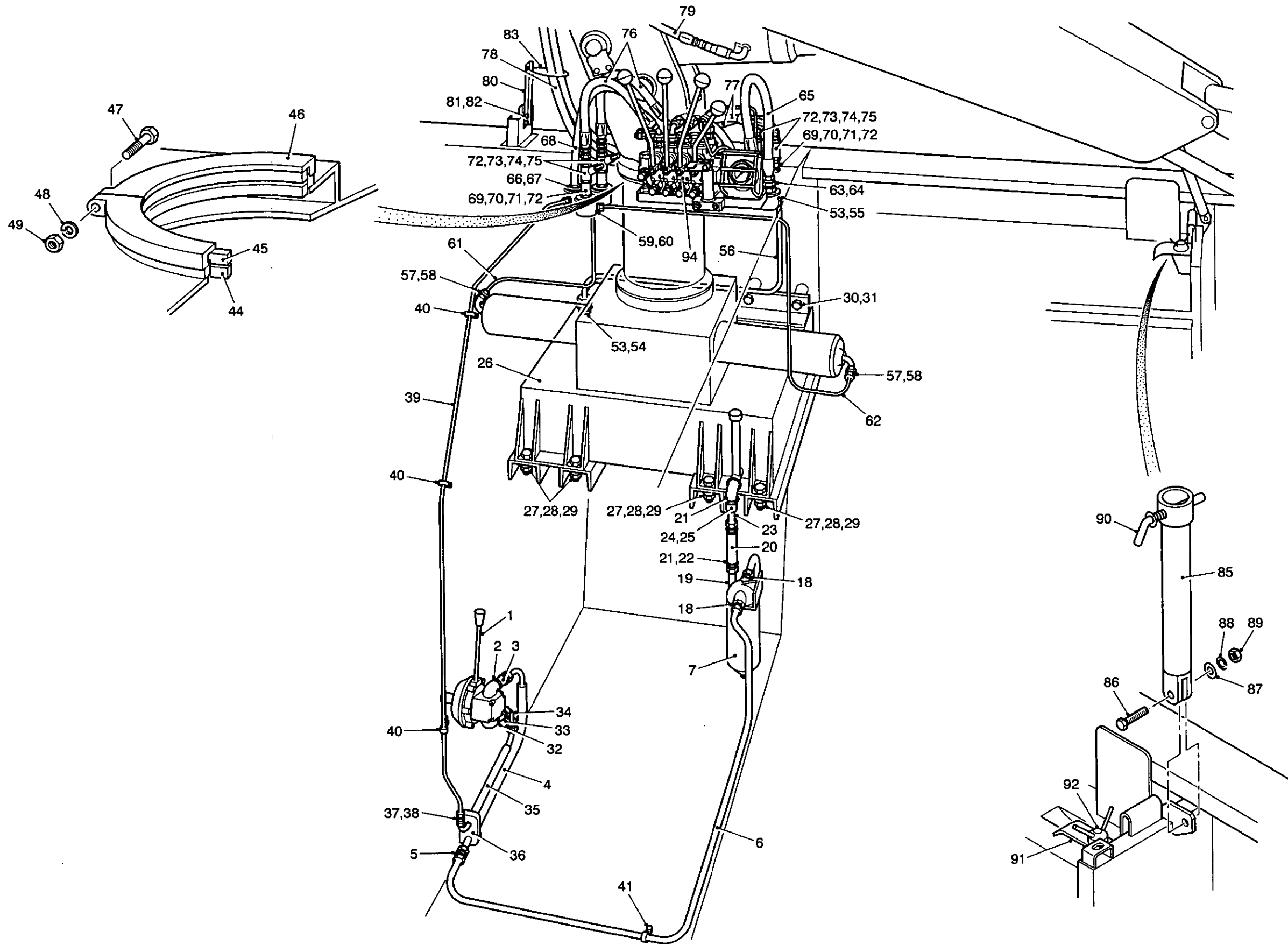


Fig 3 Crane pipes and fittings

Fig Item	Man Code Navy - N Army - A RAF - R	NATO Stock No	Item Name and Description	Part No/ Drawing No.	No. Off	Annotations
3-			HIAB CRANE GA - contd CRANE PIPES AND FITTINGS - contd			
28		NP	WASHER, FLAT, 7/8in. dia x 9 SWG		4	
29	A G1	5310-99-943-4303	NUT, SELF-LOCKING, HEXAGON, UNF, steel, Zn plated, w/nylon insert, 7/8in. thd, 1-5/16in. w A/F, 1in. h	PPD286-11-6	4	
30		NP	WASHER, LOCK, 3/4in. steel, Cd plated, single coil, sq section		4	
31	A G1	5305-99-941-1611	SCREW, CAP, HEXAGON HEAD, UNC, 3/4in. dia class 2A thd, 2in. lg, steel, hex hd		4	
32	A 6MT1	5330-99-801-6983	GASKET, steel/rubber, 23.01mm od, 21.54mm id, 0.73mm bearing surface w, 3.1mm cross-section thk	300-025-0008-02	1	
33	A 9ACR	4730-99-805-0585	ADAPTOR, STRAIGHT, PIPE TO TUBE, steel, Cd plated	FV611545	1	
34	A 9ACR	4710-99-805-0572	PIPE ASSEMBLY METAL, br, 3-1/2in. lg, female union nut 1st end, male union nut 2nd end	FV611529	1	
35	A 9ACR	4720-99-805-0587	HOSE ASSEMBLY, METAL, flexible, nut both ends, 1/2in. id, 16-3/4in. lg	FV611615	1	
36		NP	PAD, SEALING, 2-1/4in. w x 3.8in. lg x 1-1/2in. h	FV510088	1	
37	A 6MT1	5330-99-881-4515	GASKET, rubber/steel, Cd plated, 0.925in. id, 1.25in. od, 0.1in. cross-section thk	FVS108-19	2	
38	A 46MT1	4730-99-881-7076	NIPPLE, TUBE, steel, Cd plated, 7/8in. UNF male thd both ends	FVS96-3	2	
39	A 9ACR	4710-99-805-0588	TUBE ASSEMBLY, METAL	FV611626	1	
40	A G1	5340-99-910-9096	STRAP, RETAINING, 1-1/4in. lg, 1/2in. w	SSML7-4	3	
41		NP	CLIP, vent pipe	FV510586	1	
NI 42	A G1	5310-99-941-6654	WASHER, LOCK, steel, split helical ring, 1/4in. bolt size, 27/64in. od, 5/64in. thk		4	} Securing items 40 & 41
NI 43	A G1	5310-99-804-7941	NUT, PLAIN, HEXAGON, UNF, 1/4in. -28 class 2B rh thd, steel, Zn plated, 7/16in. w A/F, 7/32in. h, chamfered		4	
44	A 9ACR	2590-99-805-1377	RETAINER, PACKING, steel, 9-3/32in. lg, 2 mtg holes	FV509888	2	
45		NP	SEAL, neoprene	FV644145/1	1	
46	A 9ACR	2590-99-805-1378	RING HALF, CRANE MOUNTING, steel, 14-3/4in. lg, 1-1/4in. w, 2 mtg holes	FV509887	2	
47	A G1	5306-99-941-0342	BOLT, MACHINE, UNF, 1/2in. -20 class 2A thd, 1-3/4in. lg, stainless steel, Zn plated, hex hd		2	
48	A G1	5310-99-944-0552	WASHER, LOCK, steel, Cd plated, split helical ring, 1/2in. bolt size, 0.763in. od, 0.116in. thk		2	
49	A G1	5310-99-941-0928	NUT, PLAIN, HEXAGON, UNF, steel, Zn plated, chamfered, 1/2in. thd, 3/4in. w A/F, 7/16in. h, grade 3		2	
NI 50	A G1	5305-99-941-0512	SCREW, MACHINE, UNF, 1/4in. class 2A thd, 5/8in. lg, steel, Zn plated, hex hd		4	} Securing item 44
NI 51	A G1	5310-99-941-6654	WASHER, LOCK, steel, split helical ring, 1/4in. bolt size, 27/64in. od, 5/64in. thk		4	
NI 52	A G1	5310-99-804-7941	NUT, PLAIN, HEXAGON, UNF, 1/4in. -28 class 2B rh thd, steel, Zn plated, 7/16in. w A/F, 7/32in. h, chamfered		4	

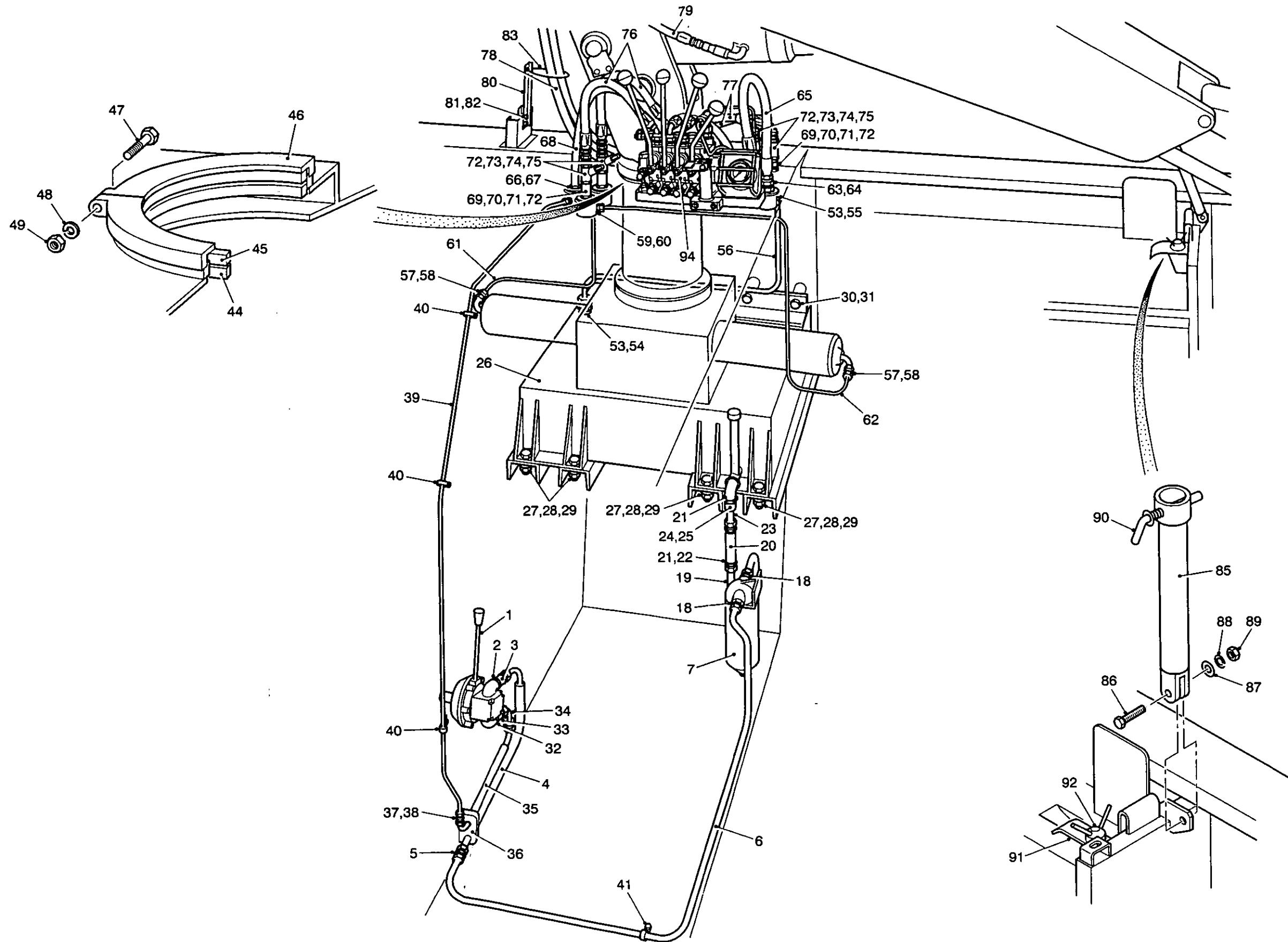


Fig 3 Crane pipes and fittings

Fig Item	Man Code Navy - N Army - A RAF - R	NATO Stock No	Item Name and Description	Part No/ Drawing No.	No. Off	Annotations
3-			HIAB CRANE GA - contd . CRANE PIPES AND FITTINGS - contd			
53	A	6MT1	5330-99-881-4516 . . . GASKET, rubber/steel, 1-1/16in. id, 7/64in. cross-section thk	FVS108-21	2	
54	A	9ACR	4730-99-805-0581 . . . ADAPTOR, STRAIGHT, PIPE TO TUBE, steel, Cd plated	FV611621	1	
55	A	6MT1	4730-99-801-1938 . . . NIPPLE, TUBE, steel, 1in. ext thd both ends, 1.7in. lg	FVS96/4	1	
56	A	9ACR	4710-99-805-0582 . . . TUBE ASSEMBLY, METAL	FV611628	1	
57	A	G1	5310-99-432-7106 . . . WASHER, FLAT, Cu, 7/16in. id, 11/16in. od, 1/16in. thk	22A136	2	
58	A	9ACR	4730-99-805-1372 . . . ADAPTOR, STRAIGHT, PIPE, steel, Cd plated, 7/8in. UNF male 1st end, 1/2in. BSP female 2nd end, 1-11/32in. lg	FV643958	2	
59	A	6MT1	5330-99-881-4515 . . . GASKET, rubber/steel, Cd plated, 0.925in. id, 1.25in. od, 0.1in. cross-section thk	FVS108-9	2	
60	A	46MT1	4730-99-881-7076 . . . NIPPLE, TUBE, steel, Cd plated, 7/8in. UNF male thd both ends	FVS96-3	2	
61	A	9ACR	4710-99-805-1371 . . . TUBE ASSEMBLY, METAL	FV611622	1	
62	A	9ACR	4710-99-805-1373 . . . TUBE ASSEMBLY, METAL	FV611624	1	
63		NP	. . . GASKET, metal/rubber, 28mm id, 39mm od, 2.6mm thk	520371	1	
64	A	9ACR	4730-99-805-0581 . . . ADAPTOR, STRAIGHT, PIPE TO TUBE, steel, Cd plated	FV611621	1	
65	A	9ACR	4720-99-282-4204 . . . HOSE ASSEMBLY, NON-METALLIC, 3/4in. BSP female 1st end, 3/4in. BSP elbow 2nd end, 670mm lg	FV644414	1	
66	A	9ACR	5330-99-729-3130 . . . GASKET	520369	3	
67	A	9ACR	4730-99-842-2247 . . . ADAPTOR, STRAIGHT, PIPE, steel, Cd plated, 1/2in. BSPF ext thd 1st end, 7/8in. -14 UNF thd 2nd end	520447	3	
68	A	9ACR	4720-99-125-7159 . . . HOSE ASSEMBLY, NON-METALLIC, 1/2in. BSP female, angled, 1st end, 1/2in. BSP female 2nd end, 555mm lg	FV644408	1	
69	A	9ACR	5330-99-729-3130 . . . GASKET	520369	4	
70	A	9ACR	4730-99-495-4062 . . . ADAPTOR, STRAIGHT, PIPE TO TUBE, steel, Cd plated, 1.375in. lg	520378	4	
71	A	9ACR	4730-99-513-1913 . . . COUPLING, PIPE, 3/8in. BSPF thd both ends, ext thd 2nd end, 31mm lg	HD1353-6	4	
72	A	9ACR	5330-99-538-9333 . . . GASKET	716420	8	
73	A	46MT9	4820-99-792-1408 . . . REGULATOR, FLUID PRESSURE, 210 bar max operating pressure, manual, 71mm lg face to face	FN-03-20-B	4	
74	A	6MT1	5310-99-787-2102 . . . NUT, SLEEVE, 5/16in. thd, UNF, steel, 3/4in. lg, 1/2in. w A/F, hex	520739	4	
75	A	9ACR	4730-99-168-7208 . . . REDUCER, PIPE, 1/2in. BSP female 1st end, 3/8in. BSP 2nd end, 1in. A/F, 1.35in. lg	520367	4	
76	A	9ACR	4720-99-905-9327 . . . HOSE ASSEMBLY, NON-METALLIC, 1/2in. BSP female thd 1st end, 1/2in. BSP thd, 45 deg connection 2nd end, 505mm lg	FV644412	2	
77	A	9ACR	4720-99-282-4205 . . . HOSE ASSEMBLY, NON-METALLIC, 90 deg elbow, 1/2in. BSP female thd 1st end, angled 1/2in. BSP female thd 2nd end, 590mm lg	FV644413	2	

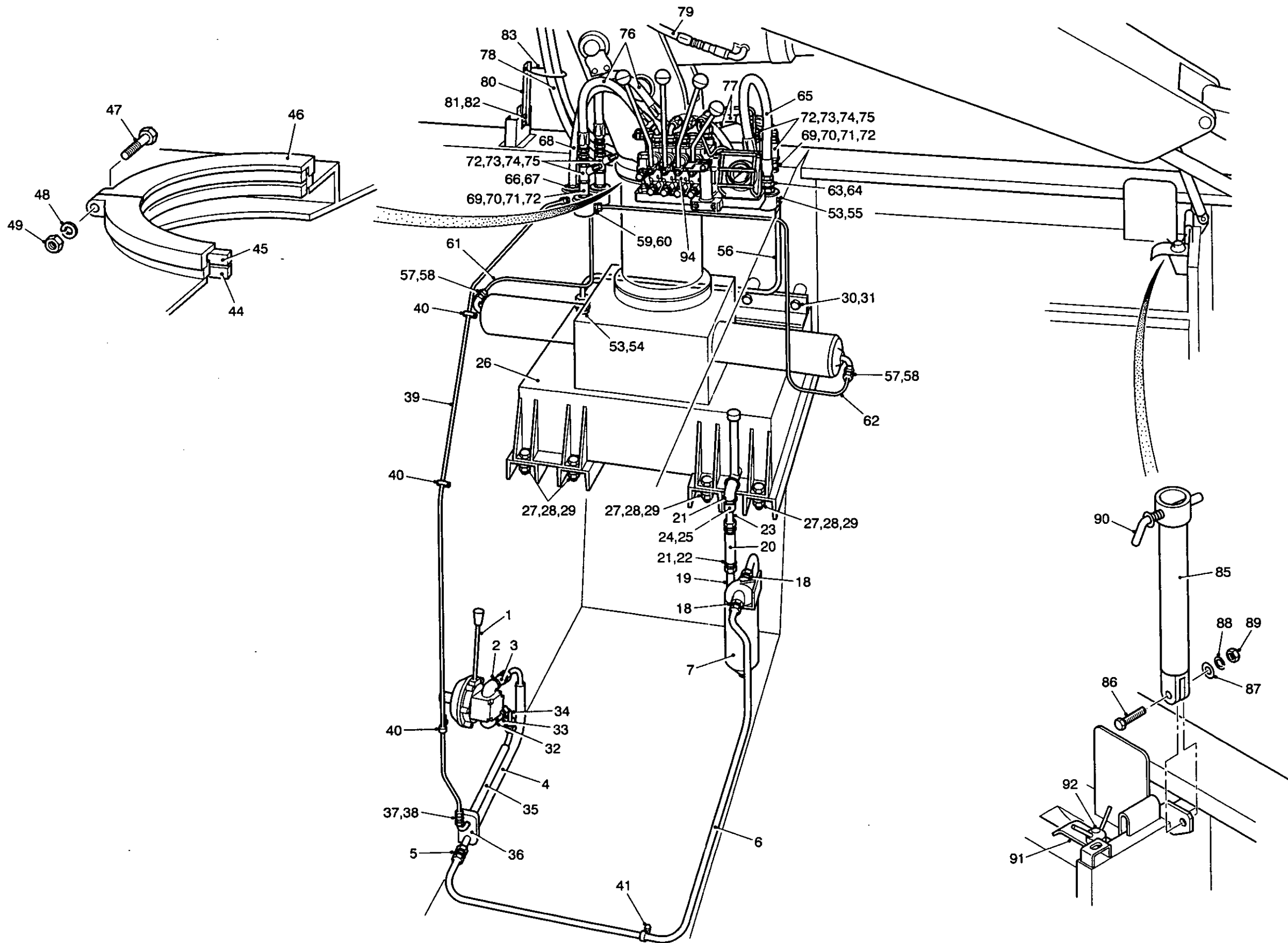


Fig 3 Crane pipes and fittings

Fig Item	Man Code Navy - N Army - A RAF - R	NATO Stock No	Item Name and Description	Part No/ Drawing No.	No. Off	Annotations
3-			HIAB CRANE GA - contd . CRANE PIPES AND FITTINGS - contd			
78	A 9ACR	4720-99-742-0346	. . HOSE ASSEMBLY, NON-METALLIC, 1/2in. BSP female thd 1st end, 90 deg elbow 1/2in. BSP female thd 2nd end, 2600mm lg	FV644425	1	
79	A 9ACR	4720-99-499-8439	. . HOSE ASSEMBLY, NON-METALLIC, 1/2in. BSP female thd 1st end, 90 deg elbow 1/2in. BSP female thd 2nd end, 2200mm lg	FV644424	1	
80		NP	. . SUPPORT BRACKET	FV611883	1	
81	A G1	5310-99-941-6654	. . WASHER, LOCK, steel, split helical ring, 1/4in. bolt size, 27/64in. od, 5/64in. thk		2	
82	A G1	5310-99-804-7941	. . NUT, PLAIN, HEXAGON, UNF, 1/4in. -28 class 2B rh thd, steel, Zn plated, 7/16in. w A/F, 7/32in. h, chamfered		2	
83	A 9ACR	4020-99-808-2239	. . CORD ASSEMBLY, ELASTIC, rubber, 3/8in. dia, 3ft lg, w/hook each end	FV644174	1	
NI 84	A 9ACR	4020-99-808-2238	. . CORD ASSEMBLY, ELASTIC, rubber, 3/8in. dia, 3ft lg, plastic sleeve, plastic covered hook both ends	FV644173	1	Securing Item 78
85	A 9ACR	2590-99-805-1381	. . STAY TUBE, 15-5/16in. lg	FV563137	1	
86	A 9ACR	5306-99-805-1384	. . BOLT, SHOULDER, UNF, 3/8in. dia, 0.55in. thd lg, 1.9in. fastener lg, steel, phosphate coated, 0.499in. shoulder dia, 1.2in. shoulder lg	FV563146	1	
87		NP	. . WASHER, FLAT, 3/8in. id, 15 SWG thk		1	
88	A G1	5310-99-941-6656	. . WASHER, LOCK, steel, split helical ring, 3/8in. bolt size, 0.092in. thk, 0.59in. od, single coil, sq section		1	
89	A G1	5310-99-941-0926	. . NUT, PLAIN, HEXAGON, UNF, steel, Zn plated, 3/8in. -24 thd, 0.563in. w A/F, 0.333in. h, chamfered, grade 3		1	
90	A 9ACR	5315-99-805-1382	. . PIN, TOGGLE, HEADED, c/w steel chain	FV611689	1	
91		NP	. . BRACKET ASSEMBLY, clamping booms	FV510694	1	
92	A 9ACR	2590-99-805-1379	. . BOLT, CLAMPING BOOM, 5-9/16in. lg,	FV510696	1	
NI 93	A 9ACR	5365-99-805-1380	. . RING, RETAINING, steel, 0.06in. thk, ext, 1/2in. shaft dia	AD900A050 ASF	1	w/w item 92
94	A 9ACR	4820-99-517-0961	. . VALVE ASSEMBLY, HYDRAULIC, comprises valve module, 4 handles, pressure gauge and various other components	FV847574	1	Mk2
		↓				
		2590 99 668 7847	VALVE BLOCK			Mk3
	9ACR	6685 99 083 1637	PRESSURE GAUGE			FOR MK2 V/BLOCK

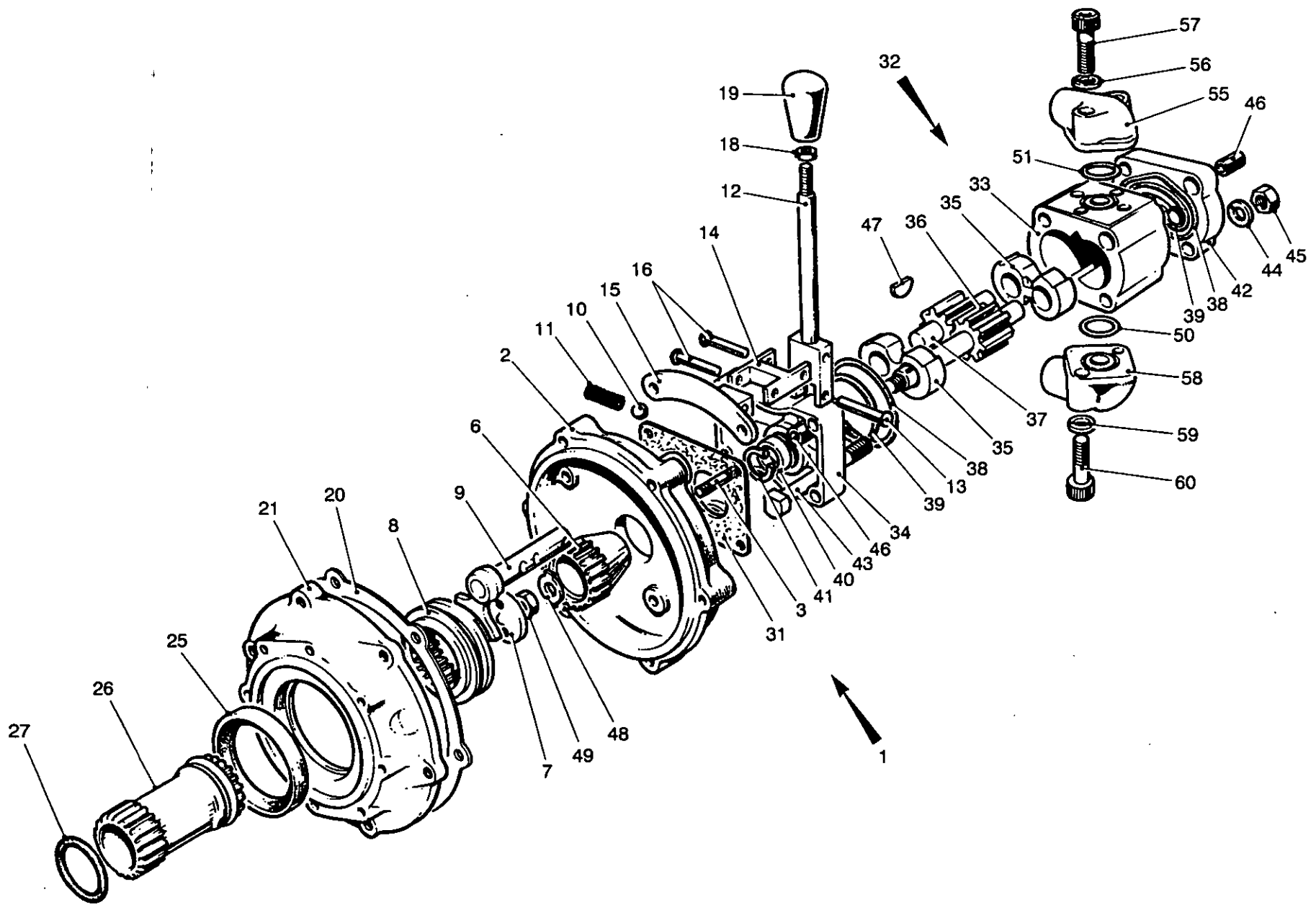


Fig 4 Clutch drive assembly

430/70225

Fig Item	Man Code Navy - N Army - A RAF - R	NATO Stock No	Item Name and Description	Part No/ Drawing No.	No. Off	Annotations
4-			HIAB CRANE GA - contd . CRANE PIPES AND FITTINGS - contd			
1		NP	. . . CLUTCH DRIVE ASSEMBLY	FV611439	1	
2	A 10	4320-99-804-3385	. . . HOUSING SUB-ASSEMBLY, comprising: outer housing and 2 thd studs	FV510337	1	
3	A G1	5307-99-120-3534 STUD, PLAIN, steel, Zn plated, 1-1/2in. lg, 1/4in. UNF class 2A thd nut end, 1/2in. lg, 1/4in. UNC thd stud end, 3/8in. lg		2	
NI 4	A 10	5310-99-865-1476	. . . WASHER, FLAT, Al, 0.375in. id, 0.575in. od, 0.028in. thk	KB1078	1	} Filler plug
NI 5	A 6MT1	5365-99-942-7984	. . . PLUG, MACHINE THREAD, steel, hex hd, 3/8in. UNF, 3/8in. thd lg, phosphate finish		1	
6	A 10	4320-99-804-3388	. . . GEAR, SPUR, steel, 1.985in. od, 1.445in. lg, 19 teeth	FV510325	1	
7	A 10	4320-99-804-3390	. . . THRUST BUTTON, Cu alloy, 1.502in. od, 0.26in. h	FV510327	1	
8	A 10	4320-99-804-3389	. . . GEAR, INTERNAL, steel, 3in. od, 1.25in. lg, 19 teeth	FV510326	1	
9	A 10	4320-99-804-3474	. . . FORK AND SHAFT ASSEMBLY, comprising: fork for sliding dog and operating shaft and pin	FV510334	1	
10	A 6MT7	3110-99-950-0573	. . . BALL, BEARING, steel, 3/8in. dia	4B9782	1	
11	A 10	5340-99-804-3386	. . . SPRING, HELICAL COMPRESSION	FV510338	1	
12	A 10	4320-99-804-3393	. . . LEVER, CONTROL, HAND, steel, 6-3/4in. lg	FV611449	1	
13	A 10	5315-99-804-3394	. . . PIN, STRAIGHT, HEADED, steel, 0.249in. dia, 1.075in. shank lg, flat chamfer hd	XB4539	1	
14	A 10	4320-99-804-3391	. . . CONNECTOR LINK, RIGID, steel, 1.85in. lg, 1.125in. w, 0.5in. deep	FV611444	1	
15		NP	. . . BRIDGE	FV611447	1	
16	A 10	5315-99-804-3392	. . . PIN, STRAIGHT, HEADED, steel, 0.249in. dia, 1.325in. shank lg, flat chamfer hd	XB4543	2	
NI 17	A G1	5315-99-944-0171	. . . PIN, COTTER, SPLIT, steel, phosphated, spring type, extended prong chisel point, 1/16in. dia, 5/8in. lg		3	u/w items 13 and 16
18	A G1	5310-99-941-0903	. . . NUT, PLAIN, HEXAGON, UNF, 5/16in. thd, 1/2in. w A/F, 3/16in. h, grade 3, steel, Zn plated, chamfered		1	
19	A 9ACR	5340-99-865-6729	. . . HANDLE, CONTROL ROD	FV525303	1	
20		NP	. . . GASKET	FV644395	1	
21	A 10	4320-99-804-3302	. . . HOUSING, PUMP DRIVE, inner housing w/heli-coil inserts, 5/16in.-18 UNC thd	FV454326	1	
NI 22	A G1	5340-99-580-5471 INSERT, SCREW THREAD, cres, notched, coil wire type, 5/16in. -18 UNC int thd, 0.61in. lg	AS6734-28	6	
NI 23	A G1	5310-99-941-7072	. . . WASHER, FLAT, steel, Cd plated, 1/4in. bolt size, 9/16in. od, 17 SWG thk		8	} Inner housing to transfer box
NI 24	A G1	5306-99-941-0281	. . . BOLT, MACHINE, 1/4in. UNF x 1-1/8in. lg class 2A thd, stainless steel, Zn plated, hex hd		8	

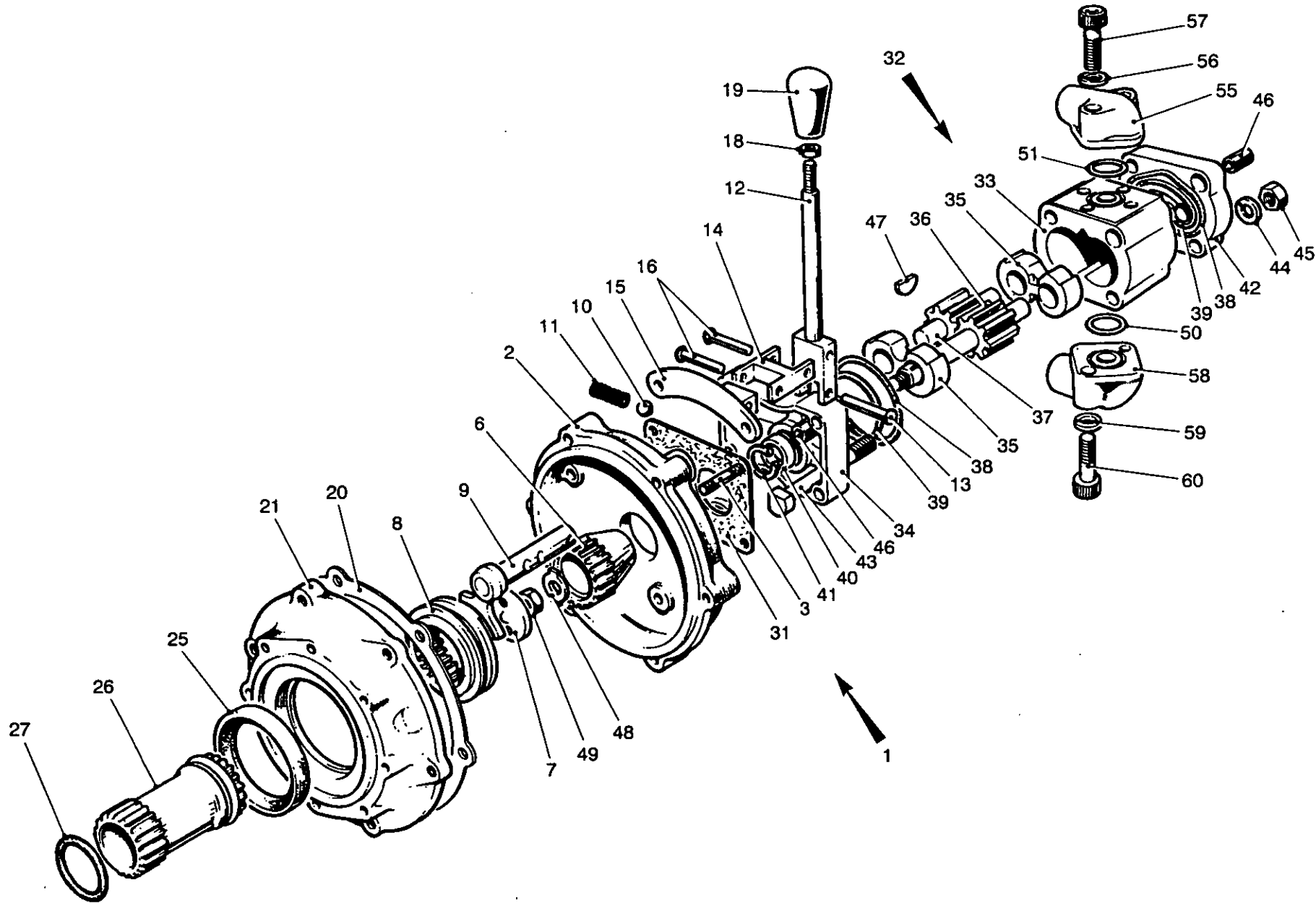


Fig 4 Clutch drive assembly

430/70225

Fig Item	Man Code Navy - N Army - A RAF - R	NATO Stock No	Item Name and Description	Part No/ Drawing No.	No. Off	Annotations	
4-			HIAB CRANE GA - contd . CRANE PIPES AND FITTINGS - contd . CLUTCH DRIVE ASSEMBLY - contd				
25	A	6MT1	5330-99-101-1135	. . . SEAL, PLAIN, syn rubber, steel, 3/8in. w, 2-1/2in. id, 3-1/4in. od	M1S28SE70	1	
26	A	10	4320-99-804-3326	. . . GEAR SHAFT, SPUR, steel, 4.3in. lg	FV510324	1	
27	A	10	5331-99-865-3642	. . . O-RING, 1.822in. id, 0.143in. cross-section h	FV148495	1	
NI 28	A	G1	5310-99-944-0549	. . . WASHER, LOCK, steel, split helical ring, Cd plated, 5/16in. bolt size, 0.503in. od, 0.08in. thk, single coil, sq section		6	} Outer to inner housing
NI 29	A	10	5306-99-804-3303	. . . BOLT, MACHINE, UNC, steel, Cd plated, 5/16in. dia, 2in. lg, class 2A thd, hex hd	FV454334	4	
NI 30	A	G1	5306-99-941-1541	. . . BOLT, MACHINE, UNC, steel, Zn plated, hex hd, 5/16in. dia, 2-1/4in. lg, class 2A thd		2	
31	A	10	4320-99-804-3387	. . . GASKET, lanolite, 4.44in. lg, 3.45in. w, 1/16in. thk	FV562836	1	
32	A	46MT9	4320-99-804-3786	. . . PUMP, ROTARY, gear type, horizontal, 2.5g/m at 1000 rpm, 2500 psi max discharge pressure	C25X	1	
33	A	46MT9	4320-99-881-3077 BODY, PUMP	550-2-01728	1	
34	A	46MT1	4320-99-817-4926 FLANGE, ROTARY PUMP, cw type shaft oil seal housing	550-2-01724	1	
35		NP	 BEARING ASSEMBLY, SLEEVE, twin bore c/w bushes 1 1/16in. dia, 1-7/64in. centres, 2-11/16in. lg, 25/32in. w	550-1-05480	2	
36		NP	 GEAR, DRIVING	550-2-01703	1	
37		NP	 GEAR SHAFT, SPUR	550-2-01709	1	
38	A	46MT9	5330-99-198-6780 GASKET, syn rubber, 2-3/4in. od, 2-9/16in. id, 7/64in. cross-section thk,	550-4-09191	2	
39	A	6MT9	5331-99-836-6912 O-RING, 1-7/8in. id, 7/64in. cross-section h	550-4-01775	2	
40	A	6MT1	5530-99-801-6113 SEAL, PLAIN, syn rubber, steel, 1/4in. seal w, 11/16in. id, 1-1/8in. od	M10681121-4	1	
41	A	6MT1	5365-99-801-3734 RING, RETAINING, steel, phosphated, 1.2mm thk, int, 29mm bore dia		1	
42		NP	 COVER, hydraulic pump	550-2-01723	1	
43		NP	 BOLT, MACHINE	550-2-01733	4	
44	A	G1	5310-99-941-6656 WASHER, LOCK, steel, split helical ring, 3/8in. bolt size, 0.59in. od, 0.092in. thk, single coil, sq section		4	
45	A	G1	5310-99-941-0926 NUT, PLAIN, HEXAGON, UNF, steel, Zn plated, 3/8in. -24 grade 3 nut, 0.563in. w A/F, 0.333in. h, chamfered		4	
46		NP	 DOWEL, HOLLOW	550-2-04991	4	
47	A	G1	5315-99-943-5953 KEY, WOODRUFF, 1/8in. thk, 1/4in. h, 5/8in. circle dia, steel		1	

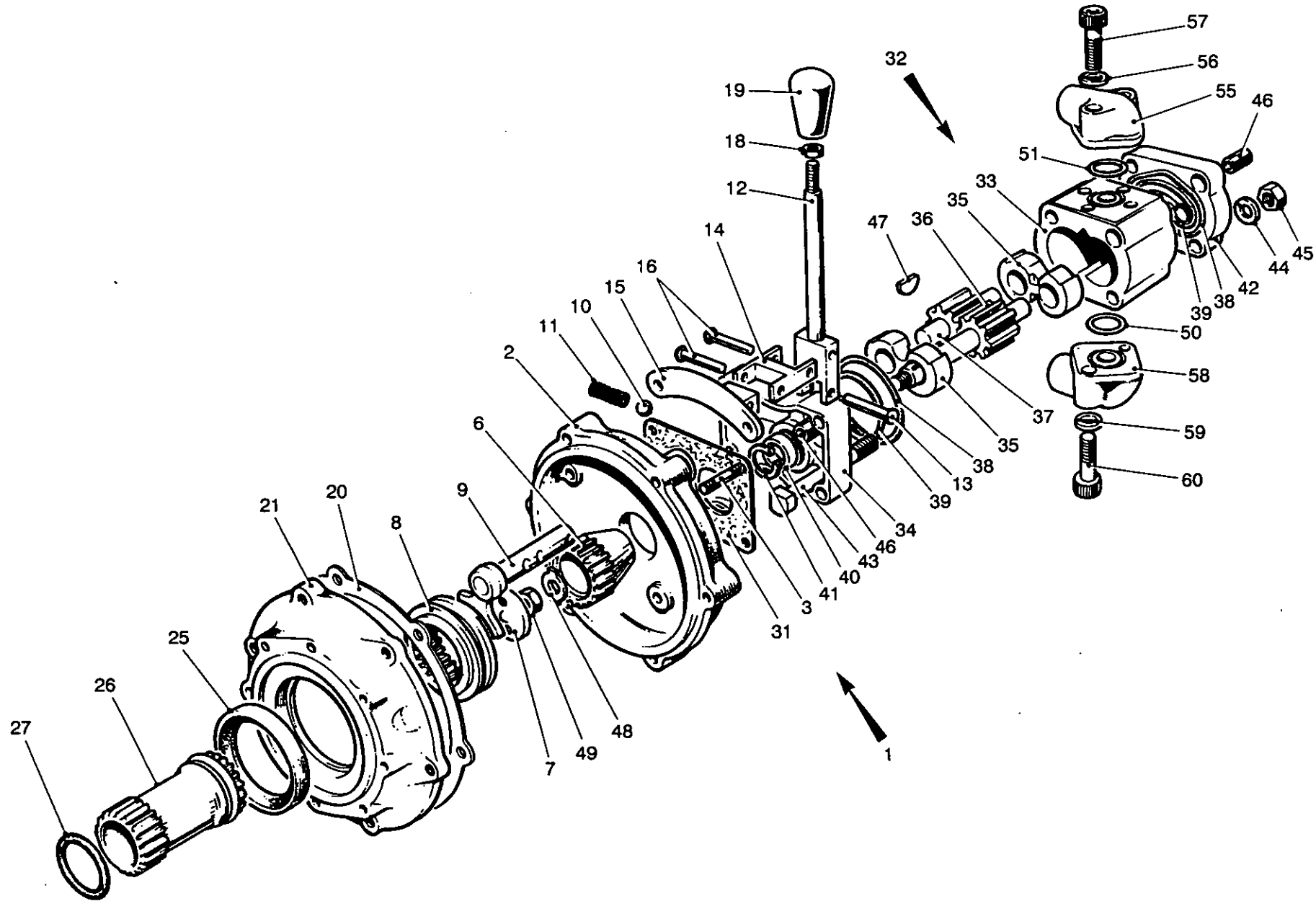


Fig 4 Clutch drive assembly

Fig Item	Man Code Navy - N Army - A RAF - R	NATO Stock No	Item Name and Description	Part No/ Drawing No.	No. Off	Annotations
4-			HIAB CRANE GA - contd . CRANE PIPES AND FITTINGS - contd . . CLUTCH DRIVE ASSEMBLY - contd . . . PUMP, ROTARY - contd			
48	A G1	5310-99-941-9503 WASHER, KEY, steel, Cd plated, 3 ext keys, 0.52in. id, 0.825in. od, 0.036in. thk, 1.131in. lg		1	
49	A G1	5310-99-941-6313 NUT, PLAIN, HEXAGON, UNF, 1/2in. dia class 2B thd, steel, Zn plated, 3/4in. w A/F, 5/16in. h, chamfered		1	
50	A 46MT9	5330-99-810-0594 GASKET, rubber, 1-1/16in. od, 7/8in. id, 7/64in. cross-section thk	550-4-09205	1	
51		NP GASKET	550-4-09204	1	
NI 52	A G1	5306-99-941-0284	. . . BOLT, MACHINE, UNF, stainless steel, Zn plated, hex hd, 1/4in. class 2A thd, 1-1/2in. lg		2	} Pump to housing
NI 53	A G1	5310-99-941-6654	. . . WASHER, LOCK, steel, split helical ring, 1/4in. bolt size, 27/64in. od, 5/64in. thk		4	
NI 54	A G1	5310-99-804-7941	. . . NUT, PLAIN, HEXAGON, UNF, 1/4in. dia -28 class 2B thd, steel, Zn plated, 7/16in. w A/F, 7/32in. h, chamfered		4	
55	A 9ACR	4320-99-836-6715	. . . ADAPTOR, PUMP, INLET	550-2-02438	1	
56	A G1	5310-99-941-6655 WASHER, LOCK, steel, 0.343in. id, 0.503in. od, 0.08in. thk, split helical ring		2	
57		NP SCREW, SOCKET HEAD, steel, Zn plated, 5/16in. thd, 1-3/4in. lg, flat fillister hd		2	
58	A 46MT9	4320-99-836-6616	. . . ADAPTOR, PUMP, OUTLET	550-2-02439	1	
59	A G1	5310-99-941-6654 WASHER, LOCK, steel, split helical ring, 1/4in. bolt size, 27/64in. od, 5/64in. thk		2	
60	A G1	5305-99-941-6968 SCREW, CAP, SOCKET HEAD, UNC, 1/4in. class 2A thd, 1in. thd lg, 1-1/2in. fastener lg, steel, Zn plated, flat fillister hd		2	

UNRESTRICTED

UNRESTRICTED

77 11111

Chapter 2-14
PARTS LIST
BEACON, ROTATING, AMBER
GENERAL ARRANGEMENT

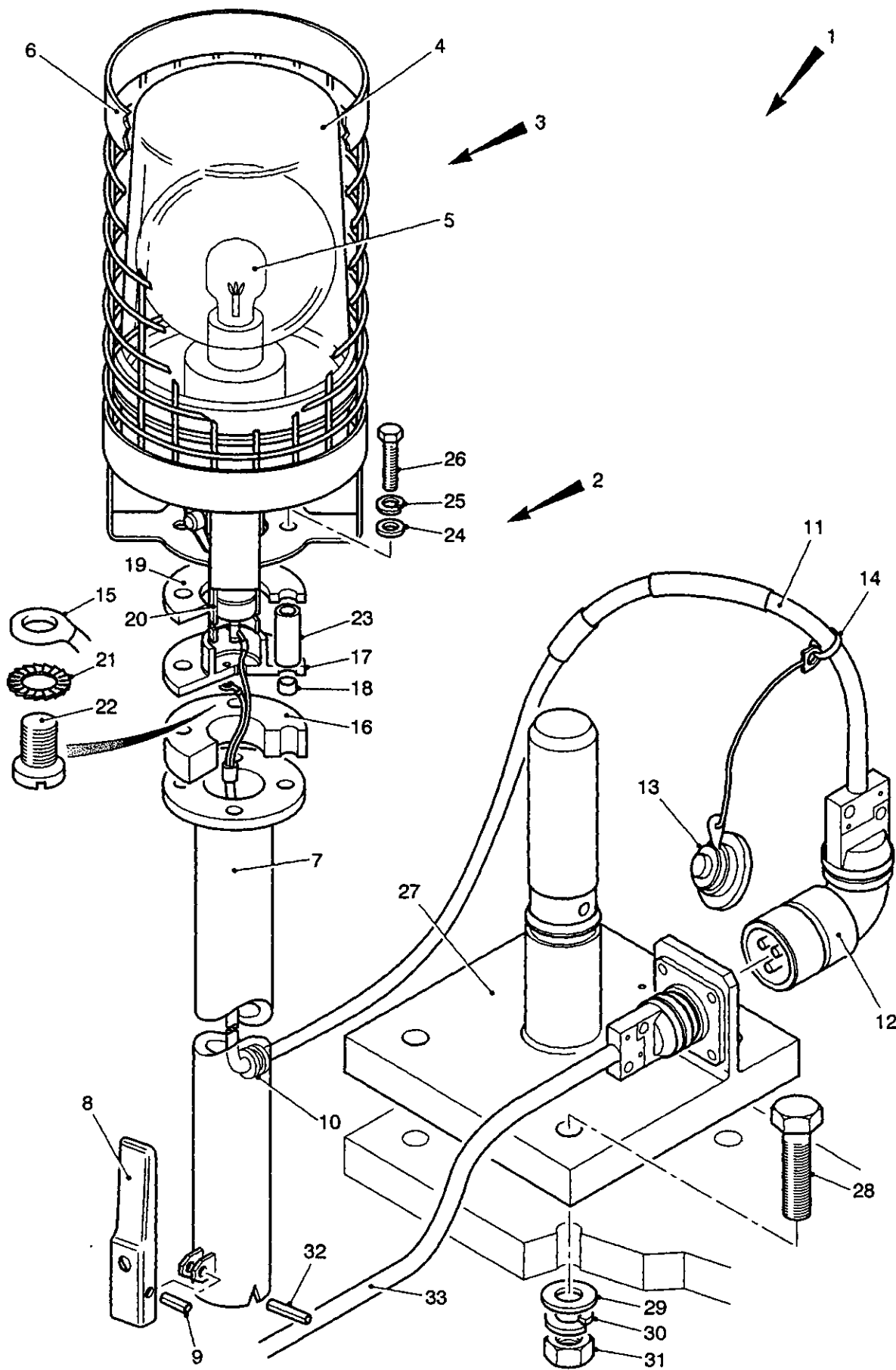


Fig 1 Beacon, rotating, amber, GA

430/70240

Fig Item	Man Code Navy - N Army - A RAF - R	NATO Stock No	Item Name and Description	Part No/ Drawing No.	No. Off	Annotations
1-		NP	BEACON, ROTATING, AMBER GENERAL ARRANGEMENT	FV2200648	REF	
1	A	9ACR	2540-99-745-4600	MODIFICATION KIT, VEHICLE EQUIPMENT COMPONENTS, Beacon - rotating amber	MAE 43/4/ 0008	1
2		NP	BEACON, AMBER, ROTATING ASSEMBLY	FV2200650	1	
3	A	6MT3	6220-99-838-5677	LIGHT, WARNING, VEHICULAR, 24V, amber	372:65E	1
4	A	9AHY	6220-99-112-5612	LENS, LIGHT, amber hazard acrylic beacon, 146.5mm h, 128.5mm dia	602816	1
5	A	X5	6240-99-995-2519	LAMP, FILAMENT, P14.5S cap style, tubular bulb, 67.5mm lg, 8.5mm dia, 70W, 24V	13258	1
6	A	9ACR	2590-99-805-5791	GUARD, BEACON	FV2200647	1
7	A	9MVC	6220-99-895-7727	MOUNTING ASSEMBLY, VEHICLE WARNING LIGHT, steel, Zn plated, tube w/welded lug and mtg flange at one end	FV2059252	1
8	A	9MVC	2540-99-810-5826	LATCH SUB-ASSEMBLY, comprising latch, spring leaf and rivet	FV2187756	1
9	A	G1	5315-99-780-7359	PIN, SPRING, carbon steel, Cd plated, 20mm lg, 5mm dia, 0.42mm thk, standard duty	5x20MBS	1
10	A	H9	5325-99-942-3426	GROMMET, RUBBER, 0.25in. id, 0.22in. groove w, 0.104in. flange thk, 0.388in. h, 0.53in. large flange od, 0.395in. groove od		1
11	A	9ACR	2590-99-580-3019	WIRING HARNESS	FV2200654	1
12	A	9ACR	5935-99-859-7929	CONNECTOR, PLUG, ELECTRICAL, angle shape, w/strain relief, 0.953in. od, single mating end, 3 contacts, 700V AC RMS/700V DC, Al alloy body, rubber insert, CD plated, chromate and olive drab body, bayonet slot coupling nut, cable clamp	ABB08E/ C10SL- 3PSN	1
13	A	9ACR	5935-99-316-3363	COVER, ELECTRICAL CONNECTOR, 28.4mm h, 26.1mm od, c/w 100mm lg nylon cord, for 10SL shell size	ABB-10SL - E-PCA	1
14		NP	STRAP, LINE SUPPORTING, 2.5mm w, 100mm lg	FV2151902	1	
15	A	Z37	5940-99-622-5782	TERMINAL LUG, rd shape, 17.46mm lg, 7.14mm h, 6.35mm w, 0.79mm thk, 3.6mm mtg hole dia	FV2029143	1
16	A	9MVC	5340-99-151-1285	MOUNT, RESILIENT, feat-vulcanised butadiene acrylonitrile rubber	FV2108374	1
17	A	9MVC	2590-99-700-6543	BUSH ASSEMBLY, BEACON MOUNTING, painted, comprises steel bush, mtg welded to plate, w/rubber protective cap	FV2059254	1
18		NP	BUSH INSULATION	FV2108370	4	
19	A	9MVC	5340-99-605-6614	MOUNT, RESILIENT, feat-vulcanised butadiene acrylonitrile rubber	FV2108373	1
20	A	9MVC	6220-99-553-0278	BUSH, MOUNTING, 57mm lg, 25mm dia	FV2059255	1
21		NP	WASHER, LOCK, ext teeth, M6	7536060000 0059	1	

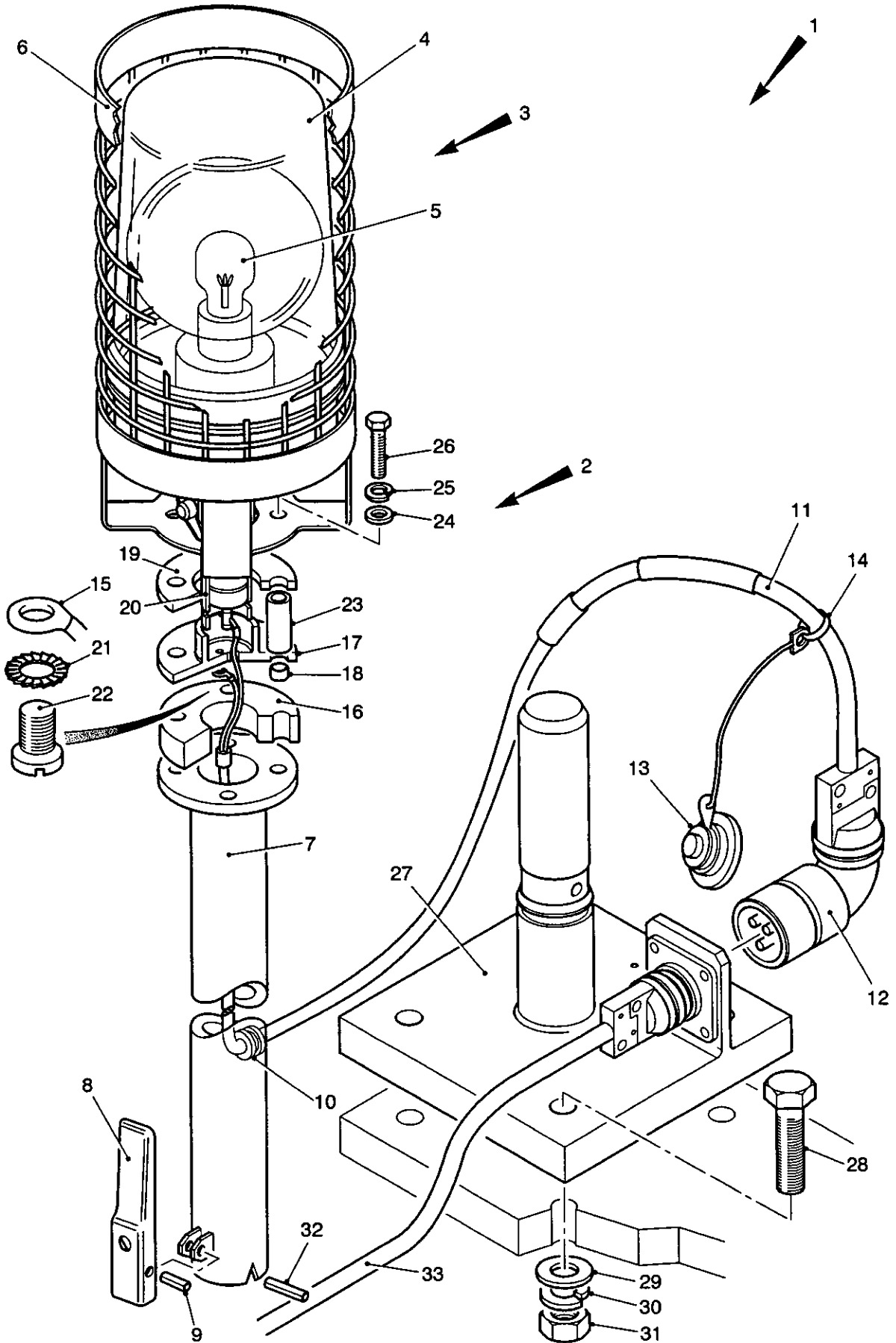


Fig 1 Beacon, rotating, amber, GA

430/70240

Fig Item	Man Code Navy - N Army - A RAF - R	NATO Stock No	Item Name and Description	Part No/ Drawing No.	No. Off	Annotations
1-			BEACON, ROTATING, AMBER GENERAL ARRANGEMENT - contd BEACON, AMBER, ROTATING ASSEMBLY - contd			
22	A G1	5305-99-135-0687	. . SCREW, MACHINE, ISO M, 3mm thd dia, class 6G thd, 6mm thd and fastener lg, steel, Cd plated, pan hd, slot drive, strength grade 4.8		1	
23	A 9MVC	5365-99-406-3493	. . SPACER, SLEEVE, steel, 23mm lg, 9.25mm od, 5.59mm id	FV2108369	4	
24	A 9MVC	5310-99-300-0150	. . WASHER, FLAT, steel, Cd plated, rd, 20mm od, 5mm bolt size, 2mm thk	FV2110940	4	
25	A G1	5310-99-138-9226	. . WASHER, LOCK, steel, Zn plated, split helical ring, 5mm bolt size, 1.5mm thk, 8.55mm od		4	
26	A G1	5306-99-122-5242	. . BOLT, MACHINE, ISO M, 5mm x 0.8mm pitch, class 6G thd, steel, Zn plated w/chromate, hex hd, 16mm thd lg, 40mm fastener lg, strength grade 8.8		4	
27	A 9ACR	2540-99-127-3008	. . BASE ASSEMBLY, steel, 110mm lg, 100mm w, comprises base plate, plate and pin, grooved, headless	FV2200644	1	
28	A G1	5305-99-122-8760	. . SCREW, CAP, HEXAGON HEAD, ISO M, 8 x 1.25mm pitch, 35mm thd and fastener lg, hex hd, steel, Cd plated w/chromate, class 6 G thd, grade 8.8		4	
29	A G1	5310-99-138-7965	. . WASHER, FLAT, steel, Zn plated, rd, 21mm od, 8mm bolt size, 1.6mm thk		4	
30	A G1	5310-99-138-9227	. . WASHER, LOCK, steel, Zn plated w/chromate, split helical ring, 8.5mm dia, 12.75mm od, 1mm thk		4	
31	A G1	5310-99-139-0313	. . NUT, PLAIN, HEXAGON, ISO M, M8 x 1.25mm pitch, class 6H, steel, Zn plated w/chromate, 13mm w A/F, 5mm h, chamfered bearing surface, grade 8		4	
32	A G1	5315-99-139-5252	. . PIN, SPRING, steel, phosphate coating, 40.5mm lg, 6mm dia	6 x 40MBR	1	
33		NP	. . WIRING HARNESS	FV2200655	1	See Fig 2
NI 34	A 6MT1	5340-99-838-1364	. . STRAP, LINE SUPPORTING, nylon strap w/moulded buckle, 140mm lg	REL140	6	Securing item 33

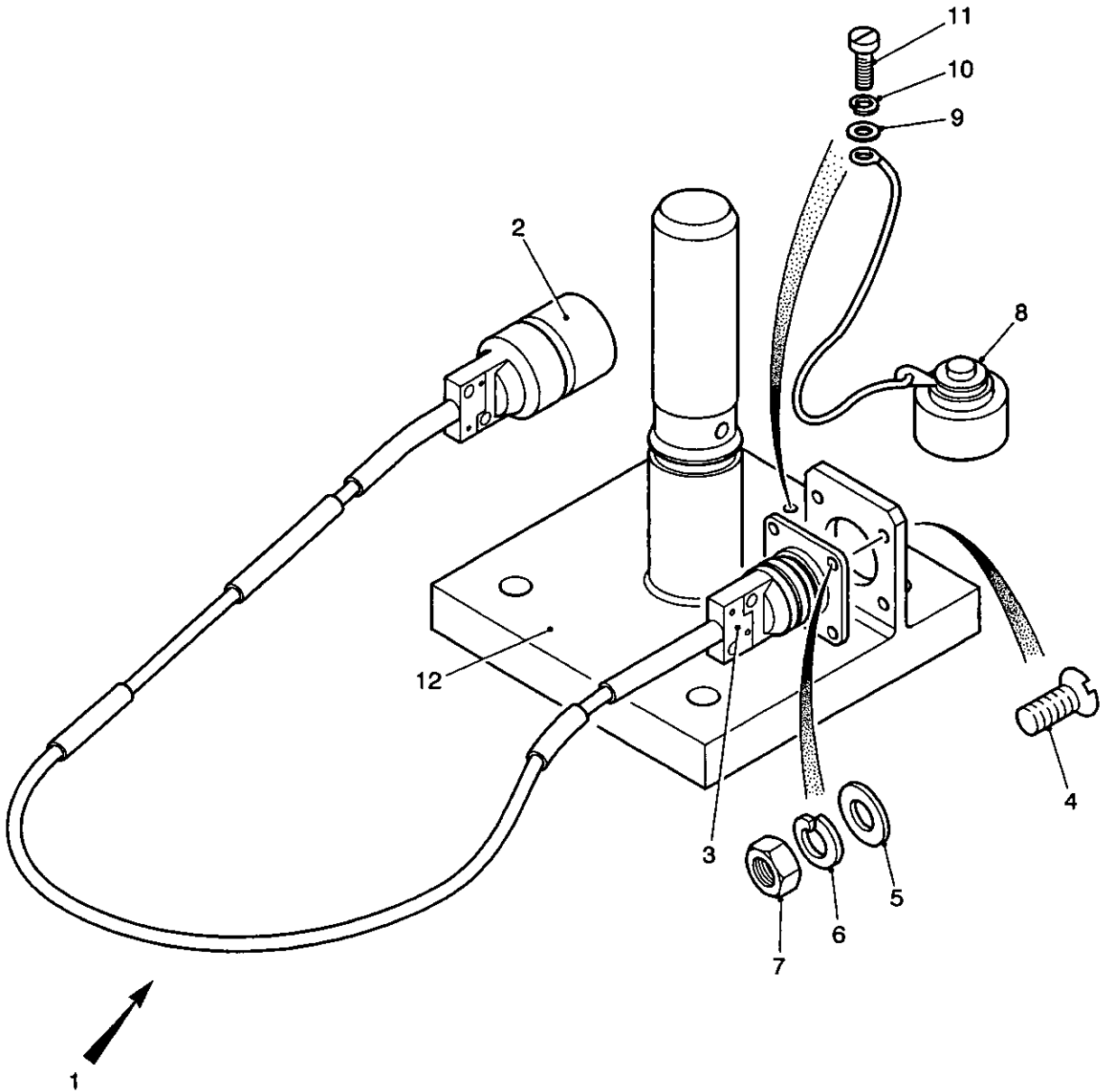


Fig 2 Wiring harness

430/70241

Fig Item	Man Code Navy - N Army - A RAF - R	NATO Stock No	Item Name and Description	Part No/ Drawing No.	No. Off	Annotations
2-			BEACON, ROTATING, AMBER GENERAL ARRANGEMENT - contd			
1		NP	. WIRING HARNESS	FV2200655	1	
2		NP	. . CONNECTOR, PLUG, ELECTRICAL, 4 way	MS3106E14 S2P	1	
3	A 9ACR	5935-99-241-6116	. . CONNECTOR, RECEPTACLE, ELECTRICAL, straight shape, quick connect, strain relief, single mating end, 3 contacts, 700V AC/DC, rubber insert, Al alloy, Cd plated, chromate and olive drab shell, bayonet slot, cable clamp	ABB-03E- C10-SL- 3SSN	1	
4	A G1	5305-99-122-5273	. . SCREW, MACHINE, ISO M, steel, Zn plated, flat csk hd, slot drive, 3mm x 0.5mm pitch, 12mm lg, class 6G thd		4	
5	A G1	5310-99-122-3030	. . WASHER, FLAT, steel, Zn plated, rd, 7mm od, 0.5mm thk, M3 bolt size		4	
6	A G1	5310-99-138-9224	. . WASHER, LOCK, steel, Zn plated w/chromate, split helical ring, 3.3mm id, 1.1mm thk, 5.5mm od		4	
7	A G1	5310-99-122-6455	. . NUT, PLAIN, HEXAGON, ISO M, steel, Zn plated, chamfered bearing surface, 3mm x 0.5mm pitch, 5.5mm w A/F, 2.4mm h, grade 8		4	
8	A Z32	5935-99-785-9113	. . COVER, ELECTRICAL CONNECTOR, Al, olive drab chromic finish, MS bayonet connection, 24.2mm dia, 17.5mm deep, c/w nylon cord	ABB10SLXP CA	1	
9	A G1	5310-99-122-3031	. . WASHER, FLAT, steel, Zn plated, 8.85mm od, 4.4mm id, 0.8mm thk		1	
10	A G1	5310-99-138-9225	. . WASHER, LOCK, steel, Zn plated, split helical ring, 4mm id, 1.2mm thk, 6.95mm od		1	
11		NP	. . SCREW, MACHINE, steel, Zn plated, cheese hd, slot drive, M4 x 16mm lg	7515104016 0159	1	
12	A 9ACR	2540-99-127-3008	. BASE ASSEMBLY, steel, 110mm lg, 100mm w, comprises base plate, plate and pin, grooved, headless	FV2200644	1	See Fig 1

2350-T-252-711

Chapter 2-15
PARTS LIST
LOCKOUT PIPES AND FITTINGS
GENERAL ARRANGEMENT

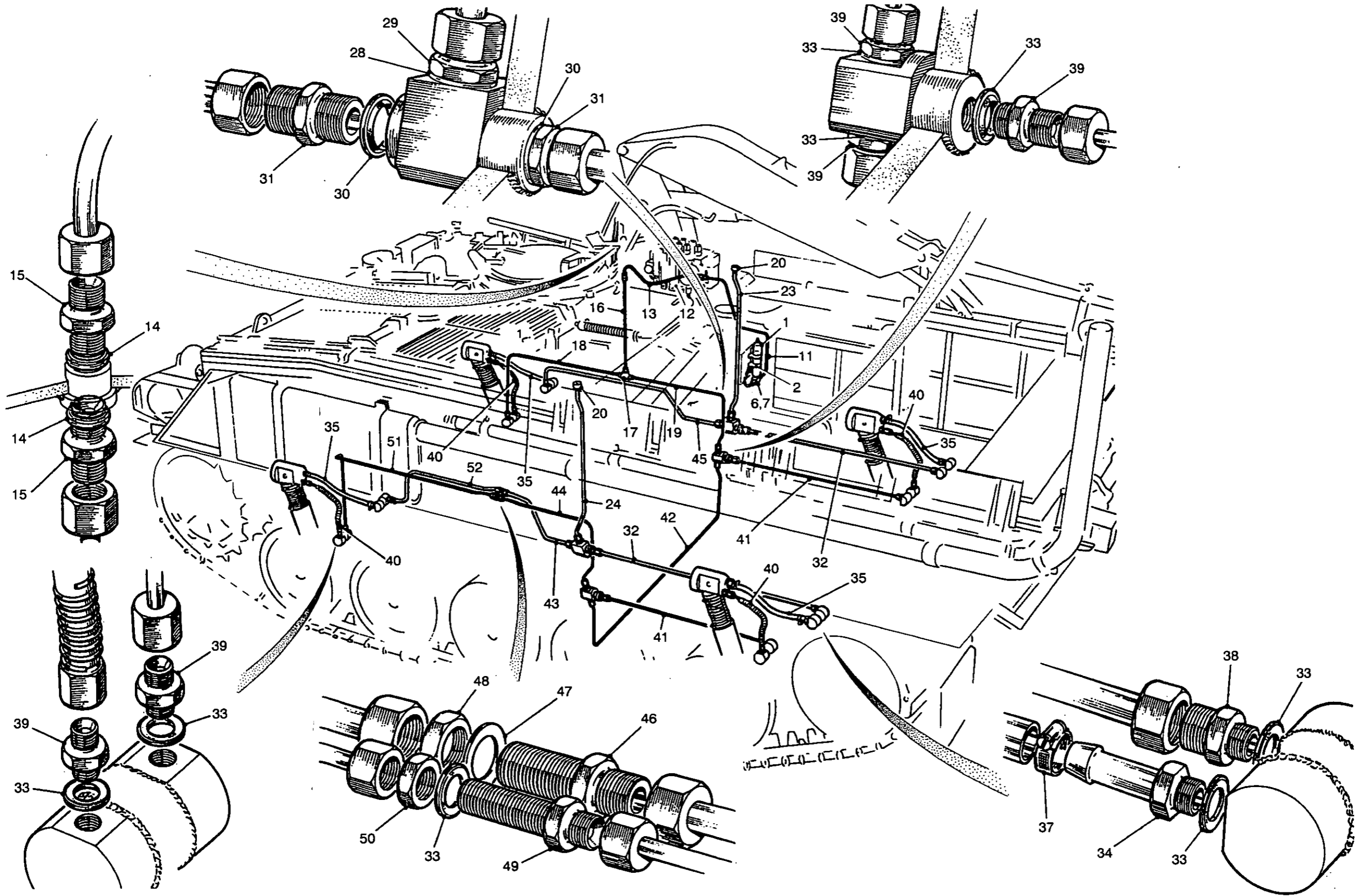


Fig 1 Lockout pipes and fittings general arrangement

430/70232

Fig Item	Man Code Navy - N Army - A RAF - R	NATO Stock No	Item Name and Description	Part No/ Drawing No.	No. Off	Annotations	
1-		NP	LOCKOUT PIPES AND FITTINGS GENERAL ARRANGEMENT	FV563259	REF		
1	A	46MT9	3040 2540-99-513-4179	ACCUMULATOR, HYDRAULIC, hydraulic oil service accumulator, air charged	OB00A-00-341	1	See Fig 2
2		NP		BRACKET, ACCUMULATOR	FV611488	2	
NI 3		NP		PAD	FV611489	2	u/w item 2
NI 4	A	G1	5310-99-944-0549	WASHER, LOCK, steel, split helical ring, Cd plated, 5/16in. bolt size, 0.503in. od, 0.08in. thk, single coil, sq section		4	} Securing item 2
NI 5	A	G1	5310-99-941-0925	NUT, PLAIN, HEXAGON, UNF, 5/16in. -24 class 2B thd, steel, Zn plated, 1/2in. w A/F, 17/64in. h, chamfered		4	
6	A	G1	5310-99-947-1608	WASHER, FLAT, Cu, 0.938in. od, 0.656in. id, 0.062in.thk	M28358	1	
7	A	9ACR	4730-99-804-4768	ADAPTOR, TEE, PIPE, steel, 9/16in. -18 male thd 1st and 2nd end, 3/4in. BSP female 3rd end	FV510720	1	
NI 8	A	6MT1	4730-99-881-6333	NIPPLE, steel, Cd plated, 0.75in. lg, 0.493in. od, rd pin w/dome shaped hd, hole through small dia	FV513422	1	} u/w item 7
NI 9	A	6MT1	4730-99-881-6332	NUT, UNION, UNF, steel, hex, Cd plated, 9/16in.	FVS97-1	1	
NI 10	A	G1	5315-99-138-2205	PIN, COTTER, SPLIT, steel, phosphate finish, 2.5mm dia, 25mm lg		1	
11		NP		PIPE, BENT METALLIC, irregular shape, c/w female unions both ends	FV847570	1	
12	A	9ACR	4820-99-517-0961	VALVE ASSEMBLY, HYDRAULIC, comprises valve module, 4 handles, pressure gauge and various other components	FV847574	1	
13	A	9ACR	4710-99-805-2099	PIPE, METALLIC, steel, 0.178in. bore dia, 0.036in. wall thk, 25in. lg, nipple union nuts, female thd, both ends	FV644107	1	
14	A	6MT1	5330-99-881-6409	GASKET, steel and rubber, 7/8in. od, 9/16in. id, 0.084in. thk, Cd plated	FVS108-12	2	
15	A	6MT1	4730-99-881-7075	DOUBLE ENDED UNION, PIPE, MALE, steel, 9/16in. -18 UNF thd both ends 1.1in. lg, 1/4in. id, 0.75in. w A/F	FVS96-1	2	
16	A	9ACR	4710-99-804-4753	PIPE, ASSEMBLY, metal, Cu alloy, 60in. lg, 0.25in. od, 20 SWG wall thk, nipple and union nut both ends	FV611492	1	
17	A	9ACR	4730-99-804-4767	TEE, PIPE, steel, Cd plated, 9/16in. -18 UNF male ends	FV510259	1	
18	A	9ACR	4710-99-804-4754	PIPE, ASSEMBLY, METAL, Cu alloy, 54in. lg, 0.25in. od, 20 SWG wall thk, nipple and union nut both ends	FV611493	1	
19	A	9ACR	4710-99-804-4755	PIPE, ASSEMBLY, METAL, Cu alloy, 31in. lg, 0.25in. od, 20 SWG wall thk, nipple and union nut both ends	FV611494	1	
20	A	9ACR	2590-99-804-4797	COVER, VENT, steel, 1.728in. od, 1.6in. id, 1.064in. lg, 9/32in. dia centre hole	FV611776	2	
NI 21	A	G1	5310-99-941-6654	WASHER, LOCK, steel, split helical ring, 1/4in. bolt size, 27/64in. od, 5/64in. thk		2	} Securing item 20
NI 22	A	G1	5305-99-941-6284	SCREW, MACHINE, UNF, 1/4in. dia, class 2A thd, 1/2in. lg, steel, Zn plated, hex hd		2	
23	A	9ACR	4710-99-804-4762	PIPE, ASSEMBLY, METAL, Cu alloy, 60in. lg, 0.625in. dia, 18 SWG wall thk, nipple and union nut both ends	FV611502	1	

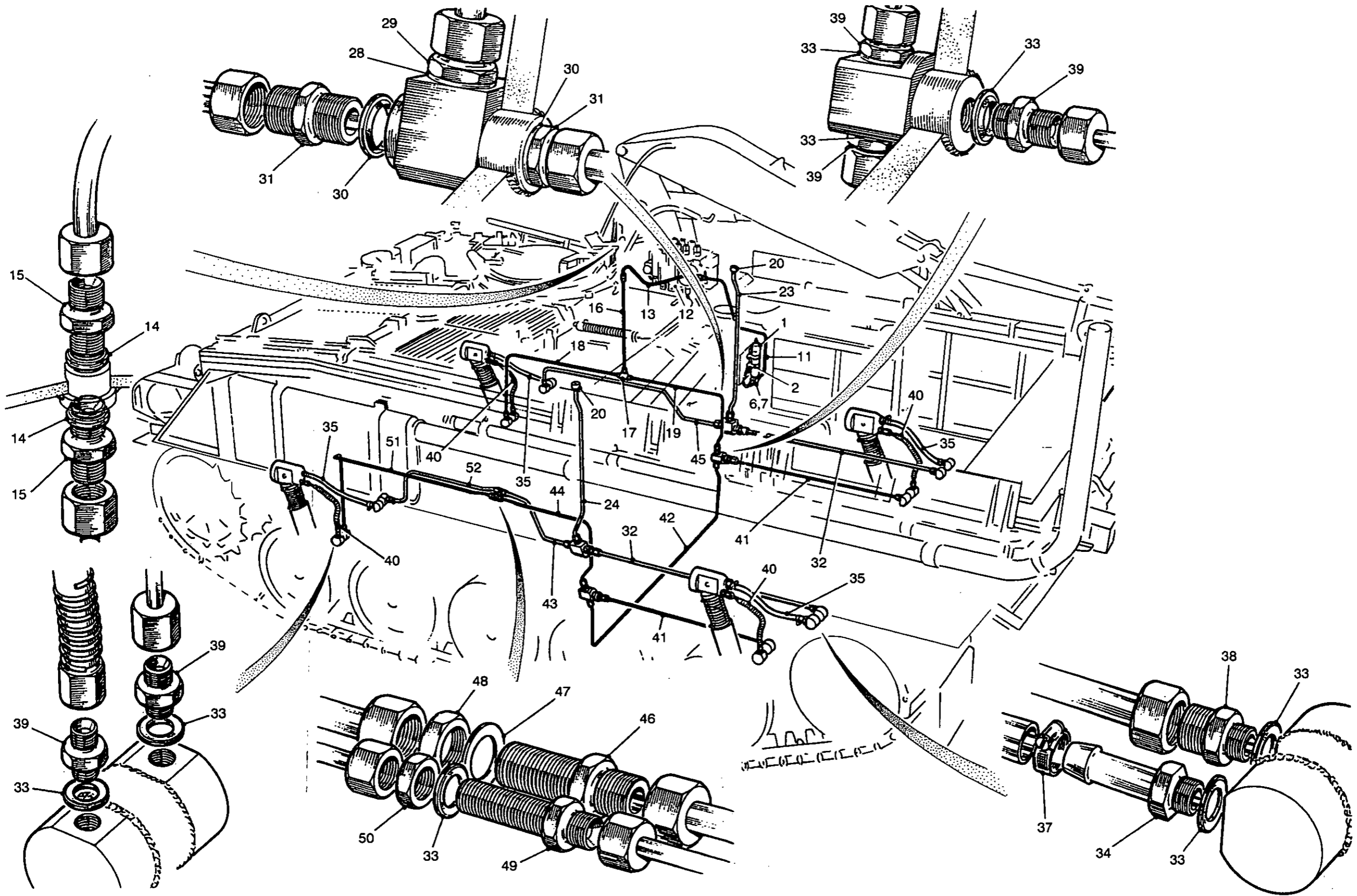


Fig 1 Lockout pipes and fittings general arrangement

430/70232

Fig Item	Man Code Navy - N Army - A RAF - R	NATO Stock No	Item Name and Description	Part No/ Drawing No.	No. Off	Annotations	
1-			LOCKOUT PIPES AND FITTINGS GENERAL ARRANGEMENT - contd				
24	A	9ACR	4710-99-804-4765	PIPE, ASSEMBLY, METAL, Cu alloy, 38in. lg, 0.625in. dia, 18 SWG wall thk, nipple and union nut both ends	FV611506	1	
NI 25	A	G1	5340-99-910-9096	STRAP, RETAINING, 1-1/4in. lg, 1/2in. w	SSML7-4	2	Securing items 23 and 24
NI 26	A	G1	5310-99-941-6654	WASHER, LOCK, steel, split helical ring, 1/4in. bolt size, 27/64in. od, 5/64in. thk		2	
NI 27	A	G1	5310-99-804-7941	NUT, PLAIN, HEXAGON, UNF, 1/4in. dia, -28, class 2B thd, steel, Zn plated, 7/16in. w A/F, 7/32in. h, chamfered		2	} Securing item 25
28	A	6MT1	5330-99-881-4515	GASKET, rubber and steel, Cd plated, 0.925in. id, 1.25in. od, 0.1in. cross-section thk	FVS108-19	4	
29	A	6MT1	4730-99-801-1942	NIPPLE, TUBE	FVS87-8	4	
30	A	6MT1	5330-99-881-6424	GASKET, steel and rubber, 1.065in. od, 3/4in. bolt size, 0.102in. thk, Cd plated	300-024- 0008-02	4	
31	A	46MT1	4730-99-881-5936	NIPPLE, TUBE, male thd, 3/4in. UNF -2A both ends	FVS87-6	4	
32	A	9ACR	4710-99-804-4761	PIPE, ASSEMBLY, METAL, Cu alloy, 43in. lg, 0.438in. dia, 20 SWG wall thk, nipple and union nut both ends	FV611501	2	
33	A	6MT1	5330-99-881-6409	GASKET, steel and rubber, 7/8in. od, 9/16in. id, 0.084in. thk, Cd plated	FVS108-12	23	
34	A	9ACR	4730-99-804-4794	ADAPTOR, STRAIGHT, PIPE TO HOSE, br, 9/16in. -18 UNF male 1st end, 5/8in. od 2nd end, 2.2in. lg	FV563513	4	
35		NP		HOSE, RUBBER, gaiter, ventilation, 12in. lg	FV563514	4	LM from item 36
NI 36	A	46MT6	4720-99-943-9438	HOSE, RUBBER, bulk lg, 1-7/8in. od, canvas and rubber	3006439	A/R	
37	A	46MT1	4730-99-533-2959	CLAMP, HOSE, steel, Zn plated, 13mm w		8	
38	A	9ACR	4730-99-804-4795	ADAPTOR, STRAIGHT, PIPE, steel, Cd plated, 3/4in. -16 UNF male 1st end, 9/16in. -18 UNF male 2nd end, 1.15in. lg	FV611457	4	
39	A	6MT1	4730-99-881-7075	DOUBLE ENDED, UNION PIPE, MALE, steel, 9/16in. -18 UNF thd both ends, 1.1in. lg, 1/4in. id, 0.75in. w A/F	FVS96-1	14	
40	A	9ACR	4720-99-804-4769	HOSE ASSEMBLY, RUBBER, 1/4in. bore, nipple and female union both ends, 11- 1/2in. lg	FV563515	4	
41	A	9ACR	4710-99-804-4756	PIPE, ASSEMBLY, METAL, Cu alloy, 31in. lg, 0.25in. dia, 20 SWG wall thk, nipple and union nut both ends	FV611499	2	
42	A	9ACR	4710-99-804-4757	PIPE, ASSEMBLY, METAL, Cu alloy, 69in. lg, 0.25in. dia, 20 SWG wall thk, nipple and union nut both ends	FV611496	1	
43	A	9ACR	4710-99-804-4764	PIPE, ASSEMBLY, METAL, Cu alloy, 30in. lg, 0.438in. dia, 20 SWG wall thk, nipple and union nut both ends	FV611504	1	
44	A	9ACR	4710-99-804-4759	PIPE, ASSEMBLY, METAL, Cu alloy, 75in. lg, 0.25in. dia, 20 SWG wall thk, nipple and union nut both ends	FV611498	1	
45	A	9ACR	4710-99-804-4760	PIPE, ASSEMBLY, METAL, Cu alloy, 85in. lg, 0.438in. dia, 20 SWG wall thk, nipple and union nut both ends	FV611500	1	
46	A	9ACR	4730-99-804-4796	DOUBLE-ENDED UNION, PIPE, MALE, steel, 3/4in. -16 UNF both ends	FV611473	1	
47	A	6MT1	5330-99-881-6424	GASKET, steel and rubber, 1.065in. od, 3/4in. bolt size, 0.102in. thk, Cd plated	300-024- 0008-02	1	

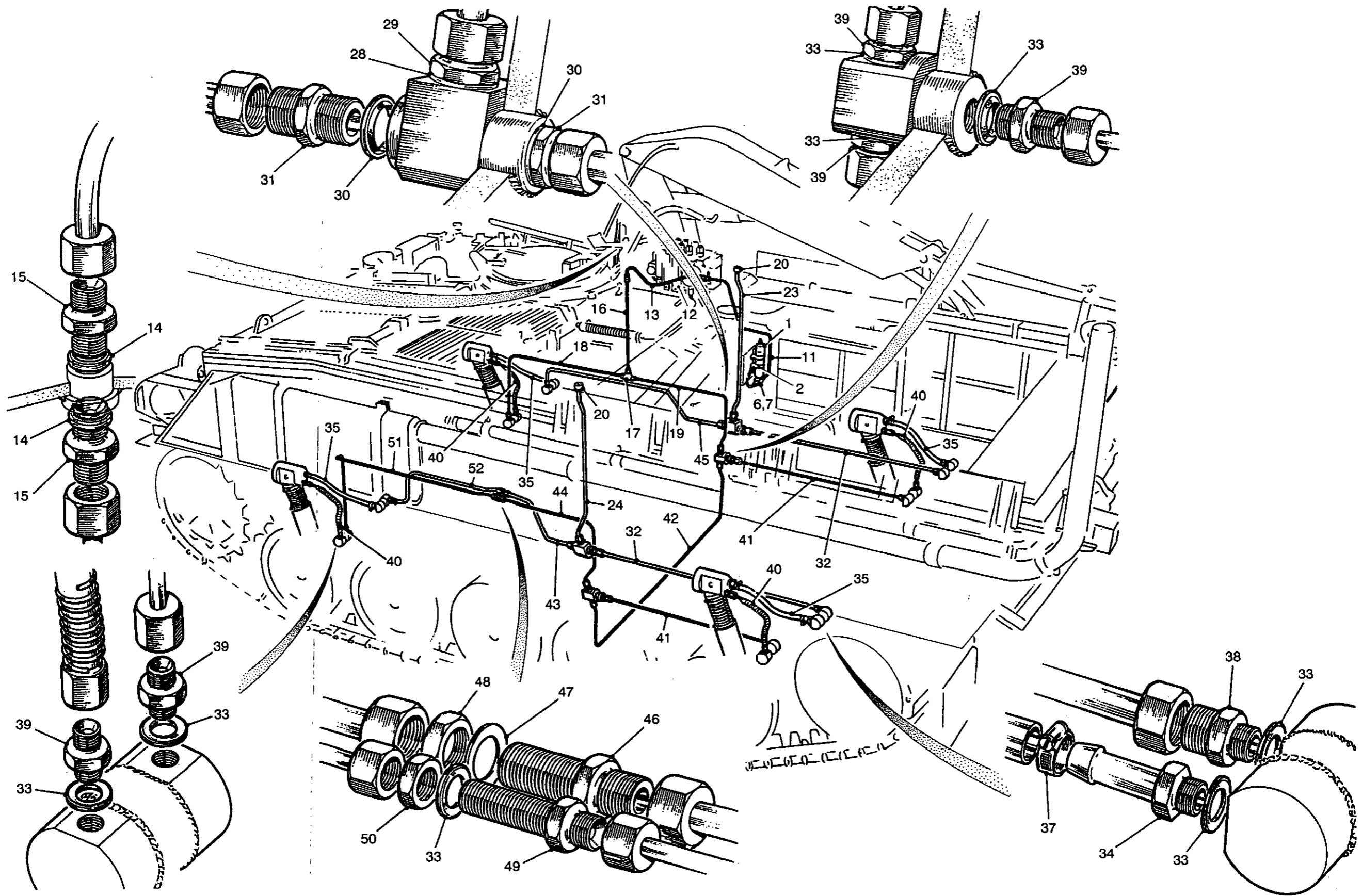


Fig 1 Lockout pipes and fittings general arrangement

430/70232

Fig Item	Man Code Navy - N Army - A RAF - R	NATO Stock No	Item Name and Description	Part No/ Drawing No.	No. Off	Annotations
1-			LOCKOUT PIPES AND FITTINGS GENERAL ARRANGEMENT - contd			
48	A G1	5310-99-941-0909	. NUT, PLAIN, HEXAGON, UNF, steel, Zn plated, chamfered, 3/4in. dia, 1-1/8in. w A/F, 13/32in. h, grade 3		1	
49	A 9ACR	4730-99-804-4770	. DOUBLE-ENDED UNION, PIPE, MALE, steel, 9/16in. -18 UNF both ends	FV611456	1	
50		NP	. NUT, PLAIN, HEXAGON, 9/16in.	7020109021 5900	1	
51	A 9ACR	4710-99-804-4758	. PIPE, ASSEMBLY, METAL, Cu alloy, 48in. lg, 0.25in. dia, 20 SWG wall thk, nipple and union nut both ends	FV611497	1	
52	A 9ACR	4710-99-804-4763	. PIPE, ASSEMBLY, METAL, Cu alloy, 43in. lg, 0.438in. dia, 20 SWG wall thk, nipple and union nut both ends	FV611503	1	

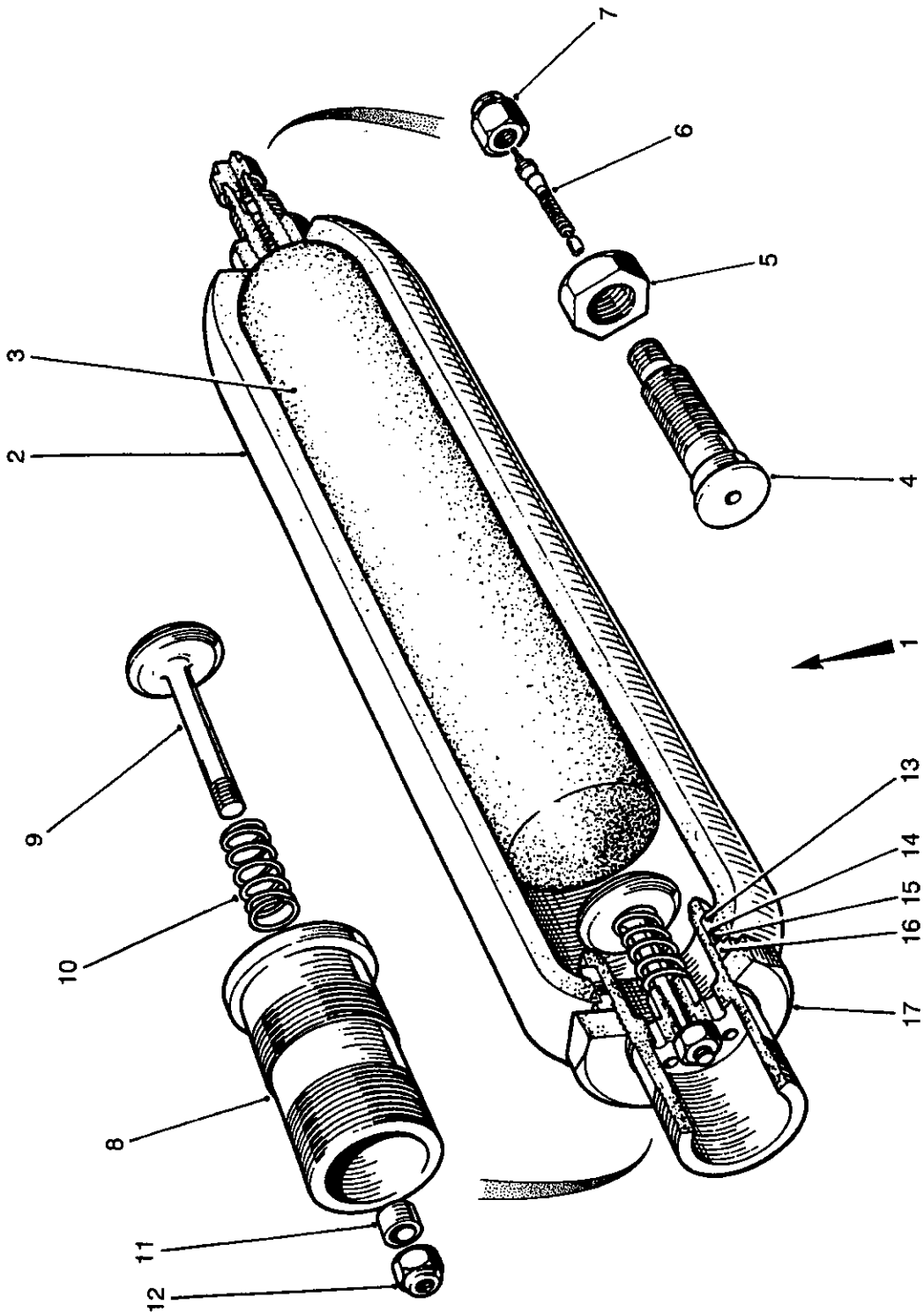


Fig 2 Accumulator, hydraulic

430/70233

Fig Item	Man Code Navy - N Army - A RAF - R	NATO Stock No	Item Name and Description	Part No/ Drawing No.	No. Off	Annotations
2-			LOCKOUT PIPES AND FITTINGS GA - contd			
1	A	46MT9	2540-99-513-4179	. ACCUMULATOR, HYDRAULIC, hydraulic oil service accumulator, air charged	OB00A-00- 341	1
2		NP	. . . BODY	MP201/9	1	
3	A	46MT9	4610-99-957-6289	. . . BLADDER ASSEMBLY, 0.16 litre, 345 Bar working pressure, comprising bladder, gas valve core and cap, locknut and O ring	OB0SA	1
4		NP	. . . STEM, AIR VALVE	MP201/19	1	
5		NP	. . . NUT, PLAIN, HEXAGON, UNF, 5/8in.		1	
6	A	6MT14	2640-99-912-9666	. . . VALVE, CORE, cres spring, 1-11/64in. lg	2300H	1
7	A	6MT14	2640-99-915-7858	. . . CAP, PNEUMATIC TYRE VALVE, 1/4in. BSPF thd	5676	1
8		NP	. . . BODY, POPPET VALVE	MP201/47/1	1	
9		NP	. . . VALVE, POPPET, HYDRAULIC	MP201-39	1	
10	A	46MT9	5360-99-804-3472	. . . SPRING, HELICAL, COMPRESSION, steel	MP201-18	1
11		NP	. . . PISTON, POPPET VALVE	MP201/40/1	1	
12	A	G1	5310-99-941-6970	. . . NUT, SELF-LOCKING, HEXAGON, No. 2 -0.81, BA, steel, Cd plated w/chromate, 21/64in. w A/F, 7/32in. h, w/plastic insert		1
13		NP	. . . RING, RETAINING, VALVE ASSEMBLY	MP201/5/1	1	
14		NP	. . . SPACER, POPPET VALVE	MP201/16/1	1	
15	A	6MT1	5331-99-801-6685	. . . O-RING, 1-7/64in. id, 9/64in. h		1
16		NP	. . . WASHER, SHOULDERED	MP201/15/1	1	
17	A	46MT9	5310-99-804-3473	. . . NUT, PLAIN, HEXAGON, Whit form, 1- 1/8in. thd dia, steel, phosphate coated, 1-43/64in. w A/F, 1/4in. h, chamfered	MP201/17	1

~~CONFIDENTIAL~~

~~CONFIDENTIAL~~

Chapter 2-16
PARTS LIST
TRACK GUARDS
GENERAL ARRANGEMENT

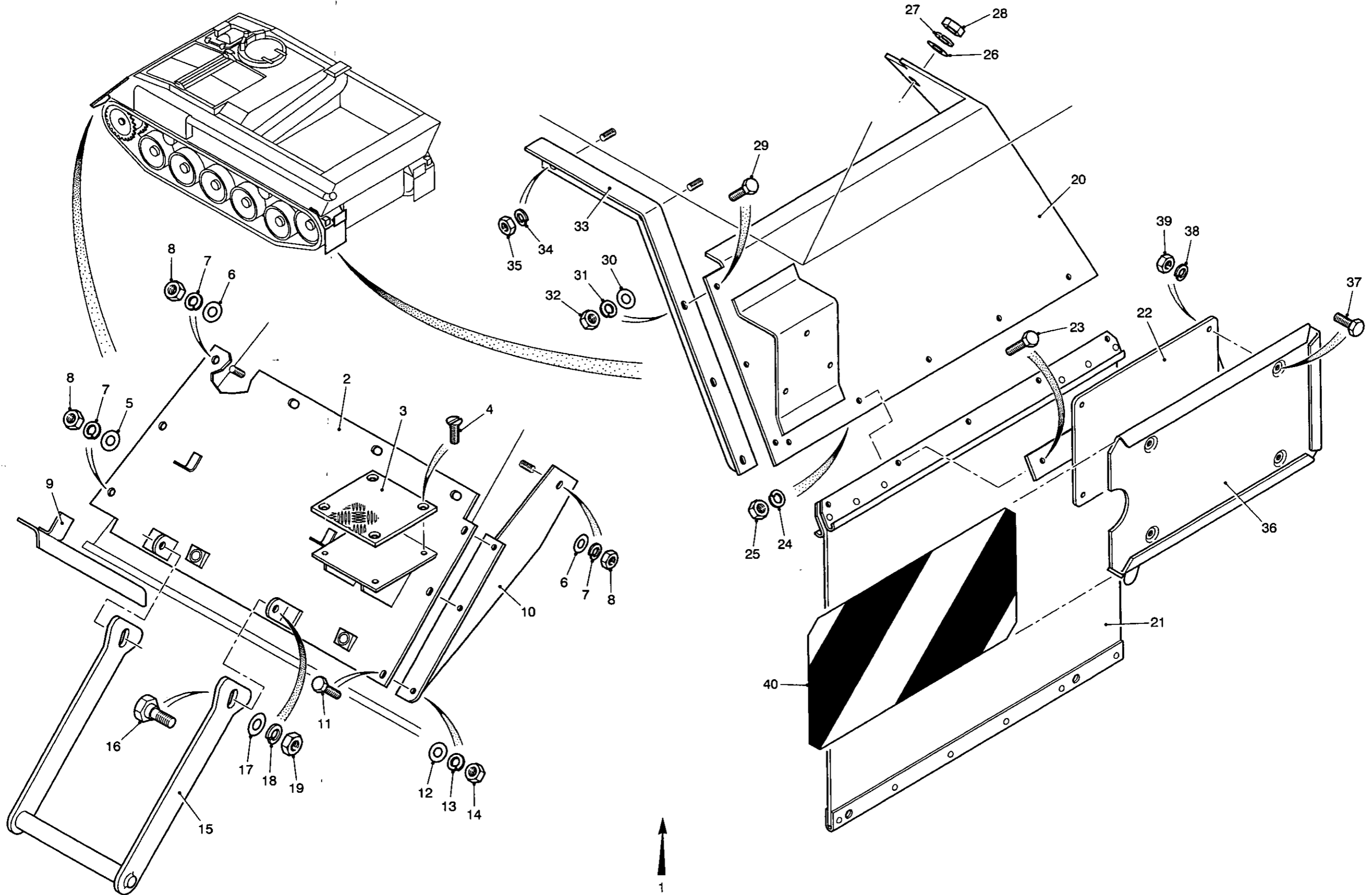


Fig 1 Track guards lh general arrangement

430/70257

Fig Item	Man Code Navy - N Army - A RAF - R	NATO Stock No	Item Name and Description	Part No/ Drawing No.	No. Off	Annotations
1-		NP	TRACK GUARDS GENERAL ARRANGEMENT	FV563255	REF	
1		NP	. TRACK GUARDS LH GENERAL ARRANGEMENT	FV951795	REF	
2	A 9ACR	2510-99-803-4319	. . PLATE, VEHICULAR, TRACK GUARD, 22in. o/a lg, 11-1/2in. o/a w, welded assy, painted finish, front top lh	FV611722	1	
3		NP	. . . CHEQUERED PLATE, BOTTOM, front, foot plate	FV562971	1	
4	A G1	5305-99-941-1749	. . . SCREW, MACHINE, UNF, steel, flat csk hd, slot drive, Zn plated, 1/4in. by 5/8in. lg, SCR 0.472in. class 2A thd		4	
5		NP	. . WASHER, FLAT, 0.64in. (16 SWG) thk	FV299995	2	
6		NP	. . WASHER, FLAT, 3/8in. dia by 15 SWG	7030006009 1000	5	
7	A G1	5310-99-941-6656	. . WASHER, LOCK, steel, split helical ring, 3/8in. nom bolt size, 0.092in. thk, 0.59in. od, single coil, square section		7	
8	A G1	5310-99-941-0926	. . NUT, PLAIN, HEXAGON, UNF, steel, chamfered bearing surface, Zn plated, 3/8in. -24, 0.563in. w A/F, 0.333in. o/a h, grade 3 nut		7	
9		NP	. . BLANKING PLATE, LH front	FV485921	1	
10	A 9ACR	2540-99-783-7652	. . BRACKET, MUDGUARD, front, steel, 15in. lg, 3.5in. o/a w, 1.25in. h, 3 securing holes 5/16in. dia, 10 SWG (0.128in.) matl thk	FV951797	1	
11	A G1	5305-99-941-0513	. . SCREW, CAP, HEXAGON HEAD, UNF, steel, Zn plated, hex hd, 1/4in. dia, 3/4in. lg		3	
12		NP	. . WASHER, FLAT, 1/4in. dia by 17 SWG thk	7030204009 1000	3	
13	A G1	5310-99-941-6654	. . WASHER, LOCK, steel, split helical ring, 1/4in. nom bolt size, 27/64in. od, 5/64in. thk		3	
14	A G1	5310-99-804-7941	. . NUT, PLAIN, HEXAGON, UNF, 1/4in. dia -28, class 2B, rh thd, steel, Zn plated, 7/16in. w A/F, 7/32in. o/a h, chamfered finish		3	
15	A 9ACR	2510-99-803-4384	. . STIRRUP, STEP, VEHICULAR, steel, 10-1/4in. lg approx, 4-3/4in. w approx	FV562972	1	
16	A 9ACR	5306-99-803-4318	. . BOLT, SHOULDER, UNF, 0.375in. dia, 0.5in. lg thd, 0.935in. lg, steel, Cd plated, hex hd, 0.5in. max dia shoulder, 0.3in. max lg shoulder	FV562976	2	
17		NP	. . WASHER, FLAT, 3/8in. dia by 15 SWG	7030006009 1000	2	
18	A G1	5310-99-941-6656	. . WASHER, LOCK, steel, split helical ring, 3/8in. nom bolt size, 0.092in. thk, 0.59in. od, single coil, square section		2	
19	A G1	5310-99-941-0926	. . NUT, PLAIN, HEXAGON, UNF, steel, chamfered bearing surface, Zn plated, 3/8in. -24, 0.563in. w A/F, 0.333in. o/a h, grade 3 nut		2	
20	A 9ACR	2510-99-803-4316	. . FENDER, VEHICULAR, LH	FV611388	1	
21	A 9ACR	2540-99-803-4317	. . MUD FLAP, straight fabric reinforced rubber, 21in. lg, 21in. w	FV602928	1	

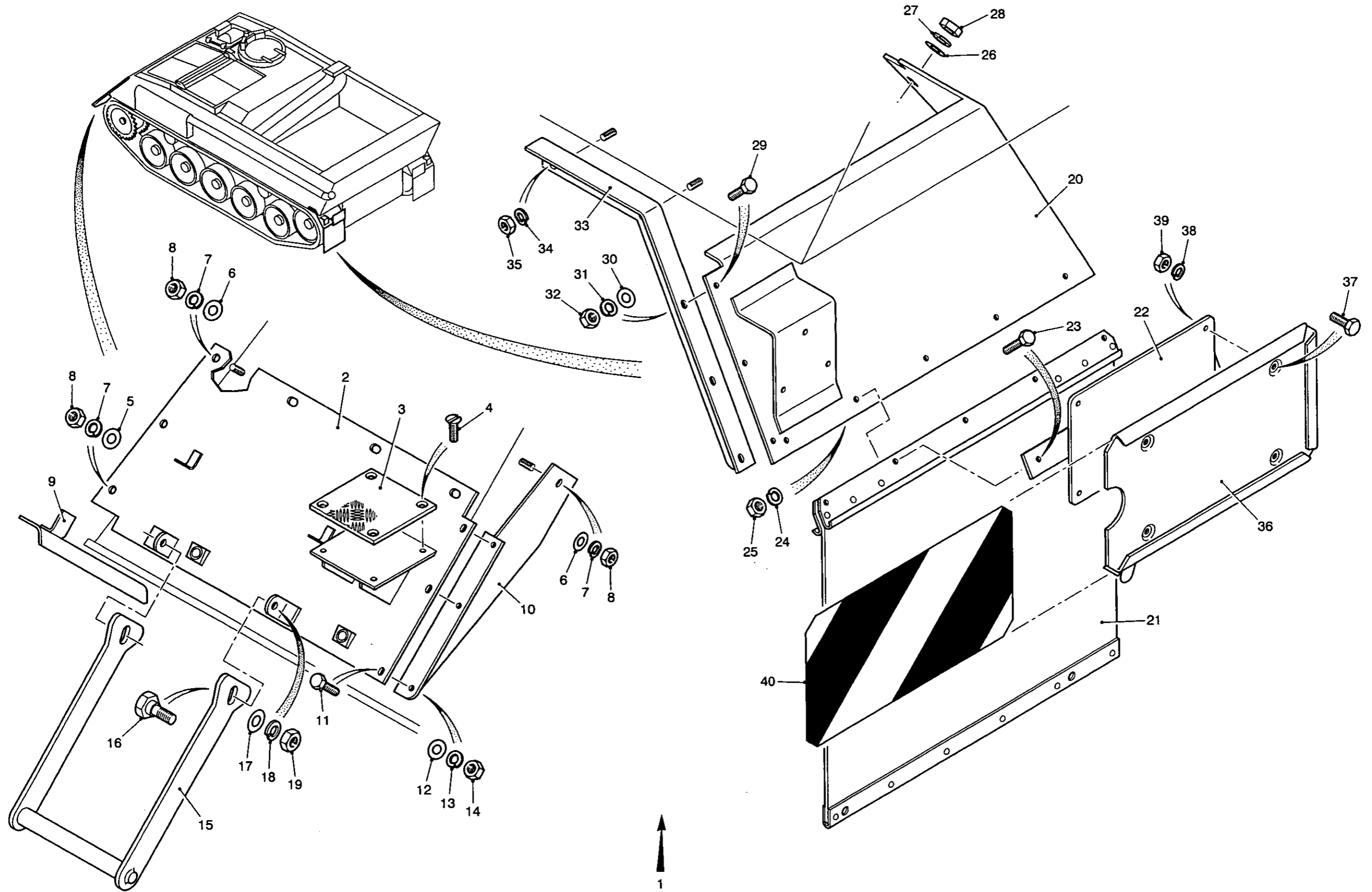


Fig 1 Track guards lh general arrangement

430/70257

Fig Item	Man Code Navy - N Army - A RAF - R	NATO Stock No	Item Name and Description	Part No/ Drawing No.	No. Off	Annotations
1-			TRACK GUARDS GENERAL ARRANGEMENT - contd . TRACK GUARDS LH GENERAL ARRANGEMENT - contd			
22	A	9ACR	2540-99-490-4049 . . BRACKET, MARKER SUPPORT, steel, painted, 410mm lg, 170mm w, welded fabrication, for high visibility marker board holder	FV2200914	1	
23	A	G1	5305-99-941-0280 . . SCREW, CAP, HEXAGON HEAD, UNF, steel, hex hd, Zn plated, 1/4in. by 1in. lg, class 2A thd		5	
24	A	G1	5310-99-941-6654 . . WASHER, LOCK, steel, split helical ring, 1/4in. nom bolt size, 27/64in. od, 5/64in. thk		5	
25	A	G1	5310-99-804-7941 . . NUT, PLAIN, HEXAGON, UNF, 1/4in. dia -28, class 2B, rh thd, steel, Zn plated, 7/16in. w A/F, 7/32in. o/a h, chamfered finish		5	
26		NP	. . WASHER, FLAT, 3/8in. dia by 15 SWG	7030006009 1000	2	
27	A	G1	5310-99-941-6656 . . WASHER, LOCK, steel, split helical ring, 3/8in. nom bolt size, 0.092in. thk, 0.59in. od, single coil, square section		2	
28	A	G1	5310-99-941-0926 . . NUT, PLAIN, HEXAGON, UNF, steel, chamfered bearing surface, Zn plated, 3/8in. -24, 0.563in. w A/F, 0.333in. o/a h, grade 3 nut		2	
29	A	G1	5305-99-941-0513 . . SCREW, CAP, HEXAGON HEAD, UNF, steel, Zn plated, hex hd, 1/4in. dia, 3/4in. lg		3	
30		NP	. . WASHER, FLAT, 1/4in. dia by 17 SWG thk	7030204009 1000	3	
31	A	G1	5310-99-941-6654 . . WASHER, LOCK, steel, split helical ring, 1/4in. nom bolt size, 27/64in. od, 5/64in. thk		3	
32	A	G1	5310-99-804-7941 . . NUT, PLAIN, HEXAGON, UNF, 1/4in. dia -28, class 2B, rh thd, steel, Zn plated, 7/16in. w A/F, 7/32in. o/a h chamfered finish		3	
33	A	9ACR	2540-99-783-7653 . . STAY, MUDGUARD, LH, rear, steel, welded at angle, 8.75in. lg 1st leg, 12.50in. lg 2nd leg, 10 SWG (0.128in.) matl thk	FV951798	1	
34	A	G1	5310-99-941-6656 . . WASHER, LOCK, steel, split helical ring, 3/8in. nom bolt size, 0.092in. thk, 0.59in. od, single coil, square section		2	
35	A	G1	5310-99-941-0926 . . NUT, PLAIN, HEXAGON, UNF, steel, chamfered bearing surface, Zn plated, 3/8in. -24, 0.563in. w A/F, 0.333in. o/a h, grade 3 nut		2	
36	A	9ACR	2540-99-665-7533 . . HOLDER ASSEMBLY, MARKER BOARD, paint, approx 242mm w by 430mm h, to hold high visibility marker board	FV2200923	1	
37	A	G1	5305-99-122-5360 . . SCREW, CAP, HEXAGON HEAD, 6.00 x 1.00 ISO M, rh, 16mm thd and fastener lg, steel, Zn plated, w/chromate treatment, BS3382 part 2		4	

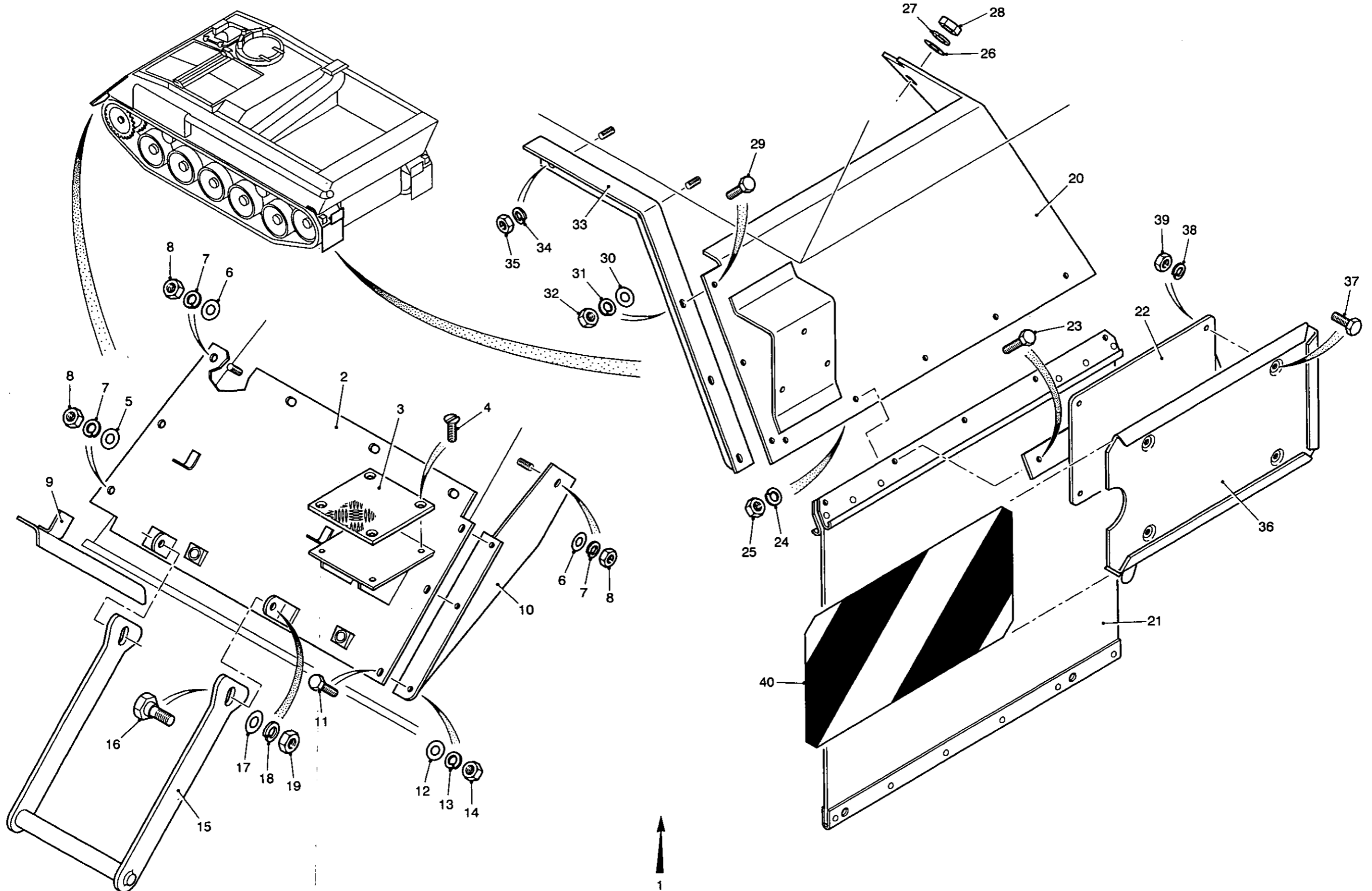


Fig 1 Track guards lh general arrangement

430/70257

Fig Item	Man Code Navy - N Army - A RAF - R	NATO Stock No	Item Name and Description	Part No/ Drawing No.	No. Off	Annotations
1-			TRACK GUARDS GENERAL ARRANGEMENT - contd . TRACK GUARDS LH GENERAL ARRANGEMENT - contd			
38	A G1	5310-99-137-9232	. . WASHER, LOCK, steel, split helical ring, 6.3mm id, 1.5mm mati thk, 9.2mm od		4	
39	A G1	5310-99-122-5295	. . NUT, PLAIN, HEXAGON, M6 by 1.00mm ISO , class 6H thd, rh thd, steel, Zn plated, 10mm max w A/F, 5mm max h, chamfered bearing surface, strength grade 8		4	
40	A 6MT1	9905-99-837-2954	. . SIGN, LH and RH rear marker boards	BSAU152	SET	

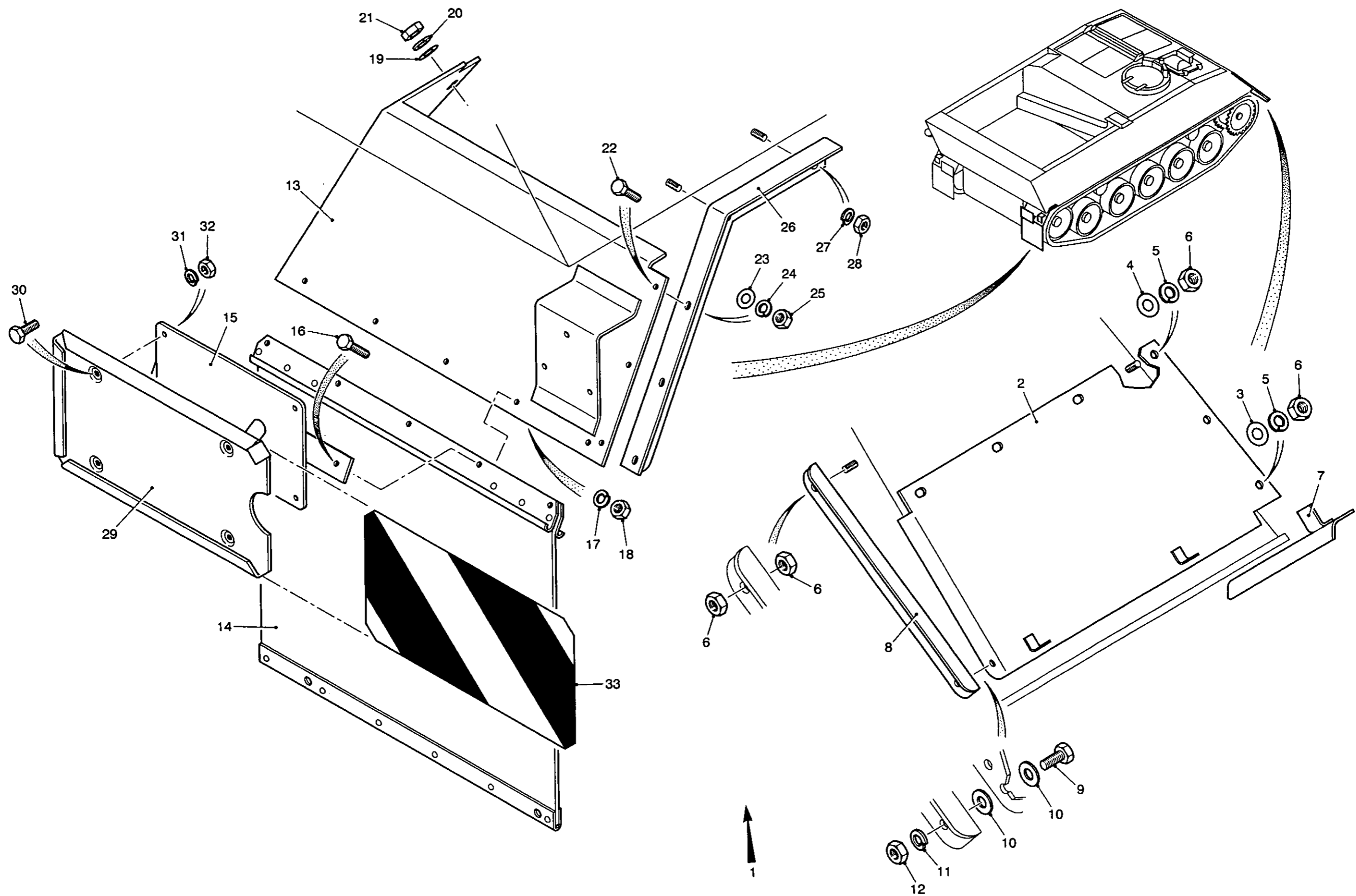


Fig 2 Track guards rh general arrangement

430/70258

Fig Item	Man Code Navy - N Army - A RAF - R	NATO Stock No	Item Name and Description	Part No/ Drawing No.	No. Off	Annotations
2-			TRACK GUARDS GENERAL ARRANGEMENT - contd			
1		NP	. TRACK GUARDS RH GENERAL ARRANGEMENT	FV951796	REF	
2	A	9ACR	. . . PANEL, TRACK GUARD, front rh	FV951817	1	
3		NP	. . . WASHER, FLAT, 0.64in. (16 SWG) thk	FV299995	2	
4		NP	. . . WASHER, FLAT, 3/8in. dia by 15 SWG	7030006009 1000	4	
5	A	G1	. . . WASHER, LOCK, steel, split helical ring, 3/8in. nom bolt size, 0.092in. thk, 0.59in. od, single coil, square section		6	
6	A	G1	. . . NUT, PLAIN, HEXAGON, UNF, steel, chamfered bearing surface, Zn plated, 3/8in. -24, 0.563in. w A/F, 0.333in. o/a h, grade 3 nut		8	
7		NP	. . . BLANKING PLATE, rh front	FV485922	1	
8	A	9ACR	. . . BRACE, TRACK GUARD, steel, angled strip, 1in. w 1st leg, 0.750in. 2nd leg, 15in. o/a lg, two 13/32in. dia holes	FV951823	1	
9	A	G1	. . . SCREW, CAP, HEXAGON HEAD, UNF, steel, Zn plated, hex hd, 1/4in. dia, 3/4in. lg		1	
10		NP	. . . WASHER, FLAT, 1/4in. dia by 17 SWG thk	7030204009 1000	2	
11	A	G1	. . . WASHER, LOCK, steel, split helical ring, 1/4in. nom bolt size, 27/64in. od, 5/64in. thk		1	
12	A	G1	. . . NUT, PLAIN, HEXAGON, UNF, 1/4in. dia -28, class 2B, rh thd, steel, Zn plated, 7/16in. w A/F, 7/32in. o/a h, chamfered finish		1	
13	A	9ACR	. . . FENDER, VEHICULAR, rear, rh, application	FV611393	1	
14	A	9ACR	. . . MUD FLAP, straight fabric reinforced rubber, 21in. lg, 21in. w	FV602928	1	
15	A	9ACR	. . . BRACKET, MARKER SUPPORT, steel, painted, 410mm lg, 170mm w, welded fabrication, for high visibility marker board holder	FV2200914	1	
16	A	G1	. . . SCREW, CAP, HEXAGON HEAD, UNF, steel, hex hd, Zn plated 1/4in. by 1in lg, class 2A thd		5	
17	A	G1	. . . WASHER, LOCK, steel, split helical ring, 1/4in. nom bolt size, 27/64in. od, 5/64in. thk		5	
18	A	G1	. . . NUT, PLAIN, HEXAGON, UNF, 1/4in. dia -28, class 2B, rh thd, steel, Zn plated, 7/16in. w A/F, 7/32in. o/a h, chamfered finish		5	
19		NP	. . . WASHER, FLAT, 3/8in. dia by 15 SWG	7030006009 1000	2	
20	A	G1	. . . WASHER, LOCK, steel, split helical ring, 3/8in. nom bolt size, 0.092in. thk, 0.59in. od, single coil, square section		2	
21	A	G1	. . . NUT, PLAIN, HEXAGON, UNF, steel, chamfered bearing surface, Zn plated, 3/8in. -24, 0.563in. w A/F, 0.333in. o/a h, grade 3 nut		2	

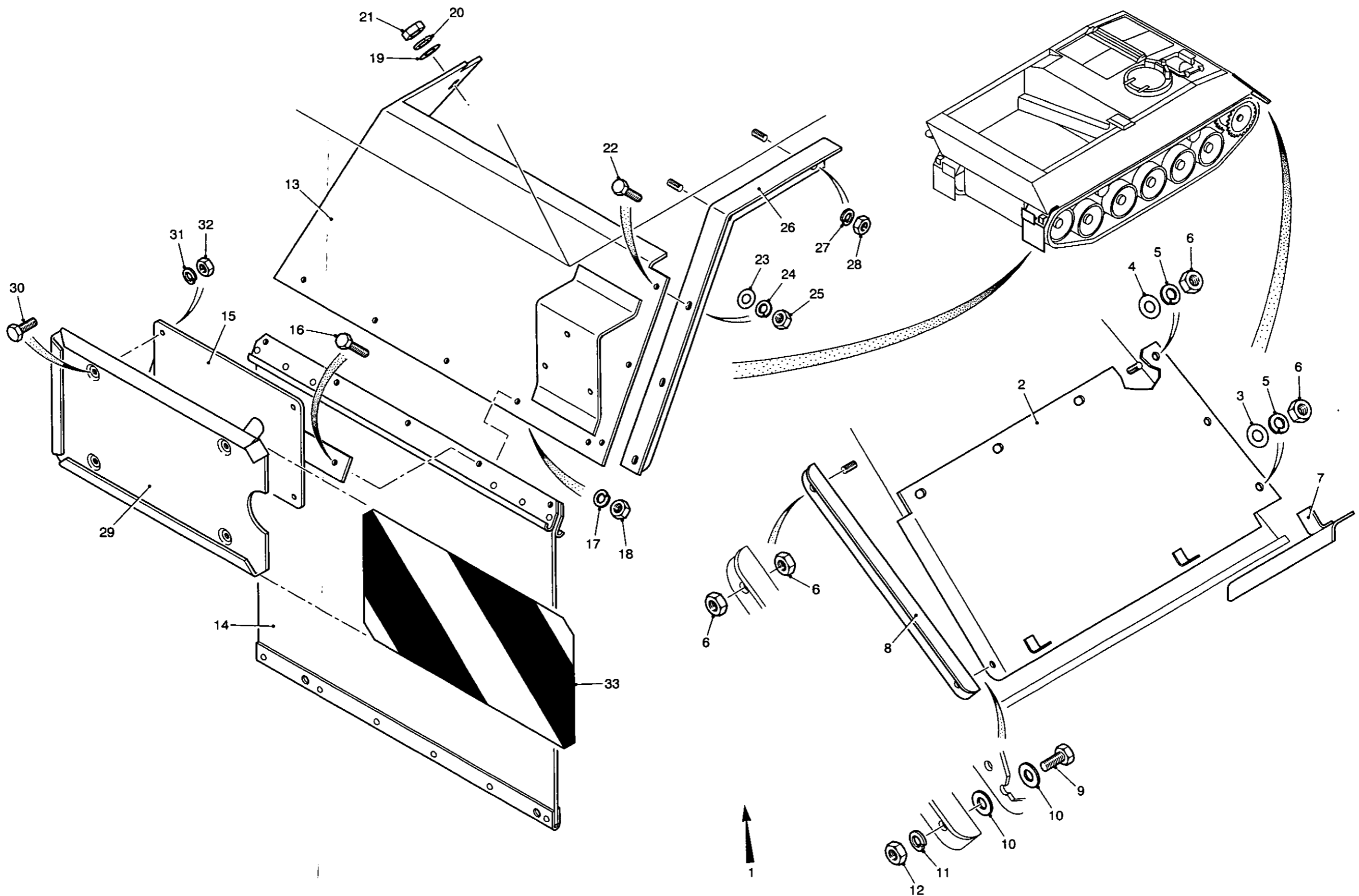


Fig 2 Track guards rh general arrangement

430/70258

Fig Item	Man Code Navy - N Army - A RAF - R	NATO Stock No	Item Name and Description	Part No/ Drawing No.	No. Off	Annotations
2-			TRACK GUARDS GENERAL ARRANGEMENT - contd . TRACK GUARDS RH GENERAL ARRANGEMENT - contd			
22	A G1	5305-99-941-0513	. . SCREW, CAP, HEXAGON HEAD, UNF, steel, Zn plated, hex hd, 1/4in. dia, 3/4in. lg		3	
23		NP	. . WASHER, FLAT, 1/4in. dia by 17 SWG thk	7030204009 1000	3	
24	A G1	5310-99-941-6654	. . WASHER, LOCK, steel, split helical ring, 1/4in. nom bolt size, 27/64in. od, 5/64in. thk		3	
25	A G1	5310-99-804-7941	. . NUT, PLAIN, HEXAGON, UNF, 1/4in. dia -28, class 2B, rh thd, steel, Zn plated, 7/16in. w A/F, 7/32in. o/a h, chamfered finish		3	
26	A 9ACR	2540-99-783-7654	. . STAY, MUDGUARD, RH, rear, steel, welded at angle, 8.75in. lg 1st leg, 12.50in. lg 2nd leg, 10 SWG (0.128in.) matl thk	FV951799	1	
27	A G1	5310-99-941-6656	. . WASHER, LOCK, steel, split helical ring, 3/8in. nom bolt size, 0.092in. thk, 0.59in. od, single coil, square section		2	
28	A G1	5310-99-941-0926	. . NUT, PLAIN, HEXAGON, UNF, steel, chamfered bearing surface, Zn plated, 3/8in. -24, 0.563in. w A/F, 0.333in. o/a h, grade 3 nut		2	
29	A 9ACR	2540-99-665-7533	. . HOLDER ASSEMBLY, MARKER BOARD, paint, approx 242mm w by 430mm h, to hold high visibility marker board	FV2200923	1	
30	A G1	5305-99-122-5360	. . SCREW, CAP, HEXAGON HEAD, 6.00 x 1.00 ISO M, rh, 16mm thd and fastener lg, steel, Zn plated, w/chromate treatment, BS3382 part 2		4	
31	A G1	5310-99-137-9232	. . WASHER, LOCK, steel, split helical ring, 6.3mm id, 1.5mm matl thk, 9.2mm od		4	
32	A G1	5310-99-122-5295	. . NUT, PLAIN, HEXAGON, M6 by 1.00mm ISO , class 6H thd, rh thd, steel, Zn plated, 10mm max w A/F, 5mm max h, chamfered bearing surface, strength grade 8		4	
33	A 6MT1	9905-99-837-2954	. . SIGN, LH and RH rear marker boards	BSAU152	SET	

CHAPTER 3
INDEX OF NATO STOCK NUMBERS

~~UNRESTRICTED~~

~~UNRESTRICTED~~

INDEX OF NATO STOCK NUMBERS

NATO STOCK No.	Chapter, Page and Item No.	NATO STOCK No.	Chapter, Page and Item No.	NATO STOCK No.	Chapter, Page and Item No.
5940-00-271-6709	2-7.127-291	5905-99-013-5498	2-7.129-9	5961-99-037-2016	2-7.135-85
2520-00-405-1842	2-4.165-5	5905-99-013-5498	2-7.131-52	5960-99-037-2036	2-7.129-20
5930-00-470-0329	2-7.99-23	5905-99-013-5498	2-7.133-79	5960-99-037-2036	2-7.131-54
5330-00-585-1591	2-7.81-10	5905-99-013-5516	2-7.133-75	5960-99-037-2043	2-7.93-108
5330-00-585-1591	2-7.101-35	5905-99-013-5878	2-7.131-48	5961-99-037-2198	2-7.135-84
5330-00-585-1591	2-7.157-174	5905-99-013-6233	2-7.133-74	5961-99-037-2204	2-7.129-19
5330-00-585-1591	2-7.161-204	5905-99-013-8940	2-7.133-76	5961-99-037-2204	2-7.135-86
5330-00-585-1598	2-7.173-50	5905-99-014-0178	2-7.27-8	5961-99-037-2279	2-7.129-22
2520-00-679-6974	2-4.165-23	5905-99-014-0199	2-7.93-107	5910-99-037-2279	2-7.133-56
3120-00-679-7068	2-4.165-28	5905-99-014-0314	2-7.149-56	5961-99-037-2279	2-7.135-89
2520-00-767-5417	2-4.165-24	5905-99-014-0321	2-7.137-108	5961-99-037-2718	2-7.185-86
2520-00-767-5419	2-4.165-1	5305-99-014-0829	2-4.171-15	5961-99-037-2718	2-8.19-45
3120-00-842-4195	2-4.155-2	5935-99-014-7122	2-7.39-15	5961-99-037-2719	2-7.199-16
4330-00-860-7344	2-4.149-29	5330-99-014-7131	2-7.87-19	5961-99-037-3809	2-4.239-44
2520-00-911-1076	2-4.159-15	5330-99-014-7131	2-7.101-30	5961-99-037-3870	2-4.239-43
2520-01-007-0343	2-4.165-12	5330-99-014-7131	2-7.105-9	5960-99-037-4159	2-7.133-58
5940-01-251-6054	2-7.117-151	5330-99-014-7131	2-7.165-261	5961-99-037-5587	2-7.129-4
5940-01-251-6054	2-7.117-161	5330-99-014-7131	2-7.165-269	5961-99-037-5960	2-7.129-21
5940-01-251-6054	2-7.117-178	5330-99-014-7131	2-7.199-9	5930-99-051-0551	2-7.71-6
6240-12-140-4715	2-7.201/202-30	5330-99-014-7133	2-7.39-4	5930-99-051-0575	2-7.199-21
6240-12-173-4827	2-7.15-152	5330-99-014-7133	2-7.47-14	5930-99-051-0578	2-7.95-147
6240-12-173-4827	2-7.23-23	5330-99-014-7134	2-7.99-26	5920-99-059-0112	2-7.171-30
6240-12-173-4827	2-7.35-8	5330-99-014-7134	2-7.165-248	2510-99-062-6305	2-1-6.3-8
6240-12-173-4827	2-7.41-39	5330-99-014-7134	2-7.173-40	5365-99-097-0096	2-7-1.10-192
1005-12-185-2101	2-7.87-25	5330-99-014-7135	2-4.135-7	5365-99-097-0108	2-7-1.10-191
1005-12-185-2101	2-7.89-35	5330-99-014-7135	2-7.77-52	5940-99-100-1400	2-7.171-27
1005-12-185-2101	2-7.89-47	5330-99-014-7135	2-7.165-254	6145-99-100-4628	2-7.81-5
5945-12-326-2756	2-7.181-24	5330-99-014-7135	2-7.179-18	6145-99-100-4628	2-7.105-7
6250-17-023-6795	2-7.201/202-26	5330-99-014-7135	2-7.191-24	6145-99-100-4628	2-7.105-14
5961-17-053-9731	2-7.131-53	5330-99-014-7137	2-7.87-29	6145-99-100-4628	2-7.105-19
9905-99-009-1137	2-7.81-13	5330-99-014-7137	2-7.89-39	6145-99-100-4628	2-7.185-93
5355-99-011-2990	2-7.171-14	5330-99-014-7137	2-7.163-223	5305-99-100-6166	2-7.201/202-29
5920-99-012-0231	2-7.71-3	5330-99-014-7137	2-7.167-276	5310-99-100-6328	2-7.81-20
5920-99-012-0231	2-7.171-29	5330-99-014-7137	2-7.185-72	5940-99-100-6580	2-7.141-176
6250-99-012-0913	2-7.95-141	5330-99-014-7138	2-7.77-48	5310-99-100-6941	2-8.23-20
6250-99-012-0913	2-7.181-32	5330-99-014-7139	2-4.55-62	5310-99-100-6945	2-4.83-4
6210-99-012-7421	2-7.95-142	5330-99-014-7139	2-7.79-67	5310-99-100-6945	2-4.87-73
5905-99-012-8214	2-7.129-7	5330-99-014-7139	2-7.89-51	5310-99-100-6945	2-4.89-86
5905-99-012-8214	2-7.131-50	5330-99-014-7139	2-7.141-178	5310-99-100-6945	2-4.91-121
5905-99-012-8214	2-7.133-73	5330-99-014-7139	2-7.159-188	5310-99-100-6945	2-4.205-8
5905-99-012-8250	2-7.129-12	5330-99-014-7139	2-7.159-197	5310-99-100-6945	2-4.205-26
5935-99-013-1320	2-7-1.10-193	5330-99-014-7139	2-7.161-216	5310-99-100-6945	2-5.3-10
5905-99-013-5077	2-7.129-10	5330-99-014-7139	2-7.163-233	5310-99-100-6945	2-6.21-18
5905-99-013-5472	2-7.133-77	5330-99-014-7139	2-7.163-244	5310-99-100-6946	2-4.195-16
5905-99-013-5474	2-7.131-49	5330-99-014-7139	2-8.19-54	5310-99-100-6946	2-7.71-17
5905-99-013-5478	2-7.133-78	5330-99-014-7140	2-7.157-156	5310-99-100-6946	2-7.73-27
5905-99-013-5482	2-7.129-6	5330-99-014-7140	2-7.157-166	5310-99-100-6946	2-7.97-172
5905-99-013-5490	2-7.129-8	5910-99-015-8891	2-7.129-17	5310-99-100-6946	2-7.77-38
5905-99-013-5490	2-7.131-47	2540-99-029-7507	2-10.25-21	5305-99-100-7753	2-7.3-24
5905-99-013-5492	2-7.129-14	5935-99-035-3030	2-7.5-41	5305-99-100-7972	2-4.203-42
5905-99-013-5494	2-7.133-80	5961-99-037-2016	2-7.129-18		

INDEX OF NATO STOCK NUMBERS

NATO STOCK No.	Chapter, Page and Item No.	NATO STOCK No.	Chapter, Page and Item No.	NATO STOCK No.	Chapter, Page and Item No.
5310-99-100-9333	2-7.137-133	5905-99-104-1153	2-7.171-11	5315-99-120-2065	2-3.27-13
5310-99-100-9641	2-9.3-23	5340-99-104-2862	2-12.11-9	5315-99-120-2114	2-13.7-47
5310-99-100-9641	2-9.5/6-33	5340-99-104-2862	2-12.13/14-38	5310-99-120-2196	2-4.115-4
5310-99-100-9752	2-4.239-41	5340-99-104-2862	2-12.13/14-49	5310-99-120-2520	2-7.97-175
5310-99-100-9786	2-4.95-16	5935-99-104-3680	2-7.161-217	4010-99-120-2784	2-5.3-30
5310-99-100-9786	2-4.205-13	6145-99-104-7324	2-4.249-36	5305-99-120-3307	2-4.41-91
5310-99-100-9786	2-7.201/202-24	6145-99-104-7324	2-4.249-45	5307-99-120-3516	2-2.7-39
5305-99-101-0030	2-4.147-78	6145-99-104-7324	2-4.249-54	5307-99-120-3516	2-2.17-46
5310-99-101-0187	2-7.91-84	6145-99-104-7324	2-4.251/252-61	5307-99-120-3527	2-9.3-3
5305-99-101-0658	2-7.23-24	6145-99-104-7325	2-4.249-30	5307-99-120-3531	2-2.21-16
5330-99-101-1135	2-13.21-25	9320-99-104-9713	2-5.9-7	5307-99-120-3534	2-13.19-3
5305-99-101-1337	2-7.65-11	5940-99-105-1388	2-7.145-21	5310-99-120-3862	2-4.221-25
5305-99-101-1466	2-4.119-41	5940-99-105-1390	2-7.145-9	5310-99-120-3891	2-1-5.3-7
5310-99-101-1475	2-7.103-47	5925-99-105-3145	2-7.167-289	5310-99-120-3891	2-1-5.5/6-34
5305-99-101-1501	2-1-2.13-10	5975-99-105-3592	2-7.201/202-27	5310-99-120-3891	2-1-14.9-19
5310-99-101-1692	2-7.93-95	5940-99-105-7377	2-7.121-203	5310-99-120-3891	2-1-14.11/12-32
5310-99-101-1692	2-7.121-212	5945-99-105-7583	2-7.123-247	5310-99-120-3891	2-4.149-14
5310-99-101-1692	2-7.121-221	5930-99-105-8352	2-7.185-82	5310-99-120-3891	2-12.11-23
5310-99-101-1692	2-7.123-230	5910-99-106-6462	2-8.19-42	5310-99-120-4032	2-1-1.5-10
5310-99-101-2564	2-8.21-5	5940-99-106-7668	2-7.139-159	5310-99-120-4032	2-1-1.5-24
5310-99-101-2645	2-9.3-5	5940-99-106-7668	2-7.141-171	5310-99-120-4032	2-1-2.7-77
5310-99-101-2862	2-1-9.13-17	5940-99-106-7668	2-8.19-50	5310-99-120-4032	2-1-6.5-33
4730-99-101-3291	2-7.101-43	5940-99-106-7672	2-8.19-51	5310-99-120-4032	2-4.119-29
5310-99-101-3781	2-3.13-33	5330-99-111-8329	2-7.201/202-31	5310-99-120-4032	2-4.125-13
5310-99-101-3781	2-3.13-42	6220-99-112-5612	2-14.3-4	5310-99-120-4032	2-4.125-15
5310-99-101-3781	2-3.17-73	5305-99-114-3548	2-7.201/202-33	5310-99-120-4032	2-4.139-28
5310-99-101-3781	2-3.17-83	5970-99-115-8037	2-7.171-26	5310-99-120-4032	2-4.139-32
9905-99-101-4237	2-1-1.11-17	5970-99-115-8585	2-7.171-25	5310-99-120-4032	2-7.65-3
5305-99-101-5890	2-7.145-10	5961-99-118-1454	2-7.111-64	5310-99-120-4032	2-7.109-49
5310-99-101-6807	2-7.83/85-35	5961-99-118-1454	2-7.149-55	5310-99-120-4032	2-7.153-108
5310-99-101-6807	2-7.83/85-39	5961-99-118-3923	2-7.137-128	5310-99-120-4032	2-7.187-107
5305-99-101-6807	2-7.97-167	5305-99-120-0040	2-7.123-243	5305-99-120-4684	2-4.91-136
5305-99-101-6854	2-7.91-71	5310-99-120-0072	2-7.131-43	5310-99-120-4983	2-4.221-8
3120-99-101-7148	2-4.183-38	5310-99-120-0118	2-6.21-22	5310-99-120-5362	2-4.183-44
3120-99-101-7148	2-6.9-94	5310-99-120-0118	2-7.99-7	2540-99-120-5418	2-1-11.3/4-15
3120-99-101-7163	2-4.181-2	5305-99-120-0188	2-5.15-16	5305-99-120-5485	2-8.11-97
3120-99-101-7163	2-4.181-6	5305-99-120-0189	2-7.99-21	5310-99-120-5862	2-4.221-10
3120-99-101-7163	2-6.3-2	5305-99-120-0192	2-7.101-37	5310-99-120-6049	2-7.31-6
3120-99-101-7163	2-6.5-52	5310-99-120-0328	2-7.97-174	5310-99-120-6590	2-7.93-94
5310-99-101-7838	2-1-2.9-91	5365-99-120-0556	2-7.109-53	5365-99-120-6763	2-3.17-85
5310-99-101-7838	2-8.3-20	5310-99-120-0697	2-4.223-46	5310-99-120-6892	2-7.127-297
5305-99-101-8548	2-1-2.9-100	5305-99-120-0941	2-1-2.17/18-31	5310-99-120-7391	2-6.15-43
5935-99-102-4388	2-7.165-267	5365-99-120-1010	2-4.67-31	5365-99-120-7681	2-4.205-11
5935-99-102-9579	2-7.87-20	5315-99-120-1036	2-7.75-21	5315-99-120-7987	2-2.21-4
5935-99-102-9579	2-7.101-40	5305-99-120-1448	2-8.19-55	5315-99-120-7987	2-2.21-8
5935-99-102-9579	2-7.105-27	5305-99-120-1554	2-8.11-103	5315-99-120-7987	2-2.21-12
5935-99-102-9579	2-7.119-189	5305-99-120-1605	2-8.17-30	5315-99-120-8148	2-4.107-16
5935-99-102-9671	2-7.167-278	5305-99-120-1616	2-7.77-44	5306-99-120-8295	2-4.59-23
5330-99-103-2336	2-7.71-10	5305-99-120-1622	2-4.221-3	5306-99-120-8529	2-7.61-24
5925-99-103-2893	2-7.107-27	5305-99-120-1622	2-7.43-49	5310-99-120-9323	2-4.213-7
5940-99-103-9031	2-7.77-58	5310-99-120-1873	2-7.111-84	5310-99-120-9323	2-4.213-15
5940-99-103-9031	2-7.79-64	5305-99-120-2007	2-1-2.13-7	5310-99-120-9323	2-4.213-29

~~INDEX OF NATO STOCK NUMBERS~~

NATO STOCK No.	Chapter, Page and Item No.	NATO STOCK No.	Chapter, Page and Item No.	NATO STOCK No.	Chapter, Page and Item No.
5310-99-120-9323	2-4.215-48	5310-99-122-6475	2-10.11-98	5310-99-136-1528	2-5.11-51
5305-99-121-1212	2-7.71-20	5310-99-122-6475	2-11.13-10	5310-99-136-4295	2-10.15-23
5305-99-121-1232	2-7.67-26	5310-99-122-6475	2-11.13-18	5310-99-136-4733	2-4.127-13
5305-99-121-1234	2-7.177-80	5310-99-122-6477	2-11.13-21	5310-99-136-5324	2-4.131-57
5305-99-121-1421	2-1-2.13-9	5310-99-122-6722	2-1-2.15-19	5310-99-136-6194	2-4.131-83
5305-99-121-1491	2-5.15-9	5310-99-122-6723	2-2.5-18	5305-99-136-6252	2-7.11-109
5305-99-121-1662	2-7.171-31	5310-99-122-6723	2-2.9-61	5310-99-137-0193	2-4.77-25(7)
5305-99-121-1725	2-7.31-4	5315-99-122-6952	2-4.139-5	5305-99-137-1769	2-7.27-19
5305-99-121-1751	2-7.67-5	5310-99-122-8066	2-8.23-21	5310-99-137-2652	2-7.111-80
5305-99-121-1751	2-7.67-20	5310-99-122-8068	2-12.9-67	5310-99-137-2652	2-7.151-84
5305-99-121-1751	2-7.97-161	5305-99-122-8099	2-10.5-27	5310-99-137-2652	2-7.153-122
5305-99-121-1752	2-7.175-71	5306-99-122-8178	2-11.15-4	5310-99-137-2652	2-7.155-128
5305-99-121-6795	2-1-9.13-15	5306-99-122-8675	2-11.13-20	5310-99-137-2652	2-7.155-134
5310-99-122-3030	2-14.7/8-5	5305-99-122-8760	2-14.5-28	5310-99-137-2652	2-7.155-139
5310-99-122-3031	2-14.7/8-9	5305-99-123-3314	2-6.19-97	5315-99-137-6398	2-10.17-29
5310-99-122-3033	2-4.145-65	5306-99-123-7392	2-4.115-3	5315-99-137-8940	2-1-2.5-49
5310-99-122-3033	2-4.207-32	5330-99-124-2509	2-4.207-24	5315-99-137-8940	2-1-3.3-23
5310-99-122-3033	2-7.97-171	4720-99-125-7159	2-13.15-68	5315-99-137-8940	2-1-5.5/6-32
5310-99-122-3033	2-7.111-72	5310-99-127-1624	2-17.5-46	5310-99-137-9232	2-1-11.3/4-11
5306-99-122-5242	2-14.5-26	2540-99-127-3008	2-14.5-27	5310-99-137-9232	2-10.5-29
5305-99-122-5273	2-14.7/8-4	2540-99-127-3008	2-14.7/8-12	5310-99-137-9232	2-11.13-7
5305-99-122-5283	2-1-11.3/4-22	5305-99-127-9450	2-1-2.9-95	5310-99-137-9232	2-11.15-10
5305-99-122-5284	2-4.129-44	5340-99-127-9986	2-11.11-10	5310-99-137-9232	2-16.7-38
5305-99-122-5289	2-10.9-71	5340-99-127-9986	2-11.11-16	5310-99-137-9232	2-16.11/12-31
5305-99-122-5290	2-10.11-84	5305-99-128-2767	2-1-1.11-15	5305-99-138-0353	2-4.131-66
5310-99-122-5295	2-1-11.3/4-12	5305-99-128-7539	2-7.45-4	5315-99-138-2199	2-1-2.15-27
5310-99-122-5295	2-4.99-60	5306-99-133-4728	2-1-1.5-5	5315-99-138-2200	2-1-11.3/4-20
5310-99-122-5295	2-10.5-30	5310-99-134-1991	2-4.183-39	5315-99-138-2201	2-1-2.17/18-40
5310-99-122-5295	2-11.15-11	5310-99-134-2027	2-9.3-14	5315-99-138-2201	2-1-6.7-52
5310-99-122-5295	2-16.7-39	5310-99-134-3463	2-8.7-57	5315-99-138-2201	2-1-14.3-19
5310-99-122-5295	2-16.11/12-32	5310-99-134-3784	2-2.19-65	5315-99-138-2201	2-1-14.3-25
5310-99-122-5296	2-1-11.3/4-8	5310-99-134-5211	2-1-9.9-8	5315-99-138-2201	2-4.85-45
5310-99-122-5298	2-11.15-7	5310-99-134-5211	2-2.9-52	5315-99-138-2201	2-4.145-51
2540-99-122-5360	2-1-11.3/4-10	5310-99-134-5211	2-2.19-60	5315-99-138-2201	2-4.177-106
5305-99-122-5360	2-16.5-37	5305-99-135-0270	2-10.11-96	5315-99-138-2201	2-4.183-40
5305-99-122-5360	2-16.11/12-30	5305-99-135-0431	2-4.131-62	5315-99-138-2201	2-4.203-49
5305-99-122-5361	2-10.13-104	5305-99-135-0451	2-1-11.3/4-5	5315-99-138-2201	2-4.217-9
5305-99-122-5361	2-11.13-8	5305-99-135-0687	2-14.5-22	5315-99-138-2201	2-6.11-114
5305-99-122-5361	2-11.15-9	5310-99-135-0788	2-8.23-23	5315-99-138-2201	2-6.15-38
5305-99-122-5365	2-10.9-62	5310-99-135-6785	2-8.3-15	5315-99-138-2201	2-6.23/24-45
5305-99-122-5365	2-11.13-12	5310-99-135-6785	2-17.7-24	5315-99-138-2201	2-8.3-21
5305-99-122-5366	2-1-11.3/4-4	5305-99-135-7506	2-8.11-95	5315-99-138-2201	2-10.17-24
5305-99-122-5367	2-11.13-16	5310-99-135-9291	2-4.59-20	5315-99-138-2203	2-4.99-72
5305-99-122-5368	2-11.13-17	5310-99-135-9302	2-8.23-22	5315-99-138-2205	2-1-3.3-26
5310-99-122-5495	2-10.11-85	5310-99-135-9869	2-4.219-15	5315-99-138-2205	2-1-5.5/6-33
5310-99-122-6455	2-14.7/8-7	5310-99-136-1515	2-10.23-30	5315-99-138-2205	2-4.147-81
5310-99-122-6474	2-1-11.3/4-19	5310-99-136-1515	2-10.27/28-28	5315-99-138-2205	2-4.181-28
5310-99-122-6474	2-10.11-101	5310-99-136-1515	2-11.11-5	5315-99-138-2205	2-4.197-53
5310-99-122-6474	2-10.13-105	5310-99-136-1520	2-1-8.3/4-8	5315-99-138-2205	2-4.197-62
5310-99-122-6474	2-11.13-6	5310-99-136-1520	2-1-14.7-7	5315-99-138-2205	2-6.3-20
5310-99-122-6475	2-1-11.3/4-6	5310-99-136-1526	2-2.7-44	5315-99-138-2205	2-15.3-10
5310-99-122-6475	2-10.9-63	5310-99-136-1526	2-2.19-52	5315-99-138-2207	2-1-14.9-20

INDEX OF NATO STOCK NUMBERS.

NATO STOCK No.	Chapter, Page and Item No.	NATO STOCK No.	Chapter, Page and Item No.	NATO STOCK No.	Chapter, Page and Item No.
5315-99-138-2207	2-1.14.11/12-33	5365-99-200-1551	2-4.145-68	5330-99-200-9459	2-1-1.11-13
5315-99-138-2207	2-3.23-46	5365-99-200-1685	2-4.33-15	5975-99-201-0588	2-7.175-75
5315-99-138-2207	2-4.49-40	5305-99-200-2300	2-4.79-68	6650-99-201-3008	2-1-1.11-2
5315-99-138-2207	2-4.143-20	5305-99-200-2300	2-4.97-40	6650-99-201-3009	2-1-1.11-16
5315-99-138-2208	2-3.29-34	3120-99-200-2420	2-1-2.9-90	2910-99-201-3317	2-4.101-8
5315-99-138-2209	2-1-3.3-19	3120-99-200-2447	2-10.15-4	5305-99-201-4114	2-7.31-10
5315-99-138-2209	2-1-4.3/4-12	3120-99-200-2448	2-6.7-68	5340-99-201-4888	2-7.201/202-35
5315-99-138-2209	2-6.17-59	3120-99-200-2464	2-1-2.5-34	5340-99-201-4889	2-7.201/202-36
5315-99-138-2209	2-6.19-87	5365-99-200-3943	2-13.11-11	6210-99-201-4896	2-7.199-5
5315-99-138-2211	2-1-3.3-8	1040-99-200-7284	2-7.21-1	6210-99-201-4897	2-7.201/202-28
5315-99-138-2213	2-2.21-23	1040-99-200-7284	2-7.27-1	6210-99-201-4917	2-7.201/202-34
5315-99-138-2214	2-2.15-14	1040-99-200-7285	2-7.21-2	5305-99-201-4932	2-7.199-8
5310-99-138-3581	2-2.9-57	1040-99-200-7285	2-7.27-4	5365-99-201-5323	2-3.17-86
5310-99-138-3581	2-2.19-64	1040-99-200-7286	2-7.27-2	5330-99-202-1243	2-2.15-23
5310-99-138-3581	2-2.23/24-32	1040-99-200-7287	2-7.27-5	2510-99-202-7993	2-1-9.7-7
5310-99-138-3581	2-3.7-54	5905-99-200-7326	2-7.27-7	5310-99-202-9996	2-4.223-47
5310-99-138-6859	2-9.3-4	1040-99-200-7327	2-7.27-6	5920-99-204-8160	2-4.243-11
5310-99-138-6859	2-9.3-17	1040-99-200-7328	2-7.27-3	5340-99-205-0219	2-7.175-63
5310-99-138-7965	2-14.5-29	1040-99-200-7329	2-7.27-12	5910-99-209-1535	2-4.239-61
5310-99-138-7965	2-17.13-12	1040-99-200-7330	2-7.27-13	5340-99-214-1245	2-11.3-9
5310-99-138-8644	2-4.131-65	1040-99-200-7346	2-7.27-14	5340-99-214-1245	2-11.5-31
5310-99-138-9224	2-14.7/8-6	5970-99-200-7353	2-7.27-15	5340-99-214-1245	2-11.9-1
5310-99-138-9225	2-14.7/8-10	5999-99-200-7357	2-7.27-17	5340-99-214-1245	2-11.11-15
5310-99-138-9226	2-14.5-25	1040-99-200-7363	2-7.21-3	5925-99-214-2473	2-7.107-26
5310-99-138-9227	2-14.5-30	5935-99-200-7372	2-7.27-16	5940-99-214-6711	2-4.247-2
5310-99-138-9229	2-11.15-6	5310-99-200-7373	2-7.27-18	3120-99-215-2578	2-4.29-18
5310-99-138-9277	2-1-11.3/4-7	4730-99-200-8880	2-4.191-20	5330-99-215-3657	2-4.51-9
5310-99-139-0313	2-14.5-31	4730-99-200-8881	2-4.187-28	5330-99-215-4023	2-4.51-6
5310-99-139-1247	2-7.29-19	4730-99-200-8881	2-4.191-15	6140-99-219-2903	2-7.59-7
5310-99-139-1247	2-7.31-7	6650-99-200-9369	2-1-2.7-64	6140-99-219-2903	2-7.63-3
5310-99-139-1247	2-7.195-25	6650-99-200-9369	2-1-2.13-1	5306-99-219-3617	2-1-6.5-48
5305-99-139-2192	2-4.131-75	6650-99-200-9374	2-1-2.13-2	5306-99-219-3617	2-1-6.9-13
5305-99-139-2393	2-4.51-17	6650-99-200-9375	2-1-2.13-3	5330-99-222-0681	2-4.143-10
5310-99-139-4598	2-10.9-66	6650-99-200-9376	2-1-2.13-4	9320-99-225-2411	2-4.203-41
5315-99-139-5252	2-14.5-32	6650-99-200-9377	2-1-2.13-5	9330-99-225-4336	2-1.3/4-21
5315-99-143-1162	2-4.175-79	6650-99-200-9378	2-1-2.13-8	9330-99-225-4337	2-1.3/4-20
3120-99-145-6730	2-4.31-19(2)	5330-99-200-9379	2-1-2.7-63	5310-99-236-7667	2-17.7-28
2540-99-147-5973	2-12.9-68	6650-99-200-9437	2-1-1.5-2	5310-99-238-1624	2-17.7-27
5925-99-148-7341	2-7.107-30	6650-99-200-9437	2-1-1.11-1	5310-99-238-1624	2-17.13-13
5340-99-151-1285	2-14.3-16	6650-99-200-9445	2-1-1.11-4	5310-99-238-1624	2-17.13-18
4730-99-168-7208	2-13.15-75	6650-99-200-9446	2-1-1.11-9	5935-99-241-6116	2-14.7/8-3
5330-99-172-8541	2-4.145-63	5330-99-200-9447	2-1-1.11-8	2910-99-250-8387	2-4.99-74
5340-99-179-7517	2-4.117-5	6650-99-200-9448	2-1-1.11-11	2920-99-251-5744	2-4.239-34
2540-99-190-6909	2-1-11.3/4-2	6650-99-200-9448	2-1-1.11-22	5910-99-251-5745	2-4.239-35
5940-99-193-6329	2-7-1.5-88	5330-99-200-9449	2-1-1.11-7	5910-99-251-5747	2-4.237-16
5940-99-193-6330	2-7-1.5-89	5330-99-200-9450	2-1-1.11-5	5910-99-251-5750	2-4.237-24
5305-99-198-4428	2-4.51-4	5330-99-200-9450	2-1-1.11-18	5910-99-251-5751	2-4.237-11
5305-99-198-4428	2-4.51-16	5330-99-200-9452	2-1-1.11-6	5910-99-251-5751	2-4.237-25
5305-99-198-4428	2-4.53-46	5330-99-200-9452	2-1-1.11-21	2990-99-253-4042	2-4.125-9
5935-99-198-6312	2-7-1.14-277	6650-99-200-9454	2-1-1.11-26	2540-99-253-7956	2-1-11.3/4-14
5330-99-198-6780	2-13.21-38	6650-99-200-9455	2-1-1.11-24	5895-99-255-6834	2-7.59-3
5310-99-199-9928	2-7.185-95	5330-99-200-9456	2-1-1.11-27	5355-99-255-9193	2-7.79-68

INDEX OF NATO STOCK NUMBERS

NATO STOCK No.	Chapter, Page and Item No.	NATO STOCK No.	Chapter, Page and Item No.	NATO STOCK No.	Chapter, Page and Item No.
5330-99-256-0124	2-4.187-17	6220-99-408-2494	2-7.35-6	5330-99-523-7820	2-7.95-129
5365-99-256-2927	2-2.9-53	6220-99-408-2494	2-7.51-6	4330-99-524-2681	2-13.11-7
5365-99-256-2927	2-2.19-61	6220-99-408-2494	2-7.81-27	4330-99-524-2682	2-13.11-10
5330-99-257-0822	2-4.195-3	6220-99-408-2494	2-7.169-6	4820-99-526-6730	2-5.11-36
5310-99-257-0823	2-4.195-28	5330-99-409-2633	2-4.117-6	5365-99-530-5121	2-4.103-23
5330-99-257-0823	2-4.195-30	5330-99-409-2633	2-4.139-33	4730-99-533-2957	2-4.185-13
5330-99-273-7837	2-3.15-47	5330-99-409-2633	2-4.143-24	4730-99-533-2957	2-4.201-25
4710-99-282-3383	2-8.7-53	5330-99-409-2633	2-4.145-62	4730-99-533-2959	2-3.35/36-33
4720-99-282-4204	2-13.15-65	5340-99-409-8530	2-4.123-41	4730-99-533-2959	2-15.5-37
4720-99-282-4205	2-13.15-77	5365-99-414-8221	2-4.57-8	4730-99-533-2961	2-8.11-100
3120-99-282-6164	2-4.29-19	5310-99-417-9189	2-4.235-62	4730-99-533-2963	2-5.5-42
5330-99-290-6005	2-5.3-7	5310-99-419-8882	2-4.127-11	4730-99-533-2968	2-3.35/36-35
5330-99-290-6005	2-5.5-57	5310-99-419-8882	2-4.127-26	4730-99-533-2968	2-4.187-27
5310-99-300-0150	2-14.5-24	5310-99-419-9035	2-7.31-13	4730-99-533-2971	2-2.11-6
2540-99-300-0986	2-1-1.13/14-4	5310-99-432-7106	2-13.15-57	4730-99-533-2971	2-5.3-17
2590-99-301-1214	2-4.235-58	5310-99-432-7126	2-4.201-27	2520-99-538-6801	2-2.21-1
2590-99-301-1214	2-4.247-3	4010-99-432-7156	2-4.93-141	5330-99-538-9333	2-13.15-72
5310-99-301-7655	2-4.89-101	5330-99-433-2948	2-5.15-6	5355-99-547-4650	2-10.5-26
5365-99-301-8006	2-1-15.3-25	5310-99-438-0221	2-4.143-32	3120-99-547-6901	2-4.29-16
2540-99-304-1227	2-10.3-14	2930-99-438-7681	2-4.195-1	5940-99-549-8991	2-7.75-31
2540-99-309-1074	2-11.13-4	5340-99-449-6356	2-7.181-28	4730-99-551-0577	2-8.21-8
3120-99-310-8700	2-4.29-21	2540-99-452-6157	2-1-14.7-3	2530-99-551-2879	2-2.17-38
2510-99-314-6112	2-1-5.3-20	4010-99-461-4514	2-4.205-10	6220-99-553-0278	2-14.3-20
5935-99-316-3363	2-14.3-13	4010-99-461-4514	2-8.7-65	2910-99-574-0638	2-6.5-50
2520-99-322-2736	2-2.21-5	6150-99-461-9129	2-7-1.2-14	5310-99-577-1740	2-12.9-69
5330-99-322-3168	2-4.51-12	2510-99-464-1646	2-1-6.3-6	2590-99-580-3019	2-14.3-11
5330-99-322-3168	2-4.53-31	5325-99-465-8794	2-1-2.17/18-45	5340-99-580-5471	2-13.19-22
2540-99-324-9887	2-10.9-65	2540-99-471-2779	2-11.3-1	5340-99-580-5491	2-3.11-9
2540-99-326-7966	2-10.9-75	2540-99-471-2779	2-11.13-1	5340-99-580-5491	2-4.35-13
5310-99-335-2904	2-17.7-20	5365-99-477-4528	2-4.99-67	5340-99-580-5491	2-4.39-64
5310-99-335-2904	2-17.17-8	2540-99-490-4049	2-16.5-22	5340-99-580-5491	2-4.47-3
3120-99-335-4590	2-4.31-19	2540-99-490-4049	2-16.9-15	5340-99-580-5491	2-4.61-13
5330-99-339-4355	2-4.51-11	5330-99-495-3546	2-4.165-6	5340-99-580-5496	2-4.35-12
2990-99-344-3477	2-4.125-11	4730-99-495-4062	2-13.15-70	5340-99-580-5496	2-4.37-31
5330-99-350-6288	2-4.53-35	5305-99-495-8148	2-17.13-11	5340-99-580-5496	2-4.39-63
2540-99-356-0023	2-1.3/4-18	2540-99-496-0321	2-11.7-47	5340-99-580-5496	2-4.41-82
2540-99-356-0023	2-1-11.3/4-1	2540-99-496-0321	2-11.15-1	5340-99-580-5496	2-4.47-4
2990-99-361-2589	2-4.125-1	5365-99-497-2220	2-10.11-97	5340-99-580-5496	2-4.47-9
2530-99-371-0775	2-2.17-37	5310-99-497-9043	2-17.7-10	5340-99-580-5496	2-4.71-3
5340-99-376-2380	2-10.3-13	5310-99-497-9043	2-17.7-14	5340-99-580-5496	2-4.111-16
3120-99-377-4853	2-4.29-17	4720-99-499-8439	2-13.17-79	5340-99-580-5501	2-4.71-2
9330-99-383-4140	2-1.3/4-22	2590-99-499-9311	2-7-1.3-29	5310-99-580-6759	2-4.239-37
5330-99-388-5946	2-4.143-30	5310-99-500-0698	2-4.69-4	5340-99-580-9762	2-7.65-6
2540-99-401-8441	2-6.7-64	5940-99-501-7669	2-7.75-6	4820-99-588-0037	2-13.9-65
5310-99-404-0153	2-3.15-54	4730-99-513-1913	2-13.15-71	5330-99-591-5676	2-9.3-1
5365-99-406-3493	2-14.5-23	2540-99-513-4179	2-15.3-1	2540-99-593-1863	2-10.7-51
6220-99-408-2491	2-7.33-2	2540-99-513-4179	2-15.9/10-1	5340-99-605-6614	2-14.3-19
6220-99-408-2491	2-7.35-2	4820-99-517-0961	2-13.17-94	5310-99-608-2227	2-5.15-10
6220-99-408-2491	2-7.51-2	4820-99-517-0961	2-15.3-12	5310-99-608-2227	2-7.199-17
6220-99-408-2491	2-7.81-23	5935-99-519-3493	2-7.39-5	5330-99-611-9586	2-4.51-10
6220-99-408-2491	2-7.169-2	5970-99-520-6745	2-4.251/252-62	5330-99-611-9589	2-4.53-32
6220-99-408-2494	2-7.33-6	5330-99-523-7820	2-7.93-102	5935-99-620-3314	2-4.131-68

INDEX OF NATO STOCK NUMBERS

NATO STOCK No.	Chapter, Page and Item No.	NATO STOCK No.	Chapter, Page and Item No.	NATO STOCK No.	Chapter, Page and Item No.
5935-99-620-3314	2-7.113-96	6145-99-714-9714	2-4.55-61	5970-99-741-3884	2-7.143-200
5935-99-620-3314	2-7.113-121	6210-99-715-1208	2-7.145-14	4720-99-742-0346	2-13.17-78
5935-99-620-3314	2-7.165-257	5331-99-716-2774	2-8.21-6	3120-99-743-2947	2-4.29-20
5935-99-620-3314	2-7.165-264	6625-99-720-8588	2-7.171-21	5340-99-743-7294	2-8.23-19
5935-99-620-3314	2-7.199-10	5910-99-723-8973	2-5.17/18-15	5940-99-743-8413	2-7.101-44
5331-99-621-6576	2-2.13-34	2540-99-724-5832	2-1-11.3/4-9	4210-99-743-8425	2-7.103-45
5945-99-621-7179	2-7.149-54	2540-99-728-2035	2-1-8.3/4-10	5310-99-744-0163	2-17.7-9
5940-99-622-5782	2-14.3-15	5330-99-729-3130	2-13.15-66	2540-99-745-4600	2-0.3/4-16
5935-99-624-3314	2-7.105-6	5330-99-729-3130	2-13.15-69	2540-99-745-4600	2-14.3-1
5935-99-624-3314	2-7.105-13	2540-99-732-1087	2-10.5-36	2540-99-746-6255	2-11.13-5
5935-99-624-3314	2-7.105-18	2540-99-732-1088	2-10.5-37	4820-99-747-6310	2-10.5-32
5315-99-624-7029	2-10.7-53	2540-99-732-1089	2-10.5-38	2510-99-748-2600	2-1-6.3-10
5315-99-624-7029	2-10.9-76	2540-99-732-1090	2-10.7-44	5306-99-748-6085	2-4.127-15
5970-99-625-6814	2-7.141-174	5340-99-732-1091	2-10.7-43	5360-99-749-0399	2-10.5-34
5305-99-630-0078	2-4.131-55	2540-99-732-1094	2-10.7-47	5360-99-749-0400	2-10.5-33
5305-99-639-2235	2-4.127-30	2540-99-732-1095	2-10.7-46	4720-99-750-7014	2-4.201-6
5310-99-650-8350	2-4.127-12	2540-99-732-1096	2-10.5-25	4720-99-750-7017	2-4.201-9
5310-99-650-8350	2-4.127-27	2540-99-732-1100	2-10.7-50	5315-99-751-3202	2-10.5-32
5330-99-651-0634	2-4.51-28	2540-99-732-1101	2-10.7-49	5315-99-751-3202	2-10.11-94
5940-99-651-7613	2-7.113-101	2540-99-732-1102	2-10.7-55	2540-99-753-0018	2-10.11-91
5940-99-651-7613	2-7.113-113	2540-99-732-1103	2-10.7-54	5320-99-753-0039	2-10.7-56
5940-99-651-7613	2-7.115-131	5315-99-732-1104	2-10.7-52	5320-99-753-0039	2-10.9-72
5940-99-651-7613	2-7.115-144	2540-99-732-1105	2-10.7-60	2540-99-753-5967	2-1-6.3-18
5940-99-651-7613	2-7.117-152	2540-99-732-1106	2-10.7-59	5315-99-756-9939	2-4.127-32
5940-99-651-7613	2-7.117-162	2540-99-732-1107	2-10.9-78	5310-99-757-1948	2-17.7-3
5940-99-651-7613	2-7.125-274	2540-99-732-1108	2-10.9-79	6220-99-759-6052	2-7.67-2
5940-99-651-7613	2-7.125-277	2540-99-732-1109	2-10.9-80	2510-99-760-1530	2-1-1.3-8
5330-99-653-4822	2-4.195-9	2540-99-732-1110	2-10.9-81	5330-99-764-2312	2-7.151-91
5940-99-654-3325	2-7.89-46	2540-99-732-1111	2-10.9-82	5330-99-764-2312	2-7.153-103
5330-99-654-4921	2-4.53-33	2540-99-732-1112	2-10.11-86	2540-99-765-7880	2-10.5-22
5930-99-655-4241	2-7.107-23	2540-99-732-1113	2-10.11-87	5310-99-767-3132	2-4.77-39
6240-99-659-8126	2-7.21-15	5315-99-732-1114	2-10.11-88	5910-99-773-8556	2-7.137-127
6240-99-659-8126	2-7.31-19	2540-99-732-1115	2-10.11-83	2920-99-774-0666	2-4.127-1
2540-99-660-5735	2-10.3-7	2540-99-732-1117	2-10.7-58	2920-99-774-0667	2-4.129-47
2930-99-660-7526	2-4.205-5	2540-99-732-1118	2-10.7-57	5330-99-774-0669	2-4.133-92
2540-99-662-6357	2-10.5-24	2540-99-732-1119	2-10.9-74	5340-99-774-0670	2-4.127-16
5310-99-663-8112	2-7.37-13	2540-99-732-1120	2-10.9-73	5340-99-774-0670	2-4.133-88
2540-99-665-6396	2-10.9-77	2540-99-732-1121	2-10.9-67	5970-99-774-0672	2-4.131-76
2540-99-665-7533	2-16.5-36	5340-99-732-1122	2-10.9-69	5970-99-774-0673	2-4.131-77
2540-99-665-7533	2-16.11/12-29	2540-99-732-1123	2-10.9-68	5340-99-774-0674	2-4.131-72
2910-99-667-4791	2-4.225-9	5306-99-732-1125	2-10.11-100	5970-99-774-0676	2-4.131-56
2540-99-679-8115	2-11.13-2	5310-99-732-1126	2-10.9-70	2920-99-774-0680	2-4.131-59
6685-99-687-1695	2-7.123-240	5820-99-734-3014	2-7.55-30	2920-99-774-0688	2-4.127-31
5910-99-700-1364	2-7.199-20	4210-99-734-7818	2-7.7-51	2970-99-774-0690	2-4.127-2
2510-99-700-4895	2-1-3.3-16	4210-99-734-7818	2-7.99-1	3120-99-774-0691	2-4.127-17
2510-99-700-4895	2-1-4.3/4-9	4210-99-734-7820	2-7.99-4	5940-99-774-0695	2-4.127-5
2590-99-700-6543	2-14.3-17	2590-99-736-1656	2-4.137-3	5940-99-774-0695	2-4.131-78
5330-99-702-4778	2-7.67-24	4210-99-736-3532	2-11.15-3	5970-99-774-0696	2-4.127-4
2540-99-705-6468	2-12.9-66	5305-99-736-6861	2-7.81-16	5340-99-774-0697	2-4.127-3
5365-99-710-2146	2-4.101-10	4330-99-738-8571	2-8.21-2	2920-99-774-0698	2-4.129-34
5330-99-710-3505	2-4.207-12	2540-99-739-9292	2-10.5-40	2920-99-774-0699	2-4.129-41
5330-99-710-3505	2-4.215-44	2540-99-740-7338	2-1-11.3/4-13		

INDEX OF NATO STOCK NUMBERS

NATO STOCK No.	Chapter, Page and Item No.	NATO STOCK No.	Chapter, Page and Item No.	NATO STOCK No.	Chapter, Page and Item No.
2920-99-774-0703	2-4.129-40	5360-99-794-0401	2-10.5-31	5935-99-800-9929	2-7.173-34
5310-99-774-0704	2-4.129-39	5360-99-794-0403	2-10.11-90	5935-99-800-9949	2-7.101-33
5310-99-774-0705	2-4.129-35	2540-99-794-0404	2-10.13-107	5935-99-800-9949	2-7.113-115
5310-99-774-0706	2-4.129-35(1)	2540-99-794-0405	2-10.13-103	5965-99-800-9950	2-4.53-55
5310-99-774-0707	2-4.129-35(2)	2990-99-794-5108	2-4.115-19	5935-99-800-9950	2-4.247-6
5310-99-774-0708	2-4.129-35(3)	2540-99-794-5109	2-1-1.3-27	5935-99-800-9950	2-7.117-174
5310-99-774-0709	2-4.129-35(4)	2510-99-794-5115	2-1.3/4-9	5935-99-800-9950	2-8.19-47
5310-99-774-0710	2-4.129-35(5)	2510-99-794-5115	2-1-8.3/4-1	5935-99-800-9956	2-7.157-161
5310-99-774-0711	2-4.129-35(6)	5330-99-795-0227	2-4.53-34	5935-99-800-9957	2-7.155-148
5310-99-774-0712	2-4.129-35(7)	5365-99-795-9733	2-6.5-54	5935-99-800-9958	2-7.77-50
5310-99-774-0717	2-4.127-18(2)	2540-99-795-9734	2-1-1.3-26	5935-99-800-9960	2-7.159-182
5310-99-774-0717	2-4.129-46(2)	2540-99-796-0370	2-10.15-10	5935-99-800-9960	2-7.159-191
5365-99-774-0718	2-4.127-18(3)	6150-99-796-0372	2-7-1.5-84	5935-99-800-9962	2-7.77-60
5310-99-774-0718	2-4.129-46(3)	5975-99-796-0374	2-7.23-42	5935-99-800-9962	2-7.161-207
5340-99-774-0721	2-4.127-21	5975-99-796-0374	2-7-1.14-292	5935-99-800-9962	2-7.163-226
2920-99-774-0724	2-4.133-98	2510-99-796-0381	2-1-9.13-1	5935-99-800-9962	2-7.163-236
2920-99-774-0725	2-4.133-93	4320-99-796-0383	2-1-9.13-3	5935-99-800-9963	2-7.139-156
2920-99-774-0726	2-4.131-54	2510-99-796-0384	2-8.3-12	5935-99-800-9964	2-7.89-44
2920-99-774-0727	2-4.131-52	2530-99-796-0386	2-2.15-7	5935-99-800-9966	2-7.87-15
2590-99-775-1525	2-4.203-40	2530-99-796-0387	2-2.15-5	5935-99-800-9966	2-7.101-29
2590-99-775-1527	2-2.15-1	2540-99-796-0419	2-4.221-17	5935-99-800-9966	2-7.115-127
2590-99-775-5818	2-7-1.5-83	5365-99-796-2089	2-1-9.9-7	5935-99-800-9967	2-7.39-14
5340-99-775-9048	2-7.167-290	5365-99-796-2090	2-1-9.9-9	5935-99-800-9967	2-7.47-16
5970-99-775-9049	2-7.167-292	5307-99-796-4158	2-3.11-7	5935-99-800-9967	2-7.57-8
2590-99-777-6039	2-4.235-52	5307-99-796-4158	2-3.11-11	5935-99-800-9967	2-7.115-133
2590-99-777-6039	2-4.247-10	5306-99-796-9492	2-3.19-16	5935-99-800-9967	2-7.117-166
2540-99-780-1957	2-7.147-43	5330-99-796-9569	2-4.219-4	5935-99-800-9967	2-7-1.4-65
5315-99-780-7359	2-14.3-9	4730-99-800-0270	2-5.11-49	5935-99-800-9967	2-7-1.8-149
2930-99-781-3704	2-4.111-10	6680-99-800-0311	2-5.15-1	5935-99-800-9967	2-7-1.8-156
2930-99-781-3705	2-4.111-11	2540-99-800-6480	2-11.19/20-27	5935-99-800-9968	2-7.173-44
2930-99-781-3706	2-4.111-9	2990-99-800-7021	2-4.21-24	5935-99-800-9969	2-8.5-41
5310-99-781-3707	2-4.111-8	4730-99-800-7920	2-4.201-26	5935-99-800-9970	2-7.157-170
2510-99-783-7648	2-16.9-8	2990-99-800-7921	2-4.3-3	5315-99-801-0082	2-1-12.3/4-5
2510-99-783-7649	2-16.9-2	2990-99-800-7921	2-4.5-17	5315-99-801-0082	2-1-14.11/12-38
2540-99-783-7652	2-16.3-10	2990-99-800-7922	2-4.7-25	1005-99-801-0254	2-1-2.15-21
2540-99-783-7653	2-16.5-33	2590-99-800-7973	2-7.59-18	5315-99-801-0567	2-6.3-26
2540-99-783-7654	2-16.11/12-26	2590-99-800-7973	2-7.63-14	5315-99-801-0567	2-6.9-89
5935-99-785-2485	2-7.201/202-43	2510-99-800-7974	2-7.59-19	2910-99-801-0568	2-6.5-29
3110-99-785-7974	2-4.111-6	2590-99-800-7975	2-7.59-21	2910-99-801-0569	2-6.5-43
5935-99-785-9113	2-14.7/8-8	5340-99-800-8049	2-4.115-7	5940-99-801-0903	2-7.145-19
2930-99-786-2558	2-4.59-1	5330-99-800-8050	2-4.115-8	4730-99-801-0992	2-12.3-6
5310-99-787-2102	2-13.15-74	5310-99-800-8070	2-4.115-5	5365-99-801-1173	2-7.83/85-33
4320-99-788-7750	2-4.111-1	3120-99-800-9692	2-6.15-46	4730-99-801-1275	2-13.3-11
2920-99-789-8484	2-4.51-19	5975-99-800-9887	2-4.135-20	4730-99-801-1560	2-6.5-37
2920-99-789-8484	2-4.53-40	4710-99-800-9888	2-4.193-63	4730-99-801-1560	2-6.5-40
5340-99-790-0840	2-3.19-17	5340-99-800-9907	2-7.95-130	4730-99-801-1560	2-6.17-69
5930-99-790-0974	2-7.107-10	5340-99-800-9907	2-7.147-31	4730-99-801-1560	2-6.17-77
4210-99-790-7004	2-12.7-48	5935-99-800-9925	2-4.247-11	4730-99-801-1560	2-6.17-80
5306-99-791-9693	2-3.27-2	5935-99-800-9926	2-7.183-54	4730-99-801-1564	2-4.181-19
4820-99-792-1408	2-13.15-73	5935-99-800-9927	2-7.87-24	4730-99-801-1564	2-6.5-36
5360-99-792-3138	2-7.59-11	5935-99-800-9927	2-7.115-146	4730-99-801-1564	2-6.5-39
5330-99-793-7920	2-4.101-12	5935-99-800-9927	2-7.117-156	4730-99-801-1564	2-6.17-68

INDEX OF NATO STOCK NUMBERS

NATO STOCK No.	Chapter, Page and Item No.	NATO STOCK No.	Chapter, Page and Item No.	NATO STOCK No.	Chapter, Page and Item No.
4730-99-801-1564	2-6.17-74	6680-99-801-2335	2-5.15-3	2930-99-801-7822	2-4.197-48
4730-99-801-1564	2-6.17-76	2910-99-801-2351	2-4.83-11	3110-99-801-7823	2-4.165-14
4730-99-801-1564	2-6.17-79	5365-99-801-2352	2-4.91-124	5330-99-801-7824	2-4.157-5
4730-99-801-1564	2-8.21-14	2910-99-801-2354	2-4.91-110	5340-99-801-7881	2-4.115-6
4730-99-801-1565	2-3.35/36-31	2930-99-801-2354	2-4.91-116	5340-99-801-8298	2-7.81-18
4730-99-801-1565	2-4.185-11	5340-99-801-3434	2-1-5.3-29	5365-99-801-8298	2-7.103-55
4730-99-801-1565	2-4.201-29	5340-99-801-3435	2-1-5.5/6-35	4210-99-801-8642	2-12.7-47
4730-99-801-1565	2-4.225-6	5310-99-801-3512	2-4.89-93	2590-99-801-8706	2-7.61-27
4730-99-801-1565	2-4.225-12	2910-99-801-3513	2-4.85-42	4730-99-801-8722	2-7.59-16
4730-99-801-1565	2-4.225-17	3120-99-801-3519	2-4.37-49	4730-99-801-8722	2-7.63-12
4730-99-801-1565	2-6.17-73	3120-99-801-3519	2-4.41-105	2910-99-801-8747	2-4.87-80
4730-99-801-1767	2-12.5-25	3120-99-801-3519	2-4.45-147	2590-99-801-8840	2-7.59-22
4730-99-801-1932	2-4.55-70	2930-99-801-3551	2-4.207-18	5330-99-801-8841	2-7.59-20
4730-99-801-1933	2-5.11-26	2930-99-801-3552	2-4.207-22	3120-99-801-8847	2-4.67-47
4730-99-801-1934	2-4.37-36	2930-99-801-3553	2-4.195-12	2930-99-801-8849	2-4.195-7
4730-99-801-1934	2-4.187-24	4730-99-801-3554	2-3.33-9	6680-99-801-9162	2-5.15-11
4730-99-801-1938	2-13.15-55	4210-99-801-3565	2-12.11-31	6680-99-801-9235	2-5.15-4
4730-99-801-1941	2-4.199-66	5330-99-801-3608	2-2.3-7	5330-99-801-9236	2-5.15-5
2930-99-801-1941	2-4.207-23	5330-99-801-3728	2-7.105-30	6680-99-801-9696	2-7.171-20
4730-99-801-1942	2-15.5-29	5365-99-801-3734	2-13.21-41	6680-99-802-0808	2-5.9-15
4730-99-801-1945	2-4.201-16	5930-99-801-3872	2-7.13-123	6680-99-802-0808	2-5.15-0
4730-99-801-1945	2-4.225-23	5360-99-801-4111	2-4.101-6	5355-99-802-0832	2-4.23-5
4730-99-801-1946	2-4.201-17	2365-99-801-4380	2-4.97-24	5340-99-802-0833	2-4.23-11
4730-99-801-2025	2-4.19-21	5330-99-801-4809	2-5.17/18-25	5340-99-802-0833	2-4.25-6
4730-99-801-2025	2-4.25-1	5330-99-801-5406	2-4.229-4	5330-99-802-0839	2-4.143-9
4730-99-801-2025	2-4.201-23	5310-99-801-5444	2-4.221-23	5340-99-802-1025	2-4.81-74
4730-99-801-2025	2-5.3-5	5310-99-801-5446	2-4.221-4	2930-99-802-1149	2-4.197-58
4730-99-801-2025	2-5.11-39	5310-99-801-5591	2-13.11-14	2930-99-802-1150	2-4.197-42
4730-99-801-2027	2-3.33-11	5330-99-801-5626	2-3.7-56	5365-99-802-1226	2-7.23-34
4730-99-801-2027	2-4.145-58	5330-99-801-5670	2-4.63-28	2990-99-802-1287	2-4.149-18
4730-99-801-2027	2-4.199-65	5330-99-801-6113	2-13.21-40	2540-99-802-1938	2-8.27/28-28
4730-99-801-2031	2-4.181-17	5330-99-801-6526	2-3.5-37	5940-99-802-2080	2-7-1.5-85
4730-99-801-2031	2-4.223-55	5330-99-801-6628	2-4.131-84	5940-99-802-2080	2-7-1.10-200
4730-99-801-2031	2-6.5-41	5330-99-801-6628	2-4.249-42	2510-99-802-2098	2-8.25-16
4730-99-801-2031	2-6.17-81	5330-99-801-6628	2-4.249-51	2540-99-802-2109	2-1-2.9-94
4730-99-801-2032	2-4.13-8	5330-99-801-6628	2-4.251/252-60	2540-99-802-2110	2-1-2.9-93
4730-99-801-2032	2-4.25-3	5330-99-801-6628	2-7.95-138	2540-99-802-2111	2-1-2.11-109
4730-99-801-2032	2-4.61-16	5330-99-801-6628	2-7.121-218	2805-99-802-2112	2-4.21-25
4730-99-801-2032	2-4.117-13	5331-99-801-6685	2-15.9/10-15	5310-99-802-2151	2-4.187-33
4730-99-801-2032	2-4.191-10	5330-99-801-6757	2-4.145-70	5330-99-802-2152	2-4.187-34
2910-99-801-2254	2-6.5-51	5330-99-801-6924	2-3.7-57	8305-99-802-2201	2-1-2.7-60
2910-99-801-2255	2-6.5-53	5330-99-801-6938	2-4.19-8	8305-99-802-2201	2-4.187-2
2910-99-801-2256	2-6.5-56	5330-99-801-6983	2-13.13-32	8305-99-802-2202	2-3.33-17
5305-99-801-2257	2-6.5-57	5310-99-801-7236	2-13.11-12	5935-99-802-2227	2-7.153-110
2910-99-801-2258	2-6.5-58	5365-99-801-7333	2-4.145-54	5935-99-802-2367	2-7-1.8-142
2910-99-801-2259	2-6.3-21	5330-99-801-7356	2-3.9-3	5935-99-802-2367	2-7-1.8-145
2910-99-801-2260	2-6.5-47	5330-99-801-7356	2-3.25-59	5935-99-802-2367	2-7-1.10-186
2910-99-801-2261	2-6.5-60	5330-99-801-7363	2-3.25-65	5935-99-802-2367	2-7-1.11-215
2910-99-801-2262	2-6.5-35	5330-99-801-7415	2-7.93-93	5935-99-802-2423	2-7-1.14-288
2910-99-801-2263	2-6.5-38	5330-99-801-7415	2-7.123-229	1005-99-802-2614	2-1-2.11-122
5310-99-801-2268	2-4.215-46	2930-99-801-7820	2-4.197-57	5975-99-802-2657	2-7.59-17
5310-99-801-2269	2-4.215-42	2930-99-801-7821	2-4.197-49	5975-99-802-2658	2-7.63-13

INDEX OF NATO STOCK NUMBERS

NATO STOCK No.	Chapter, Page and Item No.	NATO STOCK No.	Chapter, Page and Item No.	NATO STOCK No.	Chapter, Page and Item No.
5970-99-802-9447	2-7.93-89	6220-99-803-4144	2-7.83/85-38	2590-99-804-3315	2-6.11-121
5970-99-802-9447	2-7.121-225	6220-99-803-4180	2-7.31-15	5315-99-804-3316	2-6.9-95
6220-99-803-1123	2-7.195-26	6220-99-803-4202	2-7.21-14	3040-99-804-3317	2-6.9-93
6220-99-803-1523	2-7.29-6	6220-99-803-4202	2-7.31-1	5306-99-804-3318	2-6.7-84
6220-99-803-1523	2-7.31-9	6210-99-803-4203	2-7.29-14	5340-99-804-3319	2-6.3-25
6220-99-803-1523	2-7.195-6	6210-99-803-4203	2-7.31-16	5340-99-804-3319	2-6.7-87
6220-99-803-1751	2-7.195-21	6210-99-803-4203	2-7.195-17	2540-99-804-3324	2-8.11-94
6220-99-803-1751	2-7.197-6	6210-99-803-4203	2-7.197-21	4320-99-804-3326	2-13.21-26
5935-99-803-1823	2-7.15-136	6150-99-803-4205	2-7.31-14	2590-99-804-3327	2-6.7-69
5935-99-803-1823	2-7.195-20	6220-99-803-4210	2-7.45-15	2990-99-804-3328	2-9.3-13
5940-99-803-1956	2-7.29-13	6220-99-803-4211	2-7.45-8	2990-99-804-3329	2-9.5/6-26
5940-99-803-1956	2-7.33-5	2510-99-803-4316	2-16.3-20	5365-99-804-3330	2-9.5/6-39
5940-99-803-1956	2-7.35-5	2540-99-803-4317	2-16.3-21	5340-99-804-3336	2-9.5/6-36
5940-99-803-1956	2-7.45-14	2540-99-803-4317	2-16.9-14	5340-99-804-3337	2-9.5/6-37
5940-99-803-1956	2-7.51-5	5306-99-803-4318	2-16.3-16	2910-99-804-3338	2-5.3-6
5940-99-803-1956	2-7.81-26	2510-99-803-4319	2-16.3-2	2910-99-804-3340	2-5.5-47
5940-99-803-1956	2-7.169-5	2510-99-803-4384	2-16.3-15	2910-99-804-3341	2-5.11-28
5940-99-803-1956	2-7.195-16	2510-99-803-4386	2-16.9-13	5340-99-804-3342	2-5.9-1
6220-99-803-2278	2-7.15-132	2990-99-803-4783	2-4.187-9	5340-99-804-3343	2-5.9-2
6220-99-803-2778	2-7.195-1	2940-99-803-4817	2-4.221-30	5340-99-804-3344	2-5.9-11
6220-99-803-2937	2-7.195-14	5935-99-803-4870	2-4.247-9	5310-99-804-3345	2-5.9-12
6220-99-803-2937	2-7.197-19	5330-99-803-5122	2-13.9-76	5310-99-804-3346	2-5.9-13
6220-99-803-3157	2-7.51-4	1005-99-803-5295	2-1-2.17/18-41	5340-99-804-3347	2-5.9-14
6220-99-803-3158	2-7.33-4	2520-99-803-5374	2-4.157-16	4730-99-804-3348	2-5.11-48
6220-99-803-3158	2-7.35-4	5360-99-803-7979	2-5.17/18-18	4730-99-804-3350	2-5.11-31
6220-99-803-3158	2-7.45-13	5310-99-803-8006	2-7.119-200	2910-99-804-3351	2-5.11-40
6220-99-803-3158	2-7.81-25	2920-99-803-8132	2-4.133-89	2910-99-804-3352	2-5.11-37
6220-99-803-3158	2-7.169-4	2990-99-803-9582	2-9.5/6-34	4710-99-804-3353	2-5.11-29
5305-99-803-3159	2-7.29-3	5305-99-803-9700	2-4.129-33	2910-99-804-3354	2-5.11-43
5305-99-803-3159	2-7.195-3	5330-99-803-9788	2-7.119-199	2510-99-804-3355	2-5.13-55
5305-99-803-3159	2-7.197-4	5365-99-804-1057	2-7.107-21	2910-99-804-3356	2-5.11-42
6250-99-803-3369	2-7.51-3	5365-99-804-1057	2-7-1.3-26	2910-99-804-3357	2-5.13-54
5310-99-803-3380	2-7.45-16	5365-99-804-1057	2-7-1.3-32	2990-99-804-3358	2-9.5/6-35
5310-99-803-3383	2-7.45-6	5975-99-804-1058	2-7-1.3-27	2540-99-804-3364	2-10.21-3
6220-99-803-3390	2-7.45-12	5975-99-804-1058	2-7-1.3-33	2540-99-804-3364	2-10.25-3
6220-99-803-3391	2-7.45-2	2540-99-804-2207	2-8.21-9	2540-99-804-3365	2-10.21-5
6250-99-803-3408	2-7.35-3	2510-99-804-2220	2-1-6.3-15	2540-99-804-3365	2-10.25-5
6220-99-803-3485	2-7.51-7	5310-99-804-2256	2-1-6.3-24	5320-99-804-3366	2-10.21-6
6220-99-803-3485	2-7.81-28	5310-99-804-2256	2-1-6.9-10	5320-99-804-3366	2-10.25-6
6220-99-803-3485	2-7.169-7	5330-99-804-2284	2-1-6.3-19	2910-99-804-3367	2-5.5-41
6220-99-803-3704	2-7.23-22	3020-99-804-2285	2-6.3-1	2590-99-804-3368	2-5.5-33
6220-99-803-3704	2-7.35-1	3020-99-804-2286	2-6.3-3	5315-99-804-3369	2-5.5-35
6220-99-803-3704	2-7.41-38	2540-99-804-2287	2-6.7-67	2910-99-804-3370	2-5.5-34
6220-99-803-3706	2-7.35-7	2910-99-804-2289	2-4.71-1	2540-99-804-3371	2-10.21-16
6250-99-803-3768	2-7.81-24	5935-99-804-2307	2-7.89-34	2540-99-804-3371	2-10.25-16
6220-99-803-3874	2-7.45-7	2530-99-804-2847	2-4.175-85	2910-99-804-3372	2-5.11-41
6220-99-803-4050	2-7.195-11	5360-99-804-3017	2-4.175-86	2910-99-804-3373	2-5.11-53
6220-99-803-4118	2-7.11-93	2590-99-804-3018	2-4.175-87	2510-99-804-3375	2-2.11-1
6220-99-803-4118	2-7.81-22	4320-99-804-3302	2-13.19-21	4320-99-804-3385	2-13.19-2
6220-99-803-4118	2-7.169-1	5306-99-804-3303	2-13.21-29	5340-99-804-3386	2-13.19-11
6220-99-803-4119	2-7.41-22	5306-99-804-3307	2-6.9-100	4320-99-804-3387	2-13.21-31
6220-99-803-4119	2-7.45-1	2590-99-804-3314	2-6.11-117	4320-99-804-3388	2-13.19-6

INDEX OF NATO STOCK NUMBERS

NATO STOCK No.	Chapter, Page and Item No.	NATO STOCK No.	Chapter, Page and Item No.	NATO STOCK No.	Chapter, Page and Item No.
4320-99-804-3389	2-13.19-8	4210-99-804-3660	2-12.7-55	5935-99-804-4618	2-7-1.5-76
4320-99-804-3390	2-13.19-7	2590-99-804-3681	2-10.23-28	5935-99-804-4618	2-7-1.14-285
4320-99-804-3391	2-13.19-14	2590-99-804-3683	2-10.23-27	5325-99-804-4620	2-7-1.6-104
5315-99-804-3392	2-13.19-16	2590-99-804-3684	2-10.27/28-25	5325-99-804-4620	2-7-1.6-110
4320-99-804-3393	2-13.19-12	4320-99-804-3786	2-13.21-32	5935-99-804-4622	2-7-1.9-180
5315-99-804-3394	2-13.19-13	2590-99-804-3800	2-7.11-101	5935-99-804-4622	2-7-1.11-218
2510-99-804-3427	2-2.11-3	5340-99-804-3801	2-7.11-102	5935-99-804-4622	2-7-1.12-252
5365-99-804-3431	2-2.13-36	5977-99-804-4004	2-8.17-13	5935-99-804-4625	2-7.197-13
2540-99-804-3437	2-2.11-12	5365-99-804-4008	2-7.79-70	5935-99-804-4625	2-7-1.6-108
2530-99-804-3439	2-2.11-5	5365-99-804-4009	2-8.17-27	5935-99-804-4625	2-7-1.7-133
5331-99-804-3441	2-2.11-27	6110-99-804-4010	2-7.5-33	5935-99-804-4625	2-7-1.8-143
5331-99-804-3444	2-2.13-37	6110-99-804-4010	2-7.75-1	5935-99-804-4625	2-7-1.8-146
2540-99-804-3465	2-2.11-23	4140-99-804-4011	2-7.3-11	5935-99-804-4625	2-7-1.8-153
2540-99-804-3466	2-2.13-31	4140-99-804-4011	2-8.11-107	5935-99-804-4625	2-7-1.8-160
2540-99-804-3467	2-2.11-22	4140-99-804-4011	2-8.15-1	5935-99-804-4625	2-7-1.9-181
5360-99-804-3472	2-15.9/10-10	6105-99-804-4012	2-8.15-18	5935-99-804-4625	2-7-1.10-203
5310-99-804-3473	2-15.9/10-17	6105-99-804-4012	2-8.17-1	5935-99-804-4625	2-7-1.12-229
4320-99-804-3474	2-13.19-9	4140-99-804-4013	2-8.15-11	5935-99-804-4625	2-7-1.12-253
2940-99-804-3475	2-4.221-32	6105-99-804-4014	2-8.17-7	5935-99-804-4625	2-7-1.13-256
2510-99-804-3484	2-1-2.3-4	6105-99-804-4014	2-8.17-18	5935-99-804-4642	2-4.247-5
2510-99-804-3485	2-1-2.5-46	6105-99-804-4017	2-8.17-35	5935-99-804-4642	2-7-1.13-255
4730-99-804-3498	2-4.91-130	5360-99-804-4045	2-7.75-23	2590-99-804-4643	2-7-1.13-258
2510-99-804-3541	2-1-2.5-52	5365-99-804-4046	2-7.75-27	6150-99-804-4647	2-7-1.7-123
2910-99-804-3542	2-4.71-18	5935-99-804-4051	2-7.77-55	2590-99-804-4651	2-7-1.2-7
5340-99-804-3543	2-1-3.3-5	6105-99-804-4106	2-8.17-3	4730-99-804-4698	2-4.187-23
2510-99-804-3544	2-1-3.3-2	2540-99-804-4110	2-8.15-2	5340-99-804-4701	2-1.3/4-4
2510-99-804-3545	2-1-3.3-14	4140-99-804-4112	2-8.15-6	5340-99-804-4701	2-1-4.3/4-1
2510-99-804-3546	2-1-3.3-15	2540-99-804-4113	2-8.15-9	5315-99-804-4702	2-1-4.3/4-14
2510-99-804-3547	2-1-3.3-22	2540-99-804-4114	2-8.15-15	4710-99-804-4753	2-15.3-16
2510-99-804-3548	2-1-3.3-21	5330-99-804-4115	2-8.17-34	4710-99-804-4754	2-15.3-18
5365-99-804-3569	2-4.55-71	6110-99-804-4159	2-7.75-28	4710-99-804-4755	2-15.3-19
3120-99-804-3626	2-4.67-29	5310-99-804-4258	2-4.93-142	4710-99-804-4756	2-15.5-41
2815-99-804-3627	2-4.67-28	2910-99-804-4282	2-4.93-138	4710-99-804-4757	2-15.5-42
2815-99-804-3628	2-4.65-19	5310-99-804-4284	2-4.91-137	4710-99-804-4758	2-15.7-51
2815-99-804-3629	2-4.65-16	5935-99-804-4601	2-7-1.11-207	4710-99-804-4759	2-15.5-44
5340-99-804-3630	2-4.65-17	5935-99-804-4602	2-7-1.2-4	4710-99-804-4760	2-15.5-45
5330-99-804-3632	2-4.67-42	5935-99-804-4602	2-7-1.11-208	4710-99-804-4761	2-15.5-32
5315-99-804-3634	2-4.69-8	5325-99-804-4604	2-7-1.6-109	4710-99-804-4762	2-15.3-23
2815-99-804-3635	2-4.67-26	5935-99-804-4609	2-7-1.3-42	4710-99-804-4763	2-15.7-52
5315-99-804-3636	2-4.67-30	5935-99-804-4609	2-7-1.11-219	4710-99-804-4764	2-15.5-43
2815-99-804-3637	2-4.65-25	5935-99-804-4612	2-7-1.4-61	4710-99-804-4765	2-15.5-24
2815-99-804-3638	2-4.69-7	5935-99-804-4613	2-7-1.4-62	4730-99-804-4767	2-15.3-17
2815-99-804-3639	2-4.67-40	5935-99-804-4616	2-7.173-48	4730-99-804-4768	2-15.3-7
3020-99-804-3641	2-4.65-18	5935-99-804-4616	2-7.197-11	4720-99-804-4769	2-15.5-40
2815-99-804-3642	2-4.65-23	5935-99-804-4616	2-7-1.4-68	4730-99-804-4770	2-15.7-49
2815-99-804-3643	2-4.65-20	5935-99-804-4616	2-7-1.8-151	4730-99-804-4794	2-2.13-42
5307-99-804-3647	2-4.91-118	5935-99-804-4616	2-7-1.8-158	4730-99-804-4794	2-15.5-34
3040-99-804-3648	2-4.83-23	5935-99-804-4617	2-7.173-49	4730-99-804-4795	2-15.5-38
4330-99-804-3652	2-8.21-3	5935-99-804-4617	2-7-1.4-69	4730-99-804-4796	2-15.5-46
2815-99-804-3658	2-4.187-1	5935-99-804-4617	2-7-1.8-152	2590-99-804-4797	2-15.3-20
4210-99-804-3659	2-12.7-56	5935-99-804-4617	2-7-1.8-159	4730-99-804-4805	2-13.3-2

INDEX OF NATO STOCK NUMBERS

NATO STOCK No.	Chapter, Page and Item No.	NATO STOCK No.	Chapter, Page and Item No.	NATO STOCK No.	Chapter, Page and Item No.
2590-99-804-4807	2-13.3-5	2510-99-804-4898	2-1-9.9-1	2590-99-804-5009	2-13.9-78
2590-99-804-4808	2-13.3-8	2510-99-804-4899	2-1-9.9-3	2590-99-804-5010	2-13.9-80
3120-99-804-4809	2-13.3-9	2590-99-804-4900	2-1.3/4-7	2590-99-804-5011	2-13.9-81
5365-99-804-4811	2-13.3-17	2590-99-804-4900	2-1-9.9-10	4320-99-804-5012	2-13.9-82
2590-99-804-4813	2-13.3-19	2510-99-804-4901	2-1-9.11-3	4820-99-804-5062	2-13.11-20
2590-99-804-4814	2-13.3-22	2510-99-804-4903	2-1-9.15/16-2	4010-99-804-5071	2-13.7-49
2590-99-804-4815	2-13.3-23	2590-99-804-4906	2-1-9.13-22	4730-99-804-5072	2-13.9-79
2590-99-804-4816	2-13.3-26	2510-99-804-4907	2-1-10.3/4-2	2510-99-804-5078	2-1-4.3/4-2
2590-99-804-4817	2-13.3-24	2510-99-804-4908	2-1-10.3/4-4	6210-99-804-5104	2-7.3-5
5315-99-804-4818	2-13.3-25	2510-99-804-4909	2-1-10.3/4-6	6210-99-804-5104	2-7.55-24
4710-99-804-4819	2-8.21-13	2510-99-804-4910	2-1-14.3-2	6210-99-804-5105	2-7.55-28
1005-99-804-4822	2-1-2.15-3	2510-99-804-4911	2-1-14.3-3	5330-99-804-5106	2-7.55-27
5340-99-804-4823	2-1-2.15-4	2510-99-804-4912	2-1-14.3-4	6220-99-804-5108	2-7.15-133
1005-99-804-4824	2-1-2.17/18-33	2510-99-804-4913	2-1-14.3-5	6220-99-804-5108	2-7.197-1
1005-99-804-4825	2-1-2.15-1	2510-99-804-4914	2-1-14.3-20	2590-99-804-5133	2-1-15.5-39
1005-99-804-4827	2-1-2.15-8	5360-99-804-4928	2-1-14.3-26	2590-99-804-5133	2-1-15.7-12
1005-99-804-4828	2-1-2.17/18-34	2590-99-804-4929	2-1-12.3/4-4	5355-99-804-5134	2-1-15.5-41
1005-99-804-4829	2-1-2.15-2	2590-99-804-4930	2-1-12.3/4-3	5355-99-804-5134	2-1-15.7-14
2540-99-804-4830	2-8.25-2	2510-99-804-4931	2-1-12.3/4-2	5340-99-804-5135	2-1-15.5-33
2540-99-804-4831	2-8.25-13	2590-99-804-4932	2-1-14.9-15	5340-99-804-5136	2-1-15.7-9
2540-99-804-4832	2-8.27/28-25	5315-99-804-4934	2-1-14.3-16	5340-99-804-5138	2-1-15.7-3
2540-99-804-4833	2-8.27/28-31	2510-99-804-4935	2-1-14.3-6	2540-99-804-5140	2-1-15.5-29
4130-99-804-4834	2-8.27/28-27	2590-99-804-4936	2-1-14.9-21	2590-99-804-5141	2-1-15.3-14
2510-99-804-4835	2-1-13.3/4-2	5306-99-804-4937	2-1-14.9-22	2590-99-804-5142	2-1-15.3-15
2540-99-804-4837	2-1-13.3/4-4	2590-99-804-4938	2-1-14.11/12-26	2590-99-804-5143	2-1-15.3-16
2540-99-804-4838	2-1-13.3/4-21	2510-99-804-4939	2-1.3/4-15	2590-99-804-5149	2-7.5-29
2510-99-804-4840	2-1-13.3/4-3	2510-99-804-4939	2-1-7.3/4-1	5935-99-804-5153	2-7.197-9
5340-99-804-4843	2-1-13.3/4-13	2510-99-804-4940	2-1-7.3/4-4	5935-99-804-5154	2-7.197-12
2510-99-804-4844	2-1-13.3/4-14	2510-99-804-4941	2-1-7.3/4-5	2520-99-804-5323	2-4.159-5
2510-99-804-4850	2-1-4.3/4-3	2590-99-804-4946	2-1-14.9-2	2520-99-804-5324	2-4.159-6
2510-99-804-4852	2-1-6.7-53	2590-99-804-4947	2-1-14.9-7	2520-99-804-5325	2-4.159-21
2930-99-804-4854	2-4.209-38	2590-99-804-4948	2-1-14.9-9	2910-99-804-5326	2-5.3-16
2510-99-804-4860	2-8.9-75	2590-99-804-4949	2-1-15.3-2	3110-99-804-5348	2-4.159-7
2510-99-804-4861	2-8.9-76	2590-99-804-4956	2-13.5-17	5935-99-804-5354	2-7-1.14-279
2510-99-804-4862	2-8.9-77	2590-99-804-4956	2-13.5-20	5935-99-804-5355	2-7-1.5-77
2510-99-804-4863	2-8.9-78	2590-99-804-4957	2-13.5-22	5935-99-804-5355	2-7-1.14-286
2510-99-804-4864	2-8.9-79	5340-99-804-4963	2-13.5-27	5935-99-804-5364	2-7-1.14-278
2510-99-804-4865	2-8.9-82	2590-99-804-4964	2-13.5-16	5935-99-804-5368	2-4.247-8
2510-99-804-4866	2-8.9-83	2590-99-804-4965	2-13.5-33	5315-99-804-5525	2-1-8.3/4-11
2510-99-804-4867	2-8.9-84	4030-99-804-4966	2-13.7-38	5365-99-804-5526	2-1-9.9-17
2510-99-804-4868	2-8.9-85	5340-99-804-4968	2-13.7-42	5340-99-804-5610	2-1-15.3-11
4720-99-804-4869	2-8.13-135	4030-99-804-4996	2-13.7-45	5340-99-804-5611	2-1-9.13-10
5365-99-804-4870	2-8.13-120	4030-99-804-4997	2-13.7-44	5340-99-804-5612	2-1-9.13-4
4730-99-804-4871	2-8.11-114	5315-99-804-4999	2-13.5-18	3040-99-804-5748	2-4.165-3
5330-99-804-4873	2-8.11-106	3120-99-804-5000	2-13.3-16	4320-99-804-5749	2-4.163-17
1005-99-804-4874	2-1-2.17/18-30	3120-99-804-5000	2-13.7-54	5310-99-804-5936	2-4.55-76
1005-99-804-4875	2-1-2.17/18-36	3120-99-804-5000	2-13.7-63	2920-99-804-5949	2-4.55-74
1005-99-804-4876	2-1-2.15-9	2590-99-804-5001	2-13.7-57	5310-99-804-5950	2-4.55-78
1005-99-804-4877	2-1-2.15-12	3120-99-804-5006	2-13.9-69	5330-99-804-6500	2-4.79-47
1005-99-804-4878	2-1-2.15-15	3120-99-804-5006	2-13.9-83	2815-99-804-6593	2-4.29-7
5315-99-804-4879	2-1-2.17/18-38	3120-99-804-5007	2-13.9-70	2520-99-804-6680	2-4.181-1
5315-99-804-4880	2-1-2.15-6	3120-99-804-5007	2-13.9-84	2520-99-804-6681	2-4.181-13
1005-99-804-4881	2-1-2.15-20				

INDEX OF NATO STOCK NUMBERS

NATO STOCK No.	Chapter, Page and Item No.	NATO STOCK No.	Chapter, Page and Item No.	NATO STOCK No.	Chapter, Page and Item No.
2520-99-804-6682	2-4.181-12	5310-99-804-7941	2-7.39-18	5935-99-805-0011	2-4.249-56
2910-99-804-7088	2-5.13-62	5310-99-804-7941	2-7.49-37	5935-99-805-0011	2-7.1.2-16
2910-99-804-7089	2-5.13-64	5310-99-804-7941	2-7.53-19	5935-99-805-0011	2-7.1.12-238
2910-99-804-7090	2-5.13-63	5310-99-804-7941	2-7.55-23	5935-99-805-0012	2-4.235-47
2520-99-804-7091	2-4.3-7	5310-99-804-7941	2-7.57-6	5935-99-805-0012	2-4.243-10
2520-99-804-7091	2-4.181-0	5310-99-804-7941	2-7.65-5	5935-99-805-0012	2-7.95-132
3110-99-804-7894	2-4.107-2	5310-99-804-7941	2-7.97-164	5935-99-805-0012	2-7.121-213
2540-99-804-7897	2-1-14.7-8	5310-99-804-7941	2-7.189-5	5935-99-805-0012	2-7.151-85
2540-99-804-7898	2-7.25-54	5310-99-804-7941	2-9.5/6-41	5935-99-805-0012	2-17.17-3
2590-99-804-7899	2-7.41-30	5310-99-804-7941	2-10.3-11	5935-99-805-0018	2-7.1.2-12
2590-99-804-7907	2-7.41-27	5310-99-804-7941	2-10.3-18	5935-99-805-0020	2-4.243-8
2590-99-804-7908	2-7.41-29	5310-99-804-7941	2-10.21-14	5970-99-805-0021	2-7.121-209
2590-99-804-7909	2-7.47-2	5310-99-804-7941	2-10.25-14	5970-99-805-0021	2-7.153-101
2590-99-804-7910	2-7.47-3	5310-99-804-7941	2-11.5-34	5935-99-805-0022	2-7.95-133
2590-99-804-7911	2-7.47-4	5310-99-804-7941	2-11.9-5	5330-99-805-0022	2-7.121-206
2590-99-804-7914	2-7.39-1	5310-99-804-7941	2-11.9-18	5330-99-805-0022	2-7.121-215
2590-99-804-7915	2-7.57-3	5310-99-804-7941	2-11.11-19	5330-99-805-0022	2-7.151-98
5310-99-804-7941	2-1-2.9-86	5310-99-804-7941	2-11.17-6	5970-99-805-0023	2-7.95-134
5310-99-804-7941	2-1-6.3-4	5310-99-804-7941	2-11.19/20-26	5970-99-805-0023	2-7.121-205
5310-99-804-7941	2-1-9.5-8	5310-99-804-7941	2-11.19/20-30	5970-99-805-0023	2-7.121-214
5310-99-804-7941	2-1-12.3/4-10	5310-99-804-7941	2-11.19/20-34	5970-99-805-0023	2-7.151-86
5310-99-804-7941	2-1-14.3-9	5310-99-804-7941	2-12.7-58	5970-99-805-0023	2-7.151-99
5310-99-804-7941	2-1-14.5-29	5310-99-804-7941	2-13.13-43	5940-99-805-0024	2-7.121-208
5310-99-804-7941	2-1-14.11/12-30	5310-99-804-7941	2-13.13-52	5935-99-805-0024	2-7.153-106
5310-99-804-7941	2-1-15.7-8	5310-99-804-7941	2-13.17-82	5935-99-805-0027	2-4.249-32
5310-99-804-7941	2-2.23/24-26	5310-99-804-7941	2-13.23/24-54	5935-99-805-0027	2-4.249-52
5310-99-804-7941	2-3.5-31	5310-99-804-7941	2-15.5-27	5935-99-805-0027	2-7.1.2-17
5310-99-804-7941	2-3.27-12	5310-99-804-7941	2-16.3-14	5935-99-805-0027	2-7.1.2-21
5310-99-804-7941	2-3.33-4	5310-99-804-7941	2-16.5-25	5935-99-805-0027	2-7.1.4-57
5310-99-804-7941	2-4.107-6	5310-99-804-7941	2-16.5-32	5975-99-805-0028	2-4.249-33
5310-99-804-7941	2-4.109-29	5310-99-804-7941	2-16.9-12	5975-99-805-0028	2-4.249-53
5310-99-804-7941	2-4.135-25	5310-99-804-7941	2-16.9-18	5975-99-805-0028	2-7.1.2-18
5310-99-804-7941	2-4.149-12	5310-99-804-7941	2-16.11/12-25	5975-99-805-0028	2-7.1.2-22
5310-99-804-7941	2-4.185-8	5340-99-804-8117	2-1-15.3-17	5975-99-805-0028	2-7.1.4-58
5310-99-804-7941	2-4.191-30	5940-99-804-8138	2-7.1.3-43	5330-99-805-0032	2-7.95-137
5310-99-804-7941	2-4.205-27	5940-99-804-8138	2-7.1.4-50	5330-99-805-0032	2-7.121-217
5310-99-804-7941	2-4.221-14	5940-99-804-8138	2-7.1.5-72	5330-99-805-0032	2-7.151-92
5310-99-804-7941	2-4.221-22	5340-99-804-8138	2-7.1.9-164	5970-99-805-0033	2-4.247-26
5310-99-804-7941	2-4.223-53	5340-99-804-8138	2-7.1.9-171	5970-99-805-0033	2-4.249-39
5310-99-804-7941	2-4.231-5	5340-99-804-8138	2-7.1.11-216	5970-99-805-0033	2-4.249-48
5310-99-804-7941	2-5.5-45	2540-99-804-8360	2-1-14.7-2	5970-99-805-0033	2-4.251/252-57
5310-99-804-7941	2-5.11-47	5330-99-804-9560	2-4.119-36	5340-99-805-0034	2-4.249-27
5310-99-804-7941	2-6.9-104	6220-99-804-9709	2-7.179-21	5340-99-805-0034	2-4.249-40
5310-99-804-7941	2-6.13-12	5935-99-805-0007	2-4.235-48	5340-99-805-0034	2-4.249-49
5310-99-804-7941	2-6.13-19	5935-99-805-0007	2-4.243-9	5340-99-805-0034	2-4.251/252-58
5310-99-804-7941	2-6.19-99	5935-99-805-0007	2-7.121-204	5995-99-805-0040	2-7.15-138
5310-99-804-7941	2-7.7-68	5935-99-805-0007	2-7.151-97	5940-99-805-0220	2-7.47-12
5310-99-804-7941	2-7.9-79	5935-99-805-0010	2-4.247-24	5940-99-805-0220	2-7.53-14
5310-99-804-7941	2-7.9-89	5935-99-805-0010	2-7.1.2-11	5940-99-805-0220	2-7.177-88
5310-99-804-7941	2-7.11-92	5935-99-805-0010	2-7.1.10-198	5940-99-805-0220	2-7.189-7
5310-99-804-7941	2-7.11-100	5935-99-805-0011	2-4.249-38	5935-99-805-0221	2-7.3-21
5310-99-804-7941	2-7.39-3	5935-99-805-0011	2-4.249-47	5935-99-805-0221	2-7.47-11

INDEX OF NATO STOCK NUMBERS

NATO STOCK No.	Chapter, Page and Item No.	NATO STOCK No.	Chapter, Page and Item No.	NATO STOCK No.	Chapter, Page and Item No.
5935-99-805-0221	2-7.53-15	5940-99-805-0745	2-7.163-242	5970-99-805-2206	2-7.95-135
5935-99-805-0221	2-7.177-89	5940-99-805-0745	2-7.167-281	5970-99-805-2206	2-7.121-219
5935-99-805-0221	2-7.189-8	5940-99-805-0745	2-7.167-285	5970-99-805-2206	2-7.151-88
5330-99-805-0222	2-7.151-87	5940-99-805-0754	2-7.149-61	5935-99-805-2864	2-7.47-8
5935-99-805-0224	2-7.47-13	5940-99-805-0754	2-7.149-64	5935-99-805-2902	2-7.15-150
5935-99-805-0224	2-7.53-16	5940-99-805-0763	2-7-1.5-86	5935-99-805-2902	2-7.173-47
5935-99-805-0224	2-7.177-90	5940-99-805-0763	2-7-1.12-250	5935-99-805-2902	2-7.175-55
5935-99-805-0224	2-7.189-6	5940-99-805-0797	2-7.145-17	5935-99-805-2902	2-7.177-86
5935-99-805-0328	2-7.49-34	5940-99-805-0797	2-7.149-53	5935-99-805-2902	2-7-1.3-34
5975-99-805-0379	2-7.179-13	5940-99-805-0797	2-7.185-91	5935-99-805-2902	2-7-1.3-44
5940-99-805-0380	2-7.179-12	5940-99-805-0893	2-7-1.3-47	5935-99-805-2902	2-7-1.3-46
2590-99-805-0415	2-7.57-2	5940-99-805-0893	2-7-1.7-130	5935-99-805-2902	2-7-1.4-51
2590-99-805-0417	2-7.53-17	5940-99-805-0893	2-7-1.12-246	5935-99-805-2902	2-7-1.4-55
2590-99-805-0418	2-7.53-18	5940-99-805-0893	2-7-1.12-248	5935-99-805-2902	2-7-1.4-66
2590-99-805-0421	2-7.59-9	5306-99-805-0896	2-7-1.5-91	5935-99-805-2902	2-7-1.5-73
2590-99-805-0484	2-11.3-6	5306-99-805-0896	2-7-1.6-95	5935-99-805-2902	2-7-1.6-118
2540-99-805-0485	2-11.5-39	5306-99-805-0896	2-7-1.12-235	5935-99-805-2902	2-7-1.6-120
2540-99-805-0485	2-11.9-8	5306-99-805-0896	2-7-1.12-242	5935-99-805-2902	2-7-1.7-122
5310-99-805-0486	2-11.5-43	5310-99-805-0900	2-7-1.5-92	5935-99-805-2902	2-7-1.7-125
5310-99-805-0486	2-11.9-12	5310-99-805-0900	2-7-1.6-96	5935-99-805-2902	2-7-1.7-138
5305-99-805-0487	2-11.7-46	5340-99-805-0923	2-1-1.3-17	5935-99-805-2902	2-7-1.7-140
5305-99-805-0487	2-11.9-15	5340-99-805-0923	2-4.225-24	5935-99-805-2902	2-7-1.8-147
2540-99-805-0488	2-11.17-4	5340-99-805-0923	2-12.13/14-36	5935-99-805-2902	2-7-1.8-154
2540-99-805-0489	2-11.11-3	5340-99-805-0925	2-12.9-64	5935-99-805-2902	2-7-1.8-161
5340-99-805-0493	2-11.17-19	5340-99-805-1035	2-7.25-44	5935-99-805-2902	2-7-1.9-178
5340-99-805-0494	2-11.17-18	5940-99-805-1220	2-7-1.5-82	5365-99-805-2984	2-5.17/18-32
2540-99-805-0495	2-11.11-11	5940-99-805-1319	2-7.91-62	5365-99-805-2984	2-7.193-30
4730-99-805-0571	2-13.11-3	5940-99-805-1336	2-7.93-118	5975-99-805-3046	2-7.23-37
4710-99-805-0572	2-13.13-34	5940-99-805-1338	2-7.93-88	5975-99-805-3046	2-7-1.5-80
4720-99-805-0573	2-13.11-4	5970-99-805-1338	2-7.121-224	5975-99-805-3145	2-7.23-36
4710-99-805-0574	2-13.11-6	4710-99-805-1371	2-13.15-61	6220-99-805-3150	2-7.197-15
4730-99-805-0575	2-13.11-18	4730-99-805-1372	2-13.15-58	5935-99-805-3201	2-7-1.3-25
4710-99-805-0576	2-13.11-19	4710-99-805-1373	2-13.15-62	5935-99-805-3201	2-7-1.3-31
4730-99-805-0577	2-13.11-22	2590-99-805-1377	2-13.13-44	2590-99-805-3315	2-1-6.9-18
4710-99-805-0578	2-13.11-23	2590-99-805-1378	2-13.13-46	2805-99-805-3478	2-4.133-104
4730-99-805-0579	2-13.11-25	2590-99-805-1379	2-13.17-92	5340-99-805-3479	2-4.133-103
5330-99-805-0580	2-13.11-21	5365-99-805-1380	2-13.17-93	5306-99-805-3480	2-4.133-105
4730-99-805-0581	2-13.15-54	2590-99-805-1381	2-13.17-85	2540-99-805-3645	2-10.3-1
4730-99-805-0581	2-13.15-64	5315-99-805-1382	2-13.17-90	6160-99-805-4535	2-7.59-2
4710-99-805-0582	2-13.15-56	5306-99-805-1384	2-13.17-86	6160-99-805-4535	2-7.63-2
4730-99-805-0585	2-13.13-33	5310-99-805-1385	2-4.55-77	9320-99-805-5468	2-5.9-10
4720-99-805-0587	2-13.13-35	5940-99-805-1429	2-7.179-16	2590-99-805-5791	2-14.3-6
4710-99-805-0588	2-13.13-39	5940-99-805-1429	2-7.181-41	5310-99-805-6455	2-4.247-19
4730-99-805-0668	2-4.201-7	2540-99-805-1432	2-8.11-105	5310-99-805-6455	2-7.23-31
5940-99-805-0745	2-7.89-58	5975-99-805-1433	2-7.59-15	5310-99-805-6455	2-7.197-16
5940-99-805-0745	2-7.91-63	5975-99-805-1433	2-7.63-11	5975-99-805-6457	2-7.15-148
5940-99-805-0745	2-7.125-253	2590-99-805-1439	2-6.7-81	5975-99-805-6457	2-7.23-32
5940-99-805-0745	2-7.125-268	5945-99-805-1963	2-4.95-12	5975-99-805-6457	2-7.67-29
5940-99-805-0745	2-7.155-145	5340-99-805-2068	2-11.5-35	5975-99-805-6457	2-7.177-76
5940-99-805-0745	2-7.155-154	5340-99-805-2069	2-11.5-38	5975-99-805-6457	2-7.197-17
5940-99-805-0745	2-7.157-165	4710-99-805-2099	2-15.3-13	5330-99-805-6629	2-4.131-70
5940-99-805-0745	2-7.161-213	5975-99-805-2204	2-7-1.2-13	5305-99-805-6831	2-4.133-91

INDEX OF NATO STOCK NUMBERS

NATO STOCK No.	Chapter, Page and Item No.	NATO STOCK No.	Chapter, Page and Item No.	NATO STOCK No.	Chapter, Page and Item No.
5330-99-805-7017	2-5.17/18-14	5330-99-807-6929	2-4.85-33	2910-99-807-9689	2-4.91-135
5310-99-805-7379	2-4.127-14	5365-99-807-6945	2-4.79-46	5305-99-807-9690	2-4.85-49
4720-99-805-7729	2-4.191-19	5365-99-807-6945	2-4.91-131	2910-99-807-9691	2-4.85-38
4720-99-805-7730	2-4.209-36	5305-99-807-7343	2-4.75-14	2910-99-807-9694	2-4.83-18
4720-99-805-7730	2-4.223-37	5310-99-807-7370	2-4.79-49	5365-99-807-9705	2-4.85-46
4720-99-805-7771	2-3.35/36-32	5310-99-807-7370	2-4.85-53	5365-99-807-9706	2-4.85-37
4720-99-805-7771	2-4.185-12	5365-99-807-7376	2-4.77-37	2910-99-807-9708	2-4.83-27
4720-99-805-7774	2-3.35/36-24	5310-99-807-7387	2-4.77-32	5365-99-807-9712	2-4.101-7
4720-99-805-7776	2-4.233-8	5310-99-807-7444	2-4.77-25	2910-99-807-9785	2-4.75-18
4720-99-805-7786	2-4.191-4	5310-99-807-7445	2-4.77-25(1)	2910-99-807-9789	2-4.77-30
5340-99-805-8118	2-1-15.3-20	5310-99-807-7446	2-4.77-25(2)	2910-99-807-9837	2-4.83-30
5340-99-805-8122	2-1-15.9/10-9	5310-99-807-7448	2-4.77-25(4)	2910-99-807-9944	2-4.85-50
2510-99-805-8123	2-8.9-73	5310-99-807-7450	2-4.77-25(6)	2910-99-807-9949	2-4.87-81
2510-99-805-8125	2-8.3-19	5365-99-807-7469	2-4.79-45	2910-99-807-9951	2-4.89-89
2510-99-805-8126	2-8.5-35	4730-99-807-7520	2-4.101-4	2910-99-808-0130	2-4.85-31
2510-99-805-8127	2-8.5-34	2910-99-807-7529	2-4.101-11	2910-99-808-0152	2-4.91-125
5365-99-805-8128	2-8.5-33	2910-99-807-8108	2-4.77-29	2910-99-808-0153	2-4.91-123
2510-99-805-8130	2-8.7-59	2910-99-807-8110	2-4.75-21	2910-99-808-0154	2-4.87-65
2510-99-805-8132	2-8.7-64	5305-99-807-8113	2-4.75-23	2590-99-808-0515	2-1-7.3/4-2
2510-99-805-8133	2-8.9-72	2910-99-807-8138	2-4.75-15	2815-99-808-0856	2-4.43-119
2510-99-805-8134	2-8.3-10	3120-99-807-8143	2-4.75-20	2815-99-808-0858	2-4.43-124
2930-99-805-8269	2-4.73-23	5307-99-807-8147	2-4.75-2	5360-99-808-0859	2-4.41-84
2930-99-805-8270	2-4.73-24	5307-99-807-8150	2-4.75-4	5360-99-808-0859	2-4.43-126
9390-99-805-8387	2-1-1.3-6	4730-99-807-8710	2-4.79-63	2815-99-808-0860	2-4.41-86
9390-99-805-8387	2-1-2.3-13	5315-99-807-8879	2-4.101-2	2815-99-808-0860	2-4.43-127
9390-99-805-8387	2-1-3.3-3	5315-99-807-8880	2-4.101-2(1)	2815-99-808-1066	2-4.41-97
9390-99-805-8387	2-1-4.3/4-13	5315-99-807-8884	2-4.101-2(2)	2815-99-808-1066	2-4.45-140
9390-99-805-8387	2-1-8.3/4-15	5305-99-807-9170	2-4.77-26	2815-99-808-1067	2-4.41-98
2510-99-805-8602	2-8.7-66	5365-99-807-9173	2-4.75-7	2815-99-808-1067	2-4.45-141
5325-99-805-8855	2-4.247-7	5365-99-807-9174	2-4.75-7(1)	2910-99-808-1081	2-4.121-13
3110-99-805-9056	2-4.195-26	5365-99-807-9175	2-4.75-7(2)	2910-99-808-1082	2-4.121-14
2510-99-805-9166	2-8.3-16	2910-99-807-9221	2-5.17/18-11	2910-99-808-1083	2-4.121-15
3110-99-805-9741	2-7.75-22	2910-99-807-9629	2-4.83-3	2910-99-808-1084	2-4.121-16
3110-99-806-0055	2-4.75-6	2910-99-807-9642	2-4.87-64	2910-99-808-1085	2-4.121-17
3110-99-806-0465	2-4.51-2	5307-99-807-9644	2-4.85-47	2910-99-808-1086	2-4.121-18
3110-99-806-1382	2-3.21-33	5330-99-807-9647	2-4.91-119	2520-99-808-1106	2-3.19-2
2590-99-806-1668	2-6.7-77	2910-99-807-9652	2-4.85-55	2815-99-808-1108	2-4.11-5
5340-99-806-2023	2-6.7-80	5315-99-807-9654	2-4.91-128	5365-99-808-1110	2-4.11-9
2590-99-806-2028	2-6.7-79	5330-99-807-9655	2-4.87-74	4730-99-808-1111	2-4.11-19
5310-99-806-7450	2-4.131-85	2910-99-807-9656	2-4.87-76	5365-99-808-1112	2-4.11-20
2590-99-806-9169	2-11.5-23	2910-99-807-9659	2-4.87-71	5365-99-808-1112	2-4.13-5
2510-99-806-9264	2-1-6.3-20	2910-99-807-9660	2-4.87-75	2815-99-808-1114	2-4.25-12
2350-99-807-0601	2-0.3/4-0	2910-99-807-9664	2-4.87-79	4730-99-808-1116	2-4.25-14
3020-99-807-0741	2-4.55-75	5310-99-807-9665	2-4.85-35	4730-99-808-1117	2-4.25-19
4730-99-807-3598	2-4.101-16	2910-99-807-9666	2-4.87-69	2815-99-808-1118	2-4.25-22
4730-99-807-3604	2-4.77-40	2910-99-807-9669	2-4.85-34	5315-99-808-1122	2-3.19-4
4730-99-807-3604	2-4.87-57	5315-99-807-9674	2-4.89-104	5365-99-808-1124	2-4.19-16
2910-99-807-6917	2-4.75-9	5315-99-807-9674	2-4.99-71	4710-99-808-1135	2-4.117-14
2910-99-807-6918	2-4.79-52	5365-99-807-9676	2-4.89-107	2910-99-808-1136	2-4.121-7
2910-99-807-6922	2-4.79-65	2910-99-807-9679	2-4.89-100	2910-99-808-1137	2-4.121-8
5310-99-807-6927	2-4.77-28	2910-99-807-9682	2-4.91-117	2815-99-808-1139	2-4.123-47
5330-99-807-6929	2-4.77-27	2910-99-807-9686	2-4.91-111	2815-99-808-1140	2-4.123-48

INDEX OF NATO STOCK NUMBERS

NATO STOCK No.	Chapter, Page and Item No.	NATO STOCK No.	Chapter, Page and Item No.	NATO STOCK No.	Chapter, Page and Item No.
4820-99-808-1253	2-4.41-83	5305-99-808-4624	2-4.83-29	2510-99-809-7015	2-11.5-26
4820-99-808-1253	2-4.43-125	5305-99-808-4624	2-4.85-52	5340-99-809-7016	2-11.5-27
5330-99-808-1254	2-4.41-85	5305-99-808-4624	2-4.89-99	2910-99-809-7587	2-4.97-49
5330-99-808-1254	2-4.43-128	5305-99-808-4624	2-4.97-52	4730-99-809-7912	2-4.97-25
5330-99-808-1255	2-4.41-88	5305-99-808-4624	2-4.99-70	6110-99-809-8194	2-7.75-18
5330-99-808-1255	2-4.45-135	2910-99-808-4649	2-4.85-43	5330-99-809-8204	2-7.103-52
5330-99-808-1255	2-4.117-4	5310-99-808-4665	2-4.99-59	2590-99-809-9546	2-7.1.6-105
5330-99-808-1256	2-4.41-87	5310-99-808-4675	2-4.131-74	3040-99-809-9954	2-1.2.5-55
5330-99-808-1256	2-4.43-129	5310-99-808-4679	2-4.91-132	5330-99-810-0594	2-13.23/24-50
2815-99-808-1257	2-4.45-134	5310-99-808-4683	2-4.91-129	5360-99-810-0723	2-1.2.5-53
4730-99-808-1258	2-4.43-130	5310-99-808-4683	2-4.99-79	5975-99-810-1640	2-7.179-17
2815-99-808-1259	2-4.9-7	5310-99-808-4684	2-4.83-6	5975-99-810-1640	2-7.183-42
2815-99-808-1274	2-0.3/4-4	5310-99-808-4684	2-4.89-87	5975-99-810-1640	2-7.183-46
2815-99-808-1274	2-4.3-0	5310-99-808-4684	2-4.97-41	5910-99-810-2049	2-5.17/18-16
2815-99-808-1275	2-4.3-4	5310-99-808-4685	2-4.87-67	4210-99-810-2254	2-7.99-3
2815-99-808-1275	2-4.9-0	4730-99-808-4686	2-4.89-84	5310-99-810-5430	2-7.59-12
2815-99-808-1276	2-4.9-1	5365-99-808-4687	2-4.89-83	5310-99-810-5430	2-7.63-8
2990-99-808-1277	2-4.191-6	5330-99-808-4696	2-4.87-56	2540-99-810-5826	2-14.3-8
2990-99-808-1278	2-4.191-5	5330-99-808-4749	2-4.127-8	5340-99-810-6742	2-6.17-83
2990-99-808-1279	2-4.191-3	5330-99-808-4749	2-4.127-24	5340-99-810-8013	2-10.17-35
4730-99-808-1280	2-4.191-7	5330-99-808-4749	2-4.131-81	5360-99-810-8014	2-10.17-36
2990-99-808-1281	2-4.191-11	5365-99-808-4895	2-4.117-10	2815-99-810-8171	2-4.39-81
2815-99-808-1293	2-4.47-20	5305-99-808-4908	2-4.85-40	6680-99-811-0068	2-4.91-134
5365-99-808-1294	2-4.47-22	5340-99-808-4919	2-4.233-37	2510-99-811-2864	2-1.6.3-11
2815-99-808-1297	2-4.67-44	2590-99-808-5002	2-4.191-18	4820-99-811-6699	2-4.205-12
5365-99-808-1299	2-4.71-7	2590-99-808-5003	2-4.191-17	5340-99-811-6864	2-4.205-9
2815-99-808-1300	2-4.67-45	2910-99-808-5016	2-4.101-1	6680-99-811-7125	2-4.185-14
2815-99-808-1301	2-4.43-109	2910-99-808-5017	2-4.101-3	2590-99-811-7178	2-7.191-3
2815-99-808-1302	2-4.43-114	5340-99-808-5309	2-4.233-38	5360-99-811-7181	2-7.191-21
2815-99-808-1305	2-4.19-9	4710-99-808-5350	2-1.1.3-16	2815-99-811-8720	2-4.47-16
5330-99-808-1306	2-4.25-23	4710-99-808-5350	2-1-1.13/14-7	5310-99-811-8978	2-4.133-90
5330-99-808-1307	2-4.25-24	5935-99-808-9679	2-7.5-35	2815-99-811-8992	2-4.139-6
3040-99-808-1331	2-4.41-102	5905-99-809-0218	2-7.75-2	5306-99-811-8993	2-4.139-7
3040-99-808-1331	2-4.45-144	2920-99-809-0528	2-4.63-27	2815-99-811-8994	2-4.139-1
4730-99-808-1412	2-4.117-2	2520-99-809-0843	2-3.17-76	5310-99-812-0216	2-4.131-58
4020-99-808-2238	2-13.17-84	2530-99-809-0844	2-3.27-1	5330-99-812-0434	2-3.13-40
4020-99-808-2239	2-13.17-83	2510-99-809-0849	2-1-9.3-3	5305-99-812-0712	2-4.65-10
2920-99-808-2409	2-4.53-30	5340-99-809-2303	2-4.71-19	5310-99-812-1285	2-4.25-10
5930-99-808-3085	2-7.105-24	2910-99-809-2386	2-4.227-33	2520-99-812-4261	2-4.159-8
2520-99-808-3925	2-4.181-11	2910-99-809-2387	2-4.225-28	4730-99-812-4269	2-4.151-42
2520-99-808-3926	2-4.163-13	6680-99-809-3739	2-4.61-20	5330-99-812-5074	2-4.221-11
2930-99-808-3931	2-4.201-14	6680-99-809-4262	2-4.61-19	5306-99-812-8511	2-1.2.15-11
5330-99-808-4103	2-4.89-82	6680-99-809-4263	2-4.61-9	5935-99-812-9257	2-7.93-115
5330-99-808-4103	2-4.91-112	6680-99-809-4264	2-4.61-8	5340-99-812-9981	2-4.99-84
5330-99-808-4104	2-4.87-68	6680-99-809-4265	2-4.63-25	5910-99-812-9999	2-7-1.14-289
5330-99-808-4105	2-4.85-32	6680-99-809-4266	2-4.61-10	5310-99-813-0216	2-4.129-45
5330-99-808-4106	2-4.83-24	6680-99-809-4628	2-4.63-26	2930-99-813-0256	2-4.103-6
5330-99-808-4114	2-4.75-12	6680-99-809-4629	2-4.61-22	2930-99-813-0257	2-4.103-5
5365-99-808-4202	2-4.83-26	2520-99-809-5516	2-4.147-84	2930-99-813-0258	2-4.111-12
5325-99-808-4324	2-1.6.5-30	3040-99-809-5861	2-4.145-45	5305-99-813-0596	2-4.93-143
5305-99-808-4618	2-4.85-36	5305-99-809-6003	2-7.105-31	6220-99-813-3981	2-7.201/202-39
5305-99-808-4620	2-4.85-39	2940-99-809-6450	2-4.223-59	5340-99-813-4663	2-7.105-3

INDEX OF NATO STOCK NUMBERS

NATO STOCK No.	Chapter, Page and Item No.	NATO STOCK No.	Chapter, Page and Item No.	NATO STOCK No.	Chapter, Page and Item No.
5970-99-813-6258	2-4.235-50	2530-99-819-4952	2-3.23-47	6220-99-823-9793	2-7.51-1
5970-99-813-6259	2-4.235-49	2990-99-820-1554	2-4.105-25	5330-99-823-9884	2-7.81-15
5970-99-813-6260	2-4.235-51	5999-99-820-1558	2-4.237-1	5365-99-824-0155	2-3.11-23
5310-99-813-6899	2-7.49-28	6220-99-820-3051	2-7.23-20	2540-99-824-0433	2-10.17-28
6150-99-813-9705	2-7-1.4-60	6220-99-820-3051	2-7.33-1	5330-99-824-0606	2-4.207-5
6150-99-813-9706	2-7-1.5-74	4730-99-820-3859	2-2.13-44	2540-99-824-0626	2-11.11-1
6150-99-813-9712	2-7-1.5-70	2590-99-820-4881	2-7.67-11	3040-99-824-3856	2-4.183-43
5330-99-814-0890	2-4.191-8	6150-99-820-8042	2-7.141-180	2590-99-824-4440	2-12.7-45
2910-99-814-6120	2-5.5-49	2590-99-820-8043	2-7.139-155	3110-99-824-6262	2-2.9-54
2910-99-814-6121	2-5.5-51	9905-99-820-9980	2-7.109-39	3110-99-824-6262	2-2.17-47
2910-99-814-6122	2-5.5-53	2590-99-820-9993	2-7.107-9	5330-99-824-6545	2-5.5-31
2910-99-814-6123	2-5.5-56	5306-99-820-9994	2-7.107-8	2910-99-824-7682	2-5.3-24
2910-99-814-6124	2-5.5-55	5306-99-820-9995	2-7.107-11	2540-99-825-1565	2-2.13-39
5360-99-814-6125	2-5.5-52	5340-99-820-9996	2-7.107-12	2815-99-825-2819	2-4.29-1
5365-99-814-6126	2-5.5-54	5365-99-821-0154	2-3.15-57	2590-99-825-3341	2-13.5-11
2540-99-814-9980	2-1-9.9-2	5365-99-821-0154	2-3.15-60	5325-99-825-4952	2-7.197-10
2590-99-815-8021	2-7.17/19-155	4730-99-821-0156	2-3.13-32	5325-99-825-4952	2-7-1.4-67
2590-99-815-8021	2-7-1.14-287	4730-99-821-0156	2-3.15-66	5325-99-825-4952	2-7-1.8-150
2590-99-815-8473	2-7.171-4	4710-99-821-0157	2-3.17-75	5325-99-825-4952	2-7-1.8-157
5365-99-815-8747	2-1-2.15-7	5365-99-821-0158	2-3.13-30	5999-99-825-6834	2-7.145-4
5970-99-815-9178	2-4.249-41	5945-99-821-0672	2-7.109-57	2590-99-825-7621	2-7-1.5-78
2910-99-815-9700	2-4.75-5	5961-99-821-0673	2-7.111-63	5999-99-826-1775	2-7.121-220
4730-99-816-3134	2-4.207-7	5999-99-821-0684	2-7.111-86	5999-99-826-1775	2-7.151-89
4710-99-816-3140	2-4.207-14	5310-99-821-1149	2-7.15-140	5930-99-826-8010	2-7.13-110
2930-99-816-3766	2-4.201-5	2590-99-821-1241	2-7.153-115	5305-99-826-8015	2-7.69-33
2530-99-816-8627	2-2.3-8	2590-99-821-1241	2-7.153-120	2590-99-827-7475	2-8.21-10
2590-99-817-0826	2-4.235-57	2590-99-821-1241	2-7.153-126	5970-99-827-9583	2-8.11-113
2590-99-817-0826	2-4.247-4	2590-99-821-1241	2-7.155-132	2815-99-828-1055	2-4.29-9
2590-99-817-1534	2-7.125-281	2590-99-821-1241	2-7.155-137	2590-99-828-3661	2-4.247-23
5305-99-817-1535	2-7.97-157	6220-99-821-4898	2-7.33-7	5340-99-828-4174	2-7.25-45
5305-99-817-1535	2-7.109-54	6250-99-821-6126	2-7.181-33	5330-99-828-5174	2-4.165-20
2590-99-817-2322	2-7.197-8	3815-99-821-7201	2-13.7-55	2530-99-828-8123	2-2.21-15
4320-99-817-4926	2-13.21-34	3815-99-821-7210	2-13.7-37	6250-99-828-8138	2-7.33-3
2590-99-818-4699	2-4.53-54	3815-99-821-7216	2-13.5-4	6250-99-828-8138	2-7.169-3
5365-99-818-5986	2-4.135-17	3815-99-821-7236	2-13.5-7	5365-99-828-9068	2-3.7-58
5935-99-818-6285	2-7.173-38	3830-99-821-7281	2-13.3-29	5365-99-828-9069	2-3.7-59
5935-99-818-6285	2-7.175-56	3830-99-821-7304	2-13.3-28	3020-99-828-9154	2-3.19-19
5935-99-818-6286	2-7.173-39	3830-99-821-7312	2-13.7-56	5306-99-828-9407	2-4.195-8
5935-99-818-6286	2-7.175-57	3830-99-821-7324	2-13.3-27	2940-99-829-0150	2-4.229-7
2910-99-818-6595	2-4.75-0	5945-99-821-8620	2-4.95-1	5340-99-829-1190	2-11.3-19
2520-99-818-6719	2-4.153-3	5340-99-822-0278	2-7.191-16	5340-99-829-1191	2-11.3-3
2520-99-818-6719	2-4.155-6	6220-99-822-0283	2-7.45-5	5340-99-829-1191	2-11.9-2
2590-99-818-7792	2-4.249-55	2530-99-822-3641	2-3.31-1	5340-99-829-1191	2-11.11-20
2590-99-818-7793	2-4.249-46	5330-99-823-5157	2-4.57-12	5340-99-829-1191	2-11.19/20-23
2590-99-818-7795	2-4.247-22	6220-99-823-6351	2-7.67-25	5340-99-829-1191	2-11.19/20-31
2590-99-818-7798	2-4.249-37	2930-99-823-7994	2-4.201-1	3040-99-829-3856	2-6.3-23
6620-99-818-7817	2-4.71-22	2930-99-823-7994	2-4.205-1	3040-99-829-3856	2-6.5-49
5940-99-818-8898	2-4.135-2	2540-99-823-8827	2-1-1.13/14-2	3040-99-829-3856	2-6.7-62
5970-99-818-9178	2-4.249-50	2540-99-823-8828	2-1-1.3-15	3040-99-829-3856	2-6.7-85
5970-99-818-9178	2-4.251/252-59	2540-99-823-8828	2-1-1.13/14-3	3040-99-829-3856	2-6.9-101
5330-99-819-2785	2-4.109-26	2520-99-823-9285	2-3.7-66	2930-99-829-4369	2-4.205-4
3040-99-819-4481	2-13.9-77	6220-99-823-9793	2-7.41-36	2930-99-829-4370	2-4.205-2

INDEX OF NATO STOCK NUMBERS

NATO STOCK No.	Chapter, Page and Item No.	NATO STOCK No.	Chapter, Page and Item No.	NATO STOCK No.	Chapter, Page and Item No.
5330-99-829-4371	2-4.205-15	5330-99-838-5039	2-7.59-23	5310-99-865-1474	2-4.47-10
2930-99-829-4372	2-4.205-16	5360-99-838-5142	2-4.133-87	5310-99-865-1474	2-4.65-12
2930-99-829-4373	2-4.205-17	2920-99-838-5148	2-4.131-60	5310-99-865-1475	2-3.15-58
2930-99-829-4374	2-4.205-3	5975-99-838-5151	2-7.7-55	5310-99-865-1475	2-3.15-59
2930-99-829-4375	2-4.205-18	5975-99-838-5151	2-7.105-1	5310-99-865-1475	2-4.9-13
2530-99-829-8621	2-2.15-20	2530-99-838-5311	2-2.3-2	5310-99-865-1475	2-4.13-17
5977-99-829-9354	2-4.127-29	2920-99-838-5502	2-4.131-64	5310-99-865-1476	2-4.35-19
2920-99-829-9364	2-4.133-100	2920-99-838-5503	2-4.131-63	5310-99-865-1476	2-4.39-70
2920-99-829-9365	2-4.133-101	5330-99-838-5511	2-4.127-10	5310-99-865-1476	2-4.113-27
5365-99-829-9387	2-2.11-29	5330-99-838-5511	2-4.127-23	5310-99-865-1476	2-4.181-18
5306-99-829-9389	2-2.13-33	5360-99-838-5514	2-4.129-37	5310-99-865-1476	2-13.19-4
5330-99-830-6314	2-4.3-22	5360-99-838-5518	2-4.133-96	5310-99-865-1477	2-4.13-9
5330-99-830-6315	2-4.3-23	2920-99-838-5519	2-4.133-99	5310-99-865-1477	2-4.25-4
5330-99-830-6316	2-4.3-24	5360-99-838-5520	2-4.131-53	5310-99-865-1477	2-4.111-17
5330-99-830-6317	2-4.3-25	6220-99-838-5677	2-14.3-3	5310-99-865-1477	2-4.117-12
5306-99-832-1976	2-2.19-62	5315-99-838-7720	2-2.17-45	5310-99-865-1478	2-4.149-21
5306-99-832-1977	2-2.9-56	5315-99-838-7721	2-2.7-38	5365-99-865-1479	2-3.11-22
5305-99-832-1979	2-2.5-10	2510-99-838-9729	2-1.2.5-54	5365-99-865-1479	2-3.13-27
5940-99-832-9440	2-7.113-99	2930-99-839-5311	2-4.217-15	5365-99-865-1479	2-3.15-61
5940-99-832-9440	2-7.113-106	2930-99-839-5311	2-4.219-0	5365-99-865-1479	2-4.19-17
5940-99-832-9440	2-7.113-111	4210-99-839-9904	2-11.15-8	5365-99-865-1479	2-4.19-20
5940-99-832-9440	2-7.115-124	4730-99-842-2247	2-13.15-67	5365-99-865-1479	2-4.25-2
5940-99-832-9440	2-7.115-142	5315-99-842-8189	2-4.139-14	5365-99-865-1479	2-4.71-10
5940-99-832-9440	2-7.117-153	5315-99-842-9000	2-4.103-11	5365-99-865-1488	2-3.13-29
5940-99-832-9440	2-7.117-163	5315-99-842-9000	2-4.143-17(1)	5365-99-865-1488	2-3.13-31
5940-99-832-9440	2-7.119-180	5315-99-842-9000	2-4.145-43	5365-99-865-1488	2-3.15-65
5940-99-832-9440	2-7.125-264	5315-99-842-9001	2-4.103-11(1)	5365-99-865-1488	2-4.49-30
5330-99-833-6174	2-4.79-66	5315-99-842-9001	2-4.143-17	5365-99-865-1488	2-4.71-6
5330-99-833-6174	2-4.83-2	5315-99-842-9001	2-4.145-43(1)	5365-99-865-1488	2-4.71-16
4730-99-833-7457	2-4.201-10	1290-99-846-8196	2-12.9-65	5365-99-865-1489	2-4.35-23
5340-99-833-9560	2-7.7-56	5310-99-849-0165	2-2.5-11	5365-99-865-1489	2-4.39-74
4030-99-834-7839	2-13.5-23	5310-99-849-0165	2-4.185-3	5365-99-865-1489	2-4.119-33
5365-99-834-9151	2-4.65-22	4210-99-851-0258	2-11.15-2	5365-99-865-1490	2-3.15-63
5365-99-834-9152	2-4.95-5	3040-99-856-3675	2-10.11-95	5365-99-865-1490	2-3.15-67
9320-99-835-1324	2-1.6.7-58	2530-99-856-6113	2-2.7-32	5365-99-865-1490	2-4.145-57
9320-99-835-1324	2-1.6.11/12-26	5935-99-859-7929	2-14.3-12	5310-99-865-1492	2-3.15-56
4320-99-836-6616	2-13.23/24-58	4210-99-861-3043	2-12.7-49	2805-99-865-1504	2-4.13-6
4320-99-836-6715	2-13.23/24-55	5340-99-861-4435	2-5.17/18-24	2805-99-865-1504	2-4.13-15
5331-99-836-6912	2-13.21-39	1005-99-862-2614	2-1.2.15-0	2805-99-865-1506	2-4.11-10
5340-99-836-8670	2-3.17-91	2990-99-864-6435	2-4.125-10	5310-99-865-1511	2-3.13-44
5305-99-836-9801	2-3.17-92	3120-99-865-1134	2-3.23-38	5310-99-865-1513	2-4.63-24
6210-99-837-2142	2-7.199-13	5307-99-865-1136	2-3.11-4	5310-99-865-1527	2-4.145-49
5330-99-837-2312	2-1.6.3-17	5315-99-865-1360	2-4.31-7	5310-99-865-1528	2-4.73-35
9905-99-837-2954	2-0.3/4-17	5307-99-865-1445	2-4.107-23	5310-99-865-1624	2-4.139-4
9905-99-837-2954	2-16.7-40	5307-99-865-1454	2-3.11-13	5310-99-865-1645	2-4.147-72
9905-99-837-2954	2-16.11/12-33	5307-99-865-1454	2-3.11-16	5330-99-865-1675	2-4.103-10
2530-99-837-4987	2-2.3-5	5307-99-865-1457	2-3.11-5	5365-99-865-2024	2-4.49-24
5330-99-838-1001	2-4.205-6	5307-99-865-1462	2-3.11-8	5340-99-865-2078	2-4.123-42
5340-99-838-1364	2-14.5-34	5307-99-865-1464	2-3.11-6	5340-99-865-2078	2-4.123-46
5306-99-838-2271	2-4.163-9	5307-99-865-1464	2-3.15-69	5340-99-865-2906	2-4.7-35
5306-99-838-2277	2-4.153-19	5310-99-865-1474	2-4.9-11	4730-99-865-3240	2-4.71-15
2530-99-838-4922	2-2.3-1	5310-99-865-1474	2-4.15-13	5307-99-865-3611	2-3.15-70

INDEX OF NATO STOCK NUMBERS

NATO STOCK No.	Chapter, Page and Item No.	NATO STOCK No.	Chapter, Page and Item No.	NATO STOCK No.	Chapter, Page and Item No.
5310-99-865-3616	2-3.23-50	1240-99-865-3747	2-4.145-44	3120-99-865-5700	2-3.11-18
4730-99-865-3617	2-3.13-28	5340-99-865-3748	2-4.147-73	5310-99-865-5701	2-3.23-49
3120-99-865-3624	2-4.145-42	3040-99-865-3749	2-4.147-76	3020-99-865-5702	2-3.21-37
5310-99-865-3628	2-4.139-8	5310-99-865-3750	2-3.23-44	5306-99-865-5704	2-3.23-48
5310-99-865-3628	2-4.139-18	3010-99-865-3753	2-4.139-10	3120-99-865-5705	2-3.21-26
5310-99-865-3628	2-4.167-33	5310-99-865-3776	2-3.23-45	3120-99-865-5706	2-3.23-51
5330-99-865-3642	2-3.23-55	5310-99-865-3777	2-3.23-42	3040-99-865-5708	2-3.11-17
5331-99-865-3642	2-13.21-27	4730-99-865-3778	2-3.23-40	2530-99-865-5711	2-3.27-8
5340-99-865-3644	2-4.147-82	3020-99-865-3781	2-4.145-41	5307-99-865-5712	2-3.27-9
5310-99-865-3646	2-4.145-69	3120-99-865-3786	2-3.19-5	2530-99-865-5713	2-3.27-11
5310-99-865-3647	2-4.147-71	3120-99-865-3787	2-3.19-6	2530-99-865-5714	2-3.27-14
3010-99-865-3648	2-4.139-9	3120-99-865-3788	2-3.19-7	5310-99-865-5715	2-3.27-10
3020-99-865-3649	2-4.145-40	3120-99-865-3789	2-3.19-8	5310-99-865-5715	2-3.27-15
5340-99-865-3651	2-4.143-21	2520-99-865-3790	2-3.19-9	5340-99-865-5716	2-3.27-17
3010-99-865-3654	2-4.139-15	3040-99-865-3793	2-4.143-8	2530-99-865-5717	2-3.27-18
2520-99-865-3656	2-4.143-23	3040-99-865-3795	2-3.19-20	5305-99-865-5718	2-3.27-19
5315-99-865-3658	2-4.143-3	5310-99-865-3796	2-3.19-22	5315-99-865-5720	2-3.27-23
3040-99-865-3659	2-4.143-14	5310-99-865-3797	2-3.19-21	5330-99-865-5721	2-3.29-24
3040-99-865-3660	2-4.143-15	3020-99-865-3798	2-3.21-27	2530-99-865-5723	2-3.29-28
3020-99-865-3661	2-4.145-39	5305-99-865-3801	2-3.19-10	2530-99-865-5724	2-3.29-32
5340-99-865-3663	2-4.139-26	2520-99-865-3803	2-3.19-23	5315-99-865-5725	2-3.29-33
5330-99-865-3670	2-3.13-41	3120-99-865-3808	2-3.21-25	3040-99-865-5726	2-3.17-88
2530-99-865-3671	2-3.17-77	3020-99-865-3809	2-3.21-30	3040-99-865-5726	2-3.29-35
5310-99-865-3672	2-3.21-36	5315-99-865-3810	2-3.21-32	5365-99-865-5728	2-3.13-35
4820-99-865-3679	2-4.71-8	5315-99-865-3825	2-3.19-11	5365-99-865-5729	2-3.13-35(1)
3120-99-865-3684	2-3.21-29	5315-99-865-3826	2-3.19-12	5365-99-865-5730	2-3.13-35(2)
5365-99-865-3685	2-3.13-39	5330-99-865-3827	2-3.11-19	5365-99-865-5731	2-3.13-35(3)
5365-99-865-3686	2-3.13-39(1)	2520-99-865-3828	2-3.11-14	5365-99-865-5732	2-3.13-35(4)
5365-99-865-3687	2-3.13-39(2)	2805-99-865-3829	2-3.29-25	3040-99-865-5733	2-3.11-15
5365-99-865-3688	2-3.13-39(3)	5340-99-865-3830	2-3.15-48	3040-99-865-5734	2-3.11-12
5365-99-865-3689	2-3.13-39(4)	3020-99-865-3837	2-3.23-43	2530-99-865-5735	2-3.29-39
5365-99-865-3690	2-3.13-39(5)	3040-99-865-3844	2-3.23-39	5310-99-865-6100	2-2.15-13
3120-99-865-3691	2-3.21-35(2)	3040-99-865-3845	2-3.23-41	5310-99-865-6100	2-3.5-44
3120-99-865-3692	2-3.21-35(3)	5315-99-865-3846	2-4.145-37	2530-99-865-6101	2-2.5-4
3120-99-865-3693	2-3.21-35(4)	2530-99-865-3847	2-3.11-1	2530-99-865-6103	2-2.5-17
3120-99-865-3694	2-3.21-35(5)	3020-99-865-3876	2-4.145-38	5310-99-865-6104	2-2.5-16
3120-99-865-3695	2-3.21-35(6)	2520-99-865-4382	2-4.143-25	2530-99-865-6105	2-2.5-19
3120-99-865-3696	2-3.21-35(7)	3020-99-865-4383	2-4.143-16	5365-99-865-6107	2-2.5-15
3120-99-865-3697	2-3.21-35(8)	5330-99-865-4384	2-4.143-29	5365-99-865-6108	2-2.5-15(1)
3120-99-865-3698	2-3.21-35(9)	5330-99-865-4386	2-4.121-2	5310-99-865-6109	2-2.5-15(2)
3120-99-865-3699	2-3.21-35(10)	5330-99-865-4386	2-4.121-4	5330-99-865-6110	2-2.21-17
3120-99-865-3700	2-3.21-35(11)	5330-99-865-4386	2-4.143-31	2530-99-865-6111	2-2.21-3
3120-99-865-3701	2-3.21-35(12)	5330-99-865-4388	2-3.17-79	2530-99-865-6111	2-2.21-7
3040-99-865-3716	2-4.149-10	2520-99-865-4394	2-4.143-13	2530-99-865-6111	2-2.21-11
2530-99-865-3719	2-3.17-82	5330-99-865-4396	2-4.147-75	2530-99-865-6112	2-2.21-13
5365-99-865-3721	2-3.21-35	4730-99-865-4399	2-3.15-64	2530-99-865-6114	2-2.13-49
5330-99-865-3739	2-3.17-78	2520-99-865-4411	2-4.147-86	5315-99-865-6115	2-2.5-5
5307-99-865-3740	2-3.11-10	2520-99-865-4412	2-4.147-85	5365-99-865-6124	2-2.15-11
2520-99-865-3742	2-4.145-48	5330-99-865-4418	2-4.145-59	2530-99-865-6129	2-2.9-55
2520-99-865-3743	2-4.145-52	5306-99-865-4905	2-3.15-46	5310-99-865-6130	2-2.7-47
2520-99-865-3744	2-4.139-11	4730-99-865-5650	2-4.19-22	5310-99-865-6130	2-2.19-55
5330-99-865-3746	2-4.143-4	4730-99-865-5651	2-4.111-26	2530-99-865-6131	2-2.9-50

INDEX OF NATO STOCK NUMBERS

NATO STOCK No.	Chapter, Page and Item No.	NATO STOCK No.	Chapter, Page and Item No.	NATO STOCK No.	Chapter, Page and Item No.
2530-99-865-6131	2-2.19-58	4710-99-865-6205	2-6.17-67	5310-99-865-6355	2-3.33-13
5365-99-865-6132	2-2.7-45	4730-99-865-6206	2-6.17-70	5310-99-865-6355	2-4.189-38
5365-99-865-6132	2-2.19-53	5315-99-865-6207	2-6.19-86	2530-99-865-6358	2-3.33-23
2530-99-865-6136	2-2.21-24	2530-99-865-6208	2-6.13-2	5340-99-865-6360	2-3.33-12
2530-99-865-6143	2-2.5-2	3040-99-865-6209	2-6.13-5	5340-99-865-6360	2-4.189-37
2530-99-865-6144	2-2.5-3	2530-99-865-6210	2-6.13-24	4720-99-865-6361	2-3.33-19
5365-99-865-6145	2-2.19-63	3040-99-865-6211	2-6.13-20	5365-99-865-6365	2-3.9-4
5310-99-865-6146	2-9.3-21	2530-99-865-6212	2-6.15-30	5365-99-865-6365	2-3.25-60
5310-99-865-6146	2-9.5/6-32	2530-99-865-6213	2-6.13-25	2940-99-865-6374	2-4.187-31
2530-99-865-6157	2-2.7-26	5310-99-865-6214	2-6.13-26	4730-99-865-6375	2-13.11-5
2530-99-865-6158	2-2.7-30	5365-99-865-6216	2-6.15-31	2510-99-865-6502	2-1-2.7-57
5330-99-865-6159	2-2.7-25	2530-99-865-6217	2-6.17-62	3040-99-865-6503	2-1-2.7-58
5330-99-865-6159	2-2.7-27	2530-99-865-6218	2-6.13-8	2510-99-865-6504	2-1-2.7-61
5330-99-865-6159	2-2.7-29	2530-99-865-6219	2-6.13-10	5305-99-865-6505	2-1-2.7-68
5330-99-865-6159	2-2.7-31	2530-99-865-6220	2-6.13-9	5305-99-865-6506	2-1-2.5-19
5330-99-865-6159	2-2.15-4	5360-99-865-6221	2-6.13-13	5315-99-865-6507	2-1-2.5-43
5330-99-865-6159	2-2.15-8	2530-99-865-6222	2-6.13-16	2510-99-865-6509	2-1-1.3-2
5330-99-865-6160	2-2.7-41	2530-99-865-6223	2-6.13-17	3120-99-865-6510	2-1-2.5-33
5330-99-865-6160	2-2.17-48	3120-99-865-6300	2-3.3-24	3120-99-865-6511	2-1-2.5-35
2530-99-865-6161	2-2.7-24	3020-99-865-6301	2-3.5-32	5306-99-865-6513	2-1-1.3-11
2530-99-865-6162	2-2.7-28	3040-99-865-6302	2-3.3-23	5306-99-865-6513	2-1-3.3-6
2530-99-865-6163	2-2.21-10	5305-99-865-6303	2-3.5-46	3120-99-865-6514	2-1-1.3-9
2530-99-865-6164	2-2.21-2	5340-99-865-6304	2-3.3-20	3120-99-865-6514	2-1-3.3-4
2530-99-865-6165	2-2.21-6	5330-99-865-6305	2-3.3-19	2590-99-865-6515	2-1-2.3-5
2530-99-865-6169	2-2.15-2	2520-99-865-6306	2-3.3-28	2510-99-865-6516	2-1-2.3-2
2530-99-865-6170	2-2.15-6	2520-99-865-6307	2-3.3-27	5365-99-865-6517	2-1-2.5-48
2530-99-865-6171	2-2.17-34	5305-99-865-6309	2-3.7-67	5365-99-865-6517	2-1-3.3-25
2530-99-865-6174	2-2.17-33	3020-99-865-6310	2-3.3-17	5365-99-865-6517	2-1-5.5/6-31
5310-99-865-6175	2-2.15-10	5365-99-865-6312	2-3.5-38	2510-99-865-6518	2-1-2.5-47
4730-99-865-6180	2-2.15-17	5365-99-865-6313	2-3.5-39	2510-99-865-6518	2-1-3.3-24
2530-99-865-6183	2-2.23/24-27	5365-99-865-6314	2-3.5-40	2510-99-865-6518	2-1-5.5/6-30
5365-99-865-6184	2-2.21-20	5310-99-865-6319	2-3.5-43	5340-99-865-6520	2-1-2.9-83
5330-99-865-6185	2-2.21-14	5315-99-865-6320	2-3.3-9	2510-99-865-6521	2-1-2.5-31
5310-99-865-6186	2-2.21-21	5315-99-865-6325	2-3.3-16	2590-99-865-6525	2-1-1.3-7
5310-99-865-6187	2-2.9-48	5330-99-865-6328	2-3.5-33	2510-99-865-6529	2-1-2.7-66
5310-99-865-6187	2-2.19-56	5365-99-865-6329	2-3.5-42	2510-99-865-6530	2-1-2.7-65
5310-99-865-6189	2-2.21-22	5365-99-865-6330	2-3.5-41	5306-99-865-6531	2-1-2.7-67
5310-99-865-6190	2-2.9-49	3040-99-865-6333	2-3.9-1	2540-99-865-6549	2-1-1.3-22
5310-99-865-6190	2-2.19-57	3010-99-865-6334	2-3.9-2	2540-99-865-6550	2-1-1.3-24
2530-99-865-6191	2-2.9-60	2520-99-865-6335	2-3.9-5	2510-99-865-6551	2-1-2.3-16
3040-99-865-6193	2-6.15-44	2520-99-865-6335	2-3.23-58	5306-99-865-6554	2-1-1.3-4
3040-99-865-6194	2-6.15-45	5365-99-865-6336	2-3.9-6	5306-99-865-6554	2-1-2.3-9
3040-99-865-6195	2-6.15-51	5365-99-865-6336	2-3.23-57	5306-99-865-6556	2-1-2.3-8
3130-99-865-6196	2-6.15-39	3020-99-865-6337	2-3.3-14	3040-99-865-6559	2-1-2.3-27
3040-99-865-6197	2-6.15-55	5305-99-865-6338	2-3.5-49	3040-99-865-6560	2-1-2.3-18
3040-99-865-6198	2-6.17-60	2520-99-865-6341	2-3.3-8	3040-99-865-6560	2-1-2.3-22
3040-99-865-6199	2-6.17-64	2520-99-865-6342	2-3.3-7	2930-99-865-6560	2-4.217-4
5330-99-865-6200	2-6.15-47	5365-99-865-6350	2-3.33-10	3040-99-865-6561	2-1-2.3-20
5340-99-865-6201	2-6.15-48	5365-99-865-6351	2-3.33-7	2510-99-865-6562	2-1-2.3-23
4710-99-865-6202	2-6.17-78	5365-99-865-6351	2-4.185-5	1240-99-865-6563	2-1-2.7-71
4710-99-865-6203	2-6.17-75	5365-99-865-6351	2-4.187-15	1240-99-865-6564	2-1-2.7-72
4710-99-865-6204	2-6.17-72	2520-99-865-6354	2-4.187-29	2590-99-865-6565	2-1-2.5-39

INDEX OF NATO STOCK NUMBERS

NATO STOCK No.	Chapter, Page and Item No.	NATO STOCK No.	Chapter, Page and Item No.	NATO STOCK No.	Chapter, Page and Item No.
2590-99-865-6566	2-1.2.5-40	2540-99-865-6779	2-10.17-26	6680-99-865-7082	2-4.207-25
2590-99-865-6567	2-1.2.5-41	2540-99-865-6780	2-10.17-25	6680-99-865-7082	2-4.213-0
2590-99-865-6568	2-1.2.5-42	2540-99-865-6781	2-10.15-1	5330-99-865-7152	2-2.9-51
5310-99-865-6569	2-1.2.3-24	2540-99-865-6782	2-10.15-5	5330-99-865-7152	2-2.19-59
5360-99-865-6570	2-1.2.7-70	2540-99-865-6783	2-10.15-18	2510-99-865-7161	2-11.3-18
5305-99-865-6572	2-1.2.5-37	2540-99-865-6784	2-10.15-17	5340-99-865-7162	2-11.3-12
5310-99-865-6600	2-1.15.3-26	2540-99-865-6785	2-10.17-31	5120-99-865-7163	2-11.3-5
2920-99-865-6611	2-4.5-4	5365-99-865-6786	2-10.15-13	5120-99-865-7165	2-11.3-4
2930-99-865-6651	2-4.217-10	5365-99-865-6787	2-10.15-13(1)	4720-99-865-7253	2-8.25-15
2930-99-865-6652	2-4.217-1	4820-99-865-6788	2-8.13-136	5365-99-865-7254	2-8.25-18
4730-99-865-6655	2-4.225-7	4820-99-865-6788	2-8.23-1	5330-99-865-7255	2-8.27/28-26
4730-99-865-6655	2-5.11-27	5330-99-865-6792	2-8.23-8	5330-99-865-7257	2-8.25-24
2930-99-865-6659	2-4.217-11	5330-99-865-6793	2-8.23-24	5330-99-865-7257	2-8.27/28-30
5340-99-865-6661	2-4.217-12	5365-99-865-6794	2-8.23-3	5340-99-865-7259	2-8.25-6
2540-99-865-6663	2-6.3-13	5360-99-865-6795	2-8.23-4	5340-99-865-7261	2-8.25-3
9905-99-865-6664	2-6.3-15	2540-99-865-6796	2-8.23-5	5340-99-865-7263	2-8.25-11
2540-99-865-6665	2-6.3-17	2540-99-865-6797	2-8.13-122	5120-99-865-7264	2-8.25-10
5310-99-865-6666	2-6.3-19	5360-99-865-6798	2-8.13-126	5360-99-865-7266	2-8.27/28-34
5360-99-865-6667	2-6.3-18	2540-99-865-6799	2-8.13-129	5365-99-865-7267	2-8.25-17
5315-99-865-6700	2-6.21-7	5310-99-865-6800	2-1-6.5-27	5310-99-865-7370	2-7.37-14
5360-99-865-6701	2-6.21-8	5310-99-865-6800	2-1-6.7-55	5940-99-865-7420	2-7.23-27
5360-99-865-6702	2-6.21-28	5365-99-865-6804	2-5.3-29	5940-99-865-7420	2-7.37-1
5340-99-865-6703	2-6.23/24-30	2910-99-865-6814	2-5.3-26	5940-99-865-7421	2-7.37-11
9905-99-865-6715	2-6.21-24	4730-99-865-6839	2-4.225-2	2540-99-865-7430	2-11.11-7
2520-99-865-6716	2-6.23/24-37	4730-99-865-6839	2-4.225-27	2540-99-865-7445	2-11.17-1
2520-99-865-6717	2-6.21-1	4730-99-865-6839	2-5.3-2	2815-99-865-9961	2-4.139-25
5340-99-865-6718	2-6.21-5	4730-99-865-6839	2-5.13-60	3110-99-866-1383	2-3.25-62
2520-99-865-6719	2-6.21-10	5365-99-865-6959	2-3.7-51	3040-99-866-2261	2-3.13-36
5340-99-865-6721	2-6.23/24-43	5340-99-865-6960	2-1-9.7-8	2805-99-866-2262	2-3.15-51
3040-99-865-6722	2-6.21-14	5365-99-865-6961	2-1-9.3-7	5305-99-866-2329	2-4.149-20
5315-99-865-6723	2-6.21-6	5340-99-865-6974	2-1-9.3-4	2520-99-866-2338	2-4.149-4
5340-99-865-6724	2-6.21-25	5330-99-865-6976	2-1-9.3-2	2520-99-866-2340	2-4.149-2
5340-99-865-6725	2-6.21-26	5310-99-865-6977	2-1-5.3-6	3120-99-866-2341	2-4.149-3
5330-99-865-6726	2-6.23/24-31	5310-99-865-6977	2-1-9.9-12	5330-99-866-2342	2-4.149-16
2520-99-865-6727	2-6.21-16	5310-99-865-6977	2-1-9.11-4	2590-99-866-2343	2-4.149-17
2520-99-865-6728	2-6.21-20	5340-99-865-6981	2-1-6.5-44	2520-99-866-2344	2-4.153-16
5340-99-865-6729	2-6.11-116	2510-99-865-6984	2-1-5.3-14	5365-99-866-2345	2-4.149-6
5340-99-865-6729	2-6.23/24-36	5360-99-865-6987	2-1-3.3-12	5330-99-866-2346	2-4.149-5
5340-99-865-6729	2-13.19-19	5360-99-865-6987	2-1-4.3/4-4	5365-99-866-2348	2-4.149-9
2540-99-865-6750	2-6.5-46	5360-99-865-6988	2-1-3.3-13	5330-99-866-2349	2-4.149-8
2540-99-865-6750	2-6.7-74	5360-99-865-6988	2-1-4.3/4-5	5330-99-866-2350	2-4.151-39
2540-99-865-6750	2-6.15-36	2510-99-865-7017	2-1-6.5-37	5330-99-866-2351	2-4.151-40
5310-99-865-6751	2-6.5-44	2510-99-865-7021	2-1-8.3/4-7	2520-99-866-2352	2-4.149-23
5310-99-865-6751	2-6.5-55	2510-99-865-7022	2-1-8.3/4-4	5330-99-866-2356	2-4.149-27
9535-99-865-6763	2-6.3-9	5330-99-865-7042	2-1-9.15/16-7	2940-99-866-2357	2-4.149-31
2540-99-865-6764	2-10.17-38	4730-99-865-7048	2-4.207-13	5330-99-866-2358	2-4.149-28
2540-99-865-6765	2-10.17-39	5330-99-865-7049	2-2.7-42	2805-99-866-2359	2-4.149-32
2540-99-865-6766	2-10.15-14	5330-99-865-7049	2-2.19-50	2520-99-866-2360	2-4.149-36
5315-99-865-6767	2-10.17-32	2930-99-865-7057	2-4.207-10	4730-99-866-2361	2-4.151-37
2540-99-865-6768	2-10.15-3	4730-99-865-7058	2-4.207-8	2520-99-866-2366	2-4.153-4
5306-99-865-6769	2-10.15-21	2930-99-865-7081	2-4.207-1	2520-99-866-2366	2-4.155-7
2540-99-865-6778	2-10.15-2	2930-99-865-7081	2-4.211-0	2520-99-866-2367	2-4.153-5

INDEX OF NATO STOCK NUMBERS

NATO STOCK No.	Chapter, Page and Item No.	NATO STOCK No.	Chapter, Page and Item No.	NATO STOCK No.	Chapter, Page and Item No.
2520-99-866-2367	2-4.155-8	2520-99-866-2429	2-4.161-42	5310-99-866-2504	2-4.167-31(2)
2520-99-866-2368	2-4.153-5(1)	2520-99-866-2431	2-4.159-19	5310-99-866-2505	2-4.167-31(3)
2520-99-866-2368	2-4.155-8(1)	2520-99-866-2432	2-4.159-19(1)	5310-99-866-2506	2-4.167-31(4)
2520-99-866-2369	2-4.153-5(2)	2520-99-866-2433	2-4.159-19(2)	2520-99-866-2507	2-4.169-13
2520-99-866-2369	2-4.155-8(2)	2520-99-866-2434	2-4.159-19(3)	4730-99-866-2509	2-4.169-2
2520-99-866-2370	2-4.153-5(3)	5365-99-866-2435	2-4.159-20	4730-99-866-2510	2-4.177-114
2520-99-866-2370	2-4.155-8(3)	5325-99-866-2435	2-4.161-44	5360-99-866-2511	2-4.169-5
2520-99-866-2371	2-4.153-5(4)	2520-99-866-2436	2-4.161-51	4820-99-866-2512	2-4.169-11
2520-99-866-2371	2-4.155-16	3020-99-866-2437	2-4.161-52	5305-99-866-2513	2-4.169-24
2520-99-866-2372	2-4.153-6	5365-99-866-2438	2-4.161-50	5305-99-866-2514	2-4.169-26
2520-99-866-2373	2-4.153-7	2520-99-866-2438	2-4.165-18	2520-99-866-2515	2-4.169-14
2520-99-866-2375	2-4.153-10	6610-99-866-2439	2-4.159-22	2520-99-866-2516	2-4.169-15
2520-99-866-2376	2-4.153-11	2520-99-866-2441	2-4.159-30	2520-99-866-2517	2-4.169-16
2520-99-866-2377	2-4.153-12	2520-99-866-2444	2-4.159-25	5306-99-866-2518	2-4.169-22
2520-99-866-2377	2-4.155-19	5310-99-866-2446	2-4.159-29	5360-99-866-2519	2-4.177-100
2520-99-866-2380	2-4.153-15	3120-99-866-2447	2-4.161-33	5360-99-866-2519	2-4.177-119
2520-99-866-2382	2-4.153-13	3120-99-866-2447	2-4.163-5	2520-99-866-2520	2-4.177-121
2520-99-866-2383	2-4.155-1	2520-99-866-2448	2-4.161-34	4820-99-866-2522	2-4.171-4
3120-99-866-2385	2-4.155-20	3120-99-866-2449	2-4.161-35	2520-99-866-2523	2-4.171-3
5365-99-866-2387	2-4.155-18	5330-99-866-2450	2-4.161-36	2520-99-866-2525	2-4.171-32
5365-99-866-2387	2-4.163-3	2520-99-866-2451	2-4.161-37	2520-99-866-2526	2-4.171-34
3020-99-866-2388	2-4.155-21	2520-99-866-2452	2-4.161-39	2520-99-866-2527	2-4.173-42
5365-99-866-2389	2-4.155-23	2520-99-866-2453	2-4.161-45	2520-99-866-2528	2-4.173-43
2520-99-866-2390	2-4.155-9	2520-99-866-2454	2-4.161-43	2520-99-866-2529	2-4.171-35
2520-99-866-2391	2-4.159-12	3010-99-866-2455	2-4.161-49	2520-99-866-2530	2-4.171-36
2520-99-866-2392	2-4.155-12	5365-99-866-2456	2-4.161-53	2520-99-866-2531	2-4.173-37
2520-99-866-2393	2-4.155-11	3120-99-866-2458	2-4.161-46	2520-99-866-2533	2-4.173-40
2520-99-866-2394	2-4.155-15	2520-99-866-2459	2-4.163-7	2520-99-866-2534	2-4.173-39
3120-99-866-2396	2-4.155-24	2520-99-866-2460	2-4.163-1	2520-99-866-2535	2-4.173-47
5365-99-866-2397	2-4.155-25	3120-99-866-2461	2-4.163-2	2520-99-866-2536	2-4.173-44
2520-99-866-2398	2-4.155-22	2520-99-866-2462	2-4.163-6	2520-99-866-2537	2-4.173-59
6610-99-866-2399	2-4.157-23	2520-99-866-2464	2-4.163-8	2520-99-866-2538	2-4.173-61
2520-99-866-2401	2-4.157-10	3110-99-866-2465	2-4.163-4	5340-99-866-2539	2-4.173-62
2520-99-866-2402	2-4.157-10(1)	2520-99-866-2466	2-4.163-23	2520-99-866-2542	2-4.173-49
2520-99-866-2403	2-4.157-10(2)	2520-99-866-2467	2-4.163-12	2520-99-866-2543	2-4.173-54
2520-99-866-2404	2-4.157-1	5305-99-866-2470	2-4.163-15	2520-99-866-2544	2-4.173-55
2805-99-866-2405	2-4.157-6	5305-99-866-2474	2-4.151-41	5360-99-866-2545	2-4.171-2
5310-99-866-2407	2-4.157-2	5305-99-866-2474	2-4.165-2	2520-99-866-2547	2-4.171-28
5365-99-866-2408	2-4.157-4	2520-99-866-2480	2-4.165-7	5307-99-866-2548	2-4.171-31
5330-99-866-2411	2-4.157-17	5340-99-866-2481	2-4.165-8	2530-99-866-2549	2-4.171-6
2520-99-866-2412	2-4.157-18	2520-99-866-2482	2-4.165-10	2520-99-866-2550	2-4.171-8
5365-99-866-2413	2-4.157-14	5365-99-866-2483	2-4.165-17	2520-99-866-2551	2-4.171-7
5365-99-866-2414	2-4.157-15	3110-99-866-2485	2-4.165-13	2520-99-866-2552	2-4.171-9
2520-99-866-2416	2-4.159-31	2520-99-866-2491	2-4.165-19	2520-99-866-2553	2-4.171-13
2520-99-866-2417	2-4.159-32	2520-99-866-2492	2-4.165-21	2520-99-866-2554	2-4.171-10
5365-99-866-2419	2-4.161-48	2520-99-866-2493	2-4.165-27	2520-99-866-2555	2-4.171-11
2520-99-866-2424	2-4.159-9	5330-99-866-2496	2-4.165-26	2520-99-866-2556	2-4.171-12
5365-99-866-2428	2-4.159-16	5330-99-866-2497	2-4.165-25	2520-99-866-2557	2-4.171-14
5365-99-866-2428	2-4.159-28	5365-99-866-2500	2-4.165-22	2520-99-866-2558	2-4.171-25
5365-99-866-2428	2-4.161-40	5310-99-866-2501	2-4.167-32	2530-99-866-2559	2-4.171-23
5365-99-866-2428	2-4.161-47	5310-99-866-2502	2-4.167-31	2520-99-866-2560	2-4.171-24
2520-99-866-2429	2-4.159-18	5310-99-866-2503	2-4.167-31(1)	2520-99-866-2561	2-4.171-17

INDEX OF NATO STOCK NUMBERS

NATO STOCK No.	Chapter, Page and Item No.	NATO STOCK No.	Chapter, Page and Item No.	NATO STOCK No.	Chapter, Page and Item No.
2520-99-866-2565	2-4.175-77	5306-99-866-3303	2-4.163-22	2540-99-866-6958	2-1-1.5-16
5306-99-866-2565	2-4.177-123	5306-99-866-3303	2-4.179-13	2590-99-866-6959	2-1-1.5-12
2520-99-866-2566	2-4.175-75	3040-99-866-5297	2-3.3-12	2590-99-866-6960	2-1-1.5-14
5360-99-866-2567	2-4.175-78	3020-99-866-5298	2-3.3-13	5330-99-866-6986	2-4.15-11
2520-99-866-2568	2-4.175-76	5310-99-866-5332	2-3.21-34	5330-99-866-6986	2-4.139-34
4820-99-866-2569	2-4.175-80	3120-99-866-5333	2-3.21-35(1)	2815-99-866-6987	2-4.141-35
5360-99-866-2572	2-4.171-20	2805-99-866-5334	2-3.15-68	2815-99-866-6993	2-4.11-6
5360-99-866-2572	2-4.175-82	5310-99-866-5335	2-3.13-38	2815-99-866-6993	2-4.13-2
2520-99-866-2573	2-4.175-84	5310-99-866-5335	2-3.17-72	5365-99-866-6994	2-4.13-3
5360-99-866-2574	2-4.175-90	5310-99-866-5335	2-4.17-22	5315-99-866-6995	2-4.11-7
5360-99-866-2575	2-4.175-92	5310-99-866-5335	2-4.123-29	5315-99-866-6995	2-4.15-7
2520-99-866-2576	2-4.175-93	3120-99-866-5336	2-3.23-52	5310-99-866-6998	2-4.11-3
5360-99-866-2577	2-4.177-95	2910-99-866-5448	2-5.5-32	3120-99-866-6999	2-4.11-4
5360-99-866-2578	2-4.177-94	2990-99-866-5508	2-4.231-6	2520-99-866-7002	2-4.23-7
2520-99-866-2579	2-4.177-96	2990-99-866-5509	2-4.231-7	5315-99-866-7004	2-4.11-13
2520-99-866-2580	2-4.173-65	5310-99-866-6883	2-7.3-19	2815-99-866-7032	2-4.25-8
2520-99-866-2581	2-4.173-66	2540-99-866-6920	2-7.13-113	2815-99-866-7033	2-4.25-9
2520-99-866-2582	2-4.177-120	5340-99-866-6921	2-7.13-114	5340-99-866-7036	2-4.23-14
5306-99-866-2583	2-4.177-122	3040-99-866-6923	2-4.143-2	5330-99-866-7037	2-4.23-13
5306-99-866-2584	2-4.177-115	2520-99-866-6924	2-4.143-28	5340-99-866-7040	2-4.11-14
2520-99-866-2587	2-4.179-11	5315-99-866-6925	2-4.147-80	5330-99-866-7041	2-4.11-15
2520-99-866-2588	2-4.179-10	3040-99-866-6926	2-4.147-77	5306-99-866-7043	2-4.73-36
2520-99-866-2589	2-4.179-1	2520-99-866-6928	2-4.139-21	2910-99-866-7044	2-4.13-11
2530-99-866-2591	2-4.179-3	5315-99-866-6929	2-4.139-22	5310-99-866-7045	2-4.13-12
5315-99-866-2592	2-4.179-6	4710-99-866-6930	2-4.139-24	2910-99-866-7046	2-4.13-14
5305-99-866-2596	2-4.169-12	2540-99-866-6931	2-1-1.7-37	5306-99-866-7075	2-4.15-16
5305-99-866-2598	2-4.165-9	2540-99-866-6932	2-1-1.7-36	2815-99-866-7091	2-4.31-17
5306-99-866-2599	2-4.157-9	2540-99-866-6933	2-1-1.5-20	5365-99-866-7092	2-4.31-18
5306-99-866-2605	2-4.157-19	2540-99-866-6933	2-1-1.9-1	5340-99-866-7095	2-4.23-1
2520-99-866-2606	2-4.179-9	2540-99-866-6933	2-7.9-86	2520-99-866-7097	2-4.9-8
4730-99-866-2607	2-4.157-20	2540-99-866-6934	2-1-1.5-19	2990-99-866-7101	2-4.7-34
4730-99-866-2607	2-4.163-16	2540-99-866-6935	2-1-1.5-28	5366-99-866-7102	2-4.7-38
5306-99-866-2608	2-4.169-21	2590-99-866-6936	2-1-1.7-33	4710-99-866-7117	2-4.19-10
5306-99-866-2609	2-4.169-25	2540-99-866-6937	2-1-1.5-21	2815-99-866-7119	2-4.19-15
5310-99-866-2613	2-4.165-30	2540-99-866-6938	2-1-1.5-22	3020-99-866-7122	2-4.31-6
2540-99-866-2618	2-8.9-92	2540-99-866-6939	2-1-1.7-35	2815-99-866-7123	2-4.31-3
2540-99-866-2619	2-7.25-51	2540-99-866-6940	2-1-1.5-26	2815-99-866-7124	2-4.31-8
5340-99-866-2620	2-7.21-16	5315-99-866-6941	2-1-1.7-31	5310-99-866-7126	2-4.31-10
4730-99-866-2625	2-4.185-2	5315-99-866-6942	2-1-1.5-23	5340-99-866-7127	2-4.31-11
2540-99-866-2627	2-7.21-17	2540-99-866-6943	2-1-1.7-38	3120-99-866-7130	2-4.29-13
5330-99-866-2629	2-7.49-41	2590-99-866-6944	2-1-1.5-4	5310-99-866-7132	2-4.29-15
2590-99-866-2632	2-7.59-10	3120-99-866-6945	2-1-1.7-34	3120-99-866-7141	2-4.29-4
2590-99-866-2632	2-7.63-6	2590-99-866-6946	2-1-1.5-7	2815-99-866-7142	2-4.29-6
5307-99-866-2633	2-7.47-22	5310-99-866-6947	2-1-1.5-9	2815-99-866-7144	2-4.29-8
5970-99-866-2634	2-7.47-20	5305-99-866-6948	2-1-1.5-6	2815-99-866-7146	2-4.29-10
5970-99-866-2635	2-7.49-23	3040-99-866-6950	2-1-1.7-29	3020-99-866-7150	2-4.49-25
6160-99-866-2636	2-7.63-5	2540-99-866-6951	2-1-1.7-30	2920-99-866-7153	2-4.47-23
5310-99-866-3298	2-4.169-18	5330-99-866-6953	2-1-1.7-45	3120-99-866-7154	2-4.47-21
5310-99-866-3298	2-4.177-117	2540-99-866-6954	2-1-1.7-46	5340-99-866-7156	2-4.49-27
5340-99-866-3299	2-4.149-30	2540-99-866-6955	2-1-1.7-42	5340-99-866-7157	2-4.49-34
2910-99-866-3300	2-4.173-53	2590-99-866-6956	2-1-1.7-39	4730-99-866-7184	2-4.49-31
5306-99-866-3302	2-4.179-14	2540-99-866-6957	2-1-1.7-44	4730-99-866-7185	2-4.49-33

INDEX OF NATO STOCK NUMBERS

NATO STOCK No.	Chapter, Page and Item No.	NATO STOCK No.	Chapter, Page and Item No.	NATO STOCK No.	Chapter, Page and Item No.
3120-99-866-7186	2-4.47-6	5330-99-866-7283	2-4.19-3	3120-99-866-7387	2-4.15-4
3120-99-866-7186	2-4.47-8	5330-99-866-7283	2-4.73-26	2815-99-866-7390	2-4.119-25
3020-99-866-7194	2-4.33-5	5330-99-866-7283	2-4.113-28	5330-99-866-7394	2-4.117-8
3020-99-866-7195	2-4.33-3	5330-99-866-7284	2-4.73-29	2815-99-866-7400	2-4.33-17
3120-99-866-7198	2-4.15-20	2930-99-866-7285	2-4.73-30	5306-99-866-7403	2-4.15-21
3020-99-866-7200	2-4.33-7	2910-99-866-7288	2-4.69-12	3120-99-866-7404	2-4.33-18
2815-99-866-7201	2-4.33-9	5310-99-866-7290	2-4.121-24	3120-99-866-7405	2-4.33-19
5310-99-866-7202	2-4.33-10	5310-99-866-7316	2-4.101-14	3120-99-866-7406	2-4.33-20
2815-99-866-7203	2-4.33-1	5315-99-866-7318	2-4.121-28	3120-99-866-7407	2-4.33-21
2815-99-866-7206	2-4.33-14	5365-99-866-7325	2-4.111-7	2815-99-866-7408	2-4.119-32
3040-99-866-7216	2-4.61-12	2930-99-866-7341	2-4.111-15	2520-99-866-7413	2-4.181-8
2815-99-866-7219	2-4.61-2	4730-99-866-7342	2-4.111-22	2520-99-866-7415	2-4.181-5
3120-99-866-7220	2-4.61-3	5330-99-866-7343	2-4.111-23	5340-99-866-7417	2-4.181-21
2815-99-866-7221	2-4.61-4	5330-99-866-7344	2-4.111-14	3040-99-866-7418	2-4.181-26
3040-99-866-7222	2-4.103-1	4730-99-866-7345	2-4.111-18	5360-99-866-7420	2-4.181-3
2815-99-866-7223	2-4.103-4	4320-99-866-7346	2-4.35-1	2930-99-866-7423	2-4.57-1
3020-99-866-7224	2-4.103-16	4320-99-866-7346	2-4.37-53	5365-99-866-7424	2-4.57-13
3120-99-866-7225	2-4.103-17	3020-99-866-7347	2-4.35-4	5310-99-866-7425	2-4.57-14
2815-99-866-7228	2-4.113-29	3020-99-866-7347	2-4.37-56	2815-99-866-7426	2-4.57-9
2815-99-866-7229	2-4.103-15	3020-99-866-7347	2-4.43-112	5310-99-866-7427	2-4.57-10
3020-99-866-7230	2-4.103-21	3120-99-866-7348	2-4.35-5	2990-99-866-7428	2-4.57-4
5365-99-866-7231	2-4.103-19	2815-99-866-7349	2-4.35-2	2815-99-866-7429	2-4.57-5
2815-99-866-7232	2-4.103-18	2815-99-866-7349	2-4.37-54	5365-99-866-7430	2-4.57-6
2815-99-866-7233	2-4.103-8	2815-99-866-7349	2-4.43-110	2930-99-866-7440	2-4.73-33
2930-99-866-7235	2-4.113-32	2815-99-866-7352	2-4.41-103	2930-99-866-7440	2-4.123-50
5365-99-866-7236	2-4.113-31	2815-99-866-7352	2-4.45-145	2520-99-866-7441	2-4.117-18
5310-99-866-7237	2-4.103-9	2815-99-866-7353	2-4.37-44	2815-99-866-7442	2-4.117-15
2815-99-866-7238	2-4.103-22	2815-99-866-7353	2-4.41-100	2815-99-866-7446	2-4.121-1
5310-99-866-7239	2-4.105-24	2815-99-866-7353	2-4.45-143	2920-99-866-7447	2-4.121-5
3120-99-866-7243	2-4.65-6	5360-99-866-7357	2-4.35-15	2990-99-866-7448	2-4.117-7
3120-99-866-7244	2-4.65-5	5360-99-866-7357	2-4.39-66	2910-99-866-7453	2-4.123-31
3120-99-866-7245	2-4.65-3	5360-99-866-7357	2-4.43-123	2520-99-866-7454	2-4.181-4
3120-99-866-7246	2-4.65-4	5330-99-866-7359	2-4.35-16	3040-99-866-7455	2-4.181-25
5310-99-866-7248	2-4.65-11	5330-99-866-7359	2-4.39-67	5365-99-866-7457	2-4.181-10
5330-99-866-7249	2-4.67-38	5330-99-866-7359	2-4.43-120	5310-99-866-7458	2-4.181-7
5330-99-866-7252	2-4.65-9	5330-99-866-7359	2-4.123-33	5315-99-866-7459	2-4.181-27
2910-99-866-7254	2-4.69-5	2815-99-866-7363	2-4.35-10	5315-99-866-7461	2-4.133-108
3020-99-866-7258	2-4.67-37	2815-99-866-7363	2-4.39-62	2920-99-866-7465	2-4.133-106
2815-99-866-7260	2-4.69-2	2815-99-866-7364	2-4.35-30	5310-99-866-7466	2-4.133-107
5310-99-866-7262	2-4.69-11	3040-99-866-7369	2-4.37-40	2910-99-866-7467	2-4.121-10
2910-99-866-7263	2-4.69-6	3040-99-866-7369	2-4.41-96	4710-99-866-7479	2-4.145-60
2910-99-866-7264	2-4.69-9	3040-99-866-7369	2-4.45-139	2940-99-866-7480	2-4.115-17
2910-99-866-7265	2-4.81-70	4730-99-866-7371	2-4.35-28	2815-99-866-7488	2-4.125-4
2910-99-866-7266	2-4.71-11	4730-99-866-7371	2-4.39-79	2815-99-866-7489	2-4.125-2
5315-99-866-7270	2-4.71-4	4730-99-866-7376	2-4.37-34	5330-99-866-7490	2-4.125-8
5305-99-866-7275	2-4.71-14	3020-99-866-7377	2-4.37-48	2815-99-866-7491	2-4.125-3
2910-99-866-7276	2-4.71-13	3020-99-866-7377	2-4.41-104	2815-99-866-7493	2-4.31-16
2910-99-866-7277	2-4.71-13(1)	3020-99-866-7377	2-4.45-146	5340-99-866-7494	2-4.13-1
2910-99-866-7278	2-4.71-13(2)	5330-99-866-7381	2-4.119-27	5340-99-866-7494	2-4.49-26
5306-99-866-7279	2-4.123-30	2815-99-866-7382	2-4.119-26	5330-99-866-7496	2-4.11-12
5330-99-866-7281	2-4.73-34	3120-99-866-7385	2-4.15-2	5330-99-866-7496	2-4.23-10
4730-99-866-7282	2-4.73-25	3120-99-866-7386	2-4.15-3	5330-99-866-7496	2-4.25-5

INDEX OF NATO STOCK NUMBERS

NATO STOCK No.	Chapter, Page and Item No.	NATO STOCK No.	Chapter, Page and Item No.	NATO STOCK No.	Chapter, Page and Item No.
3120-99-866-7500	2-4.31-20	5315-99-866-7618	2-4.165-16	4320-99-866-8249	2-2.15-25
3120-99-866-7501	2-4.31-21	2520-99-866-7619	2-4.169-1	5365-99-866-8250	2-2.17-32
2815-99-866-7502	2-4.125-5	2520-99-866-7621	2-4.169-10	5360-99-866-8251	2-2.15-27
5330-99-866-7503	2-4.33-13	2520-99-866-7622	2-4.169-17	5365-99-866-8252	2-2.17-28
5330-99-866-7503	2-4.49-42	2520-99-866-7623	2-4.171-1	5305-99-866-8253	2-2.17-29
5330-99-866-7503	2-4.65-15	2520-99-866-7624	2-4.173-38	3830-99-866-8717	2-13.3-10
2920-99-866-7504	2-4.49-41	2520-99-866-7625	2-4.173-60	5315-99-866-8748	2-13.5-2
2920-99-866-7505	2-4.49-37	2520-99-866-7626	2-4.173-41	3815-99-866-8763	2-13.7-59
5330-99-866-7511	2-4.19-2	5315-99-866-7627	2-4.173-48	3815-99-866-8764	2-13.7-60
5330-99-866-7511	2-4.25-7	2520-99-866-7628	2-4.173-50	3815-99-866-8767	2-13.7-61
5330-99-866-7511	2-4.61-18	2520-99-866-7629	2-4.177-107	4730-99-866-8772	2-13.3-31
5330-99-866-7513	2-4.13-13	5340-99-866-7630	2-4.177-108	5340-99-866-8784	2-13.5-3
5330-99-866-7513	2-4.19-4	2520-99-866-7631	2-4.173-56	9390-99-866-8853	2-7.73-25
5330-99-866-7513	2-4.111-13	2520-99-866-7632	2-4.173-57	5340-99-866-9031	2-1-9.15/16-8
5330-99-866-7514	2-4.23-6	2520-99-866-7633	2-4.173-58	2510-99-866-9072	2-3.31-10
5330-99-866-7514	2-4.37-37	2520-99-866-7634	2-4.177-111	2510-99-866-9073	2-3.31-9
3120-99-866-7515	2-4.9-3	4520-99-866-7636	2-4.171-5	5365-99-866-9074	2-3.31-11
3120-99-866-7515	2-4.47-5	2520-99-866-7637	2-4.171-16	5365-99-866-9075	2-3.31-11(1)
4730-99-866-7516	2-4.35-27	2520-99-866-7638	2-4.171-26	5310-99-866-9076	2-3.31-5
4730-99-866-7516	2-4.39-78	2520-99-866-7639	2-4.177-97	5310-99-866-9077	2-3.31-5(1)
5330-99-866-7517	2-4.19-14	5310-99-866-7640	2-4.175-67	5315-99-866-9078	2-6.15-37
5330-99-866-7522	2-4.117-22	2520-99-866-7642	2-4.175-74	5360-99-866-9207	2-6.5-28
5315-99-866-7523	2-4.65-8	2520-99-866-7643	2-4.175-73	5360-99-866-9207	2-6.9-92
5315-99-866-7523	2-4.67-41	5360-99-866-7644	2-4.175-72	5360-99-866-9207	2-10.5-21
5315-99-866-7523	2-4.69-3	2520-99-866-7645	2-4.175-71	2520-99-866-9208	2-3.35/36-25
5315-99-866-7527	2-4.9-6	2520-99-866-7646	2-4.175-70	5330-99-866-9209	2-2.15-21
5315-99-866-7527	2-4.11-11	5310-99-866-7647	2-4.175-69	2540-99-866-9362	2-8.11-96
5315-99-866-7527	2-4.13-10	2520-99-866-7648	2-4.173-46	4730-99-866-9559	2-4.121-20
5315-99-866-7527	2-4.15-6	2520-99-866-7648	2-4.177-103	5365-99-866-9560	2-4.121-21
5330-99-866-7528	2-4.35-29	2520-99-866-7650	2-4.171-18	4730-99-866-9561	2-4.121-19
5330-99-866-7528	2-4.39-80	2520-99-866-7652	2-4.173-64	4820-99-866-9564	2-4.35-14
5330-99-866-7528	2-4.61-11	2520-99-866-7654	2-4.177-112	4820-99-866-9564	2-4.39-65
5330-99-866-7528	2-4.63-31	2520-99-866-7657	2-4.175-91	4820-99-866-9564	2-4.43-122
5330-99-866-7528	2-4.73-32	5305-99-866-7658	2-4.171-22	2940-99-866-9566	2-4.35-24
5330-99-866-7528	2-4.115-18	5305-99-866-7659	2-4.173-51	2940-99-866-9566	2-4.39-75
5330-99-866-7528	2-4.191-24	5306-99-866-7660	2-4.171-27	2940-99-866-9567	2-4.35-17
5330-99-866-7530	2-4.11-8	5305-99-866-7660	2-4.173-52	2940-99-866-9567	2-4.39-68
5330-99-866-7530	2-4.15-10	5305-99-866-7660	2-4.175-68	3040-99-866-9568	2-4.35-3
5330-99-866-7530	2-4.123-35	5305-99-866-7661	2-4.171-30	3040-99-866-9568	2-4.37-55
3120-99-866-7534	2-4.33-4	5305-99-866-7661	2-4.173-63	3040-99-866-9568	2-4.43-111
3120-99-866-7534	2-4.33-6	5305-99-866-7662	2-4.169-19	2520-99-866-9572	2-4.123-34
2910-99-866-7536	2-4.149-24	5305-99-866-7662	2-4.171-29	2520-99-866-9573	2-4.123-36
5310-99-866-7538	2-4.149-34	4730-99-866-7665	2-4.193-62	2520-99-866-9575	2-4.121-3
3120-99-866-7539	2-4.9-4	2590-99-866-7668	2-4.181-33	4710-99-866-9576	2-4.181-32
3120-99-866-7539	2-4.15-5	3040-99-866-7775	2-3.29-27	4710-99-866-9578	2-4.121-9
5330-99-866-7540	2-4.61-5	2520-99-866-7776	2-3.27-21	2520-99-866-9580	2-4.123-32
2990-99-866-7541	2-4.57-7	2520-99-866-7777	2-3.27-22	2520-99-866-9676	2-4.149-25
5330-99-866-7542	2-4.15-9	2520-99-866-7792	2-3.11-3	2815-99-866-9960	2-4.145-64
5330-99-866-7542	2-4.47-15	4320-99-866-8244	2-2.15-18	4240-99-867-0218	2-10.13-108
5330-99-866-7542	2-4.103-3	2530-99-866-8245	2-2.15-19	4240-99-867-0218	2-10.19-43
2520-99-866-7551	2-4.149-7	2530-99-866-8246	2-2.15-22	4240-99-867-0218	2-10.21-10
2520-99-866-7617	2-4.165-15	4320-99-866-8247	2-2.15-24	4240-99-867-0218	2-10.25-10

INDEX OF NATO STOCK NUMBERS

NATO STOCK No.	Chapter, Page and Item No.	NATO STOCK No.	Chapter, Page and Item No.	NATO STOCK No.	Chapter, Page and Item No.
5330-99-867-0236	2-4.149-35	2990-99-867-4593	2-4.195-11	2520-99-867-4690	2-3.33-1
2520-99-867-0237	2-4.169-3	2990-99-867-4594	2-4.195-2	2510-99-867-4691	2-7.9-70
2520-99-867-0237	2-4.171-33	2990-99-867-4595	2-4.195-4	2510-99-867-4692	2-7.7-65
2520-99-867-0403	2-4.3-6	2990-99-867-4596	2-4.195-5	2510-99-867-4698	2-4.233-3
2520-99-867-0403	2-4.149-0	2990-99-867-4597	2-4.195-15	2510-99-867-4699	2-4.233-9
5360-99-867-0417	2-1-1.3-10	2990-99-867-4598	2-4.195-13	2510-99-867-4706	2-4.5-8
2815-99-867-0561	2-4.81-73	5310-99-867-4599	2-4.195-10	2520-99-867-4710	2-4.5-22
2520-99-867-1147	2-4.35-9	2990-99-867-4601	2-4.195-23	2520-99-867-4711	2-4.5-23
2520-99-867-1147	2-4.39-61	2990-99-867-4602	2-4.195-24	2520-99-867-4712	2-4.5-24
2520-99-867-1211	2-4.3-5	5340-99-867-4603	2-4.195-25	2520-99-867-4714	2-4.5-21
2520-99-867-1211	2-4.143-1	5330-99-867-4604	2-4.195-33	2520-99-867-4716	2-4.5-20
5305-99-867-1356	2-4.187-12	4730-99-867-4605	2-4.195-29	2520-99-867-4717	2-4.5-19
2590-99-867-2694	2-1-2.9-99	2990-99-867-4606	2-4.195-31	4710-99-867-4720	2-4.193-58
5355-99-867-2695	2-1-2.9-105	2990-99-867-4607	2-4.195-32	4710-99-867-4721	2-4.193-55
2540-99-867-2696	2-1-2.11-106	5340-99-867-4608	2-4.195-34	4720-99-867-4722	2-4.193-60
5330-99-867-2697	2-1-2.9-88	4730-99-867-4609	2-4.197-38	4720-99-867-4723	2-4.193-56
3040-99-867-2699	2-1-2.9-96	2990-99-867-4610	2-4.197-37	4710-99-867-4724	2-4.193-46
5315-99-867-2700	2-1-2.9-101	4730-99-867-4611	2-4.197-39	4710-99-867-4725	2-4.193-47
2540-99-867-2702	2-1-2.9-89	2930-99-867-4613	2-4.195-6	4720-99-867-4726	2-4.193-54
5360-99-867-2703	2-1-2.9-98	3040-99-867-4614	2-6.23/24-40	2510-99-867-4728	2-4.193-48
5310-99-867-2724	2-2.5-9	2510-99-867-4615	2-1-5.3-1	2910-99-867-4729	2-4.207-2
5310-99-867-2725	2-1-1.3-23	2510-99-867-4617	2-1-5.3-3	2910-99-867-4730	2-4.207-3
5310-99-867-2725	2-2.15-16	2510-99-867-4618	2-1-5.3-4	4720-99-867-4731	2-4.207-4
2510-99-867-2922	2-1-2.3-7	2510-99-867-4620	2-1-5.3-23	4710-99-867-4734	2-4.207-15
2510-99-867-2923	2-1-2.3-6	2510-99-867-4621	2-1-5.3-25	4710-99-867-4735	2-4.207-17
3040-99-867-3493	2-3.23-54	2510-99-867-4622	2-1-5.3-17	4710-99-867-4736	2-4.207-16
2540-99-867-3812	2-8.25-12	2510-99-867-4623	2-1-5.3-18	4710-99-867-4739	2-4.207-21
2540-99-867-3813	2-8.25-14	2510-99-867-4624	2-1-5.3-15	4710-99-867-4740	2-4.207-19
5360-99-867-4032	2-1-2.3-10	2510-99-867-4625	2-1-5.3-16	4720-99-867-4741	2-4.207-9
5360-99-867-4033	2-1-2.3-11	5820-99-867-4626	2-1-5.3-28	4710-99-867-4742	2-4.207-11
5330-99-867-4129	2-4.67-33	2510-99-867-4628	2-1-6.5-42	4710-99-867-4743	2-4.207-20
2530-99-867-4173	2-2.7-36	2510-99-867-4630	2-1-6.3-14	2910-99-867-4746	2-4.209-42
2530-99-867-4174	2-2.17-43	2510-99-867-4631	2-1-6.5-31	2930-99-867-4747	2-4.209-35
2510-99-867-4195	2-12.7-59	2910-99-867-4632	2-1-6.5-36	2510-99-867-4748	2-4.207-26
2510-99-867-4207	2-1-1.3-3	2510-99-867-4635	2-1-6.7-51	2510-99-867-4749	2-4.209-43
2520-99-867-4211	2-4.193-57	2510-99-867-4635	2-1-6.9-16	2510-99-867-4750	2-4.209-45
2520-99-867-4270	2-4.193-61	5360-99-867-4637	2-1-6.5-50	5340-99-867-4751	2-4.187-8
3020-99-867-4384	2-4.67-46	5360-99-867-4637	2-1-6.9-15	5365-99-867-4755	2-4.187-22
2520-99-867-4401	2-4.173-45	2510-99-867-4638	2-1-6.9-5	2590-99-867-4757	2-4.187-32
2520-99-867-4402	2-4.145-36	2510-99-867-4639	2-1-6.3-23	2910-99-867-4759	2-4.193-35
2805-99-867-4414	2-4.31-9	2510-99-867-4639	2-1-6.9-9	2910-99-867-4761	2-4.191-31
3120-99-867-4553	2-4.163-14	5365-99-867-4640	2-1-9.5-3	4710-99-867-4762	2-4.191-32
2910-99-867-4573	2-4.187-36	2540-99-867-4650	2-11.17-7	2590-99-867-4763	2-4.191-21
2910-99-867-4581	2-3.33-21	2990-99-867-4677	2-9.3-2	4720-99-867-4764	2-4.191-33
2910-99-867-4582	2-3.33-22	2990-99-867-4678	2-9.3-6	4710-99-867-4765	2-4.191-23
4710-99-867-4583	2-3.33-20	2990-99-867-4680	2-9.3-9	4710-99-867-4765	2-4.225-21
2910-99-867-4584	2-3.33-18	5310-99-867-4682	2-9.3-24	2590-99-867-4768	2-4.187-26
4720-99-867-4585	2-3.35/36-34	5310-99-867-4682	2-9.5/6-27	2910-99-867-4771	2-4.185-1
2910-99-867-4586	2-3.35/36-36	5365-99-867-4683	2-9.5/6-30	2590-99-867-4772	2-4.185-15
2910-99-867-4587	2-6.15-32	5340-99-867-4686	2-9.5/6-29	4710-99-867-4773	2-4.185-10
2510-99-867-4588	2-6.5-31	2990-99-867-4687	2-9.3-11	2520-99-867-4774	2-4.183-37
2910-99-867-4591	2-4.187-10	2990-99-867-4689	2-9.3-16	2520-99-867-4775	2-4.183-41

INDEX OF NATO STOCK NUMBERS

NATO STOCK No.	Chapter, Page and Item No.	NATO STOCK No.	Chapter, Page and Item No.	NATO STOCK No.	Chapter, Page and Item No.
4720-99-867-4776	2-4.187-25	3110-99-881-2487	2-4.157-3	2930-99-881-3796	2-4.211-1
2930-99-867-4777	2-4.201-19	4320-99-881-3077	2-13.21-33	6220-99-881-3904	2-7.195-27
2930-99-867-4779	2-4.201-11	5330-99-881-3207	2-8.21-7	6350-99-881-3954	2-7.13-118
2930-99-867-4780	2-4.201-8	5330-99-881-3209	2-4.35-25	5970-99-881-3978	2-4.127-9
2930-99-867-4783	2-4.201-13	5330-99-881-3209	2-4.39-76	5970-99-881-3978	2-4.127-22
2930-99-867-4784	2-4.201-12	6220-99-881-3214	2-7.3-17	5970-99-881-3978	2-4.131-82
2910-99-867-4786	2-4.225-1	6220-99-881-3214	2-7.67-1	5970-99-881-3979	2-4.127-7
2910-99-867-4787	2-4.225-26	5905-99-881-3215	2-7.67-4	5970-99-881-3979	2-4.127-25
4730-99-867-4788	2-4.225-29	6250-99-881-3216	2-7.67-13	5970-99-881-3979	2-4.131-80
4730-99-867-4788	2-5.13-61	3120-99-881-3238	2-6.13-7	5330-99-881-3980	2-4.127-6
4730-99-867-4789	2-4.225-32	3120-99-881-3239	2-6.13-4	5330-99-881-3980	2-4.131-79
4730-99-867-4790	2-4.225-25	6680-99-881-3253	2-4.215-41	5330-99-881-3980	2-7.95-136
4730-99-867-4792	2-4.225-19	6680-99-881-3255	2-4.213-1	5330-99-881-3980	2-7.121-207
4730-99-867-4793	2-4.225-13	6680-99-881-3256	2-4.215-34	5330-99-881-3980	2-7.151-90
4710-99-867-4794	2-4.225-15	6680-99-881-3259	2-4.213-13	5330-99-881-3980	2-7.153-100
4710-99-867-4795	2-4.225-10	6680-99-881-3264	2-4.213-20	5330-99-881-3983	2-2.5-14
4710-99-867-4796	2-4.225-4	2930-99-881-3265	2-4.213-22	5330-99-881-4002	2-4.243-5
2990-99-867-4797	2-4.231-2	5360-99-881-3266	2-4.213-23	4210-99-881-4006	2-7.5-42
5340-99-867-4800	2-4.223-48	5315-99-881-3267	2-4.213-12	4210-99-881-4006	2-7.81-1
2940-99-867-4801	2-4.223-36	5360-99-881-3268	2-4.213-19	4210-99-881-4006	2-17.5-44
5330-99-867-4802	2-4.223-34	5340-99-881-3269	2-4.215-47	5330-99-881-4025	2-12.11-4
2840-99-867-4803	2-4.223-35	4320-99-881-3270	2-4.213-10	5330-99-881-4025	2-12.11-15
2340-99-867-4804	2-4.223-49	6680-99-881-3274	2-4.215-38	5330-99-881-4025	2-12.11-18
2510-99-867-4805	2-4.221-33	5325-99-881-3278	2-4.215-40	5330-99-881-4025	2-12.11-21
2510-99-867-4806	2-4.223-50	5330-99-881-3286	2-4.59-21	5330-99-881-4025	2-12.11-32
4710-99-867-4807	2-4.223-54	5365-99-881-3289	2-4.215-43	5330-99-881-4025	2-12.13/14-35
2520-99-867-4808	2-4.235-43	2930-99-881-3290	2-4.213-16	5330-99-881-4025	2-12.13/14-46
2920-99-867-4809	2-4.233-29	4730-99-881-3292	2-4.211-10	5940-99-881-4027	2-7.123-239
2920-99-867-4810	2-4.233-28	4730-99-881-3293	2-4.211-12	4210-99-881-4028	2-7.99-13
2920-99-867-4811	2-4.233-31	5330-99-881-3294	2-4.211-7	4210-99-881-4038	2-12.11-13
2920-99-867-4812	2-4.233-35	5330-99-881-3295	2-4.211-2	4210-99-881-4038	2-12.13/14-47
2920-99-867-4813	2-4.233-15	5905-99-881-3340	2-4.71-17	4210-99-881-4040	2-12.11-5
2920-99-867-4814	2-4.233-11	5905-99-881-3340	2-4.235-42	4210-99-881-4040	2-12.11-16
2910-99-867-4843	2-4.65-1	6685-99-881-3341	2-7.171-18	4210-99-881-4045	2-12.13/14-34
2815-99-867-4844	2-4.11-2	5975-99-881-3387	2-7-1.12-237	6220-99-881-4080	2-7.69-31
5330-99-867-4873	2-4.179-5	5975-99-881-3387	2-7-1.12-241	5310-99-881-4153	2-4.53-50
1005-99-867-4912	2-1-2.15-22	5930-99-881-3583	2-6.19-90	5310-99-881-4153	2-4.53-53
5340-99-867-4913	2-1-2.15-23	5930-99-881-3583	2-7.13-122	5315-99-881-4307	2-4.95-8
5315-99-867-4914	2-1-2.15-25	5975-99-881-3630	2-7-1.5-90	5930-99-881-4308	2-4.119-34
2520-99-867-5031	2-3.33-5	2590-99-881-3633	2-7.179-4	5940-99-881-4406	2-7.121-223
5307-99-867-5032	2-3.33-2	5355-99-881-3634	2-7.181-23	5935-99-881-4410	2-7.87-30
5315-99-867-5667	2-13.5-35	6140-99-881-3688	2-7-1.5-87	5934-99-881-4410	2-7.89-40
5330-99-867-8370	2-5.11-22	4730-99-881-3780	2-4.207-6	5935-99-881-4410	2-7.119-192
5330-99-871-6064	2-9.3-12	2930-99-881-3785	2-4.219-1	5935-99-881-4410	2-7.163-224
5365-99-873-4278	2-7.181-27	4320-99-881-3786	2-4.219-3	5935-99-881-4410	2-7.167-277
5310-99-874-1035	2-3.19-13	5310-99-881-3787	2-4.219-7	5935-99-881-4411	2-7.165-255
5340-99-881-2217	2-7.15-143	3120-99-881-3788	2-4.219-9	5935-99-881-4411	2-7.193-29
5340-99-881-2217	2-7.23-30	5330-99-881-3789	2-4.219-5	2910-99-881-4425	2-5.11-21
5340-99-881-2217	2-7.67-28	5365-99-881-3790	2-4.219-2	2910-99-881-4425	2-5.17/18-0
5340-99-881-2217	2-7.177-77	5330-99-881-3792	2-4.59-18	2910-99-881-4426	2-5.17/18-2
5340-99-881-2217	2-7-1.5-81	4320-99-881-3794	2-4.59-17	2910-99-881-4427	2-5.17/18-3
5310-99-881-2468	2-7.179-22				

INDEX OF NATO STOCK NUMBERS

NATO STOCK No.	Chapter, Page and Item No.	NATO STOCK No.	Chapter, Page and Item No.	NATO STOCK No.	Chapter, Page and Item No.
5950-99-881-4428	2-5.17/18-4	2910-99-881-5699	2-4.109-39	5945-99-881-5872	2-4.95-21
5950-99-881-4429	2-5.17/18-5	3010-99-881-5700	2-4.107-17	5307-99-881-5873	2-4.95-15
2910-99-881-4430	2-5.17/18-10	5310-99-881-5701	2-4.107-20	5310-99-881-5876	2-4.95-23
5330-99-881-4434	2-5.17/18-22	5310-99-881-5702	2-4.107-21	5330-99-881-5878	2-4.95-18
2910-99-881-4438	2-5.17/18-9	5310-99-881-5703	2-4.107-14	2910-99-881-5879	2-4.97-39
6150-99-881-4441	2-5.17/18-8	5310-99-881-5704	2-4.107-22	2910-99-881-5880	2-4.99-73
5330-99-881-4514	2-5.11-35	5310-99-881-5705	2-4.107-15	2910-99-881-5880	2-4.99-75
5330-99-881-4515	2-13.13-37	5330-99-881-5706	2-4.107-11	2910-99-881-5882	2-4.89-88
5330-99-881-4515	2-13.15-59	5310-99-881-5707	2-4.107-3	5330-99-881-5885	2-4.83-7
5330-99-881-4515	2-15.5-28	5310-99-881-5708	2-4.107-4	5340-99-881-5886	2-4.83-12
5330-99-881-4516	2-13.11-2	5930-99-881-5734	2-6.21-21	4730-99-881-5887	2-4.101-13
5330-99-881-4516	2-13.15-53	2910-99-881-5744	2-4.75-1	5365-99-881-5896	2-4.97-37
5330-99-881-4517	2-2.13-43	4730-99-881-5745	2-4.77-38	5330-99-881-5899	2-4.97-42
5330-99-881-4518	2-5.3-4	2910-99-881-5746	2-4.75-11	2910-99-881-5901	2-4.97-47
5330-99-881-4518	2-5.11-38	2910-99-881-5747	2-4.79-67	3120-99-881-5902	2-4.97-27
5330-99-881-4518	2-5.11-50	4730-99-881-5749	2-4.79-44	5330-99-881-5903	2-4.97-46
3110-99-881-4541	2-4.219-8	4730-99-881-5750	2-4.77-41	2910-99-881-5904	2-4.101-5
3120-99-881-4562	2-6.15-40	4730-99-881-5751	2-4.77-36	2910-99-881-5906	2-4.75-17
5330-99-881-4563	2-4.219-11	5915-99-881-5757	2-7.9-87	5310-99-881-5907	2-4.75-22
2910-99-881-4801	2-4.93-140	2590-99-881-5774	2-7.179-2	4530-99-881-5908	2-4.75-19
2910-99-881-4803	2-4.89-97	2910-99-881-5775	2-4.75-24	2940-99-881-5911	2-4.115-1
5330-99-881-4814	2-4.87-60	2910-99-881-5777	2-4.79-48	5340-99-881-5913	2-4.115-13
2910-99-881-4858	2-4.91-127	4730-99-881-5778	2-4.79-61	5310-99-881-5916	2-4.115-12
2910-99-881-4860	2-4.91-114	4730-99-881-5779	2-4.79-64	5365-99-881-5918	2-4.115-11
2910-99-881-4861	2-4.91-108	5310-99-881-5783	2-4.79-50	2940-99-881-5919	2-4.115-9
2910-99-881-4865	2-4.91-126	5935-99-881-5797	2-7.101-39	5330-99-881-5925	2-4.115-10
2910-99-881-4866	2-4.87-62	5935-99-881-5797	2-7.119-190	5310-99-881-5929	2-4.119-37
5330-99-881-4899	2-5.17/18-23	5935-99-881-5797	2-7.157-175	5930-99-881-5931	2-4.119-35
5315-99-881-4997	2-4.89-103	5935-99-881-5797	2-7.161-205	3110-99-881-5933	2-4.107-9
4820-99-881-5095	2-3.7-61	5935-99-881-5798	2-7.101-41	4730-99-881-5936	2-15.5-31
5330-99-881-5133	2-7.81-12	5935-99-881-5798	2-7.119-191	4730-99-881-5937	2-3.35/36-30
5330-99-881-5615	2-7.191-7	5935-99-881-5799	2-7.89-52	4730-99-881-5937	2-4.201-22
6210-99-881-5622	2-7.181-31	5935-99-881-5799	2-7.119-193	4730-99-881-5937	2-4.201-32
6150-99-881-5631	2-7-1.13-266	5935-99-881-5799	2-7.159-189	4730-99-881-5937	2-4.225-5
2590-99-881-5638	2-4.137-2	5935-99-881-5799	2-7.159-198	4730-99-881-5937	2-4.225-11
5935-99-881-5644	2-4.137-9	5935-99-881-5799	2-7.163-234	4730-99-881-5937	2-4.225-16
5975-99-881-5646	2-4.135-3	5935-99-881-5799	2-7.163-245	4730-99-881-5937	2-4.225-22
5940-99-881-5648	2-4.135-10	2910-99-881-5805	2-4.87-61	4730-99-881-5947	2-12.5-31
2590-99-881-5649	2-4.135-5	2910-99-881-5806	2-4.87-70	4730-99-881-5947	2-12.5-36
5330-99-881-5651	2-4.135-15	5940-99-881-5821	2-7.87-13	4730-99-881-5947	2-12.7-42
5305-99-881-5652	2-4.135-16	5940-99-881-5821	2-7.151-96	4730-99-881-5948	2-12.5-32
2910-99-881-5685	2-4.107-24	5315-99-881-5840	2-4.83-13	4730-99-881-5948	2-12.5-37
4730-99-881-5686	2-4.107-7	4730-99-881-5846	2-4.85-54	4730-99-881-5948	2-12.7-43
2910-99-881-5687	2-4.109-30	2910-99-881-5847	2-4.87-59	4730-99-881-5949	2-12.5-33
2910-99-881-5690	2-4.107-10	5945-99-881-5851	2-4.95-2	4730-99-881-5951	2-12.5-23
2910-99-881-5692	2-4.107-19	5365-99-881-5855	2-4.89-94	4730-99-881-5951	2-12.5-28
2910-99-881-5693	2-4.107-1	2910-99-881-5856	2-4.91-120	4730-99-881-5952	2-12.7-44
2910-99-881-5694	2-4.107-8	2910-99-881-5857	2-4.89-90	5940-99-881-5983	2-7-1.12-240
2910-99-881-5695	2-4.109-35	5360-99-881-5859	2-4.95-13	5940-99-881-5984	2-7-1.6-94
2910-99-881-5696	2-4.109-31	5970-99-881-5861	2-4.95-17	5940-99-881-6012	2-7-1.6-97
2910-99-881-5697	2-4.109-32	5945-99-881-5864	2-4.95-19	5330-99-881-6050	2-4.51-22
2910-99-881-5698	2-4.109-40	5330-99-881-5865	2-4.95-20	5940-99-881-6138	2-8.5-39

INDEX OF NATO STOCK NUMBERS

NATO STOCK No.	Chapter, Page and Item No.	NATO STOCK No.	Chapter, Page and Item No.	NATO STOCK No.	Chapter, Page and Item No.
5970-99-881-6194	2-7.113-98	5330-99-881-6409	2-15.5-33	5330-99-881-8324	2-7.171-5
5970-99-881-6194	2-7.113-105	5330-99-881-6424	2-5.11-25	6680-99-881-8328	2-7.11-106
5970-99-881-6194	2-7.113-110	5330-99-881-6424	2-15.5-30	5330-99-881-8334	2-7.171-15
5970-99-881-6194	2-7.113-117	5330-99-881-6424	2-15.5-47	5330-99-881-8335	2-7.105-29
5970-99-881-6194	2-7.115-123	2520-99-881-6428	2-3.17-90	6110-99-881-8338	2-7.9-80
5970-99-881-6194	2-7.115-129	5940-99-881-6457	2-7-1.12-234	6110-99-881-8338	2-7.145-1
5970-99-881-6194	2-7.115-135	5940-99-881-6458	2-7-1.6-99	5930-99-881-8339	2-7.147-32
5970-99-881-6194	2-7.115-141	6110-99-881-6460	2-7.9-74	5950-99-881-8342	2-7.149-73
5970-99-881-6194	2-7.115-149	6110-99-881-6460	2-7.129-1	2920-99-881-8456	2-5.17/18-17
5970-99-881-6194	2-7.117-159	5365-99-881-6475	2-7.143-198	5330-99-881-8619	2-4.133-94
5970-99-881-6194	2-7.117-168	5905-99-881-6478	2-7.129-25	5935-99-881-9001	2-7-1.11-211
5970-99-881-6194	2-7.117-177	5340-99-881-6481	2-7.141-177	5935-99-881-9002	2-7-1.9-163
5970-99-881-6194	2-7.173-36	5905-99-881-6484	2-7.129-24	5935-99-881-9002	2-7-1.12-232
5970-99-881-6194	2-7.173-46	6110-99-881-6491	2-7.137-131	5935-99-881-9002	2-7-1.13-260
5970-99-881-6194	2-7.175-54	6110-99-881-6496	2-7.133-71	5935-99-881-9002	2-7-1.13-263
5970-99-881-6194	2-7.179-11	6110-99-881-6497	2-7.131-46	5935-99-881-9004	2-7.71-9
5970-99-881-6194	2-7.183-56	5365-99-881-6505	2-12.11-6	5935-99-881-9023	2-7-1.6-103
5970-99-881-6194	2-7.185-71	5365-99-881-6505	2-12.13/14-37	5935-99-881-9023	2-7-1.6-107
5976-99-881-6194	2-7.185-92	5365-99-881-6505	2-12.13/14-48	5935-99-881-9023	2-7-1.6-112
5330-99-881-6199	2-4.109-25	2590-99-881-6506	2-4.243-6	5935-99-881-9023	2-7-1.14-282
6115-99-881-6218	2-4.51-1	5920-99-881-6508	2-4.243-12	5935-99-881-9024	2-7-1.6-113
6125-99-881-6219	2-4.51-3	5940-99-881-6512	2-4.243-3	5935-99-881-9024	2-7-1.13-264
6125-99-881-6220	2-4.51-13	5920-99-881-6513	2-4.243-2	5935-99-881-9024	2-7-1.14-283
6125-99-881-6221	2-4.53-29	6130-99-881-6514	2-4.187-18	5975-99-881-9032	2-7.93-114
6125-99-881-6222	2-4.51-27	6130-99-881-6514	2-4.233-1	5935-99-881-9033	2-7.17/19-153
6125-99-881-6223	2-4.51-20	6130-99-881-6514	2-4.237-0	5935-99-881-9033	2-7-1.5-79
6125-99-881-6223	2-4.53-41	5999-99-881-6521	2-4.237-6	5935-99-881-9033	2-7-1.9-166
6125-99-881-6225	2-4.53-45	5950-99-881-6523	2-4.237-2	5935-99-881-9033	2-7-1.9-177
6125-99-881-6226	2-4.51-21	5970-99-881-6524	2-4.239-54	5935-99-881-9033	2-7-1.10-204
5940-99-881-6246	2-4.53-51	5330-99-881-6622	2-7.193-35	5935-99-881-9034	2-7-1.3-38
5940-99-881-6247	2-4.53-56	2590-99-881-6738	2-7.175-60	5935-99-881-9034	2-7-1.5-71
5940-99-881-6248	2-4.55-58	5910-99-881-6845	2-7.135-87	5935-99-881-9034	2-7-1.6-106
5940-99-881-6249	2-4.55-57	6220-99-881-6898	2-7.5-44	5935-99-881-9034	2-7-1.7-129
6125-99-881-6250	2-4.53-48	4730-99-881-7075	2-15.3-15	5935-99-881-9034	2-7-1.7-134
5330-99-881-6251	2-4.55-73	4730-99-881-7075	2-15.5-39	5935-99-881-9034	2-7-1.9-169
6125-99-881-6253	2-4.55-72	4730-99-881-7076	2-13.13-38	5935-99-881-9034	2-7-1.10-187
5310-99-881-6270	2-4.53-44	4730-99-881-7076	2-13.15-60	5935-99-881-9034	2-7-1.10-202
5310-99-881-6271	2-4.53-43	4210-99-881-7335	2-11.17-16	5935-99-881-9034	2-7-1.12-231
5340-99-881-6272	2-4.55-80	5330-99-881-7635	2-1-2.5-38	2590-99-881-9068	2-4.137-7
6125-99-881-6273	2-4.51-8	5330-99-881-7849	2-4.221-18	2590-99-881-9069	2-4.137-8
6125-99-881-6273	2-4.53-36	2540-99-881-8011	2-1-1.9-4	2590-99-881-9070	2-4.137-13
6125-99-881-6274	2-4.51-7	2540-99-881-8012	2-1-1.9-6	2590-99-881-9071	2-4.137-14
5325-99-881-6277	2-4.53-37	2540-99-881-8013	2-1-1.9-8	2590-99-881-9072	2-4.137-10
3120-99-881-6278	2-4.51-24	2540-99-881-8014	2-1-1.9-7	5340-99-881-9095	2-2.13-40
5310-99-881-6279	2-4.51-23	2540-99-881-8015	2-1-1.9-9	5340-99-881-9095	2-7.187-102
6125-99-881-6280	2-4.55-81	5330-99-881-8077	2-7.109-37	2540-99-881-9161	2-1-2.11-110
4210-99-881-6328	2-12.7-46	5330-99-881-8103	2-4.221-31	2590-99-881-9171	2-7.13-127
4730-99-881-6332	2-15.3-9	4130-99-881-8107	2-4.221-26	2590-99-881-9171	2-7.191-1
4730-99-881-6333	2-15.3-8	5330-99-881-8266	2-4.221-16	5945-99-881-9172	2-7.191-12
6680-99-881-6389	2-7.171-16	2940-99-881-8269	2-4.223-57	5945-99-881-9173	2-7.191-23
5330-99-881-6409	2-2.13-41	2940-99-881-8270	2-4.223-39	5310-99-881-9333	2-4.221-29
5330-99-881-6409	2-15.3-14	2940-99-881-8285	2-4.221-1	2920-99-881-9342	2-7.141-182

INDEX OF NATO STOCK NUMBERS

NATO STOCK No.	Chapter, Page and Item No.	NATO STOCK No.	Chapter, Page and Item No.	NATO STOCK No.	Chapter, Page and Item No.
2920-99-881-9343	2-7.137-129	5935-99-881-9665	2-7.71-7	5975-99-910-7205	2-7.81-6
5310-99-881-9344	2-7.139-138	5935-99-881-9665	2-7.101-34	5975-99-910-7218	2-7.81-7
5310-99-881-9345	2-7.139-139	5935-99-881-9665	2-7.159-200	5770-99-910-7348	2-7.81-8
5330-99-881-9346	2-7.139-137	5935-99-881-9666	2-4.243-4	5365-99-910-8190	2-8.17-5
5330-99-881-9347	2-7.141-181	5935-99-881-9666	2-7.101-31	5365-99-910-8192	2-1-2.3-25
4730-99-881-9358	2-9.3-8	5935-99-881-9666	2-7.113-103	5365-99-910-8237	2-7.191-26
5330-99-881-9359	2-9.3-7	5935-99-881-9666	2-7.115-139	5365-99-910-8237	2-13.5-28
2940-99-881-9365	2-4.229-11	5935-99-881-9666	2-7.173-52	5365-99-910-8242	2-4.129-50
6680-99-881-9379	2-7.177-93	5935-99-881-9667	2-7.113-108	5365-99-910-8253	2-3.23-53
2540-99-881-9381	2-4.201-28	5935-99-881-9667	2-7.161-219	5365-99-910-8255	2-3.21-31
5940-99-881-9387	2-7.179-14	5935-99-881-9667	2-7.165-272	5365-99-910-8280	2-4.67-36
5940-99-881-9387	2-7.181-37	5935-99-881-9667	2-7.185-69	5365-99-910-8283	2-4.35-18
5975-99-881-9388	2-7.179-15	2590-99-881-9960	2-7.11-98	5365-99-910-8283	2-4.39-69
5975-99-881-9388	2-7.181-38	2910-99-884-5890	2-4.99-68	5365-99-910-8283	2-4.43-121
2590-99-881-9389	2-7.7-48	6685-99-891-0465	2-8.13-117	5365-99-910-8289	2-4.139-13
2590-99-881-9389	2-7.87-1	6220-99-895-7727	2-14.3-7	5365-99-910-8307	2-4.143-12
2590-99-881-9389	2-17.3-9	5340-99-900-1027	2-4.135-4	5365-99-910-8327	2-4.93-139
2590-99-881-9390	2-7.87-5	5910-99-900-6728	2-7.137-110	5365-99-910-8328	2-4.145-47
2590-99-881-9391	2-7.111-73	5910-99-900-6728	2-7.137-114	5365-99-910-8341	2-3.25-64
5945-99-881-9392	2-7.91-67	5910-99-900-6728	2-7.137-123	5340-99-910-9096	2-13.13-40
5920-99-881-9393	2-7.93-98	5945-99-900-7655	2-7.107-28	5340-99-910-9096	2-15.5-25
5940-99-881-9395	2-7.93-105	6145-99-900-8507	2-7.137-112	6220-99-910-9175	2-7.21-12
5307-99-881-9399	2-7.93-104	6145-99-900-8507	2-7.137-125	6220-99-910-9175	2-7.29-1
5940-99-881-9403	2-4.249-28	6145-99-900-8507	2-7.141-162	6250-99-910-9176	2-7.29-12
9940-99-881-9406	2-4.249-34	6145-99-900-8507	2-7.141-166	6250-99-910-9176	2-7.195-15
9940-99-881-9406	2-4.249-43	5340-99-900-9821	2-4.109-36	6250-99-910-9176	2-7.197-7
5340-99-881-9407	2-4.249-29	5940-99-901-1516	2-7.97-151	5340-99-910-9177	2-7.29-4
5340-99-881-9407	2-4.249-35	6145-99-901-2567	2-7.75-4	5340-99-910-9177	2-7.31-3
5340-99-881-9407	2-4.249-44	6145-99-901-2567	2-7.75-9	5340-99-910-9177	2-7.195-4
5365-99-881-9407	2-7-1.6-100	6145-99-901-2567	2-7.77-51	5340-99-910-9177	2-7.197-3
5975-99-881-9412	2-4.247-16	6145-99-901-2567	2-7.77-61	5340-99-910-9178	2-7.29-7
5975-99-881-9413	2-4.247-12	6145-99-901-2567	2-7.159-184	5940-99-910-9178	2-7.31-11
5940-99-881-9426	2-7-1.4-59	6145-99-901-2567	2-7.159-192	5940-99-910-9178	2-7.195-7
5940-99-881-9426	2-7-1.6-101	6145-99-901-2567	2-7.161-209	5330-99-910-9180	2-7.29-15
6140-99-881-9429	2-7-1.6-93	6145-99-901-2567	2-7.163-228	5330-99-910-9180	2-7.31-17
6150-99-881-9482	2-7-1.4-56	6145-99-901-2567	2-7.163-238	5330-99-910-9180	2-7.195-18
4210-99-881-9495	2-12.11-14	6145-99-901-2567	2-8.19-49	5330-99-910-9180	2-7.197-20
4210-99-881-9498	2-12.11-20	5940-99-901-3120	2-7.137-116	5330-99-910-9181	2-7.29-16
6350-99-881-9499	2-12.11-3	5365-99-901-5323	2-3.15-55	5330-99-910-9181	2-7.31-18
2940-99-881-9531	2-4.229-10	5305-99-901-9278	2-7.99-22	5330-99-910-9181	2-7.195-19
2940-99-881-9532	2-4.223-45	5920-99-901-9668	2-7.71-5	5330-99-910-9181	2-7.197-18
2940-99-881-9533	2-4.223-40	6220-99-902-2812	2-7.81-14	5940-99-910-9182	2-7.29-5
5305-99-881-9534	2-4.229-5	6220-99-902-2822	2-7.81-30	5940-99-910-9182	2-7.31-8
2940-99-881-9536	2-4.227-34	4720-99-905-9327	2-13.15-76	5940-99-910-9182	2-7.195-5
2940-99-881-9536	2-4.229-0	2590-99-910-0334	2-7.21-7	5940-99-910-9182	2-7.197-5
2910-99-881-9540	2-4.229-9	5340-99-910-3292	2-6.23/24-42	6220-99-910-9185	2-7.29-11
5935-99-881-9655	2-7.77-47	5340-99-910-3295	2-6.15-56	6220-99-910-9187	2-7.29-17
5935-99-881-9663	2-7.71-8	5340-99-910-3295	2-6.17-61	6220-99-910-9187	2-7.31-5
5935-99-881-9663	2-7.81-4	5340-99-910-3295	2-6.17-65	6220-99-910-9187	2-7.195-23
5935-99-881-9663	2-7.101-32	5315-99-910-3308	2-6.23/24-44	5305-99-911-0511	2-4.191-28
5935-99-881-9664	2-7.165-250	5315-99-910-3311	2-6.17-58	5305-99-911-0511	2-4.193-53
5935-99-881-9664	2-7.179-9	5970-99-910-7067	2-7.141-175	5310-99-911-6869	2-4.243-32
5935-99-881-9664	2-7.191-10				

INDEX OF NATO STOCK NUMBERS

NATO STOCK No.	Chapter, Page and Item No.	NATO STOCK No.	Chapter, Page and Item No.	NATO STOCK No.	Chapter, Page and Item No.
5310-99-912-8181	2-4.237-22	5310-99-915-5148	2-8.13-116	5306-99-941-0281	2-13.19-24
5310-99-912-8182	2-4.243-20	5310-99-915-5148	2-17.3-10	5306-99-941-0283	2-4.205-21
5310-99-912-8182	2-7.123-244	6250-99-915-7377	2-7.185-76	5306-99-941-0284	2-7.13-120
5310-99-912-8182	2-7.133-66	6250-99-915-7377	2-7.185-79	5306-99-941-0284	2-13.23/24-52
5310-99-912-8182	2-7.135-99	2640-99-915-7858	2-15.9/10-7	5306-99-941-0286	2-4.205-23
5310-99-912-8182	2-7.139-153	5310-99-915-7972	2-7.193-39	5306-99-941-0297	2-1-6.5-29
5310-99-912-8182	2-7.143-190	5330-99-923-9347	2-4.67-34	5306-99-941-0297	2-5.11-24
5310-99-912-9528	2-7.111-91	5330-99-927-2029	2-4.79-56	5306-99-941-0305	2-6.13-21
2640-99-912-9666	2-15.9/10-6	3120-99-930-5687	2-4.31-19(1)	5306-99-941-0306	2-6.15-52
5970-99-913-0207	2-7.79-66	6220-99-930-6128	2-7.29-2	5306-99-941-0321	2-7.43-46
5970-99-913-0207	2-8.19-53	6220-99-930-6128	2-7.31-2	5305-99-941-0340	2-1-5.3-21
5310-99-913-3207	2-7.193-38	5945-99-930-6540	2-7.167-293	5306-99-941-0342	2-2.17-36
5305-99-913-4012	2-4.239-39	4730-99-930-6825	2-13.9-67	5306-99-941-0342	2-13.13-47
5310-99-913-7412	2-4.135-9	6880-99-930-8913	2-7.171-17	5306-99-941-0345	2-4.7-26
4730-99-913-7621	2-12.3-4	5940-99-932-4792	2-7.97-152	5306-99-941-0373	2-3.31-13
4730-99-913-7621	2-12.3-9	5940-99-932-4897	2-7.103-49	5306-99-941-0374	2-3.31-8
4730-99-913-7621	2-12.3-17	5340-99-932-5186	2-7.99-14	5306-99-941-0379	2-3.31-15
5325-99-913-8823	2-8.5-38	5340-99-932-5187	2-7.99-8	5305-99-941-0510	2-4.135-24
5310-99-913-9613	2-7.47-18	5920-99-940-2085	2-7.71-4	5305-99-941-0510	2-4.195-21
5310-99-913-9613	2-7.87-22	5310-99-940-3514	2-4.51-5	5305-99-941-0511	2-4.233-13
5310-99-913-9613	2-7.87-32	5310-99-940-3514	2-4.51-15	5305-99-941-0511	2-4.233-34
5310-99-913-9613	2-7.89-42	5310-99-940-3514	2-4.53-39	5305-99-941-0511	2-6.7-65
5310-99-913-9613	2-7.101-36	5310-99-940-3514	2-4.53-47	5305-99-941-0511	2-6.7-70
5310-99-913-9613	2-7.171-9	5310-99-940-3514	2-4.243-29	5305-99-941-0512	2-1-2.7-76
5305-99-914-1664	2-7.71-16	5310-99-940-3514	2-7.139-144	5305-99-941-0512	2-1-2.17/18-28
5310-99-914-1831	2-7.167-295	5310-99-940-3515	2-4.235-54	5305-99-941-0512	2-1-13.3/4-15
5305-99-914-3456	2-4.123-43	5310-99-940-3515	2-7.131-37	5305-99-941-0512	2-1-15.5-47
4730-99-914-4183	2-12.3-11	5310-99-940-3515	2-7.133-67	5305-99-941-0512	2-4.185-7
4730-99-914-4187	2-12.3-5	5310-99-940-3515	2-7.135-102	5305-99-941-0512	2-4.187-20
4730-99-914-4187	2-12.3-10	5310-99-940-3515	2-7.139-145	5305-99-941-0512	2-4.223-51
4730-99-914-4187	2-12.3-18	5310-99-940-3515	2-7.143-195	5305-99-941-0512	2-4.233-4
5330-99-914-6715	2-2.5-6	5310-99-940-3515	2-8.5-42	5305-99-941-0512	2-5.3-11
5330-99-914-7137	2-7.183-57	5935-99-940-3775	2-7-1.4-63	5305-99-941-0512	2-5.7-59
5305-99-914-7989	2-7.137-135	5935-99-940-8601	2-7.101-38	5305-99-941-0512	2-5.9-4
5310-99-914-8032	2-8.5-44	5306-99-941-0166	2-4.47-14	5305-99-941-0512	2-5.9-17
5310-99-914-8805	2-5.15-24	5306-99-941-0166	2-4.47-19	5305-99-941-0512	2-5.13-59
5305-99-914-9858	2-8.15-4	5306-99-941-0166	2-4.57-3	5305-99-941-0512	2-6.3-12
5305-99-914-9858	2-8.15-8	5305-99-941-0279	2-1-2.9-84	5305-99-941-0512	2-7.13-112
5305-99-914-9858	2-8.17-10	5305-99-941-0279	2-1-2.15-13	5305-99-941-0512	2-7.21-19
5305-99-914-9858	2-8.17-21	5305-99-941-0279	2-4.53-49	5305-99-941-0512	2-7.49-40
5805-99-915-0587	2-7.147-38	5305-99-941-0279	2-4.109-38	5305-99-941-0512	2-7.153-107
5310-99-915-0628	2-4.235-61	5305-99-941-0279	2-6.3-10	5305-99-941-0512	2-7.193-31
5330-99-915-2513	2-4.199-67	5305-99-941-0279	2-7.7-60	5305-99-941-0512	2-8.13-134
5330-99-915-2513	2-4.215-31	5305-99-941-0279	2-7.13-126	5305-99-941-0512	2-10.21-12
5330-99-915-2807	2-2.5-13	5305-99-941-0279	2-10.13-109	5305-99-941-0512	2-10.21-23
5310-99-915-5148	2-1-5.3-12	5305-99-941-0280	2-4.231-3	5305-99-941-0512	2-11.3-17
5310-99-915-5148	2-1-5.5/6-37	5305-99-941-0280	2-6.3-8	5305-99-941-0512	2-11.17-3
5310-99-915-5148	2-3.13-37	5305-99-941-0280	2-10.25-12	5305-99-941-0512	2-11.17-14
5310-99-915-5148	2-4.197-44	5305-99-941-0280	2-16.5-23	5305-99-941-0512	2-13.13-50
5310-99-915-5148	2-4.197-52	5305-99-941-0280	2-16.9-16	5305-99-941-0513	2-1-6.3-2
5310-99-915-5148	2-4.197-61	5306-99-941-0281	2-4.135-22	5305-99-941-0513	2-1-6.5-35
5310-99-915-5148	2-7.7-49	5306-99-941-0281	2-4.205-19	5305-99-941-0513	2-3.5-29

INDEX OF NATO STOCK NUMBERS

NATO STOCK No.	Chapter, Page and Item No.	NATO STOCK No.	Chapter, Page and Item No.	NATO STOCK No.	Chapter, Page and Item No.
5305-99-941-0513	2-4.17-23	5305-99-941-0526	2-1.6.7-57	5305-99-941-0698	2-4.215-33
5305-99-941-0513	2-4.49-36	5305-99-941-0526	2-1.9.11-9	5305-99-941-0700	2-4.217-2
5305-99-941-0513	2-4.109-41	5305-99-941-0526	2-4.193-42	5305-99-941-0711	2-4.233-18
5305-99-941-0513	2-4.117-19	5305-99-941-0526	2-7.5-47	5305-99-941-0711	2-9.3-18
5305-99-941-0513	2-4.187-21	5305-99-941-0526	2-7.7-54	5305-99-941-0712	2-13.5-14
5305-99-941-0513	2-6.3-5	5305-99-941-0526	2-7.187-110	5305-99-941-0713	2-13.5-15
5305-99-941-0513	2-6.7-72	5305-99-941-0526	2-11.17-20	5305-99-941-0714	2-3.7-60
5305-99-941-0513	2-6.9-107	5305-99-941-0527	2-3.33-14	5305-99-941-0715	2-4.217-13
5305-99-941-0513	2-6.15-49	5305-99-941-0527	2-4.149-33	5305-99-941-0716	2-3.5-48
5305-99-941-0513	2-6.23/24-32	5305-99-941-0527	2-4.187-3	5305-99-941-0739	2-1.5.3-5
5305-99-941-0513	2-7.7-59	5305-99-941-0527	2-4.189-39	5305-99-941-0739	2-13.3-21
5305-99-941-0513	2-7.47-7	5305-99-941-0527	2-4.223-43	5310-99-941-0860	2-6.11-111
5305-99-941-0513	2-7.49-35	5305-99-941-0527	2-8.13-138	5310-99-941-0864	2-3.5-50
5305-99-941-0513	2-7.53-13	5305-99-941-0528	2-4.109-42	5310-99-941-0865	2-1.3.3-7
5305-99-941-0513	2-10.3-15	5305-99-941-0538	2-7.21-8	5310-99-941-0881	2-4.145-50
5305-99-941-0513	2-10.19-44	5305-99-941-0539	2-1.9.3-6	5310-99-941-0882	2-4.217-8
5305-99-941-0513	2-10.21-11	5305-99-941-0539	2-1.15.9/10-18	5310-99-941-0883	2-4.37-50
5305-99-941-0513	2-10.25-11	5305-99-941-0539	2-7.5-28	5310-99-941-0883	2-4.43-106
5305-99-941-0513	2-16.3-11	5305-99-941-0539	2-7.43-47	5310-99-941-0883	2-4.45-148
5305-99-941-0513	2-16.5-29	5305-99-941-0539	2-10.3-5	5310-99-941-0884	2-4.143-19
5305-99-941-0513	2-16.9-9	5305-99-941-0540	2-4.203-35	5310-99-941-0902	2-4.183-42
5305-99-941-0513	2-16.11/12-22	5305-99-941-0540	2-6.19-89	5310-99-941-0902	2-6.3-7
5305-99-941-0522	2-4.121-25	5305-99-941-0541	2-1.5.3-10	5310-99-941-0902	2-6.3-22
5305-99-941-0523	2-6.11-119	5305-99-941-0541	2-1.5.5/6-36	5310-99-941-0902	2-6.5-48
5305-99-941-0523	2-7.3-15	5305-99-941-0541	2-1.7.3/4-7	5310-99-941-0902	2-6.5-61
5305-99-941-0523	2-7.49-31	5305-99-941-0541	2-1.9.15/16-10	5310-99-941-0902	2-6.7-88
5305-99-941-0523	2-8.13-139	5305-99-941-0541	2-2.5-8	5310-99-941-0902	2-6.9-102
5305-99-941-0524	2-1.3.3-28	5305-99-941-0541	2-2.7-34	5310-99-941-0902	2-6.13-15
5310-99-941-0524	2-1.6.3-22	5305-99-941-0541	2-8.25-9	5310-99-941-0902	2-6.21-29
5305-99-941-0524	2-1.15.9/10-13	5305-99-941-0542	2-1.3.5/6-32	5310-99-941-0902	2-6.23/24-41
5305-99-941-0524	2-4.207-28	5305-99-941-0543	2-1.2.11-116	5310-99-941-0902	2-7.9-77
5305-99-941-0524	2-11.5-30	5305-99-941-0543	2-2.23/24-28	5310-99-941-0902	2-7.97-166
5305-99-941-0524	2-11.5-37	5305-99-941-0543	2-4.193-36	5310-99-941-0903	2-2.17-30
5305-99-941-0524	2-11.11-9	5305-99-941-0543	2-4.199-64	5310-99-941-0903	2-4.7-36
5305-99-941-0525	2-1.2.15-18	5305-99-941-0543	2-4.231-9	5310-99-941-0903	2-6.11-115
5305-99-941-0525	2-1.6.5-45	5305-99-941-0545	2-1.15.9/10-16	5310-99-941-0903	2-6.23/24-35
5305-99-941-0525	2-4.145-67	5305-99-941-0553	2-1.1.5-18	5310-99-941-0903	2-13.19-18
5305-99-941-0525	2-4.209-41	5305-99-941-0565	2-12.11-25	5310-99-941-0904	2-1.7.3/4-12
5305-99-941-0525	2-4.209-44	5305-99-941-0566	2-10.25-7	5310-99-941-0904	2-6.17-71
5305-99-941-0525	2-4.233-27	5305-99-941-0567	2-1.2.11-111	5310-99-941-0904	2-8.21-12
5305-99-941-0525	2-6.11-120	5305-99-941-0567	2-4.209-51	5310-99-941-0906	2-6.9-96
5305-99-941-0525	2-6.13-27	5305-99-941-0568	2-4.193-39	5310-99-941-0906	2-6.17-57
5305-99-941-0525	2-7.5-32	5305-99-941-0568	2-4.227-35	5310-99-941-0906	2-6.17-63
5305-99-941-0525	2-7.13-129	5305-99-941-0571	2-6.15-41	5310-99-941-0906	2-6.17-66
5305-99-941-0525	2-7.25-53	5305-99-941-0576	2-9.3-20	5310-99-941-0908	2-1.1.3-5
5305-99-941-0525	2-7.39-21	5305-99-941-0687	2-4.205-7	5310-99-941-0908	2-1.2.9-104
5305-99-941-0525	2-7.59-6	5305-99-941-0687	2-6.21-12	5310-99-941-0908	2-3.27-20
5305-99-941-0525	2-7.65-13	5305-99-941-0687	2-6.21-17	5310-99-941-0908	2-4.225-3
5305-99-941-0525	2-10.3-19	5305-99-941-0687	2-6.23/24-33	5310-99-941-0908	2-5.3-3
5305-99-941-0525	2-10.15-16	5305-99-941-0687	2-6.23/24-38	5310-99-941-0908	2-5.11-34
5305-99-941-0525	2-12.7-53	5305-99-941-0697	2-7.27-21	5310-99-941-0908	2-5.11-52
5305-99-941-0526	2-1.6.5-40	5305-99-941-0698	2-3.3-26	5310-99-941-0909	2-15.7-48

INDEX OF NATO STOCK NUMBERS

NATO STOCK No.	Chapter, Page and Item No.	NATO STOCK No.	Chapter, Page and Item No.	NATO STOCK No.	Chapter, Page and Item No.
5310-99-941-0910	2-1.2.3-12	5310-99-941-0926	2-3.7-64	5305-99-941-1069	2-4.121-23
5310-99-941-0910	2-1.3.3-11	5310-99-941-0926	2-4.7-32	5305-99-941-1071	2-6.5-45
5310-99-941-0910	2-1.4.3/4-6	5310-99-941-0926	2-4.193-38	5305-99-941-1078	2-4.193-49
5310-99-941-0923	2-1-3.5/6-36	5310-99-941-0926	2-4.197-46	5310-99-941-1281	2-1-1.3-12
5310-99-941-0924	2-6.5-34	5310-99-941-0926	2-4.197-55	5310-99-941-1309	2-8.25-8
5310-99-941-0924	2-6.7-73	5310-99-941-0926	2-4.203-38	5310-99-941-1318	2-4.181-20
5310-99-941-0924	2-6.17-85	5310-99-941-0926	2-4.211-5	5310-99-941-1318	2-4.181-24
5310-99-941-0925	2-1-5.5/6-44	5310-99-941-0926	2-7.7-64	5310-99-941-1319	2-8.25-5
5310-99-941-0925	2-1-6.3-26	5310-99-941-0926	2-7.9-85	5305-99-941-1521	2-13.5-6
5310-99-941-0925	2-1-6.5-47	5305-99-941-0926	2-7.21-11	5306-99-941-1541	2-13.21-30
5310-99-941-0925	2-1-6.9-12	5310-99-941-0926	2-10.17-42	5306-99-941-1547	2-4.201-2
5310-99-941-0925	2-1-7.3/4-20	5310-99-941-0926	2-11.3-14	5306-99-941-1580	2-13.3-7
5310-99-941-0925	2-1-9.11-11	5310-99-941-0926	2-11.3-21	5306-99-941-1587	2-13.7-50
5310-99-941-0925	2-1-9.13-21	5310-99-941-0926	2-11.11-14	5306-99-941-1598	2-3.7-55
5310-99-941-0925	2-1-10.3/4-10	5310-99-941-0926	2-13.11-17	5305-99-941-1611	2-13.13-31
5310-99-941-0925	2-1-13.3/4-11	5310-99-941-0926	2-13.17-89	5306-99-941-1628	2-13.11-27
5310-99-941-0925	2-3.11-21	5310-99-941-0926	2-13.21-45	5310-99-941-1660	2-1-14.9-14
5310-99-941-0925	2-3.13-34	5310-99-941-0926	2-16.3-8	5310-99-941-1665	2-2.9-58
5310-99-941-0925	2-3.17-84	5310-99-941-0926	2-16.3-19	5305-99-941-1683	2-4.35-20
5310-99-941-0925	2-3.29-30	5310-99-941-0926	2-16.5-28	5305-99-941-1683	2-4.39-71
5310-99-941-0925	2-3.29-37	5310-99-941-0926	2-16.5-35	5305-99-941-1738	2-8.7-48
5310-99-941-0925	2-3.33-16	5310-99-941-0926	2-16.9-6	5305-99-941-1748	2-1-9.7-11
5310-99-941-0925	2-4.5-13	5310-99-941-0926	2-16.9-21	5305-99-941-1748	2-1-9.9-5
5310-99-941-0925	2-4.105-29	5310-99-941-0926	2-16.11/12-28	5305-99-941-1749	2-1-9.5-10
5310-99-941-0925	2-4.109-43	5310-99-941-0927	2-3.15-45	5305-99-941-1749	2-1-15.7-5
5310-99-941-0925	2-4.187-7	5310-99-941-0927	2-4.5-11	5305-99-941-1749	2-6.13-11
5310-99-941-0925	2-4.189-41	5310-99-941-0927	2-4.225-30	5305-99-941-1749	2-10.13-110
5310-99-941-0925	2-4.235-46	5310-99-941-0928	2-1-5.3-8	5305-99-941-1749	2-16.3-4
5310-99-941-0925	2-5.3-23	5310-99-941-0928	2-1-5.3-26	5305-99-941-1750	2-1-12.3/4-8
5310-99-941-0925	2-6.13-23	5310-99-941-0928	2-1-9.9-15	5305-99-941-1750	2-1-14.3-7
5310-99-941-0925	2-6.15-29	5310-99-941-0928	2-1-9.11-7	5305-99-941-1750	2-1-15.9/10-6
5310-99-941-0925	2-6.15-54	5310-99-941-0928	2-1-14.11/12-25	5305-99-941-1750	2-6.5-33
5310-99-941-0925	2-7.9-73	5310-99-941-0928	2-2.3-9	5305-99-941-1750	2-10.3-9
5310-99-941-0925	2-7.11-104	5310-99-941-0928	2-3.11-26	5305-99-941-1751	2-10.3-8
5310-99-941-0925	2-7.13-116	5310-99-941-0928	2-3.31-4	5305-99-941-1766	2-1-5.5/6-42
5310-99-941-0925	2-7.41-33	5310-99-941-0928	2-4.5-16	5305-99-941-1766	2-4.187-4
5310-99-941-0925	2-7.49-27	5310-99-941-0928	2-4.7-28	5305-99-941-1937	2-7.139-148
5310-99-941-0925	2-7.65-16	5310-99-941-0928	2-4.103-12	5305-99-941-1940	2-7.131-33
5310-99-941-0925	2-7.187-113	5310-99-941-0928	2-4.149-15	5305-99-941-1940	2-7.133-63
5310-99-941-0925	2-8.9-89	5310-99-941-0928	2-4.193-41	5305-99-941-1950	2-4.243-16
5310-99-941-0925	2-8.15-14	5310-99-941-0928	2-4.227-37	5305-99-941-2300	2-4.131-71
5310-99-941-0925	2-8.19-38	5310-99-941-0928	2-6.15-35	5305-99-941-2300	2-4.243-17
5310-99-941-0925	2-11.3-8	5310-99-941-0928	2-7.21-6	5305-99-941-2300	2-4.243-21
5310-99-941-0925	2-11.17-22	5310-99-941-0928	2-8.9-71	5305-99-941-2300	2-7.143-187
5310-99-941-0925	2-12.9-61	5310-99-941-0928	2-10.21-8	5305-99-941-2301	2-7.105-26
5310-99-941-0925	2-15.3-5	5310-99-941-0928	2-10.25-9	5305-99-941-2301	2-7.139-149
5310-99-941-0926	2-1-2.3-15	5310-99-941-0928	2-11.5-25	5305-99-941-2301	2-7.143-186
5310-99-941-0926	2-1-2.11-119	5310-99-941-0928	2-13.7-52	5305-99-941-2303	2-7.105-22
5310-99-941-0926	2-1-5.3-13	5310-99-941-0928	2-13.13-49	5305-99-941-2303	2-7.131-34
5310-99-941-0926	2-1-5.5/6-39	5310-99-941-0931	2-1-8.3/4-13	5305-99-941-2303	2-7.133-64
5310-99-941-0926	2-1-14.3-15	5305-99-941-1067	2-4.201-34	5305-99-941-2303	2-7.135-98
5310-99-941-0926	2-2.23/24-30	5305-99-941-1068	2-4.221-12	5305-99-941-2312	2-4.237-9

INDEX OF NATO STOCK NUMBERS

NATO STOCK No.	Chapter, Page and Item No.	NATO STOCK No.	Chapter, Page and Item No.	NATO STOCK No.	Chapter, Page and Item No.
5305-99-941-2312	2-7.133-62	5305-99-941-6284	2-4.25-25	5305-99-941-6546	2-4.23-16
5305-99-941-2312	2-7.135-97	5305-99-941-6284	2-4.61-21	5305-99-941-6546	2-4.67-39
5305-99-941-2312	2-7.137-134	5305-99-941-6284	2-4.67-32	5305-99-941-6546	2-4.69-10
5305-99-941-2313	2-7.139-151	5305-99-941-6284	2-4.125-12	5305-99-941-6547	2-3.13-43
5305-99-941-2313	2-7.143-184	5305-99-941-6284	2-4.139-27	5305-99-941-6547	2-4.11-16
5305-99-941-2314	2-4.243-19	5305-99-941-6284	2-4.139-31	5305-99-941-6547	2-4.15-18
5305-99-941-2314	2-7.143-185	5305-99-941-6284	2-4.145-66	5305-99-941-6547	2-4.23-9
5305-99-941-2315	2-7.139-150	5305-99-941-6284	2-4.181-34	5305-99-941-6547	2-4.47-18
5305-99-941-2315	2-7.141-183	5305-99-941-6284	2-4.207-34	5305-99-941-6547	2-4.103-20
5305-99-941-2325	2-4.213-4	5305-99-941-6284	2-7.5-40	5305-99-941-6548	2-4.31-12
5305-99-941-2334	2-7.193-32	5305-99-941-6284	2-7.41-35	5305-99-941-6549	2-4.33-16
5310-99-941-2406	2-4.237-13	5305-99-941-6284	2-7.49-43	5305-99-941-6549	2-4.141-37
5310-99-941-2406	2-4.239-67	5305-99-941-6284	2-7.53-5	5305-99-941-6549	2-4.147-87
5310-99-941-2406	2-4.245-34	5305-99-941-6284	2-7.61-29	5305-99-941-6550	2-4.33-2
5310-99-941-2406	2-7.139-141	5305-99-941-6284	2-8.9-81	5305-99-941-6550	2-4.33-11
5310-99-941-2406	2-7.143-196	5305-99-941-6284	2-8.11-109	5305-99-941-6550	2-4.49-39
5310-99-941-2419	2-4.205-14	5305-99-941-6284	2-10.15-20	5305-99-941-6550	2-4.141-36
5310-99-941-2419	2-8.7-51	5305-99-941-6284	2-10.25-22	5310-99-941-6570	2-3.17-74
5305-99-941-3185	2-4.243-13	5305-99-941-6284	2-15.3-22	5306-99-941-6580	2-4.139-16
5310-99-941-3188	2-7.125-280	5305-99-941-6290	2-4.41-93	5306-99-941-6581	2-4.117-9
5310-99-941-3188	2-7.139-140	5305-99-941-6290	2-4.45-137	5306-99-941-6581	2-4.139-3
5310-99-941-3188	2-7.149-75	5305-99-941-6291	2-4.119-30	5306-99-941-6581	2-4.149-11
5310-99-941-3188	2-7.167-288	5305-99-941-6297	2-4.9-9	5306-99-941-6583	2-4.35-8
5310-99-941-3190	2-7.127-299	5310-99-941-6306	2-4.245-35	5306-99-941-6583	2-4.39-60
5306-99-941-3313	2-7.187-106	5310-99-941-6313	2-13.23/24-49	5306-99-941-6583	2-4.43-116
5310-99-941-3519	2-4.131-86	5310-99-941-6316	2-4.109-37	5306-99-941-6583	2-4.181-22
5310-99-941-3520	2-1-2.15-14	5310-99-941-6316	2-8.17-32	5306-99-941-6583	2-4.205-22
5310-99-941-3520	2-1-2.15-17	5305-99-941-6513	2-9.5/6-38	5306-99-941-6583	2-7.9-75
5310-99-941-3520	2-1-2.17/18-29	5305-99-941-6540	2-4.65-13	5306-99-941-6584	2-4.35-7
5310-99-941-3520	2-4.49-28	5305-99-941-6541	2-4.23-3	5306-99-941-6584	2-4.39-59
5310-99-941-3524	2-4.223-42	5305-99-941-6542	2-3.15-53	5306-99-941-6584	2-4.43-115
5305-99-941-3673	2-2.7-21	5305-99-941-6542	2-4.65-24	5306-99-941-6585	2-4.37-45
5310-99-941-4136	2-7.175-68	5305-99-941-6542	2-4.103-7	5306-99-941-6585	2-4.41-101
5310-99-941-4136	2-8.17-33	5305-99-941-6542	2-4.113-30	5306-99-941-6585	2-4.135-21
5306-99-941-4166	2-6.15-33	5305-99-941-6542	2-4.143-33	5306-99-941-6587	2-4.19-5
5310-99-941-4167	2-6.7-63	5305-99-941-6542	2-4.147-74	5306-99-941-6587	2-4.19-19
5305-99-941-5243	2-4.53-52	5305-99-941-6542	2-4.147-83	5306-99-941-6587	2-4.27-27
5306-99-941-6187	2-4.15-14	5305-99-941-6543	2-3.9-7	5306-99-941-6587	2-4.111-19
5306-99-941-6187	2-4.113-34	5305-99-941-6543	2-3.23-56	5306-99-941-6587	2-4.139-20
5305-99-941-6190	2-8.7-47	5305-99-941-6543	2-4.19-12	5306-99-941-6587	2-4.139-29
5310-99-941-6197	2-4.9-15	5305-99-941-6543	2-4.143-22	5306-99-941-6589	2-4.15-15
5310-99-941-6197	2-4.139-19	5305-99-941-6543	2-4.145-61	5306-99-941-6589	2-4.27-29
5310-99-941-6197	2-4.145-34	5305-99-941-6544	2-3.15-50	5306-99-941-6589	2-4.47-13
5310-99-941-6197	2-8.15-13	5305-99-941-6544	2-4.61-6	5306-99-941-6589	2-4.143-11
5310-99-941-6198	2-4.139-17	5305-99-941-6544	2-4.65-14	5306-99-941-6590	2-4.105-26
5305-99-941-6249	2-4.83-10	5305-99-941-6544	2-4.117-21	5306-99-941-6590	2-4.113-33
5305-99-941-6249	2-4.83-21	5305-99-941-6544	2-4.117-24	5306-99-941-6590	2-4.143-6
5306-99-941-6282	2-1-2.11-115	5305-99-941-6545	2-4.41-90	5306-99-941-6591	2-4.9-14
5305-99-941-6284	2-1-2.7-74	5305-99-941-6545	2-4.45-133	5306-99-941-6591	2-4.69-15
5305-99-941-6284	2-2.13-48	5305-99-941-6545	2-4.67-43	5306-99-941-6591	2-4.101-15
5305-99-941-6284	2-4.7-39	5305-99-941-6545	2-4.115-22	5306-99-941-6591	2-4.105-27
5305-99-941-6284	2-4.19-13	5305-99-941-6545	2-4.145-35	5306-99-941-6591	2-4.111-20

INDEX OF NATO STOCK NUMBERS

NATO STOCK No.	Chapter, Page and Item No.	NATO STOCK No.	Chapter, Page and Item No.	NATO STOCK No.	Chapter, Page and Item No.
5306-99-941-6592	2-4.15-17	5310-99-941-6652	2-7.47-9	5310-99-941-6654	2-1-9.5-7
5306-99-941-6592	2-4.111-25	5310-99-941-6652	2-7.65-8	5310-99-941-6654	2-1-9.5-11
5306-99-941-6592	2-4.125-6	5310-99-941-6652	2-7.145-11	5310-99-941-6654	2-1-12.3/4-9
5306-99-941-6594	2-4.61-14	5310-99-941-6652	2-7.167-291	5310-99-941-6654	2-1-13.3/4-16
5306-99-941-6594	2-4.119-28	5310-99-941-6652	2-7.187-104	5310-99-941-6654	2-1-14.3-8
5306-99-941-6595	2-4.73-31	5310-99-941-6652	2-7.199-14	5310-99-941-6654	2-1-14.5-28
5306-99-941-6597	2-4.57-15	5310-99-941-6652	2-8.3-26	5310-99-941-6654	2-1-14.11/12-29
5306-99-941-6597	2-7.7-50	5310-99-941-6652	2-8.7-62	5310-99-941-6654	2-1-15.5-48
5306-99-941-6597	2-17.3-11	5310-99-941-6652	2-8.23-6	5310-99-941-6654	2-1-15.7-7
5306-99-941-6598	2-3.7-63	5310-99-941-6652	2-8.23-11	5310-99-941-6654	2-1-15.9/10-7
5306-99-941-6598	2-7.9-82	5310-99-941-6653	2-1-1.3-19	5310-99-941-6654	2-2.13-47
5306-99-941-6598	2-10.3-6	5310-99-941-6653	2-1-9.13-8	5310-99-941-6654	2-2.23/24-25
5310-99-941-6607	2-8.19-37	5310-99-941-6653	2-1-9.13-16	5310-99-941-6654	2-3.5-30
5306-99-941-6614	2-1-2.15-16	5310-99-941-6653	2-1-9.13-25	5310-99-941-6654	2-3.15-52
5306-99-941-6614	2-4.157-22	5310-99-941-6653	2-4.63-29	5310-99-941-6654	2-3.33-3
5306-99-941-6614	2-4.205-20	5310-99-941-6653	2-4.115-15	5310-99-941-6654	2-4.77-31
5310-99-941-6627	2-1-2.11-108	5310-99-941-6653	2-4.119-42	5310-99-941-6654	2-4.79-54
5310-99-941-6627	2-7.109-48	5310-99-941-6653	2-4.131-61	5310-99-941-6654	2-4.79-59
5310-99-941-6628	2-1-6.3-25	5310-99-941-6653	2-4.131-73	5310-99-941-6654	2-4.83-9
5310-99-941-6628	2-1-6.9-11	5310-99-941-6653	2-4.169-8	5310-99-941-6654	2-4.83-28
5310-99-941-6628	2-4.213-14	5310-99-941-6653	2-4.233-7	5310-99-941-6654	2-4.85-51
5310-99-941-6628	2-4.213-27	5310-99-941-6653	2-4.233-22	5310-99-941-6654	2-4.89-98
5310-99-941-6628	2-4.215-32	5310-99-941-6653	2-4.235-40	5310-99-941-6654	2-4.97-43
5310-99-941-6628	2-4.215-49	5310-99-941-6653	2-5.9-18	5310-99-941-6654	2-4.97-51
5310-99-941-6629	2-4.211-4	5310-99-941-6653	2-6.19-92	5310-99-941-6654	2-4.99-69
5310-99-941-6630	2-1-1.5-8	5310-99-941-6653	2-6.19-102	5310-99-941-6654	2-4.99-78
5310-99-941-6630	2-1-7.3/4-9	5310-99-941-6653	2-7.23-39	5310-99-941-6654	2-4.107-5
5310-99-941-6632	2-1-2.9-81	5310-99-941-6653	2-7.25-49	5310-99-941-6654	2-4.109-28
5310-99-941-6633	2-7.29-18	5310-99-941-6653	2-7.39-11	5310-99-941-6654	2-4.157-21
5310-99-941-6633	2-7.195-24	5310-99-941-6653	2-7.43-51	5310-99-941-6654	2-4.169-20
5310-99-941-6636	2-1-8.3/4-5	5310-99-941-6653	2-7.53-9	5310-99-941-6654	2-4.169-23
5310-99-941-6641	2-1-2.13-6	5310-99-941-6653	2-7.55-32	5310-99-941-6654	2-4.177-116
5310-99-941-6641	2-4.119-40	5310-99-941-6653	2-7.61-25	5310-99-941-6654	2-4.185-9
5310-99-941-6641	2-7.81-21	5310-99-941-6653	2-7.83/85-36	5310-99-941-6654	2-4.187-19
5310-99-941-6641	2-7.83/85-32	5310-99-941-6653	2-7.83/85-40	5310-99-941-6654	2-4.191-29
5310-99-941-6642	2-7.143-188	5310-99-941-6653	2-7.193-37	5310-99-941-6654	2-4.193-52
5310-99-941-6643	2-4.51-25	5310-99-941-6653	2-8.3-5	5310-99-941-6654	2-4.201-33
5310-99-941-6643	2-4.243-30	5310-99-941-6653	2-8.7-50	5310-99-941-6654	2-4.203-43
5310-99-941-6643	2-7.29-9	5310-99-941-6653	2-8.11-102	5310-99-941-6654	2-4.207-33
5310-99-941-6643	2-7.195-9	5310-99-941-6653	2-8.17-11	5310-99-941-6654	2-4.221-13
5310-99-941-6644	2-7.139-143	5310-99-941-6653	2-8.17-22	5310-99-941-6654	2-4.221-19
5310-99-941-6644	2-9.5/6-40	5310-99-941-6653	2-8.25-19	5310-99-941-6654	2-4.223-52
5310-99-941-6646	2-7.143-189	5310-99-941-6653	2-12.11-11	5310-99-941-6654	2-4.231-4
5310-99-941-6651	2-5.15-8	5310-99-941-6653	2-12.11-29	5310-99-941-6654	2-4.233-5
5310-99-941-6651	2-7.27-10	5310-99-941-6653	2-12.13/14-42	5310-99-941-6654	2-4.233-14
5310-99-941-6652	2-4.239-66	5310-99-941-6653	2-12.13/14-51	5310-99-941-6654	2-4.233-33
5310-99-941-6652	2-4.245-33	5310-99-941-6654	2-1-1.13/14-5	5310-99-941-6654	2-5.5-37
5310-99-941-6652	2-6.21-23	5310-99-941-6654	2-1-2.7-73	5310-99-941-6654	2-5.5-44
5310-99-941-6652	2-7.11-95	5310-99-941-6654	2-1-2.7-78	5310-99-941-6654	2-5.7-58
5310-99-941-6652	2-7.23-25	5310-99-941-6654	2-1-2.9-85	5310-99-941-6654	2-5.9-3
5310-99-941-6652	2-7.41-25	5310-99-941-6654	2-1-6.3-3	5310-99-941-6654	2-5.9-16
5310-99-941-6652	2-7.41-41	5310-99-941-6654	2-1-6.5-34	5310-99-941-6654	2-5.11-46

INDEX OF NATO STOCK NUMBERS

NATO STOCK No.	Chapter, Page and Item No.	NATO STOCK No.	Chapter, Page and Item No.	NATO STOCK No.	Chapter, Page and Item No.
5310-99-941-6654	2-5.13-58	5310-99-941-6654	2-11.11-18	5310-99-941-6655	2-7.13-128
5310-99-941-6654	2-6.3-6	5310-99-941-6654	2-11.17-2	5310-99-941-6655	2-7.27-20
5310-99-941-6654	2-6.7-71	5310-99-941-6654	2-11.17-5	5310-99-941-6655	2-7.187-112
5310-99-941-6654	2-6.9-103	5310-99-941-6654	2-11.17-13	5310-99-941-6655	2-11.11-8
5310-99-941-6654	2-6.9-106	5310-99-941-6654	2-11.19/20-25	5310-99-941-6655	2-13.23/24-56
5310-99-941-6654	2-6.15-50	5310-99-941-6654	2-11.19/20-29	5310-99-941-6656	2-1.2.3-14
5310-99-941-6654	2-6.17-84	5310-99-941-6654	2-11.19/20-33	5310-99-941-6656	2-1.2.11-118
5310-99-941-6654	2-6.19-98	5310-99-941-6654	2-13.13-42	5310-99-941-6656	2-1-3.5/6-35
5310-99-941-6654	2-6.21-13	5310-99-941-6654	2-13.13-51	5310-99-941-6656	2-1-5.5/6-38
5310-99-941-6654	2-6.21-19	5310-99-941-6654	2-13.17-81	5310-99-941-6656	2-1-7.3/4-11
5310-99-941-6654	2-6.23/24-34	5310-99-941-6654	2-13.23/24-53	5310-99-941-6656	2-1-9.3-5
5310-99-941-6654	2-6.23/24-39	5310-99-941-6654	2-13.23/24-59	5310-99-941-6656	2-1-9.15/16-9
5310-99-941-6654	2-7.5-39	5310-99-941-6654	2-15.3-21	5310-99-941-6656	2-1-14.3-14
5310-99-941-6654	2-7.7-58	5310-99-941-6654	2-15.5-26	5310-99-941-6656	2-1-14.9-24
5310-99-941-6654	2-7.7-67	5310-99-941-6654	2-16.3-13	5310-99-941-6656	2-2.5-7
5310-99-941-6654	2-7.9-78	5310-99-941-6654	2-16.5-24	5310-99-941-6656	2-2.7-33
5310-99-941-6654	2-7.9-88	5310-99-941-6654	2-16.5-31	5310-99-941-6656	2-2.23/24-29
5310-99-941-6654	2-7.11-91	5310-99-941-6654	2-16.9-11	5310-99-941-6656	2-4.7-31
5310-99-941-6654	2-7.11-99	5310-99-941-6654	2-16.9-17	5310-99-941-6656	2-4.99-82
5310-99-941-6654	2-7.13-111	5310-99-941-6654	2-16.11/12-24	5310-99-941-6656	2-4.193-37
5310-99-941-6654	2-7.13-119	5310-99-941-6655	2-1-5.5/6-43	5310-99-941-6656	2-4.197-45
5310-99-941-6654	2-7.13-125	5310-99-941-6655	2-1-6.5-46	5310-99-941-6656	2-4.197-54
5310-99-941-6654	2-7.21-18	5310-99-941-6655	2-3.3-25	5310-99-941-6656	2-4.197-63
5310-99-941-6654	2-7.39-2	5310-99-941-6655	2-3.29-31	5310-99-941-6656	2-4.203-37
5310-99-941-6654	2-7.39-17	5310-99-941-6655	2-3.29-38	5310-99-941-6656	2-4.231-8
5310-99-941-6654	2-7.41-34	5310-99-941-6655	2-3.33-15	5310-99-941-6656	2-6.19-88
5310-99-941-6654	2-7.47-6	5310-99-941-6655	2-4.5-12	5310-99-941-6656	2-7.5-27
5310-99-941-6654	2-7.49-39	5310-99-941-6655	2-4.157-8	5310-99-941-6656	2-7.7-63
5310-99-941-6654	2-7.53-4	5310-99-941-6655	2-4.163-21	5310-99-941-6656	2-7.9-84
5310-99-941-6654	2-7.53-22	5310-99-941-6655	2-4.179-12	5310-99-941-6656	2-7.21-10
5310-99-941-6654	2-7.57-5	5310-99-941-6655	2-4.187-6	5310-99-941-6656	2-7.43-45
5310-99-941-6654	2-7.61-28	5310-99-941-6655	2-4.189-40	5310-99-941-6656	2-7.127-298
5310-99-941-6654	2-7.65-4	5310-99-941-6655	2-4.199-69	5310-99-941-6656	2-8.3-14
5310-99-941-6654	2-7.103-46	5310-99-941-6655	2-4.201-3	5310-99-941-6656	2-8.11-115
5310-99-941-6654	2-7.187-108	5310-99-941-6655	2-4.207-27	5310-99-941-6656	2-8.21-11
5310-99-941-6654	2-7.189-4	5310-99-941-6655	2-4.209-40	5310-99-941-6656	2-8.25-7
5310-99-941-6654	2-8.9-80	5310-99-941-6655	2-4.209-46	5310-99-941-6656	2-10.3-4
5310-99-941-6654	2-8.11-108	5310-99-941-6655	2-4.217-3	5310-99-941-6656	2-10.17-41
5310-99-941-6654	2-8.13-130	5310-99-941-6655	2-4.233-26	5310-99-941-6656	2-11.3-13
5310-99-941-6654	2-8.13-133	5310-99-941-6655	2-4.235-45	5310-99-941-6656	2-11.3-20
5310-99-941-6654	2-10.3-10	5310-99-941-6655	2-6.13-22	5310-99-941-6656	2-11.11-13
5310-99-941-6654	2-10.3-17	5310-99-941-6655	2-6.13-28	5310-99-941-6656	2-13.5-13
5310-99-941-6654	2-10.15-19	5310-99-941-6655	2-6.15-53	5310-99-941-6656	2-13.11-16
5310-99-941-6654	2-10.19-45	5310-99-941-6655	2-7.3-14	5310-99-941-6656	2-13.17-88
5310-99-941-6654	2-10.21-13	5310-99-941-6655	2-7.3-23	5310-99-941-6656	2-13.21-44
5310-99-941-6654	2-10.21-24	5310-99-941-6655	2-7.5-31	5310-99-941-6656	2-16.3-7
5310-99-941-6654	2-10.25-13	5310-99-941-6655	2-7.5-46	5310-99-941-6656	2-16.3-18
5310-99-941-6654	2-10.25-23	5310-99-941-6655	2-7.7-53	5310-99-941-6656	2-16.5-27
5310-99-941-6654	2-11.3-16	5310-99-941-6655	2-7.9-72	5310-99-941-6656	2-16.5-34
5310-99-941-6654	2-11.5-33	5310-99-941-6655	2-7.11-103	5310-99-941-6656	2-16.9-5
5310-99-941-6654	2-11.9-4	5310-99-941-6655	2-7.11-108	5310-99-941-6656	2-16.9-20
5310-99-941-6654	2-11.9-17	5310-99-941-6655	2-7.13-115	5310-99-941-6656	2-16.11/12-27

INDEX OF NATO STOCK NUMBERS

NATO STOCK No.	Chapter, Page and Item No.	NATO STOCK No.	Chapter, Page and Item No.	NATO STOCK No.	Chapter, Page and Item No.
5310-99-941-6656	2-17.7-23	5310-99-941-6866	2-4.135-19	5310-99-941-7070	2-12.11-12
5310-99-941-6657	2-4.5-10	5310-99-941-6866	2-7.53-10	5310-99-941-7070	2-12.11-30
5310-99-941-6657	2-4.59-12	5310-99-941-6866	2-8.11-101	5310-99-941-7070	2-12.13/14-43
5310-99-941-6657	2-4.157-11	5310-99-941-6866	2-8.13-119	5310-99-941-7070	2-12.13/14-52
5310-99-941-6657	2-4.163-25	5310-99-941-6866	2-8.17-12	5310-99-941-7072	2-1-14.5-27
5310-99-941-6658	2-2.3-10	5310-99-941-6866	2-8.17-23	5310-99-941-7072	2-1-14.11/12-28
5310-99-941-6658	2-4.87-66	5310-99-941-6866	2-10.21-20	5310-99-941-7072	2-1-15.5-42
5310-99-941-6659	2-4.219-14	5310-99-941-6867	2-1-2.15-26	5310-99-941-7072	2-1-15.7-6
5310-99-941-6660	2-1-2.5-30	5310-99-941-6867	2-4.221-5	5310-99-941-7072	2-1-15.7-15
5310-99-941-6661	2-4.5-3	5310-99-941-6867	2-4.233-21	5310-99-941-7072	2-3.15-49
5310-99-941-6677	2-4.55-68	5310-99-941-6867	2-4.235-39	5310-99-941-7072	2-4.19-11
5310-99-941-6678	2-1-2.15-10	5310-99-941-6867	2-7.3-22	5310-99-941-7072	2-4.49-35
5310-99-941-6678	2-4.55-69	5310-99-941-6867	2-7.83/85-37	5310-99-941-7072	2-4.61-7
5310-99-941-6678	2-4.243-15	5310-99-941-6867	2-7.83/85-41	5310-99-941-7072	2-4.71-21
5310-99-941-6678	2-7.199-3	5310-99-941-6869	2-4.51-18	5310-99-941-7072	2-4.117-23
5310-99-941-6679	2-1-6.9-24	5310-99-941-6869	2-4.55-64	5310-99-941-7072	2-4.123-38
5310-99-941-6679	2-1-10.3/4-8	5310-99-941-6869	2-4.239-65	5310-99-941-7072	2-4.123-40
5310-99-941-6679	2-1-14.11/12-27	5310-99-941-6869	2-7.147-39	5310-99-941-7072	2-4.181-23
5310-99-941-6679	2-6.9-110	5305-99-941-6907	2-8.7-63	5310-99-941-7072	2-6.3-11
5310-99-941-6684	2-1-5.3-24	5305-99-941-6915	2-5.3-9	5310-99-941-7072	2-6.9-90
5310-99-941-6684	2-1-15.5-27	5305-99-941-6959	2-3.3-10	5310-99-941-7072	2-6.11-122
5310-99-941-6684	2-9.3-25	5305-99-941-6968	2-13.23/24-60	5310-99-941-7072	2-6.13-14
5310-99-941-6684	2-9.5/6-31	5310-99-941-6970	2-7.87-10	5310-99-941-7072	2-7.7-57
5310-99-941-6688	2-8.17-9	5310-99-941-6970	2-15.9/10-12	5310-99-941-7072	2-7.7-66
5310-99-941-6688	2-8.17-20	5306-99-941-7019	2-3.29-29	5310-99-941-7072	2-7.9-76
5305-99-941-6708	2-7.23-29	5306-99-941-7019	2-4.27-28	5310-99-941-7072	2-7.13-124
5305-99-941-6708	2-7.61-26	5306-99-941-7019	2-4.37-33	5310-99-941-7072	2-7.53-3
5305-99-941-6718	2-7.119-182	5306-99-941-7021	2-4.121-26	5310-99-941-7072	2-7.53-21
5305-99-941-6718	2-7.119-195	5306-99-941-7027	2-9.3-15	5310-99-941-7072	2-7.57-4
5305-99-941-6718	2-7.175-64	5305-99-941-7062	2-4.9-10	5310-99-941-7072	2-7.189-3
5305-99-941-6729	2-7.117-171	5305-99-941-7062	2-4.15-12	5310-99-941-7072	2-13.19-23
5305-99-941-6816	2-8.19-44	5305-99-941-7062	2-4.47-11	5306-99-941-7079	2-3.29-36
5305-99-941-6819	2-7.53-8	5305-99-941-7062	2-4.71-20	5306-99-941-7079	2-4.9-16
5305-99-941-6820	2-8.13-118	5305-99-941-7062	2-4.125-14	5306-99-941-7079	2-4.73-28
5305-99-941-6829	2-4.235-53	5305-99-941-7063	2-4.9-12	5306-99-941-7079	2-4.111-24
5305-99-941-6829	2-7.5-36	5305-99-941-7063	2-4.13-18	5306-99-941-7080	2-1-14.7-5
5305-99-941-6829	2-7.39-6	5305-99-941-7063	2-4.23-12	5306-99-941-7136	2-8.3-13
5305-99-941-6829	2-7.57-9	5305-99-941-7063	2-4.115-20	5306-99-941-7136	2-17.7-22
5305-99-941-6829	2-7.71-11	5310-99-941-7070	2-1-1.3-21	5305-99-941-7415	2-10.25-19
5305-99-941-6834	2-8.25-20	5310-99-941-7070	2-4.63-30	5305-99-941-7416	2-10.21-21
5305-99-941-6836	2-7.11-94	5310-99-941-7070	2-4.123-44	5305-99-941-7471	2-1-14.9-11
5305-99-941-6836	2-7.65-7	5310-99-941-7070	2-4.147-79	5305-99-941-7837	2-7.157-157
5305-99-941-6836	2-7.187-103	5310-99-941-7070	2-4.181-16	5305-99-941-7854	2-7.179-20
5305-99-941-6842	2-7.55-31	5310-99-941-7070	2-4.181-31	5305-99-941-7854	2-7.183-59
5305-99-941-6843	2-7.37-5	5310-99-941-7070	2-4.233-23	5305-99-941-7854	2-7.185-74
5305-99-941-6846	2-1-1.11-12	5310-99-941-7070	2-7.37-8	5305-99-941-7855	2-7.157-179
5305-99-941-6846	2-1-1.11-23	5310-99-941-7070	2-7.43-52	5305-99-941-7905	2-4.5-9
5305-99-941-6846	2-7.75-17	5310-99-941-7070	2-7.53-11	5305-99-941-7933	2-4.115-16
5305-99-941-6846	2-8.17-16	5310-99-941-7070	2-7.55-33	5305-99-941-7933	2-7.31-12
5305-99-941-6851	2-1-2.5-56	5310-99-941-7070	2-7.201/202-25	5305-99-941-7937	2-7.131-32
5310-99-941-6866	2-1-13.3/4-19	5310-99-941-7070	2-8.13-121	5305-99-941-7937	2-7.135-96
5310-99-941-6866	2-4.135-11	5310-99-941-7070	2-8.25-23	5310-99-941-7943	2-2.3-6

INDEX OF NATO STOCK NUMBERS

NATO STOCK No.	Chapter, Page and Item No.	NATO STOCK No.	Chapter, Page and Item No.	NATO STOCK No.	Chapter, Page and Item No.
5310-99-941-7948	2-4.203-48	5310-99-941-8386	2-4.139-30	5310-99-941-8637	2-8.9-70
5310-99-941-7948	2-4.233-16	5310-99-941-8386	2-4.223-44	5310-99-941-8637	2-8.27/28-33
5310-99-941-7948	2-6.9-97	5310-99-941-8386	2-7.3-13	5310-99-941-8637	2-13.3-6
5310-99-941-7948	2-6.9-109	5310-99-941-8386	2-7.5-30	5310-99-941-8637	2-13.3-20
5310-99-941-7948	2-7.5-26	5310-99-941-8386	2-7.5-45	5310-99-941-8703	2-4.237-31
5310-99-941-7948	2-7.7-62	5310-99-941-8386	2-7.7-52	5310-99-941-8703	2-7.137-132
5310-99-941-7948	2-7.9-83	5310-99-941-8386	2-7.9-71	5305-99-941-8727	2-4.163-10
5305-99-941-7988	2-7.79-69	5310-99-941-8386	2-7.65-14	5305-99-941-8855	2-1-2.7-62
5305-99-941-7991	2-7.103-54	5310-99-941-8386	2-7.187-111	5305-99-941-8855	2-1-2.11-107
5306-99-941-8000	2-4.191-16	5310-99-941-8396	2-4.221-6	5305-99-941-8871	2-8.23-16
5306-99-941-8003	2-4.19-7	5310-99-941-8461	2-7.139-142	5305-99-941-8908	2-7.29-8
5306-99-941-8003	2-4.23-4	5310-99-941-8543	2-4.95-22	5305-99-941-8908	2-7.195-8
5306-99-941-8003	2-4.25-11	5310-99-941-8548	2-4.177-105	5310-99-941-8921	2-4.203-44
5306-99-941-8003	2-4.37-38	5310-99-941-8554	2-3.17-80	5310-99-941-8921	2-4.245-36
5303-99-941-8003	2-4.41-94	5310-99-941-8571	2-7.87-11	5306-99-941-9043	2-4.49-29
5306-99-941-8003	2-4.45-136	5310-99-941-8571	2-7.119-196	5305-99-941-9087	2-1-1.11-25
5306-99-941-8004	2-4.61-23	5310-99-941-8580	2-1-2.9-82	5305-99-941-9087	2-7.123-242
5306-99-941-8009	2-4.73-39	5310-99-941-8583	2-13.7-36	5305-99-941-9088	2-7.91-72
5305-99-941-8052	2-4.143-26	5310-99-941-8610	2-4.169-6	5310-99-941-9113	2-5.15-27
5310-99-941-8085	2-3.19-24	5305-99-941-8615	2-4.239-64	5310-99-941-9113	2-7.67-21
5307-99-941-8226	2-7.111-70	5310-99-941-8623	2-3.11-20	5310-99-941-9113	2-7.97-168
5310-99-941-8262	2-1-15.3-12	5310-99-941-8623	2-4.119-31	5310-99-941-9130	2-7.175-70
5310-99-941-8262	2-6.5-59	5310-99-941-8623	2-4.163-20	5310-99-941-9185	2-7.171-10
5310-99-941-8262	2-6.11-113	5310-99-941-8623	2-4.201-4	5310-99-941-9185	2-7.173-42
5305-99-941-8311	2-4.237-19	5310-99-941-8623	2-4.213-28	5305-99-941-9194	2-4.115-14
5305-99-941-8315	2-4.55-63	5310-99-941-8623	2-4.221-7	5305-99-941-9194	2-7.77-43
5305-99-941-8315	2-4.243-31	5310-99-941-8623	2-4.221-24	5305-99-941-9194	2-7.91-70
5305-99-941-8339	2-5.5-38	5310-99-941-8635	2-1-2.11-117	5305-99-941-9194	2-7.123-235
5305-99-941-8343	2-4.221-20	5310-99-941-8635	2-1-3.5/6-34	5305-99-941-9195	2-7.77-49
5305-99-941-8356	2-7.139-146	5310-99-941-8635	2-1-7.3/4-10	5305-99-941-9195	2-8.17-8
5310-99-941-8386	2-1-3.3-30	5310-99-941-8635	2-1-14.3-13	5305-99-941-9195	2-8.17-19
5310-99-941-8386	2-1-6.5-38	5310-99-941-8635	2-1-14.3-18	5305-99-941-9195	2-8.19-43
5310-99-941-8386	2-1-6.9-7	5310-99-941-8635	2-1-14.3-24	5305-99-941-9195	2-8.23-7
5310-99-941-8386	2-1-10.3/4-9	5310-99-941-8635	2-1-14.9-23	5305-99-941-9195	2-8.23-12
5310-99-941-8386	2-4.11-17	5310-99-941-8635	2-3.15-71	5305-99-941-9197	2-1-1.9-10
5310-99-941-8386	2-4.19-6	5310-99-941-8635	2-4.31-14	5305-99-941-9197	2-5.17/18-27
5310-99-941-8386	2-4.19-18	5310-99-941-8635	2-4.49-38	5305-99-941-9197	2-7.77-54
5310-99-941-8386	2-4.23-2	5310-99-941-8635	2-4.73-37	5310-99-941-9287	2-4.187-35
5310-99-941-8386	2-4.23-8	5310-99-941-8635	2-4.103-13	5310-99-941-9403	2-1-5.3-27
5310-99-941-8386	2-4.23-15	5310-99-941-8635	2-4.117-16	5330-99-941-9410	2-7.83/85-34
5310-99-941-8386	2-4.27-26	5310-99-941-8635	2-4.121-27	5310-99-941-9410	2-7.95-146
5310-99-941-8386	2-4.37-32	5310-99-941-8635	2-4.203-36	5310-99-941-9410	2-7.101-42
5310-99-941-8386	2-4.41-92	2930-99-941-8635	2-4.217-6	5330-99-941-9410	2-7.123-249
5310-99-941-8386	2-4.47-12	5310-99-941-8635	2-4.217-7	5310-99-941-9448	2-7.199-18
5310-99-941-8386	2-4.47-17	5310-99-941-8637	2-1-2.5-36	5310-99-941-9454	2-7.37-7
5310-99-941-8386	2-4.57-2	5310-99-941-8637	2-1-2.5-44	5310-99-941-9454	2-7.43-50
5310-99-941-8386	2-4.61-15	5310-99-941-8637	2-1-2.5-50	5310-99-941-9465	2-7.167-294
5310-99-941-8386	2-4.69-14	5310-99-941-8637	2-1-2.11-113	5310-99-941-9467	2-4.163-24
5310-99-941-8386	2-4.73-27	5310-99-941-8637	2-3.11-25	5310-99-941-9503	2-13.23/24-48
5310-99-941-8386	2-4.105-28	5310-99-941-8637	2-3.31-2	5310-99-941-9541	2-4.237-23
5310-99-941-8386	2-4.109-44	5310-99-941-8637	2-4.209-49	5310-99-941-9541	2-7.131-40
5310-99-941-8386	2-4.111-21	5610-99-941-8637	2-4.217-14	5310-99-941-9541	2-7.133-69

INDEX OF NATO STOCK NUMBERS

NATO STOCK No.	Chapter, Page and Item No.	NATO STOCK No.	Chapter, Page and Item No.	NATO STOCK No.	Chapter, Page and Item No.
5310-99-941-9541	2-7.137-106	5365-99-942-5710	2-13.7-43	5330-99-943-4396	2-4.229-6
5310-99-941-9542	2-4.237-17	3110-99-942-5750	2-1-1.9-13	6145-99-943-4824	2-7.15-149
5310-99-941-9547	2-7.131-39	3110-99-942-5752	2-4.145-46	6145-99-943-4824	2-7.87-17
5310-99-941-9547	2-7.133-68	5325-99-942-6831	2-7.129-26	6145-99-943-4824	2-7.89-48
5310-99-941-9547	2-7.135-105	5325-99-942-6831	2-7.133-61	6145-99-943-4824	2-7.97-150
5306-99-941-9567	2-4.51-26	5325-99-942-6831	2-7.135-91	6145-99-943-4824	2-7.113-97
5305-99-941-9918	2-7.37-10	5325-99-942-6838	2-6.7-78	6145-99-943-4824	2-7.113-104
5305-99-941-9945	2-4.119-39	9905-99-942-6893	2-7.43-48	6145-99-943-4824	2-7.113-109
5305-99-941-9945	2-5.17/18-28	4720-99-942-7724	2-4.201-24	6145-99-943-4824	2-7.113-116
5305-99-941-9945	2-7.81-11	6230-99-942-7876	2-7.15-135	6145-99-943-4824	2-7.113-122
5305-99-941-9945	2-7.83/85-31	5365-99-942-7984	2-2.13-38	6145-99-943-4824	2-7.115-128
5305-99-941-9945	2-7.185-94	5365-99-942-7984	2-13.19-5	6145-99-943-4824	2-7.115-134
5310-99-941-9954	2-7.167-287	5365-99-942-7998	2-4.195-20	6145-99-943-4824	2-7.115-140
5310-99-941-9961	2-7.11-96	5365-99-942-8000	2-3.33-8	6145-99-943-4824	2-7.115-147
5310-99-941-9961	2-7.23-26	5365-99-942-8000	2-4.185-4	6145-99-943-4824	2-7.117-157
5310-99-941-9961	2-7.65-9	5365-99-942-8000	2-4.187-14	6145-99-943-4824	2-7.117-167
5310-99-941-9961	2-7.151-78	5365-99-942-8002	2-1-9.3-8	6145-99-943-4824	2-7.117-175
5310-99-941-9961	2-7.175-65	4730-99-942-8006	2-2.5-12	6145-99-943-4824	2-7.125-259
5310-99-941-9961	2-7.187-105	5365-99-942-8008	2-3.7-52	6145-99-943-4824	2-7.125-262
5310-99-941-9961	2-7.199-15	3120-99-942-8076	2-3.3-22	6145-99-943-4824	2-7.125-273
5310-99-941-9961	2-7.199-19	5330-99-942-8450	2-4.99-77	6145-99-943-4824	2-7.125-276
5310-99-941-9964	2-7.97-170	5330-99-942-8450	2-4.135-23	6145-99-943-4824	2-7.127-290
5310-99-941-9964	2-7.127-287	5330-99-942-8450	2-4.195-22	6145-99-943-4824	2-7.145-16
5310-99-941-9964	2-7.139-136	5330-99-942-8452	2-4.195-14	6145-99-943-4824	2-7.145-22
5310-99-941-9964	2-7.151-76	5330-99-942-8452	2-4.223-56	6145-99-943-4824	2-7.147-29
5310-99-941-9964	2-8.21-4	5330-99-942-8452	2-4.225-20	6145-99-943-4824	2-7.149-59
5306-99-941-9977	2-4.53-38	5330-99-942-8453	2-4.225-14	6145-99-943-4824	2-7.149-62
5305-99-941-9997	2-1-2.9-92	5330-99-942-8454	2-4.225-8	6145-99-943-4824	2-7.149-65
5315-99-942-0401	2-3.5-45	5330-99-942-8454	2-7.95-127	6145-99-943-4824	2-7.149-68
5315-99-942-0813	2-1-2.9-97	5330-99-942-8454	2-7.107-20	6145-99-943-4824	2-7.149-71
5315-99-942-2565	2-6.21-27	5330-99-942-8489	2-4.97-53	6145-99-943-4824	2-7.155-149
5325-99-942-3412	2-7.147-37	4730-99-942-8491	2-7.95-145	6145-99-943-4824	2-7.157-162
5325-99-942-3416	2-7.147-47	5365-99-942-8491	2-7.123-248	6145-99-943-4824	2-7.159-183
5325-99-942-3420	2-8.5-40	5330-99-942-9636	2-1-1.11-14	6145-99-943-4824	2-7.159-193
5325-99-942-3425	2-7.77-41	5330-99-942-9656	2-7.109-36	6145-99-943-4824	2-7.161-202
5325-99-942-3426	2-14.3-10	5330-99-942-9959	2-7.193-27	6145-99-943-4824	2-7.161-221
5325-99-942-3468	2-1-15.3-24	5331-99-942-9960	2-5.3-25	6145-99-943-4824	2-7.165-251
5325-99-942-3496	2-4.209-39	5330-99-942-9964	2-4.131-69	6145-99-943-4824	2-7.165-258
5315-99-942-3566	2-1-12.3/4-7	5331-99-942-9965	2-7.47-21	6145-99-943-4824	2-7.165-265
5315-99-942-3567	2-6.3-14	5330-99-942-9988	2-2.15-12	6145-99-943-4824	2-7.167-273
5315-99-942-3567	2-6.21-9	5330-99-943-0010	2-4.89-95	6145-99-943-4824	2-7.173-35
5315-99-942-3579	2-2.17-39	5331-99-943-0070	2-13.11-24	6145-99-943-4824	2-7.173-45
5315-99-942-3583	2-6.21-15	5330-99-943-0117	2-7.121-210	6145-99-943-4824	2-7.173-53
5315-99-942-3614	2-1-5.3-19	5330-99-943-0117	2-7.121-216	6145-99-943-4824	2-7.177-85
5315-99-942-3697	2-4.217-5	9320-99-943-1181	2-4.207-29	6145-99-943-4824	2-7.179-10
5315-99-942-3859	2-6.21-3	5330-99-943-1638	2-7.91-86	6145-99-943-4824	2-7.181-36
5315-99-942-3936	2-1-2.5-28	5330-99-943-1638	2-7.95-122	6145-99-943-4824	2-7.181-40
5935-99-942-4712	2-12.13/14-33	5310-99-943-3969	2-7.91-73	6145-99-943-4824	2-7.183-44
6145-99-942-4824	2-7.157-171	5310-99-943-4303	2-13.13-29	6145-99-943-4824	2-7.183-55
5340-99-942-5696	2-7.105-32	5330-99-943-4374	2-4.211-11	6145-99-943-4824	2-7.185-70
5365-99-942-5701	2-4.99-55	5330-99-943-4375	2-4.211-9	6145-99-943-4824	2-7.191-11
5365-99-942-5707	2-4.97-35	5310-99-943-4388	2-4.223-41	6145-99-943-4824	2-7.197-14

INDEX OF NATO STOCK NUMBERS

NATO STOCK No.	Chapter, Page and Item No.	NATO STOCK No.	Chapter, Page and Item No.	NATO STOCK No.	Chapter, Page and Item No.
6145-99-943-4824	2-8.5-36	4730-99-943-9374	2-2.17-31	5310-99-944-0549	2-1-6.5-39
5325-99-943-4856	2-7.97-156	4730-99-943-9374	2-2.23/24-31	5310-99-944-0549	2-1-6.7-56
5325-99-943-4856	2-7.111-69	4730-99-943-9374	2-3.7-62	5310-99-944-0549	2-1-7.3/4-19
5325-99-943-4856	2-7.145-24	4730-99-943-9374	2-6.5-42	5310-99-944-0549	2-1-9.11-10
5325-99-943-4856	2-7.177-92	4730-99-943-9374	2-6.17-82	5310-99-944-0549	2-1-9.13-20
9330-99-943-4858	2-7.97-155	4730-99-943-9375	2-2.7-22	5310-99-944-0549	2-1-9.15/16-5
9330-99-943-4858	2-7.111-68	4730-99-943-9375	2-2.15-15	5310-99-944-0549	2-1-13.3/4-10
9330-99-943-4858	2-7.145-23	4730-99-943-9377	2-2.7-23	5310-99-944-0549	2-1-14.9-13
9330-99-943-4858	2-7.177-91	4730-99-943-9377	2-3.29-26	5310-99-944-0549	2-1-15.9/10-14
5305-99-943-5590	2-4.237-20	4720-99-943-9438	2-4.191-14	5310-99-944-0549	2-2.7-43
5330-99-943-5658	2-2.21-18	4720-99-943-9438	2-15.5-36	5310-99-944-0549	2-2.19-51
5935-99-943-5878	2-7-1.10-190	5330-99-943-9585	2-7.191-8	5310-99-944-0549	2-5.3-22
5315-99-943-5953	2-13.21-47	5330-99-943-9586	2-7.119-187	5310-99-944-0549	2-5.11-23
5315-99-943-5954	2-4.79-69	3120-99-943-9829	2-6.5-32	5310-99-944-0549	2-6.11-118
5315-99-943-5954	2-4.87-63	5330-99-944-0045	2-7.119-184	5310-99-944-0549	2-7.25-52
5315-99-943-5956	2-4.219-13	5315-99-944-0167	2-4.213-9	5310-99-944-0549	2-7.39-20
5365-99-943-5986	2-7.37-15	5315-99-944-0171	2-1-1.5-11	5310-99-944-0549	2-7.41-32
5305-99-943-6340	2-7.131-42	5315-99-944-0171	2-1-1.5-25	5310-99-944-0549	2-7.49-26
5330-99-943-6628	2-1-2.9-103	5315-99-944-0171	2-1-1.7-32	5310-99-944-0549	2-7.59-5
6145-99-943-6806	2-7.75-29	5315-99-944-0171	2-1-6.9-8	5310-99-944-0549	2-7.65-15
6145-99-943-6806	2-7.119-202	5315-99-944-0171	2-1-6.9-17	5310-99-944-0549	2-8.9-88
5310-99-943-6847	2-7.89-54	5315-99-944-0171	2-1-6.9-22	5310-99-944-0549	2-8.13-137
5310-99-943-6847	2-7.97-176	5315-99-944-0171	2-1-9.13-13	5310-99-944-0549	2-8.25-4
5310-99-943-6847	2-7.101-27	5315-99-944-0171	2-1-15.3-13	5310-99-944-0549	2-10.15-15
5310-99-943-6847	2-7.147-41	5315-99-944-0171	2-1-15.5-30	5310-99-944-0549	2-10.23-29
5310-99-943-6847	2-7.157-158	5315-99-944-0171	2-6.3-27	5310-99-944-0549	2-10.27/28-27
5310-99-943-6848	2-7.23-28	5315-99-944-0171	2-6.9-91	5310-99-944-0549	2-11.3-7
5330-99-943-6848	2-7.81-17	5315-99-944-0171	2-6.9-98	5310-99-944-0549	2-11.5-29
5310-99-943-6848	2-7.103-53	5315-99-944-0171	2-6.11-123	5310-99-944-0549	2-11.5-36
5310-99-943-6848	2-7.173-32	5315-99-944-0171	2-7.49-29	5310-99-944-0549	2-11.7-45
5310-99-943-6848	2-8.25-22	5315-99-944-0171	2-10.17-34	5310-99-944-0549	2-11.9-14
5310-99-943-6849	2-7.49-36	5315-99-944-0171	2-11.5-42	5310-99-944-0549	2-11.11-4
5330-99-943-6849	2-7.97-158	5315-99-944-0171	2-11.9-11	5310-99-944-0549	2-11.17-21
5310-99-943-6849	2-7.147-35	5315-99-944-0171	2-13.19-17	5310-99-944-0549	2-12.7-52
5310-99-943-6851	2-7.177-79	5315-99-944-0176	2-1-2.5-51	5310-99-944-0549	2-12.9-60
5330-99-943-6946	2-5.17/18-21	5315-99-944-0190	2-1-1.3-13	5310-99-944-0549	2-13.21-28
5331-99-943-6946	2-7.15-147	5310-99-944-0545	2-4.235-55	5310-99-944-0549	2-15.3-4
5310-99-943-7118	2-4.149-19	5310-99-944-0545	2-5.17/18-31	5310-99-944-0550	2-4.233-17
5310-99-943-7455	2-4.241-69	5310-99-944-0545	2-7.5-37	5310-99-944-0552	2-1-2.11-112
5940-99-943-8569	2-7.115-137	5310-99-944-0545	2-7.39-7	5310-99-944-0552	2-1-2.11-114
5940-99-943-8569	2-7.117-170	5310-99-944-0545	2-7.57-10	5310-99-944-0552	2-1-5.3-22
5940-99-943-8569	2-7.125-260	5310-99-944-0545	2-7.71-13	5310-99-944-0552	2-1-9.9-14
5940-99-943-8569	2-7-1.3-24	5310-99-944-0545	2-7.105-21	5310-99-944-0552	2-1-9.11-6
5940-99-943-8569	2-7-1.3-30	5310-99-944-0545	2-7.105-25	5310-99-944-0552	2-2.17-35
5940-99-943-8569	2-7-1.3-37	5310-99-944-0545	2-7.131-35	5310-99-944-0552	2-3.11-24
5940-99-943-8569	2-7-1.3-40	5310-99-944-0545	2-7.133-65	5310-99-944-0552	2-3.31-3
5940-99-943-8569	2-7-1.13-261	5310-99-944-0545	2-7.135-100	5310-99-944-0552	2-4.5-15
5310-99-943-8626	2-7.171-8	5310-99-944-0545	2-7.139-154	5310-99-944-0552	2-4.7-27
4710-99-943-8887	2-4.201-15	5310-99-944-0545	2-8.5-43	5310-99-944-0552	2-4.193-40
5330-99-943-9026	2-4.213-21	5310-99-944-0549	2-1-3.3-29	5310-99-944-0552	2-4.209-50
6210-99-943-9076	2-7.171-24	5310-99-944-0549	2-1-6.3-21	5310-99-944-0552	2-4.227-36
5330-99-943-9084	2-4.99-65	5310-99-944-0549	2-1-6.5-28	5310-99-944-0552	2-6.15-34

INDEX OF NATO STOCK NUMBERS

NATO STOCK No.	Chapter, Page and Item No.	NATO STOCK No.	Chapter, Page and Item No.	NATO STOCK No.	Chapter, Page and Item No.
5310-99-944-0552	2-7.21-5	5310-99-945-7027	2-7.109-47	3110-99-950-0057	2-2.21-19
5310-99-944-0552	2-10.21-7	5310-99-945-7027	2-7.109-51	3110-99-950-0063	2-4.143-5
5310-99-944-0552	2-10.25-8	6145-99-945-8074	2-7.115-148	3110-99-950-0064	2-3.25-61
5310-99-944-0552	2-11.5-24	5305-99-945-8423	2-8.11-104	3110-99-950-0076	2-4.219-10
5310-99-944-0552	2-12.11-24	5310-99-945-8598	2-8.7-49	3110-99-950-0083	2-2.7-46
5310-99-944-0552	2-13.7-51	5305-99-946-1272	2-8.5-28	3110-99-950-0083	2-2.19-54
5310-99-944-0552	2-13.13-48	5305-99-946-1274	2-5.9-19	3110-99-950-0201	2-3.25-63
5310-99-944-0554	2-5.11-33	5310-99-946-4795	2-8.19-56	3110-99-950-0257	2-4.145-56
5310-99-944-0555	2-3.31-12	5310-99-946-5179	2-7.97-169	3110-99-950-0291	2-1-1.9-12
5310-99-944-0567	2-3.5-47	5310-99-946-5182	2-1-2.15-24	3110-99-950-0569	2-4.9-5
5310-99-944-0569	2-6.15-42	5930-99-946-5877	2-7.55-26	3110-99-950-0569	2-4.181-9
5310-99-944-0572	2-2.17-40	6145-99-946-7178	2-4.55-60	3110-99-950-0570	2-2.11-24
5310-99-944-0572	2-3.31-7	6145-99-946-8202	2-4.55-59	3110-99-950-0571	2-4.15-8
6250-99-944-0996	2-7.171-23	4730-99-946-9060	2-12.5-21	3110-99-950-0571	2-4.145-53
5365-99-944-3333	2-4.199-68	4730-99-946-9060	2-12.5-26	3110-99-950-0571	2-4.171-19
3120-99-944-7737	2-6.21-2	4730-99-946-9067	2-12.5-22	3110-99-950-0571	2-4.175-81
3120-99-944-7737	2-6.21-11	4730-99-946-9067	2-12.5-27	3110-99-950-0573	2-1-2.5-32
5305-99-945-2350	2-7.77-37	3110-99-946-9279	2-3.21-28	3110-99-950-0573	2-2.15-26
9330-99-945-4141	2-8.5-37	5310-99-946-9795	2-7.75-13	3110-99-950-0573	2-4.177-101
5330-99-945-4372	2-7.91-85	5310-99-946-9795	2-7.143-192	3110-99-950-0573	2-4.177-118
5330-99-945-4372	2-7.95-123	5310-99-946-9795	2-8.19-40	3110-99-950-0573	2-13.19-10
5300-99-945-4372	2-7.107-24	5310-99-946-9796	2-4.239-42	3110-99-950-0576	2-4.169-7
5970-99-945-4437	2-7.129-27	5310-99-946-9796	2-7.77-45	3110-99-950-0578	2-4.179-7
5970-99-945-4437	2-7.135-93	5310-99-946-9796	2-7.179-7	3110-99-950-0578	2-4.197-35
5940-99-945-4995	2-7.141-163	5310-99-946-9796	2-7.183-52	3110-99-950-0582	2-4.133-95
5940-99-945-4995	2-7.141-167	5310-99-946-9796	2-7.185-67	3110-99-950-0994	2-3.5-35
6145-99-945-5074	2-7.77-57	5935-99-947-0244	2-7-1.9-167	3110-99-950-1009	2-3.5-34
6145-99-945-5074	2-7.77-62	5310-99-947-1268	2-7.111-94	3110-99-950-1037	2-3.5-36
6145-99-945-5074	2-7.87-27	5310-99-947-1608	2-15.3-6	3110-99-950-1177	2-8.17-4
6145-99-945-5074	2-7.89-37	5310-99-948-0015	2-4.235-56	5305-99-950-3869	2-10.11-89
6145-99-945-5074	2-7.109-32	5310-99-948-0015	2-7.5-38	5331-99-950-5866	2-2.11-7
6145-99-945-5074	2-7.117-158	5310-99-948-0015	2-7.57-11	5310-99-950-6170	2-7.95-139
6145-99-945-5074	2-7.117-176	5305-99-948-0360	2-5.15-30	5940-99-950-6263	2-7.115-150
6145-99-945-5074	2-7.123-251	5305-99-948-0361	2-7.175-67	5940-99-950-6263	2-7.117-160
6145-99-945-5074	2-7.125-255	5310-99-948-0389	2-4.237-21	5940-99-950-6263	2-7.117-179
6145-99-945-5074	2-7.155-151	5310-99-948-0389	2-7.99-5	5940-99-950-6263	2-7.125-252
6145-99-945-5074	2-7.157-163	5310-99-948-0389	2-7.99-19	5940-99-950-6263	2-7.125-257
6145-99-945-5074	2-7.161-210	5310-99-948-2004	2-1-14.7-6	5930-99-951-0583	2-7.183-60
6145-99-945-5074	2-7.163-229	5340-99-948-2247	2-4.109-34	5305-99-951-3987	2-7.199-12
6145-99-945-5074	2-7.163-239	5306-99-948-2406	2-4.243-28	5310-99-952-1024	2-4.181-35
6145-99-945-5075	2-7.91-61	5315-99-948-2445	2-1-14.9-16	5910-99-954-0510	2-7.137-118
6145-99-945-5075	2-7.93-116	6210-99-948-6557	2-7.185-80	5310-99-954-7408	2-4.235-60
6145-99-945-5075	2-7.125-266	5320-99-948-7471	2-4.221-9	5910-99-954-8415	2-4.237-7
6145-99-945-5075	2-7.155-144	5325-99-948-9257	2-1-2.17/18-42	5910-99-954-8415	2-4.243-23
6145-99-945-5075	2-7.155-150	5325-99-948-9258	2-1-2.17/18-43	5310-99-954-9617	2-8.17-26
6145-99-945-5075	2-7.161-208	5325-99-948-9259	2-1-2.17/18-44	5310-99-956-1786	2-1-2.17/18-37
6145-99-945-5075	2-7.163-227	5310-99-948-9815	2-4.135-18	5310-99-956-1786	2-1-2.17/18-39
6145-99-945-5075	2-7.163-237	5305-99-949-7020	2-1-1.5-27	5310-99-956-1786	2-4.125-7
6145-99-945-5075	2-7.167-280	3110-99-950-0044	2-4.65-21	5310-99-956-1786	2-4.233-19
6145-99-945-5075	2-7.167-284	3110-99-950-0053	2-4.219-6	5310-99-956-1786	2-4.233-25
6145-99-945-5076	2-8.19-48	3110-99-950-0054	2-4.53-42	5310-99-956-1786	2-4.235-44
5330-99-945-5494	2-7.119-186	3110-99-950-0056	2-4.59-3	5310-99-956-4064	2-8.7-56

INDEX OF NATO STOCK NUMBERS

NATO STOCK No.	Chapter, Page and Item No.	NATO STOCK No.	Chapter, Page and Item No.	NATO STOCK No.	Chapter, Page and Item No.
5330-99-957-1921	2-4.55-79	2590-99-978-3114	2-7.65-10	5935-99-999-7864	2-7.47-17
4610-99-957-6289	2-15.9/10-3	2590-99-978-3115	2-1-6.3-5	5935-99-999-7864	2-7.57-12
5340-99-960-3831	2-11.17-9	2590-99-978-3116	2-1-6.3-12	5970-99-999-8808	2-7.75-7
4710-99-960-6121	2-3.35/36-29	2920-99-978-3120	2-7-1.7-137	5970-99-999-8808	2-7.75-11
4710-99-960-6121	2-4.201-21	5975-99-978-3142	2-7.5-25	5970-99-999-8808	2-7.77-59
4710-99-960-6121	2-4.201-31	5975-99-978-3142	2-7.71-1	5970-99-999-8808	2-7.79-65
9505-99-960-6751	2-4.187-16	2940-99-978-3166	2-4.221-15	5970-99-999-8808	2-8.19-52
9505-99-960-6751	2-4.195-18	5310-99-980-6170	2-7.151-94	5305-99-999-8900	2-8.5-27
9505-99-960-6752	2-4.187-13	5310-99-980-6170	2-7.153-105	5305-99-999-8973	2-1-2.7-59
9515-99-960-9365	2-1-2.11-121	2510-99-988-4242	2-1-6.3-9	5330-99-999-9422	2-4.59-14
9515-99-960-9369	2-1-2.11-120	6240-99-995-2236	2-7.23-21		
5310-99-962-2300	2-13.3-30	6240-99-995-2236	2-7.33-8		
5310-99-962-2300	2-13.9-66	6240-99-995-2236	2-7.41-23		
4710-99-964-9984	2-12.5-20	6240-99-995-2236	2-7.45-18		
4710-99-964-9987	2-12.5-30	6240-99-995-2236	2-7.55-34		
4710-99-964-9987	2-12.5-35	6240-99-995-2236	2-7.69-30		
4710-99-964-9987	2-12.7-41	6240-99-995-2236	2-7.169-8		
5330-99-970-0241	2-7.119-185	6240-99-995-2519	2-14.3-5		
5330-99-970-0248	2-7.93-92	6240-99-995-3288	2-7.41-37		
5310-99-970-6320	2-1-2.17/18-32	6240-99-995-3288	2-7.51-8		
5305-99-970-7016	2-5.17/18-26	6240-99-995-4508	2-7.21-13		
5325-99-970-8578	2-7.199-7	6240-99-995-4508	2-7.29-20		
5310-99-971-2810	2-6.3-16	6240-99-995-4508	2-7.195-28		
5315-99-971-3177	2-7.107-17	6240-99-995-4508	2-7.197-22		
3020-99-971-3635	2-4.33-12	6240-99-995-9118	2-7.95-143		
5310-99-971-3720	2-7.77-53	6240-99-995-9118	2-7.145-15		
5310-99-971-3720	2-7.99-15	6240-99-995-9118	2-7.171-28		
5310-99-971-3810	2-4.243-14	6240-99-995-9118	2-7.181-34		
5310-99-971-3810	2-7.151-83	6240-99-995-9118	2-7.185-81		
5310-99-971-3810	2-7.153-114	6240-99-995-9813	2-7.3-18		
5310-99-971-3810	2-7.153-119	6240-99-995-9813	2-7.5-43		
5310-99-971-3810	2-7.153-125	6240-99-995-9813	2-7.11-97		
5310-99-971-3810	2-7.155-131	6240-99-995-9813	2-7.15-137		
5310-99-971-3810	2-7.155-136	2510-99-996-0698	2-1-6.3-7		
5340-99-972-5754	2-7-1.4-54	5330-99-996-1176	2-9.3-10		
5340-99-972-5754	2-7-1.11-212	4320-99-998-9888	2-3.17-89		
5340-99-972-5754	2-7-1.13-265	6145-99-999-3758	2-7.139-158		
5935-99-972-5773	2-7-1.2-3	6145-99-999-3758	2-7.141-170		
5940-99-972-7294	2-7.111-65	6145-99-999-4047	2-4.137-5		
5935-99-972-9530	2-7-1.10-189	6145-99-999-4047	2-4.137-11		
5935-99-972-9649	2-7.119-194	6145-99-999-4047	2-4.247-20		
5320-99-977-3496	2-3.27-7	5310-99-999-5407	2-7.143-194		
5305-99-977-9991	2-4.127-20	5970-99-999-5578	2-4.237-28		
2590-99-978-0899	2-7-1.2-19	5970-99-999-5579	2-7.81-9		
2590-99-978-0906	2-7-1.3-36	5305-99-999-5692	2-8.19-39		
2590-99-978-0907	2-7-1.3-23	5935-99-999-6367	2-7-1.7-135		
6150-99-978-1721	2-7-1.4-52	5935-99-999-6367	2-7-1.9-174		
2520-99-978-2351	2-4.165-11	5305-99-999-7566	2-7.191-6		
2590-99-978-3108	2-1.3/4-13	5305-99-999-7566	2-8.15-10		
2590-99-978-3108	2-1-12.3/4-1	6145-99-999-7727	2-7.89-49		
2590-99-978-3110	2-2.15-3	6145-99-999-7727	2-7.89-57		
2540-99-978-3112	2-10.21-1	5935-99-999-7864	2-7.39-9		

CHAPTER 4
INDEX OF MANUFACTURERS' PART/DRAWING NUMBERS

~~UNRESTRICTED~~

~~UNRESTRICTED~~

INDEX OF MANUFACTURERS' PART/DRAWING NUMBERS

Part No/ Drawing No.	Chapter, Page and Item No.	Part No/ Drawing No.	Chapter, Page and Item No.	Part No/ Drawing No.	Chapter, Page and Item No.
AB/02/03/10308	2-4.217-9	AS5419-8	2-4.123-41	B00034	2-4.147-78
AB/1/2/12301	2-4.145-46	AS6733-32	2-3.11-9	B1/3397/M/65/55	2-4.69-10
ABB-03E-C10-SL-3SSN	2-14.7/8-3	AS6733-32	2-4.35-13	B10447-38	2-4.115-11
ABB08E/C10SL-3PSN	2-14.3-12	AS6733-32	2-4.39-64	B10-70500-28	2-7.119-193
ABB-10SL-E-PCA	2-14.3-13	AS6733-32	2-4.47-3	B10-70500-28	2-7.159-189
ABB10SLXPCA	2-14.7/8-8	AS6733-32	2-4.61-13	B10-70500-28	2-7.159-198
AB1237	2-1-1.11-25	AS6733-33	2-4.35-12	B10-70500-28	2-7.163-234
AD900A050ASF	2-13.17-93	AS6733-33	2-4.37-31	B10-70500-28	2-7.163-245
AGS1186A	2-4.225-20	AS6733-33	2-4.39-63	B10783	2-8.7-52
AGS1186-A	2-4.195-14	AS6733-33	2-4.41-82	B10783/2	2-8.7-54
AGS1186-A	2-4.223-56	AS6733-33	2-4.47-4	B10-90029	2-12.7-47
AGS1186-B	2-4.225-14	AS6733-33	2-4.47-9	B1300 010 0APP	2-4.67-36
AGS1186-BB	2-4.195-9	AS6733-33	2-4.71-3	B13537	2-7.147-37
AGS1186CC	2-4.225-8	AS6733-33	2-4.111-16	B21193	2-7.135-81
AGS1186CC	2-7.95-127	AS6733-34	2-4.71-2	B22342	2-6.21-27
AGS1186-CC	2-7.107-20	AS6734-28	2-13.19-22	B36960	2-8.15-2
AGS1186-H	2-4.211-9	AT10005	2-4.21-24	B36973	2-8.15-11
AGS1186-14	2-4.199-67	AT6836033	2-4.153-19	B51117	2-4.55-67
AGS1186-14	2-4.215-31	A0900A025ASF	2-7.79-70	B54701	2-4.217-8
AGS1186-17	2-4.207-5	A10000031AZC	2-7.37-15	B61105	2-4.115-13
AGS1186-4	2-4.99-77	A10000050AZC	2-13.11-11	B62982	2-13.11-10
AGS1217A	2-8.11-112	A10000068AZC	2-7.75-27	B63451	2-13.11-9
AGS162B	2-7.145-11	A10-101033-1	2-7-1.3-43	B6438104	2-4.115-12
AGS162B	2-7.147-27	A10-101033-1	2-7-1.4-50	B6445501	2-4.229-9
AGS162-B	2-7.99-6	A10-101033-1	2-7-1.5-72	CA2182-17	2-7.39-5
AGS162-B	2-7.99-20	A10-101033-1	2-7-1.9-164	CA2209-4	2-7.39-9
AGS2002 AINYL0C	2-7.99-12	A101033-1	2-7-1.9-171	CA2209-5103	2-7.47-17
AGS2002B4-77	2-7.149-52	A103-GT	2-7-1.11-216	CA2209-5103	2-7.57-12
AGS2002B4-77	2-7.175-74	A10-90031	2-4.55-66	CA3106KE10SL4S	2-7-1.2-3
AGS2002B4-77	2-7.177-81	A116-2E	2-12.7-46	CBT11	2-7.91-62
AGS2011-B3	2-7.147-40	A126Q	2-4.53-52	CBT14	2-7.89-46
AGS2030-15	2-4.57-8	A12941/16	2-2.13-50	CBT3	2-7.89-58
AGS2030-22	2-4.49-24	A153F	2-8.7-55	CBT3	2-7.91-63
AGS2035-E	2-4.83-4	A20185	2-4.201-28	CB5/16	2-1-14.9-12
AGS2035-E	2-4.87-73	A26-3C	2-4.149-19	CB7023-60	2-4.99-71
AGS2035-E	2-4.89-86	A31125	2-4.119-41	CB7097-131	2-4.75-8
AGS2035-E	2-4.91-121	A37-B10	2-6.7-80	CB7097-414	2-4.75-13
AGS2035-E	2-4.205-8	A38116	2-7.187-99	CCB1189-2	2-7-1.10-192
AGS2035-E	2-4.205-26	A4	2-8.15-5	CCB1352-3	2-7.47-14
AGS216-A	2-7.101-43	A4	2-4.123-42	CC565	2-3.23-51
AG52030-40	2-4.145-68	A51-Z	2-4.123-46	CC851	2-3.27-17
AJ29513517	2-4.165-15	A54-C	2-4.143-18	CE300353	2-4.55-60
AJ68366033	2-4.163-9	A6365032/30	2-7.111-91	CK106	2-4.29-13
ARL4001-70	2-8.17-26	A6365032/39	2-13.11-13	CK111603	2-4.65-24
ASL-CE40201-002	2-7.137-108	A9416	2-13.11-12	CK111603	2-4.143-33
AS051564/4	2-1-15.9/10-10	BA25018/1	2-13.11-15	CK111603ZNQ	2-4.147-74
AS054869/14	2-11.13-14	BDLL1056521	2-9.3-8	CK111603ZNQ	2-4.147-83
AS31281	2-1-1.3-21	BMCFNZ506	2-4.101-3	CK118	2-4.33-4
AS31281	2-4.123-44	BMCFNZ507	2-4.203-38	CK118	2-4.33-6
AS31281	2-4.147-79	BMSAU152	2-4.225-30	CK1760	2-4.73-29
			2-0.3/4-17	CK1965	2-4.33-17

INDEX OF MANUFACTURERS' PART/DRAWING NUMBERS

Part No./ Drawing No.	Chapter, Page and Item No.	Part No./ Drawing No.	Chapter, Page and Item No.	Part No./ Drawing No.	Chapter, Page and Item No.
CK211	2-4.31-21	CV7104	2-7.129-19	D13001300APP	2-3.25-64
CK212	2-4.31-20	CV7104	2-7.135-86	D13505/1	2-7.185-83
CK4689	2-4.137-3	CV7117	2-7.129-22	D14000050 APP	2-4.65-22
CK540	2-4.35-29	CV7117	2-7.133-56	D14000750 APP	2-3.23-53
CK540	2-4.39-80	CV7117	2-7.135-89	D14000850APP	2-3.21-31
CK540	2-4.63-31	CV7311/SJ102A	2-7.185-86	D3004	2-12.11-9
CK540	2-4.73-32	CV7312	2-7.199-16	D3004	2-12.13/14-38
CK540	2-4.115-18	CV7556/45L20	2-4.239-44	D3004	2-12.13/14-49
CK540	2-4.191-24	CX112401-12	2-7.127-287	D4414-3	2-12.11-13
CK569	2-4.13-13	CX112401-13	2-7.155-131	D4414-3	2-12.13/14-47
CK569	2-4.19-4	CZ63041	2-7-1.10-190	D4424	2-7.99-2
CK569	2-4.111-13	C07342-01	2-7.29-12	D4525	2-7.81-2
CK608	2-4.19-2	C07342-01	2-7.195-15	D4532	2-7.81-3
CK608	2-4.25-7	C07342-01	2-7.197-7	D4535	2-7.81-15
CK608	2-4.61-18	C10-35918-22	2-4.247-12	D4542	2-7.81-29
CK609	2-4.11-8	C10-70500-10	2-7.87-20	D4580	2-7.81-30
CK609	2-4.15-10	C10-70500-10	2-7.101-40	D5045	2-7.103-52
CK609	2-4.123-35	C245	2-7.31-6	D5900	2-7.123-247
CK610	2-4.11-12	C24838/HX	2-13.11-8	D6444791	2-4.227-34
CK610	2-4.23-10	C24838FE	2-4.229-10	D6444791	2-4.229-0
CK610	2-4.25-5	C25X	2-13.21-32	E/0/644-2245	2-12.7-54
CK613	2-4.15-11	C4723	2-8.7-53	E/0/651-4495	2-12.5-34
CK613	2-4.139-34	C6438106	2-4.115-9	E/0/651-4496	2-12.5-29
CK616	2-4.15-9	C6445483	2-4.229-12	E/0/651-4497	2-12.3-7
CK616	2-4.47-15	C7101-20	2-4.247-15	E/0/651-4498	2-12.3-2
CK616	2-4.103-3	C724	2-5.3-10	E/0/652-4798	2-12.3-19
CK792	2-4.19-14	C762-9	2-4.79-69	E/0/653-2942	2-12.9-62
CK814	2-4.61-5	C762-9	2-4.87-63	EBS-000073	2-17.3-2
CK826	2-4.33-13	DE200E75	2-2.15-23	EBS-000092	2-17.3-32
CK826	2-4.49-42	DH60-181	2-2.11-16	EBS-000099	2-17.7-2
CK826	2-4.65-15	DIN1400-14	2-1-2.15-7	EBS-000127	2-17.3-36
CK884	2-4.15-2	DP1002	2-7.99-15	EBS-000133	2-17.3-38
CK954	2-4.73-34	DX62979/3	2-13.11-7	EBS-000133	2-17.7-30
CK955	2-4.19-3	D1C23659-267- B6S6X12	2-4.89-102	EBS-000191	2-17.3-35
CK955	2-4.73-26	D1C23677-267- ECS6X10	2-4.83-10	EBS-000219	2-17.3-4
CK955	2-4.113-28	D1C23677-267- ECS6X10	2-4.83-21	EBS-000225	2-17.3-6
COM656S5	2-4.51-18	D1C23677-267- ECS6X10	2-4.83-21	EBS-000225	2-17.7-8
COM656S5	2-4.55-64	D1C23677-267- FS6X8	2-4.79-58	EBS-000229	2-17.3-25
CPS308	2-1-2.5-51	D1C23680-267- LB6M6	2-4.77-34	EBS-000302	2-17.3-16
CS1121	2-7.171-21	D1C23680-267- LB6M6	2-4.79-55	EBS-000310	2-17.3-13
CS32032	2-4.169-18	D1C23680-267- LB6M6	2-4.85-41	EBS-000535	2-17.7-29
CS32032	2-4.177-117	D1C23680-267- LB6M6	2-4.85-44	EBS-000574	2-17.3-29
CT172	2-1-2.9-90	D1C23684-267 BUF06M6	2-4.91-122	EBS-000579	2-17.3-43
CU1064	2-4.109-37	D10-36675-14	2-7.71-10	EBS-000580	2-17.3-39
CV11178	2-7.129-21	D10-36675-16	2-4.243-5	EBS-000580	2-17.3-42
CV5428	2-7.133-57			EBS-000585	2-17.3-40
CV5644	2-7.129-23			EBS-000604	2-17.3-18
CV5644	2-7.133-58			EBS-000617	2-17.3-23
CV7022	2-7.93-108			EBS-000669	2-17.3-26
CV7040	2-7.129-18			EBS-000671	2-17.7-7
CV7040	2-7.135-85			EBS-000672	2-17.3-24
CV7098	2-7.135-84			EBS-000678	2-17.3-27

INDEX OF MANUFACTURERS' PART/DRAWING NUMBERS

Part No./ Drawing No.	Chapter, Page and Item No.	Part No./ Drawing No.	Chapter, Page and Item No.	Part No./ Drawing No.	Chapter, Page and Item No.
EBS-000688	2-17.3-22	E21 UNIPREN50	2-7.117-158	FV(S)72/2	2-4.11-17
EBS-000886	2-17.3-20	E21 UNIPREN50	2-7.117-176	FV(S)82/3	2-7.151-93
EBS-001014	2-17.3-31	E21 UNIPREN50	2-7.123-251	FV(S)82/3	2-7.153-104
EBS-001015	2-17.3-30	E21 UNIPREN50	2-7.125-255	FV(S)87 ITEM 5	2-5.3-5
EBS-001060	2-17.3-14	E21 UNIPREN50	2-7.155-151	FV(S)87 ITEM 5	2-5.11-39
EBS-001061	2-17.3-15	E21 UNIPREN50	2-7.157-163	FV(S)87/11	2-4.37-36
ECP11459	2-1-1.9-6	E21 UNIPREN50	2-7.161-210	FV(S)87/11	2-4.187-24
ECP11525	2-1-1.9-4	E21 UNIPREN50	2-7.163-229	FV(S)87/12	2-4.187-23
ECP11548	2-1-1.9-3	E21 UNIPREN50	2-7.163-239	FV(S)87/2	2-4.223-55
ECP12252	2-1-1.9-2	E21 UNIPREN6	2-7.81-5	FV(S)87/3	2-4.117-13
ECP12254	2-1-1.9-5	E21 UNIPREN6	2-7.185-93	FV(S)87/5	2-4.19-21
EC98PA	2-1-6.7-59	E21UNIPREN24	2-8.19-49	FV(S)87/9	2-3.33-11
EE4	2-8.17-4	E524	2-1-6.5-41	FV(S)87-2	2-4.181-17
ELRAE26884-7	2-7.199-20	FB46011	2-7.125-280	FV(S)87-5	2-4.25-1
EL1934	2-4.55-59	FD11857-363	2-7.155-142	FV(S)87-5	2-4.201-23
EM32815/56	2-6.15-38	FG1982/1	2-5.15-32	FV(S)87-9	2-4.199-65
EP32028	2-1-1.9-7	FG1992M	2-5.15-4	FV(S)88/3	2-4.225-23
EP33231	2-1-1.9-8	FG1993	2-5.15-5	FV(S)88/5	2-3.35/36-31
EP33236	2-1-1.9-9	FG2048	2-5.15-15	FV(S)88/5	2-4.225-6
ERR 0560	2-4.85-48	FG2440	2-5.15-1	FV(S)88/5	2-4.225-12
ET8394	2-4.145-53	FG3043	2-5.15-26	FV(S)88/5	2-4.225-17
ET8394	2-4.171-19	FG3128/B	2-5.15-18	FV(S)88-5	2-4.185-11
ET8394	2-4.175-81	FG3214	2-5.15-25	FV(S)88-5	2-4.201-29
E0643-2922	2-12.3-16	FG3259/40	2-5.15-31	FV(S)89/5	2-4.225-5
E0644-2260	2-12.7-50	FG490	2-5.15-3	FV(S)89/5	2-4.225-11
E06614705	2-12.7-40	FG558	2-5.15-11	FV(S)89/5	2-4.225-16
E0661-4706LH	2-12.7-56	FG642	2-5.15-6	FV(S)89/5	2-4.225-22
E0661-4706RH	2-12.7-55	FG685	2-5.15-14	FV(S)90/2/11	2-2.17-46
E13240	2-2.13-40	FG7219	2-5.15-21	FV(S)96/7	2-4.207-6
E13240	2-7.187-102	FG7220	2-5.15-17	FV(S)9-6-2	2-7.71-23
E21 UNIPREN100	2-7.155-144	FL70/19	2-8.23-18	FV(S)96-5	2-4.199-66
E21 UNIPREN100	2-7.155-150	FNZ104	2-4.107-6	FV(S)96-5	2-4.207-23
E21 UNIPREN100	2-7.161-208	FNZ104	2-4.109-29	FV(3)6/41A/1	2-4.247-18
E21 UNIPREN100	2-7.163-227	FNZ508	2-4.149-15	FVRDE1042	2-4.209-36
E21 UNIPREN100	2-7.163-237	FN-03-20-B	2-13.15-73	FVRDE1042	2-4.223-37
E21 UNIPREN100	2-7.167-280	FSP12/31	2-4.115-6	FVRDE2058/1088	2-7.21-15
E21 UNIPREN100	2-7.167-284	FV(S)108/3	2-7.105-30	FVRDE2058/1088	2-7.31-19
E21 UNIPREN24	2-7.75-4	FV(S)6/38/4	2-7.15-148	FVS108-10	2-2.13-43
E21 UNIPREN24	2-7.75-9	FV(S)6/38/4	2-7.177-76	FVS108-11	2-5.11-35
E21 UNIPREN24	2-7.77-51	FV(S)6/38/4	2-7.197-17	FVS108-12	2-2.13-41
E21 UNIPREN24	2-7.77-61	FV(S)6/47/1	2-7.197-15	FVS108-12	2-15.3-14
E21 UNIPREN24	2-7.159-184	FV(S)6/55/3	2-7.1-5-80	FVS108-12	2-15.5-33
E21 UNIPREN24	2-7.159-192	FV(S)6-38-4	2-7.23-32	FVS108-14	2-5.11-38
E21 UNIPREN24	2-7.161-209	FV(S)6-38-4	2-7.67-29	FVS108-14	2-5.11-50
E21 UNIPREN24	2-7.163-228	FV(S)6-39-4	2-7.23-31	FVS108-17	2-5.11-25
E21 UNIPREN24	2-7.163-238	FV(S)6-51-6	2-7.23-36	FVS108-19	2-13.13-37
E21 UNIPREN50	2-7.77-57	FV(S)65-18	2-1-15.3-12	FVS108-19	2-15.5-28
E21 UNIPREN50	2-7.77-62	FV(S)6-55-3	2-7.23-37	FVS108-21	2-13.11-2
E21 UNIPREN50	2-7.87-27	FV(S)6-83-1	2-7.15-143	FVS108-21	2-13.15-53
E21 UNIPREN50	2-7.89-37	FV(S)6-83-1	2-7.23-30	FVS108-25	2-13.11-21
E21 UNIPREN50	2-7.109-32	FV(S)6-83-1	2-7.177-77	FVS108-9	2-13.15-59
E21 UNIPREN50	2-7.115-148	FV(S)6-83-1	2-7-1-5-81	FVS21-1-1	2-7.43-48

INDEX OF MANUFACTURERS' PART/DRAWING NUMBERS

Part No./ Drawing No.	Chapter, Page and Item No.	Part No./ Drawing No.	Chapter, Page and Item No.	Part No./ Drawing No.	Chapter, Page and Item No.
FVS6-38-6	2-7-1.3-27	FV1068358	2-7.99-1	FV146166	2-4.149-20
FVS6-38-6	2-7-1.3-33	FV1068359	2-7.99-4	FV147699	2-4.21-23
FVS6-39-4	2-7.197-16	FV107528	2-7.95-136	FV147742	2-4.19-22
FVS6-39-6	2-7-1.3-26	FV107528	2-7.121-207	FV147762	2-4.111-26
FVS6-39-6	2-7-1.3-32	FV107528	2-7.151-90	FV148421	2-4.29-14
FVS6-77-1	2-7-1.3-25	FV107528	2-7.153-100	FV148422	2-4.29-15
FVS6-77-1	2-7-1.3-31	FV107619	2-7.121-208	FV148495	2-3.23-55
FVS69-8	2-4.219-13	FV107619	2-7.153-106	FV148495	2-13.21-27
FVS87-2	2-6.5-41	FV129964	2-4.249-32	FV148496	2-4.139-14
FVS87-2	2-6.17-81	FV129964	2-4.249-52	FV148500	2-4.147-82
FVS87-3	2-4.13-8	FV129965	2-4.249-33	FV148501	2-4.147-72
FVS87-3	2-4.25-3	FV129965	2-4.249-53	FV148502	2-4.145-69
FVS87-3	2-4.61-16	FV131065	2-7.95-137	FV148503	2-4.147-71
FVS87-3	2-4.191-10	FV131065	2-7.121-217	FV148504	2-4.139-9
FVS87-4	2-4.55-70	FV131065	2-7.151-92	FV148507	2-4.145-40
FVS87-6	2-15.5-31	FV131066	2-4.249-42	FV148512	2-4.143-25
FVS87-7	2-5.11-26	FV131066	2-4.249-51	FV148530	2-4.33-7
FVS87-8	2-15.5-29	FV131066	2-7.95-138	FV148543	2-4.33-5
FVS88-2	2-4.181-19	FV131066	2-7.151-91	FV148544	2-4.33-3
FVS88-2	2-6.5-36	FV131066	2-7.153-103	FV148549	2-4.143-16
FVS88-2	2-6.5-39	FV131067	2-7.121-220	FV148574	2-4.143-21
FVS88-2	2-6.17-68	FV131067	2-7.151-89	FV148585	2-4.143-29
FVS88-2	2-6.17-73	FV131069	2-7.95-135	FV148586	2-4.143-30
FVS88-2	2-6.17-76	FV131069	2-7.151-88	FV148592	2-4.145-63
FVS88-2	2-6.17-79	FV131070	2-4.247-26	FV148593	2-4.139-15
FVS88-2	2-8.21-14	FV131070	2-4.249-39	FV148597	2-4.143-23
FVS89-2	2-6.5-37	FV131070	2-4.249-48	FV148599	2-4.121-2
FVS89-2	2-6.5-40	FV131070	2-4.251/252-57	FV148599	2-4.121-4
FVS89-2	2-6.17-69	FV131071	2-4.249-27	FV148599	2-4.143-31
FVS89-2	2-6.17-74	FV131071	2-4.249-40	FV148623	2-4.143-3
FVS89-2	2-6.17-77	FV131071	2-4.249-49	FV148746	2-4.13-12
FVS89-2	2-6.17-80	FV131071	2-4.251/252-58	FV148748	2-4.117-15
FVS89-5	2-3.35/36-30	FV131143	2-7.95-132	FV148764	2-4.103-2
FVS89-5	2-4.201-22	FV131143	2-7.151-85	FV148770	2-4.11-4
FVS89-5	2-4.201-32	FV131144	2-4.247-24	FV148772	2-4.65-8
FVS90-2-11	2-2.7-39	FV131169	2-4.249-38	FV148772	2-4.67-41
FVS9-2-1	2-7-1.5-82	FV131169	2-4.249-47	FV148772	2-4.69-3
FVS9-2-2	2-7-1.3-47	FV131169	2-4.249-56	FV148795	2-4.71-5
FVS9-3-1	2-7-1.4-59	FV131172	2-4.247-25	FV148803	2-4.9-6
FVS9-3-1	2-7-1.6-101	FV131172	2-7-1.10-197	FV148803	2-4.11-11
FVS9-3-2	2-7-1.6-97	FV131173	2-4.249-41	FV148803	2-4.13-10
FVS9-5-3	2-7-1.5-85	FV131173	2-4.249-50	FV148803	2-4.15-6
FVS9-5-3	2-7-1.10-200	FV131173	2-4.251/252-59	FV148804	2-4.13-1
FVS96/4	2-13.15-55	FV141243	2-4.65-11	FV148804	2-4.49-26
FVS96-1	2-15.3-15	FV143252	2-4.7-35	FV148805	2-4.117-22
FVS96-1	2-15.5-39	FV14374	2-4.35-6	FV148813	2-4.143-14
FVS96-3	2-13.13-38	FV145194	2-4.71-15	FV148814	2-4.143-15
FVS96-3	2-13.15-60	FV145683	2-4.17-22	FV148819	2-4.145-39
FVS97-1	2-15.3-9	FV145684	2-4.139-8	FV148843	2-4.145-38
FV1020962	2-2.3-1	FV145684	2-4.139-18	FV148846	2-4.65-9
FV1042	2-4.191-4	FV145684	2-4.167-33	FV148856	2-4.139-26
FV1068358	2-7.7-51	FV146147	2-3.15-46	FV148877	2-4.117-8

INDEX OF MANUFACTURERS' PART/DRAWING NUMBERS

Part No./ Drawing No.	Chapter, Page and Item No.	Part No./ Drawing No.	Chapter, Page and Item No.	Part No./ Drawing No.	Chapter, Page and Item No.
FV148924	2-4.31-3	FV149550	2-4.15-7	FV159979	2-4.247-17
FV148947	2-4.31-9	FV149571	2-4.33-9	FV161066	2-4.251/252-60
FV148949	2-4.31-16	FV149572	2-4.33-10	FV166001-369	2-7-1.13-266
FV148954	2-4.31-11	FV149590	2-4.11-13	FV166001-370	2-7-1.13-267
FV148976	2-4.133-106	FV149592	2-4.113-29	FV166001-372	2-7-1.13-268
FV149022	2-4.11-2	FV149596	2-4.113-32	FV166001-422	2-7-1.13-269
FV149024	2-4.11-3	FV149600	2-4.113-31	FV166001-423	2-7-1.13-270
FV149064	2-3.13-41	FV149635	2-3.17-78	FV166011/72	2-7-1.3-39
FV149102	2-3.17-77	FV149641	2-4.111-4	FV166208/2N	2-7-1.3-23
FV149111	2-3.17-79	FV149642	2-4.111-5	FV166372/60T	2-7-1.2-8
FV149125	2-3.11-4	FV149643	2-4.23-14	FV166372/61T	2-7-1.2-9
FV149136	2-3.21-36	FV149666	2-4.25-8	FV166372/62T	2-7-1.2-10
FV149138	2-4.23-1	FV149671	2-4.111-22	FV166403/26	2-7-1.2-15
FV149191	2-4.71-8	FV149678	2-4.111-7	FV166403/37	2-7-1.2-14
FV149207	2-4.101-14	FV149684	2-4.25-9	FV166403-36M	2-4.249-46
FV149217	2-3.21-29	FV149703	2-4.23-13	FV166404/3	2-7-1.4-56
FV149221	2-3.13-39	FV149724	2-4.57-7	FV166406-10M	2-4.249-55
FV149223	2-3.13-39(1)	FV149733	2-4.111-23	FV166417	2-4.249-34
FV149225	2-3.13-39(2)	FV149734	2-4.111-14	FV166417	2-4.249-43
FV149226	2-3.13-39(3)	FV149757	2-4.23-11	FV166418/3	2-4.249-31
FV149227	2-3.13-39(4)	FV149757	2-4.25-6	FV166419/5M	2-4.249-37
FV149228	2-3.13-39(5)	FV149758	2-3.11-10	FV166421/2T	2-7-1.2-19
FV149230	2-3.21-35(1)	FV149763	2-4.145-48	FV166705/5	2-4.233-24
FV149233	2-3.21-35(3)	FV149765	2-4.145-52	FV166705/5	2-4.247-1
FV149235	2-3.21-35(4)	FV149766	2-4.139-11	FV166719/4	2-7-1.10-199
FV149236	2-3.21-35(5)	FV149768	2-4.143-4	FV166722/4	2-7-1.5-83
FV149237	2-3.21-35(6)	FV149769	2-4.145-44	FV166722-5	2-7-1.5-84
FV149238	2-3.21-35(7)	FV149770	2-4.147-73	FV166764/2	2-7-1.3-45
FV149239	2-3.21-35(8)	FV149771	2-4.147-76	FV166871/3	2-7-1.12-249
FV149240	2-3.21-35(9)	FV149772	2-4.15-16	FV167661/5	2-7-1.12-239
FV149241	2-3.21-35(10)	FV149780	2-3.23-44	FV167663	2-7-1.5-87
FV149243	2-3.21-35(11)	FV149788	2-4.29-4	FV167665-3	2-7-1.6-93
FV149245	2-3.21-35(12)	FV149790	2-4.29-5	FV167667/10	2-4.247-21
FV149249	2-4.121-28	FV149791	2-4.29-6	FV167667/11M	2-4.247-22
FV149321	2-3.21-35(2)	FV149793	2-4.29-8	FV167667-12	2-4.247-23
FV149357	2-4.35-5	FV149795	2-4.29-10	FV167677/6	2-7-1.10-194
FV149357	2-4.37-57	FV149799	2-4.147-75	FV167677/7	2-7-1.10-195
FV149357	2-4.43-113	FV149800	2-4.139-12	FV167701/1	2-7-1.6-98
FV149374	2-4.39-58	FV149817	2-4.57-12	FV167702/3	2-7-1.12-233
FV149376	2-4.49-34	FV149826	2-4.139-22	FV167846/2	2-7.49-30
FV149409	2-4.149-10	FV149834	2-4.139-10	FV167854/1	2-7-1.6-114
FV149427	2-4.145-59	FV149839	2-4.139-24	FV169423	2-7.47-12
FV149445	2-3.17-82	FV149877	2-4.57-5	FV169423	2-7.53-14
FV149473	2-4.143-13	FV149878	2-4.67-47	FV169423	2-7.177-88
FV149475	2-4.103-4	FV149893	2-3.15-64	FV169423	2-7.189-7
FV149487	2-4.19-10	FV157942	2-7.29-11	FV194243	2-5.5-49
FV149497	2-3.21-34	FV157949	2-7.15-135	FV194244	2-5.5-51
FV149498	2-3.21-35	FV157950	2-7.21-7	FV194245	2-5.5-53
FV149503	2-4.107-1	FV157970	2-7.21-12	FV194246	2-5.5-56
FV149518	2-4.57-14	FV157970	2-7.29-1	FV194247	2-5.5-55
FV149530	2-4.103-8	FV159941	2-7.47-8	FV194248	2-5.5-52
FV149550	2-4.11-7	FV159979	2-4.137-12	FV194249	2-5.5-50

INDEX OF MANUFACTURERS' PART/DRAWING NUMBERS

Part No./ Drawing No.	Chapter, Page and Item No.	Part No./ Drawing No.	Chapter, Page and Item No.	Part No./ Drawing No.	Chapter, Page and Item No.
FV194250	2-5.5-54	FV2200959	2-11.3-1	FV299298	2-3.3-23
FV2018251	2-7.59-11	FV2200959	2-11.13-1	FV299300	2-2.15-13
FV2018948	2-12.7-48	FV2200960	2-11.3-2	FV299300	2-3.5-44
FV2029143	2-14.3-15	FV2200960	2-11.13-3	FV299304	2-3.5-46
FV2031419	2-1.3/4-21	FV2200961	2-11.13-9	FV299312	2-3.3-20
FV2032604	2-11.13-5	FV2200963	2-11.13-13	FV299313	2-3.3-19
FV2042043/29	2-4.207-12	FV2200964	2-11.13-2	FV299339	2-3.3-28
FV2042048/29	2-4.215-44	FV2200965	2-11.13-4	FV299340	2-3.3-27
FV2050607	2-7.81-6	FV220541	2-3.23-45	FV299349	2-2.5-4
FV2050607	2-7.81-7	FV2227589	2-5.3-7	FV299356	2-2.5-1
FV2059252	2-14.3-7	FV2227589	2-5.5-57	FV299358	2-2.5-17
FV2059254	2-14.3-17	FV2229509	2-0.3/4-13	FV299359	2-2.5-16
FV2059255	2-14.3-20	FV2229565	2-1.3/4-18	FV299373	2-3.7-67
FV2086381	2-1.3/4-20	FV2229565	2-1-11.3/4-1	FV299398	2-3.33-10
FV2087524	2-8.13-117	FV2229567	2-1-11.3/4-2	FV299399	2-2.5-15
FV210285	2-13.11-18	FV2229568	2-1-11.3/4-3	FV299400	2-2.5-15(1)
FV210691	2-6.11-121	FV2229593	2-1-6.9-1	FV299401	2-2.5-15(2)
FV2108369	2-14.5-23	FV2229805	2-12.9-66	FV299403	2-2.21-17
FV2108370	2-14.3-18	FV2229807	2-12.9-68	FV299404	2-2.21-3
FV2108373	2-14.3-19	FV2249133	2-7.181-28	FV299404	2-2.21-7
FV2108374	2-14.3-16	FV2249134	2-7.181-27	FV299404	2-2.21-11
FV2110940	2-14.5-24	FV2249135/1	2-7.181-35	FV299405	2-2.21-13
FV2115598	2-2.9-53	FV2249135/2	2-7.181-39	FV299413	2-2.7-32
FV2115598	2-2.19-61	FV2249135/3	2-7.183-43	FV299466	2-2.5-11
FV2148382	2-4.185-13	FV2249143	2-9.3-12	FV299466	2-4.185-3
FV2148382	2-4.201-25	FV2249144	2-9.3-10	FV299470	2-1.6.5-27
FV2150453	2-7.149-54	FV2249145	2-9.3-1	FV299470	2-1.6.7-55
FV2150518	2-7.167-293	FV2249161	2-4.235-49	FV299656	2-3.33-7
FV2151902	2-14.3-14	FV2249162	2-4.235-51	FV299656	2-4.185-5
FV2184210	2-7.87-19	FV2249163	2-4.235-50	FV299656	2-4.187-15
FV2184210	2-7.101-30	FV2249165	2-5.11-22	FV299778	2-1.15.3-26
FV2185002	2-4.177-101	FV2249167	2-4.187-17	FV299828	2-4.191-9
FV2185002	2-4.177-118	FV2249168	2-4.231-2	FV299995	2-8.9-87
FV2187756	2-14.3-8	FV2249170	2-12.9-65	FV299995	2-10.3-3
FV2200586	2-11.15-5	FV2249171	2-7.49-42	FV299995	2-16.3-5
FV2200644	2-14.5-27	FV2249240	2-4.213-25	FV299995	2-16.9-3
FV2200644	2-14.7/8-12	FV2249241	2-4.213-17	FV300040	2-2.13-49
FV2200647	2-14.3-6	FV229568	2-7.3-20	FV300346	2-2.5-5
FV2200648	2-0.3/4-16	FV229568	2-7.53-7	FV300421	2-1.9.9-8
FV2200648	2-14.3-0	FV252069	2-6.3-19	FV300421	2-2.9-52
FV2200650	2-14.3-2	FV260864-3	2-4.63-26	FV300421	2-2.19-60
FV2200654	2-14.3-11	FV260907	2-7.23-22	FV300488	2-1.9.9-6
FV2200655	2-14.5-33	FV260907	2-7.35-1	FV300728	2-7.59-12
FV2200655	2-14.7/8-1	FV260907	2-7.41-38	FV300728	2-7.63-8
FV2200666	2-2.3-0	FV260940	2-7.47-5	FV300860	2-6.5-46
FV2200680	2-1-11.3/4-21	FV260940	2-7.53-12	FV300860	2-6.7-74
FV2200710	2-1-8.3/4-10	FV2690940	2-7.189-2	FV300860	2-6.15-36
FV2200711	2-1.3/4-23	FV272313	2-1-2.9-89	FV31547	2-7.95-131
FV2200712	2-10.11-91	FV27970	2-4.149-33	FV317436	2-2.5-9
FV2200914	2-16.5-22	FV27970	2-4.189-39	FV3201752	2-4.119-42
FV2200914	2-16.9-15	FV27970	2-4.223-43	FV324225/2	2-7.49-33
FV2200923	2-16.5-36	FV299295	2-3.3-21	FV324225/2	2-7-1.7-136
FV2200923	2-16.11/12-29	FV299297	2-3.5-32		

INDEX OF MANUFACTURERS' PART/DRAWING NUMBERS

Part No./ Drawing No.	Chapter, Page and Item No.	Part No./ Drawing No.	Chapter, Page and Item No.	Part No./ Drawing No.	Chapter, Page and Item No.
FV324242/2	2-7-1.10-188	FV410126	2-7.105-16	FV421698	2-5.3-28
FV324244/2	2-4.235-52	FV410126	2-7.191-22	FV421702	2-5.3-29
FV324244/2	2-4.247-10	FV410133	2-7.119-198	FV421703	2-5.5-31
FV324284-8	2-7.17/19-155	FV410137	2-7.15-140	FV421711	2-1-9.3-4
ISSUE E		FV410138	2-7.119-199	FV421724	2-1-2.5-43
FV324284-8	2-7-1.14-287	FV410141	2-7.15-139	FV421733	2-1-1.3-2
ISSUE E		FV410505	2-7.105-31	FV421740	2-1-2.5-33
FV327850	2-1-1.11-17	FV410982	2-7.105-29	FV421741	2-1-2.5-35
FV337673	2-1-2.15-11	FV411771	2-6.17-83	FV421774	2-1-9.3-2
FV342513	2-7.59-2	FV413598	2-2.9-55	FV421775	2-1-5.3-6
FV342513	2-7.63-2	FV413797	2-1-2.7-57	FV421775	2-1-9.9-12
FV342586	2-4.51-1	FV413798	2-1-2.7-58	FV421775	2-1-9.11-4
FV342587	2-7.9-74	FV413799	2-1-2.7-61	FV421797	2-6.21-7
FV342587	2-7.129-1	FV413800	2-1-2.7-60	FV421799	2-6.21-8
FV342588	2-4.187-18	FV413804	2-1-2.7-68	FV421801	2-6.21-28
FV342588	2-4.233-1	FV413809	2-3.3-17	FV421822	2-1-1.3-11
FV342588	2-4.237-0	FV413813	2-3.5-38	FV421822	2-1-3.3-6
FV342593	2-5.11-21	FV413814	2-3.5-39	FV421823	2-1-1.3-9
FV342593	2-5.17/18-0	FV413815	2-3.5-40	FV421823	2-1-3.3-4
FV351285	2-11.17-16	FV413822	2-3.5-43	FV421825	2-3.3-3
FV361055	2-7.23-35	FV413824	2-3.3-12	FV421825	2-3.31-0
FV361154	2-4.223-58	FV413905	2-2.7-47	FV421825/18	2-3.31-14
FV362147	2-10.21-22	FV413905	2-2.19-55	FV421826	2-3.31-11
FV368824	2-4.29-3	FV413909	2-2.9-50	FV421827	2-3.31-11(1)
FV381722	2-7.71-19	FV413909	2-2.19-58	FV421828	2-3.31-5
FV388-3	2-4.201-16	FV413912	2-2.7-45	FV421829	2-3.31-5(1)
FV39347	2-7.121-204	FV413912	2-2.19-53	FV421876	2-1-2.3-5
FV39347	2-7.151-97	FV413989	2-3.3-9	FV421915	2-4.187-12
FV39349	2-7.153-102	FV413990	2-3.7-53	FV421919	2-4.187-11
FV39350	2-7.153-101	FV414128	2-2.21-24	FV421964	2-3.33-5
FV39351	2-7.95-133	FV418082	2-1-1.7-37	FV421965	2-3.33-2
FV39351	2-7.121-206	FV418083	2-1-1.7-36	FV421989	2-3.33-6
FV39351	2-7.121-215	FV420369	2-1-14.7-9	FV422062	2-1-2.3-2
FV39351	2-7.151-87	FV420369	2-1-14.9-17	FV422087	2-10.17-38
FV39351	2-7.151-98	FV421415	2-1-2.5-29	FV422088	2-10.17-39
FV39352	2-7.95-134	FV421443	2-1-3.3-9	FV422179	2-1-2.5-48
FV39352	2-7.151-86	FV421443	2-1-4.3/4-8	FV422179	2-1-3.3-25
FV39352	2-7.151-99	FV421451	2-1-3.3-16	FV422179	2-1-5.5/6-31
FV394851	2-7.107-25	FV421451	2-1-4.3/4-9	FV422180	2-1-2.5-47
FV394852	2-7.107-26	FV421484	2-1-3.3-10	FV422180	2-1-3.3-24
FV394854	2-7.107-27	FV421484	2-1-4.3/4-7	FV422180	2-1-5.5/6-30
FV394856	2-7.107-30	FV421492	2-3.33-1	FV422190	2-1-2.9-83
FV394856	2-7.167-289	FV421544	2-1.3/4-1	FV422196	2-1-2.5-31
FV394857	2-7.107-28	FV421544	2-1-1.3-1	FV422231	2-6.23/24-30
FV395476	2-3.7-51	FV421595	2-3.31-10	FV425117	2-4.177-122
FV395711	2-1-9.7-8	FV421596	2-3.31-9	FV426612	2-7.21-14
FV395733	2-1-9.3-7	FV421602	2-1-1.3-6	FV426612	2-7.31-1
FV395845	2-2.9-59	FV421602	2-1-2.3-13	FV426618	2-7.53-6
FV395885	2-2.15-11	FV421602	2-1-8.3/4-15	FV426636	2-7.3-17
FV397341	2-1-2.11-110	FV421602/10	2-1-8.3/4-14	FV426636	2-7.67-1
FV410126	2-7.105-4	FV421602/14	2-1-4.3/4-13	FV426641	2-7.31-15
FV410126	2-7.105-11	FV421602/5	2-1-3.3-3	FV431725	2-4.153-12

INDEX OF MANUFACTURERS' PART/DRAWING NUMBERS

Part No./ Drawing No.	Chapter, Page and Item No.	Part No./ Drawing No.	Chapter, Page and Item No.	Part No./ Drawing No.	Chapter, Page and Item No.
FV434553	2-2.5-2	FV450476	2-4.73-25	FV450852	2-3.21-27
FV434554	2-2.5-3	FV450478	2-4.71-12	FV450854	2-4.135-10
FV434564	2-2.19-63	FV450481	2-4.35-27	FV450860	2-3.23-48
FV434615	2-3.3-16	FV450481	2-4.39-78	FV450865	2-3.19-10
FV434749	2-9.3-21	FV450482	2-4.37-34	FV450866	2-3.19-14
FV434749	2-9.5/6-32	FV450483	2-4.35-28	FV450867	2-3.19-23
FV435704	2-7.27-13	FV450483	2-4.39-79	FV450873	2-3.19-18
FV435705	2-7.27-14	FV450488	2-4.193-62	FV450875	2-3.21-25
FV435708	2-7.27-18	FV450489	2-4.71-13	FV450876	2-3.21-26
FV435709	2-7.27-17	FV450490	2-4.71-13(1)	FV450877	2-3.21-30
FV435710	2-7.27-15	FV450502	2-4.115-1	FV450878	2-3.21-32
FV436076	2-7.199-11	FV450513	2-4.111-15	FV450887	2-4.35-15
FV438276	2-3.11-18	FV450519	2-4.125-4	FV450887	2-4.39-66
FV438285	2-3.23-42	FV450520	2-4.125-2	FV450887	2-4.43-123
FV438286	2-3.23-40	FV450521	2-4.125-8	FV450892	2-3.17-87
FV446943	2-7.97-157	FV450542	2-4.143-28	FV450892	2-3.19-1
FV446943	2-7.109-54	FV450572	2-3.23-49	FV450894	2-4.29-18
FV450206	2-4.145-60	FV450591	2-3.19-5	FV450895	2-4.29-20
FV450222	2-4.145-41	FV450592	2-3.19-6	FV450896	2-4.29-19
FV450237	2-4.33-1	FV450593	2-3.19-7	FV450897	2-4.29-21
FV450238	2-4.103-19	FV450594	2-3.19-8	FV450900	2-4.15-3
FV450244	2-4.103-9	FV450595	2-3.19-9	FV450901	2-4.15-4
FV450253	2-4.143-2	FV450600	2-4.121-3	FV450922	2-3.11-2
FV450258	2-4.105-24	FV450605	2-4.31-6	FV450935	2-4.139-21
FV450265	2-4.103-22	FV450608	2-4.119-26	FV450940	2-3.19-11
FV450266	2-4.61-2	FV450612	2-4.121-1	FV450941	2-3.19-12
FV450269	2-4.57-9	FV450619	2-4.49-31	FV450948	2-3.11-17
FV450282	2-4.61-3	FV450636	2-4.119-27	FV450950	2-3.11-19
FV450283	2-4.61-4	FV450637	2-4.61-12	FV450951	2-3.11-14
FV450289	2-4.57-6	FV450644	2-4.125-9	FV450954	2-4.123-30
FV450290	2-4.57-10	FV450648	2-4.125-10	FV450963	2-3.27-6
FV450302	2-4.49-37	FV450652	2-4.125-1	FV450964	2-3.27-7
FV450305	2-4.7-34	FV450656	2-4.125-11	FV450966	2-3.27-8
FV450306	2-4.7-38	FV450683	2-4.61-10	FV450968	2-3.27-9
FV450307	2-4.7-40	FV450685	2-4.143-7	FV450969	2-3.27-11
FV450308	2-4.49-41	FV450686	2-4.143-8	FV450970	2-3.27-14
FV450316	2-4.7-33	FV450688	2-4.115-21	FV450971	2-3.27-10
FV450363	2-4.141-35	FV450712	2-4.135-15	FV450971	2-3.27-15
FV450377	2-4.11-14	FV450721	2-4.119-25	FV450973	2-3.27-18
FV450379	2-4.23-6	FV450735	2-4.115-17	FV450974	2-3.27-19
FV450379	2-4.37-37	FV450736	2-4.23-5	FV450976	2-3.27-23
FV450380	2-4.11-15	FV450751	2-4.117-7	FV450977	2-3.29-24
FV450392	2-4.125-5	FV450778	2-4.9-8	FV450979	2-3.29-28
FV450405	2-4.31-10	FV450779	2-4.137-2	FV450980	2-3.29-32
FV450406	2-4.31-17	FV450780	2-4.137-9	FV450981	2-3.29-33
FV450425	2-4.23-7	FV450792	2-4.47-23	FV450982	2-3.17-88
FV450440	2-4.57-4	FV450817	2-4.125-3	FV450982	2-3.29-35
FV450451	2-4.13-16	FV450821	2-4.21-26	FV450983	2-3.29-26
FV450458	2-4.73-30	FV450826	2-3.19-20	FV450984	2-3.29-25
FV450465	2-4.73-33	FV450829	2-3.19-22	FV450985	2-3.15-48
FV450465	2-4.123-50	FV450830	2-3.19-21	FV450986	2-3.15-47
FV450474	2-4.71-14	FV450850	2-3.21-37	FV450987	2-4.121-19

INDEX OF MANUFACTURERS' PART/DRAWING NUMBERS

Part No./ Drawing No.	Chapter, Page and Item No.	Part No./ Drawing No.	Chapter, Page and Item No.	Part No./ Drawing No.	Chapter, Page and Item No.
FV451030	2-4.57-0	FV451347	2-4.37-53	FV451662	2-4.151-39
FV451032	2-3.13-35	FV451356	2-4.149-13	FV451663	2-4.151-40
FV451033	2-3.13-35(1)	FV451359	2-4.149-22	FV451664	2-4.149-23
FV451034	2-3.13-35(2)	FV451371	2-4.103-21	FV451666	2-4.149-26
FV451035	2-3.13-35(3)	FV451375	2-4.145-37	FV451667	2-4.149-29
FV451036	2-3.13-35(4)	FV451380	2-3.23-52	FV451668	2-4.149-27
FV451038	2-3.11-15	FV451391	2-4.181-5	FV451669	2-4.151-38
FV451039	2-3.11-12	FV451395	2-4.181-10	FV451670	2-4.149-31
FV451083	2-4.57-13	FV451397	2-4.181-2	FV451674	2-4.149-28
FV451087	2-4.71-13(2)	FV451397	2-4.181-6	FV451675	2-4.149-30
FV451131	2-4.133-107	FV451418	2-4.181-7	FV451676	2-4.149-32
FV451142	2-3.23-43	FV451419	2-4.181-3	FV451677	2-4.149-36
FV451164	2-4.57-1	FV451423	2-4.37-52	FV451679	2-4.151-37
FV451170	2-4.35-30	FV451432	2-3.29-39	FV451683	2-4.149-35
FV451236	2-3.11-1	FV451469	2-4.149-16	FV451690	2-4.57-11
FV451267	2-4.147-86	FV451479	2-4.145-55	FV451703	2-4.49-25
FV451268	2-4.147-85	FV451504	2-4.123-34	FV451714	2-4.153-4
FV451270	2-4.145-36	FV451506	2-4.123-36	FV451714	2-4.155-7
FV451273	2-4.35-3	FV451519	2-4.61-11	FV451715	2-4.153-5
FV451273	2-4.37-55	FV451519	2-4.67-37	FV451715	2-4.155-8
FV451273	2-4.43-111	FV451520	2-4.65-18	FV451716	2-4.153-5(1)
FV451279	2-4.37-46	FV451527	2-4.123-32	FV451716	2-4.155-8(1)
FV451282	2-4.37-41	FV451531	2-4.67-33	FV451717	2-4.153-5(2)
FV451284	2-4.35-2	FV451537	2-4.65-4	FV451717	2-4.155-8(2)
FV451284	2-4.37-54	FV451551	2-4.65-20	FV451718	2-4.153-5(3)
FV451284	2-4.43-110	FV451559	2-4.65-17	FV451718	2-4.155-8(3)
FV451285	2-4.35-4	FV451560	2-4.65-16	FV451719	2-4.153-5(4)
FV451285	2-4.37-56	FV451561	2-4.65-19	FV451719	2-4.155-16
FV451285	2-4.43-112	FV451575	2-4.33-12	FV451720	2-4.153-6
FV451287	2-4.37-40	FV451577	2-4.33-18	FV451721	2-4.153-7
FV451287	2-4.41-96	FV451578	2-4.33-19	FV451723	2-4.153-10
FV451287	2-4.45-139	FV451579	2-4.33-20	FV451724	2-4.153-11
FV451288	2-4.37-42	FV451580	2-4.33-21	FV451725	2-4.155-19
FV451290	2-4.37-43	FV451581	2-4.103-16	FV451730	2-4.153-15
FV451290	2-4.41-99	FV451584	2-4.103-15	FV451732	2-4.153-14
FV451290	2-4.45-142	FV451585	2-4.103-18	FV451733	2-4.153-13
FV451291	2-4.11-6	FV451597	2-4.65-2	FV451739	2-4.155-1
FV451291	2-4.13-2	FV451614	2-4.19-15	FV451745	2-4.69-9
FV451292	2-4.37-48	FV451615	2-4.31-1	FV451746	2-4.69-5
FV451292	2-4.41-104	FV451622	2-4.181-4	FV451747	2-4.155-2
FV451292	2-4.45-146	FV451634	2-4.181-33	FV451752	2-4.155-20
FV451293	2-4.31-18	FV451640	2-4.65-7	FV451755	2-4.103-1
FV451294	2-4.31-8	FV451644	2-4.49-27	FV451759	2-4.15-0
FV451321	2-4.37-44	FV451646	2-4.149-2	FV451762	2-4.155-3
FV451321	2-4.41-100	FV451648	2-4.149-3	FV451763	2-4.155-18
FV451321	2-4.45-143	FV451650	2-4.149-17	FV451763	2-4.163-3
FV451322	2-4.37-47	FV451651	2-4.153-16	FV451764	2-4.155-21
FV451322	2-4.41-103	FV451652	2-4.149-4	FV451765	2-4.155-23
FV451322	2-4.45-145	FV451655	2-4.149-6	FV451766	2-4.153-8
FV451325	2-3.23-39	FV451656	2-4.149-5	FV451766	2-4.155-14
FV451326	2-3.23-41	FV451660	2-4.149-9	FV451768	2-4.155-9
FV451347	2-4.35-1	FV451661	2-4.149-8	FV451769	2-4.155-10

INDEX OF MANUFACTURERS' PART/DRAWING NUMBERS

Part No./ Drawing No.	Chapter, Page and Item No.	Part No./ Drawing No.	Chapter, Page and Item No.	Part No./ Drawing No.	Chapter, Page and Item No.
FV451769	2-4.159-12	FV451868	2-4.161-33	FV452011	2-4.169-5
FV451770	2-4.155-12	FV451868	2-4.163-5	FV452012	2-4.169-4
FV451771	2-4.155-11	FV451869	2-4.161-34	FV452013	2-4.169-11
FV451772	2-4.155-15	FV451874	2-4.161-35	FV452014	2-4.169-10
FV451774	2-4.155-24	FV451875	2-4.161-36	FV452015	2-4.169-24
FV451775	2-4.155-25	FV451876	2-4.161-37	FV452016	2-4.169-26
FV451776	2-4.155-22	FV451877	2-4.161-39	FV452017	2-4.169-14
FV451787	2-4.181-25	FV451878	2-4.161-45	FV452019	2-4.169-15
FV451788	2-4.181-21	FV451879	2-4.161-43	FV452020	2-4.169-16
FV451789	2-4.181-26	FV451880	2-4.161-49	FV452021	2-4.169-17
FV451790	2-4.157-23	FV451884	2-4.161-53	FV452022	2-4.169-22
FV451793	2-4.157-10	FV451886	2-4.161-46	FV452024	2-4.177-100
FV451794	2-4.157-10(1)	FV451889	2-4.163-7	FV452024	2-4.177-119
FV451795	2-4.157-10(2)	FV451890	2-4.163-1	FV452025	2-4.177-121
FV451796	2-4.157-1	FV451892	2-4.163-2	FV452028	2-4.171-4
FV451797	2-4.157-6	FV451896	2-4.163-6	FV452029	2-4.171-3
FV451802	2-4.157-7	FV451897	2-4.163-8	FV452031	2-4.171-32
FV451803	2-4.157-2	FV451898	2-4.163-4	FV452032	2-4.171-34
FV451805	2-4.157-4	FV451903	2-4.163-23	FV452033	2-4.173-42
FV451810	2-4.157-17	FV451904	2-4.163-12	FV452034	2-4.173-43
FV451811	2-4.157-18	FV451908	2-4.163-15	FV452035	2-4.171-35
FV451812	2-4.157-14	FV451909	2-4.163-19	FV452036	2-4.171-36
FV451813	2-4.157-15	FV451912	2-4.163-18	FV452037	2-4.173-37
FV451822	2-4.159-31	FV451917	2-4.187-10	FV452040	2-4.173-39
FV451825	2-4.159-32	FV451918	2-4.71-4	FV452041	2-4.173-47
FV451827	2-4.161-48	FV451920	2-4.151-41	FV452042	2-4.173-44
FV451834	2-4.159-4	FV451921	2-4.39-73	FV452043	2-4.173-59
FV451836	2-4.159-9	FV451926	2-4.165-2	FV452047	2-4.173-60
FV451839	2-4.159-14	FV451932	2-4.165-6	FV452048	2-4.173-61
FV451840	2-4.159-13	FV451935	2-4.165-7	FV452049	2-4.173-62
FV451843	2-4.159-16	FV451936	2-4.165-8	FV452051	2-4.171-15
FV451843	2-4.159-28	FV451937	2-4.165-10	FV452051	2-4.173-53
FV451843	2-4.161-40	FV451938	2-4.165-17	FV452053	2-4.173-49
FV451843	2-4.161-47	FV451948	2-4.165-13	FV452054	2-4.173-50
FV451844	2-4.159-18	FV451963	2-4.165-16	FV452057	2-4.173-54
FV451844	2-4.161-42	FV451971	2-3.13-36	FV452058	2-4.173-55
FV451845	2-4.159-17	FV451972	2-3.15-51	FV452059	2-4.173-58
FV451845	2-4.161-41	FV451982	2-4.165-19	FV452060	2-4.177-111
FV451846	2-4.159-19	FV451983	2-4.165-21	FV452061	2-4.177-110
FV451847	2-4.159-19(1)	FV451989	2-4.165-29	FV452062	2-4.171-2
FV451848	2-4.159-19(2)	FV451992	2-4.165-26	FV452064	2-4.171-28
FV451849	2-4.159-19(3)	FV451993	2-4.165-25	FV452066	2-4.171-31
FV451850	2-4.159-20	FV451997	2-4.165-23	FV452067	2-4.171-6
FV451850	2-4.161-44	FV451998	2-4.165-22	FV452068	2-4.171-8
FV451851	2-4.161-51	FV451999	2-4.167-32	FV452069	2-4.171-7
FV451852	2-4.161-52	FV452000	2-4.167-31	FV452070	2-4.171-9
FV451853	2-4.161-50	FV452001	2-4.167-31(1)	FV452071	2-4.171-13
FV451853	2-4.165-18	FV452002	2-4.167-31(2)	FV452072	2-4.171-10
FV451854	2-4.159-22	FV452003	2-4.167-31(3)	FV452073	2-4.171-11
FV451860	2-4.159-30	FV452004	2-4.167-31(4)	FV452074	2-4.171-12
FV451865	2-4.159-25	FV452005	2-4.169-13	FV452075	2-4.171-14
FV451867	2-4.159-29	FV452008	2-4.169-2	FV452076	2-4.171-16

INDEX OF MANUFACTURERS' PART/DRAWING NUMBERS

Part No./ Drawing No.	Chapter, Page and Item No.	Part No./ Drawing No.	Chapter, Page and Item No.	Part No./ Drawing No.	Chapter, Page and Item No.
FV452077	2-4.171-25	FV452161	2-4.173-51	FV452286	2-4.159-2
FV452078	2-4.171-23	FV452162	2-4.179-9	FV452287	2-4.159-26
FV452079	2-4.171-24	FV452163	2-4.179-14	FV452289	2-4.159-10
FV452080	2-4.171-26	FV452167	2-4.157-20	FV452289	2-4.161-38
FV452081	2-4.13-11	FV452167	2-4.163-16	FV452291	2-4.173-56
FV452082	2-4.171-17	FV452168	2-4.171-27	FV452292	2-4.173-46
FV452083	2-4.171-18	FV452168	2-4.173-52	FV452292	2-4.177-103
FV452089	2-4.175-77	FV452168	2-4.175-68	FV452293	2-4.175-74
FV452090	2-4.175-75	FV452168	2-4.175-89	FV452294	2-4.177-107
FV452090	2-4.177-112	FV452168	2-4.177-102	FV452295	2-4.175-70
FV452091	2-4.175-78	FV452168	2-4.177-109	FV452296	2-4.175-71
FV452092	2-4.175-76	FV452169	2-4.171-30	FV452297	2-4.177-108
FV452093	2-4.175-80	FV452169	2-4.173-63	FV452298	2-4.173-48
FV452094	2-4.175-79	FV452169	2-4.175-88	FV452301	2-4.175-73
FV452095	2-4.175-83	FV452175	2-4.13-14	FV452316	2-4.137-7
FV452096	2-4.171-20	FV452177	2-4.169-19	FV452317	2-4.137-8
FV452096	2-4.175-82	FV452177	2-4.171-29	FV452318	2-4.137-13
FV452097	2-4.175-84	FV452178	2-4.177-98	FV452319	2-4.137-14
FV452102	2-4.171-21	FV452197	2-3.15-68	FV452322	2-4.71-11
FV452103	2-4.177-113	FV452202	2-3.13-38	FV452326	2-4.163-22
FV452104	2-4.175-90	FV452202	2-3.17-72	FV452326	2-4.179-13
FV452105	2-4.175-91	FV452202	2-4.123-29	FV452332	2-4.67-46
FV452106	2-4.175-92	FV452228	2-4.133-108	FV452341	2-4.121-10
FV452107	2-4.175-93	FV452240	2-4.133-102	FV452345	2-4.65-1
FV452108	2-4.177-95	FV452242	2-4.177-104	FV452346	2-4.169-1
FV452109	2-4.177-94	FV452243	2-4.175-72	FV452366	2-4.149-24
FV452110	2-4.177-96	FV452245	2-4.177-99	FV452369	2-4.175-69
FV452111	2-4.177-97	FV452248	2-4.173-64	FV452371	2-4.171-1
FV452112	2-4.173-65	FV452249	2-4.9-4	FV452375	2-4.149-18
FV452113	2-4.173-66	FV452249	2-4.15-5	FV452389	2-4.137-10
FV452114	2-4.175-67	FV452250	2-4.65-5	FV452391	2-4.135-0
FV452115	2-4.177-120	FV452251	2-4.65-3	FV452394	2-4.47-21
FV452118	2-4.177-115	FV452252	2-4.65-6	FV452395	2-4.149-34
FV452119	2-4.177-123	FV452253	2-4.15-20	FV452409	2-4.15-19
FV452121	2-4.179-11	FV452254	2-4.103-17	FV452410	2-4.3-6
FV452122	2-4.179-10	FV452255	2-4.9-3	FV452410	2-4.149-0
FV452123	2-4.179-1	FV452255	2-4.47-5	FV452434	2-4.13-7
FV452125	2-4.179-2	FV452256	2-4.47-6	FV452435	2-4.121-5
FV452126	2-4.179-3	FV452256	2-4.47-8	FV452436	2-4.117-18
FV452127	2-4.179-6	FV452258	2-4.169-21	FV452448	2-4.181-8
FV452128	2-4.179-4	FV452259	2-4.169-25	FV452452	2-4.35-22
FV452131	2-4.179-8	FV452260	2-4.173-57	FV452453	2-4.35-21
FV452136	2-4.169-12	FV452261	2-4.171-5	FV452453	2-4.39-72
FV452141	2-4.169-9	FV452264	2-4.159-1	FV452454	2-4.35-26
FV452144	2-4.165-9	FV452268	2-4.135-5	FV452454	2-4.39-77
FV452146	2-4.157-9	FV452270	2-4.135-16	FV452456	2-4.123-31
FV452147	2-4.157-13	FV452278	2-4.33-14	FV452458	2-4.35-11
FV452147	2-4.163-26	FV452279	2-3.29-27	FV452459	2-4.35-10
FV452148	2-4.157-12	FV452280	2-3.27-21	FV452459	2-4.39-62
FV452149	2-4.157-19	FV452281	2-3.27-22	FV452462	2-4.81-70
FV452150	2-4.135-3	FV452283	2-4.149-7	FV452463	2-4.69-12
FV452156	2-4.171-22	FV452285	2-4.173-41	FV452465	2-4.69-13

INDEX OF MANUFACTURERS' PART/DRAWING NUMBERS

Part No./ Drawing No.	Chapter, Page and Item No.	Part No./ Drawing No.	Chapter, Page and Item No.	Part No./ Drawing No.	Chapter, Page and Item No.
FV452467	2-4.121-24	FV453028	2-4.135-20	FV453984	2-4.159-21
FV452468	2-4.35-24	FV453033	2-4.9-2	FV453985	2-4.159-6
FV452468	2-4.39-75	FV453050	2-4.65-25	FV453987	2-4.159-5
FV452470	2-4.69-6	FV453072	2-4.193-57	FV453990	2-4.159-7
FV452472	2-4.147-77	FV453074	2-4.193-61	FV454000	2-4.139-23
FV452479	2-4.69-2	FV453093	2-4.9-7	FV454005	2-4.25-13
FV452481	2-3.23-54	FV453102	2-4.67-29	FV454007	2-4.25-12
FV452486	2-4.173-38	FV453104	2-4.67-30	FV454008	2-4.25-23
FV452501	2-4.119-32	FV453237	2-4.193-63	FV454009	2-4.25-24
FV452544	2-4.3-5	FV453306	2-4.69-7	FV454010	2-4.43-130
FV452544	2-4.143-1	FV453307	2-4.69-8	FV454011	2-4.25-19
FV452545	2-4.121-21	FV453312	2-4.67-26	FV454012	2-4.45-134
FV452546	2-4.121-20	FV453338	2-4.37-49	FV454014	2-4.71-18
FV452547	2-4.157-0	FV453338	2-4.41-105	FV454015	2-4.71-1
FV452548	2-4.169-0	FV453338	2-4.45-147	FV454018	2-4.139-2
FV452553	2-4.163-11	FV453396	2-4.121-12	FV454036	2-4.157-16
FV452554	2-4.159-0	FV453429	2-4.157-5	FV454127	2-4.47-2
FV452556	2-4.179-0	FV453457	2-4.165-14	FV454217	2-4.41-89
FV452557	2-4.149-1	FV453475	2-4.155-17	FV454217	2-4.43-132
FV452584	2-4.179-5	FV453477	2-4.153-2	FV454326	2-13.19-21
FV452587	2-4.133-105	FV453477	2-4.155-5	FV454334	2-13.21-29
FV452614	2-3.11-3	FV453478	2-4.153-17	FV454414	2-4.19-9
FV452667	2-4.159-23	FV453480	2-4.153-18	FV454522	2-4.41-85
FV452686	2-4.159-3	FV453490	2-4.165-27	FV454522	2-4.43-128
FV452705	2-4.35-14	FV453525	2-4.67-35	FV454526	2-4.39-81
FV452705	2-4.39-65	FV453528	2-4.67-28	FV454528	2-4.41-86
FV452705	2-4.43-122	FV453529	2-4.69-1	FV454528	2-4.43-127
FV452707	2-4.35-17	FV453546	2-4.143-9	FV454532	2-4.41-83
FV452707	2-4.39-68	FV453613	2-4.61-1	FV454532	2-4.43-125
FV452711	2-4.163-13	FV453708	2-4.29-9	FV454533	2-4.117-2
FV452748	2-4.21-25	FV453738	2-4.175-85	FV454535	2-4.41-84
FV452764	2-4.181-32	FV453743	2-4.163-17	FV454535	2-4.43-126
FV452766	2-4.121-9	FV453744	2-4.175-87	FV454536	2-4.117-14
FV452773	2-4.163-14	FV453745	2-4.175-86	FV454549	2-4.29-7
FV452781	2-4.145-64	FV453746	2-4.165-3	FV454603	2-4.181-13
FV452786	2-4.139-25	FV453775	2-4.153-1	FV454604	2-4.181-11
FV452799	2-4.123-49	FV453787	2-4.121-11	FV454605	2-4.181-12
FV452803	2-4.159-11	FV453787	2-4.123-45	FV454665	2-3.27-3
FV452804	2-4.153-9	FV453803	2-4.155-4	FV454666	2-3.27-4
FV452805	2-4.159-27	FV453827	2-4.47-22	FV454667	2-3.27-5
FV452811	2-4.35-9	FV453828	2-4.47-16	FV454670	2-4.11-19
FV452811	2-4.39-61	FV453829	2-4.47-20	FV454671	2-4.3-7
FV452815	2-4.165-4	FV453874	2-4.121-22	FV454671	2-4.181-0
FV452816	2-4.81-73	FV453880	2-4.67-45	FV454672	2-4.181-1
FV452817	2-4.165-11	FV453903	2-4.29-12	FV454673	2-3.27-0
FV452868	2-4.149-25	FV453907	2-4.43-114	FV454724	2-4.73-23
FV452878	2-4.169-3	FV453914	2-4.43-109	FV454742	2-4.73-24
FV452878	2-4.171-33	FV453919	2-4.41-88	FV454837	2-4.67-44
FV452940	2-4.173-45	FV453919	2-4.45-135	FV454946	2-4.133-104
FV452977	2-4.67-27	FV453919	2-4.117-4	FV454948	2-4.133-103
FV452978	2-4.65-23	FV453963	2-4.67-40	FV454995	2-4.159-8
FV453013	2-4.115-19	FV453974	2-4.25-22	FV4574	2-7.81-14

INDEX OF MANUFACTURERS' PART/DRAWING NUMBERS

Part No./ Drawing No.	Chapter, Page and Item No.	Part No./ Drawing No.	Chapter, Page and Item No.	Part No./ Drawing No.	Chapter, Page and Item No.
FV462301	2-1-2.7-64	FV468026	2-4.217-10	FV481771	2-8.23-1
FV462301	2-1-2.13-1	FV468027	2-4.217-1	FV481772	2-8.23-10
FV462302	2-1-2.13-2	FV468708	2-7.21-1	FV481773	2-8.23-9
FV462304	2-1-2.7-63	FV468708	2-7.27-1	FV481774	2-8.23-14
FV462305	2-1-2.13-3	FV468709	2-7.21-2	FV481777	2-8.23-2
FV462307	2-1-2.13-5	FV468709	2-7.27-4	FV481778	2-8.23-8
FV462308	2-1-2.13-4	FV468710	2-7.27-3	FV481779	2-8.23-24
FV462311	2-1-2.13-8	FV468711	2-7.27-6	FV481782	2-8.23-13
FV462401	2-1-1.3-14	FV468714	2-7.27-2	FV481829	2-8.13-122
FV462401	2-1-1.5-1	FV468715	2-7.27-5	FV481830	2-8.13-123
FV462402	2-1-1.5-3	FV468717	2-7.27-12	FV481831	2-8.13-126
FV462404	2-1-1.5-2	FV470586	2-3.19-16	FV481832	2-8.13-124
FV462404	2-1-1.11-1	FV479020	2-1-1.7-38	FV481833	2-8.13-127
FV462413	2-1-1.5-20	FV480133	2-6.5-28	FV481834	2-8.13-129
FV462413	2-1-1.9-1	FV480133	2-6.9-92	FV481871	2-8.9-92
FV462413	2-7.9-86	FV480133	2-10.5-21	FV481873	2-8.11-99
FV462414	2-1-1.5-16	FV480165	2-10.15-9	FV481876	2-8.25-15
FV462416	2-1-1.11-9	FV480166	2-10.15-10	FV481886	2-8.27/28-29
FV462417	2-1-1.11-20	FV480167	2-10.15-11	FV481887	2-8.25-17
FV462418	2-1-1.11-4	FV480169	2-10.15-7	FV481888	2-8.25-18
FV462419	2-1-1.5-4	FV480173	2-10.15-14	FV481889	2-8.27/28-26
FV462425	2-1-1.5-19	FV480175	2-10.17-29	FV481892	2-8.25-24
FV462428	2-1-1.11-3	FV480179	2-10.17-32	FV481892	2-8.27/28-30
FV462429	2-1-1.11-13	FV480181	2-10.17-27	FV481903	2-8.25-6
FV462431	2-1-1.11-2	FV480182	2-10.15-3	FV481905	2-8.25-3
FV462432	2-1-1.11-11	FV480183	2-10.15-21	FV481907	2-8.27/28-34
FV462432	2-1-1.11-22	FV480222	2-1-6.5-44	FV481909	2-8.23-3
FV462433	2-1-1.11-8	FV480251	2-1-3.3-17	FV481910	2-8.23-4
FV462435	2-1-1.11-16	FV480261	2-6.5-44	FV481911	2-8.23-5
FV462440	2-1-1.11-10	FV480261	2-6.5-55	FV481926	2-8.25-10
FV462440	2-1-1.11-19	FV480265	2-5.3-26	FV481929	2-8.25-11
FV462441	2-1-1.11-5	FV480334	2-4.225-7	FV481948	2-8.15-15
FV462441	2-1-1.11-18	FV480334	2-5.11-27	FV482036	2-8.11-96
FV462442	2-1-1.11-6	FV480336	2-5.9-13	FV482077	2-8.25-12
FV462442	2-1-1.11-21	FV480380	2-4.185-6	FV482080	2-8.25-14
FV462443	2-1-1.11-7	FV480461	2-3.33-17	FV482084	2-8.13-135
FV462450	2-1-1.5-28	FV480511	2-4.187-29	FV482111	2-8.11-98
FV462451	2-1-1.7-33	FV481521	2-7.183-63	FV482416	2-7.3-11
FV462452	2-1-1.5-21	FV481522	2-7.183-49	FV482416	2-8.11-107
FV462453	2-1-1.5-22	FV481522	2-7.183-64	FV482416	2-8.15-1
FV462455	2-1-1.7-35	FV481523	2-7.179-5	FV482426	2-8.27/28-25
FV462456	2-1-1.5-26	FV481523	2-7.183-50	FV482437	2-8.27/28-28
FV462463	2-1-1.7-34	FV481523	2-7.183-65	FV482469	2-8.27/28-31
FV462471	2-1-1.5-7	FV481524	2-7.183-48	FV482479	2-8.27/28-32
FV462472	2-1-1.5-9	FV481525	2-7.183-53	FV482485	2-8.11-106
FV462473	2-1-1.5-6	FV481526	2-7.185-68	FV482489	2-8.25-16
FV462475	2-1-1.5-5	FV481532	2-7.95-148	FV483556	2-7.179-8
FV462476	2-1-1.7-29	FV481532	2-7.183-61	FV485149	2-1-5.3-14
FV462478	2-1-1.7-31	FV481534	2-7.179-3	FV485178	2-1-1.3-7
FV462479	2-1-1.7-30	FV481535	2-7.179-4	FV485179	2-1-1.3-8
FV462494	2-1-1.5-23	FV481537	2-7.181-23	FV485220	2-1-9.5-6
FV465495	2-7.27-16	FV481771	2-8.13-136	FV485272	2-7.25-51

INDEX OF MANUFACTURERS' PART/DRAWING NUMBERS

Part No./ Drawing No.	Chapter, Page and Item No.	Part No./ Drawing No.	Chapter, Page and Item No.	Part No./ Drawing No.	Chapter, Page and Item No.
FV485277	2-7.21-16	FV494557	2-7.183-47	FV499925	2-7.71-2
FV485284	2-3.33-13	FV494560	2-7.11-105	FV499931	2-2.15-2
FV485284	2-4.189-38	FV494560	2-7.171-1	FV499932	2-2.15-6
FV485311	2-1.9.9-16	FV494570	2-7.9-80	FV499945	2-2.17-34
FV485349	2-3.35/36-34	FV494570	2-7.145-1	FV499948	2-2.17-41
FV485350	2-4.187-31	FV494577	2-7.171-16	FV499977	2-2.17-33
FV485392	2-10.3-13	FV494579-21	2-7.11-106	FV499978	2-2.15-10
FV485394	2-10.3-14	FV497409	2-7.27-7	FV500007	2-4.187-5
FV485446	2-7.3-19	FV499376	2-5.9-15	FV500008	2-4.187-8
FV485528	2-1-3.3-12	FV499376	2-5.15-0	FV500041	2-3.3-13
FV485528	2-1-4.3/4-4	FV499525	2-2.7-26	FV500050	2-3.3-1
FV485529	2-1-3.3-13	FV499526	2-2.7-30	FV500050	2-3.9-0
FV485529	2-1-4.3/4-5	FV499541	2-2.7-25	FV500051	2-3.9-1
FV485600/1	2-11.3-9	FV499541	2-2.7-27	FV500052	2-3.9-2
FV485600/1	2-11.5-31	FV499541	2-2.7-29	FV500053	2-3.9-5
FV485600/1	2-11.9-1	FV499541	2-2.7-31	FV500053	2-3.23-58
FV485600/1	2-11.11-15	FV499541	2-2.15-4	FV500054	2-3.9-6
FV485600/2	2-11.11-10	FV499541	2-2.15-8	FV500054	2-3.23-57
FV485600/2	2-11.11-16	FV499542	2-2.7-41	FV500055	2-3.3-14
FV485600/3	2-11.3-3	FV499542	2-2.17-48	FV500056	2-3.5-49
FV485600/3	2-11.9-2	FV499543	2-2.7-24	FV500060	2-4.187-22
FV485600/3	2-11.11-20	FV499544	2-2.7-28	FV500064	2-2.15-17
FV485600/3	2-11.19/20-23	FV499545	2-2.7-35	FV500097	2-6.13-0
FV485600/3	2-11.19/20-31	FV499546	2-2.17-42	FV500098	2-6.13-1
FV485600/4	2-11.3-10	FV499554	2-4.185-2	FV500099	2-6.15-44
FV485600/5	2-11.3-11	FV499562	2-2.21-10	FV500100	2-6.15-45
FV485600/5	2-11.11-6	FV499566	2-2.21-2	FV500101	2-6.15-51
FV485643/8	2-7.23-38	FV499567	2-2.21-6	FV500102	2-6.15-39
FV485669	2-1-2.7-66	FV499682	2-1-1.3-22	FV500103	2-6.15-55
FV485680	2-1-2.7-65	FV499683	2-1-1.3-23	FV500104	2-6.17-60
FV485834	2-1-2.7-67	FV499683	2-2.15-16	FV500105	2-6.17-64
FV485921	2-16.3-9	FV499684	2-1-1.3-24	FV500106	2-6.15-47
FV485922	2-16.9-7	FV499686	2-1-1.3-18	FV500107	2-6.15-48
FV485928	2-3.33-23	FV499687	2-1-2.3-16	FV500108	2-6.17-78
FV485936	2-4.193-59	FV499692	2-7.5-25	FV500109	2-6.17-75
FV485987	2-5.5-36	FV499692	2-7.71-1	FV500110	2-6.17-72
FV485987/2	2-1-15.3-5	FV499693-2	2-7.73-25	FV500111	2-6.17-67
FV485990	2-3.35/36-28	FV499694	2-7.21-17	FV500112	2-6.17-70
FV487180	2-1-2.15-15	FV499697	2-7.37-4	FV500113	2-6.19-86
FV487955	2-7.121-223	FV499698	2-7.37-6	FV500114	2-6.13-2
FV491790	2-5.3-6	FV499760	2-7.37-12	FV500115	2-6.13-5
FV491809	2-5.3-8	FV499761	2-7.37-11	FV500116	2-6.13-24
FV491946	2-7.175-60	FV499763	2-7.37-3	FV500117	2-6.13-20
FV491949	2-7.179-6	FV499767	2-7.37-14	FV500118	2-6.15-30
FV491949	2-7.183-51	FV499784	2-3.5-33	FV500119	2-6.13-25
FV491949	2-7.185-66	FV499785	2-3.5-42	FV500120	2-6.13-26
FV492394	2-1-2.15-12	FV499786	2-3.5-41	FV500122	2-6.15-31
FV492807	2-7.21-3	FV499787	2-2.23/24-33	FV500131	2-6.17-62
FV494505	2-7.179-21	FV499813	2-7.37-2	FV500133	2-6.13-3
FV494518	2-7.171-18	FV499815	2-7.23-27	FV500134	2-6.13-6
FV494519	2-4.71-17	FV499815	2-7.37-1	FV500135	2-6.13-8
FV494519	2-4.235-42	FV499906	2-7.73-26	FV500136	2-6.13-10

INDEX OF MANUFACTURERS' PART/DRAWING NUMBERS

Part No./ Drawing No.	Chapter, Page and Item No.	Part No./ Drawing No.	Chapter, Page and Item No.	Part No./ Drawing No.	Chapter, Page and Item No.
FV500137	2-6.13-9	FV510130	2-10.25-5	FV510590	2-1-2.3-1
FV500138	2-6.13-13	FV510131	2-10.21-6	FV510599	2-13.3-0
FV500139	2-6.13-16	FV510131	2-10.25-6	FV510612	2-7.11-90
FV500140	2-6.13-17	FV510132	2-10.25-2	FV510674	2-6.9-105
FV500192	2-10.3-7	FV510138	2-10.21-15	FV510675	2-6.9-108
FV500199	2-4.217-11	FV510139	2-10.25-15	FV510678	2-6.11-117
FV500200	2-4.217-4	FV510140	2-10.21-17	FV510681	2-6.9-95
FV502516	2-4.135-6	FV510141	2-10.21-18	FV510682	2-6.9-93
FV502539	2-4.137-6	FV510142	2-10.25-17	FV510685	2-6.9-99
FV502553	2-4.247-16	FV510143	2-10.25-18	FV510686	2-6.9-100
FV502631	2-7.49-34	FV510144	2-10.21-16	FV510687	2-6.7-83
FV502637	2-7.49-32	FV510144	2-10.25-16	FV510688	2-6.7-84
FV507192	2-4.217-12	FV510198	2-2.13-45	FV510689	2-6.3-25
FV507348	2-4.217-6	FV510199	2-2.13-46	FV510689	2-6.7-87
FV508053	2-7.9-87	FV510210	2-1-4.3/4-14	FV510690	2-6.3-24
FV509422	2-4.183-37	FV510211	2-1-4.3/4-2	FV510690	2-6.7-86
FV509426	2-4.183-41	FV510212	2-1-4.3/4-3	FV510692	2-6.3-26
FV509462	2-4.3-8	FV510214	2-1-9.7-4	FV510692	2-6.9-89
FV509462	2-4.183-36	FV510259	2-15.3-17	FV510693	2-6.11-112
FV509826	2-0.3/4-10	FV510273	2-13.11-22	FV510694	2-13.17-91
FV509826	2-10.3-0	FV510274	2-13.11-25	FV510696	2-13.17-92
FV509839	2-0.3/4-12	FV510284	2-13.11-5	FV510720	2-15.3-7
FV509839	2-12.3-0	FV510287	2-1-3.3-5	FV510730	2-1-9.15/16-2
FV509880	2-1-8.3/4-2	FV510324	2-13.21-26	FV510734	2-1-2.11-120
FV509881	2-1-8.3/4-3	FV510325	2-13.19-6	FV510740	2-1-9.13-14
FV509885	2-1.3/4-4	FV510326	2-13.19-8	FV510788	2-13.11-6
FV509885	2-1-4.3/4-1	FV510327	2-13.19-7	FV510790	2-13.11-19
FV509887	2-13.13-46	FV510334	2-13.19-9	FV510792	2-13.11-23
FV509888	2-13.13-44	FV510335	2-0.3/4-6	FV513422	2-15.3-8
FV509911	2-1-9.7-1	FV510335	2-6.3-0	FV518137	2-4.231-7
FV509912	2-1-9.7-2	FV510337	2-13.19-2	FV518138	2-4.231-6
FV509913	2-1-9.7-5	FV510338	2-13.19-11	FV518422	2-5.5-32
FV509914	2-1-9.7-6	FV510346	2-0.3/4-2	FV518751	2-7.67-2
FV509939	2-1-9.7-7	FV510346	2-2.3-0	FV518752	2-7.67-11
FV509991	2-1-9.7-9	FV510349	2-1-9.13-23	FV518753	2-7.67-23
FV510087	2-1-9.13-18	FV510388	2-1-6.3-23	FV518754	2-7.67-4
FV510088	2-13.13-36	FV510388	2-1-6.9-9	FV518757	2-7.67-6
FV510090	2-1-9.15/16-4	FV510432	2-6.7-82	FV518759	2-7.69-31
FV510107	2-5.9-1	FV510434	2-1-9.15/16-1	FV518762	2-7.67-25
FV510108	2-5.9-11	FV510435	2-1-9.15/16-3	FV518763	2-7.67-3
FV510109	2-5.9-12	FV510442	2-1-9.5-5	FV518765	2-7.67-12
FV510110	2-5.9-5	FV510450	2-5.3-19	FV518766	2-7.67-13
FV510111	2-5.9-6	FV510451	2-5.3-18	FV518767	2-7.67-14
FV510112	2-5.9-8	FV510454	2-5.3-20	FV518770	2-7.67-18
FV510113	2-5.9-9	FV510455	2-5.3-21	FV518771	2-7.67-19
FV510114	2-5.9-14	FV510456	2-5.3-15	FV518772	2-7.67-17
FV510124	2-10.21-1	FV510499	2-1-9.5-4	FV518781	2-7.67-8
FV510125	2-10.25-1	FV510548	2-8.3-16	FV518782	2-7.67-10
FV510126	2-10.21-2	FV510564	2-1-9.7-10	FV518783	2-7.67-7
FV510129	2-10.21-3	FV510586	2-5.5-43	FV518784	2-7.69-32
FV510129	2-10.25-3	FV510586	2-13.13-41	FV518786	2-7.69-33
FV510130	2-10.21-5	FV510590	2-1.3/4-2	FV518798	2-7.175-58

INDEX OF MANUFACTURERS' PART/DRAWING NUMBERS

Part No./ Drawing No.	Chapter, Page and Item No.	Part No./ Drawing No.	Chapter, Page and Item No.	Part No./ Drawing No.	Chapter, Page and Item No.
FV518799	2-7.175-59	FV524814	2-3.33-12	FV525369/2	2-1-6.9-3
FV518855	2-7.145-21	FV524814	2-4.189-37	FV525369/3	2-4.187-30
FV518856	2-7.137-130	FV524837	2-3.33-19	FV525369/6	2-1-6.9-4
FV518856	2-7.145-9	FV524847	2-1-8.3/4-7	FV525383	2-10.15-13
FV518857	2-7.123-239	FV524850	2-1-8.3/4-4	FV525384	2-10.15-13(1)
FV518867	2-7.153-115	FV524884	2-3.33-18	FV525386	2-4.201-11
FV518867	2-7.153-120	FV524889	2-1-9.15/16-7	FV525414	2-10.15-6
FV518867	2-7.153-126	FV524906	2-4.209-48	FV525439	2-6.3-0
FV518867	2-7.155-132	FV524906	2-4.217-0	FV525455	2-6.3-21
FV518867	2-7.155-137	FV524913	2-4.207-10	FV525463	2-6.7-64
FV518868	2-7.153-116	FV524956	2-8.9-90	FV525494	2-7.49-41
FV518868	2-7.153-121	FV524984	2-1-2.7-70	FV525535	2-3.9-4
FV518868	2-7.153-127	FV524989	2-4.207-8	FV525535	2-3.25-60
FV518868	2-7.155-133	FV524990	2-8.9-86	FV525556	2-11.11-7
FV518868	2-7.155-138	FV525059	2-6.3-13	FV525570	2-11.3-18
FV518869	2-7.145-8	FV525062	2-6.3-15	FV526633	2-1-2.9-87
FV524599	2-1-3.3-31	FV525068	2-6.3-17	FV526635	2-1-2.9-88
FV524604	2-3.3-8	FV525070	2-6.3-18	FV526637	2-1-2.9-101
FV524605	2-3.3-7	FV525124	2-6.3-4	FV526639	2-1-2.9-96
FV524632	2-1-6.5-37	FV525125	2-6.3-9	FV526649	2-1-2.9-99
FV524664	2-1-1.3-4	FV525206	2-6.21-24	FV527301	2-4.221-1
FV524664	2-1-2.3-9	FV525209	2-6.23/24-37	FV527304	2-4.221-26
FV524670	2-1-2.3-8	FV525283	2-6.21-1	FV527315	2-4.221-15
FV524686	2-2.15-18	FV525284	2-6.21-4	FV527319	2-4.221-16
FV524687	2-2.15-19	FV525285	2-6.21-5	FV527325	2-4.221-2
FV524688	2-2.15-22	FV525289	2-6.21-10	FV527338	2-4.221-17
FV524689	2-2.15-25	FV525291	2-6.23/24-43	FV527350	2-4.221-30
FV524691	2-2.17-28	FV525292	2-6.21-14	FV527351	2-4.221-31
FV524692	2-2.15-27	FV525296	2-6.21-6	FV527353	2-4.223-57
FV524693	2-2.17-29	FV525297	2-6.21-25	FV527356	2-4.223-39
FV524694	2-2.17-37	FV525298	2-6.21-26	FV527382	2-4.223-45
FV524695	2-2.17-38	FV525299	2-6.23/24-31	FV527383	2-4.223-40
FV524698	2-2.17-32	FV525300	2-6.21-16	FV527384	2-4.221-27
FV524699	2-2.15-24	FV525301	2-6.21-20	FV527390	2-4.221-29
FV524712	2-7.71-15	FV525303	2-6.11-116	FV527425	2-4.221-11
FV524714	2-1-2.3-27	FV525303	2-6.23/24-36	FV530519	2-7.119-201
FV524715	2-1-2.3-18	FV525303	2-13.19-19	FV530559	2-7.87-5
FV524715	2-1-2.3-22	FV525323	2-10.15-2	FV530560	2-7.87-6
FV524716	2-1-2.3-20	FV525325	2-10.17-28	FV530561	2-7.87-7
FV524718	2-1-2.3-17	FV525332	2-10.17-26	FV530564	2-7.87-13
FV524719	2-1-2.3-21	FV525337	2-10.17-25	FV530564	2-7.151-96
FV524720	2-1-2.3-19	FV525342	2-10.15-1	FV5305656	2-7.91-66
FV524722	2-1-2.3-23	FV525351	2-10.15-5	FV530571	2-7.87-8
FV524750	2-4.187-36	FV525356	2-10.15-18	FV530572	2-7.87-9
FV524757	2-1-2.7-71	FV525357	2-10.15-17	FV530585	2-7.93-90
FV524759	2-1-2.7-72	FV525358	2-10.15-0	FV530585	2-7.123-226
FV524771	2-4.5-4	FV525366	2-10.17-31	FV530586	2-7.123-227
FV524772	2-1-2.5-39	FV525369	2-1-6.5-43	FV530587	2-7.93-89
FV524773	2-1-2.5-40	FV525369	2-1-6.7-58	FV530587	2-7.121-225
FV524774	2-1-2.5-41	FV525369	2-1-6.11/12-26	FV530588	2-7.93-88
FV524775	2-1-2.5-42	FV525369/12	2-1-6.9-2	FV530588	2-7.97-165
FV524791	2-1-2.3-24	FV525369/13	2-1-6.3-16	FV530588	2-7.121-224

INDEX OF MANUFACTURERS' PART/DRAWING NUMBERS

Part No./ Drawing No.	Chapter, Page and Item No.	Part No./ Drawing No.	Chapter, Page and Item No.	Part No./ Drawing No.	Chapter, Page and Item No.
FV530589	2-7.91-77	FV530676	2-7.93-111	FV530734	2-7.159-181
FV530589	2-7.93-119	FV530679	2-7.87-3	FV530735	2-7.159-190
FV530590	2-7.91-79	FV530679	2-7.145-3	FV530736	2-7.159-199
FV530592	2-7.93-118	FV530685	2-7.93-117	FV530738	2-7.161-218
FV530633	2-7.171-13	FV530688	2-7.91-68	FV530739	2-7.163-225
FV530641/1	2-7.87-18	FV530689	2-7.95-124	FV530740	2-7.163-235
FV530641/1	2-7.165-260	FV530689	2-7.107-15	FV530741/3	2-7.165-246
FV530641/1	2-7.165-268	FV530690	2-7.95-125	FV530742	2-7.165-249
FV530641/2	2-7.157-173	FV530690	2-7.107-19	FV530743	2-7.165-256
FV530641/2	2-7.161-203	FV530691/1	2-7.95-126	FV530744	2-7.165-263
FV530641/3	2-7.165-247	FV530691-2	2-7.107-16	FV530745	2-7.165-271
FV530641/4	2-7.165-253	FV530692	2-7.91-65	FV530746	2-7.155-140
FV530641/5	2-7.87-28	FV530692	2-7.111-73	FV530747	2-7.155-141
FV530641/5	2-7.89-38	FV530693	2-7.111-74	FV530749	2-7.153-110
FV530641/5	2-7.163-222	FV530694	2-7.111-85	FV530761	2-7.145-12
FV530641/5	2-7.167-275	FV530695	2-7.111-86	FV530763	2-7.145-6
FV530641/7	2-7.89-50	FV530696	2-7.111-87	FV530764	2-7.145-20
FV530641/7	2-7.159-187	FV530697	2-7.111-88	FV530767	2-7.157-176
FV530641/7	2-7.159-196	FV530698	2-7.111-76	FV530768	2-7.111-77
FV530641/7	2-7.161-215	FV530699	2-7.111-75	FV530769	2-7.111-78
FV530641/7	2-7.163-232	FV530700	2-7.145-2	FV530770	2-7.111-79
FV530641/7	2-7.163-243	FV530701	2-7.145-5	FV530787/1-25	2-7.177-84
FV530641/8	2-7.157-155	FV530702	2-7.145-7	FV530788	2-7.173-43
FV530641/8	2-7.157-168	FV530703	2-7.147-32	FV530789	2-7.173-51
FV530644/1-9	2-7.95-149	FV530705	2-7.147-43	FV530790	2-7.171-2
FV530645	2-7.89-56	FV530706	2-7.147-36	FV530791	2-7.171-3
FV530646	2-7.91-60	FV530707	2-7.147-44	FV530792	2-7.171-4
FV530647	2-7.87-23	FV530708	2-7.149-72	FV530793	2-7.171-5
FV530648	2-7.89-33	FV530709	2-7.151-95	FV530794	2-7.171-6
FV530649	2-7.89-43	FV530709	2-7.153-109	FV530795	2-7.171-12
FV530650	2-7.87-14	FV530710	2-7.153-111	FV530797	2-7.171-15
FV530653	2-7.87-2	FV530712	2-7.153-112	FV530799	2-7.171-31
FV530654	2-7.87-4	FV530713	2-7.153-117	FV530800	2-7.173-33
FV530658	2-7.91-64	FV530714	2-7.153-123	FV531003	2-4.207-1
FV530659	2-7.91-76	FV530715	2-7.155-129	FV531003	2-4.211-0
FV530660	2-7.91-78	FV530716	2-7.155-135	FV531004	2-4.207-25
FV530661	2-7.91-80	FV530724	2-7.147-45	FV531004	2-4.213-0
FV530662	2-7.93-91	FV530726	2-7.151-80	FV531010	2-4.219-12
FV530663	2-7.93-87	FV530727	2-7.151-81	FV531011	2-4.219-1
FV530664/1-9 & 31/39	2-7.89-55	FV530728/1	2-7.167-279	FV531012	2-4.219-3
FV530665	2-7.93-97	FV530728/2	2-7.167-283	FV531013	2-4.219-7
FV530666	2-7.93-96	FV530728/3	2-7.155-143	FV531014	2-4.219-9
FV530667	2-7.93-98	FV530729/1	2-7.149-57	FV531016	2-4.219-10
FV530668	2-7.93-99	FV530729/2	2-7.149-60	FV531018	2-4.219-5
FV530669	2-7.93-100	FV530729/3	2-7.149-63	FV531019	2-4.219-2
FV530670	2-7.93-103	FV530729/4	2-7.149-66	FV531020	2-4.219-11
FV530671	2-7.93-104	FV530729/5	2-7.149-69	FV531025	2-4.59-11
FV530672	2-7.93-105	FV530729/6	2-7.147-28	FV531026	2-4.59-2
FV530673	2-7.93-106	FV530730	2-7.147-33	FV531027	2-4.59-9
FV530674	2-7.93-109	FV530731	2-7.155-147	FV531028	2-4.59-16
FV530675	2-7.93-110	FV530732	2-7.157-160	FV531029	2-4.59-8
		FV530733	2-7.157-169	FV531030	2-4.59-7

INDEX OF MANUFACTURERS' PART/DRAWING NUMBERS

Part No./ Drawing No.	Chapter, Page and Item No.	Part No./ Drawing No.	Chapter, Page and Item No.	Part No./ Drawing No.	Chapter, Page and Item No.
FV531031	2-4.59-5	FV533981	2-4.215-35	FV538418	2-7.47-20
FV531033	2-4.59-4	FV533984	2-4.215-40	FV538419	2-7.49-23
FV531034	2-4.59-15	FV533985	2-4.215-38	FV538441	2-4.191-31
FV531035	2-4.59-18	FV533991	2-4.215-36	FV538444	2-4.207-3
FV531036	2-4.59-6	FV533995	2-4.215-37	FV538490	2-4.225-29
FV531037	2-4.59-14	FV533998	2-4.215-39	FV538490	2-5.13-61
FV531038	2-4.59-23	FV534001	2-4.211-7	FV538501	2-11.3-12
FV531039	2-4.59-22	FV534002	2-4.211-2	FV538508	2-11.3-15
FV531040	2-4.59-13	FV534009	2-4.213-16	FV538562	2-4.185-10
FV531042	2-4.59-19	FV534865	2-7.13-118	FV538576	2-2.7-42
FV531043	2-4.59-20	FV534885	2-7.179-2	FV538576	2-2.19-50
FV531044	2-4.59-21	FV534888	2-4.119-34	FV538577	2-2.9-51
FV531045	2-4.59-10	FV534890	2-7.7-48	FV538577	2-2.19-59
FV531049	2-4.211-12	FV534890	2-7.87-1	FV538590	2-4.3-9
FV531050	2-4.211-10	FV534890	2-17.3-9	FV538590	2-4.185-0
FV531053	2-4.59-17	FV534891	2-7.7-61	FV538591	2-4.185-1
FV531055	2-4.215-45	FV534891	2-7.107-1	FV538598	2-11.17-1
FV531056	2-4.211-1	FV534895	2-7-1.10-196	FV53860	2-4.207-13
FV531057	2-4.211-3	FV534895	2-7-1.12-244	FV538609	2-7.63-5
FV531058	2-4.211-8	FV534898	2-7.93-114	FV538610	2-7.63-4
FV531094	2-4.215-42	FV534946	2-7.5-42	FV538643	2-4.209-42
FV531656	2-1-1.7-45	FV534946	2-7.81-1	FV538649	2-4.209-35
FV531657	2-1-1.7-46	FV534946	2-17.5-44	FV538657	2-4.3-17
FV531661	2-1-1.7-44	FV536604	2-5.17/18-4	FV538657	2-4.231-0
FV531664	2-1-1.5-12	FV536605	2-5.17/18-5	FV538665	2-4.5-20
FV531665	2-1-1.5-14	FV536606	2-5.17/18-6	FV538800	2-4.207-2
FV531670	2-1-1.5-13	FV536607	2-5.17/18-7	FV538823	2-7.13-113
FV531672	2-1-1.7-39	FV536610	2-5.17/18-10	FV538824	2-7.13-114
FV531680	2-1-1.11-26	FV536612	2-4.225-18	FV538858	2-4.207-20
FV531688	2-1-1.11-24	FV536613	2-5.17/18-8	FV538895	2-9.3-11
FV531689	2-1-1.11-27	FV536621	2-5.17/18-9	FV538911	2-4.231-1
FV533369	2-4.213-30	FV537361	2-4.223-59	FV538914	2-5.5-40
FV533952	2-4.213-1	FV538130	2-4.225-2	FV538953	2-12.11-7
FV533954	2-4.213-24	FV538130	2-4.225-27	FV538980	2-12.11-8
FV533955	2-4.213-2	FV538130	2-5.3-2	FV53996	2-4.215-47
FV533956	2-4.213-13	FV538130	2-5.13-60	FV541758	2-4.15-1
FV533957	2-4.213-12	FV538138	2-1-2.5-37	FV542224	2-4.15-8
FV533958	2-4.213-19	FV538156	2-11.3-5	FV542416-36	2-7.151-79
FV533959	2-4.213-11	FV538158	2-11.3-4	FV546132	2-7.149-73
FV533960	2-4.213-10	FV538215	2-6.5-56	FV546142	2-8.15-18
FV533962	2-4.213-20	FV538216	2-6.5-57	FV546142	2-8.17-1
FV533963	2-4.213-22	FV538218	2-6.5-47	FV546143	2-7.5-33
FV533964	2-4.213-23	FV538220	2-6.5-60	FV546143	2-7.75-1
FV533965	2-4.213-26	FV538256	2-4.223-48	FV546753	2-7-1.12-234
FV533970	2-4.213-3	FV538300	2-6.13-18	FV546755	2-7-1.6-99
FV533973	2-4.213-6	FV538311	2-7.59-1	FV547578	2-7.171-17
FV533974	2-4.213-8	FV538311	2-7.63-1	FV55506	2-4.229-7
FV533977	2-4.215-34	FV538367	2-7.59-10	FV557746	2-1-2.15-20
FV533978	2-4.215-41	FV538367	2-7.63-6	FV557746/17	2-1-2.15-26
FV533979	2-4.215-43	FV538370	2-7.59-3	FV557748	2-1-2.15-22
FV533980	2-4.215-46	FV538417	2-7.47-22	FV557750	2-1-2.15-25
				FV559190	2-1-9.15/16-8

INDEX OF MANUFACTURERS' PART/DRAWING NUMBERS

Part No./ Drawing No.	Chapter, Page and Item No.	Part No./ Drawing No.	Chapter, Page and Item No.	Part No./ Drawing No.	Chapter, Page and Item No.
FV559229	2-3.35/36-25	FV559833	2-4.201-0	FV560124	2-1-6.3-6
FV559250	2-6.15-32	FV559834	2-4.201-19	FV560129	2-1-6.3-10
FV559262	2-6.5-31	FV559835	2-4.201-5	FV560148	2-1-8.3/4-11
FV559254	2-6.5-29	FV559837	2-4.201-13	FV562001-1	2-7.99-13
FV559257	2-6.5-30	FV559838	2-4.201-12	FV562011	2-7.199-5
FV559258	2-6.5-35	FV559842	2-4.3-14	FV562012-102	2-12.11-3
FV559259	2-6.5-38	FV559844	2-4.207-0	FV562012-120	2-12.13/14-45
FV559359	2-6.5-50	FV559845	2-4.209-43	FV562012-20	2-12.11-31
FV559361	2-6.5-51	FV559850	2-4.209-45	FV562012-60	2-12.13/14-34
FV559371	2-6.5-43	FV559850	2-4.197-51	FV562012-78	2-12.11-17
FV559372	2-6.5-58	FV559850	2-4.197-60	FV562012-92	2-12.11-14
FV559377	2-2.15-21	FV559857	2-7.11-107	FV562013-12	2-12.11-20
FV559394	2-4.223-50	FV559858	2-1-1.3-10	FV562020	2-12.11-5
FV559399	2-6.21-0	FV559859	2-4.3-16	FV562020	2-12.11-16
FV559400	2-6.23/24-40	FV559859	2-4.225-0	FV562021	2-4.135-2
FV559406	2-7.13-130	FV559891	2-12.7-59	FV562031	2-7.5-44
FV559418	2-9.3-6	FV559916	2-3.35/36-36	FV562034	2-7.81-13
FV559421	2-9.3-9	FV559947	2-1-1.3-3	FV562044	2-7.13-127
FV559423	2-9.3-2	FV559949	2-1-2.3-7	FV562044	2-7.191-1
FV559459	2-4.201-8	FV559950	2-1-2.3-6	FV562070	2-4.249-35
FV559476	2-4.191-27	FV559961	2-1-6.5-42	FV562070	2-4.249-44
FV559480	2-6.15-37	FV559968	2-1-6.5-31	FV562070	2-7-1.6-100
FV559484	2-4.3-18	FV559968/2	2-1-6.5-32	FV562072	2-7.23-34
FV559506	2-7.13-117	FV559971	2-1-6.3-14	FV562082	2-7.65-12
FV559506	2-7.179-1	FV559976	2-1-6.5-50	FV562082	2-7.183-62
FV559507	2-7.187-101	FV559976	2-1-6.9-15	FV562594	2-1-9.13-2
FV559526	2-2.7-37	FV559979	2-1-6.3-1	FV562666	2-11.5-32
FV559527	2-2.17-44	FV559982	2-1-6.7-51	FV562666	2-11.9-3
FV559618	2-3.33-21	FV559982	2-1-6.9-16	FV562666	2-11.11-17
FV559628	2-1-9.5-3	FV559987	2-1-6.3-5	FV562666	2-11.19/20-24
FV559641	2-1-6.9-5	FV560034	2-1-5.3-17	FV562666	2-11.19/20-32
FV559643	2-8.11-111	FV560035	2-1-5.3-18	FV562680	2-4.233-30
FV559657	2-7.7-65	FV560036	2-1-5.3-15	FV562712	2-11.17-4
FV559667	2-1-6.9-6	FV560037	2-1-5.3-16	FV562720	2-5.9-2
FV559701	2-7.9-70	FV560038	2-1-5.3-23	FV562721	2-5.11-43
FV559713	2-1-6.3-24	FV560041	2-1-5.3-25	FV562723	2-5.13-55
FV559713	2-1-6.9-10	FV560044	2-1-5.3-20	FV562725	2-5.11-42
FV559717	2-7.9-69	FV560051	2-7.11-98	FV562727	2-5.13-54
FV559726	2-4.5-19	FV560053	2-12.7-51	FV562729	2-5.11-41
FV559727	2-4.5-21	FV560064	2-7.9-81	FV562731	2-5.11-53
FV559736	2-4.5-24	FV560065	2-9.3-24	FV562777	2-1-9.13-1
FV559771	2-4.235-43	FV560065	2-9.5/6-27	FV562836	2-13.21-31
FV559779	2-1-3.5/6-33(1)	FV560066	2-9.5/6-30	FV562853	2-1-9.7-3
FV559806	2-4.207-26	FV560092	2-7.13-123	FV562868	2-1-3.5/6-33
FV559809	2-10.13-108	FV560102	2-2.7-36	FV562869	2-11.9-16
FV559809	2-10.19-43	FV560103	2-2.17-43	FV562879	2-10.21-9
FV559809	2-10.21-10	FV560108	2-4.225-32	FV562879	2-10.21-19
FV559809	2-10.25-10	FV560114	2-1-6.3-9	FV562879	2-10.25-20
FV559818	2-7.187-109	FV560116	2-1-6.3-12	FV562879	2-11.19/20-28
FV559826	2-4.197-49	FV560118	2-1-6.3-11	FV562898	2-10.25-21
FV559830	2-4.193-43	FV560120	2-1-6.3-8	FV562967	2-1-9.5-9
FV559833	2-4.3-13	FV560122	2-1-6.3-7	FV562971	2-16.3-3

INDEX OF MANUFACTURERS' PART/DRAWING NUMBERS

Part No./ Drawing No.	Chapter, Page and Item No.	Part No./ Drawing No.	Chapter, Page and Item No.	Part No./ Drawing No.	Chapter, Page and Item No.
FV562972	2-16.3-15	FV563247	2-8.3-9	FV563334	2-1-6.7-53
FV562976	2-16.3-16	FV563248	2-12.3-15	FV563348	2-1-7.3/4-14
FV563021	2-1-15.5-32	FV563249	2-0.3/4-5	FV563356	2-1.3/4-3
FV563022	2-1-15.7-2	FV563249	2-5.3-0	FV563356	2-1-3.3-1
FV563052	2-1-15.3-9	FV563250	2-0.3/4-0	FV563357	2-1-3.3-2
FV563056	2-1-15.3-10	FV563251	2-0.3/4-1	FV563358	2-1-3.3-14
FV563057	2-1-15.3-2	FV563251	2-1.3/4-0	FV563359	2-1-3.3-15
FV563058	2-1-15.3-3	FV563252	2-0.3/4-3	FV563367	2-1-3.3-22
FV563067	2-1-15.3-17	FV563252	2-3.3-0	FV563368	2-1-3.3-21
FV563068	2-1-15.3-18	FV563254	2-0.3/4-11	FV563372	2-1.3/4-5
FV563075	2-1-15.3-20	FV563254	2-11.3-0	FV563372	2-1-5.3-0
FV563076	2-1-15.3-21	FV563255	2-0.3/4-18	FV563373	2-1-5.3-2
FV563081	2-1-15.3-23	FV563255	2-16.3-0	FV563401	2-1-9.9-11
FV563086	2-1-15.5-29	FV563256	2-0.3/4-15	FV563402	2-9.3-13
FV563090	2-1-15.5-28	FV563256	2-13.3-0	FV563405	2-3.3-6
FV563091	2-1-15.3-14	FV563258	2-0.3/4-8	FV563406	2-3.3-5
FV563092	2-1-15.3-15	FV563258	2-8.3-0	FV563407	2-2.11-2
FV563093	2-1-15.3-16	FV563259	2-0.3/4-14	FV563408	2-2.11-4
FV563094	2-1-15.3-6	FV563259	2-15.3-0	FV563409	2-2.11-1
FV563095	2-1-15.3-7	FV563260	2-1.3/4-24	FV563410	2-2.11-3
FV563096	2-1-15.3-8	FV563260	2-1-7.3/4-13	FV563457	2-1-9.13-22
FV563098	2-1-15.3-19	FV563260	2-1-9.7-0	FV563460	2-1.3/4-15
FV563099	2-1-15.3-22	FV563262	2-1.3/4-7	FV563460	2-1-7.3/4-1
FV563100	2-1-15.3-4	FV563262	2-1-9.9-10	FV563461	2-1-7.3/4-3
FV563108	2-1-12.3/4-2	FV563263	2-1.3/4-10	FV563469	2-1-7.3/4-15
FV563109	2-1-12.3/4-4	FV563263	2-1-14.3-1	FV563470	2-1-7.3/4-16
FV563113	2-1-12.3/4-6	FV563264	2-1.3/4-11	FV563471	2-1-7.3/4-17
FV563119	2-1-14.9-3	FV563264	2-1-14.7-1	FV563483	2-1.3/4-16
FV563120	2-1-14.9-5	FV563265	2-1.3/4-12	FV563483	2-1-10.3/4-1
FV563137	2-13.17-85	FV563265	2-1-14.9-1	FV563484	2-1-10.3/4-2
FV563146	2-13.17-86	FV563266	2-1.3/4-14	FV563485	2-1-10.3/4-3
FV563148	2-1-14.9-7	FV563266	2-1-15.3-0	FV563506	2-1-7.3/4-4
FV563151	2-1-14.11/12-31	FV563267	2-1.3/4-13	FV563507	2-1-7.3/4-5
FV563155	2-1-14.9-21	FV563267	2-1-12.3/4-1	FV563513	2-2.13-42
FV563159	2-1-14.9-9	FV563269	2-1.3/4-19	FV563513	2-15.5-34
FV563163	2-1-14.11/12-26	FV563273	2-1.3/4-9	FV563514	2-15.5-35
FV563165	2-1-14.9-22	FV563273	2-1-8.3/4-1	FV563515	2-15.5-40
FV563189	2-7.39-19	FV563275	2-0.3/4-9	FV563520	2-7.3-12
FV563193	2-1-14.11/12-35	FV563275	2-9.3-0	FV563522	2-1-2.3-3
FV563196	2-1-14.11/12-36	FV563276	2-8.3-2	FV563523	2-1-2.3-4
FV563197	2-1-14.11/12-37	FV563277	2-1.3/4-17	FV563524	2-1-9.11-12
FV563201	2-1-9.9-17	FV563277	2-1-13.3/4-1	FV563526	2-1-9.11-13
FV563218	2-7.3-0	FV563277	2-8.3-1	FV564151	2-5.17/18-1
FV563219	2-0.3/4-7	FV563278	2-1.3/4-8	FV564281	2-8.25-2
FV563219	2-7.3-0	FV563278	2-1-9.3-0	FV564386	2-8.3-24
FV563226	2-7.199-2	FV563279	2-1-15.3-1	FV564807/4	2-7.177-93
FV563229	2-7.199-4	FV563295	2-1-10.3/4-4	FV564810	2-7-1.2-20
FV563231	2-7.15-134	FV563296	2-1-10.3/4-5	FV564833	2-7-1.14-288
FV563231	2-7.199-1	FV563320	2-1-10.3/4-6	FV564842	2-7-1.14-278
FV563245	2-10.15-0	FV563323	2-1-10.3/4-7	FV566868	2-1-2.17/18-33
FV563246	2-0.3/4-8(1)	FV563330	2-1.3/4-6	FV566872	2-1-2.17/18-34
FV563246	2-8.3-0	FV563330	2-1-6.3-0	FV566876	2-1-2.15-1

INDEX OF MANUFACTURERS' PART/DRAWING NUMBERS

Part No./ Drawing No.	Chapter, Page and Item No.	Part No./ Drawing No.	Chapter, Page and Item No.	Part No./ Drawing No.	Chapter, Page and Item No.
FV566880	2-1-2.17/18-36	FV573542	2-7.109-39	FV575820	2-7.93-113
FV566887	2-1-2.15-2	FV573543	2-7.109-38	FV575821	2-7.93-115
FV569157	2-1-12.3/4-5	FV573544	2-7.111-62	FV576440/1	2-7.125-258
FV569157	2-1-14.11/12-38	FV573547	2-7.113-95	FV577181	2-1-2.15-21
FV570319	2-7.191-4	FV573548	2-7.113-102	FV579429	2-7.191-2
FV570320	2-7.191-5	FV573549	2-7.113-107	FV579430	2-7.191-3
FV570341	2-7.191-16	FV573550	2-7.113-114	FV579433	2-7.191-9
FV570343	2-7.191-17	FV573580	2-7.113-120	FV579437	2-7.191-13
FV570526	2-7.191-18	FV573581	2-7.115-126	FV579438	2-7.191-14
FV570527	2-7.191-19	FV573582	2-7.115-132	FV579439	2-7.191-15
FV570528	2-7.191-20	FV573583	2-7.115-138	FV580561	2-7.191-12
FV570529	2-7.191-21	FV573584	2-7.115-145	FV580562	2-7.191-23
FV572051	2-1-1.7-43	FV573585	2-7.117-155	FV580780	2-7.105-23
FV572052	2-1-1.7-41	FV573586	2-7.117-173	FV580884	2-7.105-5
FV572323	2-1-2.11-106	FV573587	2-7.117-165	FV580885	2-7.105-12
FV572325	2-1-2.9-98	FV573589	2-7.119-197	FV580886	2-7.105-17
FV572332	2-1-2.9-105	FV573590	2-7.111-63	FV580887	2-7.105-10
FV573436/2	2-7.95-130	FV573592	2-7.109-33	FV580892	2-7.105-2
FV573436/2	2-7.147-31	FV573593	2-7.127-286	FV580893	2-7.105-28
FV573436-5	2-7.127-288	FV573593/3/4	2-7.123-246	FV580962	2-7.55-28
FV573437	2-7.123-250	FV573595/1/2	2-7.123-245	FV580964	2-7.55-30
FV573438	2-7.125-254	FV573597	2-7.107-2	FV582311-5N	2-7-1.5-70
FV573440/19	2-7.125-272	FV573599	2-7.125-265	FV582312/5	2-7-1.9-168
FV573440/20	2-7.125-275	FV573600	2-7.125-269	FV582326/4	2-7-1.10-182
FV573440/5	2-7.125-261	FV575208	2-4.195-11	FV582326/6	2-7-1.10-183
FV573440/9	2-7.127-289	FV575209	2-4.195-2	FV582330/2	2-7-1.11-205
FV573450	2-7.161-206	FV575210	2-4.195-4	FV582337/2	2-7-1.13-274
FV573513	2-7.107-31	FV575211	2-4.195-5	FV582353/5	2-7-1.9-165
FV573514	2-7.111-61	FV575239	2-4.195-8	FV582357/10	2-7-1.9-176
FV573515	2-7.109-56	FV575240	2-4.195-10	FV582357/9	2-7-1.9-175
FV573516	2-7.107-5	FV575241	2-4.195-13	FV582361/3	2-7-1.4-64
FV573517	2-7.107-6	FV575243	2-4.195-23	FV582364/1	2-7.197-8
FV573518	2-7.109-40	FV575244	2-4.195-31	FV582365/1	2-7.47-15
FV573519	2-7.109-41	FV575248	2-4.195-6	FV582365/1	2-7-1.7-126
FV573521	2-7.107-7	FV575252	2-4.197-38	FV582366/1	2-7.57-7
FV573522	2-7.123-232	FV575253	2-4.197-37	FV582366/1	2-7-1.8-148
FV573524/1	2-7.123-233	FV575254	2-4.197-39	FV582367/1	2-7-1.10-201
FV573524/2	2-7.123-234	FV575256	2-4.195-34	FV582379/3	2-7-1.11-210
FV573525	2-7.107-9	FV575257	2-4.195-32	FV582404/2	2-7-1.12-230
FV573526	2-7.107-8	FV575258	2-4.195-33	FV582405/4	2-7-1.10-185
FV573527	2-7.107-4	FV575262	2-4.195-24	FV582406/4	2-7-1.13-259
FV573528/1	2-7.123-237	FV575264	2-4.195-25	FV582408/5	2-7-1.13-262
FV573528-2	2-7.123-238	FV575265	2-4.195-27	FV582411/2	2-7-1.9-162
FV573529	2-7.107-11	FV575266	2-4.195-29	FV582414/1	2-7-1.8-141
FV573530	2-7.107-12	FV575268	2-4.195-15	FV582417/1	2-7-1.8-144
FV573532	2-7.107-14	FV575442	2-4.195-12	FV582428/2	2-7-1.6-111
FV573533	2-7.111-92	FV575443	2-4.195-7	FV582428/5	2-7-1.14-281
FV573534	2-7.125-281	FV575445	2-4.197-36	FV582478/1	2-7-1.9-172
FV573535	2-7.127-285	FV575445	2-4.197-40	FV582487/3	2-7-1.11-213
FV573536	2-7.125-279	FV575504	2-4.187-9	FV582495/1	2-7-1.12-227
FV573539	2-7.125-278	FV575567	2-5.3-12	FV582497/1	2-7-1.7-127
FV573540	2-7.107-29	FV575570	2-5.3-13	FV582498/1	2-7-1.7-131

INDEX OF MANUFACTURERS' PART/DRAWING NUMBERS

Part No./ Drawing No.	Chapter, Page and Item No.	Part No./ Drawing No.	Chapter, Page and Item No.	Part No./ Drawing No.	Chapter, Page and Item No.
FV582510/3	2-7-1.4-48	FV585014	2-7.115-139	FV585046	2-7-1.8-142
FV582511/1	2-7-1.4-52	FV585014	2-7.173-52	FV585046	2-7-1.8-145
FV582531/1	2-7-1.14-276	FV585015	2-7.165-250	FV585046	2-7-1.10-186
FV582578/4	2-7-1.11-217	FV585015	2-7.179-9	FV585046	2-7-1.11-215
FV582580/2	2-7-1.3-41	FV585015	2-7.191-10	FV585047	2-7-1.6-103
FV582584/1	2-7-1.9-179	FV585018	2-7.77-50	FV585047	2-7-1.6-107
FV582584/2	2-7-1.12-251	FV585020	2-4.247-11	FV585047	2-7-1.6-112
FV582681/13	2-4.235-58	FV585021	2-7.183-54	FV585047	2-7-1.14-282
FV582681/13	2-4.247-3	FV585022	2-7.113-108	FV585048	2-7-1.6-113
FV582681/14	2-4.235-57	FV585022	2-7.161-219	FV585048	2-7-1.13-264
FV582681/14M	2-4.247-4	FV585022	2-7.165-272	FV585048	2-7-1.14-283
FV582688/2	2-7-1.13-254	FV585022	2-7.185-69	FV585051	2-7-1.7-128
FV582702/6	2-7-1.14-284	FV585024	2-7.87-24	FV585051	2-7-1.7-132
FV582702-1	2-7-1.5-74	FV585024	2-7.115-146	FV585051	2-7-1.9-173
FV582702-5	2-7-1.5-75	FV585024	2-7.117-156	FV585051	2-7-1.11-214
FV582781-1	2-7-1.4-60	FV585027	2-7.77-47	FV585051	2-7-1.12-228
FV583058	2-7.157-161	FV585029	2-4.53-55	FV585052	2-7-1.7-135
FV585001	2-7.105-6	FV585029	2-4.247-6	FV585052	2-7-1.9-174
FV585001	2-7.105-13	FV585029	2-7.117-174	FV585054	2-7-1.4-49
FV585001	2-7.105-18	FV585029	2-8.19-47	FV585054	2-7-1.4-53
FV585001	2-7.113-96	FV585030	2-7.77-60	FV585055	2-7-1.14-277
FV585001	2-7.113-121	FV585030	2-7.161-207	FV585056	2-7-1.14-280
FV585001	2-7.165-257	FV585030	2-7.163-226	FV585059	2-7-1.9-180
FV585001	2-7.165-264	FV585030	2-7.163-236	FV585059	2-7-1.11-218
FV585001	2-7.199-10	FV585031	2-7.139-156	FV585059	2-7-1.12-252
FV585002	2-7.87-15	FV585032	2-7.159-182	FV585060	2-7-1.3-42
FV585002	2-7.101-29	FV585032	2-7.159-191	FV585060	2-7-1.11-219
FV585002	2-7.115-127	FV585035	2-7.89-44	FV585062	2-7.89-34
FV585003	2-7.71-9	FV585037	2-7.155-148	FV585066	2-7-1.13-257
FV585004	2-7.39-14	FV585039	2-7-1.3-38	FV585068	2-4.247-5
FV585004	2-7.47-16	FV585039	2-7-1.5-71	FV585068	2-7-1.13-255
FV585004	2-7.57-8	FV585039	2-7-1.6-106	FV585069	2-7-1.5-77
FV585004	2-7.115-133	FV585039	2-7-1.7-129	FV585069	2-7-1.14-286
FV585004	2-7.117-166	FV585039	2-7-1.7-134	FV585070	2-7-1.5-76
FV585004	2-7-1.4-65	FV585039	2-7-1.9-169	FV585070	2-7-1.14-285
FV585004	2-7-1.8-149	FV585039	2-7-1.10-187	FV585075	2-7-1.4-61
FV585004	2-7-1.8-156	FV585039	2-7-1.10-202	FV585076	2-7-1.4-62
FV585005	2-7.173-44	FV585039	2-7-1.12-231	FV585077	2-7-1.6-109
FV585006	2-7.101-33	FV585040	2-7-1.10-184	FV585079	2-7.197-10
FV585006	2-7.113-115	FV585040	2-7-1.11-209	FV585079	2-7-1.4-67
FV585007	2-7.71-8	FV585041	2-7.17/19-153	FV585079	2-7-1.8-150
FV585007	2-7.81-4	FV585041	2-7.105-1	FV585079	2-7-1.8-157
FV585007	2-7.101-32	FV585041	2-7-1.5-79	FV585082	2-7-1.6-104
FV585008	2-7.71-7	FV585041	2-7-1.9-166	FV585082	2-7-1.6-110
FV585008	2-7.101-34	FV585041	2-7-1.9-177	FV585086	2-7-1.14-279
FV585008	2-7.159-200	FV585041	2-7-1.10-204	FV585092	2-4.247-7
FV585009	2-8.5-41	FV585042	2-7-1.9-167	FV585097	2-7-1.11-207
FV585010	2-7.157-170	FV585043	2-7-1.11-211	FV585098	2-7.173-48
FV585013	2-7.173-34	FV585045	2-7-1.9-163	FV585098	2-7.197-11
FV585014	2-4.243-4	FV585045	2-7-1.12-232	FV585098	2-7-1.4-68
FV585014	2-7.101-31	FV585045	2-7-1.13-260	FV585098	2-7-1.8-151
FV585014	2-7.113-103	FV585045	2-7-1.13-263	FV585098	2-7-1.8-158

INDEX OF MANUFACTURERS' PART/DRAWING NUMBERS

Part No./ Drawing No.	Chapter, Page and Item No.	Part No./ Drawing No.	Chapter, Page and Item No.	Part No./ Drawing No.	Chapter, Page and Item No.
FV585099	2-7.173-38	FV585740	2-4.207-7	FV586061	2-4.223-34
FV585099	2-7.175-56	FV585742	2-4.207-15	FV586062	2-4.223-35
FV585103	2-4.247-8	FV585744	2-4.207-17	FV586064	2-3.3-4
FV585105	2-7-1.2-4	FV585746	2-4.207-16	FV586064	2-3.33-0
FV585105	2-7-1.11-208	FV585752	2-4.207-19	FV586065	2-3.33-20
FV585106	2-7.173-49	FV585754	2-4.207-21	FV586069	2-4.193-51
FV585106	2-7-1.4-69	FV585756	2-4.207-11	FV586069	2-4.207-31
FV585106	2-7-1.8-152	FV585758	2-4.225-21	FV586070	2-4.193-50
FV585106	2-7-1.8-159	FV585760	2-4.225-4	FV586074	2-4.225-25
FV585107	2-7.173-39	FV585762	2-4.225-10	FV586077	2-4.3-20
FV585107	2-7.175-57	FV585768	2-3.33-22	FV586077	2-12.3-1
FV585111	2-4.247-9	FV585770	2-1-5.3-1	FV586078	2-12.13/14-44
FV585121	2-7.105-9	FV585788	2-4.191-23	FV586079	2-4.3-19
FV585121	2-7.165-261	FV585792	2-4.191-34	FV586079	2-12.11-1
FV585121	2-7.165-269	FV585794	2-4.191-32	FV586081	2-1-5.5/6-41
FV585121	2-7.199-9	FV585798	2-4.191-21	FV586083	2-4.225-19
FV585122	2-7.81-10	FV585803	2-4.193-58	FV586084	2-4.225-15
FV585122	2-7.101-35	FV585805	2-4.193-55	FV586089	2-1-2.3-10
FV585122	2-7.157-174	FV585807	2-4.193-46	FV586090	2-1-2.3-11
FV585122	2-7.161-204	FV585809	2-4.193-47	FV586091	2-4.223-49
FV585123	2-7.165-248	FV585841	2-4.207-4	FV586093	2-4.233-2
FV585123	2-7.173-40	FV585842	2-4.223-36	FV586094	2-4.233-3
FV585124	2-7.77-52	FV585864	2-1-6.3-19	FV586098	2-4.233-9
FV585124	2-7.165-254	FV585870	2-4.225-26	FV586104	2-4.221-33
FV585124	2-7.179-18	FV585927	2-4.203-47	FV586108	2-11.17-7
FV585124	2-7.191-24	FV585937	2-4.233-31	FV586109	2-11.17-8
FV585125	2-7.87-29	FV585939	2-4.233-11	FV586110	2-11.17-11
FV585125	2-7.89-39	FV585940	2-4.233-35	FV586123	2-12.11-2
FV585125	2-7.163-223	FV585942	2-4.233-32	FV586141	2-4.223-54
FV585125	2-7.167-276	FV585943	2-4.233-12	FV586202	2-1-1.3-26
FV585125	2-7.183-57	FV585944	2-4.233-36	FV586203	2-1-1.3-25
FV585125	2-7.185-72	FV585945	2-4.233-28	FV586222	2-1-1.3-27
FV585126	2-7.77-48	FV585947	2-4.233-29	FV586230	2-1-6.5-36
FV585127	2-4.55-62	FV585949	2-4.233-20	FV586252	2-4.185-15
FV585127	2-7.89-51	FV585950	2-4.233-15	FV586254	2-4.187-32
FV585127	2-7.141-178	FV585954	2-4.5-8	FV586292-1	2-7.59-17
FV585127	2-7.159-188	FV585956	2-5.13-57	FV586292-2	2-7.63-13
FV585127	2-7.159-197	FV585959	2-6.5-53	FV586362	2-9.3-16
FV585127	2-7.161-216	FV585963	2-6.5-54	FV586371	2-4.5-22
FV585127	2-7.163-233	FV585977	2-1-5.3-28	FV586374	2-4.5-23
FV585127	2-7.163-244	FV585987	2-1-5.3-3	FV586375	2-4.201-26
FV585128	2-7.157-156	FV585997	2-4.225-13	FV586378	2-4.201-20
FV585128	2-7.157-166	FV586001	2-1-5.5/6-40	FV586379	2-4.201-21
FV585702/1	2-1-2.5-38	FV586003	2-1-5.3-4	FV586395	2-1-6.5-48
FV585710	2-4.193-35	FV586020	2-9.5/6-29	FV586395	2-1-6.9-13
FV585730	2-4.193-54	FV586021	2-9.5/6-28	FV586404	2-4.187-25
FV585732	2-4.191-33	FV586026	2-4.191-25	FV586405	2-4.187-26
FV585733	2-4.193-56	FV586027	2-4.191-26	FV586406	2-7.59-18
FV585734	2-4.193-60	FV586039	2-4.193-48	FV586406	2-7.63-14
FV585736	2-4.225-1	FV586058	2-1-5.3-11	FV586407	2-7.59-21
FV585738	2-4.225-9	FV586060	2-4.3-15	FV586410	2-7.59-22
FV585739	2-4.207-9	FV586060	2-4.221-0	FV586412	2-7.61-24

INDEX OF MANUFACTURERS' PART/DRAWING NUMBERS

Part No./ Drawing No.	Chapter, Page and Item No.	Part No./ Drawing No.	Chapter, Page and Item No.	Part No./ Drawing No.	Chapter, Page and Item No.
FV586413	2-7.59-20	FV594608	2-8.11-94	FV602788	2-1-2.9-80
FV586414	2-7.59-19	FV594639	2-8.27/28-27	FV602835	2-6.7-69
FV586419	2-7.61-27	FV596885	2-7.49-38	FV602894	2-6.7-67
FV586490	2-1-5.3-29	FV599331	2-7.197-9	FV602897	2-6.3-1
FV586497	2-1-5.5/6-35	FV599537	2-2.3-7	FV602899	2-6.3-3
FV586498	2-4.201-30	FV600148	2-1-2.17/18-41	FV602902	2-1-6.3-15
FV586504	2-5.11-49	FV600931	2-1-14.7-2	FV602904	2-8.11-105
FV586518-4	2-7.59-15	FV60137	2-2.23/24-27	FV602905	2-1-6.3-13
FV586518-4	2-7.63-11	FV60138	2-2.21-20	FV602928	2-16.3-21
FV586525	2-4.3-3	FV60142	2-2.21-14	FV602928	2-16.9-14
FV586525	2-4.5-17	FV60144	2-2.21-21	FV602994	2-8.21-13
FV586526	2-4.5-18	FV602461	2-4.207-18	FV602996	2-8.21-9
FV586527	2-4.7-25	FV602463	2-4.207-22	FV602998	2-8.21-10
FV586566	2-8.11-114	FV602488	2-7.59-16	FV603163	2-7.11-102
FV586571	2-10.17-35	FV602488	2-7.63-12	FV603164	2-7.11-101
FV586586	2-3.3-11	FV602501	2-4.197-47	FV603401	2-5.13-62
FV586587	2-3.3-15	FV602502	2-4.197-48	FV603402	2-5.13-63
FV586590	2-3.7-65	FV602589	2-4.3-12	FV603403	2-5.13-64
FV586591	2-3.3-18	FV602589	2-4.193-44	FV603958	2-7.127-293
FV586595	2-12.11-22	FV602589	2-4.195-0	FV603965	2-7.69-30
FV586599	2-12.11-26	FV602590	2-4.197-41	FV603967	2-7.3-5
FV586620	2-10.17-36	FV602612	2-4.197-56	FV603967	2-7.55-24
FV586634	2-3.33-9	FV602613	2-4.197-57	FV603972	2-7.15-133
FV586662	2-4.197-42	FV602615	2-4.197-58	FV603972	2-7.197-1
FV586669	2-9.3-19	FV602617	2-1-2.11-109	FV604013	2-7.15-151
FV586672	2-9.3-22	FV602619	2-1-2.9-93	FV604654/3	2-7-1.3-35
FV586676	2-4.207-30	FV602623	2-1-9.13-4	FV604654/4	2-7-1.3-36
FV586925	2-7.17/19-154	FV602632	2-1-2.9-94	FV604709/IN	2-7-1.14-275
FV587177	2-12.13/14-36	FV602634	2-2.7-20	FV604748-1	2-7-1.6-105
FV587-9	2-4.145-58	FV602648	2-1-9.5-2	FV604834/3	2-7-1.6-102
FV589438	2-1-2.17/18-30	FV602659	2-4.193-45	FV604835-4M	2-7-1.5-78
FV589440	2-1-2.11-122	FV602675	2-4.5-5	FV605260-1	2-7-1.13-258
FV589440	2-1-2.15-0	FV602690	2-4.225-31	FV605277/7	2-7-1.3-29
FV589463	2-4.71-22	FV602699	2-4.5-14	FV605338/4	2-7-1.2-5
FV590460	2-7.185-87	FV602700	2-4.3-2	FV605338/5	2-7-1.2-6
FV590461	2-7.185-88	FV602700	2-4.5-2	FV605455/1	2-7-1.2-1
FV590462	2-7.185-89	FV602701	2-4.3-1	FV605455/2	2-7-1.2-2
FV590463	2-7.185-90	FV602701	2-4.5-1	FV605457/1	2-7.25-43
FV590464	2-7.187-98	FV602702	2-4.5-6	FV605457/1	2-7-1.14-291
FV590467	2-7.187-97	FV602705	2-4.5-7	FV605457/2	2-7.23-42
FV590492	2-7.117-154	FV602731	2-4.191-12	FV605457/2	2-7-1.14-292
FV590492	2-7.117-164	FV602732	2-4.191-13	FV605458/1	2-7.23-41
FV590492	2-7.119-181	FV602750	2-4.203-40	FV605458/1	2-7-1.14-293
FV590495	2-7.185-84	FV602756	2-4.203-45	FV605482/1	2-7.23-33
FV590498	2-7.187-100	FV602757	2-4.203-46	FV605482/1	2-7-1.14-290
FV590586	2-7.181-30	FV602765	2-4.209-38	FV605490/1	2-7-1.6-117
FV593109	2-1-2.15-3	FV602770	2-4.221-32	FV605491/1	2-7-1.6-119
FV593115	2-1-2.15-6	FV602772	2-4.187-1	FV605493/1	2-7-1.7-121
FV593120	2-1-2.15-4	FV602783	2-1-6.5-49	FV605494/IN	2-7-1.7-123
FV594223	2-1-2.17/18-38	FV602783	2-1-6.9-14	FV605495/2	2-7-1.7-124
FV594225	2-1-2.15-8	FV602784	2-1-2.7-75	FV605496/1	2-7-1.7-137
FV594238	2-1-2.15-9	FV602787	2-1-2.9-79	FV605497/1	2-7-1.7-139

INDEX OF MANUFACTURERS' PART/DRAWING NUMBERS

Part No./ Drawing No.	Chapter, Page and Item No.	Part No./ Drawing No.	Chapter, Page and Item No.	Part No./ Drawing No.	Chapter, Page and Item No.
FV605498/1	2-7.39-13	FV611230	2-1-15.7-12	FV611499	2-15.5-41
FV605498/1	2-7-1.8-155	FV611233	2-1-15.5-40	FV611500	2-15.5-45
FV605500/1	2-7-1.12-245	FV611234	2-1-15.5-41	FV611501	2-15.5-32
FV605501/1	2-7-1.12-247	FV611234	2-1-15.7-14	FV611502	2-15.3-23
FV605502-1	2-7-1.2-7	FV611235	2-1-15.5-38	FV611503	2-15.7-52
FV605527/1	2-7-1.13-272	FV611242	2-1-15.5-33	FV611504	2-15.5-43
FV605527/2	2-7-1.13-273	FV611243	2-1-15.5-34	FV611506	2-15.5-24
FV608921	2-8.3-17	FV611244	2-1-15.5-35	FV611524	2-5.13-56
FV608921	2-8.5-46	FV611315	2-1-12.3/4-3	FV611526	2-13.11-3
FV608928	2-8.7-66	FV611317	2-1-14.11/12-34	FV611529	2-13.13-34
FV608930	2-8.7-67	FV611325	2-7.53-20	FV611530	2-1-14.9-15
FV608931	2-8.7-59	FV611332	2-1-15.7-9	FV611538	2-1-14.9-2
FV608932	2-8.3-18	FV611333	2-1-15.7-10	FV611542	2-1-14.9-18
FV608939	2-8.3-22	FV611337	2-1-15.7-11	FV611544	2-1-3.3-20
FV608940	2-8.3-19	FV611343	2-2.13-44	FV611545	2-13.13-33
FV608945	2-8.5-31	FV611355	2-7.41-43	FV611546	2-7.57-2
FV608949	2-8.5-34	FV611355	2-7.47-1	FV611547	2-7.57-3
FV608952	2-8.5-45	FV611356	2-7.47-2	FV611565	2-1-14.9-8
FV608955	2-8.7-64	FV611357	2-7.47-4	FV611578	2-1-14.9-4
FV608959	2-8.7-58	FV611362	2-7.47-3	FV611578	2-1-14.9-6
FV608962	2-8.5-33	FV611388	2-16.3-20	FV611590	2-1-14.3-2
FV608964	2-8.7-60	FV611393	2-16.9-13	FV611594	2-1-14.3-3
FV609200	2-8.5-35	FV611401	2-1-15.7-4	FV611595	2-1-14.3-4
FV611014	2-1-13.3/4-14	FV611403	2-1-15.7-3	FV611598	2-1-14.3-5
FV611017	2-1-13.3/4-20	FV611439	2-13.11-1	FV611599	2-1-14.3-6
FV611020	2-1-13.3/4-21	FV611439	2-13.19-1	FV611600	2-1-14.3-10
FV611041	2-1-2.5-46	FV611440	2-1-9.11-3	FV611601	2-1-14.3-11
FV611048	2-9.5/6-36	FV611444	2-13.19-14	FV611602	2-1-14.3-17
FV611049	2-9.5/6-37	FV611447	2-13.19-15	FV611615	2-13.13-35
FV611053	2-9.5/6-26	FV611449	2-13.19-12	FV611616	2-13.11-4
FV611056	2-1-2.5-52	FV611456	2-15.7-49	FV611621	2-13.15-54
FV611057	2-1-2.11-121	FV611457	2-15.5-38	FV611621	2-13.15-64
FV611060	2-1-13.3/4-3	FV611460	2-7.41-27	FV611622	2-13.15-61
FV611068	2-1-13.3/4-7	FV611461	2-7.41-29	FV611624	2-13.15-62
FV611069	2-1-13.3/4-8	FV611462	2-7.41-28	FV611626	2-13.13-39
FV611070	2-1-13.3/4-2	FV611463	2-7.41-30	FV611628	2-13.15-56
FV611091	2-1-13.3/4-13	FV611473	2-15.5-46	FV611633	2-5.11-40
FV611101	2-7.25-54	FV611474	2-1-14.3-20	FV611634	2-5.11-37
FV611124	2-1-6.7-54	FV611475	2-1-14.3-21	FV611640	2-1-14.7-8
FV611135	2-1-13.3/4-12	FV611478	2-1-14.3-22	FV611644	2-1-14.3-16
FV611138	2-1-13.3/4-4	FV611479	2-1-14.3-23	FV611653	2-1-9.11-2
FV611139	2-1-13.3/4-5	FV611480	2-1-14.3-26	FV611654	2-1-9.9-1
FV611140	2-1-13.3/4-6	FV611484	2-7.39-1	FV611655	2-1-9.9-3
FV611153	2-1-15.5-43	FV611487	2-7.39-10	FV611657	2-7.5-29
FV611200	2-7.65-10	FV611488	2-15.3-2	FV611665	2-5.3-1
FV611201	2-7.65-2	FV611489	2-15.3-3	FV611666	2-5.3-14
FV611217	2-1-15.5-44	FV611492	2-15.3-16	FV611667	2-5.5-39
FV611218	2-1-15.5-45	FV611493	2-15.3-18	FV611668	2-5.5-41
FV611219	2-1-15.5-46	FV611494	2-15.3-19	FV611669	2-5.9-20
FV611223	2-1-15.5-36	FV611496	2-15.5-42	FV611670	2-5.11-28
FV611224	2-1-15.5-37	FV611497	2-15.7-51	FV611672	2-5.5-46
FV611230	2-1-15.5-39	FV611498	2-15.5-44	FV611673	2-5.5-47

INDEX OF MANUFACTURERS' PART/DRAWING NUMBERS

Part No./ Drawing No.	Chapter, Page and Item No.	Part No./ Drawing No.	Chapter, Page and Item No.	Part No./ Drawing No.	Chapter, Page and Item No.
FV611675	2-9.5/6-34	FV612000	2-10.23-28	FV643928	2-1-15.3-11
FV611676	2-9.5/6-35	FV612065	2-7.197-13	FV643954	2-11.17-18
FV611689	2-13.17-90	FV612065	2-7-1.6-108	FV643956	2-11.17-19
FV611696	2-1-9.11-8	FV612065	2-7-1.7-133	FV643958	2-13.15-58
FV611697	2-5.11-48	FV612065	2-7-1.8-143	FV643961	2-11.5-35
FV611700	2-5.11-31	FV612065	2-7-1.8-146	FV643964	2-11.5-38
FV611701	2-5.5-33	FV612065	2-7-1.8-153	FV643979	2-5.3-16
FV611705	2-5.5-34	FV612065	2-7-1.8-160	FV644000	2-0.3/4-0
FV611706	2-5.5-35	FV612065	2-7-1.9-181	FV644001	2-0.3/4-1(1)
FV611710	2-5.11-29	FV612065	2-7-1.10-203	FV644001	2-1.3/4-0
FV611722	2-16.3-2	FV612065	2-7-1.12-229	FV644002	2-1.3/4-24(1)
FV611728	2-8.9-85	FV612065	2-7-1.12-253	FV644002	2-1-7.3/4-13(1)
FV611729	2-8.9-84	FV612065	2-7-1.13-256	FV644002	2-1-9.7-0
FV611733	2-8.9-83	FV61262	2-2.9-48	FV644003	2-1.3/4-14(1)
FV611734	2-8.9-79	FV61262	2-2.19-56	FV644003	2-1-15.3-0
FV611738	2-8.9-82	FV614571	2-2.9-60	FV644024	2-8.3-10
FV611739	2-8.9-77	FV61530	2-2.21-22	FV644040	2-8.9-73
FV611742	2-8.9-76	FV61538	2-2.9-49	FV644041	2-8.9-72
FV611755	2-8.3-7	FV61538	2-2.19-57	FV644042	2-1-15.9/10-1
FV611756	2-8.3-4	FV616580	2-8.13-140	FV644043	2-1-15.9/10-2
FV611758	2-8.3-3	FV616580	2-8.25-1	FV644060	2-1-15.9/10-12
FV611760	2-8.9-78	FV616633	2-8.25-13	FV644062	2-1-15.9/10-5
FV611762	2-8.9-75	FV61803	2-3.3-24	FV644063	2-1-15.9/10-11
FV611768	2-11.11-11	FV620746	2-7-1.14-289	FV644064	2-1-15.9/10-4
FV611776	2-15.3-20	FV622203	2-7.199-6	FV644076	2-11.3-22
FV611789	2-1-7.3/4-18	FV622205	2-7.199-22	FV644076	2-11.9-6
FV611792	2-5.11-44	FV622206	2-7.199-23	FV644078	2-1-9.13-10
FV611794	2-7.15-131	FV622210	2-7.201/202-32	FV644081	2-1-9.13-6
FV611794	2-7.195-0	FV622211	2-7.201/202-39	FV644082	2-1-9.13-3
FV611795	2-7.17/19-156	FV622212	2-7.201/202-34	FV644083	2-1-9.13-11
FV611795	2-7-1.2-0	FV622215	2-7.201/202-31	FV644090	2-1-15.9/10-3
FV611807	2-7.39-16	FV622217	2-7.201/202-33	FV644091	2-1-15.9/10-9
FV611830	2-7.53-1	FV622660	2-4.63-27	FV644107	2-15.3-13
FV611843	2-8.13-132	FV622665	2-4.61-22	FV644111	2-1-15.9/10-21
FV611843	2-8.21-1	FV628771	2-7.55-27	FV644121	2-8.3-12
FV611844	2-8.11-110	FV628772	2-7.55-29	FV644122	2-8.3-11
FV611846	2-7.13-121	FV634206	2-7.5-35	FV644125	2-1-15.7-13
FV611846	2-7.189-1	FV635765	2-7.105-24	FV644129	2-1-5.3-9
FV611883	2-13.17-80	FV641783	2-4.195-20	FV644136	2-10.3-0
FV611887	2-11.3-6	FV642172	2-3.33-8	FV644137	2-10.3-1
FV611903	2-11.5-39	FV642172	2-4.185-4	FV644140	2-10.3-12
FV611903	2-11.9-8	FV642172	2-4.187-14	FV644144	2-1-14.3-12
FV611906	2-11.5-43	FV643851	2-10.23-26	FV644145/1	2-13.13-45
FV611906	2-11.9-12	FV643852	2-10.23-27	FV644147	2-8.9-69
FV611910	2-11.5-40	FV643877	2-7.53-2	FV644173	2-13.17-84
FV611910	2-11.9-9	FV643879	2-7.53-17	FV644174	2-13.17-83
FV611912	2-10.27/28-24	FV643880	2-1-6.9-21	FV644177	2-1-14.9-10
FV611914	2-10.27/28-25	FV643886	2-7.53-18	FV644180	2-11.5-23
FV611927	2-11.7-46	FV643894	2-10.27/28-26	FV644310	2-7.5-34
FV611927	2-11.9-15	FV643902	2-8.13-120	FV644348	2-1-9.3-3
FV611934	2-1-7.3/4-2	FV643911	2-1-6.9-18	FV644366	2-11.5-26
FV611941	2-11.11-3	FV643918	2-1-6.9-19	FV644380	2-1-9.9-2

INDEX OF MANUFACTURERS' PART/DRAWING NUMBERS

Part No./ Drawing No.	Chapter, Page and Item No.	Part No./ Drawing No.	Chapter, Page and Item No.	Part No./ Drawing No.	Chapter, Page and Item No.
FV644381	2-1-9.9-4	FV650724	2-6.7-77	FV668187	2-4.117-1
FV644393	2-1-14.7-4	FV650851	2-6.7-66	FV668190	2-3.19-2
FV644394	2-1-14.7-5	FV650852	2-6.7-76	FV668192	2-3.19-3
FV644395	2-13.19-20	FV650861	2-4.227-33	FV668193	2-3.19-4
FV644397	2-11.3-19	FV650863	2-4.225-28	FV668194	2-3.19-15
FV644403	2-11.5-27	FV650870	2-4.191-11	FV668217	2-4.43-119
FV644405	2-1-9.9-9	FV650896	2-4.191-3	FV668224	2-4.43-108
FV644406	2-1-9.9-7	FV650901	2-4.191-6	FV668233	2-4.19-0
FV644408	2-13.15-68	FV650904	2-4.191-5	FV668235	2-4.19-1
FV644412	2-13.15-76	FV650905	2-4.191-2	FV668254	2-4.121-7
FV644413	2-13.15-77	FV650952	2-0.3/4-4	FV668256	2-4.121-8
FV644414	2-13.15-65	FV650952	2-4.3-0	FV668260	2-4.123-48
FV644424	2-13.17-79	FV650953	2-4.3-10	FV668263	2-4.29-1
FV644425	2-13.17-78	FV650953	2-4.187-0	FV668264	2-4.29-2
FV646476	2-4.205-9	FV650953	2-4.191-1	FV668270	2-4.123-47
FV647831	2-7.167-290	FV650978	2-4.191-18	FV668292	2-4.11-1
FV649242	2-13.3-25	FV650979	2-4.191-17	FV668319	2-4.25-14
FV649284	2-13.3-17	FV650985	2-4.201-14	FV668366	2-4.121-6
FV649287	2-13.3-22	FV650987	2-4.201-18	FV668391	2-4.61-20
FV649289	2-13.3-9	FV651021	2-4.233-38	FV668393	2-4.61-19
FV649290	2-13.3-8	FV651022	2-4.233-37	FV668394	2-4.61-9
FV649369	2-13.5-17	FV651031	2-12.11-19	FV668397	2-4.63-25
FV649369	2-13.5-20	FV651075	2-1-6.3-20	FV668408	2-4.25-16
FV649395	2-13.5-27	FV651361	2-2.21-15	FV668416	2-4.61-8
FV649418	2-13.7-42	FV651362	2-2.21-9	FV668424	2-4.41-102
FV649423	2-13.7-45	FV651363	2-2.21-1	FV668424	2-4.45-144
FV649426	2-13.7-49	FV651364	2-2.21-5	FV668432	2-4.47-1
FV649457	2-13.11-20	FV651365	2-4.207-14	FV668480	2-4.9-1
FV650065	2-1-2.5-55	FV651423	2-3.31-6	FV668506	2-4.29-11
FV650067	2-1-2.5-53	FV651464	2-3.7-58	FV668602	2-4.43-118
FV650070	2-4.203-39	FV651465	2-3.7-59	FV668603	2-4.43-117
FV650090	2-4.185-14	FV651467	2-4.3-21	FV668604	2-3.27-1
FV650093	2-6.19-94	FV651468	2-4.3-22	FV668619	2-4.103-5
FV650094	2-6.19-95	FV651469	2-4.3-23	FV668620	2-4.147-84
FV650095	2-6.19-93	FV651470	2-4.3-24	FV668626	2-4.111-12
FV650097	2-6.19-100	FV651471	2-4.3-25	FV668627	2-4.103-6
FV650197	2-3.31-1	FV651478	2-2.5-10	FV668636	2-4.159-24
FV650237	2-3.7-66	FV651479	2-2.9-56	FV668639	2-3.17-76
FV650333	2-1-2.5-49	FV651480	2-2.19-62	FV668806	2-4.145-45
FV650333	2-1-3.3-23	FV668021	2-4.121-13	FV668859	2-4.111-3
FV650333	2-1-5.5/6-32	FV668022	2-4.121-14	FV668861	2-4.111-11
FV650361	2-2.15-1	FV668023	2-4.121-15	FV668862	2-4.111-10
FV650362	2-2.15-5	FV668044	2-4.121-16	FV668863	2-4.111-9
FV650370	2-2.15-3	FV668045	2-4.121-17	FV668864	2-4.111-8
FV650371	2-2.15-7	FV668046	2-4.121-18	FV668931	2-4.47-7
FV650384	2-0.3/4-2(1)	FV668051	2-4.11-5	FV668947	2-4.135-14
FV650510	2-7.59-14	FV668180	2-4.41-97	FV668997	2-4.139-6
FV650511	2-7.63-10	FV668180	2-4.45-140	FV668998	2-4.139-7
FV650515	2-7.59-9	FV668181	2-4.41-98	FV669000	2-4.139-1
FV650516	2-7.59-8	FV668181	2-4.45-141	FV669155	2-4.151-42
FV650541	2-6.7-79	FV668185	2-4.117-11	FV669643	2-4.135-17
FV650545	2-6.7-75	FV668186	2-4.117-10	FV669677	2-4.153-3

INDEX OF MANUFACTURERS' PART/DRAWING NUMBERS

Part No./ Drawing No.	Chapter, Page and Item No.	Part No./ Drawing No.	Chapter, Page and Item No.	Part No./ Drawing No.	Chapter, Page and Item No.
FV669677	2-4.155-6	FV760663	2-7.23-20	FV951876	2-10.7-49
FV669734	2-4.105-25	FV760663	2-7.33-1	FV951877	2-10.7-55
FV669871	2-3.15-57	FV760732	2-7.41-36	FV951878	2-10.7-54
FV669871	2-3.15-60	FV760732	2-7.51-1	FV951879	2-10.7-52
FV669872	2-3.11-23	FV771783	2-11.11-1	FV951885	2-10.5-39
FV669873	2-3.13-32	FV775084/7	2-4.205-19	FV951886	2-10.5-40
FV669873	2-3.15-66	FV782457	2-8.23-19	FV951887	2-10.5-41
FV669878	2-3.13-30	FV782458	2-8.23-17	FV951892	2-10.13-103
FV669880	2-3.17-75	FV783806/65	2-1-1.11-12	FV951952	2-10.7-45
FV669895	2-3.23-47	FV783806/65	2-1-1.11-23	FV951954	2-10.7-46
FV669926	2-3.17-90	FV783810/33	2-4.123-43	FV951957	2-10.5-34
FV670380	2-4.117-6	FV794433	2-1-1.13/14-2	FV951958	2-10.5-33
FV670380	2-4.139-33	FV794436	2-1-1.3-15	FV951960	2-10.7-61
FV670380	2-4.143-24	FV794436	2-1-1.13/14-3	FV951961	2-10.9-70
FV670380	2-4.145-62	FV813714	2-5.3-24	FV951965	2-10.13-107
FV670432	2-4.165-20	FV827906	2-7.201/202-37	FV951968	2-10.11-83
FV670446	2-3.19-19	FV830446-9	2-7.149-56	FV951972	2-10.9-65
FV670460	2-4.177-114	FV847570	2-15.3-11	FV951973	2-10.11-100
FV670551	2-4.111-6	FV847574	2-13.17-94	FV951974	2-10.11-95
FV670554	2-4.111-1	FV847574	2-15.3-12	FV951976	2-10.9-75
FV670555	2-4.111-2	FV893573	2-7.167-292	FV951977	2-10.5-22
FV670588	2-3.19-17	FV919946/4	2-7.63-7	FV951978	2-10.7-56
FV670622	2-3.11-7	FV925082	2-7.199-13	FV951978	2-10.9-72
FV670622	2-3.11-11	FV925652	2-4.247-2	FV951991	2-10.11-97
FV670665	2-3.27-2	FV939076	2-7.13-110	FV952033	2-10.5-24
FV670680	2-4.137-1	FV943404	2-4.195-3	FV952035	2-10.7-44
FV670683	2-4.137-4	FV943405	2-4.195-28	FV952038	2-10.5-42
FV670684	2-4.135-1	FV943405	2-4.195-30	FV952039	2-10.7-43
FV670720	2-4.117-5	FV943429	2-4.195-1	FV952040	2-10.11-86
FV670837	2-3.17-89	FV947452	2-2.3-2	FV952041	2-10.11-87
FV670839	2-4.31-19	FV947453	2-2.3-5	FV952042	2-10.11-88
FV670840	2-4.31-19(1)	FV951701	2-1-6.3-17	FV952047	2-10.7-60
FV670841	2-4.31-19(2)	FV951710	2-1-6.3-18	FV952048	2-10.7-59
FV670842	2-4.29-16	FV951735	2-1-2.5-54	FV952055	2-10.9-78
FV670845	2-4.29-17	FV951736	2-2.7-38	FV952062	2-10.9-79
FV678586	2-7.45-5	FV951737	2-2.17-45	FV952063	2-10.9-77
FV682895	2-2.3-8	FV951795	2-16.3-1	FV952064	2-10.9-80
FV686854	2-7.115-150	FV951796	2-16.9-1	FV952065	2-10.11-93
FV686854	2-7.117-160	FV951797	2-16.3-10	FV952066	2-10.9-81
FV686854	2-7.117-179	FV951798	2-16.5-33	FV952067	2-10.9-82
FV686854	2-7.125-252	FV951799	2-16.11/12-26	FV952074	2-10.11-92
FV686854	2-7.125-257	FV951800	2-11.17-15	FV952075	2-10.11-90
FV692585	2-7.97-166	FV951817	2-16.9-2	FV952079	2-10.7-58
FV694906	2-7.33-7	FV951823	2-16.9-8	FV952080	2-10.7-57
FV697777	2-2.3-4	FV951850	2-10.5-35	FV952085	2-10.9-74
FV697778	2-2.3-3	FV951857	2-10.5-37	FV952086	2-10.9-73
FV700921	2-7-1.10-193	FV951858	2-10.5-38	FV952089	2-10.9-67
FV704961	2-4.205-12	FV951864	2-10.5-23	FV952096	2-10.9-69
FV709379	2-6.21-3	FV951867	2-10.5-25	FV952097	2-10.9-68
FV709481	2-4.195-21	FV951873	2-10.7-48	FV952100	2-10.5-36
FV724200	2-4.201-1	FV951874	2-10.7-51	FV952188	2-10.7-47
FV724200	2-4.205-1	FV951875	2-10.7-50	FV952190	2-10.5-28

INDEX OF MANUFACTURERS' PART/DRAWING NUMBERS

Part No./ Drawing No.	Chapter, Page and Item No.	Part No./ Drawing No.	Chapter, Page and Item No.	Part No./ Drawing No.	Chapter, Page and Item No.
FV952206	2-10.5-31	GUF11T	2-4.165-30	KB1094	2-3.15-67
FV952290	2-1-11.3/4-16	GZ100	2-7.145-4	KC150	2-4.65-10
FV952292	2-1-11.3/4-15	G1GA15080	2-4.93-141	KC500	2-4.103-11
FV952293	2-1-11.3/4-18	G1GA19110	2-3.17-85	KC500	2-4.143-17(1)
FV952295	2-1-11.3/4-17	G112056	2-5.17/18-23	KC500	2-4.145-43
FV952299	2-1-11.3/4-13	G177-UNINYVIN12	2-7.139-158	KC503	2-4.103-11(1)
FV952313	2-1-11.3/4-14	G177-UNINYVIN12	2-7.141-170	KC503	2-4.143-17
FV952327	2-1-11.3/4-9	G189	2-4.55-61	KC503	2-4.145-43(1)
FV952508	2-8.21-8	HBP6464ETD	2-2.5-12	KC515	2-4.31-7
FV952586	2-11.15-3	HC50913	2-4.191-20	KC518	2-4.31-7(1)
FV952587	2-11.15-2	HC78092	2-4.137-15	KU10006	2-4.143-32
FV952589	2-11.15-0	HD1353-6	2-13.15-71	KU10014	2-3.19-13
FV959041	2-7.7-55	HNS-608	2-4.33-11	K19209	2-4.99-82
FV970176	2-4.201-6	HNS-608	2-4.141-36	K19210	2-4.163-25
FV970177	2-4.201-9	HT3100-10SL-4P	2-7-1.11-206	K2R3N35	2-7.131-28
FV987957	2-1-14.7-3	HV2286	2-7.201/202-27	K497K493	2-3.21-28
FV98813	2-4.201-7	HV2904	2-7.199-7	K566K563	2-3.5-35
FV98814	2-4.191-7	HV3254	2-7.97-155	K60-4-6F	2-4.3-4
FV98818	2-4.201-10	HV3254	2-7.111-68	K60-4-6F	2-4.9-0
FV989676	2-4.157-8	HV3254	2-7.145-23	K6507	2-4.181-27
F11-200-V2RD	2-8.21-2	HV3254	2-7.177-91	K65112	2-4.147-80
F15-20775/F1C-20912	2-7.75-18	HZS-507	2-4.11-16	K759K752	2-3.5-34
GB10940	2-12.3-3	HZS-606	2-4.31-12	K81195	2-4.11-10
GB10940	2-12.3-8	H20	2-7.113-98	LC212	2-4.35-16
GB6300-11	2-7.65-6	H20	2-7.113-105	LC212	2-4.39-67
GD1231-6	2-7.101-42	H20	2-7.113-110	LC212	2-4.43-120
GD132/3	2-7.81-17	H20	2-7.113-117	LC212	2-4.123-33
GD1321/4	2-7.97-158	H20	2-7.115-123	LDJK75	2-3.25-62
GD1321/6	2-7.95-146	H20	2-7.115-129	LF3/30	2-4.115-7
GD1321-2	2-7.97-176	H20	2-7.115-135	LF3/32	2-4.115-8
GD1321-2	2-7.157-158	H20	2-7.115-141	LHA2BG110-1	2-7.185-82
GD1456D10	2-4.221-18	H20	2-7.115-149	List 5 No. 21	2-7.119-188
GD16H4030	2-2.11-21	H20	2-7.117-159	LLB368	2-7.21-13
GJ40055-00-00A	2-1-2.17/18-45	H20	2-7.117-168	LLB368	2-7.29-20
GJ40055-000000	2-1-2.17/18-44	H20	2-7.117-177	LLB368	2-7.195-28
GLY0549/13	2-4.205-24	H20	2-7.173-36	LLB368	2-7.197-22
GLY0549/14	2-4.205-25	H20	2-7.173-46	LLRJ1MC3	2-4.51-2
GLY0549/3	2-4.205-18	H20	2-7.175-54	LWZ105	2-4.97-51
GLY0549/5	2-4.205-16	H20	2-7.179-11	LWZ105	2-4.107-5
GLY0549/6	2-4.205-17	H20	2-7.183-56	LWZ105	2-4.169-20
GLY0549/9	2-4.205-15	H20	2-7.185-71	LWZ105	2-4.169-23
GLY0549-1	2-4.205-2	H20	2-7.185-92	L1055/10	2-7.71-4
GLY0549-11	2-4.205-4	H68040-8	2-13.5-5	L1055-5A	2-7.71-5
GLY0549-2	2-4.205-3	IN4003	2-7.149-55	L1330/100	2-7.95-144
GLY0549-7	2-4.205-5	JP82362	2-4.93-139	L1382	2-7.71-3
GLY0549-8	2-4.205-6	JS20457	2-4.145-61	L4982-1	2-3.23-38
GM-E-93940-36	2-4.205-10	KB1078	2-13.19-4	L6785/BR1659	2-7.121-210
GP2	2-4.217-5	KB1081	2-3.11-22	L6785/BR1659	2-7.121-216
GR130	2-1-8.3/4-6	KB1081	2-3.13-27	L693-5	2-7.171-30
GR27554	2-4.115-10	KB1092	2-3.13-29	MAE 43/4/0013	2-11.15-1
GS150-250	2-4.243-11	KB1092	2-3.13-31	MAE43/4/0008	2-14.3-1
		KB1094	2-3.15-63	MAE43/4/0013	2-11.7-47

INDEX OF MANUFACTURERS' PART/DRAWING NUMBERS

Part No./ Drawing No.	Chapter, Page and Item No.	Part No./ Drawing No.	Chapter, Page and Item No.	Part No./ Drawing No.	Chapter, Page and Item No.
MAK8438	2-4.201-24	MP201/17	2-15.9/10-17	NA6625	2-6.17-82
MB3030DU	2-13.9-70	MP201/19	2-15.9/10-4	NA6666Y	2-2.7-22
MB3030DU	2-13.9-84	MP201/40/1	2-15.9/10-11	NA6666Y	2-2.15-15
MB3040DU	2-13.9-69	MP201/47/1	2-15.9/10-8	NF213C3	2-4.145-56
MB3040DU	2-13.9-83	MP201/5/1	2-15.9/10-13	NHL2BAB	2-7.71-24
MC9497	2-13.7-64	MP201/9	2-15.9/10-2	NH2BAB	2-7.71-22
MC9506	2-13.3-30	MP201-18	2-15.9/10-10	NK7203	2-4.51-25
MC9506	2-13.9-66	MP201-39	2-15.9/10-9	NK7303	2-4.237-10
MDA1887	2-17.17-5	MP5671	2-5.5-48	NK8602	2-4.239-63
MDA1913	2-17.3-28	MS01-003C	2-17.7-21	NK8602	2-4.243-25
MDA1913	2-17.17-1	MS01-024B	2-17.7-15	NK8610	2-4.237-8
MDA1916	2-17.17-6	MS01-027E	2-17.7-11	NK8610	2-4.243-24
MDA2189	2-17.11-2	MS01-035N	2-17.5-47	NK9799	2-7.141-181
MDA2223	2-17.13-1	MS01-035N	2-17.13-14	NL4053	2-7.143-197
MDA2224	2-17.13-2	MS01-036P	2-17.13-19	NS173-721	2-4.129-44
MDA2225	2-17.3-17	MS03-007H	2-17.7-4	NS209/921	2-4.131-55
MDA2225	2-17.13-3	MS08-027S	2-17.13-11	NS209-6T1	2-4.131-75
MDA2279	2-17.3-41	MS3106E14S2P	2-14.7/8-2	NS292-121	2-4.127-15
MDA2347	2-17.3-5	MW02-004S	2-17.7-19	NS49-8S1	2-4.91-133
MDA2347	2-17.7-1	MW02-006U	2-17.7-13	NS76/15Y1	2-4.79-68
MDA2367	2-17.7-12	MW02-007V	2-17.5-45	NTS5/8	2-1-4.3/4-11
MDA2406	2-17.11-3	MW02-007V	2-17.7-26	NU1504	2-4.51-4
MDA2515	2-17.3-33	MW02-007V	2-17.13-17	NU1504	2-4.51-16
MDA2515	2-17.21/22-8	MW03-005E	2-17.7-9	NU1504	2-4.53-46
MDA2516	2-17.3-1	MW04-002J	2-17.7-3	NU208	2-4.107-9
MDA2516	2-17.9-2	MW04-003K	2-17.7-20	NU7-14Y1	2-4.99-60
MDA2520	2-17.7-17	MW04-003K	2-17.17-8	NU9-1121	2-7.193-34
MDA2535	2-17.3-34	MW04-005M	2-17.7-10	NW1-14T1	2-4.127-13
MDA2556	2-0.3/4-19	MW04-005M	2-17.7-14	NW2-117Y1	2-4.99-66
MDA2556	2-17.3-0	MW04-006N	2-17.5-46	NW2-164	2-4.77-25(7)
MDA2703	2-17.3-3	MW04-006N	2-17.7-27	NW2-172	2-4.77-25(5)
MDA2703	2-17.9-1	MW04-006N	2-17.13-13	NW2-180	2-4.91-124
MDA2741	2-17.21/22-1	MW04-006N	2-17.13-18	NW2-206	2-4.77-28
MDA2742	2-17.19-1	M1	2-7.107-10	NW2-25Y1	2-4.131-74
MDA2743	2-17.3-21	M1S20	2-2.21-18	NW2-25Z1	2-4.131-65
MDA2743	2-17.15-1	M1S28SE70	2-13.21-25	NW2-28Z1	2-4.129-45
MDA2744	2-17.13-4	M1S54	2-3.7-57	NW2-28Z1	2-4.131-58
MDA2745	2-17.3-12	M10681121-4	2-13.21-40	NW2-47	2-4.83-14
MDA2745	2-17.13-15	M12-208-000	2-4.143-12	NW2-47	2-4.89-105
MDA2746	2-17.3-19	M207-007M	2-17.17-9	NW2-55	2-4.77-32
MDA2746	2-17.13-16	M28358	2-15.3-6	NW2-79	2-4.101-7
MDA2864	2-17.7-16	NA-00-005	2-7.67-5	NW2-89Y1	2-4.99-54
MDA2865	2-17.7-25	NA-00-005	2-7.67-20	NW4-26T	2-4.131-83
MDA2866	2-17.3-7	NA-00-007	2-7.147-48	NW5-14W4	2-4.91-132
MDA2866	2-17.11-1	NA1-2	2-4.101-16	NW5-22W4	2-4.133-90
MDA2924	2-17.7-18	NA1-5	2-4.77-40	NW5-30	2-4.89-83
MIS212/73NBR3726	2-2.5-13	NA1-5	2-4.87-57	NW5-33	2-4.91-137
MIS214	2-4.19-8	NA6613	2-13.3-11	NW5-39	2-4.79-43
MM-105333	2-9.3-7	NA6625	2-2.17-31	NW5-39	2-4.79-62
MN01-006E	2-17.7-28	NA6625	2-2.23/24-31	NW5-59	2-4.101-10
MP201/15/1	2-15.9/10-16	NA6625	2-3.7-62	NY18007A	2-8.5-37
MP201/16/1	2-15.9/10-14	NA6625	2-6.5-42	NY3255	2-8.5-38

INDEX OF MANUFACTURERS' PART/DRAWING NUMBERS

Part No./ Drawing No.	Chapter, Page and Item No.	Part No./ Drawing No.	Chapter, Page and Item No.	Part No./ Drawing No.	Chapter, Page and Item No.
N023PH02	2-7.129-4	PNU1518	2-4.51-14	QRD1002	2-7-1.2-12
N02660	2-4.149-14	PNU1523	2-4.53-38	QRD1005	2-7-1.2-13
N15000037AZZ	2-4.99-67	POS2962	2-7.109-35	QRD1006	2-4.243-8
N214	2-2.9-54	PPD286-11-6	2-13.13-29	QRD1008	2-7.121-209
N214	2-2.17-47	PP1045	2-7.75-21	QRD1010	2-7.121-205
N215C3	2-3.25-63	PP45-14	2-4.207-24	QRD1010	2-7.121-214
N3829400-V	2-7.191-26	PP49-14	2-2.11-27	QRD1014	2-7-1.2-17
OA6875	2-3.7-61	PP68-3	2-2.13-37	QRD1014	2-7-1.2-21
OB00A-00-341	2-15.3-1	PP68-8	2-2.13-34	QRD1014	2-7-1.4-57
OB000A-00-341	2-15.9/10-1	PREN35	2-8.19-48	QRD1015	2-7-1.2-18
OD15422	2-4.35-20	PS1049/13	2-1-6.7-52	QRD1015	2-7-1.2-22
OD15422	2-4.39-71	PS105250	2-4.181-28	QRD1015	2-7-1.4-58
OE4526	2-4.133-95	PS105250	2-6.3-20	QRD1021	2-7.121-219
OP3255	2-7.97-156	PS105321	2-3.23-46	QTA59	2-17.17-3
OP3255	2-7.111-69	PS110630	2-2.15-14	RB19-05	2-4.197-35
OP3255	2-7.145-24	PS1-1321-14	2-7.173-50	RB6-35	2-4.181-9
OP3255	2-7.177-92	PS1857-1	2-7.151-77	RCA292/3/8	2-7.125-256
PB6875-17	2-2.11-30	PS605040	2-4.99-72	RCA292/3/8	2-7.125-267
PB6875-18	2-2.11-15	PWZ104	2-4.119-29	RCA292/3/8	2-7.125-271
PB6875-21	2-2.11-29	PWZ104	2-4.125-13	RCWE547	2-7.127-283
PB6875-26	2-2.11-18	PWZ104	2-4.125-15	RC340	2-7.125-263
PB6875-43	2-2.11-13	PWZ104	2-4.139-28	RC516	2-7.127-284
PC6875-4	2-2.13-39	PWZ104	2-4.139-32	REL140	2-14.5-34
PD-10	2-4.209-47	PWZ106	2-4.31-14	RE16379	2-3.15-54
PD3875-35	2-2.11-19	PWZ106	2-4.117-16	RE23374	2-4.31-15
PD6875-20	2-2.11-22	PWZ106	2-4.203-36	RE25098	2-4.145-42
PD6875-29	2-2.11-8	PWZ106	2-4.217-7	RSHD3/32X1/4	2-1-9.13-5
PD6875-30	2-2.13-33	PWZ108	2-4.217-14	RSS08	2-6.5-32
PD6875-31	2-2.13-31	P1216	2-4.131-61	RS19	2-6.15-40
PD6875-32	2-2.13-36	P1521	2-1-1.3-20	RS49	2-7.179-15
PD6875-36	2-2.11-9	P2	2-4.77-31	RS49	2-7.181-38
PD6875-37	2-2.11-17	P2	2-4.79-54	RS63	2-7.179-13
PD6875-38	2-2.11-25	P2	2-4.79-59	RZP6-0	2-8.11-113
PD6875-39	2-2.13-32	P2	2-4.83-9	R000/2BA	2-7.97-152
PD6875-40	2-2.11-26	P2	2-4.83-28	R107	2-4.97-53
PD6875-41	2-2.11-12	P2	2-4.85-51	R112ML5391	2-4.99-65
PD6875-44	2-2.11-5	P2	2-4.89-98	R14981	2-7.67-24
PD6875-5	2-2.11-10	P28413	2-5.15-2	R16037	2-12.11-4
PF47611/314	2-4.55-63	P35140	2-5.15-33	R16037	2-12.11-15
PG3126	2-5.15-23	P4649	2-4.77-42	R16037	2-12.11-18
PG4435	2-5.15-20	P5105250	2-4.147-81	R16037	2-12.11-21
PG4436	2-5.15-22	P5106201	2-3.29-34	R16037	2-12.11-32
PM9055-005	2-7.79-66	P5606160	2-4.143-20	R16037	2-12.13/14-35
PM9055-005	2-8.19-53	QRA54	2-4.235-48	R16037	2-12.13/14-46
PNK7058	2-4.51-5	QRA54	2-4.243-9	R177/63NBR3722	2-2.5-6
PNK7058	2-4.51-15	QRA57	2-7-1.2-11	R2018ML5391	2-7.109-36
PNK7058	2-4.53-39	QRA57	2-7-1.10-198	R30-0312-73	2-7.131-50
PNK7058	2-4.53-47	QRA58	2-7-1.2-16	R30-3333-56	2-7.131-51
PNK7060	2-4.53-50	QRA58	2-7-1.12-238	R3056ML5372	2-7.121-218
PNK7060	2-4.53-53	QRA59	2-4.235-47	R30-9494-53	2-4.243-23
PNU1301	2-4.51-17	QRA59	2-4.243-10	R30-9496-53	2-4.237-7
PNU1510	2-4.51-26	QRA59	2-7.121-213	R4106E75	2-4.87-74

INDEX OF MANUFACTURERS' PART/DRAWING NUMBERS

Part No./ Drawing No.	Chapter, Page and Item No.	Part No./ Drawing No.	Chapter, Page and Item No.	Part No./ Drawing No.	Chapter, Page and Item No.
R4131ML5372	2-4.63-28	SSML7-4	2-15.5-25	UA954	2-3.11-8
R4150ML5372	2-5.17/18-21	STC3334	2-7.15-136	UA957Z	2-3.11-6
R4150ML5372	2-7.15-147	STC3334	2-7.195-20	UA957Z	2-3.15-69
R59-525	2-7.75-22	ST49938	2-4.101-12	UCB105-85	2-4.163-10
R848ML5391	2-3.9-3	ST6359	2-7.47-18	UE30369	2-4.67-42
R8487ML5391	2-3.25-59	ST6359	2-7.101-36	UE3141	2-4.117-3
SBN12	2-7.137-110	SV94SA	2-11.17-9	UE33064	2-4.41-87
SBN12	2-7.137-114	SWG109	2-4.219-14	UE33064	2-4.43-129
SBN12	2-7.137-123	SW103	2-4.169-8	UE9320	2-4.67-38
SBORD193	2-7.127-296	SX0550/BLACK	2-7.55-26	UFN104-3	2-4.205-27
SBORD215	2-7.127-294	S15Z-24-3	2-4.127-1	UK6TNMF	2-7.59-7
SBORD223	2-7.127-295	S259PD	2-7.55-25	UK6TNMF	2-7.63-3
SB-10SL-PC	2-7.201/202-43	S420	2-7.101-28	UNINYVIN14	2-7.137-112
SB104T4BM12SX1	2-7.99-25	S447	2-7.37-13	UNINYVIN14	2-7.137-125
SB-14S-PC	2-7.39-15	S4-51-11	2-13.5-35	UNINYVIN14	2-7.141-162
SB-14S-RPG	2-7.39-4	S80/88	2-7.195-12	UNINYVIN14	2-7.141-166
SB14S2CCA	2-7.197-12	S800E	2-6.21-21	UNIPREN100	2-7.91-61
SB-16S-RPG	2-7.99-26	TERSIL 16	2-4.137-5	UNIPREN100	2-7.93-116
SB-18-PC	2-7.5-41	TERSIL 16	2-4.137-11	UNIPREN100	2-7.125-266
SDA229584	2-4.67-31	TE1277-3	2-7.75-6	UNIPREN12	2-7.15-149
SDA58891	2-7.103-54	TL8W/33	2-7.201/202-30	UNIPREN12	2-7.87-17
SE58000-010	2-7.95-141	TYPE W24	2-7.93-107	UNIPREN12	2-7.89-48
SE8000-207	2-7.95-143	T201303M/10	2-4.181-35	UNIPREN12	2-7.97-150
SF341-56	2-4.145-54	UA10641	2-4.71-9	UNIPREN12	2-7.113-97
SH607061	2-1-1.5-18	UA10642N	2-4.19-16	UNIPREN12	2-7.113-104
SIC706/836	2-1-6.5-30	UA10643	2-4.71-7	UNIPREN12	2-7.113-109
SL242/6	2-4.87-66	UA10664	2-4.11-18	UNIPREN12	2-7.113-116
SL714	2-4.195-18	UA10669ZP	2-4.11-20	UNIPREN12	2-7.113-122
SO35M	2-4.221-28	UA10669ZP	2-4.13-5	UNIPREN12	2-7.115-128
SP107-G	2-8.19-37	UA10671ZP	2-4.11-9	UNIPREN12	2-7.115-134
SP107-J	2-3.19-24	UA11326	2-4.31-2	UNIPREN12	2-7.115-140
SP13-L	2-4.163-24	UA1252	2-4.25-17	UNIPREN12	2-7.115-147
SP156	2-7.45-18	UA1252	2-4.25-20	UNIPREN12	2-7.117-157
SP2BAX1/2	2-12.3-12	UA1252	2-4.45-138	UNIPREN12	2-7.117-167
SP22-Y	2-7.147-46	UA155	2-4.25-18	UNIPREN12	2-7.117-175
SP42-G	2-4.9-15	UA156	2-4.25-21	UNIPREN12	2-7.125-259
SP42-G	2-4.139-19	UA172	2-4.61-14	UNIPREN12	2-7.125-262
SP42-G	2-4.145-34	UA172	2-4.119-28	UNIPREN12	2-7.125-273
SP47-A	2-4.119-40	UA2002/SR	2-4.69-4	UNIPREN12	2-7.125-276
SP900-10	2-8.13-125	UA2053Z	2-4.145-49	UNIPREN12	2-7.127-290
SP915/1	2-7.93-92	UA2662	2-4.15-21	UNIPREN12	2-7.145-16
SP915-41	2-8.17-34	UA2759	2-4.69-11	UNIPREN12	2-7.145-22
SSML5-5	2-6.7-68	UA5827	2-4.111-18	UNIPREN12	2-7.147-29
SSML7-11-5-161- NX0-125in	2-7.147-47	UA5829	2-3.13-28	UNIPREN12	2-7.149-62
SSML7-17-1E341	2-2.15-12	UA5831	2-4.49-33	UNIPREN12	2-7.149-65
SSML7-17-1F012	2-4.89-95	UA586ZP	2-4.107-23	UNIPREN12	2-7.149-68
SSML7-18	2-6.15-56	UA653	2-4.13-3	UNIPREN12	2-7.149-71
SSML7-18	2-6.17-61	UA7643	2-4.25-15	UNIPREN12	2-7.155-149
SSML7-18	2-6.17-65	UA904ZP	2-3.11-13	UNIPREN12	2-7.157-162
SSML7-18	2-6.23/24-44	UA904ZP	2-3.11-16	UNIPREN12	2-7.157-171
SSML7-4	2-13.13-40	UA905Z	2-3.11-5	UNIPREN12	2-7.159-183
		UA927Z	2-3.15-70	UNIPREN12	2-7.159-193

INDEX OF MANUFACTURERS' PART/DRAWING NUMBERS

Part No./ Drawing No.	Chapter, Page and Item No.	Part No./ Drawing No.	Chapter, Page and Item No.	Part No./ Drawing No.	Chapter, Page and Item No.
UNIPREN12	2-7.161-202	UW03-002P	2-17.21/22-6	W162069	2-4.239-46
UNIPREN12	2-7.161-221	UW03-003Q	2-17.15-3	W162390/2	2-7.135-103
UNIPREN12	2-7.165-251	UW03-003Q	2-17.21/22-3	W162393/13	2-7.143-198
UNIPREN12	2-7.165-258	VB1A	2-6.19-90	W162393/9	2-7.143-199
UNIPREN12	2-7.165-265	VB1A	2-7.13-122	W163274/2	2-7.137-129
UNIPREN12	2-7.167-273	VITAFOAM	2-1.3/4-22	W163274/9	2-7.141-177
UNIPREN12	2-7.173-35	VFR/2/140/12MM		W164490/11	2-7.129-25
UNIPREN12	2-7.173-45	V5855-30AV	2-4.75-12	W164490/20	2-7.129-24
UNIPREN12	2-7.173-53	WE501-4BA	2-7.149-53	W164710/25	2-7.133-73
UNIPREN12	2-7.177-85	WE501-4BA	2-7.185-91	W164710/33	2-7.131-49
UNIPREN12	2-7.179-10	WIS3484C10	2-7.125-253	W164710/51	2-7.129-14
UNIPREN12	2-7.181-36	WIS3484C10	2-7.125-268	W164710/61	2-7.129-12
UNIPREN12	2-7.181-40	WSC10X3/4	2-10.21-21	W164710/69	2-7.129-13
UNIPREN12	2-7.183-44	WS10X1/2	2-10.21-4	W164710/81	2-7.129-11
UNIPREN12	2-7.183-55	WS10X1/2	2-10.25-4	W164711/25	2-7.133-72
UNIPREN12	2-7.185-70	WS10X1/2CSK	2-10.17-40	W164711/29	2-7.129-10
UNIPREN12	2-7.191-11	WTA174349	2-7.135-93	W164766	2-7.135-95
UNIPREN12	2-7.197-14	WTA174379	2-7.129-27	W165166	2-4.243-12
UNIPREN18	2-7.75-29	W1S2887-1-6	2-3.17-86	W165171	2-4.243-3
UNIPREN18	2-7.119-202	W1S348C10	2-7.155-145	W165172	2-4.243-2
UNIPREN6	2-7.105-7	W1S348C10	2-7.155-154	W165173	2-4.243-1
UNIPREN6	2-7.105-14	W1S348C10	2-7.157-165	W165188	2-4.239-51
UNIPREN6	2-7.105-19	W1S348C10	2-7.161-213	W165191	2-4.237-1
UNIPREN70	2-7.89-49	W1S348C10	2-7.163-242	W165339-6	2-4.53-43
UNIPREN70	2-7.89-57	W1S348C10	2-7.167-281	W165340-6	2-4.53-44
UNIPREN12	2-7.149-59	W1S348C10	2-7.167-285	W165350	2-4.51-7
UN01-008U	2-17.21/22-7	W109591	2-4.237-33	W165363/1	2-4.51-24
UN01-009V	2-17.15-4	W132047	2-4.53-37	W165364	2-4.51-22
UN01-009V	2-17.21/22-4	W137450/1	2-7.131-30	W165964	2-7.131-29
US02-007L	2-17.15-7	W137450/2	2-7.135-94	W165964	2-7.135-92
US02-007L	2-17.19-5	W137450/4	2-7.133-60	W166019	2-7.129-3
US02-007L	2-17.21/22-11	W140631/8	2-7.141-179	W166410/14	2-7.135-87
US02-011Q	2-17.13-8	W15068-22	2-4.237-29	W166410/16	2-7.129-16
US02-012R	2-17.13-9	W151050/1	2-7.129-20	W166411/11	2-7.135-88
US02-013S	2-17.9-5	W151050/1	2-7.131-54	W166412/11	2-7.129-17
US02-013S	2-17.13-10	W151084/2	2-7.135-90	W166412/13	2-7.129-15
US05-002B	2-17.7-6	W151926-1	2-7.131-41	W166454	2-7.129-5
US07-001C	2-17.19-2	W152887-1-6	2-3.15-55	W166633	2-4.51-8
UW01-001A	2-17.15-5	W155787/259	2-4.239-49	W166633	2-4.53-36
UW01-001A	2-17.19-3	W155787/260	2-4.243-26	W166673	2-4.51-3
UW01-001A	2-17.21/22-9	W155787/47	2-4.243-27	W166678	2-4.51-20
UW01-002B	2-17.9-3	W156283	2-7.141-182	W166678	2-4.53-41
UW01-002B	2-17.13-5	W159881	2-4.237-14	W166681/2	2-4.55-72
UW01-002B	2-17.21/22-5	W159903	2-4.237-3	W166740	2-4.51-13
UW01-003C	2-17.15-2	W159908	2-4.237-4	W166821	2-7.129-2
UW01-003C	2-17.21/22-2	W159911	2-4.239-47	W166832	2-7.141-180
UW02-002H	2-17.13-6	W159913	2-4.239-48	W166846	2-4.239-55
UW03-001N	2-17.15-6	W159914	2-4.239-50	W166847	2-4.239-54
UW03-001N	2-17.19-4	W159929-1	2-4.243-6	W166849	2-4.239-56
UW03-001N	2-17.21/22-10	W159932	2-4.243-7	W166849/1	2-4.239-57
UW03-002P	2-17.9-4	W159935	2-4.237-15	W166851	2-4.239-58
UW03-002P	2-17.13-7	W161960	2-4.239-62	W166851/1	2-4.239-59

INDEX OF MANUFACTURERS' PART/DRAWING NUMBERS

Part No./ Drawing No.	Chapter, Page and Item No.	Part No./ Drawing No.	Chapter, Page and Item No.	Part No./ Drawing No.	Chapter, Page and Item No.
W166853	2-4.237-26	W178244	2-4.55-77	X7008A364F	2-4.79-44
W166854	2-4.237-27	W184583	2-4.55-75	X7095-104H	2-4.85-47
W166856	2-4.237-5	W202458	2-7.137-128	X7095-170	2-4.85-38
W166857	2-4.237-6	W30020037R4	2-4.145-70	X7095-347E	2-4.89-88
W166859	2-4.237-12	W62552556	2-3.7-56	X7095-349	2-4.89-89
W166860	2-4.237-2	W65648/2	2-4.239-60	X7095-424	2-4.89-97
W166862	2-4.239-53	W65648-2	2-4.237-30	X7095-531	2-4.87-60
W166940	2-4.53-45	W70008-49E	2-4.101-5	X7095-576	2-4.91-127
W166941	2-4.53-48	W7003	2-7.111-94	X7097-189	2-4.77-29
W166945	2-4.51-23	W78092	2-7.143-191	X7097-337D	2-4.75-4
W166946	2-4.55-81	W83532	2-4.53-30	X7133-105	2-5.17/18-3
W167107	2-4.239-52	XB1025	2-4.31-5	X7158-31	2-4.99-68
W167110	2-7.133-59	XB1076	2-4.9-11	Y3/Y000049	2-7.141-164
W167120	2-7.137-131	XB1076	2-4.15-13	Y3/Y000050	2-7.141-172
W167265	2-4.239-45	XB1076	2-4.47-10	Y3/Y000053	2-7.141-173
W167660	2-7.131-31	XB1076	2-4.65-12	Y3/Y000054	2-7.141-160
W167714	2-4.51-21	XB1077	2-4.9-13	Y3/Y000055	2-7.141-168
W167741	2-4.53-29	XB1077	2-4.13-17	Y5910-136	2-7.175-75
W167821/1	2-7.133-55	XB1078	2-4.35-19	Y5915-47	2-5.17/18-22
W168718	2-7.133-70	XB1078	2-4.39-70	Y5936-286	2-4.81-74
W168719	2-7.133-71	XB1078	2-4.113-27	Y6038-125	2-7.181-32
W168722	2-7.131-46	XB1078	2-4.181-18	Y6096/16	2-7.105-3
W168723	2-7.131-45	XB1079	2-4.13-9	Y6346-253	2-5.17/18-16
W169000	2-4.55-73	XB1079	2-4.25-4	Y6367-5	2-7.171-14
W169346	2-4.53-56	XB1079	2-4.61-17	Y7095A104F	2-4.83-16
W169354	2-4.55-80	XB1079	2-4.111-17	Y7095A-156	2-4.91-126
W169469	2-4.51-27	XB1079	2-4.117-12	Y7095-157	2-4.91-119
W169486	2-4.55-57	XB1080	2-4.149-21	Y7095-247	2-4.83-27
W169487	2-4.55-58	XB1081	2-4.19-17	Y7095-282	2-4.85-50
W169488	2-4.53-51	XB1081	2-4.19-20	Y7095-351D	2-4.89-94
W170046/5	2-7.137-111	XB1081	2-4.25-2	Y7095-362	2-4.91-120
W170046/5	2-7.137-115	XB1081	2-4.71-10	Y7095-47	2-4.87-77
W170046/5	2-7.137-120	XB1091	2-4.49-32	Y7095-541	2-4.87-65
W170046/5	2-7.137-124	XB1092	2-4.13-4	Y7095-616A	2-4.85-42
W170046/7	2-7.137-121	XB1092	2-4.49-30	Y7095-647	2-4.83-12
W170126	2-4.55-71	XB1092	2-4.71-6	Y7095-658	2-4.85-54
W171453	2-7.137-126	XB1092	2-4.71-16	Y7095-665	2-4.89-90
W171455	2-7.137-109	XB1093	2-4.119-33	Y7095-668	2-4.83-8
W171465	2-7.137-122	XB1094	2-4.145-57	Y7095-673A	2-4.83-11
W171483	2-7.139-157	XB1189	2-4.37-35	Y7095-74	2-4.89-84
W171484	2-7.141-161	XB1191	2-4.13-6	Y7095-755	2-4.91-108
W171485	2-7.141-165	XB1191	2-4.13-15	Y7097A180	2-4.75-17
W171486	2-7.141-169	XB14025	2-4.31-4	Y7097-20A	2-4.75-3
W171497	2-7.137-117	XB14025	2-4.103-23	Y7097-319	2-4.75-20
W171498	2-7.137-113	XB4539	2-13.19-13	Y7097-396	2-4.77-26
W171558	2-7.137-107	XB4543	2-13.19-16	Y7097-571	2-4.77-30
W173186	2-7.139-155	XB6203	2-4.103-10	Y7158-7	2-4.99-74
W173199	2-4.53-54	XB7104	2-8.15-3	Y80818	2-7.171-20
W176931	2-7.137-118	XB7104	2-8.15-7	Y86115	2-7.171-19
W178241	2-4.55-74	XB7108	2-4.139-17	Y8923162	2-1-2.3-25
W178242	2-4.55-78	X5856-160	2-5.17/18-2	Z/4121	2-12.13/14-41
W178243	2-4.55-76	X7008A188E	2-4.101-13	Z10009	2-7.149-61

INDEX OF MANUFACTURERS' PART/DRAWING NUMBERS

Part No./ Drawing No.	Chapter, Page and Item No.	Part No./ Drawing No.	Chapter, Page and Item No.	Part No./ Drawing No.	Chapter, Page and Item No.
Z10009	2-7.149-64	Z7095-198	2-4.85-34	02-1847	2-7.171-23
Z2/ZB11104	2-7.157-177	Z7095-271A	2-4.87-80	024802	2-8.17-32
Z2/ZB11380	2-7.147-26	Z7095-283	2-4.83-29	04255	2-7.103-51
Z2/ZB13696	2-7.131-36	Z7095-283	2-4.85-52	05-3375-8	2-7-1.4-63
Z2/ZB13696	2-7.135-101	Z7095-283	2-4.89-99	0576002	2-4.109-43
Z22	2-12.5-32	Z7095-283	2-4.89-82	0576002	2-4.189-41
Z22	2-12.5-37	Z7095-294	2-4.91-112	06DU08	2-4.183-38
Z22	2-12.7-43	Z7095-350	2-4.89-93	06DU08	2-6.9-94
Z335-195	2-4.75-14	Z7095-381	2-4.87-79	0700771B	2-8.19-42
Z510551	2-7.71-6	Z7095-41	2-4.87-69	07734	2-4.205-13
Z510583	2-7.183-60	Z7095-42	2-4.87-68	086 DOWTY	2-7.107-18
Z51078	2-7.95-147	Z7095-49	2-4.87-78	08DU06	2-6.5-52
Z5331-48	2-7.119-200	Z7095-519	2-4.87-81	08DU08	2-6.21-2
Z5334-141	2-4.81-75	Z7095-540	2-4.91-123	08DU08	2-6.21-11
Z5334-141	2-4.87-72	Z7095-605	2-4.85-31	0920053	2-4.189-40
Z5339A726A	2-4.77-25	Z7095-61	2-4.87-67	10/5/16in	2-7.97-154
Z5339A726B	2-4.77-25(1)	Z7095-666	2-4.89-91	100-007-0640	2-7.191-8
Z5339A726C	2-4.77-25(2)	Z7095-669	2-4.83-7	100-013-1911	2-7.123-228
Z5339A726D	2-4.77-25(3)	Z7095-678	2-4.83-22	100-014-1911	2-7.95-123
Z5339A726E	2-4.77-25(4)	Z7095-73A	2-4.83-30	100-015-1911	2-4.213-21
Z5339A726G	2-4.77-25(6)	Z7097A178	2-4.75-16	100-018-1911	2-7.119-184
Z5339A726J	2-4.77-25(8)	Z7097-190	2-4.75-21	100-020-1911	2-7.119-185
Z5339A726K	2-4.77-25(9)	Z7097-210	2-4.75-23	100-022-1911	2-7.119-186
Z5339A726L	2-4.77-25(10)	Z7097-45	2-4.77-27	100-028-1911	2-7.119-187
Z5339-131	2-4.79-49	Z7097-45	2-4.85-33	100-030-1911	2-2.11-28
Z5339-131	2-4.85-53	Z7133-97	2-5.17/18-24	100-253-5616	2-7.109-37
Z5339-321	2-4.87-56	Z7158-50	2-4.97-45	100878T	2-2.21-16
Z5339-901	2-4.79-45	Z8	2-12.5-31	10-101033-12	2-7-1.4-54
Z5339-999A	2-4.75-7	Z8	2-12.5-36	10-101033-12	2-7-1.11-212
Z5339-999B	2-4.75-7(1)	Z8	2-12.7-42	10-101033-12	2-7-1.13-265
Z5339-999C	2-4.75-7(2)	0D14287	2-4.77-39	10-12-1911	2-7.95-122
Z5910-140	2-4.95-6	0B0SA	2-15.9/10-3	10-156	2-13.7-55
Z5910-36A	2-4.95-10	00-060237	2-8.15-6	1022P3012	2-3.35/36-24
Z5910-93	2-4.95-8	00-060255	2-8.15-9	103322	2-4.157-11
Z62235	2-7-1.10-191	0009830407	2-1-2.17/18-40	103340	2-4.125-7
Z7	2-12.5-21	0009830407	2-4.85-45	103385	2-6.17-59
Z7	2-12.5-26	0009830407	2-4.145-51	103385	2-6.19-87
Z7095A310	2-4.89-103	0009830407	2-4.177-106	10-35916-22	2-4.247-14
Z7095A311	2-4.87-62	0009830407	2-4.183-40	10-37147-18	2-7.77-55
Z7095-101	2-4.87-64	0009830407	2-6.23/24-45	10-37398-10	2-7.165-267
Z7095-106	2-4.91-129	0019606092	2-4.217-13	10-37398-22	2-7.167-278
Z7095-107	2-4.91-128	01-0015	2-7.171-11	10-37398-28	2-7.161-217
Z7095-112A	2-4.85-49	010-70500-10	2-7.119-189	10-40450-105	2-5.17/18-14
Z7095-118	2-4.83-24	010-70500-14	2-7.119-190	10-450	2-13.5-12
Z7095-120	2-4.83-26	010-70500-16	2-7.119-191	10-456	2-13.5-2
Z7095-137D	2-4.85-32	010-70500-22	2-7.119-192	104PP	2-1-1.9-13
Z7095-143	2-4.91-110	0-19	2-8.21-3	105	2-4.65-21
Z7095-143	2-4.91-116	02-0089A	2-7.145-13	10-70500-10	2-7.105-27
Z7095-167	2-4.85-46	02-0252 BKCL	2-7.171-24	10-70500-14	2-7.101-39
Z7095-170	2-4.85-39	02-0402 GREEN	2-7.145-14	10-70500-14	2-7.157-175
Z7095-173A	2-4.85-40	02-1382	2-7.171-25	10-70500-14	2-7.161-205
Z7095-197	2-4.87-76	02-1382	2-7.171-26	10-70500-16	2-7.101-41

INDEX OF MANUFACTURERS' PART/DRAWING NUMBERS

Part No./ Drawing No.	Chapter, Page and Item No.	Part No./ Drawing No.	Chapter, Page and Item No.	Part No./ Drawing No.	Chapter, Page and Item No.
10-70500-18	2-7.193-29	1419-28	2-7.195-26	169 1-2IN	2-4.205-11
10-70500-22	2-7.87-30	1419-29	2-7.195-21	17216	2-4.59-1
10-70500-22	2-7.89-40	1419-29	2-7.197-6	17217	2-4.217-15
10-70500-22	2-7.163-224	1419D	2-7.15-132	17217	2-4.219-0
10-70500-22	2-7.167-277	1419D	2-7.195-1	172441	2-4.187-20
10-70500-28	2-7.89-52	14227	2-13.3-19	172441	2-7.193-31
10-7500-18	2-7.165-255	142359	2-6.21-15	17A	2-7.113-119
107693	2-5.11-36	1440 223X1	2-4.219-15	17A	2-7.115-136
108119T	2-4.127-12	14-424	2-13.7-61	17A	2-7.117-169
108119T	2-4.127-27	147579	2-1-1.5-10	180370/7	2-7.31-7
108PP	2-1-1.9-12	147579	2-1-1.5-24	180373/2	2-7.181-41
11	2-7.87-26	14-886	2-13.9-73	180373-2	2-7.179-16
11	2-7.89-36	14946	2-13.7-38	180984	2-7.179-17
11155	2-11.15-8	14947	2-13.7-39	180984	2-7.183-42
11242	2-1-2.9-103	14948	2-13.7-44	180984	2-7.183-46
11-291	2-13.7-59	14DU16	2-6.13-7	181566	2-4.17-23
11-306	2-13.9-71	15-019	2-13.5-34	181566	2-4.109-41
11-454-11-4-1707	2-4.169-6	15043	2-2.7-40	181636	2-4.203-35
11-454-3-22-5725	2-4.37-51	15043	2-2.17-49	18418	2-8.17-24
11-454-3-22-5725	2-4.43-107	15058	2-13.5-29	18465	2-8.17-13
11-826	2-13.9-76	15059	2-13.5-24	187010	2-7-1.7-130
1191-4CNX5-81N	2-4.109-36	150755-3	2-7.183-45	187010	2-7-1.12-246
120453	2-4.205-23	15-130	2-13.7-62	187010	2-7-1.12-248
1210	2-7.201/202-24	15-172	2-13.7-53	187017	2-7-1.6-115
12171	2-7.199-8	15217	2-13.9-82	187052	2-1-1.3-17
12247	2-7.201/202-36	15-220	2-13.9-68	187064	2-12.9-64
12253	2-7.201/202-28	15238	2-13.5-18	18707	2-8.17-28
12287	2-7.201/202-35	15-239	2-13.5-9	18709	2-8.17-17
12342G	2-4.223-38	15-240	2-13.5-10	187736	2-7-1.6-116
12444	2-13.9-78	152559	2-4.219-4	188412	2-7.45-3
12513	2-13.9-81	1527507	2-3.35/36-27	18918	2-8.17-6
12690	2-13.3-16	1527507	2-4.191-22	18GP1	2-1-12.3/4-7
12952	2-13.9-80	15-287	2-13.7-58	1904	2-7.179-19
1300-1 3-161N	2-4.35-18	15289	2-13.5-33	1906	2-7.149-49
1300-1 3-161N	2-4.39-69	15341	2-8.17-27	19459	2-13.7-48
1300-1 3-161N	2-4.43-121	154324	2-7.81-18	19506073	2-4.141-37
1300-1079	2-17.7-5	156	2-7.41-23	19631	2-7.75-28
1300-15PP	2-4.33-15	156	2-7.55-34	19801	2-8.17-7
1325-2CNX5/16IN	2-4.109-34	156	2-7.169-8	19801	2-8.17-18
13258	2-14.3-5	15768	2-13.5-30	1EA46435	2-4.109-33
132669	2-4.237-13	15769	2-13.7-46	1N4003	2-7.111-64
13302	2-13.9-67	15998	2-13.3-3	1N45978SH80	2-3.13-40
1342/10	2-7.195-13	16542	2-13.5-1	1N5924-5J	2-4.83-2
136-875-1108	2-2.11-11	16576	2-13.3-5	200-018-4470	2-4.67-34
137350	2-4.99-69	16579	2-13.3-24	20-013	2-13.3-32
137350	2-4.99-78	16-717	2-13.5-19	20-019	2-13.3-31
137-541-1109	2-2.11-20	16719	2-13.3-23	200-218-0105	2-13.3-4
138542	2-4.127-11	16720	2-13.3-1	200-226-4470	2-8.21-6
138542	2-4.127-26	16720	2-13.11-26	200-237-5575	2-4.109-25
1400/9/32	2-7.93-101	16874	2-13.3-13	2004-308	2-1-1.9-10
1400-5-32	2-7.105-32	16875	2-13.3-12	201002	2-4.205-7
1419-20	2-7.195-14	169	2-8.5-39	20101-52	2-4.119-39

INDEX OF MANUFACTURERS' PART/DRAWING NUMBERS

Part No./ Drawing No.	Chapter, Page and Item No.	Part No./ Drawing No.	Chapter, Page and Item No.	Part No./ Drawing No.	Chapter, Page and Item No.
2014	2-7.97-151	2550	2-4.69-14	2CZ138074	2-7-1.10-189
20-458	2-13.7-37	2550	2-4.109-44	2K4961	2-4.221-4
20759	2-7.75-3	2550	2-4.111-21	300-004-1911-02	2-4.135-23
20775	2-7.75-20	2550	2-4.139-30	300-004-1911-02	2-4.195-22
20796	2-7.75-23	2550S0454	2-17.17-4	300-011-0008-02	2-5.3-4
20799	2-8.17-3	255208	2-4.53-49	300-024-0008-02	2-15.5-30
20800	2-8.17-2	255210	2-4.139-16	300-024-0008-02	2-15.5-47
20803	2-8.17-35	2556-6	2-3.35/36-32	300-025-0008-02	2-13.13-32
20822	2-7.77-56	2556-6	2-4.185-12	3000H11C	2-7.179-12
20823	2-7.75-8	25-720	2-13.9-74	3000H4A	2-7.179-14
20912	2-7.75-19	25-725	2-13.3-28	3000H4A	2-7.181-37
21132-9-097	2-1-2.15-27	25-784	2-13.7-56	3006439	2-15.5-36
21-145	2-13.3-10	260-1	2-7.15-138	301183	2-7.81-9
21-157	2-13.3-29	26416-00431	2-7.133-77	3012115	2-13.9-65
21-160	2-13.5-4	2652	2-4.107-7	3019926	2-13.9-77
21171-003	2-7.99-16	2661	2-4.109-30	302-014-0109-02	2-7.59-23
21-249	2-13.5-21	2663	2-4.107-13	30205	2-4.75-6
2131325	2-4.119-31	2664	2-4.107-12	30-223-383-01	2-5.15-29
2131325	2-4.163-20	2667	2-4.107-10	30-232-110-11	2-5.15-9
21449	2-8.19-46	2676	2-4.107-19	30311	2-3.5-36
214506	2-6.7-81	268086	2-5.17/18-25	3031926	2-7.79-67
21468-142-208	2-7.175-63	2694	2-4.107-20	3031926	2-8.19-54
215014	2-7.113-101	2695	2-4.107-21	30503959/8	2-7.107-17
215014	2-7.113-113	2696	2-4.107-14	3104494	2-13.5-11
215014	2-7.115-131	2697	2-4.107-22	31-513-313-01	2-4.119-37
215014	2-7.115-144	2698	2-4.107-15	3152359	2-13.5-16
215014	2-7.117-152	2701	2-4.107-17	31612-709	2-7.99-9
215014	2-7.117-162	2703	2-4.107-8	3165566	2-13.5-22
215014	2-7.125-274	27-054	2-13.3-27	316GPI	2-1-4.3/4-15
215014	2-7.125-277	27095-123A	2-4.89-100	316GPI	2-5.3-27
217	2-7.113-118	27131-241	2-7.99-11	31-781-118	2-4.119-36
218P0503S2	2-4.237-25	271451007067	2-4.7-36	320619	2-7.141-163
218P10503S2	2-4.239-35	271615700283	2-1-9.13-24	320619	2-7.141-167
218P20503S2	2-4.237-11	2742	2-4.107-11	3230634	2-7.139-159
218P47403S2	2-4.237-24	27463-111	2-7.99-23	3230634	2-7.141-171
222	2-4.103-49	2775	2-4.109-35	32433-401	2-7.99-17
22A136	2-13.15-57	28173	2-4.197-53	32561	2-7.87-16
2300H	2-15.9/10-6	28173	2-4.197-62	32561	2-7.89-45
23018596	2-4.165-1	2868	2-4.109-31	32561	2-7.97-153
23512-1000	2-4.139-5	2869	2-4.109-32	32561	2-7.113-99
235125-1000	2-4.107-16	290	2-7.87-25	32561	2-7.113-106
23855-00513	2-7.123-240	290	2-7.89-35	32561	2-7.113-111
24180-010-022	2-7.77-41	290	2-7.89-47	32561	2-7.115-124
2426	2-4.107-24	290/1/4	2-7.117-151	32561	2-7.115-142
2450-2	2-4.143-26	290/1/4	2-7.117-161	32561	2-7.117-153
2482	2-4.107-18	290/1/4	2-7.117-178	32561	2-7.117-163
24DU32	2-6.13-4	290/3/8	2-7.109-34	32561	2-7.119-180
251/2BA	2-7.113-100	2968	2-4.107-3	32561	2-7.125-264
251/2BA	2-7.113-112	2973	2-4.107-4	32561	2-7.145-18
251/2BA	2-7.115-125	2974	2-4.109-40	32561	2-7.147-25
251/2BA	2-7.115-130	2977	2-4.109-39	32561	2-7.147-30
251/2BA	2-7.115-143	2B28-575	2-4.195-26	32561	2-7.149-58

INDEX OF MANUFACTURERS' PART/DRAWING NUMBERS

Part No/ Drawing No.	Chapter, Page and Item No.	Part No/ Drawing No.	Chapter, Page and Item No.	Part No/ Drawing No.	Chapter, Page and Item No.
32561	2-7.149-67	347-90	2-7.125-260	503/4/12872/000	2-4.125-14
32561	2-7.149-70	3-4-GD10	2-4.179-7	503/4/1396/000	2-4.179-12
32561	2-7.155-152	350B1857	2-1-1.3-16	5040391	2-1-1.3-13
32561	2-7.157-164	350B1857	2-1-1.13/14-7	50446	2-6.21-9
32561	2-7.157-172	352250023646	2-7.131-52	508/2/41181	2-7.101-38
32561	2-7.159-185	353	2-10.5-26	5100-18	2-7.109-53
32561	2-7.159-194	360202070	2-7.171-29	510149	2-7.23-21
32561	2-7.161-201	36231-101	2-7.103-45	510149	2-7.33-8
32561	2-7.161-211	36906	2-8.19-51	5102-12	2-4.145-50
32561	2-7.161-220	372:65E	2-14.3-3	510225	2-7.29-7
32561	2-7.165-252	3-8GD10	2-1-2.5-32	510225	2-7.31-11
32561	2-7.165-259	39-0151	2-4.131-62	510225	2-7.195-7
32561	2-7.165-266	395A394A	2-3.21-33	510295	2-7.29-5
32561	2-7.167-274	3BOD12052-1	2-7.145-15	510295	2-7.31-8
32561	2-7.177-87	3BOD12052-1	2-7.171-28	510295	2-7.195-5
3259/40	2-5.15-13	3BOD12052-1	2-7.181-34	510295	2-7.197-5
3259293	2-13.5-7	3BOD12052-1	2-7.185-81	5105-31	2-7.109-43
326034	2-8.19-50	3X16MBS	2-10.7-53	51101263	2-7.7-56
329P4U	2-6.3-23	3X16MBS	2-10.9-76	51101266	2-7.25-45
329P4U	2-6.5-49	3X20MBS	2-10.5-32	51273857	2-7.31-14
329P4U	2-6.7-62	3X20MBS	2-10.11-94	51305	2-4.219-8
329P4U	2-6.7-85	3Z10Z2	2-7.141-176	51413-101	2-12.13/14-33
329P4U	2-6.9-101	400-001-5615-41	2-7.193-35	51473-101	2-12.11-6
32DU16	2-6.15-46	400-003-4490-41	2-1-1.11-14	51473-101	2-12.13/14-37
33111-101	2-7.101-44	400-026-449-41	2-4.211-11	51473-101	2-12.13/14-48
334	2-7.41-37	402105CP	2-7.123-235	520367	2-13.15-75
334	2-7.51-8	40281	2-13.11-14	520369	2-13.15-66
33460	2-7.77-58	41121-128	2-7.99-3	520369	2-13.15-69
33460	2-7.79-64	412-10-10	2-8.3-23	520371	2-13.15-63
335-005-1574-91	2-7.49-36	41456-637-00-2	2-7.133-78	520378	2-13.15-70
340	2-7.111-65	41-50618	2-12.9-63	520447	2-13.15-67
34-0007-06	2-12.3-11	41-564-623-00	2-4.119-35	520739	2-13.15-74
34-0007-08	2-12.5-33	42542PCBM49	2-7.75-31	5208009	2-4.101-1
34-0021-08	2-12.5-38	43429-110	2-7.99-18	522103	2-7.169-4
34-0060-06	2-12.3-6	43474-133	2-7.99-10	5307-829000	2-4.211-6
34-0060-07	2-12.5-25	435-004-1574-91	2-7.103-53	5321516	2-10.15-12
34-0223-07	2-12.5-39	435-004-1574-91	2-8.25-22	5322	2-10.17-37
34-0278-06	2-12.3-5	435-010-1574-91	2-7.179-22	5324-87	2-5.17/18-18
34-0278-06	2-12.3-10	450-112	2-3.35/36-26	532GP1	2-10.15-8
34-0278-06	2-12.3-18	45LR20	2-4.239-43	5330-183	2-4.101-9
34-0279-06	2-12.3-4	468723	2-8.19-45	5330-58A	2-4.97-44
34-0279-06	2-12.3-9	4708971	2-4.75-0	5331/51CAV	2-7.15-141
34-0279-06	2-12.3-17	475227	2-4.117-20	5333-159	2-4.129-33
34-0279-07	2-12.5-22	4771-12582	2-7.45-2	5333-44C	2-1-1.5-27
34-0279-07	2-12.5-27	48 0213 29	2-4.35-25	5334-231	2-4.79-60
34-0290-08	2-12.5-24	48 0213 29	2-4.39-76	5334-413	2-4.127-20
34-0352-57	2-12.5-23	48-0213-02	2-8.21-7	5335-542A	2-4.133-91
34-0352-57	2-12.5-28	4B9782	2-2.15-26	5335-681	2-5.17/18-30
34-0352-61	2-12.7-44	4B9782	2-13.19-10	5335-766A	2-7.31-10
34107	2-7.127-291	4DM004639-04	2-7.181-24	5335-7690	2-7.193-33
347-90	2-7.115-137	5001-26	2-4.131-85	5338-12Z1	2-4.131-57
347-90	2-7.117-170	502137-OD	2-7.83/85-38	5339/919CAV	2-7.15-144

INDEX OF MANUFACTURERS' PART/DRAWING NUMBERS

Part No./ Drawing No.	Chapter, Page and Item No.	Part No./ Drawing No.	Chapter, Page and Item No.	Part No./ Drawing No.	Chapter, Page and Item No.
5339/953CAV	2-7.15-145	552103	2-7.33-4	573052	2-7.45-9
5339-174	2-4.77-37	552103	2-7.35-4	573053	2-7.45-6
5339-241	2-4.99-81	552103	2-7.45-13	573085	2-7.45-12
5339-290D	2-4.97-34	552103	2-7.81-25	573285	2-7.35-3
5339-757	2-4.89-107	552255	2-7.29-3	574189	2-7.45-11
5339-806	2-4.91-113	552255	2-7.197-4	576203	2-7.33-2
536-829	2-7.181-29	553281	2-7.29-14	576203	2-7.35-2
53863	2-7.11-93	553281	2-7.31-16	576203	2-7.51-2
53863	2-7.81-22	553281	2-7.195-17	576203	2-7.81-23
53863	2-7.169-1	553281	2-7.197-21	576203	2-7.169-2
53922	2-7.41-22	553282	2-7.29-15	576204	2-7.51-7
53922	2-7.45-1	553282	2-7.31-17	576204	2-7.81-28
5393-252AF	2-4.133-92	553282	2-7.195-18	576204	2-7.169-7
54102296	2-7-1.5-91	553282	2-7.197-20	576207	2-7.33-6
54102296	2-7-1.6-95	553283	2-7.29-16	576207	2-7.35-6
54102296	2-7-1.12-235	553283	2-7.31-18	576207	2-7.51-6
54102296	2-7-1.12-242	553283	2-7.195-19	576207	2-7.81-27
54131140	2-7-1.5-92	553283	2-7.197-18	576207	2-7.169-6
54131140	2-7-1.6-96	553287	2-7.29-4	576986	2-7.81-24
54131146	2-7-1.12-236	553287	2-7.31-3	577588	2-7.35-7
54131146	2-7-1.12-243	553287	2-7.195-4	5855-30BA	2-4.97-46
54523716	2-7.197-2	553287	2-7.197-3	5855-30BS	2-7.193-27
54572429	2-7.45-10	553289	2-7.29-2	5855-30CV	2-4.95-18
54572430	2-7.45-15	553289	2-7.31-2	5855-30K	2-4.127-8
54572450	2-7.45-8	553884	2-7.195-27	5855-30K	2-4.127-24
54584780	2-7.33-3	554506	2-7.197-19	5855-30K	2-4.131-81
54584780	2-7.169-3	554509	2-7.195-2	5856-181	2-5.17/18-20
5459-246	2-7.105-8	554950	2-7.195-22	5856-199	2-5.17/18-19
5459-246	2-7.105-15	5549-68	2-4.133-89	5856-262	2-5.17/18-15
5459-246	2-7.105-20	555910	2-7.29-13	5872-16	2-4.127-6
548	2-1-2.17/18-43	555910	2-7.33-5	5872-16	2-4.131-79
54934360	2-7-1.12-240	555910	2-7.35-5	5876-54	2-5.17/18-32
54947804	2-7-1.5-90	555910	2-7.45-14	5876-54	2-7.193-30
54947804	2-7-1.12-237	555910	2-7.51-5	5882-31BU	2-4.95-17
54947804	2-7-1.12-241	555910	2-7.81-26	59-004020	2-1-1.3-5
550-1-05480	2-13.21-35	555910	2-7.169-5	59-04-2552-07	2-7.141-174
550-2-01703	2-13.21-36	555910	2-7.195-16	5906/7CAV	2-7.15-146
550-2-01709	2-13.21-37	5587-149	2-4.131-56	5906/9CAV	2-7.15-142
550-2-01723	2-13.21-42	5602-62	2-4.99-84	5910-126	2-4.95-19
550-2-01724	2-13.21-34	561-575	2-17.17-2	5910-129	2-4.95-20
550-2-01728	2-13.21-33	562152	2-7.29-6	5910-130	2-4.95-21
550-2-01733	2-13.21-43	562152	2-7.31-9	5910-131	2-4.95-15
550-2-02438	2-13.23/24-55	562152	2-7.195-6	5910-132	2-4.95-23
550-2-02439	2-13.23/24-58	5658-259	2-5.17/18-13	5910-133	2-4.95-3
550-2-04991	2-13.21-46	5658-304C	2-4.135-7	5910-135	2-4.95-9
550-4-01775	2-13.21-39	5658-305	2-4.131-68	5910-139	2-4.95-2
550-4-09191	2-13.21-38	5676	2-15.9/10-7	5910-153	2-4.97-25
550-4-09204	2-13.23/24-51	571-3042	2-4.191-19	5910-155	2-4.95-7
550-4-09205	2-13.23/24-50	572727	2-7.51-3	5910-173	2-4.95-11(1)
551968	2-7.29-17	573042	2-7.45-16	5910-20	2-4.95-4
551968	2-7.31-5	573046	2-7.45-17	5910-28B	2-4.95-11
552101	2-7.51-4	573049	2-7.45-7	5910-30	2-4.95-13

INDEX OF MANUFACTURERS' PART/DRAWING NUMBERS

Part No./ Drawing No.	Chapter, Page and Item No.	Part No./ Drawing No.	Chapter, Page and Item No.	Part No./ Drawing No.	Chapter, Page and Item No.
5910-32	2-4.95-14	6207	2-4.59-3	6670845	2-4.165-24
5910-51	2-4.95-12	6211-621	2-4.133-94	670	2-1-2.17/18-42
5933/64D	2-4.89-96	621363	2-4.143-10	6713	2-10.9-66
5936-309	2-4.99-57	6214	2-4.143-5	6756782	2-4.165-28
5936-329A	2-4.127-18	6215	2-3.25-61	6830187	2-4.165-5
5936-329A	2-4.129-46	6237-36	2-7.191-25	6836585	2-4.165-12
5936-329B	2-4.127-18(1)	6237-85	2-7.193-28	691-00011	2-7.93-102
5936-329C	2-4.127-18(2)	6265-120	2-4.133-87	691-00011	2-7.95-129
5936-329C	2-4.129-46(2)	6265-121	2-4.131-54	6X40MBR	2-14.5-32
5936-329D	2-4.127-18(3)	6265-122	2-4.131-53	70011061291000	2-1-6.9-23
5936-329D	2-4.129-46(3)	6265-138	2-4.129-49	70011082441000	2-7.21-4
5936-341	2-4.127-19	6265-36S	2-4.129-48	70021051045900	2-1-9.13-19
5936-418	2-4.129-35	6265-386	2-4.127-10	70021051045900	2-1-9.15/16-6
5936-418A	2-4.129-35(1)	6265-386	2-4.127-23	7008-187	2-4.101-4
5936-418B	2-4.129-35(2)	6265-430	2-4.129-36	7008-226	2-4.101-11
5936-418C	2-4.129-35(3)	6265-439	2-4.133-99	7008-253	2-4.101-6
5936-418D	2-4.129-35(4)	6265-446	2-4.133-96	7008-428A	2-4.101-2
5936-418E	2-4.129-35(5)	6265-475	2-4.133-100	7008-428B	2-4.101-2(1)
5936-418F	2-4.129-35(6)	6265-476	2-4.133-101	7008-428C	2-4.101-2(2)
5936-418G	2-4.129-35(7)	6265-545	2-4.131-60	7008-599C	2-4.101-8
5936-446	2-4.129-39	6265-547A	2-4.133-93	70111030614900	2-7.25-46
5936-58J	2-4.93-142	6265-558	2-4.131-51	70111030614900	2-12.13/14-40
5936-58T	2-4.97-24	6265-620	2-4.127-16	70111030615900	2-8.3-6
5936-88	2-4.97-36	6265-620	2-4.133-88	70111030811000	2-1-9.13-7
5939-329B	2-4.129-46(1)	6265-629	2-4.131-76	70111030814900	2-7.23-40
59434364	2-7-1.6-94	6265-630	2-4.131-77	70111030814900	2-7.25-47
5950-107	2-4.97-37	6265-640	2-4.131-63	70111030814900	2-7.39-12
5959-25C	2-4.97-35	6265-641	2-4.127-21	70111030814900	2-7.73-28
5959-25C	2-4.99-55	6265-666	2-4.131-52	70111030814900	2-12.11-10
5966-16A	2-4.99-64	6265-670A	2-4.133-97	70111030814900	2-12.11-27
599	2-7.3-18	6265-671A	2-4.133-98	70111030814900	2-12.13/14-39
599	2-7.5-43	6265-6788	2-4.131-59	70111030814900	2-12.13/14-50
599	2-7.11-97	6265-78	2-4.129-37	70111031014900	2-1-13.3/4-18
599	2-7.15-137	6311	2-2.7-46	70114010814900	2-7.41-24
5X20MBS	2-14.3-9	6311	2-2.19-54	70114010814900	2-7.41-40
60092-3	2-2.21-19	6333-F817	2-4.127-31	701196	2-4.149-12
6010-58	2-4.131-64	6366-11A	2-4.129-34	70131030644900	2-11.17-17
6011JC3	2-4.157-3	6366-2	2-4.129-40	70201040115900	2-1-15.9/10-8
602816	2-14.3-4	6366-20	2-4.127-28	70201060115900	2-1-6.11/12-25
6029/MS/01	2-1-1.13/14-4	6366-32	2-4.127-4	70201060115900	2-1-13.3/4-24
6029-60	2-4.127-9	6366-33	2-4.127-3	70201090215900	2-15.7-50
6029-60	2-4.127-22	6366-34	2-4.127-17	70221030114900	2-7.25-50
6029-60	2-4.131-82	6366-38A	2-4.127-2	70221030114900	2-7.71-18
6029-61	2-4.127-7	6366-39	2-4.127-5	70221030114900	2-12.3-14
6029-61	2-4.127-25	6366-39A	2-4.131-78	7022-180C	2-7.193-36
6029-61	2-4.131-80	6366-47	2-4.129-47	70224000114900	2-7.39-8
6067-45	2-5.17/18-17	6366-61	2-4.129-43	70224000114900	2-7.71-14
60678	2-7.79-68	6366-86	2-4.129-41	70224010114900	2-7.41-26
6068-44	2-4.127-29	660-04-831712-178-05	2-7.81-8	70224010114900	2-7.41-42
61495-02	2-7.201/202-26			70224010114900	2-7.47-10
6204	2-4.219-6	660-367-7	2-5.11-30	7023-304	2-4.97-48
6205	2-4.53-42	6625-397	2-4.129-38	7023-60	2-4.89-104

INDEX OF MANUFACTURERS' PART/DRAWING NUMBERS

Part No./ Drawing No.	Chapter, Page and Item No.	Part No./ Drawing No.	Chapter, Page and Item No.	Part No./ Drawing No.	Chapter, Page and Item No.
7023-60C	2-4.83-13	7034-879	2-4.93-140	7097-216B	2-4.75-19
7023-99L	2-4.79-63	70531305044900	2-8.3-8	7097-21C	2-4.79-50
70241040021000	2-10.13-111	70531305044900	2-8.9-91	7097-222	2-4.85-55
70241050011000	2-10.5-20	70532405084900	2-8.11-93	7097-301A	2-4.97-38
70241060011000	2-7.59-13	7064112	2-6.5-59	7097-309	2-4.75-15
70241060011000	2-7.63-9	7079-364B	2-4.99-58	7097-313D	2-4.75-10
70261050014900	2-7.49-25	7088385	2-4.109-28	7097-316	2-4.79-57
70291050011000	2-1-6.9-20	7088385	2-4.157-21	7097-337A	2-4.75-2
70300030094900	2-7.25-48	7088385	2-4.177-116	7097-469D	2-4.79-61
70300040091000	2-10.17-30	7088385	2-4.187-19	7097-549E	2-4.77-38
70300040091000	2-11.5-41	7095-106	2-4.99-79	7097-568P	2-4.75-11
70300040091000	2-11.9-10	7095-1198	2-4.83-25	7097-620	2-4.79-48
70300040091000	2-11.17-12	7095-142	2-4.91-109	7097-637	2-4.79-47
70300040095900	2-10.21-25	7095-142	2-4.91-115	7097-71C	2-4.81-76
70300050091000	2-1-13.3/4-9	7095-151	2-4.83-3	7097-732	2-4.75-5
70300050091000	2-1-15.9/10-15	7095-167A	2-4.85-37	7097-80	2-4.79-46
70300050091000	2-7.41-31	7095-183	2-4.83-18	7097-80	2-4.91-131
70300050091000	2-7.49-24	7095-213G	2-4.83-23	7097-81G	2-4.79-51
70300050091000	2-10.17-33	7095-23	2-4.83-19	7097A113	2-4.77-35
70300050091000	2-11.5-28	7095-248B	2-4.91-130	7097A128E	2-4.91-118
70300050091000	2-11.5-44	7095-273	2-4.87-71	7097A19	2-4.79-52
70300050091000	2-11.9-13	7095-275	2-4.87-75	7097A47G	2-4.77-36
70300050094900	2-7.59-4	7095-276	2-4.91-117	7118-107	2-4.99-59
70300060091000	2-1-8.3/4-9	7095-283	2-4.97-52	7123-17	2-5.17/18-12
70300060091000	2-1-13.3/4-22	7095-283	2-4.99-70	7123-388	2-5.17/18-11
70300060091000	2-7.41-44	7095-299	2-4.83-6	7123-417	2-4.95-5
70300060091000	2-10.3-2	7095-299	2-4.89-87	7126-284	2-4.99-80
70300060091000	2-10.15-22	7095-299	2-4.97-41	7129908	2-12.7-49
70300060091000	2-11.11-12	7095-308	2-4.89-101	7135-34T	2-4.75-1
70300060091000	2-16.3-6	7095-319	2-4.91-111	715-15	2-4.187-34
70300060091000	2-16.3-17	7095-321	2-4.127-14	715-3RS	2-4.187-33
70300060091000	2-16.5-26	7095-35	2-4.85-35	7155-57	2-4.97-49
70300060091000	2-16.9-4	7095-36	2-4.85-36	7158-10	2-4.97-29
70300060091000	2-16.9-19	7095-518A	2-4.87-59	7158-11	2-4.99-61
70300060091900	2-7.21-9	7095-528A	2-4.87-61	7158-13	2-4.97-39
70300060095900	2-1-15.9/10-19	7095-539	2-4.91-125	7158-15	2-4.99-63
70300080091000	2-1-9.9-13	7095-55B	2-4.87-58	7158-18	2-4.97-33
70300080091000	2-1-9.11-5	7095-574	2-4.87-70	7158-19	2-4.97-31
70301030094900	2-1-9.13-9	7095-585H	2-4.83-17	7158-23	2-4.97-50
70301030094900	2-7.71-21	7095-714	2-4.93-138	7158-3	2-4.97-26
70301030094900	2-12.3-13	7095-751	2-4.91-134	7158-32	2-4.99-73
70301030094900	2-12.11-28	7095-755A	2-4.91-114	7158-33	2-4.99-75
7030204009100	2-12.7-57	7095A104D	2-4.83-5	7158-38	2-4.97-30
70302040091000	2-1-9.13-12	7095A297A	2-4.85-43	7158-40	2-4.99-83
70302040091000	2-1-13.3/4-17	7095A59	2-4.91-135	7158-41	2-4.97-42
70302040091000	2-16.3-12	7097-152	2-4.79-53	7158-42	2-4.99-56
70302040091000	2-16.5-30	7097-157D	2-4.81-77	7158-45	2-4.97-32
70302040091000	2-16.9-10	7097-17	2-4.75-9	7158-47	2-4.97-27
70302040091000	2-16.11/12-23	7097-176	2-4.75-24	7158-5	2-4.99-76
70330060005900	2-1-13.3/4-23	7097-194	2-4.75-22	7158-52	2-4.97-47
70330060005900	2-1-15.9/10-17	7097-199B	2-4.75-18	716420	2-13.15-72
70330060005900	2-1-15.9/10-20	7097-20B	2-4.97-28		

INDEX OF MANUFACTURERS' PART/DRAWING NUMBERS

Part No./ Drawing No.	Chapter, Page and Item No.	Part No./ Drawing No.	Chapter, Page and Item No.	Part No./ Drawing No.	Chapter, Page and Item No.
716-520-BD-NCG-BAA	2-4.51-19	850884	2-5.13-65	90-589	2-13.5-3
716-520-BD-NCG-BAA	2-4.53-40	851011	2-7.111-72	91054030	2-4.201-27
7208JBDB	2-4.107-2	857538	2-7.131-42	910604	2-1.1.11-15
73006439	2-4.191-14	860364	2-7.3-21	91-071	2-13.9-75
740084A	2-2.5-14	860364	2-7.47-11	91-084	2-13.9-72
742626	2-4.109-38	860364	2-7.53-15	91086241	2-4.143-19
742646	2-4.115-22	860364	2-7.177-89	91117820	2-4.145-47
742646	2-4.145-35	860364	2-7.189-8	91472	2-13.7-40
745-505-0074-01	2-2.15-20	860369	2-7.47-13	91473	2-13.7-41
75151040160159	2-14.7/8-11	860369	2-7.53-16	91-485	2-13.5-32
75240802080149	2-10.9-64	860369	2-7.177-90	91486	2-13.5-25
75240802080149	2-10.11-99	860369	2-7.189-6	91487	2-13.5-26
75250601080159	2-12.9-69	860863	2-7.25-44	91508	2-13.9-79
75250801080159	2-11.13-15	861122	2-7.15-150	915-4-98070-012	2-4.209-39
75250801080159	2-11.13-19	861122	2-7.173-37	91572	2-13.7-57
75350800000059	2-11.13-11	861122	2-7.173-47	9-16GD10	2-4.169-7
75360600000059	2-14.3-21	861122	2-7.175-55	91741	2-13.3-26
78214	2-5.15-16	861122	2-7.177-86	92279	2-4.143-6
787006	2-6.7-78	861122	2-7-1.3-28	931514A	2-3.25-65
79801353012	2-4.51-10	861122	2-7-1.3-34	93255292	2-4.239-61
7980-1353-015	2-4.53-32	861122	2-7-1.3-44	9-32G010	2-2.11-24
79801353021	2-4.51-28	861122	2-7-1.3-46	93644002	2-7.137-127
7980-1353-261	2-4.53-33	861122	2-7-1.4-51	93749	2-13.7-54
7CZ106198	2-7.109-57	861122	2-7-1.4-55	93749	2-13.7-63
80/10/0069	2-7.185-77	861122	2-7-1.4-66	941109	2-4.187-16
80/10/0069	2-7.185-80	861122	2-7-1.5-73	9416160	2-4.19-6
80/10/0098	2-7.171-27	861122	2-7-1.6-118	9416160	2-4.19-18
80/10/0513/A	2-7.185-79	861122	2-7-1.6-120	94GB-516	2-3.17-91
80/10/0513A	2-7.185-76	861122	2-7-1.7-122	9511	2-7.15-152
80/10/0591	2-7.185-78	861122	2-7-1.7-125	9511	2-7.23-23
80/10/0591/A	2-7.185-75	861122	2-7-1.7-138	9511	2-7.35-8
80/10/1350	2-7.181-31	861122	2-7-1.7-140	9511	2-7.41-39
ORANGE		861122	2-7-1.8-147	960316A1052	2-3.5-37
80/10/1360 BLUE	2-7.181-33	861122	2-7-1.8-154	96715014	2-4.51-9
80/10/1560RED	2-7.95-142	861122	2-7-1.8-161	96715032	2-4.51-12
80/10/1999	2-7.171-22	861122	2-7-1.9-170	96715032	2-4.53-31
80-10-1350	2-7.95-140	861122	2-7-1.9-178	96715134	2-4.53-35
801-4030HX	2-2.11-23	861122	2-7-1.13-271	96715237	2-4.51-6
80222232	2-4.237-16	864469	2-7.131-38	96715260	2-4.51-11
80226120	2-4.239-36	867579	2-4.159-15	96715264	2-4.53-34
80226757	2-4.239-34	8752187	2-4.139-13	96715265	2-4.55-79
804469	2-7.135-104	884/3	2-7.95-145	9760-22	2-7.119-194
806149	2-7.195-11	884/3	2-7.123-248	98/01049	2-12.7-45
806197	2-7.123-229	8X2R1	2-7.145-19	9842870	2-13.5-23
8120598-90A	2-4.139-20	900527C 1022-011	2-4.109-26	9893	2-11.19/20-27
816660	2-11.9-7	90-29040100	2-7.75-7	9902265	2-4.213-14
81700124	2-7.143-200	90-29040100	2-7.75-11	9902265	2-4.215-32
82234100	2-4.93-143	90-29040100	2-7.77-59	9902267	2-1-1.5-8
850015	2-4.205-14	90-29040100	2-7.79-65	9903623	2-13.3-2
850880	2-4.233-10	90-29040100	2-8.19-52	9915097	2-13.3-18
		9048-137C	2-4.97-40	9933662	2-13.7-60
		905-502-00	2-4.201-15		

COMMENT(S) ON AESP*

To: DCCS
BFPO 794

From:
.....
.....
.....

Senders Reference	BIN Number	Date
AESP* Title:		
Chapter(s)/Instruction		Page(s)/Paragraph(s)
If you require more space please use the reverse of this form or a separate piece of paper. Comment(s):		

Signed: Telephone No.:
Name(Capitals): Rank/Grade: Date:
X

FOR AESP* SPONSOR USE ONLY

To: From:
.....
.....
.....

Thank you for commenting on AESP*:

Your reference: Dated:

Action is being taken to :	Tick		Tick
Issue a revised/amended AESP*		Under investigation	
Incorporate comment(s) in future amendments		No action required	
Remarks			

Signed: Telephone No.:
Name(Capitals): Rank/Grade: Date:

* AESP or EMER

UNRESTRICTED

UNRESTRICTED

UNRECORDED

UNRECORDED